

TABLE OF CONTENTS

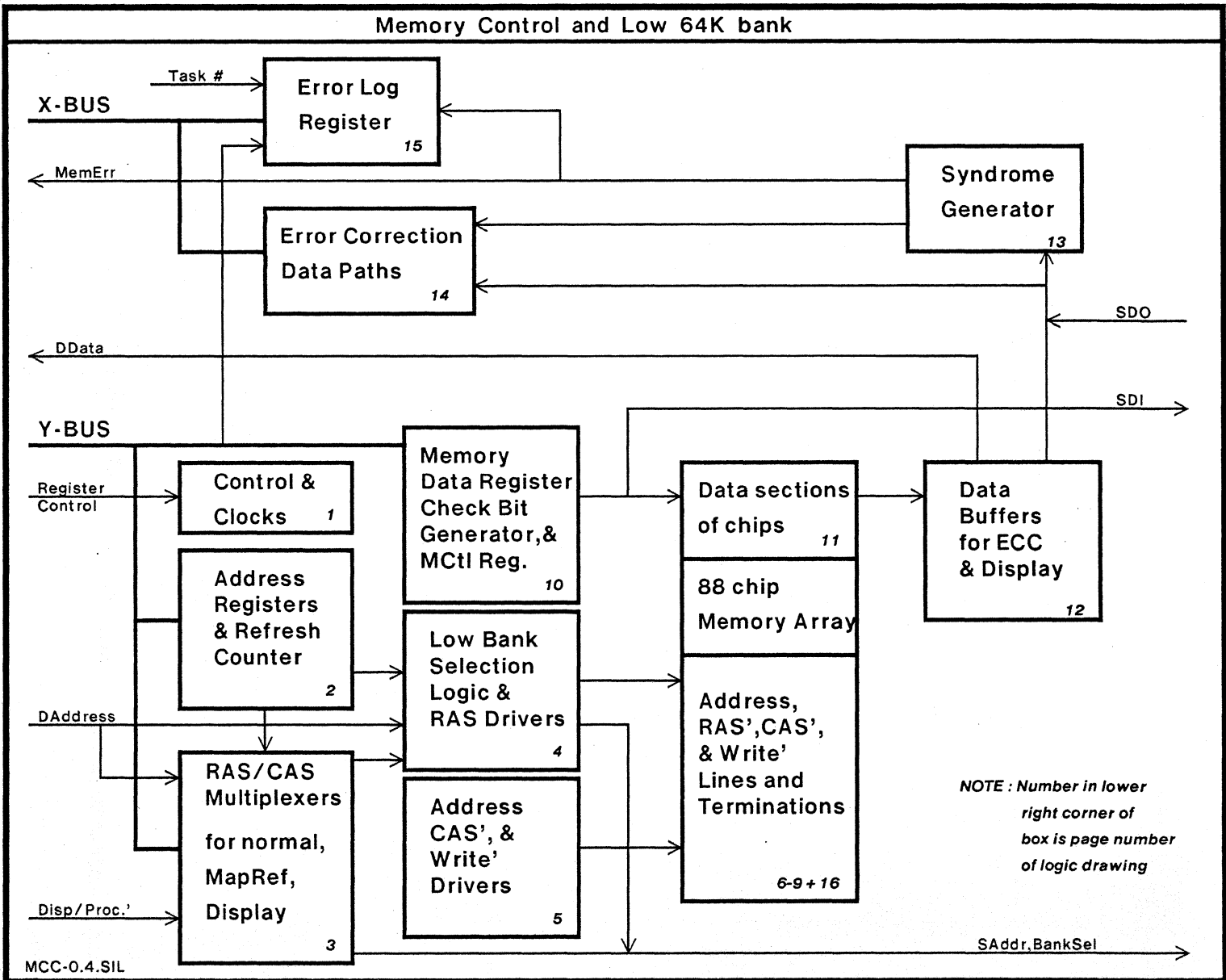
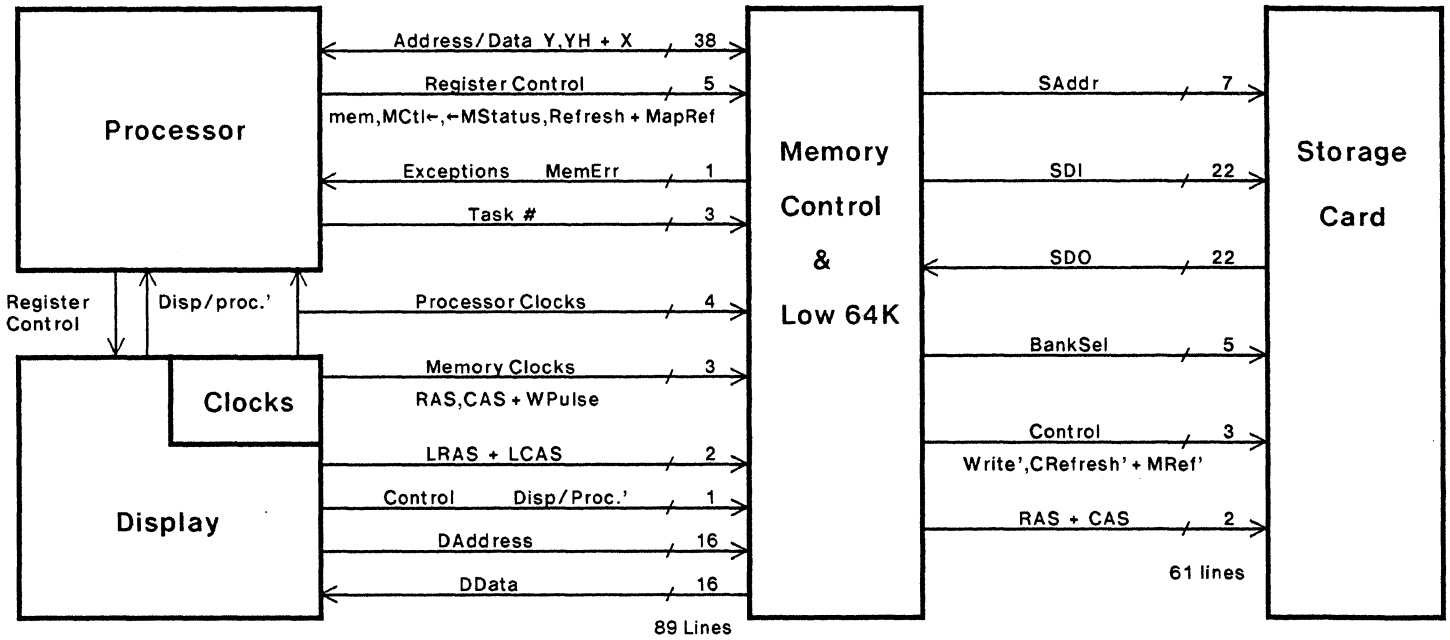
SHEET

- 0.4 MEMORY CONTROL CARD BLOCK DIAGRAM
1. WRITE, CREFRESH', MREF, LDMDR, CYCLE RCV, MDCLK, ←MD'
 2. REFRESH COUNTER, CAS REGISTERS
 3. ADDRESS SELECTION LOGIC, RASDLY, LRASDLY
 4. MEMORY BANK SELECTION
 5. LOW 64K BANK DRIVERS FOR ADDRESS, CAS', WRITE'
 6. LOW BANK A
 7. LOW BANK B
 8. LOW BANK C
 9. LOW BANK D
 10. DATA REGISTER, CONTROL REGISTER, CHECK BIT GENERATOR
 11. MEMORY CHIP DATA PATHS
 12. MEMORY DATA BUFFERS
 13. SYNDROME GENERATOR
 14. ERROR CORRECTION DATA PATHS
 15. ERROR LOG REGISTER
 16. RESISTORS AND R-DIPS
 17. CAPS, DIODES, AND FUSES
 18. TEST POINTS
 19. FILTER CAPS
 20. FILTER CAPS
 21. TEST POINT AND EDGE CONNECTOR LISTINGS
 22. EDGE CONNECTOR LISTING
 23. EDGE CONNECTOR AND SIGNAL LISTINGS
 - 24.-45. SIGNAL LISTING

MCC-0.3.SIL

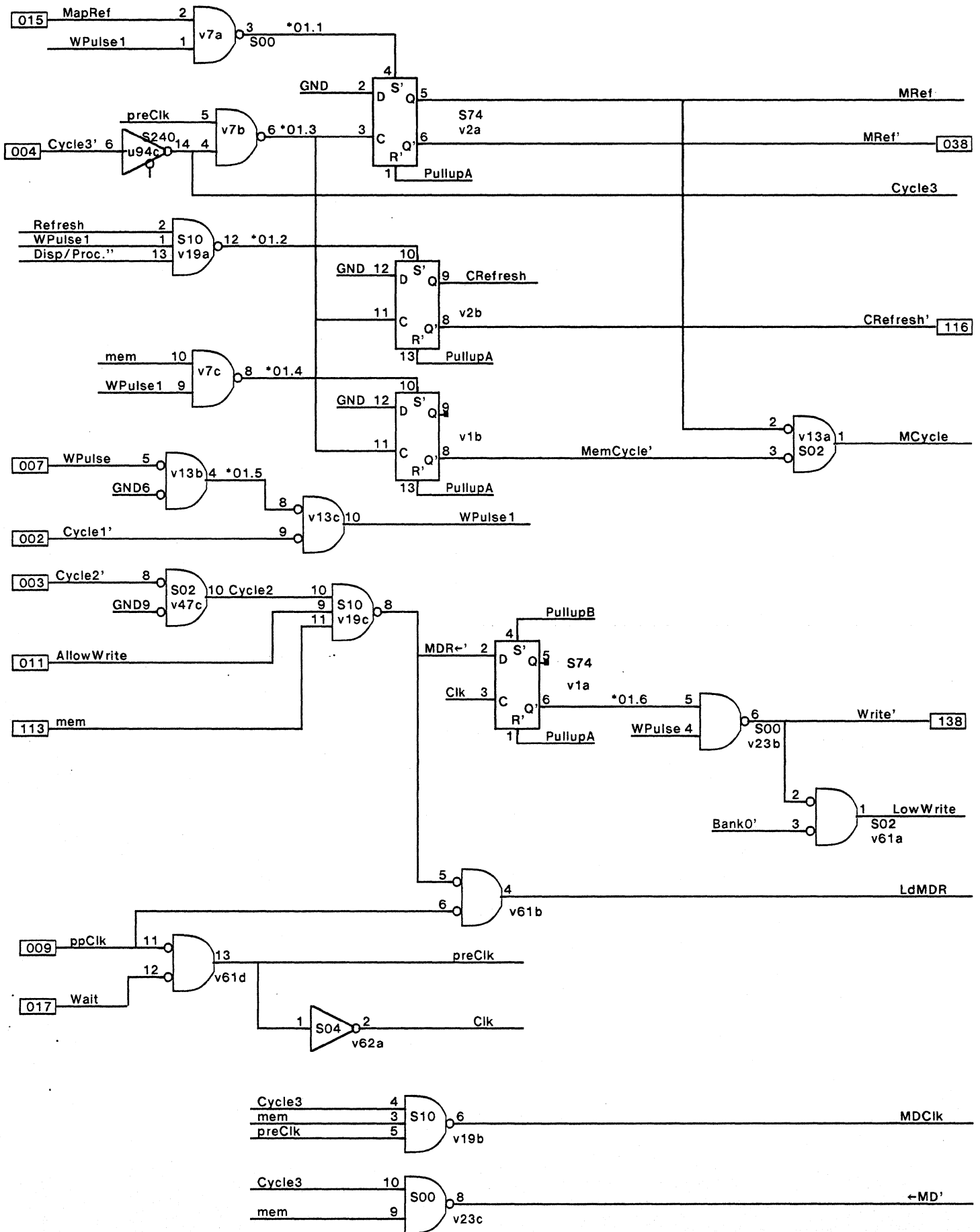
XEROX	PROPRIETARY NOTE ON COVER SHEET APPLIES TO ALL SHEETS		DWG SIZE A4	DWG NO. 156P11217	SHEET REV. B
	TITLE	SCHEMATIC, MCC	SHEET	0.3 OF	

MEMORY SYSTEM



NOTE: Number in lower right corner of box is page number of logic drawing

MCC-0.4.SIL



061	YH.2
161	YH.3
062	YH.4
162	YH.5

CAS Register

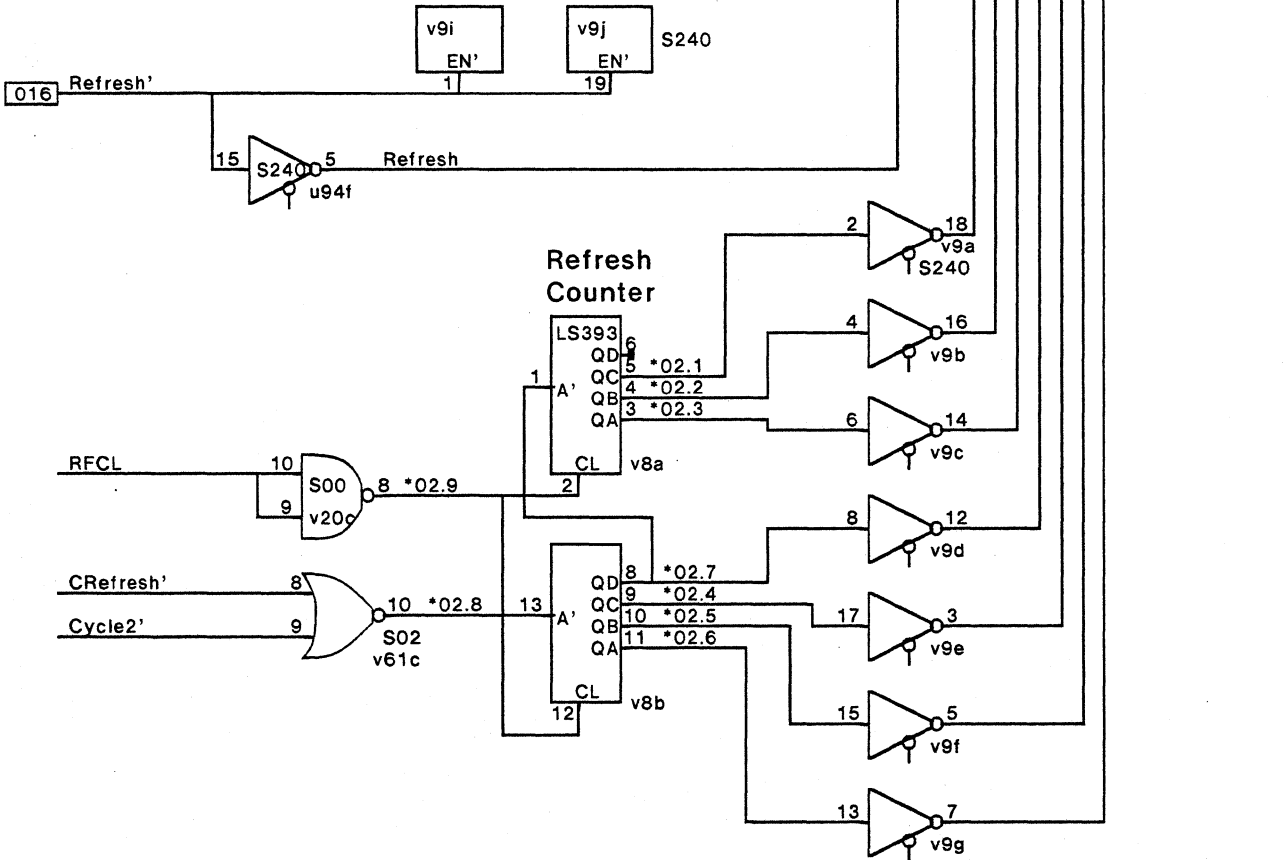
163	YH.7	3	D0	Q0	2	LatchYH.7
063	YH.6	4	D1	Q1	5	LatchYH.6
	Y.00	7	D2	Q2	6	LatchY.00
	Y.01	8	D3	Q3	9	LatchY.01
	Y.02	13	D4	Q4	12	LatchY.02
	Y.03	14	D5	Q5	15	LatchY.03
	Y.05	17	D6	Q6	16	LatchY.05
	Y.06	18	D7	Q7	19	LatchY.06

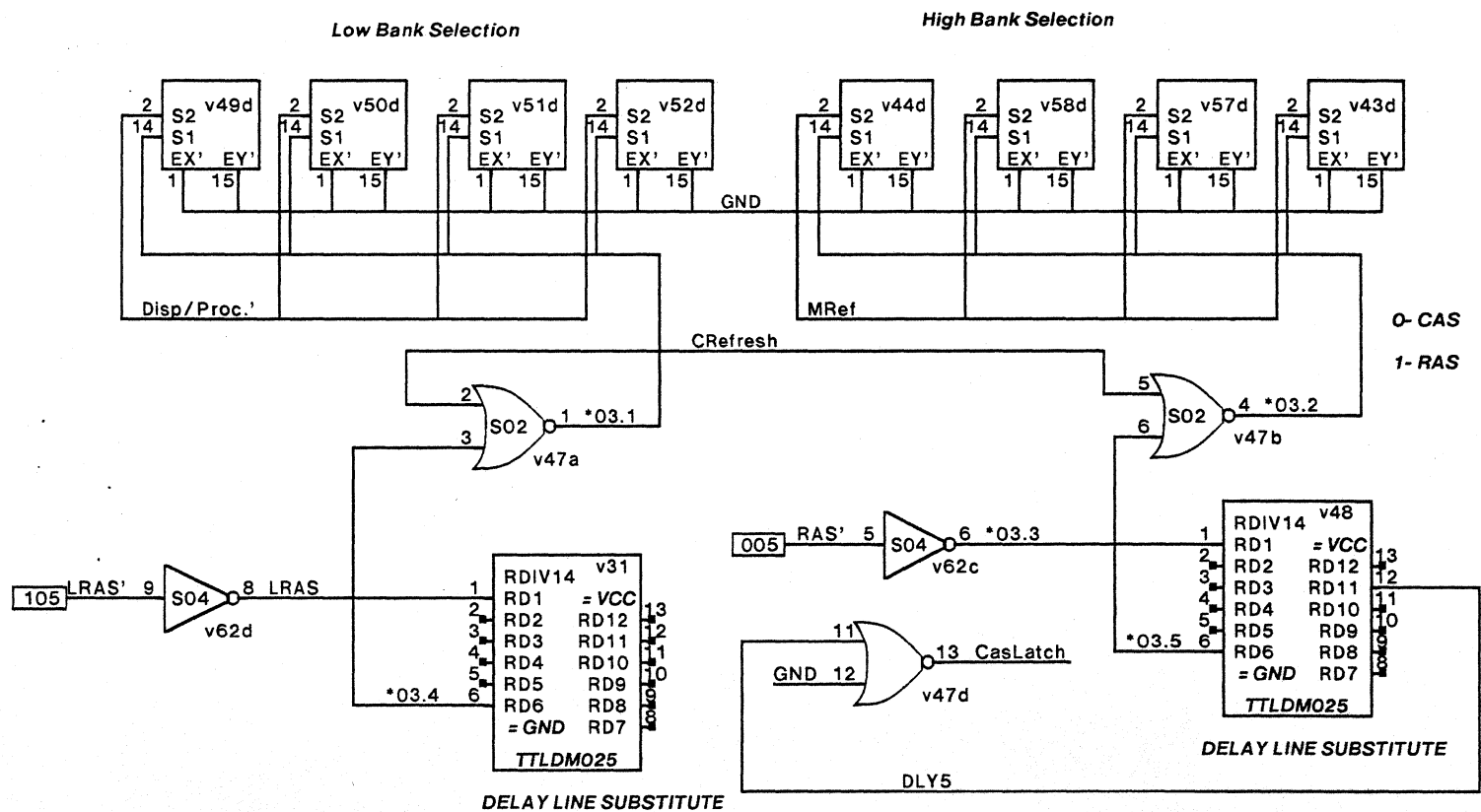
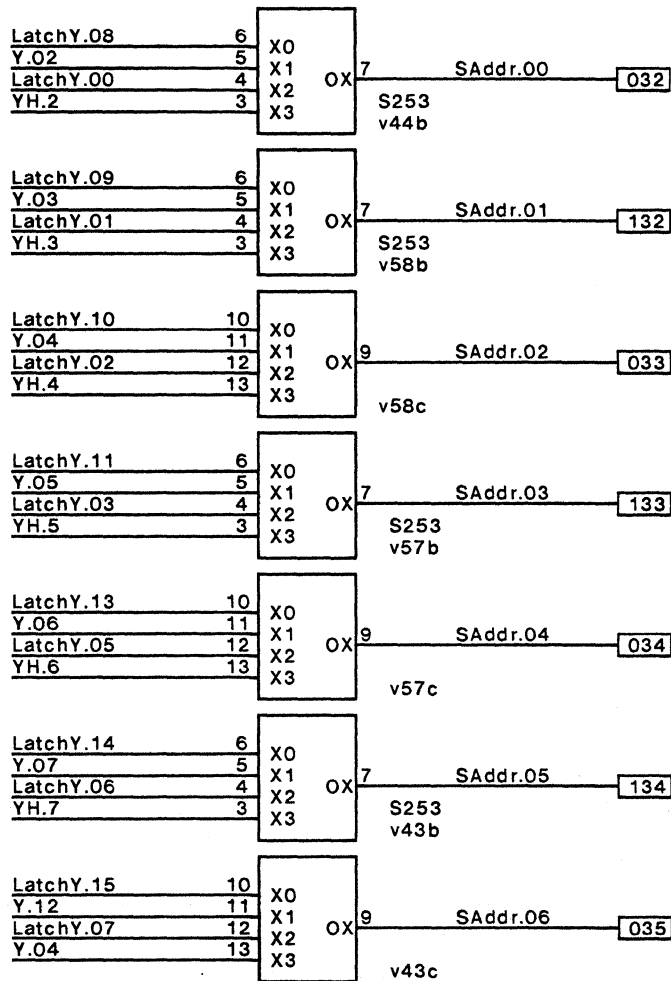
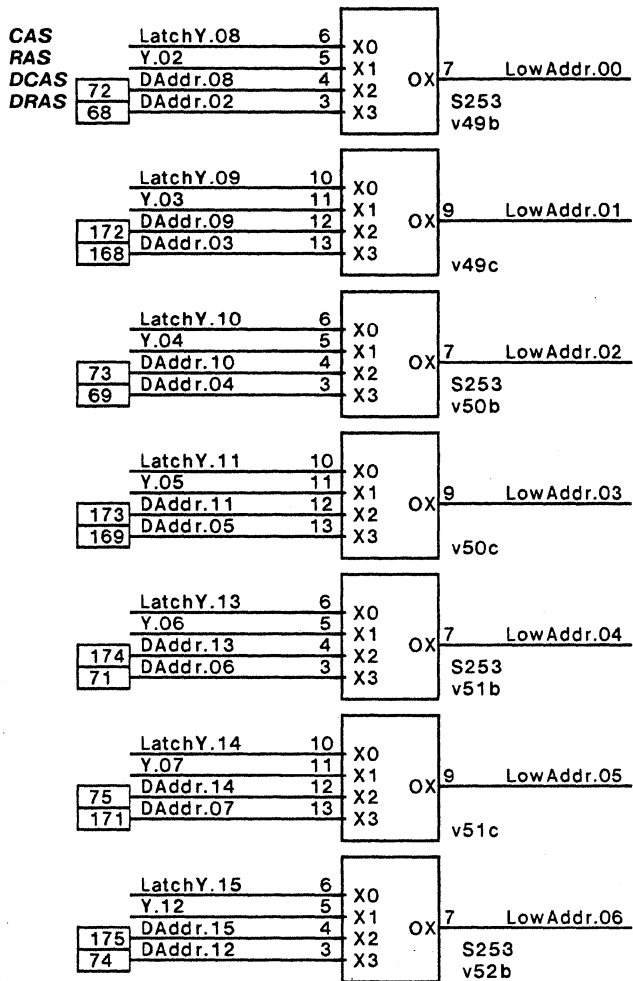
EN 11, OC' 1, v54, GND

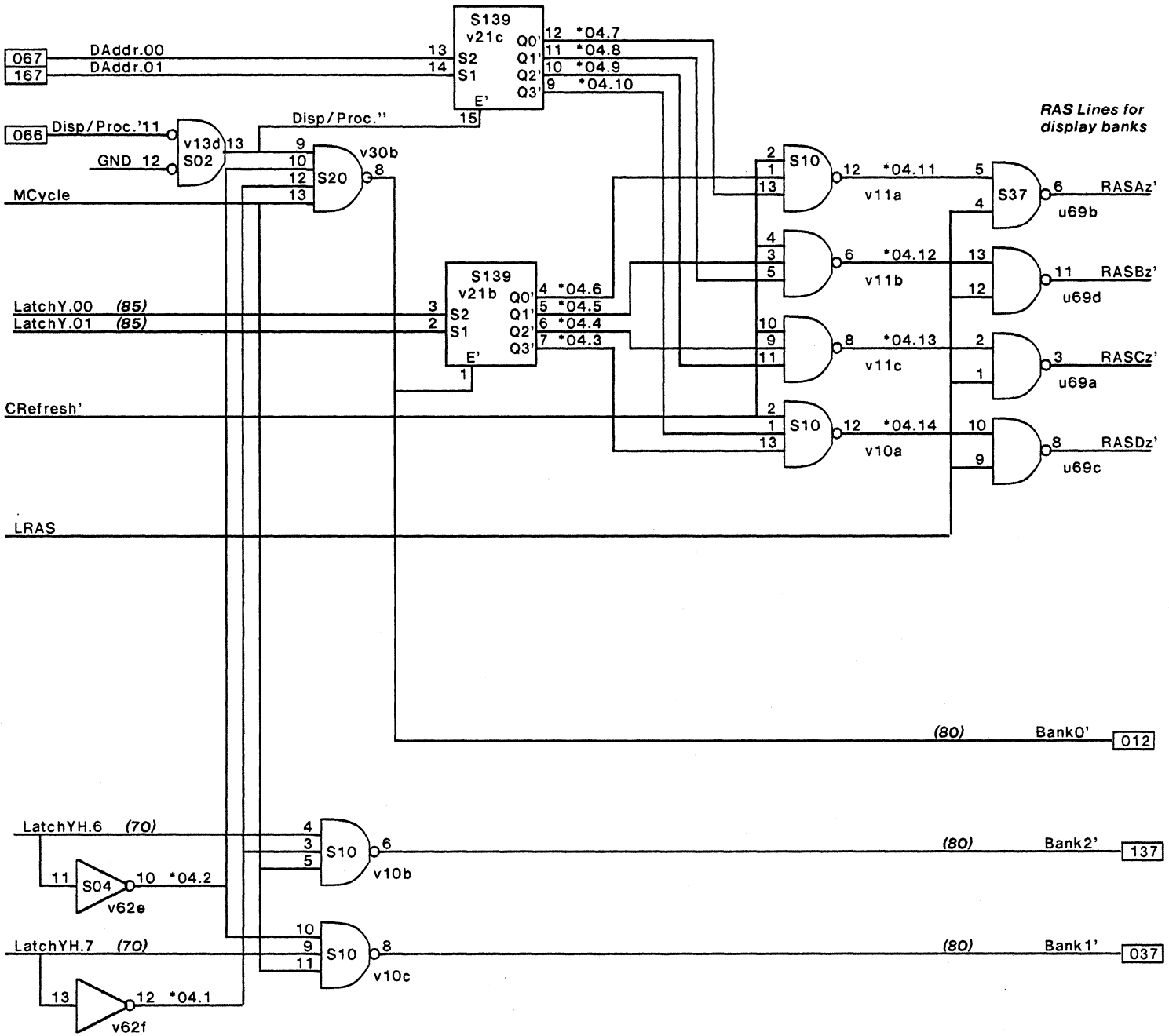
CasLatch

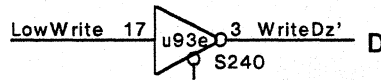
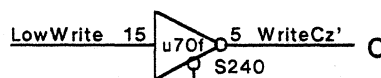
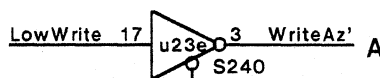
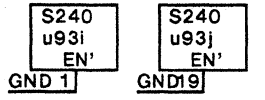
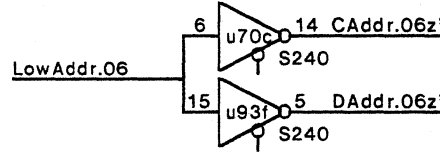
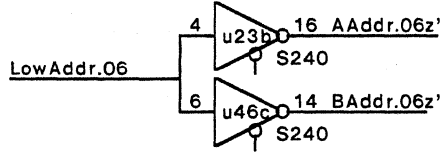
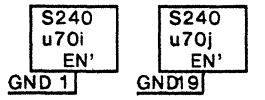
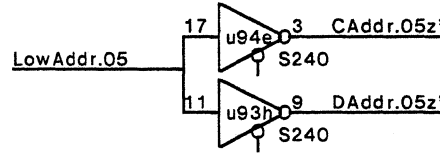
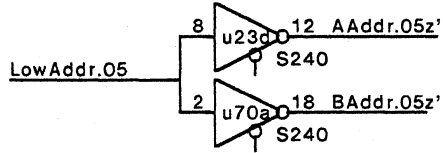
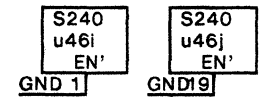
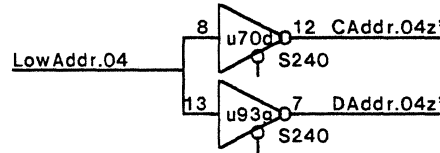
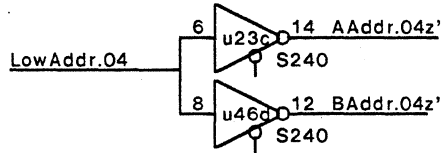
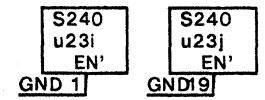
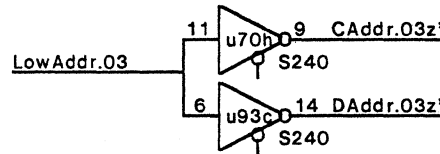
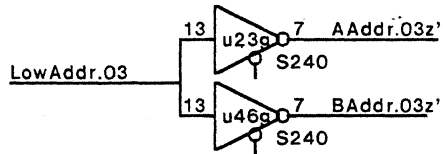
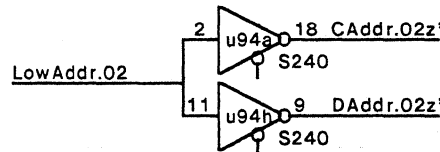
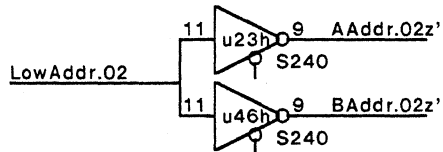
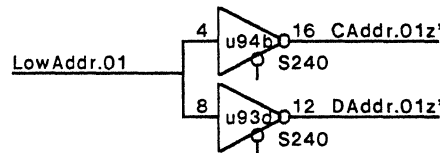
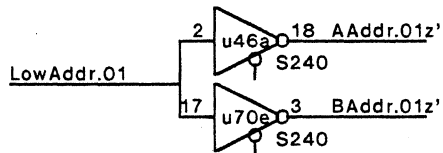
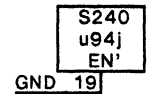
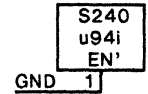
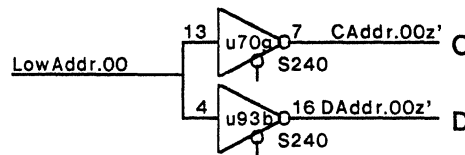
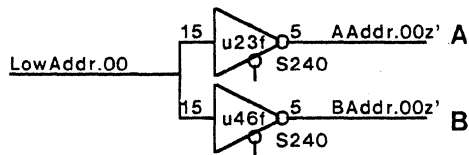
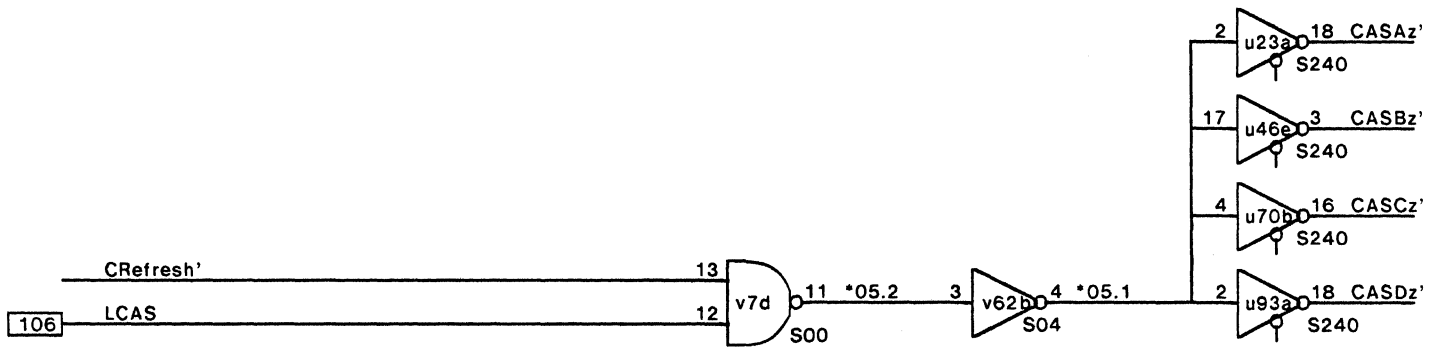
	Y.07	3	D0	Q0	2	LatchY.07
	Y.08	4	D1	Q1	5	LatchY.08
	Y.09	7	D2	Q2	6	LatchY.09
	Y.10	8	D3	Q3	9	LatchY.10
	Y.11	13	D4	Q4	12	LatchY.11
	Y.13	14	D5	Q5	15	LatchY.13
	Y.14	17	D6	Q6	16	LatchY.14
	Y.15	18	D7	Q7	19	LatchY.15

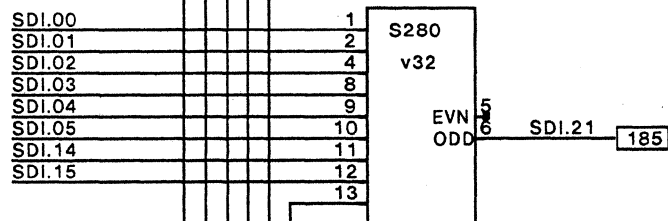
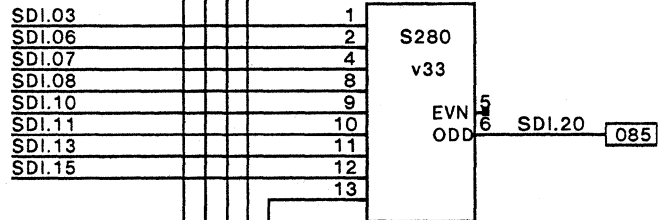
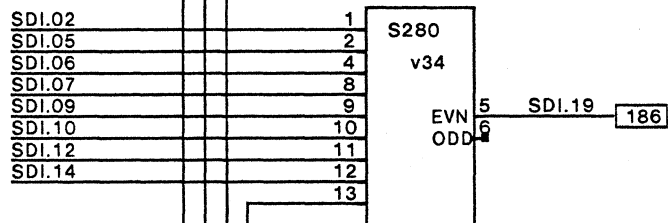
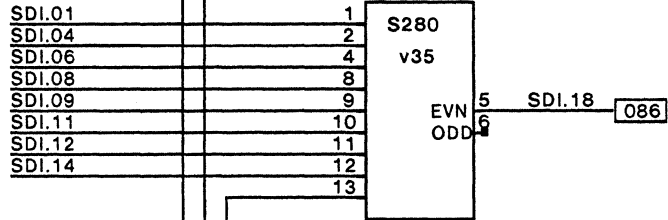
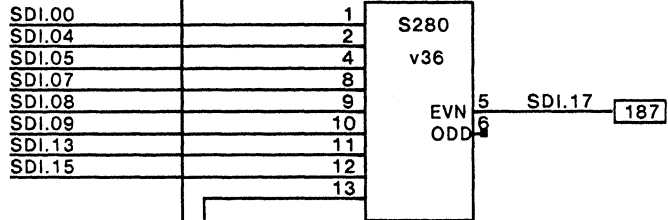
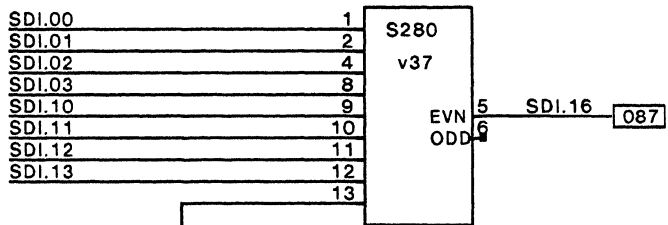
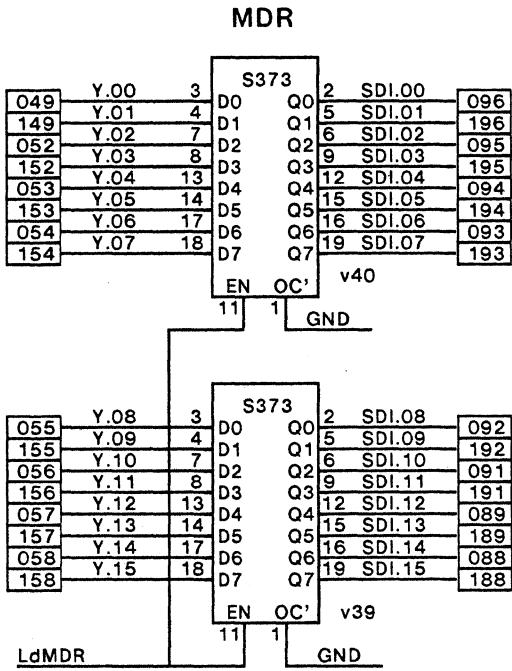
EN 11, OC' 1, v53



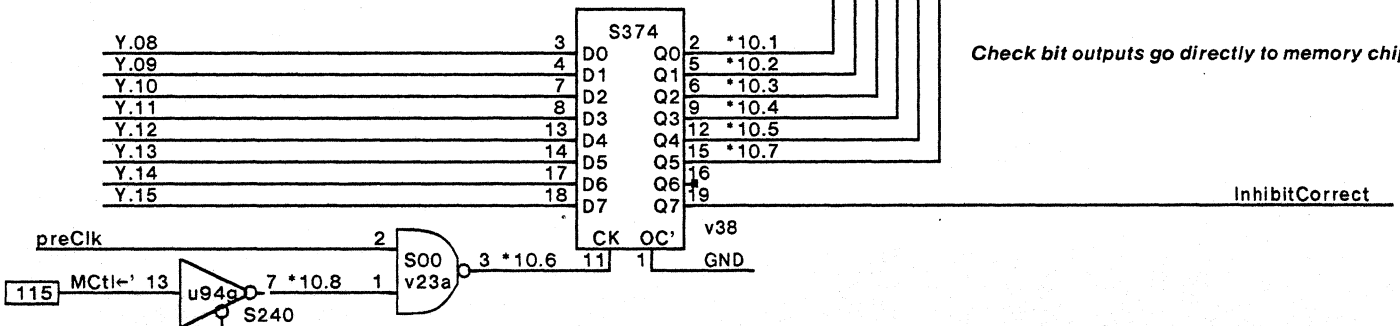




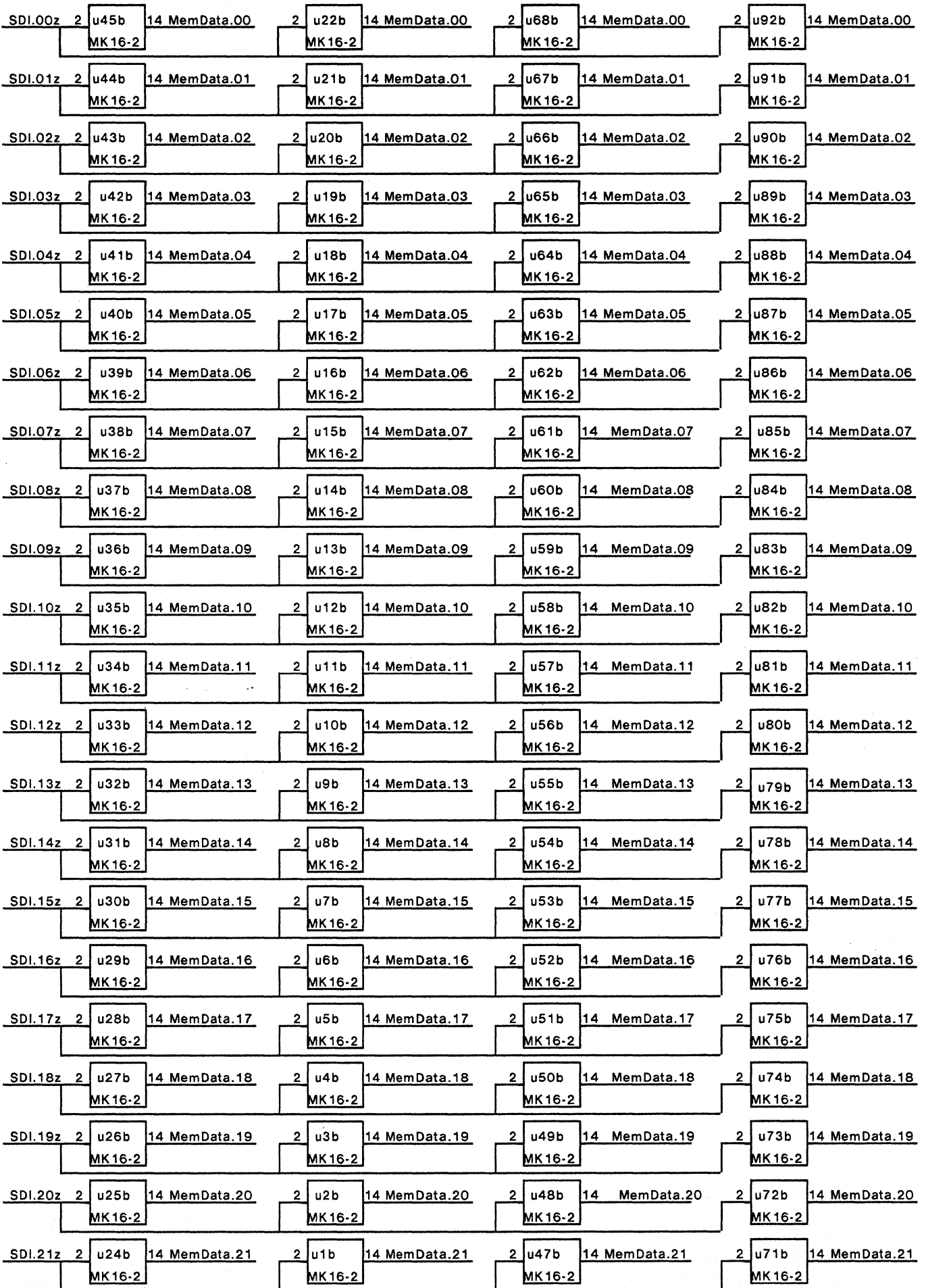


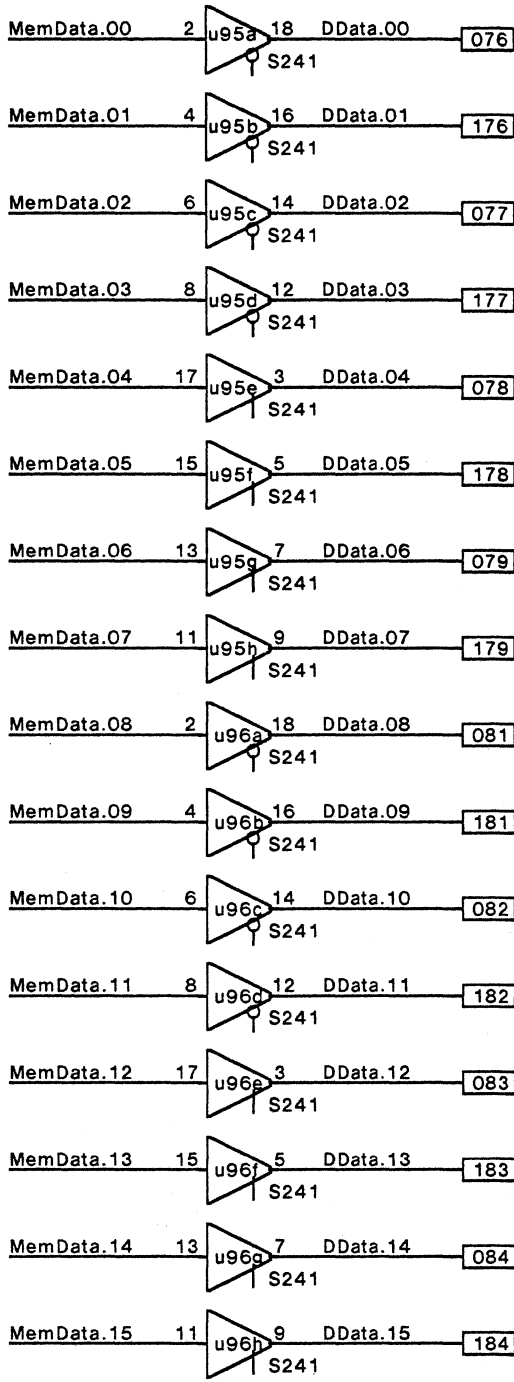


Mem & ECC

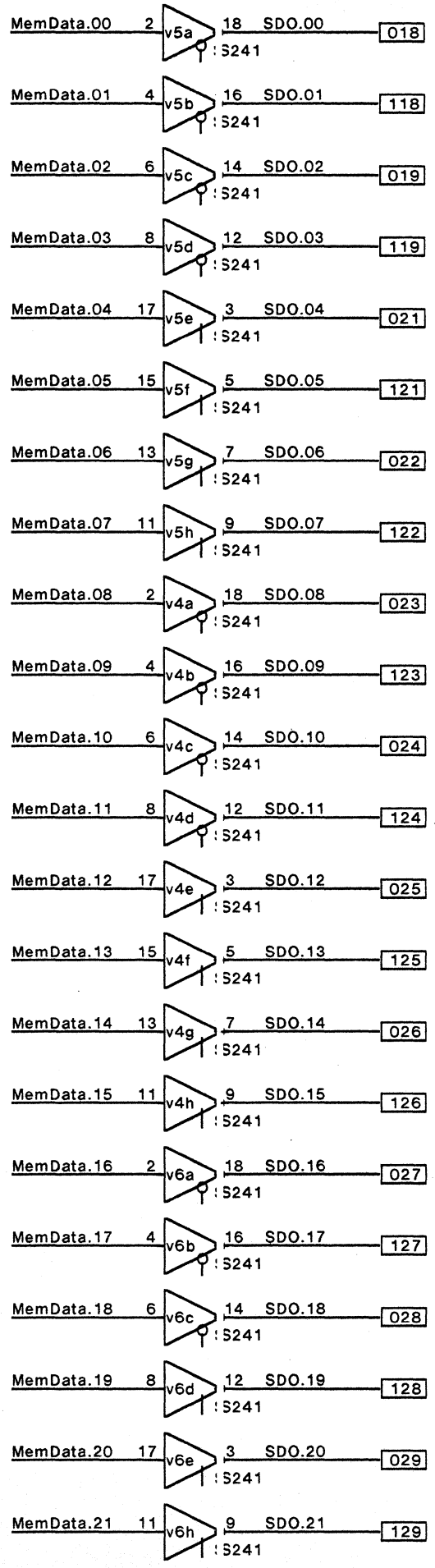
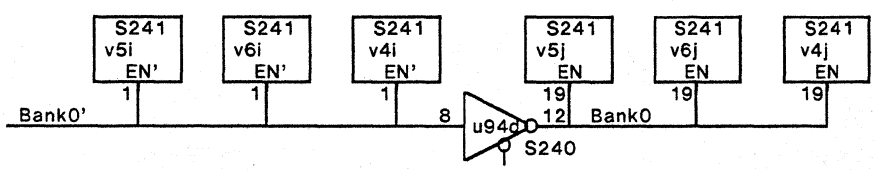
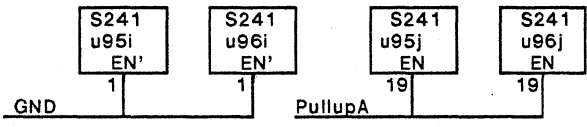


Normally, only correction enable is turned on. Other bits in Mem & ECC register are set to invert check bits for diagnostic purposes.
Data bits come from memory data register (MDR)

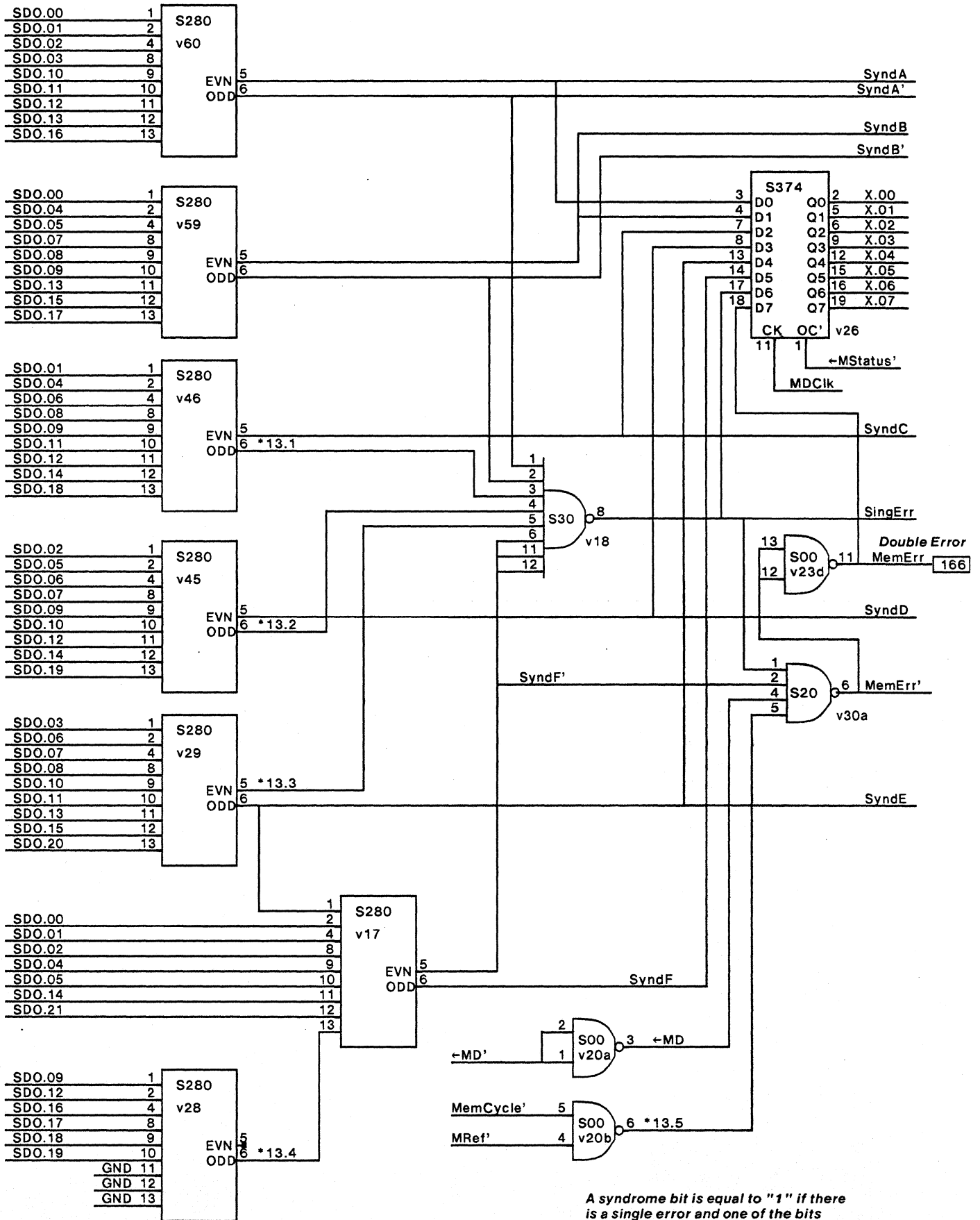




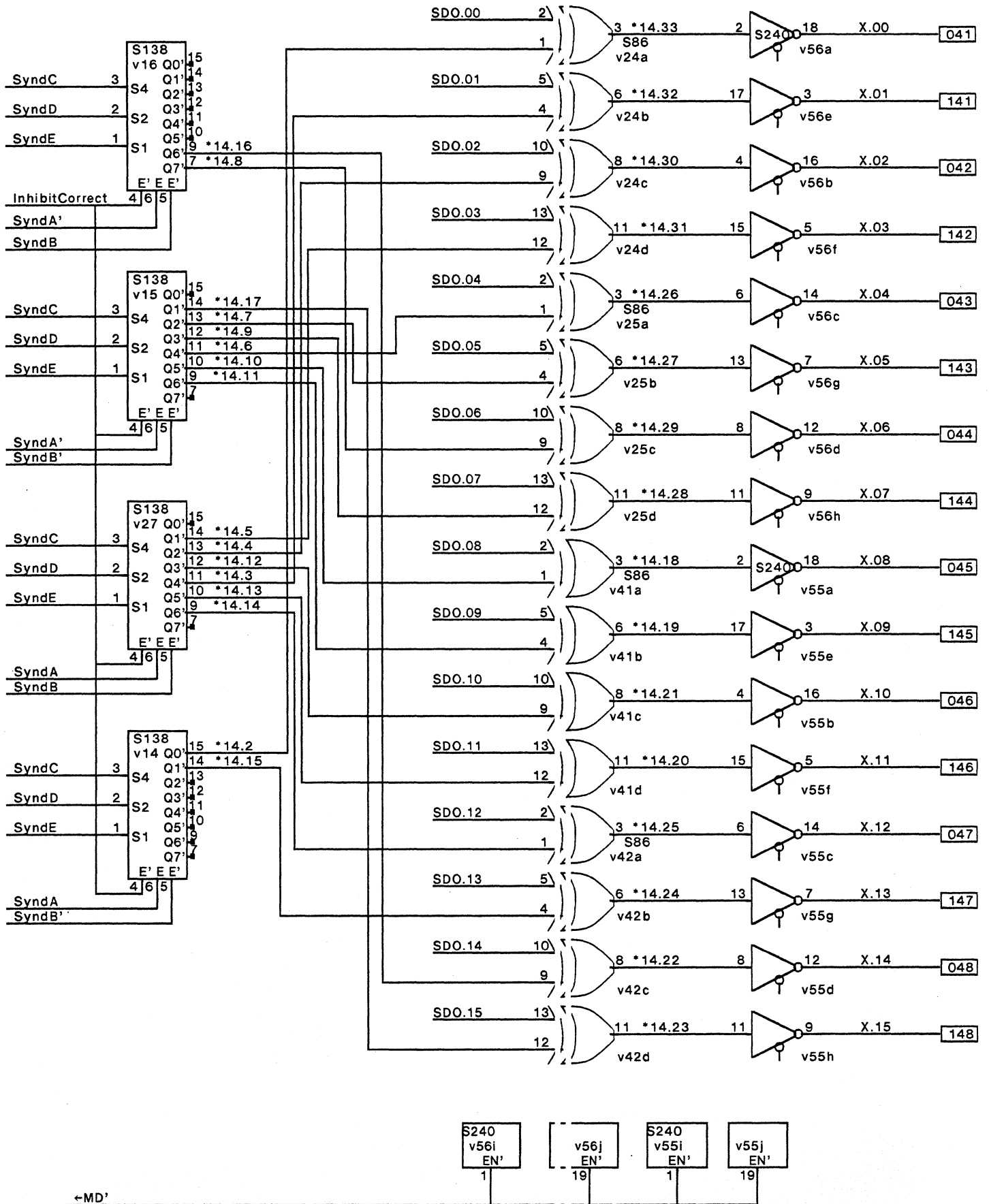
Display Data Buffers



Main Data Buffers



A syndrome bit is equal to "1" if there is a single error and one of the bits it covers is in error. Syndrome bits A-E point to the bad bit.

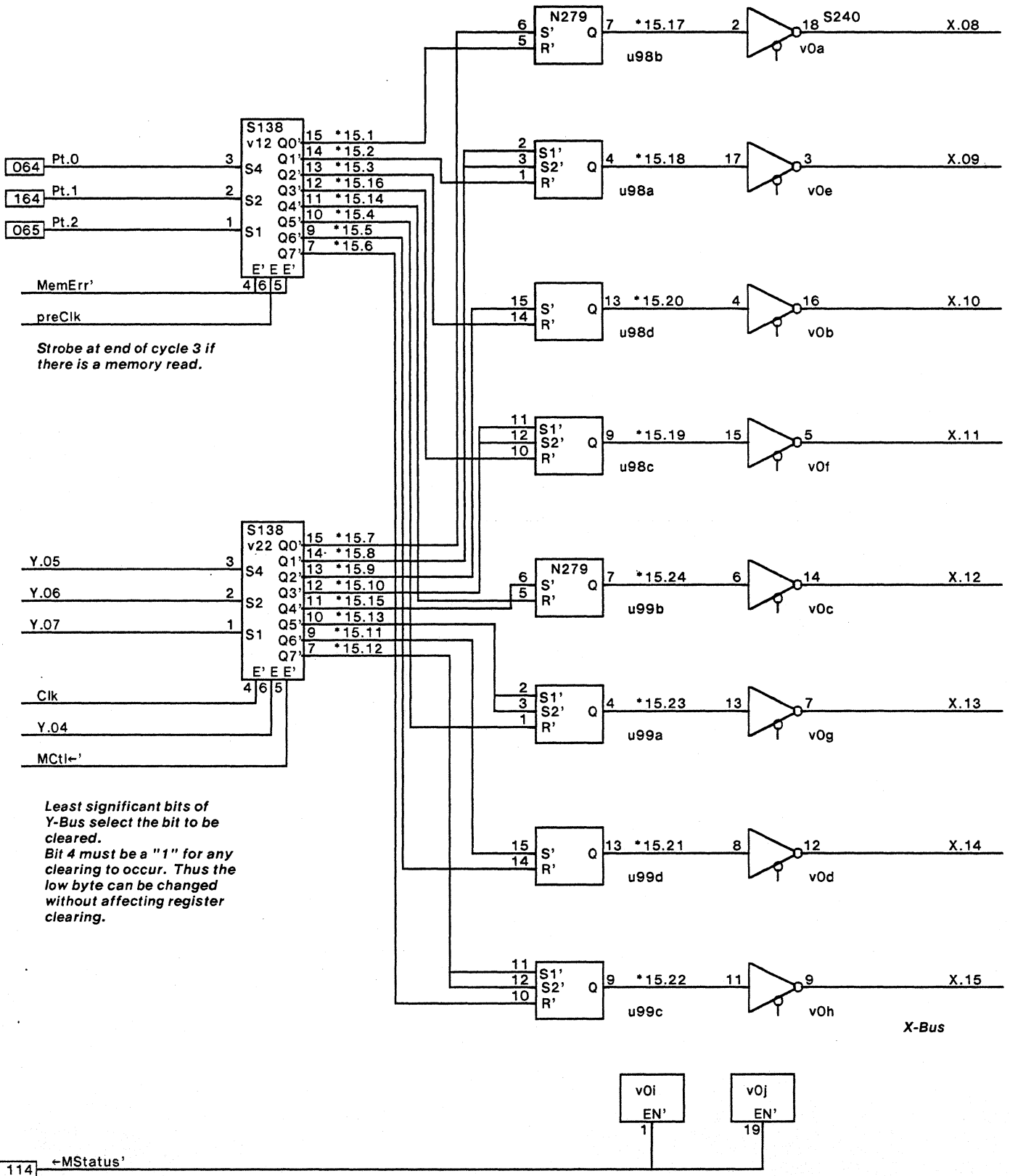


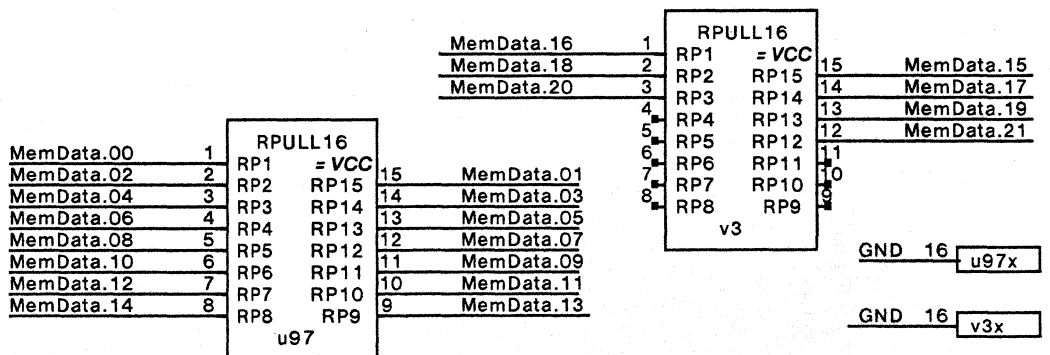
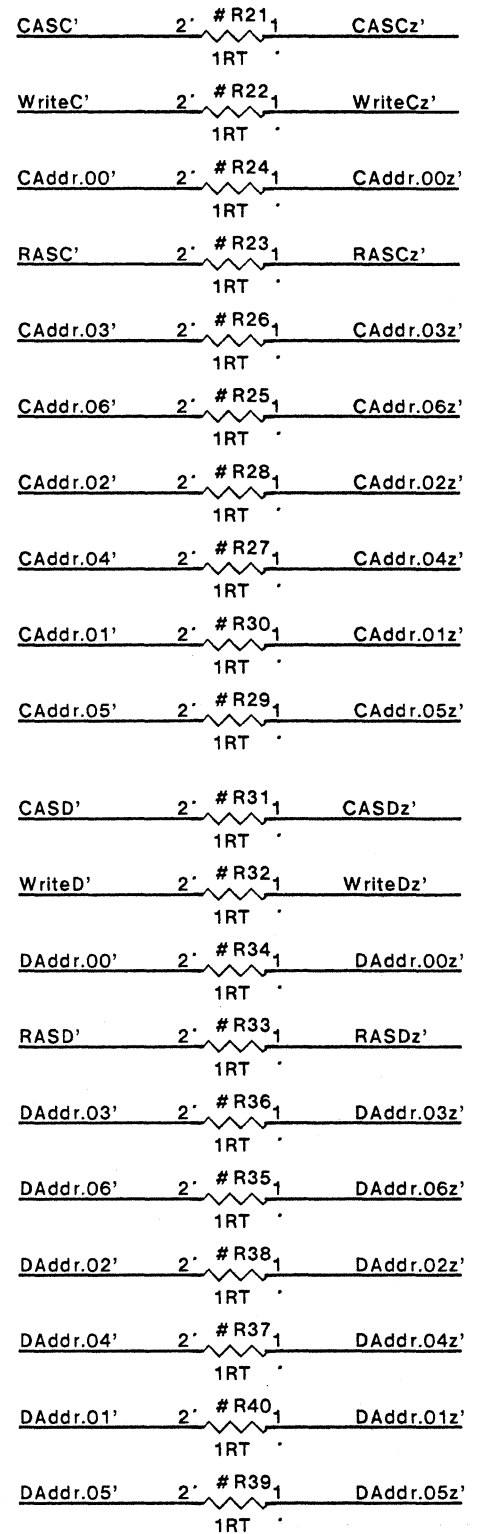
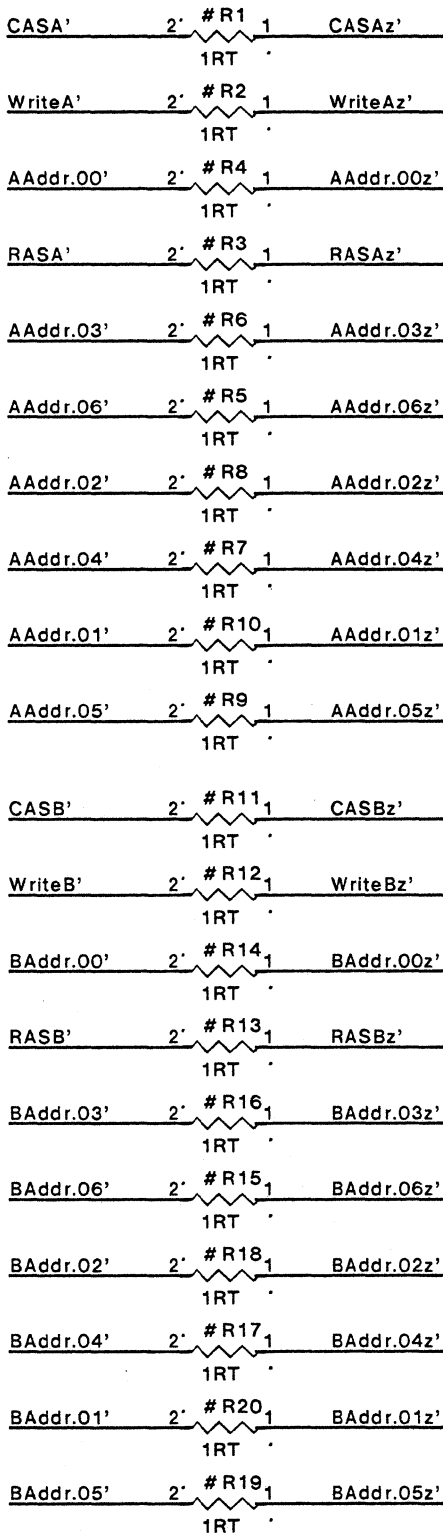
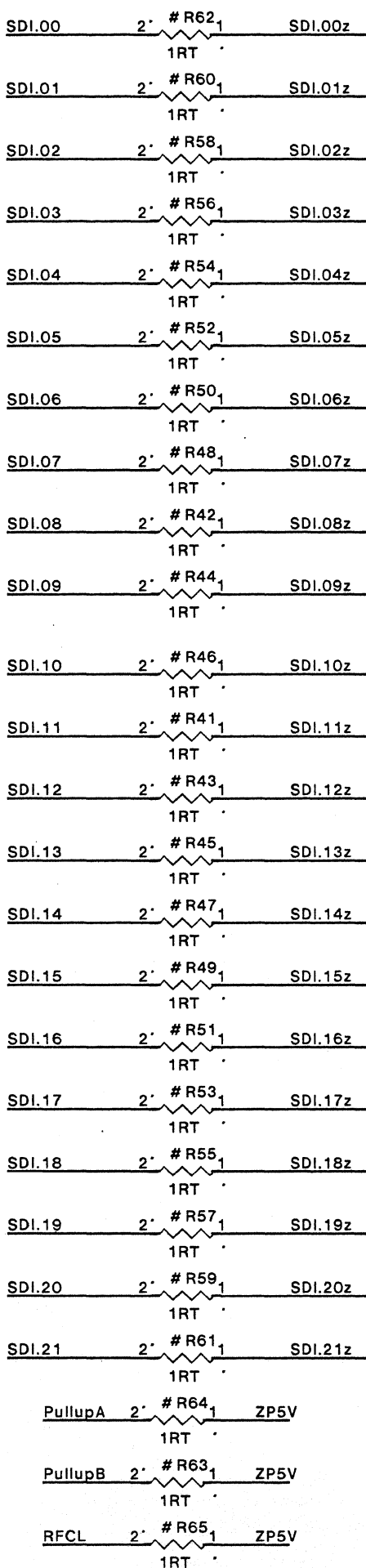
Syndrome Bits point to the bad bit. SyndA is most significant bit & SyndE is LSB.
 Syndrome bit is a '1' if one of the bits it covers is in error.

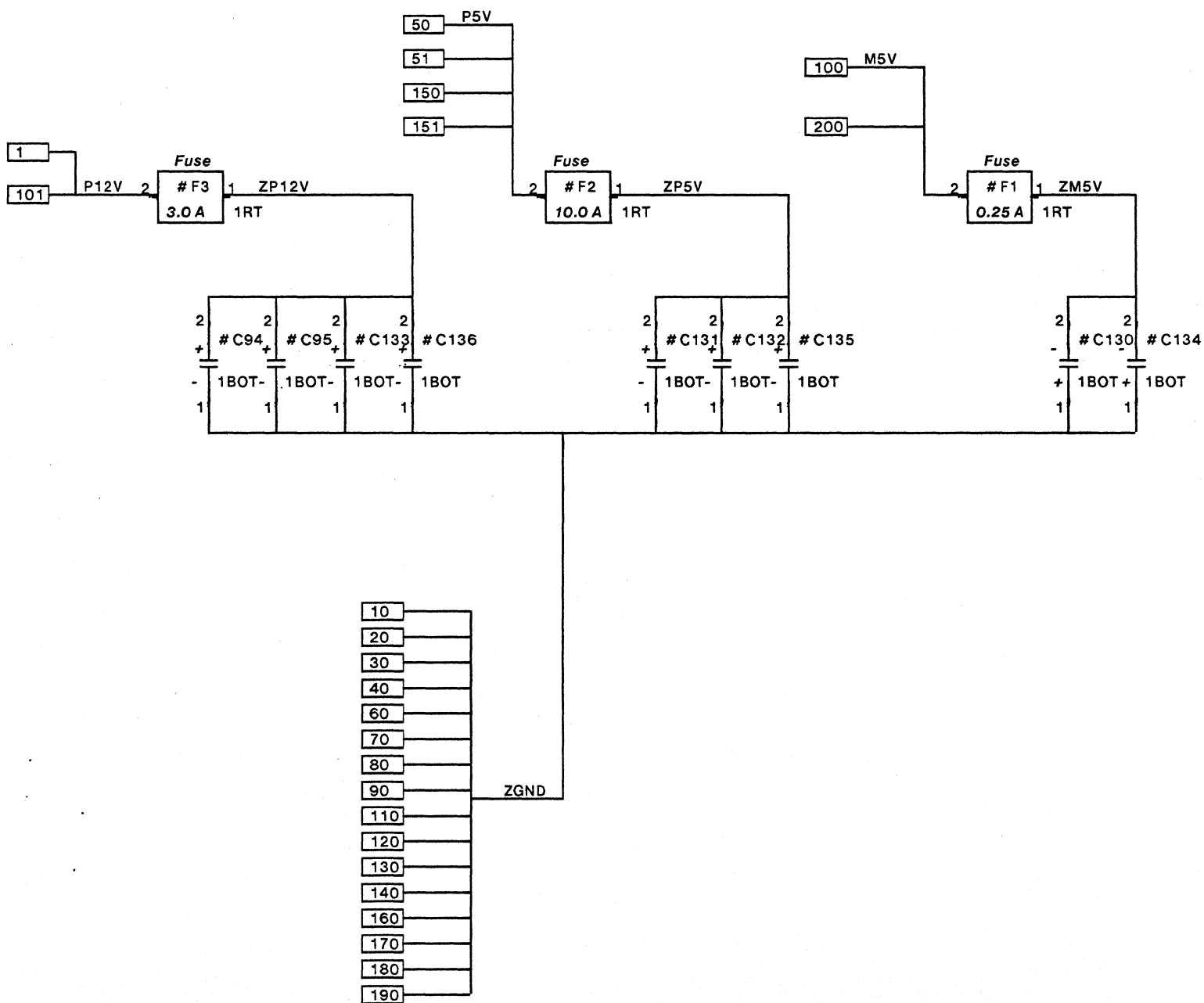
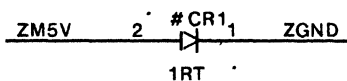
XEROX	PROPRIETARY NOTE ON COVER SHEET APPLIES TO ALL SHEETS		DWG NO. 156P11217	SHEET REV. B
	TITLE	SCHEMATIC, MCC	DWG SIZE A4	

Errors Register

Bit is 1 if there was an error.







CASA' 1 t1 # TP001
WriteA' 1 t1 # TP002
AAddr.00' 1 t1 # TP003
RASA' 1 t1 # TP004
AAddr.03' 1 t1 # TP005
AAddr.06' 1 t1 # TP006
AAddr.02' 1 t1 # TP007
AAddr.04' 1 t1 # TP008
AAddr.01' 1 t1 # TP009
AAddr.05' 1 t1 # TP010

CASB' 1 t1 # TP011
WriteB' 1 t1 # TP012
BAddr.00' 1 t1 # TP013
RASB' 1 t1 # TP014
BAddr.03' 1 t1 # TP015
BAddr.06' 1 t1 # TP016
BAddr.02' 1 t1 # TP017
BAddr.04' 1 t1 # TP018
BAddr.01' 1 t1 # TP019
BAddr.05' 1 t1 # TP020

CASC' 1 t1 # TP021
WriteC' 1 t1 # TP022
CAddr.00' 1 t1 # TP023
RASC' 1 t1 # TP024
CAddr.03' 1 t1 # TP025
CAddr.06' 1 t1 # TP026
CAddr.02' 1 t1 # TP027
CAddr.04' 1 t1 # TP028
CAddr.01' 1 t1 # TP029
CAddr.05' 1 t1 # TP030

CASD' 1 t1 # TP031
WriteD' 1 t1 # TP032
DAddr.00' 1 t1 # TP033
RASD' 1 t1 # TP034
DAddr.03' 1 t1 # TP035
DAddr.06' 1 t1 # TP036
DAddr.02' 1 t1 # TP037
DAddr.04' 1 t1 # TP038
DAddr.01' 1 t1 # TP039
DAddr.05' 1 t1 # TP040

SDI.00z 1 t1 # TP041
SDI.01z 1 t1 # TP042
SDI.02z 1 t1 # TP043
SDI.03z 1 t1 # TP044
SDI.04z 1 t1 # TP045
SDI.05z 1 t1 # TP046
SDI.06z 1 t1 # TP047
SDI.07z 1 t1 # TP048
SDI.08z 1 t1 # TP049
SDI.09z 1 t1 # TP050
SDI.10z 1 t1 # TP051
SDI.11z 1 t1 # TP052
SDI.12z 1 t1 # TP053
SDI.13z 1 t1 # TP054
SDI.14z 1 t1 # TP055
SDI.15z 1 t1 # TP056
SDI.16z 1 t1 # TP057
SDI.17z 1 t1 # TP058
SDI.18z 1 t1 # TP059
SDI.19z 1 t1 # TP060
SDI.20z 1 t1 # TP061
SDI.21z 1 t1 # TP062

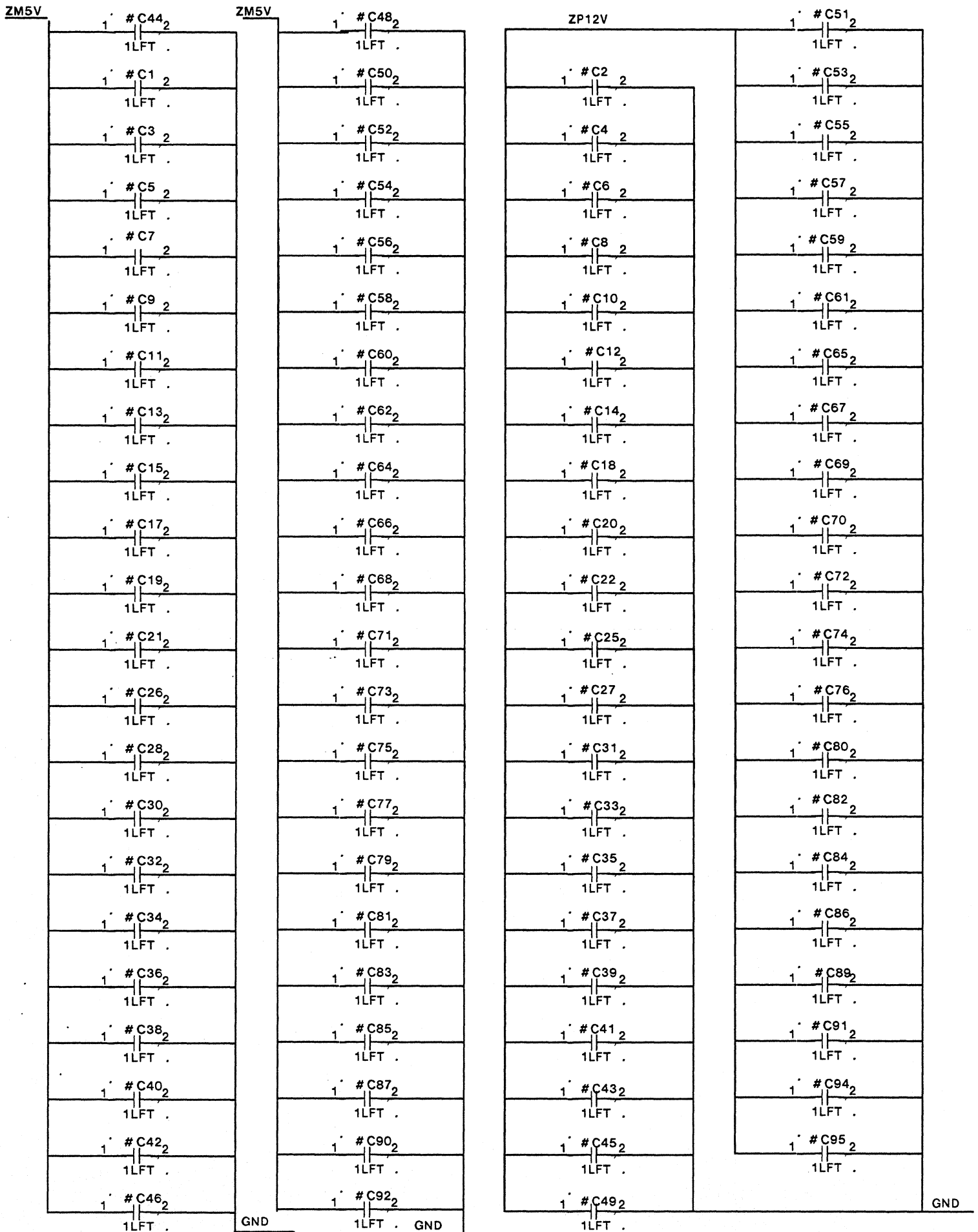
MCycle 1 t1 # TP085

LatchY.02 1 t1 # TP086
LatchY.03 1 t1 # TP087
LatchY.05 1 t1 # TP088
LatchY.06 1 t1 # TP089
LatchY.07 1 t1 # TP090
LatchY.08 1 t1 # TP091
LatchY.09 1 t1 # TP092
LatchY.10 1 t1 # TP093
LatchY.11 1 t1 # TP094
LatchY.13 1 t1 # TP095
LatchY.14 1 t1 # TP096
LatchY.15 1 t1 # TP097

MemData.00 1 t1 # TP063
MemData.01 1 t1 # TP064
MemData.02 1 t1 # TP065
MemData.03 1 t1 # TP066
MemData.04 1 t1 # TP067
MemData.05 1 t1 # TP068
MemData.06 1 t1 # TP069
MemData.07 1 t1 # TP070
MemData.08 1 t1 # TP071
MemData.09 1 t1 # TP072
MemData.10 1 t1 # TP073
MemData.11 1 t1 # TP074
MemData.12 1 t1 # TP075
MemData.13 1 t1 # TP076
MemData.14 1 t1 # TP077
MemData.15 1 t1 # TP078
MemData.16 1 t1 # TP079
MemData.17 1 t1 # TP080
MemData.18 1 t1 # TP081
MemData.19 1 t1 # TP082
MemData.20 1 t1 # TP083
MemData.21 1 t1 # TP084

RFCL 1 t1 # TP098

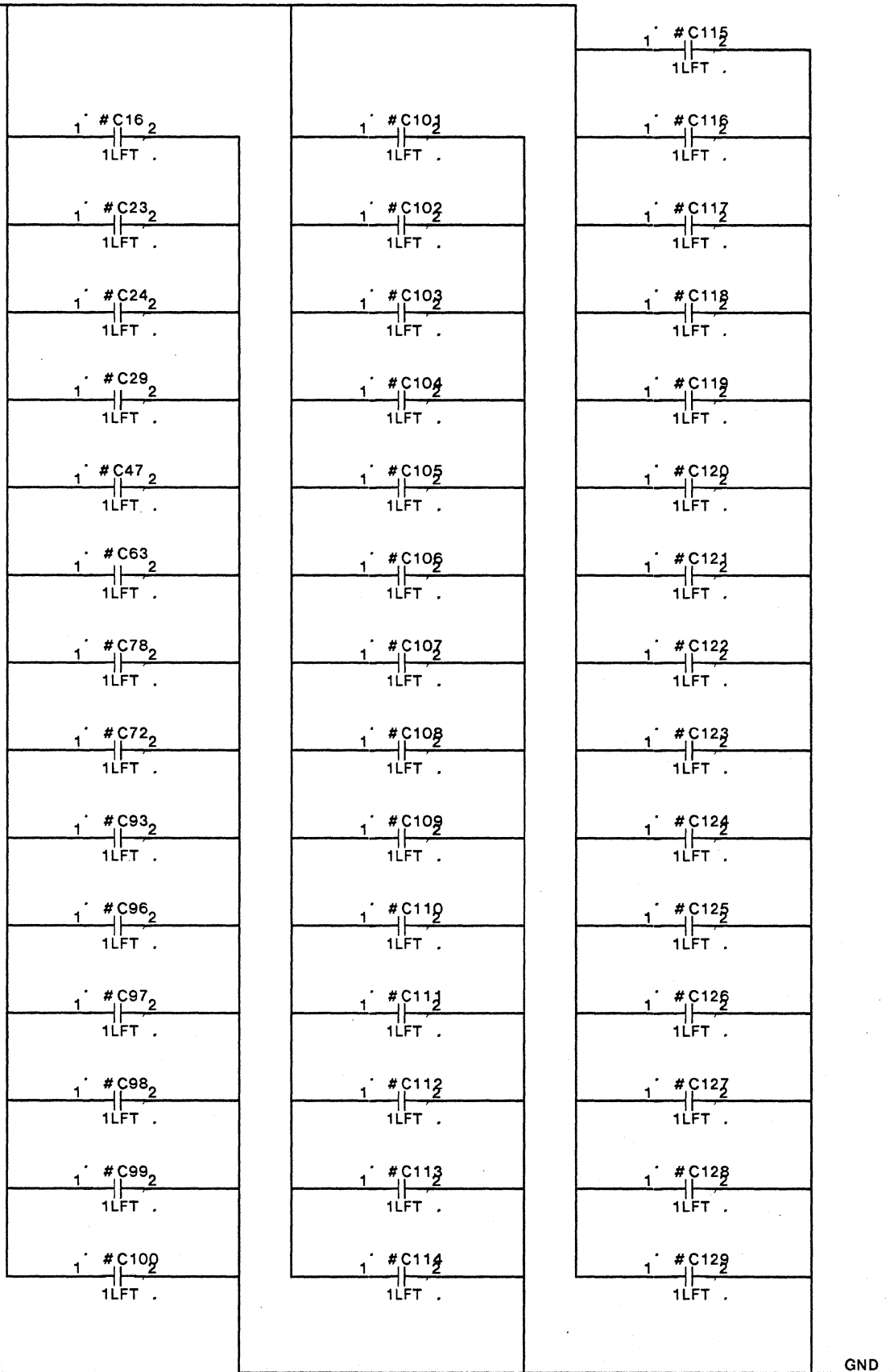
PullupB 1 t1 # TP099



NOTE: ALL CAPACITORS ARE CERAMIC FILTER CAPS, PART # 102P20600

XEROX	PROPRIETARY NOTE ON COVER SHEET APPLIES TO ALL SHEETS		DWG NO. 156P11217	SHEET REV. B
	TITLE SCHEMATIC, MCC		DWG SIZE A4	SHEET 19 OF B

VCC



NOTE: ALL CAPACITORS ARE CERAMIC FILTER CAPS, PART # 102P20600

XEROX	PROPRIETARY NOTE ON COVER SHEET APPLIES TO ALL SHEETS		DWG SIZE A4	DWG NO. 156P11217		SHEET REV. B
	TITLE	SCHEMATIC, MCC		SHEET	20 OF	

Comments:

- 1) Designator notation notes: u1-99 = U1-99, v0-99 = U100-199, w0-99 = U200-299
- 2) The last item on lines below, preceeded by a semicolon (;), is the schematic page number on which the test point, connector or signal information originates.
- 3) Line with no page number was a continuation of the previous line.

#TP001	.1i	CASA'	;18	#TP051	.1i	SDI.10z	;18
#TP002	.1i	WriteA'	;18	#TP052	.1i	SDI.11z	;18
#TP003	.1i	AAddr.00'	;18	#TP053	.1i	SDI.12z	;18
#TP004	.1i	RASA'	;18	#TP054	.1i	SDI.13z	;18
#TP005	.1i	AAddr.03'	;18	#TP055	.1i	SDI.14z	;18
#TP006	.1i	AAddr.06'	;18	#TP056	.1i	SDI.15z	;18
#TP007	.1i	AAddr.02'	;18	#TP057	.1i	SDI.16z	;18
#TP008	.1i	AAddr.04'	;18	#TP058	.1i	SDI.17z	;18
#TP009	.1i	AAddr.01'	;18	#TP059	.1i	SDI.18z	;18
#TP010	.1i	AAddr.05'	;18	#TP060	.1i	SDI.19z	;18
#TP011	.1i	CASB'	;18	#TP061	.1i	SDI.20z	;18
#TP012	.1i	WriteB'	;18	#TP062	.1i	SDI.21z	;18
#TP013	.1i	BAddr.00'	;18	#TP063	.1i	MemData.00	;18
#TP014	.1i	RASB'	;18	#TP064	.1i	MemData.01	;18
#TP015	.1i	BAddr.03'	;18	#TP065	.1i	MemData.02	;18
#TP016	.1i	BAddr.06'	;18	#TP066	.1i	MemData.03	;18
#TP017	.1i	BAddr.02'	;18	#TP067	.1i	MemData.04	;18
#TP018	.1i	BAddr.04'	;18	#TP068	.1i	MemData.05	;18
#TP019	.1i	BAddr.01'	;18	#TP069	.1i	MemData.06	;18
#TP020	.1i	BAddr.05'	;18	#TP070	.1i	MemData.07	;18
#TP021	.1i	CASC'	;18	#TP071	.1i	MemData.08	;18
#TP022	.1i	WriteC'	;18	#TP072	.1i	MemData.09	;18
#TP023	.1i	CAddr.00'	;18	#TP073	.1i	MemData.10	;18
#TP024	.1i	RASC'	;18	#TP074	.1i	MemData.11	;18
#TP025	.1i	CAddr.03'	;18	#TP075	.1i	MemData.12	;18
#TP026	.1i	CAddr.06'	;18	#TP076	.1i	MemData.13	;18
#TP027	.1i	CAddr.02'	;18	#TP077	.1i	MemData.14	;18
#TP028	.1i	CAddr.04'	;18	#TP078	.1i	MemData.15	;18
#TP029	.1i	CAddr.01'	;18	#TP079	.1i	MemData.16	;18
#TP030	.1i	CAddr.05'	;18	#TP080	.1i	MemData.17	;18
#TP031	.1i	CASD'	;18	#TP081	.1i	MemData.18	;18
#TP032	.1i	WriteD'	;18	#TP082	.1i	MemData.19	;18
#TP033	.1i	DAddr.00'	;18	#TP083	.1i	MemData.20	;18
#TP034	.1i	RASD'	;18	#TP084	.1i	MemData.21	;18
#TP035	.1i	DAddr.03'	;18	#TP085	.1i	MCycle	;18
#TP036	.1i	DAddr.06'	;18	#TP086	.1i	LatchY.02	;18
#TP037	.1i	DAddr.02'	;18	#TP087	.1i	LatchY.03	;18
#TP038	.1i	DAddr.04'	;18	#TP088	.1i	LatchY.05	;18
#TP039	.1i	DAddr.01'	;18	#TP089	.1i	LatchY.06	;18
#TP040	.1i	DAddr.05'	;18	#TP090	.1i	LatchY.07	;18
#TP041	.1i	SDI.00z	;18	#TP091	.1i	LatchY.08	;18
#TP042	.1i	SDI.01z	;18	#TP092	.1i	LatchY.09	;18
#TP043	.1i	SDI.02z	;18	#TP093	.1i	LatchY.10	;18
#TP044	.1i	SDI.03z	;18	#TP094	.1i	LatchY.11	;18
#TP045	.1i	SDI.04z	;18	#TP095	.1i	LatchY.13	;18
#TP046	.1i	SDI.05z	;18	#TP096	.1i	LatchY.14	;18
#TP047	.1i	SDI.06z	;18	#TP097	.1i	LatchY.15	;18
#TP048	.1i	SDI.07z	;18	#TP098	.1i	RFCH	;18
#TP049	.1i	SDI.08z	;18	#TP099	.1i	PullupB	;18
#TP050	.1i	SDI.09z	;18				
				E001		P12V	;17
				E002		Cycle1'	;1

XEROX	PROPRIETARY NOTE ON COVER SHEET APPLIES TO ALL SHEETS		DWG SIZE A4	DWG NO. 156P11217	SHEET REV.
	TITLE	SCHEMATIC, MCC		SHEET 21 OF	B

E003	Cycle2'	;1	E069	DAddr.04	;3
E004	Cycle3'	;1	E070	ZGND	;17
E005	RAS'	;3	E071	DAddr.06	;3
E007	WPulse	;1	E072	DAddr.08	;3
E009	ppClk	;1	E073	DAddr.10	;3
E010	ZGND	;17	E074	DAddr.12	;3
E011	AllowWrite	;1	E075	DAddr.14	;3
E012	Bank0'	;4	E076	DData.00	;12
E015	MapRef	;1	E077	DData.02	;12
E016	Refresh'	;2	E078	DData.04	;12
E017	Wait	;1	E079	DData.06	;12
E018	SDO.00	;12	E080	ZGND	;17
E019	SDO.02	;12	E081	DData.08	;12
E020	ZGND	;17	E082	DData.10	;12
E021	SDO.04	;12	E083	DData.12	;12
E022	SDO.06	;12	E084	DData.14	;12
E023	SDO.08	;12	E085	SDI.20	;10
E024	SDO.10	;12	E086	SDI.18	;10
E025	SDO.12	;12	E087	SDI.16	;10
E026	SDO.14	;12	E088	SDI.14	;10
E027	SDO.16	;12	E089	SDI.12	;10
E028	SDO.18	;12	E090	ZGND	;17
E029	SDO.20	;12	E091	SDI.10	;10
E030	ZGND	;17	E092	SDI.08	;10
E032	SAddr.00	;3	E093	SDI.06	;10
E033	SAddr.02	;3	E094	SDI.04	;10
E034	SAddr.04	;3	E095	SDI.02	;10
E035	SAddr.06	;3	E096	SDI.00	;10
E036	LatchY.01	;2	E100	M5V	;17
E037	Bank1'	;4	E101	P12V	;17
E038	MRef'	;1	E105	LRAS'	;3
E040	ZGND	;17	E106	LCAS	;5
E041	X.00	;14	E110	ZGND	;17
E042	X.02	;14	E113	mem	;1
E043	X.04	;14	E114	<MStatus'	;15
E044	X.06	;14	E115	MCtl<'	;10
E045	X.08	;14	E116	CRefresh'	;1
E046	X.10	;14	E118	SDO.01	;12
E047	X.12	;14	E119	SDO.03	;12
E048	X.14	;14	E120	ZGND	;17
E049	Y.00	;10	E121	SDO.05	;12
E050	P5V	;17	E122	SDO.07	;12
E051	P5V	;17	E123	SDO.09	;12
E052	Y.02	;10	E124	SDO.11	;12
E053	Y.04	;10	E125	SDO.13	;12
E054	Y.06	;10	E126	SDO.15	;12
E055	Y.08	;10	E127	SDO.17	;12
E056	Y.10	;10	E128	SDO.19	;12
E057	Y.12	;10	E129	SDO.21	;12
E058	Y.14	;10	E130	ZGND	;17
E060	ZGND	;17	E132	SAddr.01	;3
E061	YH.2	;2	E133	SAddr.03	;3
E062	YH.4	;2	E134	SAddr.05	;3
E063	YH.6	;2	E136	LatchY.00	;2
E064	Pt.0	;15	E137	Bank2'	;4
E065	Pt.2	;15	E138	Write'	;1
E066	Disp/Proc.'	;4	E140	ZGND	;17
E067	DAddr.00	;4	E141	X.01	;14
E068	DAddr.02	;3	E142	X.03	;14

XEROX	PROPRIETARY NOTE ON COVER SHEET APPLIES TO ALL SHEETS		DWG SIZE A4	DWG NO. 156P11217	SHEET REV.
	TITLE	SCHEMATIC, MCC		SHEET 22 OF	B

E143	X.05	;14	*01.3: v02.11i, v01.11i, v07.6o ;1
E144	X.07	;14	*01.3: v02.3i
E145	X.09	;14	
E146	X.11	;14	*01.4: v07.8o, v01.10i ;1
E147	X.13	;14	
E148	X.15	;14	*01.5: v13.4o, v13.8i ;1
E149	Y.01	;10	
E150	P5V	;17	*01.6: v01.6o, v23.5i ;1
E151	P5V	;17	
E152	Y.03	;10	*02.1: v08.5o, v09.2i ;2
E153	Y.05	;10	
E154	Y.07	;10	*02.2: v08.4o, v09.4i ;2
E155	Y.09	;10	
E156	Y.11	;10	*02.3: v08.3o, v09.6i ;2
E157	Y.13	;10	
E158	Y.15	;10	*02.4: v08.9o, v09.17i ;2
E160	ZGND	;17	
E161	YH.3	;2	*02.5: v08.10o, v09.15i ;2
E162	YH.5	;2	
E163	YH.7	;2	*02.6: v08.11o, v09.13i ;2
E164	Pt.1	;15	
E166	MemErr	;13	*02.7: v08.1i, v08.8o, v09.8i ;2
E167	DAddr.01	;4	
E168	DAddr.03	;3	*02.8: v61.10o, v08.13i ;2
E169	DAddr.05	;3	
E170	ZGND	;17	*02.9: v08.12i, v20.8o, v08.2i ;2
E171	DAddr.07	;3	
E172	DAddr.09	;3	*03.1: v47.1o, v52.14i, v51.14i ;3
E173	DAddr.11	;3	*03.1: v50.14i, v49.14i
E174	DAddr.13	;3	
E175	DAddr.15	;3	*03.2: v47.4o, v43.14i, v57.14i ;3
E176	DData.01	;12	*03.2: v58.14i, v44.14i
E177	DData.03	;12	
E178	DData.05	;12	*03.3: v62.6o, v48.1i ;3
E179	DData.07	;12	
E180	ZGND	;17	*03.4: v47.3i, v31.6i ;3
E181	DData.09	;12	
E182	DData.11	;12	*03.5: v47.6i, v48.6i ;3
E183	DData.13	;12	
E184	DData.15	;12	*04.10: v21.9o, v10.1i ;4
E185	SDI.21	;10	
E186	SDI.19	;10	*04.11: v11.12o, u69.5i ;4
E187	SDI.17	;10	
E188	SDI.15	;10	*04.12: v11.6o, u69.13i ;4
E189	SDI.13	;10	
E190	ZGND	;17	*04.13: v11.8o, u69.2i ;4
E191	SDI.11	;10	
E192	SDI.09	;10	*04.14: v10.12o, u69.10i ;4
E193	SDI.07	;10	
E194	SDI.05	;10	*04.1: v62.12o, v10.3i, v30.12i ;4
E195	SDI.03	;10	
E196	SDI.01	;10	*04.2: v62.10o, v10.10i, v30.10i ;4
E200	M5V	;17	*04.3: v21.7o, v10.13i ;4
			*04.4: v21.6o, v11.9i ;4
*01.1:	v07.3o, v02.4i ;1		*04.5: v21.5o, v11.3i ;4
*01.2:	v19.12o, v02.10i ;1		

XEROX	PROPRIETARY NOTE ON COVER SHEET APPLIES TO ALL SHEETS		DWG SIZE A4	DWG NO. 156P11217		SHEET REV. B
	TITLE	SCHEMATIC, MCC		SHEET	23 OF	

*04.6: v21.4o, v11.1i ;4	*14.20: v41.11o, v55.15i ;14
*04.7: v21.12o, v11.13i ;4	*14.21: v41.8o, v55.4i ;14
*04.8: v21.11o, v11.5i ;4	*14.22: v42.8o, v55.8i ;14
*04.9: v21.10o, v11.11i ;4	*14.23: v42.11o, v55.11i ;14
*05.1: u70.4i, u46.17i, u23.2i ;5	*14.24: v42.6o, v55.13i ;14
*05.1: v62.4o, u93.2i	*14.25: v42.3o, v55.6i ;14
*05.2: v07.11o, v62.3i ;5	*14.26: v25.3o, v56.6i ;14
*10.1: v38.2o, v37.13i ;10	*14.27: v25.6o, v56.13i ;14
*10.2: v38.5o, v36.13i ;10	*14.28: v25.11o, v56.11i ;14
*10.3: v38.6o, v35.13i ;10	*14.29: v25.8o, v56.8i ;14
*10.4: v38.9o, v34.13i ;10	*14.2: v14.15o, v24.1i ;14
*10.5: v38.12o, v33.13i ;10	*14.30: v24.8o, v56.4i ;14
*10.6: v23.3o, v38.11i ;10	*14.31: v24.11o, v56.15i ;14
*10.7: v38.15o, v32.13i ;10	*14.32: v24.6o, v56.17i ;14
*10.8: u94.7o, v23.1i ;10	*14.33: v24.3o, v56.2i ;14
*13.1: v46.6o, v18.3i ;13	*14.3: v27.11o, v24.4i ;14
*13.2: v45.6o, v18.4i ;13	*14.4: v27.13o, v24.9i ;14
*13.3: v29.5o, v18.5i ;13	*14.5: v27.14o, v24.12i ;14
*13.4: v28.6o, v17.13i ;13	*14.6: v15.11o, v25.1i ;14
*13.5: v20.6o, v30.5i ;13	*14.7: v15.13o, v25.4i ;14
*14.10: v15.10o, v41.1i ;14	*14.8: v16.7o, v25.9i ;14
*14.11: v15.9o, v41.4i ;14	*14.9: v15.12o, v25.12i ;14
*14.12: v27.12o, v41.9i ;14	*15.10: v22.12o, u98.12i, u98.11i ;15
*14.13: v27.10o, v41.12i ;14	*15.11: v22.9o, u99.15i ;15
*14.14: v27.9o, v42.1i ;14	*15.12: v22.7o, u99.11i, u99.12i ;15
*14.15: v14.14o, v42.4i ;14	*15.13: v22.10o, u99.2i, u99.3i ;15
*14.16: v16.9o, v42.9i ;14	*15.14: v12.11o, u99.5i ;15
*14.17: v15.14o, v42.12i ;14	*15.15: v22.11o, u99.6i ;15
*14.18: v41.3o, v55.2i ;14	*15.16: v12.12o, u98.10i ;15
*14.19: v41.6o, v55.17i ;14	*15.17: u98.7o, v00.2i ;15

XEROX	PROPRIETARY NOTE ON COVER SHEET APPLIES TO ALL SHEETS		DWG SIZE A4	DWG NO. 156P11217	SHEET REV. B
	TITLE	SCHEMATIC, MCC	SHEET	24 OF	

*15.18: u98.4o, v00.17i ;15
 *15.19: u98.9o, v00.15i ;15
 *15.1: v12.15o, u98.5i ;15
 *15.20: u98.13o, v00.4i ;15
 *15.21: u99.13o, v00.8i ;15
 *15.22: u99.9o, v00.11i ;15
 *15.23: u99.4o, v00.13i ;15
 *15.24: u99.7o, v00.6i ;15
 *15.2: v12.14o, u98.1i ;15
 *15.3: v12.13o, u98.14i ;15
 *15.4: v12.10o, u99.1i ;15
 *15.5: v12.9o, u99.14i ;15
 *15.6: v12.7o, u99.10i ;15
 *15.7: v22.15o, u98.6i ;15
 *15.8: v22.14o, u98.3i, u98.2i ;15
 *15.9: v22.13o, u98.15i ;15

AAddr.00': u22.13i ;6
 AAddr.00': u21.13i ;6
 AAddr.00': u20.13i ;6
 AAddr.00': u19.13i ;6
 AAddr.00': u18.13i ;6
 AAddr.00': u17.13i ;6
 AAddr.00': u16.13i ;6
 AAddr.00': u15.13i ;6
 AAddr.00': u14.13i ;6
 AAddr.00': u13.13i ;6
 AAddr.00': u12.13i ;6
 AAddr.00': u11.13i ;6
 AAddr.00': u10.13i ;6
 AAddr.00': u09.13i ;6
 AAddr.00': u08.13i ;6
 AAddr.00': u07.13i ;6
 AAddr.00': u06.13i ;6
 AAddr.00': u05.13i ;6
 AAddr.00': u04.13i ;6
 AAddr.00': u03.13i ;6
 AAddr.00': u02.13i ;6
 AAddr.00': u01.13i ;6
 AAddr.00': #R4.2i ;16
 AAddr.00': #TP003.1i ;18

AAddr.00z': u23.5o ;5

AAddr.00z': #R4.1o ;16
 AAddr.01': u22.10i ;6
 AAddr.01': u21.10i ;6
 AAddr.01': u20.10i ;6
 AAddr.01': u19.10i ;6
 AAddr.01': u18.10i ;6
 AAddr.01': u17.10i ;6
 AAddr.01': u16.10i ;6
 AAddr.01': u15.10i ;6
 AAddr.01': u14.10i ;6
 AAddr.01': u13.10i ;6
 AAddr.01': u12.10i ;6
 AAddr.01': u11.10i ;6
 AAddr.01': u10.10i ;6
 AAddr.01': u09.10i ;6
 AAddr.01': u08.10i ;6
 AAddr.01': u07.10i ;6
 AAddr.01': u06.10i ;6
 AAddr.01': u05.10i ;6
 AAddr.01': u04.10i ;6
 AAddr.01': u03.10i ;6
 AAddr.01': u02.10i ;6
 AAddr.01': u01.10i ;6
 AAddr.01': #R10.2i ;16
 AAddr.01': #TP009.1i ;18

AAddr.01z': u46.18o ;5
 AAddr.01z': #R10.1o ;16

AAddr.02': u22.11i ;6
 AAddr.02': u21.11i ;6
 AAddr.02': u20.11i ;6
 AAddr.02': u19.11i ;6
 AAddr.02': u18.11i ;6
 AAddr.02': u17.11i ;6
 AAddr.02': u16.11i ;6
 AAddr.02': u15.11i ;6
 AAddr.02': u14.11i ;6
 AAddr.02': u13.11i ;6
 AAddr.02': u12.11i ;6
 AAddr.02': u11.11i ;6
 AAddr.02': u10.11i ;6
 AAddr.02': u09.11i ;6
 AAddr.02': u08.11i ;6
 AAddr.02': u07.11i ;6
 AAddr.02': u06.11i ;6
 AAddr.02': u05.11i ;6
 AAddr.02': u04.11i ;6
 AAddr.02': u03.11i ;6
 AAddr.02': u02.11i ;6
 AAddr.02': u01.11i ;6
 AAddr.02': #R8.2i ;16
 AAddr.02': #TP007.1i ;18

AAddr.02z': u23.9o ;5
 AAddr.02z': #R8.1o ;16

AAddr.03': u22.12i ;6

XEROX	PROPRIETARY NOTE ON COVER SHEET APPLIES TO ALL SHEETS		DWG SIZE A4	DWG NO. 156P11217	SHEET REV. B
	TITLE	SCHEMATIC, MCC	SHEET	25 OF	

AAddr.03': u21.12i ;6
 AAddr.03': u20.12i ;6
 AAddr.03': u19.12i ;6
 AAddr.03': u18.12i ;6
 AAddr.03': u17.12i ;6
 AAddr.03': u16.12i ;6
 AAddr.03': u15.12i ;6
 AAddr.03': u14.12i ;6
 AAddr.03': u13.12i ;6
 AAddr.03': u12.12i ;6
 AAddr.03': u11.12i ;6
 AAddr.03': u10.12i ;6
 AAddr.03': u09.12i ;6
 AAddr.03': u08.12i ;6
 AAddr.03': u07.12i ;6
 AAddr.03': u06.12i ;6
 AAddr.03': u05.12i ;6
 AAddr.03': u04.12i ;6
 AAddr.03': u03.12i ;6
 AAddr.03': u02.12i ;6
 AAddr.03': u01.12i ;6
 AAddr.03': #R6.2i ;16
 AAddr.03': #TP005.1i ;18

AAddr.03z': u23.7o ;5
 AAddr.03z': #R6.1o ;16

AAddr.04': u22.6i ;6
 AAddr.04': u21.6i ;6
 AAddr.04': u20.6i ;6
 AAddr.04': u19.6i ;6
 AAddr.04': u18.6i ;6
 AAddr.04': u17.6i ;6
 AAddr.04': u16.6i ;6
 AAddr.04': u15.6i ;6
 AAddr.04': u14.6i ;6
 AAddr.04': u13.6i ;6
 AAddr.04': u12.6i ;6
 AAddr.04': u11.6i ;6
 AAddr.04': u10.6i ;6
 AAddr.04': u09.6i ;6
 AAddr.04': u08.6i ;6
 AAddr.04': u07.6i ;6
 AAddr.04': u06.6i ;6
 AAddr.04': u05.6i ;6
 AAddr.04': u04.6i ;6
 AAddr.04': u03.6i ;6
 AAddr.04': u02.6i ;6
 AAddr.04': u01.6i ;6
 AAddr.04': #R7.2i ;16
 AAddr.04': #TP008.1i ;18

AAddr.04z': u23.14o ;5
 AAddr.04z': #R7.1o ;16

AAddr.05': u22.7i ;6
 AAddr.05': u21.7i ;6
 AAddr.05': u20.7i ;6
 AAddr.05': u19.7i ;6

AAddr.05': u18.7i ;6
 AAddr.05': u17.7i ;6
 AAddr.05': u16.7i ;6
 AAddr.05': u15.7i ;6
 AAddr.05': u14.7i ;6
 AAddr.05': u13.7i ;6
 AAddr.05': u12.7i ;6
 AAddr.05': u11.7i ;6
 AAddr.05': u10.7i ;6
 AAddr.05': u09.7i ;6
 AAddr.05': u08.7i ;6
 AAddr.05': u07.7i ;6
 AAddr.05': u06.7i ;6
 AAddr.05': u05.7i ;6
 AAddr.05': u04.7i ;6
 AAddr.05': u03.7i ;6
 AAddr.05': u02.7i ;6
 AAddr.05': u01.7i ;6
 AAddr.05': #R9.2i ;16
 AAddr.05': #TP010.1i ;18

AAddr.05z': u23.12o ;5
 AAddr.05z': #R9.1o ;16

AAddr.06': u22.5i ;6
 AAddr.06': u21.5i ;6
 AAddr.06': u20.5i ;6
 AAddr.06': u19.5i ;6
 AAddr.06': u18.5i ;6
 AAddr.06': u17.5i ;6
 AAddr.06': u16.5i ;6
 AAddr.06': u15.5i ;6
 AAddr.06': u14.5i ;6
 AAddr.06': u13.5i ;6
 AAddr.06': u12.5i ;6
 AAddr.06': u11.5i ;6
 AAddr.06': u10.5i ;6
 AAddr.06': u09.5i ;6
 AAddr.06': u08.5i ;6
 AAddr.06': u07.5i ;6
 AAddr.06': u06.5i ;6
 AAddr.06': u05.5i ;6
 AAddr.06': u04.5i ;6
 AAddr.06': u03.5i ;6
 AAddr.06': u02.5i ;6
 AAddr.06': u01.5i ;6
 AAddr.06': #R5.2i ;16
 AAddr.06': #TP006.1i ;18

AAddr.06z': u23.16o ;5
 AAddr.06z': #R5.1o ;16

AllowWrite: E11, v19.9i ;1

BAddr.00': u26.13i ;7
 BAddr.00': u30.13i ;7
 BAddr.00': u34.13i ;7
 BAddr.00': u38.13i ;7
 BAddr.00': u42.13i ;7

XEROX	PROPRIETARY NOTE ON COVER SHEET APPLIES TO ALL SHEETS		DWG SIZE A4	DWG NO. 156P11217	SHEET REV.
	TITLE SCHEMATIC, MCC			SHEET 26 OF	B

BAddr.00': u24.13i ;7
 BAddr.00': u25.13i ;7
 BAddr.00': u43.13i ;7
 BAddr.00': u39.13i ;7
 BAddr.00': u35.13i ;7
 BAddr.00': u31.13i ;7
 BAddr.00': u27.13i ;7
 BAddr.00': u28.13i ;7
 BAddr.00': u32.13i ;7
 BAddr.00': u36.13i ;7
 BAddr.00': u40.13i ;7
 BAddr.00': u44.13i ;7
 BAddr.00': u45.13i ;7
 BAddr.00': u41.13i ;7
 BAddr.00': u37.13i ;7
 BAddr.00': u33.13i ;7
 BAddr.00': u29.13i ;7
 BAddr.00': #R14.2i ;16
 BAddr.00': #TP013.1i ;18

BAddr.00z': u46.5o ;5
 BAddr.00z': #R14.1o ;16

BAddr.01': u26.10i ;7
 BAddr.01': u30.10i ;7
 BAddr.01': u34.10i ;7
 BAddr.01': u38.10i ;7
 BAddr.01': u42.10i ;7
 BAddr.01': u24.10i ;7
 BAddr.01': u25.10i ;7
 BAddr.01': u43.10i ;7
 BAddr.01': u39.10i ;7
 BAddr.01': u35.10i ;7
 BAddr.01': u31.10i ;7
 BAddr.01': u27.10i ;7
 BAddr.01': u28.10i ;7
 BAddr.01': u32.10i ;7
 BAddr.01': u36.10i ;7
 BAddr.01': u40.10i ;7
 BAddr.01': u44.10i ;7
 BAddr.01': u45.10i ;7
 BAddr.01': u41.10i ;7
 BAddr.01': u37.10i ;7
 BAddr.01': u33.10i ;7
 BAddr.01': u29.10i ;7
 BAddr.01': #R20.2i ;16
 BAddr.01': #TP019.1i ;18

BAddr.01z': u70.3o ;5
 BAddr.01z': #R20.1o ;16

BAddr.02': u26.11i ;7
 BAddr.02': u30.11i ;7
 BAddr.02': u34.11i ;7
 BAddr.02': u38.11i ;7
 BAddr.02': u42.11i ;7
 BAddr.02': u24.11i ;7
 BAddr.02': u25.11i ;7
 BAddr.02': u43.11i ;7

BAddr.02': u39.11i ;7
 BAddr.02': u35.11i ;7
 BAddr.02': u31.11i ;7
 BAddr.02': u27.11i ;7
 BAddr.02': u28.11i ;7
 BAddr.02': u32.11i ;7
 BAddr.02': u36.11i ;7
 BAddr.02': u40.11i ;7
 BAddr.02': u44.11i ;7
 BAddr.02': u45.11i ;7
 BAddr.02': u41.11i ;7
 BAddr.02': u37.11i ;7
 BAddr.02': u33.11i ;7
 BAddr.02': u29.11i ;7
 BAddr.02': #R18.2i ;16
 BAddr.02': #TP017.1i ;18

BAddr.02z': u46.9o ;5
 BAddr.02z': #R18.1o ;16

BAddr.03': u26.12i ;7
 BAddr.03': u30.12i ;7
 BAddr.03': u34.12i ;7
 BAddr.03': u38.12i ;7
 BAddr.03': u42.12i ;7
 BAddr.03': u24.12i ;7
 BAddr.03': u25.12i ;7
 BAddr.03': u43.12i ;7
 BAddr.03': u39.12i ;7
 BAddr.03': u35.12i ;7
 BAddr.03': u31.12i ;7
 BAddr.03': u27.12i ;7
 BAddr.03': u28.12i ;7
 BAddr.03': u32.12i ;7
 BAddr.03': u36.12i ;7
 BAddr.03': u40.12i ;7
 BAddr.03': u44.12i ;7
 BAddr.03': u45.12i ;7
 BAddr.03': u41.12i ;7
 BAddr.03': u37.12i ;7
 BAddr.03': u33.12i ;7
 BAddr.03': u29.12i ;7
 BAddr.03': #R16.2i ;16
 BAddr.03': #TP015.1i ;18

BAddr.03z': u46.7o ;5
 BAddr.03z': #R16.1o ;16

BAddr.04': u26.6i ;7
 BAddr.04': u30.6i ;7
 BAddr.04': u34.6i ;7
 BAddr.04': u38.6i ;7
 BAddr.04': u42.6i ;7
 BAddr.04': u24.6i ;7
 BAddr.04': u25.6i ;7
 BAddr.04': u43.6i ;7
 BAddr.04': u39.6i ;7
 BAddr.04': u35.6i ;7
 BAddr.04': u31.6i ;7

XEROX	PROPRIETARY NOTE ON COVER SHEET APPLIES TO ALL SHEETS		DWG SIZE A4	DWG NO. 156P11217	SHEET REV. B
	TITLE SCHEMATIC, MCC		SHEET 27	OF	

BAddr.04': u27.6i ;7
 BAddr.04': u28.6i ;7
 BAddr.04': u32.6i ;7
 BAddr.04': u36.6i ;7
 BAddr.04': u40.6i ;7
 BAddr.04': u44.6i ;7
 BAddr.04': u45.6i ;7
 BAddr.04': u41.6i ;7
 BAddr.04': u37.6i ;7
 BAddr.04': u33.6i ;7
 BAddr.04': u29.6i ;7
 BAddr.04': #R17.2i ;16
 BAddr.04': #TP018.1i ;18

BAddr.04z': u46.12o ;5
 BAddr.04z': #R17.1o ;16

BAddr.05': u26.7i ;7
 BAddr.05': u30.7i ;7
 BAddr.05': u34.7i ;7
 BAddr.05': u38.7i ;7
 BAddr.05': u42.7i ;7
 BAddr.05': u24.7i ;7
 BAddr.05': u25.7i ;7
 BAddr.05': u43.7i ;7
 BAddr.05': u39.7i ;7
 BAddr.05': u35.7i ;7
 BAddr.05': u31.7i ;7
 BAddr.05': u27.7i ;7
 BAddr.05': u28.7i ;7
 BAddr.05': u32.7i ;7
 BAddr.05': u36.7i ;7
 BAddr.05': u40.7i ;7
 BAddr.05': u44.7i ;7
 BAddr.05': u45.7i ;7
 BAddr.05': u41.7i ;7
 BAddr.05': u37.7i ;7
 BAddr.05': u33.7i ;7
 BAddr.05': u29.7i ;7
 BAddr.05': #R19.2i ;16
 BAddr.05': #TP020.1i ;18

BAddr.05z': u70.18o ;5
 BAddr.05z': #R19.1o ;16

BAddr.06': u26.5i ;7
 BAddr.06': u30.5i ;7
 BAddr.06': u34.5i ;7
 BAddr.06': u38.5i ;7
 BAddr.06': u42.5i ;7
 BAddr.06': u24.5i ;7
 BAddr.06': u25.5i ;7
 BAddr.06': u43.5i ;7
 BAddr.06': u39.5i ;7
 BAddr.06': u35.5i ;7
 BAddr.06': u31.5i ;7
 BAddr.06': u27.5i ;7
 BAddr.06': u28.5i ;7
 BAddr.06': u32.5i ;7

BAddr.06': u36.5i ;7
 BAddr.06': u40.5i ;7
 BAddr.06': u44.5i ;7
 BAddr.06': u45.5i ;7
 BAddr.06': u41.5i ;7
 BAddr.06': u37.5i ;7
 BAddr.06': u33.5i ;7
 BAddr.06': u29.5i ;7
 BAddr.06': #R15.2i ;16
 BAddr.06': #TP016.1i ;18

BAddr.06z': u46.14o ;5
 BAddr.06z': #R15.1o ;16

Bank0': v61.3i ;1
 Bank0': v21.1i, v30.8o, E12 ;4
 Bank0': v04.1i, v06.1i, v05.1i ;12
 Bank0': u94.8i

Bank0: v06.19i, v05.19i, u94.12o ;12
 Bank0: v04.19i

Bank1': v10.8o, E37 ;4

Bank2': v10.6o, E137 ;4

CAddr.00': u49.13i ;8
 CAddr.00': u53.13i ;8
 CAddr.00': u57.13i ;8
 CAddr.00': u61.13i ;8
 CAddr.00': u65.13i ;8
 CAddr.00': u50.13i ;8
 CAddr.00': u54.13i ;8
 CAddr.00': u58.13i ;8
 CAddr.00': u62.13i ;8
 CAddr.00': u66.13i ;8
 CAddr.00': u67.13i ;8
 CAddr.00': u63.13i ;8
 CAddr.00': u59.13i ;8
 CAddr.00': u55.13i ;8
 CAddr.00': u51.13i ;8
 CAddr.00': u47.13i ;8
 CAddr.00': u48.13i ;8
 CAddr.00': u52.13i ;8
 CAddr.00': u56.13i ;8
 CAddr.00': u60.13i ;8
 CAddr.00': u64.13i ;8
 CAddr.00': u68.13i ;8
 CAddr.00': #R24.2i ;16
 CAddr.00': #TP023.1i ;18

CAddr.00z': u70.7o ;5
 CAddr.00z': #R24.1o ;16

CAddr.01': u49.10i ;8
 CAddr.01': u53.10i ;8
 CAddr.01': u57.10i ;8
 CAddr.01': u61.10i ;8
 CAddr.01': u65.10i ;8

XEROX	PROPRIETARY NOTE ON COVER SHEET APPLIES TO ALL SHEETS		DWG SIZE A4	DWG NO. 156P11217	SHEET REV. B
	TITLE SCHEMATIC, MCC		SHEET 28	OF	

CAddr.01': u66.10i ;8
 CAddr.01': u62.10i ;8
 CAddr.01': u58.10i ;8
 CAddr.01': u54.10i ;8
 CAddr.01': u50.10i ;8
 CAddr.01': u47.10i ;8
 CAddr.01': u51.10i ;8
 CAddr.01': u55.10i ;8
 CAddr.01': u59.10i ;8
 CAddr.01': u63.10i ;8
 CAddr.01': u67.10i ;8
 CAddr.01': u68.10i ;8
 CAddr.01': u64.10i ;8
 CAddr.01': u60.10i ;8
 CAddr.01': u56.10i ;8
 CAddr.01': u52.10i ;8
 CAddr.01': u48.10i ;8
 CAddr.01': #R30.2i ;16
 CAddr.01': #TP029.1i ;18

CAddr.01z': u94.16o ;5
 CAddr.01z': #R30.1o ;16

CAddr.02': u49.11i ;8
 CAddr.02': u53.11i ;8
 CAddr.02': u57.11i ;8
 CAddr.02': u61.11i ;8
 CAddr.02': u65.11i ;8
 CAddr.02': u66.11i ;8
 CAddr.02': u62.11i ;8
 CAddr.02': u58.11i ;8
 CAddr.02': u54.11i ;8
 CAddr.02': u50.11i ;8
 CAddr.02': u47.11i ;8
 CAddr.02': u51.11i ;8
 CAddr.02': u55.11i ;8
 CAddr.02': u59.11i ;8
 CAddr.02': u63.11i ;8
 CAddr.02': u67.11i ;8
 CAddr.02': u68.11i ;8
 CAddr.02': u64.11i ;8
 CAddr.02': u60.11i ;8
 CAddr.02': u56.11i ;8
 CAddr.02': u52.11i ;8
 CAddr.02': u48.11i ;8
 CAddr.02': #R28.2i ;16
 CAddr.02': #TP027.1i ;18

CAddr.02z': u94.18o ;5
 CAddr.02z': #R28.1o ;16

CAddr.03': u49.12i ;8
 CAddr.03': u53.12i ;8
 CAddr.03': u57.12i ;8
 CAddr.03': u61.12i ;8
 CAddr.03': u65.12i ;8
 CAddr.03': u66.12i ;8
 CAddr.03': u62.12i ;8
 CAddr.03': u58.12i ;8

CAddr.03': u54.12i ;8
 CAddr.03': u50.12i ;8
 CAddr.03': u47.12i ;8
 CAddr.03': u51.12i ;8
 CAddr.03': u55.12i ;8
 CAddr.03': u59.12i ;8
 CAddr.03': u63.12i ;8
 CAddr.03': u67.12i ;8
 CAddr.03': u68.12i ;8
 CAddr.03': u64.12i ;8
 CAddr.03': u60.12i ;8
 CAddr.03': u56.12i ;8
 CAddr.03': u52.12i ;8
 CAddr.03': u48.12i ;8
 CAddr.03': #R26.2i ;16
 CAddr.03': #TP025.1i ;18

CAddr.03z': u70.9o ;5
 CAddr.03z': #R26.1o ;16

CAddr.04': u49.6i ;8
 CAddr.04': u53.6i ;8
 CAddr.04': u57.6i ;8
 CAddr.04': u61.6i ;8
 CAddr.04': u65.6i ;8
 CAddr.04': u66.6i ;8
 CAddr.04': u62.6i ;8
 CAddr.04': u58.6i ;8
 CAddr.04': u54.6i ;8
 CAddr.04': u50.6i ;8
 CAddr.04': u47.6i ;8
 CAddr.04': u51.6i ;8
 CAddr.04': u55.6i ;8
 CAddr.04': u59.6i ;8
 CAddr.04': u63.6i ;8
 CAddr.04': u67.6i ;8
 CAddr.04': u68.6i ;8
 CAddr.04': u64.6i ;8
 CAddr.04': u60.6i ;8
 CAddr.04': u56.6i ;8
 CAddr.04': u52.6i ;8
 CAddr.04': u48.6i ;8
 CAddr.04': #R27.2i ;16
 CAddr.04': #TP028.1i ;18

CAddr.04z': u70.12o ;5
 CAddr.04z': #R27.1o ;16

CAddr.05': u49.7i ;8
 CAddr.05': u53.7i ;8
 CAddr.05': u57.7i ;8
 CAddr.05': u61.7i ;8
 CAddr.05': u65.7i ;8
 CAddr.05': u66.7i ;8
 CAddr.05': u62.7i ;8
 CAddr.05': u58.7i ;8
 CAddr.05': u54.7i ;8
 CAddr.05': u50.7i ;8
 CAddr.05': u47.7i ;8

XEROX	PROPRIETARY NOTE ON COVER SHEET APPLIES TO ALL SHEETS		DWG SIZE A4	DWG NO. 156P11217		SHEET REV. B
	TITLE	SCHEMATIC, MCC		SHEET	29 OF	

CAddr.05': u51.7i ;8
 CAddr.05': u55.7i ;8
 CAddr.05': u59.7i ;8
 CAddr.05': u63.7i ;8
 CAddr.05': u67.7i ;8
 CAddr.05': u68.7i ;8
 CAddr.05': u64.7i ;8
 CAddr.05': u60.7i ;8
 CAddr.05': u56.7i ;8
 CAddr.05': u52.7i ;8
 CAddr.05': u48.7i ;8
 CAddr.05': #R29.2i ;16
 CAddr.05': #TP030.1i ;18

CAddr.05z': u94.3o ;5
 CAddr.05z': #R29.1o ;16

CAddr.06': u49.5i ;8
 CAddr.06': u53.5i ;8
 CAddr.06': u57.5i ;8
 CAddr.06': u61.5i ;8
 CAddr.06': u65.5i ;8
 CAddr.06': u66.5i ;8
 CAddr.06': u62.5i ;8
 CAddr.06': u58.5i ;8
 CAddr.06': u54.5i ;8
 CAddr.06': u50.5i ;8
 CAddr.06': u47.5i ;8
 CAddr.06': u51.5i ;8
 CAddr.06': u55.5i ;8
 CAddr.06': u59.5i ;8
 CAddr.06': u63.5i ;8
 CAddr.06': u67.5i ;8
 CAddr.06': u68.5i ;8
 CAddr.06': u64.5i ;8
 CAddr.06': u60.5i ;8
 CAddr.06': u56.5i ;8
 CAddr.06': u52.5i ;8
 CAddr.06': u48.5i ;8
 CAddr.06': #R25.2i ;16
 CAddr.06': #TP026.1i ;18

CAddr.06z': u70.14o ;5
 CAddr.06z': #R25.1o ;16

CASA': u22.15i ;6
 CASA': u21.15i ;6
 CASA': u20.15i ;6
 CASA': u19.15i ;6
 CASA': u18.15i ;6
 CASA': u17.15i ;6
 CASA': u16.15i ;6
 CASA': u15.15i ;6
 CASA': u14.15i ;6
 CASA': u13.15i ;6
 CASA': u12.15i ;6
 CASA': u11.15i ;6
 CASA': u10.15i ;6
 CASA': u09.15i ;6

CASA': u08.15i ;6
 CASA': u07.15i ;6
 CASA': u06.15i ;6
 CASA': u05.15i ;6
 CASA': u04.15i ;6
 CASA': u03.15i ;6
 CASA': u02.15i ;6
 CASA': u01.15i ;6
 CASA': #R1.2i ;16
 CASA': #TP001.1i ;18

CASAz': u23.18o ;5
 CASAz': #R1.1o ;16

CASB': u44.15i ;7
 CASB': u45.15i ;7
 CASB': u43.15i ;7
 CASB': u42.15i ;7
 CASB': u38.15i ;7
 CASB': u39.15i ;7
 CASB': u41.15i ;7
 CASB': u40.15i ;7
 CASB': u36.15i ;7
 CASB': u37.15i ;7
 CASB': u35.15i ;7
 CASB': u34.15i ;7
 CASB': u30.15i ;7
 CASB': u31.15i ;7
 CASB': u33.15i ;7
 CASB': u32.15i ;7
 CASB': u28.15i ;7
 CASB': u29.15i ;7
 CASB': u27.15i ;7
 CASB': u26.15i ;7
 CASB': u25.15i ;7
 CASB': u24.15i ;7
 CASB': #R11.2i ;16
 CASB': #TP011.1i ;18

CASBz': u46.3o ;5
 CASBz': #R11.1o ;16

CASC': u68.15i ;8
 CASC': u64.15i ;8
 CASC': u60.15i ;8
 CASC': u56.15i ;8
 CASC': u52.15i ;8
 CASC': u48.15i ;8
 CASC': u47.15i ;8
 CASC': u51.15i ;8
 CASC': u55.15i ;8
 CASC': u59.15i ;8
 CASC': u63.15i ;8
 CASC': u67.15i ;8
 CASC': u66.15i ;8
 CASC': u62.15i ;8
 CASC': u58.15i ;8
 CASC': u54.15i ;8
 CASC': u50.15i ;8

XEROX	PROPRIETARY NOTE ON COVER SHEET APPLIES TO ALL SHEETS		DWG SIZE	DWG NO. 156P11217	SHEET REV. B
	TITLE SCHEMATIC, MCC		A4	SHEET 30 OF	

CASC': u49.15i ;8
 CASC': u53.15i ;8
 CASC': u57.15i ;8
 CASC': u61.15i ;8
 CASC': u65.15i ;8
 CASC': #R21.2i ;16
 CASC': #TP021.1i ;18

CASCz': u70.16o ;5
 CASCz': #R21.1o ;16

CASD': u92.15i ;9
 CASD': u91.15i ;9
 CASD': u90.15i ;9
 CASD': u89.15i ;9
 CASD': u85.15i ;9
 CASD': u86.15i ;9
 CASD': u87.15i ;9
 CASD': u88.15i ;9
 CASD': u84.15i ;9
 CASD': u83.15i ;9
 CASD': u82.15i ;9
 CASD': u81.15i ;9
 CASD': u77.15i ;9
 CASD': u78.15i ;9
 CASD': u79.15i ;9
 CASD': u80.15i ;9
 CASD': u76.15i ;9
 CASD': u75.15i ;9
 CASD': u74.15i ;9
 CASD': u73.15i ;9
 CASD': u71.15i ;9
 CASD': u72.15i ;9
 CASD': #R31.2i ;16
 CASD': #TP031.1i ;18

CASDz': u93.18o ;5
 CASDz': #R31.1o ;16

CasLatch: v53.11i, v54.11i ;2
 CasLatch: v47.13o ;3

Clk: v01.3i ;1
 Clk: v62.2o ;1
 Clk: v22.4i ;15

CRefresh': v02.8o, E116 ;1
 CRefresh': v61.8i ;2
 CRefresh': v11.10i, v11.4i, v11.2i ;4
 CRefresh': v10.2i
 CRefresh': v07.13i ;5

CRefresh: v02.9o ;1
 CRefresh: v47.2i, v47.5i ;3

Cycle1': E2, v13.9i ;1

Cycle2': E3, v47.8i ;1
 Cycle2': v61.9i ;2

Cycle2: v47.10o, v19.10i ;1

Cycle3': E4, u94.6i ;1

Cycle3: v07.4i, u94.14o ;1
 Cycle3: v19.4i ;1
 Cycle3: v23.10i ;1

DAddr.00': u73.13i ;9
 DAddr.00': u77.13i ;9
 DAddr.00': u81.13i ;9
 DAddr.00': u85.13i ;9
 DAddr.00': u89.13i ;9
 DAddr.00': u71.13i ;9
 DAddr.00': u72.13i ;9
 DAddr.00': u90.13i ;9
 DAddr.00': u86.13i ;9
 DAddr.00': u82.13i ;9
 DAddr.00': u78.13i ;9
 DAddr.00': u74.13i ;9
 DAddr.00': u75.13i ;9
 DAddr.00': u79.13i ;9
 DAddr.00': u83.13i ;9
 DAddr.00': u87.13i ;9
 DAddr.00': u91.13i ;9
 DAddr.00': u92.13i ;9
 DAddr.00': u88.13i ;9
 DAddr.00': u84.13i ;9
 DAddr.00': u80.13i ;9
 DAddr.00': u76.13i ;9
 DAddr.00': #R34.2i ;16
 DAddr.00': #TP033.1i ;18

DAddr.00: E67, v21.13i ;4

DAddr.00z': u93.16o ;5
 DAddr.00z': #R34.1o ;16

DAddr.01': u73.10i ;9
 DAddr.01': u77.10i ;9
 DAddr.01': u81.10i ;9
 DAddr.01': u85.10i ;9
 DAddr.01': u89.10i ;9
 DAddr.01': u71.10i ;9
 DAddr.01': u72.10i ;9
 DAddr.01': u90.10i ;9
 DAddr.01': u86.10i ;9
 DAddr.01': u82.10i ;9
 DAddr.01': u78.10i ;9
 DAddr.01': u74.10i ;9
 DAddr.01': u75.10i ;9
 DAddr.01': u79.10i ;9
 DAddr.01': u83.10i ;9
 DAddr.01': u87.10i ;9
 DAddr.01': u91.10i ;9
 DAddr.01': u92.10i ;9
 DAddr.01': u88.10i ;9
 DAddr.01': u84.10i ;9

XEROX	PROPRIETARY NOTE ON COVER SHEET APPLIES TO ALL SHEETS		DWG SIZE A4	DWG NO. 156P11217	SHEET REV. B
	TITLE SCHEMATIC, MCC		SHEET 31	OF	

DAddr.01': u80.10i ;9
DAddr.01': u76.10i ;9
DAddr.01': #R40.2i ;16
DAddr.01': #TP039.1i ;18

DAddr.01: E167, v21.14i ;4

DAddr.01z': u93.12o ;5
DAddr.01z': #R40.1o ;16

DAddr.02': u73.11i ;9
DAddr.02': u77.11i ;9
DAddr.02': u81.11i ;9
DAddr.02': u85.11i ;9
DAddr.02': u89.11i ;9
DAddr.02': u71.11i ;9
DAddr.02': u72.11i ;9
DAddr.02': u90.11i ;9
DAddr.02': u86.11i ;9
DAddr.02': u82.11i ;9
DAddr.02': u78.11i ;9
DAddr.02': u74.11i ;9
DAddr.02': u75.11i ;9
DAddr.02': u79.11i ;9
DAddr.02': u83.11i ;9
DAddr.02': u87.11i ;9
DAddr.02': u91.11i ;9
DAddr.02': u92.11i ;9
DAddr.02': u88.11i ;9
DAddr.02': u84.11i ;9
DAddr.02': u80.11i ;9
DAddr.02': u76.11i ;9
DAddr.02': #R38.2i ;16
DAddr.02': #TP037.1i ;18

DAddr.02: E68, v49.3i ;3

DAddr.02z': u94.9o ;5
DAddr.02z': #R38.1o ;16

DAddr.03': u73.12i ;9
DAddr.03': u77.12i ;9
DAddr.03': u81.12i ;9
DAddr.03': u85.12i ;9
DAddr.03': u89.12i ;9
DAddr.03': u71.12i ;9
DAddr.03': u72.12i ;9
DAddr.03': u90.12i ;9
DAddr.03': u86.12i ;9
DAddr.03': u82.12i ;9
DAddr.03': u78.12i ;9
DAddr.03': u74.12i ;9
DAddr.03': u75.12i ;9
DAddr.03': u79.12i ;9
DAddr.03': u83.12i ;9
DAddr.03': u87.12i ;9
DAddr.03': u91.12i ;9
DAddr.03': u92.12i ;9
DAddr.03': u88.12i ;9

DAddr.03': u84.12i ;9
DAddr.03': u80.12i ;9
DAddr.03': u76.12i ;9
DAddr.03': #R36.2i ;16
DAddr.03': #TP035.1i ;18

DAddr.03: E168, v49.13i ;3

DAddr.03z': u93.14o ;5
DAddr.03z': #R36.1o ;16

DAddr.04': u73.6i ;9
DAddr.04': u77.6i ;9
DAddr.04': u81.6i ;9
DAddr.04': u85.6i ;9
DAddr.04': u89.6i ;9
DAddr.04': u71.6i ;9
DAddr.04': u72.6i ;9
DAddr.04': u90.6i ;9
DAddr.04': u86.6i ;9
DAddr.04': u82.6i ;9
DAddr.04': u78.6i ;9
DAddr.04': u74.6i ;9
DAddr.04': u75.6i ;9
DAddr.04': u79.6i ;9
DAddr.04': u83.6i ;9
DAddr.04': u87.6i ;9
DAddr.04': u91.6i ;9
DAddr.04': u92.6i ;9
DAddr.04': u88.6i ;9
DAddr.04': u84.6i ;9
DAddr.04': u80.6i ;9
DAddr.04': u76.6i ;9
DAddr.04': #R37.2i ;16
DAddr.04': #TP038.1i ;18

DAddr.04: E69, v50.3i ;3

DAddr.04z': u93.7o ;5
DAddr.04z': #R37.1o ;16

DAddr.05': u73.7i ;9
DAddr.05': u77.7i ;9
DAddr.05': u81.7i ;9
DAddr.05': u85.7i ;9
DAddr.05': u89.7i ;9
DAddr.05': u71.7i ;9
DAddr.05': u72.7i ;9
DAddr.05': u90.7i ;9
DAddr.05': u86.7i ;9
DAddr.05': u82.7i ;9
DAddr.05': u78.7i ;9
DAddr.05': u74.7i ;9
DAddr.05': u75.7i ;9
DAddr.05': u79.7i ;9
DAddr.05': u83.7i ;9
DAddr.05': u87.7i ;9
DAddr.05': u91.7i ;9
DAddr.05': u92.7i ;9

XEROX	PROPRIETARY NOTE ON COVER SHEET APPLIES TO ALL SHEETS		DWG SIZE A4	DWG NO. 156P11217		SHEET REV. B
	TITLE	SCHEMATIC, MCC		SHEET	32 OF	

DAddr.05': u88.7i ;9
 DAddr.05': u84.7i ;9
 DAddr.05': u80.7i ;9
 DAddr.05': u76.7i ;9
 DAddr.05': #R39.2i ;16
 DAddr.05': #TP040.1i ;18

DAddr.05: E169, v50.13i ;3

DAddr.05z': u93.9o ;5
 DAddr.05z': #R39.1o ;16

DAddr.06': u73.5i ;9
 DAddr.06': u77.5i ;9
 DAddr.06': u81.5i ;9
 DAddr.06': u85.5i ;9
 DAddr.06': u89.5i ;9
 DAddr.06': u71.5i ;9
 DAddr.06': u72.5i ;9
 DAddr.06': u90.5i ;9
 DAddr.06': u86.5i ;9
 DAddr.06': u82.5i ;9
 DAddr.06': u78.5i ;9
 DAddr.06': u74.5i ;9
 DAddr.06': u75.5i ;9
 DAddr.06': u79.5i ;9
 DAddr.06': u83.5i ;9
 DAddr.06': u87.5i ;9
 DAddr.06': u91.5i ;9
 DAddr.06': u92.5i ;9
 DAddr.06': u88.5i ;9
 DAddr.06': u84.5i ;9
 DAddr.06': u80.5i ;9
 DAddr.06': u76.5i ;9
 DAddr.06': #R35.2i ;16
 DAddr.06': #TP036.1i ;18

DAddr.06: E71, v51.3i ;3

DAddr.06z': u93.5o ;5
 DAddr.06z': #R35.1o ;16

DAddr.07: E171, v51.13i ;3

DAddr.08: E72, v49.4i ;3

DAddr.09: E172, v49.12i ;3

DAddr.10: E73, v50.4i ;3

DAddr.11: E173, v50.12i ;3

DAddr.12: E74, v52.3i ;3

DAddr.13: E174, v51.4i ;3

DAddr.14: E75, v51.12i ;3

DAddr.15: E175, v52.4i ;3

DData.00: u95.18o, E76 ;12

DData.01: u95.16o, E176 ;12

DData.02: u95.14o, E77 ;12

DData.03: u95.12o, E177 ;12

DData.04: u95.3o, E78 ;12

DData.05: u95.5o, E178 ;12

DData.06: u95.7o, E79 ;12

DData.07: u95.9o, E179 ;12

DData.08: u96.18o, E81 ;12

DData.09: u96.16o, E181 ;12

DData.10: u96.14o, E82 ;12

DData.11: u96.12o, E182 ;12

DData.12: u96.3o, E83 ;12

DData.13: u96.5o, E183 ;12

DData.14: u96.7o, E84 ;12

DData.15: u96.9o, E184 ;12

Disp/Proc.'': v19.13i ;1

Disp/Proc.'': v30.9i, v13.13o ;4

Disp/Proc.'': v21.15i

Disp/Proc.'': v51.2i, v50.2i ;3

Disp/Proc.'': v49.2i, v52.2i

Disp/Proc.'': E66, v13.11i ;4

DLY5: v47.11i, v48.12o ;3

GND: v02.2i ;1

GND: v02.12i ;1

GND: v47.9i ;1

GND: v13.6i ;1

GND: v01.12i ;1

GND: v54.1i ;2

GND: v43.1i, v57.15i, v57.1i ;3

GND: v58.15i, v58.1i, v44.15i

GND: v44.1i, v52.15i, v52.1i

GND: v51.15i, v51.1i, v50.15i

GND: v50.1i, v49.15i, v49.1i

GND: v43.15i

GND: v47.12i ;3

GND: v13.12i ;4

GND: u94.1i ;5

GND: u94.19i ;5

XEROX	PROPRIETARY NOTE ON COVER SHEET APPLIES TO ALL SHEETS		DWG SIZE A4	DWG NO. 156P11217	SHEET REV. B
	TITLE	SCHEMATIC, MCC	SHEET	33 OF	

GND: u23.1i ;5
 GND: u23.19i ;5
 GND: u46.19i ;5
 GND: u46.1i ;5
 GND: u93.1i ;5
 GND: u93.19i ;5
 GND: u70.19i ;5
 GND: u70.1i ;5
 GND: v38.1i ;10
 GND: v39.1i ;10
 GND: v40.1i ;10
 GND: u95.1i, u96.1i ;12
 GND: v28.13i ;13
 GND: v28.12i ;13
 GND: v28.11i ;13
 GND: u97.16i ;16
 GND: v03.16i ;16
 GND: #C46.2o, #C42.2o, #C40.2o ;19
 GND: #C38.2o, #C36.2o, #C34.2o
 GND: #C32.2o, #C30.2o, #C28.2o
 GND: #C26.2o, #C21.2o, #C19.2o
 GND: #C17.2o, #C15.2o, #C13.2o
 GND: #C11.2o, #C9.2o, #C7.2o
 GND: #C5.2o, #C3.2o, #C1.2o
 GND: #C44.2o
 GND: #C92.2o, #C90.2o, #C87.2o ;19
 GND: #C85.2o, #C83.2o, #C81.2o
 GND: #C79.2o, #C77.2o, #C75.2o
 GND: #C73.2o, #C71.2o, #C68.2o
 GND: #C66.2o, #C64.2o, #C62.2o
 GND: #C60.2o, #C58.2o, #C56.2o
 GND: #C54.2o, #C52.2o, #C50.2o
 GND: #C48.2o
 GND: #C95.2o, #C94.2o, #C91.2o ;19
 GND: #C89.2o, #C86.2o, #C84.2o
 GND: #C82.2o, #C80.2o, #C76.2o
 GND: #C74.2o, #C72.2o, #C70.2o
 GND: #C69.2o, #C67.2o, #C65.2o
 GND: #C61.2o, #C59.2o, #C57.2o
 GND: #C55.2o, #C53.2o, #C51.2o
 GND: #C45.2o, #C43.2o, #C41.2o
 GND: #C39.2o, #C37.2o, #C35.2o
 GND: #C33.2o, #C31.2o, #C27.2o
 GND: #C25.2o, #C22.2o, #C20.2o
 GND: #C18.2o, #C14.2o, #C12.2o
 GND: #C10.2o, #C8.2o, #C6.2o
 GND: #C4.2o, #C2.2o, #C49.2o
 GND: #C129.2o, #C128.2o, #C127.2o ;20
 GND: #C126.2o, #C125.2o, #C124.2o
 GND: #C123.2o, #C122.2o, #C121.2o
 GND: #C120.2o, #C119.2o, #C118.2o
 GND: #C117.2o, #C116.2o, #C115.2o
 GND: #C114.2o, #C113.2o, #C112.2o
 GND: #C111.2o, #C110.2o, #C109.2o
 GND: #C108.2o, #C107.2o, #C106.2o
 GND: #C105.2o, #C104.2o, #C103.2o
 GND: #C102.2o, #C101.2o, #C100.2o
 GND: #C99.2o, #C98.2o, #C97.2o
 GND: #C96.2o, #C93.2o, #C72.2o

GND: #C78.2o, #C63.2o, #C47.2o
 GND: #C29.2o, #C24.2o, #C23.2o
 GND: #C16.2o

 InhibitCorrect: v38.19o ;10
 InhibitCorrect: v15.4i, v27.4i ;14
 InhibitCorrect: v14.4i, v16.4i

 LatchY.00: v54.6o, E136 ;2
 LatchY.00: v44.4i ;3
 LatchY.00: v21.3i ;4

 LatchY.01: v54.9o, E36 ;2
 LatchY.01: v58.4i ;3
 LatchY.01: v21.2i ;4

 LatchY.02: v54.12o ;2
 LatchY.02: v58.12i ;3
 LatchY.02: #TP086.1i ;18

 LatchY.03: v54.15o ;2
 LatchY.03: v57.4i ;3
 LatchY.03: #TP087.1i ;18

 LatchY.05: v54.16o ;2
 LatchY.05: v57.12i ;3
 LatchY.05: #TP088.1i ;18

 LatchY.06: v54.19o ;2
 LatchY.06: v43.4i ;3
 LatchY.06: #TP089.1i ;18

 LatchY.07: v53.2o ;2
 LatchY.07: v43.12i ;3
 LatchY.07: #TP090.1i ;18

 LatchY.08: v09.18o, v53.5o ;2
 LatchY.08: v49.6i ;3
 LatchY.08: v44.6i ;3
 LatchY.08: #TP091.1i ;18

 LatchY.09: v09.16o, v53.6o ;2
 LatchY.09: v49.10i ;3
 LatchY.09: v58.6i ;3
 LatchY.09: #TP092.1i ;18

 LatchY.10: v09.14o, v53.9o ;2
 LatchY.10: v50.6i ;3
 LatchY.10: v58.10i ;3
 LatchY.10: #TP093.1i ;18

 LatchY.11: v09.12o, v53.12o ;2
 LatchY.11: v50.10i ;3
 LatchY.11: v57.6i ;3
 LatchY.11: #TP094.1i ;18

 LatchY.13: v09.3o, v53.15o ;2
 LatchY.13: v51.6i ;3
 LatchY.13: v57.10i ;3

XEROX	PROPRIETARY NOTE ON COVER SHEET APPLIES TO ALL SHEETS		DWG SIZE A4	DWG NO. 156P11217	SHEET REV. B
	TITLE SCHEMATIC, MCC			SHEET 34 OF	

LatchY.13: #TP095.1i ;18
 LatchY.14: v09.5o, v53.16o ;2
 LatchY.14: v51.10i ;3
 LatchY.14: v43.6i ;3
 LatchY.14: #TP096.1i ;18

 LatchY.15: v09.7o, v53.19o ;2
 LatchY.15: v52.6i ;3
 LatchY.15: v43.10i ;3
 LatchY.15: #TP097.1i ;18

 LatchYH.6: v54.5o ;2
 LatchYH.6: v62.11i, v10.4i ;4

 LatchYH.7: v54.2o ;2
 LatchYH.7: v62.13i, v10.9i ;4

 LCAS: E106, v07.12i ;5

 LdMDR: v61.4o ;1
 LdMDR: v40.11i, v39.11i ;10

 LowAddr.00: v49.7o ;3
 LowAddr.00: u46.15i, u23.15i ;5
 LowAddr.00: u93.4i, u70.13i ;5

 LowAddr.01: v49.9o ;3
 LowAddr.01: u70.17i, u46.2i ;5
 LowAddr.01: u93.8i, u94.4i ;5

 LowAddr.02: v50.7o ;3
 LowAddr.02: u94.11i, u94.2i ;5
 LowAddr.02: u46.11i, u23.11i ;5

 LowAddr.03: v50.9o ;3
 LowAddr.03: u46.13i, u23.13i ;5
 LowAddr.03: u93.6i, u70.11i ;5

 LowAddr.04: v51.7o ;3
 LowAddr.04: u93.13i, u70.8i ;5
 LowAddr.04: u46.8i, u23.6i ;5

 LowAddr.05: v51.9o ;3
 LowAddr.05: u70.2i, u23.8i ;5
 LowAddr.05: u93.11i, u94.17i ;5

 LowAddr.06: v52.7o ;3
 LowAddr.06: u93.15i, u70.6i ;5
 LowAddr.06: u46.6i, u23.4i ;5

 LowWrite: v61.1o ;1
 LowWrite: u46.4i ;5
 LowWrite: u23.17i ;5
 LowWrite: u70.15i ;5
 LowWrite: u93.17i ;5

 LRAS': E105, v62.9i ;3

LRAS: v62.8o, v31.1i ;3
 LRAS: u69.9i, u69.1i, u69.12i ;4
 LRAS: u69.4i

 M5V: E100, E200, #F1.2i ;17

 MapRef: E15, v07.2i ;1

 MCtl←': E115, u94.13i ;10
 MCtl←': v22.5i ;15

 MCycle: v13.1o ;1
 MCycle: v10.5i, v10.11i, v30.13i ;4
 MCycle: #TP085.1i ;18

 MDC1k: v19.6o ;1
 MDC1k: v26.11i ;13

 MDR←': v61.5i, v19.8o, v01.2i ;1

 mem: E113, v19.11i ;1
 mem: v19.3i ;1
 mem: v23.9i ;1
 mem: v07.10i ;1

 MemCycle': v01.8o, v13.3i ;1
 MemCycle': v20.5i ;13

 MemData.00: u45.14o ;11
 MemData.00: u22.14o ;11
 MemData.00: u68.14o ;11
 MemData.00: u92.14o ;11
 MemData.00: v05.2i ;12
 MemData.00: u95.2i ;12
 MemData.00: u97.1i ;16
 MemData.00: #TP063.1i ;18

 MemData.01: u21.14o ;11
 MemData.01: u67.14o ;11
 MemData.01: u91.14o ;11
 MemData.01: u44.14o ;11
 MemData.01: v05.4i ;12
 MemData.01: u95.4i ;12
 MemData.01: u97.15o ;16
 MemData.01: #TP064.1i ;18

 MemData.02: u43.14o ;11
 MemData.02: u20.14o ;11
 MemData.02: u66.14o ;11
 MemData.02: u90.14o ;11
 MemData.02: v05.6i ;12
 MemData.02: u95.6i ;12
 MemData.02: u97.2i ;16
 MemData.02: #TP065.1i ;18

 MemData.03: u42.14o ;11
 MemData.03: u19.14o ;11
 MemData.03: u65.14o ;11
 MemData.03: u89.14o ;11

XEROX	PROPRIETARY NOTE ON COVER SHEET APPLIES TO ALL SHEETS		DWG SIZE A4	DWG NO. 156P11217	SHEET REV. B
	TITLE	SCHEMATIC, MCC	SHEET	35 OF	

MemData.03:	v05.8i	;12	MemData.10:	u35.14o	;11
MemData.03:	u95.8i	;12	MemData.10:	u12.14o	;11
MemData.03:	u97.14o	;16	MemData.10:	u58.14o	;11
MemData.03:	#TP066.1i	;18	MemData.10:	u82.14o	;11
MemData.04:	u41.14o	;11	MemData.10:	v04.6i	;12
MemData.04:	u18.14o	;11	MemData.10:	u96.6i	;12
MemData.04:	u64.14o	;11	MemData.10:	u97.6i	;16
MemData.04:	u88.14o	;11	MemData.10:	#TP073.1i	;18
MemData.04:	v05.17i	;12	MemData.11:	u34.14o	;11
MemData.04:	u95.17i	;12	MemData.11:	u11.14o	;11
MemData.04:	u97.3i	;16	MemData.11:	u57.14o	;11
MemData.04:	#TP067.1i	;18	MemData.11:	u81.14o	;11
MemData.05:	u40.14o	;11	MemData.11:	v04.8i	;12
MemData.05:	u17.14o	;11	MemData.11:	u96.8i	;12
MemData.05:	u63.14o	;11	MemData.11:	u97.10o	;16
MemData.05:	u87.14o	;11	MemData.11:	#TP074.1i	;18
MemData.05:	v05.15i	;12	MemData.12:	u33.14o	;11
MemData.05:	u95.15i	;12	MemData.12:	u10.14o	;11
MemData.05:	u97.13o	;16	MemData.12:	u56.14o	;11
MemData.05:	#TP068.1i	;18	MemData.12:	u80.14o	;11
MemData.06:	u39.14o	;11	MemData.12:	v04.17i	;12
MemData.06:	u16.14o	;11	MemData.12:	u96.17i	;12
MemData.06:	u62.14o	;11	MemData.12:	u97.7i	;16
MemData.06:	u86.14o	;11	MemData.12:	#TP075.1i	;18
MemData.06:	v05.13i	;12	MemData.13:	u32.14o	;11
MemData.06:	u95.13i	;12	MemData.13:	u09.14o	;11
MemData.06:	u97.4i	;16	MemData.13:	u55.14o	;11
MemData.06:	#TP069.1i	;18	MemData.13:	u79.14o	;11
MemData.07:	u38.14o	;11	MemData.13:	v04.15i	;12
MemData.07:	u15.14o	;11	MemData.13:	u96.15i	;12
MemData.07:	u61.14o	;11	MemData.13:	u97.9o	;16
MemData.07:	u85.14o	;11	MemData.13:	#TP076.1i	;18
MemData.07:	v05.11i	;12	MemData.14:	u31.14o	;11
MemData.07:	u95.11i	;12	MemData.14:	u08.14o	;11
MemData.07:	u97.12o	;16	MemData.14:	u54.14o	;11
MemData.07:	#TP070.1i	;18	MemData.14:	u78.14o	;11
MemData.08:	u37.14o	;11	MemData.14:	v04.13i	;12
MemData.08:	u14.14o	;11	MemData.14:	u96.13i	;12
MemData.08:	u60.14o	;11	MemData.14:	u97.8i	;16
MemData.08:	u84.14o	;11	MemData.14:	#TP077.1i	;18
MemData.08:	v04.2i	;12	MemData.15:	u30.14o	;11
MemData.08:	u96.2i	;12	MemData.15:	u07.14o	;11
MemData.08:	u97.5i	;16	MemData.15:	u53.14o	;11
MemData.08:	#TP071.1i	;18	MemData.15:	u77.14o	;11
MemData.09:	u36.14o	;11	MemData.15:	v04.11i	;12
MemData.09:	u13.14o	;11	MemData.15:	u96.11i	;12
MemData.09:	u59.14o	;11	MemData.15:	v03.15o	;16
MemData.09:	u83.14o	;11	MemData.15:	#TP078.1i	;18
MemData.09:	v04.4i	;12	MemData.16:	u29.14o	;11
MemData.09:	u96.4i	;12	MemData.16:	u06.14o	;11
MemData.09:	u97.11o	;16	MemData.16:	u52.14o	;11
MemData.09:	#TP072.1i	;18	MemData.16:	u76.14o	;11
			MemData.16:	v06.2i	;12

XEROX	PROPRIETARY NOTE ON COVER SHEET APPLIES TO ALL SHEETS		DWG SIZE A4	DWG NO. 156P11217	SHEET REV.
	TITLE SCHEMATIC, MCC			SHEET 36 OF	B

MemData.16: v03.1i ;16
 MemData.16: #TP079.1i ;18

 MemData.17: u28.14o ;11
 MemData.17: u05.14o ;11
 MemData.17: u51.14o ;11
 MemData.17: u75.14o ;11
 MemData.17: v06.4i ;12
 MemData.17: v03.14o ;16
 MemData.17: #TP080.1i ;18

 MemData.18: u27.14o ;11
 MemData.18: u04.14o ;11
 MemData.18: u50.14o ;11
 MemData.18: u74.14o ;11
 MemData.18: v06.6i ;12
 MemData.18: v03.2i ;16
 MemData.18: #TP081.1i ;18

 MemData.19: u26.14o ;11
 MemData.19: u03.14o ;11
 MemData.19: u49.14o ;11
 MemData.19: u73.14o ;11
 MemData.19: v06.8i ;12
 MemData.19: v03.13o ;16
 MemData.19: #TP082.1i ;18

 MemData.20: u25.14o ;11
 MemData.20: u02.14o ;11
 MemData.20: u48.14o ;11
 MemData.20: u72.14o ;11
 MemData.20: v06.17i ;12
 MemData.20: v03.3i ;16
 MemData.20: #TP083.1i ;18

 MemData.21: u24.14o ;11
 MemData.21: u01.14o ;11
 MemData.21: u47.14o ;11
 MemData.21: u71.14o ;11
 MemData.21: v06.11i ;12
 MemData.21: v03.12o ;16
 MemData.21: #TP084.1i ;18

 MemErr': v23.12i, v23.13i, v30.6o ;13
 MemErr': v12.4i, v12.5i ;15

 MemErr: v26.18i, v23.11o, E166 ;13

 MRef': v02.6o, E38 ;1
 MRef': v20.4i ;13

 MRef: v13.2i, v02.5o ;1
 MRef: v57.2i, v58.2i, v44.2i ;3
 MRef: v43.2i

 P12V: E1, E101, #F3.2i ;17

 P5V: E50, E51, E150, E151, #F2.2i ;17

 ppClk: v61.6i, E9, v61.11i ;1

 preClk: v07.5i ;1
 preClk: v62.1i, v61.13o ;1
 preClk: v19.5i ;1
 preClk: v23.2i ;10
 preClk: v12.6i ;15

 Pt.0: E64, v12.3i ;15

 Pt.1: E164, v12.2i ;15

 Pt.2: E65, v12.1i ;15

 PullupA: v02.1i ;1
 PullupA: v01.1i ;1
 PullupA: v02.13i ;1
 PullupA: v01.13i ;1
 PullupA: u95.19i, u96.19i ;12
 PullupA: #R64.2i ;16

 PullupB: v01.4i ;1
 PullupB: #R63.2i ;16
 PullupB: #TP099.1i ;18

 RAS': E5, v62.5i ;3

 RASA': u22.4i ;6
 RASA': u21.4i ;6
 RASA': u20.4i ;6
 RASA': u19.4i ;6
 RASA': u18.4i ;6
 RASA': u17.4i ;6
 RASA': u16.4i ;6
 RASA': u15.4i ;6
 RASA': u14.4i ;6
 RASA': u13.4i ;6
 RASA': u12.4i ;6
 RASA': u11.4i ;6
 RASA': u10.4i ;6
 RASA': u09.4i ;6
 RASA': u08.4i ;6
 RASA': u07.4i ;6
 RASA': u06.4i ;6
 RASA': u05.4i ;6
 RASA': u04.4i ;6
 RASA': u03.4i ;6
 RASA': u02.4i ;6
 RASA': u01.4i ;6
 RASA': #R3.2i ;16
 RASA': #TP004.1i ;18

 RASAz': u69.6o ;4
 RASAz': #R3.1o ;16

 RASB': u44.4i ;7
 RASB': u45.4i ;7
 RASB': u43.4i ;7
 RASB': u42.4i ;7

XEROX	PROPRIETARY NOTE ON COVER SHEET APPLIES TO ALL SHEETS		DWG SIZE A4	DWG NO. 156P11217	SHEET REV. B
	TITLE SCHEMATIC, MCC			SHEET 37 OF	

RASB': u38.4i ;7
 RASB': u39.4i ;7
 RASB': u41.4i ;7
 RASB': u40.4i ;7
 RASB': u36.4i ;7
 RASB': u37.4i ;7
 RASB': u35.4i ;7
 RASB': u34.4i ;7
 RASB': u30.4i ;7
 RASB': u31.4i ;7
 RASB': u33.4i ;7
 RASB': u32.4i ;7
 RASB': u28.4i ;7
 RASB': u29.4i ;7
 RASB': u27.4i ;7
 RASB': u26.4i ;7
 RASB': u25.4i ;7
 RASB': u24.4i ;7
 RASB': #R13.2i ;16
 RASB': #TP014.1i ;18

RASBz': u69.11o ;4
 RASBz': #R13.1o ;16

RASC': u68.4i ;8
 RASC': u64.4i ;8
 RASC': u60.4i ;8
 RASC': u56.4i ;8
 RASC': u52.4i ;8
 RASC': u48.4i ;8
 RASC': u47.4i ;8
 RASC': u51.4i ;8
 RASC': u55.4i ;8
 RASC': u59.4i ;8
 RASC': u63.4i ;8
 RASC': u67.4i ;8
 RASC': u66.4i ;8
 RASC': u62.4i ;8
 RASC': u58.4i ;8
 RASC': u54.4i ;8
 RASC': u50.4i ;8
 RASC': u49.4i ;8
 RASC': u53.4i ;8
 RASC': u57.4i ;8
 RASC': u61.4i ;8
 RASC': u65.4i ;8
 RASC': #R23.2i ;16
 RASC': #TP024.1i ;18

RASCz': u69.3o ;4
 RASCz': #R23.1o ;16

RASD': u92.4i ;9
 RASD': u91.4i ;9
 RASD': u90.4i ;9
 RASD': u89.4i ;9
 RASD': u85.4i ;9
 RASD': u86.4i ;9
 RASD': u87.4i ;9

RASD': u88.4i ;9
 RASD': u84.4i ;9
 RASD': u83.4i ;9
 RASD': u82.4i ;9
 RASD': u81.4i ;9
 RASD': u77.4i ;9
 RASD': u78.4i ;9
 RASD': u79.4i ;9
 RASD': u80.4i ;9
 RASD': u76.4i ;9
 RASD': u75.4i ;9
 RASD': u74.4i ;9
 RASD': u73.4i ;9
 RASD': u71.4i ;9
 RASD': u72.4i ;9
 RASD': #R33.2i ;16
 RASD': #TP034.1i ;18

RASDz': u69.8o ;4
 RASDz': #R33.1o ;16

Refresh': v09.1i, u94.15i, E16 ;2
 Refresh': v09.19i

Refresh: v19.2i ;1
 Refresh: u94.5o, v53.1i ;2

RFCL: v20.9i, v20.10i ;2
 RFCL: #R65.2i ;16
 RFCL: #TP098.1i ;18

SAddr.00: v44.7o, E32 ;3

SAddr.01: v58.7o, E132 ;3

SAddr.02: v58.9o, E33 ;3

SAddr.03: v57.7o, E133 ;3

SAddr.04: v57.9o, E34 ;3

SAddr.05: v43.7o, E134 ;3

SAddr.06: v43.9o, E35 ;3

SDI.00: v40.2o, E96 ;10

SDI.00: v37.1i ;10

SDI.00: v36.1i ;10

SDI.00: v32.1i ;10

SDI.00: #R62.2i ;16

SDI.00z: u22.2i, u68.2i, u92.2i ;11

SDI.00z: u45.2i

SDI.00z: #R62.1o ;16

SDI.00z: #TP041.1i ;18

SDI.01: v40.5o, E196 ;10

SDI.01: v37.2i ;10

SDI.01: v35.1i ;10

XEROX	PROPRIETARY NOTE ON COVER SHEET APPLIES TO ALL SHEETS		DWG SIZE A4	DWG NO. 156P11217	SHEET REV. B
	TITLE SCHEMATIC, MCC		SHEET 38	OF	

SDI.01: v32.2i ;10
SDI.01: #R60.2i ;16

SDI.01z: u21.2i, u67.2i, u91.2i ;11
SDI.01z: u44.2i
SDI.01z: #R60.1o ;16
SDI.01z: #TP042.1i ;18

SDI.02: v40.6o, E95 ;10
SDI.02: v37.4i ;10
SDI.02: v34.1i ;10
SDI.02: v32.4i ;10
SDI.02: #R58.2i ;16

SDI.02z: u20.2i, u66.2i, u90.2i ;11
SDI.02z: u43.2i
SDI.02z: #R58.1o ;16
SDI.02z: #TP043.1i ;18

SDI.03: v40.9o, E195 ;10
SDI.03: v37.8i ;10
SDI.03: v33.1i ;10
SDI.03: v32.8i ;10
SDI.03: #R56.2i ;16

SDI.03z: u19.2i, u65.2i, u89.2i ;11
SDI.03z: u42.2i
SDI.03z: #R56.1o ;16
SDI.03z: #TP044.1i ;18

SDI.04: v40.12o, E94 ;10
SDI.04: v36.2i ;10
SDI.04: v35.2i ;10
SDI.04: v32.9i ;10
SDI.04: #R54.2i ;16

SDI.04z: u18.2i, u64.2i, u88.2i ;11
SDI.04z: u41.2i
SDI.04z: #R54.1o ;16
SDI.04z: #TP045.1i ;18

SDI.05: v40.15o, E194 ;10
SDI.05: v36.4i ;10
SDI.05: v34.2i ;10
SDI.05: v32.10i ;10
SDI.05: #R52.2i ;16

SDI.05z: u17.2i, u63.2i, u87.2i ;11
SDI.05z: u40.2i
SDI.05z: #R52.1o ;16
SDI.05z: #TP046.1i ;18

SDI.06: v40.16o, E93 ;10
SDI.06: v35.4i ;10
SDI.06: v34.4i ;10
SDI.06: v33.2i ;10
SDI.06: #R50.2i ;16

SDI.06z: u16.2i, u62.2i, u86.2i ;11

SDI.06z: u39.2i
SDI.06z: #R50.1o ;16
SDI.06z: #TP047.1i ;18

SDI.07: v40.19o, E193 ;10
SDI.07: v36.8i ;10
SDI.07: v34.8i ;10
SDI.07: v33.4i ;10
SDI.07: #R48.2i ;16

SDI.07z: u15.2i, u61.2i, u85.2i ;11
SDI.07z: u38.2i
SDI.07z: #R48.1o ;16
SDI.07z: #TP048.1i ;18

SDI.08: v39.2o, E92 ;10
SDI.08: v36.9i ;10
SDI.08: v35.8i ;10
SDI.08: v33.8i ;10
SDI.08: #R42.2i ;16

SDI.08z: u14.2i, u60.2i, u84.2i ;11
SDI.08z: u37.2i
SDI.08z: #R42.1o ;16
SDI.08z: #TP049.1i ;18

SDI.09: v39.5o, E192 ;10
SDI.09: v36.10i ;10
SDI.09: v35.9i ;10
SDI.09: v34.9i ;10
SDI.09: #R44.2i ;16

SDI.09z: u13.2i, u59.2i, u83.2i ;11
SDI.09z: u36.2i
SDI.09z: #R44.1o ;16
SDI.09z: #TP050.1i ;18

SDI.10: v39.6o, E91 ;10
SDI.10: v37.9i ;10
SDI.10: v34.10i ;10
SDI.10: v33.9i ;10
SDI.10: #R46.2i ;16

SDI.10z: u12.2i, u58.2i, u82.2i ;11
SDI.10z: u35.2i
SDI.10z: #R46.1o ;16
SDI.10z: #TP051.1i ;18

SDI.11: v39.9o, E191 ;10
SDI.11: v37.10i ;10
SDI.11: v35.10i ;10
SDI.11: v33.10i ;10
SDI.11: #R41.2i ;16

SDI.11z: u11.2i, u57.2i, u81.2i ;11
SDI.11z: u34.2i
SDI.11z: #R41.1o ;16
SDI.11z: #TP052.1i ;18

XEROX	PROPRIETARY NOTE ON COVER SHEET APPLIES TO ALL SHEETS		DWG SIZE A4	DWG NO. 156P11217	SHEET REV. B
	TITLE SCHEMATIC, MCC		SHEET 39	OF	

SDI.12: v39.12o, E89 ;10
SDI.12: v37.11i ;10
SDI.12: v35.11i ;10
SDI.12: v34.11i ;10
SDI.12: #R43.2i ;16

SDI.12z: u10.2i, u56.2i, u80.2i ;11
SDI.12z: u33.2i
SDI.12z: #R43.1o ;16
SDI.12z: #TP053.1i ;18

SDI.13: v39.15o, E189 ;10
SDI.13: v37.12i ;10
SDI.13: v36.11i ;10
SDI.13: v33.11i ;10
SDI.13: #R45.2i ;16

SDI.13z: u09.2i, u55.2i, u79.2i ;11
SDI.13z: u32.2i
SDI.13z: #R45.1o ;16
SDI.13z: #TP054.1i ;18

SDI.14: v39.16o, E88 ;10
SDI.14: v35.12i ;10
SDI.14: v34.12i ;10
SDI.14: v32.11i ;10
SDI.14: #R47.2i ;16

SDI.14z: u08.2i, u54.2i, u78.2i ;11
SDI.14z: u31.2i
SDI.14z: #R47.1o ;16
SDI.14z: #TP055.1i ;18

SDI.15: v39.19o, E188 ;10
SDI.15: v36.12i ;10
SDI.15: v33.12i ;10
SDI.15: v32.12i ;10
SDI.15: #R49.2i ;16

SDI.15z: u07.2i, u53.2i, u77.2i ;11
SDI.15z: u30.2i
SDI.15z: #R49.1o ;16
SDI.15z: #TP056.1i ;18

SDI.16: v37.5o, E87 ;10
SDI.16: #R51.2i ;16

SDI.16z: u06.2i, u52.2i, u76.2i ;11
SDI.16z: u29.2i
SDI.16z: #R51.1o ;16
SDI.16z: #TP057.1i ;18

SDI.17: v36.5o, E187 ;10
SDI.17: #R53.2i ;16

SDI.17z: u05.2i, u51.2i, u75.2i ;11
SDI.17z: u28.2i
SDI.17z: #R53.1o ;16
SDI.17z: #TP058.1i ;18

SDI.18: v35.5o, E86 ;10
SDI.18: #R55.2i ;16

SDI.18z: u04.2i, u50.2i, u74.2i ;11
SDI.18z: u27.2i
SDI.18z: #R55.1o ;16
SDI.18z: #TP059.1i ;18

SDI.19: v34.5o, E186 ;10
SDI.19: #R57.2i ;16

SDI.19z: u03.2i, u49.2i, u73.2i ;11
SDI.19z: u26.2i
SDI.19z: #R57.1o ;16
SDI.19z: #TP060.1i ;18

SDI.20: v33.6o, E85 ;10
SDI.20: #R59.2i ;16

SDI.20z: u02.2i, u48.2i, u72.2i ;11
SDI.20z: u25.2i
SDI.20z: #R59.1o ;16
SDI.20z: #TP061.1i ;18

SDI.21: v32.6o, E185 ;10
SDI.21: #R61.2i ;16

SDI.21z: u01.2i, u47.2i, u71.2i ;11
SDI.21z: u24.2i
SDI.21z: #R61.1o ;16
SDI.21z: #TP062.1i ;18

SDO.00: v05.18o, E18 ;12
SDO.00: v60.1i ;13
SDO.00: v59.1i ;13
SDO.00: v17.2i ;13
SDO.00: v24.2i ;14

SDO.01: v05.16o, E118 ;12
SDO.01: v60.2i ;13
SDO.01: v46.1i ;13
SDO.01: v17.4i ;13
SDO.01: v24.5i ;14

SDO.02: v05.14o, E19 ;12
SDO.02: v60.4i ;13
SDO.02: v45.1i ;13
SDO.02: v17.8i ;13
SDO.02: v24.10i ;14

SDO.03: v05.12o, E119 ;12
SDO.03: v60.8i ;13
SDO.03: v29.1i ;13
SDO.03: v24.13i ;14

SDO.04: v05.3o, E21 ;12
SDO.04: v59.2i ;13
SDO.04: v46.2i ;13

XEROX	PROPRIETARY NOTE ON COVER SHEET APPLIES TO ALL SHEETS		DWG SIZE A4	DWG NO. 156P11217	SHEET REV. B
	TITLE	SCHEMATIC, MCC		SHEET 40 OF	

SDO.04: v17.9i ;13
 SDO.04: v25.2i ;14

SDO.05: v05.5o, E121 ;12
 SDO.05: v59.4i ;13
 SDO.05: v45.2i ;13
 SDO.05: v17.10i ;13
 SDO.05: v25.5i ;14

SDO.06: v05.7o, E22 ;12
 SDO.06: v46.4i ;13
 SDO.06: v45.4i ;13
 SDO.06: v29.2i ;13
 SDO.06: v25.10i ;14

SDO.07: v05.9o, E122 ;12
 SDO.07: v59.8i ;13
 SDO.07: v45.8i ;13
 SDO.07: v29.4i ;13
 SDO.07: v25.13i ;14

SDO.08: v04.18o, E23 ;12
 SDO.08: v59.9i ;13
 SDO.08: v46.8i ;13
 SDO.08: v29.8i ;13
 SDO.08: v41.2i ;14

SDO.09: v04.16o, E123 ;12
 SDO.09: v59.10i ;13
 SDO.09: v46.9i ;13
 SDO.09: v45.9i ;13
 SDO.09: v28.1i ;13
 SDO.09: v41.5i ;14

SDO.10: v04.14o, E24 ;12
 SDO.10: v60.9i ;13
 SDO.10: v45.10i ;13
 SDO.10: v29.9i ;13
 SDO.10: v41.10i ;14

SDO.11: v04.12o, E124 ;12
 SDO.11: v60.10i ;13
 SDO.11: v46.10i ;13
 SDO.11: v29.10i ;13
 SDO.11: v41.13i ;14

SDO.12: v04.3o, E25 ;12
 SDO.12: v60.11i ;13
 SDO.12: v46.11i ;13
 SDO.12: v45.11i ;13
 SDO.12: v28.2i ;13
 SDO.12: v42.2i ;14

SDO.13: v04.5o, E125 ;12
 SDO.13: v60.12i ;13
 SDO.13: v59.11i ;13
 SDO.13: v29.11i ;13
 SDO.13: v42.5i ;14

SDO.14: v04.7o, E26 ;12
 SDO.14: v46.12i ;13
 SDO.14: v45.12i ;13
 SDO.14: v17.11i ;13
 SDO.14: v42.10i ;14

SDO.15: v04.9o, E126 ;12
 SDO.15: v59.12i ;13
 SDO.15: v29.12i ;13
 SDO.15: v42.13i ;14

SDO.16: v06.18o, E27 ;12
 SDO.16: v60.13i ;13
 SDO.16: v28.4i ;13

SDO.17: v06.16o, E127 ;12
 SDO.17: v59.13i ;13
 SDO.17: v28.8i ;13

SDO.18: v06.14o, E28 ;12
 SDO.18: v46.13i ;13
 SDO.18: v28.9i ;13

SDO.19: v06.12o, E128 ;12
 SDO.19: v45.13i ;13
 SDO.19: v28.10i ;13

SDO.20: v06.3o, E29 ;12
 SDO.20: v29.13i ;13

SDO.21: v06.9o, E129 ;12
 SDO.21: v17.12i ;13

SingErr: v30.1i, v26.17i, v18.8o ;13

SyndA': v18.1i, v60.6o ;13
 SyndA': v15.6i ;14
 SyndA': v16.6i ;14

SyndA: v26.3i, v60.5o ;13
 SyndA: v27.6i ;14
 SyndA: v14.6i ;14

SyndB': v18.2i, v59.6o ;13
 SyndB': v15.5i ;14
 SyndB': v14.5i ;14

SyndB: v26.4i, v59.5o ;13
 SyndB: v16.5i ;14
 SyndB: v27.5i ;14

SyndC: v26.7i, v46.5o ;13
 SyndC: v14.3i ;14
 SyndC: v27.3i ;14
 SyndC: v15.3i ;14
 SyndC: v16.3i ;14

SyndD: v26.8i, v45.5o ;13
 SyndD: v16.2i ;14

XEROX	PROPRIETARY NOTE ON COVER SHEET APPLIES TO ALL SHEETS		DWG SIZE A4	DWG NO. 156P11217	SHEET REV. B
	TITLE SCHEMATIC, MCC		SHEET 41	OF	

SyndD: v15.2i ;14
 SyndD: v27.2i ;14
 SyndD: v14.2i ;14

 SyndE: v26.13i, v17.1i, v29.6o ;13
 SyndE: v16.1i ;14
 SyndE: v15.1i ;14
 SyndE: v27.1i ;14
 SyndE: v14.1i ;14

 SyndF': v17.5o, v18.12i, v18.11i ;13
 SyndF': v18.6i, v30.2i

 SyndF: v17.6o, v26.14i ;13

 VCC: #C101.1i, #C102.1i, #C103.1i ;20
 VCC: #C104.1i, #C105.1i, #C106.1i
 VCC: #C107.1i, #C108.1i, #C109.1i
 VCC: #C110.1i, #C111.1i, #C112.1i
 VCC: #C113.1i, #C114.1i, #C116.1i
 VCC: #C23.1i, #C24.1i, #C29.1i
 VCC: #C47.1i, #C63.1i, #C78.1i
 VCC: #C72.1i, #C93.1i, #C96.1i
 VCC: #C97.1i, #C98.1i, #C99.1i
 VCC: #C100.1i, #C115.1i, #C116.1i
 VCC: #C117.1i, #C118.1i, #C119.1i
 VCC: #C120.1i, #C121.1i, #C122.1i
 VCC: #C123.1i, #C124.1i, #C125.1i
 VCC: #C126.1i, #C127.1i, #C128.1i
 VCC: #C129.1i

 Wait: E17, v61.12i ;1

 WPulse1: v07.1i ;1
 WPulse1: v19.1i ;1
 WPulse1: v07.9i ;1
 WPulse1: v13.10o ;1

 WPulse: v23.4i ;1
 WPulse: E7, v13.5i ;1

 Write': v61.2i, v23.6o, E138 ;1

 WriteA': u22.3i ;6
 WriteA': u21.3i ;6
 WriteA': u20.3i ;6
 WriteA': u19.3i ;6
 WriteA': u18.3i ;6
 WriteA': u17.3i ;6
 WriteA': u16.3i ;6
 WriteA': u15.3i ;6
 WriteA': u14.3i ;6
 WriteA': u13.3i ;6
 WriteA': u12.3i ;6
 WriteA': u11.3i ;6
 WriteA': u10.3i ;6
 WriteA': u09.3i ;6
 WriteA': u08.3i ;6
 WriteA': u07.3i ;6

 WriteA': u06.3i ;6
 WriteA': u05.3i ;6
 WriteA': u04.3i ;6
 WriteA': u03.3i ;6
 WriteA': u02.3i ;6
 WriteA': u01.3i ;6
 WriteA': #R2.2i ;16
 WriteA': #TP002.1i ;18

 WriteAz': u23.3o ;5
 WriteAz': #R2.1o ;16

 WriteB': u44.3i ;7
 WriteB': u45.3i ;7
 WriteB': u43.3i ;7
 WriteB': u42.3i ;7
 WriteB': u38.3i ;7
 WriteB': u39.3i ;7
 WriteB': u41.3i ;7
 WriteB': u40.3i ;7
 WriteB': u36.3i ;7
 WriteB': u37.3i ;7
 WriteB': u35.3i ;7
 WriteB': u34.3i ;7
 WriteB': u30.3i ;7
 WriteB': u31.3i ;7
 WriteB': u33.3i ;7
 WriteB': u32.3i ;7
 WriteB': u28.3i ;7
 WriteB': u29.3i ;7
 WriteB': u27.3i ;7
 WriteB': u26.3i ;7
 WriteB': u25.3i ;7
 WriteB': u24.3i ;7
 WriteB': #R12.2i ;16
 WriteB': #TP012.1i ;18

 WriteBz': u46.16o ;5
 WriteBz': #R12.1o ;16

 WriteC': u68.3i ;8
 WriteC': u64.3i ;8
 WriteC': u60.3i ;8
 WriteC': u56.3i ;8
 WriteC': u52.3i ;8
 WriteC': u48.3i ;8
 WriteC': u47.3i ;8
 WriteC': u51.3i ;8
 WriteC': u55.3i ;8
 WriteC': u59.3i ;8
 WriteC': u63.3i ;8
 WriteC': u67.3i ;8
 WriteC': u66.3i ;8
 WriteC': u62.3i ;8
 WriteC': u58.3i ;8
 WriteC': u54.3i ;8
 WriteC': u50.3i ;8
 WriteC': u49.3i ;8
 WriteC': u53.3i ;8

XEROX	PROPRIETARY NOTE ON COVER SHEET APPLIES TO ALL SHEETS		DWG SIZE A4	DWG NO. 156P11217	SHEET REV. B
	TITLE	SCHEMATIC, MCC	SHEET 42	OF	

WriteC': u57.3i ;8
 WriteC': u61.3i ;8
 WriteC': u65.3i ;8
 WriteC': #R22.2i ;16
 WriteC': #TP022.1i ;18

WriteCz': u70.5o ;5
 WriteCz': #R22.1o ;16

WriteD': u92.3i ;9
 WriteD': u88.3i ;9
 WriteD': u84.3i ;9
 WriteD': u80.3i ;9
 WriteD': u76.3i ;9
 WriteD': u72.3i ;9
 WriteD': u71.3i ;9
 WriteD': u75.3i ;9
 WriteD': u79.3i ;9
 WriteD': u83.3i ;9
 WriteD': u87.3i ;9
 WriteD': u91.3i ;9
 WriteD': u90.3i ;9
 WriteD': u86.3i ;9
 WriteD': u82.3i ;9
 WriteD': u78.3i ;9
 WriteD': u74.3i ;9
 WriteD': u73.3i ;9
 WriteD': u77.3i ;9
 WriteD': u81.3i ;9
 WriteD': u85.3i ;9
 WriteD': u89.3i ;9
 WriteD': #R32.2i ;16
 WriteD': #TP032.1i ;18

WriteDz': u93.3o ;5
 WriteDz': #R32.1o ;16

X.00: v26.2o ;13
 X.00: v56.18o, E41 ;14

X.01: v26.5o ;13
 X.01: v56.3o, E141 ;14

X.02: v26.6o ;13
 X.02: v56.16o, E42 ;14

X.03: v26.9o ;13
 X.03: v56.5o, E142 ;14

X.04: v26.12o ;13
 X.04: v56.14o, E43 ;14

X.05: v26.15o ;13
 X.05: v56.7o, E143 ;14

X.06: v26.16o ;13
 X.06: v56.12o, E44 ;14

X.07: v26.19o ;13

X.07: v56.9o, E144 ;14

X.08: v55.18o, E45 ;14
 X.08: v00.18o ;15

X.09: v55.3o, E145 ;14
 X.09: v00.3o ;15

X.10: v55.16o, E46 ;14
 X.10: v00.16o ;15

X.11: v55.5o, E146 ;14
 X.11: v00.5o ;15

X.12: v55.14o, E47 ;14
 X.12: v00.14o ;15

X.13: v55.7o, E147 ;14
 X.13: v00.7o ;15

X.14: v55.12o, E48 ;14
 X.14: v00.12o ;15

X.15: v55.9o, E148 ;14
 X.15: v00.9o ;15

Y.00: v54.7i ;2
 Y.00: E49, v40.3i ;10

Y.01: v54.8i ;2
 Y.01: E149, v40.4i ;10

Y.02: v54.13i ;2
 Y.02: v49.5i ;3
 Y.02: v44.5i ;3
 Y.02: E52, v40.7i ;10

Y.03: v54.14i ;2
 Y.03: v49.11i ;3
 Y.03: v58.5i ;3
 Y.03: E152, v40.8i ;10

Y.04: v43.13i ;3
 Y.04: v50.5i ;3
 Y.04: v58.11i ;3
 Y.04: E53, v40.13i ;10
 Y.04: v22.6i ;15

Y.05: v54.17i ;2
 Y.05: v50.11i ;3
 Y.05: v57.5i ;3
 Y.05: E153, v40.14i ;10
 Y.05: v22.3i ;15

Y.06: v54.18i ;2
 Y.06: v51.5i ;3
 Y.06: v57.11i ;3
 Y.06: E54, v40.17i ;10
 Y.06: v22.2i ;15

XEROX	PROPRIETARY NOTE ON COVER SHEET APPLIES TO ALL SHEETS		DWG SIZE A4	DWG NO. 156P11217	SHEET REV. B
	TITLE SCHEMATIC, MCC		SHEET 43 OF		

Y.07: v53.3i ;2
 Y.07: v51.11i ;3
 Y.07: v43.5i ;3
 Y.07: E154, v40.18i ;10
 Y.07: v22.1i ;15

 Y.08: v53.4i ;2
 Y.08: v38.3i ;10
 Y.08: E55, v39.3i ;10

 Y.09: v53.7i ;2
 Y.09: v38.4i ;10
 Y.09: E155, v39.4i ;10

 Y.10: v53.8i ;2
 Y.10: v38.7i ;10
 Y.10: E56, v39.7i ;10

 Y.11: v53.13i ;2
 Y.11: v38.8i ;10
 Y.11: E156, v39.8i ;10

 Y.12: v52.5i ;3
 Y.12: v43.11i ;3
 Y.12: v38.13i ;10
 Y.12: E57, v39.13i ;10

 Y.13: v53.14i ;2
 Y.13: v38.14i ;10
 Y.13: E157, v39.14i ;10

 Y.14: v53.17i ;2
 Y.14: v38.17i ;10
 Y.14: E58, v39.17i ;10

 Y.15: v53.18i ;2
 Y.15: v38.18i ;10
 Y.15: E158, v39.18i ;10

 YH.2: E61 ;2
 YH.2: v44.3i ;3

 YH.3: E161 ;2
 YH.3: v58.3i ;3

 YH.4: E62 ;2
 YH.4: v58.13i ;3

 YH.5: E162 ;2
 YH.5: v57.3i ;3

 YH.6: E63, v54.4i ;2
 YH.6: v57.13i ;3

 YH.7: E163, v54.3i ;2
 YH.7: v43.3i ;3

 ZGND: E90, E80, E70, E60, E40, E30 ;17

ZGND: E20, E10, E110, E120, E130
 ZGND: E140, E160, E170, E180, E190
 ZGND: #C136.1i, #C133.1i, #C95.1i
 ZGND: #C94.1i, #C131.1i, #C132.1i
 ZGND: #C135.1i, #C130.1i, #C134.1i
 ZGND: #CR1.1o ;17

 ZM5V: #CR1.2i ;17
 ZM5V: #F1.1o, #C130.2i, #C134.2i ;17
 ZM5V: #C44.1i, #C1.1i, #C3.1i ;19
 ZM5V: #C5.1i, #C7.1i, #C9.1i
 ZM5V: #C11.1i, #C13.1i, #C15.1i
 ZM5V: #C17.1i, #C19.1i, #C21.1i
 ZM5V: #C26.1i, #C28.1i, #C30.1i
 ZM5V: #C32.1i, #C34.1i, #C36.1i
 ZM5V: #C38.1i, #C40.1i, #C42.1i
 ZM5V: #C46.1i
 ZM5V: #C48.1i, #C50.1i, #C52.1i ;19
 ZM5V: #C54.1i, #C56.1i, #C58.1i
 ZM5V: #C60.1i, #C62.1i, #C64.1i
 ZM5V: #C66.1i, #C68.1i, #C71.1i
 ZM5V: #C73.1i, #C75.1i, #C77.1i
 ZM5V: #C79.1i, #C81.1i, #C83.1i
 ZM5V: #C85.1i, #C87.1i, #C90.1i
 ZM5V: #C92.1i

 ZP12V: #F3.1o, #C133.2i, #C95.2i ;17
 ZP12V: #C94.2i, #C136.2i
 ZP12V: #C53.1i, #C55.1i, #C57.1i ;19
 ZP12V: #C59.1i, #C61.1i, #C65.1i
 ZP12V: #C67.1i, #C69.1i, #C70.1i
 ZP12V: #C72.1i, #C74.1i, #C76.1i
 ZP12V: #C80.1i, #C82.1i, #C84.1i
 ZP12V: #C86.1i, #C89.1i, #C91.1i
 ZP12V: #C94.1i, #C95.1i, #C2.1i
 ZP12V: #C4.1i, #C6.1i, #C8.1i
 ZP12V: #C10.1i, #C12.1i, #C14.1i
 ZP12V: #C18.1i, #C20.1i, #C22.1i
 ZP12V: #C25.1i, #C27.1i, #C31.1i
 ZP12V: #C33.1i, #C35.1i, #C37.1i
 ZP12V: #C39.1i, #C41.1i, #C43.1i
 ZP12V: #C45.1i, #C49.1i, #C51.1i

 ZP5V: #R64.1o ;16
 ZP5V: #R63.1o ;16
 ZP5V: #R65.1o ;16
 ZP5V: #F2.1o, #C132.2i, #C131.2i ;17
 ZP5V: #C135.2i

 <MD': v23.8o ;1
 <MD': v20.2i, v20.1i ;13
 <MD': v55.1i, v56.19i, v56.1i ;14
 <MD': v55.19i

 <MD: v20.3o, v30.4i ;13

 <MStatus': v26.1i ;13
 <MStatus': v00.1i, E114, v00.19i ;15

XEROX	PROPRIETARY NOTE ON COVER SHEET APPLIES TO ALL SHEETS		DWG SIZE A4	DWG NO. 156P11217	SHEET REV. B
	TITLE SCHEMATIC, MCC		SHEET 44	OF	