

Daybreak Technical Reference Manual

Appendix B: Representative Schematics

**Xerox Corporation
Information Systems Division
701 South Aviation Boulevard
El Segundo, California 90245**

The information contained in this document is preliminary data
and is subject to change without notice.

Copyright ©1986, by Xerox Corporation. All rights reserved.
XEROX® is a trademark of XEROX CORPORATION.
Printed in the United States of America.

Appendix B.

Schematics

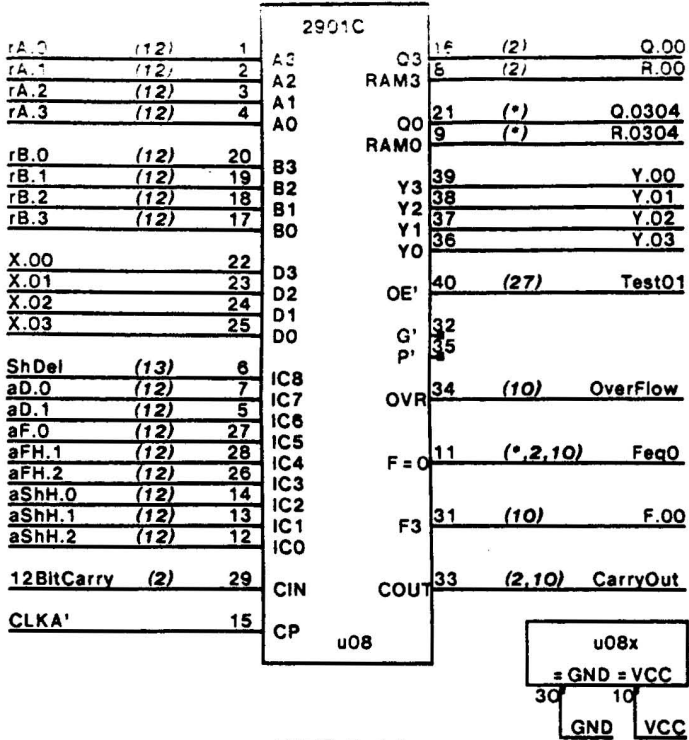
Appendix B reprints the schematics for

- Mesa Processor PWBA
- Display Control and Memory PWBA, including three gate array chips
- Memory Expansion PWBA
- Display Control and Memory PWBA with a CMOS display controller chip

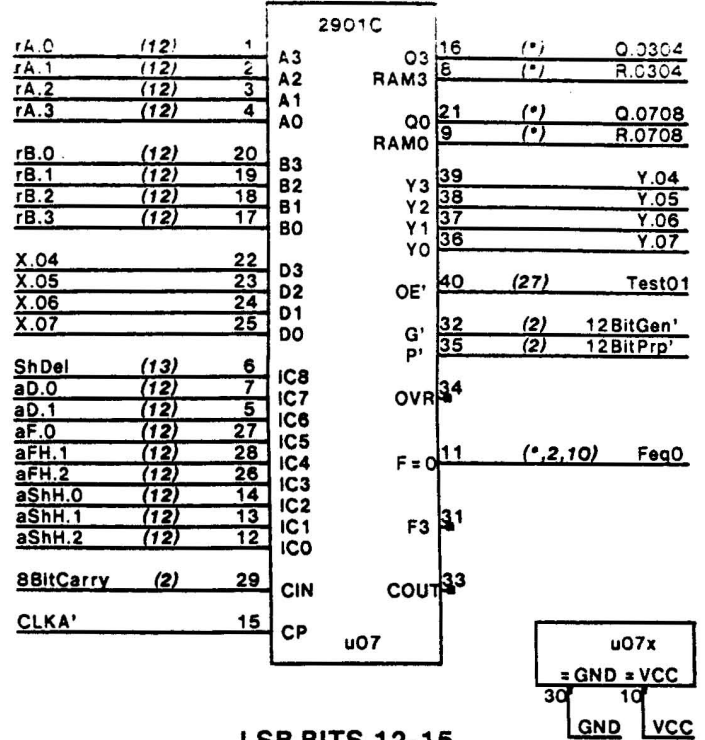
The set of schematics is representative and does not include all board variations.

Mesa Processor PWBA

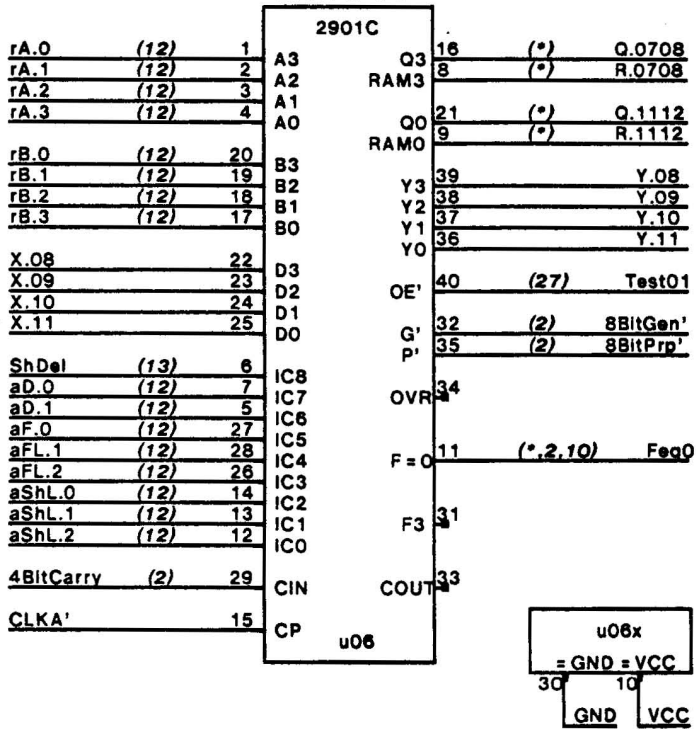
MSE BITS 0-3



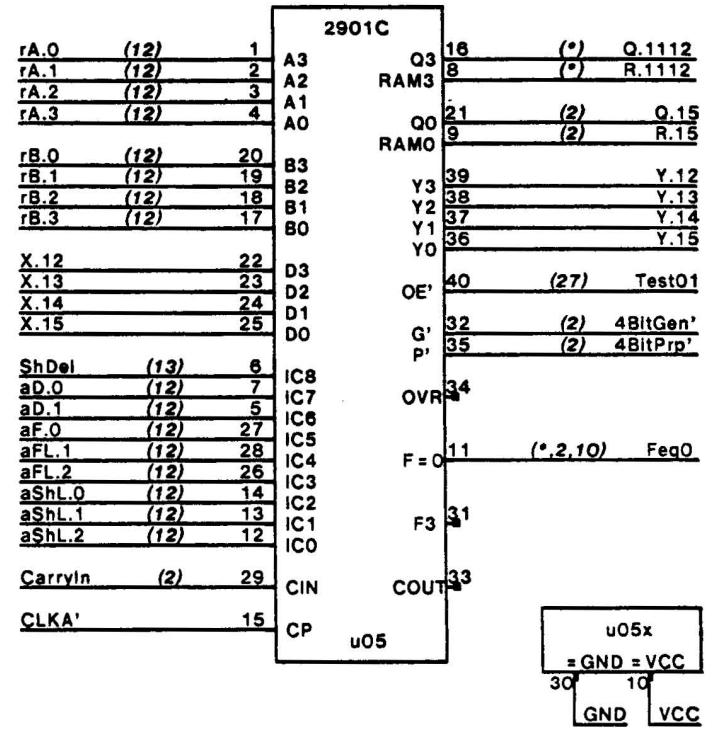
BITS 4-7



BITS 8-11



LSB BITS 12-15



COMMENTS: 16 BIT ALU IS IMPLEMENTED BY 4 SLICES OF AM2901C.

rA 0-3, ADDRESS INPUT FOR A-PORT RAM, CONTROLLED BY MICROINSTRUCTION rA FIELD.

rB 0-3, ADDRESS INPUT FOR B-PORT RAM, CONTROLLED BY MICROINSTRUCTION rB FIELD.

16 BIT WIDE DATA FIELD, OUTPUT VIA YO-15, DIRECT INPUT AT D-INPUT (DO-D3) BY XO-15.

MICROINSTRUCTION CONTROL LINES ARE SUBDIVIDED INTO 3 FIELDS, EACH IS CONTROLLED BY ITS CORRESPONDING FIELD IN THE MICROINSTRUCT

. aShH.0-2 (2-0): ALU SOURCE OPERAND CONTROL, 8 POSSIBLE COMBINATION, FOR Y(00-07).

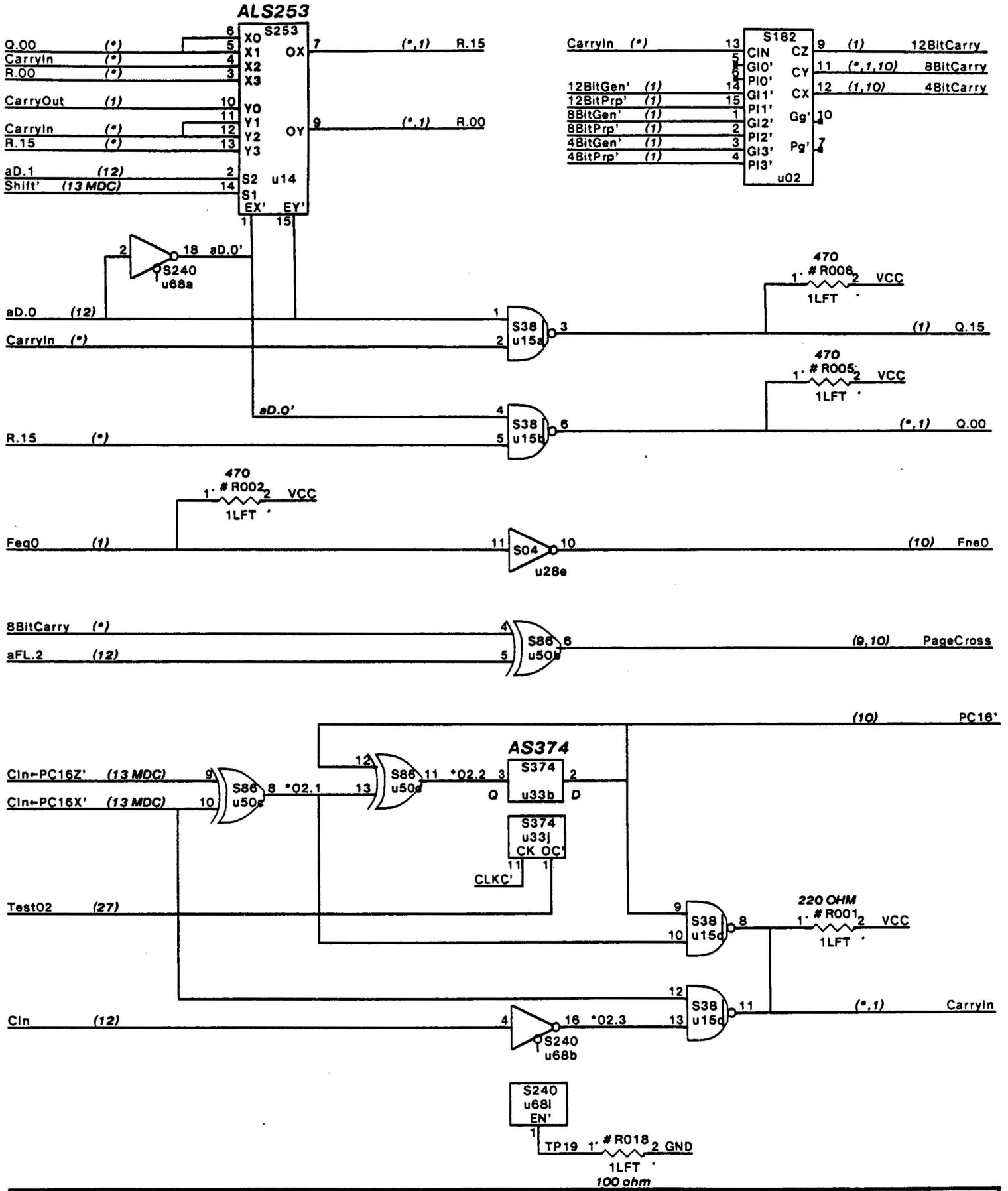
. aShL.0-2 (2-0): ALU SOURCE OPERAND CONTROL, 8 POSSIBLE COMBINATION, FOR Y(08-15).

. aF.0, aFH.1-2 (5-3): ALU FUNCTION CONTROL, 8 POSSIBLE COMBINATION, FOR Y(00-07).

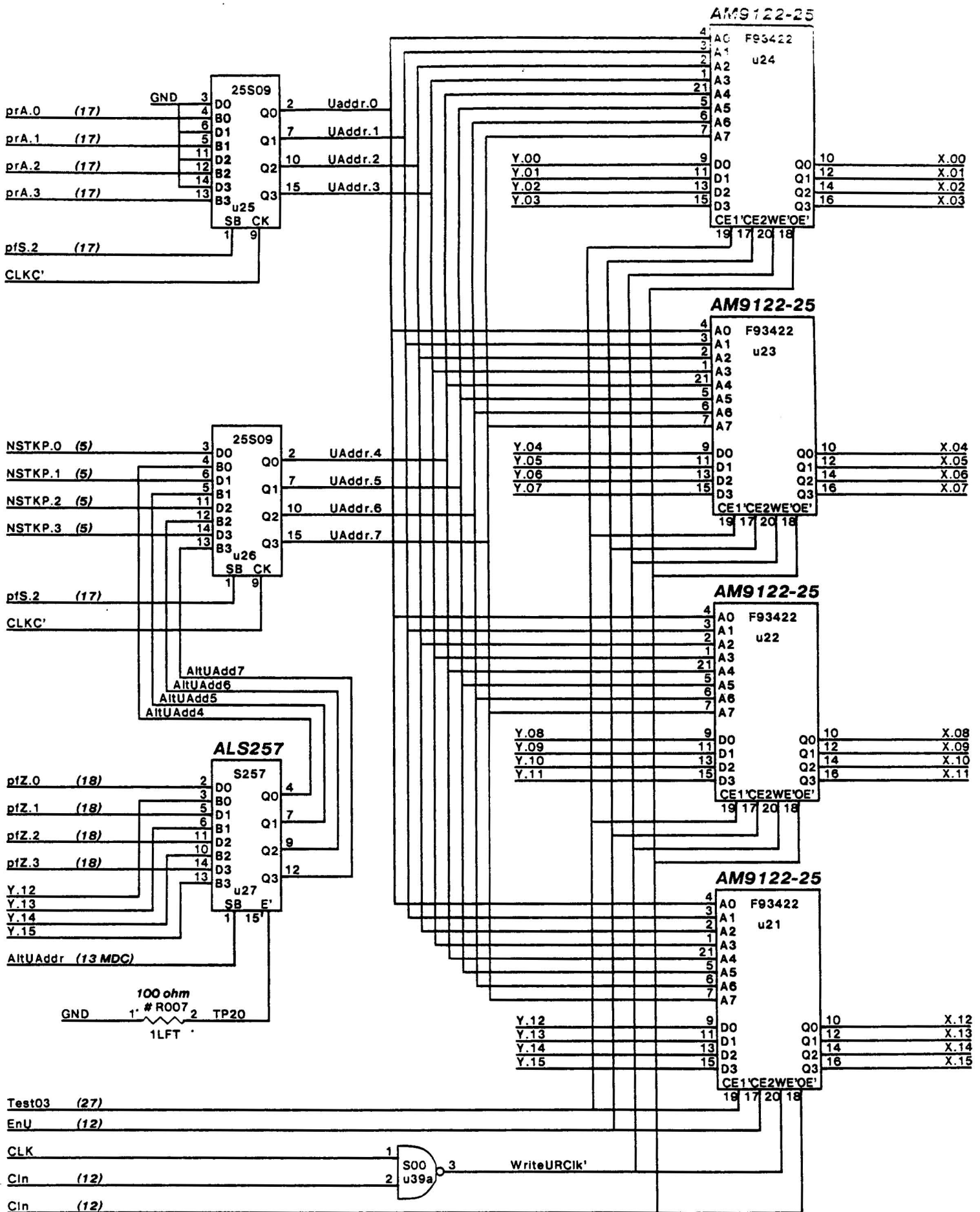
. aF.0, aFL.1-2 (5-3): ALU FUNCTION CONTROL, 8 POSSIBLE COMBINATION, FOR Y(08-15).

. sh, aDO-1 (8-6): ALU DESTINATION CONTROL WITH SHIFT UP, DOWN, OR NO SHIFT.

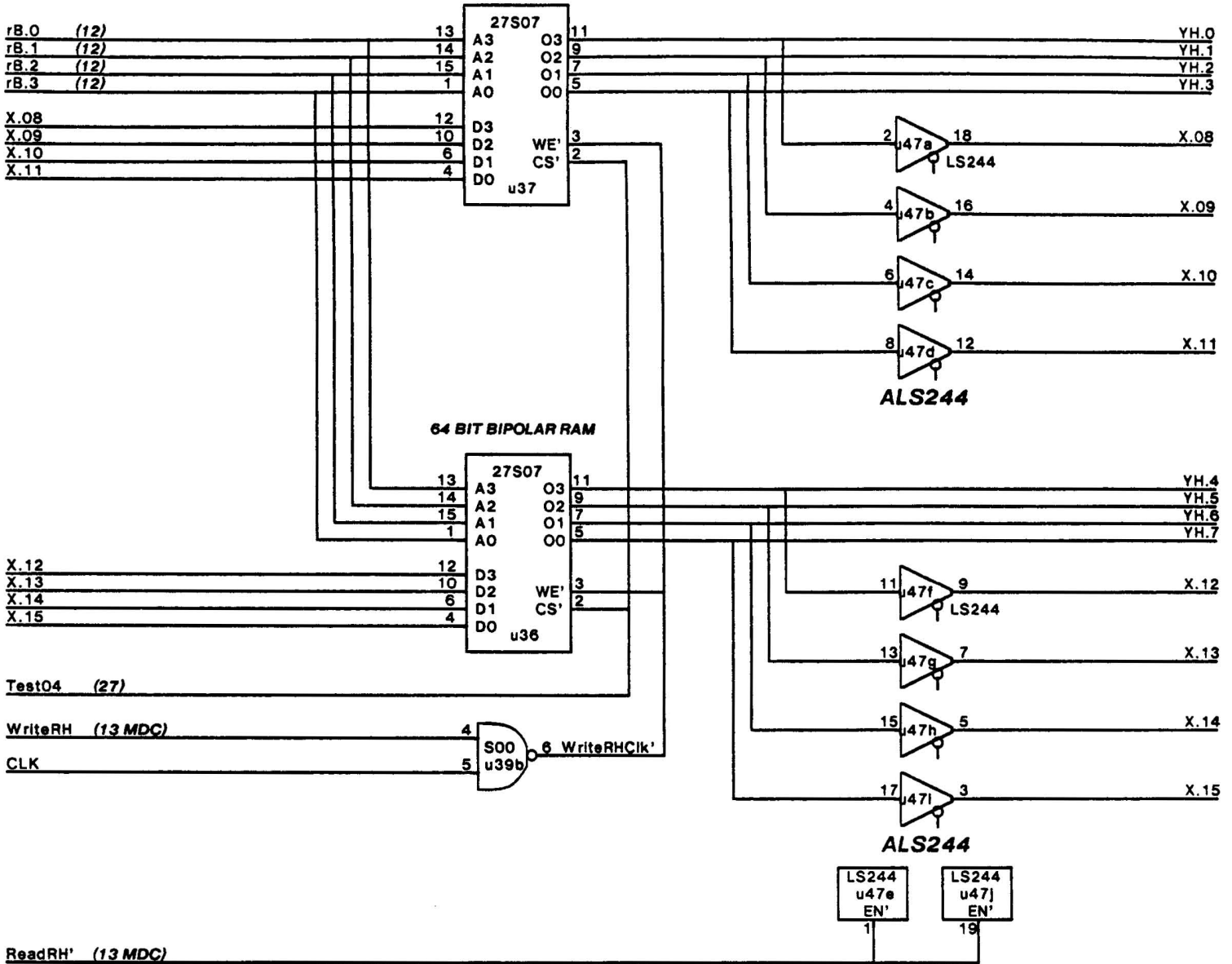
XEROX	PROPRIETARY NOTE ON COVER SHEET APPLIES TO ALL SHEETS		DWG SIZE	DWG NO. 156E07041	SHEET REV.
	TITLE SCHEMATIC, MPB		A4	SHEET 01 OF	A

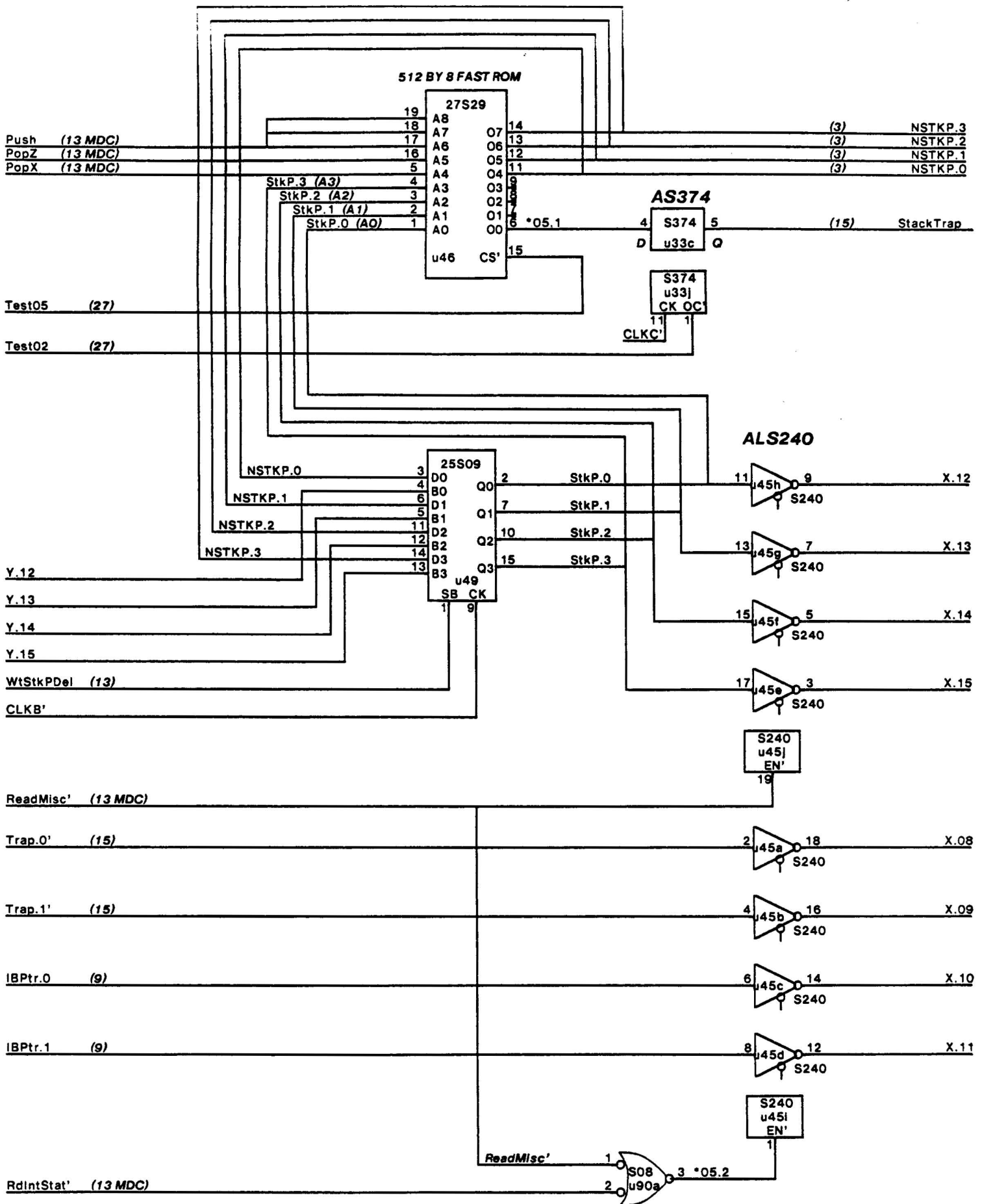


XEROX	PROPRIETARY NOTE ON COVER SHEET APPLIES TO ALL SHEETS	DWG SIZE	DWG NO. 156E07041	SHEET REV.
	TITLE SCHEMATIC, MPB	A4	SHEET 02 OF	A



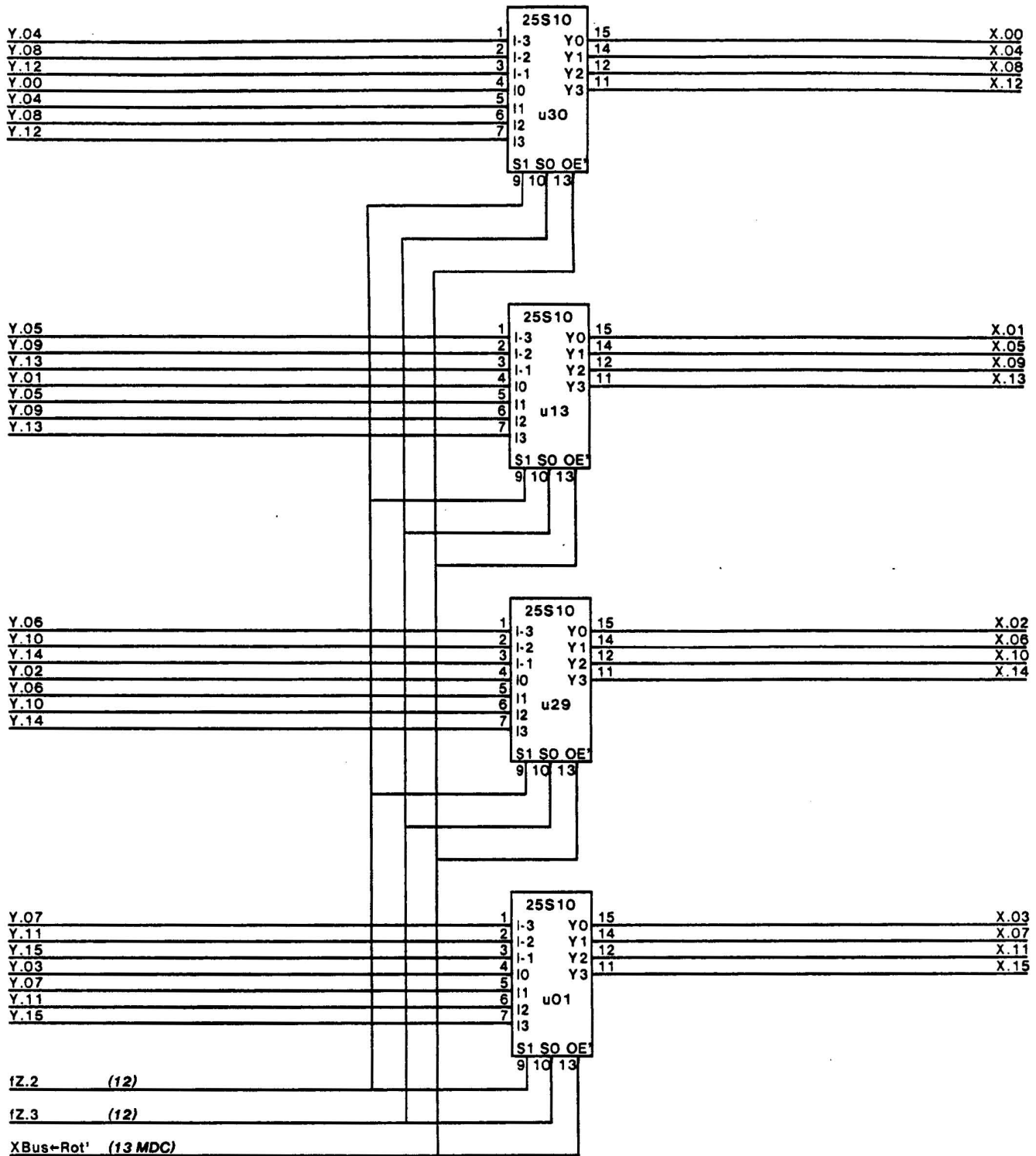
64 BIT BIPOLAR RAM





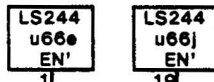
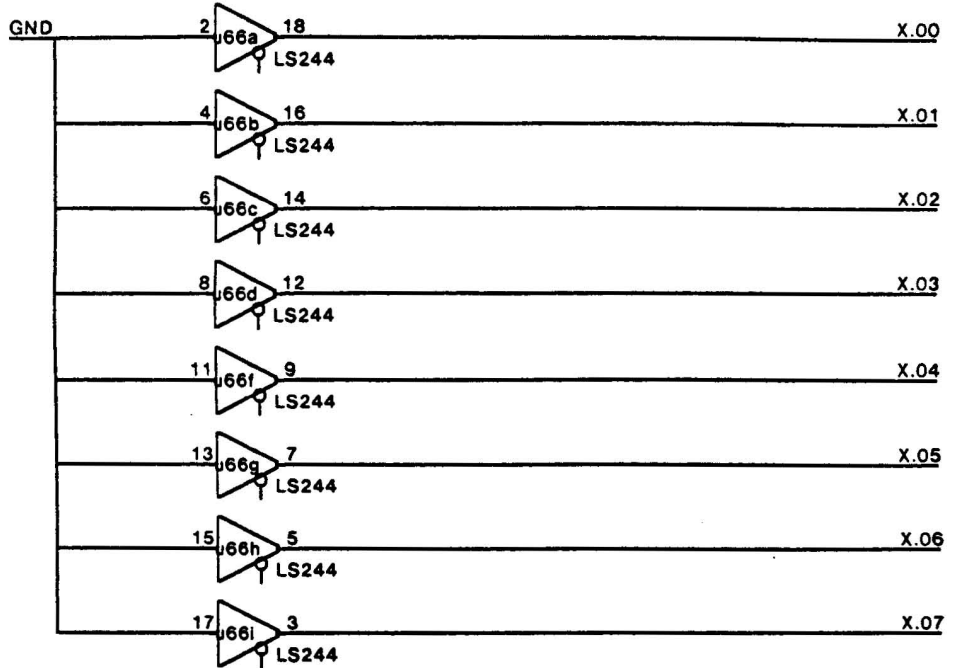
4BITS FOUR-WAY SHIFT REGISTER

AM25S10



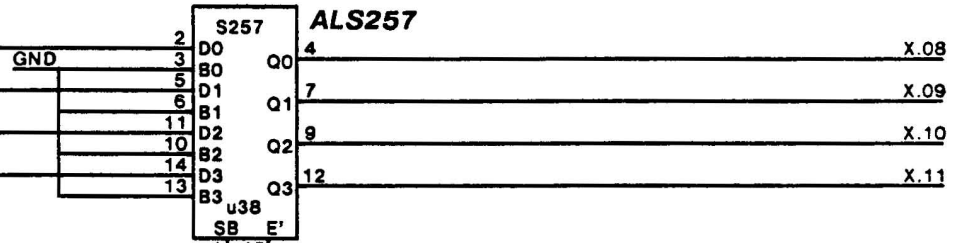
XEROX	PROPRIETARY NOTE ON COVER SHEET APPLIES TO ALL SHEETS		DWG SIZE	DWG NO. 156E07041	SHEET REV.
	TITLE SCHEMATIC, MPB		A4	SHEET 06 OF	A

ALS244



XHigh=0' (13 MDC)

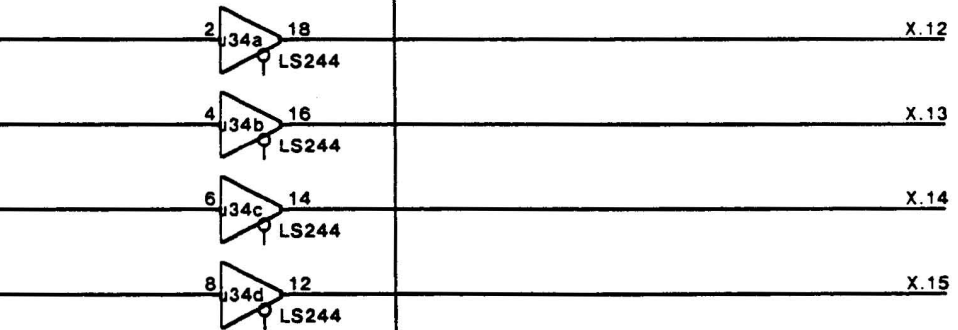
fY.0 (12)
fY.1 (12)
fY.2 (12)
fY.3 (12)



XLow-Byte' (13 MDC)

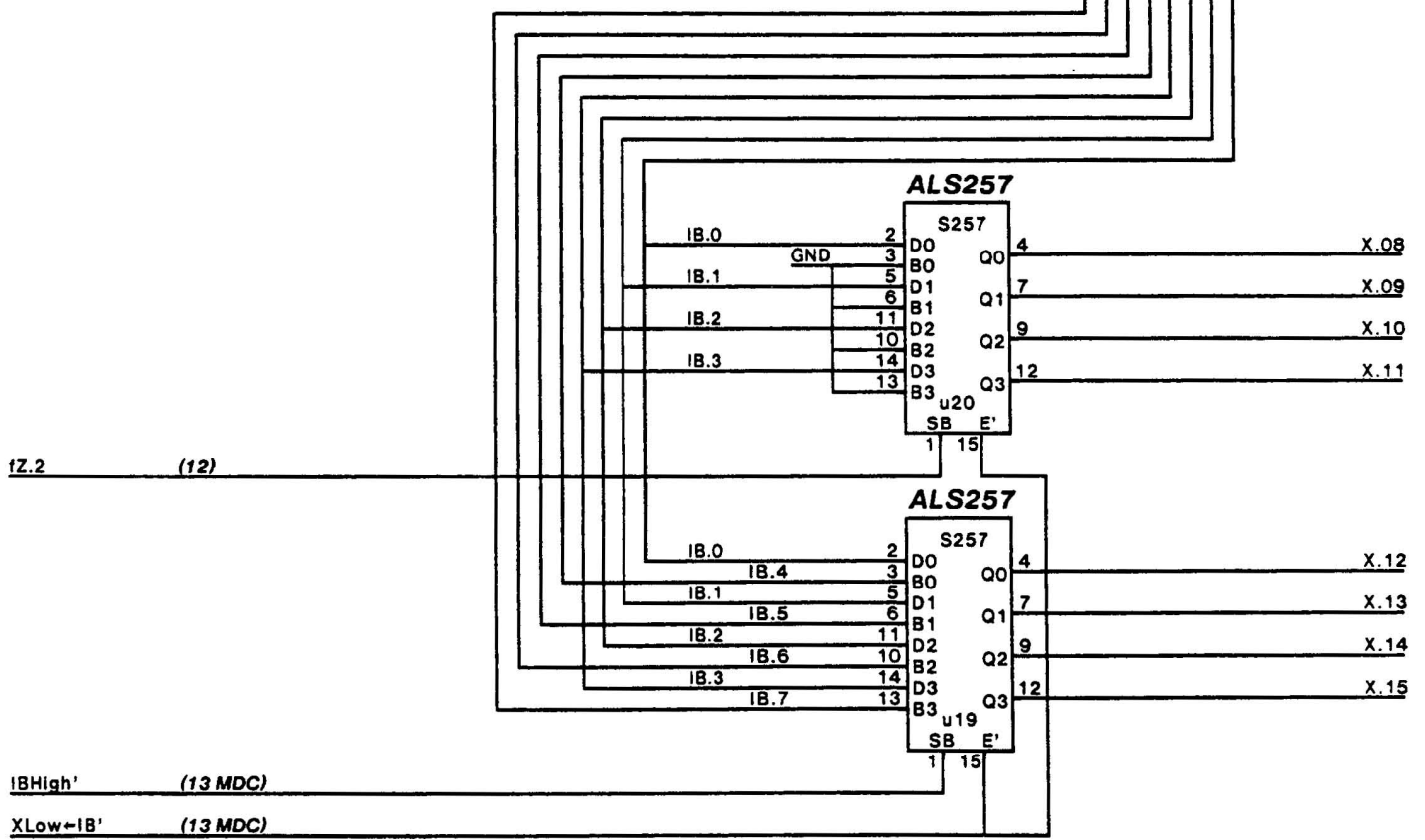
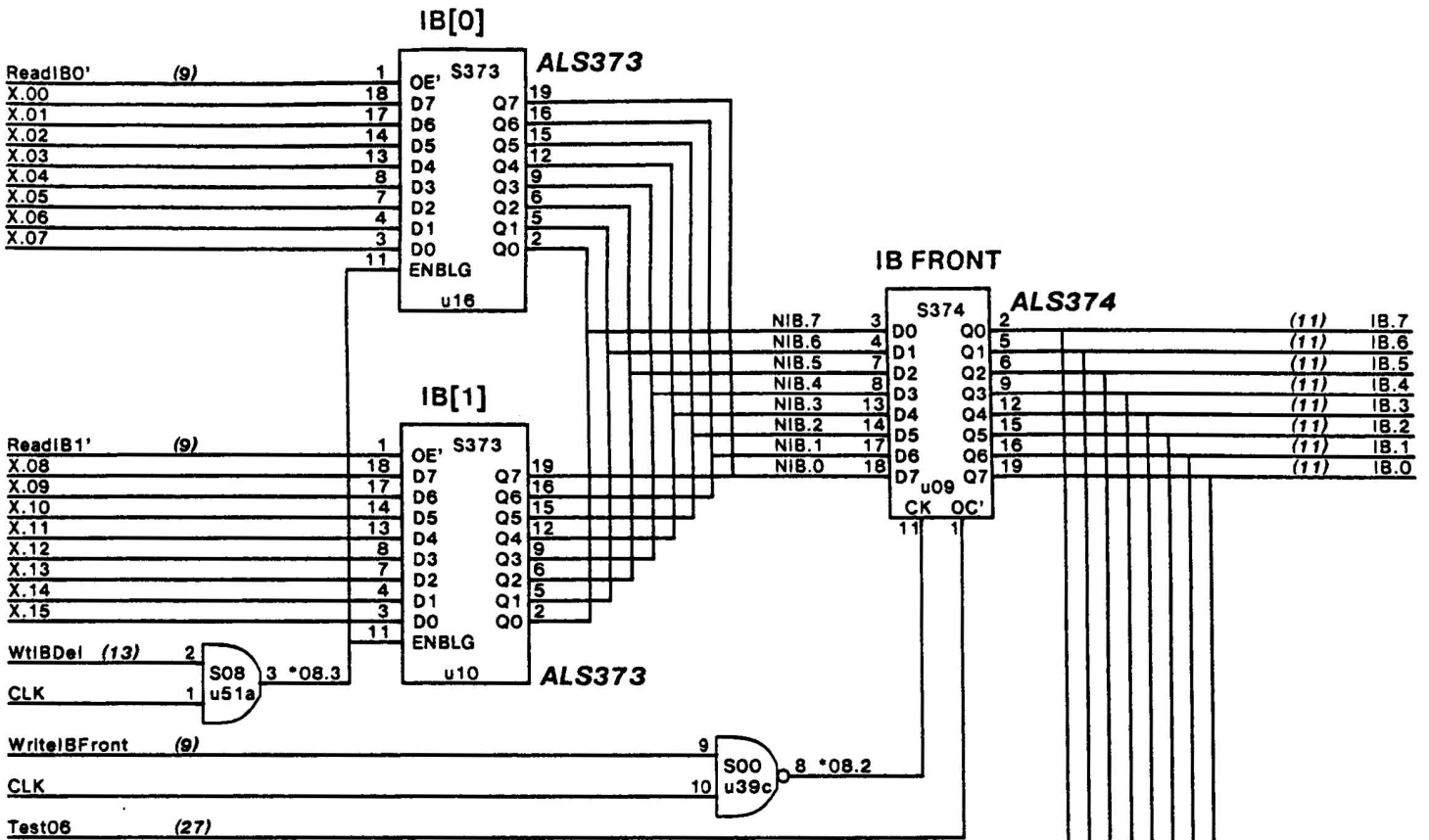
fZ.0 (12)
fZ.1 (12)
fZ.2 (12)
fZ.3 (12)

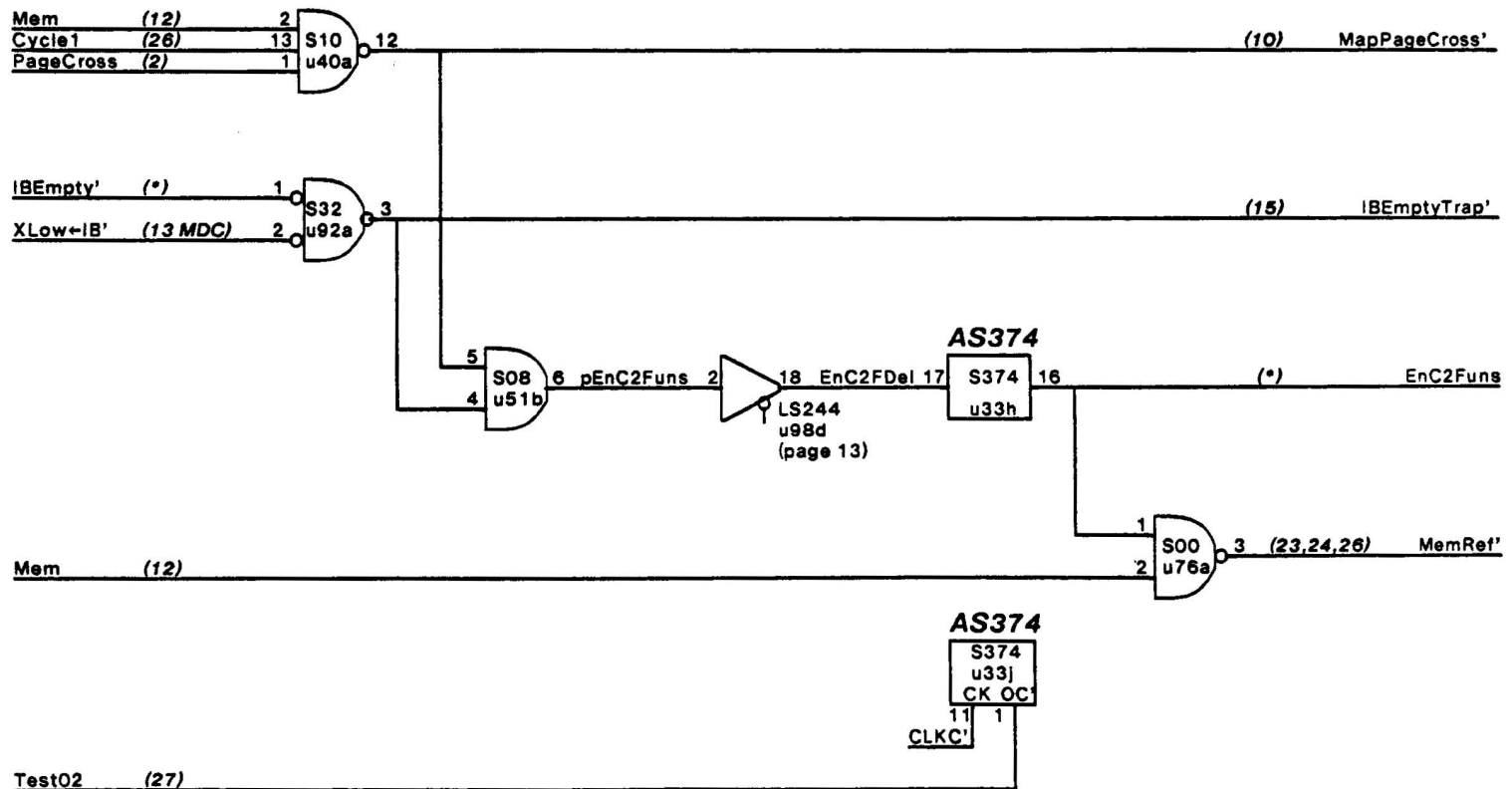
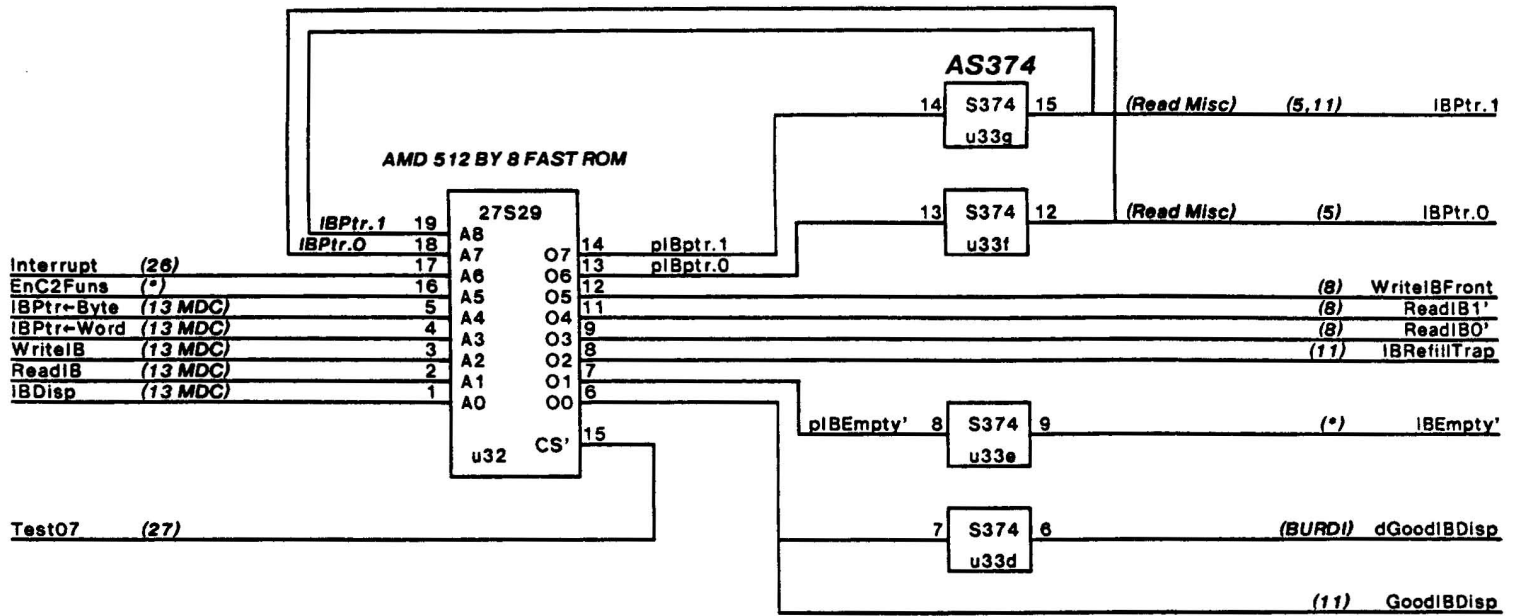
ALS244



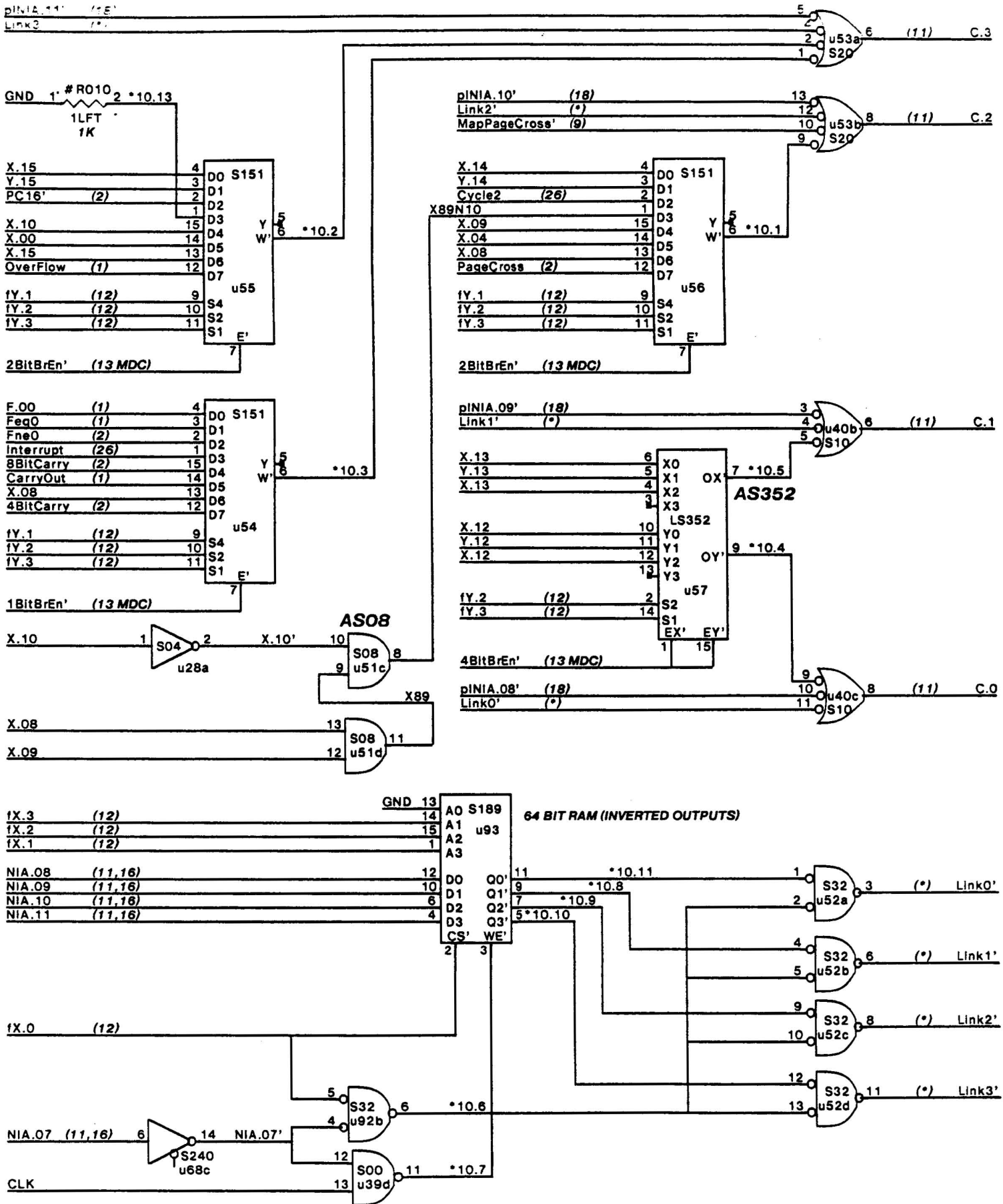
XLow-Const' (13 MDC)

XEROX	PROPRIETARY NOTE ON COVER SHEET APPLIES TO ALL SHEETS	DWG SIZE	DWG NO. 156E07041	SHEET REV.
	TITLE SCHEMATIC, MPB	A4	SHEET 07 OF	A





XEROX	PROPRIETARY NOTE ON COVER SHEET APPLIES TO ALL SHEETS	DWG SIZE	DWG NO. 156E07041	SHEET REV.
	TITLE SCHEMATIC, MPB	A4	SHEET 09 OF	A



Y.12-Bank0'
 Y.13-Bank1
 Y.14-Bank2
 Y.14-Bank3

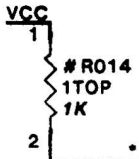
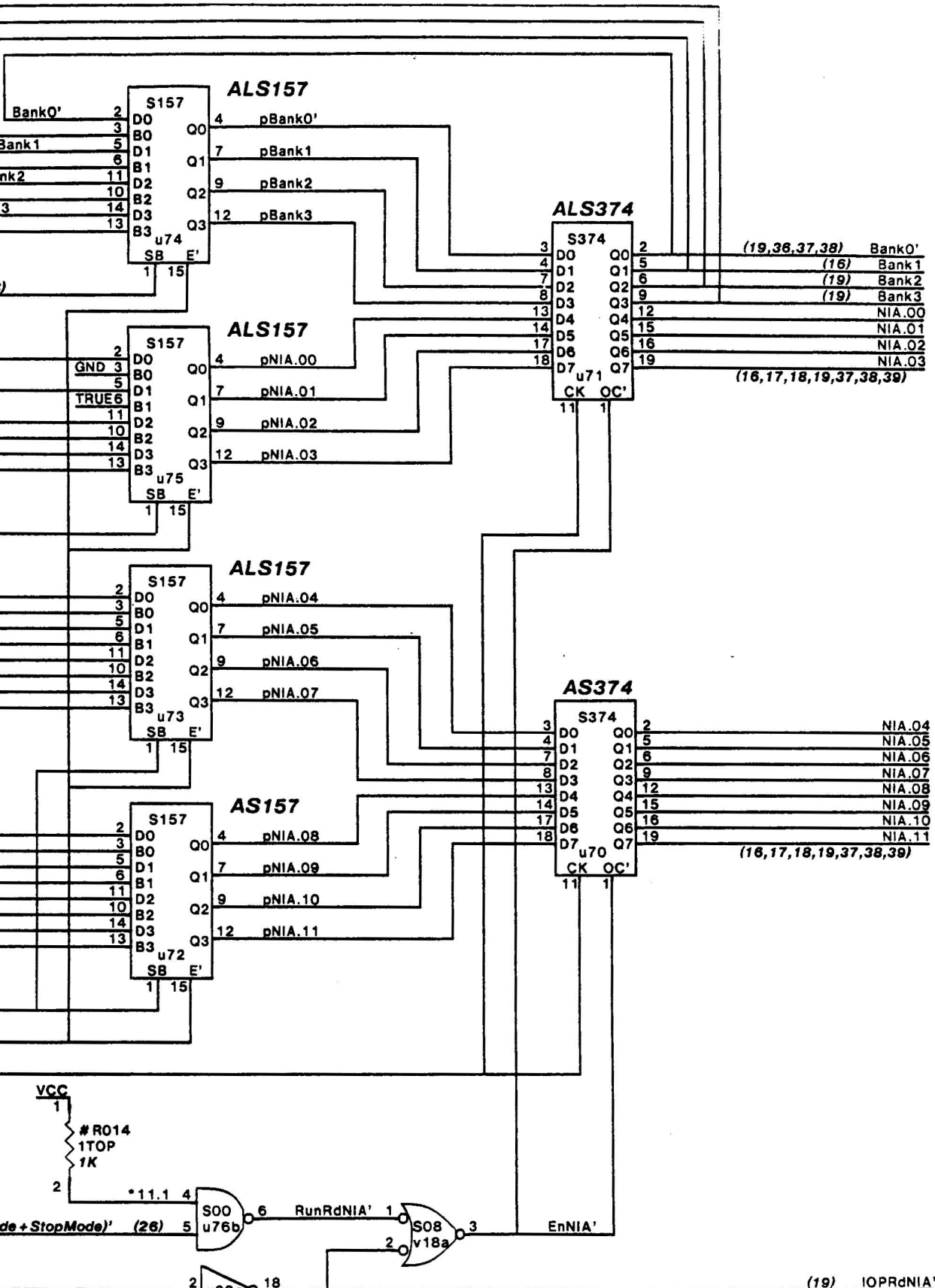
Y.12
 Y.13
 Y.14
 Y.15
 WriteBank (13 MDC)

pNIA.00 (18)
 pNIA.01 (18)
 pNIA.02 (18)
 Interrupt (26)
 pNIA.03 (18)
 IBPtr.1 (9)
 IBRefIIITrap (9)

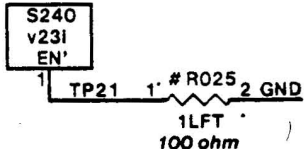
pNIA.04 (18)
 IB.0 (8)
 pNIA.05 (18)
 IB.1 (8)
 pNIA.06 (18)
 IB.2 (8)
 pNIA.07 (18)
 IB.3 (8)

C.0 (10)
 IB.4 (8)
 C.1 (10)
 IB.5 (8)
 C.2 (10)
 IB.6 (8)
 C.3 (10)
 IB.7 (8)

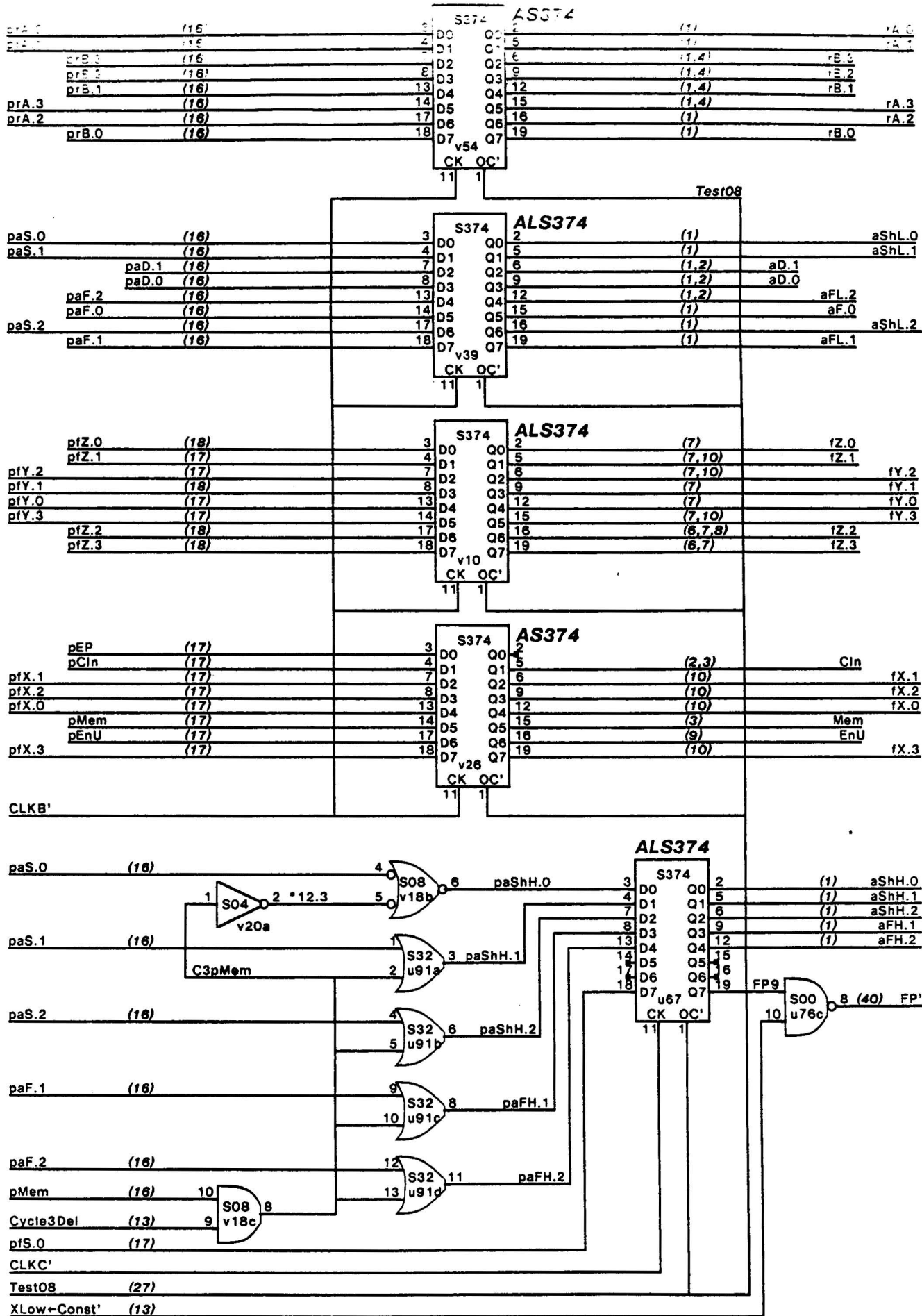
GoodIBDisp (9)
 Trap (15)
 CLKB'



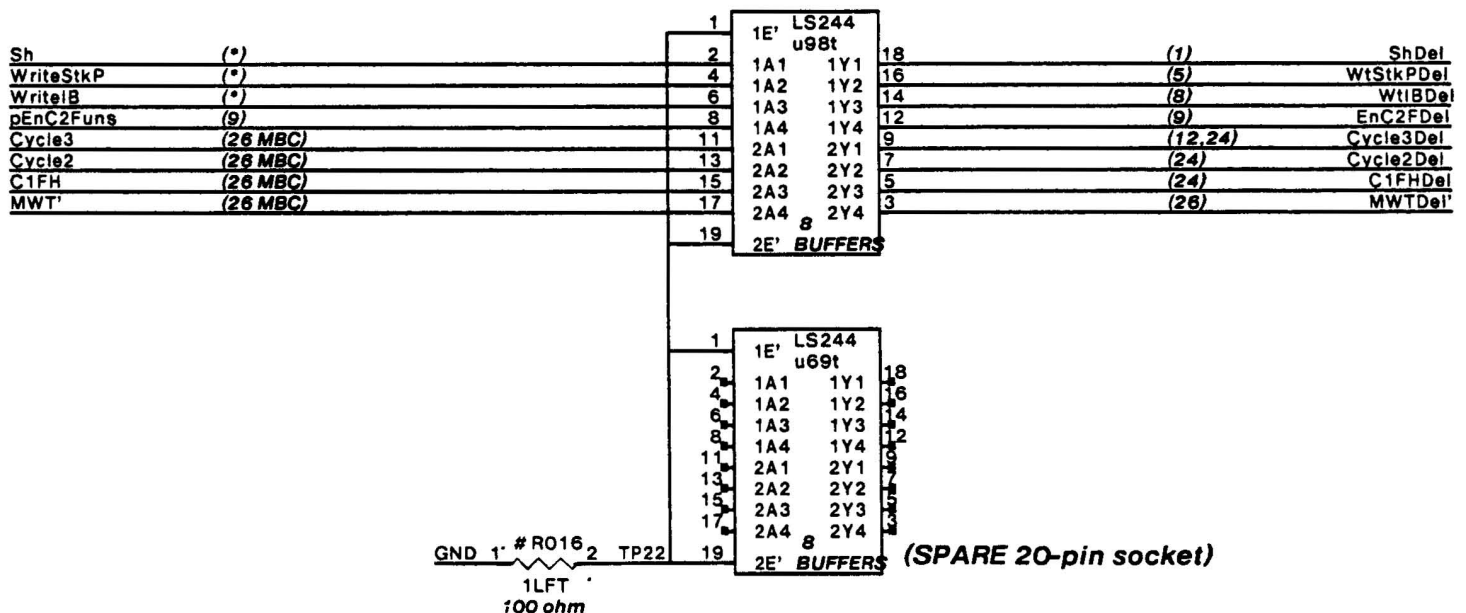
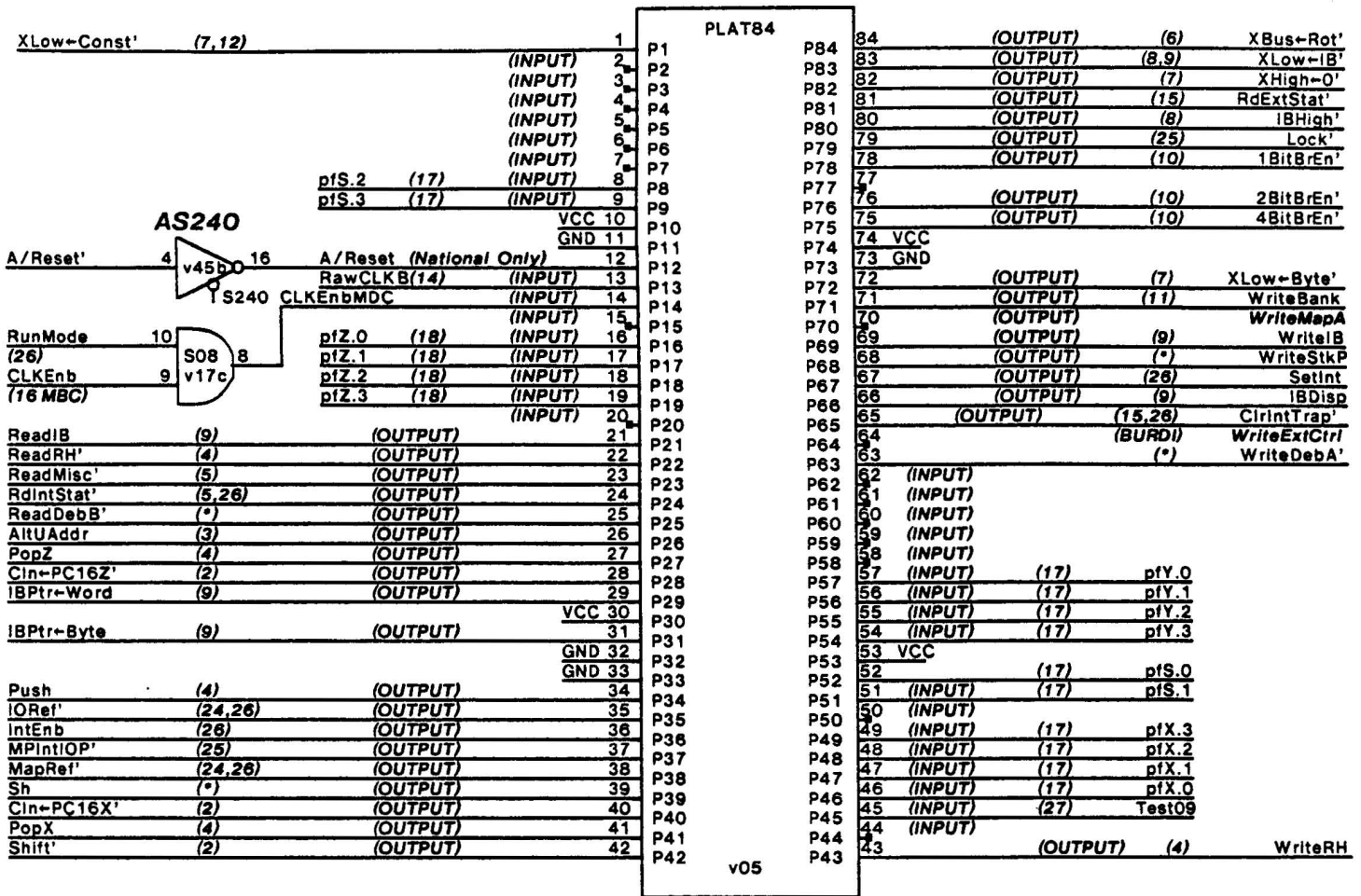
A/IOPRdNIA (32) 2 v23a 18 (19) IOPRdNIA'



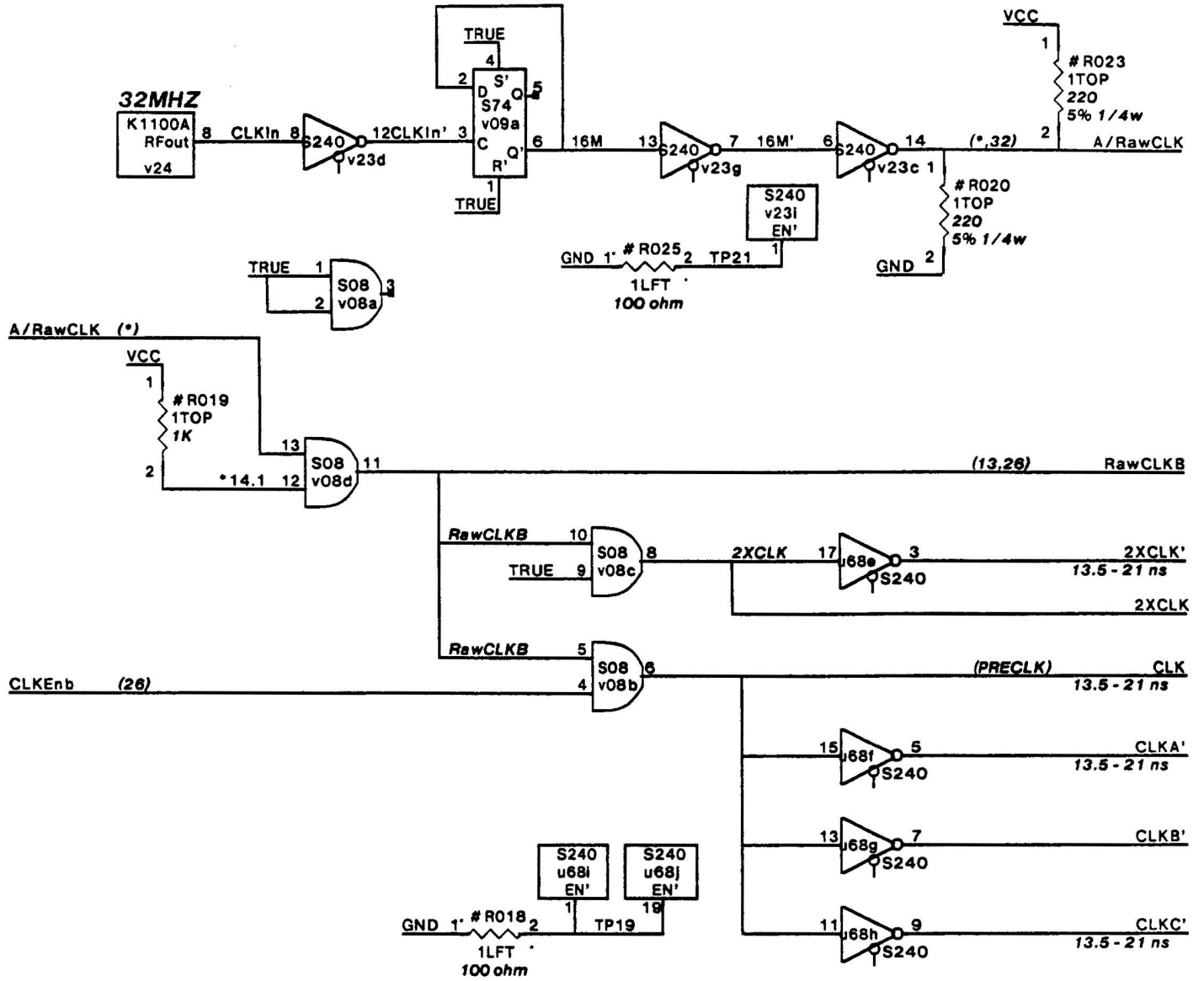
XEROX	PROPRIETARY NOTE ON COVER SHEET APPLIES TO ALL SHEETS	DWG SIZE	DWG NO. 156E07041	SHEET REV.
	TITLE SCHEMATIC, MPB	A4	SHEET 11 OF	A



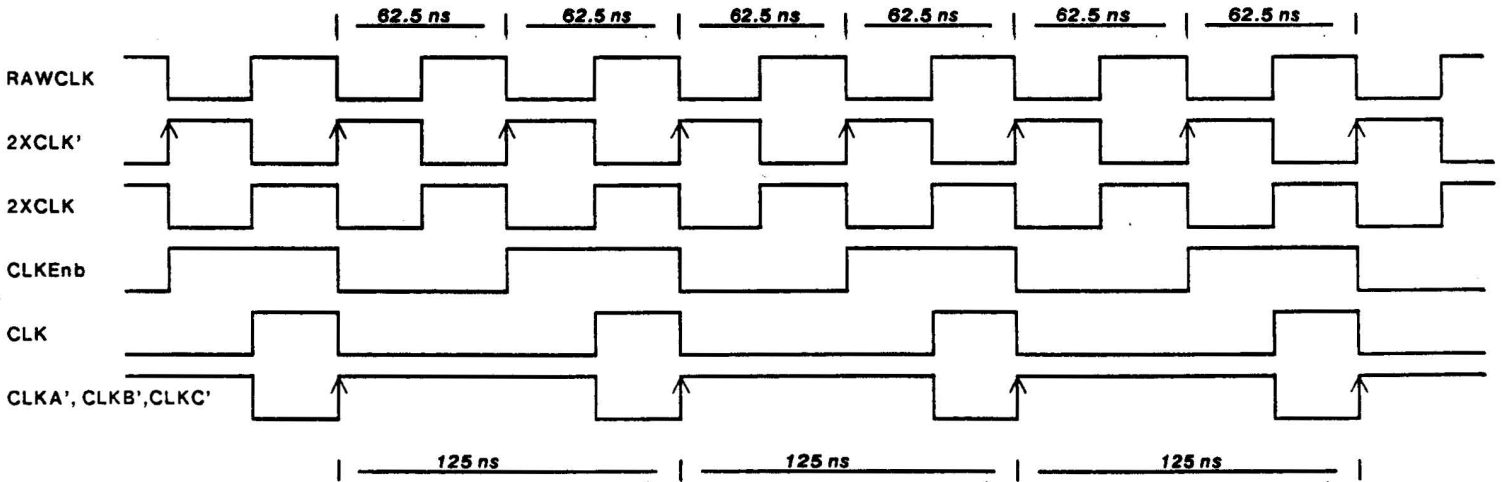
MDC GateArray CHIP (MDC)
MOTOROLA MC1300ALS



CLOCK GENERATION

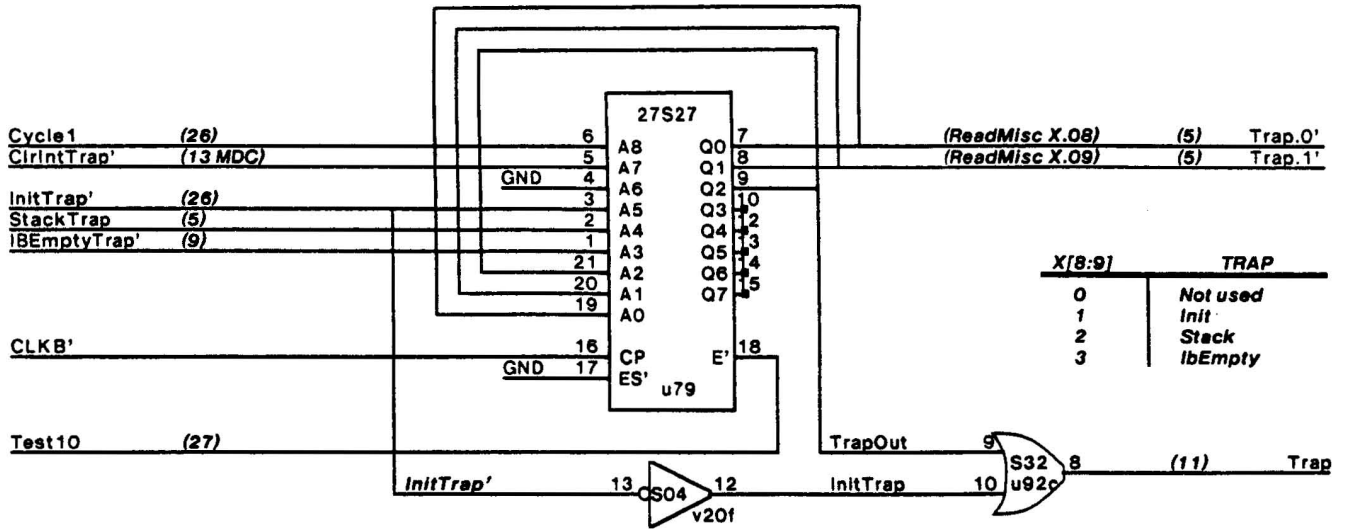


CLOCK TIMING DIAGRAM

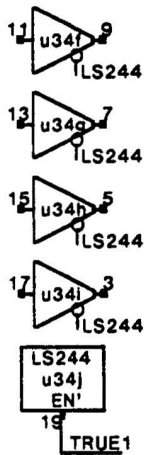


XEROX	PROPRIETARY NOTE ON COVER SHEET APPLIES TO ALL SHEETS		DWG SIZE A4	DWG NO. 156E07041		SHEET REV. A
	TITLE SCHEMATIC, MPB			SHEET 14 OF		

TRAP MACHINE

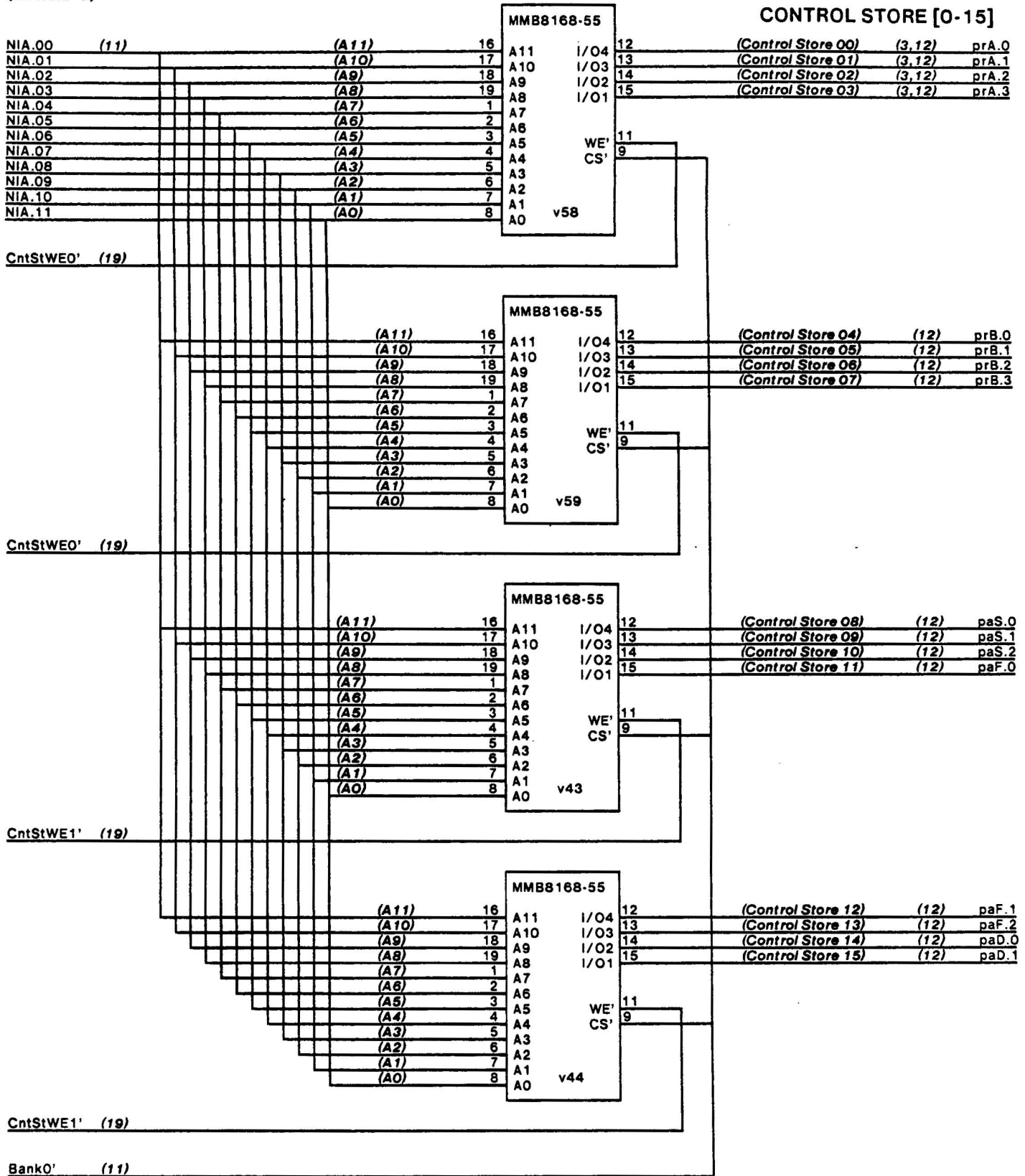


ALS244



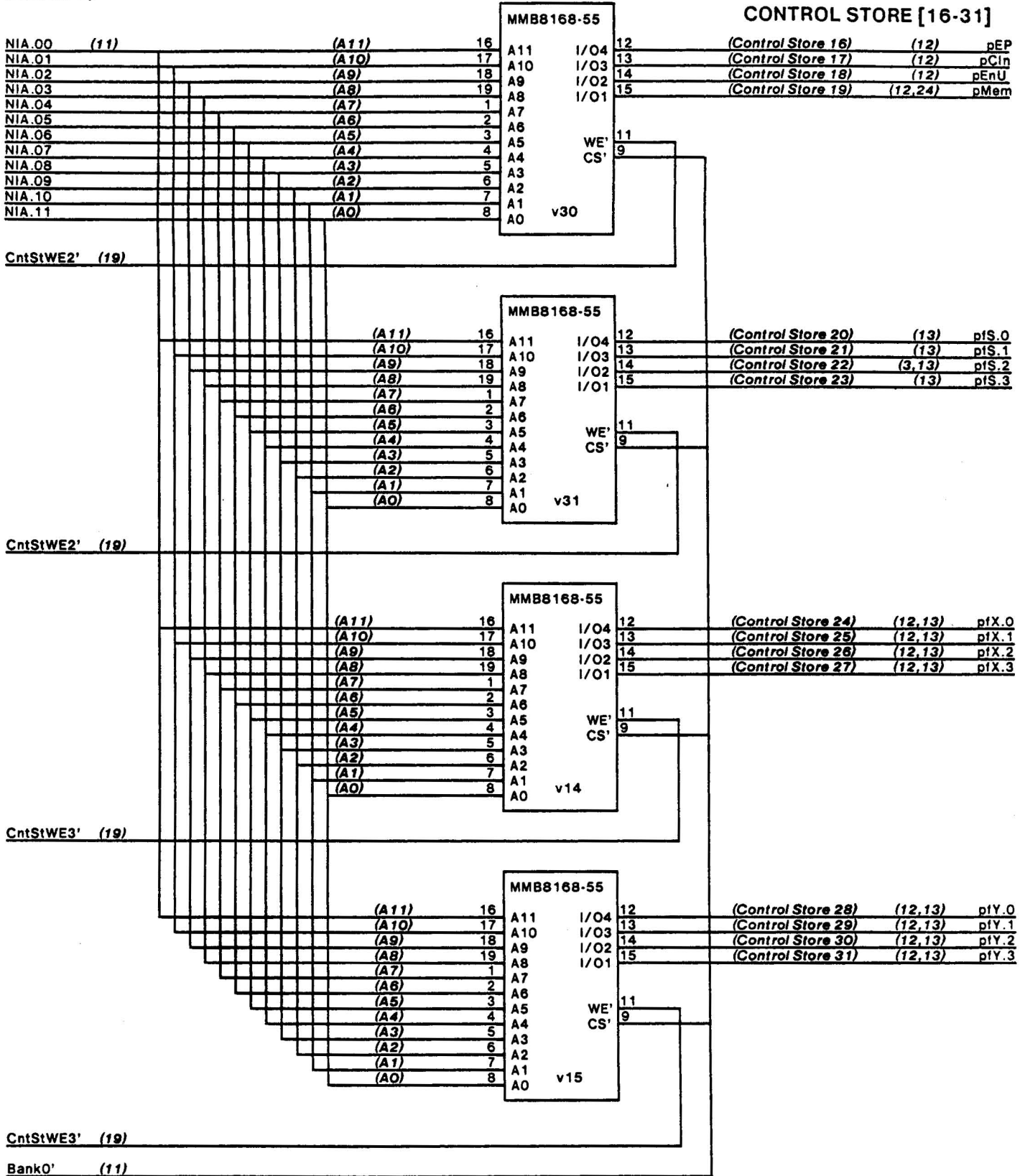
DAWN 4K BY 48 WRITEABLE CONTROL STORE :

(BANK 1)



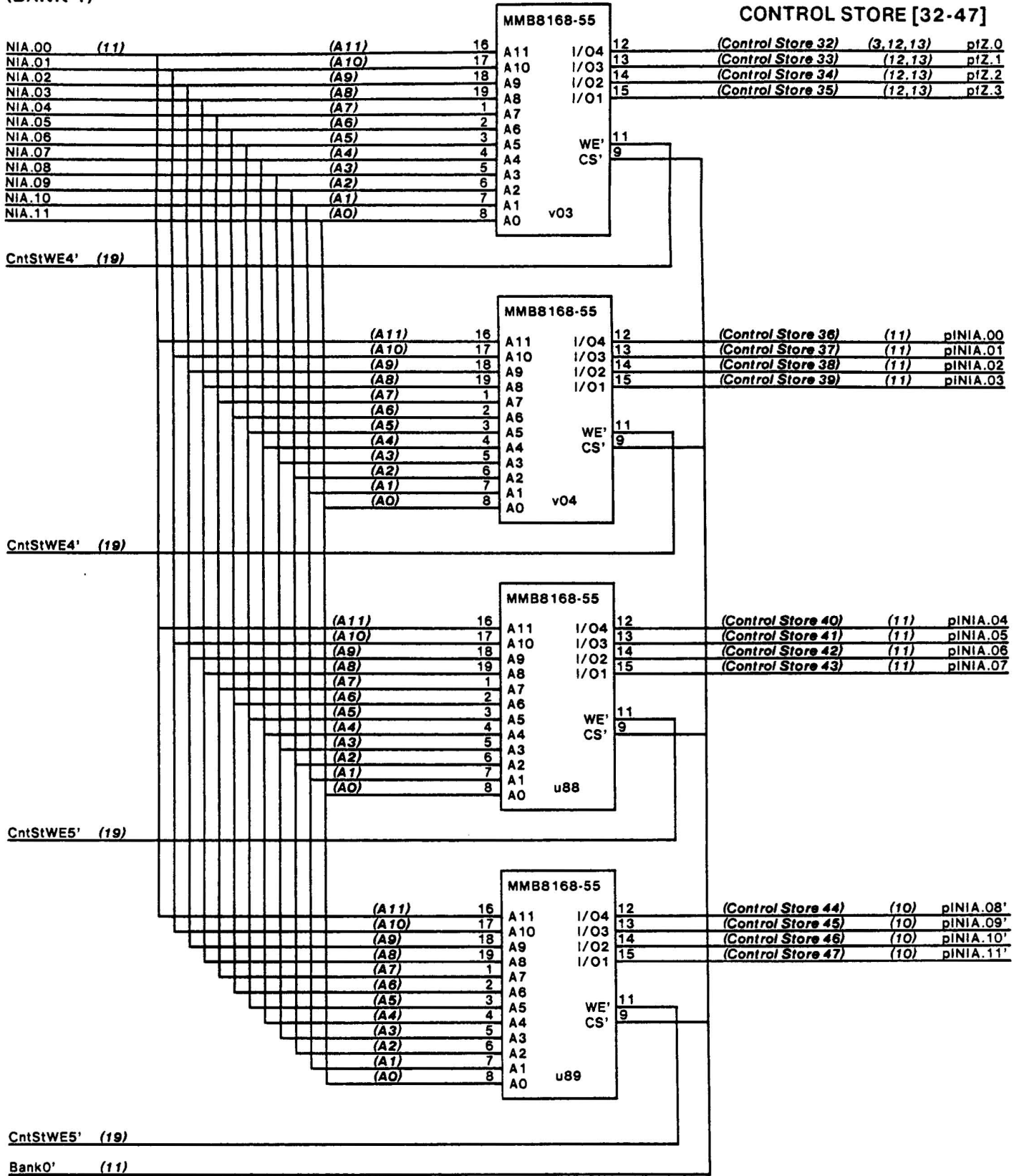
DAWN 4K BY 48 WRITEABLE CONTROL STORE :

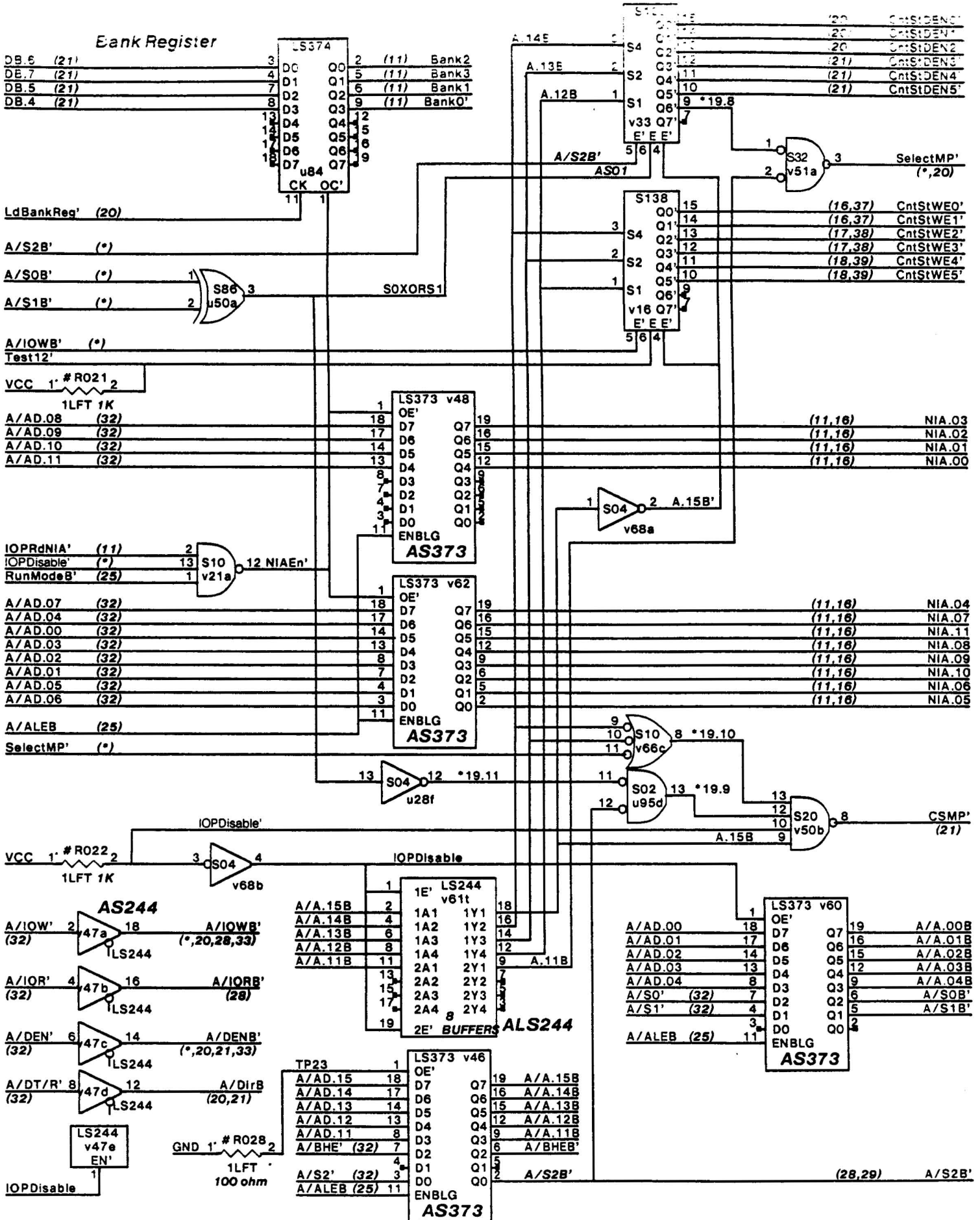
(BANK 1)

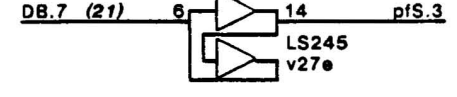
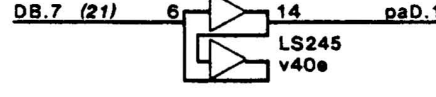
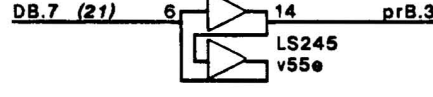
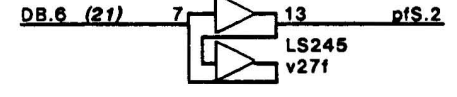
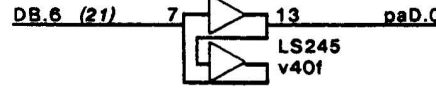
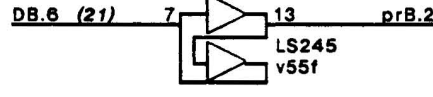
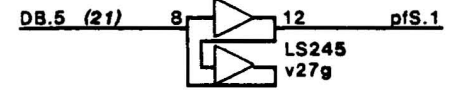
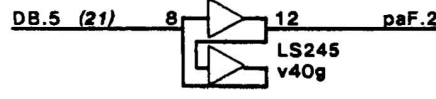
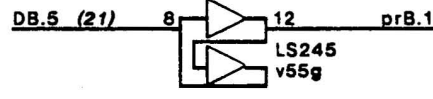
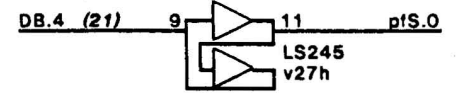
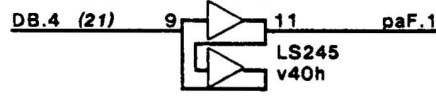
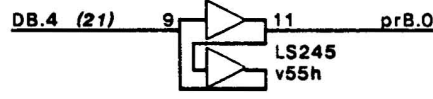
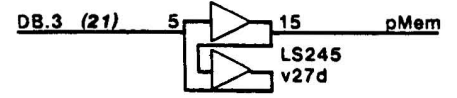
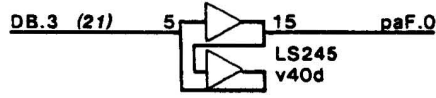
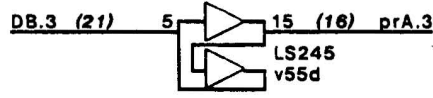
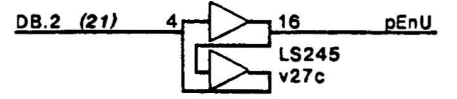
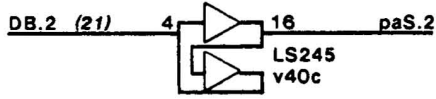
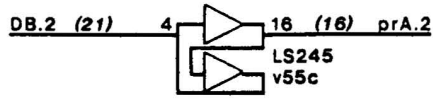
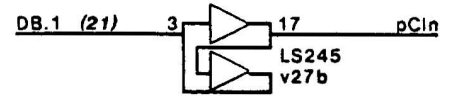
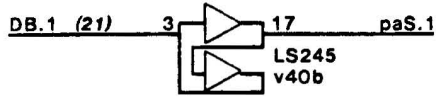
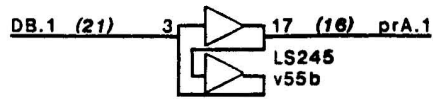
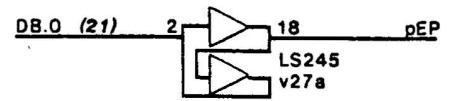
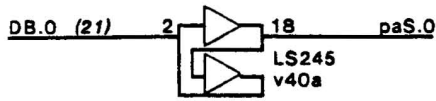
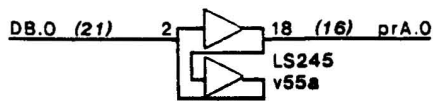


DAWN 4K BY 48 WRITEABLE CONTROL STORE :

(BANK 1)



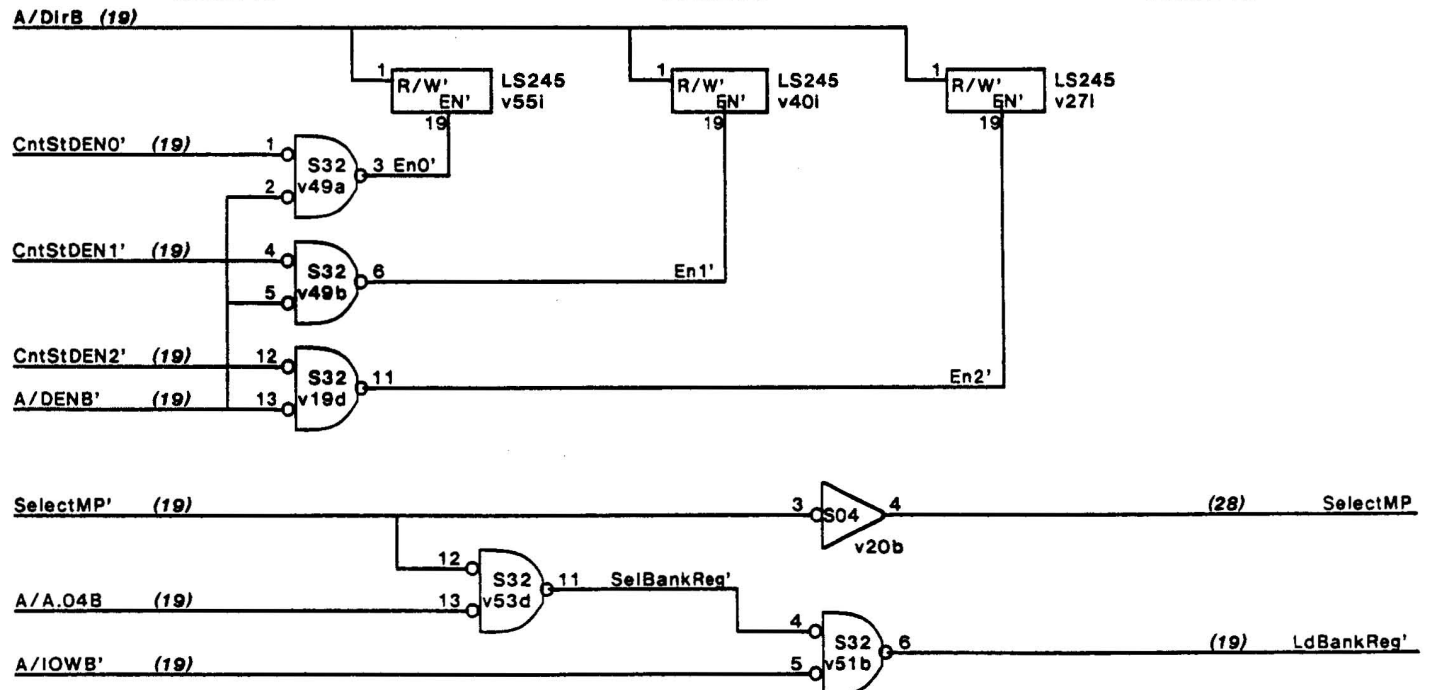




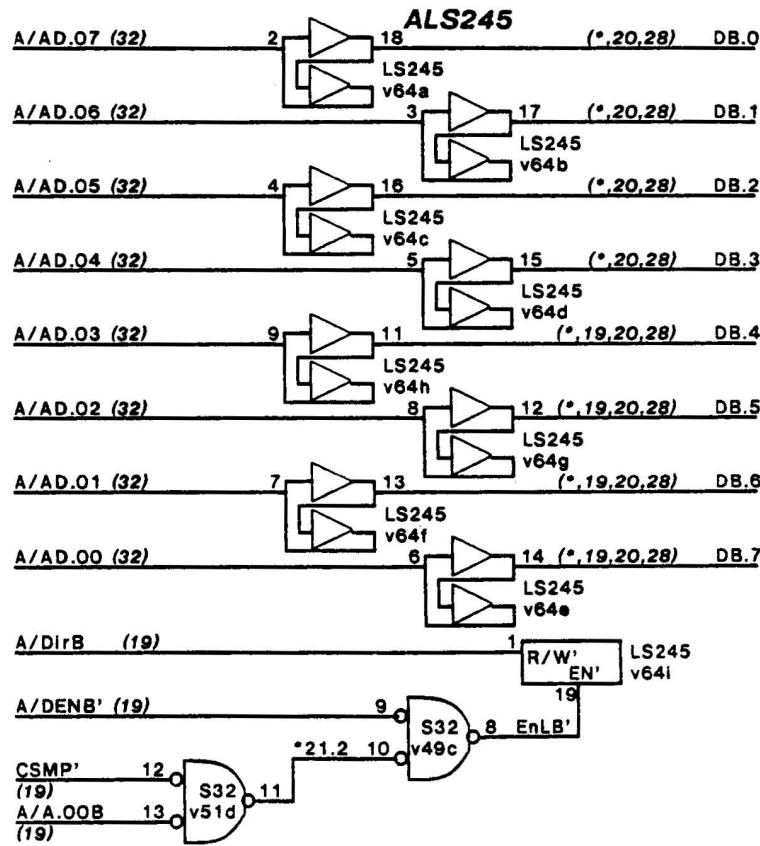
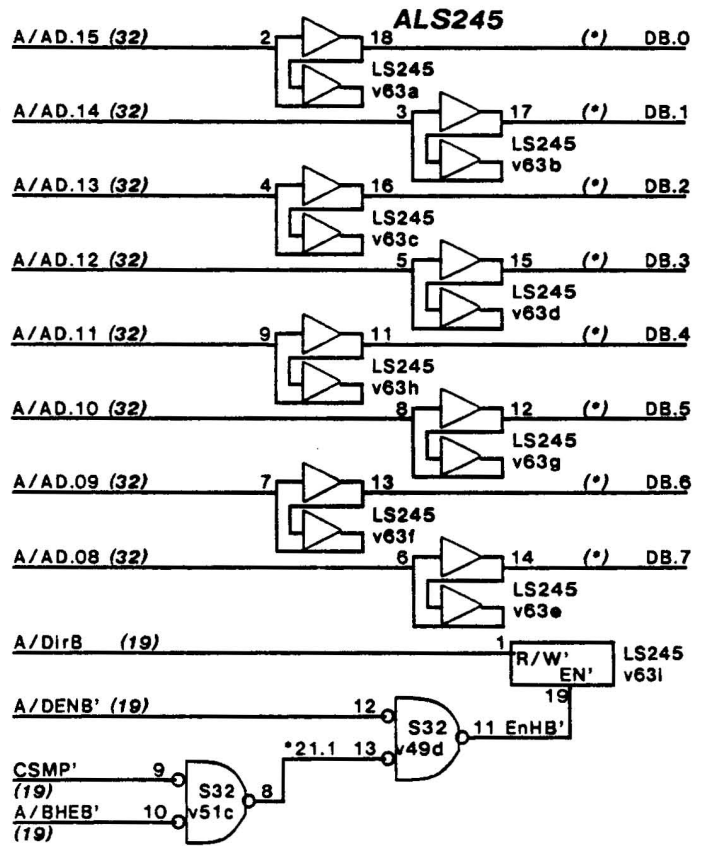
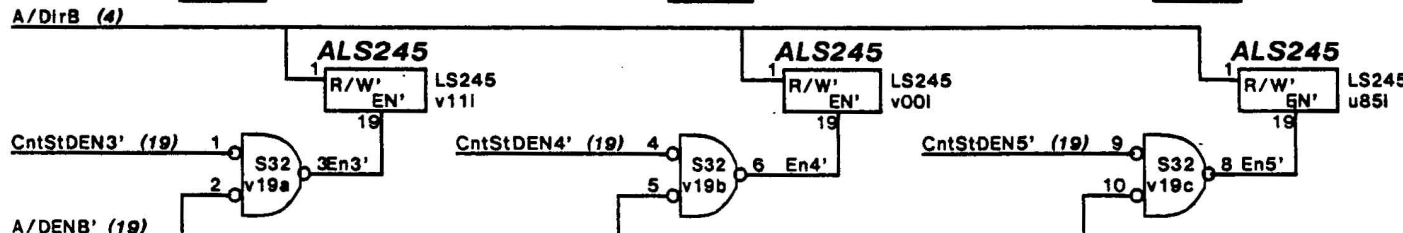
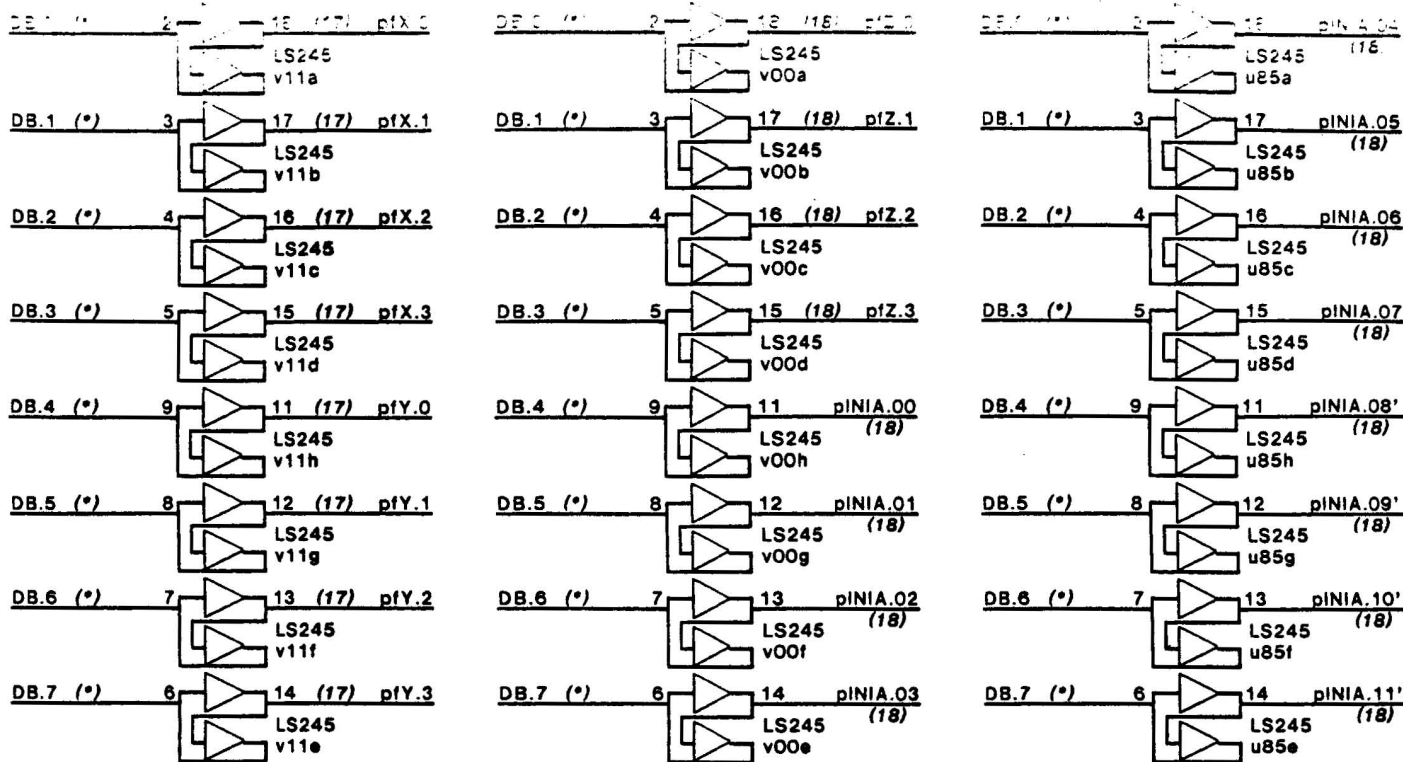
ALS245

ALS245

ALS245

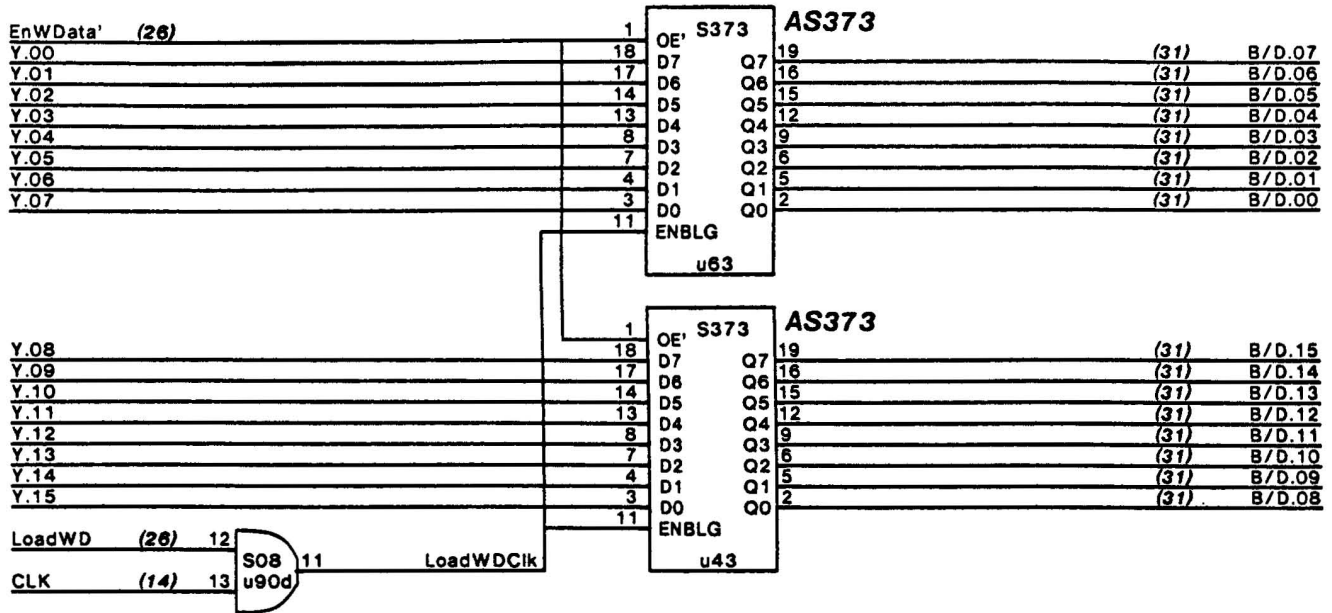


XEROX	PROPRIETARY NOTE ON COVER SHEET APPLIES TO ALL SHEETS	DWG SIZE A4	DWG NO. 156E07041		SHEET REV. A
	TITLE SCHEMATIC, MPB		SHEET 20 OF		



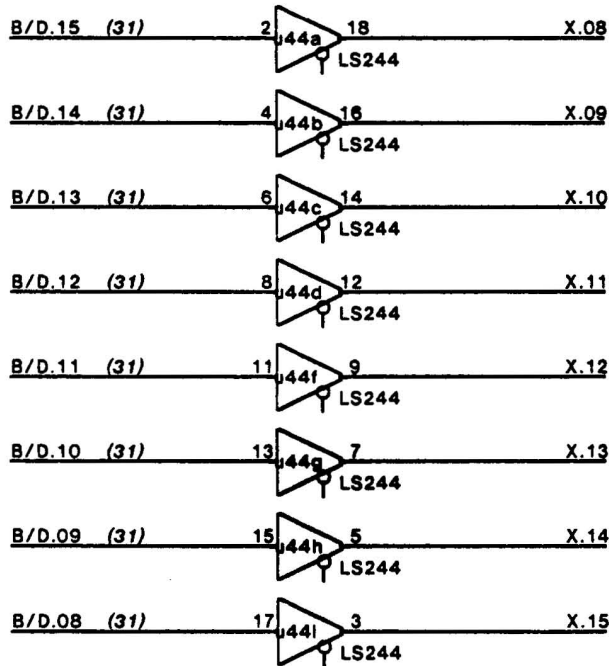
MPB Y BUS

MESA BUS (B BUS)



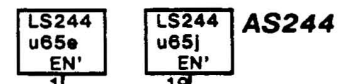
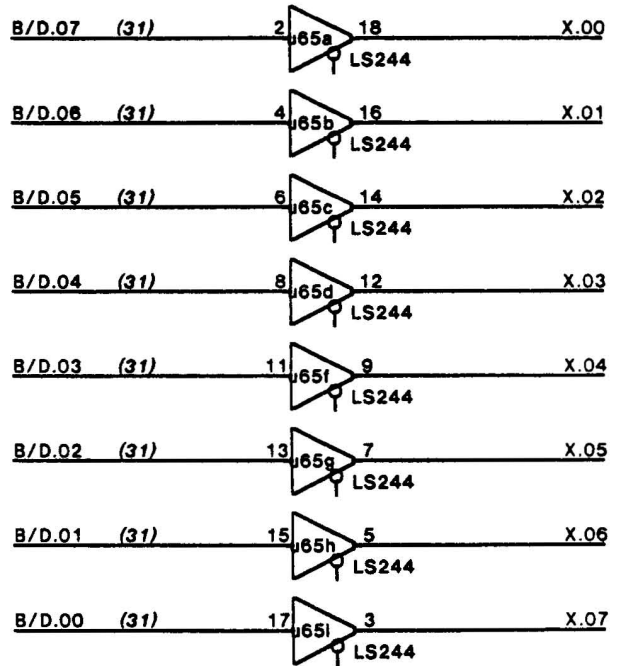
MESA BUS (B BUS)

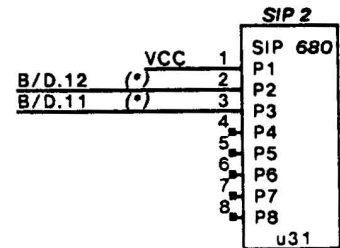
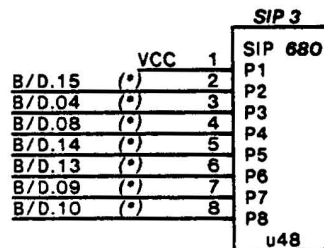
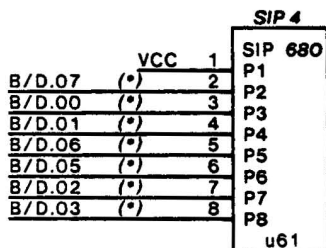
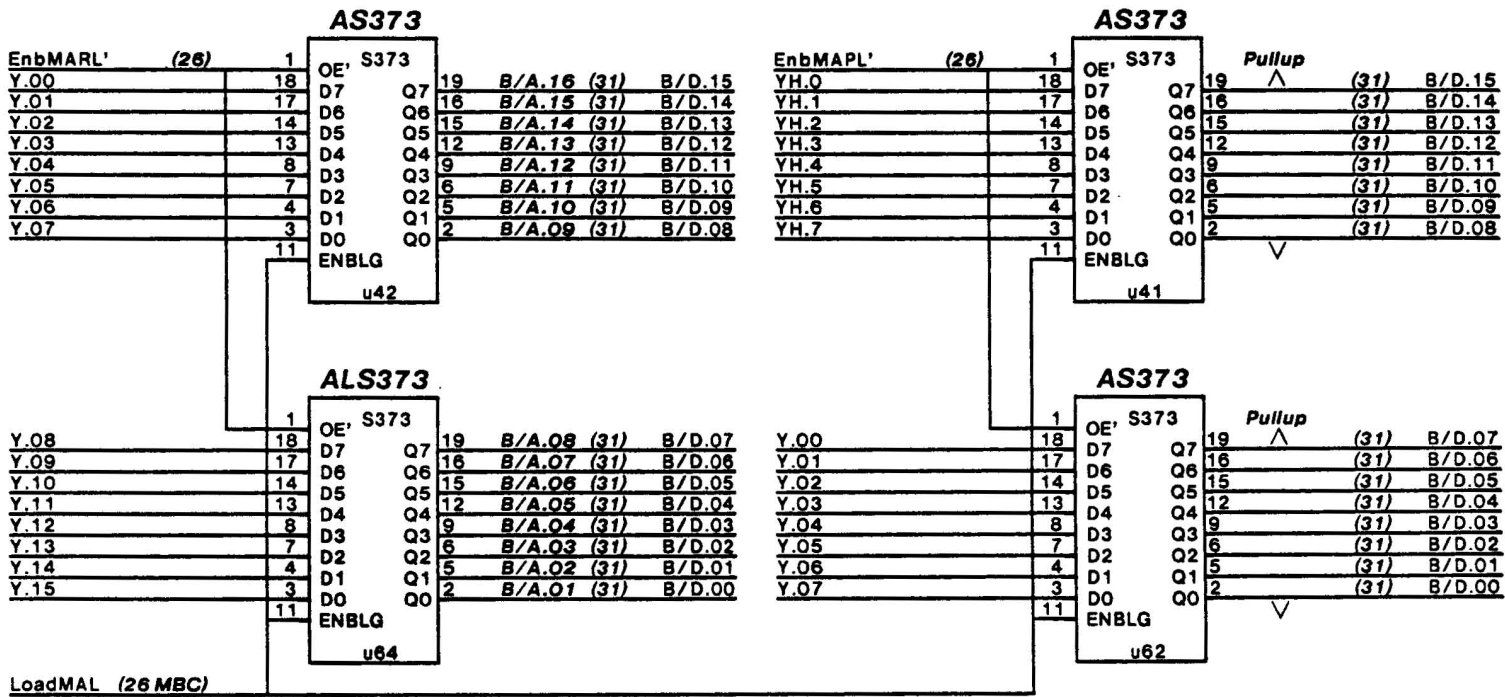
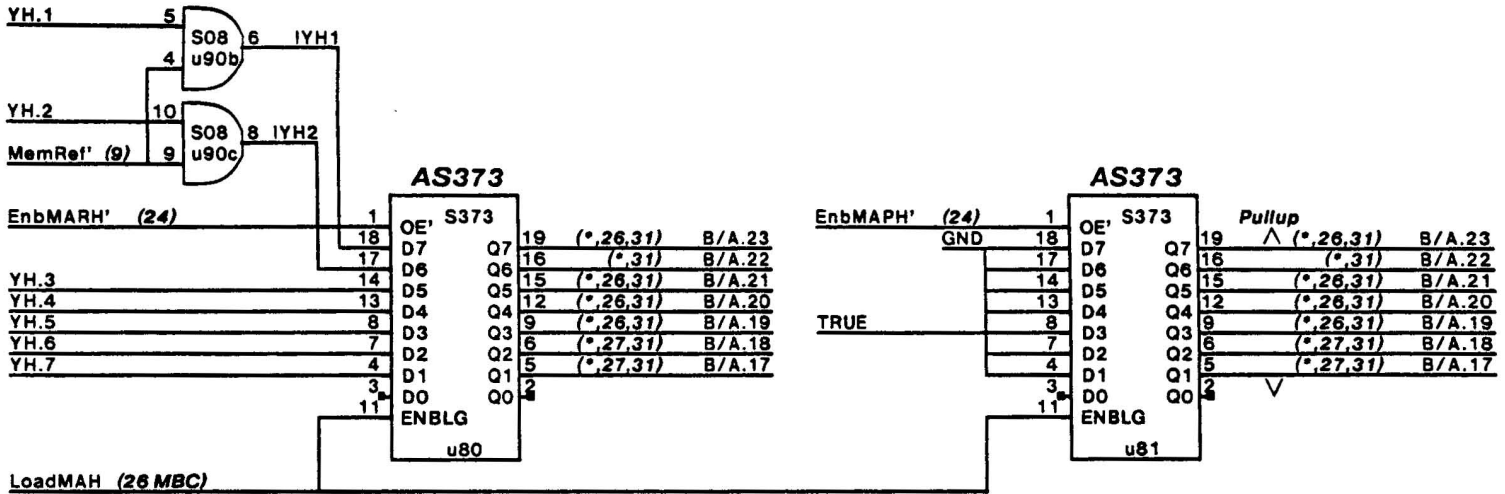
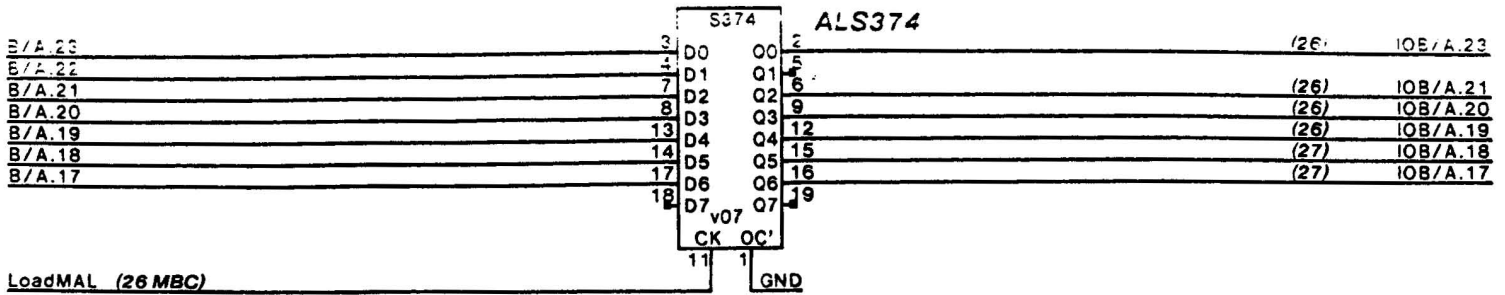
MPB X BUS

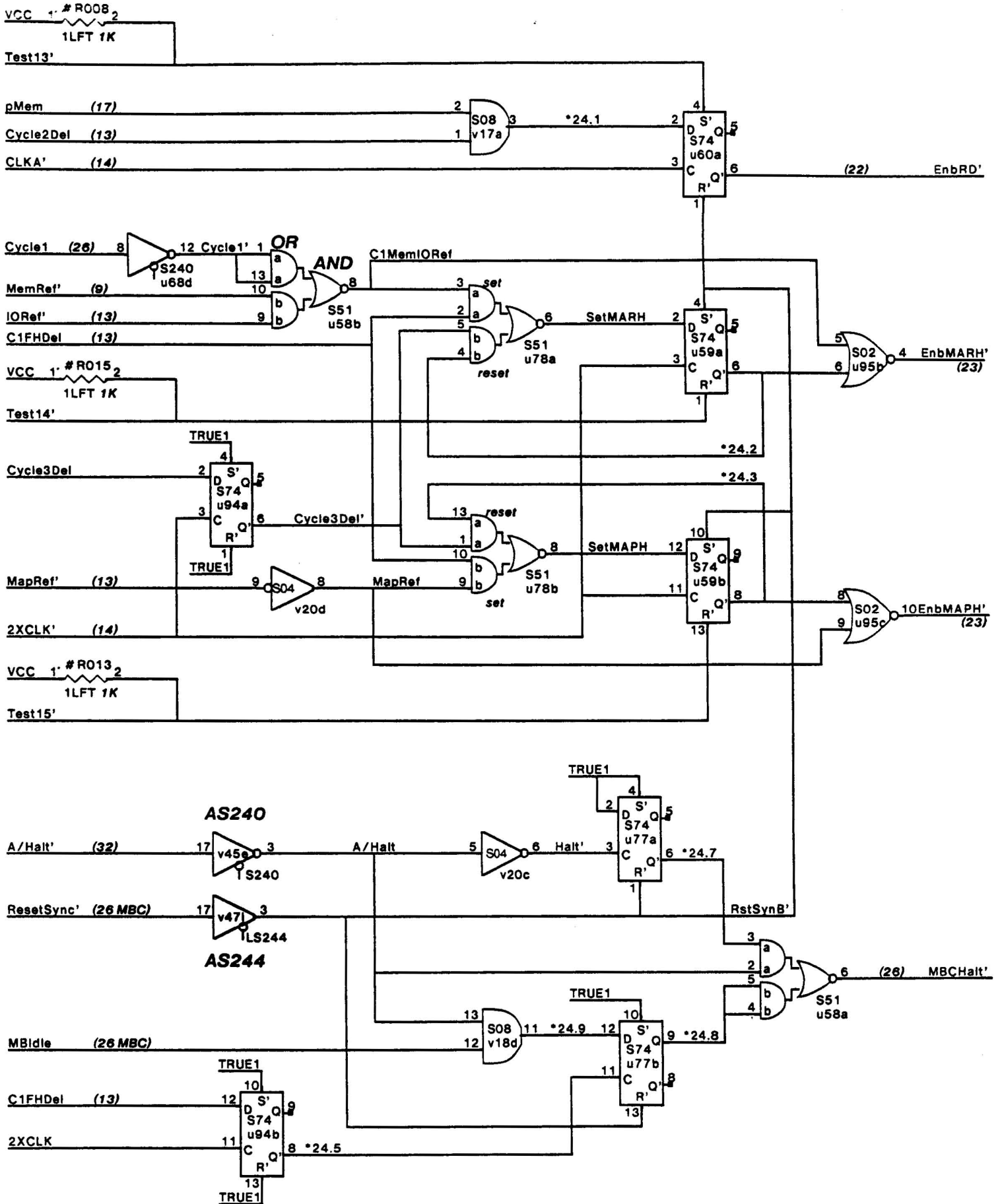


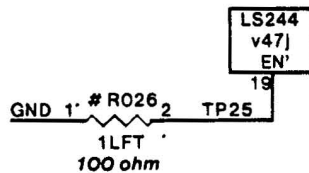
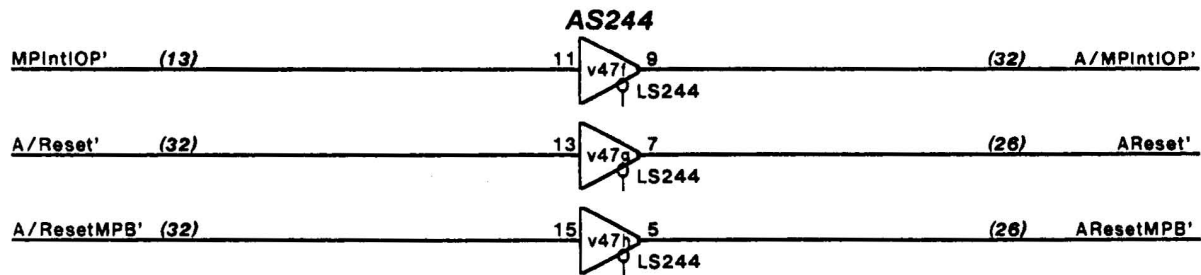
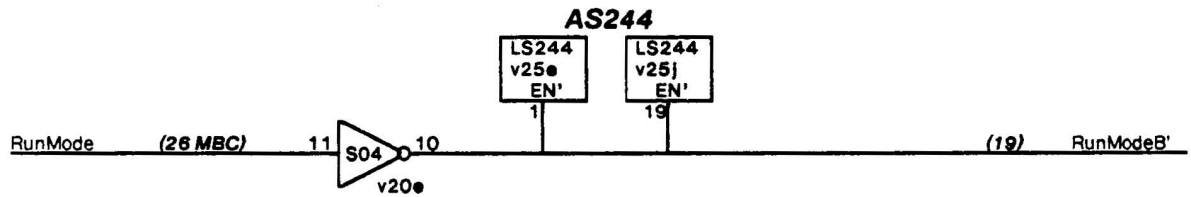
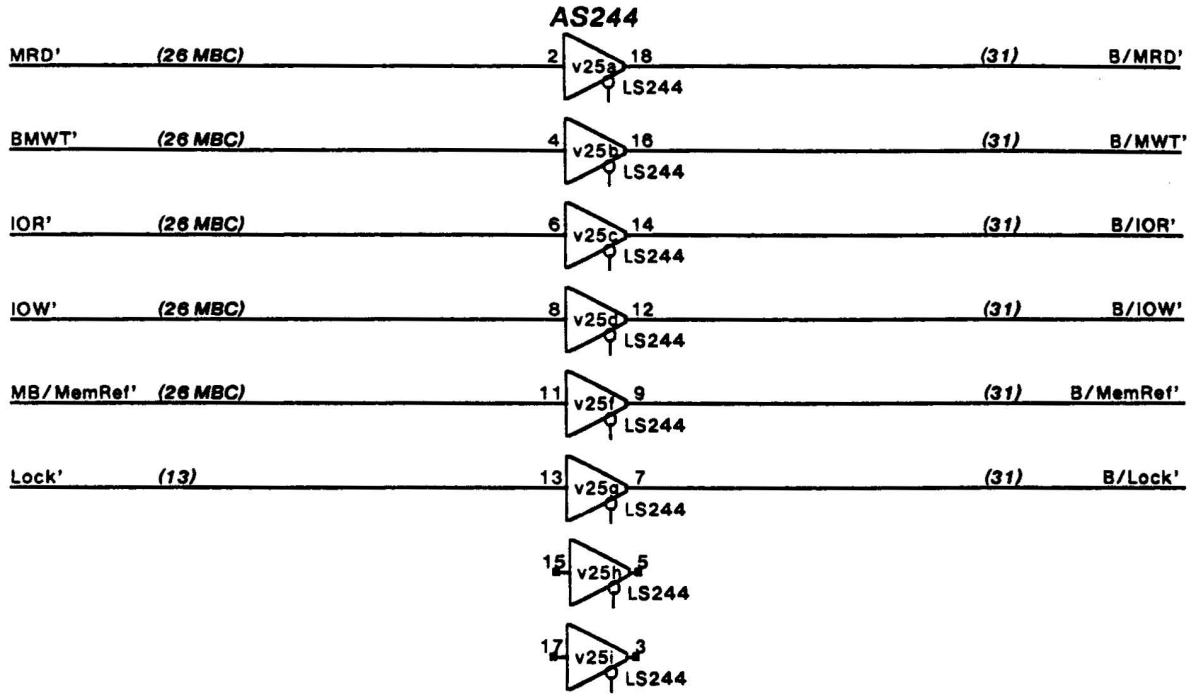
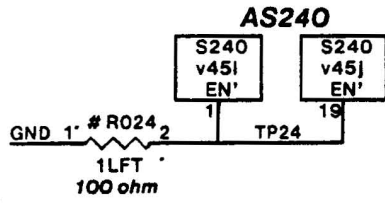
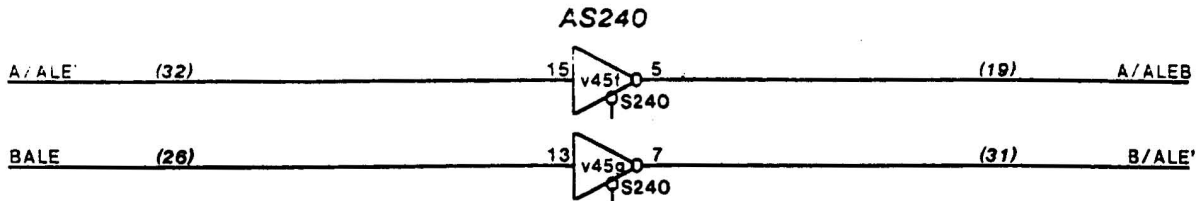
MESA BUS (B BUS)

MPB X BUS



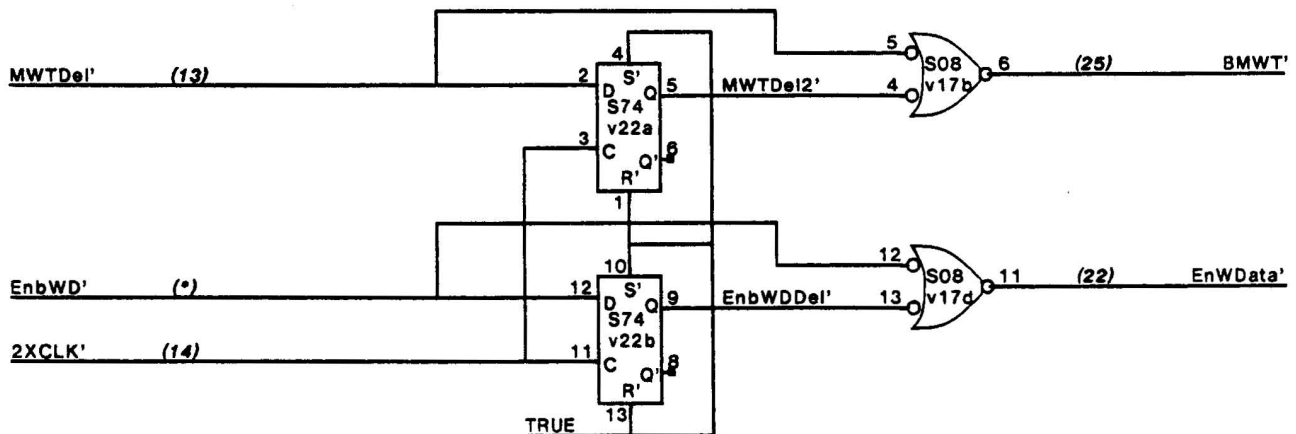
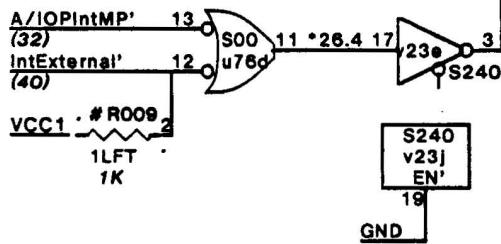
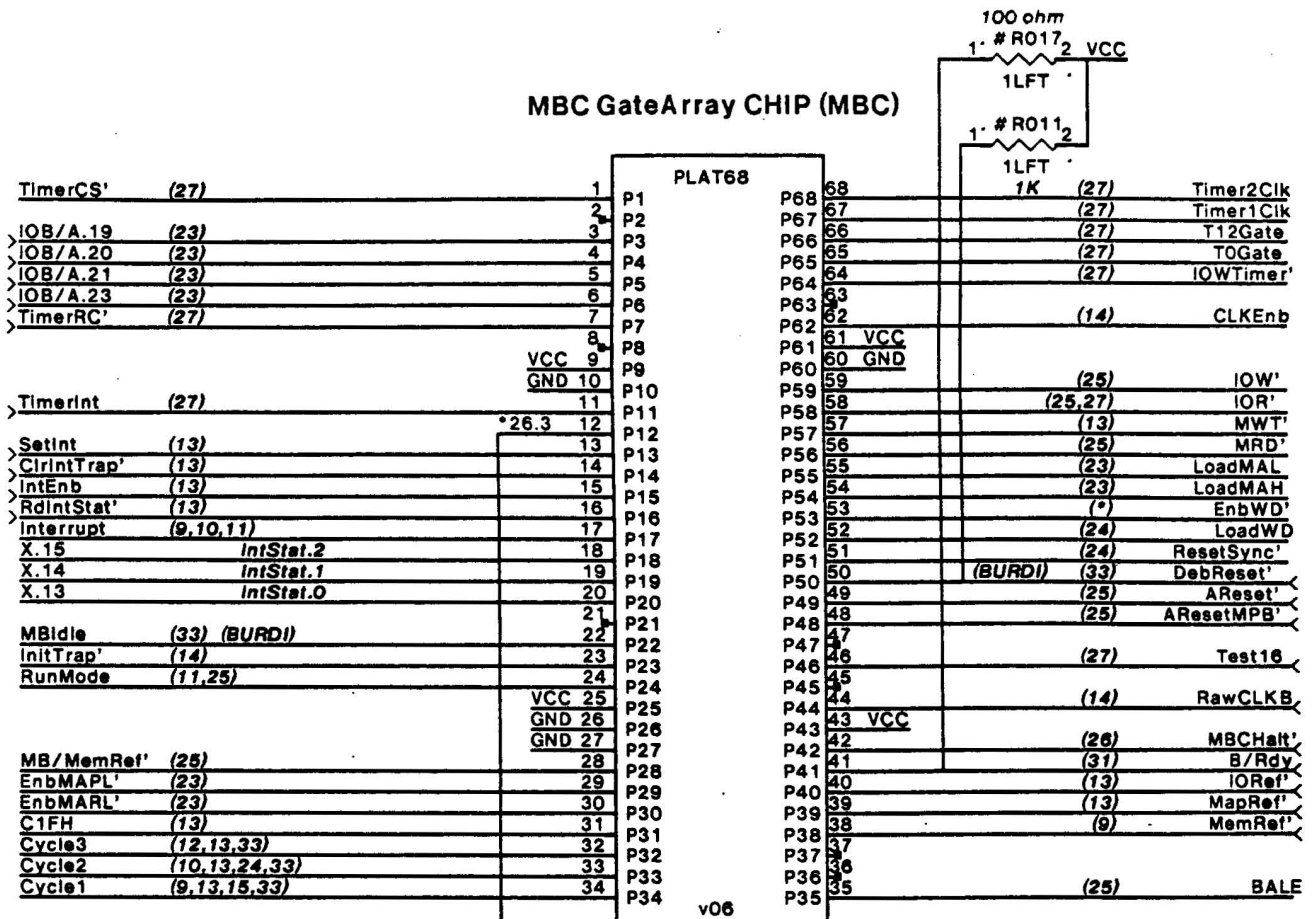




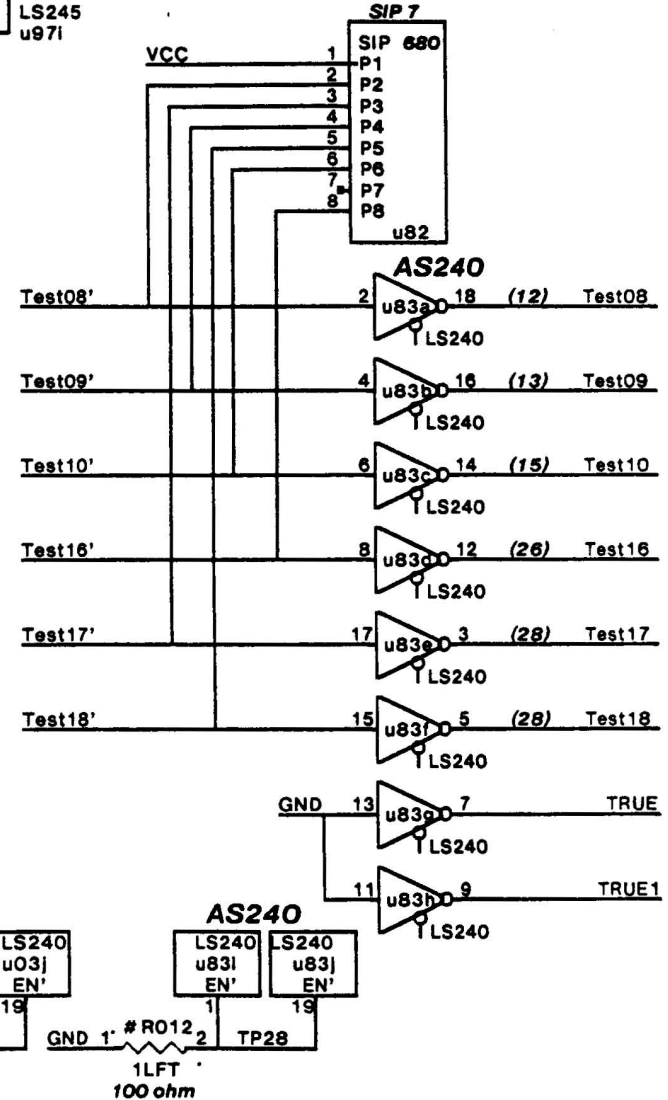
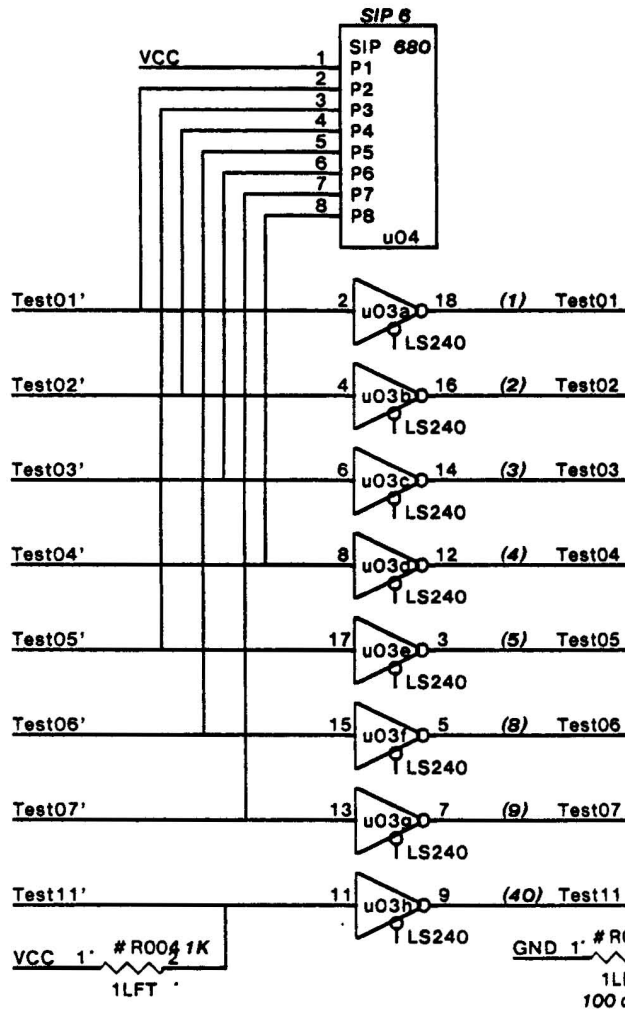
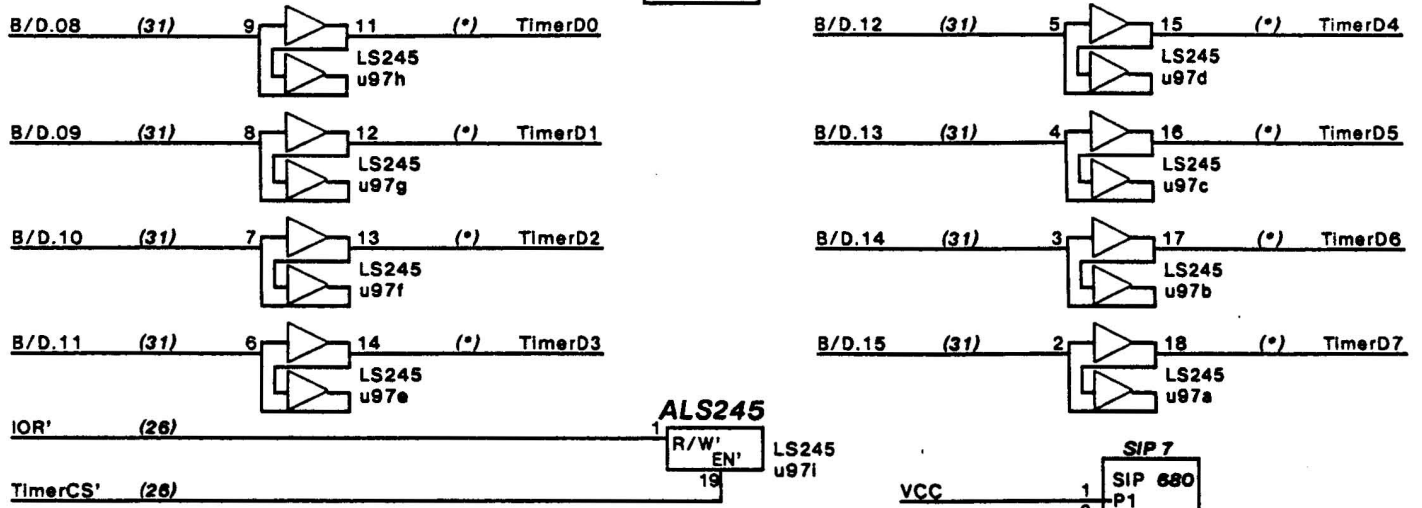
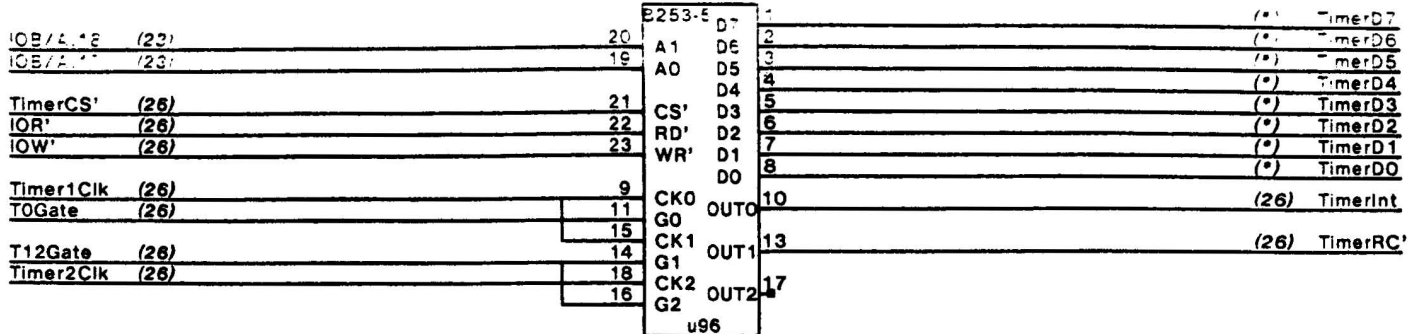


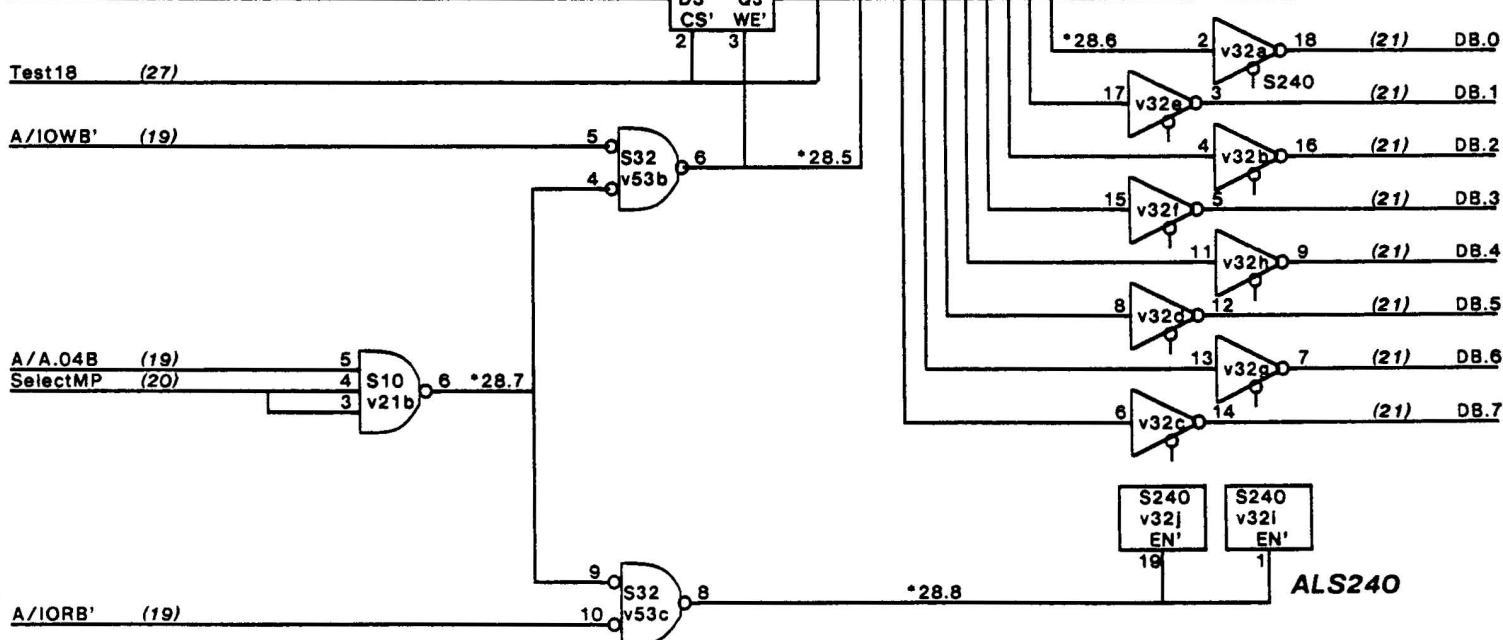
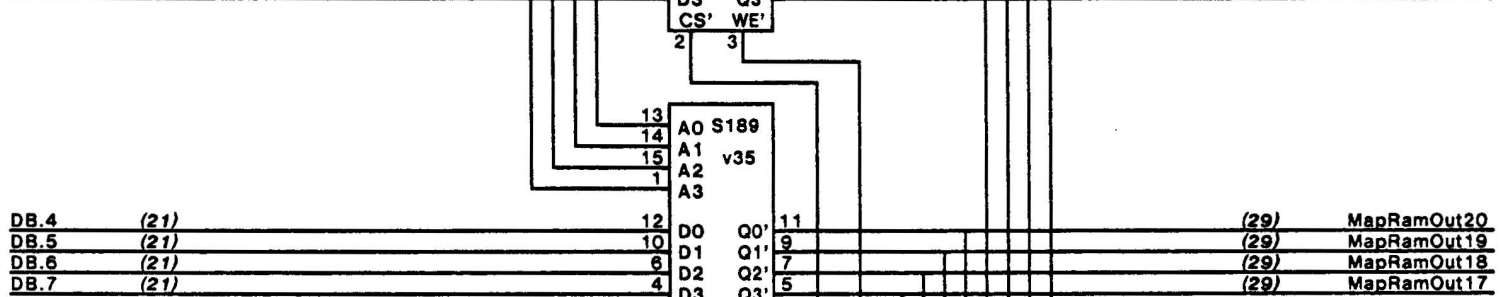
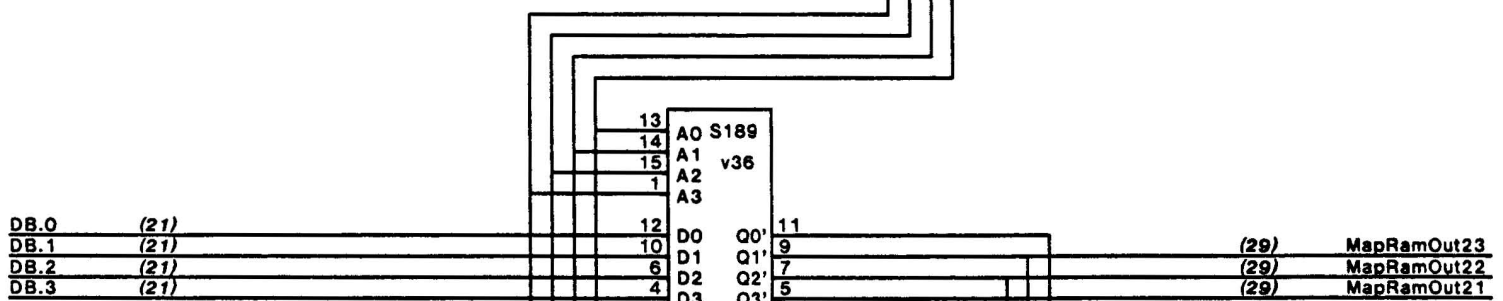
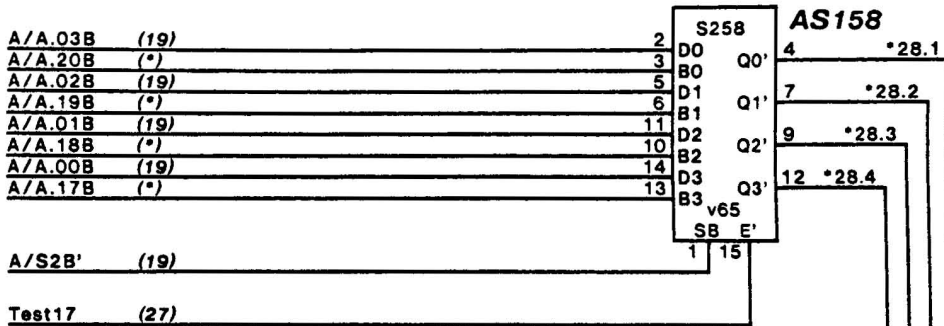
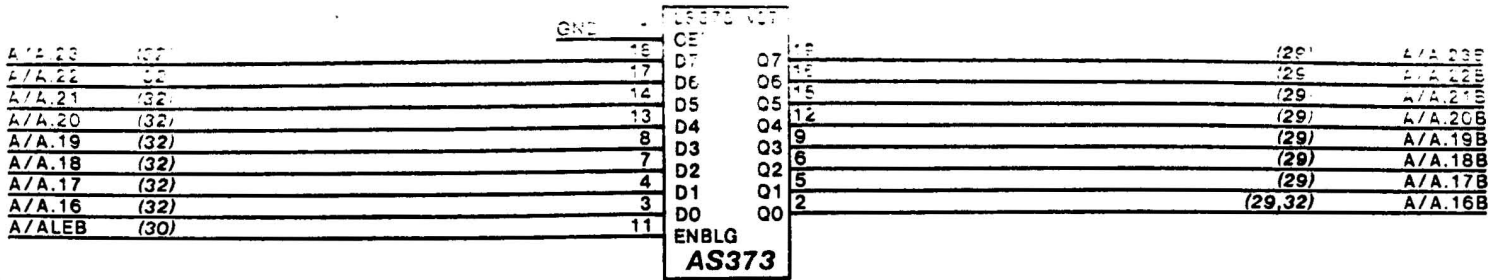
XEROX	PROPRIETARY NOTE ON COVER SHEET APPLIES TO ALL SHEETS	DWG SIZE A4	DWG NO. 156E07041	SHEET REV. A
	TITLE SCHEMATIC, MPB		SHEET 25 OF	

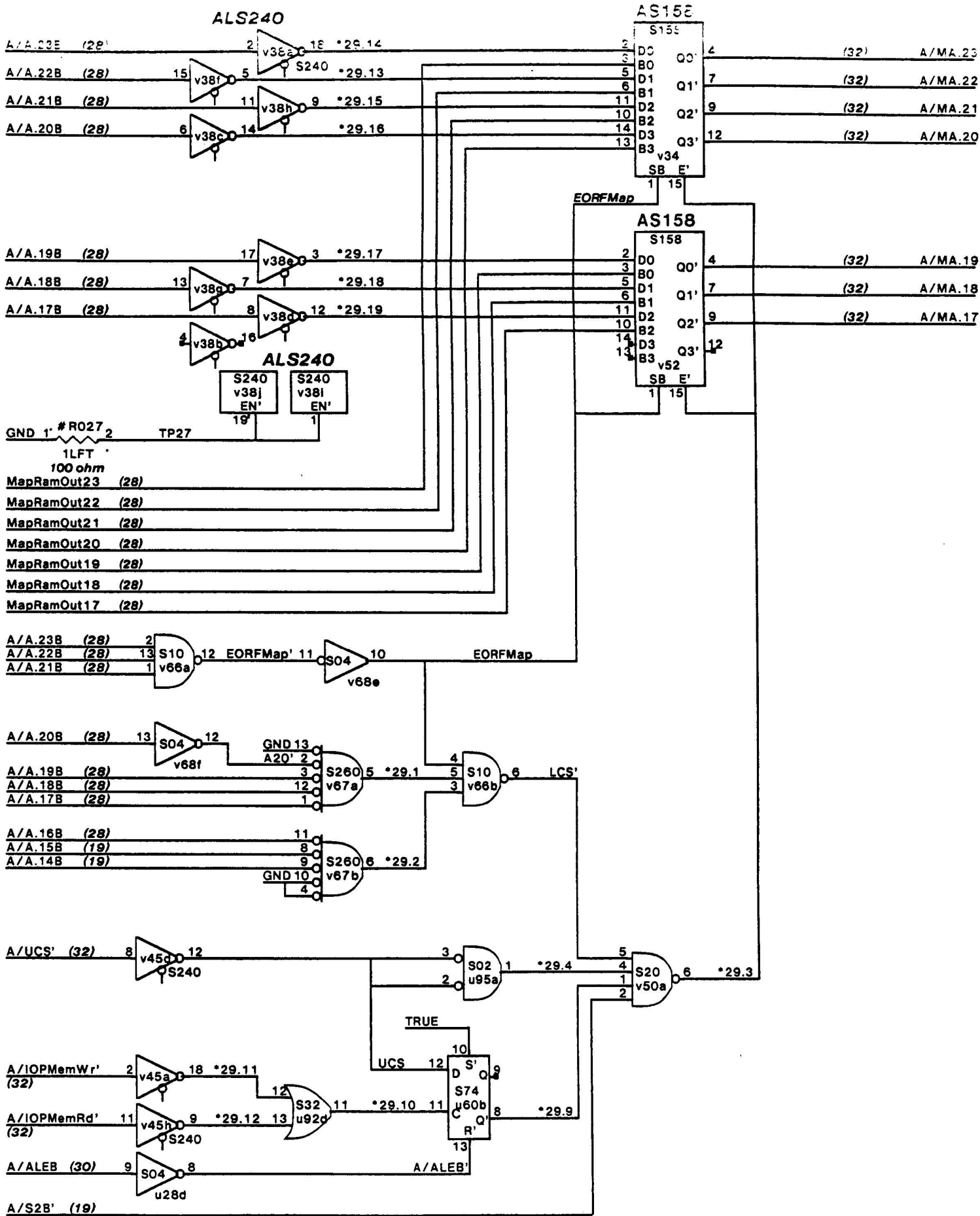
MBC GateArray CHIP (MBC)



2254-2

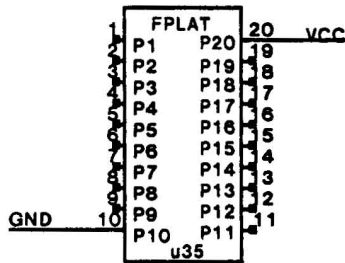
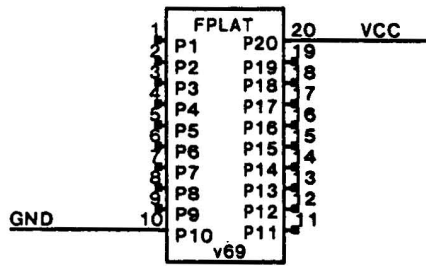
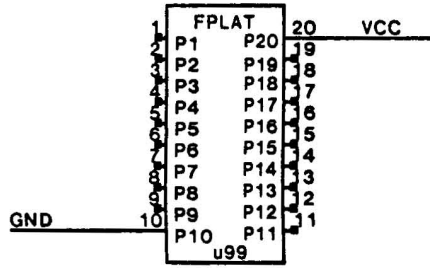






XEROX	PROPRIETARY NOTE ON COVER SHEET APPLIES TO ALL SHEETS		DWG SIZE A4	DWG NO. 156E07041		SHEET REV. A
	TITLE SCHEMATIC, MPB			SHEET 29 OF		

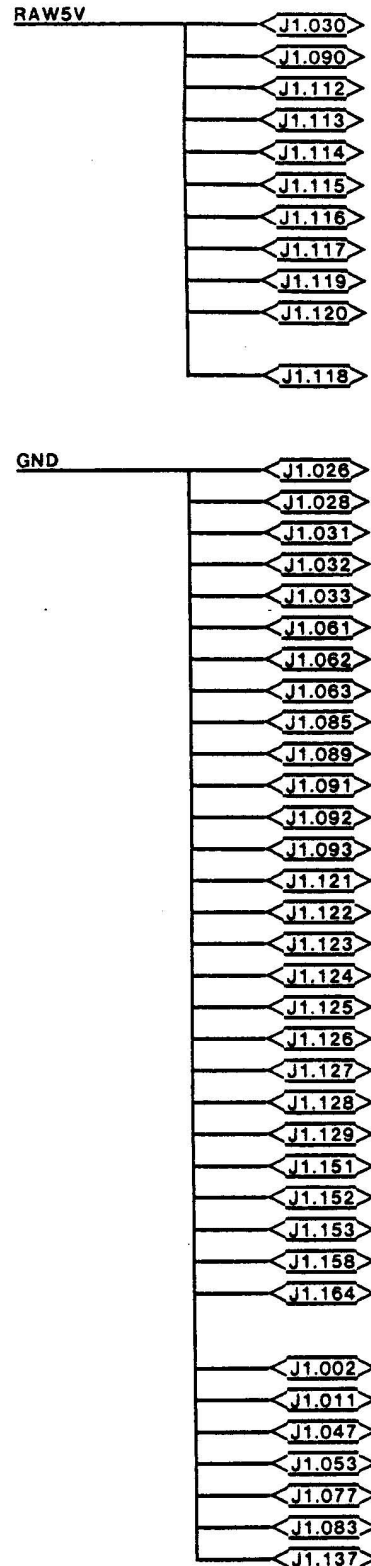
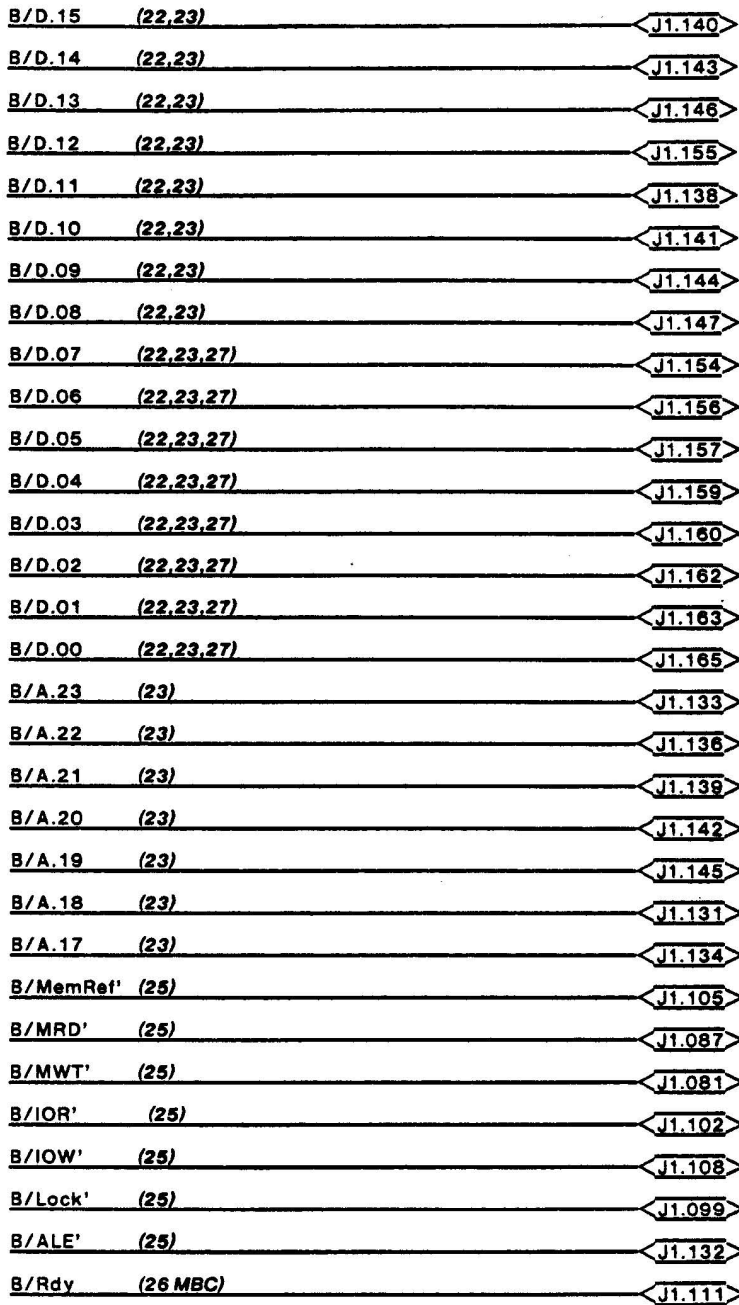
S P A R E S



XEROX	PROPRIETARY NOTE ON COVER SHEET APPLIES TO ALL SHEETS	DWG SIZE A4	DWG NO. 156E07041	SHEET REV. A
	TITLE SCHEMATIC, MPB		SHEET 30 OF	

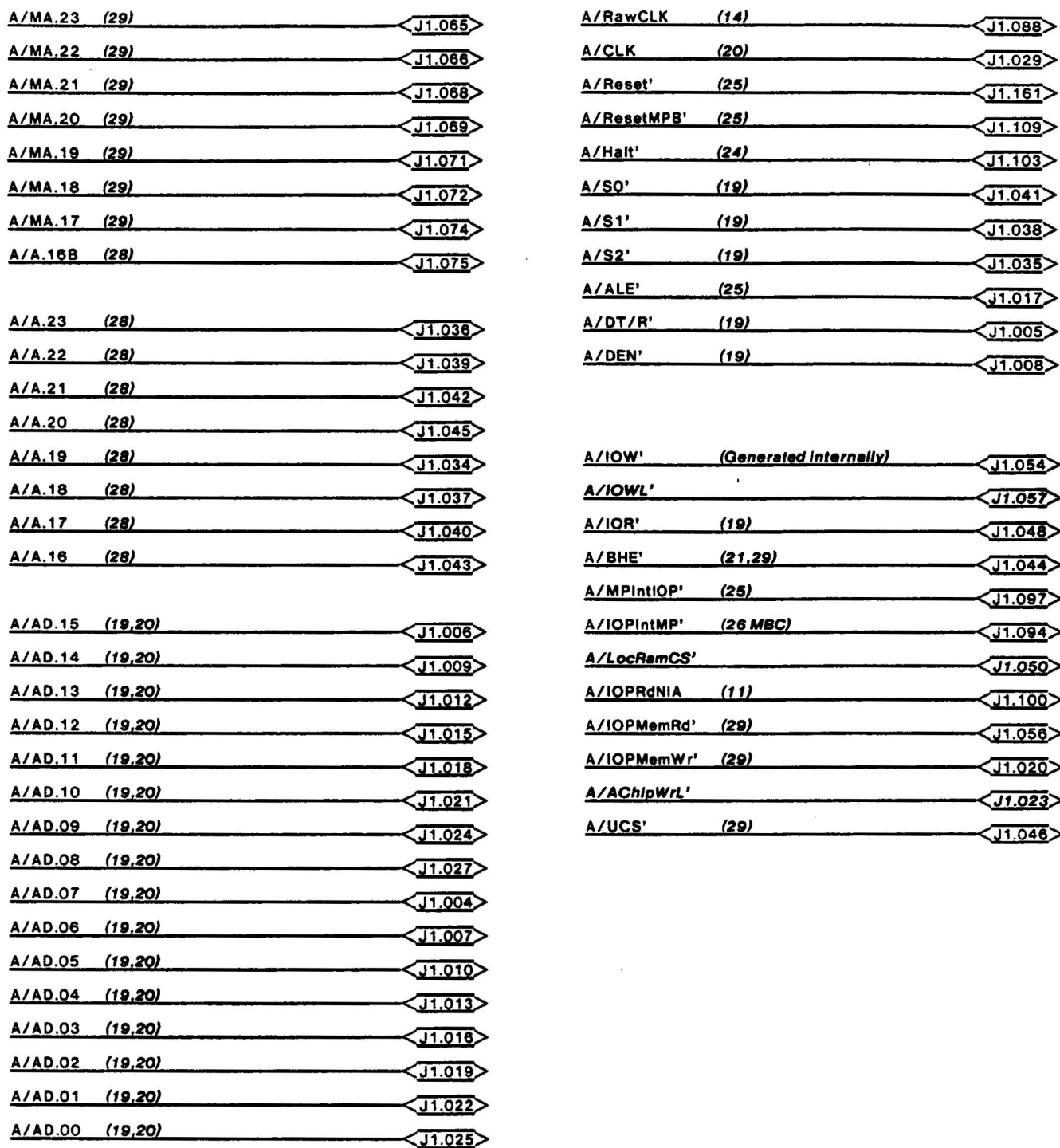
MESA BUS INTERFACE

POWER & GROUND



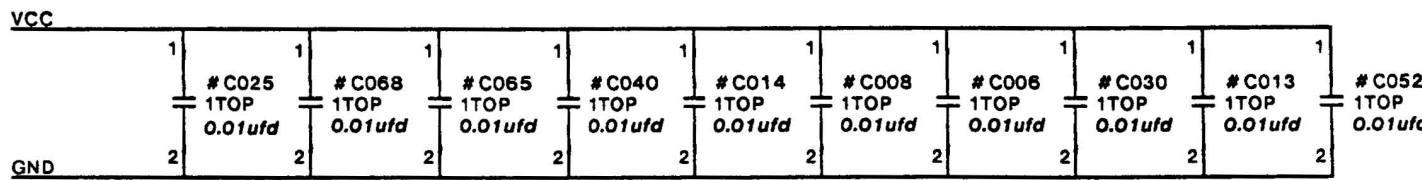
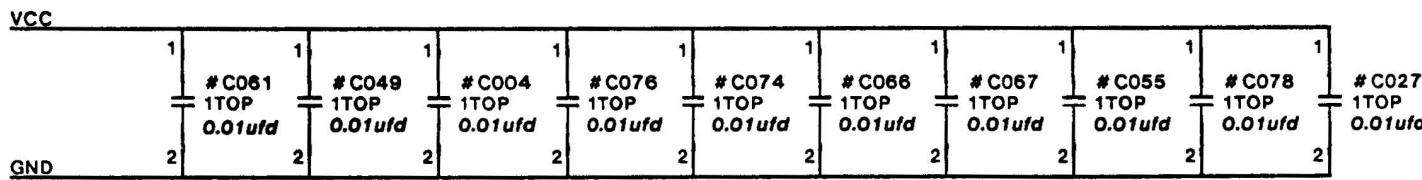
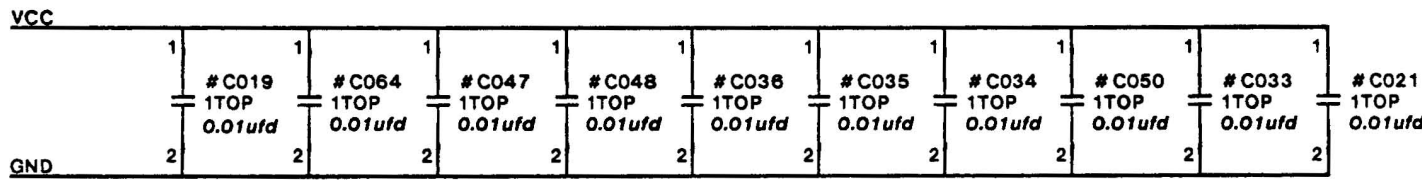
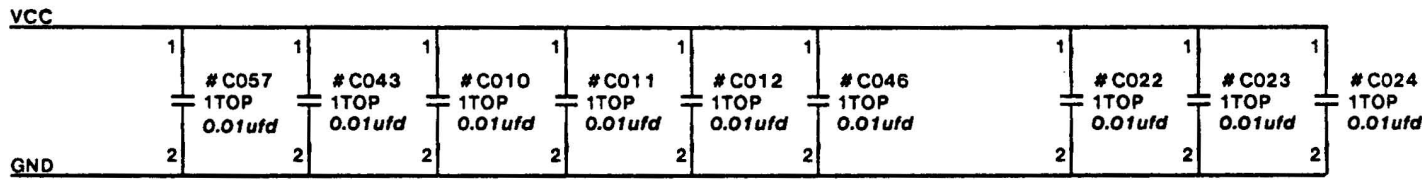
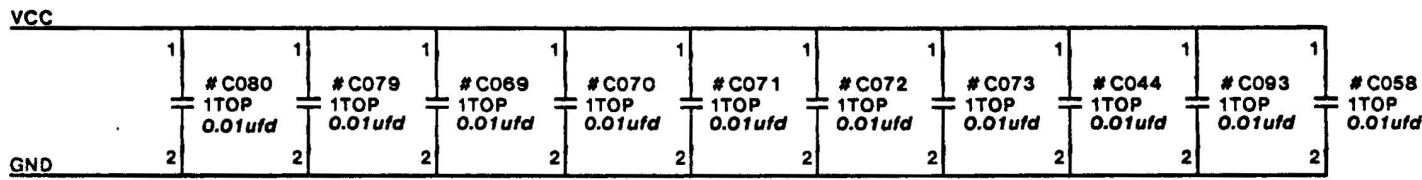
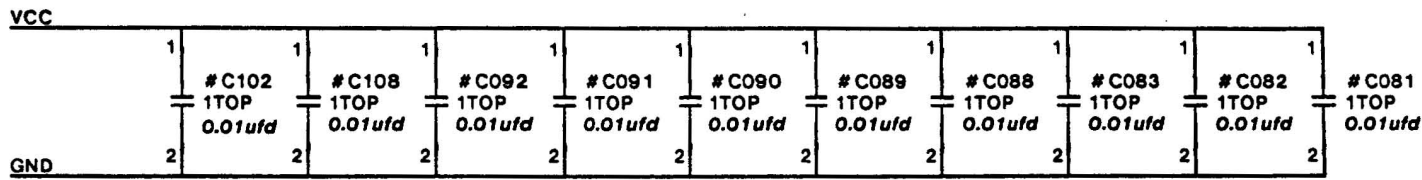
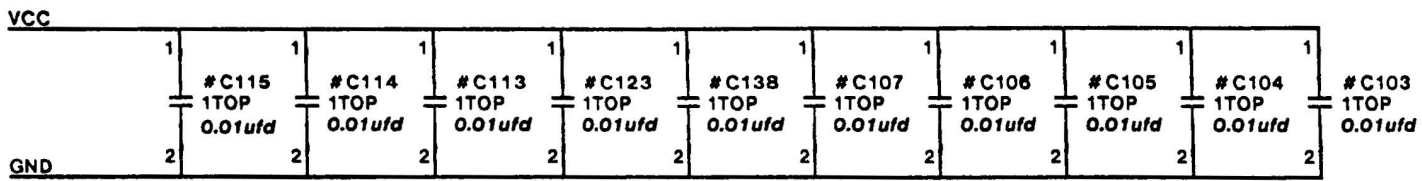
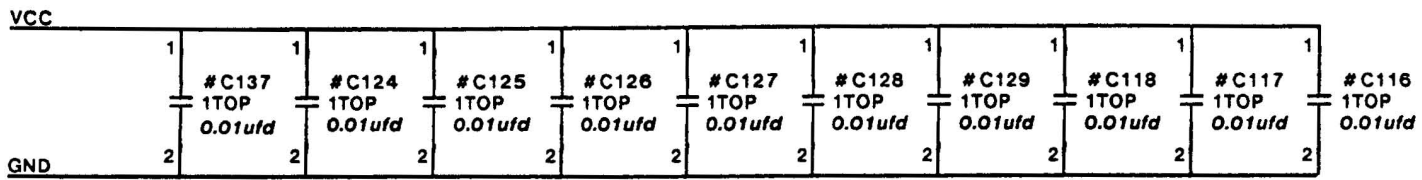
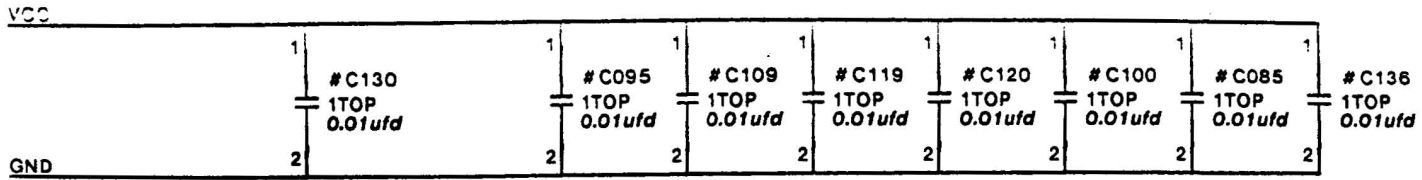
CONNECTOR J1

86 BUS INTERFACE

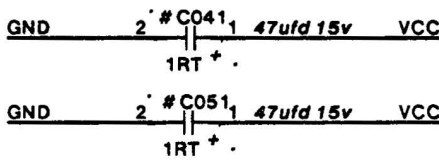
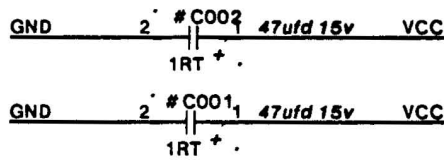
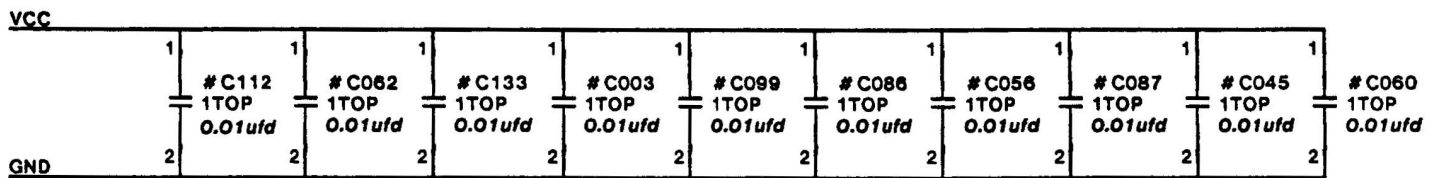
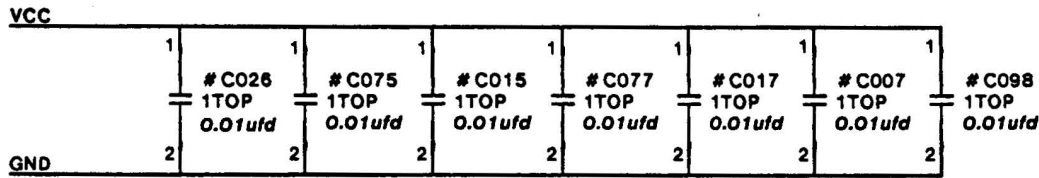
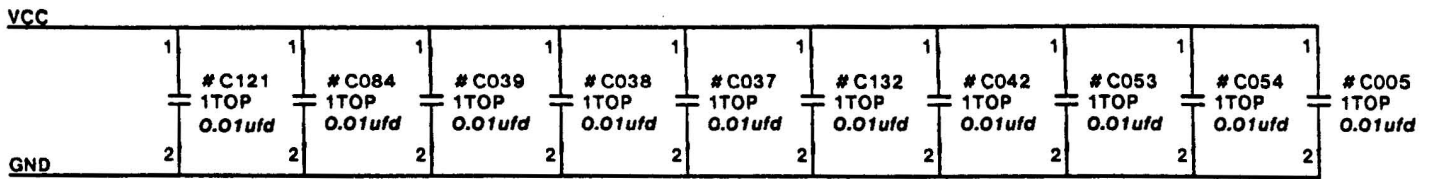
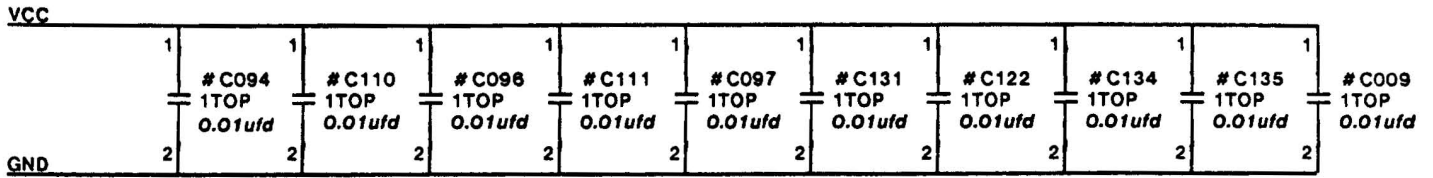
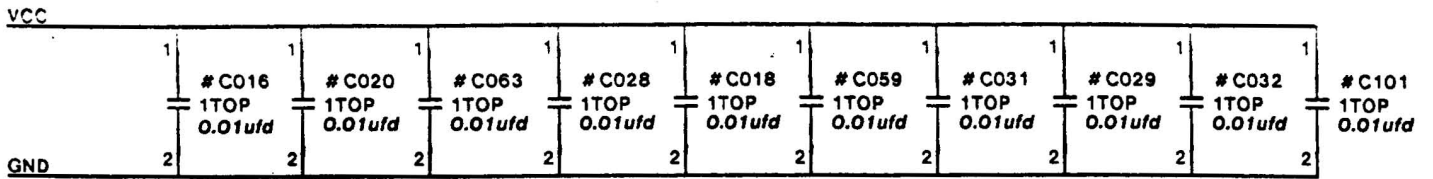


CONNECTOR J1

XEROX	PROPRIETARY NOTE ON COVER SHEET APPLIES TO ALL SHEETS		DWG SIZE A4	DWG NO. 156E07041	SHEET REV. A
	TITLE SCHEMATIC, MPB		SHEET 32 OF		



1



:# F001
:15A FUSE
:P # = 708W11502

:# C1-2,41,51
:47UF
:P # = 702W16230

:# R017
:100 5% 0.5W
:P # = 703W29887

:u4,31,48,61,82
:PN = SIPS, 600 Ohms
:P # = 703W20390

:# J1
:165 PINS CONN, AMP
:P # = 713W30640

:# C3-40,42-50,52-138
:.01UF
:PN = 702W03708

:# R001
:220 5% 1/4W
:P # = 703W30688

:# R2,5,6
:470 5% 1/4W
:P # = 703W31488

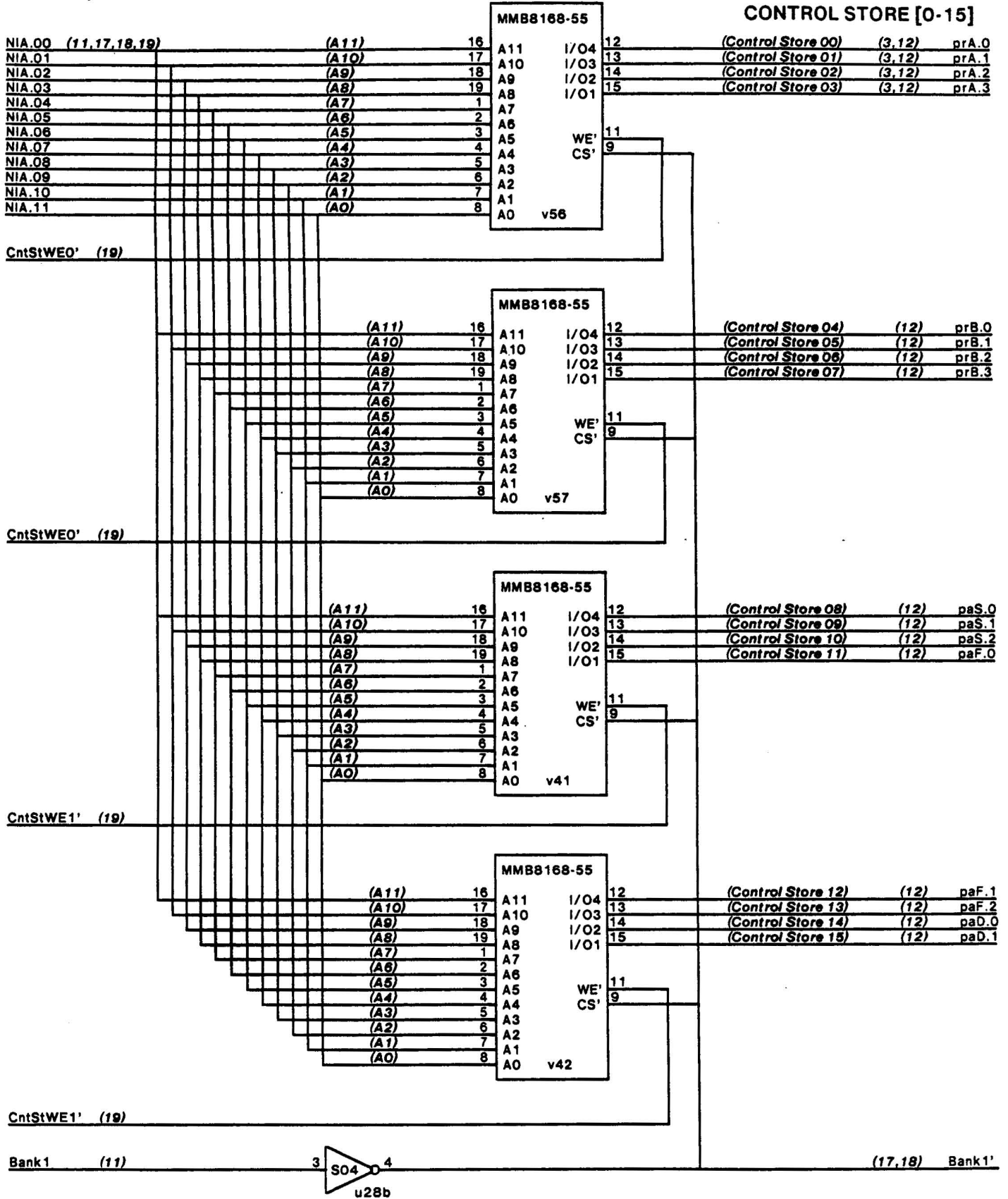
:# R4,8-11,13-15,19,21,22
:1K 5% 1/4W
:P # = 703W32288

:v24 :PN = K1100A :P # = 733W01823	:u59-6C,77,94 :PN = 74S74 :P # = 733W01771	:v9.22 :PN = 74S74 :P # = 733W01771	:u57 :PN = 74AS352 :P # = 733W03075
:u5-8 :PN = AM2901-C :P # = 733W02234	:u50 :PN = 74S86 :P # = 733W01648		:u10,16,64 :PN = 74ALS373 :P # = 733W02343
:u96 :PN = 8254-2 :P # = 733W03011	:v16,33 :PN = 74S138 :P # = 733W01616		:u41-43,62-63,80,81 :PN = 74AS373 :P # = 733W02344
:u93 :PN = 74S189 :P # = 733W01523	:v35,36 :PN = 74S189 :P # = 733W01523	:u54-56 :PN = 74S151 :P # = 733W02137	:u84 :PN = 74LS374 :P # = 733W01698
:u36,37 :PN = AM27S07 :P # = 733W01550	:u73-75 :PN = 74ALS157 :P # = 733W02341		:u9,67,71 :PN = 74ALS374 :P # = 733W02342
			:v7,10,39 :PN = 74ALS374 :P # = 733W02342
:u79 :PN = AM27S27 :P # = 733W02365	:u72 :PN = 74AS157 :P # = 733W03072		
:u32,46 :PN = AM27S29 :P # = 733W02365	:v34,52,65 :PN = 74AS158 :P # = 733W03073		:u33,70 :PN = 74AS374 :P # = 733W03012
			:v26,54 :PN = 74AS374 :P # = 733W03012
:u21-24 :PN = AM9122-25 :P # = 733W02538	:u02 :PN = 74S182 :P # = 733W01632		:v05 :PN = MDC Gate Array Chip :P # = 733W02360
:u86,87 :PN = IMS1420P-55 :P # = 733W02530	:v1-2,12-13,28-29,41-42,56,57 :PN = IMS1420P-55 :P # = 733W02530		:v06 :PN = MBC Gate Array Chip :P # = 733W02359
:u25-26,49 :PN = AM25S09 :P # = 733W01970	:u03 :PN = 74LS240 :P # = 733W01625		
:u1,13,29,30 :PN = 25S10 :P # = 733W01531	:v32,38 :PN = 74ALS240 :P # = 733W02340	:v23 :PN = 74S240 :P # = 733W01633	
:u39,76 :PN = 74S00 :P # = 733W00318	:u68 :PN = 74S240 :P # = 733W01633	:v45 :PN = 74AS240 :P # = 733W02395	
:u95 :PN = 74S02 :P # = 733W01643	:u45,83 :PN = 74AS240 :P # = 733W02395		
:u28 :PN = 74S04 :P # = 733W00319	:v20,68 :PN = 74S04 :P # = 733W00319	:u98 :PN = 74LS244 :P # = 733W01626	:v61 :PN = 74ALS244 :P # = 733W02313
:u90 :PN = 74S08 :P # = 733W01611	:v8,17,18 :PN = 74S08 :P # = 733W01611	:u66 :PN = 74ALS244 :P # = 733W02313	:v25,47 :PN = 74AS244 :P # = 733W03012
:u51 :PN = 74AS08 :P # = 733W03043		:u34,44,47,65 :PN = 74AS244 :P # = 733W03012	:v0,11,27,40,55,63,64 :PN = 74ALS245 :P # = 733W02337
:u40 :PN = 74S10 :P # = 733W01606	:v21,66 :PN = 74S10 :P # = 733W01606	:u85,97 :PN = 74ALS245 :P # = 733W02337	
:u53 :PN = 74S20 :P # = 733W01619	:v51 :PN = 74S20 :P # = 733W01619	:u14 :PN = 74ALS253 :P # = 733W02339	
:u52,91,92 :PN = 74S32 :P # = 733W01646	:v19,49,51,53 :PN = 74S32 :P # = 733W01646	:u27 :PN = 74ALS257 :P # = 733W02336	
:u15 :PN = 74S38 :P # = 733W01647		:u19-20,38 :PN = 74AS257 :P # = 733W03078	
:u58,78 :PN = 74S51 :P # = 733W01621		:v67 :PN = 74ALS260 :P # = 733W00321	:u32,46,88,89 :PN = 713W20225 :P # = 20 PIN SOCKET

XEROX	PROPRIETARY NOTE ON COVER SHEET APPLIES TO ALL SHEETS		DWG SIZE A4	DWG NO. 156E07041	SHEET REV. A
	TITLE SCHEMATIC, MPB		SHEET 35	OF	

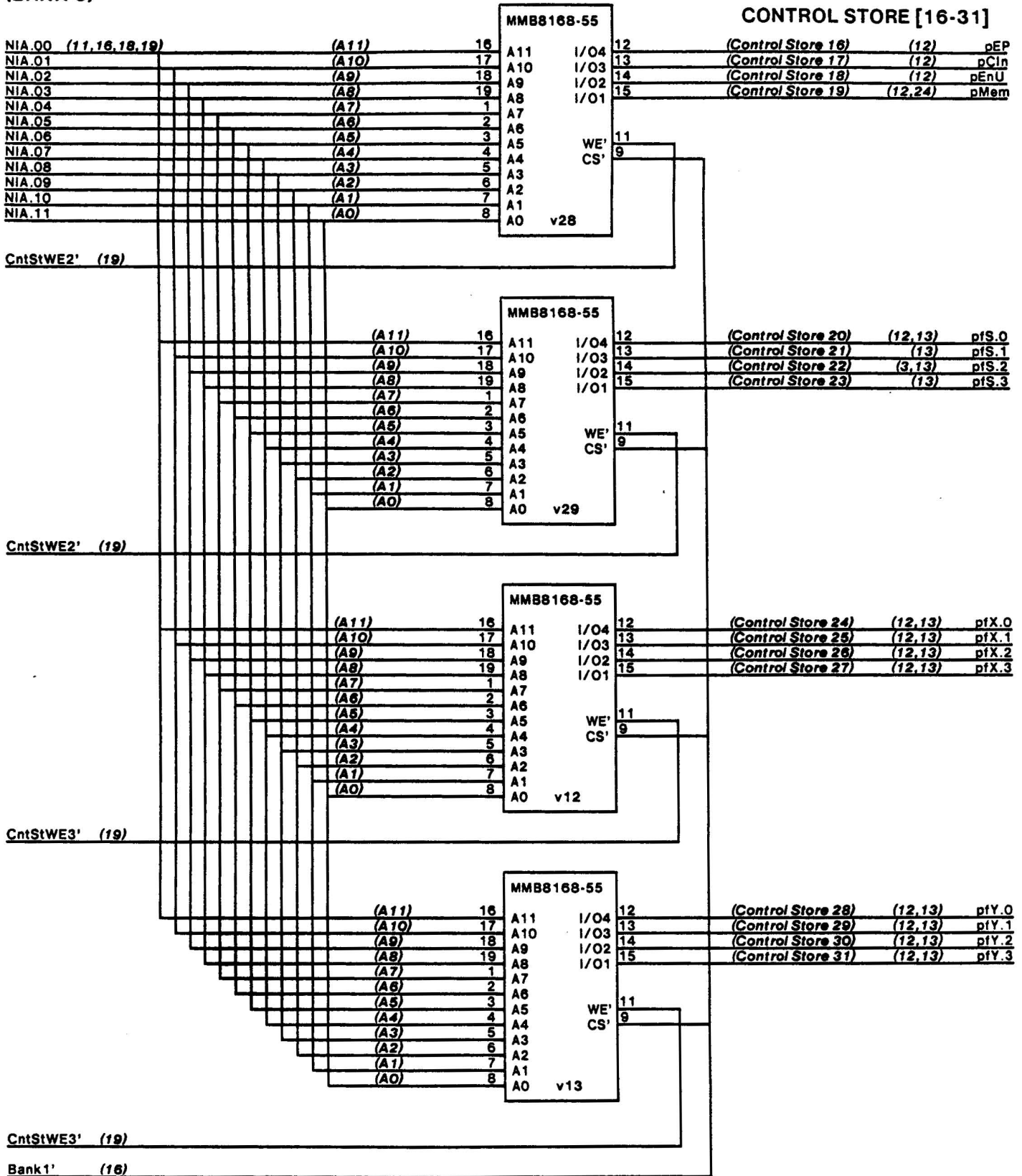
DAWN 4K BY 48 WRITEABLE CONTROL STORE :

(BANK 0)



DAWN 4K BY 48 WRITEABLE CONTROL STORE :

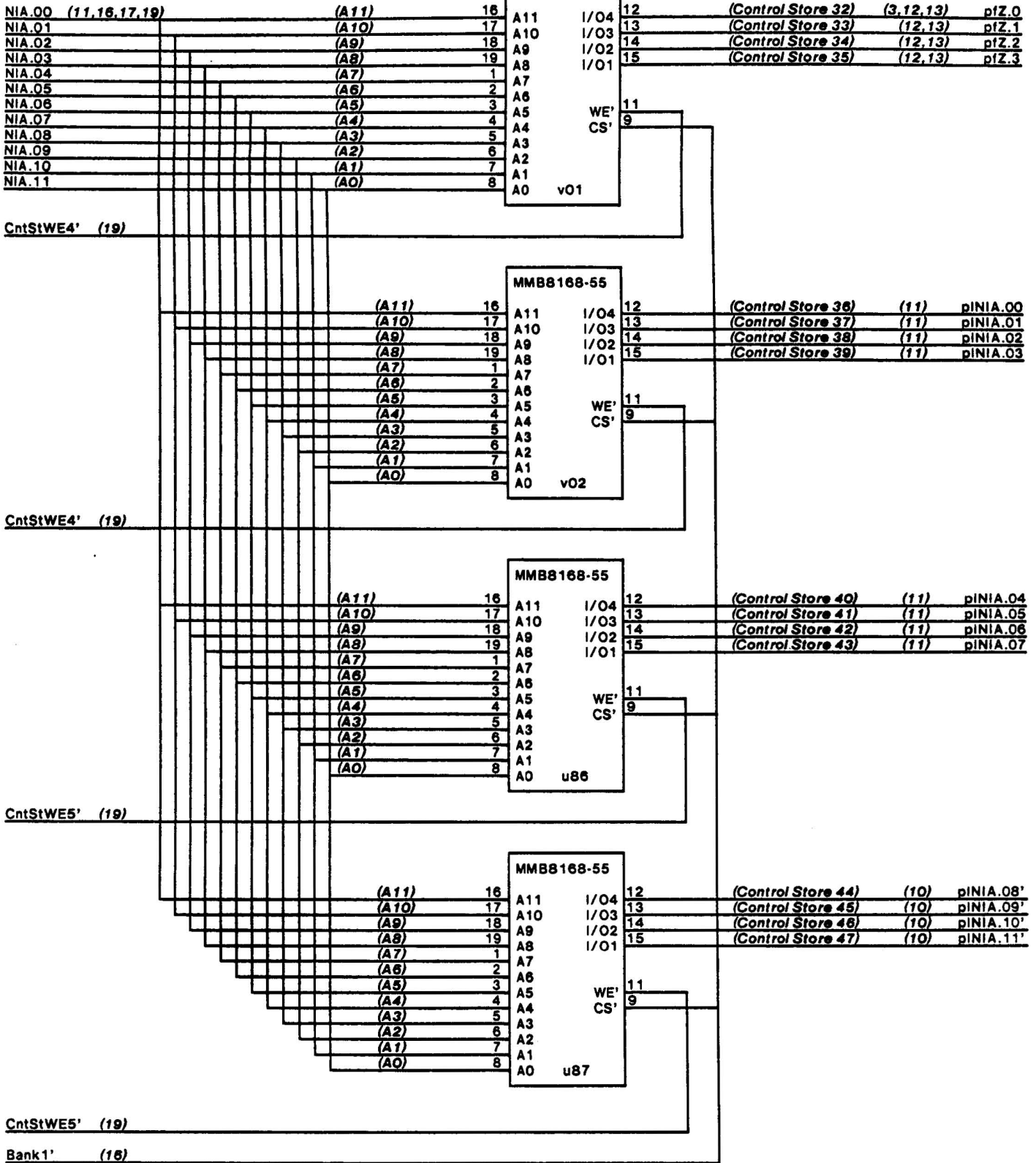
(BANK 0)

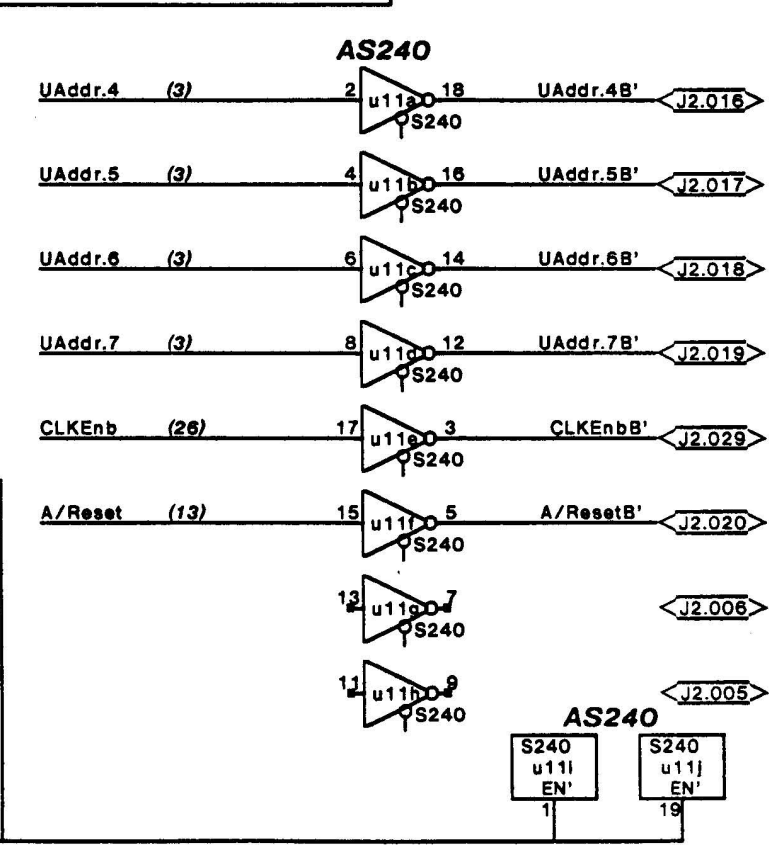
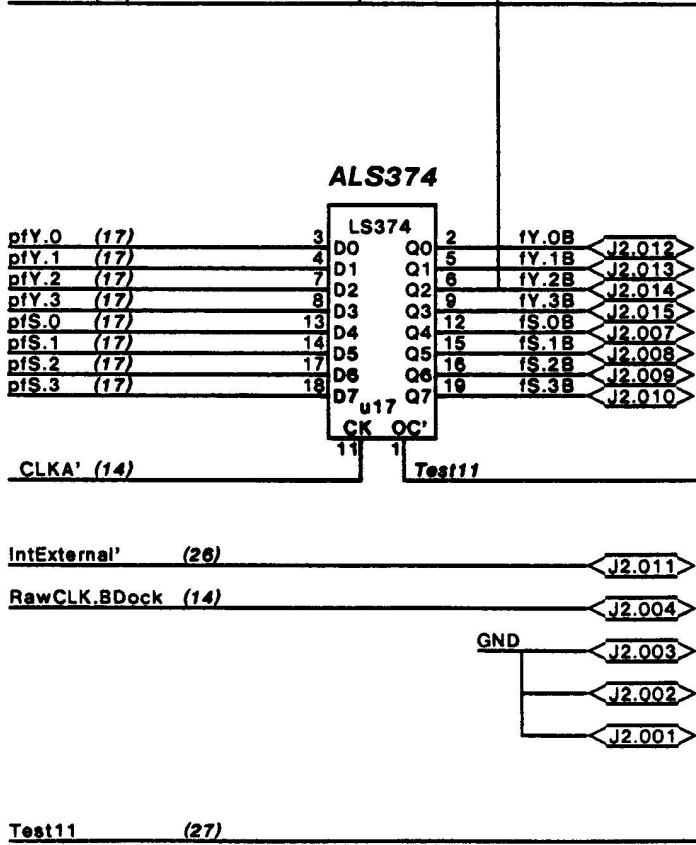
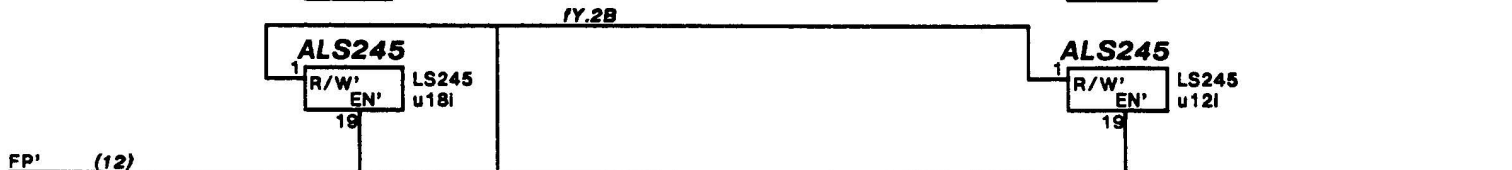
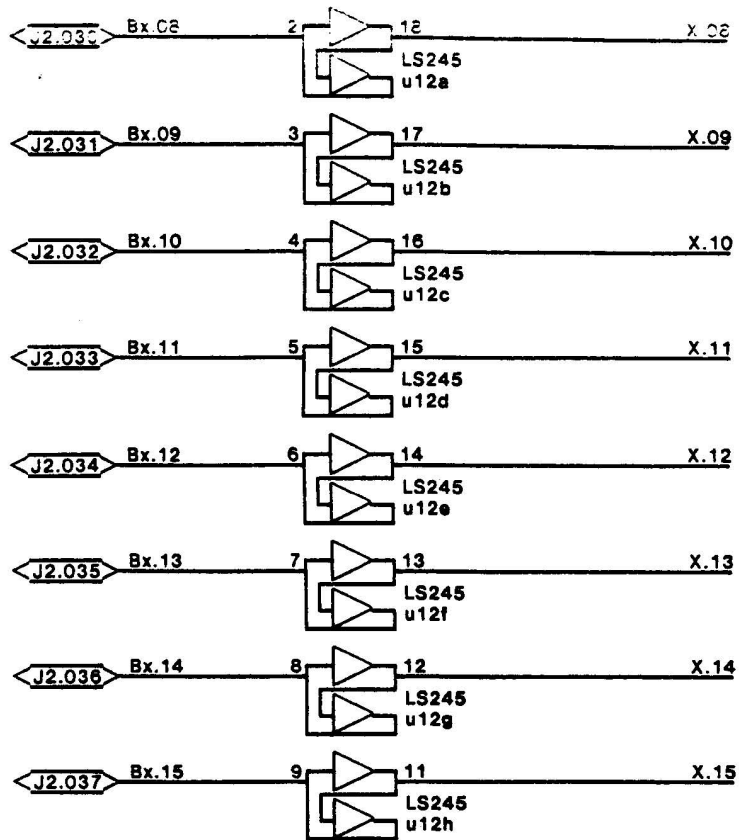
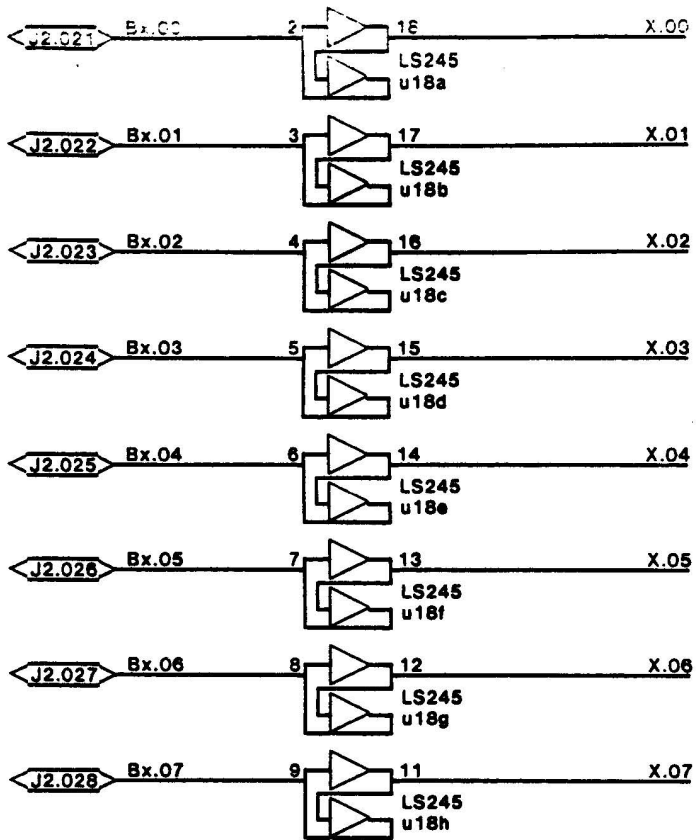


DAWN 4K BY 48 WRITEABLE CONTROL STORE :

(BANK 0)

CONTROL STORE [32-47]





Comments:

- 1) Designator notation notes: u1-99 = U1-99, v0-99 = U100-199, w0-99 = U200-299
- 2) The last item on lines below, preceded by a semicolon (;), is the schematic page number on which the test point, connector or signal information originates.
- 3) Line with no page number was a continuation of the previous line.

J1	.002	GND	;31	J1	.066	A/MA.22	;32
J1	.004	A/AD.07	;32	J1	.068	A/MA.21	;32
J1	.005	A/DT/R'	;32	J1	.069	A/MA.20	;32
J1	.006	A/AD.15	;32	J1	.071	A/MA.19	;32
J1	.007	A/AD.06	;32	J1	.072	A/MA.18	;32
J1	.008	A/DEN'	;32	J1	.074	A/MA.17	;32
J1	.009	A/AD.14	;32	J1	.075	A/A.16B	;32
J1	.010	A/AD.05	;32	J1	.077	GND	;31
J1	.011	GND	;31	J1	.081	B/MWT'	;31
J1	.012	A/AD.13	;32	J1	.083	GND	;31
J1	.013	A/AD.04	;32	J1	.085	GND	;31
J1	.015	A/AD.12	;32	J1	.087	B/MRD'	;31
J1	.016	A/AD.03	;32	J1	.088	A/RawCLK	;32
J1	.017	A/ALE'	;32	J1	.089	GND	;31
J1	.018	A/AD.11	;32	J1	.090	RAW5V	;31
J1	.019	A/AD.02	;32	J1	.091	GND	;31
J1	.020	A/IOPMemWr'	;32	J1	.092	GND	;31
J1	.021	A/AD.10	;32	J1	.093	GND	;31
J1	.022	A/AD.01	;32	J1	.094	A/IOPIntMP'	;32
J1	.024	A/AD.09	;32	J1	.097	A/MPIntIOP'	;32
J1	.025	A/AD.00	;32	J1	.099	B/Lock'	;31
J1	.026	GND	;31	J1	.100	A/IOPRdNIA	;32
J1	.027	A/AD.08	;32	J1	.102	B/IOR'	;31
J1	.028	GND	;31	J1	.103	A/Halt'	;32
J1	.029	A/CLK	;32	J1	.105	B/MemRef'	;31
J1	.030	RAW5V	;31	J1	.108	B/IOW'	;31
J1	.031	GND	;31	J1	.109	A/ResetMPB'	;32
J1	.032	GND	;31	J1	.111	B/Rdy	;31
J1	.033	GND	;31	J1	.112	RAW5V	;31
J1	.034	A/A.19	;32	J1	.113	RAW5V	;31
J1	.035	A/S2'	;32	J1	.114	RAW5V	;31
J1	.036	A/A.23	;32	J1	.115	RAW5V	;31
J1	.037	A/A.18	;32	J1	.116	RAW5V	;31
J1	.038	A/S1'	;32	J1	.117	RAW5V	;31
J1	.039	A/A.22	;32	J1	.118	RAW5V	;31
J1	.040	A/A.17	;32	J1	.119	RAW5V	;31
J1	.041	A/S0'	;32	J1	.120	RAW5V	;31
J1	.042	A/A.21	;32	J1	.121	GND	;31
J1	.043	A/A.16	;32	J1	.122	GND	;31
J1	.044	A/BHE'	;32	J1	.123	GND	;31
J1	.045	A/A.20	;32	J1	.124	GND	;31
J1	.046	A/UCS'	;32	J1	.125	GND	;31
J1	.047	GND	;31	J1	.126	GND	;31
J1	.048	A/IOR'	;32	J1	.127	GND	;31
J1	.053	GND	;31	J1	.128	GND	;31
J1	.054	A/IOW'	;32	J1	.129	GND	;31
J1	.056	A/IOPMemRd'	;32	J1	.131	B/A.18	;31
J1	.061	GND	;31	J1	.132	B/ALE'	;31
J1	.062	GND	;31	J1	.133	B/A.23	;31
J1	.063	GND	;31	J1	.134	B/A.17	;31
J1	.065	A/MA.23	;32	J1	.136	B/A.22	;31

XEROX	PROPRIETARY NOTE ON COVER SHEET APPLIES TO ALL SHEETS		DWG SIZE A4	DWG NO. 156E07041	SHEET REV. A
	TITLE SCHEMATIC, MPB		SHEET 40	OF	

J1 .137 GND ;31
 J1 .138 B/D.11 ;31
 J1 .139 B/A.21 ;31
 J1 .140 B/D.15 ;31
 J1 .141 B/D.10 ;31
 J1 .142 B/A.20 ;31
 J1 .143 B/D.14 ;31
 J1 .144 B/D.09 ;31
 J1 .145 B/A.19 ;31
 J1 .146 B/D.13 ;31
 J1 .147 B/D.08 ;31
 J1 .151 GND ;31
 J1 .152 GND ;31
 J1 .153 GND ;31
 J1 .154 B/D.07 ;31
 J1 .155 B/D.12 ;31
 J1 .156 B/D.06 ;31
 J1 .157 B/D.05 ;31
 J1 .158 GND ;31
 J1 .159 B/D.04 ;31
 J1 .160 B/D.03 ;31
 J1 .161 A/Reset' ;32
 J1 .162 B/D.02 ;31
 J1 .163 B/D.01 ;31
 J1 .164 GND ;31
 J1 .165 B/D.00 ;31

J2 .001 GND ;39
 J2 .002 GND ;39
 J2 .003 GND ;39
 J2 .004 RawCLK.BDock ;39
 J2 .007 fS.0B ;39
 J2 .008 fS.1B ;39
 J2 .009 fS.2B ;39
 J2 .010 fS.3B ;39
 J2 .011 IntExternal' ;39
 J2 .012 fY.0B ;39
 J2 .013 fY.1B ;39
 J2 .014 fY.2B ;39
 J2 .015 fY.3B ;39
 J2 .016 UAddr.4B' ;39
 J2 .017 UAddr.5B' ;39
 J2 .018 UAddr.6B' ;39
 J2 .019 UAddr.7B' ;39
 J2 .020 A/ResetB' ;39
 J2 .021 Bx.00 ;39
 J2 .022 Bx.01 ;39
 J2 .023 Bx.02 ;39
 J2 .024 Bx.03 ;39
 J2 .025 Bx.04 ;39
 J2 .026 Bx.05 ;39
 J2 .027 Bx.06 ;39
 J2 .028 Bx.07 ;39
 J2 .029 CLKEnbB' ;39
 J2 .030 Bx.08 ;39
 J2 .031 Bx.09 ;39
 J2 .032 Bx.10 ;39
 J2 .033 Bx.11 ;39
 J2 .034 Bx.12 ;39

J2 .035 Bx.13 ;39
 J2 .036 Bx.14 ;39
 J2 .037 Bx.15 ;39

*02.1: u15.10i, u50.8o, u50.13i ;02
 *02.2: u50.11o, u33.3i ;02
 *02.3: u68.16o, u15.13i ;02
 *05.1: u46.6o, u33.4i ;05
 *05.2: u90.3o, u45.1i ;05
 *08.2: u39.8o, u09.11i ;08
 *08.3: u51.3o, u10.11i, u16.11i ;08
 *10.10: u93.5o, u52.12i ;10
 *10.11: u93.11o, u52.1i ;10
 *10.13: #R010.2o, u55.1i ;10
 *10.1: u56.6o, u53.9i ;10
 *10.2: u55.6o, u53.2i ;10
 *10.3: u54.6o, u53.1i ;10
 *10.4: u57.9o, u40.9i ;10
 *10.5: u57.7o, u40.5i ;10
 *10.6: u52.10i, u52.5i, u52.2i ;10
 *10.6: u92.6o, u52.13i
 *10.7: u39.11o, u93.3i ;10
 *10.8: u93.9o, u52.4i ;10
 *10.9: u93.7o, u52.9i ;10
 *11.1: #R014.2i, u76.4i ;11
 *12.3: v20.2o, v18.5i ;12
 *14.1: #R019.2i, v08.12i ;14
 *19.10: v66.8o, v50.13i ;19
 *19.11: u28.12o, u95.11i ;19
 *19.8: v33.9o, v51.1i ;19
 *19.9: u95.13o, v50.12i ;19
 *21.1: v51.8o, v49.13i ;21

XEROX	PROPRIETARY NOTE ON COVER SHEET APPLIES TO ALL SHEETS		DWG SIZE A4	DWG NO. 156E07041	SHEET REV. A
	TITLE SCHEMATIC, MPB		SHEET 41	OF	

*21.2: v51.11o, v49.10i ;21
 *24.1: v17.3o, u60.2i ;24
 *24.2: u78.4i, u95.6i, u59.6o ;24
 *24.3: u78.13i, u95.8i, u59.8o ;24
 *24.5: u94.8o, u77.11i ;24
 *24.7: u77.6o, u58.3i ;24
 *24.8: u77.9o, u58.4i, u58.5i ;24
 *24.9: v18.11o, u77.12i ;24
 *26.3: v23.3o, v06.12i ;26
 *26.4: u76.11o, v23.17i ;26
 *28.1: v65.4o, v36.13i, v35.13i ;28
 *28.2: v65.7o, v36.14i, v35.14i ;28
 *28.3: v65.9o, v36.15i, v35.15i ;28
 *28.4: v65.12o, v36.1i, v35.1i ;28
 *28.5: v35.3i, v53.6o, v36.3i ;28
 *28.6: v36.11o, v32.2i ;28
 *28.7: v21.6o, v53.9i, v53.4i ;28
 *28.8: v32.19i, v53.8o, v32.1i ;28
 *29.10: u92.11o, u60.11i ;29
 *29.11: v45.18o, u92.12i ;29
 *29.12: v45.9o, u92.13i ;29
 *29.13: v38.5o, v34.5i ;29
 *29.14: v38.18o, v34.2i ;29
 *29.15: v38.9o, v34.11i ;29
 *29.16: v38.14o, v34.14i ;29
 *29.17: v38.3o, v52.2i ;29
 *29.18: v38.7o, v52.5i ;29
 *29.19: v38.12o, v52.11i ;29
 *29.1: v67.5o, v66.5i ;29
 *29.2: v67.6o, v66.3i ;29
 *29.3: v50.6o, v52.15i, v34.15i ;29
 *29.4: u95.1o, v50.4i ;29
 *29.9: u60.8o, v50.1i ;29
 12BitCarry: u08.29i ;01
 12BitCarry: u02.9o ;02
 12BitGen': u07.32o ;01
 12BitGen': u02.14i ;02
 12BitPrp': u07.35o ;01
 12BitPrp': u02.15i ;02
 16M': v23.7o, v23.6i ;14
 16M: v09.2i, v09.6o, v23.13i ;14
 1BitBrEn': u54.7i ;10
 1BitBrEn': v05.78o ;13
 2BitBrEn': u56.7i ;10
 2BitBrEn': u55.7i ;10
 2BitBrEn': v05.76o ;13
 2XCLK': u68.3o ;14
 2XCLK': u94.3i, u59.11i, u59.3i ;24
 2XCLK': v22.3i, v22.11i ;26
 2XCLK: u68.17i, v08.8o ;14
 2XCLK: u94.11i ;24
 4BitBrEn': u57.1i, u57.15i ;10
 4BitBrEn': v05.75o ;13
 4BitCarry: u06.29i ;01
 4BitCarry: u02.12o ;02
 4BitCarry: u54.12i ;10
 4BitGen': u05.32o ;01
 4BitGen': u02.3i ;02
 4BitPrp': u05.35o ;01
 4BitPrp': u02.4i ;02
 8BitCarry: u07.29i ;01
 8BitCarry: u50.4i ;02
 8BitCarry: u02.11o ;02
 8BitCarry: u54.15i ;10
 8BitGen': u06.32o ;01
 8BitGen': u02.1i ;02
 8BitPrp': u06.35o ;01
 8BitPrp': u02.2i ;02

XEROX	PROPRIETARY NOTE ON COVER SHEET APPLIES TO ALL SHEETS		DWG SIZE A4	DWG NO. 156E07041	SHEET REV. A
	TITLE SCHEMATIC, MPB		SHEET 42	OF OF	

A.11B: v61.9o, v51.2i ;19
 A.12B: v16.1i, v61.12o, v33.1i ;19
 A.13B: v16.2i, v66.10i, v61.14o ;19
 A.13B: v33.2i
 A.14B: v16.3i, v66.9i, v61.16o ;19
 A.14B: v33.3i
 A.15B': v68.2o, v16.4i, v33.4i ;19
 A.15B: v61.18o, v68.1i, v50.9i ;19
 A/A.00B: v60.19o ;19
 A/A.00B: v51.13i ;21
 A/A.00B: v65.14i ;28
 A/A.01B: v60.16o ;19
 A/A.01B: v65.11i ;28
 A/A.02B: v60.15o ;19
 A/A.02B: v65.5i ;28
 A/A.03B: v60.12o ;19
 A/A.03B: v65.2i ;28
 A/A.04B: v60.9o ;19
 A/A.04B: v53.13i ;20
 A/A.04B: v21.5i ;28
 A/A.11B: v46.9o ;19
 A/A.11B: v61.11i ;19
 A/A.12B: v46.12o ;19
 A/A.12B: v61.8i ;19
 A/A.13B: v46.15o ;19
 A/A.13B: v61.6i ;19
 A/A.14B: v46.16o ;19
 A/A.14B: v61.4i ;19
 A/A.14B: v67.9i ;29
 A/A.15B: v46.19o ;19
 A/A.15B: v61.2i ;19
 A/A.15B: v67.8i ;29
 A/A.16: v37.3i ;28
 A/A.16: J1.043 ;32
 A/A.16B: v37.2o ;28
 A/A.16B: v67.11i ;29
 A/A.16B: J1.075 ;32
 A/A.17: v37.4i ;28
 A/A.17: J1.040 ;32
 A/A.17B: v65.13i ;28

A/A.17B: v37.5o ;28
 A/A.17B: v38.8i ;29
 A/A.17B: v67.1i ;29
 A/A.18: v37.7i ;28
 A/A.18: J1.037 ;32
 A/A.18B: v65.10i ;28
 A/A.18B: v37.6o ;28
 A/A.18B: v38.13i ;29
 A/A.18B: v67.12i ;29
 A/A.19: v37.8i ;28
 A/A.19: J1.034 ;32
 A/A.19B: v65.6i ;28
 A/A.19B: v37.9o ;28
 A/A.19B: v38.17i ;29
 A/A.19B: v67.3i ;29
 A/A.20: v37.13i ;28
 A/A.20: J1.045 ;32
 A/A.20B: v65.3i ;28
 A/A.20B: v37.12o ;28
 A/A.20B: v38.6i ;29
 A/A.20B: v68.13i ;29
 A/A.21: v37.14i ;28
 A/A.21: J1.042 ;32
 A/A.21B: v37.15o ;28
 A/A.21B: v66.1i ;29
 A/A.21B: v38.11i ;29
 A/A.22: v37.17i ;28
 A/A.22: J1.039 ;32
 A/A.22B: v37.16o ;28
 A/A.22B: v66.13i ;29
 A/A.22B: v38.15i ;29
 A/A.23: v37.18i ;28
 A/A.23: J1.036 ;32
 A/A.23B: v37.19o ;28
 A/A.23B: v66.2i ;29
 A/A.23B: v38.2i ;29
 A/AD.00: v60.18i ;19
 A/AD.00: v62.14i ;19
 A/AD.00: v64.6i ;21
 A/AD.00: J1.025 ;32
 A/AD.01: v60.17i ;19
 A/AD.01: v62.7i ;19
 A/AD.01: v64.7i ;21
 A/AD.01: J1.022 ;32

XEROX	PROPRIETARY NOTE ON COVER SHEET APPLIES TO ALL SHEETS		DWG SIZE A4	DWG NO. 156E07041	SHEET REV. A
	TITLE SCHEMATIC, MPB			SHEET 43 OF	

A/AD.02: v60.14i ;19
 A/AD.02: v62.8i ;19
 A/AD.02: v64.8i ;21
 A/AD.02: J1.019 ;32

 A/AD.03: v60.13i ;19
 A/AD.03: v62.13i ;19
 A/AD.03: v64.9i ;21
 A/AD.03: J1.016 ;32

 A/AD.04: v60.8i ;19
 A/AD.04: v62.17i ;19
 A/AD.04: v64.5i ;21
 A/AD.04: J1.013 ;32

 A/AD.05: v62.4i ;19
 A/AD.05: v64.4i ;21
 A/AD.05: J1.010 ;32

 A/AD.06: v62.3i ;19
 A/AD.06: v64.3i ;21
 A/AD.06: J1.007 ;32

 A/AD.07: v62.18i ;19
 A/AD.07: v64.2i ;21
 A/AD.07: J1.004 ;32

 A/AD.08: v48.18i ;19
 A/AD.08: v63.6i ;21
 A/AD.08: J1.027 ;32

 A/AD.09: v48.17i ;19
 A/AD.09: v63.7i ;21
 A/AD.09: J1.024 ;32

 A/AD.10: v48.14i ;19
 A/AD.10: v63.8i ;21
 A/AD.10: J1.021 ;32

 A/AD.11: v46.8i ;19
 A/AD.11: v48.13i ;19
 A/AD.11: v63.9i ;21
 A/AD.11: J1.018 ;32

 A/AD.12: v46.13i ;19
 A/AD.12: v63.5i ;21
 A/AD.12: J1.015 ;32

 A/AD.13: v46.14i ;19
 A/AD.13: v63.4i ;21
 A/AD.13: J1.012 ;32

 A/AD.14: v46.17i ;19
 A/AD.14: v63.3i ;21
 A/AD.14: J1.009 ;32

 A/AD.15: v46.18i ;19
 A/AD.15: v63.2i ;21
 A/AD.15: J1.006 ;32

A/ALE': v45.15i ;25
 A/ALE': J1.017 ;32

 A/ALEB': u28.8o, u60.13i ;29

 A/ALEB: v46.11i ;19
 A/ALEB: v60.11i ;19
 A/ALEB: v62.11i, v48.11i ;19
 A/ALEB: v45.5o ;25
 A/ALEB: v37.11i ;28
 A/ALEB: u28.9i ;29

 A/BHE': v46.7i ;19
 A/BHE': J1.044 ;32

 A/BHEB': v46.6o ;19
 A/BHEB': v51.10i ;21

 A/CLK: J1.029 ;32

 A/DEN': v47.6i ;19
 A/DEN': J1.008 ;32

 A/DENB': v47.14o ;19
 A/DENB': v49.5i, v49.2i, v19.13i ;20
 A/DENB': v19.5i, v19.2i, v19.10i ;21
 A/DENB': v49.9i ;21
 A/DENB': v49.12i ;21

 A/DirB: v47.12o ;19
 A/DirB: v40.1i, v55.1i, v27.1i ;20
 A/DirB: v00.1i, v11.1i, u85.1i ;21
 A/DirB: v63.1i ;21
 A/DirB: v64.1i ;21

 A/DT/R': v47.8i ;19
 A/DT/R': J1.005 ;32

 A/Halt': v45.17i ;24
 A/Halt': J1.103 ;32

 A/Halt: u58.2i, v18.13i, v45.3o ;24
 A/Halt: v20.5i

 A/IOPIntMP': u76.13i ;26
 A/IOPIntMP': J1.094 ;32

 A/IOPMemRd': v45.11i ;29
 A/IOPMemRd': J1.056 ;32

 A/IOPMemWr': v45.2i ;29
 A/IOPMemWr': J1.020 ;32

 A/IOPRdNIA: v23.2i ;11
 A/IOPRdNIA: J1.100 ;32

 A/IOR': v47.4i ;19
 A/IOR': J1.048 ;32

XEROX	PROPRIETARY NOTE ON COVER SHEET APPLIES TO ALL SHEETS		DWG SIZE A4	DWG NO. 156E07041	SHEET REV. A
	TITLE SCHEMATIC, MPB			SHEET 44 OF	

A/IORB': v47.16o ;19
A/IORB': v53.10i ;28

A/IOW': v47.2i ;19
A/IOW': J1.054 ;32

A/IOWB': v47.18o ;19
A/IOWB': v16.5i ;19
A/IOWB': v51.5i ;20
A/IOWB': v53.5i ;28

A/MA.17: v52.9o ;29
A/MA.17: J1.074 ;32

A/MA.18: v52.7o ;29
A/MA.18: J1.072 ;32

A/MA.19: v52.4o ;29
A/MA.19: J1.071 ;32

A/MA.20: v34.12o ;29
A/MA.20: J1.069 ;32

A/MA.21: v34.9o ;29
A/MA.21: J1.068 ;32

A/MA.22: v34.7o ;29
A/MA.22: J1.066 ;32

A/MA.23: v34.4o ;29
A/MA.23: J1.065 ;32

A/MPIntIOP': v47.9o ;25
A/MPIntIOP': J1.097 ;32

A/RawCLK: v08.13i ;14
A/RawCLK: #R023.2i, #R020.1i ;14
A/RawCLK: v23.14o
A/RawCLK: J1.088 ;32

A/Reset': v45.4i ;13
A/Reset': v47.13i ;25
A/Reset': J1.161 ;32

A/Reset: v45.16o, v05.12i ;13
A/Reset: u11.15i ;39

A/ResetB': u11.5o, J2.020 ;39

A/ResetMPB': v47.15i ;25
A/ResetMPB': J1.109 ;32

A/S0': v60.7i ;19
A/S0': J1.041 ;32

A/S0B': u50.1i ;19
A/S0B': v60.6o ;19

A/S1': v60.4i ;19
A/S1': J1.038 ;32

A/S1B': v60.5o ;19
A/S1B': u50.2i ;19

A/S2': v46.3i ;19
A/S2': J1.035 ;32

A/S2B': v33.5i ;19
A/S2B': u95.12i, v46.2o ;19
A/S2B': v65.1i ;28
A/S2B': v50.2i ;29

A/UCS': v45.8i ;29
A/UCS': J1.046 ;32

A20': v68.12o, v67.2i ;29

aD.0': u68.18o, u15.4i, u14.1i ;02

aD.0: u07.7i ;01
aD.0: u06.7i ;01
aD.0: u05.7i ;01
aD.0: u08.7i ;01
aD.0: u14.15i, u68.2i, u15.1i ;02
aD.0: v39.9o ;12

aD.1: u07.5i ;01
aD.1: u06.5i ;01
aD.1: u05.5i ;01
aD.1: u08.5i ;01
aD.1: u14.2i ;02
aD.1: v39.6o ;12

aF.0: u05.27i ;01
aF.0: u08.27i ;01
aF.0: u07.27i ;01
aF.0: u06.27i ;01
aF.0: v39.15o ;12

aFH.1: u08.28i ;01
aFH.1: u07.28i ;01
aFH.1: u67.9o ;12

aFH.2: u08.26i ;01
aFH.2: u07.26i ;01
aFH.2: u67.12o ;12

aFL.1: u05.28i ;01
aFL.1: u06.28i ;01
aFL.1: v39.19o ;12

aFL.2: u05.26i ;01
aFL.2: u06.26i ;01
aFL.2: u50.5i ;02
aFL.2: v39.12o ;12

AltUAdd4: u26.4i, u27.4o ;03

XEROX	PROPRIETARY NOTE ON COVER SHEET APPLIES TO ALL SHEETS		DWG SIZE A4	DWG NO. 156E07041	SHEET REV. A
	TITLE SCHEMATIC, MPB		SHEET 45 OF		

AltUAdd5: u26.5i, u27.7o ;03	B/A.21: u80.15o ;23
AltUAdd6: u26.12i, u27.9o ;03	B/A.21: u81.15o ;23
AltUAdd7: u26.13i, u27.12o ;03	B/A.21: v07.7i ;23
AltUAddr: u27.1i ;03	B/A.21: J1.139 ;31
AltUAddr: v05.26i ;13	B/A.22: u80.16o ;23
AReset': v47.7o ;25	B/A.22: u81.16o ;23
AReset': v06.49o ;26	B/A.22: v07.4i ;23
AResetMPB': v47.5o ;25	B/A.22: J1.136 ;31
AResetMPB': v06.48o ;26	B/A.23: u80.19o ;23
aShH.0: u07.14i ;01	B/A.23: u81.19o ;23
aShH.0: u08.14i ;01	B/A.23: v07.3i ;23
aShH.0: u67.2o ;12	B/A.23: J1.133 ;31
aShH.1: u08.13i ;01	B/ALE': v45.7o ;25
aShH.1: u07.13i ;01	B/ALE': J1.132 ;31
aShH.1: u67.5o ;12	B/D.00: u63.2o ;22
aShH.2: u08.12i ;01	B/D.00: u65.17i ;22
aShH.2: u07.12i ;01	B/D.00: u64.2o ;23
aShH.2: u67.6o ;12	B/D.00: u62.2o ;23
aShL.0: u05.14i ;01	B/D.00: u61.3i ;23
aShL.0: u06.14i ;01	B/D.00: J1.165 ;31
aShL.0: v39.2o ;12	B/D.01: u63.5o ;22
aShL.1: u05.13i ;01	B/D.01: u65.15i ;22
aShL.1: u06.13i ;01	B/D.01: u62.5o ;23
aShL.1: v39.5o ;12	B/D.01: u64.5o ;23
aShL.2: u05.12i ;01	B/D.01: u61.4i ;23
aShL.2: u06.12i ;01	B/D.01: J1.163 ;31
aShL.2: v39.16o ;12	B/D.02: u63.6o ;22
B/A.17: u80.5o ;23	B/D.02: u65.13i ;22
B/A.17: u81.5o ;23	B/D.02: u62.6o ;23
B/A.17: v07.17i ;23	B/D.02: u64.6o ;23
B/A.17: J1.134 ;31	B/D.02: u61.7i ;23
B/A.18: u80.6o ;23	B/D.02: J1.162 ;31
B/A.18: u81.6o ;23	B/D.03: u63.9o ;22
B/A.18: v07.14i ;23	B/D.03: u65.11i ;22
B/A.18: J1.131 ;31	B/D.03: u62.9o ;23
B/A.19: u80.9o ;23	B/D.03: u64.9o ;23
B/A.19: u81.9o ;23	B/D.03: u61.8i ;23
B/A.19: v07.13i ;23	B/D.03: J1.160 ;31
B/A.19: J1.145 ;31	B/D.04: u63.12o ;22
B/A.20: u80.12o ;23	B/D.04: u65.8i ;22
B/A.20: u81.12o ;23	B/D.04: u62.12o ;23
B/A.20: v07.8i ;23	B/D.04: u64.12o ;23
B/A.20: J1.142 ;31	B/D.04: u48.3i ;23
	B/D.04: J1.159 ;31
	B/D.05: u63.15o ;22
	B/D.05: u65.6i ;22
	B/D.05: u62.15o ;23
	B/D.05: u64.15o ;23
	B/D.05: u61.6i ;23

XEROX	PROPRIETARY NOTE ON COVER SHEET APPLIES TO ALL SHEETS		DWG SIZE A4	DWG NO. 156E07041	SHEET REV. A
	TITLE SCHEMATIC, MPB		SHEET 46	OF	

B/D.05: J1.157 ;31
 B/D.06: u63.16o ;22
 B/D.06: u65.4i ;22
 B/D.06: u62.16o ;23
 B/D.06: u64.16o ;23
 B/D.06: u61.5i ;23
 B/D.06: J1.156 ;31
 B/D.07: u63.19o ;22
 B/D.07: u65.2i ;22
 B/D.07: u62.19o ;23
 B/D.07: u64.19o ;23
 B/D.07: u61.2i ;23
 B/D.07: J1.154 ;31
 B/D.08: u43.2o ;22
 B/D.08: u44.17i ;22
 B/D.08: u41.2o ;23
 B/D.08: u42.2o ;23
 B/D.08: u48.4i ;23
 B/D.08: u97.9i ;27
 B/D.08: J1.147 ;31
 B/D.09: u43.5o ;22
 B/D.09: u44.15i ;22
 B/D.09: u41.5o ;23
 B/D.09: u42.5o ;23
 B/D.09: u48.7i ;23
 B/D.09: u97.8i ;27
 B/D.09: J1.144 ;31
 B/D.10: u43.6o ;22
 B/D.10: u44.13i ;22
 B/D.10: u41.6o ;23
 B/D.10: u42.6o ;23
 B/D.10: u48.8i ;23
 B/D.10: u97.7i ;27
 B/D.10: J1.141 ;31
 B/D.11: u43.9o ;22
 B/D.11: u44.11i ;22
 B/D.11: u41.9o ;23
 B/D.11: u42.9o ;23
 B/D.11: u31.3i ;23
 B/D.11: u97.6i ;27
 B/D.11: J1.138 ;31
 B/D.12: u43.12o ;22
 B/D.12: u44.8i ;22
 B/D.12: u41.12o ;23
 B/D.12: u42.12o ;23
 B/D.12: u31.2i ;23
 B/D.12: u97.5i ;27
 B/D.12: J1.155 ;31
 B/D.13: u43.15o ;22
 B/D.13: u44.6i ;22
 B/D.13: u41.15o ;23

B/D.13: u42.15o ;23
 B/D.13: u48.6i ;23
 B/D.13: u97.4i ;27
 B/D.13: J1.146 ;31
 B/D.14: u43.16o ;22
 B/D.14: u44.4i ;22
 B/D.14: u41.16o ;23
 B/D.14: u42.16o ;23
 B/D.14: u48.5i ;23
 B/D.14: u97.3i ;27
 B/D.14: J1.143 ;31
 B/D.15: u43.19o ;22
 B/D.15: u44.2i ;22
 B/D.15: u41.19o ;23
 B/D.15: u42.19o ;23
 B/D.15: u48.2i ;23
 B/D.15: u97.2i ;27
 B/D.15: J1.140 ;31
 B/IOR': v25.14o ;25
 B/IOR': J1.102 ;31
 B/IOW': v25.12o ;25
 B/IOW': J1.108 ;31
 B/Lock': v25.7o ;25
 B/Lock': J1.099 ;31
 B/MemRef': v25.9o ;25
 B/MemRef': J1.105 ;31
 B/MRD': v25.18o ;25
 B/MRD': J1.087 ;31
 B/MWT': v25.16o ;25
 B/MWT': J1.081 ;31
 B/Rdy: #R017.1i, v06.41o ;26
 B/Rdy: J1.111 ;31
 BALE: v45.13i ;25
 BALE: v06.35o ;26
 Bank0': u74.2i, u71.2o ;11
 Bank0': v44.9o, v43.9o, v59.9o ;16
 Bank0': v58.9o
 Bank0': v15.9o, v14.9o, v31.9o ;17
 Bank0': v30.9o
 Bank0': u89.9o, u88.9o, v04.9o ;18
 Bank0': v03.9o
 Bank0': u84.9o ;19
 Bank1': v42.9o, v41.9o, v57.9o ;36
 Bank1': v56.9o, u28.4o
 Bank1': v13.9o, v12.9o, v29.9o ;37
 Bank1': v28.9o
 Bank1': u87.9o, u86.9o, v02.9o ;38

XEROX	PROPRIETARY NOTE ON COVER SHEET APPLIES TO ALL SHEETS		DWG SIZE A4	DWG NO. 156E07041	SHEET REV. A
	TITLE SCHEMATIC, MPB		SHEET 47	OF	

Bank1': v01.9o
 Bank1: u74.5i, u71.5o ;11
 Bank1: u84.6o ;19
 Bank1: u28.3i ;36
 Bank2: u74.11i, u71.6o ;11
 Bank2: u84.2o ;19
 Bank3: u74.14i, u71.9o ;11
 Bank3: u84.5o ;19
 BMWT': v25.4i ;25
 BMWT': v17.6o ;26
 Bx.00: J2.021, u18.2i ;39
 Bx.01: J2.022, u18.3i ;39
 Bx.02: J2.023, u18.4i ;39
 Bx.03: J2.024, u18.5i ;39
 Bx.04: J2.025, u18.6i ;39
 Bx.05: J2.026, u18.7i ;39
 Bx.06: J2.027, u18.8i ;39
 Bx.07: J2.028, u18.9i ;39
 Bx.08: J2.030, u12.2i ;39
 Bx.09: J2.031, u12.3i ;39
 Bx.10: J2.032, u12.4i ;39
 Bx.11: J2.033, u12.5i ;39
 Bx.12: J2.034, u12.6i ;39
 Bx.13: J2.035, u12.7i ;39
 Bx.14: J2.036, u12.8i ;39
 Bx.15: J2.037, u12.9i ;39
 C.0: u40.8o ;10
 C.0: u72.2i ;11
 C.1: u40.6o ;10
 C.1: u72.5i ;11
 C.2: u53.8o ;10
 C.2: u72.11i ;11
 C.3: u53.6o ;10
 C.3: u72.14i ;11

C1FH: u98.15i ;13
 C1FH: v06.31i ;26
 C1FHDe1: u98.5o ;13
 C1FHDe1: u78.10i, u78.2i ;24
 C1FHDe1: u94.12i ;24
 C1MemIORef: u78.3i, u58.8o, u95.5i ;24
 C3pMem: u91.5i, u91.10i, u91.13i ;12
 C3pMem: v18.8o, v20.1i, u91.2i
 CarryIn: u05.29i ;01
 CarryIn: u14.4i ;02
 CarryIn: u14.11i, u14.12i ;02
 CarryIn: u02.13i ;02
 CarryIn: #R001.1i, u15.8o, u15.11o ;02
 CarryIn: u15.2i ;02
 CarryOut: u08.33o ;01
 CarryOut: u14.10i ;02
 CarryOut: u54.14i ;10
 CIn: u68.4i ;02
 CIn: u39.2i ;03
 CIn: u22.18i, u23.18i, u24.18i ;03
 CIn: u21.18i
 CIn: v26.5o ;12
 CIn+PC16X': u15.12i, u50.10i ;02
 CIn+PC16X': v05.40i ;13
 CIn+PC16Z': u50.9i ;02
 CIn+PC16Z': v05.28i ;13
 CLK: u39.1i ;03
 CLK: u39.5i ;04
 CLK: u39.10i ;08
 CLK: u51.1i ;08
 CLK: u39.13i ;10
 CLK: u68.15i, u68.13i, u68.11i ;14
 CLK: v08.6o
 CLK: u90.13i ;22
 CLKA': u05.15i ;01
 CLKA': u06.15i ;01
 CLKA': u08.15i ;01
 CLKA': u07.15i ;01
 CLKA': u68.5o ;14
 CLKA': u60.3i ;24
 CLKA': u17.11i ;39
 CLKB': u49.9i ;05
 CLKB': u71.11i, u70.11i ;11
 CLKB': v10.11i, v39.11i, v54.11i ;12
 CLKB': v26.11i
 CLKB': u68.7o ;14
 CLKB': u79.16i ;15

XEROX	PROPRIETARY NOTE ON COVER SHEET APPLIES TO ALL SHEETS		DWG SIZE A4	DWG NO. 156E07041	SHEET REV. A
	TITLE SCHEMATIC, MPB		SHEET 48	OF OF	

CLKC': u33.11i ;02
 CLKC': u25.9i ;03
 CLKC': u26.9i ;03
 CLKC': u67.11i ;12
 CLKC': u68.9o ;14

 CLKEnb: v17.9i ;13
 CLKEnb: v08.4i ;14
 CLKEnb: v06.62o ;26
 CLKEnb: u11.17i ;39

 CLKEnbB': u11.3o, J2.029 ;39

 CLKEnbMDC: v17.8o, v05.14i ;13

 CLKIn': v23.12o, v09.3i ;14

 CLKIn: v24.8o, v23.8i ;14

 ClrIntTrap': v05.65o ;13
 ClrIntTrap': u79.5i ;15
 ClrIntTrap': v06.14i ;26

 CntStDEN0': v33.15o ;19
 CntStDEN0': v49.1i ;20

 CntStDEN1': v33.14o ;19
 CntStDEN1': v49.4i ;20

 CntStDEN2': v33.13o ;19
 CntStDEN2': v19.12i ;20

 CntStDEN3': v33.12o ;19
 CntStDEN3': v19.1i ;21

 CntStDEN4': v33.11o ;19
 CntStDEN4': v19.4i ;21

 CntStDEN5': v33.10o ;19
 CntStDEN5': v19.9i ;21

 CntStWE0': v58.11o ;16
 CntStWE0': v59.11o ;16
 CntStWE0': v16.15o ;19
 CntStWE0': v56.11o ;36
 CntStWE0': v57.11o ;36

 CntStWE1': v43.11o ;16
 CntStWE1': v44.11o ;16
 CntStWE1': v16.14o ;19
 CntStWE1': v41.11o ;36
 CntStWE1': v42.11o ;36

 CntStWE2': v30.11o ;17
 CntStWE2': v31.11o ;17
 CntStWE2': v16.13o ;19
 CntStWE2': v28.11o ;37
 CntStWE2': v29.11o ;37

CntStWE3': v14.11o ;17
 CntStWE3': v15.11o ;17
 CntStWE3': v16.12o ;19
 CntStWE3': v12.11o ;37
 CntStWE3': v13.11o ;37

 CntStWE4': v03.11o ;18
 CntStWE4': v04.11o ;18
 CntStWE4': v16.11o ;19
 CntStWE4': v01.11o ;38
 CntStWE4': v02.11o ;38

 CntStWE5': u88.11o ;18
 CntStWE5': u89.11o ;18
 CntStWE5': v16.10o ;19
 CntStWE5': u86.11o ;38
 CntStWE5': u87.11o ;38

 CSMP': v50.8o ;19
 CSMP': v51.12i ;21
 CSMP': v51.9i ;21

 Cycle1': u58.13i, u68.12o, u58.1i ;24

 Cycle1: u40.13i ;09
 Cycle1: u79.6i ;15
 Cycle1: u68.8i ;24
 Cycle1: v06.34i ;26

 Cycle2: u56.2i ;10
 Cycle2: u98.13i ;13
 Cycle2: v06.33i ;26

 Cycle2Del: u98.7o ;13
 Cycle2Del: v17.1i ;24

 Cycle3: u98.11i ;13
 Cycle3: v06.32i ;26

 Cycle3Del': u94.6o, u78.1i, u78.5i ;24

 Cycle3Del: v18.9i ;12
 Cycle3Del: u98.9o ;13
 Cycle3Del: u94.2i ;24

 DB.0: v55.2i ;20
 DB.0: v40.2i ;20
 DB.0: v27.2i ;20
 DB.0: v11.2i ;21
 DB.0: v00.2i ;21
 DB.0: u85.2i ;21
 DB.0: v64.18o ;21
 DB.0: v63.18o ;21
 DB.0: v36.12i ;28
 DB.0: v32.18o ;28

 DB.1: v55.3i ;20
 DB.1: v40.3i ;20
 DB.1: v27.3i ;20

XEROX	PROPRIETARY NOTE ON COVER SHEET APPLIES TO ALL SHEETS		DWG SIZE A4	DWG NO. 156E07041	SHEET REV. A
	TITLE SCHEMATIC, MPB		SHEET 49	OF	

DB.1: v11.3i ;21
 DB.1: v00.3i ;21
 DB.1: u85.3i ;21
 DB.1: v64.17o ;21
 DB.1: v63.17o ;21
 DB.1: v36.10i ;28
 DB.1: v32.3o ;28

 DB.2: v55.4i ;20
 DB.2: v40.4i ;20
 DB.2: v27.4i ;20
 DB.2: v11.4i ;21
 DB.2: u85.4i ;21
 DB.2: v00.4i ;21
 DB.2: v64.16o ;21
 DB.2: v63.16o ;21
 DB.2: v36.6i ;28
 DB.2: v32.16o ;28

 DB.3: v55.5i ;20
 DB.3: v40.5i ;20
 DB.3: v27.5i ;20
 DB.3: v11.5i ;21
 DB.3: v00.5i ;21
 DB.3: u85.5i ;21
 DB.3: v64.15o ;21
 DB.3: v63.15o ;21
 DB.3: v36.4i ;28
 DB.3: v32.5o ;28

 DB.4: u84.8i ;19
 DB.4: v55.9i ;20
 DB.4: v40.9i ;20
 DB.4: v27.9i ;20
 DB.4: v11.9i ;21
 DB.4: v00.9i ;21
 DB.4: u85.9i ;21
 DB.4: v64.11o ;21
 DB.4: v63.11o ;21
 DB.4: v32.9o ;28
 DB.4: v35.12i ;28

 DB.5: u84.7i ;19
 DB.5: v55.8i ;20
 DB.5: v40.8i ;20
 DB.5: v27.8i ;20
 DB.5: v11.8i ;21
 DB.5: v00.8i ;21
 DB.5: u85.8i ;21
 DB.5: v64.12o ;21
 DB.5: v63.12o ;21
 DB.5: v32.12o ;28
 DB.5: v35.10i ;28

 DB.6: u84.3i ;19
 DB.6: v55.7i ;20
 DB.6: v40.7i ;20
 DB.6: v27.7i ;20
 DB.6: v11.7i ;21

DB.6: v00.7i ;21
 DB.6: u85.7i ;21
 DB.6: v64.13o ;21
 DB.6: v63.13o ;21
 DB.6: v32.7o ;28
 DB.6: v35.6i ;28

 DB.7: u84.4i ;19
 DB.7: v55.6i ;20
 DB.7: v40.6i ;20
 DB.7: v27.6i ;20
 DB.7: v11.6i ;21
 DB.7: v00.6i ;21
 DB.7: u85.6i ;21
 DB.7: v64.14o ;21
 DB.7: v63.14o ;21
 DB.7: v32.14o ;28
 DB.7: v35.4i ;28

DebReset': #R011.1i, v06.50o ;26

dGoodIBDisp: u33.6o ;09

En0': v49.3o, v55.19i ;20

En1': v49.6o, v40.19i ;20

En2': v19.11o, v27.19i ;20

En3': v19.3o, v11.19i ;21

En4': v19.6o, v00.19i ;21

En5': v19.8o, u85.19i ;21

EnbMAPH': u81.1i ;23

EnbMAPH': u95.10o ;24

EnbMAPL': u62.1i, u41.1i ;23

EnbMAPL': v06.29i ;26

EnbMARH': u80.1i ;23

EnbMARH': u95.4o ;24

EnbMARL': u64.1i, u42.1i ;23

EnbMARL': v06.30i ;26

EnbRD': u65.1i, u44.19i, u44.1i ;22

EnbRD': u65.19i

EnbRD': u60.6o ;24

EnbWD': v06.53o ;26

EnbWD': v17.12i, v22.12i ;26

EnbWDe1': v22.9o, v17.13i ;26

EnC2FDe1: u33.17i ;09

EnC2FDe1: u98.12o ;13

XEROX	PROPRIETARY NOTE ON COVER SHEET APPLIES TO ALL SHEETS		DWG SIZE A4	DWG NO. 156E07041	SHEET REV. A
	TITLE SCHEMATIC, MPB		SHEET 50	OF	

EnC2Funs: u76.1i, u33.16o ;09
 EnC2Funs: u32.16i ;09

 EnHB': v49.11o, v63.19i ;21

 EnLB': v49.8o, v64.19i ;21

 EnNIA': u71.1i, v18.3o, u70.1i ;11

 EnU: u22.17i, u23.17i, u24.17i ;03
 EnU: u21.17i
 EnU: v26.16o ;12

 EnWData': u43.1i, u63.1i ;22
 EnWData': v17.11o ;26

 EORFMap': v66.12o, v68.11i ;29

 EORFMap: v66.4i, v68.10o, v52.1i ;29
 EORFMap: v34.1i

 F.00: u08.31o ;01
 F.00: u54.4i ;10

 Feq0: u08.11o ;01
 Feq0: u07.11o ;01
 Feq0: u05.11o ;01
 Feq0: u06.11o ;01
 Feq0: #R002.1i, u28.11i ;02
 Feq0: u54.3i ;10

 Fne0: u28.10o ;02
 Fne0: u54.2i ;10

 FP': u76.8o ;12
 FP': u18.19i, u12.19i ;39

 FP: u67.19o, u76.9i ;12

 fS.0B: u17.12o, J2.007 ;39

 fS.1B: u17.15o, J2.008 ;39

 fS.2B: u17.16o, J2.009 ;39

 fS.3B: u17.19o, J2.010 ;39

 fX.0: u92.5i, u93.2i ;10
 fX.0: v26.12o ;12

 fX.1: u93.1i ;10
 fX.1: v26.6o ;12

 fX.2: u93.15i ;10
 fX.2: v26.9o ;12

 fX.3: u93.14i ;10
 fX.3: v26.19o ;12

fY.0: u38.2i ;07
 fY.0: v10.12o ;12

 fY.0B: u17.2o, J2.012 ;39

 fY.1: u38.5i ;07
 fY.1: u56.9i ;10
 fY.1: u55.9i ;10
 fY.1: u54.9i ;10
 fY.1: v10.9o ;12

 fY.1B: u17.5o, J2.013 ;39

 fY.2: u38.11i ;07
 fY.2: u56.10i ;10
 fY.2: u55.10i ;10
 fY.2: u54.10i ;10
 fY.2: u57.2i ;10
 fY.2: v10.6o ;12

 fY.2B: u12.1i, u18.1i, u17.6o ;39
 fY.2B: J2.014

 fY.3: u38.14i ;07
 fY.3: u56.11i ;10
 fY.3: u55.11i ;10
 fY.3: u54.11i ;10
 fY.3: u57.14i ;10
 fY.3: v10.15o ;12

 fY.3B: u17.9o, J2.015 ;39

 fZ.0: u34.2i ;07
 fZ.0: v10.2o ;12

 fZ.1: u34.4i ;07
 fZ.1: v10.5o ;12

 fZ.2: u29.9i, u13.9i, u30.9i ;06
 fZ.2: u01.9i
 fZ.2: u34.6i ;07
 fZ.2: u20.1i ;08
 fZ.2: v10.16o ;12

 fZ.3: u29.10i, u13.10i, u30.10i ;06
 fZ.3: u01.10i
 fZ.3: u34.8i ;07
 fZ.3: v10.19o ;12

 GND: u08.30i ;01
 GND: u07.30i ;01
 GND: u05.30i ;01
 GND: u06.30i ;01
 GND: #R007.1i ;03
 GND: u25.6i, u25.11i, u25.14i ;03
 GND: u25.3i
 GND: u38.6i, u38.10i, u38.13i ;07
 GND: u38.3i
 GND: u66.4i, u66.6i, u66.8i ;07

XEROX	PROPRIETARY NOTE ON COVER SHEET APPLIES TO ALL SHEETS		DWG SIZE A4	DWG NO. 156E07041	SHEET REV.
	TITLE SCHEMATIC, MPB			SHEET 51 OF	A

GND: u66.11i, u66.13i, u66.15i
 GND: u66.17i, u66.2i
 GND: u20.6i, u20.10i, u20.13i ;08
 GND: u20.3i
 GND: u93.13i ;10
 GND: #R010.1i ;10
 GND: u75.3i ;11
 GND: #R016.1i ;13
 GND: v05.11i ;13
 GND: v05.32i ;13
 GND: v05.33i ;13
 GND: v05.73o ;13
 GND: #R025.1i ;14
 GND: #R020.2i ;14
 GND: #R018.1i ;14
 GND: u79.17i ;15
 GND: u79.4i ;15
 GND: #R028.1i ;19
 GND: u81.17i, u81.14i, u81.13i ;23
 GND: u81.7i, u81.4i, u81.18i
 GND: v07.1i ;23
 GND: #R024.1i ;25
 GND: #R026.1i ;25
 GND: v06.10i ;26
 GND: v06.26i ;26
 GND: v06.27i ;26
 GND: v06.60o ;26
 GND: v23.19i ;26
 GND: #R003.1i ;27
 GND: u83.11i, u83.13i ;27
 GND: #R012.1i ;27
 GND: v37.1i ;28
 GND: #R027.1i ;29
 GND: v67.13i ;29
 GND: v67.4i, v67.10i ;29
 GND: u35.10i ;30
 GND: v69.10i ;30
 GND: u99.10i ;30
 GND: J1.028, J1.031, J1.032 ;31
 GND: J1.033, J1.061, J1.062
 GND: J1.063, J1.085, J1.089
 GND: J1.091, J1.092, J1.093
 GND: J1.121, J1.122, J1.123
 GND: J1.124, J1.125, J1.126
 GND: J1.127, J1.128, J1.129
 GND: J1.151, J1.152, J1.153
 GND: J1.158, J1.164, J1.002
 GND: J1.011, J1.047, J1.053
 GND: J1.077, J1.083, J1.137
 GND: J1.026
 GND: #C093.2i, #C044.2i, #C073.2i ;33
 GND: #C072.2i, #C071.2i, #C070.2i
 GND: #C069.2i, #C079.2i, #C080.2i
 GND: #C058.2i
 GND: #C023.2i, #C022.2i, #C046.2i ;33
 GND: #C012.2i, #C011.2i, #C010.2i
 GND: #C043.2i, #C057.2i, #C024.2i
 GND: #C033.2i, #C050.2i, #C034.2i ;33
 GND: #C035.2i, #C036.2i, #C048.2i

GND: #C047.2i, #C064.2i, #C019.2i
 GND: #C021.2i
 GND: #C078.2i, #C055.2i, #C067.2i ;33
 GND: #C066.2i, #C074.2i, #C076.2i
 GND: #C004.2i, #C049.2i, #C061.2i
 GND: #C027.2i
 GND: #C082.2i, #C083.2i, #C088.2i ;33
 GND: #C089.2i, #C090.2i, #C091.2i
 GND: #C092.2i, #C108.2i, #C102.2i
 GND: #C081.2i
 GND: #C104.2i, #C105.2i, #C106.2i ;33
 GND: #C107.2i, #C138.2i, #C123.2i
 GND: #C113.2i, #C114.2i, #C115.2i
 GND: #C103.2i
 GND: #C117.2i, #C118.2i, #C129.2i ;33
 GND: #C128.2i, #C127.2i, #C126.2i
 GND: #C125.2i, #C124.2i, #C137.2i
 GND: #C116.2i
 GND: #C085.2i, #C100.2i, #C120.2i ;33
 GND: #C119.2i, #C109.2i, #C095.2i
 GND: #C130.2i, #C136.2i
 GND: #C013.2i, #C030.2i, #C006.2i ;33
 GND: #C008.2i, #C014.2i, #C040.2i
 GND: #C065.2i, #C068.2i, #C025.2i
 GND: #C052.2i
 GND: #C002.2i ;34
 GND: #C001.2i ;34
 GND: #C007.2i, #C017.2i, #C077.2i ;34
 GND: #C015.2i, #C075.2i, #C026.2i
 GND: #C098.2i
 GND: #C054.2i, #C053.2i, #C042.2i ;34
 GND: #C132.2i, #C037.2i, #C038.2i
 GND: #C039.2i, #C084.2i, #C121.2i
 GND: #C005.2i
 GND: #C135.2i, #C134.2i, #C122.2i ;34
 GND: #C131.2i, #C097.2i, #C111.2i
 GND: #C096.2i, #C110.2i, #C094.2i
 GND: #C009.2i
 GND: #C032.2i, #C029.2i, #C031.2i ;34
 GND: #C059.2i, #C018.2i, #C028.2i
 GND: #C063.2i, #C020.2i, #C016.2i
 GND: #C101.2i
 GND: #C051.2i ;34
 GND: #C041.2i ;34
 GND: #C045.2i, #C087.2i, #C056.2i ;34
 GND: #C086.2i, #C099.2i, #C003.2i
 GND: #C133.2i, #C062.2i, #C112.2i
 GND: #C060.2i
 GND: J2.002, J2.001, J2.003 ;39

GoodIBDisp: u33.7i, u32.6o ;09
 GoodIBDisp: u73.1i, u72.1i ;11

Halt': v20.6o, u77.3i ;24

IB.0: u20.2i, u19.2i, u09.19o ;08
 IB.0: u73.3i ;11

IB.1: u20.5i, u19.5i, u09.16o ;08

XEROX	PROPRIETARY NOTE ON COVER SHEET APPLIES TO ALL SHEETS		DWG SIZE A4	DWG NO. 156E07041	SHEET REV. A
	TITLE SCHEMATIC, MPB		SHEET 52	OF	

IB.1: u73.6i ;11	Interrupt: v06.17i ;26
IB.2: u20.11i, u19.11i, u09.15o ;08	IntExternal': #R009.2o, u76.12i ;26
IB.2: u73.10i ;11	IntExternal': J2.011 ;39
IB.3: u20.14i, u19.14i, u09.12o ;08	IOB/A.17: v07.16o ;23
IB.3: u73.13i ;11	IOB/A.17: u96.19i ;27
IB.4: u19.3i, u09.9o ;08	IOB/A.18: v07.15o ;23
IB.4: u72.3i ;11	IOB/A.18: u96.20i ;27
IB.5: u19.6i, u09.6o ;08	IOB/A.19: v07.12o ;23
IB.5: u72.6i ;11	IOB/A.19: v06.3i ;26
IB.6: u19.10i, u09.5o ;08	IOB/A.20: v07.9o ;23
IB.6: u72.10i ;11	IOB/A.20: v06.4i ;26
IB.7: u19.13i, u09.2o ;08	IOB/A.21: v07.6o ;23
IB.7: u72.13i ;11	IOB/A.21: v06.5i ;26
IBDisp: u32.1i ;09	IOB/A.23: v07.2o ;23
IBDisp: v05.66o ;13	IOB/A.23: v06.6i ;26
IBEmpty': u92.1i ;09	IOPDisable': v21.13i ;19
IBEmpty': u33.9o ;09	IOPDisable': v68.3i, #R022.2o ;19
IBEmptyTrap': u51.4i, u92.3o ;09	IOPDisable': v50.10i
IBEmptyTrap': u79.1i ;15	IOPDisable: v61.1i, v61.19i ;19
IBHigh': u19.1i ;08	IOPDisable: v68.4o, v60.1i
IBHigh': v05.80o ;13	IOPDisable: v47.1i ;19
IBPtr.0: u45.6i ;05	IOPRdNIA': v18.2i, v23.18o ;11
IBPtr.0: u32.18i, u33.12o ;09	IOPRdNIA': v21.2i ;19
IBPtr.1: u45.8i ;05	IOR': v25.6i ;25
IBPtr.1: u32.19i, u33.15o ;09	IOR': v06.58o ;26
IBPtr.1: u75.13i ;11	IOR': u96.22i ;27
IBPtr←Byte: u32.5i ;09	IOR': u97.1i ;27
IBPtr←Byte: v05.31i ;13	IORef': v05.35i ;13
IBPtr←Word: u32.4i ;09	IORef': u58.9i ;24
IBPtr←Word: v05.29i ;13	IORef': v06.40o ;26
IBRefillTrap: u32.8o ;09	IOW': v25.8i ;25
IBRefillTrap: u75.1i ;11	IOW': v06.59o ;26
InitTrap': v20.13i, u79.3i ;15	IOW': u96.23i ;27
InitTrap': v06.23i ;26	IOWTimer': v06.64o ;26
InitTrap: v20.12o, u92.10i ;15	IYH1: u90.6o, u80.18i ;23
IntEnb: v05.36i ;13	IYH2: u90.8o, u80.17i ;23
IntEnb: v06.15i ;26	LCS': v66.6o, v50.5i ;29
Interrupt: u32.17i ;09	LdBankReg': u84.11i ;19
Interrupt: u54.1i ;10	LdBankReg': v51.6o ;20
Interrupt: u75.10i ;11	Link0': u40.11i ;10

XEROX	PROPRIETARY NOTE ON COVER SHEET APPLIES TO ALL SHEETS		DWG SIZE A4	DWG NO. 156E07041	SHEET REV. A
	TITLE SCHEMATIC, MPB		SHEET 53	OF	

Link0': u52.3o ;10
 Link1': u40.4i ;10
 Link1': u52.6o ;10
 Link2': u53.12i ;10
 Link2': u52.8o ;10
 Link3': u53.4i ;10
 Link3': u52.11o ;10
 LoadMAH: u80.11i, u81.11i ;23
 LoadMAH: v06.54o ;26
 LoadMAL: u64.11i, u42.11i, u62.11i ;23
 LoadMAL: u41.11i
 LoadMAL: v07.11i ;23
 LoadMAL: v06.55o ;26
 LoadWD: u90.12i ;22
 LoadWD: v06.52o ;26
 LoadWDC1k: u90.11o, u43.11i ;22
 LoadWDC1k: u63.11i
 Lock': v05.79o ;13
 Lock': v25.13i ;25
 MapPageCross': u51.5i, u40.12o ;09
 MapPageCross': u53.10i ;10
 MapRamOut17: v32.6i, v35.5o ;28
 MapRamOut17: v52.10i ;29
 MapRamOut18: v32.13i, v35.7o ;28
 MapRamOut18: v52.6i ;29
 MapRamOut19: v32.8i, v35.9o ;28
 MapRamOut19: v52.3i ;29
 MapRamOut20: v32.11i, v35.11o ;28
 MapRamOut20: v34.13i ;29
 MapRamOut21: v32.15i, v36.5o ;28
 MapRamOut21: v34.10i ;29
 MapRamOut22: v32.4i, v36.7o ;28
 MapRamOut22: v34.6i ;29
 MapRamOut23: v32.17i, v36.9o ;28
 MapRamOut23: v34.3i ;29
 MapRef': v05.38i ;13
 MapRef': v20.9i ;24
 MapRef': v06.39o ;26
 MapRef: u95.9i, v20.8o, u78.9i ;24
 MB/MemRef': v25.11i ;25

MB/MemRef': v06.28i ;26
 MBCHalt': u58.6o ;24
 MBCHalt': v06.42o ;26
 MBIdle: v18.12i ;24
 MBIdle: v06.22i ;26
 Mem: u40.2i ;09
 Mem: u76.2i ;09
 Mem: v26.15o ;12
 MemRef': u76.3o ;09
 MemRef': u90.4i, u90.9i ;23
 MemRef': u58.10i ;24
 MemRef': v06.38o ;26
 MPIntIOP': v05.37i ;13
 MPIntIOP': v47.11i ;25
 MRD': v25.2i ;25
 MRD': v06.56o ;26
 MWT': u98.17i ;13
 MWT': v06.57o ;26
 MWTDel': u98.3o ;13
 MWTDel': v17.5i, v22.2i ;26
 MWTDel2': v22.5o, v17.4i ;26
 NIA.00: u71.12o ;11
 NIA.00: v59.16i, v43.16i, v44.16i ;16
 NIA.00: v58.16i
 NIA.00: v31.16i, v14.16i, v15.16i ;17
 NIA.00: v30.16i
 NIA.00: v04.16i, u88.16i, u89.16i ;18
 NIA.00: v03.16i
 NIA.00: v48.12o ;19
 NIA.00: v57.16i, v41.16i, v42.16i ;36
 NIA.00: v56.16i
 NIA.00: v29.16i, v12.16i, v13.16i ;37
 NIA.00: v28.16i
 NIA.00: v02.16i, u86.16i, u87.16i ;38
 NIA.00: v01.16i
 NIA.01: u71.15o ;11
 NIA.01: v59.17i, v43.17i, v44.17i ;16
 NIA.01: v58.17i
 NIA.01: v31.17i, v14.17i, v15.17i ;17
 NIA.01: v30.17i
 NIA.01: v04.17i, u88.17i, u89.17i ;18
 NIA.01: v03.17i
 NIA.01: v48.15o ;19
 NIA.01: v57.17i, v41.17i, v42.17i ;36
 NIA.01: v56.17i
 NIA.01: v29.17i, v12.17i, v13.17i ;37
 NIA.01: v28.17i
 NIA.01: v02.17i, u86.17i, u87.17i ;38

XEROX	PROPRIETARY NOTE ON COVER SHEET APPLIES TO ALL SHEETS		DWG SIZE A4	DWG NO. 156E07041	SHEET REV. A
	TITLE SCHEMATIC, MPB		SHEET 54	OF	

NIA.01: v01.17i
 NIA.02: u71.16o ;11
 NIA.02: v59.18i, v43.18i, v44.18i ;16
 NIA.02: v58.18i
 NIA.02: v31.18i, v14.18i, v15.18i ;17
 NIA.02: v30.18i
 NIA.02: v04.18i, u88.18i, u89.18i ;18
 NIA.02: v03.18i
 NIA.02: v48.16o ;19
 NIA.02: v57.18i, v41.18i, v42.18i ;36
 NIA.02: v56.18i
 NIA.02: v29.18i, v12.18i, v13.18i ;37
 NIA.02: v28.18i
 NIA.02: v02.18i, u86.18i, u87.18i ;38
 NIA.02: v01.18i

 NIA.03: u71.19o ;11
 NIA.03: v59.19i, v43.19i, v44.19i ;16
 NIA.03: v58.19i
 NIA.03: v31.19i, v14.19i, v15.19i ;17
 NIA.03: v30.19i
 NIA.03: v04.19i, u88.19i, u89.19i ;18
 NIA.03: v03.19i
 NIA.03: v48.19o ;19
 NIA.03: v57.19i, v41.19i, v42.19i ;36
 NIA.03: v56.19i
 NIA.03: v29.19i, v12.19i, v13.19i ;37
 NIA.03: v28.19i
 NIA.03: v02.19i, u86.19i, u87.19i ;38
 NIA.03: v01.19i

 NIA.04: u70.2o ;11
 NIA.04: v59.1i, v43.1i, v44.1i ;16
 NIA.04: v58.1i
 NIA.04: v31.1i, v14.1i, v15.1i ;17
 NIA.04: v30.1i
 NIA.04: v04.1i, u88.1i, u89.1i ;18
 NIA.04: v03.1i
 NIA.04: v62.19o ;19
 NIA.04: v57.1i, v41.1i, v42.1i ;36
 NIA.04: v56.1i
 NIA.04: v29.1i, v12.1i, v13.1i ;37
 NIA.04: v28.1i
 NIA.04: v02.1i, u86.1i, u87.1i ;38
 NIA.04: v01.1i

 NIA.05: u70.5o ;11
 NIA.05: v59.2i, v43.2i, v44.2i ;16
 NIA.05: v58.2i
 NIA.05: v31.2i, v14.2i, v15.2i ;17
 NIA.05: v30.2i
 NIA.05: v04.2i, u88.2i, u89.2i ;18
 NIA.05: v03.2i
 NIA.05: v62.2o ;19
 NIA.05: v57.2i, v41.2i, v42.2i ;36
 NIA.05: v56.2i
 NIA.05: v29.2i, v12.2i, v13.2i ;37
 NIA.05: v28.2i

 NIA.05: v02.2i, u86.2i, u87.2i ;38
 NIA.05: v01.2i

 NIA.06: u70.6o ;11
 NIA.06: v59.3i, v43.3i, v44.3i ;16
 NIA.06: v58.3i
 NIA.06: v31.3i, v14.3i, v15.3i ;17
 NIA.06: v30.3i
 NIA.06: v04.3i, u88.3i, u89.3i ;18
 NIA.06: v03.3i
 NIA.06: v62.5o ;19
 NIA.06: v57.3i, v41.3i, v42.3i ;36
 NIA.06: v56.3i
 NIA.06: v29.3i, v12.3i, v13.3i ;37
 NIA.06: v28.3i
 NIA.06: v02.3i, u86.3i, u87.3i ;38
 NIA.06: v01.3i

 NIA.07: u68.14o, u39.12i, u92.4i ;10
 NIA.07: u68.6i ;10
 NIA.07: u70.9o ;11
 NIA.07: v59.4i, v43.4i, v44.4i ;16
 NIA.07: v58.4i
 NIA.07: v31.4i, v14.4i, v15.4i ;17
 NIA.07: v30.4i
 NIA.07: v04.4i, u88.4i, u89.4i ;18
 NIA.07: v03.4i
 NIA.07: v62.16o ;19
 NIA.07: v57.4i, v41.4i, v42.4i ;36
 NIA.07: v56.4i
 NIA.07: v29.4i, v12.4i, v13.4i ;37
 NIA.07: v28.4i
 NIA.07: v02.4i, u86.4i, u87.4i ;38
 NIA.07: v01.4i

 NIA.08: u93.12i ;10
 NIA.08: u70.12o ;11
 NIA.08: v59.5i, v43.5i, v44.5i ;16
 NIA.08: v58.5i
 NIA.08: v31.5i, v14.5i, v15.5i ;17
 NIA.08: v30.5i
 NIA.08: v04.5i, u88.5i, u89.5i ;18
 NIA.08: v03.5i
 NIA.08: v62.12o ;19
 NIA.08: v57.5i, v41.5i, v42.5i ;36
 NIA.08: v56.5i
 NIA.08: v29.5i, v12.5i, v13.5i ;37
 NIA.08: v28.5i
 NIA.08: v02.5i, u86.5i, u87.5i ;38
 NIA.08: v01.5i

 NIA.09: u93.10i ;10
 NIA.09: u70.15o ;11
 NIA.09: v59.6i, v43.6i, v44.6i ;16
 NIA.09: v58.6i
 NIA.09: v31.6i, v14.6i, v15.6i ;17
 NIA.09: v30.6i
 NIA.09: v04.6i, u88.6i, u89.6i ;18

XEROX	PROPRIETARY NOTE ON COVER SHEET APPLIES TO ALL SHEETS		DWG SIZE A4	DWG NO. 156E07041	SHEET REV. A
	TITLE SCHEMATIC, MPB		SHEET 55	OF	

NIA.09: v03.6i
 NIA.09: v62.9o ;19
 NIA.09: v57.6i, v41.6i, v42.6i ;36
 NIA.09: v56.6i
 NIA.09: v29.6i, v12.6i, v13.6i ;37
 NIA.09: v28.6i
 NIA.09: v02.6i, u86.6i, u87.6i ;38
 NIA.09: v01.6i

 NIA.10: u93.6i ;10
 NIA.10: u70.16o ;11
 NIA.10: v59.7i, v43.7i, v44.7i ;16
 NIA.10: v58.7i
 NIA.10: v31.7i, v14.7i, v15.7i ;17
 NIA.10: v30.7i
 NIA.10: v04.7i, u88.7i, u89.7i ;18
 NIA.10: v03.7i
 NIA.10: v62.6o ;19
 NIA.10: v57.7i, v41.7i, v42.7i ;36
 NIA.10: v56.7i
 NIA.10: v29.7i, v12.7i, v13.7i ;37
 NIA.10: v28.7i
 NIA.10: v02.7i, u86.7i, u87.7i ;38
 NIA.10: v01.7i

 NIA.11: u93.4i ;10
 NIA.11: u70.19o ;11
 NIA.11: v59.8i, v43.8i, v44.8i ;16
 NIA.11: v58.8i
 NIA.11: v31.8i, v14.8i, v15.8i ;17
 NIA.11: v30.8i
 NIA.11: v04.8i, u88.8i, u89.8i ;18
 NIA.11: v03.8i
 NIA.11: v62.15o ;19
 NIA.11: v57.8i, v41.8i, v42.8i ;36
 NIA.11: v56.8i
 NIA.11: v29.8i, v12.8i, v13.8i ;37
 NIA.11: v28.8i
 NIA.11: v02.8i, u86.8i, u87.8i ;38
 NIA.11: v01.8i

 NIAEn': v21.12o, v62.1i, v48.1i ;19
 NIAEn': u84.1i

 NIB.0: u16.19o, u10.19o, u09.18i ;08
 NIB.1: u10.16o, u16.16o, u09.17i ;08
 NIB.2: u10.15o, u16.15o, u09.14i ;08
 NIB.3: u10.12o, u16.12o, u09.13i ;08
 NIB.4: u10.9o, u16.9o, u09.8i ;08
 NIB.5: u10.6o, u16.6o, u09.7i ;08
 NIB.6: u10.5o, u16.5o, u09.4i ;08
 NIB.7: u10.2o, u16.2o, u09.3i ;08

NSTKP.0: u26.3i ;03
 NSTKP.0: u49.3i, u46.11o ;05

 NSTKP.1: u26.6i ;03
 NSTKP.1: u49.6i, u46.12o ;05

 NSTKP.2: u26.11i ;03
 NSTKP.2: u49.11i, u46.13o ;05

 NSTKP.3: u26.14i ;03
 NSTKP.3: u49.14i, u46.14o ;05

 OverFlow: u08.34o ;01
 OverFlow: u55.12i ;10

 paD.0: v39.8i ;12
 paD.0: v44.14o ;16
 paD.0: v40.13o ;20
 paD.0: v42.14o ;36

 paD.1: v39.7i ;12
 paD.1: v44.15o ;16
 paD.1: v40.14o ;20
 paD.1: v42.15o ;36

 paF.0: v39.14i ;12
 paF.0: v43.15o ;16
 paF.0: v40.15o ;20
 paF.0: v41.15o ;36

 paF.1: v39.18i ;12
 paF.1: u91.9i ;12
 paF.1: v44.12o ;16
 paF.1: v40.11o ;20
 paF.1: v42.12o ;36

 paF.2: v39.13i ;12
 paF.2: u91.12i ;12
 paF.2: v44.13o ;16
 paF.2: v40.12o ;20
 paF.2: v42.13o ;36

 paFH.1: u91.8o, u67.8i ;12
 paFH.2: u91.11o, u67.13i ;12

 PageCross: u50.6o ;02
 PageCross: u40.1i ;09
 PageCross: u56.12i ;10

 paS.0: v39.3i ;12
 paS.0: v18.4i ;12
 paS.0: v43.12o ;16
 paS.0: v40.18o ;20
 paS.0: v41.12o ;36

 paS.1: v39.4i ;12
 paS.1: u91.1i ;12

XEROX	PROPRIETARY NOTE ON COVER SHEET APPLIES TO ALL SHEETS		DWG SIZE A4	DWG NO. 156E07041	SHEET REV. A
	TITLE SCHEMATIC, MPB		SHEET 56	OF	

paS.1: v43.13o ;16
 paS.1: v40.17o ;20
 paS.1: v41.13o ;36

 paS.2: v39.17i ;12
 paS.2: u91.4i ;12
 paS.2: v43.14o ;16
 paS.2: v40.16o ;20
 paS.2: v41.14o ;36

 paShH.0: v18.6o, u67.3i ;12
 paShH.1: u91.3o, u67.4i ;12
 paShH.2: u91.6o, u67.7i ;12
 pBank0': u74.4o, u71.3i ;11
 pBank1: u74.7o, u71.4i ;11
 pBank2: u74.9o, u71.7i ;11
 pBank3: u74.12o, u71.8i ;11

 PC16': u33.2o, u15.9i, u50.12i ;02
 PC16': u55.2i ;10

 pCIn: v26.4i ;12
 pCIn: v30.13o ;17
 pCIn: v27.17o ;20
 pCIn: v28.13o ;37

 pEnC2Funs: u51.6o ;09
 pEnC2Funs: u98.8i ;13

 pEnU: v26.17i ;12
 pEnU: v30.14o ;17
 pEnU: v27.16o ;20
 pEnU: v28.14o ;37

 pEP: v26.3i ;12
 pEP: v30.12o ;17
 pEP: v27.18o ;20
 pEP: v28.12o ;37

 pfS.0: u67.18i ;12
 pfS.0: v05.52o ;13
 pfS.0: v31.12o ;17
 pfS.0: v27.11o ;20
 pfS.0: v29.12o ;37
 pfS.0: u17.13i ;39

 pfS.1: v05.51o ;13
 pfS.1: v31.13o ;17
 pfS.1: v27.12o ;20
 pfS.1: v29.13o ;37
 pfS.1: u17.14i ;39

 pfS.2: u26.1i ;03

pfS.2: u25.1i ;03
 pfS.2: v05.8i ;13
 pfS.2: v31.14o ;17
 pfS.2: v27.13o ;20
 pfS.2: v29.14o ;37
 pfS.2: u17.17i ;39

 pfS.3: v05.9i ;13
 pfS.3: v31.15o ;17
 pfS.3: v27.14o ;20
 pfS.3: v29.15o ;37
 pfS.3: u17.18i ;39

 pfX.0: v26.13i ;12
 pfX.0: v05.46o ;13
 pfX.0: v14.12o ;17
 pfX.0: v11.18o ;21
 pfX.0: v12.12o ;37

 pfX.1: v26.7i ;12
 pfX.1: v05.47o ;13
 pfX.1: v14.13o ;17
 pfX.1: v11.17o ;21
 pfX.1: v12.13o ;37

 pfX.2: v26.8i ;12
 pfX.2: v05.48o ;13
 pfX.2: v14.14o ;17
 pfX.2: v11.16o ;21
 pfX.2: v12.14o ;37

 pfX.3: v26.18i ;12
 pfX.3: v05.49o ;13
 pfX.3: v14.15o ;17
 pfX.3: v11.15o ;21
 pfX.3: v12.15o ;37

 pfY.0: v10.13i ;12
 pfY.0: v05.57o ;13
 pfY.0: v15.12o ;17
 pfY.0: v11.11o ;21
 pfY.0: v13.12o ;37
 pfY.0: u17.3i ;39

 pfY.1: v10.8i ;12
 pfY.1: v05.56o ;13
 pfY.1: v15.13o ;17
 pfY.1: v11.12o ;21
 pfY.1: v13.13o ;37
 pfY.1: u17.4i ;39

 pfY.2: v10.7i ;12
 pfY.2: v05.55o ;13
 pfY.2: v15.14o ;17
 pfY.2: v11.13o ;21
 pfY.2: v13.14o ;37
 pfY.2: u17.7i ;39

 pfY.3: v10.14i ;12

XEROX	PROPRIETARY NOTE ON COVER SHEET APPLIES TO ALL SHEETS		DWG SIZE	DWG NO. 156E07041	SHEET REV.
	TITLE SCHEMATIC, MPB		A4	SHEET 57 OF	A

pfY.3: v05.54o ;13
pfY.3: v15.15o ;17
pfY.3: v11.14o ;21
pfY.3: v13.15o ;37
pfY.3: u17.8i ;39

pfZ.0: u27.2i ;03
pfZ.0: v10.3i ;12
pfZ.0: v05.16i ;13
pfZ.0: v03.12o ;18
pfZ.0: v00.18o ;21
pfZ.0: v01.12o ;38

pfZ.1: u27.5i ;03
pfZ.1: v10.4i ;12
pfZ.1: v05.17i ;13
pfZ.1: v03.13o ;18
pfZ.1: v00.17o ;21
pfZ.1: v01.13o ;38

pfZ.2: u27.11i ;03
pfZ.2: v10.17i ;12
pfZ.2: v05.18i ;13
pfZ.2: v03.14o ;18
pfZ.2: v00.16o ;21
pfZ.2: v01.14o ;38

pfZ.3: u27.14i ;03
pfZ.3: v10.18i ;12
pfZ.3: v05.19i ;13
pfZ.3: v03.15o ;18
pfZ.3: v00.15o ;21
pfZ.3: v01.15o ;38

pIBEmpty': u32.7o, u33.8i ;09

pIBptr.0: u32.13o, u33.13i ;09

pIBptr.1: u32.14o, u33.14i ;09

pINIA.00: u75.2i ;11
pINIA.00: v04.12o ;18
pINIA.00: v00.11o ;21
pINIA.00: v02.12o ;38

pINIA.01: u75.5i ;11
pINIA.01: v04.13o ;18
pINIA.01: v00.12o ;21
pINIA.01: v02.13o ;38

pINIA.02: u75.11i ;11
pINIA.02: v04.14o ;18
pINIA.02: v00.13o ;21
pINIA.02: v02.14o ;38

pINIA.03: u75.14i ;11
pINIA.03: v04.15o ;18
pINIA.03: v00.14o ;21
pINIA.03: v02.15o ;38

pINIA.04: u73.2i ;11
pINIA.04: u88.12o ;18
pINIA.04: u85.18o ;21
pINIA.04: u86.12o ;38

pINIA.05: u73.5i ;11
pINIA.05: u88.13o ;18
pINIA.05: u85.17o ;21
pINIA.05: u86.13o ;38

pINIA.06: u73.11i ;11
pINIA.06: u88.14o ;18
pINIA.06: u85.16o ;21
pINIA.06: u86.14o ;38

pINIA.07: u73.14i ;11
pINIA.07: u88.15o ;18
pINIA.07: u85.15o ;21
pINIA.07: u86.15o ;38

pINIA.08': u40.10i ;10
pINIA.08': u89.12o ;18
pINIA.08': u85.11o ;21
pINIA.08': u87.12o ;38

pINIA.09': u40.3i ;10
pINIA.09': u89.13o ;18
pINIA.09': u85.12o ;21
pINIA.09': u87.13o ;38

pINIA.10': u53.13i ;10
pINIA.10': u89.14o ;18
pINIA.10': u85.13o ;21
pINIA.10': u87.14o ;38

pINIA.11': u53.5i ;10
pINIA.11': u89.15o ;18
pINIA.11': u85.14o ;21
pINIA.11': u87.15o ;38

pMem: v26.14i ;12
pMem: v18.10i ;12
pMem: v30.15o ;17
pMem: v27.15o ;20
pMem: v17.2i ;24
pMem: v28.15o ;37

pNIA.00: u75.4o, u71.13i ;11

pNIA.01: u75.7o, u71.14i ;11

pNIA.02: u75.9o, u71.17i ;11

pNIA.03: u75.12o, u71.18i ;11

pNIA.04: u73.4o, u70.3i ;11

pNIA.05: u73.7o, u70.4i ;11

XEROX	PROPRIETARY NOTE ON COVER SHEET APPLIES TO ALL SHEETS		DWG SIZE A4	DWG NO. 156E07041		SHEET REV. A
	TITLE	SCHEMATIC, MPB		SHEET	58 OF	

pNIA.06: u73.9o, u70.7i ;11
 pNIA.07: u73.12o, u70.8i ;11
 pNIA.08: u72.4o, u70.13i ;11
 pNIA.09: u72.7o, u70.14i ;11
 pNIA.10: u72.9o, u70.17i ;11
 pNIA.11: u72.12o, u70.18i ;11
 PopX: u46.5i ;05
 PopX: v05.41i ;13
 PopZ: u46.16i ;05
 PopZ: v05.27i ;13
 prA.0: u25.4i ;03
 prA.0: v54.3i ;12
 prA.0: v58.12o ;16
 prA.0: v55.18o ;20
 prA.0: v56.12o ;36
 prA.1: u25.5i ;03
 prA.1: v54.4i ;12
 prA.1: v58.13o ;16
 prA.1: v55.17o ;20
 prA.1: v56.13o ;36
 prA.2: u25.12i ;03
 prA.2: v54.17i ;12
 prA.2: v58.14o ;16
 prA.2: v55.16o ;20
 prA.2: v56.14o ;36
 prA.3: u25.13i ;03
 prA.3: v54.14i ;12
 prA.3: v58.15o ;16
 prA.3: v55.15o ;20
 prA.3: v56.15o ;36
 prB.0: v54.18i ;12
 prB.0: v59.12o ;16
 prB.0: v55.11o ;20
 prB.0: v57.12o ;36
 prB.1: v54.13i ;12
 prB.1: v59.13o ;16
 prB.1: v55.12o ;20
 prB.1: v57.13o ;36
 prB.2: v54.8i ;12
 prB.2: v59.14o ;16
 prB.2: v55.13o ;20
 prB.2: v57.14o ;36
 prB.3: v54.7i ;12

prB.3: v59.15o ;16
 prB.3: v55.14o ;20
 prB.3: v57.15o ;36
 Push: u46.18i, u46.19i, u46.17i ;05
 Push: v05.34i ;13
 Q.00: u08.16o ;01
 Q.00: u14.6i, u14.5i ;02
 Q.00: #R005.1i, u15.6o ;02
 Q.0304: u08.21o ;01
 Q.0304: u07.16o ;01
 Q.0708: u07.21o ;01
 Q.0708: u06.16o ;01
 Q.1112: u06.21o ;01
 Q.1112: u05.16o ;01
 Q.15: u05.21o ;01
 Q.15: #R006.1i, u15.3o ;02
 R.00: u08.8o ;01
 R.00: u14.3i ;02
 R.00: u14.9o ;02
 R.0304: u08.9o ;01
 R.0304: u07.8o ;01
 R.0708: u07.9o ;01
 R.0708: u06.8o ;01
 R.1112: u06.9o ;01
 R.1112: u05.8o ;01
 R.15: u05.9o ;01
 R.15: u14.7o ;02
 R.15: u14.13i ;02
 R.15: u15.5i ;02
 rA.0: u08.1i ;01
 rA.0: u06.1i ;01
 rA.0: u05.1i ;01
 rA.0: u07.1i ;01
 rA.0: v54.2o ;12
 rA.1: u08.2i ;01
 rA.1: u06.2i ;01
 rA.1: u05.2i ;01
 rA.1: u07.2i ;01
 rA.1: v54.5o ;12
 rA.2: u08.3i ;01
 rA.2: u06.3i ;01
 rA.2: u05.3i ;01
 rA.2: u07.3i ;01
 rA.2: v54.16o ;12

XEROX	PROPRIETARY NOTE ON COVER SHEET APPLIES TO ALL SHEETS		DWG SIZE A4	DWG NO. 156E07041	SHEET REV. A
	TITLE SCHEMATIC, MPB		SHEET 59	OF	

rA.3: u08.4i ;01
 rA.3: u06.4i ;01
 rA.3: u05.4i ;01
 rA.3: u07.4i ;01
 rA.3: v54.15o ;12

 RAW5V: J1.090, J1.112, J1.113 ;31
 RAW5V: J1.114, J1.115, J1.116
 RAW5V: J1.117, J1.119, J1.120
 RAW5V: J1.118, J1.030
 RAW5V: #F001.1i ;34

 RawCLK.BDock: J2.004 ;39

 RawCLKB: v05.13i ;13
 RawCLKB: v08.10i, v08.5i, v08.11o ;14
 RawCLKB: v06.44o ;26

 rB.0: u06.20i ;01
 rB.0: u05.20i ;01
 rB.0: u08.20i ;01
 rB.0: u07.20i ;01
 rB.0: u36.13i, u37.13i ;04
 rB.0: v54.19o ;12

 rB.1: u07.19i ;01
 rB.1: u06.19i ;01
 rB.1: u05.19i ;01
 rB.1: u08.19i ;01
 rB.1: u36.14i, u37.14i ;04
 rB.1: v54.12o ;12

 rB.2: u07.18i ;01
 rB.2: u06.18i ;01
 rB.2: u08.18i ;01
 rB.2: u05.18i ;01
 rB.2: u36.15i, u37.15i ;04
 rB.2: v54.9o ;12

 rB.3: u07.17i ;01
 rB.3: u06.17i ;01
 rB.3: u08.17i ;01
 rB.3: u05.17i ;01
 rB.3: u36.1i, u37.1i ;04
 rB.3: v54.6o ;12

 RdExtStat': v05.81o ;13

 RdIntStat': u90.2i ;05
 RdIntStat': v05.24i ;13
 RdIntStat': v06.16i ;26

 ReadDebB': v05.25i ;13

 ReadIB0': u16.1i ;08
 ReadIB0': u32.9o ;09

 ReadIB1': u10.1i ;08
 ReadIB1': u32.11o ;09

ReadIB: u32.2i ;09
 ReadIB: v05.21i ;13

 ReadMisc': u90.1i, u45.19i ;05
 ReadMisc': v05.23i ;13

 ReadRH': u47.1i, u47.19i ;04
 ReadRH': v05.22i ;13

 ResetSync': v47.17i ;24
 ResetSync': v06.51o ;26

 RstSynB': u77.1i, u77.13i, v47.3o ;24
 RstSynB': u59.10i, u59.4i, u60.1i

 RunMode: u76.5i ;11
 RunMode: v17.10i ;13
 RunMode: v20.11i ;25
 RunMode: v06.24i ;26

 RunModeB': v21.1i ;19
 RunModeB': v25.19i, v25.1i ;25
 RunModeB': v20.10o

 RunRdNIA': u76.6o, v18.1i ;11

 SOXORS1: u28.13i, u50.3o, v33.6i ;19

 SelBankReg': v53.11o, v51.4i ;20

 SelectMP': v51.3o ;19
 SelectMP': v66.11i ;19
 SelectMP': v53.12i, v20.3i ;20

 SelectMP: v20.4o ;20
 SelectMP: v21.3i, v21.4i ;28

 SetInt: v05.67o ;13
 SetInt: v06.13i ;26

 SetMAPH: u78.8o, u59.12i ;24

 SetMARH: u78.6o, u59.2i ;24

 Sh: v05.39i ;13
 Sh: u98.2i ;13

 ShDel: u08.6i ;01
 ShDel: u07.6i ;01
 ShDel: u05.6i ;01
 ShDel: u06.6i ;01
 ShDel: u98.18o ;13

 Shift': u14.14i ;02
 Shift': v05.42i ;13

 StackTrap: u33.5o ;05
 StackTrap: u79.2i ;15

XEROX	PROPRIETARY NOTE ON COVER SHEET APPLIES TO ALL SHEETS		DWG SIZE A4	DWG NO. 156E07041	SHEET REV. A
	TITLE SCHEMATIC, MPB			SHEET 60 OF	

StkP.0: u46.1i, u49.2o, u45.11i ;05
 StkP.1: u49.7o, u45.13i, u46.2i ;05
 StkP.2: u49.10o, u45.15i, u46.3i ;05
 StkP.3: u49.15o, u45.17i, u46.4i ;05
 T0Gate: v06.65o ;26
 T0Gate: u96.11i ;27
 T12Gate: v06.66o ;26
 T12Gate: u96.16i, u96.14i ;27
 Test01': u04.2i, u03.2i ;27
 Test01: u08.40o ;01
 Test01: u06.40o ;01
 Test01: u05.40o ;01
 Test01: u07.40o ;01
 Test01: u03.18o ;27
 Test02': u04.4i, u03.4i ;27
 Test02: u33.1i ;02
 Test02: u03.16o ;27
 Test03': u04.6i, u03.6i ;27
 Test03: u22.19i, u23.19i, u24.19i ;03
 Test03: u21.19i
 Test03: u03.14o ;27
 Test04': u04.8i, u03.8i ;27
 Test04: u36.2o, u37.2o ;04
 Test04: u03.12o ;27
 Test05': u04.3i, u03.17i ;27
 Test05: u46.15o ;05
 Test05: u03.3o ;27
 Test06': u04.5i, u03.15i ;27
 Test06: u09.1i ;08
 Test06: u03.5o ;27
 Test07': u04.7i, u03.13i ;27
 Test07: u32.15o ;09
 Test07: u03.7o ;27
 Test08': u82.2i, u83.2i ;27
 Test08: u67.1i, v26.1i, v10.1i ;12
 Test08: v39.1i, v54.1i
 Test08: u83.18o ;27

Test09': u82.4i, u83.4i ;27
 Test09: v05.45o ;13
 Test09: u83.16o ;27
 Test10': u82.6i, u83.6i ;27
 Test10: u79.18o ;15
 Test10: u83.14o ;27
 Test11': #R004.2o, u03.11i ;27
 Test11: u03.9o ;27
 Test11: u11.1i, u17.1i, u11.19i ;39
 Test12': #R021.2o, v16.6i ;19
 Test13': #R008.2o, u60.4i ;24
 Test14': #R015.2o, u59.1i ;24
 Test15': #R013.2o, u59.13i ;24
 Test16': u82.8i, u83.8i ;27
 Test16: v06.46o ;26
 Test16: u83.12o ;27
 Test17': u82.3i, u83.17i ;27
 Test17: u83.3o ;27
 Test17: v65.15i ;28
 Test18': u82.5i, u83.15i ;27
 Test18: u83.5o ;27
 Test18: v35.2i, v36.2i ;28
 Timer1Clk: v06.67o ;26
 Timer1Clk: u96.15i, u96.9i ;27
 Timer2Clk: v06.68o ;26
 Timer2Clk: u96.18i ;27
 TimerCS': v06.1i ;26
 TimerCS': u96.21i ;27
 TimerCS': u97.19i ;27
 TimerD0: u96.8o ;27
 TimerD0: u97.11o ;27
 TimerD1: u96.7o ;27
 TimerD1: u97.12o ;27
 TimerD2: u96.6o ;27
 TimerD2: u97.13o ;27
 TimerD3: u96.5o ;27

XEROX	PROPRIETARY NOTE ON COVER SHEET APPLIES TO ALL SHEETS		DWG SIZE A4	DWG NO. 156E07041	SHEET REV. A
	TITLE SCHEMATIC, MPB			SHEET 61 OF	

TimerD3: u97.14o ;27	TRUE1: u94.13i ;24
	TRUE1: u83.9o ;27
TimerD4: u96.4o ;27	TRUE: u75.6i ;11
TimerD4: u97.15o ;27	TRUE: v08.9i ;14
TimerD5: u96.3o ;27	TRUE: v09.4i ;14
TimerD5: u97.16o ;27	TRUE: v09.1i ;14
	TRUE: v08.2i, v08.1i ;14
TimerD6: u96.2o ;27	TRUE: u81.8i ;23
TimerD6: u97.17o ;27	TRUE: v22.13i, v22.10i, v22.1i ;26
	TRUE: v22.4i
TimerD7: u96.1o ;27	TRUE: u83.7o ;27
TimerD7: u97.18o ;27	TRUE: u60.10i ;29
TimerInt: v06.11i ;26	Uaddr.0: u25.2o, u23.4i, u22.4i ;03
TimerInt: u96.10o ;27	Uaddr.0: u21.4i, u24.4i
TimerRC': v06.7i ;26	UAddr.1: u25.7o, u23.3i, u22.3i ;03
TimerRC': u96.13o ;27	UAddr.1: u21.3i, u24.3i
TP19: u68.1i, #R018.2o, u68.19i ;14	UAddr.2: u25.10o, u23.2i, u22.2i ;03
	UAddr.2: u21.2i, u24.2i
TP20: #R007.2o, u27.15i ;03	
TP21: #R025.2o, v23.1i ;14	UAddr.3: u25.15o, u23.1i, u22.1i ;03
	UAddr.3: u21.1i, u24.1i
TP22: u69.1i, u98.19i, u98.1i ;13	UAddr.4: u26.2o, u22.21i, u21.21i ;03
TP22: #R016.2o, u69.19i	UAddr.4: u23.21i, u24.21i
	UAddr.4: u11.2i ;39
TP23: #R028.2o, v46.1i ;19	
TP24: v45.1i, #R024.2o, v45.19i ;25	UAddr.4B': u11.18o, J2.016 ;39
TP25: #R026.2o, v47.19i ;25	UAddr.5: u26.7o, u22.5i, u21.5i ;03
	UAddr.5: u23.5i, u24.5i
TP26: u03.1i, #R003.2o, u03.19i ;27	UAddr.5: u11.4i ;39
TP27: v38.19i, #R027.2o, v38.1i ;29	UAddr.5B': u11.16o, J2.017 ;39
TP28: u83.1i, #R012.2o, u83.19i ;27	UAddr.6: u26.10o, u22.6i, u21.6i ;03
	UAddr.6: u23.6i, u24.6i
Trap.0': u45.2i ;05	UAddr.6: u11.6i ;39
Trap.0': u79.19i, u79.7o ;15	UAddr.6B': u11.14o, J2.018 ;39
Trap.1': u45.4i ;05	UAddr.7: u26.15o, u22.7i, u21.7i ;03
Trap.1': u79.20i, u79.8o ;15	UAddr.7: u23.7i, u24.7i
	UAddr.7: u11.8i ;39
Trap: u73.15i, u75.15i, u74.15i ;11	
Trap: u72.15i	UAddr.7B': u11.12o, J2.019 ;39
Trap: u92.8o ;15	
TrapOut: u79.9o, u79.21i, u92.9i ;15	UCS: u95.2i, u95.3i, v45.12o ;29
	UCS: u60.12i
TRUE1: u34.19i ;15	VCC: u08.10i ;01
TRUE1: u77.2i, u77.4i ;24	VCC: u07.10i ;01
TRUE1: u77.10i ;24	VCC: u06.10i ;01
TRUE1: u94.4i ;24	VCC: u05.10i ;01
TRUE1: u94.1i ;24	VCC: #R006.2o ;02
TRUE1: u94.10i ;24	VCC: #R005.2o ;02

XEROX	PROPRIETARY NOTE ON COVER SHEET APPLIES TO ALL SHEETS		DWG SIZE A4	DWG NO. 156E07041	SHEET REV. A
	TITLE SCHEMATIC, MPB		SHEET 62 OF		

```

VCC: #R001.2o ;02
VCC: #R002.2o ;02
VCC: #R014.1i ;11
VCC: v05.10i ;13
VCC: v05.30i ;13
VCC: v05.53o ;13
VCC: v05.74o ;13
VCC: #R019.1i ;14
VCC: #R023.1i ;14
VCC: #R022.1i ;19
VCC: #R021.1i ;19
VCC: u61.1i ;23
VCC: u48.1i ;23
VCC: u31.1i ;23
VCC: #R008.1i ;24
VCC: #R015.1i ;24
VCC: #R013.1i ;24
VCC: v06.9i ;26
VCC: v06.25i ;26
VCC: v06.43o ;26
VCC: v06.61o ;26
VCC: #R011.2o, #R017.2o ;26
VCC: #R009.1i ;26
VCC: u82.1i ;27
VCC: u04.1i ;27
VCC: #R004.1i ;27
VCC: v69.20o ;30
VCC: u35.20o ;30
VCC: u99.20o ;30
VCC: #C085.1i, #C100.1i, #C120.1i ;33
VCC: #C119.1i, #C109.1i, #C095.1i
VCC: #C130.1i, #C136.1i
VCC: #C117.1i, #C118.1i, #C129.1i ;33
VCC: #C128.1i, #C127.1i, #C126.1i
VCC: #C125.1i, #C124.1i, #C137.1i
VCC: #C116.1i
VCC: #C104.1i, #C105.1i, #C106.1i ;33
VCC: #C107.1i, #C138.1i, #C123.1i
VCC: #C113.1i, #C114.1i, #C115.1i
VCC: #C103.1i
VCC: #C082.1i, #C083.1i, #C088.1i ;33
VCC: #C089.1i, #C090.1i, #C091.1i
VCC: #C092.1i, #C108.1i, #C102.1i
VCC: #C081.1i
VCC: #C093.1i, #C044.1i, #C073.1i ;33
VCC: #C072.1i, #C071.1i, #C070.1i
VCC: #C069.1i, #C079.1i, #C080.1i
VCC: #C058.1i
VCC: #C023.1i, #C022.1i, #C046.1i ;33
VCC: #C012.1i, #C011.1i, #C010.1i
VCC: #C043.1i, #C057.1i, #C024.1i
VCC: #C078.1i, #C055.1i, #C067.1i ;33
VCC: #C066.1i, #C074.1i, #C076.1i
VCC: #C004.1i, #C049.1i, #C061.1i
VCC: #C027.1i
VCC: #C013.1i, #C030.1i, #C006.1i ;33
VCC: #C008.1i, #C014.1i, #C040.1i
VCC: #C065.1i, #C068.1i, #C025.1i
VCC: #C052.1i

VCC: #C033.1i, #C050.1i, #C034.1i ;33
VCC: #C035.1i, #C036.1i, #C048.1i
VCC: #C047.1i, #C064.1i, #C019.1i
VCC: #C021.1i
VCC: #C032.1i, #C029.1i, #C031.1i ;34
VCC: #C059.1i, #C018.1i, #C028.1i
VCC: #C063.1i, #C020.1i, #C016.1i
VCC: #C101.1i
VCC: #C135.1i, #C134.1i, #C122.1i ;34
VCC: #C131.1i, #C097.1i, #C111.1i
VCC: #C096.1i, #C110.1i, #C094.1i
VCC: #C009.1i
VCC: #C054.1i, #C053.1i, #C042.1i ;34
VCC: #C132.1i, #C037.1i, #C038.1i
VCC: #C039.1i, #C084.1i, #C121.1i
VCC: #C005.1i
VCC: #C007.1i, #C017.1i, #C077.1i ;34
VCC: #C015.1i, #C075.1i, #C026.1i
VCC: #C098.1i
VCC: #C002.1o ;34
VCC: #C001.1o ;34
VCC: #C041.1o ;34
VCC: #C051.1o ;34
VCC: #F001.2o ;34
VCC: #C045.1i, #C087.1i, #C056.1i ;34
VCC: #C086.1i, #C099.1i, #C003.1i
VCC: #C133.1i, #C062.1i, #C112.1i
VCC: #C060.1i

WriteBank: u74.1i ;11
WriteBank: v05.71o ;13

WriteDebA': v05.63o ;13

WriteIB: u32.3i ;09
WriteIB: v05.69o ;13
WriteIB: u98.6i ;13

WriteIBFront: u39.9i ;08
WriteIBFront: u32.12o ;09

WriteRH: u39.4i ;04
WriteRH: v05.43o ;13

WriteRHClk': u39.6o, u36.3o ;04
WriteRHClk': u37.3o

WriteStkP: v05.68o ;13
WriteStkP: u98.4i ;13

WriteURClk': u22.20i, u23.20i ;03
WriteURClk': u24.20i, u39.3o
WriteURClk': u21.20i

WtIBDel: u51.2i ;08
WtIBDel: u98.14o ;13

WtStkPDel: u49.1i ;05
WtStkPDel: u98.16o ;13

```

XEROX	PROPRIETARY NOTE ON COVER SHEET APPLIES TO ALL SHEETS		DWG SIZE A4	DWG NO. 156E07041	SHEET REV. A
	TITLE SCHEMATIC, MPB		SHEET 63	OF	

X.00:	u08.22i	;01	X.07:	u07.25i	;01
X.00:	u24.10o	;03	X.07:	u23.16o	;03
X.00:	u30.15o	;06	X.07:	u01.14o	;06
X.00:	u66.18o	;07	X.07:	u66.3o	;07
X.00:	u16.18i	;08	X.07:	u16.3i	;08
X.00:	u55.14i	;10	X.07:	u65.3o	;22
X.00:	u65.18o	;22	X.07:	u18.11o	;39
X.00:	u18.18o	;39			
X.01:	u08.23i	;01	X.08:	u06.22i	;01
X.01:	u24.12o	;03	X.08:	u22.10o	;03
X.01:	u13.15o	;06	X.08:	u47.18o	;04
X.01:	u66.16o	;07	X.08:	u37.12i	;04
X.01:	u16.17i	;08	X.08:	u45.18o	;05
X.01:	u65.16o	;22	X.08:	u30.12o	;06
X.01:	u18.17o	;39	X.08:	u38.4o	;07
			X.08:	u20.4o	;08
X.02:	u08.24i	;01	X.08:	u10.18i	;08
X.02:	u24.14o	;03	X.08:	u54.13i	;10
X.02:	u29.15o	;06	X.08:	u56.13i	;10
X.02:	u66.14o	;07	X.08:	u51.13i	;10
X.02:	u16.14i	;08	X.08:	u44.18o	;22
X.02:	u65.14o	;22	X.08:	u12.18o	;39
X.02:	u18.16o	;39			
X.03:	u08.25i	;01	X.09:	u06.23i	;01
X.03:	u24.16o	;03	X.09:	u22.12o	;03
X.03:	u01.15o	;06	X.09:	u47.16o	;04
X.03:	u66.12o	;07	X.09:	u37.10i	;04
X.03:	u16.13i	;08	X.09:	u45.16o	;05
X.03:	u65.12o	;22	X.09:	u13.12o	;06
X.03:	u18.15o	;39	X.09:	u38.7o	;07
			X.09:	u20.7o	;08
X.04:	u07.22i	;01	X.09:	u10.17i	;08
X.04:	u23.10o	;03	X.09:	u56.15i	;10
X.04:	u30.14o	;06	X.09:	u51.12i	;10
X.04:	u66.9o	;07	X.09:	u44.16o	;22
X.04:	u16.8i	;08	X.09:	u12.17o	;39
X.04:	u56.14i	;10			
X.04:	u65.9o	;22	X.10':	u28.2o, u51.10i	;10
X.04:	u18.14o	;39			
X.05:	u07.23i	;01	X.10:	u06.24i	;01
X.05:	u23.12o	;03	X.10:	u22.14o	;03
X.05:	u13.14o	;06	X.10:	u47.14o	;04
X.05:	u66.7o	;07	X.10:	u37.6i	;04
X.05:	u16.7i	;08	X.10:	u45.14o	;05
X.05:	u65.7o	;22	X.10:	u29.12o	;06
X.05:	u18.13o	;39	X.10:	u38.9o	;07
			X.10:	u10.14i	;08
X.06:	u07.24i	;01	X.10:	u20.9o	;08
X.06:	u23.14o	;03	X.10:	u55.15i	;10
X.06:	u29.14o	;06	X.10:	u28.1i	;10
X.06:	u66.5o	;07	X.10:	u44.14o	;22
X.06:	u16.4i	;08	X.10:	u12.16o	;39
X.06:	u65.5o	;22			
X.06:	u18.12o	;39	X.11:	u06.25i	;01
			X.11:	u22.16o	;03
			X.11:	u47.12o	;04
			X.11:	u37.4i	;04
			X.11:	u45.12o	;05
			X.11:	u01.12o	;06

XEROX	PROPRIETARY NOTE ON COVER SHEET APPLIES TO ALL SHEETS		DWG SIZE A4	DWG NO. 156E07041	SHEET REV. A
	TITLE SCHEMATIC, MPB			SHEET 64 OF	

X.11: u38.12o ;07
X.11: u10.13i ;08
X.11: u20.12o ;08
X.11: u44.12o ;22
X.11: u12.15o ;39

X.12: u05.22i ;01
X.12: u21.10o ;03
X.12: u47.9o ;04
X.12: u36.12i ;04
X.12: u45.9o ;05
X.12: u30.11o ;06
X.12: u34.18o ;07
X.12: u10.8i ;08
X.12: u19.4o ;08
X.12: u57.10i ;10
X.12: u57.12i ;10
X.12: u44.9o ;22
X.12: u12.14o ;39

X.13: u05.23i ;01
X.13: u21.12o ;03
X.13: u47.7o ;04
X.13: u36.10i ;04
X.13: u45.7o ;05
X.13: u13.11o ;06
X.13: u34.16o ;07
X.13: u10.7i ;08
X.13: u19.7o ;08
X.13: u57.6i ;10
X.13: u57.4i ;10
X.13: u44.7o ;22
X.13: v06.20i ;26
X.13: u12.13o ;39

X.14: u05.24i ;01
X.14: u21.14o ;03
X.14: u47.5o ;04
X.14: u36.6i ;04
X.14: u45.5o ;05
X.14: u29.11o ;06
X.14: u34.14o ;07
X.14: u10.4i ;08
X.14: u19.9o ;08
X.14: u56.4i ;10
X.14: u44.5o ;22
X.14: v06.19i ;26
X.14: u12.12o ;39

X.15: u05.25i ;01
X.15: u21.16o ;03
X.15: u47.3o ;04
X.15: u36.4i ;04
X.15: u45.3o ;05
X.15: u01.11o ;06
X.15: u34.12o ;07
X.15: u10.3i ;08
X.15: u19.12o ;08
X.15: u55.4i ;10

X.15: u55.13i ;10
X.15: u44.3o ;22
X.15: v06.18i ;26
X.15: u12.11o ;39

X89: u51.9i, u51.11o ;10

X89N10: u51.8o, u56.1i ;10

XBus+Rot': u29.13i, u13.13i ;06
XBus+Rot': u30.13i, u01.13i
XBus+Rot': v05.84o ;13

XHigh+0': u66.1i, u66.19i ;07
XHigh+0': v05.82o ;13

XLow+Byte': u38.1i ;07
XLow+Byte': v05.72o ;13

XLow+Const': u34.1i, u38.15i ;07
XLow+Const': u76.10i ;12
XLow+Const': v05.1i ;13

XLow+IB': u19.15i, u20.15i ;08
XLow+IB': u92.2i ;09
XLow+IB': v05.83o ;13

Y.00: u08.39o ;01
Y.00: u24.9i ;03
Y.00: u30.4i ;06
Y.00: u63.18i ;22
Y.00: u42.18i ;23
Y.00: u62.18i ;23

Y.01: u08.38o ;01
Y.01: u24.11i ;03
Y.01: u13.4i ;06
Y.01: u63.17i ;22
Y.01: u42.17i ;23
Y.01: u62.17i ;23

Y.02: u08.37o ;01
Y.02: u24.13i ;03
Y.02: u29.4i ;06
Y.02: u63.14i ;22
Y.02: u42.14i ;23
Y.02: u62.14i ;23

Y.03: u08.36o ;01
Y.03: u24.15i ;03
Y.03: u01.4i ;06
Y.03: u63.13i ;22
Y.03: u42.13i ;23
Y.03: u62.13i ;23

Y.04: u07.39o ;01
Y.04: u23.9i ;03
Y.04: u30.1i ;06
Y.04: u30.5i ;06

XEROX	PROPRIETARY NOTE ON COVER SHEET APPLIES TO ALL SHEETS		DWG SIZE A4	DWG NO. 156E07041	SHEET REV. A
	TITLE SCHEMATIC, MPB		SHEET 65	OF	

Y.04: u63.8i ;22
 Y.04: u42.8i ;23
 Y.04: u62.8i ;23

 Y.05: u07.38o ;01
 Y.05: u23.11i ;03
 Y.05: u13.1i ;06
 Y.05: u13.5i ;06
 Y.05: u63.7i ;22
 Y.05: u42.7i ;23
 Y.05: u62.7i ;23

 Y.06: u07.37o ;01
 Y.06: u23.13i ;03
 Y.06: u29.1i ;06
 Y.06: u29.5i ;06
 Y.06: u63.4i ;22
 Y.06: u42.4i ;23
 Y.06: u62.4i ;23

 Y.07: u07.36o ;01
 Y.07: u23.15i ;03
 Y.07: u01.1i ;06
 Y.07: u01.5i ;06
 Y.07: u63.3i ;22
 Y.07: u42.3i ;23
 Y.07: u62.3i ;23

 Y.08: u06.39o ;01
 Y.08: u22.9i ;03
 Y.08: u30.2i ;06
 Y.08: u30.6i ;06
 Y.08: u43.18i ;22
 Y.08: u64.18i ;23

 Y.09: u06.38o ;01
 Y.09: u22.11i ;03
 Y.09: u13.2i ;06
 Y.09: u13.6i ;06
 Y.09: u43.17i ;22
 Y.09: u64.17i ;23

 Y.10: u06.37o ;01
 Y.10: u22.13i ;03
 Y.10: u29.2i ;06
 Y.10: u29.6i ;06
 Y.10: u43.14i ;22
 Y.10: u64.14i ;23

 Y.11: u06.36o ;01
 Y.11: u22.15i ;03
 Y.11: u01.2i ;06
 Y.11: u01.6i ;06
 Y.11: u43.13i ;22
 Y.11: u64.13i ;23

 Y.12: u05.39o ;01
 Y.12: u21.9i ;03
 Y.12: u27.3i ;03

Y.12: u49.4i ;05
 Y.12: u30.3i ;06
 Y.12: u30.7i ;06
 Y.12: u57.11i ;10
 Y.12: u74.3i ;11
 Y.12: u43.8i ;22
 Y.12: u64.8i ;23

 Y.13: u05.38o ;01
 Y.13: u21.11i ;03
 Y.13: u27.6i ;03
 Y.13: u49.5i ;05
 Y.13: u13.7i ;06
 Y.13: u13.3i ;06
 Y.13: u57.5i ;10
 Y.13: u74.6i ;11
 Y.13: u43.7i ;22
 Y.13: u64.7i ;23

 Y.14: u05.37o ;01
 Y.14: u21.13i ;03
 Y.14: u27.10i ;03
 Y.14: u49.12i ;05
 Y.14: u29.3i ;06
 Y.14: u29.7i ;06
 Y.14: u56.3i ;10
 Y.14: u74.10i ;11
 Y.14: u43.4i ;22
 Y.14: u64.4i ;23

 Y.15: u05.36o ;01
 Y.15: u21.15i ;03
 Y.15: u27.13i ;03
 Y.15: u49.13i ;05
 Y.15: u01.3i ;06
 Y.15: u01.7i ;06
 Y.15: u55.3i ;10
 Y.15: u74.13i ;11
 Y.15: u43.3i ;22
 Y.15: u64.3i ;23

 YH.0: u47.2i, u37.11o ;04
 YH.0: u41.18i ;23

 YH.1: u47.4i, u37.9o ;04
 YH.1: u41.17i ;23
 YH.1: u90.5i ;23

 YH.2: u47.6i, u37.7o ;04
 YH.2: u90.10i ;23
 YH.2: u41.14i ;23

 YH.3: u47.8i, u37.5o ;04
 YH.3: u80.14i ;23
 YH.3: u41.13i ;23

 YH.4: u47.11i, u36.11o ;04
 YH.4: u80.13i ;23
 YH.4: u41.8i ;23

XEROX	PROPRIETARY NOTE ON COVER SHEET APPLIES TO ALL SHEETS		DWG SIZE	DWG NO. 156E07041	SHEET REV.
	TITLE	SCHEMATIC, MPB	A4	SHEET 66 OF	A

YH.5: u47.13i, u36.9o ;04
YH.5: u80.8i ;23
YH.5: u41.7i ;23

YH.6: u47.15i, u36.7o ;04
YH.6: u80.7i ;23
YH.6: u41.4i ;23

YH.7: u47.17i, u36.5o ;04
YH.7: u80.4i ;23
YH.7: u41.3i ;23

XEROX	PROPRIETARY NOTE ON COVER SHEET APPLIES TO ALL SHEETS		DWG SIZE A4	DWG NO. 156E07041	SHEET REV.
	TITLE	SCHEMATIC, MPB		SHEET 67 OF	A