

WANG

3401

INTEGRATED TERMINAL

Model: 2236DW

**Customer Engineering
Product Maintenance Manual**

741-0903

Preface

This document is a reprint of the 2236DW Integrated Workstation Product Maintenance Manual.

The purpose of this manual is to provide the Wang-trained Customer Engineer (CE) with instructions to operate, troubleshoot and repair the 2236DW Integrated Workstation.

EditionThird Edition (November, 1984)

This reprint of the 2236DW Integrated Workstation manual (741-0903) obsoletes document(s) no. 729-0903, 729-0903-A, 729-0903-A1, Service Bulletin No. 80, Service Bulletin No. 80A. The material in this document may only be used for the purpose stated in the Preface. Updates and/or changes to this document will be published as Publications Update Bulletins (PUB's) or subsequent editions.

Proprietary Notice

This document contains trade secrets and other confidential information which are the property of Wang Laboratories, Inc. This document is provided in confidence to Wang service personnel for the sole purpose of facilitating the use of the related software. Neither this document nor any of its contents may be disclosed to unauthorized persons or copied or revealed or used in whole or in part for any other purpose without the prior written authorization of Wang Laboratories, Inc. This document remains the property of Wang Laboratories, Inc., and must be surrendered upon request.

© Copyright WANG Labs., Inc. 1981, 1984

MODEL 2236DW INTEGRATED TERMINAL

TABLE OF CONTENTS

<u>Paragraph</u>	<u>Page</u>
Section 1 - Introduction	
1.1 Scope	1-1
1.2 Terminal Features	1-1
Section 2 - General Description	
2.1 The CRT Display	2-1
2.2 The Keyboard	2-1
2.3 Terminal/CPU Interface	2-10
2.4 The Screen Dump.	2-13
2.5 Specifications	2-15
Section 3 - Functional Description	
3.1 2200 Word Processing Software	3-3
Section 4 - Site Preparation	
Section 5 - Unpacking and Installation	
5.1 Voltage and Frequency Selection	5-4
5.2 Voltage Checks and Adjustments	5-4
5.3 Video Display Adjustments	5-8
5.4 Terminal Interconnections	5-10
5.5 Terminal Controllers	5-12
5.6 Controller Switch Setting	5-13
5.7 Baud Rate Selection	5-13

TABLE OF CONTENTS (Continued)

<u>Paragraph</u>		<u>Page</u>
Section 6 - Power-Up Diagnostics		
Section 7 - Preventive Maintenance		
Section 8 - Major Assembly Removal and Replacement		
8.1 CRT Anode Discharge Procedure		8-1
8.2 Terminal Electronics PCB Removal		8-2
8.3 CRT Chassis Assembly Removal		8-2
8.4 Monitor Electronics PCB Removal		8-6
8.5 Keyboard Assembly Removal		8-6
8.6 Power Transformer Removal		8-7
Section 9 - Standard Features		
9.1 Character Display Attributes		9-1
9.2 Selection of Character Sets		9-5
9.3 Print Box Function		9-12
Section 10 - Terminal/CPU Cable		
Section 11 - Drawings		
Appendices		
Appendix A	Illustrated Parts Breakdown Drawings	A-1
Appendix B	Service Bulletin #80	B-1
Appendix C	Service Bulletin #80A	C-1

LIST OF FIGURES

FIGURE

- 2-1 The Model 2236DW Keyboard
- 3-1 Model 2236DW Block Diagram
- 5-1 CRT Outline
- 5-2 CRT and Cover
- 5-3 Voltage Select Switch
- 5-4 Jumper Locations (210-7592 PCB) and Baud Rate
Selection Switch
- 5-5 Close-Up of R66 and R72
- 5-6 210-7456 PCB
- 5-7 Rear of Terminal
- 8-1 210-7592-1 PCB
- 8-2 210-7592-1 PCB in Chassis
- 8-3 Rear View of Chassis with 7592-1 PCB Removed
- 9-1 The Normal Character Set of the 2236DW Terminal
- 9-2 The Alternate Character Set of the 2236DW Terminal
- 9-3 Division of a Character Space
- 9-4 Box Graphic Line Placement Relative to Character Position
- 9-5 Box Graphic Line Placement Relative to Graphic Character
Set

LIST OF TABLES

TABLE

2-1	Operation of Keyboard Modes
5-1	Baud Rate Settings
6-1	Power-Up Diagnostic Definitions
10-1	Direct Connection Cables
10-2	Modem Cables

SECTION
1
INTRO-
DUCTION

SECTION 1 INTRODUCTION

1.1 SCOPE

This publication contains information necessary to unpack, install, and maintain the 2236DW Integrated Terminal. Also contained herein is a functional description of the 2236DW. Electrical and physical specifications and an explanation of the various features are included as well.

1.2 TERMINAL FACTORS

The 2236DW Integrated Terminal is a Z80-based CRT/Workstation. It consists of a 12 inch (30.4 cm) diagonal measure CRT, a KEYTRONIC capacitive-type keyboard (#725-2637), a 210-7456 twelve inch monitor sweep PCB, and a 210-7592-1 (initial shipments will use a version of PCB 7592 which is designated 210-7592-1) logic-and-power supply PCB containing a Z80 microprocessor and its supporting components (including PIO, CTC, UART and PROMs). By locating the logic and its power supply on one terminal board, production, installation, and maintenance have been simplified.

The 2236DW is an enhancement of the existing 2236DE. It offers the same features of the DE plus the added capabilities of supporting Wang 2200/WP Word Processing Software. Users may now perform word processing and data processing applications at the same terminal. The new terminal features include:

- . Word Processing style cursor control and function keys which support the integrated Word Processing and Data Processing functions.
- . Repeating keys and underlined characters
- . Character display attributes including bright, blinking, and underlined characters plus reversed video
- . Graphics character set
- . Box graphics
- . Interface to local printer independent of the CPU
- . Self Test diagnostics

SECTION

2

GENERAL

DESCRIP-

TION

SECTION 2 GENERAL DESCRIPTION

2.1 CRT DISPLAY

The 2236DW Integrated Terminal contains a 12-inch (30.5 centimeter) diagonal measure Cathode Ray Tube (CRT) screen display. The CRT displays a full 128-character set, including uppercase and lowercase keyboard characters, some foreign language characters, special symbols, and underlining. The CRT also displays an alternate character set of graphic characters and box graphics. All characters may be displayed using one or more of several character display attributes.

The CRT has a 24-line, 80 characters-per-line capacity (1,920 character positions) for full-screen operator prompting and verification of keyed characters. Brightness and contrast controls provide a sharp, clear image on the screen. Display speed is approximately 2,000 characters per second at 19,200 baud. A cursor, resembling an underscore, indicates the location on the display where the next character will appear. In addition to controlling cursor movement and positioning from the keyboard, a number of codes can be used to manipulate the cursor under program control for specially formatted displays.

2.2 THE KEYBOARD

The 2236DW Integrated Terminal is equipped with a new combination keyboard (WLI part #725-2637) which features the conventional typewriter format plus a numeric keypad as well as cursor control and editing and special function keys normally associated with Wang Word Processing systems (See Figure 2-1). The following paragraphs describe the actions associated with each group of keys. For convenience of discussion, the keyboard has been divided into four zones as shown in Figure 2-1.

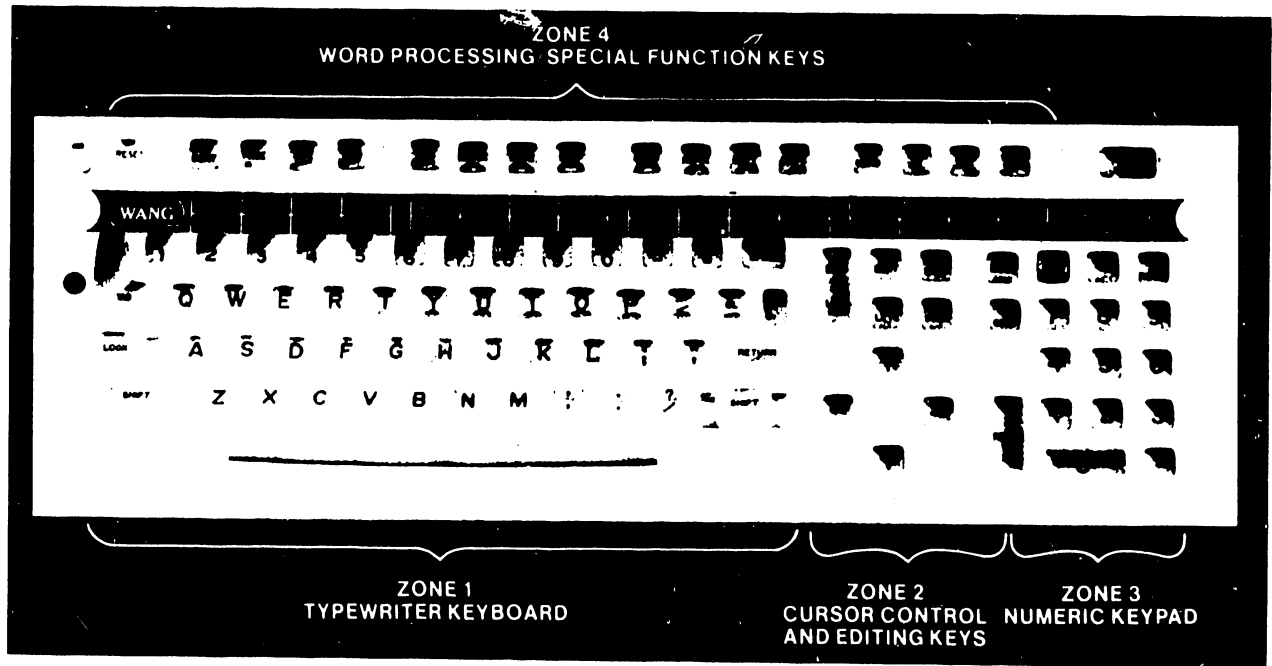


Figure 2-1 The Model 2236DW Keyboard

Zone 1 - Typewriter Keyboard -- Similar to a standard typewriter, this zone contains the alphanumeric characters, the special purpose characters such as @ # \$ % and the arithmetic operators "+ - * / = ", TAB, GL, RETURN and SHIFT keys which perform the following functions:

- . TAB sets the format line zone and advances the cursor through successive zones on the screen to facilitate table creation.
- . GL (glossary) is a useful function in Word Processing whereby repeatedly used text may be created once, stored on disk and retrieved again with two keystrokes; GL followed by the glossary number.
- . RETURN terminates the present text line and repositions the cursor at the beginning of the next line.

Zone 2 - Cursor Control and Editing Keys -- This zone contains Editing keys (INSERT and DELETE), Location keys (NEXT SCRN and PREV SCRN), and Cursor Control keys (control movement of cursor in indicated direction -- up, down, right, and left).

Zone 3 - Numeric Keypad -- The numeric zone is designed like a standard 10-key numeric pad for rapid entry of numeric characters. The numeric keys are grouped here for convenience. Digits may be entered by using the numeric keys in either the numeric or the alphanumeric zone. This zone also includes such keys as ERASE, HALT/CONT, and RETRN.

Zone 4 - Word Processing/Special Function Keys -- Across the top of the keyboard are 16 Word Processing/Special Function keys. When using the word processing software, the Word Processing Function keys simplify document creation and revision. For example, the CENTER key automatically centers a line of text, the MOVE key allows any amount of text to be moved within a document, and the REPLC key allows a character-defined sequence to be replaced with another within a document.

A summary of special function keys follows:

1. AUTOSCORE MODE
To underscore (underline) new text and inserted characters as they are entered by the operator.
2. BACKSPACE
To move the cursor backwards through text. Usually to strike over incorrect text.
3. CANCEL
To terminate any function or operation before the EXECUTE key has been touched.
4. CENTER
To center text automatically on a line.
5. COPY
To highlight consecutive text in one part of a document, and copy it to another location in the same document. Both parts of the document will contain the same exact text.
6. CURSOR CONTROLS
To position the cursor on the screen, or to move the cursor to the beginning or end of the screen.
7. DECIMAL TAB
To automatically align columns of numbers on their decimal points, or to right justify any column of text or figures without decimal points.
8. DELETE
To highlight consecutive text in a document, and to remove it from that document.

9. EXECUTE
To signal the system that the present course of action is acceptable to the operator.
10. FORMAT
To set or change the right hand margin, tab settings, and/or vertical print spacing between lines.
11. GLOSSARY
To automatically have the system recall and enter into a document some previously-created text or instructions.
12. GO TO PAGE
To replace the current screen with any desired page of a document.
13. INDENT
To indent paragraphs or any section of text automatically.
14. INSERT
To insert any amount of text into an existing document.
15. MERGE
To create letters or documents with provision for the future addition of "variable" information from a second document. To combine two documents into one.
16. MOVE
To highlight consecutive text in one part of a document and then move it to another part of that document.
17. NEXT SCREEN/PREVIOUS SCREEN
To view any screenload of text in a document.

18. NOTE
To allow non-printing comments (notes) to appear on the screen but not on the printed document.
19. PAGE
To define the end of a page.
20. REPLACE
To highlight consecutive text in a document and then replace it with other text.
21. RETURN
To end a line of type and bring the cursor to the start of the next line.
22. SEARCH
To search through a document and stop at any defined character sequence.
23. STOP
To stop the printer. Usually for changing the print wheel or sometimes, the forms.
24. SUBSCRIPT, SUPERScript
To allow the printer to move up and/or down one half (1/2) line from the main typing line to create subscripts and/or superscripts.
25. TAB
To indent the beginning of a paragraph or other text not on the left margin.

The word processing keys also serve as special function keys that can be set up by the programmer to perform program-defined functions. Since each of these keys may be pressed in conjunction with the SHIFT key, a total of 32 special function keys is available. The keys are numbered '0 -- '15 (lowercase) and '16 -- '31 (uppercase). Simultaneously pressing a key numbered '0 -- '15 with SHIFT accesses a key from '16 -- '31. The function key number is labeled on the front surface of each key. Additionally, the TAB key and the GL key in Zone 1 can be used as special function keys.

Special function keys may be used to perform a variety of tasks, e.g., start program execution, access subroutines, or enter a predefined text string. The operator is informed of the meanings of the special function keys either by screen prompts or by means of the label strip located immediately below this row of keys. In order to perform a given task, a special function key must be defined by the user with a DEFFN' statement in the currently loaded program. The special function keys are also used during master initialization to load the BASIC-2 interpreter and operating system.

The keyboard has two modes of operation, selected by a toggle switch labeled A/A and A/a. The dual mode keyboard is designed for both data processing and word processing applications.

In Programmer's mode (A/A), uppercase alphabetic characters are produced, whether the keyboard is shifted or unshifted. Shifted numeric keys produce symbols and special characters. In Operator's mode (A/a), the keyboard functions as a standard typewriter, producing uppercase and special characters when shifted, and producing lowercase and numeric characters in unshifted operation.

The 2236DW also includes a Caps Lock feature. In either A/A or A/a mode: Caps Lock (activated by pressing the lock key) produces uppercase alphabetic characters; all other characters, such as the numeric keys, are lowercase. (Refer to Table 2-1 for a detailed listing of the performance of the keys in each different operating mode.)

Table 2-1 Operation of Keyboard Modes

	A/A mode	A/a mode
Unshifted Operation	Alpha Keys -- Uppercase Punctuation -- Lowercase Numerics -- Lowercase (numbers) Special Function -- '0 to '15 CONTINUE -- Active HALT -- Inactive RESET -- Inactive ERASE -- From cursor position LOAD RUN key -- RUN	Alpha Keys -- Lowercase Punctuation -- Lowercase Numerics -- Lowercase (numbers) Special Function -- '0 to '15 CONTINUE -- Active HALT -- Inactive RESET -- Inactive ERASE -- From cursor position LOAD RUN key -- RUN
Caps Lock Operation	Alpha Keys -- Uppercase Punctuation -- Lowercase Numerics -- Lowercase (numbers) Special Function -- '0 to '15 CONTINUE -- Active HALT -- Inactive RESET -- Inactive ERASE -- From cursor position LOAD RUN key -- RUN	Alpha Keys -- Uppercase Punctuation -- Lowercase Numerics -- Lowercase (numbers) Special Function -- '0 to '15 CONTINUE -- Active HALT -- Inactive RESET -- Inactive ERASE -- From cursor position LOAD RUN key -- RUN
Shifted Operation	Alpha Keys -- Uppercase Punctuation -- Uppercase Numerics -- Uppercase (symbols) Special Function -- '16 to '31 CONTINUE -- Inactive HALT -- Active RESET -- Active ERASE -- Line Erase LOAD RUN key -- LOAD	Alpha Keys -- Uppercase Punctuation -- Uppercase Numerics -- Uppercase (symbols) Special Function -- '16 to '31 CONTINUE -- Inactive HALT -- Inactive RESET -- Inactive ERASE -- Line Erase LOAD RUN key -- LOAD

The keyboard allows characters to be underlined. On non-English versions of the keyboard, characters can also be accented. All keys on the keyboard will repeat if held down. The microprocessor in the terminal automatically adjusts the repeat key rate according to the rate at which characters are being echoed to the CRT. The keyboard clicker sounds each time the repeated character is transmitted. Thus, both aural and visual evidence of the repeated character are given to the user. (The repeating key is particularly useful for moving the cursor when editing.)

Special features of the Model 2236DW keyboard include the following:

- Keyboard Clicker -- The clicker provides audio feedback when a key is sufficiently pressed. The volume of the keyboard clicker may be adjusted.
- N-key Rollover -- This feature permits a new key to be pressed and output to the terminal while a previous key is still being held down. This process can continue for any number of keys; each new key pressed takes precedence over any keys already held down. The N-key rollover feature helps eliminate errors during high-speed typing.
- Terminal Alarm -- The alarm provides audio feedback to indicate the occurrence of errors or special conditions, e.g., pressing an undefined special function key, typing beyond a specified field, displaying an error message. The volume of this audio alarm may also be adjusted.

The RESET key, located in the upper-left corner of the keyboard, immediately stops program execution, listing, and I/O operations; clears the CRT; homes the cursor; signals ready; and returns to the console user (Console Input mode). RESET is also used during master initialization and hardware diagnostic operations. The RESET key is an undesirable means of terminating execution and generally should not be used to end program execution; HALT should be used for this purpose. As a protective feature, RESET and HALT are active only in Programmer's mode (A/A), and only if pressed in conjunction with the SHIFT key.

NOTE

On a 2200MVP or LVP, RESET affects only the partition to which the terminal is currently attached (the terminal's foreground partition). No other partitions are affected by RESET.

The new keyboard requires a new face plate (WLI part #452-2401-XA) to fit the particular distribution of keys and it should be ordered with the new keyboard in the event of upgrading the 2236DE to 2236DW. Otherwise the new keyboard is conventional in geometry and hookup to the terminal.

2.3 TERMINAL/CPU INTERFACE

Each 2236DW Integrated Terminal is connected to either a 2236MXD Terminal Processor or a 22C32 Triple Controller when configured with a 2200MVP, LVP, or VP Central Processing Unit. Existing controllers must be revised to current standards to support the 2236DW terminal as follows:

A) Change the two PROMs on PCB 210-7516-A

FROM	TO
378-4092	378-4092-R1
378-4093	378-4093-R1

B) Change the two PROMs on PCB 210-7789-A

FROM	TO
378-4092	378-4092-R1
378-4093	378-4093-R1

C) Change the four PROMS on PCB 210-7591-A

FROM	TO
378-2140-R06	378-2140-R07
378-2141-R06	378-2141-R07
378-2142-R06	378-2142-R07
378-2143-R06	378-2143-R07

D) Change the four PROMs on PCB 210-7816-A

FROM	TO
378-2591	378-2591-R1
378-2449	378-2449-R1
378-2450	378-2450-R1
378-2451	378-2451-R1

NOTE: The above changes do not affect other devices operating from the CPU: ie., all previously supported devices remain compatible after the changes.

These devices handle I/O operations between the CPU and the terminals, and buffer data entered from or transferred to the terminals.

The 2236MXD terminal processor is used on the 2200MVP CPU, which can support 12 terminals (4 per terminal processor). The Model 2236MXD is also used on the 2200LVP, which can support 4 terminals. Because 2200/WP Word Processing Software requires 28K of user memory per terminal, the maximum number of terminals that can simultaneously operate WP varies with available user memory. The 22C32 Triple Controller supports a single terminal and can be used on the 2200VP, MVP, and LVP CPU. The 2236DW plugs directly into the terminal connector on back of the MVP CPU; no additional controllers are necessary.

Model 2236DW terminals can be attached locally to the 2200MVP or LVP CPU at distances up to 2000 feet (606.1 meters), or remotely via modems and telephone lines. Terminals connected to a 2200SVP or LVP CPU can be attached locally at a maximum distance of 50 feet (15.2 meters) and 2000 feet (606.1 meters) respectively. Communication between the terminal and the CPU is asynchronous and full-duplex, with selectable line speeds ranging from 300 to 19,200 bits per second (bps). To accelerate communications between the terminals and the CPU, the system performs automatic data compression on information transmitted to each terminal.

Each 2236DW can support its own terminal printer which can be used for program output. Additionally, hard copy of CRT displays can be created at each terminal site. A dump of the display screen to the terminal printer may be initiated from the keyboard, resulting in the printing of all standard characters present on the screen. The screen dump feature requires no special software and can be performed at any time.

The 2236DW and its controller employ microprocessors to optimize data throughput. For example, strings of four or more identical characters are compressed for transmission into 3-byte blocks. A ready/busy protocol controls information flow between the terminals and the terminal processor. Thus, it is unnecessary for the attached printer to keep up with the serial communication line data rate. These features are automatic and are completely transparent to the software executing in the 2200 CPU.

As an added feature, the 2236DW performs self-testing diagnostics every time it is turned on. These diagnostics ensure optimal terminal condition before use. If the unit fails one of the tests, a continuous alarm sounds, alerting the user to the failure. The tests allow a Wang Customer Service Representative to quickly identify the problem and minimize downtime.

The 2236DW terminal also incorporates a power supply that relies on air convection cooling, rather than a fan. This feature provides quiet terminal operation.

Any standard Wang printer or plotter with a 36-pin cable connection may be plugged into the printer connector on the 2236DW Integrated Terminal. A Wang-supplied direct-connection cable or an optional modem cable plugs into a RS-232-C-compatible connector on the terminal.

2.4 THE SCREEN DUMP

The screen dump feature allows the user to obtain a hard copy record of the CRT on a printer attached to the terminal. Screen dump is a temporary off-line terminal operation which may be initiated only by the terminal operator. In fact, a BASIC-2 program can neither initiate nor detect the activation of a screen dump. Therefore, the screen dump may be used to preserve hard copy records of the screen even after the program has stopped with an error or after a CPU failure. However, this also means it is the terminal operator's responsibility not to activate screen dump while the terminal printer is in use. If screen dump is activated while a program is using the printer, the screen dump output will be inserted on its own separate page, and printing will then resume without missing any characters. To activate a screen dump, use the following procedure.

1. Press the EDIT key and hold it down for approximately two seconds. An immediate click will be heard. The CRT image will be frozen with the image to be dumped.
2. When a second click is sounded, the screen dump has been activated. (If the EDIT key is released before the second click is heard, the key is treated as the EDIT key and the screen image is unfrozen.)
3. The screen image is transmitted to the printer, preceded by a carriage return and form feed, which neatly formats the output. (If a screen dump is activated while a program is using the printer, the screen dump output will be inserted on its own separate page.)
4. The screen dump ends with another form feed.
5. Normal processing of output from the CPU is resumed. (No data is lost, even if the CPU has attempted output to the CRT or printer while the screen dump was in progress.)

During a screen dump, the keyboard remains active. Pressing any key will terminate the screen dump and restore normal processing. If the screen dump fails, make sure the printer is selected and try again. If the screen dump still fails, use the CLEAR button found on many printers. Do not use the terminal's RESET, because it will clear the screen.

It is not possible for a screen dump to produce an exact image of the screen because the terminal microprocessor cannot tell what sort of printer is attached to the terminal. A conservative subset of the CRT character set is therefore employed during a screen dump. The USA version of the Model 2236DW can screen dump all characters between HEX(20) and HEX(7E), including all uppercase and lowercase characters on the keyboard. Underlined characters are translated to their nonunderlined equivalents. The actual character set used for screen dump varies among the international versions of the terminal. However, the following general rules do apply.

1. Any character not in the screen dump character set is translated to the number symbol (#).
2. Display attributes are ignored. All characters are printed in the same font and pitch.
3. Character set graphics are also translated to the number symbol (#).
4. Box graphics are ignored.

CAUTION

Since normal printing is interrupted when a screen dump is requested, the screen dump will be inserted into a report already printing. Although screen dumps eject a page before and after a dump, the user's report may be temporarily halted in the middle of the page. For some reports, this may be acceptable, but for preprinted forms such as invoices or customer statements, a screen dump which interrupts current printing could present problems.

2.5 MODEL 2236DW TERMINAL SPECIFICATIONSSize

Height	13.5 in. (34.3 cm)
Depth	20.5 in. (52.1 cm)
Width	19.8 in. (50.3 cm)

Weight

41.0 lb (18.6 kg)

CRT

Display Size	12 in. diagonal (30.5 cm)
Capacity	24 lines, 80 characters/line
Character Height	0.16 in. (0.41 cm)
Character Width	0.09 in. (0.23 cm)

Character Set

128 characters, including uppercase and lowercase letters; each character is assigned one or more attributes for high- or low-intensity display, reverse video, blinking, or underlining. Additional alternate character set consisting of 64 graphic characters and other special symbols is supplied. Also capable of displaying line-segment (box) graphics, separate from either character set.

Keyboard

Typewriter keyboard which can generate 88 different ASCII characters, including uppercase and lowercase letters, numbers, and symbols. Also included are a numeric keypad, several program control keys, and 18 program-definable special function keys: 16 numbered keys along the top of the keyboard, and the TAB and GL keys located in the alphanumeric keyboard zone. Each special function key can be used with the SHIFT key for a total of 36 Special Function keys. The keyboard also contains editing keys (INSERT and DELETE), location keys (NEXT SCRN and PREV SCRN), and cursor control keys (controls movement of cursor in indicated direction -- up, down, right, and left).

Operating Environment

Temperature

50 F to 80 F (10 C to 30 C)

Relative Humidity

35% to 65% noncondensing (recommended)

20% to 80% noncondensing (allowable)

Power Requirements115 or 230 VAC \pm 10%50 or 60 Hz \pm 1.0 Hz

50 Watts

Fuses

2 amp (SB) @ 115 V/60 Hz

1 amp (SB) @ 230 V/50 Hz

Communication Mode

Asynchronous, full-duplex

Transmission RatesManually selectable for each terminal at 300, 600, 1200, 2400, 9600, or
19.2K baudCharacter Format

When communicating with a 2200MVP, LVP, SVP, or VP system:

1 start bit, 1 stop bit

8 data bits, plus odd parity (11 bits/character)

Other selectable character formats:

8 data bits, no parity

7 data bits, odd parity

7 data bits, even parity (10 bits/character)

PROM Complement

L16 378-3067

L17 378-4095 R2

L18 378-4094 R2

L55 378-2447

L56 EA-ROM

SECTION

3

**FUNCTIONAL
DESCRIPTION**

SECTION 3
FUNCTIONAL DESCRIPTION

The 2236DW Integrated Terminal is a software-intensive workstation which is controlled by the master CPU. The hardware contained on the logic board, PCB 210-7592-1 is concerned mainly with the management of the display on the screen and the transfer of data and commands between the terminal and the CPU.

The following brief discussion describes the functions performed by the major components indicated in the block diagram shown in Fig 3-1.

UART Handles the communication of data and commands between the terminal and the CPU through the RS 232 connector . The UART is software controlled and transmits data according to a preselected baud rate determined by manually resettable bank of switches . The CPU reads the switches and loads appropriate data pattern into "Baud Rate Decode" which will set the clock period for the UART.

CTC The Counting and Timing Circuit provides the workstation with a general purpose interval timer, mainly used to generate interrupts for the Z80 microprocessor in order to initiate actions which require the use of the Z80 buses such as during transmit or receive.

PIO The parallel Input /Output chip acts as interface between the Z80 and other components such as the keyboard and the UART

VTAC The Video Timer And Controller chip is concerned with the management of the display of characters and attributes on the screen. This includes the generation of dot-matrix outlines of characters, the horizontal and vertical sweep signals and the placement of characters in a given row and column . In conjunction with "Character Memory", the VTAC maintains the display on the screen through the block labeled "CRT Control Logic" which provides the drive for the CRT.

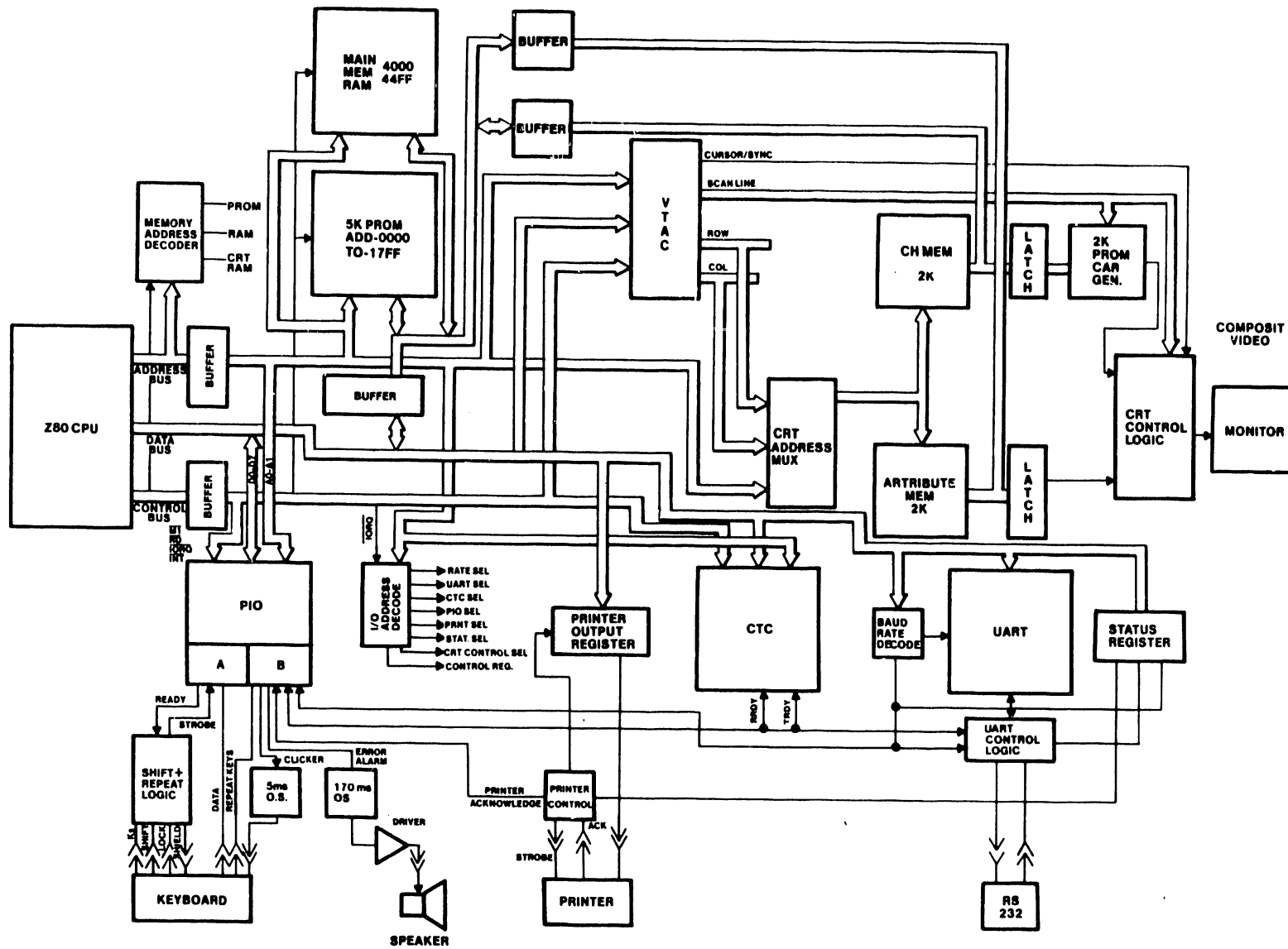


Figure 3-1 Mode 2236DW Block Diagram

KEYBOARD This external device interfaces with the PIO when dealing with the terminal's logic . When a key is struck a code is generated and an interrupt is issued to the Z80 which accepts it based on a priority scheme. Repeated interrupts will be generated when a key is depressed for more than 300 ms, and will continue for as long as the key is held down. The clicker will sound when the key code is accepted.

Z80 MICROPROCESSOR This chip supervises the operation of the above cited components, provides control signals and services for their functions and programs them during initialization and performs limited local processing. The Z80 is provided with operating program in two 2k Bytes of PROMs, L17 and L18 including a power-up diagnostic routine.

The major components of the board are tied together by four main buses:

1. Buffered Address Bus which leads to PIO, "IO Address Decode", CTC and memory
2. Data Bus which connects to PIO, CTC, and UART.
3. Buffered Data Bus which leads to memory and VTAC.
4. Buffered Control Bus which connects to PIO and CTC.

When power is applied to the terminal, the microprocessor is reset and begins executing its program at location 0000 of PROMs L17,18. The program contains the code necessary to initialize the programmable components, VTAC, CTC, UART and PIO for their default functions. The processor also administers a series of tests to verify that vital functions of the board are operational. Should any function fail the test, the microprocessor terminates the test, activates the speaker continuously and flags the error code on an LED; if one is mounted on L10 socket.

When all functions have passed the power-up diagnostics, the microprocessor reads and displays a message which identifies the terminal, its baud rate, parity and the keyboard translation table (USA, international).

3.1 2200 WORD PROCESSING SOFTWARE

Wang's 2200 Word Processing Software is NOT an Operating System package; rather it is an Application package which the customer purchases through normal marketing channels and installs on his own 2200 system. Customer Engineering personnel are not required to support the WP software and should refer customer's enquiries to the local Wang software analyst.

The following brief information about the 2200 Word Processing software is included here for your information. This software package functions similar to the Wang's Office Information System (OIS) software and has the same menus as the OIS WP. The package is released on flexible diskettes in either single-sided single-density diskette type (three diskettes) or double-side double-density diskettes type (one diskette). This package requires a minimum of 28 (twenty-eight) kBytes of user's memory.

The software is installed on the 2200 disk system by selecting the drive where the software diskette resides, then loading "WPINSTALL". A menu will be displayed which requires response to questions such as date, time, destination disk, address, etc. In the event the destination disk does not have sufficient space to accommodate the software (approximately 3000 sectors), the installation procedure will fail. Once the blanks in the menus are filled-in, executing the menu will initiate the transfer of software to the destination disk and the operator will be prompted to remove/load other diskettes as the case may be.

Following the installation on the system disk, the program "WPSUPER" must be loaded and run whereby the Supervisory menu is displayed for the selection of WP defaults. Here the operator creates Volumes which will contain Libraries in which WP Documents will reside.

The Disk Assignment option must be selected first to designate the WP address on the disk system. The next option selected should be the Volume Maintenance menu where a volume name, address and size are specified; pass word is optional. Finally the Library Maintenance option will be selected to designate libraries, from A through Z and a through z, on the volumes created already. Other selections enable the assignment of certain terminals as WP only on certain libraries and designate certain printers as WP printers.

SECTION

4

SITE

PREPAR-

ATION

SECTION 4
SITE PREPARATION

The 2236DW is designed to operate in a normal office environment; radical changes in temperature or humidity can adversely affect the terminal. The 2236DW should be located in an environment similar to that of the central processor and a separate grounded outlet should be provided for it. Refer to the Model 2200MVP Maintenance Manual (03-0071-1), Section 2 for more details.

SECTION

5

UNPACKING

AND

INSTALLATION

SECTION 5
UNPACKING AND INSTALLATION

The 2236DW is shipped completely assembled. An 8 foot (2.4 m) AC power cord and one 25 foot (7.6 m) direct-connection (signal) cable is supplied with each terminal. Longer direct-connection cables can be ordered if desired. Refer to Section 10 for cable part numbers.

Before unpacking the terminal, check the packing slip to ensure that the proper equipment has been delivered. After checking the packing slip, inspect the shipping carton for damage (crushed corners, punctures, etc.). If the carton appears undamaged, carefully remove the terminal and inspect it for damage. If damage is discovered, file an appropriate claim promptly with the carrier involved and notify the WLI Distribution Center (Dept. #90), Quality Assurance Dept., Tewksbury, MA 01876. Inform them of the extent of damage and arrange for equipment replacement if necessary.

After inspecting the terminal exterior, trace the outline of the exposed portion of the CRT screen with a grease pencil. This outline is used in Section 4.3 for video display adjustments. (See Figure 5-1.)

Remove the terminal cover as follows: (See Figure 5-2.)

- a. Remove the three Phillips screws located under the plastic strip on the keyboard and remove the keyboard plate.
- b. Remove the Phillips screw on the left and right side of the terminal cover.
- c. Lift the cover up and away from the terminal; take care not to hit or nick the CRT, or strain the Brightness/Contrast wires.
- d. Remove the Brightness and Contrast control wires from the clamp on the side of the cover. Lay the cover on its side next to the terminal. Do not unplug the Brightness and Contrast Molex connector from the cross-brace at the top of the CRT.
- e. Remove foam packing material from front of 210-7456 PCB.

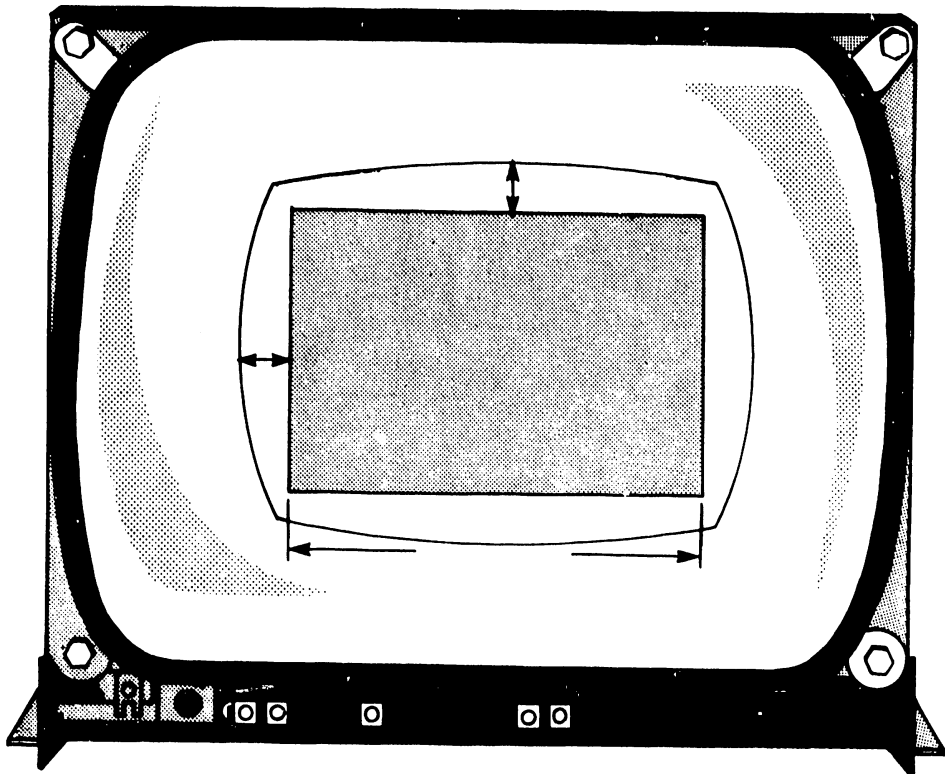


Figure 5-1 CRT Outline

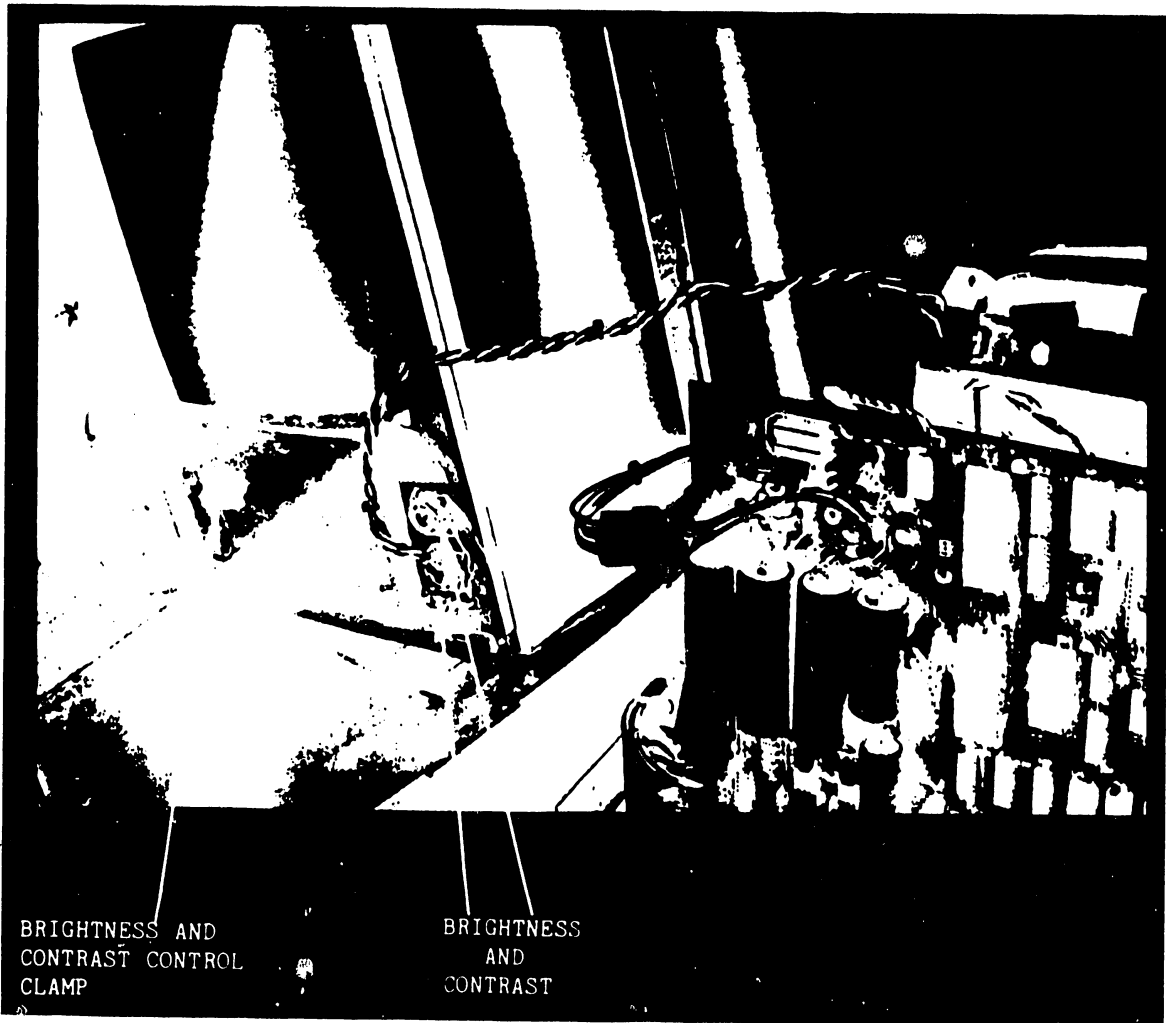


Figure 5-2 CRT and Cover

Visually inspect the inside of the terminal for metal shavings, solder splashes, loose connections, and improperly seated PCBs. Do not replace the cover at this time.

5.1 VOLTAGE AND FREQUENCY SELECTION

The 2236DW operates on either 115 or 230 VAC and at either 50 or 60 Hz. Before connecting the terminal to a power source, check the serial tag attached to the terminal. Set the voltage-select switch on the lower right side of the CRT monitor to the appropriate position (115 or 230) and ensure that jumper J11 on the 210-7592-1 PCB is in position, if required. Install J11 if the terminal is to operate at 60 Hz, remove J11 if the terminal is to operate at 50 Hz. (See Figure 5-3.)

5.2 VOLTAGE CHECKS AND ADJUSTMENTS

The power supply is located on the 210-7592-1 PCB. Five jumpers, labeled J14, J15, J16, J17 and J18, connect the power supply voltage to the logic circuits. Remove these five jumpers before performing the initial voltage check and adjustments, which are performed as follows: (See Figures 5-4 and 5-5.)

Three of the jumpers are located above the large filter capacitors. The jumper on the left is +20 volts DC. The jumper in the middle is +5 volts DC, and the jumper on the right is +12 volts DC.

***NOTE**

Use only one hand when working inside an electronic chassis that is powered-up. This avoids the risk of grounding oneself to the chassis with one hand while touching an electrical connection with the other, causing severe shock.

- a. Place the terminal in its permanent location.
- b. Ensure that the terminal ON/OFF switch on the rear of the chassis is in the OFF position. Plug in the AC power cord.

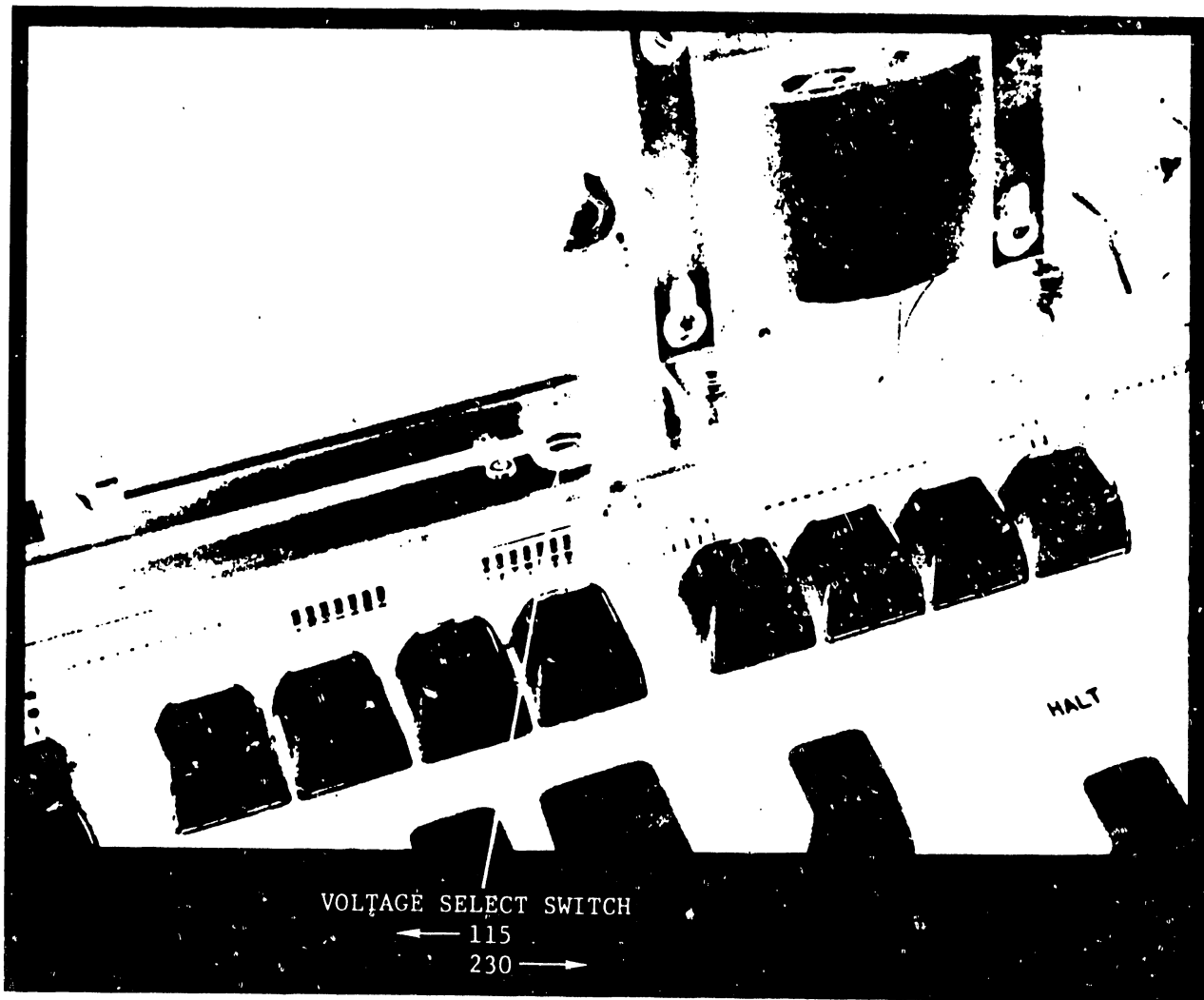


Figure 5-3 Voltage Select Switch

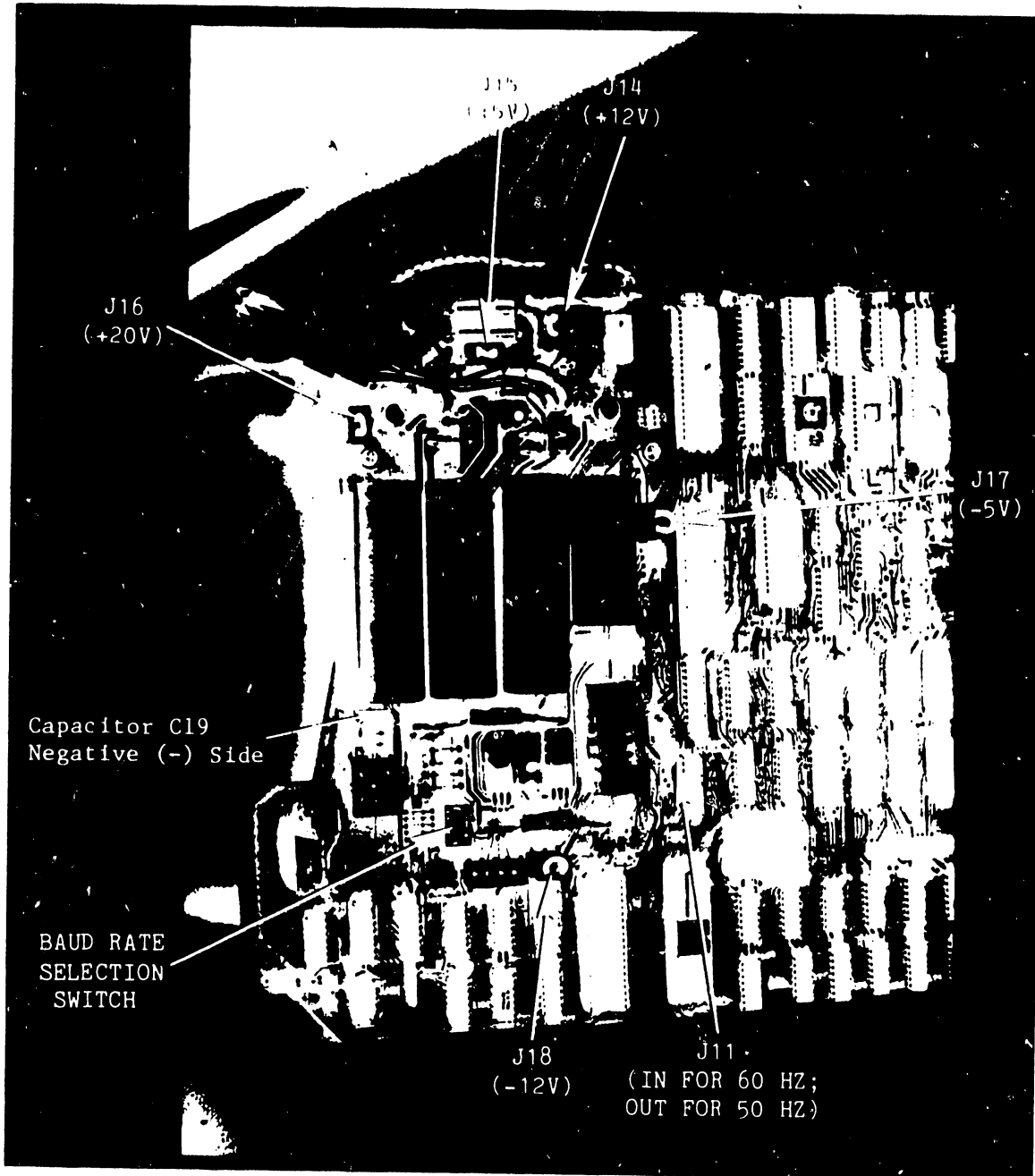


Figure 5-4 Jumper Locations (210-7592 PCB)
and Baud Rate Selection Switch

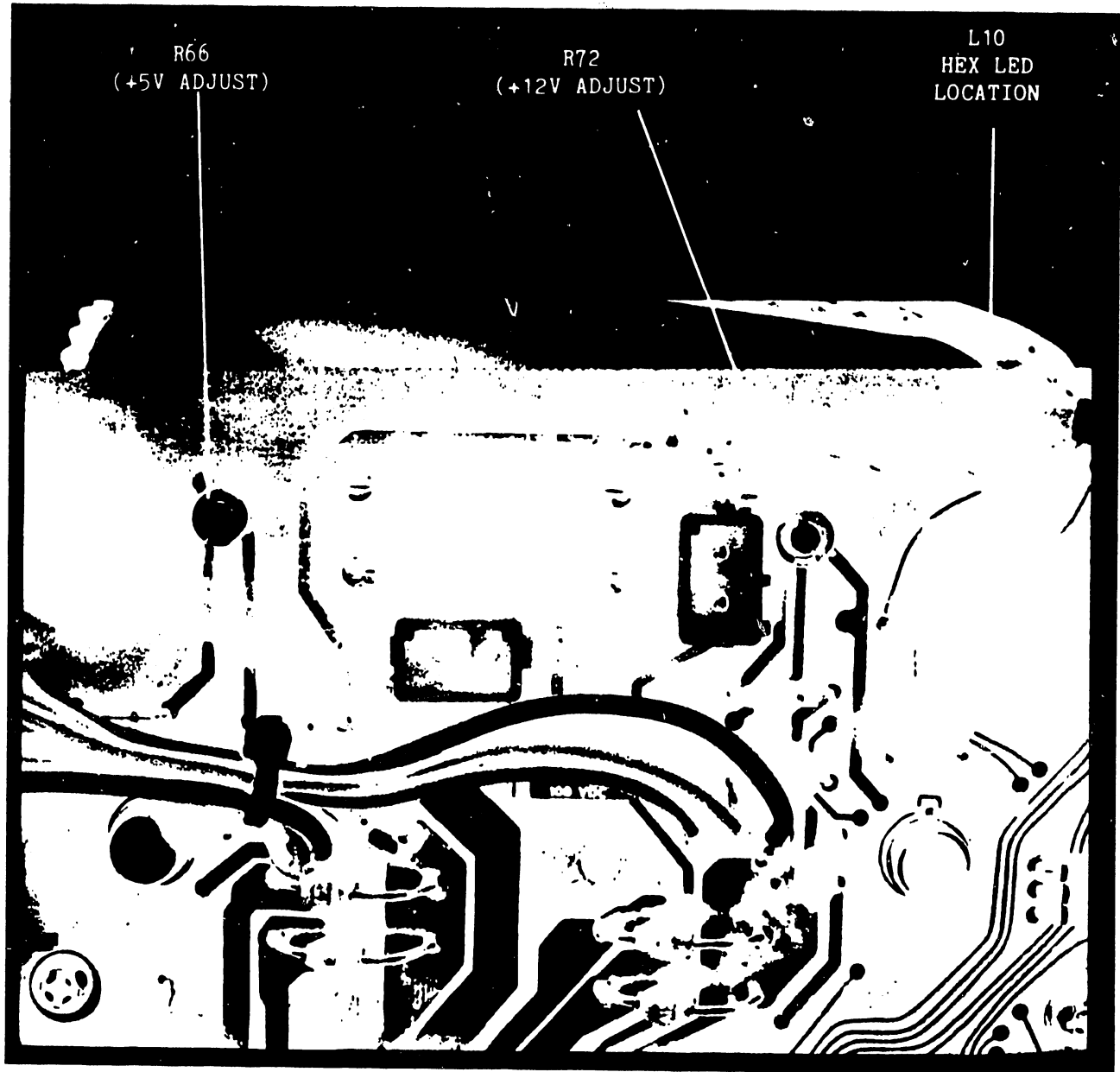
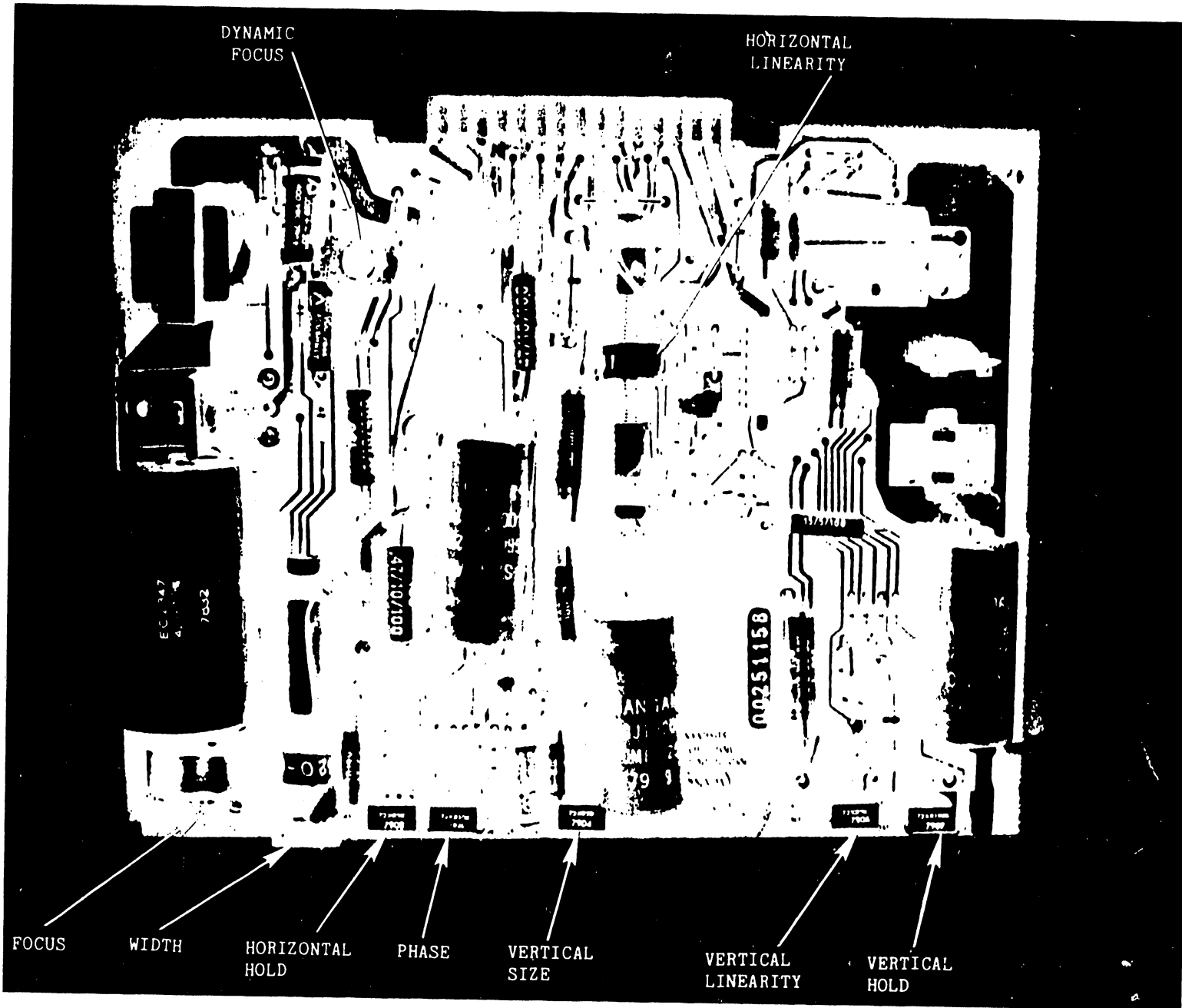


Figure 5-5 Close-Up of R66 and R72

- c. Power-up the terminal.
- d. Connect the common lead of a DVM to a $\pm 0V$ location on the 210-7592-1 PCB. (Negative side of capacitor C19, for example.)
- e. Place the DVM probe against pin 1 of the J14 connector; a reading of a +12 VDC ± 0.12 should be obtained. Adjust R72 to obtain the proper reading if voltage is out of limits.
- f. Place the DVM probe against pin 1 of the J15 connector; a reading of ± 05 VDC ± 0.05 should be obtained. Adjust R66 to obtain the proper reading if voltage is out of limits.
- g. Place the DVM probe against pin 2 of the J16 connector; a reading of ± 20 VDC ± 3.0 should be obtained. This voltage is non-adjustable, replace PCB if voltage is out of limits.
- h. Place the DVM probe against pin 2 of the J17 connector; a reading of - 5 VDC ± 0.25 should be obtained. This voltage is non-adjustable, replace PCB if voltage is out of limits.
- i. Place the DVM probe against pin 1 of the J18 connector; a reading of - 12 VDC ± 0.60 should be obtained. This voltage is non-adjustable, replace PCB if voltage is out of limits.
- j. If voltages are within limits, power-down the terminal and reinstall the five jumpers.
- k. To check voltage under load conditions, power-up the terminal and recheck voltage readings according to the previous steps. Adjust voltages as necessary.

5.3 VIDEO DISPLAY ADJUSTMENT

The following adjustments should not be attempted by anyone not familiar with CRT servicing procedures and precautions. Avoid prolonged close-range exposure to unshielded portions of the CRT to prevent injury from unnecessary exposure to X-ray radiation. Refer to Figures 5-1 and 5-6 when performing the following procedures.



III.D. 1M-2A

III.D. 1M-2A

Figure 5-6 210-7456 PCB

Access to most display adjustment controls on the 7456 PCB is through the front of the terminal using a non-conductive adjustment tool. Enter the following program on the 2236DW to display the letters HO over the entire CRT screen before adjusting the display controls:

```
1 FOR A = 1 TO 960
2 PRINT "HO";
3 NEXT A
```

- a. Adjust the brightness potentiometer (POT) located on the terminal cover until the video raster appears on the screen.
- b. If the character rows on the CRT are of unequal height, adjust the Vertical Linearity POT (R18) on the 210-7456 PCB.
- c. Adjust the Vertical Size POT (R24) on the 7456 PCB if a gap greater or less than $3/4" \pm 1/4"$ exists between the top edge of the raster and the pencil line (from Section 4) on the CRT face.
- d. Adjust the Width Coil (Z2) on the 7456 PCB if the horizontal size of the raster is not $7-3/4" \pm 1/4"$.
- e. If the random character pattern is not horizontally aligned within the CRT display raster, adjust the Phase POT (R35) on the 7456 PCB to center the character set.
- f. Adjust the Focus POT, R28, on the 7456 PCB for best focus.

Once these adjustments have been made, power-down the terminal. Wash the grease pencil markings off the CRT face with a cloth dampened in a mild detergent solution. Perform Power-Up Diagnostics, as described in Section 6. If the diagnostics are successful, reassemble terminal and proceed as follows.

5.4 TERMINAL INTERCONNECTION

An RS-232-C and an AMP connector are located on the back of the terminal chassis. (See Figure 5-7.) As viewed from the rear of the terminal, the RS-232-C connector is on the right side, and connects the terminal to a CPU I/O controller (or a modem, for remote applications). The AMP connector is located beside the RS-232-C and connects the terminal directly to a printer. (Refer to Paragraph 2.4, Screen Dump.)

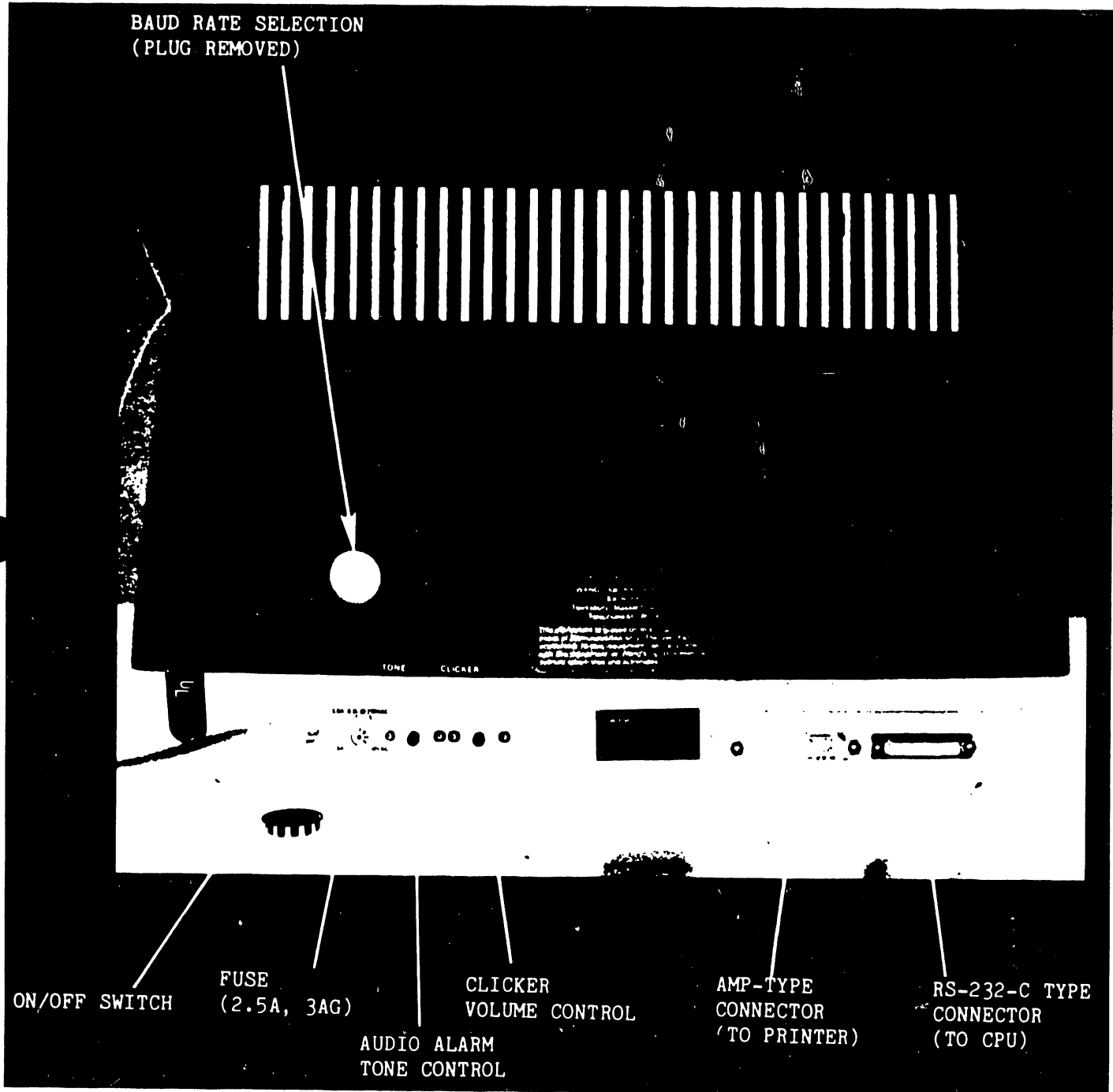


Figure 5-7 Rear of Terminal

When used with a direct-connection cable, the 2236DW can be located up to 2,000 feet from a CPU. (Refer to Section 10, Terminal/CPU Cable.) This cable must be connected properly between the terminal and the controller. One end of the cable is labeled TER, the other is labeled MUX. Connect the end labeled TER to the RS-232-C connector. Do not connect the cable in reverse. The 2236DW can also be connected remotely to a CPU, via modems and telephone lines.

5.5 TERMINAL CONTROLLERS

The 2236DW is attached locally to a CPU by means of either of two devices: a 22C32 Triple Controller that connects the 2236DW to either a 2200VP or a 2200MVP system, or a 2236MXD Terminal Processor that connects the 2236DW to a 2200MVP system. By using a combination of two 2236MXDs and one 22C32, a total of nine terminals can be connected to an MVP System; only one 2236DW terminal can be connected to a VP system.

The 22C32 and 2236MXD handle I/O operations between the terminal and CPU and act as buffers for data transmitted to/from the terminal. Communications between the terminal and the CPU by means of either a 2236MXD or 22C32 is asynchronous, full-duplex. The 2236MXD offers selectable line speeds ranging from 300 to 19.2K Baud; the 22C32 Triple Controller has a fixed communication rate of 19.2K Baud.

There are no modems capable of handling a 19.2K transmission rate, at this time. Because of this, the 22C32 Triple Controller, with its fixed 19.2K Baud rate, cannot support remote workstation applications. A 2236MXD controller must be used because of its selectable line speeds.

NOTE

Installation of modifications for utilizing the cursor control pad on the 2236DW terminal in the program development mode will be on a next call basis. When a 2236 MXD Terminal Controller or a 22C32 Triple Controller is repaired, the ECNs (No. 18474 for the Triple and No. 18475 for the MXD) should be installed on the board before it is returned to stock.

5.6 CONTROLLER SWITCH SETTINGS

Refer to Paragraphs 3.3.2 through 3.4.2 of the 2200MVP Maintenance Manual (03-0071-1) for information concerning device address and baud rate settings for the 2236MXD. PROMs used on the 2236MXD must be R5 or above, the 210-7290-1 PCB must be at Rev. 1 or greater, and the 210-7291-1 PCB must be at Rev. 2 or greater in order to use a 2236DW terminal with a 2236MXD controller.

Because the 22C32 Triple Controller has a fixed baud rate of 19.2K, only device address switches, located on the lower right side of the 210-7515 PCB, are set in the controller. There are three switch banks on the 7515 PCB, the bottom right-most bank is used to set the terminal device address. Set these switches as follows:

Number of Terminals	Switch Settings*					Device Address
	Sw1	Sw2	Sw3	Sw4	Sw5	
One	1	0	0	0	0	00 ₁₆
Five**	1	0	0	1	0	40 ₁₆
Nine***	1	0	0	0	1	80 ₁₆

- * 0 = OFF; 1 = ON. Sw1 is the Terminal Enable, it is always set to 1; Sw2 - Sw5 are the Terminal Device Address Switches.
 ** One 2236MXD; One 22C32 (MVP System only)
 *** Two 2236MXDs; One 22C32 (MVP System only)

5.7 BAUD RATE SELECTION

The baud rate selection switches for the 2236DW are located on the 210-7592-1 PCB. Access these switches by removing the large plug on the back of the terminal. (See Figures 5-4 and 5-7.) Switch One must be ON and Switch Two must be OFF; these two switches determine the number of data bits and type of parity used. Ensure that the baud rate switch settings at the terminal are the same as those at the controller or modem. Set the baud rate switches according to Table 5-1.

Table 5-1 Baud Rate Settings

<u>Baud Rate</u>	<u>Switch 1</u>	<u>Switch 2</u>	<u>Switch 3</u>	<u>Switch 4</u>	<u>Switch 5</u>
<u>300</u>	<u>ON</u>	<u>OFF</u>	<u>ON</u>	<u>ON</u>	<u>ON</u>
<u>600</u>	<u>ON</u>	<u>OFF</u>	<u>OFF</u>	<u>ON</u>	<u>ON</u>
<u>1200</u>	<u>ON</u>	<u>OFF</u>	<u>ON</u>	<u>OFF</u>	<u>ON</u>
<u>2400</u>	<u>ON</u>	<u>OFF</u>	<u>OFF</u>	<u>OFF</u>	<u>ON</u>
<u>4800</u>	<u>ON</u>	<u>OFF</u>	<u>ON</u>	<u>ON</u>	<u>OFF</u>
<u>9600</u>	<u>ON</u>	<u>OFF</u>	<u>OFF</u>	<u>ON</u>	<u>OFF</u>
<u>19,200</u>	<u>ON</u>	<u>OFF</u>	<u>ON</u>	<u>OFF</u>	<u>OFF</u>

SECTION

6

POWER-

UP

DIAG-

NOSTICS

SECTION 6
POWER-UP DIAGNOSTICS

Whenever the 2236DW terminal is powered-up, diagnostic routines resident in the Z80 microcode are performed. If the diagnostics pass, the power-up message is displayed and control passes to the main microcode. The power-up message is displayed for three seconds and is cleared when the first character is received from the CPU. However, if the CPU is powered-up before the terminal CRT is sufficiently warmed-up, the terminal power-up message may not appear. If this occurs, power-down then immediately power-up the terminal.

If a failure is detected by the diagnostics, an audio alarm is activated and control is not passed to the main microcode. A HEX LED (WLI #340-0015) installed at location L10 on the 7592-1 PCB (see Figure 5-5) will display the failing diagnostic phase. Table 6-1 lists the diagnostic displays and possible causes of failure.

If the # symbol is displayed, either the baud rate switches are incorrect or a problem exists in the terminal. If "???00BPS" is displayed, the baud rate switches are in an illegal setting. In this state the baud rate is undefined.

Table 6-1 Power-Up Diagnostic Definitions

HEX LED DISPLAY	DISPLAY MEANING	TROUBLE LOCATIONS
0000	Z80 or PROM malfunction, or address decoding logic malfunction.	L2, L8, L9, L16, L17, L18, L19
0001	Z80 Reset and Conditional Jump Test	L2, L8, L9, L16, L17, L18, L19, L44
0010	Z80 Register and Processor Test	L9, L2, L44
0011	Memory Select Test	L8, L9, L19
0100	Data Bus Test	L9, L44, L51
0101	Address Bus Test	L8, L9, L19
0110	RAM Test	L4, L5
0111	RAM Test	L4, L5
1000	Not Used	
1001	PROM Test	L16, L17, L18, L56
1010	Keyboard Table PROMs Test	L16, L17, L18, L56
1011	Vertical Retrace Interrupt Test	L52, L79, L96

At power-up, the hardware blanks the Hex display. If either the Z80 (L9) and PROMs (L16, 17, 18), or the address decoding (L8, 19) logic are malfunctioning, the display could stay blanked. If any test fails in a predicted manner, the Hex display remains at the value of the failed test. After all tests are completed, the diagnostic loads a "0" into the display and passes control to the main microcode.

CHAPTER

7

**PREVENTIVE
MAINTENANCE
AND DIAGNOSTIC**

SECTION 7
PREVENTIVE MAINTENANCE

Preventive maintenance on the 2236DW is scheduled for every six months. It consists of inspecting the terminal for worn parts, adjusting the terminal controls as needed, general cleaning of the terminal, and updating the terminal with the appropriate ECNs.

Routine maintenance consists of cleaning the terminal cover, keyboard, and CRT face with a mild detergent solution when necessary.

SECTION

8

MAJOR ASSEMBLY

REMOVAL &

REPLACEMENT

SECTION 8
MAJOR ASSEMBLY REMOVAL AND REPLACEMENT

This section discusses removal and replacement procedures for several major workstation assemblies. (See Figures 8-1, 8-2 and 8-3.) Before removing the following assemblies, ensure that the power switch is OFF and the AC power cord is unplugged. Remove the terminal cover as described in Section 5.

8.1 CRT ANODE DISCHARGE PROCEDURE

Even with power removed, the terminal cathode ray tube can hold a charge of several thousand volts. To eliminate the risk of accidental CRT discharge, which can result in serious injury, discharge the CRT anode as follows: (See Figure 8-3)

- a) Attach* one end of a length of insulated wire to the metal shaft of a plastic-handled, heavy-duty screwdriver.
 - b) Attach* the other end of the wire to CHASSIS GROUND.
 - c) Using a non-conductive tool such as a plastic alignment tool, carefully raise the edge of the rubber anode cap high enough to insert the screwdriver.
 - d) Taking care not to touch the metal shaft of the screwdriver or any metal part of the terminal, discharge the CRT anode by touching the anode clip with the grounded screwdriver.
 - e) After discharging the CRT, remove the grounding wire and reseal the rubber anode cap.
- * Attach wire by means of alligator clips. If no clips are available, strip 3/4" of insulation from each end of the wire. Tightly wrap one end around the screwdriver shaft, secure the other end to CHASSIS GROUND, NOT LOGIC GROUND.

8.2 TERMINAL ELECTRONICS PCB REMOVAL

Remove the terminal electronics PCB (210-7592-1) as follows:
(See Figures 8-1, 8-2 and 8-3.)

- a) Unplug all Molex connectors on the PCB.
- b) Unplug the keyboard, printer, and CPU ribbon cables.
- c) Remove the four Phillips-head screws holding the PCB to the CRT chassis support rods.
- d) Lift the board up and out of the terminal.

To replace or reinstall the terminal electronics PCB, reverse the above procedure.

8.3 CRT CHASSIS ASSEMBLY REMOVAL

Remove the CRT chassis assembly (270-0372) as follows: (See Figure 8-3)

NOTE

In a 2236DW terminal, replace a defective CRT chassis with a Wang CRT chassis assembly only.

- a) Unplug all Molex connectors on the 210-7592 PCB.
- b) Unplug the keyboard, printer, and CPU ribbon cables from the 210-7592-1 PCB.
- c) Unplug the brightness/contrast Molex connector from the cross-brace at the top of the CRT chassis.
- d) Remove the four Phillips-head screws holding the 7592-1 PCB support rods to the CRT chassis.
- e) Lift the 7592-1 PCB, still attached to the support rods, up and out of the terminal.

8-3

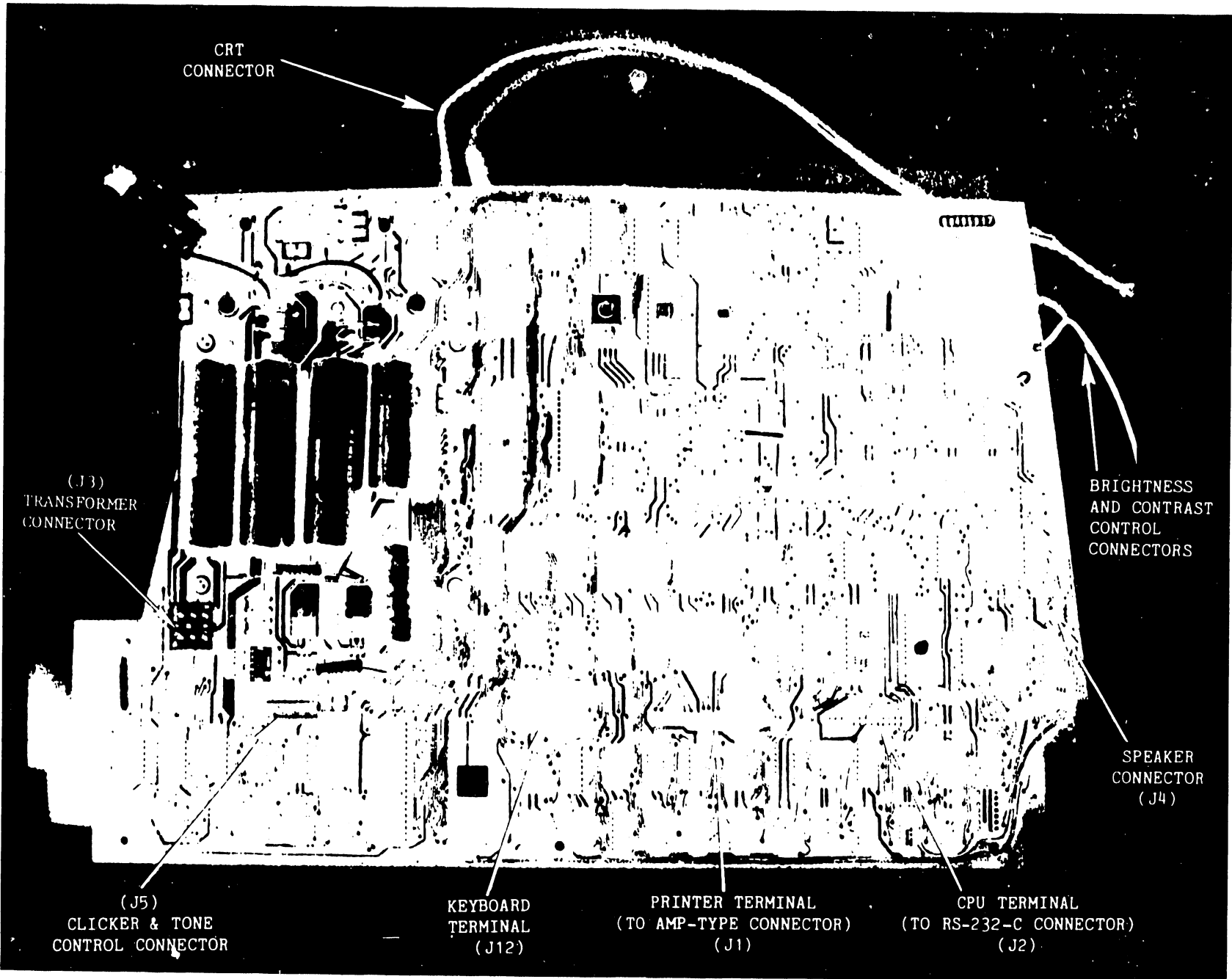


Figure 8-1 210-7592-1 PCB

17-8

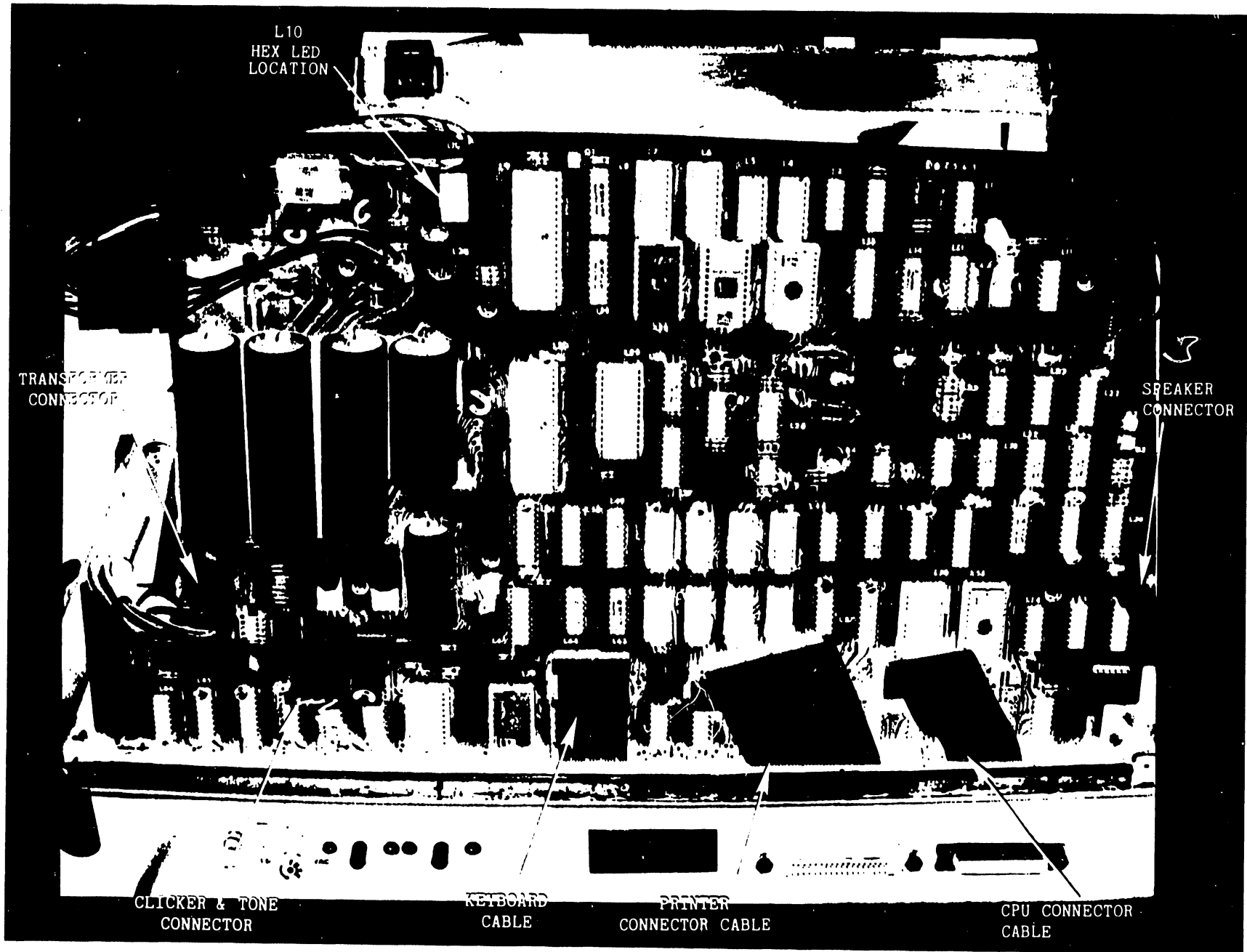
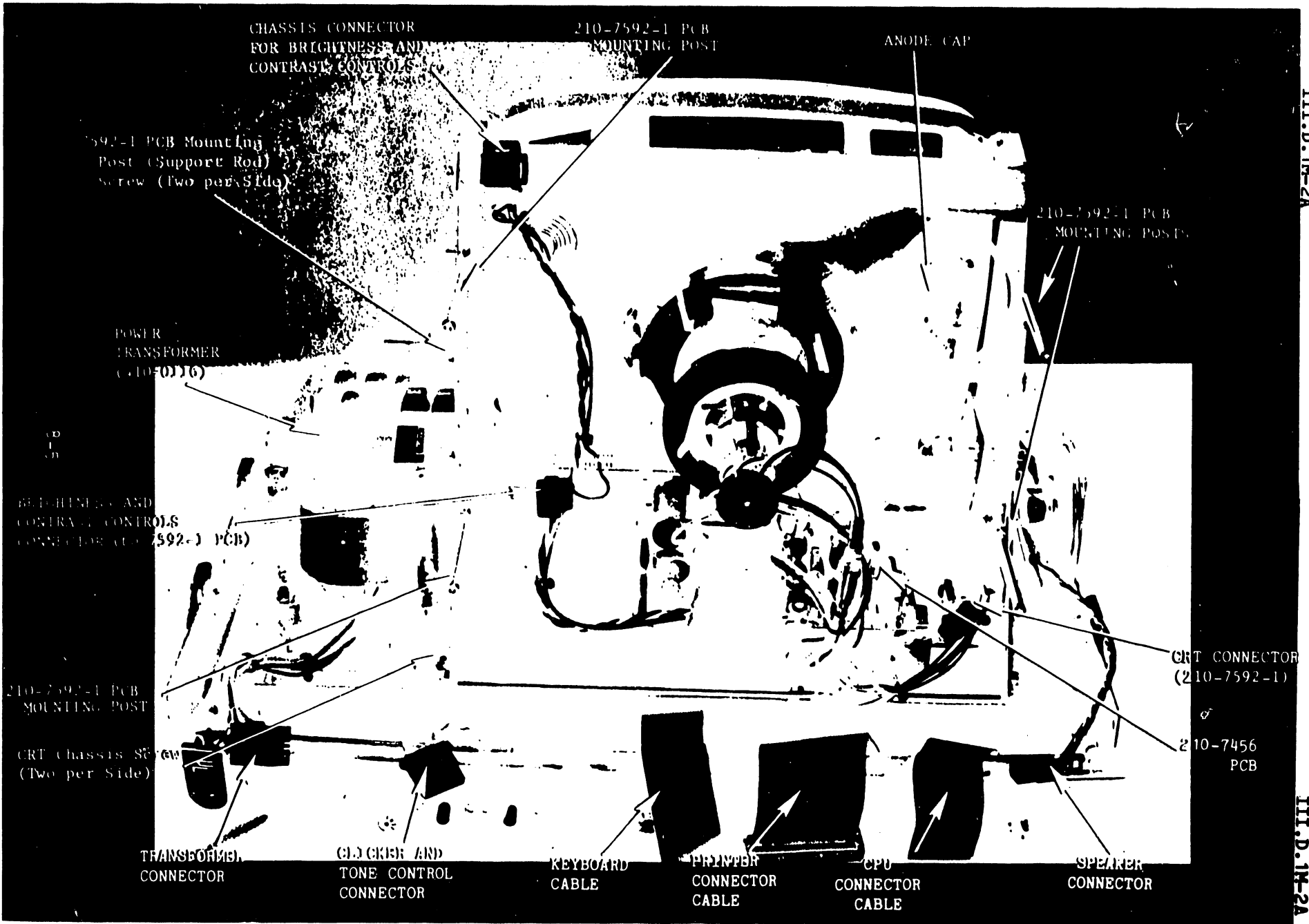


Figure 8-2 210-7592-1 PCB in Chassis



III.D.1M-2A

III.D.1M-2A

Figure 8-3 Rear View of Chassis with 210-7592-1 PCB Removed

- f) Remove the four screws and star washers securing the CRT chassis to the terminal. The monitor electronics PCB (7456) is part of this chassis.
- g) Carefully lift the CRT chassis assembly up and out of the terminal.
- h) Reverse the above procedure to install a new assembly.
- i) Adjust Z1 on the 7456 PCB to achieve an 80X24 character display on the CRT.
- j) Perform the video display adjustments found in Section 5.3.

8.4 MONITOR ELECTRONICS PCB REMOVAL

Remove the monitor electronics PCB (7456) by grasping the front of the PCB and pulling with a slow steady pressure, moving the PCB gently from side-to-side. Insert the monitor PCB by reversing this procedure.

8.5 KEYBOARD ASSEMBLY REMOVAL

Remove the Keyboard Assembly (725-2637) as follows:

- a) Remove the four Phillips-head screws securing the keyboard to the chassis. Check that all four washers located between the keyboard and the chassis are accounted for.
- b) Unplug the keyboard ribbon cable from the keyboard PCB.
- c) Remove screw connecting keyboard ground strap to terminal chassis.
- d) Lift the keyboard up and away from the chassis.

- e) Before installing a keyboard, check the bottom for a shorting tape to protect MOS chips from static charges. Remove the tape before installation.

To replace or reinstall the keyboard, reverse the above procedure.

8.6 POWER TRANSFORMER REMOVAL

Remove the Power Transformer (410-0116) from the chassis as follows:

- a) Unplug the Molex connector joining the transformer to the 7592-1 PCB.
- b) Remove the four Phillips-head screws and washers securing the transformer to the chassis.
- c) Lift the transformer up and out of the chassis.

To replace or reinstall the transformer, reverse the above procedure.

SECTION

9

STAND-

ARD

FEAT-

URES

SECTION 9 STANDARD FEATURES

This section explains four standard features found on the 2236DW Terminal.¹ These features are: Character Display Attributes, Alternate Graphics Set Selection, and Box Graphics.

9.1 CHARACTER DISPLAY ATTRIBUTES

In order to highlight information on the screen, the Model 2236DW provides several display attributes that can be selected for any character displayed on the screen. The available display attributes are the following.

- . Bright -- Characters are displayed in high intensity.
- . Blink -- Characters blink.
- . Reverse Video -- The character itself is dark while the character background display is light (dark on light).
- . Underline -- Characters are displayed with an underscore.

HEX Codes Used to Invoke Display Attributes

Immediately after power is turned on, the Model 2236DW displays characters in normal intensity, non-blinking, normal video (light on dark), and non-underlined (this attribute shall henceforth be referred to as simply "normal intensity"). The power-on default meaning of HEX(OE) is bright, non-blinking, normal video, and non-underlined.

The display attribute to be used is selected by sending a command of the following form to the CRT.

HEX(02 04 xx yy OE)

or

HEX(02 04 xx yy OF)

where:

02 04 = The control code sequence which indicates to the terminal that special character display attributes are to be selected.

xx yy = The HEX codes specifying the display attributes to be selected, where:

xx = 00 for normal intensity, no blink
02 for bright, no blink
04 for normal intensity, blinking
0B for bright, blinking

yy = 00 for normal video, no underline
02 for reverse video
04 for underline
0B for reverse video, underline

OE or OF = A terminator character which causes the display attributes selected by xx yy to be turned on or off; HEX(OE) turns the selected attributes on, HEX(OF) turns them off.

Note that there are two ways to code the attribute "blinking". However, on the Model 2236DW, blinking normal intensity and blinking high intensity characters both appear as blinking, high intensity.

Special Uses of Alternate Display Attributes

1. LIST D

The CPU sends out a HEX(OE) at the beginning of each REM% statement in the program. Thus, comment statements appear in the most recently selected alternate display attribute.

2. 100 PRINT "PROMPT";: LINPUT HEX(OE), A\$: PRINT A\$

The field to be entered appears in the most recently selected alternate display attribute. When entry is terminated with a carriage return, the alternate attribute is cancelled, so the PRINT statement prints A\$ in normal intensity.

3. 150 PRINT HEX(OE); "PROMPT"; HEX(OF);

160 LINPUT A\$

This time, only the prompt appears in the most recently selected alternate attribute.

Summary of Display Attribute Rules

The following list contains the general rules for governing the use of display attributes.

1. HEX(02 04 xx yy OE) selects and activates a display attribute. Attributes activated in this manner are turned off only by HEX(OF) or by another HEX(0204... sequence. The attribute is not turned off by carriage return, HEX(OD). Thus, it is possible to highlight a portion of either one or several lines.
2. HEX(02 04 xx yy OF) selects, but does not activate, a display attribute. Normal intensity is activated instead.

3. An isolated HEX(OE) activates the attribute selected by the last HEX(0204... sequence for a maximum of one text line. The attribute remains in effect until the occurrence of either an automatic carriage return, a programmed HEX(OD), or a HEX(OF).
4. Rule 1 takes precedence over Rule 3. If an attribute is selected and activated by Rule 1, a subsequent HEX(OE) will not cause the attribute to be turned off by the next carriage return.
5. An isolated HEX(OF) always turns off the alternate attribute and restores normal intensity.
6. Screen clear, HEX(03), clears the screen to black, but otherwise has no effect on the meaning of HEX(OE) or the attribute currently in effect. Likewise, scrolling the screen scrolls in a black line, but otherwise has no effect on attributes.
7. Programmers are reminded that reverse video spaces are white, not black. Zoned format PRINT statements, i.e., PRINT, PRINT TAB, and the third parameter of PRINT AT, use spaces to clear the screen. These statements will leave white areas on the screen when reverse video is activated.
8. Terminal power on and the RESET key cause normal intensity characters to be selected and the meaning of HEX(OE) to be defined as high intensity.
9. The system considers all codes HEX(00) to HEX(OF) to occupy no space on the output medium. Thus, attribute selection sequences do not cause the system to issue automatic carriage returns or throw off the column count used by TAB and zoned format PRINT statements.
10. Control codes HEX(00) to HEX(OF) do not have attributes. It is not possible to change the attribute of a character by passing the cursor through it with a PRINT AT statement.
11. The meaning of isolated HEX(OE) is maintained by the terminal, not the partition. If a program gives up control of the CRT with \$RELEASE TERMINAL, there is a good chance that a program in another partition will change the meaning of HEX(OE) in the course of using attributes.

9.2 SELECTION OF CHARACTER SETS

The Model 2236DW actually offers two character sets: the normal character set (refer to Figure 9-1) and the alternate character set (refer to Figure 9-2). The following sequence is used for selecting either character set.

HEX (02 02 xx 0F)

where:

02 02 = The control code sequence which indicates to the terminal that a character set will be selected.

xx = A HEX code specifying the character set to be selected.

If xx = 00 The normal character set is selected. The codes HEX(90) to HEX(FF) are underline versions of characters from HEX(10) to HEX(7F).

If xx = 02 The alternate character set is selected. The codes HEX(80) to HEX(FF) represent the graphic characters and symbols.

0F = A terminator character that signals the end of the character selection sequence.

Any character of either character set can be underlined by using the underline character attribute. Either character set may differ on foreign language versions of the terminal. All versions of the terminal are capable of producing uppercase alphabet, numbers, and most of the special characters used in BASIC programming.

In the character set selection, the following items should be noted.

1. In the alternate character set, the codes HEX(9C) to HEX(BF) are presently undefined and reserved for future expansion. Any use of these codes involves the risk of being incompatible with future use of the terminal.
2. With the exception of the following HEX codes, the character sets of both the 2236DE and the 2236DW terminals are identical. The following HEX code values have been redefined for the normal character set of the 2236DW terminal.

<u>HEX</u>	<u>2236DW Normal Character Set</u>	<u>2236DE Normal Character Set</u>
5F	down arrow	left arrow
7F	up/down arrow	section symbol
80	dotted space	blank
8D	left arrow	up/down arrow
8F	page character	paragraph symbol
DF	underlined down arrow	underlined left arrow
FF	underlined up/down arrow	underlined section symbol

3. The following Hex code values have been redefined for the alternate character set of the 2236DW terminal.

<u>HEX</u>	<u>2236DW Alternate Character Set</u>	<u>2236DE Alternate Character Set</u>
5F	down arrow	left arrow
7B	up/down arrow	section symbol

NOTE

1. Character set is identical for DE and DW units when terminal is turned on.
2. Print Hex (0202040F) will "turn on" a translation table which is describe above.
3. Print Hex (0202000F), Reset or Clear will "turn off" translation table.

		High-order HEX Digit															
		1	2	3	4	5	6	7	8	9	A	B	C	D	E	F	
Low-order HEX Digit	0	â	Space	0	@	P	°	p	.	â	_	0	@	P	°	p	
	1	ê		1	A	Q	a	q	♦	ê	1	1	A	Q	a	q	
	2	î	"	2	B	R	b	r	▶	î	"	2	B	R	b	r	
	3	ô	#	3	C	S	c	s	◀	ô	#	3	C	S	c	s	
	4	û	\$	4	D	T	d	t	—	û	\$	4	D	T	d	t	
	5	ä	%	5	E	U	e	u	└	ä	%	5	E	U	e	u	
	6	ë	&	6	F	V	f	v		ë	&	6	F	V	f	v	
	7	ï	'	7	G	W	g	w	..	ï	'	7	G	W	g	w	
	8	ö	(8	H	X	h	x	'	ö	(8	H	X	h	x	
	9	ü)	9	I	Y	i	y	'	ü)	9	I	Y	i	y	
	A	à	°	:	J	Z	j	z	^	à	°	:	J	Z	j	z	
	B	è	+	;	K	[k]	■	è	+	;	K	[k]	
	C	ù	.	<	L	\	l	£		ù	.	<	L	\	l	£	
	D	Ä	-	=	M		m	é	-	Ä	-	=	M		m	é	
	E	Ö	.	>	N		n	ç	ß	Ö	.	>	N		n	ç	
	F	Ü	/	?	O		o	€	└	Ü	/	?	O		o	€	

Figure 9-1 The Normal Character Set of the 2236DW Terminal.

		High-order HEX Digit															
		1	2	3	4	5	6	7	8	9	A	B	C	D	E	F	
Low-order HEX Digit	0	â	Space	0	@	P	°	p	•	•							
	1	ê	!	1	A	Q	a	q	♦	◇							
	2	î	"	2	B	R	b	r	▶	▲							
	3	ô	#	3	C	S	c	s	◀	▼							
	4	û	\$	4	D	T	d	t	→								
	5	ä	%	5	E	U	e	u	└	┐							
	6	ë	&	6	F	V	f	v		√							
	7	ï	'	7	G	W	g	w	..	°							
	8	ö	(8	H	X	h	x	'								
	9	ü)	9	I	Y	i	y	'								
	A	à	•	:	J	Z	j	z	'	Δ							
	B	é	+	:	K		k	l	■	□							
	C	ù	,	<	L	\	l	£	!!								
	D	Ä	-	=	M]	m	é	ï								
	E	Ö	•	>	N		n	ç	ß								
	F	Ü	/	?	O		o	e	¶								

Figure 9-2 The Alternate Character Set of the 2236DW Terminal

The 6⁴ graphic characters, HEX(C0) to HEX(FF), are represented by all the combinations of sixths of a character space, where the character space is divided as shown in Figure 9-3. When displayed, graphic characters are extrapolated to fill the entire character position. For this reason, adjacent areas of two graphic characters will touch; thus, continuous lines (bars) of light or dark areas can be displayed on the screen. When combined with display attributes, character graphics are useful for the construction of bar graphs, histograms, and other special displays.

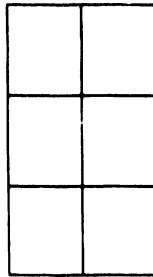




Figure 9-3 Division of a Character Space

The HEX codes for each specific graphic design are determined in the following manner. Use HEX(C0) as the base, with each different segment (each sixth of a character space) equal to the following HEX values.

01	02
04	08
10	20

Suppose the design  was desired. To obtain the appropriate HEX value add desired segments to the base. For example:

C0	Base
01	
02	Desired segments
+ 04	
<hr/>	
C7	Resulting HEX code for desired design


Therefore, the design  would be coded as HEX(C7). For a quick and easy reference, programmers should also refer to Figure 9-2, The Alternate Character Set of the 2236DW Terminal.

Examples of the Character Sets

```
PRINT HEX(02 02 00 0F); HEX(C6 C5 C2 D2 D5 C1 D2 D9)
```

This statement selects codes HEX(90) to HEX(FF) to represent normal characters HEX(10) to HEX(7F) with underline. Thus, the screen would display the word FEBRUARY with an underline.

```
PRINT HEX(02 02 02 0F); HEX(FF FC FO);
```

This statement selects the alternate character set and displays three character boxes of decreasing heights (). These are the characters most useful for constructing vertical bar graphs.

Summary of Character Set Selection

The rules concerning the use of character set selection can be summarized as follows.

1. HEX(02 02 00 0F) selects the normal character set. The meaning of codes HEX(90) to HEX(FF) are defined to be the normal characters HEX(10) to HEX(7F) with underline.
2. HEX(02 02 02 0F) selects the alternate character set. The codes HEX(80) to HEX(FF) represent the graphic characters and other special symbols.
3. Power on and RESET select the default character set (the normal character set for the standard USA Model 2236DW).
4. Carriage return does not affect character set selection. The sequences given in Rules 1 to 3 are the only methods for changing character sets.
5. As with attributes, the character set selection sequences affect the interpretation of characters at the time they are received by the terminal. Therefore, underlined and graphic characters may be used in different areas of the same display. Once on the screen, a character is modified only by explicitly striking over it with another character or by screen clear.
6. All display attributes can be used with both the normal and the alternate character set.

9.3 PRINT BOX FUNCTION

General Form:

BOX (height, width)

where:

height = Expression specifying the height of the box; each unit is the height of a character space.

width = Expression specifying the width of the box; each unit is the width of a character space.

Purpose:

The BOX function is used within a PRINT statement to draw or erase a box or line on a CRT which has box graphics capability. The first expression specifies the height of the box; the second is the width of the box. The sign of the arguments determines whether lines are drawn or erased. If the signs are nonnegative, lines are drawn; negative signs cause lines to be erased. If the box height is zero, a horizontal line is drawn or erased. A width of zero causes a vertical line to be drawn or erased. The BOX function positions the box so that the upper-left corner is at the current cursor position. Drawing a box does not move the CRT cursor.

Examples:

PRINT BOX (3, 4);	-- Draws a 3 x 4 box
PRINT BOX (-3, -4);	-- Erases a 3 x 4 box
PRINT BOX (0, X);	-- Draws a horizontal line X units long
PRINT BOX (-7, 0);	-- Erases a vertical line 7 units long
PRINT AT (5, 10); BOX (1, 6); "TITLE"	-- Displays TITLE enclosed in a box

Note that in order to include the field TITLE in the last example, the box had to be one character wider than the length of the field, and the left edge of the box had to be one character position to the left of the field to be enclosed. Therefore, to box a field in general, use the statement:

```
PRINT BOX (1, LEN(A$)+1); "▯"; A$
```

where A\$ is the given field, LEN(A\$) is the length of the field A\$, and the symbol ▯ represents one space.

Box graphics can also be used for highlighting entry fields as shown in the following example.

```
CLEAR  
10 PRINT "PROMPT"; BOX(1, 17);:LINPUT A$  
RUN
```

Box Graphics

The 2236DW Integrated Terminal can display continuous horizontal or vertical lines, enabling forms to be drawn or information to be separated by lines or boxes. The horizontal line unit is a line segment the width of a character space, but positioned from the middle of one character space to the middle of the next character space. Horizontal lines are displayed between rows of characters.

The vertical line unit has the height of a character space. Vertical lines are drawn through the middle of a character space; the line coexists with the character at that location. (Note that since the height and width of a character space are not the same unit measurement, boxes are not drawn proportionally. However, because of these measurements, a programmer can easily box fields of characters.)

Figures 9-4 and 9-5 illustrate the placement of box graphic lines. Figure 9-4, which shows the smallest possible box, was produced by the statement `PRINT BOX(1,1); "AB"`. It illustrates the placement of horizontal and vertical box graphic lines relative to the character position. Figure 9-5, which was produced by the statement `PRINT BOX(1,1); HEX(0202020F); HEX(E1CC)`, demonstrates where box graphic lines appear relative to character set graphic blobs.

The terminal allows the programmer to consider the CRT as both a box graphics display and a character display that just happen to be displayed on the same screen. While in Character mode, only the characters and their attributes are modified while box graphics remain intact. For example, within a boxed area used to highlight a prompt, the prompt may be rewritten a number of times without altering or erasing the box itself. The one exception to this rule is screen clear, `HEX(03)` which clears both characters and box graphics. During a box graphics sequence, characters and their attributes are undisturbed.

Because the Character and Box Graphic modes are independent, it is easy to update portions of either display. The third argument of `PRINT AT` is useful for clearing portions of the display. Though slower than screen clear, the statement `PRINT AT (0,0,)` is useful for clearing the characters from the screen without disturbing the box graphics.



Figure 9-4 Box Graphic Line Placement Relative to Character Position

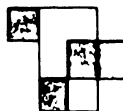


Figure 9-5 Box Graphic Line Placement Relative to Graphic Character Set

SECTION

10

TERMIN-

AL/CPU

CABLE

SECTION 10
TERMINAL/CPU CABLE

One 8-ft (2.4-m) cable to power source. One 25-ft (7.6-m) direct connection cable is provided with each Model 2236DW, unless an optional direct connection cable is ordered for a terminal. Nonextendable cables are available optionally for direct connection up to 2000 ft (606.1 m). Refer to Table 10-1.

Table 10-1 Direct Connection Cables

Length in Feet	Length in Meters	Part Number
25	7.6	120-2236-25
50	15.2	120-2236-50
100	30.3	120-2236-1
200	60.6	120-2236-2
300	90.9	120-2236-3
400	121.5	120-2236-4
500	151.5	120-2236-5
600	181.8	120-2236-6
700	212.1	120-2236-7
800	242.4	120-2236-8
900	272.7	120-2236-9
1000	303.0	120-2236-10
1250	378.8	120-2236-11
1500	454.5	120-2236-12
1750	530.3	120-2236-13
2000	606.1	120-2236-14

Modem cables are available optionally in lengths of 12 ft (3.7 m), with extensions of 25 ft (7.6 m) and 50 ft (15.2 m). (Refer to Table 10-2) Combined cable distance however, from Wang equipment to a modem is 50 ft (15.2 m) maximum according to Electronics Industries Association (EIA) standards.

Table 10-2 Modem Cables

Length in Feet	Length in Meters	Part Number
12	3.7	120-2227-12
25	7.6	220-0219
50	15.2	220-0220

SECTION

11

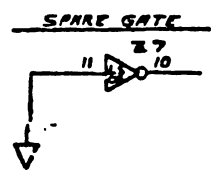
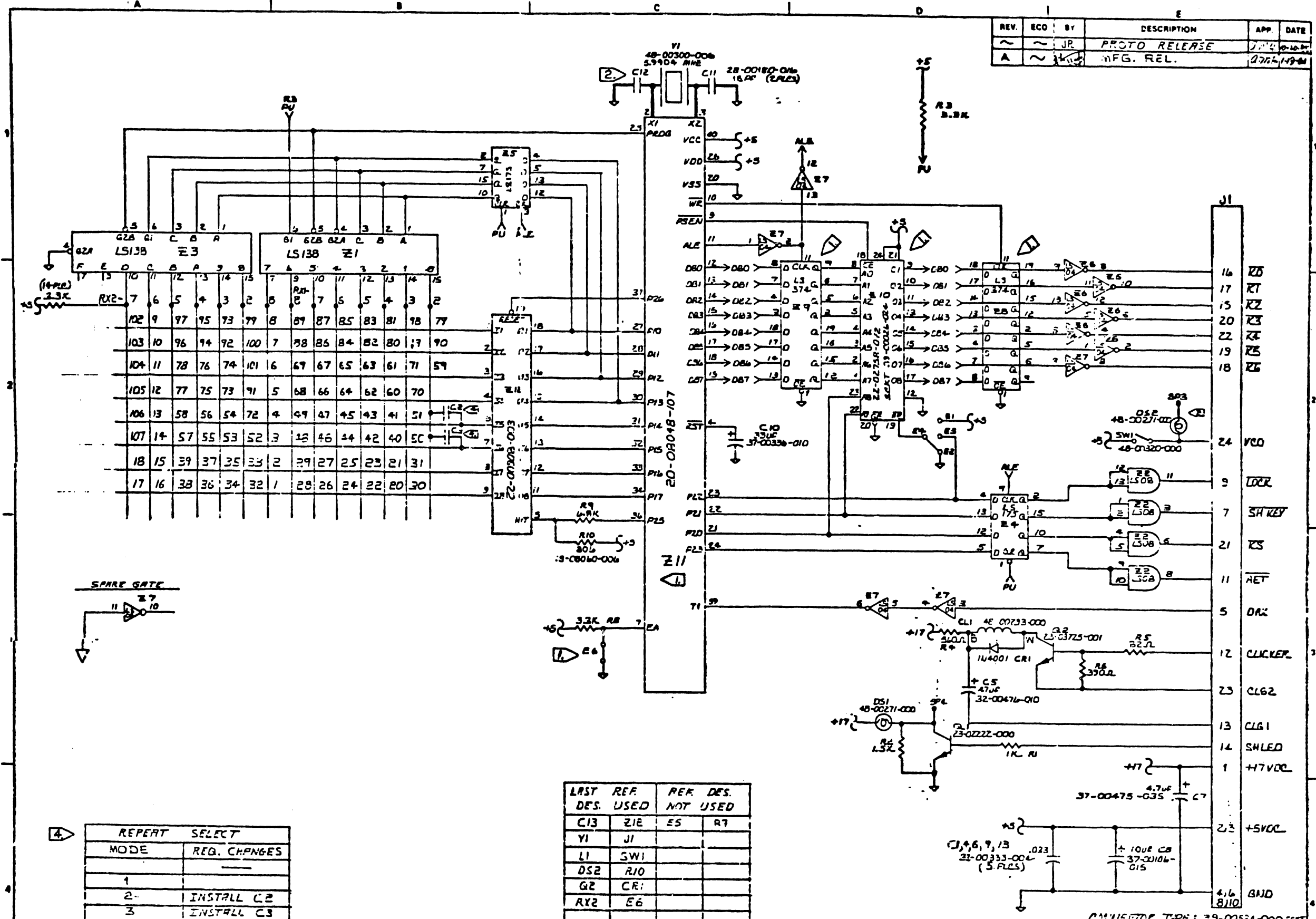
DRAW-

INGS

SECTION 11
DRAWINGS

The attached schematics for PCB 7592 constitute the diagrams for PCB 210-7592-1 when modified by ECO No. 18485D attached.

REV.	ECO	BY	DESCRIPTION	APP.	DATE
~	~	JR	PROTO RELEASE		7/14/64
A	~		MFG. REL.		2/26/65



REPEAT	SELECT
MODE	REQ. CHANGES
1	
2	INSTALL C2
3	INSTALL C3

3. -001 ASSY SHOWN
 2. NOT NORMALLY INSTALLED.
 1. ON -050 SERIES ASSY'S ONLY, INSTALL 20-08035-000 AT Z11, INSTALL 28 Z4 AND Z10, DELETE CONNECTIONS AT E6 AND Z8.

LAST DES.	REF. USED	REF. DES.	NOT USED
C13	Z1E	E5	R7
Y1	J1		
L1	SW1		
D2	CR1		
RX2	E6		

UNLESS OTHERWISE NOTED ALL DIMENSIONS ARE IN INCHES
 TOL EXCEPT AS NOTED
 DIMENSION NOT TO SCALE
 HOLE DIA.
 FRACT. = 1/64"
 XX = .03"
 XXX = .015"
 ANG. = 1°

MANUFACTURE PARTS AND/OR ASSY'S PER M.T.C. DOCUMENT: FTP 35-233 37-00727-107

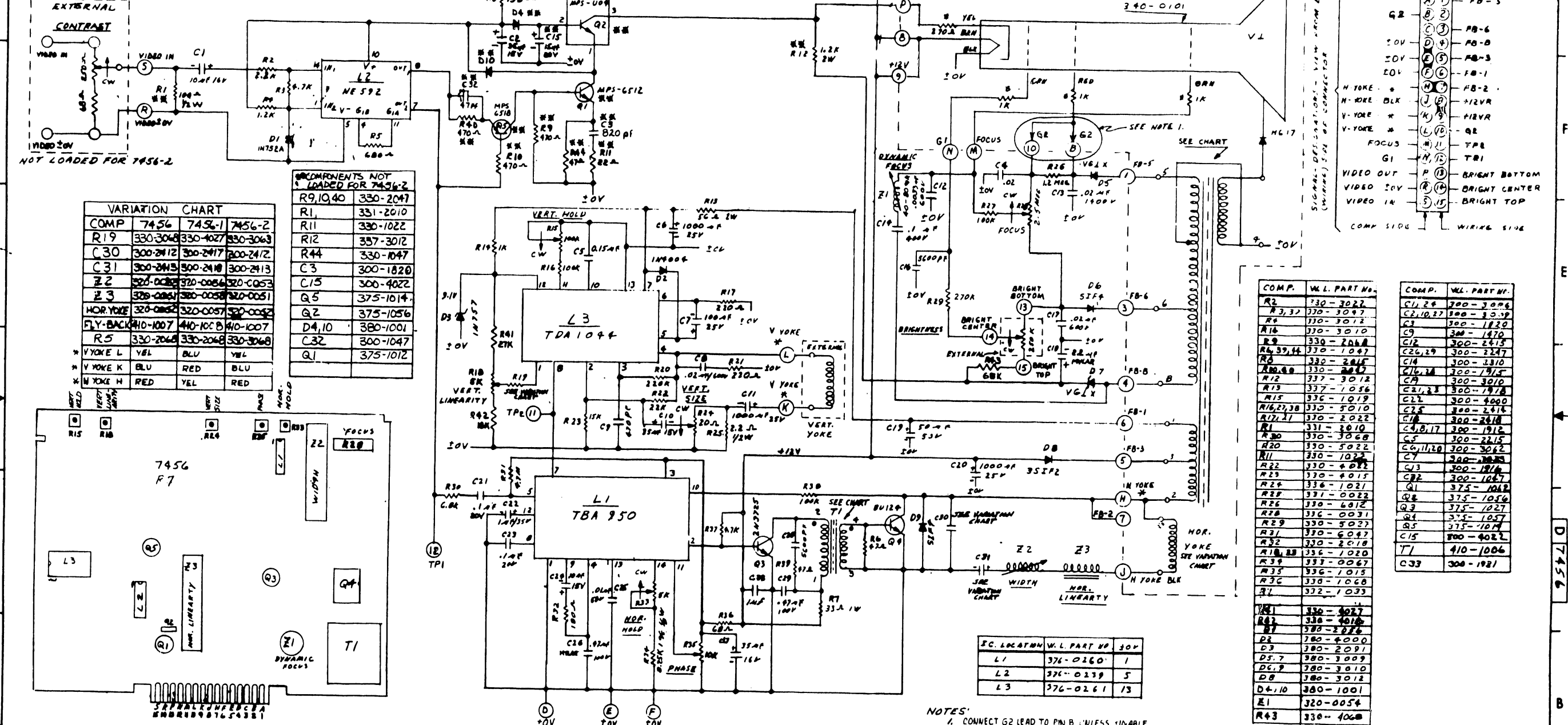
WANG

keytronic corporation
 SPOKANE, WASH. U.S.A.

55-02251
 SHEET 1 OF 1

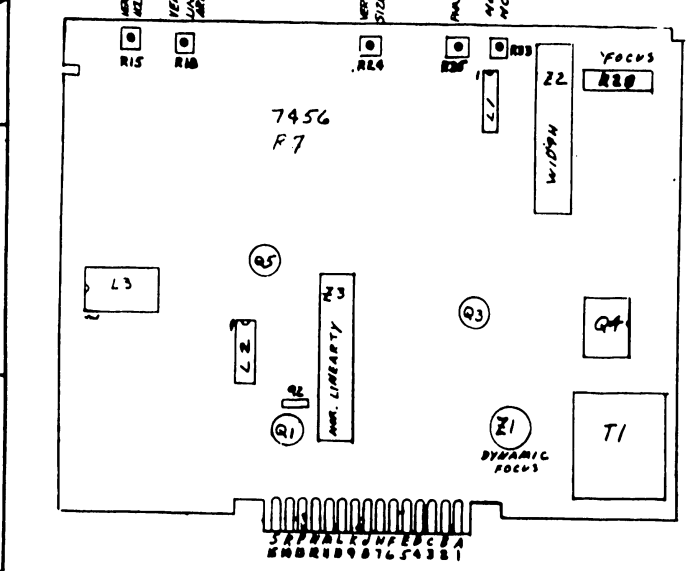
THE INFORMATION CONTAINED IN THIS DRAWING IS THE PROPERTY OF WANG LABORATORIES, INC. AND IS CONFIDENTIAL AND PROPRIETARY TO WANG LABORATORIES, INC. IT MAY NOT BE COPIED, REPRODUCED OR USED IN WHOLE OR IN PART FOR ANY REASON.

MILLIMETERS IN PARENTHESES TOLERANCES TO BE EQUIVALENT TO NEAREST DIMENSIONS



COMPONENTS NOT LOADED FOR 7456-2

R9,10,40	330-2047
R1	331-2010
R11	330-1022
R12	337-3012
R44	330-1047
C3	300-1820
C15	300-4022
Q5	375-1014
QZ	375-1056
D4,10	380-1001
C32	300-1047
Q1	375-1012

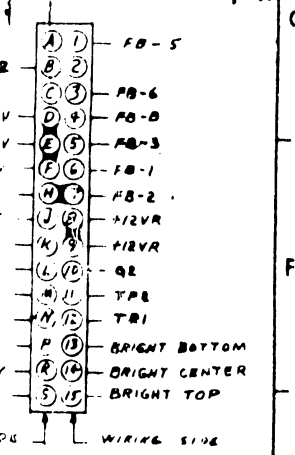


VARIATION CHART

COMP	7456	7456-1	7456-2
R19	330-3068	330-1027	330-3063
C30	300-2412	300-2417	300-2412
C31	300-2413	300-2418	300-2413
Z2	320-0052	320-0054	320-0053
Z3	320-0061	320-0058	320-0051
HOR. YOKE	320-0082	320-0057	320-0052
FLY-BACK	410-1007	410-1008	410-1007
R5	330-2048	330-2048	330-3068

HOLE LEGEND & TOLERANCES

HOLE DIA.	TOLERANCE
.015	.002
.020	.002
.030	.003
.040	.004
.050	.005
.060	.006
.075	.008
.100	.010
.125	.012
.150	.015
.200	.020
.250	.025
.300	.030
.400	.040
.500	.050
.600	.060
.750	.075
1.000	.100
1.500	.150
2.000	.200
3.000	.300
4.000	.400
5.000	.500
6.000	.600
8.000	.800
10.000	1.000



COMP. W.L. PART NO.

R2	330-3022
R3,37	330-3097
R4	330-3012
R16	330-3010
R9	330-2048
R4,39,44	330-1047
R6	330-2048
R10,40	330-2047
R12	337-3012
R13	337-1056
R15	336-1019
R16,21,38	330-5010
R17,21	330-2022
R1	331-2010
R30	330-3068
R20	330-5022
R11	330-1022
R22	330-4022
R23	330-4015
R24	336-1021
R25	331-0022
R26	330-4012
R28	336-0031
R29	330-5022
R31	330-6047
R32	330-2018
R18,33	336-1020
R34	337-0067
R35	336-1015
R3C	330-1068
R7	332-1033
R41	330-4027
R42	330-4016
R7	330-2016
D2	380-4000
D3	380-2091
D5,7	380-3009
D6,9	380-3010
D8	380-3012
D4,10	380-1001
E1	320-0054
R43	330-4068

COMP. W.L. PART NO.

C1,28	300-3096
C2,10,27	300-3039
C1	300-1820
C2	300-1470
C3	300-2413
C26,29	300-2247
C14	300-1810
C16,24	300-1915
C17	300-3010
C21,23	300-1818
C22	300-4000
C25	300-2416
C18	300-2048
C4,8,17	300-1912
C5	300-2415
C6,11,20	300-3012
C7	300-1820
C3	300-1820
C8,12	300-1816
C9	300-1817
Q1	375-1014
Q2	375-1056
Q3	375-1057
Q5	375-1014
C15	300-4022
T1	410-1006
C33	300-1821

IC. LOCATION W.L. PART NO. SOV

L1	376-0260	1
L2	376-0239	5
L3	376-0261	13

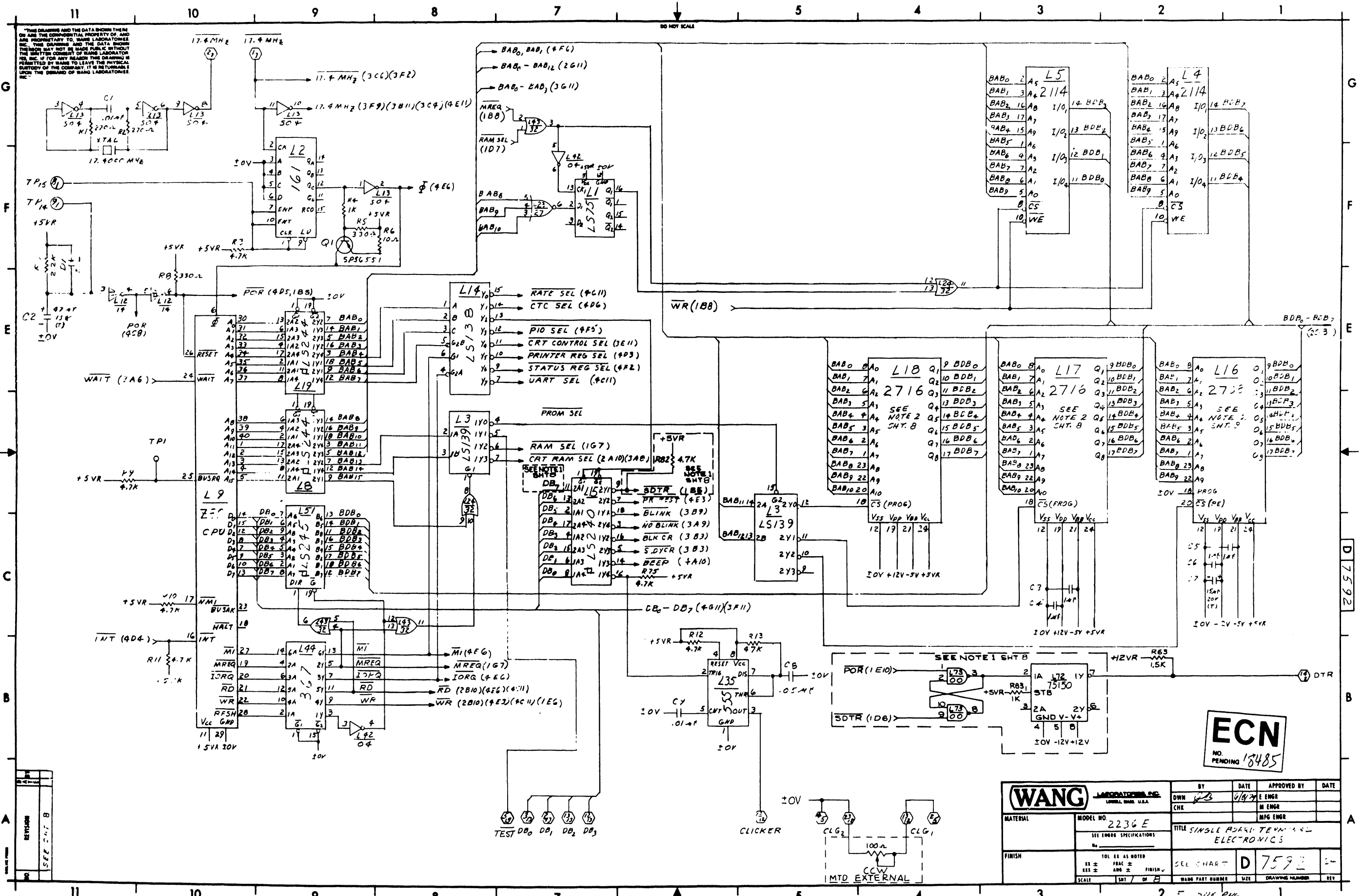
NOTES:
1. CONNECT G2 LEAD TO PIN B UNLESS UNABLE TO ACHIEVE RASTER CUT OFF

E-REV 7456-1 7456-2
4 4 1

REV.	DATE	BY	DESCRIPTION	QTY	ITEM	WANG PART NO.	DRAWING NO.	DESCRIPTION	BY	DATE	APPROVED BY	DATE
1	11-11-68									
2	11-11-68									
3	11-11-68									
4	11-11-68									
5	11-11-68									
6	11-11-68									
7	11-11-68									
8	11-11-68									
9	11-11-68									
10	11-11-68									
11	11-11-68									

WANG LABORATORIES, INC. MODEL NO. 5" x 12" WANG MONITOR. TITLE: ELECTRONICS FOR 9" AND 12" MONITOR. SEE CASE D 7456-1. WANG PART NO. 7456-1.

THIS DRAWING AND THE DATA SHOWN THEREIN ARE THE CONFIDENTIAL PROPERTY OF WANG AND ARE PROPRIETARY TO WANG LABORATORIES, INC. THIS DRAWING AND THE DATA SHOWN THEREIN MAY NOT BE MADE PUBLIC WITHOUT THE WRITTEN CONSENT OF WANG LABORATORIES, INC. IF FOR ANY REASON THIS DRAWING IS REPRODUCED BY WANG TO LEAVE THE PHYSICAL PROPERTY OF THE COMPANY IT IS RETURNED UPON THE DEMAND OF WANG LABORATORIES, INC.



ECN
NO. PENDING 18485

WANG LABORATORIES, INC. LOCAL MADE U.S.A.		BY DWN	DATE 6/18/74	APPROVED BY E ENGR	DATE
MATERIAL	MODEL NO. 2236 E	CHK		MFG ENGR	
SEE ENG'G SPECIFICATIONS		TITLE SINGLE BOARD TERMINAL ELECTRONICS			
FINISH	TOL. AS NOTED	SEE CHART	D 7592		
	XX ±	ANG ±	FINISH	WANG PART NUMBER	SIZE
	SCALE	SHT. 1 OF 8		DRAWING NUMBER	REV.

REVISION
SEE SHT. B

D 7592

A

G

F

E

D

C

B

A

A

B

C

D

E

F

G

11

10

9

8

7

5

4

3

2

1

11

10

9

8

7

5

4

3

2

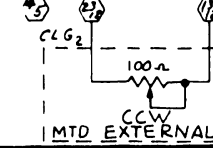
1

DO NOT SCALE

CLICKER

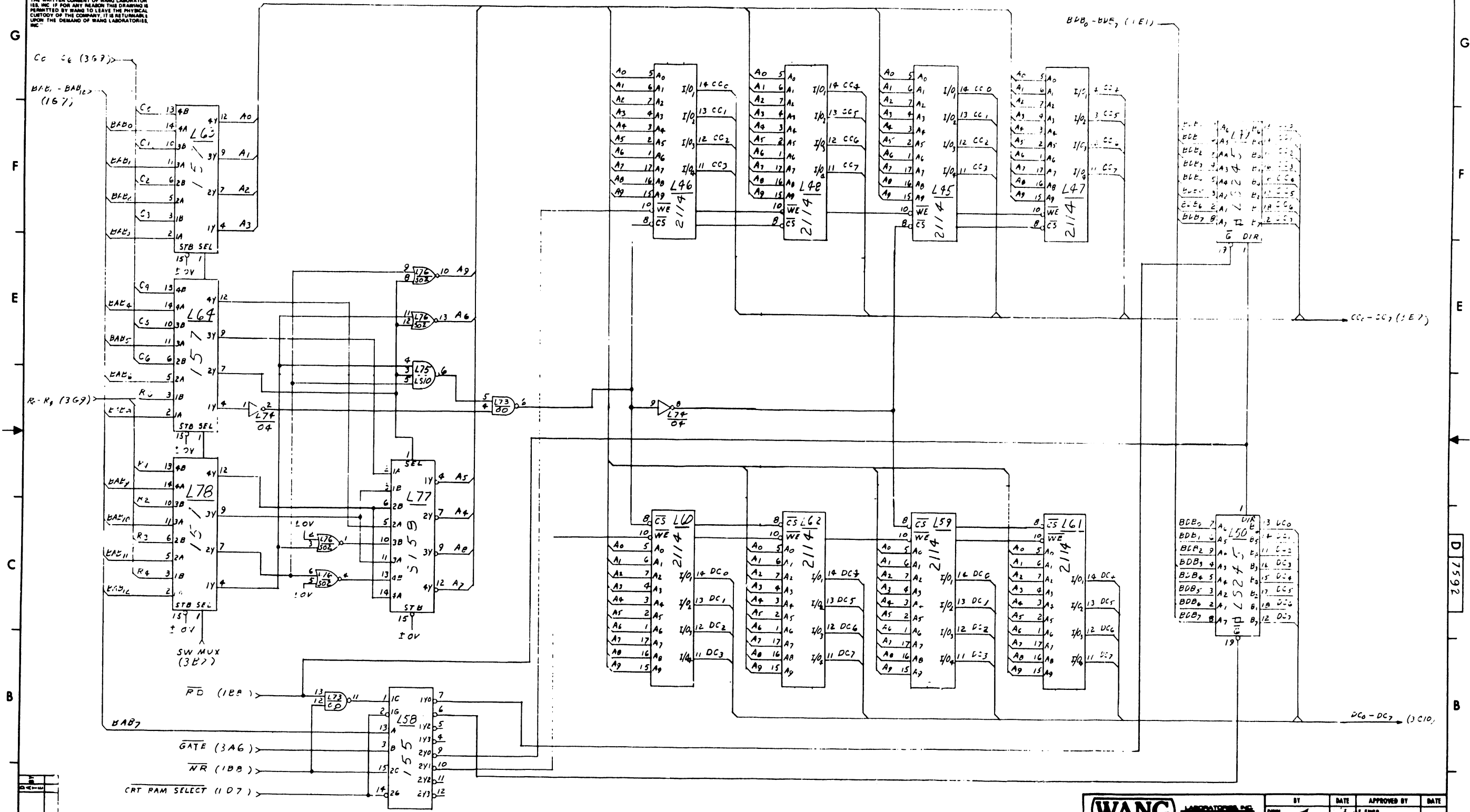
CLG2

CLG1

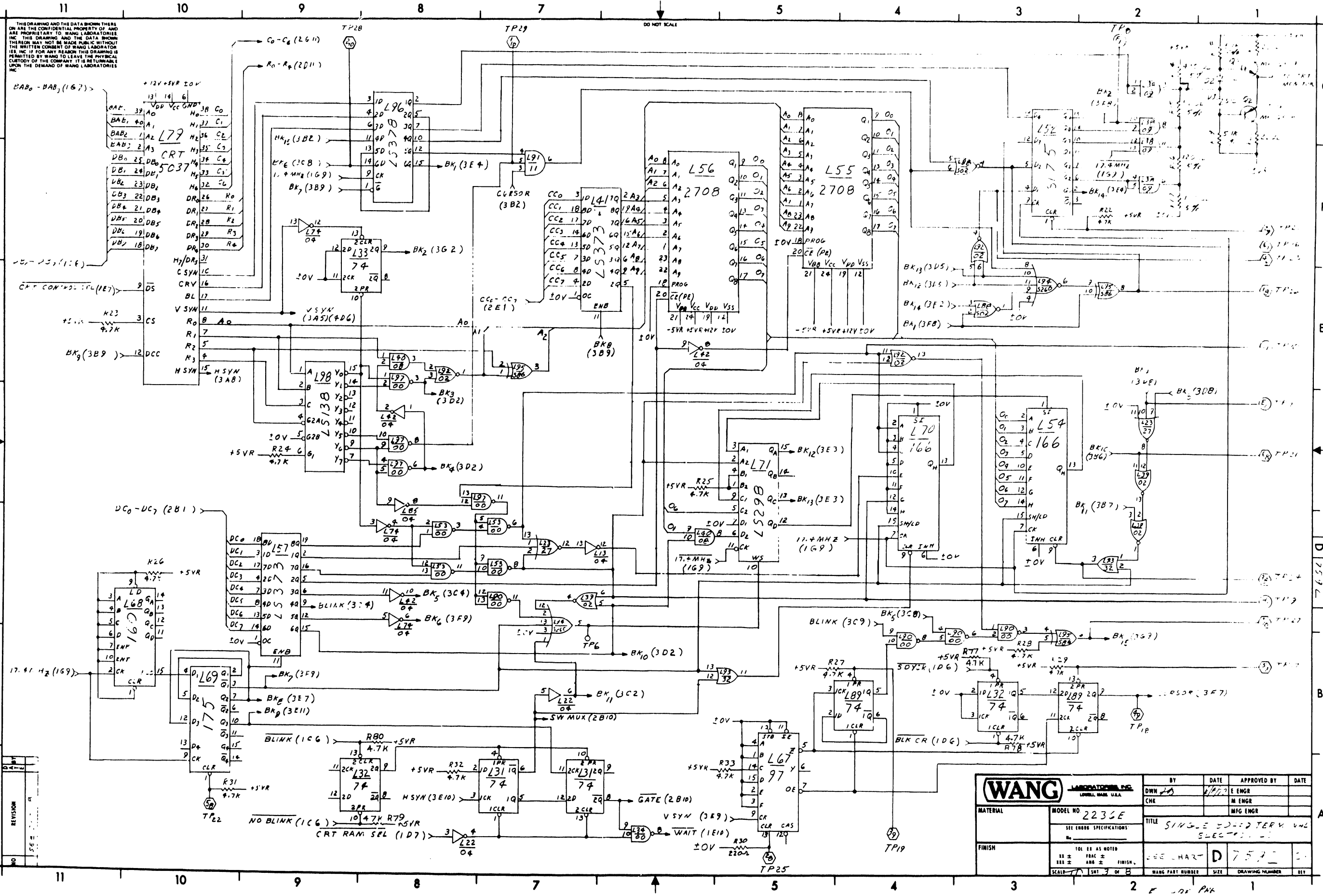


THIS DRAWING AND THE DATA SHOWN THERE ON ARE THE CONFIDENTIAL PROPERTY OF AND ARE PROPRIETARY TO WANG LABORATORIES, INC. THIS DRAWING AND THE DATA SHOWN THEREON MAY NOT BE MADE PUBLIC WITHOUT THE WRITTEN CONSENT OF WANG LABORATORIES, INC. IF FOR ANY REASON THIS DRAWING IS PERMITTED BY WANG TO LEAVE THE PHYSICAL CUSTODY OF THE COMPANY, IT IS RETURNABLE UPON THE DEMAND OF WANG LABORATORIES, INC.

DO NOT SCALE



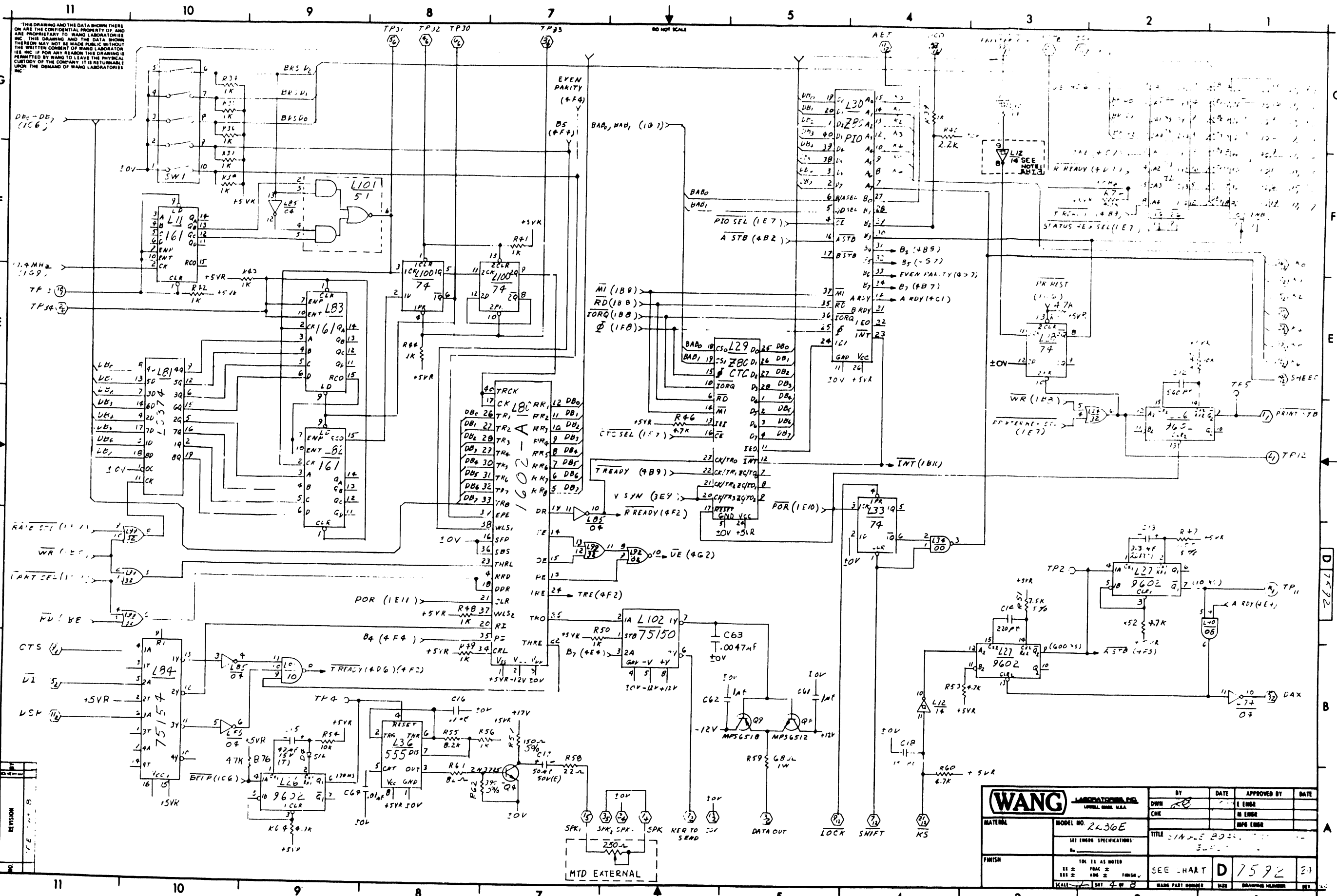
WANG LABORATORIES, INC. LORDSBURG, N.J. U.S.A.		BY	DATE	APPROVED BY	DATE
MATERIAL	MODEL NO. 2236E	DWH	3	E EDD	
FINISH	SEE ENGR SPECIFICATIONS	CMK		M EDD	
				WFO EDD	
		TITLE SINGLE BOARD TERMINAL ELECTROL			
		SEE CHART	D 7592	27	
SCALE	1:1	SHEET	2 OF 8	DRAWING NUMBER	DATE



THIS DRAWING AND THE DATA SHOWN THEREON ARE THE CONFIDENTIAL PROPERTY OF WANG LABORATORIES, INC. THIS DRAWING AND THE DATA SHOWN THEREON MAY NOT BE MADE PUBLIC WITHOUT THE WRITTEN CONSENT OF WANG LABORATORIES, INC. IF FOR ANY REASON THIS DRAWING IS PERMITTED BY WANG TO LEAVE THE PHYSICAL CUSTODY OF THE COMPANY IT IS RETURNABLE UPON THE DEMAND OF WANG LABORATORIES, INC.

REV	DESCRIPTION
1	REVISED
2	REVISED

WANG	MODEL NO. 2236E	BY	DATE	APPROVED BY	DATE
	SEE ENGR SPECIFICATIONS	DWN	1/17/77	M ENGR	
FINISH	TOL IS AS NOTED	TITLE SINGLE BOARD TEST W/			
	DB ± .1% FRC ± .1%	ELECT...			
	RES ± .1% FINISH	SEE HAR	D 752		
	SCALE 1/8" = 1"	WANG PART NUMBER	SIZE	DRAWING NUMBER	REV

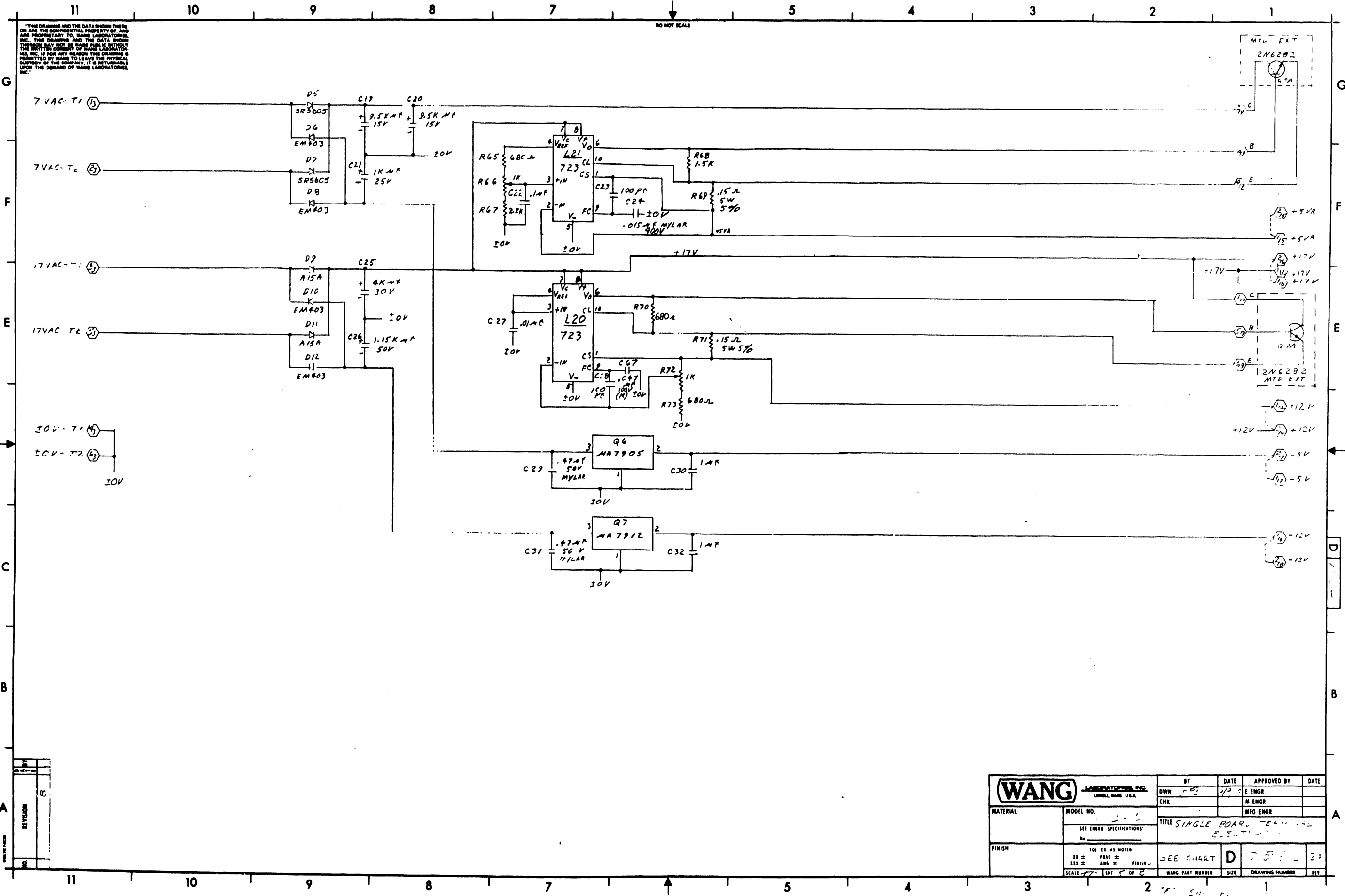


THIS DRAWING AND THE DATA SHOWN THERE ON ARE THE CONFIDENTIAL PROPERTY OF AND ARE PROPRIETARY TO WANG LABORATORIES, INC. THIS DRAWING AND THE DATA SHOWN THEREON MAY NOT BE MADE PUBLIC WITHOUT THE WRITTEN CONSENT OF WANG LABORATORIES, INC. IF FOR ANY REASON THIS DRAWING IS PERMITTED BY WANG TO LEAVE THE PHYSICAL CUSTODY OF THE COMPANY, IT IS RETURNABLE UPON THE DEMAND OF WANG LABORATORIES, INC.

REV	DESCRIPTION	DATE
1	REVISED	11/78

WANG LABORATORIES, INC. LITTLE ROCK, ARK.		BY: <i>[Signature]</i>	DATE: 11/78	APPROVED BY: <i>[Signature]</i>	DATE: 11/78
MATERIAL:	MODEL NO: 2230E	CHK: <i>[Signature]</i>		IN ENGR:	
SEE ENGR SPECIFICATIONS:		TITLE: SINGLE BOARD			
FINISH: 100% AS NOTED		SEE CHART D 7592			
SCALE: 1" = 1"		DRAWING NUMBER: D 7592			

THIS DRAWING AND THE DATA SHOWN THEREON ARE THE CONFIDENTIAL PROPERTY OF AND ARE PROPRIETARY TO WANG LABORATORIES, INC. THIS DRAWING AND THE DATA SHOWN THEREON MAY NOT BE MADE PUBLIC WITHOUT THE WRITTEN CONSENT OF WANG LABORATORIES, INC. IF FOR ANY REASON THIS DRAWING IS PERMITTED BY WANG TO LEAVE THE PHYSICAL CUSTODY OF THE COMPANY, IT IS RETURNABLE UPON THE DEMAND OF WANG LABORATORIES, INC.



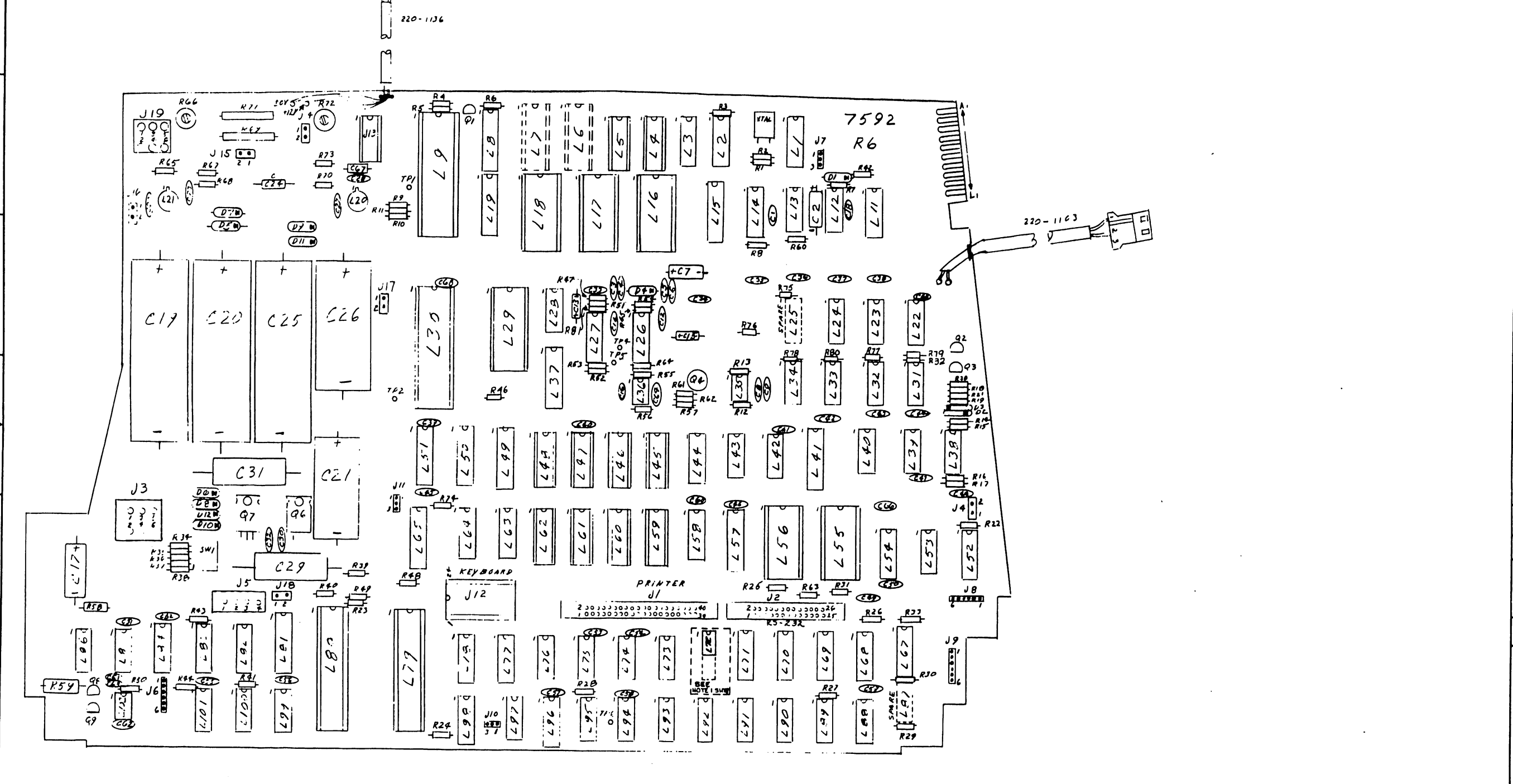
REV	DESCRIPTION
1	INITIAL
2	REVISED

(WANG) LABORATORIES, INC. LOWELL, MASS. U.S.A.		BY: <i>OWH</i>	DATE: <i>1/10/68</i>	APPROVED BY: <i>E ENGR</i>	DATE:
MATERIAL:		CHK:		M ENGR:	
MODEL NO. <i>101</i>		TITLE: <i>SINGLE BOARD TEST EQUIPMENT</i>			
FINISH: <i>FRAC</i>		SEE CHART D			
SCALE: <i>1:1</i>		DRAWING NUMBER: <i>751-1-21</i>			

11 10 9 8 7 6 5 4 3 2 1

THIS DRAWING AND THE DATA SHOWN THERE ON ARE THE CONFIDENTIAL PROPERTY OF, AND ARE PROPRIETARY TO, WANG LABORATORIES, INC. THIS DRAWING AND THE DATA SHOWN THEREIN MAY NOT BE MADE PUBLIC WITHOUT THE WRITTEN CONSENT OF WANG LABORATORIES, INC. IF FOR ANY REASON THIS DRAWING IS PERMITTED BY WANG TO LEAVE THE PHYSICAL CUSTODY OF THE COMPANY, IT IS RETURNABLE UPON THE DEMAND OF WANG LABORATORIES, INC.

DO NOT SCALE



REV	DATE	BY	APP'D
1			

WANG LABORATORIES, INC. LOWELL, MASS. U.S.A.		BY DWE	DATE 6-21-68	APPROVED BY E ENGR	DATE
MATERIAL	MODEL NO. 2236E	CHK M ENGR	TITLE SINGLE BOARD TERMINAL ELECTRONICS		
FINISH	10% EL. AS SHOWN 23 ± PASC ± 23 ± AND ± FINISH	SEE CHART	D	7592	21
SCALE 7/8" = 1"		DATE PART DESIGNED	DATE	DRAWING NUMBER	REV.

2" x 5 1/2" A6

11 10 9 8 7 6 5 4 3 2 1

11 10 9 8 7 5 4 3 2 1

DO NOT SCALE

"THE DRAWING AND THE DATA SHOWN THERE ON ARE THE CONFIDENTIAL PROPERTY OF, AND ARE PROPRIETARY TO, WANG LABORATORIES, INC. THIS DRAWING AND THE DATA SHOWN THEREIN MAY NOT BE MADE PUBLIC WITHOUT THE WRITTEN CONSENT OF WANG LABORATORIES, INC. IF FOR ANY REASON THIS DRAWING IS PERMITTED BY WANG TO LEAVE THE PHYSICAL CUSTODY OF THE COMPANY, IT IS RETURNABLE UPON THE DEMAND OF WANG LABORATORIES, INC."

210 = 209 + 378 OR 377

210	209	L4545-3962	L9	L16	L17	L18	L29	L30	L55	L56	L79	L80
7592-A	7592	377-0341-L	377-0344	378-2446-R1	378-4095-R1	378-4094-R1	377-0343	377-0342	378-2447-R1	377-0323	377-0372	377-0071
AZEERTY 7592-B	7592	377-0341-L	377-0344	378-2620	378-4095-R1	378-4094-R1	377-0343	377-0342	378-2447-R1	378-2415	377-0372	377-0071
SY. EDISH 7592-C	7592	377-0341-L	377-0344	378-2624	378-4095-R1	378-4094-R1	377-0343	377-0342	378-2447-R1	378-2416	377-0372	377-0071
J.K. 7592-D	7592	377-0341-L	377-0344	378-2627	378-4095-R1	378-4094-R1	377-0343	377-0342	378-2447-R1	378-2418	377-0372	377-0071
GERMAN 7592-E	7592	377-0341-L	377-0344	378-2629	378-4095-R1	378-4094-R1	377-0343	377-0342	378-2447-R1	378-2420	377-0372	377-0071
SWISS/GER. 7592-F	7592	377-0341-L	377-0344	378-2626	378-4095-R1	378-4094-R1	377-0343	377-0342	378-2447-R1	378-2418	377-0372	377-0071
SWISS/FR. 7592-G	7592	377-0341-L	377-0344	378-2625	378-4095-R1	378-4094-R1	377-0343	377-0342	378-2447-R1	378-2418	377-0372	377-0071
NL 7592-H	7592	377-0341-L	377-0344	378-2630	378-4095-R1	378-4094-R1	377-0343	377-0342	378-2447-R1	378-2419	377-0372	377-0071
NO 7592-J	7592	377-0341-L	377-0344	378-2622	378-4095-R1	378-4094-R1	377-0343	377-0342	378-2447-R1	378-2417	377-0372	377-0071
CYRILLIC 7592-K	7592	377-0341-L	377-0344	378-2628	378-4095-R1	378-4094-R1	377-0343	377-0342	378-2447-R1	378-2413	377-0372	377-0071
DANISH 7592-L	7592	377-0341-L	377-0344	378-2623	378-4095-R1	378-4094-R1	377-0343	377-0342	378-2447-R1	378-2417	377-0372	377-0071
GR/LT 7592-M	7592	377-0341-L	377-0344	378-2621-R1	378-4095-R1	378-4094-R1	377-0343	377-0342	378-2447-R1	378-2421	377-0372	377-0071
AL 7592-N	7592	377-0341-L	377-0344	378-2647	378-4095-R1	378-4094-R1	377-0343	377-0342	378-2447-R1	378-2648	377-0372	377-0071
DIAG. 7592-P	7592	377-0341-L	377-0344	378-2519	378-4144-R1	378-4143-R1	377-0343	377-0342			377-0322	377-0071
KATAKANA 7592-Q	7592	377-0341-L	377-0344	378-2500	378-4095-R1	378-4094-R1	377-0343	377-0342	378-2447-R1	378-2044-R3	377-0372	377-0071
EURO-SPAN. 7592-R	7592	377-0341-L	377-0344	378-2673	378-4095-R1	378-4094-R1	377-0343	377-0342	378-2447-R1	378-2672	377-0372	377-0071
REPAIR RID 7592-S	7592	377-0341-L	377-0344	378-2673	378-4227	378-4226	377-0343	377-0342	378-2447-R1	378-2672	377-0372	377-0071
ICELANDIC 7592-T	7592	377-0341-L	377-0344	378-2706			377-0343	377-0342	378-2447-R1	378-2705	377-0372	377-0071
CANADIAN 7592-U	7592	377-0341-L	377-0344	378-2716			377-0343	377-0342	378-2447-R1	378-2715	377-0372	377-0071

NO.	REVISION
1	AS SHOWN

WANG LABORATORIES, INC. LOWELL, MASS. U.S.A.		BY DWN	DATE 11/28	APPROVED BY E ENGR	DATE
MATERIAL		CHK		M ENGR	
MODEL NO 2236E		TITLE SINGLE BOARD TERMINAL ELECTRONICS			
FINISH		SCALE		SIZE D	DRAWING NUMBER 7592
SEE ENGR SPECIFICATIONS		WANG PART NUMBER		SIZE	REV

D 7592

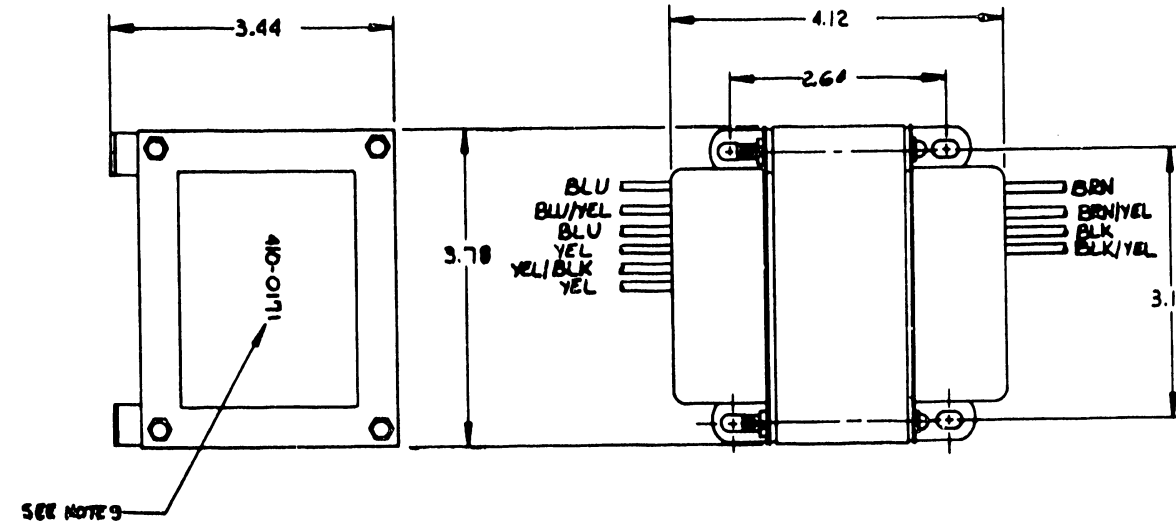
11 10 9 8 7 5 4 3 2 1

DO NOT SCALE

ALL INFORMATION CONTAINED IN THIS DRAWING IS THE PROPERTY OF WANG LABORATORIES, INC., AND IS CONFIDENTIAL AND PROPRIETARY TO WANG LABORATORIES, INC. IT MAY NOT BE COPIED, REPRODUCED OR USED IN WHOLE OR IN PART FOR ANY REASON.

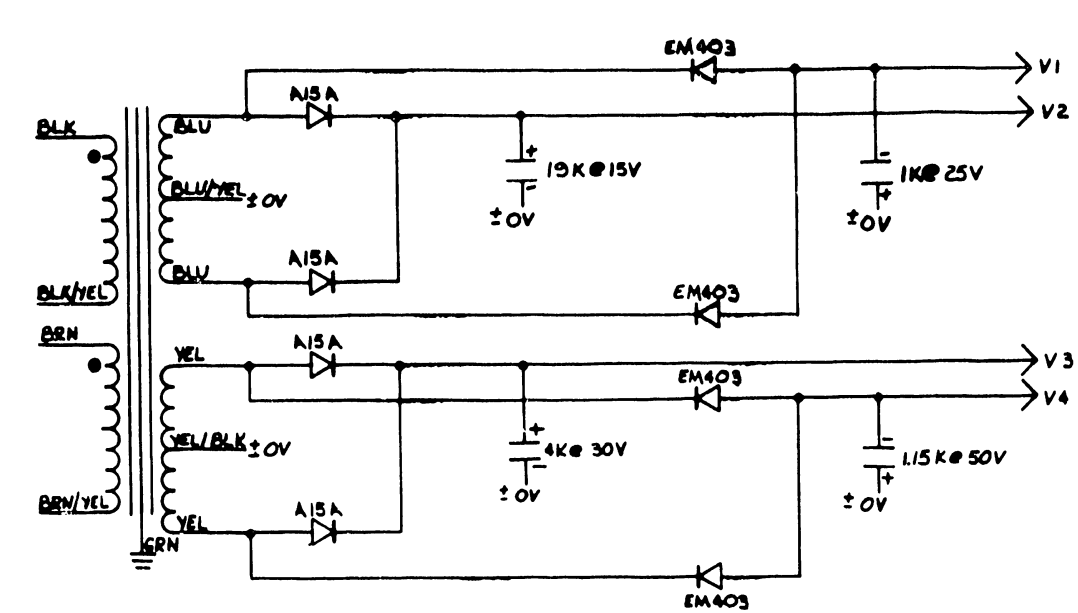
DIMENSIONS IN PARENTHESES INDICATE TOLERANCES TO BE MAINTAINED TO SUCH DIMENSIONS.

WIRE LISTED & TOLERANCES	
WIRE NO.	DESCRIPTION
1	
2	
3	
4	
5	
6	
7	
8	
9	
10	
11	



- ELEC. NOTES.
- 1) OPERATING FREQUENCY: 50/60 HZ ± 5 HZ.
 - 2) INPUT VOLTAGE RANGE: ± 10% 115/230 VAC.
 - 3) DIELECTRIC TEST VOLTAGE: 1500 VRMS PRI., 1000 VRMS SEC. FOR 1 MIN.
 - 4) CENTER TAPS BALANCED: ± 1%
 - 5) AC INPUT TAPS ± 1%
 - 6) LEAD LENGTH: 18" MIN., UL & CSA APPROVED PVC WIRE STANDARD WALL.
 - 7) ALLOWABLE HEAT RISE: UL SPEC. 506 FOR CLASS B UNIT.
 - 8) LOAD INRUSH AT 115 VAC INPUT SHALL NOT BLOW A 2 AMP SLOW BLOW FUSE.
 - 9) WANG LAB. NO. & MANUFACTURER'S NO. SHALL BE MARKED USING .12 HIGH CHARACTERS WITH CONTRASTING INK.
 - 10) END CAPS & COPPER STRAP REQUIRED

* NOTE: THIS TRANSFORMER WILL BE USED NEAR A CRT. REQUIREMENT # 10 MAY NOT BE REQUIRED IF THE TRANSFORMER CAN BE DESIGNED WITH A LOW FLUX LEAKAGE



	MIN. INST. VOLT	LOAD IN AMPS	AC INPUT	MAX. INST. VOLT. @ NO. LOAD 115VAC INPUT	NOTES
V1	-6.5 VDC	.20	103 VAC	-13 VDC	ALL OUTPUTS MUST BE LOADED WITH 560Ω MIN. LOAD. MMC 8059 IS UNSHIELDED PART. MMC 8059-5 IS SHIELDED PART.
V2	6.5 VDC	.30	103 VAC	+13 VDC	
V3	+17 VDC	2.0	103 VAC	Δ +30 VDC	
V4	-17 VDC	.20	103 VAC	Δ -30 VDC	

REV.	DATE	BY	DESCRIPTION
1	11-15-68	WFB	TRANSFORMER, 2236 DE

QTY.	ITEM	WANG PART NO.	DESCRIPTION	BY	DATE	APPROVED BY	DATE
1	TRANSFORMER	2236 DE	TRANSFORMER, 2236 DE	WFB	11-15-68	WCP	11-15-68

REV.	DATE	BY	DESCRIPTION
1	11-15-68	WFB	TRANSFORMER, 2236 DE

APPENDIX
A
ILLUSTRATED
PARTS
BREAKDOWN

APPENDIX A
ILLUSTRATED PARTS BREAKDOWN

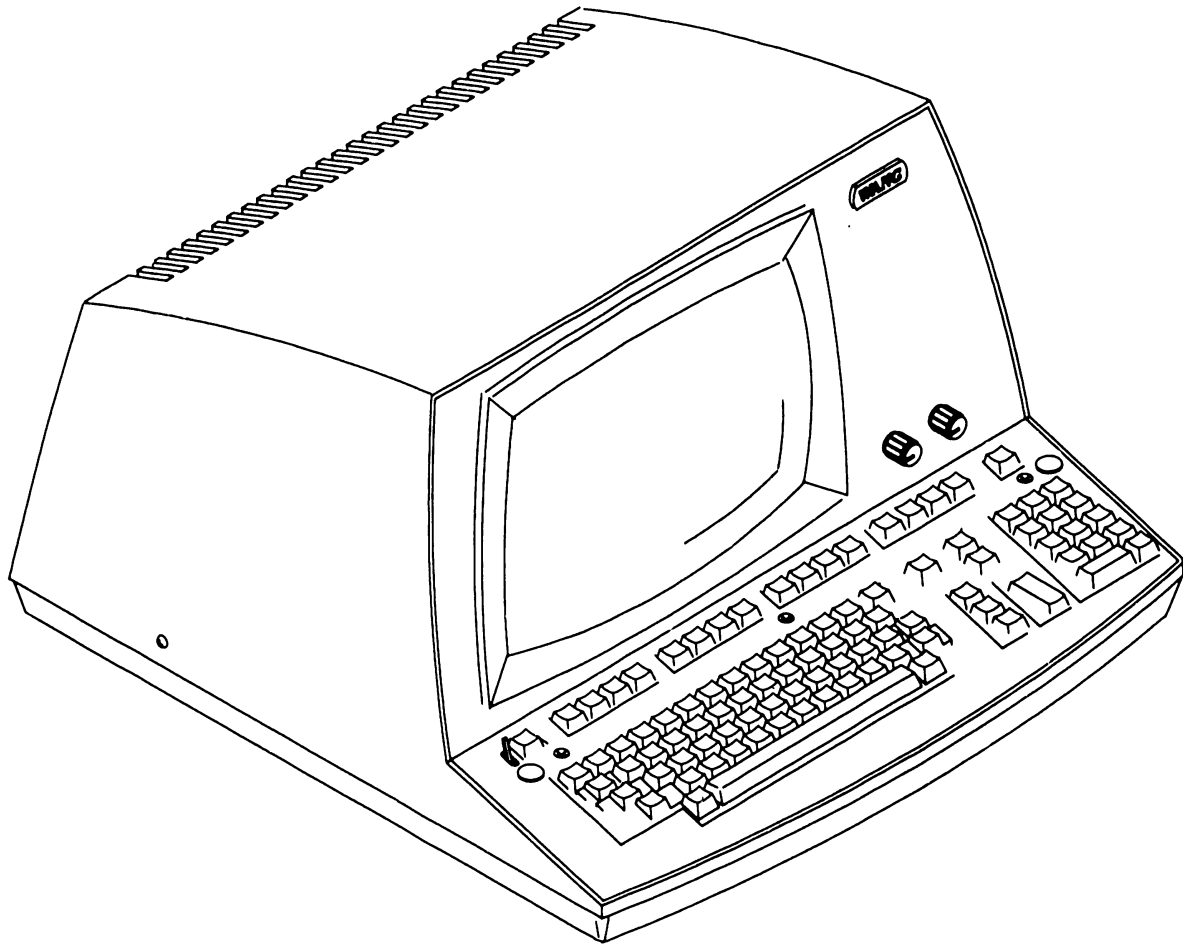


FIGURE 1 FRONTISPIECE (ASSEMBLY PART NO. 177-3249)

EXTERNAL COVERS ASSEMBLY

ITEM NO.	PART NO.	DESCRIPTION
1	449-0289	COVER, MACH (OPEN VENTS)
2	615-0398	PROGRAM STRIP
3	452-2401	PLATE FINISHING WLDMENT
4	449-0459	BEZEL, 12" CRT
5	449-0548	PLATE LOGO, WORKSTATION
6	655-0157	KNOB, ALCO
7	652-0036	3/8"-32, NUT
8	653-0022	LOCK WASHER
9	220-0160	CABLE ASSEMBLY, BRIGHTNESS POT
10	725-2637	KEYBD DW STANDARD
11	279-1026	BASE ASSEMBLY
12	650-4105	10-32x11/8 TRUSS HD PHL

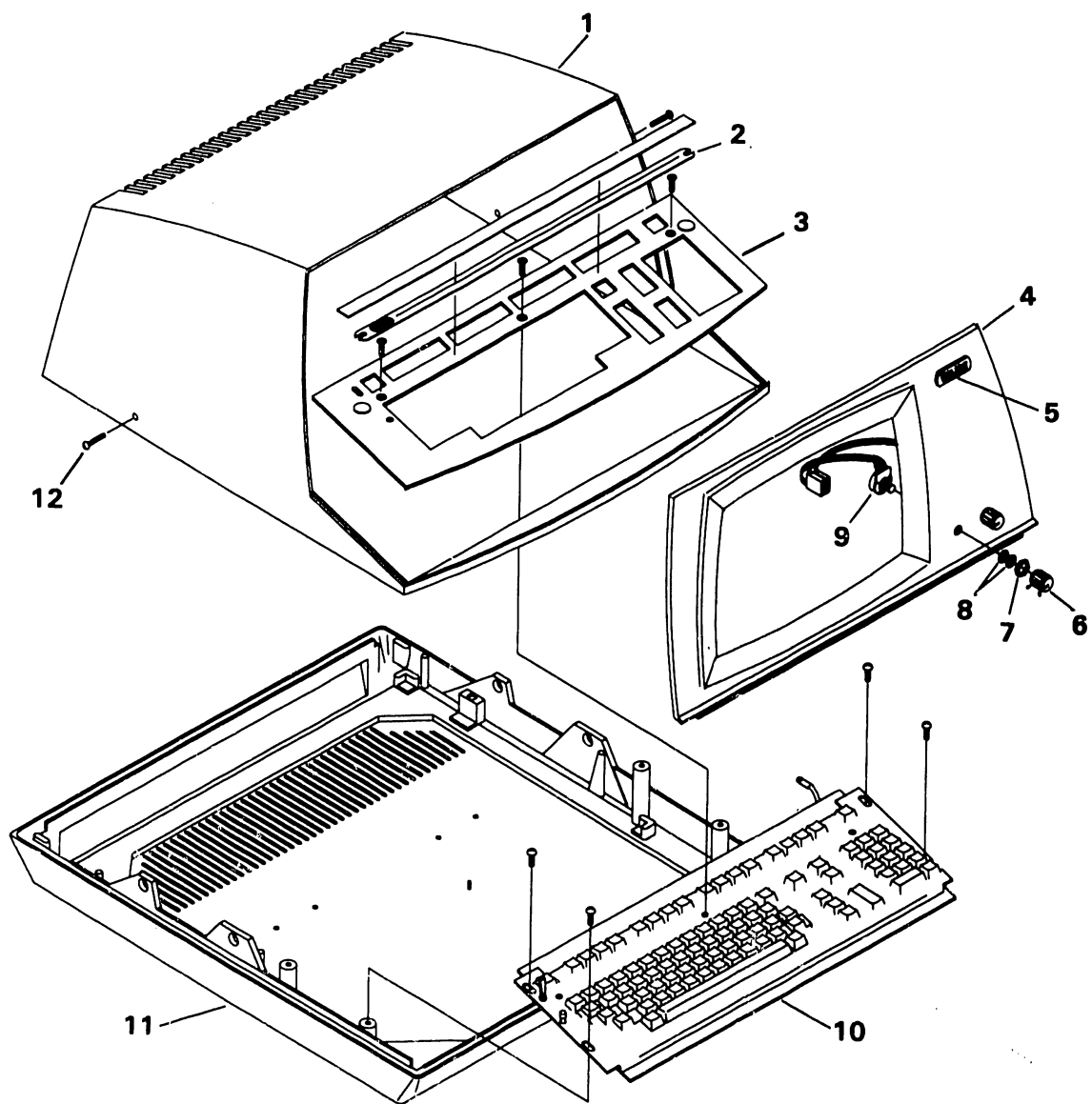


FIGURE 2 EXTERNAL COVERS ASSEMBLY

12" MONITOR & REAR PANEL ASSEMBLY

ITEM NO.	PART NO.	DESCRIPTION
1	210-7592-1A	PCA 2236DW SINGLE BD THERM ELEC
2	270-0579	HEATSINK ASSEMBLY
3	651-0037	#8x3/8" SLTD HEX S.T. SCREW
4	451-3857	SIDE PANEL (R.H.)
5	340-0108	CRT
6	270-0372	12" MONITOR ASSEMBLY
7	651-0053	#10x3/8" HEX HD S.T. SCREW
8	PART OF 6	
9	PART OF 6	
10	350-2073	ANODE CONNECTOR
11	462-0413	SPACER
12	270-3104	FLYBACK TRANSFORMER ASSEMBLY
13	650-2087	4-40x1/4" SCREW
14	210-7456	PCA 12" MONITOR ELEC
15	451-1121	CHASSIS, 12"
16	451-4492	NECKSAVER BRACKET
17	478-0448	NECKSAVER BRACKET INSULATOR
18	651-0037	#8x3/8" SLTD HEX S.T. SCREW
19	651-0037	#8x3/8" SLTD HEX S.T. SCREW
20	452-4042	CARD GUIDE
21	465-1643	GROUNDING SPRING
22	651-0037	#8x3/8" SLTD HEX S.T. SCREW
23	451-4473	SUPPORT BRACKET
24	PART OF 54	
25	PART OF 54	
26	325-2117	SWITCH SLIDE DPDT 115-220
27	654-1288	SNAP BUSHING
28	451-3856	SIDE PANEL (L.H.)
29	652-0012	8-32 LOCKNUT KEPS
30	410-2005	LINE FILTER
31	652-2004	HEX NUT
32	220-1740	A.C. CABLE
33	451-1100	CRT CHASSIS
34	650-3120	6-32x3/8" SCREW
35	220-3086	FLAT CABLE ASSEMBLY 2236E
36	320-0300	SQ. MAGNETIC SPEAKER
37	325-0033	TOGGLE SWITCH
38	360-9003	LOCKWASHER
39	360-9002	HEXNUT
40	336-0033	100 OHM POT
41	336-0034	250 OHM POT
42	652-2005	4-40 LOCKNUT KEPS
43	220-3085	FLAT CABLE ASSEMBLY RS/232
44	451-3996	SCREENED REAR PANEL
45	650-2082	4-40x1/4" FLAT HD SCREW
46	360-0000	FUSE HOLDER
47	360-1025-SB	FUSE 2 1/2 AMP 250V

12" MONITOR CRT & REAR PANEL ASSEMBLY (CONT.)

ITEM NO.	PART NO.	DESCRIPTION
48	458-0423	REAR PANEL STATIC GROUND
49	220-1076	POWER CORD ASSEMBLY
50	653-3000	FLAT WASHER #6
51	650-3120	6-32x3/8" SCREW
52	653-4002	FLAT WASHER #8
53	650-4160	8-32x1/2" SCREW
54	270-3139	TRANSFORMER ASSEMBLY
55	458-0436	SUPPORT ROD L.H.
56	458-0437	SUPPORT ROD R.H.

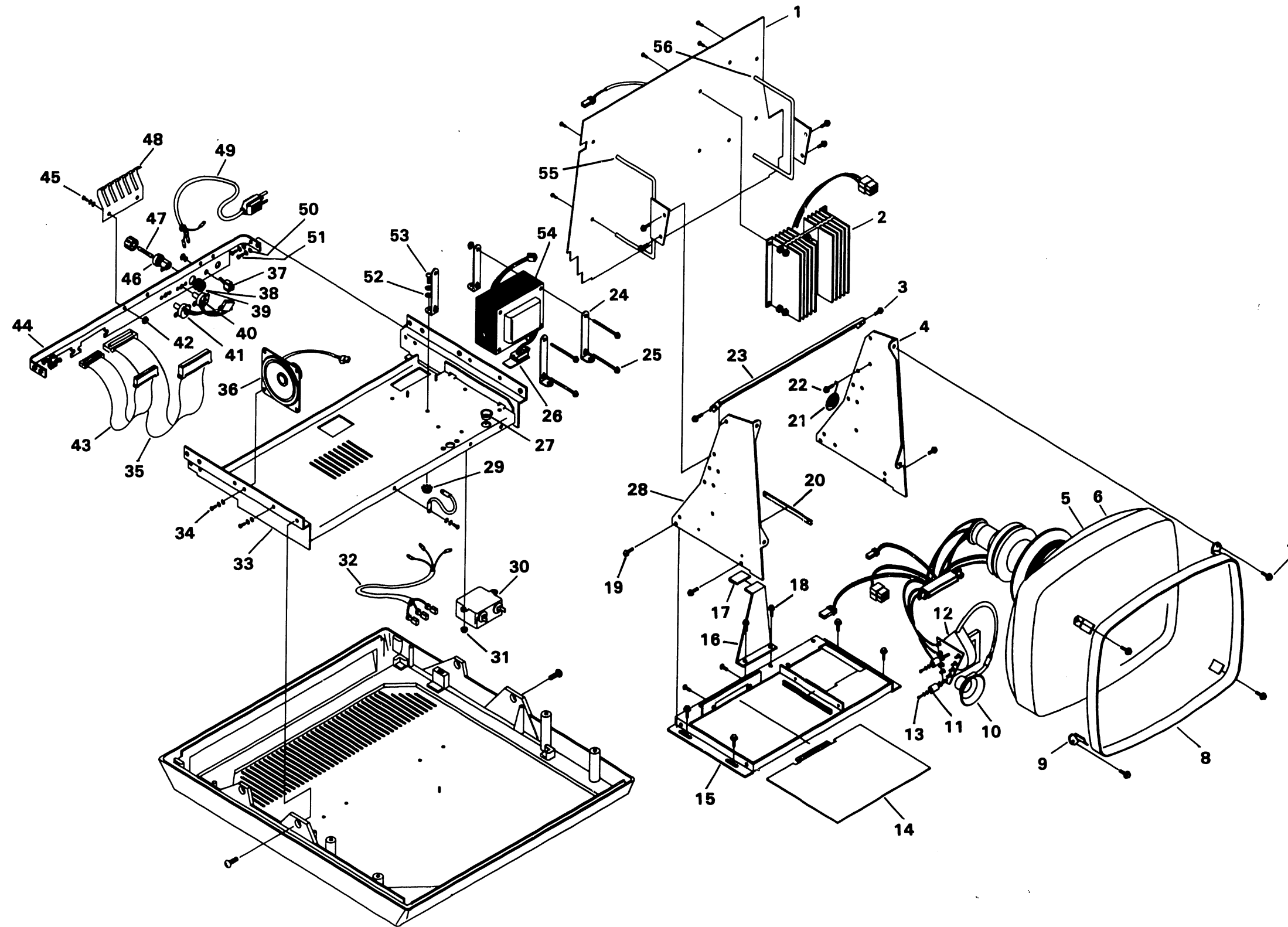


FIGURE 3 12" MONITOR & REAR PANEL ASSEMBLY

APPENDIX

B

SERVICE

BULLETIN

NO.80

EDITED BY CUSTOMER ENGINEERING DIVISION

2236 INTERACTIVE TRANSACTION TERMINAL

1.1 GENERAL

1.1.1 2236 TERMINAL

The 2236 Interactive Terminal provides multi-user, single task applications for 2200T and 2200VP Systems. There may be from one to four such terminals in a 2200T System and from one to eight terminals in a 2200VP System. When the 2236 terminal is used in a 2200 System, the standard 2226 User Terminal is normally not used. With the exception of the Console Input/Output Terminal, the 2236 is a 'dumb' non-programmable terminal, able to perform tasks only under program control from the 2200. Any one of the terminals can be selected for Console Input/Output and therefore have programming capabilities but not more than one terminal at any one time.

Communication to and from the 2200 CPU is via the 2236MXC controller using RS-232-C asynchronous format. Standard rate is 9600 baud, but 4800, 2400, 1200, 600 or 300 baud may be selected.

The 2236 terminal consists of a 12" CRT, 7229 Hall-effect keyboard, 7292 RS-232-C Controller, 7158 CRT/Printer Controller and power supply with 7067 Regulator. The rear panel has a connector for a 21W or 31W printer and an RS-232-C connector for connection to the 2236MXC controller.

NOTICE:

This document is the property of Wang Laboratories, Inc. Information contained herein is considered company proprietary information and its use is restricted solely to the purpose of assisting you in servicing Wang products. Reproduction of all or any part of this document is prohibited without the consent of Wang Laboratories.



LABORATORIES, INC.

1 INDUSTRIAL AVENUE, LOWELL, MASSACHUSETTS 01851. TEL. (617) 851-4111, TWX 710 343-6789, TELEX 94-7421

Printed in U.S.A.
13-210A

Data lines between the 2236MXC and each 2236 terminal are Teletype compatible asynchronous full duplex at any one of the above mentioned baud rates. This type of communication lends itself to remote applications by using modems. Direct cable connection up to 1000 feet at 9600 baud is allowed. Above 1000 feet modems must be used.

1.1.2 2236 MXC CONTROLLER

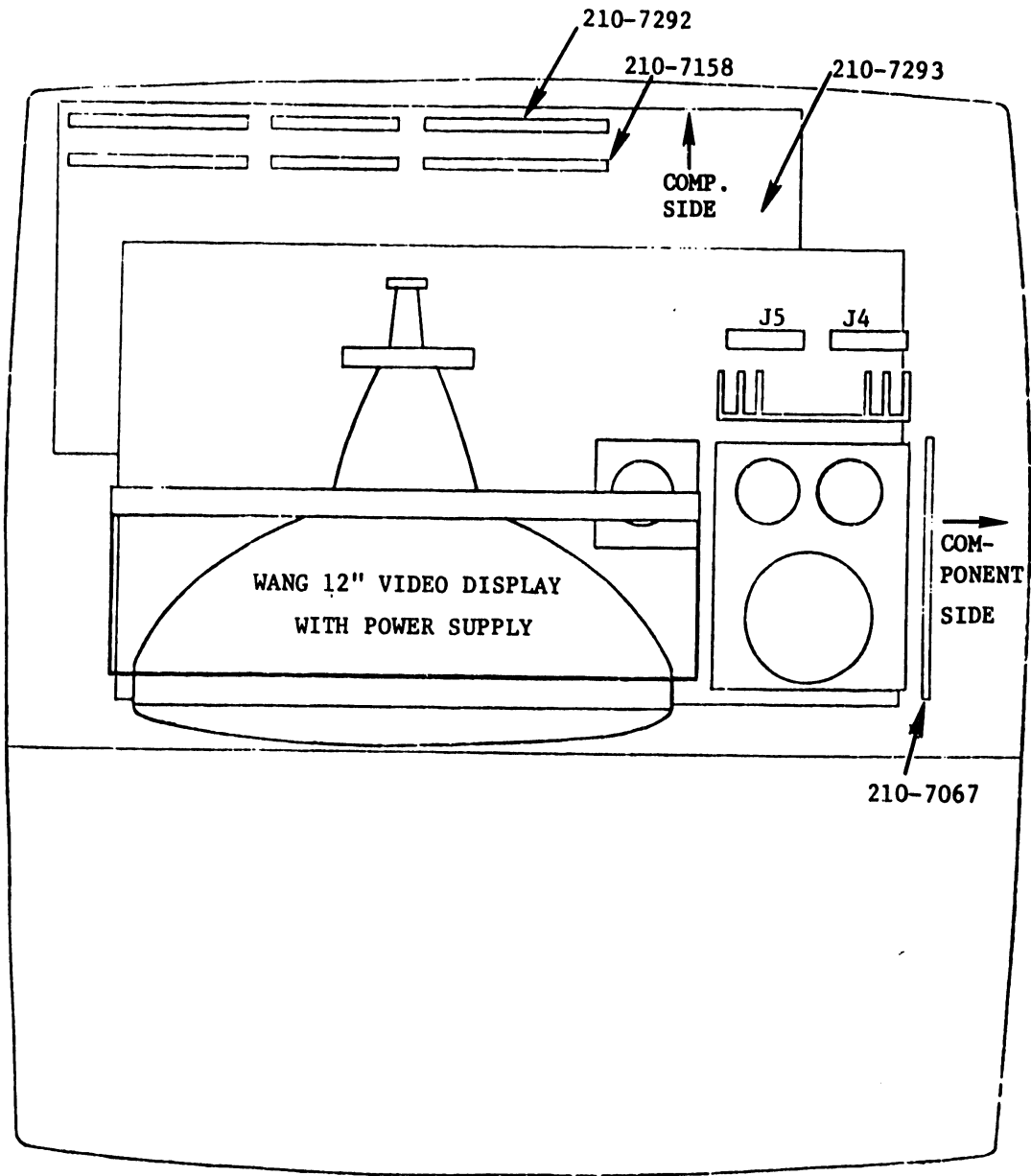
The 2236MXC is the I/O controller for up to four 2236 terminals. Four RS-232-C connectors are mounted on the 2236MXC for connection to the terminals and/or modems. The Console Input/Output connector is the top connector (viewing the controller face plate with the writing top to bottom). When used with the 2200VP, two four-port interconnected controllers may be installed. Each channel is fully buffered under microprocessor control.

The 2236MXC is controlled by 2200 BASIC routines, known as Terminal Access Method (TAM) subroutines.

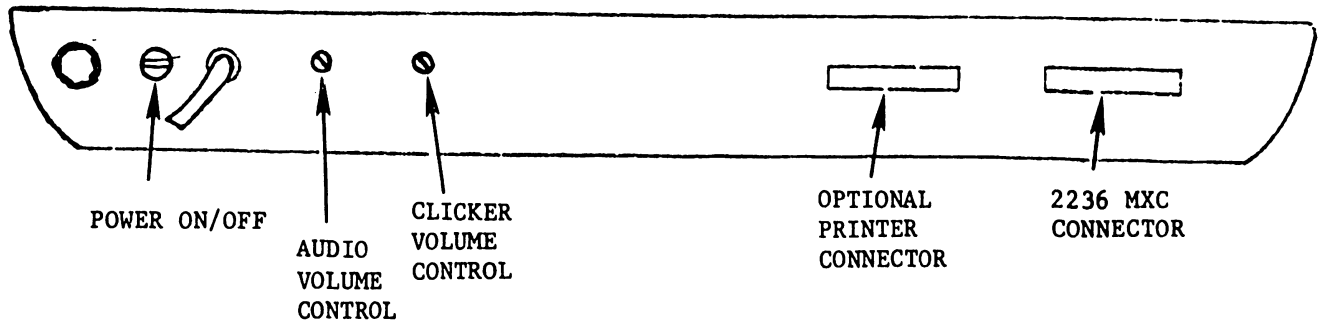
1.1.3 TAM SUBROUTINES

The TAM subroutines are incorporated into the user's BASIC program and facilitate polling tasks. The TAM subroutines also allow multiple display prompts and entry fields to appear in a fixed screen form format where the operator "fills in the blanks". Cursor positioning, which allows multiple input fields on a display screen, is also provided by RAM.

1.2 2236 CHASSIS LAYOUT



MODEL 2236 CHASSIS LAYOUT



MODEL 2236 REAR PANEL

1.2.4 CIRCUIT BOARD SUMMARY

<u>#</u>	<u>Where Used</u>	<u>Description</u>
7067	2236 Terminal	Power Supply Regulator
7292	2236 Terminal	Terminal CPU Electronics
7158	2236 Terminal	Terminal CRT/Printer Controller
7293	2236 Terminal	Motherboard
7229-2	2236 Terminal	Keyboard
7291	2236MXC-1	2236MXC Memory Daughterboard
7290	2236MXC-1	2236MXC Controller Motherboard
7294	2236MXC-2	2236MXC-2 Granddaughter board

1.3 SPECIFICATION

1.3.1 2236 TERMINAL

Size

Height	13 1/2 in. (34.3 cm)
Depth	20 1/2 in. (52 cm)
Width	19 3/4 in. (50.2 cm)

Weight

51 lb (23.1 kg)

CRT

Display Size	12 in. diagonal (30.4 cm)
Capacity	24 lines, 80 characters/line
Character Size	
Height	0.16 in. (0.4064 cm)
Width	0.09 in. (0.2286 cm)

Power Requirements

115 or 230 VAC \pm 10%
50 or 60 Hz \pm 1/2 Hz
40 Watts

Fuses

2.5 a. @ 115V/60 Hz
1.2 a. @ 230V/50 Hz

1.3.2 OPERATING ENVIRONMENT

50 degrees F to 90 degrees F (10 degrees C to 32 degrees C)

20% to 80% relative humidity, allowable

35% to 65% relative humidity, recommended

1.3.3 CABLE

One 8 foot (2.4m) cord to power source. One length of 25 feet (7.6m) direct connection cable is provided with each Model 2236, unless an optional direct connection cable is ordered for that terminal. Cables are optionally available in 100 foot (30.5m) increments for direct connection up to 1,000 feet (304.8m) and are non-extendable. Modem cables are optionally available in lengths of 12 feet (3.7m), with extensions of 25 feet (7.6m) and 50 feet (15.2m); however, combined cable distance from Wang equipment to its modem is 50 ft (15.2m) maximum according to EIA standards.

1.3.4 2236MXC SPECIFICATIONS

Operating Environment

Same as 2200 CPU

Power Requirements

Operates using CPU Power Supply

Communication Modes

Full-Duplex Asynchronous Wang mode for Model 2236's.

Full-Duplex Asynchronous Teletype mode for Teletype-compatible terminals.

Number of I/O Slots Required

Model 2236MXC-1 requires one I/O slot and supports up to four terminals.

Model 2236MXC-2 requires two I/O slots and supports up to eight terminals (2200VP only).

SECTION 2
INSTALLATION

2.1 INCOMING INSPECTION

1. When a 2236 shipment arrives, remove the top cover and check the following:

- a) The 7256 board is fully inserted into the Wang display chassis.
- b) The 115V/230V AC line voltage selector switch on the Power Supply module is in the correct position.
- c) The 115V/230V AC line voltage selector switch on the Display Chassis power supply is in the correct position.
- d) The DC power cables are securely connected to the motherboard.
- e) The 7292 and 7158 boards are properly installed in the terminal.

2. Reassemble the 2236, ensuring the fan cable has been reconnected.

2.2 DEVICE ADDRESS ASSIGNMENTS

2.2.1 2236MXC-1

The 2236MXC-1 normally operates at hardwired addresses of 01/05, 02/06, 03/07 and 04/08. If the 2236MXC-1 is installed in a system using a 2226 with addresses of 01 and 05, then the 2236MXC-1 must be set to addresses 81/85, 82/86, etc., by setting one switch on. This switch changes the high order address bit from 0 to 8 and is located on the 7290 controller. Set switch ON for 8 and OFF for 0.

2.2.2 2236MXC-2

None.

2.3 SETTING THE BAUD RATE SWITCHES

2.3.1 2236 TERMINAL

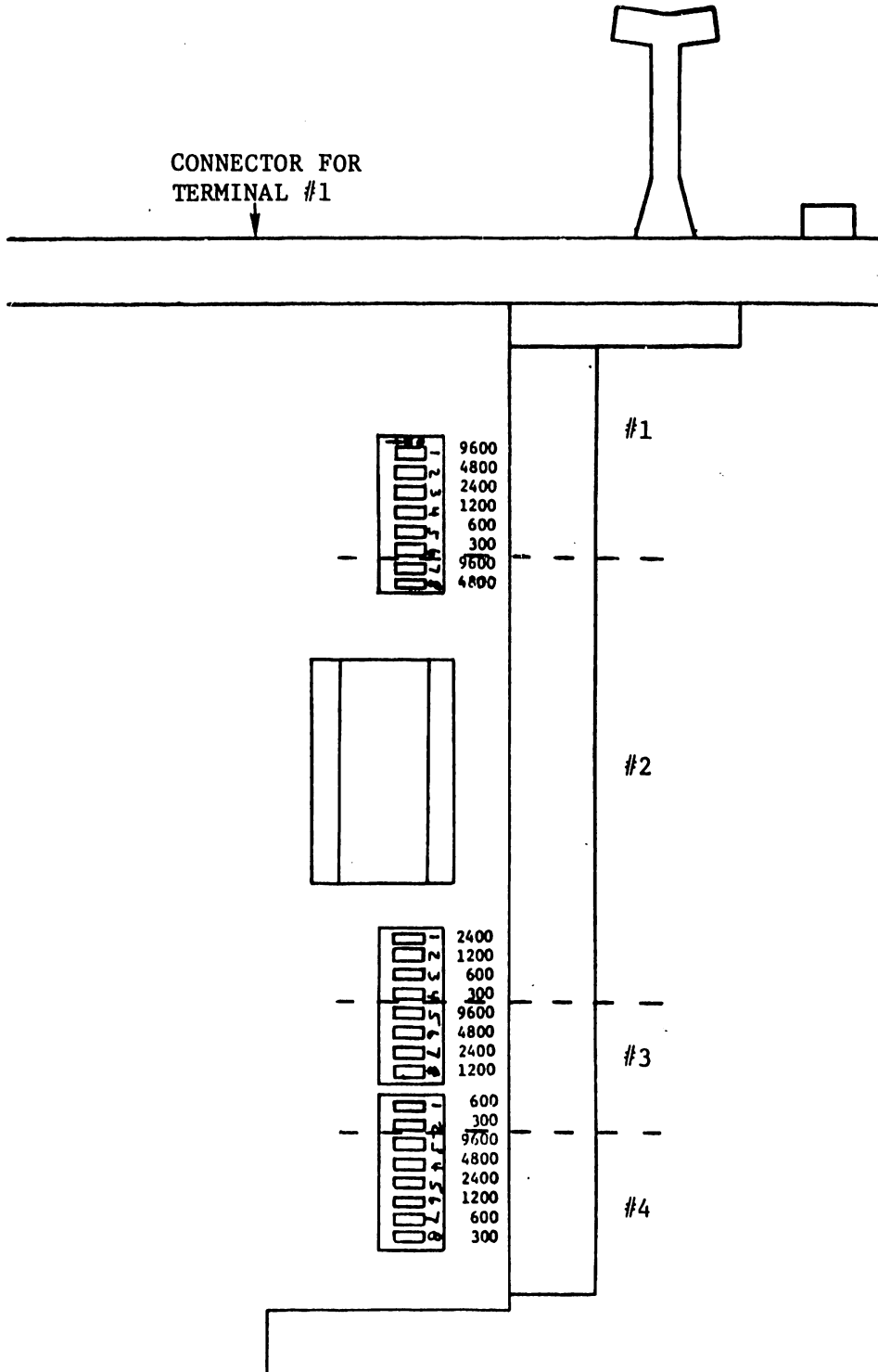
Access to the baud rate switch in the 2236 is through the large plug-button on the rear of the cover. Remove the plug and set the three rightmost switches of the five bank switch as follows (the two leftmost switches are OFF):

Switch:	1	2	3	4	5	Baud Rate
	ON	OFF	OFF	OFF	OFF	300
	ON	OFF	OFF	OFF	ON	600
	ON	OFF	OFF	ON	OFF	1200
	ON	OFF	OFF	ON	ON	2400
	ON	OFF	ON	OFF	OFF	4800
	ON	OFF	ON	OFF	ON	9600

2.3.2 2236MXC-1

There are three 8 bank switches located on the 7290 controller. The three switches are divided into groups of six switches, each group corresponding to a connector on the top panel.

Only one switch in any group of six is ON at any time. Each switch corresponds to a specific baud rate for its corresponding RS-232-C connector, as shown.



7290 BAUD RATE SWITCH IDENTIFICATION

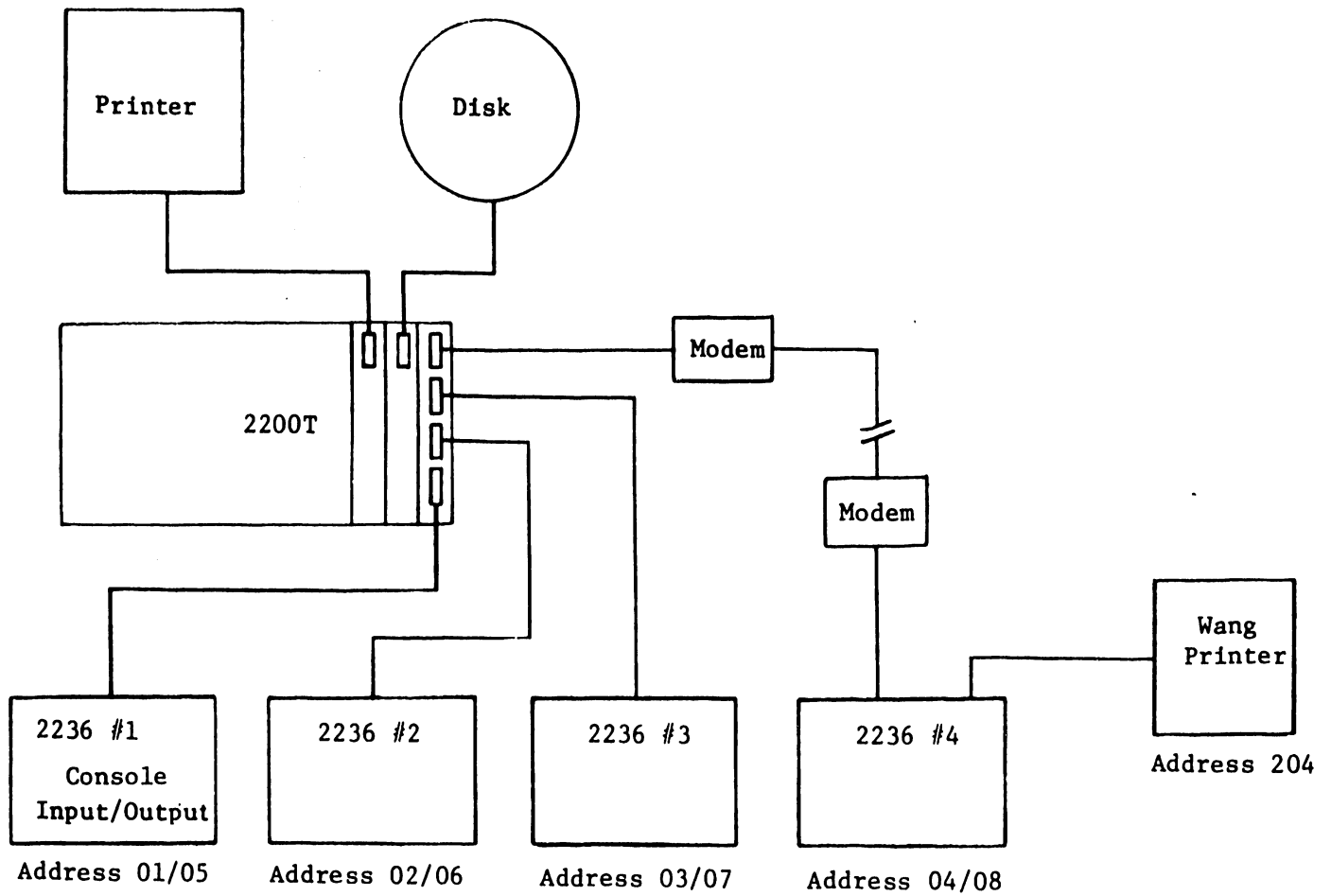
2.3.3 2236MXC-2

The baud rate switches are set the same as in 2.3.2. In addition, the switch settings are etched on the 7294 controller.

2.4 SYSTEM CONFIGURATION

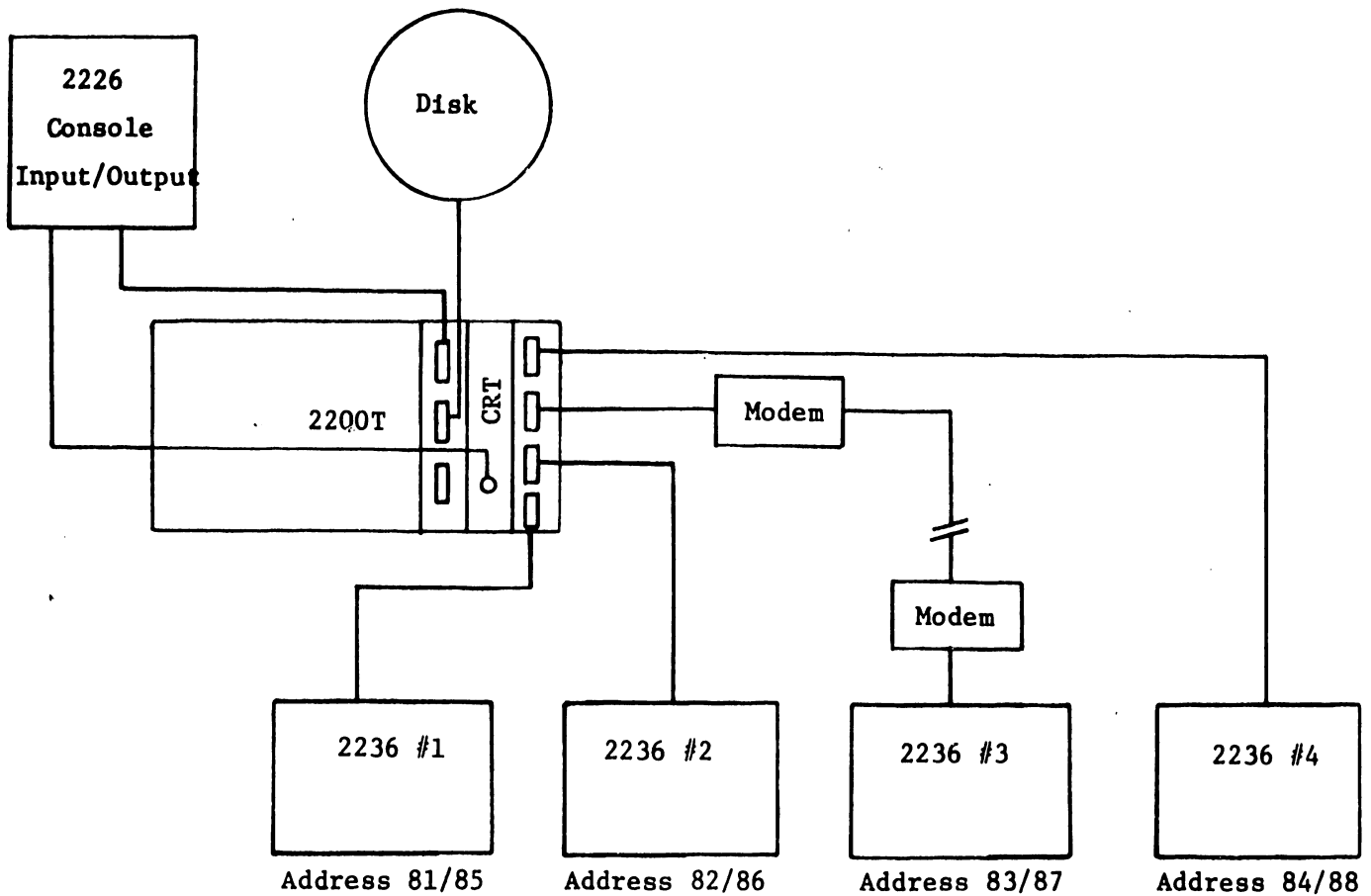
2.4.1 TYPICAL CONFIGURATION

A typical 2236 system is shown below.



2.4.2 CONFIGURATION WITH 2226 AND 2236

Alternatively, a system could be configured as follows:



2.4.3 MODEM CONFIGURATIONS

2.5 CABLES

There are two types of cables available for the 2236. They are non-extendable direct connection type, and extendable modem types.

2.5.1 DIRECT CONNECTION CABLES

Each direct connection cable is marked to specify the correct end for connection to the 2236 terminal and 2236MXC. The end that MUST connect to the 2236 terminal is marked TERM on the connector.

2.5.2 MODEL CABLES

When using modems, connect the modem cable between the 2236MXC controller and the modem.

At the remote end, connect the CONTROLLER end of the connector to the modem, and the TERM end to the 2236 terminal.

2.5.3 CABLE SUMMARY

OPTIONAL CABLE STATISTICS

Type of Cable: Direct Connection (non-extendable)

<u>Length</u>	<u>Part Number</u>
25 feet (7.6m)	120-2236-25 (standard, see note)
50 feet (15.2m)	120-2236-50
100 feet (30.5m)	120-2236-1
200 feet (70.0m)	120-2236-2
300 feet (91.4m)	120-2236-3
400 feet (122m)	120-2236-4
500 feet (152m)	120-2236-5
600 feet (183m)	120-2236-6
700 feet (213m)	120-2236-7
800 feet (244m)	120-2236-8
900 feet (274m)	120-2236-9
1000 feet (305m)	120-2236-10

Type of Cable: Modem Connection

<u>Length</u>	<u>Part Number</u>
12 feet (3.7m)	220-0113 (Extendable)
25 feet (7.6m)	120-2227-25 (Extension Cable)
50 feet (15.2m)	120-2227-50 (Extension Cable)

SECTION 3
OPERATION

3.1 GENERAL

In a system using all 2236 terminals, console Input/Output is assigned to one 2236. By default, this is always #1, but any can be selected for console input/output by a SELECT statement to the address of the 2236 desired. Typically,

```
SELECT CO 006: SELECT CI002
```

would be used to select the second 2236.

The other 2236s in the system would be under PROGRAM CONTROL. They CANNOT function independently.

3.2 TAM

A software package is available for controlling the 2236s. It is known as Terminal Access Method subroutines (TAM). Refer to the TAM Operating Manual.

SECTION 4
THEORY OF OPERATION

TO BE PROVIDED AT A LATER DATE.

SECTION 5
DIAGNOSTICS

A 2236 system diagnostic has been added to the 2200 Peripheral Platter (701-2180B). The 2236 diagnostic has sixteen functional tests, each self-explanatory, with instructions displayed.

SECTION 6
CONVERSIONS AND UPGRADES

NO CONVERSIONS OR UPGRADES ARE AVAILABLE AT THIS TIME.

SECTION 7
MAINTENANCE

7.1 DISASSEMBLY

To disassemble the 2236 terminal:

- a) Remove the Special Function strip and the two keyboard faceplate screws beneath it.
- b) Remove one screw from each side of the 2236 cover.
- c) Lift the keyboard faceplate and cover away from the chassis.

7.2 PREVENTIVE MAINTENANCE

The 2236, like other Wang products, must be properly maintained for trouble-free operation. This requires periodic cleaning and visual and electrical checks.

7.2.1 CLEANING

Thorough cleaning should be performed periodically. Cleaning intervals are determined by the amount of use and environmental conditions. Under normal use and conditions, cleaning should be once every six months. In areas of excessive air contamination (smoke, dust, etc.) more frequent cleaning is required.

Clean the 2236 terminal as follows:

- a) Remove the keyboard face plate, front panel and cover.
- b) Remove the CRT electronics, voltage regulator and logic board from the 2236.
- c) Using a soft bristle brush, remove any accumulation of dust and dirt from the 2236 chassis and each of the pc boards, paying particular attention to the CRT chassis.

- d) Clean the finger connectors of each pc board with an eraser.
- e) Use a mild detergent to clean the outside covers and the face of the CRT.
- f) Return all pc boards to the 2236.
- g) Reassemble the unit.

7.2.2 LUBRICATION

None required.

7.3 TROUBLESHOOTING

Determining where a problem exists in the 2236/2236MXC configuration can be accomplished by isolating the problem to the 2236 terminal or the MXC controller.

7.3.1 2236 TERMINAL

The terminal can be tested functionally by inserting a "loopback" connector on the rear panel. The loopback connector is an RS-232-C connector with pins 2 and 3 connected together with the loopback connector installed, keys depressed on the keyboard will be echoed back and displayed on the CRT.

This procedure will not completely check the 2236 terminal, but will verify that approximately 90% of the 2236 is functioning properly.

7.3.2 2236MXC CONTROLLER

Once each 2236 terminal has been functionally tested, connect one of the terminals to connector #1 on the 2236MXC controller.

Turn the CPU ON, and READY should be displayed on the 2236 terminal. If not, try a different 2236 terminal. If READY does not appear, check the address switch on the 2236MXC controller for all switches OFF.

Finally, replace the 2236MXC controller or the CPU logic modules.

7.4 ADJUSTMENTS

7.4.1 RECOMMENDED TEST EQUIPMENT/TOOL LIST

- a) Digital Voltmeter, with an accuracy of at least $\pm .1\%$ of full scale and 1 mv. resolution factor. Multimeter/VTVM accuracy and resolution factors are unacceptable for certain critical measurements.

Acceptable Type/Equivalent: FLUKE #8000A

- b) Multimeter, 20,000 Ω /v (min.); 2% or greater full scale accuracy; for less critical measurements.

Acceptable Type/Equivalent: TRIPLETT VOM #630NA

- c) Oscilloscope, with two x 1 probes and two x 10 probes.

Acceptable Type/Equivalent: TEKTRONIX #465

- d) Plastic Alignment Screwdriver for video display adjustments.

- e) Heavy Duty Screwdriver with heavily insulated handle and shaft, for discharge of video display anode voltage.

- f) Insulated Heavy-Gauge Ground Wire with insulated Alligator clips (for use with item (g), above).

- g) Small screwdriver with insulated shaft, used mostly for voltage adjustments.

7.4.2 2236 TERMINAL VOLTAGE ADJUSTMENTS

TABLE 7-1
2236 POWER SUPPLY ADJUSTMENTS (7067 REGULATOR)

LOCATION	VOLTAGE	LIMITS	ADJ	RIPPLE	
TP+5	+ 5VR	+4.95 vdc to +5.10 vdc	R4	20 mvp-p	7067, pin S/15
TP-5	- 5VR	-4.90 vdc to -5.10 vdc	R19	15 mvp-p	7067, pin 12
TP+12	+12VR	+11.80 vdc to +12.20 vdc	R10	50 mvp-p	7067, pin F/6
TP-12	-12VR	-11.80 vdc to -12.20 vdc	R16	50 mvp-p	7067, pin H/7

SECTION 8
BILL OF MATERIALS

ASSEMBLY PART NUMBER 177 2236 B
ASSEMBLY DESCRIPTION 2236 TRANS TERMINAL(80X24) 6621-91

LEGEND
* = KIT TAG # = STATUS ITEM ### = FRACTIONAL

PART NUMBER	DESCRIPTION	QUANTITY
210 7067 *	7067 MODULE (PRFLIM 928 & 2200F) EC6845	1.00
210 7158 A *	7158-A MODULE 2236	1.00
209 7158	7158 W/UNLOADED SOCKETS (PRELIM)	1.00
220 1069	CABLE,CRT BD (7054)(F)B6482-86	1.00
210 7292 A	7292 MODULE (2236)	1.00
209 7292 *	7292 W/UNLOADED SOCKETS	1.00
270 0360	12" MONITOR ASSY(WITH PWR SUPPLY)	1.00
210 7256 *	7256 MODULE EC6047	1.00
220 0160	BRIGHTNESS POT CABLE ASSY C6482-140 EC6389	1.00
270 3068	12" CRT HARNESS ASSY D6482-139 EC6389	1.00
270 0400	2236 WORK ST CHASSIS ASSY 6621-92	1.00
210 7293 *	7293 MODULE (2236)	1.00
220 3014	24 COND 14"FLAT CABLE C-6482-79 PATREL	1.00
220 1001	6 1/2" BLACK WIRE + LUG D6482-12	2.00
220 1042	P022 WIRE & LUG ASSY(2LCRT)D6482-12	1.00
220 1074	CABLE PS/MP(F CHASSIS)B6482-91	1.00
220 1076	POWER CORD ASSY(F CHAS)B6482-95	1.00
220 1077	P043 WIRE & LUG ASSY(F CHAS)B648296	1.00
220 1094	P048 WIRE & LUG ASSY B	1.00
220 1101	P054 WIRE&LUG ASSY(E CHAS)6482-12	2.00
271 1130	2236KEYBOARD&BEAR PLATE ASY 6621-90	1.00
279 1012	BASE ASSY(2200E/F)D6829-12	1.00
360 1011 SB	1 AMP FUSE SLO BLD 250 V EC6934	1.00
360 1016 SB	1 1/2 AMP FUSE SLO BLD 250V EC6934	1.00
400 1010	FAN,SKELETON(75CFM)ROTRON WR2H2	1.00
449 0101 Q	FAN GUARD 4"(WHITE)D5300-1085	1.00
449 0111 Q	A BEZEL-12"CRT(WHITE)D6646-104	1.00
449 0186	COVER,MACHINING(CL VENTS)E6621-63 EC6934	1.00
452 2342	FINISH PLATE WLD & SILKSCR D6621-94	1.00
452 2517	700 PROGRAM CLAMPS B5900-39 (2)	2.00
462 0265	SPACER,PC BOARD(E/F)C6815-13 EC6934	6.00
478 0061	700 PROGRAM CLAMP NUTS B5900-27 (2)	2.00
615 0390	PROGRAM STRIP(SILK SCR) C6857-2 EC6934	1.00
650 4133	8-32 X 3/8 FLANGE WHIZ-LOCK MS ZINC	4.00
650 4243 W	8-32 X 3/4 PAN HD PHL(OYSTER WHITE)	4.00
650 6121	10-32X3/8 TRUSS HD PHL MS SS	4.00
650 6241	SCR 10-32 3/4 PHIL FLAT H MS SS EC6934	3.00
650 6243	10-32 X 3/4 TR. HD. PH. MS. SS.	4.00
650 6360 W	10-32X1 1/8 TRUSS HD PHL SS(WHITE) EC6934	2.00
651 0021 W	SCR.#8X1/2 SELF TAP TRUSS HD(WHITE)	6.00
652 0029	8-32 LOCK-NUT KEPS. 511-081800-50	4.00

B-23

REVISED AS OF

WANG LABORATORIES, INC.
BILL OF MATERIALS

PAGE 2
05/19/77

ASSEMBLY PART NUMBER 177 2236 B

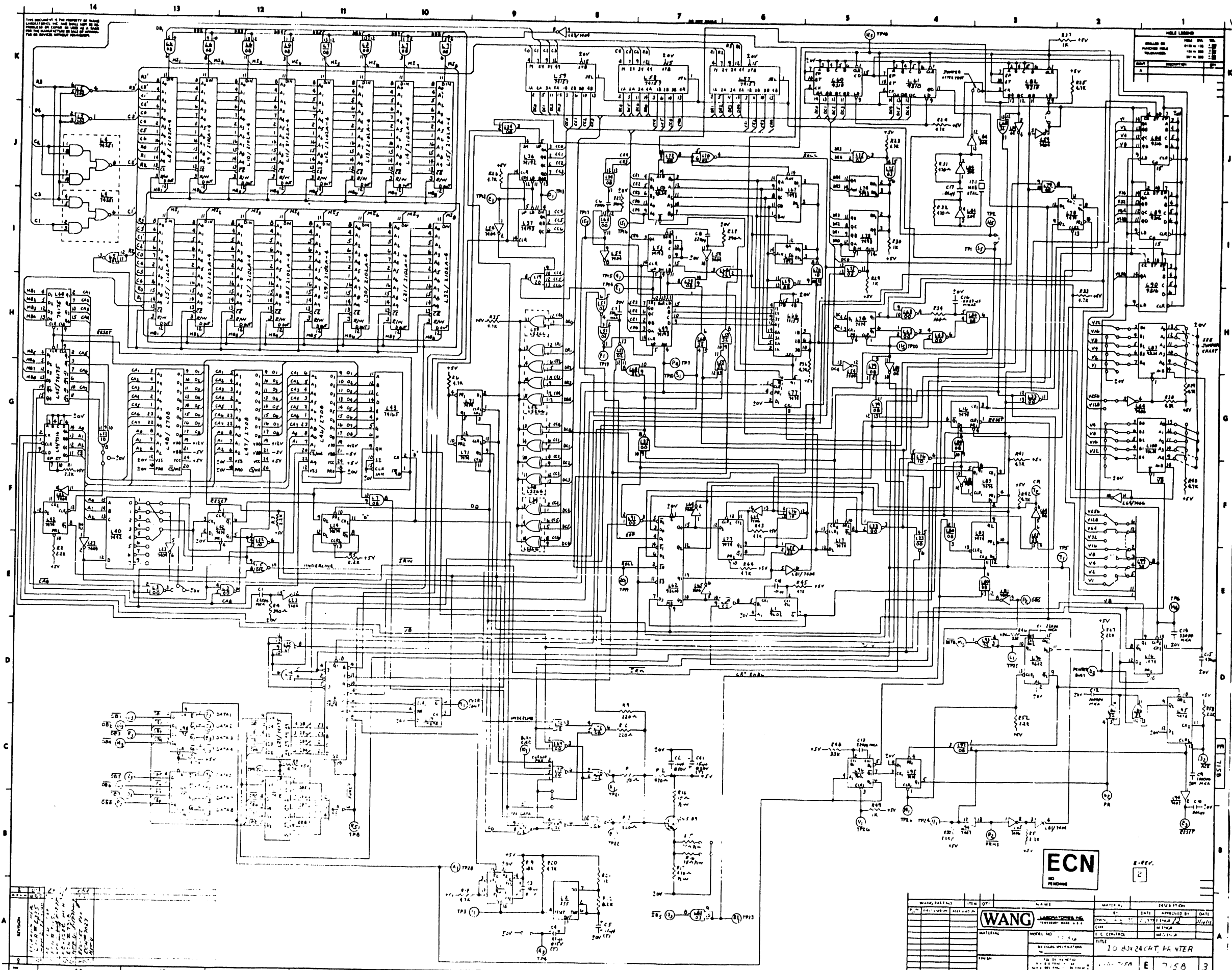
LEGEND

ASSEMBLY DESCRIPTION 2236 TRANS TERMINAL(80X24) 6621-91 * =KIT TAG # =STATUS ITEM ## =FRACTION

PART NUMBER	DESCRIPTION	QUANTITY
654 1274	CABLE CLAMP ADH. BACK DKLSP 021-0375 EC6934	1.00
655 0009	PLUG BUTTON(BLACK)SS51338 P5001	2.00
655 0012	VENT. AIR 06815-17	3.00
655 0018 9	PLUG.BUTTON (OYSTER WHITE) EC6934	1.00
655 0157	612/712 KNOB ALCO. KN7000A EC6934	2.00

SECTION 9
NEW SCHEMATICS

BOARD PART #	DESCRIPTION
210-7158	I/O 80 x 24 CRT, PRINTER
210-7290	INTERACTIVE TERMINAL CONTROLLER
210-7291	8080 INTERACTIVE TERMINAL MEMORY
210-7292	W.S. ELECTRONICS
210-7293	INTERACTIVE TERMINAL MOTHERBOARD
210-7294	8080 MXC GRAND DAUGHTER BOARD



THIS DRAWING IS THE PROPERTY OF WANG
 LABORATORIES, INC. IT IS TO BE USED
 ONLY FOR THE PROJECT AND FOR THE
 QUANTITY SPECIFIED THEREON. IT IS
 NOT TO BE REPRODUCED OR COPIED
 IN ANY MANNER WITHOUT THE WRITTEN
 PERMISSION OF WANG LABORATORIES, INC.

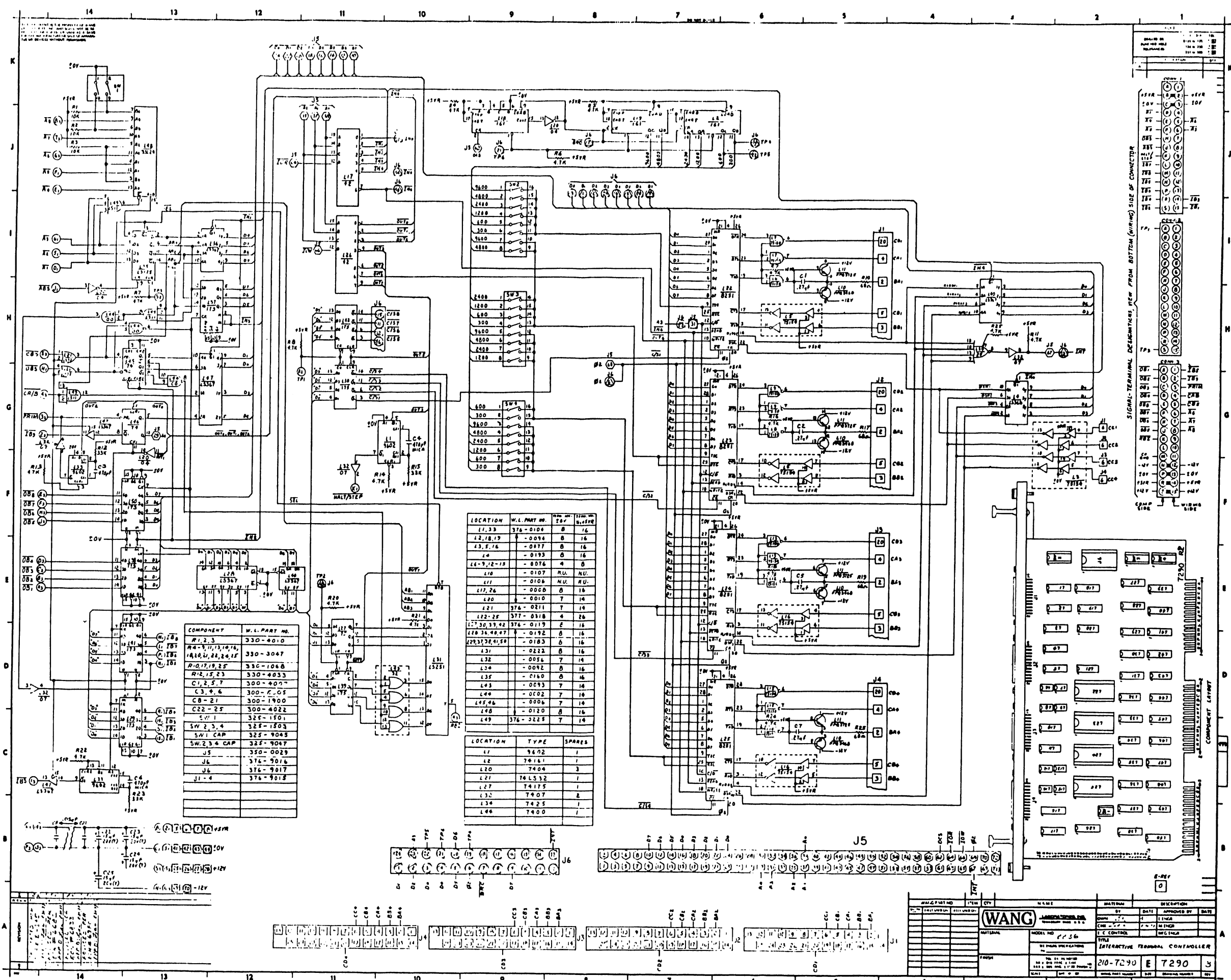
REV.	DESCRIPTION	DATE
1	ISSUED FOR FABRICATION	10/15/64
2	REVISION	11/10/64
3	REVISION	12/15/64
4	REVISION	1/15/65
5	REVISION	2/15/65
6	REVISION	3/15/65
7	REVISION	4/15/65
8	REVISION	5/15/65
9	REVISION	6/15/65
10	REVISION	7/15/65
11	REVISION	8/15/65
12	REVISION	9/15/65
13	REVISION	10/15/65
14	REVISION	11/15/65
15	REVISION	12/15/65

ECN
 NO. 2
 8-REV.

REVISIONS
 1. REVISED TO CORRECT FABRICATION ERROR
 2. REVISED TO CORRECT FABRICATION ERROR
 3. REVISED TO CORRECT FABRICATION ERROR
 4. REVISED TO CORRECT FABRICATION ERROR
 5. REVISED TO CORRECT FABRICATION ERROR
 6. REVISED TO CORRECT FABRICATION ERROR
 7. REVISED TO CORRECT FABRICATION ERROR
 8. REVISED TO CORRECT FABRICATION ERROR
 9. REVISED TO CORRECT FABRICATION ERROR
 10. REVISED TO CORRECT FABRICATION ERROR
 11. REVISED TO CORRECT FABRICATION ERROR
 12. REVISED TO CORRECT FABRICATION ERROR
 13. REVISED TO CORRECT FABRICATION ERROR
 14. REVISED TO CORRECT FABRICATION ERROR
 15. REVISED TO CORRECT FABRICATION ERROR

WANG PART NO.	ITEM QTY.	NAME	MATERIAL	DATE	DESCRIPTION
7400	100	INVERTER	7400	10/15/64	INVERTER
74100	100	SHIFT REGISTER	74100	10/15/64	SHIFT REGISTER
74181	100	ALU	74181	10/15/64	ALU
7401	100	NAND GATE	7401	10/15/64	NAND GATE
7402	100	NOR GATE	7402	10/15/64	NOR GATE
7404	100	INVERTER	7404	10/15/64	INVERTER
7408	100	NAND GATE	7408	10/15/64	NAND GATE
7411	100	NOR GATE	7411	10/15/64	NOR GATE
7412	100	INVERTER	7412	10/15/64	INVERTER
7413	100	NAND GATE	7413	10/15/64	NAND GATE
7414	100	NOR GATE	7414	10/15/64	NOR GATE
7415	100	INVERTER	7415	10/15/64	INVERTER
7416	100	NAND GATE	7416	10/15/64	NAND GATE
7417	100	NOR GATE	7417	10/15/64	NOR GATE
7418	100	INVERTER	7418	10/15/64	INVERTER
7419	100	NAND GATE	7419	10/15/64	NAND GATE
7420	100	NOR GATE	7420	10/15/64	NOR GATE
7421	100	INVERTER	7421	10/15/64	INVERTER
7422	100	NAND GATE	7422	10/15/64	NAND GATE
7423	100	NOR GATE	7423	10/15/64	NOR GATE
7424	100	INVERTER	7424	10/15/64	INVERTER
7425	100	NAND GATE	7425	10/15/64	NAND GATE
7426	100	NOR GATE	7426	10/15/64	NOR GATE
7427	100	INVERTER	7427	10/15/64	INVERTER
7428	100	NAND GATE	7428	10/15/64	NAND GATE
7429	100	NOR GATE	7429	10/15/64	NOR GATE
7430	100	INVERTER	7430	10/15/64	INVERTER
7431	100	NAND GATE	7431	10/15/64	NAND GATE
7432	100	NOR GATE	7432	10/15/64	NOR GATE
7433	100	INVERTER	7433	10/15/64	INVERTER
7434	100	NAND GATE	7434	10/15/64	NAND GATE
7435	100	NOR GATE	7435	10/15/64	NOR GATE
7436	100	INVERTER	7436	10/15/64	INVERTER
7437	100	NAND GATE	7437	10/15/64	NAND GATE
7438	100	NOR GATE	7438	10/15/64	NOR GATE
7439	100	INVERTER	7439	10/15/64	INVERTER
7440	100	NAND GATE	7440	10/15/64	NAND GATE
7441	100	NOR GATE	7441	10/15/64	NOR GATE
7442	100	INVERTER	7442	10/15/64	INVERTER
7443	100	NAND GATE	7443	10/15/64	NAND GATE
7444	100	NOR GATE	7444	10/15/64	NOR GATE
7445	100	INVERTER	7445	10/15/64	INVERTER
7446	100	NAND GATE	7446	10/15/64	NAND GATE
7447	100	NOR GATE	7447	10/15/64	NOR GATE
7448	100	INVERTER	7448	10/15/64	INVERTER
7449	100	NAND GATE	7449	10/15/64	NAND GATE
7450	100	NOR GATE	7450	10/15/64	NOR GATE
7451	100	INVERTER	7451	10/15/64	INVERTER
7452	100	NAND GATE	7452	10/15/64	NAND GATE
7453	100	NOR GATE	7453	10/15/64	NOR GATE
7454	100	INVERTER	7454	10/15/64	INVERTER
7455	100	NAND GATE	7455	10/15/64	NAND GATE
7456	100	NOR GATE	7456	10/15/64	NOR GATE
7457	100	INVERTER	7457	10/15/64	INVERTER
7458	100	NAND GATE	7458	10/15/64	NAND GATE
7459	100	NOR GATE	7459	10/15/64	NOR GATE
7460	100	INVERTER	7460	10/15/64	INVERTER
7461	100	NAND GATE	7461	10/15/64	NAND GATE
7462	100	NOR GATE	7462	10/15/64	NOR GATE
7463	100	INVERTER	7463	10/15/64	INVERTER
7464	100	NAND GATE	7464	10/15/64	NAND GATE
7465	100	NOR GATE	7465	10/15/64	NOR GATE
7466	100	INVERTER	7466	10/15/64	INVERTER
7467	100	NAND GATE	7467	10/15/64	NAND GATE
7468	100	NOR GATE	7468	10/15/64	NOR GATE
7469	100	INVERTER	7469	10/15/64	INVERTER
7470	100	NAND GATE	7470	10/15/64	NAND GATE
7471	100	NOR GATE	7471	10/15/64	NOR GATE
7472	100	INVERTER	7472	10/15/64	INVERTER
7473	100	NAND GATE	7473	10/15/64	NAND GATE
7474	100	NOR GATE	7474	10/15/64	NOR GATE
7475	100	INVERTER	7475	10/15/64	INVERTER
7476	100	NAND GATE	7476	10/15/64	NAND GATE
7477	100	NOR GATE	7477	10/15/64	NOR GATE
7478	100	INVERTER	7478	10/15/64	INVERTER
7479	100	NAND GATE	7479	10/15/64	NAND GATE
7480	100	NOR GATE	7480	10/15/64	NOR GATE
7481	100	INVERTER	7481	10/15/64	INVERTER
7482	100	NAND GATE	7482	10/15/64	NAND GATE
7483	100	NOR GATE	7483	10/15/64	NOR GATE
7484	100	INVERTER	7484	10/15/64	INVERTER
7485	100	NAND GATE	7485	10/15/64	NAND GATE
7486	100	NOR GATE	7486	10/15/64	NOR GATE
7487	100	INVERTER	7487	10/15/64	INVERTER
7488	100	NAND GATE	7488	10/15/64	NAND GATE
7489	100	NOR GATE	7489	10/15/64	NOR GATE
7490	100	INVERTER	7490	10/15/64	INVERTER
7491	100	NAND GATE	7491	10/15/64	NAND GATE
7492	100	NOR GATE	7492	10/15/64	NOR GATE
7493	100	INVERTER	7493	10/15/64	INVERTER
7494	100	NAND GATE	7494	10/15/64	NAND GATE
7495	100	NOR GATE	7495	10/15/64	NOR GATE
7496	100	INVERTER	7496	10/15/64	INVERTER
7497	100	NAND GATE	7497	10/15/64	NAND GATE
7498	100	NOR GATE	7498	10/15/64	NOR GATE
7499	100	INVERTER	7499	10/15/64	INVERTER

WANG
 MODEL NO. 224C
 TITLE: 10 ROW 24 COL. PRINTER
 DATE: 10/15/64
 REV. 7158 3

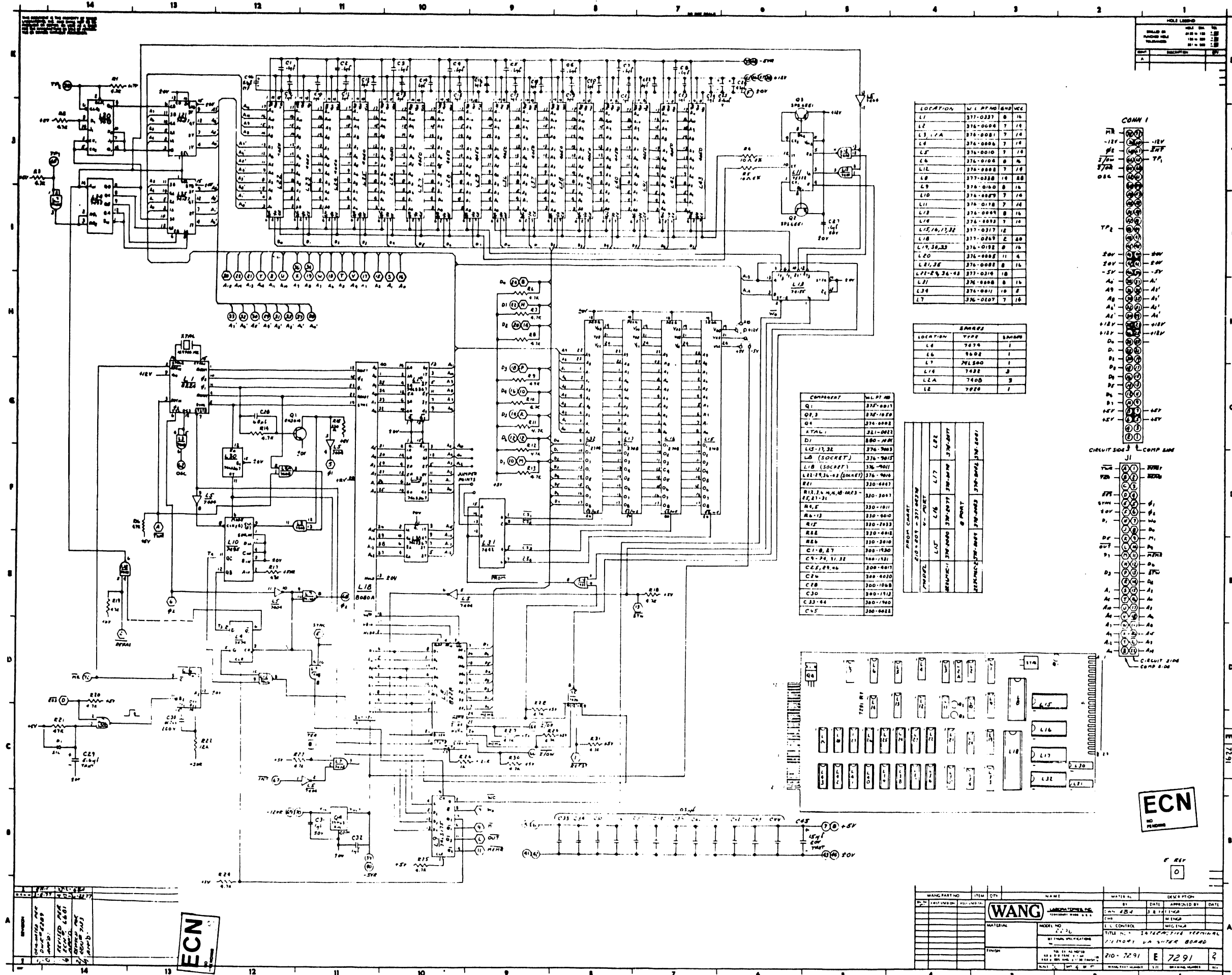


COMPONENT	W.L. PART NO.
R1, 2, 3	330-4010
R4-5, 11, 13, 16, 18, 19, 22, 24, 25	330-3047
R10, 17, 19, 25	330-1048
R12, 15, 23	330-4033
C1, 2, 5, 7	300-407
C3, 4, 6	300-205
CB-21	300-1900
CC2-25	300-4022
SW 1	325-1501
SW 2, 3, 4	325-1503
SW1 CAP	325-9045
SW 2, 3, 4 CAP	325-9047
J5	350-0029
J6	376-9016
J6	376-9017
J1-4	376-9018

LOCATION	W.L. PART NO.	QTY	REMARKS
L1, 33	376-0104	8	16
L2, 18, 19	-0094	8	16
L3, 5, 16	-0077	8	16
L4	-0193	8	16
L4-9, 12-13	-0076	4	8
L10	-0107	N.U.	N.U.
L11	-0106	N.U.	N.U.
L17, 26	-0000	8	16
L20	-0010	7	14
L21	376-0211	7	14
L22-25	377-0318	4	26
L27, 30, 33, 42	376-0119	8	16
L28, 34, 46, 47	-0192	8	16
L29, 37, 41, 50	-0183	8	16
L31	-0212	8	16
L32	-0056	7	14
L34	-0092	8	16
L35	-0160	8	16
L43	-0093	7	14
L44	-0002	7	14
L45, 46	-0006	7	14
L48	-0120	8	16
L49	376-3225	7	14

LOCATION	TYPE	SPARES
L1	7472	1
L2	74161	1
L20	7404	3
L21	74LS32	1
L27	74175	1
L32	7407	2
L34	7425	1
L44	7400	1

DATE	2/20/70	BY	E 7290
APPROVED BY		DATE	
DESIGNED BY		DATE	
CHECKED BY		DATE	
TESTED BY		DATE	
WARRANTY		DATE	
REVISION		DATE	
NO. OF COPIES	3	DATE	
TOTAL NO. OF COPIES	3	DATE	
DATE OF PRINTING	2/20/70	DATE	
DATE OF ASSEMBLY		DATE	
DATE OF TESTING		DATE	
DATE OF DELIVERY		DATE	



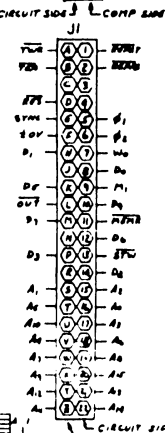
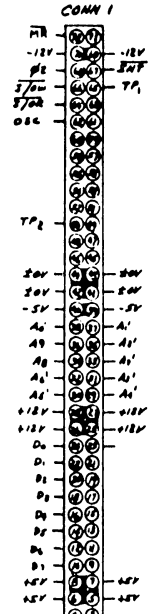
MOUNT LABELS	
NO.	DESCRIPTION
1	
2	

LOCATION	W. L. P. NO.	QTY.
L1	377-0321	8 16
L2	376-0004	7 14
L3, 7A	376-0007	7 14
L4	376-0008	7 14
L5	376-0010	7 14
L6	376-0006	8 16
L7	376-0002	7 14
L8	377-0228	10 20
L9	376-0100	8 16
L10	376-0009	7 14
L11	376-0178	7 14
L12	376-0005	8 16
L13	376-0003	7 14
L13, 14, 15, 16	377-0317	12 24
L18	377-0267	2 4
L19, 20, 23	376-0102	8 16
L20	376-0002	11 22
L21, 22	376-0002	8 16
L21-24, 26-28	377-0319	18 36
L27	376-0008	8 16
L28	376-0011	10 20
L27	376-0207	7 14

LOCATION	TYPE	QTY.
L4	7474	1
L6	9602	1
L7	74LS00	1
L14	7422	3
L2A	7400	3
L2	7468	1

COMMENT	W. L. P. NO.
Q1	377-0011
OP. 3	377-1028
Q4	376-0002
ATTN.	221-0023
D1	800-1011
L15-17, 32	376-7003
L8 (SOCKET)	376-7015
L18 (SOCKET)	376-7011
L21-24, 26-28 (SOCKET)	376-7004
R11	330-6003
R12, 21, 44, 45, 48, 49, 52, 53, 51-51	330-1001
R4, 5	330-1011
R6, 13	330-6010
R12	330-7003
R22	330-6010
R23	330-1010
C1-6, 27	300-1030
C9-24, 31, 32	300-1031
C25, 29, 34	300-4017
C7, 8	300-4020
C20	300-1038
C20	300-1112
C23-24	300-1040
C-5	300-6025

ITEM	QTY.	DESCRIPTION
L17	2	376-0178
L27	2	376-0207



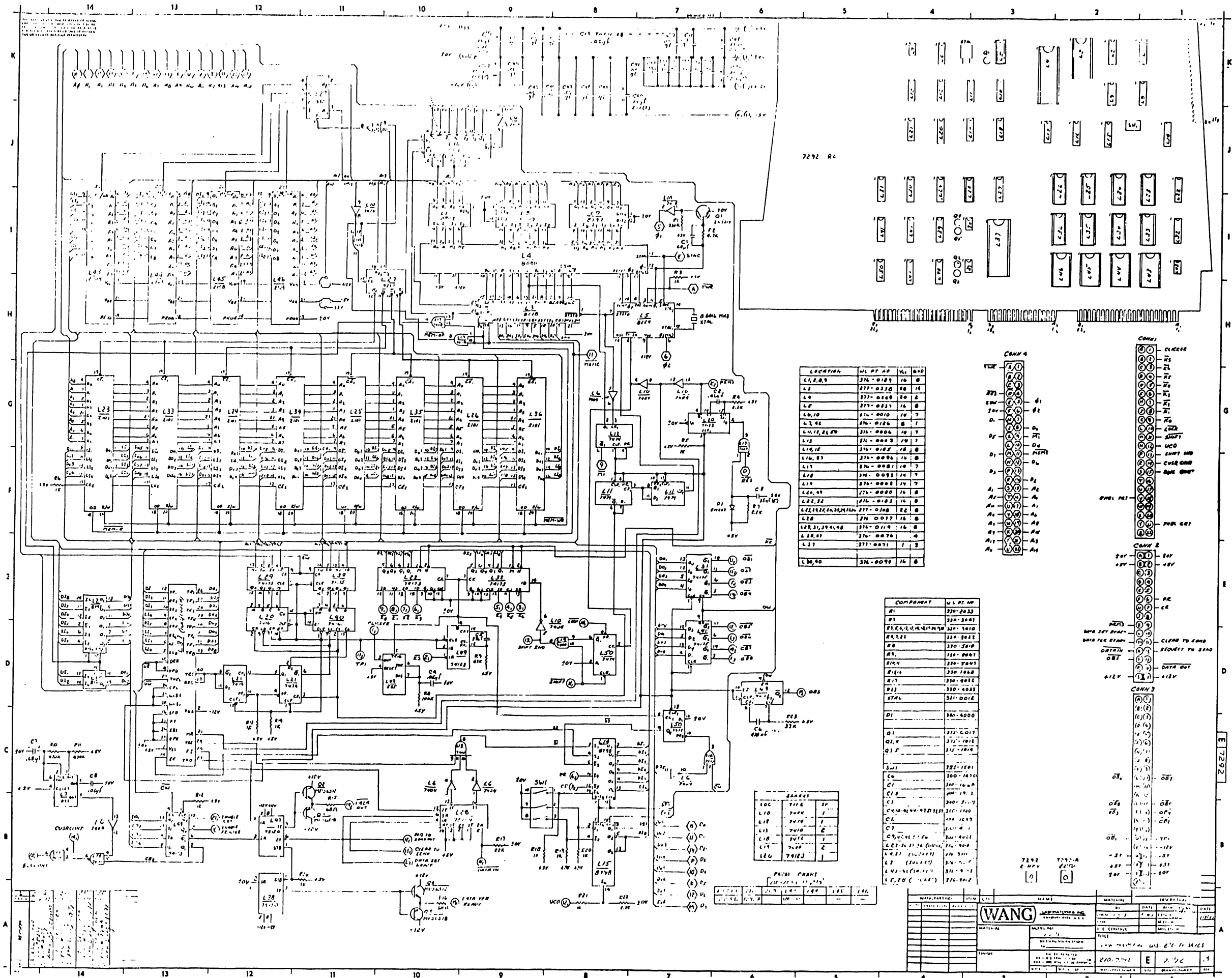
ECN

1	REVISED FOR...
2	REVISED FOR...
3	REVISED FOR...

ECN

WANG PART NO.	ITEM	QTY.	NAME	MATERIAL	DATE	DESCRIPTION
WANG	WANG		WANG	WANG		WANG

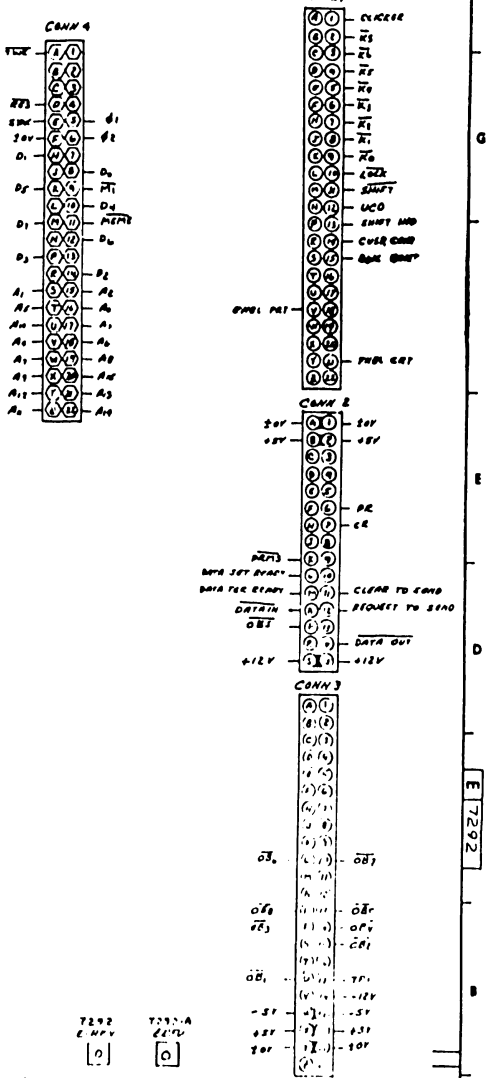
DATE: 8-27-68
 BY: J. B. WANG
 TITLE: INTERACTIVE TERMINAL
 PROJECT: LA INTER BOARD
 PART: 7291
 REV: 2



LOCATION	W/L P/N	QTY	QTY
L1,2,3,4	376-0187	16	8
L5	377-0230	16	8
L6	377-0269	20	8
L7	379-0237	16	8
L8,10	376-0010	16	7
L9,11	376-0186	16	7
L12,13,14,15	376-0003	16	7
L16	376-0187	16	8
L17,18	376-0006	16	8
L19	376-0007	16	7
L20	376-0093	16	7
L21	376-0008	16	7
L22,23	376-0103	16	8
L24,25,26,27,28,29,30,31,32	377-0308	82	8
L33	376-0077	16	8
L34,35,36,37,38	376-0119	16	8
L39,40	376-0076	8	8
L41	377-0071	1	8
L42,43	376-0076	16	8

COMPONENT	W/L P/N
R1	330-2633
R2	330-3041
R3,4,5,6,7,8,9,10,11,12,13,14,15,16,17,18,19,20,21,22,23,24,25,26,27,28,29,30,31,32,33,34,35,36,37,38,39,40,41,42,43,44,45,46,47,48,49,50,51,52,53,54,55,56,57,58,59,60,61,62,63,64,65,66,67,68,69,70,71,72,73,74,75,76,77,78,79,80,81,82,83,84,85,86,87,88,89,90,91,92,93,94,95,96,97,98,99,100,101,102,103,104,105,106,107,108,109,110,111,112,113,114,115,116,117,118,119,120,121,122,123,124,125,126,127,128,129,130,131,132,133,134,135,136,137,138,139,140,141,142,143,144,145,146,147,148,149,150,151,152,153,154,155,156,157,158,159,160,161,162,163,164,165,166,167,168,169,170,171,172,173,174,175,176,177,178,179,180,181,182,183,184,185,186,187,188,189,190,191,192,193,194,195,196,197,198,199,200,201,202,203,204,205,206,207,208,209,210,211,212,213,214,215,216,217,218,219,220,221,222,223,224,225,226,227,228,229,230,231,232,233,234,235,236,237,238,239,240,241,242,243,244,245,246,247,248,249,250,251,252,253,254,255,256,257,258,259,260,261,262,263,264,265,266,267,268,269,270,271,272,273,274,275,276,277,278,279,280,281,282,283,284,285,286,287,288,289,290,291,292,293,294,295,296,297,298,299,300,301,302,303,304,305,306,307,308,309,310,311,312,313,314,315,316,317,318,319,320,321,322,323,324,325,326,327,328,329,330,331,332,333,334,335,336,337,338,339,340,341,342,343,344,345,346,347,348,349,350,351,352,353,354,355,356,357,358,359,360,361,362,363,364,365,366,367,368,369,370,371,372,373,374,375,376,377,378,379,380,381,382,383,384,385,386,387,388,389,390,391,392,393,394,395,396,397,398,399,400,401,402,403,404,405,406,407,408,409,410,411,412,413,414,415,416,417,418,419,420,421,422,423,424,425,426,427,428,429,430,431,432,433,434,435,436,437,438,439,440,441,442,443,444,445,446,447,448,449,450,451,452,453,454,455,456,457,458,459,460,461,462,463,464,465,466,467,468,469,470,471,472,473,474,475,476,477,478,479,480,481,482,483,484,485,486,487,488,489,490,491,492,493,494,495,496,497,498,499,500,501,502,503,504,505,506,507,508,509,510,511,512,513,514,515,516,517,518,519,520,521,522,523,524,525,526,527,528,529,530,531,532,533,534,535,536,537,538,539,540,541,542,543,544,545,546,547,548,549,550,551,552,553,554,555,556,557,558,559,560,561,562,563,564,565,566,567,568,569,570,571,572,573,574,575,576,577,578,579,580,581,582,583,584,585,586,587,588,589,590,591,592,593,594,595,596,597,598,599,600,601,602,603,604,605,606,607,608,609,610,611,612,613,614,615,616,617,618,619,620,621,622,623,624,625,626,627,628,629,630,631,632,633,634,635,636,637,638,639,640,641,642,643,644,645,646,647,648,649,650,651,652,653,654,655,656,657,658,659,660,661,662,663,664,665,666,667,668,669,670,671,672,673,674,675,676,677,678,679,680,681,682,683,684,685,686,687,688,689,690,691,692,693,694,695,696,697,698,699,700,701,702,703,704,705,706,707,708,709,710,711,712,713,714,715,716,717,718,719,720,721,722,723,724,725,726,727,728,729,730,731,732,733,734,735,736,737,738,739,740,741,742,743,744,745,746,747,748,749,750,751,752,753,754,755,756,757,758,759,760,761,762,763,764,765,766,767,768,769,770,771,772,773,774,775,776,777,778,779,780,781,782,783,784,785,786,787,788,789,790,791,792,793,794,795,796,797,798,799,800,801,802,803,804,805,806,807,808,809,810,811,812,813,814,815,816,817,818,819,820,821,822,823,824,825,826,827,828,829,830,831,832,833,834,835,836,837,838,839,840,841,842,843,844,845,846,847,848,849,850,851,852,853,854,855,856,857,858,859,860,861,862,863,864,865,866,867,868,869,870,871,872,873,874,875,876,877,878,879,880,881,882,883,884,885,886,887,888,889,890,891,892,893,894,895,896,897,898,899,900,901,902,903,904,905,906,907,908,909,910,911,912,913,914,915,916,917,918,919,920,921,922,923,924,925,926,927,928,929,930,931,932,933,934,935,936,937,938,939,940,941,942,943,944,945,946,947,948,949,950,951,952,953,954,955,956,957,958,959,960,961,962,963,964,965,966,967,968,969,970,971,972,973,974,975,976,977,978,979,980,981,982,983,984,985,986,987,988,989,990,991,992,993,994,995,996,997,998,999,1000	

LOC	TYPE	VAL
L10	7000	1
L12	7000	1
L13	7000	1
L14	7000	1
L15	7000	1
L16	7000	1
L17	7000	1
L18	7000	1
L19	7000	1
L20	7000	1
L21	7000	1
L22	7000	1
L23	7000	1
L24	7000	1
L25	7000	1
L26	7000	1
L27	7000	1
L28	7000	1
L29	7000	1
L30	7000	1
L31	7000	1
L32	7000	1
L33	7000	1
L34	7000	1
L35	7000	1
L36	7000	1
L37	7000	1
L38	7000	1
L39	7000	1
L40	7000	1
L41	7000	1
L42	7000	1
L43	7000	1
L44	7000	1
L45	7000	1
L46	7000	1
L47	7000	1
L48	7000	1
L49	7000	1
L50	7000	1
L51	7000	1
L52	7000	1
L53	7000	1
L54	7000	1
L55	7000	1
L56	7000	1
L57	7000	1
L58	7000	1
L59	7000	1
L60	7000	1
L61	7000	1
L62	7000	1
L63	7000	1
L64	7000	1
L65	7000	1
L66	7000	1
L67	7000	1
L68	7000	1
L69	7000	1
L70	7000	1
L71	7000	1
L72	7000	1
L73	7000	1
L74	7000	1
L75	7000	1
L76	7000	1
L77	7000	1
L78	7000	1
L79	7000	1
L80	7000	1
L81	7000	1
L82	7000	1
L83	7000	1
L84	7000	1
L85	7000	1
L86	7000	1
L87	7000	1
L88	7000	1
L89	7000	1
L90	7000	1
L91	7000	1
L92	7000	1
L93	7000	1
L94	7000	1
L95	7000	1
L96	7000	1
L97	7000	1
L98	7000	1
L99	7000	1
L100	7000	1

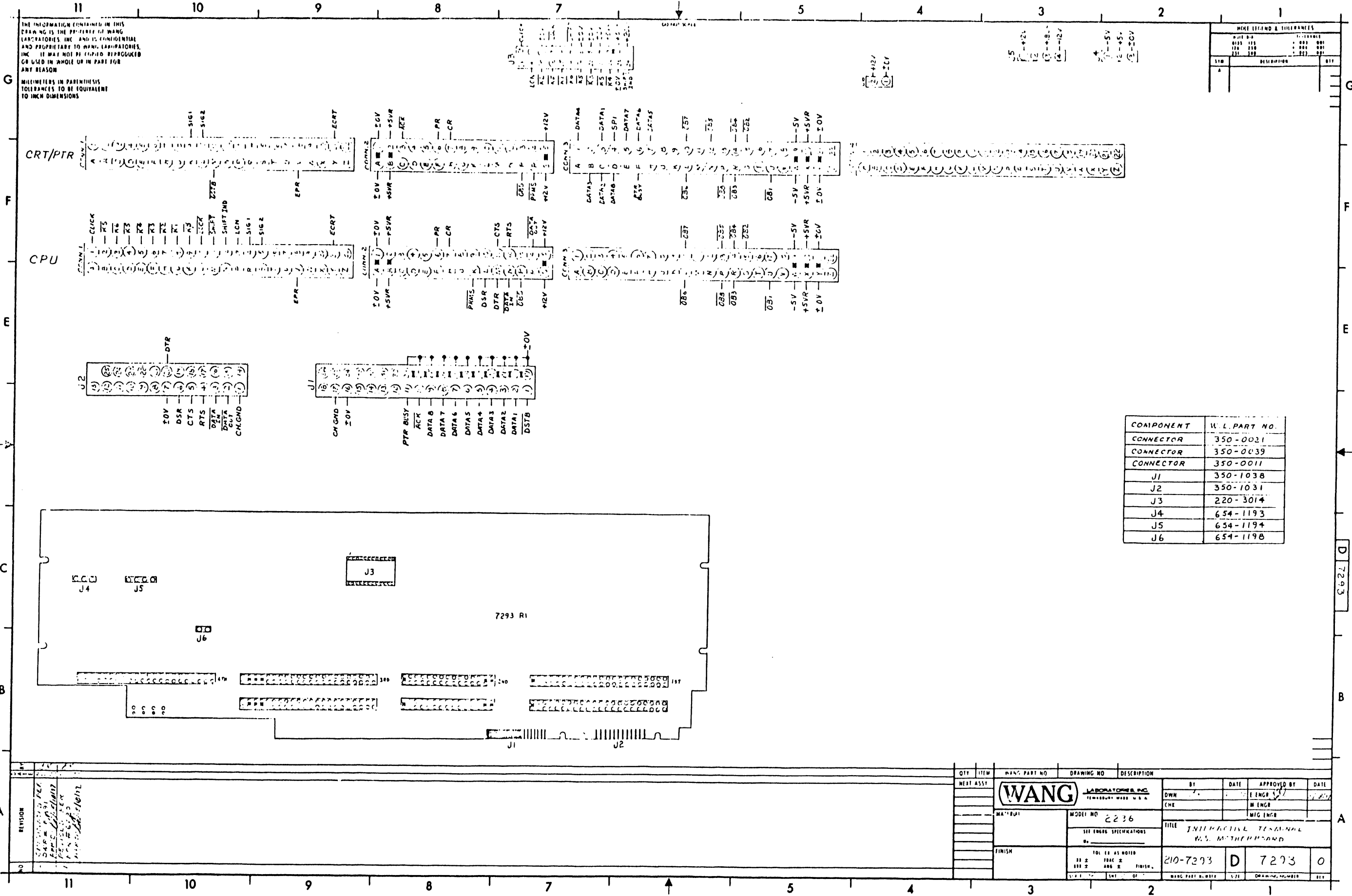


WANG CORPORATION 210-7141 E		DATE: 11/11/64 TIME: 10:30 AM DRAWN: J. J. C. CHECKED: J. J. C. APPROVED: J. J. C. TITLE: 210-7141 E
---------------------------------------	--	---

THE INFORMATION CONTAINED IN THIS DRAWING IS THE PROPERTY OF WANG LABORATORIES, INC. AND IS CONFIDENTIAL AND PROPRIETARY TO WANG LABORATORIES, INC. IT MAY NOT BE REPRODUCED OR USED IN WHOLE OR IN PART FOR ANY REASON.

MILLIMETERS IN PARENTHESIS, TOLERANCES TO BE EQUIVALENT TO INCH DIMENSIONS

MATE LIST AND TOLERANCES		
SYM	DESCRIPTION	QTY
A		



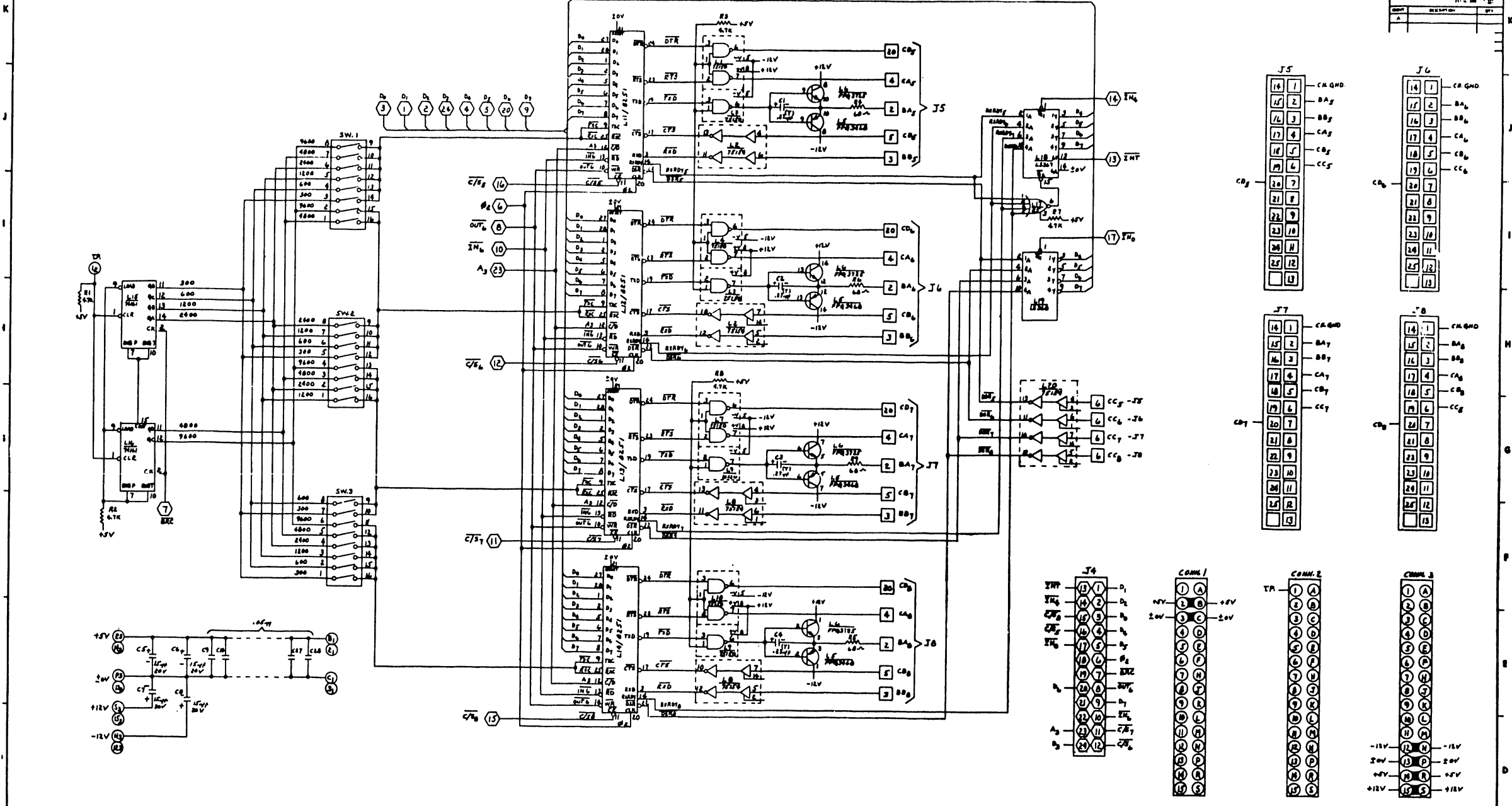
COMPONENT	W. L. PART NO.
CONNECTOR	350-0031
CONNECTOR	350-0039
CONNECTOR	350-0011
J1	350-1038
J2	350-1031
J3	220-3014
J4	654-1193
J5	654-1194
J6	654-1198

REV	DATE	BY	DESCRIPTION
1	11/17/72	DWN	INITIATIVE TERMINAL
2	11/22/72	CHG	REVISED

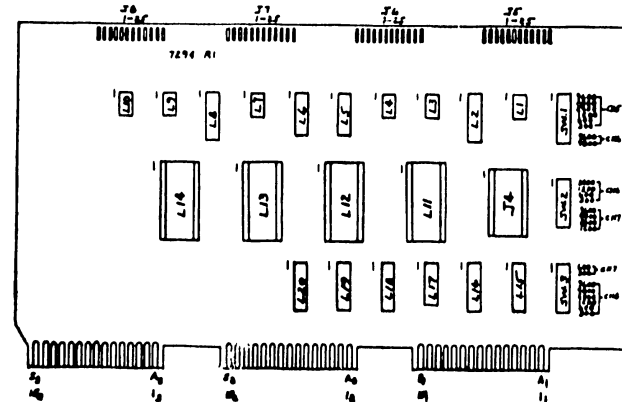
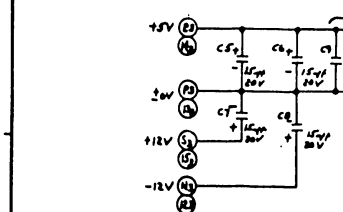
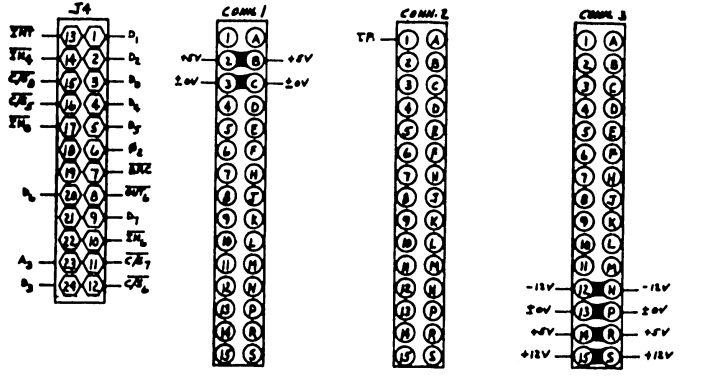
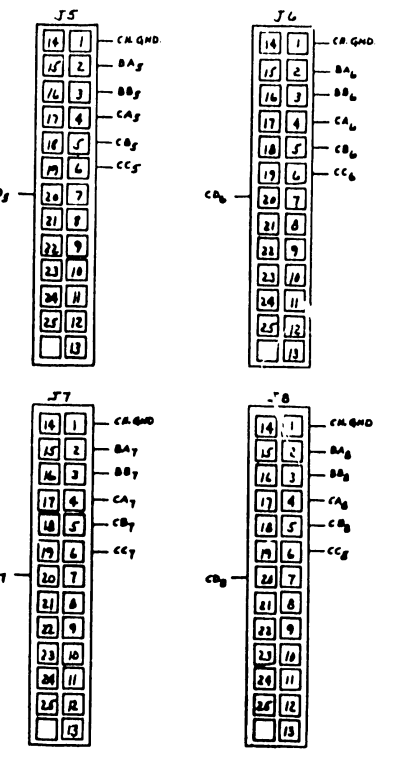
QTY	ITEM	WANG PART NO.	DRAWING NO.	DESCRIPTION

WANG LABORATORIES, INC. TEMPE, ARIZ. U.S.A.		BY	DATE	APPROVED BY	DATE
MODEL NO. 2236		DWN	11/22/72	E ENGR	11/22/72
SEE ENGR SPECIFICATIONS		CHG		M ENGR	
FINISH				MFG ENGR	
TITLE		INITIATIVE TERMINAL			
DRAWING NO.		210-7293			
REV.		D			
DWT		7293			
REV. NO.		0			

THIS SHEET IS THE PROPERTY OF WANG LABORATORIES, INC. AND SHALL NOT BE REPRODUCED OR TRANSMITTED IN ANY FORM OR BY ANY MEANS, ELECTRONIC OR MECHANICAL, INCLUDING PHOTOCOPYING, RECORDING, OR BY ANY INFORMATION STORAGE AND RETRIEVAL SYSTEM. FOR THE APPLICABLE TERMS, SEE THE APPLICABLE LICENSE AGREEMENT.



HOLE LEGEND	
DRILLED BY	DATE
FINISHED BY	DATE
INSPECTED BY	DATE
APPROVED BY	DATE



LOCATION	VAL. PART. NO.	QTY	VCC
L1,3,5,7,9	376-2076	6	
L2,4,8,10	376-2077	6	12
L6	376-2106	1	
L11-16	377-0319	6	20
L15,16	376-2094	2	16
L17	376-2092	1	16
L18	376-2092	1	16
L19	376-2093	1	16

LOCATION	TYPE	QTY
L17	7425	1
L19	741346	1

COMPONENT	VAL. PART. NO.
L11,12,13	330-2047
R1,2,3,4	330-1468
C1,2,3,4	300-6007
C5,6,7,8	300-4012
C9-10	300-1900
L11-16	377-0319
SW1,2,3	312-1403
J4	330-3019



REV.	DATE	DESCRIPTION
1		ISSUED FOR FABRICATION
2		REVISED PER CHANGE ORDER

WANG	DATE	APPROVED BY	DATE
2236 MHC			
8080 MHC 68010 DAUGHTER BOARD	810-7294		7294

APPENDIX

C

SERVICE

BULLETIN

NO. 80A

EDITED BY CUSTOMER ENGINEERING DIVISION

November 29, 1977

ADDENDUM TO SERVICE BULLETIN #80
FOR 2236 INTERACTIVE TERMINAL

This addendum provides clarification of installation and operating procedures for the 2236 Interactive Terminal and 2236 MXC Controller. The sections contained herein replace the original sections of SB #80.

2.2 DEVICE ADDRESS ASSIGNMENTS

2.2.1 2236 MXC-1

The 2236 MXC-1 normally operates at hardwired addresses 001 and 005. These addresses are for the controller board, NOT for a particular terminal.

If the 2236 MXC-1 is to be used with 2236 Terminal #1 as the Console Input/Output device, the MXC-1 will automatically respond to system initialization and display "READY" on Terminal #1.

In many cases, the 2236 Terminals are used in conjunction with a 2226 User Terminal (which is set for Console Input/Output). In this type of configuration, the MXC-1 must be set to something other than 01/05. This is accomplished by setting the 5-bank address switch on the 7290 board of the 2236 MXC-1. Switches 1, 2, or both may be set. Switches 3, 4 and 5 are not used. Switches 1 and 2 set the high-order address bits 40 and 80.

NOTICE:

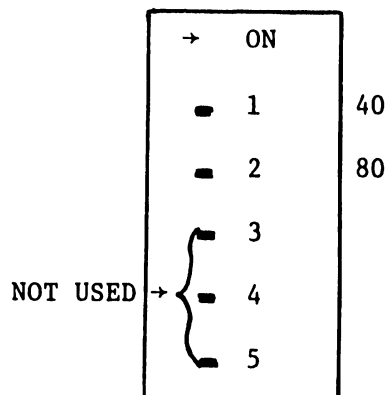
This document is the property of Wang Laboratories, Inc. Information contained herein is considered company proprietary information and its use is restricted solely to the purpose of assisting you in servicing Wang products. Reproduction of all or any part of this document is prohibited without the consent of Wang Laboratories.

WANG

LABORATORIES, INC.

1 INDUSTRIAL AVENUE, LOWELL, MASSACHUSETTS 01851, TEL (617) 851 4111, TWX 710 343 6769, TELEX 94 7421

Printed in U.S.A.
13-210A



Set switches 1 and 2 OFF for a BOARD address of 01/05.

Set switch 1 ON for a BOARD address of 41/45.

Set switch 2 ON for a BOARD address of 81/85.

Set switches 1 and 2 ON for a BOARD address of C1/C5.

The BOARD address is NOT the same as the Terminal address. Once the BOARD is selected, communication to/from the Terminal can begin by using specific I/C operations as described in Section 3.

2.2.2 2236 MXC-2

No address switches are located on the 7294 controller, as the MXC-2 is controlled by the MXC-1 and cannot be addressed directly.

2.5.2 MODEM CABLES

When using modems, connect the modem cable (220-0113) between the 2236 MXC controller and the modem.

At the remote end, also connect a modem cable (220-0113) between the 2236 Terminal and the modem. DO NOT use the 2236 cable (120-2236 series).

SECTION 3 OPERATION

3.1 GENERAL

In a system using all 2236 Terminals (no 2226 type User Terminal), Console Input/Output is assigned to 2236 Terminal #1. This is set by default and CANNOT be changed. Use of the other 2236 Terminals can only be accomplished under program control.

3.2 ACCESSING THE TERMINALS

3.2.1 GENERAL

As described in section 2.2, the 2236 MXC-1 controller has a BOARD address, used to enable the controller. Once the controller is selected, communication to the terminals is accomplished by specific control sequences using \$GIO or PRINT statements. \$GIO is preferred. Do not confuse the method of selecting the controller with the method of selecting a terminal.

Since most installations use a 2226 as Console Input/Output and the 2236 Terminals for software applications, the method of accessing the terminals in this configuration is described. This method can be used in any configuration, however, by changing the high order address bit in the device select statements.

There are specific control sequences which must be performed in order to communicate with the terminal. The control commands may be sent to the MXC-1 by PRINT statements or \$GIO statements. \$GIO is preferred. IMPORTANT - IF PRINT STATEMENTS ARE USED, THE CONTROL CODES MUST BE FOLLOWED BY A SEMICOLON (;). Otherwise, the MXC-1 will "Hang".

3.2.2 CONTROL CODES

Assume the controller address has switch #1 ON and switches #2 through #5 OFF. This sets the 40 bit ON in the address.

There are five different addresses the MXC-1 controller will respond to for one device address setting. Each has a specific function. With address switch #1 ON, the controller will respond to addresses 042, 043, 044, 046 and 047.

The function of the addresses are:

- 1) 046 - Control Command. SELECT PRINT 046, or \$GIO/046 allows the 2200 program to define which terminal is to be communicated with and what tasks it is expected to perform.

In particular,

- a) Cause the flow of data to be directed to and from a particular terminal (select terminal).
 - b) Cause cursor positioning to be performed.
 - c) Define a line request.
 - d) Cause one or all terminals to be initialized.
- 2) 043 - Receive Terminated Line. SELECT PRINT 043, or \$GIO/043 directs the currently selected terminal to transmit a line of data which was terminated by a Hex (0D).
 - 3) 047 - SEND DATA TO CRT. SELECT PRINT 047, or \$GIO/047 allows characters to be transmitted to and displayed on the CRT of the currently selected terminal.
 - 4) 044 - SEND LINE TO SLAVE PRINTER. SELECT PRINT 044, or \$GIO/044 allows data to be transmitted to and printed on the printer ATTACHED to the currently selected TERMINAL.

- 5) 042 - RECEIVE CONTROLLER STATUS. \$GIO/042 ONLY allows the 2200 to receive 32 bytes of status (4 bytes for each of 8 terminals) from the 2236 MXC-1 controller.

3.2.3 SAMPLE TEST PROGRAMS

In general, when programming the 2200 to communicate with a 2236 Terminal, the first programming statement must be a control command.

```
10 SELECT PRINT 046           (selects the MXC for a control
                               command)

20 PRINT HEX (F40T);          (selects the terminal described by
                               T. T is from 1 to 8. To select
                               terminal #2, F402 is used.)

30 PRINT HEX (F9);            (Initializes (clears) terminal
                               selected in statement 20)

40 SELECT PRINT 047           (Selects the MXC to receive data
                               from the 2200, transmit and display
                               the data on the CRT of the selected
                               terminal)

50 PRINT "ANY MESSAGE"        (Prints ANY MESSAGE on the CRT of
                               the current selected terminal)
```

Alternatively, \$GIO could have been used:

```
10 $GIO/046 (40F4 4002 40F9, A$)
40 SELECT PRINT 047
50 PRINT "ANY MESSAGE"
```

3.2.3.1 Outputting Characters to a 2236 Terminal

The following program will fill the CRT of Terminal #2 with X's. (The terminal designation can be changed by changing the "02" in the second microcommand to the number of the terminal desired. In this way, any MXC-1 or MXC-2 connector can be tested even though only one 2236 Terminal is available.):

EXPLANATION OF PROGRAM:

5 DIM W\$33, N\$33, A\$33

Dimensions each character string buffer to 33 characters.

10 \$GIO/046 (40F4 4003 40F9, A\$)

Selects the 2236 Terminal plugged into connector 3 of the 2236 MXC-1 (4003) and clears Terminal #3 (40F9).

20 SELECT PRINT 047

Initializes terminal that has been previously selected for output of data.

30 PRINT "INPUT CHARACTERS"

Prompt sent out to selected terminal.

40 \$GIO/046 (4004 4020 4000 4000, A\$)

Code 4004 causes the 2236 MXC-1 to set up and receive a field of 20 characters (4020). A line request has also been initialized.

50 PRINT HEX (08);

Prefill the previous initialized line with the following characters.

60 \$GIO/046 (40F7 4002 4000, A\$)

Position cursor to row 2 (4002) and column 0 (4000) of CRT, this is where you want prefill to begin.

70 PRINT "XXXX...X"; HEX (0D)

Line is prefilled with all X's and carriage return is given.

80 \$GIO/046 (40F5, A\$)

End of line request.

90 \$GIO/042 (C620, A\$) W\$: IF STR(W\$,3,1)="0" THEN 90

Start inputting characters check to see if line is terminated.

95 A\$=HEX (0D)

A\$ is equal to carriage return.

100 INIT (20) N\$: \$GIO/043 (C630, A\$) N\$

2200 receives the inputted characters from the 2236 MXC.

110 \$GIO/042 (C620, A\$) W\$: IF STR(W\$,27,1) "0" THEN 110

Checks to see if buffer is empty, therefore all characters are input.

120 SELECT PRINT 005

Select 2226 for printing.

130 PRINT "2236 INPUT="; N\$

To check any other terminal, change line 10 to:

10 \$GIO/046 (40F4 400X 40F9, A\$)

X=whichever # connector the terminal wanted to be tested is plugged into.

Also line 90,

IF STR(W\$,X,1) = "0"

X = the same X as in line 10

3.2.3.3 Cursor Positioning

The following program will position 2236 cursor of selected terminal to wherever you want.

Again device address is set at 40 on the controller. Also remembering (4002) selects connector #2 of the controller or whatever controller you happen to be testing.

Command code 40F/ sets the 2236 up for cursor positioning. In the program above, the cursor will move 20 rows down (4020) and 10 columns across (4010). Any number from 0-23 rows may be chosen and 0-79 columns.

3.3 DETAILED DESCRIPTION OF COMMAND CODES AND PROGRAMMING SEQUENCES

3.3.1 ADDRESS HEX (06), (46), (B6) OR (C6)

3.3.1.1 Select Terminal Hex (F4XX)

Whenever a command code of F4 is received, the next byte will determine to which terminal communication is to be directed to or received from. The data byte must be a hexadecimal representation of the desired terminal (i.e., 01 = terminal #1, 02 = terminal #2, ..., 08 = terminal #8). For the remainder of this memo, the current terminal is the last SELECTed terminal.

Example, select terminal #1

- a) 10 SELECT PRINT 006
20 PRINT HEX (F401);
or
- b) 10 \$GIO/006 (40F4 4001, Q6\$)

3.3.1.2 Position Cursor HEX (F7XXYY)

A command code of F7 will cause the CRT of the current terminal to be positioned at row XX and column YY. XX and YY must be hexadecimal representation of the desired row or column. The 2236 Interactive Terminal has 24 rows, numbered 0 to 23; and 80 columns, numbered 0 to 79.

Example, position cursor of current terminal at row 10 column 32.

```
10 SELECT PRINT 006
20 PRINT HEX (F70A20);
or
10 DIM R$3
20 R$ = HEX (F7)
30 BIN(STR(R$,2,1)) = 10
40 BIN(STR(R$,3,1)) = 32
50 $GIO/006 (A000, B$) R$
or
10 $GIO/006 (40F7 400A 4020, Q6$)
```

3.3.1.3 Initialize All Terminals HEX (F8)

This command will cause the screens of all terminals to be cleared, and pending requests and input buffer data to be cleared.

Example, clear the screens and buffers of all terminals.

```
10 SELECT PRINT 006
20 PRINT HEX (F8);
or
10 $GIO/006 (40F8, Q6$)
```

3.3.1.4 Initialize Current Terminal HEX (F9)

This command will cause the CRT screen, pending request and input buffer of current terminal, to be cleared.

Example,

```
100 SELECT PRINT 006
110 PRINT HEX (F9);
or
110 $GIO/006 (40F9, Q6$)
```

3.3.1.5 Request Line HEX (03XXAABB)

A command code of 03 will cause the 2236 MXC to setup to receive a field of up to XX characters (a hexadecimal representation of the count, not to exceed 216) starting from the current CRT cursor

position for the currently selected terminal. All field entries will be forced to stay within the field limits. A line request is active until either a carriage return or a special function key is entered. Edit mode may be initiated (BB = 01) or suppressed (BB = 00). The characters previously stored in the keyboard soft buffer may (AA = 01) or may not (AA = 00) be allowed to be treated as entered characters for the line. (In other words, keystrokes received prior to a line request being set, can be either received as part of the line or deleted.) If deleted, they are never echoed back to be displayed on the CRT.

Example, from the current position of the current terminal setup a line request of 20 characters, currently buffered characters may be treated as valid keystrokes and suppress edit mode.

```
10 SELECT PRINT 006
20 PRINT HEX (03140100);
or
10 $GIO/006 (4003 4014 4001 4000, Q6$)
or
10 C$ = HEX (03)
20 BIN(STR(C$,2,1)) = 20
30 STR(C$,3,2) = HEX (0100)
40 $GIO/006 (A000, B$) C$ 1,4
```

There are 4 variations of the line request command. These are programmed in the above manner with only 1 change.

- a) Command 03 - Set up line request echo characters only.
(i.e., no underline)
- b) Command 04 - Set up line request echo characters with underline.
- c) Command 05 - Set up line request echo characters only and initialize field with spaces on CRT.
- d) Command 06 - Set up line request echo characters with underline and initialize the field with underlined spaces on CRT.

3.3.1.6 Initialize Line Request HEX (07XXXX...FF0D)

A command code of 07 is used after a line request command of HEX (03) or HEX (04) to initialize the desired line on the CRT with the supplied characters XXX... starting with the leftmost position in the field. Any non-space characters received are treated as protected characters and are automatically skipped over in entry mode. The string of characters is terminated by a carriage return (0D) or a HEX (FF) code. The cursor is positioned at the leftmost non-protected character.

Example, setup a line request to receive today's data in the form of MM/DD/YY.

```
90 SELECT PRINT 006
100 PRINT HEX (04080000);
110 PRINT HEX (07); " / / "; HEX (0D);
or
110 PRINT HEX (07); " / / "; HEX (FF);
or
110 A$ = " / / ":STR(A$, 9, 1) = HEX (FF)
120 $GIO/006 (4007 A000, Q6$) A$
```

3.3.1.7 PREFILL REQUEST LINE HEX (08XXXX...0D)

A command code of 08 can be sent either after a line request command 03 or 04 or immediately after an Initialize Line Request Command 07 to prefill the desired line with the supplied characters XXX... starting with the leftmost position. The characters are treated as keystrokes and will skip over protected characters, if any exist. The cursor is left at the leftmost non-protected character. The string of characters is terminated by a carriage return, HEX (0D).

Example, initialize today's date as 06/03/77

assuming line request has been made and initialized

```
100 SELECT PRINT 006
110 PRINT HEX (08); "060377"; HEX (0D);
or
110 A$ = "060377":STR(A$, 7, 1) = HEX (0D)
120 $GIO/006 (4008 A000, Q6$) A$
```

3.3.1.8 End of Line Request Sequence HEX (F5)

A special command must be supplied to signal the end of a line request sequence which consists of the setup, any initializes and pre-filling desired. Thus a line request, plus any initialization command may be sent out in several statements or as one string of characters in one statement. The last command sent however, must be a HEX (F5), to signal the microcode to invoke the line request.

Example,

assuming setup, initializes and prefill are complete.

```
100 SELECT PRINT 006
110 PRINT HEX (F5);
or
110 $GIO/006 (40F5, Q6$)
```

3.3.2 ADDRESS HEX (07), (47), (87) OR (C7), SEND DATA TO CRT

Address 07 is used to transmit characters to be displayed onto the CRT of the current terminal. Since the CRT output buffer in the controller is limited to 512 characters, it is generally most efficient to send CRT output of blocks 512 bytes or less, waiting for ready (buffer empty) prior to sending the next block. (Or else the CPU will be hung up awaiting the buffer to empty.)

Example,

```
100 SELECT PRINT 007
110 PRINT HEX (030A0A0A0A); TAB (10); "NAME", TAB (30);
    "ADDRESS" etc.
```

3.3.3 ADDRESS HEX (04), (44), (84) OR (C4), SEND LINE TO SLAVE PRINTER

Address 04 is similar to address 07 except that the characters are directed to the printer of the current terminal. Print data is sent a line at a time (up to 160 characters). A test for ready

(printer buffer empty) should be made prior to sending out the next print line for efficient operation. (Or else the CPU will be hung up awaiting the buffer to empty.)

Example,

```
100 SELECT PRINT 204
110 PRINT HEX (0C); "NAME"; N$
120 PRINT "ADDRESS"; A$
```

3.3.4 ADDRESS HEX (03), (43), (83) OR (C3), RECEIVE TERMINATED LINE

Address 03 is used to get the data associated with the terminated line request of the currently selected terminal into the 2200. This will be done by a program after a status check indicating a line has been received and terminated. The alphanumeric variable or array setup to receive the line should be sufficiently large to receive the entire line. If it is not, the additional characters will be truncated.

Example,

```
100 $GIO/003 (C620, Q6$) W$ (line terminated with SF Key)
or
100 Q6$ = HEX (0D) (line terminated with SF key or CR)
110 $GIO/003 (C630, Q6$) W$
```

Termination by either a special function key or a special character, HEX (0D), is determined by the 8th byte of the Arg-2 variable, Q6\$.

If the 20-bit is on, termination was by special function key.

If the 40-bit is on, termination was by the special character, HEX (0D).

```
100 AND(STR(Q6$, 8, 1), 60)
110 ON VAL(STR(Q6$, 8, 1)) /32 GOTO 200, 300
.
.
.
200 REM TERMINATED BY SPECIAL FUNCTION KEY
.
.
.
300 REM TERMINATED BY SPECIAL CHARACTER
.
.
.
```

3.3.5 DELETE CURRENT LINE REQUEST HEX (0C)

This command is similar to the initialize current terminal except the CRT screen is not cleared.

Example,

```
100 SELECT PRINT 006
110 PRINT HEX (0C);
or
110 $GIO/006 (400C, Q6$)
```

3.3.6 ADDRESS HEX (02), (42), (82) OR (C2), RECEIVE CONTROLLER STATUS

Address 02 is used to report the statuses of the various buffers to the 2200. When enabled by address 02, the 2236 MXC will send 32 bytes of data and 1 ENDI data byte to be used as a terminator for the input sequence.

<u>Bytes</u>	<u>Buffer</u>	<u>Explanation (HEX Value)</u>
1-8	Line Request	30 - no terminated line request this terminal. 31 - terminated line request this terminal.

<u>Bytes</u>	<u>Buffer</u>	<u>Explanation (HEX Value)</u>
9-16	Terminal On/Off Status	30 - this terminal not powered on. 31 - this terminal powered on.
17-24	CRT	30 - buffer empty this terminal. 31 - buffer not empty this terminal.
25-32	PRINTER	30 - buffer empty this terminal. 31 - buffer not empty this terminal.
33	ENDI Terminator	

Example,

Is the CRT buffer of terminal #4 empty?

```

5 DIM W$ 33
10 $GIO/002 (C620, Q6$) W$
20 IF STR (W$,20,1) = "0" THEN 40
30 GOTO 10
40 REM

```

3.4 MISCELLANEOUS

3.4.1

There are generally three means of communicating with the 2236 MXC. The three methods are:

- 1) \$GIO
- 2) PRINT HEX (
- 3) PRINT ALPHA-VARIABLE OR PRINTUSING ALPHA-VARIABLE

\$GIO is the recommended method and must be used if control information is sent out via alpha-variable.

3.4.2 SYSTEM HANG-UP

If system CPU hangs up while running a program and the CPU RESET button will not reset the CPU, the system will have to be powered down and reinitialized.

It is recommended that before running any programs that you don't want to be destroyed, store these programs on disk or storage media available.

An ECN will follow to correct the hangup condition of the CPU.

7.3.1 2236 TERMINAL

The terminal can be tested functionally by inserting a "loopback" connector on the rear panel. The loopback connector is an RS-232-C connector with pins 2 and 3 connected together, pins 4 and 5 connected together, and pins 6, 8 and 20 connected together. With the loopback connector installed, keys depressed on the keyboard will be echoed back and displayed on the CRT.

This procedure will not completely check the 2236 Terminal, but will verify that approximately 95% of the 2236 is functioning properly.



LABORATORIES, INC

ONE INDUSTRIAL AVENUE, LOWELL, MASSACHUSETTS 01851. TEL (617) 459-5000. TWX 710 343-6789. TELEX 94-7421

PRINTED IN U.S.A.

END