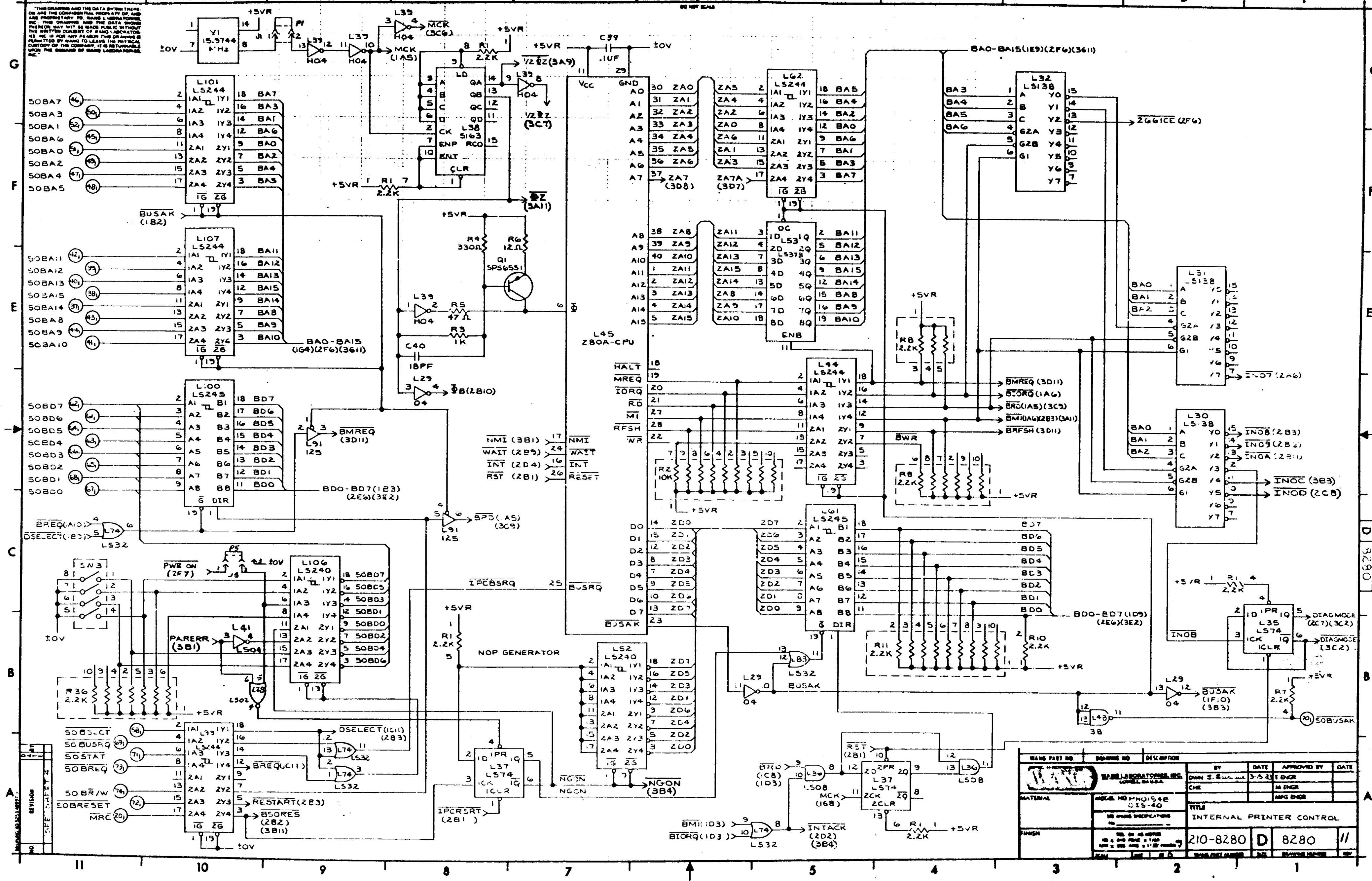
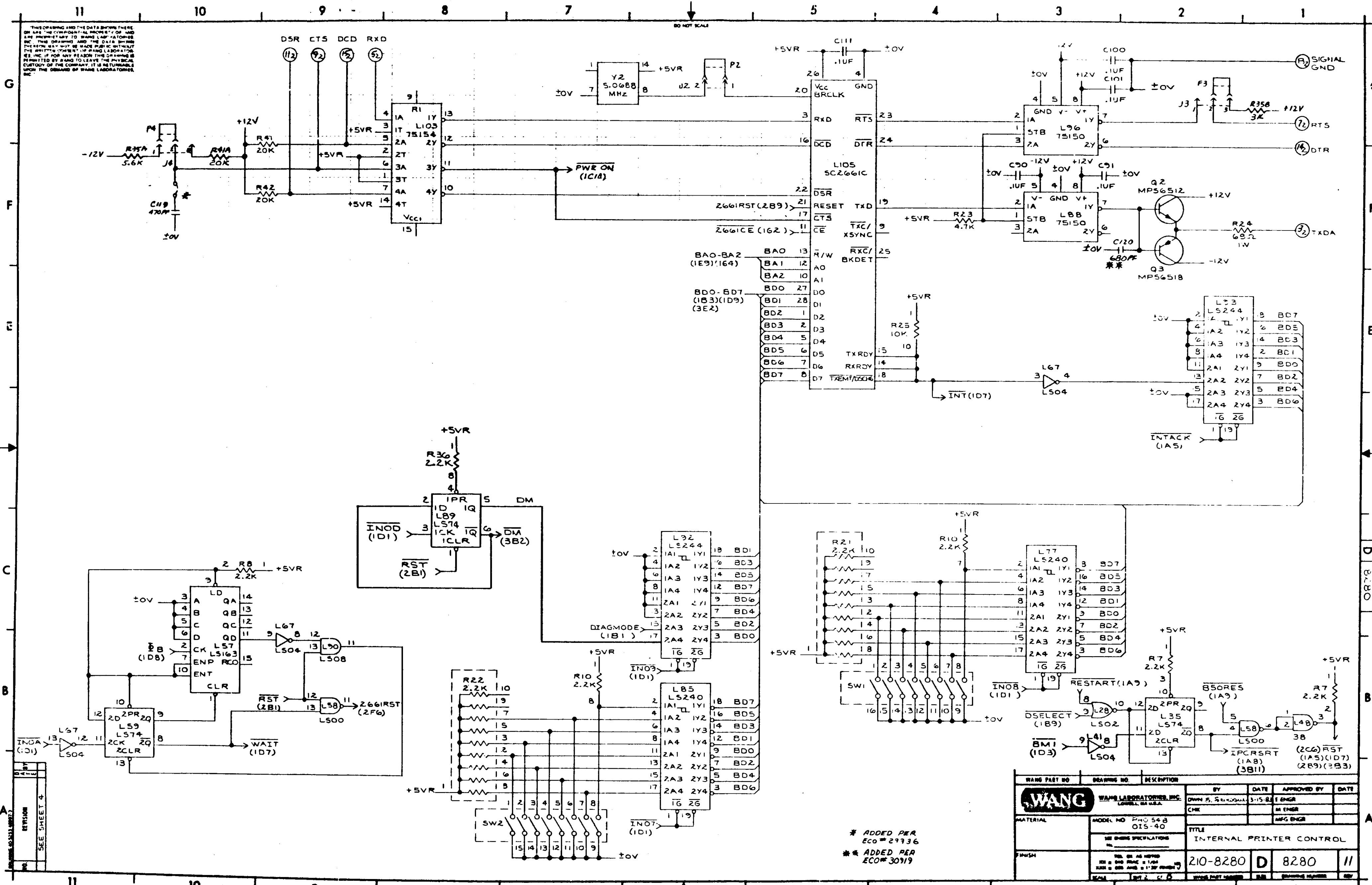


THIS DRAWING AND THE DATA THEREON ARE THE CONFIDENTIAL PROPERTY OF AND ARE PROVIDED TO YOU BY RADLABORATORIES, INC. THIS DRAWING AND THE DATA THEREON MAY NOT BE REPRODUCED OR TRANSMITTED IN ANY FORM OR BY ANY MEANS, ELECTRONIC OR MECHANICAL, INCLUDING PHOTOCOPYING, RECORDING, OR BY ANY INFORMATION STORAGE AND RETRIEVAL SYSTEM, WITHOUT THE WRITTEN CONSENT OF RADLABORATORIES, INC. IF YOU ARE A CONTRACTOR OF THE COMPANY, IT IS YOUR OBLIGATION TO MAINTAIN THE CONFIDENTIALITY OF THIS DRAWING AND THE DATA THEREON AND TO NOTIFY THE COMPANY IMMEDIATELY IN WRITING IF YOU BECOME AWARE OF ANY UNAUTHORIZED DISCLOSURE OF THIS DRAWING AND THE DATA THEREON TO ANY OTHER PERSON OR ENTITY. THE COMPANY SHALL NOT BE LIABLE FOR ANY DAMAGES, INCLUDING REASONABLE ATTORNEY'S FEES, ARISING OUT OF OR FROM THE USE OF THIS DRAWING AND THE DATA THEREON.



DATE	BY	DATE	APPROVED BY	DATE
3-5-83	ENGR			
	ENGR			
	ENGR			
TITLE				
INTERNAL PRINTER CONTROL				
PART NO. 210-8280				
REV. 1				

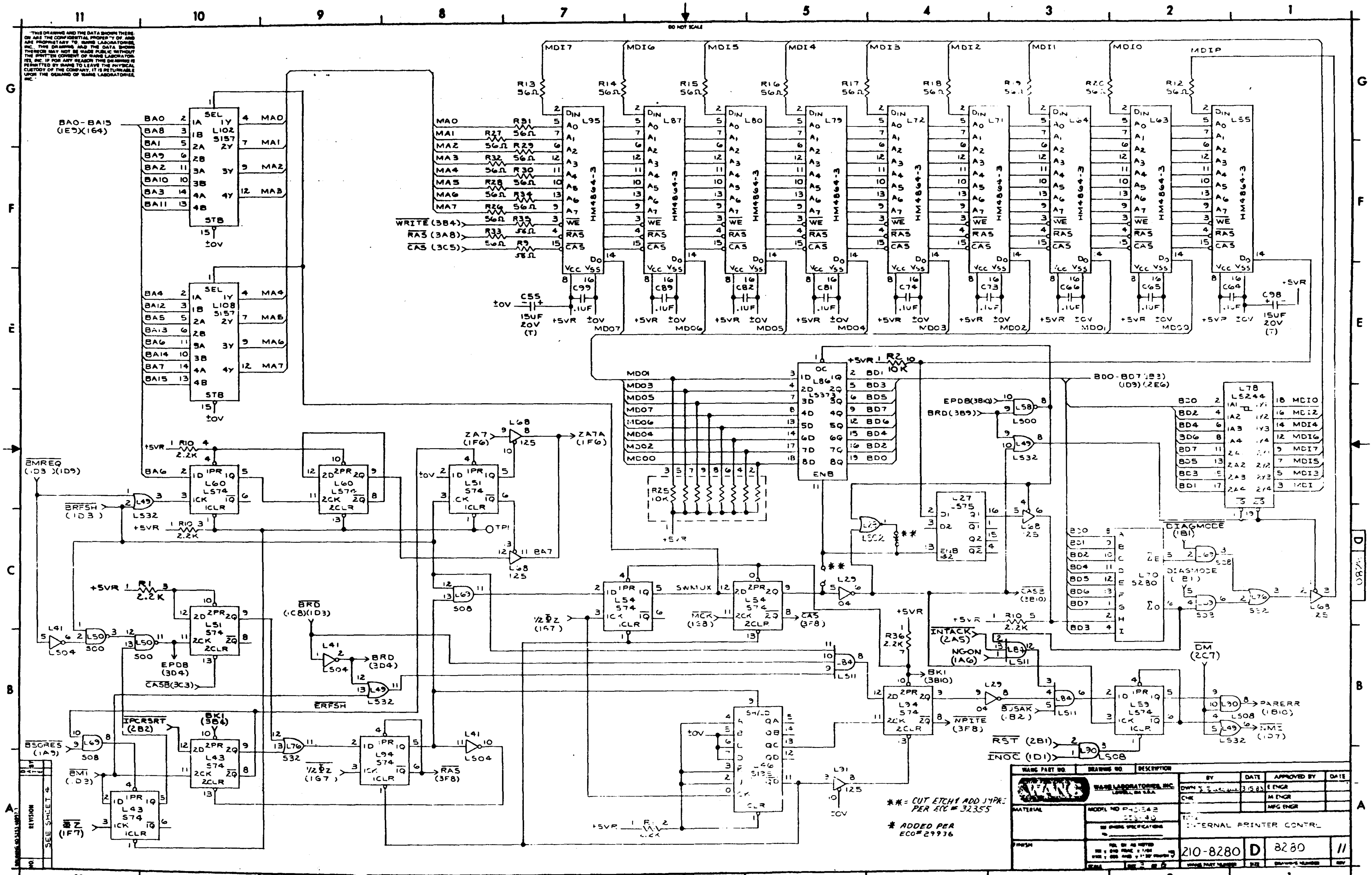
THIS DRAWING AND THE DATA SHOWN THERE ON ARE THE PROPRIETARY PROPERTY OF WANG LABORATORIES, INC. AND ARE NOT TO BE REPRODUCED OR TRANSMITTED IN ANY FORM OR BY ANY MEANS, ELECTRONIC OR MECHANICAL, INCLUDING PHOTOCOPYING, RECORDING, OR BY ANY INFORMATION STORAGE AND RETRIEVAL SYSTEM. THE WRITERS' STATEMENT OF WORK LABORATORIES, INC. IS NOT TO BE REPRODUCED OR TRANSMITTED IN ANY FORM OR BY ANY MEANS, ELECTRONIC OR MECHANICAL, INCLUDING PHOTOCOPYING, RECORDING, OR BY ANY INFORMATION STORAGE AND RETRIEVAL SYSTEM. IF FOR ANY REASON THE DRAWING IS PRINTED BY WANG TO LEAVE THE PHYSICAL CUSTODY OF THE COMPANY, IT IS RETURNABLE UPON THE DEMAND OF WANG LABORATORIES, INC.



WANG PART NO	DRAWING NO.	DESCRIPTION	BY	DATE	APPROVED BY	DATE
			DENNIS S. SULLIVAN	3-15-82	EMER	
			CHE		IN ENGR	
					MFG ENGR	
MATERIAL	MODEL NO	PHO 548	TITLE			
		DIS-40	INTERNAL PRINTER CONTROL			
FINISH	SEE ENGINE SPECIFICATIONS		210-8280			
	SEE OR AS NOTED		D 8280			
	SEE 2-DWG DRAWING 11/80		11			
	SEE 2-DWG AND 11-20P DRAWING					

* ADDED PER ECO# 29336
 ** ADDED PER ECO# 30919

THIS DRAWING AND THE DATA SHOWN THEREON ARE THE CONFIDENTIAL PROPERTY OF AMES RESEARCH LABORATORIES, INC. THIS DRAWING AND THE DATA SHOWN THEREON MAY NOT BE MADE PUBLIC WITHOUT THE WRITTEN CONSENT OF AMES RESEARCH LABORATORIES, INC. IF FOR ANY REASON THIS DRAWING IS REPRODUCED BY ANYONE LEAVING THE PHYSICAL CUSTODY OF THE COMPANY, IT IS RETURNABLE UPON THE DEMAND OF AMES RESEARCH LABORATORIES, INC.



** = CUT ETCH! ADD 14PC PER ECO # 32355
 * ADDED PER ECO # 29936

REVISION	DATE	BY	DATE	APPROVED BY	DATE
1					
2					
3					
4					
5					
6					
7					
8					
9					
10					
11					

WAVE	AMES RESEARCH LABORATORIES, INC. 11960 SANTA FE BLVD SAN RAMON, CA 94583	BY: DWN	DATE: 3/5/81	ENGR: E
MATERIAL:	MODEL NO: P-3543	CHK: CWR	DATE: 3/5/81	MFG ENGR:
DESCRIPTION:	INTERNAL PRINTER CONTRL	DATE: 3/5/81	DATE: 3/5/81	DATE: 3/5/81
REV: 11	REV: 11	REV: 11	REV: 11	REV: 11
210-8280	D	8280	//	

