

December 15, 1977

## MODEL 2270A IBM COMPATIBLE SHUGART DISK SYSTEM

This bulletin contains preliminary information describing the 2270A IBM compatible diskette system, which is usable on Wang 2200T, 2200VP, or 2200S with Option 24 as the primary storage device. More detailed information will be forthcoming in future publications.

**NOTE:**

In order to function properly, ribbon cable connectors must be at, or updated to, E-Rev 2:

210-6767.....ECN 6976

210-6766.....ECN 6977

The 7218 board be at E-REV 3 to avoid Phase Lock Loop sync problems (ECN 7821).

These ECN's are included in the appendix.

**NOTICE:**

This document is the property of Wang Laboratories, Inc. Information contained herein is considered company proprietary information and its use is restricted solely to the purpose of assisting you in servicing Wang products. Reproduction of all or any part of this document is prohibited without the consent of Wang Laboratories.

**WANG**

LABORATORIES, INC.

1 INDUSTRIAL AVENUE, LOWELL, MASSACHUSETTS 01851, TEL (617) 851-4111, TWX 710 343-6769, TELEX 94-7421

Printed in U.S.A.  
13-210A

## TABLE OF CONTENTS

1.	MODEL 2270A IBM-COMPATIBLE DISKETTE DRIVE.....	5
1.1	OVERVIEW.....	5
1.2	AUTOMATIC HARDWARE COMPATIBILITY.....	5
1.3	2270A SOFTWARE.....	6
1.4	DISKETTE CONVERSION.....	8
1.5	IBM 3740 DATA ENTRY STATIONS.....	9
1.6	PHYSICAL CHARACTERISTICS OF THE DISKETTES.....	9
2.	DESCRIPTION (HARDWARE).....	17
2.1	GENERAL.....	17
2.2	DESIGN FEATURES.....	17
3.	INSTALLATION.....	19
4.	OPERATION.....	25
5.	DIAGNOSTICS.....	27
6.	MAINTENANCE.....	31
6.1	MICROPROCESSOR.....	31
6.2	SA901 PREVENTIVE MAINTENANCE.....	31
6.2.1	INTRODUCTION.....	31
6.2.2	PREVENTIVE MAINTENANCE PROCEDURES.....	32
6.2.3	CLEANLINESS.....	32
6.3	TROUBLESHOOTING FLOW CHARTS.....	32
7.	REMOVAL AND INSTALLATION PROCEDURES.....	41
7.1	DRIVE MOTOR.....	41
7.2	CARTRIDGE GUIDE ACCESS.....	41
7.3	LIGHT EMITTING DIODE ASSEMBLY.....	42
7.4	WRITE PROTECT DETECTOR.....	42
7.5	HEAD LOAD ACTUATOR.....	42

7.6	TRACK 0 DETECTOR.....	43
7.7	INDEX/SECTOR PHOTOTRANSISTOR ASSEMBLY.....	44
7.8	CARTRIDGE GUIDE REMOVAL.....	44
7.9	SPINDLE ASSEMBLY.....	45
7.10	FRONT PLATE ASSEMBLY.....	45
7.11	STEPPER/CARRIAGE ASSEMBLY.....	45
7.12	READ/WRITE HEAD LOAD BUTTON.....	47
7.13	CARTRIDGE GUIDE ADJUSTMENT.....	47
8.	PARTS DIAGRAMS.....	49
APPENDIX A	SOFTWARE COMPATIBILITY.....	67
APPENDIX B	RIBBON CABLE CONVERSION R1 to R2.....	78
APPENDIX C	SHUGART LOGIC DIAGRAMS.....	81
50501-0	Logic Manual Index.....	82
50502-0	Functional Diagram.....	83
50503-0	Read/Write/Inop Ckts.....	84
50504-0	Stepper Control.....	85
50505-0	Detectors.....	86
50506-0	Motors/Solenoid/Switch.....	87
50507-0	Interface Inputs.....	88
50508-0	Interface Outputs.....	89
25000-1	Schematic Diagram, Diskette.....	90
6472-61	I/O CABLE ASSY.....	92
7218	IBM 3741 SHUGART BOARD.....	93
APPENDIX D	2270 TO 2270A CONVERSION.....	96
APPENDIX E	ECN's 7218 BOARD.....	97

## 1. MODEL 2270A IBM-COMPATIBLE DISKETTE DRIVE

### 1.1 OVERVIEW

The Wang Model 2270A IBM-Compatible Diskette Drive is physically and functionally identical to the Wang Model 2270, except that the controller in each diskette drive has been modified to automatically handle both IBM 3740 Series diskettes and Wang diskettes. IBM 3740 diskettes, of course, must be previously formatted (initialized) by IBM prior to use on the 2270A. IBM timing mark conventions are followed by the modified controller, and allow supplied 2270A Software to access, modify and create 3740 Series diskette data files. Thus the user can read and process directly from 3740 diskettes. More important, however, are the supplied utility programs which allow all or selected files on an IBM 3740 diskette to be converted to Wang hard disks or diskettes as files in 2200 format, or vice versa. A Wang 2200T or 2200VP is required (or 2200S with Option 24).

Once converted to Wang diskettes, the files can be processed by Wang 2200 computers instead of the IBM computers which presently handle the preprocessing and processing tasks for the IBM 3740 family of Data Entry Stations.

The Wang 2270A is available in one, two, or three drive versions, namely, the 2270A-1, the 2270A-2 and the 2270A-3. One diskette drive must be reserved for 2270A software storage, unless a hard disk is available for the required on-line software storage. This IBM Compatibility feature is field-upgradable on existing 2270's.

### 1.2 AUTOMATIC HARDWARE COMPATIBILITY

Physically, IBM and Wang diskettes have different sector timing marks. To provide compatibility, Model 2270A Controller hardware analyzes the timing marks to sense whether an IBM 3740 diskette or a Wang 2200 diskette has been placed in the diskette drive. Once the

type of diskette is determined, hardware microcode reacts accordingly to provide automatic timing mark compatibility, as if the timing mark difference did not exist.

When a 3740 diskette must be converted or otherwise accessed, the diskette drive used automatically handles the 3740 diskette under the control of supplied 2270A software. In addition, 3740 files previously converted to a Wang diskette may be accessed and processed by simply loading other Wang 2200 software into memory. In this case, the diskette drives of the 2270A handle the Wang diskette as would any 2270, including formatting in the first (fixed) drive. Once the Wang processing operations have been completed, the processed files can be converted back to 3740 diskettes, if necessary, using supplied utility software. Automatic safeguards prevent a 3740 diskette operation from occurring on a Wang diskette, or a Wang operation on a 3740 diskette.

NOTE:

User-programming of the 2270A with 3740 diskettes, other than using supplied 3740 subroutines, is strictly not supported by Wang Laboratories, Inc. This restriction is necessary due to the complexity of handling microcode, the difficulties and dangers of handling the 3740 VTOC entries, and the recording differences in 3740 and 2200 diskettes.

### 1.3 2270A SOFTWARE

The 2270A software provided with each 2270A consists of a comprehensive set of utility programs and subroutines. Conversion functions include the ability to convert (copy) a selected file or all files on a 3740 diskette to a Wang disk or diskette in Wang 2200 format. Similarly, Wang disk or diskette files may also be converted to 3740 diskette files. In addition, subroutines allow the user to access, modify, and create 3740 diskette files.

Thus, the software package allows the user to process 3740 files directly from 3740 diskettes, or process converted 3740 files from Wang diskettes.

### File Maintenance Group

File Maintenance DEFFN' Subroutines provide the means by which existing 3740 diskette data files may be accessed/maintained and also includes the capacity to create new data files in 3740 format. File Maintenance Group software consists of the following functions:

1. Read a sector
2. Write a sector
3. Backspace n sector(s)
4. Skip n sector(s)
5. Reread the last read/written sector
6. Write-end
7. Open (an existing new file)
8. Open new (create a new file)
9. Close a file

These functions are available to the user either directly through the console with operator prompts or indirectly via insertion of statements in the user's BASIC program.

### Diskette Utilities Group

A comprehensive set of Diskette Utility Programs provide the means by which the user may directly (via console) invoke the following utility functions:

1. Convert the data file(s) on an IBM 3740 diskette to Wang 2200 format data files, or vice versa. All or selected files may be copied, and input and output disk addresses are also selected.
2. List the catalog (index) of a 3740 diskette.

3. Read and display on the CRT selected 3740 diskette sector(s).
4. Display on the CRT each sector of a specific 3740 data file which has been converted via the above utility function to a Wang diskette.
5. Copy 2270A Software, which is issued on a diskette, to a selectable hard disk.

#### Diskette Initialization Group

This software was developed for program testing purposes. It creates an image of an initialized 3740 diskette on a 2200 diskette, which mainly consists of the 3740 Volume Table of Contents (VTOC).

#### 1.4 DISKETTE CONVERSION

IBM 3740 diskettes, like the Wang diskettes they resemble, are recorded on one side and require fixed length records within a file; however, that's where the similarities end. Differences in sector timing marks, as previously mentioned, are made compatible by hardware controller microcode. Software handles all file management functions including cataloging and sector allocation.

IBM 3740 diskettes can accommodate up to 19 files (IBM calls files "data sets"). Maximum 3740 diskette record length is 128 bytes, with one and only one record in each 128-byte sector. Each 3740 diskette contains 1,898 available sectors (73 tracks, 26 sectors per track).

When converting all files on a diskette, the Wang 2270A Conversion Utility Program adds converted files to the output disk or diskette until either all diskette files are converted or insufficient output diskette space exists to convert the next file. In the latter case, another output diskette is requested to contain the remaining files. In addition, selected files may be converted.

Within a file, the conversion process occurs as sector per sector copy. Wang records are equal in length to their 3740 diskette counterparts. As with 3740 diskettes, only one record resides in each sector. Character code translation between EBCDIC and ASCII is performed internally by the Conversion Utility Program.

#### 1.5 THE IBM 3740 DATA ENTRY STATIONS

The IBM 3740 Series are low cost, key-to-diskette, source data entry devices. Over 50,000 have been installed, 95% of which are the non-programmable Data Stations used solely for data entry. The four 3741 Models vary in whether they (1) are programmable in a language called ACL, or (2) have communication capabilities. The table below summarizes the four 3741 models and the dual-operator 3742.

<u>MODEL</u>	<u>PROGRAMMABLE</u>	<u>COMMUNICATION</u>
3741, Model 1	No	No
3741, Model 2	No	Yes
3741, Model 3	Yes	No
3741, Model 4	Yes	Yes
3742 (Two Operators)	No	No

#### 1.6 PHYSICAL CHARACTERISTICS OF THE DISKETTES

The magnetic recording surface is arranged in concentric circular recording tracks, with each track being further segmented into units called sectors. Each IBM 3740 diskette (WLI #177-0067) contains 77 tracks with 26 sectors per track, or 1,898 sectors per diskette. 3740 sector length is 128 bytes (characters), which is also the maximum record length for 3740 diskette files (referred to as "data sets" by IBM). The Wang diskette (2270A only) consists of 77 tracks with 16 sectors per track, or 1,231 sectors per diskette (minus at least two sectors for the Wang diskette index). Wang disk or diskette sector length is 256 bytes; however, maximum record length for Wang 2200 files that will be converted to 3740 diskettes



is 128 bytes. If Wang files need not be later converted to 3740 diskettes, record length restriction do not apply. With all disk or diskette storage devices, each sector is individually numbered and randomly accessible; thus access to records stored anywhere on the disk or diskette is fast and direct. Data is read or recorded (written) in one-sector blocks. As previously mentioned, the differences between Wang and 3740 diskettes are automatically handled by the hardware.

A conversion process is required to access an IBM diskette, and is performed as follows:

IBM address = Wang address + 16384

### Sector Formatting

The left-most drive of the 2270A may be used to "format" a Wang diskette (not 3740 diskettes). Formatting is required before a Wang diskette can be used. Depression of the format button begins the formatting procedure, which defines each sector's control and user bytes. IBM 3740 diskettes are preformatted, or "initialized" before delivery by IBM.

### Track Format (IBM)

Tracks may be formatted in numerous ways and is dependent on the using system. The SA900/901 use index and sector recording formats respectively.

### Index Recording Format

In this Format, the using system may record one long record or several smaller records. Each track is started by a physical index pulse and then each record is preceded by a unique recorded identifier. This type of recording is called soft sectoring. Figure 1-1 shows a typical Index Recording Format.

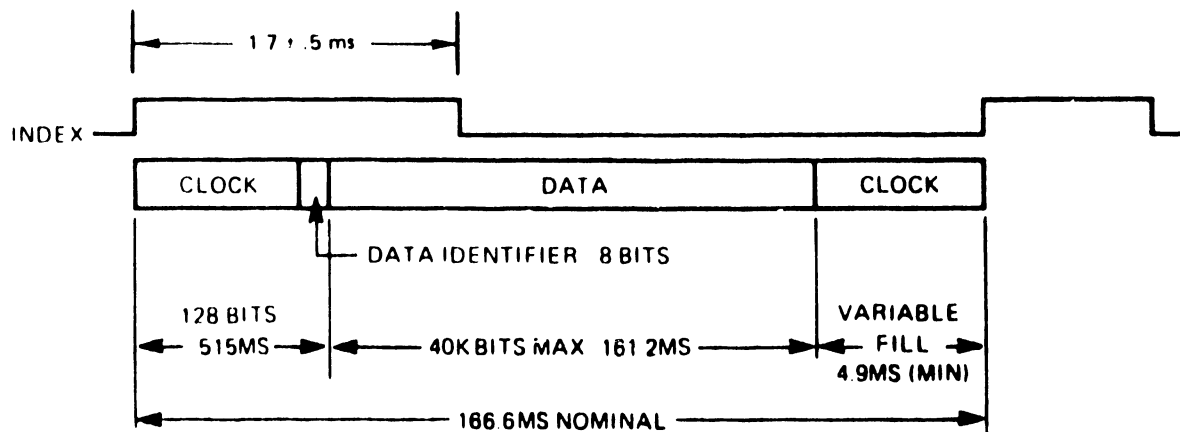


Figure 1-1 Index Recording Format

Typical Track Index Format

Figure 1-2 shows a track format, which is IBM compatible, using Index Recording Format with soft sectoring.

Gaps (Ref. Figure 1-2)

Each field on a track is separated from adjacent fields by a number of bytes containing no data bits. These areas are referred to as gaps and are provided to allow the updating of one field without affecting adjacent fields. As can be seen from Figure 1-2, there are four different types of gaps on each track.

Gap 1 Post-Index Gap

This gap is defined as the 32 bytes between Index Address Mark and the ID Address Mark for Sector one (excluding the address mark bytes). This gap is always 32 bytes in length and is not affected by any updating process.

Gap 2 ID Gap

The seventeen bytes between the ID Field and the Data Field is defined as Gap 2 (ID Gap). This gap may vary in size slightly after the Data Field has been updated.

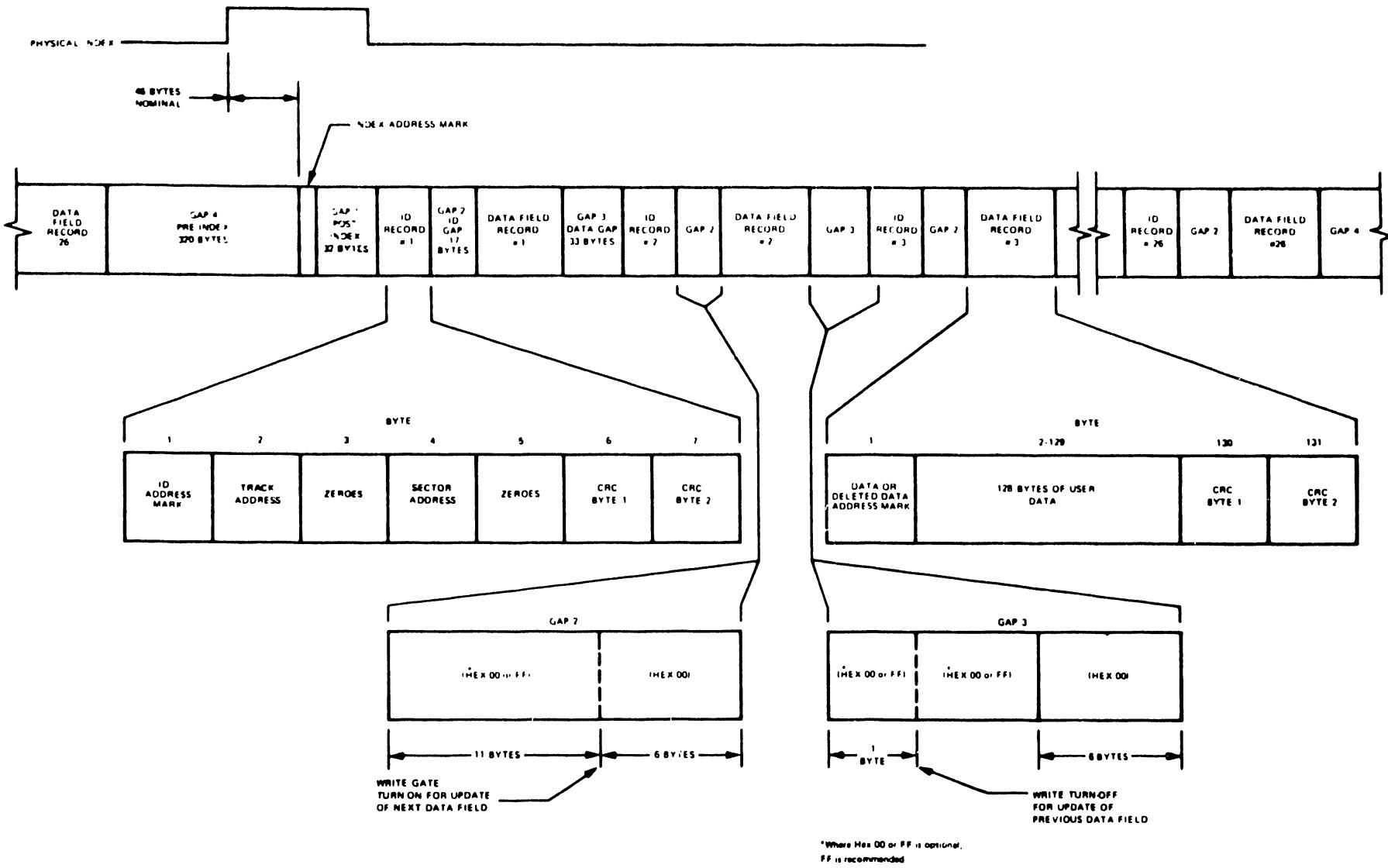


Figure 1-2 Track Format

### Gap 3 Data Gap

The thirty-three bytes between the Data Field and the next ID Field is defined as Gap 3 (Data Gap). As with the ID Gap, the Data Gap may vary slightly in length after the adjacent Data Field has been updated.

### Gap 4 Pre-Index Gap

The three hundred and twenty bytes between the last Data Field on a track and the Index Address Mark is defined as Gap 4 (Pre-Index Gap). Initially, this gap is nominally 320 bytes in length, however, due to write frequency tolerances and disc speed tolerances, this gap may vary slightly in length. Also, after the data field of record 26 has been updated, this gap may again change slightly in length.

### Address Marks

Address Marks are unique bit patterns one byte in length which are used in this typical recording format to identify the beginning of ID and Data Fields and to synchronize the deserializing circuitry with the first byte of each field. Address Mark bytes are unique from all other data bytes in that certain bit cells do not contain a clock bit (all other data bytes have clock bits in every bit cell). There are four different types of Address Marks used. Each of these is used to identify different types of fields.

### Index Address Mark

The Index Address Mark is located at the beginning of each track and is a fixed number of bytes in front of the first record. The bit configuration for the Index Address Mark is shown in Figure 1-3.

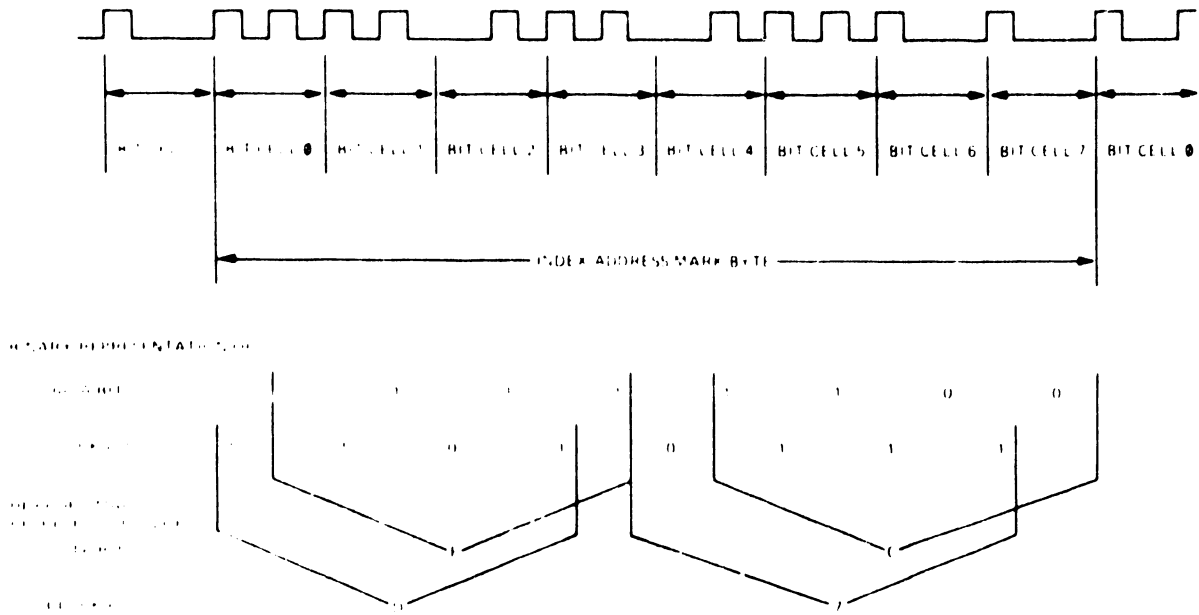


Figure 1-3 Index Address Mark

ID Address Mark

The ID Address Mark byte is located at the beginning of each ID Field on the diskette. The bit configuration for this Address Mark is shown in Figure 1-4.

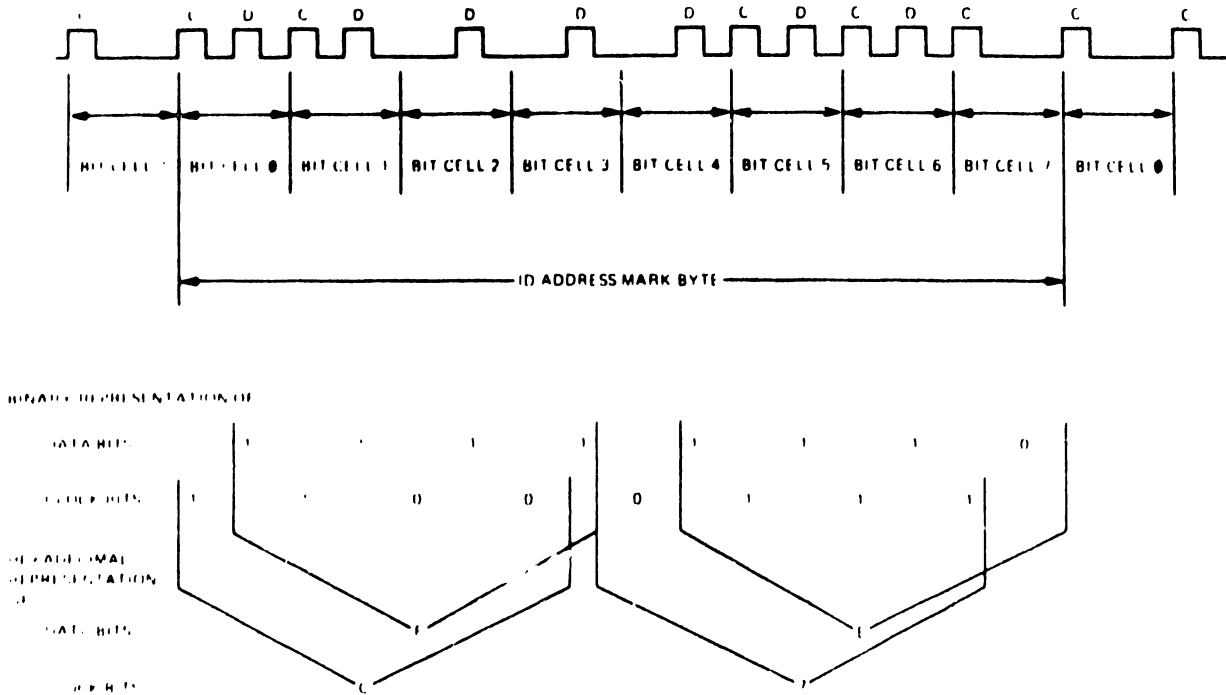


Figure 1-4 ID Address Mark

## Data Address Mark

The Data Address Mark byte is located at the beginning of each nondeleted Data Field on the diskette. The bit configuration for this Address Mark is shown in Figure 1-5.

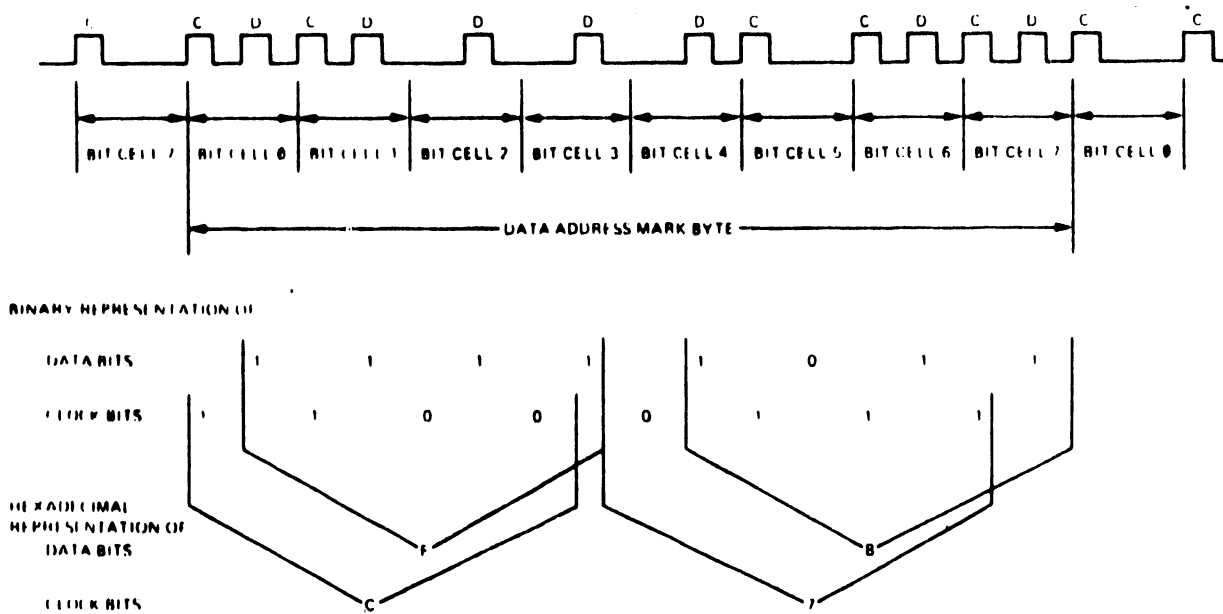


Figure 1-5 Data Address Mark

## Deleted Data Address Mark

The Deleted Data Address Mark byte is located at the beginning of each deleted Data Field on the diskette. The bit configuration for this Address Mark is shown in Figure 1-6.

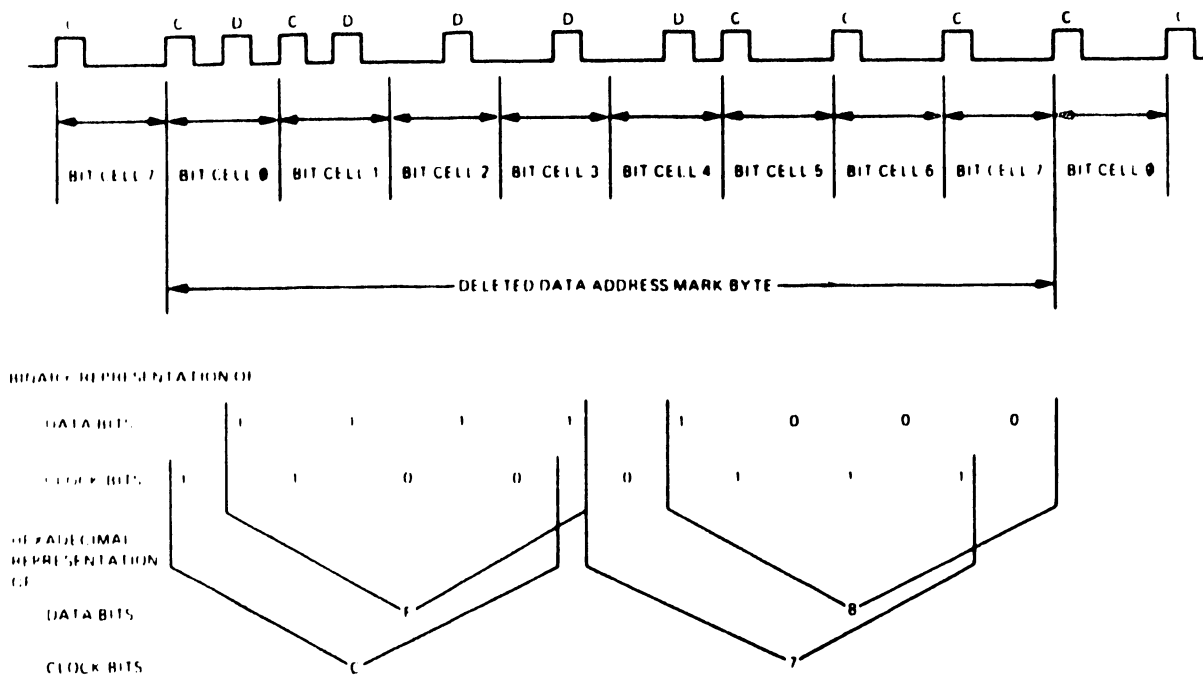


Figure 1-6 Deleted Data Address Mark

CRC

Each field written on the diskette is appended with two Cyclic Redundancy Check (CRC) bytes. These two CRC bytes are generated from a cyclic permutation of the data bits starting with bit zero of the address mark and ending with bit seven of the last byte within a field (excluding the CRC bytes). When a field is read back from a diskette, the data bits (from bit zero of the address mark to bit seven of the second CRC byte) are divided by the same generator polynomial. A non-zero remainder indicates an error within the data read back from the drive while a remainder of zero indicates the data has been read back correctly from the disk.

## 2. DESCRIPTION (HARDWARE)

### 2.1 GENERAL

The Shugart Disk System used in the WCS follows the same basic design as our previous disk systems with many improvements to make this system more reliable and easier to service.

The Shugart Disk System consists of a Wang microprocessor controller and power supply, mounted on one printed circuit board, with up to three Shugart disk drives contained in the unit.

### 2.2 DESIGN FEATURES

The processor and regulator are combined on one PC (7218) which mounts to the chassis, component side down. The power supply, which includes the transformer filter capacitors and heat sink, is mounted on a removable brace between the microprocessor and the disk drives.

The microprocessor is a condensed version of the same microprocessor used in our other disk systems and the 9 track tape drive (2209). Refer to the Microprocessor Manual for the microprocessor description and operation.

### 2.3 MECHANICAL AND ELECTRONIC DIFFERENCES BETWEEN WCS AND SERIES 40 DISK SYSTEMS

The only shipping clamp on the WCS disk system is a piece of foam taped in the door opening to keep the door open protecting cartridge guide adjustment.

The WCS incorporates one to three Shugart Model 901 disk drives which use an IBM compatible disk cartridge.

The Shugart Model 901 disk drives use a multiplex option which allows all input and output lines to be parallel. The disk select lines DK1, DK2, and DK3 determine which drive is using these lines.



The stepper motors in the Shugart drive are turned off when the head is unloaded from the disk. This allows the drives to operate much cooler than the Memorex drives. In order to load the head in the Shugart drive, both the drive select and the head load lines must be low or true. The head load line fires a one shot which keeps the head loaded for a time after the drive select line goes high. This allows the unit to be reselected without waiting for the head to settle to read or write.

Sector and index marks from each drive are monitored individually because they are present at the output of each drive as long as there is a disk cartridge in the drive; these signals are independent of the drive select lines.

The RAM is 512 x 8 rather than 1024 x 8; this is accomplished by using 2102-2 RAM ICs which are 256 x 4 having 4 bit parallel input/output as opposed to the 1024 x 1 serial input/output.

The only input path to memory in this processor is the C Bus. Data from the disk is sent through the ALU via this bus using an A to M, PC=1 instruction from the ROM.

St0 and St1 are strictly inputs on the WCS floppy except for one bit, the carry bit which is input and output but cannot be used by the ALU as a bit included in the next result. The carry bit can only be sampled by the ALU to check its state.

The microprogram in the WCS floppy is contained in two (2) 2708 PROM chips and does not require changing if a disk drive is added to the customer's WCS. The PROM numbers and locations are listed below.

378-2058

378-2059

Two 2200 error codes have other possible meanings in the WCS: Error 64 is "sector not on disk" but can also mean "no cartridge in the drive, the drive door is open or that the drive is not ready." Error 71 is "cannot find sector" but can also mean "disk is write protected."

### 3. INSTALLATION

The 2270A Shugart disk system is shipped completely assembled inside as a stand-alone 2270A. The only shipping clamp is a piece of foam in the door of each drive and a piece of masking tape to hold the foam in place.

The disk system should be disassembled before the unit is powered on to check that the plug-in connectors and components have not been loosened during shipment. The voltages should also be checked while the system is removed from the cabinet.

1. Remove the unit cover.
2. To remove the processor PC board, and the 6 Phillips head mounting screws on the perimeter of the PC board.

#### CAUTION:

Reinstall the nylon washers on each screw. They protect the screws from shorting the PCB art work.

At this time the PC board should be turned 180 toward the front of the cabinet, and set down on the rubber grommets, with a piece of foam between the PC board and the chassis. The cable strain will keep the PC board from falling forward (test position).

The PC board can be removed by turning it 90 toward the front and removing all the connectors.

3. The voltages can be checked from the wire side of the board by following the diagram below and with the I/O and power cable plugged in and the power switch ON. (See Figure 3-1).

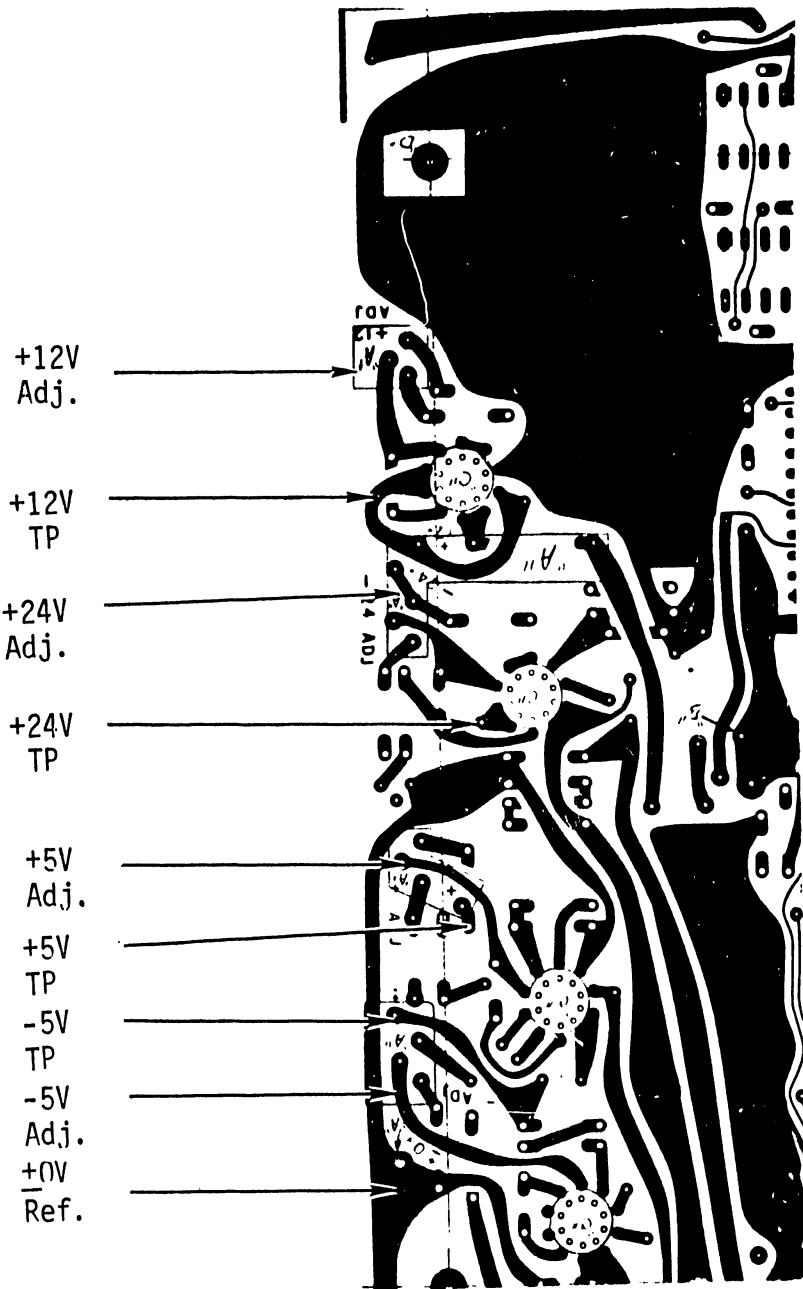


Figure 3-1 Regulated Voltages

Insure that the I/O cable (WLI #220-0066-4) has pin 11 open. This is necessary for proper system operation. The 7218 PCB has +5V connected to pin 11 of the I/O cable connector J1. This was done to allow the 2270A to be used in conjunction with a 7169 pcb in WCS-15 applications.

#### 5. Voltage Controlled Oscillator (VCO) Adjustment

**NOTE:**

+5V must be adjusted prior to performing this adjustment.

- A. Attach the channel 1 (oscilloscope) probe to L110 pin 3. Vertical deflection 2v/cm, Sweep rate .5us/div, Trigger internal positive slope on channel 1, Display channel 1 only. With the system reading sector 17385\*, adjust R85 until a period of 2us is acquired (See figure 3-2).

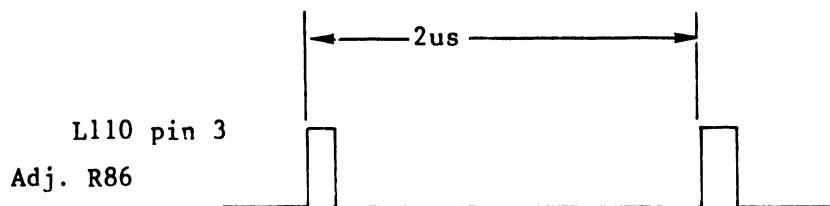


Figure 3-2

\*This can be accomplished by this short program: 10 Verify F (17385, 17385): GOTO 10.

- B. Attach the channel 2 oscilloscope probe to L110 pin 1. Vertical deflection 2v/cm, Sweep rate, .5us/div. Trigger internal positive on channel 1, add mode. Adjust R86 until the channel 1, channel 2 signals are coincident (See Figure 3-3).

NOTE:

THIS IS A TEMPERATURE SENSITIVE CIRCUIT AND MAY GO OUT OF SYNC. IF THE SYNC IS LOST, THEN ECN 7821 MUST BE INSTALLED AND THE ADJUSTMENT PERFORMED AGAIN.

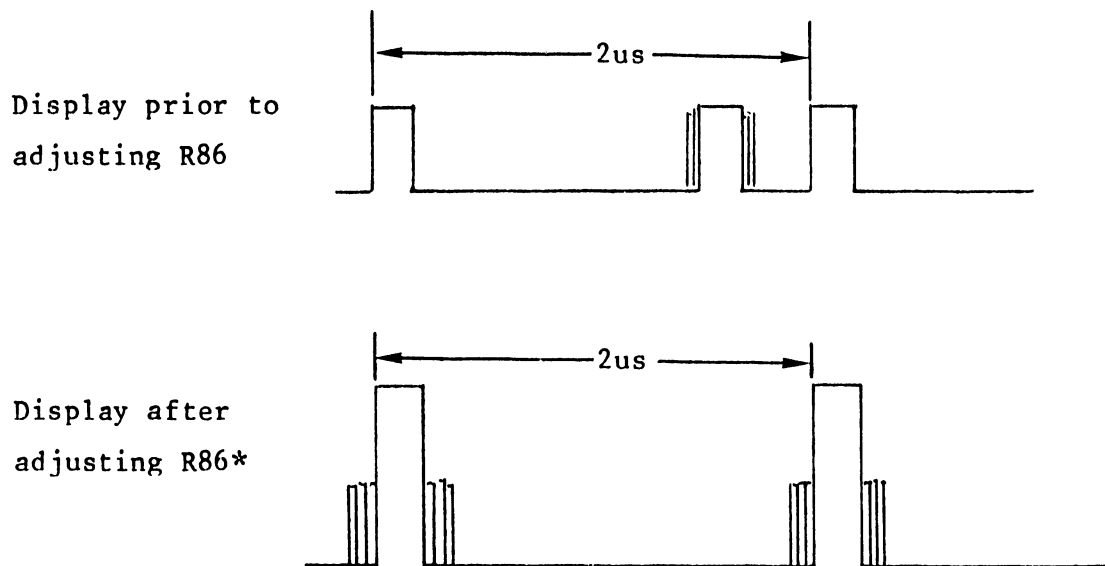
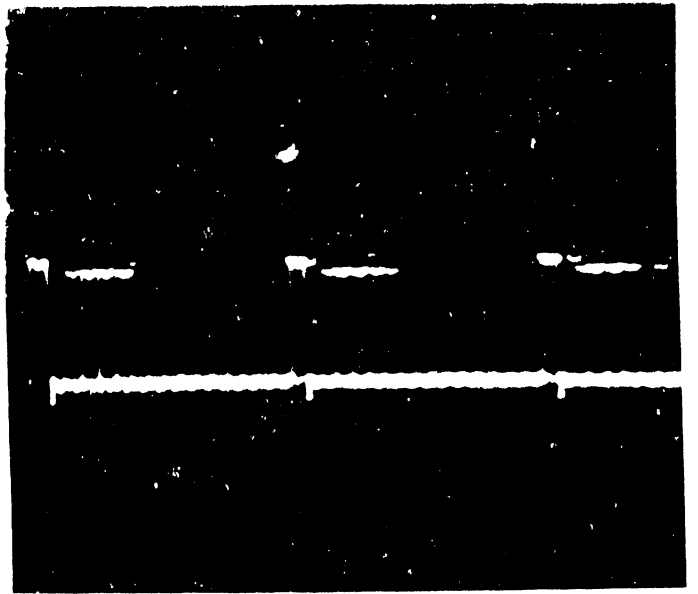
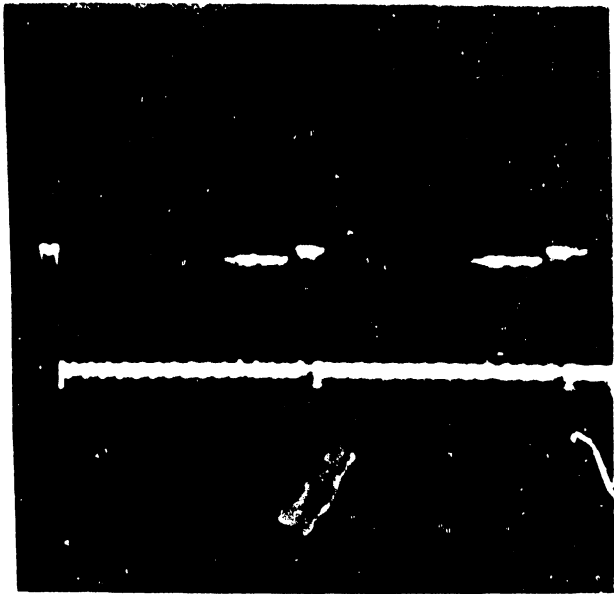


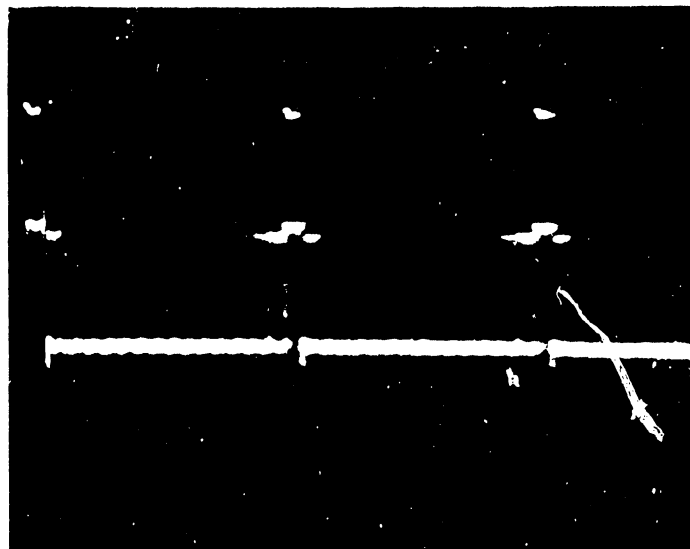
Figure 3-3

\*NOTE:

When the channel 1, channel 2 signals are coincident, the display amplitude will double. The pulse jitter seen in the photographs is due to the continuous compensation that takes place as the Phase Locked Loop (PLL) locks onto the incoming data. (See Figure 3-4)



Possible Displays if the PLL Requires Adjustment



Display with the PLL Properly Adjusted

Figure 3-4

NOTES

#### 4. OPERATION

The front panel of the 2270A floppy disk system has three disk select lights, and a format pushbutton with a shroud to protect it from accidental formatting and a power light.

There is no format switch to protect static electricity from formatting the disk, but rather an electronic format project which rejects any attempt to format the disk which does not last for at least 100 ms.

Formatting on the disk system is done on Disk #1 only. This is a hard wired function of Disk #1 and can be initiated by installing a Model 901 diskette in Drive #1 and pushing the format pushbutton. If the diskette or disk drive is faulty and it does not complete the format operation within four attempts the Drive Select Light #1 will flash indicating an error during format.

This writes Wang format on the Diskette. This will NOT format an IBM diskette--they are preformatted.



NOTES

## 5. DIAGNOSTICS

The following is a step by step description, concerning operating the program for "2270A Production Test," and the CRT display.

- Step 1.           Rewind cassette (if needed) and press:
- Step 2.           : LOAD "START" (EXEC)  
                  after the "START" program has been loaded, press:
- Step 3.           : RUN (EXEC)  
                  Two lines should be displayed, of which the second  
                  line will be:
- Step 4.           "ENTER 1 FOR WANG PLATTER, 2 FOR IBM PLATTER?"  
                  Enter 1 or 2 and Press (EXEC), depending on kind of  
                  platter to be used.

NOTE: An IBM platter can be used only on  
2270A diskette drive.

Now "WANG DISK" or "IBM DISK" will be displayed in  
the top line, and the second line will be replaced  
by:

- Step 5.           "ENTER TEST #: 1. MICROCODE 2. MICROCODE-HARDWARE  
  3. HARDWARE ?"  
                  Enter 1 for Disk Microcode test, 2 for Disk  
                  Microcode and Hardware test or 3 for Disk Hardware  
                  test. After pressing (EXEC), the selected test  
                  name will be displayed in the top line, and the  
                  second line will be replaced by:

Step 6.

"ENTER DRIVE(S) ADDRESS(S), 0 TO STOP: 1. 310  
2. B10 3. 350"?

The number by the Disk drive addresses on which the test will operate should be entered here. Any combination of Disk drives is allowed. Upon selecting a disk address, an asterisk will be displayed by the selected address. Selecting all three drives or selecting 0, will cause line to be erased, and the selected disk-drives to be displayed on the right hand side of second line. If Hardware test was selected in Step 5, proceed to Step 8.

Step 7.

The following lines will be displayed if 1 or 2 were entered in Step 5.

"ENTER INSTRUCTION NUMBER TO BE TESTED, 0 TO STOP?" This line will be followed by a list of all the instructions available for testing, depending on the selected disk-drives, and the type of platter. You may select 1, if you wish to test all the instructions. Or, enter any combination of instructions (an asterisk will be displayed by the selected instruction). Selecting 1 or 0 causes to stop the instructions selection and "ALL MICROCODE", or "PART MICROCODE" to be displayed in the left hand side of line 2, the third line will be replaced by: "THE SELECTED INSTRUCTIONS": and the bottom line will be:

Step 8.

"ENTER 1 TO RESELECT, 0 TO CONTINUE?"

The screen now displays all of the information as you have selected it. If you wish to change any detail, press 1, and entering information will start again, (back to Step 4), otherwise, enter 0 and the screen will be erased except the top two lines, and the third line will be displayed as:

Step 9. "MOUNT SCRATCH PLATTERS IN ALL TEST DRIVES AND KEY (EXEC)"

NOTE:

Be sure to mount the correct scratch platters in all of the test drives (as indicated by the top two lines).

After mounting platter(s), and (EXEC) the proper testing program will be loaded from the cassette, and the actual testing starts. While the test is progressing, information concerning the current status of the test is being displayed on the screen.

Step 10. Each test will be repeated over and over until one of the following actions is taken:

- 10.1 Pressing SF'15 (special function 15). That will cause the test status report to be displayed (proceed to Step 11).
- 10.2 Pressing "HALT/STEP", Once the ":" is displayed pressing SF'15 will display the test status report. (Step 11)
- 10.3 Pressing "RESET", That will cause the screen to be erased. Pressing SF'15 is possible.

Step 11. After pressing SF'15, the test status report will be displayed; information, such as number of runs of each test, test "RUN" or "NOT RUN", "COMPLETED" or "NOT COMPLETED", "ERRORS FOUND" in Microcode, or Hardware tests. "OK" or "NG" or, "NOT TESTED" will be displayed next to the instruction, with the exception of "VERIFY" which will have "TESTED" in its field (whether errors were found or not). At the bottom of the screen, the following line will be displayed:

Step 12. "ENTER 0 TO RUN AGAIN, 1 TO STOP"  
0 will start the whole process from the beginning (Step 4). 1 will stop the program, however, since "START" is still stored in memory; pressing "RUN" will start the program execution again (Step 4).

NOTES

## 6. MAINTENANCE

### 6.1 MICROPROCESSOR

The voltage adjustments covered in Section 3 and the VCO adjustment should be the only maintenance requirements required in the microprocessor section of the Shugart disk system. The microprocessor PC board at present should be fixed at an area level office.

The Wang power supply is a modular type which is mounted to a removable support bracket and can be replaced in this manner if necessary. The heat sink assembly can also be removed from the support bracket so that component replacement on the heat sink can be made in the customer's office.

### 6.2 SA901 PREVENTIVE MAINTENANCE

#### 6.2.1 INTRODUCTION

The prime objective of any preventive maintenance activity is to provide maximum machine availability to the user. Every preventive maintenance operation should support this objective. Unless a preventive maintenance operation reduces machine downtime, it is unnecessary.

Visual inspection is the first step in every scheduled maintenance operation. Always look for corrosion, dirt, wear, binds, and loose connections. Noticing these items during PM may prevent downtime later.

Remember, do not do more than recommended preventive maintenance on equipment that is operating satisfactorily.

### 6.2.2 PREVENTIVE MAINTENANCE PROCEDURES

Details of preventive maintenance operations are listed in Table 6-1. During normal preventive maintenance, perform only those operations listed on the chart for that preventive maintenance period. Details on adjustments and service checks are found listed in the chart. Observe all safety procedures.

UNIT	FREQ MONTHS	CLEAN	OBSERVE
Read/Write Head	12	Clean Read/Write Head ONLY IF NECESSARY	Oxide build-up and scratches
R/W Head Load Button		Replace	
Stepper Motor and Lead Screw		Clean off all oil, dust and dirt	Inspect for nicks and burrs
Base		Clean base	Inspect for loose screws, connectors, and switches
Belt			Inspect for worn, weakened or frayed areas
Read/Write Head	Initially 3 Thereafter 12		Check for proper alignment

Table 6-1 PM Procedures

### 6.2.3 CLEANLINESS

Cleanliness cannot be overemphasized in maintaining the SA900/901. Do not lubricate the SA900/901; oil will allow dust and dirt to accumulate. The read/write head should be cleaned, but only when signs of oxide build-up are present.

### 6.3 TROUBLESHOOTING FLOW CHARTS

See Figure 6-2(A thru D)

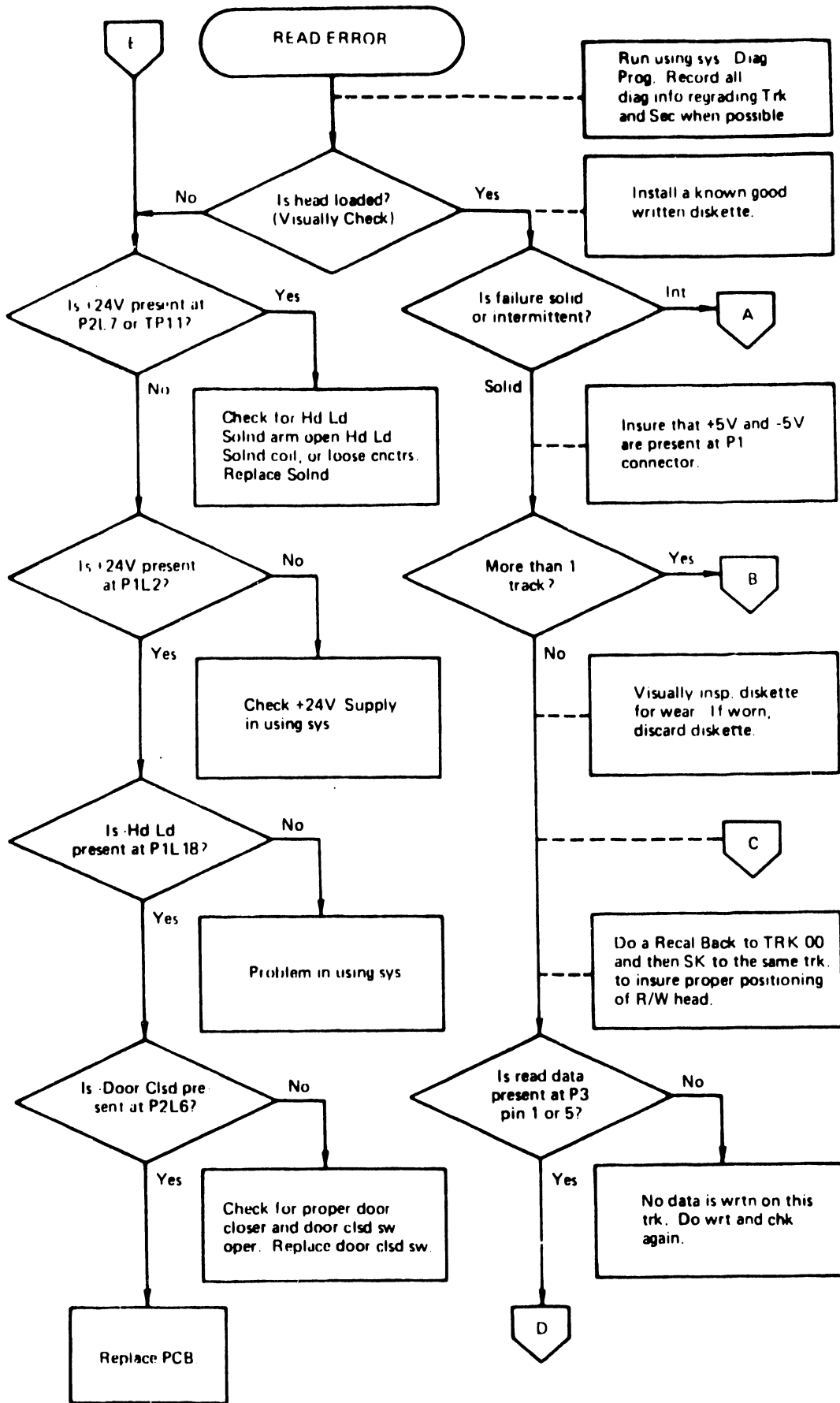


Figure 6-2A



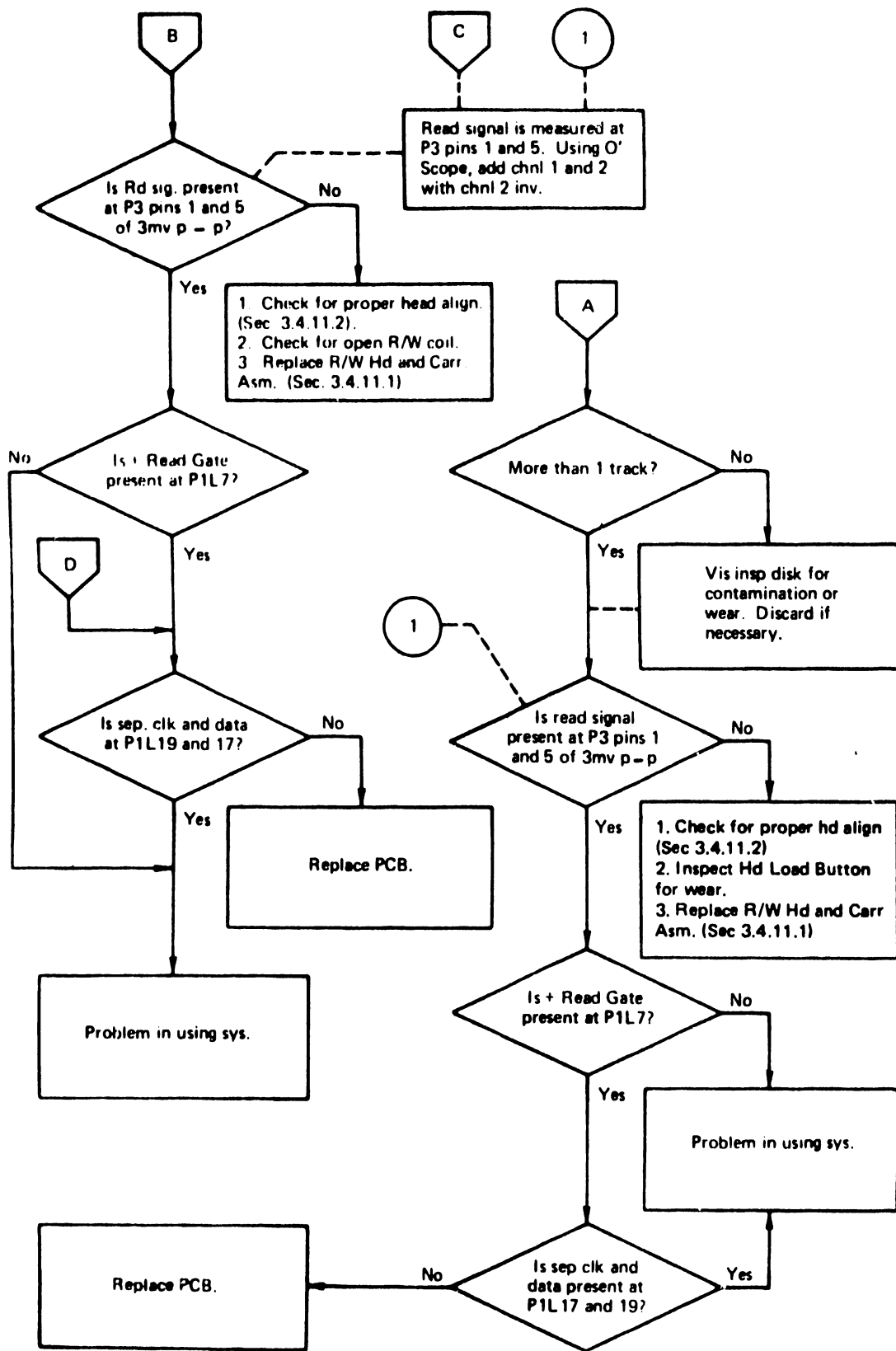


Figure E-2A(Continued)

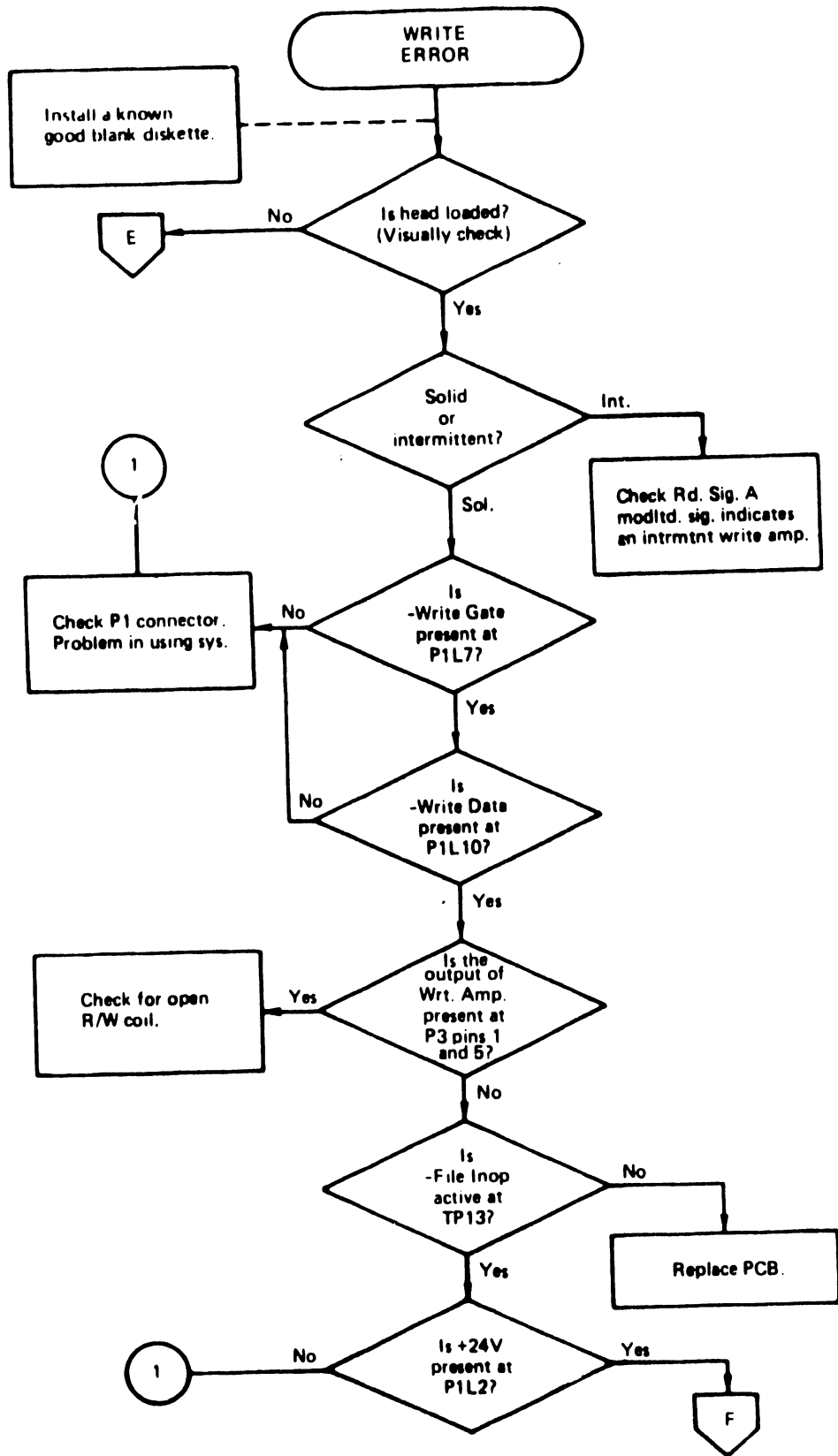


Figure 6-2B

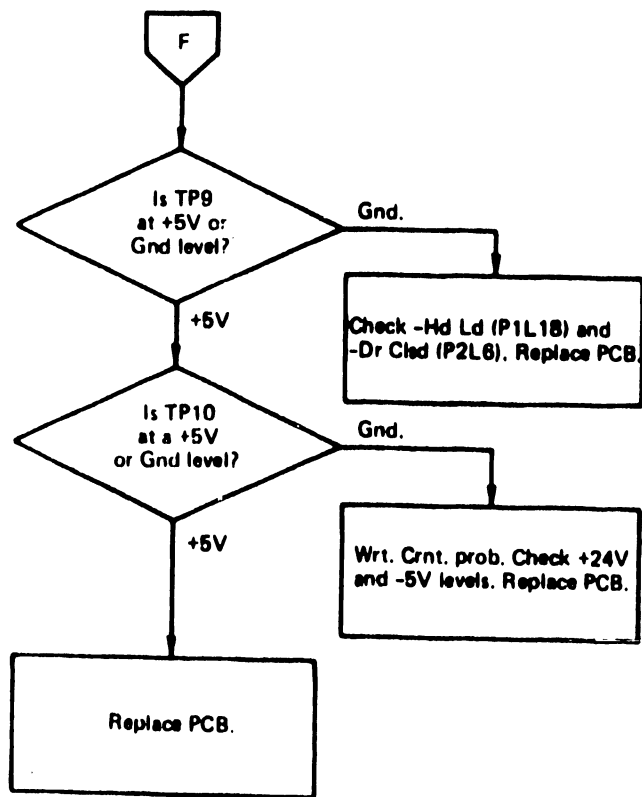


Figure 6-2B (Continued)

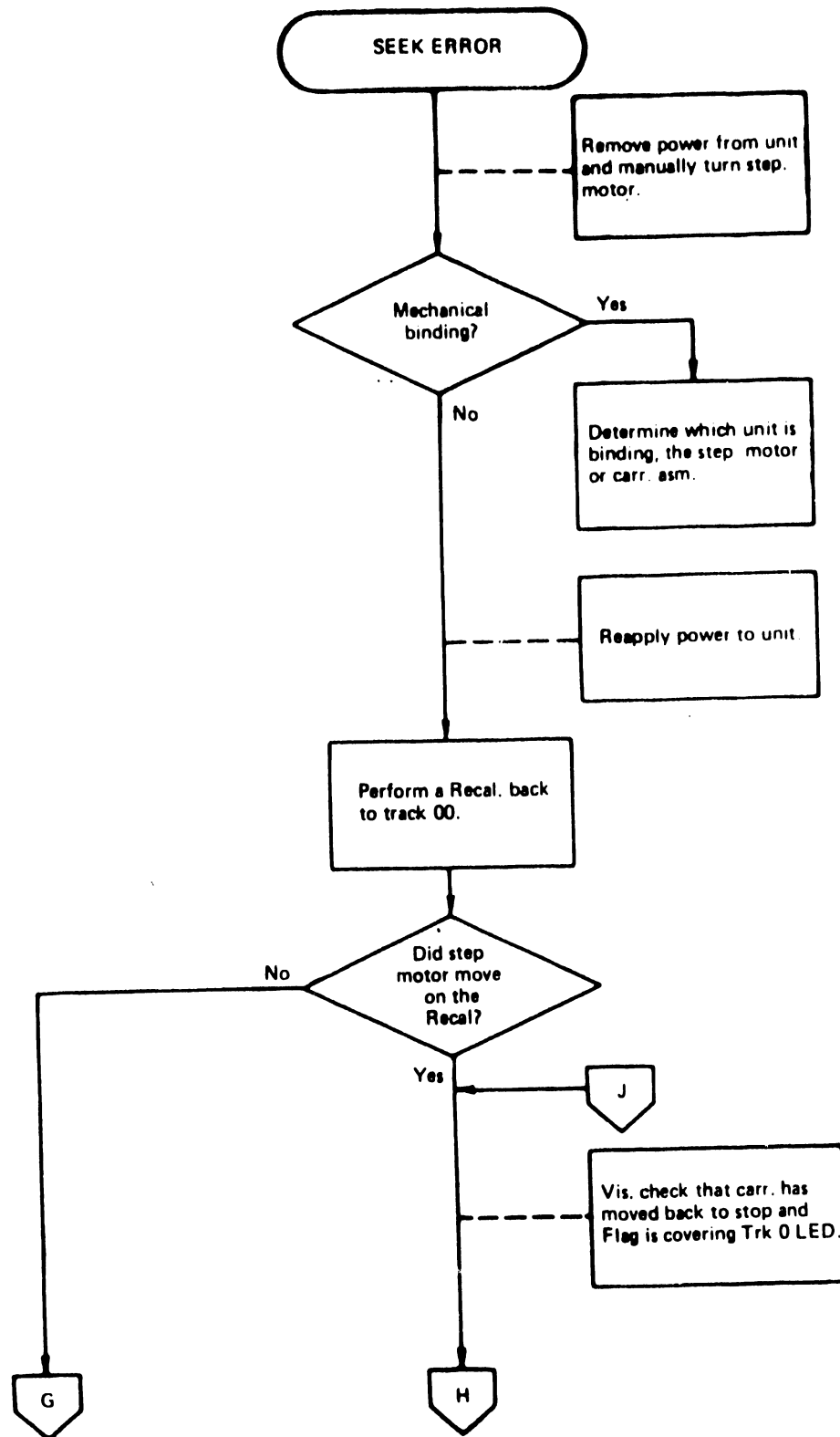


Figure 6-2C

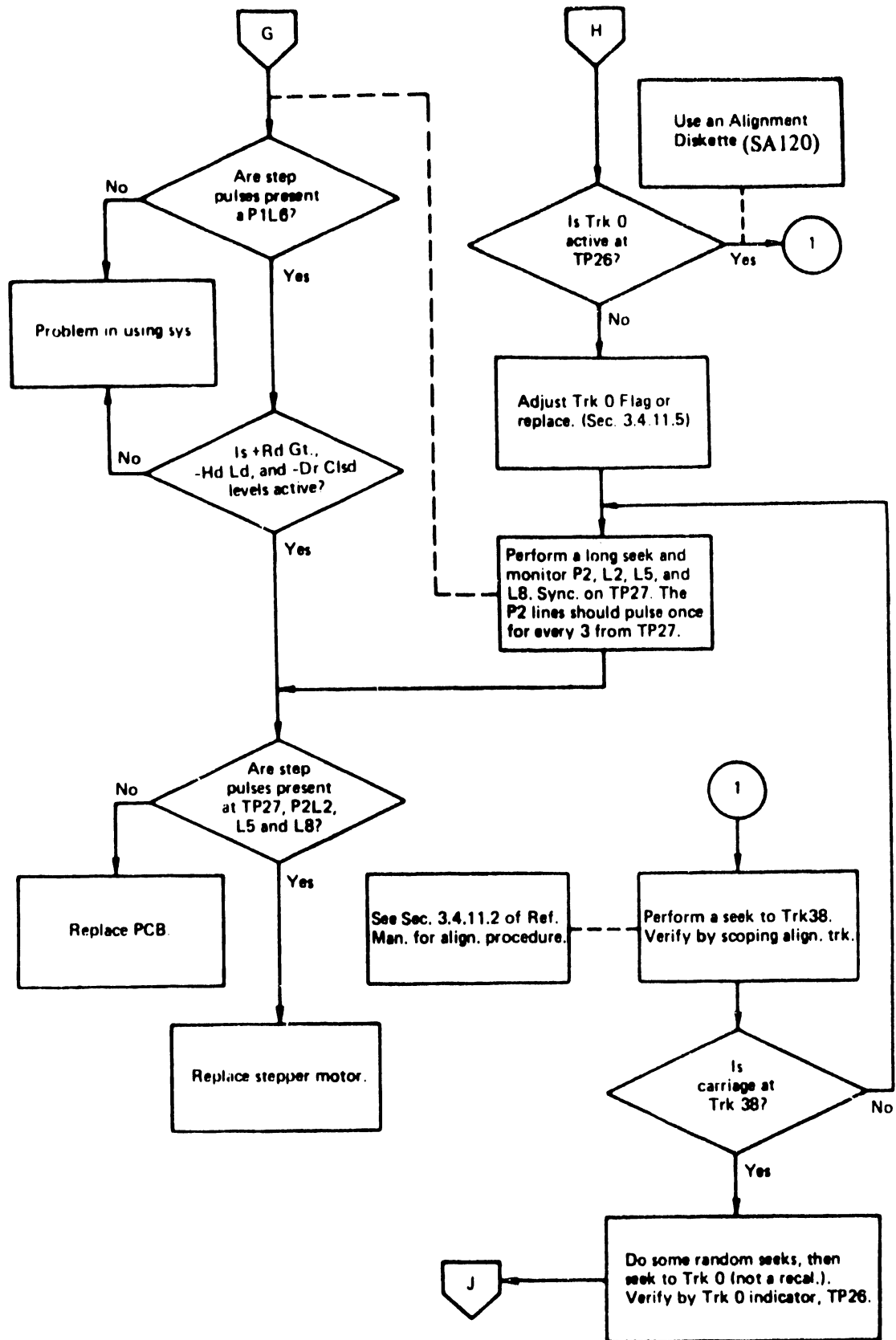


Figure 6-20 (Continued)

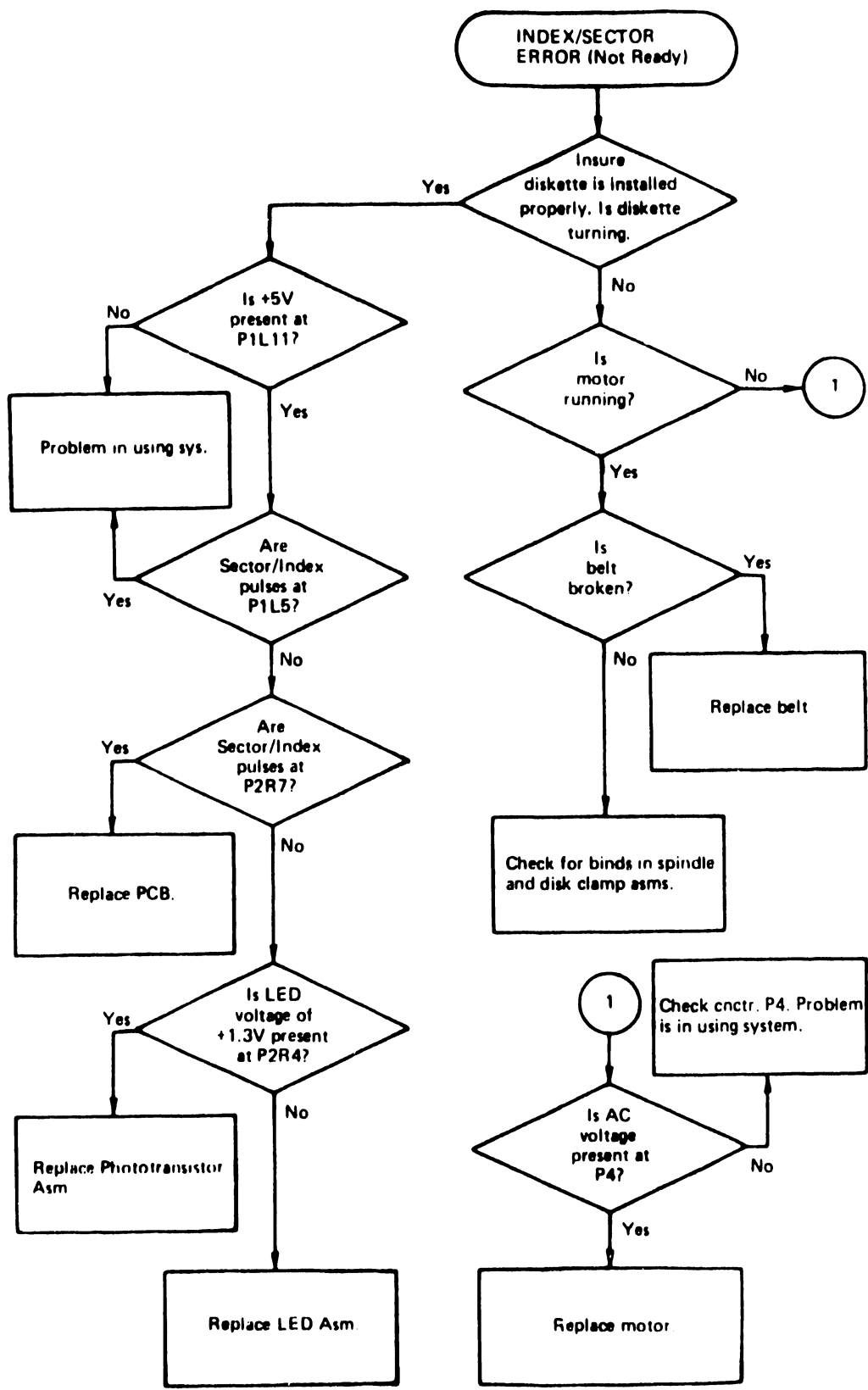


Figure 6-2D

NOTES

## 7. REMOVAL AND INSTALLATION PROCEDURES

### 7.1 DRIVE MOTOR

- a. Extract 3 contacts to disconnect motor from AC connector.
- b. Loosen 2 screws holding capacitor clamp to the base.  
Remove rubber boot and disconnect motor leads from capacitor.
- c. Remove 4 screws holding PCB to base and swing PCB out.
- d. Remove belt from drive pulley.
- e. Remove 4 screws holding the motor to the base casting and remove motor.
- f. Reverse the procedure for installation.

#### NOTE:

Insure ground lead is installed between capacitor for clamp and base.

### 7.2 CARTRIDGE GUIDE ACCESS

- a. Position head to approximate center of head load bail (to prevent load arm tab from slipping off end of bail).
- b. Loosen 2 screws holding cartridge guide to door latch plate.
- c. Swing cartridge guide out.
- d. When guide is swung in, it must be adjusted as per section 7.13.



### 7.3 LIGHT EMITTING DIODE ASSEMBLY

- a. Disconnect the wires to the LED terminals (solder joints).
- b. Swing out the cartridge guide assembly (Ref. Section 7.2).

NOTE:

This step is not necessary if the drive has a new style (cast) cartridge guide.

- c. Remove the screw, nut, and washer holding the LED assembly to the cartridge guide.
- d. Reverse the procedure for installation.

### 7.4 WRITE PROTECT DETECTOR

- a. Remove connectors from PCB and remove PCB.
- b. Extract wires from P2 connector, pins 3 (Red), 4 (Gray), E (Black), and J (White).
- c. Remove cable clamp.
- d. Swing out cartridge guide assembly (Ref. section 7.2).
- e. Remove screw holding the detector bracket and remove assembly.
- f. Reverse the procedure for installation.

### 7.5 HEAD LOAD ACTUATOR

- a. Disconnect the wires to the actuator terminals (solder joints).

- b. Swing out the cartridge guide assembly (Ref. section 7.2).
- c. Remove screw holding the actuator to the cartridge guide.

CAUTION:

Restrain the head load arm to prevent its impact with the head.

- d. Reverse the procedure for installation.

## 7.6 TRACK 0 DETECTOR

- a. Remove connectors from PCB and remove PCB.
- b. Extract wires from P2 connectors, pins A (Brown), C (Black), F (Red), and K (Orange).
- c. Remove cable clamp.
- d. Swing out the cartridge guide assembly (Ref. section 7.2).

NOTE:

This step may not be useful if the drive has an old style (black) cartridge guide.

- e. Manually rotate stepper shaft and move carriage away from the detector assembly.
- f. Remove cable clamp, and R/W head cable from bracket.
- g. Remove 2 screws holding detector assembly bracket to base casting and remove assembly.
- h. Reverse procedure for installation.

## 7.7 INDEX/SECTOR PHOTOTRANSISTOR ASSEMBLY

- a. Disconnect the wires to the terminals (solder joints).

### NOTE:

The spindle pulley may be removed for easier access.

- b. Remove screw holding transistor assembly to base.
- c. Reverse the procedure for installation.

## 7.8 CARTRIDGE GUIDE REMOVAL

- a. Swing out the cartridge guide assembly (Ref. section 7.2).
- b. Remove the LED assembly, write protect detector assembly and the head load actuator (Ref. sections 7.3, 7.4 and 7.5).
- c. Pull up on the upper pivot cap screw until the shoulder contacts the base casting (Ref. Figure 7-1). Push up on the cartridge guide until the lower pivot clears the casting.

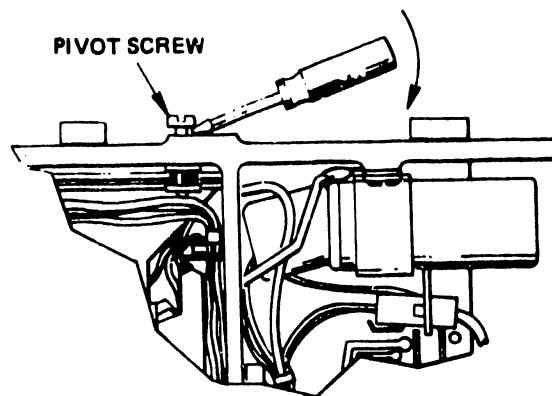


Figure 7-1 Cartridge Guide Removal

### NOTE:

For new style cartridge guide, remove C-clamp on upper pivot post and push up on cartridge guide.

- d. Tilt the cartridge guide slightly, and remove it from the upper pivot.
- e. Reverse the procedure for installation.

- a. Swing out the cartridge guide (Ref. section 7.2).
- b. Remove the nut and washers holding the spindle pulley.

CAUTION:

The pre-loaded rear bearing and spacer may fly out when spindle pulley is removed.

- c. Withdraw spindle hub from opposite side of base casting.
- d. Reverse the procedure for installation.

#### 7.10 FRONT PLATE ASSEMBLY

- a. Swing out the cartridge guide assembly (Ref. section 7.2).
- b. Remove 4 screws holding the front plate assembly to the casting.
- c. Reverse the procedure for installation.

#### 7.11 STEPPER/CARRIAGE ASSEMBLY

- a. Remove the connectors from the PCB and remove the PCB.
- b. Remove cable clamp holding R/W head cable.
- c. Extract wires from P2 connector, pins 2 (Red), 5 (Brown), 8 (Orange), and 10 (Black).

NOTE:

This step is only necessary if the stepper motor is to be replaced.

- d. Loosen 3 motor clamp screws and rotate clamps to allow withdrawal of motor. One new units with redesigned stepper mounting clamp, loosen 2 screws and swing clamp down to allow withdrawal of motor.

CAUTION:

Do not loosen 3 screws coated with Glyptol.

- e. Swing out the cartridge guide assembly (Ref. section 7.2).
- f. Remove cable clamp and spacer holding R/W head cable to track 0 detector bracket. On new units, a grommet on the cable is inserted into a slot on the bracket.
- g. Manually rotate the lead screw to run the carriage assembly off the lead screw while withdrawing the stepper motor.
- h. To install stepper/carriage assembly, reverse procedure. Note steps i. and j.
- i. When installing the carriage, set the pre-load nut in the #3 notch (Ref. Figure 7-2).
- j. When threading lead screw into carriage assembly, push the pre-load nut slightly against the spring to start the thread. After threading, insure that there is a gap between the pre-load nut and the rear of the carriage.

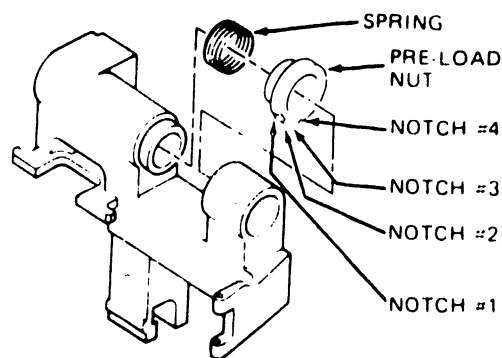


Figure 7-2 Pre-Load Setting

## 7.12 READ/WRITE HEAD LOAD BUTTON

- a. To remove the old style button (attached with a clip and washer), grasp the button with pliers and rock the button back and forth while pulling.
- b. To remove the new style button, hold the load arm out away from head, squeeze the locking tabs together with a pair of needle nose pliers and press forward.
- c. To install old style button, place button in head load arm and press rubber washer onto button stem. Press clip onto stem and insure button does not move.
- d. To install new style button, press the button into the head load arm and it will snap into place.

## 7.13 Cartridge Guide Adjustment

- a. Insert the adjustment tool (726-9612) through the hole in the cartridge guide and screw completely into the casting (hand tight).
- b. Loosen 2 screws holding the cartridge guide to the latch plate.
- c. Move the handle into the latched position and hold it lightly against the latch fingers.
- d. Tighten 2 screws holding the cartridge guide to the latch plate.
- e. Depress push bar on front panel and check that door stays in latched position. If door latch was released, repeat adjustment.
- f. Insert diskette, close and open door, checking for proper operation.

NOTES

## 8. PARTS DIAGRAMS

### General

The Illustrated Parts Catalog is arranged so that the figures will always precede the parts listings and when possible be on the opposite page.

The first number in the list will always refer to the figure and the second number to the reference number of the part within the figure.

When an assembly is referred to within a figure and a further breakdown is shown on another figure then the reference figure will be called out.

### Indented Level

The parts list is indented to show the levels of assembly within a figure. The major assembly will always be level 1, all parts or assemblies that attach to that assembly will be level 2 and assemblies within level 2 will have their attaching parts level 3 and so on.

### Quantity Per Assembly

The quantity listed is the quantity used on the major assembly. Major Assemblies will never have a quantity listed.

### Numerical Index

The numerical index lists all parts in part number sequence and is cross-referenced to the figure and reference number.



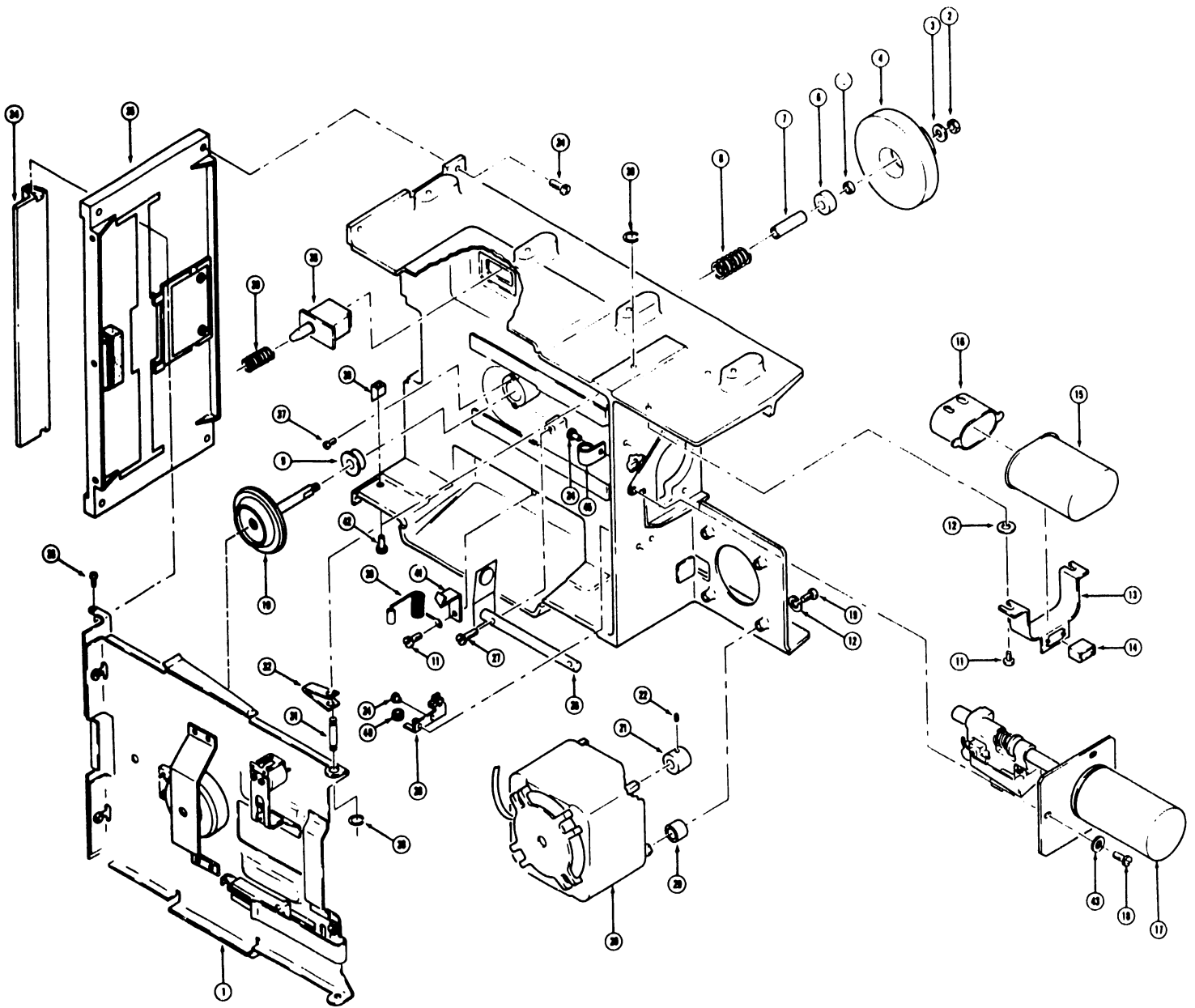


Figure 8-1 (1 of 2)

FIGURE & REF. NUMBER	PART NUMBER	DESCRIPTION				QTY PER ASM
		1	2	3	4	
1	50010	BASIC ASSEMBLY, SA 900/901				
- 1	50030	. CARTRIDGE GUIDE ASSEMBLY (OLD, See Fig. 3)				1
	50550	. CARTRIDGE GUIDE ASSEMBLY (NEW, See Fig. 6)				
- 2	10025	. NUT, 8-32				1
- 3	12509	. WASHER, #8 SPRING				2
- 4	50016	. PULLEY ASSEMBLY, SPINDLE				1
- 5	50019	. SPACER, SPINDLE-SHORT				1
- 6	10800	. BEARING, SPINDLE				1
- 7	50018	. SPACER, SPINDLE—LONG				1
- 8	50166	. SPRING, SPINDLE				1
- 9	10801	. FLANGED BEARING, SPINDLE				1
- 10	50561	. HUB ASSEMBLY, SPINDLE				1
- 11	12015	. SCREW, 8-32x.312				6
- 12	12500	. WASHER, LOCK #8				2
- 13	50098	. BRACKET				1
- 14	10150	. HOUSING, 3 PIN CONNECTOR				1
- 15	10095	. CAPACITOR, 110 V 50/60 HZ (BODINE MTR ONLY)				1
	15004	. CAPACITOR, 220 V 50/60 HZ or 110 V ORIENTAL MTR				1
- 16	10148	. RUBBER BOOT				1
- 17		. STEPPER/CARRIAGE ASSEMBLY (SEE FIGURE 2 FOR BREAKDOWN)				1
- 18	12027	. SCREW, 6-32x.500				3
- 19	12028	. SCREW, 8-32x.500				4
- 20	50423	. MOTOR, 110 VOLT 50/60 HZ KIT				1
	50301	. MOTOR, 208/230/220 VOLT 50/60 HZ				1
- 21	50358	. PULLEY, 60 HZ				1
	50357	. PULLEY, 50 HZ				1
- 22	11904	. SCREW, SET 6-32x.125				1
- 23	10378	. CABLE CLAMP, 1/8 INCH				1
- 24	12013	. SCREW 6-32x.312 (12014 FOR ZINC FACE PLATE)				7
- 25	12016	. SCREW 8-32x.375				1
- 26	50522	. SPRING/GUIDE ASM				1
- 27	12012	. SCREW, 4-40x.375				4
- 28	50121	. DETECTOR ASSEMBLY, TRACK 0				1
- 29	50602	. SPACER				4
- 30	50186	. SPRING ASSEMBLY, DOOR OPEN (OLD STYLE)				1
	50582	. SPRING ASSEMBLY, DOOR OPEN (NEW STYLE)				1
	50583	. SPRING ASSEMBLY, DOOR OPEN (HORZ. MNT. PCB DOWN)				
- 31	50167	. PIVOT TOP				1
- 32	50168	. SPRING, BIAS				1
- 33	11905	. SCREW, B.V.				2
34	50142	. HANDLE				1
- 35	50527	. FRONT PLATE ASSEMBLY (SEE FIGURE 4 FOR BREAKDOWN)				1
- 36	17200	. SWITCH, DOOR OPEN				1
- 37	12011	. SCREW, 4-40x.250				2
- 38	11305	. CLIP				2
- 39	50487	. DEFLECTOR				2
- 40	50578	. GROMMET				1
- 41	50523	. LOCATOR				1
- 42	12020	. SCREW 8-32x.500				2
- 43	10013	. WASHER, #6 FLAT				3

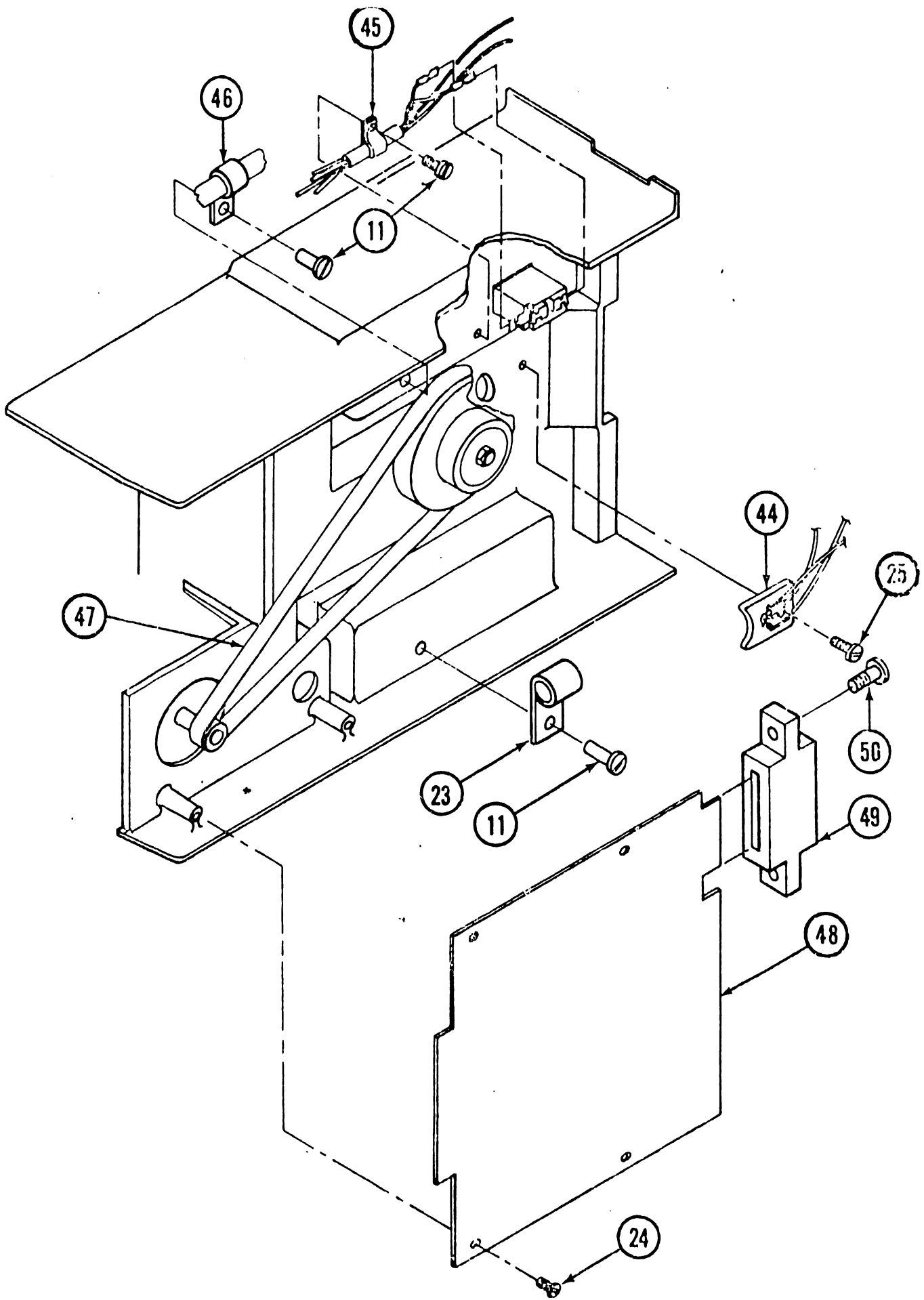


Figure 8-1(2 of 2)

FIGURE & REF. NUMBER	PART NUMBER	DESCRIPTION				QTY PER ASM.
		1	2	3	4	
1 -44	*50128	.	.	.	.	1
-45	10375	.	.	.	.	2
-46	10264	.	.	.	.	1
-47	50356	.	.	.	.	1
	50355	.	.	.	.	1
-48	25002	.	.	.	.	1
	25003	.	.	.	.	
	25004	.	.	.	.	
	25005	.	.	.	.	
	25006	.	.	.	.	
	25007	.	.	.	.	
-49	10140	.	.	.	.	1
-50	10176	.	.	.	.	2

\* WHEN ORDERING A REPLACEMENT PHOTOTRANSISTOR ASSEMBLY, IF OLD ASSEMBLY HAS ONLY TWO (2) LEADS COMING FROM IT, ORDER FIELD KIT, P/N 50928.

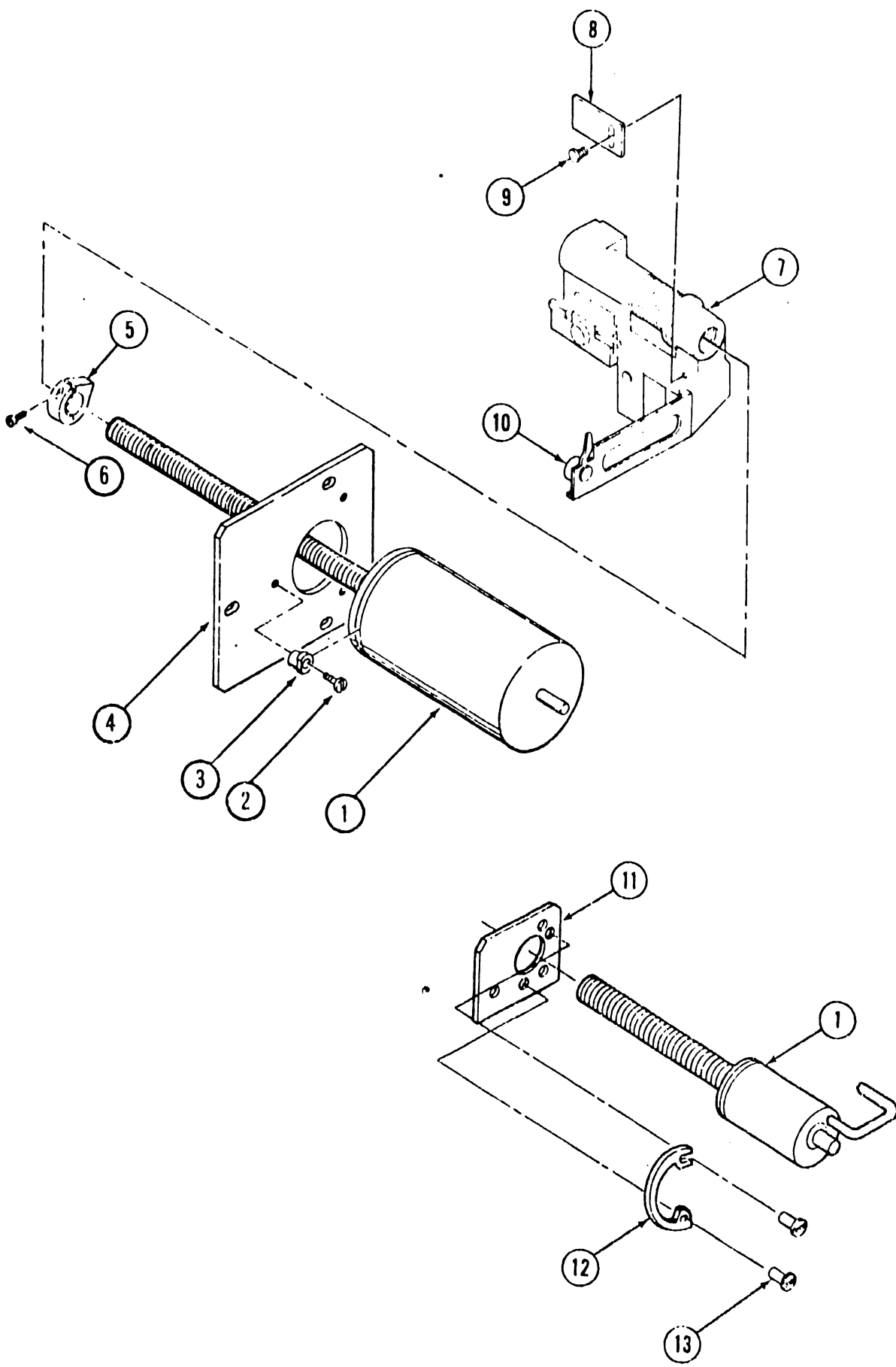


Figure 8-2

FIGURE & REF. NUMBER	PART NUMBER	DESCRIPTION				QTY PER ASM.
		1	2	3	4	
2 -		STEPPER/CARRIAGE ASSEMBLY				
- 1	50130	.				1
- 2	11910	.				3
- 3	50113	.				3
- 4	50112-0	.				1
- 5	50245	.				1
- 6	11903	.				1
- 7	50582	.				1
- 8	50529	.	.			1
- 9	11910	.	.			1
- 10	50929	.	.			1
	50542	.	.			
- 11	50112-1	.				1
- 12	50584	.				1
- 13	10205	.				2

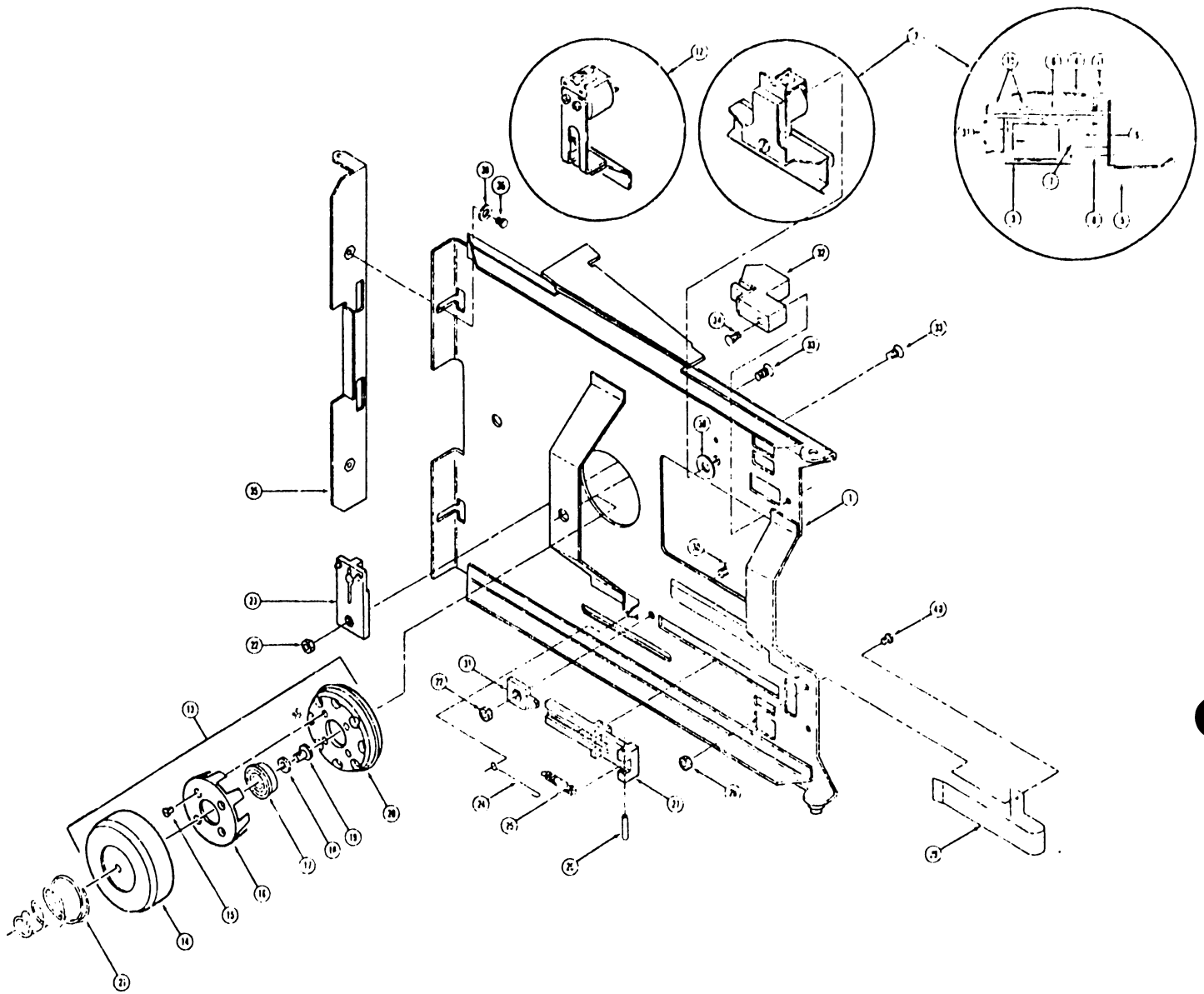


Figure 8-3

FIGURE & REF. NUMBER	PART NUMBER	DESCRIPTION				QTY PER ASM.
		1	2	3	4	
3 -						
-	50030					
- 1	50034					1
- 2	50253					1
- 3	10002					1
- 4	50365					1
- 5	50043					1
- 6	50364					1
- 7	50265					1
- 8	50363					1
- 9	11916					1
-10	10170					4
-11	10174					1
-12	50139					1
-13	50254					1
-14	50252					1
-15	11307					4
-16	50251					1
-17	10801					1
-18	12503					1
-19	12011					1
-20	50000					1
-21	50031					1
-22	10024					2
-23	50032					1
-24	50359					1
-25	50146					1
-26	11800					1
-27	50140					1
-28	10023					2
-29	50141					1
-30	11900					1
-31	50412					1
-32	50313					1
-33	11906					
-34	10177					2
-35	50151					1
-36	10186					1
-37	50256					1
-38	50282					1
-39	10013					2
-40	10172					2



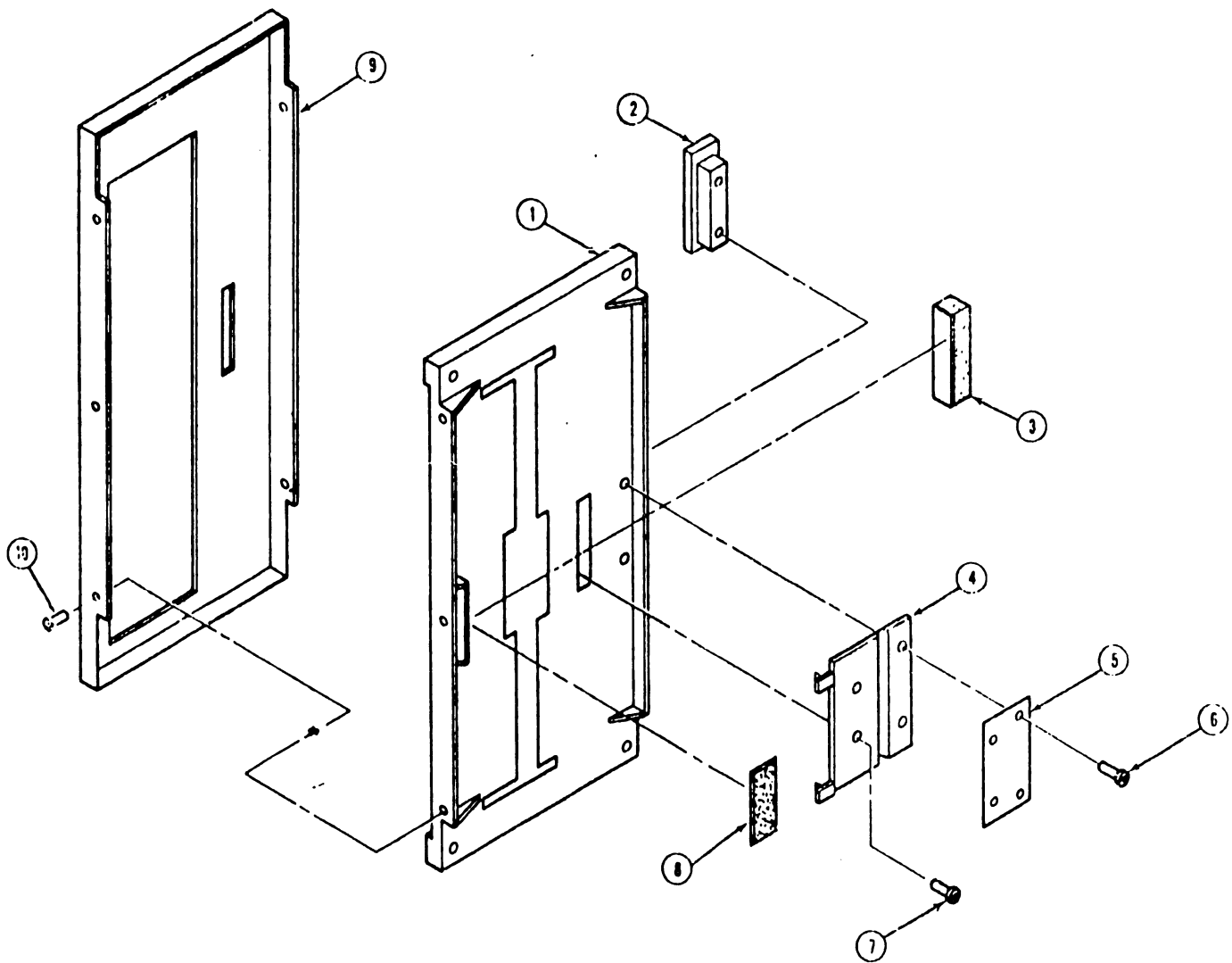


Figure 8-4

FIGURE & REF. NUMBER	PART NUMBER	DESCRIPTION				QTY PER ASM.
		1	2	3	4	
4-	50527	FRONT PLATE ASSEMBLY (WITHOUT LITE)				
	50610	FRONT PLATE ASSEMBLY (WITH LITE)				
-1	50349	. FRONT PLATE				1
-2	50143	. PUSH BUTTON (WITHOUT LITE)				1
	50586	. PUSH BUTTON (WITH LITE)				1
-3	50183	. BUMPER				1
-4	50156	. LATCH				1
-5	50157	. SPRING PLATE				1
-6	10188	. SCREW B.H. 6-32x.312				2
-7	11905	. SCREW B.V.				2
-8	50580	. SNATCH				1
-9	50257	COVER, FRONT 5-1/4 x 11 WHITE				1
	50258	COVER, FRONT 5-1/4 x 11 TAN				1
	50260	COVER, FRONT 5-1/4 x 10 WHITE				1
	50261	COVER, FRONT 5-1/4 x 10 TAN				1
	50263	COVER, FRONT 4-5/8 x 10-1/2 WHITE				1
	50264	COVER, FRONT 4-5/8 x 10-1/2 TAN				1
-10	10261	SCREW, FL. HD. 4-40x.250				5

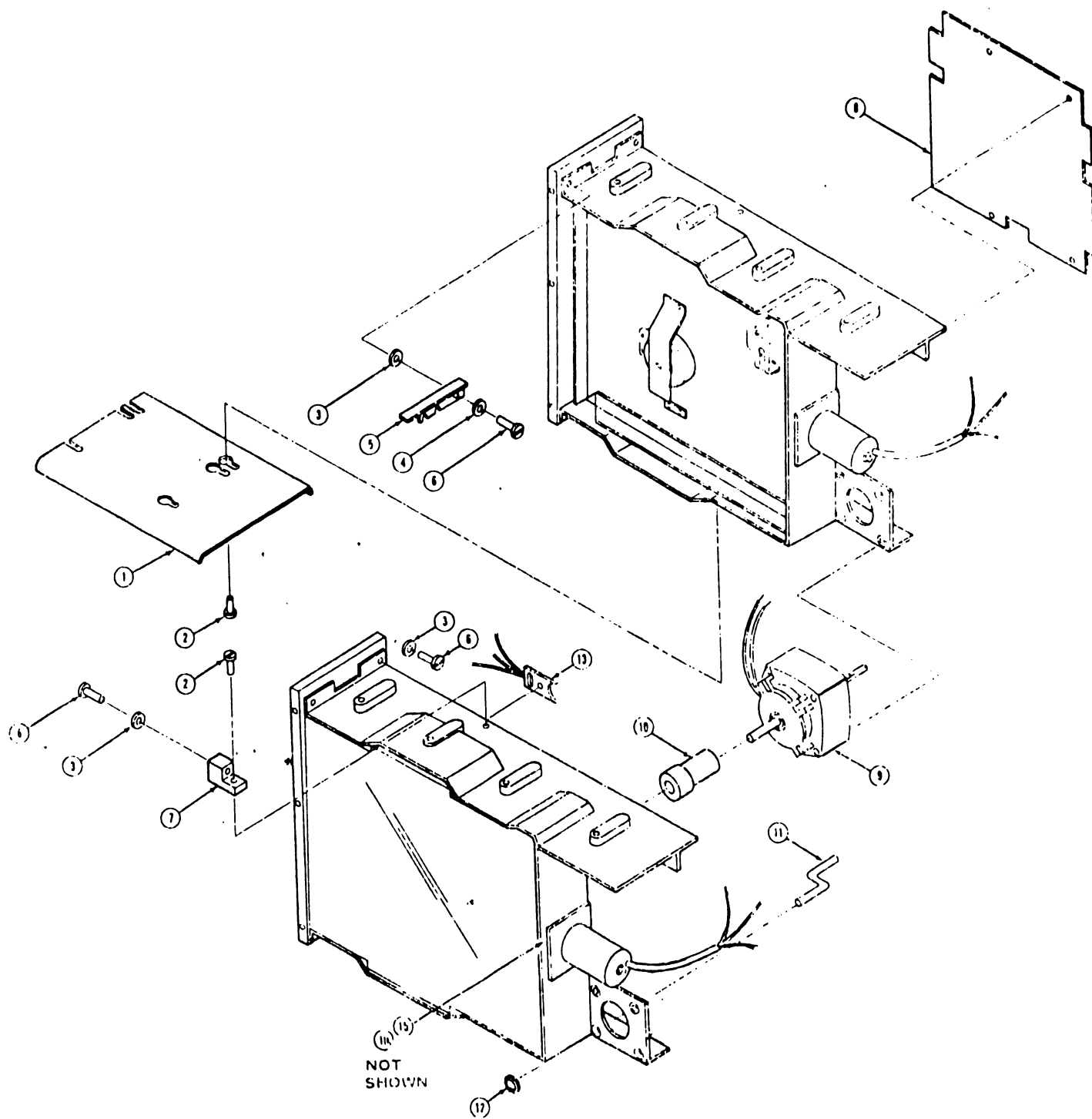


Figure 8-5

FIGURE & REF. NUMBER	PART NUMBER	DESCRIPTION				QTY PER ASM.
		1	2	3	4	
5-	50410	BASIC DRIVE ASSEMBLY, 902 RIGHT DRIVE				1
- 1	50431	.	PLATE, JUNCTION			2
- 2	10204	.	SCREW, 8-32x.312			9
- 3	50453	.	SPACER			3
- 4	10013	.	WASHER			1
- 5	50455	.	CLIP, LOCKING			1
- 6	10191	.	SCREW, 6-32x.500			3
- 7	50452	.	BLOCK, LOCKING CLIP			1
- 8	25037	.	PCB R/W -5V			1
	25038	.	PCB R/W -15V			1
	25039	.	PCB R/W WITH DATA SEP -5V			1
	25040	.	PCB R/W WITH DATA SEP -15V			1
- 9	50458	.	MOTOR 110VAC			1
	50459	.	MOTOR 220VAC			1
-10	50432	.	PULLEY 60Hz			1
	50451	.	PULLEY 50Hz			1
-11	50465	.	HOOK, BELT			1
-12	11306	.	GRIP RING			1
-13	50484	.	PHOTO TRANSISTOR ASSEMBLY RIGHT DRIVE			1
-14	50463	.	TRACK 00 DETECTOR ASSEMBLY (RT DRV)			1
-15	50462	.	WRITE PROTECT ASSEMBLY (RT DRV)			1

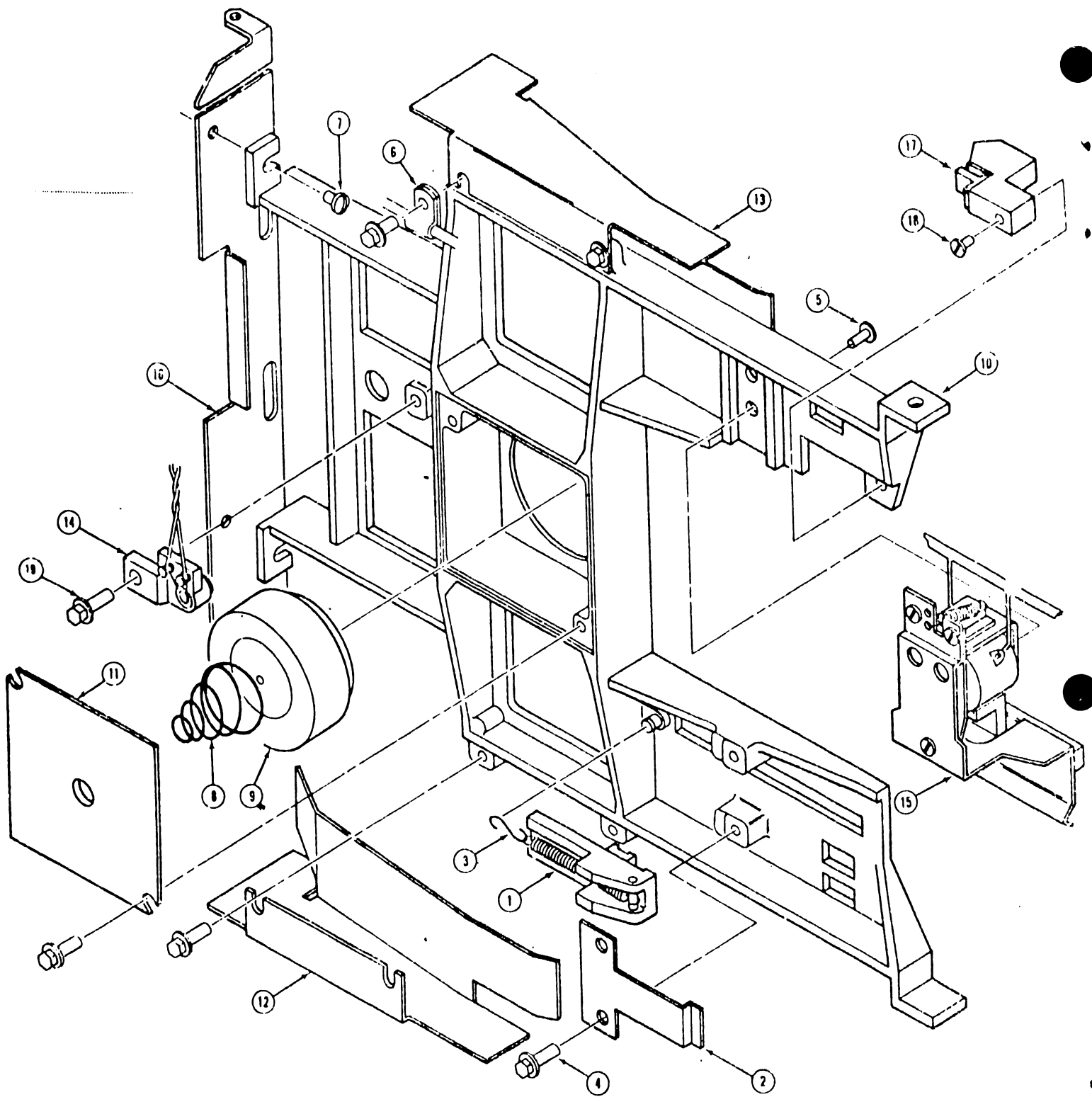


Figure 8-6

FIGURE & REF. NUMBER	PART NUMBER	DESCRIPTION				QTY PER ASM.
		1	2	3	4	
6 -	50550	CARTRIDGE GUIDE ASSEMBLY (BASIC)				
	50603	CARTRIDGE GUIDE ASSEMBLY (902 RIGHT)				
1	50609	.	EJECTOR ASSEMBLY			1
2	50555	.	SPRING, CLAMP, EJECTOR			1
3	50556	.	HOOK, SPRING			1
4	12015	.	SCREW 8-32 x .312			9
5	12013	.	SCREW 6-32 x .312			1
6	10378	.	CLAMP, CABLE			1
7	10187	.	SCREW 6-32 x .250			2
8	50031	.	SPRING, HUB CLAMP			1
9	50254	.	HUB CLAMP ASSEMBLY			1
10	50544	.	GUIDE			1
11	50546	.	PLATE, HUB CLAMP			1
12	50547	.	STRIPPER, BOTTOM			1
13	50548	.	STRIPPER, TOP			1
14	50557	.	L.E.D. ASSEMBLY			1
15	50558	.	HEAD LOAD ACTUATOR ASSEMBLY			1
16	50579	.	LATCH PLATE			1
17	50313	.	WRITE PROTECT DETECTOR ASSEMBLY			1
18	12026	.	SCREW 4-40 x .625			1
19	12016	.	SCREW			2

PART NUMBER	FIG. REF.
10002	3-3
10013	1-43
	3-39
	5-4
10023	3-28
10024	3-27
10025	1-2
10035	1-15
10140	1-49
10148	1-16
10156	1-14
10170	3-10
	3-40
10172	2-9
10174	3-11
10176	1-50
10177	3-34
10185	3-36
10187	6-7
10188	1-29
	4-6
10191	5-6
10204	5-2
10205	2-13
10261	4-10
10264	1-46
10375	1-45
10378	1-23
	6-6
10800	1-6
10801	1-9
	3-17
11305	1-38
11306	5-12
11307	3-15
11800	3-26
11900	2-30
11903	2-6
11904	1-22
11905	1-33
	4-7
11906	3-33
11910	2-9
11916	3-9
12011	1-37
	3-19
12012	1-27
12013	1-24
	6-5

PART NUMBER	FIG. REF.
12015	1-11
	6-4
12016	1-25
	6-19
	2-2
12020	1-42
12026	6-18
12027	1-18
12028	1-19
12501	1-12
12503	3-18
12509	1-3
15004	1-15
17200	1-36
25002	1-48
25003	1-48
25004	1-48
25005	1-48
25006	1-48
25007	1-48
25037	5-8
25038	5-8
25039	5-8
25040	5-8
50000	3-20
50010	1
50016	1-4
50018	1-7
50019	1-5
50030	1-1
	3
50031	3-21
	6-8
50032	3-23
50034	3-1
50043	3-5
50098	1-13
50112 0	2-4
50112 1	2-11
50113	2-3
50121	1-28
50128	1-44
50130	2-1
50139	3-12
50140	3-27
50141	3-29
50142	1-34
50143	4-2

PART NUMBER	FIG. REF.
50146	3-25
50151	3-35
50156	4-4
50157	4-5
50166	1-8
50167	1-31
50168	1-32
50183	4-3
50186	1-30
50245	2-5
50251	3-16
50252	3-14
50253	3-2
50254	3-13
	6-9
50256	3-37
50257	4-9
50258	4-9
50260	4-9
50261	4-9
50263	4-9
50264	4-9
50265	3-7
50282	3-38
50301	1-20
50313	3-32
	6-17
50349	4-1
50355	1-47
50356	1-47
50357	1-21
50358	1-21
50359	3-24
50363	3-8
50364	3-6
50365	3-4
50410	5
50412	3-31
50423	1-20
50431	5-1
50432	5-10
50451	5-10
50452	5-7
50453	5-3
50455	5-5
50458	5-9
50459	5-9
50462	5-15

PART NUMBER	FIG. REF.
50463	5-14
50465	5-11
50484	5-13
50487	1-39
50522	1-26
50523	1-41
50527	1-35
	4
50529	2-8
50542	2-10
50544	6-10
50546	6-11
50547	3-12
50548	6-13
50550	1-1
	6
50555	6-2
50556	6-3
50557	6-14
50558	6-15
50562	2-7
50578	1-46
50579	6-16
50580	4-8
50582	1-30
50583	1-30
50584	2-12
50586	4-2
50602	1-44
50603	6
50610	4
50609	6-1
50928	1-44
50929	2-10

CUSTOMER ENGINEERING PRICE CATALOG EFFECTIVE 10/01/77

PART NO	VC	VENDOR	PART NO	DESCRIPTION	RETAIL (\$US)	EXCHANGE
725-1000	80			DIODE 1N5231	4.00	
725-1001	80			XSTOR 2N3054	3.00	
725-1002	80			XSTOR 2N4013	7.00	
725-1003	80			XSTOR 40406	5.00	
725-1004	80	50929		LOAD BUTTON KIT-OLD	3.00	
725-1005	80	50542		LOAD BUTTON - NEW	3.00	
725-1006	80	50377		REPL BY 725-9612	10.00	
725-1007	80	50391		REPL BY 725-9613	10.00	
725-1008	80	SA120		REPL BY 726-9611	50.00	
725-1009	80	25005-4		PCB (SA901 -5V)	540.00	179.00
725-1010	80	50557		LED ASSY NEW TYPE	15.00	
725-1011	80	50558		ACTUATOR HEAD LOAD	24.00	
725-1012	80	50929		REPL BY 726-1020	26.00	
725-1013	80	17203		SWITCH DOOR OPEN	7.00	
725-1014	80	50121		REPL BY 726-1022	3.00	
725-1015	80	50355		REPL BY 656-0224	3.00	
725-1016	80			IC 74153	14.00	
725-1017	80	10109		REPL BY 330-3011	1.00	
725-1018	80	10375		REPL BY 654-1251	1.00	
725-1019	80	10105		RES 430 OHM 1/4W	3.00	
725-1020	80	50129-1		XSTOR PHOTO&CBL ASSY	26.00	
725-1021	80	50254		HUB CLAMP ASSY	20.00	
725-1022	80	10057		REPL BY 375-2103	3.00	
725-1023	80	50313		REPL BY 726-1022	3.00	
725-1024	80	50032		LED ASSY OLD STYLE	15.00	
725-1025	80	50133		STEPPER MTR ASSY	193.00	
725-1026	80	50443-2		MOTOR 110V 50/60HZ	143.00	
725-1027	80	50355		BELT 60HZ	10.00	
725-1028	80	50145		SPRING EJECTOR	2.00	
725-1029	80	50253		REPL BY 726-1011	24.00	
725-1030	80			PJT 20K 3389S BURNS	4.00	
725-1031	80			XSTOR PHOTO TIL 81	5.00	
725-1032	80			LED TIL31	9.00	
725-1033	80	50562		HEAD CARRIAGE ASSY	220.00	99.00
725-1034	80	10801		REPL BY 726-0914	4.00	
725-1035	80	50019		SPACER SPINDLE LONG	2.00	
725-1036	80	10800		REPL BY 465-0012	2.00	
725-1037	80	12509-0		WASHER SPRING	1.00	
725-1038	80	50141		CLAMP SPRING	3.00	
725-1039	80	ORDER 465-0012		BEARING SM:STPG MTR	4.00	
725-1040	80			BEARING LG:STPG MTR	9.00	
725-1041	80	50142		HANDLE DOOR	3.00	
725-1042	80	50349		PLATE FRONT	14.00	
725-1043	80	50143		PUSHBUTTON	3.00	
725-1044	80	50183		BUMPER FRONT PLATE	1.00	
725-1045	80	50155		LATCH FRONT PLATE	2.00	
725-1046	80	50157		SPRING PLATE	3.00	
725-1047	80	10188		SCREW 3/4 6-32X.312	1.00	
725-1048	80	11905		SCREW BV	1.00	
725-1049	80	50257		REPL BY 725-0053-91	10.00	

REVISION DATE  
09/29/77

REV. NO.  
3

VENDOR  
SHUGART

PAGE  
(VC=80) 50-34



CUSTOMER ENGINEERING PRICE CATALOG EFFECTIVE 10/01/77

PART NO	VC	VENDOR PART NO	DESCRIPTION	RETAIL(\$US)	EXCHANGE
725-1050	80	50151	DOOR PLATE LATCH	6.00	
725-1051	80	17212	REPL BY 325-2307	2.00	
725-1052	80	17211	SW TRACK-M	5.00	
725-1053	80	54048	BELT DRIVE-M	10.00	
725-1054	80	54047	MOTOR DRIVE-M	57.00	
725-1055	80	54058	MOTOR STEPPING-M	54.00	
725-1056	80	54145	LOAD BUTTON ASSY-M	3.00	
725-1057	80	54056	HUB COLLET-M	13.00	
725-1058	80	54055	HEAD CARR ASSY-M	183.00	90.00
725-1059	80	54064	HEAD LOAD SOL ASSY-M	22.00	
725-1060	80	54135	INDEX DETECTOR ASSY-	11.00	
725-1061	80	54137	INDEX LED ASSY-M	12.00	
725-1062	90	25050	PCB LOGIC-M	250.00	107.00
725-1063	90	25053	PCB MOTOR CONTROL-M	44.00	
725-1064	80	54097	REPL BY 726-9614	50.00	
725-1065	80	50684	HUB POST	10.00	
725-1065	80	54122-0	NOT NORMALLY STOCKED	12.00	
725-1067	80	54123-0	NOT NORMALLY STOCKED	8.00	
725-1068	80	54135	BAIL LOAD -M	4.00	
725-1069	80	11312	LAMP ASSY ACTIVITY-M	20.00	
726-1070	80	50561	HUB ASSY SPINDLE	19.00	

REVISION DATE  
09/29/77

REV. NO.  
3

VENDOR  
SHUGART

PAGE  
(VC=80) 5C-35

APPENDIX A  
SOFTWARE COMPATIBILITY

The following information was reprinted  
from 700-4369A, 3740 Diskette Compatibility  
Software Users Manual.

CHAPTER 1  
GENERAL INFORMATION

1.1 SOFTWARE OVERVIEW

Wang's 3740 Diskette Compatibility Software, designed for use with Wang's IBM 3740 Compatible Diskette Drive, provides a set of utility programs which implement operations such as the following:

- . displaying a 3740 diskette catalog, thereby providing the names of stored files and the addresses of each file's reserved and used sectors,
- . displaying 3740 sector dumps for the sectors in a specified address range,
- . performing media conversion of Wang disk/diskette files\* to 3740 diskette files, or vice versa, and
- . producing hardcopy of a specified 3740 diskette file, or a Wang diskette file previously converted from a 3740 diskette.

The software also provides utility subroutines which can be integrated with user-written BASIC language application programs where 3740 diskettes are to be accessed directly for file creation or maintenance. The subroutines handle the following types of operations:

- . opening a new or existing file,
- . reading, rereading, or writing a sector,
- . skipping or backspacing a specified number of sectors,
- . writing or updating an "end of data" pointer position, and
- . closing a file.

-----  
\* The 3740 Diskette Compatibility Software processes TC formatted Wang files (maximum record length 128 bytes).

Wang's Model 2270A (IBM 3740 Compatible) single, dual, or triple diskette units (unlike the Model 2270 units) have the necessary hardware and firmware to sense whether an IBM 3740 or a Wang diskette is currently mounted at a disk location where a read or write operation is to be executed; however, compatibility software is needed when data is to be stored on, retrieved from, or converted to a 3740 diskette by a Wang system. The software is not needed for normal operations with Wang diskettes.

## 1.2 MEDIA DIFFERENCES

IBM's 3740 Data Entry System encompasses such equipment as the single operator 3741 Data Station and the 3742 Dual Data Station. These "key to diskette" data stations store data on diskettes resembling the diskettes used in Wang systems.

A "diskette" is a thin, flexible disk platter 7.5 inches (19 cm) in diameter, about the size of a 45 rpm phonograph record, enclosed in an 8 by 8 inch (20 by 20 cm) semi-rigid protective plastic jacket. The diskette turns freely within the jacket, and is coated on one side with magnetic material arranged in concentric circular tracks. When formatted (initialized), the tracks are divided into "sectors" with unique, randomly accessible addresses, thereby providing a rapid, direct access method for data storage and retrieval. Although these general facts apply to both Wang and IBM diskettes, important differences usually preclude exchange of diskette files between Wang and IBM systems; however, with Wang's IBM 3740 Compatible Diskette Drive and the software described in this manual, 3740 diskette files can be read into a Wang system for subsequent processing. Also, data processed in a Wang system can be stored on 3740 diskettes and used as input to any system equipped to read 3740 diskette files.

### Visual Differences and Mounting Instructions

A permanent label with the name "Wang Diskette" and part number WLI No. 177-0063 identifies a diskette used in Wang Model 2270 or 2270A type drives. The elongated label has arrows marked "Insert" and "Up" showing how to position a diskette before mounting in a drive (see Figure 1-1); a third arrow points to the "write protect" hole. As indicated by instructions on the label, the write protect hole prevents writing when uncovered, and permits writing when covered by a tab.

A small, square, permanent label with the name "IBM Diskette" and Part No. 2305830 (Record Length 128 Bytes) identifies a standard diskette used by 3741 and 3742 data station operators. No arrows show how to position a 3740 diskette before mounting in a drive. To mount a 3740 diskette in one of Wang's IBM 3740 compatible drives, the diskette is held edgewise with the label on the right side, in the lower corner away from the drive door, as shown in Figure 1-2.

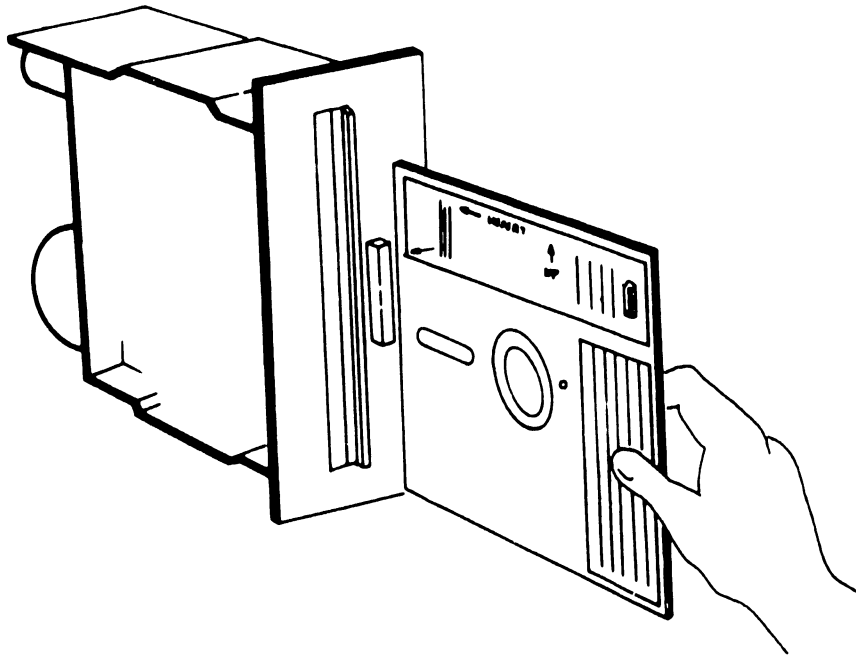


Figure 1-1. Mounting a Wang Diskette

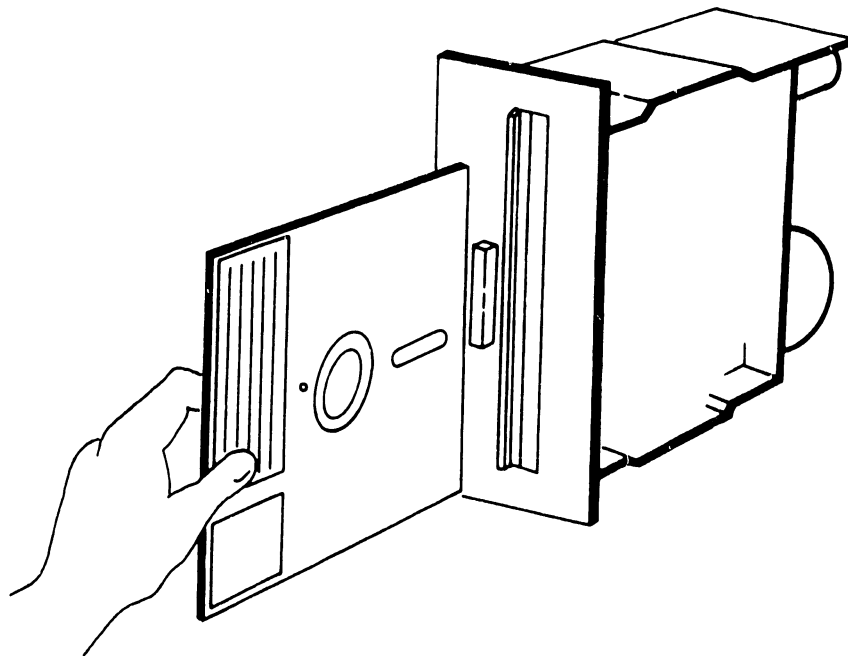


Figure 1-2. Mounting a 3740 Diskette

### Other Significant Differences

For background information, other differences between IBM 3740 and Wang diskettes are summarized here:

- . A Wang diskette has 32 small index holes around its central mounting hole; a 3740 diskette has only one index hole.
- . The tracks on Wang diskettes are divided into 16 equal sectors per track, with a 256-byte capacity per sector; the tracks on 3740 diskettes are divided into 26 equal sectors per track, with a 128-byte capacity per sector.
- . Sector addressing notation differs. On Wang diskettes, the first sector has address zero. On 3740 diskettes, the first sector has address 16,384 in Wang notation; the second sector has address 16,385, etc. The sectors are arranged and numbered consecutively on 3740 diskettes, but a staggered (interlaced) arrangement of the sequentially numbered sectors on Wang diskettes increases performance during multi-sector read/write operations.
- . Catalog index layouts differ.
- . Timing mark conventions, used to identify stored data files, differ.
- . Data is recorded in different code sets--Wang uses USASCII (United States of America Standard Code for Information Interchange) while IBM uses EBCDIC (Extended Binary Coded Decimal Interchange Code).
- . Valuable data stored on a Wang diskette can be protected against accidental overwriting by uncovering the write protect hole; no such feature exists on 3740 diskettes.
- . A Wang diskette can be formatted (initialized) in the leftmost drive by pressing the recessed format button; a 3740 diskette must be purchased preformatted or be formatted by an IBM 3740 system if the diskette is to be used for data storage or retrieval in a Wang system.

### Programming Differences

For Wang diskettes, read and write operations can be controlled via the disk statements described in the Disk Reference Manual provided with a Wang system, or any available disk utility software can be used. All information pertaining to the Model 2270 single, dual, or triple diskette units can be applied unchanged to comparable units of Wang's 3740 Compatible Diskette Drive when using Wang diskettes to store or retrieve diskette files.

By contrast, if a 3740 diskette is mounted in one of Wang's IBM 3740 Compatible Diskette Drives, none of the Automatic File Cataloging Mode disk statements can be used to control read and write operations on 3740 diskettes. Only five of the Absolute Sector Addressing Mode disk statements can accommodate the 3740 sector addresses; the statements are:

DATALOAD BA	DATALOAD DA	COPY.
DATASAVE BA	DATASAVE DA	



On Wang diskettes, there are 77 tracks numbered from 0 through 76 and each track is divided into 16 sectors with a storage capacity of 256 bytes per sector. Only 64 tracks are accessible for disk operations via Model 2270 type diskette units, but all 77 tracks are accessible via Model 2270A type diskette units if the SCRATCH DISK statement parameter END is set to 1231 instead of 1023 when initializing a diskette.

The reserved catalog index space on a Wang diskette, user-selectable via the value assigned to the parameter LS in the SCRATCH DISK statement used to initialize the diskette, can be any number of sectors from 1 to 255 (24 is the default value). Thus, the maximum space available for storage of files on Wang diskettes varies, but the capacity in bytes can be calculated as follows:

$$\begin{aligned} A &= 262144 - 256 \cdot n && \text{(for Model 2270 units)} \\ &= 315392 - 256 \cdot n && \text{(for Model 2270A units)} \end{aligned}$$

where  $n$  = the value assigned to LS when scratching a diskette.

For media conversion from a 3740 diskette to a Wang diskette, only two sectors need be reserved for the catalog index since the 3740 index track accommodates a maximum of 19 file entries. The first sector in the Wang diskette catalog index can hold 15 file entries; the other sectors can hold 16 file entries each.

NOTE:

All Wang diskettes formatted in Model 2270 diskette units are "upward" compatible with Model 2270A units. If "downward" compatibility between Model 2270A and 2270 units is desired, do not take advantage of the 77 track read/write feature when scratching a diskette in a Model 2270A drive, i.e., set END = 1023, not 1231.

#### 1.4 MIXED MEDIA ERROR CONDITIONS

The disk controller in Wang's 3740 Compatible Diskette Drive determines whether a disk read or write operation applies to a Wang or a 3740 diskette by the sector address (i.e., whether the address is less than 16,384 or not). The disk controller also senses which type of diskette (Wang or 3740) is mounted in a drive by the number of index holes on the diskette.

Accordingly, if either one of the following conditions occurs, an error code (ERR 64) interrupts a disk operation:

- a) a Wang diskette operation (sector address less than 16,384) is attempted on a 3740 diskette (only one index hole), or
- b) a 3740 diskette operation (sector address equal to or greater than 16,384) is attempted on a Wang diskette (32 index holes).

Then, corrective action can be taken.

## 1.5 CPU AND PERIPHERAL REQUIREMENTS

Two disk drives (minimum) are required to use Wang's 3740 Diskette Compatibility Software. One Model 2270A (IBM 3740 Compatible) drive is needed for mounting a 3740 diskette to be used for data storage or retrieval. Another 2270A drive, or any other disk/diskette drive in the system, is needed for mounting a platter containing the software or a user-written program. If a system has an IBM 3740 compatible single diskette unit, the unit must be used in conjunction with a fixed/removable disk drive, or must be upgraded to a dual diskette drive unit.

The central processor of the Wang system must be a 2200T, a 2200VP, or any Wang CPU which provides the full BASIC or BASIC-2 instruction set. A 12K-byte minimum memory size is sufficient for the software system. The subroutines, if appended to a user-written application program, require only 4.5K bytes of memory.

A printer is needed for those operations where hardcopy output of a 3740 diskette file or a Wang file (converted from a 3740 diskette) is desired.

## 1.6 SOFTWARE BACKUP

The software system on the master diskette obtained from Wang Laboratories should be kept in reserve, as a backup system, after copying the software to another diskette or a fixed/removable disk platter (depending upon the available peripherals in the system being used). The software can be copied using Wang's Integrated Support System (ISS) utilities, if available. Also, the software can be copied using the COPY statement if the diskette drive is a dual or triple unit. (See the general form of the COPY statement in the Disk Reference Manual.)

If a fixed/removable disk drive is available in addition to a single, dual, or triple 3740 Compatible Diskette Drive, the software system can be stored on the fixed disk or a removable disk platter without using ISS by repeating the following three-step procedure until every file listed in the master diskette catalog has been copied (all files are program files):

```
:CLEAR      EXEC

:LOAD DC { F } [xyz,] "name" EXEC
         { R }

:SAVE DC { F } [xyz,] "name" EXEC
         { R }
```

Keep in mind, however, that only unique file names can be stored on a particular platter; therefore, it may be necessary to use a different name when saving the START file.



CHAPTER 2  
OPERATING INSTRUCTIONS

2.1 LOADING THE SOFTWARE SYSTEM

Mount the disk or diskette containing the 3740 software; then, key the following sequence:

```
CLEAR EXEC  
SELECT DISK xyy EXEC (replacing xyy by the proper address)  
LOAD DC T "START" EXEC  
RUN EXEC
```

If the software is mounted at a default disk location (310/B10), the SELECT statement may be omitted; then, F or R should replace T in the LOAD statement, depending upon whether the left or right drive is used. (Also, if the name START has been changed for the reason discussed in Section 1.6, use the appropriate name.)

The software system first provides displays indicating that the loading operation is in progress. No operator action is required until a prompt requests the addresses to be used for program loading, Wang TC formatted files, and 3740 (3741) files. No addresses need be supplied if the displayed default addresses are acceptable; however, if addresses other than the default values are desired, keep in mind that the program loading and TC formatted files addresses may be the same, but the 3740 files address must be unique.

After the disk addresses have been supplied (or the default addresses accepted), the system menu appears on the CRT. (See Figure 2-1.)

```

PRESS DESIRED FUNCTION KEY _

3741-2200 UTILITY SYSTEM

-----
FN KEY      DESCRIPTION      FN KEY      DESCRIPTION
-----
01 - CONVERT 3741 TO TC FORMAT  05 - LIST 3741 CATALOG
02 - CONVERT TC FORMAT TO 3741  06 - DUMP 3741 SECTOR(S)
03 - LIST 3741 FILE              07 - APPLICATION/SUBROUTINES
04 - LIST TC FORMAT FILE        08 - CHANGE DISK ADDRESSES
    (CONVERTED 3741 FILE)       31 - RETURN TO 'START'

```

Figure 2-1. The System Menu

## 2.2 THE UTILITY PROGRAMS

The system menu displays the available utility programs and the special function keys by which they are accessed. After a special function key is depressed to access a particular program, operating instructions (prompts) appear on the CRT indicating when disk platters are to be mounted, and when input is required. No operational difficulties should arise if the prompts are followed carefully. For convenience, a summary of each program is given here, and the required input is indicated.

CONVERT 3741 TO TC FORMAT--converts a 3740 (3741) file to a Wang TC formatted file, and provides an option to rerun the program before returning to the system menu. The system creates fixed length records in the converted file by adding space characters, if necessary, to satisfy the record length specified in the 3740 index track. During file conversion, the display indicates the record currently being processed. Required information: (1) the input (3741) file name, (2) the output (Wang) file name, and (3) where to stop the conversion, i.e., 'EOD' (End Of Data) or 'EOE' (End Of Extent).

CONVERT TC FORMAT TO 3741--converts a Wang TC formatted file to a 3740 (3741) file, and provides an option to rerun the program before returning to the system menu. During file conversion, the display indicates the record currently being processed; records longer than 128 bytes are truncated. Required information: (1) the input (Wang) file name and (2) the output (3741) file name.

LIST 3741 FILE--provides hardcopy of a 3741 file on a printer (address 215). Records are read and dumped with no attempt to format the data; nonprintable characters are printed as question marks (?). The 3741 file is listed from BOE to EOE, i.e., from the beginning to the end of the reserved sectors. An end of data record, if encountered, is listed also and looks like the index entry with the name blanked. Required information: only the input (3741) file name.

LIST TC FORMAT FILE--provides hardcopy of a Wang TC formatted file on a printer (address 215). Records are read and dumped with no attempt to format the data; nonprintable characters are printed as question marks (?). Note: Records longer than 128 bytes are truncated, if encountered; however, truncation is not effective when listing a converted 3741 file since the maximum record length of such files is 128 bytes; truncation occurs on the hardcopy only, not on a disk or diskette. Required information: only the input (Wang) file name.

LIST 3741 CATALOG (Index Sectors)--displays a list of the files on the currently mounted 3741 diskette. In addition to the names of the files, the numbers under the headings 'BOE', 'EOE', and 'EOD' indicate the sector addresses corresponding to the beginning of extent (the first sector in the file), the end of extent (the last sector reserved for the file), and the end of data (the next unused sector within the file); numbers in parentheses under each heading indicate the respective 3741 track and the sector position within the track. Any blank lines within the list correspond to deleted entries in the 3741 catalog. Note: The numbers given without parentheses are appropriate for use with the software system when dumping sectors in a particular file (see Figure 2-2). Required information: none.

NAME	'BOE'	'EOE'	'EOD'
SAMPLE	26 (01/01)	113 (04/10)	35 (01/10)
FILE010A	114 (04/11)	243 (09/10)	237 (09/04)
FILE030A	244 (09/11)	1056 (40/17)	1023 (39/10)
#####	##### (##/##)	##### (##/##)	##### (##/##)

(Note: The print format, shown in the last line, does not appear in an actual display.)

Figure 2-2. A Sample 3740 Catalog Listing

DUMP 3741 SECTOR(S)--displays a specified set of 3741 sectors with no attempt to format the data; nonprintable characters appear as question marks (?). Three sectors at a time are displayed; then, the system waits until the operator keys RETURN(EXEC) before displaying three more sectors. Required information: any pair of numbers between 1 and 1950 (maximum), where a suitable range of sector addresses for a particular file may be obtained from the "list 3741 catalog" display.

APPLICATION/SUBROUTINES--provides access to a sample application program if the file name 3741090A is the operator's response to the system's request for the name of the application program; then, via a new menu (see Figure 3-1) and prompts, the sample program demonstrates the file maintenance capabilities of the utility subroutines which simulate several Wang disk operations while compensating for the differences between Wang and 3740 diskettes. Note: See Chapter 3 for a description of each subroutine, and the requirements for integrating the subroutines with user-written application programs. Required information: The name of an application program stored on the platter with the 3740 software.

CHANGE DEFAULT ADDRESSES--allows the user to change the software's preset default addresses. If three disk drives are available, the program loading address and the Wang files mounting address should be different to eliminate the necessity of removing the software system platter each time a Wang platter is to be mounted. Required information: Any new addresses to replace the current default values.

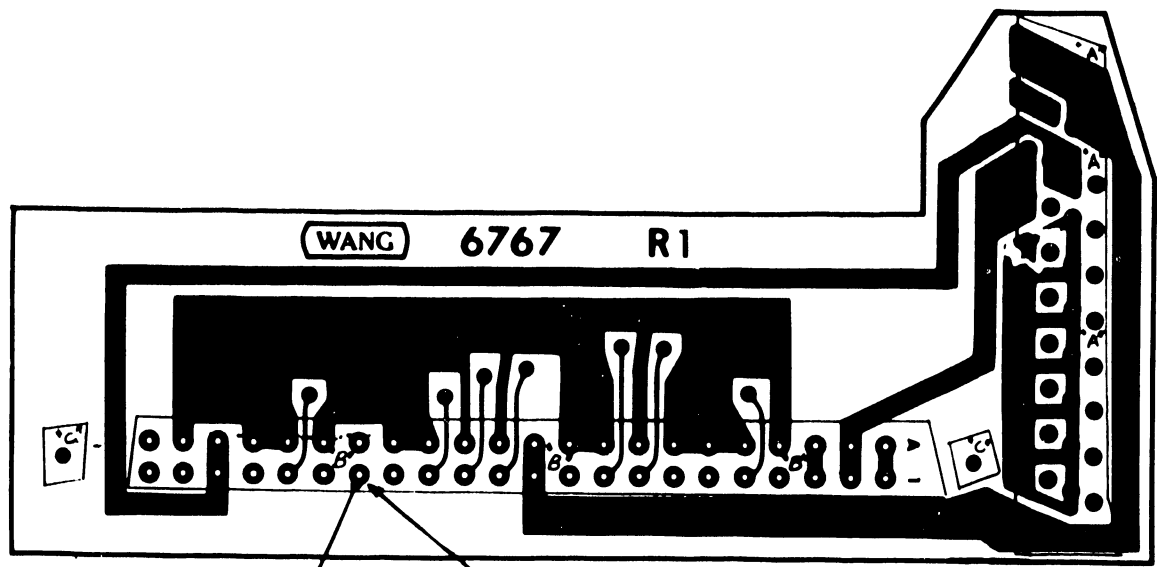
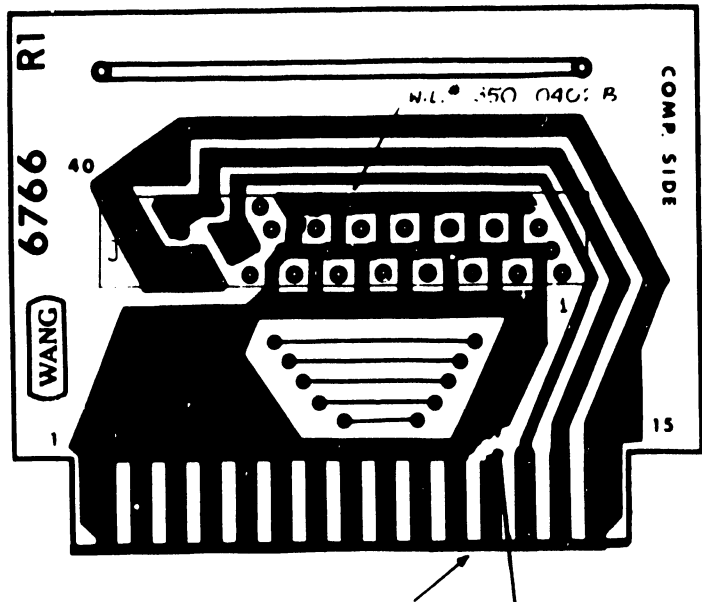
RETURN TO 'START'--returns the system menu to the CRT if S. F. '31 is depressed after accessing one of the system programs.

APPENDIX B  
RIBBON CABLE CONVERSION, R1 to R2

The system is shipped with one ribbon cable; however, two cables will be necessary when processing two 3740 diskettes. If this is the case, an additional cable should be ordered, WLI# 220-3011-R2. In the event that a cable is required immediately, and the site has an R1 cable, then it may be modified to function as an R2 until the ordered cable arrives. The modification is accomplished as follows (refer to figure on following page):

1. Isolate pin 12 on the 6766 connector by cutting the etch as shown in the figure.
2. Solder one end of a 32 inch length of wire to pin 12 and route the wire through the hole in the 6766 board and parallel to the ribbon cable to pin 16 of the 6767 connector.
3. Tape the wire neatly along the ribbon cable to avoid transient noise pick-up or snagging of the wire.
4. Trim the wire to the exact length and solder to pin 16, as shown in the figure.
5. Replace the modified cable with the new cable when it arrives.

79



PIN 12

EXTERNAL WIRE

PIN 16

BREAK ETCH TO ISOLATE  
 PIN 12 AND CONNECT PIN  
 12 TO PIN 16 USING AN  
 EXTERNAL WIRE RUN  
 BETWEEN CONNECTORS.

EMERGENCY CONVERSION OF RIBBON CABLE FROM R1 TO R2

APPENDIX C  
SHUGART LOGIC DIAGRAMS

The diagrams in this section are listed in the following order:

50501-0	Logic Manual Index
50502-0	Functional Diagram
50503-0	Read/Write/Inop Ckts.
50504-0	Stepper Control
50505-0	Detectors
50506-0	Motors/Solenoid/Switch
50507-0	Interface Inputs
50508-0	Interface Outputs
25000-0	Schematic Diagram, Diskette
6472-61	I/O CABLE ASSY.
7218	IBM 3741 SHUGART BOARD

LOGIC MANUAL DRIVE SN \_\_\_\_\_

INDEX

AA001	INDEX
AB010	FUNCTIONAL DIAGRAM
DA010 DA020 DA030 DA040	READ/WRITE/INOP CKTRY STEPPER CONTROL DETECTORS MOTORS/SOLENOID/SWITCH
VA010 VA020	INTERFACE INPUT (J1, J4, AND J5) INTERFACE OUTPUT (J1)

TABLE I  
OPTIONAL  
FEATURES

PCB ASM NO.	OPTIONAL FEATURES			
	-5V	-12V TO -15V	DATA SEP	SECTOR SEP
25002	X			
25003		X		
25004	X		X	
25005		X	X	
25006	X		X	X
25007		X	X	X

WRITE PROTECT CAN BE ORDERED WITH ANY OF THE ABOVE.

TABLE II

CUSTOMER CUT TRACE OPTIONS AND HISTORY CHART  
JUMPER AND TRACE CUT CAPABILITY

DESIGNATOR	DESCRIPTION	OPEN	SHORT
A	DRIVE SELECT I OR HEAD LOAD	<input type="checkbox"/>	<input type="checkbox"/>
B	ALTERNATE DRIVE SELECT PATH	<input type="checkbox"/>	<input type="checkbox"/>
C	RADIAL HEAD LOAD	<input type="checkbox"/>	<input type="checkbox"/>
D	DRIVE SELECT TERMINATION WITH RADIAL HEAD LOAD	<input type="checkbox"/>	<input type="checkbox"/>
E	MULTIPLEX OR DRIVE SELECT FEATURE	<input type="checkbox"/>	<input type="checkbox"/>
F	TERMINATION FOR "WRITE DATA"	<input type="checkbox"/>	<input type="checkbox"/>
G	TERMINATION FOR "FILE INOP RESET"	<input type="checkbox"/>	<input type="checkbox"/>
H	TERMINATION FOR "WRITE GATE"	<input type="checkbox"/>	<input type="checkbox"/>
J	TERMINATION FOR "DIRECTION SELECT"	<input type="checkbox"/>	<input type="checkbox"/>
K	TERMINATION FOR "STEP"	<input type="checkbox"/>	<input type="checkbox"/>
M	RADIAL/READY INTERRUPT	<input type="checkbox"/>	<input type="checkbox"/>
R	STEP WITH HEAD UNLOADED	<input type="checkbox"/>	<input type="checkbox"/>
S	R.P.S. (RADIAL SECTOR AND INDEX)	<input type="checkbox"/>	<input type="checkbox"/>

TABLE II

FACTORY CUT TRACE OPTIONS

PCB ASM NO.	TRACE "L"	TRACE "N"	TRACE "P"
25002	SHORTED	OPEN	SHORTED
25003	OPEN	↑	↑
25004	SHORTED	↓	↓
25005	OPEN	OPEN	SHORTED
25006	SHORTED	SHORTED	OPEN
25007	OPEN	SHORTED	OPEN

FACTORY CUT TRACE OPTIONS AND HISTORY CHART

L	-5 OR -12 TO -15V	SEE TABLE II
N	INDEX ONLY (900)	SEE TABLE II
P	INDEX AND SECTOR (901)	SEE TABLE II

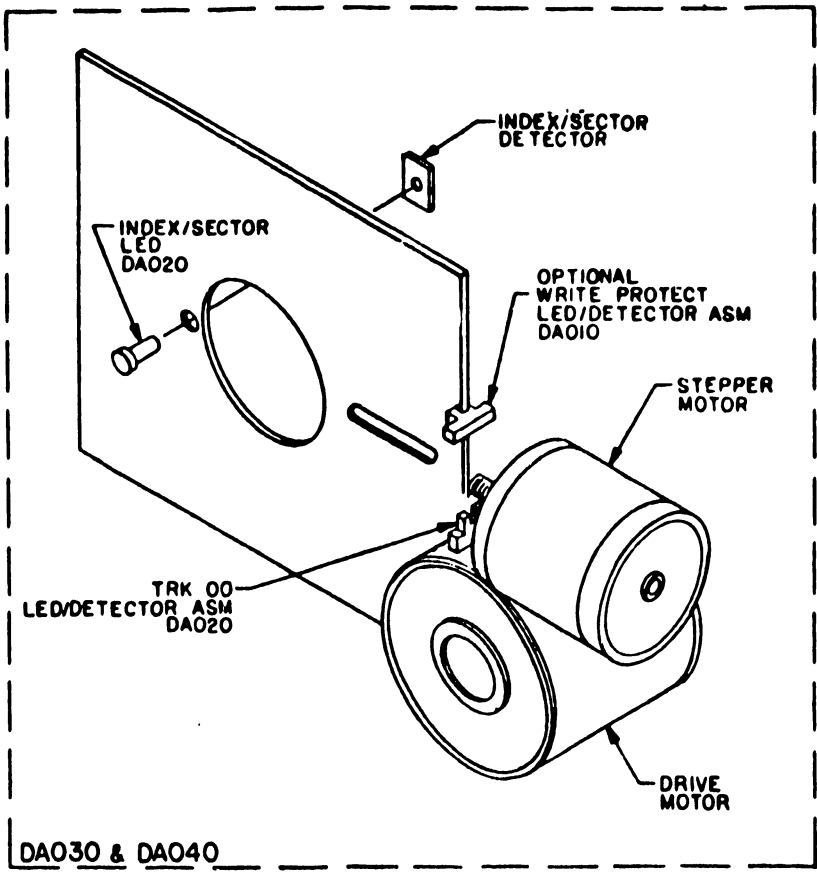
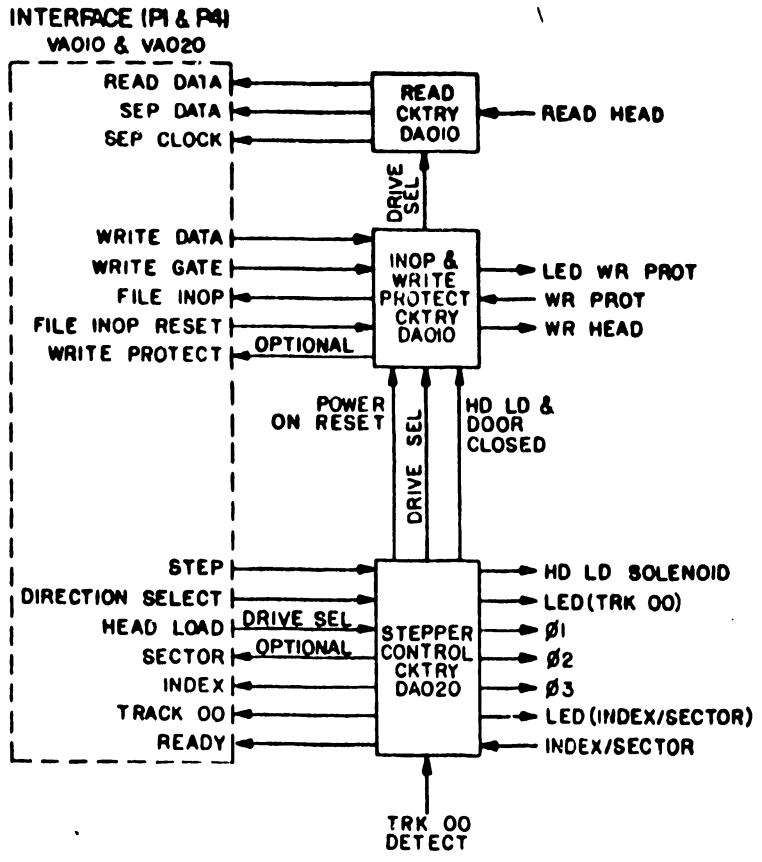
AS SHIPPED FROM FACTORY

MUST CONFORM TO ENGINEERING SPEC ES 30000-0		EC HISTORY		TITLE LOGIC MANUAL INDEX			
MATERIAL	TOLERANCE UNLESS OTHERWISE NOTED	DATE	NO	3-16-74 0114			
		3-23-74	0274	DETAIL	DATE	3/1/74	RELEASED FOR ASSEMBLY
CASE DEPTH	LINEAR 2 XX			DESIGN			50500
HARDNESS	ANGULAR 2 XXX			APP'D	SCALE		SHEET 1 OF 1
SURFACE TREATMENT	ES			C	LG	50501-0	0274

82

AA0

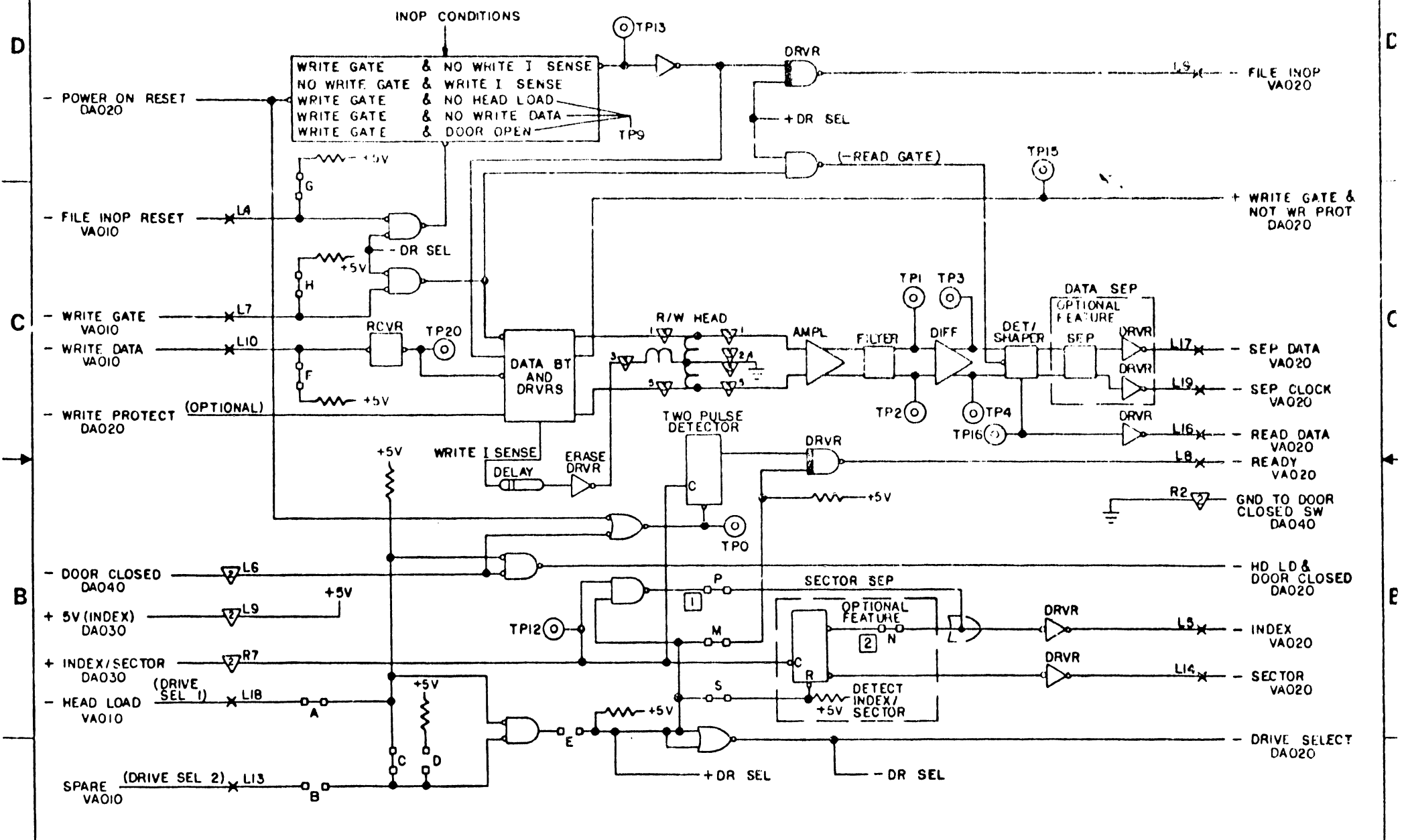




MUST CONFORM TO ENGINEERING SPEC. ES 30000-0		EC HISTORY		LOGIC DIAGRAM	
MATERIAL	TOLERANCE UNLESS OTHERWISE NOTED	DATE	NO	TITLE	
		3-16 '4	0114	FUNCTIONAL DIAGRAM	
CASE DEPTH	LINEAR ± .XX			DETAIL	3 174
HARDNESS	ANGULAR ± .XX			DESIGN	50500
SURFACE TREATMENT	CORROSION RESISTANT			APPRO	7/10
	OUTSIDE MAX			SHEET	1 OF 1
	INSIDE MAX			SCALE	1:1
				LG	50502-0
					0114

ABO10

83

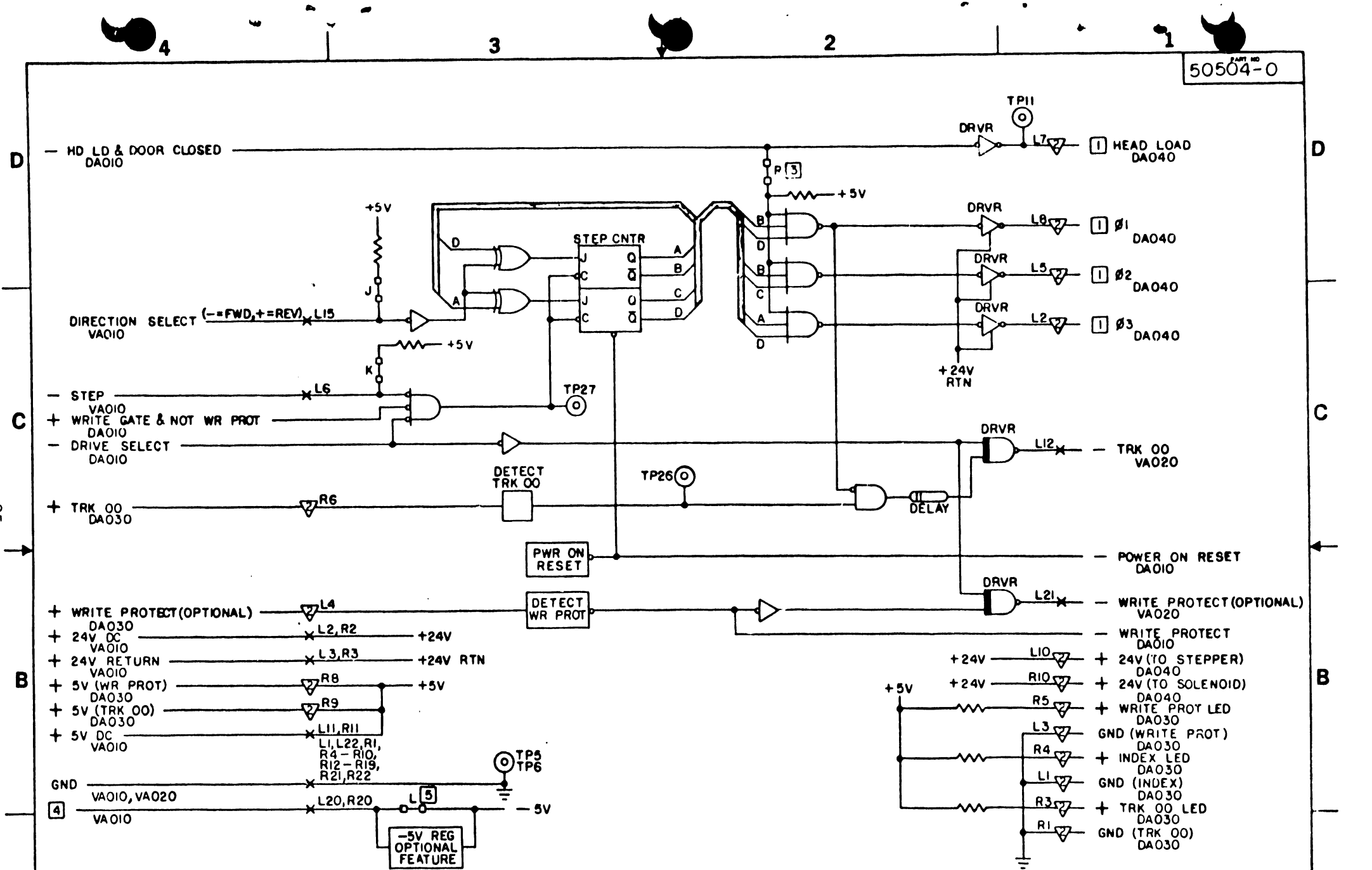


- NOTES:
- 1 CUT TRACE (P) FOR 90I. SEE PAGE AA00I, TABLE II.
  - 2 CUT TRACE (N) FOR 900. SEE PAGE AA00I, TABLE II.
  - 3. CONNECTOR SYMBOL REFERENCE:  
 X = J1, ▽ = J2, ▽ = J3

MATERIAL		TOLERANCE UNLESS OTHERWISE NOTED		DATE NO		TITLE	
				3/6/74 0114		LOGIC DIAGRAM	
				7/24/74 0274		READ/WRITE/INOP CKTRY	
GATE DRIVEN		ANGULAR		DETAIL		RELEASED FOR ASSEMBLY	
				SIDE 3/74		50500	
				REV		SHEET 1 OF 1	
				C		LG 50503-0 1074	

84

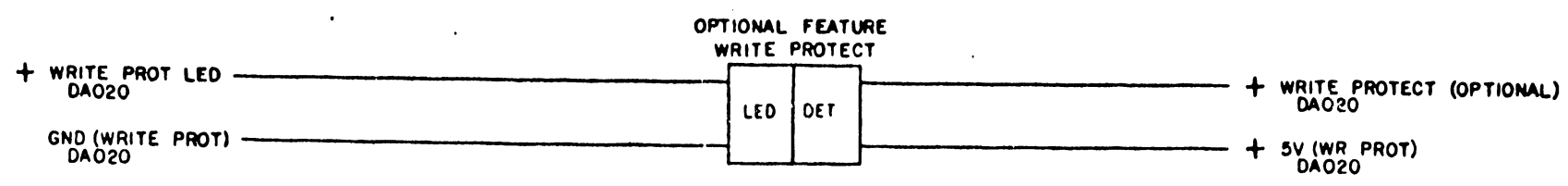
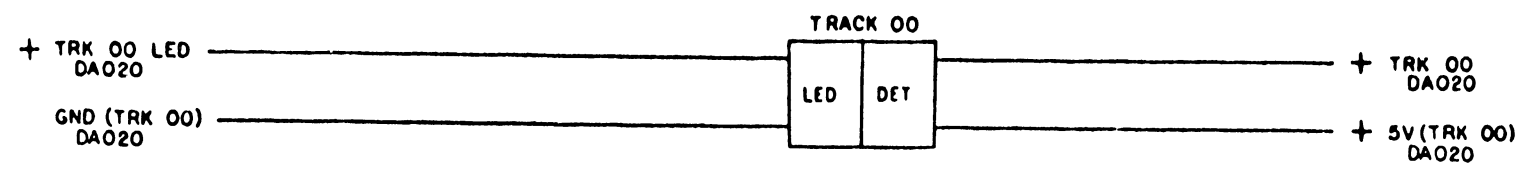
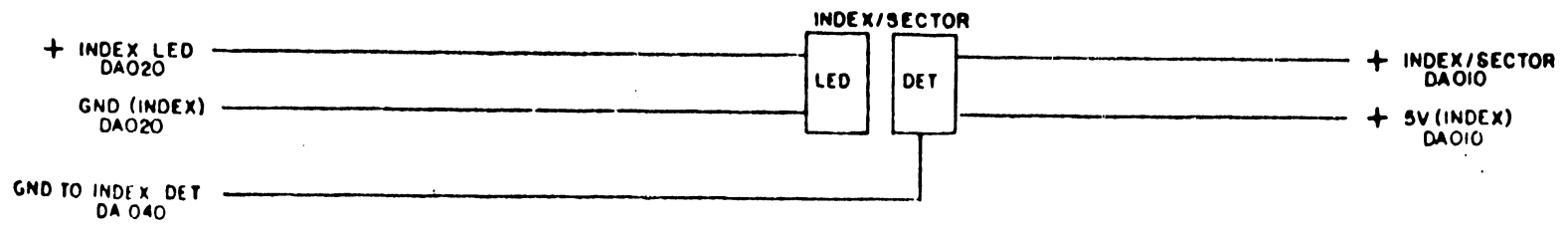
DAOIC



- NOTES:**
- 1 GND WHEN ACTIVE & + 24VDC WHEN INACTIVE.
  - 2. CONNECTOR SYMBOL REFERENCE: X=J1, ▽=J2
  - 3 CUT TRACE (R) TO ALLOW STEPPING WITH HEAD NOT LOADED OR DOOR OPEN.
  - 4 -5V OR -12V TO -15V SELECTABLE FEATURE. SEE PAGE AA001, TABLE II
  - 5 CUT TRACE (L) FOR -12V TO -15V INPUT AT L20, R20. SEE PAGE AA001, TABLE II.

MUST CONFORM TO ENGINEERING SPEC. ES 30000-0		EC HISTORY		LOGIC DIAGRAM	
MATERIAL	TOLERANCE UNLESS OTHERWISE NOTED	DATE	NO	TITLE	LOGIC DIAGRAM
		3 16 4	0114	STEPPER CONTROL	
CASE DEPTH	LINEAR ± XX			DETAIL	3/74
HANDNESS	ANGULAR ± XX			DESIGN	50500
SURFACE TREATMENT	FINISH			APPRO	1/1 2/14
	OUTSIDE			SCALE	1 LG
	INSIDE			50504-0	0114

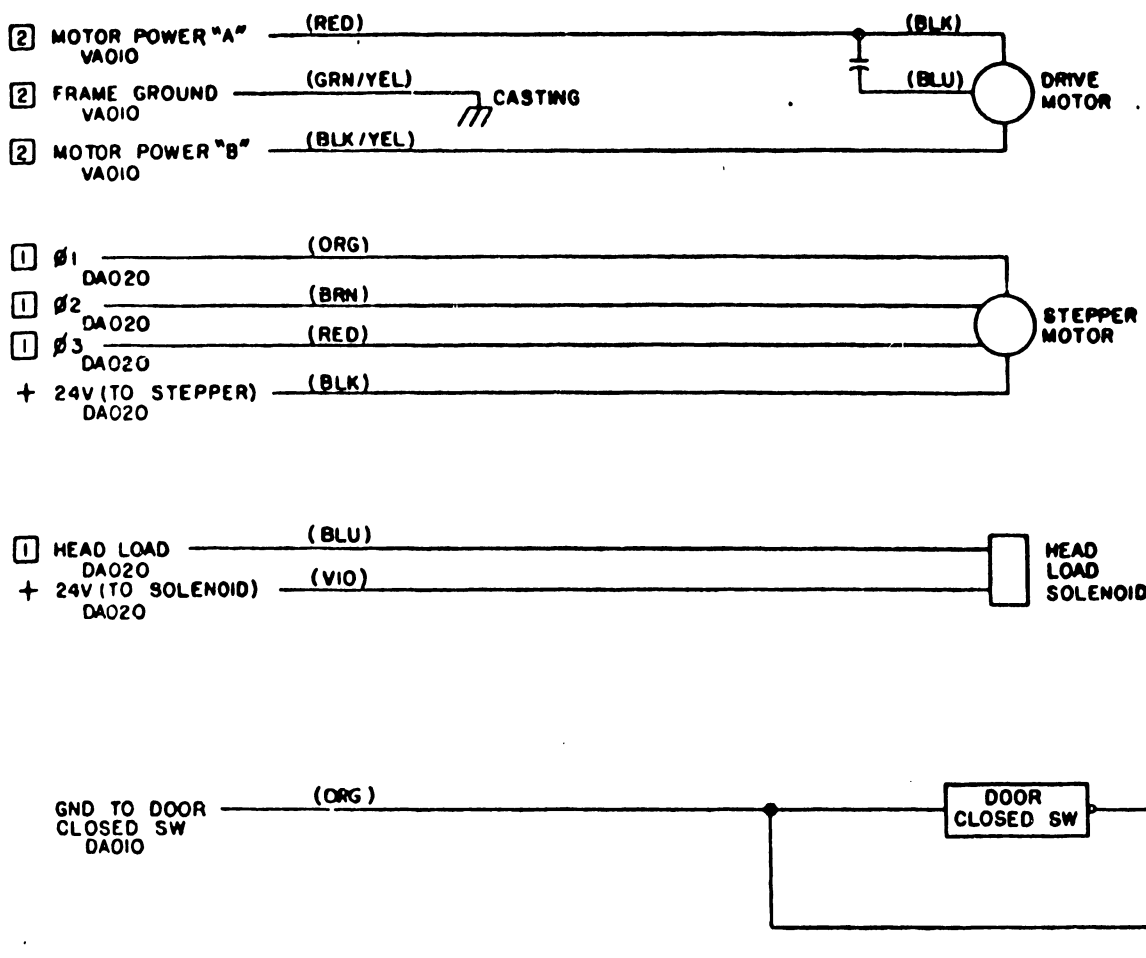
DA020



98

DAO30

MUST CONFORM TO ENGINEERING SPEC. EB 30000-0		EC HISTORY		SHUGART ASSOCIATES	
MATERIAL	TOLERANCE UNLESS OTHERWISE NOTED	DATE	NO	TITLE	LOGIC DIAGRAM
		3/6	0114		DETECTORS
CAMP DPTH	LINEAR ± .005	7/28	0274	EN TAIL	DATE 3/79
RADIUSES	ANGULAR ± .005			DESIGN	RELEASED FOR ASSEMBLY
SURFACE TREATMENT	FINISH			APPRO	50500
				SCALE	SHEET 1 OF 1
				LG	PART NO 50505-0
					274



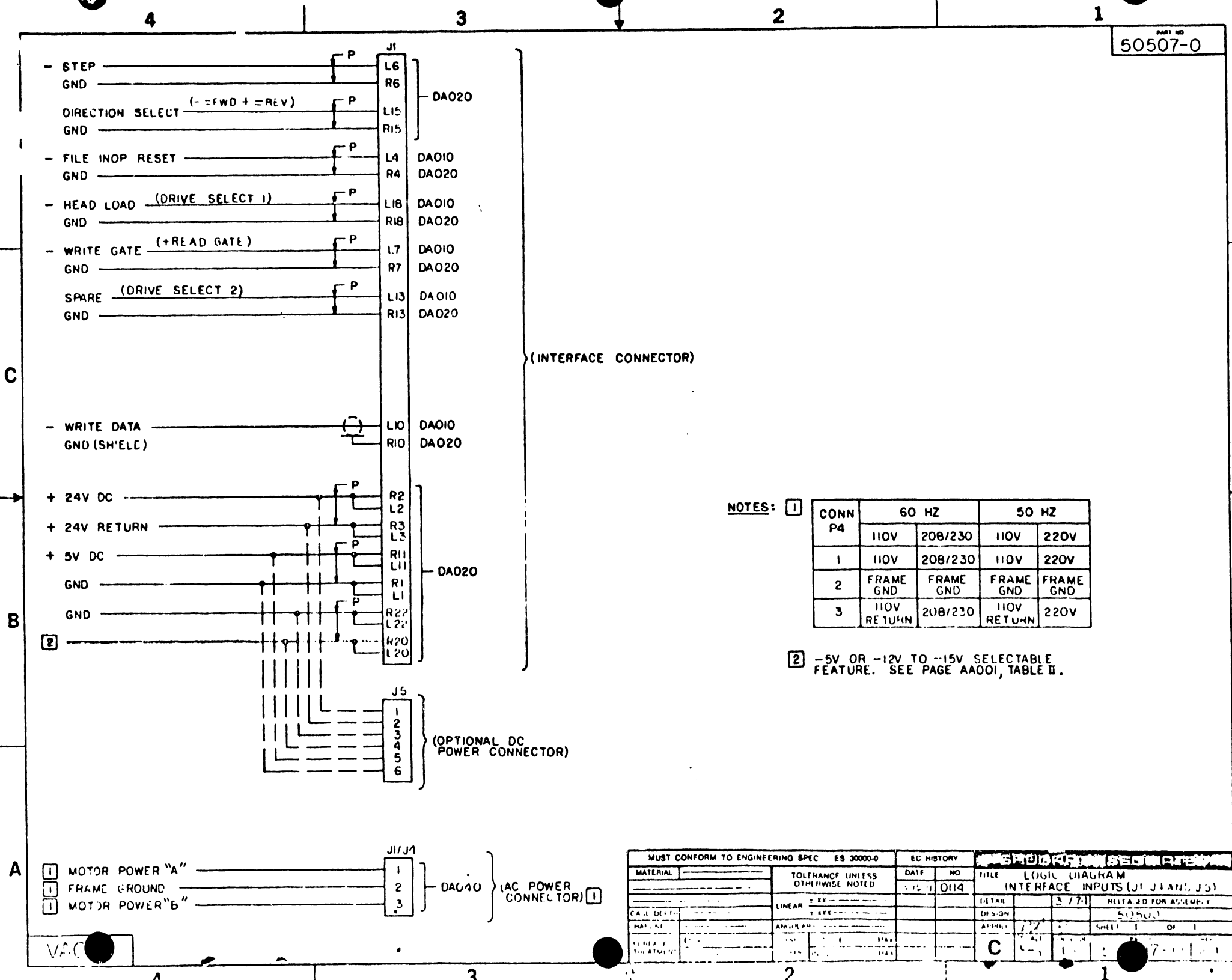
**NOTES:**

- ① GND WHEN ACTIVE & +24V WHEN INACTIVE.
- ② SEE PAGE VAOIO (NOTE 1) FOR AC VOLTAGES.

DAO40

MUST CONFORM TO ENGINEERING SPEC. ES 3000-0		EC HISTORY		SHIMCART ASSOCIATES			
MATERIAL	TOLERANCE UNLESS OTHERWISE NOTED	DATE	NO.	TITLE LOGIC DIAGRAM			
		3-26-77	0114	MOTORS/SOLENOID/SWITCH			
GAUGE DEPTH	LINEAR	7-27-77	0274	DETAIL	DATE	3/74	RELEASED FOR ASSEMBLY
HARDNESS	ANGULAR			DESIGN		50500	
SURFACE TREATMENT	OUTSIDE			APPRO	5/7-	SHEET	1 OF 1
	INSIDE			SCALE	1/8" = 1"	PART NO.	50506-0
						REV. 1	1274

88



(INTERFACE CONNECTOR)

(OPTIONAL DC POWER CONNECTOR)

(AC POWER CONNECTOR)

NOTES: 1

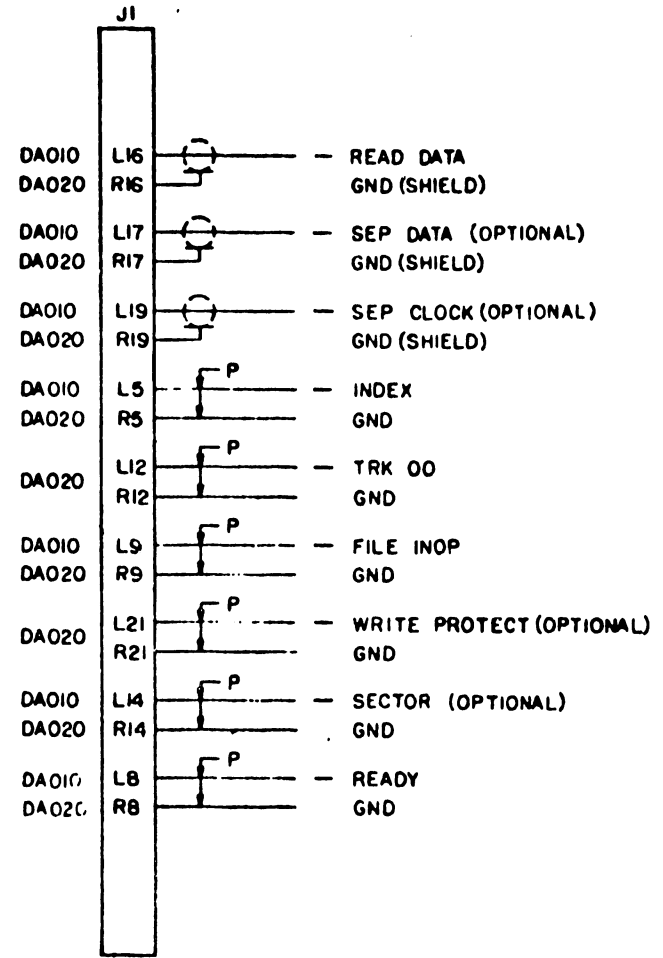
CONN P4	60 HZ		50 HZ	
	110V	208/230	110V	220V
1	110V	208/230	110V	220V
2	FRAME GND	FRAME GND	FRAME GND	FRAME GND
3	110V RETURN	208/230	110V RETURN	220V

2 -5V OR -12V TO -15V SELECTABLE FEATURE. SEE PAGE AA001, TABLE II.

- 1 MOTOR POWER "A"
- 1 FRAME GROUND
- 1 MOTOR POWER "B"

MUST CONFORM TO ENGINEERING SPEC ES 3000-0		EC HISTORY		REVISIONS	
MATERIAL	TOLERANCE UNLESS OTHERWISE NOTED	DATE	NO	TITLE	LOGIC DIAGRAM
		10/14	0114		INTERFACE INPUTS (J1, J1 AND J5)
SCALE DETAIL:	LINEAR			DETAIL	3/74
MATERIAL:	AMERICAN			DESIGN	50507
REVISION:				APPROV:	SHEET 1 OF 1
				C	7-1-74

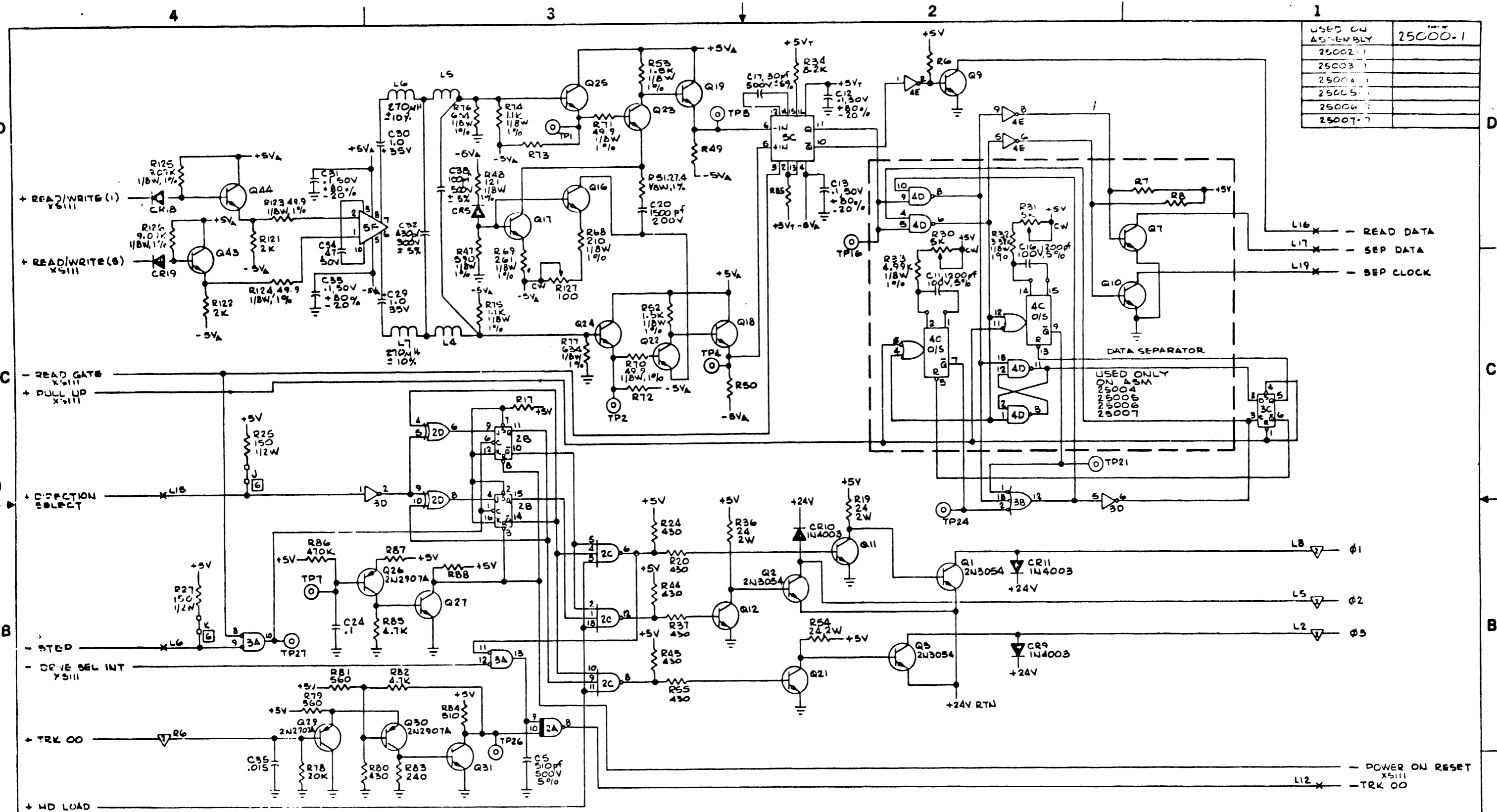
(INTERFACE CONNECTOR)



68

MUST CONFORM TO ENGINEERING SPEC ES 30000-0		EC HISTORY		SHUGART ASSOCIATES	
MATERIAL	TOLERANCE UNLESS OTHERWISE NOTED	DATE	NO	TITLE LOGIC DIAGRAM	
		0114	0114	INTERFACE OUTPUTS (J1)	
CASE DEPTH	LINEAR	0274	DETAL	3/74	RELEASED FOR ASSEMBLY
FINISHING	ANODIZING		DESIGN		50500
FINISH TREATMENT			APPRO		SHEET 1 OF 1
			C	SCALE	1:1

VA020



USED ON ASSEMBLY	25000-1
25002-1	
25003-1	
25004-1	
25005-1	
25006-1	
25007-1	

USED ONLY	
Q1	2N3054
Q2	2N3054
Q3	2N3054
Q4	2N3054
Q5	2N3054
Q6	2N3054
Q7	2N3054
Q8	2N3054
Q9	2N3054
Q10	2N3054
Q11	2N3054
Q12	2N3054
Q13	2N3054
Q14	2N3054
Q15	2N3054
Q16	2N3054
Q17	2N3054
Q18	2N3054
Q19	2N3054
Q20	2N3054
Q21	2N3054
Q22	2N3054
Q23	2N3054
Q24	2N3054
Q25	2N3054
Q26	2N3054
Q27	2N3054
Q28	2N3054
Q29	2N3054
Q30	2N3054
Q31	2N3054

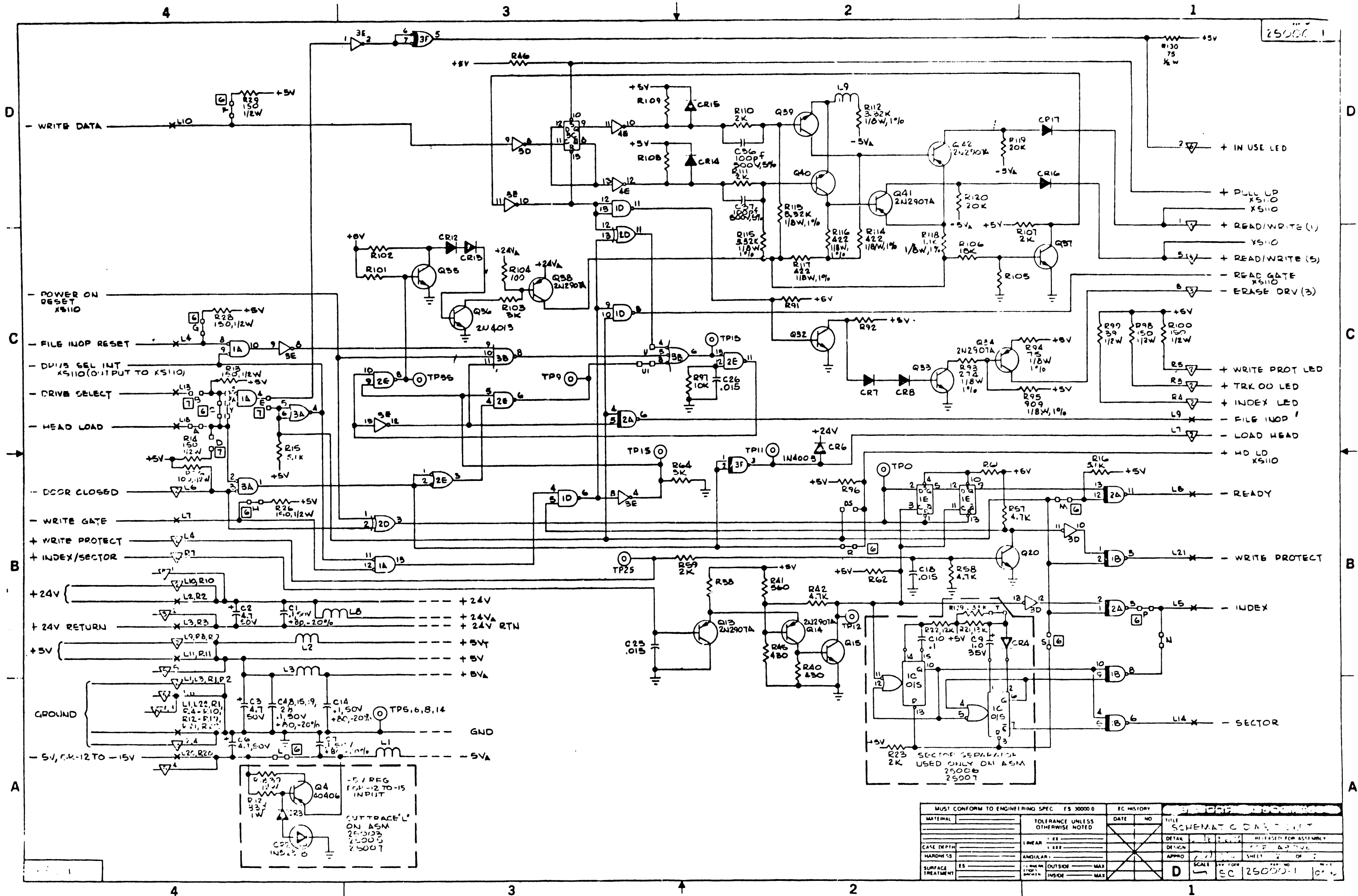
- NOTES: UNLESS OTHERWISE SPECIFIED;
1. ALL RESISTORS ARE 1K, 1/4W, 5%.
  2. ALL CAPACITORS ARE IN MICROFARADS, 100V, 10%.
  3. ALL CHOKES ARE 100UH, 10%.
  4. ALL DIODES ARE 1N4003.
  5. ALL TRANSISTORS ARE 2N2222A.
- [Symbol: I-U] = TRACE CUT CAPABILITY.  
 [Symbol: J-O] = JUMPER CAPABILITY.  
 B. CONNECTOR SYMBOL REFERENCES:  
 (X) = J1 (▽) = J2 (▽) = J3 (▽) = J5

TYPE	POSITION	UNUSED ELEMENTS	+5V (PIN)	GND (PIN)
7400	1D, 4D, 2E	1D1	14	7
7402	1A, 3A	1A1		
7404	3D, 3E	3E3, 3D2		
7406	4E	4E2		
7410	3B, 2C			
7430	2A, 1B	1B4		
7414	1E, 3C		14	7
7476	2B		5	13
7486	2D		14	7
UA733	5F			
AT20	5C			8
9602	1C, 4C		16	8
75452P	3F		8	4

REF DESIGNATION LAST USED	REF DESIGNATION NOT USED
C35	C21, 22, 23, 27
CR19	CR1
L9	
Q44	Q5, 6, 8, 28
R130	R1, 5, 9, 11, 39, 60, 63, 65, 47, 80, 81
TP36	TP10, 17, 18, 19, 22, 23, 20, 28, 29, 30, 31, 32, 33, 34

MUST CONFORM TO ENGINEERING SPEC ES 10000-0		EC HISTORY		CHICAGO ASSOCIATES	
MATERIAL	TOLERANCE UNLESS OTHERWISE NOTED	DATE	NO	TITLE	
CASE DEPTH	LINEAR	2-77	C25R	SCHEMATIC D.U., D.C. - FT	
HARDNESS	ANGULAR	8-75	C27R	DETAIL	2500
SURFACE TREATMENT	OUTSIDE	1-76	C28R	DESIGN	SEE ABOVE
	INSIDE	8-76	C27	APPRO	SHEET 1 OF 2
		10-76	C29R	SCALE	SC 25000-1





MUST CONFORM TO ENGINEERING SPEC. FS 30000

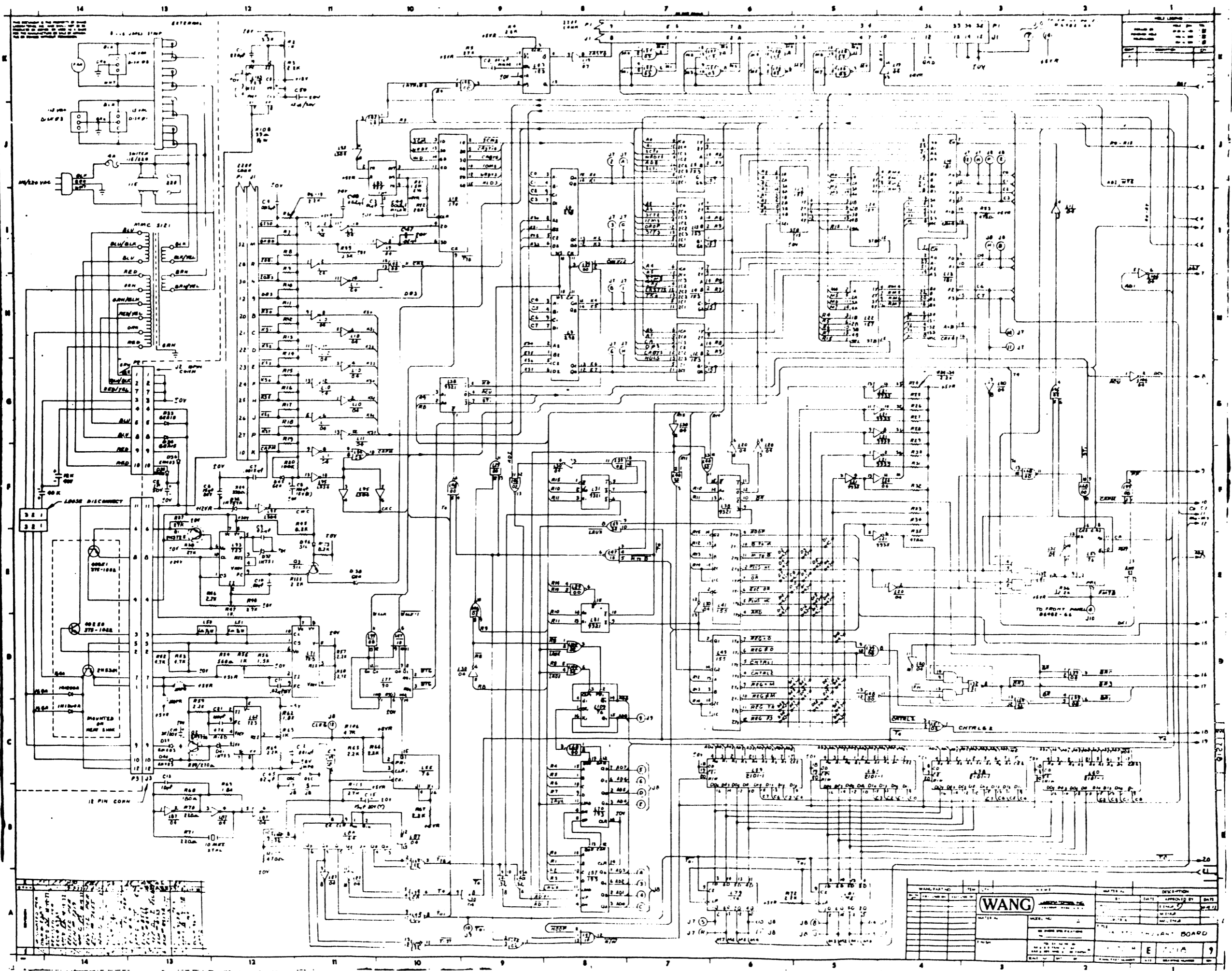
MATERIAL		TOLERANCE UNLESS OTHERWISE NOTED		REV. HISTORY		TITLE	
NO.	DESCRIPTION	NO.	DESCRIPTION	DATE	NO.	DATE	NO.
1	ASSEMBLY	1	ASSEMBLY		1		SCHEMATIC DRAWING
2	DETAIL	2	DETAIL		2		RELEASED FOR ASSEMBLY
3	DESIGN	3	DESIGN		3		DESIGN & CHECK
4	APPROV.	4	APPROV.		4		
5	SURFACE TREATMENT	5	SURFACE TREATMENT		5		

SCALE: 1" = 1" (D)

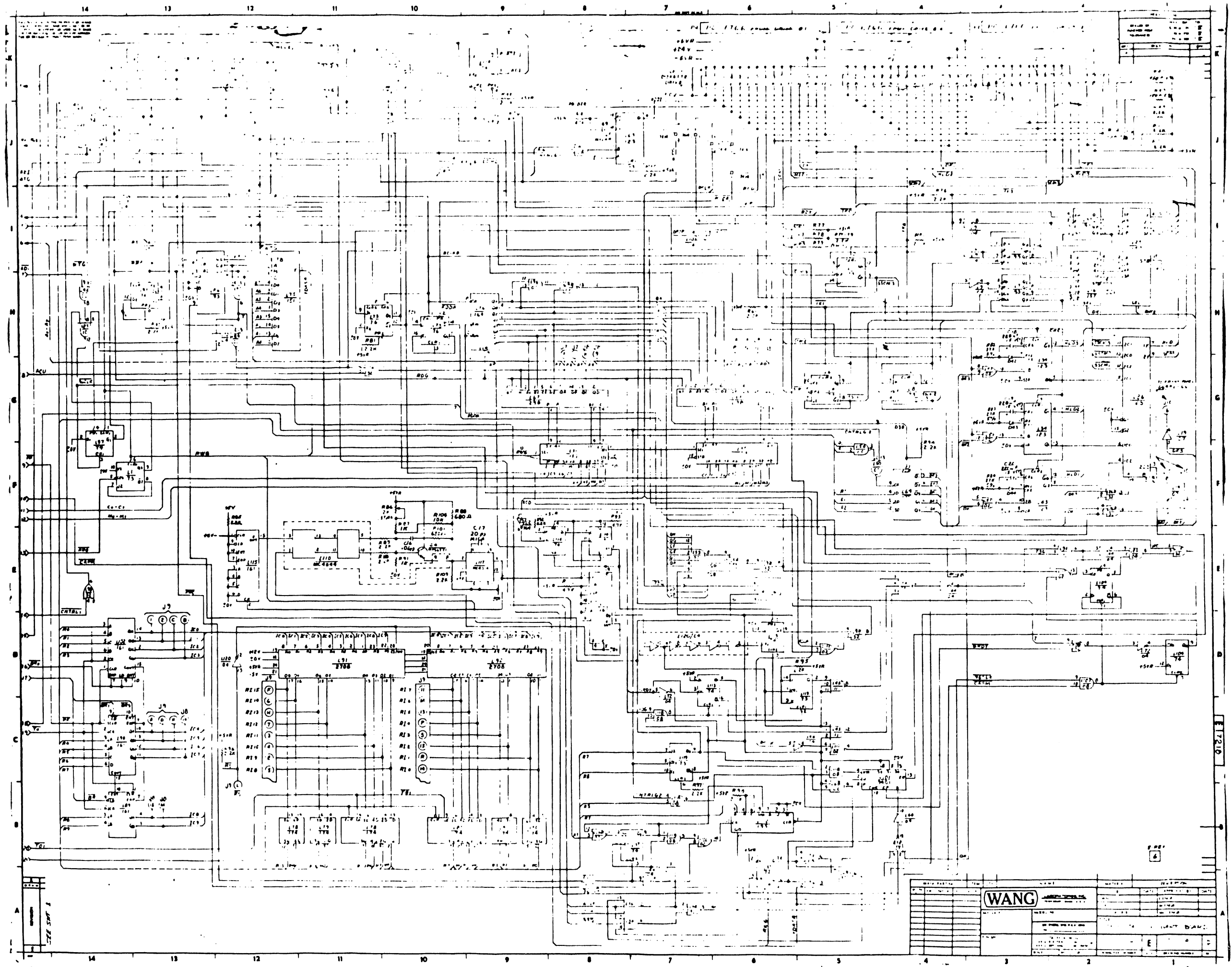
REV. NO. 1

DATE: 25000-1





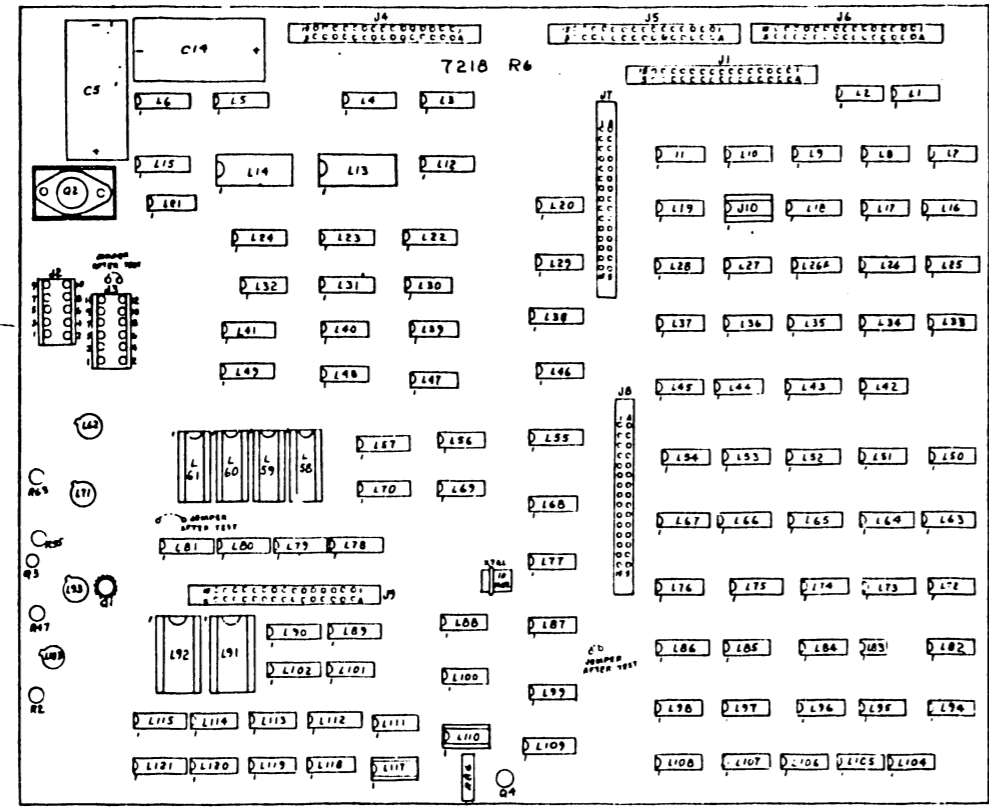
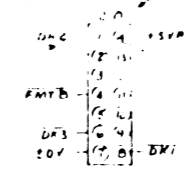
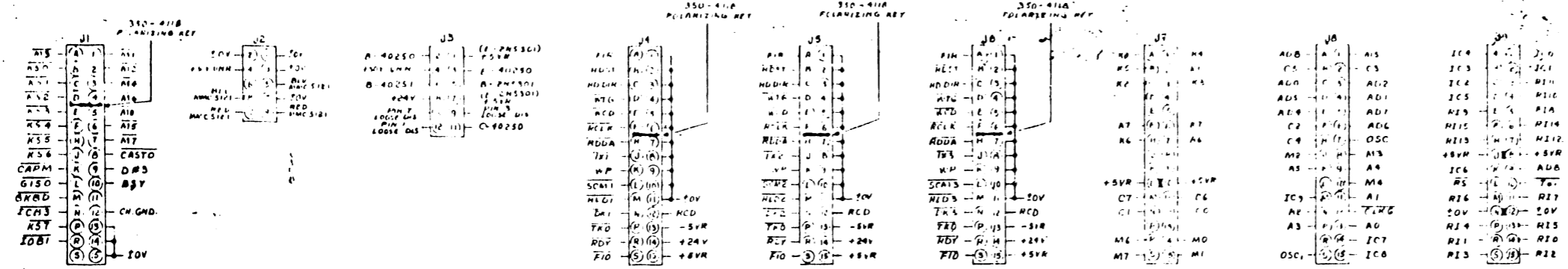
NO.	DESCRIPTION	DATE	APPROVED BY
1	WANG CONTROL BOARD	10-1-68	E. J. ...
2			
3			
4			
5			
6			
7			
8			
9			
10			
11			
12			
13			
14			



WANG		DATE	BY
REV.	DESCRIPTION		
1			
2			
3			
4			
5			
6			
7			
8			
9			
10			
11			
12			
13			
14			

Don't forget to check the quantity of each component and to check the quantity of each component on the drawing. Do not use a quantity of more than one unless otherwise indicated. Do not use a quantity of more than one unless otherwise indicated.

REV	DATE	BY	CHKD
1			
2			
3			



LOCATION	TYPE	SPARES
A 34	376-0005	11 4
L19	7407	7 14
L24	7412	8 16
L25	7400	8 16
L26	7411	8 16
L27	7400	8 16
L28	7400	8 16
L29	7400	8 16
L30	7400	8 16
L31	7400	8 16
L32	7400	8 16
L33	7400	8 16
L34	7400	8 16
L35	7400	8 16
L36	7400	8 16
L37	7400	8 16
L38	7400	8 16
L39	7400	8 16
L40	7400	8 16
L41	7400	8 16
L42	7400	8 16
L43	7400	8 16
L44	7400	8 16
L45	7400	8 16
L46	7400	8 16
L47	7400	8 16
L48	7400	8 16
L49	7400	8 16
L50	7400	8 16
L51	7400	8 16
L52	7400	8 16
L53	7400	8 16
L54	7400	8 16
L55	7400	8 16
L56	7400	8 16
L57	7400	8 16
L58	7400	8 16
L59	7400	8 16
L60	7400	8 16
L61	7400	8 16
L62	7400	8 16
L63	7400	8 16
L64	7400	8 16
L65	7400	8 16
L66	7400	8 16
L67	7400	8 16
L68	7400	8 16
L69	7400	8 16
L70	7400	8 16
L71	7400	8 16
L72	7400	8 16
L73	7400	8 16
L74	7400	8 16
L75	7400	8 16
L76	7400	8 16
L77	7400	8 16
L78	7400	8 16
L79	7400	8 16
L80	7400	8 16
L81	7400	8 16
L82	7400	8 16
L83	7400	8 16
L84	7400	8 16
L85	7400	8 16
L86	7400	8 16
L87	7400	8 16
L88	7400	8 16
L89	7400	8 16
L90	7400	8 16
L91	7400	8 16
L92	7400	8 16
L93	7400	8 16
L94	7400	8 16
L95	7400	8 16
L96	7400	8 16
L97	7400	8 16
L98	7400	8 16
L99	7400	8 16
L100	7400	8 16
L101	7400	8 16
L102	7400	8 16
L103	7400	8 16
L104	7400	8 16
L105	7400	8 16
L106	7400	8 16
L107	7400	8 16
L108	7400	8 16
L109	7400	8 16
L110	7400	8 16
L111	7400	8 16
L112	7400	8 16
L113	7400	8 16
L114	7400	8 16
L115	7400	8 16
L116	7400	8 16
L117	7400	8 16
L118	7400	8 16
L119	7400	8 16
L120	7400	8 16
L121	7400	8 16
L122	7400	8 16
L123	7400	8 16
L124	7400	8 16
L125	7400	8 16
L126	7400	8 16
L127	7400	8 16
L128	7400	8 16
L129	7400	8 16
L130	7400	8 16
L131	7400	8 16
L132	7400	8 16
L133	7400	8 16
L134	7400	8 16
L135	7400	8 16
L136	7400	8 16
L137	7400	8 16
L138	7400	8 16
L139	7400	8 16
L140	7400	8 16
L141	7400	8 16
L142	7400	8 16
L143	7400	8 16
L144	7400	8 16
L145	7400	8 16
L146	7400	8 16
L147	7400	8 16
L148	7400	8 16
L149	7400	8 16
L150	7400	8 16
L151	7400	8 16
L152	7400	8 16
L153	7400	8 16
L154	7400	8 16
L155	7400	8 16
L156	7400	8 16
L157	7400	8 16
L158	7400	8 16
L159	7400	8 16
L160	7400	8 16
L161	7400	8 16
L162	7400	8 16
L163	7400	8 16
L164	7400	8 16
L165	7400	8 16
L166	7400	8 16
L167	7400	8 16
L168	7400	8 16
L169	7400	8 16
L170	7400	8 16
L171	7400	8 16
L172	7400	8 16
L173	7400	8 16
L174	7400	8 16
L175	7400	8 16
L176	7400	8 16
L177	7400	8 16
L178	7400	8 16
L179	7400	8 16
L180	7400	8 16
L181	7400	8 16
L182	7400	8 16
L183	7400	8 16
L184	7400	8 16
L185	7400	8 16
L186	7400	8 16
L187	7400	8 16
L188	7400	8 16
L189	7400	8 16
L190	7400	8 16
L191	7400	8 16
L192	7400	8 16
L193	7400	8 16
L194	7400	8 16
L195	7400	8 16
L196	7400	8 16
L197	7400	8 16
L198	7400	8 16
L199	7400	8 16
L200	7400	8 16
L201	7400	8 16
L202	7400	8 16
L203	7400	8 16
L204	7400	8 16
L205	7400	8 16
L206	7400	8 16
L207	7400	8 16
L208	7400	8 16
L209	7400	8 16
L210	7400	8 16
L211	7400	8 16
L212	7400	8 16
L213	7400	8 16
L214	7400	8 16
L215	7400	8 16
L216	7400	8 16
L217	7400	8 16
L218	7400	8 16
L219	7400	8 16
L220	7400	8 16
L221	7400	8 16
L222	7400	8 16
L223	7400	8 16
L224	7400	8 16
L225	7400	8 16
L226	7400	8 16
L227	7400	8 16
L228	7400	8 16
L229	7400	8 16
L230	7400	8 16
L231	7400	8 16
L232	7400	8 16
L233	7400	8 16
L234	7400	8 16
L235	7400	8 16
L236	7400	8 16
L237	7400	8 16
L238	7400	8 16
L239	7400	8 16
L240	7400	8 16
L241	7400	8 16
L242	7400	8 16
L243	7400	8 16
L244	7400	8 16
L245	7400	8 16
L246	7400	8 16
L247	7400	8 16
L248	7400	8 16
L249	7400	8 16
L250	7400	8 16
L251	7400	8 16
L252	7400	8 16
L253	7400	8 16
L254	7400	8 16
L255	7400	8 16
L256	7400	8 16
L257	7400	8 16
L258	7400	8 16
L259	7400	8 16
L260	7400	8 16
L261	7400	8 16
L262	7400	8 16
L263	7400	8 16
L264	7400	8 16
L265	7400	8 16
L266	7400	8 16
L267	7400	8 16
L268	7400	8 16
L269	7400	8 16
L270	7400	8 16
L271	7400	8 16
L272	7400	8 16
L273	7400	8 16
L274	7400	8 16
L275	7400	8 16
L276	7400	8 16
L277	7400	8 16
L278	7400	8 16
L279	7400	8 16
L280	7400	8 16
L281	7400	8 16
L282	7400	8 16
L283	7400	8 16
L284	7400	8 16
L285	7400	8 16
L286	7400	8 16
L287	7400	8 16
L288	7400	8 16
L289	7400	8 16
L290	7400	8 16
L291	7400	8 16
L292	7400	8 16
L293	7400	8 16
L294	7400	8 16
L295	7400	8 16
L296	7400	8 16
L297	7400	8 16
L298	7400	8 16
L299	7400	8 16
L300	7400	8 16
L301	7400	8 16
L302	7400	8 16
L303	7400	8 16
L304	7400	8 16
L305	7400	8 16
L306	7400	8 16
L307	7400	8 16
L308	7400	8 16
L309	7400	8 16
L310	7400	8 16
L311	7400	8 16
L312	7400	8 16
L313	7400	8 16
L314	7400	8 16
L315	7400	8 16
L316	7400	8 16
L317	7400	8 16
L318	7400	8 16
L319	7400	8 16
L320	7400	8 16
L321	7400	8 16
L322	7400	8 16
L323	7400	8 16
L324	7400	8 16
L325	7400	8 16
L326	7400	8 16
L327	7400	8 16
L328	7400	8 16
L329	7400	8 16
L330	7400	8 16
L331	7400	8 16
L332	7400	8 16
L333	7400	8 16
L334	7400	8 16
L335	7400	8 16
L336	7400	8 16
L337	7400	8 16
L338	7400	8 16
L339	7400	8 16
L340	7400	8 16
L341	7400	8 16
L342	7400	8 16
L343	7400	8 16
L344	7400	8 16
L345	7400	8 16
L346	7400	8 16
L347	7400	8 16
L348	7400	8 16
L349	7400	8 16
L350	7400	8 16
L351	7400	8 16
L352	7400	8 16
L353	7400	8 16
L354	7400	8 16
L355	7400	8 16
L356	7400	8 16
L357	7400	8 16

## APPENDIX D

### 2270 TO 2270A CONVERSION

The 2270A-1, 2270A-2, and 2270A-3 are improved versions of the Model 2270 Shugart Floppy Disk Chassis. While the 2270 accommodates only Wang formatted diskettes, the 2270A can accommodate Wang diskettes and the IBM 3740 diskettes as well. However, before the IBM 3740 diskettes can be used in the 2270A, they must be formatted by IBM.

The older 2270 may be upgraded to the 2270A by a conversion kit. This kit (WLI #200-0270) contains the 210-7218 Microprocessor Board (IBM Format Compatible) and the ribbon cables for connecting this board to the Shugart Diskette Drives. These ribbon cables are R2 versions of the old cables used in the 2270; the R1 cables cannot be used with the IBM diskettes unless they are first modified (See appendix B).

The I/O cable assembly (WLI #220-0066-4) supplied with newly manufactured 2270A's is compatible with both the 2270 and the new 2270A. This I/O cable is not contained in the conversion kit.

The older 2270 I/O cable assembly (WLI #220-0066-3) may be upgraded for use with the 2270A by cutting and tying back pin 11 on the cable fingerboard. Pin 11 is +5V.

#### CAUTION:

Do not use the 2270 I/O cable with the 2270A unless it is first upgraded by disconnecting pin 11. Failure to regard this warning may result in damage to the I/O controller in the 2200 CPU.

APPENDIX E

ECN's, 7218 BOARD

The 7218 is currently at E-REV 3.

The two latest ECN's will be listed.

ECN #7655:

7218 P.C.

1. Add a .02  $\mu$ f 25V +80-20% Ceramic Cap WLI #300-1904  
From: L18 pin 4  
To: Ground
2. Add a .002  $\mu$ f 200V 20% Ceramic Cap WLI #300-1913  
From: L9 pin 12  
To: Ground
3. Cut the etch (or remove the jumper) leading from L18  
pin 4 to L29 pin 1.
4. Add a jumper from L29 pin 1 to L18 pin 5.

REASON FOR CHANGE:

To eliminate intermittent errors 61 and 85.

This ECN increments the Electronic Revision Level to  
E-REV 2.

ECN #7821:

7218 P.C.

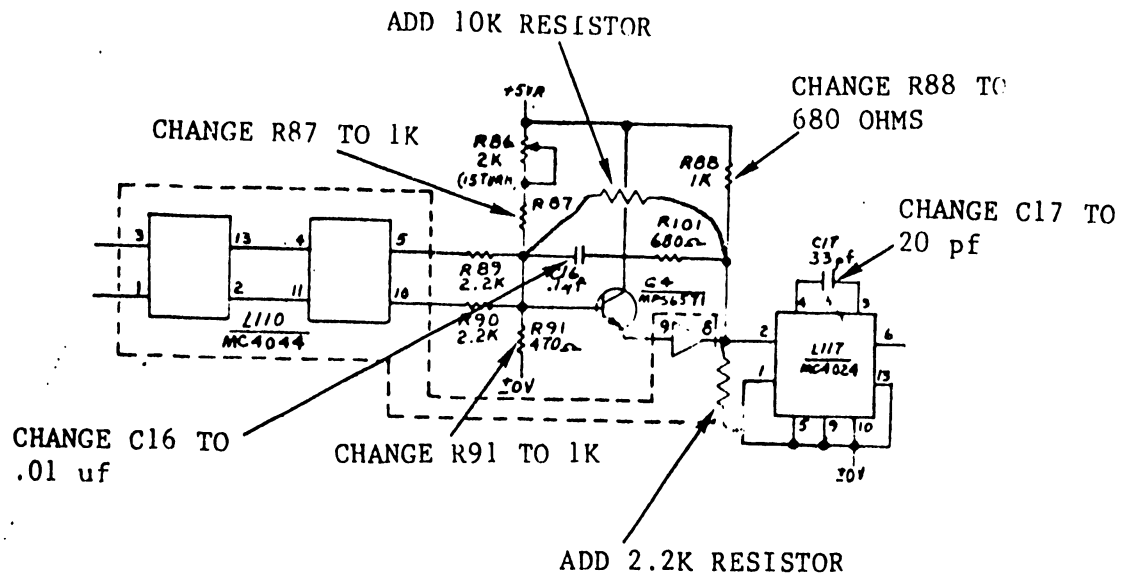
1. Add 10 K $\Omega$  1/4 W 10% Resistor WLI #330-4010  
From: The junction of R88 and R101  
To: The junction of C16 and R89 (see figure)
2. Add a 2.2 K $\Omega$  1/4 W 10% Resistor WLI #330-3022  
From: L117 pin 2  
To: L117 pin 1
3. Change R87  
From: 470 $\Omega$  1/4 W 10% Resistor WLI #330-2047  
To: 1 K $\Omega$  1/4 W 10% Resistor WLI #330-3010
4. Change R88  
From: 1 K $\Omega$  1/4 W 10% Resistor WLI #330-3010  
To: 680 $\Omega$  1/4 W 10% Resistor WLI #330-2068
5. Change R91  
From: 470 $\Omega$  1/4 W 10% Resistor WLI #330-2047  
To: 1 K $\Omega$  1/4 W 10% Resistor WLI #330-3010
6. Change C16  
From: 1  $\mu$ f 10V 20% Ceramic Cap WLI #300-1901  
To: .01  $\mu$ f 25V +80-20% Ceramic Cap WLI #300-1903
7. Change C17  
From: 33 pf 5% 500V Mica Cap WLI #300-5016  
To: 20 pf 5% 500V Mica Cap WLI #300-5018

REASON FOR CHANGE:

To eliminate temporary drift of phase lock loop circuit.

This ECN increments the Electronic Revision Level to E-REV 3.





**WANG**

LABORATORIES, INC

---

ONE INDUSTRIAL AVENUE. LOWELL, MASSACHUSETTS 01851. TEL (617) 459-5000. TWX 710 343-6769. TELEX 94-7421

PRINTED IN U.S.A.

**END**