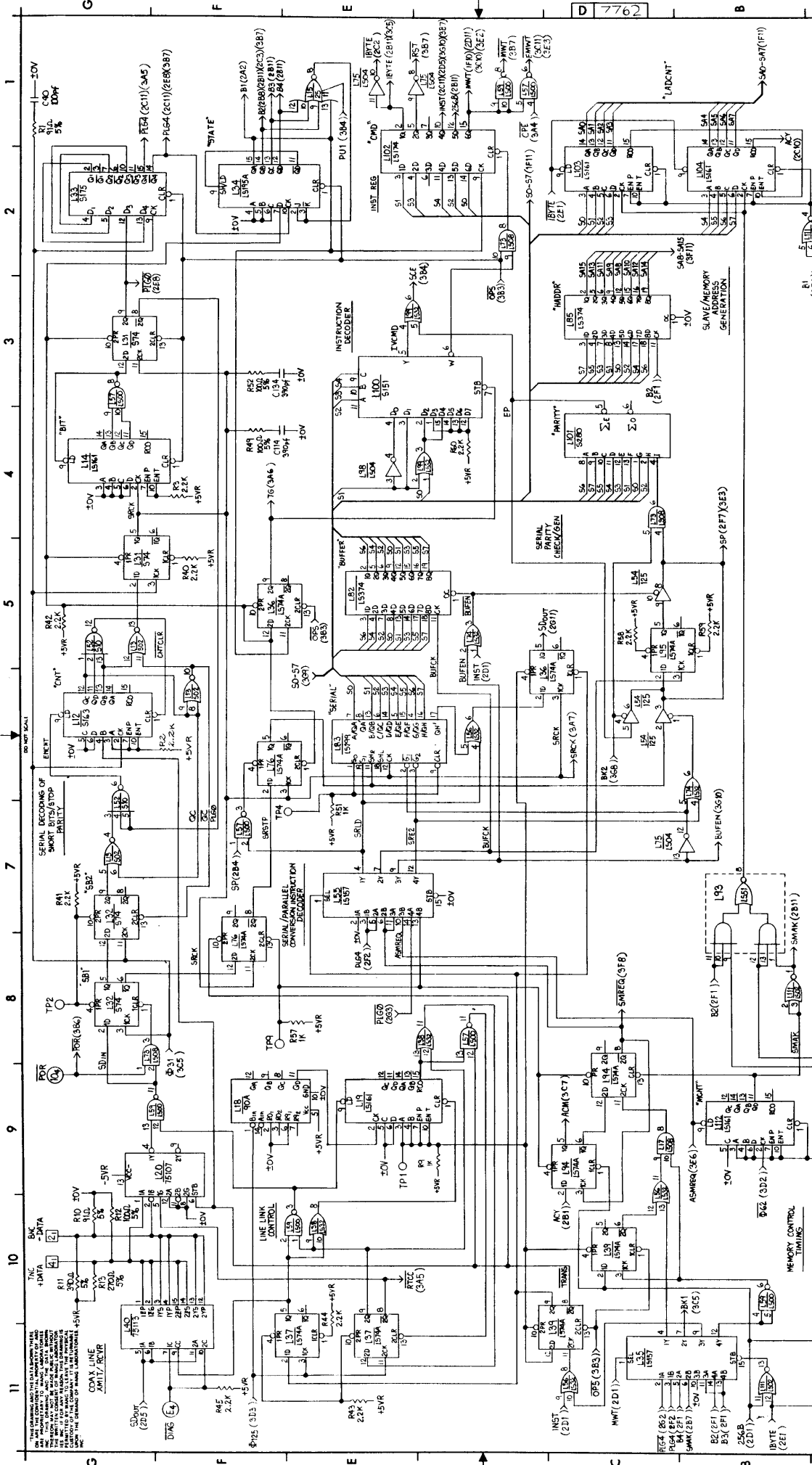


DATE		APPROVED BY	DATE
DRAWN/2/2/62		DATE	1/1/62
CIR		DATE	1/1/62
TITLE		DATA LINK AND MEMORY BOARD	
MODEL NO. TC8-1		SEE CHART D 7762 6	
MATERIAL		SCALE	
FINISH		DRAWING NUMBER	



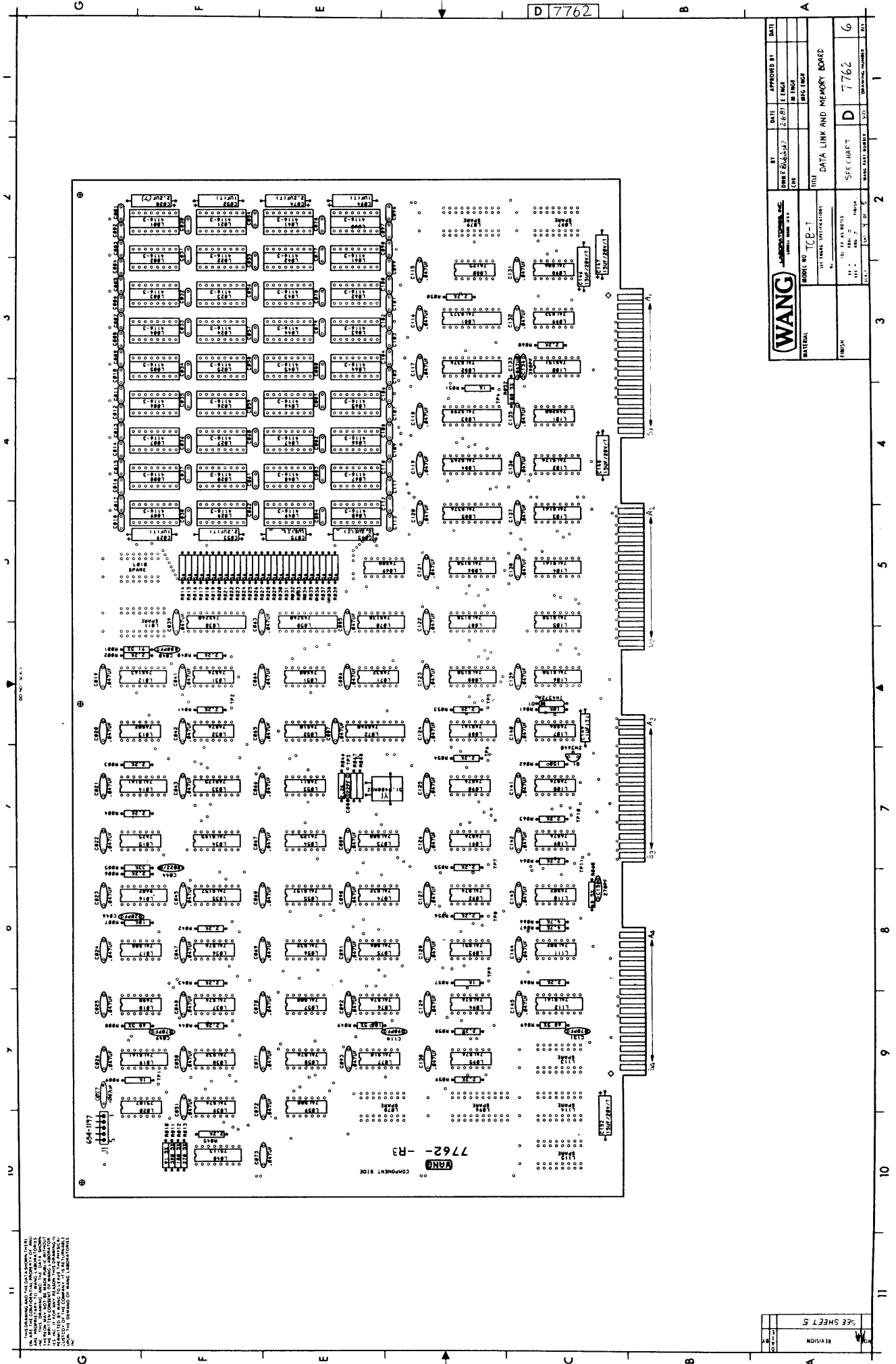
THIS DRAWING AND ALL DATA HEREON ARE THE PROPERTY OF WANG ELECTRONIC CORPORATION. IT IS TO BE KEPT IN CONFIDENTIALITY AND NOT TO BE REPRODUCED OR TRANSMITTED IN ANY FORM OR BY ANY MEANS, ELECTRONIC OR MECHANICAL, INCLUDING PHOTOCOPYING, RECORDING, OR BY ANY INFORMATION STORAGE AND RETRIEVAL SYSTEM, WITHOUT THE WRITTEN PERMISSION OF WANG ELECTRONIC CORPORATION.

NO.	REVISION	DATE
1	SEE SHEET 5	



<b>WANG</b> MODEL NO. TCB-1 SERIAL NO. 7762 DATE: _____ BY: _____ APPROVED BY: _____ DATE: _____ DESIGNED BY: _____ DATE: _____ CHECKED BY: _____ DATE: _____ DRAWN BY: _____ DATE: _____ MATERIAL: _____ FINISH: _____ SEE SHEET 5 REGION: _____ SEE CHART D 7762 DRAWING NUMBER: 6	
--	--





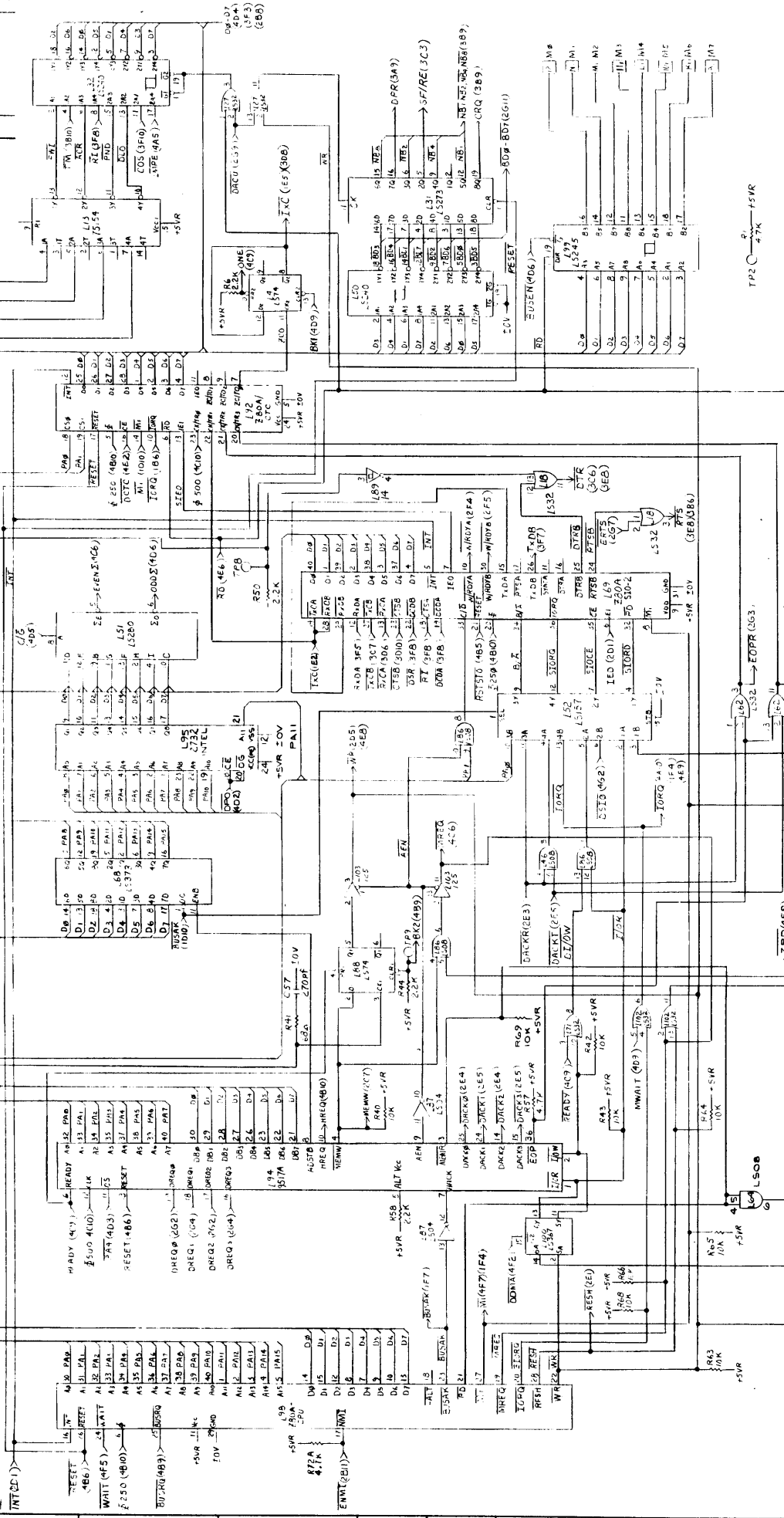
<b>WANG</b> LABORATORIES, INC. MODEL NO. TCB-1 PARTIAL	BT	DATE	APPROVED BY	DATE
	CHK	2-6-67	IN ENGR	
			IN ENGR	
TITLE		DATA LINK AND MEMORY BOARD		
DRAWN BY		D 7762		
CHECKED BY		6		
DATE		2-6-67		
REVISED BY				
REVISED DATE				
REVISED DESCRIPTION				
REVISED PART NUMBER				

ON THE BOARD AND THE UNIVERSITY OF CALIFORNIA, BERKELEY, CALIFORNIA. THE BOARD IS THE PROPERTY OF THE UNIVERSITY OF CALIFORNIA, BERKELEY, CALIFORNIA. THE BOARD IS THE PROPERTY OF THE UNIVERSITY OF CALIFORNIA, BERKELEY, CALIFORNIA. THE BOARD IS THE PROPERTY OF THE UNIVERSITY OF CALIFORNIA, BERKELEY, CALIFORNIA. THE BOARD IS THE PROPERTY OF THE UNIVERSITY OF CALIFORNIA, BERKELEY, CALIFORNIA.

SEE SHEET 5
REVISION

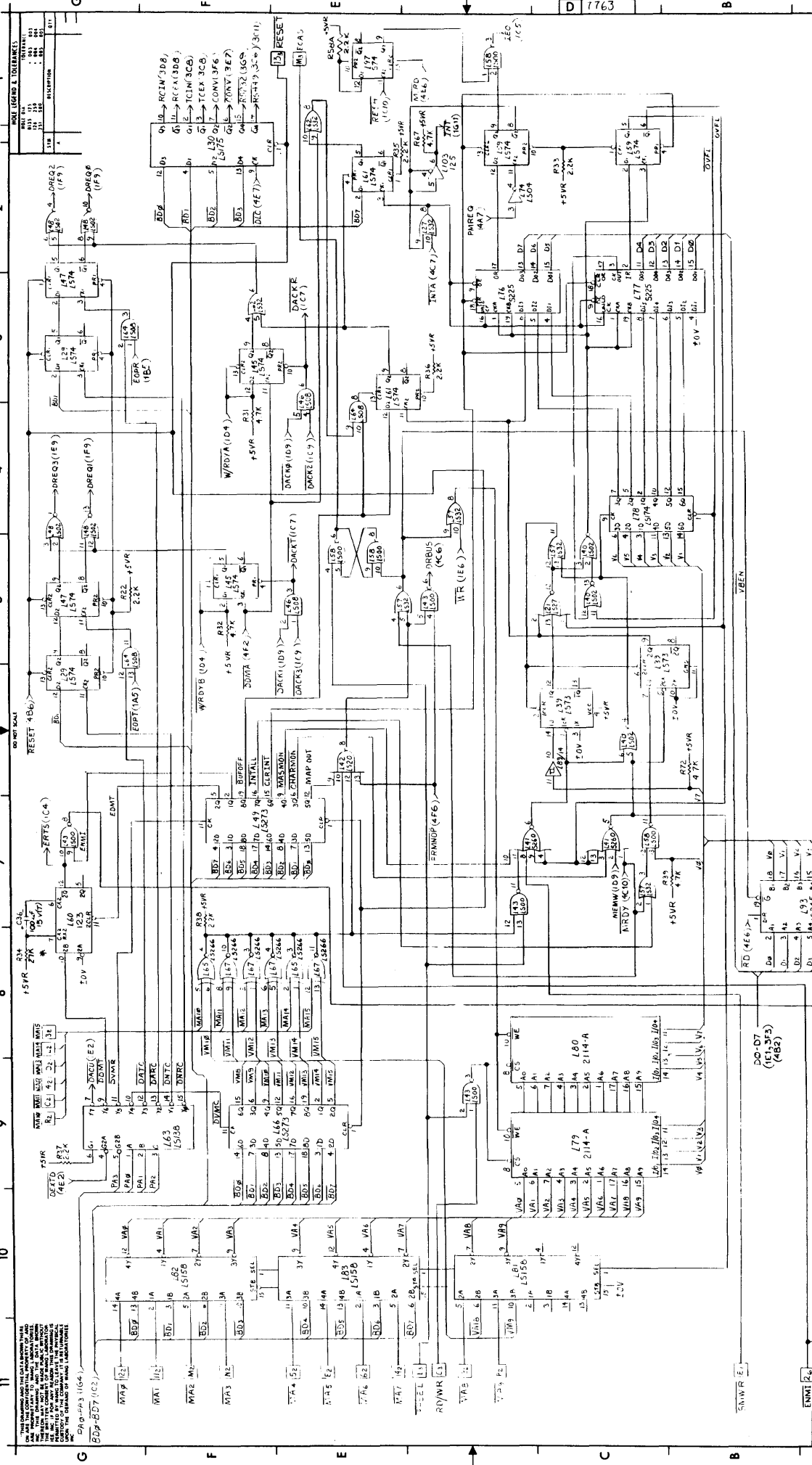


REV	BY	DATE	DESCRIPTION
1	...	...	...
2	...	...	...
3	...	...	...
4	...	...	...
5	...	...	...
6	...	...	...
7	...	...	...
8	...	...	...
9	...	...	...
10	...	...	...
11	...	...	...



WANG		BY	DATE	APPROVED BY	DATE
MODEL NO.	7763-1	DWN	8/27/63	E ENGR	
TITLE	CPU MOTORPANEL	CHK		MIG ENGR	
SEE CHART D 7763 16					

REV	BY	DATE	DESCRIPTION
1	...	...	...
2	...	...	...
3	...	...	...
4	...	...	...
5	...	...	...
6	...	...	...
7	...	...	...
8	...	...	...
9	...	...	...
10	...	...	...
11	...	...	...

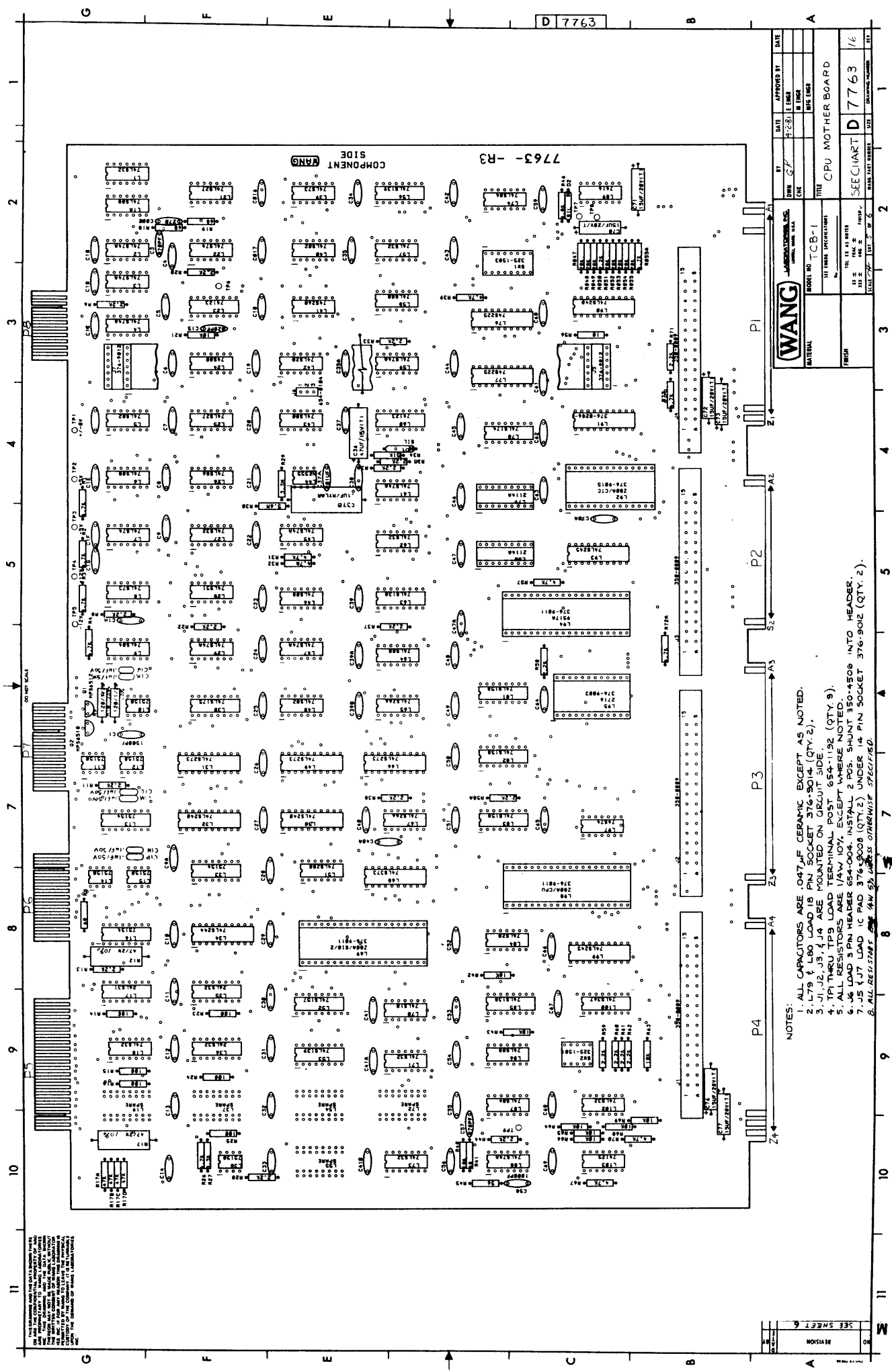


DATE		APPROVED BY	
DATE	BY	DATE	BY
2-27-61	J. ENGEL		
TITLE		DRAWING NUMBER	
CPU MOTHERBOARD		7763	
MODEL NO. TCA-1		REV. NO.	
SIT. THESE INFORMATION		DATE	
100.13.1A BOLD		11	
110.13.1A BOLD		12	
111.13.1A BOLD		13	
112.13.1A BOLD		14	
113.13.1A BOLD		15	
114.13.1A BOLD		16	
115.13.1A BOLD		17	
116.13.1A BOLD		18	
117.13.1A BOLD		19	
118.13.1A BOLD		20	
119.13.1A BOLD		21	
120.13.1A BOLD		22	
121.13.1A BOLD		23	
122.13.1A BOLD		24	
123.13.1A BOLD		25	
124.13.1A BOLD		26	
125.13.1A BOLD		27	
126.13.1A BOLD		28	
127.13.1A BOLD		29	
128.13.1A BOLD		30	
129.13.1A BOLD		31	
130.13.1A BOLD		32	
131.13.1A BOLD		33	
132.13.1A BOLD		34	
133.13.1A BOLD		35	
134.13.1A BOLD		36	
135.13.1A BOLD		37	
136.13.1A BOLD		38	
137.13.1A BOLD		39	
138.13.1A BOLD		40	
139.13.1A BOLD		41	
140.13.1A BOLD		42	
141.13.1A BOLD		43	
142.13.1A BOLD		44	
143.13.1A BOLD		45	
144.13.1A BOLD		46	
145.13.1A BOLD		47	
146.13.1A BOLD		48	
147.13.1A BOLD		49	
148.13.1A BOLD		50	
149.13.1A BOLD		51	
150.13.1A BOLD		52	
151.13.1A BOLD		53	
152.13.1A BOLD		54	
153.13.1A BOLD		55	
154.13.1A BOLD		56	
155.13.1A BOLD		57	
156.13.1A BOLD		58	
157.13.1A BOLD		59	
158.13.1A BOLD		60	
159.13.1A BOLD		61	
160.13.1A BOLD		62	
161.13.1A BOLD		63	
162.13.1A BOLD		64	
163.13.1A BOLD		65	
164.13.1A BOLD		66	
165.13.1A BOLD		67	
166.13.1A BOLD		68	
167.13.1A BOLD		69	
168.13.1A BOLD		70	
169.13.1A BOLD		71	
170.13.1A BOLD		72	
171.13.1A BOLD		73	
172.13.1A BOLD		74	
173.13.1A BOLD		75	
174.13.1A BOLD		76	
175.13.1A BOLD		77	
176.13.1A BOLD		78	
177.13.1A BOLD		79	
178.13.1A BOLD		80	
179.13.1A BOLD		81	
180.13.1A BOLD		82	
181.13.1A BOLD		83	
182.13.1A BOLD		84	
183.13.1A BOLD		85	
184.13.1A BOLD		86	
185.13.1A BOLD		87	
186.13.1A BOLD		88	
187.13.1A BOLD		89	
188.13.1A BOLD		90	
189.13.1A BOLD		91	
190.13.1A BOLD		92	
191.13.1A BOLD		93	
192.13.1A BOLD		94	
193.13.1A BOLD		95	
194.13.1A BOLD		96	
195.13.1A BOLD		97	
196.13.1A BOLD		98	
197.13.1A BOLD		99	
198.13.1A BOLD		100	
199.13.1A BOLD		101	
200.13.1A BOLD		102	
201.13.1A BOLD		103	
202.13.1A BOLD		104	
203.13.1A BOLD		105	
204.13.1A BOLD		106	
205.13.1A BOLD		107	
206.13.1A BOLD		108	
207.13.1A BOLD		109	
208.13.1A BOLD		110	
209.13.1A BOLD		111	
210.13.1A BOLD		112	
211.13.1A BOLD		113	
212.13.1A BOLD		114	
213.13.1A BOLD		115	
214.13.1A BOLD		116	
215.13.1A BOLD		117	
216.13.1A BOLD		118	
217.13.1A BOLD		119	
218.13.1A BOLD		120	
219.13.1A BOLD		121	
220.13.1A BOLD		122	
221.13.1A BOLD		123	
222.13.1A BOLD		124	
223.13.1A BOLD		125	
224.13.1A BOLD		126	
225.13.1A BOLD		127	
226.13.1A BOLD		128	
227.13.1A BOLD		129	
228.13.1A BOLD		130	
229.13.1A BOLD		131	
230.13.1A BOLD		132	
231.13.1A BOLD		133	
232.13.1A BOLD		134	
233.13.1A BOLD		135	
234.13.1A BOLD		136	
235.13.1A BOLD		137	
236.13.1A BOLD		138	
237.13.1A BOLD		139	
238.13.1A BOLD		140	
239.13.1A BOLD		141	
240.13.1A BOLD		142	
241.13.1A BOLD		143	
242.13.1A BOLD		144	
243.13.1A BOLD		145	
244.13.1A BOLD		146	
245.13.1A BOLD		147	
246.13.1A BOLD		148	
247.13.1A BOLD		149	
248.13.1A BOLD		150	
249.13.1A BOLD		151	
250.13.1A BOLD		152	
251.13.1A BOLD		153	
252.13.1A BOLD		154	
253.13.1A BOLD		155	
254.13.1A BOLD		156	
255.13.1A BOLD		157	
256.13.1A BOLD		158	
257.13.1A BOLD		159	
258.13.1A BOLD		160	
259.13.1A BOLD		161	
260.13.1A BOLD		162	
261.13.1A BOLD		163	
262.13.1A BOLD		164	
263.13.1A BOLD		165	
264.13.1A BOLD		166	
265.13.1A BOLD		167	
266.13.1A BOLD		168	
267.13.1A BOLD		169	
268.13.1A BOLD		170	
269.13.1A BOLD		171	
270.13.1A BOLD		172	
271.13.1A BOLD		173	
272.13.1A BOLD		174	
273.13.1A BOLD		175	
274.13.1A BOLD		176	
275.13.1A BOLD		177	
276.13.1A BOLD		178	
277.13.1A BOLD		179	
278.13.1A BOLD		180	
279.13.1A BOLD		181	
280.13.1A BOLD		182	
281.13.1A BOLD		183	
282.13.1A BOLD		184	
283.13.1A BOLD		185	
284.13.1A BOLD		186	
285.13.1A BOLD		187	
286.13.1A BOLD		188	
287.13.1A BOLD		189	
288.13.1A BOLD		190	
289.13.1A BOLD		191	
290.13.1A BOLD		192	
291.13.1A BOLD		193	
292.13.1A BOLD		194	
293.13.1A BOLD		195	
294.13.1A BOLD		196	
295.13.1A BOLD		197	
296.13.1A BOLD		198	
297.13.1A BOLD		199	
298.13.1A BOLD		200	
299.13.1A BOLD		201	
300.13.1A BOLD		202	
301.13.1A BOLD		203	
302.13.1A BOLD		204	
303.13.1A BOLD		205	
304.13.1A BOLD		206	
305.13.1A BOLD		207	
306.13.1A BOLD		208	
307.13.1A BOLD		209	
308.13.1A BOLD		210	
309.13.1A BOLD		211	
310.13.1A BOLD		212	
311.13.1A BOLD		213	
312.13.1A BOLD		214	
313.13.1A BOLD		215	
314.13.1A BOLD		216	
315.13.1A BOLD		217	
316.13.1A BOLD		218	
317.13.1A BOLD		219	
318.13.1A BOLD		220	
319.13.1A BOLD		221	
320.13.1A BOLD		222	
321.13.1A BOLD		223	
322.13.1A BOLD		224	
323.13.1A BOLD		225	
324.13.1A BOLD		226	
325.13.1A BOLD		227	
326.13.1A BOLD		228	
327.13.1A BOLD		229	
328.13.1A BOLD		230	
329.13.1A BOLD		231	
330.13.1A BOLD		232	
331.13.1A BOLD		233	
332.13.1A BOLD		234	
333.13.1A BOLD		235	
334.13.1A BOLD		236	
335.13.1A BOLD		237	
336.13.1A BOLD		238	
337.13.1A BOLD		239	
338.13.1A BOLD		240	
339.13.1A BOLD		241	
340.13.1A BOLD		242	
341.13.1A BOLD		243	
342.13.1A BOLD		244	
343.13.1A BOLD		245	
344.13.1A BOLD		246	
345.13.1A BOLD		247	
346.13.1A BOLD		248	
347.13.1A BOLD		249	
348.13.1A BOLD		250	
349.13.1A BOLD		251	
350.13.1A BOLD		252	
351.13.1A BOLD		253	
352.13.1A BOLD		254	
353.13.1A BOLD		255	
354.13.1A BOLD		256	
355.13.1A BOLD		257	
356.13.1A BOLD		258	
357.13.1A BOLD		259	
358.13.1A BOLD		260	
359.13.1A BOLD		261	
360.13.1A BOLD		262	
361.13.1A BOLD		263	
362.13.1A BOLD		264	
363.13.1A BOLD		265	
364.13.1A BOLD		266	
365.13.1A BOLD		267	
366.13.1A BOLD		268	
367.13.1A BOLD		269	
368.13.1A BOLD		270	
369.13.1A BOLD		271	
370.13.1A BOLD		272	
371.13.1A BOLD		273	
372.13.1A BOLD		274	
373.13.1A BOLD		275	
374.13.1A BOLD		276	
375.13.1A BOLD		277	
376.13.1A BOLD		278	
377.13.1A BOLD		279	
378.13.1A BOLD		280	
379.13.1A BOLD		281	
380.13.1A BOLD		282	
381.13.1A BOLD		283	
382.13.1A BOLD		284	
383.13.1A BOLD		285	
384.13.1A BOLD		286	
385.13.1A BOLD		287	
386.13.1A BOLD		288	
387.13.1A BOLD		289	
388.13.1A BOLD		290	
389.13.1A BOLD		291	
390.13.1A BOLD		292	
391.13.1A BOLD		293	
392.13.1A BOLD		294	
393.13.1A BOLD		295	
394.13.1A BOLD		296	
395.13.1A BOLD		297	
396.13.1A BOLD		298	
397.13.1A BOLD		299	
398.13.1A BOLD		300	
399.13.1A BOLD		301	
400.13.1A BOLD		302	
401.13.1A BOLD		303	
402.13.1A BOLD		304	
403.13.1A BOLD		305	
404.13.1A BOLD		306	
405.13.1A BOLD		307	
406.13.1A BOLD		308	
407.13.1A BOLD		309	
408.13.1A BOLD		310	
409.13.1A BOLD		311	
410.13.1A BOLD		312	
411.13.1A BOLD		313	
412.13.1A BOLD		314	
413.13.1A BOLD		315	
414.13.1A BOLD		316	
415.13.1A BOLD		317	
416.13.1A BOLD		318	









<b>(WANG)</b>		DATE	APPROVED BY
LABORATORIES, INC.		4-23-61	E. ENGE
CONTRACT NO. 7763		DATE	MIS. ENGE
MATERIAL		MODEL NO.	TCB-1
FINISH		CPU MOTHER BOARD	
DRAWING NUMBER		7763	
SHEET NO.		1/4	

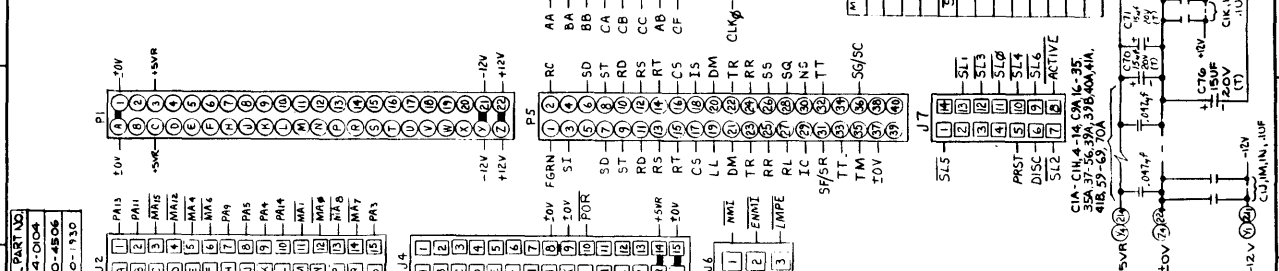
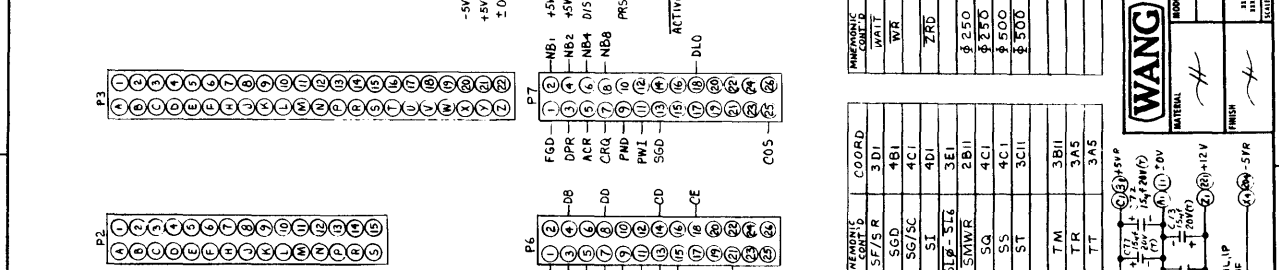
- NOTES:
1. ALL CAPACITORS ARE .047µF CERAMIC EXCEPT AS NOTED.
  2. L79 & L80 LOAD IS PIN SOCKET 376-9014 (QTY. 2).
  3. J1, J2, J3, J4 ARE MOUNTED ON CIRCUIT SIDE.
  4. TPI THRU TP9 LOAD TERMINAL POST 654-1192 (QTY. 9).
  5. ALL RESISTORS ARE 1/4W 10% EXCEPT WHERE NOTED.
  6. J6 LOAD 3 PIN HEADER 654-004. INSTALL 2 POS. SHUNT 350-4506 INTO HEADER.
  7. J5 & J7 LOAD IC PAD 376-9008 (QTY. 2) UNDER 14 PIN SOCKET 376-9002 (QTY. 2).
  8. ALL RES. STAMP AWAY UNLESS OTHERWISE SPECIFIED.

ON THE COMPANY'S PROPERTY. ALL INFORMATION CONTAINED HEREIN IS UNCLASSIFIED EXCEPT WHERE SHOWN OTHERWISE. DATE 11-17-83 BY SP-6 BTJ/STP

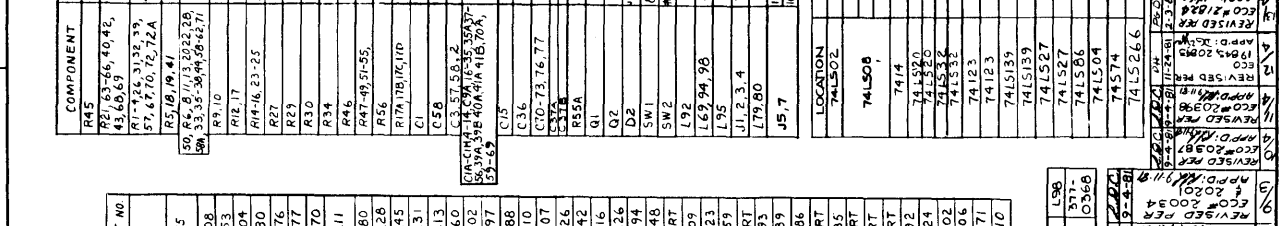
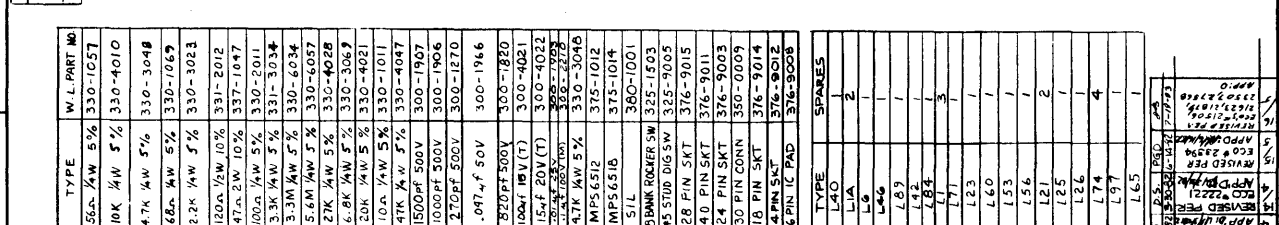
NO.	REVISION
1	SEE SHEET 6

NO	REVISION	DATE	BY	APPROVED BY	DATE
1	ORIGINAL PER	10/15/58	W. L. PART NO.		
2	REVISED PER	11/10/58	3 PIN HEADER		
3	REVISED PER	11/10/58	2 POS SHUNT		
4	REVISED PER	11/10/58	1.1K 50V		
5	REVISED PER	11/10/58	300-1930		
6	REVISED PER	11/10/58			
7	REVISED PER	11/10/58			
8	REVISED PER	11/10/58			
9	REVISED PER	11/10/58			
10	REVISED PER	11/10/58			
11	REVISED PER	11/10/58			

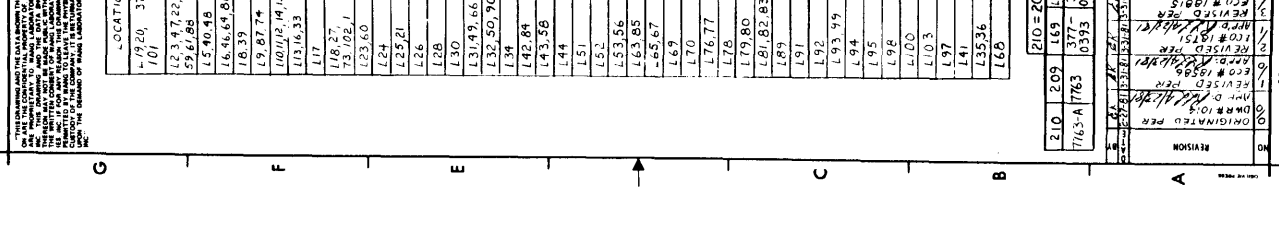
COMPONENT	TYPE	W. L. PART NO.
46	3 PIN HEADER	654-0104
	2 POS SHUNT	350-4806
	1.1K 50V	300-1930



LOCATION	TYPE	W. L. PART NO.
R45	56K 1/4W 5%	330-11257
R1	12K 1/4W 5%	330-4010
R2	47K 1/4W 5%	330-3040
R3	2.2K 1/4W 5%	330-1069
R4	100K 1/4W 5%	330-3023
R5	100K 1/4W 5%	331-2012
R6	100K 1/4W 5%	331-2011
R7	3.3K 1/4W 5%	331-3034
R8	3.3K 1/4W 5%	330-6034
R9	5.6K 1/4W 5%	330-6057
R10	27K 1/4W 5%	330-4028
R11	6.8K 1/4W 5%	330-3069
R12	20K 1/4W 5%	330-4021
R13	100K 1/4W 5%	330-1011
R14	47K 1/4W 5%	330-4047
R15	1000PF 500V	300-1907
R16	1000PF 500V	300-1906
R17	2.0PF 500V	300-1870
R18	0.047 1/4 50V	300-1966
R19	820PF 500V	300-1820
R20	100K 1/4W 5%	300-4021
R21	15K 20V (T)	300-4022
R22	47K 1/4W 5%	300-3040
R23	47K 1/4W 5%	300-3040
R24	1MPS 6312	315-1012
R25	1MPS 6312	315-1014
R26	51L	360-1001
R27	51L	360-1001
R28	51L	360-1001
R29	51L	360-1001
R30	51L	360-1001
R31	51L	360-1001
R32	51L	360-1001
R33	51L	360-1001
R34	51L	360-1001
R35	51L	360-1001
R36	51L	360-1001
R37	51L	360-1001
R38	51L	360-1001
R39	51L	360-1001
R40	51L	360-1001
R41	51L	360-1001
R42	51L	360-1001
R43	51L	360-1001
R44	51L	360-1001
R45	51L	360-1001
R46	51L	360-1001
R47	51L	360-1001
R48	51L	360-1001
R49	51L	360-1001
R50	51L	360-1001
R51	51L	360-1001
R52	51L	360-1001
R53	51L	360-1001
R54	51L	360-1001
R55	51L	360-1001
R56	51L	360-1001
R57	51L	360-1001
R58	51L	360-1001
R59	51L	360-1001
R60	51L	360-1001
R61	51L	360-1001
R62	51L	360-1001
R63	51L	360-1001
R64	51L	360-1001
R65	51L	360-1001
R66	51L	360-1001
R67	51L	360-1001
R68	51L	360-1001
R69	51L	360-1001
R70	51L	360-1001
R71	51L	360-1001
R72	51L	360-1001
R73	51L	360-1001
R74	51L	360-1001
R75	51L	360-1001
R76	51L	360-1001
R77	51L	360-1001
R78	51L	360-1001
R79	51L	360-1001
R80	51L	360-1001
R81	51L	360-1001
R82	51L	360-1001
R83	51L	360-1001
R84	51L	360-1001
R85	51L	360-1001
R86	51L	360-1001
R87	51L	360-1001
R88	51L	360-1001
R89	51L	360-1001
R90	51L	360-1001
R91	51L	360-1001
R92	51L	360-1001
R93	51L	360-1001
R94	51L	360-1001
R95	51L	360-1001
R96	51L	360-1001
R97	51L	360-1001
R98	51L	360-1001
R99	51L	360-1001
R100	51L	360-1001

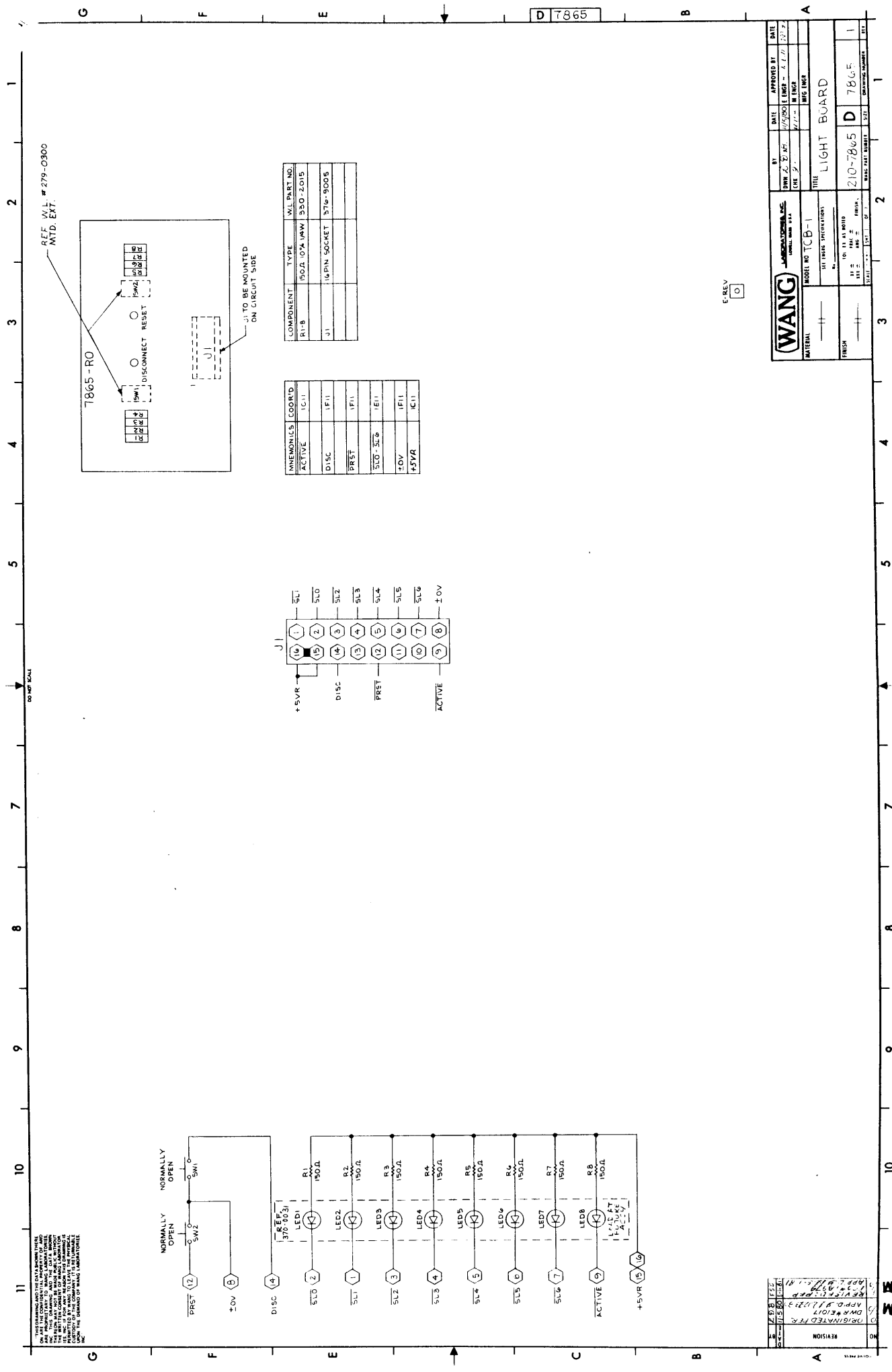


LOCATION	TYPE	W. L. PART NO.
74LS02	74LS02	74LS02
74LS08	74LS08	74LS08
74LS10	74LS10	74LS10
74LS11	74LS11	74LS11
74LS12	74LS12	74LS12
74LS13	74LS13	74LS13
74LS14	74LS14	74LS14
74LS15	74LS15	74LS15
74LS16	74LS16	74LS16
74LS17	74LS17	74LS17
74LS18	74LS18	74LS18
74LS19	74LS19	74LS19
74LS20	74LS20	74LS20
74LS21	74LS21	74LS21
74LS22	74LS22	74LS22
74LS23	74LS23	74LS23
74LS24	74LS24	74LS24
74LS25	74LS25	74LS25
74LS26	74LS26	74LS26
74LS27	74LS27	74LS27
74LS28	74LS28	74LS28
74LS29	74LS29	74LS29
74LS30	74LS30	74LS30
74LS31	74LS31	74LS31
74LS32	74LS32	74LS32
74LS33	74LS33	74LS33
74LS34	74LS34	74LS34
74LS35	74LS35	74LS35
74LS36	74LS36	74LS36
74LS37	74LS37	74LS37
74LS38	74LS38	74LS38
74LS39	74LS39	74LS39
74LS40	74LS40	74LS40
74LS41	74LS41	74LS41
74LS42	74LS42	74LS42
74LS43	74LS43	74LS43
74LS44	74LS44	74LS44
74LS45	74LS45	74LS45
74LS46	74LS46	74LS46
74LS47	74LS47	74LS47
74LS48	74LS48	74LS48
74LS49	74LS49	74LS49
74LS50	74LS50	74LS50
74LS51	74LS51	74LS51
74LS52	74LS52	74LS52
74LS53	74LS53	74LS53
74LS54	74LS54	74LS54
74LS55	74LS55	74LS55
74LS56	74LS56	74LS56
74LS57	74LS57	74LS57
74LS58	74LS58	74LS58
74LS59	74LS59	74LS59
74LS60	74LS60	74LS60
74LS61	74LS61	74LS61
74LS62	74LS62	74LS62
74LS63	74LS63	74LS63
74LS64	74LS64	74LS64
74LS65	74LS65	74LS65
74LS66	74LS66	74LS66
74LS67	74LS67	74LS67
74LS68	74LS68	74LS68
74LS69	74LS69	74LS69
74LS70	74LS70	74LS70
74LS71	74LS71	74LS71
74LS72	74LS72	74LS72
74LS73	74LS73	74LS73
74LS74	74LS74	74LS74
74LS75	74LS75	74LS75
74LS76	74LS76	74LS76
74LS77	74LS77	74LS77
74LS78	74LS78	74LS78
74LS79	74LS79	74LS79
74LS80	74LS80	74LS80
74LS81	74LS81	74LS81
74LS82	74LS82	74LS82
74LS83	74LS83	74LS83
74LS84	74LS84	74LS84
74LS85	74LS85	74LS85
74LS86	74LS86	74LS86
74LS87	74LS87	74LS87
74LS88	74LS88	74LS88
74LS89	74LS89	74LS89
74LS90	74LS90	74LS90
74LS91	74LS91	74LS91
74LS92	74LS92	74LS92
74LS93	74LS93	74LS93
74LS94	74LS94	74LS94
74LS95	74LS95	74LS95
74LS96	74LS96	74LS96
74LS97	74LS97	74LS97
74LS98	74LS98	74LS98
74LS99	74LS99	74LS99
74LS100	74LS100	74LS100

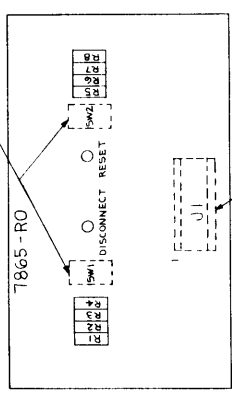


LOCATION	TYPE	W. L. PART NO.
74LS02	74LS02	74LS02
74LS08	74LS08	74LS08
74LS10	74LS10	74LS10
74LS11	74LS11	74LS11
74LS12	74LS12	74LS12
74LS13	74LS13	74LS13
74LS14	74LS14	74LS14
74LS15	74LS15	74LS15
74LS16	74LS16	74LS16
74LS17	74LS17	74LS17
74LS18	74LS18	74LS18
74LS19	74LS19	74LS19
74LS20	74LS20	74LS20
74LS21	74LS21	74LS21
74LS22	74LS22	74LS22
74LS23	74LS23	74LS23
74LS24	74LS24	74LS24
74LS25	74LS25	74LS25
74LS26	74LS26	74LS26
74LS27	74LS27	74LS27
74LS28	74LS28	74LS28
74LS29	74LS29	74LS29
74LS30	74LS30	74LS30
74LS31	74LS31	74LS31
74LS32	74LS32	74LS32
74LS33	74LS33	74LS33
74LS34	74LS34	74LS34
74LS35	74LS35	74LS35
74LS36	74LS36	74LS36
74LS37	74LS37	74LS37
74LS38	74LS38	74LS38
74LS39	74LS39	74LS39
74LS40	74LS40	74LS40
74LS41	74LS41	74LS41
74LS42	74LS42	74LS42
74LS43	74LS43	74LS43
74LS44	74LS44	74LS44
74LS45	74LS45	74LS45
74LS46	74LS46	74LS46
74LS47	74LS47	74LS47
74LS48	74LS48	74LS48
74LS49	74LS49	74LS49
74LS50	74LS50	74LS50
74LS51	74LS51	74LS51
74LS52	74LS52	74LS52
74LS53	74LS53	74LS53
74LS54	74LS54	74LS54
74LS55	74LS55	74LS55
74LS56	74LS56	74LS56
74LS57	74LS57	74LS57
74LS58	74LS58	74LS58
74LS59	74LS59	74LS59
74LS60	74LS60	74LS60
74LS61	74LS61	74LS61
74LS62	74LS62	74LS62
74LS63	74LS63	74LS63
74LS64	74LS64	74LS64
74LS65	74LS65	74LS65
74LS66	74LS66	74LS66
74LS67	74LS67	74LS67
74LS68	74LS68	74LS68
74LS69	74LS69	74LS69
74LS70	74LS70	74LS70
74LS71	74LS71	74LS71
74LS72	74LS72	74LS72
74LS73	74LS73	74LS73
74LS74	74LS74	74LS74
74LS75	74LS75	74LS75
74LS76	74LS76	74LS76
74LS77	74LS77	74LS77
74LS78	74LS78	74LS78
74LS79	74LS79	74LS79
74LS80	74LS80	74LS80
74LS81	74LS81	74LS81
74LS82	74LS82	74LS82
74LS83	74LS83</	



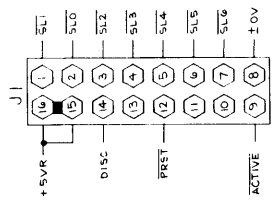


OFF. W.L. # 279-0300  
INTD. EXT.



COMPONENT	TYPE	VAL PART NO
R1-R8	150Ω 1/4W 1/4W	330-2015
J1	16 PIN SOCKET	376-9005

MINEMONIALS	COORD
ACTIVE	IC11
DISC	IF11
PRET	IF11
SL0-SL8	IE11
2OV	IF11
5VVR	IC11

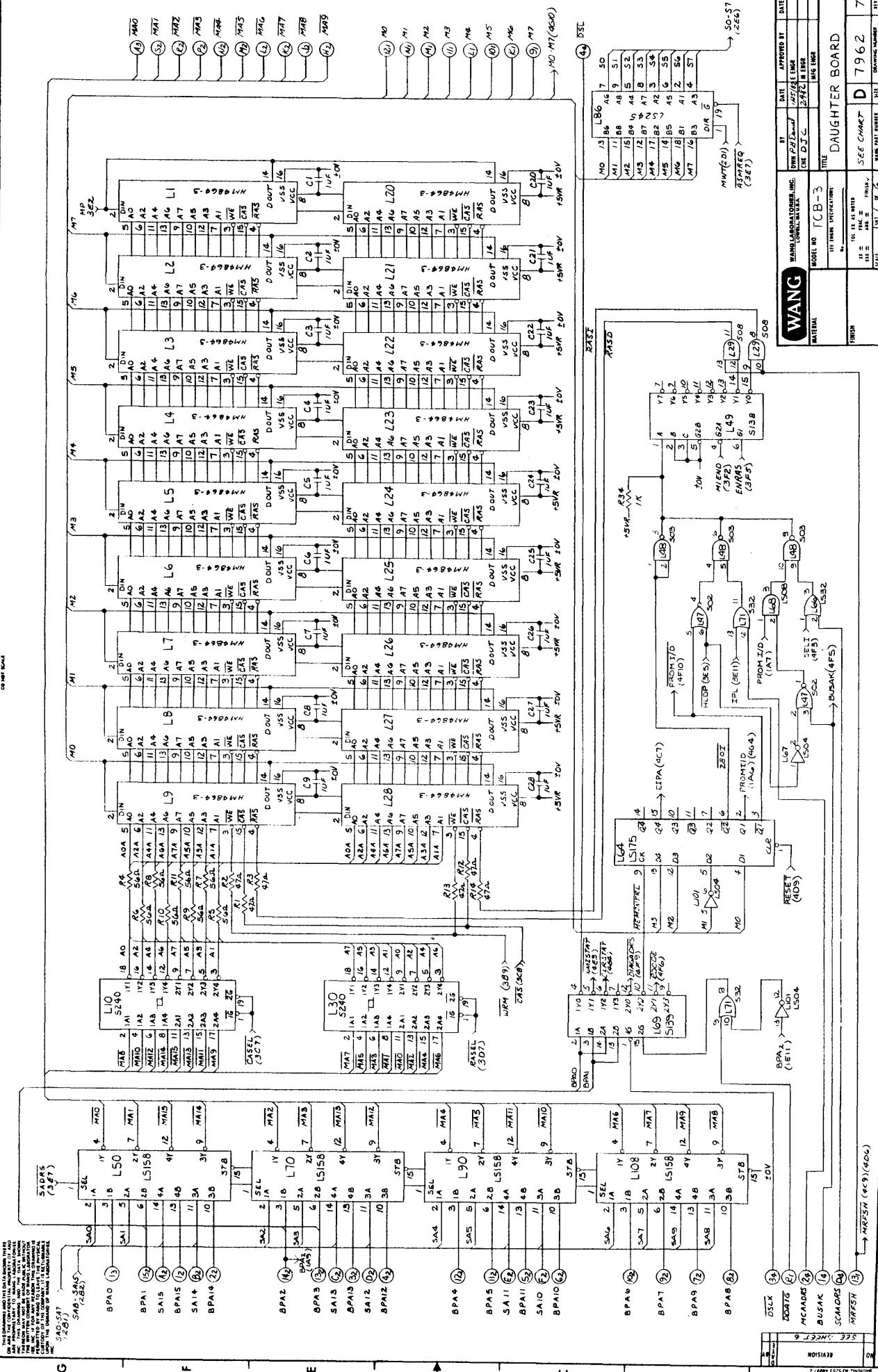


ON THE PROPERTY OF WANG LABORATORIES, INC. THIS DRAWING IS THE PROPERTY OF WANG LABORATORIES, INC. IT IS TO BE USED ONLY FOR THE PURPOSES SPECIFIED HEREIN. IT IS NOT TO BE REPRODUCED OR TRANSMITTED IN ANY FORM OR BY ANY MEANS, ELECTRONIC OR MECHANICAL, INCLUDING PHOTOCOPYING, RECORDING, OR BY ANY INFORMATION STORAGE AND RETRIEVAL SYSTEM, WITHOUT THE WRITTEN PERMISSION OF WANG LABORATORIES, INC.

E-REV  
0

DATE	BY	APPROVED BY	DATE
10/20/65	W.L.	W.L.	10/20/65
DATE	BY	APPROVED BY	DATE
10/20/65	W.L.	W.L.	10/20/65
TITLE			
LIGHT BOARD			
DRAWING NUMBER			
210-7865			
DRAWING NUMBER			
1			

REVISION	DATE	BY	APPROVED BY
1	10/20/65	W.L.	W.L.
2	10/20/65	W.L.	W.L.
3	10/20/65	W.L.	W.L.
4	10/20/65	W.L.	W.L.
5	10/20/65	W.L.	W.L.
6	10/20/65	W.L.	W.L.
7	10/20/65	W.L.	W.L.
8	10/20/65	W.L.	W.L.
9	10/20/65	W.L.	W.L.
10	10/20/65	W.L.	W.L.
11	10/20/65	W.L.	W.L.



7962  
 1 2 3 4 5 6 7 8 9 10 11

DATE	APPROVED BY	DATE	APPROVED BY
10/11/78	WANG	10/11/78	WANG
10/11/78	WANG	10/11/78	WANG
10/11/78	WANG	10/11/78	WANG

WANG LABORATORIES, INC.	MODEL NO	FCB-3	TITLE	DAUGHTER BOARD
CONTRACT NO.	REV.	1	DATE	7962
PROJECT NO.	REV.	1	DATE	7962
REV.	REV.	1	DATE	7962

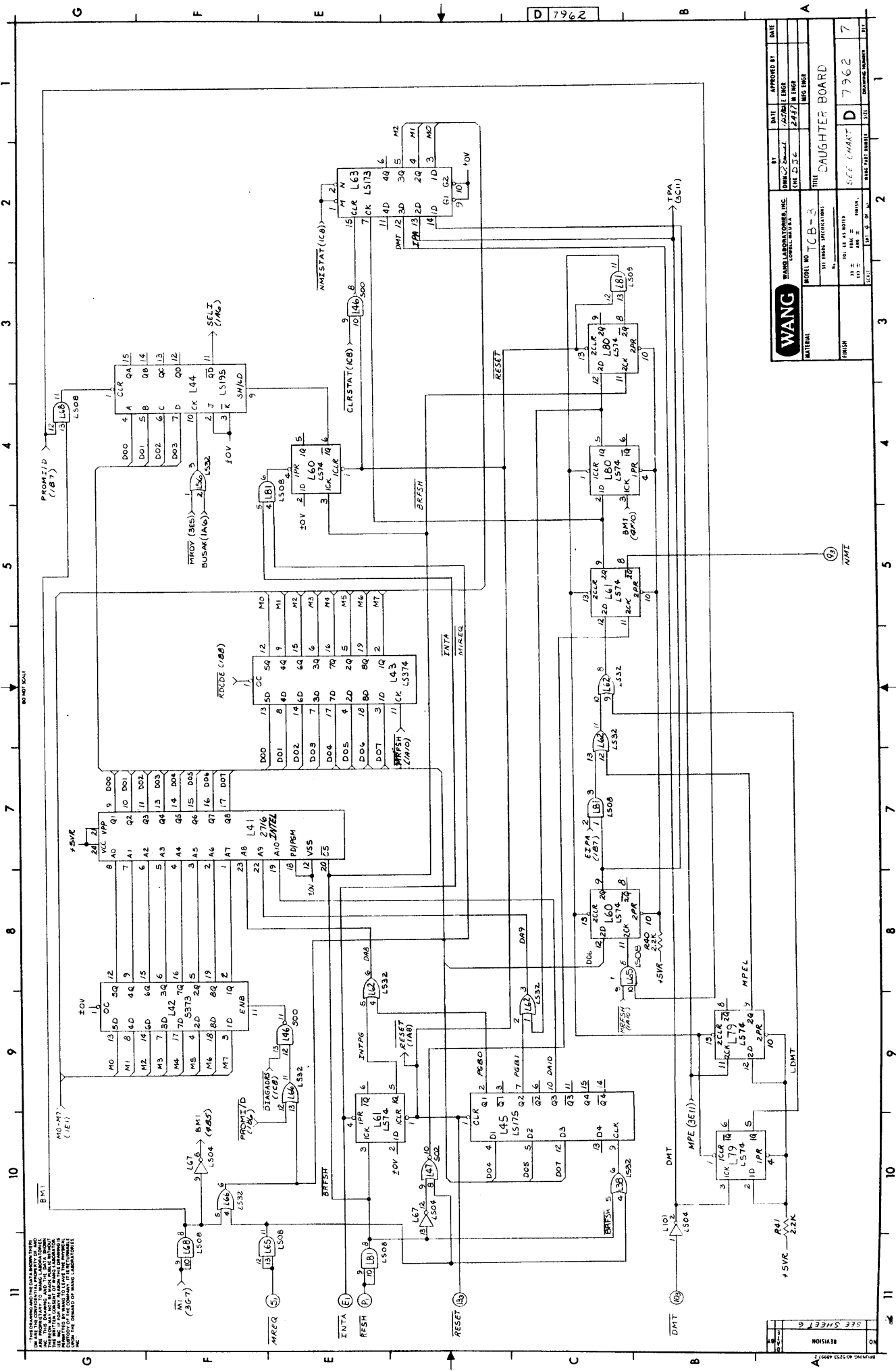
DATE	10/11/78
BY	WANG
CHK'D	WANG
DATE	10/11/78
BY	WANG
CHK'D	WANG
DATE	10/11/78
BY	WANG
CHK'D	WANG

WANG LABORATORIES, INC. MODEL NO FCB-3 TITLE DAUGHTER BOARD  
 REV. 1 DATE 7962  
 SEE CHART D 7962  
 DRAWING NUMBER 7







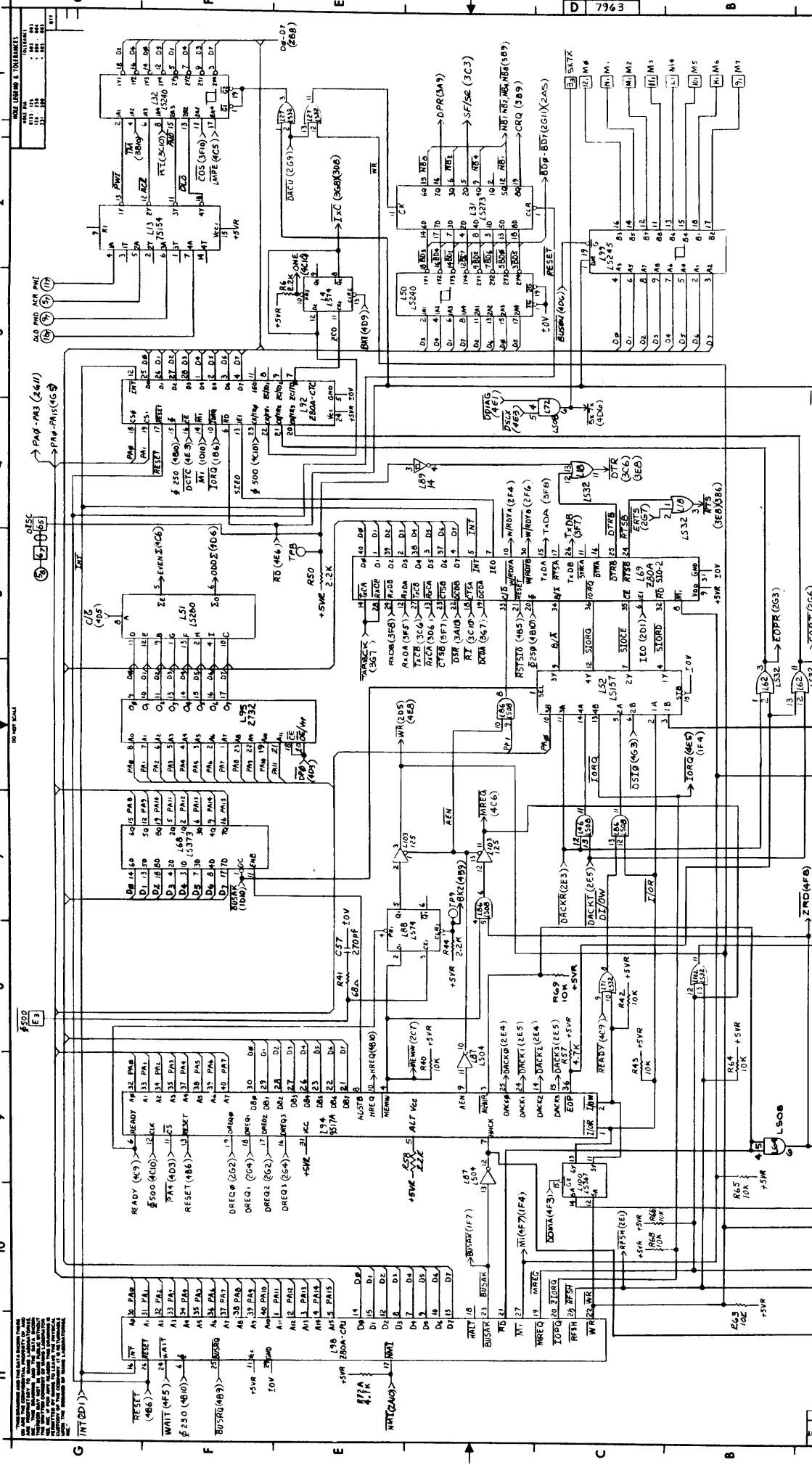


BY		DATE	APPROVED BY	DATE
DRAWN		2/24/77	2/24/77	2/24/77
CHK'D		2/24/77	2/24/77	2/24/77
MATERIAL		TITLE DAUGHTER BOARD		
PART NUMBER		MODEL NO	T.C.B. - 3	REV. ENG.
FINISH		317 (MAG. PROTECTIVE)		
		NO. OF THIS BOARD	1	SEE CHART D 7962
		NO. OF THIS BOARD	1	
		NO. OF THIS BOARD	1	
		NO. OF THIS BOARD	1	

ON THE UNIVERSITY OF MICHIGAN  
 THE BOARD IS THE PROPERTY OF MICHIGAN  
 STATE UNIVERSITY. IT IS TO BE USED ONLY  
 FOR THE RESEARCH AND TEACHING  
 PURPOSES OF THE LABORATORY IN WHICH  
 IT WAS OBTAINED. IT IS TO BE RETURNED  
 TO THE LABORATORY AT THE END OF THE  
 PROJECT. THE BOARD IS NOT TO BE  
 REPRODUCED OR TRANSMITTED IN ANY  
 FORM OR BY ANY MEANS, ELECTRONIC  
 OR MECHANICAL, INCLUDING PHOTOCOPYING,  
 RECORDING, OR BY ANY INFORMATION  
 STORAGE AND RETRIEVAL SYSTEM.





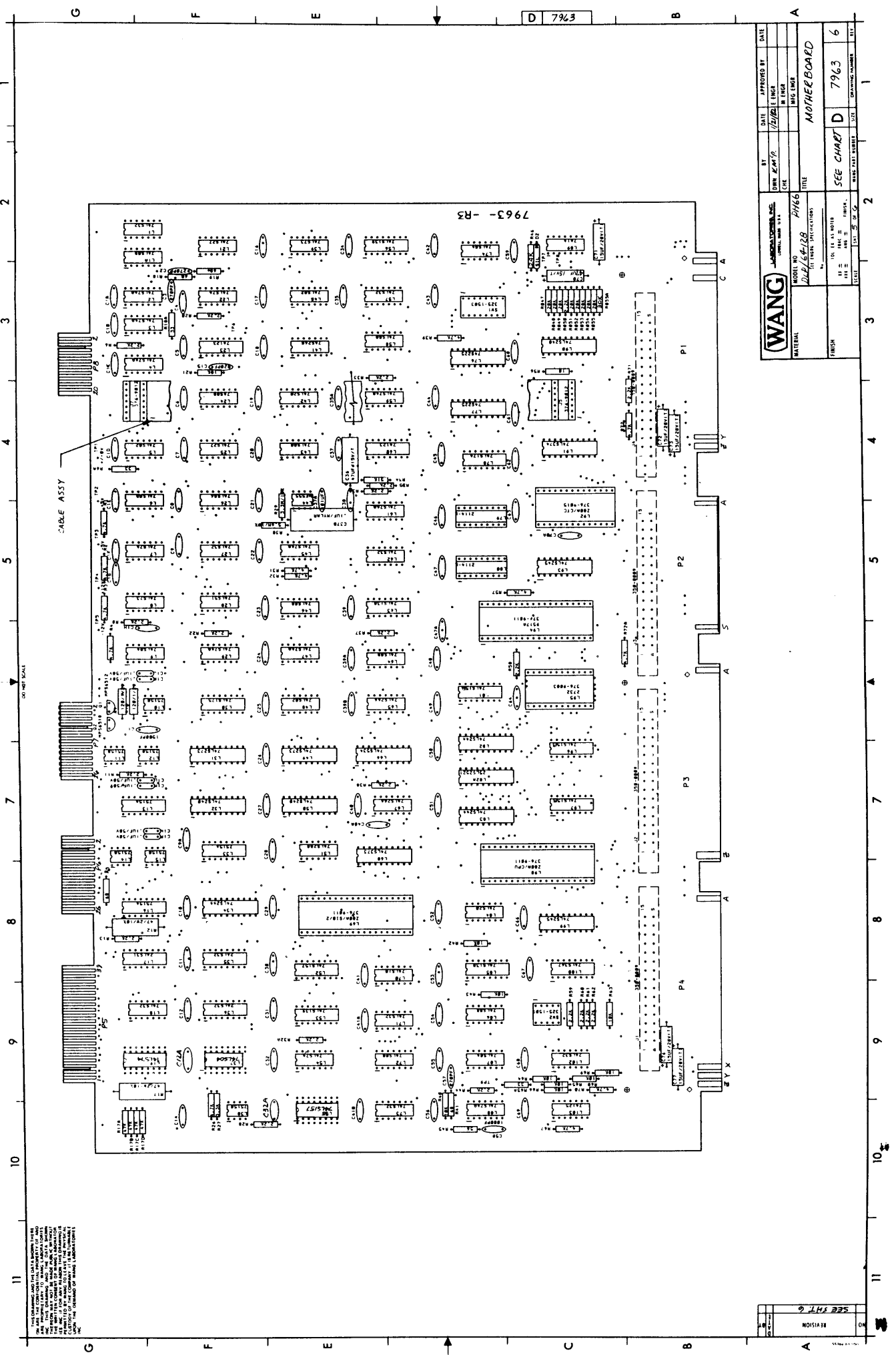


<b>WANG</b> MODEL NO. 720C SERIAL NO. 7963		BY: [Signature] DATE: 12/21/82 APPROVED BY: [Signature] DATE: 12/21/82
TITLE: MOTHERBOARD PART NO. 7963		SEE SHEET D 7963 6
DRAWN BY: [Signature] CHECKED BY: [Signature]		DATE: 12/21/82
REVISION: [Signature]		DATE: 12/21/82









<b>WANG</b> LABORATORIES, INC. CORPORATE HEADQUARTERS 1000 WASHINGTON BLVD. BOSTON, MASS. 02115	DATE	APPROVED BY	DATE
	12/16/63	[Signature]	12/16/63
DESIGN NO.	7963	REV. NO.	1
PROJECT NO.	7963	DATE	12/16/63
TITLE	MOTHER BOARD	SCALE	1:1
MATERIAL	SEE CHART D	SIZE	7963
FINISH	SEE CHART D	DRAWING NUMBER	6

THIS DRAWING AND THE DATA THEREON ARE THE PROPERTY OF WANG LABORATORIES, INC. AND ARE NOT TO BE REPRODUCED OR TRANSMITTED IN ANY FORM OR BY ANY MEANS, ELECTRONIC OR MECHANICAL, INCLUDING PHOTOCOPYING, RECORDING, OR BY ANY INFORMATION STORAGE AND RETRIEVAL SYSTEM, WITHOUT THE WRITTEN PERMISSION OF WANG LABORATORIES, INC. THE PERMISSION OF WANG LABORATORIES, INC. IS NOT TO BE INTERPRETED AS AN ENDORSEMENT OF ANY PRODUCT OR SERVICE OF ANY OTHER COMPANY.

NO.	REVISION
1	SEE CHART D



