

QTY	REV	PART OR IDENTIFYING NO.	NOMENCLATURE OR DESCRIPTION	MATERIAL SPECIFICATION
PARTS LIST				
UNLESS OTHERWISE SPECIFIED DIMENSIONS ARE IN INCHES TOLERANCES ARE: FRACTIONS DECIMALS ANGLES		CONTRACT NO.		
		VERTEX PERIPHERALS		
MATERIAL		APPROVALS	DATE	SCHEMATIC DIAGRAM SERVO BOARD, SC
FINISH		CHECKED	ISSUED	
NEXT ASSY	USED ON	ISSUED	DATE	SIZE / PCHM NO. / SHEET NO. / REV
APPLICATION		DO NOT SCALE DRAWING		SCALE / SHEET 2

COMPENSATION

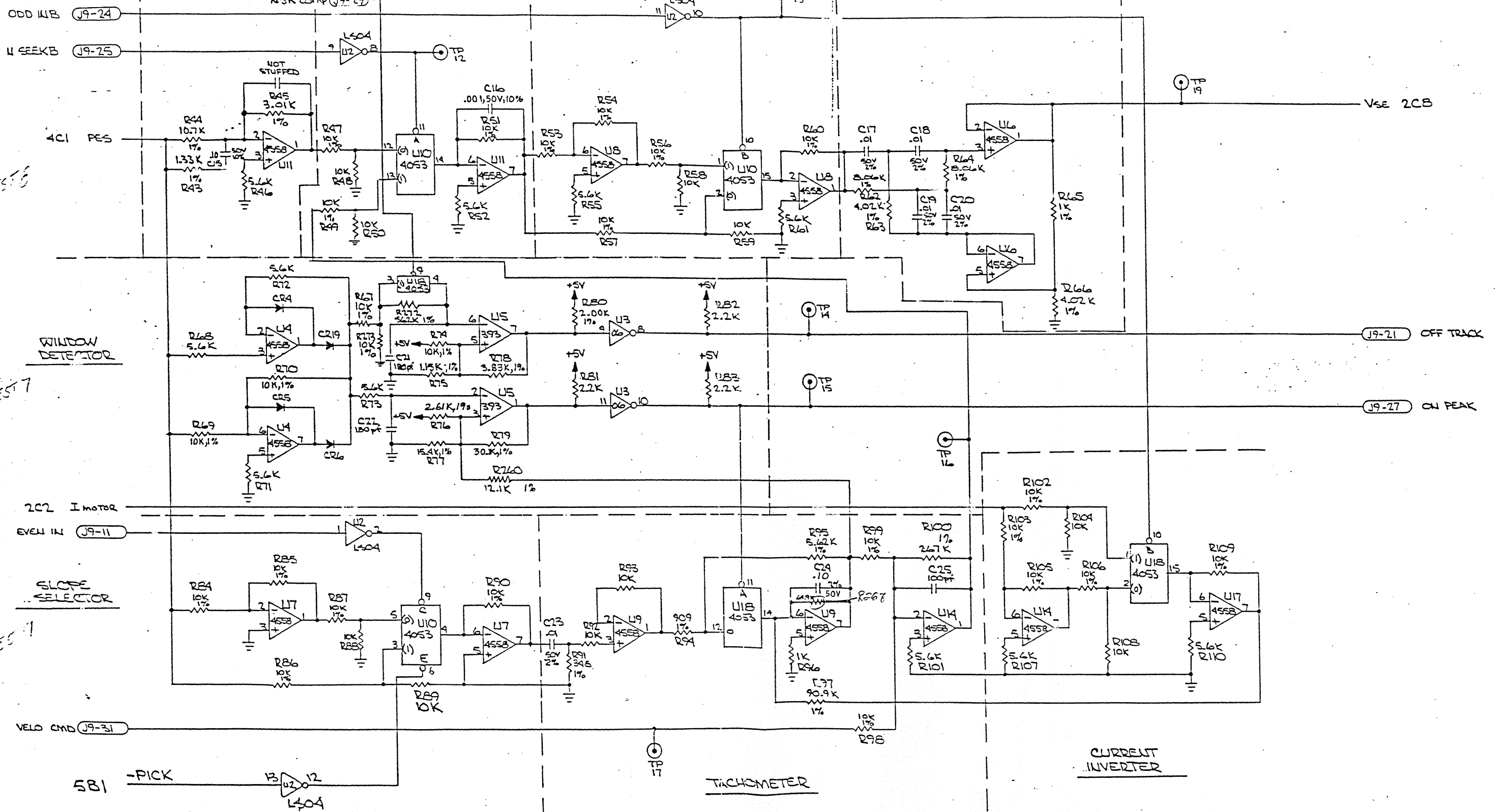
MODE SELECTOR

INVERTER

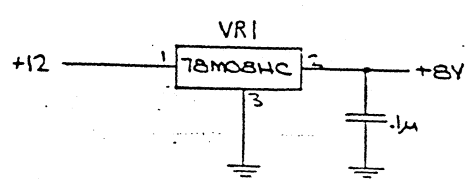
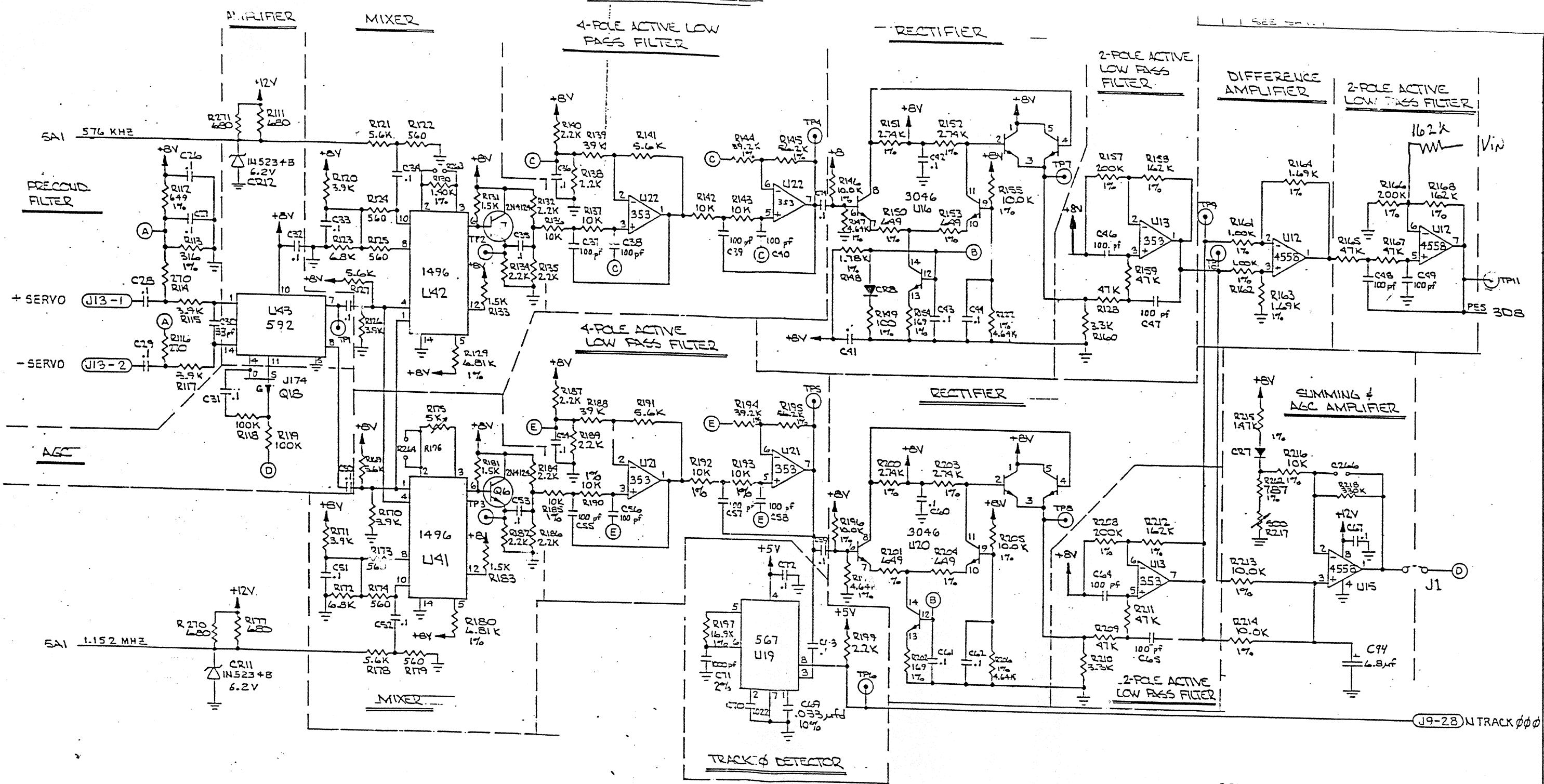
NOTCH FILTER

SEE SH. 1

12/14/831 RRS



QTY	FRGM	PART OR IDENTIFYING NO	NOMENCLATURE OR DESCRIPTION	MATERIAL SPECIFICATION
PARTS LIST				
UNLESS OTHERWISE SPECIFIED DIMENSIONS ARE IN INCHES TOLERANCES ARE: FRACTIONS DECIMALS ANGLES : .01 : .005 : 15'		CONTRACT NO		VERTEX PERIPHERALS
MATERIAL		APPROVALS	DATE	SCHEMATIC DIAGRAM SERVO BOARD, SO
FINISH		CHECKED	7/1/83	
ISSUED	7/1/83	REVISION		SIZE / FRGM NO. 100-2
APPLICATION	DO NOT SCALE DRAWING	SCALE	SHEET 5	

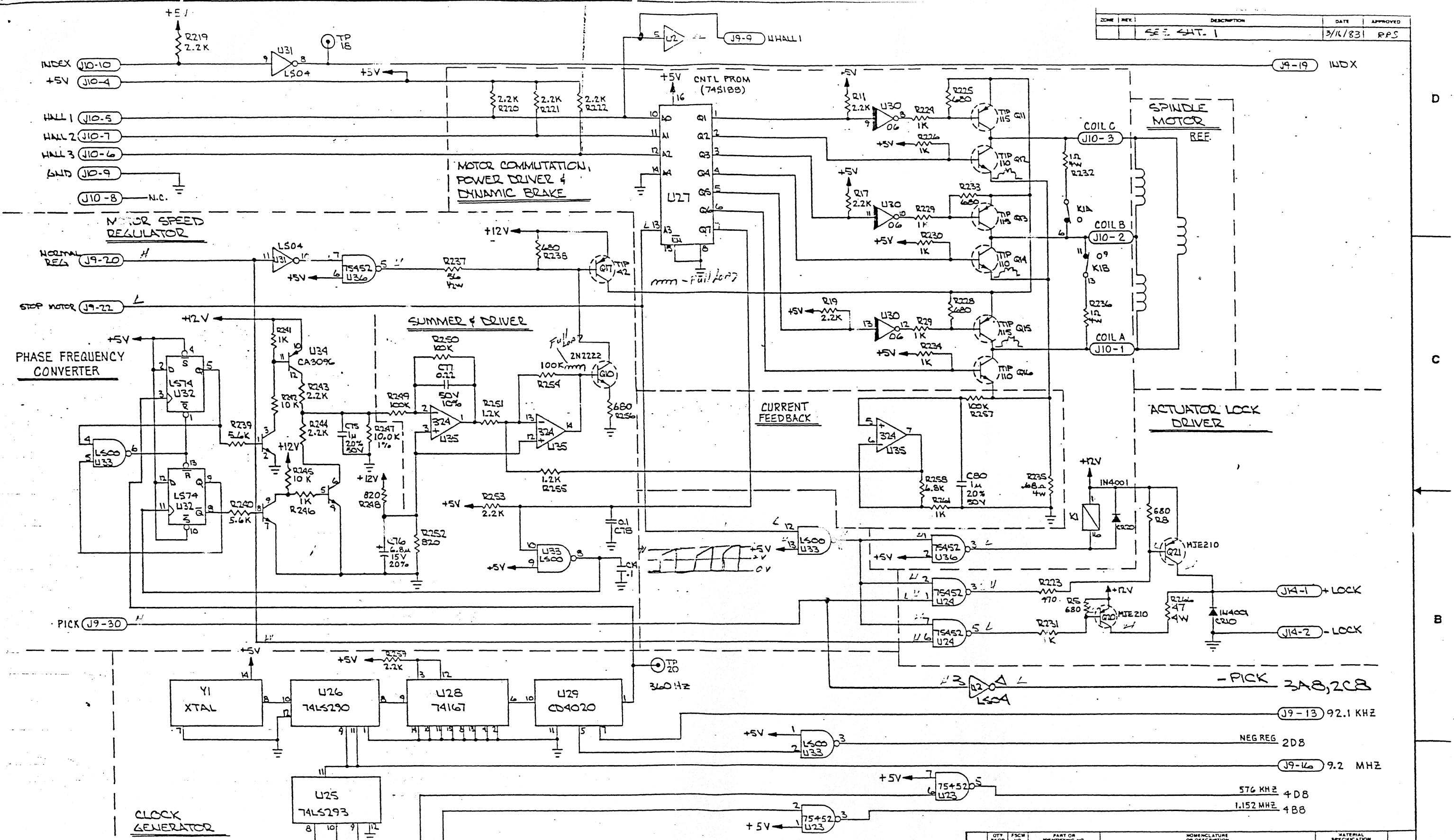


'B' CHANNEL

SERVO DEMODULATOR

QTY	ASCN	PART OR	NOMENCLATURE	MATERIAL
RECD	NO.	IDENTIFYING NO.	OR DESCRIPTION	SPECIFICATION
PARTS LIST				
UNLESS OTHERWISE SPECIFIED DIMENSIONS ARE IN INCHES TOLERANCES ARE: FRACTIONS DECIMALS ANGLES				
DRAWN: [Signature] DATE: 1-25-83				
CHECKED: [Signature] DATE: 2/11/83				
ISSUED: [Signature] DATE: 7/11/82				
CONTRACT NO. VERTEX PERIPHERALS				
SCHEMATIC DIAGRAM, SERVO BOARD, SO				
SIZE 175CM NO. 100-2				
SCALE 1 SHEET				

ZONE	REV.	DESCRIPTION	DATE	APPROVED
		SEE SH. 1	3/11/83	RPS



QTY	PSCM	PART OR IDENTIFYING NO.	NOMENCLATURE OR DESCRIPTION	MATERIAL SPECIFICATION
			PARTS LIST	
UNLESS OTHERWISE SPECIFIED DIMENSIONS ARE IN INCHES TOLERANCES ARE: FRACTIONS DECIMALS ANGLES				
MATERIAL			APPROVALS	DATE
FRESH			CHECKED	DATE
NEXT ASSY			ISSUED	DATE
USED ON			SCALE	SHEET
APPLICATION			DO NOT SCALE DRAWING	

VERTEX PERIPHERALS
SCHEMATIC DIAGRAM
SERVO BOARD, SO

10042 N

D
C
B
A

A
B
C
D

MOTOR SPEED CONTROL