

CHAPTER 7

PARTS LIST

7-1. INTRODUCTION.

7-2. This chapter provides an Illustrated Parts Breakdown (IPB) which lists and illustrates all organizational-level replacement parts for a single Input/Output Console OA-7984(V)/UYK (I/O Console). Also contained in this chapter are a list of field changes (table 7-1), a list of printed circuit modules (table 7-2), a list of major units (table 7-3), I/O Console configurations (table 7-4), a parts list (table 7-5), a numerical index of parts (table 7-6), a reference designator index of parts (table 7-7), and a list of manufacturers (table 7-8).

7-3. LIST OF FIELD CHANGES. Table 7-1 contains all Field Changes and UNIVAC Field Change Orders (FCO) applicable to the I/O Console. Table 7-1 contains the Field Change number, UNIVAC Field Change Order number, UNIVAC Serial number of the I/O Console affected, Navy Serial number, title or brief description of the change and the Repairable Identification Code (RIC) or Allowance Parts List (APL) number.

7-4. PRINTED CIRCUIT MODULE COMPLEMENT. Table 7-2 lists all printed circuit modules used in the I/O Console. The printed circuit modules are listed by part number order and are accompanied by a brief description and the quantity used in the I/O Console.

7-5. LIST OF MAJOR UNITS. Table 7-3 lists the major units of the I/O Console. Column one lists the APL or RIC. Column two is the quantity of the same type units in the I/O Console. Column three is the nomenclature of the unit broken into two columns: the name of

the unit, and the reference designator of that unit. Column four lists the first page of the list where parts information for that unit may be found.

NOTE

This parts list is intended for identification purposes only, and should not be used for disassembly or assembly procedures.

7-6. I/O Console Configurations. Table 7-4 lists the various configurations of the I/O Console available. Each configuration is identified by a part number and a used on code. The used on code is used in the parts list to indicate when a part is used on a specific configuration. When a used on code is not listed, the part is useable on all configurations.

7-7. PARTS LIST. The IPB consists of illustrations and listings of units, assemblies, subassemblies, and detail parts. The parts list consists of table 7-5, and table 7-7. Exploded-view illustrations of assemblies and subassemblies used with the accompanying list of parts simplifies the identification and requisitioning of replacement parts. The illustration accompanying each parts breakdown listing immediately precedes the listing for each unit or assembly. Each assembly or subassembly is followed by a listing of its component and attaching parts. The illustrations and parts lists are limited to the scope of routine organizational-level (shipboard) maintenance. Information such as illustrations, drawings, and specifications for maintenance beyond the organizational level is available from the equipment In-Service Engineering Agency (ISEA).

7-8. Table 7-5 contains eight columns. The columns of the parts list have the following descriptions:

a. Column one is the figure and index number which is used in locating component parts. The figure and index number indicate the chapter, figure and index number; for example, 7-2-12 indicates chapter 7, figure 2, and index number 12.

b. Column two is the reference designation column. The reference designator of the assembly or detail part is listed in this column. The unit numbering method of assigning reference designations has been used to identify units, assemblies, and component parts. This method has been expanded as much as necessary to adequately cover the various degrees of subdivision of the equipment. Some assemblies and subassemblies do not have reference designations assigned, and none will be assigned in this manual. The following is an example of the unit numbering method and typical expansion:

47	A1	C1
Unit number	Assembly designation	Class and number of item

Partial reference designations are used on the equipment and illustrations. The partial reference designations consist of the class letter(s) and the identifying item number. The complete reference designation may be obtained by placing the proper prefix before the partial reference designation. These designations coincide with the designations marked on the equipment, drawings, and diagrams:

c. Column three lists the manufacturer or Government part number with the Military Specification part number as the next entry when assigned. An entry of COML in this column indicates the part may be procured from normal commercial sources. Sufficient descriptive

information is supplied to permit part procurement. An entry of dashes in this column indicates that a part number has not been assigned. Procurement is by the next higher assembly indicated in the indentation column or as explained in the description column.

d. Column four is the indent column. Indentation numbers are used to indicate the relationship between major assemblies, subassemblies and their component parts. Indentation number 1 is always assigned to the major assembly in each parts breakdown figure. Next lower assemblies are assigned indentation number 2. Component parts of lower assemblies are assigned indentation number 3, and listed in the parts list immediately following the assembly which they form a part. Attaching parts are listed immediately following the assembly or component part to be attached, and have the same indentation number as the assembly or component part to be attached. Attaching parts are identified by (AP), indicating Attaching Part, in the description column.

e. Column five is the description column, and contains the part or assembly nomenclature as specified by the manufacturer or cognizant Government activity. The description column lists the item name followed by an identifying description. Only the noun name is given for Government-standard parts. Attaching parts are listed immediately following the assembly or part which they attach. The abbreviations NHA, NLA, and U/W appearing in the description column have the following meanings:

1. NHA indicates Next Higher Assembly.
2. NLA indicates Next Lower Assembly.
3. U/W indicates Used With.

f. Column six is the manufacturer's code column and lists the Federal Supply Code for Manufacturers (FSCM). The FSCM is a five-digit number code assigned to manufacturers having design control of items of supply procured by agencies of the Federal Government. The FSCM is directly related to the number listed in the part number column. Table 7-8 is a numerical sequence listing of all FSCM's which are used in the parts list and the manufacturer's name and address to whom they are assigned.

g. Column seven, the quantity per assembly column, indicates the quantity of parts required to make one of the next higher assembly. If the equipment contains two or more identical assemblies, or if similar assemblies have been combined in one illustration, this column will indicate the quantity for one assembly only. The abbreviations AR and REF appearing in this column have the following meanings:

1. AR indicates the definite quantity is not specified and the quantity necessary is as required.

2. REF indicates that the item has been listed in a previous breakdown

and is listed for reference purposes only.

7-9. NUMERICAL INDEX. Table 7-6 lists the part numbers included in the parts list in numerical sequence. This is an alphanumeric index cross-referencing every part number to a figure and index number. Reference to the numerical index, when the part number is known, will provide immediate access to part description, illustration, and part number reference designator information pertinent to the component under consideration.

7-10. REFERENCE DESIGNATION INDEX. Table 7-7 is a reference designator sequence of the part numbers which have a reference designator assigned. When the reference designator of a part or assembly is known, this table may be used to locate the figure and index number in the parts list.

7-11. LIST OF MANUFACTURERS. Table 7-8 is a listing of all manufacturers supplying items for the I/O Console. Table 7-8 is arranged in alphanumeric sequence by FSCM, and provides the name and address of each manufacturer.

Table 7-1. List of Field Changes

FC	UNIVAC FCO	UNIVAC SER. NO.	NAVY SER. NO.	Title	RIC/APL
1	201	1 thru 10	---	Decrease mean time of delay between external functions.	78040604
1	250	1 thru 5, 7, 8, 10	---	Provide 4.4 μ sec delay between the time that input data lines come up and the time IDR comes up.	---
1	265	1 thru 11	---	Reletter latch on power supply panel.	---
1	286	1 thru 15	---	Permit punch to be used for output while keyboard/printer is being used for input.	---
1	297	1 thru 15	---	Connect cable shield to ground.	---
1	329	16, 18	A1	Provide reinforced mounting brackets for teletypewriter.	---
1	333	10		Provides for a larger desk mounting bracket.	---
1	335B	1 thru 19, 26 thru 28	A1	Add delay card and inverter to delay clear input to SERIAL CONVERTER READY F/F.	---
1	380	1 thru 50	A1, A2	Add a wire to prevent acceptance of an EF request while serial converter is running.	---
1	390	1 thru 64	A1, A2, A3, A6, A8	Change delay for punch motor.	---
1	393	1 thru 5, 7, 8, 10 thru 13, 16 thru 25, 36 thru 50	A1, A2	Remove wire from I.	---

Table 7-1. List of Field Changes (Contd)

FC	UNIVAC FCO	UNIVAC SER. NO.	NAVY SER. NO.	Title	RIC/APL
1	529	1 thru 87, 89, 91 thru 94, 96	A1 thru A8, A10, A11, A14, A22, A24	Prevent double punching on read one operation.	---
1	552A	42 thru 103, 107, 108	A18, A22, A24, A31, A32	---	---
1	552B	1 thru 244	A1 thru A6, A8 thru A19, A21 thru A59, A61 thru A71	Replace 2820 with 2821 Printed Circuit Cards (Ser. No. 1 thru 41 per customer request)	---
1	613	1 thru 80	A1 thru A3, A6 thru A8, A11	Add spare slow blow fuse and holder for the reader.	---
1	695	1 thru 98, 100, 101	A1 thru A8, A10, A11, A14, A15, A17, A18, A22, A24, A32	Reroute wires because of wire wrap levels.	---
E1B911	838	1 thru 53, 56, 72, 76 thru 78, 80 thru 128, 131 thru 146, 150 thru 152, 156, 159 thru 162, 164, 170 thru 178, 191 thru 216	---	Correct F8 fuse wiring.	---
	1321	BY REQUEST	---	External function re- quest timing change to allow paper tape to advance to the next frame when a reader disable command is received.	---

Table 7-2. Printed Circuit Module Complement

Part Number	Description	Qty
7002020-00	Flip-Flop, AND OR 33-3	9
7002030-00	Inverter, AND 5-4	1
7002050-00	Inverter, AND OR 22-23	5
7002060-00	Inverter, AND 3-3-2	10
7002070-00	Inverter, 1-1-1-1-1	12
7002090-00 ¹	Inverter, Input Ampl	12
7002322 ²	Inverter, Input Ampl	12
7002130 ¹	Driver, Ampl Control Line	4
7002332 ²	Driver, Ampl Control Line	4
7002141-00 ¹	Driver, Ampl Data Line	8
7002342 ²	Driver, Ampl Data Line	8
7002220-00	Inverter, OR 4-4	2
7002810-00	Driver, Ampl	1
7002821-00	Time Delay No. 9	11
7002830-00	Inverter, Pulse Delay	4
7002840-00	Bias Network	5
7002900	Flip-Flop	8
7002920-00	Inverter, AND OR 334	2
7002930-00	Flip-Flop	3
7002940-00	Driver Ampl	1
7002990-00	Inverter, OR 3-3-2	1
7003180-00	Capacitor	8
7003480-00	Time Delay, Variable	1
7003580-00	Time Delay, 1.5 to 15 milliseconds	3

NOTES:

¹Slow Interface²Fast Interface

Table 7-3. Input/Output Console. OA-7984(V)/UYK, List of Major Units

CID/RIC/APL	Qty	Nomenclature		Page
		Name of Unit	Designation	
78040600	1	I/O Console	47A1	7-11
	1	Logic Chassis	47A2	7-18
	1	Paper Tape Reader	47A3A1	7-30
	1	Paper Tape Punch	47A3A2	7-63
	1	Tubeaxial Fan Assembly	47A4	7-79
	1	Branched Wiring Harness	47A5	7-81
	1	Power Supply Assembly	47A6	7-84
	1	Teletypewriter	47A7	7-88

Table 7-4. I/O Console Configurations

USED ON CODE	Part Number	Interface	Description
A	7029600-00	Fast-	Desk mounting remote control, top mounting tape winder, desk attached to cabinet, printer on desk
B	7029600-01	Slow	Desk mounting remote control, top mounting tape winder, desk attached to cabinet, printer on desk
C	7029600-02	Fast-	Side mounting tape winder, printer on top
D	7029600-03	---	Cabinet base
E	7029600-04	Slow	Side mounting tape winder, printer on top
F	7029600-05	Fast-	Top mounting tape winder, desk attached to cabinet, printer on desk
G	7029600-06	Slow	Top mounting tape winder, desk attached to cabinet, printer on desk
H	7029600-07	Slow	Side mounting tape winder, desk not attached to cabinet, printer on desk
I	7029600-08	Fast-	Top mounting tape winder, desk not attached to cabinet
J	7029600-09	Fast-	Side mounting tape winder, remote printer
K	7029600-10	Fast+	Top mounting tape winder, desk attached to cabinet, printer on desk
L	7029600-12	Fast+	Side mounting tape winder, printer on top, without desk

TABLE 7-5. PARTS LIST IN FIGURE AND INDEX NUMBER SEQUENCE.

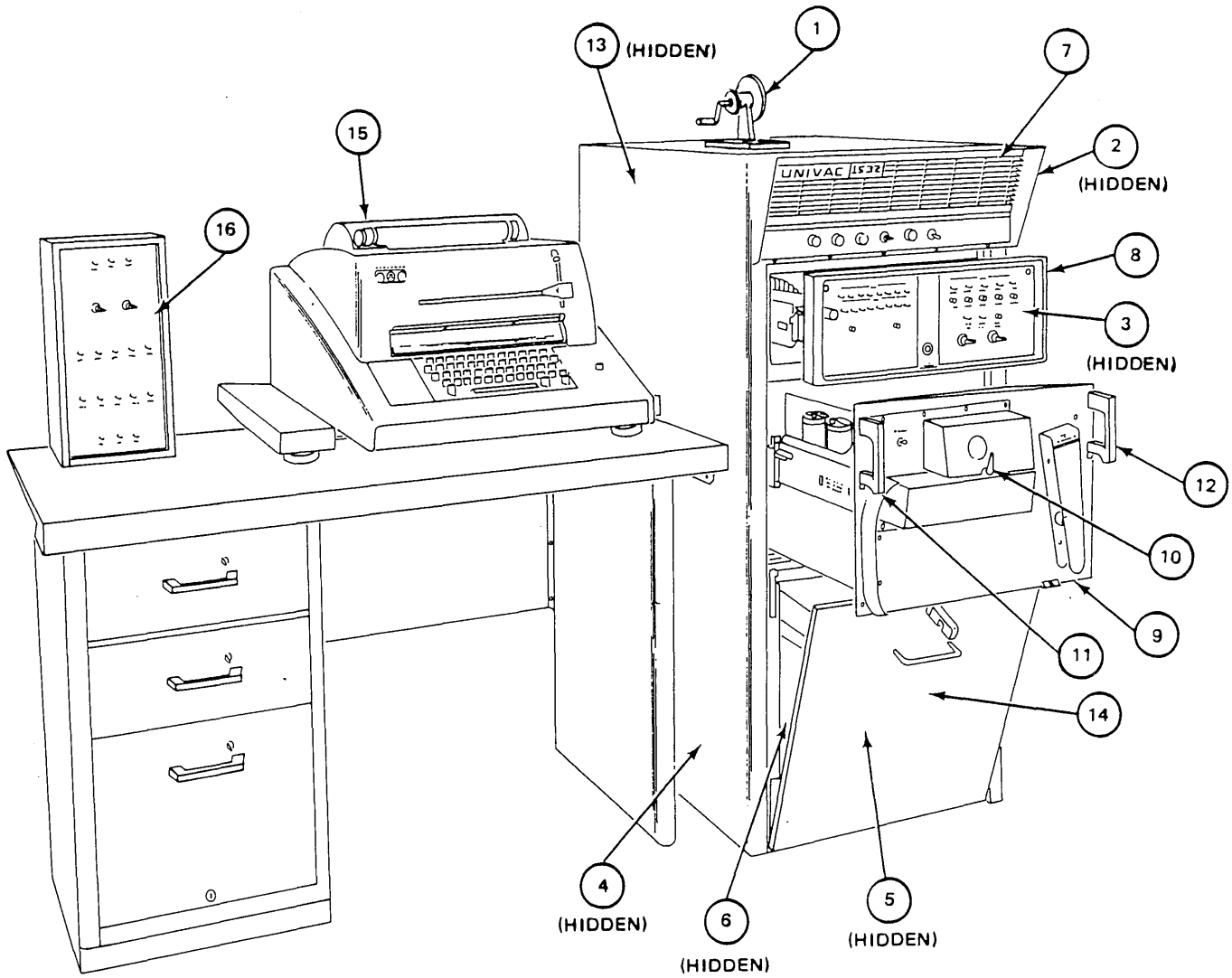


Figure 7-1. Input/Output Console.

FIG & INDEX NO.	REFERENCE DESIGNATION	PART NUMBER	I N D E N T	DESCRIPTION	QTY PER ASSY	MFR'S CODE	USED ON CODE
7-1-0	47		1	CONSOLE, INPUT/OUTPUT, 1532, CONTAINS 1 WRENCH, 1 MANUAL TAPE REWINDER, 1 FILTER, 2 CONNECTORS, 2 SWITCHES, 1 TERMINAL BOARD, 1 HOOD ASSEMBLY, 1 READER-PERFORATOR ASSEMBLY, 1 FAN ASSEMBLY 1 WIRING HARNESS, 1 POWER SUPPLY, 1 TELE-TYPEWRITER ASSEMBLY, AND 1 CONTROL INDICATOR	REF	90536	
7-1-1	47MP1	7030188-00	2	REWINDER, PERFORATED TAPE	1	90536	
7-1-2	47MP2	7030341-00	2	FILTER, AIR CONDITIONING ALUMINUM, RF SHIELDED, OIL TYPE	1	90536	
7-1-3	47MP3	7008938-00	2	WRENCH, CHASSIS ENGAGING STEEL BAR, CARBON, SQUARE	1	90536	
7-1-4	47S1	4912495-10	2	SWITCH, THERMOSTATIC, SPST CONTACT, SEALED, CONTACTS CLOSE ON TEMPERATURE INCREASE, 44 DEG C (111 DEG F) TO 46 DEG C (115 DEG F)	1	90536	
7-1-5	47S2	4912495-09	2	SWITCH, THERMOSTATIC, SPST CONTACT, SEALED, CONTACTS OPEN ON TEMPERATURE INCREASE, 60 DEG C (140 DEG F) TO 58 DEG C (136 DEG F)	1	90536	
7-1-6	47TB1	910161	2	TERMINAL-BOARD, BARRIER TYPE	1	90536	
7-1-7	47A1	7029613-00	2	HOOD ASSEMBLY, CONTAINS 4 LAMPS, 10 CAPACITORS, 2 SWITCHES, AND 4 LAMP-HOLDERS	1	90536	
7-1-8	47A2	7029604-00	2	LOGIC CHASSIS ASSEMBLY, CONTAINS 1 CONVERTER AND 1 CONTROL INDICATOR	1	90536	ACD FIJ B E K L
7-1-9	47A3	7029604-02 7029604-03 7029603-00	2	READER-PERFORATOR ASSEMBLY, CONTAINS 4 RESISTENT MOUNTS, 1 TAPE HOLDER, 2 TAPE GUIDE-INSIDE-OUTSIDE, 2 LATCHES, 1 READER, AND 1 PERFORATOR	1	90536	
7-1-10	A3MP5	7005666-00	3	TAPE HOLDER ASSEMBLY	1	90536	
7-1-11	A3MP8	7901084-00	3	LATCH SET, RIM, CHASSIS HANDLE	2	90536	
7-1-12	A3MP9		3	LATCH, SAME AS A3MP8			
7-1-13	47A4	7029616-00	2	FAN ASSEMBLY, CONTAINS 2 FANS, 4 CAPACITORS, 22 TERMINALS, 1 HORN, 14 RESISTORS, AND 1 TERMINAL BOARD	1	90536	

FIG & INDEX NO.	REFERENCE DESIGNATION	PART NUMBER	I N D E N T	DESCRIPTION	QTY PER ASSY	MFR'S CODE	USED ON CODE
7-1-14	47A6	7029636-00	2	POWER SUPPLY, CONTAINS 9 CAPACITORS, 10 DIODES, 29 TERMINALS, 11 FUSES, 3 CONNECTORS, 4 RELAYS, 1 POWER SUPPLY SUB- ASSEMBLY, 10 TRANSIS- TORS, 4 RESISTORS, 1 TRANSFORMER, 3 TERMINAL BOARDS, 11 FUSEHOLDERS, AND 10 SOCKETS	1	90536	A-J
7-1-15	47A7	7029625-00 7029625-00 7029625-00	2 2 2 2	TELETYPEWRITER ASSEMBLY, CONTAINS 8 RESILIENT MOUNTS, 2 RETAINING SPRINGS, 1 CONNECTOR, 1 TERMINAL BOARD, AND 1 TELETYPEWRITER	1	90536	ABC EFG HIJ K
7-1-16	47A8	7029664-00	2	CONTROL-INDICATOR, CONTAINS 7 LAMPS, 1 TERMINAL, 1 CONNECTOR, 1 HORN, 14 SWITCHES, AND 13 INDICATORS	1	90536	A B

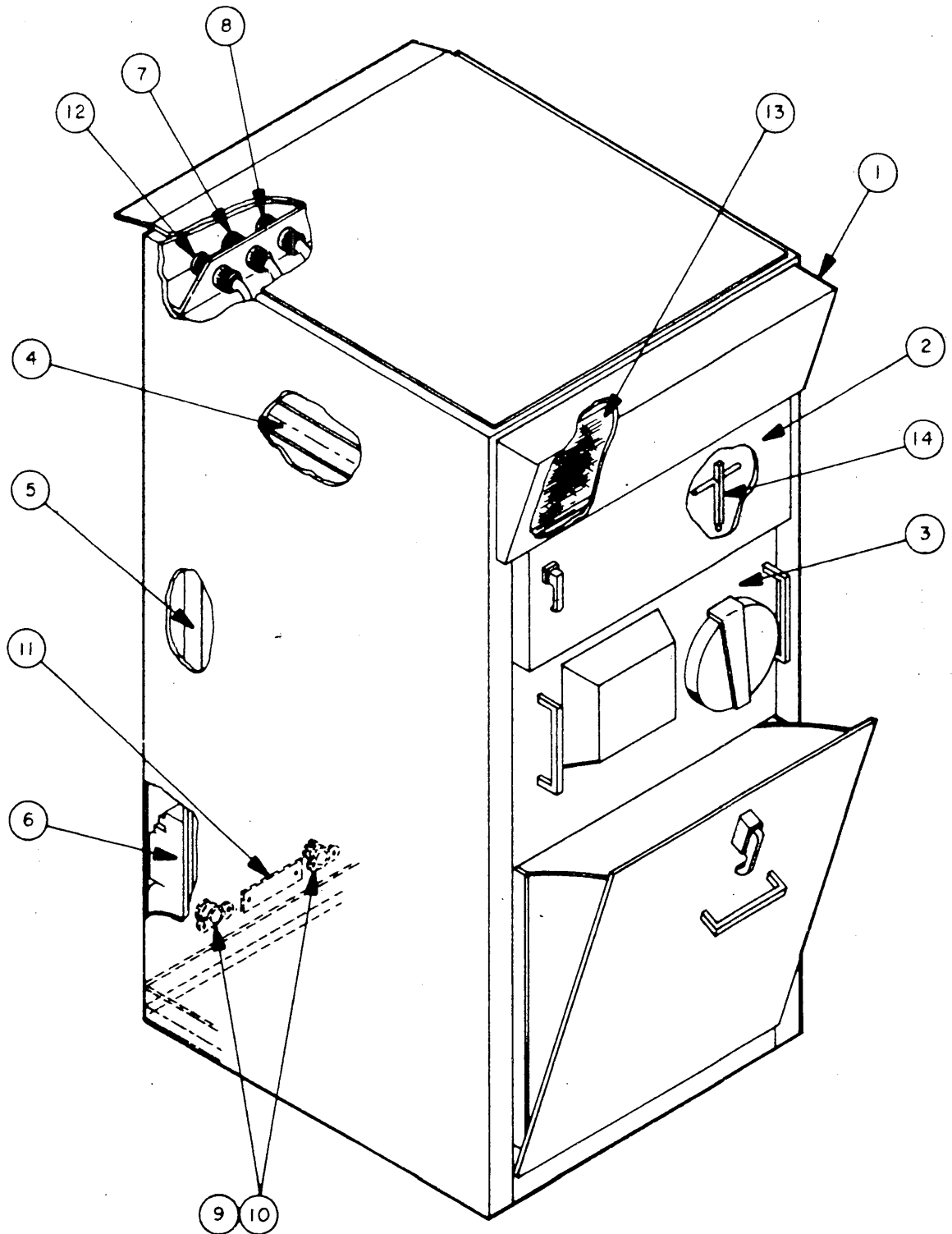


Figure 7-2. Input/Output Console Subassembly.

FIG & INDEX NO.	REFERENCE DESIGNATION	PART NUMBER	I N D E N T	DESCRIPTION	QTY PER ASSY	MFR'S CODE	USED ON CODE
7-2-0		7029601-04	1	COMPUTER-INPUT-OUTPUT CONSOLE SUBASSEMBLY (SEE FIG. 7-1 FOR NHA	REF	90536	
7-2-1	A1	7029613-00	2	HOOD ASSEMBLY, CABINET (SEE FIG. 7-3 FOR BREAK- DOWN)	1	90536	
7-2-2	A2	7029604-02	2	LOGIC ASSEMBLY (SEE FIG. 7-4 FOR BREAKDOWN)	1	90536	
7-2-3	A3	7029603-01	2	READER-PERFORATOR ASSEMBLY, PAPER TAPE (SEE FIG. 7-9 FOR BREAK- DOWN)	1	90536	
7-2-4	A4	7029616-00	2	FAN ASSEMBLY, TUBEAXIAL (SEE FIG. 7-25 FOR BREAKDOWN)	1	90536	
7-2-5	A5	7029620-00	2	WIRING HARNESS, BRANCHED (SEE FIG. 7-26 FOR BREAKDOWN)	1	90536	
7-2-6	A6	7029636-00	2	POWER SUPPLY (SEE FIG. 7-27 FOR BREAKDOWN)	1	90536	
7-2-7	P5	MS3106A20-15S	2	CONNECTOR, AIR CONDI- TIONING	1	96906	
7-2-8	P6	MS3106A20-15SW	2	CONNECTOR, AIR CONDI- TIONING	1	96906	
7-2-9	S1	4912495-01	2	SWITCH, THERMOSTATIC, SEALED, SPST	1	90536	
7-2-10	S2	4912495-00	2	SWITCH, THERMOSTATIC, SEALED, SPST	1	90536	
7-2-11	TB1	910161	2	TERMINAL-BOARD, BARRIER TYPE	1	90536	
7-2-12		259056-12	2	CONNECTOR, PLUG, ELEC	2	90536	
7-2-13		7030341-00	2	FILTER, AIR CONDITIONING	1	90536	
7-2-14		7008938-00	2	WRENCH, SOCKET, SQUARE, CHASSIS ENGAGING	1	90536	

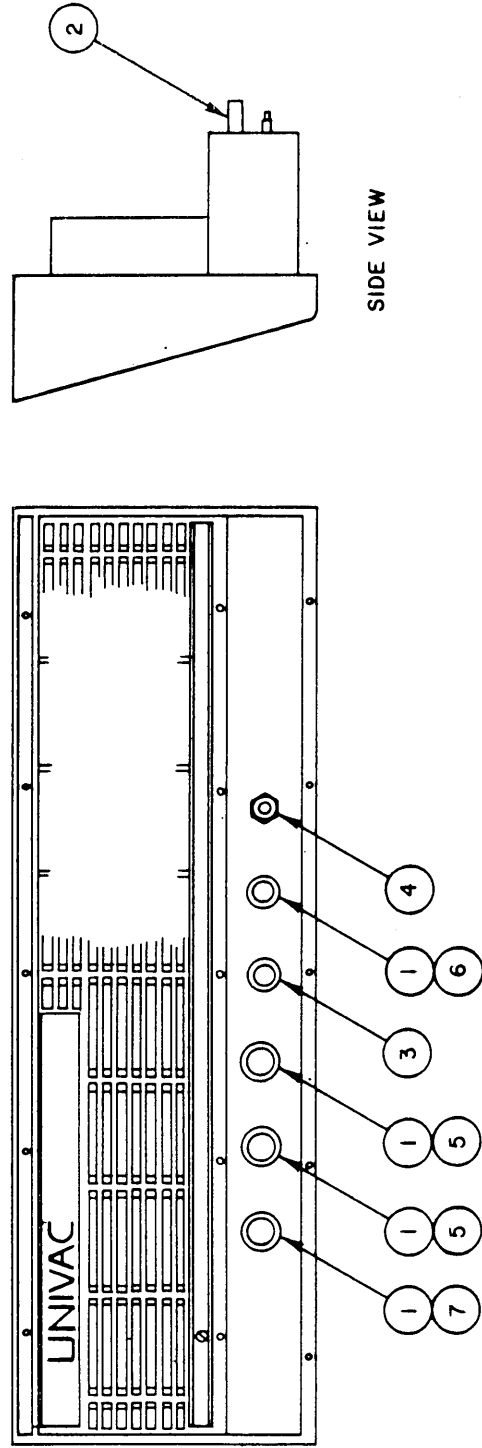


Figure 7-3. Cabinet Hood Assembly (A1).

FIG & INDEX NO.	REFERENCE DESIGNATION	PART NUMBER	I N D E N T	DESCRIPTION	QTY PER ASSY	MFR'S CODE	USED ON CODE
7-3-0	A1	7029613-00	1	CABINET HOOD ASSEMBLY (SEE FIG. 7-2 FOR NHA)	REF	90536	
7-3-1	A1DS1 THRU DS4	7900677-00	2	LAMP, INCANDESCENT, 18 V 150 MILLIAMP	4	90536	
7-3-2	A1FL1 THRU FL10	CZ24BKF103	2	CAPACITOR, FIXED, PAPER DIELECTRIC, 600 V, 0.01 MICROFARAD	10	81349	
7-3-3	A1S1	13AT401T2	2	SWITCH, TOGGLE, 2 POLE, 3 POSITION	1	90536	
7-3-4	A1S2	MS35059-23	2	SWITCH, TOGGLE, SEALED, 15 AMPS, DPDT	1	96906	
7-3-5	A1XDS1	7900678-00	2	LIGHT, IND, T3 1/4, LAMP	2	90536	
7-3-6	A1XDS2						
7-3-6	A1XDS3	7900678-03	2	LIGHT, IND, T3 1/4, LAMP	1	90536	
7-3-7	A1XDS4	7900678-01	2	LIGHT, IND, T3 1/4, LAMP, ACCOMODATION	1	90536	

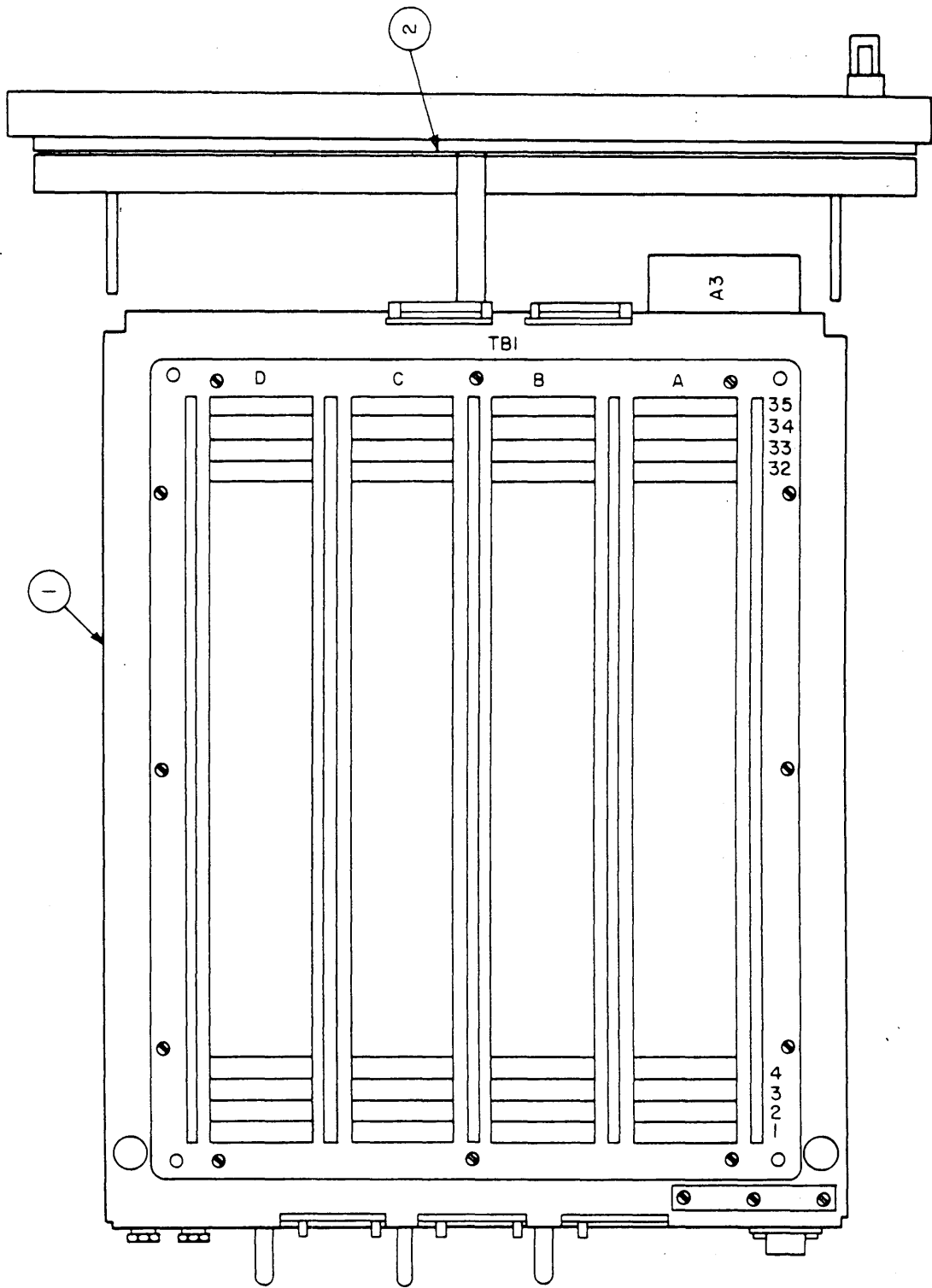


Figure 7-4. Logic Assembly (A2).

FIG & INDEX NO.	REFERENCE DESIGNATION	PART NUMBER	I N D E N T	DESCRIPTION	QTY PER ASSY	MFR'S CODE	USED ON CODE
7-4-0	A2	7029604-02	1	LOGIC ASSEMBLY (SEE FIG.	REF	90536	B E
7-4-1	A2A1	7029604-02 7029631-00	1 2	7-2 FOR NHA) CONVERTER, DIGITAL TO DIGITAL (SEE FIG. 7-5 FOR BREAKDOWN)	1	90536	G H
7-4-2	A2A2	7029640-00	2	CONTROL INDICATOR (SEE FIG. 7-8 FOR BREAKDOWN	1	90536	

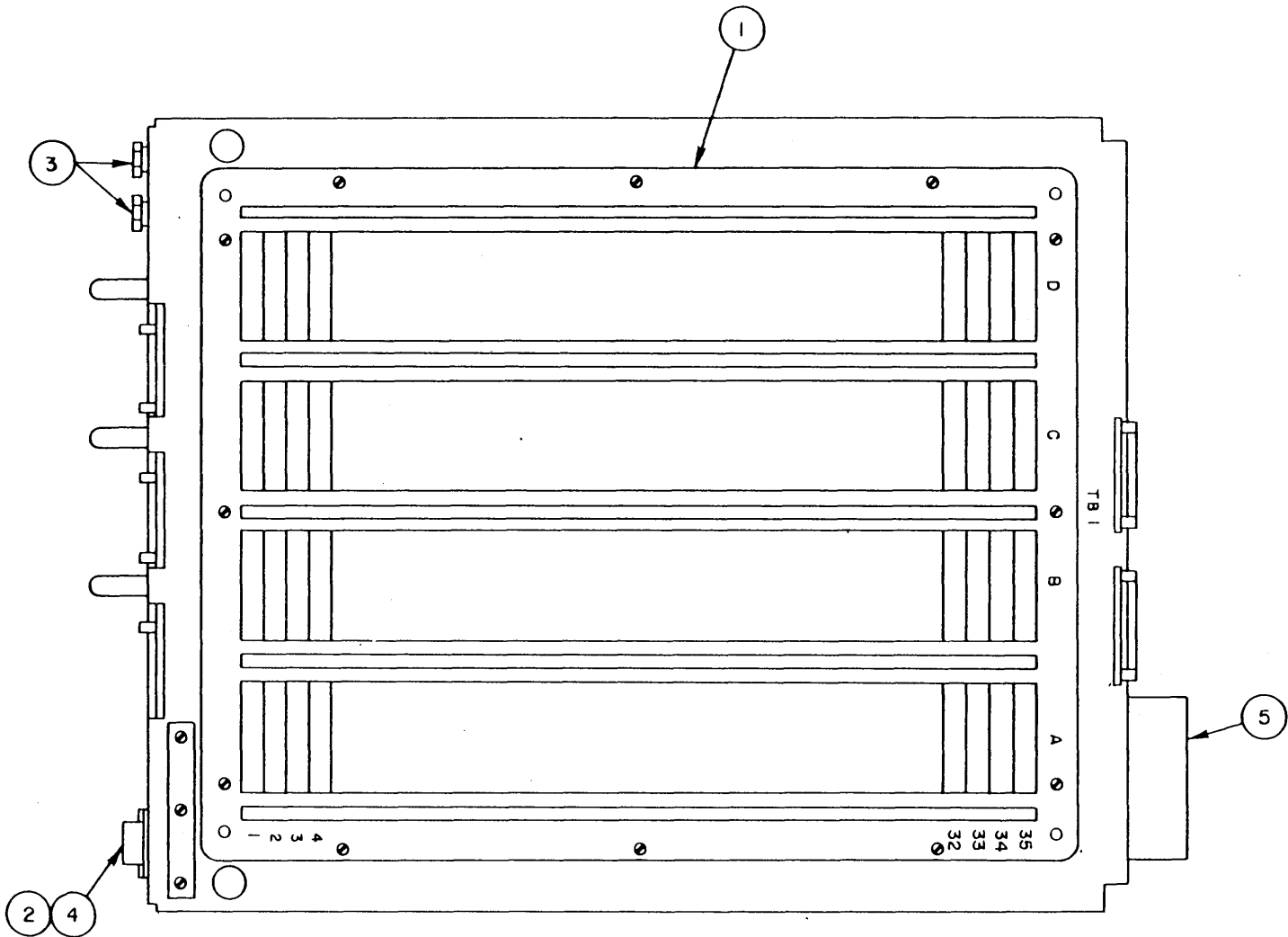


Figure 7-5. Digital-to-Digital Converter (A2A1) (Sheet 1 of 2).

	35	34	33	32	31	30	29	28	27	26	25	24	23	22	21	20	19	18	17	16	15	14	13	12	11	10	9	8	7	6	5	4	3	2	1		
A	27	20	12	13	29	13	8	24	12	23	23	10	8	14	11	11	12	12	12	7	9	9	9	6	20	20	13	13	13	*	*			25	27		
B	27				17	11	11	11	12	12	12	12	12	24	24	7	9	9	9	9		9	9	30	30	20	13	13	13		*	*	*	*	14	14	27
C	27	8	8	8	8	8	8	8	17	28	30	22	22	22	22	22	22	22	22	13	13	14	14	14	14	14	18	16	16	16	16	16	16	16	16	16	27
D	27	8	8	8	8			26	19	19	19	19	19	19	19	13	13	19	19	19	19										*	*	*	*		27	

NOTE: 1. NUMBERS IN BOXES ARE INDEX NUMBERS.
 2. * : FAST AND SLOW INTERFACE HAVE DIFFERENT PART NUMBERS.

Figure 7-5. Digital-to-Digital Converter (A2A1) (Sheet 2 of 2).

FIG & INDEX NO.	REFERENCE DESIGNATION	PART NUMBER	I N D E N T	DESCRIPTION	QTY PER ASSY	MFR'S CODE	USED ON CODE
7-5-0	A2A1	7029631-00	1	DIGITAL-TO-DIGITAL CONVERTER (SEE FIG. 7-4 FOR NHA)	REF	90536	
7-5-1		7029635-00	2	CONNECTOR ASSEMBLY (SEE FIG. 7-6 FOR BREAKDOWN)	1	90536	
7-5-2	A2A1CR1	1N2804RB	2	SEMICONDUCTOR DEVICE, DIODE, VR, 50 W, REV, 6.8, MIL-L-195001114	1	81349	
7-5-3	A2A1CR2 A2A1CR3	7900134-00	2	SEMICONDUCTOR DEVICE, DIODE, SILICONE, POWER, 35 AMP	2	90536	
7-5-4	A2A1XCR1	7900149-00	2	SOCKET, SEMICONDUCTOR	1	90536	
7-5-5	A2A1A3	7005531-01	2	TERMINAL BOARD, WIRED (SEE FIG. 7-7 FOR BREAK- DOWN)	1	90536	
7-5-6	A2A1A11A	7105470-00	2	CIRCUIT CARD ASSEMBLY, TIME DELAY	1	90536	
7-5-7	A2A1A15A	7002000-00	2	CIRCUIT CARD ASSEMBLY, FLIP-FLOP	2	90536	
7-5-8	A2A1A22A A2A128A A2A128C A2A129C THRU 34C A2A131D THRU 34D	7002013-00	2	CIRCUIT CARD ASSEMBLY, DRIVER AMPL, CLOCK AND LOGIC 2-3	13	90536	
7-5-9		7002020-00	2	CIRCUIT CARD ASSEMBLY, FLIP-FLOP AND OR 33-3	9	90536	
7-5-10		7002030-00	2	CIRCUIT CARD ASSEMBLY, INVERTER, AND 5-4	1	90536	
7-5-11		7002050-00	2	CIRCUIT CARD ASSEMBLY, INVERTER, AND OR 22-23	5	90536	
7-5-12		7002060-00	2	CIRCUIT CARD ASSEMBLY, INVERTER, AND 3-3-2	10	90536	
7-5-13		7002070-00	2	CIRCUIT CARD ASSEMBLY, INVERTER 1-1-1-1-1	12	90536	
7-5-14		7002090-00	2	CIRCUIT CARD ASSEMBLY, INVERTER, INPUT AMPL	12	90536	B
7-5-15		7002130-00	2	CIRCUIT CARD ASSEMBLY, DRIVER AMPL CONT LINE	4	90536	A
7-5-16		7002141-00	2	CIRCUIT CARD ASSEMBLY, DRIVER AMPL DATA LINE	8	90536	A
7-5-17		7002220-00	2	CIRCUIT CARD ASSEMBLY INVERTER OR 4-4	2	90536	A
7-5-18		7002810-00	2	CIRCUIT CARD ASSEMBLY, DRIVER AMPL	1	90536	
7-5-19		7002821-00	2	CIRCUIT CARD ASSEMBLY, TIME DELAY NO. 9	11	90536	
7-5-20		7002830-00	2	CIRCUIT CARD ASSEMBLY INVERTER, PULSE DELAY	4	90536	
7-5-21		7002840-00	2	CIRCUIT, CARD ASSEMBLY, BIAS NETWORK	5	90536	
7-5-22		7002900	2	CIRCUIT CARD ASSEMBLY, FLIP-FLOP	8	90536	
7-5-23		7002920-00	2	CIRCUIT CARD ASSEMBLY, INVERTER AND OR 334	2	90536	
7-5-24		7002930-00	2	CIRCUIT CARD ASSEMBLY, FLIP-FLOP	3	90536	
7-5-25		7002940-00	2	CIRCUIT CARD ASSEMBLY DRIVER AMPL	1	90536	
7-5-26		7002990-00	2	CIRCUIT CARD ASSEMBLY, INVERTER, OR 3-3-2	1	90536	
7-5-27		7003180-00	2	CAPACITOR ASSEMBLY	8	90536	
7-5-28		7003290-00	2	CAPACITOR CARD ASSEMBLY, DRIVER AMPL, INVERTER	1	90536	
7-5-29		7003480-00	2	CIRCUIT CARD ASSEMBLY, TIME DELAY, VARIABLE	1	90536	

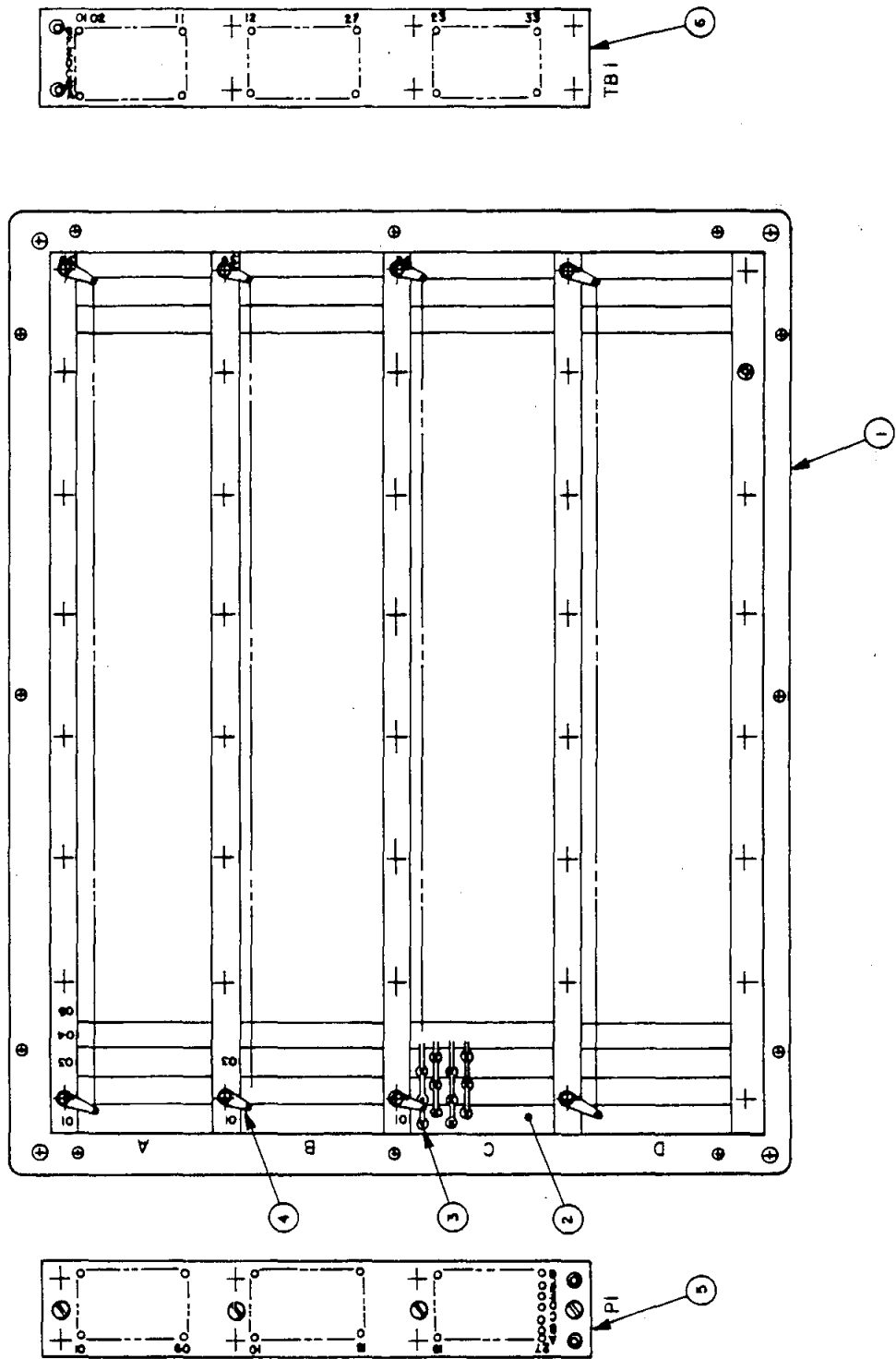


Figure 7-6. Connector Assembly.

FIG & INDEX NO.	REFERENCE DESIGNATION	PART NUMBER	I N D E N T	DESCRIPTION	QTY PER ASSY	MFR'S CODE	USED ON CODE
7-6-0		7029635-00	1	CONNECTOR ASSEMBLY (SEE FIG. 7-5 FOR NHA)	REF	90536	
7-6-1		7029658-00	2	CONNECTOR ASSEMBLY, ELEC	1	90536	
7-6-2	A2A1J1A THRU J35A A2A1J1B THRU J35B A2A1J1C THRU J35C A2A1J1D THRU J35D	7900251-00	3	CONNECTOR, RECEPTACLE, ELEC, FEMALE, 15 CONTACT	140	90536	
7-6-3		7900146-03	3	BUS BAR, CHAIN, PRE- FORMED	16	90536	
7-6-4		7034813-00	3	TERMINAL, LUG	32	90536	
7-6-5	A2A1P1	7900843-00	2	CONNECTOR, RECEPTACLE, ELEC, FEMALE, 15 CONTACT	1	90536	
7-6-6	A2A1TB1	7900841-00	2	TEST POINT ASSEMBLY, 231 CONTACT	1	90536	

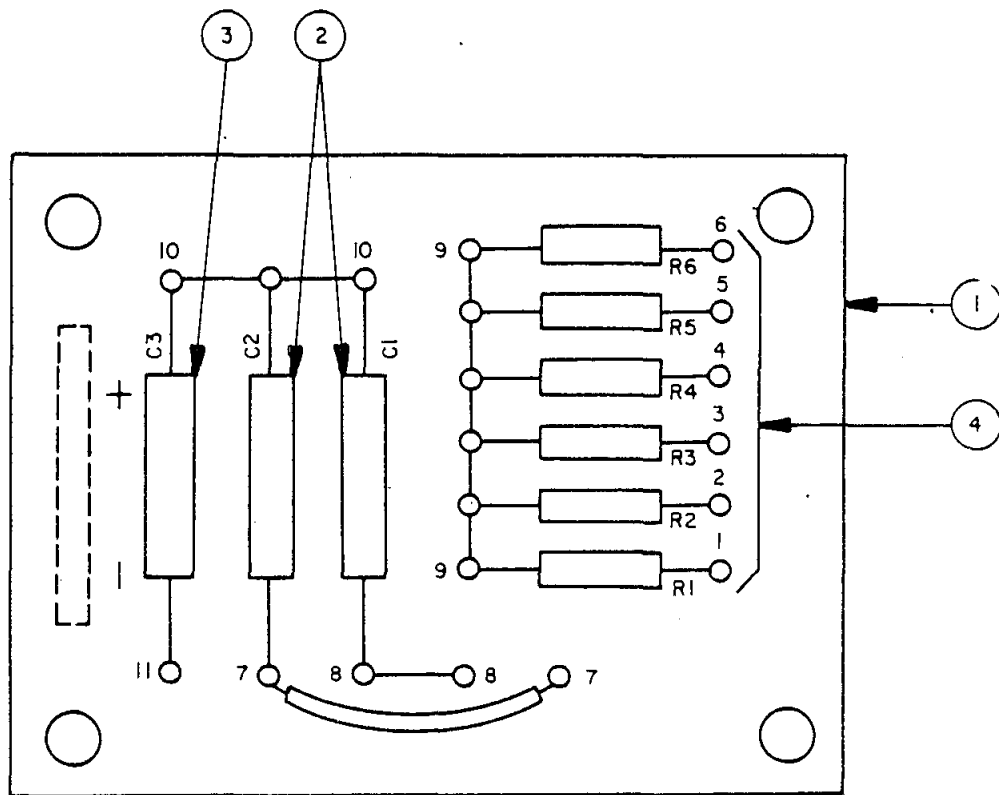
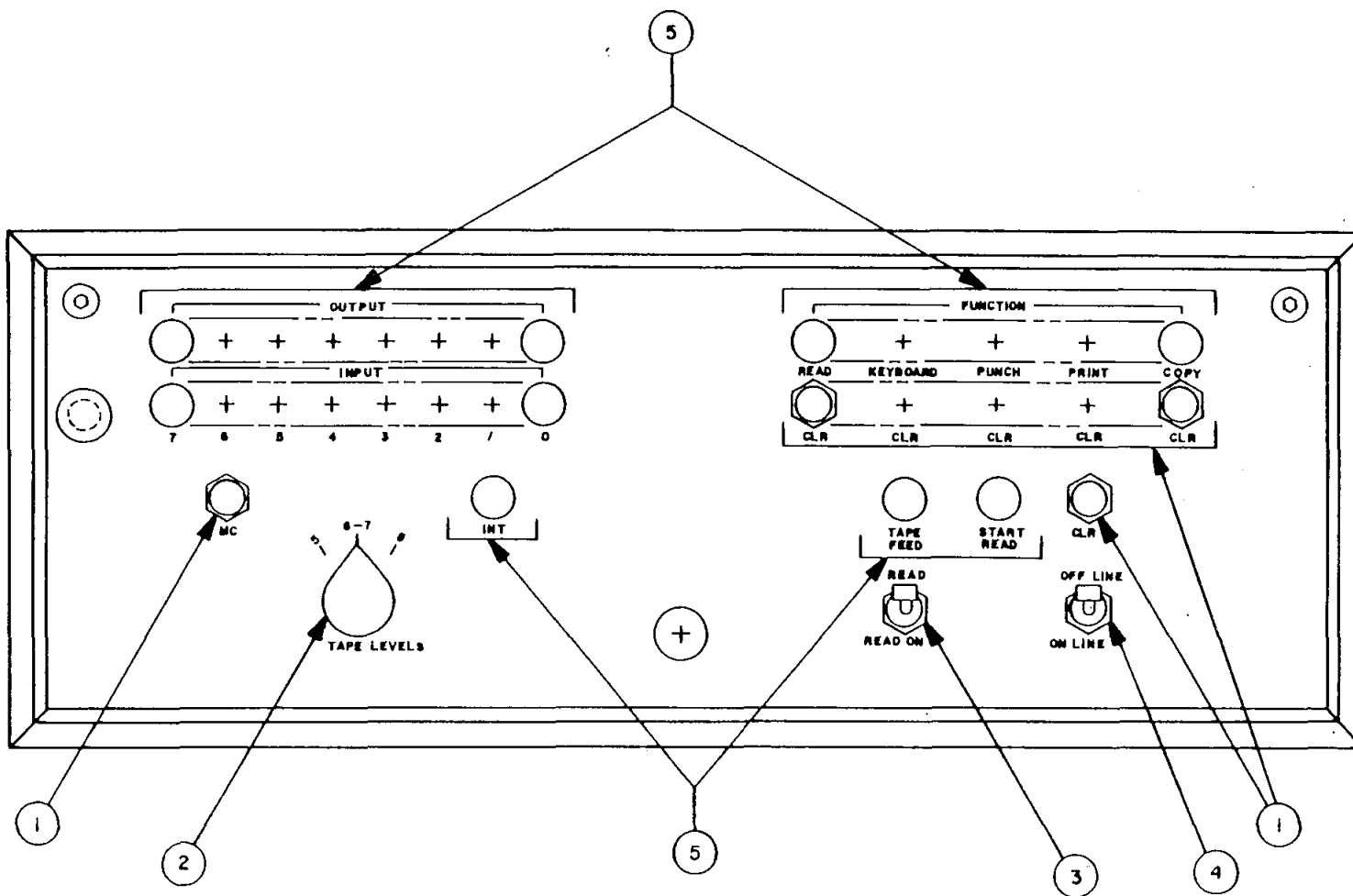


Figure 7-7. Terminal Board (A2A1A3).

FIG & INDEX NO.	REFERENCE DESIGNATION	PART NUMBER	I N D E N T	DESCRIPTION	QTY PER ASSY	MFR'S CODE	USED ON CODE
7-7-0	A2A1A3	7005531-01	1	WIRED TERMINAL BOARD (SEE FIG. 7-5 FOR NHA)	REF	90536	
7-7-1		7005530-01	2	TERMINAL BOARD	1	90536	
7-7-2	A2A1A3C1 A2A1A3C2	906378-06	2	CAPACITOR, FIXED, CERAMIC, 100 V, 10,000 PICOFARAD +/- 20 %	2	90536	
7-7-3	A2A1A3C3	908404-00	2	CAPACITOR, FIXED, ELECTROLYTIC, 6 V, 150 MICROFARAD +/- 5 %	1	90536	
7-7-4	A2A1A3R1 THRU R6	RC07GF471J	2	RESISTOR, FIXED, COMPO- SITION, 1/4 W, 470 OHM +/- 5 %	6	90536	



SE640-AZ-MMM-010

Figure 7-8. Control-Indicator (A2A2).

FIG & INDEX NO.	REFERENCE DESIGNATION	PART NUMBER	I N D E N T	DESCRIPTION	QTY PER ASSY	MFR'S CODE	USED ON CODE
7-8-0	A2A2	7029640-00	1	CONTROL-INDICATOR (SEE FIG. 7-4 FOR NHA)	REF	90536	
7-8-1	A2A2S1 A2A2S5 THRU S10	7900987-00	2	SWITCH, PUSH, 1X CONTACT	7	90536	
7-8-2	A2A2S2	MS16109-36-3-3N	2	SWITCH, ROTARY, NON- SHORTING 3 DECK, 3 POSI- TION	1	96906	
7-8-3	A2A2S3	7900635-02	2	SWITCH, TOGGLE, 2 POLE, 3 POSITION	1	90536	
7-8-4	A2A2S4	908832-00	2	SWITCH, TOGGLE, 2 POLE, 3 POSITION	1	90536	
7-8-5	A2A2XDS1 THRU XDS24	7900496-00	2	SWITCH, PUSH, INDICATOR TYPE WITH LAMP, 1X CONTACT	24	90536	

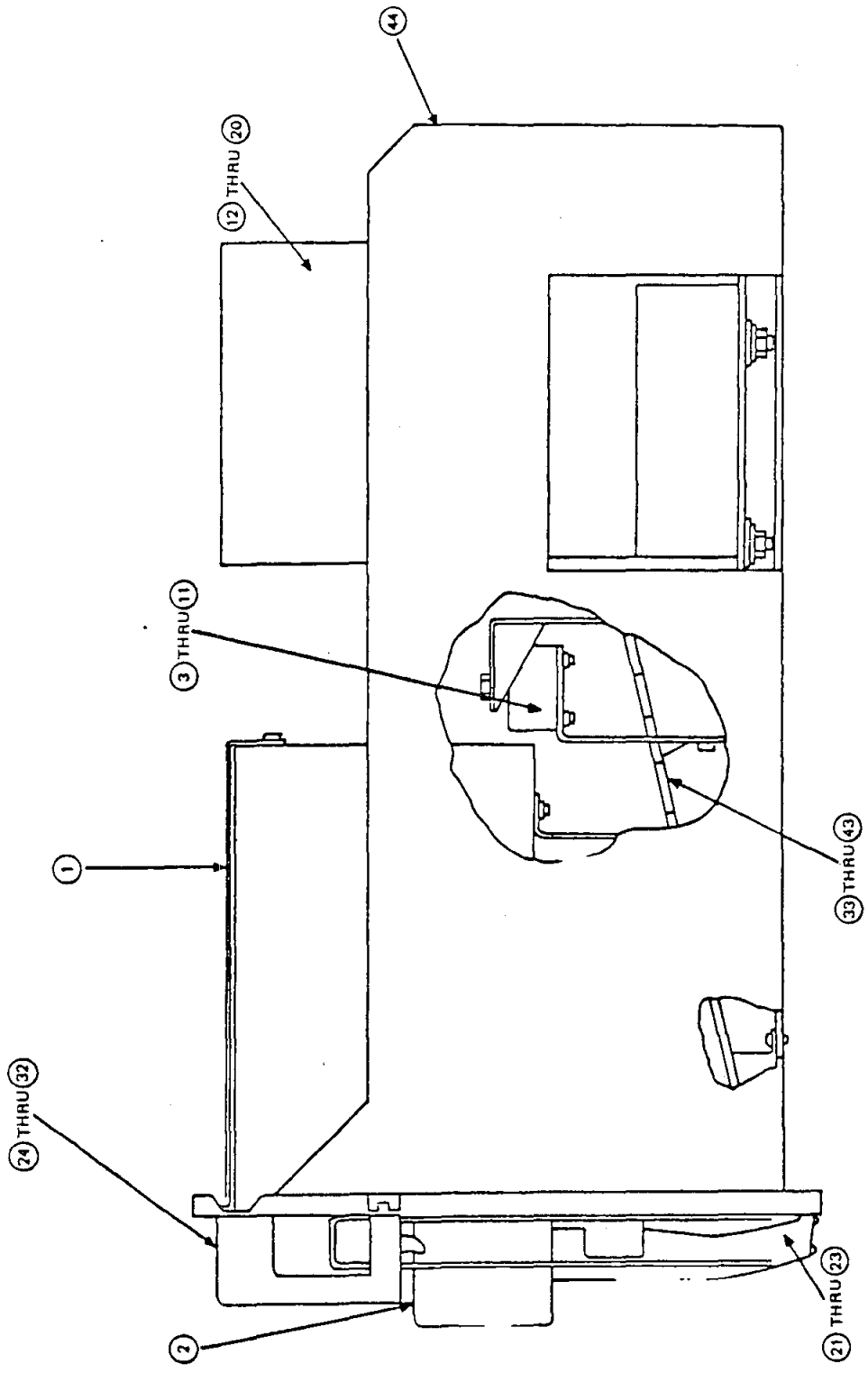


Figure 7-9. Paper Tape Reader-Perforator Assembly (A3).

FIG & INDEX NO.	REFERENCE DESIGNATION	PART NUMBER	I N D E N T	DESCRIPTION	QTY PER ASSY	MFR'S CODE	USED ON CODE
7-9-0	A3	7029603-01	1	PAPER TAPE READER-PERFORATOR ASSEMBLY (SEE FIG. 7-2 FOR NHA)	REF	90536	
7-9-1	A3A1	7005598-01	2	READER, PERFORATED TAPE (SEE FIG. 7-10 FOR BREAKDOWN)	1	90536	
7-9-2	A3A1MP7	7030366-00	3	GUIDE, TAPE	1	90536	
7-9-3	A3A1MP1 THRU MP4	7900169-00	3	MOUNT, RESILIENT	4	90536	
7-9-4		7956645-01	3	FABRIC, WIRE	A/R	90536	
7-9-5		7005641-00	3	SHIELD	1	90536	
7-9-6		MS51957-46	3	SCREW, MACH (AP)	10	96906	
7-9-7		4912524-02	3	SCREW, MACH (AP)	4	90536	
7-9-8		4912525-05	3	SCREW, MACH (AP)	2	90536	
7-9-9		MS15795-805	3	WASHER, FLAT (AP)	4	96906	
7-9-10		MS15795-807	3	WASHER, FLAT (AP)	2	96906	
7-9-11		MS21044-C08	3	NUT, SLFLKG, HEX (AP)	2	96906	
7-9-12	A3A2	7029652-00	2	PERFORATOR, PAPER TAPE (MODIFIED 7901095-00) (SEE FIG. 7-21 FOR BREAKDOWN)	1	90536	
7-9-13		MS35338-139	3	WASHER, LOCK (AP)	4	96906	
7-9-14		MS15795-818	3	WASHER, FLAT (AP)	16	96906	
7-9-15		MS15795-814	3	WASHER, FLAT (AP)	4	96906	
7-9-16		MS15795-812	3	WASHER, FLAT (AP)	4	96906	
7-9-17		900129-09	3	CLAMP, LOOP	1	90536	
7-9-18		4912524-05	3	SCREW, MACH (AP)	1	90536	
7-9-19		MS21044-C06	3	NUT, SLFLKG, HEX (AP)	1	96906	
7-9-20		MS15795-805	3	WASHER, FLAT (AP)	1	96906	
7-9-21	A3A2MP5	7005666-00	3	TAPE HOLDER ASSEMBLY, PERFORATED TAPE	1	90536	
7-9-22		4912504-05	3	SCREW, MACH (AP)	3	90536	
7-9-23		905989-01	3	SPACER, SLEEVE (AP)	3	90536	
7-9-24	A3A2MP8 A3A2MP9	7901084-00	3	LATCH, SET, RIM	2	90536	
7-9-25		4912527-00	3	SCREW, MACH (AP)	4	90536	
7-9-26		7029626-00	3	PLATE, MOUNTING, TAPE READER	1	90536	
7-9-27		MS51960-65	3	SCREW, MACH (AP)	6	96906	
7-9-28		MS21044-C3	3	NUT, SLFLKG, HEX (AP)	6	96906	
7-9-29		MS15795-808	3	WASHER, FLAT (AP)	6	96906	
7-9-30		7030177-00	3	BRACKET, DOUBLE ANGLE	1	90536	
7-9-31		4912525-04	3	SCREW, MACH (AP)	3	90536	
7-9-32		MS15795-807	3	WASHER, FLAT (AP)	5	96906	
7-9-33	A3A2MP6	7030365-00	3	GUIDE, TAPE	1	90536	
7-9-34		4912524-02	3	SCREW, MACH (AP)	3	90536	
7-9-35		MS15795-805	3	WASHER, FLAT (AP)	3	96906	
7-9-36		MS21044-C06	3	NUT, SLFLKG, HEX (AP)	3	96906	
7-9-37		7900169-00	3	MOUNT, RESILIENT	2	90536	
7-9-38		4912507-08	3	SCREW, MACH (AP)	16	90536	
7-9-39		MS21044-C3	3	NUT, SLFLKG, HEX (AP)	16	96906	
7-9-40		7029630-1	3	BRACKET, PERFORATOR	1	90536	
7-9-41		4912529-01	3	SCREW, MACH (AP)	4	90536	
7-9-42		MS35338-139	3	WASHER, LOCK (AP)	4	96906	
7-9-43		MS15795-810	3	WASHER, FLAT (AP)	4	96906	
7-9-44		7029627-00	2	CHASSIS, ELECTRICAL EQUIPMENT	1	90536	

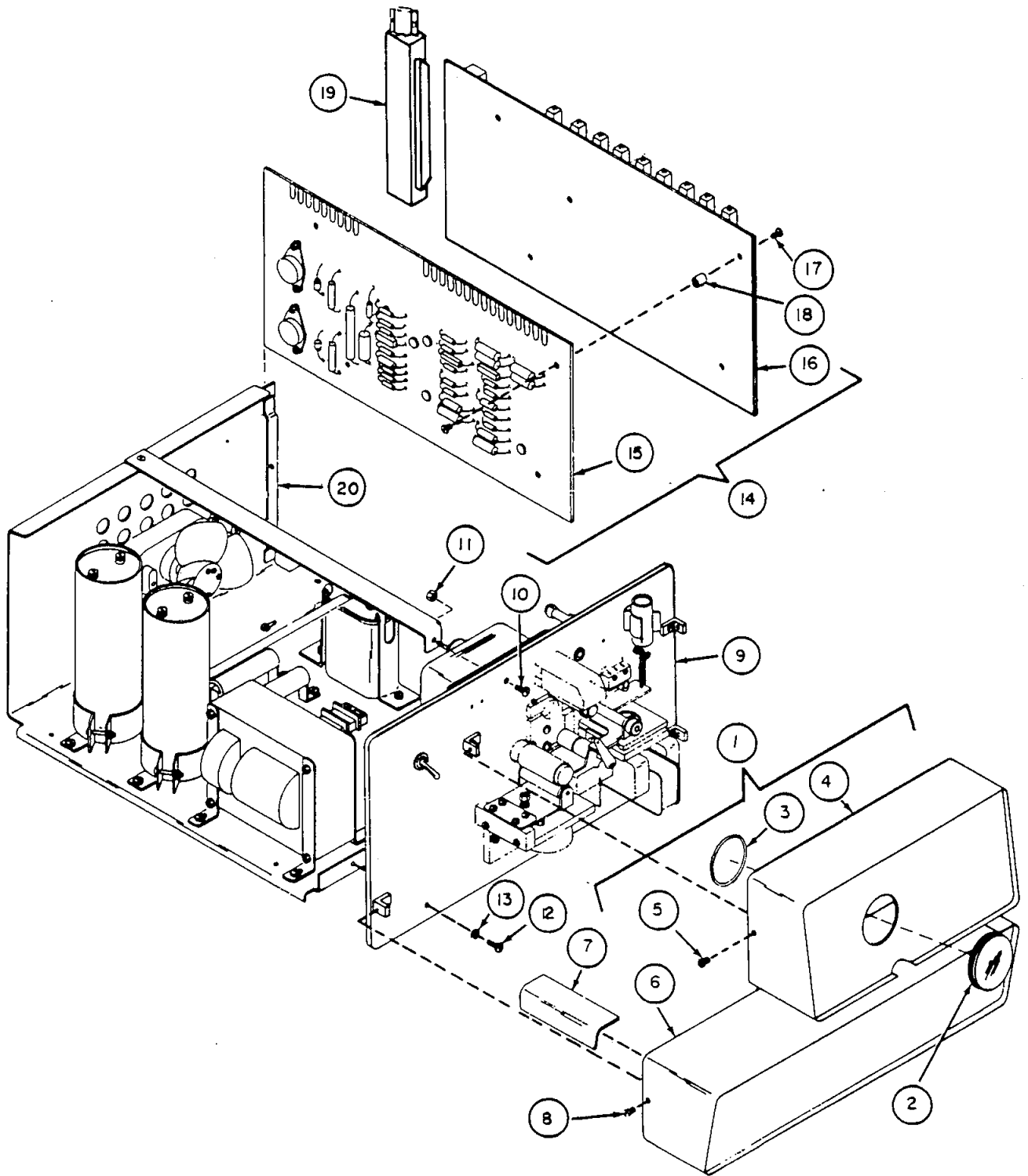


Figure 7-10. Model 2500 Perforated Tape Reader (A3A1).

FIG & INDEX NO.	REFERENCE DESIGNATION	PART NUMBER	I N D E X T	DESCRIPTION	QTY PER ASSY	MFR'S CODE	USED ON CODE
7-10-0	A3A1	7005598-01	1	PERFORATED TAPE READER (SEE FIG. 7-9 FOR NHA)	REF	90536	
7-10-1		BC4003-1	2	COVER ASSEMBLY, UPPER	1	04643	
7-10-2		AA4672	3	WINDOW, READER	1	04643	
7-10-3		AA4671	3	RETAINER, WINDOW	1	04543	
7-10-4		CC4001-1	3	COVER, UPPER	1	04643	
7-10-5		COML	3	SCREW, MACH, PNH, 6-32 BY 1/4 IN. LG (AP)	2		
7-10-6		CC4002-1	2	COVER ASSEMBLY, LOWER	1	04643	
7-10-7		AA5660	3	PLATE, WEAR	2	04643	
7-10-8		COML	3	SCREW, MACH, PNH, 6-32 BY 1/4 IN. LG (AP)	2		
7-10-9		CC1932	2	PANEL ASSEMBLY, FRONT (SEE FIG. 7-11 FOR BREAKDOWN)	1	04643	
7-10-10		COML	3	SCREW, MACH, BDGH, 6-32 BY 3/8 IN. LG (AP)	1		
7-10-11		COML	3	NUT, SLFLKG, HEX, NO. 6- 32 (AP)	1		
7-10-12		COML	3	SCREW, MACH, BDGH, 8-32 BY 1/4 IN. LG (AP)	2		
7-10-13		COML	3	WASHER, LOCK, NO. 8 (AP)	2		
7-10-14		CC1930	2	PRINTED CIRCUIT PACKAGE ASSEMBLY	1	04643	
7-10-15	A3A1A1	DC1734	3	PRINTED CIRCUIT BOARD ASSEMBLY, MPC (SEE FIG. 7-18 FOR BREAKDOWN)	1	04643	
7-10-16	A3A1A2	DC1784-0	3	PRINTED CIRCUIT BOARD ASSEMBLY, LAC (SEE FIG. 7-19 FOR BREAKDOWN)	1	04643	
7-10-17		COML	4	SCREW, NYLON, 4-40 BY 3/16 IN. LG (AP)	10		
7-10-18		AA2908	4	SPACER (AP)	5	04543	
7-10-19	A3A1P1	UPCC-F2H5L23	2	CONNECTOR, RCPT, ELEC, FEMALE, 23 CONTACTS	1	97954	
7-10-20		DC1035	2	ECONOMY READER ASSEMBLY (SEE FIG. 7-20 FOR BREAKDOWN)	1	04643	

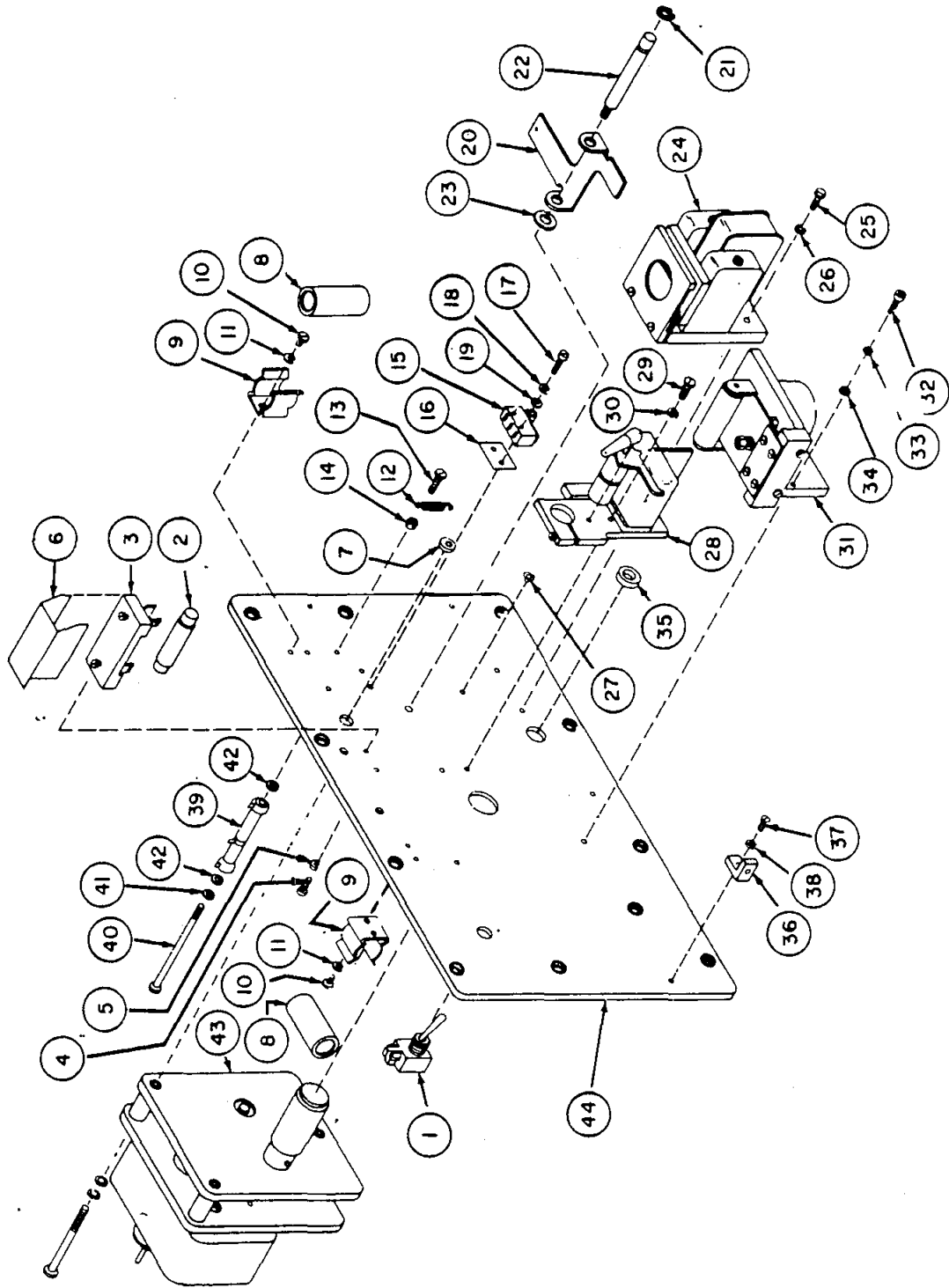


Figure 7-11. Front Panel Assembly.

FIG & INDEX NO.	REFERENCE DESIGNATION	PART NUMBER	I N D E N T	DESCRIPTION	QTY PER ASSY	MFR'S CODE	USED ON CODE
7-11-0		CC1932	1	FRONT PANEL ASSEMBLY (SEE FIG. 7-10 FOR NHA)	REF	04643	
7-11-1	A3A1S1	8295K7	2	SWITCH, TOGGLE	1	27191	
7-11-2	A3A1DS1	TLNEE0004	2	LAMP	1	04643	
7-11-3		BC461	2	LAMPHOLDER ASSEMBLY (SEE FIG. 7-12 FOR BREAKDOWN)	1	04643	
7-11-4		COML	3	SCREW, MACH, BDGH, 6-32 BY 5/16 IN. LG (AP)	2		
7-11-5		COML	3	WASHER, LOCK, SPLIT, NO. 6 (AP)	2		
7-11-6		AA5628	2	INSULATOR, LAMPLOCK	1	04643	
7-11-7		SB375-4	2	BUSHING, INSULATOR	1	28520	
7-11-8	A3A1RC1 A3A1RC2	1NR180A	2	SPARK SUPPRESSOR	2	00656	
7-11-9		6014-24	2	CLIP, COMPONENT	2	91506	
7-11-10		COML	3	SCREW, MACH, BDGH, 4-40 BY 3/16 IN. LG (AP)	4		
7-11-11		COML	3	WASHER, LOCK, SPLIT, NO. 4 (AP)	4		
7-11-12		AA188	2	SPRING, HELICAL, COM- PRESSION	1	04643	
7-11-13		COML	3	SCREW, MACH, BDGH, 6-32 BY 1/2 IN. LG (AP)	1		
7-11-14		COML	3	NUT, PLAIN, HEX, NO. 6- 32 (AP)	1		
7-11-15	A3A1S2	USM5W	2	SWITCH	1	80207	
7-11-16		AA3158	2	INSULATOR	1	04643	
7-11-17		COML	3	SCREW, MACH, BDGH, 2-56 BY 1/2 IN. LG (AP)	2		
7-11-18		COML	3	WASHER, LOCK, SPLIT, NO. 2 (AP)	2		
7-11-19		COML	3	WASHER, FLAT, NO. 2 (AP)	2		
7-11-20		BA2917	2	ACTUATOR, SWITCH	1	04643	
7-11-21		TTRFA0513	3	RING, RETAINING (AP)	1	04643	
7-11-22		AA6599	3	STUD, THREADED (AP)	1	04643	
7-11-23		AB636-1	3	WASHER, MODIFIED	1	04643	
7-11-24		BC1142	2	BRAKE ASSEMBLY (SEE FIG. 7-13 FOR BREAKDOWN)	1	04643	
7-11-25		COML	3	SCREW, MACH, BDGH, 6-32 BY 7/16 IN. LG (AP)	2		
7-11-26		COML	3	WASHER, LOCK, SPLIT, NO. 6 (AP)	2		
7-11-27		SB250-2	2	BUSHING, INSULATOR	1	28520	
7-11-28		BC1443	2	LENS AND HEAD ASSEMBLY ADJUSTABLE GUIDE (SEE FIG. 7-14 FOR BREAKDOWN)	1	04643	
7-11-29		COML	3	SCREW, MACH, BDGH, 4-40 BY 3/8 IN. LG (AP)	2		
7-11-30		COML	3	WASHER, LOCK, SPLIT, NO. 4 (AP)	2		
7-11-31		CC1924	2	SOLENOID MOUNT ASSEMBLY	1	04643	
7-11-32		COML	3	SCREW, SCH, CAP, 8-32 BY 3/8 IN. LG (AP)	2		
7-11-33		COML	3	WASHER, LOCK, SPLIT, NO. 8 (AP)	2		
7-11-34		COML	3	WASHER, FLAT, NO. 8 (AP)	2		
7-11-35		SB500-6	2	BUSHING, INSULATOR	1	28520	
7-11-36		AA4816	2	BRACKET, COVER	4	04643	
7-11-37		COML	3	SCREW, MACH, FILH, 4-40 BY 1/4 IN. LG (AP)	4		
7-11-38		COML	3	WASHER, LOCK, SPLIT, NO. 4 (AP)	4		
7-11-39	A3A1R22	1006-1004M10W	2	RESISTOR, VARIABLE, 10 OHMS, 10 W	1	44655	
7-11-40		COML	3	SCREW, MACH, BDGH, 6-32 BY 2-1/16 IN. LG (AP)	1		

FIG & INDEX NO.	REFERENCE DESIGNATION	PART NUMBER	I N D E N T	DESCRIPTION	QTY PER ASSY	MFR'S CODE	USED ON CODE
7-11-41		COML	3	WASHER, LOCK, SPLIT, NO. 6 (AP)	1		
7-11-42		6525M	3	WASHER, INSULATOR (AP)	2	72563	
7-11-43		BC1935-1	2	MOTOR OPTION ASSEMBLY, 300 CH/SEC (SEE FIG. 7- 17 FOR BREAKDOWN)	1	04643	
7-11-44		CE876	2	PANEL, FRONT, SCREENED	1	04643	

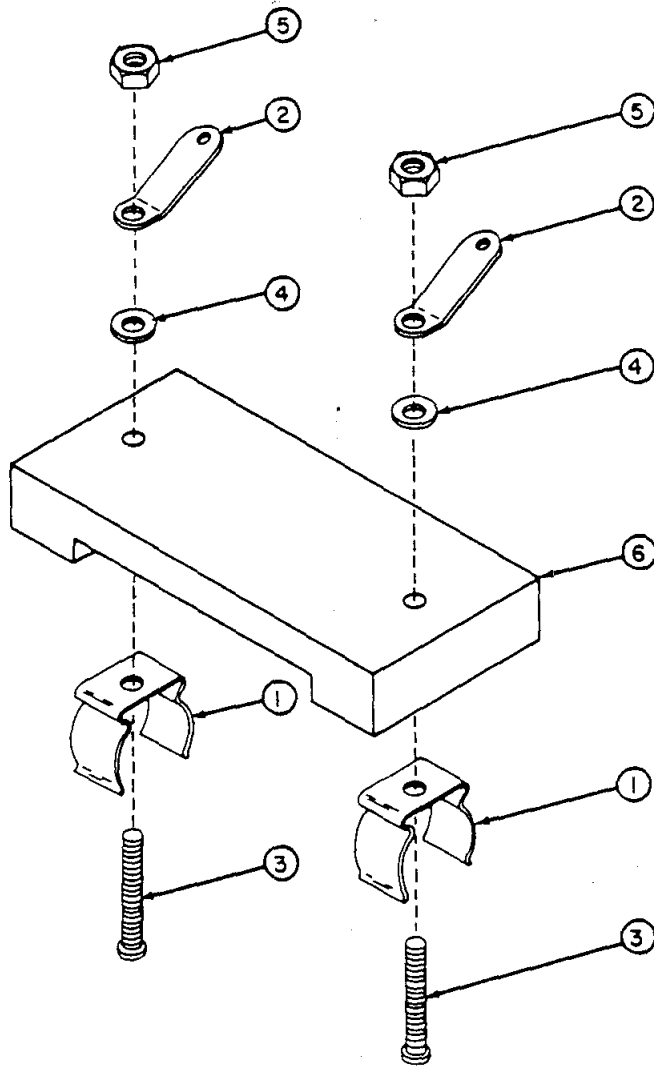


Figure 7-12. Lampholder Assembly.

FIG & INDEX NO.	REFERENCE DESIGNATION	PART NUMBER	I N D E N T	DESCRIPTION	QTY PER ASSY	MFR'S CODE	USED ON CODE
7-12-0		BC461	1	LAMPHOLDER ASSEMBLY (SEE FIG. 7-11 FOR NHA)	REF	04643	
7-12-1		6009-16C	2	CLIP, LAMP	2	91506	
7-12-2		TH-LA1001	2	TERMINAL, LUG, SOLDER	2	04643	
7-12-3		COML	3	SCREW, MACH, BDGH, 2-56 BY 1/2 IN. LG (AP)	2		
7-12-4		COML	3	WASHER, FLAT, NO. 2 (AP)	2		
7-12-5		COML	3	NUT, PLAIN, HEX, NO. 2- 56 (AP)	2		
7-12-6		AA1435	2	BLOCK, LAMPMOUNT	1	04643	

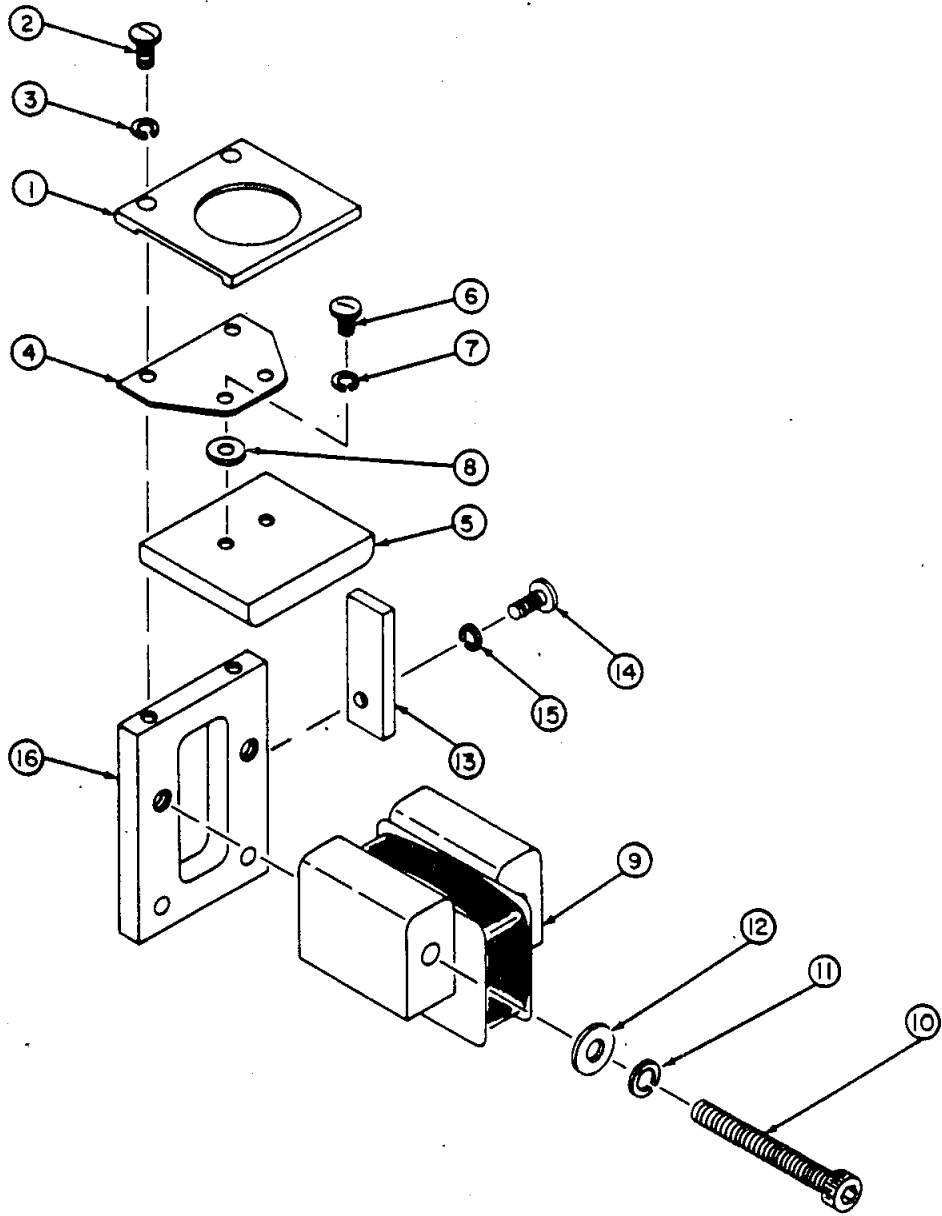


Figure 7-13. Brake Assembly.

FIG & INDEX NO.	REFERENCE DESIGNATION	PART NUMBER	I N D E N T	DESCRIPTION	QTY PER ASSY	MFR'S CODE	USED ON CODE
7-13-0		BC1142	1	BRAKE ASSEMBLY (SEE FIG. 7-11 FOR NHA)	REF	04643	
7-13-1		AA4203	2	PLATE, LIMITER	1	04643	
7-13-2		COML	3	SCREW, MACH, BDGH, 4-40 BY 5/16 IN. LG (AP)	2		
7-13-3		COML	3	WASHER, LOCK, SPLIT, NO. 4 (AP)	2		
7-13-4		AA2905	2	SPRING	1	04643	
7-13-5		AA2058	2	ARMATURE	1	04643	
7-13-6		COML	3	SCREW, MACH, BDGH, 4-40 BY 3/16 IN. LG (AP)	2		
7-13-7		COML	3	WASHER, LOCK, SPLIT, NO. 4 (AP)	2		
7-13-8		COML	3	WASHER, FLAT, NO. 4 (AP)	2		
7-13-9		BC1143	2	COIL ASSEMBLY	1	04643	
7-13-10		COML	3	SCREW, SCH, CAP, 8-32 BY 1-9/16 IN. LG (AP)	2		
7-13-11		COML	3	WASHER, LOCK, SPLIT, NO. 8 (AP)	2		
7-13-12		COML	3	WASHER, FLAT, NO. 8 (AP)	2		
7-13-13		AA6600	2	GUIDE, BRAKE	1	04643	
7-13-14		COML	3	SCREW, MACH, BDGH, 4-40 BY 5/16 IN. LG (AP)	1		
7-13-15		COML	3	WASHER, LOCK, SPLIT, NO. 4 (AP)	1		
7-13-16		BA2287	2	PLATE, BASE	1	04643	

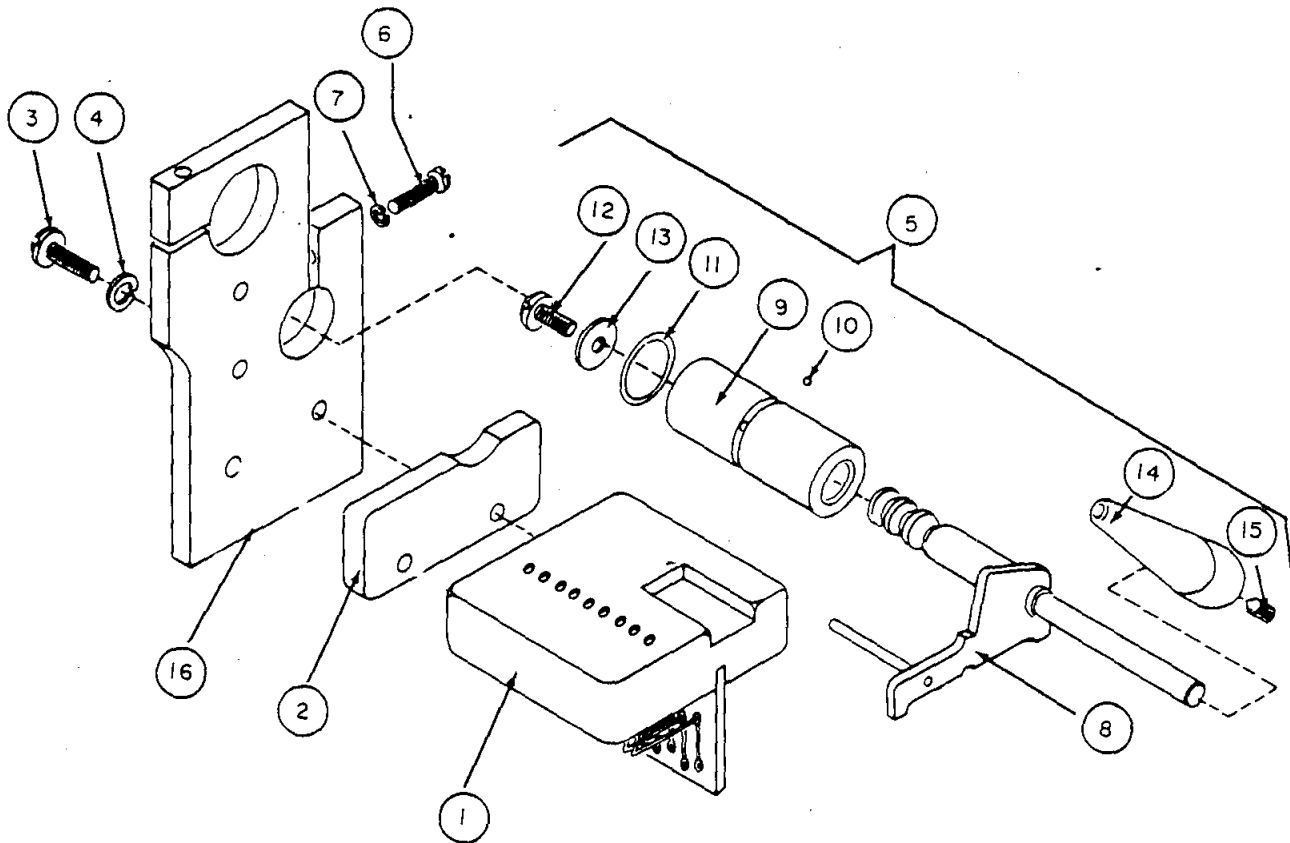


Figure 7-14. Adjustable Guide Lens and Head Assembly.

FIG & INDEX NO.	REFERENCE DESIGNATION	PART NUMBER	I N D E N T	DESCRIPTION	QTY PER ASSY	MFR'S CODE	USED ON CODE
7-14-0		BC1443	1	ADJUSTABLE GUIDE LENS AND HEAD (SEE FIG. 7-14 FOR BREAKDOWN) (SEE FIG. 7-11 FOR NHA)	REF	04643	
7-14-1		CC1320-1	2	HEAD ASSEMBLY (SEE FIG. 7-15 FOR BREAKDOWN)	1	04643	
7-14-2		AA2462	2	BLOCK, GUIDE	1	04643	
7-14-3		COML	3	SCREW, MACH, BDGH, 4-40 BY 3/8 IN. LG (AP)	2		
7-14-4		COML	3	WASHER, LOCK, SPLIT, NO. 4 (AP)	2		
7-14-5		BC1441	2	GUIDE ASSEMBLY, ADJUST- ABLE	1	04643	
7-14-6		COML	3	SCREW, MACH, FILH, 4-40 BY 9/16 IN. LG (AP)	1		
7-14-7		COML	3	WASHER, LOCK, SPLIT, NO. 4 (AP)	1		
7-14-8		BC1943	3	SHAFT AND ARM ASSEMBLY	1	04643	
7-14-9		BA2456	3	HOUSING, ADJUSTABLE GUIDE	1	04643	
7-14-10		S120-3	3	BALL	1	04643	
7-14-11		TGRAB0002	3	PACKING, PREFORMED, O-RING	1	04643	
7-14-12		COML	4	SCREW, MACH, BDGH, 4-40 BY 1/4 IN. LG (AP)	1		
7-14-13		COML	3	WASHER, FLAT, PLAIN, NO. 4 (AP)	1		
7-14-14		AA2635	3	KNOB	1	04643	
7-14-15		COML	4	SETSCREW, 6-32 BY 1/8 IN. LG (AP)	1		
7-14-16		BA2466	2	PLATE, BASE	1	04643	

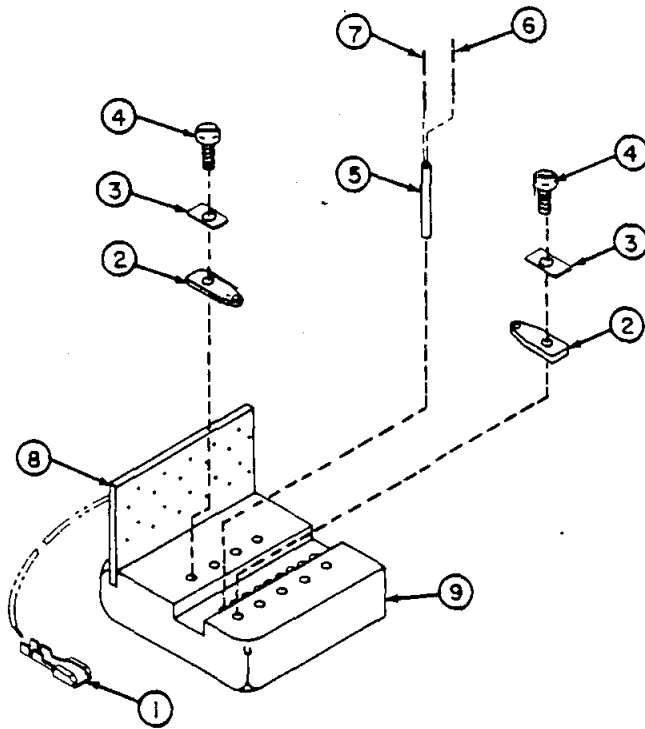


Figure 7-15. Head Assembly.

FIG & INDEX NO.	REFERENCE DESIGNATION	PART NUMBER	I N D E N T	DESCRIPTION	QTY PER ASSY	MFR'S CODE	USED ON CODE
7-15-0		CC1320-01	1	HEAD ASSEMBLY (SEE FIG. 7-14 FOR NHA)	REF	04643	
7-15-1		42263-2	2	CONNECTOR ASSEMBLY, SINGLE CIRCUIT	11	89110	
7-15-2		AA2981	2	FINGER, PRESSURE	9	04643	
7-15-3		AA2985	2	SPRING, FLAT	9	04643	
7-15-4		COML	3	SCREW, MACH, BDGH, 2-56 BY 3/16 IN. LG (AP)	9		
7-15-5	A3A1CR1 THRU CR9	LS431	2	SEMICONDUCTOR DEVICE, PHOTO	9	96214	
7-15-6		TTUBC0041RED	2	SLEEVE, RED, PLASTIC, 0.015 IN. ID X 0.025 IN. OD	AR	04643	
7-15-7		TTUBC0041BLUE	2	SLEEVE, BLUE, PLASTIC, 0.015 IN. ID X 0.025 IN. OD	AR	04643	
7-15-8		AC1642	2	PRINTED CIRCUIT BOARD ASSEMBLY	1	04643	
7-15-9		BA2461	2	HEAD, PHOTODIODE	1	04643	

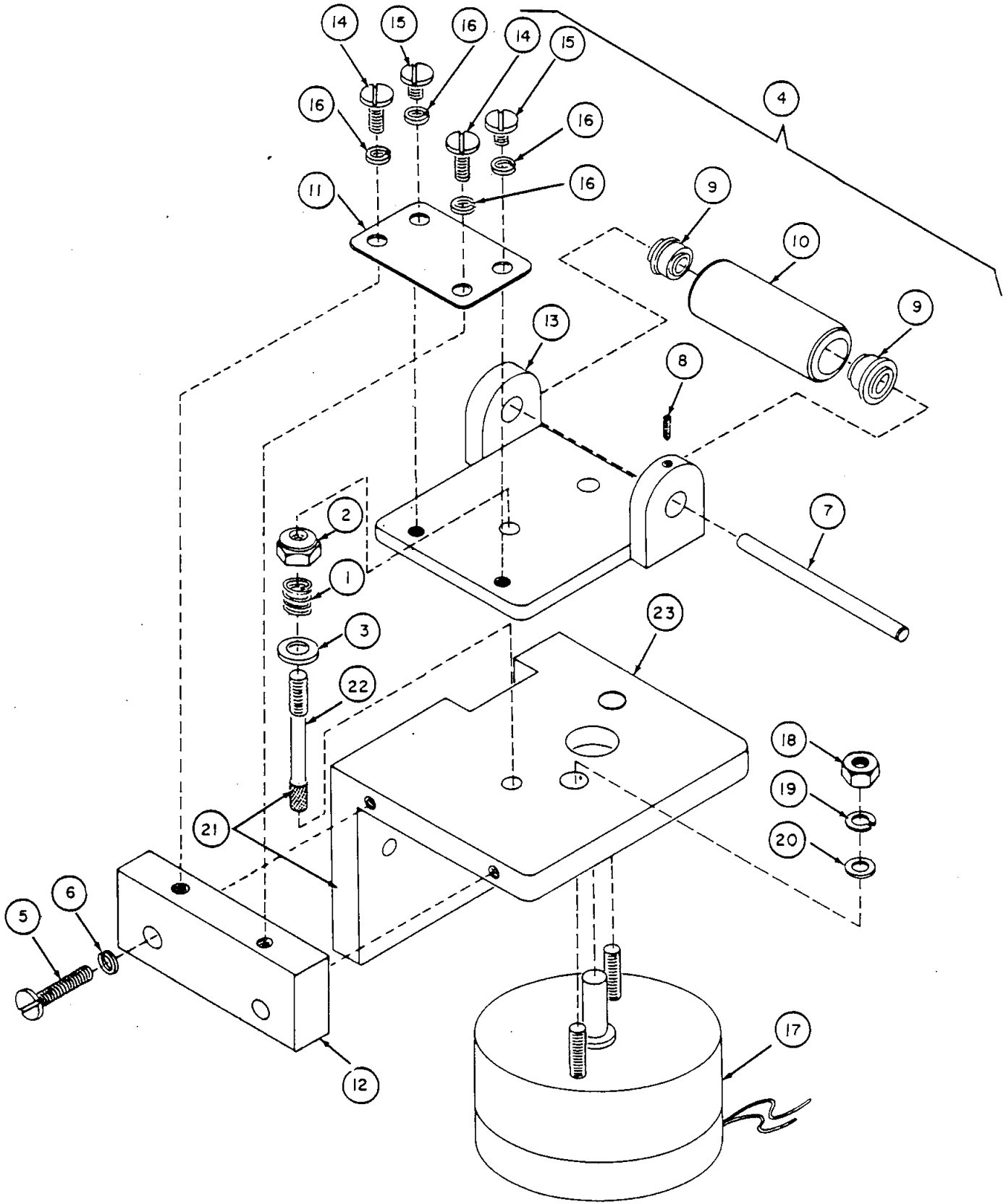


Figure 7-16. Solenoid Mount Assembly.

FIG & INDEX NO.	REFERENCE DESIGNATION	PART NUMBER	I N D E N T	DESCRIPTION	QTY PER ASSY	MFR'S CODE	USED ON CODE
7-16-0		CC1924	1	SOLENOID MOUNT ASSEMBLY (SEE FIG. 7-11 FOR NHA)	REF	04643	
7-16-1		AA2900	2	SPRING, COMPRESSION, HELICAL	1	04643	
7-16-2		79NM50	3	NUT, SLFLKG, HEX (AP)	1	72962	
7-16-3		COML	3	WASHER, FLAT, NO. 6 (AP)	1		
7-16-4		BC1033-1	2	ROLLER ASSEMBLY	1	04643	
7-16-5		COML	3	SCREW, MACH, TRH, 6-32 BY 1/2 IN. LG (AP)	2		
7-16-6		COML	3	WASHER, LOCK, SPLIT, NO. 6 (AP)	2		
7-16-7		AA2224	3	SHAFT, ROLLER	1	04643	
7-16-8		COML	4	SETSCREW, 3-48 BY 1/8 IN. LG (AP)	1		
7-16-9		SFR2-5PPEE	3	BEARING, FLANGED	2	83086	
7-16-10		AA2722	3	ROLLER, TAPE	1	04643	
7-16-11		AA2144	3	SPRING, PINCH ROLLER	1	04643	
7-16-12		BA2142	3	BLOCK, PINCH ROLLER	1	04643	
7-16-13		BC5398-1	3	BRACKET BUTTON SUB- ASSEMBLY	1	04643	
7-16-14		COML	4	SCREW, MACH, TRH, 4-40 BY 1/4 IN. LG (AP)	2		
7-16-15		COML	4	SCREW, MACH, TRH, 4-40 BY 1/8 IN. LG (AP)	2		
7-16-16		COML	4	WASHER, LOCK, SPLIT, NO. 4 (AP)	4		
7-16-17		AC5650-1	2	SOLENOID ASSEMBLY	1	04643	
7-16-18		COML	3	NUT, PLAIN, HEX, NO. 5-40 (AP)	2		
7-16-19		COML	3	WASHER, LOCK, SPLIT, NO. 5 (AP)	2		
7-16-20		COML	3	WASHER, FLAT, NO. 5 (AP)	2		
7-16-21		BC5405	2	BRACKET STUD ASSEMBLY	1	04643	
7-16-22		A1078-2	3	STUD, SPRING	1	04643	
7-16-23		CA2890	3	BRACKET, SOLENOID MOUNTING	1	04643	

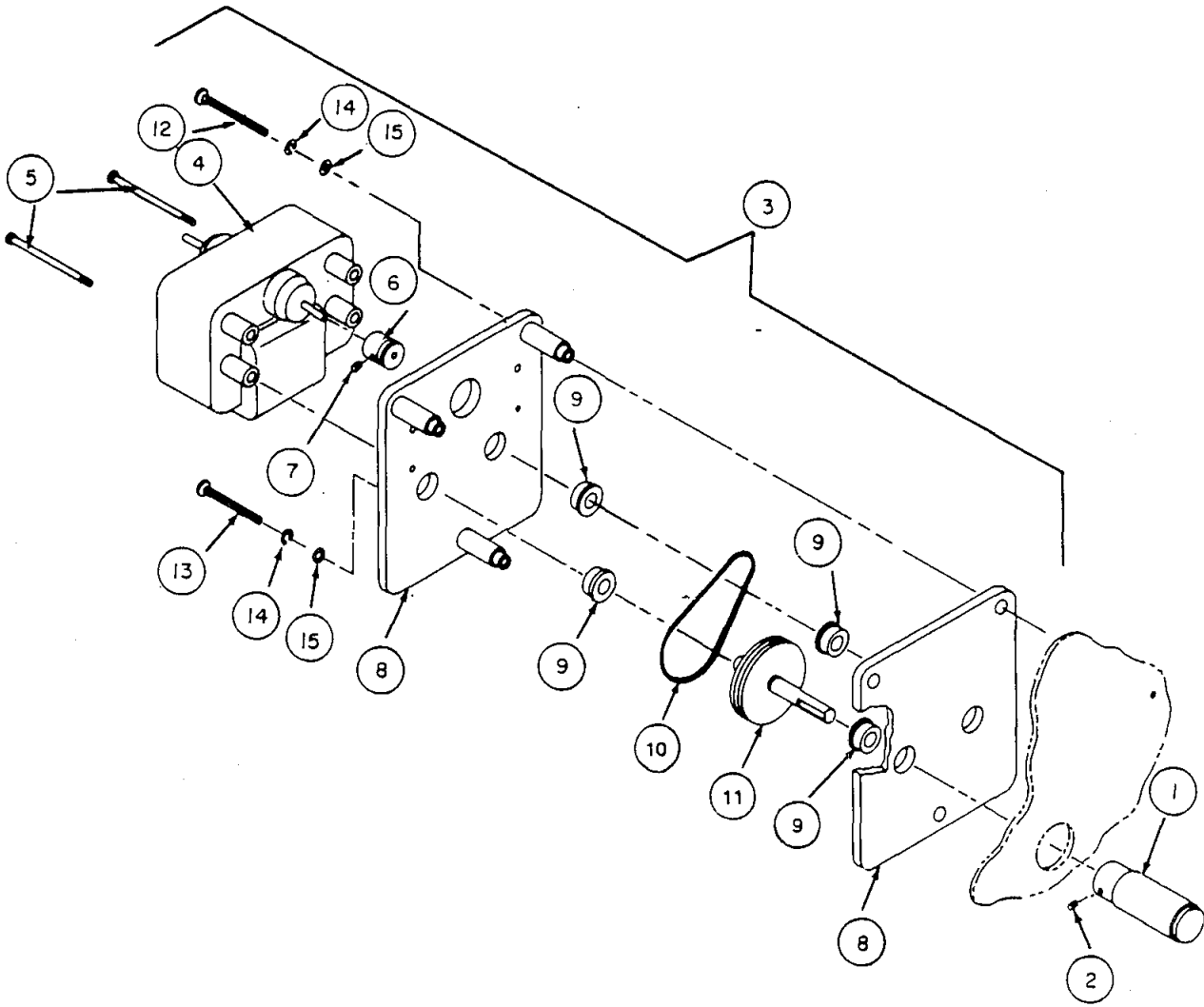


Figure 7-17. Motor Option Assembly.

FIG & INDEX NO.	REFERENCE DESIGNATION	PART NUMBER	I N D E N T	DESCRIPTION	QTY PER ASSY	MFR'S CODE	USED ON CODE
7-17-0		BC1935-1	1	MOTOR OPTION ASSEMBLY, 300 CH/SEC (SEE FIG. 7- 11 FOR NHA)	REF	04643	
7-17-1		BC985	2	CAPSTAN ASSEMBLY	1	04643	
7-17-2		COML	3	SETSCREW, SCH, 6-32 BY 3/16 IN. LG (AP)	1		
7-17-3		CC2197	2	MOTOR REDUCER ASSEMBLY, 300 CH/SEC	1	04643	
7-17-4	M1	KYAJ9792-1	3	MOTOR	1	05624	
7-17-5		COML	4	SCREW, MACH, BDGH, 4-40 BY 1-9/16 IN. LG (AP)	4		
7-17-6		AA3085	3	PULLEY, MOTOR	1	04643	
7-17-7		COML	4	SETSCREW, 4-40 BY 1/8 IN. LG (AP)	1		
7-17-8		BC2154-2	3	PLATE ASSEMBLY	1	04643	
7-17-9		TB-BR1017	3	BEARING, FLANGED	4	04643	
7-17-10		TGRPD0404	3	PACKING, PREFORMED, O-RING	1	04643	
7-17-11		BC2152	3	PULLEY ASSEMBLY	1	04643	
7-17-12		COML	4	SCREW, MACH, BDGH, 10-32 BY 1-3/16 IN. LG (AP)	2		
7-17-13		COML	4	SCREW, MACH, BDGH, 10-32 BY 1-1/8 IN. LG (AP)	1		
7-17-14		COML	4	WASHER, LOCK, SPLIT, NO. 10 (AP)	3		
7-17-15		COML	4	WASHER, FLAT, NO. 10 (AP)	3		

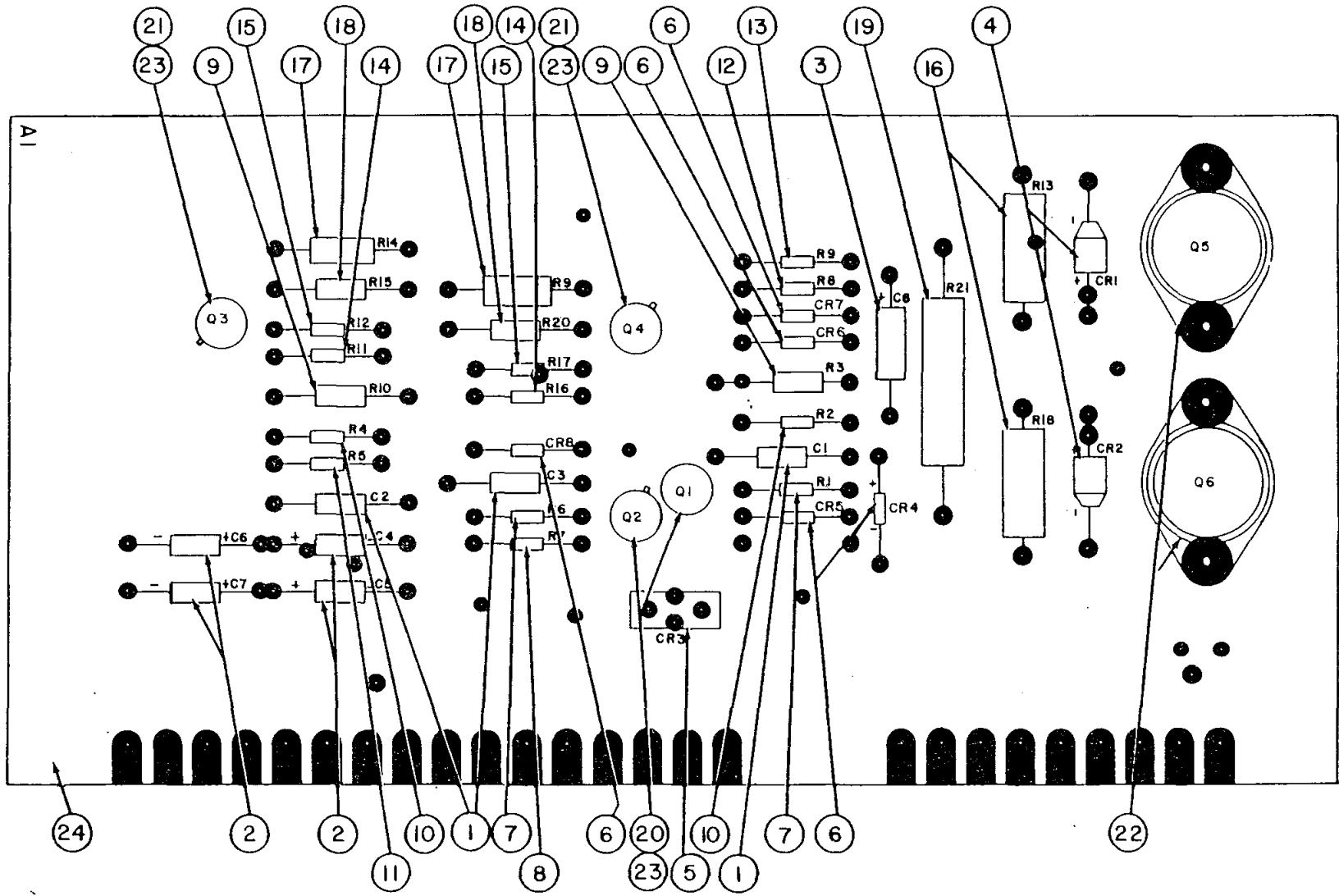


Figure 7-18. MPC Printed Circuit Board Assembly.

FIG & INDEX NO.	REFERENCE DESIGNATION	PART NUMBER	I N D E N T	DESCRIPTION	QTY PER ASSY	MFR'S CODE	USED ON CODE
7-18-0	A3A1A1	DC1734	1	MPC PRINTED CIRCUIT BOARD ASSEMBLY (SEE FIG. 7-10 FOR NHA)	REF	04643	
7-18-1	A3A1A1C1 THRU C3	CM20C1025	2	CAPACITOR, FIXED, PAPER, DIELECTRIC, 1000 PICO-FARADS +/- 5 %, 500 VDC	3	81349	
7-18-2	A3A1A1C4 THRU C7	150D476X0020R2	2	CAPACITOR, FIXED, ELECTROLYTIC, 47 MICROFARAD, 20 VDC	4	56289	
7-18-3	A3A1A1C8	SMT1025	2	CAPACITOR, FIXED, ELECTROLYTIC, 10 MICROFARAD, 35 VDC	1	74840	
7-18-4	A3A1A1CR1 A3A1A1CR2	1N2069A	2	SEMICONDUCTOR DEVICE	2	81349	
7-18-5	A3A1A1CR3	FW50	2	RECTIFIER	1	90201	
7-18-6	A3A1A1CR4 THRU CR8	TCRSU0125	2	SEMICONDUCTOR DEVICE	5	04643	
7-18-7	A3A1A1R1 A3A1A1R6	RC07GF272J	2	RESISTOR, FIXED, CMPSN, 2.7K OHM, +/- 5 %, 1/4 W	2	81349	
7-18-8	A3A1A1R2 A3A1A1R7	RC07GF333J	2	RESISTOR, FIXED, CMPSN, 33K OHM, +/- 5 %, 1/4 W	2	81349	
7-18-9	A3A1A1R3 A3A1A1R10	RC32GF511J	2	RESISTOR, FIXED, CMPSN, 510 OHM, +/- 5 %, 1/4 W	2	81349	
7-18-10	A3A1A1R4	RC07GF104J	2	RESISTOR, FIXED, CMPSN, 100K OHM, +/- 5 %, 1/4 W	1	81349	
7-18-11	A3A1A1R5	RC07GF153J	2	RESISTOR, FIXED, CMPSN, 15K OHM, +/- 5 %, 1/4 W	1	81349	
7-18-12	A3A1A1R8	RC07GF683J	2	RESISTOR, FIXED, CMPSN, 68K OHM, +/- 5 %, 1/4 W	1	81349	
7-18-13	A3A1A1R9	RC07GF103J	2	RESISTOR, FIXED, CMPSN, 10K OHM, +/- 5 %, 1/4 W	1	81349	
7-18-14	A3A1A1R11 A3A1A1R16	RC07GF511J	2	RESISTOR, FIXED, CMPSN, 510 OHM, +/- 5 %, 1/4 W	2	81349	
7-18-15	A3A1A1R12 A3A1A1R17	RC07GF752J	2	RESISTOR, FIXED, CMPSN, 7.5K OHM, +/- 5 %, 1/4 W	2	81349	
7-18-16	A3A1A1R13 A3A1A1R18	243E1005	2	RESISTOR, FIXED, WIRE-WOUND, 100 OHM, +/- 5 %, 5W	2	56289	
7-18-17	A3A1A1R14 A3A1A1R19	RC42GF510J	2	RESISTOR, FIXED, CMPSN, 51 OHM, +/- 5 %, 2 W	2	81349	
7-18-18	A3A1A1R15 A3A1A1R20	RC32GF751J	2	RESISTOR, FIXED, CMPSN, 750 OHM, +/- 5 %, 1 W	2	81349	
7-18-19	A3A1A1R21	247ESR05	2	RESISTOR, FIXED, WIRE-WOUND, 5 OHM, +/- 5 %, 16 W	1	56289	
7-18-20	A3A1A1Q1 A3A1A1Q2	TQ-SA1170	2	TRANSISTOR	2	04643	
7-18-21	A3A1A1Q3 A3A1A1Q4	2N317A	2	TRANSISTOR	2	81349	
7-18-22	A3A1A1Q5 A3A1A1Q6	2N1545	2	TRANSISTOR	2	04643	
7-18-23		294457	2	SPACER, TRANSISTOR	4	76530	
7-18-24		CA2736	1	PRINTED CIRCUIT BOARD	1	04643	

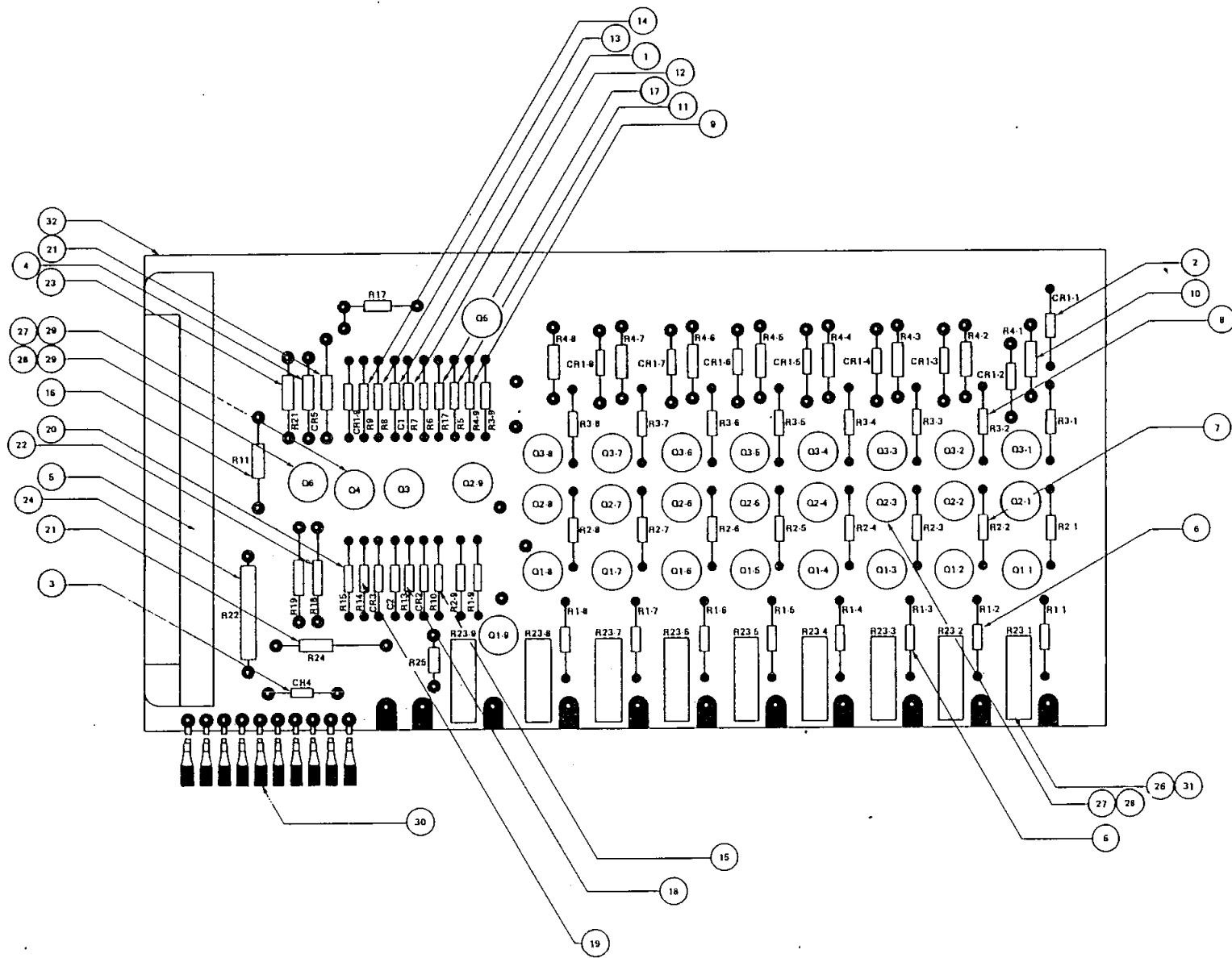


Figure 7-19. LAC Printed Circuit Board Assembly.

FIG & INDEX NO.	REFERENCE DESIGNATION	PART NUMBER	I N D E N T	DESCRIPTION	QTY PER ASSY	MFR'S CODE	USED ON CODE
7-19-0	A3A1A2	DC1784-0	1	LAC PRINTED CIRCUIT BOARD ASSEMBLY (SEE FIG. 7-10 FOR NHA)	REF	04643	
7-19-1	A3A1A2C1 A3A1A2C2	CM20C331J	2	CAPACITOR, FIXED, MICA, DIELECTRIC, 300 PICO-FARADS +/- 10 %	2	81349	
7-19-2	A3A1A2 CR1-1 THRU CR1-9 A3A1A2CR2 A3A1A2CR3 A3A1A2CR4	TCRSU0125	2	SEMICONDUCTOR DEVICE, DIODE	11	04643	
7-19-3	A3A1A2CR5	1N747	2	SEMICONDUCTOR DEVICE, DIODE	1	81349	
7-19-4	A3A1A2CR5	1N958	2	SEMICONDUCTOR DEVICE, DIODE	1	81349	
7-19-5	A3A1A2J1	UPCC40M2SL23APM	2	CONNECTOR, RCPT, ELEC, MALE, 23 CONTACTS	1	97954	
7-19-6	A3A1A2R1-1 THRU R1-9	RC07GF683J	2	RESISTOR, FIXED, CMPSN, 68K OHM, +/- 5 %, 1/4 W	9	81349	
7-19-7	A3A1A2R2-1 THRU R2-9	RC07GF103J	2	RESISTOR, FIXED, CMPSN, 10K OHM, +/- 5 %, 1/4 W	9	81349	
7-19-8	A3A1A2R3-1 THRU R3-9	RC07GF682J	2	RESISTOR, FIXED, CMPSN, 6.8K OHM, +/- 5 %, 1/4 W	9	81349	
7-19-9	A3A1A2R4-9	RC07GF393J	2	RESISTOR, FIXED, CMPSN, 39K OHM, +/- 5 %, 1/4 W	1	81349	
7-19-10	A3A1A2R4-1 THRU R4-8 A3A1A2R17 A3A1A2R25 A3A1A2R5	RC20GF102J	2	RESISTOR, FIXED, CMPSN, 1K OHM, +/- 5 %, 1/2 W	10	81349	
7-19-11	A3A1A2R6	RC07GF154J	2	RESISTOR, FIXED, CMPSN, 150K OHM, +/- 5 %, 1/4 W	1	81349	
7-19-12	A3A1A2R7	RC07GF432J	2	RESISTOR, FIXED, CMPSN, 4.3K OHM, +/- 5 %, 1/4 W	2	81349	
7-19-13	A3A1A2R8	RC07GF621J	2	RESISTOR, FIXED, CMPSN, 620 OHM, +/- 5 %, 1/4 W	1	81349	
7-19-14	A3A1A2R9	RC07GF473J	2	RESISTOR, FIXED, CMPSN, 47K OHM, +/- 5 %, 1/4 W	1	81349	
7-19-15	A3A1A2R10	RC07GF272J	2	RESISTOR, FIXED, CMPSN, 2.7K OHM, +/- 5 %, 1 W	1	81349	
7-19-16	A3A1A2R11	RC32GF821J	2	RESISTOR, FIXED, CMPSN, 820 OHM, +/- 5 %, 1 W	1	81349	
7-19-17	A3A1A2R12	RC07GF302J	2	RESISTOR, FIXED, CMPSN, 3K OHM, +/- 5 %, 1/4 W	1	81349	
7-19-18	A3A1A2R13	RC07GF472J	2	RESISTOR, FIXED, CMPSN, 4.7K OHM, +/- 5 %, 1/4 W	1	81349	
7-19-19	A3A1A2R14	RC07GF471J	2	RESISTOR, FIXED, CMPSN, 470 OHM, +/- 5 %, 1/4 W	1	81349	
7-19-20	A3A1A2R15	RC07GF273J	2	RESISTOR, FIXED, CMPSN, 27K OHM, +/- 5 %, 1/4 W	1	81349	
7-19-21	A3A1A2R16	RC07GF202J	2	RESISTOR, FIXED, CMPSN, 2K OHM, +/- 5 %, 1/2 W	2	81349	
7-19-22	A3A1A2R18 A3A1A2R19	RC32GF100J	2	RESISTOR, FIXED, CMPSN, 10 OHM, +/- 5 %, 1 W	2	81349	
7-19-23	A3A1A2R21	RC20GF331J	2	RESISTOR, FIXED, CMPSN, 330 OHM, +/- 5 %, 1/2 W	1	81349	
7-19-24	A3A1A2R22	ID48F50	2	RESISTOR, FIXED, WIRE- WOUND, 50 OHM, 5 W	1	44655	
7-19-25	A3A1A2R23-9	XC140PC104A	2	RESISTOR, VARIABLE, 100K OHM, +/- 20 %	1	71450	
7-19-26	A3A1A2 R23-1 THRU R23-8	XC140PC254B	2	RESISTOR, VARIABLE, 250K OHM, +/- 20 %	8	71450	
7-19-27	A3A1A2Q1-1 THRU Q1-9 A3A1A2Q2-1 THRU Q2-9 A3A1A2Q3 A3A1A2Q4	TQ-SAA004	2	TRANSISTOR, PNP, 50 MIL- LIAMP, 150 MILLIWATT	20	04643	

FIG & INDEX NO.	REFERENCE DESIGNATION	PART NUMBER	I N D E N T	DESCRIPTION	QTY PER ASSY	MFR'S CODE	USED ON CODE
7-19-28	A3A1A2Q3-1 THRU Q3-8 A3A1A2Q5 A3A1A2Q6	TQ-SA1170	2	TRANSISTOR, PNP, 40 MIL- LIAMP, 150 MILLIWATT	10	04643	
7-19-29		294457	2	SPACER, TRANSISTOR	30	76530	
7-19-30		42263-2	2	CONNECTOR, PLUG, ELEC	9	89110	
7-19-31		AA4812	2	SPACER	9	04643	
7-19-32		CB640-1	2	PRINTED CIRCUIT BOARD	1	04643	

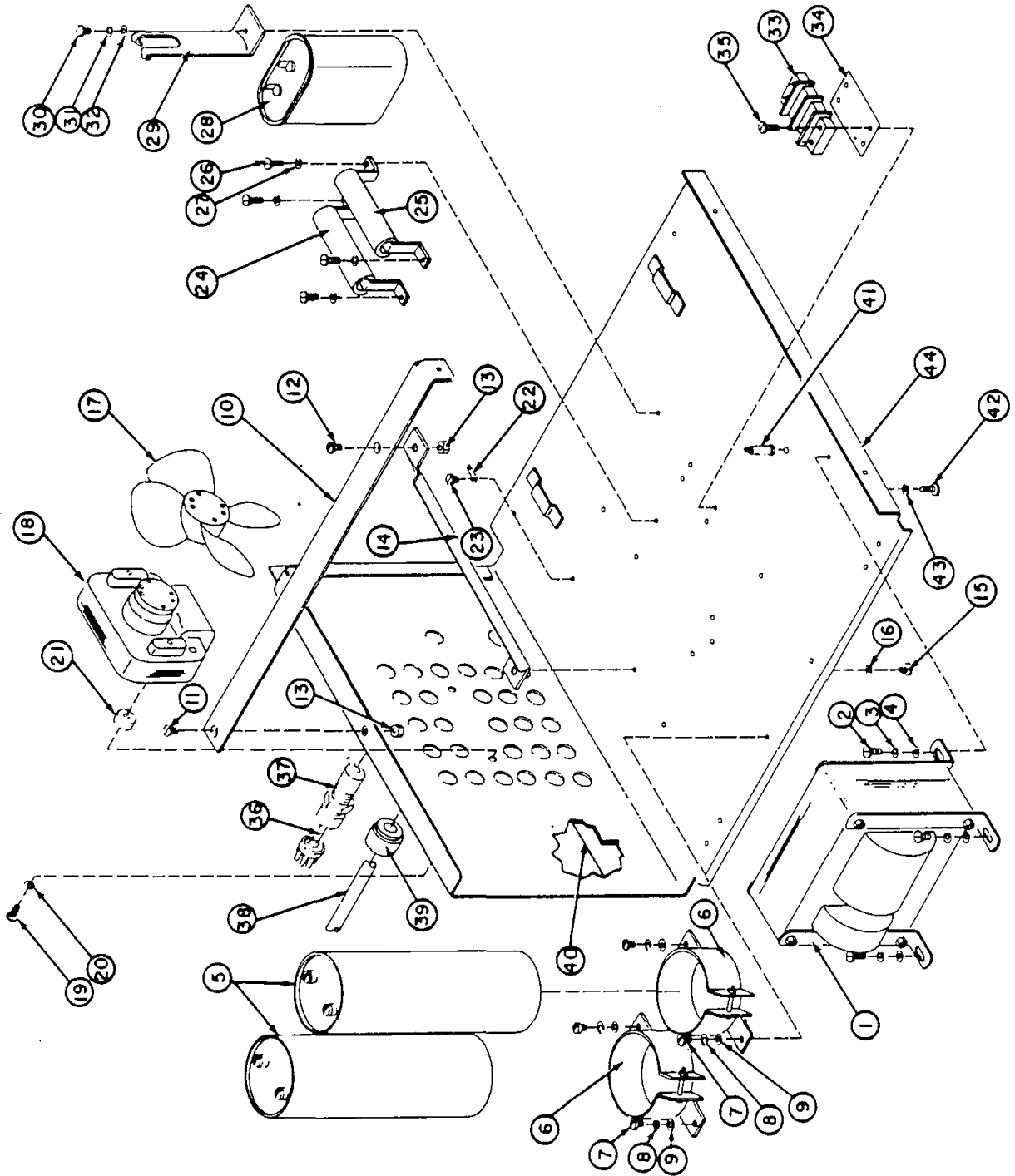


Figure 7-20. Economy Reader Assembly.

FIG & INDEX NO.	REFERENCE DESIGNATION	PART NUMBER	INDEX	DESCRIPTION	QTY PER ASSY	MFR'S CODE	USED ON CODE
7-20-0		DC1035	1	ECONOMY READER ASSEMBLY (SEE FIG. 7-10 FOR NHA)	REF	04643	
7-20-1	A3A1T1	BA2688	2	TRANSFORMER	1	04643	
7-20-2		COML	3	SCREW, MACH, BDGH, 8-32 BY 5/16 IN. LG (AP)	4		
7-20-3		COML	3	WASHER, LOCK, SPLIT, NO. 8 (AP)	4		
7-20-4	A3A1C2 A3A1C3	COML	3	WASHER, FLAT, NO. 8 (AP)	4		
7-20-5		539-2635-01	2	CAPACITOR, FIXED, ELECTROLYTIC, 10,000 MICROFARADS, 25 VDC (TYPE DCM)	2	53021	
7-20-6		TMBCE0004	2	CLAMP, CAPACITOR	2	04643	
7-20-7		COML	3	SCREW, MACH, BDGH, 6-32 BY 3/16 IN. LG (AP)	4		
7-20-8		COML	3	WASHER, LOCK, SPLIT, NO. 6 (AP)	4		
7-20-9		COML	3	WASHER, FLAT, NO. 6 (AP)	4		
7-20-10		BA2894	2	BRACE, HORIZONTAL	1	04643	
7-20-11		COML	3	SCREW, MACH, FLH, 6-32 BY 5/16 IN. LG (AP)	1		
7-20-12		COML	3	SCREW, MACH, FLH, 6-32 BY 3/8 IN. LG (AP)	1		
7-20-13		COML	3	NUT, SLFLKG, HEX, NO. 6-32 (AP)	2		
7-20-14		BA2893	2	BRACE, DIAGONAL	1	04643	
7-20-15		COML	3	SCREW, MACH, BDGH, 6-32 BY 3/16 IN. LG (AP)	1		
7-20-16		COML	3	WASHER, LOCK, SPLIT, NO. 6 (AP)	1		
7-20-17	A3A1B1	TBBPB0202	2	BLADE, FAN, PLASTIC	1	04643	
7-20-18		TBLAA0001	2	BLOWER ASSEMBLY	1	04643	
7-20-19		BA2495-9	2	SPACER	2	04643	
7-20-20		COML	3	SCREW, MACH, BDGH, 10-32 BY 3/8 IN. LG (AP)	2		
7-20-21		COML	3	WASHER, LOCK, SPLIT, NO. 10 (AP)	2		
7-20-22		TH-LA2007	2	LUG, GROUND	1	04643	
7-20-23		COML	3	SCREW, MACH, BDGH, 6-32 BY 1/8 IN. LG (AP)	1		
7-20-24	A3A1R1	0200C25-25W	2	RESISTOR, FIXED, FILM, 25 OHM, 25 W	1	44655	
7-20-25	A3A1R2	2K40F20-25W	2	RESISTOR, FIXED, FILM, 20 OHM, 25 W	1	44655	
7-20-26		COML	3	SCREW, MACH, BDGH, 6-32 BY 3/16 IN. LG (AP)	4		
7-20-27		COML	3	WASHER, LOCK, SPLIT, NO. 6 (AP)	4		
7-20-28	A3A1C1	AE883-1	2	CAPACITOR, FIXED, ELECTROLYTIC, 2 MICROFARADS, 400 VAC	1	04643	
7-20-29		TMBRA0001	2	BRACKET, CAPACITOR, MOUNTING	1	04643	
7-20-30		COML	3	SCREW, MACH, BDGH, 6-32 BY 1/4 IN. LG (AP)	2		
7-20-31		COML	3	WASHER, LOCK, SPLIT, NO. 6 (AP)	2		
7-20-32	A3A1TB1	COML	3	WASHER, FLAT, NO. 6 (AP)	2		
7-20-33		600-2	2	TERMINAL BOARD	1	75382	
7-20-34		TMSAA0102	2	MARKET STRIP	1	04643	
7-20-35		COML	3	SCREW, MACH, BDGH, 6-32 BY 3/8 IN. LG (AP)	4		
7-20-36	A3A1F1	3AG	2	FUSE, CARTRIDGE, 1-1/2 AMP, SLOW BLOW	1	75915	
7-20-37	A3A1XF1	342003	2	FUSEHOLDER	1	75915	
7-20-38		347	2	CORD, LINE	1	71002	
7-20-39		SRGP1	2	BUSHING, STRAIN RELIEF	1	28520	

FIG & INDEX NO.	REFERENCE DESIGNATION	PART NUMBER	I N D E N T	DESCRIPTION	QTY PER ASSY	MFR'S CODE	USED ON CODE
7-20-40		CA4899-1	2	PLATE, IDENT	1	04643	
7-20-41		TSFAA0602	2	INSULATOR, STANDOFF	2	04643	
7-20-42		COML	3	SCREW, MACH, BDGH, 6-32 BY 5/16 IN. LG (AP)	2		
7-20-43		COML	3	WASHER, LOCK, SPLIT, NO. 6 (AP)	2		
7-20-44		DE287	2	CHASSIS	1	04643	

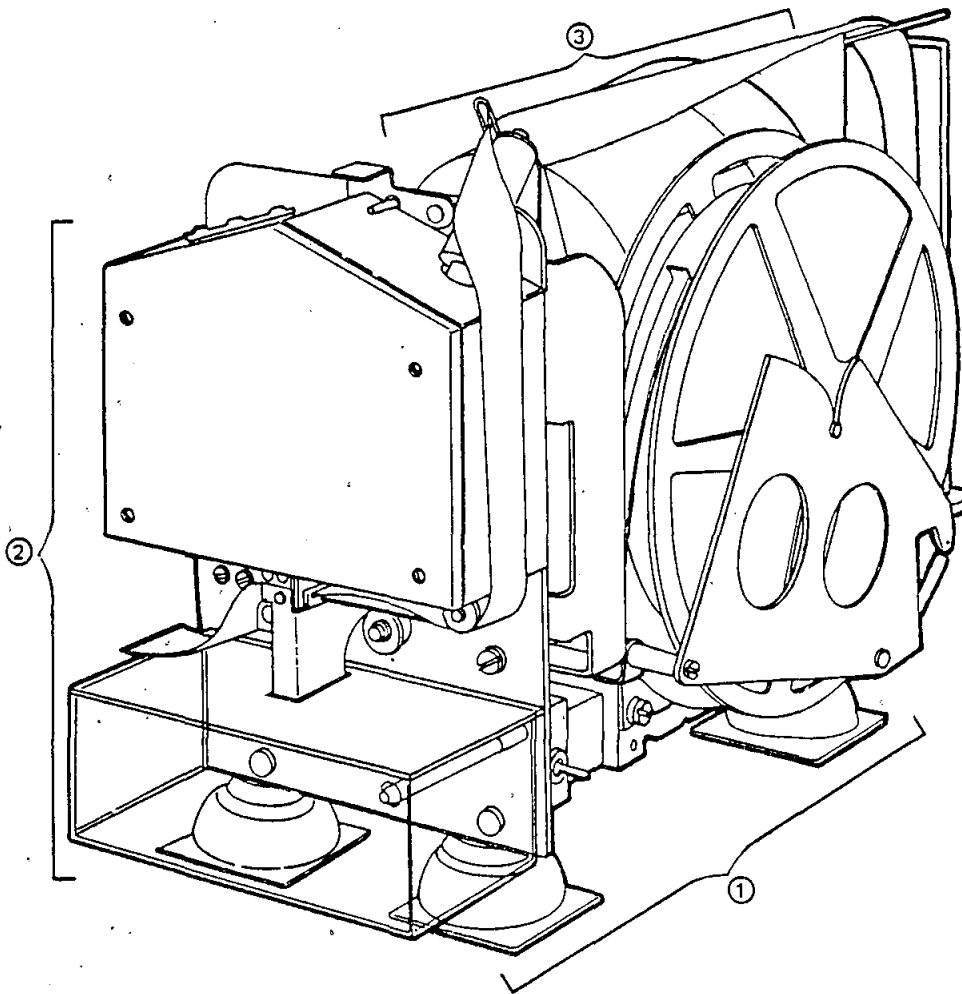


Figure 7-21. Paper Type Perforator.

FIG & INDEX NO.	REFERENCE DESIGNATION	PART NUMBER	I N D E N T	DESCRIPTION	QTY PER ASSY	MFR'S CODE	USED ON CODE
7-21-0	A3A2	7051179-00	1	PAPER TAPE PERFORATOR (MODIFIED 7901095-00) (SEE FIG. 7-9 FOR NHA)	REF	90536	
7-21-1		-----	2	TAPE PUNCH UNIT (SEE FIG. 7-22 FOR BREAKDOWN)	1		
7-21-2		-----	2	TAPE PUNCH BASE (SEE FIG. 7-23 FOR BREAKDOWN)	1		
7-21-3		LMU6	2	SERIES GOVERNED MOTOR, 1/20 HP, 115 V 60 HZ, 3600 RPM (SEE FIG. 7-24 FOR BREAKDOWN)	1	59433	

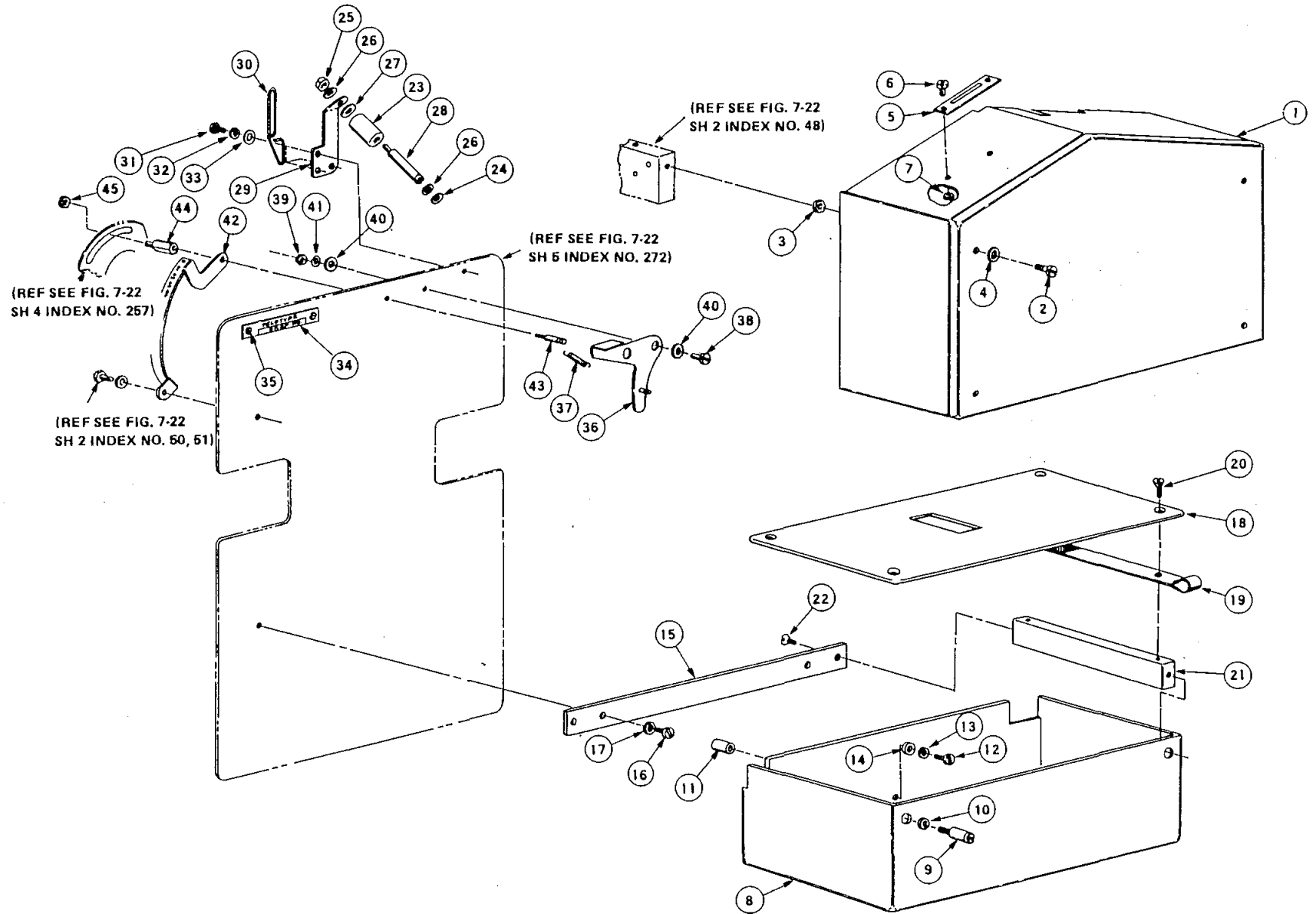


Figure 7-22. Paper Tape Punch Unit (A3A2), (Sheet 1 of 5).

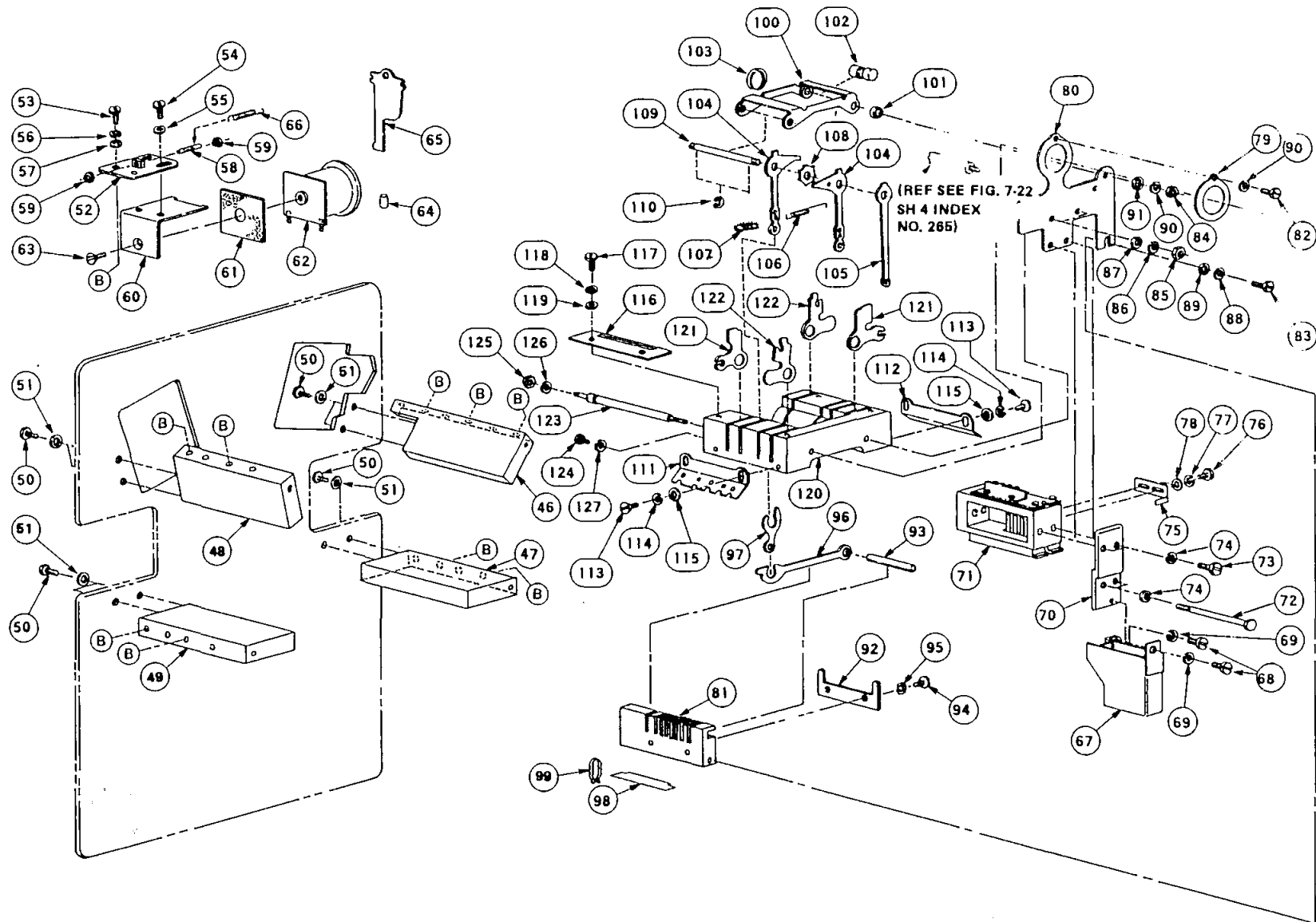


Figure 7-22. Paper Tape Punch Unit (A3A2) (Sheet 2 of 5).

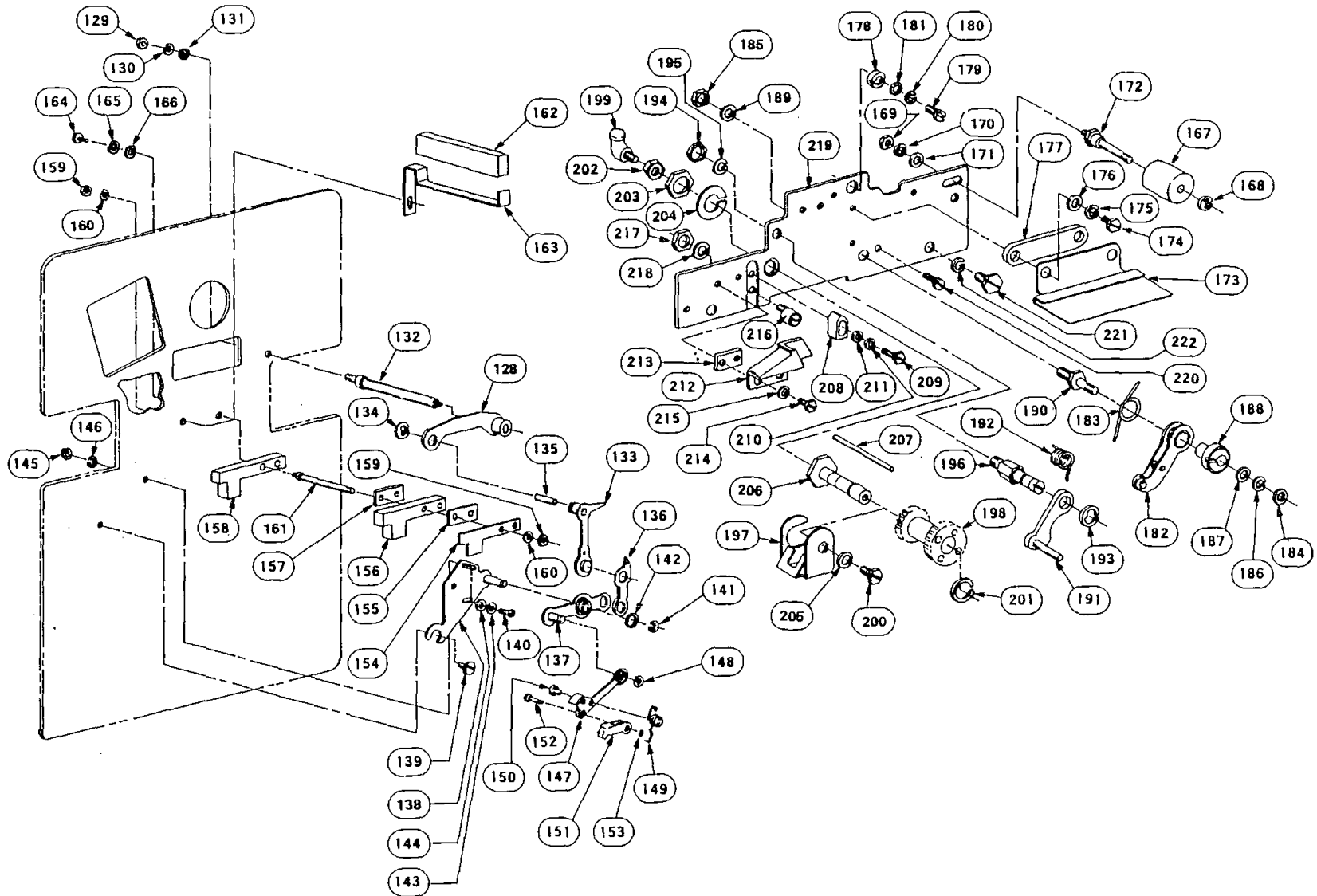


Figure 7-22. Paper Tape Punch Unit (A3A2) (Sheet 3 of 5).

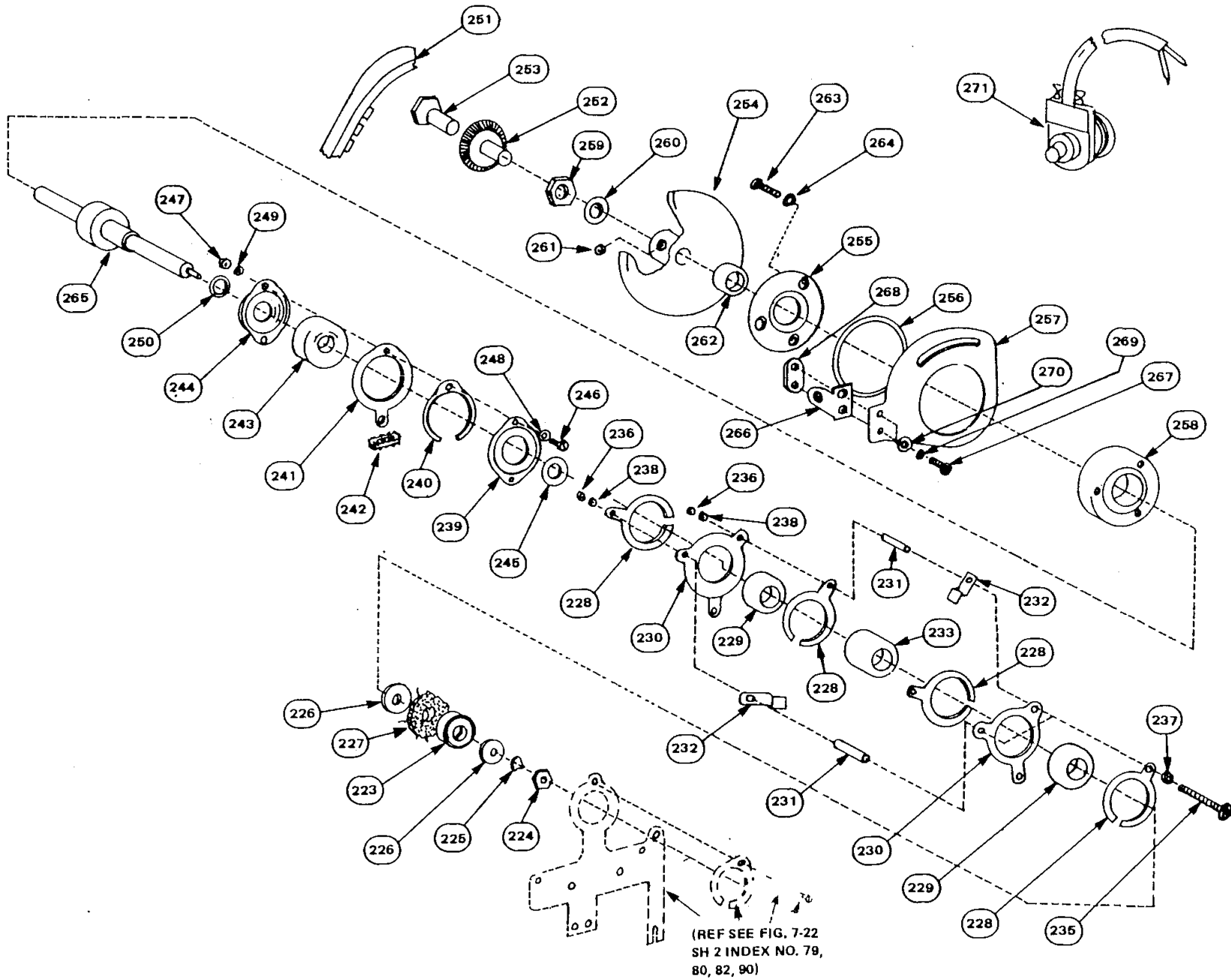


Figure 7-22. Paper Tape Punch Unit (A3A2) (Sheet 4 of 5).

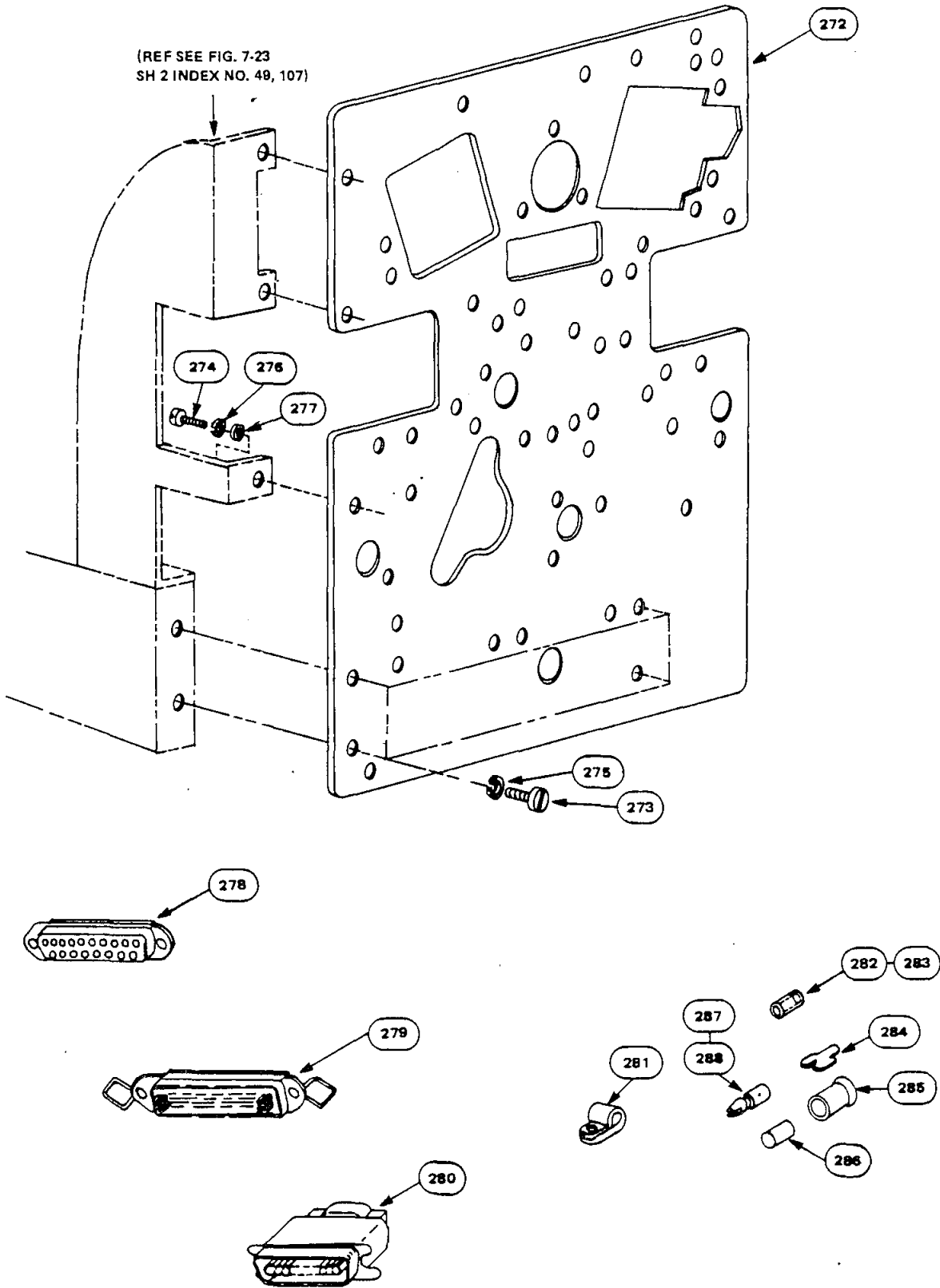


Figure 7-22. Paper Tape Punch Unit (A3A2) (Sheet 5 of 5).

FIG & INDEX NO.	REFERENCE DESIGNATION	PART NUMBER	I N D E X	DESCRIPTION	QTY PER ASSY	MFR'S CODE	USED ON CODE
7-22-0		-----	1	TAPE PUNCH UNIT (SEE FIG. 7-21 FOR NHA)	REF		
7-22-1		142988	2	COVER	1	59433	
7-22-2		143041	2	SCREW, SPL, 4-40 (AP)	4	59433	
7-22-3		110435	2	NUT, HEX, 4-40 (AP)	4	59433	
7-22-4		55005	2	WASHER, FLAT (AP)	4	59433	
7-22-5		150948	2	PLATE, IDENT	1	59433	
7-22-6		1164	2	SCREW, FILH. 2-56 BY 3/16 IN. LG (AP)	2	59433	
7-22-7		112627	2	NUT, HEX, 2-56 (AP)	2	59433	
7-22-8		142933	2	BOX, CHAD	1	59433	
7-22-9		159233	2	STUD (AP)	2	59433	
7-22-10		2191	2	WASHER, LOCK (AP)		59433	
7-22-11		142877	2	POST	1	59433	
7-22-12		80957	2	SCREW, HEX HD, 4-40 BY 1/4 IN. LG (AP)		59433	
7-22-13		110743	2	WASHER, LOCK (AP)		59433	
7-22-14		125011	2	WASHER, FLAT (AP)		59433	
7-22-15		142927	2	BAR		59433	
7-22-16		119662	2	SCREW, SPL, 6-40 (AP)		59433	
7-22-17		2191	2	WASHER, LOCK (AP)		59433	
7-22-18		142929	2	COVER, CHAD BOX		59433	
7-22-19		148287	2	SPRING, DETENT		59433	
7-22-20		93969	2	SCREW, FLH, 4-40 BY 3/16 IN. LG (AP)		59433	
7-22-21		142928	2	BAR		59433	
7-22-22		125171	2	SCREW, FLH, 10-32 BY 1/2 IN. LG (AP)	2	59433	
7-22-23		124294	2	ROLLER	1	59433	
7-22-24		119652	2	RING, RETAINING (AP)	1	59433	
7-22-25		3598	2	NUT, HEX, 6-40 (AP)	1	59433	
7-22-26		34432	2	WASHER, FLAT (AP)	2	59433	
7-22-27		2191	2	WASHER, LOCK (AP)	1	59433	
7-22-28		124293	2	STUD (AP)	1	59433	
7-22-29		124292	2	BRACKET	1	59433	
7-22-30		142983	2	GUIDE, TAPE	1	59433	
7-22-31		151658	2	SCREW, FILH, 6-40 BY 5/16 IN. LG (AP)	3	59433	
7-22-32		2191	2	WASHER, LOCK (AP)	3	59433	
7-22-33		125015	2	WASHER, FLAT (AP)	3	59433	
7-22-34		150950	2	PLATE, CODE	1	59433	
7-22-35		125112	2	SCREW, FILH, 2-56 BY 1/8 IN. LG (AP)	2	59433	
7-22-36		143006	2	LEVER	1	59433	
7-22-37		36463	2	SPRING	1	59433	
7-22-38		86774	2	SCREW, SHOULDER, 6-40 (AP)	1	59433	
7-22-39		3606	2	NUT, HEX, 6-40 (AP)	1	59433	
7-22-40		112769	2	WASHER, FLAT (AP)	2	59433	
7-22-41		2191	2	WASHER, LOCK (AP)	1	59433	
7-22-42		143028	2	SCALE	1	59433	
7-22-43		139991	2	POST, SPRING (AP)	1	59433	
7-22-44		142923	2	POST (AP)	1	59433	
7-22-45		152426	2	NUT, SLFLKG, 6-40 (AP)	1	59433	
7-22-46		142994	2	BAR, MAGNET MTG (RT)	1	59433	
7-22-47		142995	2	BAR, MAGNET MTG (RB)	1	59433	
7-22-48		142996	2	BAR, MAGNET MTG (LT)	1	59433	
7-22-49		142997	2	BAR, MAGNET MTG (LB)	1	59433	
7-22-50		153442	2	SCREW, HEX HD, 10-32 BY 1/2 IN. LG (AP)	8	59433	
7-22-51		2669	2	WASHER, LOCK (AP)	8	59433	
7-22-52		142992	2	PLATE, W/POST	9	59433	
7-22-53		156632	2	SCREW, HEX HD, 6-40 BY 13/32 IN. LG (AP)	18	59433	
7-22-54		158186	2	SCREW, FILH, 4-40 BY 7/32 IN. LG (AP)	18	59433	
7-22-55		110743	2	WASHER, LOCK (AP)	18	59433	

FIG & INDEX NO.	REFERENCE DESIGNATION	PART NUMBER	I N D E N T	DESCRIPTION	QTY PER ASSY	MFR'S CODE	USED ON CODE
7-22-56		2191	2	WASHER, LOCK (AP)	18	59433	
7-22-57		7002	2	WASHER, FLAT (AP)	18	59433	
7-22-58		142869	2	SCREW, SPL, 4-40 (AP)	9	59433	
7-22-59		3599	2	NUT, HEX, 4-40 (AP)	18	59433	
7-22-60		142867	2	YOKE	9	59433	
7-22-61		124355	2	INSULATOR, 0.010 IN.	9	59433	
7-22-62		142866	2	MAGNET ASSEMBLY	9	59433	
7-22-63		142998	2	SCREW, FILH, 6-40 BY 3/8 IN. LG (AP)	9	59433	
7-22-64		155753	2	SLEEVE, INSULATING, 1/8 ID BY 1/2 IN. LG	18	59433	
7-22-65		124320	2	ARMATURE	9	59433	
7-22-66		82726	2	SPRING (AP)	9	59433	
7-22-67		142918	2	CHUTE, CHAD	1	59433	
7-22-68		156536	2	SCREW, FILH, 4-40 BY 1/8 IN. LG (AP)	2	59433	
7-22-69		3640	2	WASHER, LOCK (AP)	2	59433	
7-22-70		142911	2	PLATE	1	59433	
7-22-71		143056	2	BLOCK ASSEMBLY, PUNCH	1	59433	
7-22-72		142856	2	SCREW, HEX HD, 6-40 BY 2-1/32 IN. LG (AP)	2	59433	
7-22-73		151630	2	SCREW, HEX HD, 6-40 BY 1/4 IN. LG (AP)	2	59433	
7-22-74		2191	2	WASHER, LOCK (AP)	4	59433	
7-22-75		142897	2	SPRING, FLAT	1	59433	
7-22-76		125948	2	SCREW, FILH, 2-56 BY 1/8 IN. LG (AP)	2	59433	
7-22-77		93118	2	WASHER, LOCK (AP)	2	59433	
7-22-78		71073	2	WASHER, FLAT (AP)	2	59433	
7-22-79		142882	2	CLAMP, BEARING	1	59433	
7-22-80		142880	2	PLATE, FRONT	1	59433	
7-22-81		142846	2	BRACKET, LINK PIVOT	1	59433	
7-22-82		151152	2	SCREW, HEX HD, 4-40 BY 3/16 IN. LG (AP)	1	59433	
7-22-83		153799	2	SCREW, HEX HD, 4-40 BY 21/64 IN. LG (AP)	1	59433	
7-22-84		3599	2	NUT, HEX, 4-40 (AP)	1	59433	
7-22-85		3598	2	NUT, HEX, 6-40 (AP)	2	59433	
7-22-86		2191	2	WASHER, LOCK (AP)	2	59433	
7-22-87		125015	2	WASHER, FLAT (AP)	2	59433	
7-22-88		110743	2	WASHER, LOCK (AP)	1	59433	
7-22-89		42823	2	WASHER, FLAT (AP)	1	59433	
7-22-90		3640	2	WASHER, LOCK (AP)	2	59433	
7-22-91		41675	2	WASHER, FLAT (AP)	1	59433	
7-22-92		142848	2	CLAMP	1	59433	
7-22-93		142847	2	SHAFT, LINK	1	59433	
7-22-94		1164	2	SCREW, FILH, 2-56 BY 3/16 IN. LG (AP)	2	59433	
7-22-95		93117	2	WASHER, LOCK (AP)	2	59433	
7-22-96		143080	2	LINK, DRAG	9	59433	
7-22-97		143079	2	ARM, SHORT TOGGLE	8	59433	
7-22-98		142849	2	WICK, FELT	1	59433	
7-22-99		142850	2	CLAMP, SPRING (AP)	2	59433	
7-22-100		142834	2	BAIL, TOGGLE ARM	1	59433	
7-22-101		124287	2	SPACER	1	59433	
7-22-102		135247	2	OILER, FELT	1	59433	
7-22-103		90361	2	WASHER, FELT	1	59433	
7-22-104		119652	2	RING, RETAINING (AP)	1	59433	
7-22-105		143078	2	ARM, LONG TOGGLE	8	59433	
7-22-106		124279	2	LINK, FEED PUNCH	1	59433	
7-22-107		143077	2	SPRING	8	59433	
7-22-108		143074	2	WICK, FELT	9	59433	
7-22-109		124244	2	WASHER, FELT	9	59433	
7-22-110		142835	2	SHAFT, TOGGLE ARM (AP)	1	59433	
7-22-111		142855	2	BRACKET, LEFT SPRING	1	59433	
7-22-112		142856	2	BRACKET, RIGHT SPRING	1	59433	

FIG & INDEX NO.	REFERENCE DESIGNATION	PART NUMBER	I N D E X	DESCRIPTION	QTY PER ASSY	MFR'S CODE	USED ON CODE
7-22-113		151686	2	SCREW, FILH, 4-40 BY 3/8 IN. LG (AP)	4	59433	
7-22-114		110743	2	WASHER, LOCK (AP)	4	59433	
7-22-115		125011	2	WASHER, FLAT (AP)	4	59433	
7-22-116		143050	2	PLATE	2	59433	
7-22-117		152893	2	SCREW, HEX HD, 4-40 BY 1/4 IN. LG (AP)	4	59433	
7-22-118		3640	2	WASHER, LOCK (AP)	4	59433	
7-22-119		125011	2	WASHER, FLAT (AP)	4	59433	
7-22-120		142852	2	BRACKET, ARM, STOP	1	59433	
7-22-121		142949	2	PAWL, BLOCKING	5	59433	
7-22-122		142946	2	PAWL, BLOCKING	4	59433	
7-22-123		142853	2	STUD (AP)	2	59433	
7-22-124		151631	2	SCREW, HEX HD, 6-40 BY 5/16 IN. LG (AP)	2	59433	
7-22-125		110435	2	NUT, HEX, 4-40 (AP)	2	59433	
7-22-126		3640	2	WASHER, LOCK (AP)	2	59433	
7-22-127		2191	2	WASHER, LOCK (AP)	2	59433	
7-22-128		145861	2	LINK, W/HUB	1	59433	
7-22-129		74807	2	NUT, HEX, SHOULDER, 10-32 (AP)	1	59433	
7-22-130		2669	2	WASHER, LOCK (AP)	1	59433	
7-22-131		34432	2	WASHER, FLAT (AP)	1	59433	
7-22-132		142811	2	SHAFT, PUNCH BAIL	1	59433	
7-22-133		145865	2	ARM, TOGGLE	1	59433	
7-22-134		145875	2	RING, RETAINING (AP)	1	59433	
7-22-135		94693	2	WICK, FELT (AP)	1	59433	
7-22-136		143016	2	ARM, TOGGLE	1	59433	
7-22-137		143014	2	LINK	1	59433	
7-22-138		143021	2	PLATE	1	59433	
7-22-139		143026	2	ECCENTRIC	1	59433	
7-22-140		111017	2	SCREW, FILH, 6-40 BY 5/16 IN. LG (AP)	2	59433	
7-22-141		119652	2	RING, RETAINING (AP)	1	59433	
7-22-142		115221	2	WASHER, FELT (AP)	1	59433	
7-22-143		2191	2	WASHER, LOCK (AP)	2	59433	
7-22-144		7002	2	WASHER, FLAT (AP)	2	59433	
7-22-145		74807	2	NUT, HEX, SHOULDER, 10-32 (AP)	2	59433	
7-22-146		2669	2	WASHER, LOCK (AP)	2	59433	
7-22-147		145874	2	LINK, W/BUSHING	1	59433	
7-22-148		119652	2	RING, RETAINING (AP)	1	59433	
7-22-149		143048	2	SPRING, TORSION	1	59433	
7-22-150		102374	2	WICK, FELT	1	59433	
7-22-151		142828	2	PAWL, FEED	1	59433	
7-22-152		142829	2	PIN (AP)	1	59433	
7-22-153		143097	2	RING, RETAINING (AP)	1	59433	
7-22-154		124282	2	SPACER, 0.044 IN. THK	1	59433	
7-22-155		124300	2	SPACER, 0.056 IN. THK	1	59433	
7-22-156		143019	2	SPACER, 0.249 IN. THK	1	59433	
7-22-157		143020	2	SPACER, 0.106 IN. THK	1	59433	
7-22-158		124249	2	SPACER, 0.217 IN. THK	1	59433	
7-22-159		3598	2	NUT, HEX, 6-40 (AP)	1	59433	
7-22-160		2191	2	WASHER, LOCK (AP)	2	59433	
7-22-161		142812	2	STUD, TOGGLE ARM (AP)	1	59433	
7-22-162		143042	2	OILER, FELT	2	59433	
7-22-163		143043	2	BRACKET, OILER	2	59433	
7-22-164		151630	2	SCREW, HEX, 6-40 BY 1/4 IN. LG (AP)	2	59433	
7-22-165		2191	2	WASHER, LOCK (AP)	2	59433	
7-22-166		7002	2	WASHER, FLAT (AP)	2	59433	
7-22-167		142924	2	ROLLER	1	59433	
7-22-168		119652	2	RING, RETAINING (AP)	1	59433	
7-22-169		3606	2	NUT, HEX, 6-40 (AP)	1	59433	
7-22-170		2191	2	WASHER, LOCK (AP)	1	59433	
7-22-171		7002	2	WASHER, FLAT (AP)	1	59433	
7-22-172		142921	2	STUD (AP)	1	59433	

FIG & INDEX NO.	REFERENCE DESIGNATION	PART NUMBER	I N D E N T	DESCRIPTION	QTY PER ASSY	MFR'S CODE	USED ON CODE
7-22-173		146685	2	GUIDE, TAPE	1	59433	
7-22-174		151722	2	SCREW, HEX HD, 6-40 BY 3/16 IN. LG (AP)	1	59433	
7-22-175		2191	2	WASHER, LOCK (AP)	2	59433	
7-22-176		7002	2	WASHER, FLAT (AP)	2	59433	
7-22-177		170766	2	SPACER (AP)	1	59433	
7-22-178		142912	2	BUSHING, ECCENTRIC	1	59433	
7-22-179		151658	2	SCREW, FILH, 6-40 BY 5/16 IN. LG (AP)	1	59433	
7-22-180		2191	2	WASHER, LOCK (AP)	1	59433	
7-22-181		8330	2	WASHER, FLAT (AP)	1	59433	
7-22-182		142873	2	ARM, DETENT	1	59433	
7-22-183		142876	2	SPRING, TORSION	1	59433	
7-22-184		3598	2	NUT, HEX, 6-40 (AP)	1	59433	
7-22-185		74807	2	NUT, HEX, SHOULDER, 10-32 (AP)	1	59433	
7-22-186		2191	2	WASHER, LOCK (AP)	1	59433	
7-22-187		8330	2	WASHER, FLAT (AP)	1	59433	
7-22-188		125683	2	BUSHING, ECCENTRIC (AP)	1	59433	
7-22-189		2669	2	WASHER, LOCK (AP)	1	59433	
7-22-190		142910	2	STUD (AP)	1	59433	
7-22-191		142890	2	ARM, TAPE	1	59433	
7-22-192		142895	2	SPRING, TORSION	1	59433	
7-22-193		128357	2	RING, RETAINING (AP)	1	59433	
7-22-194		102751	2	NUT, HEX, 10-32 (AP)	1	59433	
7-22-195		2669	2	WASHER, LOCK (AP)	1	59433	
7-22-196		142889	2	POST, TAPE ARM (AP)	1	59433	
7-22-197		143088	2	GUIDE, TAPE	1	59433	
7-22-198		142888	2	WHEEL, FEED	1	59433	
7-22-199		89896	2	OILER	1	59433	
7-22-200		151630	2	SCREW, HEX HD, 6-40 BY 1/4 IN. LG (AP)	1	59433	
7-22-201		143040	2	RING, RETAINING (AP)	1	59433	
7-22-202		74807	2	NUT, HEX, SHOULDER, 10-32	1	59433	
7-22-203		2539	2	NUT, HEX, 3/8-32 (AP)	1	59433	
7-22-204		70891	2	WASHER, LOCK (AP)	1	59433	
7-22-205		2191	2	WASHER, LOCK (AP)	1	59433	
7-22-206		142896	2	SHAFT, FEEDWHEEL (AP)	1	59433	
7-22-207		90437	2	WICK, FELT (AP)	1	59433	
7-22-208		145864	2	BLOCK, PAWL	1	59433	
7-22-209		112620	2	SCREW, HEX HD, 4-40 BY 1/2 IN. LG (AP)	1	59433	
7-22-210		3640	2	WASHER, LOCK (AP)	1	59433	
7-22-211		42823	2	WASHER, FLAT (AP)	1	59433	
7-22-212		145877	2	GUIDE	1	59433	
7-22-213		145873	2	PLATE	1	59433	
7-22-214		151630	2	SCREW, HEX HD, 6-40 BY 1/4 IN. LG (AP)	1	59433	
7-22-215		2191	2	WASHER, LOCK (AP)	2	59433	
7-22-216		142944	2	ECCENTRIC	1	59433	
7-22-217		74807	2	NUT, HEX, SHOULDER, 10-32 (AP)	1	59433	
7-22-218		2669	2	WASHER, LOCK (AP)	1	59433	
7-22-219		142901	2	PLATE	1	59433	
7-22-220		92806	2	SCREW, SHOULDER, 6-40 (AP)	1	59433	
7-22-221		153441	2	SCREW, HEX HD, 10-32 BY 7/16 IN. LG (AP)	3	59433	
7-22-222		3639	2	WASHER, LOCK (AP)	3	59433	
7-22-223		124289	2	BEARING, BALL	1	59433	
7-22-224		74807	2	NUT, HEX, SHOULDER, 10-32 (AP)	1	59433	
7-22-225		2669	2	WASHER, LOCK (AP)	1	59433	
7-22-226		76953	2	WASHER, FLAT (AP)	2	59433	
7-22-227		130690	2	WASHER, FELT (AP)	1	59433	
7-22-228		142840	2	CLAMP, BEARING	4	59433	

FIG & INDEX NO.	REFERENCE DESIGNATION	PART NUMBER	I N D E N T	DESCRIPTION	QTY PER ASSY	MFR'S CODE	USED ON CODE
7-22-229		142839	2	BEARING, BALL	2	59433	
7-22-230		142833	2	ARM, BEARING	2	59433	
7-22-231		142844	2	SPACER, BEARING	2	59433	
7-22-232		142845	2	CLIP, BEARING	2	59433	
7-22-233		142841	2	COUNTERWEIGHT	1	59433	
7-22-234		142842	2	KEY	1	59433	
7-22-235		76983	2	SCREW, FILH, 4-40 BY 1-1/4 IN. LG (AP)	2	59433	
7-22-236		3599	2	NUT, HEX, 4-40 (AP)	2	59433	
7-22-237		42823	2	WASHER, FLAT (AP)	2	59433	
7-22-238		3640	2	WASHER, LOCK (AP)	2	59433	
7-22-239		143072	2	SHIELD, BEARING	1	59433	
7-22-240		142809	2	CLAMP BEARING	1	59433	
7-22-241		145862	2	LINK, FEED BEARING	1	59433	
7-22-242		93879	2	OILER, FELT	1	59433	
7-22-243		142807	2	BEARING, BALL	1	59433	
7-22-244		142806	2	SHIELD, BEARING	1	59433	
7-22-245		143073	2	SPACER, 0.06 IN. THK (AP)	1	59433	
7-22-246		151637	2	SCREW, FILH, 4-40 BY 1/4 IN. LG (AP)	2	59433	
7-22-247		151880	2	NUT, HEX, 4-40 (AP)	2	59433	
7-22-248		111410	2	WASHER, FLAT (AP)	2	59433	
7-22-249		110743	2	WASHER, LOCK (AP)	2	59433	
7-22-250		142805	2	SPACER, 0.060 IN. THK (AP)	1	59433	
7-22-251		143055	2	BELT, TOOTHED	1	59433	
7-22-252		143052	2	PULLEY, TOOTHED	1	59433	
7-22-253		143053	2	HUB (AP)	1	59433	
7-22-254		147773	2	FLYWHEEL	1	59433	
7-22-255		142887	2	RETAINER	1	59433	
7-22-256		139997	2	WASHER, SPRING	1	59433	
7-22-257		139958	2	DISK	1	59433	
7-22-258		142801	2	HOUSING, BEARING	1	59433	
7-22-259		2539	2	NUT, HEX, 3/8-32 (AP)	1	59433	
7-22-260		73175	2	WASHER, LOCK (AP)	1	59433	
7-22-261		142803	2	SCREW, SET, 10-32 (AP)	1	59433	
7-22-262		124301	2	SPACER (AP)	1	59433	
7-22-263		151660	2	SCREW, FILH, 6-40 BY 7/8 IN. LG (AP)	3	59433	
7-22-264		2191	2	WASHER, LOCK (AP)	3	59433	
7-22-265		171692	2	SHAFT	1	59433	
7-22-266		147775	2	BRACKET, MTG	1	59433	
7-22-267		151630	2	SCREW, HEX HD, 6-40 BY 1/4 IN. LG (AP)	2	59433	
7-22-268		147774	2	CLAMP (AP)	1	59433	
7-22-269		2191	2	WASHER, LOCK (AP)	2	59433	
7-22-270		7002	2	WASHER, FLAT (AP)	2	59433	
7-22-271		291M	2	COIL, MAGNET	1	59433	
7-22-272		142800	2	PLATE, REAR	2	59433	
7-22-273		151724	2	SCREW, HEX HD, 10-32 BY 5/8 IN. LG (AP)	4	59433	
7-22-274		156768	2	SCREW, HEX HD, 8-32 BY 9/32 IN. LG (AP)	6	59433	
7-22-275		2669	2	WASHER, LOCK (AP)	4	59433	
7-22-276		93985	2	WASHER, LOCK (AP)	6	59433	
7-22-277		119421	2	WASHER, FLAT (AP)	6	59433	
7-22-278		161238	2	RECEPTACLE, CONNECTOR, 36 PT	1	59433	
7-22-279		145913	2	RECEPTACLE, CONNECTOR, 25 PT	1	59433	
7-22-280		142898	2	PLUG, CONNECTOR, 24 PT	1	59433	
7-22-281		121242	2	CLAMP, CABLE, 1/8 IN. ID	AR	59433	
7-22-282		155752	2	SLEEVE, INSULATING, 5/64 ID BY 1/2 IN. LG	AR	59433	
7-22-283		155754	2	SLEEVE, INSULATING, 1/16 BY 1/2 IN. LG	AR	59433	

FIG & INDEX NO.	REFERENCE DESIGNATION	PART NUMBER	I N D E N T	DESCRIPTION	QTY PER ASSY	MFR'S CODE	USED ON CODE
7-22-284		151626	2	TERMINAL	AR	59433	
7-22-285		172276	2	CONNECTOR, INSULATED (BLUE)	AR	59433	
7-22-286		171951	2	CONNECTOR, SHIELDING (RED)	AR	59433	
7-22-287		173716	2	TERMINAL, RECEPTACLE	AR	59433	
7-22-288		173941	2	TERMINAL, RECEPTACLE	AR	59433	

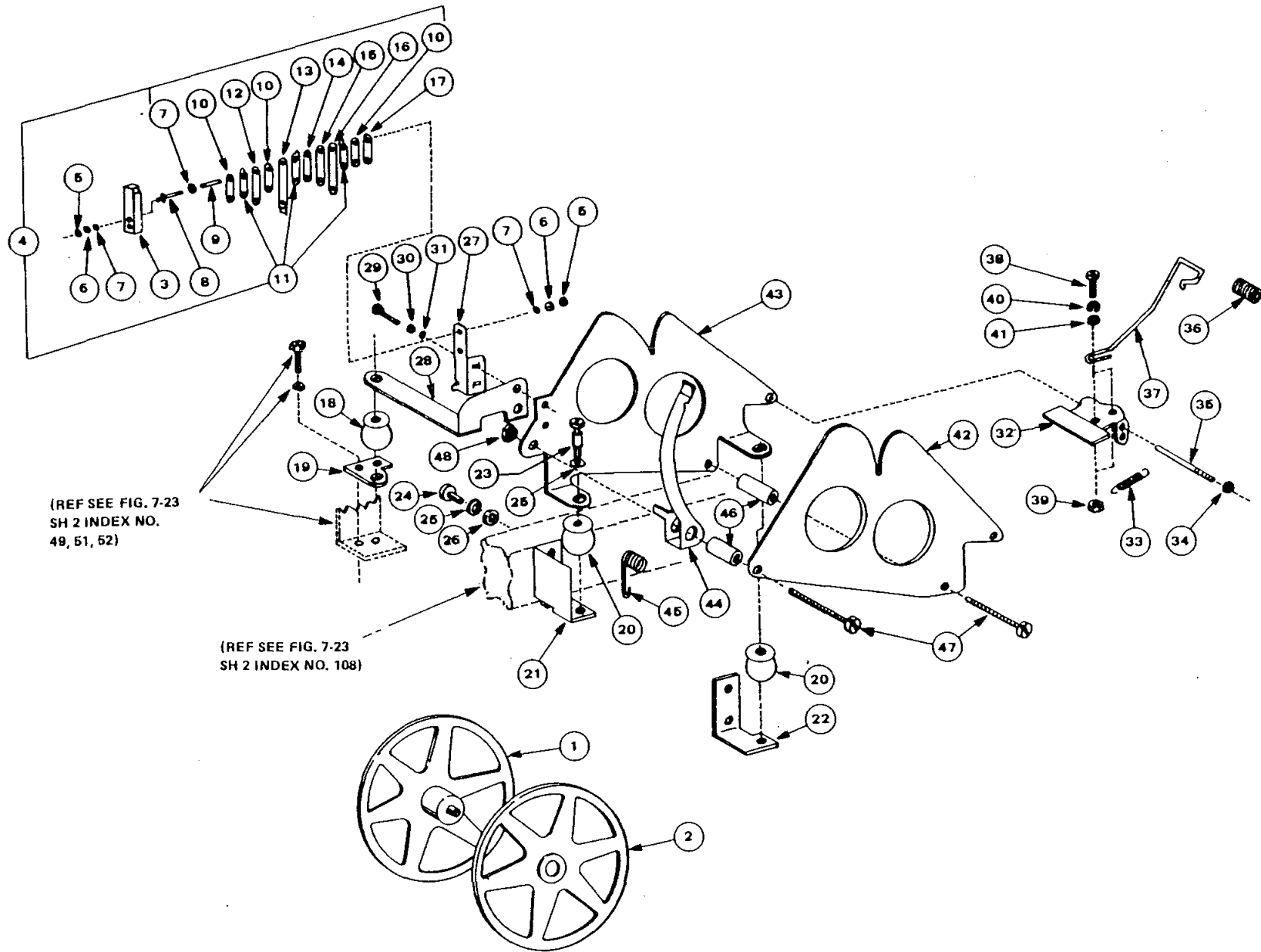


Figure 7-23. Tape Punch Base (Sheet 1 of 2).

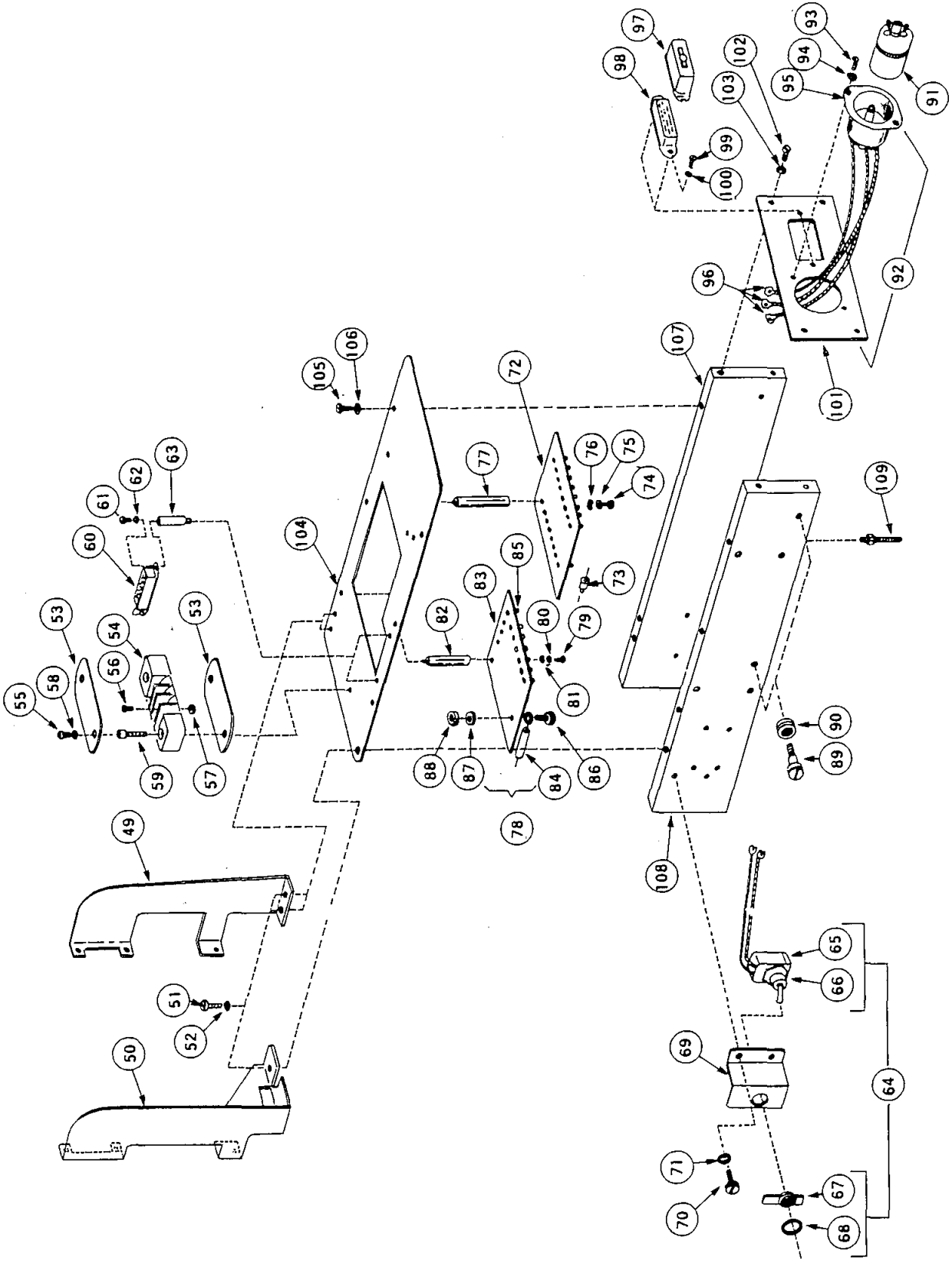


Figure 7-23. Tape Punch Base (Sheet 2 of 2).

FIG & INDEX NO.	REFERENCE DESIGNATION	PART NUMBER	I N D E N T	DESCRIPTION	QTY PER ASSY	MFR'S CODE	USED ON CODE
7-23-0		-----	1	TAPE PUNCH BASE (SEE FIG. 7-21 FOR NHA)	REF		
7-23-1		146689	2	DISK, W/HUB	1	59433	
7-23-2		146690	2	DISK, W/FLANGE	1	59433	
7-23-3		143004	2	COVER, INSULATING	1	59433	
7-23-4		143000	2	CONTACT ASSEMBLY, TAPE OUT	1	59433	
7-23-5		151880	2	NUT, HEX, 4-40 (AP)	4	59433	
7-23-6		3640	2	WASHER, LOCK (AP)	4	59433	
7-23-7		125011	2	WASHER, FLAT (AP)	6	59433	
7-23-8		143003	2	STUD (AP)	2	59433	
7-23-9		41746	3	BUSHING, INSULATING	2	59433	
7-23-10		82548	3	INSULATOR, 0.062 IN.	3	59433	
7-23-11		74728	3	TERMINAL, CONTACT	3	59433	
7-23-12		82097	3	SPRING, CONTACT	1	59433	
7-23-13		84666	3	SPRING, CONTACT	1	59433	
7-23-14		82547	3	INSULATOR, 0.094 IN.	1	59433	
7-23-15		70529	3	STIFFENER	1	59433	
7-23-16		84705	3	SPRING, CONTACT	1	59433	
7-23-17		97266	3	PLATE, CLAMP	1	59433	
7-23-18		179017	2	MOUNT, VIBRATION	1	59433	
7-23-19		148389	2	BRACKET	1	59433	
7-23-20		170863	2	MOUNT, VIBRATION	2	59433	
7-23-21		148386	2	BRACKET, FRONT	1	59433	
7-23-22		148387	2	BRACKET, REAR	1	59433	
7-23-23		161552	2	SCREW, SPL, 10-32 (AP)	3	59433	
7-23-24		74805	2	SCREW, HEX HD, 10-32 BY 3/4 IN. LG (AP)	4	59433	
7-23-25		2669	2	WASHER, LOCK (AP)	7	59433	
7-23-26		3438	2	WASHER, FLAT (AP)	4	59433	
7-23-27		148392	2	BRACKET	1	59433	
7-23-28		148388	2	BRACKET	1	59433	
7-23-29		153537	2	SCREW, HEX HD, 6-40 BY 9/32 IN. LG (AP)	2	59433	
7-23-30		2191	2	WASHER, LOCK (AP)	2	59433	
7-23-31		7002	2	WASHER, FLAT (AP)	2	59433	
7-23-32		14669	2	BRAKE	1	59433	
7-23-33		7615	2	SPRING	1	59433	
7-23-34		119649	2	RING, RETAINING (AP)	2	59433	
7-23-35		142976	2	SHAFT (AP)	1	59433	
7-23-36		146518	2	ROLLER, SPRING	1	59433	
7-23-37		146692	2	GUIDE, TAPE	1	59433	
7-23-38		151658	2	SCREW, FILH, 6-40 BY 5/16 IN. LG (AP)	2	59433	
7-23-39		3598	2	NUT, HEX, 6-40 (AP)	2	59433	
7-23-40		2191	2	WASHER, LOCK (AP)	2	59433	
7-23-41		125011	2	WASHER, FLAT (AP)	2	59433	
7-23-42		124375	2	PLATE, FRONT	1	59433	
7-23-43		148385	2	PLATE, REAR	1	59433	
7-23-44		135670	2	LEVER	1	59433	
7-23-45		139770	2	SPRING, TORSION	1	59433	
7-23-46		142974	2	SPACER, TAPE REEL	2	59433	
7-23-47		80845	2	SCREW, FILH, 10-32 BY 1-7/8 IN. LG (AP)	2	59433	
7-23-48		74036	2	NUT, HEX, 10-32 (AP)	2	59433	
7-23-49		142955	2	BRACKET, LEFT REAR	1	59433	
7-23-50		142956	2	BRACKET, RIGHT REAR	1	59433	
7-23-51		151724	2	SCREW, HEX HD, 10-32 BY 5/8 IN. LG (AP)	3	59433	
7-23-52		2669	2	WASHER, LOCK (AP)	3	59433	
7-23-53		150966	2	INSULATOR, 1-4	2	59433	
7-23-54		151415	2	BLOCK, TERMINAL	1	59433	
7-23-55		151657	2	SCREW, FILH, 6-40 BY 1/4 IN. LG (AP)	2	59433	
7-23-56		111017	2	SCREW, FILH, 6-40 BY 5/16 IN. LG (AP)	4	59433	
7-23-57		1036	2	NUT, HEX, 6-40 (AP)	4	59433	

FIG & INDEX NO.	REFERENCE DESIGNATION	PART NUMBER	I N D E N T	DESCRIPTION	QTY PER ASSY	MFR'S CODE	USED ON CODE
7-23-58		2191	2	WASHER, LOCK (AP)	2	59433	
7-23-59		151335	2	STUD (AP)	2	59433	
7-23-60		142899	2	RECEPTACLE, CONNECTOR 24 PT	1	59433	
7-23-61		98726	2	SCREW, FILH, 3-48 BY 1/4 IN. LG (AP)	2	59433	
7-23-62		70072	2	WASHER, LOCK (AP)	2	59433	
7-23-63		142970	2	POST (AP)	2	59433	
7-23-64		124396	2	SWITCH ASSEMBLY	2	59433	
7-23-65		95320	3	SWITCH, TOGGLE	1	59433	
7-23-66		91683	3	NUT, HEX, 15/32-32	1	59433	
7-23-67		120175	3	PLATE (ON-OFF)	1	59433	
7-23-68		91684	3	NUT, RING, 15/32-32	1	59433	
7-23-69		142915	2	BRACKET, MTG	1	59433	
7-23-70		151657	2	SCREW, FILH, 6-40 BY 1/4 IN. LG (AP)	2	59433	
7-23-71		2191	2	WASHER, LOCK (AP)	2	59433	
7-23-72		142956	2	BOARD, TERMINAL	1	59433	
7-23-73		154661	2	DIODE	9	59433	
7-23-74		151346	2	SCREW, FILH, 6-40 BY 3/8 IN. LG (AP)	2	59433	
7-23-75		2191	2	WASHER, LOCK (AP)	2	59433	
7-23-76		7002	2	WASHER, FLAT (AP)	2	59433	
7-23-77		142953	2	POST (AP)	2	59433	
7-23-78		7005631-00	2	RESISTOR ASSEMBLY	2	90536	
7-23-79		4912524-03	2	SCREW, MACH (AP)	2	90536	
7-23-80		2191	2	WASHER, FLAT (AP)	2	59433	
7-23-81		7002	2	WASHER, FLAT (AP)	2	59433	
7-23-82		7005534-00	2	STUD (AP)	2	90536	
7-23-83		7005535-00	3	BOARD, TERMINAL	1	90536	
7-23-84		908154	3	RESISTOR, FIXED, WIRE- WOUND, 25 OHM +/- 1 %, 25 W	9	90536	
7-23-85		910855	3	TERMINAL, STUD, UNINSUL- ATED, 0/2, TURRET	9	90536	
7-23-86		4912523-05	3	SCREW, MACH, PNH, SLTD- CRES, 4-40 UNC-2A (AP)	18	90536	
7-23-87		MS15795-803	3	WASHER, FLAT, RND, CRES (AP)	18	96906	
7-23-88		MS21044-C04	3	NUT, SLFLKG, HEX, 250 DEG, CRES, 4-40 UNC-3B (AP)	18	96906	
7-23-89		85020	2	SCREW, SHOULDER, 10-32	3	59433	
7-23-90		154697	2	GROMMET, RUBBER	3	59433	
7-23-91		114466	2	RECEPTACLE, CONNECTOR 2 PT	1	59433	
7-23-92		142985	2	CABLE ASSEMBLY, MOTOR	1	59433	
7-23-93		151657	2	SCREW, FILH, 6-40 BY 5/16 IN. LG (AP)	2	59433	
7-23-94		2191	2	WASHER, LOCK (AP)	2	59433	
7-23-95		114467	3	PLUG, CONNECTOR	1	59433	
7-23-96		131098	3	TERMINAL	3	59433	
7-23-97		142898	2	PLUG, CONNECTOR	1	59433	
7-23-98		142899	2	RECEPTACLE, CONNECTOR	1	59433	
7-23-99		98726	2	SCREW, FILH, 3-48 BY 1/4 IN. LG (AP)	2	59433	
7-23-100		70072	2	WASHER, FLAT (AP)	2	59433	
7-23-101		142959	2	PLATE	1	59433	
7-23-102		151723	2	SCREW, HEX HD, 10-32 BY 3/8 IN. LG (AP)	4	59433	
7-23-103		2669	2	WASHER, LOCK (AP)	4	59433	
7-23-104		142952	2	PLATE, MTG	1	59433	
7-23-105		153442	2	SCREW, HEX HD, 10-32 BY 1/2 IN. LG (AP)	5	59433	
7-23-106		2669	2	WASHER, LOCK (AP)	5	59433	
7-23-107		142950	2	BAR, LEFT	1	59433	
7-23-108		142951	2	BAR, RIGHT	1	59433	

FIG & INDEX NO.	REFERENCE DESIGNATION	PART NUMBER	I Z I Z I Z I Z I	DESCRIPTION	QTY PER ASSY	MFR'S CODE	USED ON CODE
7-23-109		142954	2	STUD	4	59433	

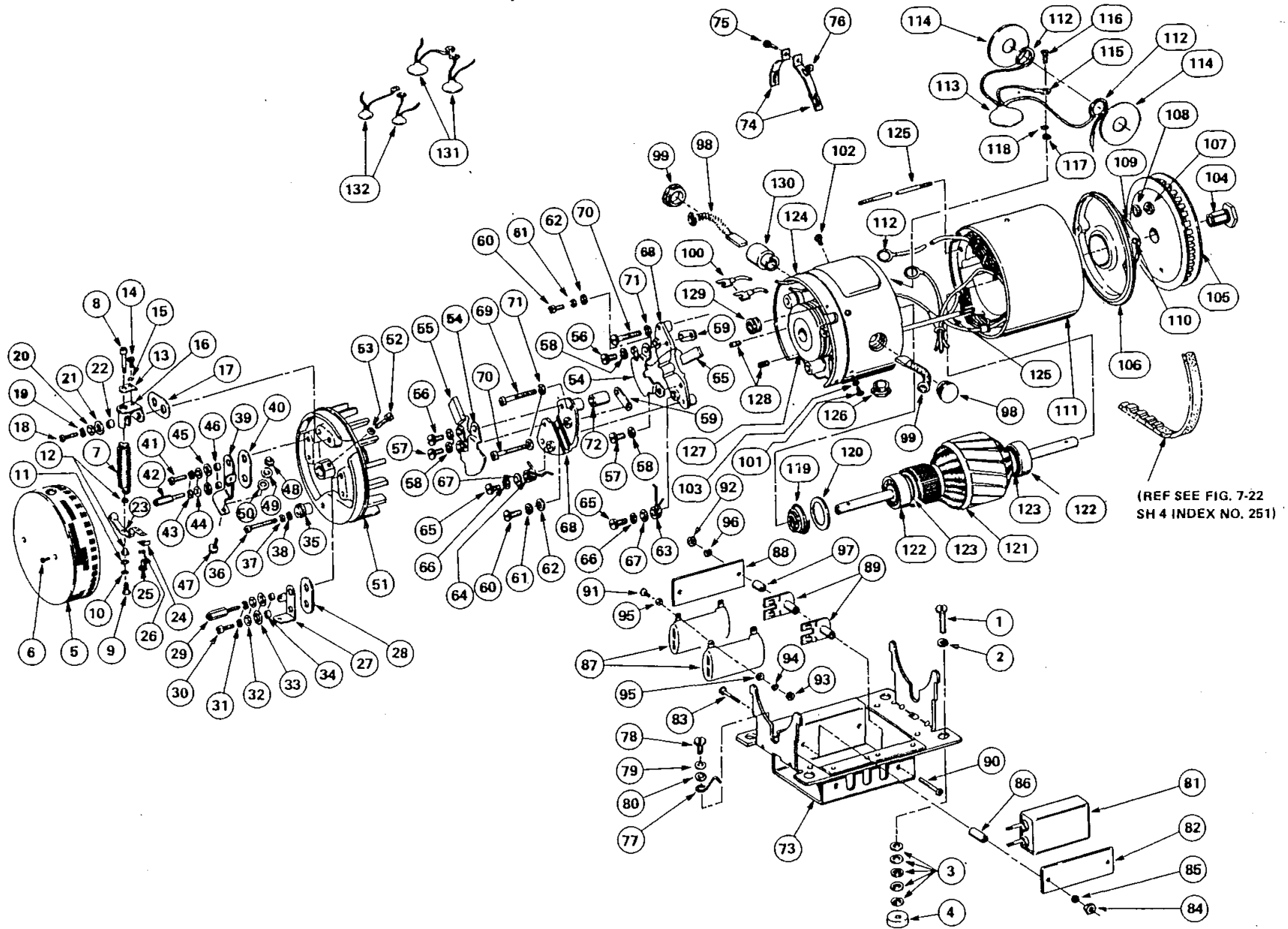


Figure 7-24. Series Governed Motor.

FIG & INDEX NO.	REFERENCE DESIGNATION	PART NUMBER	I N D E N T	DESCRIPTION	QTY PER ASSY	MFR'S CODE	USED ON CODE
7-24-0		LMU6	1	SERIES GOVERNED MOTOR, 1/20 HP 115 V 60 HZ 3,600 RPM (SEE FIG. 7-21 FOR NHA)	REF	59433	
7-24-1		85422	2	SCREW, HEX HD, 10-32 BY 15/16 IN. LG (AP)	4	59433	
7-24-2		3639		WASHER, LOCK (AP)	4	59433	
7-24-3		125733	2	WASHER, FLAT (AP)	20	59433	
7-24-4		102392	2	SPACER, 5/32 IN. THK (AP)	4	59433	
7-24-5		150879	2	COVER, GOVERNOR	1	59433	
7-24-6		98712	2	SCREW, FLAT, 4-40 BY 1/4 IN. LG (AP)	2	59433	
7-24-7		150869	2	SPRING	1	59433	
7-24-8		150865	2	SCREW, CLAMPING, 4-40 (AP)	1	59433	
7-24-9		151637	2	SCREW, FILH, 4-40 BY 1/4 IN. LG (AP)	1	59433	
7-24-10		110743	2	WASHER, LOCK (AP)	1	59433	
7-24-11		125011	2	WASHER, FLAT (AP)	1	59433	
7-24-12		152495	2	BUSHING (AP)	2	59433	
7-24-13		150866	2	CLAMP	1	59433	
7-24-14		151152	2	SCREW, HEX HD, 4-40 BY 3/16 IN. LG (AP)	1	59433	
7-24-15		110743	2	WASHER, LOCK (AP)	1	59433	
7-24-16		150877	2	BRACKET, GUIDE	1	59433	
7-24-17		150850	2	ISULATOR, 0.031 IN. THK	1	59433	
7-24-18		151659	2	SCREW, FILH, 6-40 BY 1/2 IN. LG (AP)	2	59433	
7-24-19		2191	2	WASHER, LOCK (AP)	2	59433	
7-24-20		7002	2	WASHER, FLAT (AP)	2	59433	
7-24-21		150849	2	WASHER, INSULATING (AP)	2	59433	
7-24-22		150868	2	BUSHING, INSULATING (AP)	2	59433	
7-24-23		150856	2	ARM, CONTACT	1	59433	
7-24-24		150857	2	CLAMP	1	59433	
7-24-25		151152	2	SCREW, HEX HD, 4-40 BY 3/16 IN. LG (AP)	1	59433	
7-24-26		110743	2	WASHER, LOCK (AP)	1	59433	
7-24-27		150859	2	BRACKET, MTG	1	59433	
7-24-28		150850	2	INSULATOR, 0.031 IN. THK	1	59433	
7-24-29		150872	2	STUD (AP)	1	59433	
7-24-30		151659	2	SCREW, FILH, 6-40 BY 1/2 IN. LG (AP)	1	59433	
7-24-31		1291	2	WASHER, LOCK (AP)	2	59433	
7-24-32		7002	2	WASHER, FLAT (AP)	2	59433	
7-24-33		150849	2	WASHER, INSULATING (AP)	2	59433	
7-24-34		150868	2	BUSHING, INSULATING (AP)	2	59433	
7-24-35		154375	2	BACKSTOP	1	59433	
7-24-36		151661	2	SCREW, FILH, 6-40 BY 1 IN. LG (AP)	1	59433	
7-24-37		2191	2	WASHER, LOCK (AP)	1	59433	
7-24-38		7002	2	WASHER, FLAT (AP)	1	59433	
7-24-39		150858	2	BRACKET, CONTACT	1	59433	
7-24-40		150850	2	INSULATOR, 0.031 IN. THK	1	59433	
7-24-41		151659	2	SCREW, FILH, 6-40 BY 1/2 IN. LG (AP)	1	59433	
7-24-42		150872	2	STUD (AP)	1	59433	
7-24-43		2191	2	WASHER, LOCK (AP)	2	59433	
7-24-44		7002	2	WASHER, FLAT (AP)	2	59433	
7-24-45		150849	2	WASHER, INSULATING (AP)	2	59433	
7-24-46		150868	2	BUSHING, INSULATING (AP)	2	59433	
7-24-47		6320	2	SCREW, CONTACT, 6-32	1	59433	
7-24-48		6345	2	NUT, HEX, 6-32 (AP)	1	59433	
7-24-49		2191	2	WASHER, LOCK (AP)	1	59433	
7-24-50		7002	2	WASHER, FLAT (AP)	1	59433	
7-24-51		150997	2	FAN, GOVERNOR	1	59433	

FIG & INDEX NO.	REFERENCE DESIGNATION	PART NUMBER	INDEX	DESCRIPTION	QTY PER ASSY	MFR'S CODE	USED ON CODE
7-24-52		151659	2	SCREW, FILH, 6-40 BY 1/2 IN. LG (AP)	1	59433	
7-24-53		2191	2	WASHER, LOCK (AP)	1	59433	
7-24-54		150885	2	PLATE, BRUSH	2	59433	
7-24-55		150882	2	BRUSH, CONTACT	2	59433	
7-24-56		151658	2	SCREW, FILH, 6-40 BY 5/16 IN. LG (AP)	2	59433	
7-24-57		151657	2	SCREW, FILH, 6-40 BY 1/4 IN. LG (AP)	2	59433	
7-24-58		2191	2	WASHER, LOCK (AP)	4	59433	
7-24-59		150886	2	PLATE, CLAMP	2	59433	
7-24-60		151346	2	SCREW, FILH, 6-40 BY 3/8 IN. LG (AP)	2	59433	
7-24-61		2191	2	WASHER, LOCK (AP)	2	59433	
7-24-62		7002	2	WASHER, FLAT (AP)	2	59433	
7-24-63		150880	2	SPRING, GOVERNOR BRUSH	1	59433	
7-24-64		150881	2	SPRING, GOVERNOR BRUSH	1	59433	
7-24-65		151346	2	SCREW, FILH, 6-40 BY 3/8 IN. LG (AP)	1	59433	
7-24-66		2191	2	WASHER, LOCK	2	59433	
7-24-67		7002	2	WASHER, FLAT	2	59433	
7-24-68		150884	2	MOUNTING, BRUSH	2	59433	
7-24-69		151661	2	SCREW, FILH, 6-40 BY 1 IN. LG (AP)	2	59433	
7-24-70		151642	2	SCREW, FILH, 6-40 BY 3/4 IN. LG (AP)	1	59433	
7-24-71		2191	2	WASHER, LOCK (AP)	3	59433	
7-24-72		150873	2	COLLAR (AP)	1	59433	
7-24-73		150976	2	BRACKET, W/CRADLE, MOTOR	1	59433	
7-24-74		151620	2	STRAP, MOTOR RING	2	59433	
7-24-75		151621	2	SCREW, RDH 6-32 BY 3/4 IN. LG (AP)	1	59433	
7-24-76		151622	2	NUT, SQ, 6-32 (AP)	1	59433	
7-24-77		100743	2	CLAMP, CABLE	1	59433	
7-24-78		151631	2	SCREW, HEX HD, 6-40 BY 5/16 IN. LG	1	59433	
7-24-79		2191	2	WASHER, LOCK (AP)	1	59433	
7-24-80		8449	2	SPACER, 0.094 IN. THK (AP)	1	59433	
7-24-81		161579	2	CAPACITOR, 0.5 MICRO-FARAD	1	59433	
7-24-82		150980	2	PLATE, CLAMPING	1	59433	
7-24-83		151661	2	SCREW, FILH, 6-40 BY 1 IN. LG (AP)	1	59433	
7-24-84		3598	2	NUT, HEX, 6-40 (AP)	1	59433	
7-24-85		2191	2	WASHER, LOCK (AP)	1	59433	
7-24-86		150995	2	BUSHING (AP)	1	59433	
7-24-87		161580	2	RESISTOR, 500 OHM	2	59433	
7-24-88		152459	2	BRACKET, MTG	2	59433	
7-24-89		150980	2	PLATE, CLAMPING	1	59433	
7-24-90		162861	2	SCREW, FILH, 6-40 BY 1-7/16 IN. LG (AP)	1	59433	
7-24-91		5740	2	SCREW, FILH, 2-56 BY 1/4 IN. LG (AP)	1	59433	
7-24-92		3598	2	NUT, HEX, 6-40 (AP)	1	59433	
7-24-93		112627	2	NUT, HEX, 2-56 (AP)	1	59433	
7-24-94		61085	2	WASHER, LOCK (AP)	1	59433	
7-24-95		3624	2	WASHER, FLAT (AP)	2	59433	
7-24-96		2191	2	WASHER, LOCK (AP)	1	59433	
7-24-97		73374	2	SPACER, 0.250 IN. THK	1	59433	
7-24-98		122205	2	BRUSH, W/SPRING	2	59433	
7-24-99		122204	2	CAP, BRUSH (AP)	2	59433	
7-24-100		151626	2	TERMINAL	2	59433	
7-24-101		151630	2	SCREW, HEX HD, 6-40 BY 1/4 IN. LG (AP)	1	59433	
7-24-102		153103	2	SCREW, SELF-TAPPING, 4-40 (AP)	1	59433	

FIG & INDEX NO.	REFERENCE DESIGNATION	PART NUMBER	I N D E N T	DESCRIPTION	QTY PER ASSY	MFR'S CODE	USED ON CODE
7-24-103		2191	2	WASHER, LOCK (AP)	1	59433	
7-24-104		102664	2	HUB	1	59433	
7-24-105		171190	2	PULLEY, TOOTHED	1	59433	
7-24-106		122253	2	SHIELD ASSEMBLY, END	1	59433	
7-24-107		151453	2	NUT, HEX, 10-32 (AP)	2	59433	
7-24-108		98642	2	WASHER, LOCK (AP)	2	59433	
7-24-109		153030	2	MOUNT, VIBRATION	1	59433	
7-24-110		122220	2	OILER, BALL	1	59433	
7-24-111		122221	2	STATOR	1	59433	
7-24-112		151455	2	SPRING, HELICAL CLIP	4	59433	
7-24-113		122233	2	CAPACITOR ASSEMBLY	2	59433	
7-24-114		91837	2	WASHER, INSULATING	2	59433	
7-24-115		111062	2	TERMINAL	1	59433	
7-24-116		125143	2	SCREW, FLH, 6-32 BY 3/8 IN. LG (AP)	1	59433	
7-24-117		6345	2	NUT, HEX, 6-32 (AP)	1	59433	
7-24-118		92260	2	WASHER, LOCK (AP)	1	59433	
7-24-119		71999	2	SPRING, MOTOR THRUST	1	59433	
7-24-120		122208	2	WASHER, FLAT	1	59433	
7-24-121		122210	2	ARMATURE, MOTOR	1	59433	
7-24-122		122201	3	BEARING, BALL	2	59433	
7-24-123		122211	3	WASHER, PULL	2	59433	
7-24-124		122200	2	SHIELD ASSEMBLY, END	1	59433	
7-24-125		122202	2	STUD (AP)	2	59433	
7-24-126		153031	3	BUSHING, LEAD	1	59433	
7-24-127		153030	3	MOUNT, VIBRATION	1	59433	
7-24-128		153102	3	SCREW, SET, 8-32	2	59433	
7-24-129		153101	3	GROMMET, RUBBER	1	59433	
7-24-130		122206	3	HOLDER, BRUSH	2	59433	
7-24-131	C1 C2	901316-00	2	CAPACITOR, FIXED, CERAMIC, DISC, 500 V, 10,000 PICO FARAD +/- 20 %	2	59433	
7-24-132	C3 C4	908591-00	2	CAPACITOR, FIXED, CERAMIC, DISC, 500 V, 120 PICO FARAD +/- 10 %	2	59433	

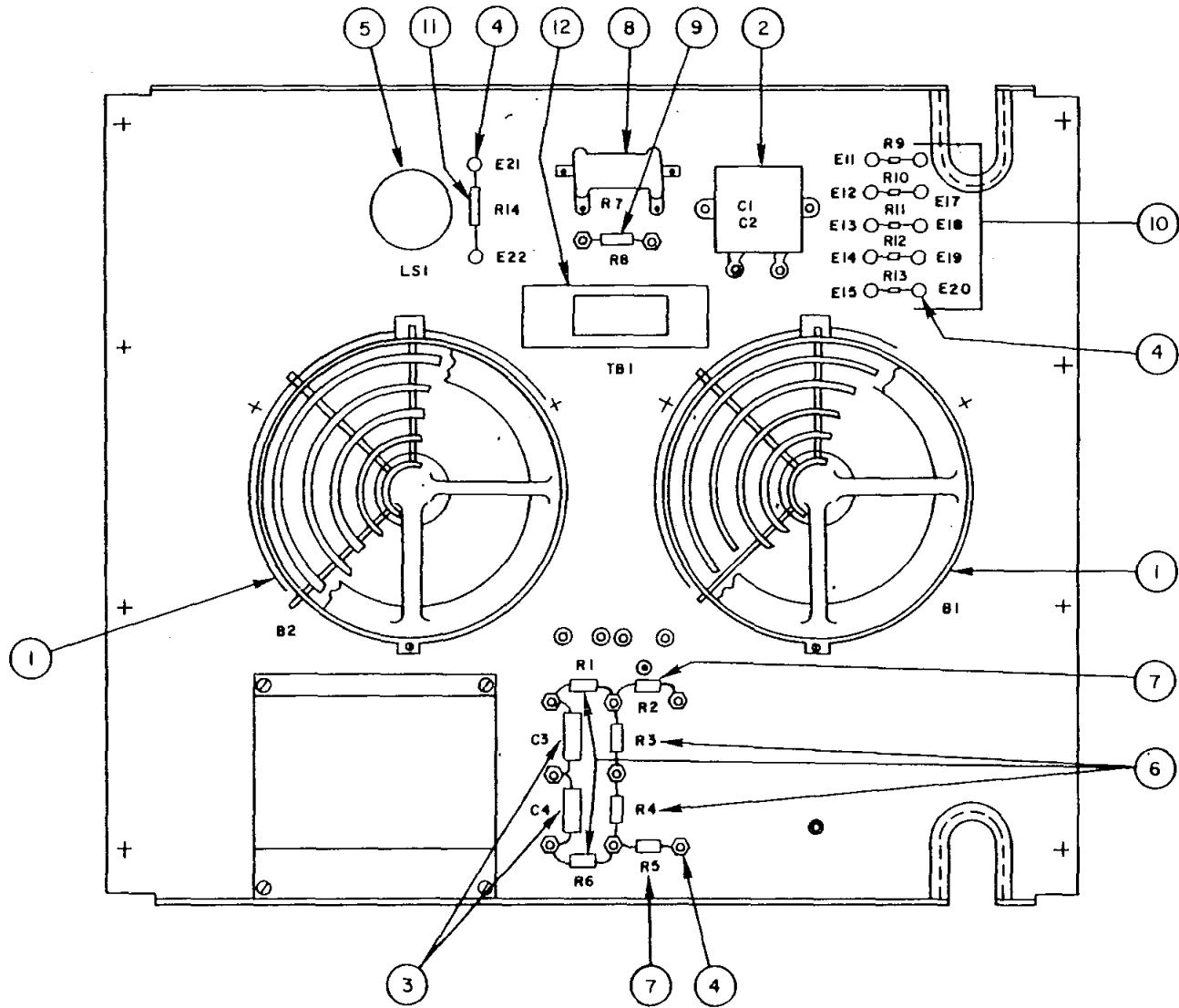


Figure 7-25. Fan Assembly (A4).

FIG & INDEX NO.	REFERENCE DESIGNATION	PART NUMBER	I N D E N T	DESCRIPTION	QTY PER ASSY	MFR'S CODE	USED ON CODE
7-25-0	A4	7029616-00	1	TUBEAXIAL FAN ASSEMBLY, (SEE FIG. 7-2 FOR NHA)	REF	90536	
7-25-1	A4B1	906905-01	2	FAN, TUBEAXIAL, 115 V 50-60 HZ 1-PHASE	2	90536	
7-25-2	A4C1 A4C2	CH531B1MF205K	2	CAPACITOR, FIXED, DIELECTRIC, 600 V, 2 MICROFARAD, +/- 10 %	2	81349	
7-25-3	A4C3 A4C4	CP09A1KC104-K3	2	CAPACITOR, FIXED, PAPER, 200 V, 0.10 MICROFARAD, +/- 10 %	2	81349	
7-25-4	A4E1 THRU E22	910185-02	2	TERMINAL, STUD, INSUL- ATED, STANDOFF	22	90536	
7-25-5	A4LS1	7900874-00	2	HORN, ELECTRICAL, W/SOLID STATE OSC	1	90536	
7-25-6	A4R1 A4R3 A4R4 A4R6	RC42GF471J	2	RESISTOR, FIXED, CMPSN, 470 OHM, +/- 5 %, 2 W	4	81349	
7-25-7	A4R2	RC42GF242J	2	RESISTOR, FIXED, CMPSN, 2.4 K OHM, +/- 5 %, 2 W	2	81349	
7-25-8	A4R5 A4R7	RW21V561	2	RESISTOR, FIXED, WIRE- WOUND, 560 OHM +/- 5 %, 31 W	1	81349	
7-25-9	A4R8	RC42GF561J	2	RESISTOR, FIXED, CMPSN, 560 OHM +/- 5 %, 2 W	1	81349	
7-25-10	A4R9 THRU R13	RC07GF114J	2	RESISTOR, FIXED, CMPSN, 110 K OHM, +/- 5 %, 1/4 W	5	81349	
7-25-11	A4R14	RC42GF331J	2	RESISTOR, FIXED, CMPSN, 330 OHM, +/- 5 %, 2 W	1	81349	
7-25-12	A4TB1	26TB12	2	TERMINAL BOARD, BARRIER TYPE	1	81349	

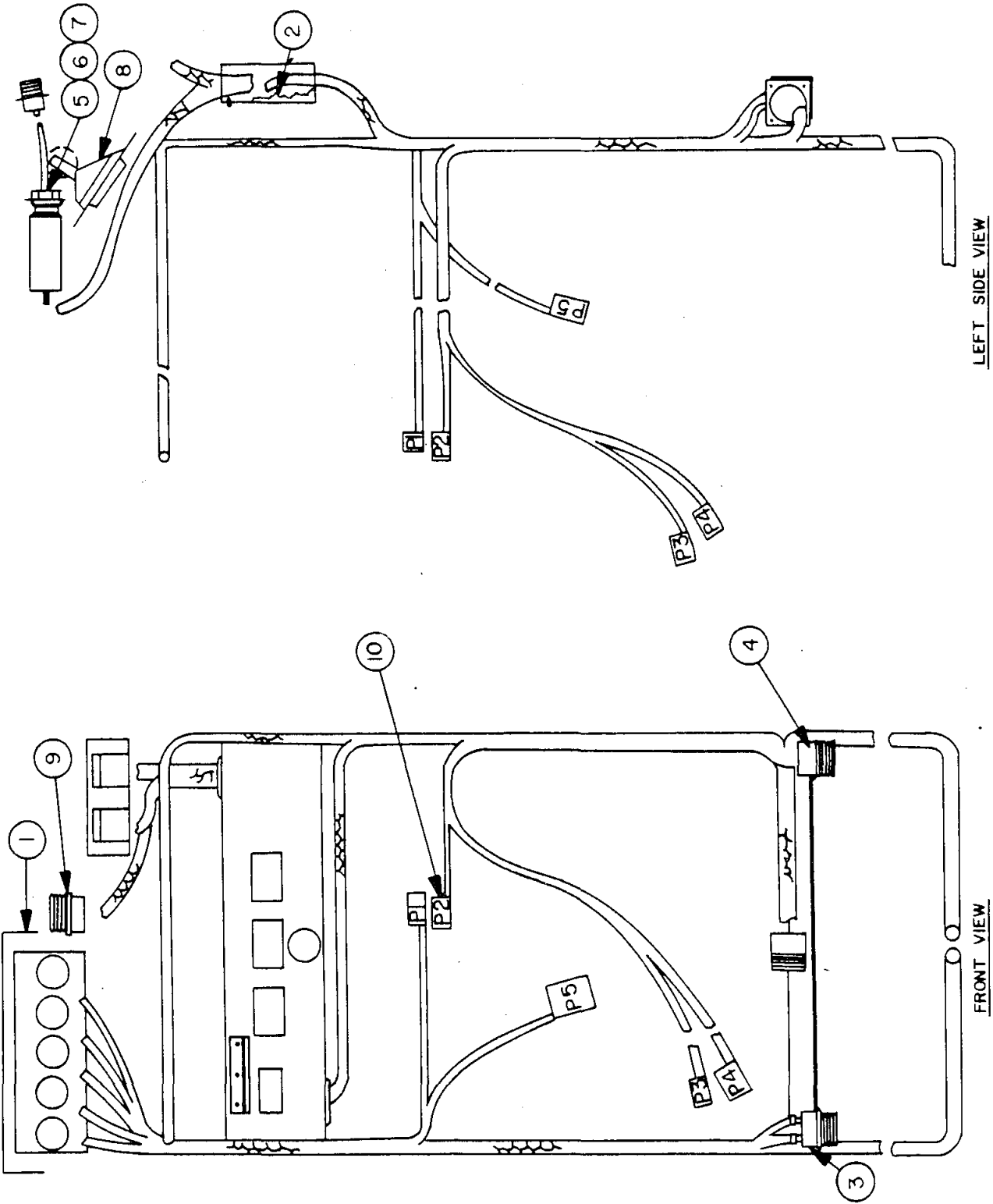


Figure 7-26. Branched Wiring Harness (A5).

FIG & INDEX NO.	REFERENCE DESIGNATION	PART NUMBER	I N D E N T	DESCRIPTION	QTY PER ASSY	MFR'S CODE	USED ON CODE
7-26-0		7029620-00	1	BRANCHED WIRING HARNESS (SEE FIG. 7-2 FOR NHA)	REF	90536	
7-26-1	A5FL1 THRU FL5	7900608-00	2	FILTER, RADIO INTERFER- ENCE, 400 VDC, 20 AMP	5	90536	
7-26-2	A5J1	7900842-00	2	CONNECTOR, RCPT, ELEC, MALE, 189 CONT	1	90536	
7-26-3	A5J2	MS3102A28-21PW	2	CONNECTOR, RCPT, ELEC, MALE, 37 CONT	1	96906	
7-26-4	A5J3	MS3102A28-21PX	2	CONNECTOR, RCPT, ELEC, MALE, 37 CONT	1	96906	
7-26-5	A5J4	7901065-00	2	CONNECTOR, RCPT, ELEC, FEMALE, 3 CONT	1	90536	
7-26-6	A5J5	MS3102A20-15P	2	CONNECTOR, RCPT, ELEC, MALE, 7 CONT	1	96906	
7-26-7	A5J6	MS3102A20-15PW	2	CONNECTOR, RCPT, ELEC, MALE, 7 CONT	1	96906	
7-26-8	A5J7	905989-00	2	CONNECTOR, RCPT, ELEC, MALE, 90 CONT	2	90536	
7-26-9	A5J8 A5J9	MS3102A28-21S	2	CONNECTOR, RCPT, ELEC, FEMALE, 37 CONT	1	96906	
7-26-10	A5P2	MS3106A10-SL3S	2	CONNECTOR, PLUG, ELEC, FEMALE, 3 CONT	1	96906	

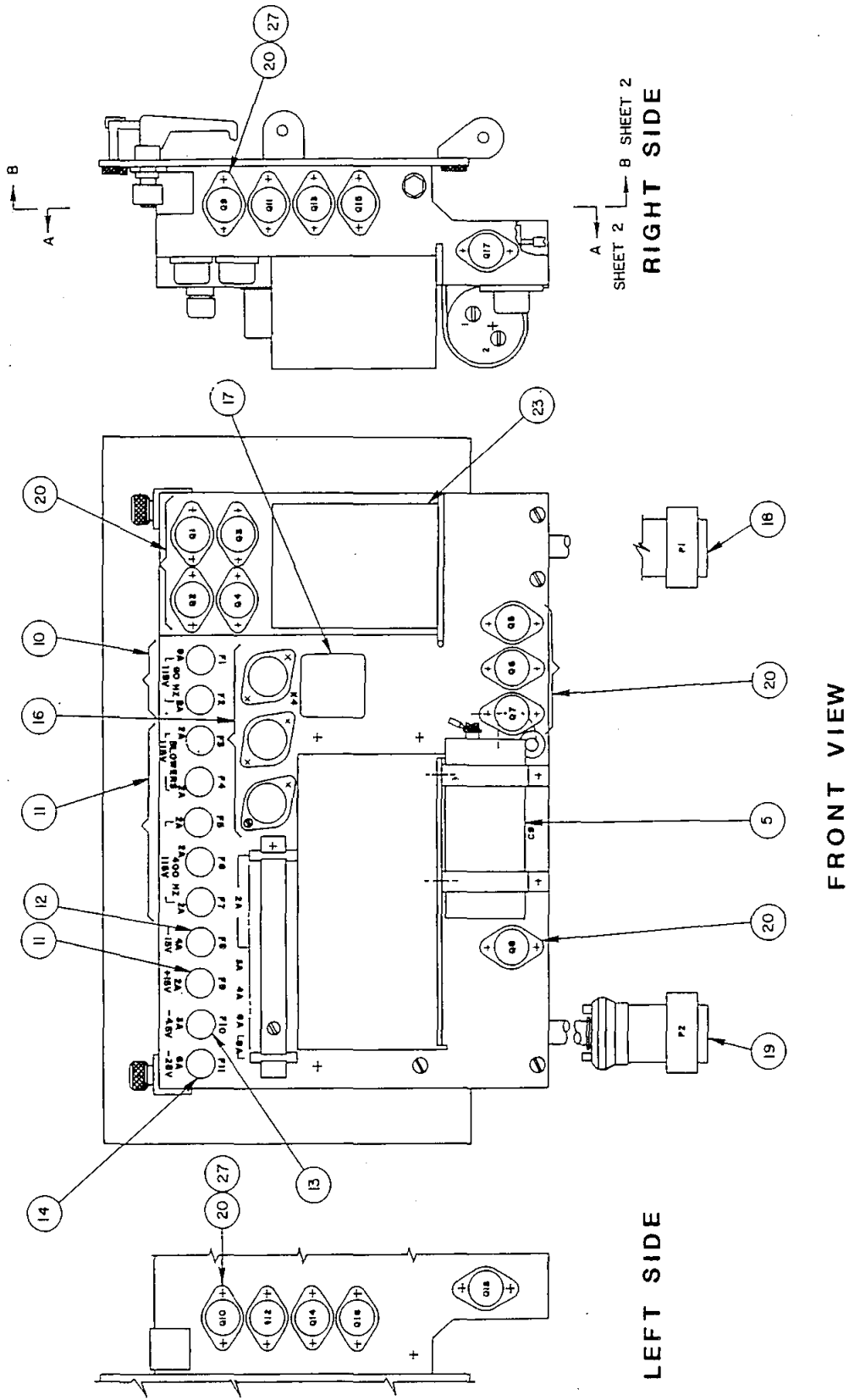
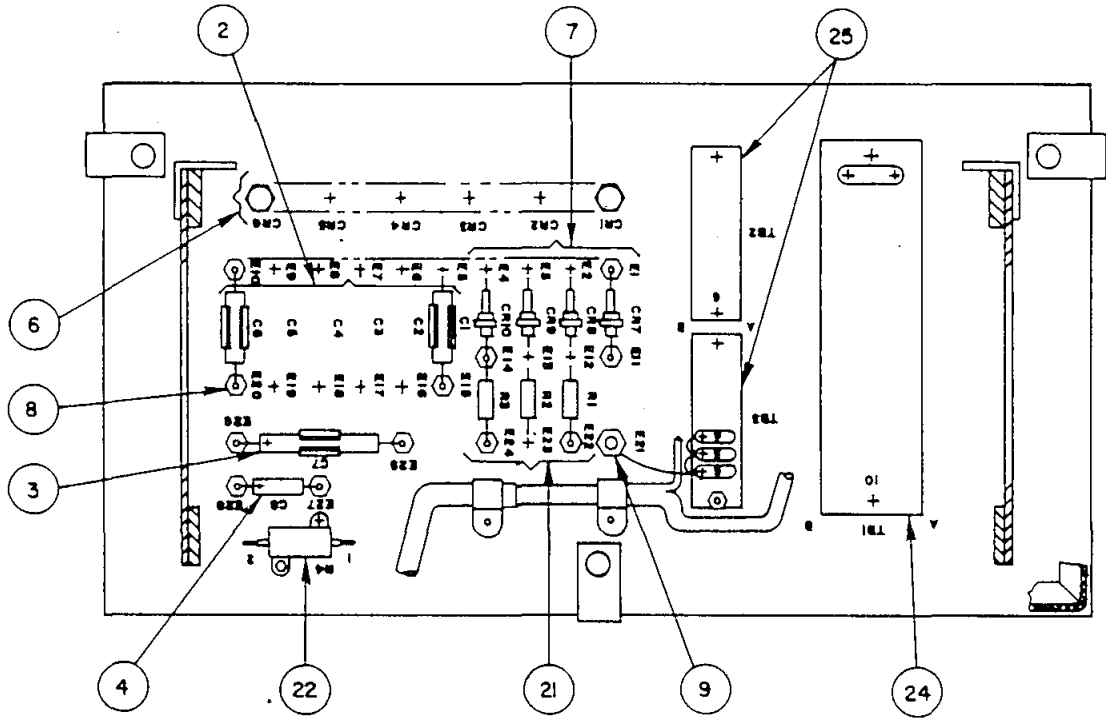
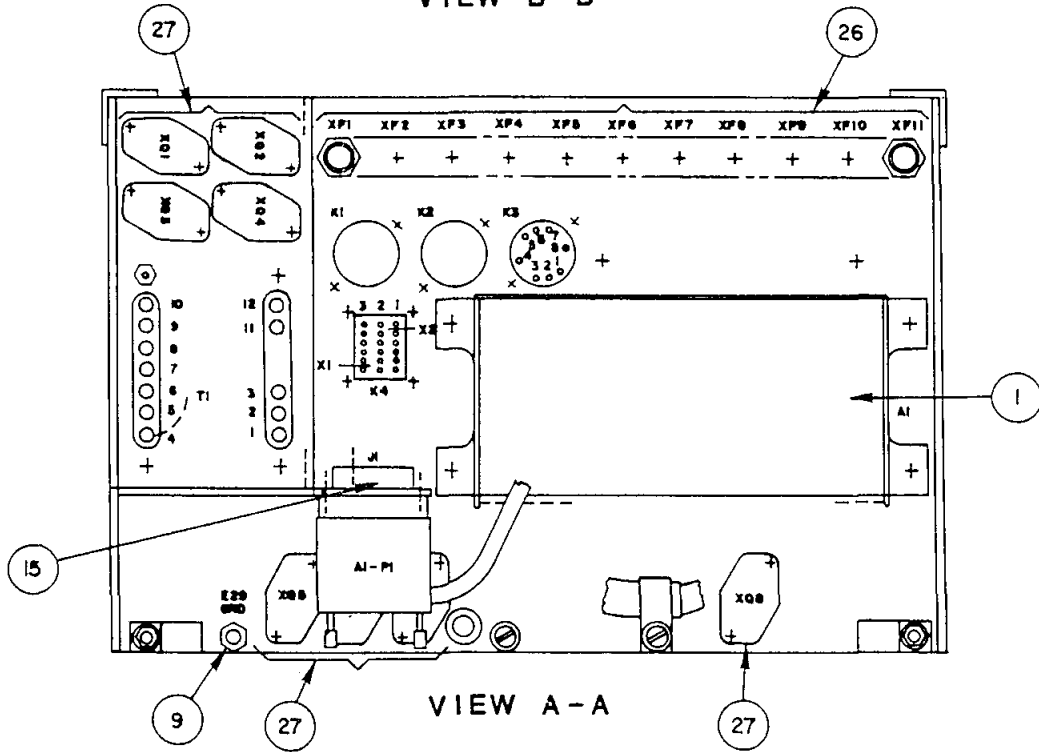


Figure 7-27. Power Supply (A6) (Sheet 1 of 2).



VIEW B-B



VIEW A-A

Figure 7-27. Power Supply (A6) (Sheet 2 of 2).

FIG & INDEX NO.	REFERENCE DESIGNATION	PART NUMBER	I N D E N T	DESCRIPTION	QTY PER ASSY	MFR'S CODE	USED ON CODE
7-27-0	A6	7029636-00	1	POWER SUPPLY (SEE FIG.	REF	90536	A-J
7-27-1	A6PS1	7029636-02 7029644-00	1 2	7-2 FOR NHA) POWER SUPPLY (SEE FIG.	1	90536	K L
7-27-2	A6C1 THRU C6	CP09A1KC104-K3	2	7-28 FOR BREAKDOWN) CAPACITOR, FIXED, PAPER,	6	81349	
7-27-3	A6C7	CL25BH221UP3	2	200 V, 0.10 MICROFARAD, +/- 10 %	1	81349	
7-27-4	A6C8	CL25BJ180TP3	2	CAPACITOR, FIXED, ELEC- TROLYTIC, 30 V, 220	1	81349	
7-27-5	A6C9	M62/12-026	2	MICROFARAD, - 15 +0 75 % CAPACITOR, FIXED, ELEC,	1	96906	
7-27-6	A6CR1 THRU CR6	908293-00	2	50 V, 18 MICROFARAD, -15 TO 50 %	6	90536	
7-27-7	A6CR7 THRU CR10	IN538M	2	CAPACITOR, FIXED, ELEC- TROYTIC, 50 V, 3300	4	81349	
7-27-8	A6E1 THRU E20 A6E22 THRU E28	910185-01	2	MICROFARAD, - 10 +0 75 % SEMICONDUCTOR DEVICE, DIODE, SILICON, POWER	27	90536	
7-27-9	A6E21 A6E29	491250-01	2	SEMICONDUCTOR DEVICE, DIODE, SILICON, POWER	2	90536	
7-27-10	A6F1 A6F2	F03A250V8AS	2	DIODE, SILICON, POWER	2	81349	
7-27-11	A6F3 THRU F7 A6F9 A6F8	F02A250V2AS	2	DIODE, SILICON, POWER	6	81349	
7-27-12	A6F10	F02A250V4AS	2	TERMINAL, STUD, INSUL- ATED, STANDOFF, THREADED	1	81349	
7-27-13	A6F11	F02A250V3AS	2	2 TURRET	1	81349	
7-27-14	A6J1	4913630-00	2	SCREW, MACH, PNH, SLTD	1	90536	
7-27-15	A6K1 THRU K3 A6K4	908365-00	2	FUSE, CARTRIDGE, NORMAL BLOW, 1/4 BY 1-1/4	3	90536	
7-27-16	A6P1	MS25296-A1	2	FUSE, CARTRIDGE, NORMAL BLOW, 1/4 BY 1-1/4	1	96906	
7-27-17	A6P2	MS3106A28-215W	2	FUSE, CARTRIDGE, NORMAL BLOW, 1/4 BY 1-1/4	1	96906	
7-27-18	A6Q1 THRU Q10 A6R1 THRU R3 A6R4	MS3106A28-215X	2	FUSE, CARTRIDGE, NORMAL BLOW, 1/4 BY 1-1/4	1	96906	
7-27-19	A6Q1 THRU Q10	2N297A	2	INSULATOR, ELEC, CONN., FEMALE, 34 CONT	10	81349	
7-27-20	A6R1 THRU R3	RC42GF470J	2	RELAY, ARMATURE, 75 OHM, 20 CONT	3	81349	
7-27-21	A6R4	908154-03	2	RELAY, ARMATURE, 115 VAC 400 HZ, 60 CONT	1	90536	
7-27-22	A6T1	7900088-00	2	CONNECTOR, PLUG, ELEC, FEMALE, 37 CONT	1	90536	
7-27-23	A6TB1	17TB10	2	CONNECTOR, PLUG, ELEC, FEMALE	1	90536	
7-27-24	A6TB2 A6TB3	8TB6	2	TRANSISTOR, PNP, GERMA- NIUM, POWER, 50 W, 40 V	1	81349	
7-27-25	A6XF1 THRU XF11	FHN26G1	2	RESISTOR, FIXED, CMPSN, 47 OHM, +/- 5%, 2W	2	81349	
7-27-26	A6XQ1 THRU XQ10	7900149-00	2	RESISTOR, FIXED, WIRE- WOUND, 470 OHM, +/- 1%, 25 W	11	81349	
7-27-27			2	REACTOR-TRANSFORMER, 115 V 400 HZ 3-PHASE, DELTA	10	90536	
			2	TERMINAL BOARD, BARRIER TYPE, STUD TERMINALS	1	81349	
			2	TERMINAL BOARD, BARRIER TYPE	2	81349	
			2	FUSEHOLDER, NON-INDI- CATING, 1/4 BY 1-1/4, 30 AMP, 250 V	11	81349	
			2	SOCKET, SEMICONDUCTOR DEVICE, TO-3	10	90536	

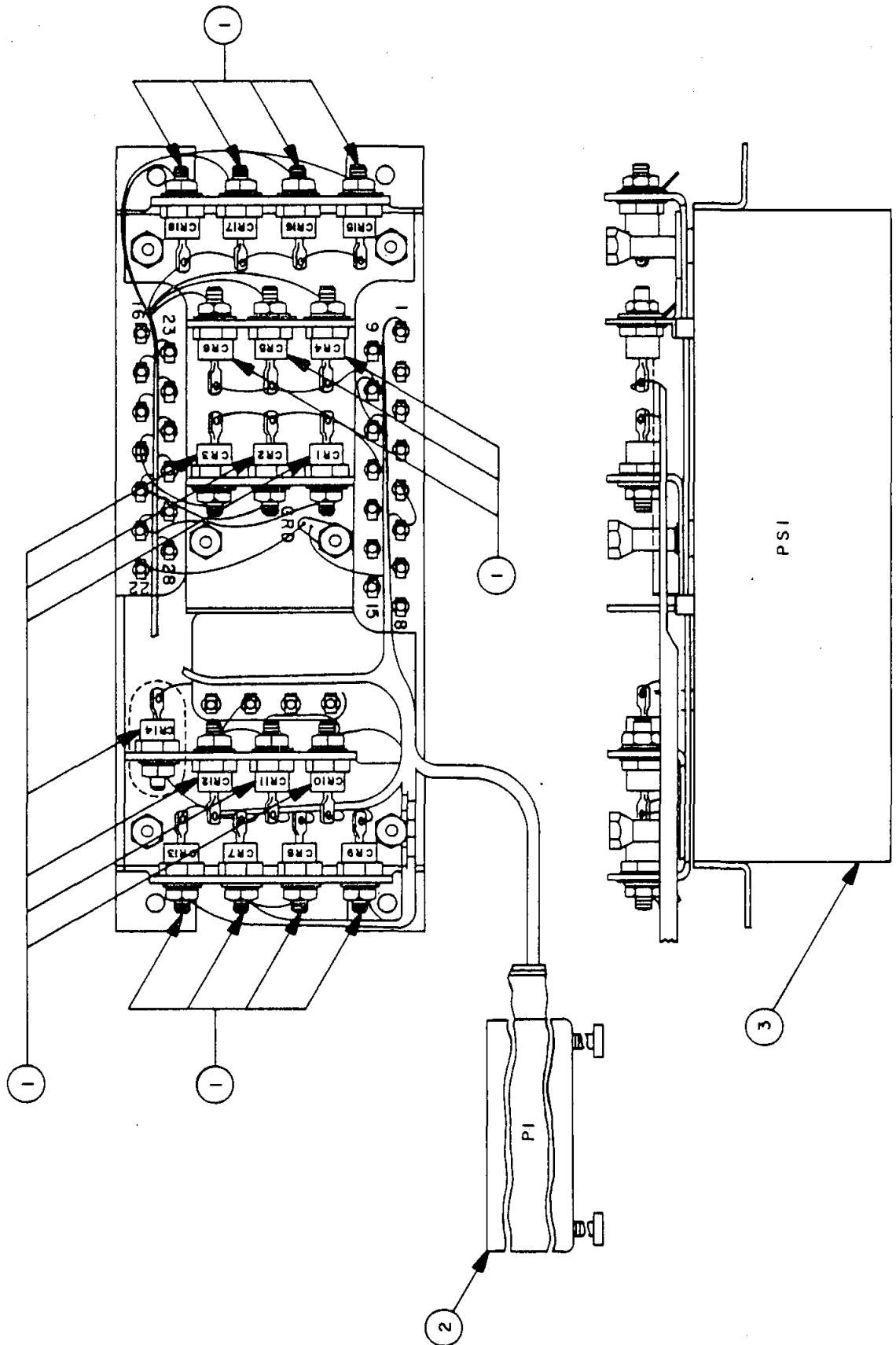


Figure 7-28. Power Supply (A6PS1).

FIG & INDEX NO.	REFERENCE DESIGNATION	PART NUMBER	I N D E N T	DESCRIPTION	QTY PER ASSY	MFR'S CODE	USED ON CODE
7-28-0	A6PS1	7029644-00	1	POWER SUPPLY (SEE FIG. 7-27 FOR NHA)	REF	90536	
7-28-1	A6PS1CR1 THRU CR18	908293-00	2	SEMICONDUCTOR DEVICE, DIODE, SILICON, POWER	18	90536	
7-28-2	A6PS1P1	4913632-00	2	INSULATOR, ELEC, CONN, MALE, 34 CONT	1	90536	
7-28-3	A6PS1T1	7901641-00	2	REACTOR-TRANSFORMER, 115 V 400 HZ 3-PHASE, DELTA	1	90536	

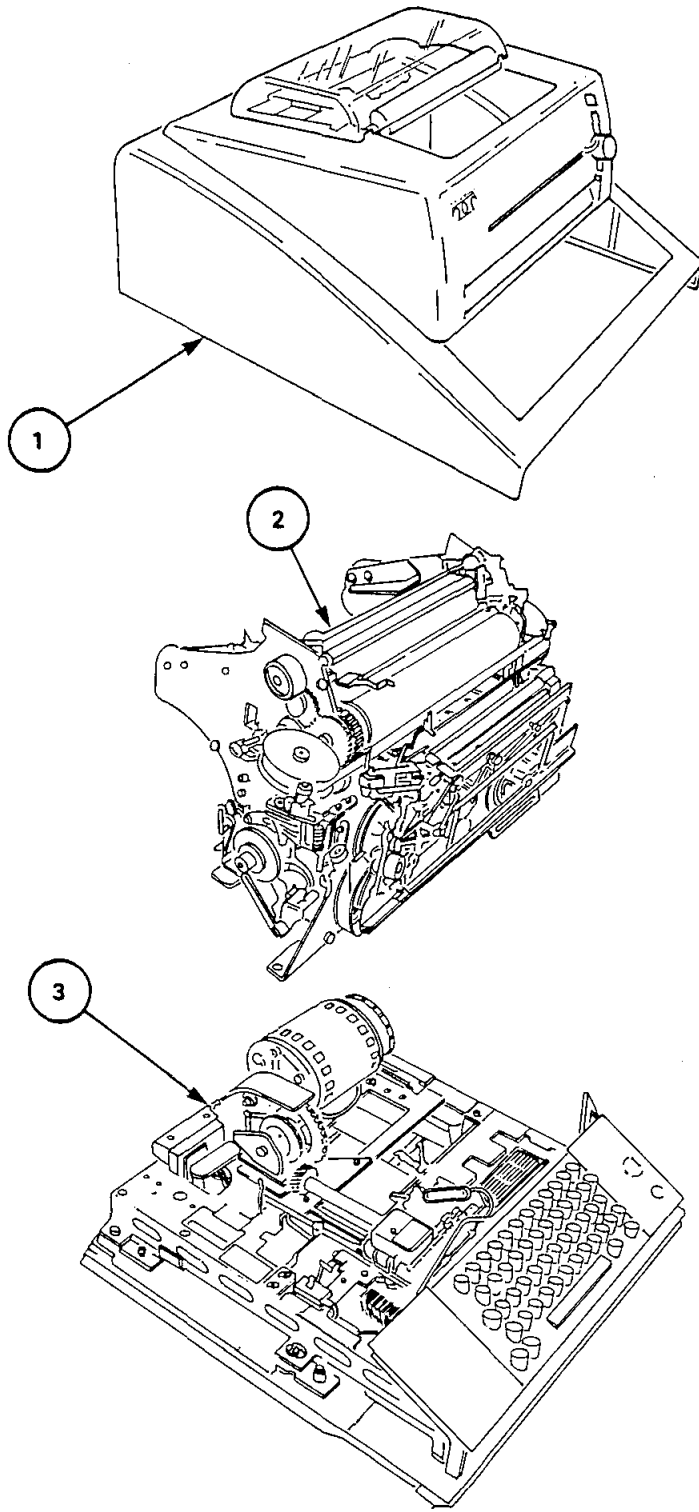


Figure 7-29. Teletypewriter (A7).

FIG & INDEX NO.	REFERENCE DESIGNATION	PART NUMBER	I N D E X T	DESCRIPTION	QTY PER ASSY	MFR'S CODE	USED ON CODE
7-29-0	A7	7901054-00	1	TELETYPEWRITER, (MODI- FIED 7051174-00)(SEE FIG. 7-1 FOR NHA)	REF	90536	
7-29-1		-----	2	UPPER AND LOWER COVER (SEE FIG. 7-30 FOR BREAKDOWN)	1	-----	
7-29-2		LP806TD/ATG	2	TYPING UNIT (SEE FIG. 7-31 FOR BREAKDOWN)	1	-----	
7-29-3		LK802ATD	2	BASE	1	-----	

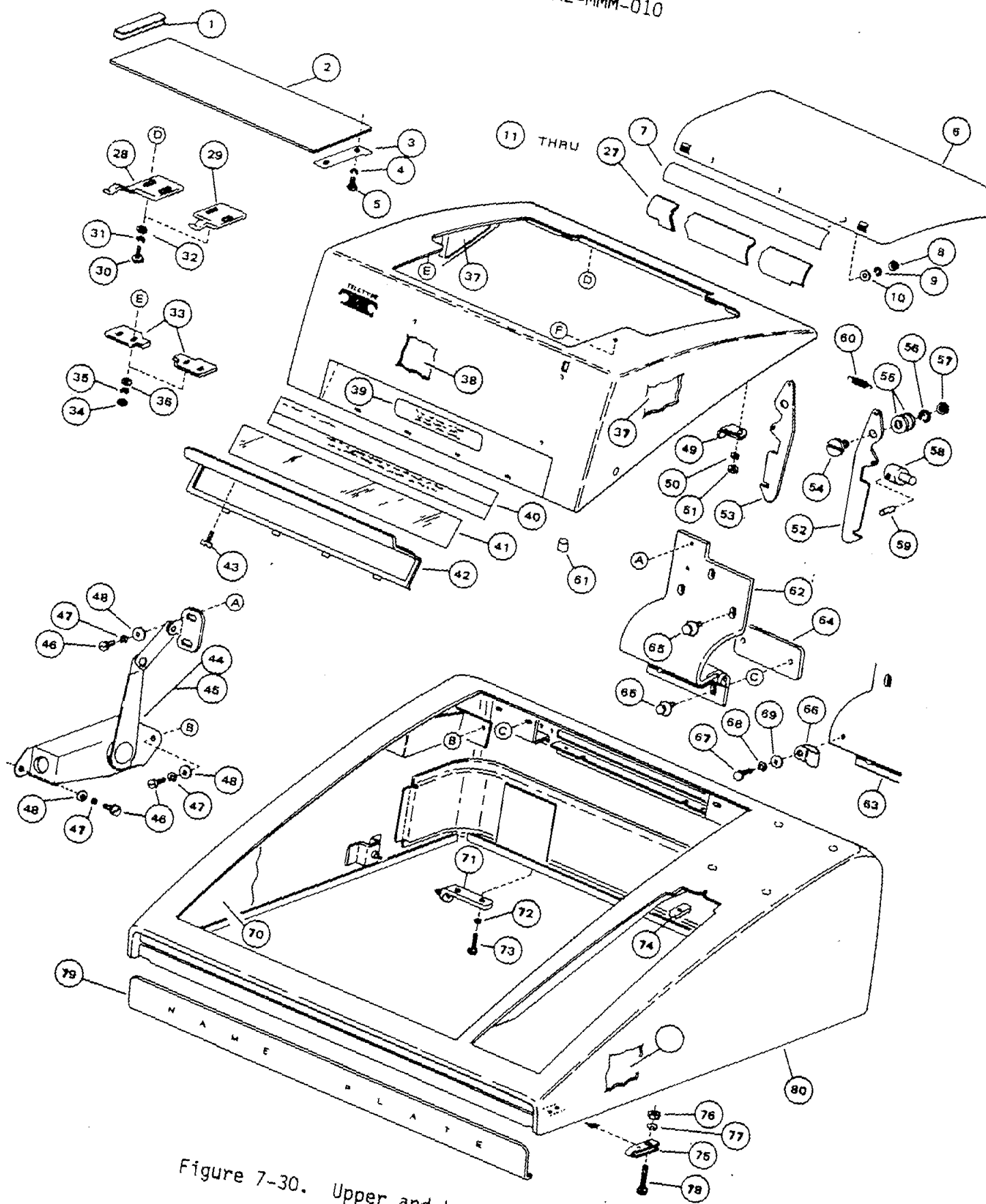


Figure 7-30. Upper and Lower Cover.

FIG & INDEX NO.	REFERENCE DESIGNATION	PART NUMBER	I N D E N T	DESCRIPTION	QTY PER ASSY	MFR'S CODE	USED ON CODE
7-30-0		-----		UPPER AND LOWER COVER (SEE FIG. 7-29 FOR NHA)	REF		
7-30-1		306731	2	GASKET	1	59433	
7-30-2		192073	2	WINDOW, GLASS	1	59433	
7-30-3		194985	2	CLAMP	1	59433	
7-30-4		2191	2	WASHER, LOCK (AP)	1	59433	
7-30-5		151722	2	SCREW, HEX HD, 6-40 BY 3/16 IN. LG	1	59433	
7-30-6		192067	2	BUBBLE	1	59433	
7-30-7		192070	2	GUIDE, FORM	1	59433	
7-30-8		3599	2	NUT, HEX 6-40 (AP)	3	59433	
7-30-9		110743	2	WASHER, LOCK (AP)	3	59433	
7-30-10		2034	2	WASHER, FLAT (AP)	3	59433	
7-30-11		305058	2	GUIDE, 9-1/2 IN. FORM	1	59433	
7-30-12		306670	2	GUIDE, 3-5/8 IN. FORM	1	59433	
7-30-13		306671	2	GUIDE, 4 IN. FORM	1	59433	
7-30-14		306672	2	GUIDE, 4-1/4 IN. OR 4- 5/16 IN. FORM	1	59433	
7-30-15		306673	2	GUIDE, 4-1/2 IN. FORM	1	59433	
7-30-16		306674	2	GUIDE, 5 IN. FORM	1	59433	
7-30-17		306675	2	GUIDE, 5-1/2 IN. FORM	1	59433	
7-30-18		306676	2	GUIDE, 5-3/4 IN. FORM	1	59433	
7-30-19		306677	2	GUIDE, 6 IN. FORM	1	59433	
7-30-20		306678	2	GUIDE, 6-1/4 IN. FORM	1	59433	
7-30-21		306679	2	GUIDE, 6-3/8 IN. FORM	1	59433	
7-30-22		306680	2	GUIDE, 6-1/2 IN. FORM	1	59433	
7-30-23		306681	2	GUIDE, 7 IN. FORM	1	59433	
7-30-24		306682	2	GUIDE, 7-1/2 IN. FORM	1	59433	
7-30-25		306683	2	GUIDE, 8 IN. FORM	1	59433	
7-30-26		306684	2	GUIDE, 8-1/2 IN. FORM	1	59433	
7-30-27		306685	2	GUIDE, 9 IN. FORM	1	59433	
7-30-28		192069	2	BRACKET, LEFT PIVOT	1	59433	
7-30-29		192068	2	BRACKET, RIGHT PIVOT	1	59433	
7-30-30		153537	2	SCREW, HEX HD, 6-40 BY 9/16 IN. LG (AP)	4	59433	
7-30-31		2191	2	WASHER, LOCK (AP)	4	59433	
7-30-32		7002	2	WASHER, FLAT (AP)	4	59433	
7-30-33		192149	2	PLATE, LATCH	2	59433	
7-30-34		3598	2	NUT, HEX, 6-40 (AP)	4	59433	
7-30-35		2191	2	WASHER, LOCK (AP)	4	59433	
7-30-36		7002	2	WASHER, FLAT (AP)	4	59433	
7-30-37		192296	2	PAD, UPPER COVER, SIDE	2	59433	
7-30-38		192115	2	PAD, UPPER COVER, FRONT	1	59433	
7-30-39		195629	2	PLATE	1	59433	
7-30-40		195872	2	LABLE	1	59433	
7-30-41		192103	2	WINDOW, PLASTIC	1	59433	
7-30-42		199308	2	GUIDE	1	59433	
7-30-43		151657	2	SCREW, FILH, 6-40 BY 1/4 IN. LG	4	59433	
7-30-44		192278	2	ARM, RIGHT COUNTER- BALANCE	1	59433	
7-30-45		192279	2	ARM, LEFT COUNTERBALANCE	1	59433	
7-30-46		151631	2	SCREW, HEX HD, 6-40 BY 5/16 IN. LG (AP)	8	59433	
7-30-47		2191	2	WASHER, LOCK (AP)	8	59433	
7-30-48		7002	2	WASHER, FLAT (AP)	8	59433	
7-30-49		121243	2	CLAMP, CABLE, 3/16 IN. ID	1	59433	
7-30-50		7002	2	WASHER, FLAT (AP)	1	59433	
7-30-51		3598	2	NUT, HEX, 6-40 (AP)	1	59433	
7-30-52		194966	2	LATCH, DOME, RIGHT	1	59433	
7-30-53		194966	2	LATCH, DOME, LEFT	1	59433	
7-30-54		70720	2	SCREW, SHOULDER, 10-32 (AP)	2	59433	
7-30-55		101633	2	WASHER, FLAT (AP)	4	59433	
7-30-56		2669	2	WASHER, LOCK (AP)	2	59433	
7-30-57		74807	2	NUT, HEX, 10-32 (AP)	2	59433	

FIG & INDEX NO.	REFERENCE DESIGNATION	PART NUMBER	I N D E N T	DESCRIPTION	QTY PER ASSY	MFR'S CODE	USED ON CODE
7-30-58		192267	2	BUTTON	2	59433	
7-30-59		160664	2	PIN, ROLL	2	59433	
7-30-60		88891	2	SPRING	2	59433	
7-30-61		178707	2	BUMPER	2	59433	
7-30-62		192256	2	HINGE, LEFT	1	59433	
7-30-63		192276	2	HINGE, RIGHT	1	59433	
7-30-64		194823	2	PLATE, NUT	1	59433	
7-30-65		194988	2	SCREW, SPL (AP)	10	59433	
7-30-66		121243	2	CLAMP, CABLE, 3/16 IN. ID	1	59433	
7-30-67		151631	2	SCREW, HEX HD, 6-40 BY 5/16 IN. LG (AP)	1	59433	
7-30-68		2191	2	WASHER, LOCK (AP)	1	59433	
7-30-69		7002	2	WASHER, FLAT (AP)	1	59433	
7-30-70		192293	2	PAD, LOWER COVER, SIDE	2	59433	
7-30-71		194904	2	HINGE, W/PIN	2	59433	
7-30-72		3646	2	WASHER, LOCK (AP)	2	59433	
7-30-73		124612	2	SCREW, HEX HD, 8-32 BY 1/2 IN. LG (AP)	2	59433	
7-30-74		192286	2	NUT, SPEED	1	59433	
7-30-75		194983	2	RETAINER	1	59433	
7-30-76		112626	2	NUT, HEX, 10-32 (AP)	1	59433	
7-30-77		2669	2	WASHER, LOCK (AP)	1	59433	
7-30-78		151725	2	SCREW, FILH, 10-32 BY 3/4 IN. LG (AP)	1	59433	
7-30-79		199257	2	PLATE, NAME	1	59433	
7-30-80		192059	2	COVER, LOWER	1	59433	

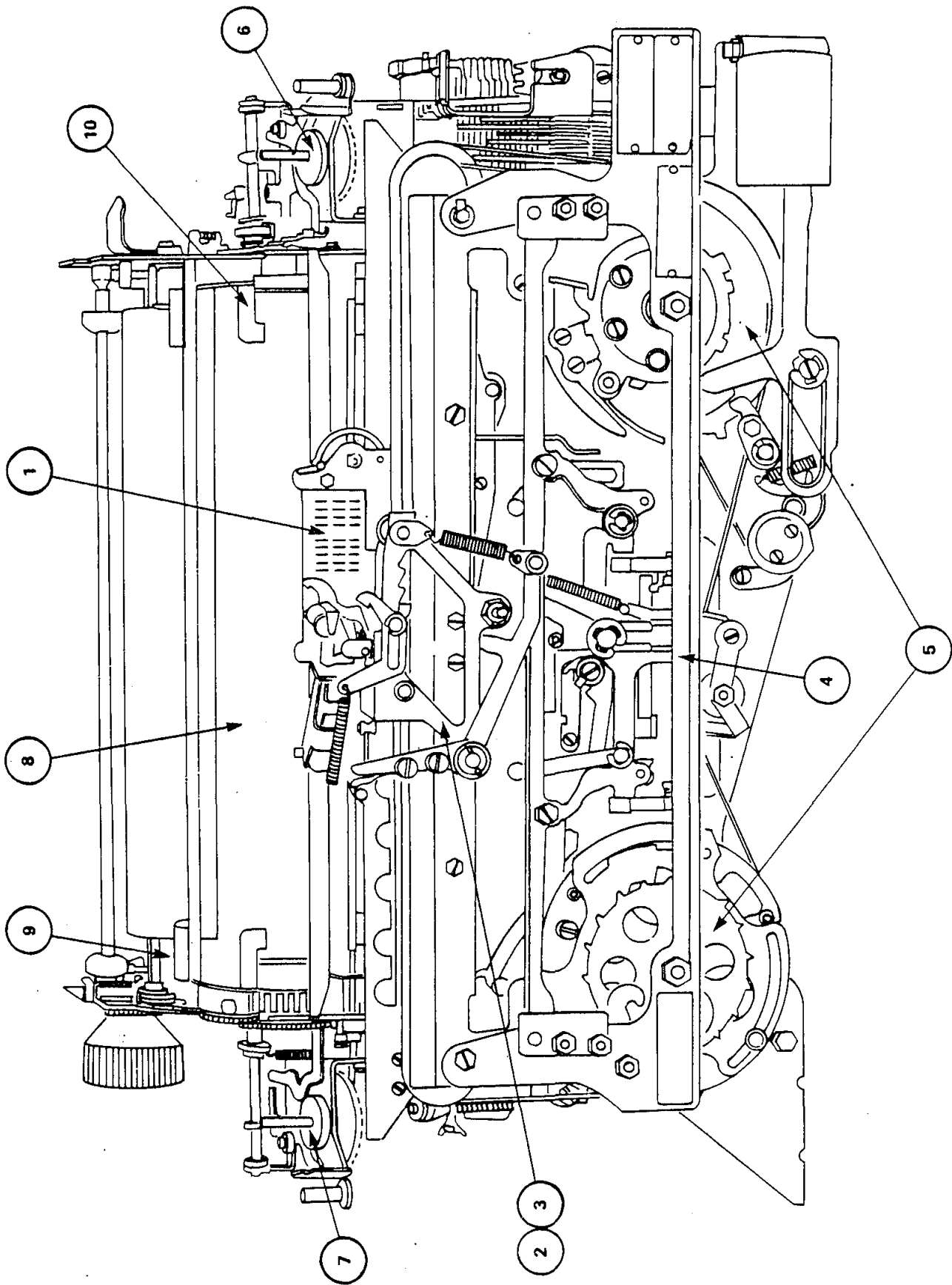


Table 7-31. Print Unit.

FIG & INDEX NO.	REFERENCE DESIGNATION	PART NUMBER	I N D E N T	DESCRIPTION	QTY PER ASSY	MFR'S CODE	USED ON CODE
7-31-0		-----	1	TYPING UNIT (SEE FIG. 7-29 FOR NHA)	REF	-----	
7-31-1		-----	2	TYPEPALLET BOX (SEE FIG. 7-32 FOR BREAKDOWN)	1	-----	
7-31-2		173260	2	CARRIAGE ASSEMBLY (SEE FIG. 7-33 FOR BREAKDOWN)	1	59433	
7-31-3		-----	2	RIGHT SIDE LINKAGE AND TYPE BOX CARRIAGE MECH- ANISM (SEE FIG. 7-34 FOR BREAKDOWN)	1	-----	
7-31-4		-----	2	FRONT PLATE MECHANISM (SEE FIG. 7-35 FOR BREAKDOWN)	1	-----	
7-31-5		-----	2	CARRIAGE RETURN AND SPACING DRUM MECHANISM (SEE FIG. 7-36 FOR BREAKDOWN)	1	-----	
7-31-6		-----	2	RIGHT RIBBON FEED MECH- ANISM (SEE FIG. 7-37 FOR BREAKDOWN)	1	-----	
7-31-7		-----	2	LEFT RIBBON FEED MECH- ANISM (SEE FIG. 7-38 FOR BREAKDOWN)	1	-----	
7-31-8		-----	2	PLATEN AND LINE FEED MECHANISM (SEE FIG. 7-39 FOR BREAKDOWN)	1	-----	
7-31-9		-----	2	PAPER SPINDLE AND RESET BAIL MECHANISM (SEE FIG. 7-40 FOR BREAKDOWN)	1	-----	
7-31-10		-----	2	PRESSURE ROLLER MECHAN- ISM (SEE FIG. 7-41 FOR BREAKDOWN)	1	-----	

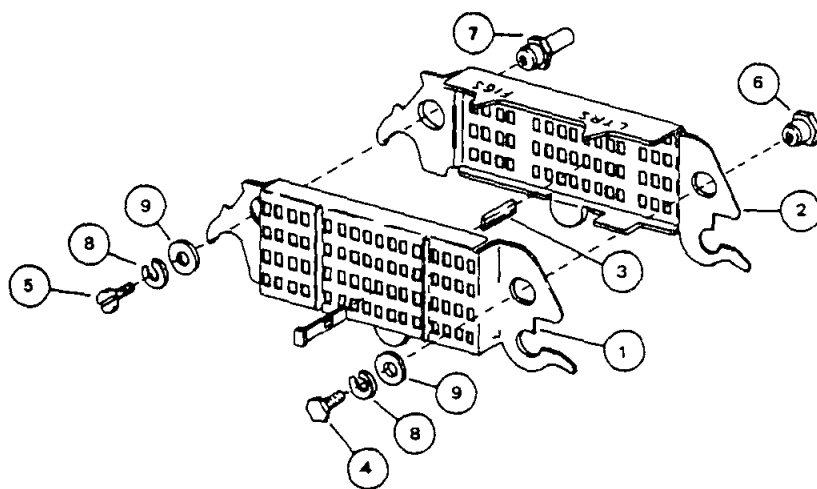


Figure 7-32. Typepallet Box.

FIG & INDEX NO.	REFERENCE DESIGNATION	PART NUMBER	I N D E N T	DESCRIPTION	QTY PER ASSY	MFR'S CODE	USED ON CODE
7-32-0		-----	1	TYPEPALLET BOX (SEE FIG. 7-31 FOR NHA)	REF	-----	
7-32-1		179397	2	PLATE, REAR TYPE BOX	1	59433	
7-32-2		179396	2	PLATE, FRONT TYPE BOX	1	59433	
7-32-3		157238	2	SPRING	60	59433	
7-32-4		151738	2	SCREW, IDENTIFICATION (AP)	1	59433	
7-32-5		110434	2	SCREW, FILH, 4-40 BY 3/16 IN. LG (AP)	1	59433	
7-32-6		150078	2	NUT, SHOULDER, HEX, 4-40 (AP)	1	59433	
7-32-7		150079	2	STUD (AP)	1	59433	
7-32-8		110743	2	WASHER, LOCK (AP)	2	59433	
7-32-9		125011	2	WASHER, FLAT (AP)	2	59433	

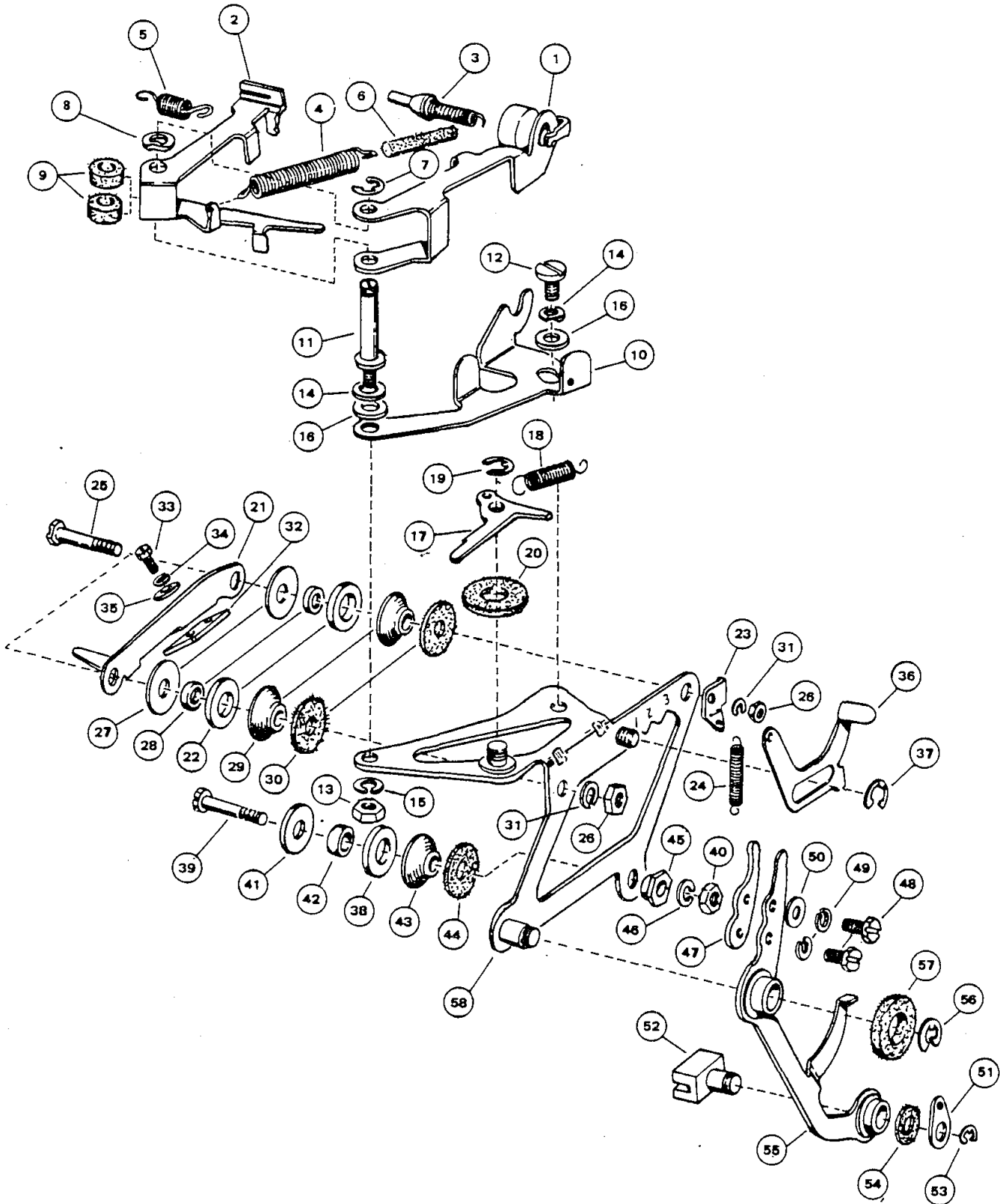


Figure 7-33. Carriage Assembly.

FIG & INDEX NO.	REFERENCE DESIGNATION	PART NUMBER	I N D E N T	DESCRIPTION	QTY PER ASSY	MFR'S CODE	USED ON CODE
7-33-0		173260	1	CARRIAGE ASSEMBLY (SEE FIG. 7-31 FOR NHA)	1	59433	
7-33-1		150059	2	BAIL	1	59433	
7-33-2		150054	2	BAIL W/ROLLER	1	59433	
7-33-3		304740	2	HEAD, PRINT HAMMER	1	59433	
7-33-4		154638	2	SPRING	1	59433	
7-33-5		152129	2	SPRING	1	59433	
7-33-6		108199	2	WICK, FELT	1	59433	
7-33-7		119651	2	RING, RETAINING (AP)	1	59433	
7-33-8		94674	2	WASHER, CUP (AP)	1	59433	
7-33-9		156572	2	WASHER, FELT (AP)	2	59433	
7-33-10		150065	2	BRACKET, STOP	1	59433	
7-33-11		150064	2	STUD (AP)	1	59433	
7-33-12		151692	2	SCREW, FILH, 6-40 BY 3/16 IN. LG (AP)	1	59433	
7-33-13		3598	2	NUT, HEX, 6-40 (AP)	1	59433	
7-33-14		90599	2	SHIM, 0.008 IN. THK (AP)	1	59433	
7-33-15		2191	2	WASHER, LOCK (AP)	2	59433	
7-33-16		7002	2	WASHER, FLAT (AP)	2	59433	
7-33-17		150038	2	LATCH	1	59433	
7-33-18		49420	2	SPRING	1	59433	
7-33-19		119651	2	RING, RETAINING (AP)	1	59433	
7-33-20		150923	2	WASHER, FELT (AP)	1	59433	
7-33-21		164313	2	BRACKET	1	59433	
7-33-22		150030	2	ROLLER, BEARING	2	59433	
7-33-23		153600	2	BRACKET, SPRING	1	59433	
7-33-24		76299	2	SPRING	1	59433	
7-33-25		151695	2	SCREW, FILH, 6-40 BY 5/8 IN. LG (AP)	2	59433	
7-33-26		3598	2	NUT, HEX, 6-40 (AP)	2	59433	
7-33-27		151610	2	WASHER, FLAT (AP)	2	59433	
7-33-28		151611	2	BUSHING (AP)	2	59433	
7-33-29		151612	2	SPACER (AP)	2	59433	
7-33-30		93356	2	WASHER, FELT (AP)	2	59433	
7-33-31		2191	2	WASHER, LOCK (AP)	2	59433	
7-33-32		150230	2	PLATE	1	59433	
7-33-33		151152	2	SCREW, HEX HD, 4-40 BY 3/16 IN. LG (AP)	2	59433	
7-33-34		110743	2	WASHER, LOCK (AP)	2	59433	
7-33-35		125011	2	WASHER, FLAT	2	59433	
7-33-36		150053	2	BRACKET	1	59433	
7-33-37		119651	2	RING, RETAINING (AP)	1	59433	
7-33-38		150030	2	ROLLER, BEARING	1	59433	
7-33-39		151695	2	SCREW, FILH, 6-40 BY 5/8 IN. LG (AP)	1	59433	
7-33-40		3598	2	NUT, HEX, 6-40 (AP)	1	59433	
7-33-41		151610	2	WASHER, FLAT (AP)	1	59433	
7-33-42		151611	2	BUSHING (AP)	1	59433	
7-33-43		151612	2	SPACER (AP)	1	59433	
7-33-44		93356	2	WASHER, FELT (AP)	1	59433	
7-33-45		151443	2	ECCENTRIC	1	59433	
7-33-46		2191	2	WASHER, LOCK (AP)	1	59433	
7-33-47		151709	2	ARM	1	59433	
7-33-48		151630	2	SCREW, HEX HD, 6-40 BY 1/4 IN. LG (AP)	2	59433	
7-33-49		2191	2	WASHER, LOCK (AP)	2	59433	
7-33-50		8330	2	WASHER, FLAT (AP)	2	59433	
7-33-51		173259	2	LINK	1	59433	
7-33-52		150039	2	SLIDE, PRINTING ARM	1	59433	
7-33-53		119652	2	RING, RETAINING (AP)	1	59433	
7-33-54		101796	2	WASHER, FELT (AP)	1	59433	
7-33-55		150068	2	ARM	1	59433	
7-33-56		119652	2	RING, RETAINING (AP)	1	59433	
7-33-57		93356	2	WASHER, FELT (AP)	1	59433	
7-33-58		153820	2	FRAME, PRINTING CARRIAGE	1	59433	

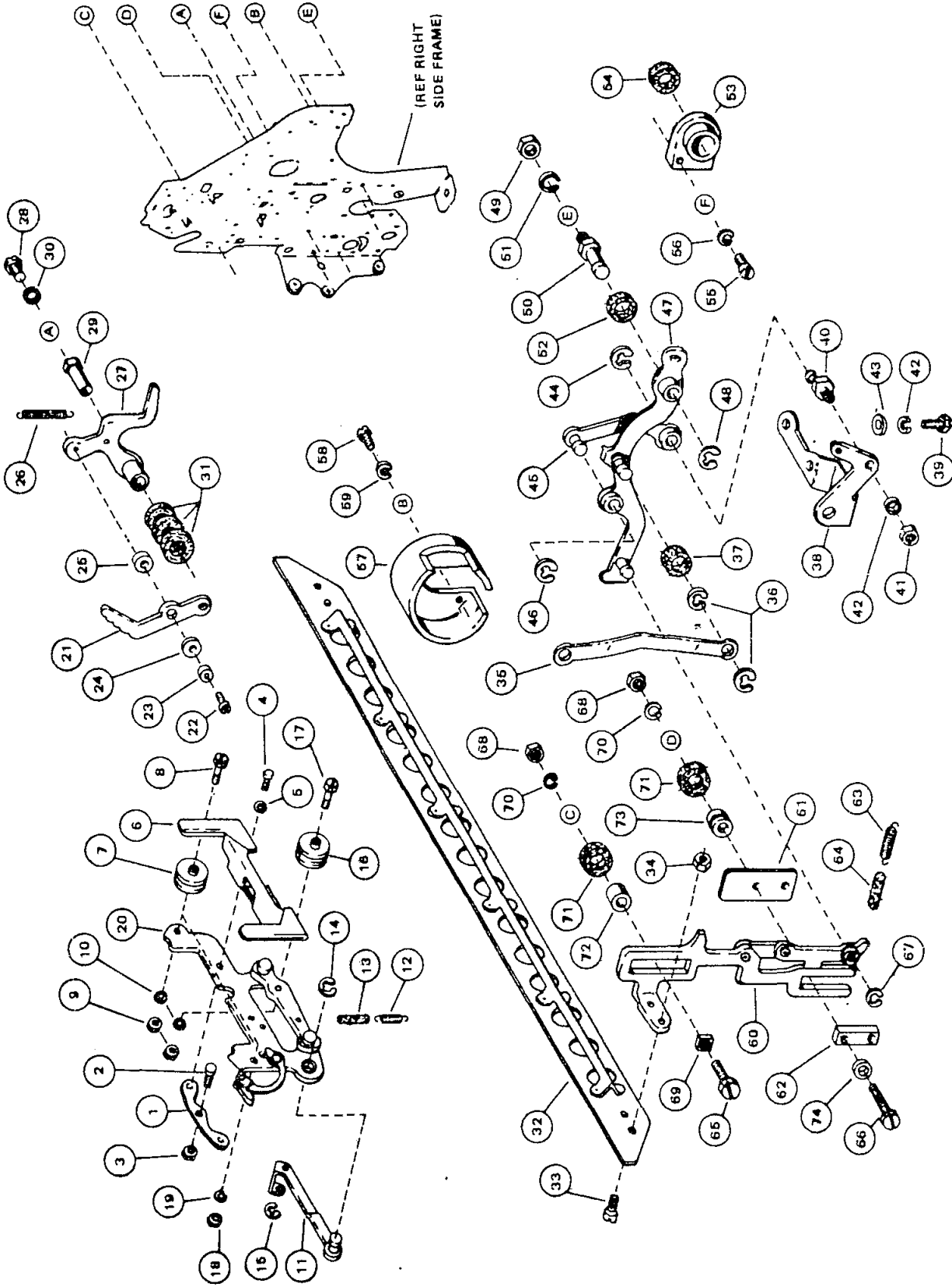


Figure 7-34. Right Side Linkage and Type Box Carriage Mechanism.

FIG & INDEX NO.	REFERENCE DESIGNATION	PART NUMBER	I N D E N T	DESCRIPTION	QTY PER ASSY	MFR'S CODE	USED CN CODE
7-34-0		-----	1	RIGHT SIDE LINKAGE AND TYPE BOX CARRIAGE MECHANISM (SEE FIG. 7-31 FOR NHA)	REF	-----	
7-34-1		153531	2	PLATE, ADJUSTING	1	59433	
7-34-2		153532	2	SCREW, ADJUSTING	1	59433	
7-34-3		151880	2	NUT, HEX, 4-40	1	59433	
7-34-4		27425	2	SCREW, FILH, 2-56 BY 5/32 IN. LG (AP)	2	59433	
7-34-5		90791	2	WASHER, LOCK (AP)	2	59433	
7-34-6		153810	2	GUIDE, RIBBON	1	59433	
7-34-7		152147	2	BEARING, BALL	2	59433	
7-34-8		151734	2	SCREW, HEX HD, 4-40 BY 3/8 IN. LG (AP)	2	59433	
7-34-9		151880	2	NUT, HEX, 4-40 (AP)	2	59433	
7-34-10		110743	2	WASHER, LOCK (AP)	2	59433	
7-34-11		154356	2	BAIL	1	59433	
7-34-12		74882	2	SPRING	1	59433	
7-34-13		74553	2	WICK, FELT	1	59433	
7-34-14		119652	2	RING, RETAINING (AP)	1	59433	
7-34-15		119648	2	RING, RETAINING (AP)	1	59433	
7-34-16		152147	2	BEARING, BALL	1	59433	
7-34-17		151734	2	SCREW, HEX HD, 4-40 BY 3/8 IN. LG (AP)	1	59433	
7-34-18		151880	2	NUT, HEX, 4-40 (AP)	1	59433	
7-34-19		110743	2	WASHER, LOCK (AP)	1	59433	
7-34-20		153530	2	PLATE	1	59433	
7-34-21		150425	2	LEVER, LOCK	1	59433	
7-34-22		151685	2	SCREW, FILH, 4-40 BY 5/16 IN. LG (AP)	1	59433	
7-34-23		110743	2	WASHER, LOCK (AP)	1	59433	
7-34-24		125011	2	WASHER, FLAT (AP)	1	59433	
7-34-25		150411	2	WASHER, FLAT (AP)	1	59433	
7-34-26		33828	2	SPRING	1	59433	
7-34-27		150413	2	ARM, RIGHT FOLLOWER	1	59433	
7-34-28		151630	2	SCREW, HEX HD, 6-40 BY 1/4 IN. LG (AP)	1	59433	
7-34-29		150811	2	STUD (AP)	1	59433	
7-34-30		2191	2	WASHER, LOCK (AP)	1	59433	
7-34-31		90361	2	WASHER, FELT (AP)	3	59433	
7-34-32		150824	2	TRACK	1	59433	
7-34-33		151657	2	SCREW, FILH, 6-40 BY 1/4 IN. LG (AP)	4	59433	
7-34-34		3598	2	NUT, HEX, 6-40 (AP)	4	59433	
7-34-35		150387	2	LINK, RIGHT RIBBON DRIVE	1	59433	
7-34-36		119652	2	RING, RETAINING (AP)	2	59433	
7-34-37		101796	2	WASHER, FELT (AP)	1	59433	
7-34-38		150367	2	BRACKET	1	59433	
7-34-39		151632	2	SCREW, HEX HD, 6-40 BY 3/8 IN. LG (AP)	1	59433	
7-34-40		150429	2	STUD, ECCENTRIC (AP)	1	59433	
7-34-41		3598	2	NUT, HEX, 6-40 (AP)	1	59433	
7-34-42		2191	2	WASHER, LOCK (AP)	2	59433	
7-34-43		7002	2	WASHER, FLAT (AP)	1	59433	
7-34-44		119652	2	RING, RETAINING (AP)	1	59433	
7-34-45		150370	2	LINK, RIGHT (AP)	1	59433	
7-34-46		119652	2	RING, RETAINING	1	59433	
7-34-47		150420	2	LEVER, RIGHT	1	59433	
7-34-48		119652	2	RING, RETAINING (AP)	1	59433	
7-34-49		112626	2	NUT, HEX, 10-32 (AP)	1	59433	
7-34-50		150380	2	STUD (AP)	1	59433	
7-34-51		2669	2	WASHER, LOCK (AP)	1	59433	
7-34-52		115122	2	WASHER, FELT (AP)	1	59433	
7-34-53		150891	2	BLOCK	1	59433	
7-34-54		93356	2	WASHER, FELT	1	59433	
7-34-55		151657	2	SCREW, FILH, 6-40 BY 1/4 IN. LG (AP)	2	59433	

FIG & INDEX NO.	REFERENCE DESIGNATION	PART NUMBER	I N D E N T	DESCRIPTION	QTY PER ASSY	MFR'S CODE	USED ON CODE
7-34-56		2191	2	WASHER, LOCK	2	59433	
7-34-57		170001	2	HOUSING, BEARING	1	59433	
7-34-58		151657	2	SCREW, FILH, 6-40 BY 1/4 IN. LG (AP)	1	59433	
7-34-59		2191	2	WASHER, LOCK (AP)	1	59433	
7-34-60		150397	2	LEVER, RIGHT	1	59433	
7-34-61		151602	2	PLATE	1	59433	
7-34-62		151604	2	BLOCK, GUIDE	1	59433	
7-34-63		151644	2	SPRING	1	59433	
7-34-64		152254	2	WICK, FELT	1	59433	
7-34-65		150395	2	SCREW, SHOULDER, 6-40 (AP)	1	59433	
7-34-66		153839	2	SCREW, HEX HD, 6-40 BY 5/8 IN. (AP)	2	59433	
7-34-67		119651	2	RING, RETAINING (AP)	1	59433	
7-34-68		3598	2	NUT, HEX, 6-40 (AP)	3	59433	
7-34-69		150382	2	BLOCK, GUIDE	1	59433	
7-34-70		2191	2	WASHER, LOCK (AP)	3	59433	
7-34-71		90361	2	WASHER, FELT (AP)	3	59433	
7-34-72		150384	2	SPACER, 0.245 IN. THK (AP)	1	59433	
7-34-73		151603	2	SPACER (AP)	2	59433	
7-34-74		125015	2	WASHER, FLAT (AP)	2	59433	

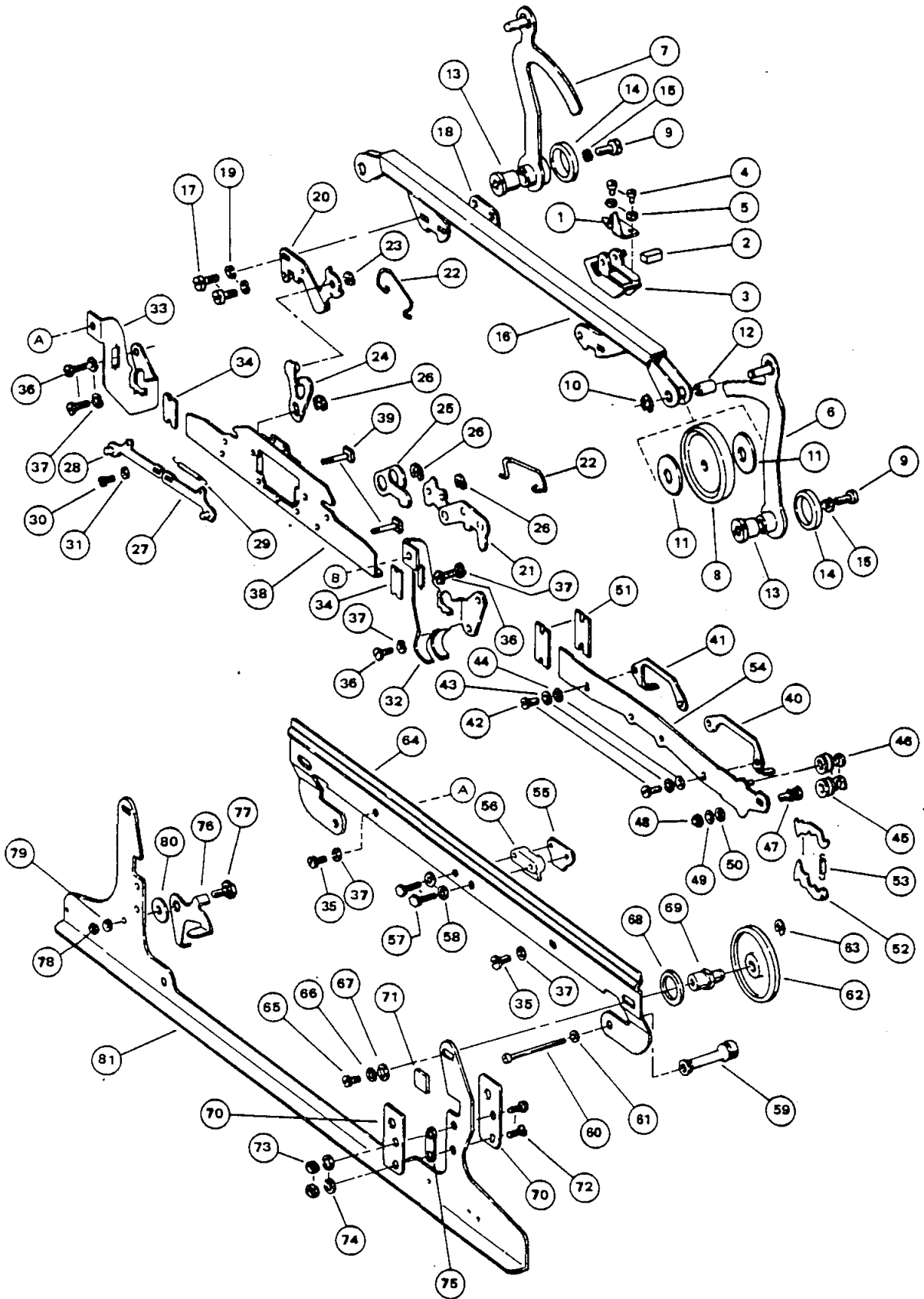


Figure 7-35. Front Plate Mechanism, View 1.

FIG & INDEX NO.	REFERENCE DESIGNATION	PART NUMBER	I N D E N T	DESCRIPTION	QTY PER ASSY	MFR'S CODE	USED ON CODE
7-35-0		-----	1	FRONT PLATE MECHANISM (SEE FIG. 7-31 FOR NHA)	REF	-----	
7-35-1		164316	2	PLATE, CLAMP	1	59433	
7-35-2		85816	2	WICK, FELT	1	59433	
7-35-3		154354	2	SLIDE	1	59433	
7-35-4		110434	2	SCREW, FILH, 4-40 BY 3/16 IN. LG (AP)	2	59433	
7-35-5		3640	2	WASHER, LOCK (AP)	2	59433	
7-35-6		150721	2	ARM	2	59433	
7-35-7		150722	2	ARM	2	59433	
7-35-8		150224	2	PULLEY	2	59433	
7-35-9		151630	2	SCREW, HEX HD, 6-40 BY 1/4 IN. LG (AP)	2	59433	
7-35-10		119651	2	RING, RETAINING (AP)	2	59433	
7-35-11		150926	2	WASHER, FELT (AP)	4	59433	
7-35-12		150705	2	BUSHING (AP)	2	59433	
7-35-13		150255	2	BUSHING (AP)	2	59433	
7-35-14		89096	2	WASHER, FELT (AP)	2	59433	
7-35-15		2191	2	WASHER, LOCK (AP)	2	59433	
7-35-16		150728	2	RAIL	1	59433	
7-35-17		151722	2	SCREW, HEX HD, 6-40 BY 3/16 IN. LG (AP)	4	59433	
7-35-18		153173	2	PLATE	4	59433	
7-35-19		2191	2	WASHER, LOCK (AP)	2	59433	
7-35-20		153174	2	LINK, LEFT	1	59433	
7-35-21		153175	2	LINK, RIGHT	1	59433	
7-35-22		153172	2	SPRING	2	59433	
7-35-23		119651	2	RING, RETAINING (AP)	2	59433	
7-35-24		192576	2	LINK, LEFT	1	59433	
7-35-25		192575	2	LINK, RIGHT	1	59433	
7-35-26		119652	2	RING, RETAINING (AP)	2	59433	
7-35-27		179216	2	ARM, RIGHT SIDE	1	59433	
7-35-28		179217	2	ARM, LEFT SIDE	1	59433	
7-35-29		192323	2	SPRING	1	59433	
7-35-30		179226	2	SCREW, SHOULDER, 4-40 (AP)	2	59433	
7-35-31		130683	2	WASHER, LOCK (AP)	2	59433	
7-35-32		152511	2	GUIDE	1	59433	
7-35-33		152592	2	GUIDE	1	59433	
7-35-34		150929	2	OILER, FELT	2	59433	
7-35-35		151630	2	SCREW, HEX HD, 6-40 BY 1/4 IN. LG (AP)	2	59433	
7-35-36		151692	2	SCREW, FILH, 6-40 BY 3/16 IN. LG (AP)	4	59433	
7-35-37		2191	2	WASHER, LOCK (AP)	6	59433	
7-35-38		179224	2	SLIDE ASSEMBLY	1	59433	
7-35-39		150219	2	SCREW, SQH, 4-40 BY 1/2 IN. LG (AP)	2	59433	
7-35-40		152508	2	BRACKET, RIGHT	1	59433	
7-35-41		152509	2	BRACKET, LEFT	1	59433	
7-35-42		151152	2	SCREW, HEX HD, 4-40 BY 3/16 IN. LG (AP)	2	59433	
7-35-43		110743	2	WASHER, LOCK (AP)	2	59433	
7-35-44		125011	2	WASHER, FLAT (AP)	2	59433	
7-35-45		152507	2	ROLLER, DETENT	2	59433	
7-35-46		119649	2	RING, RETAINING (AP)	2	59433	
7-35-47		152505	2	STUD (AP)	1	59433	
7-35-48		3599	2	NUT, HEX, 4-40 (AP)	1	59433	
7-35-49		110743	2	WASHER, LOCK (AP)	1	59433	
7-35-50		125011	2	WASHER, FLAT (AP)	1	59433	
7-35-51		150927	2	OILER, FLAT	2	59433	
7-35-52		152510	2	LEVER, DETENT	2	59433	
7-35-53		7603	2	SPRING	2	59433	
7-35-54		152595	2	SLIDE	1	59433	
7-35-55		150750	2	PLATE	1	59433	
7-35-56		150751	2	BLOCK, GUIDE	1	59433	

FIG & INDEX NO.	REFERENCE DESIGNATION	PART NUMBER	I N D E N T	DESCRIPTION	QTY PER ASSY	MFR'S CODE	USED ON CODE
7-35-57		153817	2	SCREW, HEX HD, 4-40 BY 3/8 IN. LG (AP)	2	59433	
7-35-58		110743	2	WASHER, LOCK (AP)	2	59433	
7-35-59		150709	2	SPACER	2	59433	
7-35-60		150710	2	SCREW, FILH, 6-40 BY 1- 1/4 IN. LG (AP)	2	59433	
7-35-61		2191	2	WASHER, FLAT (AP)	2	59433	
7-35-62		150224	2	PULLEY	2	59433	
7-35-63		119652	2	RING, RETAINING (AP)	2	59433	
7-35-64		152579	2	TRACK	1	59433	
7-35-65		151632	2	SCREW, HEX HD, 6-40 BY 3/8 IN. LG (AP)	2	59433	
7-35-66		2191	2	WASHER, LOCK (AP)	2	59433	
7-35-67		7002	2	WASHER, FLAT (AP)	2	59433	
7-35-68		90504	2	WASHER, FELT (AP)	2	59433	
7-35-69		150800	2	STUD (AP)	2	59433	
7-35-70		150806	2	PLATE	4	59433	
7-35-71		150807	2	OILER, FELT	2	59433	
7-35-72		151657	2	SCREW, FILH, 6-40 BY 1/4 IN. LG (AP)	4	59433	
7-35-73		3598	2	NUT, HEX, 6-40 (AP)	4	59433	
7-35-74		2191	2	WASHER, LOCK (AP)	4	59433	
7-35-75		150805	2	SHIM, 0.012 IN. THK (AP)	2	59433	
7-35-76		150237	2	LEVER, ESCAPEMENT	1	59433	
7-35-77		150909	2	SCREW, SHOULDER, 6-40	1	59433	
7-35-78		3598	2	NUT, HEX, 6-40 (AP)	1	59433	
7-35-79		2191	2	WASHER, LOCK (AP)	1	59433	
7-35-80		76461	2	WASHER, FLAT (AP)	1	59433	
7-35-81		150554	2	PLATE	1	59433	

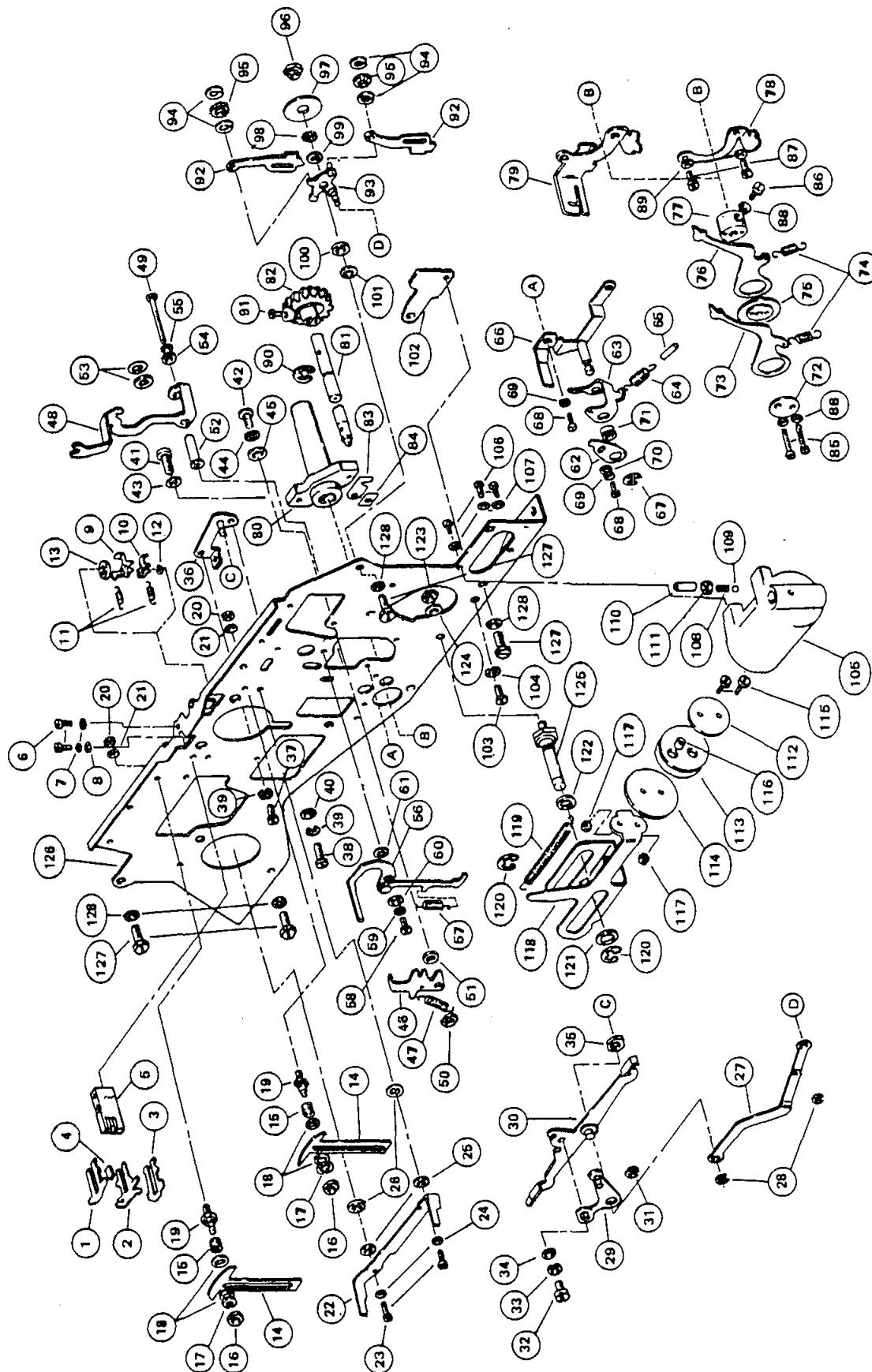


Figure 7-36. Front Plate Mechanism, View 2.

FIG & INDEX NO.	REFERENCE DESIGNATION	PART NUMBER	I N D E N T	DESCRIPTION	QTY PER ASSY	MFR'S CODE	USED ON CODE
7-36-0		-----	1	FRONT PLATE MECHANISM (SEE FIG. 7-31 FOR NHA)	REF	-----	
7-36-1		150733	2	SLIDE, TOP	1	59433	
7-36-2		150731	2	SLIDE	1	59433	
7-36-3		150732	2	SLIDE, BOTTOM	1	59433	
7-36-4		45027	2	SPRING	1	59433	
7-36-5		150738	2	GUIDE	1	59433	
7-36-6		151637	2	SCREW, FILH, 4-40 BY 1/4 IN. LG (AP)	2	59433	
7-36-7		110743	2	WASHER, LOCK (AP)	2	59433	
7-36-8		125011	2	WASHER, FLAT (AP)	2	59433	
7-36-9		150771	2	BELLCRANK	1	59433	
7-36-10		150770	2	BELLCRANK	1	59433	
7-36-11		45027	2	SPRING	2	59433	
7-36-12		119649	2	RING, RETAINING (AP)	1	59433	
7-36-13		161347	2	WASHER, FELT (AP)	1	59433	
7-36-14		192560	2	SLIDE	2	59433	
7-36-15		192322	2	SPRING, COMPRESSION	2	59433	
7-36-16		151880	2	NUT, HEX, 4-40 (AP)	2	59433	
7-36-17		110742	2	WASHER, LOCK (AP)	2	59433	
7-36-18		152890	2	WASHER, FLAT (AP)	2	59433	
7-36-19		192321	2	STUD (AP)	2	59433	
7-36-20		3598	2	NUT, HEX, 6-40 (AP)	2	59433	
7-36-21		2191	2	WASHER, LOCK (AP)	2	59433	
7-36-22		170062	2	BAIL	1	59433	
7-36-23		151685	2	SCREW, FILH, 4-40 BY 5/16 IN. LG (AP)	2	59433	
7-36-24		110743	2	WASHER, LOCK (AP)	2	59433	
7-36-25		125802	2	WASHER, FLAT (AP)	2	59433	
7-36-26		150336	2	BUSHING (AP)	2	59433	
7-36-27		170064	2	LINK, DRIVE	1	59433	
7-36-28		119652	2	RING, RETAINING (AP)	2	59433	
7-36-29		170054	2	ARM, W/POST	1	59433	
7-36-30		192561	2	BAR W/HUB	1	59433	
7-36-31		119652	2	RING, RETAINING (AP)	1	59433	
7-36-32		151657	2	SCREW, FILH, 6-40 BY 1/4 IN. LG (AP)	1	59433	
7-36-33		2191	2	WASHER, LOCK (AP)	1	59433	
7-36-34		7002	2	WASHER, FLAT (AP)	1	59433	
7-36-35		93356	2	WASHER, FELT (AP)	1	59433	
7-36-36		192563	2	BRACKET W/STUD	1	59433	
7-36-37		151657	2	SCREW, FILH, 6-40 BY 1/4 IN. LG (AP)	1	59433	
7-36-38		151692	2	SCREW, FILH, 6-40 BY 3/16 IN LG (AP)	1	59433	
7-36-39		2191	2	WASHER, LOCK (AP)	2	59433	
7-36-40		7002	2	WASHER, FLAT (AP)	1	59433	
7-36-41		151606	2	SCREW, HEX HD, 10-32 BY 1/4 IN. LG	1	59433	
7-36-42		110434	2	SCREW, FILH, 4-40 BY 3/16 IN. LG	1	59433	
7-36-43		2669	2	WASHER, LOCK	1	59433	
7-36-44		110743	2	WASHER, LOCK	1	59433	
7-36-45		125011	2	WASHER, FLAT	1	59433	
7-36-46		157972	2	BELLCRANK	1	59433	
7-36-47		80581	2	SPRING	1	59433	
7-36-48		170063	2	LEVER	1	59433	
7-36-49		151661	2	SCREW, FILH, 6-40 BY 1 IN. LG (AP)	1	59433	
7-36-50		95827	2	BUSHING (AP)	1	59433	
7-36-51		152634	2	WASHER, FLAT (AP)	1	59433	
7-36-52		150746	2	BUSHING (AP)	1	59433	
7-36-53		101796	2	WASHER, FELT (AP)	2	59433	
7-36-54		7002	2	WASHER, FLAT (AP)	1	59433	
		2191	2	WASHER, LOCK (AP)	1	59433	
7-36-55		7002	2	WASHER, LOCK	1	59433	
7-36-56		150184	2	LINK	1	59433	

FIG & INDEX NO.	REFERENCE DESIGNATION	PART NUMBER	I N D E N T	DESCRIPTION	QTY PER ASSY	MFR'S CODE	USED ON CODE
7-36-57		81731	2	SPRING	1	59433	
7-36-58		151657	2	SCREW, FILH, 6-40 BY 1/4 IN. LG (AP)	1	59433	
7-36-59		2191	2	WASHER, LOCK (AP)	1	59433	
7-36-60		150436	2	BUSHING (AP)	1	59433	
7-36-61		152634	2	WASHER, FLAT (AP)	1	59433	
7-36-62		150194	2	PLATE	1	59433	
7-36-63		150196	2	BAIL	1	59433	
7-36-64		125238	2	SPRING	1	59433	
7-36-65		73520	2	WICK, FELT	1	59433	
7-36-66		153256	2	BRACKET	1	59433	
7-36-67		119652	1	RING, RETAINING (AP)	1	59433	
7-36-68		151692	2	SCREW, FILH, 6-40 BY 3/16 IN. LG (AP)	2	59433	
7-36-69		2191	2	WASHER, LOCK (AP)	3	59433	
7-36-70		7002	2	WASHER, FLAT (AP)	1	59433	
7-36-71		150193	2	HUB (AP)	1	59433	
7-36-72		150203	2	RETAINER	1	59433	
7-36-73		150678	2	PAWL, FEED	1	59433	
7-36-74		80581	2	SPRING	2	59433	
7-36-75		154389	2	CAM, ECCENTRIC	1	59433	
7-36-76		150677	2	PAWL, FEED	1	59433	
7-36-77		150668	2	COLLAR, SPACING	1	59433	
7-36-78		152586	2	BRACKET	1	59433	
7-36-79		158348	2	BRACKET	1	59433	
7-36-80		150672	2	BEARING	1	59433	
7-36-81		150673	2	SHAFT	1	59433	
7-36-82		150202	2	GEAR (18T)	1	59433	
7-36-83		150669	2	SHIM, 0.002 IN. THK	1	59433	
7-36-84		150670	2	SHIM, 0.004 IN. THK	1	59433	
7-36-85		150089	2	SCREW, FILH, 4-40 BY 1/2 IN. LG (AP)	2	59433	
7-36-86		151686	2	SCREW, FILH, 4-40 BY 3/8 IN. LG (AP)	1	59433	
7-36-87		151346	2	SCREW, FILH, 6-40 BY 3/8 IN. LG (AP)	2	59433	
7-36-88		110743	2	WASHER, LOCK (AP)	3	59433	
7-36-89		2191	2	WASHER, LOCK (AP)	5	59433	
7-36-90		119652	2	RING, RETAINING (AP)	1	59433	
7-36-91		151658	2	SCREW, FILH, 6-40 BY 5/16 IN. LG (AP)	1	59433	
7-36-92		170059	2	PAWL, DRIVE	2	59433	
7-36-93		170039	2	BELLCRANK W/POST	1	59433	
7-36-94		119651	2	RING, RETAINING (AP)	4	59433	
7-36-95		90752	2	WASHER, FELT (AP)	2	59433	
7-36-96		170058	2	NUT, SHOULDER, 10-32 (AP)	1	59433	
7-36-97		150990	2	WASHER, FELT (AP)	1	59433	
7-36-98		151572	2	WASHER, LOCK (AP)	1	59433	
7-36-99		3438	2	WASHER, FLAT (AP)	1	59433	
7-36-100		170057	2	BEARING (AP)	1	59433	
7-36-101		79449	2	SHIM, 0.008 IN. THK (AP)	1	59433	
7-36-102		170060	2	PLATE, GUIDE	1	59433	
7-36-103		151692	2	SCREW, FILH, 6-40 BY 3/16 IN. (AP)	2	59433	
7-36-104		2191	2	WASHER, FLAT (AP)	2	59433	
7-36-105		150538	2	CYLINDER, DASHPOT	1	59433	
7-36-106		151630	2	SCREW, HEX HD, 6-40 BY 1/4 IN. LG.	1	59433	
7-36-107		2191	2	WASHER, FLAT (AP)	3	59433	
7-36-108		110872	2	SPRING, COMPRESSION	1	59433	
7-36-109		150537	2	BALL, BEARING	1	59433	
7-36-110		1214	2	SCREW, SET, 10-32 (AP)	1	59433	
7-36-111		89897	2	NUT, HEX, 10-32 (AP)	1	59433	
7-36-112		150228	2	SPACER, 0.035 IN. THK	1	59433	
7-36-113		150975	2	CUP, DASHPOT	1	59433	
7-36-114		150229	2	RETAINER	1	59433	

FIG & INDEX NO.	REFERENCE DESIGNATION	PART NUMBER	I N D E N T	DESCRIPTION	QTY PER ASSY	MFR'S CODE	USED ON CODE
7-36-115		153817	2	SCREW, HEX HD, 4-40 BY 3/8 IN. LG (AP)	2	59433	
7-36-116		150987	2	SPACER, 0.090 IN. THK (AP)	1	59433	
7-36-117		3599	2	NUT, HEX, 4-40 (AP)	2	59433	
7-36-118		150235	2	SLIDE, TRANSFER	1	59433	
7-36-119		150536	2	SPRING	1	59433	
7-36-120		119652	2	RING, RETAINING (AP)	2	59433	
7-36-121		150234	2	ROLLER	1	59433	
7-36-122		150233	2	ROLLER	1	59433	
7-36-123		112626	2	NUT, HEX, 10-32 (AP)	1	59433	
7-36-124		2669	2	WASHER, LOCK (AP)	1	59433	
7-36-125		158335		STUD (AP)	1	59433	
7-36-126		170056	2	PLATE W/STUD	1	59433	
7-36-127		151723	2	SCREW, HEX HD, 10-32 BY 3/8 IN. LG (AP)	4	59433	
7-36-128		2669	2	WASHER, LOCK (AP)	4	59433	

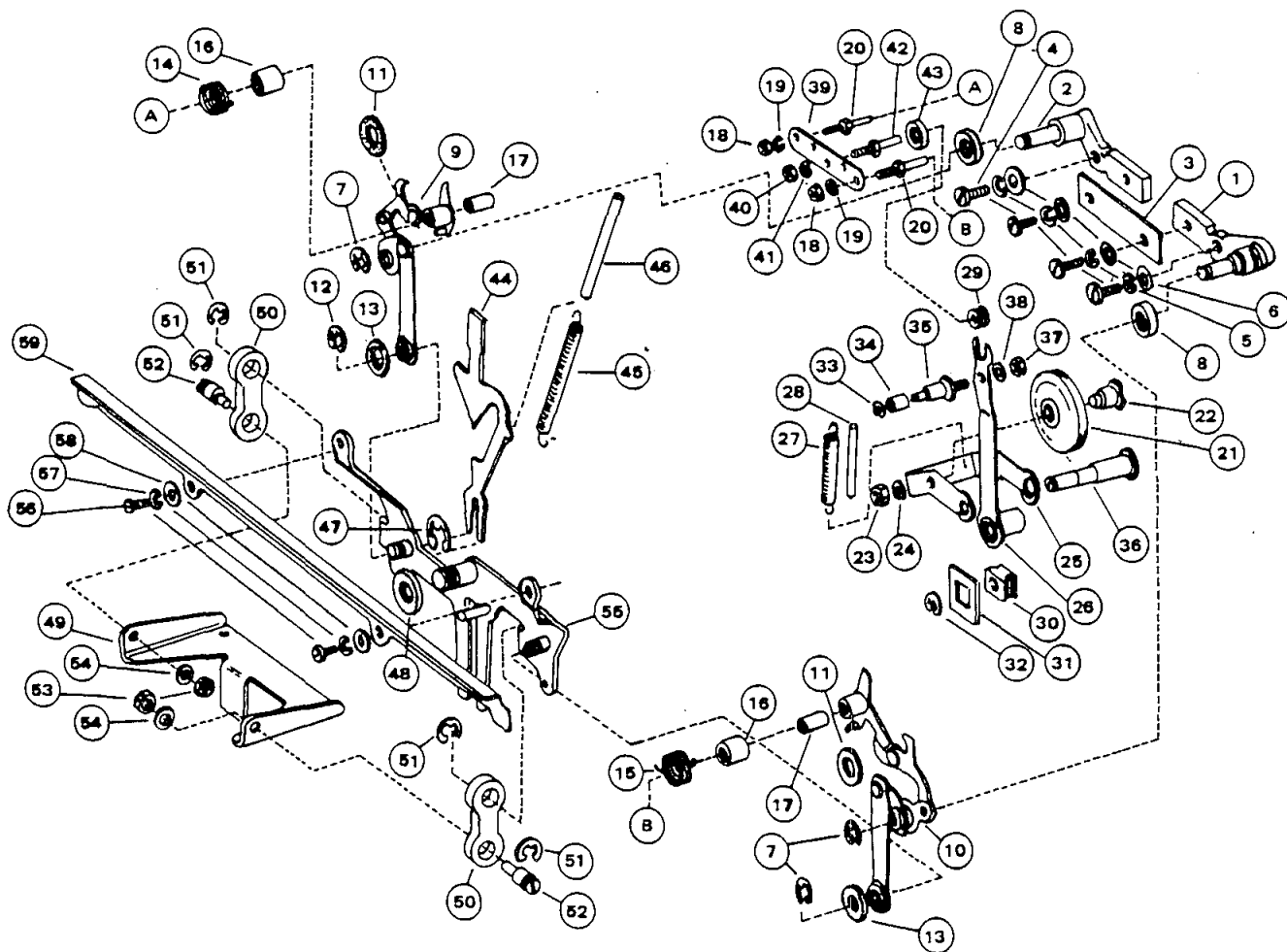


Figure 7-37: Front Plate Mechanism, View 3.

FIG & INDEX NO.	REFERENCE DESIGNATION	PART NUMBER	I N D E N T	DESCRIPTION	QTY PER ASSY	MFR'S CODE	USED ON CODE
7-37-0		-----	1	FRONT PLATE MECHANISM (SEE FIG. 7-31 FOR NHA)	REF	-----	
7-37-1		179451	2	PLATE, RIGHT	1	59433	
7-37-2		179452	2	PLATE, LEFT	1	59433	
7-37-3		151625	2	STRIP	1	59433	
7-37-4		151658	2	SCREW, FILH, 6-40 BY 5/16 IN. LG (AP)	4	59433	
7-37-5		2191	2	WASHER, LOCK (AP)	4	59433	
7-37-6		7002	2	WASHER, FLAT (AP)	4	59433	
7-37-7		119652	2	RING, RETAINING (AP)	2	59433	
7-37-8		93356	2	WASHER, FELT (AP)	2	59433	
7-37-9		192566	2	LINK, LEFT DRIVE	1	59433	
7-37-10		192567	2	LINK, RIGHT DRIVE	1	59433	
7-37-11		158189	2	WASHER, FELT	2	59433	
7-37-12		119652	2	RING, RETAINING (AP)	2	59433	
7-37-13		161347	2	WASHER, FELT (AP)	2	59433	
7-37-14		153340	2	SPRING, LEFT TORSION (AP)	1	59433	
7-37-15		153341	2	SPRING, RIGHT TORSION (AP)	1	59433	
7-37-16		153337	2	BUSHING (AP)	2	59433	
7-37-17		150218	2	BUSHING (AP)	2	59433	
7-37-18		3599	2	NUT, HEX, 4-40 (AP)	2	59433	
7-37-19		110743	2	WASHER, LOCK (AP)	2	59433	
7-37-20		150752	2	STUD (AP)	2	59433	
7-37-21		150758	2	PULLEY	1	59433	
7-37-22		151700	2	SCREW, SHOULDER, 6-40 (AP)	1	59433	
7-37-23		3598	2	NUT, HEX, 6-40 (AP)	1	59433	
7-37-24		2191	2	WASHER, LOCK (AP)	1	59433	
7-37-25		152536	2	BAIL	1	59433	
7-37-26		170079	2	ARM W/HUB	1	59433	
7-37-27		36463	2	SPRING	1	59433	
7-37-28		75226	2	WICK, FELT	1	59433	
7-37-29		150753	2	ROLLER	1	59433	
7-37-30		150215	2	BLOCK, GUIDE	1	59433	
7-37-31		150232	2	RETAINER, OILER	1	59433	
7-37-32		119652	2	RING, RETAINING (AP)	1	59433	
7-37-33		119648	2	RING, RETAINING (AP)	1	59433	
7-37-34		150754	2	ROLLER	1	59433	
7-37-35		150755	2	STUD (AP)	1	59433	
7-37-36		150175	2	STUD (AP)	1	59433	
7-37-37		3606	2	NUT, HEX, 6-40 (AP)	1	59433	
7-37-38		2191	2	WASHER, LOCK (AP)	1	59433	
7-37-39		153335	2	PLATE	1	59433	
7-37-40		3599	2	NUT, HEX, 4-40 (AP)	1	59433	
7-37-41		110743	2	WASHER, LOCK (AP)	1	59433	
7-37-42		150752	2	STUD (AP)	1	59433	
7-37-43		161347	2	WASHER, FELT (AP)	1	59433	
7-37-44		173284	2	LEVER, LOCK	1	59433	
7-37-45		86835	2	SPRING	1	59433	
7-37-46		105028	2	WICK, FELT	1	59433	
7-37-47		119652	2	RING, RETAINING (AP)	1	59433	
7-37-48		150923	2	WASHER, FELT (AP)	1	59433	
7-37-49		150245	2	BRACKET	1	59433	
7-37-50		150247	2	LINK	2	59433	
7-37-51		119652	2	RING, RETAINING (AP)	4	59433	
7-37-52		150748	2	STUD (AP)	2	59433	
7-37-53		3598	2	NUT, HEX, 6-40 (AP)	2	59433	
7-37-54		2191	2	WASHER, LOCK (AP)	2	59433	
7-37-55		179225	2	BAIL W/STUDS	1	59433	
7-37-56		151630	2	SCREW, HEX HD, 6-40 BY 1/4 IN. LG (AP)	2	59433	
7-37-57		2191	2	WASHER, LOCK (AP)	2	59433	
7-37-58		36273	2	WASHER, FLAT (AP)	2	59433	
7-37-59		150598	2	TRACK, PRINTING	1	59433	

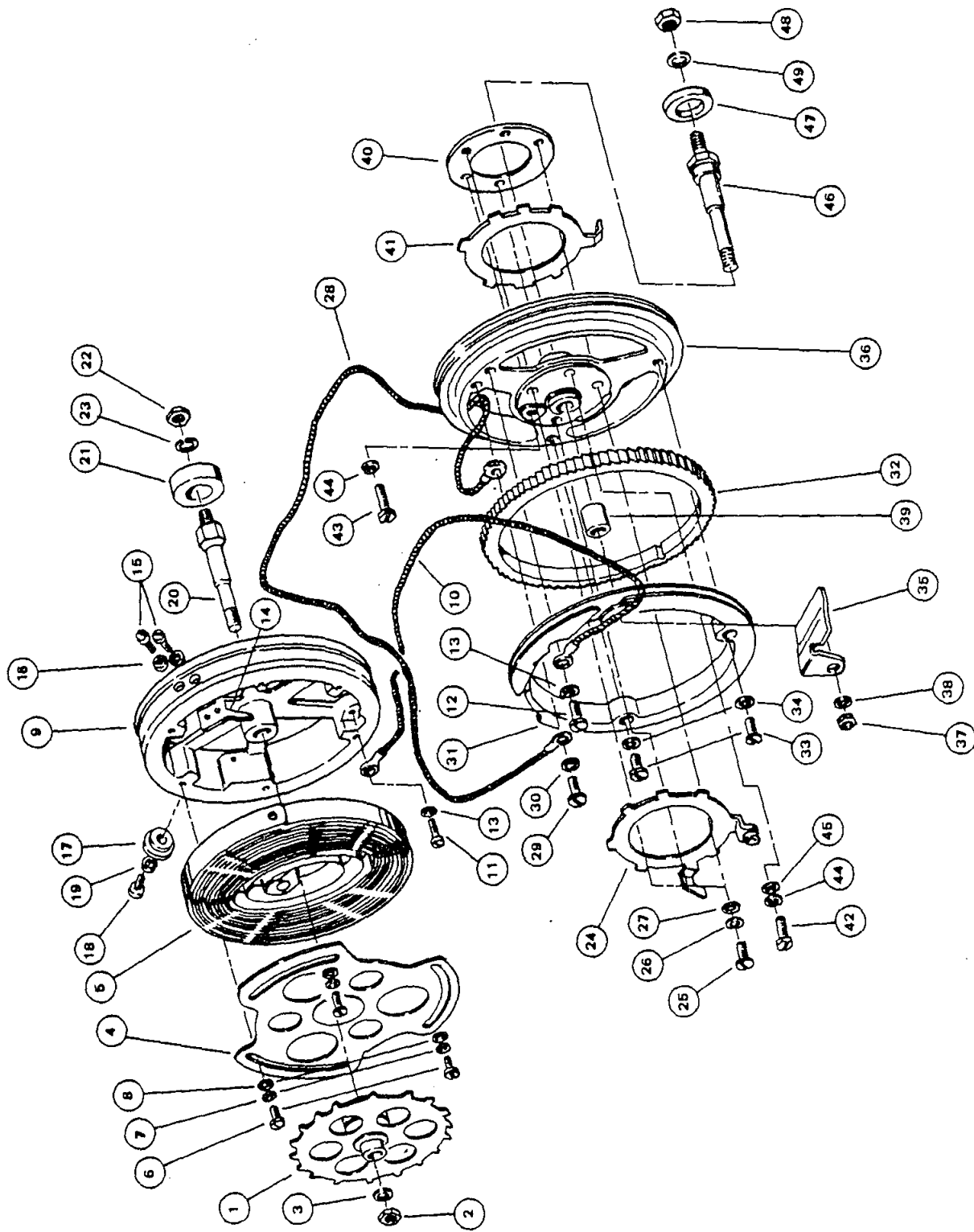


Figure 7-38. Carriage Return and Spacing Drum Mechanism.

FIG & INDEX NO.	REFERENCE DESIGNATION	PART NUMBER	INDEX	DESCRIPTION	QTY PER ASSY	MFR'S CODE	USED ON CODE
7-38-0		-----	1	CARRIAGE RETURN AND SPACING DRUM MECHANISM (SEE FIG. 7-31 FOR NHA)	REF	-----	
7-38-1		150251	2	WHEEL, RATCHET	1	59433	
7-38-2		112626	2	NUT, HEX, 10-32 (AP)	1	59433	
7-38-3		2669	2	WASHER, LOCK (AP)	1	59433	
7-38-4		150796	2	DISK	1	59433	
7-38-5		154310	2	SPRING	1	59433	
7-38-6		151637	2	SCREW, FILH, 4-40 BY 1/4 IN. LG (AP)	3	59433	
7-38-7		110743	2	WASHER, LOCK (AP)	3	59433	
7-38-8		125011	2	WASHER, FLAT (AP)	3	59433	
7-38-9		150827	2	DRUM, SPRING	1	59433	
7-38-10		150225	2	ROPE, DRAW WIRE	1	59433	
7-38-11		151618	2	SCREW, FILH, 6-40 BY 7/16 IN. LG (AP)	1	59433	
7-38-12		151658	2	SCREW, FILH, 6-40 BY 5/16 IN. LG (AP)	1	59433	
7-38-13		2191	2	WASHER, LOCK (AP)	2	59433	
7-38-14		150843	2	PLATE, HOOK	1	59433	
7-38-15		151685	2	SCREW, FILH, 4-40 BY 5/16 IN. LG (AP)	2	59433	
7-38-16		110743	2	WASHER, LOCK (AP)	2	59433	
7-38-17		151619	2	BUSHING	1	59433	
7-38-18		151618	2	SCREW, FILH, 6-40 BY 7/16 IN. LG (AP)	1	59433	
7-38-19		2191	2	WASHER, LOCK (AP)	1	59433	
7-38-20		150197	2	STUD	1	59433	
7-38-21		74755	2	WASHER, FELT	1	59433	
7-38-22		112626	2	NUT, HEX, 10-32 (AP)	1	59433	
7-38-23		2669	2	WASHER, LOCK (AP)	1	59433	
7-38-24		154624	2	RING, W/ROLLER	1	59433	
7-38-25		151346	2	SCREW, FILH, 6-40 BY 3/8 IN. LG (AP)	3	59433	
7-38-26		2191	2	WASHER, LOCK (AP)	3	59433	
7-38-27		7002	2	WASHER, FLAT (AP)	3	59433	
7-38-28		150712	2	ROPE, DRAW WIRE	1	59433	
7-38-29		151346	2	SCREW, FILH, 6-40 BY 3/8 IN. LG (AP)	1	59433	
7-38-30		2191	2	WASHER, LOCK (AP)	1	59433	
7-38-31		150838	2	RING, RETAINING	1	59433	
7-38-32		150798	2	RATCHET	1	59433	
7-38-33		151658	2	SCREW, FILH, 6-40 BY 5/16 IN. LG (AP)	2	59433	
7-38-34		2191	2	WASHER, LOCK (AP)	2	59433	
7-38-35		154671	2	BRACKET	1	59433	
7-38-36		154627	2	DRUM, SPACING	1	59433	
7-38-37		112626	2	NUT, HEX, 10-32 (AP)	1	59433	
7-38-38		2669	2	WASHER, LOCK (AP)	1	59433	
7-38-39		150206	2	SPACER, 0.412 IN. THK (AP)	1	59433	
7-38-40		154623	2	RING, RETAINING	1	59433	
7-38-41		154626	2	RING	1	59433	
7-38-42		151631	2	SCREW, HEX HD, 6-40 BY 5/16 IN. LG (AP)	1	59433	
7-38-43		156632	2	SCREW, HEX HD, 6-40 BY 13/32 IN. LG (AP)	1	59433	
7-38-44		2191	2	WASHER, LOCK (AP)	2	59433	
7-38-45		7002	2	WASHER, FLAT (AP)	1	59433	
7-38-46		170080	2	STUD	1	59433	
7-38-47		80310	2	WASHER, FELT	1	59433	
7-38-48		112626	2	NUT, HEX, 10-32 (AP)	1	59433	
7-38-49		2669	2	WASHER, LOCK (AP)	1	59433	

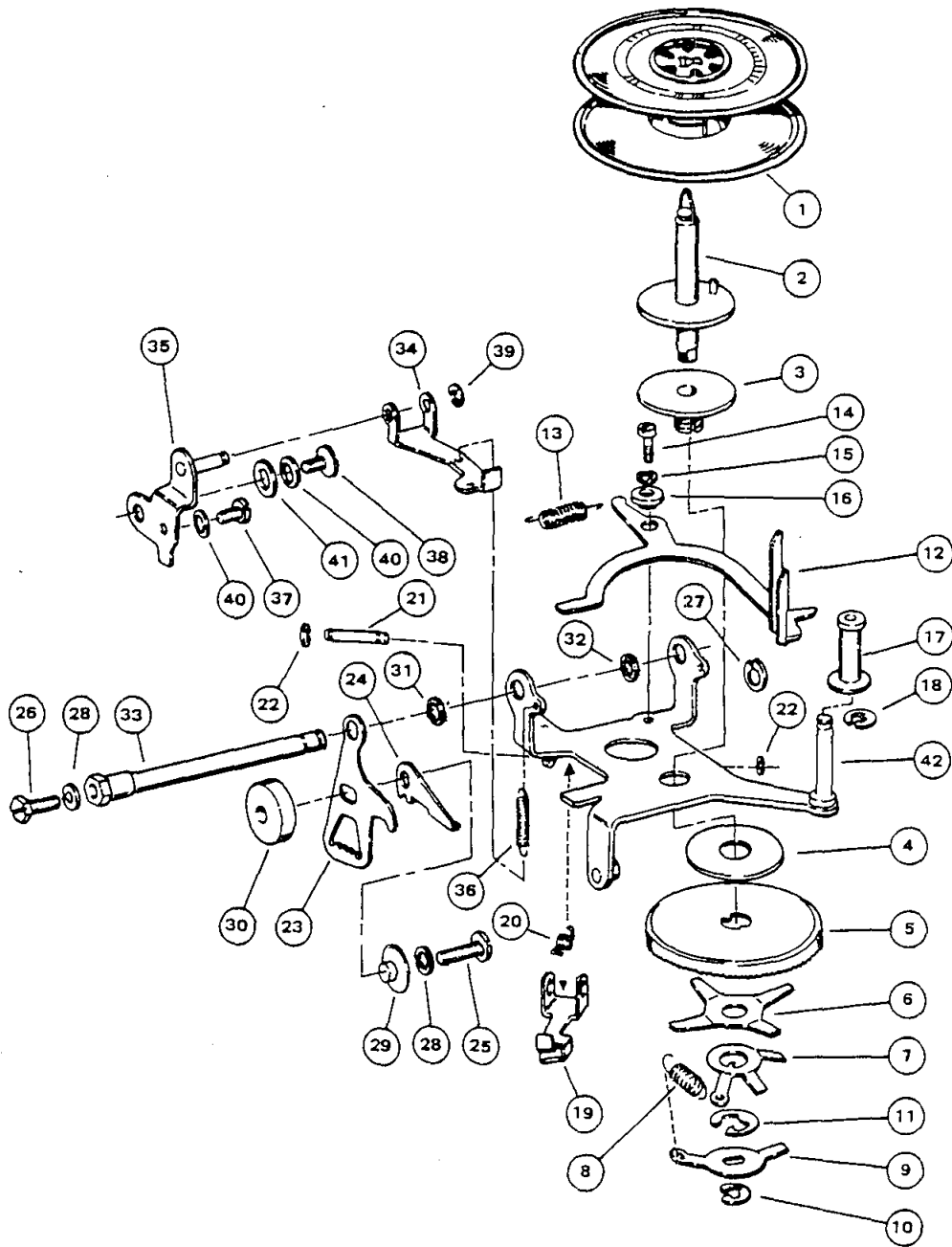


Figure 7-39. Right Ribbon Feed Mechanism.

FIG & INDEX NO.	REFERENCE DESIGNATION	PART NUMBER	I N D E N T	DESCRIPTION	QTY PER ASSY	MFR'S CODE	USED ON CODE
7-39-0		-----	1	RIGHT RIBBON FEED MECH- ANISM (SEE FIG. 7-31 FOR NHA)	REF		
7-39-1		71681	2	SPOOL, RIBBON	1	59433	
7-39-2		154332	2	SHAFT	1	59433	
7-39-3		152525	2	HUB	1	59433	
7-39-4		152629	2	WASHER, FRICTION	1	59433	
7-39-5		152529	2	RATCHET, RIGHT RIBBON	1	59433	
7-39-6		152523	2	SPRING, WASHER	1	59433	
7-39-7		152526	2	PLATE, RIGHT	1	59433	
7-39-8		42661	2	SPRING	1	59433	
7-39-9		152524	2	BRACKET	1	59433	
7-39-10		119651	2	RING,	1	59433	
7-39-11		119653	2	RING, RETAINING (AP)	1	59433	
7-39-12		150311	2	LEVER, RIBBON	1	59433	
7-39-13		112634	2	SPRING	1	59433	
7-39-14		151637	2	SCREW, FILH, 4-40 BY 1/4 IN. LG (AP)	1	59433	
7-39-15		110743	2	WASHER, LOCK (AP)	1	59433	
7-39-16		150336	2	BUSHING (AP)	1	59433	
7-39-17		154333	2	ROLLER	1	59433	
7-39-18		119651	2	RING, RETAINING (AP)	1	59433	
7-39-19		152819	2	LEVER, RIGHT DETENT	1	59433	
7-39-20		152834	2	SPRING, TORSION	1	59433	
7-39-21		152826	2	PIN, DETENT (AP)	1	59433	
7-39-22		119649	2	RING, RETAINING (AP)	2	59433	
7-39-23		152547	2	LEVER, RIGHT REVERSING	1	59433	
7-39-24		150344	2	LEVER	1	59433	
7-39-25		151346	2	SCREW, FILH, 6-40 BY 3/8 IN. LG (AP)	1	59433	
7-39-26		151630	2	SCREW, HEX HD, 6-40 BY 1/4 IN. LG (AP)	1	59433	
7-39-27		119652	2	RING, RETAINING (AP)	1	59433	
7-39-28		2191	2	WASHER, LOCK (AP)	2	59433	
7-39-29		150932	2	BUSHING, SHOULDER (AP)	1	59433	
7-39-30		150821	2	SPACER, 0.156 IN. THK (AP)	1	59433	
7-39-31		90361	2	WASHER, FELT (AP)	1	59433	
7-39-32		161346	2	WASHER, FELT (AP)	1	59433	
7-39-33		152648	2	STUD (AP)	1	59433	
7-39-34		152821	2	LEVER, RIGHT FEED	1	59433	
7-39-35		152824	2	BRACKET, RIGHT	1	59433	
7-39-36		82463	2	SPRING	1	59433	
7-39-37		151692	2	SCREW, FILH, 6-40 BY 3/16 IN. LG (AP)	1	59433	
7-39-38		151657	2	SCREW, FILH, 6-40 BY 1/4 IN. LG (AP)	1	59433	
7-39-39		119651	2	RING, RETAINING (AP)	1	59433	
7-39-40		2191	2	WASHER, LOCK (AP)	2	59433	
7-39-41		7002	2	WASHER, FLAT (AP)	1	59433	
7-39-42		152828	2	BRACKET, RIGHT SPOOL	1	59433	

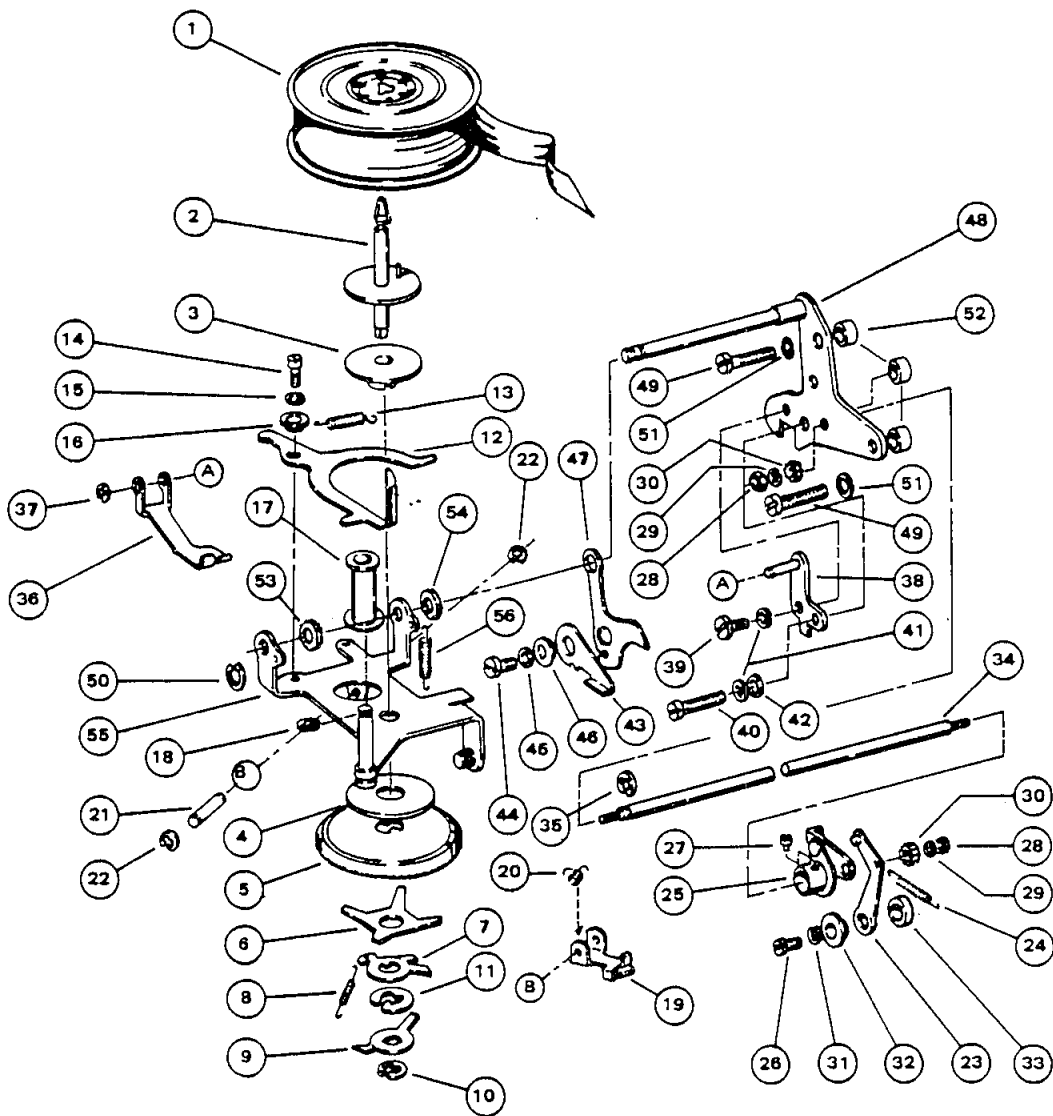


Figure 7-40. Left Ribbon Feed Mechanism.

FIG & INDEX NO.	REFERENCE DESIGNATION	PART NUMBER	INDEX	DESCRIPTION	QTY PER ASSY	MFR'S CODE	USED ON CODE
7-40-0		-----	1	LEFT RIBBON FEED MECHANISM (SEE FIG. 7-31 FOR NHA)	REF	-----	
7-40-1		7835	2	RIBBON W/SPOOL, BLACK	1	59433	
7-40-2		154332	2	SHAFT	1	59433	
7-40-3		152525	2	HUB	1	59433	
7-40-4		152629	2	WASHER, FRICTION	1	59433	
7-40-5		152528	2	RATCHET, LEFT RIBBON	1	59433	
7-40-6		152523	2	SPRING, WASHER	1	59433	
7-40-7		152527	2	PLATE, LEFT	1	59433	
7-40-8		42661	2	SPRING	1	59433	
7-40-9		152524	2	BRACKET	1	59433	
7-40-10		119651	2	RING, RETAINING (AP)	1	59433	
7-40-11		119653	2	RING, RETAINING (AP)	1	59433	
7-40-12		150310	2	LEVER, RIBBON	1	59433	
7-40-13		112634	2	SPRING	1	59433	
7-40-14		151637	2	SCREW, FILH, 4-40 BY 1/4 IN. LG (AP)	1	59433	
7-40-15		110743	2	WASHER, LOCK (AP)	1	59433	
7-40-16		150336	2	BUSHING (AP)	1	59433	
7-40-17		154333	2	ROLLER	1	59433	
7-40-18		119651	2	RING, RETAINING (AP)	1	59433	
7-40-19		152818	2	LEVER, LEFT DETENT	1	59433	
7-40-20		152834	2	SPRING, TORSION	1	59433	
7-40-21		152826	2	PIN, DETENT	1	59433	
7-40-22		119649	2	RING, RETAINING (AP)	2	59433	
7-40-23		150937	2	LEVER	1	59433	
7-40-24		22015	2	SPRING	1	59433	
7-40-25		157979	2	LINK, TOGGLE	1	59433	
7-40-26		151658	2	SCREW, FILH, 6-40 BY 5/16 IN. LG (AP)	1	59433	
7-40-27		1293	2	SCREW, FILH, 4-40 BY 1/8 IN. LG (AP)	1	59433	
7-40-28		3599	2	NUT, HEX, 4-40 (AP)	2	59433	
7-40-29		110743	2	WASHER, LOCK (AP)	2	59433	
7-40-30		150335	2	GEAR (12T) (AP)	2	59433	
7-40-31		2191	2	WASHER, LOCK (AP)	1	59433	
7-40-32		150436	2	BUSHING	1	59433	
7-40-33		8449	2	SPACER, 0.094 IN. THK (AP)	1	59433	
7-40-34		152582	2	SHAFT (AP)	1	59433	
7-40-35		119651	2	RING, RETAINING (AP)	1	59433	
7-40-36		152820	2	LEVER, LEFT FEED	1	59433	
7-40-37		119651	2	RING, RETAINING (AP)	1	59433	
7-40-38		152823	2	BRACKET, LEFT	1	59433	
7-40-39		151657	2	SCREW, FILH, 6-40 BY 1/4 IN. LG (AP)	1	59433	
7-40-40		151693	2	SCREW, FILH, 6-40 BY 9/16 IN. LG (AP)	1	59433	
7-40-41		2191	2	WASHER, LOCK (AP)	2	59433	
7-40-42		7002	2	WASHER, FLAT (AP)	1	59433	
7-40-43		150343	2	LEVER	1	59433	
7-40-44		151657	2	SCREW, FILH, 6-40 BY 1/4 IN. LG (AP)	1	59433	
7-40-45		2191	2	WASHER, LOCK (AP)	1	59433	
7-40-46		150932	2	BUSHING, SHOULDER (AP)	1	59433	
7-40-47		152646	2	LEVER, RIGHT REVERSING	1	59433	
7-40-48		152644	2	BRACKET	1	59433	
7-40-49		151659	2	SCREW, FILH, 6-40 BY 1/2 IN. LG (AP)	2	59433	
7-40-50		119652	2	RING, RETAINING (AP)	1	59433	
7-40-51		2191	2	WASHER, LOCK (AP)	2	59433	
7-40-52		152571	2	SPACER, 0.250 IN. THK (AP)	3	59433	
7-40-53		161346	2	WASHER, FELT (AP)	1	59433	
7-40-54		90361	2	WASHER, FELT (AP)	1	59433	
7-40-55		152827	2	BRACKET, LEFT SPOOL	1	59433	

FIG. & INDEX NO.	REFERENCE DESIGNATION	PART NUMBER	I N D E N T	DESCRIPTION	QTY PER ASSY	MFR'S CODE	USED ON CODE
7-40-56		82463	2	SPRING	1	59433	

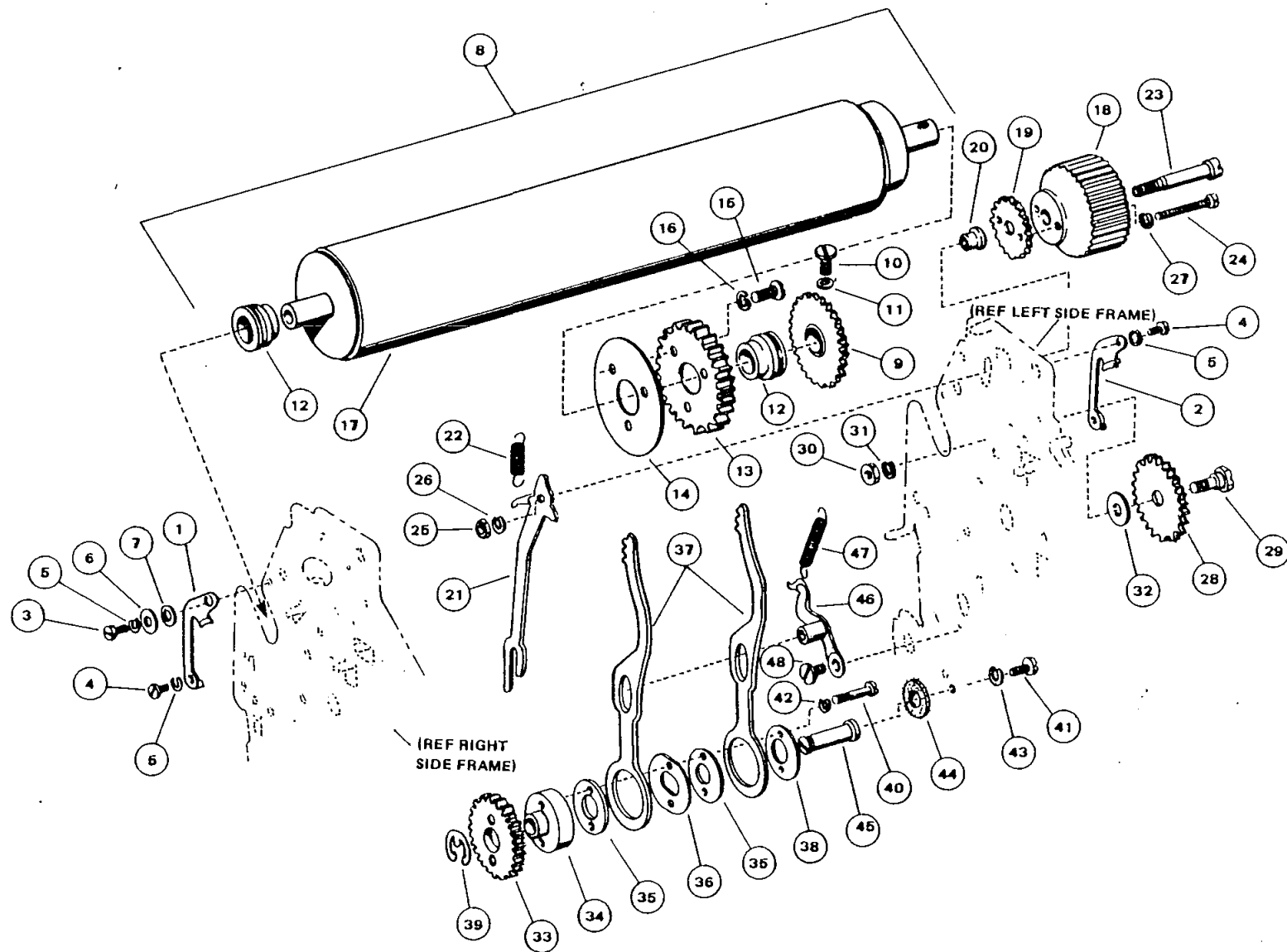


Figure 7-41. Platen and Line Feed Mechanism.

FIG & INDEX NO.	REFERENCE DESIGNATION	PART NUMBER	I N D E N T	DESCRIPTION	QTY PER ASSY	MFR'S CODE	USED ON CODE
7-41-0		-----	1	PLATEN AND FEED MECH- ANISM (SEE FIG. 7-31 FOR NHA)	REF	-----	
7-41-1		150720	2	RETAINER	1	59433	
7-41-2		150719	2	RETAINER	1	59433	
7-41-3		151637	2	SCREW, FILH, 4-40 BY 1/4 IN. LG (AP)	1	59433	
7-41-4		151073	2	SCREW, FILH, 4-40 BY 5/32 IN. LG (AP)	3	59433	
7-41-5		110743	2	WASHER, LOCK (AP)	4	59433	
7-41-6		125802	2	WASHER, FLAT (AP)	1	59433	
7-41-7		125011	2	WASHER, FLAT (AP)	1	59433	
7-41-8		150833	2	PLATEN ASSEMBLY	1	59433	
7-41-9		150712	3	GEAR (32T)	1	59433	
7-41-10		151346	3	SCREW, FILH, 6-40 BY 3/8 IN. LG (AP)	1	59433	
7-41-11		2191	3	WASHER, LOCK (AP)	1	59433	
7-41-12		150714	3	BEARING, SLEEVE	2	59433	
7-41-13		150809	3	GEAR (32T)	1	59433	
7-41-14		150998	3	SPACER, 0.020 IN. THK	1	59433	
7-41-15		151346	3	SCREW, FILH, 6-40 BY 3/8 IN. LG (AP)	1	59433	
7-41-16		2191	3	WASHER, LOCK, (AP)	1	59433	
7-41-17		150718	3	PLATEN	1	59433	
7-41-18		150656	2	HANDWHEEL	1	59433	
7-41-19		150658	2	GEAR (21T)	1	59433	
7-41-20		150911	2	BUSHING, SHOULDER	1	59433	
7-41-21		150586	2	LEVER	1	59433	
7-41-22		80581	2	SPRING	1	59433	
7-41-23		150912	2	SCREW, SHOULDER, 6-40 (AP)	1	59433	
7-41-24		151731	2	SCREW, FILH, 4-40 BY 7/8 IN. LG (AP)	2	59433	
7-41-25		3598	2	NUT, HEX, 6-40 (AP)	1	59433	
7-41-26		2191	2	WASHER, LOCK (AP)	1	59433	
7-41-27		110743	2	WASHER, LOCK (AP)	1	59433	
7-41-28		150666	2	GEAR (28T)	1	59433	
7-41-29		150342	2	SCREW, SHOULDER, 6-40 (AP)	1	59433	
7-41-30		3598	2	NUT, HEX, 6-40 (AP)	1	59433	
7-41-31		2191	2	WASHER, LOCK (AP)	1	59433	
7-41-32		74722	2	WASHER, FLAT (AP)	1	59433	
7-41-33		150651	2	GEAR (28T)	1	59433	
7-41-34		150650	2	BUSHING	1	59433	
7-41-35		150648	2	ECCENTRIC	2	59433	
7-41-36		150649	2	WASHER, SPACING	1	59433	
7-41-37		150585	2	BAR, LINE FEED	2	59433	
7-41-38		150647	2	ECCENTRIC	1	59433	
7-41-39		119653	2	RING, RETAINING (AP)	1	59433	
7-41-40		150652	2	SCREW, FILH, 4-40 BY 37/64 IN. LG (AP)	2	59433	
7-41-41		151658	2	SCREW, FILH, 6-40 BY 5/16 IN. LG (AP)	1	59433	
7-41-42		110743	2	WASHER, LOCK (AP)	1	59433	
7-41-43		2191	2	WASHER, LOCK (AP)	1	59433	
7-41-44		156093	2	WASHER, FELT (AP)	1	59433	
7-41-45		150318	2	STUD	1	59433	
7-41-46		150642	2	BELLCRANK	1	59433	
7-41-47		152871	2	SPRING	1	59433	
7-41-48		150646	2	SCREW, SHOULDER, 6-40	1	59433	

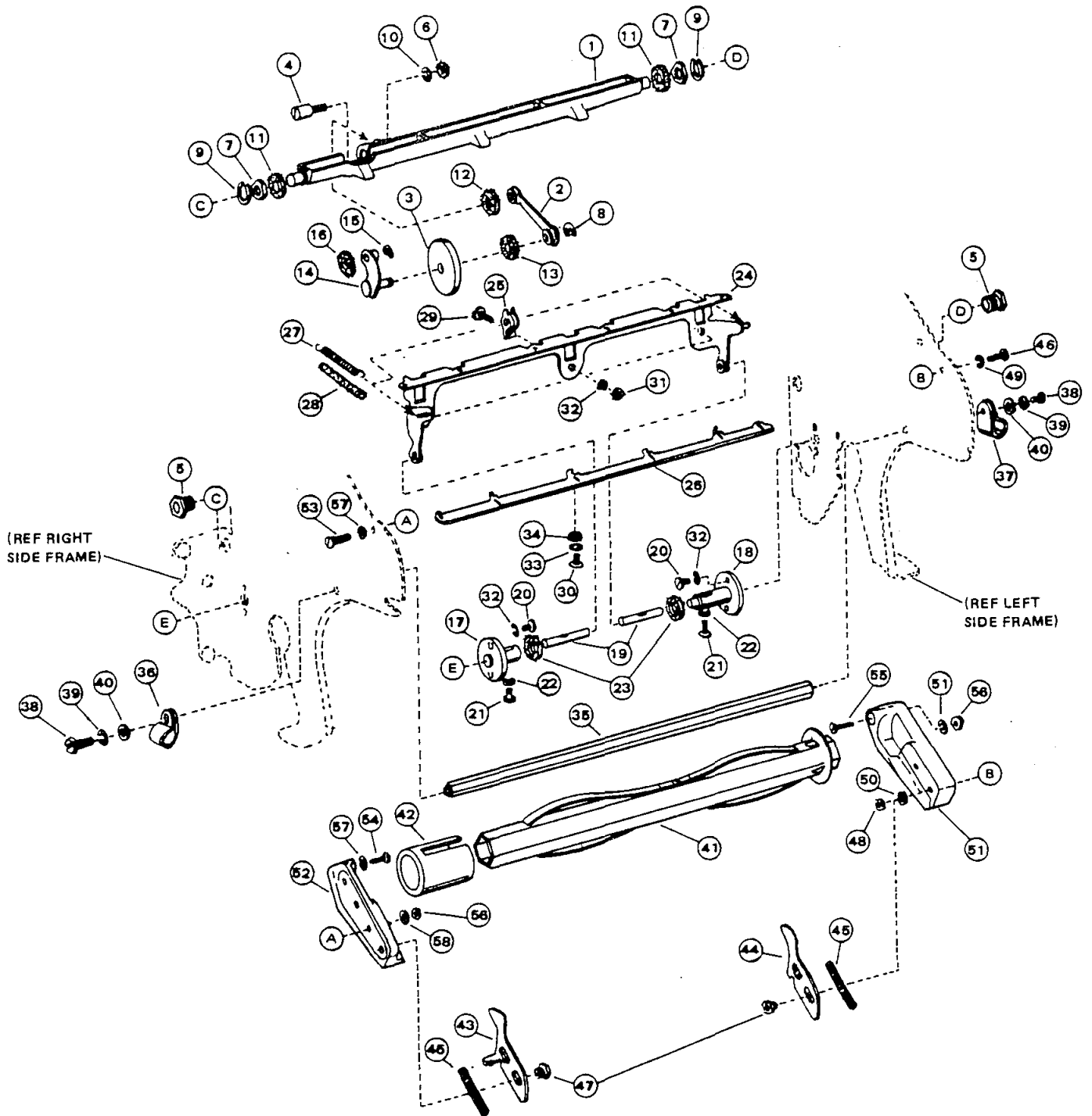


Figure 7-42. Paper Spindle and Reset Bail Mechanism.

FIG & INDEX NO.	REFERENCE DESIGNATION	PART NUMBER	I N D E N T	DESCRIPTION	QTY PER ASSY	MFR'S CODE	USED ON CODE
7-42-0		-----	1	PAPER SPINDLE AND RESET BAIL MECHANISM (SEE FIG. 7-31 FOR NHA)	REF	-----	
7-42-1		155864	2	SHAFT, CAM	1	59433	
7-42-2		153558	2	LINK	1	59433	
7-42-3		153553	2	ROLLER	1	59433	
7-42-4		155865	2	STUD (AP)	1	59433	
7-42-5		150414	2	BUSHING (AP)	2	59433	
7-42-6		3598	2	NUT, HEX, 6-40 (AP)	1	59433	
7-42-7		2539	2	NUT, HEX, 3/8-32 (AP)	2	59433	
7-42-8		119652	2	RING, RETAINING (AP)	1	59433	
7-42-9		73175	2	WASHER, LOCK (AP)	2	59433	
7-42-10		2191	2	WASHER, LOCK (AP)	1	59433	
7-42-11		90819	2	WASHER, FELT (AP)	2	59433	
7-42-12		161347	2	WASHER, FELT (AP)	1	59433	
7-42-13		153577	2	WASHER, FELT (AP)	1	59433	
7-42-14		153550	2	LINK	1	59433	
7-42-15		119652	2	RING, RETAINING (AP)	1	59433	
7-42-16		150990	2	WASHER, FELT (AP)	1	59433	
7-42-17		150423	2	STUD, PIVOT	1	59433	
7-42-18		150398	2	STUD, PIVOT	1	59433	
7-42-19		150419	2	SHAFT	2	59433	
7-42-20		151657	2	SCREW, FILH, 6-40 BY 1/4 IN. LG (AP)	4	59433	
7-42-21		151685	2	SCREW, FILH, 4-40 BY 5/16 IN. LG (AP)	2	59433	
7-42-22		110743	2	WASHER, LOCK (AP)	2	59433	
7-42-23		93356	2	WASHER, FELT (AP)	2	59433	
7-42-24		153573	2	BAIL	1	59433	
7-42-25		157241	2	BRACKET, ROLLER	1	59433	
7-42-26		158365	2	BLADE, RESET	1	59433	
7-42-27		154688	2	SPRING	2	59433	
7-42-28		97481	2	WICK, FELT	2	59433	
7-42-29		151658	2	SCREW, FILH, 4-40 BY 5/16 IN. LG (AP)	3	59433	
7-42-30		152893	2	SCREW, HEX HD, 4-40 BY 1/4 IN. LG (AP)	6	59433	
7-42-31		3598	2	NUT, HEX, 6-40 (AP)	3	59433	
7-42-32		2191	2	WASHER, LOCK (AP)	5	59433	
7-42-33		110743	2	WASHER, LOCK (AP)	6	59433	
7-42-34		125011	2	WASHER, FLAT (AP)	6	59433	
7-42-35		151627	2	ROD	1	59433	
7-42-36		121244	2	CLAMP, CABLE, 1/4 IN. ID	1	59433	
7-42-37		121243	2	CLAMP, CABLE, 3/16 IN. ID	1	59433	
7-42-38		153442	2	SCREW, HEX HD, 10-32 BY 1/2 IN. LG (AP)	2	59433	
7-42-39		2669	2	WASHER, LOCK (AP)	2	59433	
7-42-40		34432	2	WASHER, FLAT (AP)	2	59433	
7-42-41		150907	2	SPINDLE, PAPER	1	59433	
7-42-42		154645	2	SPACER	1	59433	
7-42-43		150910	2	LATCH, RIGHT	1	59433	
7-42-44		150935	2	LATCH	1	59433	
7-42-45		85407	2	SPRING, COMPRESSION	2	59433	
7-42-46		151721	2	SCREW, HEX HD, 6-40 BY 3/16 IN. LG (AP)	2	59433	
7-42-47		95030	2	NUT, SHOULDER, 6-40 (AP)	2	59433	
7-42-48		3598	2	NUT, HEX, 6-40 (AP)	2	59433	
7-42-49		2191	2	WASHER, LOCK (AP)	2	59433	
7-42-50		125015	2	WASHER, FLAT (AP)	2	59433	
7-42-51		150903	2	BLOCK, LEFT PAPER SPINDLE	1	59433	
7-42-52		150904	2	BLOCK, RIGHT PAPER SPINDLE	1	59433	
7-42-53		153839	2	SCREW, HEX HD, 6-40 BY 5/8 IN. LG (AP)	2	59433	

FIG & INDEX NO.	REFERENCE DESIGNATION	PART NUMBER	I N D E N T	DESCRIPTION	QTY PER ASSY	MFR'S CODE	USED ON CODE
7-42-54		151346	2	SCREW, FILH, 6-40 BY 3/8 IN. LG (AP)	1	59433	
7-42-55		74798	2	SCREW, FILH, 6-40 BY 31/64 IN. LG (AP)	1	59433	
7-42-56		3598	2	NUT, HEX, 6-40 (AP)	4	59433	
7-42-57		2191	2	WASHER, LOCK (AP)	4	59433	
7-42-58		125015	2	WASHER, FLAT (AP)	2	59433	

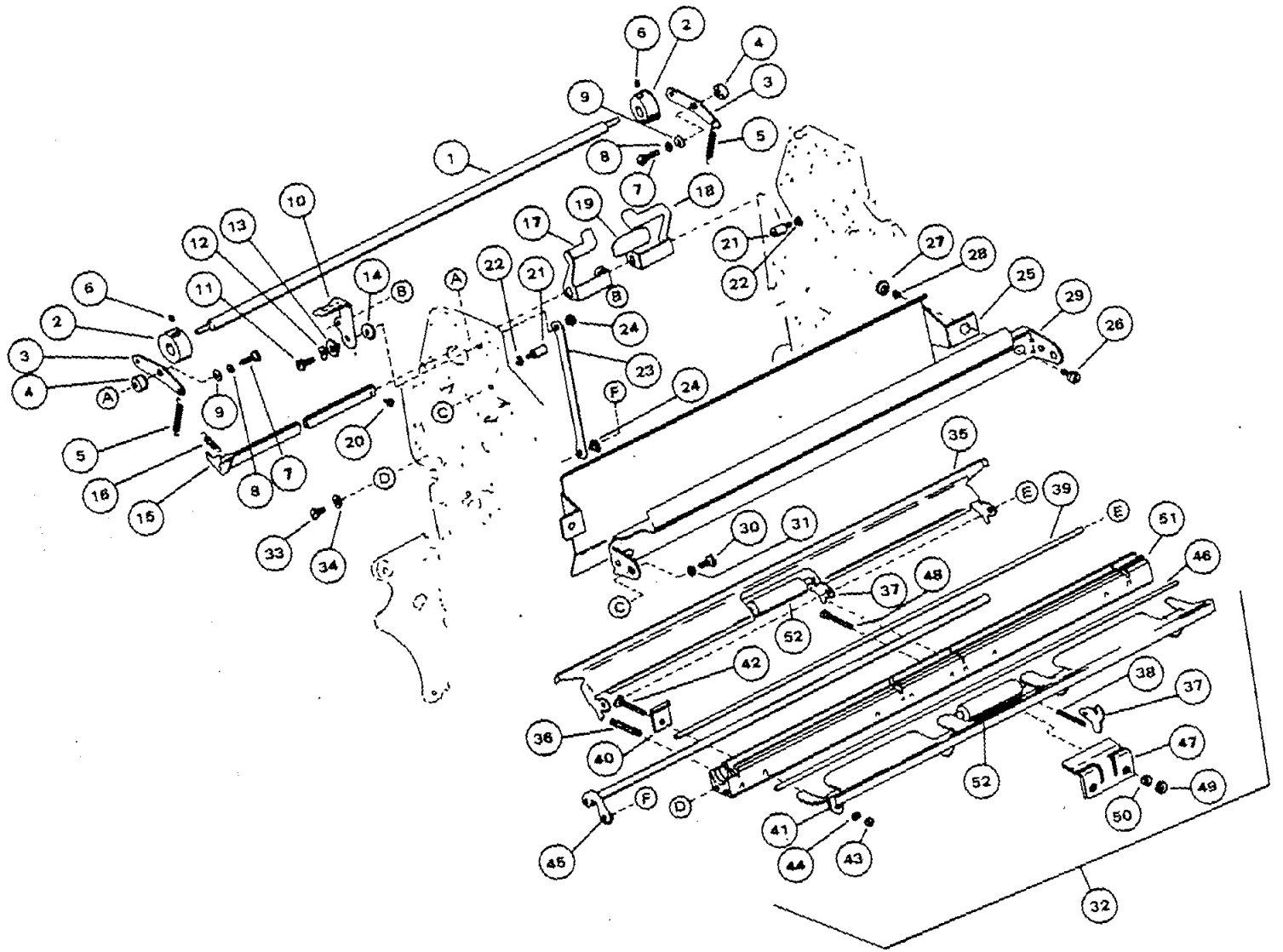


Figure 7-43. Pressure Roller Mechanism.

FIG & INDEX NO.	REFERENCE DESIGNATION	PART NUMBER	I N D E N T	DESCRIPTION	QTY PER ASSY	MFR'S CODE	USED ON CODE
7-43-0		-----	1	PRESSURE ROLLER MECHAN- ISM (SEE FIG. 7-31 FOR NHA)	REF	-----	
7-43-1		152832	2	SHAFT	1	59433	
7-43-2		153634	2	COLLAR	2	59433	
7-43-3		150816	2	LEVER	2	59433	
7-43-4		150815	2	BUSHING	2	59433	
7-43-5		74701	2	SPRING	2	59433	
7-43-6		124681	2	SCREW, SET, 6-40 (AP)	2	59433	
7-43-7		151686	2	SCREW, FILH, 4-40 BY 3/8 IN. LG (AP)	2	59433	
7-43-8		110743	2	WASHER, LOCK (AP)	2	59433	
7-43-9		125011	2	WASHER, FLAT (AP)	2	59433	
7-43-10		150276	2	LEVER	1	59433	
7-43-11		151657	2	SCREW, FILH, 6-40 BY 3/4 IN. LG (AP)	1	59433	
7-43-12		2191	2	WASHER, LOCK (AP)	1	59433	
7-43-13		150436	2	BUSHING (AP)	1	59433	
7-43-14		125015	2	WASHER, FLAT (AP)	1	59433	
7-43-15		150685	2	PLATE	1	59433	
7-43-16		72468	2	SPRING	1	59433	
7-43-17		150804	2	FINGER, PAPER	1	59433	
7-43-18		150826	2	GUIDE, PAPER FINGER	1	59433	
7-43-19		150803	2	SPRING, FLAT	1	59433	
7-43-20		151703	2	PIN (AP)	1	59433	
7-43-21		150992	2	STUD	2	59433	
7-43-22		110743	2	WASHER, LOCK	2	59433	
7-43-23		150270	2	LINK	1	59433	
7-43-24		119651	2	RING, RETAINING	2	59433	
7-43-25		150840	2	BRACKET, GUIDE	1	59433	
7-43-26		151657	2	SCREW, FILH, 6-40 BY 1/4 IN. LG (AP)	2	59433	
7-43-27		3598	2	NUT, HEX, 6-40 (AP)	2	59433	
7-43-28		2191	2	WASHER, LOCK (AP)	2	59433	
7-43-29		152539	2	GUIDE	1	59433	
7-43-30		151692	2	SCREW, FILH, 6-40 BY 3/16 IN. LG (AP)	2	59433	
7-43-31		2191	2	WASHER, LOCK (AP)	2	59433	
7-43-32		150096	2	ROLLER ASSEMBLY, PRESSURE	1	59433	
7-43-33		151657	2	SCREW, FILH, 6-40 BY 1/4 IN. LG (AP)	4	59433	
7-43-34		2191	2	WASHER, LOCK (AP)	4	59433	
7-43-35		157290	3	BAIL, PRESSURE	1	59433	
7-43-36		152725	3	SPRING	1	59433	
7-43-37		150266	3	LEVER, GUIDE	2	59433	
7-43-38		152723	3	SPRING	1	59433	
7-43-39		150265	3	SHAFT	1	59433	
7-43-40		150267	3	CLAMP	2	59433	
7-43-41		157291	3	GUIDE, REAR PAPER	1	59433	
7-43-42		151689	3	SCREW, FILH, 4-40 BY 3/4 IN. LG (AP)	2	59433	
7-43-43		3599	3	NUT, HEX, 4-40 (AP)	2	59433	
7-43-44		110743	3	WASHER, LOCK (AP)	2	59433	
7-43-45		150271	3	ARM, RELEASE	1	59433	
7-43-46		150265	3	SHAFT	1	59433	
7-43-47		150274	3	BRACKET, CLAMP	1	59433	
7-43-48		151689	3	SCREW, FILH, 4-40 BY 3/4 IN. LG (AP)	2	59433	
7-43-49		3599	3	NUT, HEX, 4-40 (AP)	2	59433	
7-43-50		110743	3	WASHER, LOCK (AP)	2	59433	
7-43-51		157289	3	BAR, CROSS	1	59433	
7-43-52		150269	2	ROLLER, PRESSURE	2	59433	

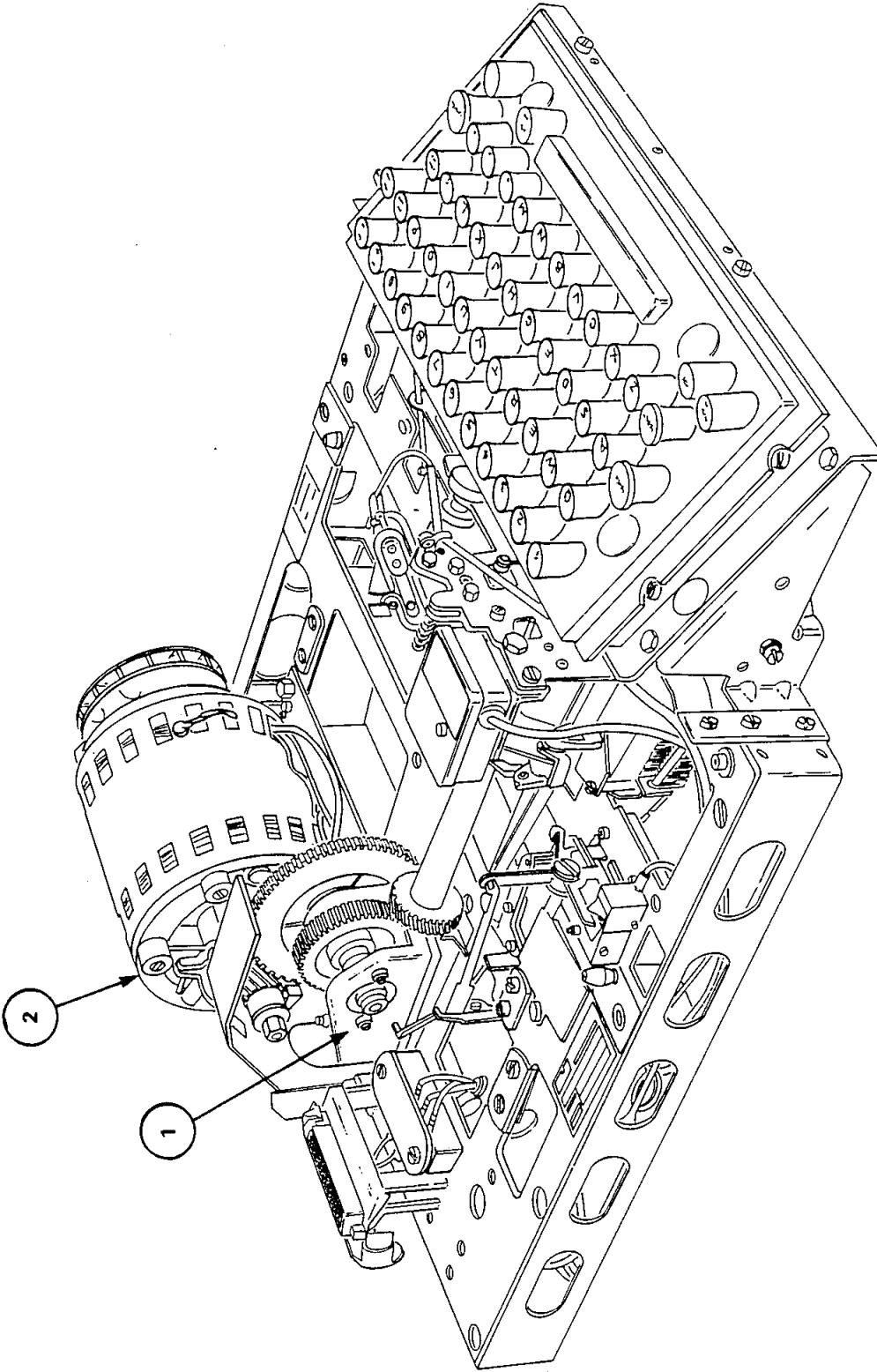


Figure 7-44. Keyboard/Printer Base.

FIG & INDEX NO.	REFERENCE DESIGNATION	PART NUMBER	I N D E N T	DESCRIPTION	QTY PER ASSY	MFR'S CODE	USED ON CODE
7-44-0		-----	1	BASE (SEE FIG. 7-29 FOR NHA)	REF	-----	
7-44-1		-----	2	INTERMEDIATE GEAR ASSEMBLY	1	-----	
7-44-2		LMU3	2	MOTOR ASSEMBLY (SEE FIG. 7-46 FOR BREAKDOWN)	1	59433	

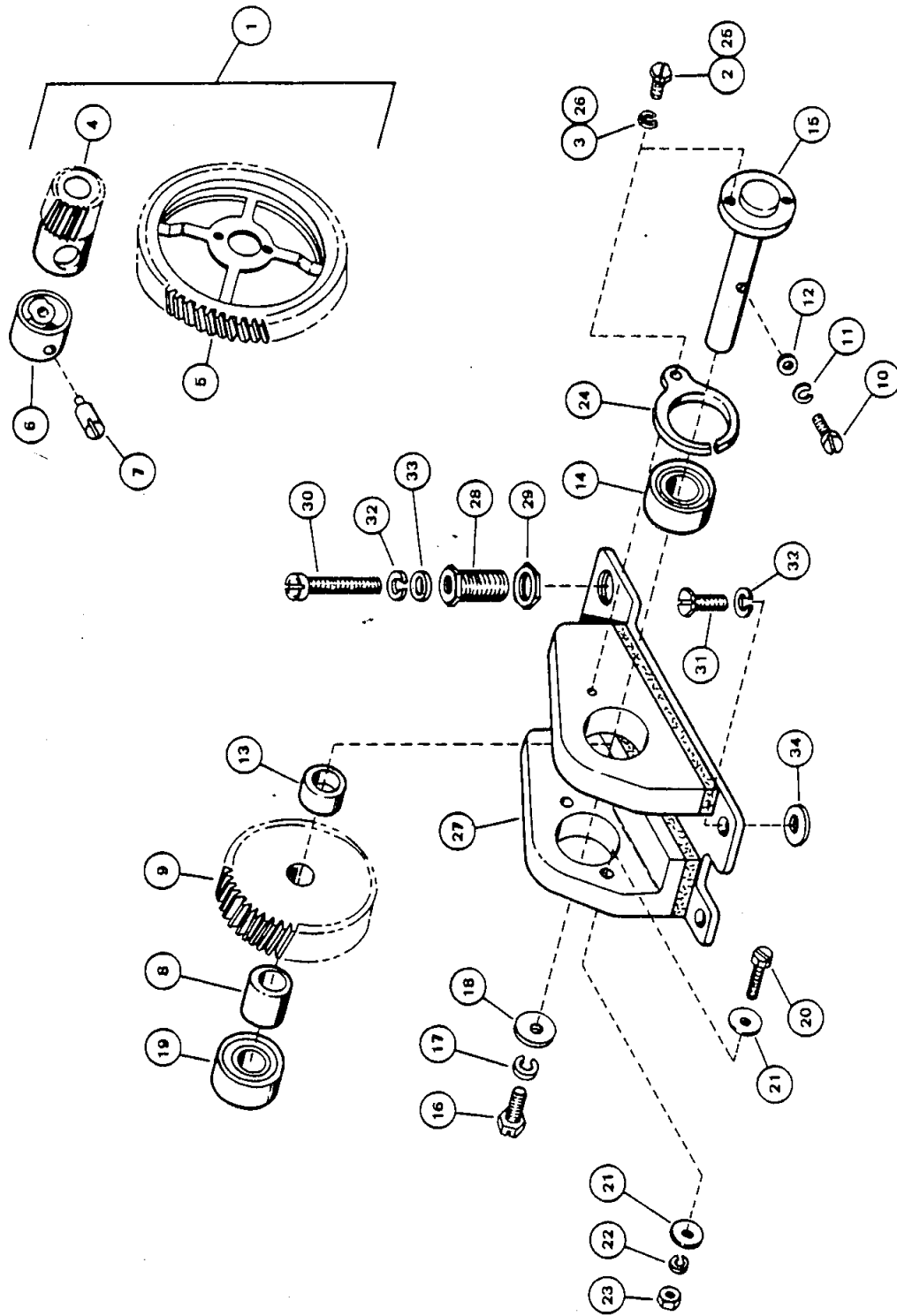


Figure 7-45. Intermediate Gear Mechanism.

FIG & INDEX NO.	REFERENCE DESIGNATION	PART NUMBER	I N D E N T	DESCRIPTION	QTY PER ASSY	MFR'S CODE	USED ON CODE
7-45-0		-----	1	INTERMEDIATE GEAR MECH- ANISM (SEE FIG. 7-42 FOR NHA)	REF		
7-45-1		161295	2	GEAR SET (100 WPM)	1	59433	
7-45-2		151630	2	SCREW, HEX HD, 6-40 BY 1/4 IN. LG (AP)	2	59433	
7-45-3		2191	2	WASHER, LOCK (AP)	2	59433	
7-45-4		159284	3	PINION (20T)	1	59433	
7-45-5		159285	3	GEAR (84T)	1	59433	
7-45-6		159287	3	RETAINER, PINION	1	59433	
7-45-7		161301	3	POST	1	59433	
7-45-8		144760	2	SPACER	1	59433	
7-45-9		163440	2	GEAR (48T)	1	59433	
7-45-10		151632	2	SCREW, HEX HD, 6-40 BY 3/8 IN. LG (AP)	1	59433	
7-45-11		2191	2	WASHER, LOCK (AP)	1	59433	
7-45-12		8330	2	WASHER, FLAT (AP)	1	59433	
7-45-13		144759	2	SPACER	1	59433	
7-45-14		159341	2	BEARING, BALL	1	59433	
7-45-15		144761	2	SHAFT	1	59433	
7-45-16		151723	2	SCREW, HEX HD, 10-32 BY 3/8 IN. LG (AP)	1	59433	
7-45-17		2669	2	WASHER, LOCK (AP)	1	59433	
7-45-18		35826	2	WASHER, FLAT (AP)	1	59433	
7-45-19		159341	2	BEARING, BALL	1	59433	
7-45-20		151442	2	SCREW, HEX HD (AP)	2	59433	
7-45-21		125015	2	WASHER, FLAT (AP)	4	59433	
7-45-22		2191	2	WASHER, LOCK (AP)	2	59433	
7-45-23		3598	2	NUT, HEX, 6-40 (AP)	2	59433	
7-45-24		158745	2	CLAMP, BEARING	1	59433	
7-45-25		151630	2	SCREW, HEX HD, 6-40 BY 1/4 IN. LG (AP)	1	59433	
7-45-26		2191	2	WASHER, LOCK (AP)	1	59433	
7-45-27		144767	2	PLATE, BEARING W/BRACKET	1	59433	
7-45-28		158828	2	BUSHING, MOUNTING	2	59433	
7-45-29		6970	2	NUT, HEX, 3/8-32	2	59433	
7-45-30		1257	2	SCREW, FILH, 10-32 BY 1-1/8 IN. LG (AP)	2	59433	
7-45-31		151724	2	SCREW, HEX HD, 10-32 BY 5/8 IN. LG (AP)	2	59433	
7-45-32		2669	2	WASHER, LOCK (AP)	4	59433	
7-45-33		117535	2	WASHER, FLAT (AP)	2	59433	
7-45-34		144769	2	BUTTON, PIVOT (AP)	2	59433	

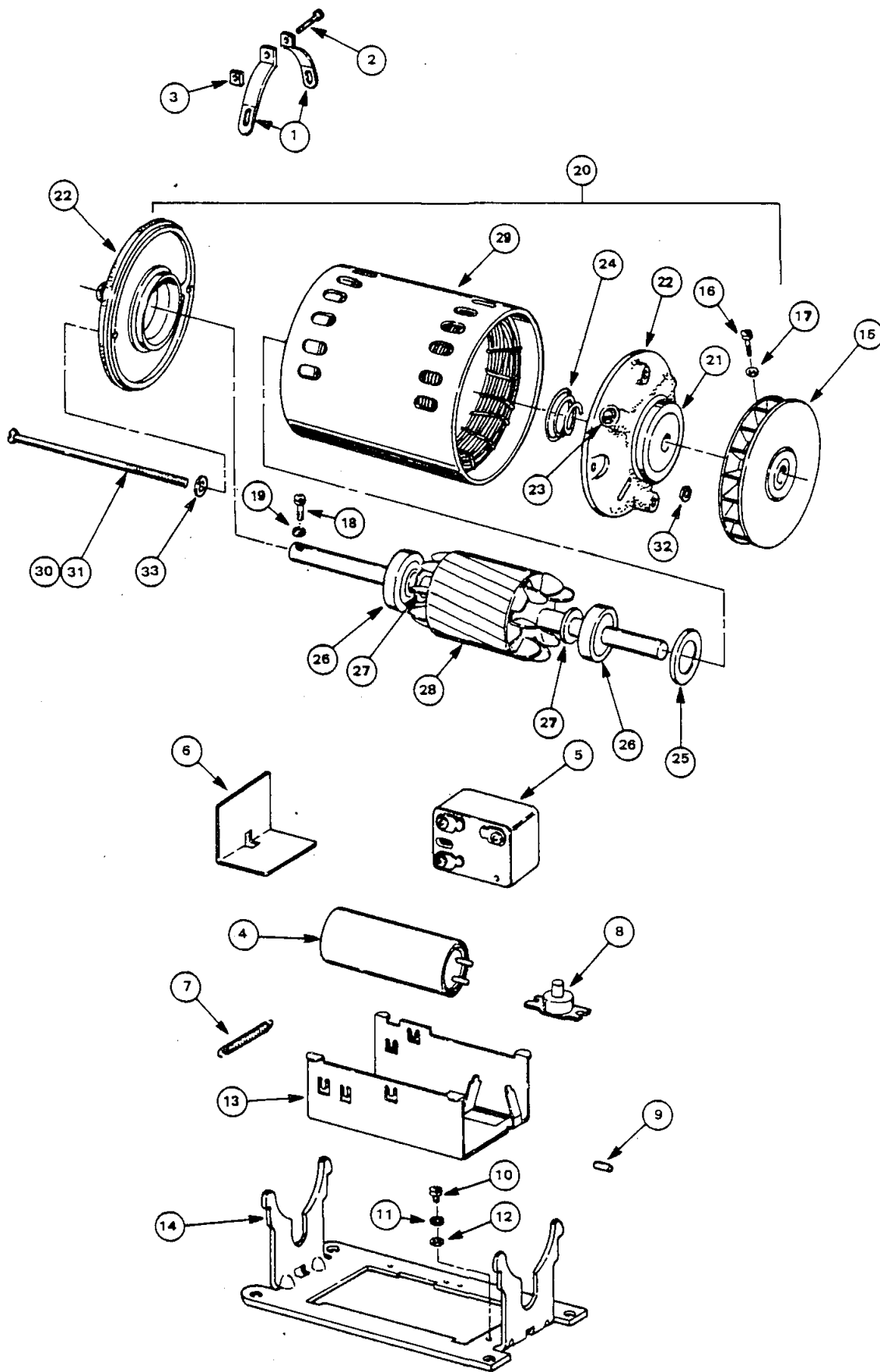


Figure 7-46. Motor Assembly.

FIG & INDEX NO.	REFERENCE DESIGNATION	PART NUMBER	I N D E N T	DESCRIPTION	QTY PER ASSY	MFR'S CODE	USED ON CODE
7-46-0		LMU3	1	MOTOR ASSEMBLY (SEE FIG. 7-42 FOR NHA)	REF	59433	
7-46-1		151620	2	STRAP, MTR MTG	2	59433	
7-46-2		151621	2	SCREW, RDH, 6-32 BY 3/4 IN. LG (AP)	1	59433	
7-46-3		151622	2	NUT, SQ, 6-32 (AP)	1	59433	
7-46-4		122245	2	CAPACITOR, 43 TO 48 MICROFARADS	1	59433	
7-46-5		151923	2	RELAY, MTR STARTING	1	59433	
7-46-6		305659	2	INSULATOR	1	59433	
7-46-7		305658	2	SPRING	1	59433	
7-46-8		122249	2	SWITCH, THERMOSTATIC	1	59433	
7-46-9		155752	2	SLEEVE, INSULATING, 1/8 IN. ID BY 1/2 IN. LG	2	59433	
7-46-10		156875	2	SCREW, FILH, 6-40 BY 5/32 IN. LG (AP)	1	59433	
7-46-11		2191	2	WASHER, LOCK (AP)	1	59433	
7-46-12		36273	2	WASHER, FLAT (AP)	1	59433	
7-46-13		305660	2	PLATE, MTG	1	59433	
7-46-14		305661	2	BRACKET, MOTOR W/CRADLE	1	59433	
7-46-15		123769	2	FAN, MTR	1	59433	
7-46-16		150040	2	SCREW, FILH, 6-40 BY 5/8 IN. LG (AP)	1	59433	
7-46-17		2191	2	WASHER, LOCK (AP)	1	59433	
7-46-18		151346	2	SCREW, FILH, 6-40 BY 3/8 IN. LG (AP)	1	59433	
7-46-19		2191	2	WASHER, LOCK (AP)	1	59433	
7-46-20		151795	2	MOTOR, SYNCHRONOUS	1	59433	
7-46-21		153030	3	MOUNT, VIBRATION	2	59433	
7-46-22		122252	3	SHIELD ASSEMBLY, END	2	59433	
7-46-23		122220	3	OILER, BALL	2	59433	
7-46-24		71999	3	SPRING, MTR TRUST	1	59433	
7-46-25		152297	3	WASHER, BEARING	1	59433	
7-46-26		122201	3	BEARING, BALL	2	59433	
7-46-27		122211	3	WASHER, PULL	2	59433	
7-46-28		128874	3	ROTOR, MTR	1	59433	
7-46-29		122251	3	STATOR, MTR	1	59433	
7-46-30		122229	3	BOLT, FILH, 8-32 BY 4-11/16 IN. LG (AP)	2	59433	
7-46-31		199721	3	BOLT, FILH, 8-32 BY 5-13/16 IN. LG (AP)	2	59433	
7-46-32		2263	3	NUT, HEX, 8-32 (AP)	2	59433	
7-46-33		153049	3	WASHER, INSULATING	2	59433	

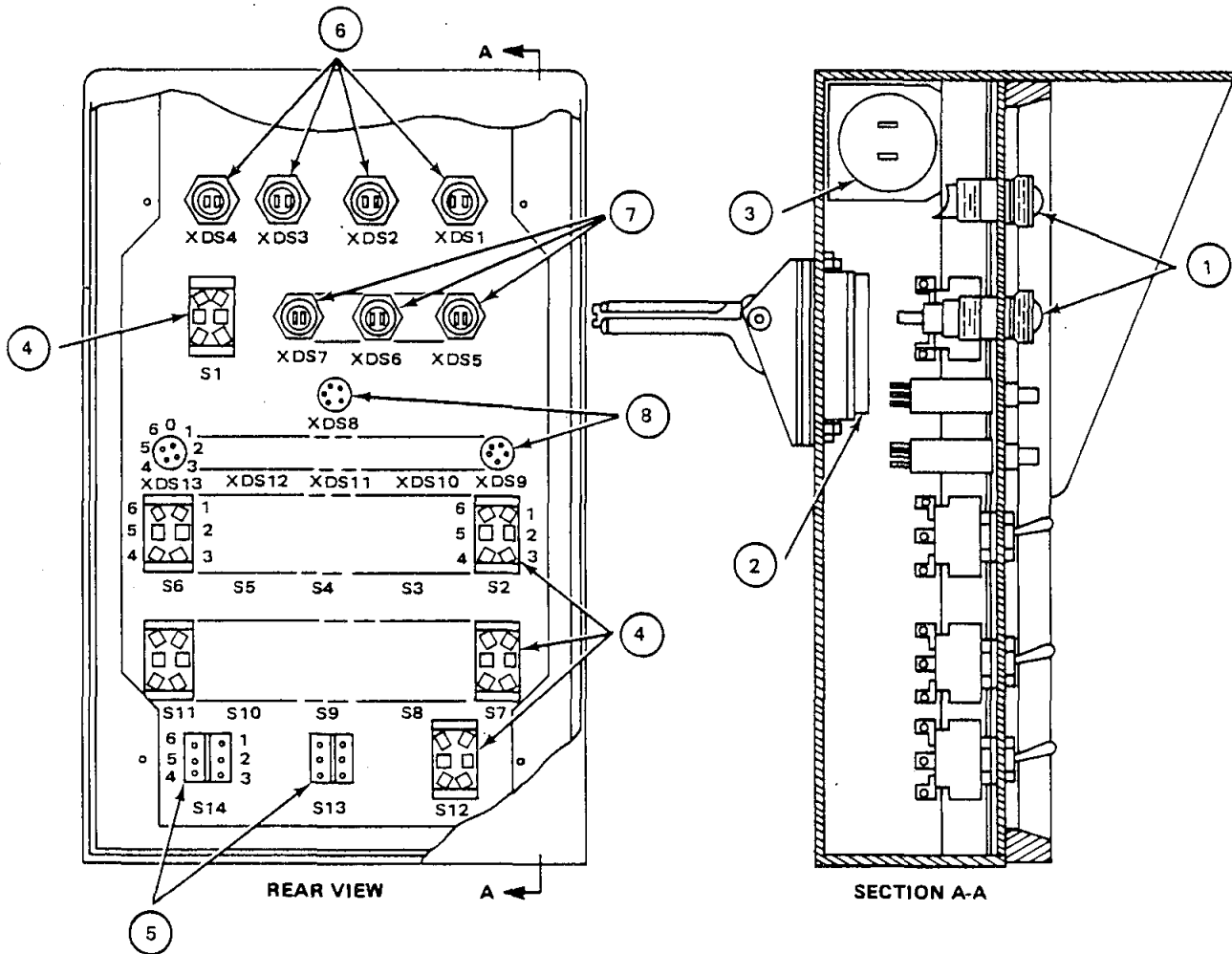


Figure 7-47. Control-Indicator.

FIG & INDEX NO.	REFERENCE DESIGNATION	PART NUMBER	I N D E N T	DESCRIPTION	QTY PER ASSY	MFR'S CODE	USED ON CODE
7-47-0		7029664-00	1	CONTROL-INDICATOR, CONTAINS 7 LAMPS, 1 TERMINAL, 1 CONNECTOR, 1 HORN, 14 SWITCHES, AND 13 INDICATORS	REF	90536	A,B
7-47-1	A8DS1 THRU DS7	7900677-00	2	LAMP, INCANDESCENT, 18V 150 MILLIAMP	7	90536	
7-47-2	A8J1	905989-00	2	CONNECTOR, RCPT, ELEC, MALE, 90 CONT	1	90536	
7-47-3	A8LS1	7900874-00	2	HORN, ELECTRICAL, W/SOLID STATE OSC	1	90536	
7-47-4	A8S1 THRU S12	MS35059-23	2	SWITCH, TOGGLE, SEALED, 15 AMPS, DPDT	12	96906	
7-47-5	A8S13 A8S14	13AT401T2	2	SWITCH, TOGGLE, 2 POLE 3 POSITION	2	91929	
7-47-6	A8XDS1 THRU DS4	7900678-03	2	INDICATOR, LIGHT, T3 1/4 LAMP	4	90536	
7-47-7	A8XDS5 THRU XDS7	7900678-00	2	INDICATOR, LIGHT, T3 1/4 LAMP	3	90536	
7-47-8	A8XDS8 THRU XDS13	7900215-00	2	SWITCH, PUSH, INDICATOR TYPE, 0.4 MILLIAMP, 28 VDC LAMP TYPE GE327, RED LENS	6		



TABLE 7-6. PARTS LIST IN PART NUMBER SEQUENCE.

PART NUMBER	FIG & INDEX NO.	REFERENCE DESIGNATION	PART NUMBER	FIG & INDEX NO.	REFERENCE DESIGNATION
-----	7-29-1		BC1142	7-11-24	
-----	7-21-1			7-13-0	
	7-21-2		BC1143	7-13-9	
	7-23-0		BC1441	7-14-5	
	7-30-0		BC1443	7-11-28	
	7-31-0			7-14-0	
	7-31-1		BC1935-1	7-11-43	
	7-31-3			7-17-0	
	7-31-4		BC1943	7-14-8	
	7-31-5		BC2152	7-17-11	
	7-31-7		BC2154-2	7-17-8	
	7-31-8		BC4003-1	7-10-1	
	7-31-9		BC461	7-11-3	
	7-32-0			7-12-0	
	7-34-0		BC5398-1	7-16-13	
	7-35-0		BC5405	7-16-21	
	7-36-0		BC985	7-17-1	
	7-37-0		CA2736	7-18-24	
	7-38-0		CA2890	7-16-23	
	7-39-0		CA4899-1	7-20-40	
	7-40-0		CB640-1	7-19-32	
	7-41-0		CC1320-01	7-15-0	
	7-42-0		CC1320-1	7-14-1	
	7-43-0		CC1924	7-11-31	
	7-44-0			7-16-0	
	7-44-1		CC1930	7-10-14	
	7-45-0		CC1932	7-10-9	
	7-316-0			7-11-0	
-----	7-22-0		CC2197	7-17-3	
AA1435	7-12-6		CC4001-1	7-10-4	
AA188	7-11-12		CC4002-1	7-10-6	
AA2058	7-13-5		CE876	7-11-44	
AA2144	7-16-11		CH531B1MF205K	7-25-2	A4C1
AA2224	7-16-7			7-25-2	A4C2
AA2462	7-14-2		CL25BH221UP3	7-27-3	A6C7
AA2635	7-14-14		CL25BJ180TP3	7-27-4	A6C8
AA2722	7-16-10		CM20C1025	7-18-1	A3A1A1C1
AA2900	7-16-1				THRU C3
AA2905	7-13-4		CM20C331J	7-19-1	A3A1A2C1
AA2908	7-10-18			7-19-1	A3A1A2C2
AA2981	7-15-2		COML	7-10-5	
AA2985	7-15-3			7-10-8	
AA3085	7-17-6			7-10-10	
AA3158	7-11-16			7-10-11	
AA4203	7-13-1			7-10-12	
AA4671	7-10-3			7-10-13	
AA4672	7-10-2			7-10-17	
AA4812	7-19-31			7-11-4	
AA4816	7-11-36			7-11-5	
AA5628	7-11-6			7-11-10	
AA5660	7-10-7			7-11-11	
AA6599	7-11-22			7-11-13	
AA6600	7-13-13			7-11-14	
AB636-1	7-11-23			7-11-17	
AC1642	7-15-8			7-11-18	
AC5650-1	7-16-17			7-11-19	
AE883-1	7-20-28	A3A1C1		7-11-25	
A1078-2	7-16-22			7-11-26	
BA2142	7-16-12			7-11-29	
BA2287	7-13-16			7-11-30	
BA2456	7-14-9			7-11-32	
BA2461	7-15-9			7-11-33	
BA2466	7-14-16			7-11-34	
BA2495-9	7-20-19			7-11-37	
BA2688	7-20-1	A3A1T1		7-11-38	
BA2893	7-20-14			7-11-40	
BA2894	7-20-10			7-11-41	
BA2917	7-11-20			7-12-3	
BC1033-1	7-16-4			7-12-4	

PART NUMBER	FIG & INDEX NO.	REFERENCE DESIGNATION	PART NUMBER	FIG & INDEX NO.	REFERENCE DESIGNATION
COML	7-12-5		DC1784-0	7-19-0	A3A1A2
	7-13-2		DE287	7-20-44	
	7-13-3		FHN26G1	7-27-26	A6XF1 THRU XF11
	7-13-6				
	7-13-7		FOR PART NUMBERS	7-1-0	
	7-13-8		FW50	7-18-5	A3A1A1CR3
	7-13-10		F02A250V2AS	7-27-11	A6F3 THRU F7
	7-13-11				A6F9
	7-13-12			7-27-11	A6F10
	7-13-14		F02A250V3AS	7-27-13	A6F8
	7-13-15		F02A250V4AS	7-27-12	A6F11
	7-14-3		F02A250V6AS	7-27-14	A6F1
	7-14-4		F03A250V8AS	7-27-10	A6F2
	7-14-6			7-27-10	A3A1A2R22
	7-14-7		ID48F50	7-19-24	A6CR7 THRU CR10
	7-14-12		IN538M	7-27-7	M1
	7-14-13				
	7-14-15				
	7-15-4		KYAJ9792-1	7-17-4	
	7-16-3		LK802ATD	7-29-3	
	7-16-5		LMU3	7-44-2	
	7-16-6			7-46-0	
	7-16-8		LMU6	7-21-3	
	7-16-14			7-24-0	
	7-16-15		LP806TD/ATG	7-29-2	
	7-16-16		LS431	7-15-5	A3A1CR1 THRU CR9
	7-16-18				
	7-16-19		MS15795-803	7-23-87	
	7-16-20		MS15795-805	7-9-9	
	7-17-2			7-9-20	
	7-17-5			7-9-35	
	7-17-7		MS15795-807	7-9-10	
	7-17-12			7-9-32	
	7-17-13		MS15795-808	7-9-29	
	7-17-14		MS15795-810	7-9-43	
	7-17-15		MS15795-812	7-9-16	
	7-20-2		MS15795-814	7-9-15	
	7-20-3		MS15795-818	7-9-14	
	7-20-4		MS16109-36-3-3N	7-8-2	A2A2S2
	7-20-7		MS21044-C04	7-23-88	
	7-20-8		MS21044-C06	7-9-19	
	7-20-9			7-9-36	
	7-20-11		MS21044-C08	7-9-11	
7-20-12		MS21044-C3	7-9-28		
7-20-13			7-9-39		
7-20-15		MS25296-A1	7-27-17	A6K4	
7-20-16		MS3102A20-15P	7-26-6	A5J5	
7-20-20		MS3102A20-15PW	7-26-7	A5J6	
7-20-21		MS3102A28-21PW	7-26-3	A5J2	
7-20-23		MS3102A28-21PX	7-26-4	A5J3	
7-20-26		MS3102A28-21S	7-26-9	A5J9	
7-20-27		MS3106A10-SL3S	7-26-10	A5P2	
7-20-30		MS3106A20-15S	7-2-7	P5	
7-20-31		MS3106A20-15SW	7-2-8	P6	
7-20-32		MS3106A28-21SX	7-27-19	A6P2	
7-20-35		MS3106A28-215W	7-27-18	A6P1	
7-20-42		MS35059-23	7-3-4	A1S2	
7-20-43			7-47-4	A8S1 THRU S12	
7-25-3		A4C3			
7-25-3		A4C4	MS35338-139	7-9-13	
7-27-2		A6C1 THRU C6	7-9-42		
		A1FL1 THRU FL10	7-9-6		
			7-9-27		
CP09A1KC104-K3			M62/12-026	7-27-5	A6C9
CZ24BKF103	7-3-2		RC07GF103J	7-18-13	A3A1A1R9
DC1035	7-10-20			7-19-7	A3A1A2R2-1 THRU R2-9
DC1734	7-10-15	A3A1A1	RC07GF104J	7-18-10	A3A1A1R4
DC1784-0	7-18-0	A3A1A1	RC07GF153J	7-18-11	A3A1A1R5
	7-10-16	A3A1A2	RC07GF154J	7-19-11	A3A1A2R5

PART NUMBER	FIG & INDEX NO.	REFERENCE DESIGNATION	PART NUMBER	FIG & INDEX NO.	REFERENCE DESIGNATION
RC07GF202J	7-19-21	A3A1A2R16	TCRSU0125	7-19-2	A3A1A2CR2
RC07GF272J	7-19-21	A3A1A2R24		7-19-2	A3A1A2CR3
	7-18-7	A3A1A1R1	TGRAB0002	7-14-11	
	7-13-7	A3A1A1R6	TGRPD0404	7-17-10	
RC07GF273J	7-19-15	A3A1A2R10	TH-LA1001	7-12-2	
RC07GF302J	7-19-20	A3A1A2R15	TH-LA2007	7-20-22	
RC07GF333J	7-19-17	A3A1A2R12	TLNEE0004	7-11-2	A3A1DS1
	7-18-8	A3A1A1R2	TMBCE0004	7-20-6	
	7-18-8	A3A1A1R7	TMBRA0001	7-20-29	
RC07GF393J	7-19-9	A3A1A2R4-9	TMSAA0102	7-20-34	
RC07GF432J	7-19-12	A3A1A2R6	TQ-SAA004	7-19-27	A3A1A2Q1-1
	7-19-12	A3A1A2R7			THRU Q1-9
RC07GF471J	7-19-19	A3A1A2R14		7-19-27	A3A1A2Q2-1
RC07GF472J	7-19-18	A3A1A2R13			THRU Q2-9
RC07GF473J	7-19-14	A3A1A2R9		7-19-27	A3A1A2Q3
RC07GF511J	7-18-14	A3A1A1R11		7-19-27	A3A1A2Q4
	7-18-14	A3A1A1R16	TQ-SA1170	7-18-20	A3A1A1Q1
RC07GF621J	7-19-13	A3A1A2R8		7-18-20	A3A1A1Q2
RC07GF682J	7-19-8	A3A1A2R3-1		7-19-28	A3A1A2Q3-1
		THRU R3-9			THRU Q3-8
RC07GF683J	7-18-12	A3A1A1R8		7-19-28	A3A1A2Q5
	7-19-6	A3A1A2R1-1		7-19-28	A3A1A2Q6
		THRU R1-9			
RC07GF752J	7-18-15	A3A1A1R12	TSFAA0602	7-20-41	
	7-18-15	A3A1A1R17	TTRFA0513	7-11-21	
RC07GF114J	7-25-10	A4R9 THRU R13	TTUBC0041BLUE	7-15-7	
			TTUBC0041RED	7-15-6	
RC07GF471J	7-7-4	A2A1A3R1	UPCC-F2H5L23	7-10-19	A3A1P1
		THRU R6	UPCC40M2SL23APM	7-19-5	A3A1A2J1
RC20GF102J	7-19-10	A3A1A2R4-1	USM5W	7-11-15	A3A1S2
		THRU R4-8	XC140PC104A	7-19-25	A3A1A2R23-9
			XC140PC254B	7-19-26	A3A1A2 R23-1
	7-19-10	A3A1A2R17			THRU R23-8
	7-19-10	A3A1A2R25	0200C25-25W	7-20-24	A3A1R1
RC20GF331J	7-19-23	A3A1A2R21	1NR180A	7-11-8	A3A1RC1
RC32GF100J	7-19-22	A3A1A2R18		7-11-8	A3A1RC2
	7-19-22	A3A1A2R19	1N2069A	7-18-4	A3A1A1CR1
RC32GF511J	7-18-9	A3A1A1R3		7-18-4	A3A1A1CR2
	7-18-9	A3A1A1R10	1N2804RB	7-5-2	A2A1CR1
RC32GF751J	7-18-18	A3A1A1R15	1N747	7-19-3	A3A1A2CR4
	7-18-18	A3A1A1R20	1N958	7-19-4	A3A1A2CR5
RC32GF821J	7-19-16	A3A1A2R11	1006-1004M10W	7-11-39	A3A1R22
RC42GF242J	7-25-7	A4R2	100743	7-24-77	
	7-25-7	A4R5	101633	7-30-55	
RC42GF331J	7-25-11	A4R14	101796	7-33-54	
RC42GF470J	7-27-21	A6R1 THRU R3		7-34-37	
				7-36-53	
RC42GF471J	7-25-6	A4R1	102374	7-22-150	
	7-25-6	A4R3	102392	7-24-4	
	7-25-6	A4R4	102664	7-24-104	
	7-25-6	A4R6	102751	7-22-194	
RC42GF510J	7-18-17	A3A1A1R14	1036	7-23-57	
	7-18-17	A3A1A1R19	105028	7-37-46	
RC42GF561J	7-25-9	A4R8	108199	7-33-6	
RW21V561	7-25-8	A4R7	110434	7-32-5	
SB250-2	7-11-27			7-35-4	
SB375-4	7-11-7			7-36-42	
SB500-6	7-11-35			7-22-3	
SEE TABLE 7-4	7-1-0		110435	7-22-125	
SFR2-5PPEE	7-16-9		110742	7-36-17	
SMT1025	7-18-3	A3A1A1C8	110743	7-22-13	
SRGP1	7-20-39			7-22-55	
S120-3	7-14-10			7-22-88	
TB-BR1017	7-17-9			7-22-114	
TBBPB0202	7-20-17			7-22-249	
TBLAA0001	7-20-18	A3A1B1		7-24-10	
TCRSU0125	7-18-6	A3A1A1CR4		7-24-15	
		THRU CR8		7-24-26	
	7-19-2	A3A1A2 CR1-1		7-30-9	
		THRU CR1-9		7-32-8	

PART NUMBER	FIG & INDEX NO.	REFERENCE DESIGNATION	PART NUMBER	FIG & INDEX NO.	REFERENCE DESIGNATION
110743	7-33-34		119651	7-39-39	
	7-34-10			7-40-10	
	7-34-19			7-40-18	
	7-34-23			7-40-35	
	7-35-43			7-40-37	
	7-35-49			7-43-24	
	7-35-58		119652	7-22-24	
	7-36-7			7-22-104	
	7-36-24			7-22-141	
	7-36-44			7-22-148	
	7-36-88			7-22-168	
	7-37-19			7-33-53	
	7-37-41			7-33-56	
	7-38-7			7-34-14	
	7-38-16			7-34-36	
	7-39-15			7-34-44	
	7-40-15			7-34-46	
	7-40-29			7-34-48	
	7-41-5			7-35-26	
	7-41-27			7-35-63	
	7-41-42			7-36-28	
	7-42-22			7-36-31	
	7-42-33			7-36-67	
	7-43-8			7-36-90	
	7-43-22			7-36-120	
	7-43-44			7-37-7	
	7-43-50			7-37-12	
110872	7-36-108			7-37-32	
111017	7-22-140			7-37-47	
	7-23-56			7-37-51	
111062	7-24-115			7-39-27	
111410	7-22-248			7-40-50	
112620	7-22-209			7-42-8	
112626	7-30-76			7-42-15	
	7-34-49		119653	7-39-11	
	7-36-123			7-40-11	
	7-38-2			7-41-39	
	7-38-22		119662	7-22-16	
	7-38-37		120175	7-23-67	
	7-38-48		121242	7-22-281	
112627	7-22-7		121243	7-30-49	
	7-24-93			7-30-66	
112634	7-39-13			7-42-37	
	7-40-13		121244	7-42-36	
112769	7-22-40		1214	7-36-110	
114466	7-23-91		122200	7-24-124	
114467	7-23-95		122201	7-24-122	
115122	7-34-52			7-46-26	
115221	7-22-142		122202	7-24-125	
1164	7-22-6		122204	7-24-99	
	7-22-94		122205	7-24-98	
117535	7-45-33		122206	7-24-130	
119421	7-22-277		122208	7-24-120	
119648	7-34-15		122210	7-24-121	
	7-37-33		122211	7-24-123	
119649	7-23-34			7-46-27	
	7-35-46		122220	7-24-110	
	7-36-12			7-46-23	
	7-39-22		122221	7-24-111	
	7-40-22		122229	7-46-30	
119651	7-33-7		122233	7-24-113	
	7-33-19		122245	7-46-4	
	7-33-37		122249	7-46-8	
	7-34-67		122251	7-46-29	
	7-35-10		122252	7-46-22	
	7-35-23		122253	7-24-106	
	7-36-94		123769	7-46-15	
	7-39-10		124244	7-22-109	
	7-39-18		124249	7-22-158	

PART NUMBER	FIG & INDEX NO.	REFERENCE DESIGNATION	PART NUMBER	FIG & INDEX NO.	REFERENCE DESIGNATION
124279	7-22-106		142806	7-22-244	
124282	7-22-154		142807	7-22-243	
124287	7-22-101		142809	7-22-240	
124289	7-22-223		142811	7-22-132	
124292	7-22-29		142812	7-22-161	
124293	7-22-28		142828	7-22-151	
124294	7-22-23		142829	7-22-152	
124300	7-22-155		142833	7-22-230	
124301	7-22-262		142834	7-22-100	
124320	7-22-65		142835	7-22-110	
124355	7-22-61		142839	7-22-229	
124375	7-23-42		142840	7-22-228	
124396	7-23-64		142841	7-22-233	
124612	7-30-73		142842	7-22-234	
124681	7-43-6		142844	7-22-231	
125011	7-22-14		142845	7-22-232	
	7-22-115		142846	7-22-81	
	7-22-119		142847	7-22-93	
	7-23-7		142848	7-22-92	
	7-23-41		142849	7-22-98	
	7-24-11		142850	7-22-99	
	7-32-9		142852	7-22-120	
	7-33-35		142853	7-22-123	
	7-34-24		142855	7-22-111	
	7-35-44		142856	7-22-72	
	7-35-50			7-22-112	
	7-36-8		142866	7-22-62	
	7-36-45		142867	7-22-60	
	7-38-8		142869	7-22-58	
	7-41-7		142873	7-22-182	
	7-42-34		142876	7-22-183	
	7-43-9		142877	7-22-11	
125015	7-22-33		142880	7-22-80	
	7-22-87		142882	7-22-79	
	7-34-74		142887	7-22-255	
	7-42-50		142888	7-22-198	
	7-42-58		142889	7-22-196	
	7-43-14		142890	7-22-191	
	7-45-21		142895	7-22-192	
125112	7-22-35		142896	7-22-206	
125143	7-24-116		142897	7-22-75	
125171	7-22-22		142898	7-22-280	
125238	7-36-64			7-23-97	
125683	7-22-188		142899	7-23-60	
1257	7-45-30			7-23-98	
125733	7-24-3		142901	7-22-219	
125802	7-36-25		142910	7-22-190	
	7-41-6		142911	7-22-70	
125948	7-22-76		142912	7-22-178	
128357	7-22-193		142915	7-23-69	
128874	7-46-28		142918	7-22-67	
1291	7-24-31		142921	7-22-172	
1293	7-40-27		142923	7-22-44	
13AT401T2	7-3-3	A1S1	142924	7-22-167	
	7-47-5	A8S13	142927	7-22-15	
	7-47-5	A8S14	142928	7-22-21	
130683	7-35-31		142929	7-22-18	
130690	7-22-227		142933	7-22-8	
131098	7-23-96		142944	7-22-216	
135247	7-22-102		142946	7-22-122	
135670	7-23-44		142949	7-22-121	
139770	7-23-45		142950	7-23-107	
139958	7-22-257		142951	7-23-108	
139991	7-22-43		142952	7-23-104	
139997	7-22-256		142953	7-23-77	
142800	7-22-272		142954	7-23-109	
142801	7-22-258		142955	7-23-49	
142803	7-22-261		142956	7-23-50	
142805	7-22-250			7-23-72	

PART NUMBER	FIG & INDEX NO.	REFERENCE DESIGNATION	PART NUMBER	FIG & INDEX NO.	REFERENCE DESIGNATION
142959	7-23-101		148387	7-23-22	
142970	7-23-63		148388	7-23-28	
142974	7-23-46		148389	7-23-19	
142976	7-23-35		148392	7-23-27	
142983	7-22-30		150D476X0020R2	7-18-2	A3A1A1C4 THRU C7
142985	7-23-92		150030	7-33-22	
142988	7-22-1			7-33-38	
142992	7-22-52		150038	7-33-17	
142994	7-22-46		150039	7-33-52	
142995	7-22-47		150040	7-46-16	
142996	7-22-48		150053	7-33-36	
142997	7-22-49		150054	7-33-2	
142998	7-22-63		150059	7-33-1	
143000	7-23-4		150064	7-33-11	
143003	7-23-8		150065	7-33-10	
143004	7-23-3		150068	7-33-55	
143006	7-22-36		150078	7-32-6	
143014	7-22-137		150079	7-32-7	
143016	7-22-136		150089	7-36-85	
143019	7-22-156		150096	7-43-32	
143020	7-22-157		150175	7-37-36	
143021	7-22-138		150184	7-36-56	
143026	7-22-139		150193	7-36-71	
143028	7-22-42		150194	7-36-62	
143040	7-22-201		150196	7-36-63	
143041	7-22-2		150197	7-38-20	
143042	7-22-162		150202	7-36-82	
143043	7-22-163		150203	7-36-72	
143048	7-22-149		150206	7-38-39	
143050	7-22-116		150215	7-37-30	
143052	7-22-252		150218	7-37-17	
143053	7-22-253		150219	7-35-39	
143055	7-22-251		150224	7-35-8	
143056	7-22-71			7-35-62	
143072	7-22-239		150225	7-38-10	
143073	7-22-245		150228	7-36-112	
143074	7-22-108		150229	7-36-114	
143077	7-22-107		150230	7-33-32	
143078	7-22-105		150232	7-37-31	
143079	7-22-97		150233	7-36-122	
143080	7-22-96		150234	7-36-121	
143088	7-22-197		150235	7-36-118	
143097	7-22-153		150237	7-35-76	
144759	7-45-13		150245	7-37-49	
144760	7-45-8		150247	7-37-50	
144761	7-45-15		150251	7-38-1	
144767	7-45-27		150255	7-35-13	
144769	7-45-34		150265	7-43-39	
145861	7-22-128			7-43-46	
145862	7-22-241		150266	7-43-37	
145864	7-22-208		150267	7-43-40	
145865	7-22-133		150269	7-43-52	
145873	7-22-213		150270	7-43-23	
145874	7-22-147		150271	7-43-45	
145875	7-22-134		150274	7-43-47	
145877	7-22-212		150276	7-43-10	
145913	7-22-279		150310	7-40-12	
146518	7-23-36		150311	7-39-12	
146685	7-22-173		150318	7-41-45	
146689	7-23-1		150335	7-40-30	
14669	7-23-32		150336	7-36-26	
146690	7-23-2			7-39-16	
146692	7-23-37			7-40-16	
147773	7-22-254		150342	7-41-29	
147774	7-22-268		150343	7-40-43	
147775	7-22-266		150344	7-39-24	
148287	7-22-19		150367	7-34-38	
148385	7-23-43		150370	7-34-45	
148386	7-23-21				

PART NUMBER	FIG & INDEX NO.	REFERENCE DESIGNATION	PART NUMBER	FIG & INDEX NO.	REFERENCE DESIGNATION
150380	7-34-50		150758	7-37-21	
150382	7-34-69		150770	7-36-10	
150384	7-34-72		150771	7-36-9	
150387	7-34-35		150796	7-38-4	
150395	7-34-65		150798	7-38-32	
150397	7-34-60		150800	7-35-69	
150398	7-42-18		150803	7-43-19	
150411	7-34-25		150804	7-43-17	
150413	7-34-27		150805	7-35-75	
150414	7-42-5		150806	7-35-70	
150419	7-42-19		150807	7-35-71	
150420	7-34-47		150809	7-41-13	
150423	7-42-17		150811	7-34-29	
150425	7-34-21		150815	7-43-4	
150429	7-34-40		150816	7-43-3	
150436	7-36-60		150821	7-39-30	
	7-40-32		150824	7-34-32	
	7-43-13		150826	7-43-18	
150536	7-36-119		150827	7-38-9	
150537	7-36-109		150833	7-41-8	
150538	7-36-105		150838	7-38-31	
150554	7-35-81		150840	7-43-25	
150585	7-41-37		150843	7-38-14	
150586	7-41-21		150849	7-24-21	
150598	7-37-59			7-24-33	
150642	7-41-46			7-24-45	
150646	7-41-48		150850	7-24-17	
150647	7-41-38			7-24-28	
150648	7-41-35			7-24-40	
150649	7-41-36		150856	7-24-23	
150650	7-41-34		150857	7-24-24	
150651	7-41-33		150858	7-24-39	
150652	7-41-40		150859	7-24-27	
150656	7-41-18		150865	7-24-8	
150658	7-41-19		150866	7-24-13	
150666	7-41-28		150868	7-24-22	
150668	7-36-77			7-24-34	
150669	7-36-83			7-24-46	
150670	7-36-84		150869	7-24-7	
150672	7-36-80		150872	7-24-29	
150673	7-36-81			7-24-42	
150677	7-36-76		150873	7-24-72	
150678	7-36-73		150877	7-24-16	
150685	7-43-15		150879	7-24-5	
150705	7-35-12		150880	7-24-63	
150709	7-35-59		150881	7-24-64	
150710	7-35-60		150882	7-24-55	
150712	7-38-28		150884	7-24-68	
	7-41-9		150885	7-24-54	
150714	7-41-12		150886	7-24-59	
150718	7-41-17		150891	7-34-53	
150719	7-41-2		150903	7-42-51	
150720	7-41-1		150904	7-42-52	
150721	7-35-6		150907	7-42-41	
150722	7-35-7		150909	7-35-77	
150728	7-35-16		150910	7-42-43	
150731	7-36-2		150911	7-41-20	
150732	7-36-3		150912	7-41-23	
150733	7-36-1		150923	7-33-20	
150738	7-36-5			7-37-48	
150746	7-36-52		150926	7-35-11	
150748	7-37-52		150927	7-35-51	
150750	7-35-55		150929	7-35-34	
150751	7-35-56		150932	7-39-29	
150752	7-37-20			7-40-46	
	7-37-42		150935	7-42-44	
150753	7-37-29		150937	7-40-23	
150754	7-37-34		150948	7-22-5	
150755	7-37-35		150950	7-22-34	

PART NUMBER	FIG & INDEX NO.	REFERENCE DESIGNATION	PART NUMBER	FIG & INDEX NO.	REFERENCE DESIGNATION
150966	7-23-53		151630	7-36-106	
150975	7-36-113			7-37-56	
150976	7-24-73			7-39-26	
150980	7-24-82			7-45-2	
	7-24-89			7-45-25	
150987	7-36-116		151631	7-22-124	
150990	7-36-97			7-24-78	
	7-42-16			7-30-46	
150992	7-43-21			7-30-67	
150995	7-24-86			7-38-42	
150997	7-24-51		151632	7-34-39	
150998	7-41-14			7-35-65	
151073	7-41-4			7-45-10	
151152	7-22-82		151637	7-22-246	
	7-24-14			7-24-9	
	7-24-25			7-36-6	
	7-33-33			7-38-6	
	7-35-42			7-39-14	
151335	7-23-59			7-40-14	
151346	7-23-74			7-41-3	
	7-24-60		151642	7-24-70	
	7-24-65		151644	7-34-63	
	7-36-87		151657	7-23-55	
	7-38-25			7-23-70	
	7-38-29			7-23-93	
	7-39-25			7-24-57	
	7-41-10			7-30-43	
	7-41-15			7-34-33	
	7-42-54			7-34-55	
	7-46-18			7-34-58	
151415	7-23-54			7-35-72	
151442	7-45-20			7-36-32	
151443	7-33-45			7-36-37	
151453	7-24-107			7-36-58	
151455	7-24-112			7-39-38	
151572	7-36-98			7-40-39	
151602	7-34-61			7-40-44	
151603	7-34-73			7-42-20	
151604	7-34-62			7-43-11	
151606	7-36-41			7-43-26	
151610	7-33-27			7-43-33	
	7-33-41		151658	7-22-31	
151611	7-33-28			7-22-179	
	7-33-42			7-23-38	
151612	7-33-29			7-24-56	
	7-33-43			7-36-91	
151618	7-38-11			7-37-4	
	7-38-18			7-38-12	
151619	7-38-17			7-38-33	
151620	7-24-74			7-40-26	
	7-46-1			7-41-41	
151621	7-24-75			7-42-29	
	7-46-2		151659	7-24-18	
151622	7-24-76			7-24-30	
	7-46-3			7-24-41	
151625	7-37-3			7-24-52	
151626	7-22-284			7-40-49	
	7-24-100		151660	7-22-263	
	7-42-35		151661	7-24-36	
151627	7-22-73			7-24-69	
151630	7-22-164			7-24-83	
	7-22-200			7-36-49	
	7-22-214		151685	7-34-22	
	7-22-267			7-36-23	
	7-24-101			7-38-15	
	7-33-48			7-42-21	
	7-34-28		151686	7-22-113	
	7-35-9			7-36-86	
	7-35-35			7-43-7	

PART NUMBER	FIG & INDEX NO.	REFERENCE DESIGNATION	PART NUMBER	FIG & INDEX NO.	REFERENCE DESIGNATION
151689	7-43-42		152595	7-35-54	
151692	7-43-48		152629	7-39-4	
	7-33-12			7-40-4	
	7-35-36		152634	7-36-51	
	7-36-38			7-36-61	
	7-36-68		152644	7-40-48	
	7-36-103		152646	7-40-47	
	7-39-37		152647	7-39-23	
151693	7-43-30		152648	7-39-33	
151695	7-40-40		152723	7-43-38	
	7-33-25		152725	7-43-36	
	7-33-39		152818	7-40-19	
151700	7-37-22		152819	7-39-19	
151703	7-43-20		152820	7-40-36	
151709	7-33-47		152821	7-39-34	
151721	7-42-46		152823	7-40-38	
151722	7-22-174		152824	7-39-35	
	7-30-5		152826	7-39-21	
	7-35-17			7-40-21	
151723	7-23-102		152827	7-40-55	
	7-36-127		152828	7-39-42	
	7-45-16		152832	7-43-1	
151724	7-22-273		152834	7-39-20	
	7-23-51			7-40-20	
	7-45-31		152871	7-41-47	
151725	7-30-78		152890	7-36-18	
151731	7-41-24		152893	7-22-117	
151734	7-34-8			7-42-30	
	7-34-17		153030	7-24-109	
151738	7-32-4			7-24-127	
151795	7-46-20			7-46-21	
151880	7-22-247		153031	7-24-126	
	7-23-5		153049	7-46-33	
	7-34-3		153101	7-24-129	
	7-34-9		153102	7-24-128	
	7-34-18		153103	7-24-102	
	7-36-16		153172	7-35-22	
151923	7-46-5		153173	7-35-18	
152129	7-33-5		153174	7-35-20	
152147	7-34-7		153175	7-35-21	
	7-34-16		153256	7-36-66	
152254	7-34-64		153335	7-37-39	
152297	7-46-25		153337	7-37-16	
152426	7-22-45		153340	7-37-14	
152459	7-24-88		153341	7-37-15	
152495	7-24-12		153441	7-22-221	
152505	7-35-47		153442	7-22-50	
152507	7-35-45			7-23-105	
152508	7-35-40			7-42-38	
152509	7-35-41		153530	7-34-20	
152510	7-35-52		153531	7-34-1	
152511	7-35-32		153532	7-34-2	
152523	7-39-6		153537	7-23-29	
	7-40-6			7-30-30	
152524	7-39-9		153550	7-42-14	
	7-40-9		153553	7-42-3	
152525	7-39-3		153558	7-42-2	
	7-40-3		153573	7-42-24	
152526	7-39-7		153577	7-42-13	
152527	7-40-7		153600	7-33-23	
152528	7-40-5		153634	7-43-2	
152529	7-39-5		153799	7-22-83	
152536	7-37-25		153810	7-34-6	
152539	7-43-29		153817	7-35-57	
152571	7-40-52			7-36-115	
152579	7-35-64		153820	7-33-58	
152582	7-40-34		153839	7-34-66	
152586	7-36-78			7-42-53	
152592	7-35-33		154310	7-38-5	

PART NUMBER	FIG & INDEX NO.	REFERENCE DESIGNATION	PART NUMBER	FIG & INDEX NO.	REFERENCE DESIGNATION
154332	7-39-2		170001	7-34-57	
	7-40-2		170039	7-36-93	
154333	7-39-17		170054	7-36-29	
	7-40-17		170056	7-36-126	
154354	7-35-3		170057	7-36-100	
154356	7-34-11		170058	7-36-96	
154375	7-24-35		170059	7-36-92	
154389	7-36-75		170060	7-36-102	
154623	7-38-40		170062	7-36-22	
154624	7-38-24		170063	7-36-48	
154626	7-38-41		170064	7-36-27	
154627	7-38-36		170079	7-37-26	
154638	7-33-4		170080	7-38-46	
154645	7-42-42		170766	7-22-177	
154661	7-23-73		170863	7-23-20	
154671	7-38-35		171190	7-24-105	
154688	7-42-27		171692	7-22-265	
154697	7-23-90		171951	7-22-286	
155752	7-22-282		172276	7-22-285	
	7-46-9		173259	7-33-51	
155753	7-22-64		173260	7-31-2	
155754	7-22-283			7-33-0	
155864	7-42-1		173284	7-37-44	
155865	7-42-4		173716	7-22-287	
156093	7-41-44		173941	7-22-288	
156536	7-22-68			7-222-88	
156572	7-33-9		178707	7-30-61	
156632	7-22-53		179017	7-23-18	
	7-38-43		179216	7-35-27	
156768	7-22-274		179217	7-35-28	
156875	7-46-10		179224	7-35-38	
157238	7-32-3		179225	7-37-55	
157241	7-42-25		179226	7-35-30	
157289	7-43-51		179396	7-32-2	
157290	7-43-35		179397	7-32-1	
157291	7-43-41		179451	7-37-1	
157972	7-36-46		179452	7-37-2	
157979	7-40-25		192059	7-30-80	
158186	7-22-54		192067	7-30-6	
158189	7-37-11		192068	7-30-29	
158335	7-36-125		192069	7-30-28	
158348	7-36-79		192070	7-30-7	
158365	7-42-26		192073	7-30-2	
158745	7-45-24		192103	7-30-41	
158828	7-45-28		192115	7-30-38	
159233	7-22-9		192149	7-30-33	
159284	7-45-4		192256	7-30-62	
159285	7-45-5		192267	7-30-58	
159287	7-45-6		192276	7-30-63	
159341	7-45-14		192278	7-30-44	
	7-45-19		192279	7-30-45	
160664	7-30-59		192286	7-30-74	
161238	7-22-278		192293	7-30-70	
161295	7-45-1		192296	7-30-37	
161301	7-45-7		192321	7-36-19	
161346	7-39-32		192322	7-36-15	
	7-40-53		192323	7-35-29	
161347	7-36-13		192560	7-36-14	
	7-37-13		192561	7-36-30	
	7-37-43		192563	7-36-36	
	7-42-12		192566	7-37-9	
161552	7-23-23		192567	7-37-10	
161579	7-24-81		192575	7-35-25	
161580	7-24-87		192576	7-35-24	
162861	7-24-90		194823	7-30-64	
163440	7-45-9		194904	7-30-71	
164313	7-33-21		194966	7-30-52	
164316	7-35-1			7-30-53	
17TB10	7-27-24	A6TB1	194983	7-30-75	

PART NUMBER	FIG & INDEX NO.	REFERENCE DESIGNATION	PART NUMBER	FIG & INDEX NO.	REFERENCE DESIGNATION
194985	7-30-3		2191	7-35-15	
194988	7-30-65			7-35-19	
195629	7-30-39			7-35-37	
195872	7-30-40			7-35-61	
199257	7-30-79			7-35-66	
199308	7-30-42			7-35-74	
199721	7-46-31			7-35-79	
2K40F20-25W	7-20-25	A3A1R2		7-36-21	
2N1545	7-18-22	A3A1A1Q5		7-36-33	
	7-18-22	A3A1A1Q6		7-36-39	
2N297A	7-27-20	A6Q1 THRU Q10		7-36-54	
				7-36-59	
2N317A	7-18-21	A3A1A1Q3		7-36-69	
	7-18-21	A3A1A1Q4		7-36-89	
2034	7-30-10			7-36-104	
2191	7-22-10			7-36-107	
	7-22-17			7-37-5	
	7-22-27			7-37-24	
	7-22-32			7-37-38	
	7-22-41			7-37-54	
	7-22-56			7-37-57	
	7-22-74			7-38-13	
	7-22-86			7-38-19	
	7-22-127			7-38-26	
	7-22-143			7-38-30	
	7-22-160			7-38-34	
	7-22-165			7-38-44	
	7-22-170			7-39-28	
	7-22-175			7-39-40	
	7-22-180			7-40-31	
	7-22-186			7-40-41	
	7-22-205			7-40-45	
	7-22-215			7-40-51	
	7-22-264			7-41-11	
	7-22-269			7-41-16	
	7-23-30			7-41-26	
	7-23-40			7-41-31	
	7-23-58			7-41-43	
	7-23-71			7-42-10	
	7-23-75			7-42-32	
	7-23-80			7-42-49	
	7-23-94			7-42-57	
	7-24-19			7-43-12	
	7-24-37			7-43-28	
	7-24-43			7-43-31	
	7-24-49			7-43-34	
	7-24-53			7-45-3	
	7-24-58			7-45-11	
	7-24-61			7-45-22	
	7-24-66			7-45-26	
	7-24-71			7-46-11	
	7-24-79			7-46-17	
	7-24-85			7-46-19	
	7-24-96			7-40-24	
	7-24-103		22015	7-46-32	
	7-30-4		2263	7-18-16	A3A1A1R13
	7-30-31		243E1005	7-18-16	A3A1A1R18
	7-30-35			7-18-19	A3A1A1R21
	7-30-47		247ESR05	7-22-203	
	7-30-68		2539	7-22-259	
	7-33-15			7-42-7	
	7-33-31		259056-12	7-2-12	
	7-33-46		26TB12	7-25-12	A4TB1
	7-33-49		2669	7-22-51	
	7-34-30			7-22-130	
	7-34-42			7-22-146	
	7-34-56			7-22-189	
	7-34-59			7-22-195	
	7-34-70			7-22-218	

PART NUMBER	FIG & INDEX NO.	REFERENCE DESIGNATION	PART NUMBER	FIG & INDEX NO.	REFERENCE DESIGNATION
2669	7-22-225 7-22-275 7-23-25 7-23-52 7-23-103 7-23-106 7-30-56 7-30-77 7-34-51 7-36-43 7-36-124 7-36-128 7-38-3 7-38-23 7-38-38 7-38-49 7-42-39 7-45-17 7-45-32		3598	7-34-41 7-34-68 7-35-73 7-35-78 7-36-20 7-37-23 7-37-53 7-41-25 7-41-30 7-42-6 7-42-31 7-42-48 7-42-56 7-43-27 7-45-23	
27425	7-34-4		3599	7-22-59 7-22-84 7-22-236 7-30-8 7-35-48 7-36-117 7-37-18 7-37-40 7-40-28 7-43-43 7-43-49	
291M	7-22-271		3606	7-22-39 7-22-169 7-37-37	
294457	7-18-23 7-19-29		3624	7-24-95	
3AG	7-20-36	A3A1F1	36273	7-37-58 7-46-12	
304740	7-33-3		3639	7-22-222 7-24-2	
305058	7-30-11		3640	7-22-69 7-22-90 7-22-118 7-22-126 7-22-210 7-22-238 7-23-6 7-35-5	
305658	7-46-7		3646	7-30-72	
305659	7-46-6		36463	7-22-37 7-37-27	
305660	7-46-13		41675	7-22-91	
305661	7-46-14		41746	7-23-9	
306670	7-30-12		42263-2	7-15-1 7-19-30	
306671	7-30-13		42661	7-39-8 7-40-8	
306672	7-30-14		42823	7-22-89 7-22-211 7-22-237	
306673	7-30-15		45027	7-36-4 7-36-11	
306674	7-30-16		4912495-00	7-2-10	S2
306675	7-30-17		4912495-01	7-2-9	S1
306676	7-30-18		4912495-09	7-1-5	47S2
306677	7-30-19		4912495-10	7-1-4	47S1
306678	7-30-20		491250-01	7-27-9 7-27-9	A6E21 A6E29
306679	7-30-21		4912504-05	7-9-22	
306680	7-30-22		4912507-08	7-9-38	
306681	7-30-23		4912523-05	7-23-86	
306682	7-30-24		4912524-02	7-9-7 7-9-34	
306683	7-30-25		4912524-03	7-23-79	
306684	7-30-26		4912524-05	7-9-18	
306685	7-30-27				
306731	7-30-1				
33828	7-34-26				
342003	7-20-37	A3A1XF1			
3438	7-23-26 7-36-99				
34432	7-22-26 7-22-131 7-42-40				
347	7-20-38				
35826	7-45-18				
3598	7-22-25 7-22-85 7-22-159 7-22-184 7-23-39 7-24-84 7-24-92 7-30-34 7-30-51 7-33-13 7-33-26 7-33-40 7-34-34				

PART NUMBER	FIG & INDEX NO.	REFERENCE DESIGNATION	PART NUMBER	FIG & INDEX NO.	REFERENCE DESIGNATION
4912525-04	7-9-31		7002141-00	7-5-16	
4912525-05	7-9-8		7002220-00	7-5-17	
4912527-00	7-9-25		7002322	7-5-14	
4912529-01	7-9-41		7002332	7-5-15	
4913630-00	7-27-15	A6J1	7002342	7-5-16	
4913632-00	7-28-2	A6PS1P1	7002810-00	7-5-18	
49420	7-33-18		7002821-00	7-5-19	
539-2635-01	7-20-5	A3A1C2	7002830-00	7-5-20	
	7-20-5	A3A1C3	7002840-00	7-5-21	
55005	7-22-4		7002900	7-5-22	
5740	7-24-91		7002920-00	7-5-23	
600-2	7-20-33	A3A1TB1	7002930-00	7-5-24	
6009-16C	7-12-1		7002940-00	7-5-25	
6014-24	7-11-9		7002990-00	7-5-26	
61085	7-24-94		7003180-00	7-5-27	
6320	7-24-47		7003290-00	7-5-28	
6345	7-24-48		7003480-00	7-5-29	
	7-24-117		7003580-00	7-5-30	
6525M	7-11-42		7005530-01	7-7-1	
6970	7-45-29		7005531-01	7-5-5	A2A1A3
7002	7-22-57			7-7-0	A2A1A3
	7-22-144		7005534-00	7-23-82	
	7-22-166		7005535-00	7-23-83	
	7-22-171		7005598-01	7-9-1	A3A1
	7-22-176			7-10-0	A3A1
	7-22-270		7005631-00	7-23-78	
	7-23-31		7005641-00	7-9-5	
	7-23-76		7005666-00	7-1-10	A3MP5
	7-23-81			7-9-21	A3A2MP5
	7-24-20		70072	7-23-62	
	7-24-32			7-23-100	
	7-24-38		7008938-00	7-1-3	47MP3
	7-24-44			7-2-14	
	7-24-50		7029601-04	7-2-0	
	7-24-62		7029603-00	7-1-9	47A3
	7-24-67		7029603-01	7-2-3	A3
	7-30-32			7-9-0	A3
	7-30-36		7029604-00	7-1-8	47A2
	7-30-48		7029604-02	7-1-8	
	7-30-50			7-2-2	A2
	7-30-69			7-4-0	A2
	7-33-16			7-4-0	
	7-34-43		7029604-03	7-1-8	
	7-35-67		7029613-00	7-1-7	47A1
	7-36-34			7-2-1	A1
	7-36-40			7-3-0	A1
	7-36-54		7029616-00	7-1-13	47A4
	7-36-55			7-2-4	A4
	7-36-70			7-25-0	A4
	7-37-6		7029620-00	7-2-5	A5
	7-38-27			7-26-0	
	7-38-45		7029625-00	7-1-15	47A7
	7-39-41			7-1-15	
	7-40-42			7-1-15	
7002000-00	7-5-7	A2A1A15A	7029626-00	7-9-26	
7002013-00	7-5-8	A2A1A22A	7029627-00	7-9-44	
	7-5-8	A2A128A	7029630-1	7-9-40	
	7-5-8	A2A128C	7029631-00	7-4-1	A2A1
	7-5-8	A2A129C		7-5-0	A2A1
		THRU 34C	7029635-00	7-5-1	
	7-5-8	A2A131D		7-6-0	
		THRU 34D	7029636-00	7-1-14	47A6
7002020-00	7-5-9			7-2-6	A6
7002030-00	7-5-10			7-27-0	A6
7002050-00	7-5-11		7029636-02	7-27-0	
7002060-00	7-5-12		7029640-00	7-4-2	A2A2
7002070-00	7-5-13			7-8-0	A2A2
7002090-00	7-5-14		7029644-00	7-27-1	A6PS1
7002130-00	7-5-15			7-28-0	A6PS1

PART NUMBER	FIG & INDEX NO.	REFERENCE DESIGNATION	PART NUMBER	FIG & INDEX NO.	REFERENCE DESIGNATION
7029652-00	7-9-12	A3A2	7900496-00	7-8-5	THRU J35D
7029658-00	7-6-1				A2A2XDS1
7029664-00	7-1-16	47A8	7900608-00	7-26-1	THRU XDS24
	7-47-0				A5FL1 THRU
7030177-00	7-9-30				FL5
7030188-00	7-1-1	47MP1	7900635-02	7-8-3	A2A2S3
7030341-00	7-1-2	47MP2	7900677-00	7-3-1	A1DS1 THRU
	7-2-13				DS4
7030365-00	7-9-33	A3A2MP6		7-47-1	A8DS1 THRU
7030366-00	7-9-2	A3A1MP7			DS7
7034813-00	7-6-4		7900678-00	7-3-5	A1XDS1
7051179-00	7-21-0	A3A2		7-3-5	A1XDS2
70529	7-23-15			7-47-7	A8XDS5 THRU
70720	7-30-54				XDS7
70891	7-22-204		7900678-01	7-3-7	A1XDS4
7105470-00	7-5-6	A2A1A11A	7900678-03	7-3-6	A1XDS3
71073	7-22-78			7-47-6	A8XDS1 THRU
71681	7-39-1				DS4
71999	7-24-119		7900841-00	7-6-6	A2A1TB1
	7-46-24		7900842-00	7-26-2	A5J1
72468	7-43-16		7900843-00	7-6-5	A2A1P1
73175	7-22-260		7900874-00	7-25-5	A4LS1
	7-42-9			7-47-3	A8LS1
73374	7-24-97		7900987-00	7-8-1	A2A2S1
73520	7-36-65			7-8-1	A2A2S5 THRU
74036	7-23-48				S10
74553	7-34-13		7901054-00	7-29-0	A7
74701	7-43-5		7901065-00	7-26-5	A5J4
74722	7-41-32		7901084-00	7-1-11	A3MP8
74728	7-23-11			7-9-24	A3A2MP8
74755	7-38-21			7-9-24	A3A2MP9
74798	7-42-55		7901641-00	7-28-3	A6PS1T1
74805	7-23-24		79449	7-36-101	
74807	7-22-129		7956645-01	7-9-4	
	7-22-145		8TB6	7-27-25	A6TB2
	7-22-185			7-27-25	A6TB3
	7-22-202		80310	7-38-47	
	7-22-217		80581	7-36-47	
	7-22-224			7-36-74	
	7-30-57			7-41-22	
74882	7-34-12		80845	7-23-47	
75226	7-37-28		80957	7-22-12	
7603	7-35-53		81731	7-36-57	
7615	7-23-33		82097	7-23-12	
76299	7-33-24		82463	7-39-36	
76461	7-35-80			7-40-56	
76953	7-22-226		82547	7-23-14	
76983	7-22-235		82548	7-23-10	
7835	7-40-1		82726	7-22-66	
79NM50	7-16-2		8295K7	7-11-1	A3A1S1
7900088-00	7-27-23	A6T1	8330	7-22-181	
7900134-00	7-5-3	A2A1CR2		7-22-187	
	7-5-3	A2A1CR3		7-33-50	
7900146-03	7-6-3			7-45-12	
7900149-00	7-5-4		8449	7-24-80	
	7-27-27	A2A1XCR1		7-40-33	
		A6XQ1 THRU		7-23-13	
		XQ10	84666	7-23-16	
7900169-00	7-9-3	A3A1MP1	84705	7-23-89	
		THRU MP4	85020	7-42-45	
			85407	7-24-1	
7900215-00	7-9-37		85422	7-35-2	
	7-47-8	A8XDS8 THRU	85816	7-22-38	
		XDS13	86774	7-37-45	
7900251-00	7-6-2	A2A1J1A	86835	7-30-60	
		THRU J35A	88891	7-35-14	
		A2A1J1B	89096	7-22-199	
		THRU J35B	89896	7-36-111	
		A2A1J1C	89897	7-9-17	
		THRU J35C	900129-09		
		A2A1J1D			

PART NUMBER	FIG & INDEX NO.	REFERENCE DESIGNATION	PART NUMBER	FIG & INDEX NO.	REFERENCE DESIGNATION
901316-00	7-24-131	C1	910185-01	7-27-8	A6E1 THRU E20
90361	7-24-131	C2		7-27-8	A6E22 THRU E28
	7-22-103		910185-02	7-25-4	A4E1 THRU E22
	7-34-31		910855	7-23-85	
	7-34-71		91683	7-23-66	
	7-39-31		91684	7-23-68	
	7-40-54		91837	7-24-114	
90437	7-22-207		92260	7-24-118	
90504	7-35-68		92806	7-22-220	
905989-00	7-26-8	A5J7	93117	7-22-95	
	7-26-8	A5J8	93118	7-22-77	
	7-47-2	A8J1	93356	7-33-30	
905989-01	7-9-23			7-33-44	
90599	7-33-14			7-33-57	
906378-06	7-7-2	A2A1A3C1		7-34-54	
	7-7-2	A2A1A3C2		7-36-35	
906905-01	7-25-1	A4B1		7-37-8	
	7-25-1	A4B2		7-42-23	
90752	7-36-95		93879	7-22-242	
90791	7-34-5		93969	7-22-20	
908154	7-23-84		93985	7-22-276	
908154-03	7-27-22	A6R4	94674	7-33-8	
90819	7-42-11		94693	7-22-135	
908293-00	7-27-6	A6CR1 THRU CR6	95030	7-42-47	
	7-28-1	A6PS1CR1 THRU CR18	95320	7-23-65	
908365-00	7-27-16	A6K1 THRU K3	95827	7-36-50	
908404-00	7-7-3	A2A1A3C3	97266	7-23-17	
908591-00	7-24-132	C3	97481	7-42-28	
	7-24-132	C4	98642	7-24-108	
908832-00	7-8-4	A2A2S4	98712	7-24-6	
910161	7-1-6	47TB1	98726	7-23-61	
	7-2-11	TB1		7-23-99	

TABLE 7-7. PARTS LIST IN REFERENCE DESIGNATOR SEQUENCE.

REFERENCE DESIGNATION	FIG & INDEX NO.	PART NUMBER	REFERENCE DESIGNATION	FIG & INDEX NO.	PART NUMBER
A1	7-2-1	7029613-00	A3A1A1CR3	7-18-5	FW50
	7-3-0	7029613-00	A3A1A1CR4	7-18-6	TCRSU0125
A1DS1 THRU DS4	7-3-1	7900677-00	THRU CR8		
A1FL1 THRU FL10	7-3-2	CZ248KF103	A3A1A1Q1	7-18-20	TQ-SA1170
A1S1	7-3-3	13AT401T2	A3A1A1Q2	7-18-20	TQ-SA1170
A1S2	7-3-4	MS35059-23	A3A1A1Q3	7-18-21	2N317A
A1XDS1	7-3-5	7900678-00	A3A1A1Q4	7-18-21	2N317A
A1XDS2	7-3-5	7900678-00	A3A1A1Q5	7-18-22	2N1545
A1XDS3	7-3-6	7900678-03	A3A1A1Q6	7-18-22	2N1545
A1XDS4	7-3-7	7900678-01	A3A1A1R1	7-18-7	RC07GF272J
A2	7-2-2	7029604-02	A3A1A1R2	7-18-8	RC07GF333J
	7-4-0	7029604-02	A3A1A1R3	7-18-9	RC32GF511J
A2A1	7-4-1	7029631-00	A3A1A1R4	7-18-10	RC07GF104J
	7-5-0	7029631-00	A3A1A1R5	7-18-11	RC07GF153J
A2A1A3	7-5-5	7005531-01	A3A1A1R6	7-18-7	RC07GF272J
	7-7-0	7005531-01	A3A1A1R7	7-18-8	RC07GF333J
A2A1A3C1	7-7-2	906378-06	A3A1A1R8	7-18-12	RC07GF683J
A2A1A3C2	7-7-2	906378-06	A3A1A1R9	7-18-13	RC07GF103J
A2A1A3C3	7-7-3	908404-00	A3A1A1R10	7-18-9	RC32GF511J
A2A1A3R1 THRU R6	7-7-4	RC07GF471J	A3A1A1R11	7-18-14	RC07GF511J
A2A1A11A	7-5-6	7105470-00	A3A1A1R12	7-18-15	RC07GF752J
A2A1A15A	7-5-7	7002000-00	A3A1A1R13	7-18-16	243E1005
A2A1A22A	7-5-8	7002013-00	A3A1A1R14	7-18-17	RC42GF510J
A2A1CR1	7-5-2	1N2804RB	A3A1A1R15	7-18-18	RC32GF751J
A2A1CR2	7-5-3	7900134-00	A3A1A1R16	7-18-14	RC07GF511J
A2A1CR3	7-5-3	7900134-00	A3A1A1R17	7-18-15	RC07GF752J
A2A1J1A THRU J35A	7-6-2	7900251-00	A3A1A1R18	7-18-16	243E1005
A2A1J1B THRU J35B	7-6-2	7900251-00	A3A1A1R19	7-18-17	RC42GF510J
A2A1J1C THRU J35C	7-6-2	7900251-00	A3A1A1R20	7-18-18	RC32GF751J
A2A1J1D THRU J35D	7-6-2	7900251-00	A3A1A1R21	7-18-19	247ESR05
A2A1P1	7-6-5	7900843-00	A3A1A2	7-10-16	DC1784-0
A2A1TB1	7-6-6	7900841-00		7-19-0	DC1784-0
A2A1XCR1	7-5-4	7900149-00	A3A1A2C1	7-19-1	CM20C331J
A2A128A	7-5-8	7002013-00	A3A1A2C2	7-19-1	CM20C331J
A2A128C	7-5-8	7002013-00	A3A1A2CR2	7-19-2	TCRSU0125
A2A129C THRU 34C	7-5-8	7002013-00	A3A1A2CR3	7-19-2	TCRSU0125
A2A131D THRU 34D	7-5-8	7002013-00	A3A1A2CR4	7-19-3	1N747
A2A2	7-4-2	7029640-00	A3A1A2CR5	7-19-4	1N958
	7-8-0	7029640-00	A3A1A2 CR1-1 THRU CR1-9	7-19-2	TCRSU0125
A2A2S1	7-8-1	7900987-00	A3A1A2J1	7-19-5	UPCC40M2SL23APM
A2A2S2	7-8-2	MS16109-36-3-3N	A3A1A2Q3	7-19-27	TQ-SAA004
A2A2S3	7-8-3	7900635-02	A3A1A2Q4	7-19-27	TQ-SAA004
A2A2S4	7-8-4	908832-00	A3A1A2Q5	7-19-28	TQ-SA1170
A2A2S5 THRU S10	7-8-1	7900987-00	A3A1A2Q6	7-19-28	TQ-SA1170
A2A2XDS1 THRU XDS24	7-8-5	7900496-00	A3A1A2Q1-1 THRU Q1-9	7-19-27	TQ-SAA004
A3	7-2-3	7029603-01	A3A1A2Q2-1 THRU Q2-9	7-19-27	TQ-SAA004
	7-9-0	7029603-01	A3A1A2Q3-1 THRU Q3-8	7-19-28	TQ-SA1170
A3A1	7-9-1	7005598-01	A3A1A2R5	7-19-11	RC07GF154J
	7-10-0	7005598-01	A3A1A2R6	7-19-12	RC07GF432J
A3A1A1	7-10-15	DC1734	A3A1A2R7	7-19-12	RC07GF432J
	7-18-0	DC1734	A3A1A2R8	7-19-13	RC07GF621J
A3A1A1C1 THRU C3	7-18-1	CM20C1025	A3A1A2R9	7-19-14	RC07GF473J
A3A1A1C4 THRU C7	7-18-2	150D476X0020R2	A3A1A2R10	7-19-15	RC07GF272J
A3A1A1C8	7-18-3	SMT1025	A3A1A2R11	7-19-16	RC32GF821J
A3A1A1CR1	7-18-4	1N2069A	A3A1A2R12	7-19-17	RC07GF302J
A3A1A1CR2	7-18-4	1N2069A	A3A1A2R13	7-19-18	RC07GF472J
			A3A1A2R14	7-19-19	RC07GF471J
			A3A1A2R15	7-19-20	RC07GF273J
			A3A1A2R16	7-19-21	RC07GF202J
			A3A1A2R17	7-19-10	RC20GF102J
			A3A1A2R18	7-19-22	RC32GF100J
			A3A1A2R19	7-19-22	RC32GF100J
			A3A1A2R21	7-19-23	RC20GF331J
			A3A1A2R22	7-19-24	ID48F50
			A3A1A2R24	7-19-21	RC07GF202J

REFERENCE DESIGNATION	FIG & INDEX NO.	PART NUMBER	REFERENCE DESIGNATION	FIG & INDEX NO.	PART NUMBER
A3A1A2R25	7-19-10	RC20GF102J	FL5		
A3A1A2R1-1	7-19-6	RC07GF683J	A5J1	7-26-2	7900842-00
THRU R1-9			A5J2	7-26-3	MS3102A28-21PW
A3A1A2R2-1	7-19-7	RC07GF103J	A5J3	7-26-4	MS3102A28-21PX
THRU R2-9			A5J4	7-26-5	7901065-00
A3A1A2 R23-1	7-19-26	XC140PC104A	A5J5	7-26-6	MS3102A20-15P
THRU R23-8			A5J6	7-26-7	MS3102A20-15PW
A3A1A2R23-9	7-19-25	XC140PC104A	A5J7	7-26-8	905989-00
A3A1A2R3-1	7-19-8	RC07GF682J	A5J8	7-26-8	905989-00
THRU R3-9			A5J9	7-26-9	MS3102A28-21S
A3A1A2R4-1	7-19-10	RC20GF102J	A5P2	7-26-10	MS3106A10-SL3S
THRU R4-8			A6	7-2-6	7029636-00
A3A1A2R4-9	7-19-9	RC07GF393J		7-27-0	7029636-00
A3A1B1	7-20-18	TBLAA0001	A6C1 THRU	7-27-2	CP09A1KC104-K3
A3A1C1	7-20-28	AE883-1	C6		
A3A1C2	7-20-5	539-2635-01	A6C7	7-27-3	CL25BH221UP3
A3A1C3	7-20-5	539-2635-01	A6C8	7-27-4	CL25BJ180TP3
A3A1CR1	7-15-5	LS431	A6C9	7-27-5	M62/12-026
THRU CR9			A6CR1 THRU	7-27-6	908293-00
A3A1DS1	7-11-2	TLNEE0004	CR6		
A3A1F1	7-20-36	3AG	A6CR7 THRU	7-27-7	IN538M
A3A1MP1	7-9-3	7900169-00	CR10		
THRU MP4			A6E1 THRU	7-27-8	910185-01
A3A1MP7	7-9-2	7030366-00	E20		
A3A1P1	7-10-19	UPCC-F2H5L23	A6E21	7-27-9	491250-01
A3A1R1	7-20-24	0200C25-25W	A6E22 THRU	7-27-8	910185-01
A3A1R2	7-20-25	2K40F20-25W	E28		
A3A1R22	7-11-39	1006-1004M10W	A6E29	7-27-9	491250-01
A3A1RC1	7-11-8	1NR180A	A6F1	7-27-10	F03A250V8AS
A3A1RC2	7-11-8	1NR180A	A6F2	7-27-10	F03A250V8AS
A3A1S1	7-11-1	8295K7	A6F3 THRU	7-27-11	F02A250V2AS
A3A1S2	7-11-15	USM5W	F7		
A3A1T1	7-20-1	BA2688	A6F8	7-27-12	F02A250V4AS
A3A1TB1	7-20-33	600-2	A6F9	7-27-11	F02A250V2AS
A3A1XF1	7-20-37	342003	A6F10	7-27-13	F02A250V3AS
A3A2	7-9-12	7029652-00	A6F11	7-27-14	F02A250V6AS
	7-21-0	7051179-00	A6J1	7-27-15	4913630-00
A3A2MP5	7-9-21	7005666-00	A6K1 THRU	7-27-16	908365-00
A3A2MP6	7-9-33	7030365-00	K3		
A3A2MP8	7-9-24	7901084-00	A6K4	7-27-17	MS25296-A1
A3A2MP9	7-9-24	7901084-00	A6P1	7-27-18	MS3106A28-215W
A3MP5	7-1-10	7005666-00	A6P2	7-27-19	MS3106A28-21SX
A3MP8	7-1-11	7901084-00	A6PS1	7-27-1	7029644-00
A3MP9	7-1-12			7-28-0	7029644-00
A4	7-2-4	7029616-00		7-28-1	908293-00
	7-25-0	7029616-00	A6PS1CR1		
A4B1	7-25-1	906905-01	THRU CR18		
A4B2	7-25-1	906905-01	A6PS1P1	7-28-2	4913632-00
A4C1	7-25-2	CH531B1MF205K	A6PS1T1	7-28-3	7901641-00
A4C2	7-25-2	CH531B1MF205K	A6Q1 THRU	7-27-20	2N297A
A4C3	7-25-3	CP09A1KC104-K3	Q10		
A4C4	7-25-3	CP09A1KC104-K3	A6R1 THRU	7-27-21	RC42GF470J
A4E1 THRU	7-25-4	910185-02	R3		
E22			A6R4	7-27-22	908154-03
A4LS1	7-25-5	7900874-00	A6T1	7-27-23	7900088-00
A4R1	7-25-6	RC42GF471J	A6TB1	7-27-24	17TB10
A4R2	7-25-7	RC42GF242J	A6TB2	7-27-25	8TB6
A4R3	7-25-6	RC42GF471J	A6TB3	7-27-25	8TB6
A4R4	7-25-6	RC42GF471J	A6XF1 THRU	7-27-26	FHN26G1
A4R5	7-25-7	RC42GF242J	XF11		
A4R6	7-25-6	RC42GF471J	A6XQ1 THRU	7-27-27	7900149-00
A4R7	7-25-8	RW21V561	XQ10		
A4R8	7-25-9	RC42GF561J	A7	7-29-0	7901054-00
A4R9 THRU	7-25-10	RC07GF114J	A8DS1 THRU	7-47-1	7900677-00
R13			DS7		
A4R14	7-25-11	RC42GF331J	A8J1	7-47-2	905989-00
A4TB1	7-25-12	26TB12	A8LS1	7-47-3	7900874-00
A5	7-2-5	7029620-00	A8S1 THRU	7-47-4	MS35059-23
A5FL1 THRU	7-26-1	7900608-00	S12		
			A8S13	7-47-5	13AT401T2

REFERENCE DESIGNATION	FIG & INDEX NO.	PART NUMBER	REFERENCE DESIGNATION	FIG & INDEX NO.	PART NUMBER
A8S14	7-47-5	13AT401T2	S2	7-2-10	4912495-00
A8XDS1 THRU	7-47-6	7900678-03	TB1	7-2-11	910161
DS4			47	7-1-0	
A8XDS5 THRU	7-47-7	7900678-00	47A1	7-1-7	7029613-00
XDS7			47A2	7-1-8	7029604-00
A8XDS8 THRU	7-47-8	7900215-00	47A3	7-1-9	7029603-00
XDS13			47A4	7-1-13	7029616-00
C1	7-24-131	901316-00	47A6	7-1-14	7029636-00
C2	7-24-131	901316-00	47A7	7-1-15	7029625-00
C3	7-24-132	908591-00	47A8	7-1-16	7029664-00
C4	7-24-132	908591-00	47MP1	7-1-1	7030188-00
M1	7-17-4	KYAJ9792-1	47MP2	7-1-2	7030341-00
P5	7-2-7	MS3106A20-15S	47MP3	7-1-3	7008938-00
P6	7-2-8	MS3106A20-15S	47S1	7-1-4	4912495-10
S1	7-2-9	4912495-01	47S2	7-1-5	4912495-09
			47TB1	7-1-6	910161

Table 7-8. List of Manufacturers

FSCM	Manufacturer's Name	Address
00656	Aerovox Corp.	740 Belleville Ave. Newbedford, MA 02741
04643	COMTEC Information Systems, Inc. Digitronics Div.	53 John St. Camberland, RI 02864
05624	Barber-Coleman Co.	1700 Rock St. Rockford, IL 61101
13973	Litton Systems, Inc. Data Systems Div.	8000 Woodley Ave. Van Nuys, CA 91409
27191	Cutler-Hammer, Inc. Power Distribution and Control Div.	4201 N. 27th St. Milwaukee, WI 53216
28520	Heyman Mfg. Co.	147 N. Michigan Ave. Kenilworth, NJ 07033
44655	Ohmite Mfg. Co.	3601 W. Howard St. Skokie, IL 60076
53021	Sangamo Weston, Inc. Data Systems Div.	P.O. Box 3041 Fruitville Rd. Sarasota, FL 33578
56289	Sprague Electric Co.	87 Marshall St. North Adams, MA 01247
59433	Teletype Corp	5555 Toyhy Ave. Skokie, IL 60076
71002	Birnbach Co., Inc.	177 Hanse Ave. Freeport, Long Island, NY 11520
71450	CTS Corp.	905 N. West Blvd. Elkhart, IN 46514
72962	Amerace Corp. Elastic Stop Nut Div.	2330 Vauxhall Rd. Union, NJ 07083
75382	Kulka Electric Corp.	520 S. Fulton Ave. Mt. Vernon, NY 10551
75915	Tracor Littlefuse, Inc.	800 E. Northwest Hwy Des Plaines, IL 60016

Table 7-8. List of Manufacturers (Contd)

FSCM	Manufacturer's Name	Address
76530	TRW, Inc. TRW Electronic Components TRW Cinch-Monadnock Div.	18301 E. Arenth Ave. City of Industry, CA 91749
81349	Military Specification Promulgated By Military Departments/Agencies	Under authority of Defense Standardization Manual 4120-3-M
83086	New Hampshire Ball Bearings, Inc.	Rt 202 Peterborough, NH 03458
89110	AMP, Inc. Capitron Div.	1595 S. Mt. Joy St. Elizabethtown, PA 17022
90201	Mallory Capacitor Co.	4760 Kentucky Ave. Indianapolis, IN 46206
90536	Sperry Corp. UNIVAC Defense System Div.	P.O. Box 3525 UNIVAC Park St. Paul, MN 55165
91506	Augat, Inc.	33 Perry Ave. Attleboro, MS 02703
96214	Texas Instrument, Inc. Equipment Group	13500 No. Central Expy Dallas, TX 75266
96906	Military Standards Promulgated By Military Departments	Under authority of Defense Standardization Manual 4120-3-M
97954	U.S. Component, Inc.	35 Carlough Rd. Bohemia, NY 11716