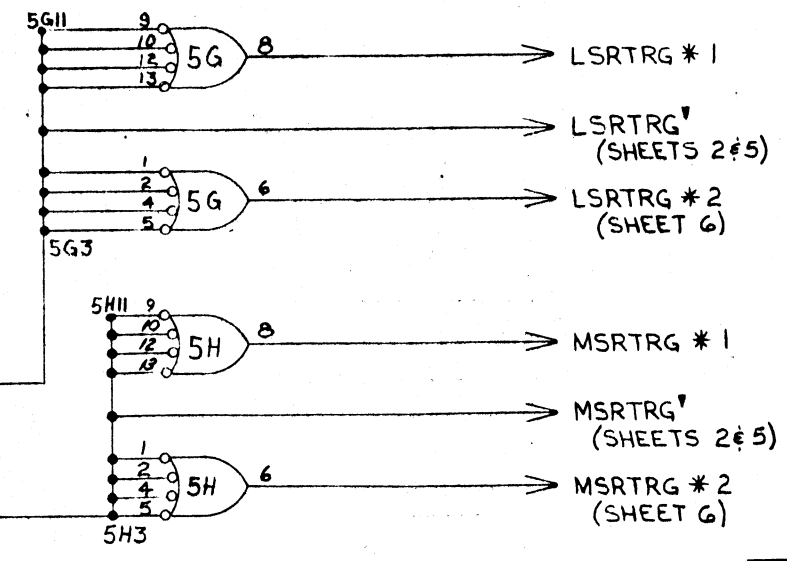
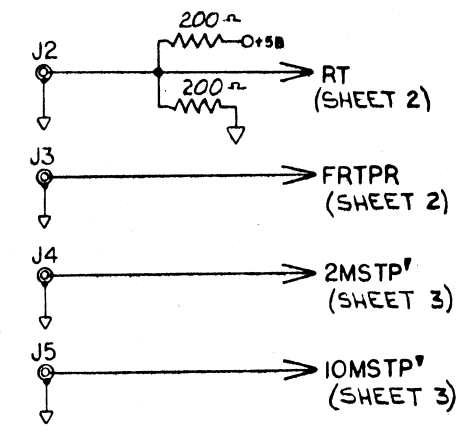
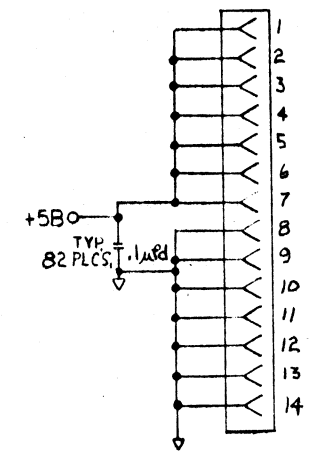
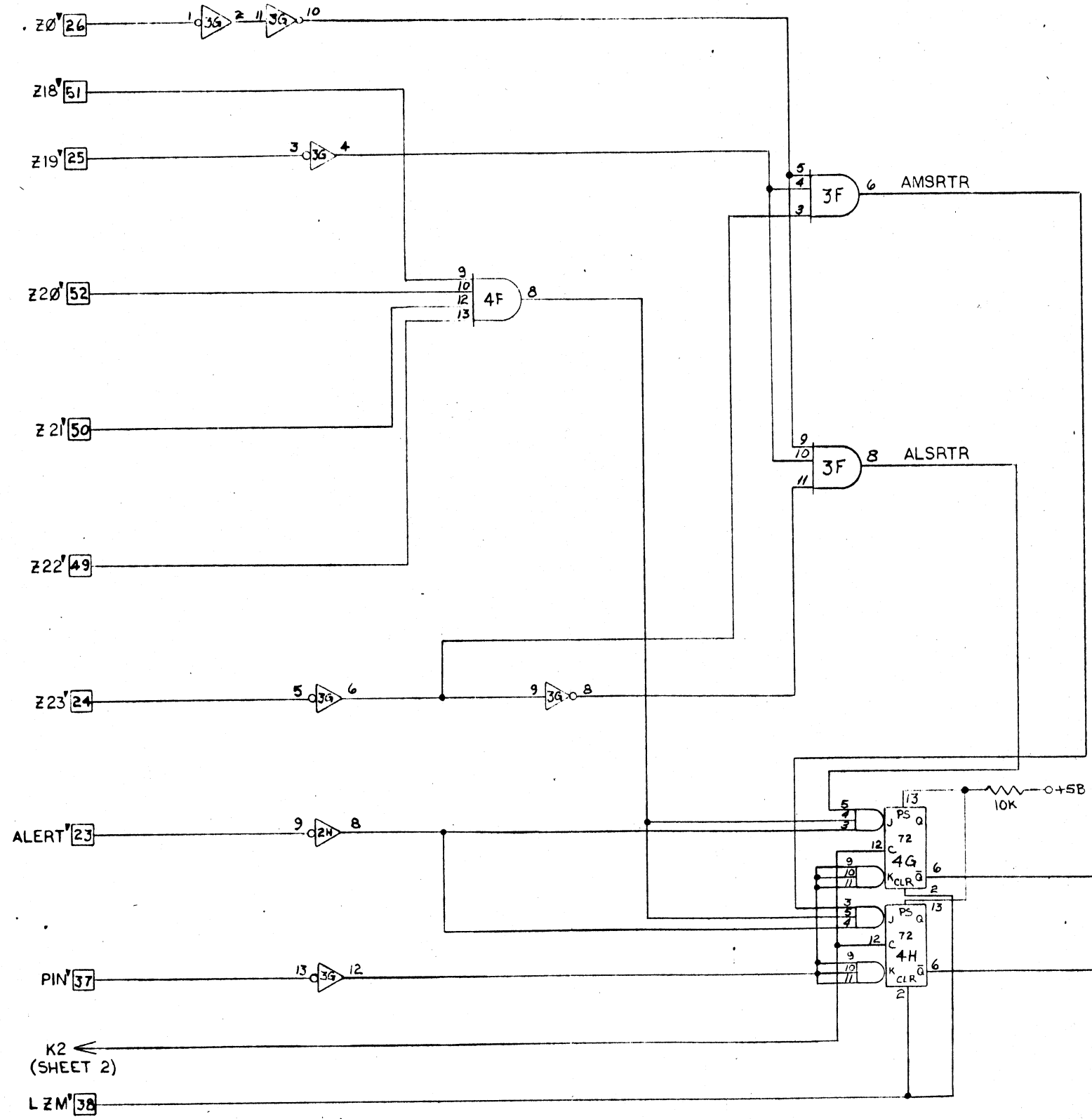


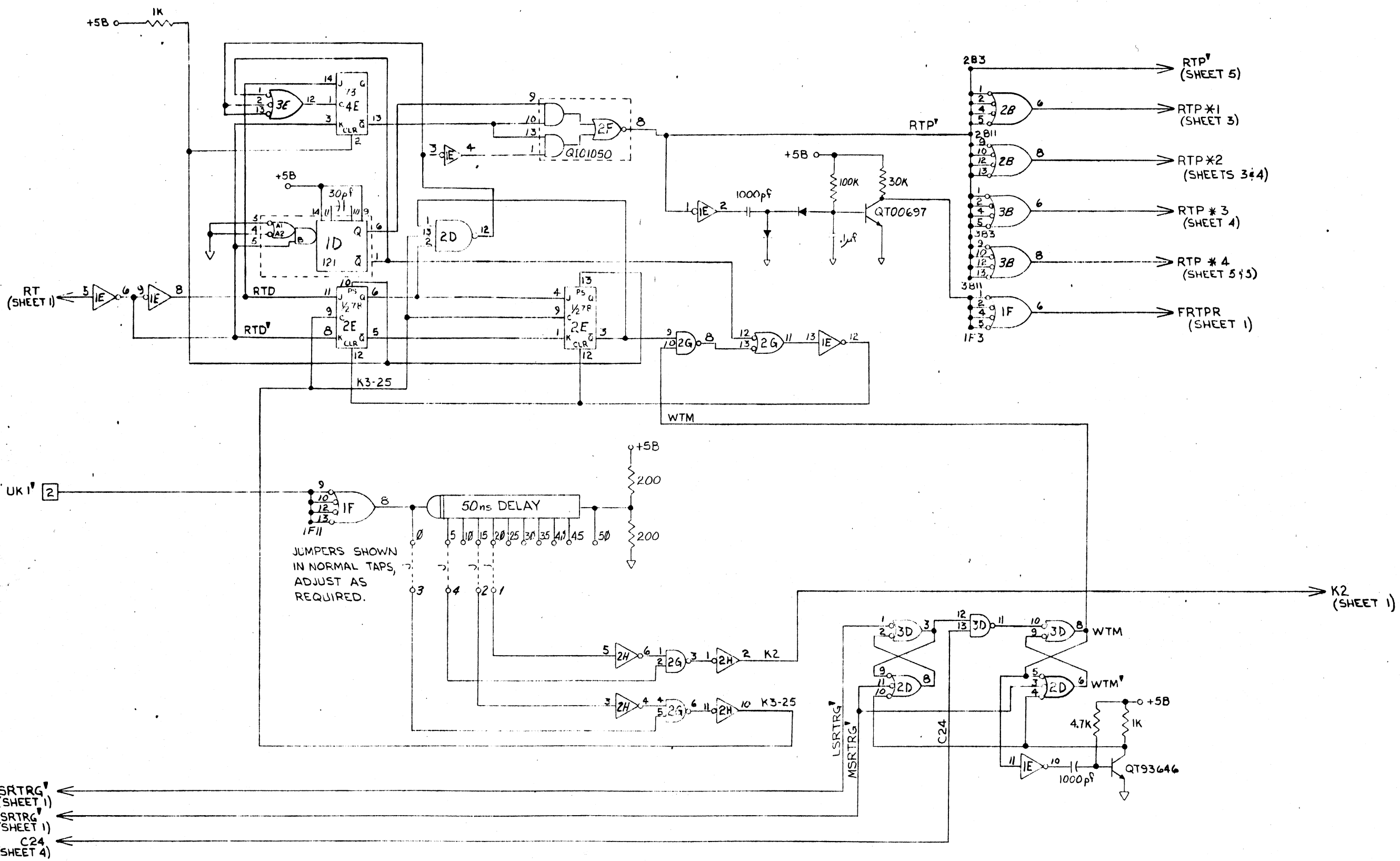
+5  
 127-136  — N.C.  
 7,8,15,16  — SPARE PINS  
 1,3-6,9-14, 17-22, 27-36, 39-48, 53-64, 71-78, 83-92, 97-116, 127-136  — GND.

NOTES;  
 UNLESS OTHERWISE SPECIFIED:  
 1. DIODES ARE  
 2. RESISTORS ARE 1/8 W, 10% CARBON



K2 (SHEET 2)  
 LZM (38)

Berkeley Computer Corporation		
SCALE: NONE	APPROVED BY:	DRAWN BY: GCA
DATE: 9-26-69		REVISION: 9-26-69
REAL TIME REGISTER (RTR)		
SPECIAL REGISTERS	WIA33	DRAWING NUMBER: L00060 E



JUMPERS SHOWN  
IN NORMAL TAPS,  
ADJUST AS  
REQUIRED.

Berkeley Computer Corporation		
DESIGN: NONE	APPROVED BY:	DRAWN BY: GCA
DATE: 9-26-69		REVISED: 9-26-69
REAL TIME REGISTER (RTR)		
SYSTEM REGISTERS	WIA33	REVISION NUMBER L00060 E