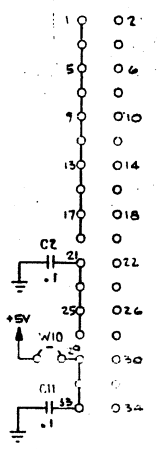
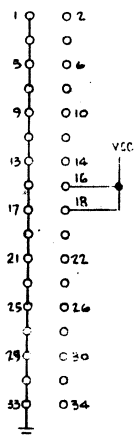
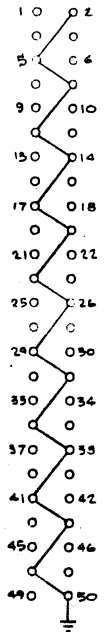
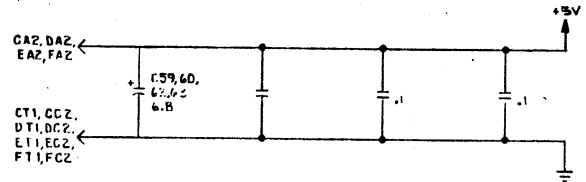


I.C. POWER DISTRIBUTION

REFERENCE DESIGNATION	I.C. TYPE	+5V	GND
	4024	13, 14	5, 7, 9
	4050	1	5
	8156	16	5
	9K305	37	12
	9T21-0002	24	12
	9T32-0003	24	12
	9T32-0004	24	12
	9T32-0005	24	12
	9T52-0011	24	12
	9T32-0013	24	12
	9T32-0015	24	12
	9T36-0007	24	12
	9T36-0010	24	12
	9T37	16	5
	9T58	16	5
	925M1	24	-
	93-472	22	5
	74LS00	14	7
	74600	14	7
	74LS04	14	7
	74S08	14	7
	74S10	14	7
	74LS11	14	7
	74S22	14	7
	74S86	14	7
	74LS74	14	7
	74LS112	14	7
	74LS132	14	7
	74S139	16	5
	74LS153	16	5
	74S175	16	5
	74LS240	20	10
	74LS241	20	10
	74LS974	20	10
	RES NET 375		
	RES NET 476		



NOTES: UNLESS OTHERWISE SPECIFIED
 1. ELECTRICAL VALUES ARE IN OHMS OR MICROFARADS.
 2. ALL RESISTORS ARE 1/4W, 5%.

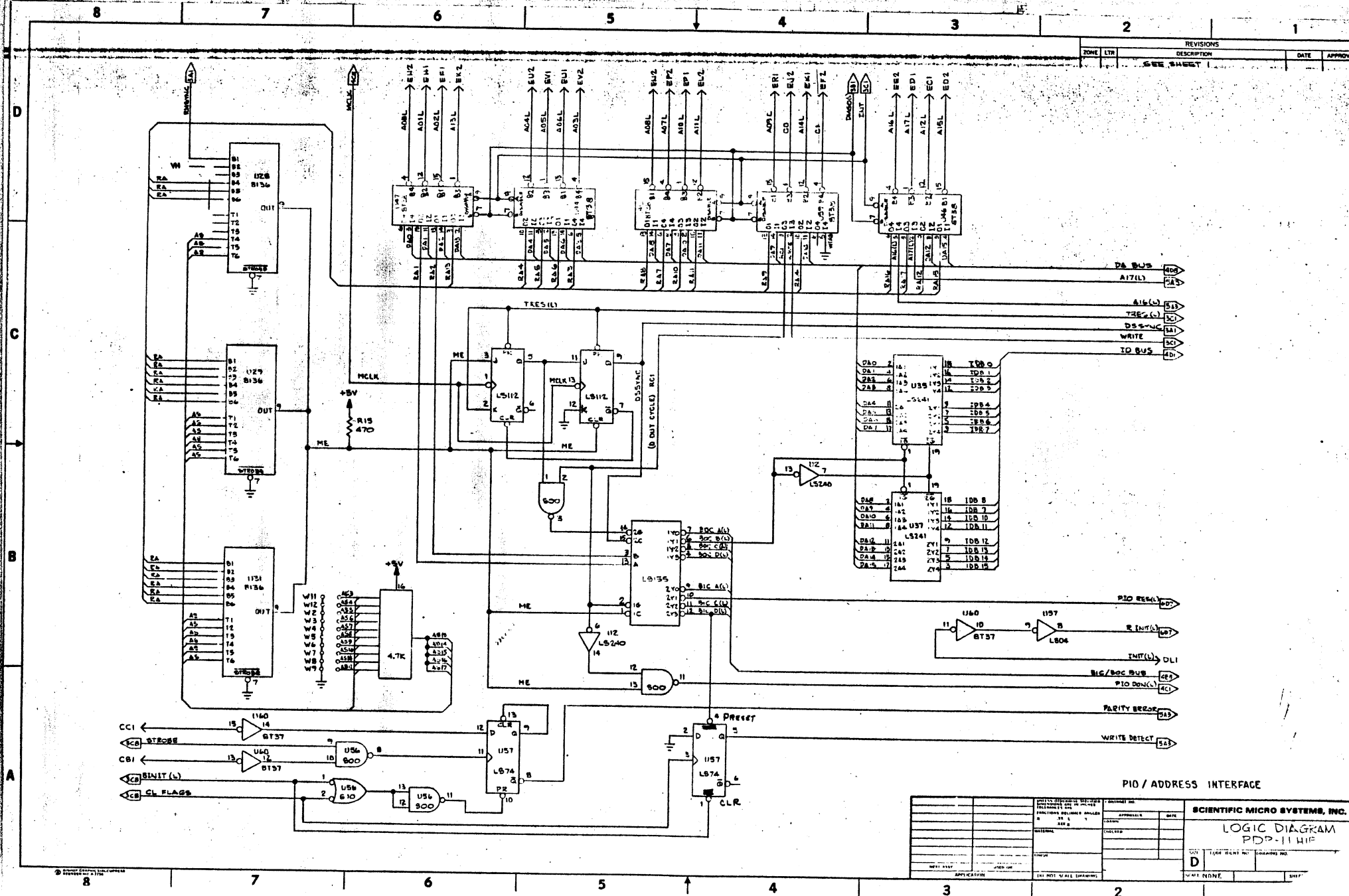


SPARE GATES



SCIENTIFIC MICRO SYSTEMS, INC. LOGIC DIAGRAM, PDP-11 HIP	
DATE: D CODE: 8181 NO. 1 DRAWING NO. 100	SHEET 1 OF 6

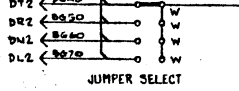
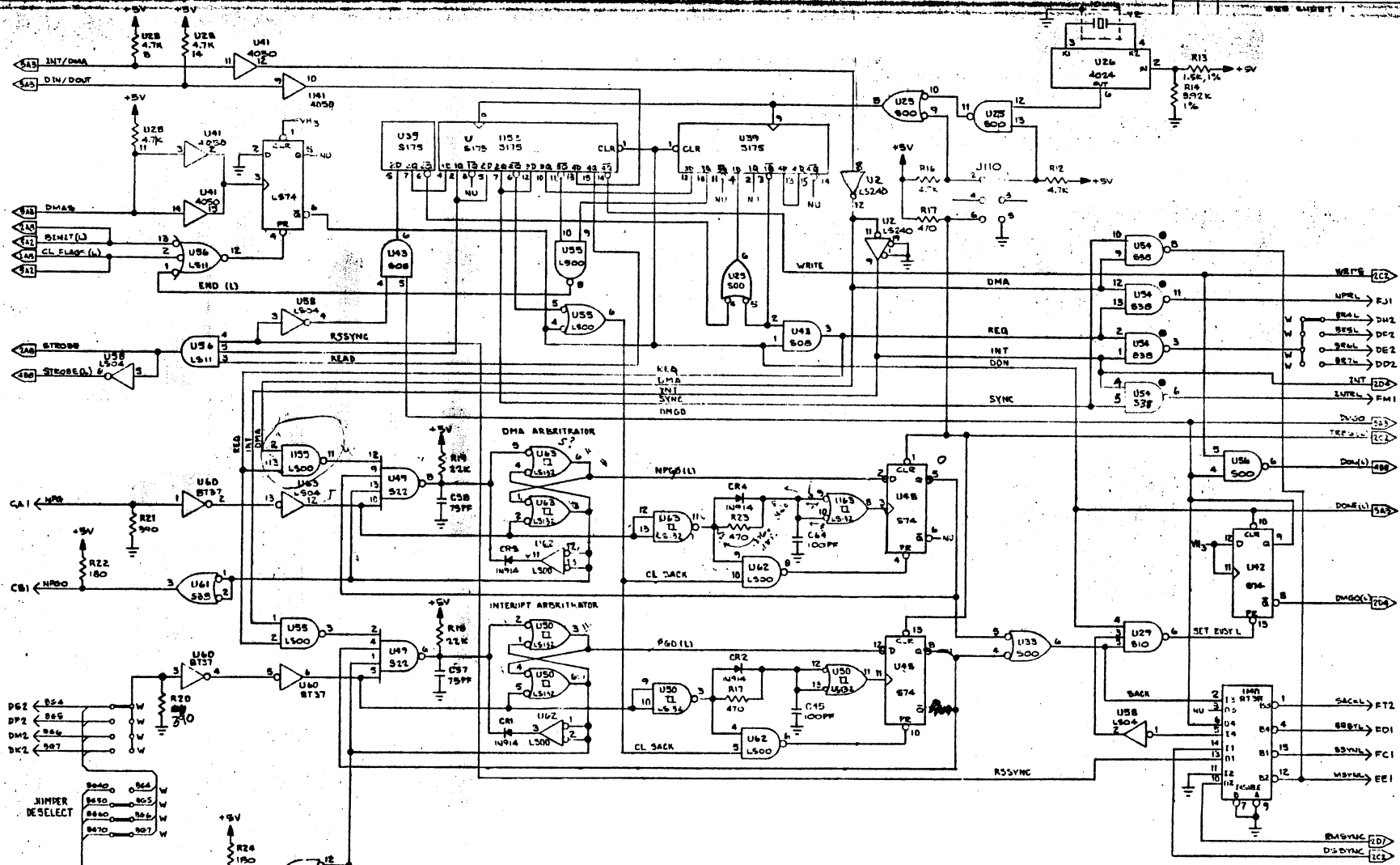
ZONE		LTR		REVISIONS		DATE		APPROVED	
				DESCRIPTION					
				SEE SHEET					



PIO / ADDRESS INTERFACE

DATE: 11/15/74 DRAWN BY: [Blank] CHECKED BY: [Blank] APPROVED BY: [Blank] DATE: [Blank]		SCIENTIFIC MICRO SYSTEMS, INC. LOGIC DIAGRAM PDP-11HIF
APPLICATION: [Blank] DRAWING NO.: [Blank]		D

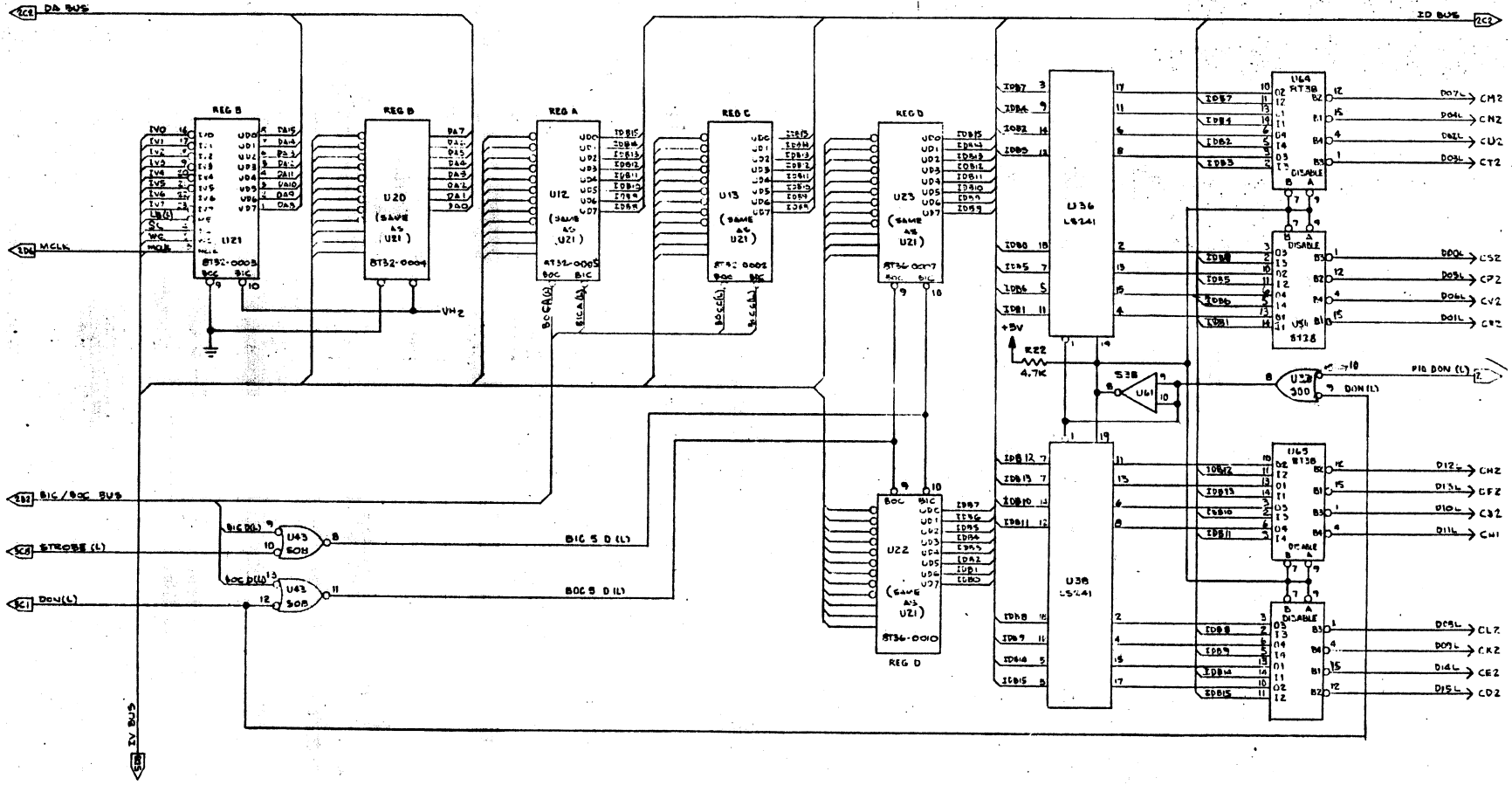
REVISIONS		DATE	APPROVED
ZONE	LTN	DESCRIPTION	



DMA CONTROL

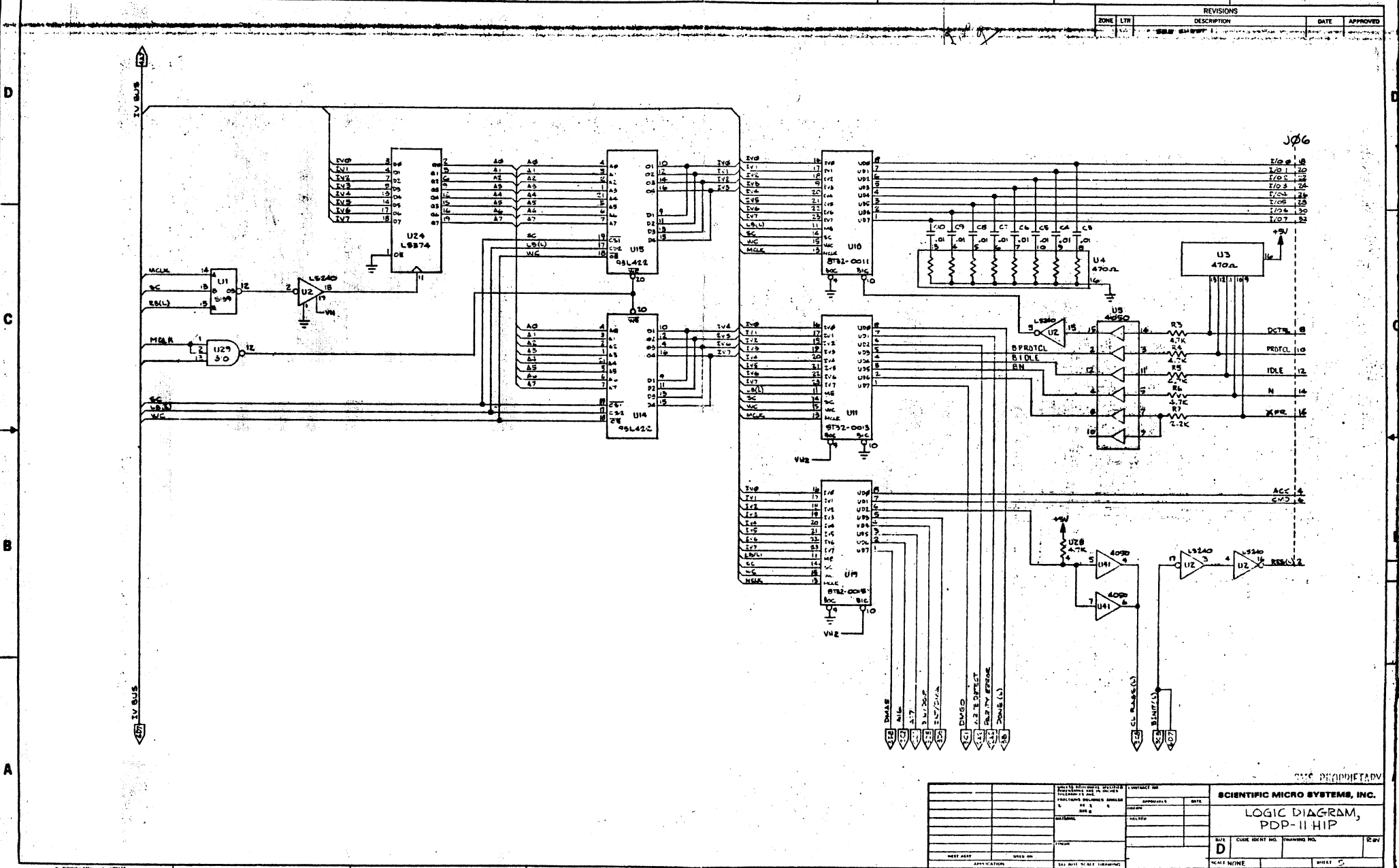
SCIENTIFIC MICRO SYSTEMS, INC. LOGIC DIAGRAM PDP-11 HIP		DATE: 11/23/71 DRAWN BY: J. J. J. CHECKED BY: J. J. J. APPROVED BY: J. J. J. DATE: 11/23/71	
PART NO. 8111 REV. 1 APPLICATION: PDP-11 HIP		SHEET NO. 3 OF 3	

REVISIONS			
ZONE	LTR	DESCRIPTION	DATE
		888-64687	



DATA FLOW

DESIGNER'S CHECKLIST		APPROVED		SCIENTIFIC MICRO SYSTEMS, INC.	
DATE	BY	DATE	BY	PROJECT NO.	DRAWING NO.
TITLE: LOGIC DIAGRAM POP-11 HIP				DRAWN BY: [] CHECKED BY: [] DATE: []	
APPLICATION: []				SHEET [] OF []	



306

ZONE		LTR		DESCRIPTION	DATE	APPROVED

REV	DATE	DESCRIPTION
1.0	1/18	
1.1	1/20	
1.2	1/22	
1.3	1/24	
1.4	1/26	
1.5	1/28	
1.6	1/30	
1.7	1/31	

DESIGNED BY: _____ DRAWN BY: _____ CHECKED BY: _____ DATE: _____		APPROVED BY: _____ DATE: _____	
SCIENTIFIC MICRO SYSTEMS, INC. LOGIC DIAGRAM, PDP-11 HIP			
TITLE: _____ PARTS: _____ REV: _____	SHEET NO.: _____ TOTAL SHEETS: _____	CASE NO.: _____ DRAWING NO.: _____	DATE: _____ BY: _____

