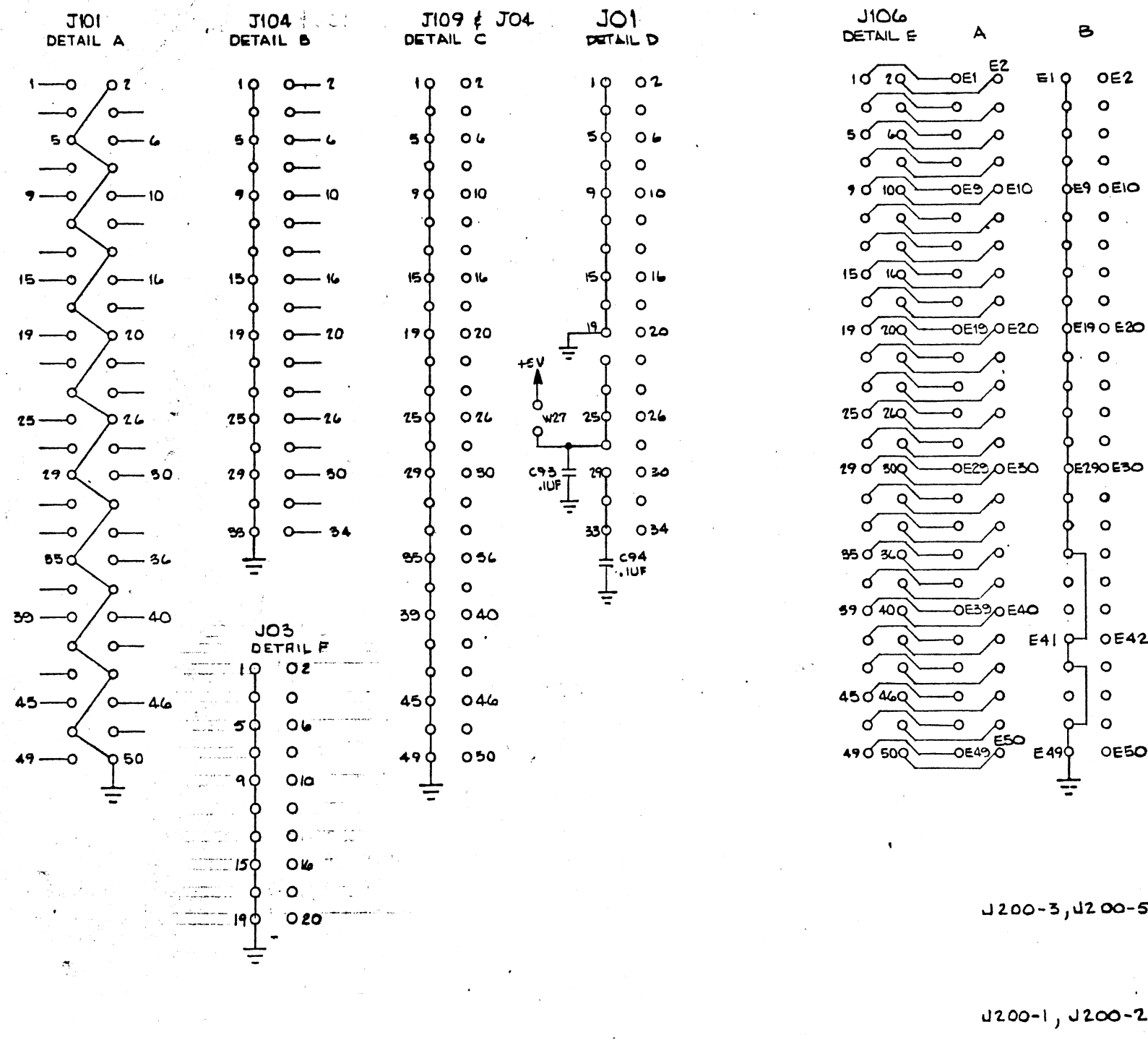


ZONE	LTR	DESCRIPTION	DATE	BY
A		RELEASED PER DCO 1293	MAR 73	[Signature]
B		REV PER DCO 1466	7-31-78	[Signature]
C		REVISED PER DCO 1483	8-2-78	[Signature]

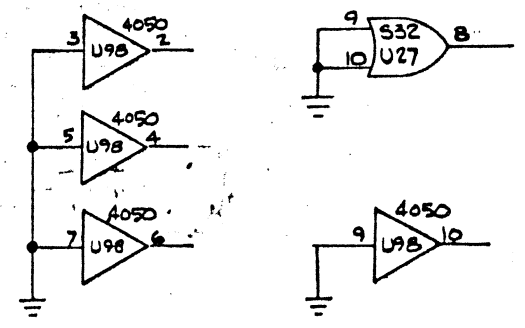
IC IDENTIFICATION & PWR DISTRIBUTION

REFERENCE DESIGNATION	PART NUMBER	+5V PIN	GND PIN
U8	9401	14	7
U80	8X300	37	12
U61-65,67,76-79	8T32	24	12
U66	8T36	24	12
U1	LM358A	8	4
U21	MC4024	1,13,14	5,7,9
U46	74LS00	14	7
U7,16	74500	14	7
U47	74LS02	14	7
U32	74502	14	7
U10	74LS04	14	7
U26	74504	14	7
U30,44	74LS08	14	7
U53	74510	14	7
U15,31	74LS11	14	7
U22	74LS32	14	7
U27	74532	14	7
U42	7436	14	7
U48	74551	14	7
U6,23	74LS74	14	7
U9	74574	14	7
U51,54-57	74LS85	16	8
U5	74586	14	7
U2,29,50	74LS112	16	8
U43	74S112	16	8
U97	74LS138	16	8
U24,25	74S157	16	8
U3,11,28,45	74LS163	16	8
U4	74LS174	16	8
U49	74LS175	16	8
U13,33-36	74LS194	16	8
U58	74LS241	20	10
U12	74S260	14	7
U52	74LS299	20	10
U59	74LS374	20	10
U41,98	4050	1	8
U69-75	75451	8	4
U17-20,37-40	82511	16	8
U81-96	825137	18	9
U68	82B-5-R220/330	16	-
U60	89B-1-R470	-	16



NOTES: UNLESS OTHERWISE SPECIFIED
 ALL RESISTOR VALUES ARE IN OHMS, 1/4W, 5%
 ALL CAPACITOR VALUES ARE IN PICOFARADS.
 INSTALL Q1, 2, R1, 2 AND C1 ON -0001 VERSION ONLY.
 INSTALL CR1 AND J03 ON -0002 VERSION ONLY.

SPARE GATES



LAST USED	NOT USED
C104	C55
CR3	QB
Q5	U14
R36	
U98	
W27	
Y2	

CONTROLLING NO.		DATE	
APPROVALS			
DRAWN	G.L.		
CHECKED			
DESIGNED			
TITLED			
0003451	D & PHI-I		
APPLICATION			
UNLESS OTHERWISE SPECIFIED DIMENSIONS ARE IN INCHES TOLERANCES ARE FRACTIONS DECIMALS ANGLES		SCIENTIFIC MICRO SYSTEMS, INC.	
D GPHI-I LOGIC DIAGRAM		SIZE	0003454
D		SCALE	1/8"

SMS PROPRIETARY

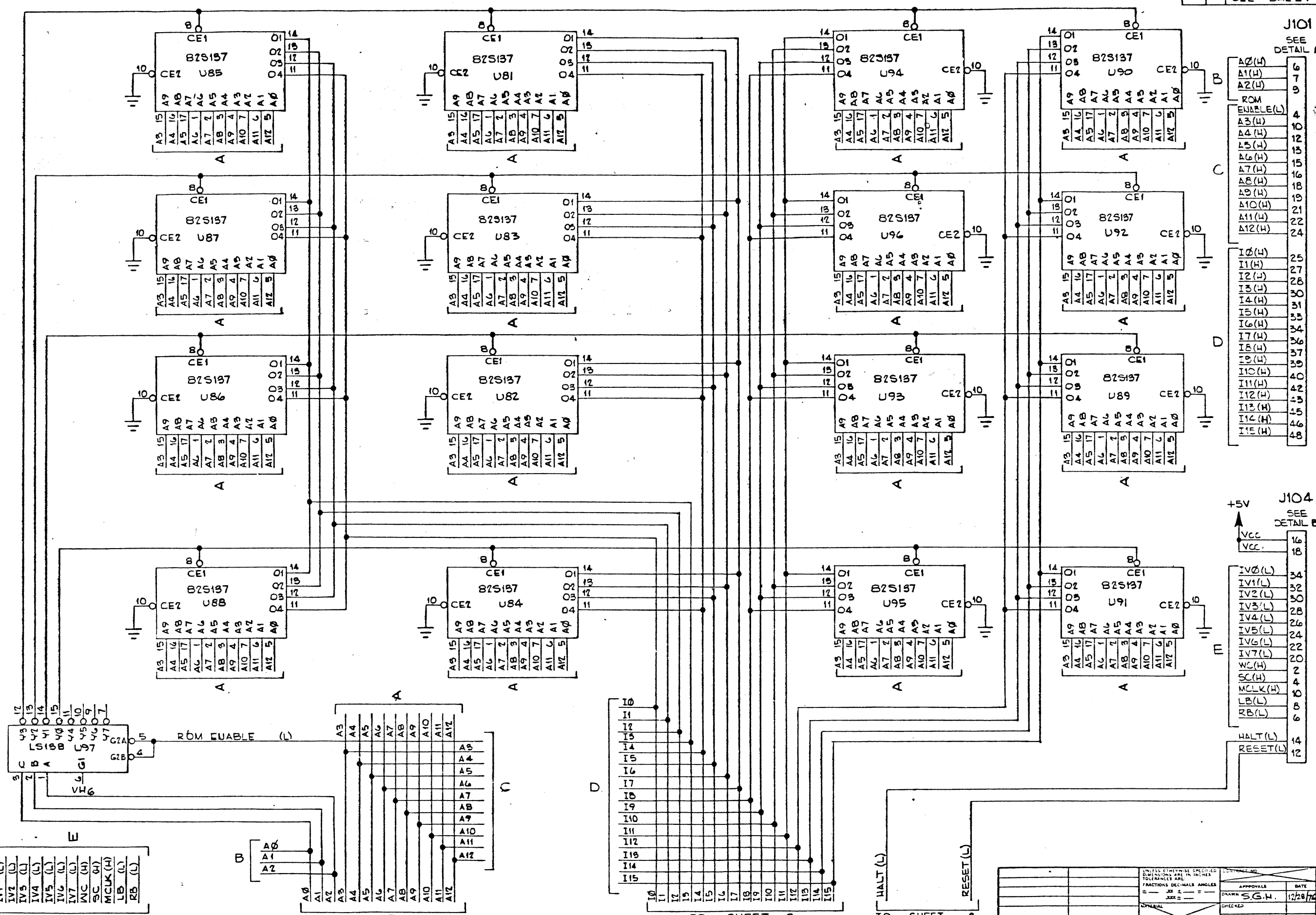
SCIENTIFIC MICRO SYSTEMS, INC.

D GPHI-I LOGIC DIAGRAM

0003454

1/8" 1 of 1

REVISIONS			
ZONE	LTR	DESCRIPTION	DATE
		SEE SHEET 1	



J101
SEE
DETAIL A

A0(H)	6
A1(H)	7
A2(H)	9
ROM ENABLE(L)	4
A3(H)	10
A4(H)	12
A5(H)	13
A6(H)	15
A7(H)	16
A8(H)	18
A9(H)	19
A10(H)	21
A11(H)	22
A12(H)	24
I0(H)	25
I1(H)	27
I2(H)	28
I3(H)	30
I4(H)	31
I5(H)	33
I6(H)	34
I7(H)	36
I8(H)	37
I9(H)	39
I10(H)	40
I11(H)	42
I12(H)	43
I13(H)	45
I14(H)	46
I15(H)	48

+5V J104
SEE
DETAIL B

VCC	16
VCC	18
IV0(L)	34
IV1(L)	32
IV2(L)	30
IV3(L)	28
IV4(L)	26
IV5(L)	24
IV6(L)	22
IV7(L)	20
VC(H)	2
SC(H)	4
MCLK(H)	10
LB(L)	8
RB(L)	6
HALT(L)	14
RESET(L)	12

E

IV1(L)	17
IV2(L)	13
IV3(L)	14
IV4(L)	15
IV5(L)	11
IV6(L)	10
IV7(L)	9
VC(H)	7
SC(H)	6
MCLK(H)	5
LB(L)	4
RB(L)	3

TO SHEET 5

B

A0	1
A1	2
A2	3
A3	4
A4	5
A5	6
A6	7
A7	8
A8	9
A9	10
A10	11
A11	12
A12	13

TO SHEET 3

D

I0	10
I1	11
I2	12
I3	13
I4	14
I5	15
I6	16
I7	17
I8	18
I9	19
I10	20
I11	21
I12	22
I13	23
I14	24
I15	25

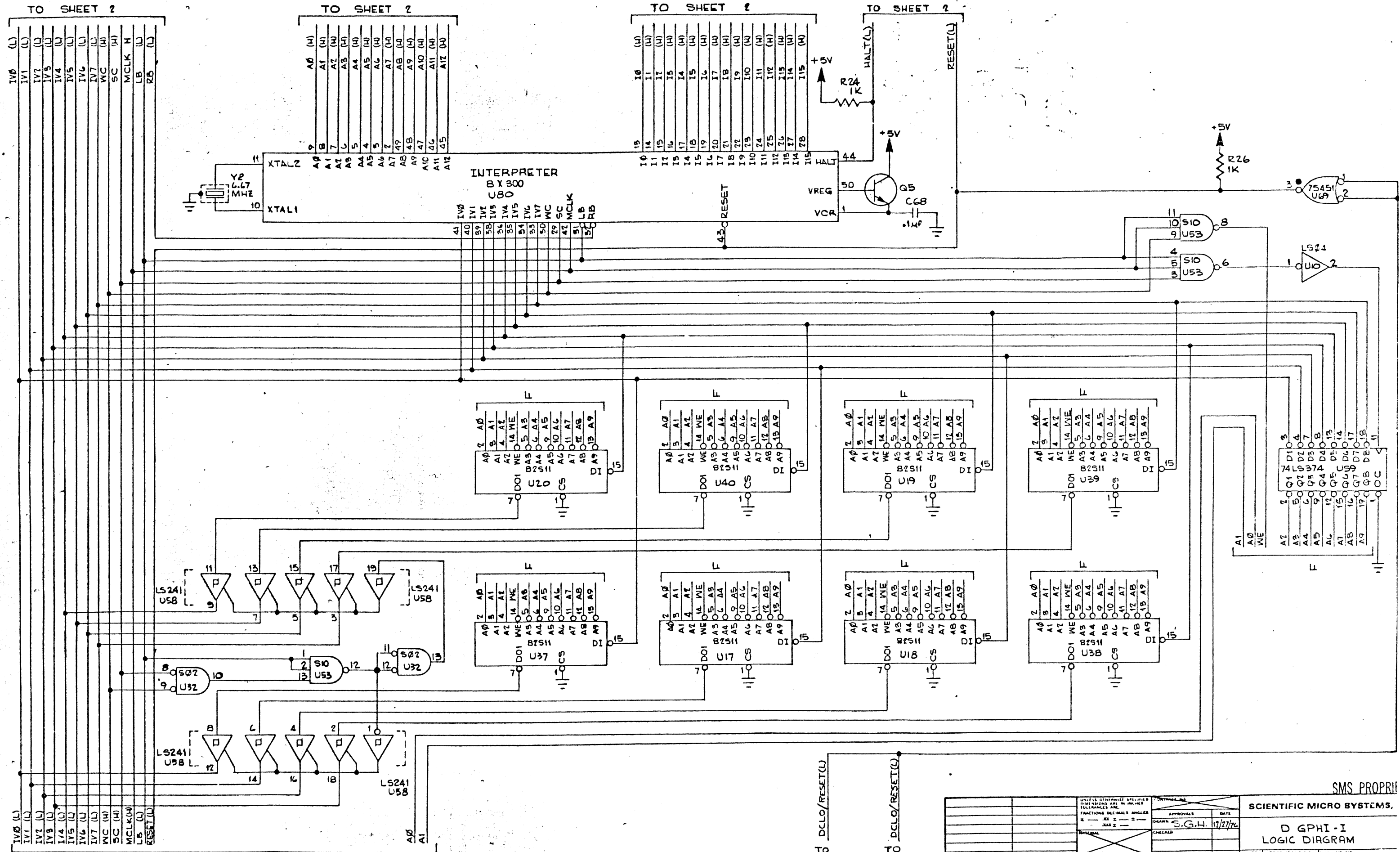
TO SHEET 5

HALT (L)
RESET (L)

TO SHEET 5

UNLESS OTHERWISE SPECIFIED DIMENSIONS ARE IN INCHES FRACTIONS DECIMALS ANGLES	DATE
APPROVALS	DATE
DESIGNED BY S.G.H.	12/28/72
CHECKED	

SMS PROPRIETARY
SCIENTIFIC MICRO SYSTEMS, INC.
D GPHI-1
LOGIC DIAGRAM
REV C
0003454



TO SHEET 2
 IV0 (L)
 IV1 (L)
 IV2 (L)
 IV3 (L)
 IV4 (L)
 IV5 (L)
 IV6 (L)
 IV7 (L)
 WC (H)
 SC (H)
 MCLK (H)
 LB (L)
 RB (L)

TO SHEET 2
 A0 (H)
 A1 (H)
 A2 (H)
 A3 (H)
 A4 (H)
 A5 (H)
 A6 (H)
 A7 (H)
 A8 (H)
 A9 (H)
 A10 (H)
 A11 (H)
 A12 (H)

TO SHEET 2
 10 (L)
 11 (L)
 12 (L)
 13 (L)
 14 (L)
 15 (L)
 16 (L)
 17 (L)
 18 (L)
 19 (L)
 20 (L)
 21 (L)
 22 (L)
 23 (L)
 24 (L)
 25 (L)
 26 (L)
 27 (L)
 28 (L)

TO SHEET 2
 +5V
 R24 1K
 HALT(L)
 RESET(L)

TO SHEET 4
 A0
 A1

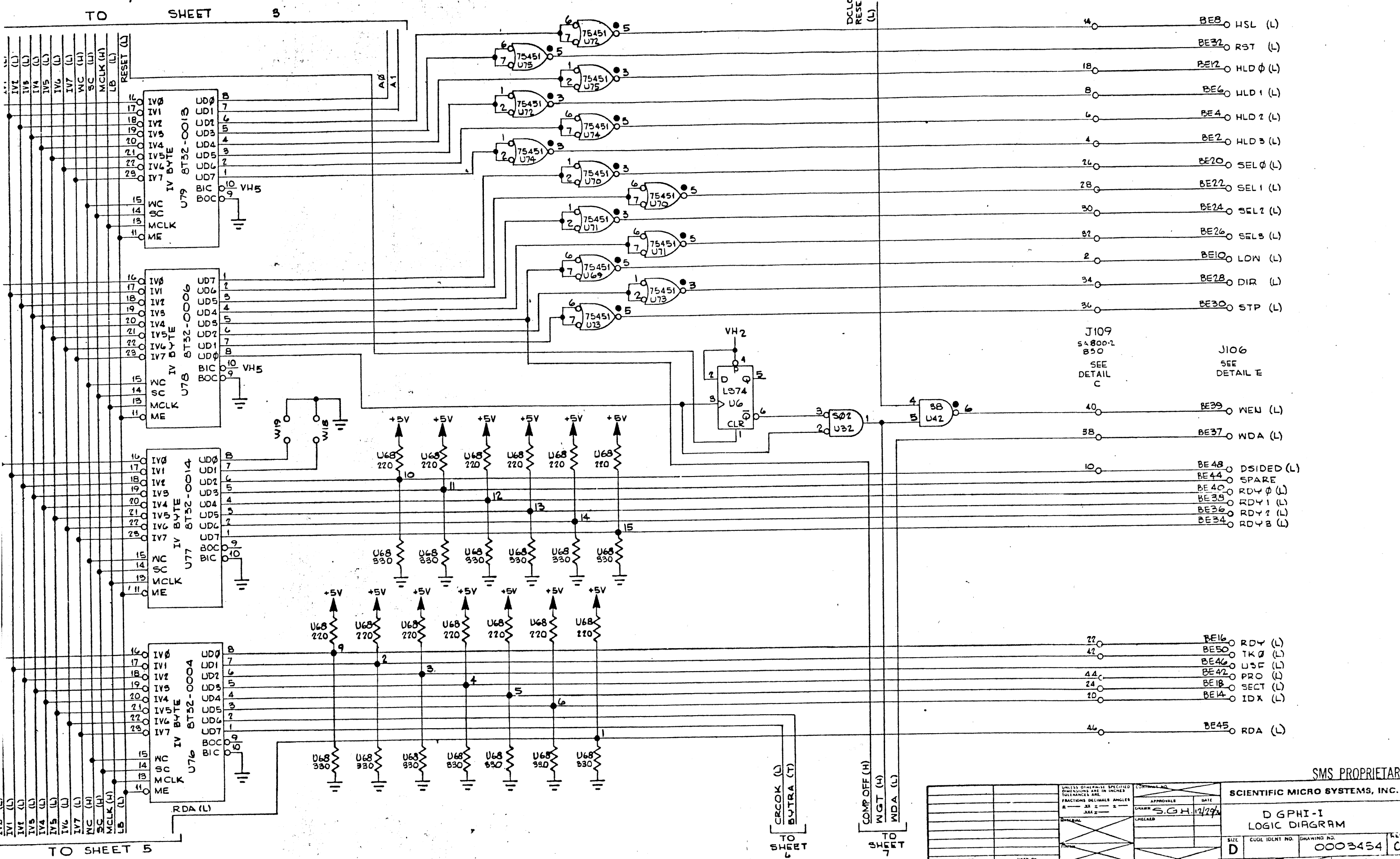
TO SHEET 8
 DCLO/RESET(L)

TO SHEET 4
 DCLO/RESET(L)

UNLESS OTHERWISE SPECIFIED DIMENSIONS ARE IN INCHES FRACTIONS DECIMALS ANGLES		APPROVALS		DATE
DESIGNED	CHECKED	S.G.H.		12/27/76
DRAWN		SCALE		
NEXT ASSY		USED ON		
APPLICATION		DO NOT SCALE DRAWING		
SCIENTIFIC MICRO SYSTEMS, INC.				
D GPI-I LOGIC DIAGRAM				
SIZE	CODE IDENT NO.	DRAWING NO.		
D		0003454		
SCALE		SHEET 3 OF 3		

SMS PROPRI

REVISIONS				
ZONE	LTR	DESCRIPTION	DATE	APPROVAL
		SEE SHEET 1		



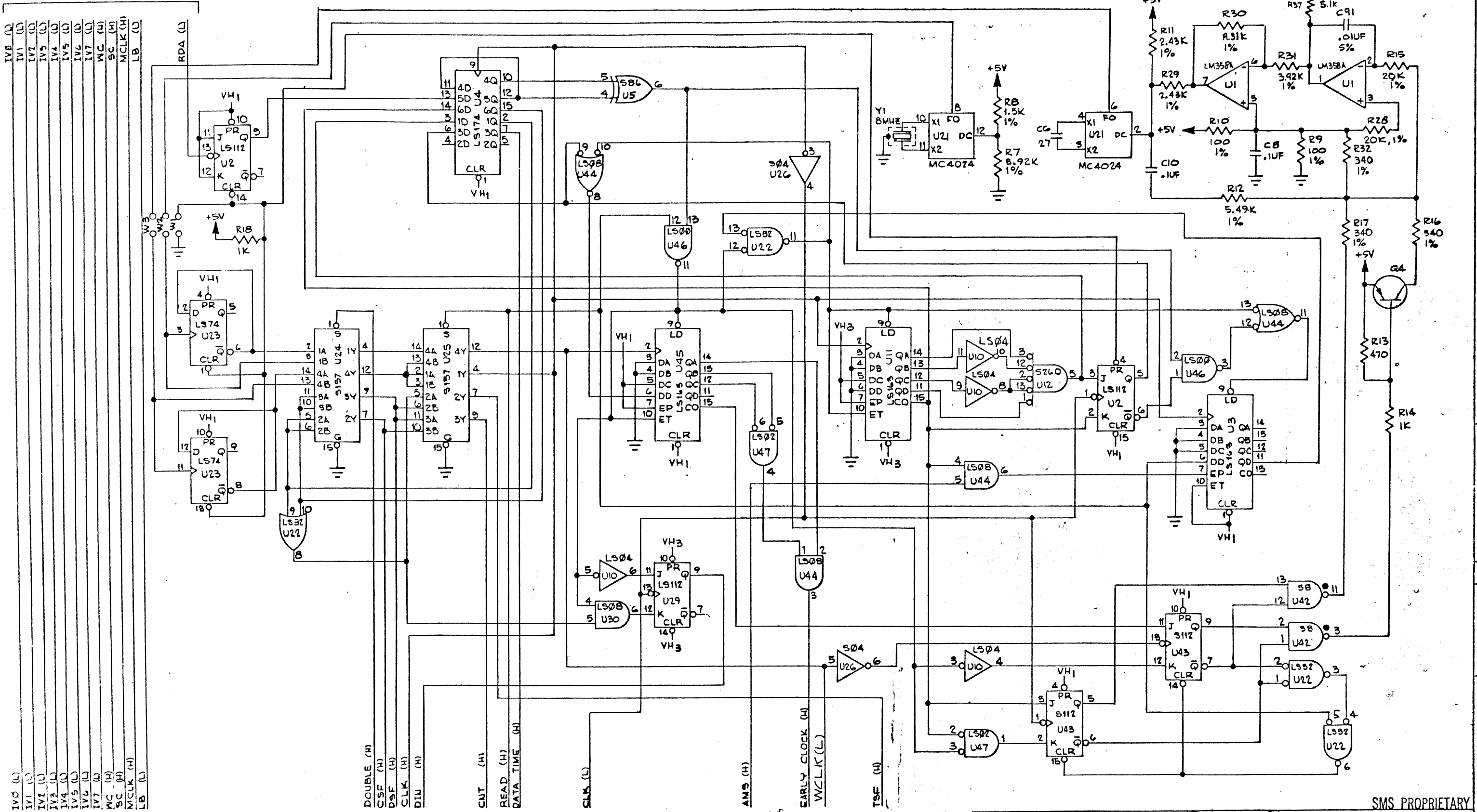
- 14 BE8 HSL (L)
- 18 BE32 RST (L)
- 8 BE12 HLD φ (L)
- 6 BE6 HLD 1 (L)
- 4 BE4 HLD 2 (L)
- 26 BE2 HLD 3 (L)
- 28 BE20 SEL φ (L)
- 30 BE22 SEL 1 (L)
- 32 BE24 SEL 2 (L)
- 34 BE26 SEL 3 (L)
- 2 BE10 LOW (L)
- 34 BE28 DIR (L)
- 36 BE30 STP (L)
- J109 SA 800-2 B50 SEE DETAIL C
- J106 SEE DETAIL E
- 40 BE39 WEN (L)
- 38 BE37 WDA (L)
- 10 BE48 DSIDED (L)
- BE44 SPARE
- BE40 RDY φ (L)
- BE38 RDY 1 (L)
- BE36 RDY 2 (L)
- BE34 RDY 3 (L)
- 22 BE16 RDY (L)
- 42 BE50 TK φ (L)
- 44 BE46 USF (L)
- 24 BE18 SECT (L)
- 20 BE14 IDX (L)
- 46 BE45 RDA (L)

SMS PROPRIETARY

UNLESS OTHERWISE SPECIFIED DIMENSIONS ARE IN INCHES TOLERANCES ARE FRACTIONS DECIMALS ANGLES		CONTINUED NO.	
APPROVAL	DATE	DRAWN S.G.H. 12/29	
CHECKED			
SCIENTIFIC MICRO SYSTEMS, INC.		D GPHI-I LOGIC DIAGRAM	
SIZE D	CODE IDENT NO.	DRAWING NO.	REV C
		0003454	
SCALE		SHEET 4 OF 7	

ZONE	LTR	DESCRIPTION	DATE	APPROVED
		SEE SHEET 1		

TO SHEET 4



IV0 (L)
IV1 (L)
IV2 (L)
IV3 (L)
IV4 (L)
IV5 (L)
IV6 (L)
IV7 (L)
WC (H)
SC (H)
MCLK (H)
LB (L)

RDA (L)
VH1
VH2
VH3
VH4
VH5
VH6
VH7
VH8
VH9
VH10
VH11
VH12
VH13
VH14
VH15
VH16
VH17
VH18
VH19
VH20
VH21
VH22
VH23
VH24
VH25
VH26
VH27
VH28
VH29
VH30
VH31
VH32
VH33
VH34
VH35
VH36
VH37
VH38
VH39
VH40
VH41
VH42
VH43
VH44
VH45
VH46
VH47
VH48
VH49
VH50
VH51
VH52
VH53
VH54
VH55
VH56
VH57
VH58
VH59
VH60
VH61
VH62
VH63
VH64
VH65
VH66
VH67
VH68
VH69
VH70
VH71
VH72
VH73
VH74
VH75
VH76
VH77
VH78
VH79
VH80
VH81
VH82
VH83
VH84
VH85
VH86
VH87
VH88
VH89
VH90
VH91
VH92
VH93
VH94
VH95
VH96
VH97
VH98
VH99
VH100

DOUBLE (H)
CSF (H)
DSF (H)
CLK (H)
DIU (H)
CNT (H)
READ (H)
DATA TIME (H)
CLK (L)
AMS (H)
EARLY CLOCK (H)
WCLK (L)
TSE (H)

TO SHEET 6

TO SHEET 7

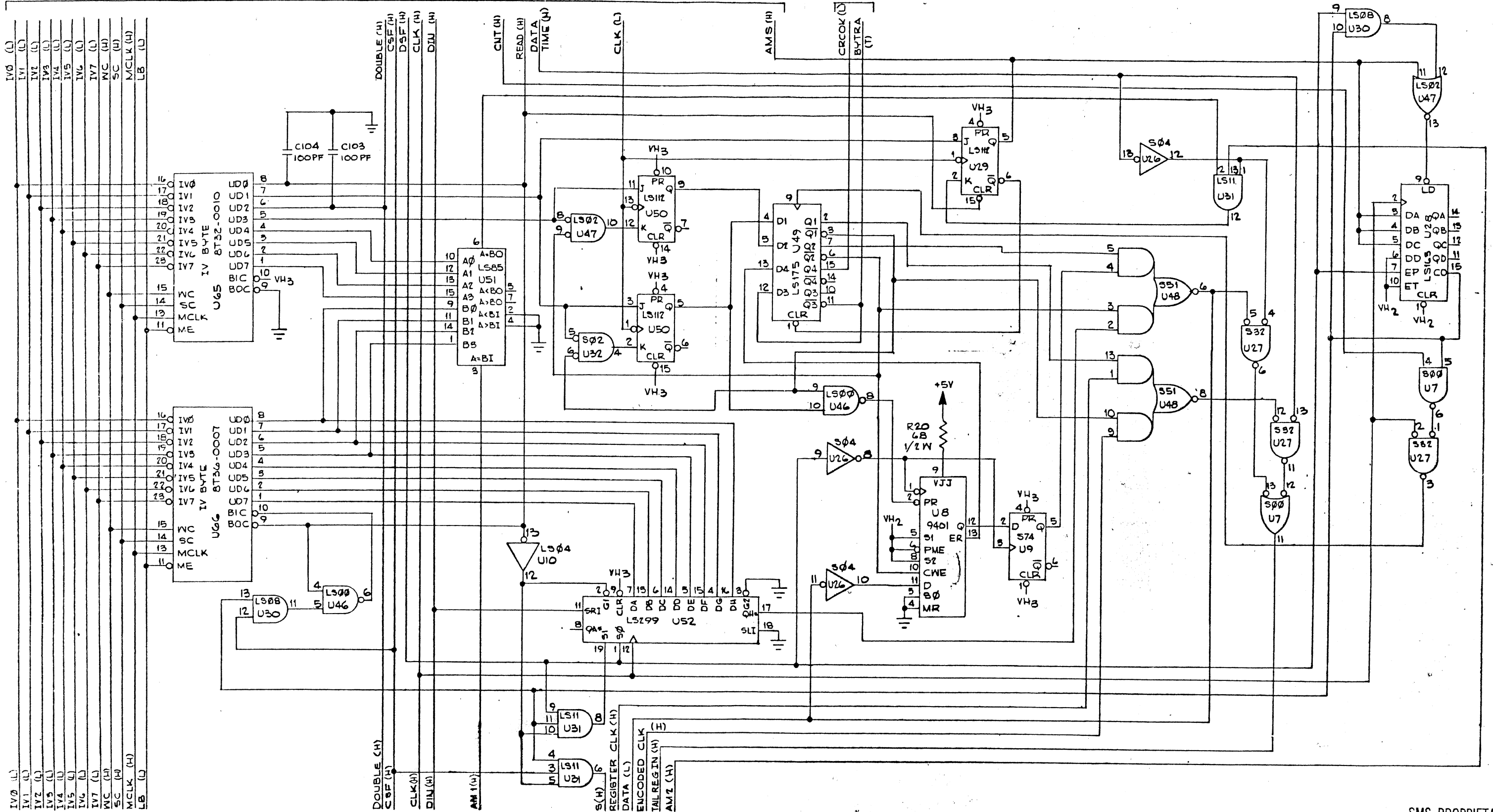
SMS PROPRIETARY

UNLESS OTHERWISE SPECIFIED DIMENSIONS ARE IN INCHES TOLERANCES ARE FRACTIONS DECIMALS ANGLES		CONTINUED ON		SCIENTIFIC MICRO SYSTEMS, INC.	
APPROVALS	DATE	DRAWN		D GPII-I LOGIC DIAGRAM	
	12/20/8	CHECKED		SIZE	REV
				D	L
NEXT ASSY		USED ON		CODE IDENT NO.	DRAWING NO.
APPLICATION		DO NOT SCALE DRAWING		0003454	0003454
				SCALE	SHEET 5

REVISIONS				
ZONE	LTR	DESCRIPTION	DATE	APPROVED
		SEE SHEET 1		

TO SHEET 5

TO SHEET 4



TO SHEET 7

SMS PROPRIETARY

SCIENTIFIC MICRO SYSTEMS, INC.

D GPII-I LOGIC DIAGRAM

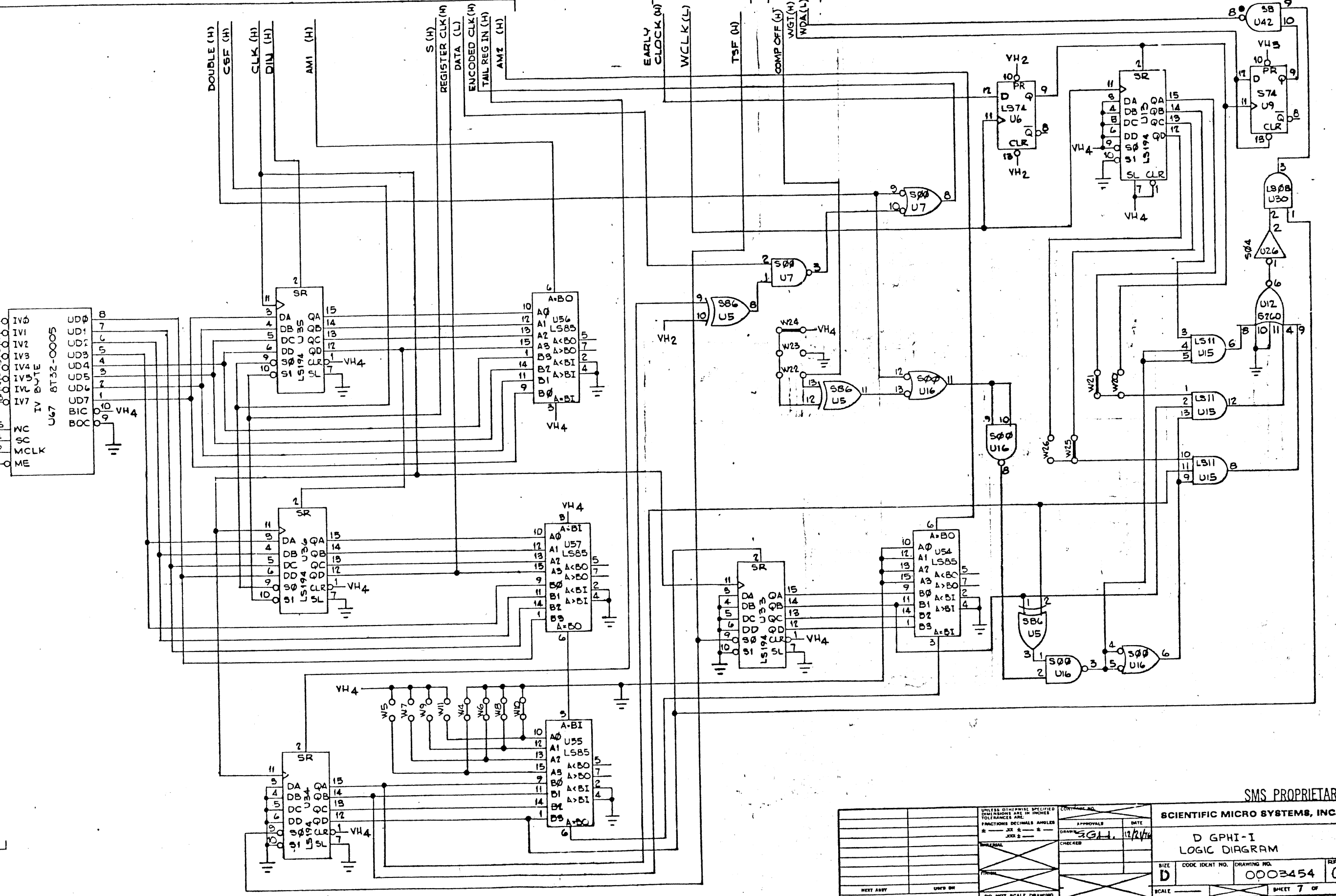
UNLESS OTHERWISE SPECIFIED DIMENSIONS ARE IN INCHES FRACTIONS DECIMALS ANGLES	APPROVALS	DATE
DRAWN: J.G.H.	CHECKED:	

SEE SHEET 1

TO SHEET

- IV0 (L)
- IV1 (L)
- IV2 (L)
- IV3 (L)
- IV4 (L)
- IV5 (L)
- IV6 (L)
- IV7 (L)
- MC (H)
- SC (H)
- MCLK (L)
- LB (L)

TO SHEET 8



UNLESS OTHERWISE SPECIFIED DIMENSIONS ARE IN INCHES TOLERANCES ARE FRACTIONS DECIMALS MILLIMETERS		CONT. NO.	DATE
APPROVALS	DATE	APPROVALS	DATE
DRAWN	301	CHECKED	12/2/74
DESIGNED		TESTED	
REVISIONS			
DATE			
BY			
REASON			
SCALE			
NEXT ASSY APPLICATION		DO NOT SCALE DRAWING	

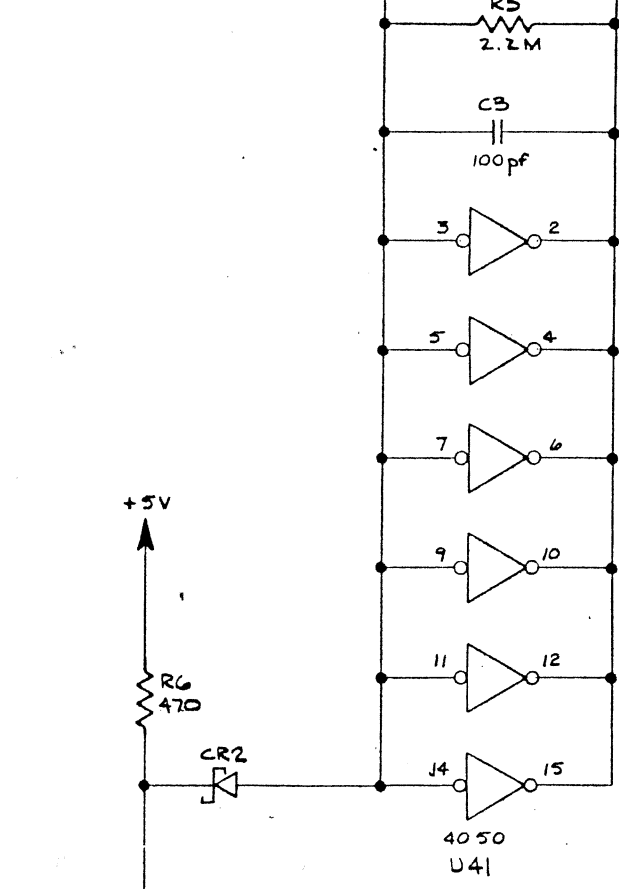
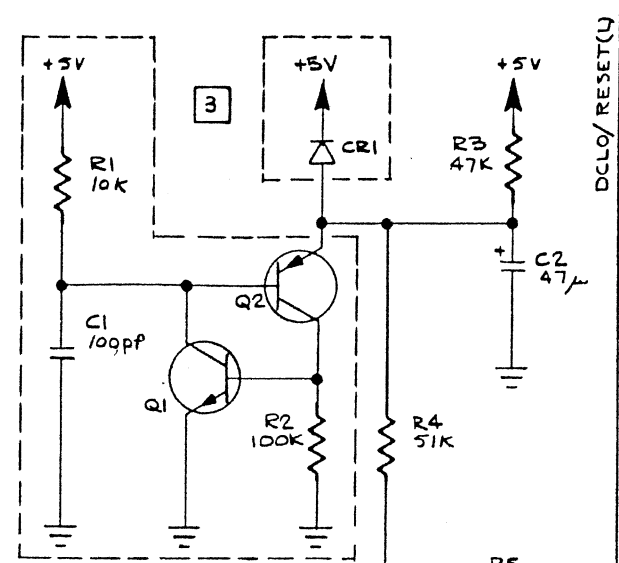
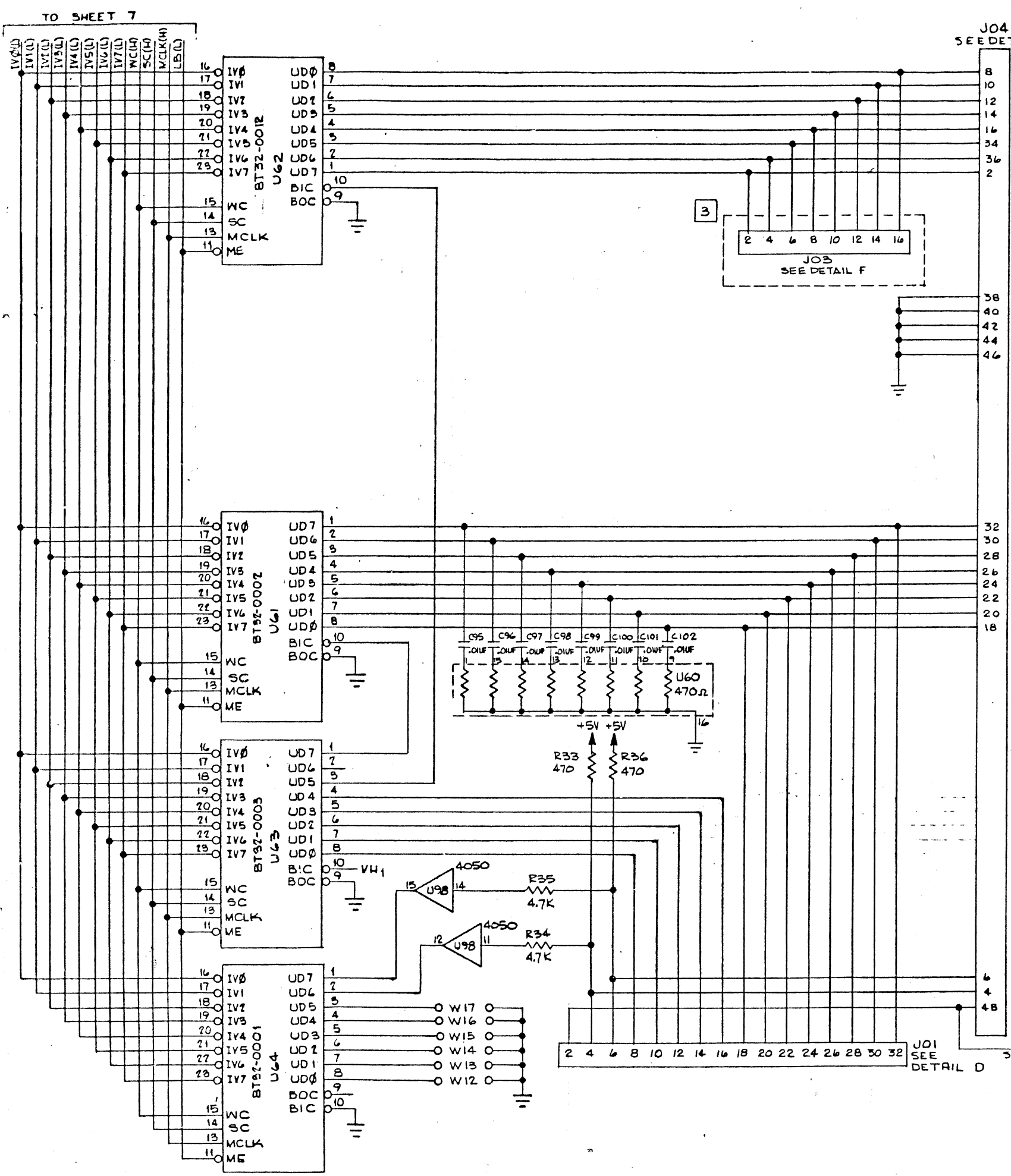
SMS PROPRIETARY

SCIENTIFIC MICRO SYSTEMS, INC.

D GPII-1 LOGIC DIAGRAM

SIZE **D** CODE IDENT NO. **0003454** REV **C**

SHEET 7 OF



SMS PROPRI

SCIENTIFIC MICRO SYSTEMS,

D GPI-I
LOGIC DIAGRAM

DATE: 11/27/74
DRAWN: G.H.
CHECKED: [Signature]
D
0003454

UNLESS OTHERWISE SPECIFIED DIMENSIONS ARE IN INCHES FRACTIONS DECIMALS ANGLES	APPROVALS	DATE
DRAWN	G.H.	11/27/74
CHECKED	[Signature]	
DATE		
SCALE		
APPLICATION		