

219,981

## INPUT DATA PREPARATION DEVICE

James F. Kleerup, Villa Park, Calif., assignor to  
Peripheral Business Equipment, Inc., a corporation of  
California

Filed Jan. 6, 1970, Ser. No. 20,788

Term of patent 14 years

Int. Cl. D14-02

U.S. Cl. D26-5

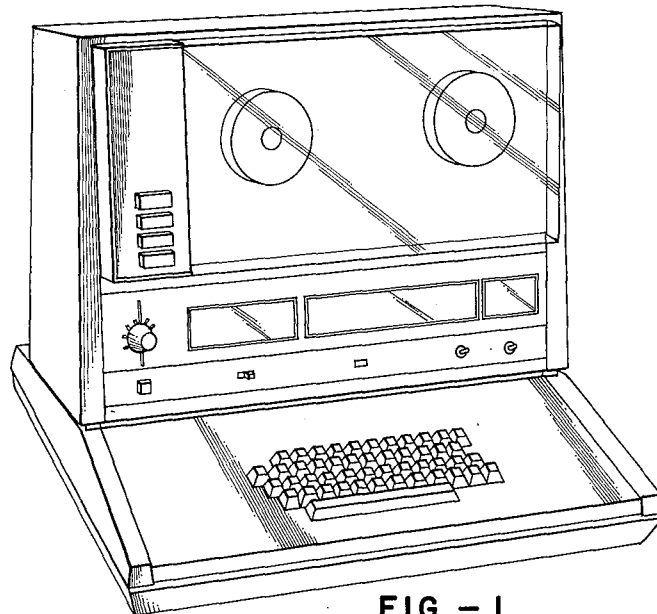


FIG. - 1

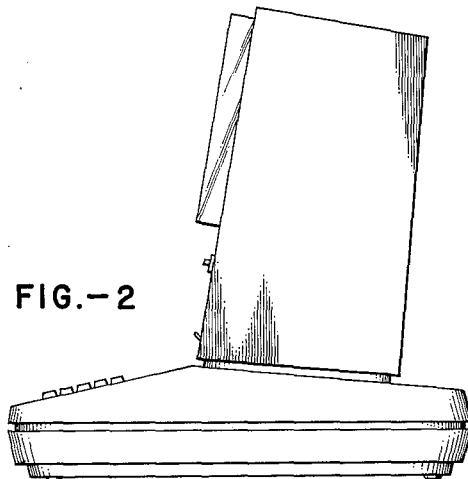


FIG. - 2

FIG.-3

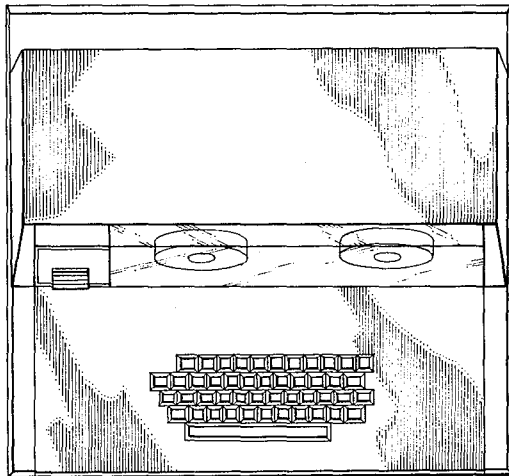
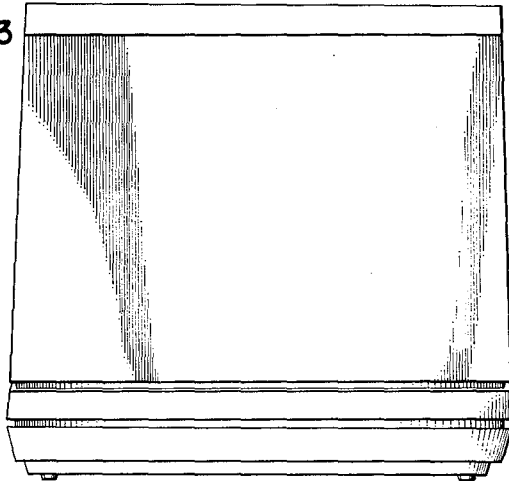


FIG. - 4

FIG. 1 is a perspective view showing my new design;  
FIG. 2 is a right side view thereof;  
FIG. 3 is a rear view thereof; and  
FIG. 4 is a plan view thereof.  
I claim:  
The ornamental design for an input data preparation  
device, substantially as shown.

References Cited

UNITED STATES PATENTS

D. 208,782	10/1967	Lynk	-----	D26-5.4
D. 208,306	8/1967	Fossella	-----	D26-5.4
D. 217,152	4/1970	Hofland	-----	D26-5.4

OTHER REFERENCES

Industrial Design, December 1964, p. 48, upper left.

JOEL STEARMAN, Primary Examiner

L. J. PERLSTEIN, Assistant Examiner