

MULTIBUS

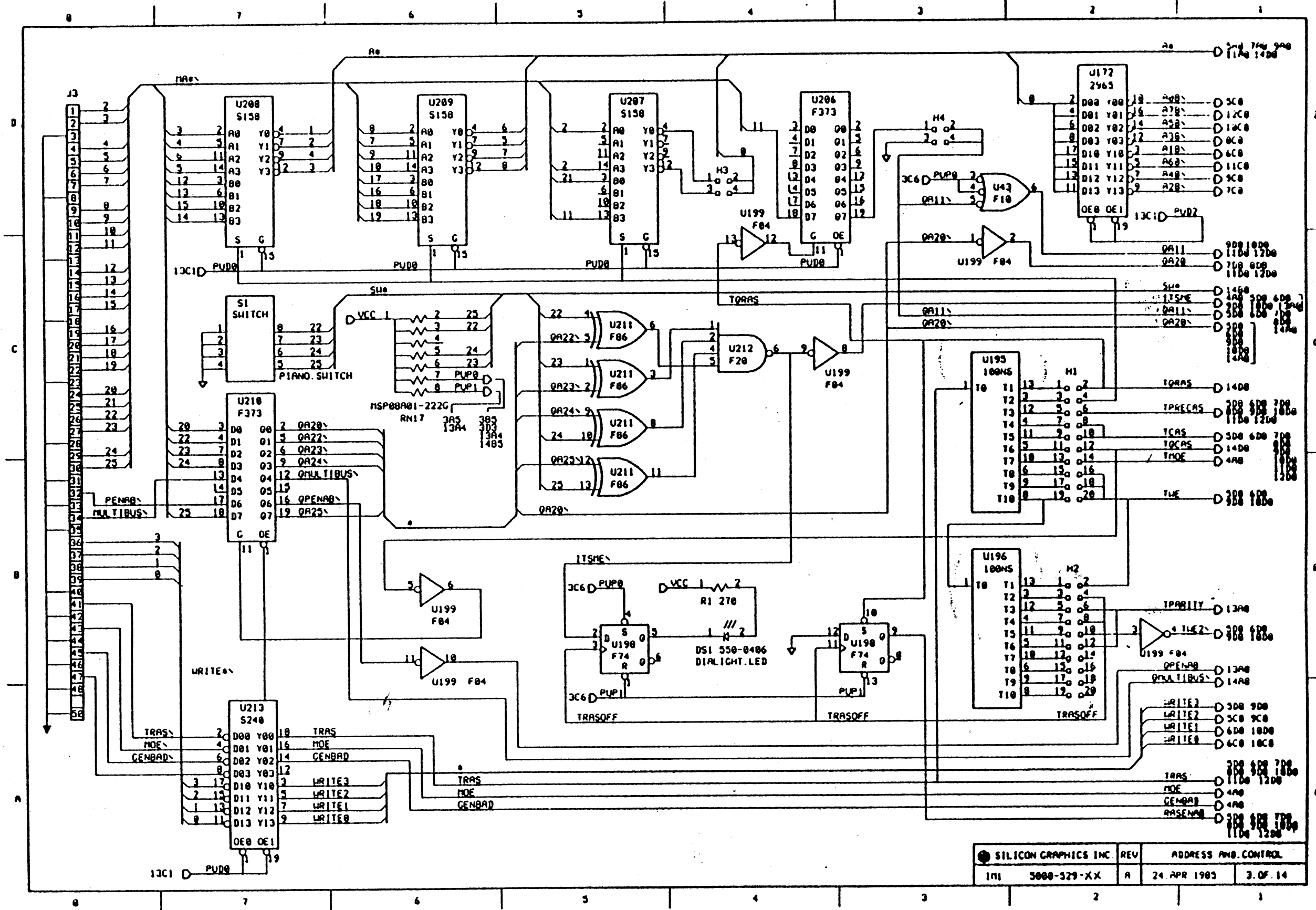
P1 CONNECTIONS		
PIN	SIGNAL NAME	SHEET
1	GND	1
2	GND	1
3	VCC	1
4	VCC	1
5	VCC	1
6	VCC	1
11	GND	1
12	GND	1
14	BINIT	14
15	BPR	1
16	BPR	1
21	B1ORC	14
23	BXACK	14
31	BCCLK	14
42	BA14	14
44	BA15	14
45	BA12	14
46	BA13	14
47	BA18	14
48	BA11	14
50	BA9	14
51	BA6	14
53	BA4	14
54	BA5	14
55	BA2	14
56	BA3	14
58	BA1	14
59	BD14	14
61	BD12	14
62	BD13	14
63	BD10	14
64	BD11	14
65	BD8	14
66	BD9	14
67	BD6	14
68	BD7	14
69	BD4	14
70	BD5	14
71	BD2	14
72	BD3	14
73	BD0	14
74	BD1	14
75	GND	1
76	GND	1
81	VCC	1
82	VCC	1
83	VCC	1
84	VCC	1
85	GND	1
86	GND	1

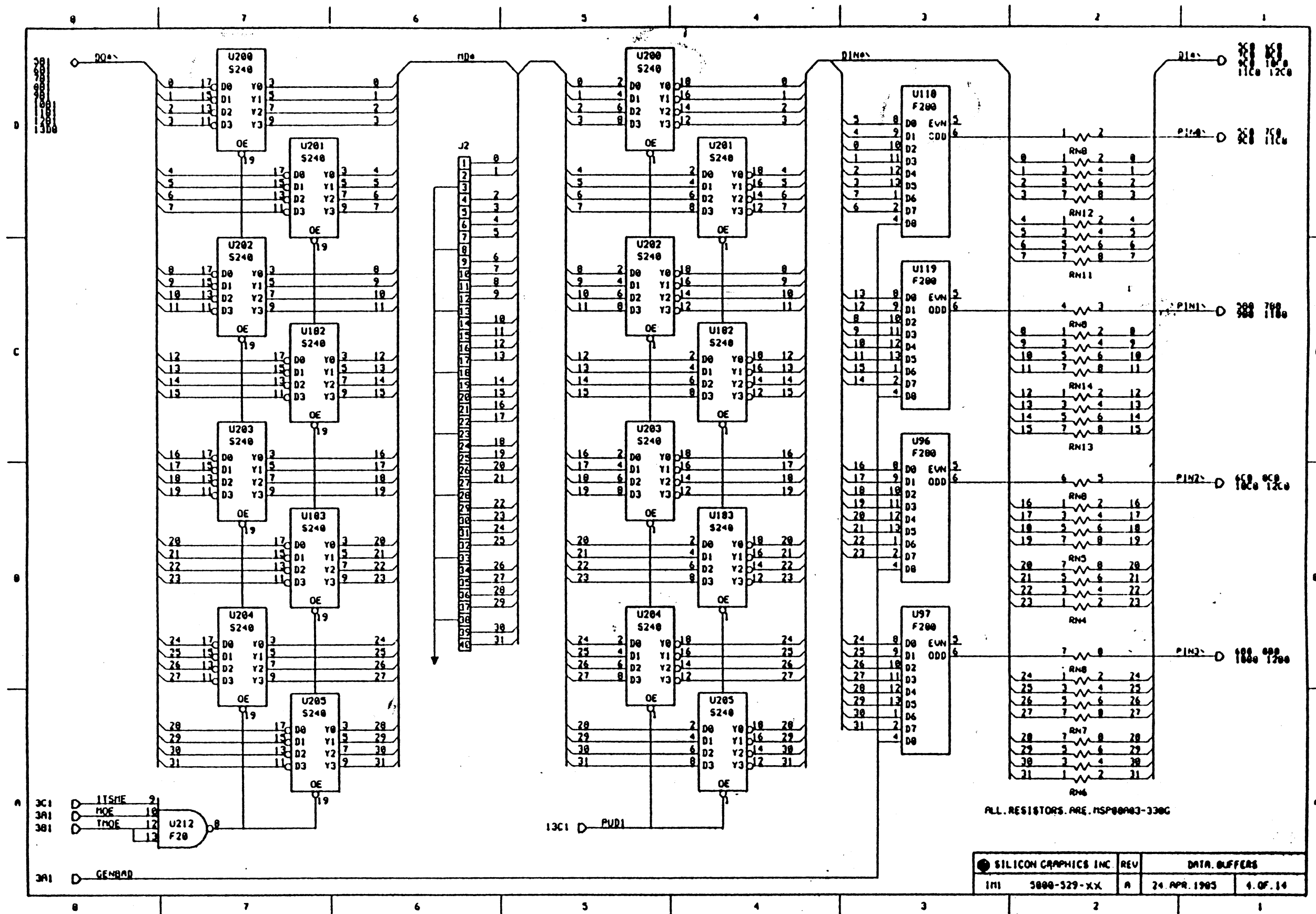
CPU DATA

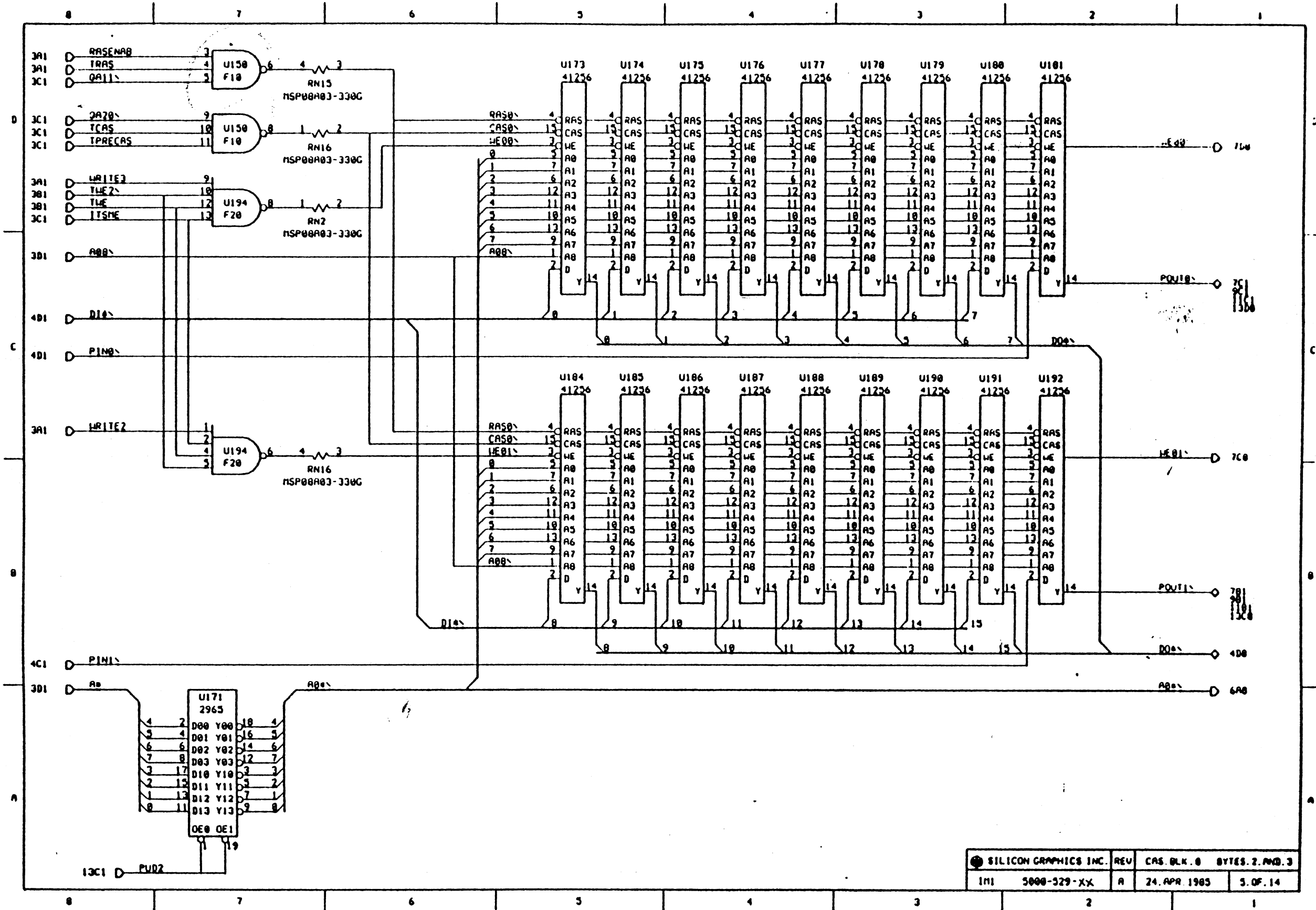
J2 CONNECTIONS		
PIN	SIGNAL NAME	SHEET
1	MD0	4
2	MD1	4
3	GND	4
4	MD2	4
5	MD3	4
6	MD4	4
7	MD5	4
8	GND	4
9	MD6	4
10	MD7	4
11	MD8	4
12	MD9	4
13	GND	4
14	MD10	4
15	MD11	4
16	MD12	4
17	MD13	4
18	GND	4
19	MD14	4
20	MD15	4
21	MD16	4
22	MD17	4
23	GND	4
24	MD18	4
25	MD19	4
26	MD20	4
27	MD21	4
28	GND	4
29	MD22	4
30	MD23	4
31	MD24	4
32	MD25	4
33	GND	4
34	MD26	4
35	MD27	4
36	MD28	4
37	MD29	4
38	GND	4
39	MD30	4
40	MD31	4

CPU ADR/CTL

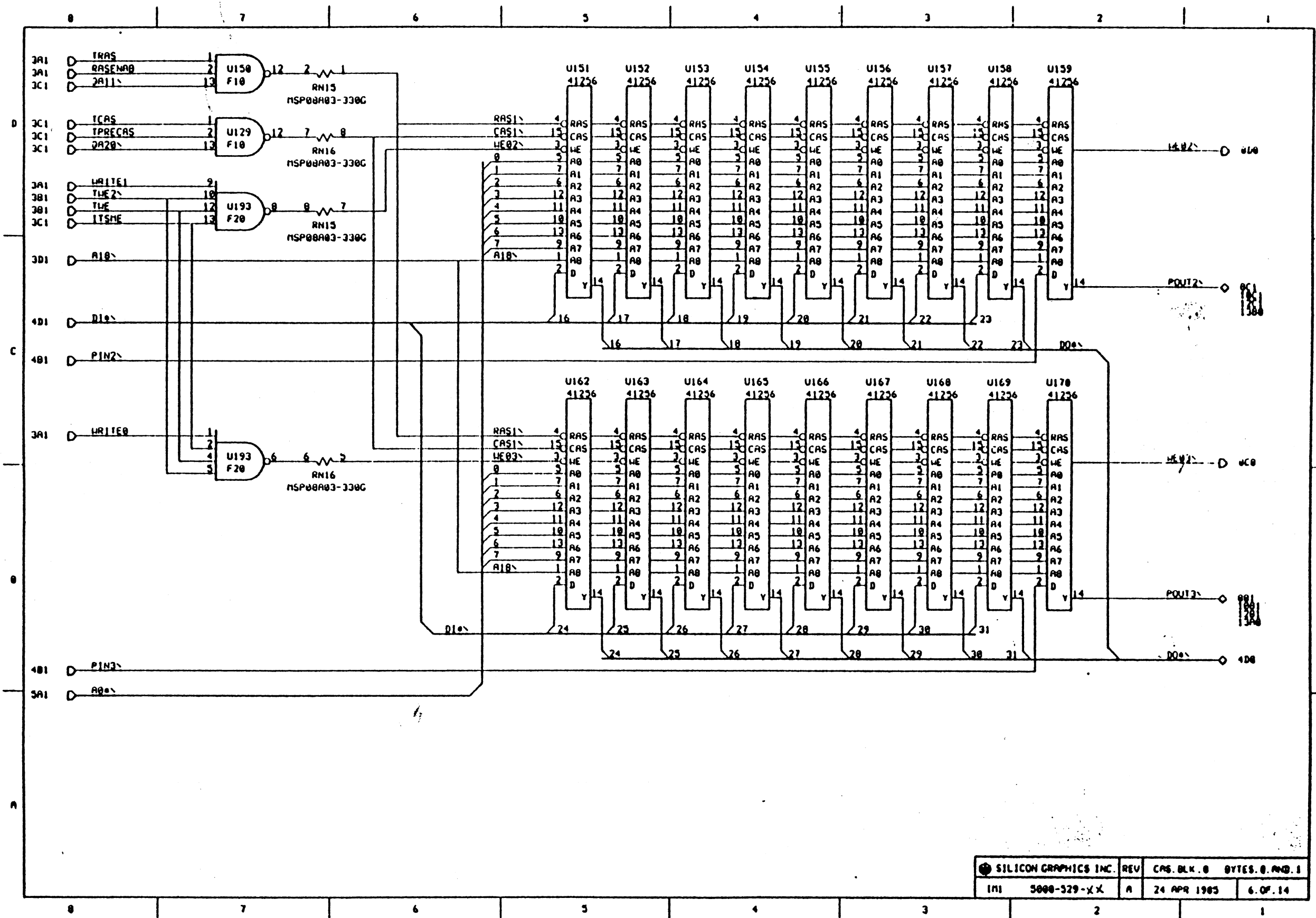
J3 CONNECTIONS		
PIN	SIGNAL NAME	SHEET
1	MA2	3
2	MA3	3
3	GND	3
4	MA4	3
5	MA5	3
6	MA6	3
7	MA7	3
8	GND	3
9	MA8	3
10	MA9	3
11	MA10	3
12	MA11	3
13	GND	3
14	MA12	3
15	MA13	3
16	MA14	3
17	MA15	3
18	GND	3
19	MA16	3
20	MA17	3
21	MA18	3
22	MA19	3
23	GND	3
24	MA20	3
25	MA21	3
26	MA22	3
27	MA23	3
28	GND	3
29	MA24	3
30	MA25	3
31	GND	3
32	PENAB	3
33	GND	3
34	MULTIBUS	3
35	GND	3
36	WRITE3	3
37	WRITE2	3
38	WRITE1	3
39	WRITE0	3
40	GND	3
41	TRAS	3
42	GND	3
43	NOE	3
44	GND	3
45	CEMBAD	3
46	GND	3
47	GND	3
48	GND	3
49	PERR0	13
50	GND	3



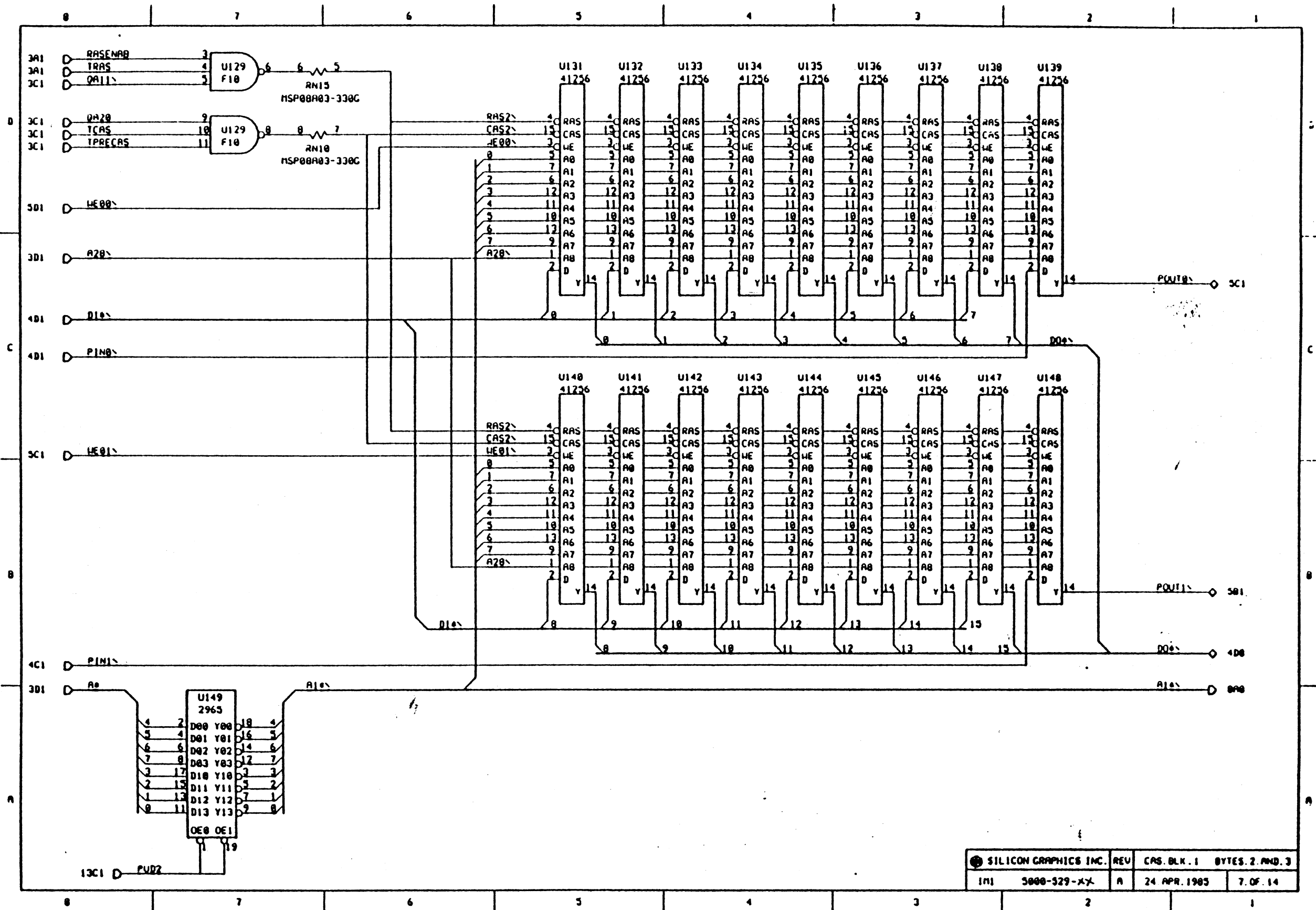




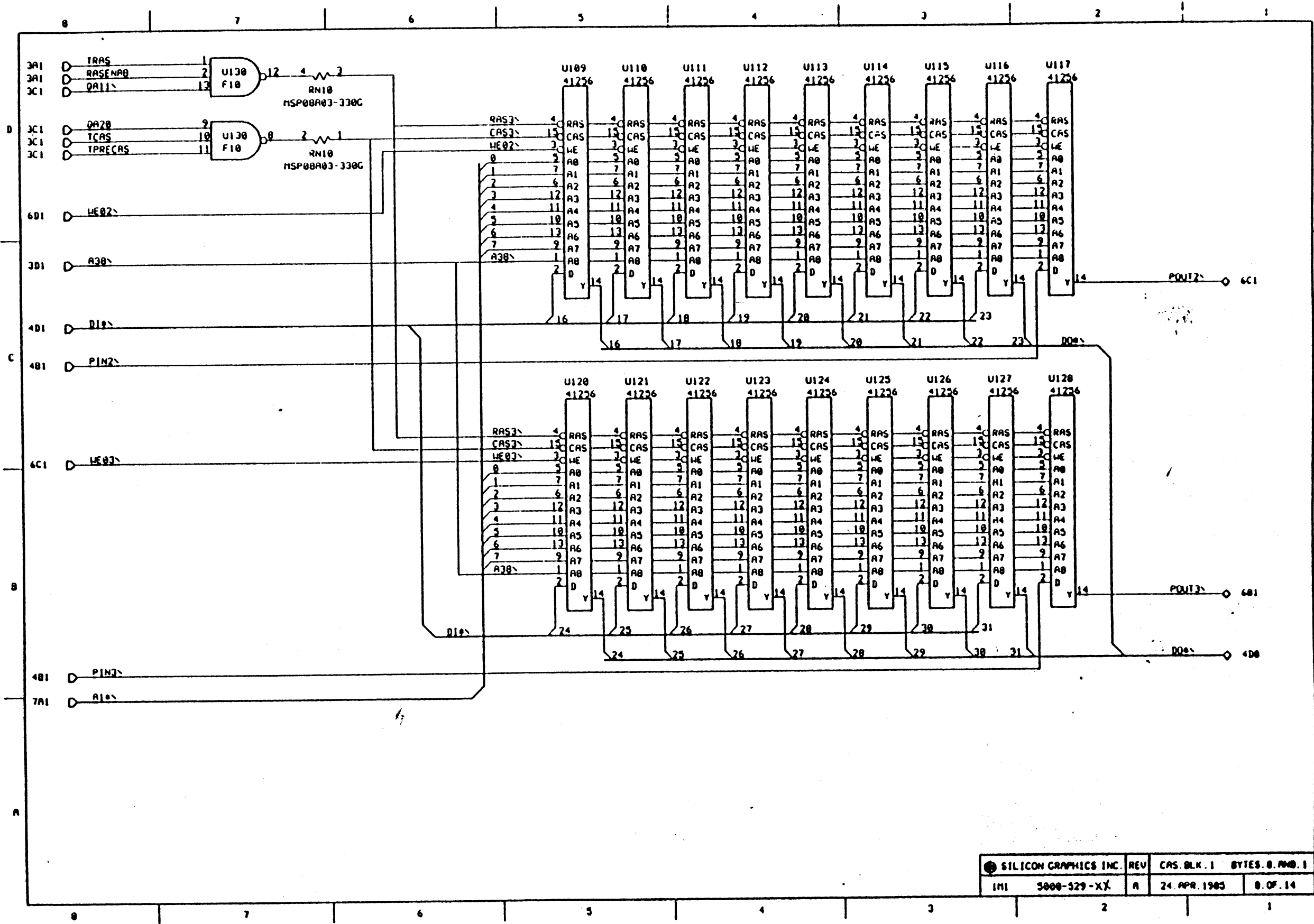
SILICON GRAPHICS INC.	REV	CAS. BLK. 0	BYTES. 2. AND. 3
1M1	5000-529-XX	A	24. APR. 1985
			5. OF. 14

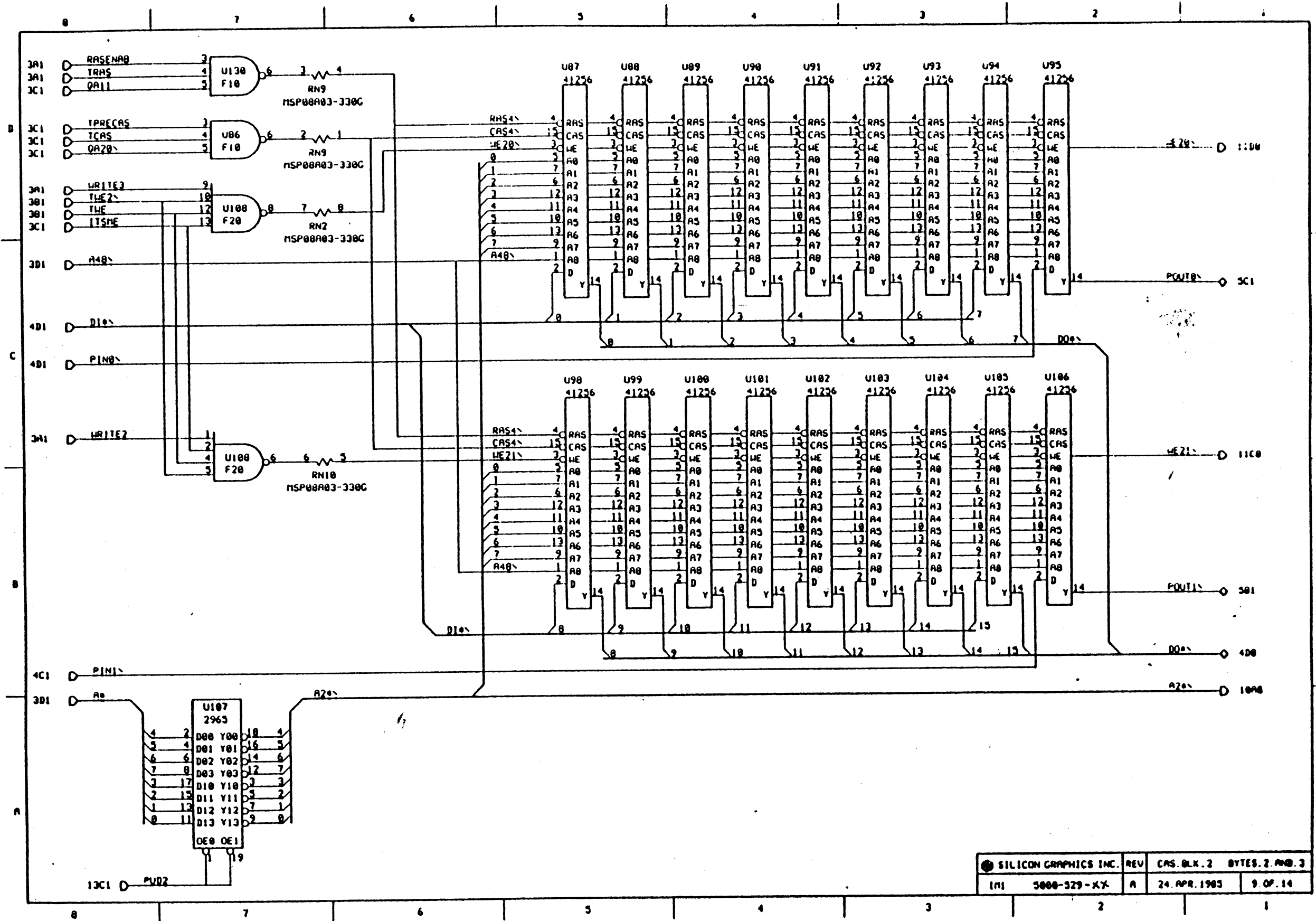


SILICON GRAPHICS INC.		REV	CAS. BLK. 0 BYTES. 0 AND. 1	
INI	5000-529-XX	A	24 APR 1985	6 OF 14

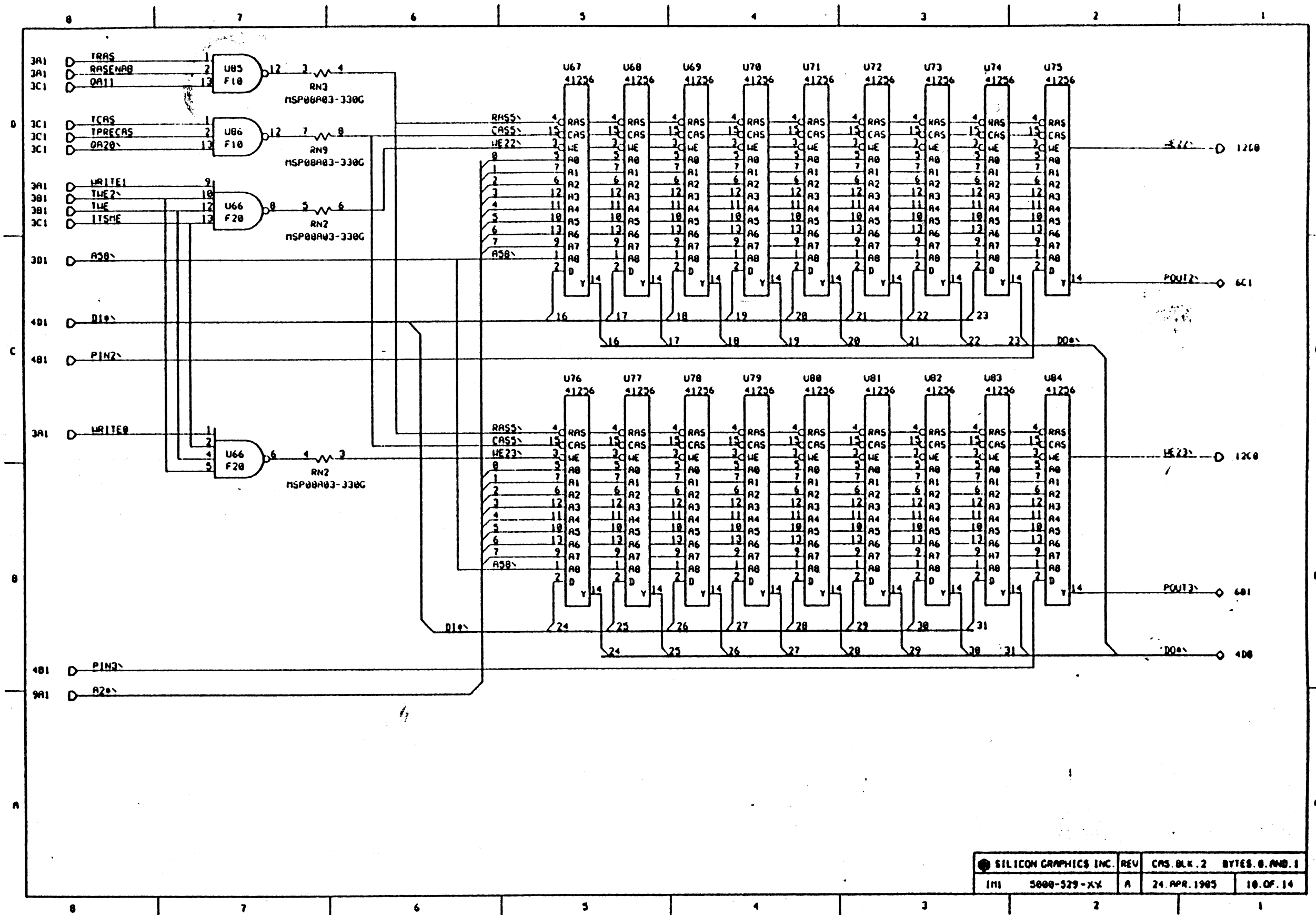


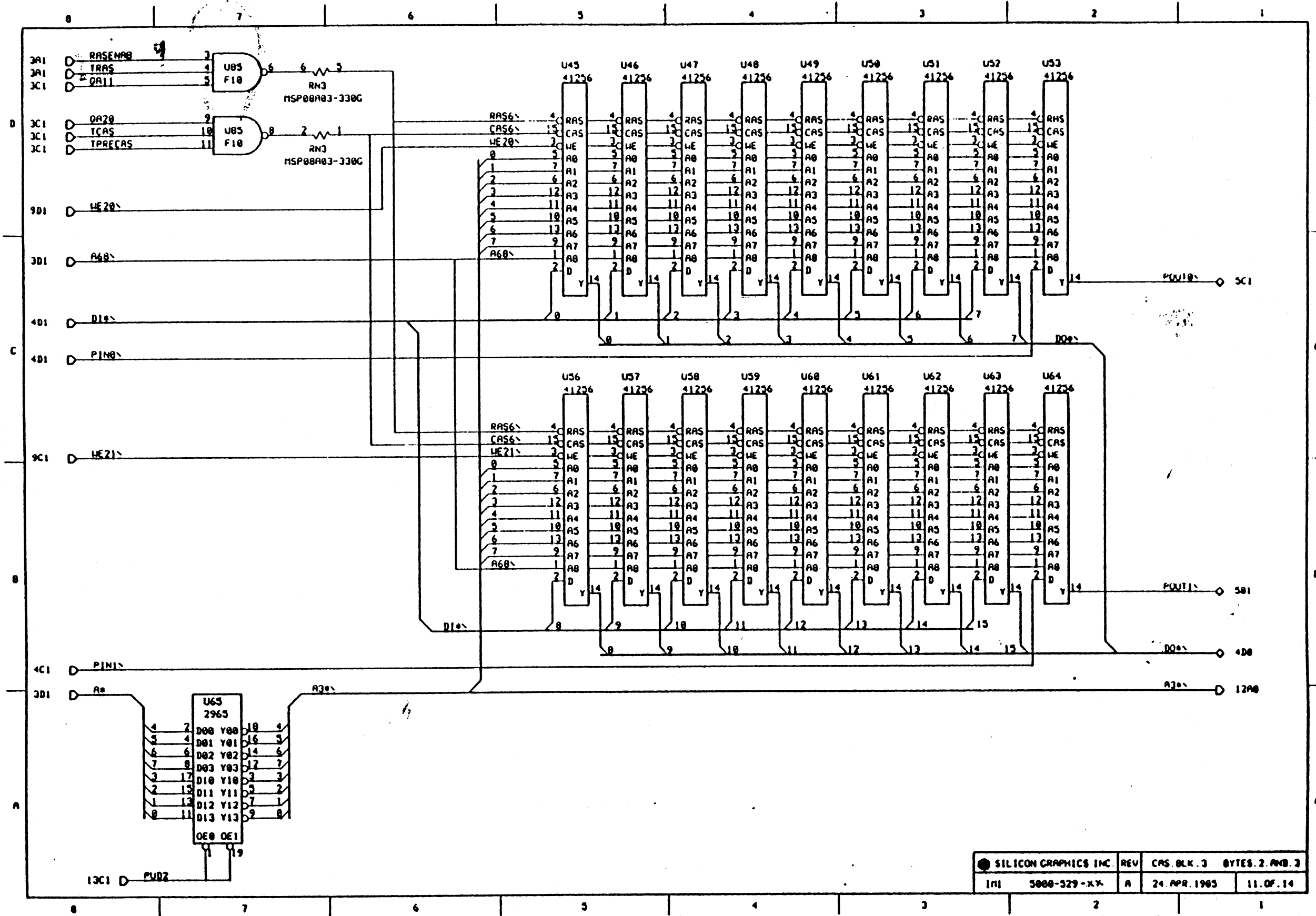
SILICON GRAPHICS INC.		REV	CAS. BLK. 1	BYTES. 2 AND. 3
IM1	5000-529-XX	A	24 APR. 1985	7 OF 14



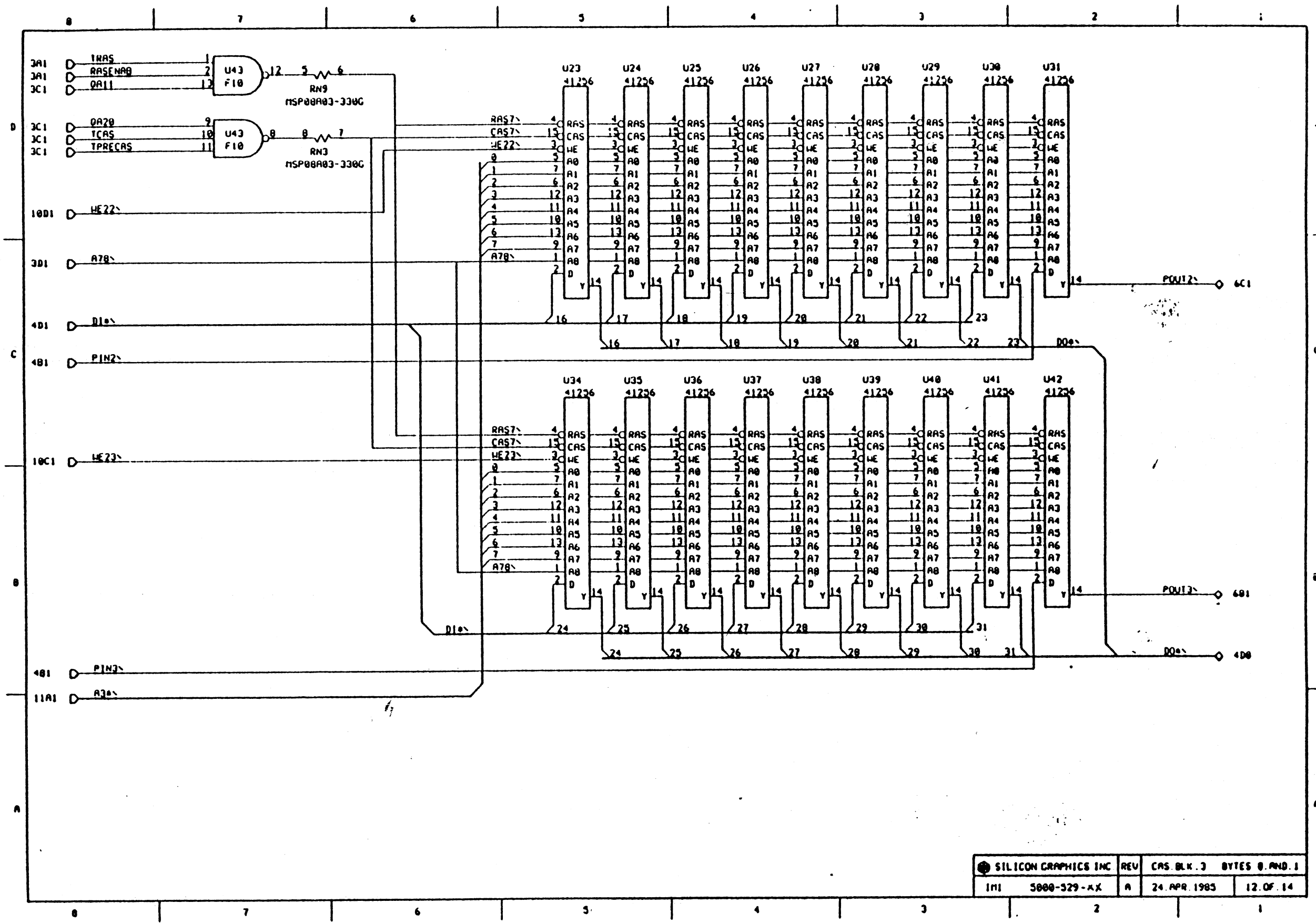


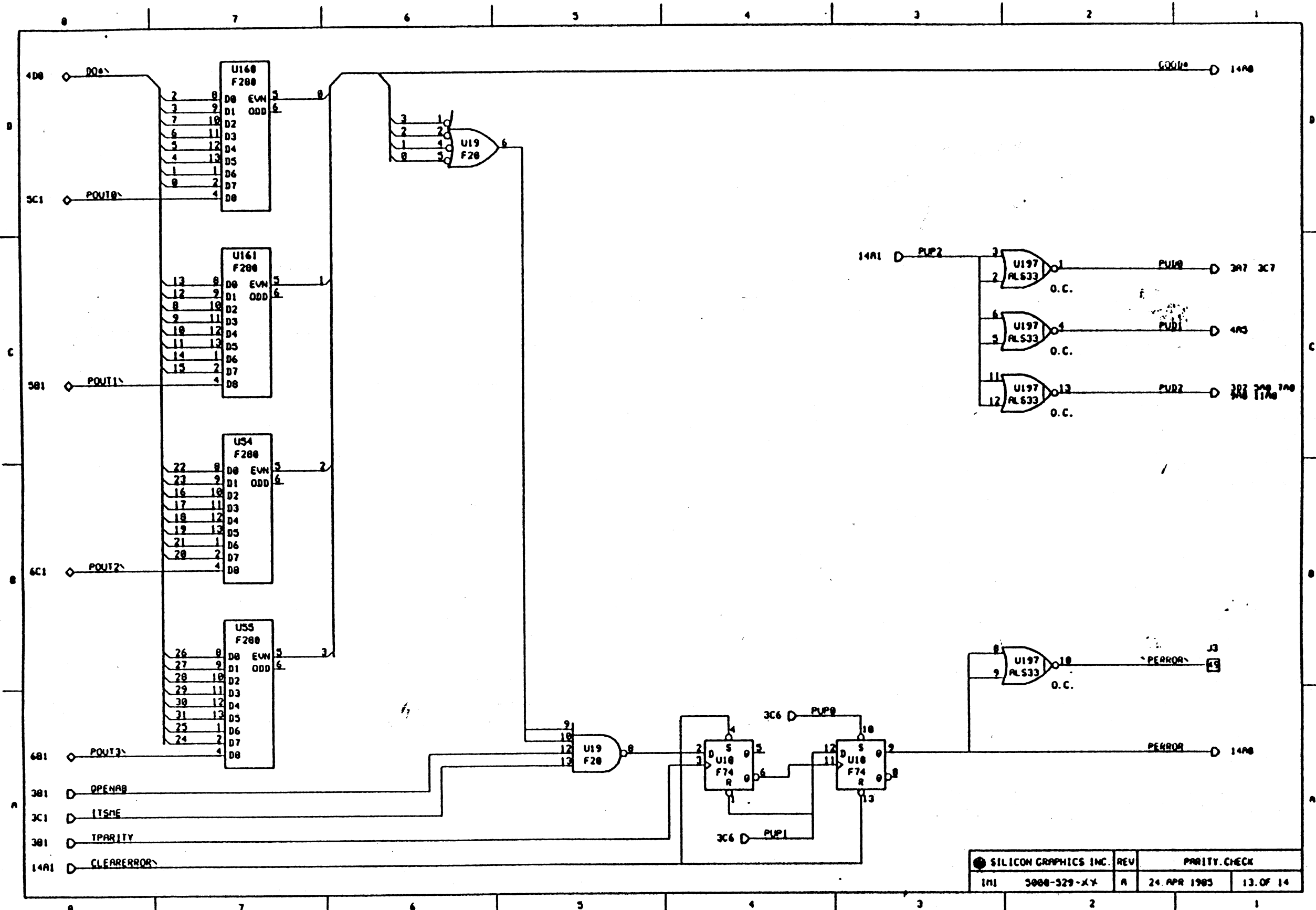
SILICON GRAPHICS INC.		REV	CAS. BLK. 2	BYTES. 2 AND 3
INI	5000-529-XX	A	24 APR. 1983	9 OF 14





SILICON GRAPHICS INC.	REV	CMS. BLK. 3	BYTES. 2 AND 3
INI	5000-329-XX	A	24 APR. 1985
			11 OF 14





● SILICON GRAPHICS INC. REV		PARITY CHECK	
IMI	5000-529-XY	A	24 APR 1985 13 OF 14

