

SDS
SCIENTIFIC DATA SYSTEMS

**925/930/9300 COMPUTERS
GENERAL REFERENCE DRAWINGS**

SDS 900619A

925/930/9300 COMPUTERS
General Reference Drawings

SDS 900619A

November 1964



SCIENTIFIC DATA SYSTEMS/1649 Seventeenth Street/Santa Monica, California/UP 0-5471

PREFACE

This manual contains general reference drawings which are common for SDS 925/930/9300 Computers and peripheral equipment.

Drawings pertaining to equipment which are not common to all three computers are contained in separate reference drawings manuals.

Its main purpose is to provide information for use in the installation and maintenance of 925/930/9300 equipment. Included are drawings not contained in other manuals for cable plug modules, power supply and power distribution equipment, memory units, computer assemblies, control consoles, and the most commonly used input/output devices.

Module Data Sheets for 925/930/9300 modules are included in a separate manual, SDS 900623A.

SECTION 1. CABLE PLUG MODULES
INDEX

<u>Model Number</u>	<u>Title</u>	<u>Drawing Number</u>
	Cable Plug Module	100611*
ZX13	Cable Plug Module, Schematic	100767
	Cable Plug Module, Schematic	106418*
930/9300	Cable Plug Module, P1, P2, Schematic	107200
92200, 1, 2	Cable Plug Module, P1, P2, Schematic	107201
92200, 1, 2	Cable Plug Module, P1, P2, Schematic	107300
92200, 1, 2	Cable Plug Module, P1, P2, Schematic	107303
91500, 92220	Cable Plug Module, P939, P940 Schematic	108600
		108953*
		108957*
ZX13	Cable Plug Module, Assembly, Printed Wiring	100663
		104070*
930/9300	Cable Plug Module, Assembly, Printed Wiring	107214
92200, 1, 2	Cable Plug Module, Assembly, Printed Wiring	107216
92200, 1, 2	Cable Plug Module, Assembly, Printed Wiring	107302
9300	Cable Plug Module, Assembly, Printed Wiring	107638
930/9300	Cable Plug Module, Assembly, Printed Wiring	107639
	Cable Plug Module, P49	*
	Cable Plug Module, P80	108972*
	Cable Plug Module, P81, P82	107803*
	Cable Plug Module, P83	107805*
	Cable Plug Module, P84	107806*
930	Cable Plug Module, P1, P901, Assembly, Printed Wiring	106336
930	Cable Plug Module, P2, P902, Assembly, Printed Wiring	106337
930	Cable Plug Module, P3, P903, Assembly, Printed Wiring	106338
930	Cable Plug Module, P4, P904, Assembly, Printed Wiring	107203
930/9300	Cable Plug Module, P905, P905, Assembly, Printed Wiring	107640
930/9300	Cable Plug Module, P906, P906, Assembly, Printed Wiring	107641
930/9300	Cable Plug Module, P907, P907, Assembly, Printed Wiring	107642
	Cable Plug Module, P908	107621*
92200, 1, 2	Cable Plug Module, P909, P910, Assembly, Printed Wiring	107110
92200, 1, 2	Cable Plug Module, P911, P912, Assembly, Printed Wiring	107111
92200, 1, 2	Cable Plug Module, P913, P914, Assembly, Printed Wiring	107112
92200, 1, 2	Cable Plug Module, P915, P916, Assembly, Printed Wiring	107113
92200, 1, 2	Cable Plug Module, P917, P918, Assembly, Printed Wiring	107114
930/9300	Cable Plug Module, P920, P921, Assembly, Printed Wiring	107643
9300	Cable Plug Module, P922, P922, Assembly, Printed Wiring	107644
9300	Cable Plug Module, P923, P923, Assembly, Printed Wiring	107645

*Drawing Not Available.

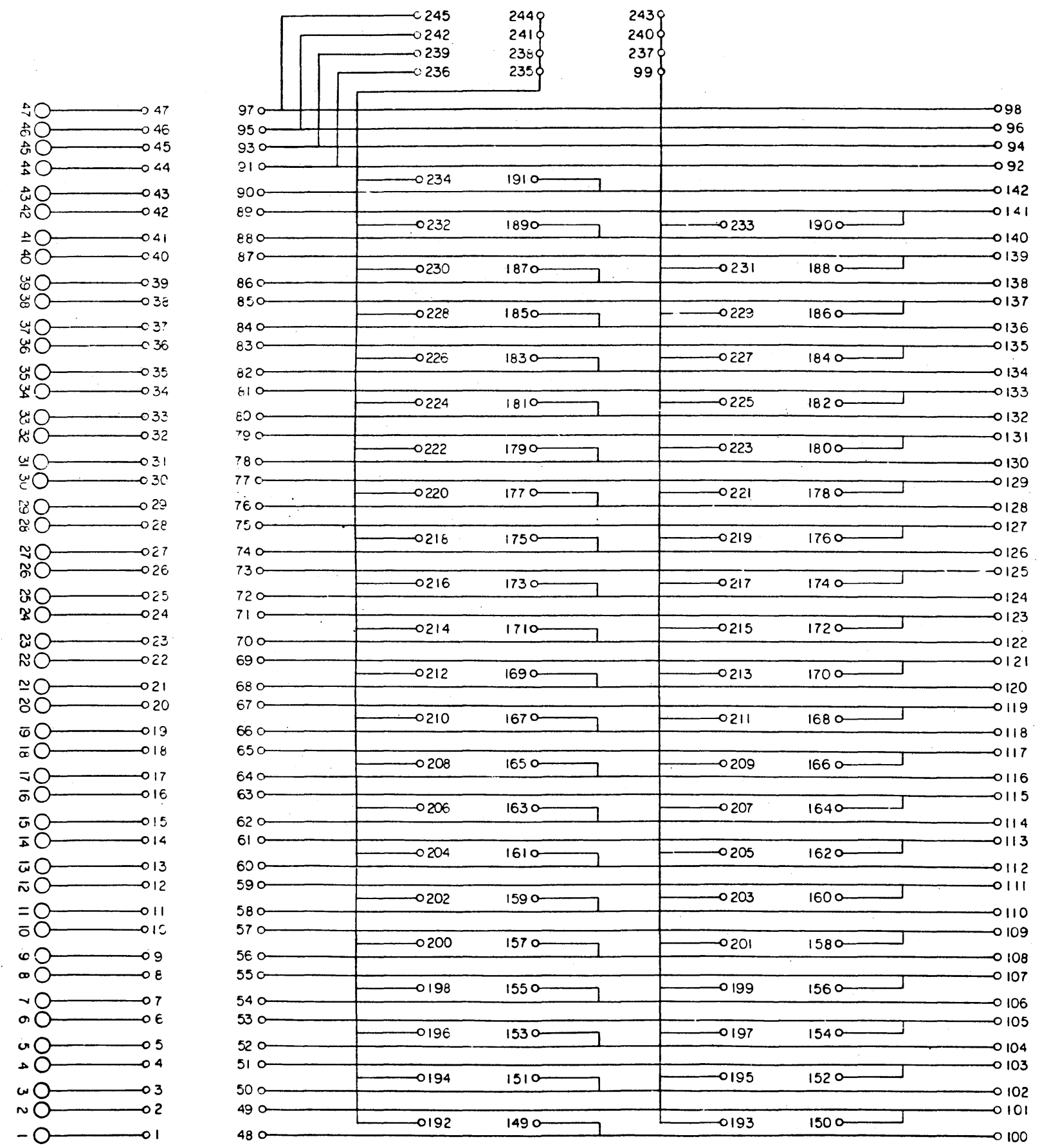
Section 1. (Continued)

<u>Model Number</u>	<u>Title</u>	<u>Drawing Number</u>
9300	Cable Plug Module, P1, P924, Assembly, Printed Wiring	107204
9300	Cable Plug Module, P2, P925, Assembly, Printed Wiring	107205
9300	Cable Plug Module, P3, P926, Assembly, Printed Wiring	107206
9300	Cable Plug Module, P4, P927, Assembly, Printed Wiring	107207
9300	Cable Plug Module, P5, P928, Assembly, Printed Wiring	107208
9300	Cable Plug Module, P6, P929, Assembly, Printed Wiring	107209
9300	Cable Plug Module, P7, P930, Assembly, Printed Wiring	107210
9300	Cable Plug Module, P8, P931, Assembly, Printed Wiring	107211
9300	Cable Plug Module, P9, P932, Assembly, Printed Wiring	107212
9300	Cable Plug Module, P10, P933, Assembly, Printed Wiring	107213
	Cable Plug Module, P936	108955*
	Cable Plug Module, P937	107621*
	Cable Plug Module, P938	108959*
	Cable Plug Module, P941, P942, Assembly	107693*
	Cable Plug Module, P950	*
	Cable Plug Module, P951	*
	Cable Plug Module, P952	*
	Cable Plug Module, P953	*
	Cable Plug Module, P954	*

*Drawing Not Available.

REVISIONS			
REV	DESCRIPTION	CHK	DATE
4	RELEASE TO MFG		

POLARIZING PINS: 4 & 24



- NOTES:
- POINTS NUMBERED 100 THROUGH 142 AND 92, 94, 96 AND 98 SERVE AS CONNECTION POINTS FOR THE WIRES COMING FROM THE CABLE.
 - POINTS 143 THROUGH 148, NOT SHOWN ON SCHEMATIC, ARE FOR FASTENING THE CABLE LEADS TO THE BOARD.
 - ADJACENT PAIRS OF TERMINALS SUCH AS 233-190 ETC. ARE PHYSICALLY ARRANGED AT 0.6 INCH CENTERS, AND CAN ACCOMMODATE A TERMINATING COMPONENT OR SOLID WIRE JUMPER.

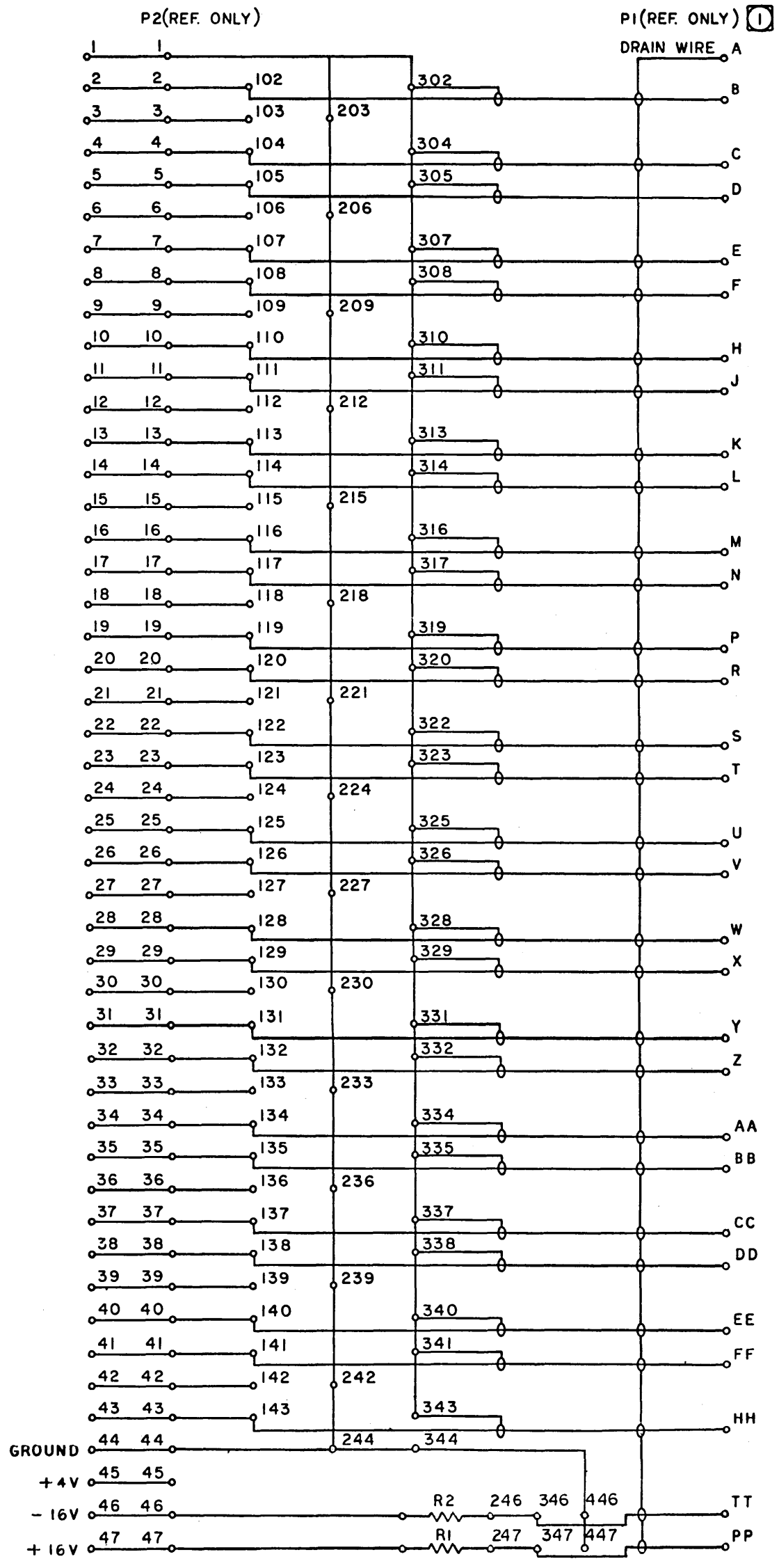
NO. REV.	DRAWING NO.	DESCRIPTION	REFERENCE DESIGNATION	ITEM NO.
NOTES UNLESS SPECIFIED				
1. TOLERANCES XX ± 0.00 ANGLE XXX ± 0.00 2 1/2° 2. BREAK ALL SHARP EDGES 3. MACH SURFACES 4. ALL DIM. IN INCHES		DRAWN: <i>KEITH</i> CHECK: <i>[Signature]</i> APPR: <i>[Signature]</i>	SDS SCIENTIFIC DATA SYSTEMS 1527 FIFTEENTH STREET SANTA MONICA, CALIFORNIA	
MODEL NO. ZX13		TITLE: SCHEMATIC CABLE PLUG MODULE		
NEXT ASSY.		SIZE: D	DWG NO: 100767	ITEM NO: A
SCALE:		DO NOT SCALE DRAWING SHEET		

REV.	DESCRIPTION	CHK	DATE	APPROVED
A	RELEASED TO MFG.			

107200 A

NOTES:
 ① REF. DWG.: ASSEMBLY P.W. NO. 107214

POLARIZING PINS: 30 & 38

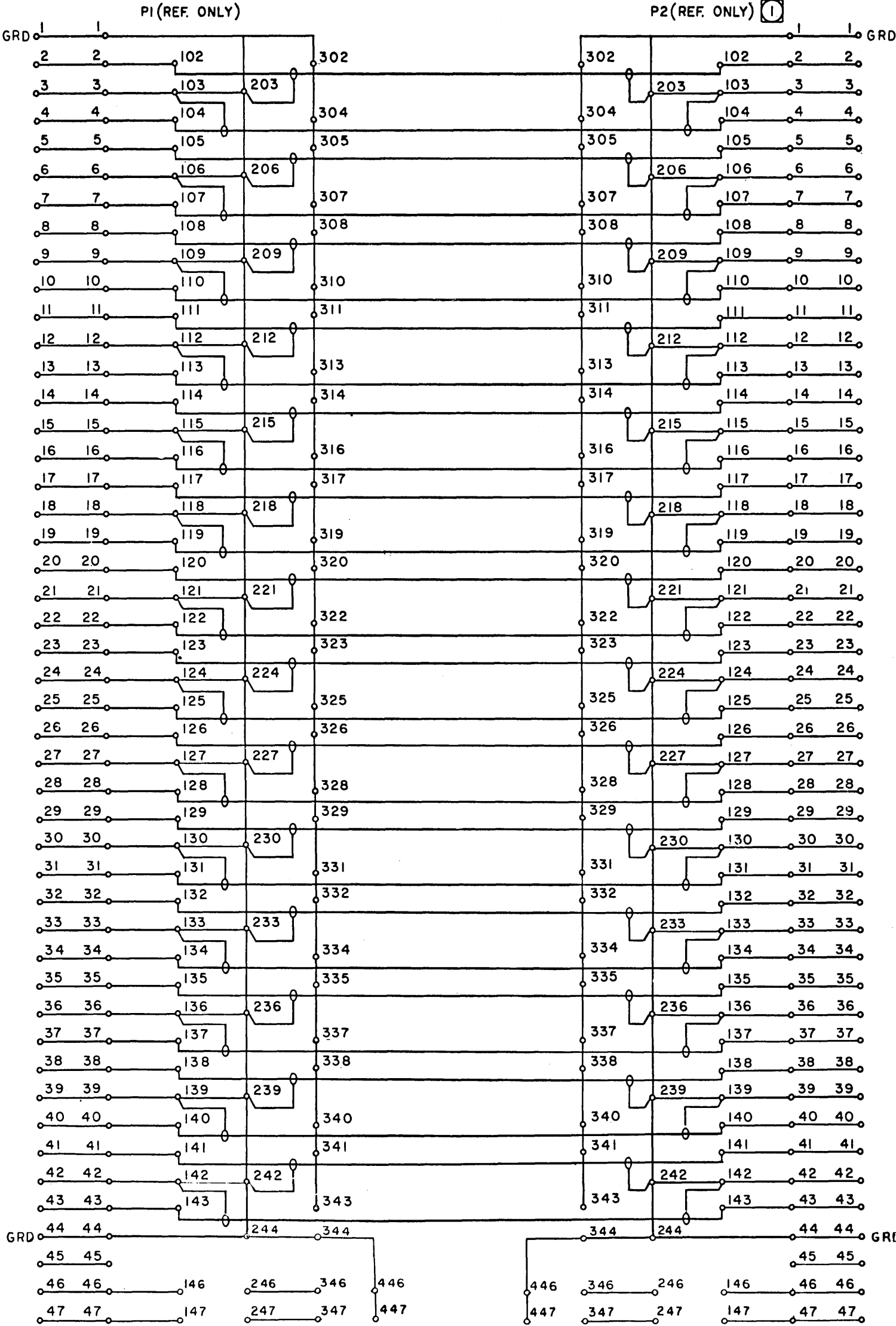


NO. REV.	DRAWING NO.	DESCRIPTION	REFERENCE DESIGNATION	ITEM NO.
NOTES UNLESS SPECIFIED		MATERIAL LIST		
1. UNLESS SPECIFIED		DRAWN: KEM		
2. SEE 5.010		CHECK: C. J. S. / 6/11/69		
3. BREAK ALL SHARP EDGES		APPR: J. M. C. / 1/2/70		
4. DRILL APPROX.		TITLE: SCHEMATIC, CABLE PLUG MODULE		
5. DRILL SURFACES		SIZE: D		
6. ALL DIMS IN INCHES		DWG. NO.: 107200		
MODEL NO. 930/9300		SCALE: NONE		
NEXT ASMT. 107214, 107638		SHEET 1 of 1		

NOTES:
 ① REFERENCE DWG : ASSEMBLY P.W. NO.107216

POLARIZING PINS 30 & 38

REV.	A
DESCRIPTION	RELEASED TO MFG.
CHK	DATE APPROVED
107-3	



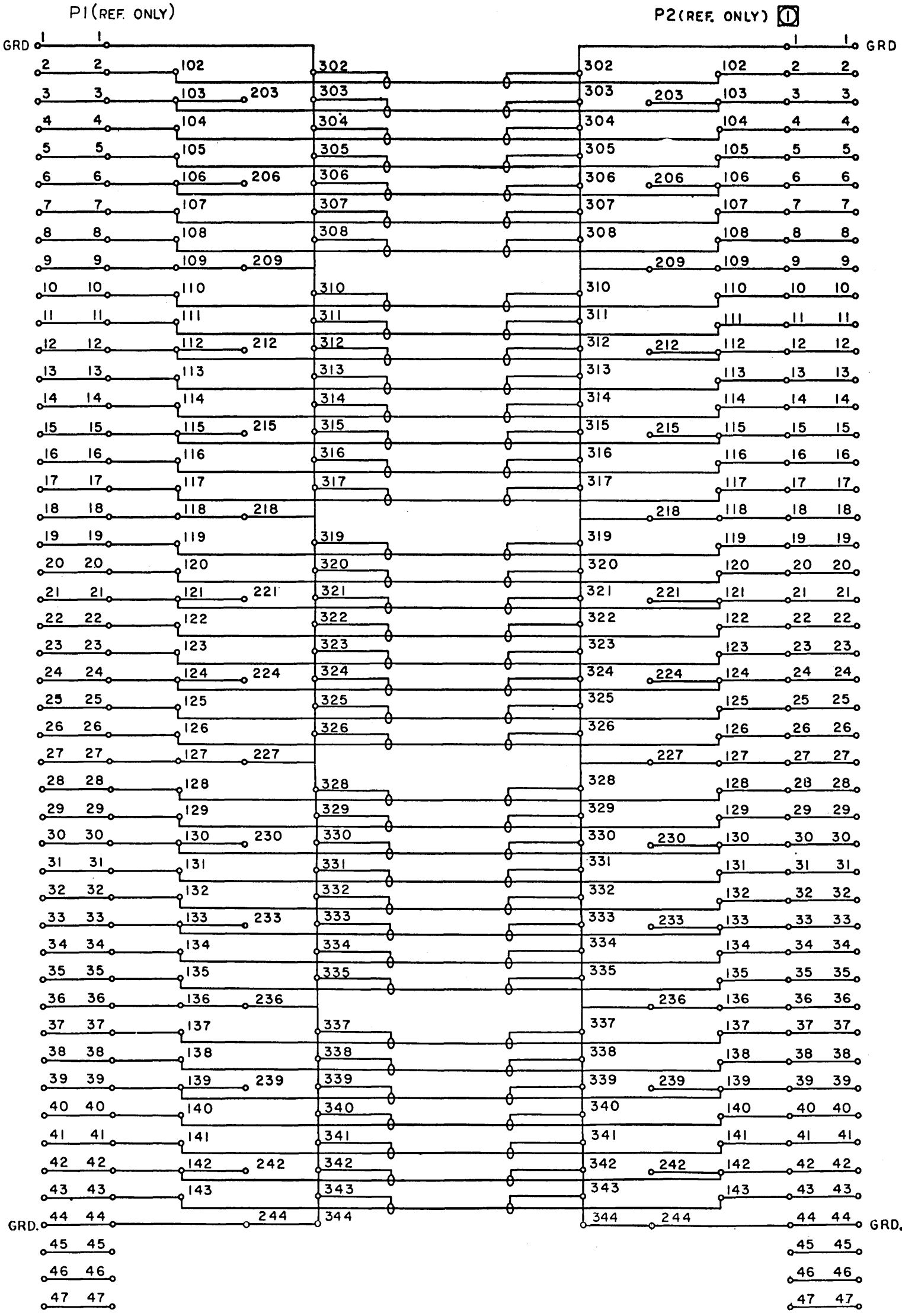
NO. 107216	DESCRIPTION	REFERENCE DESIGNATION	ITEM NO.
DATE 6/11/64	DESCRIPTION		
CHECKED 6/15/64			
APPR. 7/15/64			
DRAWING NO. 107216		TITLE	
SCHEMATIC, CABLE PLUG MODULE		SCALE NONE	
MODEL NO. 92200, 92201, 92202		SHEET 1 OF 1	

REV.	DESCRIPTION	DATE	APPROVED
A	RE-RELEASED TO MFG.		

107300 | A

NOTES:
 ① REF. DWG.: ASSEMBLY P.W. NO. 107112

POLARIZING PINS: 3 & 47



NO. REV.	DESCRIPTION	DATE	APPROVED

ITEM NO.	REFERENCE DESIGNATION

MATERIAL LIST	
DRAWN	6-1-64
CHECKED	5/3/68
APPROVED	6/10/64
TITLE	

SCALE	NONE
DO NOT SCALE DRAWING	

MODEL NO.	92200
92201, 92202	
HEET AMBT.	107112

SIZE	D
DWG. NO.	107300
SCALE	NONE
SHEET	1 of 1

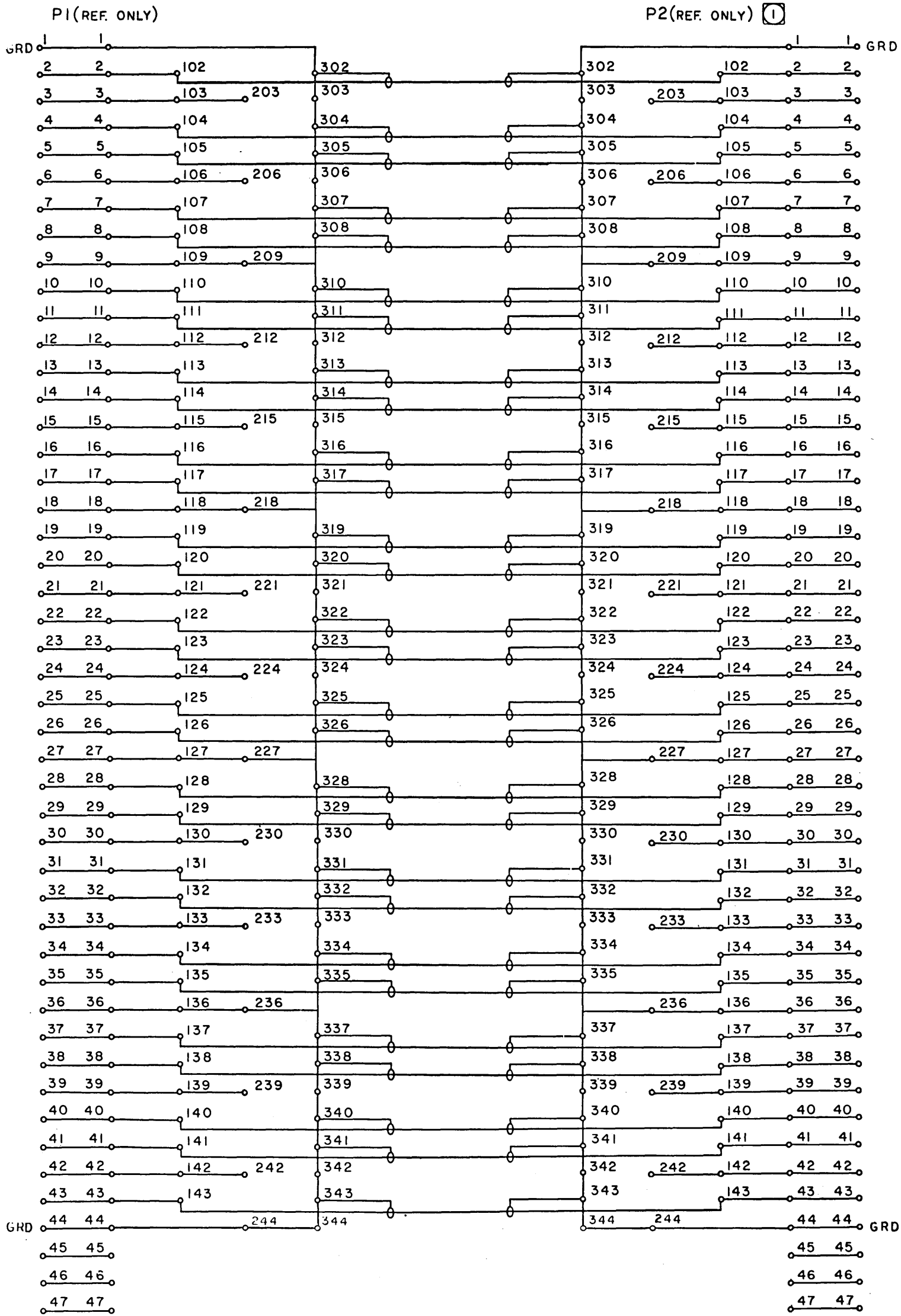
SDS
 SCIENTIFIC DATA SYSTEMS
 SANTA MONICA, CALIFORNIA

SCHEMATIC, CABLE PLUG MODULE

107303	A	REV.	DESCRIPTION	CHE	DATE	APPROVED
		A	RELEASED TO MFG.		1/1/64	[Signature]

NOTES:
 ① REF. DWG.: ASSEMBLY P.W. NO.107302

POLARIZING PINS: 3 & 47



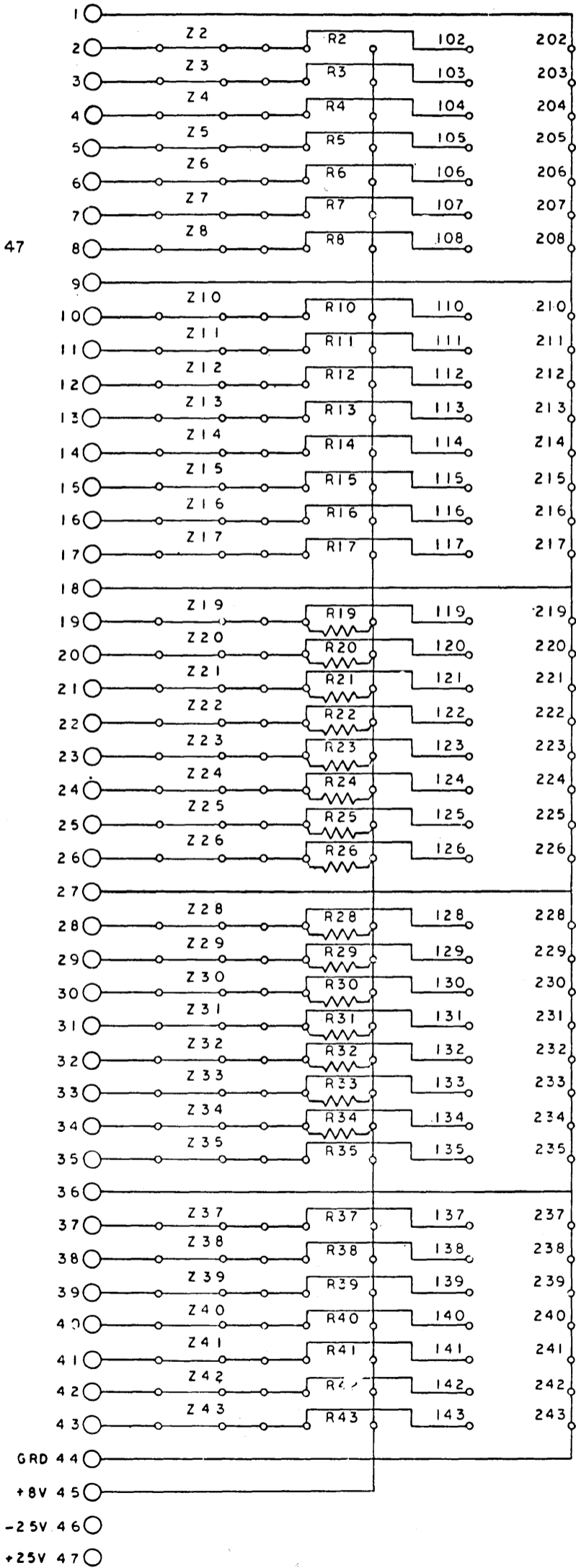
NO. REV.	DRAWING NO.	DESCRIPTION	REFERENCE DESIGNATION	ITEM NO.
NOTES UNLESS SPECIFIED		MATERIAL LIST		
1. TOLERANCES UNLESS SPECIFIED		DRAWN	6/1/64	
2. DIMENSIONS ARE IN INCHES		CHECK	6/15/64	
3. DIMENSIONS ARE IN MILLIMETERS		APP.	6/25/64	
4. BREAK ALL SHARP EDGES				
5. HIDE DIMENSIONS				
6. ALL DIM. IN FIGURES				
MODEL NO. 92200, 92201, 92202		TITLE		
NEXT AMBY. 107302		SCHEMATIC, CABLE PLUG MODULE		
		SIZE	D	107303
		SCALE	NONE	
		DO NOT SCALE DRAWING		
		SHEET	1 of 1	

REV.	DESCRIPTION	CHK	DATE	APPROVED
A	RELEASED TO MFG			

NOTES

1. REF DWG: WIRE LIST NO. 105566

POLARIZING PINS: 3 & 47

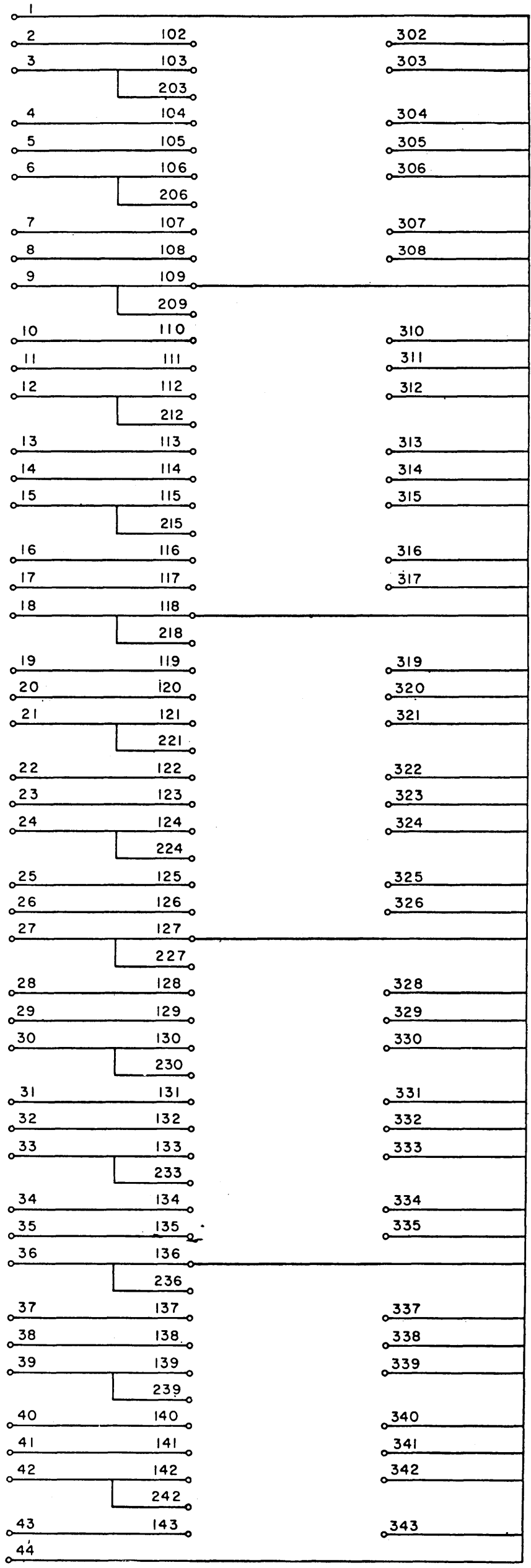


P940

NO. REG.	DRAWING NO.	DESCRIPTION	REFERENCE DESIGNATION	ITEM NO.
NOTES UNLESS SPECIFIED		MATERIAL LIST		
1. TOLERANCES UNLESS SPECIFIED		DRAWN: <i>[Signature]</i> 10/64		
2. DIMENSIONS UNLESS SPECIFIED		CHECK: <i>[Signature]</i> 11/64		
3. ALL DIMENSIONS IN INCHES		APP: <i>[Signature]</i> 1/15/65		
4. ALL DIMENSIONS IN MILLIMETERS		TITLE		
5. UNLESS ALL DIMENSIONS ARE SPECIFIED		SCHEMATIC, CABLE PLUG, MODULE		
6. DIMENSIONS UNLESS SPECIFIED		P939 - P940		
7. DIMENSIONS UNLESS SPECIFIED		SCALE		
8. DIMENSIONS UNLESS SPECIFIED		SIZE		
9. DIMENSIONS UNLESS SPECIFIED		DWG NO.		
10. DIMENSIONS UNLESS SPECIFIED		108600		
11. DIMENSIONS UNLESS SPECIFIED		SHEET		
12. DIMENSIONS UNLESS SPECIFIED		A		
13. DIMENSIONS UNLESS SPECIFIED		DO NOT SCALE DRAWING		
14. DIMENSIONS UNLESS SPECIFIED		SHEET		
15. DIMENSIONS UNLESS SPECIFIED		107692		
16. DIMENSIONS UNLESS SPECIFIED		91500, 92220		
17. DIMENSIONS UNLESS SPECIFIED		NEXT ASSY.		

REVISIONS		DATE	APPROVED
REV	DESCRIPTION	DATE	APPROVED
A.	SEE SHEET ONE		

POLARIZING PINS: 3 & 47



P939

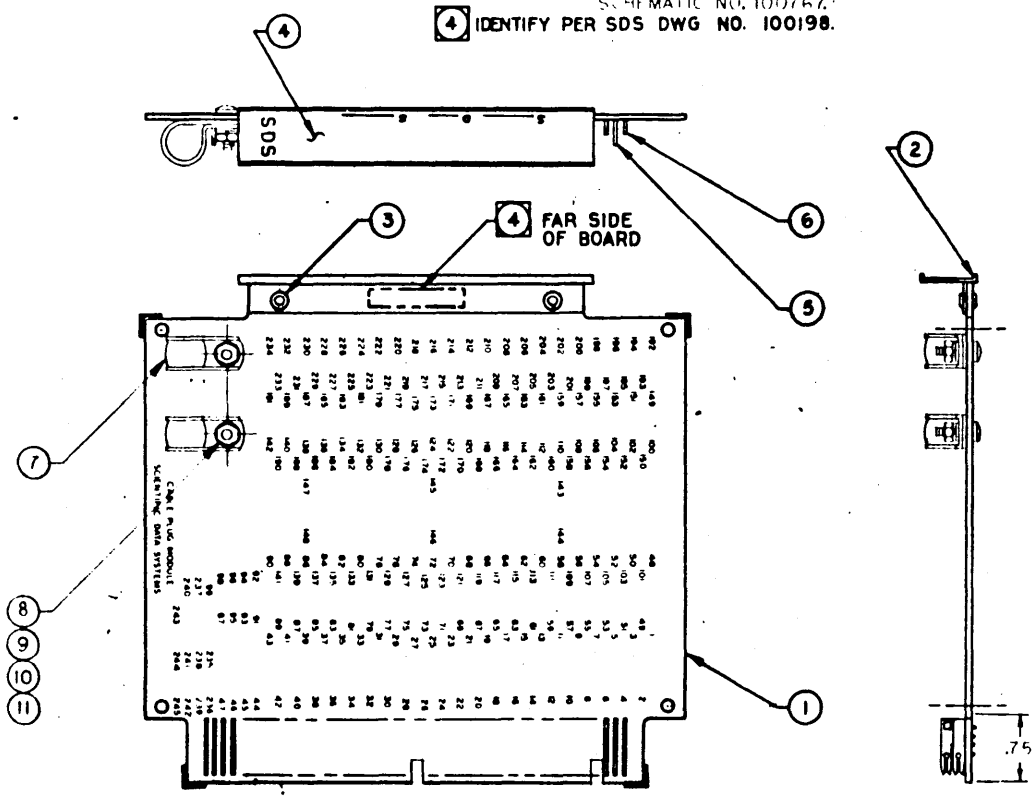
DRAWING NO.		DESCRIPTION		REFERENCE DESIGNATION		ITEM NO.
DRAWING NO. 107692		DESCRIPTION		REFERENCE DESIGNATION		ITEM NO.
NOTES UNLESS SPECIFIED		MATERIAL LIST		TITLE		SCALE
1. TOLERANCES UNLESS SPECIFIED		DRAWN BY: [Signature]		SCHEMATIC, CABLE PLUG MODULE (P939-P940)		SCALE
2. DIMENSIONS ARE IN INCHES		CHECK BY: [Signature]		DATE: 10/7/64		SCALE
3. ALL DIMENSIONS ARE TO CENTER UNLESS OTHERWISE SPECIFIED		APPROVED BY: [Signature]		DATE: 10/12/64		SCALE
4. HOLE LOCATIONS ARE TO CENTER UNLESS OTHERWISE SPECIFIED		DATE: 10/12/64		DATE: 10/12/64		SCALE
5. ALL DIMENSIONS ARE TO CENTER UNLESS OTHERWISE SPECIFIED		DATE: 10/12/64		DATE: 10/12/64		SCALE
MODEL NO. 91500, 923, 20		DATE: 10/12/64		DATE: 10/12/64		SCALE
NEXT ASSY. 107692		DATE: 10/12/64		DATE: 10/12/64		SCALE

5) DIP HOLDER CIRCUITRY FOR INDICATED LENGTH FULL WIDTH OF BOARD.

NOTES: UNLESS OTHERWISE SPECIFIED

1. SEE MATERIAL LIST NO. 100663, SHEET 2.
2. ASSEMBLED BOARD TO CONFORM TO SDS DWG NO. 100106 (SPECIFICATION, PRINTED WIRING ASSEMBLY).
3. REF DWGS: PW. BD NO. 100662 A.
SCHEMATIC NO. 100767.
- 4 IDENTIFY PER SDS DWG NO. 100198.

REVISIONS				100663 B	
REV	DESCRIPTION	CHK	DATE	APPROVED	
A	RELEASE TO MFG				
B	SEE REVISION E.O.				



NO. REQ	DRAWING NO.	DESCRIPTION	REFERENCE DESIGNATION	ITEM NO.
MATERIAL LIST				
NOTES UNLESS SPECIFIED		DRAWN: <i>L.H.</i> CHECK: <i>V.S.</i> APPR: <i>A.H. [Signature]</i>	SDS SCIENTIFIC DATA SYSTEMS 1542 FIFTEENTH STREET, SANTA MONICA, CALIFORNIA	
1. TOLERANCES 25 ± 0.000 ANGULAR ± 15° SEE 2.010 2. BREAK ALL SHARP EDGES 0.10 APPROX 3. MACH. SURFACES ✓ 4. ALL DIM. IN INCHES			TITLE	
MODEL NO. ZX13			ASSEMBLY, PRINTED WIRING, CABLE PLUG MODULE	
NEXT ASSY.			SIZE C	DWG NO. 100663
			SCALE 1/1	DO NOT SCALE DRAWING SHEET 1 OF 2

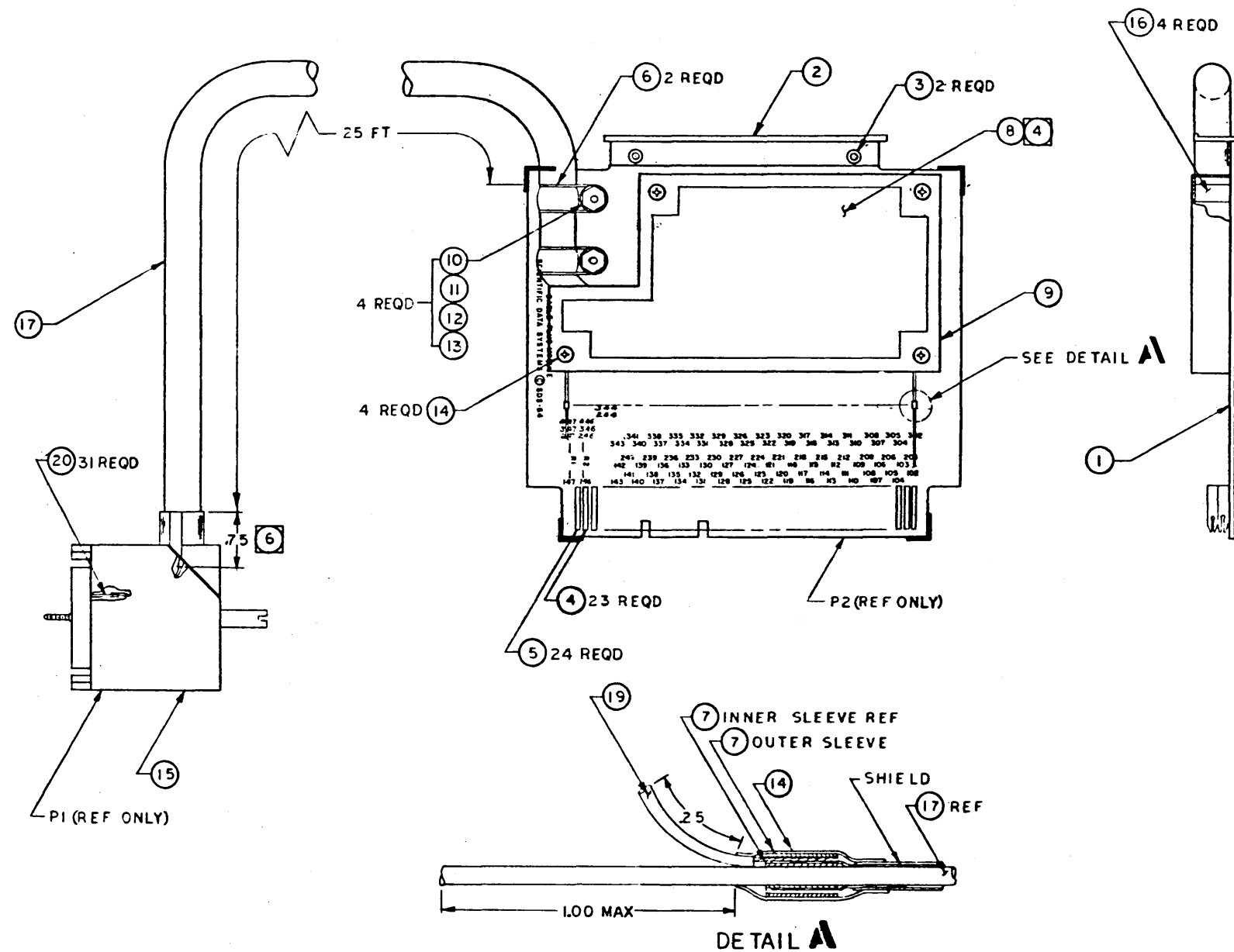
100663 A

REV	B	MATERIAL LIST		SDS	SCIENTIFIC DATA SYSTEMS	ML	DWG. NO.	REV
		CABLE PLUG MODULE			MOD # ZX 13		DATE 4-20-2	SHEET 2
ML-	DWG. NO.	1 00663	ITEM	DWG. TITLE	DWG. NO.	NO. REQ.	REMARKS OR CKT. DESIG.	
			1	Board, Printed Wiring	100662	1		
			2	Handle, Circuit Card	100016	1		
			3	Eyelet	100077-016	2		
			4	Strip, Marker	100177-067	1		
			5	Contact, Conn. Upper	100097	23		
			6	Contact, Conn. Lower	100098	24		
			7	Clamp, Cable Nylon (Phillips)	100657-004	2		
			8	Screw, Pan Hd Recessed	100012-306	2		
			9	Washer, Flat	100018-300	2		
			10	Washer, Lock Internal Tooth	100024-300	2		
			11	Nut, Hex Machine	100008-300	2		


REVISIONS				107214	A
REV.	DESCRIPTION	CHK	DATE	APPROVED	
A	RELEASED TO MFG		5/18/69		

NOTES: UNLESS OTHERWISE SPECIFIED


1. SEE MATERIAL LIST NO 107214 (SH 2).
2. ASSEMBLE BOARD PER SDS SPEC 100106.
3. REF DWGS: SCHEMATIC NO. 107200
P. W. BOARD NO. 106858
WIRE LIST NO. 107215
- 4 BOND TOGETHER WITH AN EPOXY RESIN.
5. IDENTIFY PART PER SDS SPEC 100199 (TAG).
- 6 TERMINATE ALL SHIELDS AS SHOWN.



SCALE 4:1

NO. REQ.	DRAWING NO.	DESCRIPTION	REFERENCE DESIGNATION	ITEM NO.
MATERIAL LIST				
NOTES UNLESS SPECIFIED		DRAWN <i>Evans</i> 5/18/69	 TITLE ASSY. PRINTED WIRING CABLE PLUG MODULE	
1. TOLERANCES XX ±.030 ANGULAR XXX ±.010 2.5X		CHECK <i>Thomson</i> 4/8/64		
2. BREAK ALL SHARP EDGES Ø10 APPROX.		APPR. <i>Scott</i> 4/22/64		
3. HATCH SURFACES ✓			MODEL NO. 930/9300	
4. ALL DIM. IN INCHES			NEXT ASSY. 106338-106339 4107203-106337	
		SIZE D	DWG. NO. 107214	CHANGE LETTER A
		SCALE 1/16	DO NOT SCALE DRAWING	SHEET 1 OF 2

MATERIAL LIST


SCIENTIFIC DATA SYSTEMS

ML
 107214

W.D. NO.
 107214
REV
 A

DWG. TITLE
 ASSY, PW
 CABLE PLUG MODULE

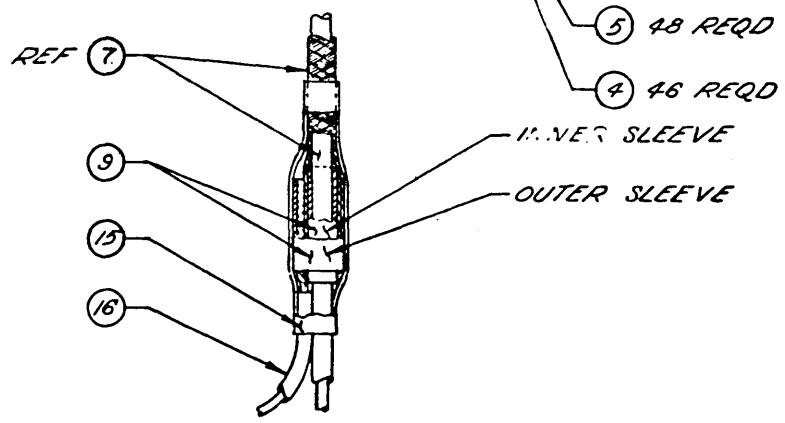
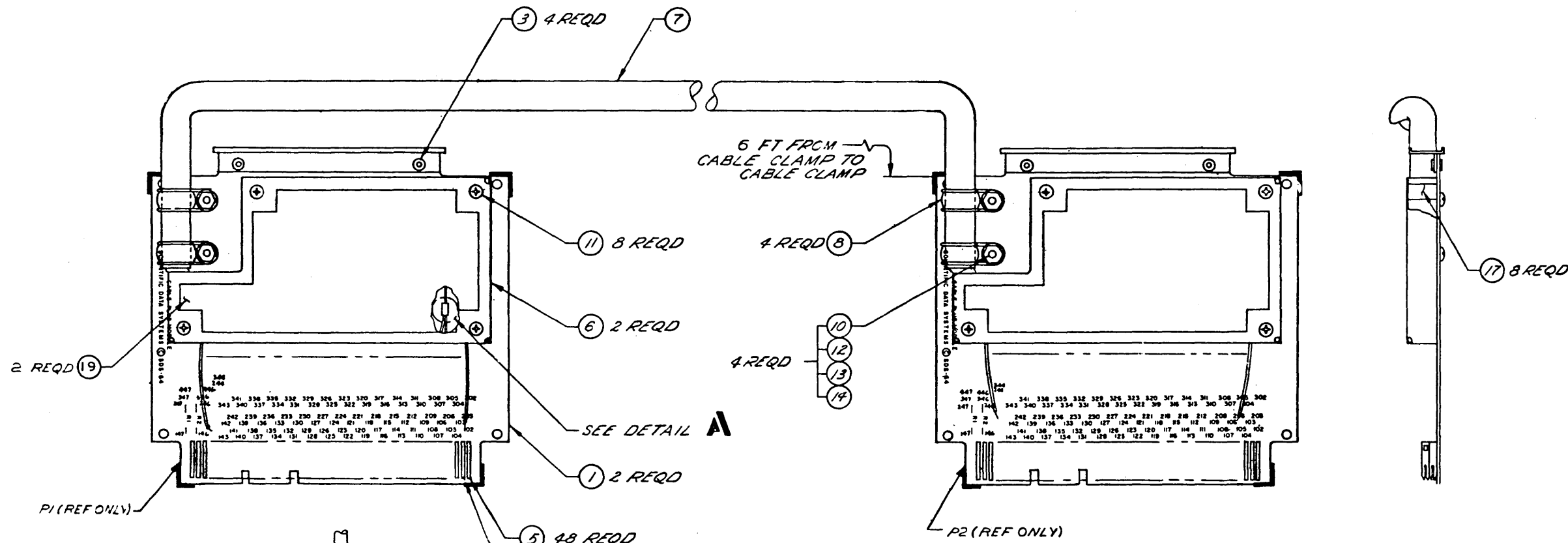
REV # 930 DATE 5/20 6:38P 2 67 2

ITEM	DWG. TITLE	DWG. NO.	NO. REQ.	REMARKS QTY, UNIT, DSCRD.
1	Board, Printed Wiring	106858	1	
2	Handle, Circuit Card	100016	1	
3	Eyelet, Tubular	103896-016	2	
4	Contact, Conn Upper	100097	23	
5	Contact, Conn Lower	100098	24	
6	Clamp, Cable Nylon	100657-007	2	
7	TerminalShield, Splice Grd	106428	2	
8	Cover Shield	107064	1	
9	Cover, Shield	106791	1	
10	Screw, Pan Hd	100012-306	2	
11	Washer, Lock Int Tooth	100024-300	2	
12	Washer, Flat	100018-300	2	
13	Nut, Hex Machine	100008-300	2	
14	Screw, Flat Hd	100039-203	4	
15	Connector, Plug 38 Pin	106389	1	
16	Standoff, Thd Rivet	103320	4	
17	Cable, Shield #30	102872	26 ft	
18	Tubing, Shrinkable	100744-206	15 in	
19	Wire, Solid Teflon Ins	100764-024	15in	
20	Contact, Crimp & Insert	100982	31	
21	Resistor, 1/2 watt	100111-100	2	RL.2
23	Tubing, Teflon	100274-022	3 in.	

REVISIONS				107216	A
REV.	DESCRIPTION	CHK	DATE	APPROVED	
A	RELEASED TO MFG				

NOTES: UNLESS OTHERWISE SPECIFIED

- SEE MATERIAL LIST NO. 107216 (SH2)
- ASSEMBLE BOARD PER SDS SPEC 100106.
- REF DWGS: SCHEMATIC NO. 107201
P.W. BOARD NO. 106858
WIRE LIST NO. 107202
- 4 BOND TOGETHER WITH EPOXY RESIN.
- IDENTIFY ASSY PER SDS SPEC 100198 (TAG).



DETAIL A
SCALE 4:1
TYP BOTH ENDS OF
CABLE

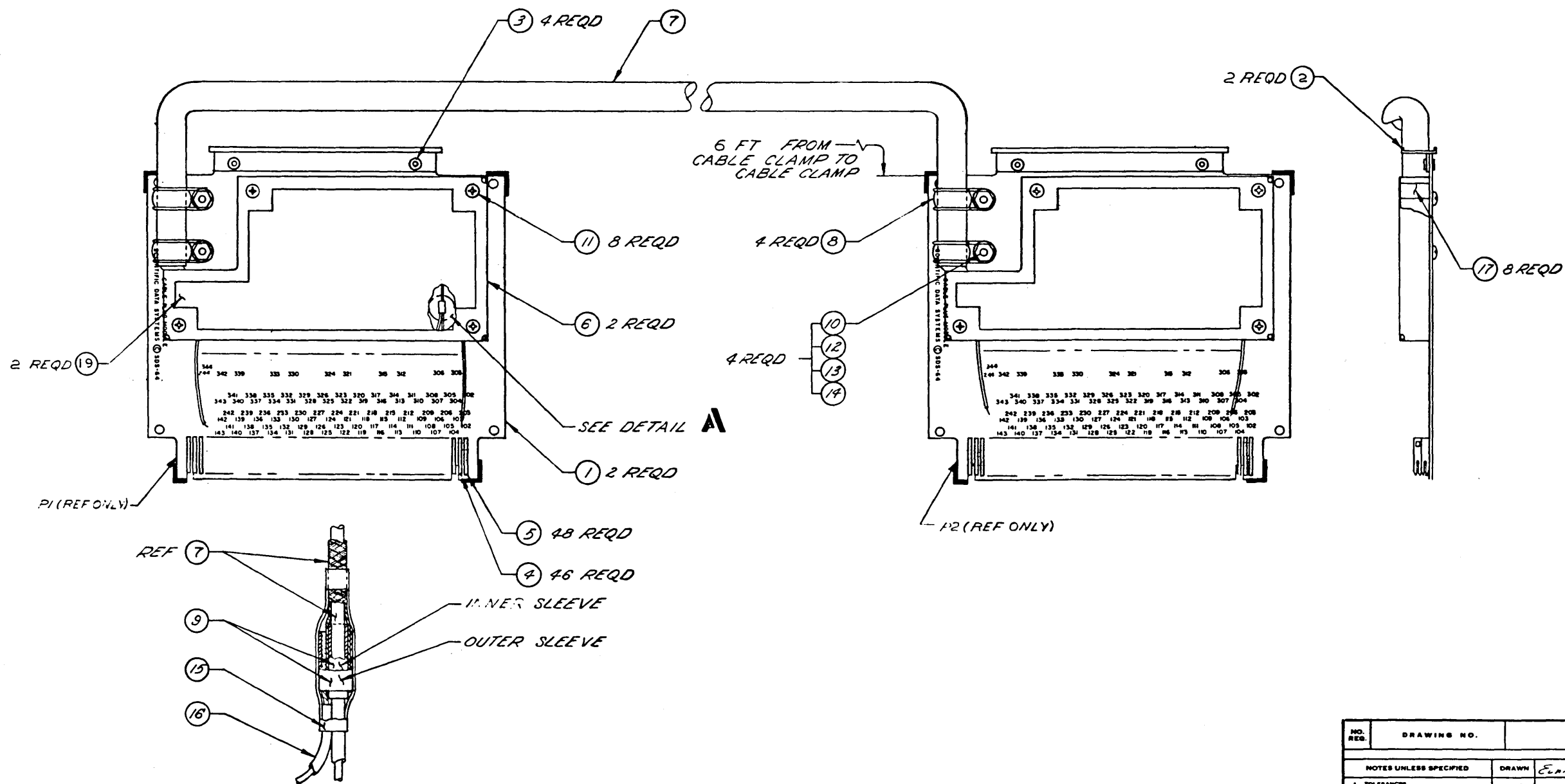
NO. REQ.	DRAWING NO.	DESCRIPTION	REFERENCE DESIGNATION	ITEM NO.
MATERIAL LIST				
NOTES UNLESS SPECIFIED		DRAWN: <i>Flaws</i> 5/15/68	 SDS SCIENTIFIC DATA SYSTEMS SANTA MONICA, CALIFORNIA	
1. TOLERANCES UNLESS OTHERWISE SPECIFIED		CHECK: <i>D. Mastio</i> 4/8/68		
2. BREAK ALL SHARP EDGES TO APPROX. .010		APPR: <i>WEG</i> 6/15/68		
3. BACK SURFACES 4. ALL DIM. IN INCHES				
MODEL NO. 92200. 92201 ✓ 92202			SIZE: D	DWG NO.: 107216
NEXT ASSY: 107110 ✓ 107113			SCALE: <i>1/2" = 1"</i>	DO NOT SCALE DRAWING SHEET 1 OF 2

ITEM	DWG. TITLE	DWG. NO.	NO. REQ.	REMARKS OR CMT. DESIG.
1	Board, Printed Wiring	106858	2	
2	Handie, Circuit Card	100016	2	
3	Eyelet, Tubular	103396-016	4	
4	Contact, Conn Upper	100097	46	
5	Contact, Conn Lower	100098	48	
6	Cover, Shield	106791	2	
7	Cable, Shielded 30 Cond	102372	8 ft	
8	Clamp, Cable Nylon	100657-007	4	
9	Term, Shield Grd Splice	106428	56	
10	Screw, Pan Hd	100012-306	4	
11	Screw, Flat Hd	100039-203	8	
12	Washer, Lock Int Tooth	100024-300	4	
13	Washer, Flat	100018-300	4	
14	Nut, Hex Machine	100008-300	4	
15	Tubing, Sprinkable	100744-206	15 in	
16	Wire, Solid Teflon Ins	100764-024	15 in	
17	Standoff, Rivet Type	103320	2	
18	Resistor, 1/2 watt	100111-100	4	R1, R2
19	Cover, Shield	107064	2	

REVISIONS			
REV.	DESCRIPTION	CHK	DATE
A	RELEASED TO MFG	<i>[Signature]</i>	<i>[Date]</i>

NOTES: UNLESS OTHERWISE SPECIFIED

- SEE MATERIAL LIST NO. 107302 (SH2)
- ASSEMBLE BOARD PER SDS SPEC 100106.
- REF DWGS: SCHEMATIC NO 107303
P.W. BOARD NO. 106419
WIRE LIST NO. 107304
- 4** BOND TOGETHER WITH EPOXY RESIN.
- IDENTIFY ASSY PER SDS SPEC 100198 (TAG).



DETAIL A
SCALE 4:1
TYP BOTH ENDS OF
CABLE

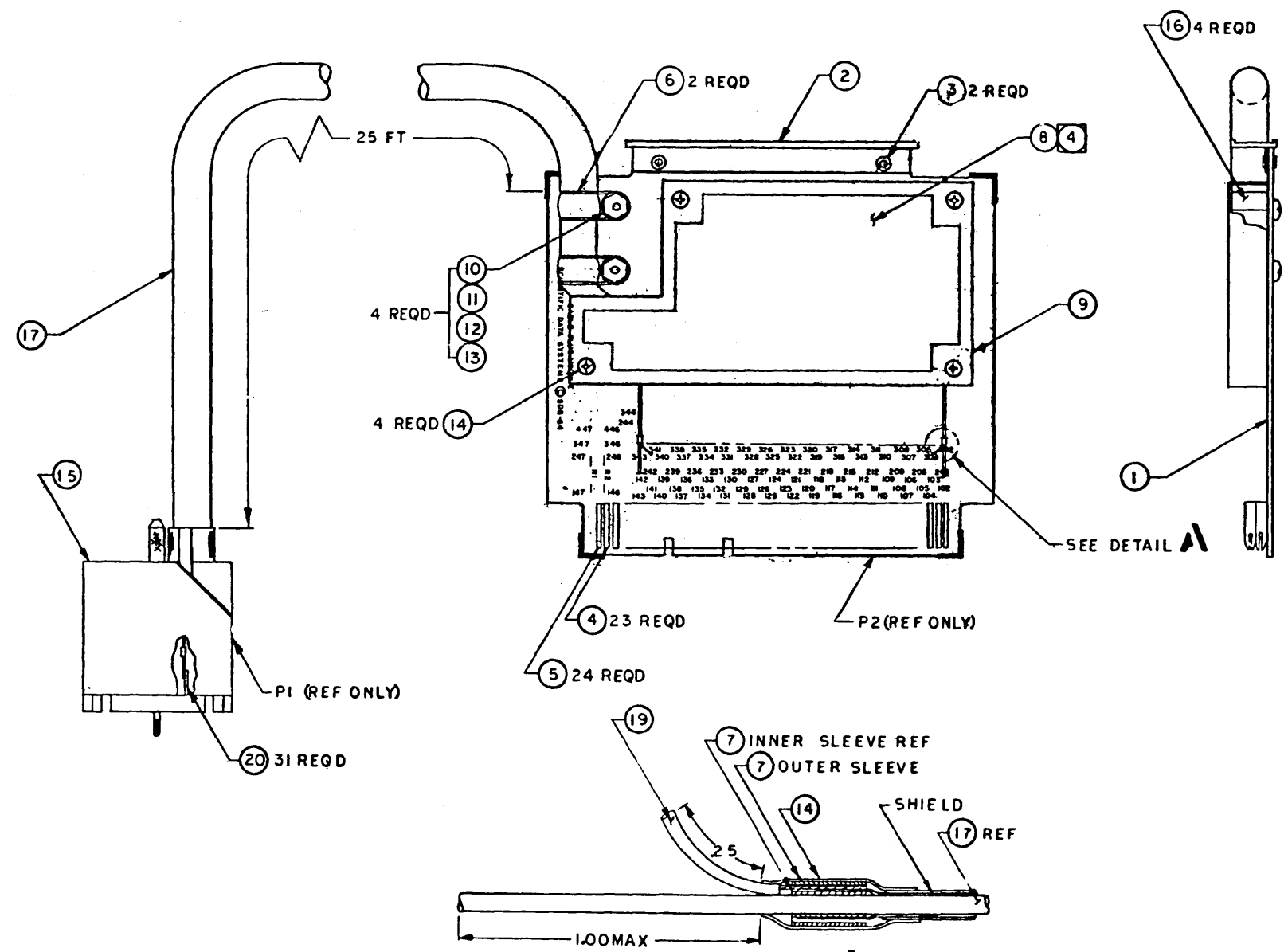
NO. REV.	DRAWING NO.	DESCRIPTION	REFERENCE DESIGNATION	ITEM NO.
MATERIAL LIST				
NOTES UNLESS SPECIFIED		DRAWN <i>E. Lewis</i>	<i>5/15/64</i>	 SDS SCIENTIFIC DATA SYSTEMS SANTA MONICA, CALIFORNIA
1. TOLERANCES DIM ± 0.000 ANGULAR ± 1/2°		CHECK <i>J. M. [Signature]</i>	<i>4/16/64</i>	
2. BREAK ALL SHARP EDGES 0.010 APPROX.		APPR. <i>WLF</i>	<i>4/16/64</i>	
3. HATCH SURFACES		✓		TITLE ASSY PRINTED WIRING CABLE PLUG MODULE
4. ALL DIM. IN INCHES				
MODEL NO. 92200. 92201 ✓ 92202				SIZE D
NEXT ASSY: 107111 ✓ 107114				DWG. NO. 107302
				CHANGE LETTER A
		SCALE <i>1/16"</i>		DO NOT SCALE DRAWING SHEET 1 OF 2

ITEM	DWG. TITLE	DWG. NO.	NO, REQ.	REMARKS OR QTY, ORIGIN.
1	Board, Printed Wiring	106419	2	
2	Handle, Circuit Card	100016	2	
3	Eyelet, Tubular	103896-016	4	
4	Contact, Conn Upper	100097	46	
5	Contact, Conn Lower	100098	48	
6	Cover, Shield	106791	2	
7	Cable, Shielded 30 Cond	102872	8 ft	
8	Clamp, Cable Nylon	100657-007	4	
9	Term, Shield Grd Splice	106428	56	
10	Screw, Pan Hd	100012-306	4	
11	Screw, Flat Hd	100039-203	8	
12	Washer, Lock Int Tooth	100024-300	4	
13	Washer, Flat	100018-300	4	
14	Nut, Hex Machine	100008-300	4	
15	Tubing, Shrinkable	100744-206	15 in	
16	Wire, Solid Teflon Ins	100764-024	15 in	
17	Standoff, Rivet Type	103320	8	
18				
19	Cover, Shield	107064	2	

REVISIONS			
REV.	DESCRIPTION	CHK	DATE
A	RELEASED TO MFG		10/7/64


NOTES: UNLESS OTHERWISE SPECIFIED

- 1 SEE MATERIAL LIST NO.107638 (SH 2).
- 2 ASSEMBLE BOARD PER SDS SPEC 100106.
- 3 REF DWGS: SCHEMATIC NO.107200
P. W. BOARD NO.106858
WIRE LIST NO.107215
- 4 BOND TOGETHER WITH AN EPOXY RESIN.
- 5 IDENTIFY PART PER SDS SPEC 100198 (TAG).



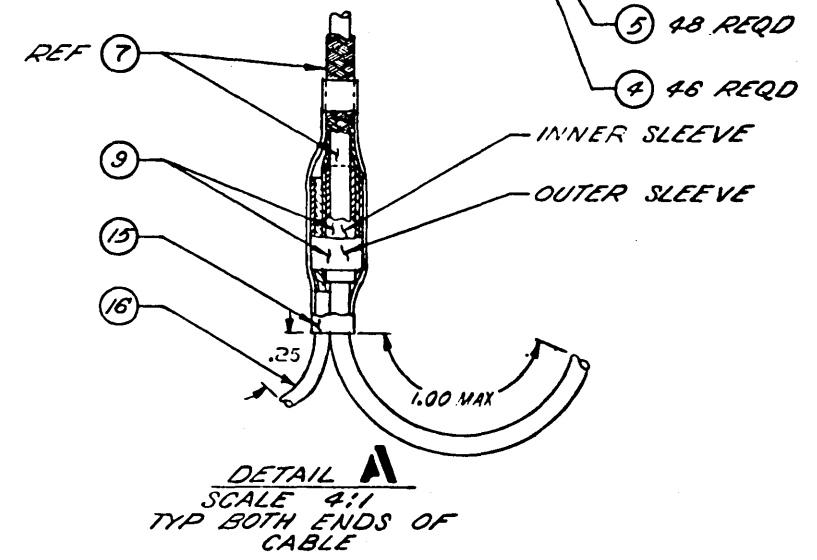
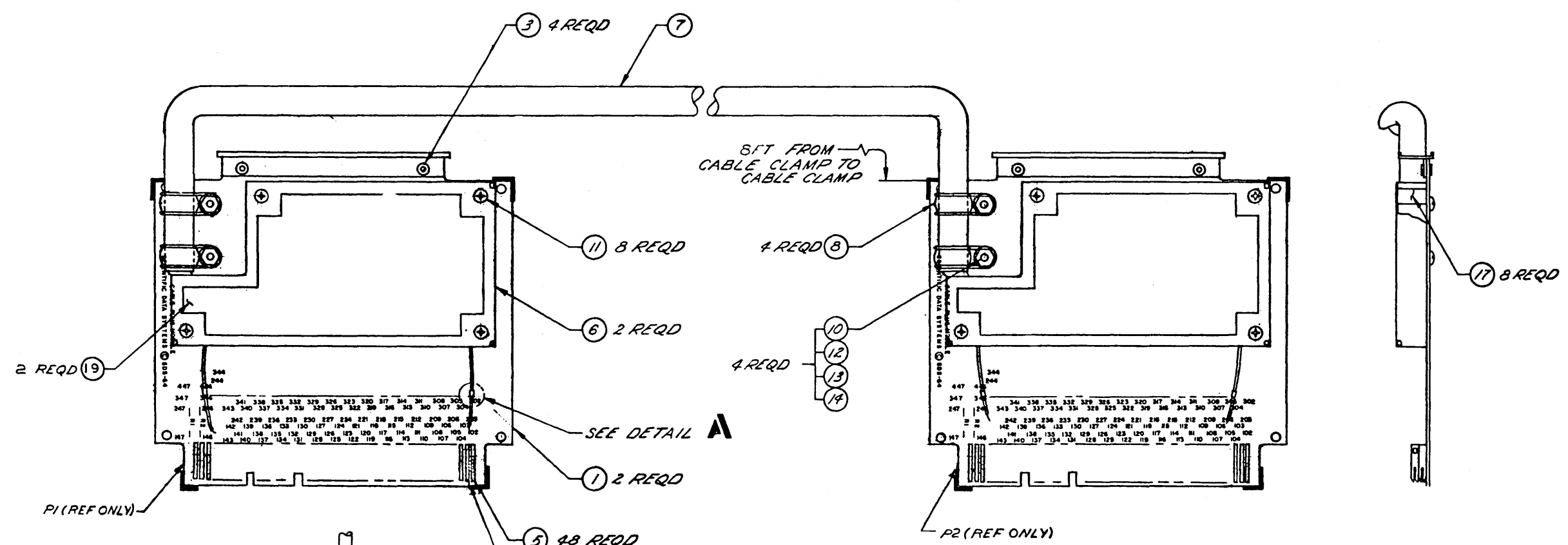
DETAIL A
TYP BOTH ENDS OF CABLE
SCALE 4:1

NO. REQ.	DRAWING NO.	DESCRIPTION	REFERENCE DESIGNATION	ITEM NO.
MATERIAL LIST				
NOTES UNLESS SPECIFIED		DRAWN: Evans 9/15/64	 SDS SCIENTIFIC DATA SYSTEMS SANTA MONICA, CALIFORNIA	
1. TOLERANCES UNLESS OTHERWISE SPECIFIED		CHECK: D.F.T. 9/15/64		
2. BREAK ALL SHARP EDGES AND APPROX.		APPR: [Signature]		
3. HIDE SURFACES			TITLE ASSY. PRINTED WIRING CABLE PLUG MODULE	
4. ALL DIM. IN INCHES				
MODEL NO.	9300		SIZE	DWG. NO.
NEXT ASSY.			D	107638
			CHANGE LETTER	A
SCALE 1:1		DO NOT SCALE DRAWING		SHEET 1 OF 2

REV.	A	 MATERIAL LIST	ML	DRAWING NO.	107638	REV.	A
	DRAWING NO.			107638	REV.	A	
ASSY PW DRAWING TITLE <u>CABLE PLUG MODULE</u>		MODEL NO. <u>9300</u>	DATE <u>6/23</u>	SHEET <u>2</u> OF <u>2</u>			
ITEM NO.	DRAWING TITLE	DWG. NO.	NO. REQ.	REMARKS ON CKT. DESIG.			
1	Board, Printed Wiring	106858	1				
2	Handle, Circuit Card	100016	1				
3	Eyelet, Tubular	103896-016	2				
4	Contact, Conn Upper	100097	23				
5	Contact, Conn. Lower	100098	24				
6	Clamp, Cable Nylon	100657-007	2				
7	Terminal Shield, Splice Grd	106428	2				
8	Cover Shield	107064	1				
9	Cover Shield	106791	1				
10	Screw, Pan Hd	100012-306	2				
11	Washer, Lock Int Tooth	100024-300	2				
12	Washer, Flat	100018-300	2				
13	Nut, Hex Machine	100008-300	2				
14	Screw, Flat Hd	100039-203	4				
15	Connector, Plug 38 Pin	107646	1				
16	Standoff, Thd Rivet	103320	4				
17	Cable, Shield #30	102872	26 ft.				
18	Tubing, Shrinkable	100744-206	15 in.				
19	Wire, Solid Teflon Ins	100764-024	15 in.				
20	Contact, Crimp & Insert	100982	31				
21	Resistor, 1/2 Watt	100111-100	2	R1, 2			
22	Tubing, Teflon	100274-022	3 in.				

REVISIONS			
REV.	DESCRIPTION	CHK	DATE
A	RELEASED TO MFG		

- NOTES: UNLESS OTHERWISE SPECIFIED
- SEE MATERIAL LIST NO. 107639 (SH2)
 - ASSEMBLE BOARD PER SDS SPEC 100106.
 - REF DWGS: SCHEMATIC NO 107201
P.W. BOARD NO. 106858
WIRE LIST NO. 107202
 - 4** BOND TOGETHER WITH EPOXY RESIN.
 - IDENTIFY ASSY PER SDS SPEC 100198 (TAG).



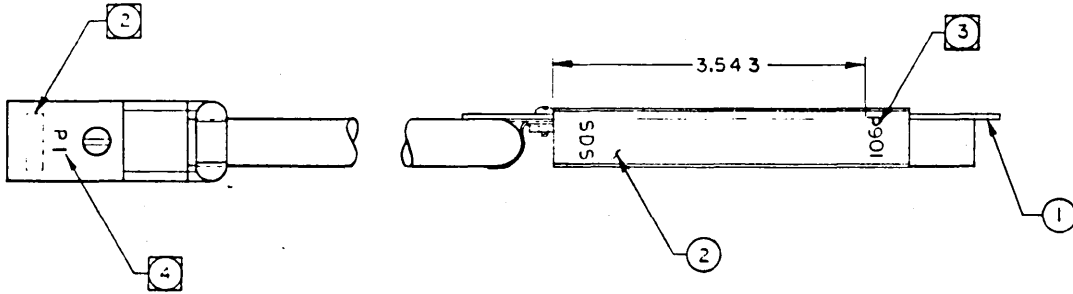
NO. REQ.	DRAWING NO.	DESCRIPTION	REFERENCE DESIGNATION	ITEM NO.
NOTES UNLESS SPECIFIED				
1. TOLERANCES DIM ±.010 ANGULAR ± 1/2°		DRAWN Evans 5/15/68	CHECK Impacto 6-25-68	SDS SCIENTIFIC DATA SYSTEMS SANTA MONICA, CALIFORNIA TITLE ASSY, PRINTED WIRING, CABLE PLUG MODULE
2. BREAK ALL SHARP EDGES .010 APPROX.		APPR. [Signature]	7-3-68	
3. MACH. SURFACES				
4. ALL DIM. IN INCHES				
MODEL NO.	930/9300	SIZE D	DWG. NO. 107639	CHANGE LETTER A
NEXT ASSY.	107640/107645	SCALE 1/2"=1"	DO NOT SCALE DRAWING	SHEET 1 OF 2

DVG. NO.	DVG. NO.	MATERIAL LIST		SCIENTIFIC DATA SYSTEMS		DVG. NO.		
		DVG. TITLE	DVG. NO.	NO. REQ.	REMARKS	DVG. NO.	DVG. NO.	
107639	A	ASSY, PW	107639			107639	A	
		CABLE PLUG MODULE	930/9300			EMDPT 2	2	
		1	Board, Printed Wiring	106858	2			
		2	Handie, Circuit Card	100016	2			
		3	Eyelet, Tubular	103596-016	4			
		4	Contact, Conn Upper	100097	46			
		5	Contact, Conn Lower	100098	48			
		6	Cover, Shield	106791	2			
		7	Cable, Shielded 30 Cond	102872	10 ft			
		8	Clamp, Cable Nylon	100657-007	4			
		9	Term, Shield Grd Splice	106428	2			
		10	Screw, Pan Hd	100012-306	4			
		11	Screw, Flat Hd	100039-203	8			
		12	Washer, Loc. Int Tooth	100024-300	4			
		13	Washer, Flat	100018-300	4			
		14	Nut, Hex Machine	100008-300	4			
		15	Tubing, Sprinkable	100744-206	15 in			
		16	Wire, Solid Teflon Ins	100239-024	15 in			
		17	Standoff, Rivet Type	103320	8			
		18	Resistor, 1/2 watt	100111-100	4	R1, R2		
19	Cover, Shield	107064	2					


REVISIONS				106336	H
REV.	DESCRIPTION	CHK.	DATE	APPROVED	
A	RELEASED TO MFG				
B	SEE REV E O				

NOTES: UNLESS OTHERWISE SPECIFIED

1. SEE MATERIAL LIST NO. 106336 (SH 2).
2. IDENTIFY PART PER SDS SPEC 100198.
3. NOMENCLATURE: HOT STAMP 10 POINT NEWS GOTHIC, COLOR BLACK, CENTERED APPROX AS SHOWN.
4. RUBBER STAMP CHARACTERS, (12 HIGH, COLOR BLACK), PER SDS SPEC 101624.
5. REF DWGS: ASSEMBLY P.W. NO. 107214
SCHEMATIC NO. 107200



106336 | B

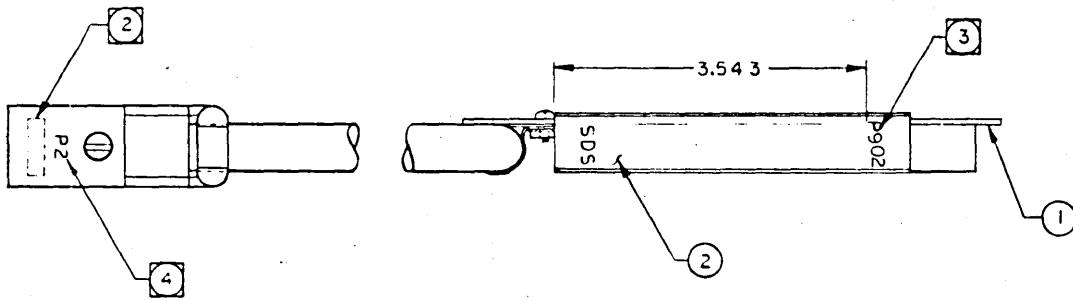
NO. REG.	DRAWING NO.	DESCRIPTION	REFERENCE DESIGNATION	ITEM NO.
MATERIAL LIST				
NOTES UNLESS SPECIFIED		DRAWN: <i>EVANS</i> 5/14/64	 SDS SCIENTIFIC DATA SYSTEMS SANTA MONICA, CALIFORNIA	
1. TOLERANCES XX ±.030 ANULAR XXX ±.010 2.75"		CHECK: <i>Mantle</i> 5/1/64		
2. BREAK ALL SHARP EDGES 0.10 APPROX.		APPR: <i>W. L. Harris</i> 5/1/64		
3. MACH SURFACES ✓		TITLE: ASSY PINTED WIRING CABLE PLUG MODULE (PI-P901)		
4. ALL DIM. IN INCHES				
MODEL NO.	930		SIZE: C	DWG NO. 106336
NEXT ASSY.	104802			CHANGE LETTER: B
		SCALE: 1:1	DO NOT SCALE DRAWING SHEET 1 OF 1	

REVISIONS				106337	P.
REV	DESCRIPTION	CHK	DATE	APPROVED	
A	RELEASED TO MFG				4/4
B	SEE REV E.O				4/4


NOTES: UNLESS OTHERWISE SPECIFIED

1. SEE MATERIAL LIST NO. 106337 (SH 2).
- 2 IDENTIFY PART PER SDS SPEC 100198.
- 3 NOMENCLATURE: HOT STAMP 10 POINT NEWS GOTHIC, COLOR BLACK, CENTERED APPROX AS SHOWN.
- 4 RUBBER STAMP CHARACTERS, (.12 HIGH, COLOR BLACK), PER SDS SPEC 101624.

REF DWGS: ASSEMBLY R.W. NO. 107214
SCHEMATIC NO. 107200



106337 | B

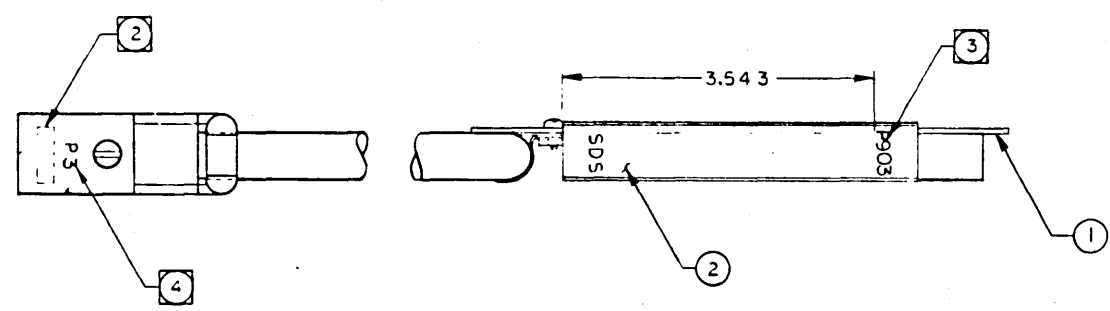
NO. REQ.	DRAWING NO.	DESCRIPTION	REFERENCE DESIGNATION	ITEM NO.
MATERIAL LIST				
NOTES UNLESS SPECIFIED		DRAWN	Evans	5/11/64
1 TOLERANCES FR ±.030 ANGULAR RXX ±.010 ±.5°		CHECK	hastw	4/1/64
2 BREAK ALL SHARP EDGES D10 APPROX		APPR.	Walt. Ross	6/2/57
3 MACH SURFACES ✓				
4 ALL DIM IN INCHES				
MODEL NO. 930		 TITLE ASSY PINTED WIRING CABLE PLUG MODULE (P2-P902)		
NEXT ASSY 104802		SIZE C	DWG NO. 106337	CHANGE LETTER B
		SCALE 1:1	DO NOT SCALE DRAWING	SHEET 1 OF 1

DRAWING NO. 106337	REV. B	MATERIAL LIST		<table border="1" style="width:100%; border-collapse: collapse;"> <tr> <th style="width:50%;">DRAWING NO.</th> <th style="width:50%;">REV.</th> </tr> <tr> <td style="text-align: center;">106337</td> <td style="text-align: center;">B</td> </tr> </table>		DRAWING NO.	REV.	106337	B
	DRAWING NO.	REV.							
106337	B								
		Assy, PW DRAWING TITLE Cable Plug Module P2-P902 MODEL NO. 930		DATE 7/20/4 SHEET 2 OF 2					
ML	ITEM NO.	DRAWING TITLE	DWG. NO.	NO. REQ.	REMARKS ON CKT. DESIG.				
	1	Assy, Printed Wiring CP ^{Mod}	107214	1					
	2	Strip, Marker	100197	1					


REVISIONS			
REV	DESCRIPTION	CHK	DATE
A	RELEASED TO MFG		5/14/64
B	SEE REV E O		5/14/64

NOTES: UNLESS OTHERWISE SPECIFIED

1. SEE MATERIAL LIST NO. 106338 (SH 2).
2. IDENTIFY PART PER SDS SPEC 100198.
3. NOMENCLATURE: HOT STAMP 10 POINT NEWS GOTHIC, COLOR BLACK, CENTERED APPROX AS SHOWN.
4. RUBBER STAMP CHARACTERS, (12 HIGH, COLOR BLACK), PER SDS SPEC 101624.
5. REF DWGS: ASSEMBLY P.W. NO. 107214
SCHEMATIC NO. 107200

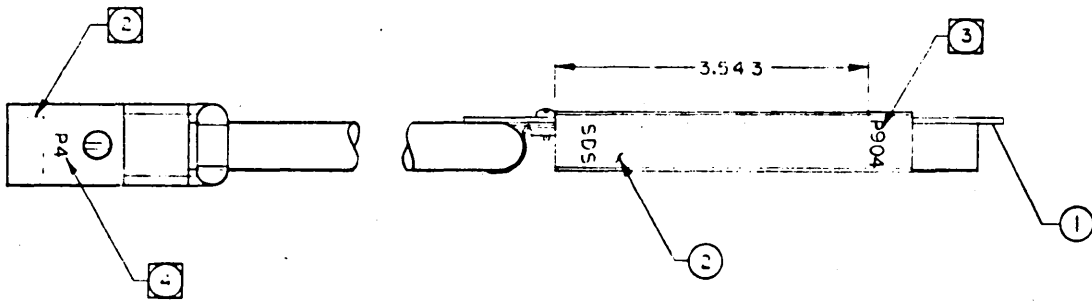


106338 | B

NO. REQ.	DRAWING NO.	DESCRIPTION	REFERENCE DESIGNATION	ITEM NO.
MATERIAL LIST				
NOTES UNLESS SPECIFIED		DRAWN	5/14/64	 SDS SCIENTIFIC DATA SYSTEMS SANTA MONICA, CALIFORNIA
1. TOLERANCES XX ± .030 ANGULAR XXX ± .010 ± 1/2°		CHECK	5/14/64	
2. BREAK ALL SHARP EDGES D10 APPROX		APPR.	5/14/64	
3. MACH SURFACES ✓				TITLE
4. ALL DIM. IN INCHES				ASSY PPRINTED WIRING CABLE PLUG MODULE (P3-P903)
MODEL NO.	930	SIZE	DWG NO.	CHANGE LETTER
NEXT ASSY.	104802	C	106338	B
		SCALE 1:1	DO NOT SCALE DRAWING	SHEET 1 OF 1


REVISIONS				107203	B
REV	DESCRIPTION	CHK	DATE	APPROVED	
A	RELEASED TO MFG		1/11/64		124
B	SEE REV E.O.		1/22/64		2

- NOTES: UNLESS OTHERWISE SPECIFIED
1. SEE MATERIAL LIST NO. 107203 (SH 2).
 2. IDENTIFY PART PER SDS SPEC 100198.
 3. NOMENCLATURE: HOT STAMP 10 POINT NEWS GOTHIC, COLOR BLACK, CENTERED APPROX AS SHOWN.
 4. RUBBER STAMP CHARACTERS, (.12 HIGH, COLOR BLACK), PER SDS SPEC 101624.
 5. REF DWGS: ASSEMBLY P.W. NO. 107214
SCHEMATIC NO. 107200



107203 | B

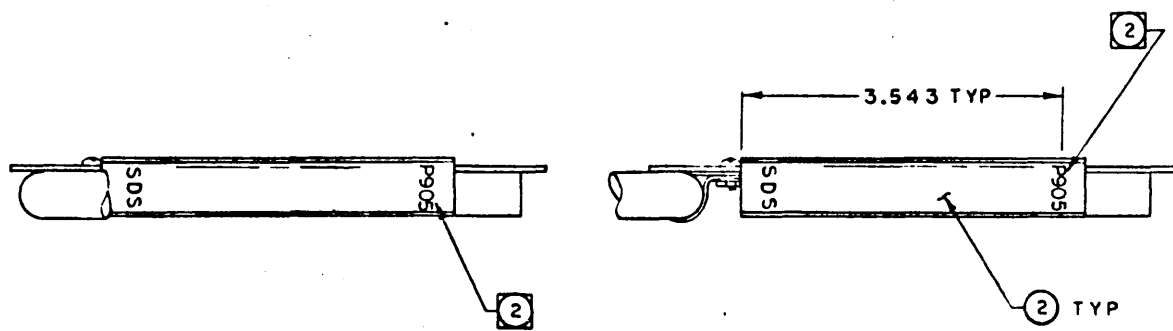
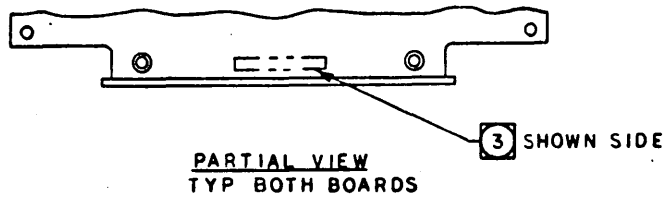
NO. REV.	DRAWING NO.	DESCRIPTION	REFERENCE DESIGNATION	ITEM NO.
		MATERIAL LIST		
NOTES UNLESS SPECIFIED		DRAWN: EVANS 5/11/64 CHECK: W. M. H. 6/1/64 APPR: J. L. I. 10/22/64	SDS SCIENTIFIC DATA SYSTEMS SANTA MONICA, CALIFORNIA	
1. TOLERANCES XX - 0.30 ANGULAR XXX - 0.10 1/2" 2. BREAK ALL SHARP EDGES 0.16 APPROX 3. MACH SURFACES ✓ 4. ALL DIM. IN INCHES		TITLE: ASSY PPRINTED WIRING CABLE PLUG MODULE (P4-P904)		
MODEL NO	930	SIZE	C	DWG NO
NEXT ASSY	104802	DO NOT SCALE DRAWING		107203
		SCALE 1:1		CHECKED LETTER B
				SHEET 1 OF 2


DRAWING NO.	REV.	B	 <small>SCIENTIFIC DATA SYSTEMS</small>	MATERIAL LIST		ML	DRAWING NO.	REV.
				Assy, PW DRAWING TITLE Cable Plug Module P4-P904 MODEL NO. 930			107203	B
						DATE 7/20/4 SHEET 2 OF 2		
DRAWING NO.						107203		
ML	ITEM NO.	DRAWING TITLE	DWG. NO.	NO. REQ.	REMARKS ON CKT. DESIG.			
	1	Assy, Printed Wiring Mod CP	107214	1				
	2	Strip, Marker	100197	1				

REVISIONS			107640	A
REV.	DESCRIPTION	CHK	DATE	APPROVED
A	RELEASED TO MFG			


NOTES: UNLESS OTHERWISE SPECIFIED

1. SEE MATERIAL LIST NO. 107640 (SH-2).
2. NOMENCLATURE: HOT STAMP 10 POINT NEWS GOTHIC, COLOR BLACK, CENTERED APPROX AS SHOWN.
3. IDENTIFY PER SDS SPEC 100198.
4. REF DWGS: ASSEMBLY P.W. NO. 107639 SCHEMATIC NO. 107303



NO. REG.	DRAWING NO.	DESCRIPTION	REFERENCE DESIGNATION	ITEM NO.
MATERIAL LIST				
NOTES UNLESS SPECIFIED		DRAWN <i>E. J. ...</i> 4/20/61	 SCIENTIFIC DATA SYSTEMS SANTA MONICA, CALIFORNIA	
1. TOLERANCES XX 2.000 ANGULAR .XX 2.010 2.01" 2. BREAK ALL SHARP EDGES .010 APPROX. 3. MACH. SURFACES \checkmark 4. ALL DIM. IN INCHES		CHECK <i>J. Martin</i> 4/25/61	TITLE ASSY, PRINTED WIRING CABLE PLUG MODULE (P905-P905)	
		APPR. <i>A. Miller</i> 7-8-61		
MODEL NO. 930/9300			SIZE C	DWG. NO. 107640
NEXT ASSY.				CHANGE LETTER A
			SCALE 1:1	DO NOT SCALE DRAWING SHEET 1 OF 2

107640 | A |

DRAWING NO. REV.	A	 SCIENTIFIC DATA SYSTEMS	<u>MATERIAL LIST</u>		ML	DRAWING NO.	REV.				
				107640		A					
DRAWING NO.	107640	Assy, PW Cable Plug Module		MODEL NO.	930/9300	DATE	6/23	SHEET	2	OF	2
ITEM NO.	DRAWING TITLE	DWG. NO.	NO. REQ.	REMARKS ON CKT. DESIG.							
1	Assy, PW Cable Plug Mod	107639	1								
2	Strip, Marker	100197	2								

NOTES: UNLESS OTHERWISE SPECIFIED

1. SEE MATERIAL LIST NO. 107641 (SH-2).
2. NOMENCLATURE: HOT STAMP 10 POINT NEWS GOTHIC, COLOR BLACK, CENTERED APPROX AS SHOWN.
3. IDENTIFY PER SDS SPEC 100198.
4. REF DWGS: ASSEMBLY P.W. NO. 107639 SCHEMATIC NO. 107303

REVISIONS			107641	A
REV.	DESCRIPTION	CHK	DATE	APPROVED
A	RELEASED TO MFG			

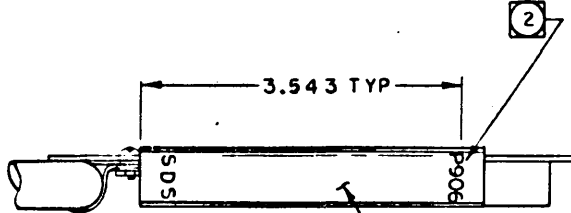


PARTIAL VIEW
TYP BOTH BOARDS

3 SHOWN SIDE



2




3.543 TYP

2 TYP

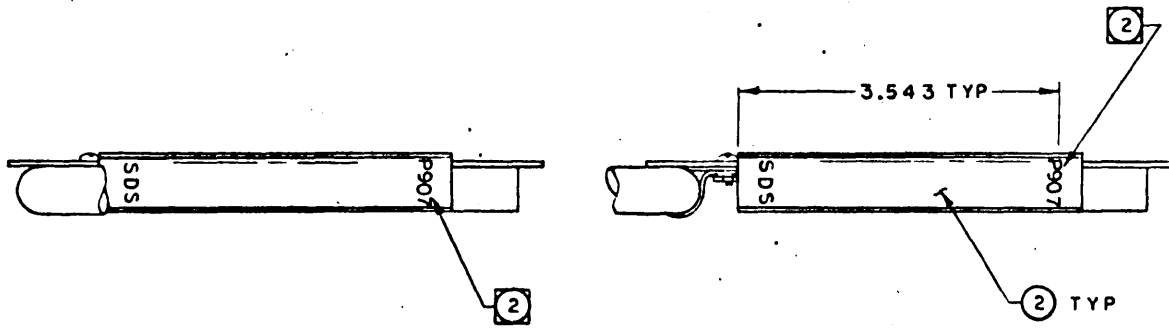
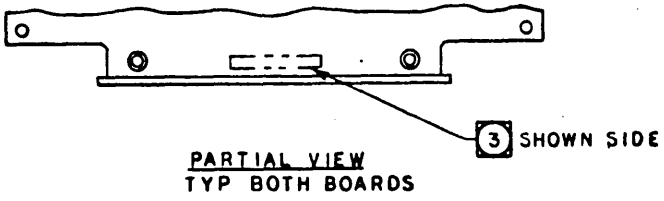
107641 | A


NO. REV.	DRAWING NO.	DESCRIPTION	REFERENCE DESIGNATION	ITEM NO.
NOTES UNLESS SPECIFIED		MATERIAL LIST		
1. TOLERANCES .32 ±.030 ANGULAR .375 ±.010 2. BREAK ALL SHARP EDGES .010 APPROX. 3. HATCH SURFACES ✓ 4. ALL DIM. IN INCHES		DRAWN: <i>Evans</i> CHECK: <i>D. V. ...</i> APPR: <i>A. J. ...</i>	DATE: <i>6/26/64</i> DATE: <i>7-8-64</i>	 SANTA MONICA, CALIFORNIA
MODEL NO. 930/9300		TITLE: ASSY, PRINTED WIRING CABLE PLUG MODULE (P906-P906)		
NEXT ASSY.		SIZE: C	DWG. NO. 107641	CHANGE LETTER: A
		SCALE: 1:1	DO NOT SCALE DRAWING	SHEET 1 OF 2

DRAWING NO. 107641	REV. A	 MATERIAL LIST			ML	DRAWING NO. 107641	REV. A	
	Assy, PW Cable Plug Module DRAWING TITLE (P906-P906)		MODEL NO. 930/9300	DATE 6/23	SHEET 2 OF 2			
ML	ITEM NO.	DRAWING TITLE	DWG. NO.	NO. REQ.	REMARKS ON CKT. DESIG.			
	1	Assy, PW Cable Plug Mod	107639	1				
	2	Strip, Marker	100197	2				

- NOTES: UNLESS OTHERWISE SPECIFIED
1. SEE MATERIAL LIST NO. 107642 (SH-2).
 2. NOMENCLATURE: HOT STAMP 10 POINT NEWS GOTHIC, COLOR BLACK, CENTERED APPROX AS SHOWN.
 3. IDENTIFY PER SDS SPEC 100198.
 4. REF DWGS: ASSEMBLY P.W. NO. 107639 SCHEMATIC NO. 107303

REVISIONS			107642 A	
REV.	DESCRIPTION	CHK.	DATE	APPROVED
A	RELEASED TO MFG			



NO. REV.	DRAWING NO.	DESCRIPTION	REFERENCE DESIGNATION	ITEM NO.
		NOTES UNLESS SPECIFIED	MATERIAL LIST	
		1. TOLERANCES XX 2.000 ANGULAR XXX 2.010 2 1/2"	 SANTA MONICA, CALIFORNIA	
		2. BREAK ALL SHARP EDGES BY APPROX.	TITLE	
		3. BREAK SURFACES ✓	ASSY, PRINTED WIRING CABLE PLUG MODULE (P907-P907)	
		4. ALL DIM. IN INCHES	MODEL NO. 930/9300 SIZE C DWS. NO. 107642 SHEET 1 OF 2	
			SCALE 1:1 DO NOT SCALE DRAWING	

107642 A

REVISIONS				107110	A
REV.	DESCRIPTION	CHK	DATE	APPROVED	
A	RELEASED TO MFG		12/16/64	WJF	

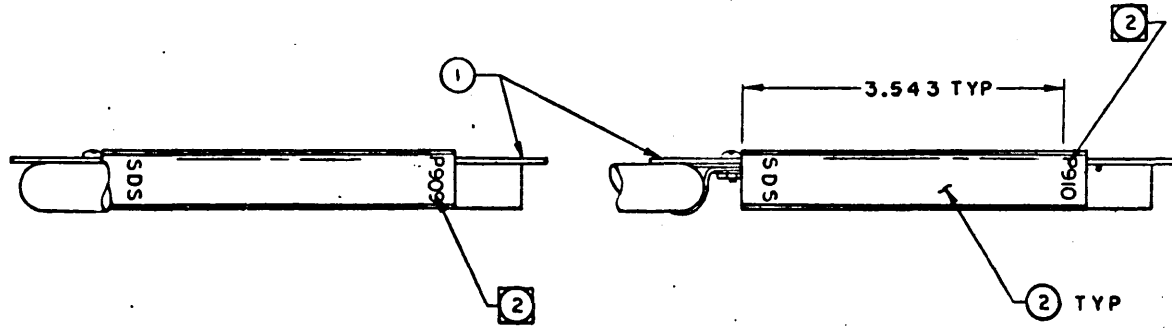
NOTES: UNLESS OTHERWISE SPECIFIED


1. SEE MATERIAL LIST NO.107110 (SH-2).
2. NOMENCLATURE: HOT STAMP 10 POINT NEWS GOTHIC, COLOR BLACK, CENTERED APPROX AS SHOWN.
3. IDENTIFY PER SDS SPEC 100198.
4. REF DWGS: ASSEMBLY RW.NO.107216
SCHEMATIC NO.107201



PARTIAL VIEW
TYP BOTH BOARDS

3 SHOWN SIDE



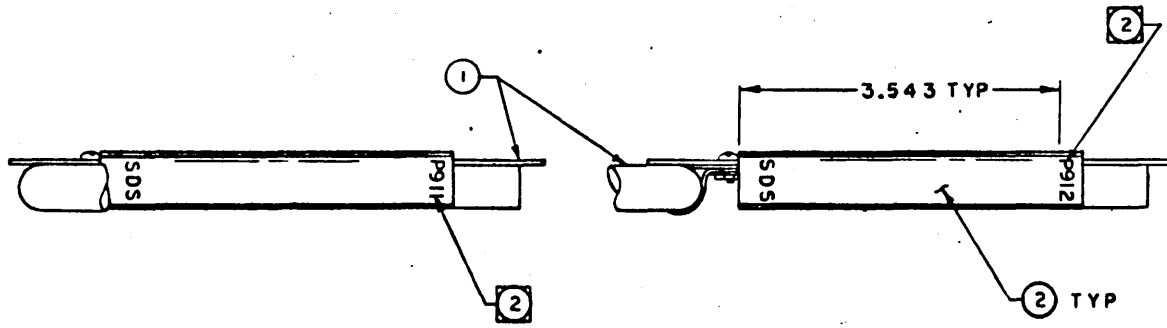
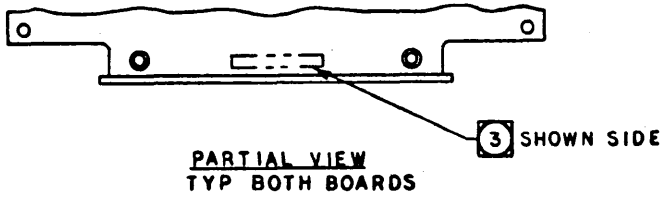
NO. REV.	DRAWING NO.	DESCRIPTION	REFERENCE DESIGNATION	ITEM NO.
MATERIAL LIST				
NOTES UNLESS SPECIFIED		DRAWN	 SANTA MONICA, CALIFORNIA	
1. TOLERANCES .02 FRACTIONS ANGULAR .015 FRACTIONS .375" .010 FRACTIONS .375"		CHECK	TITLE ASSY, PRINTED WIRING CABLE PLUG MODULE P909 - P910	
2. BREAK ALL SHARP EDGES .010 APPROX.		APPR.	MODEL NO. 92200, 92201 # 92202 NEXT ASSY. 104907, 105113 # 105115	
3. HAZEL SURFACES ✓ 4. ALL DIM. IN INCHES			SCALE	SHEET NO. 107110 DO NOT SCALE DRAWINGS SHEET 1 OF 2
			REV. C	CHANGE LETTER A

107110/A

REVISIONS			107111	A
REV.	DESCRIPTION	CHK	DATE	APPROVED
A	RELEASED TO MFG			

NOTES: UNLESS OTHERWISE SPECIFIED

1. SEE MATERIAL LIST NO. 107111 (SH-2).
2. NOMENCLATURE: HOT STAMP 10 POINT NEWS GOTHIC, COLOR BLACK, CENTERED APPROX AS SHOWN.
3. IDENTIFY PER SDS SPEC 100198.
4. REF DWGS: ASSEMBLY P.W. NO. 107302 SCHEMATIC NO. 107303



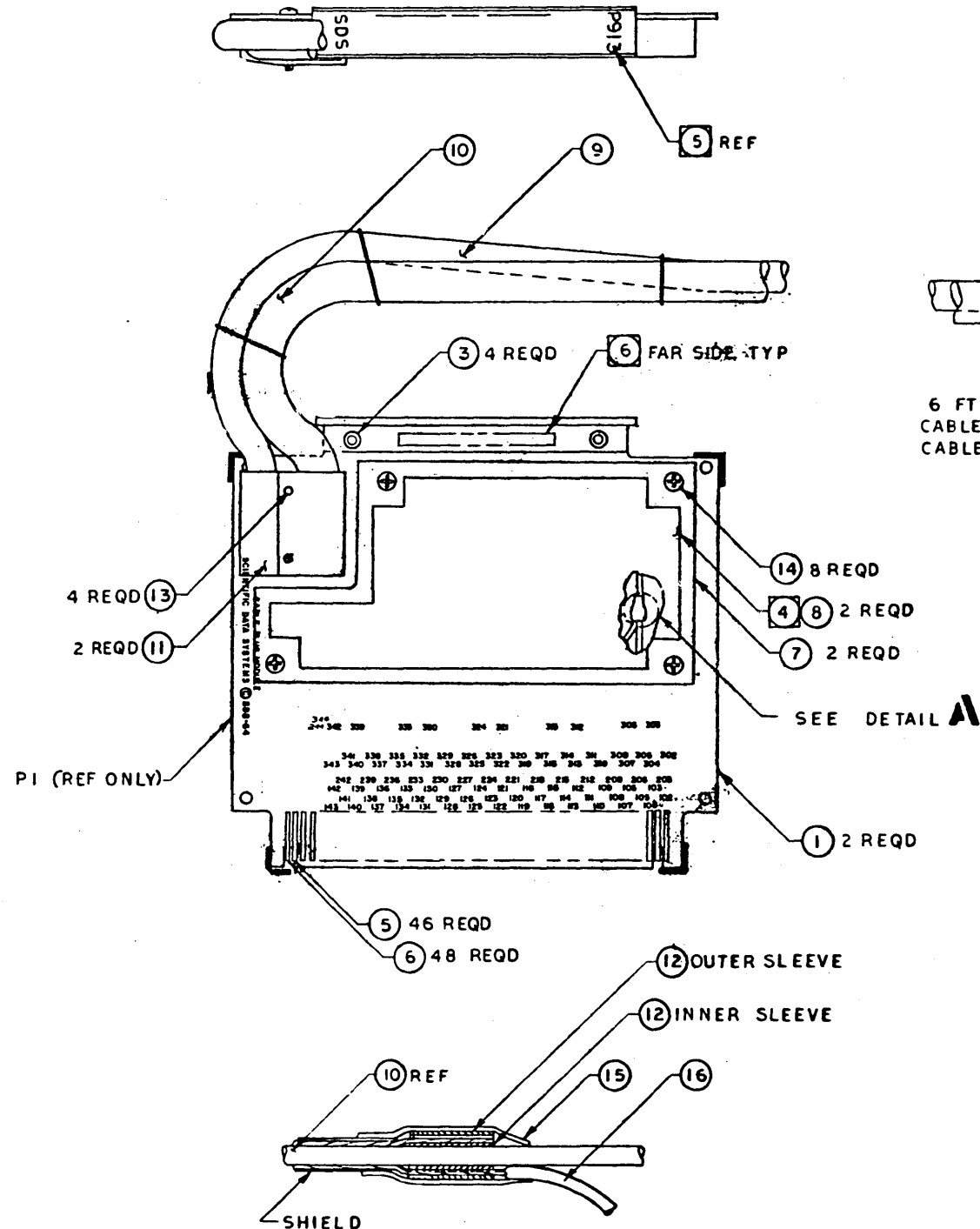
NO. REV.	DRAWING NO.	DESCRIPTION	REFERENCE DESIGNATION	ITEM NO.
MATERIAL LIST				
NOTES UNLESS SPECIFIED		DRAWN <i>E. J. ...</i> 3/18/64	SDS SCIENTIFIC DATA SYSTEMS BOSTON, MASSACHUSETTS	
1. TOLERANCES UNLESS OTHERWISE SPECIFIED SEE 2.510	ANGULAR 2 1/2°	CHECK <i>J. Mac...</i> <i>G. H...</i>	TITLE ASSY, PRINTED WIRING CABLE PLUG MODULE P911-P912	
2. BREAK ALL SHARP EDGES 0.10 APPROX.	3. HATCH SURFACES <i>J</i>	APPR. <i>W. K...</i> <i>G. H...</i>		
4. ALL DIM. IN INCHES			SCALE <i>1/1</i>	DO NOT SCALE DRAWING
MODEL NO. 92200, 92201 & 92202			REV. C	DWG. NO. 107111
NEXT ASSY. 104907, 105113 & 105115				SHEET 1 OF 2

107111 [A]

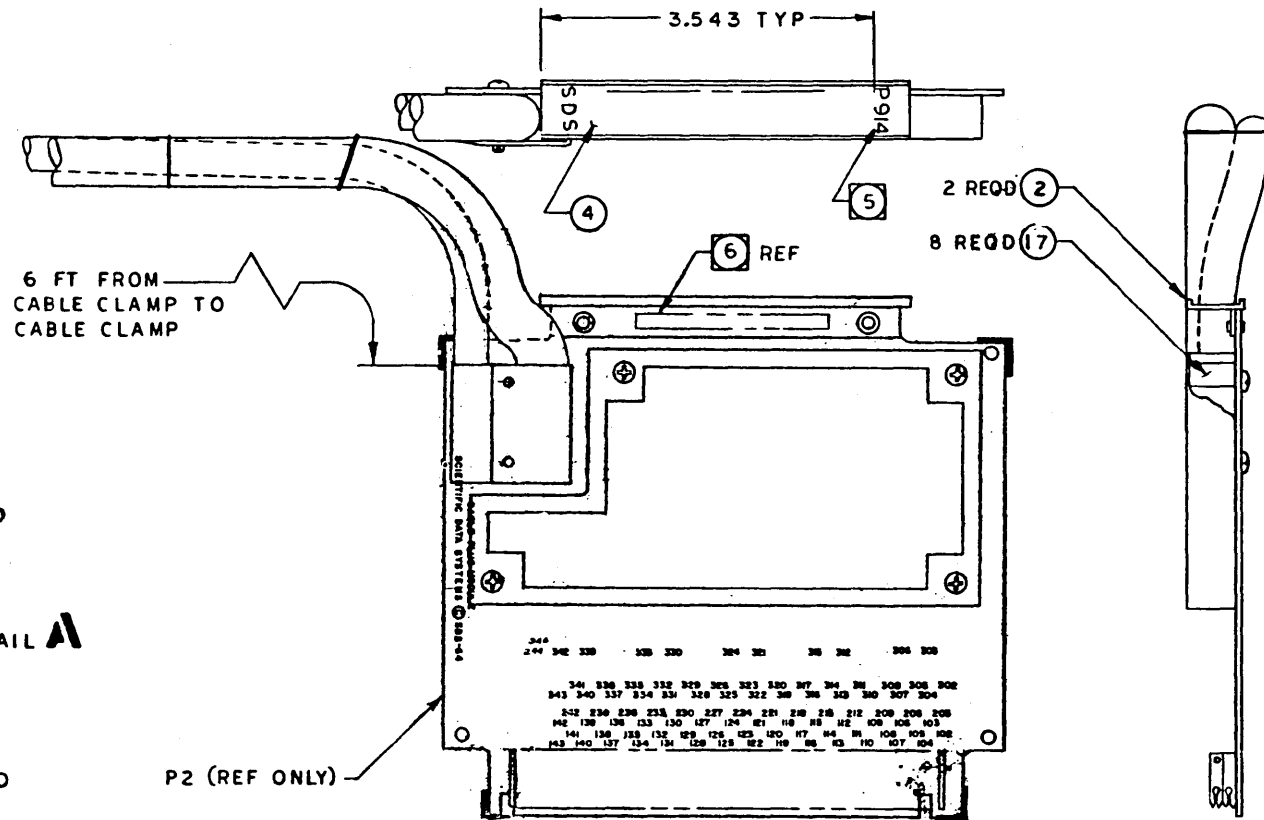
REV. NO.		DESCRIPTION		REVISIONS		107112	A
REV.	NO.	DESCRIPTION	CHK	DATE	APPROVED		
A		RELEASED TO MFG					


- 5 NOMENCLATURE: HOT STAMP 10 POINT NEWS GOTHIC, COLOR BLACK, CENTERED APPROX AS SHOWN.
- 6 IDENTIFY PART PER SDS SPEC 100198.

- NOTES; UNLESS OTHERWISE SPECIFIED
1. SEE MATERIAL LIST NO. 107112 (SH-2).
 2. ASSEMBLY BOARD PER SDS SPEC 100106.
 3. REF DWGS: SCHEMATIC NO. 107300
P. W. BOARD NO. 106419
WIRE LIST NO. 107301
 - 4 BOND TOGETHER WITH AN EPOXY RESIN.



DETAIL A
SCALE 4:1
TYP BOTH ENDS
OF CABLES



NO. REQ.	DRAWING NO.	DESCRIPTION	REFERENCE DESIGNATION	ITEM NO.
MATERIAL LIST				
NOTES UNLESS SPECIFIED		DRAWN <i>W. M. M.</i>	 TITLE ASSY PRINTED WIRING CABLE PLUG MODULE P913-P914	
1. TOLERANCES UNLESS OTHERWISE SPECIFIED		CHECK <i>W. M. M.</i>		
2. BREAK ALL SHARP EDGES AND APPROX.		APPR. <i>W. M. M.</i>		
3. BACK SURFACES			SCALE: 1:1	
4. ALL DIM. IN INCHES			DO NOT SCALE DRAWING	
MODEL NO. 92200.			SIZE D	DWG. NO. 107112
NEXT ASSY. 104907.				CHANGE LETTER A
105113 / 105115				SHEET 1 OF 2

107112 A

MATERIAL LIST

DWG. TITLE
 ASSY, PW CABLE
 PLUG MOD P913/P914



SCIENTIFIC DATA SYSTEMS
 92200

ML

DWG. NO.

107112

A

NO 892201/92202 DATE 5/25 CHECKED 2 BY 2

DWG. NO.

107112

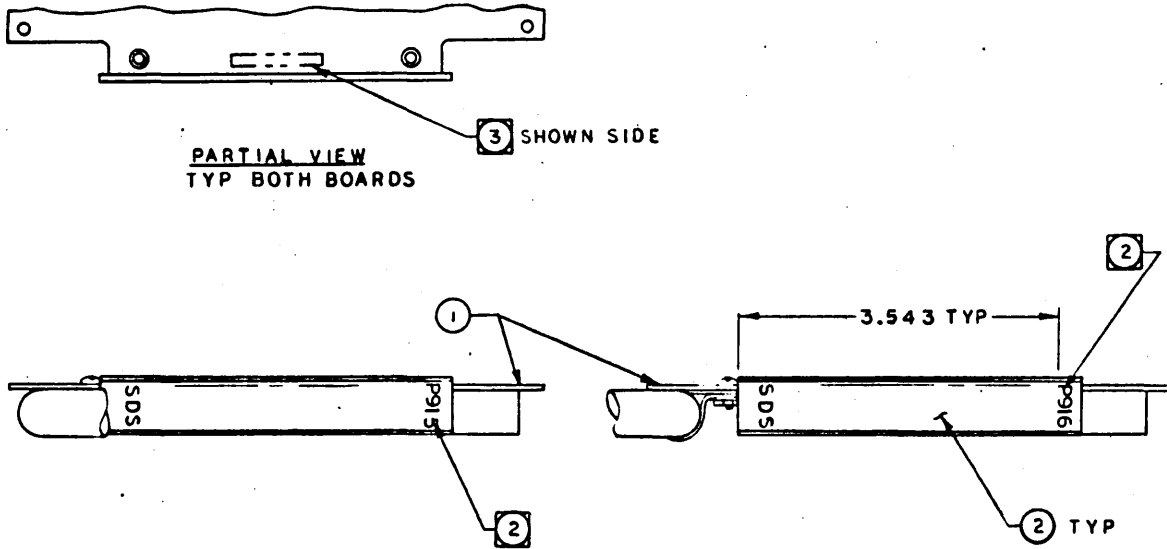
ML

ITEM	DWG. TITLE	DWG. NO.	NO. REQ	REMARKS OR QTY, SPEC.
1	Board, Printed Wiring	106419	2	
2	Handle, Circuit Card	100016	2	
3	Eyelet, Tubular	103896-016	4	
4	Strip, Marker	100197	2	
5	Contact, Conn Upper	100097	46	
6	Contact, Conn Lower	100098	48	
7	Cover, Shield	106791	2	
8	Cover, Shield	107064	2	
9	Cable, Shield #14	101787	8 ft	
10	Cable, Shield #30	102872	8 ft	
11	Clamp, Cable	106802	2	
12	Term. Shield Grd Splice	106428	76	
13	Screw, Pan Hd	100012-310	4	
14	Screw, Flat Hd	100039-203	8	
15	Tubing, Shrinkable	100744-206	30 in	
16	Wire, Solid Teflon Ins	100764-024	30 in	
17	Standoff, Thd Rivet	103320	8	


REVISIONS			107113	A
REV.	DESCRIPTION	CHK	DATE	APPROVED
A	RELEASED TO MFG		12/14/64	WRF

NOTES: UNLESS OTHERWISE SPECIFIED

1. SEE MATERIAL LIST NO. 107113 (SH-2).
2. NOMENCLATURE: HOT STAMP 10 POINT NEWS GOTHIC, COLOR BLACK, CENTERED APPROX AS SHOWN.
3. IDENTIFY PER SDS SPEC 100198.
4. REF DWGS: ASSEMBLY P.W. NO. 107216 SCHEMATIC NO. 107201



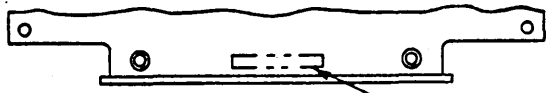
107113 | A |

NO. REV.	DRAWING NO.	DESCRIPTION	REFERENCE DESIGNATION	ITEM NO.
MATERIAL LIST				
NOTES UNLESS SPECIFIED		DRAWN	DATE	 SCIENTIFIC DATA SYSTEMS SANTA MONICA, CALIFORNIA
1. TOLERANCES DE 2.000 ANGULAR 2.5° SUR 2.010 2. BREAK ALL SHARP EDGES .010 APPROX. 3. HAZH. SURFACES ✓ 4. ALL DIM. IN INCHES		CHECK	DATE	
		APPR.	DATE	TITLE
				ASSY, PRINTED WIRING CABLE PLUG MODULE P915-P916
MODEL NO. 92200, 92201 & 92202			SIZE	DRAWING LETTER
NEXT ASSY. 104907, 105113 & 105115			C 107113	
			SCALE 1:1	DO NOT SCALE DRAWING
				SHEET 1 of 2

REVISIONS				107114	A
REV.	DESCRIPTION	CHK	DATE	APPROVED	
A	RELEASED TO MFG				

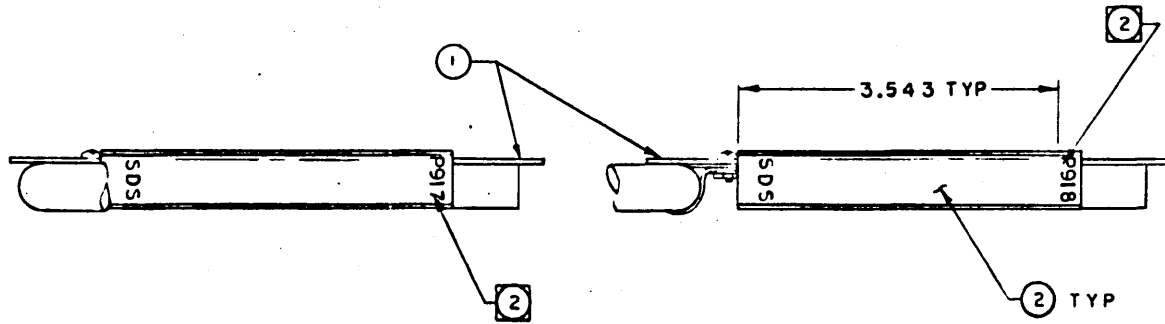
NOTES: UNLESS OTHERWISE SPECIFIED

1. SEE MATERIAL LIST NO.107114 (SH-2).
2. NOMENCLATURE: HOT STAMP 10 POINT NEWS GOTHIC, COLOR BLACK, CENTERED APPROX AS SHOWN.
3. IDENTIFY PER SDS SPEC 100198.
4. REF DWGS: ASSEMBLY P.W. NO.107302 SCHEMATIC NO.107303




PARTIAL VIEW
TYP BOTH BOARDS

3 SHOWN SIDE



107114 | A |

NO. REG.	DRAWING NO.	DESCRIPTION	REFERENCE DESIGNATION	ITEM NO.
MATERIAL LIST				
NOTES UNLESS SPECIFIED		DRAWN	 ASSY, PRINTED WIRING CABLE PLUG MODULE P917-P918	
1. TOLERANCES XX ± .030 ANGULAR YY ± .010 2.5° Z. BREAK ALL SHARP EDGES .010 APPROX. ✓ 3. HACH. SURFACES ✓ 4. ALL DIM. IN INCHES		CHECK		
		APPR.		
MODEL NO. 92200, 92201 ≠ 92202 NEXT ASSY. 104907, 105113 ≠ 105115			SCALE 1/1	DO NOT SCALE DRAWING
			ISSUE C	DWG. NO. 107114
				CHANGES LISTED A
				SHEET 1 OF 2

SDS SCIENTIFIC DATA SYSTEMS
 92200
 NO. 92201/92202 DATE 5/25 ENVT 2 C 2

MATERIAL LIST
 Dwg. No. 107114
 Dwg. Title: ASSY, CABLE PLUG
 MODULE P917-P918

ML Dwg. No. 107114

ITEM	DWG. TITLE	DWG. NO.	NO. REQ.	REMARKS
1	Assy, P. W. Cable Plug Module	107302	1	
2	Strip, Marker	100197	2	

REVISIONS			107643 A	
REV.	DESCRIPTION	CHK	DATE	APPROVED
A	RELEASED TO MFG		2/11/64	AE

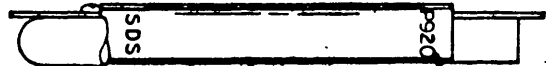
NOTES: UNLESS OTHERWISE SPECIFIED

1. SEE MATERIAL LIST NO. 107643 (SH-2).
2. NOMENCLATURE: HOT STAMP 10 POINT NEWS GOTHIC, COLOR BLACK, CENTERED APPROX AS SHOWN.
3. IDENTIFY PER SDS SPEC 100198.
4. REF DWGS: ASSEMBLY P.W. NO. 107639 SCHEMATIC NO. 107303

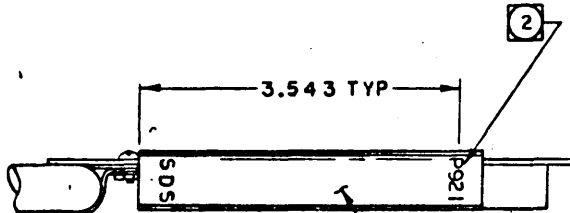


PARTIAL VIEW
TYP BOTH BOARDS

3 SHOWN SIDE



2



2

2 TYP

107643 A

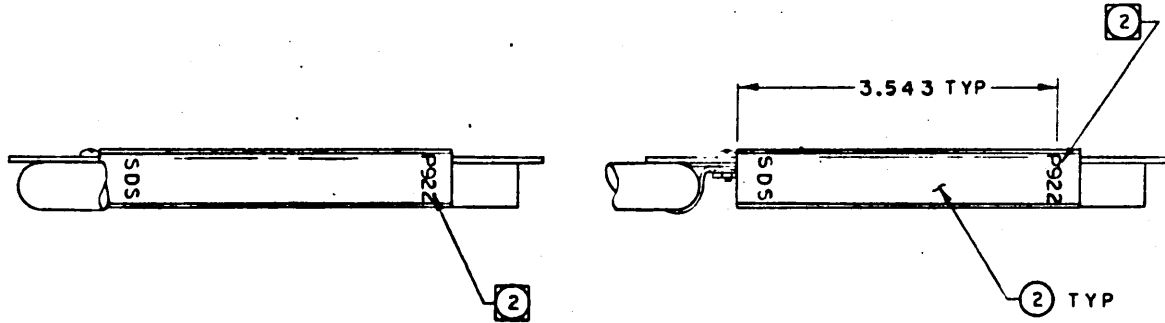
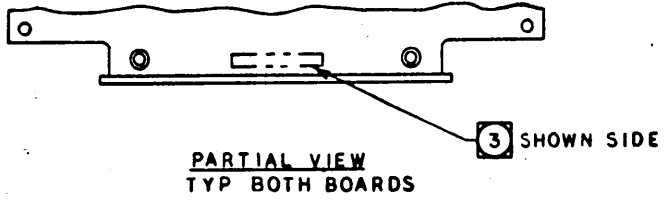
NO. REV.	DRAWING NO.	DESCRIPTION	REFERENCE DESIGNATION	ITEM NO.
NOTES UNLESS SPECIFIED		MATERIAL LIST		
1. TOLERANCES .XX 2.000 ANGULAR .XX 2.010 2 1/2" 2. BREAK ALL SHARP EDGES 3/16 APPROX 3. HATCH SURFACES ✓ 4. ALL DIM. IN INCHES		DRAWN: Evans 4/10/64 CHECK: J. M. [unclear] 6-25-64 APPR: [unclear] 7-9-64	 TITLE: ASSY, PRINTED WIRING CABLE PLUG MODULE (P920-P921)	
MODEL NO. 930/9300		SIZE C	DWG. NO. 107643	CHANGED BY: A
NEXT ASSY.		SCALE: 1/1	DO NOT SCALE DRAWING	SHEET 1 OF 2


DRAWING NO. REV. A	SDS SCIENTIFIC DATA SYSTEMS	MATERIAL LIST			ML	DRAWING NO. 107643	REV. A
		Assy, PW Cable Plug Module DRAWING TITLE (P920-P921)		MODEL NO. 930/9300	DATE 6/23	SHEET 2 OF 2	
DRAWING NO. 107643	ITEM NO.	DRAWING TITLE	DWG. NO.	NO. REQ.	REMARKS ON CKT. DESIG.		
	1	Assy, PW Cable Plug Mod	107639	1			
ML	2	Strip, Marker	100197	2			

REVISIONS				107644	A
REV.	DESCRIPTION	CHK	DATE	APPROVED	
A	RELEASED TO MFG				<i>[Signature]</i>


NOTES: UNLESS OTHERWISE SPECIFIED

1. SEE MATERIAL LIST NO. 107644 (SH-2).
2. NOMENCLATURE; HOT STAMP 10 POINT NEWS GOTHIC, COLOR BLACK, CENTERED APPROX AS SHOWN.
3. IDENTIFY PER SDS SPEC 100198.
4. REF DWGS: ASSEMBLY P.W. NO. 107639 SCHEMATIC NO. 107303



NO. REV.	DRAWING NO.	DESCRIPTION	REFERENCE DESIGNATION	ITEM NO.
MATERIAL LIST				
NOTES UNLESS SPECIFIED		DRAWN <i>[Signature]</i> 6/20/69	 ASSY, PRINTED WIRING CABLE PLUG MODULE (P922-P922)	
1. TOLERANCES .XX ± .010 ANGULAR .XX ± .010 5° 2. BREAK ALL SHARP EDGES .010 APPROX. 3. HATCH SURFACES <i>[Symbol]</i> 4. ALL DIM. IN INCHES		CHECK <i>[Signature]</i> 6-27-69		
MODEL NO.	9300		SIZE C	DWG. NO. 107644
NEXT ASSY.				SCALE 1:1
			DO NOT SCALE DRAWING	SHEET 1 of 2

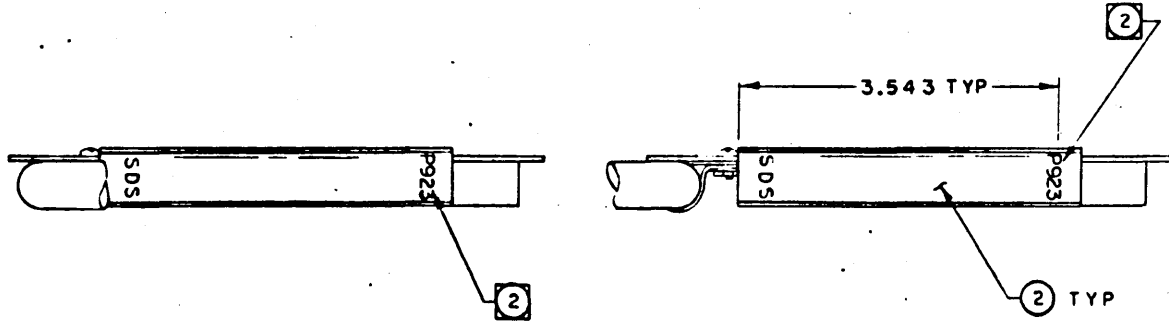
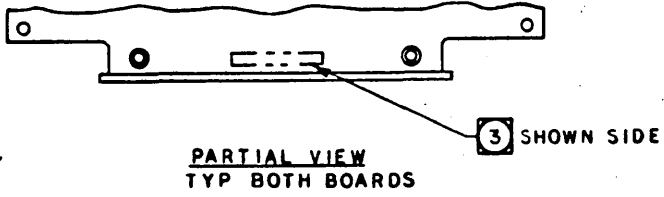
107644 | A |

DRAWING NO. REV.	A	 MATERIAL LIST	ML	DRAWING NO.	REV.	
				107644	A	
DRAWING NO.	107644	Assy, PW Cable Plug Module DRAWING TITLE (P922' - P922) MODEL NO. 9300 DATE 6/23 SHEET 2 OF 2				
		ITEM NO.	DRAWING TITLE	DWG. NO.	NO. REQ.	REMARKS ON CKT. DESIG.
ML		1	Asy. PW Cable Plug Mod	107639	1	
		2	Strip, Marker	100197	2	

REVISIONS				107645	A
REV.	DESCRIPTION	CHK	DATE	APPROVED	
A	RELEASED TO MFG				

NOTES: UNLESS OTHERWISE SPECIFIED

1. SEE MATERIAL LIST NO. 107645 (SH-2).
2. NOMENCLATURE: HOT STAMP 10 POINT NEWS GOTHIC, COLOR BLACK, CENTERED APPROX AS SHOWN.
3. IDENTIFY PER SDS SPEC 100198.
4. REF DWGS: ASSEMBLY P.W. NO. 107639
SCHEMATIC NO. 107303



NO. REV.	DRAWING NO.	DESCRIPTION	REFERENCE DESIGNATION	ITEM NO.
MATERIAL LIST				
NOTES UNLESS SPECIFIED		DRAWN	 SDS SCIENTIFIC DATA SYSTEMS SANTA MONICA, CALIFORNIA	
1. TOLERANCES XX ± 0.00 ANGULAR .XX ± 0.01 2.75		CHECK		
2. BREAK ALL SHARP EDGES .010 APPROX. 3. HATCH SURFACES ✓ 4. ALL DIM. IN INCHES		APPR.		
MODEL NO. 9300		TITLE		CHANGE LETTER
NEXT ASBY.		ASSY, PRINTED WIRING CABLE PLUG MODULE (P923-P923)		A
		SCALE 1:1	DO NOT SCALE DRAWING	SHEET 1 OF 2

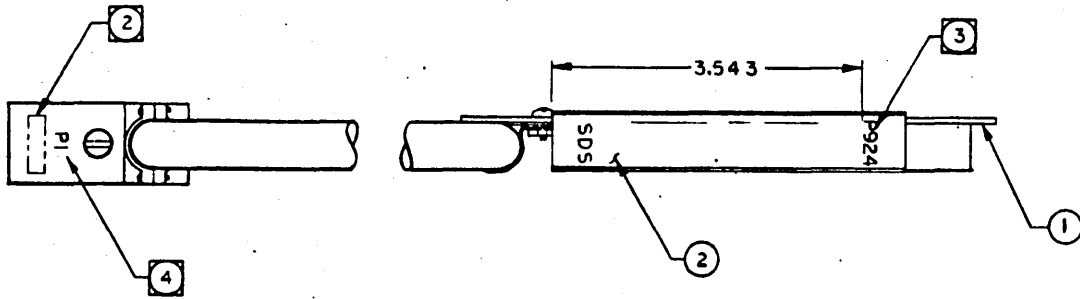
107645 | A


REV.	A	SDS SCIENTIFIC DATA SYSTEMS			<u>MATERIAL LIST</u>		ML	DRAWING NO.	REV.
DRAWING NO.	107645	Assy, PW Cable Plug Module DRAWING TITLE <u>(P923-P923)</u>				MODEL NO. <u>9300</u>	DATE <u>6/23</u>	SHEET <u>2</u> OF <u>2</u>	
DRAWING NO.	107645	ML	ITEM NO.	DRAWING TITLE	DWG. NO.	NO. REQ.	REMARKS ON CKT. DESIG.		
			1	Assy, PW Cable Plug Mod	107639	1			
			2	Strip, Marker	100197	2			

REVISIONS			107204	B
REV.	DESCRIPTION	CHK	DATE	APPROVED
A	RELEASED TO MFG		5/19/64	[Signature]
B	SEE REV E.O.		7/6/64	[Signature]


NOTES: UNLESS OTHERWISE SPECIFIED

1. SEE MATERIAL LIST NO.107204 (SH 2).
 - 2 IDENTIFY PART PER SDS SPEC 100198.
 - 3 NOMENCLATURE: HOT STAMP 10 POINT NEWS GOTHIC, COLOR BLACK, CENTERED APPROX AS SHOWN.
 - 4 RUBBER STAMP CHARACTERS, (12 HIGH, COLOR BLACK), PER SDS SPEC 101624.
5. REF DWGS: ASSEMBLY P.W. NO.107638
SCHEMATIC NO.107200



NO. REQ.	DRAWING NO.	DESCRIPTION	REFERENCE DESIGNATION	ITEM NO.
MATERIAL LIST				
NOTES UNLESS SPECIFIED		DRAWN <i>Evans</i> 5/19/64	 SDS SCIENTIFIC DATA SYSTEMS SANTA MONICA, CALIFORNIA	
1 TOLERANCES XX ± .030 ANGULAR XX ± .010 2 BREAK ALL SHARP EDGES .010 APPROX. 3 WASH SURFACES ✓ 4 ALL DIM. IN INCHES		CHECK <i>J. Mastin</i> 4/5/64		
		APPR. <i>X. Dinnin</i> 7/6/64	TITLE ASSY PRINTED WIRING CABLE PLUG MODULE (PI - P924)	
MODEL NO.	9300		SIZE C	DWG. NO. 107204
NEXT ASSY.	100852			CHANGE LETTER B
SCALE 1:1			DO NOT SCALE DRAWING	SHEET 1 OF 3

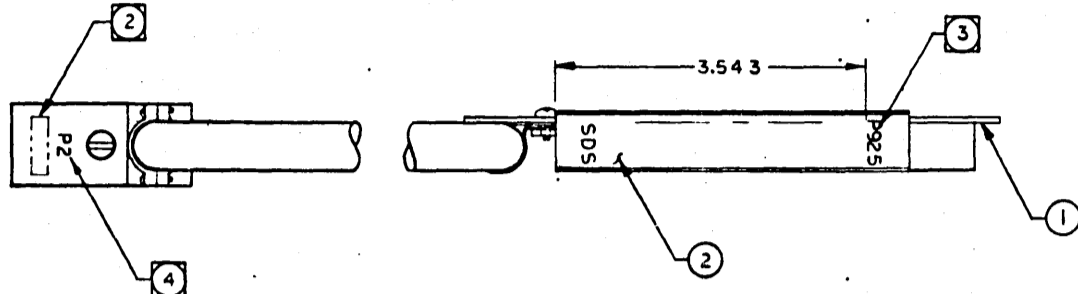
107204 | R |


DRAWING NO. REV.	B	 MATERIAL LIST	ML	DRAWING NO.	REV.																																																																																																																																																																																																																																
			107204	B																																																																																																																																																																																																																																	
DRAWING NO. REV.	107204	Assy, PW DRAWING TITLE <u>Cable Plug Module Pl-P924</u> MODEL NO. <u>9300</u> DATE <u>7/20/4</u> SHEET <u>2</u> OF <u>2</u>																																																																																																																																																																																																																																			
ML		<table border="1" style="width: 100%; border-collapse: collapse;"> <thead> <tr> <th style="width: 5%;">ITEM NO.</th> <th style="width: 65%;">DRAWING TITLE</th> <th style="width: 10%;">DWG. NO.</th> <th style="width: 8%;">NO. REQ.</th> <th style="width: 12%;">REMARKS ON CKT. DESIG.</th> </tr> </thead> <tbody> <tr> <td style="text-align: center;">1</td> <td>Assy, Printed Wiring CP ^{Mod}</td> <td style="text-align: center;">107638</td> <td style="text-align: center;">1</td> <td></td> </tr> <tr> <td style="text-align: center;">2</td> <td>Strip, Marker</td> <td style="text-align: center;">100197</td> <td style="text-align: center;">1</td> <td></td> </tr> <tr><td> </td><td> </td><td> </td><td> </td><td> </td></tr> <tr><td> </td><td> </td><td> </td><td> </td><td> </td></tr> <tr><td> </td><td> </td><td> </td><td> </td><td> </td></tr> <tr><td> </td><td> </td><td> </td><td> </td><td> </td></tr> <tr><td> </td><td> </td><td> </td><td> </td><td> </td></tr> <tr><td> </td><td> </td><td> </td><td> </td><td> </td></tr> <tr><td> </td><td> </td><td> </td><td> </td><td> </td></tr> <tr><td> </td><td> </td><td> </td><td> </td><td> </td></tr> <tr><td> </td><td> </td><td> </td><td> </td><td> </td></tr> <tr><td> </td><td> </td><td> </td><td> </td><td> </td></tr> <tr><td> </td><td> </td><td> </td><td> </td><td> </td></tr> <tr><td> </td><td> </td><td> </td><td> </td><td> </td></tr> <tr><td> </td><td> </td><td> </td><td> </td><td> </td></tr> <tr><td> </td><td> </td><td> </td><td> </td><td> </td></tr> <tr><td> </td><td> </td><td> </td><td> </td><td> </td></tr> <tr><td> </td><td> </td><td> </td><td> </td><td> </td></tr> <tr><td> </td><td> </td><td> </td><td> </td><td> </td></tr> <tr><td> </td><td> </td><td> </td><td> </td><td> </td></tr> <tr><td> </td><td> </td><td> </td><td> </td><td> </td></tr> <tr><td> </td><td> </td><td> </td><td> </td><td> </td></tr> <tr><td> </td><td> </td><td> </td><td> </td><td> </td></tr> <tr><td> </td><td> </td><td> </td><td> </td><td> </td></tr> <tr><td> </td><td> </td><td> </td><td> </td><td> </td></tr> <tr><td> </td><td> </td><td> </td><td> </td><td> </td></tr> <tr><td> </td><td> </td><td> </td><td> </td><td> </td></tr> <tr><td> </td><td> </td><td> </td><td> </td><td> </td></tr> <tr><td> </td><td> </td><td> </td><td> </td><td> </td></tr> <tr><td> </td><td> </td><td> </td><td> </td><td> </td></tr> <tr><td> </td><td> </td><td> </td><td> </td><td> </td></tr> <tr><td> </td><td> </td><td> </td><td> </td><td> </td></tr> <tr><td> </td><td> </td><td> </td><td> </td><td> </td></tr> <tr><td> </td><td> </td><td> </td><td> </td><td> </td></tr> <tr><td> </td><td> </td><td> </td><td> </td><td> </td></tr> <tr><td> </td><td> </td><td> </td><td> </td><td> </td></tr> <tr><td> </td><td> </td><td> </td><td> </td><td> </td></tr> <tr><td> </td><td> </td><td> </td><td> </td><td> </td></tr> <tr><td> </td><td> </td><td> </td><td> </td><td> </td></tr> <tr><td> </td><td> </td><td> </td><td> </td><td> </td></tr> <tr><td> </td><td> </td><td> </td><td> </td><td> </td></tr> <tr><td> </td><td> </td><td> </td><td> </td><td> </td></tr> <tr><td> </td><td> </td><td> </td><td> </td><td> </td></tr> <tr><td> </td><td> </td><td> </td><td> </td><td> </td></tr> </tbody> </table>	ITEM NO.	DRAWING TITLE	DWG. NO.	NO. REQ.	REMARKS ON CKT. DESIG.	1	Assy, Printed Wiring CP ^{Mod}	107638	1		2	Strip, Marker	100197	1																																																																																																																																																																																																																					
ITEM NO.	DRAWING TITLE	DWG. NO.	NO. REQ.	REMARKS ON CKT. DESIG.																																																																																																																																																																																																																																	
1	Assy, Printed Wiring CP ^{Mod}	107638	1																																																																																																																																																																																																																																		
2	Strip, Marker	100197	1																																																																																																																																																																																																																																		

REVISIONS				107205	B
REV.	DESCRIPTION	CHK	DATE	APPROVED	
A	RELEASED TO MFG				
B	SEE REV E.O.				

NOTES: UNLESS OTHERWISE SPECIFIED

1. SEE MATERIAL LIST NO. 107205 (SH 2).
2. IDENTIFY PART PER SDS SPEC 100198.
3. NOMENCLATURE: HOT STAMP 10 POINT NEWS GOTHIC, COLOR BLACK, CENTERED APPROX AS SHOWN.
4. RUBBER STAMP CHARACTERS, (.12 HIGH, COLOR BLACK), PER SDS SPEC 101624.
5. REF DWGS: ASSEMBLY P.W. NO. 107638
SCHEMATIC NO. 107200



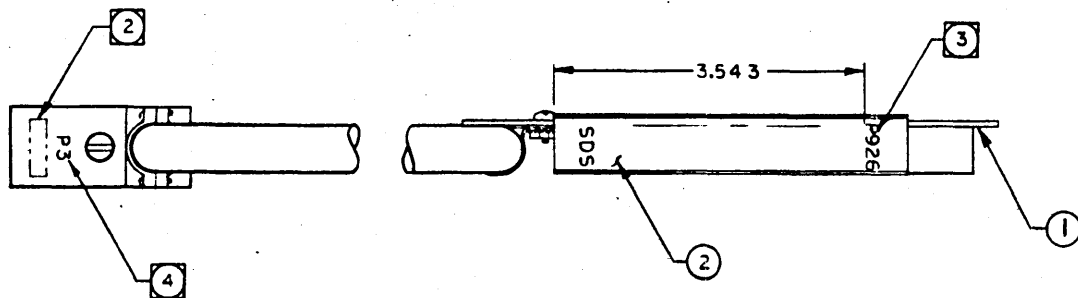
NO. REG.	DRAWING NO.	DESCRIPTION	REFERENCE DESIGNATION	ITEM NO.
		MATERIAL LIST		
NOTES UNLESS SPECIFIED		DRAWN <i>Evans</i> 5/14/64	 TITLE ASSY PRINTED WIRING CABLE PLUG MODULE (P2-P925)	
1. TOLERANCES XX ± .000 ANGULAR SEE 2.010 2X		CHECK <i>W. Maste</i>		
2. BREAK ALL SHARP EDGES .015 APPROX.		APPR. <i>K. Dinnel</i> 7/6/64		
3. MACH. SURFACES ✓			SCALE 1:1	DO NOT SCALE DRAWING
4. ALL DIM. IN INCHES				
MODEL NO.	9300		SIZE C	DWG. NO. 107205
NEXT ASSY.	102852			CHANGE LETTER B
				SHEET 1 OF 2

107205 B

REVISIONS				107206
REV.	DESCRIPTION	CHEK	DATE	APPROVED
A	RELEASED TO MFG			
B	SEE REV E0			

NOTES: UNLESS OTHERWISE SPECIFIED

1. SEE MATERIAL LIST NO.107206 (SH 2).
- 2 IDENTIFY PART PER SDS SPEC 100198.
- 3 NOMENCLATURE: HOT STAMP 10 POINT NEWS GOTHIC, COLOR BLACK, CENTERED APPROX AS SHOWN.
- 4 RUBBER STAMP CHARACTERS, (.12 HIGH, COLOR BLACK), PER SDS SPEC 101624.
5. REF DWGS: ASSEMBLY P.W. NO.107638 SCHEMATIC NO.107200



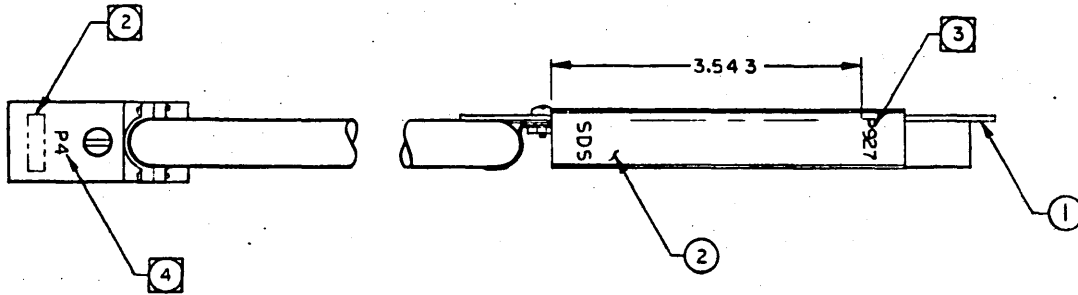
NO. REQ.	DRAWING NO.	DESCRIPTION	REFERENCE DESIGNATION	ITEM NO.
NOTES UNLESS SPECIFIED				
1 TOLERANCES SEE 2.000 ANGULAR SEE 2.010 ±.15°		2 BREAK ALL SHARP EDGES .010 APPROX.	3 MACH. SURFACES ✓	4. ALL DIM. IN INCHES
MODEL NO. 9300		SCALE 1:1	DO NOT SCALE DRAWINGS	SHEET 1 OF 1
NEXT ASSY. 102852		TITLE ASSY PRINTED WIRING CABLE PLUG MODULE (P3 P926)		
DRAWN EVANS 5/11/64		CHECK J. M. M. 7/16/64	SDS SCIENTIFIC DATA SYSTEMS SANTA MONICA, CALIFORNIA	
APPR. K. DIMON 7/16/64		SIZE C		DWG. NO. 107206
				CHANGE LETTER B

107206 B

REVISIONS				107207	P2
REV.	DESCRIPTION	CHK.	DATE	APPROVED	
A	RELEASED TO MFG				
B	SEE REV E0				

NOTES: UNLESS OTHERWISE SPECIFIED

1. SEE MATERIAL LIST NO. 107207 (SH 2).
2. IDENTIFY PART PER SDS SPEC 100198.
3. NOMENCLATURE: HOT STAMP 10 POINT NEWS GOTHIC, COLOR BLACK, CENTERED APPROX AS SHOWN.
4. RUBBER STAMP CHARACTERS, (.12 HIGH, COLOR BLACK), PER SDS SPEC 101624.
5. REF DWGS: ASSEMBLY P.W. NO. 107638
SCHEMATIC NO. 107200



NO. REV.	DRAWING NO.	DESCRIPTION	REFERENCE DESIGNATION	ITEM NO.
		MATERIAL LIST		
NOTES UNLESS SPECIFIED		DRAWN	Evans	5/19/64
1. TOLERANCES ±.030 ANGULAR ±.010 ±.5°		CHECK	J. Martin	6/21/64
2. BREAK ALL SHARP EDGES 0.10 APPROX.		APPR.	K. J. [Signature]	7/16/64
3. MACH. SURFACES ✓		TITLE		
4. ALL DIM. IN INCHES		ASSY PRINTED WIRING CABLE PLUG MODULE (P4 P927)		
MODEL NO.	9300	SIZE	C	DWG. NO.
NEXT ASSY.	100852			107207
		SCALE	1:1	DO NOT SCALE DRAWING
				SHEET 1 OF 1

107207 B

**MATERIAL LIST**

ML

DRAWING NO.

REV.

107207

B

Assy, PW
 DRAWING TITLE Cable Plug Module P4-P927 MODEL NO. 9300 DATE 7/20/4 SHEET 2 OF 2

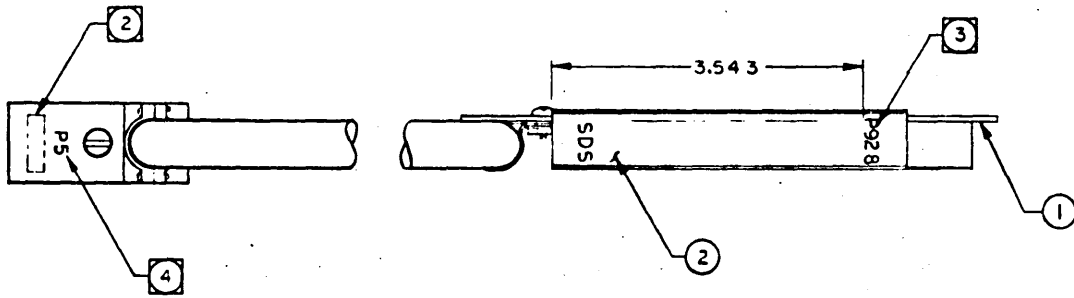
 REV. B
 DRAWING NO. 107207
 ML


ITEM NO.	DRAWING TITLE	DWG. NO.	NO. REQ.	REMARKS ON CKT. DESIG.
1	Mod Assy, Printed Wiring CP	107638	1	
2	Strip, Marker	100197	1	

REVISIONS			107208	B
REV.	DESCRIPTION	CHK	DATE	APPROVED
A	RELEASED TO MFG		11/11/64	VAD-764
B	SEE REV E O		11/23/64	VAD-1714

NOTES: UNLESS OTHERWISE SPECIFIED

1. SEE MATERIAL LIST NO.107208 (SH 2).
- 2 IDENTIFY PART PER SDS SPEC 100198.
- 3 NOMENCLATURE: HOT STAMP 10 POINT NEWS GOTHIC, COLOR BLACK, CENTERED APPROX AS SHOWN.
- 4 RUBBER STAMP CHARACTERS, (12 HIGH, COLOR BLACK), PER SDS SPEC 101624.
5. REF DWGS: ASSEMBLY P.W. NO.107638
SCHEMATIC NO.107200



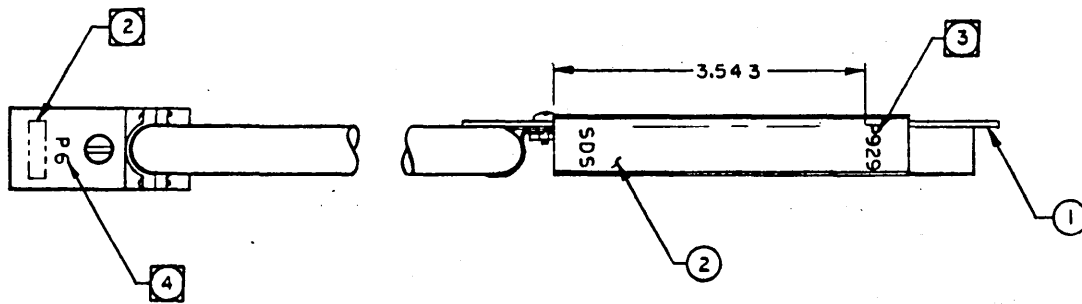
NO. REV.	DRAWING NO.	DESCRIPTION	REFERENCE DESIGNATION	ITEM NO.
		MATERIAL LIST		
NOTES UNLESS SPECIFIED		DRAWN <i>Evans</i> 5/11/64	 SDS SCIENTIFIC DATA SYSTEMS SANTA MONICA, CALIFORNIA	
1 TOLERANCES .001 .030 ANGULAR .002 .010 2 1/2°		CHECK <i>D. Motta</i> 6/1/64		
2 BREAK ALL SHARP EDGES 3/16 APPROX.		APPR. <i>K. D. DUNN</i> 7/18/64		
3 MACH. SURFACES ✓		TITLE ASSY PRINTED WIRING CABLE PLUG MODULE (P5 - P928)		
4 ALL DIM. IN INCHES				
MODEL NO.	9300	SIZE	DWG. NO.	CHANGE LETTER
WORK ASSY.	104852	C	107208	B
		SCALE 1:1	DO NOT SCALE DRAWING	SHEET 1 OF 1

1107208 | B

REVISIONS				107209	B
REV.	DESCRIPTION	CHK	DATE	APPROVED	
A	RELEASED TO MFG		6/11/64	[Signature]	
B	SEE REV E O		7/12/64	[Signature]	


NOTES: UNLESS OTHERWISE SPECIFIED

1. SEE MATERIAL LIST NO. 107209 (SH 2).
2. IDENTIFY PART PER SDS SPEC 100198.
3. NOMENCLATURE: HOT STAMP 10 POINT NEWS GOTHIC, COLOR BLACK, CENTERED APPROX AS SHOWN.
4. RUBBER STAMP CHARACTERS, (12 HIGH, COLOR BLACK), PER SDS SPEC 101624.
5. REF DWGS: ASSEMBLY P.W. NO. 107638
SCHEMATIC NO. 107200



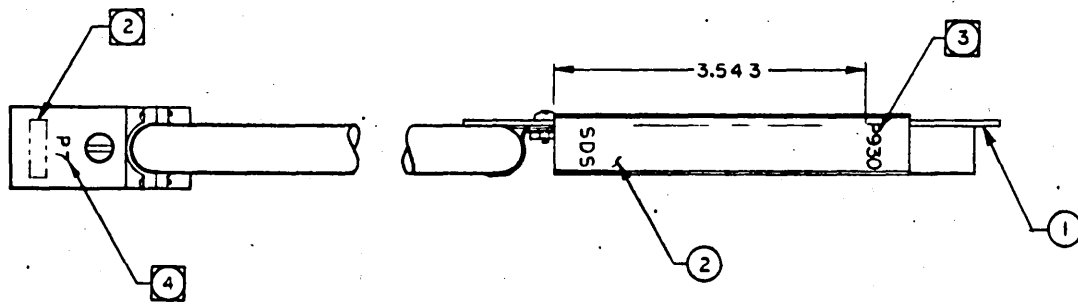
NO. REV.	DRAWING NO.	DESCRIPTION	REFERENCE DESIGNATION	ITEM NO.
NOTES UNLESS SPECIFIED				
1. TOLERANCES UNLESS OTHERWISE SPECIFIED		DRAWN	Evans	5/11/64
2. BREAK ALL SHARP EDGES 0.10 APPROX.		CHECK	J. Master	6/11/64
3. MACH. SURFACES		APPR.	K. Dinnel	7/12/64
4. ALL DIM. IN INCHES		TITLE		
MODEL NO. 9300		ASSY PRINTED WIRING CABLE PLUG MODULE (P6-P929)		
NEXT REV. 102852		SIZE	C	DWG. NO. 107209
		SCALE	1:1	SHEET 1 OF 2

107209 B

DRAWING NO. REV.	B	 SCIENTIFIC DATA SYSTEMS		<u>MATERIAL LIST</u>			ML	DRAWING NO.	REV.
		Assy, PW DRAWING TITLE <u>Cable Plug Module P6-P929</u> MODEL NO. <u>9300</u> DATE <u>7/20/4</u> SHEET <u>2</u> OF <u>2</u>							
107209	ML	ITEM NO.	DRAWING TITLE	DWG. NO.	NO. REQ.	REMARKS ON CKT. DESIG.			
		1	Assy, Printed Wiring CP ^{Mod}	107638	1				
		2	Strip, Marker	100197	1				


REVISIONS				107210	A
REV.	DESCRIPTION	CHK	DATE	APPROVED	
A	RELEASED TO MFG		4/27/64		
B	SEE REV E.O.		7/16/64		

- NOTES: UNLESS OTHERWISE SPECIFIED
1. SEE MATERIAL LIST NO.107210 (SH 2).
 2. IDENTIFY PART PER SDS SPEC 100198.
 3. NOMENCLATURE: HOT STAMP 10 POINT NEWS GOTHIC, COLOR BLACK, CENTERED APPROX AS SHOWN.
 4. RUBBER STAMP CHARACTERS, (12 HIGH, COLOR BLACK), PER SDS SPEC 101624.
 5. REF DWGS: ASSEMBLY P.W. NO.107638 SCHEMATIC NO.107200



107210 B

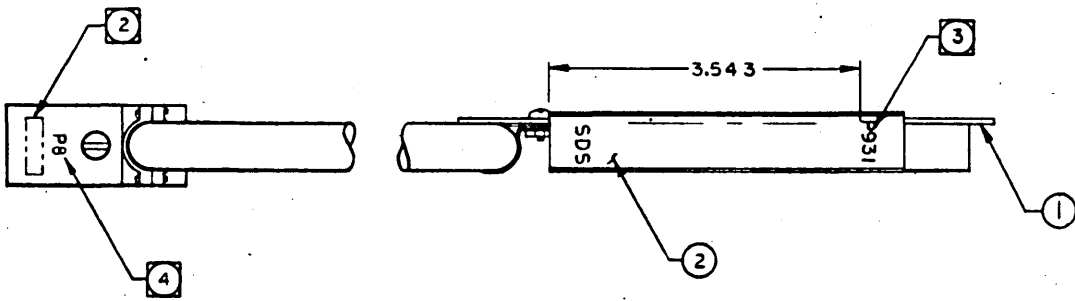
NO. REV.	DRAWING NO.	DESCRIPTION	REFERENCE DESIGNATION	FORM NO.
NOTES UNLESS SPECIFIED		MATERIAL LIST		
1. TOLERANCES .001 ± .001 ANGULAR .002 ± .010 ± 1/16" 2. BREAK ALL SHARP EDGES 3/16 APPROX. 3. MACH. SURFACES ✓ 4. ALL DIM. IN INCHES		DRAWN Evans 5/11/64 CHECK J. Madala 4/25/64 APPR. V. J. J. 7/16/64	SDS SCIENTIFIC DATA SYSTEMS SANTA MONICA, CALIFORNIA	
MODEL NO. 9300		TITLE ASSY PRINTED WIRING CABLE PLUG MODULE (P7-P930)		
NEXT ASSY. 107852		SIZE C	DWG. NO. 107210	FORM NO. B
		SCALE 1:1	DO NOT SCALE DRAWING	SHEET 1 OF 2


DRAWING NO. REV.		 SCIENTIFIC DATA SYSTEMS	MATERIAL LIST			DRAWING NO. REV.	
107210 B			Assy, PW Cable, Plug Module P7-P930			107210	B
DRAWING NO. REV.		DRAWTITLE	MODEL NO.	DATE	SHEET OF		
107210		107210	9300	7/20/4	2 OF 2		
ML		ITEM NO.	DRAWING TITLE	DWG. NO.	NO. REQ.	REMARKS ON CKT. DESIG.	
		1	Mod Assy, Printed Wiring CP	107638	1		
		2	Strip, Marker	100197	1		

REVISIONS			107211	B
REV.	DESCRIPTION	CHK	DATE	APPROVED
A	RELEASED TO MFG		7/16/64	W.F. 7/16/64
B	SEE REV E O		7/16/64	W.F. 7/16/64


NOTES: UNLESS OTHERWISE SPECIFIED

1. SEE MATERIAL LIST NO. 107211 (SH 2).
2. IDENTIFY PART PER SDS SPEC 100198.
3. NOMENCLATURE: HOT STAMP 10 POINT NEWS GOTHIC, COLOR BLACK, CENTERED APPROX AS SHOWN.
4. RUBBER STAMP CHARACTERS, (.12 HIGH, COLOR BLACK), PER SDS SPEC 101624.
5. REF DWGS: ASSEMBLY P.W. NO. 107638
SCHEMATIC NO. 107200



NO. REV.	DRAWING NO.	DESCRIPTION	REFERENCE DESIGNATION	ITEM NO.
MATERIAL LIST				
NOTES UNLESS SPECIFIED		DRAWN	5/11/64	 SCIENTIFIC DATA SYSTEMS SANTA MONICA, CALIFORNIA
1. TOLERANCES 32 ±.005 ANGULAR SEE 2 Q18 ±.01°		CHECK	7/16/64	
2. BREAK ALL SHARP EDGES .018 APPROX.		APPR.	7/16/64	
3. HATCH SURFACES ✓				TITLE
4. ALL DIM. IN INCHES				ASSY PRINTED WIRING CABLE PLUG MODULE (P8-P931)
MODEL NO.	9300	REV.	C	DWG. NO.
NEXT ASSY.	104852			107211
		SCALE	1:1	DO NOT SCALE DRAWING
				SHEET 1 OF 2

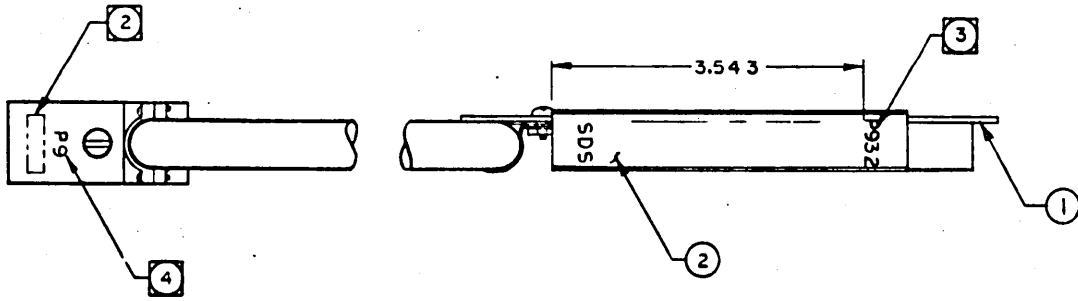
107211 B


ML	DRAWING NO.	REV.	 MATERIAL LIST	ML	DRAWING NO.	REV.
	107211	B		107211	B	
DRAWING TITLE: <u>Assy, PW Cable Plug Module P8-P931</u> MODEL NO. <u>9300</u> DATE <u>7/20/4</u> SHEET <u>2</u> OF <u>2</u>						
	ITEM NO.	DRAWING TITLE	DWG. NO.	NO. REQ.	REMARKS ON CKT. DESIG.	
	1	Assy, Printed Wiring CP ^{Mod}	107638	1		
	2	Strip, Marker	100197	1		

REVISIONS			107212	E
REV.	DESCRIPTION	CHK.	DATE	APPROVED
A	RELEASED TO MFG	[Signature]	4/25/64	[Signature]
B	SEE REV E O	[Signature]	7/6/64	[Signature]

NOTES: UNLESS OTHERWISE SPECIFIED

1. SEE MATERIAL LIST NO. 107212 (SH 2).
2. IDENTIFY PART PER SDS SPEC 100198.
3. NOMENCLATURE: HOT STAMP 10' POINT NEWS GOTHIC, COLOR BLACK, CENTERED APPROX AS SHOWN.
4. RUBBER STAMP CHARACTERS, (.12 HIGH, COLOR BLACK), PER SDS SPEC 101624.
5. REF DWGS: ASSEMBLY P.W. NO. 107638
SCHEMATIC NO. 107200



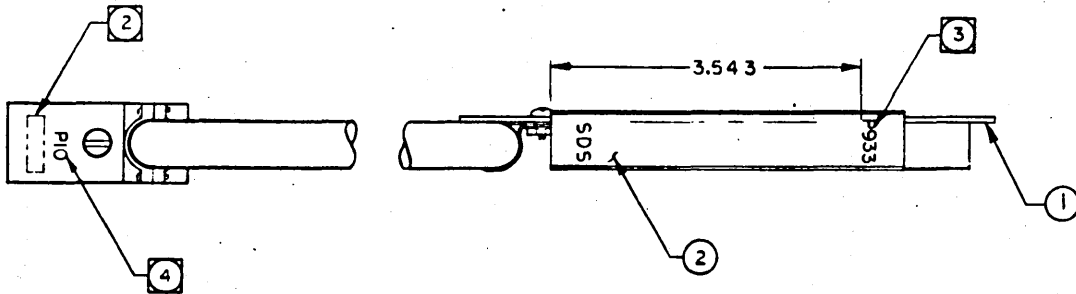
NO. REV.	DRAWING NO.	DESCRIPTION	REFERENCE DESIGNATION	ITEM NO.
MATERIAL LIST				
NOTES UNLESS SPECIFIED		DRAWN	5/11/64	
1. TOLERANCES SEE 2.010 ANGULAR SEE 2.010 2 1/2"		CHECK	4/25/64	
2. BREAK ALL SHARP EDGES .010 APPROX.		APPR.	7/6/64	
3. MACH. SURFACES ✓				
4. ALL DIM. IN INCHES				
MODEL NO. 9300		 ASSY PRINTED WIRING CABLE PLUG MODULE (P9-P932)		
WORK ADV. 102852		SIZE	C	SDS NO. 107212
		SCALE	1:1	LETTER B
		DO NOT SCALE DRAWINGS		SHEET 1 OF 2


107212 R

REVISIONS				107213	E
REV.	DESCRIPTION	CHK	DATE	APPROVED	
A	RELEASED TO MFG		4/16/64		
B	SEE REV E O		4/16/64		

NOTES: UNLESS OTHERWISE SPECIFIED

1. SEE MATERIAL LIST NO. 107213 (SH 2).
2. IDENTIFY PART PER SDS SPEC 100198.
3. NOMENCLATURE: HOT STAMP 10 POINT NEWS GOTHIC, COLOR BLACK, CENTERED APPROX AS SHOWN.
4. RUBBER STAMP CHARACTERS, (.12 HIGH, COLOR BLACK), PER SDS SPEC 101624.
5. REF DWGS: ASSEMBLY P.W. NO. 107638
SCHEMATIC NO. 107200



NO. REV.	DRAWING NO.	DESCRIPTION	REFERENCE DESIGNATION	ITEM NO.
MATERIAL LIST				
NOTES UNLESS SPECIFIED		DRAWN: Evans 5/11/64	 ASSY PRINTED WIRING CABLE PLUG MODULE (PI0-P933)	
1. TOLERANCES XX ±.010 ANGLULAR XXX ±.010 2 1/2°		CHECK: masto 4/16/64		
2. BREAK ALL SHARP EDGES 0.10 APPROX.		APPR: K. SIMON 4/16/64		
3. MACH. SURFACES ✓			TITLE	
4. ALL DIM. IN INCHES			C 107213 B	
MODEL NO.	9300		DO NOT SCALE DRAWING	
NEXT ASSY.	102852		SHEET 1 OF 2	

107213 B

DRAWING TITLE: Assy PW Cable Plug Module P10-P933 MODEL NO. 9300 DATE 7/20/4 SHEET 2 OF 2

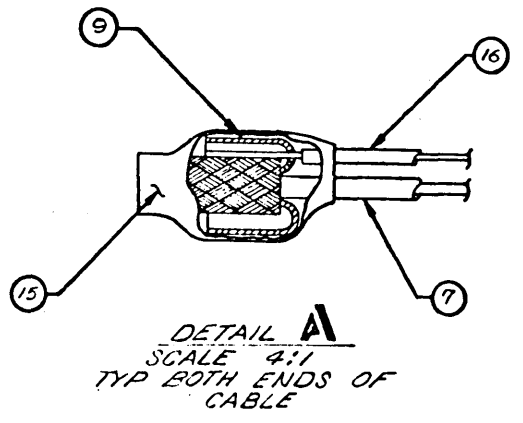
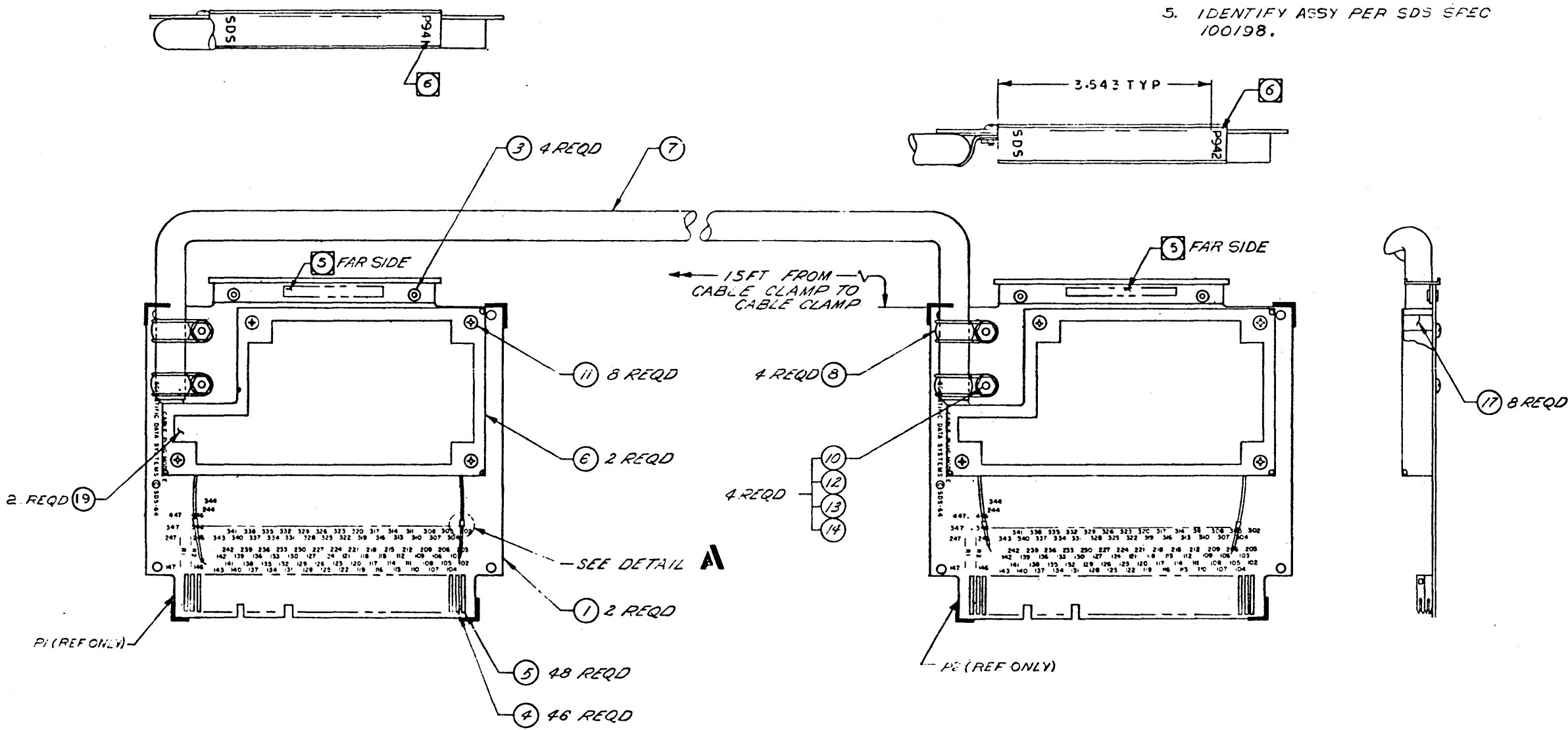
ITEM NO.	DRAWING TITLE	DWG. NO.	NO. REQ.	REMARKS ON CKT. DESIG.
1	Assy, Printed Wiring CP ^{Mod}	107638	1	
2	Strip, Marker	100197	1	

REVISIONS			
REV.	DESCRIPTION	CHK	DATE
A	RELEASED TO MFG		10/1/68

① NOMENCLATURE: HOT STAMP 10 POINT NEWS GOTHIC, GOLD BLACK, CENTERED APPROX AS SHOWN.

NOTES: UNLESS OTHERWISE SPECIFIED

1. SEE MATERIAL LIST NO. 107693 (SH2)
2. ASSEMBLE BOARD PER SDS SPEC 100106.
3. REF DWGS: SCHEMATIC NO 107201
P.W. BOARD NO. 106858
WIRE LIST NO. 107202
- ④ BOND TOGETHER WITH EPOXY RESIN.
5. IDENTIFY ASSY PER SDS SPEC 100198.



NO. REQ.	DRAWING NO.	DESCRIPTION	REFERENCE DESIGNATION	ITEM NO.
MATERIAL LIST				
NOTES UNLESS SPECIFIED		DRAWN: <i>EVANS</i> 10/7/68	 SDS SCIENTIFIC DATA SYSTEMS SANTA MONICA, CALIFORNIA	
1. TOLERANCES ± .030 ANGULAR ± 15° ± .010		CHECK: <i>D. M. J.</i> 10/7/68		
2. BREAK ALL SHARP EDGES R10 APPROX.		APPR: <i>M. J. W.</i> 10/7/68		
3. HATCH SURFACES ✓		TITLE: ASSY PRINTED WIRING CABLE PLUG MODULE		CHANGELIST A
4. ALL DIM. IN INCHES		P941—P942		
MODEL NO. 92990 91500, 92220		SIZE: D	DWG NO. 107693	
NEXT ASSY: 107656 107276, 109111		SCALE: 1:1		SHEET 1 OF 2

107693 A

MATERIAL LIST
 DWG. TITLE: **ASSY. PW CABLE PLUG MODULE**
 DWG. NO.: **107693**
 REV. NO.: **A**
 COMPANY: **COMPTON DATA SYSTEMS**
 DATES: **92990 92220 8/19 - 10/27**
ML (Material List)

ITEM	DWG. TITLE	DWG. NO.	NO. REQD.	REVISIONS TO CHG. DATES
1	Board, Printed Wiring	106858	2	
2	Handle, Circuit Card	100016	2	
3	Eyelet, Tubular	103896-016	4	
4	Contact, Conn Upper	100097	46	
5	Contact, Conn Lower	100098	48	
6	Cover, Shield	106791	2	
7	Cable, Shielded 30 Cond	102872	8 ft	
8	Clamp, Cable Nylon	100657-007	4	
9	Term, Shield Grd Splice	108036	56	
10	Screw, Pan Hd	100012-306	4	
11	Screw, Flat Hd	100039-203	8	
12	Washer, Loc. Int Tooth	100024-300	4	
13	Washer, Flat	100018-300	4	
14	Nut, Hex Machine	100009-300	4	
15	Tubing, Shrinkable	100744-206	15 in	
16	Wire, Solid Teflon Ins	100764-024	15 in	
17	Standoff, Rivet Type	103320	8	
18	Resistor, 1/2 watt	100111-100	4	RL, R2
19	Cover, Shield	107064	2	
20	Strip, Marker	100197	2	

SECTION 2. POWER SUPPLY AND POWER DISTRIBUTION

INDEX

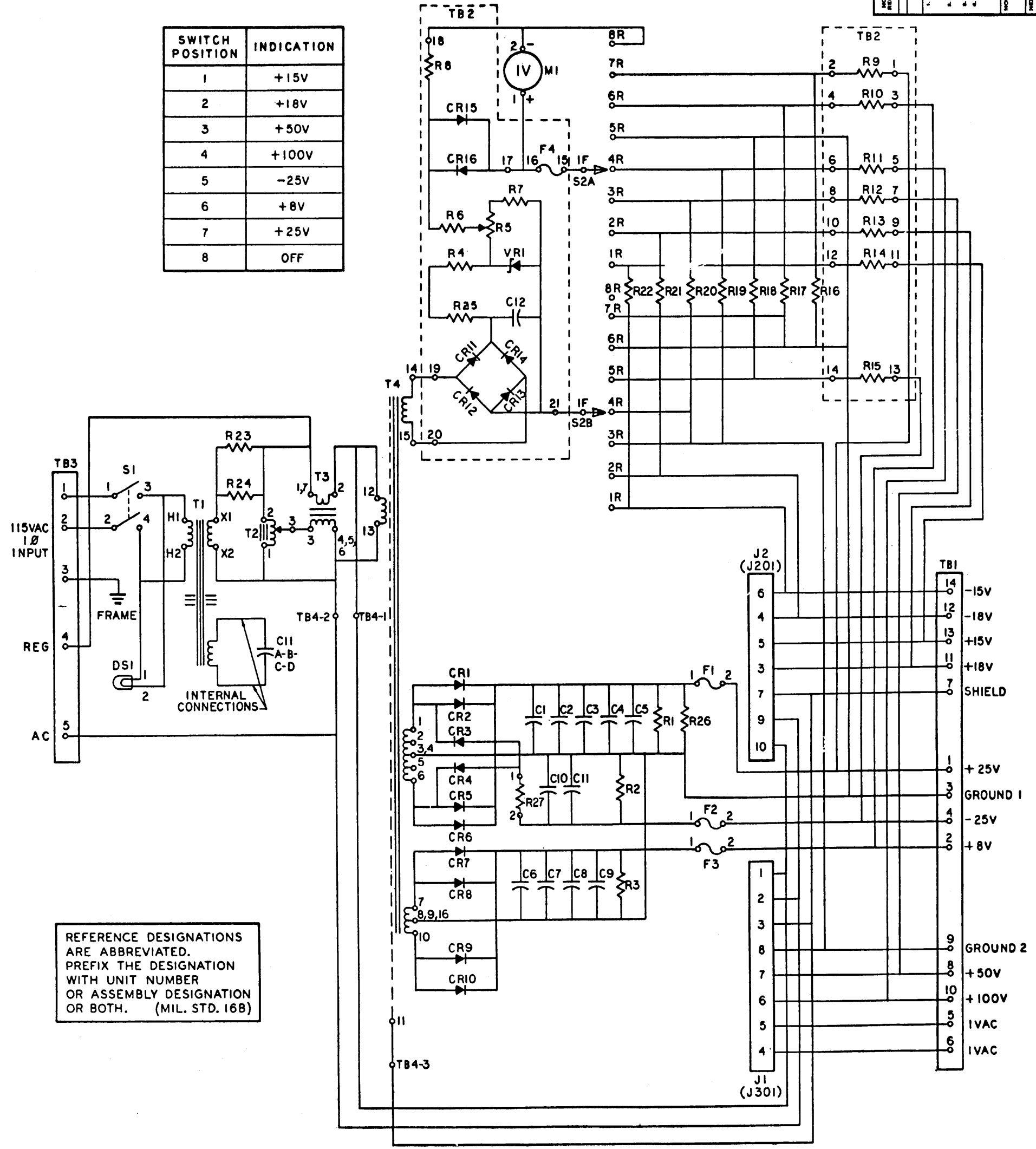
<u>Model Number</u>	<u>Title</u>	<u>Drawing Number</u>
PX13	Power Supply, 7 inch, Schematic	101488
PX13	Power Supply, 7 inch, Assembly	101270
PX14	Power Supply, Accessory, Schematic	101489
PX14	Power Supply, Accessory, Assembly	101271
PX16	Power Supply, Accessory, Schematic	102320
PX16	Power Supply, Accessory, Assembly	102306
PX18	Power Supply, Schematic	108426
PX18	Power Supply, 4 volts, Assembly	107743
PX19	Power Supply, Schematic	108425
PX19	Power Supply, 16 volts, Assembly	107744
PX20	Power Supply, Unregulated, Assembly	107745
PX21	Power Supply, Memory Reg., Schematic	108477*
PX21	Power Supply, Memory Reg., Assembly	107746
PX25	AC Regulator	109072*
PX25	AC Regulator, Assembly	108783
925	Power Supply Cabinet	*
925	Power Distribution Panel	*
925	Power Distribution, Central Processor	*
930	Power Distribution, Power Supply Cabinet, Schematic	107770
930	Power Distribution Panel, Assembly	107067
930	Power Cord, Assembly	107884
		107297*
930	Power Distribution, Central Processor, Schematic	107933
9300	Power Supply Cabinet	*
9300	Power Distribution Panel	*
9300	Power Distribution, Central Processor	*
92220	Time Multiplexed Communication Channel	107037*
92220	Time Multiplexed Communication Channel	107036*
92220	Direct Access Communication Channel Power Wiring, Wire List	107658
92220	Direct Access Communication Channel	107191*
92220	Direct Access Communication Channel	108279*
91500	MIC Buffer Power, Wire List	108053
91500	MIC	108598*
92990	DMC	*

* Drawing not available.

REV.	DESCRIPTION	CHK.	DATE	APPROVED
A	RELEASED TO MFG			
B	REVISED AND REDRAWN			
C	SEE REVISION E.O.			
D	SEE REV. E.O.			
E	SEE REVISION E.O.			
F	SEE REV E.O.			
G	SEE REV E.O.			
H	SEE REV E.O.			
J	SEE REVISION E.O.			

SWITCH POSITION	INDICATION
1	+15V
2	+18V
3	+50V
4	+100V
5	-25V
6	+8V
7	+25V
8	OFF

NO. REQ.	DESCRIPTION	REFERENCE DESIGNATION
MATERIAL LIST		
DRAWN	9-4-62	
CHECK		
APPR.		
NOTES UNLESS SPECIFIED		
1. TOLERANCES		
2. SEE 2-300		
3. SEE 2-300		
4. SEE 2-300		
5. ALL DIM. IN INCHES		
MODEL NO.	PX13	
SHEET AMOUNT	101270	
SCALE		
DRAWING NO.		
NO. REQ.		
DESCRIPTION		
REFERENCE DESIGNATION		
SDS SCIENTIFIC DATA SYSTEMS		
1942 PATENTIN STREET, SANTA MONICA, CALIFORNIA		
TITLE		
SCHEMATIC, 7" POWER SUPPLY		
REV.		
DATE		
APPROVED		
101488		
J		
1 OF 2		




REFERENCE DESIGNATIONS ARE ABBREVIATED. PREFIX THE DESIGNATION WITH UNIT NUMBER OR ASSEMBLY DESIGNATION OR BOTH. (MIL. STD. 168)

REVISIONS				101488	J
REV.	DESCRIPTION	CHK	DATE	APPROVED	
	SEE SHEET ONE				

REPLACEMENT PARTS LIST

ITEM	DESCRIPTION	DESIGNATION	QTY	SUPPLIER CODE (SEE INDEX)
23	RESISTOR, PRECISION, 6515 Ω , $\pm 0.2\%$	R6	1	37 (TYPE HA13)
24	9050 Ω , $\pm 0.2\%$	R9, R15	2	
25	36200 Ω , $\pm 0.2\%$	R11	1	
26	RESISTOR, PRECISION, 18,100 Ω , $\pm 0.2\%$	R12	1	48, 49
27	FUSE, 8 AG, 10 MA, 250 V	F4	1	
28	3 AG, 25 A, 32 V	F1	1	
29	3 AG, 7.5 A, 32 V	F2	1	
30	FUSE, 3 AG, 15 A, 32 V	F3	1	SDS 101167
31	METER, PERCENT DC VOLTAGE	M1	1	
32	SWITCH, ROTARY, 2 POLE, 8 POSITION	S2	1	55
33	LAMP, NEON	DS1	1	56, 104
34	BLOCK, TERMINAL, 5 PLACE	TB3	1	51
35	BLOCK, TERMINAL, 14 PLACE	TB1	1	
36	TRANSFORMER, VARIABLE	T2	1	53
37	TRANSFORMER, BUCKING	T3	1	SDS 101478
38	TRANSFORMER, STEP-DOWN	T4	1	SDS 101477
39	SOCKET, 10 PIN	J1, J2	2	52
40	RESISTOR, 0.2 Ω , $\pm 1\%$	R27	1	45, 46, 47
41	RESISTOR, 1.5 Ω , $\pm 1\%$	R23, R24	2	
42	SWITCH, TOGGLE, DPST	S1	1	54
43	TRANSFORMER, CONSTANT VOLTAGE 118 V, 1KVA CVN	T1, C11	1	50

ITEM	DESCRIPTION	DESIGNATION	QTY	SUPPLIER CODE (SEE INDEX)
1	DIODE, MR324R IN3493R IN3660R <i>SDS 111</i>	CRI THRU CRI0	10	2 43 34
2	DIODE, IN921 <i>SDS 107</i>	CRI1 THRU CRI4	4	33, 15, 28
3	DIODE, IN3605 FD200 T173 <i>SDS 102</i>	CRI5, CRI6	2	6 4 12
4	CAPACITOR, ELECTROLYTIC, 27000 μ f, 30V	C1 THRU C5 & C10, C11	7	57, 58, 59
5	CAPACITOR, ELECTROLYTIC, 75000 μ f, 10V	C6 THRU C9	4	
6	CAPACITOR, TANTALUM, 47 μ f, $\pm 20\%$, 20V	C12	1	22, 23, 24
7	DIODE, IN752 <i>SDS 106</i>	VR1	1	12, 13, 14
8	RESISTOR, 1.5K Ω , $\pm 2\%$	R1, R2, R26	3	16, 17
9	RESISTOR, 270 Ω , $\pm 2\%$	R3	1	
10	RESISTOR, 180 Ω , $\pm 2\%$	R4, R25	2	
11	RESISTOR, 820 Ω , $\pm 2\%$	R7	1	35, 44
12	POTENTIOMETER, 200 Ω , $\pm 10\%$	R5	1	
13	RESISTOR, PRECISION, 715 Ω , $\pm 0.2\%$	R8	1	37 (TYPE HA13)
14	1905 Ω , $\pm 0.2\%$	R19	1	
15	2010 Ω , $\pm 0.2\%$	R20	1	
16	2262 Ω , $\pm 0.2\%$	R16, R18	2	
17	2505 Ω , $\pm 0.2\%$	R21	1	
18	2715 Ω , $\pm 0.2\%$	R22	1	
19	2896 Ω , $\pm 0.2\%$	R10	1	
20	4827 Ω , $\pm 0.2\%$	R17	1	
21	4820 Ω , $\pm 0.2\%$	R14	1	
22	RESISTOR, PRECISION, 5850 Ω , $\pm 0.2\%$	R13	1	

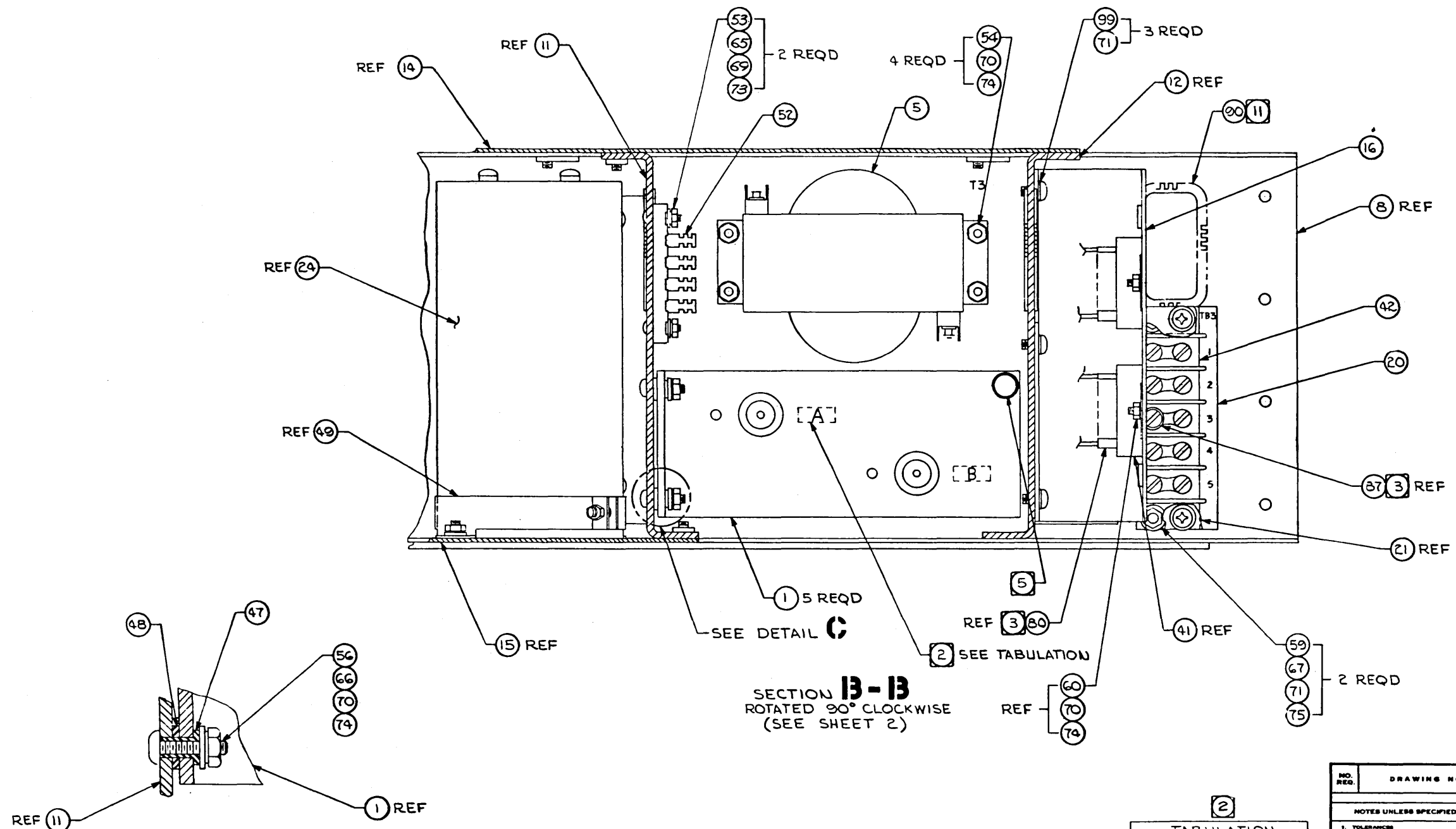
NO. REV.	DRAWING NO.	DESCRIPTION	REFERENCE DESIGNATION	ITEM NO.
		MATERIAL LIST		
NOTES UNLESS SPECIFIED		DRAWN	L.W. Swartz 10-4-63	
1. TOLERANCES UNLESS SPECIFIED		CHECK	10/22/63	
2. BREAK ALL SHARP EDGES AND APPROX.		APPR.	10/22/63	
3. HATCH SURFACES				
4. ALL DIM. IN DIMS				
		 TITLE SCHEMATIC, 7" POWER SUPPLY		
MODEL NO.	PX13	SIZE	D	DWG. NO.
NEXT ASSY.	101270			101488
		SCALE	DO NOT SCALE DRAWING	SHEET 2 OF 2

- ⑨ MAX LENGTH OF LEAD TO BE .31 TYPICAL 10 PLACES.
- ⑩ ITEMS 10, 17 AND 18 TO BE SUPPLIED AS PART OF THIS ASSEMBLY. (LOOSE ITEMS)
- ⑪ BOND IN PLACE AS SHOWN.
- ⑫ REMOVE SCREWS AND LOCK WASHERS FROM TERMINALS OF CAPACITORS (ITEMS 23 & 24) AND REPLACE WITH ITEM 102.

- ⑤ ITEM 1 (RECTIFIER ASSEMBLY). PLATE CONNECTION IS CR1-1 AND CR2-1, CR3-1 AND CR4-1, AND ETC (COMMON ANODE) ON WIRE LIST.
 - ⑥ SEE INSTALLATION DRAWING NO. 101612 (REFERENCE M/L ITEM 92, ONE PRINT TO BE INCLUDED WITH ASSEMBLY.)
 - ⑦ MARK TITLE, MODEL NO. AND SERIAL NO. .12 HIGH AS SHOWN. COLOR BLACK. LOCATE NAMEPLATE IN CENTER OF REAR PANEL APPROX. 1.50 IN. FROM UPPER EDGE.
- B ASSEMBLY TO BE TESTED PER TEST SPEC DRAWING NUMBER 101504

- NOTES: UNLESS OTHERWISE SPECIFIED.
- 1. SEE MATERIAL LIST 101270 SHEETS 2, 7 & 8.
 - 2. STENCIL OR RUBBER STAMP REFERENCE DESIGNATIONS .12 HIGH AS SHOWN, COLOR WHITE.
 - 3. FOR WIRING INFORMATION SEE LIST, WIRE 7" POWER SUPPLY, DRAWING NO. 101620. CIRCLED NUMBERS SHOWN ON WIRE LIST ARE ITEM NUMBERS ON THIS ASSEMBLY.
 - 4. REFERENCE DRAWING: SCHEMATIC 7" POWER SUPPLY DRAWING NUMBER 101488.

REVISIONS				101270	K
REV.	DESCRIPTION	CHK	DATE	APPROVED	
D	RELEASED TO MFG				
E	SEE REVISION E.O.				
F	SEE REV E.O.				
G	SEE REV E.O.				
H	SEE REV E.O.				
J	SEE REV E.O.				
K	SEE REV E.O.				



SECTION B-B
ROTATED 90° CLOCKWISE
(SEE SHEET 2)

DETAIL C
SCALE 2/1
TYPICAL 10 PLACES

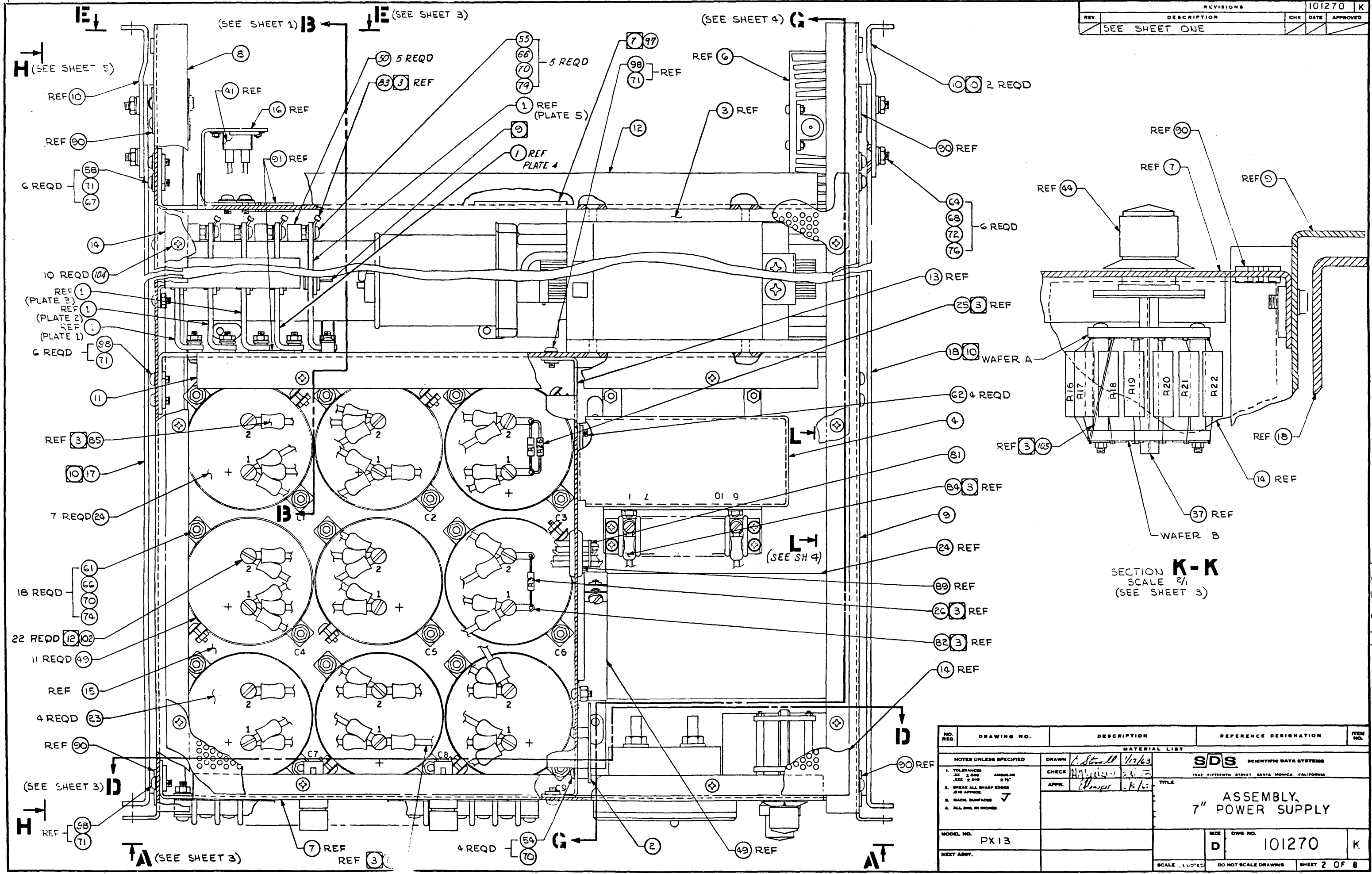
②

TABULATION		
PLATE NO	A	B
1	CR1	CR2
2	CR3	CR4
3	CR5	CR6
4	CR7	CR8
5	CR9	CR10

NO. REQ.	DRAWING NO.	DESCRIPTION	REFERENCE DESIGNATION	ITEM NO.
MATERIAL LIST				
NOTES UNLESS SPECIFIED		DRAWN: <i>C. Small</i> 1/17/63	SDS SCIENTIFIC DATA SYSTEMS 1542 FIFTEENTH STREET, SANTA MONICA, CALIFORNIA	
1. TOLERANCES XX 2.000 ANGULAR -SEE 2.018 2.14	CHECK: <i>[Signature]</i> 2/14/63	TITLE 7" ASSEMBLY, POWER SUPPLY		
2. BREAK ALL SHARP EDGES .010 APPROX.	APPR: <i>[Signature]</i> 2/15/63	MODEL NO. PX13		
3. HATCH SURFACES ✓		NEXT ASSY.		
4. ALL DIM. IN INCHES		SIZE DWG. NO. D 101270 K		
SCALE: UNSTATED		DO NOT SCALE DRAWING		SHEET 1 OF 8

101270 K1

REVISIONS				101270	K
REV.	DESCRIPTION	CHK	DATE	APPROVED	
	SEE SHEET ONE				

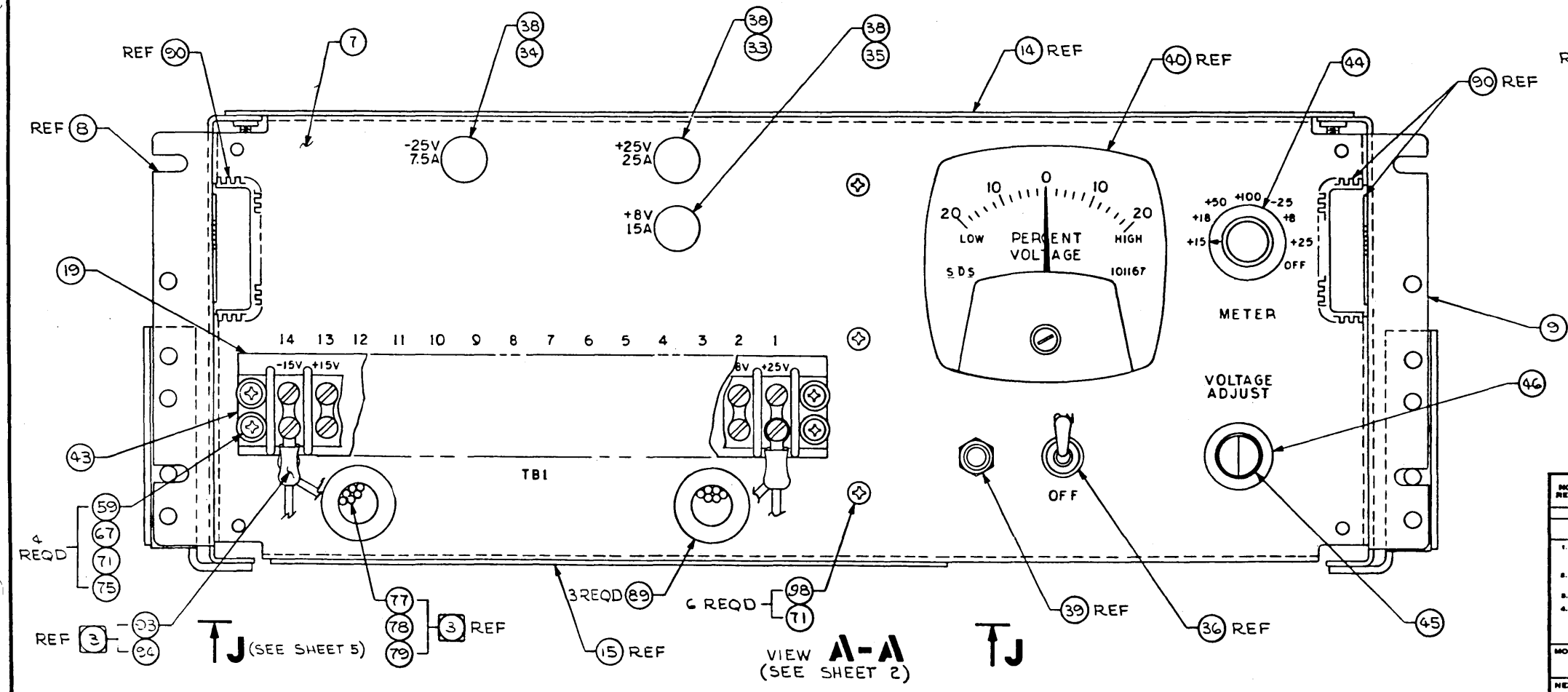
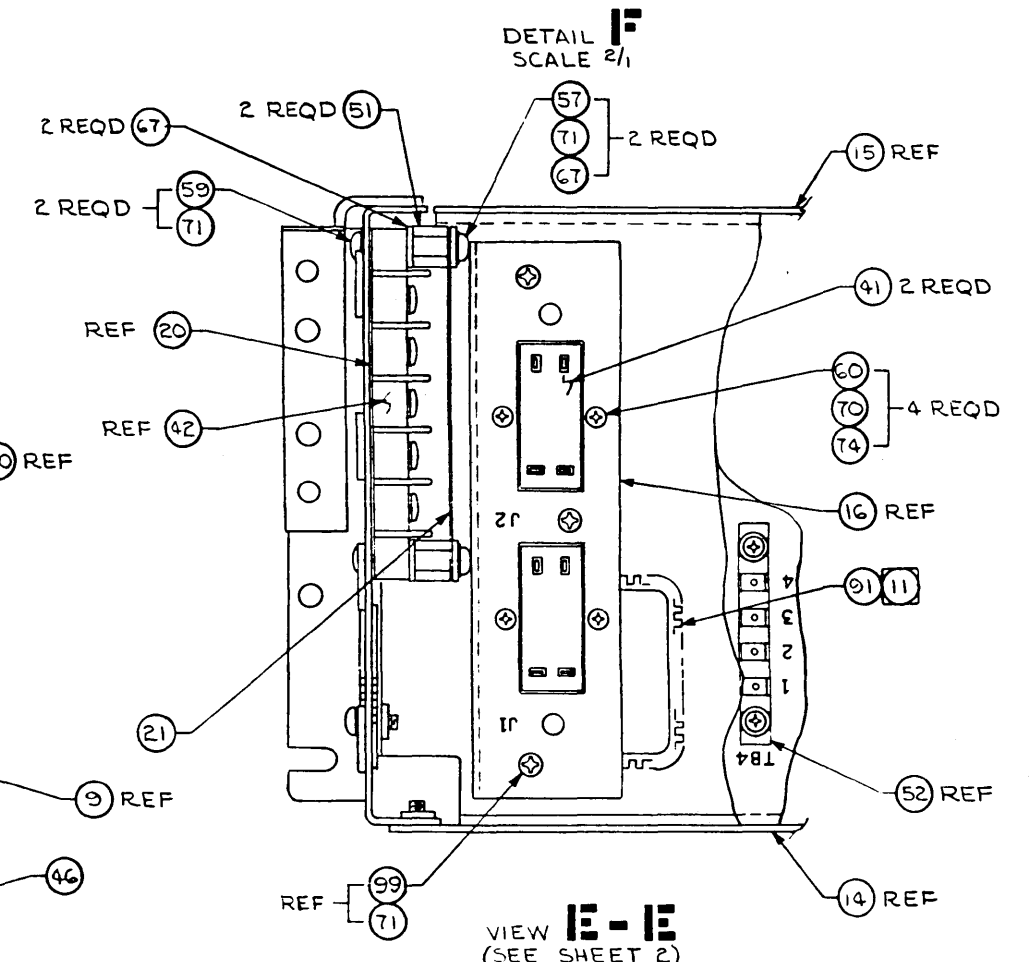
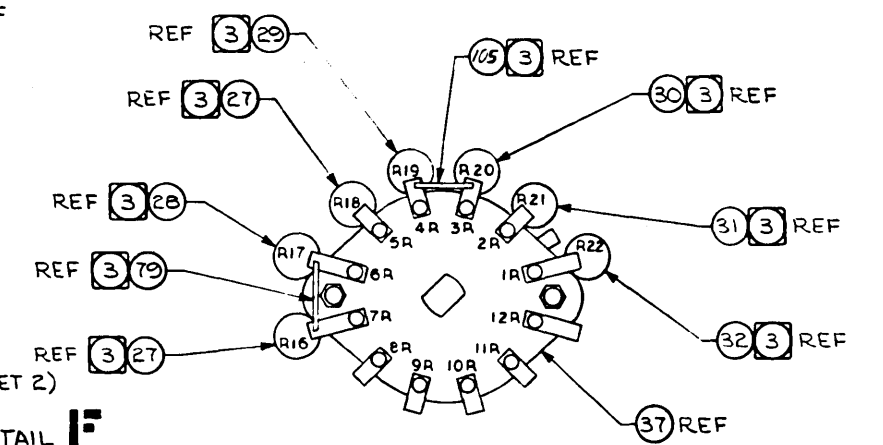
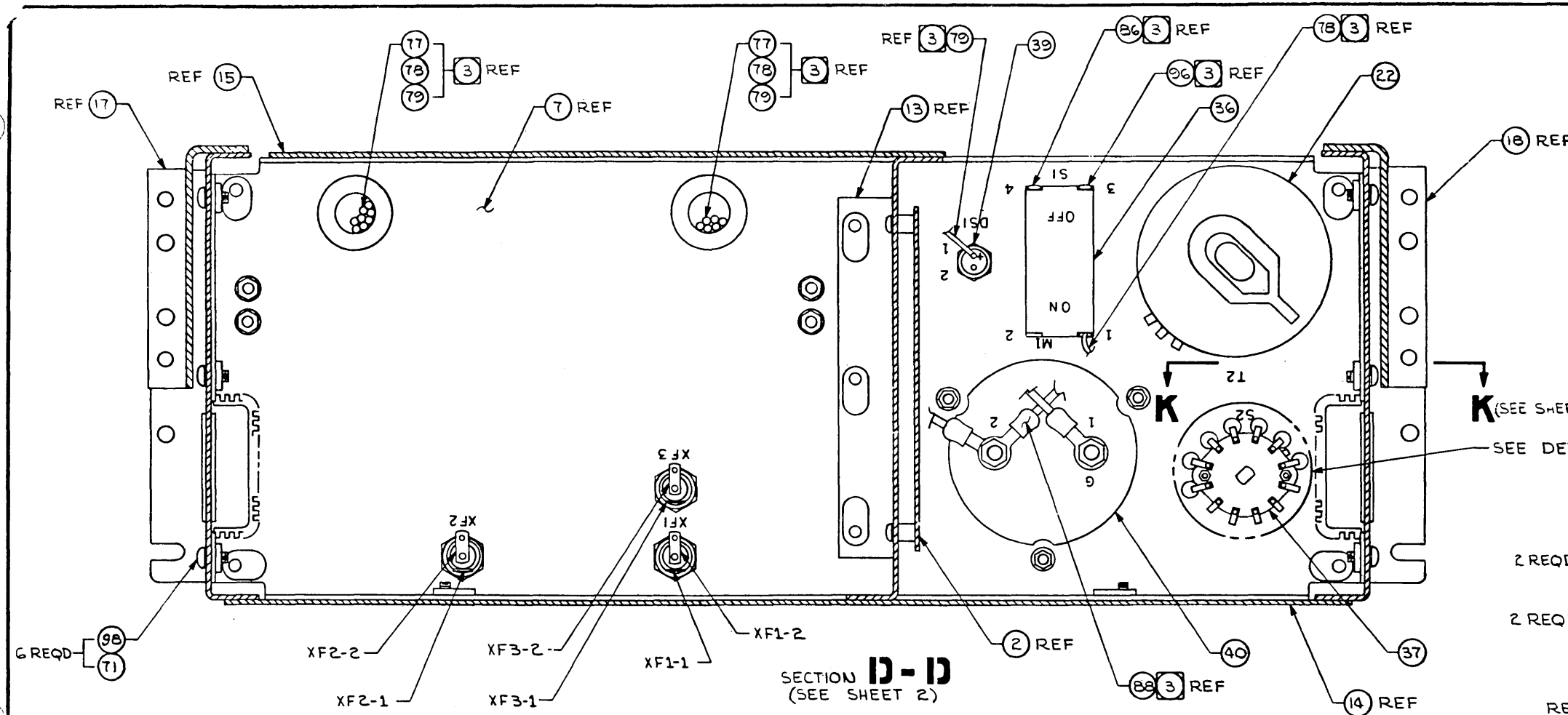


SECTION **K-K**
SCALE 2/1
(SEE SHEET 3)

NO. REQ.	DRAWING NO.	DESCRIPTION	REFERENCE DESIGNATION	ITEM NO.
MATERIAL LIST				
NOTES UNLESS SPECIFIED		DRAWN <i>C. Stenell</i> 1/17/63	SDS SCIENTIFIC DATA SYSTEMS 1542 FIFTEENTH STREET, SANTA MONICA, CALIFORNIA	
1. TOLERANCES UNLESS SPECIFIED: ANGULAR ±15'		CHECK <i>W. J. [unclear]</i> 2/1/63		
2. BREAK ALL SHARP EDGES .010 APPROX.		APPR. <i>[unclear]</i> 2/1/63		
3. MACH. SURFACES ✓		TITLE		
4. ALL DIM. IN INCHES		ASSEMBLY, 7" POWER SUPPLY		
MODEL NO.	PX13	SIZE	DWG. NO.	
NEXT APPR.		D	101270	K
SCALE: 1.00"=1.00"		DO NOT SCALE DRAWING		SHEET 2 OF 8

101270 JK

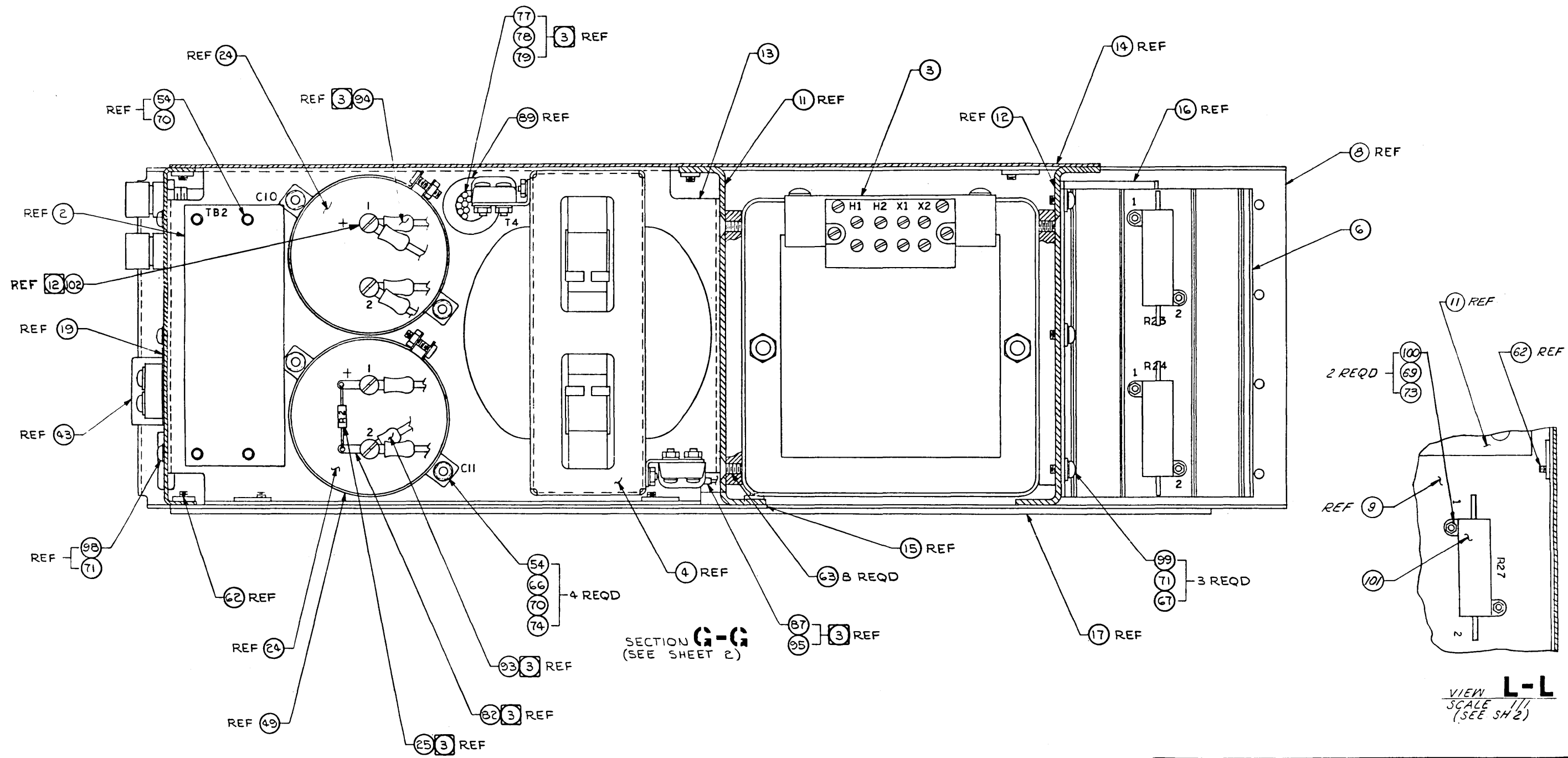
REVISIONS				101270	K
REV.	DESCRIPTION	CHR.	DATE	APPROVED	
SEE SHEET ONE					



NO. REQ.	DRAWING NO.	DESCRIPTION	REFERENCE DESIGNATION	ITEM NO.
MATERIAL LIST				
NOTES UNLESS SPECIFIED		DRAWN <i>C. Stovall</i> 1/17/63	SDS SCIENTIFIC DATA SYSTEMS	
1. TOLERANCES DIM. ±.000 ANGULAR ±1/2°		CHECK <i>AMM</i> 2/4/63	1545 FIFTEENTH STREET, SANTA MONICA, CALIFORNIA	
2. BREAK ALL SHARP EDGES .010 APPROX.		APPR. <i>J. Sawyer</i> 2/16/63	TITLE	
3. HATCH SURFACES ✓			ASSEMBLY, 7" POWER SUPPLY	
4. ALL DIM. IN INCHES				
MODEL NO.	PX13	SIZE	DWG. NO.	101270
NEXT ASSY.				K
SCALE: (NOTED)		DO NOT SCALE DRAWING		SHEET 3 OF 8

101270 K

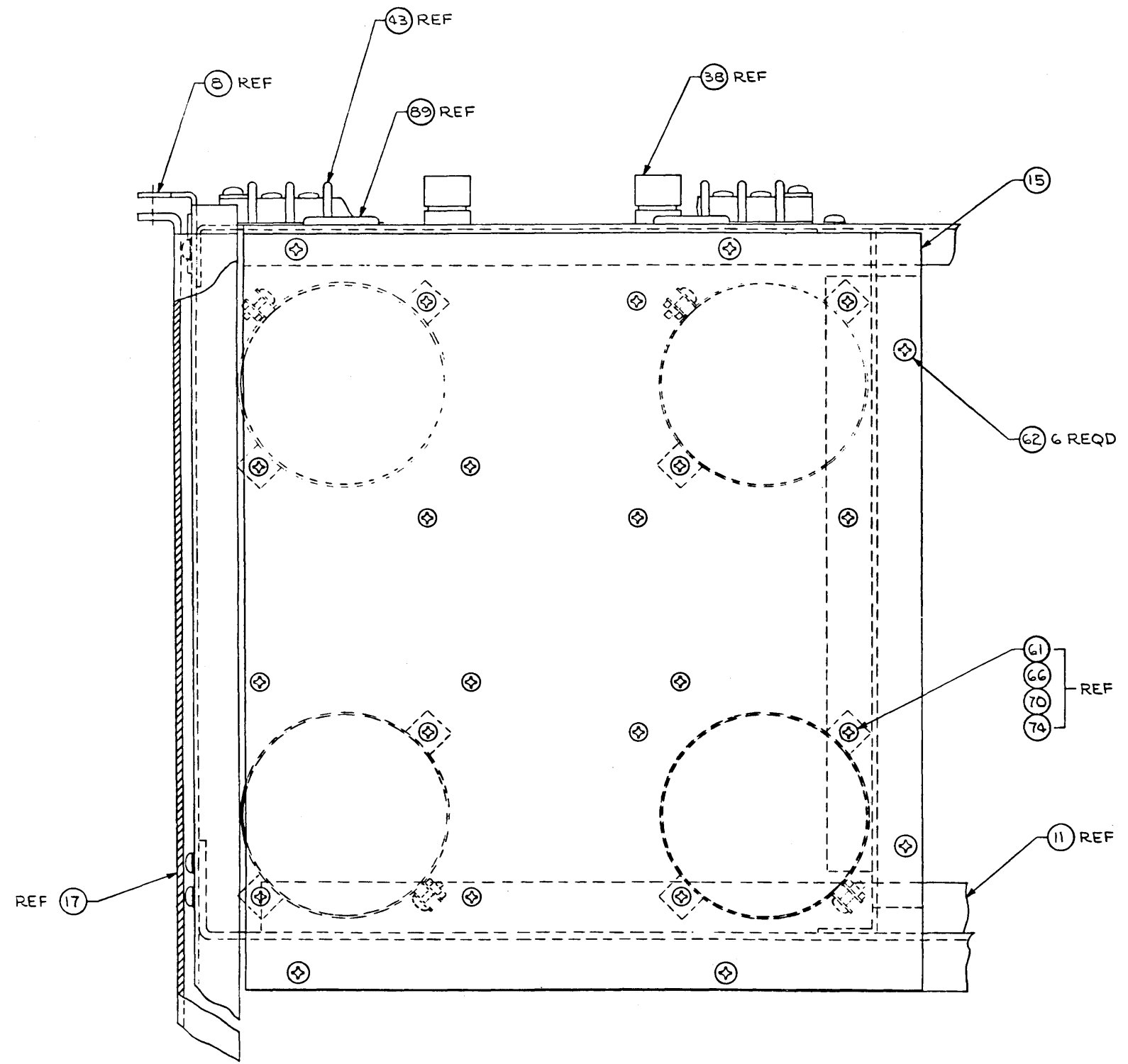
REVISIONS				101270	K
REV.	DESCRIPTION	CHK.	DATE	APPROVED	
	SEE SHEET ONE				



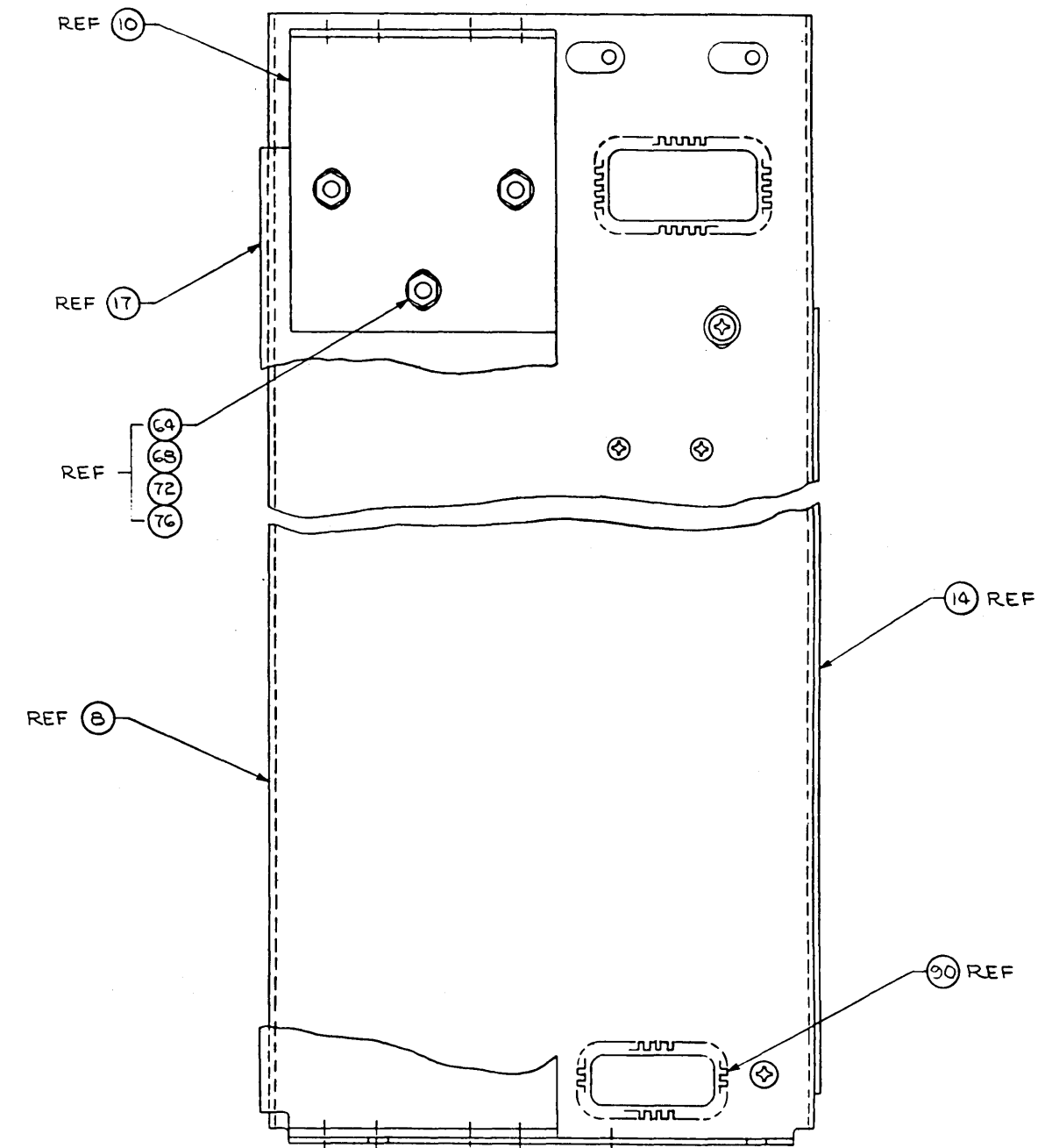
NO. REQ.	DRAWING NO.	DESCRIPTION	REFERENCE DESIGNATION	ITEM NO.
MATERIAL LIST				
NOTES UNLESS SPECIFIED		DRAWN <i>[Signature]</i> 1/7/63	SDS SCIENTIFIC DATA SYSTEMS 1542 FIFTEENTH STREET, SANTA MONICA, CALIFORNIA	
1. TOLERANCES XX ±.000 ANGULAR X ±.010 2 X'		CHECK <i>[Signature]</i> 2/4/63	TITLE	
2. BREAK ALL SHARP EDGES .010 APPROX.		APPR. <i>[Signature]</i> 2/1/63	ASSEMBLY, 7" POWER SUPPLY	
3. HATCH SURFACES ✓			MODEL NO. PX13	SIZE D
4. ALL DIM. IN INCHES			DWG. NO. 101270	K
NEXT ASSY.			SCALE 1/1	DO NOT SCALE DRAWING SHEET 4 OF 8

101270 K

REVISIONS				101270	K
REV.	DESCRIPTION	CHK	DATE	APPROVED	
	SEE SHEET ONE				



VIEW J-J
PARTIAL BOTTOM
(SEE SHEET 3)



VIEW H-H
PARTIAL SIDE
(SEE SHEET 2)

NO. REQ.	DRAWING NO.	DESCRIPTION	REFERENCE DESIGNATION	ITEM NO.
MATERIAL LIST				
NOTES UNLESS SPECIFIED		DRAWN	SDS SCIENTIFIC DATA SYSTEMS 1545 FIFTEENTH STREET SANTA MONICA CALIFORNIA	
1 TOLERANCES XX ± .000 ANGULAR SEE 2.010 2 1/2°		CHECK		
2 BREAK ALL SHARP EDGES BY APPROX.		APPR.		
3 MACH. SURFACES ✓		TITLE		
4 ALL DIM. IN INCHES		ASSEMBLY, 7" POWER SUPPLY		
MODEL NO. PX13		SIZE	DWS NO. 101270	K
NEXT ASSY.		SCALE 1/1		DO NOT SCALE DRAWING SHEET 5 OF 8

101270 K1

R-3	4K	MATERIAL LIST	SDS	SCIENTIFIC DATA SYSTEMS	ML	DWG. NO.	REV
		DWG. TITLE				101270	K
DWG. NO. 101270		ASSY, 7" POWER SUPPLY	MOD #	PX 13	DATE	8-24-7	SHEET 6 OF 8

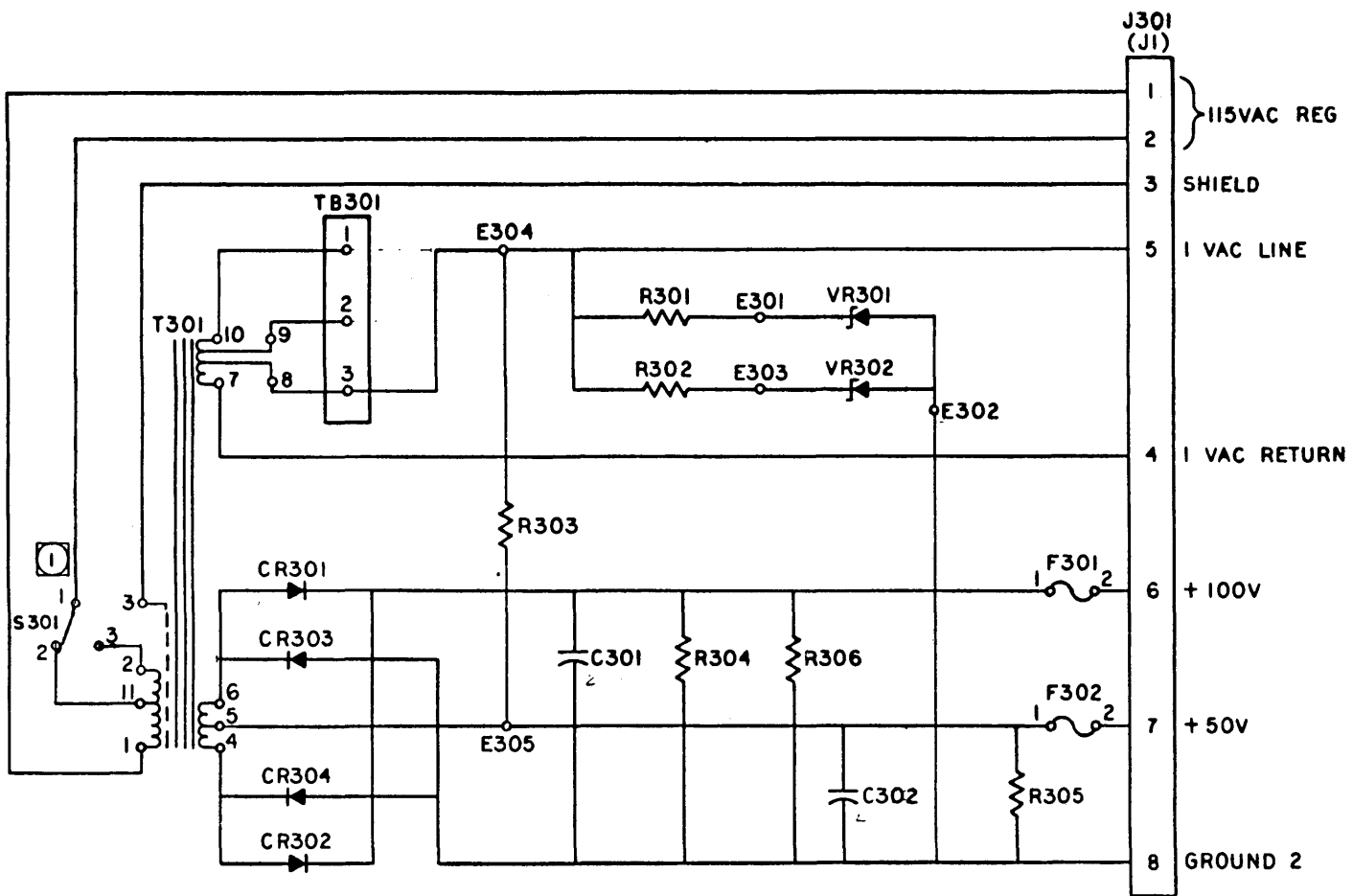
ITEM	DWG. TITLE	DWG. NO.	NO. REQ.	REMARKS OR CKT. DESIG.
1	(Common Anode) Assy, Rectifier Diode	101474	5	
2	Assy, Voltage Metering Assy, Printed Wiring	101416	1	TB2
3	Assy, Voltage Reg, Transf.	101476	1	T1
4	Assy, Step Down Transf.	101477	1	T4
5	Assy, Bucking Transformer	101478	1	T3
6	Assy, Power Resistor	101480	1	R23, R24
7	Panel, Control	101049	1	
8	Panel, Side	101050-001	1	
9	Panel, Side	101050-002	1	
10	Angle, Pwr Sup. Mtg	101052	2	
11	Angle, Transformer Mtg	101053-001	1	
12	Angle, Transformer Mtg	101053-002	1	
13	Angle, Capacitor Mtg	101054	1	
14	Cover, Perforated	101055	1	
15	Plate, Capacitor Mtg	101056	1	
16	Angle, Connector Mtg	101057	1	
17	Angle, Pwr Supply Support	101059-001	1	
18	Angle, Pwr Supply Support	101059-002	1	
19	Strip, Marker 14 Place	101069	1	
20	Strip, Marker 5 Place	102296	1	
21	Strip, Cover Term. Block	101176-003	1	
22	Transformer, Variable	100370	1	T2
23	Capacitor, Electrolytic	100594-001	4	C6 thru C9
24	Capacitor, Electrolytic	100594-002	7	C1 thru C5, C10, C11
25	Resistor, 1/2 watt	100111-152	3	R1, 2, 26
26	Resistor, 1/2 watt	100111-271	1	R3
27	Resistor, Prec. Wirewound	101510-004	2	R16, 18
28	Resistor, Prec. Wirewound	101510-008	1	R17
29	Resistor, Prec. Wirewound	101510-002	1	R19
30	Resistor, Prec. Wirewound	101510-003	1	R20
31	Resistor, Prec. Wirewound	101510-005	1	R21
32	Resistor, Prec. Wirewound	101510-006	1	R22
33	Fuse, 3 AG	100653-024	1	F1
34	Fuse, 3 AG	100653-020	1	F2
35	Fuse, 3 AG	100653-022	1	F3
36	Switch, Toggle	101067	1	S1
37	Switch, Rotary	101511	1	S2
38	Post, Extractor Fuse	100331	3	XF1, 2, 3

REV	K	MATERIAL LIST		SDS	SCIENTIFIC DATA SYSTEMS	ML	DWG. NO.	REV	
		DWG. TITLE	ASSY. 7" POWER SUPPLY				MOD #	PX 13	DATE
DWG. NO.	101270	ITEM	DWG. TITLE	DWG. NO.	NO. REQ.	REMARKS OR CKT. DESIG.			
		39	Lamp, Neon	100531	1	DS1			
		40	Meter, Percent DC Voltage	101167	1	M1			
		41	Socket, 10 Pin	100544	2	J1, J2			
		42	Block, Term. Mold. Barrier	101070-005	1	TB3			
		43	Block, Term. Mold. Barrier	101070-014	1	TB1			
		44	Knob, Skirted Round	100608	1				
		45	Knob, Control	100633	1				
		46	Lock, Knob	100512	1				
		47	Bushing, Spacer Nylon	100203-200	10				
		48	Washer, Flat Nylon	100204-300	10				
		49	Bracket, Capacitor Mtg	100607	111				
		50	Standoff, Ceramic	101513-004	5				
		51	Standoff, Threaded	100217-009	2				
		52	Strip, Terminal	100354-004	1	TB4			
		53	Screw, Pan Hd	100012-210	2				
		54	Screw, Pan Hd	100012-303	12				
		55	Screw, Pan Hd	100012-303	16				
		56	Screw, Pan Hd	100012-310	10				
		57	Screw, Pan Hd	100012-404	2				
		58	Screw, Pan Hd	100012-407	6				
		59	Screw, Pan Hd	100012-412	8				
		60	Screw, Flat Hd	100039-305	4				
		61	Screw, Flat Hd	100039-306	18				
		62	Screw, Flat Hd	100039-406	10				
		63	Screw, Flat Hd	100039-506	8				
		64	Screw, Flat Hd	100039-508	6				
		65	Washer, Flat	100018-200	2				
		66	Washer, Flat	100018-300	37				
		67	Washer, Flat	100018-400	17				
		68	Washer, Flat	100018-500	6				
		69	Washer, Lock	100024-200	4				
		70	Washer, Lock	100024-300	49				
		71	Washer, Lock	100024-400	38				
		72	Washer, Lock	100024-500	6				
		73	Nut, Hex Machine	100008-200	4				
		74	Nut, Hex Machine	100008-300	45				
		75	Nut, Hex Machine	100008-400	6				
		76	Nut, Hex Machine	100008-500	6				

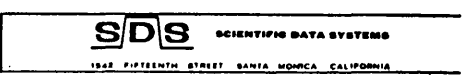
REV.	DESCRIPTION	CHK	DATE	APPROVED
A	RELEASED TO MFG.			
B	REVISED AND REDRAWN			
C	SEE REVISION E.O.			
D	SEE REVISION E.O.			
E	SEE REVISION E.O.			

NOTES:

- ① S301-2 POSITION FOR STANDARD USAGE.. S301-3 POSITION FOR COMPUTER USE ONLY.



REFERENCE DESIGNATIONS ARE ABBREVIATED. PREFIX THE DESIGNATION WITH UNIT NUMBER OR ASSEMBLY DESIGNATION OR BOTH. (MIL. STD. 16B)



NO. REV.	DRAWING NO.	DESCRIPTION	REFERENCE DESIGNATION	ITEM NO.
NOTES UNLESS SPECIFIED		MATERIAL LIST		
1. TOLERANCES UNLESS OTHERWISE SPECIFIED ARE AS FOLLOWS:		DRAWN: <i>REITH</i> 9-5-62		
2. DIMENSIONS ARE IN INCHES UNLESS OTHERWISE SPECIFIED.		CHECK: <i>[Signature]</i>		
3. BREAK ALL SHARP CORNERS AT 45°.		APPR: <i>[Signature]</i> 9-7-62		
4. HATCH SURFACES AS SHOWN.		TITLE		
5. ALL DIM. IN DECIMALS.		SDS SCIENTIFIC DATA SYSTEMS 1542 FIFTEENTH STREET, SANTA MONICA, CALIFORNIA		
MODEL NO. PX14		SCHEMATIC, POWER SUPPLY (ACCESSORY)		
NEXT ASMT. 101271		SEE DWG. NO. D 101489		
		SCALE DO NOT SCALE DRAWING SHEET 1 OF 2		

REVISIONS				1014891E
REV.	DESCRIPTION	CHK	DATE	APPROVED
	SEE SHEET ONE			

REPLACEMENT PARTS LIST

ITEM	DESCRIPTION	DESIGNATION	QTY	SUPPLIER CODE (SEE INDEX)
1	DIODE, MR 324R IN 3493R IN 3660R	CR301, CR 302	2	2 43 34
2	DIODE, MR 324 IN 3493 IN 3660	CR 303, CR304	2	2 43 34
3	DIODE, IN 746	VR301, VR302	2	12, 13, 14
4	CAPACITOR, ELECTROLYTIC, 4700 μ F, 150V	C 301	1	57, 58, 59
5	CAPACITOR, ELECTROLYTIC, 9500 μ F, 75V	C 302	1	
6	RESISTOR, 47 Ω , \pm 2%	R301, R302	2	16, 17
7	RESISTOR, 8200 Ω , \pm 2%	R303, R305	2	
8	RESISTOR, 33K Ω , \pm 2%	R304, R306	2	
9	FUSE, 3AG, 2A, 250V	F301	1	48, 49
10	FUSE 3AG, 4A, 250V	F302	1	
11	PLUG, 10 PIN	J 301	1	52
12	BLOCK-TERMINAL, 3 PLACE	TB301	1	60
13	TRANSFORMER, STEP DOWN	T301	1	SDS 101524
14	SWITCH-TOGGLE, SPDT 83050-1	S301	1	106

NO. REV.	DRAWING NO.	DESCRIPTION	REFERENCE DESIGNATION	ITEM NO.
MATERIAL LIST				
NOTES UNLESS SPECIFIED		DRAWN	R.F.K.	10-14-43
1. TOLERANCES DIM 2.000 ANGULAR DIM 2.000 \pm 1/4"		CHECK	<i>[Signature]</i>	<i>[Signature]</i>
2. BREAK ALL SHARP EDGES AND CORNERS		APPR.		
3. HIDE SURFACES <input checked="" type="checkbox"/>				
4. ALL DIM. IN INCHES				
MODEL NO. PX 14		TITLE		SDS SCIENTIFIC DATA SYSTEMS SANTA MONICA, CALIFORNIA
NEXT ASSY. 101271		SCHEMATIC, POWER SUPPLY (ACCESSORY)		
		SIZE	DWG. NO.	CHANGE LETTER
		D	101489	E
		SCALE	DO NOT SCALE DRAWING	SHEET 2 OF 2

REVISIONS			101271	F
REV.	DESCRIPTION	CHK	DATE	APPROVED
D	RELEASED TO MFG.		11-26-62	JR
E	SEE REVISION E.O.		1-15-63	JR
F	SEE REVISION E.O.		1-15-63	JR

NOTES: UNLESS OTHERWISE SPECIFIED

1. SEE ML 101271 SHT 3 & 4.

2. STENCIL OR RUBBER STAMP REF DESIGNATIONS .12 HIGH AS SHOWN, COLOR WHITE.

3. FOR WIRING INFORMATION SEE: LIST, WIRE, ACCESSORY POWER SUPPLY DWG. NO. 101509. CIRCLED NUMBERS SHOWN ON WIRE LIST ARE ITEM NUMBERS ON THIS ASSY.

4. REF DRAWINGS: SCHEMATIC DWG. NO. 101489,

5. FOLLOWING ITEMS TO BE BAGGED AND SUPPLIED AS LOOSE ITEMS: ITEM 24 5 REQD, ITEM 30 5 REQD.

6. SEE INSTALLATION DWG. NO. 101613 (REF M/L ITEM 40, ONE PRINT TO BE INCLUDED WITH ASSY)

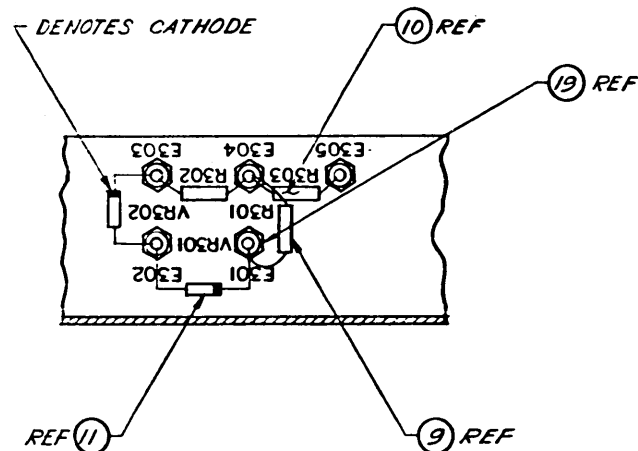
7. PLATE CONNECTION IS:
CR301-2 & CR302-2 (COMMON CATHODE)
CR303-1 & CR304-1 (COMMON ANODE)
ON WIRE LIST.

8. MARK TITLE, MODEL NO. & SERIAL NO. .12 HIGH AS SHOWN, COLOR BLACK.

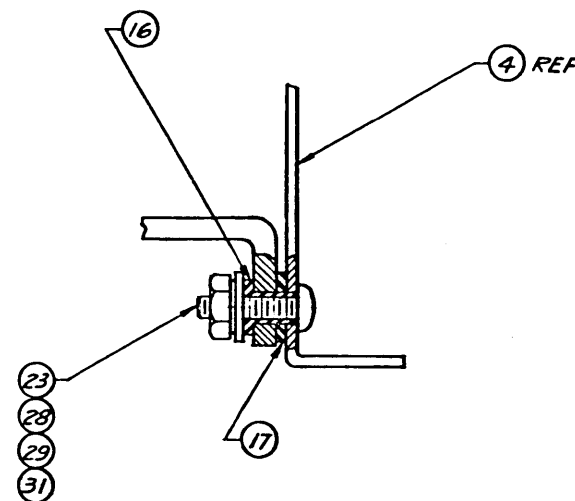
9. MAX LENGTH OF LEADS TO BE .31

10. ASSY TO BE TESTED PER TEST SPEC DWG. NO. 101505.

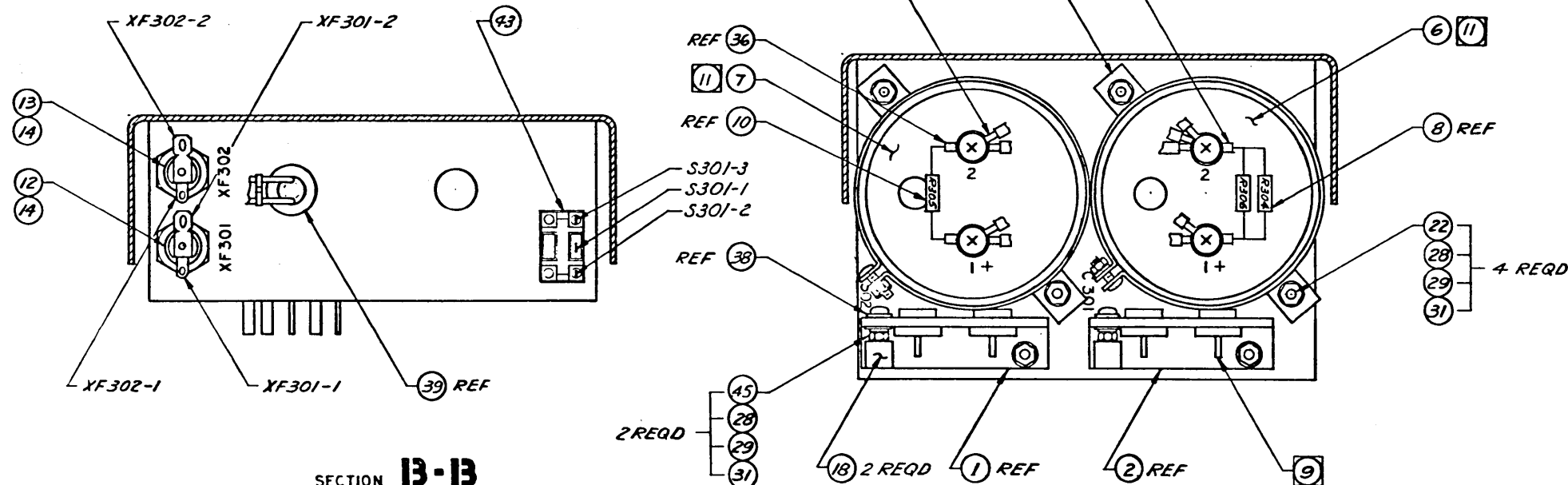
11. REMOVE SCREWS SUPPLIED BY VENDOR ON ITEMS 6 AND 7. REPLACE SCREWS WITH ITEM 44, 4 PLACES.



VIEW A-A
(SEE SHT. 2)



DETAIL D
SCALE 2/1
TYP 4 PLACES
(SEE SHT. 2)



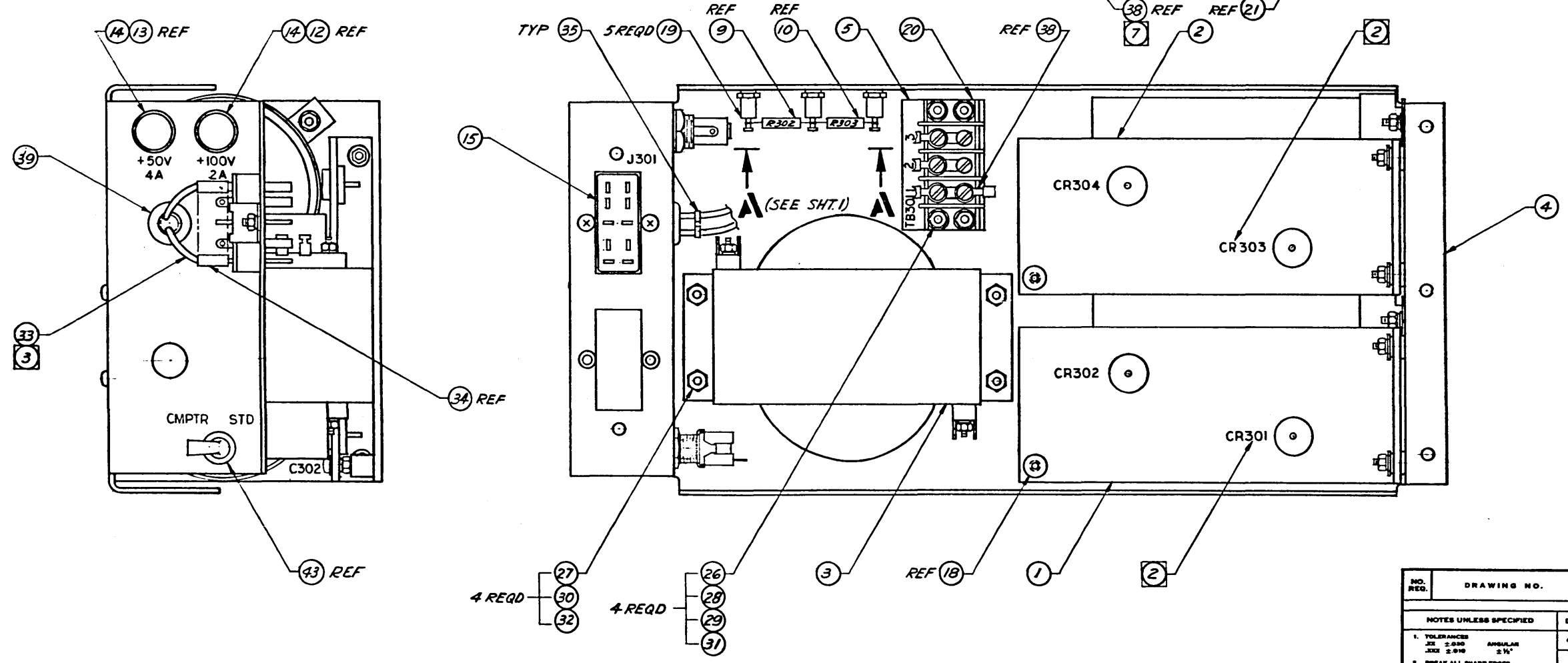
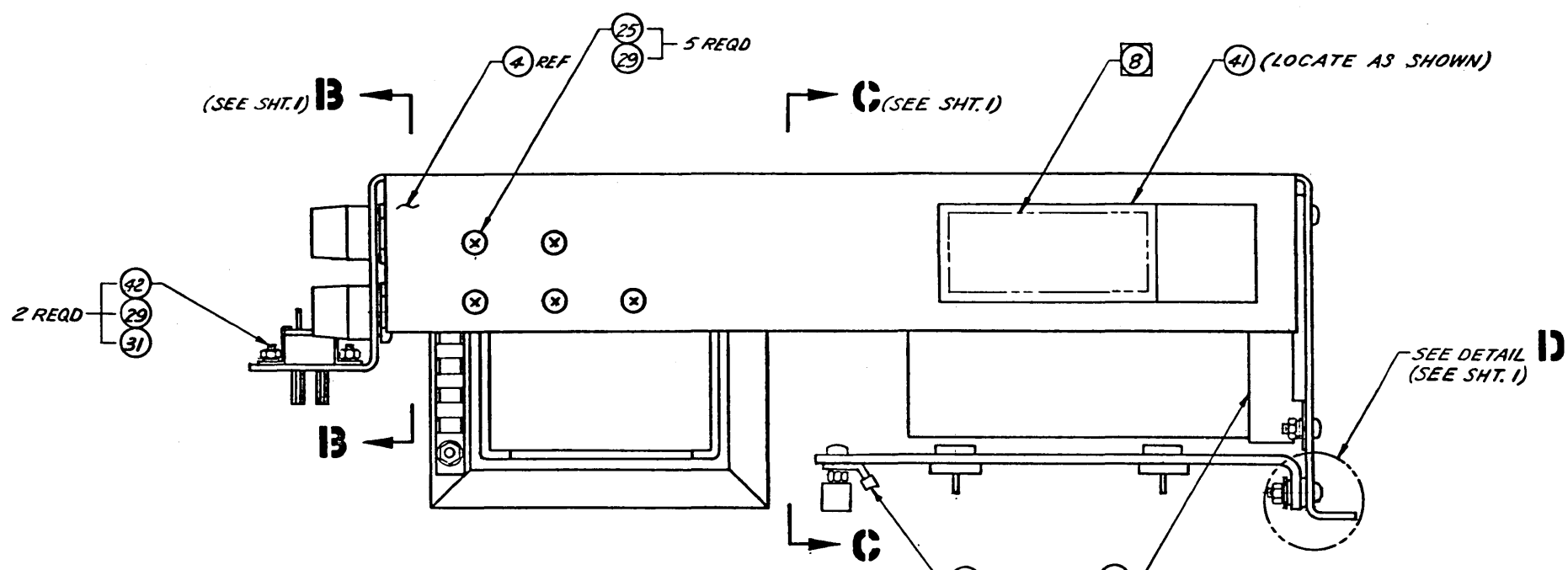
SECTION B-B
(SEE SHT. 2)

SECTION C-C
(SEE SHT. 2)

NO. REQ.	DRAWING NO.	DESCRIPTION	REFERENCE DESIGNATION	ITEM NO.
MATERIAL LIST				
NOTES UNLESS SPECIFIED		DRAWN: <i>K. J. ...</i> 10/31/62	SDS SCIENTIFIC DATA SYSTEMS 1545 FIFTEENTH STREET, SANTA MONICA, CALIFORNIA	
1. TOLERANCES XX ±.030 ANGULAR XXX ±.010		CHECK: <i>W. J. ...</i> 11/26/62	TITLE ASSY, ACCESSORY POWER SUPPLY	
2. BREAK ALL SHARP EDGES AND SPICES		APPR: <i>G. J. ...</i> 11/27/62		
3. BACK SURFACES ✓				
4. ALL DIM. IN INCHES				
MODEL NO.	PX 14	SIZE	DWG. NO.	F
NEXT ASSY.		D	101271	
SCALE 1/1		DO NOT SCALE DRAWING		SHEET 1 OF 4

101271 F1

REV.		DESCRIPTION	CHK	DATE	APPROVED
		SEE SHT. 1			



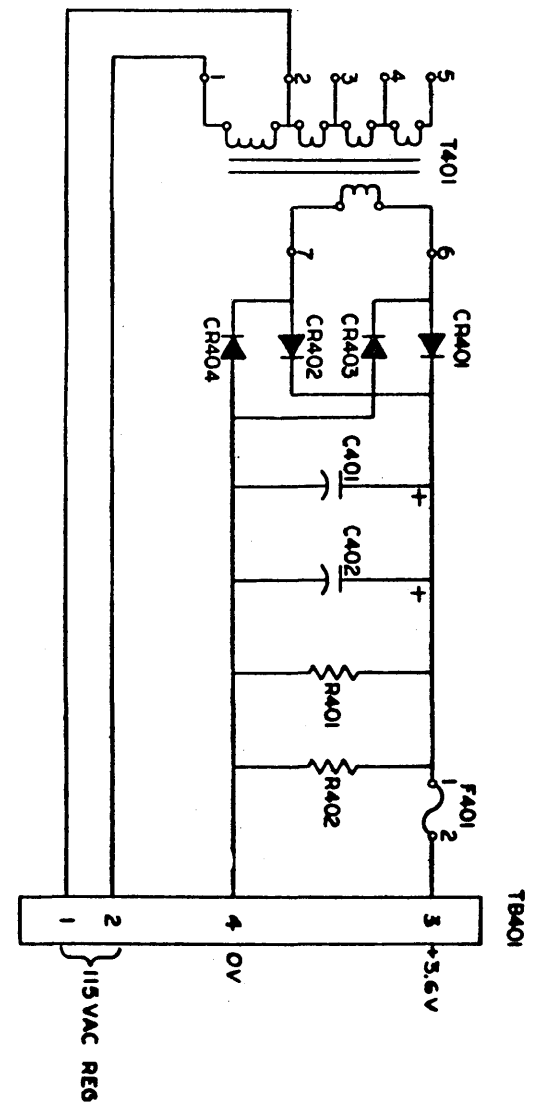
NO. REQD.	DRAWING NO.	DESCRIPTION	REFERENCE DESIGNATION	ITEM NO.
MATERIAL LIST				
NOTES UNLESS SPECIFIED		DRAWN <i>Heifman 10/29/62</i>	SDS SCIENTIFIC DATA SYSTEMS 1545 FIFTEENTH STREET, SANTA MONICA, CALIFORNIA	
1. TOLERANCES HOLE ±.030 ANGULAR SIZE ±.010		CHECK <i>Al Wilson 10/29/62</i>		
2. BREAK ALL SHARP EDGES .010 APPROX.		APPR. <i>C. Jones 10/29/62</i>		
3. MACH. SURFACES ✓			TITLE ASSY ACCESSORY POWER SUPPLY	
4. ALL DIM. IN INCHES				
MODEL NO.	PX14	SIZE	DWG. NO.	101271
NEXT ASSY.				F
SCALE 1/1		DO NOT SCALE DRAWING		SHEET 2 OF 4

101271 F

REV	MATERIAL LIST		SDS SCIENTIFIC DATA SYSTEMS		DWG. NO.	REV
	DWG. TITLE		ML		101271	
	ASSY, ACCESSORY POWER SUPPLY MOD # PX 14		DATE 8-24-72	SHEET 3 OF 4		
ITEM	DWG. TITLE	DWG. NO.	NO. REQ.	REMARKS OR CKT. DESIG.		
1	Assy, Rect. Diode (Common Cathode)	101473	1	CR301, CR302		
2	Assy, Rect. Diode (Common Anode)	101474	1	CR303, CR304		
3	Assy, Step Down Transf.	101524	1	T301		
4	Chassis, Access. Pwr Sup.	101058-002	1			
5	Strip, Marker 3 Place	101066	1			
6	Capacitor, Electrolytic	100594-006	1	C301		
7	Capacitor, Electrolytic	100594-007	1	C302		
8	Resistor, 1/2 watt	100111-333	2	R304, R306		
9	Resistor, 1/2 watt	100111-470	2	R301, R302		
10	Resistor, 1/2 watt	100111-822	2	R303, R305		
11	Diode, Voltage Regulator	100025	2	VR301, VR302		
12	Fuse, 3 AG	100653-013	1	F301		
13	Fuse, 3 AG	100653-015	1	F302		
14	Post, Extractor Fuse	100331	2	XF301, XF302		
15	Plug, 10 Pin	101068	1	J301		
16	Bushing, Spacer Nylon	100203-200	4			
17	Washer, Flat Nylon	100204-300	4			
18	Standoff, Ceramic	101513-003	2			
19	Standoff, Insulated	101516	5	E301 thru E305		
20	Block, Term. Mold. Barrier	100094-003	1	TB301		
21	Bracket, Capacitor Mtg	100607	2			
22	Screw, Pan Hd	100012-306	4			
23	Screw, Pan Hd	100012-310	4			
24	Screw, Pan Hd	100012-406	5	(5)		
25	Screw, Flat Hd	100039-303	5			
26	Screw, Flat Hd	100039-310	4			
27	Screw, Flat Hd	100039-406	4			
28	Washer, Flat	100018-300	14			
29	Washer, Lock	100024-300	21			
30	Washer, Lock	100024-400	9	(5)		
31	Nut, Hex Machine	100008-300	16			
32	Nut, Hex Machine	100008-400	4			
33	Wire, Stranded	100238-016	(20 ft)			
34	Tubing, Teflon	100274-009	(6")			
35	Cord, Lacing	101514	(20 ft)			
36	Lug, Solder	101515-002	4			
37	Terminal, Insulated	100343-008	9			
38	Terminal, Insulated	100343-004	7			

REVISIONS				102320	C
REV.	DESCRIPTION	CHK	DATE	APPROVED	
A	RELEASED TO MFG	CLB	1/16/63	[Signature]	
B	SEE REV. E.O.	CLB	2/1/63	[Signature]	
C	SEE REVISION E.O.	SN	2/1/63	[Signature]	

REFERENCE DESIGNATIONS
ARE ABBREVIATED.
PREFIX THE DESIGNATION
WITH UNIT NUMBER
OR ASSEMBLY DESIGNATION
OR BOTH. (MIL. STD. 168)




NO. REV.	DRAWING NO.	DESCRIPTION	REFERENCE DESIGNATION	ITEM NO.
MATERIAL LIST				
NOTES UNLESS SPECIFIED		DRAWN <i>Wirth</i> 1/25/63	SDS SCIENTIFIC DATA SYSTEMS 1545 FIFTEENTH STREET SANTA MONICA, CALIFORNIA	
1. TOLERANCES UNLESS SPECIFIED		CHECK <i>CLB</i> 2/1/63		
2. BREAK ALL SHARP EDGES 0.05 APPROX.		APPR. <i>Hooper</i> 4/1/63		
3. HATCH SHOWN <input checked="" type="checkbox"/>		TITLE SCHMATIC POWER SUPPLY (ACCESSORY)		
4. ALL DIM. IN DIMES				
MODEL NO.	PX16	SIZE	DWG NO.	C
NEXT ASSY.	102306	SCALE	DO NOT SCALE DRAWINGS	SHEET 1 OF 2

REVISIONS				102320	C
REV.	DESCRIPTION	CHK	DATE	APPROVED	
	SEE SHEET ONE				

REPLACEMENT PARTS LIST

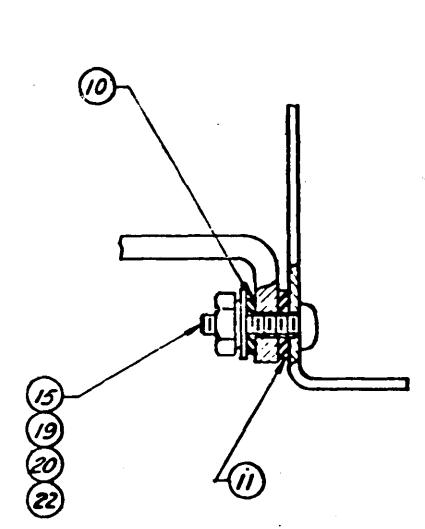
ITEM	DESCRIPTION	DESIGNATION	QTY	SUPPLIER CODE (SEE INDEX)
1	DIODE, MR324 IN 3493 IN 3660	CR401, CR402	2	2 43 34
2	DIODE, MR324R IN 3493R IN 3660R	CR403, CR404	2	2 43 34
3	CAPACITOR, ELECTROLYTIC 90,000μF, 10V	C401, C402	2	57, 58, 59
4	RESISTOR, 47Ω, ±2%	R401, R402	2	16, 17
5	FUSE, 3AG, 7.5A, 32V	F401	1	48, 49
6	BLOCK, TERMINAL 7 PLACE	TB401	1	60
7	TRANSFORMER, STEP DOWN	T401	1	SDS 102347

NO. REV.	DRAWING NO.	DESCRIPTION	REFERENCE DESIGNATION	ITEM NO.
MATERIAL LIST				
NOTES UNLESS SPECIFIED		DRAWN	R.F.K.	10-16-69
1. TOLERANCES XX 2.000 ANGULAR XXX 2.010 2 1/4"		CHECK	<i>[Signature]</i>	<i>[Signature]</i>
2. BREAK ALL SHARP EDGES 2:10 APPROX.		APPR.	<i>[Signature]</i>	<i>[Signature]</i>
3. HATCH SURFACES ✓				
4. ALL DIM. IN INCHES				
MODEL NO. PX16		 SCHEMATIC, POWER SUPPLY (ACCESSORY)		
NEXT ASSY. 102306	SCALE	SIZE DWS NO. D 102320	CHANGES LETTER C	
		DO NOT SCALE DRAWING SHEET 2 OF 2		

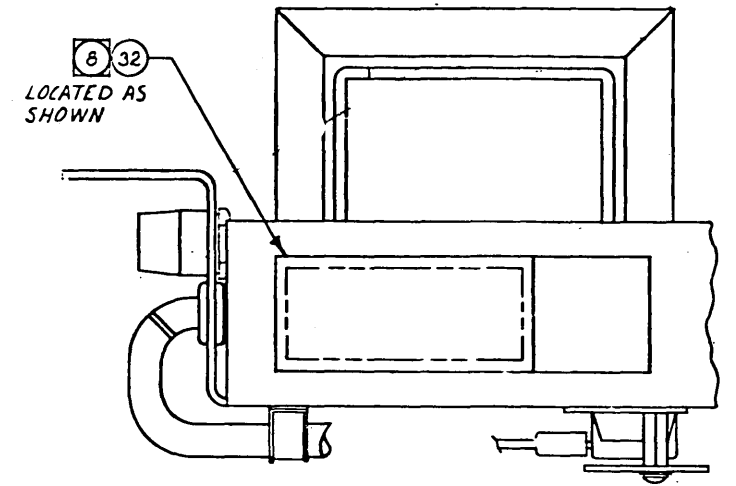
REVISIONS				102306	C
REV.	DESCRIPTION	CHK.	DATE	APPROVED	
A	RELEASED TO MFG.				
B	SEE REVISION E.O.				
C	SEE REVISION E.O.				

NOTES: UNLESS OTHERWISE SPECIFIED

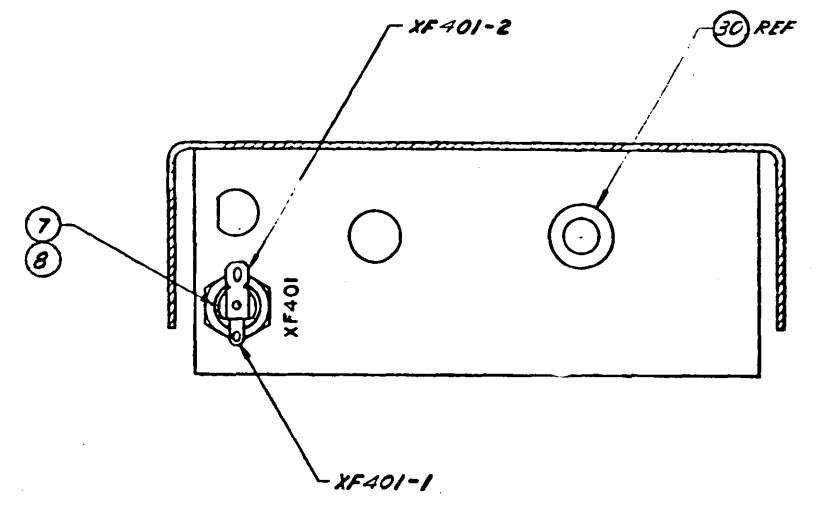
1. SEE MATERIAL LIST 102306, SHT 3
2. STENCIL OR RUBBER STAMP REF DESIGNATIONS .12 HIGH AS SHOWN, COLOR WHITE
3. FOR WIRING INFORMATION SEE: LIST, WIRE, ACCESSORY POWER SUPPLY DWG. NO. 102439, CIRCLED NUMBERS SHOWN ON WIRE LIST ARE ITEM NUMBERS ON THIS ASSY.
4. REF DRAWINGS: SCHEMATIC DWG NO. 102320.
5. FOLLOWING ITEMS TO BE BAGGED AND SUPPLIED AS LOOSE ITEMS: ITEM 16 5 REQD, ITEM 21 5 REQD.
6. SEE INSTALLATION DWG. NO. 102327 (REF M/L ITEM 31 ONE PRINT TO BE INCLUDED WITH ASSY)
7. PLATE CONNECTION IS: CR401-2 & CR402-2 (COMMON CATHODE), CR403-1 & CR404-1 (COMMON ANODE) ON WIRE LIST.
8. MARK TITLE, MODEL NO. & SERIAL NO. .12 HIGH AS SHOWN, COLOR BLACK.
9. MAX LENGTH OF LEADS TO BE .31
10. ASSY TO BE TESTED PER TEST SPEC DWG. NO. 102335.
11. REMOVE SCREWS SUPPLIED BY VENDOR ON ITEM 4. REPLACE SCREWS WITH ITEM 35, 4 PLACES



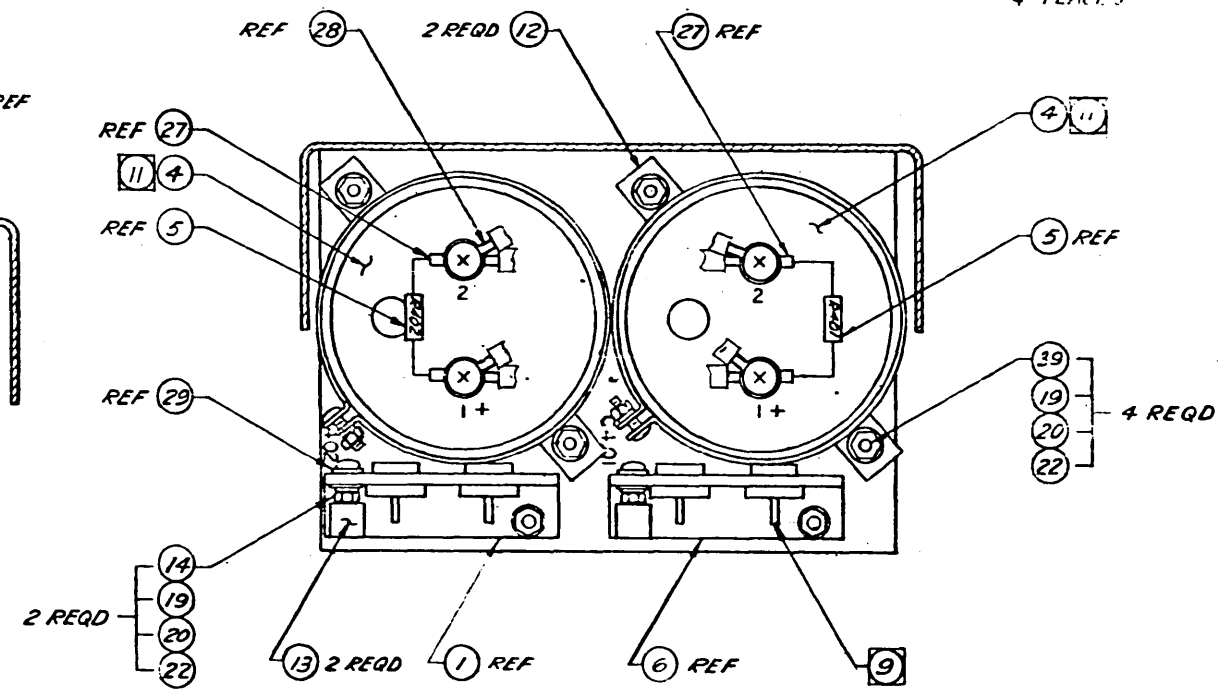
DETAIL C
SCALE 2/1
TYP 4 PLACES
(SEE SHT. 2)



VIEW E-E



SECTION A-A
(SEE SHT. 2)

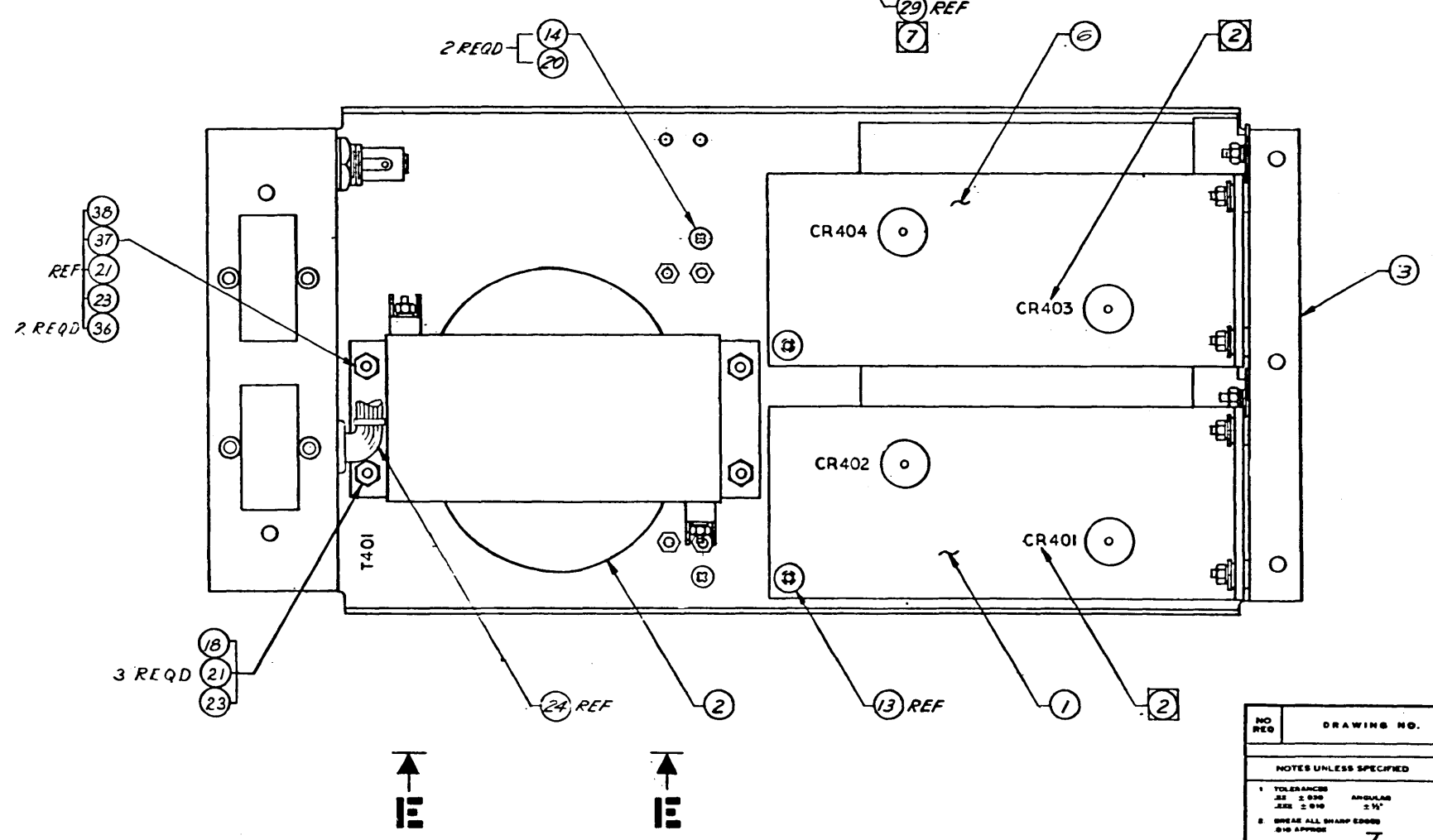
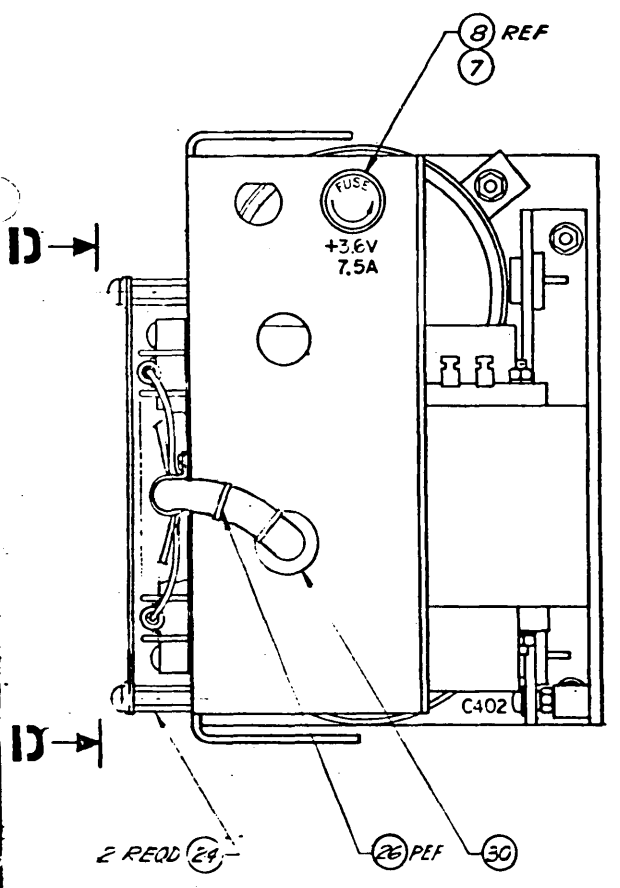
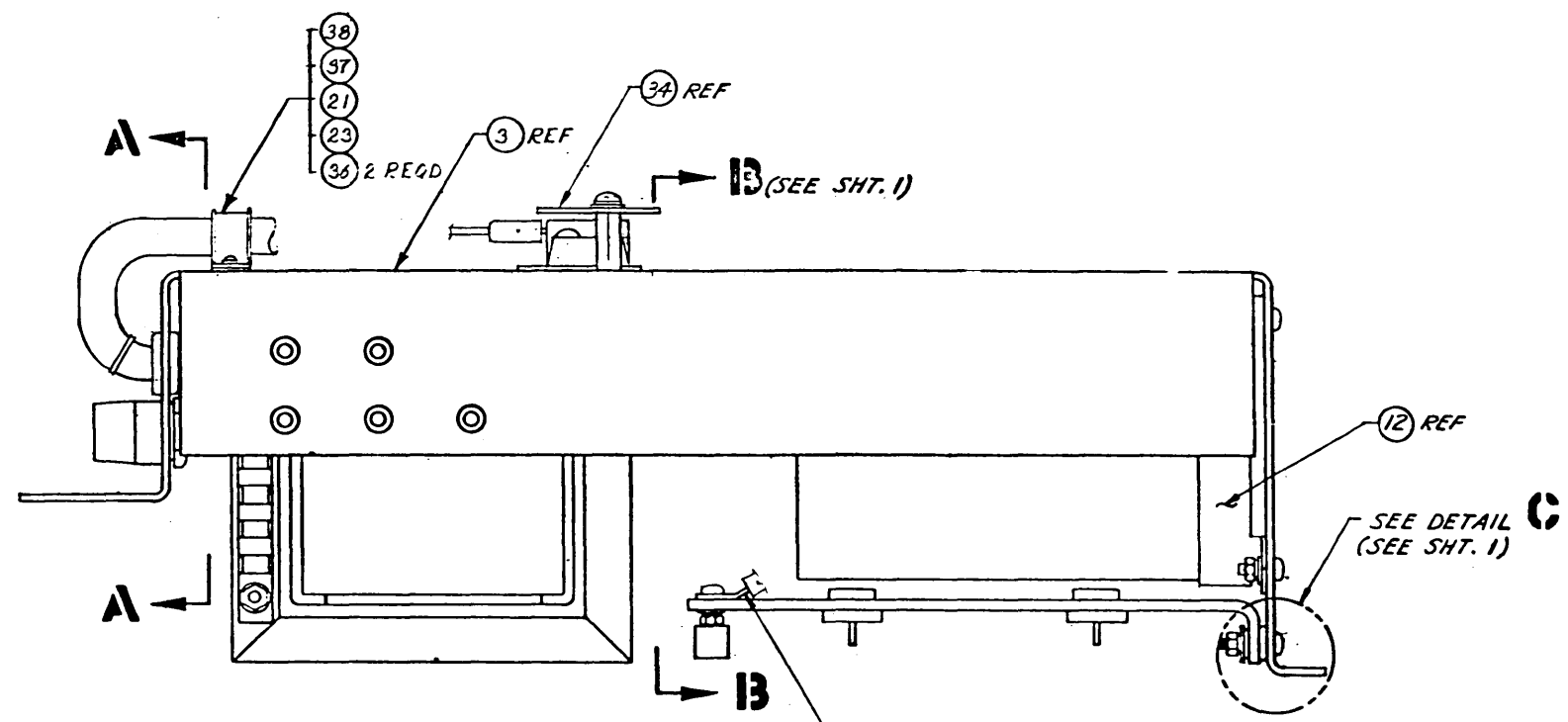
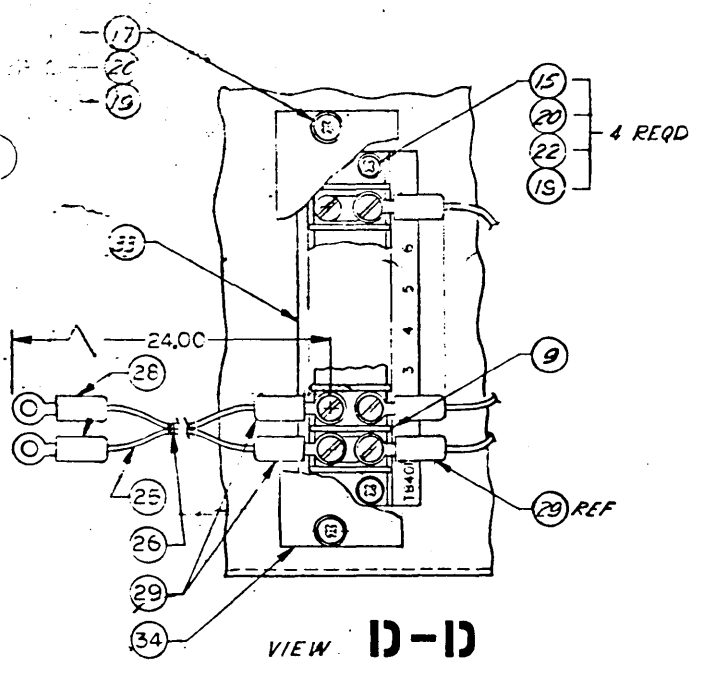


SECTION B-B
(SEE SHT. 2)

NO. REQ.	DRAWING NO.	DESCRIPTION	REFERENCE DESIGNATION	ITEM NO.
MATERIAL LIST				
NOTES UNLESS SPECIFIED		DRAWN: <i>[Signature]</i> 1-29-63	SDS SCIENTIFIC DATA SYSTEMS 1521 FIFTEENTH STREET, SANTA MONICA, CALIFORNIA	
1. TOLERANCES UNLESS OTHERWISE SPECIFIED ARE AS SHOWN 2. BREAK ALL SHARP EDGES 3. HIDE SURFACES 4. ALL DIM. IN INCHES		CHECK: <i>[Signature]</i> 1-15-63 APPR: <i>[Signature]</i> 1-15-63		
		MODEL NO. PX16	SIZE D	DWG. NO. 102306
		NEXT ASSY.	SCALE 1/1	DO NOT SCALE DRAWING SHEET 1 OF 4

102306 | C

REV.		DESCRIPTION	DATE	BY
		SEE SHT. 1		

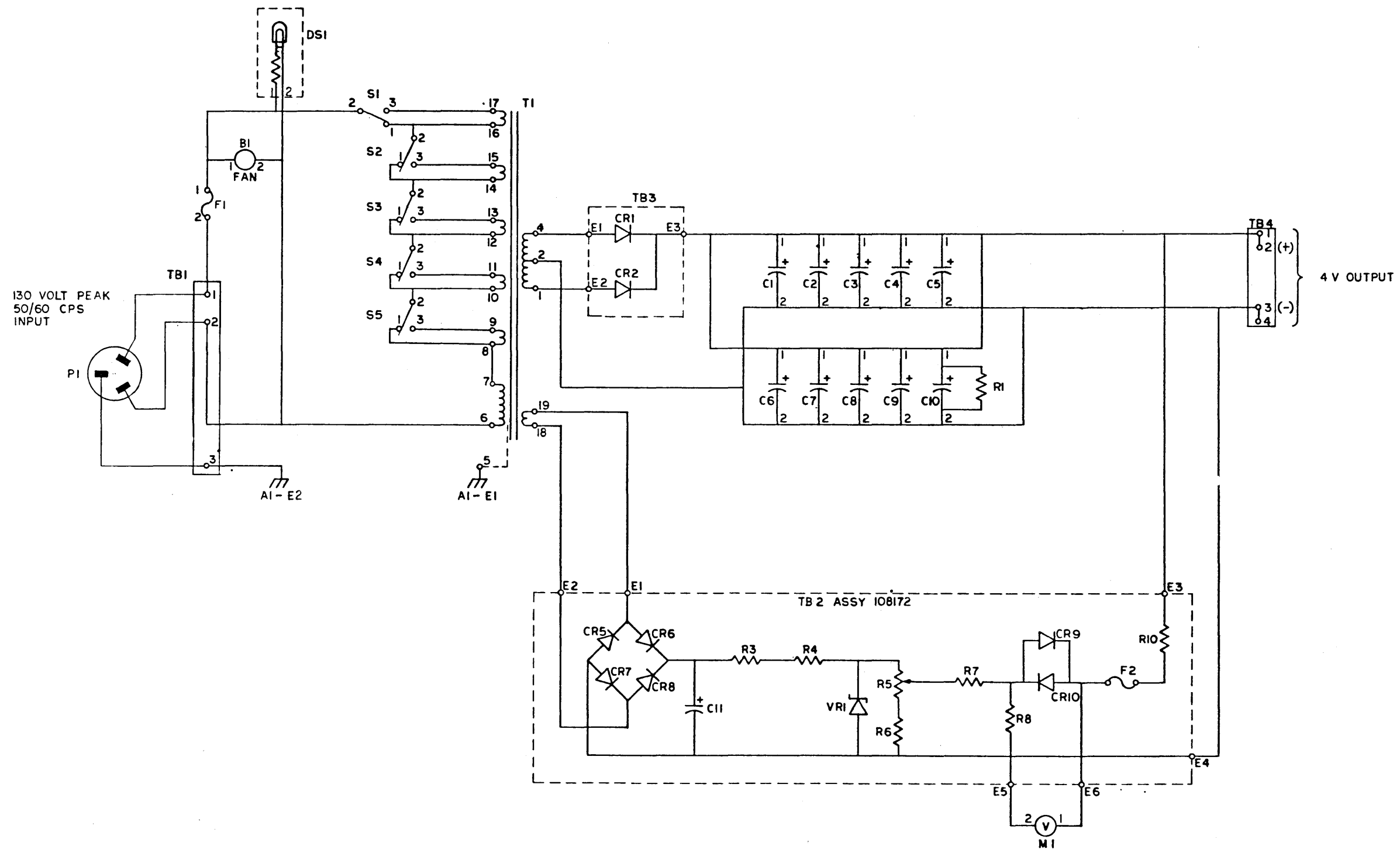


NO. REQ.	DRAWING NO.	DESCRIPTION	REFERENCE DESIGNATION	ITEM NO.
MATERIAL LIST				
NOTES UNLESS SPECIFIED		DRAWN <i>W. J. ...</i>	SDS SCIENTIFIC DATA SYSTEMS 1545 FIFTEENTH STREET, SANTA MONICA, CALIFORNIA	
1. TOLERANCES DIM. ± .010 ANGULAR ± 1/2°		CHECK <i>...</i>		
2. BREAK ALL SHARP EDGES BY APPROX. 1/16		APPR. <i>...</i>		
3. HATCH SURFACES			ASSY ACCESSORY POWER SUPPLY	
4. ALL DIM. IN INCHES				
MODEL NO. - PX 16		SIZE D	DATE 102306	C
NEXT ASSY.			SCALE 1/1	DO NOT SCALE

102306 C

REV	C	MATERIAL LIST		ML	DWG. NO.	REV
DWG. N.	102306	DWG. TITLE		ML	102306	C
		ASSY, ACCESSORY POWER SUPPLY		MOD # <u>PX16</u> DATE <u>2-11-38</u> SHEET <u>3</u> OF <u>4</u>		
ITEM	DWG. TITLE	DWG. NO.	NO. REQ.	REMARKS OR CKT. DESIG.		
1	Assy, Rect. Diode Common (Cathode)	101473	1	CR401, CR402		
2	Assy, Step Down Transform.	102347	1	T401		
3	Chassis, Access. Pwr Sup.	101058-003	1			
4	Capacitor, Electrolytic	100594-001	2	C401, C402		
5	Resistor, 1/2 watt	100111-470	2	R401, R402		
6	Assy, Rect. Diode Common (Anode)	101474	1	CR403, CR404		
7	Fuse, 3AG	100653-020	1	F401		
8	Post. Extractor Fuse	100331	1	XF401		
9	Block, Term. Barrier	100094-007	1	TB401		
10	Bushing, Spacer Nylon	100203-200	4			
11	Washer, Flat Nylon	100204-300	4			
12	Bracket, Capacitor Mtg	100607	2			
13	Standoff, Ceramic	101513-004	2			
14	Screw, Pan Hd	100012-308	4			
15	Screw, Pan Hd	100012-310	8			
16	Screw, Pan Hd	100012-406	5	5		
17	Screw, Pan Hd	100012-304	2			
18	Screw, Flat Hd	100039-406	3			
19	Washer, Flat	100018-300	16			
20	Washer, Lock	100024-300	18			
21	Washer, Lock	100024-400	9	5		
22	Nut, Hex Machine	100008-300	14			
23	Nut, Hex Machine	100008-400	4			
24	Standoff, Threaded Hex	100217-006	2			
25	Wire, Stranded	100238-022	20 ft			
26	Cord, Lacing	101514	20 ft			
27	Lug, Solder	101515-002	4			
28	Terminal, Insulated	100343-008	10			
29	Terminal, Insulated	100343-004	8			
30	Grommet, Rubber	100720-006	1			
31	Instal. Dwg. Access. Pwr Sup.	102337	1 print	ref. 6		
32	Nameplate, Blank	101109	1			
33	Strip, Marker, 7 Place	102314	1			
34	Strip, Term. Block Cover	102327	1			
35	Screw, Pan Hd.	100012-506	4			
36	Washer, Flat	100018-400	2			
37	Screw, Pan Hd.	100012-408	1			
38	Cable Clamp	100657-002	1			

REVISIONS				108426	A
REV.	DESCRIPTION	CHK.	DATE	APPROVED	
A	RELEASED TO MFG.	M	1-23-64	[Signature]	



NO. REV.	DRAWING NO.	DESCRIPTION	REFERENCE DESIGNATION	ITEM NO.

NOTES UNLESS SPECIFIED				MATERIAL LIST	
1. TOLERANCES	UNLESS SPECIFIED	DRAWN	BRILMAN	8-11-64	
2. DIMENSIONS	AS SHOWN	CHECK	[Signature]	9-3-64	
3. BREAK ALL SHARP EDGES	AND APPROX.	APPR.	[Signature]	9-10-64	
4. HATCH SURFACES	✓				
5. ALL DIM. IN INCHES					

MODEL NO.		DWG. NO.		CHANGE LIST	
PX 18		D 108426		A	
NEXT ASSY. 107743		SCALE		DO NOT SCALE DRAWING SHEET 1 OF 2	

108426 | A |

REV.	DESCRIPTION	CHK	DATE	APPROVED
	SEE SHEET ONE			

REPLACEMENT PARTS LIST

ITEM	DESCRIPTION	DESIGNATOR	QTY	SUPPLIER CODE (SEE INDEX)
1	FUSE 3 AG 5 A	F1	1	48
2	POST EXTRACTOR FUSE	XF1	1	48, 49
3	FAN ELECTRIC	B1	1	139
4	TERMINAL BLOCK 3 PLACE	TB1	1	51
5	LAMP INDICATOR NEON	DS1	1	56
6	SWITCH TOGGLE DPST	SI THRU S5	5	106
7	METER 100-0-100 μ A	MI	1	SDS 101167
8	TRANSFORMER STEP DOWN	T1	1	SDS 108177
9	CAPACITOR ELECTROLYTIC 90,000-360,000 μ F 5WV	CI THRU C10	10	147, 148, 149
10	RECTIFIER SILICON	CR1, CR2	2	2, 6, 150
11	BLOCK INSULATED TERM.	TB4	1	SDS 108147
12	BLOCK INSULATED TERM	TB3	1	SDS 108146
13	DIODE SILICON IN914A	CR9, CR10	2	4, 12, 13, 14
14	DIODE SILICON IN921	CR5, 6, 7, 8	4	13, 15, 28
15	DIODE SILICON IN752	VR1	1	2, 12, 13, 14
16	POTENTIOMETER WIREWOUND TRIMMER 200 Ω	R5	1	35, 44
17	CAPACITOR TANTALUM 47 μ f \pm 20% 35 V	C11	1	22, 23, 87
18	RESISTOR 180 Ω \pm 2%	R1, R3, R4	3	16, 17
19	RESISTOR 390 Ω \pm 2%	R6	1	16, 17
20	RESISTOR PRECISION 1905 Ω \pm 0.2% 8S24A4	R7	1	129
21	RESISTOR PRECISION 900 Ω \pm 0.2% 8S24A4	R8	1	129
22	RESISTOR PRECISION 17715 Ω \pm 0.2% 8S24A4	R10	1	129
23	FUSE 8 AG .01A	F2	1	48, 49
24	CLIP FUSE	XF2	2	48, 101
25	RESISTOR PRECISION 4827 Ω \pm 0.2% 8S24A4	R10	1	129
26	CORD AC	PI	1	101

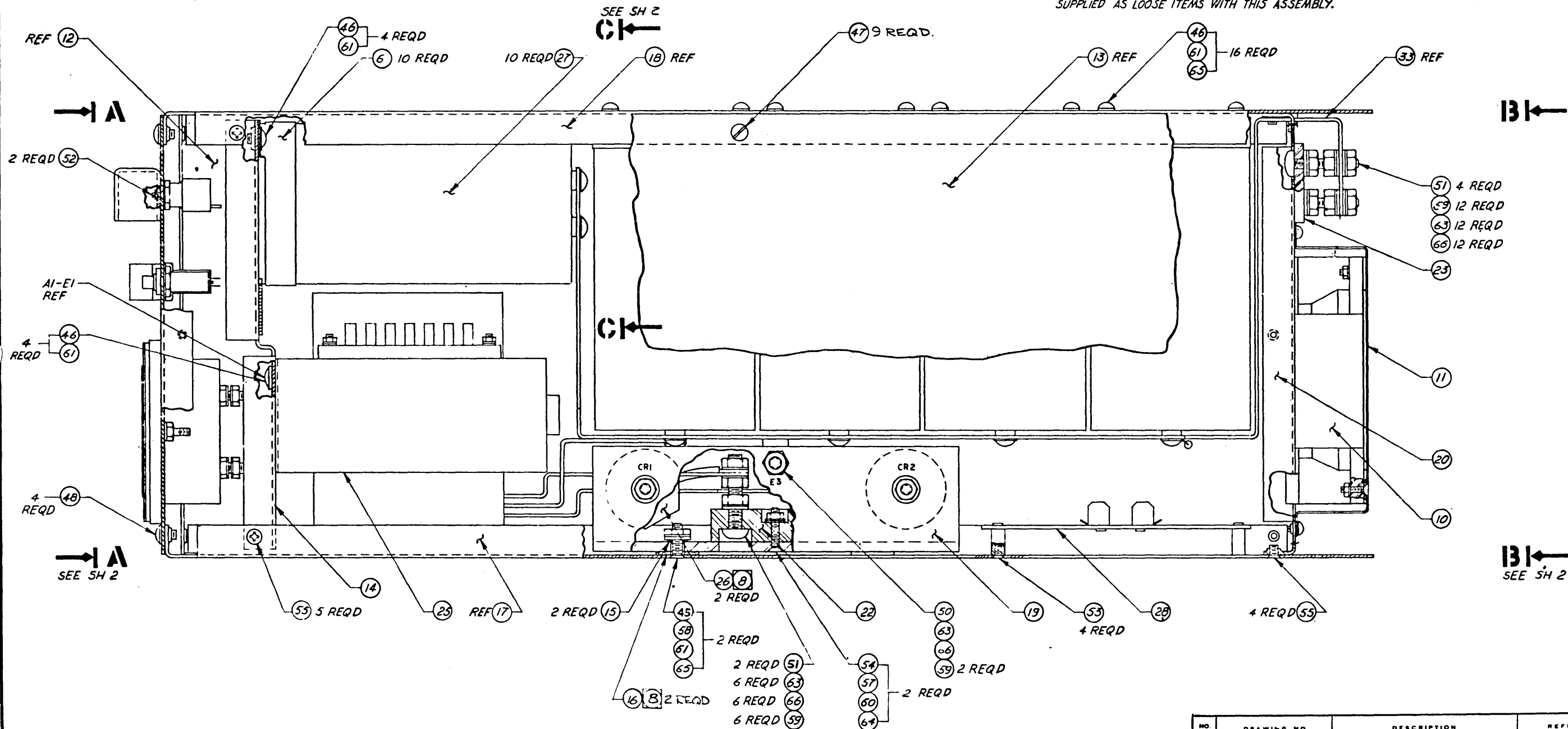
NO. REV.	DRAWING NO.	DESCRIPTION	REFERENCE DESIGNATION	ITEM NO.
NOTES UNLESS SPECIFIED: 1. THE DRAWING SHALL BE MADE IN ACCORDANCE WITH THE DRAWING STANDARDS OF THE ARMY. 2. ALL DIMENSIONS ARE IN INCHES UNLESS OTHERWISE SPECIFIED. 3. DIMENSIONS IN PARENTHESES ARE FOR INFORMATION ONLY. 4. ALL DIMENSIONS ARE TO BE TAKEN TO THE CENTER UNLESS OTHERWISE SPECIFIED.		MATERIAL LIST 9-28-64 425-60 10:1:40	SCHEMATIC DATA SYSTEM SANTA MONICA, CALIFORNIA SCHEMATIC POWER SUPPLY, PX 18	SCALE DRAWING NO. 108426 SHEET 2 OF 2
DRAWN BY CHECKED BY APPR. BY	BRILMAN [Signature] [Signature]	TITLE POWER SUPPLY, PX 18	MODEL NO. PX 18	SHEET NO. 108426
MODEL NO. PX 18 NEXT AMBY. 107743				

REVISIONS				107743	A
REV.	DESCRIPTION	CHK	DATE	APPROVED	
A	RELEASED TO MFG				

NOTES: UNLESS OTHERWISE SPECIFIED.

- 6 BOND IN PLACE AS SHOWN.
- 7 MARK: TITLE, ASSY NO, MODEL NO. AND SERIAL NO. .12 HIGH AS SHOWN. COLOR BLACK. LOCATE NAME PLATE IN CENTER OF BRACKET FAN MTG.
- 8 APPLY SILICON GREASE (DOW CORNING 3 COMPOUND OR EQUIV) BETWEEN CONTACT SURFACES.

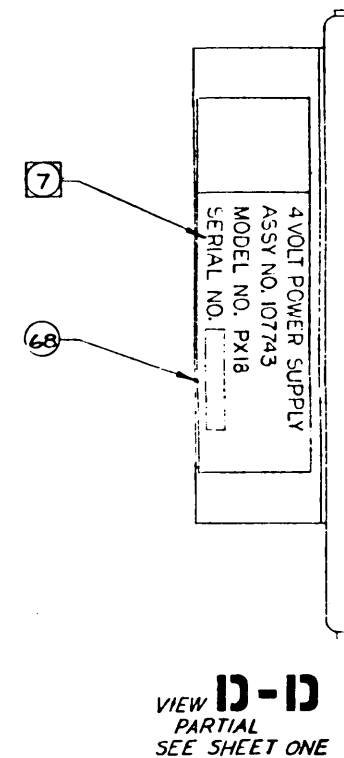
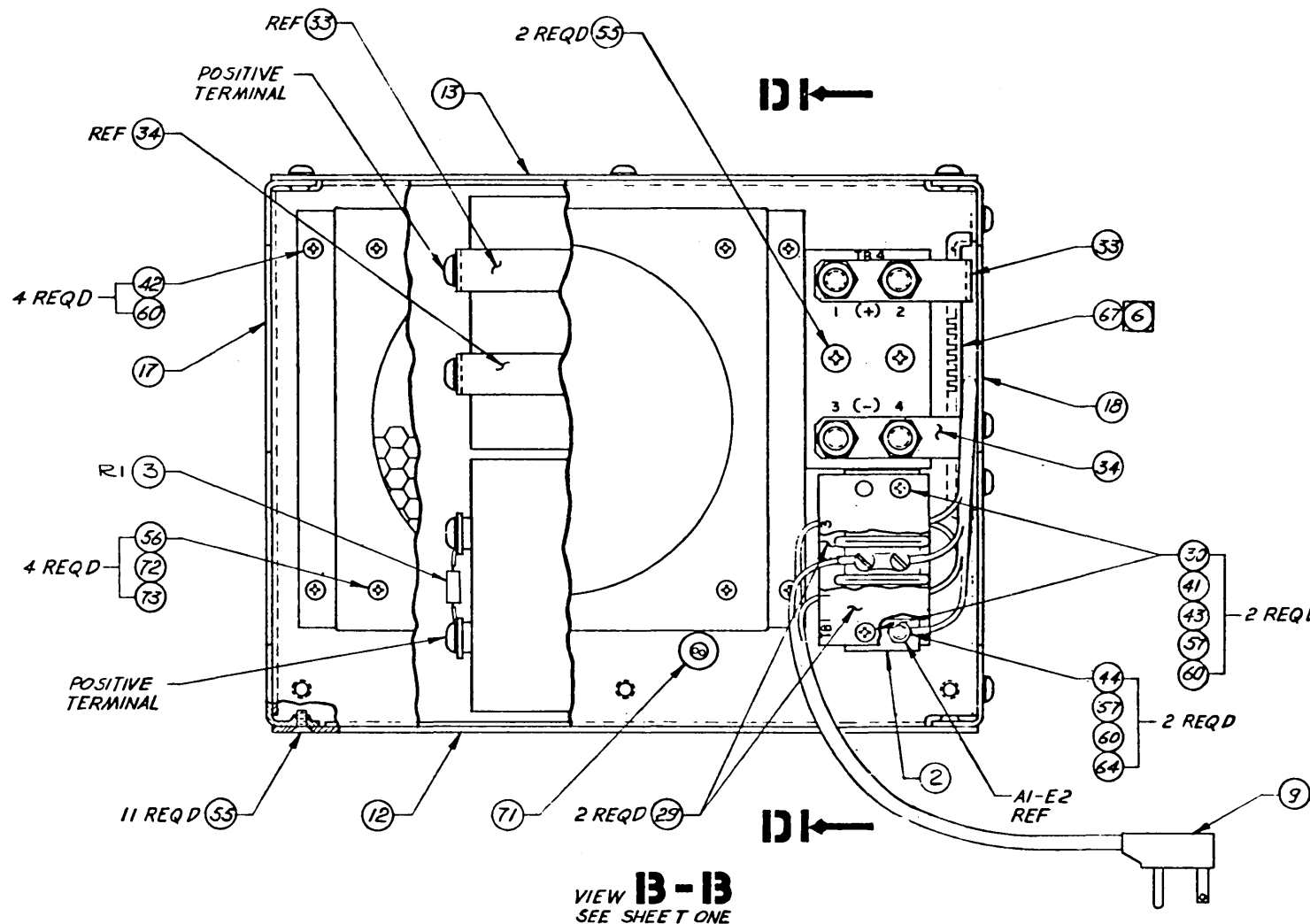
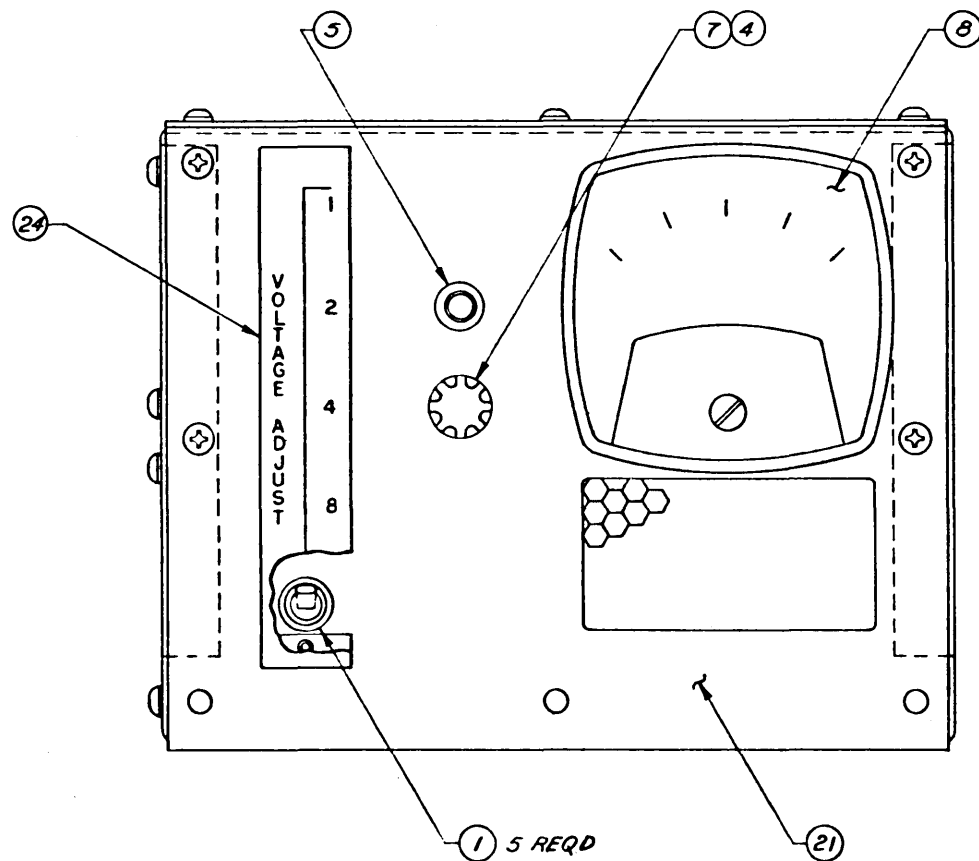
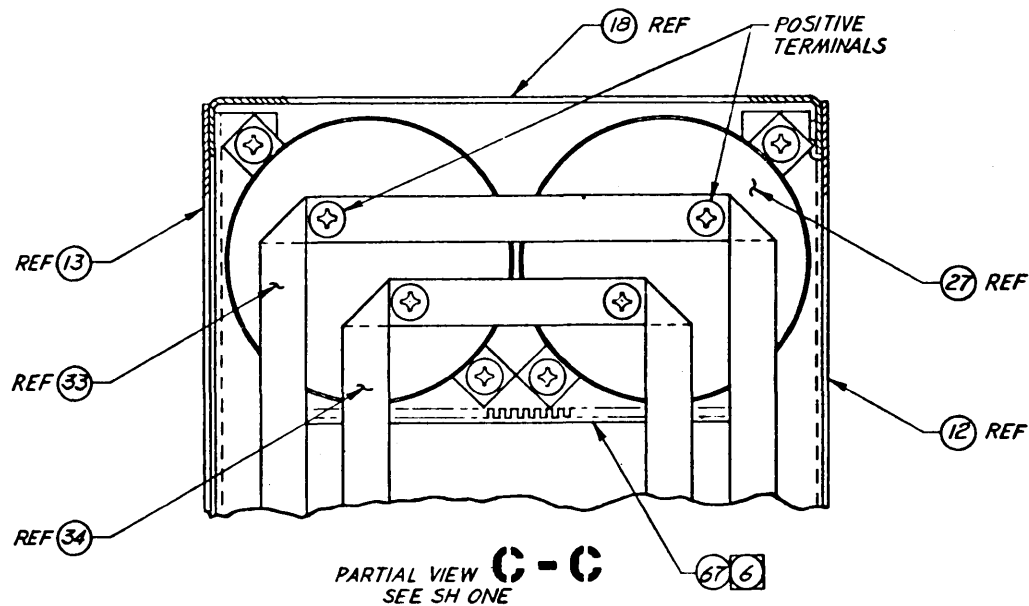
- 1. SEE MATERIAL LIST 107743 SH 3, 4 & 5.
- 2. FOR WIRING INFORMATION SEE WIRE LIST NO. 108484.
- 3. REF DWG SEE SCHEMATIC, POWER SUPPLY 108426.
- 4. SEE INSTALLATION DWG: 109009 (REF MATERIAL LIST ITEM 69, ONE PRINT TO BE INCLUDED WITH ASSEMBLY).
- 5. ITEMS 31, 32 AND MTG HARDWARE ITEM 48 (3 REQD), 49 (3 REQD), 55 (2 REQD) ARE TO BE SUPPLIED AS LOOSE ITEMS WITH THIS ASSEMBLY.



NO. REQ.	DRAWING NO.	DESCRIPTION	REFERENCE DESIGNATION	ITEM NO.
MATERIAL LIST				
NOTES UNLESS SPECIFIED		DRAWN BRILMAN 8-28-64	 SCIENTIFIC DATA SYSTEMS SANTA MONICA, CALIFORNIA	
1. TOLERANCES XX ± .030 ANGULAR SEE 2 P. 10 2. BREAK ALL SHARP EDGES .010 APPROX. 3. MACH. SURFACES ✓ 4. ALL DIM. IN INCHES		CHECK [Signature] 9-24-64		
		APPR. [Signature] 9-15-64	TITLE ASSEMBLY, 4 VOLTS POWER SUPPLY	
MODEL NO. PX 18		SIZE D	DWG NO. 107743	CHANGE LETTER A
NEXT ASSY.		SCALE 1/1		DO NOT SCALE DRAWING SHEET 1 OF 5


107743 A

REVISIONS				107743	A
REV.	DESCRIPTION	CHK	DATE	APPROVED	
	SEE SHEET ONE				



NO. REQ.	DRAWING NO.	DESCRIPTION	REFERENCE DESIGNATION	ITEM NO.
MATERIAL LIST				
NOTES UNLESS SPECIFIED		DRAWN BRILMAN 8-31-64		
1. TOLERANCES JE 2.000 ANGULAR 2 1/2° XXX 2.000		CHECK [Signature] 9-24-64		
2. BREAK ALL SHARP EDGES 3.10 APPROX		APPR. [Signature] 9-25-64		
3. BREAK SURFACES			TITLE ASSEMBLY, 4 VOLTS POWER SUPPLY	
4. ALL DIM. IN INCHES			MODEL NO. PX 18	
NEXT ASSY.			SIZE DWS NO. D 107743 CHANGE LETTER A	
			SCALE 1/1 DO NOT SCALE DRAWING SHEET 2 OF 5	

107743 A

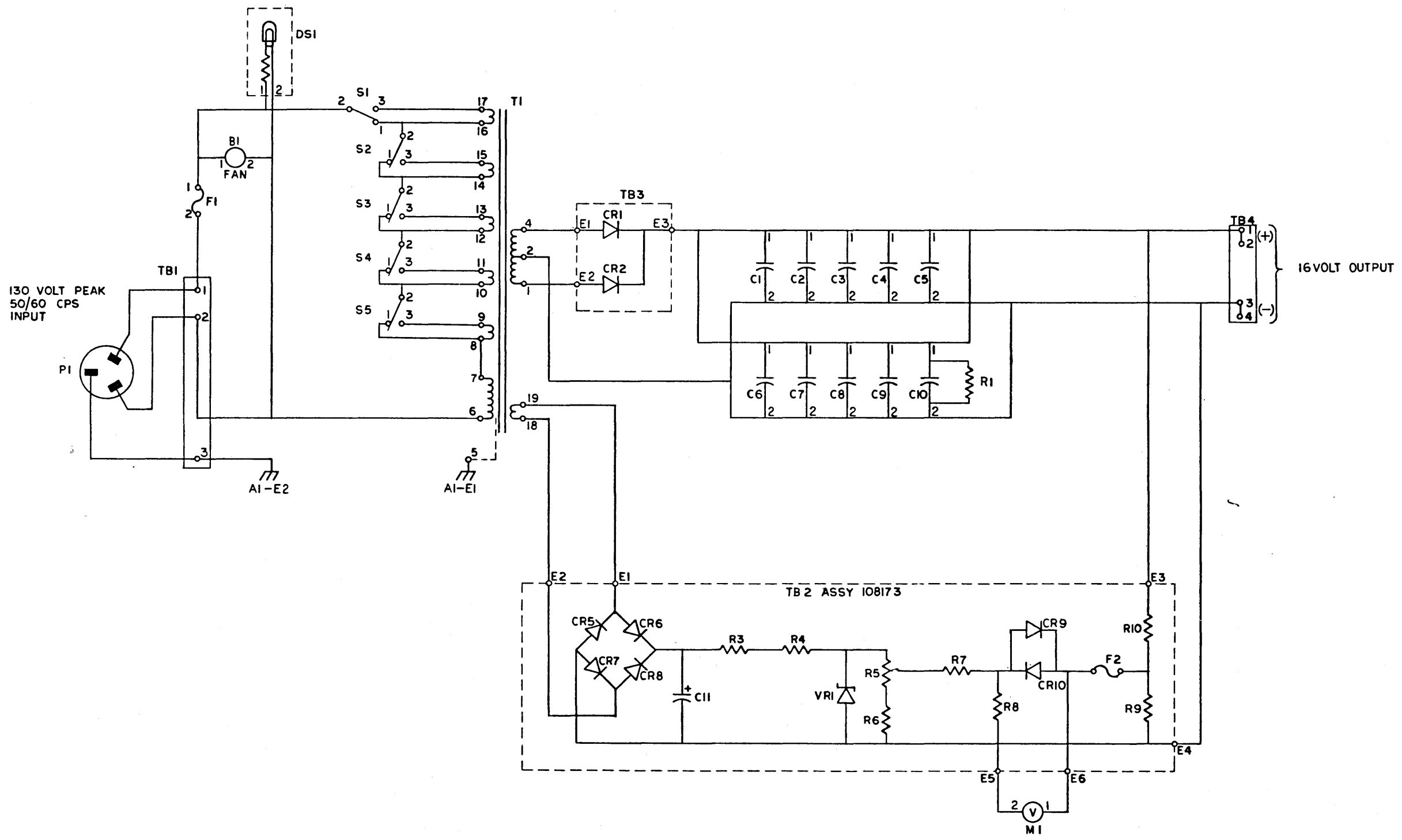
REV.	A	 MATERIAL LIST	ML	DRAWING NO.	REV.				
				107743	A				
DRAWING NO.	107743	DRAWING TITLE	Power Supply 4 Volt	MODEL NO.	PX18	DATE	8/14/4	SHEET	3 OF 5

ML

ITEM NO.	DRAWING TITLE	DWG. NO.	NO. REQ.	REMARKS ON CKT. DESIG.
1 R	Switch SPDT	100072	5	S1, S2, S3, S4, S5
2 R	Block, Term. Molded ^{Barrier}	100094-003	1	TB1 AC Input
3 R	Resistor, 1/2 Watt	100111-181	1	R1
4 R	Post Extractor Fuse	100331	1	XF1
5 R	Indicator, Neon	100531	1	DS1
6 R	Bracket, Capacitor Mtg.	100607	10	
7 R	Fuse 3 AG	100653-019	1	F1
8 R	Meter	101167	1	M1
9 R	Power Cord	101431	1	
10 R	Fan, Electric	104052	1	B1
11 R	Bkt, Fan Mounting	107269	1	
12 R	Plate, Bottom	107912	1	
13 R	Cover, Top	108048	1	
14 R	Brkt, Component Mtg.	108074	1	
15 R	Washer, Fiber	108872-006	2	
16 R	Washer, Heatsink	108078-001	2	
17 R	Channel, Formed (RH)	108090	1	
18 R	Channel, Formed (LH)	108091	1	
19 R	Angle, Diode Mtg.	108114	1	
20 R	Panel, Rear	108144	1	
21 R	Panel, Control	108145	1	
22 R	Block Insulating	108146	1	TB3
23 R	Block Insulating Terminal	108147	1	TB4
24 R	Cover, Switch	108174	1	
25 R	Transformer, Step Down	108175	1	T1
26 R	Silicon Rectifier	108498	2	CR1, CR2
27 R	Capacitor, Electrolytic	108474-001	10	C1 thru 10
28 R	Assy, Meter Circuit Bd.	108172	1	TB2
29 R	Strip, Marker Terminal Blk	107954-031	2	
30 R	Standoff, Threaded	100217-004	2	
31 R	Bar, Power Supply Mtg.	107267	1	5
32 R	Angle, Power Supply Support	107270	1	5

REV.	A	SDS SCIENTIFIC DATA SYSTEMS		MATERIAL LIST		ML	DRAWING NO.	REV.
							107743	A
DRAWING NO.	107743	DRAWING TITLE		MODEL NO.	DATE	SHEET 4 OF 5		
		POWER SUPPLY 4 VOLT		PX18	9-18			
ITEM NO.	DRAWING TITLE	DWG. NO.	NO. REQ.	REMARKS ON CKT. DESIG.				
33 R	Strip, Positive Bus	108724	1					
34 R	Strip, Negative Bus	108723	1					
35 R	Wire, Stranded Teflon Ins	100238-016	x	as reqd				
36 R	Wire, Stranded Teflon Ins	100238-024	x	as reqd				
37 R	Terminal, Ins Ring Tongue	100343-004	5					
38 R	Terminal, Ins Ring Tongue	100343-009	4					
39 R	Terminal, Ins Ring Tongue	100343-008	2					
40 R	Terminal, Ins Ring Tongue	100343-006	1					
41 R	Screw, Pan Hd	100012-303	2					
42 R		100012-304	4					
43 R		100012-308	2					
44 R	Screw, Pan Hd	100012-310	2					
45 R	Screw, Flat Hd	100039-410	2					
46 R	Screw, Pan Hd	100012-405	24					
47 R	Screw, Pan Hd	100012-404	9					
48 R	Screw, Truss Head	100045-605	7	5				
49 R	Screw, Truss Head	100045-607	3	5				
50 R	Screw, Cap Steel Hex Hd	101441-104	1					
51 R	Screw, Pan Hd	100012-622	6					
52 R	Screw, Flat Hd	100039-203	2					
53 R		100039-304	4					
54 R		100039-312	2					
55 R		100039-405	22	5				
56 R	Screw, Flat Hd	100039-208	4					
57 R	Washer, Flat	100018-300	8					
58 R	Washer, Flat	100018-400	2					
59 R	Washer, Flat	100018-600	26					
60 R	Washer, Lock	100024-300	10					
61 R	Washer, Lock	100024-400	29					
62								
63 R	Washer, Lock	100024-600	19					
64 R	Nut, Hex Machine	100008-300	4					

REVISIONS				108425	A
REV.	DESCRIPTION	CHEK	DATE	APPROVED	
A	RELEASED TO MFG				



108425 | A |

NO. REV.	DRAWING NO.	DESCRIPTION	REFERENCE DESIGNATION	ITEM NO.
MATERIAL LIST				
NOTES UNLESS SPECIFIED		DRAWN	BRILMAN	8-11-64
1. TOLERANCES XX 2.500 XXX 2.510 2.490		CHECK	<i>[Signature]</i>	9-25-64
3. BREAK ALL SHARP EDGES AND APPROX.		APPR.	<i>[Signature]</i>	7-22-64
4. BACK SURFACES ✓				
5. ALL DIM. IN INCHES				
MODEL NO. PX 19		SIZE D		DWG. NO. 108425
NEXT REV. 107744		SCALE DO NOT SCALE DRAWING		SHEET 1 OF 2
TITLE SCHEMATIC POWER SUPPLY, PX 19			CHANGE LETTER A	

REV.	DESCRIPTION	DATE	APPROVED
	SEE SHEET ONE		

REPLACEMENT PARTS LIST.

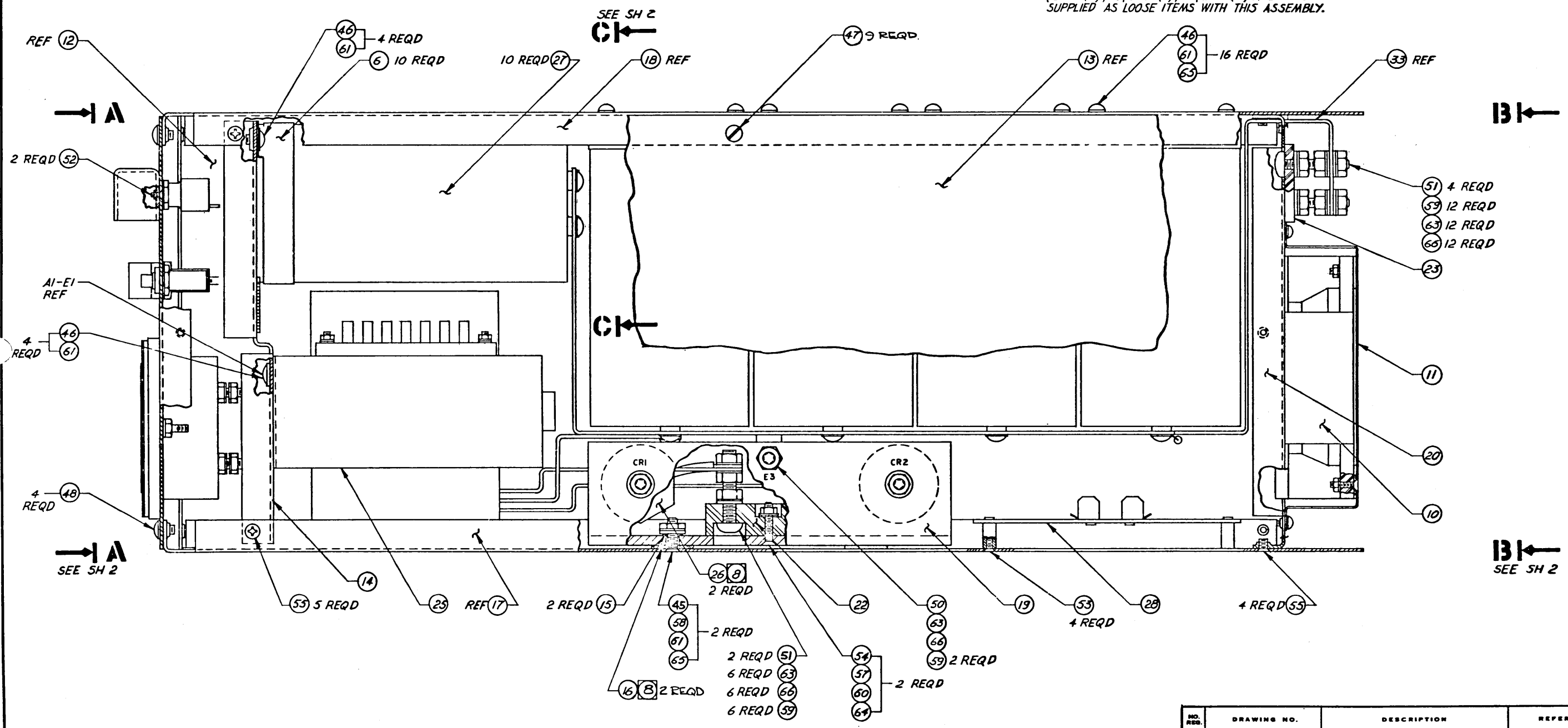
ITEM	DESCRIPTION	DESIGNATOR	QTY	SUPPLIER CODE (SEE INDEX)
1	FUSE 3 AG 10A	F1	1	48
2	POST EXTRACTOR FUSE	XF1	1	48,49
3	FAN ELECTRIC	B1	1	139
4	TERMINAL BLOCK 3 PLACE	TB1	1	51
5	LAMP INDICATOR NEON	DS1	1	56
6	SWITCH TOGGLE SPDT	SI THRU S5	5	106
7	METER 100-0-100 UA	MI	1	SDS 101167
8	TRANSFORMER STEP DOWN	T1	1	SDS 108177
9	CAPACITOR ELECTROLYTIC 39,500 - 140,000 μ F 20WV	CI THRU C10	10	147,148,149
10	RECTIFIER SILICON	CR1, CR2	2	26,150
11	BLOCK INSULATED TERM.	TB4	1	SDS 108147
12	BLOCK INSULATED TERM	TB3	1	SDS 108146
13	DIODE SILICON IN914A	CR9, CR10	2	4,12,13,14
14	DIODE SILICON IN921	CR5,6,7,8	4	13,15,28
15	DIODE SILICON 1N752	VR1	1	2,12,13,14
16	POTENTIOMETER WIRE WOUND TRIMMER 200 Ω	R5	1	35,44
17	CAPACITOR TANTALUM 47 μ F \pm 20% 35 V	C11	1	22,23,87
18	RESISTOR 180 Ω \pm 2%	R4, R3	2	16,17
19	RESISTOR 390 Ω \pm 2%	R6	1	16,17
20	RESISTOR PRECISION 1905 Ω \pm 0.2% 8S24A4	R7	1	129
21	RESISTOR PRECISION 900 Ω \pm 0.2% 8S24A4	R8	1	129
22	RESISTOR PRECISION 6605 Ω \pm 0.2% 8S24A4	R9	1	129
23	RESISTOR PRECISION 17715 Ω \pm 0.2% 8S24A4	R10	1	129
24	FUSE, 8 AG .01A	F2	1	48,49
25	CLIP, FUSE	XF2	2	48,101
26	RESISTOR 3300 Ω \pm 2%	R1	1	16,17
27	CORD AC	PI	1	101

NO. 108425	REV. A	DATE	APPROVED
DRAWING NO. PX 19		TITLE SCHEMATIC POWER SUPPLY, PX 19	
DRAWN BY BRILMAN		CHECKED BY [Signature]	
APPROVED BY [Signature]		DATE 9-28-64	
MATERIAL LIST		SCALE	
DO NOT SCALE DRAWING		SHEET 2 OF 2	

REVISIONS			
REV.	DESCRIPTION	CHK	DATE
A	RELEASED TO MFG	WV	9-25-64

NOTES: UNLESS OTHERWISE SPECIFIED.

- 6 BOND IN PLACE AS SHOWN.
- 7 MARK: TITLE, ASSY NO, MODEL NO. AND SERIAL NO. .12 HIGH AS SHOWN. COLOR BLACK. LOCATE NAME PLATE IN CENTER OF BRACKET FAN MOUNTING.
- 8 APPLY SILICONE GREASE (DOW CORNING 3 COMPOUND OR EQUIV) BETWEEN CONTACT SURFACES.
- 1. SEE MATERIAL LIST 107743 SH 3, 4 & 5.
- 2. FOR WIRING INFORMATION SEE WIRE LIST NO. 108487
- 3. REF DWG SEE SCHEMATIC, POWER SUPPLY 108425.
- 4. SEE INSTALLATION DWG: 109009. (REF MATERIAL LIST ITEM 69, ONE PRINT TO BE INCLUDED WITH ASSEMBLY).
- 5. ITEMS 31, 32 AND MFG HARDWARE ITEM 48 (3 REQD), 49 (3 REQD), 55 (2 REQD) ARE TO BE SUPPLIED AS LOOSE ITEMS WITH THIS ASSEMBLY.

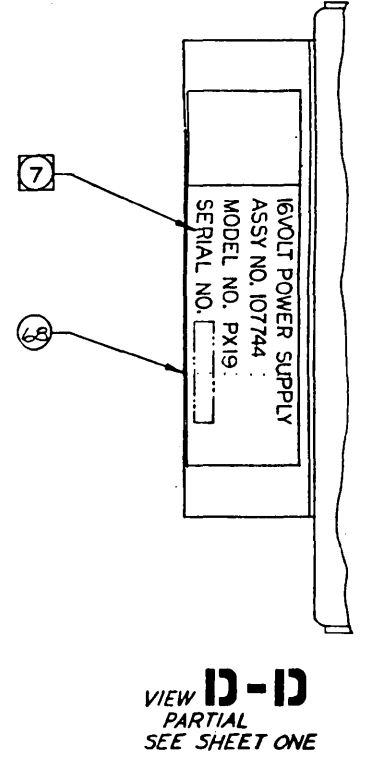
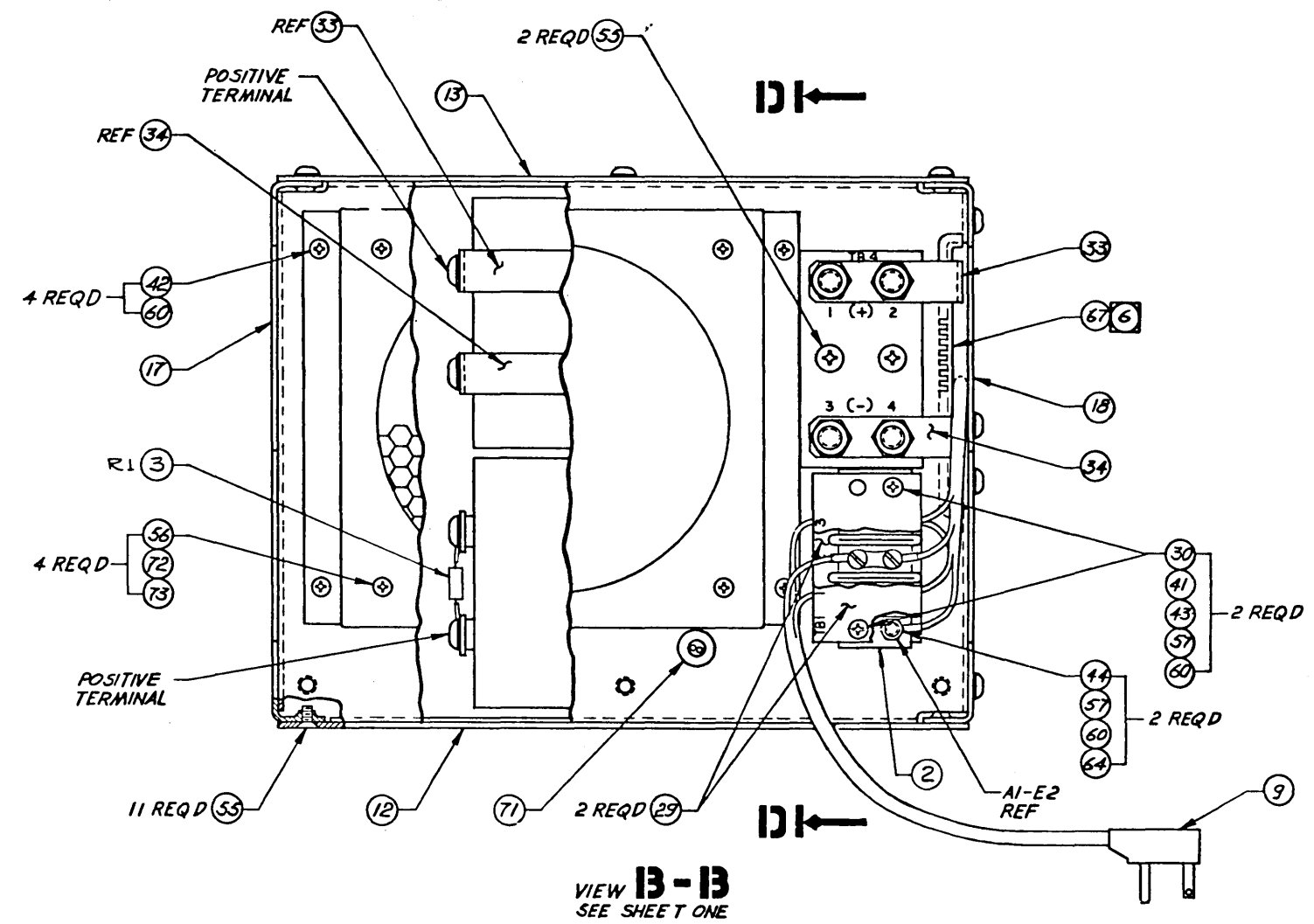
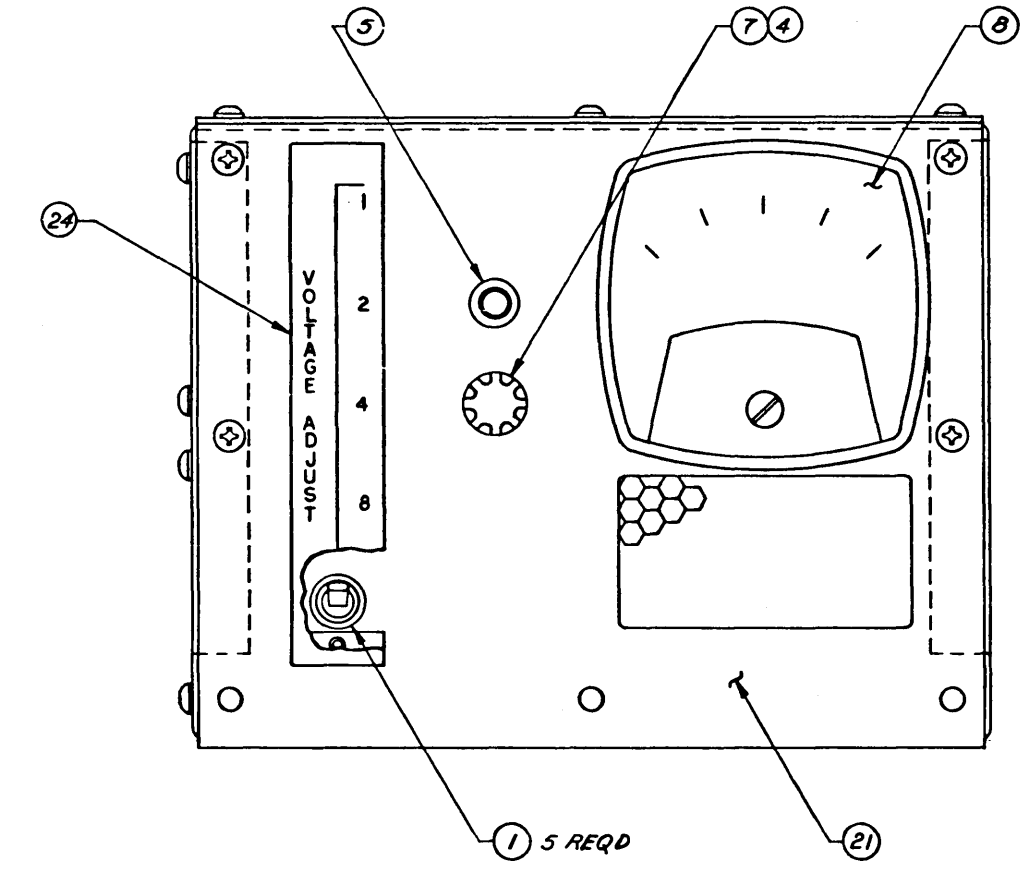
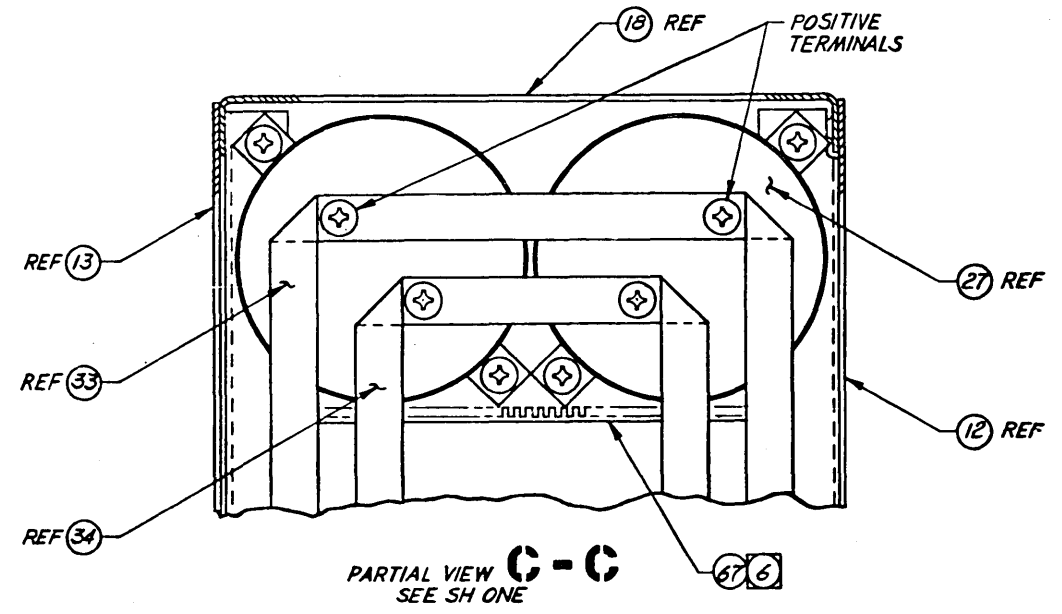


NO. REQD.	DRAWING NO.	DESCRIPTION	REFERENCE DESIGNATION	ITEM NO.
MATERIAL LIST				
NOTES UNLESS SPECIFIED		DRAWN	BRILMAN	8-28-64
1. TOLERANCES SEE 2.900		CHECK	WV	9-25-64
2. BREAK ALL SHARP EDGES .010 APPROX.		APPR.	Boyer	9-25-64
3. BACK SURFACES ✓		<div style="text-align: center;"> <p>SCIENTIFIC DATA SYSTEMS SANTA BARBARA, CALIFORNIA</p> </div>		
4. ALL DIMS IN INCHES				
MODEL NO.		TITLE		CHANGE LETTER
PX 19		ASSEMBLY, 16 VOLTS POWER SUPPLY		A
NEXT ASSY.		SIZE	DWG. NO.	
		D	107744	
		SCALE	DO NOT SCALE DRAWING	SHEET 1 OF 5
		1/1		

107744 A

REV.		DESCRIPTION		CHK	DATE	APPROVED
		SEE SHEET ONE				

107744 A



NO. REQ.	DRAWING NO.	DESCRIPTION	REFERENCE DESIGNATION	ITEM NO.
MATERIAL LIST				
NOTES UNLESS SPECIFIED		DRAWN BRILMAN 8-31-64	 ASSEMBLY, 16 VOLTS POWER SUPPLY	
1. TOLERANCES JE 2.000 JEE 2.010 2 1/4"		CHECK [Signature] 9-21-64		
2. BREAK ALL SHARP EDGES .010 APPROX. 3. HATCH SURFACES ✓ 4. ALL DIM. IN INCHES		APPR. [Signature] 9-25-64		
MODEL NO.	PX 19	SIZE	DWG. NO.	CHANGE LETTER
			D	A
		SCALE 1/1	DO NOT SCALE DRAWING	SHEET 2 OF 5

107744 A



MATERIAL LIST

ML

DRAWING NO. REV.


107744 A

DRAWING TITLE Power Supply 16 Volt MODEL NO. PX19 DATE 8/14/4 SHEET 3 OF 5

DRAWING NO. 107744 ML

ITEM NO.	DRAWING TITLE	DWG. NO.	NO. REQ.	REMARKS ON CKT. DESIG.
1 R	Switch SPDT	100072	5	S1, S2, S3, S4, S5
2 R	Block, Term. Molded Barrier	100094-003	1	TB1 AC Input
3 R	Resistor, 1/2 Watt	100111-332	1	R1
4 R	Post Extractor Fuse	100331	1	XF1
5 R	Indicator, Neon	100531	1	DS1
6 R	Bracket, Capacitor Mtg.	100607	10	
7 R	Fuse 3 AG	100653-021	1	F1
8 R	Motor	101167	1	M1
9 R	Power Cord	101431	1	
10 R	Fan, Electric	104052	1	B1
11 R	Bkt, Fan Mounting	107269	1	
12 R	Plate, Bottom	107912	1	
13 R	Cover, Top	108048	1	
14 R	Brkt, Component Mtg.	108074	1	
15 R	Washer, Fiber	108872-006	2	
16 R	Washer, Heatsink	108078-001	2	
17 R	Channel, Formed (RH)	108090	1	
18 R	Channel, Formed (LH)	108091	1	
19 R	Angle, Diode Mtg.	108114	1	
20 R	Panel, Rear	108144	1	
21 R	Panel, Control	108145	1	
22 R	Block Insulating	108146	1	TB3
23 R	Block Insulating Terminal	108147	1	TB4
24 R	Cover, Switch	108174	1	
25 R	Transformer, Step Down	108177	1	T1
26 R	Silicon Rectifier	108498	2	CR1, CR2
27 R	Capacitor, Electrolytic	108474-002	10	C1 thru 10
28 R	Assy, Meter Circuit Bd.	108173	1	TB2
29 R	Strip, Marker Terminal Blk	107954-031	2	
30 R	Standoff, Threaded	100217-004	2	
31 R	Bar, Power Supply Mtg.	107267	1	5
32 R	Angle, Power Supply Support	107270	1	5

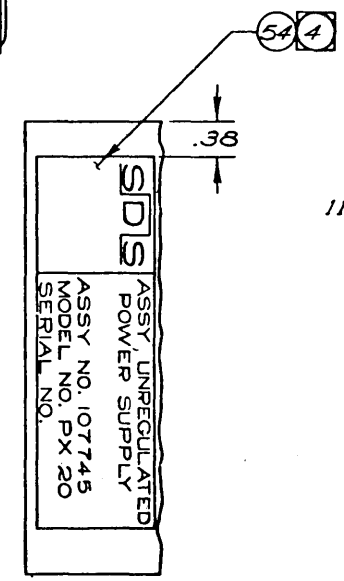
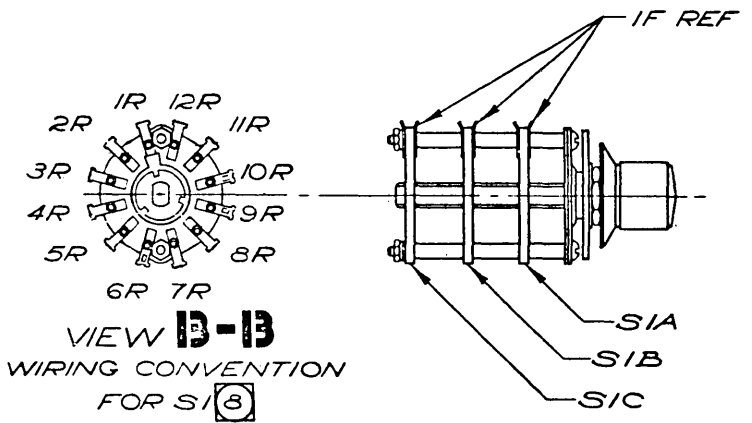
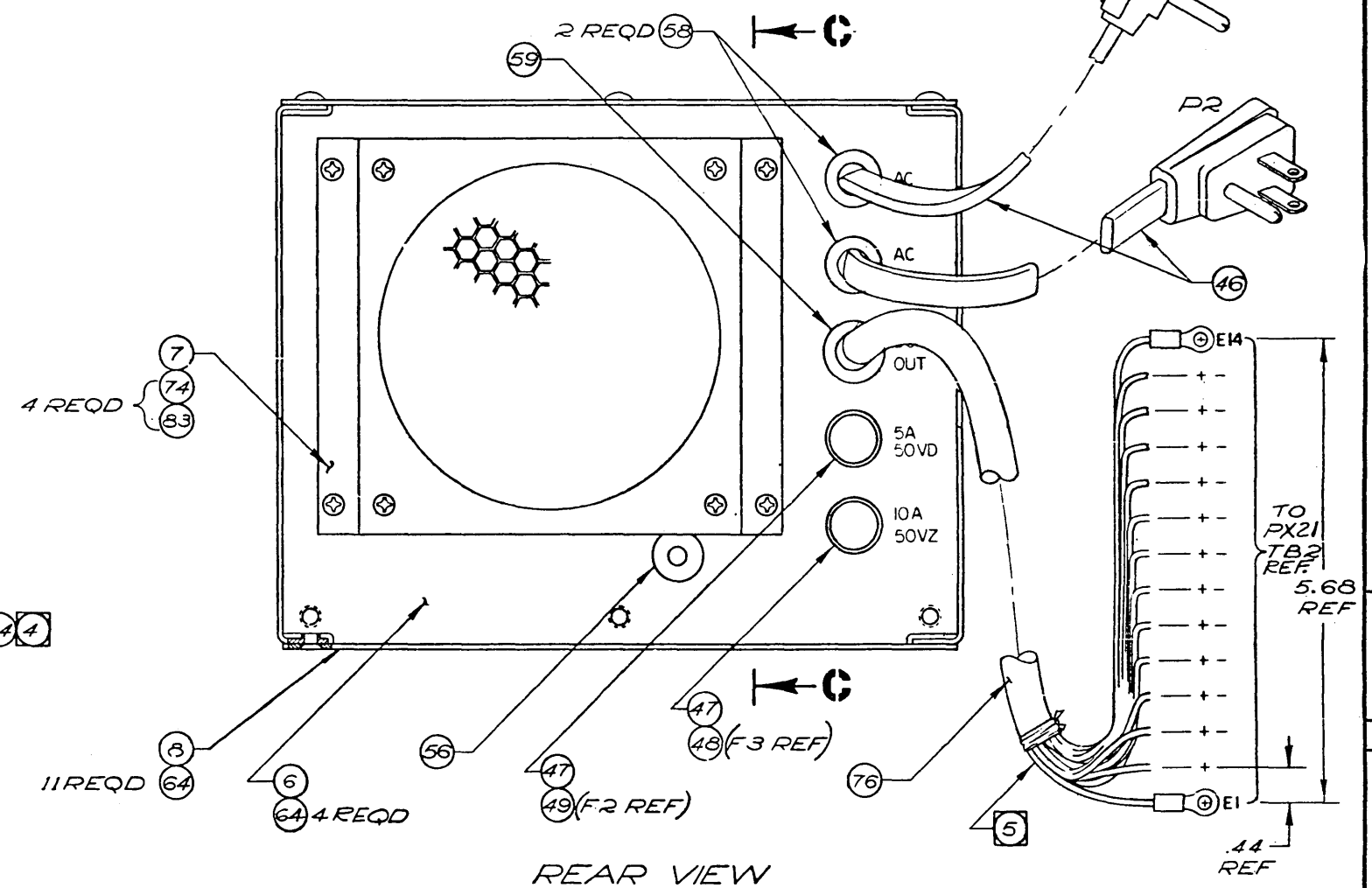
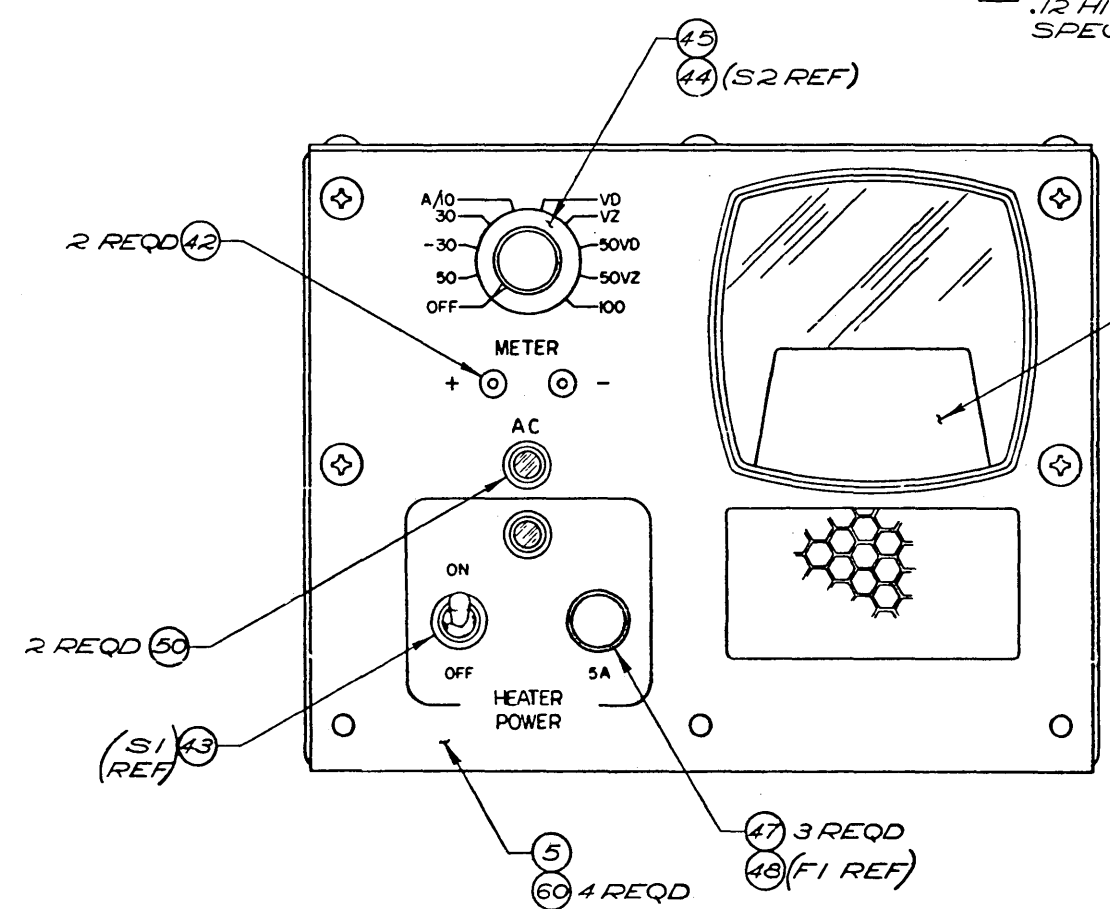
DRAWING NO.	REV.	A	SDS		MATERIAL LIST		ML	DRAWING NO.	REV.	
			SCIENTIFIC DATA SYSTEMS					107744	A	
			DRAWING TITLE	POWER SUPPLY 16 Volt	MODEL NO.	PX19	DATE	9-18	SHEET	4 OF 5
ITEM NO.	DRAWING TITLE	DWG. NO.	NO. REQ.	REMARKS ON CKT. DESIG.						
33 R	Strip, Positive Bus	108724	1							
34 R	Strip, Negative Bus	108723	1							
35 R	Wire, Stranded Teflon Ins	100238-016	x	as reqd						
36 R	Wire, Stranded Teflon Ins	100238-024	x	as reqd						
37 R	Terminal, Ins Ring Tongue	100343-004	5							
38 R	Terminal, Ins Ring Tongue	100343-009	4							
39 R	Terminal, Ins Ring Tongue	100343-008	2							
40 R	Terminal, Ins Ring Tongue	100343-006	1							
41 R	Screw, Pan Hd	100012-303	2							
42 R		100012-304	4							
43 R		100012-308	2							
44 R	Screw, Pan Hd	100012-310	2							
45 R	Screw, Flat Hd	100039-410	2							
46 R	Screw, Pan Hd	100012-405	24							
47 R	Screw, Pan Hd	100012-404	9							
48 R	Screw, Truss Head	100045-605	7				5			
49 R	Screw, Truss Head	100045-607	3				5			
50 R	Screw, Cap Steel Hex Hd	101441-104	1							
51 R	Screw, Pan Hd	100012-622	6							
52 R	Screw, Flat Hd	100039-203	2							
53 R		100039-304	4							
54 R		100039-312	2							
55 R		100039-405	22				5			
56 R	Screw, Flat Hd	100039-208	4							
57 R	Washer, Flat	100018-300	8							
58 R	Washer, Flat	100018-400	2							
59 R	Washer, Flat	100018-600	26							
60 R	Washer, Lock	100024-300	10							
61 R	Washer, Lock	100024-400	29							
62										
63 R	Washer, Lock	100024-600	19							
64 R	Nut, Hex Machine	100008-300	4							

REV.	A	 MATERIAL LIST	ML	DRAWING NO.	REV.
				107744	A
DRAWING NO.	107744	DRAWING TITLE <u>POWER SUPPLY 16 Volt</u> MODEL NO. <u>PX16</u> DATE <u>9-18-4</u> SHEET <u>5</u> OF <u>5</u>			
		ITEM NO.	DRAWING TITLE	DWG. NO.	NO. REQ.
ML	65 R	Nut. Hex Machine	100008-400	18	
	66 R	Nut. Hex Machine	100008-600	25	
	67 R	Grommet. Nylon	100840-002	-	(6) as reqd
	68 R	Nameplate	101109	1	(7)
	69	Installation Dwg	108719	1	(4) REF.
	70				
	71 R	Grommet. Rubber	100720-002	1	
	72 R	Nut. Hex Machine	100008-200	4	
	73 R	Washer. Flat	100018-200	4	

REVISIONS				107745	A
REV.	DESCRIPTION	CHK	DATE	APPROVED	
A	RELEASED TO MFG.		11/16/64		

- 5 CABLE LENGTH FROM GROMMET END TO TERMINAL E14 TO BE 16 INCHES.
- 6 ITEMS 51, 57 & MOUNTING HARDWARE, ITEMS 61 (6 REQD) & 64 (2 REQD) ARE TO BE SUPPLIED AS LOOSE ITEMS WITH THIS ASSEMBLY.
- 7 APPLY SILICONE GREASE (DOW CORNING 3 COMPOLIND OR EQUIV.) BETWEEN CONTACT SURFACES.
- 8 ITEMS 39, 40 & 41 (RESISTORS, 1/2 W) ARE NOT SHOWN ON THIS ASSEMBLY. REFER TO WIRE LIST 108492 FOR LOCATION OF RESISTORS ON S1.
- 9 RUBBER STAMP CHARACTERS .12 HIGH, (COLOR WHITE) PER SDS SPEC 101624.

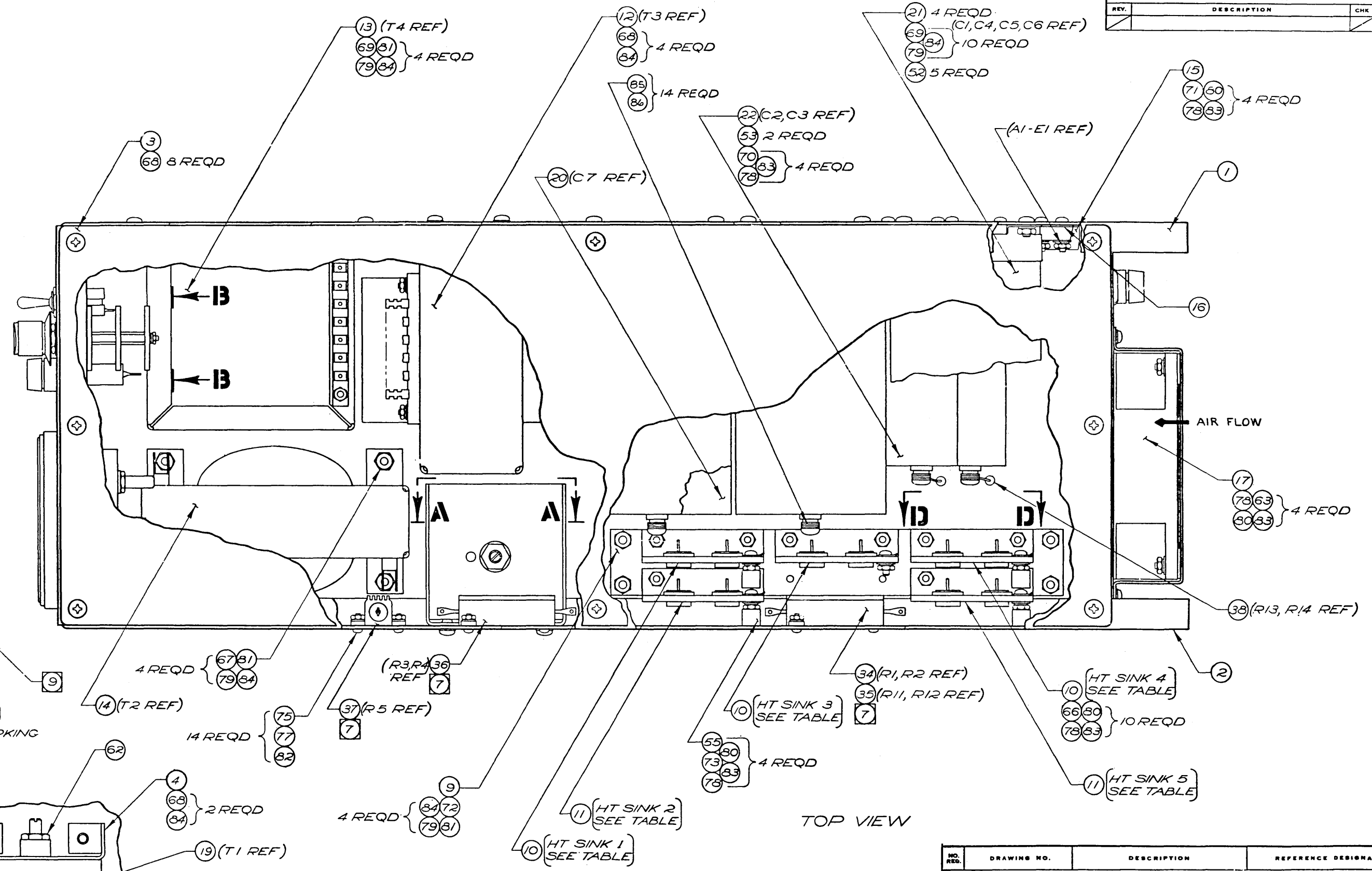
- NOTES: UNLESS OTHERWISE SPECIFIED
1. FOR WIRING INFORMATION SEE WIRE LIST NO. 108492
 2. REF: SCHEMATIC NO. 108472
 3. REF: INSTALLATION DWG. 109010
 4. MARK: TITLE, ASSEMBLY NO., MODEL NO. & SERIAL NO. .12 HIGH COLOR BLACK



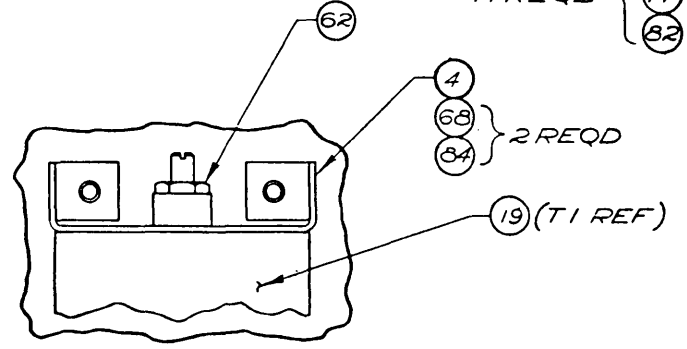
NO. REQD.	DRAWING NO.	DESCRIPTION	REFERENCE DESIGNATION	ITEM NO.
NOTES UNLESS SPECIFIED				
1. TOLERANCES XX 2.000 XXX 2.000		ANGULAR 2 1/2°	MATERIAL LIST	
2. BREAK ALL SHARP EDGES .010 APPROX.		DRAWN Granados 3/22/64		
3. HATCH SURFACES		CHECK Montez 4/10/64		
4. ALL DIM. IN INCHES		APPR. [Signature] 10/16/64		
MODEL NO. PX 20		TITLE ASSEMBLY, UNREGULATED POWER SUPPLY		SIZE D
NEXT ASSY.		DWG. NO. 107745		FRAME LETTER A
SCALE 1/1		DO NOT SCALE DRAWING		SHEET 1 OF 5

107745 | A |

REVISIONS			
REV.	DESCRIPTION	CHK	DATE
1			10/10/64



VIEW D-D
TYP HEAT SINK MARKING



VIEW A-A

HEAT SINK MARKING			
HEAT SINK	A	B	C
1	CR9-1	CR10-1	CR9/10-2
2	CR7-1	CR8-1	CR7/8-2
3	CR1-1	CR2-1	CR1/2-2
4	CR5-1	CR6-1	CR5/6-2
5	CR3-1	CR4-1	CR3/4-2

NO. REQ.	DRAWING NO.	DESCRIPTION	REFERENCE DESIGNATION	ITEM NO.
NOTES UNLESS SPECIFIED				
1. TOLERANCES XX 2.000 ANGULAR XXX 2.910 ± 1/4"				
2. BREAK ALL SHARP EDGES @ 15 APPROX.				
3. HATCH SURFACES				
4. ALL DIMS IN INCHES				
DRAWN <i>Granados</i> 9/23/64		TITLE		
CHECK <i>M...</i> 10/1/64		ASSEMBLY, UNREGULATED POWER SUPPLY		
APPR. <i>S...</i> 10/10/64				
MODEL NO. PX 20		SIZE D	DWG. NO. 107745	CHANGE LETTER A
NEXT ASSY.		SCALE 1/1	DO NOT SCALE DRAWING	SHEET 2 OF 5

107745 A

REV.	DRAWING NO.	ML	DRAWING NO.	REV.
A	107745	ML	107745	A
SCIENTIFIC DATA SYSTEMS		MATERIAL LIST		
DRAWING TITLE <u>Unregulated Power Supply</u>		MODEL NO. <u>PX20</u>	DATE <u>8/17/4</u>	SHEET <u>3</u> OF <u>5</u>
ITEM NO.	DRAWING TITLE	DWG. NO.	NO. REQ.	REMARKS ON CKT. DESIG.
1 P	Channel, Formed (L. S.)	107913	1	
2 P	Channel, Formed (R. S.)	107914	1	
3 P	Cover, Top	108048	1	
4 P	Bracket, Variable ^{Mtg} XFMR	107915	1	
5 P	Panel, Control.	107286	1	
6 P	Panel, Rear	107905	1	
7 P	Bracket, Fan Mtg.	107269	1	
8 P	Plate, Bottom	107912	1	
9 P	Block, Heat Sink Mtg.	107906	1	
10 P	Assy, Rectifier (C. C.)	101473	3	CR1, 2, 5, 6, 9, 10
11 P	Assy, Rectifier (C. A.)	101474	2	CR3, 4, 7, 8
12 P	Assy, Step down Trans.	107919	1	T3
13 P	Assy, Step down Trans.	107921	1	T4
14 P	Assy, Bucking Trans	107917	1	T2
15 P	Block, Terminal ^{Barrier} Mod.	100094-006	1	TB1
16 P	Strip, Marker Term Block	107954-061	1	
17 P	Fan, Electric	104052	1	B1
18 P	Meter, D. C. Volts/Amps	107923	1	M1
19 P	Transformer, Variable	100370	1	T1
20 P	Capacitor, Electrolytic	108474-006	1	C7
21 P	Capacitor, Electrolytic	108474-005	4	C1, 4, 5, 6
22 P	Capacitor, Electrolytic	108474-003	2	C2, C3
23 P	Wire, Teflon, Strd.	100238-016	x	as req'd
24 P	Wire, Teflon, Strd.	100238-024	x	as req'd
25 P	Wire, Teflon, Strd.	100238-010	x	as req'd
26 P	Wire, Teflon Bare	100042-024	x	as req'd
27 P	Term Lug. Ins.	100987-004	11	
28 P	Term. Lug. Ins	100988-001	15	
29 P	Term Lug. Ins.	100989-004	15	
30 P	Term. Lug Ins.	100989-002	1	
31 P	Term Lug. Ins.	100988-003	21	
32 P	Term Lug. Ins.	100987-006	14	

DRAWING NO.	REV.	A	SCIENTIFIC DATA SYSTEMS		MATERIAL LIST		ML	DRAWING NO.	REV.
							107745		
			DRAWING TITLE		Unregulated Power Supply MODEL NO. PX20		DATE 8/17/64 SHEET 4 OF 5		
ITEM NO.	DRAWING TITLE	DWG. NO.	NO. REQ.	REMARKS ON CKT. DESIG.					
33 R	Tubing, Tefbn	100991-020	x	as req'd					
34 R	Resistor, 50 Watt	101517-001	2	R1, R2					
35 R	Resistor, 50 Watt	101517-051	2	R11, R12					
36 R	Resistor, 50 Watt	101517-049	2	R3, R4					
37 R	Resistor, 50 Watt	101517-097	1	R5					
38 R	Resistor,	100680-103	2	R13, R14					
39 R	Resistor, 1/2 Watt	100111-102	1	R9					
40 R	Resistor, 1/2 Watt	100111-124	7	R6, 7, 8, 10, 15, 16, 17					
41 R	Resistor, 1/2 Watt	100111-272	1	R18					
42 R	Jack, Test	101563-006	2	TP1, TP2					
43 R	Switch, Toggle	100072	1	S1					
44 R	Switch, Rotary	108084	1	S2					
45 R	Knob, Skirted Round	100608	1						
46 R	Cord, Power	101431	2	P1, P2 (AC & AC Reg)					
47 R	Post Extractor Fuse	100331	3	XF1, XF2, XF3					
48 R	Fuse	100653-016	2	F1, F3					
49 R	Fuse	100653-021	1	F2					
50 R	Lamp, Neon	100531	2	DS1, DS2					
51 R	Bar, Power Supply Support	107267	1	(6)					
52 R	Bracket, Capacitor	100607	5						
53 R	Bracket, Capacitor	100552	2						
54 R	Nameplate, Blank	101109	1						
55 R	Standoff, Ceramic	101513-003	4						
56 R	Grommet, Rubber	100720-002	1						
57 R	Angle, Pwr Sup. Mtg.	107270	1	(6)					
58 R	Grommet, Rubber	100720-005	2						
59 R	Grommet, Rubber	100720-006	1						
60 R	Screw, Machine Truss Hd.	100045-605	4						
61 R	Screw, Machine Truss Hd.	100045-608	6	(6)					
62 R	Shaft, Lock	103194	1						
63 R	Screw, Flat Hd. (100°)	100039-309	4						
64 R	Screw, Flat Hd. (100°)	100039-404	17	(6)					

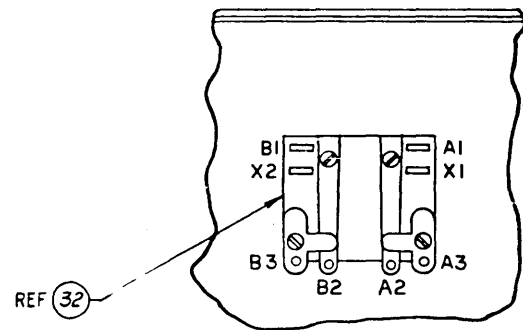
REV.	DRAWING NO.	A	SDS SCIENTIFIC DATA SYSTEMS	MATERIAL LIST		ML	DRAWING NO.	REV.				
							107745	A				
DRAWING TITLE		Unregulated Power Supply		MODEL NO.		PX20	DATE	8/17/4	SHEET	5	OF	5
ITEM NO.	DRAWING TITLE	DWG. NO.	NO. REQ.	REMARKS ON CKT. DESIG.								
65												
66	Screw, Flat Hd. (100°)	100039-307	10									
67	Screw, Flat Hd. (100°)	100039-405	4									
68	Screw, Pan Hd,	100012-404	29									
69	Screw, Pan Hd.	100012-405	14									
70	Screw, Pan Hd.	100012-305	4									
71	Screw, Pan Hd.	100012-310	4									
72	Screw, Flat Hd. (100°)	100039-407	4									
73	Screw, Pan Hd.	100012-307	4									
74	Screw, Pan Hd.	100012-304	4									
75	Screw, Pan Hd.	100012-205	14									
76	Tubing Insul. Shrinkable	100744-13	x	as req'd								
77	Nut, Hex Machine	100008-200	14									
78	Nut, Hex Machine	100008-300	26									
79	Nut, Hex Machine	100008-400	22									
80	Washer, Flat	10018-300	22									
81	Washer, Flat	100018-400	12									
82	Washer, Lock Int. Tooth	100024-200	14									
83	Washer, Lock Int. Tooth	100024-300	30									
84	Washer, Lock Int Tooth	100024-400	28									
85	Washer, Flat	100018-500	14									
86	Washer, Lock, Spring	100023-500	14									

REVISIONS				107746	A
REV.	DESCRIPTION	CHK	DATE	APPROVED	
A	RELEASED TO MFG.	VM	10/16/64		

- 6 MARK: TITLE, ASSY NO., MODEL NO., & SERIAL NO. .12 HIGH AS SHOWN, COLOR BLACK. LOCATE NAME PLATE AS SHOWN.
- 7 APPLY SILKONEGREASE (DOW CORNING 3 COM - POUND OR EQUIV.) BETWEEN CONTACT SURFACES.
- 8 REFER TO MODULE LOCATION CHART FOR LOCATION OF ITEM 45 (POLARIZING PIN).
- 9 REFER TO WIRE LIST 108494 FOR WIRING OF ITEMS 35 & 36.

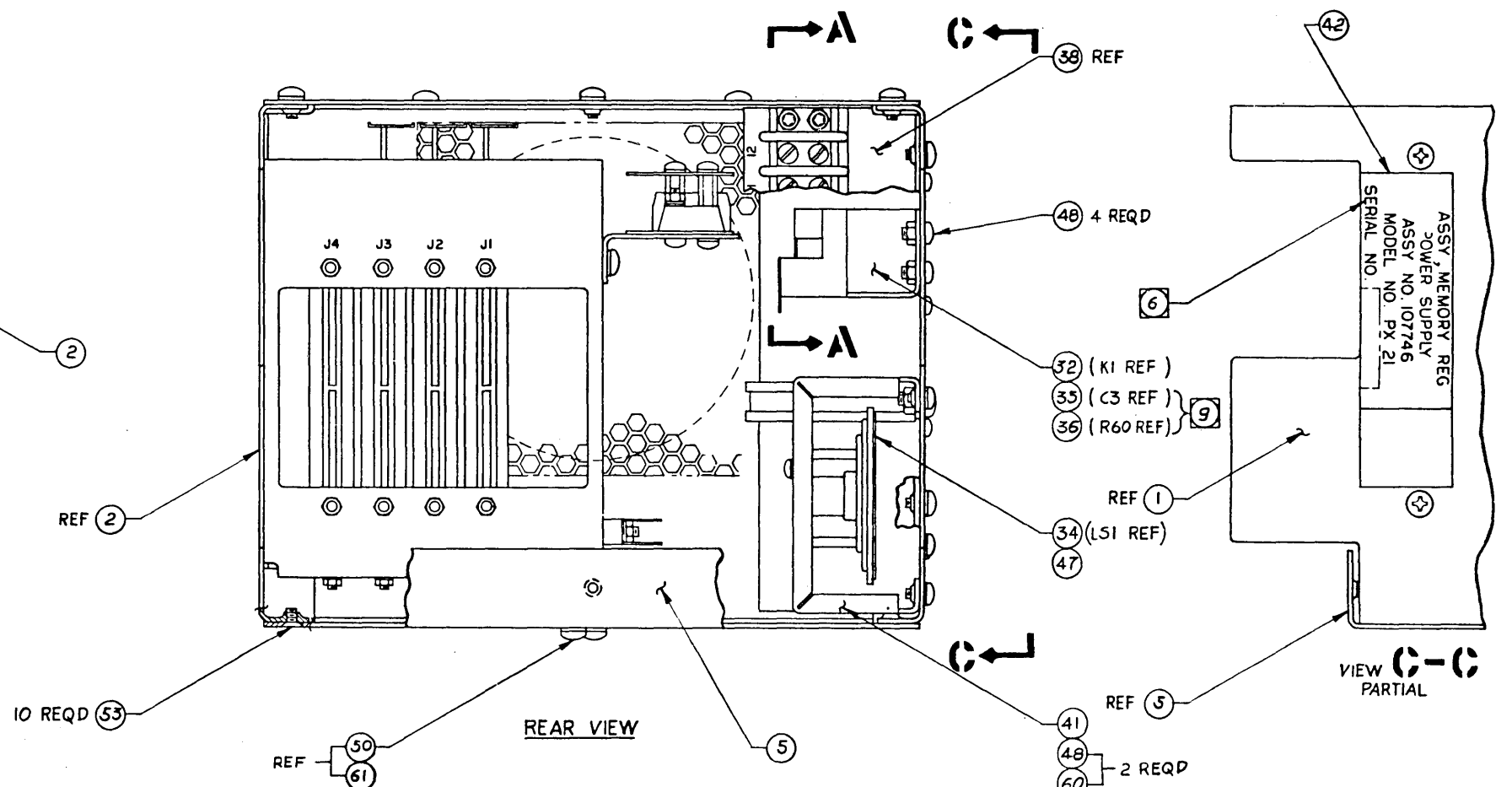
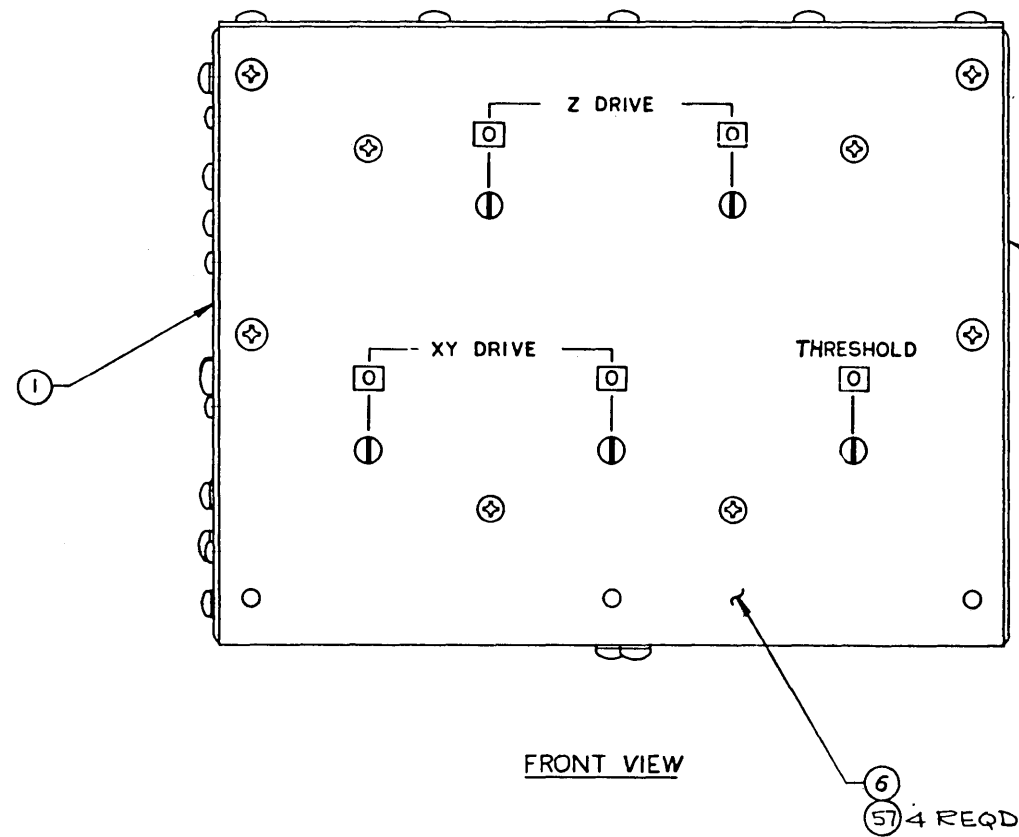
NOTES: UNLESS OTHERWISE SPECIFIED.

- 1. SEE MATERIAL LIST 107746 SH 3 & 4.
- 2. FOR WIRING INFORMATION SEE WIRE LIST NO 108494.
- 3. REF DWG SEE SCHEMATIC, POWER SUPPLY 108477.
- 4. SEE INSTALLATION DWG. 109010.
- 5. ITEMS 43 & 44 AND MTG HARDWARE 58(6 REQD) 53(2 REQD) ARE TO BE SUPPLIED AS LOOSE ITEMS WITH THIS ASSEMBLY.



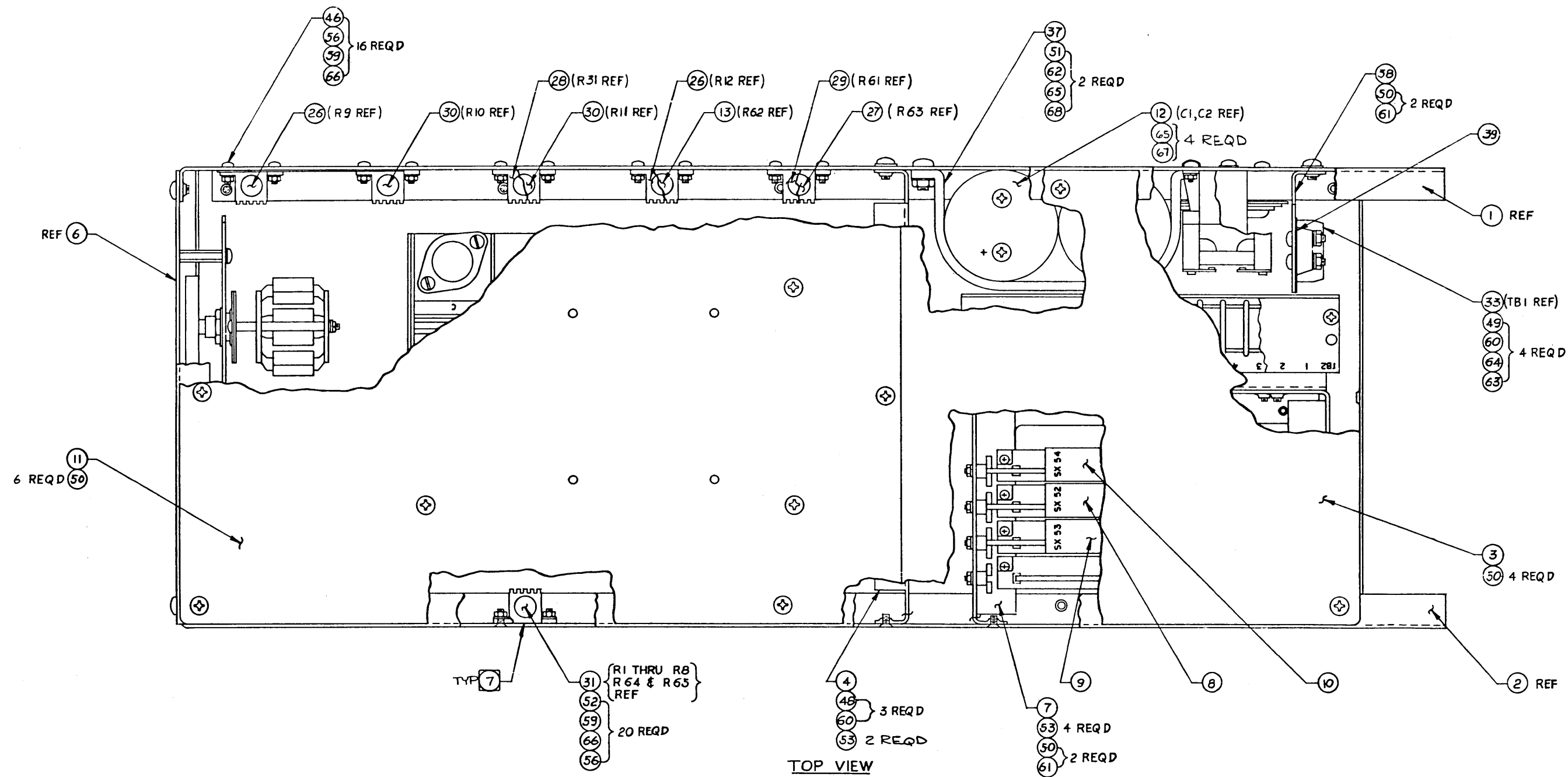
REF 32

VIEW A-A
WIRING DESIGNATION
FOR REF ONLY



NO. REQ.	DRAWING NO.	DESCRIPTION	REFERENCE DESIGNATION	ITEM NO.
MATERIAL LIST				
NOTES UNLESS SPECIFIED				
1. TOLERANCES: DIM 2.530 ANGULAR 2.5°				
2. BREAK ALL SHARP EDGES .510 APPROX.				
3. BACK SURFACES ✓				
4. ALL DIM. IN INCHES				
MODEL NO.	PX 21	TITLE		CHANGE LETTER
NEXT ASSY.		ASSY, MEMORY REG POWER SUPPLY		A
SIZE		DWG. NO.	107746	
SCALE: 1/1		DO NOT SCALE DRAWING		SHEET 1 OF 5

REV. DESCRIPTION		REVISIONS		107746 A	
REV.	DESCRIPTION	CHK	DATE	APPROVED	ITEM NO.
A	SEE SHEET ONE				



TOP VIEW

MODULE TYPE	MODULE LOCATION CHART			
	CONNECTOR LOCATION			
	J1	J2	J3	J4
SX 54				
SX 52				
SX 53				
KEY LOCATION	5-17	5-9	5-15	—

NO. REQ.	DRAWING NO.	DESCRIPTION	REFERENCE DESIGNATION	ITEM NO.
MATERIAL LIST				
NOTES UNLESS SPECIFIED		DRAWN BRILMAN	10-7-64	
1. TOLERANCES UNLESS SPECIFIED		CHECK	10-14-64	
2. BREAK ALL SHARP EDGES .010 APPROX.		APPR. 1/16/65	10-15-64	
3. HATCH SURFACES				
4. ALL DIM. IN INCHES				
MODEL NO. PX 21		TITLE		
NEXT ASSY.		ASSY, MEMORY REG POWER SUPPLY		
		SIZE D	DWG. NO. 107746	CHANGE LETTER A
SCALE 1/1		DO NOT SCALE DRAWING		SHEET 2 OF 5

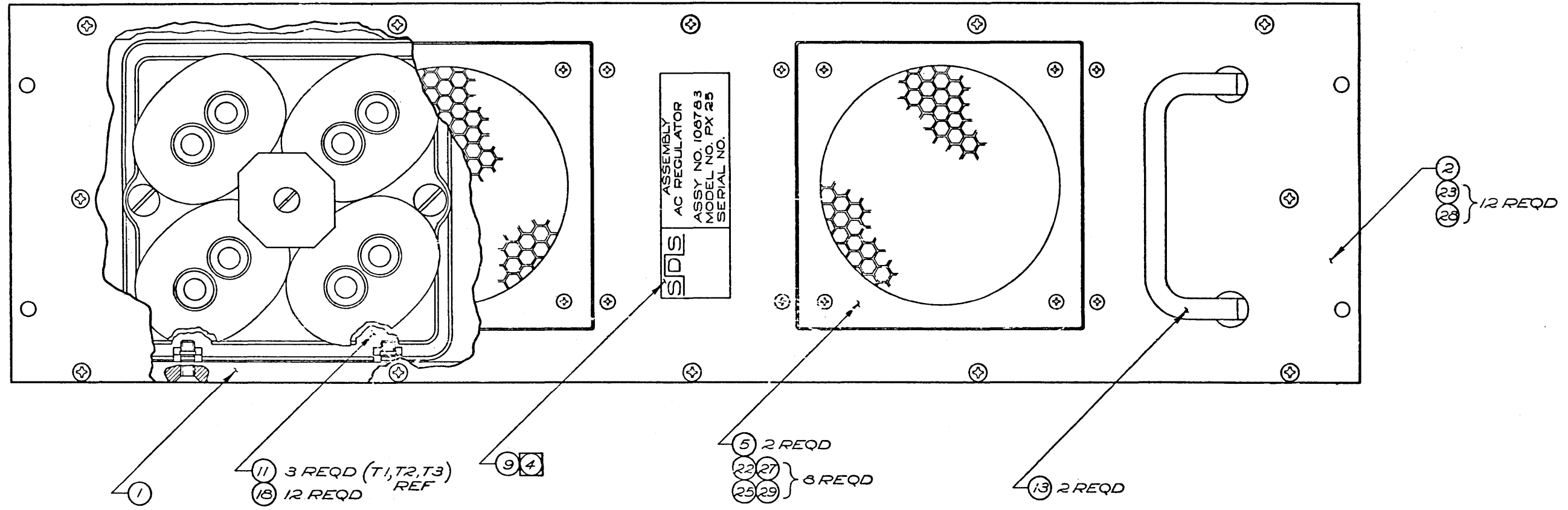
107746 A

DRAWING NO.	REV.	SCIENTIFIC DATA SYSTEMS		MATERIAL LIST		ML	DRAWING NO.	REV.
							107746	A
DRAWING NO. 107746		TITLE Regulated Power Supply		MODEL NO. PX21	DATE 8/17/4	SHEET 3 OF 5		
ITEM NO.	DRAWING TITLE	DWG. NO.	NO. REQ.	REMARKS ON CKT. DESIG.				
1	Channel, Formed (L. S.)	107902	1					
2	Channel, Formed (R. S.)	107903	1					
3	Cover, Rear Top	107032	1					
4	Bracket, Fan	107467	1					
5	Channel, Formed Bottom	107976	1					
6	Assy, Control Panel	107908	1					
7	Assy, Module Chassis	107910	1					
8	Assy, Voltage Regulator	107767	1	SX52				
9	Assy, Heater Regulator	107814	1	SX53				
10	Assy, Regulator/Threshold	107898	1	SX54				
11	Assy, Heat Sink	107907	1					
12	Capacitor, Electrolytic	108474-004	2	C1, C2				
13	Resistor, 50 Watt	101517-030	1	R62				
14	Wire, Teflon Stranded	100238-016	x	as req'd				
15	Wire, Teflon Stranded	100238-024	x	as req'd				
16	Wire, Teflon Stranded	100238-010	x	as req'd				
17	Wire, Solid Bare	100042-024	x	as req'd				
18	Tubing, Teflon	100991-020	x	as req'd				
19	Terminal Lug. Ins.	100988-001	17					
20	Terminal Lug. Ins.	100987-004	19					
21	Terminal Lug Ins	100987-006	4					
22	Wire, Solid Bare	100042-018	x	as req'd				
23	Tubing Teflon	100991-016	x	as req'd				
24	Terminal, Lug. Ins	100989-002	2					
25	Terminal Lug. Ins.	100988-003	4					
26	Resistor, 50 Watt	101517-053	2	R9, R12				
27	Resistor, 50 Watt	101517-061	1	R63				
28	Resistor, 50 Watt	101517-062	1	R31				
29	Resistor, 50 Watt	101517-073	1	R61				
30	Resistor, 50 Watt	101517-097	2	R10, R11				
31	Resistor, 50 Watt	101517-001	10	R1 thru R8, R64, R65				
32	Relay	101036	1	K1				

REV.	DRAWING NO.	A	SCIENTIFIC DATA SYSTEMS		MATERIAL LIST		ML		DRAWING NO.	REV.
							107746		A	
			DRAWING TITLE		MODEL NO.		DATE		SHEET	
			Regulated Power Supply		PX21		8/17/4		A OF 5	
ITEM NO.	DRAWING TITLE	DWG. NO.	NO. REQ.	REMARKS ON CKT. DESIG.						
33	Block, Term. Molded ^{Barrier}	100094-012	1	TBI						
34	Speaker, Miniature	108042	1	LSI						
35	Capacitor, Mylar	100308-334	1	C3						
36	Resistor, 1/2 Watt	100111-101	1	R60						
37	Clamp, Capacitor Mtg.	107911	1							
38	Bracket, Terminal Block	107945	1							
39	Strip, Marker Term. Block	107954-121	1							
40	Standoff, Threaded	100217-004	2							
41	Bracket, Speaker Mtg.	108670	1							
42	Nameplate	101109	1							
43	Angle, Pwr. Sup. Support	107270	1				5			
44	Bar, Pwr Sup Mtg	107267	1				5			
45	Pin, Polarizing	104715	6				8			
46	Screw, Pan Hd.	100012-206	16							
47	Screw, Pan Hd.	100012-303	1							
48	Screw, Pan Hd.	100012-305	7							
49	Screw, Pan Hd.	100012-310	4							
50	Screw, Pan Hd.	100012-404	14							
51	Screw, Pan Hd.	100012-506	2							
52	Screw, Flat Hd. (100°)	100039-206	20							
53	Screw, Flat Hd. (100°)	100029-404	18				5			
54										
55										
56	Washer, Flat	100018-200	26							
57	Screw, Mach. Truss Hd.	100045-605	4							
58	Screw, Mach. Truss Hd.	100045-608	6				5			
59	Washer, Lock	100024-200	6							
60	Washer, Lock	100024-300	7							
61	Washer, Lock	100024-400	4							
62	Washer, Lock	100024-500	2							
63	Nut, Hex Mach.	100008-300	4							
64	Washer, Flat	100018-300	4							

REVISIONS				
REV.	DESCRIPTION	CHK	DATE	APPROVED
A	RELEASED TO MFG	M	10/16/64	[Signature]

- NOTES; UNLESS OTHERWISE SPECIFIED
- FOR WIRING INFORMATION SEE WIRE LIST NO. 109070
 - REF: SCHEMATIC NO. 109072
 - REF: INSTALLATION DWG 109128
 - MARK: TITLE, ASSEMBLY NO. MODEL NO. & SERIAL NO. .12 HIGH COLOR BLACK



ASSEMBLY
AC REGULATOR
ASSY NO. 108783
MODEL NO. PX 25
SERIAL NO.

11 3 REQD (T1, T2, T3)
18 12 REQD REF

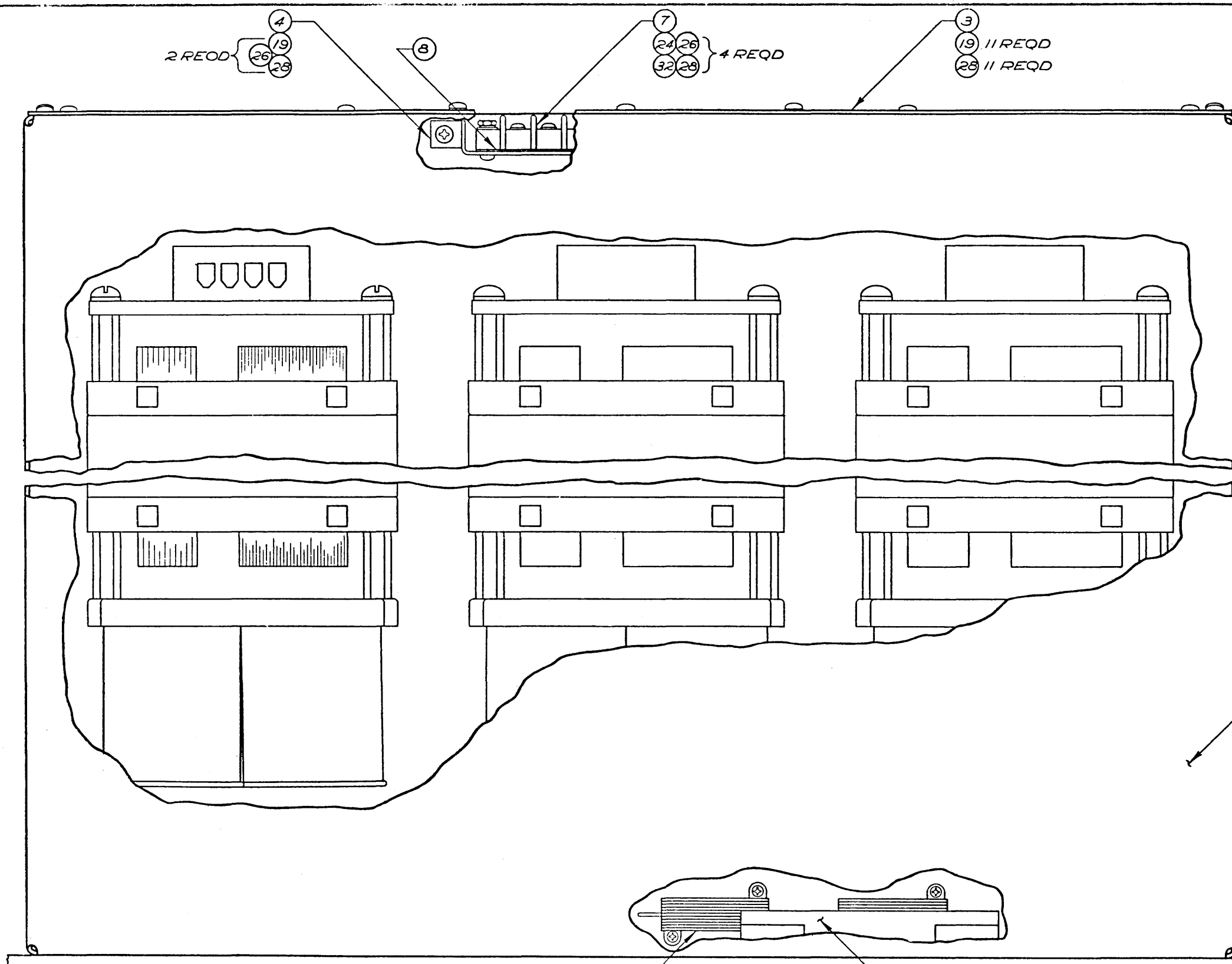
5 2 REQD
22 27 } 8 REQD
25 29 }

2 }
23 } 12 REQD
26 }

NO. REQ.	DRAWING NO.	DESCRIPTION	REFERENCE DESIGNATION	ITEM NO.
MATERIAL LIST				
NOTES UNLESS SPECIFIED		DRAWN <i>Granados</i> 10/6/64	SDS SCIENTIFIC DATA SYSTEMS SANTA MONICA, CALIFORNIA	
1. TOLERANCES DIM 2.00 ANGULAR 2.0°		CHECK <i>W. G. [Signature]</i> 10/6/64	TITLE ASSEMBLY, AC REGULATOR	
2. BREAK ALL SHARP EDGES .010 APPROX		APPR. <i>[Signature]</i> 10/16/64		
3. BACK SURFACES ✓			MODEL NO. PX 25	CHANGE LETTER A
4. ALL DIM. IN INCHES			SIZE D	DWG. NO. 108783
			SCALE 1/1	DO NOT SCALE DRAWING SHEET 1 OF 4

108783 | A |

REVISIONS				108783	A
REV.	DESCRIPTION	CHK	DATE	APPROVED	



4 } 2 REQD
 19 }
 26 }
 29 }
 7 } 4 REQD
 24 }
 26 }
 32 }
 28 }
 3 } 11 REQD
 19 }
 28 } 11 REQD

6 } 8 REQD
 31 }

12 } 6 REQD (R1 THRU R6)
 20 } REF
 30 } 12 REQD
 10 } 2 REQD
 21 }
 33 } 8 REQD
 30 }
 34 }

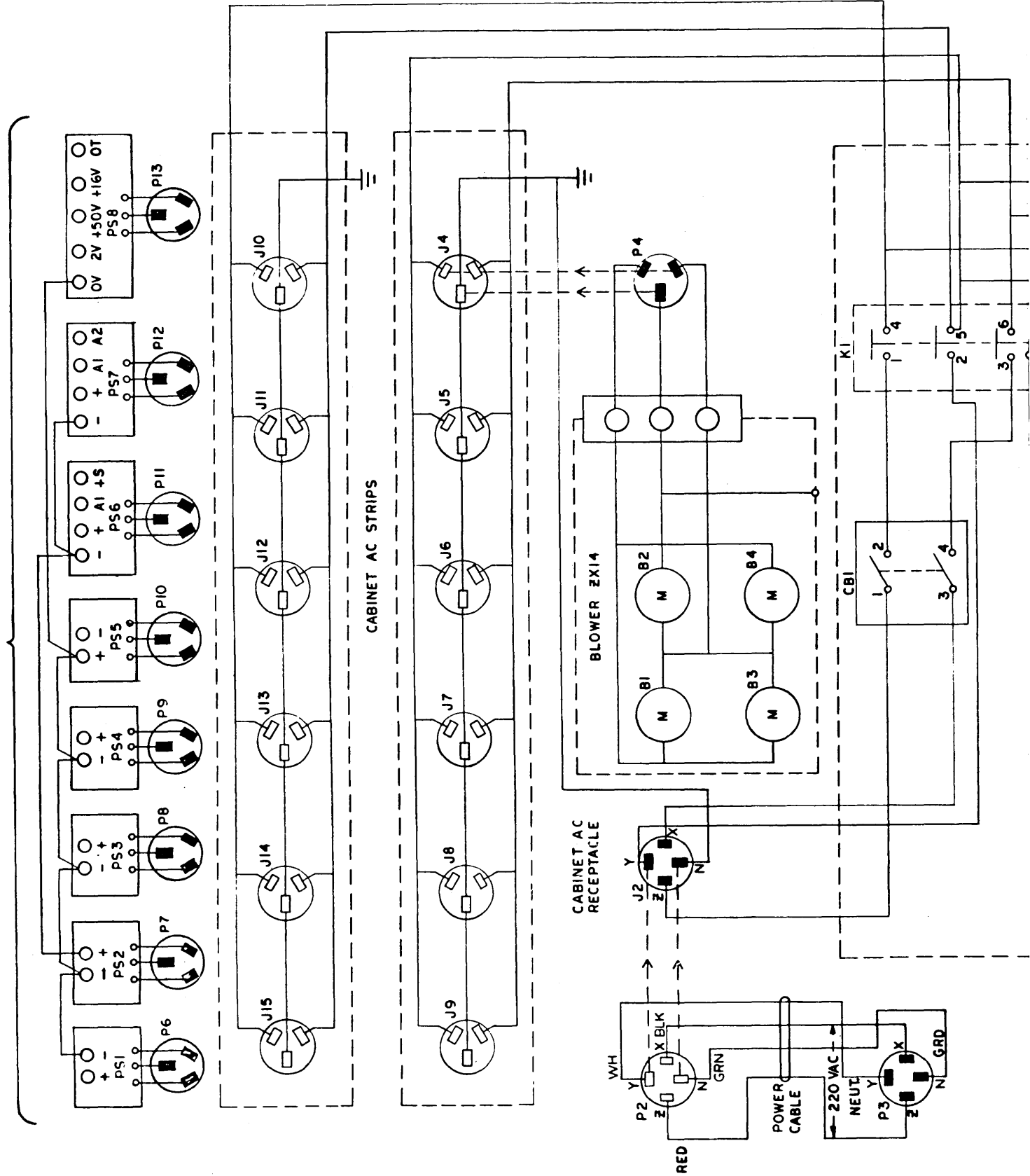
AIR FLOW

AIR FLOW

NO. REQD.	DRAWING NO.	DESCRIPTION	REFERENCE DESIGNATION	ITEM NO.
NOTES UNLESS SPECIFIED				
1. TOLERANCES XX 2.000 XX 2.510		ANGULAR ± 1/2"	DRAWN Granados 10/15/64	
2. BREAK ALL SHARP EDGES 3/16 APPROX.		✓	CHECK	
3. BACK SURFACES			APPR. <i>[Signature]</i> 10/16/64	
4. ALL DIM. IN INCHES			TITLE	
MODEL NO. PX 25			ASSEMBLY, AC REGULATOR	
NEXT ASSY.			SIZE D	DWG. NO. 108783
			SCALE 1/1	CHANGED LETTER A
			DO NOT SCALE DRAWING	SHEET 2 OF 4

108783 | A |

TO POWER WIRING PANEL 'B' IN CENTRAL PROCESSOR



DRAWING NO.	REV.	MATERIAL LIST		DRAWING NO.	REV.
		108783	A	108783	A
DRAWING TITLE		Assy. AC Regulator		MODEL NO.	PX25
				DATE	9/10/4
				SHEET	3 OF 4
ITEM NO.	DRAWING TITLE	DWG. NO.	NO. REQ.	REMARKS ON CKT. DESIG.	
1	Plate, Voltage Regulator	108791	1		
2	Plate, Cover Front	108799	1		
3	Cover, Rear	108801	1		
4	Bracket, Terminal	108802	1		
5	Bracket, Fan Mtg.	108804	2		
6	Cover, Top	108816	1		
7	Block, Term. Molded Barrier	101070-008	1	TB1	
8	Strip, Marker Term Block	108818-081	2		
9	Nameplate, Blank	101109	1		
10	Fan, Electric	104052	2	B1, B2	
11	Transformer, Volt Reg	109162	3	T1, T2, T3	
12	Resistor, 50 Watts	101517-004	3	R1, R2, R3, R4, R5, R6	
13	Handle, Folding	108827	2		
14	Terminal, Insulated	100988 -002	14		
15	Wire, Stranded Teflon	100238-014	x	as req'd	
16	Terminal, Insulated	100987-005	4		
17	Wire, Stranded Teflon	100238-024	x	as req'd	
18	Screw, Flat Hd. (82°)	100027-612	12		
19	Screw, Pan Hd.	100012-405	13		
20	Screw, Pan Hd.	100012-205	12		
21	Screw, Pan Hd.	100012-210	8		
22	Screw, Pan Hd.	100012-307	8		
23	Screw, Pan Hd.	100012-407	12		
24	Screw, Pan Hd.	100012-410	4		
25	Nut, Hex Machine	100008-300	8		
26	Washer, Flat	100018-400	6		
27	Washer, Flat	100018-300	8		
28	Washer, Lock Int. Tooth	100024-400	29		
29	Washer, Lock Int. Tooth	100024-300	8		
30	Washer, Lock Int. Tooth	100024-200	20		
31	Screw, Flat Hd. 100°	100039-405	8		
32	Nut, Hex Machine	100008-400	4		

REPLACEMENT PARTS LIST

ITEM	DESCRIPTION	DESIGNATION	QTY	SUPPLIER CODE (SEE INDEX)
1	CORD, AC. *16/3 SPT-3 CORD WITH *PA-3 PLUG	P4 THRU P13	9	101
2	CONNECTOR, 5 WIRE FEMALE *3523	P2	1	102
3	CONNECTOR, 4 WIRE MALE *3431	P3	1	102
4	RECEPTACLE, 3 WIRE FEMALE *5256	J1	1	102
5	CONNECTOR, 5 WIRE MALE *3524	J2	1	102
6	WIREMOLD, AC. *G-20GB306	J4 THRU J15	2	103
7	LAMP, NEON *249-784IH-1437	DS1	1	104
8	CONTACTOR, 30 AMP 600 VAC *702 BAD 92 SERIES K	K1	1	107
9	SWITCH, TOGGLE DPDT	S1	1	106
10	CIRCUIT BREAKER, DOUBLE POLE *2XAM1516-35-250 VAC 60 CYCLE CURVE 2	CBI	1	105
11	RESISTOR, W.W. $10\Omega \pm 5\%$	R1	1	99,100
12	CAPACITOR, OIL $.25\mu f \pm 20\%$ 1000V	C1	1	80,81
13	METER, TIME *50-236402AAAA1 120V, 60 CYCLES	M1	1	108
14	CONNECTOR, 3 WIRE FEMALE *5268	P14	1	102

REV.	DESCRIPTION	CHK	DATE	APPROVED
	SEE SH. ONE			

REVISIONS 107770 B

SDS
SCHEMATIC DATA SYSTEMS
1000 W. 10TH ST., SUITE 100, DENVER, CO 80202

TITLE
SCHEMATIC
POWER DISTRIBUTION
POWER SUPPLY CAB

SCALE
DO NOT SCALE DRAWING
107770
SHEET 2 OF 2
3

WIRE LIST							
WIRE	TERM	FROM	TO	TERM	WIRE TYPE	NOTES	COLOR
1	(31)	CBI-E-2	KI-E-1	(31)	(28)		RED
2	(29)	TB2-E-9	SI-E-2	SOL	(43)		WHT
3	(31)	CBI-E-4	KI-E-3	(31)	(26)		BLK
4	(29)	TB2-E-8	SI-E-5	SOL	(43)		WHT
5	(29)	KI-E-8	RI-E-2				
6	(26)	KI-E-8	SI-E-1				
7	SOL	RI-E-1	CI-E-1				
8	(29)	KI-E-7	CI-E-2				
9	SOL	DSI-E-1	SI-E-3				
10	(29)	TBI-E-2	DSI-E-2				
11	(29)	TBI-E-1	DSI-E-1	SOL	(43)		
12	(30)	J1-E-2	KI-E-5	(31)	(27)		WHT
13	(30)	J1-E-1	KI-E-6	(31)	(26)		BLK
14	(29)	KI-E-7	TB2-E-6	(29)	(43)		WHT
15	SOL	DSI-E-2	SI-E-6	SOL	(43)		
16	SOL	SI-E-4	TB2-E-7	(29)	(43)		
17	(31)	KI-E-5	MI-E-1	(30)	(27)		
18	(30)	MI-E-1	TB2-E-1	(42)	(27)		WHT
19	(31)	KI-E-4	MI-E-2	(30)	(28)		RED
20	(30)	MI-E-2	TB2-E-2	(42)	(28)		RED

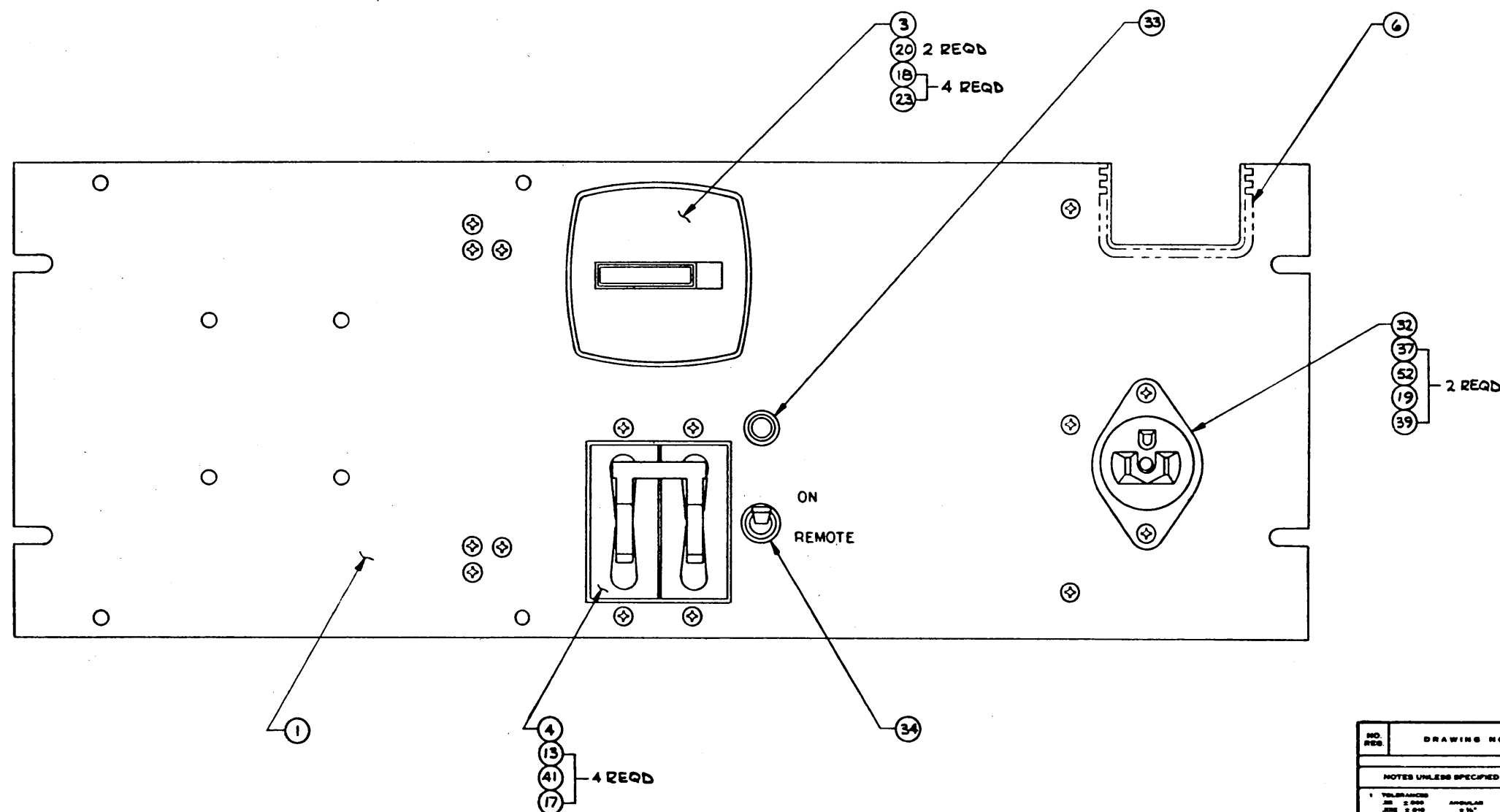
NOTES: UNLESS OTHERWISE SPECIFIED.

1. SEE MATERIAL LIST 107067 SH 3 & 4.

2. IDENTIFY ASSY PER SDS 100198.

3. ATTACH ITEM 53 TO ITEM 55 AS FOLLOWS:
 ITEM 53 { BLACK SILVER } ITEM 55
 { WHITE BRASS }
 { GREEN GREEN }

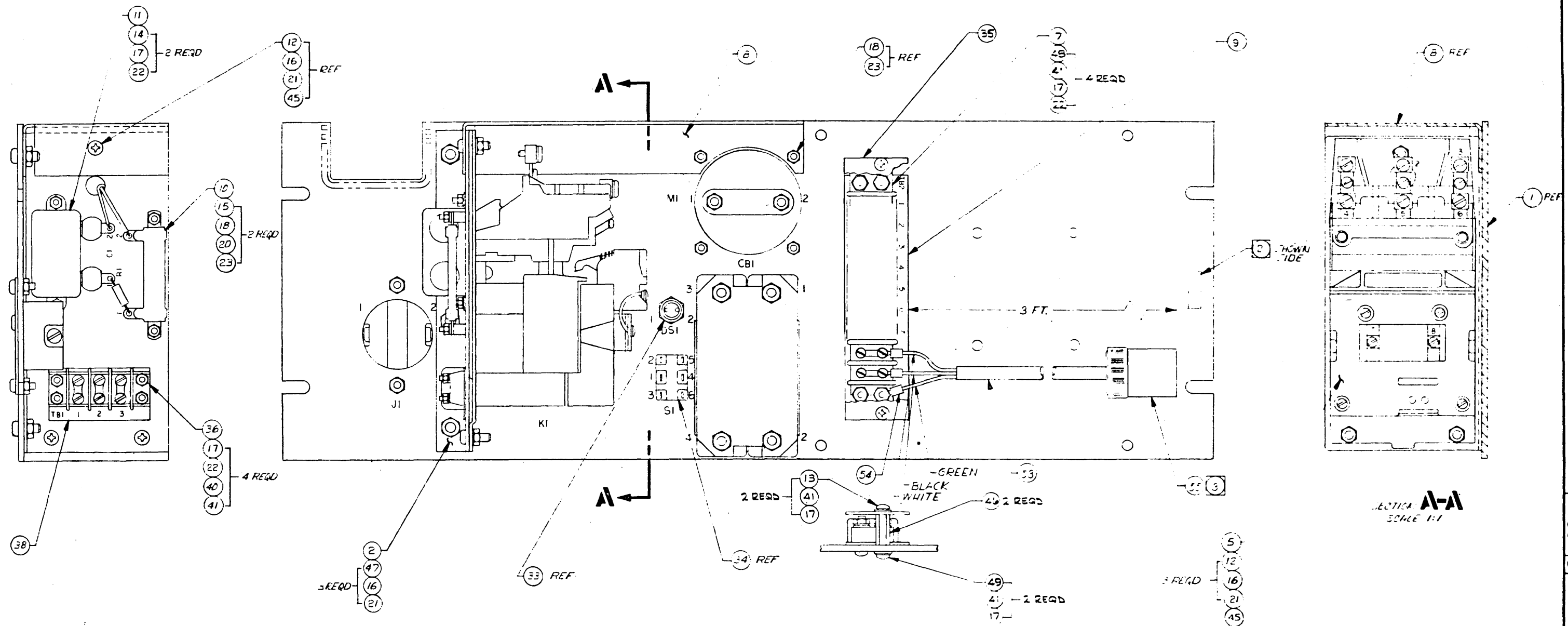
REVISIONS			
REV.	DESCRIPTION	CHK	DATE
A	RELEASED TO MFG		
B	SEE REV E0		



NO. REV.	DRAWING NO.	DESCRIPTION	REFERENCE DESIGNATION	ITEM NO.
		MATERIAL LIST		
NOTES UNLESS SPECIFIED:		DRAWN: J. W. H. C. 7/1/68		
1. TOLERANCES UNLESS SPECIFIED:		CHECK: J. W. H. C. 7/1/68		
2. DIMENSIONS ARE IN INCHES UNLESS OTHERWISE SPECIFIED.		APPR: J. W. H. C. 7/1/68		
3. DIMENSIONS ARE IN MILLIMETERS UNLESS OTHERWISE SPECIFIED.			TITLE: ASSY, POWER DISTRIBUTION PANEL	
4. DIMENSIONS ARE IN MILLIMETERS UNLESS OTHERWISE SPECIFIED.			MODEL NO. 930	
5. DIMENSIONS ARE IN MILLIMETERS UNLESS OTHERWISE SPECIFIED.			REV. D	
6. DIMENSIONS ARE IN MILLIMETERS UNLESS OTHERWISE SPECIFIED.			DWG NO. 107067	
7. DIMENSIONS ARE IN MILLIMETERS UNLESS OTHERWISE SPECIFIED.			SHEET 1 OF 1	
8. DIMENSIONS ARE IN MILLIMETERS UNLESS OTHERWISE SPECIFIED.			SCALE 1:1	
9. DIMENSIONS ARE IN MILLIMETERS UNLESS OTHERWISE SPECIFIED.			DO NOT SCALE DRAWING	
10. DIMENSIONS ARE IN MILLIMETERS UNLESS OTHERWISE SPECIFIED.			PART NO. 104804	

107067 | B |

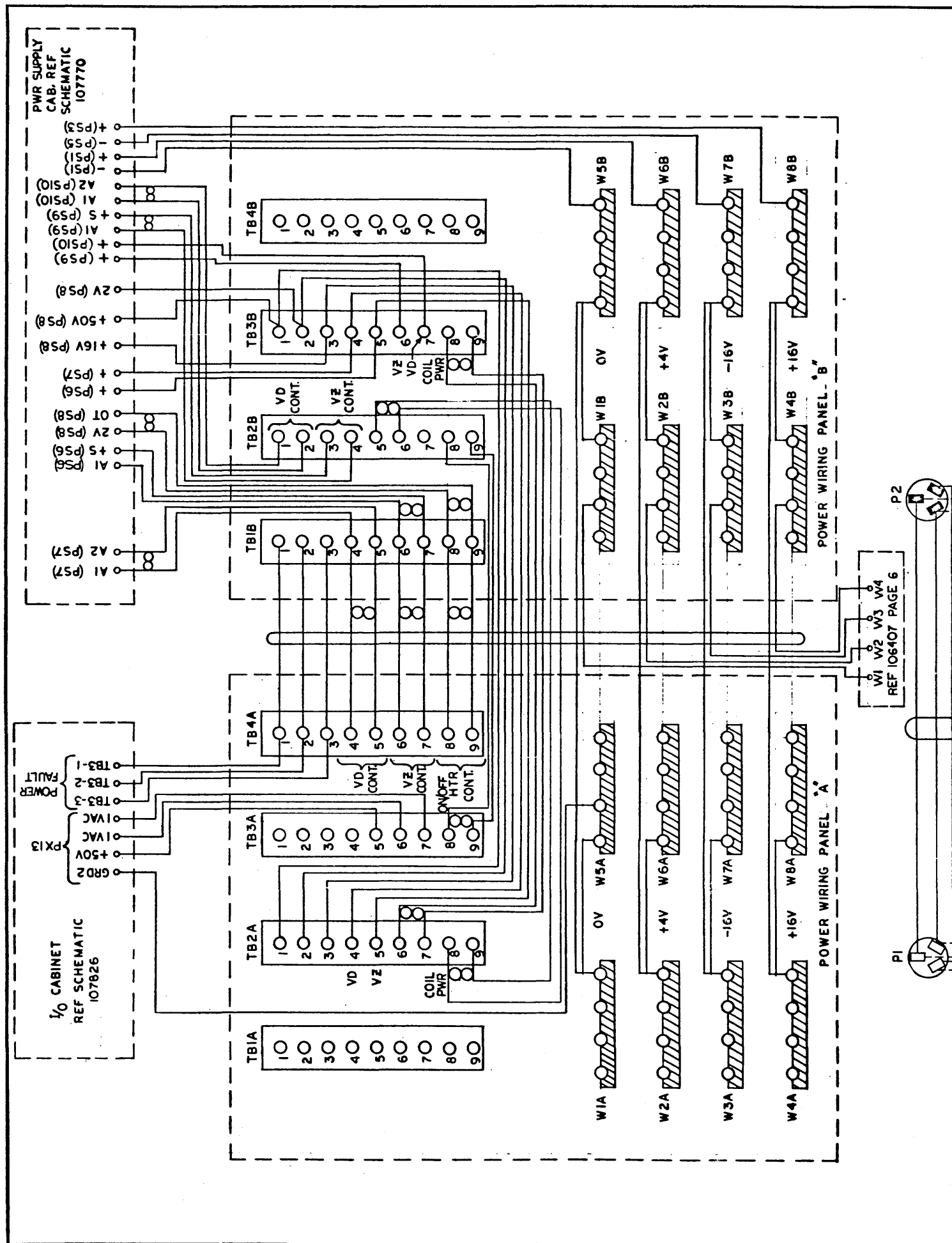
REV	DESCRIPTION	CHG DATE	APPROVED
1	LE 5117 RJE		



SECTION A-A
SCALE 1:1

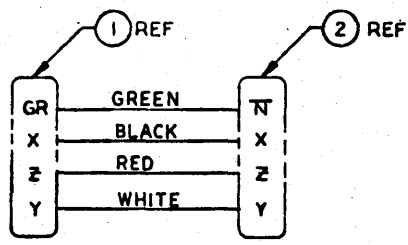
NO. REQD	DRAWING NO.	DESCRIPTION	REFERENCE DESIGNATION	ITEM NO.
MATERIAL LIST				
NOTES UNLESS SPECIFIED		DRAWN	SDS SCIENTIFIC DATA SYSTEMS <small>1422 PATENT STREET SANTA MONICA, CALIFORNIA</small>	
1. TOLERANCES UNLESS SPECIFIED		CHECK		
2. BREAK ALL SHARP EDGES AND SPINDS		APPR		
3. HATCH SURFACES			TITLE	
4. ALL DIM IN INCHES			ASSY, POWER DISTRIBUTION PANEL	
MODEL NO	930	SIZE	DWG NO	
NEXT ASSY	107067		107067	
SCALE			DO NOT SCALE DRAWING	SHEET 1 OF 1

107067 B1

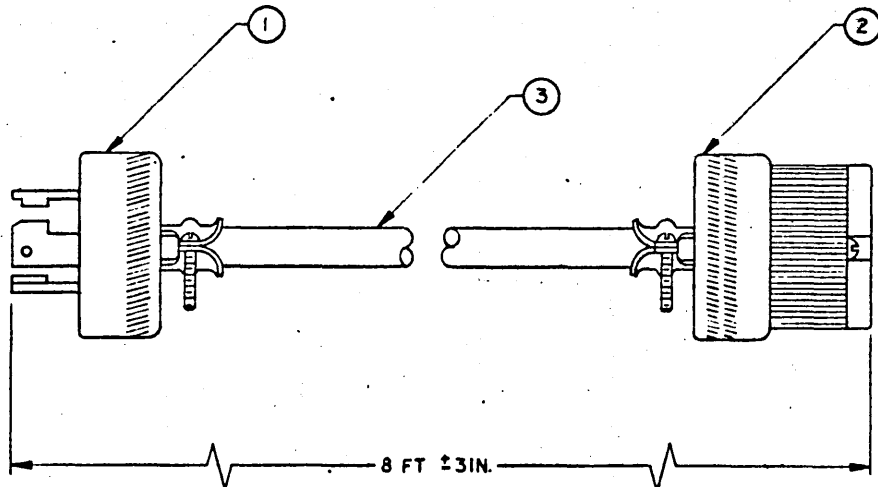


REV		B		MATERIAL LIST		DVG. NO.		REV	
				DVG. TITLE		107067		B	
				ASSY. POWER DIST. PANEL		MOD / 930		DATE 5/1/4 SHEET 3 OF 4	
ITEM	DVG. TITLE	DVG. NO.	NO. REQ	REMARKS OR CRT. DESIG.					
1 R	Panel, Power Dist	101251	1						
2 R	Angle, Contactor Mtg	101226	1						
3 R	Meter, Time	101233	1	M1					
4 R	Circuit, Breaker	101231	1	CB1					
5 R	Contactor, 600V AC	101230	1	K1					
6 R	Grommet, Nylon	100840-003	5 in						
7 R	Block, Term, Molded Barrier	100094-009	1	TB2					
8 R	Cover, Contactor & Meter	101588	1						
9 R	Strip, Marker	107097	1						
10 R	Resistor, WW 20 Watt	101155-100	1	R1					
11 R	Capacitor, 1000 VDC	100992-003	1	C1					
12 R	Screw, Pan Hd	100012-508	3						
13 R	Screw, Pan Hd	100012-305	6						
14 R	Screw, Flat Hd	100039-305	2						
15 R	Screw, Flat Hd	100039-210	2						
16 R	Washer, Lock	100024-500	6						
17 R	Washer, Lock	100024-300	18						
18 R	Washer, Lock	100024-200	6						
19 R	Washer, Lock	100024-400	2						
20 R	Washer, Flat	100018-200	4						
21 R	Nut, Hex Machine	100008-500	6						
22 R	Nut, Hex Machine	100008-300	10						
23 R	Nut, Hex Machine	100008-200	6						
24 R	Tubing, Spiral	101625-003	x	as reqd					
25 R									
26 R	Wire, Strd Ins	101881-110	8 ft						
27 R	Wire, Strd Ins	101881-010	8 ft						
28 R	Wire, Strd Ins	101881-310	2 ft						
29 R	Term, Ins Ring Tongue	100343-003	10						
30 R	Term, Ins Ring Tongue	100989-003	6						
31 R	Term, Ins Ring Tongue	100989-004	8						
32 R	Receptacle, 3 Wire Grding	101430	1	J1					
33 R	Lamp, Neon	100531	1	DS1					
34 R	Switch, Toggle, DPDT	100509	1	S1					
35 R	Strip, TermBlock Cover	101098	1						
36 R	Block, TermMolded Barrier	100094-003	1	TB1					
37 R	Screw, Pan Hd	100012-406	2						
38 R	Strip, Marker	101851	1						

REVISIONS				107884	R
REV.	DESCRIPTION	CHK	DATE	APPROVED	
A	RELEASED TO MFG				
B	SEE REVISION E.O.				



WIRING DIAGRAM




NO. REQ.	DRAWING NO.	DESCRIPTION	REFERENCE DESIGNATION	ITEM NO.
MATERIAL LIST				
NOTES UNLESS SPECIFIED		DRAWN <i>R. CASTRO</i> 7/13/64	SDS SCIENTIFIC DATA SYSTEMS 1545 FIFTEENTH STREET, SANTA MONICA, CALIFORNIA	
1. TOLERANCES XX ±.010 ANGULAR XXX ±.010 2 1/2°		CHECK <i>C. Peterson</i> 7/14/64		
2. BREAK ALL SHARP EDGES .010 APPROX.		APPR. <i>C. Peterson</i> 7/17/64		
3. HATCH SURFACES ✓		TITLE ASSY-POWER CORD		
4. ALL DIM. IN INCHES		MODEL NO. 930	SIZE C	DWG. NO. 107884
		NEXT ASSY. 104804	B	
		104908		
SCALE:			DO NOT SCALE DRAWING	SHEET 1 of 2

107884 B

REVISIONS				107658	B
REV.	DESCRIPTION	CHK	DATE	APPROVED	
A	Released to Mfg. RD #4	CLB	8/6/64	[Signature]	
B	See Rev E. O.	CLB	9/26/64	[Signature] Pvc	

NO. REQ.	DRAWING NO.	DESCRIPTION	REFERENCE DESIGNATION	ITEM NO.
----------	-------------	-------------	-----------------------	----------

MATERIAL LIST					
NOTES UNLESS SPECIFIED 1. TOLERANCES .XX ±.030 ANGULAR ±½° .XXX ±.010 2. BREAK ALL SHARP EDGES .010 APPROX. 3. MACH. SURFACES J 4. ALL DIM. IN INCHES	DRAWN	[Signature]	1/29/64	 SCIENTIFIC DATA SYSTEMS SANTA MONICA, CALIFORNIA	
	CHECK	[Signature]	8/5/64		
	APPR.	[Signature]	8/21/64		
				TITLE LIST, WIRE DACC POWER WIRING	
MODEL NO. 92220			SIZE A	DWG. NO. 107658	CHANGE LETTER B
NEXT ASSY. 107656			SCALE	DO NOT SCALE DRAWING	SHEET 1 of 4

Wire No.	Term.	From	To	Term.	Wire Type	Notes	Signal	Chg Let	
1	Sol	J1B-E-1	J32B-E-00	Sol	(35)(36)	(1)	0V	A	
2		J32B-E-00	TB2B-E-1	(53)			0V		
3		J1B-E-44	J32B-E-48	Sol		(2)	0V		
4		J32B-E-48	TB2B-E-1	(53)			0V		
5		J1B-E-45	J32B-E-45	Sol		Buss J1 thru J32	+4V		
6		J32B-E-45	TB2B-E-2	(53)			+4V		
7		J1B-E-46	J32B-E-46	Sol		Buss J1 thru J32	-16V		
8		J32B-E-46	TB2B-E-3	(53)			-16V		
9		J1B-E-47	J32B-E-47	Sol		Buss J1 thru J32	+16V		
10	Sol	J32B-E-47	TB2B-E-4	(53)	(35)(36)		+16V	A	
11									
12									
13	Sol	J1C-E-1	J32C-E-00	Sol	(35)(36)	(1)	0V	A	
14		J32C-E-00	TB2C-E-1	(53)			0V		
15		J1C-E-44	J32C-E-48	Sol		(2)	0V		
16		J32C-E-48	TB2C-E-1	(53)			0V		
17		J1C-E-45	J32C-E-45	Sol		Buss J1 thru J32	+4V		
18		J32C-E-45	TB2C-E-2	(53)			+4V		
19		J1C-E-46	J32C-E-46	Sol		Buss J1 thru J32	-16V		
20		J32C-E-46	TB2C-E-3	(53)			-16V		
21		J1C-E-47	J32C-E-47	Sol		Buss J1 thru J32	+16V		
22	Sol	J32C-E-47	TB2C-E-4	(53)	(35)(36)		+16V	A	
23									
	(1)	Buss connectors continuously including all pins 1 & 00.							
	(2)	Buss connectors continuously including all pins 44 & 48.							
1 Ref. item no's in applicable material list				TITLE			SCIENTIFIC DATA SYSTEMS		
2 Ref. designations are abbreviated				LIST, WIRE			107658		
Prefix each designation with				DACC POWER WIRING			SHEET 2 OF 4		

Wire No.	Term.	From	To	Term.	Wire Type	Notes	Signal	Chg Lot
24	(53)	TB1D-E-9	J1D-E-1	Sol	(35)(36)		OV	A
25	Sol	J1D-E-1	J32D-E-00	Sol		①	OV	
26		J32D-E-00	TB2-E-1	(53)			OV	
27		J1D-E-44	J32D-E-48	Sol		②	OV	
28		J32D-E-48	TB2D-E-1	(53)			OV	
29		J1D-E-45	TB1D-E-8	(53)			+8V	
30		J1D-E-46	TB1D-E-7	(53)			-25V	
31		J1D-E-47	TB1D-E-6	(53)			+25V	
32		J2D-E-45	J32D-E-45	Sol		Buss J2 thru J32	+4V	
33		J32D-E-45	TB2D-E-2	(53)			+4V	
34		J2D-E-46	J32D-E-46	Sol		Buss J2 thru J32	-16V	
35		J32D-E-46	TB2D-E-3	(53)			-16V	
36		J2D-E-47	J32D-E-47	Sol		Buss J2 thru J32	+16V	
37	Sol	J32D-E-47	TB2D-E-4	(53)			+16V	
38	(53)	TB1E-E-9	J1E-E-1	Sol			OV	
39	Sol	J1E-E-1	J32-E-E00			①	OV	
40	(53)	TB1-E-9	J1E-E-44				OV	
41	Sol	J1E-E-44	J32E-E-48			②	OV	
42	(53)	TB1-E-8	J1E-E-45				+8V	
43	Sol	J1E-E-45	J3E-E-45			Buss J1 thru J3	+8V	
44	(53)	TB1E-E-7	J1E-E-46				-25V	
45	Sol	J1E-E-46	J3E-E-46			Buss J1 thru J3	-25V	A
46								B
47	(53)	TB1E-E-6	J1E-E-47				+25V	A
48	Sol	J1E-E-47	J3E-E-47			Buss J1 thru J3	+25V'	
49	Sol	J4E-E-45	J32E-E-45	Sol		Buss J4 thru J32	+4V	
50	Sol	J32E-E-45	TB2E-E-2	(53)	(35)(36)		+4V	A
51								B
52								B

- 1 Ref. item no's in applicable material list
- 2 Ref. designations are abbreviated
Prefix each designation with


TITLE LIST, WIRE
DACC POWER WIRING

SCIENTIFIC DATA SYSTEMS
107658 B
SHEET 3 OF 4

REVISIONS			108053	B
REV.	DESCRIPTION	CHK	DATE	APPROVED
A	Released to Mfg.	CLB	8/30/64	<i>[Signature]</i>
B	SEE REV. E0	CLB	9/24/64	<i>[Signature]</i>

NO. REQ.	DRAWING NO.	DESCRIPTION	REFERENCE DESIGNATION	ITEM NO.
----------	-------------	-------------	-----------------------	----------

MATERIAL LIST

NOTES UNLESS SPECIFIED	DRAWN	CHECK	APPR.	TITLE
1. TOLERANCES .XX ±.030 ANGULAR .XXX ±.010 ±1/2° 2. BREAK ALL SHARP EDGES .010 APPROX. 3. MACH. SURFACES ✓ 4. ALL DIM. IN INCHES	<i>J. Lolline</i> 8/1/64	<i>Edw. Hipwell</i> 8/13/64	<i>P. M. [Signature]</i> 6/21/64	 SCIENTIFIC DATA SYSTEMS SANTA MONICA, CALIFORNIA LIST, WIRE, MIC BUFFER POWER

MODEL NO. 91500		SIZE A	DWG. NO. 108053	CHANGE LETTER B
NEXT ASSY. 107276		SCALE	DO NOT SCALE DRAWING	SHEET 1 of 2

Wire No.	Term.	From	To	Term.	Wire Type	Notes	Signal	Chg Let	
1	Sol	J1A-E-1	J32A-E-00	Sol	(31)(32)	(1)	OV	A	
2		J32A-E-00	TB2A-E-1	(33)			OV		
3		J1A-E-44	J32A-E-48	Sol		(2)	OV		
4		J32A-E-48	TB2A-E-1	(33)			OV		
5		J1A-E-45	J32A-E-45	Sol		Buss J1 thru J32	+4V		
6		J32A-E-45	TB2A-E-2	(33)			+4V		
7		J1A-E-46	J32A-E-46	Sol		Buss J1 thru J32	-16V		
8		J32A-E-46	TB2A-E-3	(33)			-16V		
9		J1A-E-47	J32A-E-47	Sol		Buss J1 thru J32	+16V		
10	Sol	J32A-E-47	TB2A-E-4	(33)			+16V	A	
11									
12									
13	(33)	TB1B-E-9	J1B-E-1	Sol			OV	B	
14	Sol	J1B-E-1	J32B-E-00	Sol		(1)	OV		
15	(33)	TB1B-E-9	J1B-E-44	Sol			OV		
16	Sol	J1B-E-44	J32B-E-48	Sol		(2)	OV		
17	(33)	TB1B-E-8	J1B-E-45	Sol			+8V		
18	Sol	J1B-E-45	J32B-E-45	Sol		Buss J1 thru J32	+8V		
19	(33)	TB1B-E-7	J1B-E-46	Sol			-25V		
20	Sol	J1B-E-46	J32B-E-46	Sol		Buss J1 thru J32	-25V		
22	(33)	TB1B-E-6	J1B-E-47	Sol			+25V		
23	Sol	J1B-E-47	J32B-E-47	Sol	(31)(32)	Buss J1 thru J32	+25V	B	
						(1) Buss connectors continuously including all Pins 1 & 00			
						(2) Buss connectors continuously including all Pins 44 & 48			
1 Ref. item no's in applicable material list 2 Ref. designations are abbreviated Prefix each designation with				TITLE LIST, WIRE MIC BUFFER POWER			SCIENTIFIC DATA SYSTEMS 108053 SHEET 2 OF 2		

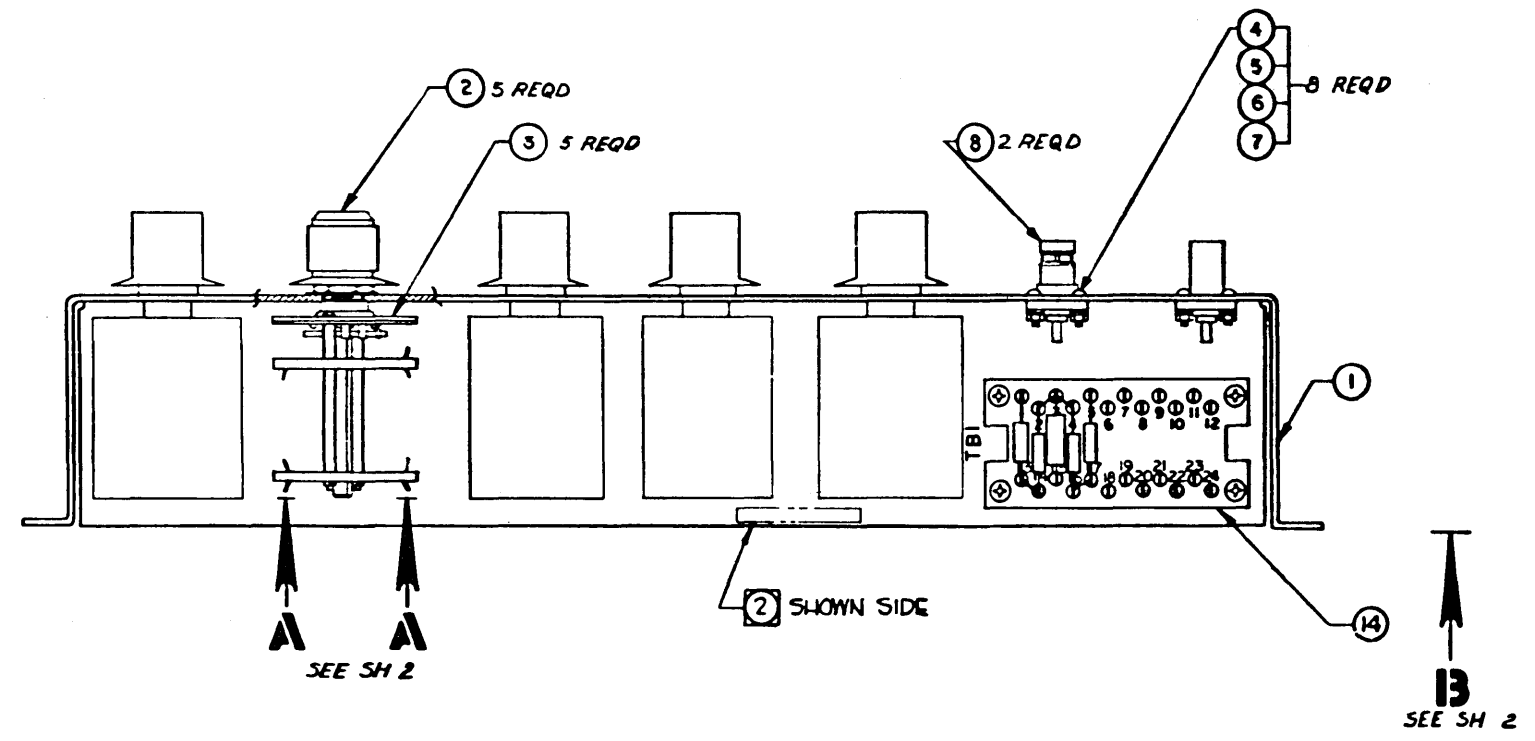
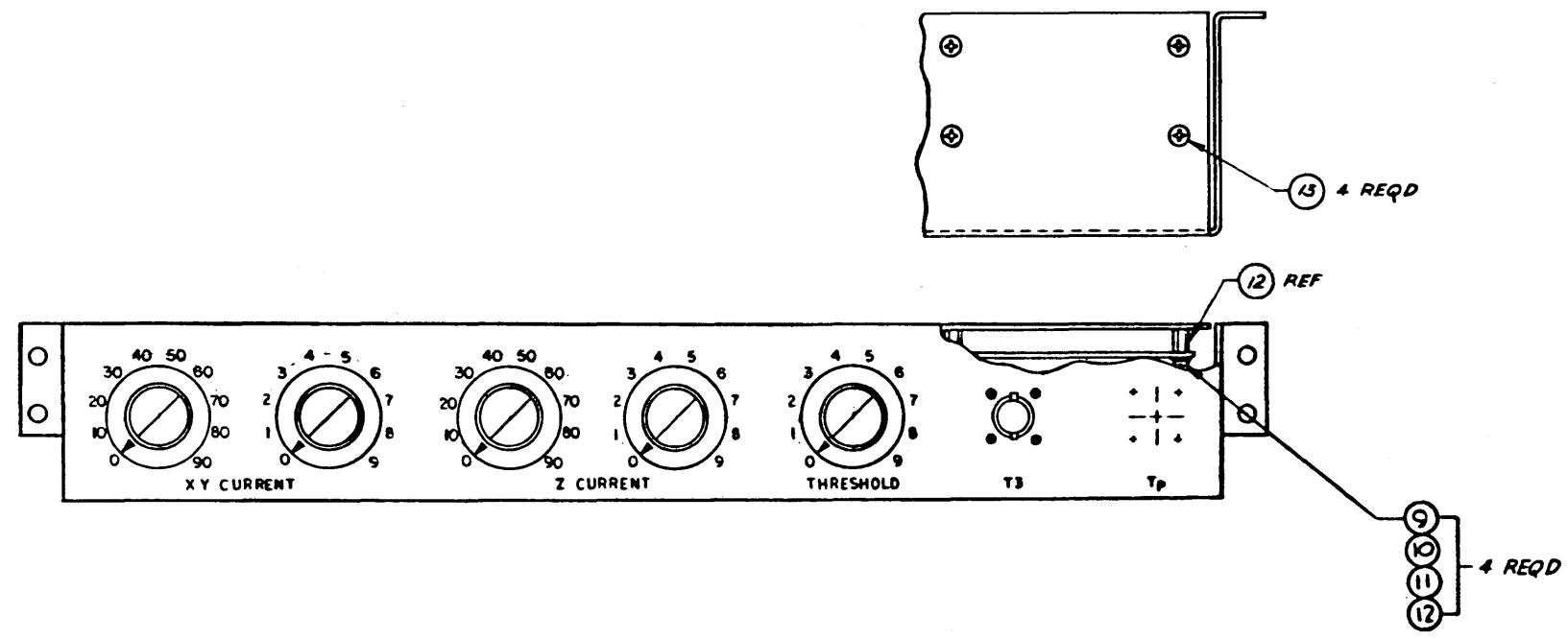
SECTION 3. MEMORY UNITS
INDEX

<u>Model Number</u>	<u>Title</u>	<u>Drawing Number</u>
92040/92080/92160	Memory Tester, Assembly	106702
92040/92080/92160	Memory Tester	107238*
NB55	X, Y Transformer Cable, Schematic	105091*
NB54	Z Driver Transformer Cable, Schematic	105013*
925/930/9300	Heater Cable, Wire List	108842
92040	Core Memory Specification Control Drawing (4K)	104949*
92040	Core Memory End Plate (4K), Diagram	104978
92040	Core Memory (4K), Schematic	105282
92040	Assembly (4K)	105300*
92080	Core Memory Specification Control Drawing (8K)	104948*
92080	Core Memory End Plate (8K), Diagram	104976
92080	Core Memory (8K), Schematic	105283
92080	Assembly (8K)	105301*
92160	Core Memory Specification Control Drawing (16K)	104903
92160	Core Memory Transposition Plane (16K), Diagram	104975
92160	Core Memory (16K), Schematic	105284
92160	Assembly (16K)	105302*

* Drawing not available.

REVISIONS				106702 B
REV.	DESCRIPTION	CHK.	DATE	APPROVED
A	RELEASED TO MFG			
B	SEE REV E.O.			

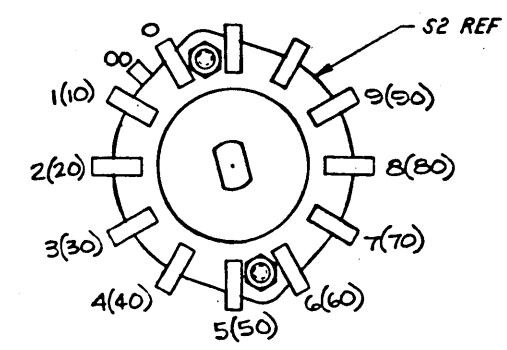
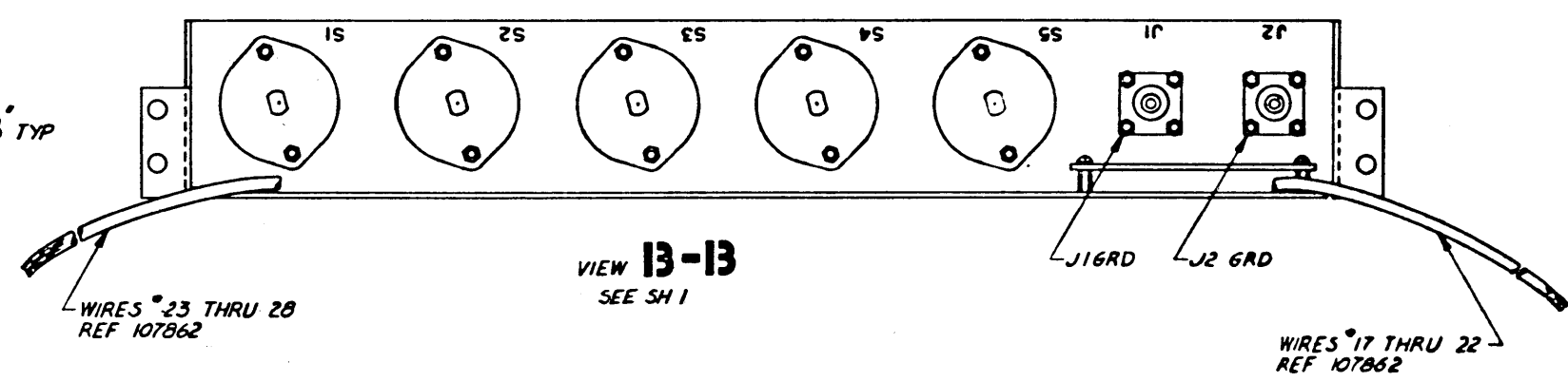
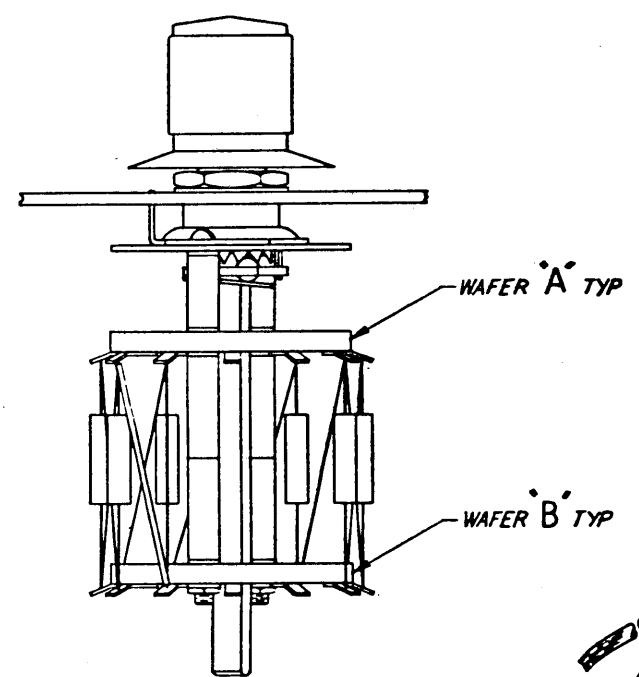
- NOTES: UNLESS OTHERWISE SPECIFIED.
- SEE ML NO. 106702 SHEET 3.
 - IDENTIFY PER SDS SPEC 100198.
 - REF DWG: LIST, WIRE DWG. 107862
SCHEMATIC DWG 107238.



DRAWING NO		DESCRIPTION		REFERENCE DESIGNATION
MATERIAL LIST				
1	UNLESS OTHERWISE SPECIFIED	DRG	Evans	5-11-64
2	UNLESS OTHERWISE SPECIFIED	CHK	Evans	7-9-64
3	UNLESS OTHERWISE SPECIFIED	APP	Evans	7-15-64
1. UNLESS OTHERWISE SPECIFIED 2. DRAW ALL SHOWN PARTS 3. DRAW SURFACES 4. ALL DIM. IN INCHES		SDS SCIENTIFIC DATA SYSTEMS 1700 WEST 13TH AVENUE DENVER, COLORADO 80202		
MODEL NO. 92040 92040C, 92160 MEMORY ASSY		ASSY. MEMORY TESTER		SHEET NO. 106702 OF 3
SCALE: 1 DO NOT SCALE DRAWING		DRAWN BY: Evans CHECKED BY: Evans APPROVED BY: Evans		

106702 B

REVISIONS				106702	B
REV	DESCRIPTION	CHK	DATE	APPROVED	
	SEE SH 1				



VIEW A-A SEE SH 1 (TYP)
SCALE 2/1

REV	DRAWING NO	DESCRIPTION	REFERENCE DESIGNATION	DATE
MATERIAL LIST				
NOTED UNLESS SPECIFIED				
1. TOLERANCES	DRAWN	DRIL MAN	6-11-64	
2. DIMENSIONS	CHKD		7-2-64	
3. FINISHES	APPR		7-11-64	
4. SPECIAL ALL DIMENSIONS AND SPACES				
5. DIMENSIONS				
6. ALL DIM IN INCHES				
MODEL NO 92040 92080, 92160		TITLE		
PART NAME		ASSEMBLY, MEMORY TESTER		
	REV	REV NO	106702	3
	D			
SCALE		DO NOT SCALE DRAWING		SHEET 2 OF 3


106702 B

REV.	B	SDS SCIENTIFIC DATA SYSTEMS		MATERIAL LIST		ML	DRAWING NO.	REV.
							106702	8
DRAWING NO.		TITLE		MODEL NO.	DATE	SHEET		
106702		Assy, Memory Tester		92040 92080 92160	6/11/4	3 OF 4		
ITEM NO.		DRAWING TITLE	DWG. NO.	NO. REQ.	REMARKS ON CKT. DESIG.			
1	R	Chassis, Memory Tester	106624	1				
2	S	Knob, Skirted, Round	100608	5				
3	S	Switch, Rotary, 10 Position	106662	5				
4	S	Screw, Pan Hd.	100012-104	8				
5	S	Washer, Flat	100018-100	8				
6	S	Washer, Lock Int Tooth	100024-100	8				
7	S	Nut, Hex Machine	100008-100	8				
8	S	Connector, Coaxial, ^{Series} BNC	101931	2				
9	S	Screw, Pan Hd	100012-204	4				
10	S	Washer, Lock Int Tooth	100024-200	4				
11	S	Washer, Flat	100018-200	4				
12	S	Standoff, Threaded	100217-002	4				
13	S	Screw, Flat Hd	100039-204	4				
14	R	Board, Terminal	101599	1				
15	S	Resistor, 1/2 Watt	100111-221	18	R1 thru R18			
16		Schematic	107238	x	ref			
17	S	Resistor, 1/2 Watt	100111-220	18	R19 thru R36			
18								
19	S	Resistor, 1/2 Watt	100111-100	9	R37 thru R45			
20	R	List, Wire	107862	x	ref			
21	S	Resistor, 1/2 Watt	100111-470	2	R46, R47 (2-14)(4-16)			
22	S	Resistor, 1/2 Watt	100111-330	2	R48, R49 (5-17)(1-13)			
23	S	Capacitor, Mylar	100308-102	1	C1 (3-15)			
24								
25	S	Wire, Strd, Insul	100238-024	x	as req'd			
26	S	Wire, Strd, Insul	100238-018	x	as req'd			
27	S	Wire, Solid, Bare	100042-024	x	as req'd			
28	S	Wire, Twisted Pair	102974	x	as req'd			
29	S	Cable, Shielded	101932	x	as req'd			
30	S	Term Shield, Grding Splice	106428	4				
31	S	Tubing, Shrinkable	100744-206	x	as req'd			
32	S	Terminal, Ring Tongue	100343-004	2				

REVISIONS			108842	A
REV.	DESCRIPTION	CHK	DATE	APPROVED
A	Released to Mfg.	<i>[Signature]</i>	9/16/64	<i>[Signature]</i>

NO. REQ.	DRAWING NO.	DESCRIPTION	REFERENCE DESIGNATION	ITEM NO.
----------	-------------	-------------	-----------------------	----------

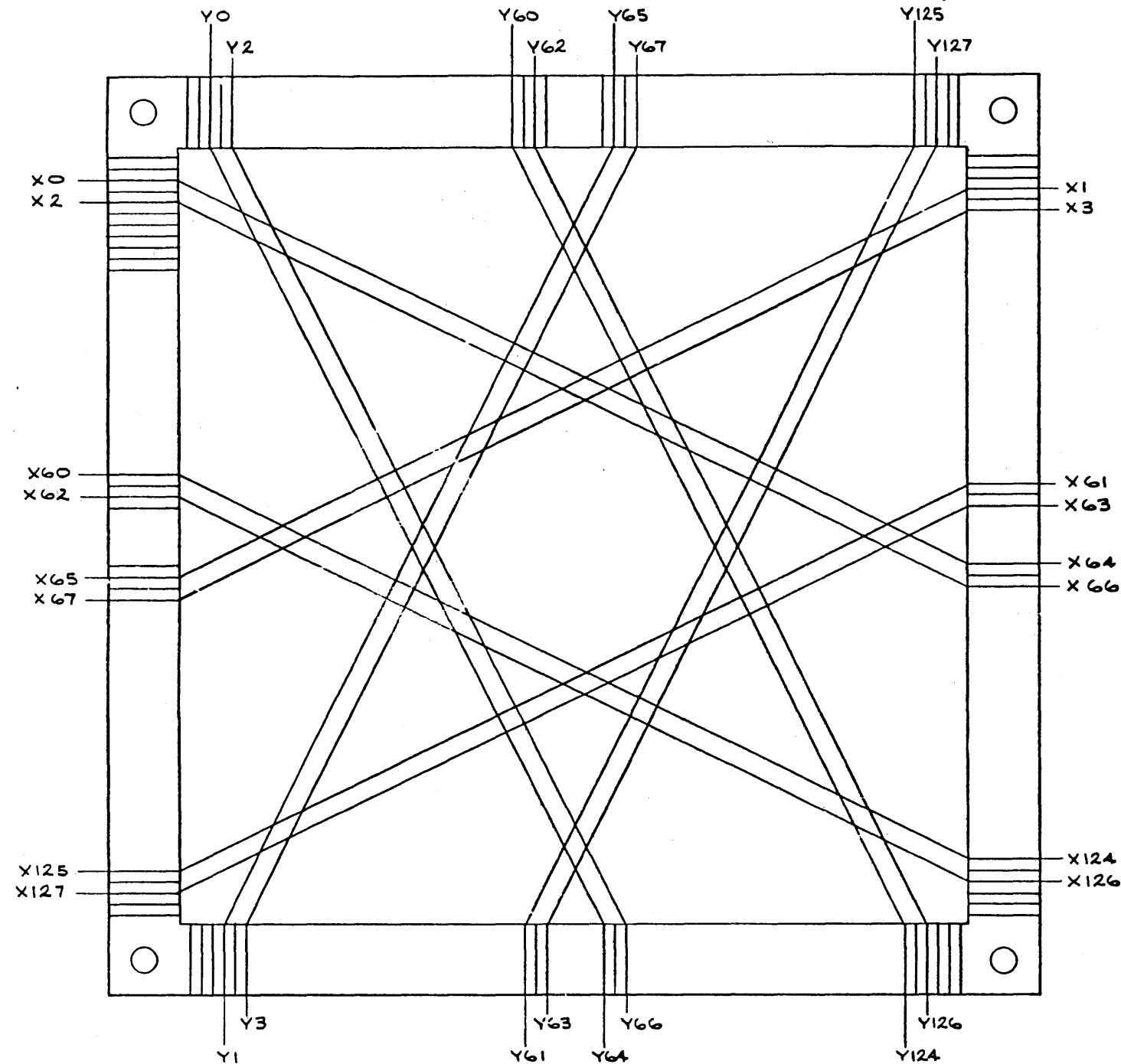
MATERIAL LIST

NOTES UNLESS SPECIFIED 1. TOLERANCES .XX ±.030 ANGULAR .XXX ±.010 ±1/4° 2. BREAK ALL SHARP EDGES .010 APPROX. 3. MACH. SURFACES J 4. ALL DIM. IN INCHES	DRAWN <i>[Signature]</i> 9/17/64	 SCIENTIFIC DATA SYSTEMS SANTA MONICA, CALIFORNIA	TITLE LIST, WIRE HEATER CABLE	
	CHECK <i>[Signature]</i> 9/18/64			
	APPR. <i>[Signature]</i> 9-20-64			
MODEL NO. 925, 930, 9300		SIZE A	DWG. NO. 108842	CHANGE LETTER A
NEXT ASSY. 108841		SCALE	DO NOT SCALE DRAWING	SHEET 1 of 2

REVISIONS			
REV	DESCRIPTION	CHK	DATE
A	PRERELEASED		
B	RELEASED TO MFG		

NOTES: UNLESS OTHERWISE SPECIFIED

- REF SDS DWG 104902, SPEC 4.09 X2S MAGNETIC CORE MEMORY.
- REF SDS DWG 104949, CORE MEMORY SPEC CONT DWG.
- X & Y ARE TURNED AROUND ONLY AS SHOWN.



NO. REQ.	DRAWING NO.	DESCRIPTION	REFERENCE DESIGNATION	ITEM NO.
MATERIAL LIST				
NOTES UNLESS SPECIFIED		DRAWN: J. IRELAND 12/20/63	SDS SCIENTIFIC DATA SYSTEMS SANTA MONICA, CALIFORNIA	
1. TOLERANCES ± .000 ANGULAR ± .010 ± .01"		CHECK: [Signature] 12/20/63	TITLE	
2. BREAK ALL SHARP EDGES .010 APPROX.		APPR: [Signature] 12/20/63	DIAGRAM, CORE MEMORY END PLATE (4K)	
3. HATCH SURFACES ✓			SIZE	CHANGE LETTER
4. ALL DIM. IN INCHES			D	B
MODEL NO.	92040	DWG. NO.	104978	
NEXT ASSY.	104949	SCALE	2/1	SHEET
			DO NOT SCALE DRAWING	

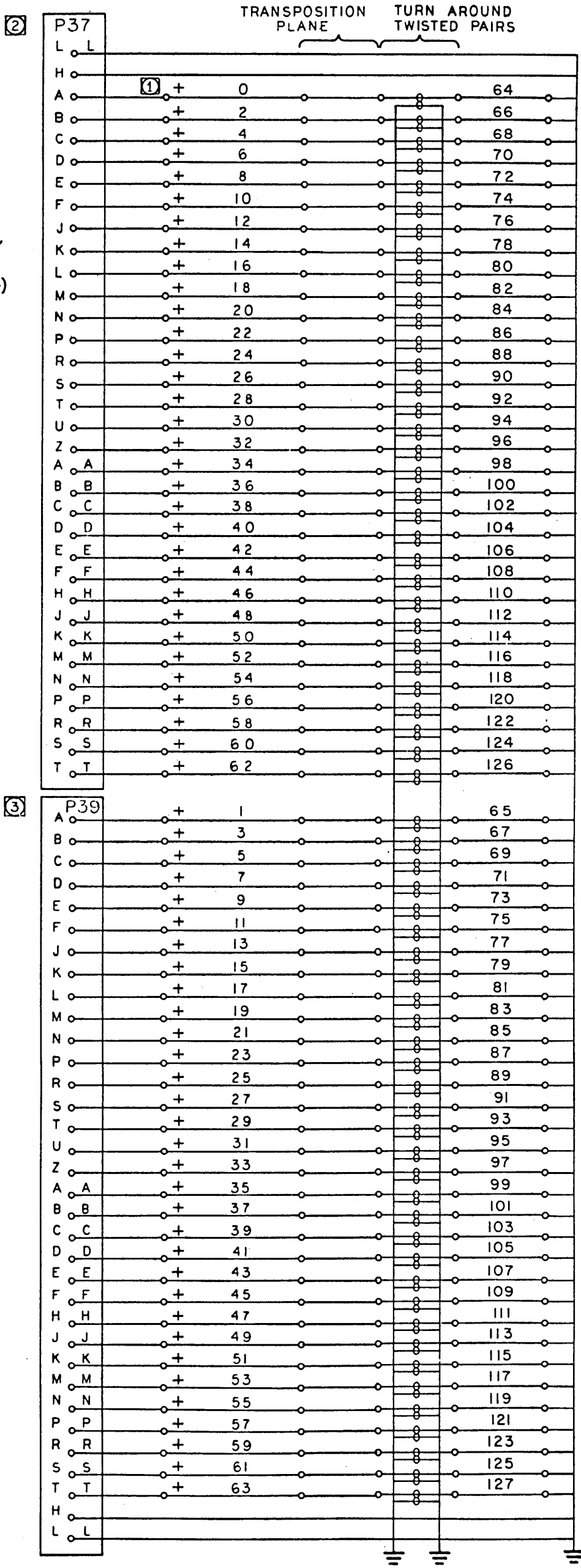
REV	DESCRIPTION	CHK	DATE	APPROVED
A	PRE RELEASED			
B	REVISED NO'S 64 THRU 127 RELEASED TO M-3			

Y-DRIVE LINES

NOTES:

- FOR Y-DRIVE LINES SCHEMATIC, CHANGE:
 - ① POSITIVE POLARITIES (+) TO NEGATIVE (-).
 - ② P37 TO P41
 - ③ P39 TO P42
- POLARITIES OF DRIVE LINES FOR THE WRITE CYCLE ARE AS SHOWN.

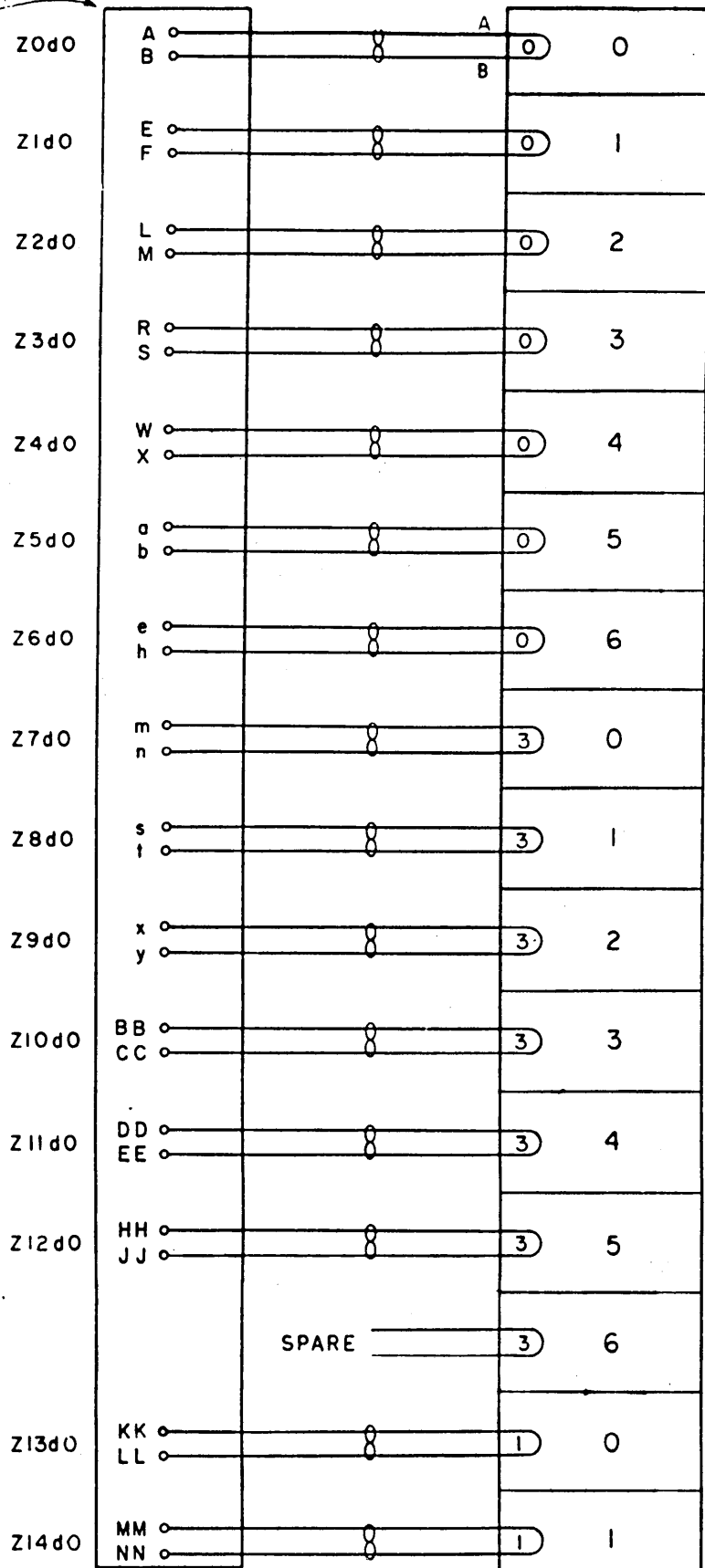
X-DRIVE LINES



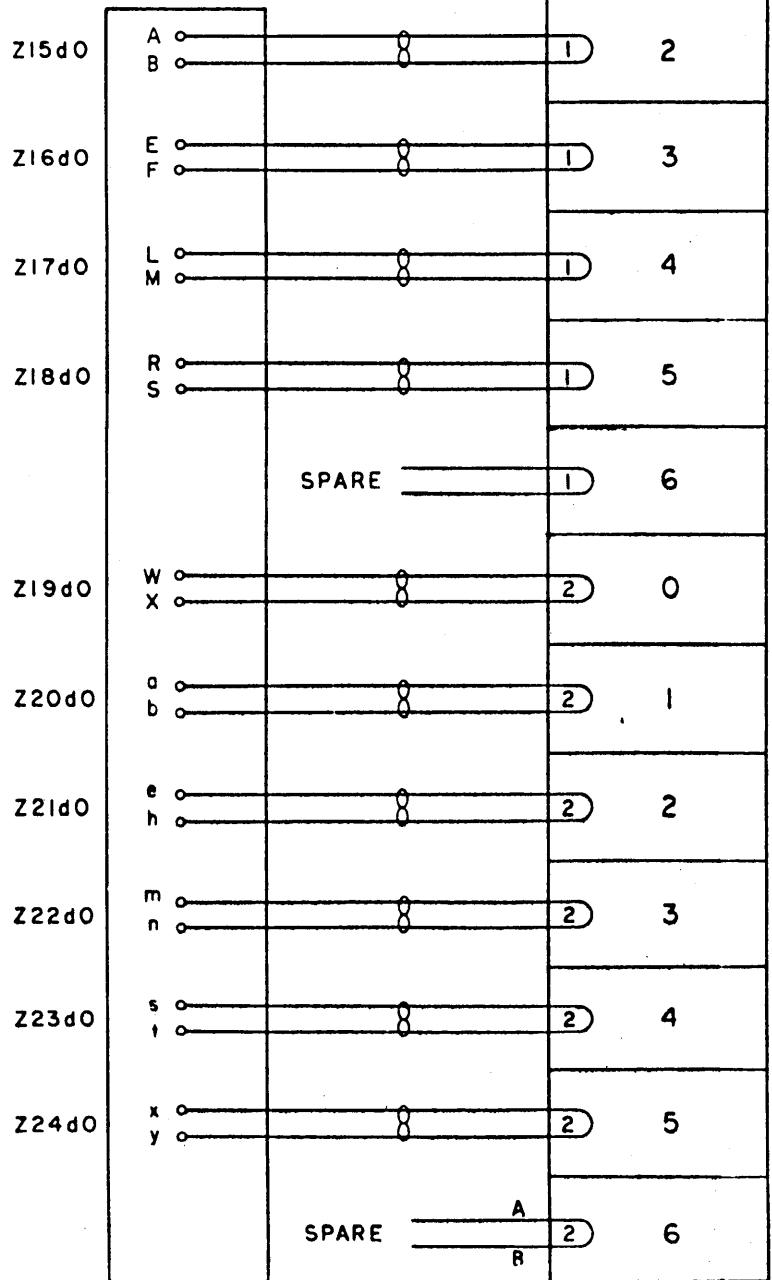
NO. REC.	DRAWING NO.	DESCRIPTION	REFERENCE DESIGNATION	ITEM NO.
NOTES UNLESS SPECIFIED:		MATERIAL LIST		
1. TOLERANCES UNLESS SPECIFIED:		DRAWN: <i>[Signature]</i> / 1/1/64		
2. SEE 2. 810		CHECK: <i>[Signature]</i> / 1/7/64		
3. BREAK ALL SHARP EDGES		APPR: <i>[Signature]</i> / 1/7/64		
4. BREAK SURFACES		TITLE: SCHEMATIC, CORE MEMORY 4K		
5. ALL DIM IN INCHES		DATE: D 105282		
MODEL NO. 92040		DRAWING LETTER: F		
NEXT ASSY:		D. SCALE DRAWING: SHEET		

REV	DESCRIPTION	CHK	DATE	APPROVED

P33

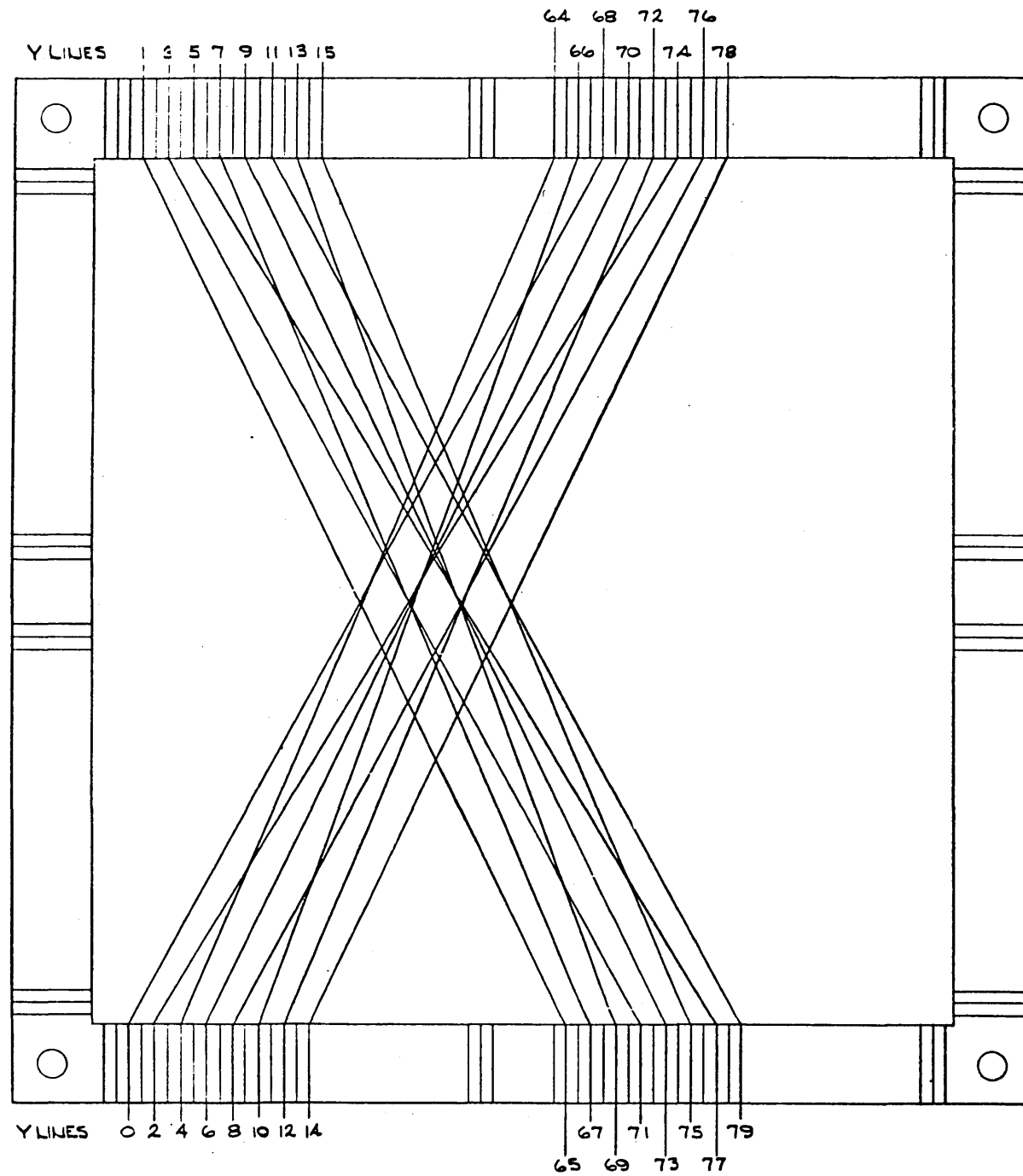


P34



Z LINE CONNECTIONS

NO. REV.	DRAWING NO.	DESCRIPTION	REFERENCE DESIGNATION	ITEM NO.
NOTES UNLESS SPECIFIED		MATERIAL LIST		
1. DIMENSIONS	2. FINISHES	3. TOLERANCES	4. SURFACE	5. HATCH
6. BREAKS	7. DIMENSIONS	8. DIMENSIONS	9. DIMENSIONS	10. DIMENSIONS
MODEL NO. 92040		TITLE: SCHEMATIC, CORE MEMORY 4K		
DATE: 7/27/69		DWG NO. 105282		
DRAWN: KEITH		SCALE: DO NOT SCALE DRAWING		
CHECK: [Signature]		SHEET: D		
APPR: [Signature]		SHEET TOTAL: 1		



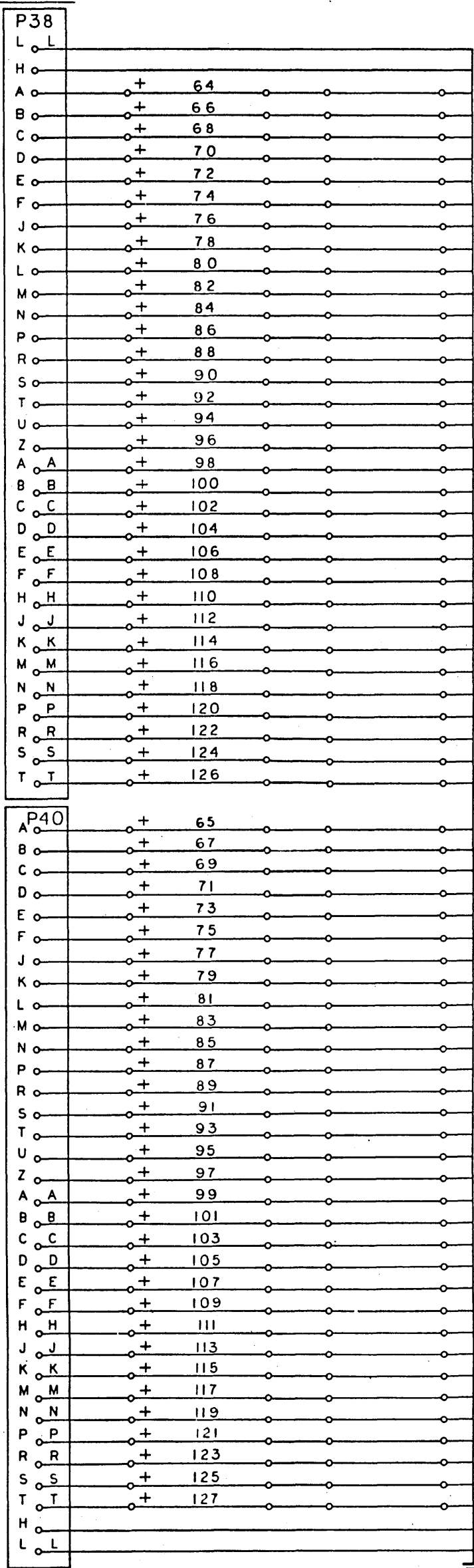
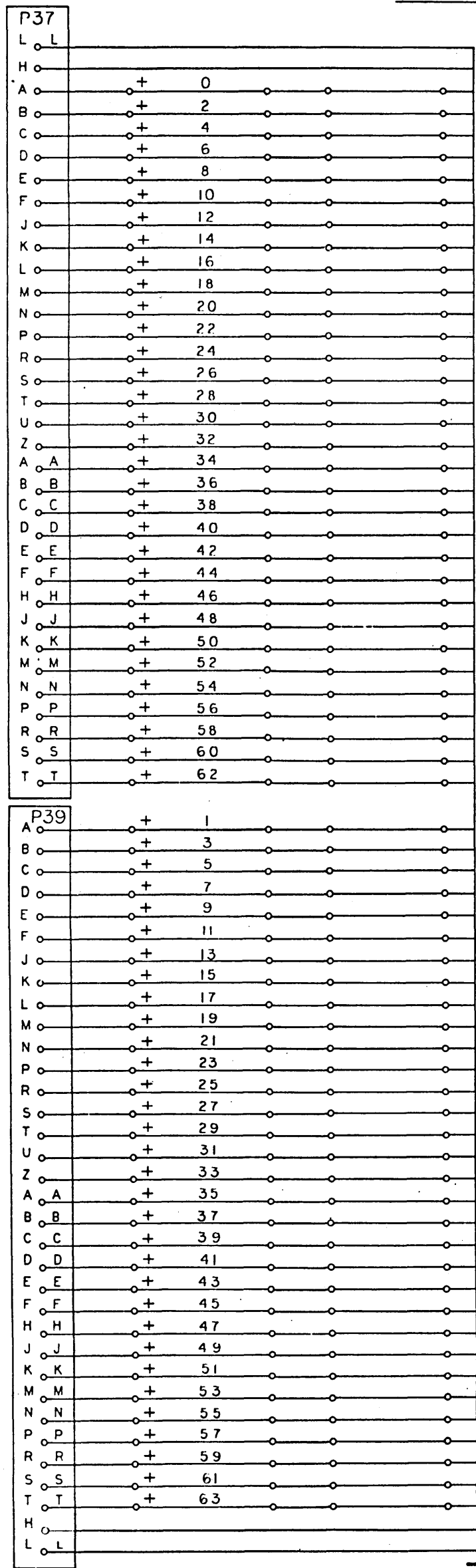
- NOTES: UNLESS OTHERWISE SPECIFIED
1. REF SDS DWG 104901, SPEC. 8192 X 25 MAGNETIC CORE MEMORY.
 2. REF SDS DWG 104948, CORE MEMORY SPEC CONTROL DWG.
 3. Y DRIVE LINES ONLY ARE TRANSPOSED & TURNED AROUND IN GROUPS OF 16 LINES AS SHOWN.

REVISIONS			
REV	DESCRIPTION	CHK	DATE
A	DERELEASED		12/21/63
B	RELEASED TO MFG		1/2/64

NO. REV.	DRAWING NO.	DESCRIPTION	REFERENCE DESIGNATION	ITEM NO.
		MATERIAL LIST		
NOTES UNLESS SPECIFIED		DRAWN J. IRLAND 12/21/63	SDS SCIENTIFIC DATA SYSTEMS SANTA MONICA, CALIFORNIA	
1. TOLERANCES XX ± .000 ANGULAR SEE 2. DIM		CHECK [Signature]		
2. BREAK ALL SHARP EDGES 3. 45° APPROX 4. HATCH SURFACES ✓ 5. ALL DIMS IN INCHES		APPR [Signature]		
MODEL NO. 92080		TITLE DIAGRAM CORE MEMORY END PLATE (3K)		
NEXT ASSY 104948		SIZE D	DWG NO. 104976	CHANGE LETTER B
		SCALE DO NOT SCALE DRAWING SHEET		

REV	DESCRIPTION	CHK	DATE	APPROVED
A	PRE RELEASED			
B	REVISED NOS 34 THRU 27 (SH 2)			
3	RELEASED TO MFG			

X-DRIVE LINES



NOTES:

1. POLARITIES OF DRIVE LINES FOR THE WRITE CYCLE ARE AS SHOWN.

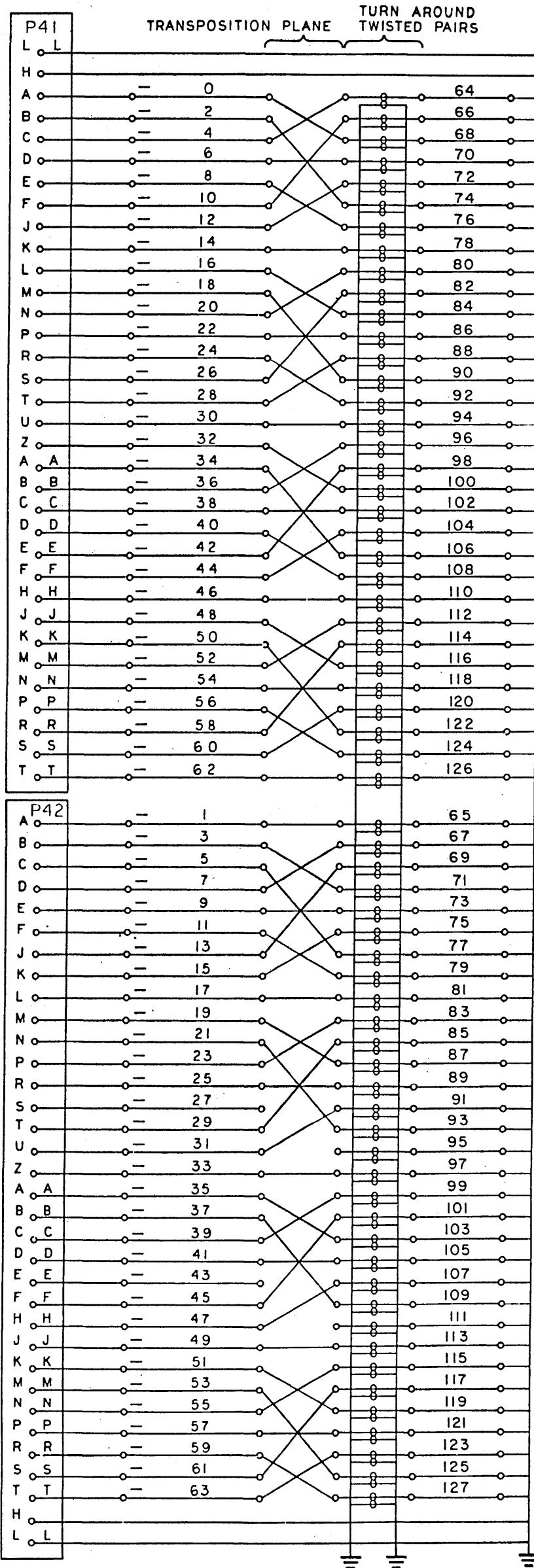
ITEM NO.	REFERENCE DESIGNATION
SDS SCIENTIFIC DATA SYSTEMS SANTA MONICA, CALIFORNIA	
SCHEMATIC, CORE MEMORY 8K	
NO. REC.	DRAWING NO.
DESCRIPTION	MATERIAL LIST
DATE	DATE
1. TOLERANCES UNLESS SPECIFIED	1/16/64
2. DIMENSIONS	1-17-64
3. ALL DIMENSIONS	1-17-64
4. ALL DIM IN INCHES	
5. BACK SURFACES	
6. ALL DIM IN INCHES	
MODEL NO.	92080
SHEET NO.	105283
SHEET	1 OF 1

REV	DESCRIPTION	CHK	DATE	APPROVED
	SEE SHEET 1			

Y-DRIVE LINES

NOTE:

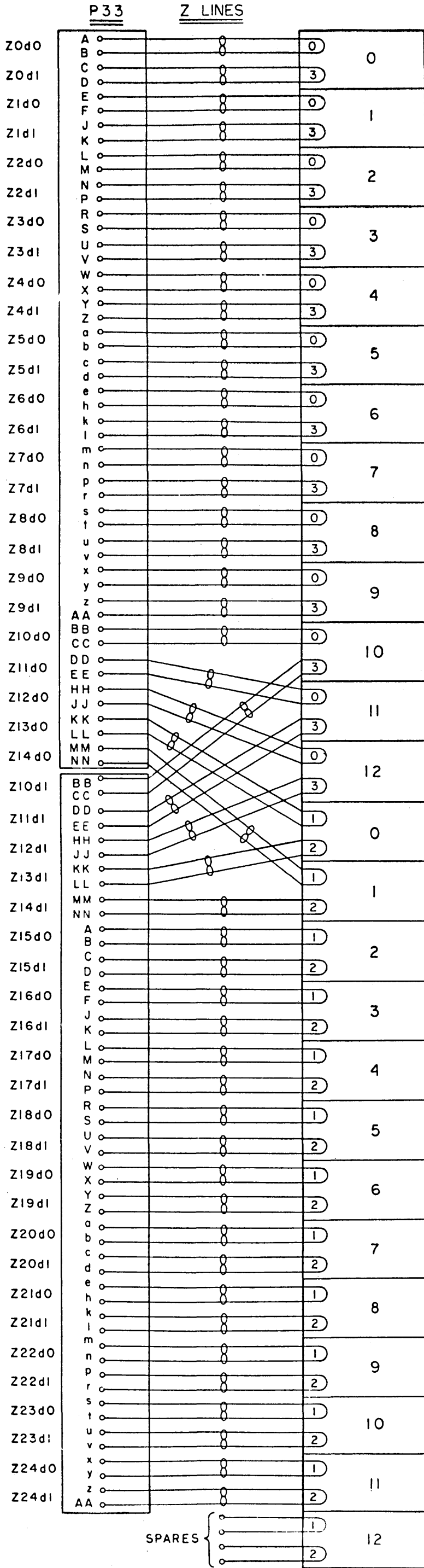
1. POLARITIES OF DRIVE LINE FOR THE WRITE CYCLE ARE AS SHOWN.



NO. REC.	DRAWING NO.	DESCRIPTION	REFERENCE DESIGNATION	ITEM NO.
NOTES UNLESS SPECIFIED		MATERIAL LIST		
1. DIMENSIONS ARE IN INCHES UNLESS OTHERWISE SPECIFIED		DRAWN: [Signature]		
2. BREAK ALL SHARP EDGES		CHECK: [Signature]		
3. HATCH SURFACES		APPR: [Signature]		
4. ALL DIM. IN INCHES		TITLE		
		SCHEMATIC, CORE MEMORY 8K		
MODEL NO.	DWG NO.	SCALE	DATE	BY
92080	D		105283	B
NET ASBY				

REV	DESCRIPTION	DATE	APPROVED

P34

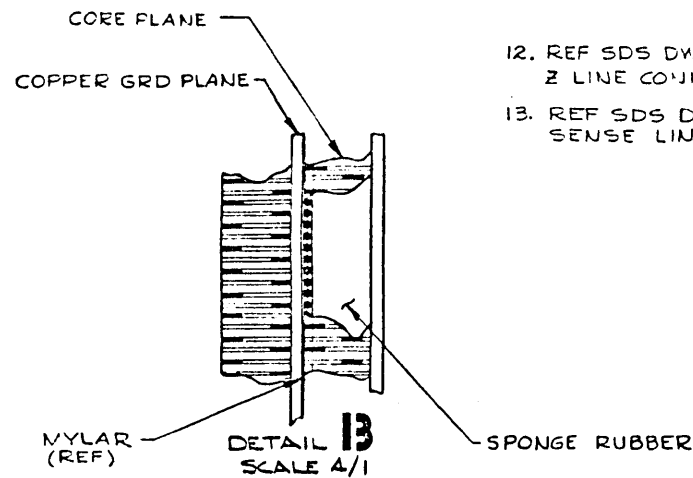


NO. REV.	DRAWING NO.	DESCRIPTION	REF. DESIGNATION	REV. NO.

SDS <small>SHAW-WALKER COMPANY SANTA MONICA, CALIFORNIA</small>		TITLE SCHEMATIC, CORE MEMORY 8K
DRAWN CHECK APPR.	MATERIAL LIST DATE	SCALE DWG. NO. 105283

NOTES UNLESS SPECIFIED: 1. TOLERANCES 2. SEE 2.08 3. BREAK ALL SHARP EDGES 4. DIMENSIONS 5. MATE SURFACES 6. ALL DIM. IN INCHES	MODEL NO. 9280	SHEET NO. 105283
---	--------------------------	----------------------------

REVISIONS			
REV.	DESCRIPTION	CHK.	DATE
A	PRERELEASED		
B	REVISED & RE-DRAWN		
C	SEE REVISION E.O. RELEASED TO NRC		

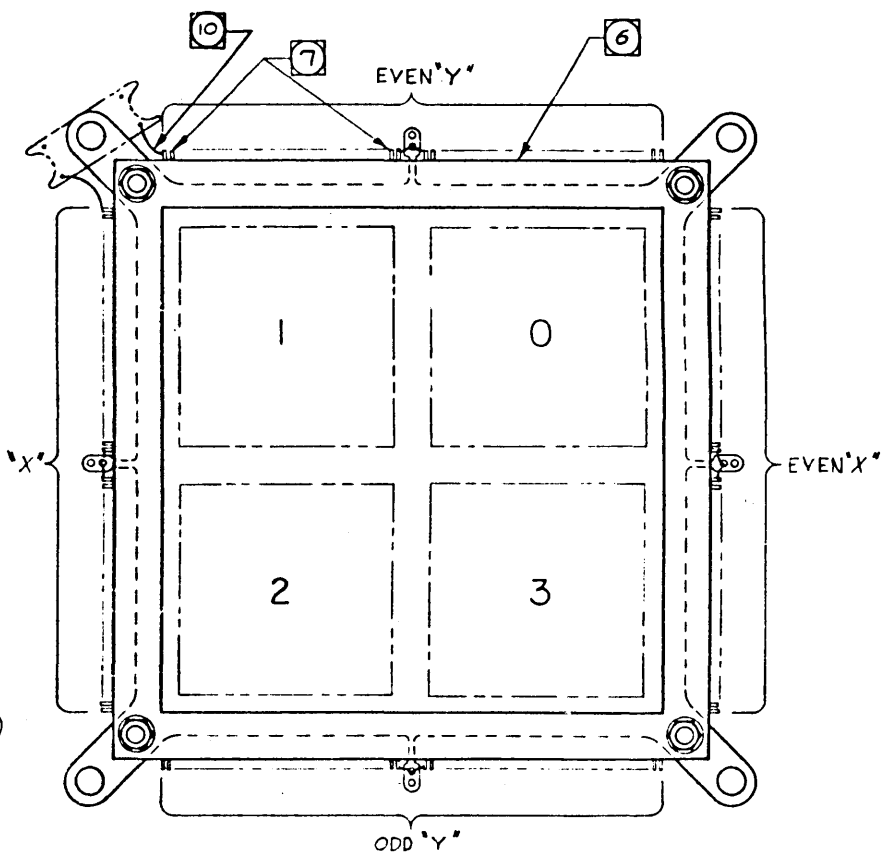
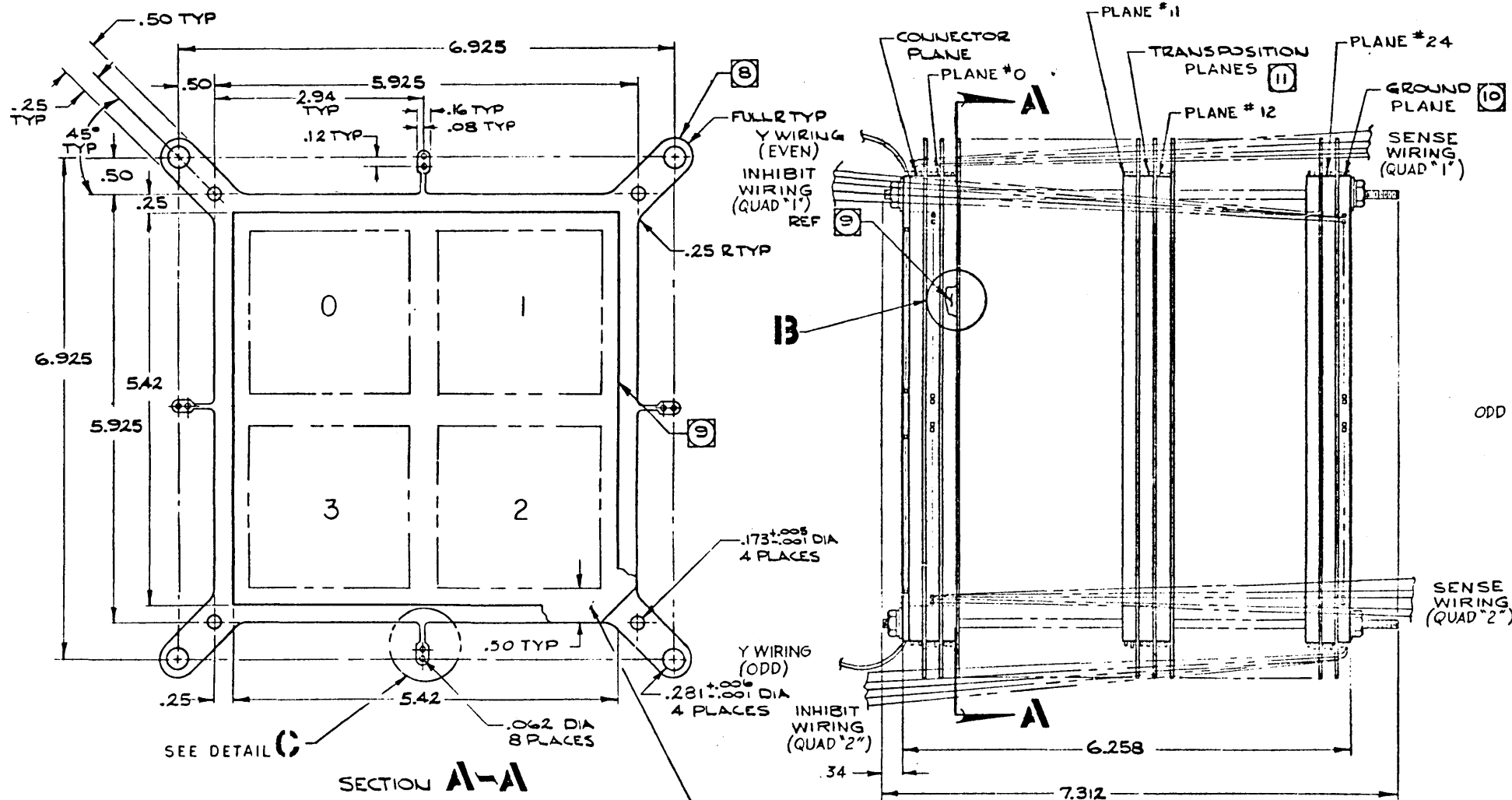


- 12. REF SDS DWG 107187, SCHEMATIC Z LINE CONNECTIONS.
- 13. REF SDS DWG 107188, SCHEMATIC SENSE LINE CONNECTIONS.

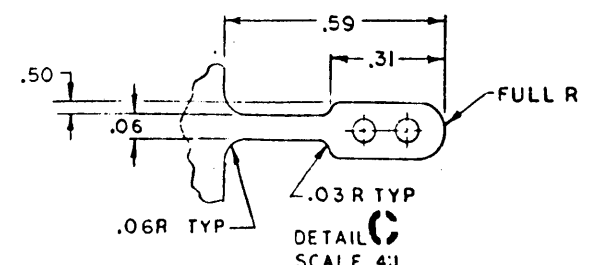
- ⑦ TERMINAL MATERIAL: BRASS, TIN PLATED
- ⑧ GROUND PLANE MATERIAL: 24 OZ (.0323) COLD ROLLED COPPER SHEET, CAD PLATE PER SDS 100014
- ⑨ SPONGE SHEET MATERIAL: POLYURETHANE OR APPROVED EQUIV.
- ⑩ X & Y LINES BUSSED TOGETHER ON NORMAL PLANE & TERMINATED AT CENTER TABS OF COPPER GROUND PLANE BY SOLDERING. REF SDS DWG 104900, SECTION 4.2.4.
- ⑪ REF SDS DWG 104975, DIAGRAM CORE MEMORY TRANSPOSITION PLANE (16K)
- 12 REF SDS DWG 105284 SCHEMATIC CORE MEMORY (16K).

NOTES: UNLESS OTHERWISE SPECIFIED

- 1. THIS DWG IS PART OF & SUBSEQUENT TO THE REQUIREMENTS OF SDS DWG 104900, SPECIFICATION, 16,384 X 25 MAGNETIC CORE MEMORY.
- 2. REF SDS DWG 104899, CORE SPECIFICATION, MAGNETIC MEMORY.
- 3. REF SDS DWG 104945, LIST, WIRE CORE MEMORY.
- 4. FOR TYPICAL CORE PLANE GEOMETRY SEE SHEET 2.
- 5. FOR TYPICAL X, Y, INHIBIT & SENSE WINDING, SEE SHEET 3.
- ⑥ CORE PLANE MATERIAL: LAMINATED EPOXY, .188 THK.

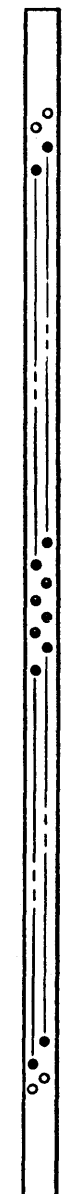
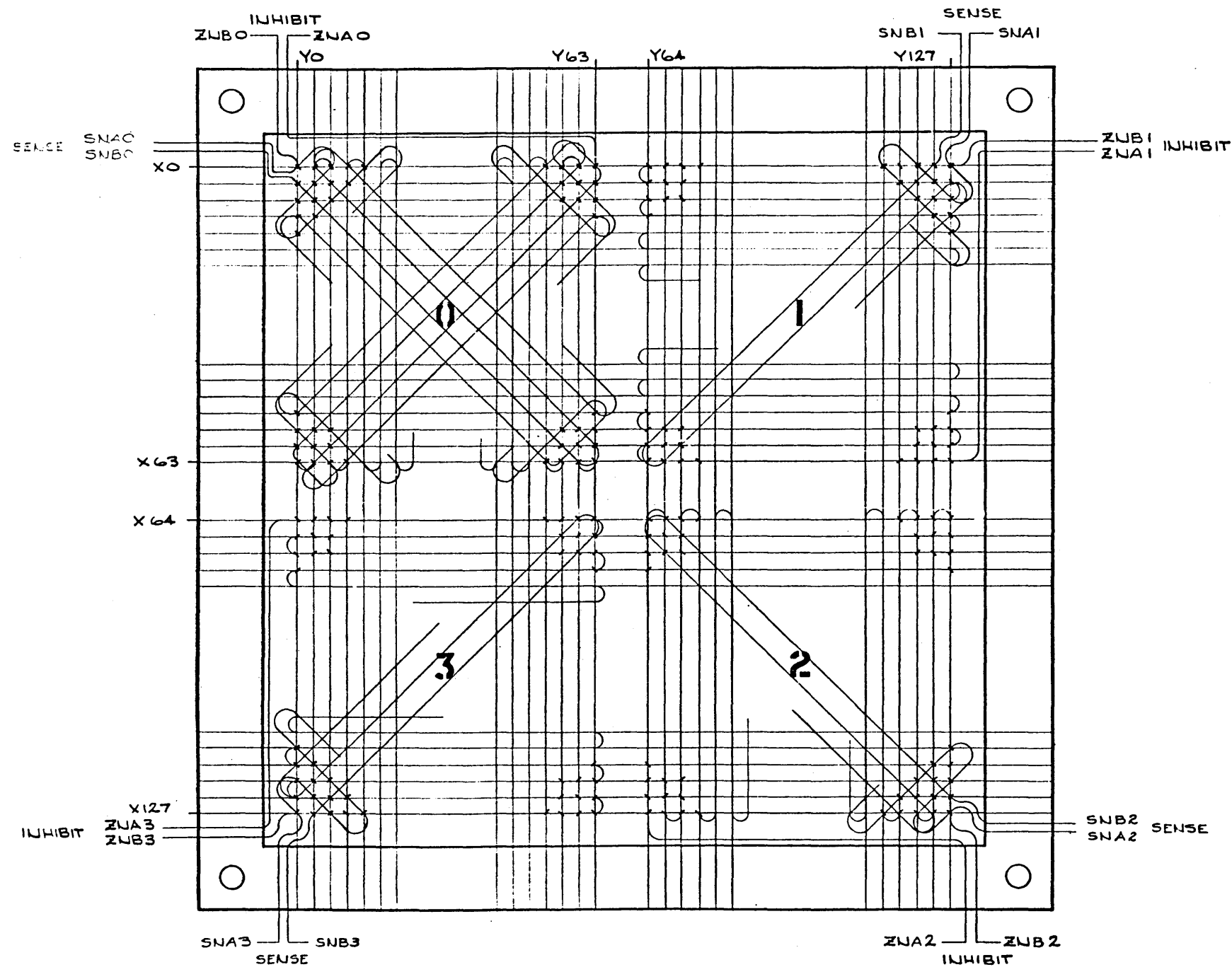


SECTION A-A




NO. REQ.	DRAWING NO.	DESCRIPTION	REFERENCE DESIGNATION	ITEM NO.
NOTES UNLESS SPECIFIED				
1. TOLERANCES AS 2.030 ANGULAR SEE 2.010				
2. BREAK ALL SHARP EDGES 5:16 APPROX.				
3. HATCH SURFACES ✓				
4. ALL DIM. IN INCHES				
DRAWN J. IRELAND 7/13/63		MATERIAL LIST		
CHECK [Signature]		TITLE		
APPR. [Signature]		CORE MEMORY, SPECIFICATION CONTROL DWG (16K)		
MODEL NO. 9210	SIZE D	DWG NO. 104903	CHANGE LETTER C	
NEXT ASSY. 105302	SHEET 1 OF 3		SDS SCIENTIFIC DATA SYSTEMS SANTA MONICA, CALIFORNIA	

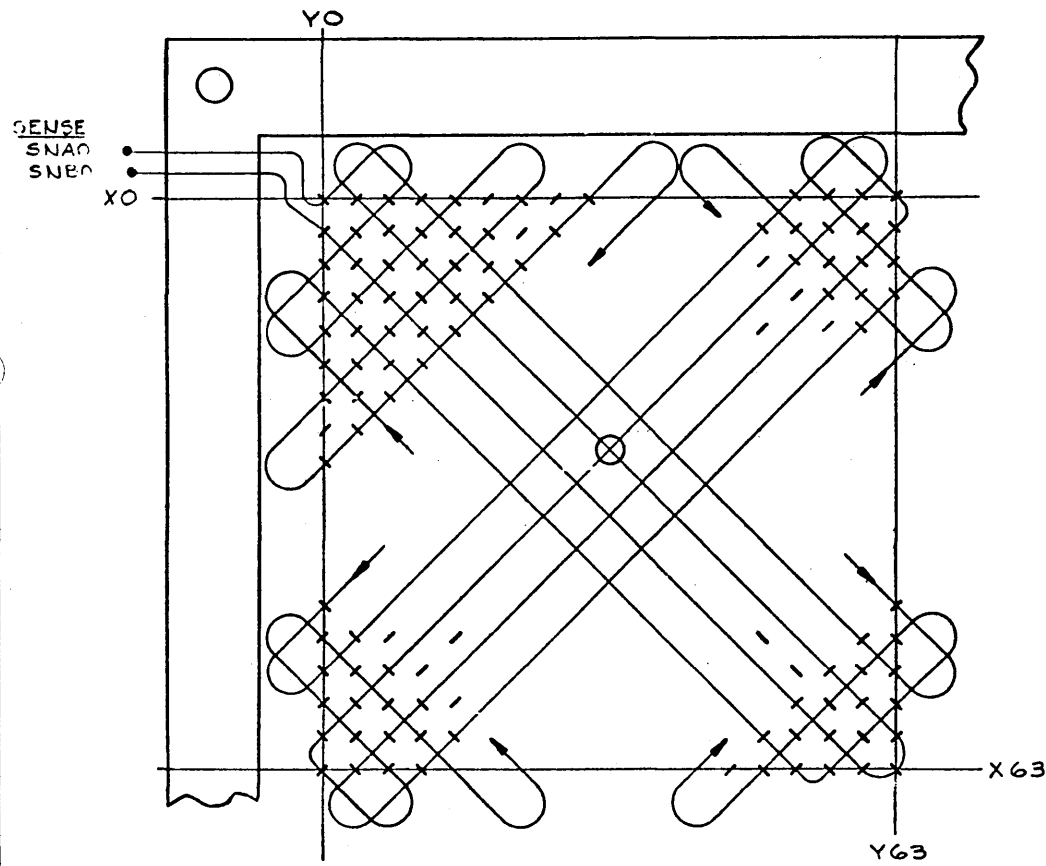
REVISIONS				
REV.	DESCRIPTION	CHK	DATE	APPROVED
	SEE SHEET ONE			



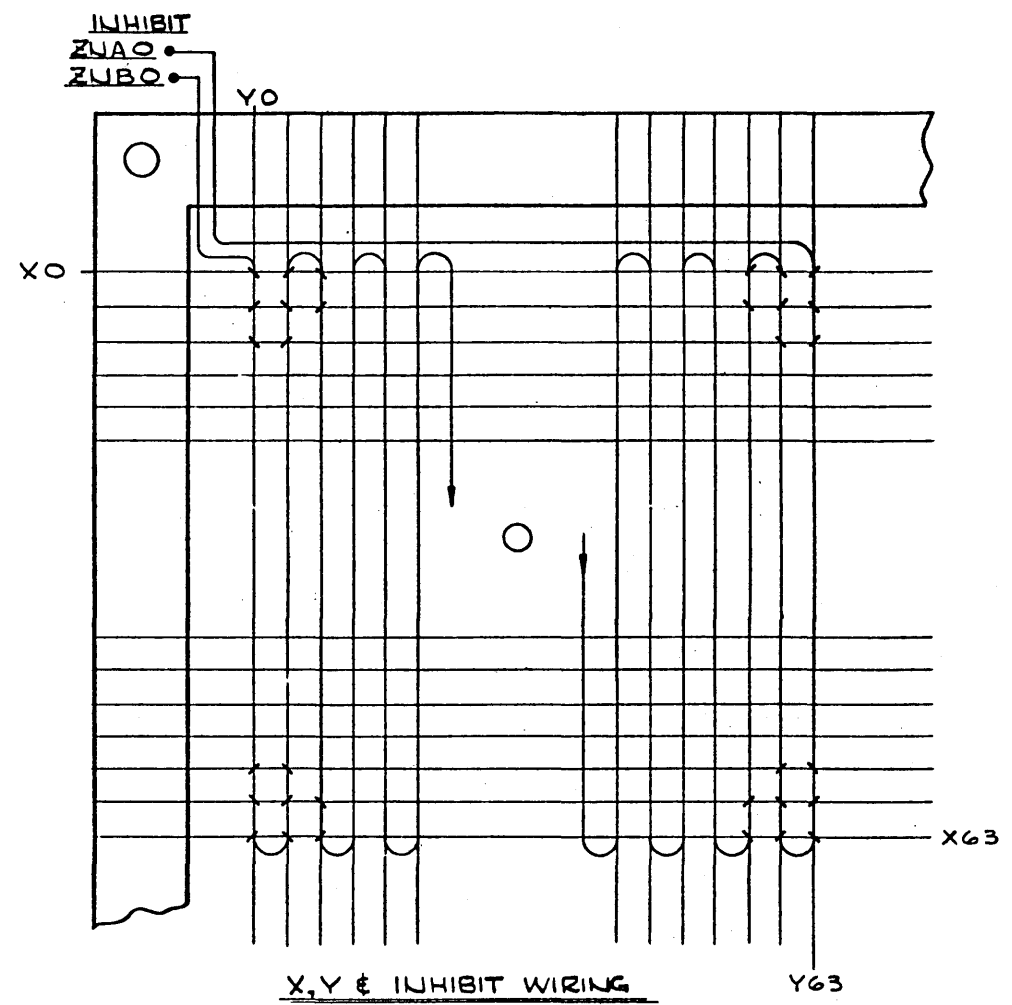
NO SCALE

NO. REQ.	DRAWING NO.	DESCRIPTION	REFERENCE DESIGNATION	ITEM NO.
NOTES UNLESS SPECIFIED				
1. TOLERANCES XX ± 0.00 ANGULAR XXX ± 0.10 ± 1/2°		DRAWN J. IRELAND 2/13/63	 TITLE CORE MEMORY SPECIFICATION CONTROL DWG (16K)	
2. BREAK ALL SHARP EDGES 610 APPROX.		CHECK [Signature]		
3. HATCH SURFACES ✓		APPR. [Signature]		
4. ALL DIM. IN INCHES			MODEL NO. NEXT ASSY.	
			SIZE D	DWG NO. 104903
			SCALE: [Symbol] DO NOT SCALE DRAWING SHEET 4 OF 3	

REVISIONS				104903 C	
REV.	DESCRIPTION	CHK	DATE	APPROVED	
	SEE SHEET ONE				

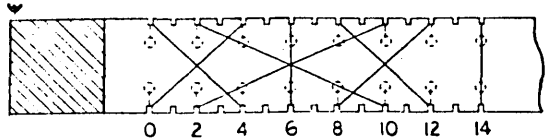
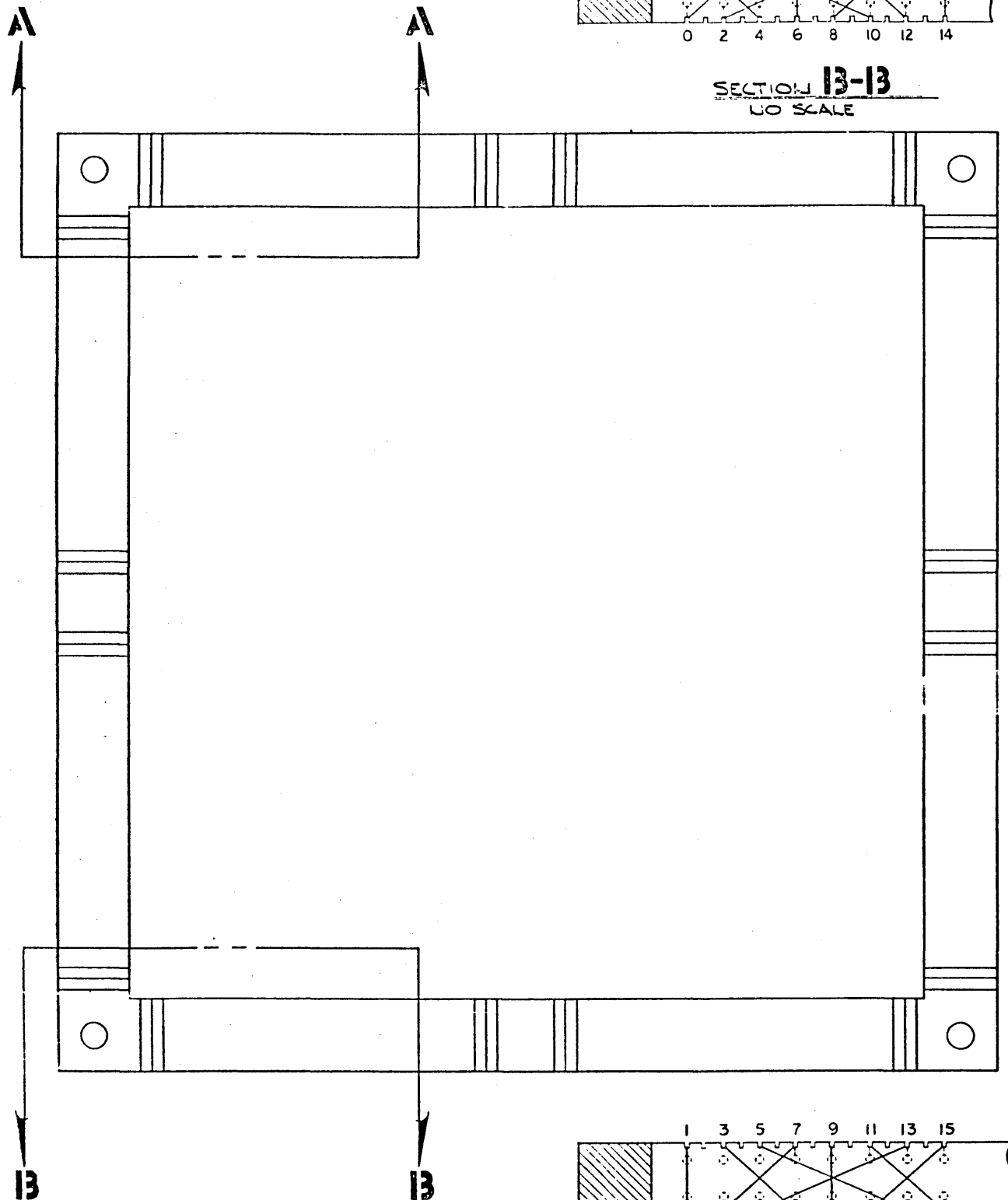


SENSE WIRING
NO SCALE
SNAO DEFINITION REF WIRE LIST
L QUADRANT
L TERMINAL
L PLANE NO.
L SENSE WINDING

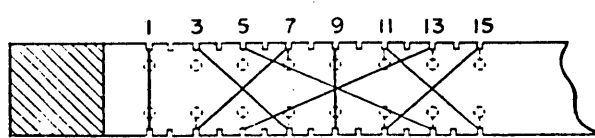


X, Y & INHIBIT WIRING
NO SCALE
ZNAO DEFINITION REF WIRE LIST
L QUADRANT
L TERMINAL
L PLANE NO.
L Z WINDING
A = NEG SIDE OF 'Z' LINE
B = POS SIDE OF 'Z' LINE

NO. REQ.	DRAWING NO.	DESCRIPTION	REFERENCE DESIGNATION	ITEM NO.
NOTES UNLESS SPECIFIED		DRAWN J. IRELAND 12/8/63	 SCIENTIFIC DATA SYSTEMS SANTA MONICA, CALIFORNIA	
1. TOLERANCES DIM ± 0.004 ANGLULAR DIM ± 0.010 ± 1/2° 2. BREAK ALL SHARP EDGES 3.10 APPROX. ✓ 3. MACH. SURFACES ✓ 4. ALL DIM. IN INCHES		CHECK [Signature] 2/2/64		
MODEL NO.		APPR. [Signature] 12/30/63	SIZE D	DWG NO. 104903
NEXT ASSY.			SCALE 1/4" = 1"	CHANGE LETTER C
DO NOT SCALE DRAWING			SHEET 3 OF 3	



SECTION 13-13
NO SCALE



SECTION A-A
NO SCALE

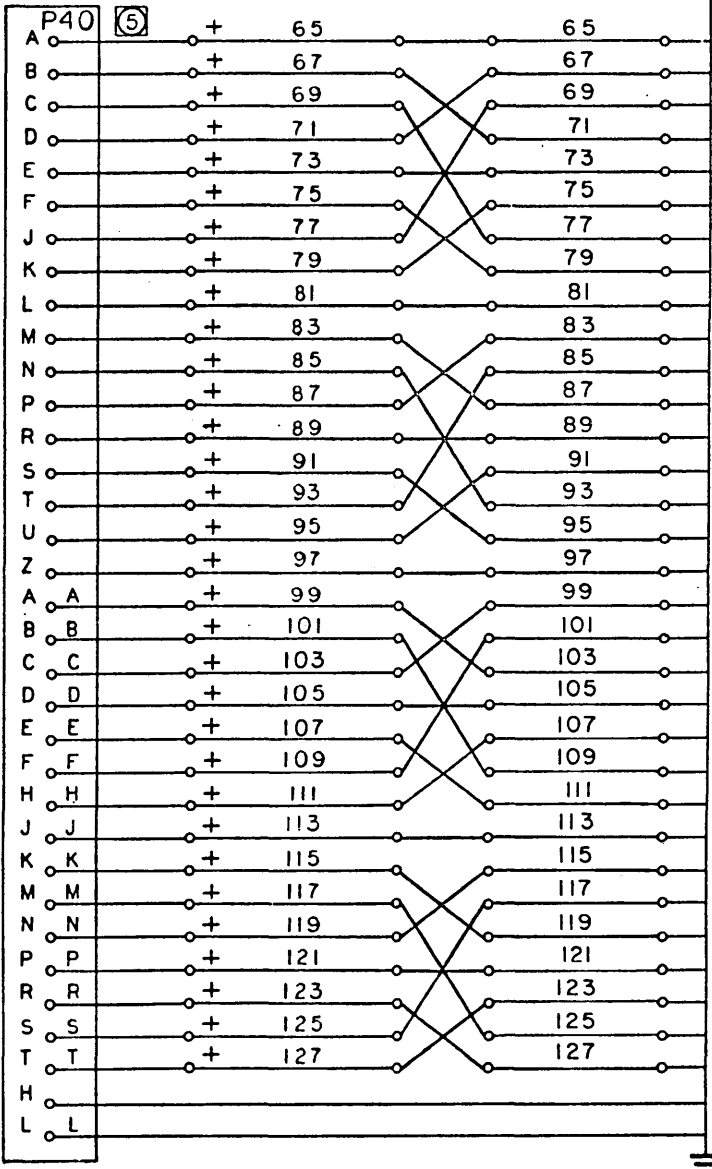
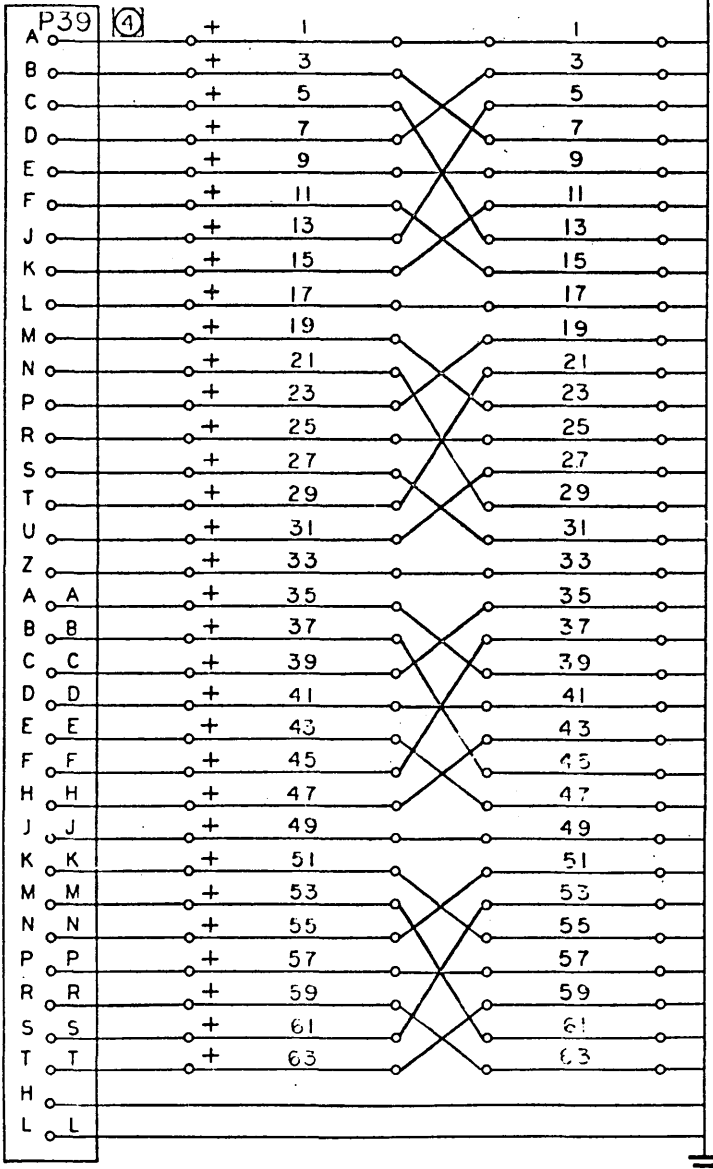
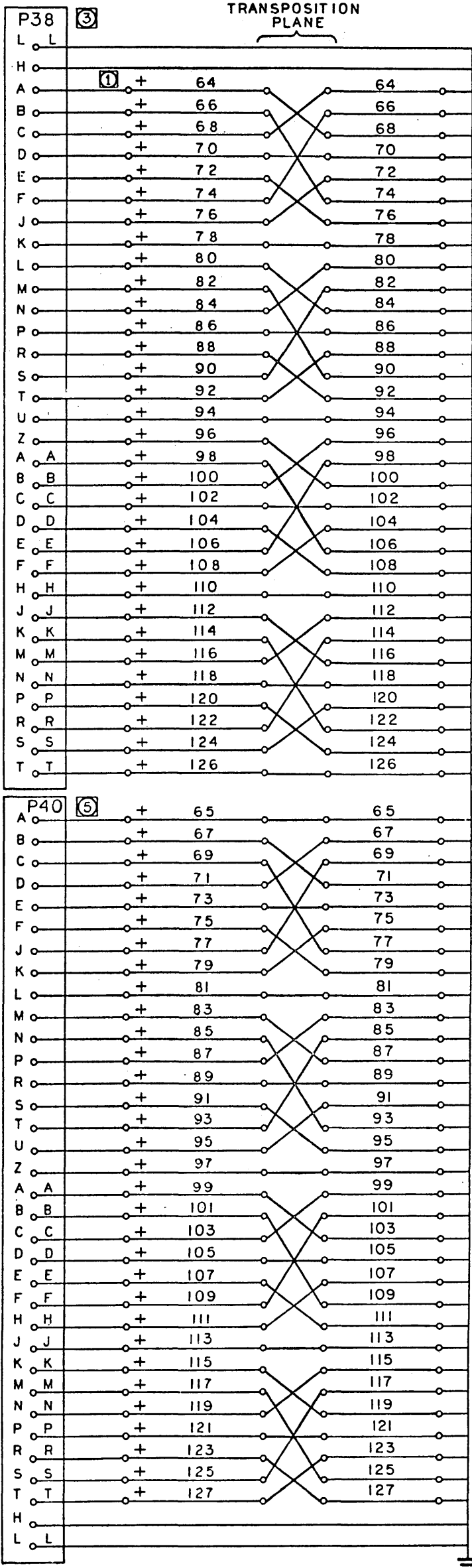
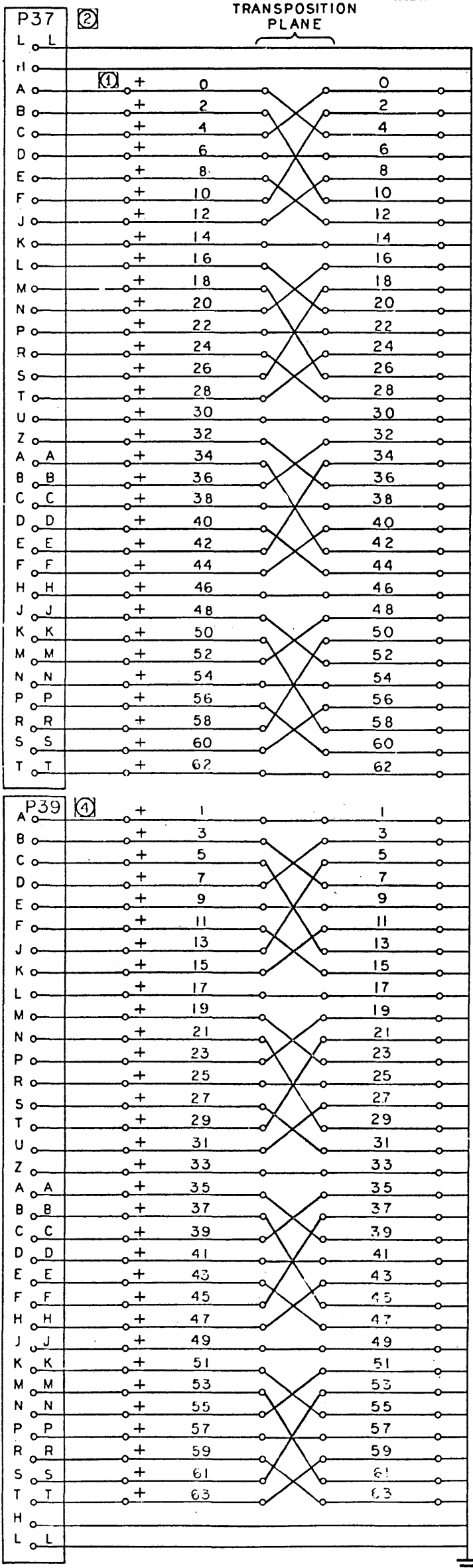
- NOTES: UNLESS OTHERWISE SPECIFIED
1. REF SDS DWG 104900, SPEC 16, 384 x 25 MAGNETIC CORE MEMORY.
 2. REF SDS DWG 104903, CORE MEMORY SPEC CONTROL DWG.
 3. X & Y DRIVE LINES ARE TRANSPOSED IN 16 LINE GROUPS AS SHOWN.

REVISIONS				104975	B
REV	DESCRIPTION	CHK	DATE	APPROVED	
A	PRERELEASED				
B	RELEASED TO MFG				

NO. REQ.	DRAWING NO.	DESCRIPTION	REFERENCE DESIGNATION	ITEM NO.	
MATERIAL LIST					
NOTES UNLESS SPECIFIED		DRAWN J. BELAND 12/21/63	SDS SCIENTIFIC DATA SYSTEMS SANTA MONICA, CALIFORNIA		
1. TOLERANCES XX ± 0.000 ANGULAR XXX ± 0.010 0.1°		CHECK <i>[Signature]</i> 12/21/63			
2. BREAK ALL SHARP EDGES 0.10 APPROX.		APPR <i>[Signature]</i> 12/21/63	TITLE DIAGRAM CORE MEMORY TRANSPOSITION PLANE (16K)		
3. MACH SURFACES ✓					
4. ALL DIM. IN INCHES					
MODEL NO.	92160		SIZE D	DWG NO. 104975	CHANGE LETTER B
HEAT ASSY.	104903		SCALE	DO NOT SCALE DRAWING	SHEET

REVISIONS		CHK	DATE	APPROVED
REV	DESCRIPTION			
A	PRE RELEASED			
B	REVISED NOV 5 54 THRU 127 RELEASED TO MAG			

X-DRIVE LINES



REV	DESCRIPTION	CHK	DATE	APPROVED
A	PRE RELEASED			
B	REVISED NOV 5 54 THRU 127 RELEASED TO MAG			

NO	REV	DESCRIPTION	DATE
1			
2			
3			

DATE	1/1/64
CHECK	J. D. STED
APPR	J. D. STED

ITEM NO.	REFERENCE DESIGNATION

DATE	1-17-64
TITLE	SCHHEMATIC, CORE MEMORY 16 K

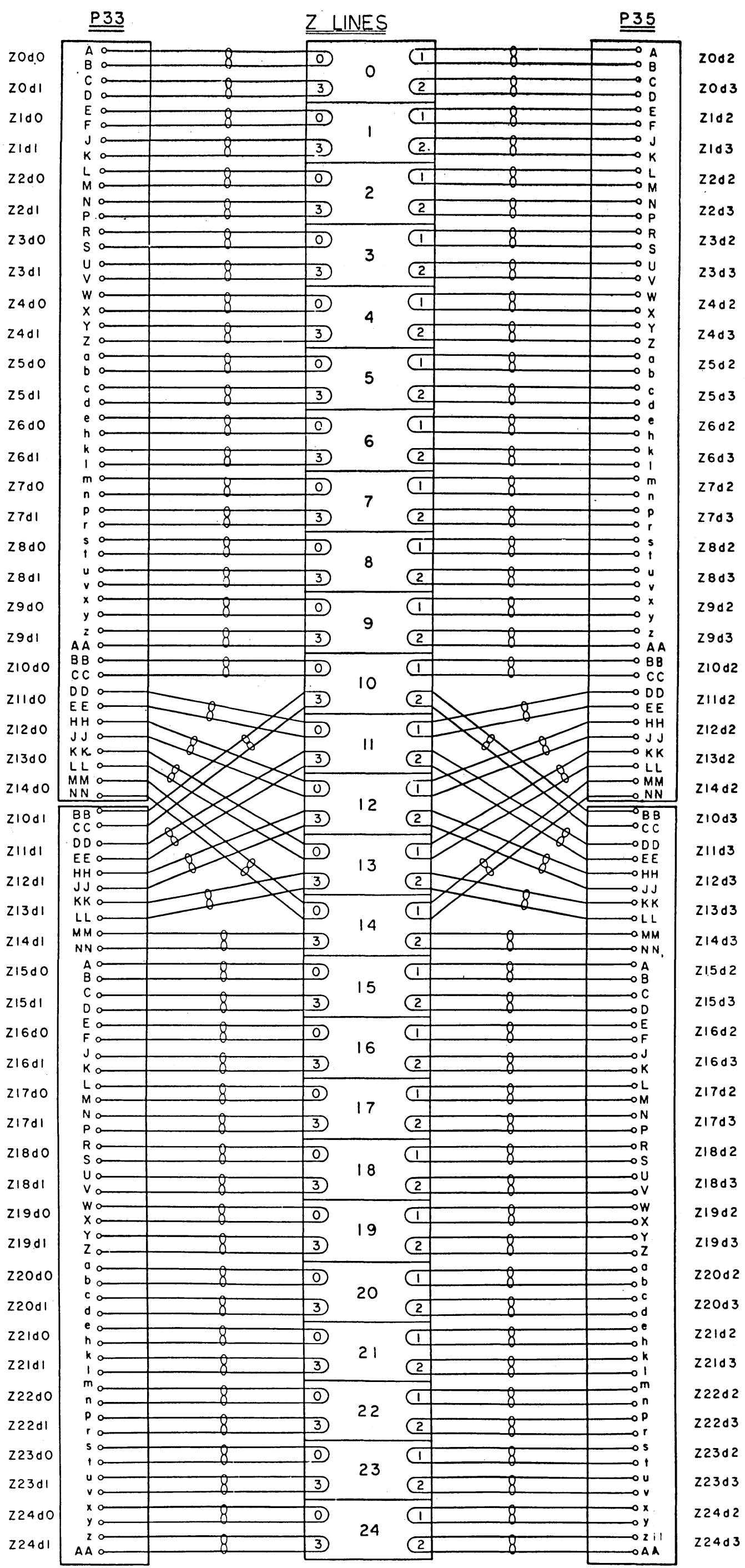
MODEL NO.	92160
HEET ASBY	13
SIZE	D
DWG NO.	105284
SHEET	1 OF 1

- NOTES:**
1. POLARITIES OF DRIVE LINES FOR THE WRITE CYCLE ARE AS SHOWN.
 2. FOR Y-DRIVE LINES SCHEMATIC, CHANGE:
 - ① POSITIVE (+) POLARITIES TO NEGATIVE (-).
 - ② P37 TO P41
 - ③ P38 TO P43
 - ④ P39 TO P42
 - ⑤ P40 TO P44

REV	DESCRIPTION	DATE	APPROVED
1	SEE SHEET 015		

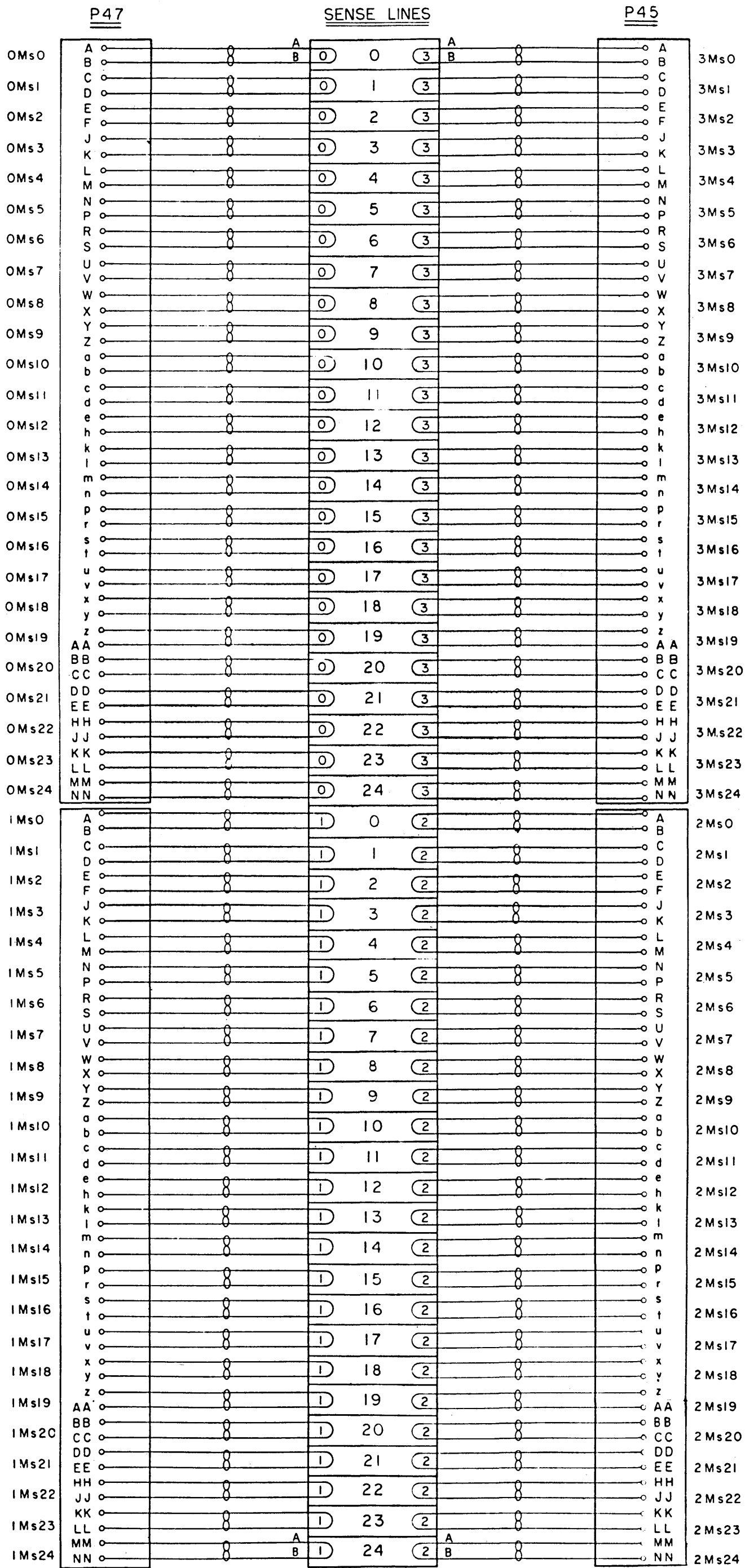
105284 B

P34



NO. REV.	DRAWING NO.	DESCRIPTION	REFERENCE DESIGNATION	ITEM NO.
NOTES UNLESS SPECIFIED		MATERIAL LIST		
1. TOLERANCES UNLESS SPECIFIED		A/20/08		
2. DIMENSIONS ARE IN INCHES UNLESS SPECIFIED				
3. ALL DIMENSIONS ARE TO CENTER UNLESS SPECIFIED				
4. ALL DIMENSIONS ARE TO CENTER UNLESS SPECIFIED				
5. ALL DIMENSIONS ARE TO CENTER UNLESS SPECIFIED				
6. ALL DIMENSIONS ARE TO CENTER UNLESS SPECIFIED				
7. ALL DIMENSIONS ARE TO CENTER UNLESS SPECIFIED				
MODEL NO.	SCALE	TITLE		DATE
S2100	D	SCHEMATIC, CORE MEMORY 16K		105284
NEXT ASSY.				SHEET 2 OF 3

P36



SDS
 SCHEMATIC,
 CORE MEMORY
 16K

ITEM NO. REFERENCE DESIGNATION

DRAWING NO. DESCRIPTION MATERIAL LIST

NOTES UNLESS SPECIFIED:
 1. DIMENSIONS ARE IN INCHES
 2. DIMENSIONS ARE TO CENTER UNLESS NOTED OTHERWISE
 3. DIMENSIONS ARE TO SURFACE UNLESS NOTED OTHERWISE
 4. ALL DIM IN INCHES

MODEL NO. 92160
 SHEET 3 OF 3

DATE: 8/13/64
 DRAWN: KATH
 CHECK: J.P.
 APPR: J.P.

SIZE: D
 DWG NO: 105284
 SHEET 3 OF 3

SECTION 4. CONTROL CONSOLES
INDEX

<u>Model Number</u>	<u>Title</u>	<u>Drawing Number</u>
925	Control Console	*
930	Control Console	107000*
SX42	Digital to Analog Module, Schematic	107070
930	Power Supply Cabinet, Assembly	104804
9300	Console No. 1	*
9300	Console No. 2	*
9300	Maintenance Panel	*

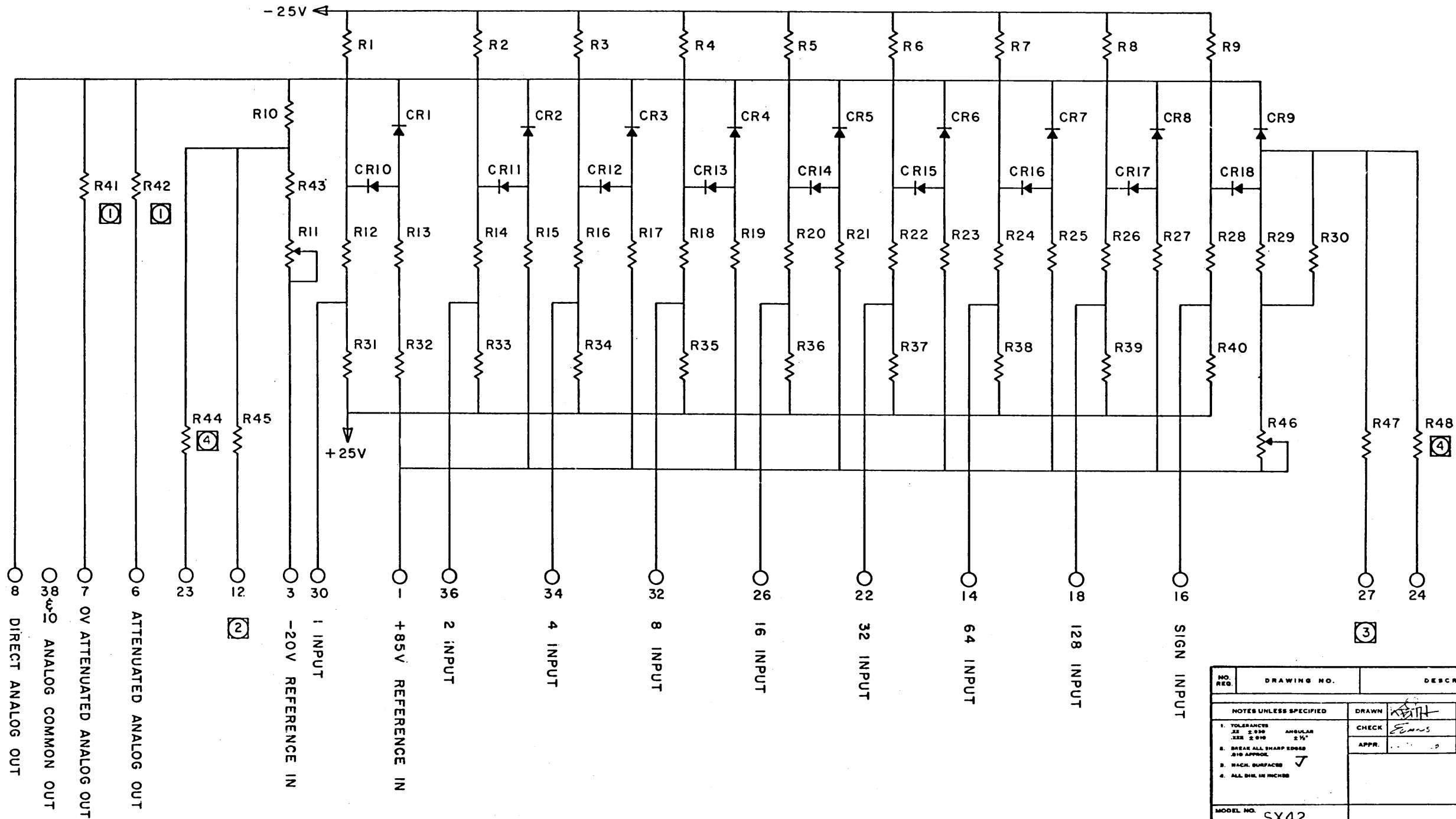
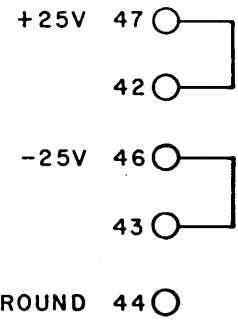
* Drawing not available.

POLARIZING PINS 4 & 18

REVISIONS				107070	A
REV.	DESCRIPTION	CHK	DATE	APPROVED	
A	RELEASED TO MFG				

NOTES:

- ① R41 AND R42 ARE NOT INCLUDED. THE DIRECT ANALOG OUTPUT CURRENT CAN BE ATTENUATED BY INSTALLING PROPER VALUED RESISTORS IN THE SPACE PROVIDED FOR R41 AND R42. THE ATTENUATED ANALOG OUTPUT CURRENT IS OBTAINED ON PIN 6 BY CONNECTING PIN 7 TO ANALOG GROUND.
- ② PIN 12 MUST BE CONNECTED TO ANALOG GROUND.
- ③ PIN 27 IS TO BE CONNECTED TO ANALOG GROUND ONLY WHEN THE INPUT FORMAT OF 1'S COMPLEMENT NEGATIVE VALUES IS USED.
- ④ R44, R48 ARE OMITTED.



NO. REQ.	DRAWING NO.	DESCRIPTION	REFERENCE DESIGNATION	ITEM NO.
MATERIAL LIST				
NOTES UNLESS SPECIFIED		DRAWN	 SCHEMATIC, DIGITAL TO ANALOG MODULE	
1. TOLERANCES XX ±.050 ANGULAR XXX ±.010 2X		CHECK		
2. BREAK ALL SHARP EDGES 610 APPROX.		APPR.		
3. HATCH SURFACES ✓				
4. ALL DIM. IN INCHES				
MODEL NO.	SX42	SIZE	DWG NO.	CHANGES LETTER
NEXT ASSY.	107072	D	107070	A
SCALE NONE		DO NOT SCALE DRAWING		SHEET 1c

107070/A

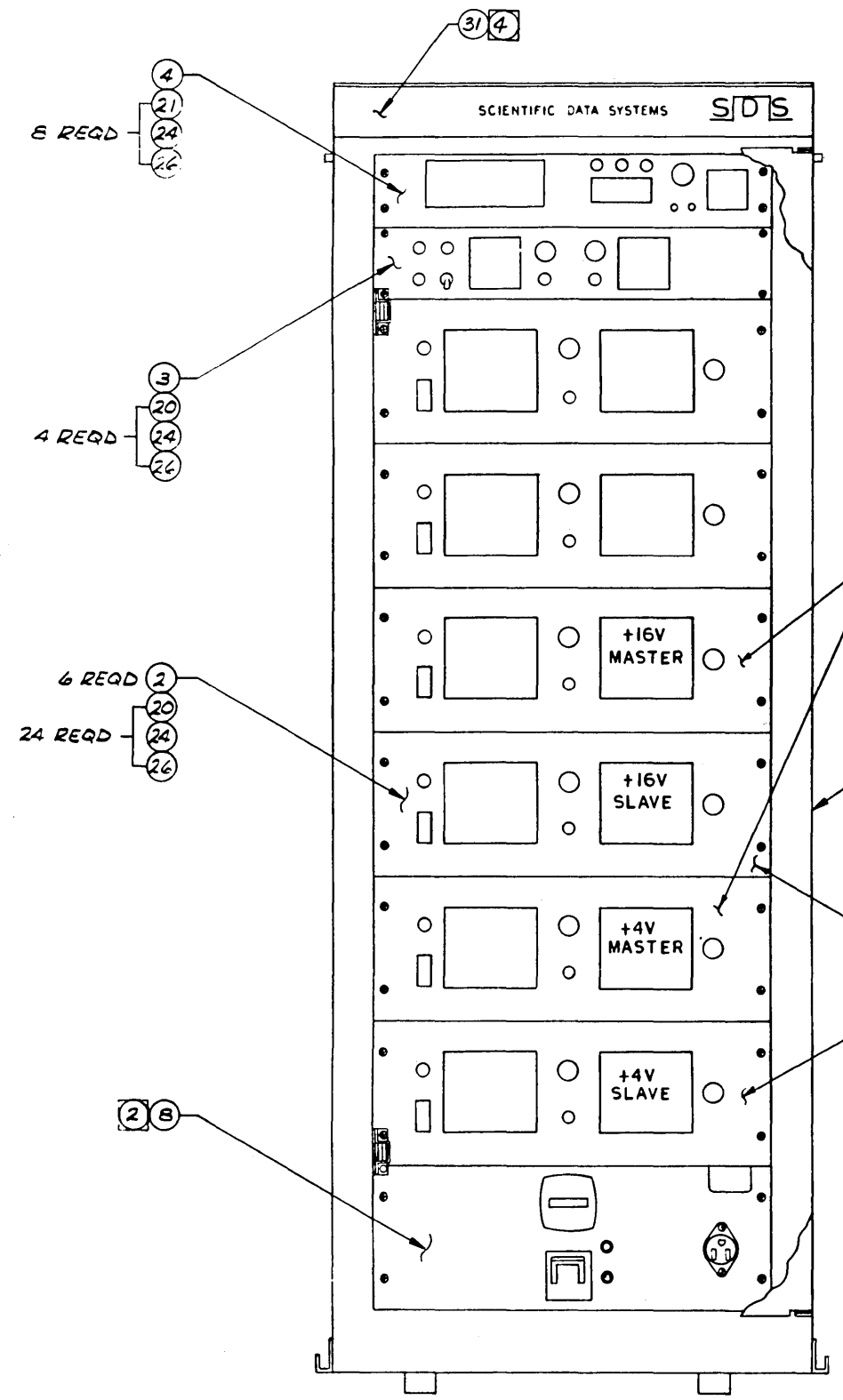
REVISIONS			
REV.	DESCRIPTION	CHK	DATE
A	RELEASED TO MFG		
B	SEE REV. E0		

NOTES: UNLESS OTHERWISE SPECIFIED.

- SEE MATERIAL LIST 104804 SH 3.
- INSTALL ITEM B AS SHOWN, USING EXISTING HARDWARE. RETURN ASSY 10IB10 TO STOCK.

WIRE LIST							
WIRE NO.	TERM	FROM	TO	TERM	WIRE TYPE	NOTES	COLOR
1	MECH	J1-E-Z	CBI-E-1	(13)	(11)		RED
2		J1-E-X	CBI-E-3		(10)	WRAP TOGETHER WITH ITEM 14	BLK
3		J1-E-Y	K1-E-2		(9)		WHT
4		J1-E-N	GRD		(12)		GRN
5		AC1-E-1	K1-E-4		(11)	WRAP TOGETHER WITH ITEM 14	RED
6		AC1-E-2	K1-E-5		(9)		WHT
7		AC2-E-1	K1-E-5		(9)	WRAP TOGETHER WITH ITEM 14	WHT
8		AC2-E-2	K1-E-6		(10)		BLK
9		AC1-E-3	GRD		(12)		GRN
10	MECH	AC2-E-3	GRD	(13)	(12)		GRN

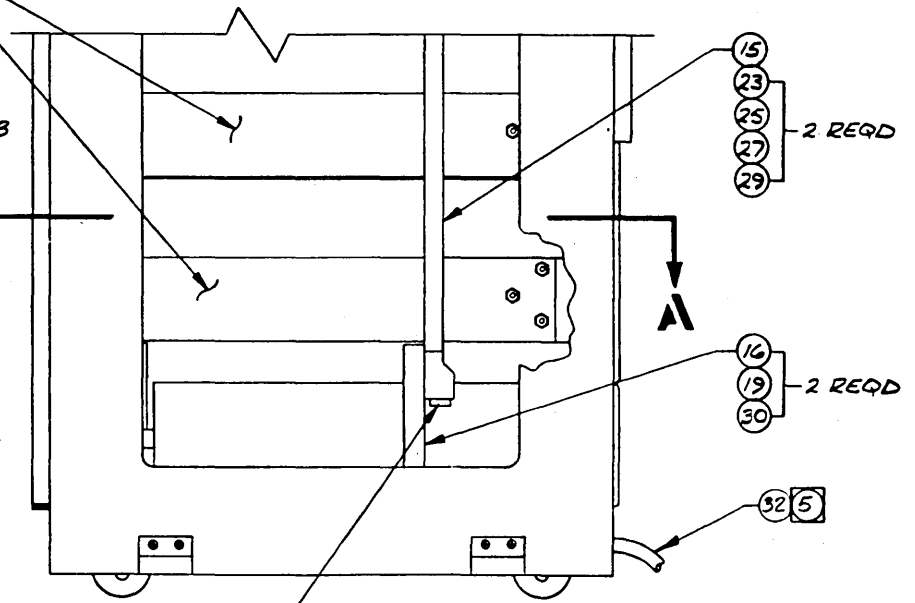
- REMOVE KNOCKOUT IN BASE OF ITEM 15 & INSTALL ITEM 17.
- REMOVE EXISTING ESCUTCHEON & REPLACE WITH ITEM 31.
- REMOVE EXISTING POWER CORD & REPLACE WITH ITEM 32.
- ATTACH TO POWER SUPPLY AS FOLLOWS:
 ITEM 37 { GREY - AC } POWER SUPPLY
 { GREY - ACC }
 { GRN - GRD }



SEE DETAIL 13 SH 3

SEE DETAIL C SH 3

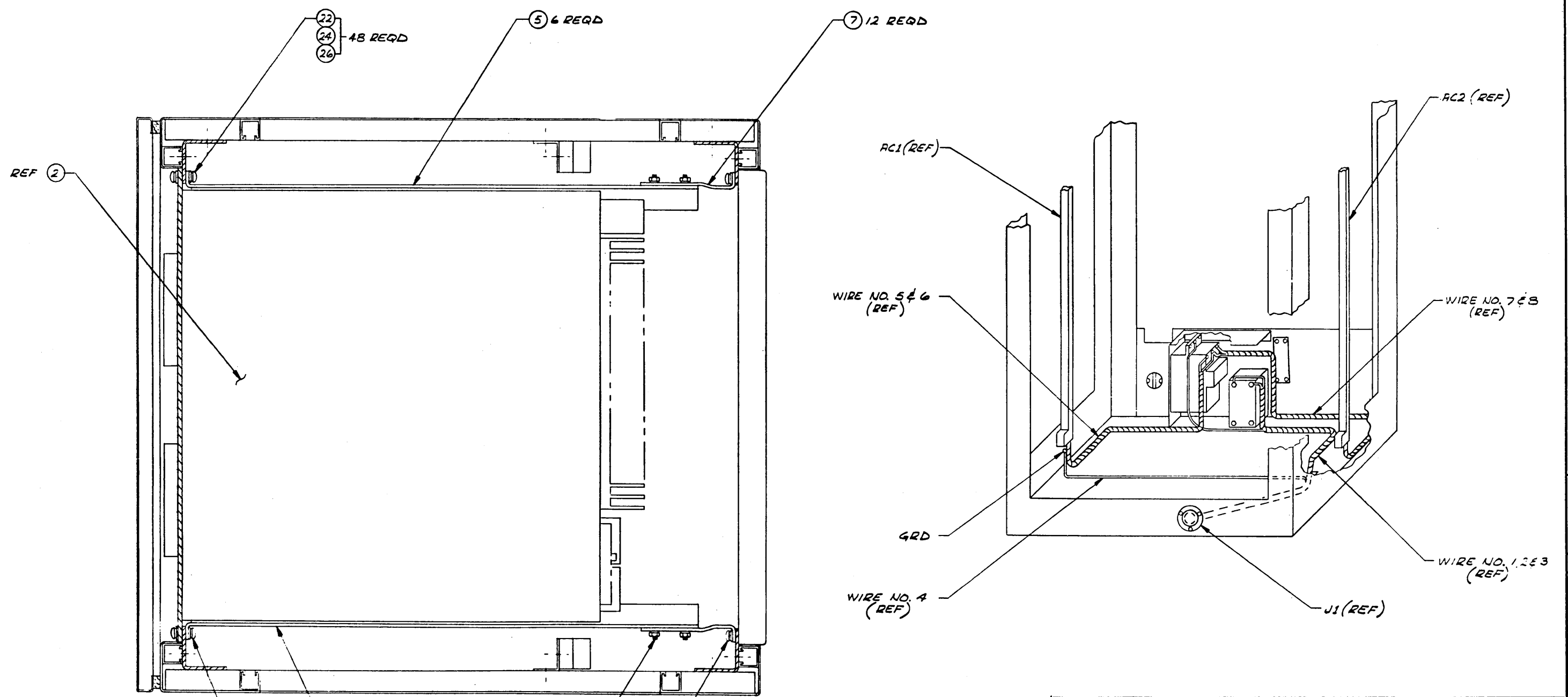
SEE SH 2 A



NO. REQD.	DRAWING NO.	DESCRIPTION	REFERENCE DESIGNATION	ITEM NO.
MATERIAL LIST				
NOTES UNLESS SPECIFIED		DRAWN	SDS SCIENTIFIC DATA SYSTEMS SANTA MONICA, CALIFORNIA	
1. TOLERANCES XX ± .010 ANGULAR ZZ ± .010 ± 1/2°		CHECK		
2. BREAK ALL SHARP EDGES .010 APPROX.		APPR.		
3. HATCH SURFACES 4. ALL DIM. IN INCHES				
MODEL NO.	930	TITLE		CHANGE LETTER
NEXT ASSY.	104800	SIZE	DWG NO.	3
		D	104804	
SCALE: 1:1		DO NOT SCALE DRAWING		SHEET 5

104804 B

REVISIONS				0-804	B
REV.	DESCRIPTION	CHK	DATE	APPROVED	
	SEE SH ONE				



SECTION A-A
SCALE 1:2
SEE SH ONE

3 REQD
12 PLACES

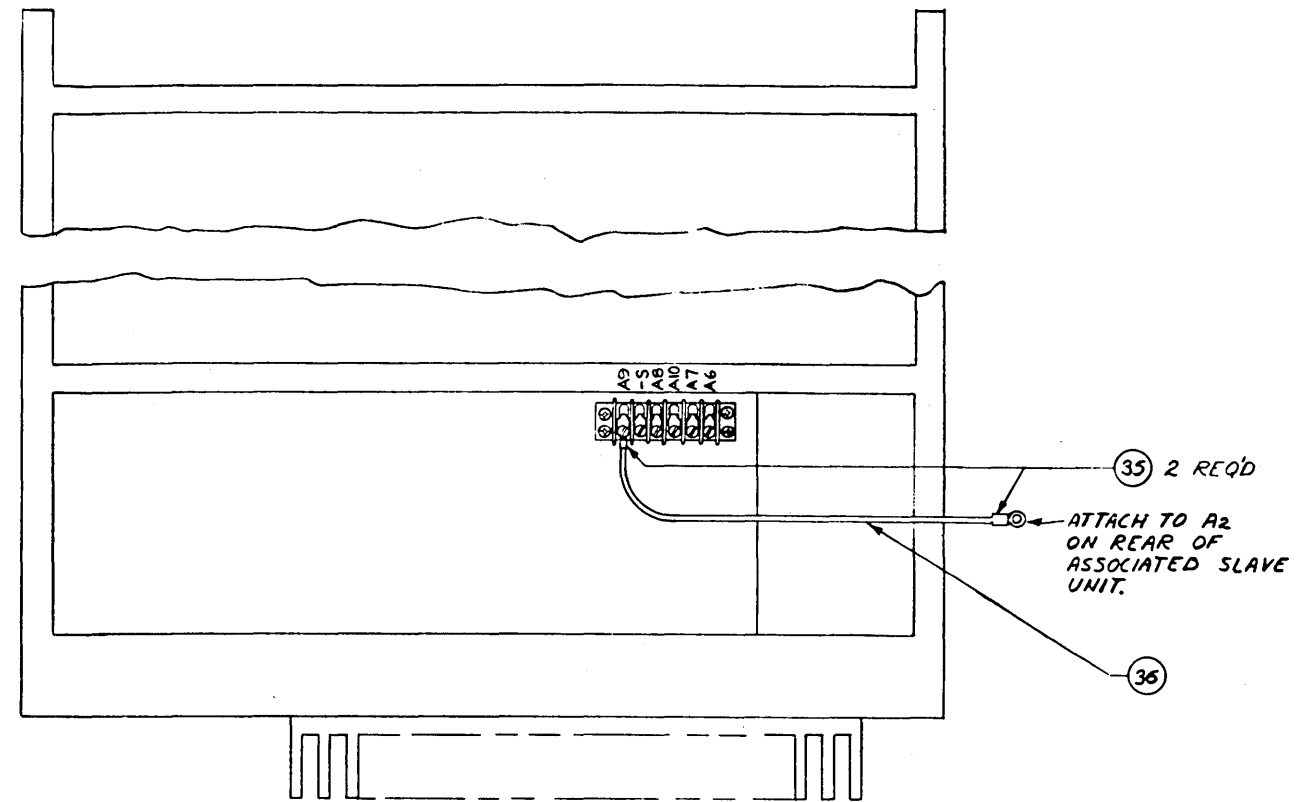
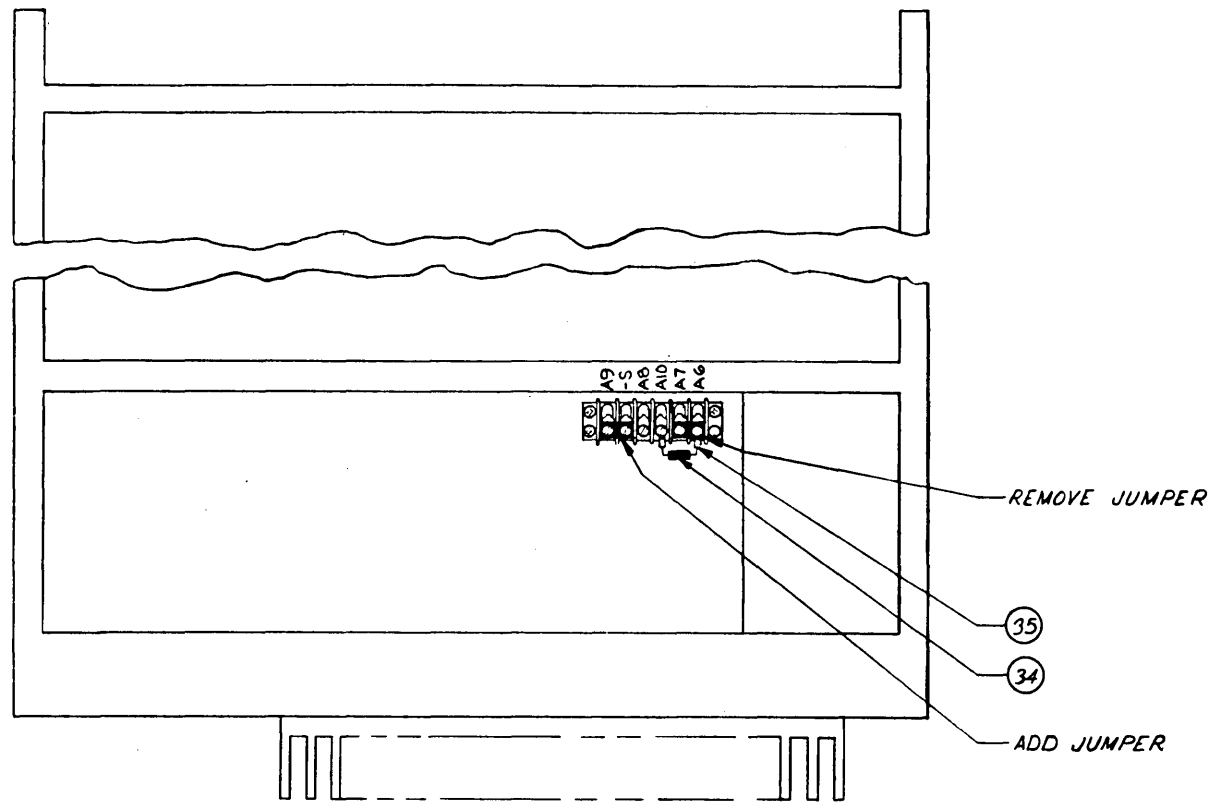
18
24
26
28

22
24
26 - REF

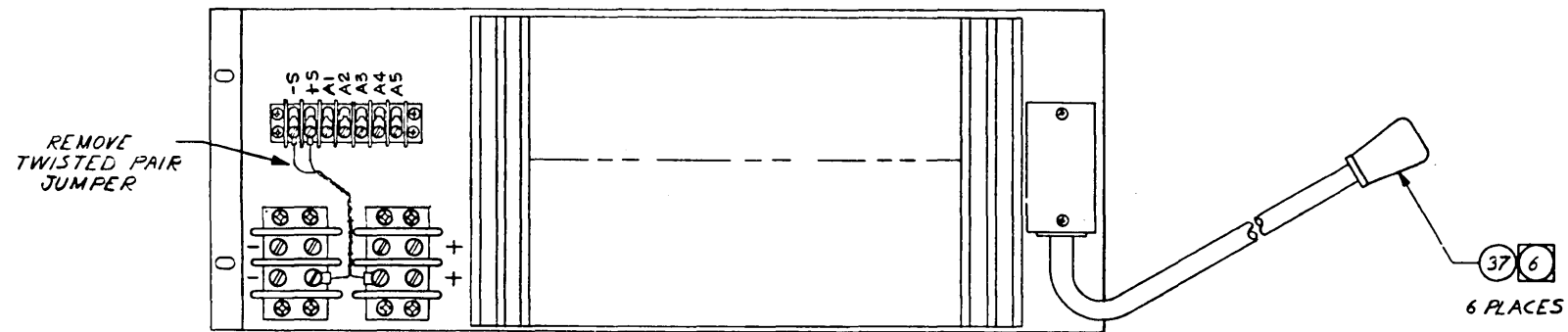
NO. REQ.	DRAWING NO.	DESCRIPTION	REFERENCE DESIGNATION	ITEM NO.
MATERIAL LIST				
NOTES UNLESS SPECIFIED		DRAWN	SDS SCIENTIFIC DATA SYSTEMS SANTA MONICA, CALIFORNIA	
1. TOLERANCES XX ± .030 ANGLULAR XXX ± .010 ± 1/2°		CHECK		
2. BREAK ALL SHARP EDGES BY APPROX.		APPR.		
3. HATCH SURFACES			TITLE	
4. ALL DIM. IN INCHES			ASSY, POWER SUPPLY CABINET	
MODEL NO.	930	SIZE	DWG NO.	CHANGE LITER
NEXT ASSY.	104800		D 104804	3
		SCALE 1:4 &	DO NOT SCALE DRAWING	SHEET 2 5

104804 | B |

REVISIONS				04804 B	
REV.	DESCRIPTION	CHK	DATE	APPROVED	
—	SEE SHT ONE	—	—	—	—



DETAIL 13
SCALE 1:2



DETAIL C
SCALE 1:2

NO. REQ.	DRAWING NO.	DESCRIPTION	REFERENCE DESIGNATION	ITEM NO.
MATERIAL LIST				
NOTES UNLESS SPECIFIED		DRAWN	 ASSY, POWER SUPPLY CABINET	
1. TOLERANCES XX 2.000 ANGULAR SEE 2.810 3/4"		CHECK		
2. BREAK ALL SHARP EDGES 3/16 APPROX.		APPR.		
3. MACH. SURFACES ✓			TITLE	
4. ALL DIM. IN INCHES			TITLE	
MODEL NO.	930	SIZE	DWG NO.	CHANGESTYLE
NEXT ASSY.	104800	D	104804	B
		SCALE	DO NOT SCALE DRAWING	SHEET 3 OF 5

104804 B

DRAWING TITLE Assy, Power Supply Cabinet MODEL NO. 930 DATE 6/24 SHEET 4 OF 5

ITEM NO.	DRAWING TITLE	DWG. NO.	NO. REQ.	REMARKS ON CKT. DESIG.
1 <u>R</u>	Assy, Cabinet, Single Bay	102441	1	9214 see DL 102440
2	Power Supply Spec Cont ^{Dwg.}	106850	6	
3	Power Supply Spec Cont ^{Dwg.}	107597	1	
4	Assy, 3 1/2" Power Sup. (Mod)	107573	1	PX10 (Mod)
5 <u>R</u>	Angle, Power Supply Supp	101059-001	6	
6 <u>R</u>	Angle, Power Supply Supp	101059-002	6	
7 <u>R</u>	Angle, Power Supply Mtg	101052	12	
8 <u>R</u>	Assy, Power Dist Panel	107067	1	
9 <u>S</u>	Wire, Stranded Insul	101881-010	x	As Req'd
10 <u>S</u>	Wire, Stranded Insul	101881-110	x	As Req'd
11 <u>S</u>	Wire, Stranded Insul	101881-310	x	As Req'd
12 <u>S</u>	Wire, Stranded Insul	101881-610	x	As Req'd
13 <u>S</u>	Term, Insul, Ring Tongue	100989-004	10	
14 <u>S</u>	Tubing, Spiral	101625-003	x	As Req'd
15 <u>S</u>	Strip, AC Plug Mold	100884	1	
16 <u>K</u>	Angle, Plugmold Mtg.	100841	2	
17 <u>S</u>	Clamp, Cable Plug Mold	100885	1	
18 <u>S</u>	Screw, Flat Hd.	100039-507	36	
19 <u>S</u>	Screw, Pan Hd.	100012-610	2	
20 <u>S</u>	Screw, Pan Hd.	100012-508	28	
21 <u>S</u>	Screw, Pan Hd.	100012-506	8	
22 <u>S</u>	Screw, Pan Hd.	100012-505	48	
23 <u>S</u>	Screw, Pan Hd.	100012-408	2	
24 <u>S</u>	Washer, Flat	100018-500	120	
25 <u>S</u>	Washer, Flat	100018-400	2	
26 <u>S</u>	Washer, Lock	100024-500	120	
27 <u>S</u>	Washer, Lock	100024-400	2	
28 <u>S</u>	Nut, Hex Machine	100008-500	36	
29 <u>S</u>	Nut, Hex Machine	100008-400	2	
30 <u>S</u>	Washer, Lock	100024-600	2	
31 <u>K</u>	Escutcheon	101699	1	
32 <u>K</u>	Assy, Power Cord	107884	1	

SECTION 5. INPUT/OUTPUT DEVICES

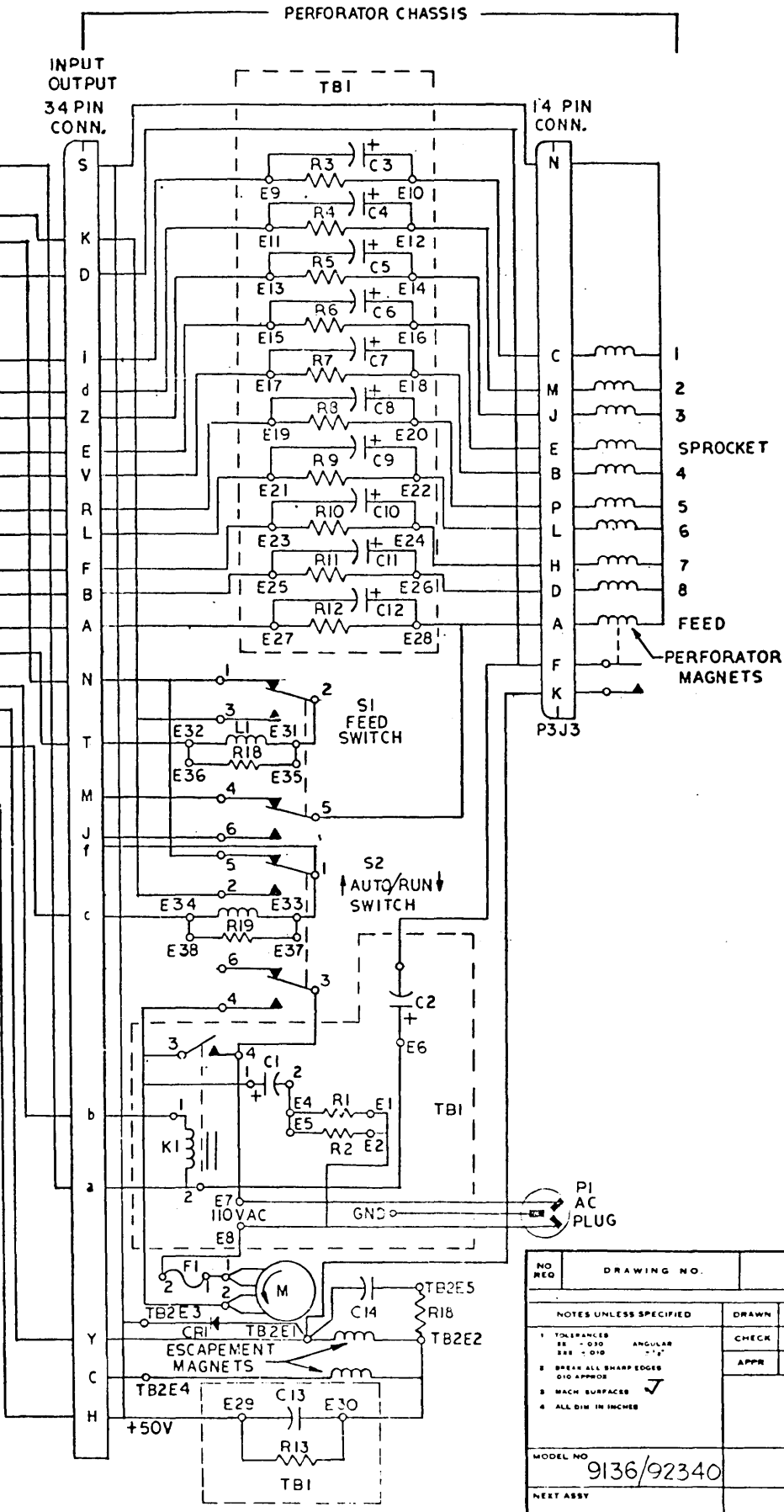
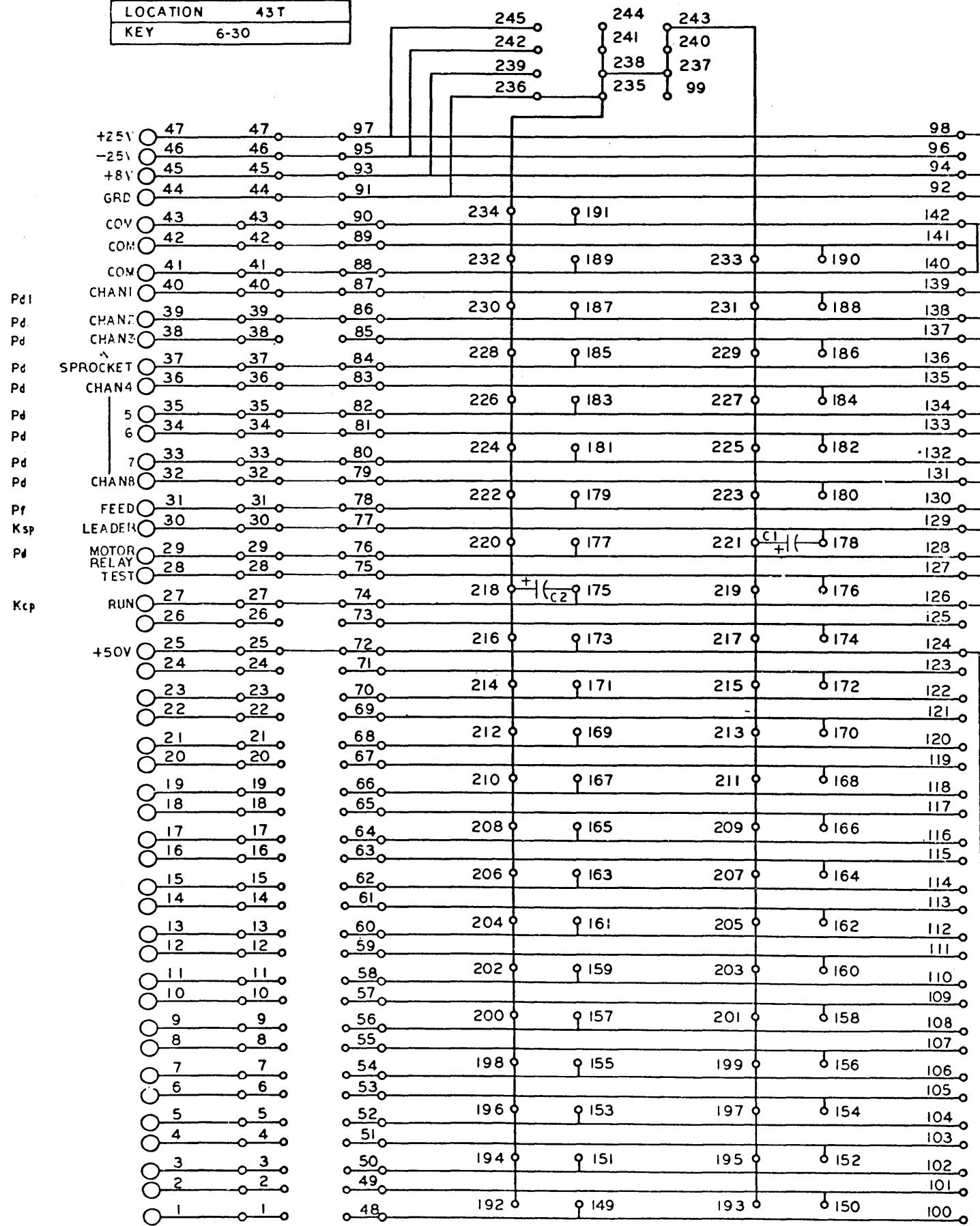
INDEX

<u>Model Number</u>	<u>Title</u>	<u>Drawing Number</u>
9136/92340	Tape Perforator, Schematic	101163
92340	Tape Punch Cable Plug Module, P5, Assembly, Printed Wiring	107219
9136	Paper Tape Punch, Assembly	101205
9139B/9139C	BCD Typewriter, Schematic	101888
9139B	Typewriter Chassis, Schematic	101886
9139B	Typewriter Chassis, Assembly	101887
9130/9131	Tape Reader, Schematic	103628
9130/9131	Tape Reader, Assembly	106712
9239	Teletype	*
9339	Teletype, Reader and Punch	*
9445	MAGPAK	*

* Drawing not available.

REVISIONS				
REV	DESCRIPTION	CHK	DATE	APPROVED
H	REVISED AND REDRAWN SEE REV EO. RELEASED TO MFG			

DESIGNATION	P5
LOCATION	43T
KEY	6-30



NO	REG	DRAWING NO.	DESCRIPTION	REFERENCE DESIGNATION	ITEM NO.
NOTES UNLESS SPECIFIED					
1 TOLERANCES		DRAWN 20950 2-2-64		MATERIAL LIST	
2 BREAK ALL SHARP EDGES		CHECK 11/5/64		APPR	
3 MACH SURFACES		TITLE		SCHEMATIC, TAPE PERFORATOR	
4 ALL DIM IN INCHES		MODEL NO		DWG NO	
		9136/92340		D 101163	
NEXT ASSY		SCALE		DO NOT SCALE DRAWING	
				SHEET 1 OF 2	

101163 H

REVISIONS				IC1163	H
REV.	DESCRIPTION	CHK	DATE	APPROVED	
	SEE SHEET ONE				

REPLACEMENT PARTS LIST

ITEM	DESCRIPTION	DESIGNATION	QTY	SUPPLIER CODE (SEE INDEX)
1	RESISTOR, 10Ω ± 2%	(TBI) R1, R2 (P5) R19	2	36, 38, 73
2	RESISTOR, WW, 150Ω ± 1%	(TBI) R3 THRU R13	11	88, 89
3	RESISTOR, 270Ω ± 2%	(TBI) R18, R19	2	36, 38, 73
4	INDUCTOR, 220 μH ± 5%	(TBI) L1, L2	2	42, 90, 91
5	CAPACITOR, OIL, 1 μF ± 20% 1000V	(TBI) C2	1	80, 81
6	CAPACITOR, TANTALUM 15 μF ± 20% 50V	(TBI) C1 THRU C13	12	23, 77
7	RELAY, A.C. CNAS-13A / 115 VAC	(TBI) K1	1	79
8	FUSE, 3AG, 3AMP, 250V, SERIES AGC SERIES 311(000) & 312(000)	F1	1	49 48
9	CONNECTOR, 34 PIN FEMALE. #34-20S	P4	1	98
10	CONNECTOR, 34 PIN MALE #34-20P	J4	1	98
11	CORD, AC CORD #16/3, SPT-3 WITH PLUG #PA-3	P1	1	101
12	RESISTOR, 100Ω ± 2%	R18	1	16, 17
13	CAPACITOR, MYLAR .33 μF ± 10%	C14	1	26, 27, 74
14	DIODE, IN3189	CRI	1	2, 6, 30, 68
15	CAPACITOR, MYLAR .001 μF ± 10%	(P5) C1, C2	2	26, 27, 74

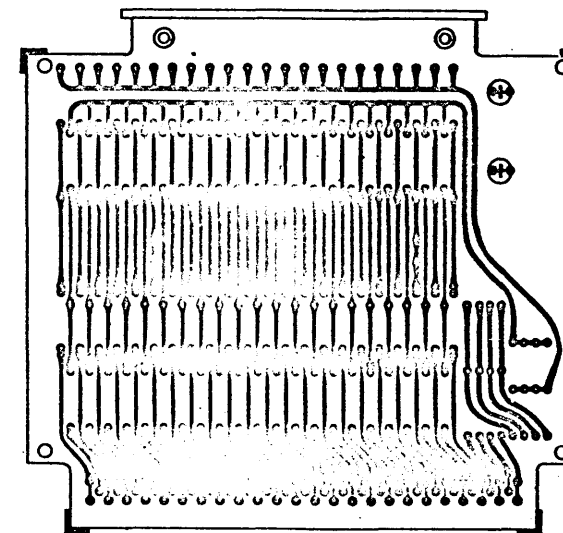
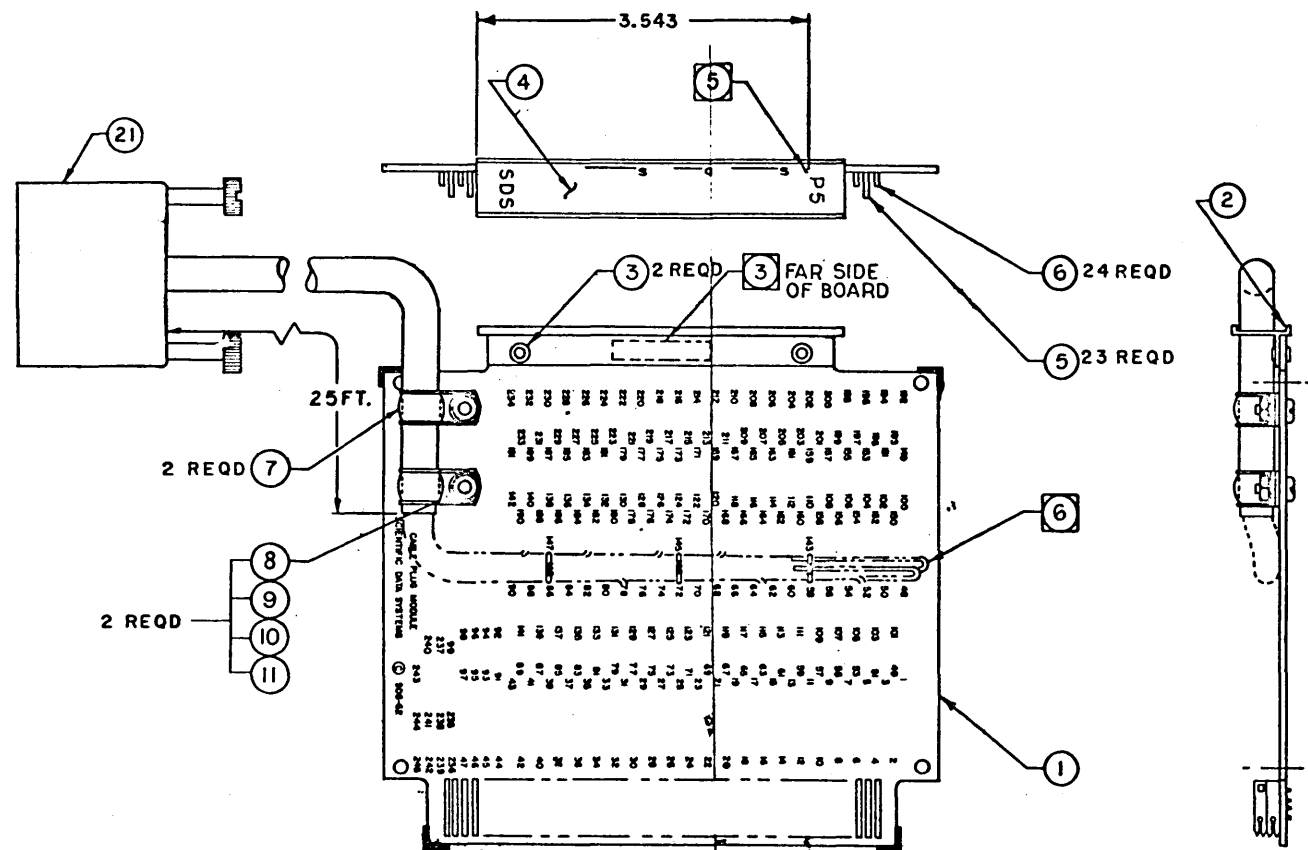
NO. REQ.	DRAWING NO.	DESCRIPTION	REFERENCE DESIGNATION	ITEM NO.
MATERIAL LIST				
NOTES UNLESS SPECIFIED		DRAWN	5-13-63	
1. TOLERANCES XX 2.050 XXX 2.010		CHECK	5/15/63	
ANGULAR ± 1/2°		APPR.	5/16/63	
2. BREAK ALL SHARP EDGES 3/16 APPROX				
3. HATCH SURFACES				
4. ALL DIM. IN INCHES				
MODEL NO. 9136/92340		SDS SCIENTIFIC DATA SYSTEMS 1522 FIFTEENTH STREET, SANTA MONICA, CALIFORNIA		
NEXT ASSY.		TITLE SCHEMATIC, TAPE PERFORATOR		
		SIZE D	DWG NO. IC1163	H
		SCALE	DO NOT SCALE DRAWING	SHEET 2 OF 2

IC1163 H1

REVISIONS				
REV.	DESCRIPTION	CHK	DATE	APPROVED
A	RELEASED TO MFG.			
B	SEE REV E.O.			

NOTES: UNLESS OTHERWISE SPECIFIED.

- 1 SEE MATERIAL LIST NO. 107219 SHEET 2.
- 2 ASSEMBLED BOARD TO CONFORM TO SDS DWG. NO. 100106 (SPECIFICATION, PRINTED WIRING ASSEMBLY).
- 3 IDENTIFY PER SDS DWG NO. 100198.
- 4 REF. DWGS: WIRE LIST NO. 101159
P.W. BOARD NO. 100682-030
- 5 NOMENCLATURE: 10 POINT NEWS GOTHIC
COLOR: BLACK.
CENTERED APPROX AS SHOWN.
- 6 SPARES TO BE LACED IN WITH CABLE.



NO REQ	DRAWING NO.	DESCRIPTION	REFERENCE DESIGNATION	ITEM NO.
MATERIAL LIST				
NOTES UNLESS SPECIFIED		DRAWN FERNANDEZ 6-3-64	SDS SCIENTIFIC DATA SYSTEMS 1542 FIFTEENTH STREET SANTA MONICA CALIFORNIA	
1 TOLERANCES FR ± 0.02 ANGULAR FR ± 0.10	CHECK <i>[Signature]</i> 1/27/64	APPR <i>[Signature]</i>	TITLE ASSEMBLY, PRINTED WIRING, CABLE PLUG MODULE P5 TAPE PUNCH	
2 BREAK ALL SHARP EDGES DIP APPROX			MODEL NO 92340	SIZE D
3 MACH SURFACES ✓			DWG NO 107219	3
4 ALL DIM IN INCHES			NEXT ASSY 105172	SCALE 1/1
			DO NOT SCALE DRAWING	SHEET 1 OF 2

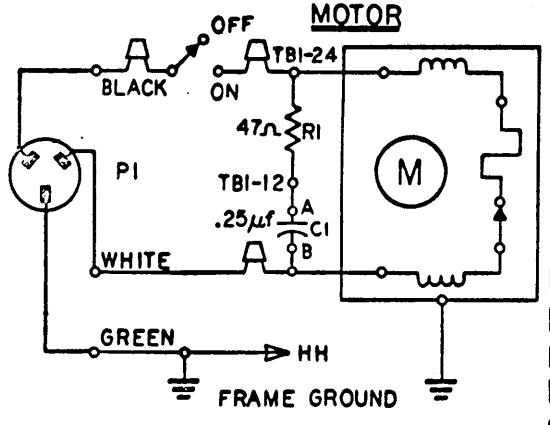
107219 | B

REV.	DESCRIPTION	CHK.	DATE	APPROVED
A	RELEASED TO MRS			
B	SEE REVISION E.O.			
C	SEE REVISION E.O.			
D	SEE REVISION E.O.			
E	SEE REVISION E.O.			

REV. NO.	DESCRIPTION	REFERENCE DESIGNATION
1	NOTES UNLESS SPECIFIED	
2	TOLERANCES	
3	UNLESS OTHERWISE SPECIFIED	
4	SEE 3.509	
5	USE ALL DIMENSIONS	
6	SEE 3.509	
7	ALL DIMENSIONS	

DRAWING NO.	DESCRIPTION	REFERENCE DESIGNATION
91398, 9139C	SCHEMATIC, BCD TYPEWRITER	
103085, 101887		

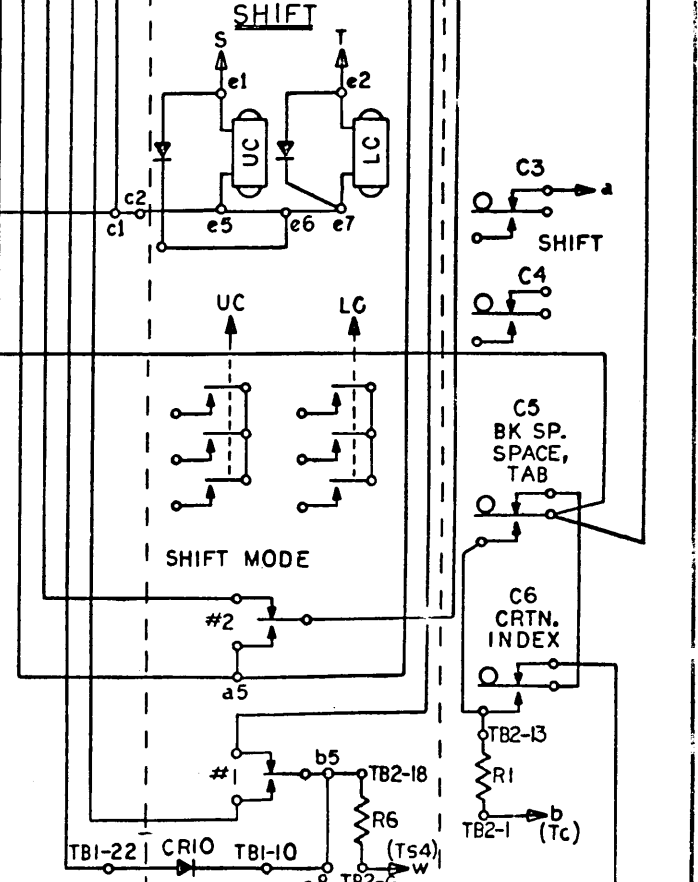
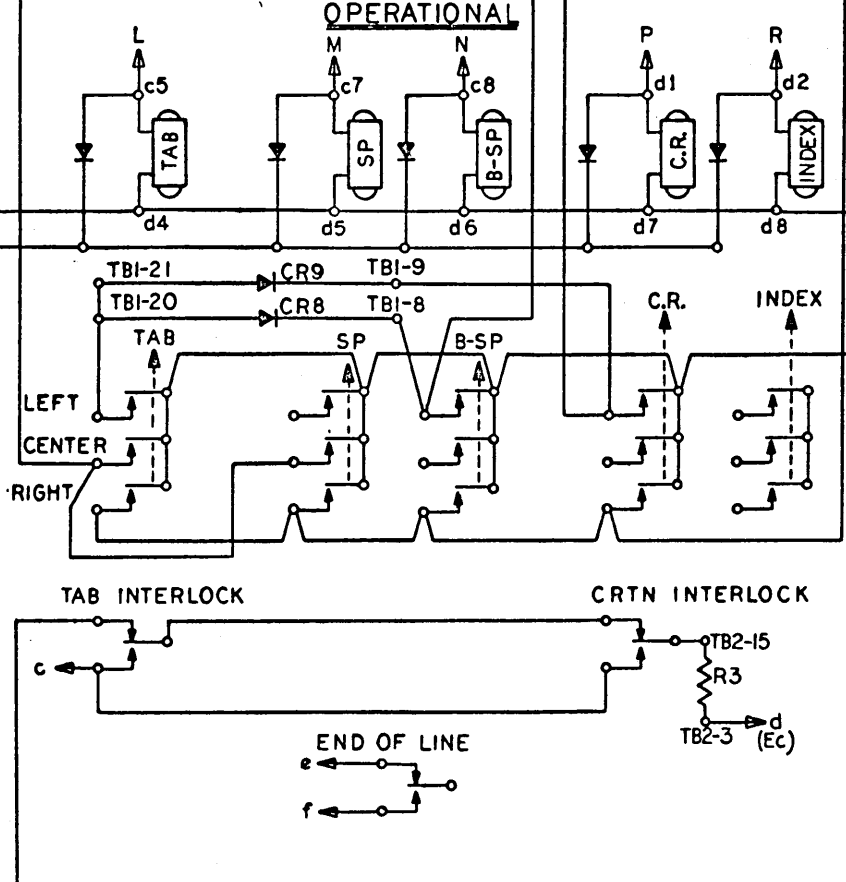
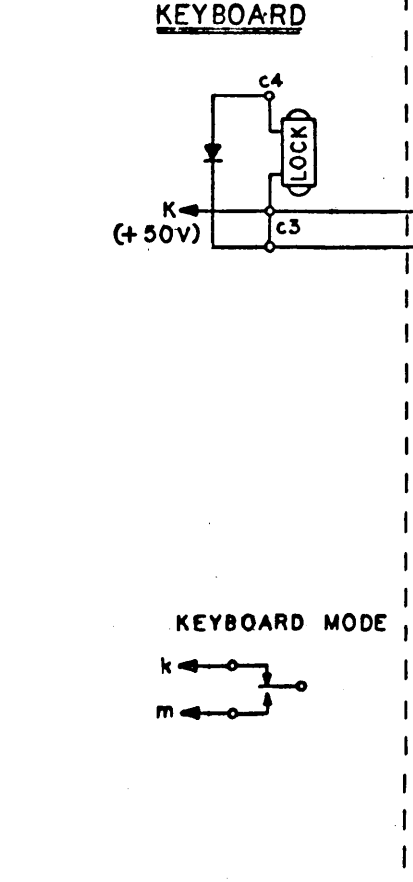
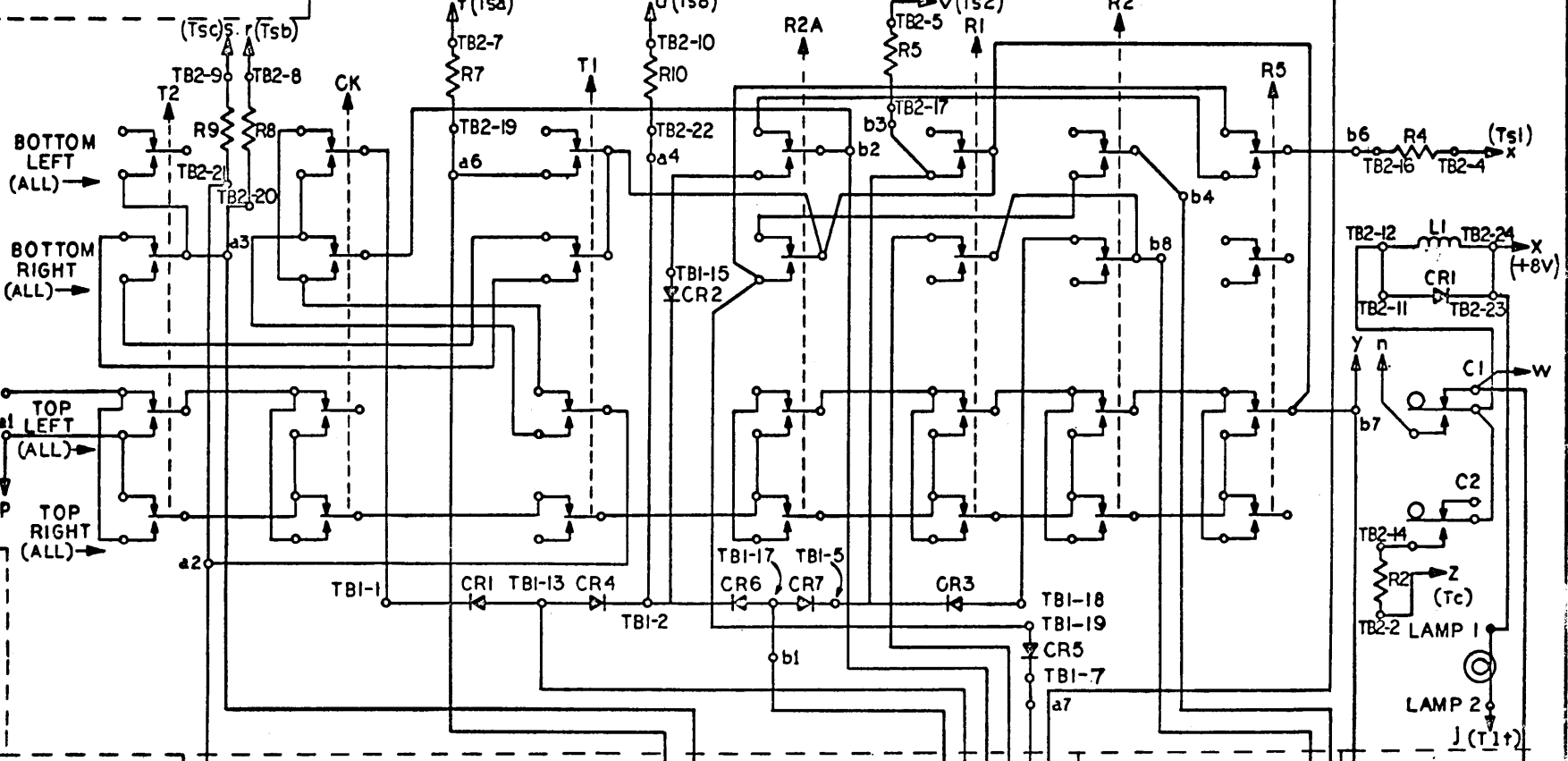
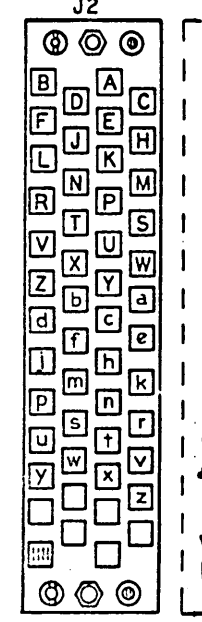
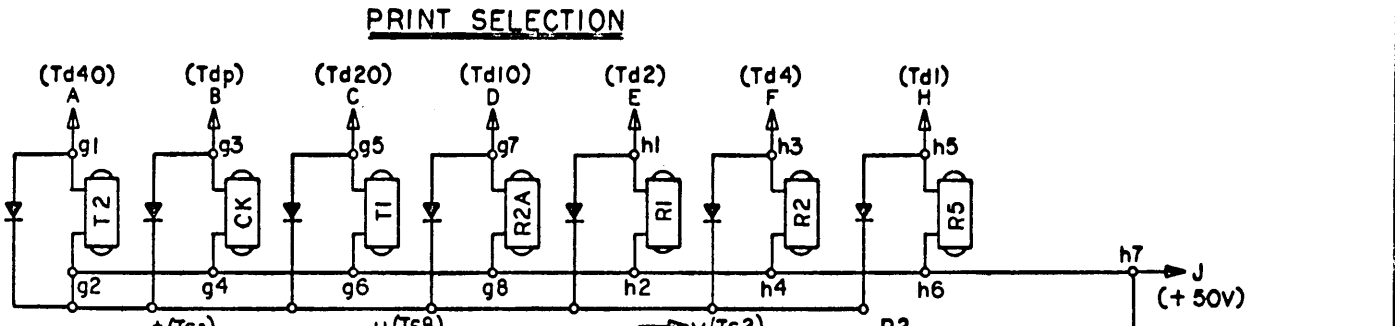
REV. NO.	DESCRIPTION	REFERENCE DESIGNATION
1	SCHEMATIC, BCD TYPEWRITER	
2		
3		
4		
5		
6		
7		



NOTES:
 CONTACT NUMBERING SCHEME:
 N.O. = 1
 ARM = 2
 N.C. = 3
 EXCEPT TOP LEFT AND TOP RIGHT WHICH ARE:
 N.O. = 4
 ARM = 5
 N.C. = 6

TRANSLATION OF PRINT TRANSMITTING CONTACTS FOR BCD CODE.

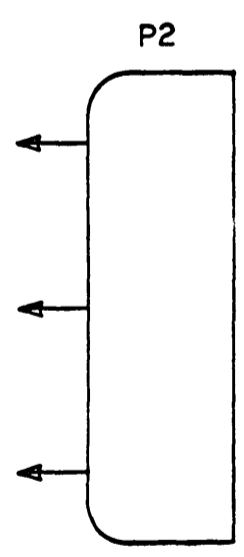
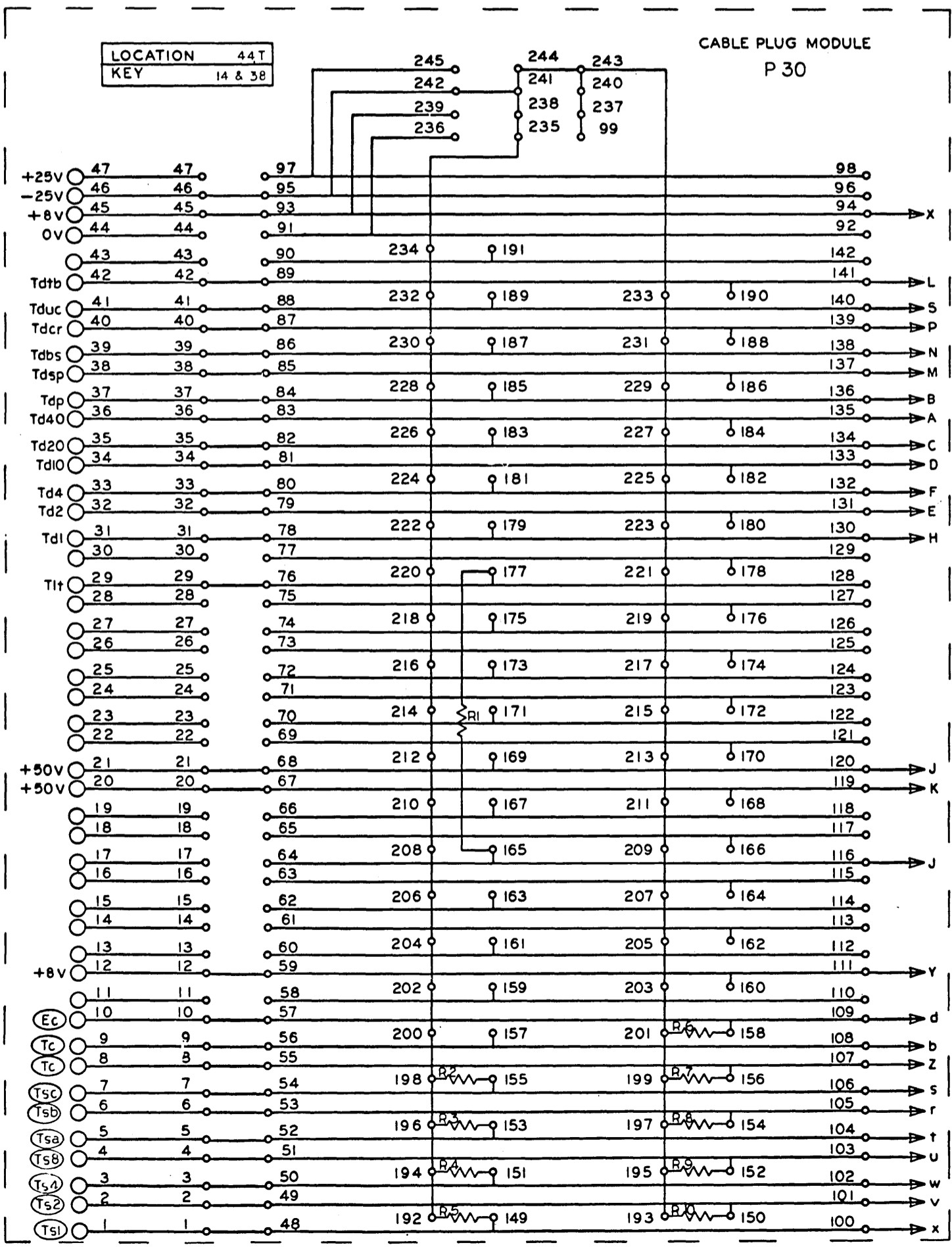
SH + R2A	→	8
(R2A · SH) + (R2 · R2A · SH) + (SH · R1)	→	4
R1 + (SH · R2)	→	2
(R2A · R3) + (R2A · R5 · 5R)	→	1
T1	→	A
T1 · T2 + T1 · T2	→	B
(SH · CK + SH · CK) · T1 + (SH · CK + SH · CK) · T1	→	C



REV.	DESCRIPTION	CHK.	DATE	APPROVED
	SEE SHT ONE			

REFERENCE DESIGNATIONS ARE ABBREVIATED. PREFIX THE DESIGNATION WITH UNIT NUMBER OR ASSEMBLY DESIGNATION OR BOTH. (MIL. STD. 168)

NO. REC.	DRAWING NO.	DESCRIPTION	REFERENCE DESIGNATION	ITER. NO.
NOTES UNLESS SPECIFIED		MATERIAL LIST		
1. TOLERANCES UNLESS SPECIFIED		DRAWN: J. A. [Signature]		
2. DIMENSIONS IN PARENTHESES ARE MINIMUMS		CHECK: C. J. [Signature]		
3. SPECIAL ALL DIMENSIONS		APPR: J. [Signature]		
4. BLACK SURFACES		DATE: 7/21/63		
5. ALL DIM. IN INCHES		TITLE: SCHEMATIC, BCD TYPEWRITER		
MODEL NO.	9139B, 9139C	SIZE	D	SCALE
UNIT ASBY.	101887, 103085	DO NOT SCALE DRAWING	101888	SHEET 2 OF 3



REV.	DESCRIPTION	CHK	DATE	APPROVED
	SEE SHIT. ONE			

101888 E

REPLACEMENT PARTS LIST

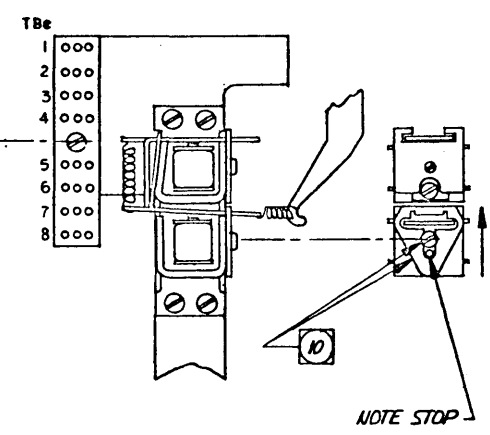
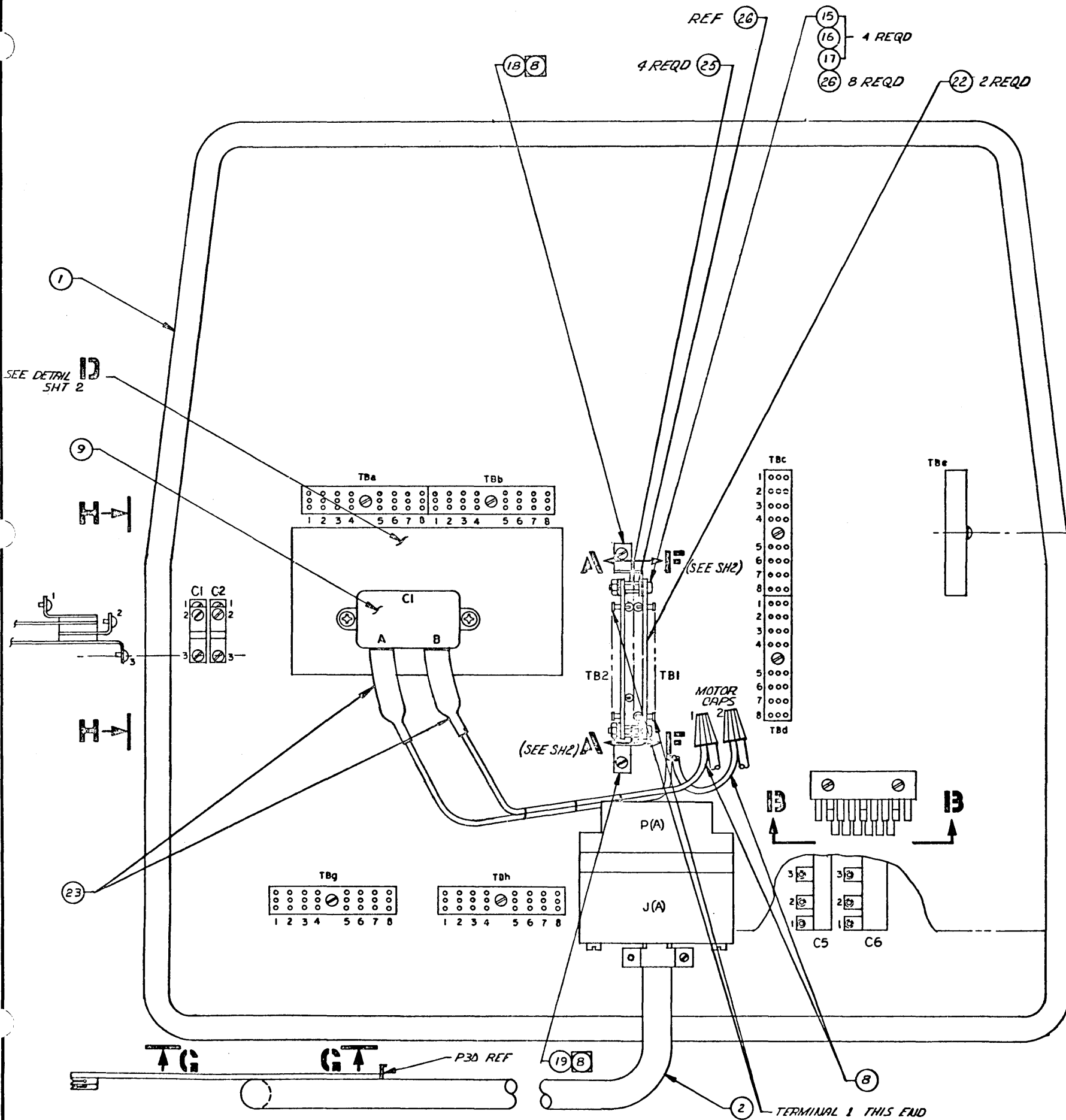
ITEM	DESCRIPTION	DESIGNATION	QTY	SUPPLIER CODE (SEE INDEX)
1	RESISTOR, 10 Ω ± 2%	(P30) R1	1	36,38,73
2	RESISTOR, 1.8 K ± 2%	(P30) R7	1	16,17
3	RESISTOR, 2.7 K ± 2%	(P30) R2 THRU R6 R8, R9, R10	8	16,17
4	CORD, A.C. CORD #16/3 SPT-3 WITH PLUG #PA-3	P1	1	101
5	DIODE, SILICON SWITCHING IN907 A IN914 A IN3063 IN3065	(TB1) CR1 THRU CR10	10	4,13 4,12,13,14 4,6 4
6	RESISTOR, 150 Ω ± 2%	(TB2) R1 THRU R10	10	16,17
7	RESISTOR, 47 Ω ± 2%	(TB1) R1	1	16,17
8	CAPACITOR, OIL .25 μf ± 20% 1000 V	C1	1	80,81
9	CONNECTOR, 50 PIN FEMALE #201358-1 WITH #201328-1 SOCKETS	P2	1	111
10	CONNECTOR, 50 PIN MALE #201358-1 WITH #201328-1 PINS	J2	1	111
11	DIODE, 1N964A	(TB2) CR1	1	2,6,14,65
12	INDUCTOR, 1000 μH ± 5%	(TB2) L1	1	42,90,91

NO. REC.	DRAWING NO.	DESCRIPTION	REFERENCE DESIGNATION	ITEM NO.
NOTES UNLESS SPECIFIED		MATERIAL LIST		
1. THIS DRAWING IS AN ISOMETRIC VIEW UNLESS OTHERWISE NOTED.		DRAWN: [Signature]		
2. DIMENSIONS ARE IN INCHES UNLESS OTHERWISE NOTED.		CHECK: [Signature]		
3. BREAK ALL DIMENSION LINES AT 45 DEGREES.		APPR: [Signature]		
4. HIDDEN SURFACES ARE SHOWN WITH DASHED LINES.		DATE: 5/28/63		
5. ALL DIMENSIONS ARE IN INCHES.		TITLE: SCHEMATIC, BCD TYPEWRITER		
MODEL NO. 9139B, 9139C		S.D.S. SCIENTIFIC DATA SYSTEMS 1942 FIFTEENTH STREET, SANTA MONICA, CALIFORNIA		
NEXT ASSY. 101887, 103085		SCALE: D 101888		
		DO NOT SCALE DRAWING		
		SHEET 3 OF 3		

REVISIONS			
REV.	DESCRIPTION	CHK	DATE
A	RELEASED TO MFG	CJP	12/14/62
B	SEE REV. E.O.	CJP	12/14/62
C	SEE REVISION ED	CJP	12/14/62
D	SEE REVISION E.O.	CJP	12/14/62
E	SEE REVISION E.O.	CJP	12/14/62

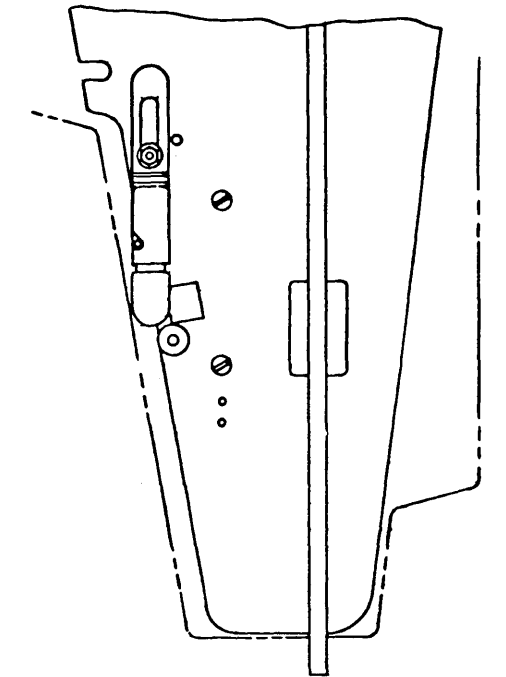
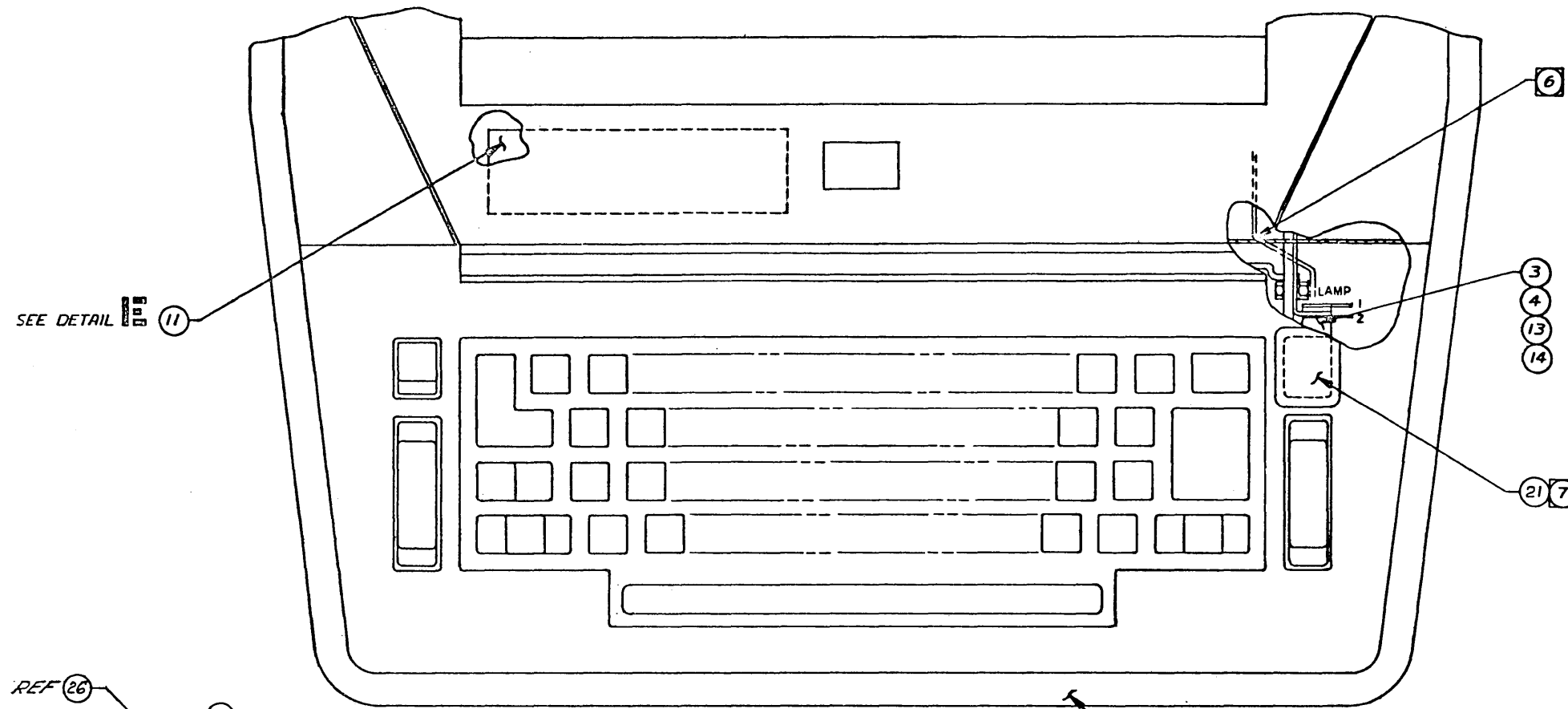
NOTES: UNLESS OTHERWISE SPECIFIED

1. SEE MATERIAL LIST NO. 101887 SHT 3
2. REF CABLE PLUG MODULE WIRE LIST NO. 101877.
3. MARK TITLE MODEL NO. & SERIAL NO. 1/2 HIGH AS SHOWN, COLOR BLACK.
4. REMOVE KEYPAD'S NAMEPLATE & INSTALL ITEM 13
5. BLACK BAND INDICATES CATHODE END.
6. REMOVE "INDEX" KEY BY BREAKING ARM AT THIS POINT.
7. ATTACH WITH SUITABLE CEMENT.
8. ATTACH WITH EXISTING HARDWARE.
9. REF WIRE LIST NO. 101889.
10. LOOSEN SCREW & SLIDE SOLENOID LATCHING PLATE AS FAR AS POSSIBLE IN SHOWN DIRECTION, THEN TIGHTEN SCREW.

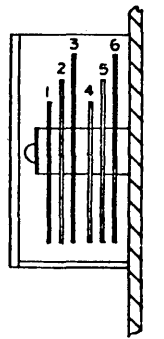
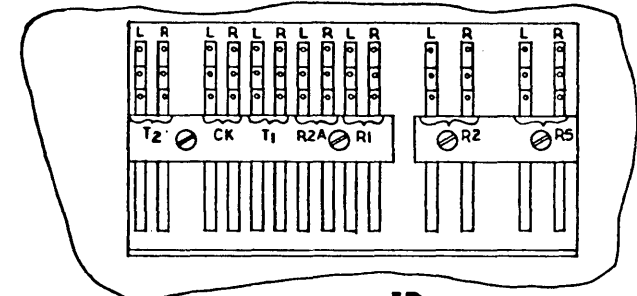
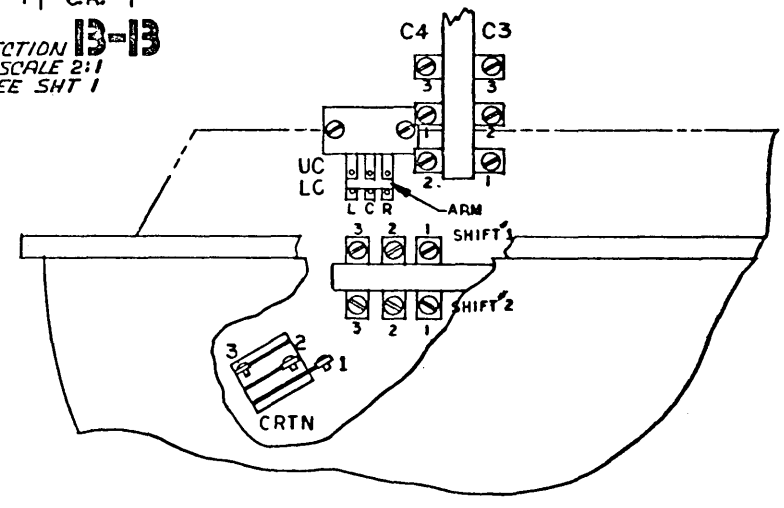
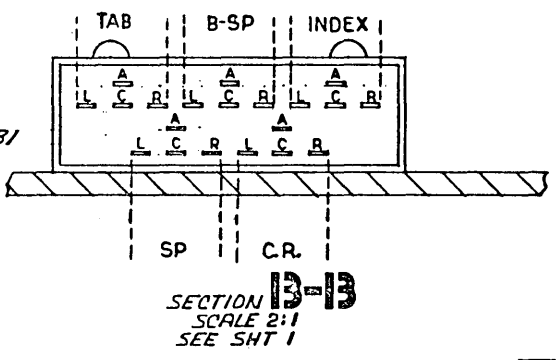
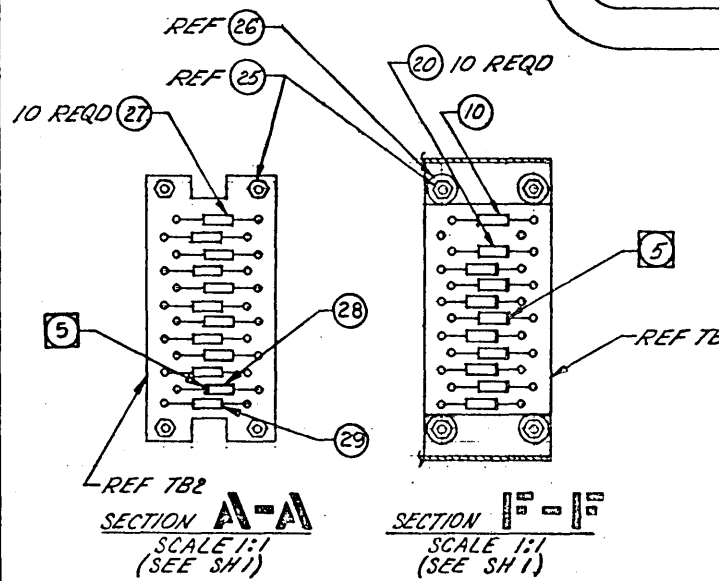


NO. REQ.	DRAWING NO.	DESCRIPTION	REFERENCE DESIGNATION	ITEM NO.
NOTES UNLESS SPECIFIED				
1. TOLERANCES XX ±.000 ANGULAR ± 1/2° XXX ±.010				
2. BREAK ALL SHARP EDGES .010 APPROX.				
3. MACH. SURFACES ✓				
4. ALL DIM. IN INCHES				
MATERIAL LIST		SDS SCIENTIFIC DATA SYSTEMS 1542 FIFTEENTH STREET, SANTA MONICA, CALIFORNIA		
DRAWN: CJP		TITLE: ASSY, TYPEWRITER CHASSIS		
CHECK: CJP		SIZE: D		
APPR: CJP		DWS. NO.: 101887		
MODEL NO.: 9139 B		SHEET 1 OF 4		
NEXT ASSY.: 101391		DO NOT SCALE DRAWING		

REVISIONS				101887	E
REV.	DESCRIPTION	CHK	DATE	APPROVED	
	SEE SHT ONE				



TOP & BOTTOM COVERS REMOVED FOR CLARITY

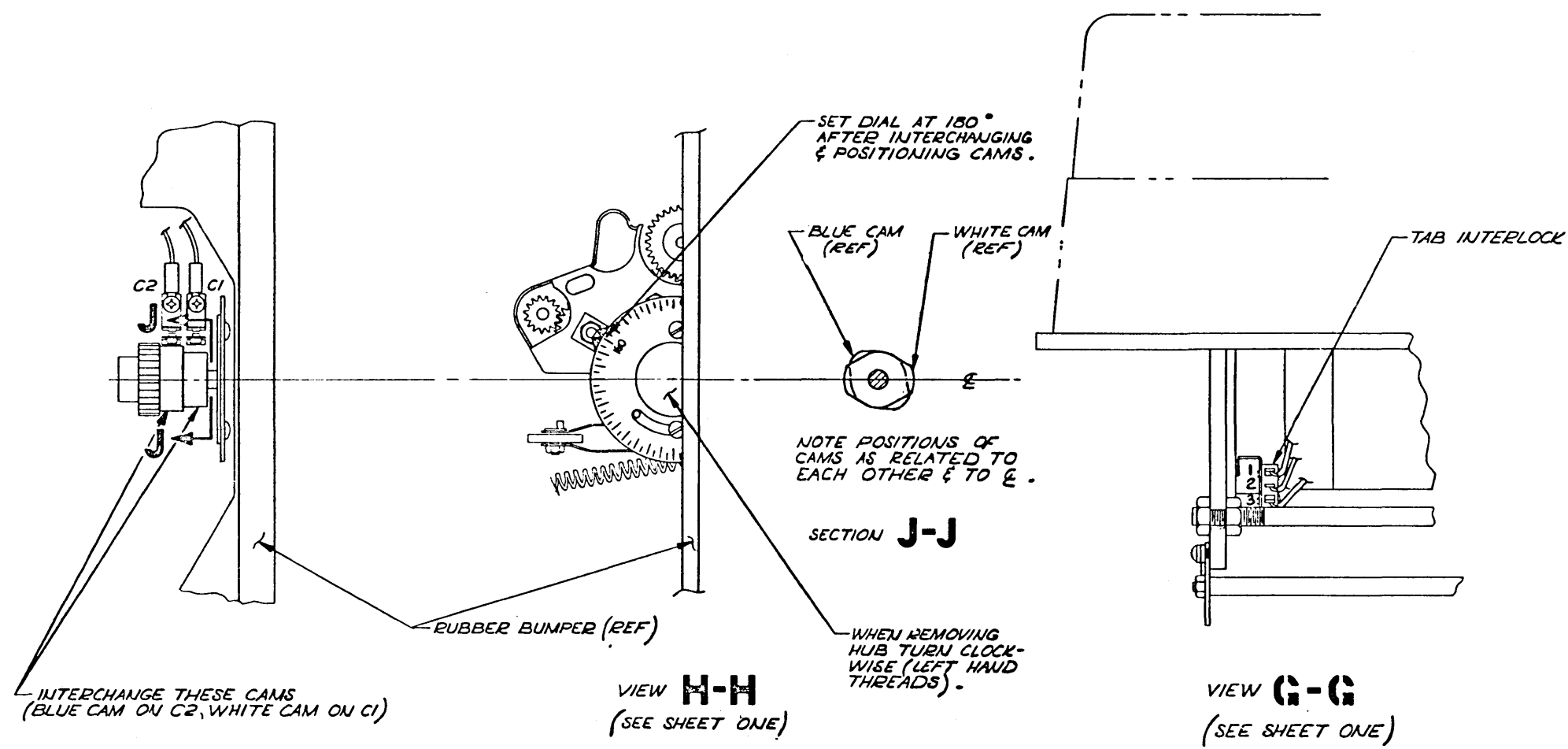


SDS
 TYPEWRITER
 9139 B
 SERIAL NO. []

DETAIL 11
SCALE 1:1

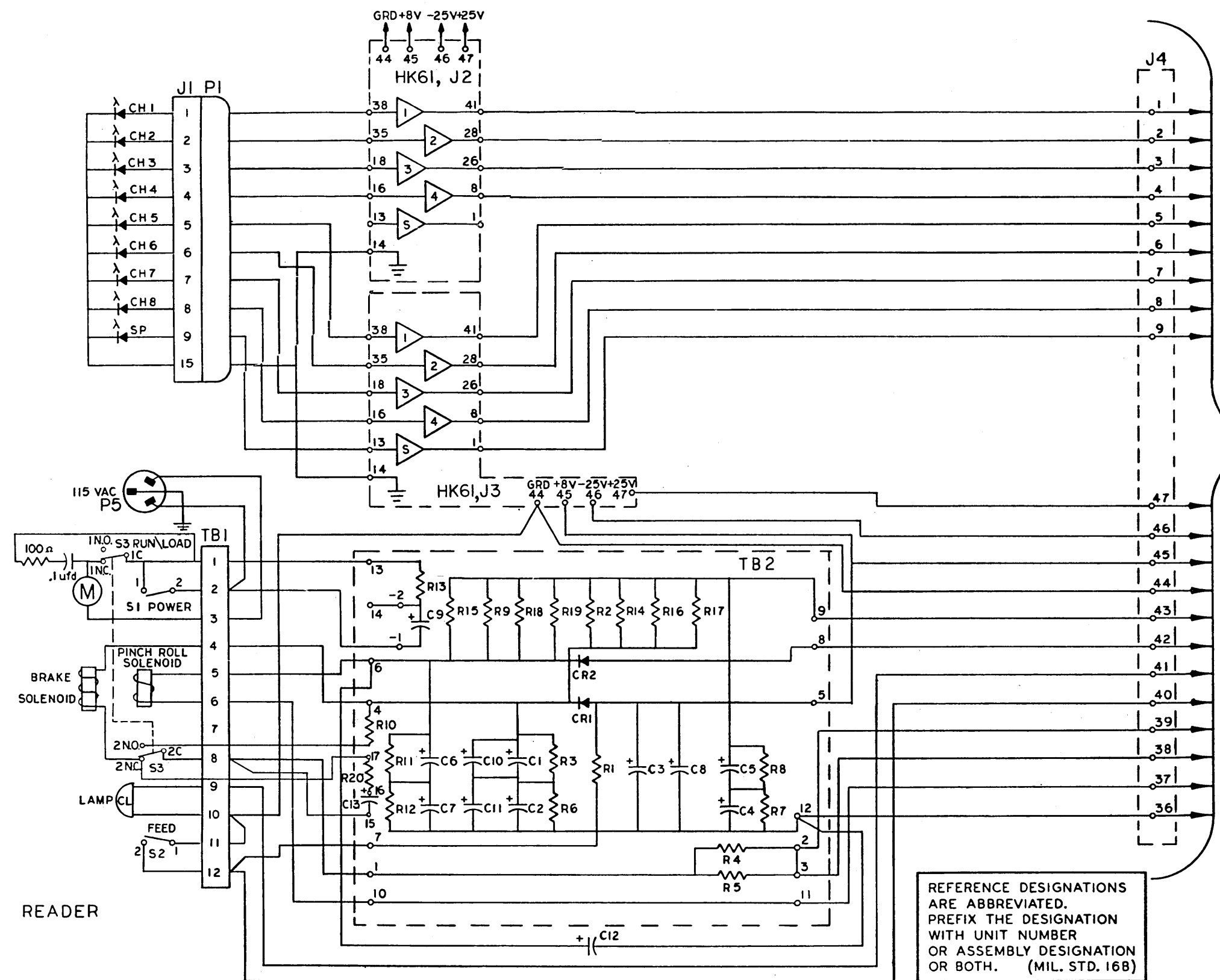
NO. REQ.	DRAWING NO.	DESCRIPTION	REFERENCE DESIGNATION	ITEM NO.
NOTES UNLESS SPECIFIED 1. TOLERANCES: JEI 2.010 ANGULAR 2.010 2. BREAK ALL SHARP EDGES 2.010 APPROX. 3. BACK SURFACES 4. ALL DIMS. IN INCHES				
DRAWN: <i>DH</i> 4-26-62 CHECK: <i>C.L. Bond</i> 12/1/62 APPR: <i>B.J. Hurd</i> 12/12/62		MATERIAL LIST SDS SCIENTIFIC DATA SYSTEMS 1842 FIFTEENTH STREET, SANTA MONICA, CALIFORNIA		
MODEL NO. 9139 B NEXT ASSY. 101891		TITLE ASSY, TYPEWRITER CHASSIS		
SIZE D DWG. NO. 101887		SCALE DO NOT SCALE DRAWING SHEET 2 OF 4		

REVISIONS				101887	E
REV.	DESCRIPTION	CHK	DATE	APPROVED	
	SEE SHEET ONE				



NO. REQ.	DRAWING NO.	DESCRIPTION	REFERENCE DESIGNATION	ITEM NO.
MATERIAL LIST				
NOTES UNLESS SPECIFIED		DRAWN <i>W. Smith</i> 8/9/63	SDS SCIENTIFIC DATA SYSTEMS 1548 FIFTEENTH STREET, SANTA MONICA, CALIFORNIA	
1. TOLERANCES XX 2.000 ANGULAR XXX 2.000 2 1/2°		CHECK <i>P. J. Bennett</i> 9/4/63	TITLE ASSY, TYPEWRITER CHASSIS	
2. BREAK ALL SHARP EDGES 0.10 APPROX.		APPR. <i>J. Bennett</i> 9/4/63		
3. HATCH SURFACES J			MODEL NO. 9139 B	SIZE D
4. ALL DIM. IN INCHES			DWG. NO. 101887	E
NEXT ASSY. 101891			SCALE 1:1	DO NOT SCALE DRAWING SHEET 3 OF 4

REVISIONS				103628	E
REV.	DESCRIPTION	CHK	DATE	APPROVED	
D	REVISED & RE-DRAWN RELEASED TO MFG.				
E	SEE REV E0				



SEE SHEET #2

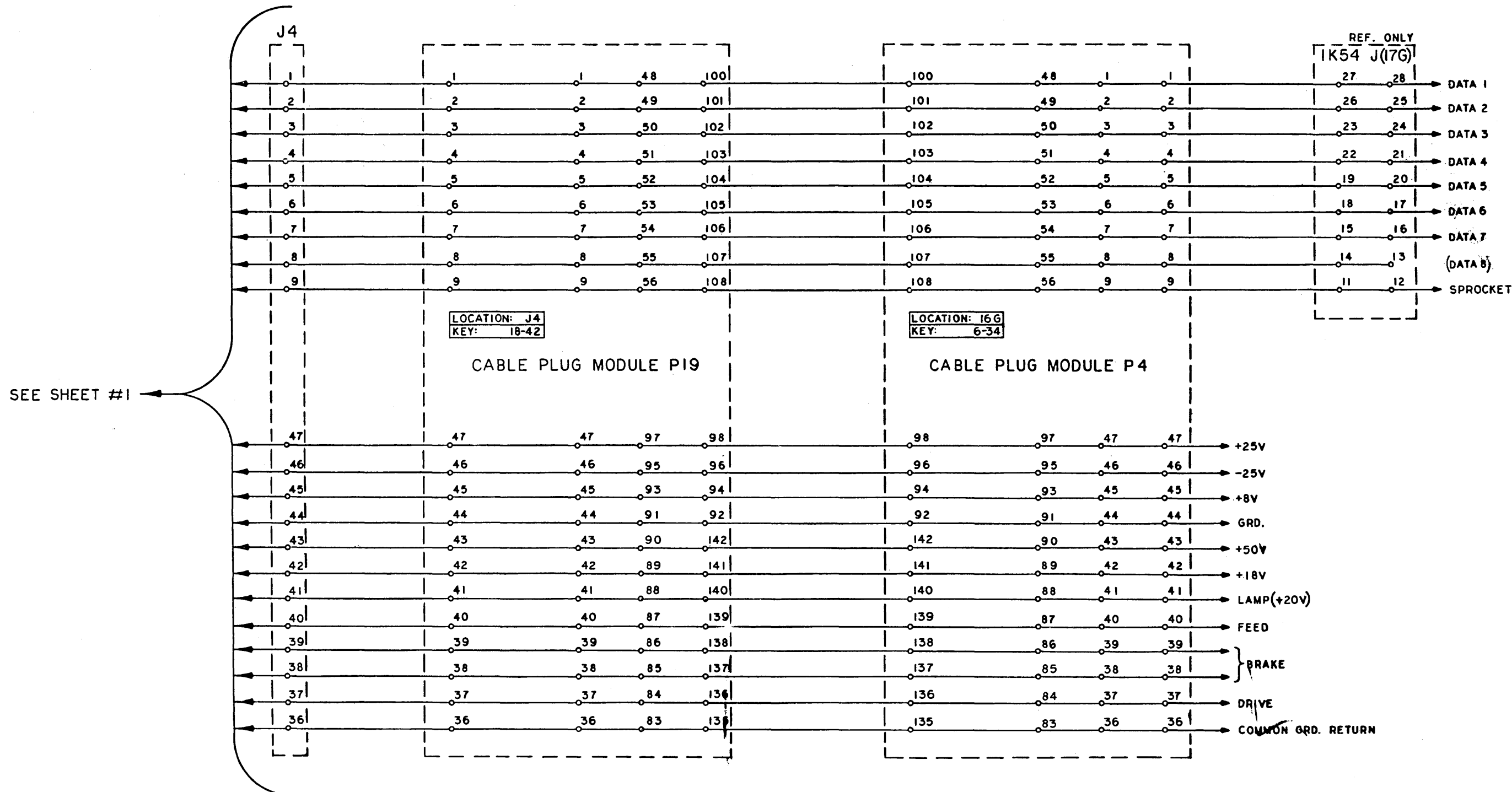
REFERENCE DESIGNATIONS ARE ABBREVIATED. PREFIX THE DESIGNATION WITH UNIT NUMBER OR ASSEMBLY DESIGNATION OR BOTH. (MIL. STD. 168)

READER

103628/E

NO. REV.	DRAWING NO.	DESCRIPTION	REFERENCE DESIGNATION	ITEM NO.
MATERIAL LIST				
NOTES UNLESS SPECIFIED				
1. TOLERANCES DIM. 2.000 ANGULAR 2.5° SIZE 2.000				
2. BREAK ALL SHARP EDGES .010 A/P/PROG.				
3. MACH. SURFACES ✓				
4. ALL DIM. IN INCHES				
DRAWN <i>Fernandez</i> 3/24/64		TITLE		
CHECK <i>[Signature]</i> 3/15/64		SCHEMATIC, TAPE READER		
APPR. <i>[Signature]</i> 2/7/64				
MODEL NO.	9131 9130	SIZE	DWG NO.	CHANGES LETTER
NEXT ASSY.	100937 104577		D 103628	E
SCALE		DO NOT SCALE DRAWING SHEET 1 OF 3		

REVISIONS				103628	E
REV.	DESCRIPTION	CHK	DATE	APPROVED	
	SEE SHEET ONE				



SEE SHEET #1

1103628/E

NO. REG.	DRAWING NO.	DESCRIPTION	REFERENCE DESIGNATION	ITEM NO.
NOTES UNLESS SPECIFIED				
1. TOLERANCES JE 2.899 ANGLAR XXX 2.914 2.14		DRAWN <i>Fernandez</i> 3/24/64	MATERIAL LIST	
2. BREAK ALL SHARP EDGES BY APPROX.		CHKD <i>calilua</i> 3/25/64	TITLE	
3. HATCH SURFACES		APPR. <i>calilua</i> 3/25/64	SCHEMATIC, TAPE READER	
4. ALL DIM. IN INCHES				
MODEL NO.	9131 9130	SIZE	D	DWG NO. 103628
NEXT ASSY.	100937 104577	SCALE	DO NOT SCALE DRAWING	SHEET 2 OF 3

REVISIONS				103628	E
REV	DESCRIPTION	CHK	DATE	APPROVED	
	SEE SHEET ONE				

REPLACEMENT PARTS LIST

ITEM	DESCRIPTION	DESIGNATION	QTY	SUPPLIER CODE (SEE INDEX)
1	CONNECTOR, SOLDER TAIL, 47 CONTACT, #7008-47	J2, J3, J4	3	82
2	RESISTOR, 2.2K Ω \pm 2%	(TB2) R1	1	16,17
3	8.2K Ω \pm 2%	(TB2) R3, R6, R7, R8, R11, R12	6	16,17
4	WW 10 Ω \pm 5%	(TB2) R4, R5, R10	3	99,100
5	10 Ω \pm 2%	(TB2) R13, R20	2	36,38,73
6	RESISTOR, WW 500 Ω \pm 5%	(TB2) R2, R14, R16, R17	4	99,100
7	DIODE, SILICON IN3189	(TB2) CR1, CR2	2	2, 30, 68
8	CAPACITOR, TANTALUM 15 μ F \pm 20% 50V	(TB2) C4, C5, C13	3	22, 23, 77
9	CAPACITOR, TANTALUM 4.7 μ F \pm 20% 50V	(TB2) C3, C8	2	22, 23, 77
10	CAPACITOR, TANTALUM 4.7 μ F \pm 20% 35V	(TB2) C1, C2, C6, C7, C10, C11	6	22, 23, 87
11	CAPACITOR, OIL, 25 μ F \pm 20% 1000V	(TB2) C9	1	80, 81
12	CORD, AC CORD #16/3 SPT-3 WITH PLUG #PA-3	P5	1	101
13	RESISTOR, WW: 250 Ω \pm 5%	(TB2) R9, R15, R18, R19	4	99,100
14	CONNECTOR, 15 PIN, FEMALE #DA-15S	PI	1	134
15	CAPACITOR, ELECTROLYTIC 250 μ F 150V	C12	1	57, 58, 59

MODULE LIST

ITEM	DESCRIPTION	MODEL	QTY.
1	PHOTO SENSE AMPLIFIER	HK 61	2

NO. REQ.	DRAWING NO.	DESCRIPTION	REFERENCE DESIGNATION	ITEM NO.
		MATERIAL LIST		
NOTES UNLESS SPECIFIED		DRAWN <i>Fernandez</i> 3-24-66	SDS SCIENTIFIC DATA SYSTEMS 1542 FIFTEENTH STREET SANTA MONICA CALIFORNIA	
1 TOLERANCES XX \pm 0.00 ANGULAR XX \pm 0.10 \pm 15'		CHECK <i>[Signature]</i> 3-25-66	TITLE SCHEMATIC, TAPE READER	
2 BREAK ALL SHARP EDGES 3 HATCH SURFACES 4 ALL DIM. IN INCHES		APPR <i>[Signature]</i> 3-25-66		
MODEL NO.	9131 9130	SIZE	DWG NO.	E
NEXT ASSY	100937 104577	SCALE	103628	
			DO NOT SCALE DRAWING	SHEET 3 OF 3

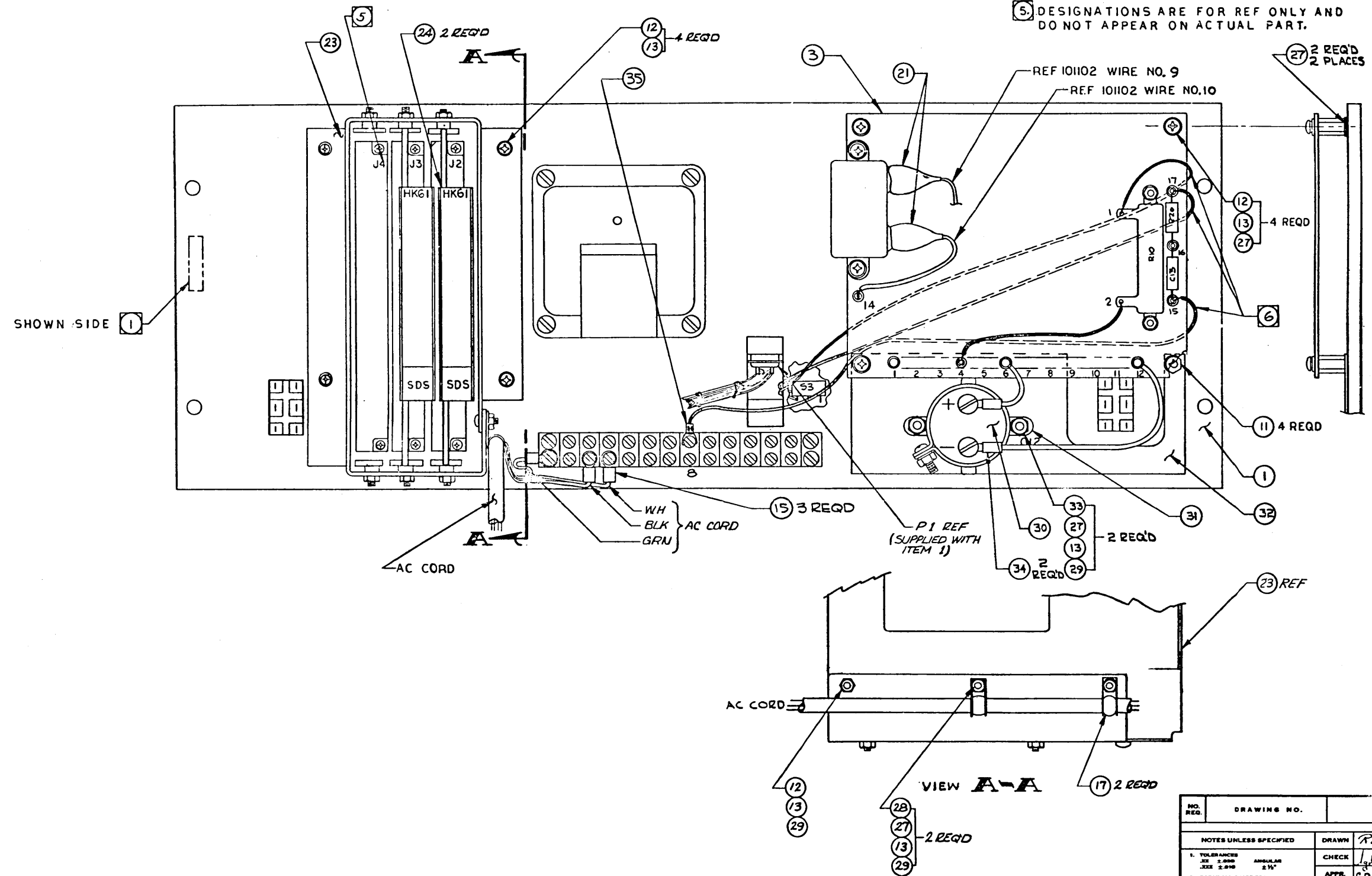
103628 1 E

REVISIONS				106712	3
REV.	DESCRIPTION	CHK	DATE	APPROVED	
A	RELEASED TO MFG.	EV	3/11/64	[Signature]	
B	SEE RESERVE E.O.	TB	3/12/64	[Signature]	
C	SEE REV E.O.	EV	3/12/64	[Signature]	

NOTES: UNLESS OTHERWISE SPECIFIED:

⑥ WIRES INDICATED MUST RUN UNDER PW BOARD, ITEM 3. DO NOT TIE INTO WIRE BUNDLE OF OTHER COMPONENTS.

- ① IDENTIFY ASSY. PER SDS SPEC 100198
- 2. REF WIRE LIST 101102.
- 3. SEE MAT'L LIST 106712.SH3
- 4. INSTALL ITEM 25 (PIN, POLARIZNG) IN J2 & J3 PIN POSITIONS 4 & 32, IN J4, POSITION 18-42
- ⑤ DESIGNATIONS ARE FOR REF ONLY AND DO NOT APPEAR ON ACTUAL PART.

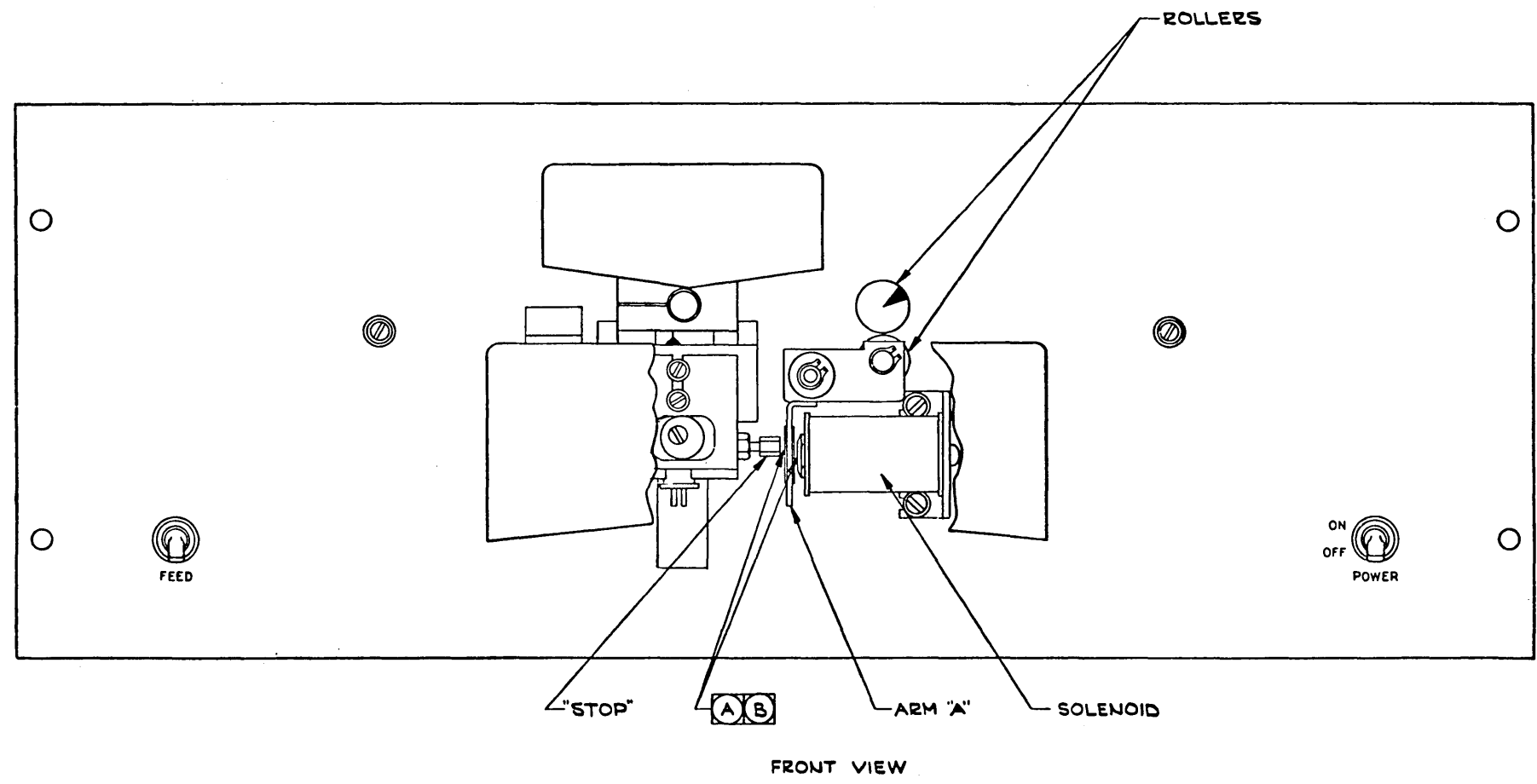



NO. REQ.	DRAWING NO.	DESCRIPTION	REFERENCE DESIGNATION	ITEM NO.
MATERIAL LIST				
NOTES UNLESS SPECIFIED		DRAWN <i>Reans</i> 3/8/64	SDS SCIENTIFIC DATA SYSTEMS <small>1545 FIFTEENTH STREET, SANTA MONICA, CALIFORNIA</small>	
1. TOLERANCES XX ±.000 ANGULAR XXX ±.010		CHECK <i>[Signature]</i> 3/21/64		
2. BREAK ALL SHARP EDGES 3. MACH. SURFACES ✓		APPR. <i>[Signature]</i> 3/21/64		
4. ALL DIM. IN INCHES		TITLE ASSY, TAPE READER		
MODEL NO. 9131-9130		SIZE D	DWG. NO. 106712	C
NEXT ASSY. 100937-104577		SCALE 1:1 DO NOT SCALE DRAWING SHEET 1 OF 3		

106712 | C |

REVISIONS				106712	C
REV.	DESCRIPTION	CHK	DATE	APPROVED	
	SEE SHEET ONE				

- A** REMOVE RUBBER BUMPER & GLUE MYLAR PIECES (.0075 THK. x .75 x .75) TO ARM "A" AS SHOWN.
- B** SLIDE SOLENOID TO RIGHT & DEPRESS ARM "A" UNTIL ROLLERS ARE FIRMLY TOGETHER, WHILE HOLDING THIS POSITION:
 - a) SLIDE SOLENOID BACK UNTIL IT JUST TOUCHES ARM "A" & TIGHTEN SCREWS.
 - b) SET GAP BETWEEN ARM "A" & "STOP" AT .020.



NO. REG.	DRAWING NO.	DESCRIPTION	REFERENCE DESIGNATION	ITEM NO.
MATERIAL LIST				
NOTES UNLESS SPECIFIED		DRAWN <i>Reims</i> 2/18/64	 SCIENTIFIC DATA SYSTEMS SANTA MONICA, CALIFORNIA	
1. TOLERANCES .XX ±.010 ANGULAR ± 1/2° .XXX ±.010 ± 1/2° 2. BREAK ALL SHARP EDGES .010 APPROX. 3. MACH. SURFACES ✓ 4. ALL DIM. IN INCHES		CHECK <i>Edwards</i> 3/11/64	TITLE	
		APPR. <i>Kablow</i> 2/27/64	ASSY, TAPE READER	
MODEL NO.	9131-9130		SIZE D	DWG. NO. 106712
NEXT ASSY.	100937 - 104577		SCALE 1/1	CHANGES LETTER C
			DO NOT SCALE DRAWING	SHEET 2 OF 3

106712 C

ITM	DWG. TITLE	DWG. NO.	NO. REQ.	REMARKS OR CRT, DESIG.
1 R	Tape, Reader Spec. ^{Dwg} Cont	100033	1	
2				
3 R	Assy. PW Bd Tape Reader	101107	1	
4				
5				
6				
7 R	List, Wire Tape Reader Ch	101102	x	ref
8				
9				
10				
11 R	Standoff, Threaded	100981-002	4	
R12	Screw, Pan Hd	100012-305	9	
R13	Washer, Int Tooth Lock	100024-300	13	
R14	Terminal, Ring Tongue	100987-004	11	
R15	Terminal, Ring Tongue	100343-004	5	
16				
R17	Clamp, Cable Nylon	100657-004	2	
R18	Cord, Lacing	101514	x	as reqd
R19	Wire, Strd Teflon Ins.	100238-024	1 ft	
R20	Wire, Strd Teflon Ins.	100238-016	1 ft	
R21	Tubing, Ins Shrinkable	100744-313	2 in	
R22	Tubing, Teflon	100991-022	1 ft	
R23	Assy, Module Bracket	106581	1	
R24	Assy, PW Photo Sense Amp	102964	2	HK61 see DL 102965
R25	Pin, Polarizing	100282	6	J2(4-32) J3(4-32) J4(18-42)
26				
R27	Washer, Flat	100018-300	12	
R28	Screw, Pan Hd	100012-307	2	
R29	Nut, Hex Machine	100008-300	5	
R30	Capacitor, Electrolytic	100594-005	1	C12
R31	Bracket, Capacitor Mtg	100552	1	
R32	Plate, Capacitor Mtg	104028	1	
R33	Screw, Flat Hd	100039-305	2	
R34	Terminal, Ring Tongue	100987-006	2	