

Raster Technologies

**TECHNICAL MANUAL:
SCHEMATICS**

February 20, 1986

Raster Technologies, Inc.
2 Robbins Road
Westford, Massachusetts 01886
(617) 692-7900

Part # 552-00052-001

Raster Technologies

SCHEMATICS

- RGPU, 4K
- RGPU, 8K
- GMU2
- Floating Point Co-Processor
- Bulk Memory
- One/80 Genlock

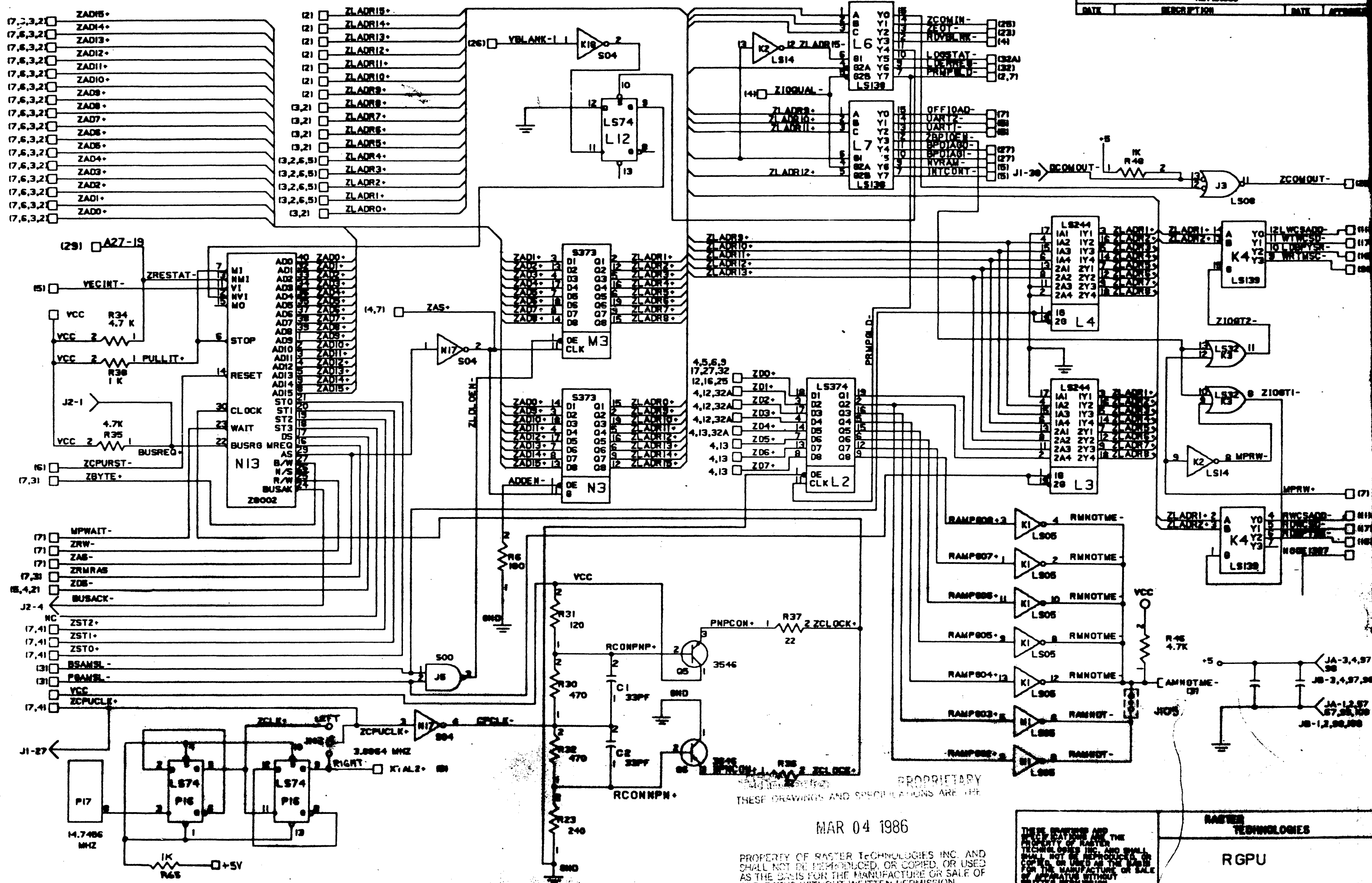
February 20, 1986

Raster Technologies, Inc.
2 Robbins Road
Westford, Massachusetts 01886
(617) 692-7900

RGPU, 4K

Drawing # 006-12641-000

REVISIONS			
DATE	DESCRIPTION	DATE	APPROVED



D

C

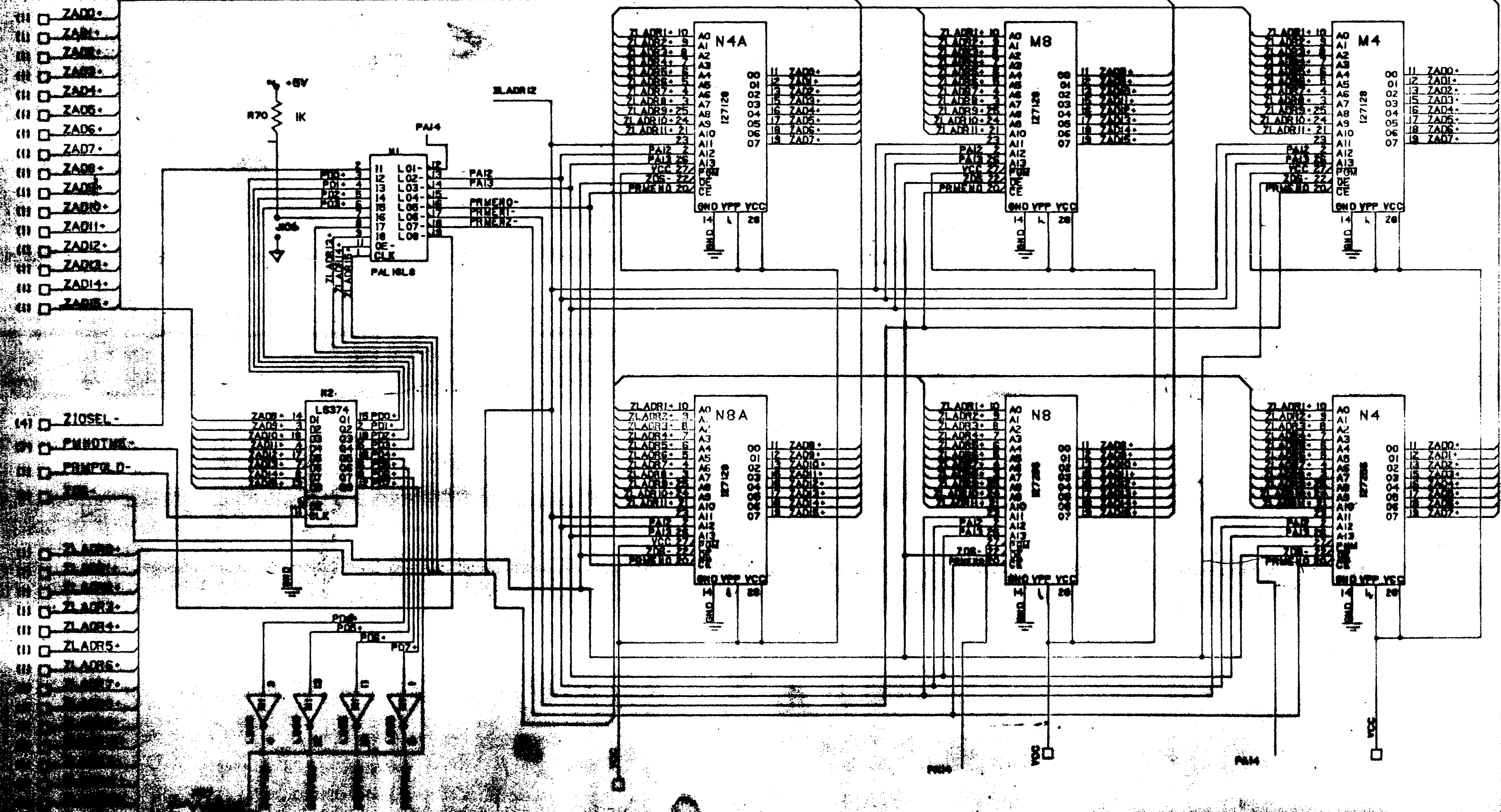
B

PROPRIETARY
THESE DRAWINGS AND SPECIFICATIONS ARE THE
PROPERTY OF RASTER TECHNOLOGIES, INC. AND
SHALL NOT BE REPRODUCED, COPIED, OR USED
AS THE BASIS FOR THE MANUFACTURE OR SALE OF
APPARATUS WITHOUT WRITTEN PERMISSION.

MAR 04 1986

THESE DRAWINGS AND
SPECIFICATIONS ARE THE
PROPERTY OF RASTER
TECHNOLOGIES, INC. AND SHALL
NOT BE REPRODUCED, COPIED,
OR USED AS THE BASIS FOR
THE MANUFACTURE OR SALE OF
APPARATUS WITHOUT WRITTEN
PERMISSION.

RASTER TECHNOLOGIES	
RGPU	
D	000-1001-000



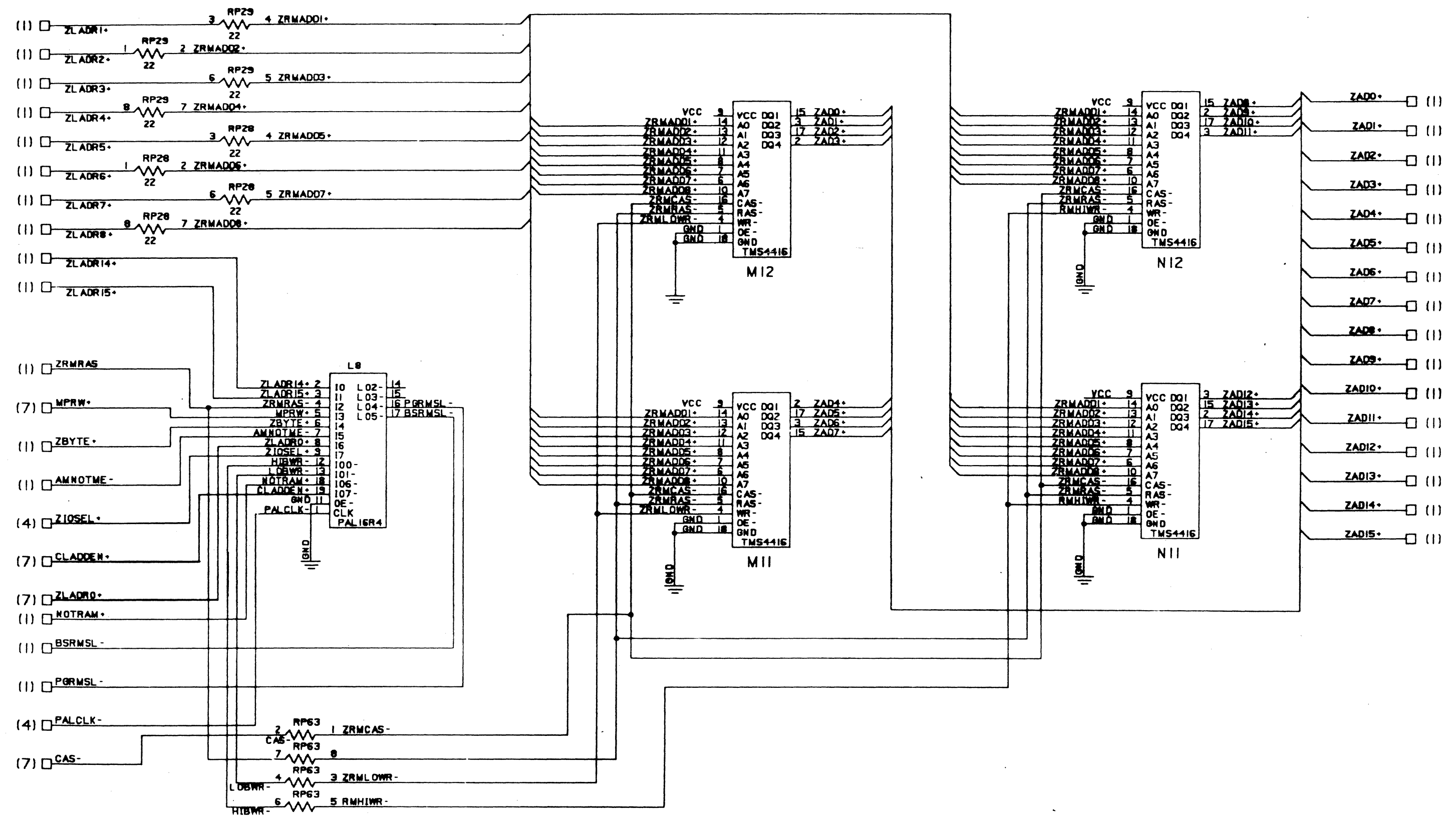
- (11) ZADR0
- (12) ZADR1
- (13) ZADR2
- (14) ZADR3
- (15) ZADR4
- (16) ZADR5
- (17) ZADR6
- (18) ZADR7
- (19) ZADR8
- (20) ZADR9
- (21) ZADR10
- (22) ZADR11
- (23) ZADR12
- (24) ZADR13
- (25) ZADR14
- (26) ZADR15

- (4) ZIOSEL
- (5) PMNOTME
- (6) PRMPOD
- (7) ZADR0
- (8) ZADR1
- (9) ZADR2
- (10) ZADR3
- (11) ZADR4
- (12) ZADR5
- (13) ZADR6
- (14) ZADR7

REVISIONS			
DATE	DESCRIPTION	DATE	APPROVED

D

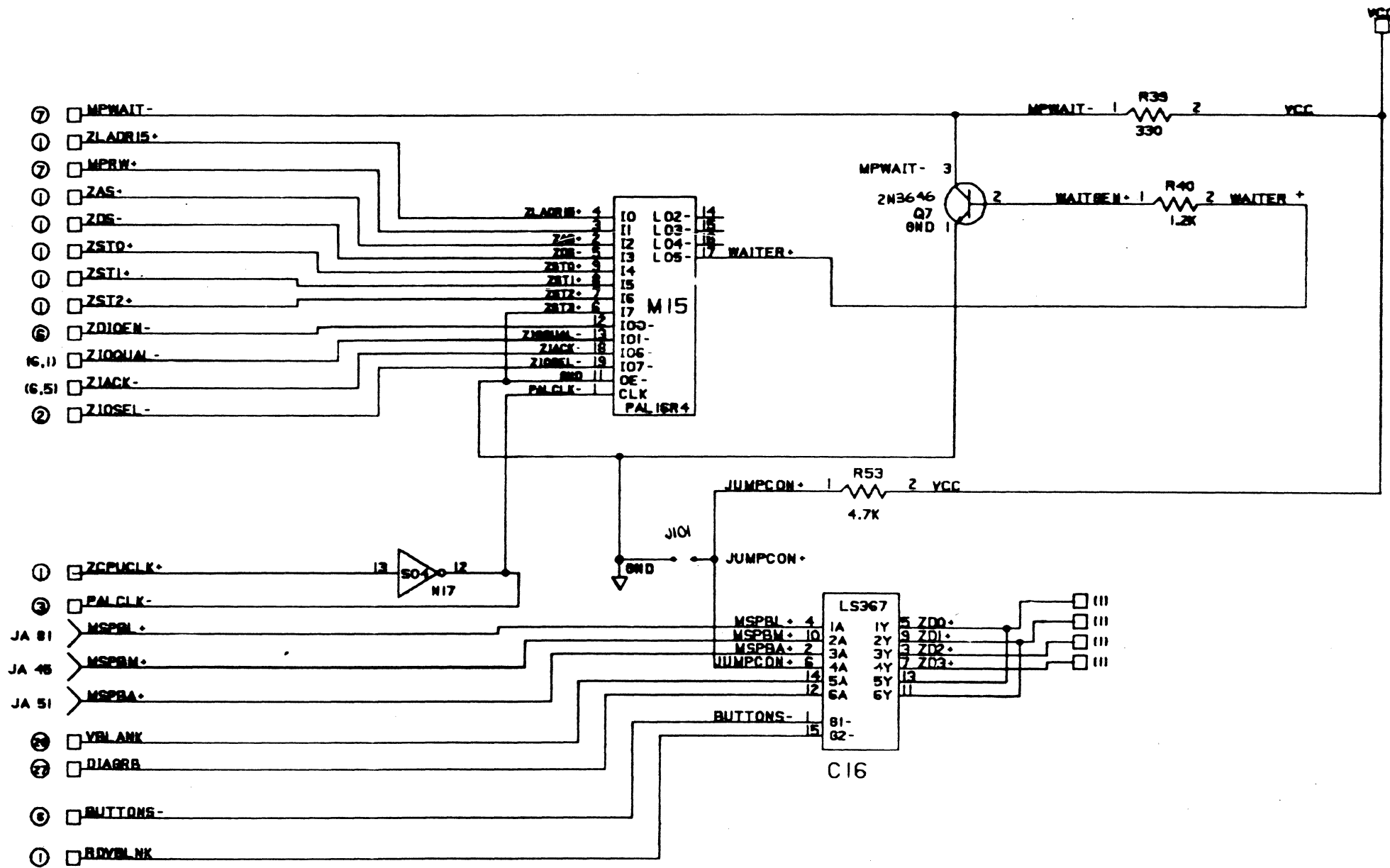
C



RP63 22 OHM

THESE DRAWINGS AND SPECIFICATIONS ARE THE PROPERTY OF RASTER TECHNOLOGIES INC. AND SHALL NOT BE REPRODUCED, COPIED, OR USED AS THE BASIS FOR THE MANUFACTURE OR SALE OF APPARATUS WITHOUT WRITTEN PERMISSION.

RASTER TECHNOLOGIES RGPU



PRINTER PORT

8255A					
2D7	27	D7	PA7	37	<JA44
2D6	28	D6	PA6	38	<JA46
2D5	29	D5	PA5	39	<JA48
2D4	30	D4	PA4	40	<JA50
2D3	31	D3	PA3	1	<JA52
2D2	32	D2	PA2	2	<JA54
2D1	33	D1	PA1	3	<JA56
2D0	34	D0	PA0	4	<JA60
				PB7	25 <JA62
ZLADR2	8	A1	PB6	24	<JA64
ZLADR1	9	A0	PB5	23	<JA66
				PB4	22 <JA68
				PB3	21 <JA70
				PB2	20
(E6-11) PIOCS-	6	CS	PB1	19	
(A3-5) ZRDSTB-	5	RD	PB0	18	
(A3-4) ZWRSTB-	36	WR	RESET	10	<JA72
(J2-16) RESET	35	RESET	PC7	11	<JA74
				PC6	12
				PC5	13
				PC4	17
				PC3	16
				PC2	15
				PC1	14
				PC0	
+5	26	VCC			
	7	GND			
		PPI			

PARTEK TECHNOLOGIES

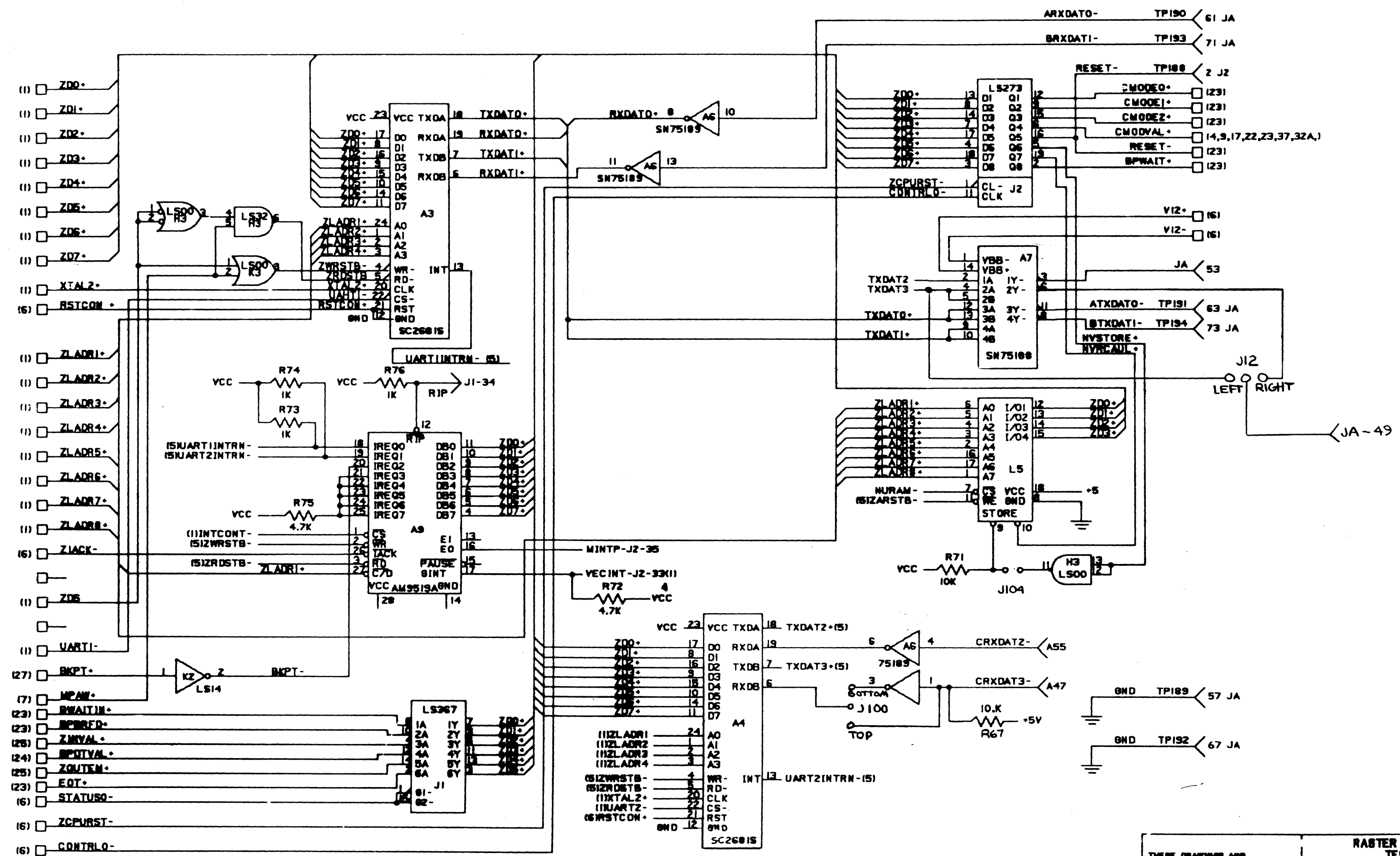
RGPU

006-1241-000

REVISIONS			
DATE	DESCRIPTION	DATE	APPROVED

D

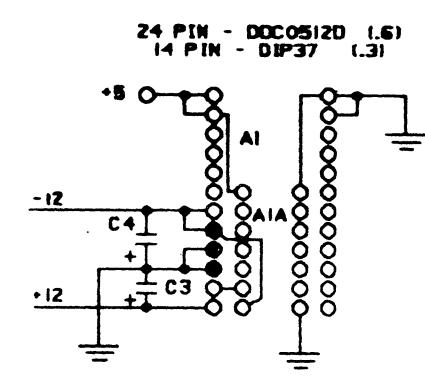
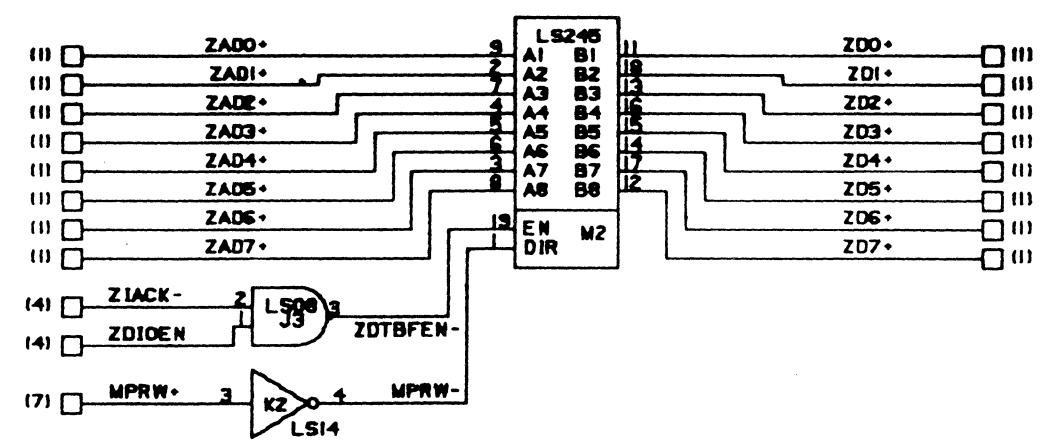
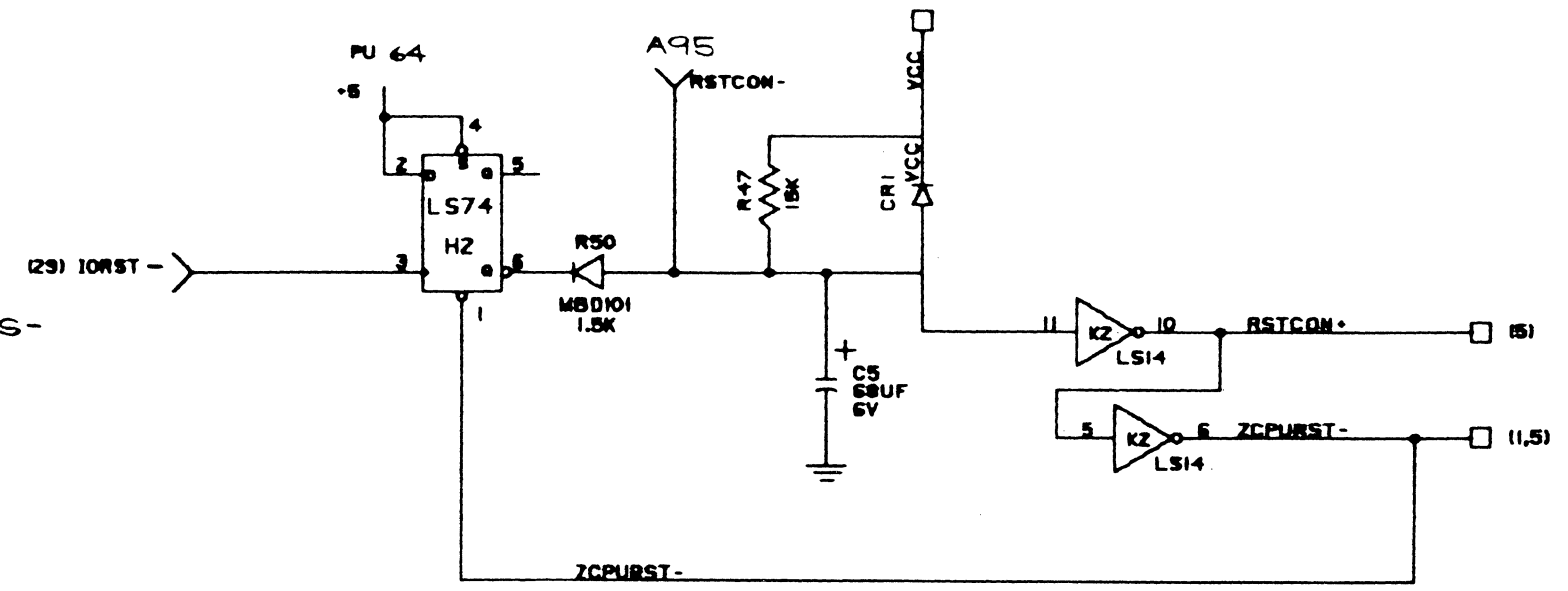
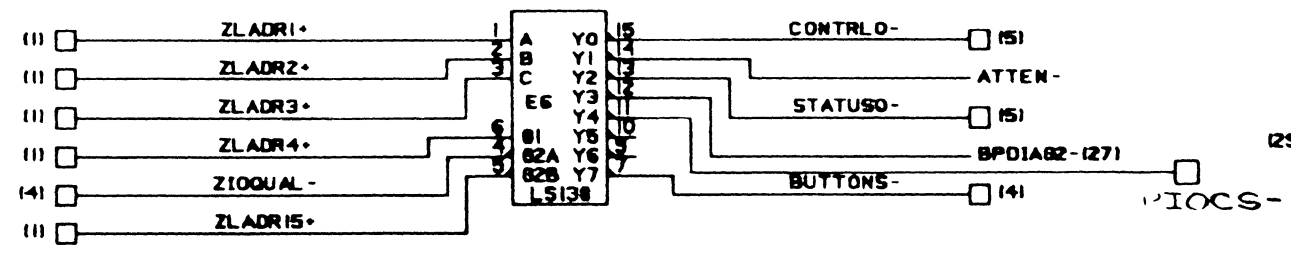
C



THESE DRAWINGS AND SPECIFICATIONS ARE THE PROPERTY OF RASTER TECHNOLOGIES INC. AND SHALL NOT BE REPRODUCED OR COPIED IN ANY MANNER WITHOUT THE WRITTEN PERMISSION OF RASTER TECHNOLOGIES INC.

RASTER TECHNOLOGIES
R GPU

REVISIONS			
DATE	DESCRIPTION	DATE	APPROVER



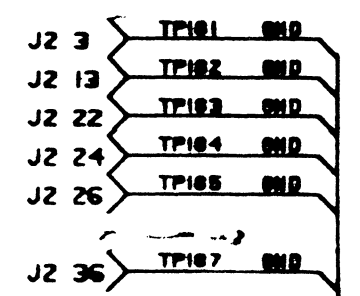
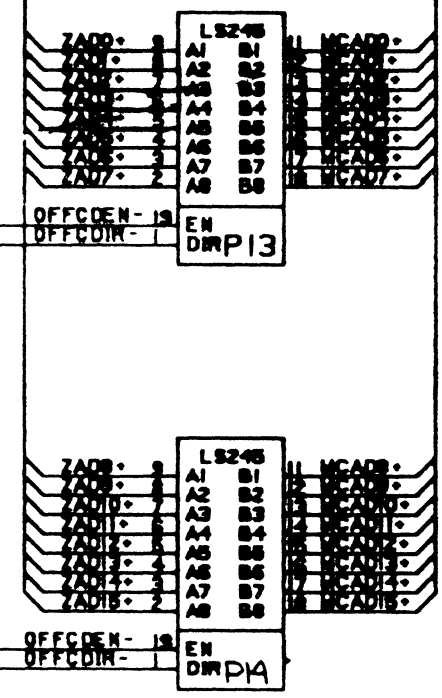
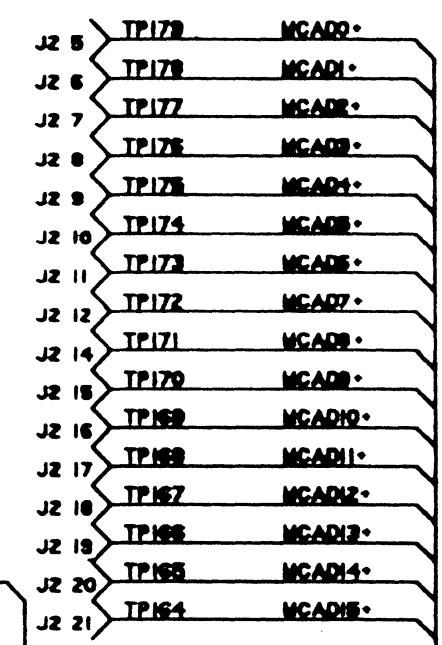
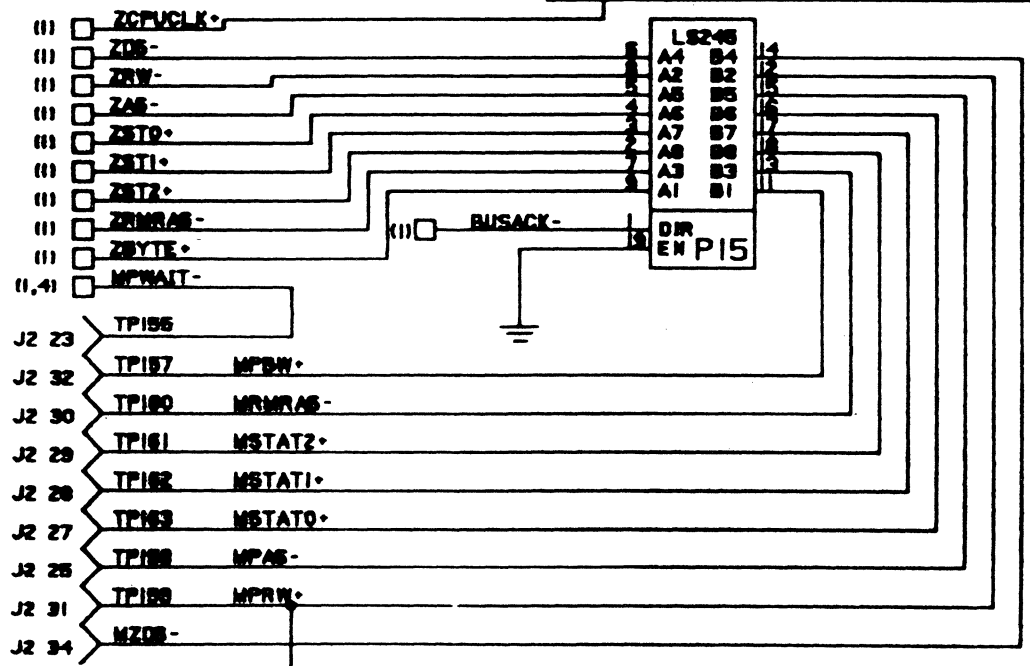
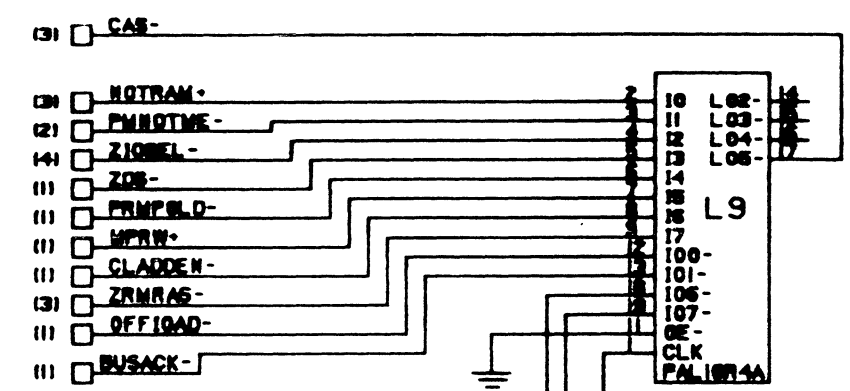
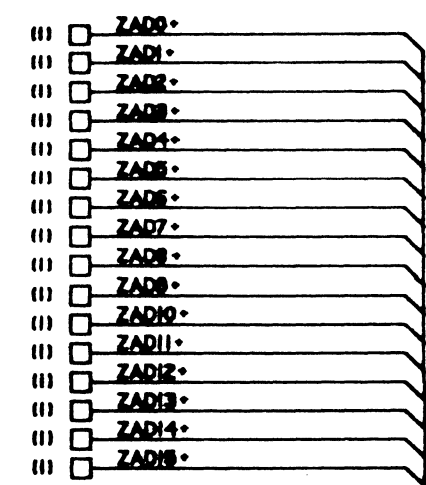
UNLESS OTHERWISE SPECIFIED DIMENSIONS ARE IN MILLIMETERS (INCHES)	COMP. NO.	RASTER TECHNOLOGIES
TOLERANCES: ANGLES: HOLE NUMBERS: PLATE THICKNESS: PLATE SPACING:	CHK	
NEXT ASSY	DATE	APPD

006-12641-000

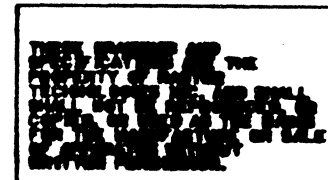
D

C

B



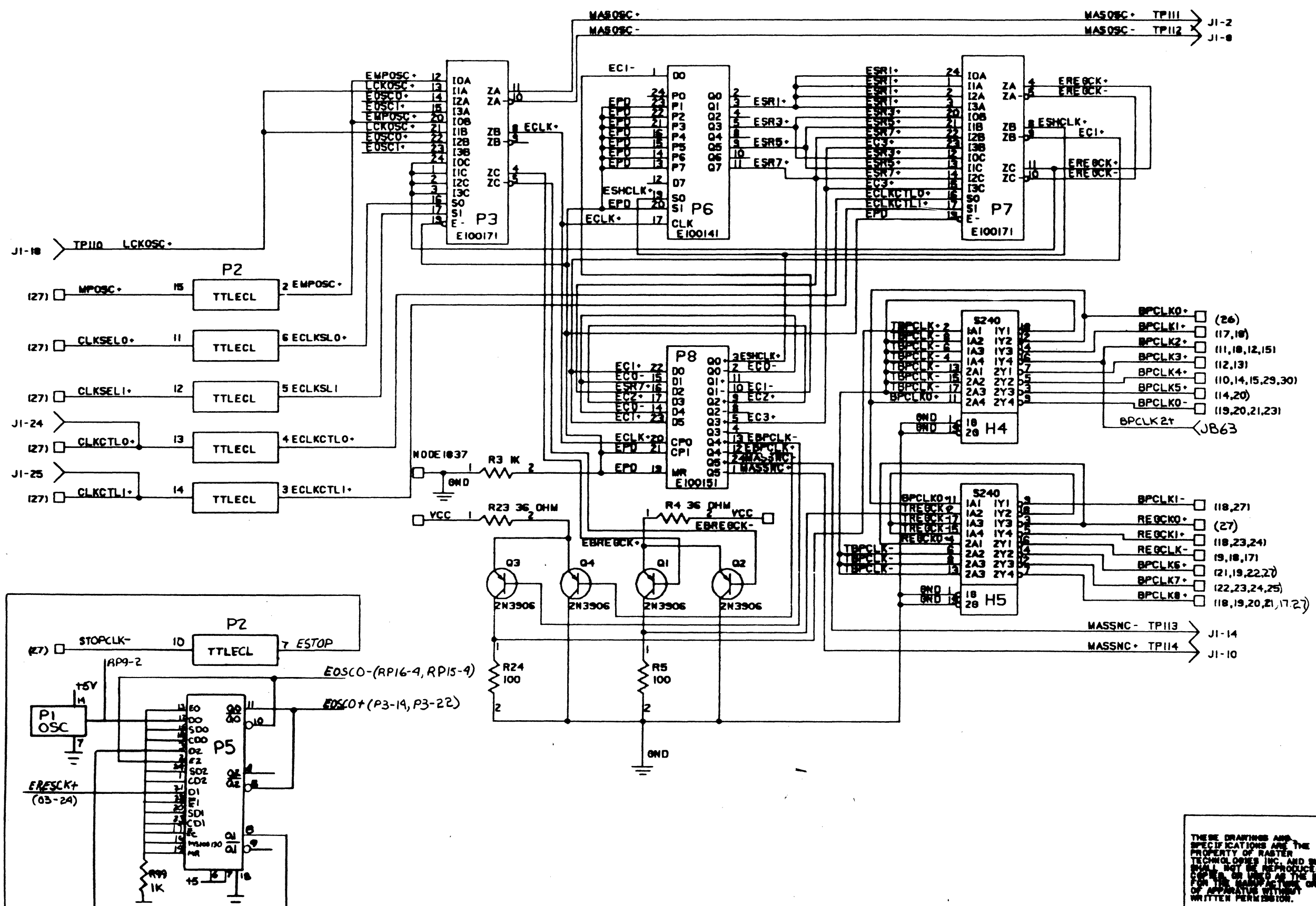
66.8.4.3.11



REVISIONS			
DATE	DESCRIPTION	DATE	APPROVED

D

C

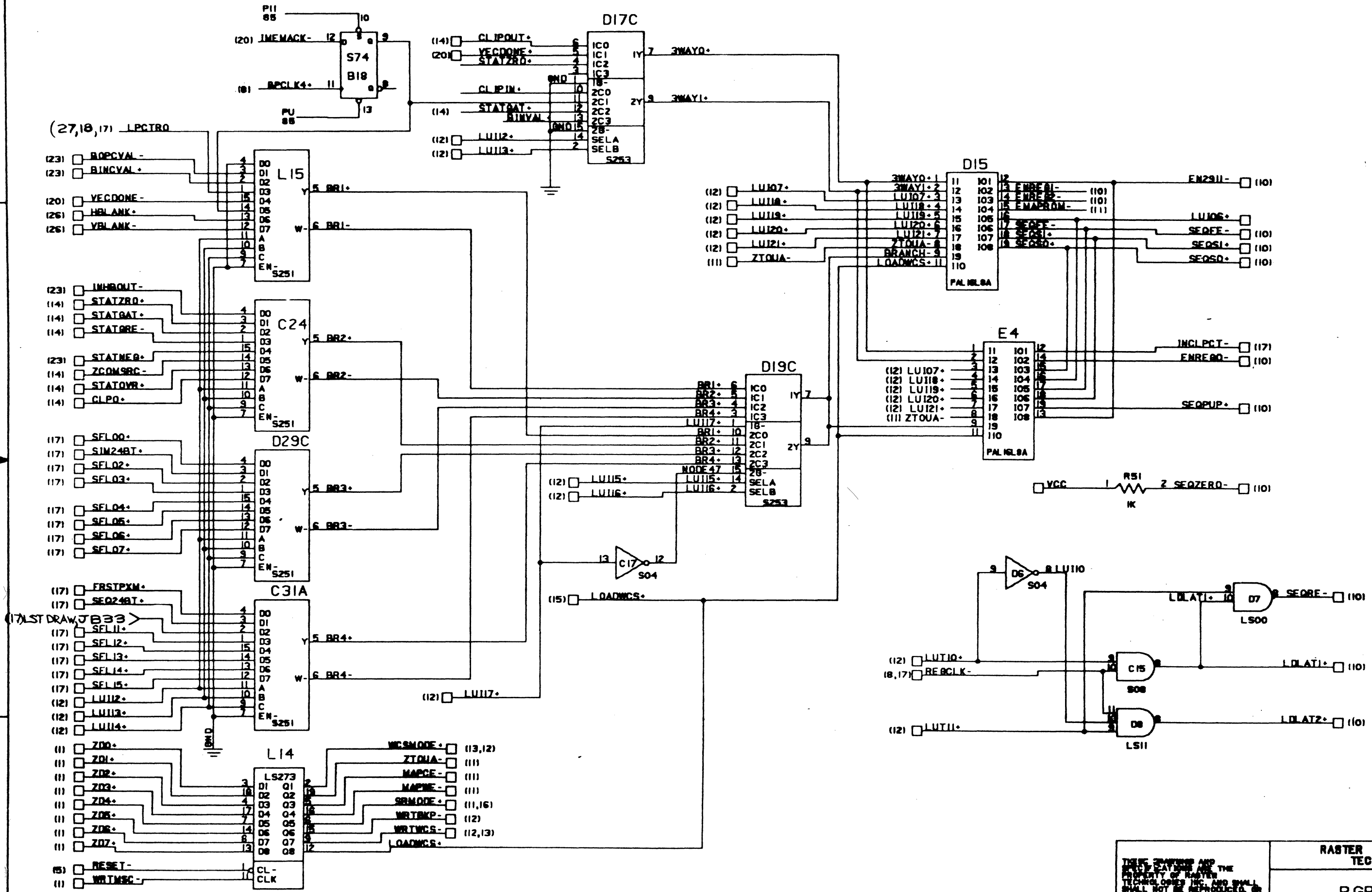


THESE DRAWINGS AND SPECIFICATIONS ARE THE PROPERTY OF RASTER TECHNOLOGIES INC. AND SHALL NOT BE REPRODUCED OR COPIED OR USED AS THE BASIS FOR THE SALE OR SALE OF APPARATUS WITHOUT WRITTEN PERMISSION.

RASTER TECHNOLOGIES
RGPU

D

C

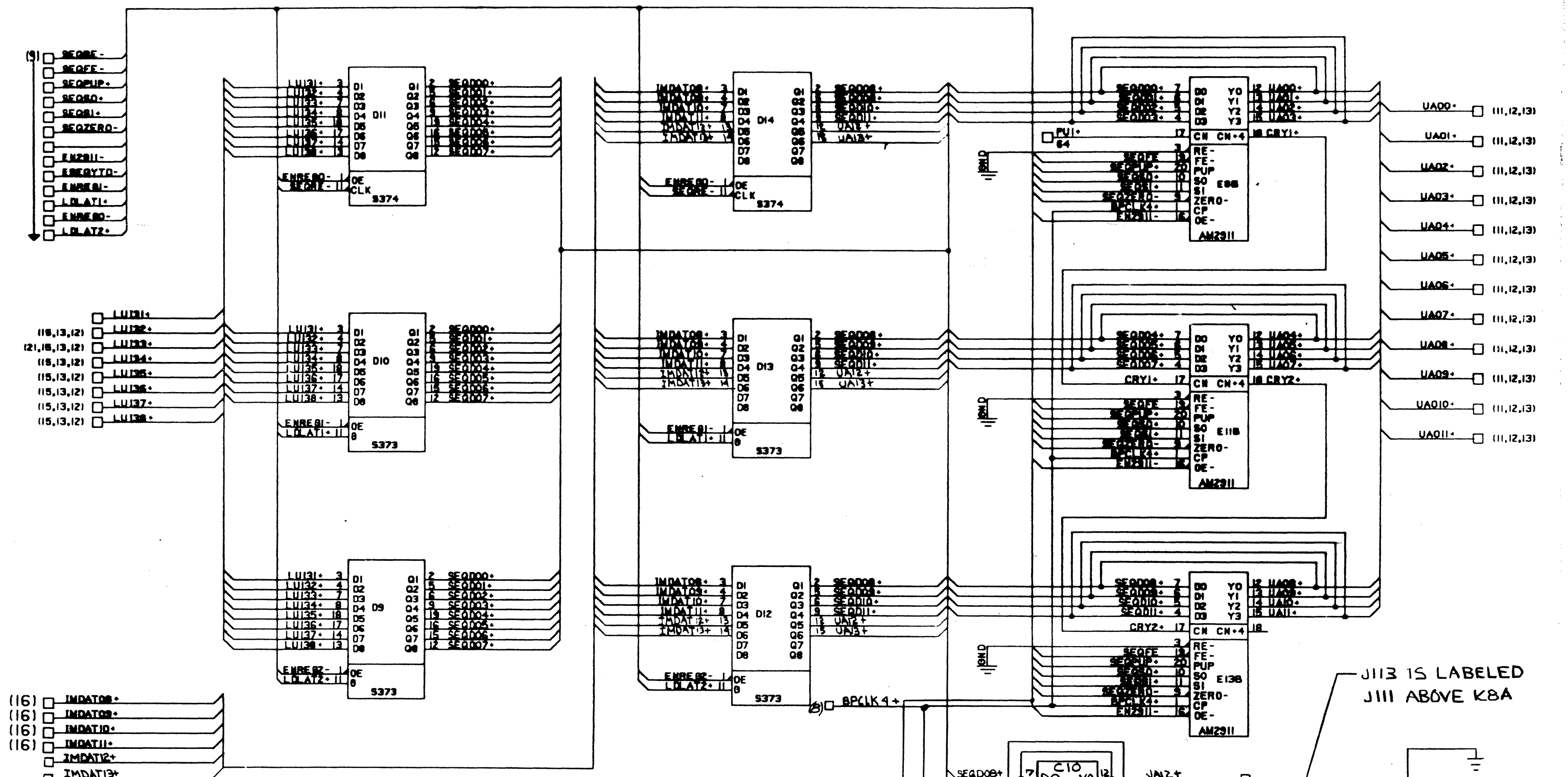


THESE DRAWINGS AND THE PROPERTY OF RASTER TECHNOLOGIES, INC. AND SHALL NOT BE REPRODUCED, COPIED, OR USED AS THE BASIS FOR THE MANUFACTURE OR SALE OF APPARATUS WITHOUT WRITTEN PERMISSION.

RASTER TECHNOLOGIES

RGPU

DRAWING NO. 000 1254

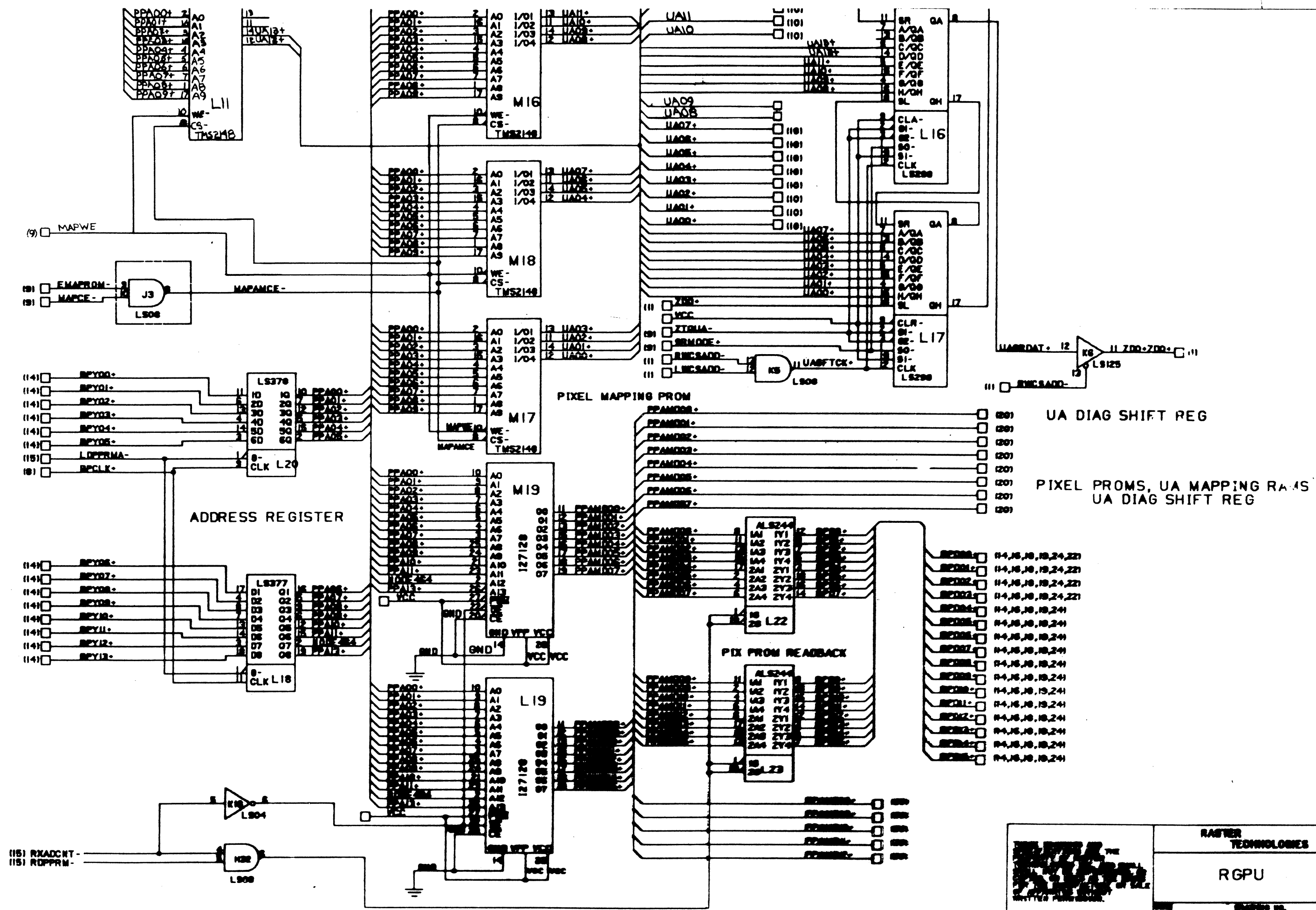


J113 IS LABELED
J111 ABOVE K8A

THIS DOCUMENT AND THE
PROPERTY OF RASTER
TECHNOLOGIES INC. AND SHALL
NOT BE LOANED, REPRODUCED,
COPIED, REPRODUCED, OR SALE
WITHOUT PERMISSION
WRITTEN PERMISSION

RASTER
TECHNOLOGIES
RGPU

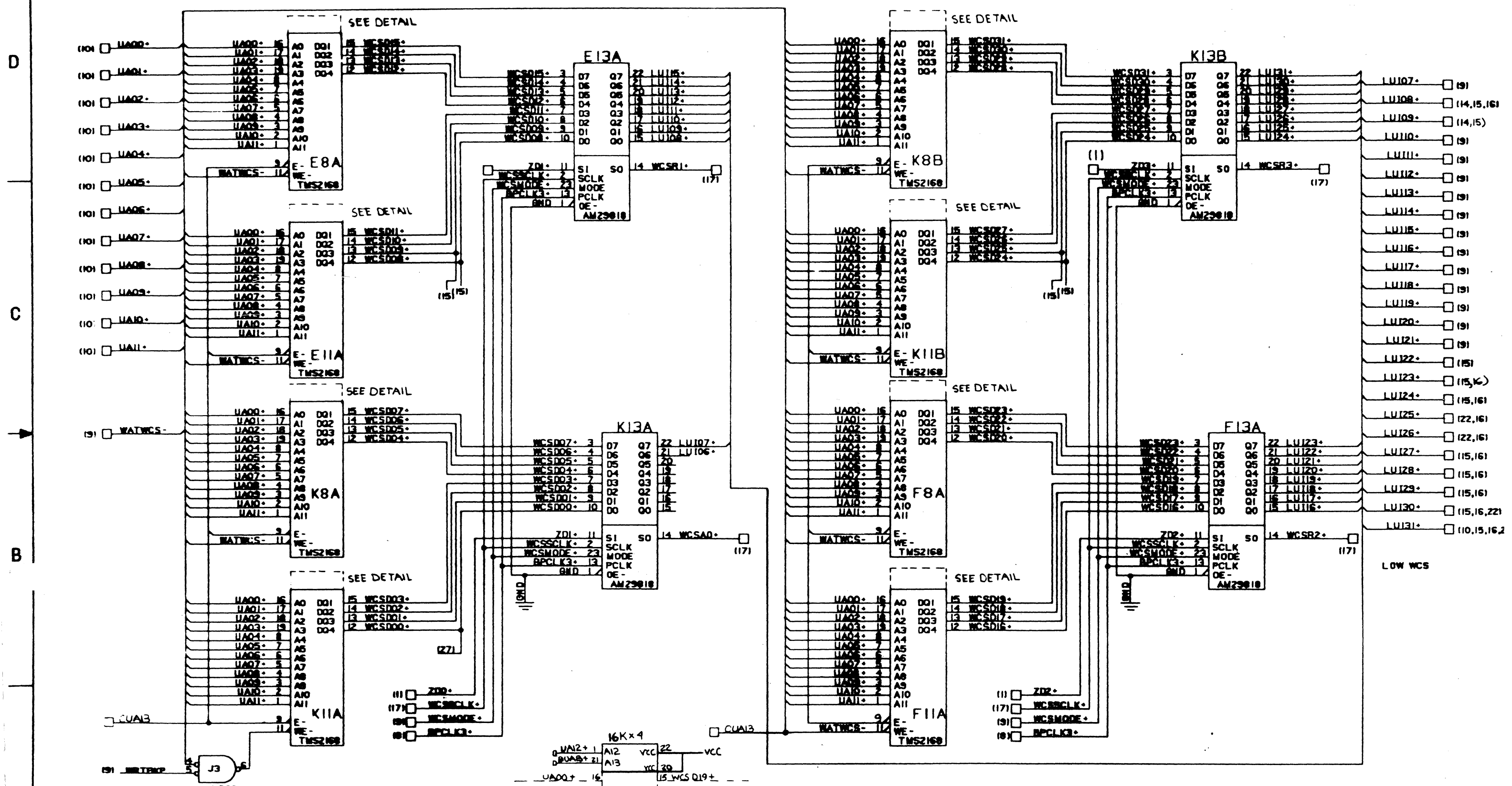
D
C
B
A



UA DIAG SHIFT REG
PIXEL PROMS, UA MAPPING RAMS
UA DIAG SHIFT REG

- RPY00: 04,16,18,24,221
- RPY01: 04,16,18,19,24,221
- RPY02: 04,16,18,19,24,221
- RPY03: 04,16,18,19,24,221
- RPY04: 04,16,18,19,24,221
- RPY05: 04,16,18,19,24,221
- RPY06: 04,16,18,19,24,221
- RPY07: 04,16,18,19,24,221
- RPY08: 04,16,18,19,24,221
- RPY09: 04,16,18,19,24,221
- RPY10: 04,16,18,19,24,221
- RPY11: 04,16,18,19,24,221
- RPY12: 04,16,18,19,24,221
- RPY13: 04,16,18,19,24,221

REVISIONS			
DATE	DESCRIPTION	DATE	APPROVED



DETAIL FOR 16Kx4 ONLY

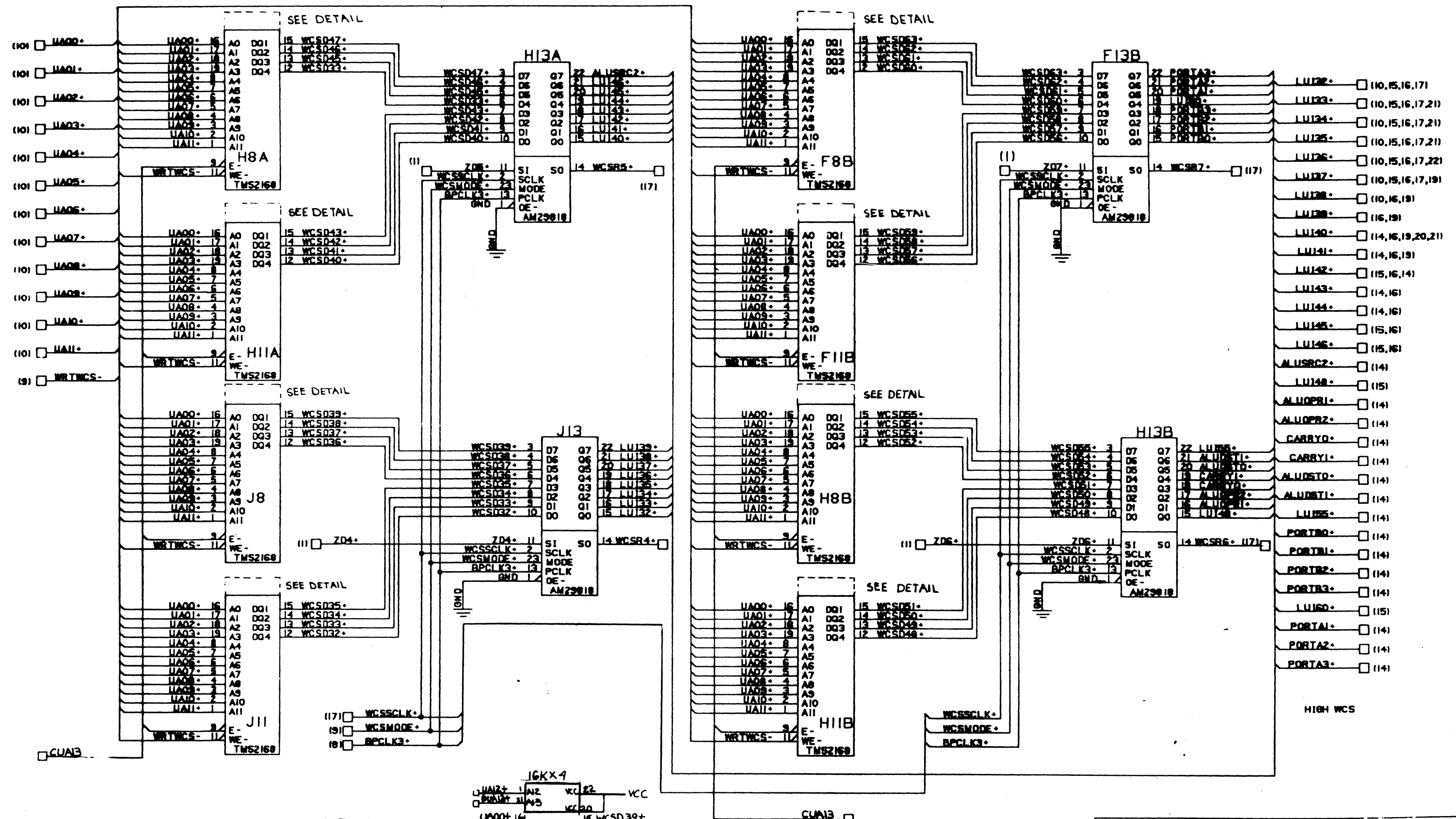
THESE DRAWINGS AND SPECIFICATIONS ARE THE PROPERTY OF RASTER TECHNOLOGIES INC. AND SHALL NOT BE REPRODUCED OR COPIED OR USED AS THE BASIS FOR THE MANUFACTURE OR SALE OF ANY PRODUCT WITHOUT WRITTEN PERMISSION.

RASTER TECHNOLOGIES

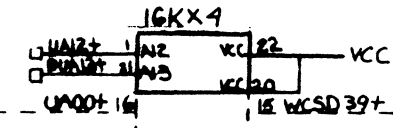
RGPU

DRAWING NO. _____

REVISIONS			
DATE	DESCRIPTION	DATE	APPROVAL



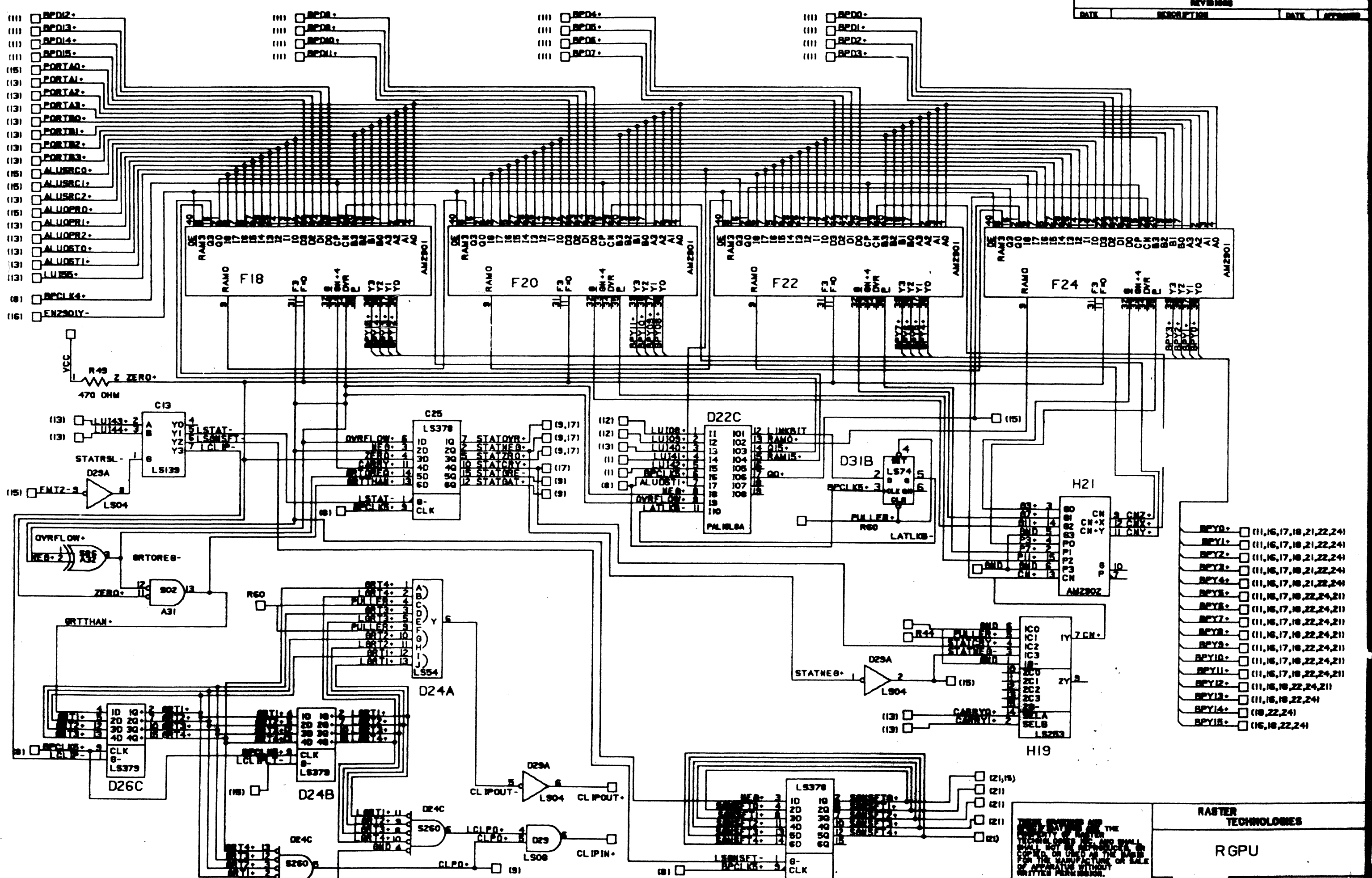
DETAIL
FOR 16Kx4 ONLY



THESE DRAWINGS AND SPECIFICATIONS ARE THE PROPERTY OF RASTER TECHNOLOGIES INC. AND SHALL NOT BE REPRODUCED OR COPIED OR USED AS THE BASIS FOR THE MANUFACTURE OR SALE OF ANY PRODUCT WITHOUT WRITTEN PERMISSION.

RASTER TECHNOLOGIES
RGPU

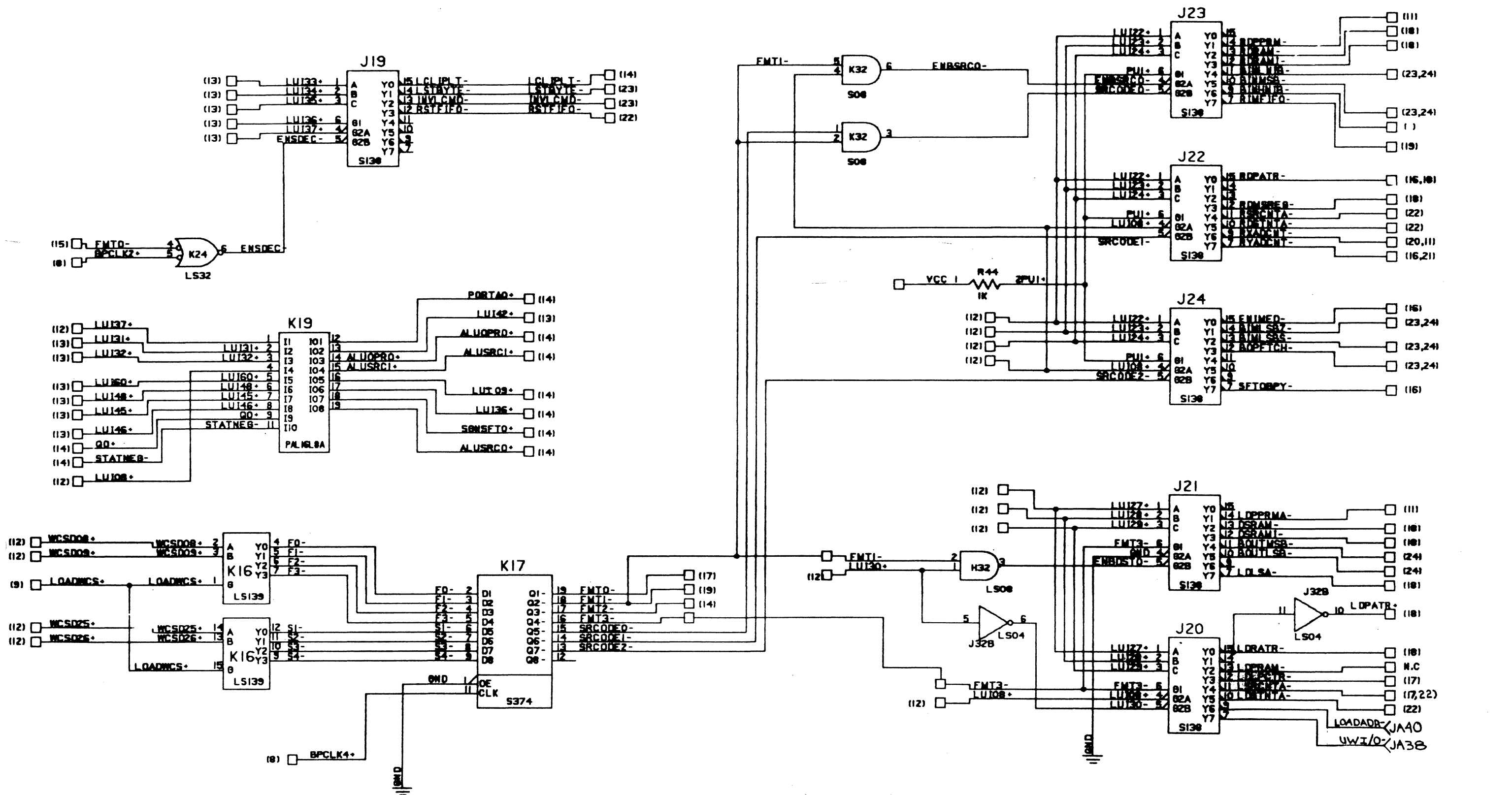
D
C
B
A



- BPY0- (11,16,17,18,21,22,24)
- BPY1- (11,16,17,18,21,22,24)
- BPY2- (11,16,17,18,21,22,24)
- BPY3- (11,16,17,18,21,22,24)
- BPY4- (11,16,17,18,21,22,24)
- BPY5- (11,16,17,18,22,24,21)
- BPY6- (11,16,17,18,22,24,21)
- BPY7- (11,16,17,18,22,24,21)
- BPY8- (11,16,17,18,22,24,21)
- BPY9- (11,16,17,18,22,24,21)
- BPY10- (11,16,17,18,22,24,21)
- BPY11- (11,16,17,18,22,24,21)
- BPY12- (11,16,18,22,24,21)
- BPY13- (11,16,18,22,24)
- BPY14- (18,22,24)
- BPY15- (16,18,22,24)

THIS DRAWING AND THE DATA HEREON ARE THE PROPERTY OF RASTER TECHNOLOGIES. IT IS TO BE USED ONLY AS THE BASIS FOR THE MANUFACTURE OR SALE OF APPARATUS WITHOUT WRITTEN PERMISSION.

REVISIONS			
DATE	DESCRIPTION	DATE	APPROVED

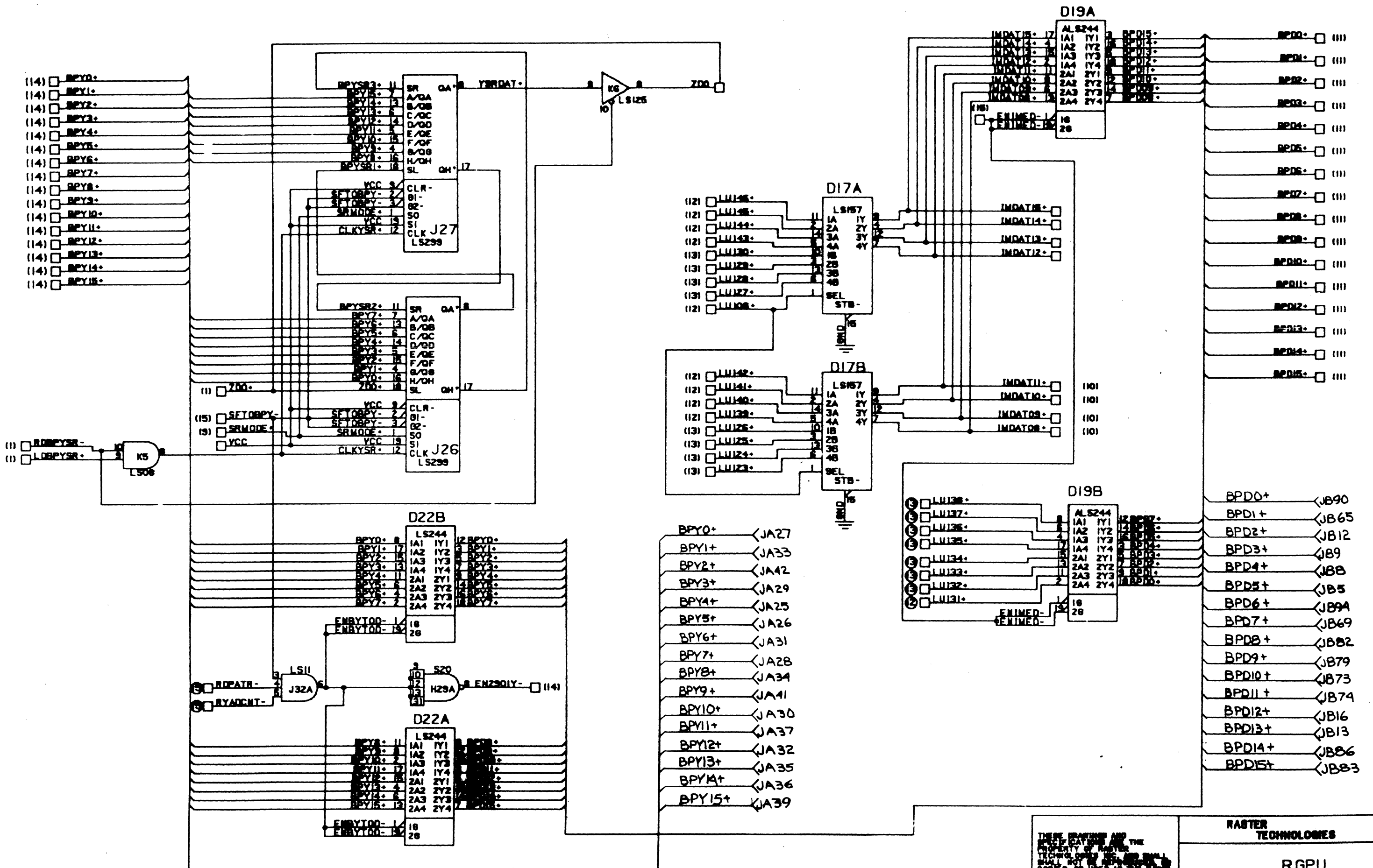


THIS DRAWING AND THE PROPERTY OF RASTER TECHNOLOGIES INC. AND SHALL REMAIN NOT BE REPRODUCED OR COPIED OR USED AS THE BASIS FOR THE MANUFACTURE OR SALE OF ANY DEVICE WITHOUT WRITTEN PERMISSION.

RASTER TECHNOLOGIES

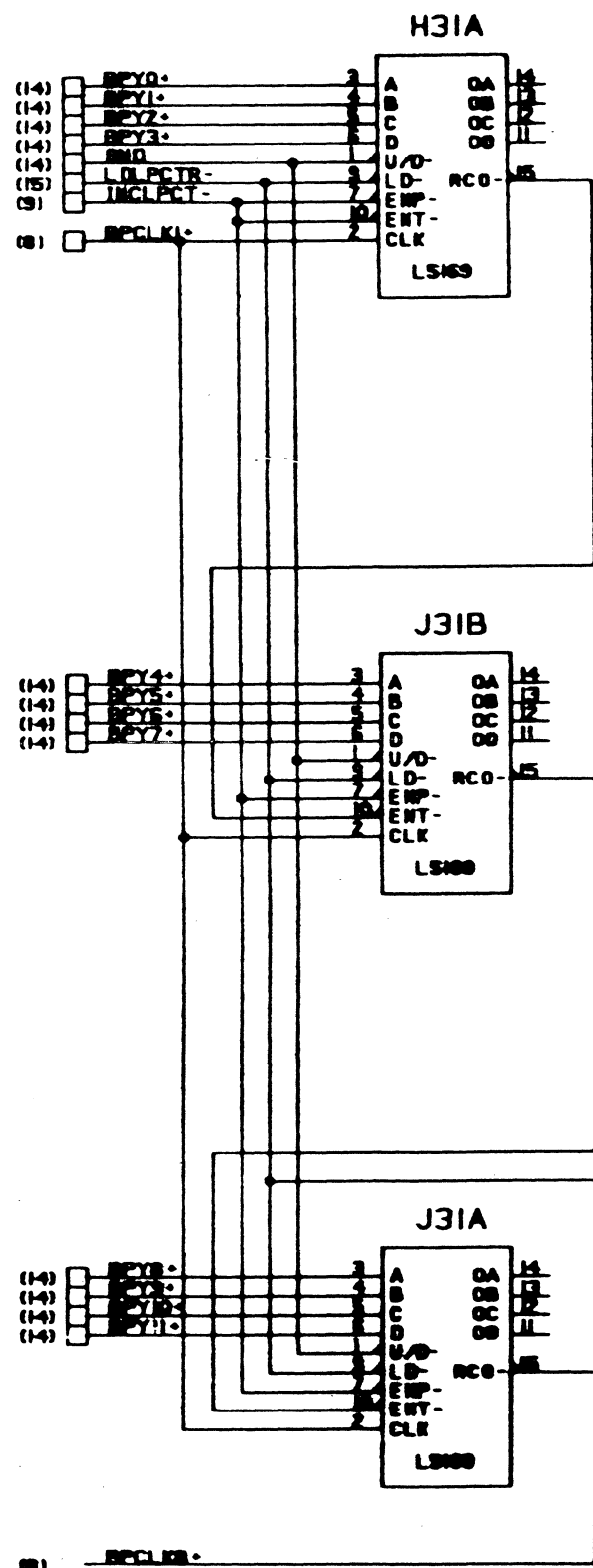
RGPU

DRAWING NO. 006-1241-000

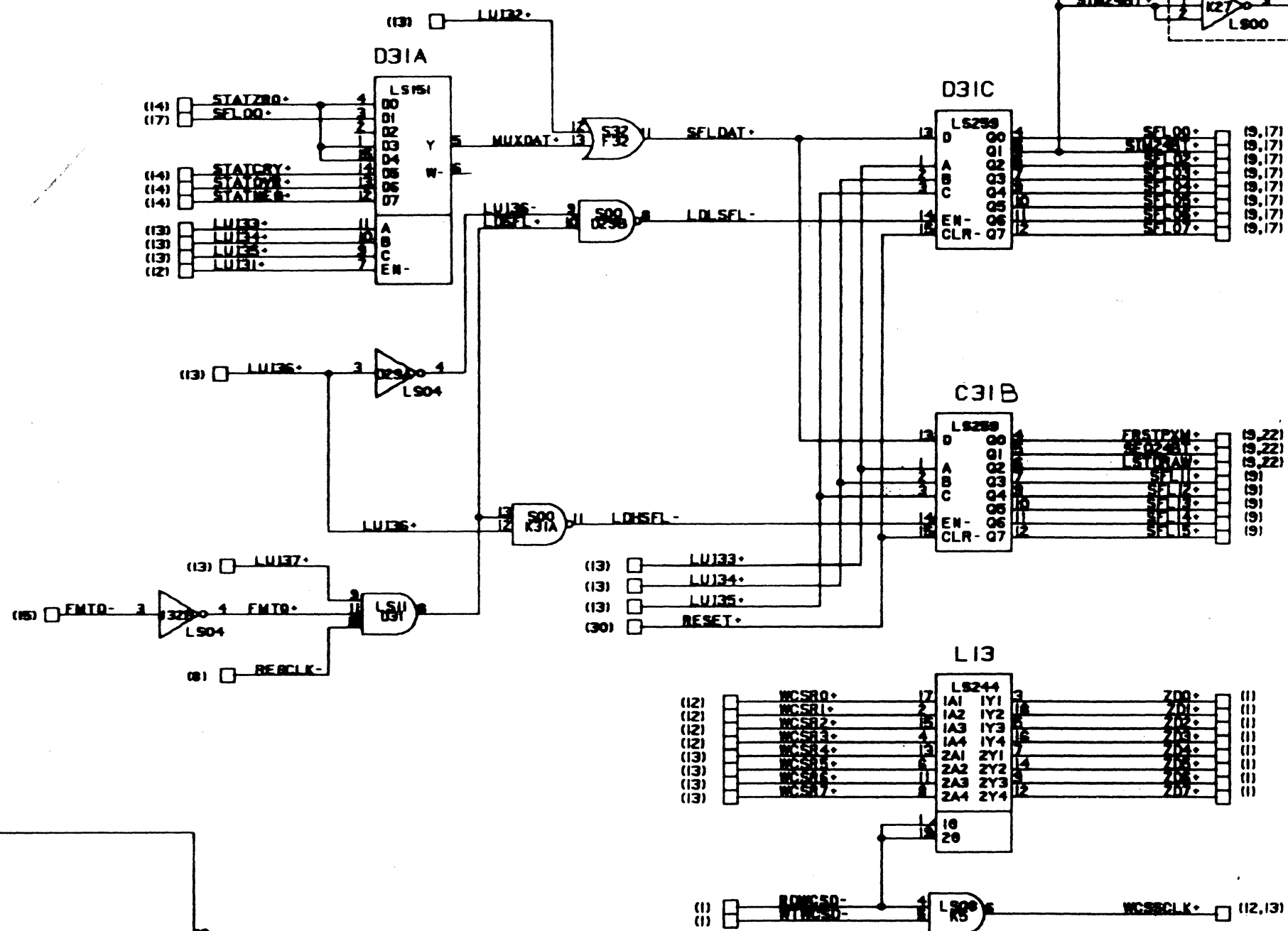


THESE DRAWINGS AND THE SPECIFICATIONS ARE THE PROPERTY OF RASTER TECHNOLOGIES, INC. AND SHALL NOT BE REPRODUCED, COPIED, OR USED IN ANY MANNER FOR THE MANUFACTURE OF APPARATUS WITHOUT WRITTEN PERMISSION.

LOOP COUNTER



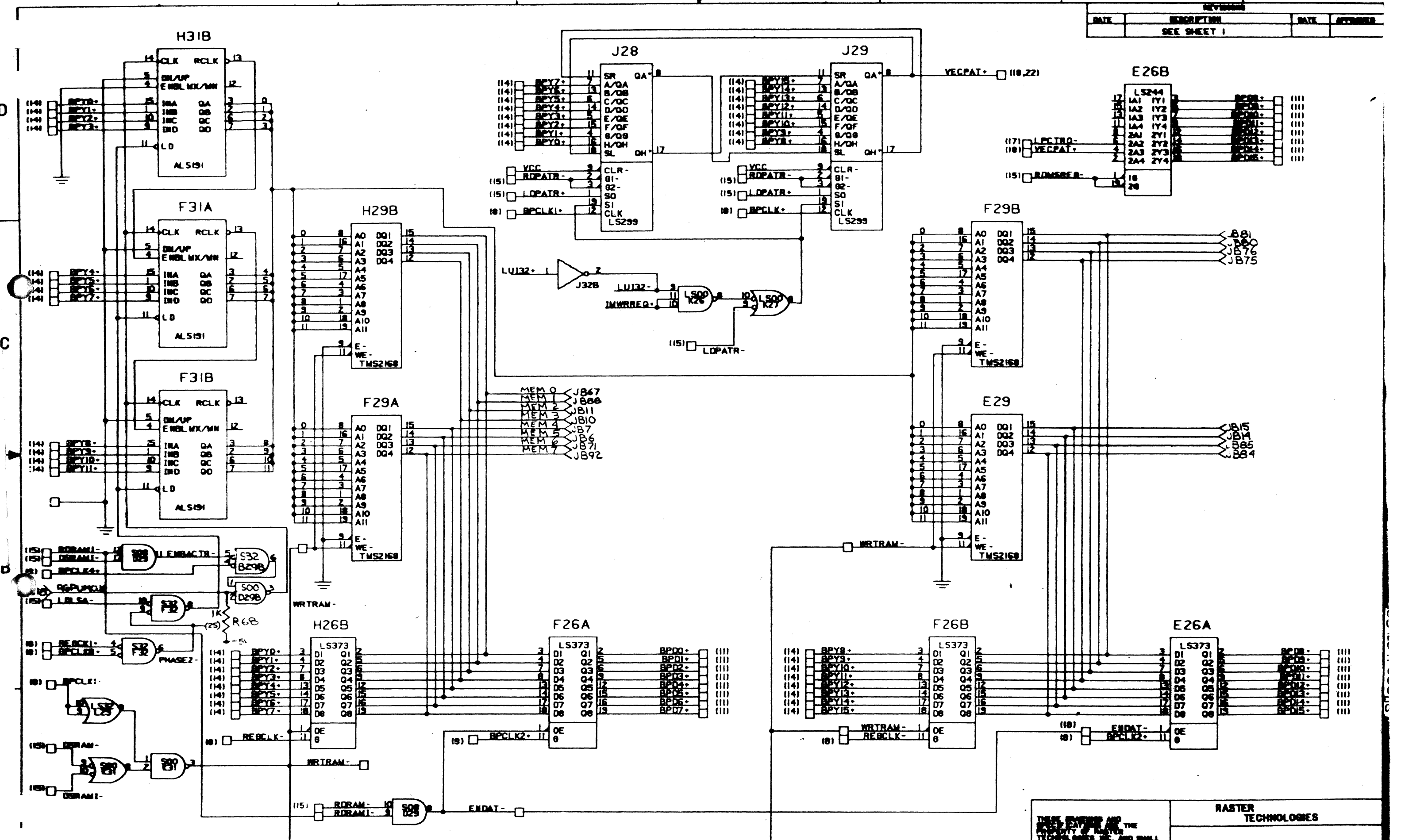
SPECIAL FUNCTION LATCHES



LOOP CNTR, SPECIAL LATCHES

<p>THIS DOCUMENT AND THE DATA CONTAINED HEREIN ARE UNCLASSIFIED EXCEPT WHERE SHOWN OTHERWISE. FOR THE HANDLING OR SALE OF APPARATUS WITHOUT WRITTEN PERMISSION.</p>	<p>RASTER TECHNOLOGIES</p>
	<p>RGPU</p>
	<p>FORM NO. 006-12641-000</p>

REVISIONS			
DATE	DESCRIPTION	DATE	APPROVED
	SEE SHEET 1		

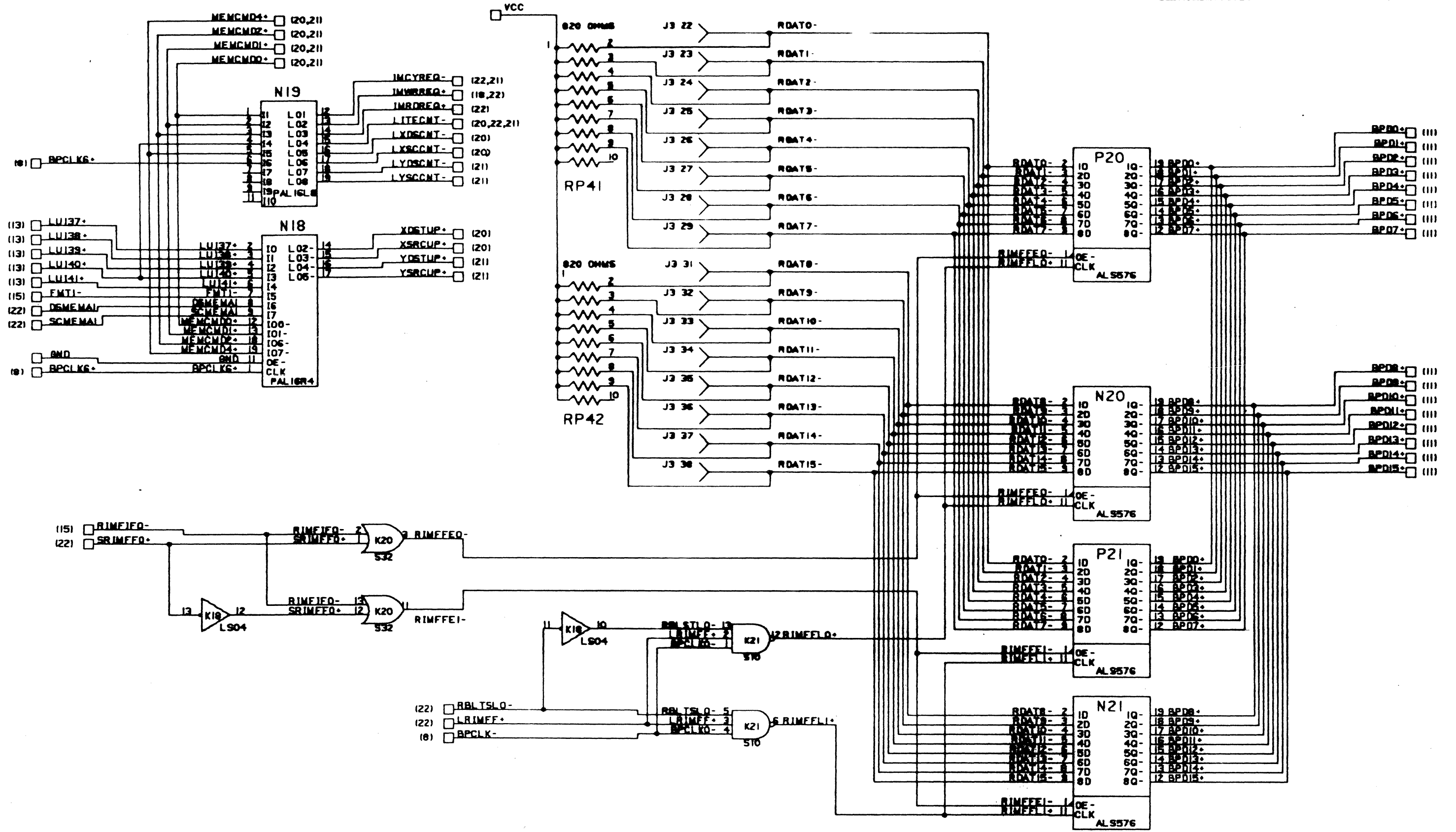


THESE DRAWINGS ARE THE PROPERTY OF RASTER TECHNOLOGIES, INC. AND SHALL REMAIN CONFIDENTIAL. NO PART OF THIS DOCUMENT IS TO BE REPRODUCED OR TRANSMITTED IN ANY FORM OR BY ANY MEANS, ELECTRONIC OR MECHANICAL, INCLUDING PHOTOCOPYING, RECORDING, OR BY ANY INFORMATION STORAGE AND RETRIEVAL SYSTEM, WITHOUT THE WRITTEN PERMISSION OF RASTER TECHNOLOGIES, INC.

RASTER TECHNOLOGIES

RGPU

006-12641-000



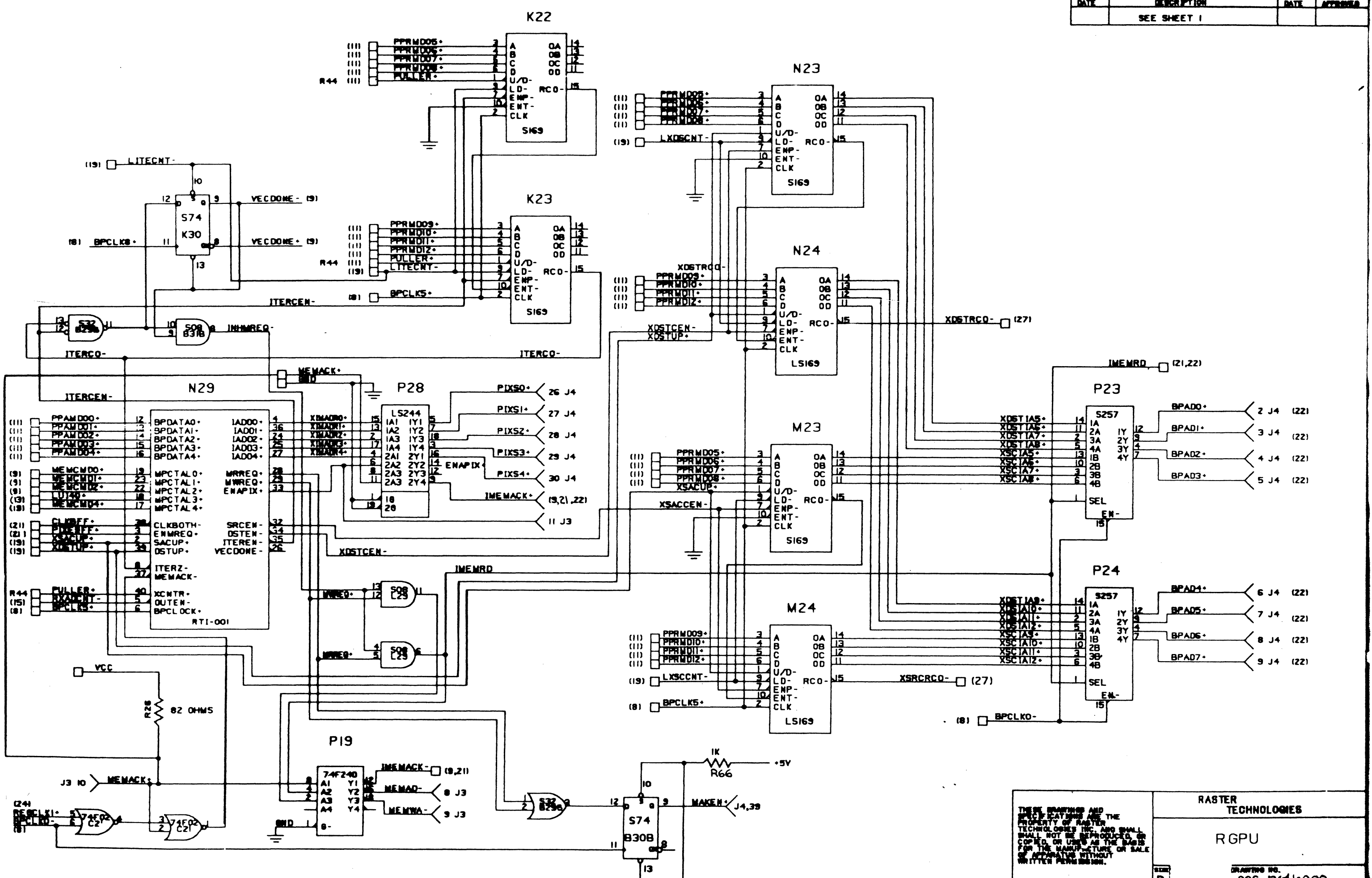
THESE DRAWINGS AND THE INFORMATION CONTAINED HEREIN ARE THE PROPERTY OF RASTER TECHNOLOGIES, INC. AND SHALL NOT BE REPRODUCED, COPIED, OR USED IN ANY MANNER FOR THE MANUFACTURE OR SALE OF APPARATUS WITHOUT WRITTEN PERMISSION.

RASTER TECHNOLOGIES

RGPU

WIRE NO.
105-12641-000

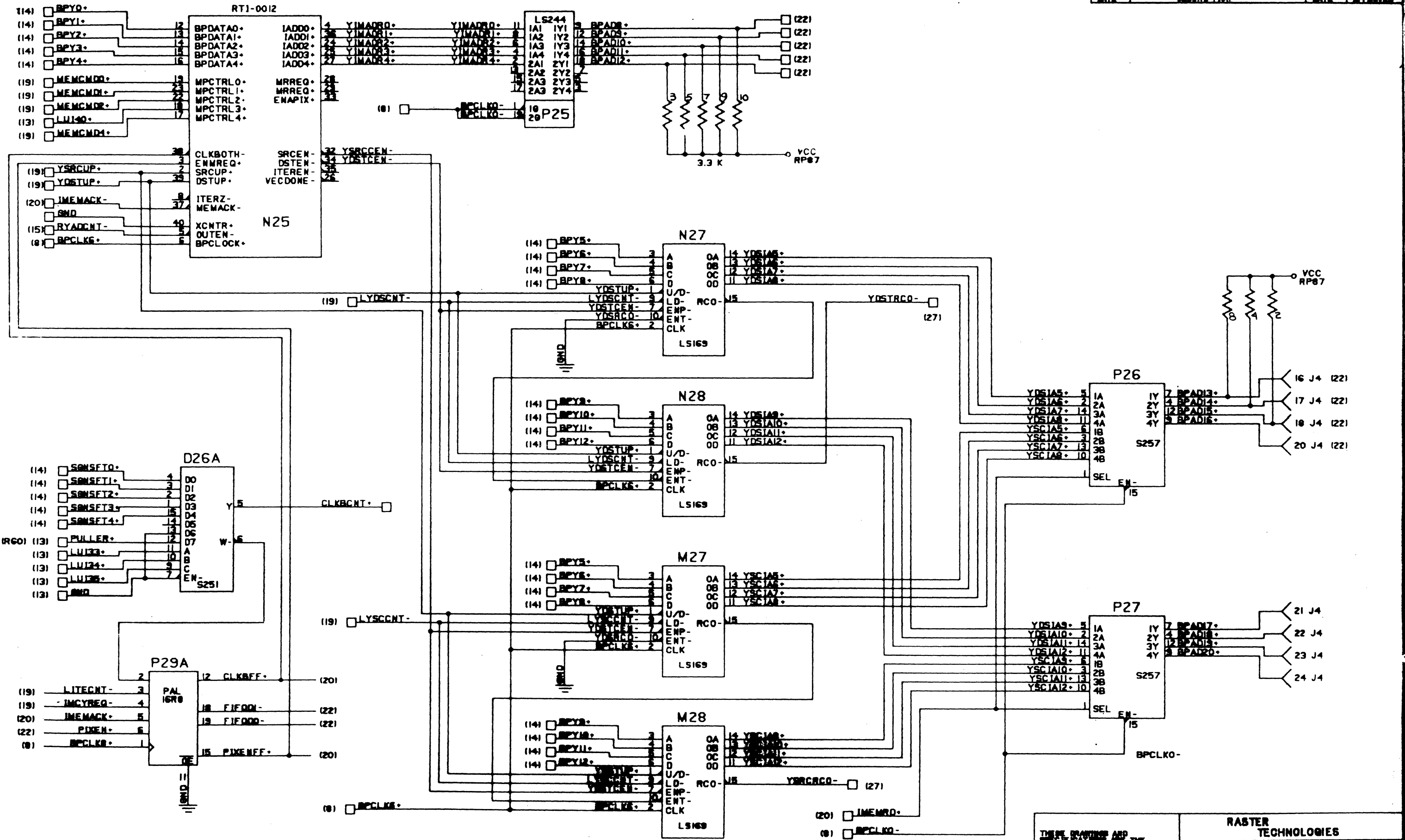
REVISIONS			
DATE	DESCRIPTION	DATE	APPROVED
	SEE SHEET 1		



THESE DRAWINGS AND THE SPECIFICATIONS ARE THE PROPERTY OF RASTER TECHNOLOGIES INC. AND SHALL NOT BE REPRODUCED, COPIED, OR USED AS THE BASIS FOR THE MANUFACTURE OR SALE OF APPARATUS WITHOUT WRITTEN PERMISSION.

RASTER TECHNOLOGIES
 RGPU
 DRAWING NO. 006-12641-000
 SHEET 20/26

REVISIONS			
DATE	DESCRIPTION	DATE	APPROVED



THESE DRAWINGS AND SPECIFICATIONS ARE THE PROPERTY OF RASTER TECHNOLOGIES, INC. AND SHALL NOT BE REPRODUCED OR COPIED OR USED AS THE BASIS FOR THE MANUFACTURE OR SALE OF APPARATUS WITHOUT WRITTEN PERMISSION.

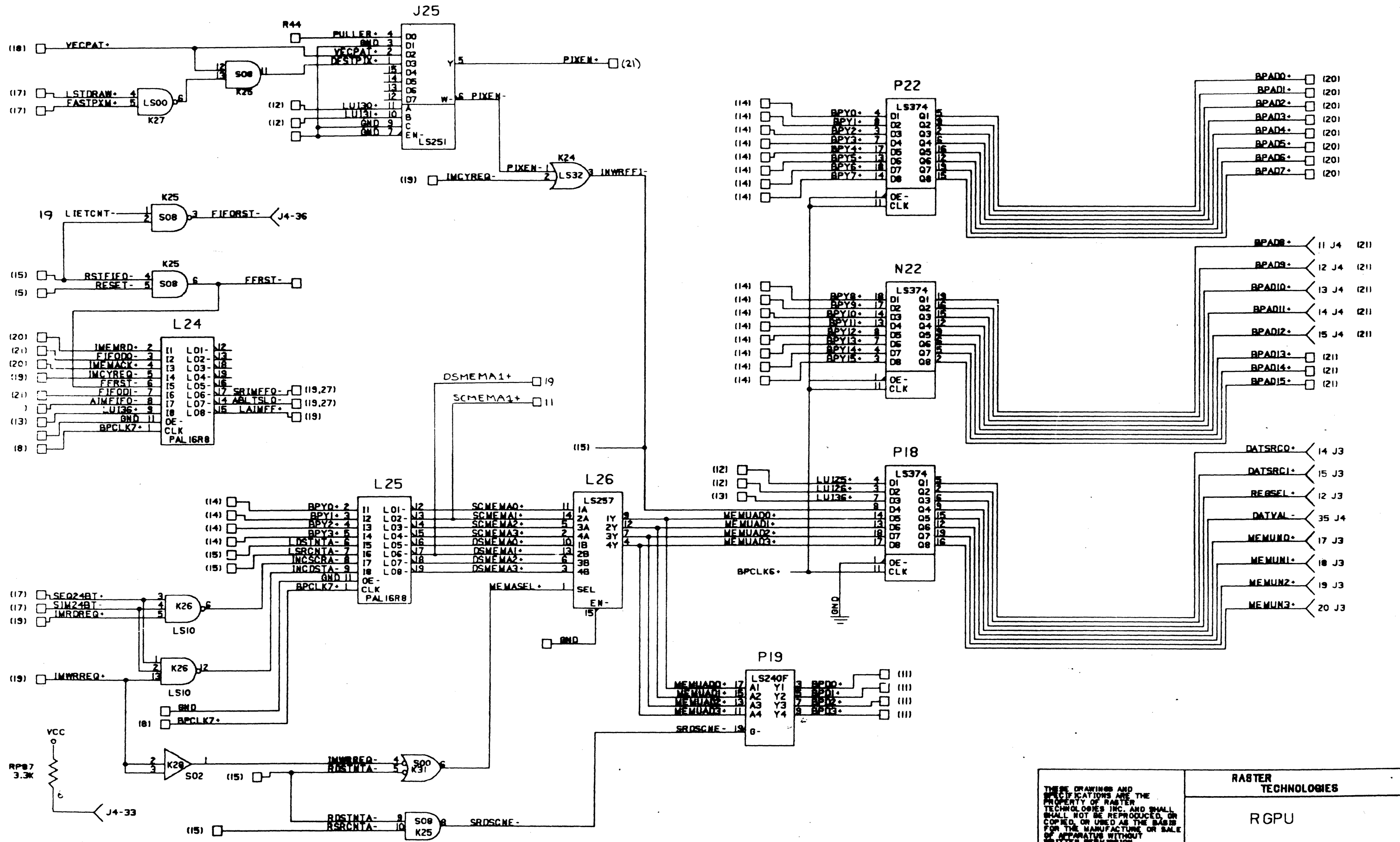
RASTER TECHNOLOGIES

RGPU

DRAWING NO. 006-12641-000



REVISIONS			
DATE	DESCRIPTION	DATE	APPROVED



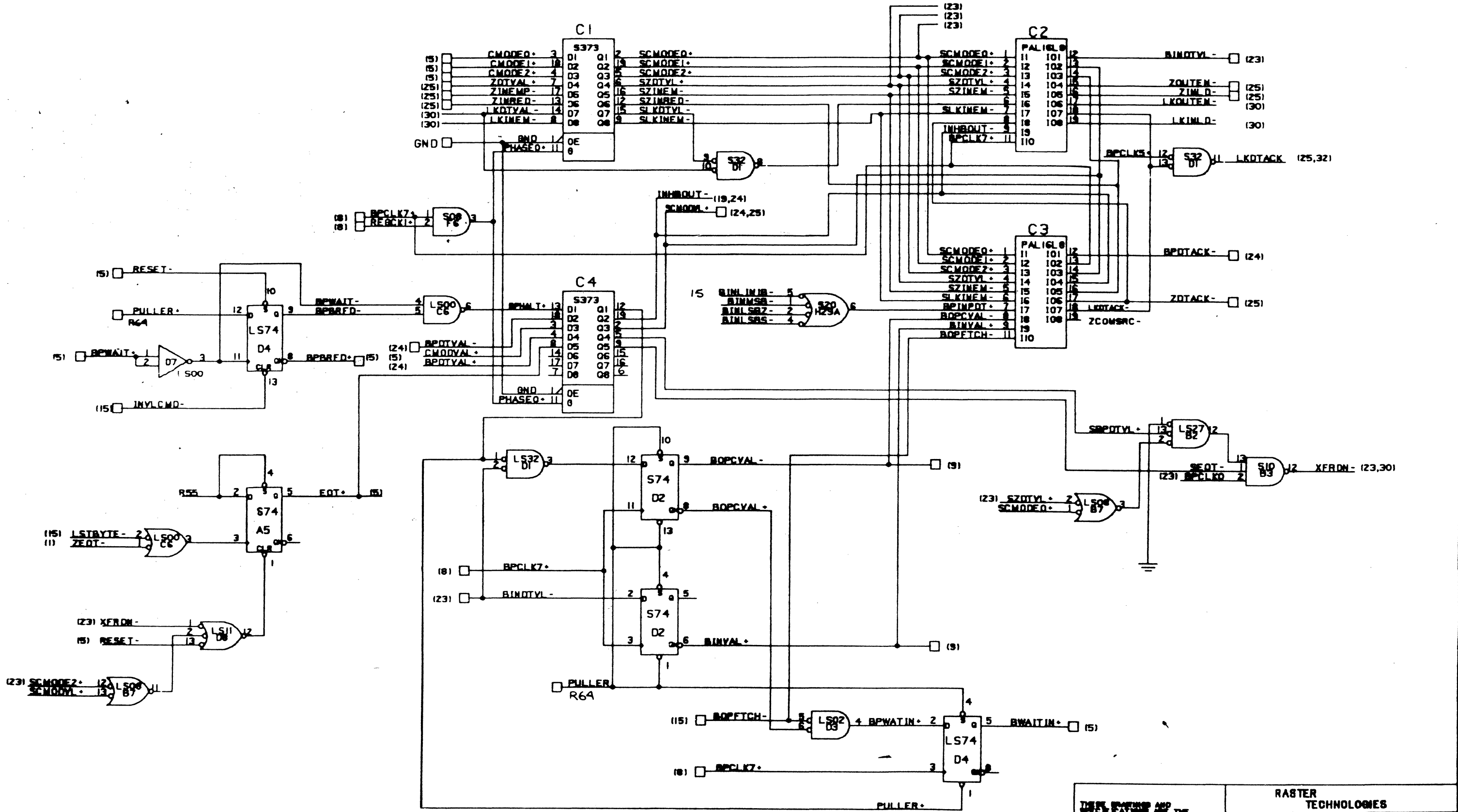
THESE DRAWINGS AND SPECIFICATIONS ARE THE PROPERTY OF RASTER TECHNOLOGIES INC. AND SHALL NOT BE REPRODUCED, COPIED, OR USED AS THE BASIS FOR THE MANUFACTURE OR SALE OF APPARATUS WITHOUT WRITTEN PERMISSION.

RASTER TECHNOLOGIES

RGPU

DRAWING NO. 100-1041-000

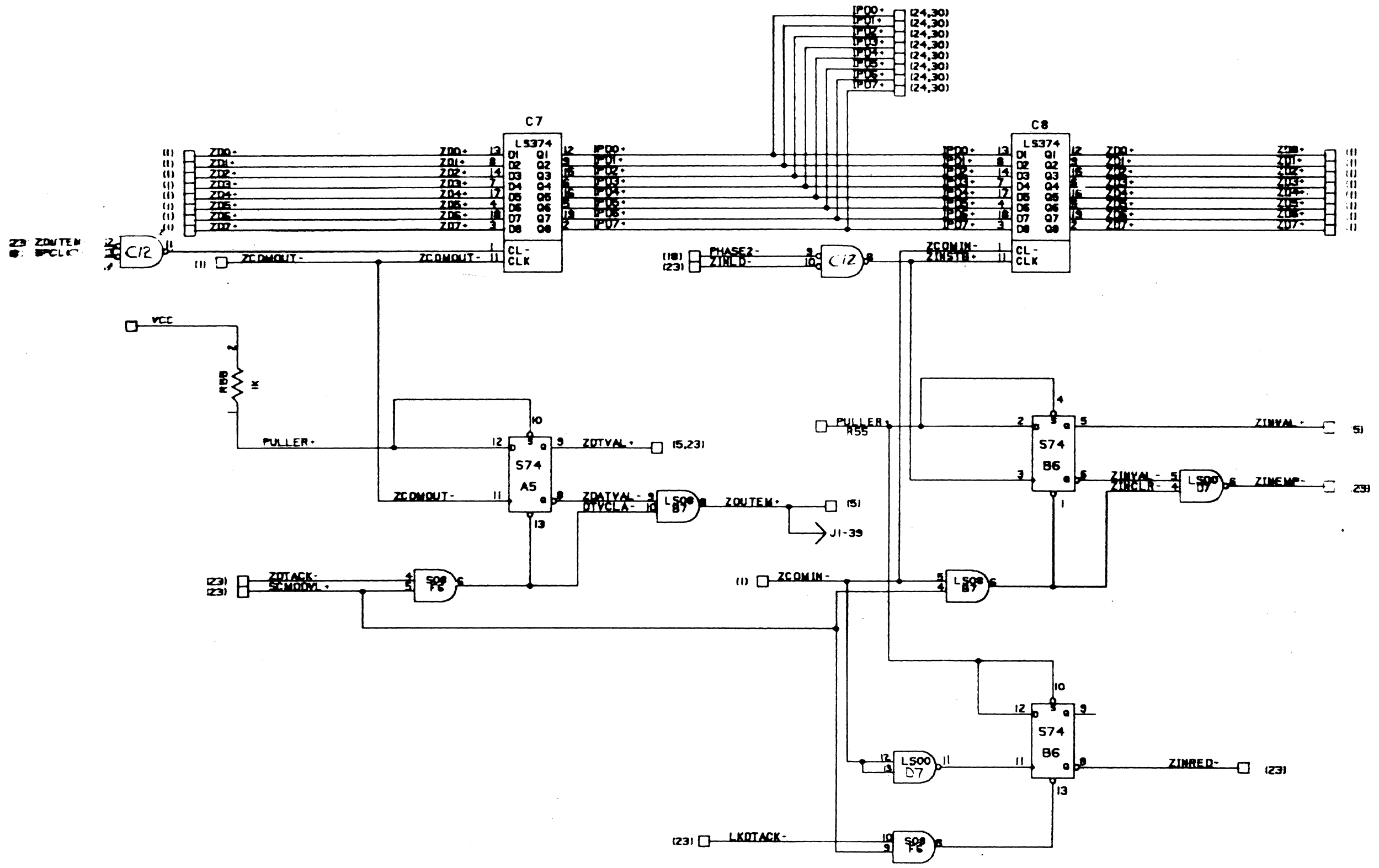
REVISIONS			
DATE	DESCRIPTION	DATE	APPROVED
	SEE SHEET 1		



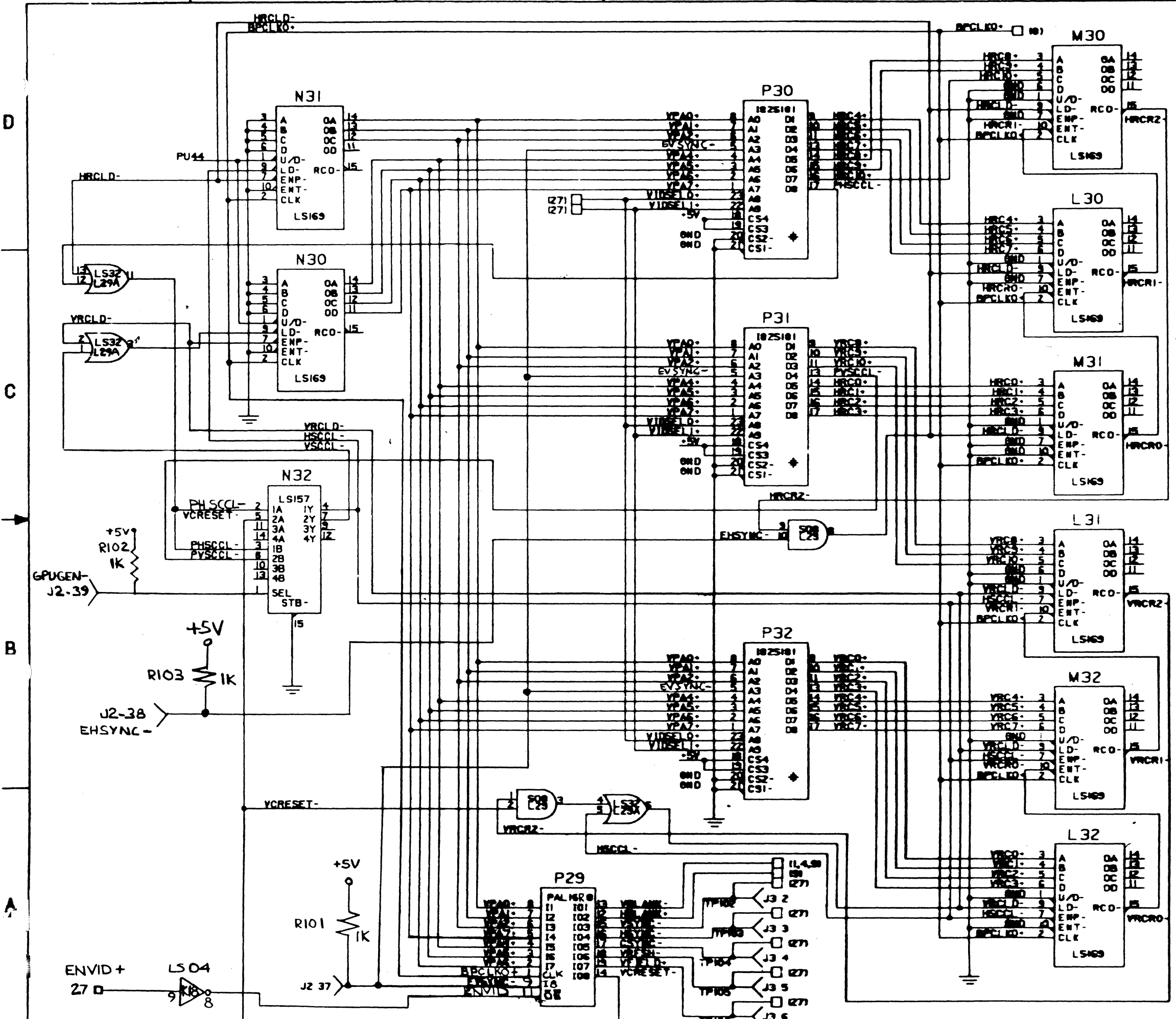
THESE DRAWINGS AND SPECIFICATIONS ARE THE PROPERTY OF RASTER TECHNOLOGIES INC. AND SHALL NOT BE REPRODUCED OR COPIED, OR USED AS THE BASIS FOR THE MANUFACTURE OR SALE OF APPARATUS WITHOUT WRITTEN PERMISSION.

RASTER TECHNOLOGIES
RGPU

DRAWING NO. 000 12/41-000



REVISIONS			
DATE	DESCRIPTION	DATE	APPROVED
	SEE SHEET 1		



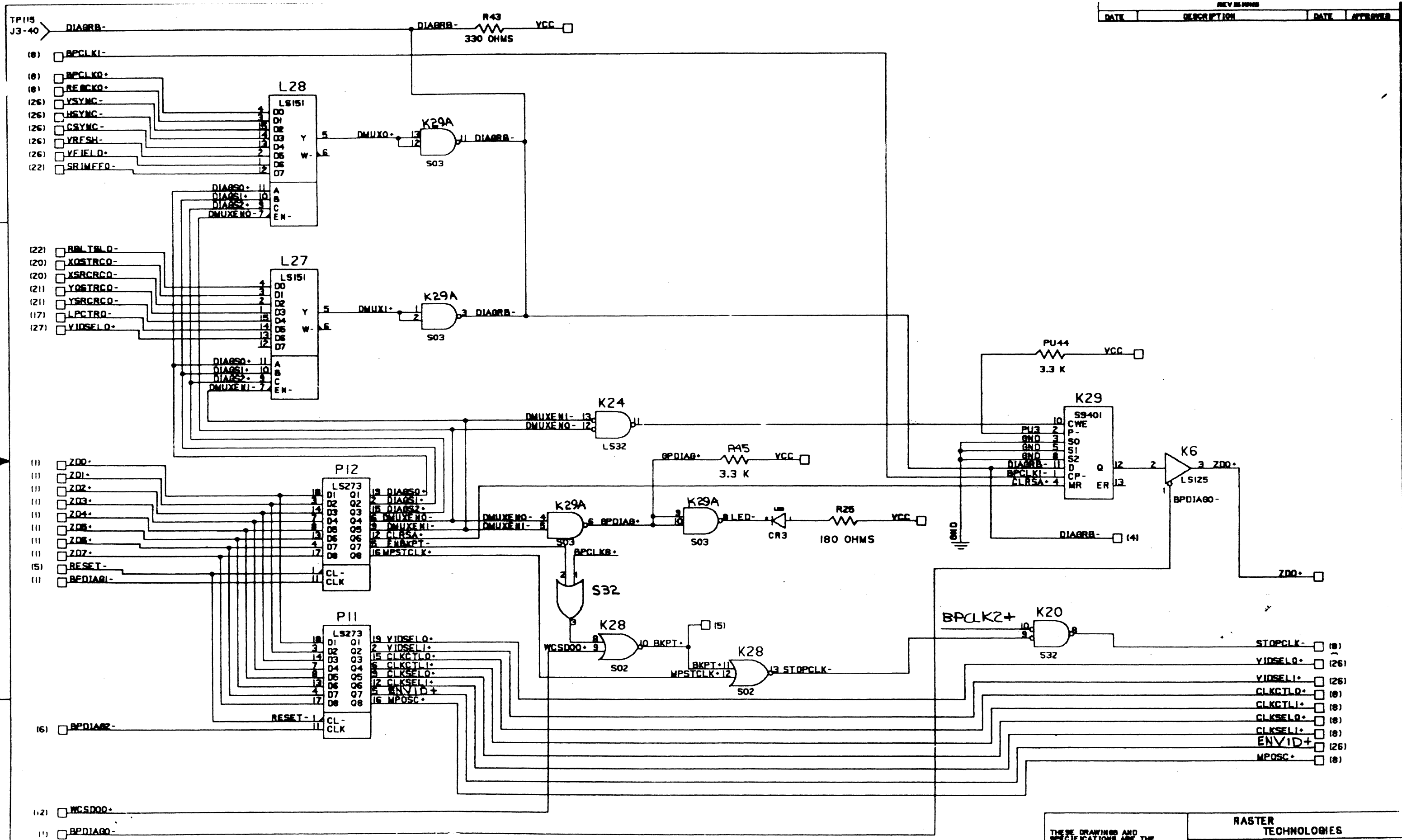
◆ = .300 WIDE 24 PIN

THIS DRAWING AND THE PROPERTY OF RASTER TECHNOLOGIES INC. AND SHALL NOT BE REPRODUCED OR COPIED OR USED AS THE BASIS FOR THE MANUFACTURE OR SALE OF ANY DEVICE WITHOUT WRITTEN PERMISSION.

RASTER TECHNOLOGIES

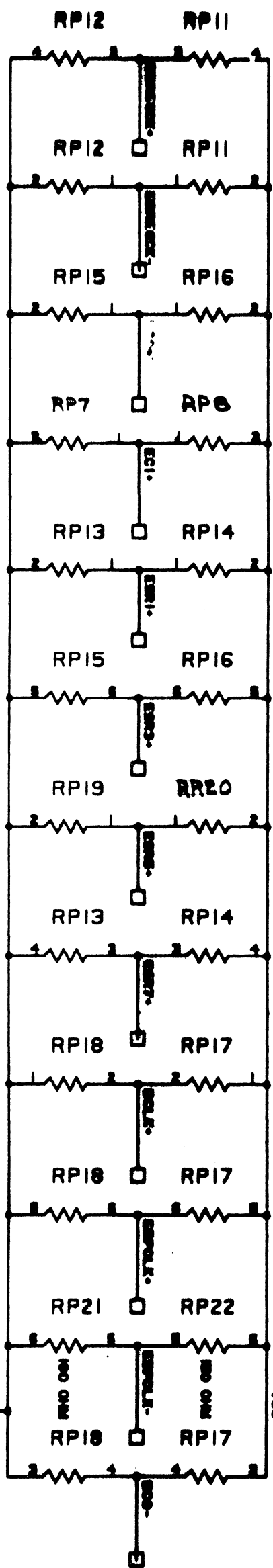
RGPU

DRAWING NO. 005-12641-000

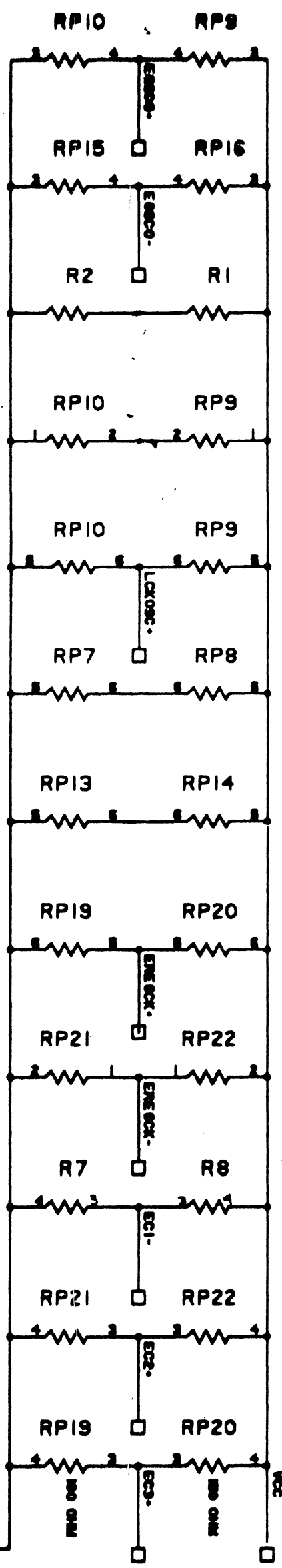


THESE DRAWINGS AND SPECIFICATIONS ARE THE PROPERTY OF RASTER TECHNOLOGIES INC. AND SHALL NOT BE REPRODUCED, COPIED, OR USED AS THE BASIS FOR THE MANUFACTURE OR SALE OF APPARATUS WITHOUT WRITTEN PERMISSION.

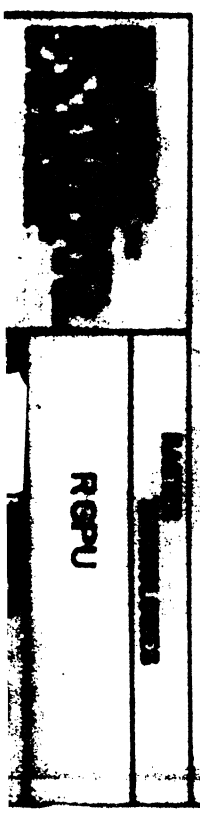
RASTER TECHNOLOGIES	
HAWK GPU	
DRAWING NO. 006-12641-000	SCALE D



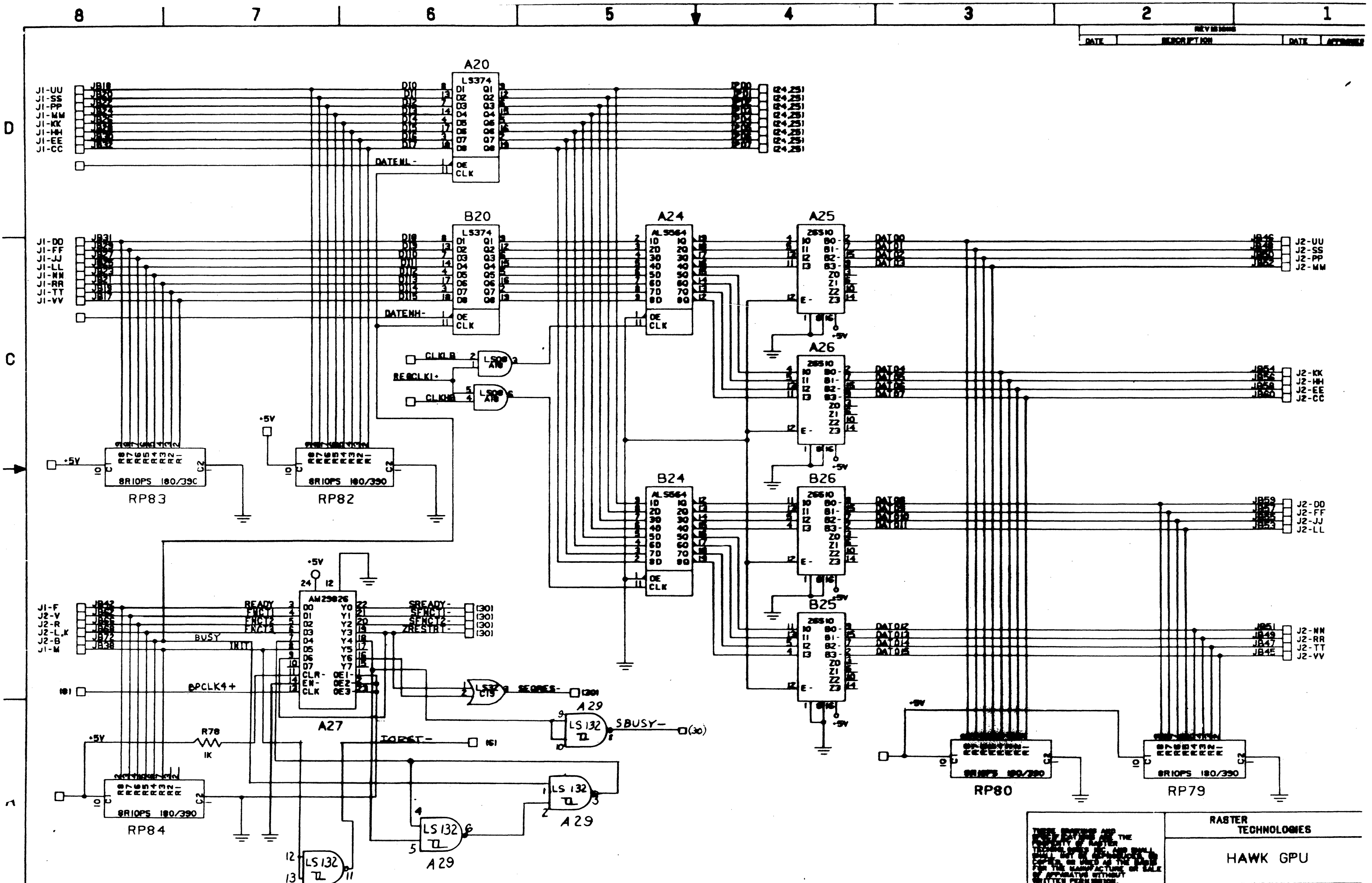
C41



8
7
6
5
4
3
2
1



REVISIONS			
DATE	DESCRIPTION	DATE	APPROVAL

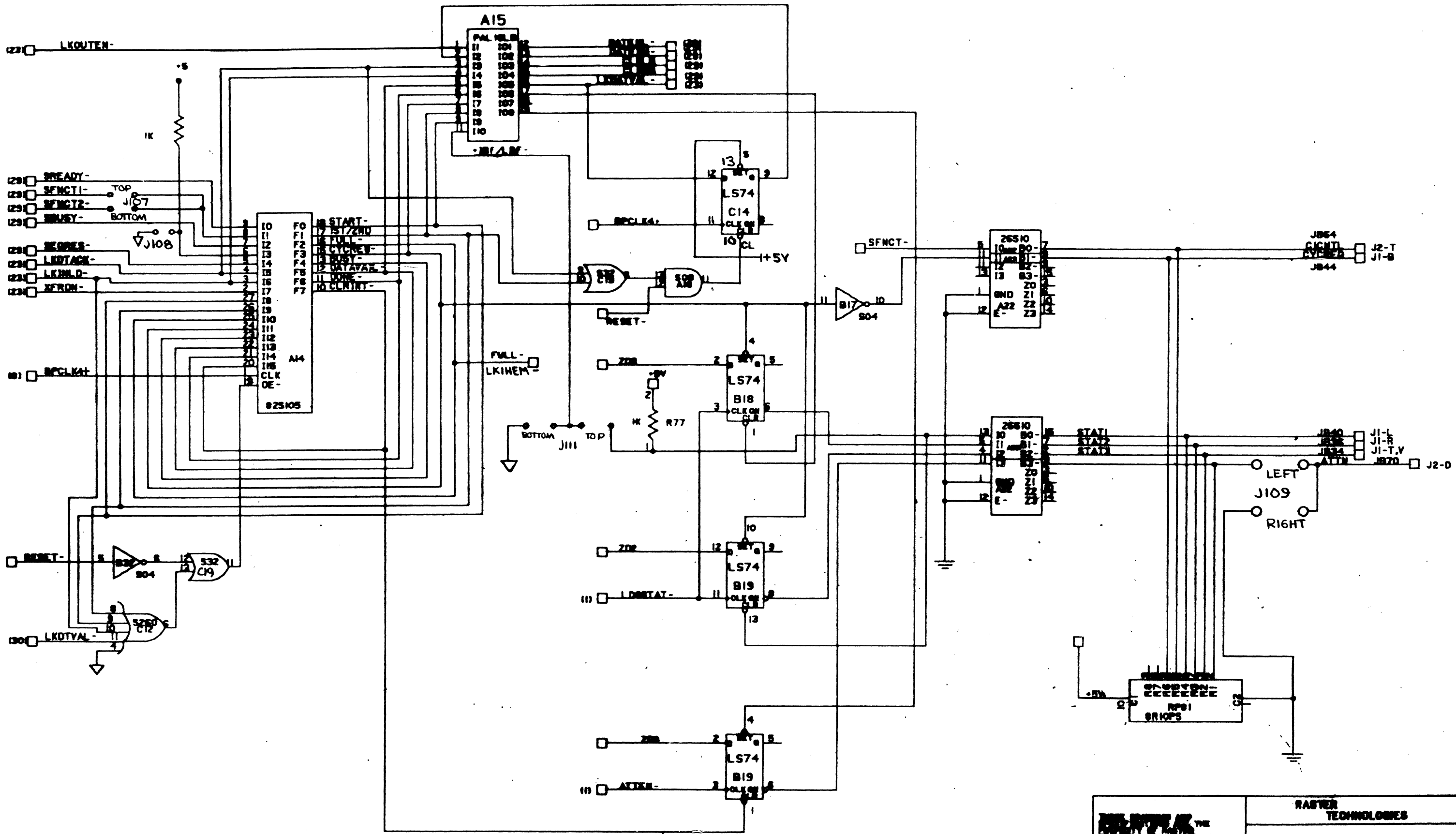


THESE DRAWINGS AND THE
 INFORMATION CONTAINED
 HEREIN ARE UNCLASSIFIED
 EXCEPT WHERE SHOWN
 OTHERWISE. THIS DOCUMENT
 IS THE PROPERTY OF RASTER
 TECHNOLOGIES AND IS TO BE
 RETURNED TO THE OFFICE OF
 ORIGINAL ACQUISITION
 UPON REQUEST. IT IS TO BE
 DESTROYED WHEN NO LONGER
 REQUIRED FOR THE MANUFACTURE OR SALE
 OF EQUIPMENT WITHOUT
 WRITTEN PERMISSION.

RASTER TECHNOLOGIES

HAWK GPU

REVISION			
DATE	DESCRIPTION	DATE	APPROV
	SEE SHEET 1		



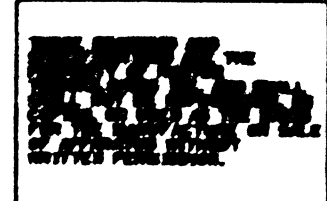
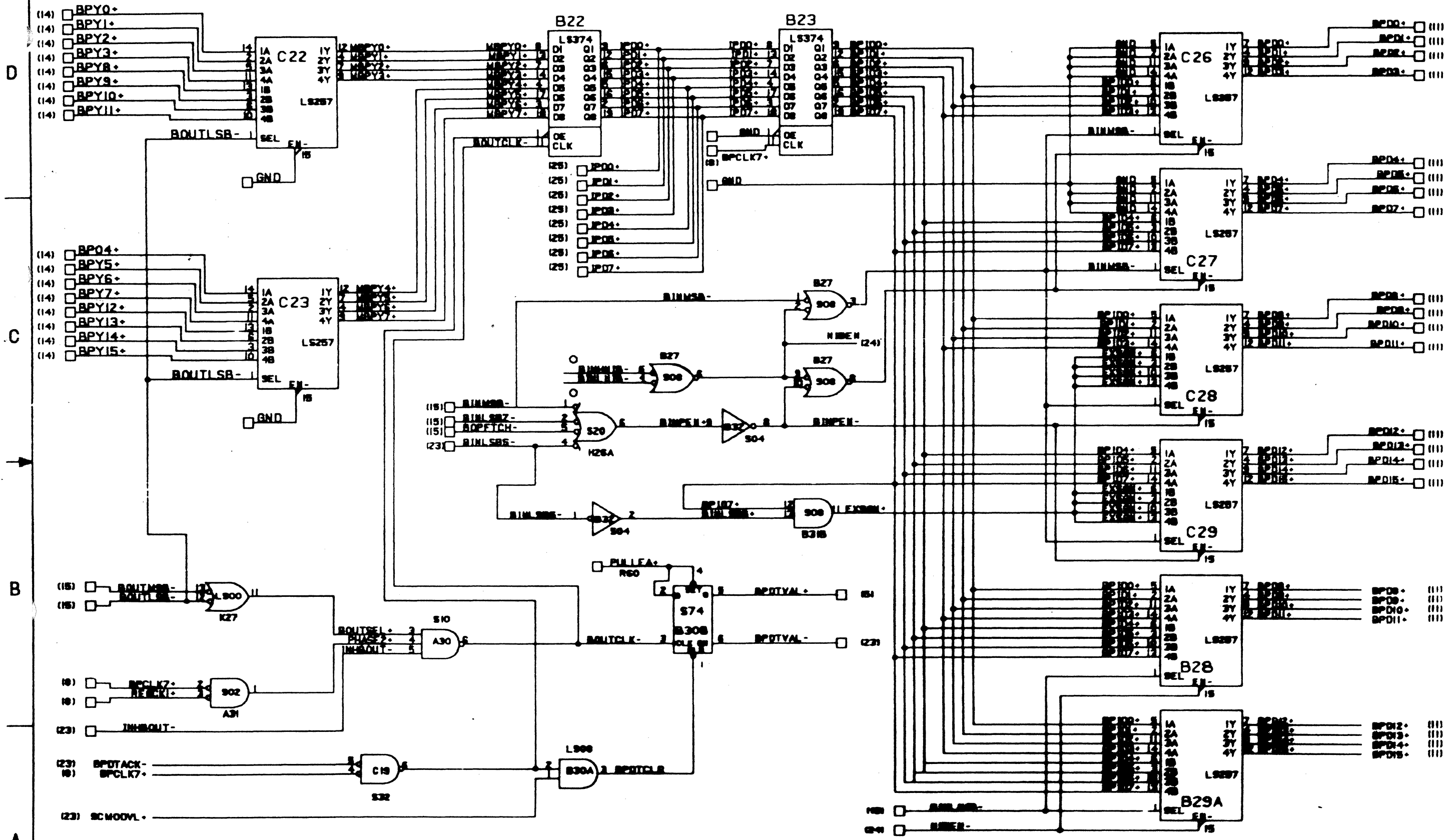
THIS DRAWING IS THE PROPERTY OF RASTER TECHNOLOGIES. IT IS TO BE USED ONLY FOR THE PROJECT AND NOT TO BE REPRODUCED OR COPIED IN ANY MANNER WITHOUT THE WRITTEN PERMISSION.

RASTER TECHNOLOGIES

RGPU

ISSUED BY: 006-1004-000

REVISIONS			
DATE	DESCRIPTION	DATE	APPROVED



RASTER TECHNOLOGIES
 RGPU
 SCHEMATIC NO. 006-12641-000
 JAN 1973