

The information herein is the property of PLESSEY PERIPHERAL SYS. It is to be used only for the purpose for which it was prepared. No part of this information shall be reproduced or transmitted in any form or by any means, electronic, mechanical, photocopying, recording, or by any information storage and retrieval system, without the prior written authorization from PLESSEY PERIPHERAL SYS.

REVISIONS				REVISIONS					
ZONE	LTR	DESCRIPTION	DATE	APPROVED	ZONE	LTR	DESCRIPTION	DATE	APPROVED
X10		INCORP EO 2997 2.U	4-16-79	[Signature]	X13		REVISED AND RELIANT PER EO 2908	7-15-78	[Signature]
X10		INCORP EO 3219 (INACTIVE STATUS)	9-9-79	[Signature]	X4		INCORP EO 2697 2.H	11-1-78	[Signature]
					X5		INCORP EO 2711 2.H	12-8-78	[Signature]
					X6		INCORP EO 2823	1-19-79	[Signature]
					X7		INCORP EO 2824	1-19-79	[Signature]
					X8		INCORP EO 2871	3-16-79	[Signature]
					X9		INCORP EO 2798 2.H	3-19-79	[Signature]

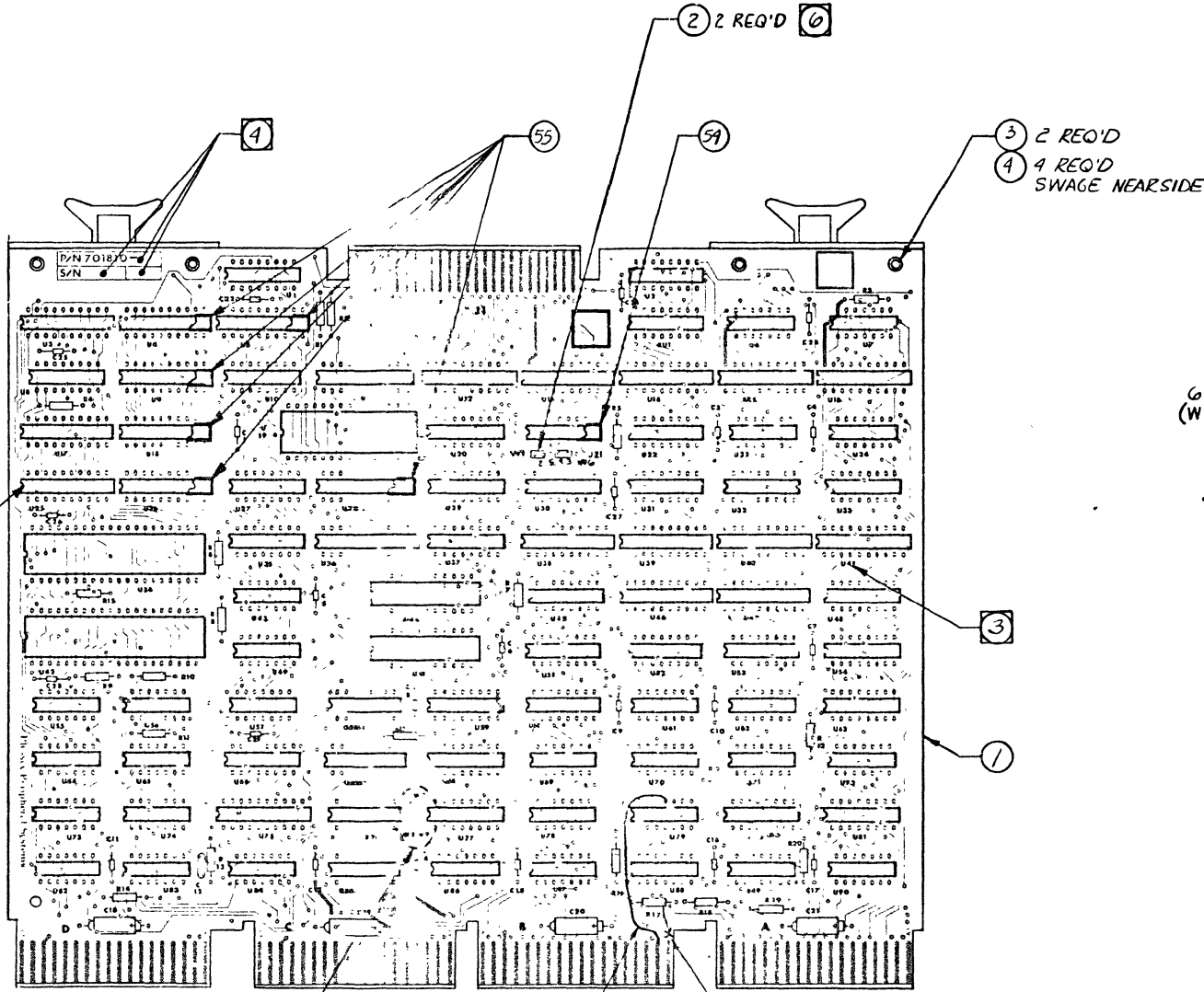
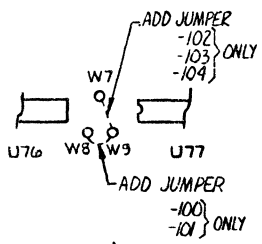


TABLE DCV / 11

CONF. TYPE	APPLICATION				RPM	PART NUMBER	PART								
	DR 1	DR 2	DR 3	DR 4			W8-W9	W7-W9	W1-W2	W3-W4	W2-W3	W3-W6			
1	5 MB AS 0,1	5 MB AS 2,3	5 MB AS 4,5	5 MB AS 6,7	1500	701810-100	X		X	X					
2	10 MB AS 0,1,2,3	10 MB AS 4,5,6,7			1500	701810-100	X			X	X				
3	5 MB AS 0,1	10 MB AS 2,3,4,5			1500	701810-100	X		X					X	
4	10 MB AS 0,1,2,3	5 MB AS 4,5	5 MB AS 6,7		1500	701810-100	X				X	X			
5	2.5 MB AS 0	2.5 MB AS 1	2.5 MB AS 2	2.5 MB AS 3	1500	701810-101	X		X	X					
6	2.5 MB AS 0	5 MB AS 1,2	5 MB AS 3,4		1500	701810-101	X			X	X				
7	2.5 MB AS 0	2.5 MB AS 1	5 MB AS 2,3		1500	701810-101	X		X					X	
8	2.5 MB AS 0	10 MB AS 1,2,3,4			1500	701810-101	X				X	X			
9	5 MB AS 0,1	5 MB AS 2,3	5 MB AS 4,5	5 MB AS 6,7	2400	701810-102		X	X	X					
10	10 MB AS 0,1,2,3	10 MB AS 4,5,6,7			2400	701810-102		X		X	X				
11	5 MB AS 0,1	10 MB AS 2,3,4,5			2400	701810-102		X	X					X	
12	10 MB AS 0,1,2,3	5 MB AS 4,5	5 MB AS 6,7		2400	701810-102		X			X	X			
13	2.5 MB AS 0	2.5 MB AS 1	2.5 MB AS 2	2.5 MB AS 3	2400	701810-103		X	X	X					
14	2.5 MB AS 0	5 MB AS 1,2	5 MB AS 3,4		2400	701810-103		X		X	X				
15	2.5 MB AS 0	2.5 MB AS 1	5 MB AS 2,3		2400	701810-103		X	X					X	
16	2.5 MB AS 0	10 MB AS 1,2,3,4			2400	701810-103		X			X	X			
17	10 MB DIABLO 0,1,2,3	10 MB DIABLO 4,5,6,7			2400	701810-104		X	X	X					
18	10 MB DIABLO 0,1,2,3	10 MB PM-DD/11C 4,5,6,7			2400	701810-104		X		X	X				
19	10 MB PM-DD/11C 0,1,2,3	10 MB DIABLO 4,5,6,7			2400	701810-104		X	X					X	
20	10 MB PM-DD/11C 0,1,2,3	10 MB PM-DD/11C 4,5,6,7			2400	701810-104		X			X	X			



VIEW A
SCALE: NONE

6 PLCS (W1-6)

.235 ± .031 TYP.

.050 MAX SOLDER BUILD-UP

.350 MAX COMPONENT HEIGHT

INACTIVE
THIS ITEM IS NOT APPROVED FOR NEW MANUFACTURING REQUIREMENTS AND HAS BEEN SUPERSEDED BY PART NO. 703340

ENGINEERING RELEASE
COGNIZANT ENGINEER
NOT FOR FABRICATION UNLESS SIGNED BELOW
DATE

- ⑦ WHEN USING A & B ARTWORK JUMPER BETWEEN U77-9 AND M9.
- ⑥ JUMPER CLIPS TO BE INSTALLED AS SHOWN UNLESS SPECIFIED OTHERWISE. SEE JUMPER CHART FOR APPLICATION INFORMATION.
- ⑤ COMPONENT LEAD TRIM AND SOLDER BUILD-UP TO BE AS NOTED.
- ④ MARK ASSEMBLY VERSION NUMBER, LATEST REVISION LETTER AND SERIAL NUMBER WITH 12 HIGH CHARACTERS USING BLACK INK PER MIL-M-13231, GROUP III, LOCATION APPROXIMATELY AS SHOWN.
- ③ COMPONENT DESIGNATIONS ARE FOR REFERENCE ONLY AND DO NOT APPEAR ON PART.


Part No.	Speed	Capacity
701810-100	1500 RPM	5 MEGABYTE DRIVE
701810-101	1500 RPM	2.5 MEGABYTE DRIVE
701810-102	2400 RPM	5 MEGABYTE DRIVE
701810-103	2400 RPM	2.5 MEGABYTE DRIVE
701810-104	2400 RPM	10 MEGABYTE DRIVE

Part No.	Part or Identifying No.	Nomenclature or Description / Material	Spec/Source	Code Ident No.	Find No.
X		FOR PARTS LIST SEE SK PL 701810-104			7
X		FOR PARTS LIST SEE SK PL 701810-103			6
X		FOR PARTS LIST SEE SK PL 701810-102			5
X		FOR PARTS LIST SEE SK PL 701810-101			4
X		FOR PARTS LIST SEE SK PL 701810-100			3
X		FOR PARTS LIST SEE SK PL 701810-100			2
X		FOR PARTS LIST SEE SK PL 701810-100			1

2. FOR SCHEMATIC DIAGRAM SEE SKSD 701810.
1. ASSEMBLE AND INSPECT PER WORKMANSHIP STANDARDS MANUAL.

NOTES: UNLESS OTHERWISE SPECIFIED

<p>DO NOT SCALE DRAWING</p> <p>SCREW THREADS PER HANDBOOK H-28</p> <p>COUNTERBORE AND SPOTFACE FILLET RADI TO BE .25 MAXIMUM</p> <p>REMOVE ALL BURRS AND BREAK SHARP EDGES EQUIVALENT TO .50R</p> <p>ROUGHNESS OF MACHINED SURFACES 125/ PER USAS #461</p> <p>STANDARD HOLE TOLERANCE PER AND 13267</p> <p>TOLERANCES ON .XX ± .03 .XXX ± .010 ANGLES 2:20 30°</p> <p>INTERPRET DIMENSIONS AND TOLERANCES PER USAS #143</p> <p>DIMENSIONS ARE IN INCHES AND APPLY AFTER HEAT TREAT AND FINISH UNLESS OTHERWISE SPECIFIED</p>	<p>CONTRACT NO.</p> <p>DRAWN R. HYTTINGU 8-14-79</p> <p>CHECK [Signature] 8-15-78</p> <p>ENGR</p> <p>PROJ. ENGR [Signature] 5/1/79</p> <p>PROD. DESIGN [Signature] 8-18-78</p> <p>OTHER APPROVALS</p>	<p>DWG TITLE</p> <p>BOARD ASSEMBLY DISC CONTROLLER PM-DCV / 11</p> <p>SIZE CODE IDENT NO. DWG NO.</p> <p>D 52648 SK 701810</p> <p>SCALE: 1/1</p> <p>SHEET 1 OF 1</p>
--	---	--

PARTS LIST	 Plessey Microsystems	PREPARED BY	R.P. HYTTINEN	DATE	9-9-78	PARTS LIST NO.	SKPL 701810-100	REV LTR	X7		
		CHECKED BY	<i>L. Turpin</i>	DATE	4-19-78						
APP TITLE: BOARD ASSEMBLY DISC CONTROLLER PM-DCV / 11		RESP ENG	<i>Nakaya</i>	DATE	6/7/78	CODE IDENT NO.	52648	D NO.	234570	SH	1
		APPRV	<i>D. Turpin 8-11-78</i>	DATE							
		DOC CONTROL	<i>W. Laro</i>	DATE	6-14-78	MODEL NO.		D NO.	B	OF	7

LTR	DESCRIPTION	DATE	APPROVED
X1	REL TO DEV PER EO 2238	4-19-78	<i>Let [signature]</i>
X2	INCORP EO 2491	8-15-78	<i>Let [signature]</i>
X3	INCORP EO 2488 R.U.	8-15-78	<i>Let [signature]</i>
X4	INCORP EO 2697 R.U.	11-1-78	<i>Let [signature]</i>
X5	INCORP EO 2741 R.U.	12-8-78	<i>Let [signature]</i>
X6	INCORP EO 2871	3-19-79	<i>Let [signature]</i>
X7	INCORP EO 2798	3-19-79	<i>Let [signature]</i>
X7	INCORP EO 3219 INACTIVE STATUS	8-9-79	<i>Let [signature]</i>

INACTIVE
 THIS ITEM IS NOT APPROVED FOR
 NEW MANUFACTURING REQUIREMENTS
 AND HAS BEEN SUPPLISHED
 BY PART NO. 701810-100

ENGINEERING RELEASE
 COGNIZANT ENGINEER _____
 NOT FOR FABRICATION UNLESS SIGNED BELOW
Nakaya
 DATE 6/7/78

REV STATUS OF SETS	REV LTR	X7	X4	X7	X6	X5	X6	X6			
	SHEET	1	2	3	4	5	6	7	8	9	10

PARTS
LIST

Plessey Microsystems

CODE IDENT NO.

52698

PARTS LIST NO.

SKPL701810-100

SH 2

REV LTR

X4

CROSS INDEX OF REFERENCE DESIGNATIONS TO FIND NO.

REFERENCE DESIGNATION	F I N O. D	REFERENCE DESIGNATION	F I N O. D	REFERENCE DESIGNATION	F I N O. D	REFERENCE DESIGNATION	F I N O. D
U1, 10, 27	6	U66, 67	32	U28	58		
U2, 37, 60, 63	7	U71, 72, 84, 90	33		59		
U3, 14, 17, 25, 75	8	U73	34	R21	60		
U4,	9	U79	35				
U6, 65, 70, 83	10	U86	36				
U7, 43, 55, 69, 74, 87, 88	11	U39	37				
U8, 29, 35	12	U68, 77	38				
U11, 12, 13	13	U76	39				
U19	14	U15, 16	40				
U20	15	C1-11, 13-17, 22-29	41				
U21	16	C12	42				
U22	17	C18 THRU 21	43				
U23, 56	18	U5	44				
U24, 78	19	R1	45				
U30, 31, 32, 33	20	R2, 6, 11, 18, 19	46				
U34, 42	21	R3, 4, 5, 12, 14, 15, 16	47				
U36, 38, 39, 40, 41, 46, 47	22	R7, 9	48				
U44, 50	23	R8, 10, 17, 20	49				
U45, 48	24	R13	50				
U49,	25		51				
U51, 52, 53, 54, 80, 81	26	RU1	52				
U57	27	U9	53				
U58	28		54				
U59	29		55				
U61, 62, 82	30	U18	56				
U85, 64	31	U26	57				

PARTS LIST



Plessey Microsystems

CODE IDENT NO.
52648

PARTS LIST NO.
SKPL701810-100

SH 3

REV LTR
X7

REV LTR	NOTE	QTY REQD	PART OR IDENTIFYING NO.	NOMENCLATURE OR DESCRIPTION	SPECIFICATION	CODE IDENT NO.	ZONE	FINO.	SYM	C/I USAGE				
										C/I CODE	INV ON HAND	P A R	UNIT COST	
		1	SK701809-001	PRINTED WIRING BOARD				1						
X7		2	530153-2	JUMPER CLIP	AMP			2						
		2	701339-001	HANDLE				3						
		4	MS 16535-154	RIVET/ TUBULAR, OVAL HD .123 DIA. X .188 LG.				4						
X7		6	75401-001	PIN, .025 SQ. LOOSE PIECE	BERG			5						
		3	SN74LS138	I.C./DECODER, DEMULTIPLEXER	T. I.			6						
		4	SN74LS175	I.C./ QUAD D-TYPE F/F W/CLEAR	↑			7						
		5	SN74LS273	I.C./ OCTAL D-TYPE F/F W/CLEAR	↑			8						
X6		1	100125-002D	I.C./PROM, 3-STATE OUTPUT	↑			9						
		4	SN74LS04	I.C./HEX INVERTER	↑			10						
		7	SN74LS74	I.C./ DUAL D-TYPE POS EDG-TRIG F/F W/PRESET/CLEAR	↑			11						
		3	SN74LS174	I.C./HEX D-TYPE F/F W/CLEAR	↓			12						
		3	SN74S240	I.C./OCTAL BUFFERS/ LINE DRIVERS/ LINE RECEIVERS	T. I.			13						

PARTS LIST



Plessey Microsystems

CODE IDENT NO.
52648

PARTS LIST NO.
SKPL701810-100

SH **4**

REV LTR
X6

ENTR L I S T N O	NOTE	QTY REQD	PART OR IDENTIFYING NO.	NOMENCLATURE OR DESCRIPTION	SPECIFICATION	CODE IDENT NO.	ZONE	FINO	SYM	C/I USAGE			
										C/I CODE	INV ON HAND	P A R	UNIT COST
		1	8X02	I.C./CONTROL STORE SEQUENCER	SIGNETICS			14					
		1	SN74LS298	I.C./QUAD 2-INPUT MULTIPLEXERS W/STORAGE	T. I.			15					
X6		1	100125-010D	I.C./256 BIT PROG ROM	↑			16					
		1	SN74LS157	I.C./QUAD 2 LINE TO LINE	↓			17					
		2	SN7438	I.C./QUAD 2-INPUT POS-NAND BUFFERS W/OC				18					
		2	SN74LS08	I.C./QUAD 2-INPUT POS-AND GATE	T. I.			19					
		4	AM29701	I.C./NON-INVERTING 64-BIT RANDOM ACCESS MEMORY	AMD			20					
		2	AM2901ADC	I.C./4-BIT BI-POLAR MICROPROCESSOR SLICE	AM.D.			21					
X6		7	136004-001	I.C./OCTAL D-TYPE EDGE-TRIG F/F				22					
		2	9403	I.C./FIFO BUFFER MEMORY	FAIRCHILD			23					
		2	DM8136	I.C./6-BIT UNIFIED BUS COMPARATOR	NATIONAL			24					
		1	SN74LS02	I.C./QUAD 2-INPUT POS-NOR GATE	T. I.			25					
		6	DS8641	I.C./QUAD UNIFIED BUS TRANSCEIVER	NATIONAL			26					

PARTS LIST

Plessey Microsystems

CODE IDENT NO.

52698

PARTS LIST NO.

SKPL 701810-100

SH 5

REV LTR

X5

ENTR NO	NOTE	QTY REQD	PART OR IDENTIFYING NO.	NOMENCLATURE OR DESCRIPTION	SPECIFICATION	CODE IDENT NO.	ZONE	FIN D	SYM	C/I USAGE			
										C/I CODE	INV ON HAND	P A R	UNIT COST
		1	SN7474	I.C./ DUAL D-TYPE POS EDGE-TRIG F/F W/PRESET/CLEAR	T. I.			27					
		1	SN74LS51	I.C./ DUAL 2-WIDE 2-INPUT AND-OR-INVERT GATES	↑			28					
		1	SN74LS193	I.C./ SYNCHRONOUS 4-BIT UP-DOWN COUNTERS				29					
		3	SN74LS10	I.C./ TRIPLE 3-INPUT POS-NAND GATES				30					
X3		2	SN74S00	I.C./ QUAD 2-INPUT POS-NAND GATES				31					
		2	SN74LS251	I.C./ DATA SELECTOR/MULTI- PLEXERS W/3-STATE OUTPUT				32					
X3		4	SN74LS00	I.C./ QUAD 2-INPUT POS-NAND GATE	↓			33					
		1	SN7427	I.C./ TRIPLE 3-INPUT POS-NOR GATE	T. I.			34					
		1	DS8640	I.C./ QUAD NOR UNIFIED BUS RECEIVER	NATIONAL			35					
		1	SN74S02	I.C./ QUAD 2-INPUT POS-NOR GATES	T. I.			36					
		1	SN74LS11	I.C./ TRIPLE 3-INPUT POS-AND GATES	T. I.			37					
		2	SN74S175	I.C./ QUAD D-TYPE FF W/CLR	T. I.			38					
X5		1	MXO-40-2 -11.52	OSCILLATOR/11.52MHZ	CTS KNIGHT			39					

PARTS LIST



Plessey Microsystems

CODE IDENT NO.

52648

PARTS LIST NO.

SKPL701810-100

SH 6

REV LTR

X6

REV	NOTE	QTY REQD	PART OR IDENTIFYING NO.	NOMENCLATURE OR DESCRIPTION	SPECIFICATION	CODE IDENT NO.	ZONE	FIN D	SYM	C/I USAGE			
										C/I CODE	INV ON HAND	P A R	UNIT COST
		2	SN74LS240	I.C./OCTAL BUFFER/LINE DRIVER/LINE RECEIVER	T. I.			40					
X3		24	CGA103ZDZ	CAPACITOR / .01 μ F	UNITRODE			41					
		1	CK05BX331K	CAPACITOR / 330 pF, \pm 10%, 200V	MIL-C-11015			42					
		4	150D475X0015B2	CAPACITOR / 4.7 μ F, \pm 20%, 15V	SPRAGUE			43					
X6		1	100125-005D	I.C./PROM, 3 STATE OUTPUT				44					
		1	RC076F331J	RESISTOR / 330 Ω , 1/4W, 5%	MIL-R-11			45					
X3		5	RC076F391J	RESISTOR / 390 Ω , 1/4W, 5%	MIL-R-11			46					
		7	RC076F102J	RESISTOR / 1K Ω , 1/4W, 5%	MIL-R-11			47					
		2	RC076F471J	RESISTOR / 470 Ω , 1/4W, 5%	MIL-R-11			48					
X3		4	RC076F181J	RESISTOR / 180 Ω , 1/4W, 5%	MIL-R-11			49					
		1	RC076F151J	RESISTOR / 150 Ω , 1/4W, 5%	MIL-R-11			50					
		REF	SKSD701810	SCHEMATIC DIAGRAM				51					
		1	898-5-330/390	RESISTOR / MODULE, 330/390 Ω	BECKMAN			52					

PARTS LIST



Plessey Microsystems

CODE IDENT NO.

52648

PARTS LIST NO.

SKPL701810-100

SH Z

REV LTR

X6

REV LTR	NOTE	QTY REQD	PART OR IDENTIFYING NO.	NOMENCLATURE OR DESCRIPTION	SPECIFICATION	CODE IDENT NO.	ZONE	FINO	SYM	C/I USAGE			
										C/I CODE	INV ON HAND	PAR	UNIT COST
X6		1	100125-004D	I.C./ PROM, 3 STATE OUTPUT				53					
		1	US-2-16-110-G-B	SOCKET/ 16 PIN DIP, LOW PROFILE	SCANBE			54					
		6	C932002	SOCKET/ 20 PIN DIP, LOW PROFILE	T. I.			55					
X6		1	100125-003D	I.C./ PROM, 3 STATE OUTPUT				56					
X6		1	100125-001D	I.C./ PROM, 3 STATE OUTPUT				57					
X6		1	100125-007D	I.C./ PROM, 3 STATE OUTPUT				58					
								59					
X4		1	RC076F472J	RESISTOR/ 4.7K, 1/4W, ±5%	MIL-R-11			60					

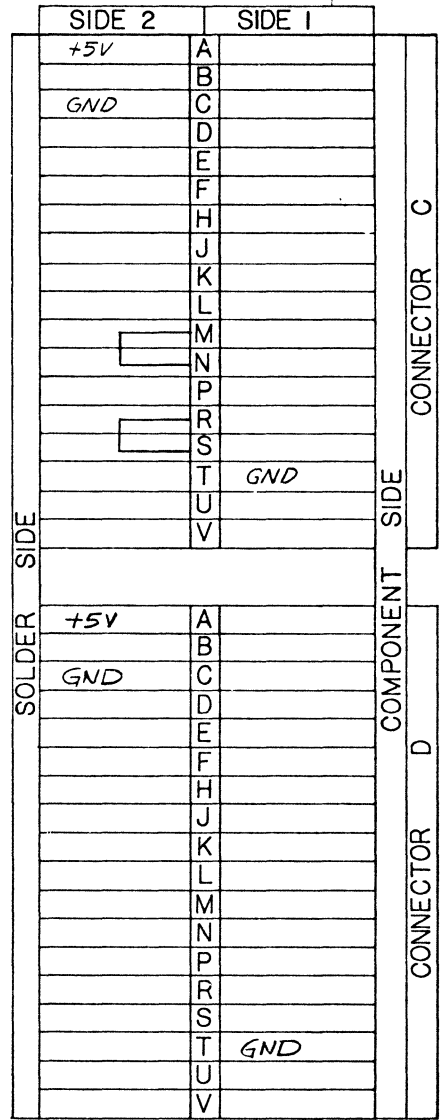
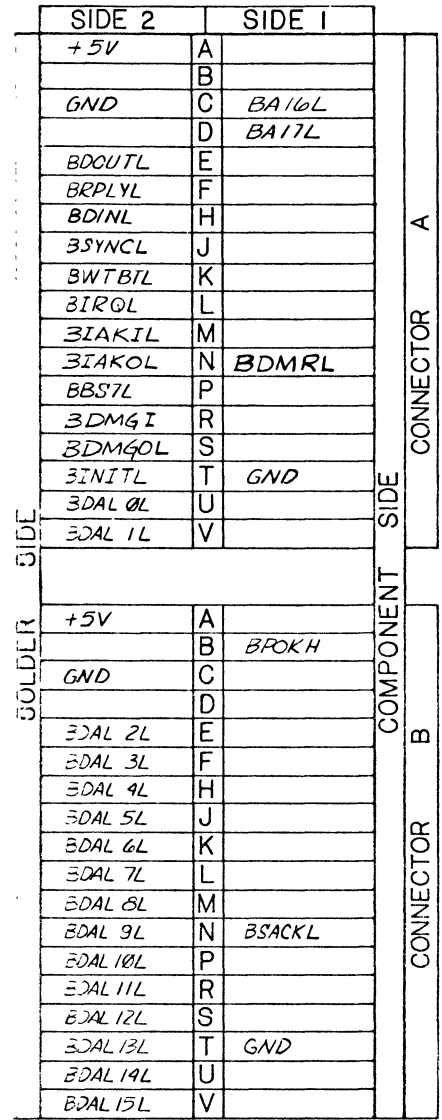
The information hereon is the property of PLESSEY MICROSYSTEMS. Transmittal receipt or possession of the information does not constitute, in whole or in part, any license, or imply any rights to use, sell, or manufacture from this information and no reproduction or publication of it, in whole or in part, shall be made without written authorization from PLESSEY MICROSYSTEMS.

REVISIONS				
ZONE	LTR	DESCRIPTION	DATE	APPROVED
X1		REL TO DEV PER EO 2238	4-19-78	KAT
X2		INC EO 2488	8-15-78	KAT
X3		INCORP EO 2697	11-31-78	KAT
X4		INCORP EO 2741 RLL	12-8-78	KAT
X5		INCORP EO 2823	1-19-79	KAT
X6		INCORP EO 2871	3-19-79	KAT
X7		INCORP EO 2798 24	3-19-79	KAT
X7		INCORP EO 3219 (INACTIVE STATUS)	1-9-79	KAT

LAST REFERENCE DESIGNATION USED	
INTEGRATED CIRCUIT	U30
CAPACITOR	C29
RESISTOR	R21
RESISTOR MODULE	RUI

REFERENCE DESIGNATION NOT USED	

REF DESIG.	GATES USED PER TOTAL	PART NUMBER
U6	5/6	74LS09
U23	3/4	7438



J1	
GND	1 2
	3 4
	5 6
	7 8
UNIT SEL 0L	9 10
UNIT SEL 2L	11 12
GND	13 14
SEC CNTR 1L	15 16
SEC CNTR 3L	17 18
GND	19 20
SEC PULSE L	21 22
CYL ADR 0L	23 24
CYL ADR 2L	25 26
CYL ADR 4	27 28
CYL ADR 6	29 30
	31 32
STROBE L	33 34
R/W/S RDYL	35 36
ADD ACK L	37 38
WRT PROT STL	39 40
DISC SEL L	41 42
GND	43 44
WTCHKL	45 46
DSCCLKL	47 48
DSATAL	49 50
ACLCL	

TABLE DCV/II

CONF TYPE	APPLICATION				RPM	PART NUMBER							
	DR 1	DR 2	DR 3	DR 4			W8-W9	W7-W9	W1-W2	W3-W4	W2-W5	W3-W6	
1	5MB AS 0.1	5MB AS 2.3	5MB AS 4.5	5MB AS 6.7	1500	701810-100	X		X	X			
2	10MB AS 0.1,2,3	10MB AS 4.5,6,7			1500	701810-100	X			X	X		
3	5MB AS 0.1	10MB AS 2.3,4,5			1500	701810-100	X		X				X
4	10MB AS 0.1,2,3	5MB AS 4.5	5MB AS 6.7		1500	701810-100	X				X	X	
5	2.5MB AS 1	2.5MB AS 2	2.5MB AS 3	2.5MB AS 4	1500	701810-101	X		X	X			
6	2.5MB AS 0	2.5MB AS 1,2	5MB AS 3,4		1500	701810-101	X			X	X		
7	2.5MB AS 0	2.5MB AS 1	5MB AS 2,3		1500	701810-101	X		X				X
8	2.5MB AS 0	10MB AS 1,2,3,4			1500	701810-101	X				X	X	
9	5MB AS 0.1	5MB AS 2.3	5MB AS 4.5	5MB AS 6.7	2400	701810-102		X	X	X			
10	10MB AS 0.1,2,3	10MB AS 4.5,6,7			2400	701810-102		X		X	X		
11	5MB AS 0.1	10MB AS 2.3,4,5			2400	701810-102		X	X				X
12	10MB AS 0.1,2,3	5MB AS 4.5	5MB AS 6.7		2400	701810-102		X			X	X	
13	2.5MB AS 0	2.5MB AS 1	2.5MB AS 2	2.5MB AS 3	2400	701810-103		X	X	X			
14	2.5MB AS 0	2.5MB AS 1,2	5MB AS 3,4		2400	701810-103		X		X	X		
15	2.5MB AS 0	2.5MB AS 1	5MB AS 2,3		2400	701810-103		Y	Y				X
16	2.5MB AS 0	10MB AS 1,2,3,4			2400	701810-103		X			X	X	
17	10MB DIABLO 0.1,2,3	10MB DIABLO 4.5,6,7			2400	701810-104		X	X	X			
18	10MB DIABLO 0.1,2,3	10MB FM-DD/11C 4.5,6,7			2400	701810-104		X		X	X		
19	10MB FM-DD/11C 0.1,2,3	10MB DIABLO 4.5,6,7			2400	701810-104		X	X	X			
20	10MB FM-DD/11C 0.1,2,3	10MB FM-DD/11C 4.5,6,7			2400	701810-104		X		X	X		

DCV/II CONTROLLER PART NUMBER	REFERENCE
701810-100	1500 RPM, 5 MEGABYTE DRIVE
701810-101	1500 RPM, 2.5 MEGABYTE DRIVE
701810-102	2400 RPM, 5 MEGABYTE DRIVE
701810-103	2400 RPM, 2.5 MEGABYTE DRIVE
701810-104	2400 RPM, 10 MEGABYTE DRIVE

INACTIVE
THIS ITEM IS NOT APPROVED FOR NEW MANUFACTURING REQUIREMENTS AND HAS BEEN SUPERSEDED BY PART NO 703540

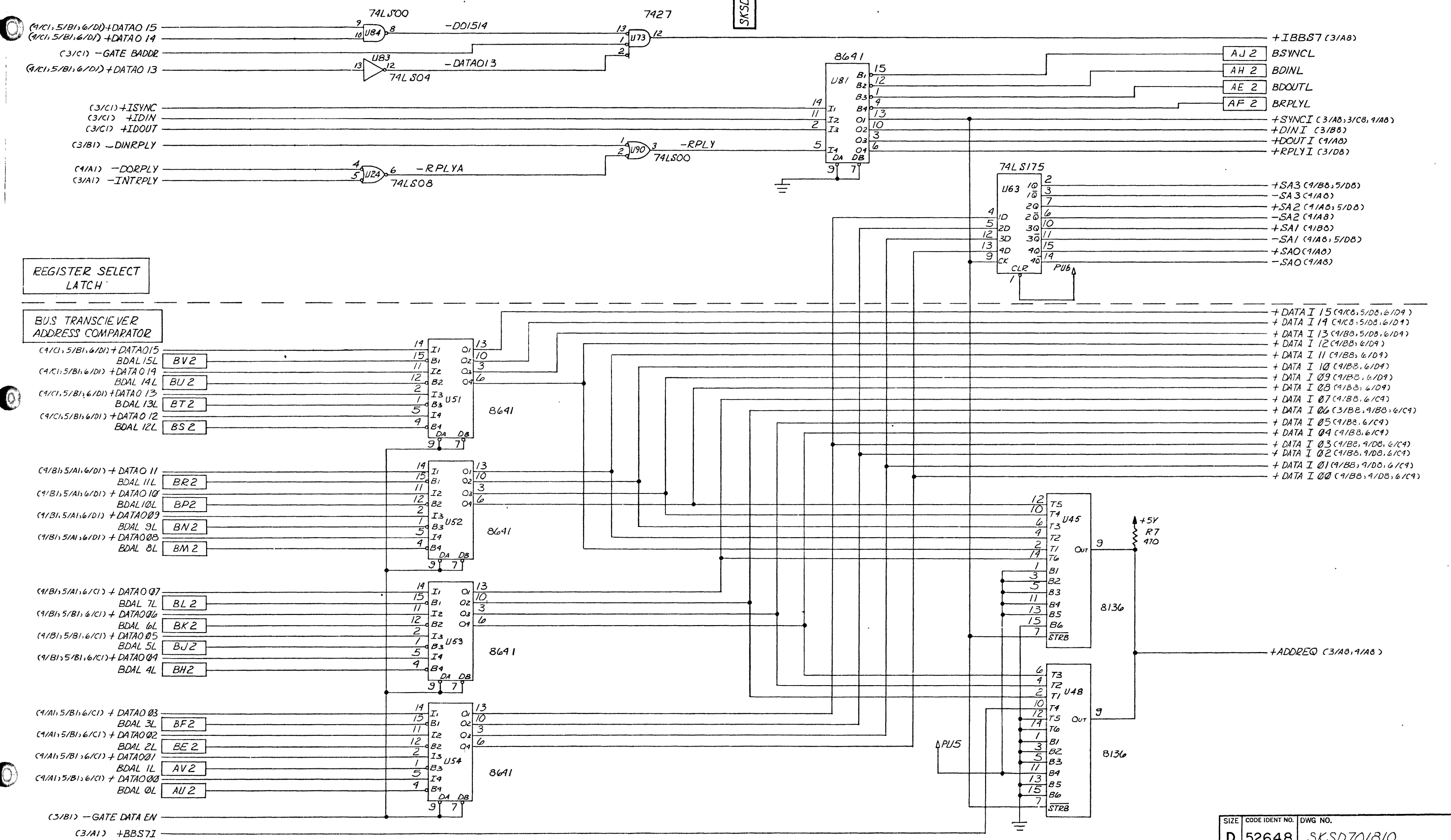
ENGINEERING RELEASE
COGNIZANT ENGINEER NOT FOR FABRICATION UNLESS SIGNED, BELOW
DATE 6/78

ZONE	LTR	DESCRIPTION	DATE	APPROVED

- (6) JUMPER CLIPS TO BE INSTALLED AS SHOWN ON ASSY UNLESS SPECIFIED OTHERWISE. SEE JUMPER CHART FOR APPLICATION.
- CAPACITOR VALUES ARE MICROFARADS.
 - RESISTOR VALUES ARE IN OHMS, 1/4 W, ± 5%.
 - DESIGNATIONS SHOWN IN PARENTHESIS INDICATES WHERE SIGNAL ORIGINATES OR TERMINATES. (2/B3)
 - ZONE DESIGNATION SHEET NUMBER
 - SIGNALS SHOWN IN RECTANGLES ARE I/O CONNECTIONS. (A A I)
 - BOARD SIDE
 - PIN DESIGNATION
 - CONNECTOR DESIGNATION
- I. FOR ASSEMBLY DRAWING SEE SK701810
- NOTES: UNLESS OTHERWISE SPECIFIED:

The information herein is the property of PLESSEY PERIPHERAL SYS
 Its rental receipt or possession of the information does not imply
 license or imply any rights to use, sell or manufacture from this infor-
 mation and no reproduction or publication of it, in whole or in part, shall
 be made without written authorization from PLESSEY PERIPHERAL SYS

REVISIONS				
ZONE	LTR	DESCRIPTION	DATE	APPROVED
		SEE SHEET 1		



REGISTER SELECT LATCH

BUS TRANSCEIVER ADDRESS COMPARATOR

SIZE	CODE IDENT NO.	DWG NO.
D	52648	SKSD701810
SCALE: NONE	X 7	SHEET 2 OF 3

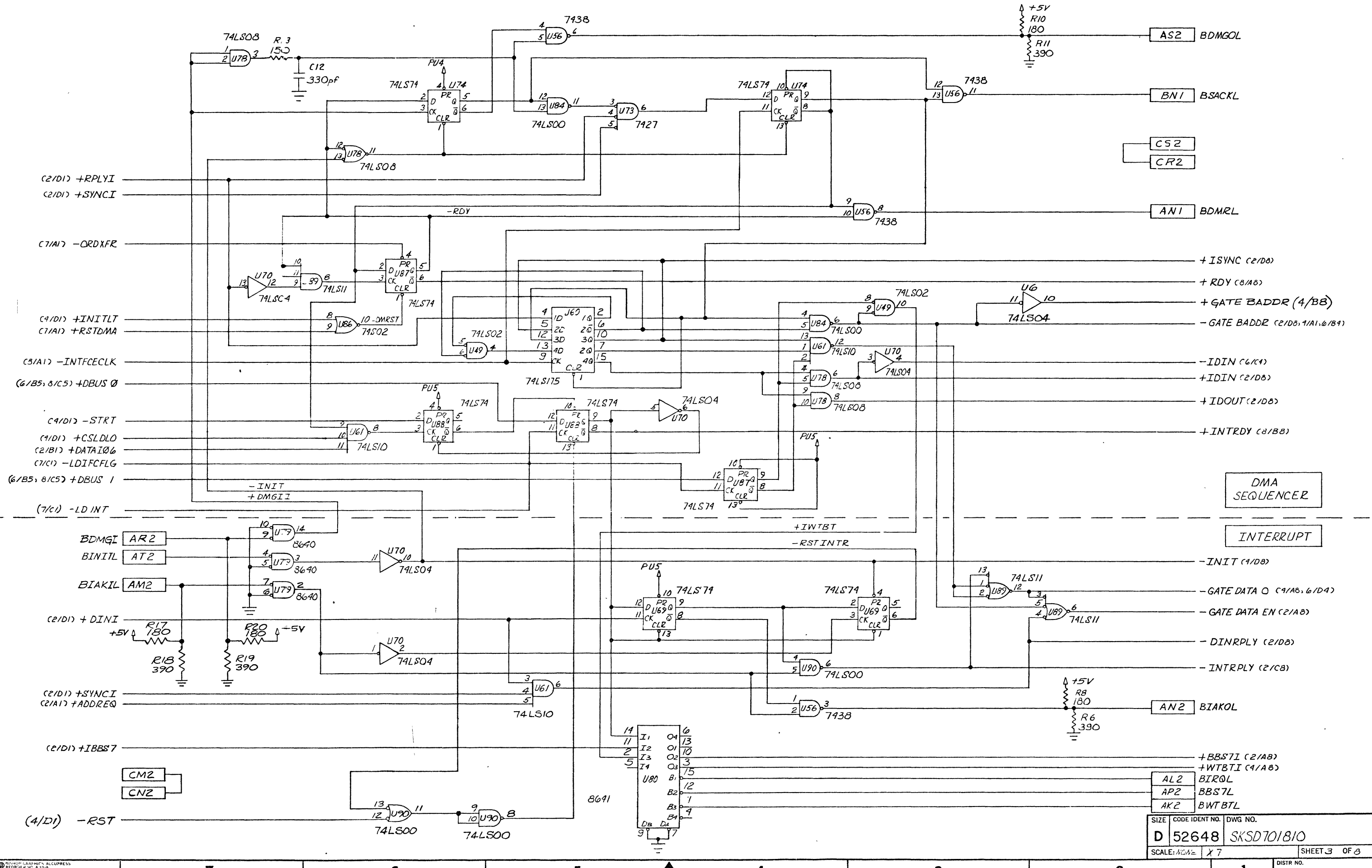
D

C

B

A

REVISIONS				
ZONE	LTR	DESCRIPTION	DATE	APPROVED
		SEE SHEET 1		



DMA SEQUENCER

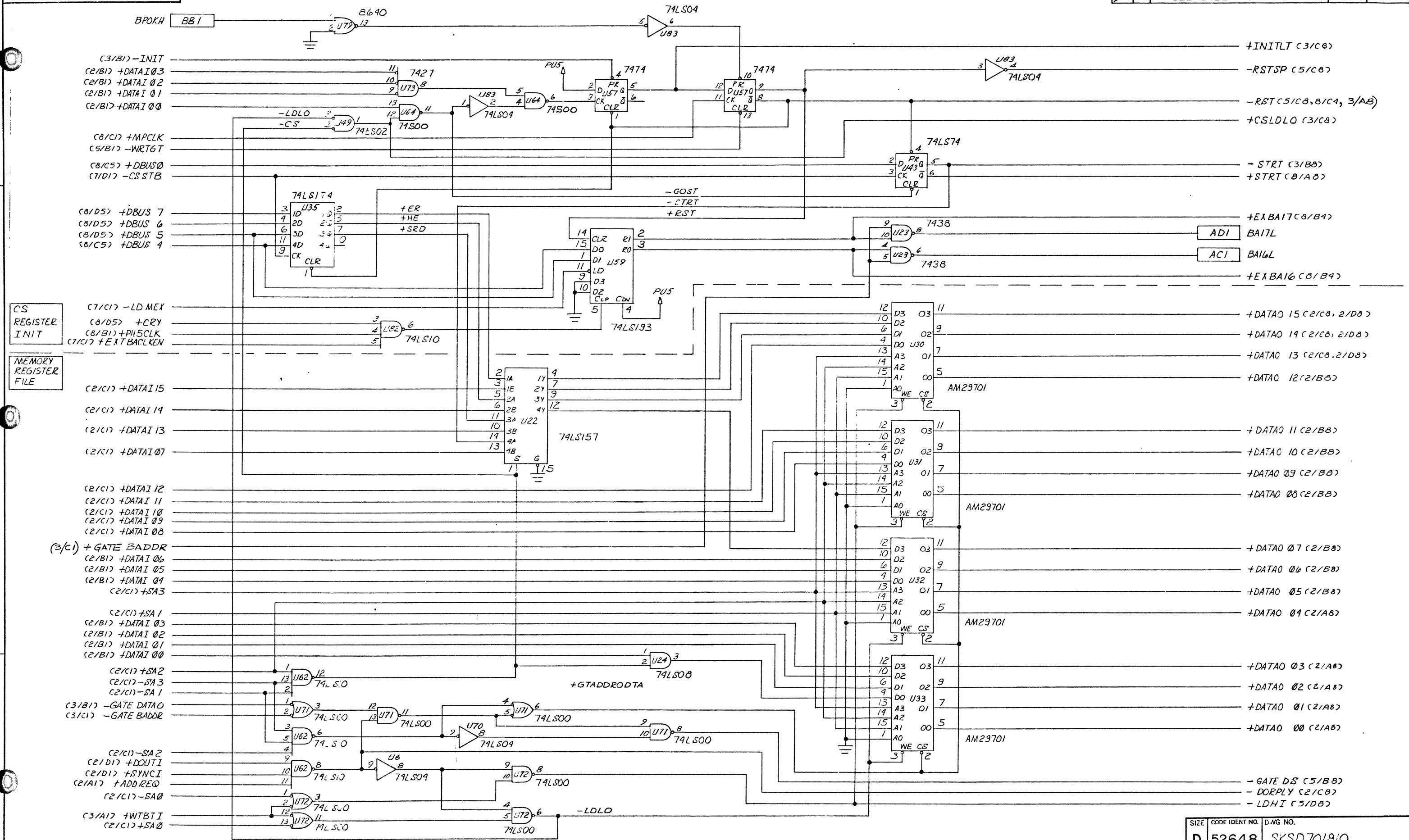
INTERRUPT

AL2
AP2
AK2
BIR0L
BBS7L
BWTBTL

SIZE	CODE IDENT NO.	DWG NO.
D	52648	SKSD701810
SCALE: 1/2" = 1"	X 7	SHEET 3 OF 3

The information herein is the property of PLESSEY PERIPHERAL SYS
 1. Transmittal receipt or possession of the information does not imply
 2. any license or authority to use, sell, or manufacture from this info
 3. r in whole or in part, shall be made without written authorization from PLESSEY PERIPHERAL SYS

REVISIONS				
ZONE	LTR	DESCRIPTION	DATE	APPROVED
		SEE SHEET 1		



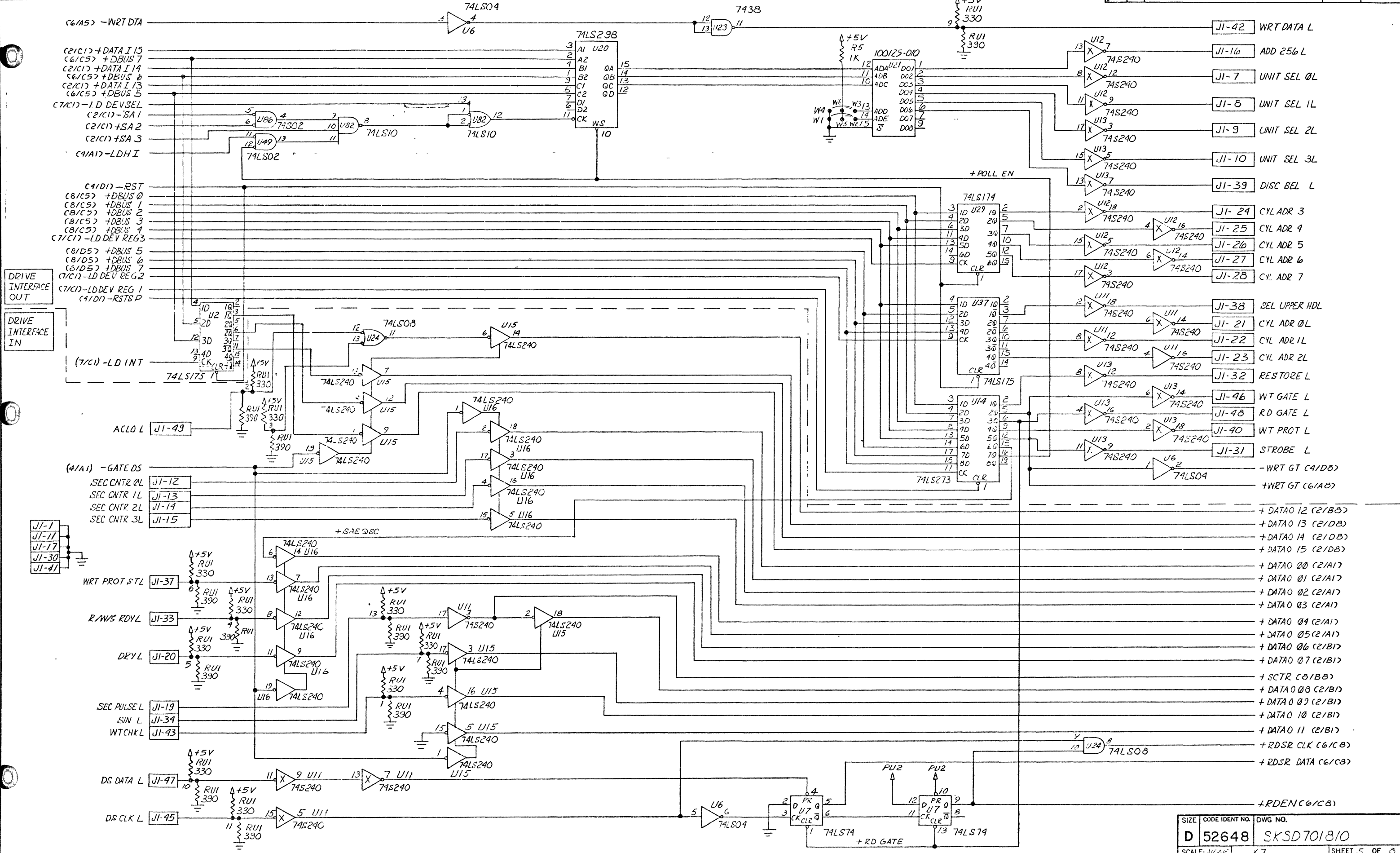
CS REGISTER INIT

MEMORY REGISTER FILE

SIZE	CODE IDENT NO.	DWG NO.
D	52648	SKSD701810
SCALE: NONE	X7	SHEET 4 OF 8

The information herein is the property of PLESSEY PERIPHERAL SYS
 Installation, repair or possession of the information does not comply
 with the terms of any license or agreement from this info
 rmal and no reproduction or publication of it, in whole or in part, shall
 be made without written authorization from PLESSEY PERIPHERAL SYS

REVISIONS				
ZONE	LTR	DESCRIPTION	DATE	APPROVED
		SEE SHEET 1		



SIZE	CODE IDENT NO.	DWG NO.
D	52648	SKSD701810
SCALE: NONE	X7	SHEET 5 OF 5

D

C

B

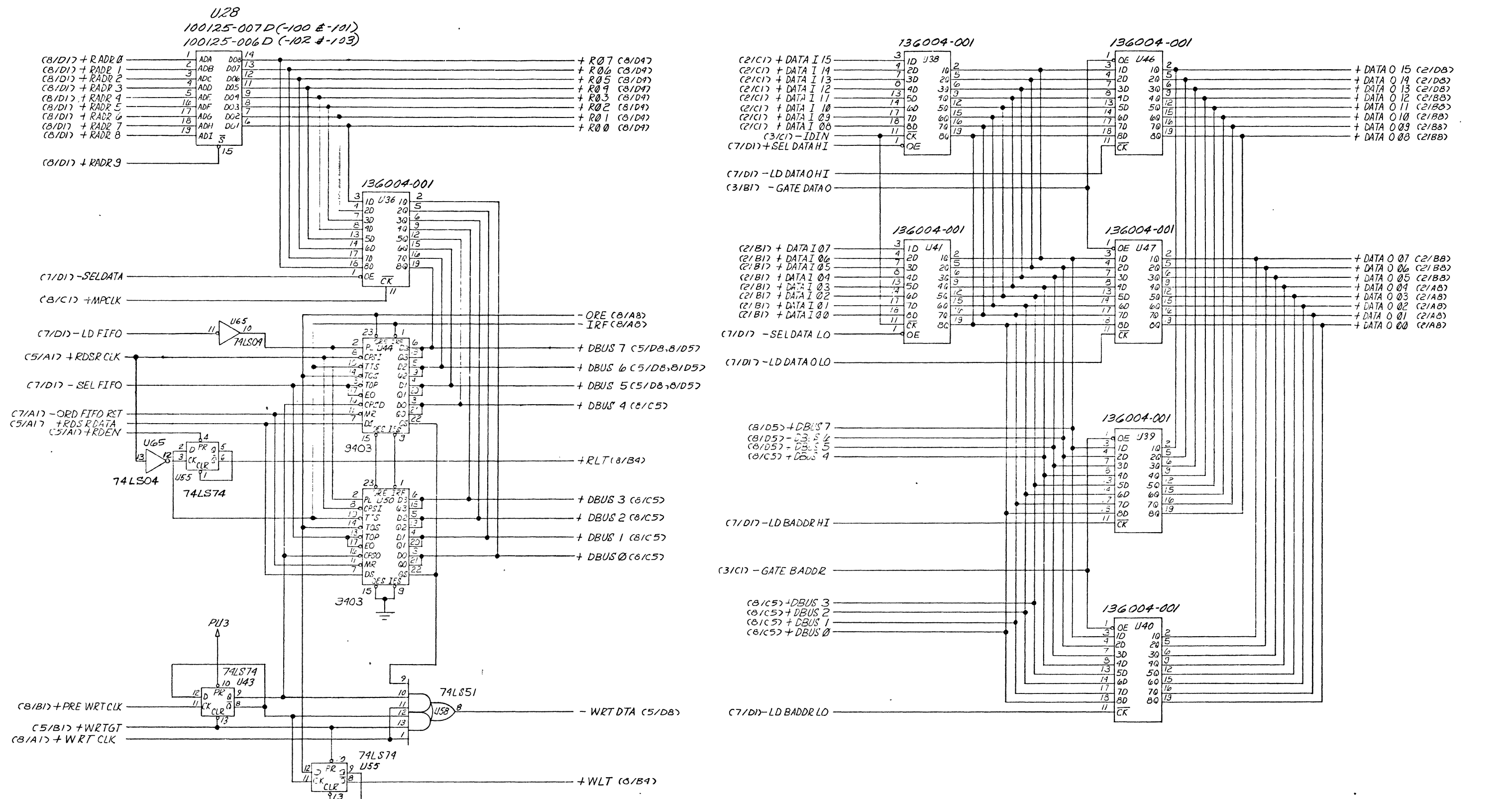
A

SKSD 701/810

DISTR NO

The information herein is the property of PLESSEY PERIPHERAL SYS
 Transmittal receipt or possession of the information does not imply
 license or imply, any rights to use, sell or manufacture from this info
 -14- and no reproduction or publication of it in whole or in part shall
 be made without written authorization from PLESSEY PERIPHERAL SYS

REVISIONS				
ZONE	LTR	DESCRIPTION	DATE	APPROVED
		SEE SHEET 1		

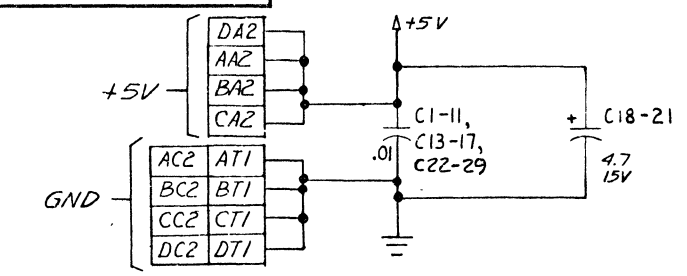


BUS ADDR REGISTER
 DATA OUT REGISTER
 DATA IN REGISTER

SIZE	CODE IDENT NO.	DWG NO.
D	52648	SKSD701810
SCALE: 1/16"	X7	SHEET 6 OF 8
DISTR NO.		

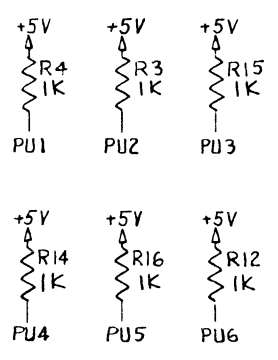
The information herein is the property of PLESSEY PERIPHERAL SYS. Transmittal hereof or possession of the information does not comply, license, or imply any rights to use, sell, or manufacture from this information and no reproduction or publication of it in whole or in part, shall be made without written authorization from PLESSEY PERIPHERAL SYS.

REVISIONS				
ZONE	LTR	DESCRIPTION	DATE	APPROVED
		SEE SHEET 1		



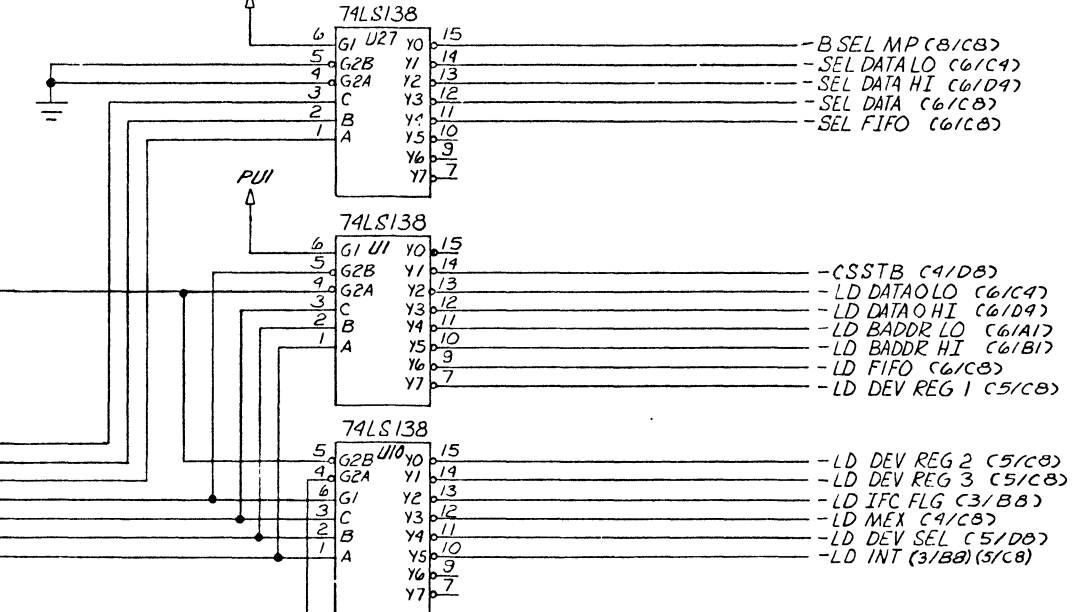
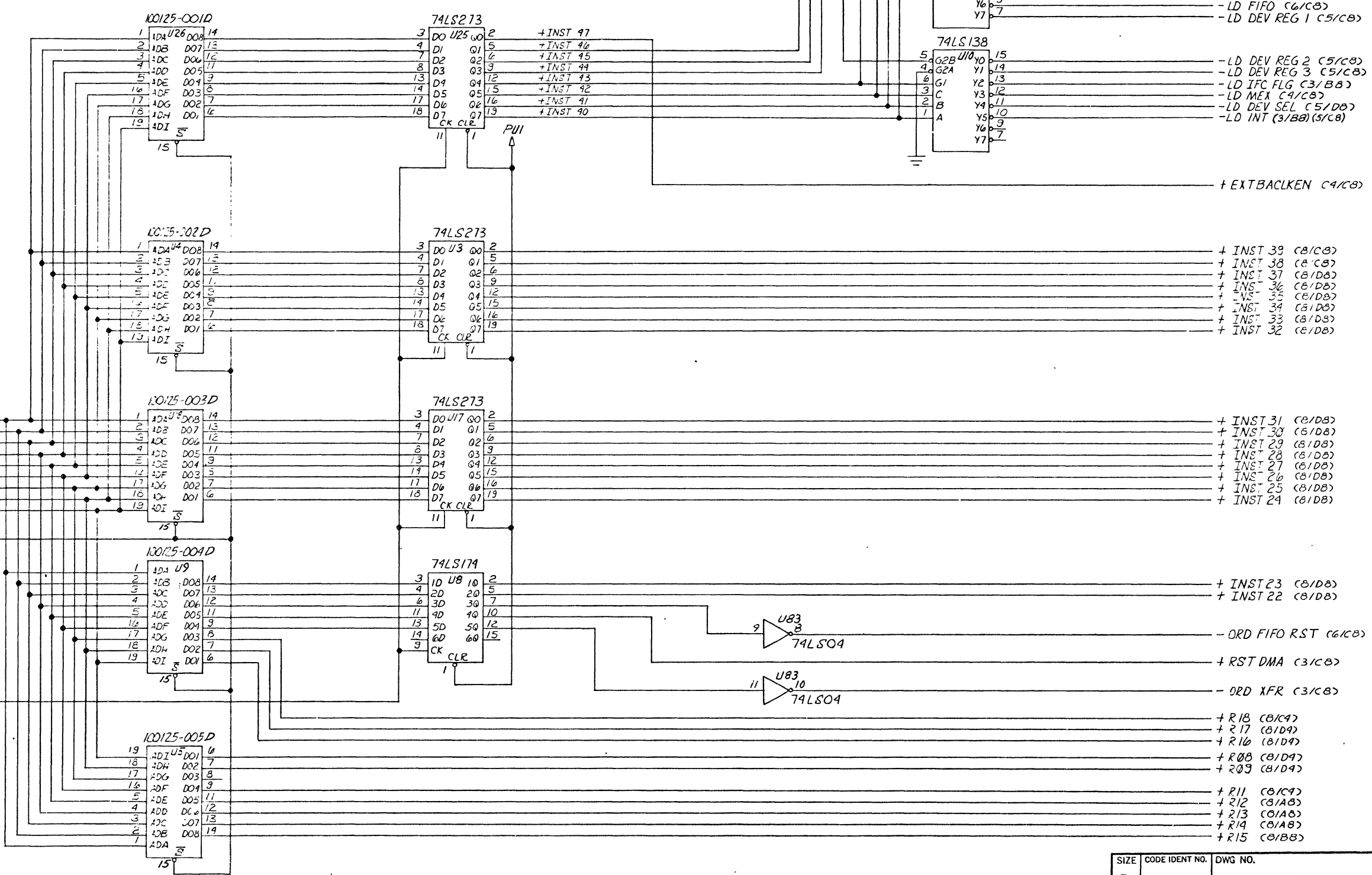
BUS SOURCE
BUS DESTINATION
ORDER
CONTROL STORE BITS 8-97

C8/B11 - PH3 CLK



C8/D17 + RADR 0
C8/D17 + RADR 1
C8/D17 + RADR 2
C8/D17 + RADR 3
C8/D17 + RADR 4
C8/D17 + RADR 5
C8/D17 + RADR 6
C8/D17 + RADR 7
C8/D17 + RADR 8
C8/D17 + RADR 9

C8/C17 + MPCLK



+ INST 39 (C8/C8)
+ INST 38 (C8/C8)
+ INST 37 (C8/D8)
+ INST 36 (C8/D8)
+ INST 35 (C8/D8)
+ INST 34 (C8/D8)
+ INST 33 (C8/D8)
+ INST 32 (C8/D8)

+ INST 31 (C8/D8)
+ INST 30 (C8/D8)
+ INST 29 (C8/D8)
+ INST 28 (C8/D8)
+ INST 27 (C8/D8)
+ INST 26 (C8/D8)
+ INST 25 (C8/D8)
+ INST 24 (C8/D8)

+ INST 23 (C8/D8)
+ INST 22 (C8/D8)

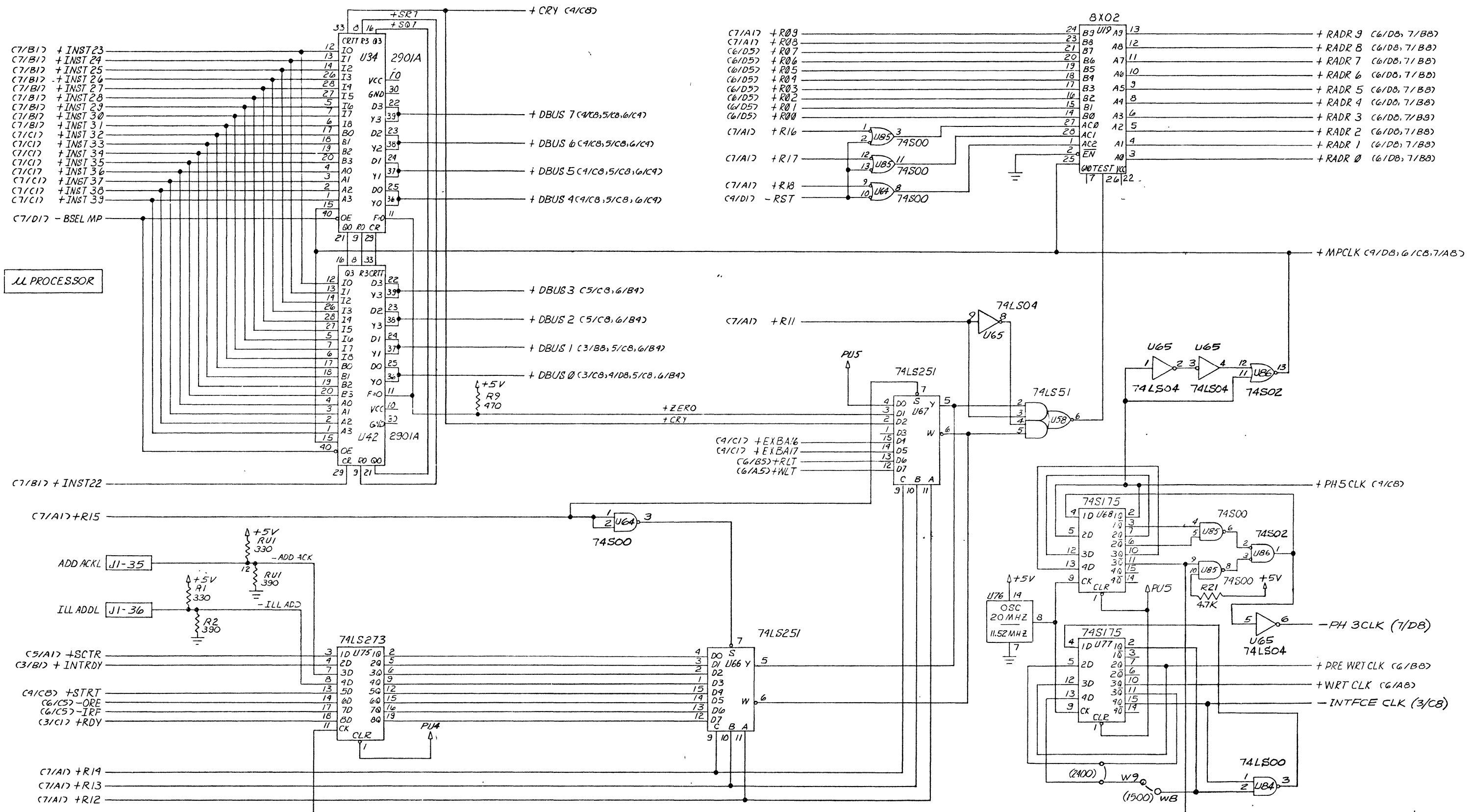
- ORD FIFO RST (C6/C8)
+ RST DMA (C3/C8)
- ORD XFR (C3/C8)

+ R18 (C8/C9)
+ R17 (C8/D9)
+ R16 (C8/D9)
+ R08 (C8/D9)
+ R09 (C8/D9)
+ R11 (C8/C9)
+ R12 (C8/A8)
+ R13 (C8/A8)
+ R14 (C8/A8)
+ R15 (C8/B8)

SIZE	CODE IDENT NO.	DWG NO.
D	52648	SKSD701810
SCALE: NONE	X7	SHEET 7 OF 8

The information herein is the property of PLESSEY PERIPHERAL SYS. Transmittal receipt or possession of the information does not constitute, license, or imply any rights to use, sell, or manufacture from this information and no reproduction or publication of it, in whole or in part, shall be made without written authorization from PLESSEY PERIPHERAL SYS.

REVISIONS				
ZONE	LTR	DESCRIPTION	DATE	APPROVED
		SEE SHEET 1		



- C7/B17 + INST 23
- C7/B17 + INST 24
- C7/B17 + INST 25
- C7/B17 + INST 26
- C7/B17 + INST 27
- C7/B17 + INST 28
- C7/B17 + INST 29
- C7/B17 + INST 30
- C7/B17 + INST 31
- C7/C17 + INST 32
- C7/C17 + INST 33
- C7/C17 + INST 34
- C7/C17 + INST 35
- C7/C17 + INST 36
- C7/C17 + INST 37
- C7/C17 + INST 38
- C7/C17 + INST 39
- C7/D17 - BSEL MP

- C7/A17 + R09
- C7/A17 + R08
- (6/D57) + R07
- (6/D57) + R06
- (6/D57) + R05
- (6/D57) + R04
- (6/D57) + R03
- (6/D57) + R02
- (6/D57) + R01
- (6/D57) + R00
- C7/A17 + R16
- C7/A17 + R17
- C7/A17 + R18
- C9/D17 - RST

- | 8X02 | Signal | Address |
|------|--------|---------|
| 24 | B9 U19 | A9 13 |
| 23 | B8 | A8 12 |
| 21 | B7 | A7 11 |
| 20 | B6 | A6 10 |
| 19 | B5 | A5 9 |
| 18 | B4 | A4 8 |
| 17 | B3 | A3 7 |
| 16 | B2 | A2 6 |
| 15 | B1 | A1 5 |
| 14 | B0 | A0 4 |
| 13 | AC0 | A12 5 |
| 12 | AC1 | A11 4 |
| 11 | AC2 | A10 3 |
| 10 | EN | |
| 7 | TEST | |
| 26 | 22 | |

LL PROCESSOR

SYSTEM TIMING AND LL SEQUENCER

SIZE	CODE IDENT NO.	DWG NO.
D	52648	SKSD 701810
SCALE: NONE	X7	SHEET 8 OF 8
DISTR NO.		