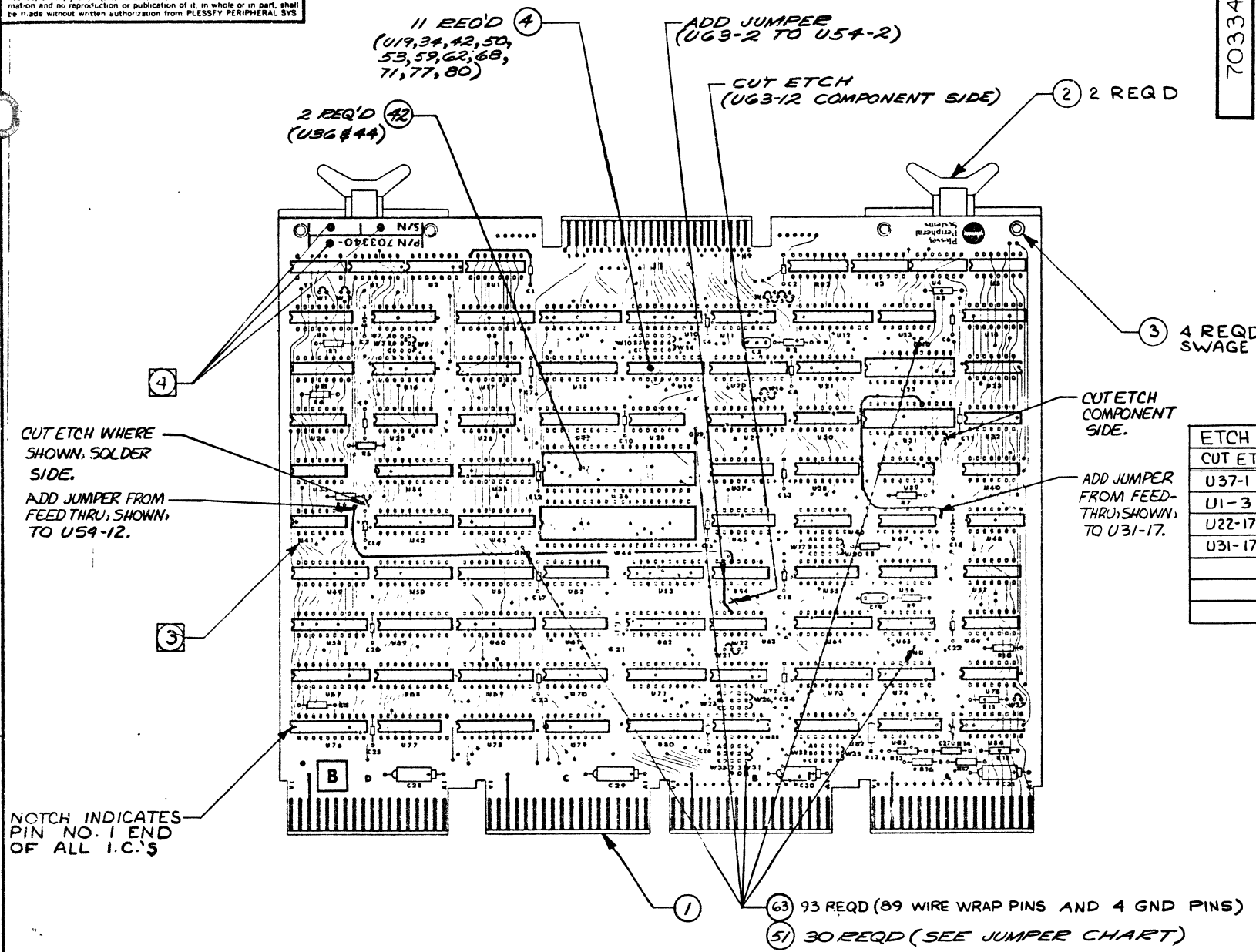


The information herein is the property of PLESSEY PERIPHERAL SYS. Transmittal receipt or possession of the information does not comply, license, or imply any rights to use, sell, or manufacture from this information and no reproduction or publication of it, in whole or in part, shall be made without written authorization from PLESSEY PERIPHERAL SYS.

REVISIONS			
ZONE	LTR	DESCRIPTION	DATE
/	A	REL TO PROD EO 3156	7-18-79
/	B	INCOMP EO 3264	8-30-79
/	C	INCOMP EO 3330, 3330-1	11-9-79
/	D	INCOMP EO 3496	2-7-80
/	E	INCOMP EO 3546	2-20-80



CUT ETCH	BOARD SIDE
U37-1	COMPONENT SIDE
U1-3	COMPONENT SIDE
U22-17	SOLDER SIDE
U31-17	SOLDER SIDE

FROM	TO
U22-17	U31-17
U28-1	U31-17
U28-2	U12-11
U28-3	U31-13
U37-1	U40-12
U1-3 (PIN)	U8-11

W1
W2
W3
W5
W7 B-C
W8 A-B
W9 A-B
W10 B-C
W11 B-C
W12 B-C
W13 B-C
W14 B-C
W15
W17 A-B
W18 A-B
W19 A-B
W20 A-B
W22
W23 B-C
W24 B-C
W25 B-C
W26 B-C
W28 A-B
W29 B-C
W30 B-C
W31 A-B
W32 B-C
W33 B-C
W34 B-C
W35 B-C

← .050 MAX (5)
← .350 MAX COMPONENT HEIGHT


PRODUCTION RELEASE

- 5 COMPONENT LEAD TRIM AND SOLDER BUILD-UP TO BE AS NOTED.
- 4 MARK ASSEMBLY VERSION NUMBER, LATEST REVISION LETTER, EIA DATE CODE AND SERIAL NUMBER WITH .12 HIGH CHARACTERS USING CONTRASTING INK PER MIL-M-13231, GROUP III. LOCATION TO BE APPROXIMATELY AS SHOWN.
- 3 COMPONENT DESIGNATION ARE FOR REFERENCE ONLY AND DO NOT APPEAR ON PART.
- 2. FOR SCHEMATIC DIAGRAM SEE SD703340.
- 1. ASSEMBLE AND INSPECT PER WORKMANSHIP STANDARDS MANUAL.

NOTES: UNLESS OTHERWISE SPECIFIED

PART/ASSY NO. & QTY PER ASSY		PARTS LIST		SPEC/SOURCE		CODE IDENT NO.	FIND NO.
PART/ASSY REV LTR		CONTRACT NO.		DRAWN M. CREEDEN 6-22-79		DWG TITLE	
DO NOT SCALE DRAWING		CHECK L. J. J. 6-22-79		ENGR. R. J. J. 6-22-79		BOARD ASSEMBLY, Q BUS DISC CONTROLLER, PM-DCV11A	
SCREEN THREADS PER HANDBOOK 14-38		PROJ. ENGR		PROD. DESIGN		SIZE CODE IDENT NO. DWG NO.	
COUNTERBORE AND SPOTFACE PILET RADI TO BE .010 MAXIMUM		OTHER APPROVALS		D 52648		703340	
REMOVE ALL BURRS AND BREAK SHARP EDGES EQUIVALENT TO .010		DIMENSIONS ARE IN INCHES AND APPLY AFTER HEAT TREAT AND FINISH UNLESS OTHERWISE SPECIFIED		SCALE: 1/1		SHEET 1 OF 1	
ROUGHNESS OF MACHINED SURFACES 125 PER USAS 84.1		DIMENSIONS ARE IN INCHES AND APPLY AFTER HEAT TREAT AND FINISH UNLESS OTHERWISE SPECIFIED		DISTR NO. 1234730			
STANDARD HOLE TOLERANCE PER AND 13887							
TOLERANCES ON .000 TO .009 .0005 TO .001							
INTERPRET DIMENSIONS AND TOLERANCES PER USAS 114.5							
PART NO. NEXT ASSY USED ON							
APPLICATION							

703340


DATA LIST	 Plessey Memories Incorporated Santa Ana, California	PREPARED BY: TOM COMEY 3-7-79	DATA LIST NO. PL703340-100	REV LTR E
		DESIGNED BY: L. Jenkins 3-8-79	CODE IDENT NO. 52648	SH 1 OF 2
UNIT AND TITLE: BOARD ASSEMBLY, QBUS DISC CONTROLLER, PM-DCV 11A, 2400 RPM		DATE: 6-25-79	2345780	
		DATE: 3/2/79	PM-DCV 11A	
		DATE: 3-4-79		

REVISIONS

LTR	DESCRIPTION	APPROVED	DATE	LTR	DESCRIPTION	APPROVED	DATE
A	REL TO PROD E03156	<i>[Signature]</i>	7-19-79				
B	INCorp E03264	<i>[Signature]</i>	8-30-79				
C	INCorp E03330 & 3330-1	<i>[Signature]</i>	11-19-79				
D	INCorp E03496	<i>[Signature]</i>	2-7-80				
E	INCorp E03546	<i>[Signature]</i>	2-20-80				

PRODUCTION RELEASE

REV STATUS OF SHEETS	REV LTR	E	D	E	C	D	E	B		
	SHEET	1	2	3	4	5	6	7	8	9 10

PARTS LIST	 Plessey Peripheral Systems	CODE IDENT NO. 52648	DATA LIST NO. PL703340-100	SH 2	REV LTR D
------------	---	-----------------------------	-----------------------------------	-------------	------------------

CROSS INDEX OF REFERENCE DESIGNATIONS TO FIND NO.

REFERENCE DESIGNATION	FIND NO.	REFERENCE DESIGNATION	FIND NO.	REFERENCE DESIGNATION	FIND NO.	REFERENCE DESIGNATION	FIND NO.
U1	5	U98	25	R2	46		
U2	6	U40,65	26	R5,7	47		
U3	7	U41	27	R9	48		
U4,5,56,57,74	8	U45	28	R10,13,16	49		
U6,15,37	9	U46,48,28	29	R14,15,17	50		
U7,16,25	10	U47, U39	30		51		
U8,12,35,43,49,51,60,69,78	11	U52,61,70	31	Y1	52		
U9,18,27	12	U53,62,71,80	32	C1,2,3,4,6,7,8,9,10,11,12,13,14,15,16,17,18,20,21,22,23,24,25,26,27	53		
U10,20,29	13	U54,63,72,81	33				
U11	14	U55,82	34				
U13,33	15	U58,67,76	35				
U17	16	U64,73	36	C5	54		
U19	17	U66	37	C19	55		
U21,30	18	U75	38	C28,29,30,31	56		
U22,31	19	U79	39	U34	57		
U23	20	U83,84	40	U42	58		
U24	21		41	U50	59		
U26,32	22		42	U59	60		
		R1,2	43	U68	61		
		R18	44	U77	62		
U36,44	24	R1,3,4,6,8,11	45				
		12					

PARTS LIST		Plessey Peripheral Systems			CODE IDENT NO. 52648	PARTS LIST NO. PL703340-100	SH 3	REV LTR E					
REV LTR	NOTE	QTY REQD	PART OR IDENTIFYING NO.	NOMENCLATURE OR DESCRIPTION	SPECIFICATION	CODE IDENT NO.	ZONE	FINO.	SYM	C/I USAGE			
										C/I CODE	INV ON HAND	P A R	UNITY COST
		1	703339-001	PRINTED WIRING BOARD				1					
		2	701339-001	HANDLE				2					
		4	MS16535-154	RIVET/TUBULAR, OVAL HD .123 DIA X .188 LG				3					
E		11	US-2-20-110-G-B	SOCKET, 20 PIN	SCANBE			4					
		1	SN74574	I.C./DUAL D-TYPE POS EDG-TRIG F/F W/PRESET/CLEAR	T.I.			5					
		1	SN74586	I.C./QUADRUPLE 2-INPUT EXCLUSIVE-OR GATES	T.I.			6					
		1	SN74504	I.C./HEX INVERTER	T.I.			7					
		5	SN74LS74	I.C./DUAL D-TYPE POS EDG-TRIG F/F W/PRESET/CLEAR	T.I.			8					
		3	SN745175	I.C./QUAD D-TYPE F/F W/CLEAR	T.I.			9					
		3	SN745251	I.C./DATA SELECTOR/MULTIPLEXERS W/3-STATE OUTPUT	T.I.			10					
		9	SN74LS374	I.C./OCTAL D-TYPE TRANSPARENT LATCHES EDG-TRIG F/F	T.I.			11					
		3	SN74LS213	I.C./OCTAL D-TYPE F/F W/CLEAR	T.I.			12					
C		3	SN745240	I.C./OCTAL BUFFERS/LINE DRIVERS/LINE RECEIVERS	T.I.			13					

BISHOP GRAPHICS/ACCUPRESS
REORDER NO. A-7498

PARTS LIST		Plessey Peripheral Systems			CODE IDENT NO. 52648	PARTS LIST NO. PL703340-100	SH 4	REV LTR C					
REV LTR	NOTE	QTY REQD	PART OR IDENTIFYING NO.	NOMENCLATURE OR DESCRIPTION	SPECIFICATION	CODE IDENT NO.	ZONE	FINO.	SYM	C/I USAGE			
										C/I CODE	INV ON HAND	P A R	UNITY COST
		1	SN74123	I.C./RETRIGGERABLE MONOSTABLE MULTIVIBRATORS	T.I.			14					
		2	SN74500	I.C./QUAD 2-INPUT POS-NAND GATE	T.I.			15					
		1	SN745139	I.C./DECODER/DEMULPLEXERS	T.I.			16					
C		1	100141-100	I.C./PROM 256 X 8				17					
		2	AM29701	I.C./NON-INVERTING 64-BIT RANDOM ACCESS MEMORY	AMD			18					
		2	9403	I.C./FIFO BUFFER MEMORY	FAIRCHILD			19					
		1	SN74508	I.C./QUAD 2-INPUT POS-AND GATE	T.I.			20					
		1	SN74510	I.C./TRIPLE 3-INPUT POS-NAND GATES	T.I.			21					
		2	SN74LS04	I.C./HEX INVERTER	T.I.			22					
								23					
		2	AM2901ADC	I.C./4 BIT BI-POLAR MICRO PROCESSOR SLICE	AMD			24					
		1	SN745158	I.C./QUAD 2 LINE TO LINE DATA SEL/MULTIPLEXERS	T.I.			25					
		2	SN74LS08	I.C./QUAD 2-INPUT POS-AND GATE	T.I.			26					

BISHOP GRAPHICS/ACCUPRESS
REORDER NO. A-7498

PARTS LIST		Plessey Peripheral Systems			CODE IDENT NO. 52648	PARTS LIST NO. PL703340-100	SH 5	REV LTR D				
QTY REQD	NOTE	PART OR IDENTIFYING NO.	NOMENCLATURE OR DESCRIPTION	SPECIFICATION	CODE IDENT NO.	ZONE	FINO.	SYH	C/I USAGE			
									C/I CODE	INV ON HAND	P A R	UNITY COST
1		SN74502	I.C./QUAD 2-INPUT POS-NOR GATE	T.I.			27					
1		SN745153	I.C./DUAL 4 LINES TO 1 LINE DATA SEL/MULTIPLEXERS	T.I.			28					
3	D	SN74532	I.C./QUAD 2-INPUT POS-OR GATES	T.I.			29					
2		SN74500	I.C./QUAD 2-INPUT POS-NAND GATE	T.I.			30					
3		SN745138	I.C./DECODER, DEMULTIPLEXER	T.I.			31					
4		AM2908	I.C./QUAD BUS TRANCEIVER	AMD			32					
4		136000-038	I.C./MONOLITHIC QUAD 2-INPUT DRIVER				33					
2		DM8136	I.C./6-BIT UNIFIED BUS COMPARATOR	NATIONAL			34					
3		AM2911	I.C./4-BIT MICRO-PROCESSOR SEQUENCER	AMD			35					
2		SN74LS244	I.C./OCTAL BUFFERS/LINE DRIVERS 3-STATE OUTPUTS	T.I.			36					
1		SN74LS27	I.C./TRIPLE 3-INPUT POS-NOR GATES	T.I.			37					
1		DS8640	I.C./QUAD NOR UNIFIED BUS RECEIVER	NATIONAL			38					
1		SN74LS174	I.C./HEX/QUAD D-TYPE F/F W/CLEAR	T.I.			39					

BISHOP GRAPHICS/ACCUPRESS REORDER NO. A-7498

PARTS LIST		Plessey Peripheral Systems			CODE IDENT NO. 52648	PARTS LIST NO. PL703340-100	SH 6	REV LTR E				
QTY REQD	NOTE	PART OR IDENTIFYING NO.	NOMENCLATURE OR DESCRIPTION	SPECIFICATION	CODE IDENT NO.	ZONE	FINO.	SYH	C/I USAGE			
									C/I CODE	INV ON HAND	P A R	UNITY COST
2		DS8641	I.C./QUAD UNIFIED BUS TRANCEIVER	NATIONAL			40					
							41					
2	E	DILB40P-108	SOCKET, 40 PIN, DIP	BURNDY			42					
2		898-5-330/390	RESISTOR MODULE, 330/390Ω	BECKMAN			43					
1		RC07GF 102J	RESISTOR/1KΩ, ±5%, 1/4W	MIL-R-11			44					
7		RC07GF 472J	RESISTOR/4.7K, 1/4W, ±5%	MIL-R-11			45					
1		RC07GF 823J	RESISTOR/82K, 1/4W, ±5%	MIL-R-11			46					
2		RC07GF 471J	RESISTOR/470Ω, 1/4W, ±5%	MIL-R-11			47					
1		RC07GF 151J	RESISTOR/150Ω, 1/4W, ±5%	MIL-R-11			48					
3		RC07GF 181J	RESISTOR/180Ω, 1/4W, ±5%	MIL-R-11			49					
3		RC07GF 391J	RESISTOR/390Ω, 1/4W, ±5%	MIL-R-11			50					
30		530153-2	SHUNT	AMP			51					
1		MXD-40-2-20MHZ	CRYSTAL/20MHZ	CTS			52					

BISHOP GRAPHICS/ACCUPRESS REORDER NO. A-7498

PARTS LIST		Plessey Peripheral Systems			CODE IDENT NO. 52648	PARTS LIST NO. PL703340-100	SH <u>7</u>	REV LTR B			
QTY REQD	PART OR IDENTIFYING NO.	NOMENCLATURE OR DESCRIPTION	SPECIFICATION	CODE IDENT NO.	ZONE	FIN O. D.	SYM	C/I USAGE			
								C/I CODE	INV ON HAND	P A R	UNIT COST
25	CGA 103EDZ	CAPACITOR/.01UF	UNITRODE			53					
1	CK05BK 821K	CAPACITOR/820PF, ±10%, 200V	MIL-C-11015			54					
1	CK05BK 331K	CAPACITOR/330PF, ±10%, 200V	MIL-C-11015			55					
4	150D475X 9035B2	CAPACITOR/4.7UF, ±10%, 35V	SPRAGUE			56					
1	100161-101	I.C./PROM, 3 STATE OUTPUT				57					
1	100161-102	I.C./PROM, 3 STATE OUTPUT				58					
1	100161-103	I.C./PROM, 3 STATE OUTPUT				59					
1	100161-104	I.C./PROM, 3 STATE OUTPUT				60					
1	100161-105	I.C./PROM, 3 STATE OUTPUT				61					
1	100161-106	I.C./PROM, 3 STATE OUTPUT				62					
93	86094-2	CONTACT POST, .025 SQ	AMP			63					
B	A/R	5951-6	WIRE / 30 AWG, KYNAR COLOR: BLUE	ALPHA WIRE		64					
REF	SD703340	SCHEMATIC DIAGRAM				65					

This information herein is the property of PLESSEY MICROSYSTEMS. Transmittal hereof or possession of the information does not constitute or imply any right to use, sell, or manufacture from this information, or to reproduce or distribute it, in whole or in part, without the express written authorization from PLESSEY MICROSYSTEMS.

REVISIONS				
ZONE	LTR	DESCRIPTION	DATE	APPROVED
✓	A	REL TO PROD EO 3156	7-11-79	[Signature]
✓	B	INCORP EO 3264	7-26-79	[Signature]
✓	C	INCORP EO 3330 & 3330-1	11-9-79	[Signature]
✓	D	INCORP EO 3436 E-1	2-7-80	[Signature]

LAST REFERENCE DESIGNATION USED	
RESISTOR	R18
CAPACITOR	C27
INTEGRATED CIRCUIT	U84
RESISTOR MODULE	RU2
CRYSTAL	Y1

REFERENCE DESIGNATION NOT USED	
INT CKT	U14, .39

REF DESIG.	GATES USED PER TOTAL	PART NUMBER
U11	1/2	74123
U28	1/4	74532
U66	2/3	74LS27

SIDE 2	SIDE 1	
		A
	B	B1RQ6L
	C	BAD16
	D	BAD17
BDOU7L	E	
BRPLYL	F	
BDINL	H	
BSYACL	J	
BWTB7L	K	
B1RQAL	L	
B1AK7L	M	
B1LV7L	N	BDM2L
BES7L	P	
EDM3L	R	
EDM3OL	S	
ENITL	T	
EDAL7L	U	
EDAL7L	V	

SIDE 2	SIDE 1	
		A
	B	
	C	
	D	
	E	
	F	
	H	
	J	
	K	
	L	
	M	
	N	
	P	
	R	
	S	
	T	
	U	
	V	

SIDE 2	SIDE 1	
		A
	B	
	C	
	D	
	E	
	F	
	H	
	J	
	K	
	L	
	M	
	N	
	P	
	R	
	S	
	T	
	U	
	V	

J1	
GND	1 2
ATTN0L	3 4
ATTN2L	5 6
UNIT SEL 0L	7 8
UNIT SEL 2L	9 10
GND	11 12
SC1L	13 14
SC3L	15 16
GND	17 18
SCTRL	19 20
CYL ADD 0L	21 22
CYL ADD 2L	23 24
CYL ADD 4L	25 26
CYL ADD 6L	27 28
GND	29 30
STROBEL	31 32
R/W/SRDYL	33 34
ACKL	35 36
WRT PRTL	37 38
DISC SELL	39 40
GND	41 42
DRILL	43 44
DSCLKL	45 46
DSDATA	47 48
DPLL	49 50

JUMPER CHART	
W1	
W2	
W3	
W5	
W7 B-C	
W8 A-B	
W9 A-B	
W10 B-C	
W11 B-C	
W12 B-C	
W13 B-C	
W14 B-C	
W15	
W17 A-B	
W18 A-B	
W19 A-B	
W20 A-B	
W22	
W23 B-C	
W24 B-C	
W25 B-C	
W26 B-C	
W28 A-B	
W29 B-C	
W30 B-C	
W31 A-B	
W32 B-C	
W33 B-C	
W34 B-C	
W35 B-C	

- CAPACITOR VALUES ARE MICROFARADS.
- RESISTOR VALUES ARE IN OHMS, $\pm 5\%$, 1/4W
- DESIGNATIONS SHOWN IN PARENTHESIS INDICATES WHERE SIGNAL ORIGINATES OR TERMINATES.
(2/B3)

ZONE DESIGNATION SHEET NUMBER

- SIGNALS SHOWN IN RECTANGLES ARE I/O CONNECTIONS.

BOARD SIDE
PIN DESIGNATION
CONNECTOR DESIGNATION

FOR ASSEMBLY DRAWING SEE 703340

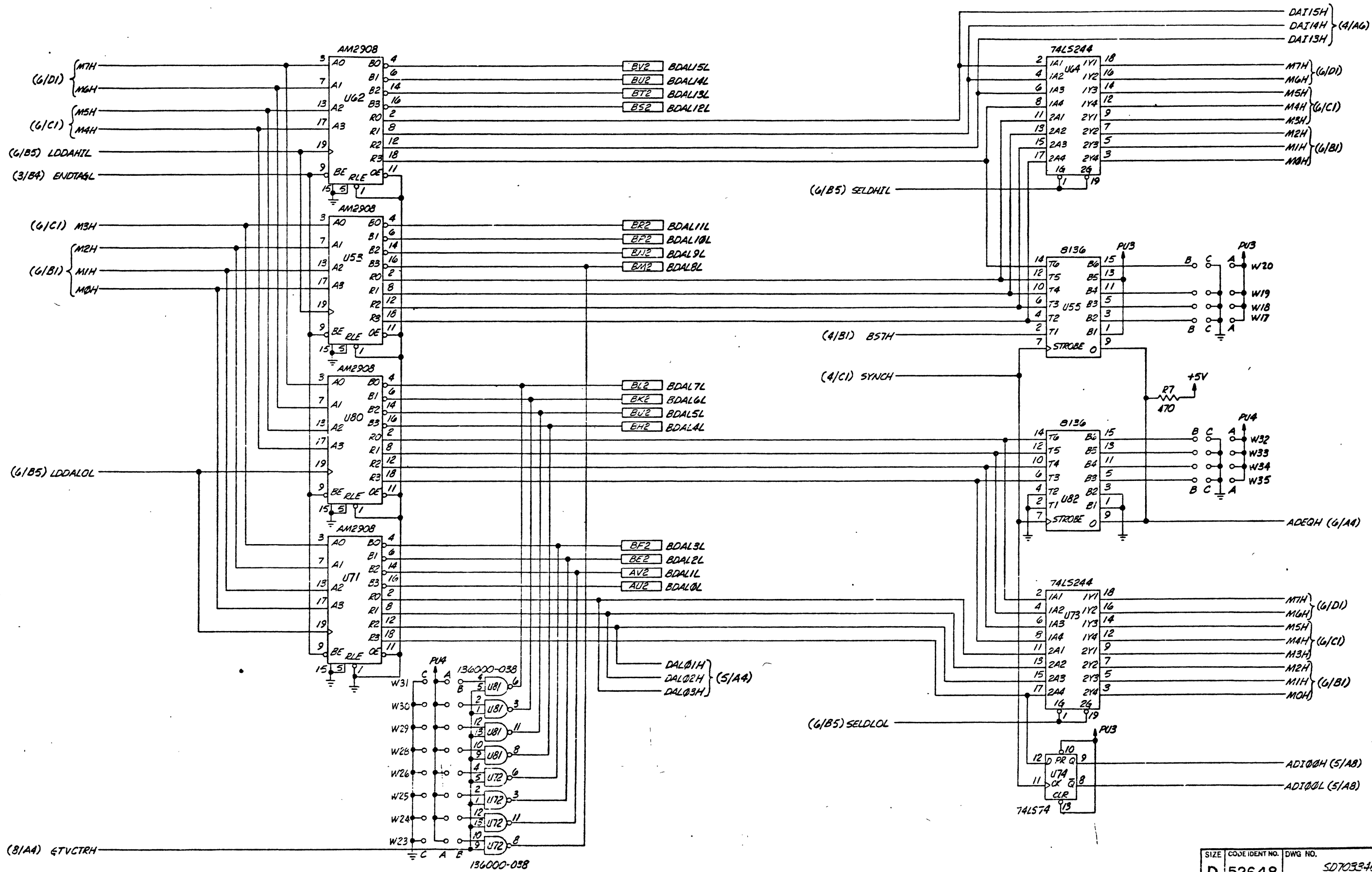
NOTES: UNLESS OTHERWISE SPECIFIED:

PRODUCTION RELEASE

PART / ASSY NO & QTY PER ASSY		NOTE / PART OR IDENTIFYING NO.		NOMENCLATURE OR DESCRIPTION / MATERIAL		SPEC / SOURCE		CODE IDENT NO.		FIND NO.	
PART / ASSY REV LTR		DO NOT SCALE DRAWING		CONTRACT NO.		Plessey Microsystems		DRAWN		DWG TITLE	
703340-100 PM-DCVIIA		SPECIFY DIMENSIONS PER HANDBOOK HAS		2-15-12		SCHEMATIC DIAGRAM		CHECK		Q BUS, DISC CONTROLLER	
NEXT ASSY USE C:		COUNTERBORE AND SPOTFACE FILLET AND		EMGR		PM-DCVIIA		PROJ. ENGR		SIZE	
APPLICATION		REMOVE A & B SURFS AND BREAK SHARP		PROJ. DESIGN		D 52648		DWG NO.		SD703340	
		EDGES EQUIVALENT TO RHP		OTHER		SCALE		SHEET		OF 8	
		RADIUS/CHAMFER OF MACHINED SURFACES BY		APPROVALS							
		PER UNITS (R/L)									
		STANDARD HOLE TOLERANCE PER ANSI B92									
		TOLERANCES ON DRILLING AND TOLERANCES									
		ON ANGLES TO BE SPECIFIED									
		PER UNITS (R/L)									
		DIMENSIONS ARE IN INCHES AND APPLY AFTER									
		MATERIAL TOLERANCES PER UNITS (R/L)									
		UNLESS OTHERWISE SPECIFIED									

The information herein is the property of PLESSEY PERIPHERAL SYS. Transmittal receipt or possession of the information does not imply, license, or imply any rights to use, sell, or manufacture from this information and no reproduction or publication of it in whole or in part, shall be made without written authorization from PLESSEY PERIPHERAL SYS.

REVISIONS				
ZONE	LTR	DESCRIPTION	DATE	APPROVED
/		SEE SHEET 1		

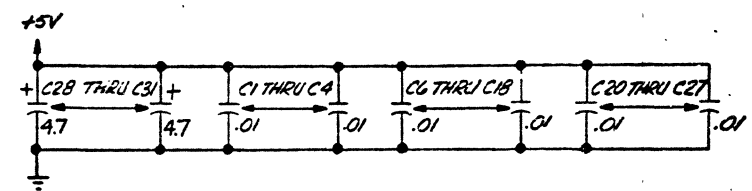
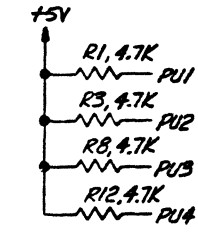
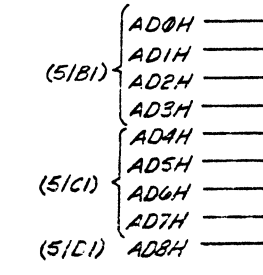
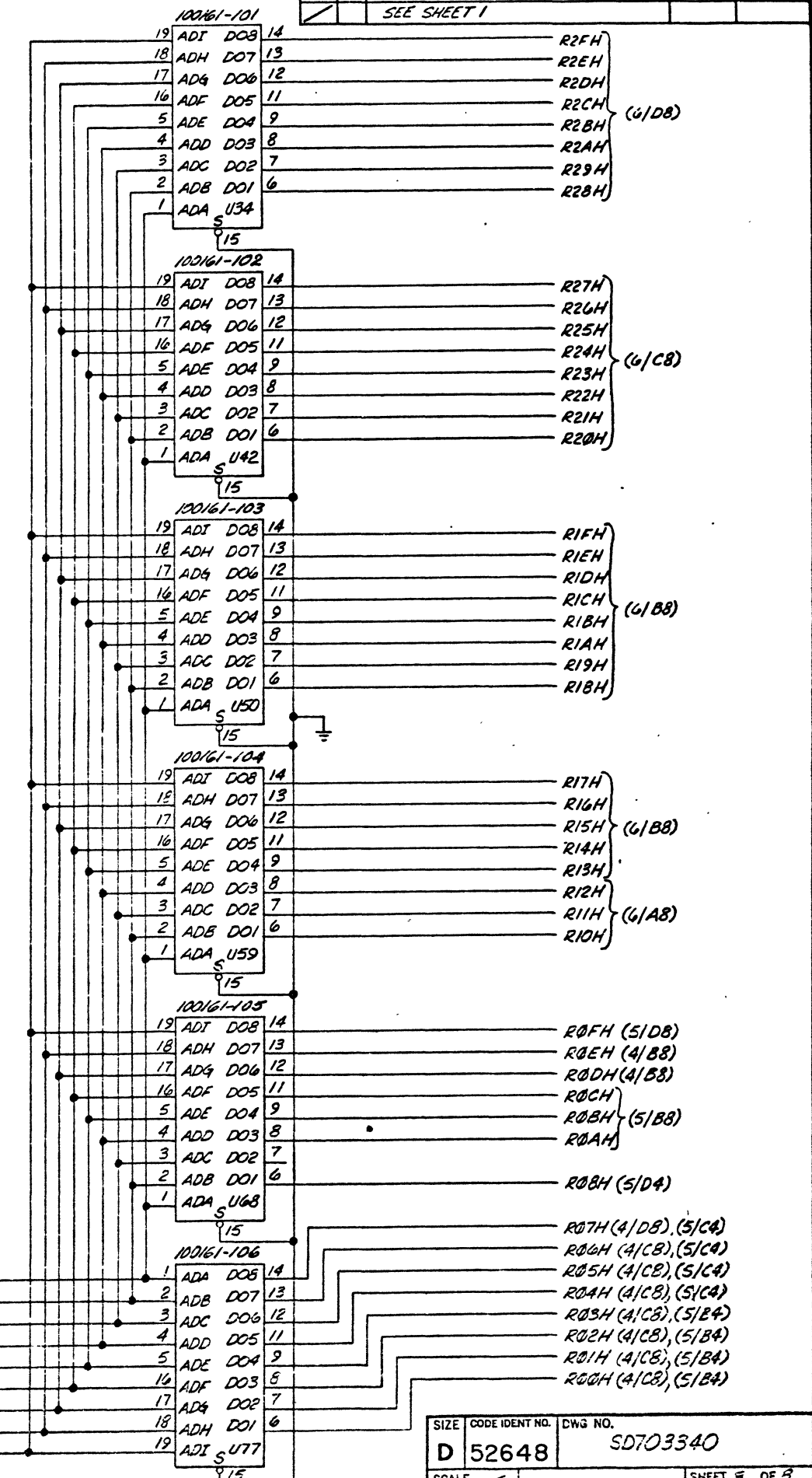
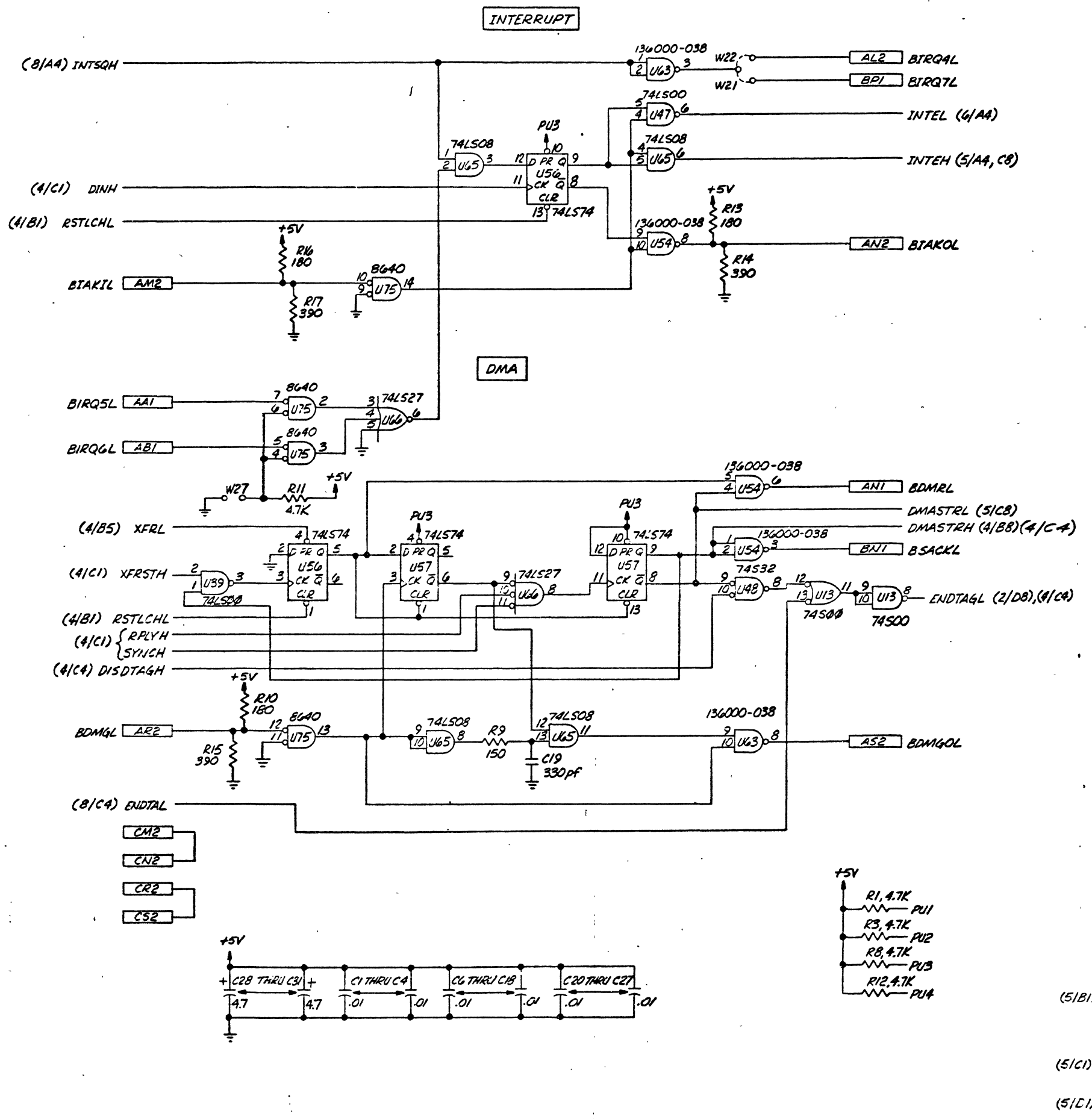


SIZE	CODE IDENT NO.	DWG NO.
D	52648	SD703340
SCALE:	SHEET 2 OF 5	
DISTR. NO.		

D
C
B
A
SD703340

The information herein is the property of PLESSEY PERIPHERAL SYS. Transmittal receipt or possession of the information does not imply license or imply any rights to use, sell, or manufacture from the information and no reproduction or publication of it in whole or in part, shall be made without written authorization from PLESSEY PERIPHERAL SYS.

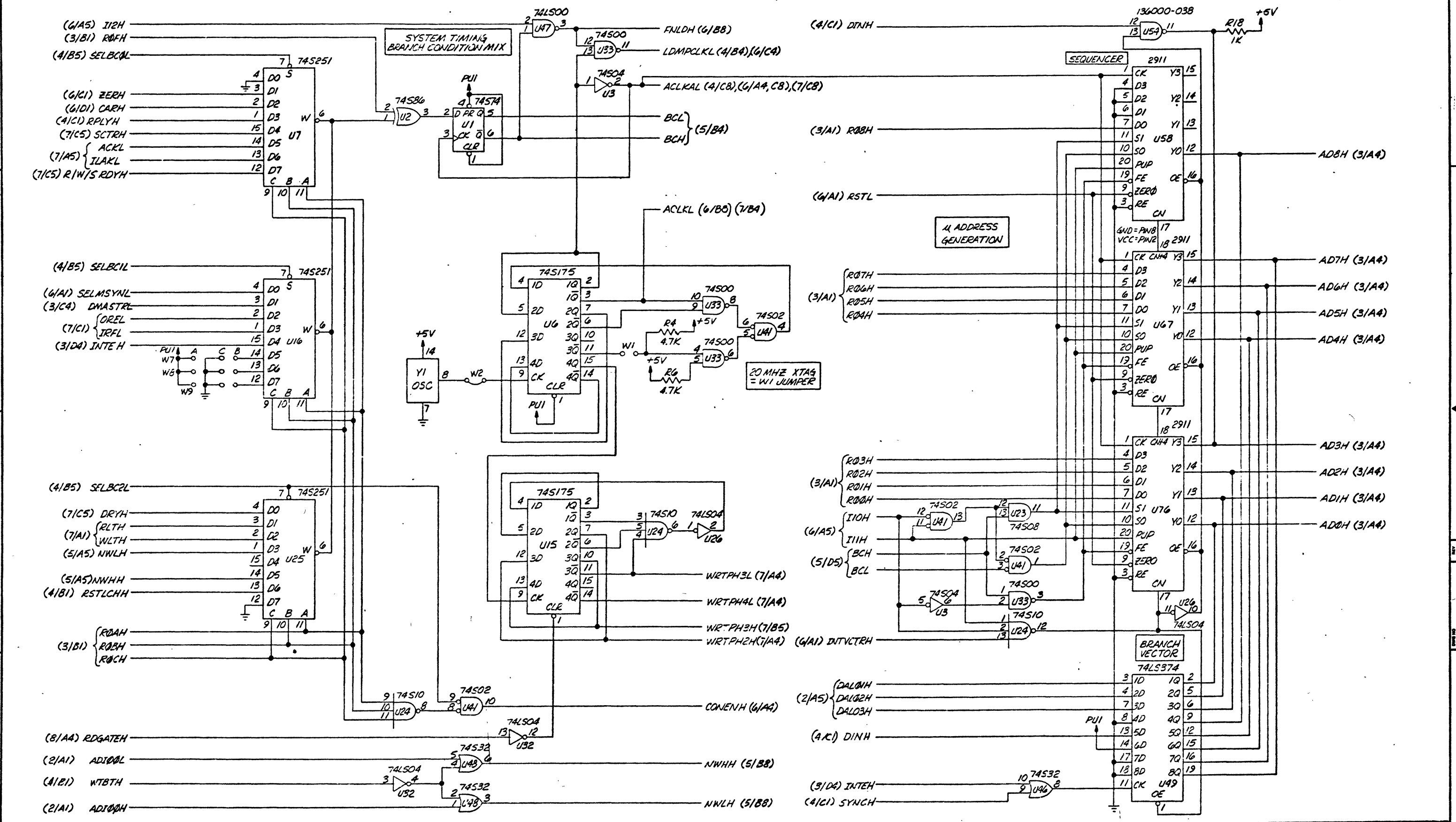
ZONE		LTR		REVISIONS		DATE	APPROVED
		SEE SHEET 1					



SIZE	CODE IDENT NO.	DWG NO.
D	52648	SD703340
SCALE	SHEET 3 OF 3	

The information herein is the property of PLESSEY PERIPHERAL SYS. Transmittal receipt or possession of the information does not constitute license or imply any rights to use, sell, or manufacture from this information and no reproduction or publication of it, in whole or in part, shall be made without written authorization from PLESSEY PERIPHERAL SYS.

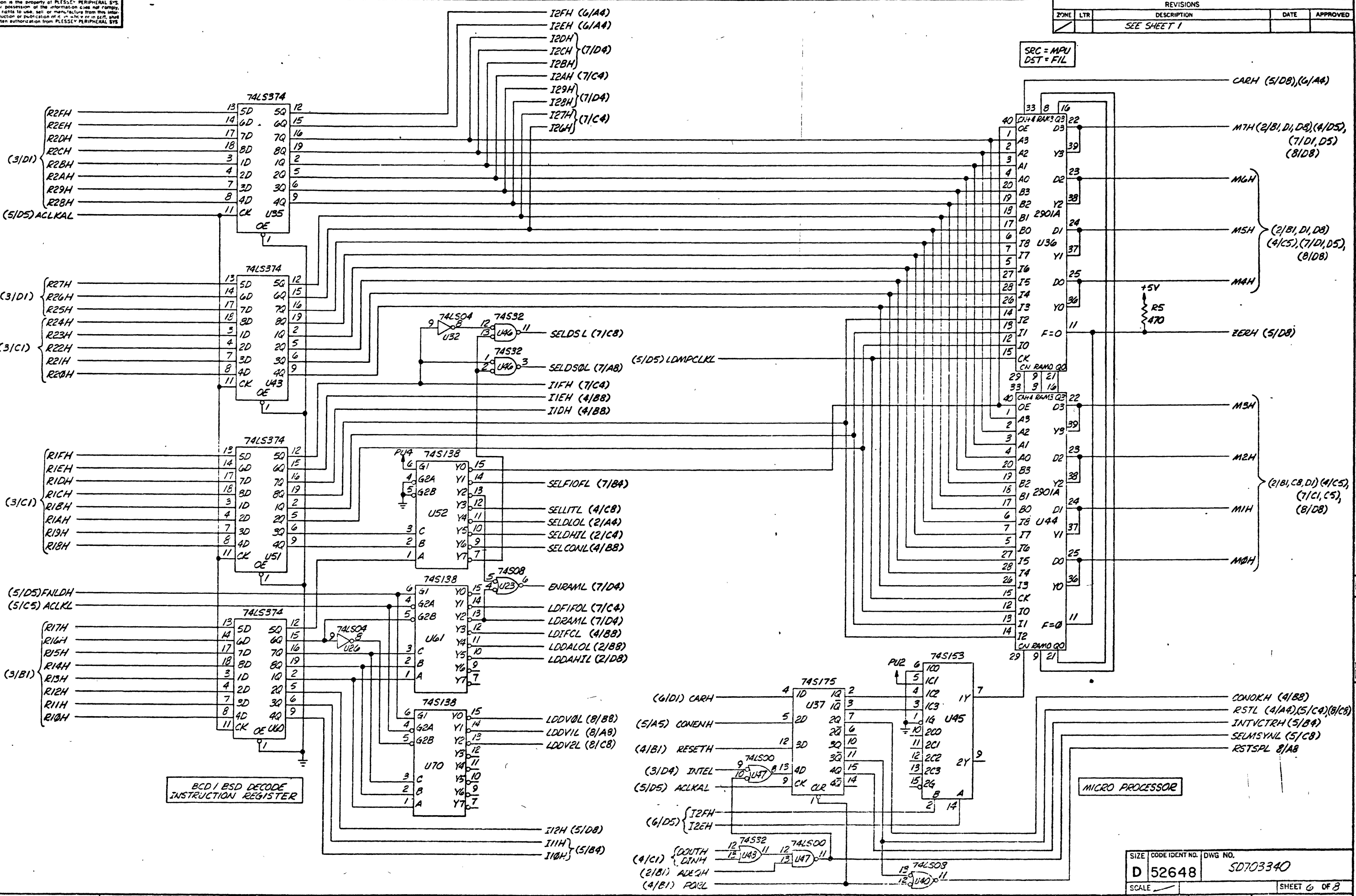
REVISIONS				
ZONE	LTR	DESCRIPTION	DATE	APPROVED
SEE SHEET 1				



SIZE	CODE IDENT NO.	DWG NO.
D	52648	SD703340
SCALE	SHEET 5 OF 8	

The information herein is the property of PLESSEY PERIPHERAL SYS. Transmittal receipt or possession of the information does not imply, license or imply any rights to use, sell or manufacture from this information and no reproduction or publication of it in whole or in part, shall be made without written authorization from PLESSEY PERIPHERAL SYS.

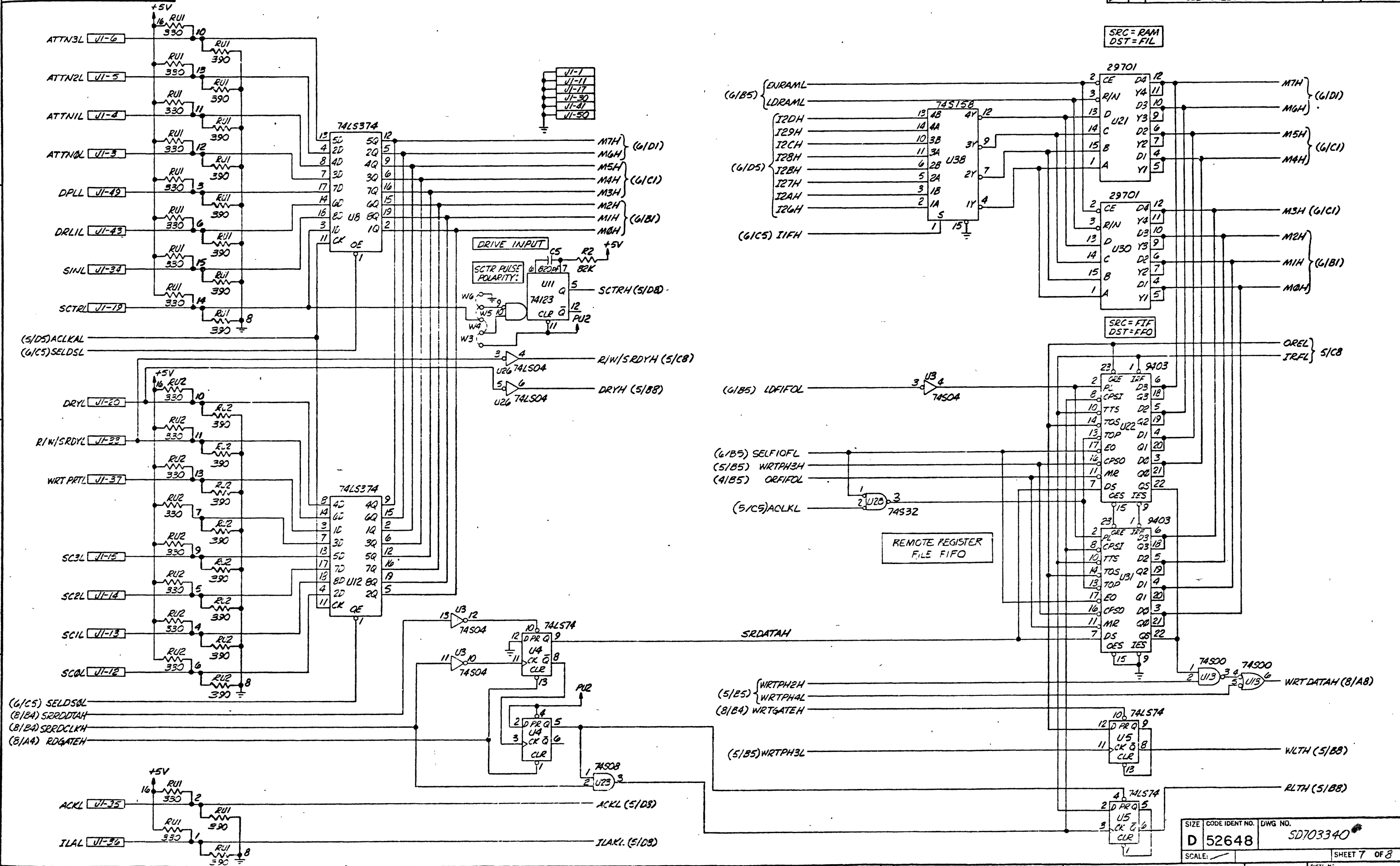
REVISIONS				
ZONE	LTR	DESCRIPTION	DATE	APPROVED
		SEE SHEET 1		



SIZE	CODE IDENT NO.	DWG NO.
D	52648	SD703340
SCALE	SHEET 6 OF 8	
DISTR NO.		

REVISIONS				
ZONE	LTR	DESCRIPTION	DATE	APPROVED
		SEE SHEET 1		

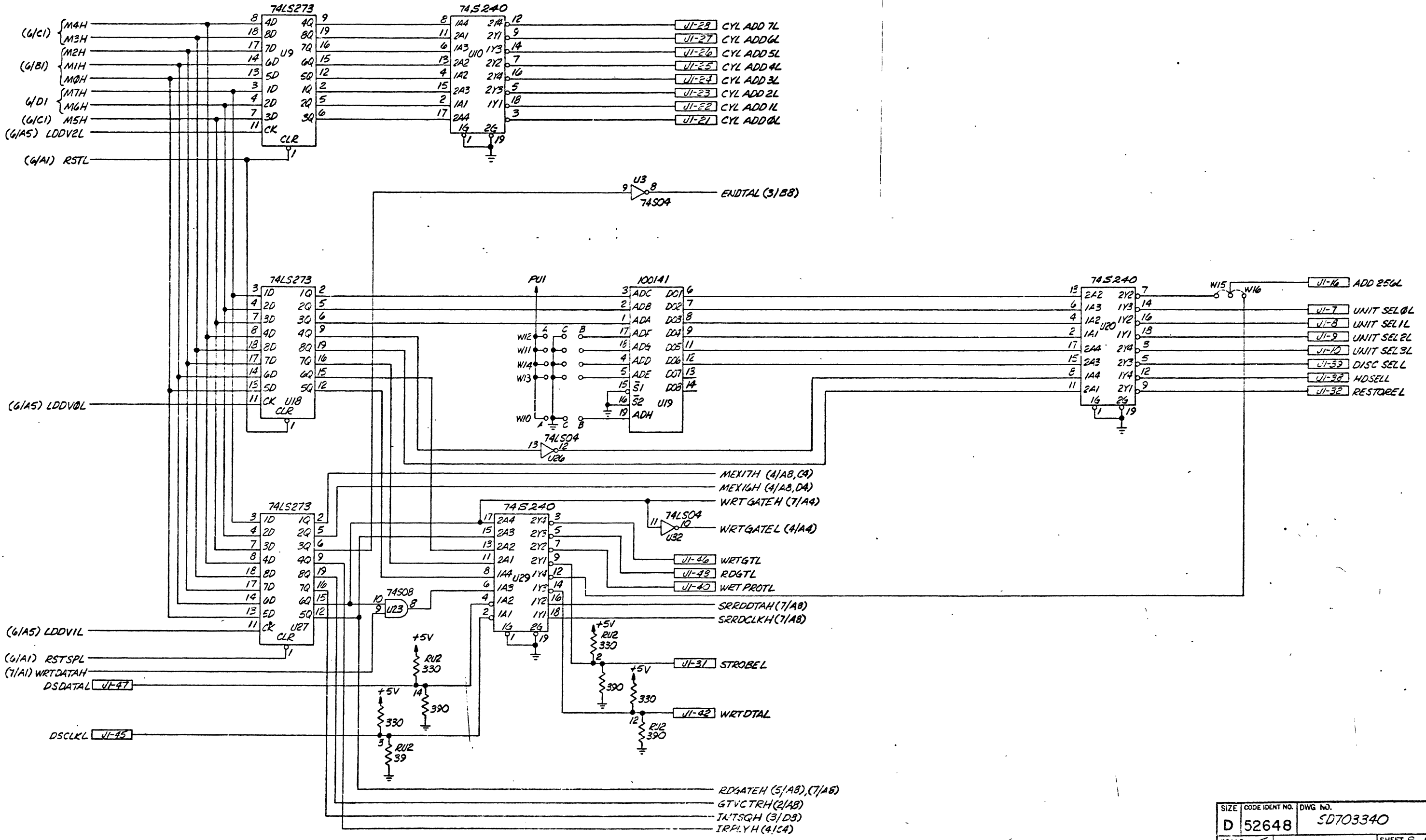
The information herein is the property of PLESSEY PERIPHERAL SYS
 Transmittal, receipt or possession of the information does not comply
 license or imply any rights to use, sell or manufacture from this infor-
 mation and no reproduction or distribution of it, in whole or in part, shall
 be made without written authorization from PLESSEY PERIPHERAL SYS



SIZE	CODE IDENT NO.	DWG NO.
D	52648	SD703340
SCALE:	SHEET 7 OF 8	

The information herein is the property of PLESSEY PERIPHERAL SYS. Transmittal receipt or possession of the information does not imply license or imply any rights to use, sell or manufacture from this information and no reproduction or publication of it in whole or in part shall be made without written authorization from PLESSEY PERIPHERAL SYS.

REVISIONS				
ZONE	LTR	DESCRIPTION	DATE	APPROVED
		SEE SHEET 1		



SIZE	CODE IDENT NO.	DWG NO.
D	52648	SD703340
SCALE		SHEET 8 OF 8
		DISTR NO

D

C

B

D

SD703340

A