

 **PIONEER®**

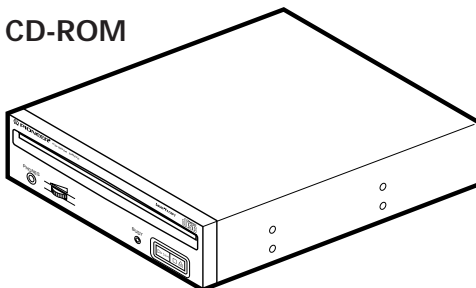
**LaserMemory™**

# DR-A14S

CD-ROM DRIVE UNIT  
UNITE DE LECTEUR DE CD-ROM  
CD-ROM -LAUFWERK  
LETTORE DI CD-ROM

*Operating instructions  
Mode d'emploi  
Bedienungsanleitung  
Istruzioni per l'uso*

**COMPACT**  
**disc**



English

Français

Deutsch

Italiano

Thank you for buying this PIONEER product. Please read through these operating instructions so you will know how to operate your unit properly. After you have finished reading the instructions, put them away in a safe place for future reference.

**WARNING:** TO PREVENT FIRE OR SHOCK HAZARD, DO NOT EXPOSE THIS APPLIANCE TO RAIN OR MOISTURE.

**IMPORTANT NOTICE:**  
**RECORD THE MODEL NUMBER AND SERIAL NUMBER OF THIS EQUIPMENT BELOW. THE NUMBERS ARE ON THE TOP PANEL.**  
MODEL NO. DR-A14S  
SERIAL NO. \_\_\_\_\_  
**KEEP THESE NUMBERS FOR FUTURE USE.**

## IMPORTANT



The lightning flash with arrowhead symbol, within an equilateral triangle, is intended to alert the user to the presence of uninsulated "dangerous voltage" within the product's enclosure that may be of sufficient magnitude to constitute a risk of electric shock to persons.

## CAUTION

**RISK OF ELECTRIC SHOCK  
DO NOT OPEN**

**CAUTION:**  
**TO PREVENT THE RISK OF ELECTRIC SHOCK, DO NOT REMOVE COVER (OR BACK). NO USER-SERVICEABLE PARTS INSIDE. REFER SERVICING TO QUALIFIED SERVICE PERSONNEL.**



The exclamation point within an equilateral triangle is intended to alert the user to the presence of important operating and maintenance (servicing) instructions in the literature accompanying the appliance.

This product complies with the EMC Directives (89/336/EEC, 92/31/EEC) and CE Marking Directive (93/68/EEC).

Ce produit est conforme aux directives relatives à la compatibilité électromagnétique (89/336/CEE, 92/31/CEE) et à la directive CE relative aux marquages (93/68/CEE).

Dieses Produkt entspricht den EMV-Richtlinien (89/336/EEC, 92/31/EEC) und CE-Markierungsrichtlinien (93/68/EEC).

Questo prodotto è conforme alle direttive EMC (89/336/CEE, 92/31/CEE) e alla direttiva sul marchio CE (93/68/CEE).

Dit produkt voldoet aan de EMC-richtlijnen (89/336/EEC en 92/31/EEC) en de CE-markeringsrichtlijn (93/68/EEC).

Denna produkt uppfyller föreskrifterna i EMC-direktiv (89/336/EEC, 92/31/EEC) och CE-märkningsdirektiv (93/68/EEC).

Este producto cumple con las Directivas EMC (89/336/CEE, 92/31/CEE) y Directiva de Marcación CE (93/68/CEE).

Este produto cumpre com as Directivas EMC (89/336/CEE, 92/31/CEE) e Directiva da Marcação CE (93/68/CEE).

Dette produkt er i overensstemmelse med direktiverne vedrørende elektromagnetisk kompatibilitet (89/336/EEC, 92/31/EEC) og CE-direktivet vedrørende mærkning (93/68/EEC).

**WARNING!**

Om apparaten används på annat sätt än i denna bruksanvisning specificerats, kan användaren utsättas för osynlig laserstrålning som överskrider gränsen för laserklass 1.

**ADVARSEL:**

Usynlig laserstråling ved åbning når sikkerhedsafbrydere er ude af funktion. Undgå udsættelse for stråling.

**VAROITUS!**

Laitten käyttäminen muulla kuin tässä käyttöohjeessa mainitulla tavalla saattaa altistaa käyttäjän turvallisuusluokan 1 ylittävälle näkymättömälle lasersäteilylle.

# SAFETY INSTRUCTIONS

---

To ensure your personal safety and to maximize the full operating potential of your Drive, read and follow these safety precautions:

**ENVIRONMENT** - Please do not use the unit at places with much dust, high temperature, or high humidity. Please use the unit at a place where it is not subjected to vibrations or shocks.

**POWER** - Power-off your system and attached hardware devices before installation.

**READ INSTRUCTIONS** - Read all safety and operating instructions before the Drive is operated.

**RETAIN INSTRUCTIONS** - Retain the safety and operating instructions for future reference.

**FOLLOW INSTRUCTIONS** - Follow all operating and use instructions.

**HEED WARNINGS** - All warnings must be adhered to.

**CLEANING - DO NOT** use liquid, aerosol cleaners, or alcohol. Use only a damp cloth to clean the exterior housing.

**WATER AND MOISTURE - DO NOT** use this product near water.

**POWER SOURCES** - Operate this product from the type of power source indicated on the marking label. If you are not sure of the type of power available, consult your Authorized Pioneer Dealer.

**OVERLOADING - DO NOT** overload wall outlets and extension cords. Doing so can result in fire or electric shock.

**OBJECT AND LIQUID ENTRY** - Never push objects of any kind into this product. Touching dangerous voltage points may cause a short resulting in fire or electric shock. Do not spill liquid of any kind on this product.

**CONDENSATION** - Moisture will form in the operating section of the product causing performance to be impaired if it is brought from cool surroundings into a warmer environment. If you are moving the unit to a location with a warmer temperature, let the product stand for 1-2 hours in the new location before turning it back on.

**SERVICING** - Do not attempt to repair this product yourself. Opening or removing covers may expose you to dangerous voltage or other hazards. Refer all servicing to qualified service personnel. (Refer to the enclosed Service and Support Card.)

## IMPORTANT

### CAUTION

This product contains a laser diode of higher class than 1. To ensure continued safety, do not remove any covers or attempt to gain access to the inside of the product.

Refer all servicing to qualified personnel.

The following caution label appears on your unit.

Location: on top of the cover



**CLASS 1 LASER PRODUCT  
LASER KLASSE 1**

For pluggable equipment the socket-outlet shall be installed near the equipment and shall be easily accessible.

## SAFETY INSTRUCTIONS



**RADIO SIGNAL INTERFERENCE** - This equipment has been tested and found to comply with the limits for a Class B digital device, pursuant to Part 15 of the FCC Rules. These limits are designed to provide reasonable protection against harmful interference in a residential installation. This equipment generates, uses, and can radiate radio frequency energy and, if not installed and used in accordance with the instructions, may cause harmful interference to radio communications. However, there is no guarantee that interference will not occur in a particular installation. If this equipment does cause harmful interference to radio or television reception, which can be determined by turning the equipment off and on, the user is encouraged to try to correct the interference by one or more of the following measures:

- ⇒ Reorient or relocate the receiving antenna.
- ⇒ Increase the separation between the equipment and receiver.
- ⇒ Connect the equipment into an outlet on a circuit different from that to which the receiver is connected.
- ⇒ Consult the dealer or an experienced radio/TV technician for help.

### [For Canadian model]

This Class B digital apparatus meets all requirements of the Canadian Interference-Causing Equipment Regulations.

### [Pour le modèle Canadien]

Cet appareil numérique de la Classe B respecte toutes les exigences du Règlement sur le matériel brouilleur du Canada.



**LASER DIODE** - This product contains a laser diode. To assure continued safety, **DO NOT** remove any covers or attempt to gain access to the inside of the product.

#### CAUTION:

USE OF CONTROLS OR ADJUSTMENTS OR PERFORMANCE OF PROCEDURES OTHER THAN THOSE SPECIFIED HEREIN MAY RESULT IN HAZARDOUS RADIATION EXPOSURE.

#### CAUTION:

USE OF OPTICAL INSTRUMENTS WITH THIS PRODUCT WILL INCREASE EYE HAZARD.

### Information to User

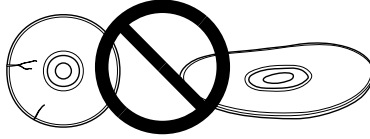
Alteration or modifications carried out without appropriate authorization may invalidate the user's right to operate the equipment.

*The Generation of Acoustical Noise Is Less Than 70dB.  
(ISO7779/DIN45635)*

## SAFETY INSTRUCTIONS



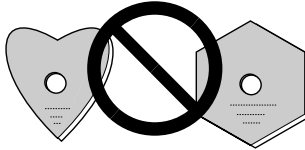
DO NOT use damaged, cracked, or warped discs. If they break inside the unit, they may damage the optics. Discs rotate at high speed inside the changing mechanism.



DO NOT use non-standard discs, as these may adversely influence this unit and other equipment.



DO NOT play a CD having other shape than a circular disc, such as heart shaped disc. Otherwise malfunction may occur.



The enclosed device driver is for use with MS-DOS/Windows 3.XX. This driver is not required for use with Windows 95.

\* MS-DOS and Windows are trademarks of Microsoft Corporation.

### FEDERAL COMMUNICATIONS COMMISSION DECLARATION OF CONFORMITY

*This device complies with part 15 of the FCC Rules. Operation is subject to the following two conditions: (1) This device may not cause harmful interference, and (2) this device must accept any interference received, including interference that may cause undesired operation.*

Product Name: CD-ROM DRIVE UNIT

Model Number: DR-A14S

Responsible Party Name: PIONEER ELECTRONICS SERVICE, INC.

Address: 1925 E. DOMINGUEZ ST. LONG BEACH, CA 90810 U.S.A.

Phone: (310) 952-2359

사용자 안내문	
<b>B 급기기</b>	이 기기는 비업무용으로 전자파 장애 검정을 받은 기기로서 주거지역에서는 물론 모든 지역에서 사용할 수 있습니다.

# FEATURES

---

- High-speed reading  
Transfer rate (sustained):  
2,100 kBytes/sec. – 5,400 kBytes/sec. (CAV 36X max)
- High-speed access  
Random average: 70 ms
- Low vibration mechanism
- ATAPI correspondence
- Buffer size: 128 kBytes
- Applicable discs  
CD-ROM Mode 1  
CD-ROM XA Mode 2 (Form 1, 2)  
CD-DA (Digital audio output)  
CD Extra, Video CD, CD-I Ready and CD-XA Ready support  
CD-RW disc reading

## **NOTES:**


*This product can read out CD-RW disc data. Note the following:*

- (1) *A little longer time is needed to sense a CD-RW disc when the operation starts, compared with normal CD-ROM discs.*
- (2) *The read-out speed of CD-RW discs is usually 4 times higher than that of normal discs. However, according to the quality of the disc or under extremely hot or cold conditions, the player may reduce the speed of rotation of the disc during read-out. (Because the reproduced signal level from CD-RW discs is lower than that of normal discs.)*
- (3) *Blank discs, discs where you failed to write data or discs where session close processing has not been made - these discs cannot be used.*
- (4) *The operations may not start or the data may not be read out under the following conditions: The quality of the recorded signal has deteriorated due to the dirt or scratches on the disc, or frequently rewrote discs.*  
*If you fail to start the operation, take out the disc and reinsert it to try again to start.*

- Correspondence to Kodak Photo CD (single and multisession)
- Conforming to MPC-3 specifications
- Half-height size
- Slot in loading
- Windows 95 and Windows 98 (Plug and Play) supported

\*Windows is a trademark of Microsoft Corporation.

## **Precautions on plying CD singles (8 cm Discs)**

- (1) *When playing CD singles (8 cm discs), always use the adapter for 8 cm discs. Before loading the disc into the CD-ROM drive unit, be sure to check that it is secured properly by the catches of the adapter. If discs have been inserted without the adapter by mistake, remove the disc immediately by pressing the eject button. If the disc does not come out with one press, press another time.*
- (2) *Use 8 cm disc adapters labeled with the  mark (recommended standard product). Do not use adapters which cause the disc to idle, nor adapters which are bent or curved.*

# A HARDWARE TOUR

Illustrations are provided in this chapter as a visual introduction to the Drive. Please Familiarize yourself with these illustrations and refer to them when necessary to complete the installation and operation of the unit.

## FRONT VIEW

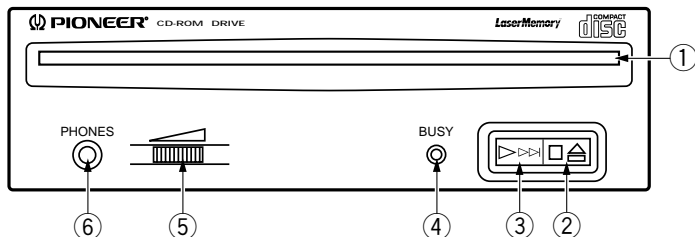


Fig. 1

### ① Disc loading slot

Insert the CD-ROM with the label facing up.

When using 8 cm discs, attach a CD adapter (available at stores) to the disc, and insert the disc into the disc loading slot.

### ② Stop (■)/Eject (▲) button

This button is used to eject the disc. When this button is pressed once during playback of an audio disc, the playback will be stopped, and when it is pressed in stopped condition, the disc will be ejected.

### ③ Play (▶)/Skip (▶▶) button

This is used for direct playback of audio discs. When an audio disc is inserted and this button is pressed, play status will be reached, and when this button is pressed in play status, the playback will skip to the next track. Data discs will not be played back.

### ④ BUSY indicator

This flashes during data access.

### ⑤ Volume Control (headphone level)

This is used to adjust the volume level of the headphone jack.

### ⑥ Headphone jack (PHONES)

This is a stereo minijack for headphones.

REAR VIEW

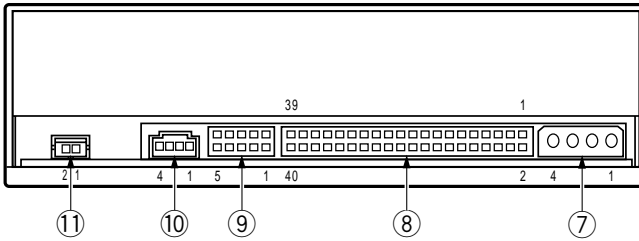


Fig. 2

⑦ DC Input

This is the power supply input for DC +5 V and +12 V.

Pin	Name	Function
1	+12	Power supply input for DC +12 V.
2	G	Ground.
3	G	Ground.
4	+5	Power supply input for DC +5 V.

⑧ Host IDE Interface

This is a 40 pin I/O connector according to the ATA specifications.

⑨ Device Configuration Jumper

This is the jumper switch for selection of the drive use mode and supporting PC. Short-circuit socket is attached for the setting  
 attached : on                      not attached : off

Pin	Name	Function
1	MASTER*	on The drive is used in master mode.
2	SLAVE	on The drive is used in slave mode.
3	CABLE SELECT	on Mode for drive setting by CABLE SELECT of the IDE interface.
4		Reserved.
5		Reserved.

\* Only MASTER is ON at the time of shipping from the plant.

⑩ Audio Output

This is a connector for output of analog audio.  
 As a Molex 70553 type connector is used, select a matching connection cable.

Pin	Name	Function
1	L	Left channel audio output.
2	G	Ground.
3	G	Ground.
4	R	Right channel audio output.

⑪ Digital Audio Output

This is a connector for output of digital audio signal.

Pin	Name	Function
1	GND	Ground.
2	Digital Out	Digital audio signal output.



# TO INSTALL THE DRIVE

---

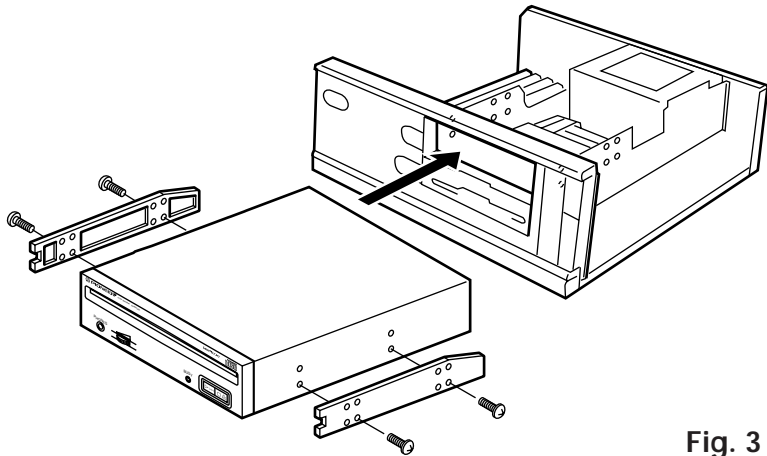


Fig. 3

- Switch off the power of the personal computer and remove the cover or the front panel.
- Remove the blank panel installed at the front of the 5.25 inch slot.  
Installation is not possible when there is no empty slot.
- Install the fixation slide rails on the drive. (If slide rails are required, contact the shop where you bought the computer or the computer manufacturer.)
- Insert the drive into the slot.
- If fixing is required, fix the drive according to the instruction manual for the computer.



Use mounting screws with a length of 5 mm (3/16 in.) or less.  
Use of long screws may damage the drive.

---



Install the drive after the power supply of the personal computer has been switched off.

---



When the mounting screws are loose etc., the vibrations from disc rotation can generate a ripping noise, so that the screws should be tightened securely.

---

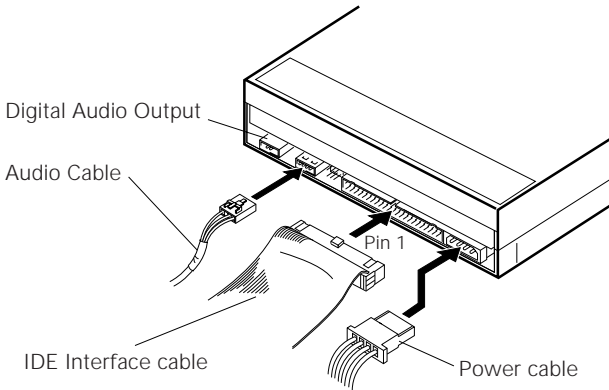


The drive installation method differs according to the computer type.  
For details, please refer to the manuals of your computer.

---

# CONNECTION

---



**Fig. 4**

- Switch off the power supply of the personal computer.
- Connect the power supply cable from the personal computer. At the time of connection, please pay attention to the cable polarity.
- Connect the IDE interface cable. At this time, confirm that the pin 1 of the IDE connector is connected correctly to pin 1 of the cable.
- When a sound board is used, connect the audio output with an audio cable to the sound board.



## **WARNING**

The power supply of the personal computer always must be switched off before cables are connected.

---

# SPECIFICATIONS

---

## [General functions]

Disc diameter	12 cm (4.72 in), 8 cm (3.15 in)
Transfer rate	
Sustained	2,100 – 5,400 kBytes/sec*
* The data transfer rate may not be output for some disc conditions (scratches, etc.).	
Seek time	
Random (average)	60 ms
Access time	
Random (average)	70 ms
Data buffer capacity	128 kBytes

## [Audio output part]

Line	0.7 Vrms ± 0.1 Vrms (at 10 kΩ load)
------	-------------------------------------

## [Others]

Power supply	DC +12 V, 0.9 A (peak), 0.55 A (normal)
(With the built-in terminator)	DC +5 V, 1.2 A (peak), 0.75 A (normal)
External dimensions	148 (W) x 42.3 (H) x 207.5 (D) mm
	5-27/32 (W) x 1-11/16 (H) x 8-6/32 (D) in
Weight	0.97 kg (2.1 lb)
Operation temperature	+5°C to +45°C (41°F to 113°F)
Operation humidity	5% to 85% (no condensation)
Storage temperature	-40°C to +60°C (-40°F to 140°F)
Storage humidity	5% to 90% (no condensation)

## [Accessories]

- Software device drive disk x 1
- Short-circuit socket x 2
- Audio cable x 1
- Mounting screw x 4
- Operating instructions x 1
- Installation instructions x 1

### **NOTE:**

*Specifications and design subject to possible modifications without notice, due to improvements.*

# INSTRUCTIONS DE SECURITE

---

Pour garantir votre sécurité personnelle et obtenir le maximum de votre lecteur, lire et suivre ces consignes de sécurité:

**ENVIRONNEMENT** - Ne pas utiliser cet appareil dans des endroits avec beaucoup de poussière, une température ou une humidité élevée. Utiliser l'appareil à un endroit où il n'est pas soumis à des vibrations ou des chocs.

**PUISSANCE** - Couper l'alimentation du système et des dispositifs joints avant l'installation.

**LIRE LES INSTRUCTIONS** - Lire toutes les instructions de sécurité et d'utilisation avant d'actionner le lecteur.

**CONSERVER LES INSTRUCTIONS** - Garder les instructions de sécurité et d'utilisation pour une future référence.

**SUIVRE LES INSTRUCTIONS** - Suivre toutes les instructions de fonctionnement et d'utilisation.

**ATTENTION AUX AVERTISSEMENTS** - Observer tous les avertissements.

**NETTOYAGE - NE PAS** utiliser de liquides, de détachants en aérosol ou de l'alcool. N'utilisez qu'un chiffon humide pour nettoyer les surfaces extérieures du boîtier.

**EAU ET HUMIDITE - NE PAS** utiliser ce produit à proximité d'eau.

**SOURCES D'ALIMENTATION** - Utiliser ce produit avec le type d'alimentation indiqué sur l'étiquette de fabrication. En cas de doute à propos du type d'alimentation disponible, consulter un revendeur Pioneer agréé.

**SURCHARGE - NE PAS** surcharger les prises murales et les rallonges pour ne pas entraîner d'incendie ou de secousse électrique.

**PENETRATION D'OBJETS ET DE LIQUIDES** - Ne jamais enfoncer d'objet de toute sorte dans ce produit. Le contact avec des points de tension dangereux peut provoquer un court-circuit, entraînant un incendie ou une secousse électrique. Ne pas verser de liquide de toute sorte sur ce produit.

**CONDENSATION** - De l'humidité se forme sur la section opération du produit entraînant une baisse de performances s'il est amené d'un endroit frais vers un environnement plus chaud. En cas de déplacement de l'appareil vers un endroit ayant une température plus chaude, laisser le produit pendant 1 à 2 heures dans le nouvel endroit avant de le remettre sous tension.

**ENTRETIEN** - Ne pas essayer de réparer soi-même ce produit. L'ouverture ou le retrait des capots peut vous exposer à une tension dangereuse ou d'autres dangers. Pour tout entretien, demander à un personnel d'entretien qualifié. (Se reporter à la carte d'entretien et de support jointe.)

## INSTRUCTIONS DE SECURITE

*La production de bruits acoustiques est inférieure à 70 dB.  
(ISO7779/DIN45635)*

### ATTENTION

Ce produit renferme une diode à laser d'une catégorie supérieure à 1. Pour garantir une sécurité constante, ne pas retirer les couvercles ni essayer d'accéder à l'intérieur de l'appareil. Pour toute réparation, s'adresser à un personnel qualifié.

L'étiquette d'avertissement suivante apparaît sur votre appareil.

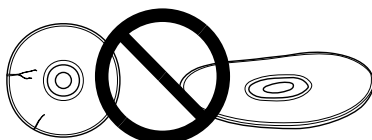
Emplacement: sur le dessus du de couvercle

**CLASS 1 LASER PRODUCT  
LASER KLASSE 1**

Dans le cas d'appareils enfichables, la prise doit être facilement accessible et placée le plus près possible de l'appareil.



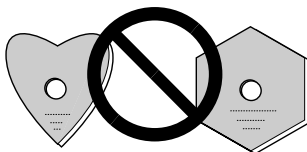
NE PAS utiliser de disques endommagés, fissurés ou déformés. S'ils se cassent à l'intérieur de l'appareil, ils risquent d'endommager la lentille. Les disques tournent à grande vitesse à l'intérieur du mécanisme de changement.



NE PAS utiliser de disques non standard, car ils peuvent avoir une mauvaise influence sur cet appareil et d'autres équipements.



Sous peine de provoquer des défaillances, ne reproduisez pas de CD ayant une forme autre que circulaire, telle que des disques en forme de coeur.



Le lecteur de dispositif joint est pour une utilisation avec MS-DOS/Windows 3.XX. Il n'est pas nécessaire pour une utilisation de cet appareil avec Windows 95.

\* MS-DOS et Windows sont des marques déposées de Microsoft Corporation.

# CARACTERISTIQUES PRINCIPALES

---

- Lecture à haute vitesse  
Vitesse de transfert (continue):  
2.100 KO/sec. – 5.400 KO/sec. (CAV maximale: 36X)
- Accès à haute vitesse  
Moyenne aléatoire: 70 ms
- Mécanisme à vibrations réduites
- Correspondance avec ATAPI
- Tampon de données: 128 koctets
- Disques utilisables  
Disque optique CD-ROM Mode 1  
Disque optique CD-ROM XA Mode 2 (Forme 1, 2)  
CD-DA (Sortie audionumérique)  
Support CD extra, CD vidéo, CD-I Ready et CD-XA Ready  
Lecture de disque CD-RW

## **REMARQUES:**

*Cet appareil peut lire les données inscrites sur les CD-RW. Toutefois, veuillez noter ce qui suit.*

- (1) *L'examen initial d'un CD-RW exige un temps légèrement plus long que celui d'un CD-ROM.*
- (2) *La vitesse de lecture des disques CD-RW est généralement 4 fois plus élevée que celle des disques ordinaires. Le lecteur peut toutefois réduire la vitesse de lecture, si la qualité du disque n'est pas bonne ou s'il fait très chaud ou très froid. (Cela tient à ce que le niveau des signaux fournis par les CD-RW est plus faible que celui des disques habituels.)*
- (3) *Vous ne pouvez pas utiliser les disques vierges, les disques sur lesquels l'écriture des données a été infructueuse et les disques qui n'ont pas fait l'objet d'une fermeture de session.*
- (4) *Dans les cas suivants, le fonctionnement peut être impossible et il peut en être de même de la lecture des données.*


*La qualité du signal enregistré est altérée en raison des poussières ou des rayures que porte le disque, ou bien le disque a fait l'objet de trop nombreuses réécritures.*

*Si le fonctionnement n'est pas possible, retirez le disque du lecteur puis réintroduisez-le et effectuez une nouvelle tentative.*

- Correspondance avec CD Kodak Photo (session simple et multisession)
- Conforme aux spécifications MPC-3
- Format demi-hauteur
- Lecteur en charge
- Windows 95 et Windows 98 (prêt à l'emploi) soutenu

\* Window est un marque déposée de Microsoft Corporation.

## **Précautions à prendre lors de la lecture de CD singles (Disques de 8 cm)**

- (1) *Lors de la lecture de CD singles (disques de 8 cm), toujours utiliser l'adaptateur pour ce type de disques. Avant de charger le disque dans l'unité de lecture de CD-ROM, vérifier qu'il est bien maintenu en place par les encoches de l'adaptateur. Si des disques ont été insérés par erreur sans utiliser l'adaptateur, il faut enlever ces disques immédiatement en poussant sur le bouton d'éjection. Si le disque ne réussit pas à sortir sous l'effet de la pression, répéter la manoeuvre.*
- (2) *Utiliser des adaptateurs pour disques de 8 cm portant la marque  (produit standard recommandé). Ne pas utiliser d'adaptateurs qui entraîne une rotation à vide du disque, ni non plus des adaptateurs ondulés ou pliés.*







# POUR INSTALLER LE LECTEUR

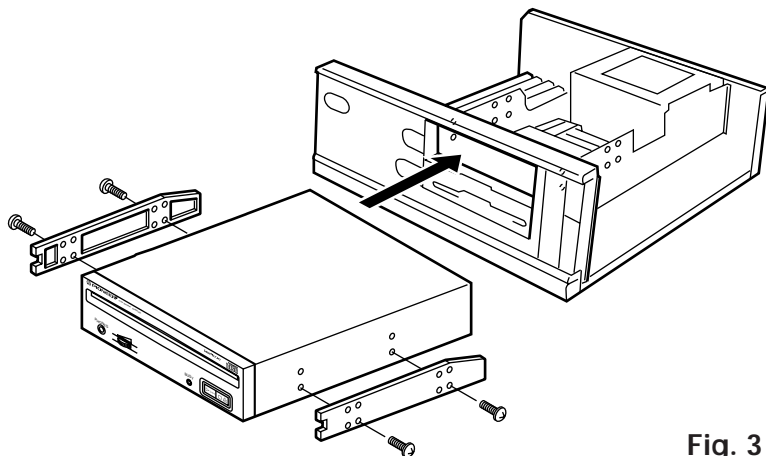


Fig. 3

- Couper l'alimentation de l'ordinateur personnel, et déposer le couvercle du panneau avant.
- Déposer le panneau vierge installé à l'avant de la fente de 5,25 pouces. L'installation n'est pas possible s'il n'y a pas de fente vide.
- Installer les rails coulissants de fixation sur le lecteur. (Si des rails coulissants sont nécessaires, contacter le magasin où a été acheté l'ordinateur ou le fabricant d'ordinateur.)
- Insérer le lecteur dans la fente.
- Si la fixation est nécessaire, fixer le lecteur en fonction du mode d'emploi de l'ordinateur.



Utiliser des vis de fixation ayant une longueur inférieure ou égale à 5 mm.  
L'utilisation de longues vis peut endommager le lecteur.



Installer le lecteur après avoir coupé l'alimentation de l'ordinateur personnel.



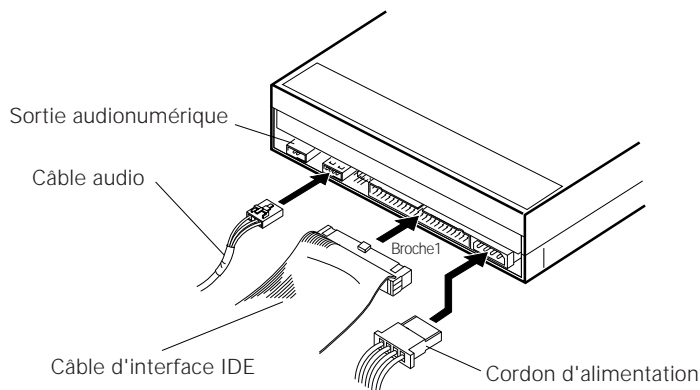
Lorsque les vis de fixation ne sont pas suffisamment serrées, etc., les vibrations émises par la rotation du disque peuvent générer un bruit de déchirure et il faut donc resserrer les vis solidement.



La méthode d'installation du lecteur varie selon le type d'ordinateur. Pour les détails, se reporter aux manuels de votre ordinateur.

# RACCORDEMENT

---



**Fig. 4**

- Couper l'alimentation de l'ordinateur personnel.
- Connecter le câble d'alimentation de l'ordinateur personnel. Au moment de la connexion, faire attention à la polarité des câbles.
- Connecter le connecteur d'interface IDE. A ce moment, confirmer que la broche 1 du connecteur IDE est correctement connectée à la broche 1 du câble.
- Lorsqu'une plaque sonore est utilisée, connecter la sortie audio avec un câble audio à la plaque sonore.



## **AVERTISSEMENT**

L'alimentation de l'ordinateur personnel doit toujours être coupée avant la connexion des câbles.

---

# FICHE TECHNIQUE

---

## [Généralités]

Diamètre du disque	12 cm, 8 cm
Vitesse de transmission	
Continu	2.100 à 5.400 KO/s *
* Il se peut que le taux de transfert de données ne soit pas affiché à cause de l'état du disque (rayures, etc.).	
Temps de recherche	
Aléatoire (moyenne)	60 ms
Durée d'accès	
Aléatoire (moyenne)	70 ms
Capacité de mémoire tampon de données	128 KO

## [Sortie audio]

Ligne	0,7 Vrms (efficace) ± 0,1 Vrms (à charge de 10 kΩ)
-------	---

## [Divers]

Alimentation	CC +12 V, 0,9 A (crête), 0,55 A (normal)
(Avec la terminaison incorporé)	CC +5 V, 1,2 A (crête), 0,75 A (normal)
Dimensions externes	148 (L) x 42,3 (H) x 207,5 (P) mm
Poids	0,97 kg
Température de fonctionnement	+5°C à 45°C
Humidité de fonctionnement	5% à 85% (sans condensation)
Température de rangement	-40°C à +60°C
Humidité de rangement	5% à 90% (sans condensation)

## [Accessoires]

- Disquette programme logiciel x 1
- Cavalier x 2
- Câble audio x 1
- Vis de fixation x 4
- Mode d'emploi x 1
- Instructions d'installation x 1

### **REMARQUE :**

*Aux fins d'amélioration, les caractéristiques techniques et la conception sont susceptibles de modification sans préavis.*

# SICHERHEITSANWEISUNGEN

---

Um Ihre eigene Sicherheit sicherzustellen, und um die volle Funktion Ihres CD-ROM-Laufwerks zu maximieren, lesen Sie diese Sicherheitsvorschriften bitte sorgfältig durch:

**BETRIEBSBEDINGUNGEN** - Betreiben Sie das Gerät nicht an Orten, wo starkes Staubaufkommen, hohe Temperaturen und hohe Luftfeuchtigkeiten vorherrschen. Wählen Sie einen Ort, wo keine Vibrationen bzw. starke Erschütterungen auf das Gerät einwirken können.

**SPANNUNG** - Vor dem Einbau des CD-ROM-Laufwerks sind der Computer und sämtliche angeschlossenen Peripheriegeräte auszuschalten.

**LESEN SIE DIE ANLEITUNGSSCHRITTE** - Vor der Inbetriebnahme des CD-ROM-Laufwerks sind alle Sicherheits- und Betriebsanleitungen durchzulesen.

**AUFBEWAHRUNGSHINWEISE** - Bewahren Sie die Sicherheits- und Betriebsanleitungen für zukünftige Benutzung griffbereit auf.

**BEFOLGUNG DER ANLEITUNGSSCHRITTE** - Befolgen Sie bitte alle Bedienungs- und Handhabungshinweise.

**BEACHTUNG ALLER WARNUNGEN** - Sämtliche Warnhinweise müssen sorgfältig beachtet werden.

**REINIGUNG** - KEIN flüssiges Reinigungsmittel, Reinigungssprühmittel oder Alkohol verwenden. Benutzen Sie zum Reinigen des äußeren Gehäuses ausschließlich einen feuchten Lappen.

**WASSER UND FEUCHTIGKEIT** - Betreiben Sie das Gerät NIEMALS in unmittelbarer Nähe von Wasser!

**STROMVERSORGUNG** - Betreiben Sie das Gerät nur mit dem Stromversorgungstyp, der auf dem Aufkleber angegeben ist. Wenn Sie sich über die vorliegenden Netzspannung nicht sicher sind, sprechen Sie bitte mit Ihrem autorisierten Pioneer-Händler.

**NETZÜBERLASTUNG** - NIEMALS Wandsteckdosen und Verlängerungskabel überlasten! Ein Brand oder Stromschlag können die Folge sein.

**EINDRINGEN VON FLÜSSIGKEITEN UND FREMDKÖRPERN** - Niemals Fremdkörper in das Geräteinnere eindringen lassen. Das Berühren von unter Spannung stehenden Kontakten kann zu einem Kurzschluß führen, was einen Brand oder Stromschlag auslösen kann. Vorsicht, damit keine Flüssigkeiten auf dem Gerät verschüttet werden.

**KONDENSATION** - Wenn das Gerät von einem kalten in einen warmen Raum gebracht wird, verursacht der Feuchtigkeitsniederschlag in Gerät eine merkliche Leistungsminderung. Betreiben Sie das Gerät deshalb nicht für ca. 1 bis 2 Stunden, bis sich die Bauteile der Umgebungstemperatur angeglichen haben.

**WARTUNG** - Nicht den Versuch unternehmen, das Gerät selbst zu reparieren! Das Öffnen oder Entfernen von Abdeckungen kann einen Stromschlag sowie andere Gefahren auslösen. Überlassen Sie sämtliche Wartungsarbeiten unserem qualifizierten Kundendienstpersonal. (Beziehen Sie sich bitte auf das miteingeschlossene Kundendienstverzeichnis.)

## SICHERHEITSANWEISUNGEN

Das Geräuschaufkommen beträgt weniger als 70 dB.  
(ISO 7779/DIN 45635)

### VORSICHT

Dieses Gerät enthält eine Laserdiode mit einer höheren Klasse als 1. Um einen stets sicheren Betrieb zu gewährleisten, weder irgendwelche Abdeckungen entfernen, noch versuchen, sich zum Geräteinneren Zugang zu verschaffen. Alle Wartungsarbeiten sollten qualifiziertem Kundendienstpersonal überlassen werden.

Das nachstehende Hinweisschild befindet sich am Gerät.

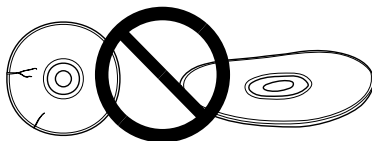
Anbringstelle: auf der Deckeloberseite.

**CLASS 1 LASER PRODUCT  
LASER KLASSE 1**

Bei Geräten mit Steckern sollte sich der Ausgangsstecker nahe dem anderen Gerät befinden und einfach zugänglich sein.



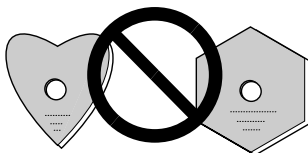
Verwenden Sie keine beschädigten, gesprungenen oder verzogenen CD-ROMs. Wenn eine CD-ROM im Gerät zerbricht, können die optischen Teile beschädigt werden. Die CD-ROMs rotieren mit hoher Drehzahl im Wechsler-Mechanismus.



Verwenden Sie keine nicht standardisierten Disketten, da diese einen nachteiligen Einfluß auf die Funktion dieses Geräts und anderer Komponenten ausüben können.



Keine nicht kreisförmigen CDs (herzförmige, achteckige Discs) abspielen. Anderenfalls kann eine Funktionsstörung auftreten.



Der mitgelieferte Gerätetreiber ist zur Verwendung mit MS-DOS/Windows 3.XX bestimmt. Dieser Treiber ist bei Windows 95 nicht erforderlich.

\* MS-DOS und Windows sind geschützte Warenzeichen der Microsoft Corporation.

# MERKMALE

---

- Datenabruf mit hoher Geschwindigkeit  
Datentransferrate (Dauerbetrieb): 2.100 kBytes/sec – 5.400 kBytes/sec  
(Maximum für CAV 36X)
- Zugriff mit hoher Geschwindigkeit  
Zufallszugriff (durchschn.): 70 ms
- Mechanismus zur Vibrationsreduzierung
- Entspricht dem ATAPI-Standard
- Datenpufferkapazität: 128 kBytes
- Verwendbare CD-ROMs  
CD-ROM (Modus 1)  
CD-ROM (XA-Modus 2; Form 1, 2)  
CD-DA (Digital-Audioausgang)  
CD Extra-, Video CD-, CD-I Ready und CD-XA Ready-Unterstützung  
CD-RW-Lesemodus


## **HINWEISE:**

*Dieses Gerät ist in der Lage, Daten auf CD-RW-Discs zu lesen. Hierzu sind folgende Hinweise zu beachten:*

- (1) Im Vergleich zu herkömmlichen CD-ROM-Discs wird zum Erkennen der Disc bei Arbeitsbeginn für CD-RW-Discs etwas mehr Zeit benötigt.*
  - (2) Die Auslesegeschwindigkeit von CD-RW-Discs ist normalerweise viermal höher als die normaler Discs. Jedoch kann der Spieler je nach Qualität der Disc oder bei extremer Hitze oder Kälte die Geschwindigkeit der Disc beim Auslesen reduzieren. (Dies ist durch den im Vergleich zu Standard-Discs niedrigeren Wiedergabesignal-Pegel von CD-RW-Discs bedingt.)*
  - (3) Die folgenden Discs können nicht verwendet werden:  
Leere Discs; Discs, bei denen keine Datenübertragung möglich war oder bei denen das Abschlußverzeichnis nicht eingegeben wurde.*
  - (4) In den folgenden Fällen ist unter Umständen kein Zugriff oder ein Auslesen der Daten möglich:  
Die Qualität des aufgenommenen Signals hat sich durch Verschmutzung oder Kratzer der Disc verschlechtert, oder die Disc wurde häufig erneut beschrieben.  
Falls kein Zugriff möglich ist, die Disc herausnehmen, wieder einlegen und den Computer erneut starten.*
- Entspricht dem Kodak Photo CD-Standard (Einfach und Multisession)
  - Konform mit MPC-3-Spezifikationen
  - Halbe Einbauhöhe
  - Disk-Schlitz
  - Unterstützung für Windows 95 und Windows 98 (Plug & Play)

\* Windows ist ein eingetragenes Warenzeichen der Microsoft Corporation.

## **Vorsichtmassnahmen beim abspielen von CD-Singles (8 cm CDs)**

- (1) Benutzen Sie immer den Adapter für 8 cm CDs wenn Sie CD-Singles (8 cm CDs) abspielen. Bevor Sie die CD in das CD-ROM Laufwerk einlegen, prüfen Sie bitte, ob sie ordnungsgemäß von den Haltern des Adapters festgeklemmt wird. Wenn irrtümlich CDs eingelegt wurden ohne den Adapter, nehmen Sie sie sofort heraus indem Sie die drücken Sie ein zweites Mal.*
- (2) Benutzen Sie 8 cm CD-Adapter, die mit der  Marke gekennzeichnet sind (empfohlener Standard). Benutzen Sie weder Adapter die die CD im Leerlauf lassen, noch krumme oder verbogene Adapter.*

# BESCHREIBUNG DER HARDWARE

In diesem Abschnitt wird das Laufwerk vorgestellt.

Bitte verwenden Sie die Abbildungen und die zugehörigen Erläuterungen, um sich mit dem Gerät vertraut zu machen, damit Sie es richtig installieren und bedienen können.

## VORDERANSICHT

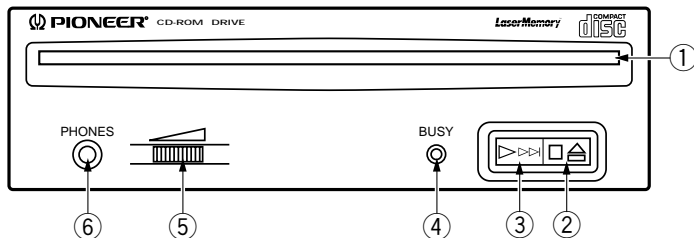


Abb. 1

### ① Disk-Schlitz

Die CD-ROM mit der Beschriftung nach oben einführen.

Bei der Verwendung von 8 cm-Disks, einen Adapter (im Handel erhältlich) an der Disk befestigen und die Disk in den Schlitz einführen.

### ② Auswurf-/Stopptaste (▲/■)

Mit dieser Taste wird die Disk ausgeworfen. Wird diese Taste während der Wiedergabe einer Audio-CD gedrückt, stoppt die Wiedergabe. Durch Betätigung im Stoppzustand wird die CD-ROM-Lade herausgefahren.

### ③ Wiedergabe-/Überspringtaste (▶/▶▶)

Diese Taste dient ausschließlich für die direkte Wiedergabe von Audio-CDs. Wenn diese Taste gedrückt wird, nachdem eine Audio-CD eingelegt wurde, erfolgt Wiedergabe. Durch Betätigung während der Wiedergabe wird der nächste Titel angewählt. Daten-CD-ROMs können nicht auf diese Weise verwendet werden.

### ④ Betriebsanzeige (BUSY)

Diese Anzeige blinkt während der Suchzeit.

### ⑤ Lautstärkeregler (für Kopfhörer)

Mit diesem Regler wird der Lautstärkepegel der Kopfhörerbuchse eingestellt.

### ⑥ Kopfhörerbuchse (PHONES)

Diese Stereo-Minibuchse dient zum Anschließen eines Kopfhörers.

RÜCKANSICHT

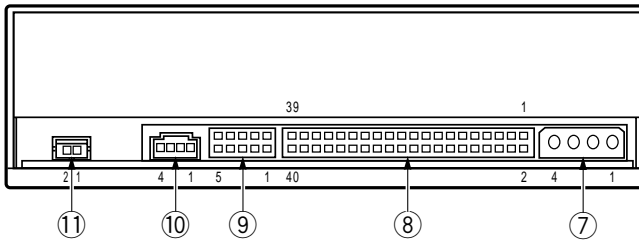


Abb. 2

⑦ Gleichspannungseingang

Hier handelt es sich um den Eingangsstecker für Gleichstromversorgung von +5 V und +12 V.

Stift	Bezeichnung	Funktion
1	+12	Gleichstromversorgung für +12 V.
2	G	Masse.
3	G	Masse.
4	+5	Gleichstromversorgung für +5 V.

⑧ IDE-Schnittstelle des Host-Computers

Hier handelt es sich um einen 40poligen E/A-Anschlußstecker nach ATA-Spezifikationen.

⑨ Überbrückungsstecker für Gerätekonfiguration

Hier handelt es sich um den Überbrückungsstecker für die Wahl des Laufwerkmodus sowie für PC-Unterstützung.

Eine Kurzschlußbuchse für die Einstellung ist vorhanden (angebracht).  
 angebracht: on                      nicht angebracht: off

Stift	Bezeichnung		Funktion
1	MASTER*	on	Laufwerk wird im Hauptmodus benutzt.
2	SLAVE	on	Laufwerk wird im Hilfsmodus benutzt.
3	CABLE SELECT	on	Modus für Laufwerkeinstellung bei CABLE SELECT der IDE-Schnittstelle.
4			Reserviert.
5			Reserviert.

\* Bei der Auslieferung ab Werk steht nur MASTER auf ON.

⑩ Audioausgang

Dieser Stecker ist für Analog-Ausgang vorgesehen.

Da hier ein Stecker des Typs Molex 70553 verwendet wird, muß ein passendes Anschlußkabel gewählt werden.

Stift	Bezeichnung	Funktion
1	L	Audioausgang für linken Kanal.
2	G	Masse.
3	G	Masse.
4	R	Audioausgang für rechten Kanal.

⑪ Digital-Audioausgang

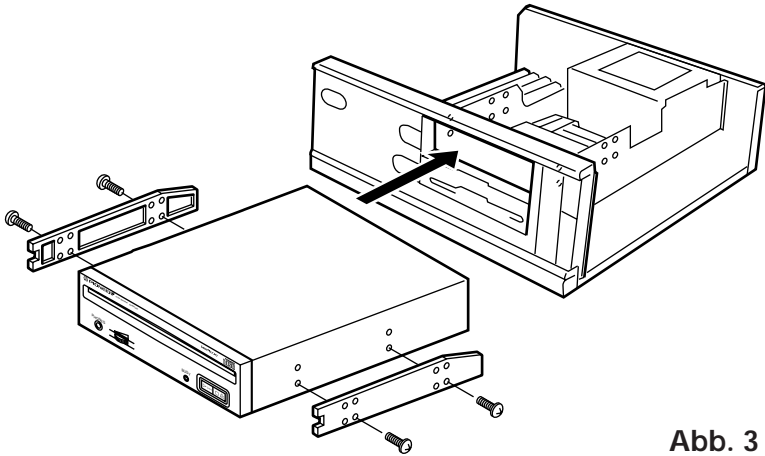
Hier handelt es sich um einen Anschluß für ein digitales Audioausgangssignal.

Stift	Bezeichnung	Funktion
1	GND	Masse.
2	Digital Out	Digital-Audioausgang.



# INSTALLATION DES LAUFWERKS

---



**Abb. 3**

- Schalten Sie die Spannungsversorgung des Personal-Computers aus und nehmen Sie die Abdeckung oder die Frontplatte ab.
- Entfernen Sie die Blende von einem leeren 5,25-Zoll-Laufwerkschacht. Die Installation ist nur möglich, wenn ein freier Laufwerkschacht vorhanden ist.
- Befestigen Sie die Klemmschiebeschienen an das Laufwerk. (Wenn Schiebeshienen benötigt werden, wenden Sie sich an das Geschäft, wo Sie den Computer erworben haben, oder an den Hersteller des Computers.)
- Schieben Sie das Laufwerk in den Schacht ein.
- Wenn eine Befestigung erforderlich ist, befestigen Sie das Laufwerk gemäß den Anweisungen im Handbuch des Computers.



Verwenden Sie Montageschrauben mit einer Länge von höchstens 5 mm.  
Durch längere Schrauben kann das Laufwerk beschädigt werden.

---



Schalten Sie vor der Installation des Laufwerks unbedingt die Spannungsversorgung des Computers aus.

---



Bei lockeren Befestigungsschrauben erzeugen die Vibrationen durch die rotierende CD ein störendes Geräusch. Die Schrauben müssen daher gut festgezogen werden.

---

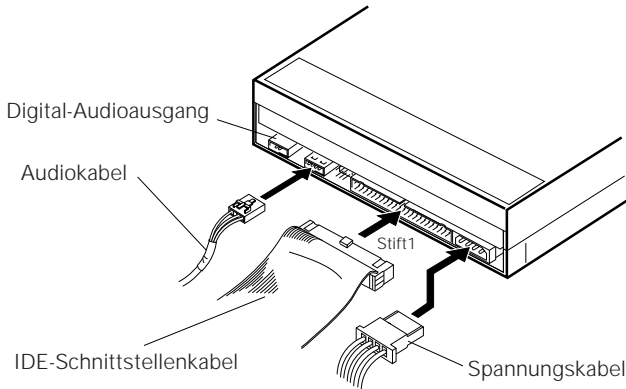


Das Verfahren zur Installation des Laufwerks ist vom Computer abhängig. Informationen hierzu finden Sie im Handbuch Ihres Computers.

---

# ANSCHLÜSSE

---



**Abb. 4**

- Schalten Sie die Spannungsversorgung des Computers aus.
- Schließen Sie das Spannungskabel vom Computer an. Achten Sie dabei auf die richtige Ausrichtung des Steckers.
- Schließen Sie das IDE-Schnittstellenkabel an. Vergewissern Sie sich, daß der Stift 1 des IDE-Anschlusses richtig mit dem Stift 1 des Steckers verbunden ist.
- Wenn ein Soundboard vorhanden ist, verbinden Sie den Audio-Ausgang über ein Audiokabel mit der Soundboard.



## **WARNUNG**

Die Spannungsversorgung des Computers muß unbedingt ausgeschaltet werden, bevor Kabel angeschlossen werden.

---

# TECHNISCHE DATEN

---

## [Allgemeine Funktionen]

CD-ROM-Durchmesser	12 cm, 8 cm
Datentransferrate	
Dauerbetrieb	2.100 – 5.400 kBytes/s*
* Die Datentransferrate kann möglicherweise bei einer Beeinträchtigung der Disc (Kratzer usw.) nicht eingehalten werden.	
Suchzeit	
Zufallszugriff (durchschn.)	60 ms
Zugriffszeit	
Zufallszugriff (durchschn.)	70 ms
Datenpufferkapazität	128 KByte

## [Audio-Ausgang]

Hochpegel 0,7 Vrms ± 0,1 Vrms (bei 10 kΩ Last)

## [Sonstiges]

Spannungsversorgung	Gleichstrom +12 V, 0,9 A (Spitze), 0,55 A (normal)
(Mit eingebautem Abschlußteil)	Gleichstrom +5 V, 1,2 A (Spitze), 0,75 A (normal)
Außenabmessungen	148 (B) x 42,3 (H) x 207,5 (T) mm
Gewicht	0,97 kg
Betriebstemperatur	+5°C bis +45°C
Betriebsluftfeuchtigkeit	5% bis 85% (keine Kondensation)
Lagertemperatur	-40°C bis +60°C
Lagerluftfeuchtigkeit	5% bis 90% (keine Kondensation)

## [Zubehör]

- 1 Disketten mit Software-Gerätetreiber
- 2 Kurzschlußstecker
- 1 Audiokabel
- 4 Montageschraube
- 1 Bedienungsanleitung
- 1 Installationsanleitung

### **HINWEIS:**

*Technische Änderungen zum Zweck der Produktverbesserung ohne vorherige Bekanntmachung vorbehalten.*

# ISTRUZIONI PER LA SICUREZZA

---

Leggere e seguire queste precauzioni per la sicurezza, per garantire la sicurezza personale e per sfruttare al massimo le capacità di funzionamento del Lettore.

**AMBIENTE** - Si raccomanda di non usare l'unità in un luogo con molta polvere, a temperatura elevata o molto umido. Si raccomanda inoltre di utilizzarla in un posto dove non sia soggetta a vibrazioni o colpi violenti.

**ALIMENTAZIONE** - Prima dell'installazione accendere il sistema e i dispositivi hardware collegati.

**LEGGERE LE ISTRUZIONI** - Prima di far funzionare il Lettore leggere tutte le istruzioni di sicurezza e di funzionamento.

**CONSERVARE LE ISTRUZIONI** - Per un riferimento futuro conservare le istruzioni di sicurezza e di funzionamento.

**SEGUIRE LE ISTRUZIONI** - Osservare scrupolosamente tutte le istruzioni d'impiego e funzionamento.

**ATTENZIONE AGLI AVVERTIMENTI** - Osservare scrupolosamente tutti gli avvertimenti.

**PULIZIA** - NON usare detergenti liquidi, spray o alcol per pulire il corpo esterno, usare solo un panno umido.

**ACQUA E UMIDITA'** - NON usare questo prodotto in prossimità di contenitori con acqua.

**ALIMENTAZIONE** - Far funzionare questo prodotto con il tipo di alimentazione elettrica indicata dalla targhetta con i dati caratteristici. Se non si è sicuri del tipo di alimentazione elettrica da usare, consultare il Rivenditore Autorizzato Pioneer.

**SOVRACCARICARE** - NON sovraccaricare la presa di corrente a muro e i cavi di prolunga. Per evitare rischi di incendio o di scossa elettrica.

**INTRODUZIONE DI OGGETTI E LIQUIDI** - Mai introdurre nel prodotto oggetti di alcun tipo. Il contatto con pericolosi punti percorsi da corrente elettrica può causare un cortocircuito con rischi d'incendio o scossa elettrica. Non far cadere sul prodotto sostanze liquide di nessun tipo.

**CONDENSAZIONE** - Se il prodotto viene trasferito da un luogo in condizioni ambientali fresche in un ambiente più caldo, nella sezione operativa si può formare dell'umidità che ne compromette le prestazioni. Se l'unità viene spostata in un locale a temperatura più calda, prima di riaccendere il prodotto lasciarlo per 1 - 2 ore nella nuova posizione.

**ASSISTENZA** - Non tentare di riparare da soli questo prodotto. L'apertura e la rimozione delle coperture può esporre a corrente elettrica pericolosa o ad altri rischi. Per la manutenzione far riferimento a personale di assistenza qualificato. (Far riferimento al Certificato di Supporto e Assistenza acclusa.)

## ISTRUZIONI PER LA SICUREZZA

*La Produzione di Disturbo Acustico di Fondo è  
Minore di 70 dB. (ISO7779/DIN45635)*

### PRECAUZIONE

Questo prodotto contiene un diodo al laser di classe superiore alla classe 1. Per motivi di sicurezza, non smontare i coperchi e non procedere ad interventi sulle parti interne. Per qualsiasi riparazione rivolgersi a personale qualificato.

La seguente etichetta di avvertimento appare sul lettore.

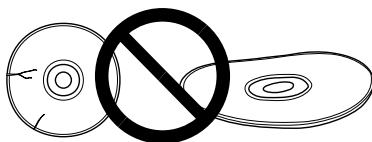
Posizione: sul coperchio superiore.

**CLASS 1 LASER PRODUCT  
LASER KLASSE 1**

La presa di corrente deve essere vicina all'unità e facilmente accessibile.



NON usare dischi danneggiati, incrinati, o deformati. Rompendosi all'interno dell'unità potrebbero danneggiarne l'ottica. I dischi ruotano ad alta velocità all'interno del meccanismo di cambio.



NON usare dischi non standard, potrebbero influenzare aversamente questa unità e le altre apparecchiature.



Non riprodurre compact disc di forme diverse da quella circolare convenzionale, quali, ad esempio, dischi a forma di cuore o simili. Questi tipi di dischi possono causare disfunzioni.



Il driver di periferica incluso, è compatibile con MS-DOS/Windows 3.XX. Questo driver non è necessario per l'uso con Windows 95.

\* MS-DOS e Windows sono marchi di fabbrica di Microsoft Corporation.

# CARATTERISTICHE PECULIARI

---


- Lettura ad alta velocità  
Velocità di trasmissione dati (sostenuta):  
2.100 kByte/sec. – 5.400 kByte/sec. (CAV 36X max)
- Accesso ad alta velocità  
Tempo medio di accesso casuale: 70 ms
- Meccanismo a basse vibrazioni
- Corrispondenza ATAPI
- Memoria di transito (Buffer): 128 kBytes
- Dischi utilizzabili  
CD-ROM Modo 1  
CD-ROM XA Modo 2 (Forma 1, 2)  
CD-DA (Uscita audio digitale)  
Supporto CD Extra, CD Video, CD-I Ready e CD-XA Ready  
Lettura dischi CD-RW

## **NOTE:**

*Questo prodotto può leggere dischi CD-RW. Tenere presente però quanto segue:*

- (1) *Un CD-RW richiede più tempo di un normale CD-ROM per venire rilevato quando il prodotto viene attivato, ma ciò è normale.*
  - (2) *La velocità di lettura dei dischi CD-RW è solitamente 4 volte maggiore rispetto a quella dei dischi normali. Tuttavia, a seconda della qualità dei dischi, o in presenza di temperature estremamente basse o elevate, il lettore può ridurre la velocità del disco in fase di lettura. (Perché il livello dei segnali riprodotti da questi ultimi è inferiore a quello dei dischi normali.)*
  - (3) *I dischi non registrati, quelli la cui scrittura è fallita e quelli in cui la procedura di chiusura di seduta non è stata fatta non sono utilizzabili.*
  - (4) *L'operazione potrebbe non iniziare o i dati potrebbero non venire letti nel caso in cui: la qualità del segnale registrato sia scesa a causa di sporczia o danni al disco, o se un disco è stato riscritto troppe volte.  
Se un disco non funziona, provare ad estrarlo e reinserirlo.*
- Corrispondente a Photo CD Kodak (singolo e multisessione).
  - Conforme ai dati caratteristici di MPC-3
  - Formato Half-Height
  - Caricamento nella fessura
  - Supportato da Windows 95 e Windows 98 (Plug and Play) [collega e usa]  
\* Windows è un marchio di fabbrica di Microsoft Corporation.

## **Precauzioni per la riproduzione di CD single (CD da 8 cm)**

- (1) *In sede di riproduzione di CD single (CD da 8 cm), utilizzare sempre l'adattatore per CD da 8 cm. Prima di inserire il CD-ROM nel lettore, accertarsi che sia fissato saldamente dai fermi dell'adattatore. Nel caso in cui il CD sia stato inavvertitamente inserito senza adattatore, togliere immediatamente il CD premendo il pulsante di espulsione. Nel caso in cui il CD non esca, premere nuovamente il pulsante.*
- (2) *Utilizzare adattatori per CD da 8 cm con il marchio  (prodotto standard raccomandato). Non utilizzare adattatori che provocano la rotazione a vuoto del CD, piegati oppure curvati.*

# UN'ESCURSIONE NELL'HARDWARE

Le illustrazioni fornite in questo capitolo sono da intendersi come una descrizione visiva del Lettore.

Si prega di comprendere bene queste illustrazioni e far riferimento ad esse quand'è necessario per completare l'installazione e per il funzionamento dell'unità.

## VISTA FRONTALE

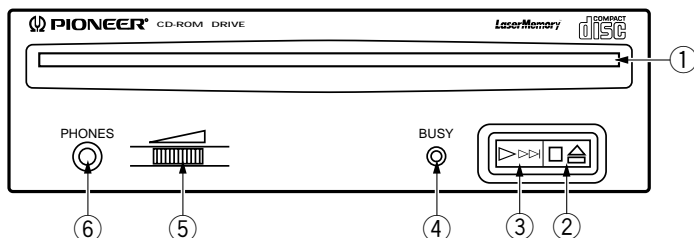


Fig. 1

### ① Fessura per il caricamento del disco

Inserire il disco CD-ROM con l'etichetta rivolta in alto.

Se s'impiega un disco da 8 cm. applicare un adattatore CD (reperibile nei negozi) al disco ed inserire il disco nella fessura di caricamento.

### ② Tasto Espulsione (▲)/Arresto (■)

Questo tasto s'impiega per espellere il disco. Premendolo una volta durante la riproduzione di un disco audio, la riproduzione si arresta, premendolo invece in condizione di arresto, il disco viene espulso.

### ③ Tasto Riproduzione (▶)/Salto (▶▶)

Viene usato per la riproduzione diretta di dischi audio. Inserendo un disco audio e premendo questo tasto, l'unità entra nel modo di riproduzione, premendolo invece durante la riproduzione si salta alla riproduzione del brano successivo. I dischi di dati non possono essere letti con salti all'indietro.

### ④ Indicatore di occupato (BUSY)

Questo indicatore lampeggia durante il trasferimento dei dati.

### ⑤ Controllo Volume (livello cuffia)

Viene usato per regolare il livello del volume del jack della cuffia.

### ⑥ Presa a jack per cuffia (PHONES)

Questa è una minipresa stereo per cuffia.

## VISTA POSTERIORE

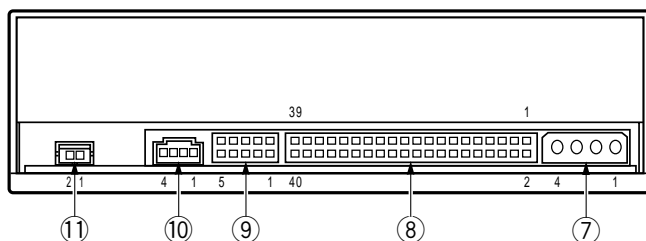


Fig. 2

## ⑦ Ingresso in c.c.

Ingresso di alimentazione +5 Vcc e +12 Vcc.

Pin	Nome	Funzione
1	+12	Ingresso di alimentazione +12 Vcc.
2	G	Massa.
3	G	Massa.
4	+5	Ingresso di alimentazione +5 Vcc.

## ⑧ Interfaccia Host IDE

Connettore I/O a 40 pin conforme alle specifiche ATA.

## ⑨ Ponte di Configurazione Periferica

Interruttore a ponte per la selezione del modo d'uso del lettore e per il supporto PC. La presa di cortocircuito viene collegata per il settaggio.

Collegata: on                      Non collegata: off

Pin	Nome		Funzione
1	MASTER*	on	Il lettore viene usato nel modo di unità principale.
2	SLAVE	on	Il lettore viene usato nel modo di unità asservita.
3	CABLE SELECT	on	Modo per il settaggio del lettore mediante CABLE SELECT dell'interfaccia IDE.
4			Riservato.
5			Riservato.

\* Solo MASTER è ON come impostazione di fabbrica.

## ⑩ Uscita Audio

Connettore per uscita audio analogica.

Usato come connettore tipo Molex 70553, scegliere un cavo di collegamento adatto.

Pin	Nome	Funzione
1	Gauche	Uscita audio canale sinistro.
2	Terre	Massa.
3	Terre	Massa.
4	Droite	Uscita audio canale destro.

## ⑪ Uscita audio digitale

Questo è un connettore per l'uscita di segnale audio digitale.

Pin	Nome	Funzione
1	GND	Massa.
2	Digital Out	Uscita di segnale audio digitale.



# INSTALLAZIONE DEL LETTORE

---

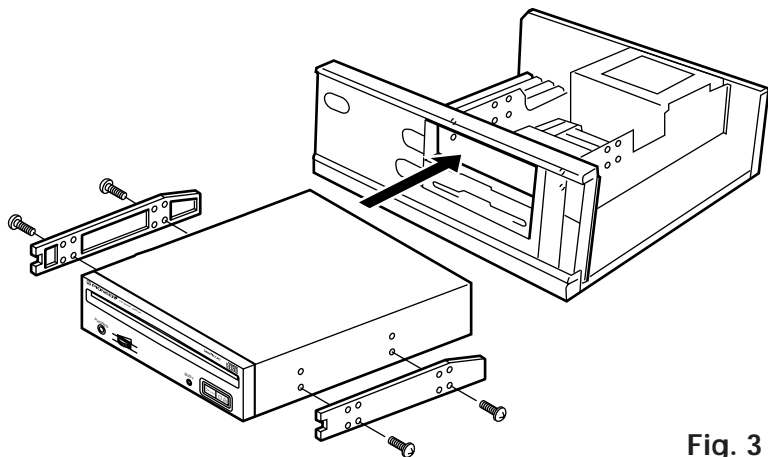


Fig. 3

- Spegner il personal computer e rimuovere il coperchio o il pannello anteriore.
- Rimuovere il pannello finto installato a copertura dell'alloggiamento di 5,25 pollici. L'installazione non si può eseguire se non c'è un alloggiamento libero.
- Installare i binari guida di fissaggio sul lettore. (Se i binari guida sono necessari, contattare il negozio dove è stato comprato il computer o il fabbricante del computer.)
- Inserire il lettore nell'alloggiamento.
- Se il fissaggio è necessario, fissare il lettore attenendosi al manuale d'istruzione del computer.



Usare viti di montaggio di lunghezza 5 mm (3/16 poll.) o più corte. L'uso di viti più lunghe può danneggiare il lettore.

---



Installare il lettore dopo avere tolto l'alimentazione elettrica del computer.

---



Se le viti di montaggio non sono bene avvitate ecc., le vibrazioni dovute alla rotazione del disco possono produrre un rumore metallico, per cui le viti devono essere avvitate strettamente.

---

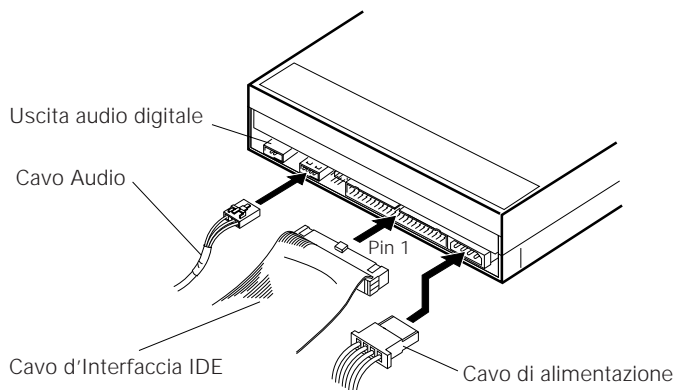


Il metodo d'installazione del lettore varia a seconda del tipo di computer. Per i dettagli, si prega di far riferimento ai manuali del computer.

---

# COLLEGAMENTO

---



**Fig. 4**

- Disconnettere l'alimentazione elettrica del personal computer.
- Collegare il cavo di alimentazione al personal computer. Al momento di collegare, si prega di fare attenzione alla polarità del cavo.
- Collegare il cavo di interfaccia IDE. A questo punto, assicurarsi che il pin 1 del connettore IDE sia collegato correttamente al pin 1 del cavo.
- Se si usa una scheda audio, collegare l'uscita audio alla scheda audio con un cavo audio.



## **ATTENZIONE**

L'alimentazione elettrica del personal computer deve essere sempre disconnessa prima di collegare i cavi.

---

# DATI CARATTERISTICI

---

## [Funzioni generali]

Diametro disco	12 cm, 8 cm
Velocità di trasmissione dati	
Sostenuta	2.100 – 5.400 kByte/sec*
* La velocità di trasferimento dati può non essere raggiunta a causa di particolari condizioni dei dischi (graffi ecc.).	
Tempo di ricerca	
Casuale (medio)	60 ms
Tempo di accesso	
Casuale (medio)	70 ms
Capacità di memorizzazione temporanea dei dati	128 kBytes

## [Parte uscita audio]

Linea	0,7 Vrms ± 0,1 Vrms (carico di 10 kΩ)
-------	---------------------------------------

## [Altri]

Alimentazione	+12 Vcc, 0,9 A (picco), 0,55 A (normale)
(Con terminale incorporato)	+5 Vcc, 1,2 A (picco), 0,75 A (normale)
Dimensioni esterne	148 (L) x 42,3 (H) x 207,5 (P) mm
Peso	0,97 kg
Temperatura di funzionamento	da +5°C a +45°C
Umidità di funzionamento	da 5% a 85% (senza condensazione)
Temperatura di immagazzinamento	da -40°C a +60°C
Umidità di immagazzinamento	da 5% a 90% (senza condensazione)

## [Accessori]

- 1 Disco con driver di periferica (software)
- 2 Prese di cortocircuito
- 1 Cavo audio
- 4 Viti di montaggio
- 1 Istruzioni per l'uso
- 1 Manuale d'installazione

### **NOTA:**

*Per miglioramento prodotto, dati tecnici e design sono soggetti a variazioni senza preavviso.*

## AFTER-SALES SERVICE FOR PIONEER PRODUCTS

Please contact the dealer or distributor from where you purchased the product for its after-sales service (including warranty conditions) or any other information. In case the necessary information is not available, please contact the Pioneer's subsidiaries (regional service headquarters) listed below:

PLEASE DO NOT SHIP YOUR PRODUCT TO THE COMPANIES at the addresses listed below for repair without advance contact, for these companies are not repair locations.

### AMERICA

PIONEER ELECTRONICS SERVICE, INC.  
CUSTOMER SUPPORT DIVISION  
P.O. BOX 1760, LONG BEACH, CA 90801-1760, U.S.A.

### EUROPE

PIONEER ELECTRONIC (EUROPE) N.V.  
EUROPEAN SERVICE DIVISION  
HAVEN 1087, KEETBERGLAAN 1, 9120 MELSELE, BELGIUM

### ASEAN

PIONEER ELECTRONICS ASIACENTRE PET. LTD.  
SERVICE DEPARTMENT  
501 ORCHARD ROAD, #10-00  
WHEELOCK PLACE, SINGAPORE 238880

### JAPAN AND OTHERS

PIONEER ELECTRONIC CORPORATION (HEAD OFFICE)  
CUSTOMER SUPPORT CENTER  
4-1, MEGURO 1-CHOME, MEGURO-KU, TOKYO 153-8654 JAPAN

**France: tapez 36 15 PIONEER**

Published by Pioneer Electronic Corporation.  
Copyright © 1998 Pioneer Electronic Corporation.  
All rights reserved.

### **PIONEER ELECTRONIC CORPORATION**

**Business Systems Company, Overseas Sales Department:** 4-1, Meguro 1-Chome, Meguro-ku, Tokyo 153-8654, Japan  
**PIONEER NEW MEDIA TECHNOLOGIES, INC.**

**Multimedia and Mass Storage Division:** 2265 East 220th Street, Long Beach, CA 90810, U.S.A. TEL: 800-444-OPTI (6784)  
**PIONEER ELECTRONICS SERVICE, INC.** 1925 East Dominguez St. Long Beach, CA 90810, U.S.A. TEL: 310-952-2820

**PIONEER ELECTRONIC [EUROPE] N.V.**

**Multimedia Division:** PIONEER House, Hollybush Hill, Stoke Poges, Slough SL2 4QP, U.K. TEL: +44-1753-789-789

**PIONEER ELECTRONICS OF CANADA, INC.**

**Industrial Products Department:** 300 Allstate Parkway, Markham, Ontario L3R 0P2, Canada TEL: 905-479-4411

**PIONEER ELECTRONICS AUSTRALIA PTY. LTD.** 178-184 Boundary Road, Braeside, Victoria 3195, Australia TEL: +61-3-9586-6300

**PIONEER ELECTRONICS ASIACENTRE PTE. LTD.** 501 Orchard Road, #10-00, Lane Crawford Place, Singapore 0923 TEL: +65-735-9011