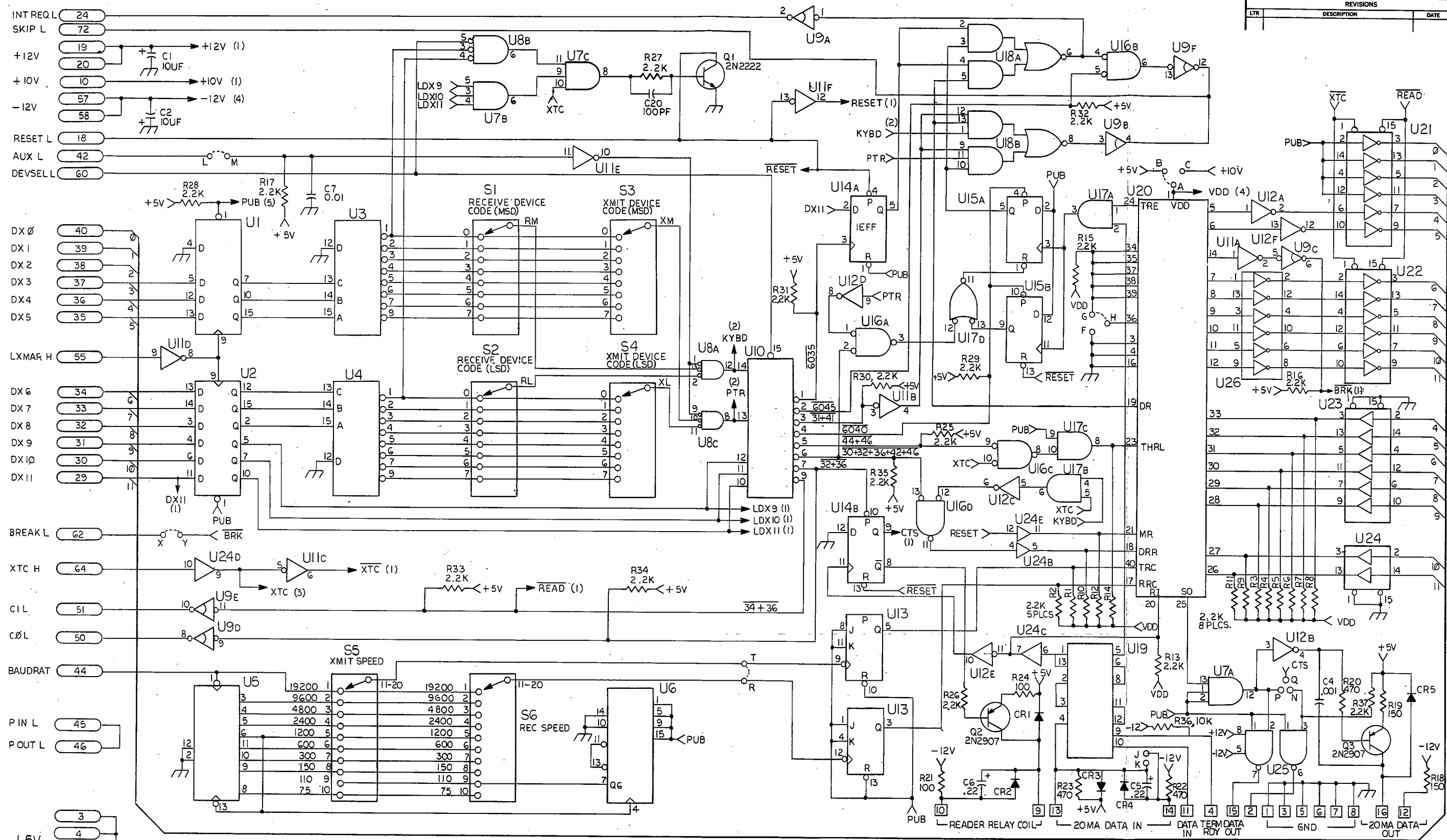



REVISIONS			
LTR	DESCRIPTION	DATE	APPROVED



- | | | | |
|-----|--------------|-----|----------------------|
| U1 | 74LS175 | U14 | 74LS74 |
| U2 | 74LS174 | U15 | 74LS32 |
| U3 | 74LS42 | U16 | 74LS08* |
| U4 | 74LS42 | U17 | 74LS08* |
| U5 | 74LS393 | U18 | 74LS51 |
| U6 | 74LS193 | U19 | 9617 |
| U7 | 74LS11 | U20 | 6402 |
| U8 | 74LS27 | U21 | 6402 |
| U9 | 7417 OR 7407 | U22 | 74366 OR 8096 |
| U10 | 74S188 | U23 | 74LS367* OR 74LS365* |
| U11 | 74LS04 | U24 | 74LS367* OR 74LS365* |
| | | U25 | 75150 |
| | | U13 | 74LS107* |
- *MUST BE FAIRCHILD OR MOTOROLA

ALL DIODES IN4148

UNLESS OTHERWISE SPEC. DIMENSIONS ARE IN INCHES TOLERANCES DECIMALS .XX .XXX ANGLES ±X°	APPROVALS	DATE	 Incorporated San Ramon California TITLE TTY/CRT INTERFACE SIZE DRAWING NO. D 12562 ISSUE SCALE SHEET 1 OF
	DRAWN LITTLE	4-1-78	
	CHECKED		
	APPROVED		
MATERIAL			
FINISH			
DO NOT SCALE DRAWING	RELEASED		