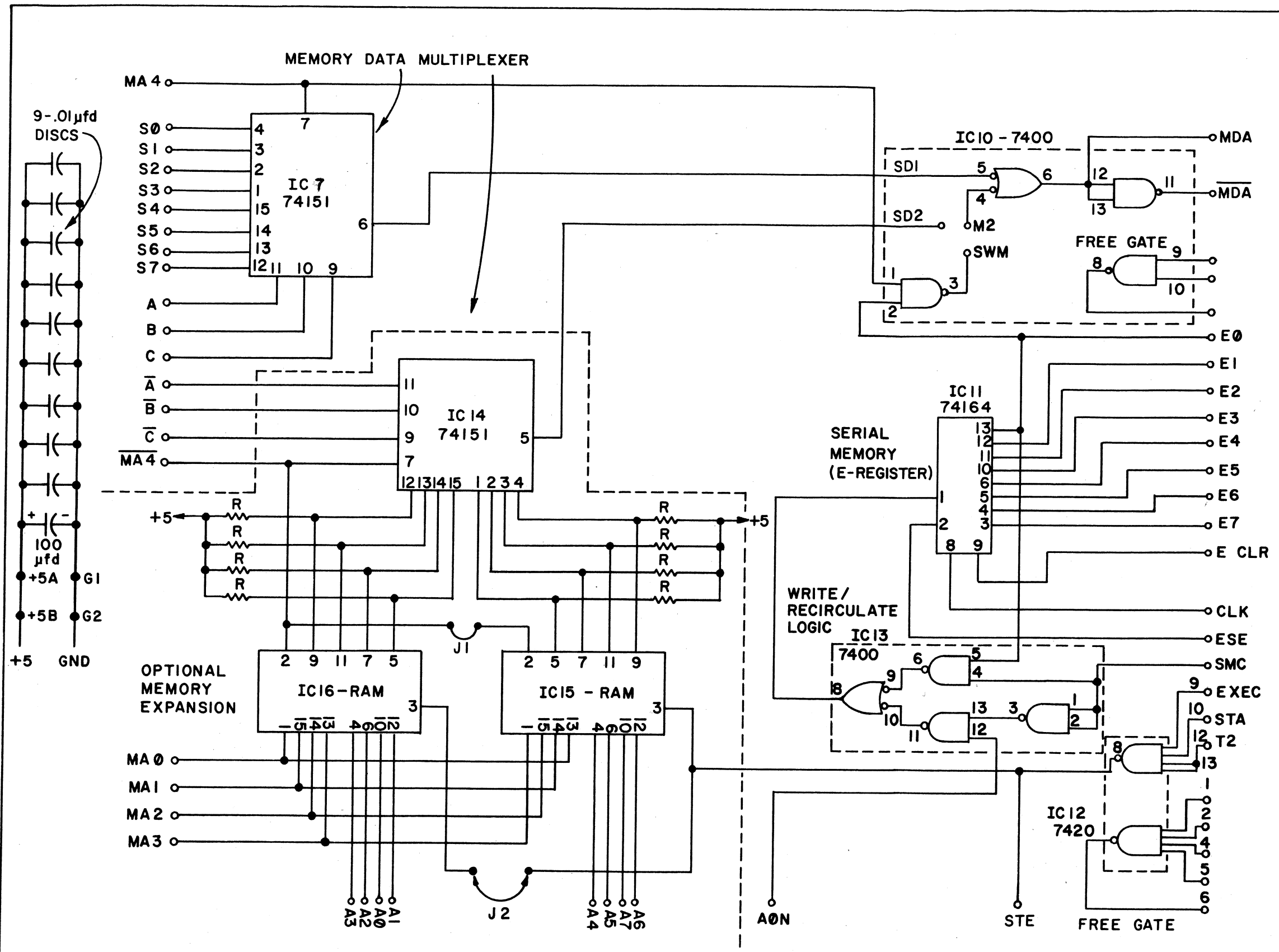


NATIONAL RADIO INSTITUTE
 3939 WISCONSIN AVENUE
 WASHINGTON, D.C. 20016
 7K-A-1071

QUAN.	ITEM	PART NO.
1	100µfd @ 10V CAPACITOR	CN112
8	.01µfd @ 50V CAPACITOR	CN102
1	7475 IC	IG11
2	7400 IC	IG5
2	7473 IC	IG8
3	7442 IC	IG10
1	PC BOARD	EC30
60	TERMINAL LUGS	LU9
4	16 PIN SOCKETS	SO86
4	14 PIN SOCKETS	SO84

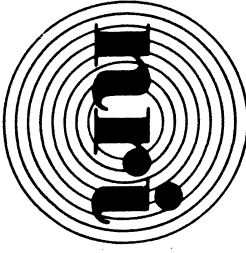
NATIONAL RADIO INSTITUTE WASHINGTON, D.C.	
COMPUTER MEMORY 1 (M1) NRI MODEL 832	
NRI PART NO. 7K-A-1071	
DRWN <i>U. 7-27-71</i>	CKD
APPVD <i>REZ</i>	SCALE NONE
SHEET OF	DWG NO. B590



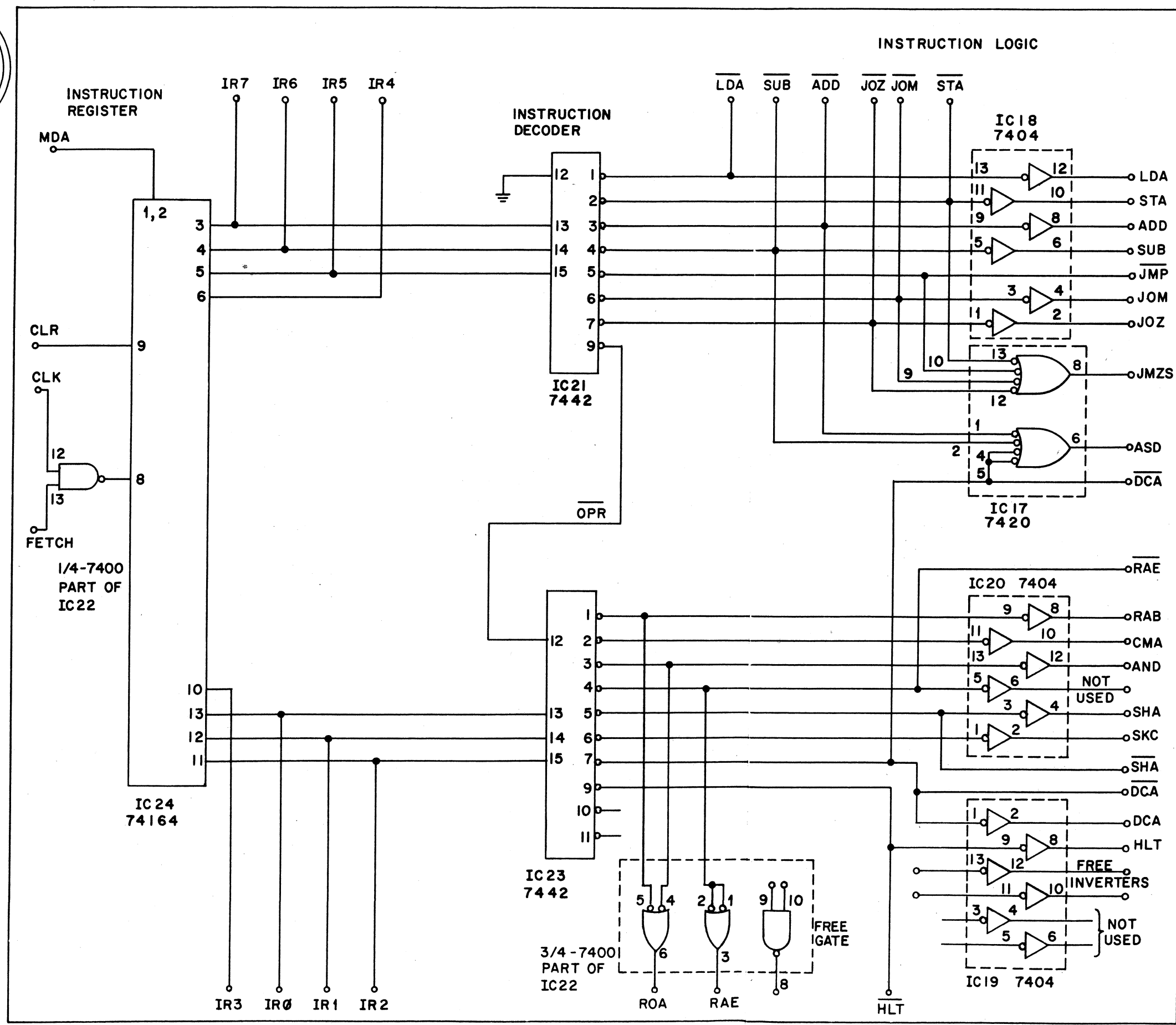
QUAN.	ITEM	PART NO.
1	74164 IC	IG 14
2	7400 IC	IG 5
1	7420 IC	IG 6
2	74151 IC	IG 15
2	7489 IC	IG 23
8	4.7K, 1/4W, 10% RES.	RE166
1	100µfd, 10V CAP.	CN112
9	.01µfd, 50V CAP.	CN102
1	PC BOARD	EC 31
62	TERMINAL LUGS	LU9
4	16 PIN SOCKETS	S086
4	14 PIN SOCKETS	S084

NOTES:
 1. RAM = RANDOM ACCESS MEMORY SEMICONDUCTOR
 2. R = 4.7 K, 1/4 WATT RESISTOR

NATIONAL RADIO INSTITUTE WASHINGTON, D.C.	
COMPUTER MEMORY 2 (M2) NRI MODEL 832	
NRI PART NO. 7K-A-1071	
DRWN <i>RA 7-28-71</i>	CKD
APPVD <i>REJ</i>	SCALE NONE
SHEET OF	DWG NO. B591



9K-B-572



QUAN.	ITEM	PART NO.
1	74164 IC	IG 14
2	7442 IC	IG 10
1	7400 IC	IG 5
1	7420 IC	IG 6
3	7404 IC	IG 12
1	PC BOARD	EC 32
1	100µfd 10V CAP.	CN112
9	.01µfd DISC CAP.	CN102
54	TERMINALS	LU 9
6	14 PIN IC SOCKETS	SO84
2	16 PIN IC SOCKETS	SO86

NATIONAL RADIO INSTITUTE
WASHINGTON, D.C.

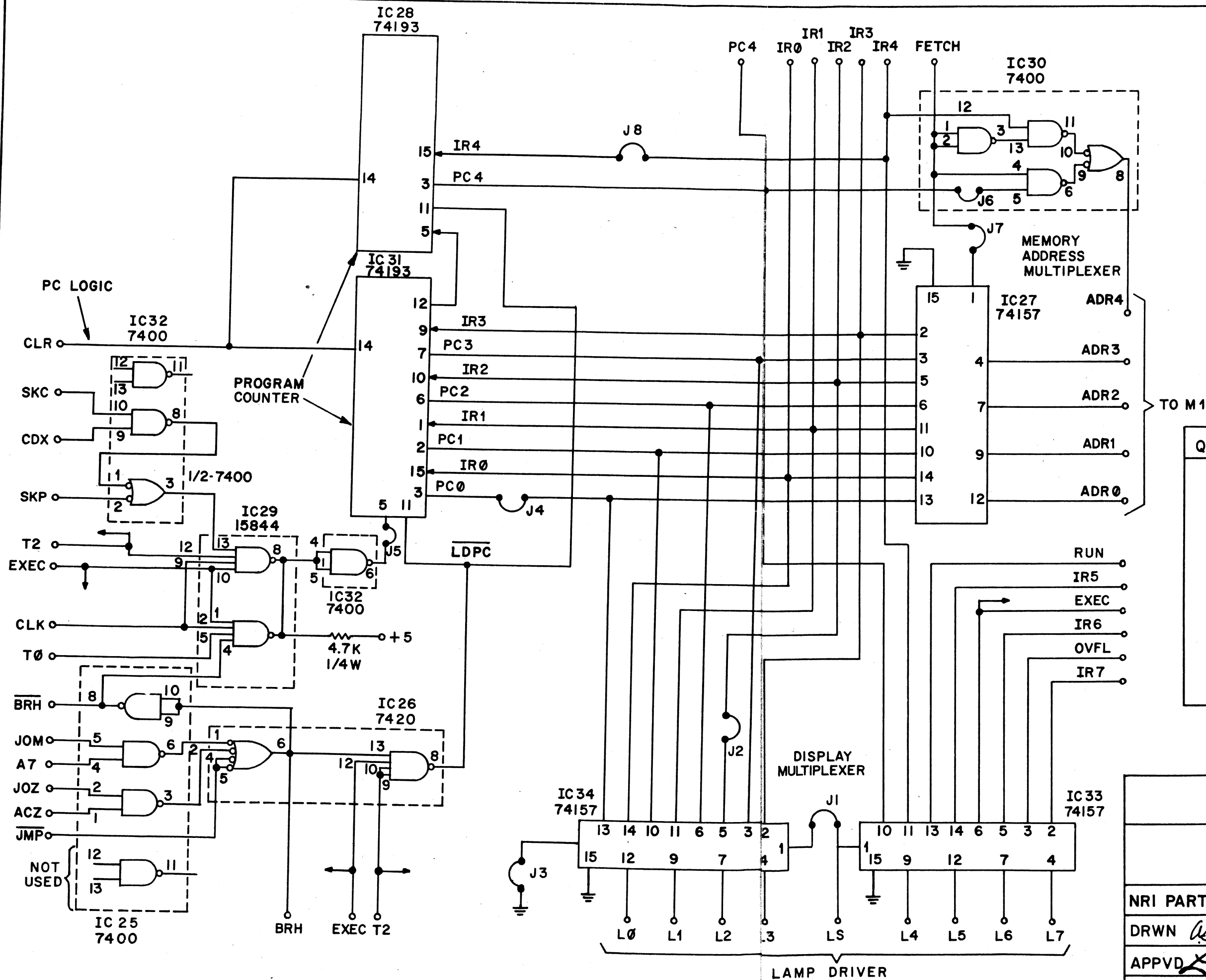
COMPUTER CONTROL 1 (C1)
NRI MODEL 832

NRI PART NO.

DRWN <i>as-8-6-71</i>	CKD
APPVD <i>LF 4-20-72</i>	SCALE NONE
SHEET OF	DWG NO. B599

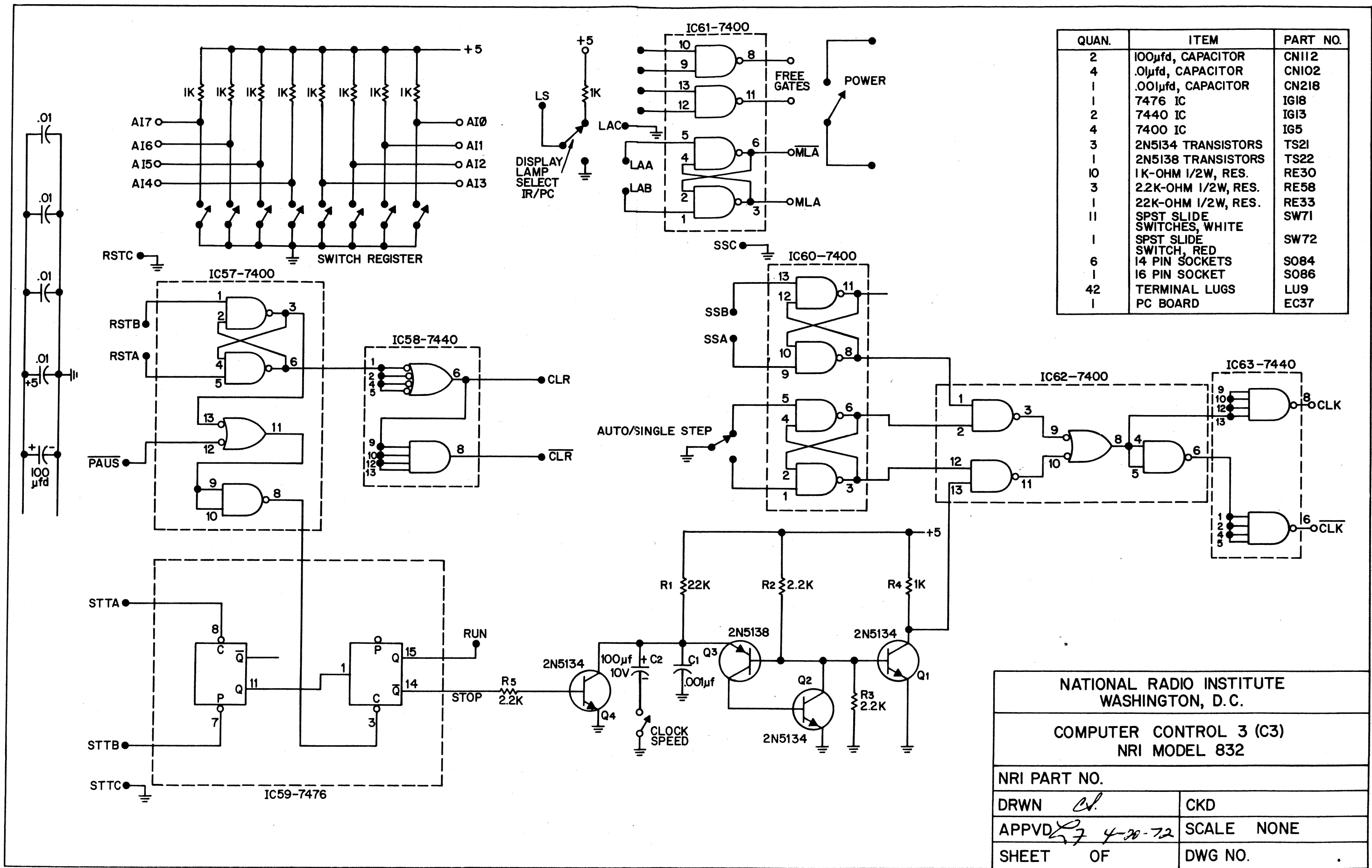
NATIONAL RADIO INSTITUTE
3939 WISCONSIN AVENUE
WASHINGTON, D.C. 20016

8K-A-1271



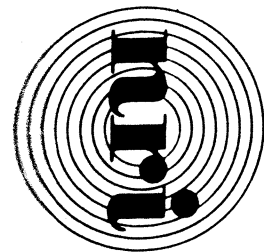
QUAN.	ITEM	PART NO.
2	74193 IC	IG24
3	74157 IC	IG22
3	7400 IC	IG5
1	7420 IC	IG6
1	15844 IC	IG7
1	PC BOARD	EC33
1	100µfd, 10V CAP.	CN112
5	.01µfd DISC CAP.	CN102
60	TERMINALS	LU 9
1	4.7K, 1/4W RESISTOR	RE166
5	16PIN SOCKETS	S086
5	14PIN SOCKETS	S084

NATIONAL RADIO INSTITUTE WASHINGTON, D.C.	
COMPUTER CONTROL 2 (C2) NRI MODEL 832	
NRI PART NO. 8K-A-1271	
DRWN <i>as. 8-5-71</i>	CKD
APPVD <i>R.F. 11-3-71</i>	SCALE NONE
SHEET OF	DWG NO. B600

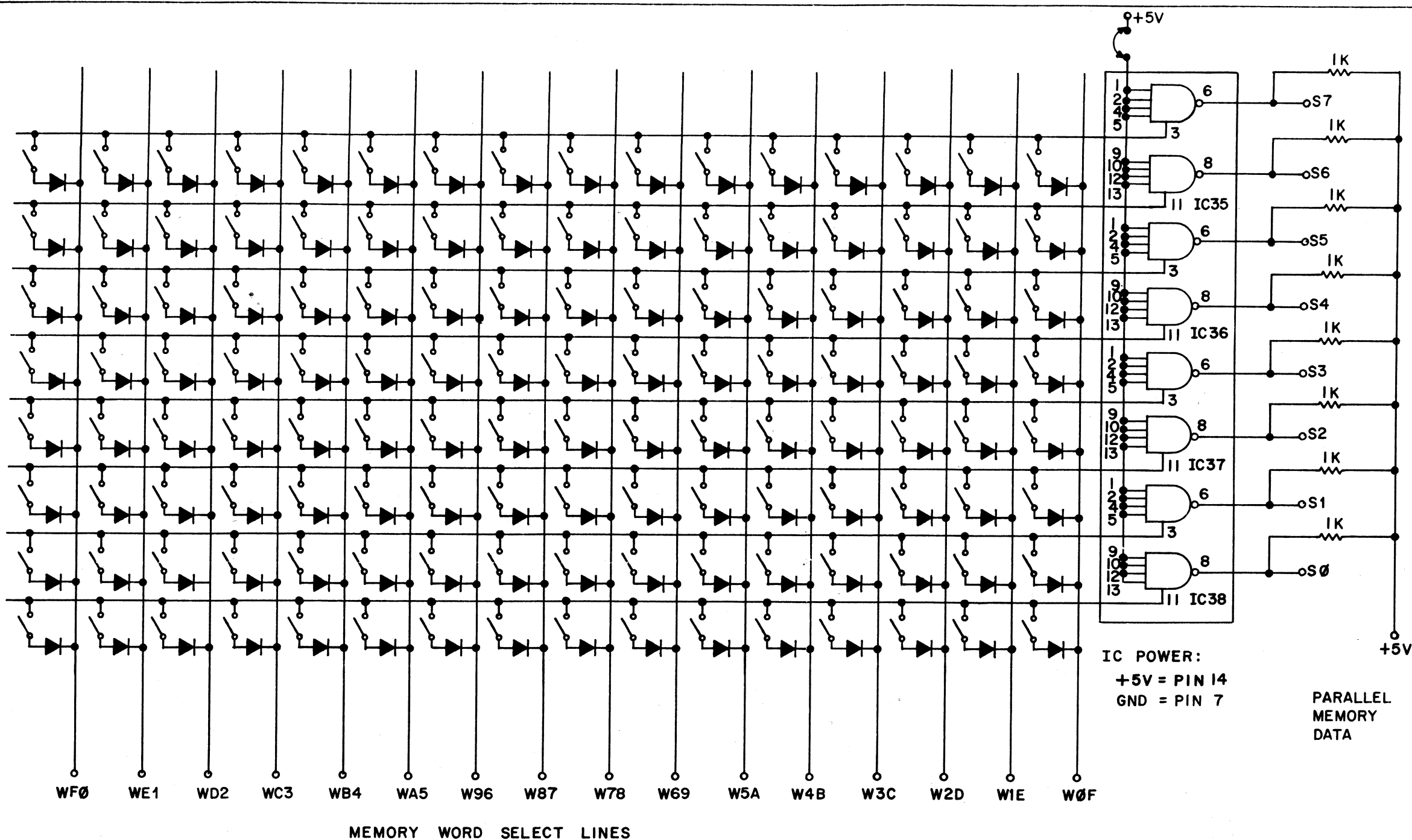


QUAN.	ITEM	PART NO.
2	100μfd, CAPACITOR	CN112
4	.01μfd, CAPACITOR	CN102
1	.001μfd, CAPACITOR	CN218
1	7476 IC	IG18
2	7440 IC	IG13
4	7400 IC	IG5
3	2N5134 TRANSISTORS	TS21
1	2N5138 TRANSISTORS	TS22
10	1K-OHM 1/2W, RES.	RE30
3	2.2K-OHM 1/2W, RES.	RE58
1	22K-OHM 1/2W, RES.	RE33
11	SPST SLIDE SWITCHES, WHITE	SW71
1	SPST SLIDE SWITCH, RED	SW72
6	14 PIN SOCKETS	S084
1	16 PIN SOCKET	S086
42	TERMINAL LUGS	LU9
1	PC BOARD	EC37

NATIONAL RADIO INSTITUTE WASHINGTON, D. C.	
COMPUTER CONTROL 3 (C3) NRI MODEL 832	
NRI PART NO.	
DRWN <i>el</i>	CKD
APPVD <i>27 4-20-72</i>	SCALE NONE
SHEET OF	DWG NO.



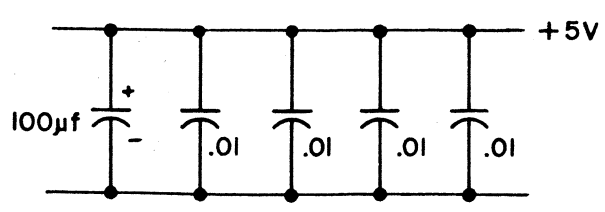
9K-C-572



NOTES:
 BINARY 1 - SWITCH UP & CLOSED
 BINARY 0 - SWITCH DOWN & OPEN
 ALL IC's ARE TYPE SNI5844N

IC POWER:
 +5V = PIN 14
 GND = PIN 7

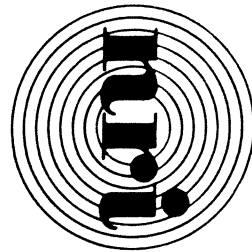
PARALLEL
 MEMORY
 DATA



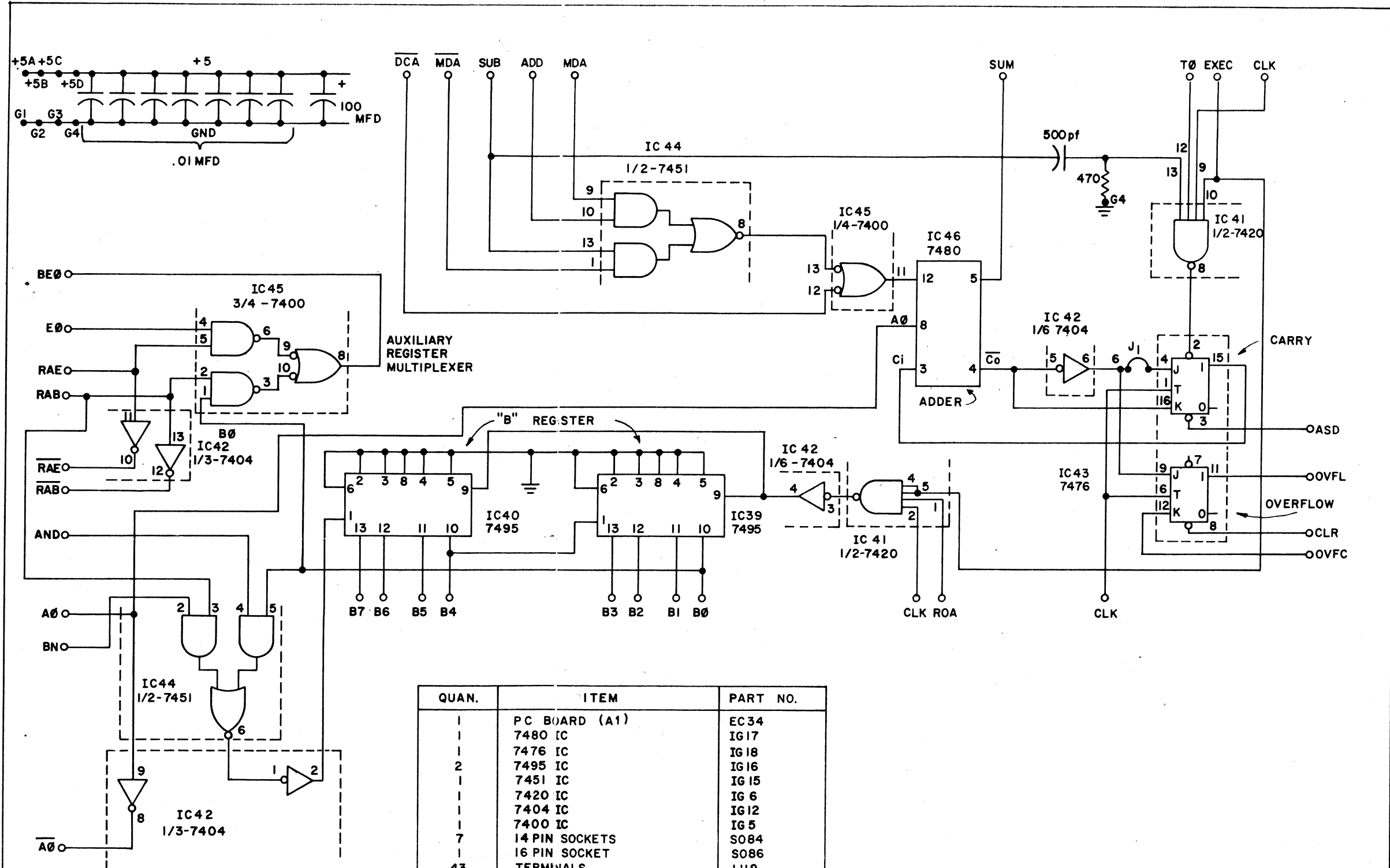
MEMORY WORD SELECT LINES

QUAN	ITEM	PART NO.
4	I5844 IC	IG 7
128	IN 914 DIODES	CR23
128	SWITCHES	SW68
4	.01µfd DISC CAP.	CN10R
1	100µfd CAP.	CN112
8	1K RES.	RE30
28	TERMINALS	LU 9
1	PC BOARD	EC36
4	14 PIN IC SOCKETS	S084

NATIONAL RADIO INSTITUTE WASHINGTON, D.C.	
COMPUTER READ-ONLY MEMORY NRI MODEL 832	
NRI PART NO.	
DRWN <i>Ad. 8-10-71</i>	CKD
APPVD <i>[Signature] 4-20-72</i>	SCALE NONE
SHEET OF	DWG NO. B607

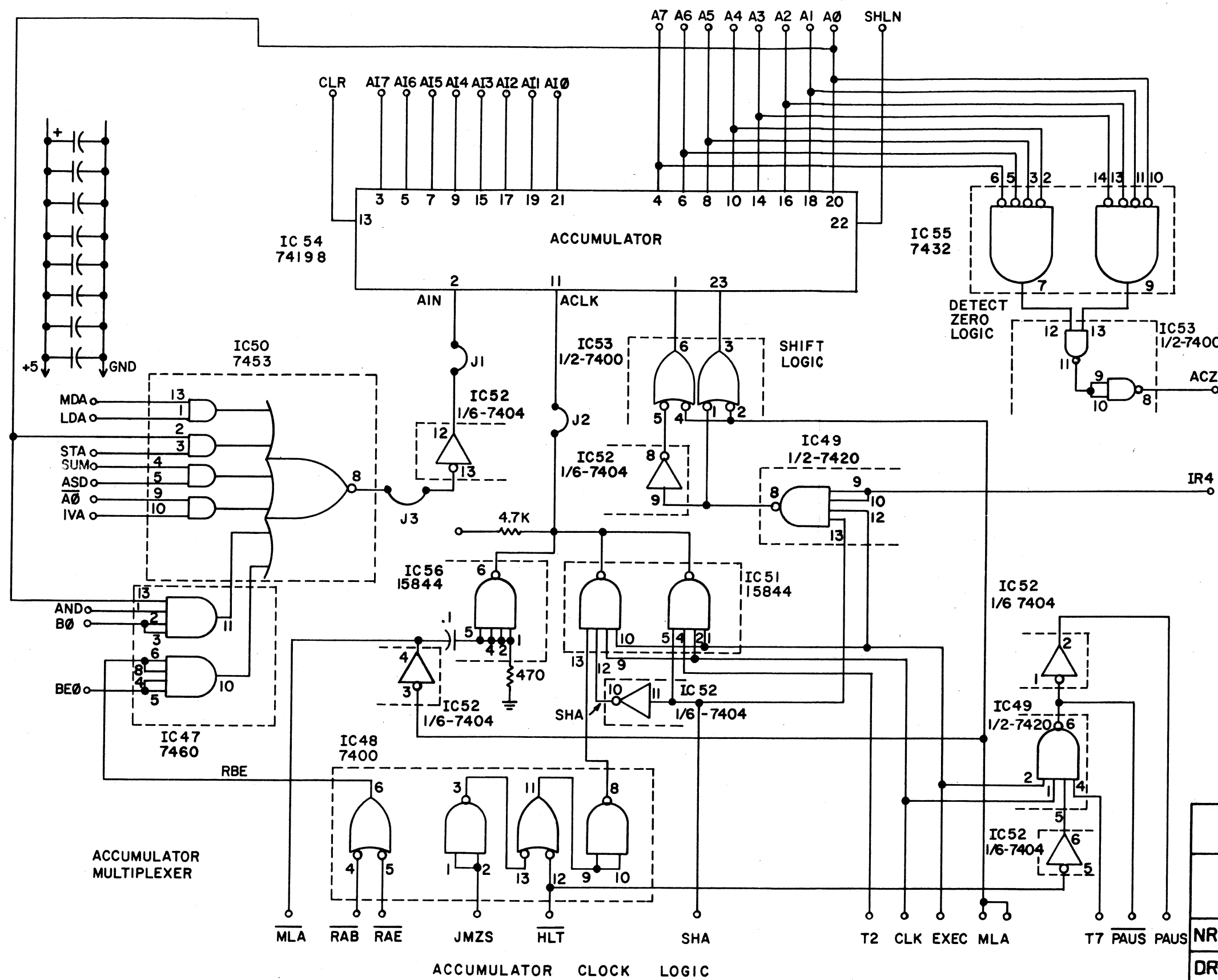


9K-A-572



QUAN.	ITEM	PART NO.
1	PC BOARD (A1)	EC34
1	7480 IC	IG17
1	7476 IC	IG18
2	7495 IC	IG16
1	7451 IC	IG15
1	7420 IC	IG6
1	7404 IC	IG12
1	7400 IC	IG5
7	14 PIN SOCKETS	S084
1	16 PIN SOCKET	S086
43	TERMINALS	LU9
7	.01MFD DISC CAPACITOR	CN102
1	100MFD CAPACITOR	CN112
1	470 1/2W RESISTOR	RE167
1	500PF DISC CAPACITOR	CN143

NATIONAL RADIO INSTITUTE WASHINGTON, D.C.	
COMPUTER ARITHMETIC LOGIC NO.1 NRI MODEL 832 (A1)	
NRI PART NO. EC34	
DRWN <i>Ad. 2-29-72</i>	CKD
APPVD <i>7 4-20-72</i>	SCALE: NONE
SHEET OF	DWG NO. B966



QUAN.	ITEM	PART NO.
1	PC BOARD EC35 (A2)	EC35
1	74198 IC	IG25
1	7453 IC	IG19
1	7460 IC	IG20
1	7423 IC	IG21
1	7420 IC	IG6
2	15844 IC	IG7
1	7404 IC	IG12
2	7400 IC	IG5
7	.01 MFD CAPACITOR	CNI02
1	100MFD CAPACITOR	CNI12
8	14 PIN SOCKET	SO84
1	16 PIN SOCKET	SO86
1	24 PIN SOCKET	SO87
50	TERMINALS	LU9
1	4.7K, 1/4W RESISTOR	RE166
1	470, 1/4W RESISTOR	RE167
1	.1 MFD DISC CAPACITOR	CNI04

NATIONAL RADIO INSTITUTE WASHINGTON, D.C.	
COMPUTER ARITHMETIC LOGIC NO.2 NRI MODEL 832 (A2)	
NRI PART NO. EC35	
DRWN <i>aj</i> 3-7-72	CKD
APPVD <i>LJ</i> 4-30-72	SCALE
SHEET OF	DWG NO. B980