

REV	EO	ZONE	DESCRIPTION	DWN	CHKD	APPD	DATE
A	3060		NEW RELEASE	1/11	P.O.	±	2/21/74

COMPONENTS USED	LAST REF DES USED	REF DES NOT USED
CAPACITOR	C24	
CHOKE	L1	
RESISTOR	R15	
RES MODULE	Z1	
OSCILATOR	Y1	

	1	2	3	4	5	6	7	8	9	10	11
A	14 14	10 14				6				12 12	7
	74107	7410				7476				7438	7430
B	14 3 15	15 10	14 11	10 10	11 6 12	6	6	6	10 12	12 12	
	14 13 14	10 14 14	10 10	8 10 10	12				12 12	10 10	
	7404	7412	7400	7400	7404	7420	74163	7485	7438	7438	
C	15 13	10 10	10 12	10 10	10 6	12	4 6	4 4	12 10	10 10	
	3 10	10 10	10 10	9 9	10 6	6 4			4 14	10 10	
	7400	7476	7427	74107	7402	7408	7400	74107	7438	7438	
D		10 15	15 9 9	11	8 8	4	4	4	6 6 8		
		13 11	9 9 9	11					6 6 14		
	SPARE	7402	7404	7451	74107	8815	74151	9334	7404	Z1	
E	15 15	12 10	9	10 17	8 10	15 15	6 4	4	4 6 4	10	
	15 15	12		9	8 10	15 5	5 5	4 7	4 6 7	17	
	7403	7408	74161	7410	74107	7412	7400	7427	7404	7438	SPARE
F	11	3 3	9	8 8	5 5	5 5	5	4			6
		3 3		8 5	5 5	5 7	11	5 6	7 4	17 14	17
	7402	7475	74161	7400	74107	7410	7451	7408	74279	74107	7486
H	11	12	9	9 9	9 11 5	5	5 5	5 4			15
	13	13 13		9 9	7 11 9		7 5	4 11	4	17	17
	7451	7486	74161	7408	74104	7436	7400	7402	74161	9334	7451
J	3 12	15 11		9 9		5	13	13 11	3 4		14 14
	12	12		9 8	8		13	13 13	3 4	17	14 14
	7402	7400	SPARE	7402	74164	7403	74164	7408	7475	74153	7437
K	13 13	13 13 3	3	9 11	9	7	13	16	16	16 15	16 7
	13	11 12 3	3	4 9	11	7				7 6	17 4
	7400	7404	7451	7400	7451	7474	74164	74174	74175	7402	7400
L	5	13		9 11	12 12	7	12 11	16 11	16	16	16 7 16 15 17
	13			12 11	12 12	3 7					14 17 17 11
	7410	74107	SPARE	7408	74107	7402	74107	7427	8815	7410	7404
M	13	13	13				17 16	16 16	16 16	17 17	
							16	16 16	16 16	17 17	
	74175	7411	7427	SPARE	SPARE	SPARE	7438	7438	7433	7438	

PIN 1 REF

CURRENT REV	A	A	A	A	A	A	A	A	A	A	A	A	A	A	A	A	A	A
SHEET NO.	1	2	3	4	5	6	7	8	9	10	11	12	13	14	15	16	17	

THE INFORMATION CONTAINED HEREIN IS PROPRIETARY TO AND CONSIDERED A TRADE SECRET OF MICRODATA CORPORATION AND SHALL NOT BE REPRODUCED, IN WHOLE OR PART, WITHOUT THE WRITTEN AUTHORIZATION OF MICRODATA CORPORATION.

UNINCORPORATED ENGINEERING ORDERS

SC20001317

DESIGNED BY: [Signature] DATE: 12-1-73

CHECKED BY: [Signature] DATE: 5-31-74

ENGINEER: [Signature] DATE: 6-27-74

APPD: [Signature] DATE: 6-27-74

DATE: 6-27-74

TITLE

PC BOARD SCHEMATIC-  
DISC CONTROLLER  
FORMATTING BOARD

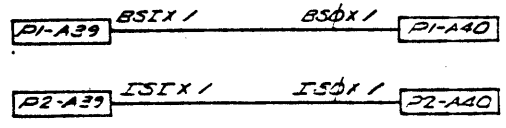
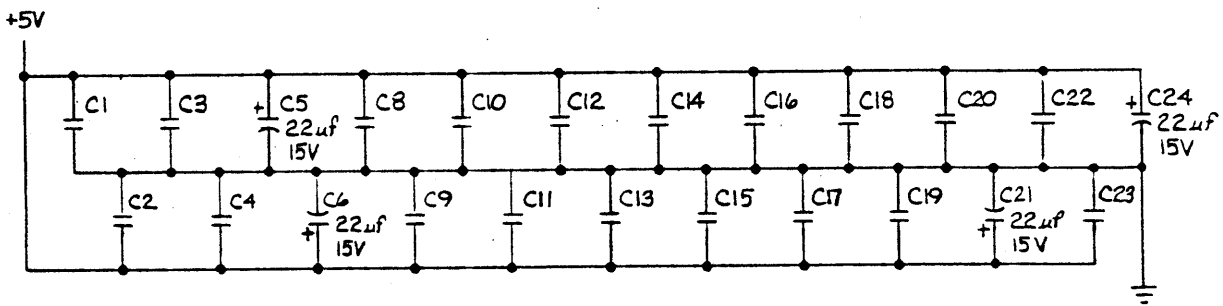


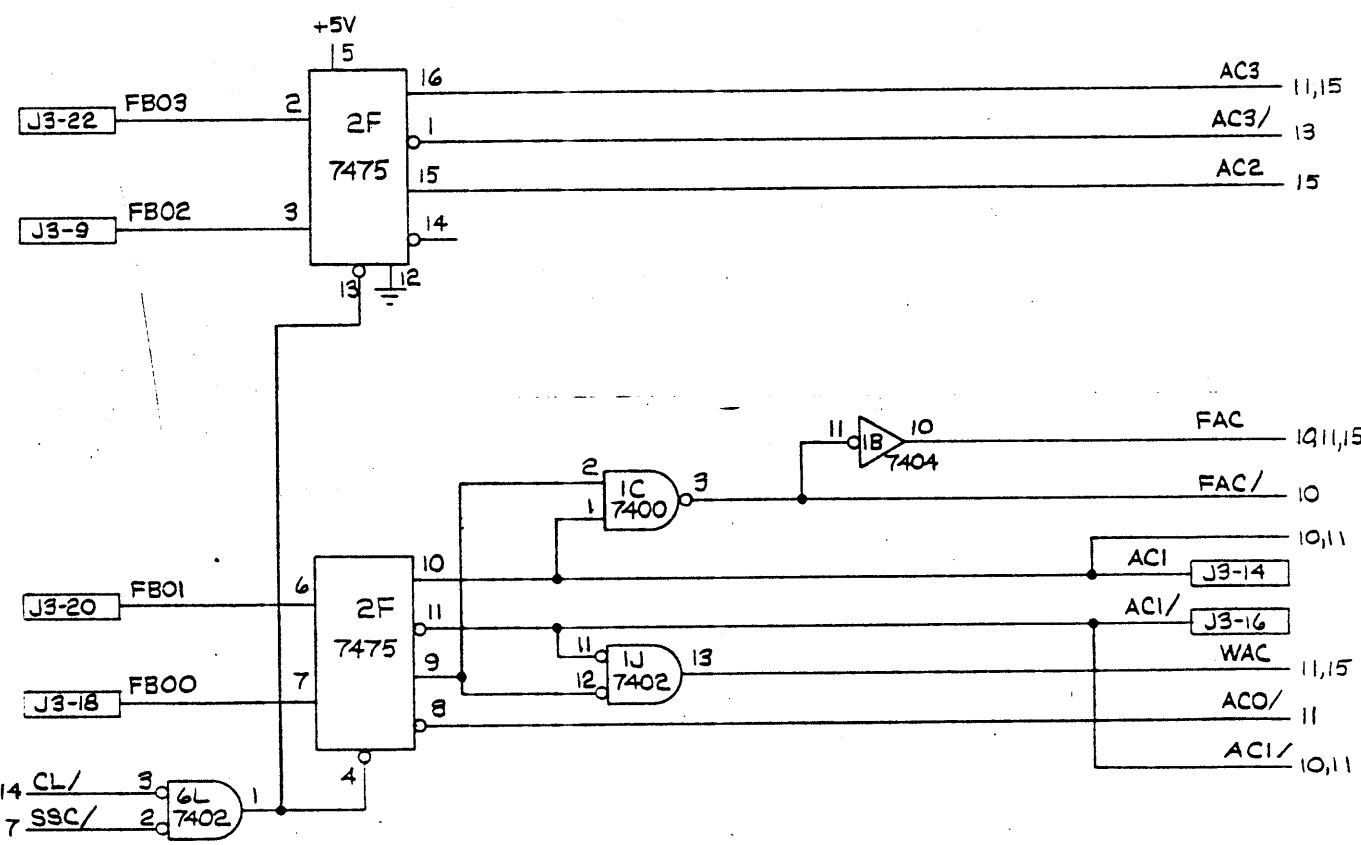
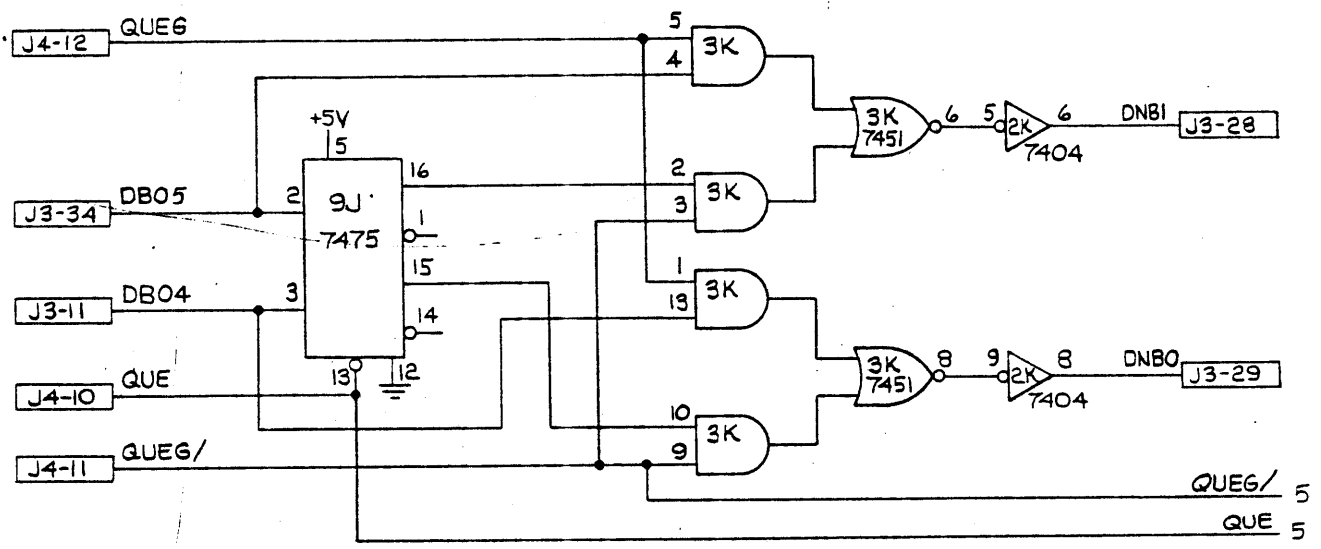
2. ALL CAPACITORS ARE .1UF 25V

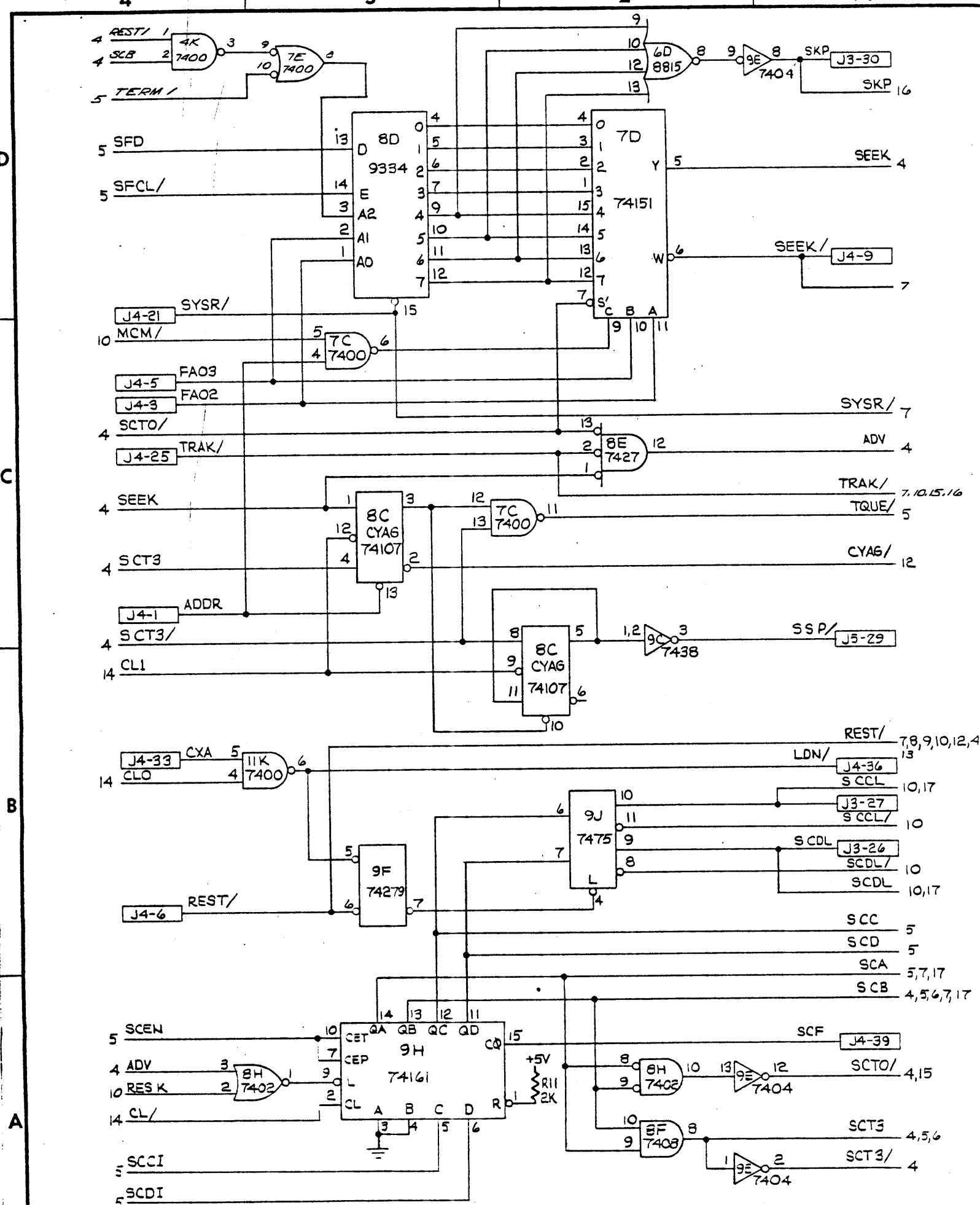
1. ALL RESISTORS ARE 1/4 W ±5% VALUES IN OHMS

NOTES: UNLESS OTHERWISE SPECIFIED

PAGE NO	A	PI	B	PAGE NO	A	P2	B	PAGE NO	PAGE NO	J3	PAGE NO	J4	PAGE NO	J5
	GND		+5V		GND	1	+5V		9	3	4	1	12	CYA 3/
	GND	2	+5V		GND	2	+5V		10	DMAD	5	2	12	CYA 7/
		3				3			9	BCB0/	4	3	2	CYA 6/
		4				4			11	LDDR	4	4	12	CYA 5/
		5							11	DMAT	5	4	12	CYA 4/
		6				6			13	OTFD	6	4	12	CYA 3/
		7				7			17	DB06	7	5	12	CYA 2/
		8		17	DB00/	8			15	OFD	8	7	2	CYA 1/
		9				9			3	FB02	9	4	12	CYA 0/
		10				10			17	CI	10	3	12	CYAR /
		11				11			3	DB04	11	3	12	GND
		12				12			11	REGE	12	3	0	RSEL /
		13				13	DBC1/	17	10	FB05	13	7	10	ERSE /
		14		17	DB02/	14			3	ACI	14	13	10	WSEL /
		15				15	DB03/	17	13	LCDE/	15	13	10	GND
		16				16			3	ACI/	16	11	7	SCPL /
		17				17					17			GND
		18				18			3	FB00	18			GND
		19				19			8	XFER	19	16	7	SINC /
		20				20			3	FB01	20	6	11	PWTH /
		21				21			3	RRS	21	4		GND
		22				22			17	RRS	21	4	10	LSB /
		23		16	DB04/	23			3	FB03	22	12	10	LSZ /
		24				24	DB05/	16	17	RMS	23		10	LSI /
		25				25			11	HOLD	24	6	10	LSO /
		26				26			15	DD08	25	4	10	HSEL /
		27		17	DB06/	27			4	SCDL	26	6	10	GND
		28				28			4	SCCL	27	16	14	WDATA /
		29				29	DB07/	16	3	DNBI	28	11		GND
		30				30			3	DNBO	29	17	4	SSP /
		31		16	DB08/	31			4	SKP	30	6		GND
		32				32			14	CL2	31	5		GND
		33				33			7	SSC/	32	7	3	SECP /
		34				34			12	DADI	33	4		GND
		35				35	DB09/	16	3	DB05	34	16		GND
		36				36			14	CLO	35	5	6	SECO /
		37				37			8	SEQ2	36	4	6	SECI /
		38				38			11	HOLD/	37	6	6	SEC2 /
		39		16	DB10/	39	DB11/	16	10	RESK/	38	14	6	SEC3 /
2	BSIX /	39		2	ISIX /	39			10	MCM/	39	4	6	SECA /
2	BSIX /	40		2	ISIX /	40			9	ERDE	40	11		GND
		41	BREQ/	11		41			14	RDS	41	12	15	RDATA /
		42				42	DB12/	16	12	DASI	42	17	14	DRCL /
		43	HOLD/	11		43			11	REQX	43	12		GND
		44				44	DB13/	16			44	12	0	RSEL /
		45				45			10	MCM	45	12	5	REDY /
		46				46			13	LCDC	46	12		GND
		47				47			11	CA00	47	12		TVCC
		48				48			10	FB15	48	12		TVCC
	GND	49	+5V		GND	49	+5V		14	CLI	49	12		
	GND	50	+5V		GND	50	+5V		7	RET	50	12		KEY





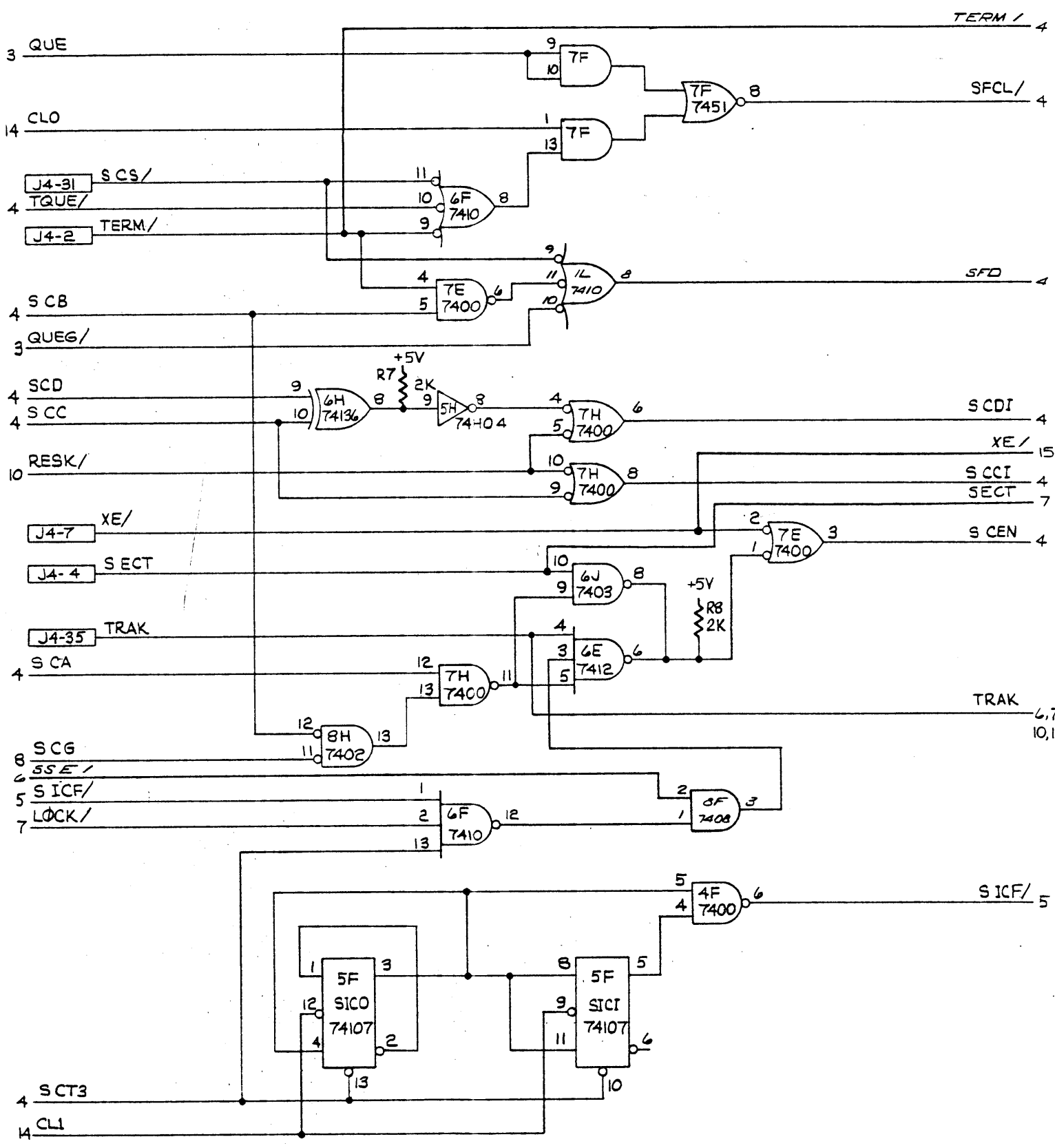


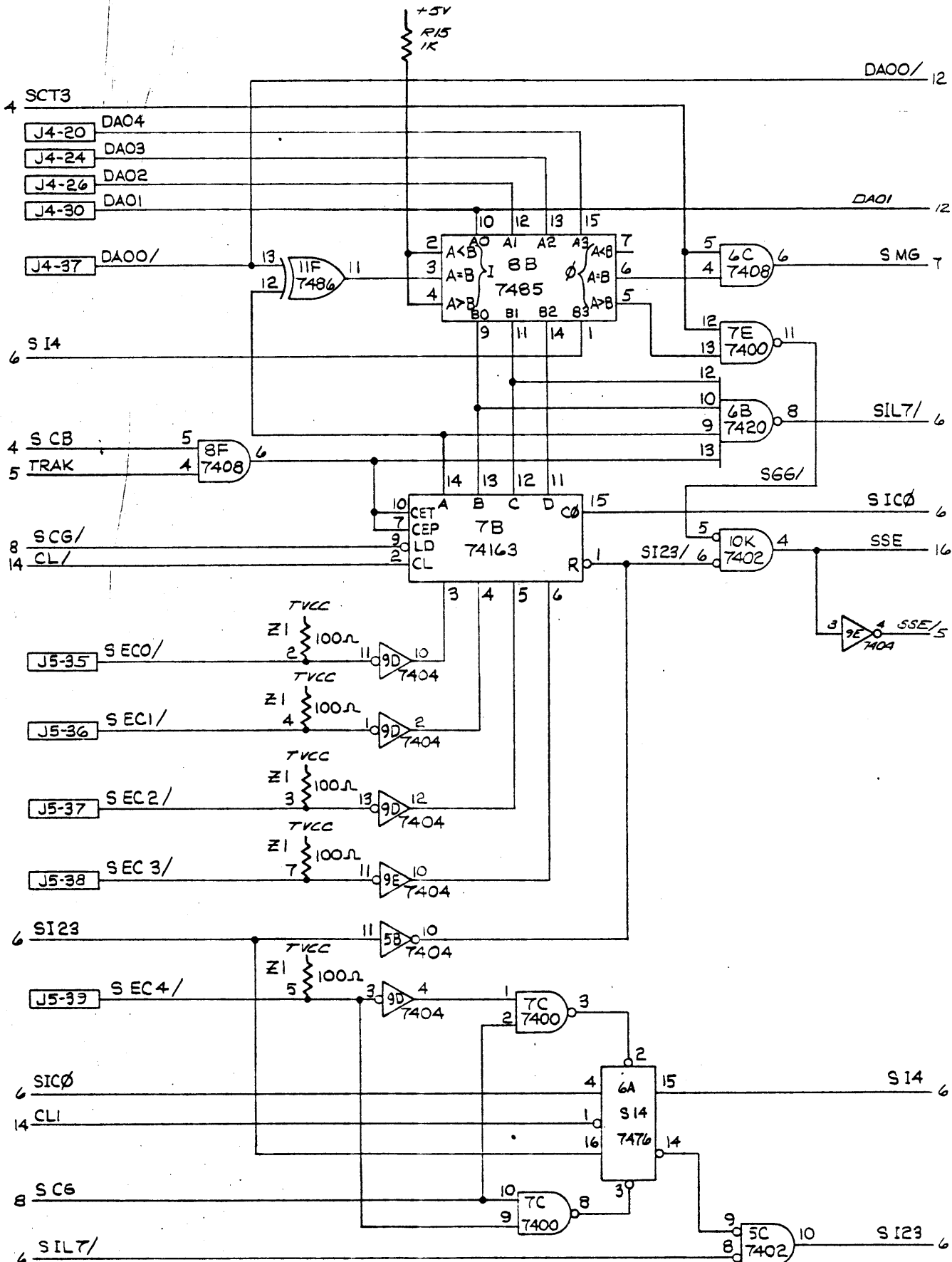
D

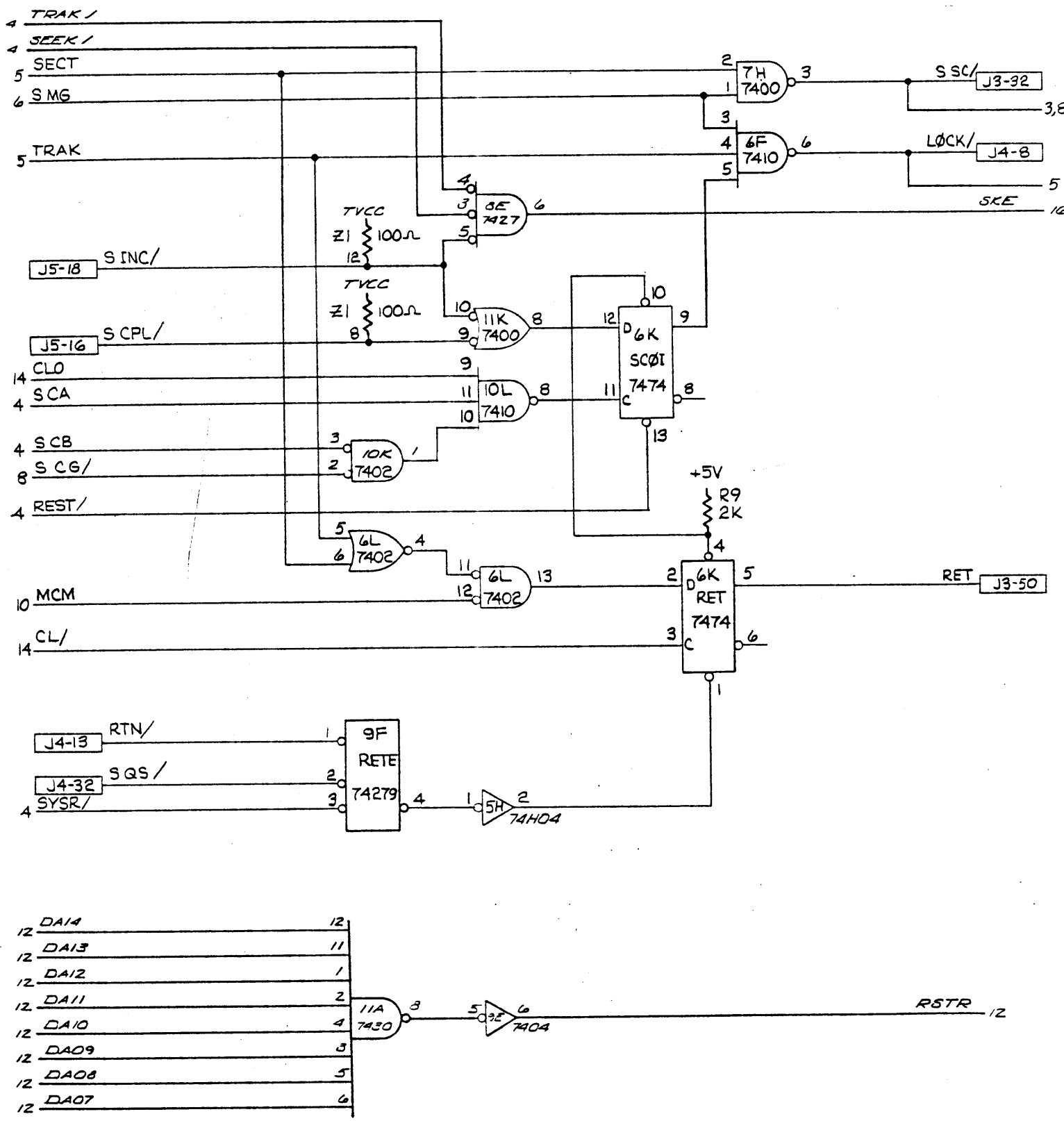
C

B

A





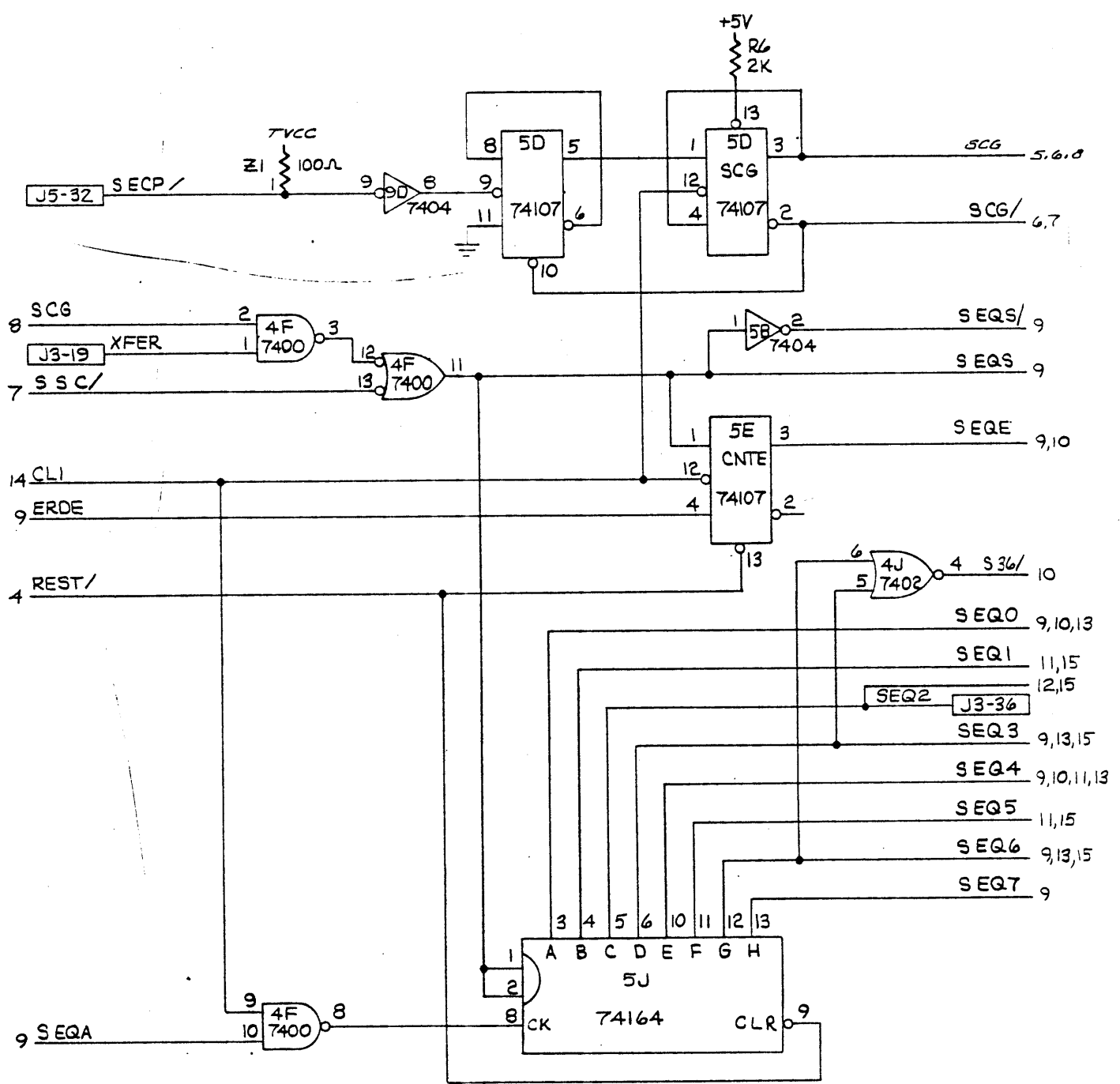


D

C

B

A



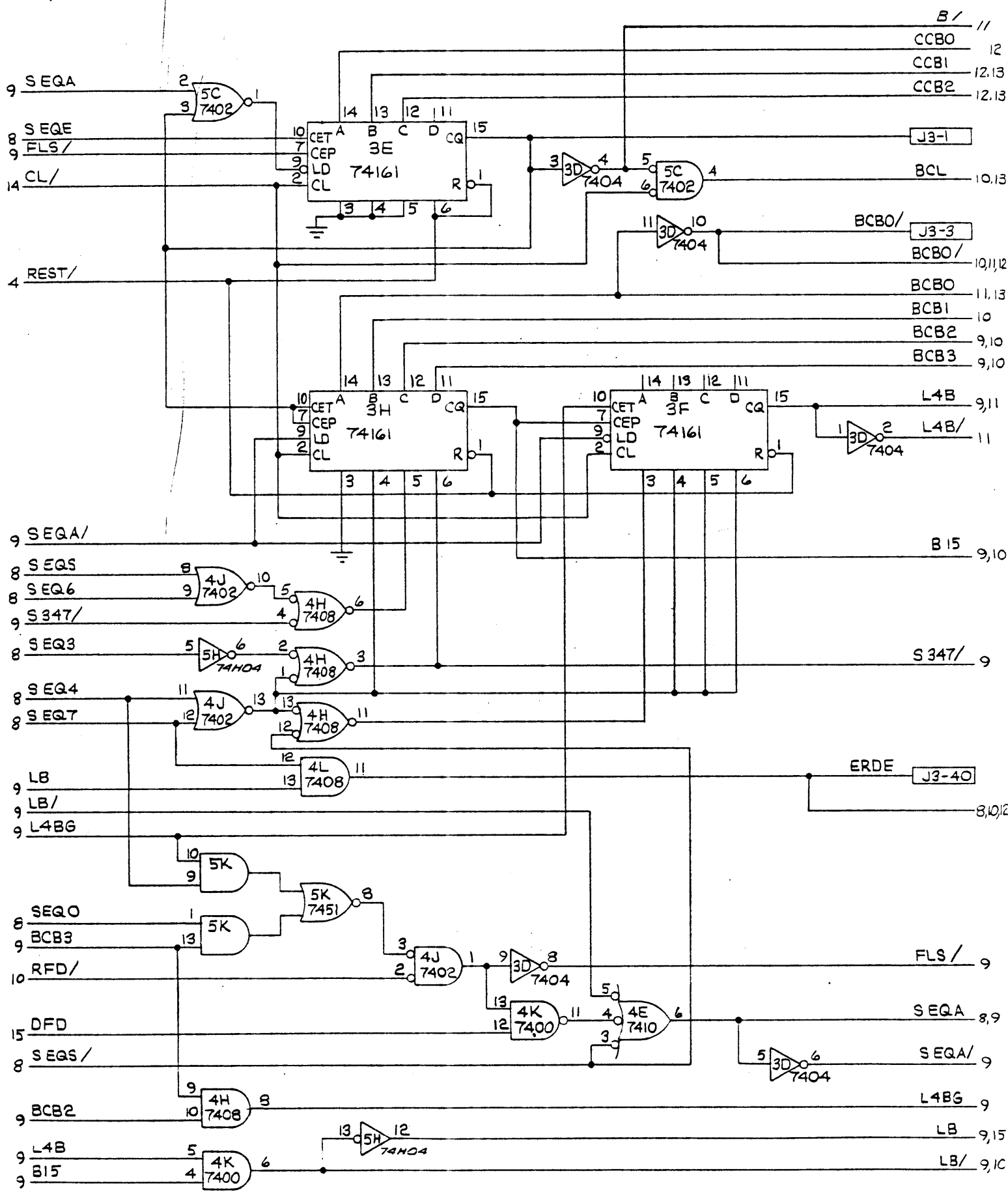


D

C

B

A

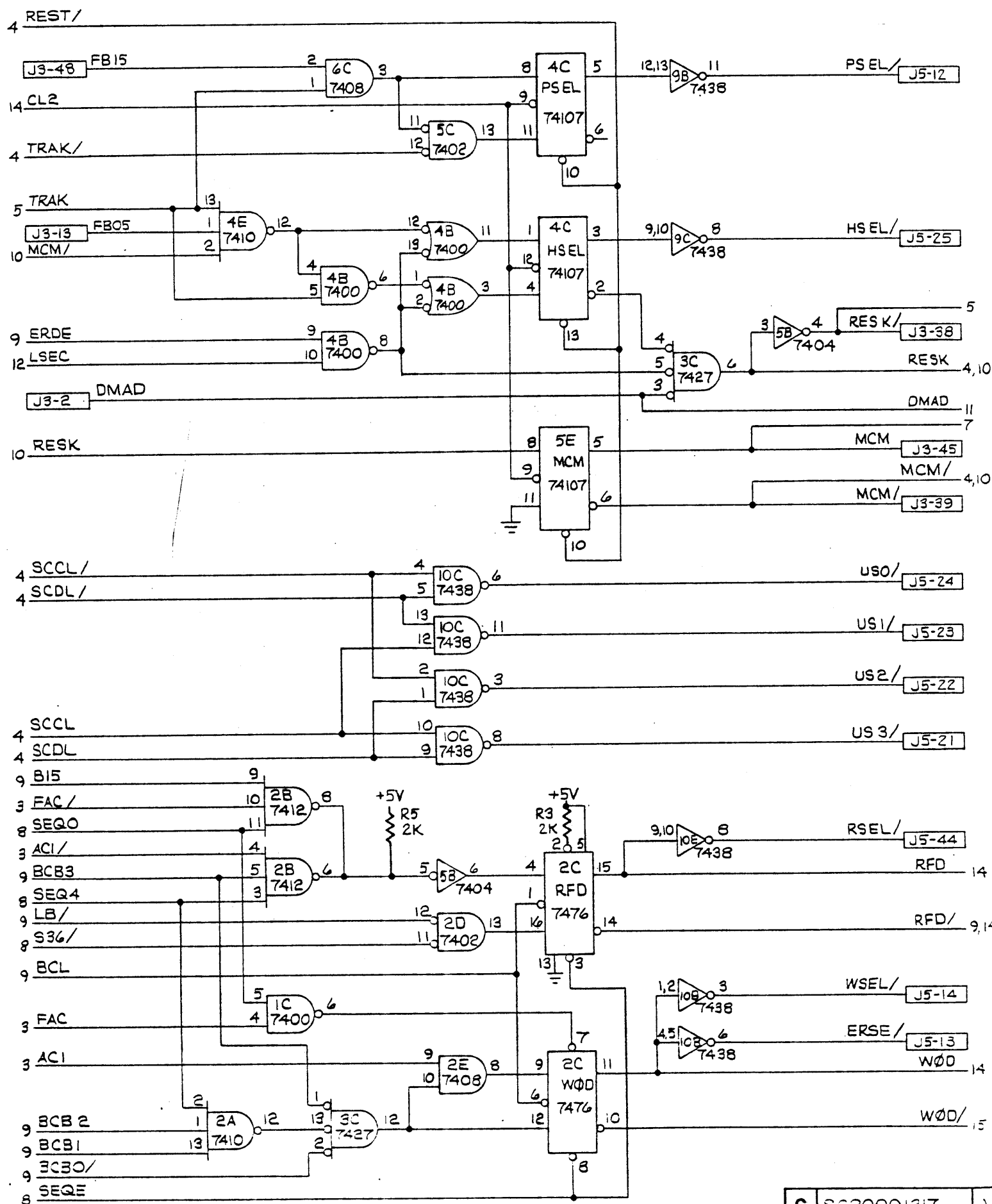


D

C

B

A

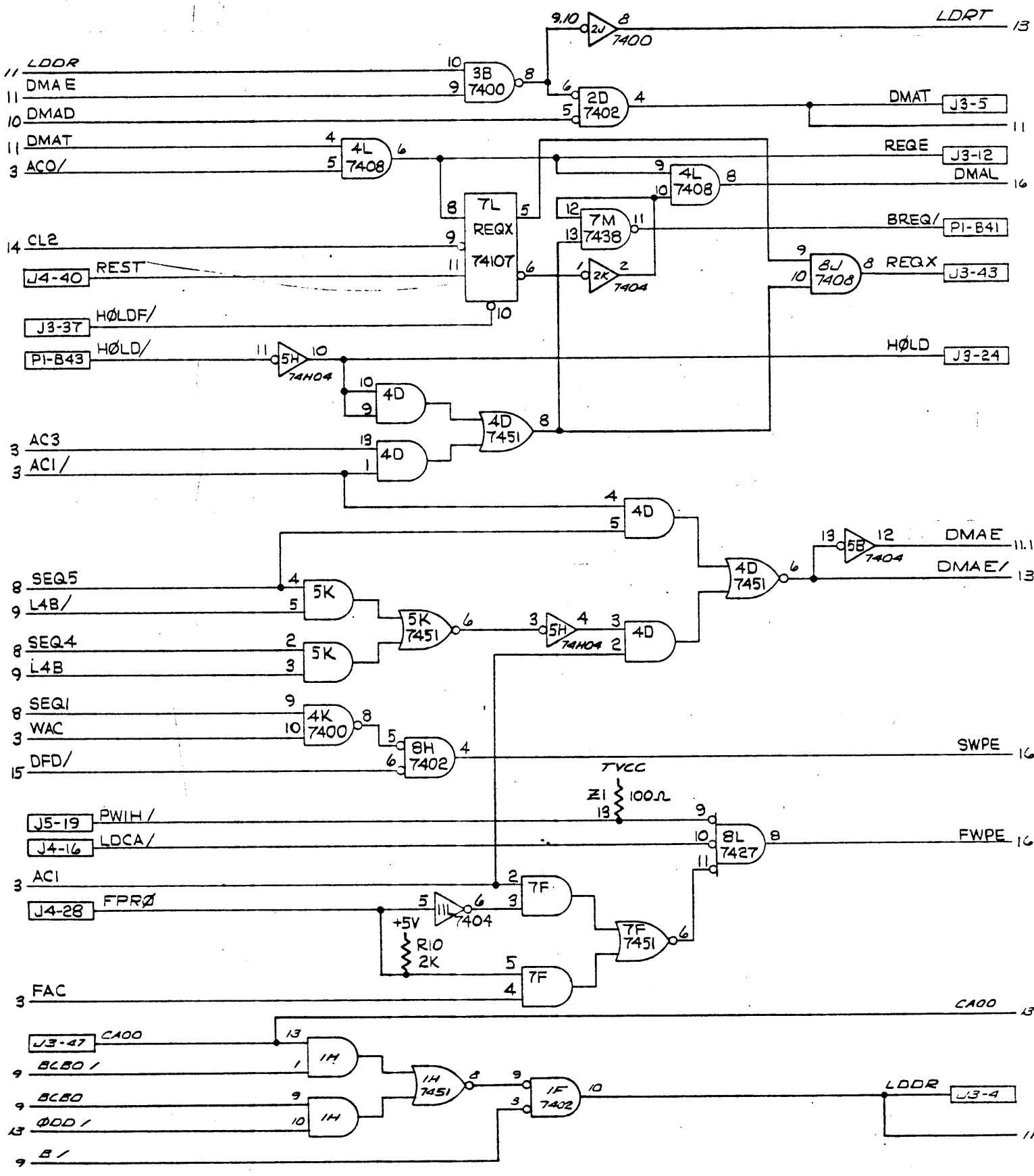


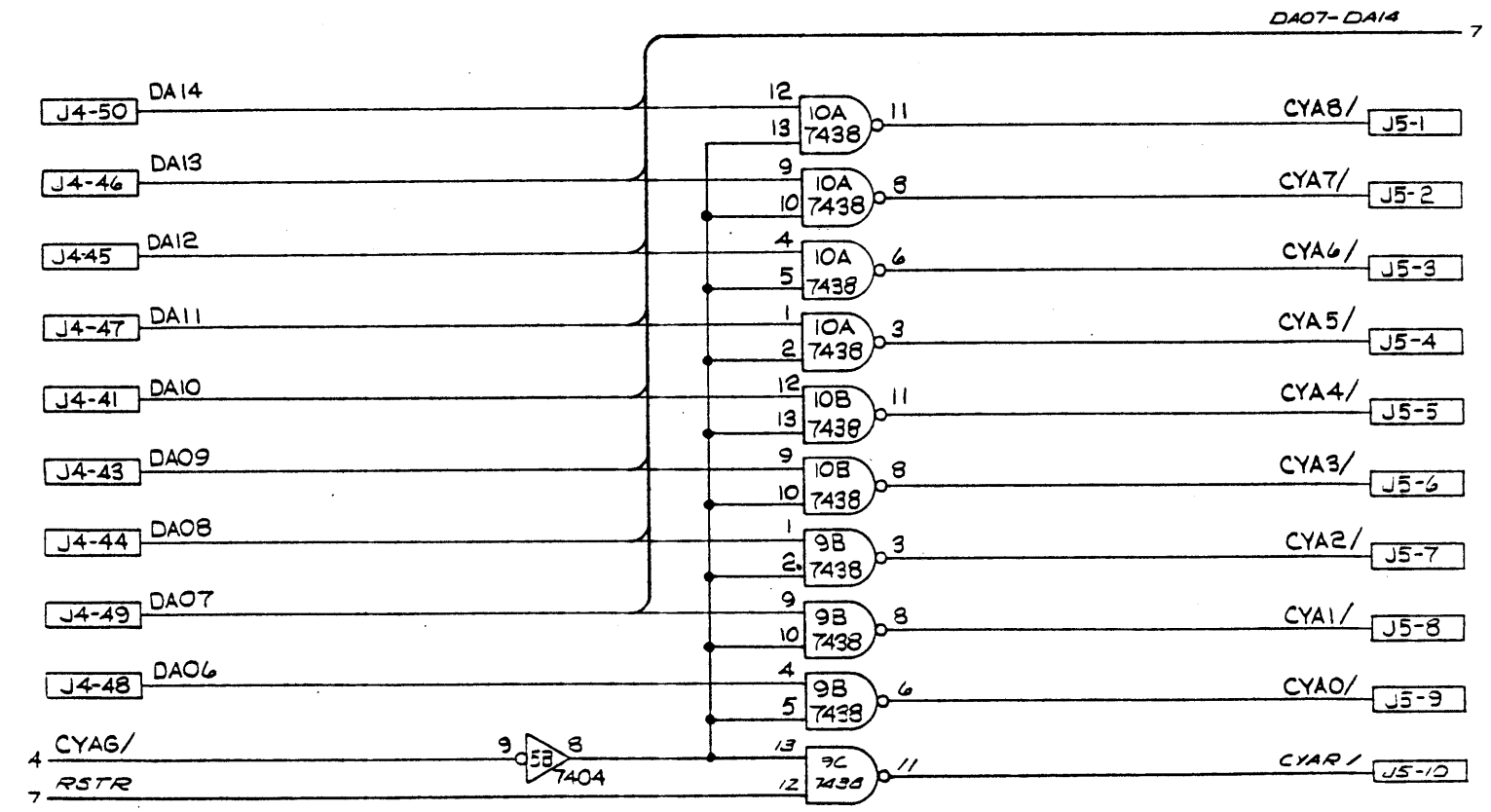
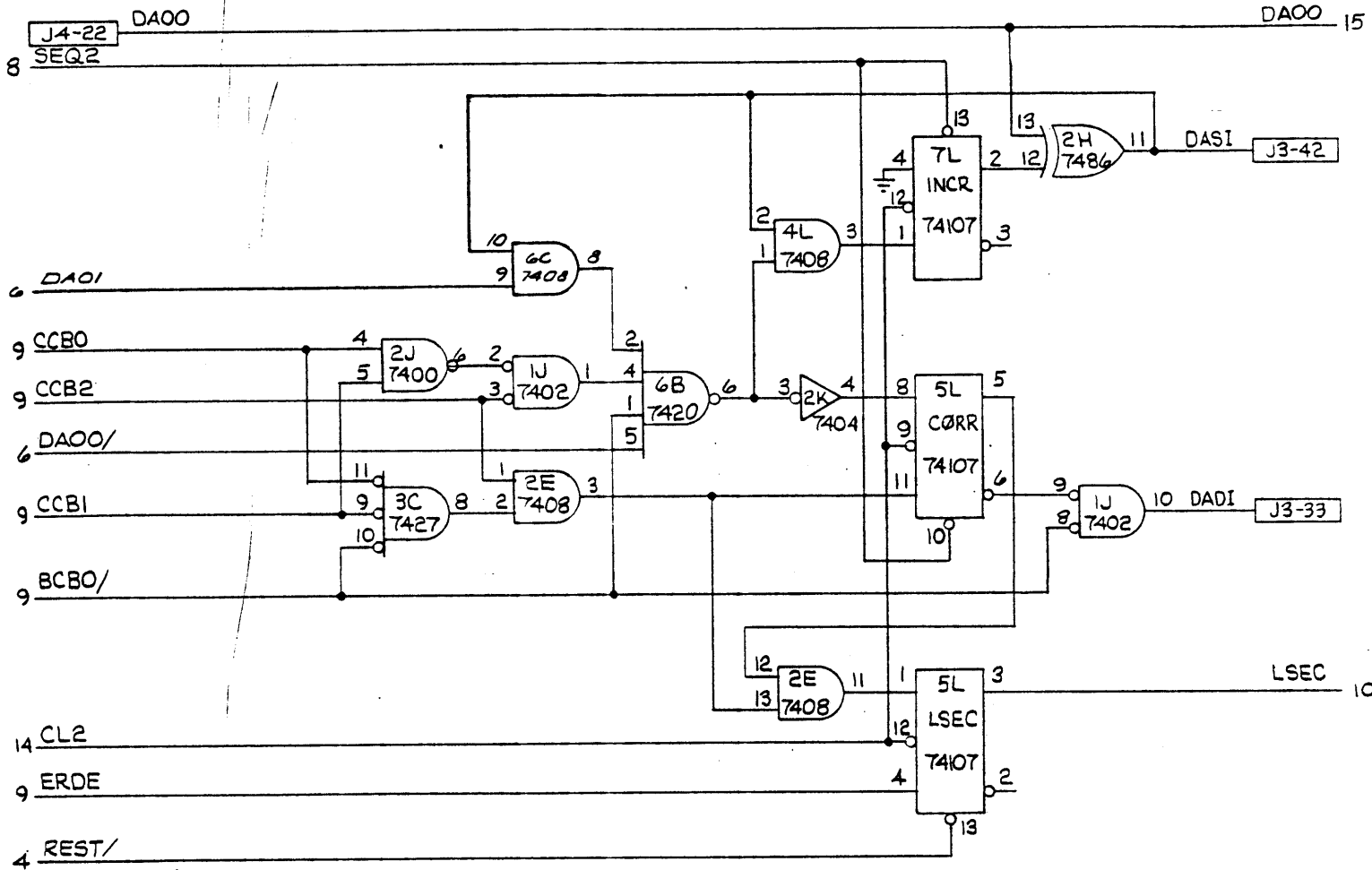
D

C

B

A





D

C

B

A

