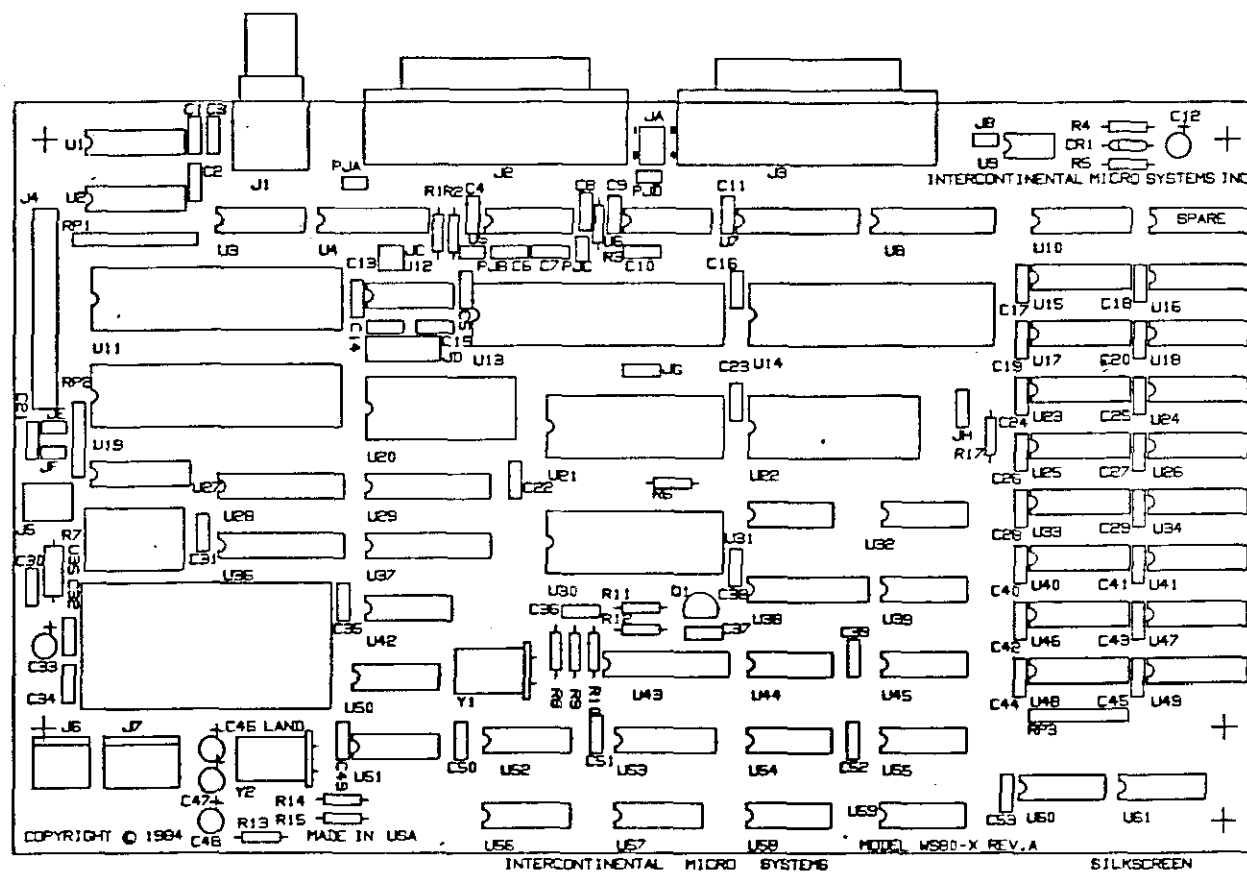
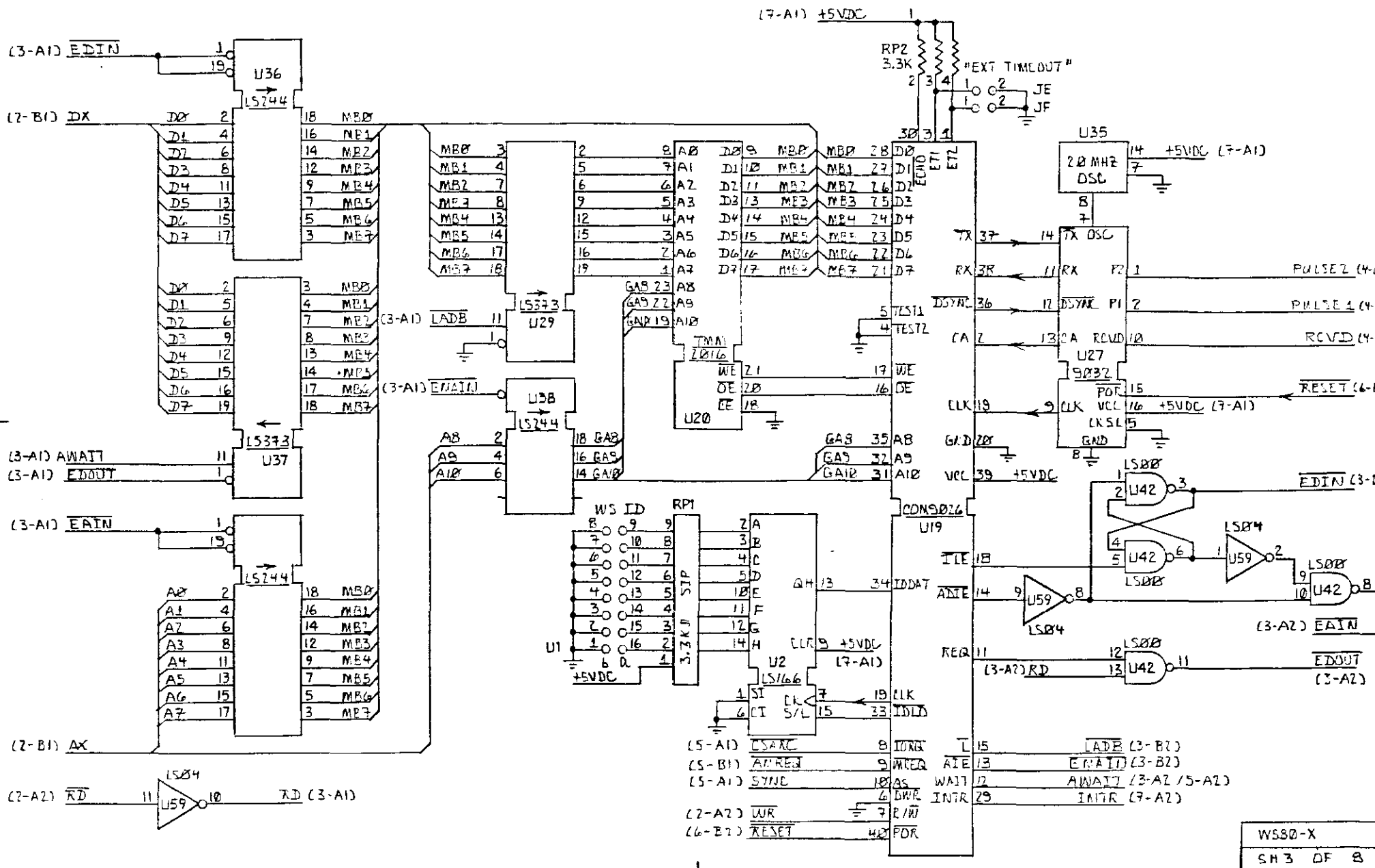


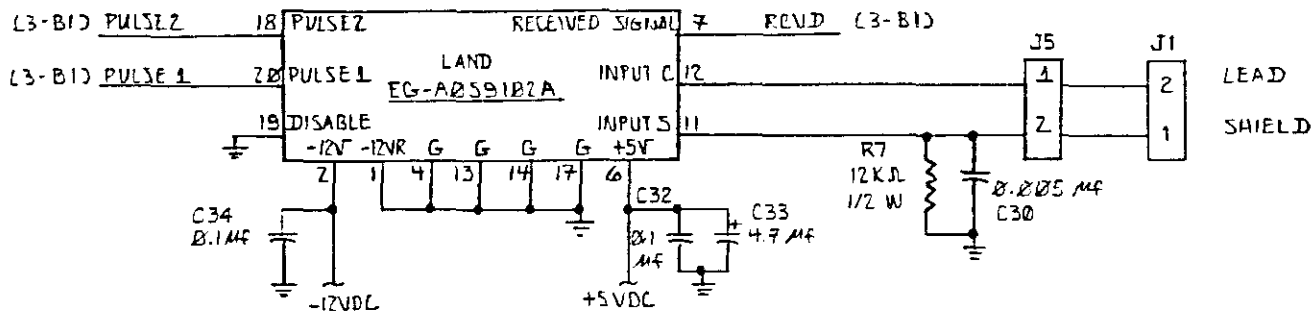
2-640357-3	14PNSCKT	14-PIN SOCKET	U3,5,6,12,31,32,39, 42,44,45,50-52,54-60	20
2-640358-3	16PNSCKT	16-PIN SOCKET	U2,15-18,23-27,33,34, 40,41,46-49,53	19
2-640359-3	18PNSCKT	18-PIN SOCKET	U4	1
2-640361-3	24PNSCKT	24-PIN SOCKET	U20	1
2-640362-3	28PNSCKT	28-PIN SOCKET	U21,22,30	3
2-640379-3	40PNSCKT	40-PIN SOCKET	U11,13,14,19	4
2-640463-3	8PNSCKT	8-PIN SOCKET	U9	1
2-640464-3	20PNSCKT	20-PIN SOCKET	U7,8,26,29,36-38,43	8
929834-01-2	1X2	1X2 JUMPER	JB	1
929834-01-3	1X3	1X3 JUMPER	JH	1
929836-01-2	2X2	2X2 JUMPER	JC	1
929836-01-3	2X3	2X3 JUMPER	JA	1
929836-01-6	2X6	2X6 JUMPER	JD	1
ELANK W880-X		BLANK BOARD		1
CAP 0.005UF CER		.005 MICROFARAD CER	C30	1
CAP25SC10 TANT		10 MICROFARAD TANT	C48	1
CAP 4.7UF 35V TANT		4.7 MICROFARAD TANT	C12,33,46,47	4
CAP 5020ES50RD104M		0.1 MICROFARAD TANT	C1-3,9-11,16-29 31,32,34,35,37-45,49,51-53	37
CAP EDPT4X5 .01UF		.01 MICROFARAD CER	C50	1
CAP GH470K 47PF		47 PICOFARAD CER	C4-8,13-15	8
CAP 100PF CER		100 PICOFARAD CER	C36	1
CNCTH DB25 FEMALE		CONNECTOR	J2,3	2
CNCTR 09-74-1021		2-PIN CONNECTOR	J5	1
CNCTR 09-75-1038		3-PIN CONNECTOR	J6	1
CNCTR 09-75-1048		4-PIN CONNECTOR	J7	1
CNCTR 226990-1		BNC CONNECTOR	J1	1
CRYSTAL 2.4576M		2.4576 MHZ CRYSTAL	Y2	1
CRYSTAL 12.0M		12 MHZ CRYSTAL	Y1	1
CRYSTAL 20.0M OSC		20 MHZ OSCILLATOR	U35	1
DIODE 1N914		DIODE	CR1	1
EGA059102A		LAN INTERFACE	LAND	1
RES 12K OHM 1/2W		12K RESISTOR 1/2W	R7	1
RES 1.2 OHM		1.2 RESISTOR 1/4W	R1-3,10,13-15	8
RES 33 OHM		33 RESISTOR 1/4W	R12	1
RES 220 OHM		220 RESISTOR 1/4W	R11	1
RES 330 OHM		330 RESISTOR 1/4W	RB,9	2
RES 330 SIP		8-PIN RESISTOR	RP3	1
RES 332 SIP		10-PIN RESISTOR	RP1	1
RES 4.7K OHM		4.7K RESISTOR 1/4W	R5,6	2
RES 10K OHM		10K RESISTOR 1/4W	R17	1
RES 416-1-330 DIP		33 RESISTOR DIP	U10	1
RES 47K OHM		47K RESISTOR 1/4W	R4	1
RES 472 SIP		4.7K 6-PIN RESISTOR	RP2	1
TTLDM-150		DELAY LINE	U61	1
IDH-26LP-S3-TG		26-PIN CONNECTOR	J4	1
SWITCH 76PSB08		8-POLE DIP	U1	1
TRANS 2N3906		TRANSISTOR	Q1	1
#2-56 X 1/4 SCREW		(FOR 226990-1)		2
2716		EPROM 2K X 8	U22	1
74LS00		GATE, NAND	U42,60	2
74LS02		GATE, NOR	U45,54	2
74LS04		HEX INVERTER	U51,59	2
74LS08		GATE, AND	U39,52	2
74LS11		GATE, TRI-AND	U32	1
74LS32		GATE, QUAD-OR	U56	1
74LS74		D FLIP-FLOP	U31,44,50,57,58	5
74LS138		8-1 DECODER	U53	1

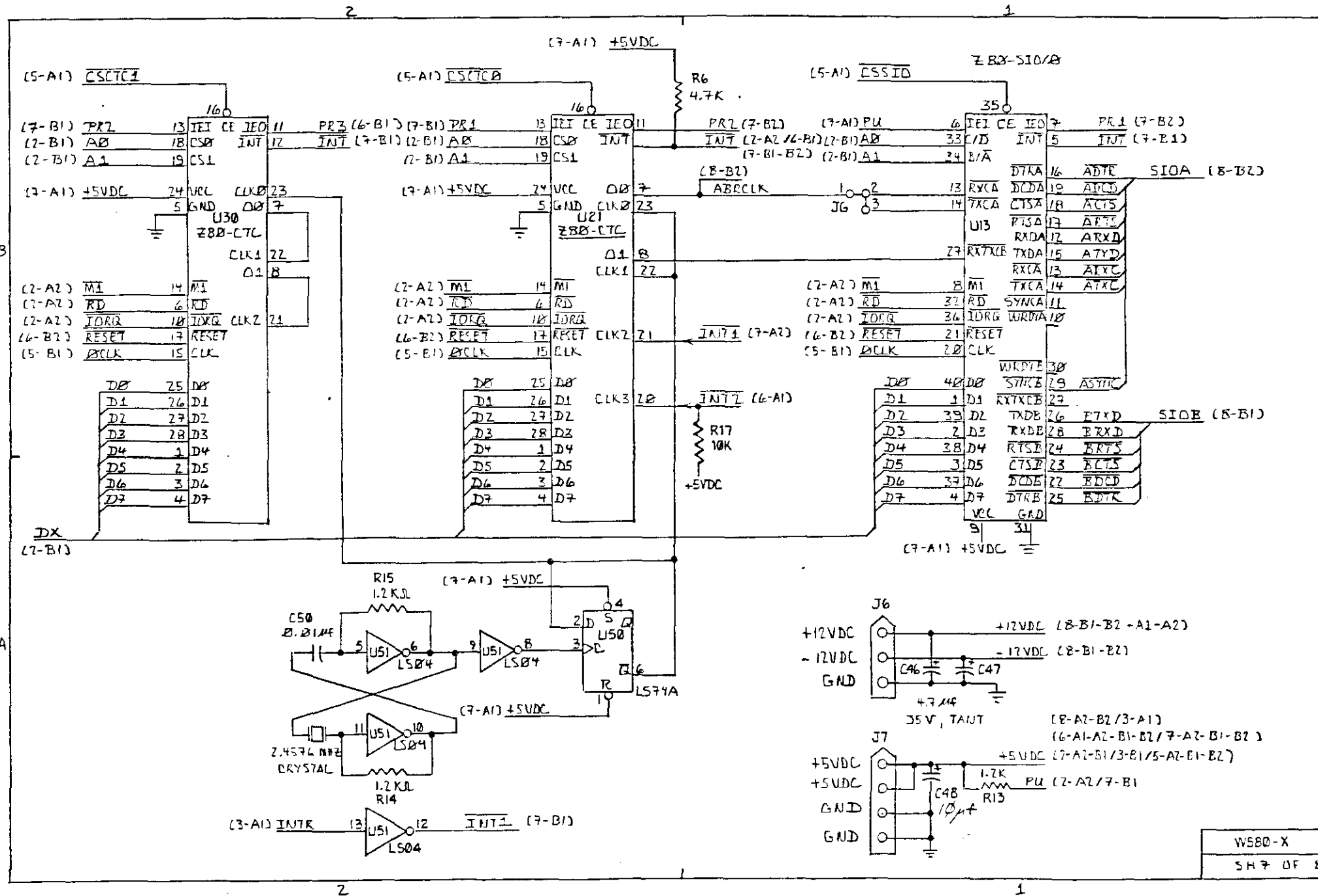


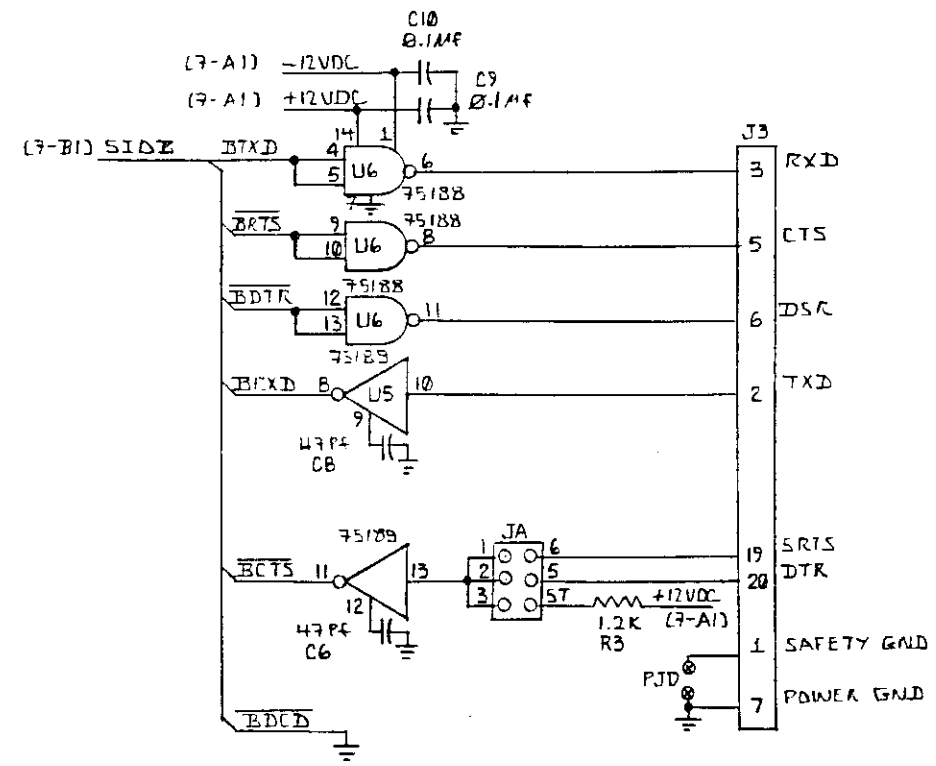
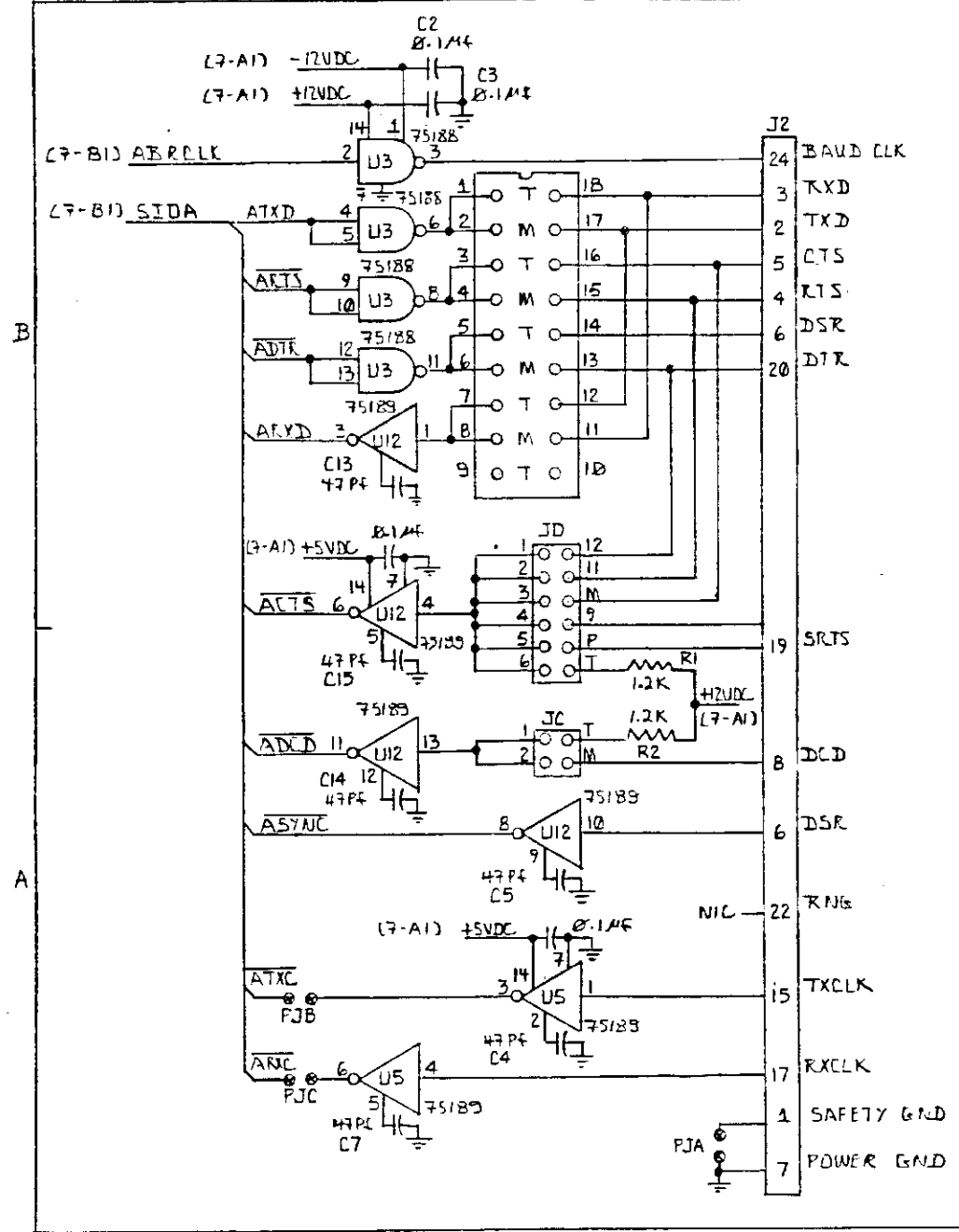
74LS166	SHIFT REGISTER	U2	1
74LS244	OCTAL BUFFER	U28,36,38	3
74LS373	OCTAL REGISTER	U29,37	2
74S32	GATE, QUAD-OR	U55	1
74S240	OCTAL INVERTER	U43	1
74S241	OCTAL BUFFER	U7,8	2
COM9026	LAN CONTROLLER	U19	1
COM9032	LAN INTERFACE	U27	1
ECG955M	TIMER	U9	1
HEADER 16-PIN		U4	1
M5K4164S-15	64K DRAM	U15-18,23-26,33, 34,40,41,46-49	16
MC1488P	LINE DRIVER	U3,6	2
MC1489P	LINE RECEIVER	U5,12	2
TMN2016AP-90	2K X 8 RAM	U20	1
Z80B-CPU	CENTRAL PROCESSOR	U14	1
Z80B-CTC	TIMERS	U21,30	2
Z80B-DART/O	SERIAL CONTROLLER	U13	1
Z80B-PIO	PARALLEL CONTROLLER	U11	1

DESIGNED BY:	R. RWIZ 9-84	INTERCONTINENTAL MICRO SYSTEMS
CHECKED BY:	R. TOZAKI 10-84	SCHEMATIC/LOGIC DIAGRAM WORKSTATION
REV: A	WS80-X	SHEET 1 OF 8









RS232C CABLE ASSIGNMENTS

HDR	DB25	SIG
1	1	SGND
2	14	N/A
3	2	TXD
4	15	TXCLK
5	3	RXD
6	16	N/A
7	4	RTS
8	17	RXCLK
9	5	CTS
10	18	N/A

HDR	DB25	SIG
11	6	DSR
12	19	SRTS
13	7	PBND
14	20	DTR
15	8	DCID
16	21	N/A
17	9	N/A
18	22	RNG
19	10	N/A
20	23	N/A

HDR	DB25	SIG
21	11	N/A
22	24	BCLK
23	12	N/A
24	25	N/A
25	13	N/A
26	N/C	N/C