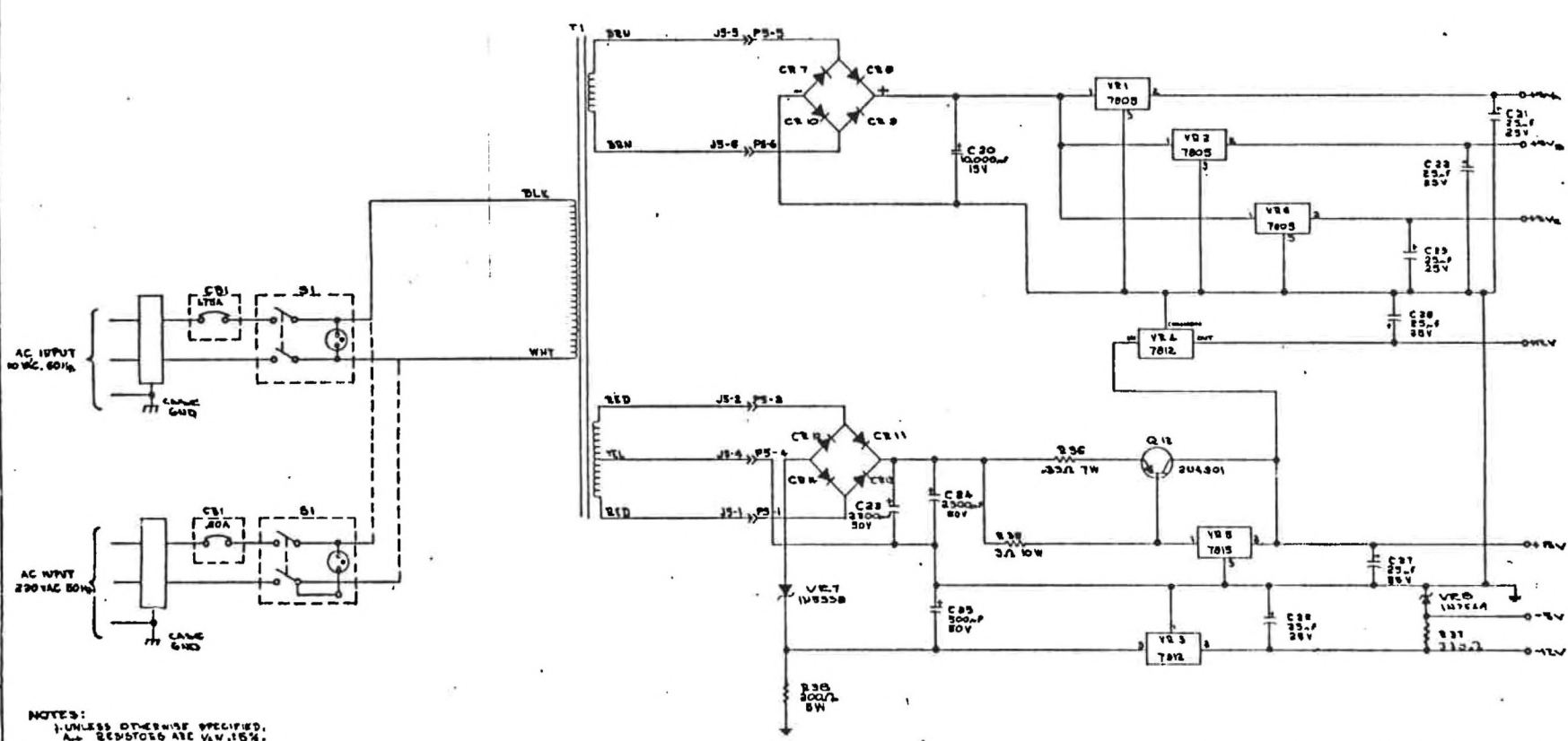


REVISIONS		
NO.	DATE	DESCRIPTION
1	12/1/64	REV PER 100 104
2	12/1/64	REV PER 100 104
3	12/1/64	REV PER 100 104
4	12/1/64	REV PER 100 104
5	12/1/64	REV PER 100 104



NOTES:  
 1. UNLESS OTHERWISE SPECIFIED,  
 ALL RESISTORS ARE 1/4W, 10%.  
 2. FOR TIMING DIAGRAM, SEE C-03510.  
 3. FOR BLOCK DIAGRAM, SEE C-03511.

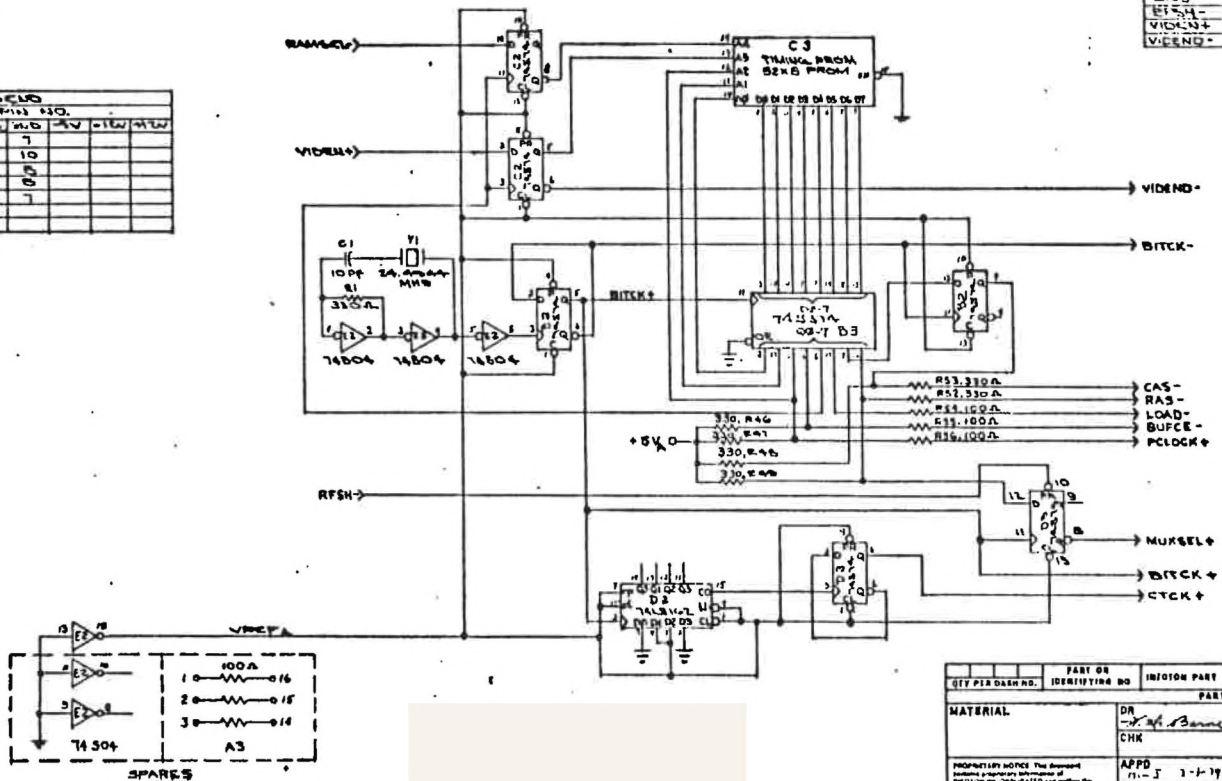
QTY	PER DRAWING	PART OR IDENTIFYING NO.	INFOTON PART NO.	ABBREVIATION OR DESCRIPTION	REV
PARTS LIST					
MATERIAL		DR	APPO	<b>INFOTON INCORPORATED</b> SECOND AVENUE BURLINGTON, MASSACHUSETTS  <b>SCHEMATIC DIAGRAM</b> I-101 POWER SUPPLY SIE D 03482 REV E	
PROPERTY NOTICE: This document contains proprietary information of INFOTON INC. (INFOTON I) and neither the content nor its use is to be disclosed outside the company without the written consent of INFOTON INC.		DATE	APPO		
NEXT ASSEMBLY		PROJ. NO.	SCALE		
		NOV 1964	100%		

**SIGNAL INTERCONNECTION CHART**

SIGNAL	CONNECTOR	TERMINAL	CONNECTOR	TERMINAL
BITCK+	11	1		
BITCK-	10	2		
CAS-	3	3	3	3
CTCK+	0	1		
LOAD-	0	2		
MURSEL	1	0	1	0
PCLOCK+	0	1		
RAS-	0	2		
RFSH-	1	1		
VIDEN+	1	0		
VIDEN-	0	1		

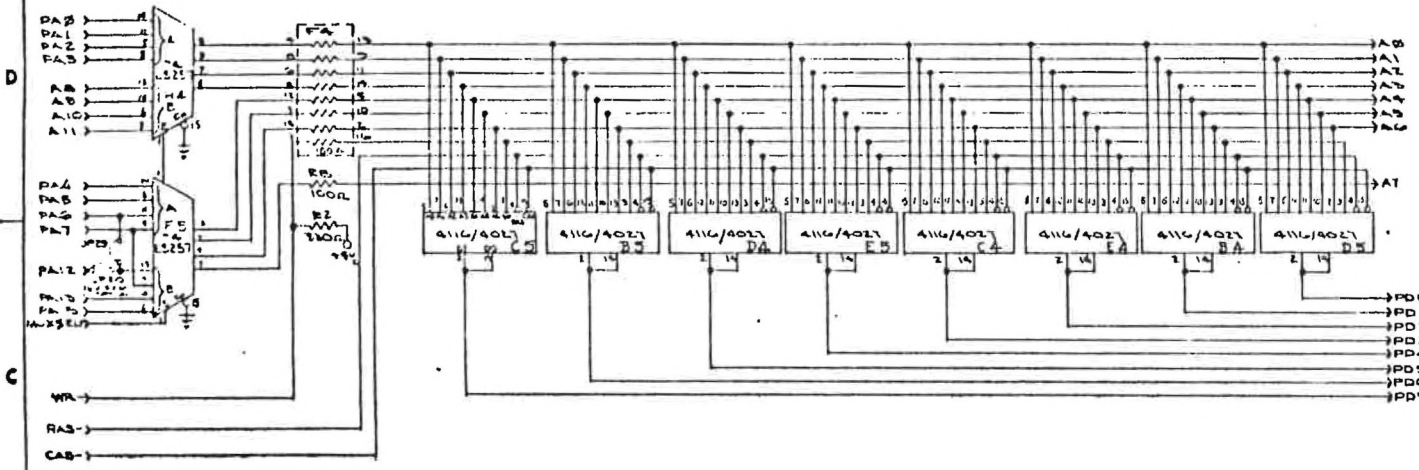
**I.C. POWER LEGEND**

REF DES	DEVICE TYPE	V <sub>CC</sub>	V <sub>EE</sub>	+5V	+12V	-12V	+15V	-15V
B1	74LS14	14						
B2	74LS14	14						
C1	74LS04	14						
D1	74LS04	14						
E1	74LS04	14						



QTY	PART OR IDENTIFYING NO.	INVENTORY PART NO.	SIGNATURE OR DESCRIPTION	ITEM NO.
			INFOTON INCORPORATED SECOND AVENUE BURLINGTON, MASSACHUSETTS	
<p><b>SCHEMATIC</b> TIMING I-101</p>			<p>SIZE D 03482</p>	<p>REV E</p>
<p>PROPERTY NOTICE: This document contains proprietary information of INFOTON INC. This document and its contents are not to be distributed outside of the company without the express written permission of the company.</p>		<p>DATE: 12/17/79</p>	<p>SHEET 1 OF 1</p>	





**SIGNAL INTERCONNECTION CHART**

SIGNAL	4116/4021	4116/4021	4116/4021	4116/4021	4116/4021	4116/4021	4116/4021
AD-A6	1	0					
A7	1	0					
AD-A11	1	1	0				
CAS	0	1					
VAL-16	0	1					
PAS-PA1	1	1	1	1			
PA2-PA3	0	1	1	1			
PA4-PA7	0	0	1	1			
PA12-PA15	0	0	1	1			
PAS	0	1					
P03-P07	0	1	1	1	1	1	1
WR	0	1					

**I.C. POWER LEGEND**

REF	DEVICE	TYPE	NO.	NO.	NO.	NO.	NO.	NO.	NO.
4116/4021	4116/4021	IC	16	0	1	1	0		

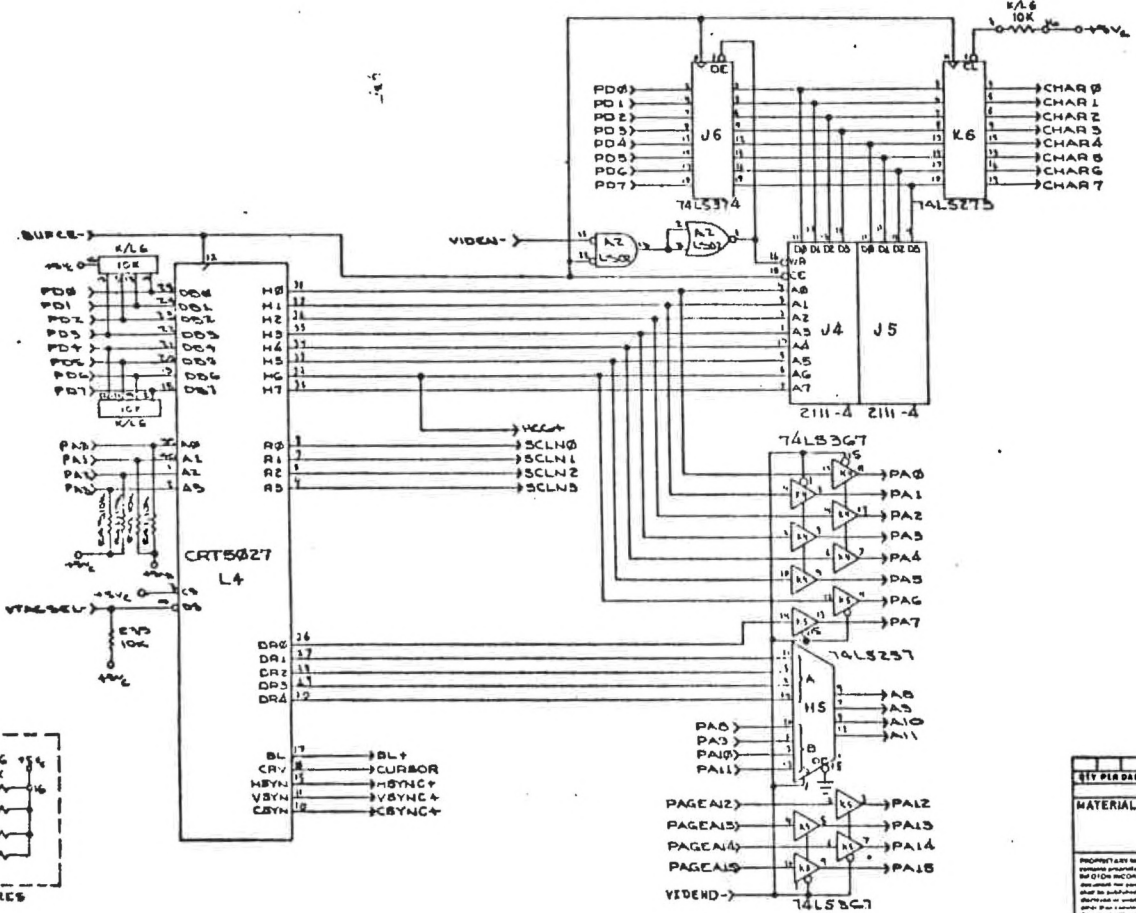
REV	DATE	PART OR IDENTIFYING NO.	INFOTON PART NO.	QUANTITY	DESCRIPTION	ITEM NO.
PARTS LIST						
MATERIAL		DR J. J. Bunn		INFOTON INCORPORATED SECOND AVENUE BURLINGTON, MASSACHUSETTS		
CHK		APPD 4-1-77				
PROBEM (add tag): "I" This document contains proprietary information of INFOTON INC. COMPANY. It and its contents shall be held confidential and shall be returned to the company upon the completion of the project. It is not to be used for any other purpose without the written consent of the company. The company shall not be held responsible for any damage or loss of data resulting from the use of this document.		APPD		<b>SCHMATIC</b> <b>RAM ARRAY</b> <b>I-101</b>		
NEXT ASSEMBLY		PROJ. NO.		SCALE NONE		REV
				DATE 11/10/76		E
				SHEET 4 OF 6		

A

SIGNAL	PC	CM	SM	INT	EXT
RS-A11	1	1	1	1	1
BL					
CURSOR					
HBYN					
MSYN					
RS-A11					
PAGE1					
PAGE2					
PAGE3					
PAGE4					
PAGE5					
PAGE6					
PAGE7					
PAGE8					
PAGE9					
PAGE10					
PAGE11					
PAGE12					
PAGE13					
PAGE14					
PAGE15					
PAGE16					
PAGE17					
PAGE18					
PAGE19					
PAGE20					
PAGE21					
PAGE22					
PAGE23					
PAGE24					
PAGE25					
PAGE26					
PAGE27					
PAGE28					
PAGE29					
PAGE30					
PAGE31					
PAGE32					
PAGE33					
PAGE34					
PAGE35					
PAGE36					
PAGE37					
PAGE38					
PAGE39					
PAGE40					
PAGE41					
PAGE42					
PAGE43					
PAGE44					
PAGE45					
PAGE46					
PAGE47					
PAGE48					
PAGE49					
PAGE50					
PAGE51					
PAGE52					
PAGE53					
PAGE54					
PAGE55					
PAGE56					
PAGE57					
PAGE58					
PAGE59					
PAGE60					
PAGE61					
PAGE62					
PAGE63					
PAGE64					
PAGE65					
PAGE66					
PAGE67					
PAGE68					
PAGE69					
PAGE70					
PAGE71					
PAGE72					
PAGE73					
PAGE74					
PAGE75					
PAGE76					
PAGE77					
PAGE78					
PAGE79					
PAGE80					
PAGE81					
PAGE82					
PAGE83					
PAGE84					
PAGE85					
PAGE86					
PAGE87					
PAGE88					
PAGE89					
PAGE90					
PAGE91					
PAGE92					
PAGE93					
PAGE94					
PAGE95					
PAGE96					
PAGE97					
PAGE98					
PAGE99					
PAGE100					

REF	DEVICE TYPE	DEVICE PIN NO.	V <sub>CC</sub>	V <sub>EE</sub>	V <sub>DD</sub>	V <sub>SS</sub>	ITEM	REV
H1	74LS27	16	B					
H2	74LS27	16	B					
H3	74LS27	16	B					
H4	74LS27	16	B					
H5	74LS27	16	B					
H6	74LS27	16	B					
H7	74LS27	16	B					
H8	74LS27	16	B					
H9	74LS27	16	B					
H10	74LS27	16	B					
H11	74LS27	16	B					
H12	74LS27	16	B					
H13	74LS27	16	B					
H14	74LS27	16	B					
H15	74LS27	16	B					
H16	74LS27	16	B					
H17	74LS27	16	B					
H18	74LS27	16	B					
H19	74LS27	16	B					
H20	74LS27	16	B					
H21	74LS27	16	B					
H22	74LS27	16	B					
H23	74LS27	16	B					
H24	74LS27	16	B					
H25	74LS27	16	B					
H26	74LS27	16	B					
H27	74LS27	16	B					
H28	74LS27	16	B					
H29	74LS27	16	B					
H30	74LS27	16	B					
H31	74LS27	16	B					
H32	74LS27	16	B					
H33	74LS27	16	B					
H34	74LS27	16	B					
H35	74LS27	16	B					
H36	74LS27	16	B					
H37	74LS27	16	B					
H38	74LS27	16	B					
H39	74LS27	16	B					
H40	74LS27	16	B					
H41	74LS27	16	B					
H42	74LS27	16	B					
H43	74LS27	16	B					
H44	74LS27	16	B					
H45	74LS27	16	B					
H46	74LS27	16	B					
H47	74LS27	16	B					
H48	74LS27	16	B					
H49	74LS27	16	B					
H50	74LS27	16	B					
H51	74LS27	16	B					
H52	74LS27	16	B					
H53	74LS27	16	B					
H54	74LS27	16	B					
H55	74LS27	16	B					
H56	74LS27	16	B					
H57	74LS27	16	B					
H58	74LS27	16	B					
H59	74LS27	16	B					
H60	74LS27	16	B					
H61	74LS27	16	B					
H62	74LS27	16	B					
H63	74LS27	16	B					
H64	74LS27	16	B					
H65	74LS27	16	B					
H66	74LS27	16	B					
H67	74LS27	16	B					
H68	74LS27	16	B					
H69	74LS27	16	B					
H70	74LS27	16	B					
H71	74LS27	16	B					
H72	74LS27	16	B					
H73	74LS27	16	B					
H74	74LS27	16	B					
H75	74LS27	16	B					
H76	74LS27	16	B					
H77	74LS27	16	B					
H78	74LS27	16	B					
H79	74LS27	16	B					
H80	74LS27	16	B					
H81	74LS27	16	B					
H82	74LS27	16	B					
H83	74LS27	16	B					
H84	74LS27	16	B					
H85	74LS27	16	B					
H86	74LS27	16	B					
H87	74LS27	16	B					
H88	74LS27	16	B					
H89	74LS27	16	B					
H90	74LS27	16	B					
H91	74LS27	16	B					
H92	74LS27	16	B					
H93	74LS27	16	B					
H94	74LS27	16	B					
H95	74LS27	16	B					
H96	74LS27	16	B					
H97	74LS27	16	B					
H98	74LS27	16	B					
H99	74LS27	16	B					
H100	74LS27	16	B					

PART NO.	INFOTON PART NO.	DESCRIPTION	REV
03482		SCHEMATIC VTAC I-101	6
DATE	SCALE	SHEET 3 OF 8	
03/07/68	NONE		



D  
C  
B  
A

8 7 6 5 4 3 2 1







