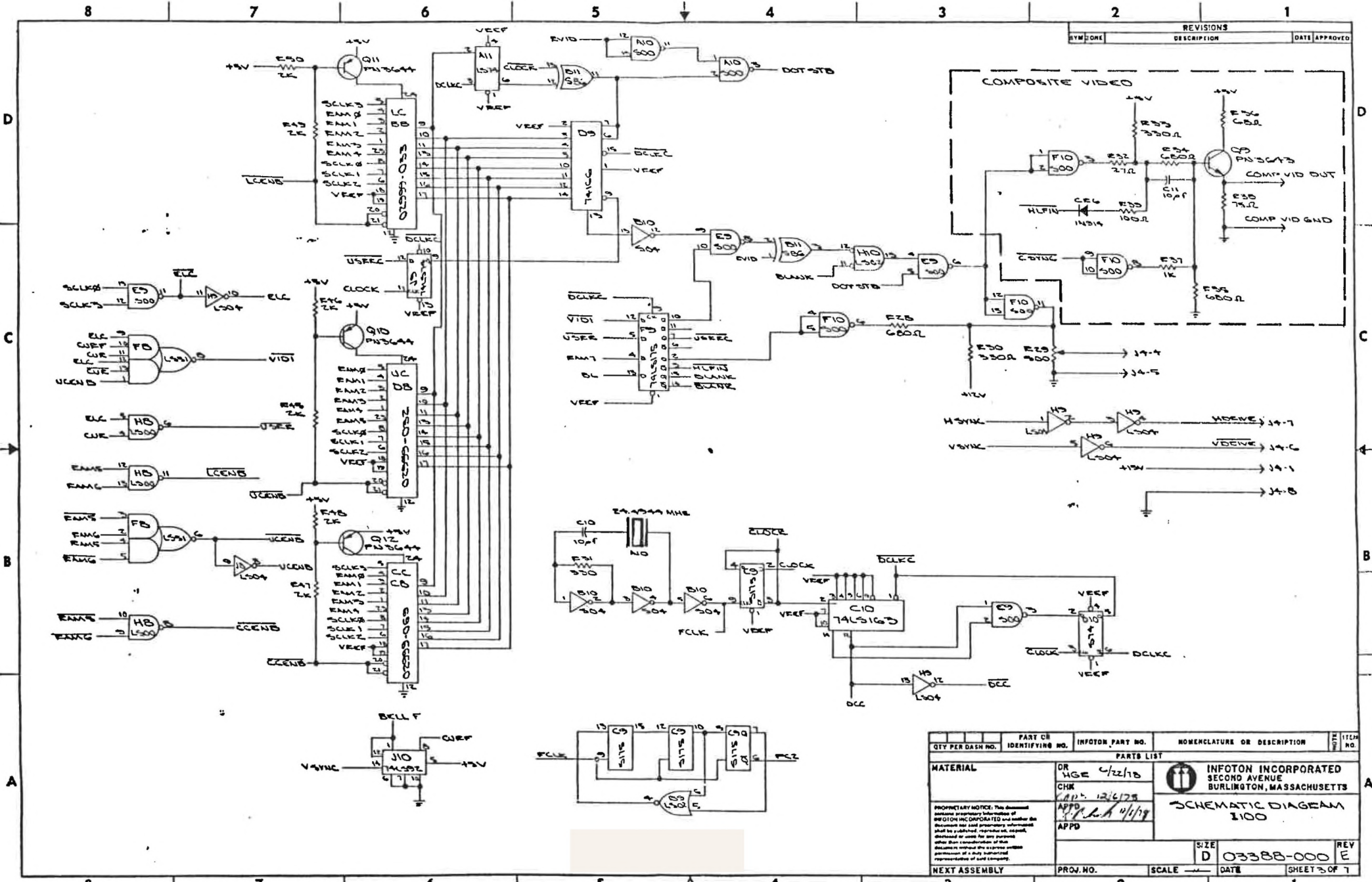

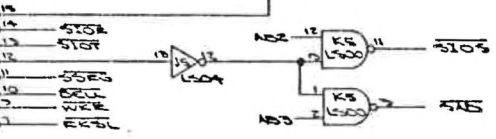
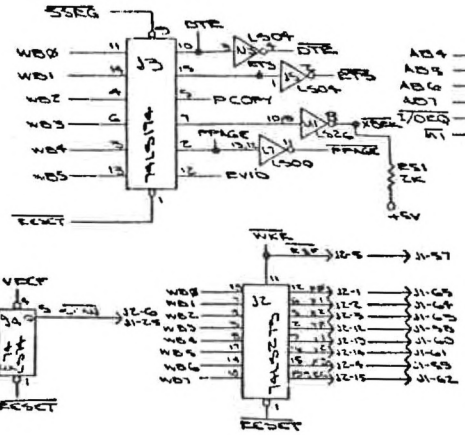
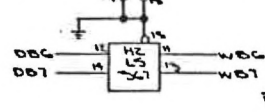
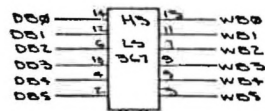
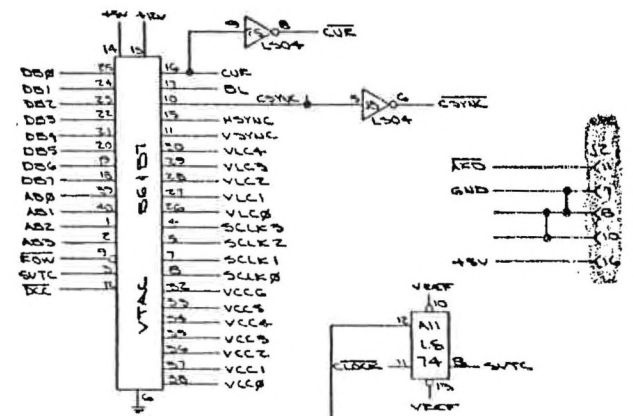
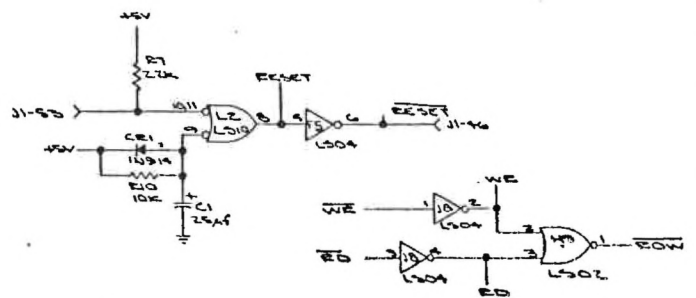
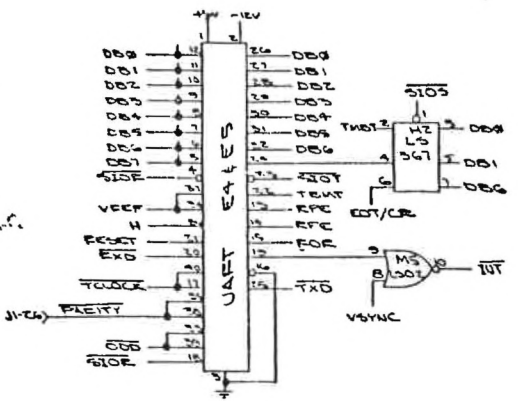
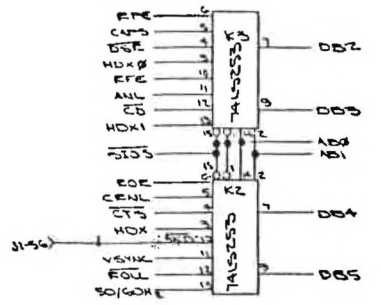
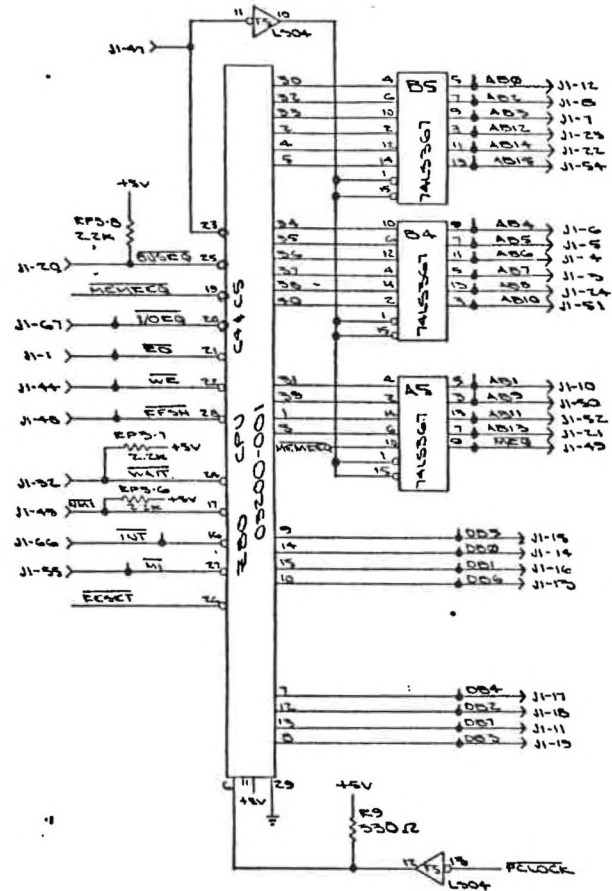



QTY PER CASH NO.	PART OR IDENTIFYING NO.	INFOTCH PART NO.	NOMENCLATURE OR DESCRIPTION	ITEM NO.
PARTS LIST				
MATERIAL			DR WGE G/26/78	INFOTON INCORPORATED SECOND AVENUE BURLINGTON, MASSACHUSETTS SCHEMATIC DIAGRAM 3100 CIA INTERFACE
CHR 1/74			1/16/78	
APPD				
APPD				
NEXT ASSEMBLY		PROJ. NO.	SCALE	DATE
			SIZE D 03328-000	REV E
				SHEET 2 OF 7

REVISIONS		
SYM	DESCRIPTION	DATE APPROVED

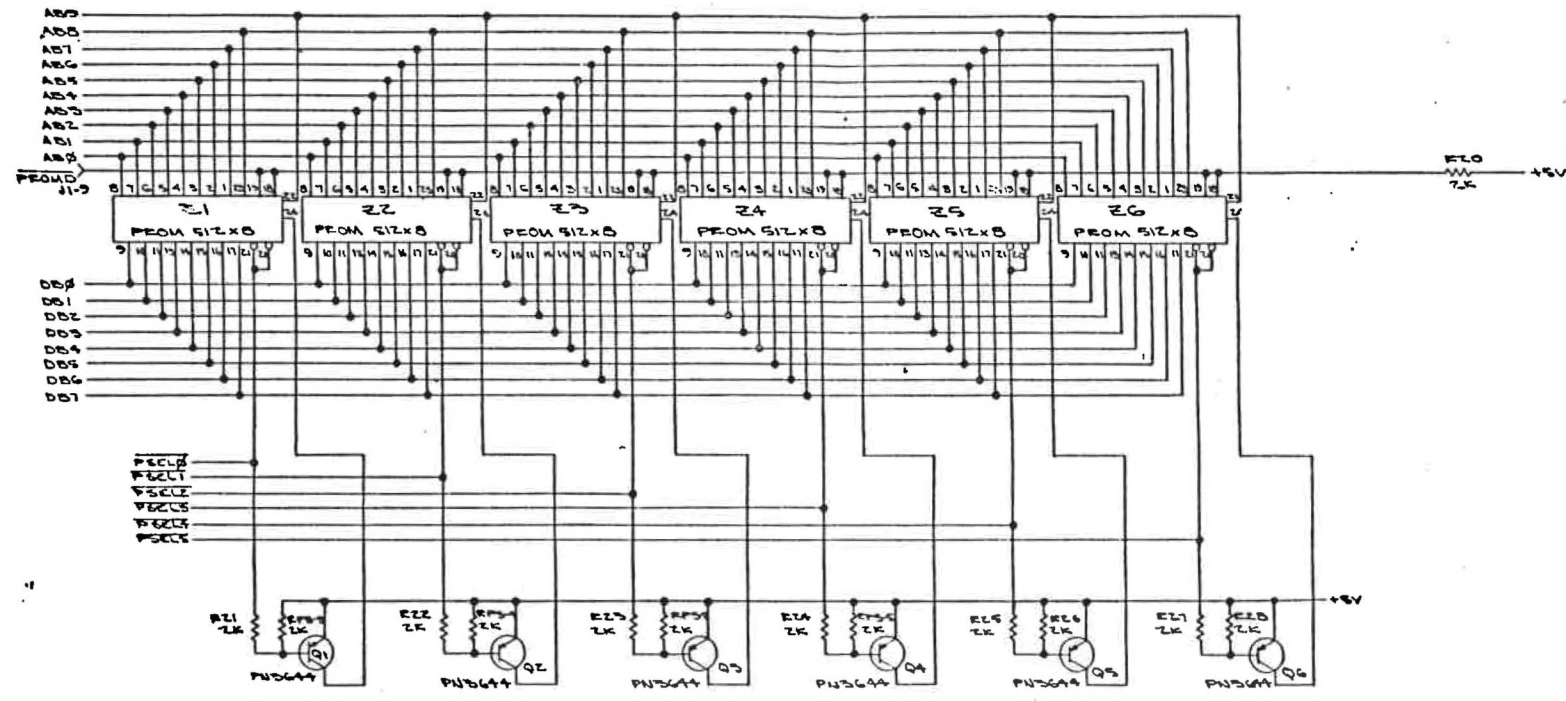


QTY PER DASH NO.	PART OR IDENTIFYING NO.	INFOTON PART NO.	NOMENCLATURE OR DESCRIPTION	ITEM NO.
PARTS LIST				
MATERIAL			 INFOTON INCORPORATED SECOND AVENUE BURLINGTON, MASSACHUSETTS	REV
PROPRIETARY NOTICE: This document contains proprietary information of INFOTON INCORPORATED and neither the document nor said proprietary information shall be published, reproduced, copied, distributed or used for any purpose other than consideration of the document without the express written permission of a duly authorized representative of said company.			OR WGE 4/2/80 CHK APP 12/6/79 APPD 4/1/80	SIZE D
NEXT ASSEMBLY	PROJ. NO.	SCALE	DATE	SHEET 3 OF 7




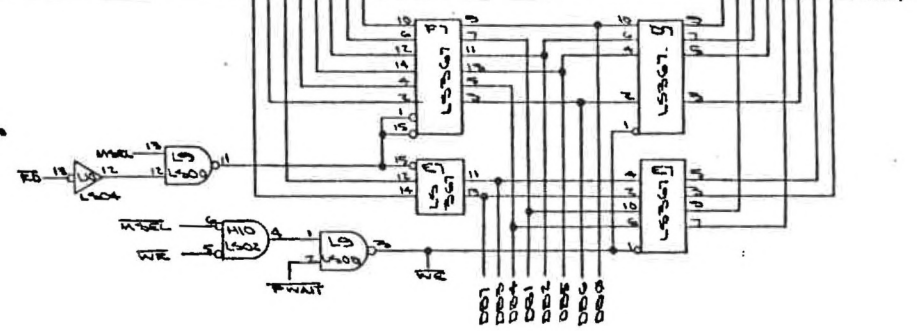
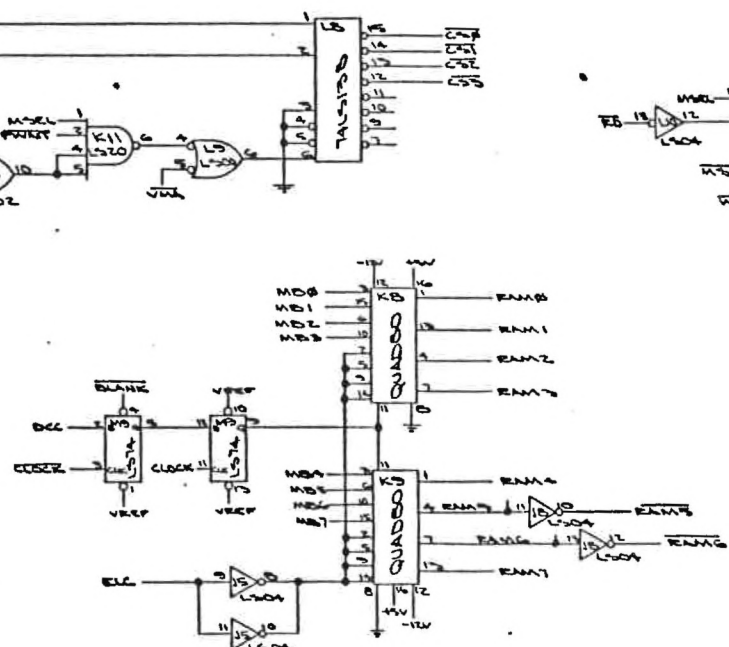
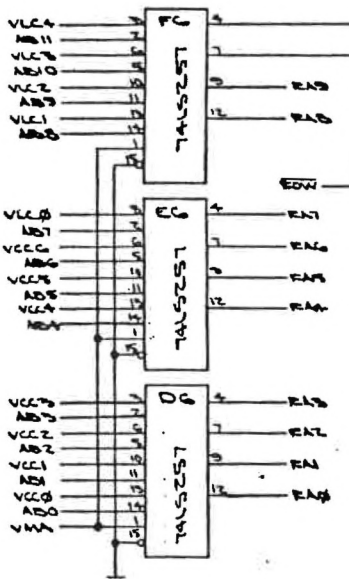
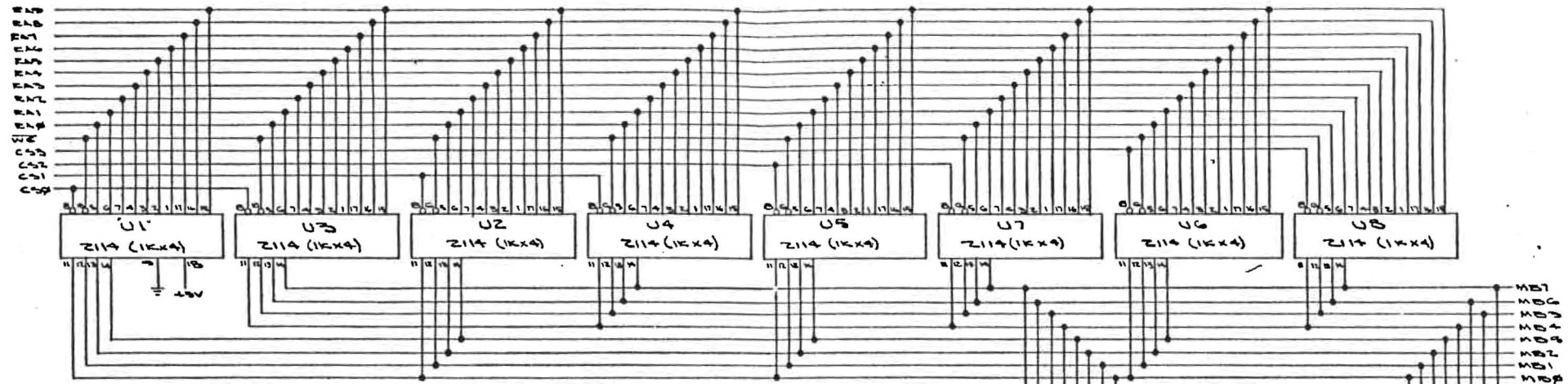
QTY PER DASH NO.	PART OR IDENTIFYING NO.	INFOTON PART NO.	NOMENCLATURE OR DESCRIPTION	ITEM NO.	
PARTS LIST					
MATERIAL		DR HSE 6/21/8	 INFOTON INCORPORATED SECOND AVENUE BURLINGTON, MASSACHUSETTS	REV E.	
CHK		2-1-79			SCHEMATIC DIAGRAM 1100 MICROPROCESSOR
APPD		2/1/79			
APPD		2/1/79			
NEXT ASSEMBLY		PRCJ. NO.	SCALE	DATE	SHEET 4 OF 7

REVISIONS		
SYM/NO	DESCRIPTION	DATE APPROVED



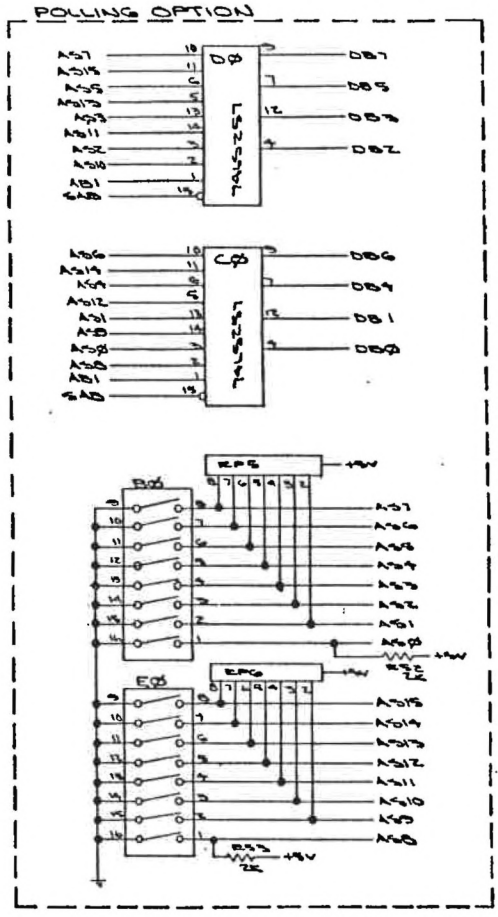
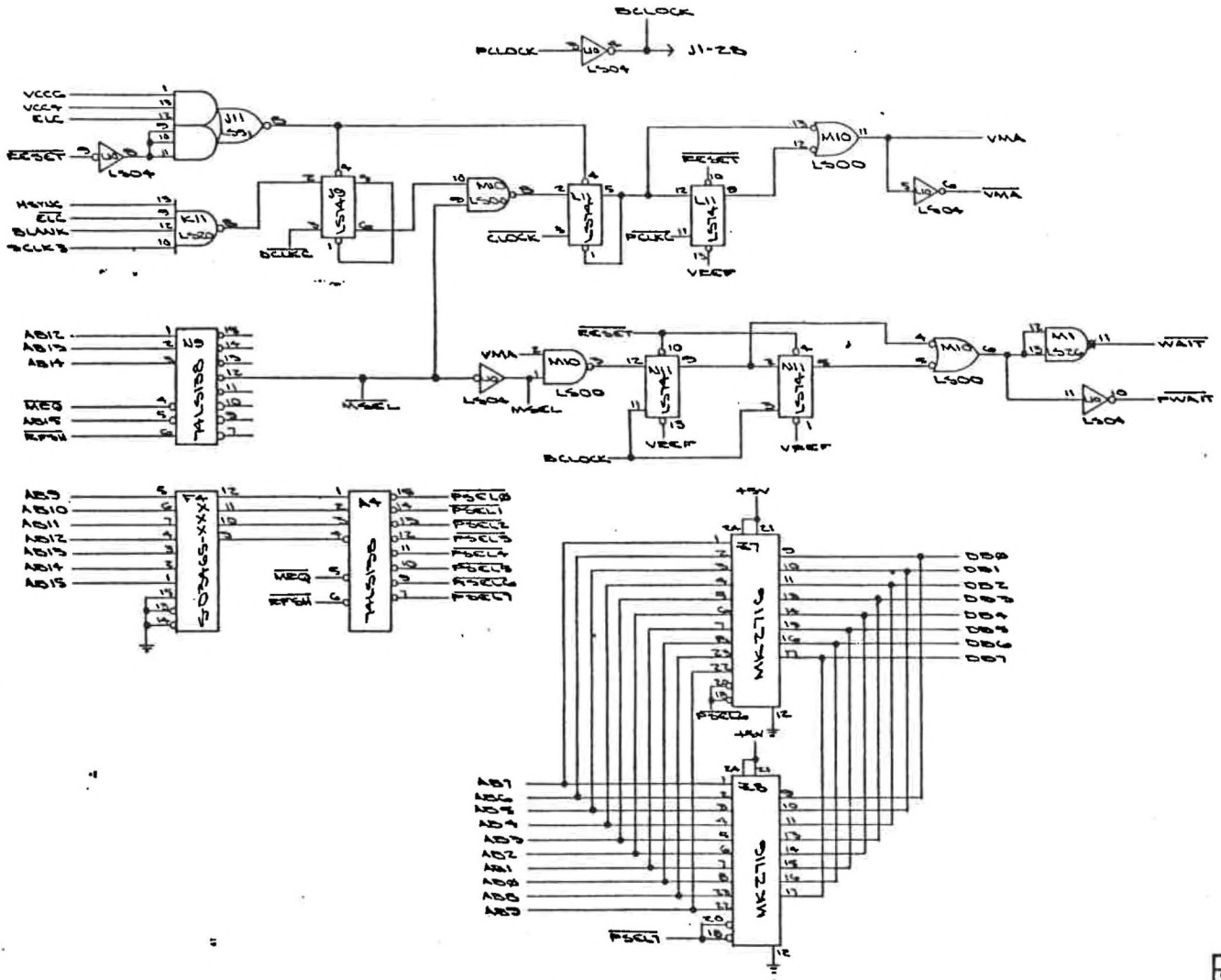
NOTE
L-21 THROUGH SEC CONFIGURATION DRAWING

QTY PER DASH NO.	PART OR IDENTIFYING NO.	INFOTON PART NO.	NOMENCLATURE OR DESCRIPTION	ITEM NO.
PARTS LIST				
MATERIAL	CR HSE CHK APPD APPO	62170 12/1/88 A. B. B. 1/1/88	 INFOTON INCORPORATED SECOND AVENUE BURLINGTON, MASSACHUSETTS SCHEMATIC 1100 PROGRAM MEMORY	REV E
PROPRIETARY NOTICE: This document contains proprietary information of INFOTON INCORPORATED and neither the document nor any proprietary information shall be published, reproduced, copied, disclosed or used for any purpose other than consideration of this document without the express written permission of a duly authorized representative of said company.	SIZE D	03388-000	DATE	SHEET 5 OF 7
NEXT ASSEMBLY	PROJ. NO.	SCALE	DATE	SHEET 5 OF 7



QTY PER DASH NO.	PART OR IDENTIFYING NO.	INFOTON PART NO.	NOMENCLATURE OR DESCRIPTION	REV. NO.
PARTS LIST				
MATERIAL	DR 12/1/78	INFOTON INCORPORATED SECOND AVENUE BURLINGTON, MASSACHUSETTS		
CHK	11/17/80			
APPR	10/20/80			
APPD				
PROPRIETARY NOTICE: This document contains proprietary information of the DTIC CORPORATION and neither the document nor its proprietary information shall be published, distributed, copied, retransmitted, or used for any purpose other than execution of the contract without the express written permission of a duly authorized representative of said company.		SCHEMATIC DIAGRAM I100		SIZE D 03388-000
NEXT ASSEMBLY	PROJ. NO.	SCALE	DATE	REV E
			SHEET 6 OF 7	

REVISIONS		
SYM	DESCRIPTION	DATE



NOTE
1. F4, 27, 28 SEE CONFIGURATION DRAWING.

QTY PER DASH NO.	PART OR IDENTIFYING NO.	INFOTON PART NO.	NOMENCLATURE OR DESCRIPTION	ITEM NO.
PARTS LIST				
MATERIAL	DR UGE 12/4/78		INFOTON INCORPORATED SECOND AVENUE BURLINGTON, MASSACHUSETTS SCHEMATIC DIAGRAM I100	
CHK	1/1/79			
APPD	3/16/80			
NEXT ASSEMBLY			SIZE D 05388-000	REV E
PROJ. NO.		SCALE	DATE	SHEET 7 OF 7