

PN: 22-00900-000

PN: CA 4051

where applicable }  
PN - 3100

APR 03 1978

16 PIN DIP PLUG  
ON 18" PIGTAIL CABLE

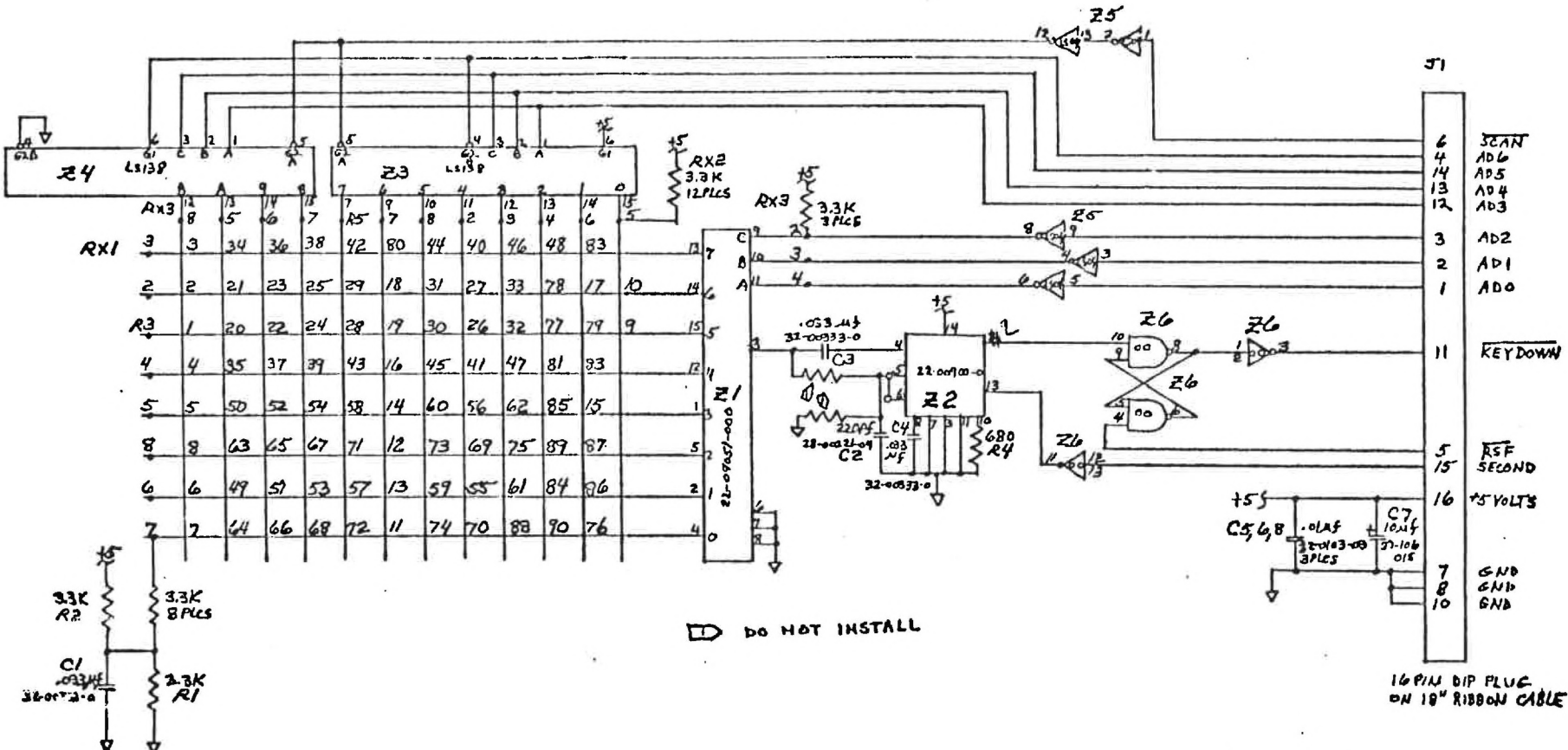
PRELIMINARY  
FOR INFORMATION ONLY  
NOT A RELEASED DRAWING

DO NOT INSTALL

UNLESS OTHERWISE SPECIFIED  
ALL DIMENSIONS ARE IN INCHES  
DIMENSIONS ON NOT TO SCALE

MANUFACTURE PARTS  
AND/OR ASSY & PER  
K.T.C. DOCUMENT:  
DATE: 03-03-78

ITEM	PART NO.	DESCRIPTION	QTY
Z1	74LS14	HEX INVERTER	1
R1	3.3K	RESISTOR	1
R2	3.3K	RESISTOR	1
R3	3.3K	RESISTOR	1
R4	3.3K	RESISTOR	1
R5	3.3K	RESISTOR	1
R6	3.3K	RESISTOR	1
R7	3.3K	RESISTOR	1
R8	3.3K	RESISTOR	1
R9	3.3K	RESISTOR	1
R10	3.3K	RESISTOR	1
R11	3.3K	RESISTOR	1
R12	3.3K	RESISTOR	1
R13	3.3K	RESISTOR	1
R14	3.3K	RESISTOR	1
R15	3.3K	RESISTOR	1
R16	3.3K	RESISTOR	1
R17	3.3K	RESISTOR	1
R18	3.3K	RESISTOR	1
R19	3.3K	RESISTOR	1
R20	3.3K	RESISTOR	1
R21	3.3K	RESISTOR	1
R22	3.3K	RESISTOR	1
R23	3.3K	RESISTOR	1
R24	3.3K	RESISTOR	1
R25	3.3K	RESISTOR	1
R26	3.3K	RESISTOR	1
R27	3.3K	RESISTOR	1
R28	3.3K	RESISTOR	1
R29	3.3K	RESISTOR	1
R30	3.3K	RESISTOR	1
R31	3.3K	RESISTOR	1
R32	3.3K	RESISTOR	1
R33	3.3K	RESISTOR	1
R34	3.3K	RESISTOR	1
R35	3.3K	RESISTOR	1
R36	3.3K	RESISTOR	1
R37	3.3K	RESISTOR	1
R38	3.3K	RESISTOR	1
R39	3.3K	RESISTOR	1
R40	3.3K	RESISTOR	1
R41	3.3K	RESISTOR	1
R42	3.3K	RESISTOR	1
R43	3.3K	RESISTOR	1
R44	3.3K	RESISTOR	1
R45	3.3K	RESISTOR	1
R46	3.3K	RESISTOR	1
R47	3.3K	RESISTOR	1
R48	3.3K	RESISTOR	1
R49	3.3K	RESISTOR	1
R50	3.3K	RESISTOR	1
R51	3.3K	RESISTOR	1
R52	3.3K	RESISTOR	1
R53	3.3K	RESISTOR	1
R54	3.3K	RESISTOR	1
R55	3.3K	RESISTOR	1
R56	3.3K	RESISTOR	1
R57	3.3K	RESISTOR	1
R58	3.3K	RESISTOR	1
R59	3.3K	RESISTOR	1
R60	3.3K	RESISTOR	1
R61	3.3K	RESISTOR	1
R62	3.3K	RESISTOR	1
R63	3.3K	RESISTOR	1
R64	3.3K	RESISTOR	1
R65	3.3K	RESISTOR	1
R66	3.3K	RESISTOR	1
R67	3.3K	RESISTOR	1
R68	3.3K	RESISTOR	1
R69	3.3K	RESISTOR	1
R70	3.3K	RESISTOR	1
R71	3.3K	RESISTOR	1
R72	3.3K	RESISTOR	1
R73	3.3K	RESISTOR	1
R74	3.3K	RESISTOR	1
R75	3.3K	RESISTOR	1
R76	3.3K	RESISTOR	1
R77	3.3K	RESISTOR	1
R78	3.3K	RESISTOR	1
R79	3.3K	RESISTOR	1
R80	3.3K	RESISTOR	1
R81	3.3K	RESISTOR	1
R82	3.3K	RESISTOR	1
R83	3.3K	RESISTOR	1
R84	3.3K	RESISTOR	1
R85	3.3K	RESISTOR	1
R86	3.3K	RESISTOR	1
R87	3.3K	RESISTOR	1
R88	3.3K	RESISTOR	1
R89	3.3K	RESISTOR	1
R90	3.3K	RESISTOR	1
R91	3.3K	RESISTOR	1
R92	3.3K	RESISTOR	1
R93	3.3K	RESISTOR	1
R94	3.3K	RESISTOR	1
R95	3.3K	RESISTOR	1
R96	3.3K	RESISTOR	1
R97	3.3K	RESISTOR	1
R98	3.3K	RESISTOR	1
R99	3.3K	RESISTOR	1
R100	3.3K	RESISTOR	1
C1	.005uF	CAPACITOR	1
C2	.005uF	CAPACITOR	1
C3	.005uF	CAPACITOR	1
C4	.005uF	CAPACITOR	1
C5	.005uF	CAPACITOR	1
C6	.005uF	CAPACITOR	1
C7	.005uF	CAPACITOR	1
C8	.005uF	CAPACITOR	1
C9	.005uF	CAPACITOR	1
C10	.005uF	CAPACITOR	1
C11	.005uF	CAPACITOR	1
C12	.005uF	CAPACITOR	1
C13	.005uF	CAPACITOR	1
C14	.005uF	CAPACITOR	1
C15	.005uF	CAPACITOR	1
C16	.005uF	CAPACITOR	1
C17	.005uF	CAPACITOR	1
C18	.005uF	CAPACITOR	1
C19	.005uF	CAPACITOR	1
C20	.005uF	CAPACITOR	1
C21	.005uF	CAPACITOR	1
C22	.005uF	CAPACITOR	1
C23	.005uF	CAPACITOR	1
C24	.005uF	CAPACITOR	1
C25	.005uF	CAPACITOR	1
C26	.005uF	CAPACITOR	1
C27	.005uF	CAPACITOR	1
C28	.005uF	CAPACITOR	1
C29	.005uF	CAPACITOR	1
C30	.005uF	CAPACITOR	1
C31	.005uF	CAPACITOR	1
C32	.005uF	CAPACITOR	1
C33	.005uF	CAPACITOR	1
C34	.005uF	CAPACITOR	1
C35	.005uF	CAPACITOR	1
C36	.005uF	CAPACITOR	1
C37	.005uF	CAPACITOR	1
C38	.005uF	CAPACITOR	1
C39	.005uF	CAPACITOR	1
C40	.005uF	CAPACITOR	1
C41	.005uF	CAPACITOR	1
C42	.005uF	CAPACITOR	1
C43	.005uF	CAPACITOR	1
C44	.005uF	CAPACITOR	1
C45	.005uF	CAPACITOR	1
C46	.005uF	CAPACITOR	1
C47	.005uF	CAPACITOR	1
C48	.005uF	CAPACITOR	1
C49	.005uF	CAPACITOR	1
C50	.005uF	CAPACITOR	1
C51	.005uF	CAPACITOR	1
C52	.005uF	CAPACITOR	1
C53	.005uF	CAPACITOR	1
C54	.005uF	CAPACITOR	1
C55	.005uF	CAPACITOR	1
C56	.005uF	CAPACITOR	1
C57	.005uF	CAPACITOR	1
C58	.005uF	CAPACITOR	1
C59	.005uF	CAPACITOR	1
C60	.005uF	CAPACITOR	1
C61	.005uF	CAPACITOR	1
C62	.005uF	CAPACITOR	1
C63	.005uF	CAPACITOR	1
C64	.005uF	CAPACITOR	1
C65	.005uF	CAPACITOR	1
C66	.005uF	CAPACITOR	1
C67	.005uF	CAPACITOR	1
C68	.005uF	CAPACITOR	1
C69	.005uF	CAPACITOR	1
C70	.005uF	CAPACITOR	1
C71	.005uF	CAPACITOR	1
C72	.005uF	CAPACITOR	1
C73	.005uF	CAPACITOR	1
C74	.005uF	CAPACITOR	1
C75	.005uF	CAPACITOR	1
C76	.005uF	CAPACITOR	1
C77	.005uF	CAPACITOR	1
C78	.005uF	CAPACITOR	1
C			



DO NOT INSTALL

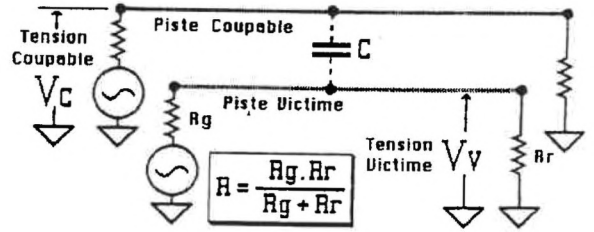
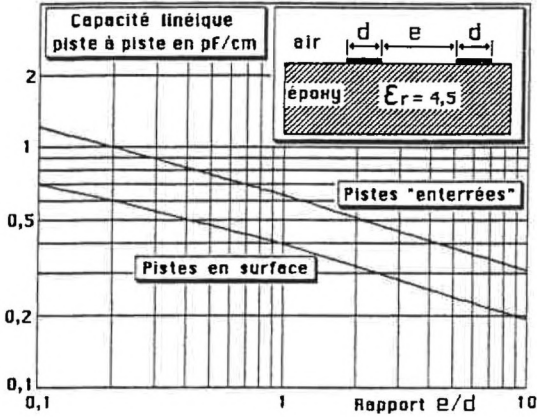
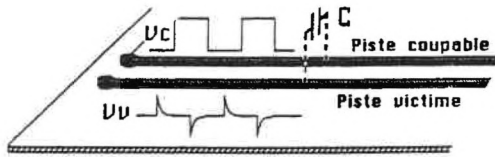
APR 03 1978

PRELIMINARY  
FOR INFORMATION ONLY  
NOT A RELEASED DRAWING

NOTICE OF PROPRIETARY INFORMATION  
THIS DRAWING IS THE PROPERTY OF INTEL CORPORATION AND IS UNCLASSIFIED AND PUBLIC INFORMATION. IT IS TO BE CONTAINED IN THE FILES OF THE PROJECT AND NOT TO BE REPRODUCED OR TRANSMITTED IN ANY FORM OR BY ANY MEANS, ELECTRONIC OR MECHANICAL, INCLUDING PHOTOCOPYING, RECORDING, OR BY ANY INFORMATION STORAGE AND RETRIEVAL SYSTEM, WITHOUT PERMISSION IN WRITING FROM INTEL CORPORATION. THIS DRAWING IS UNCLASSIFIED AND PUBLIC INFORMATION.

UNLESS OTHERWISE NOTED ALL DIMENSIONS ARE IN INCHES		TOL EXCEPT AS NOTED	ITEM	PART NO.	DESCRIPTION	QTY.
DIMENSION NOT TO SCALE		MCLE	SCALE	TITLE	SCHEMATIC I-100	
USED ON	RELEASED	FRAC 1/16"	28 8 01	key tronic corporation SPOKANE, WASH. U.S.A.		
IN FTON	CH	1/32 1/64	1/8 1/16			
I-100	002	AND 3/16"	AND 3/16"	DWG NO.		20-01742
I-101				SHEET		OF 1

# Diaphonie piste à piste



$$D_{dB} = \left( \frac{V_v}{V_c} \right)_{dB} = -10 \log \left[ 1 + \left( \frac{1}{2\pi F \cdot R \cdot C} \right)^2 \right]$$

