

LOGIC DIAGRAMS

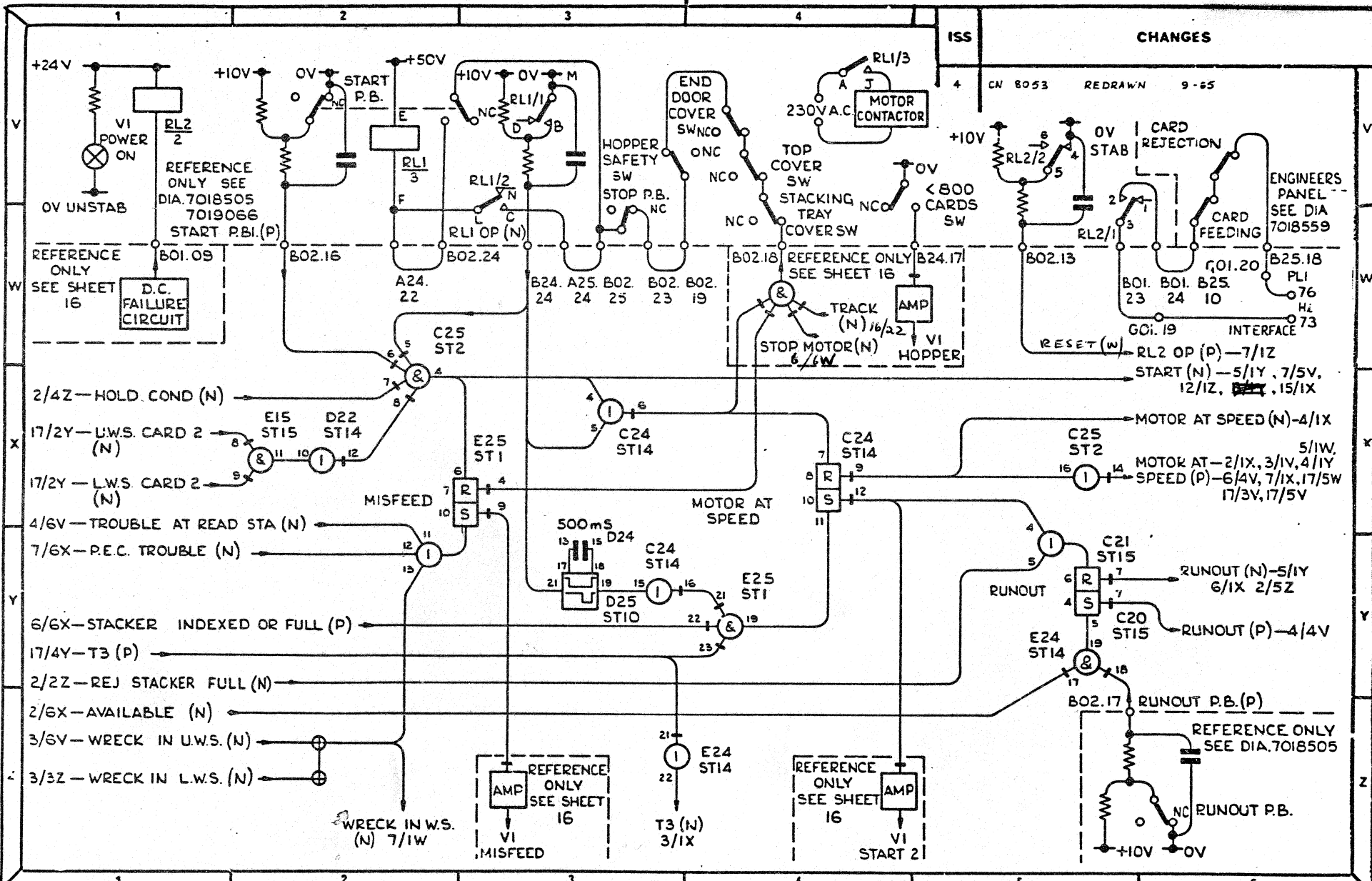
for

Type	1911	Card Reader
Type	1971	Magnetic Tape System

CONTENTS

	Diagram Nos.
Type 1911	7019075 7019076
Type 1971	5007665 5007666 5007667

December 1965.



MOTOR START LOGIC

7019075 / 4

DIAGRAM

ISSUE

SHEET

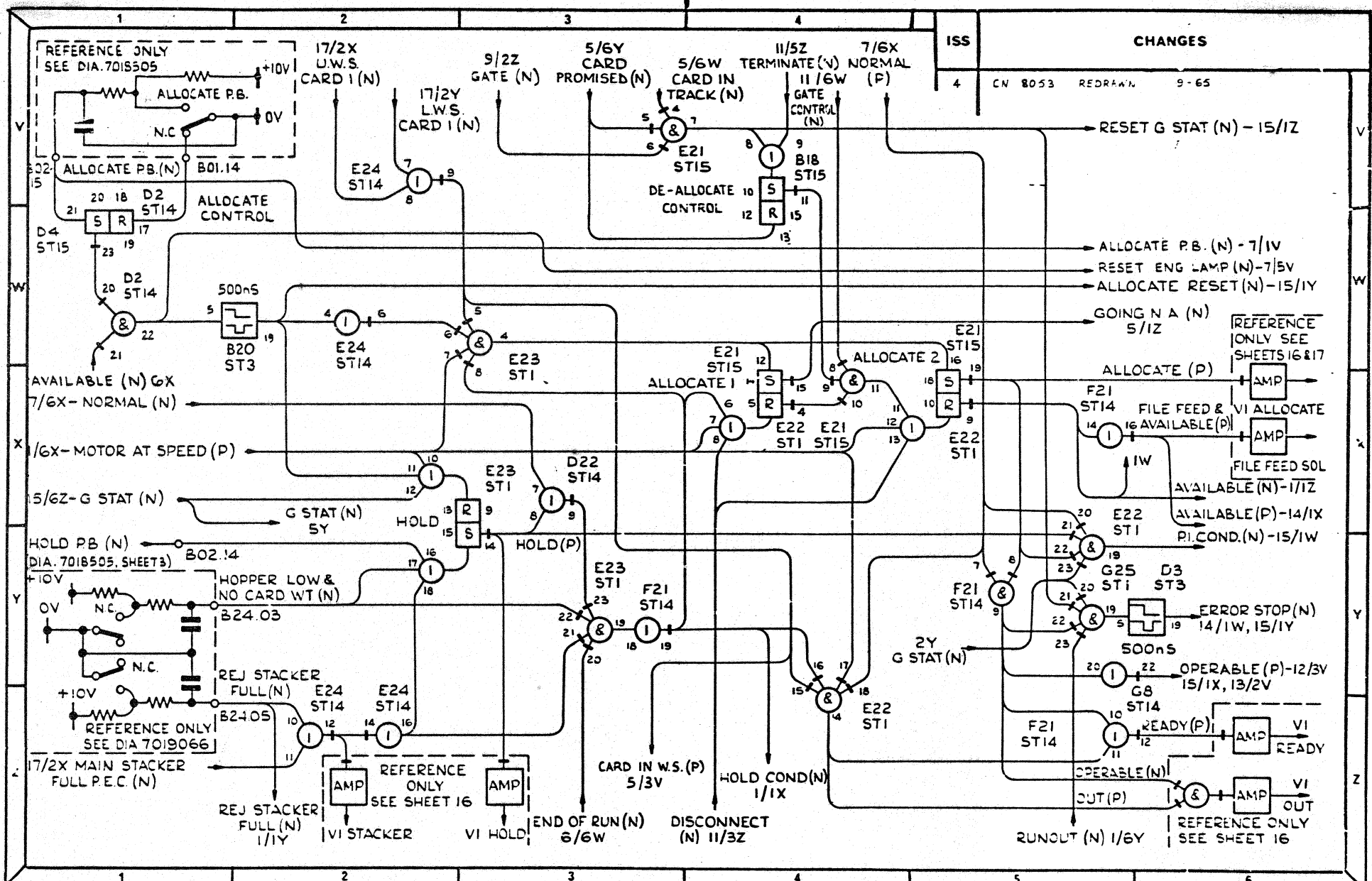
DRAWN TO:
PROV. STD
79 02101

ISSUE

4	4	4	4	4	4	4	4	4	4	4	4	4	4	4	4	4	4	4	4
---	---	---	---	---	---	---	---	---	---	---	---	---	---	---	---	---	---	---	---

ISSUE NUMBERS OF OTHER SHEETS AT THE TIME OF ISSUING THIS SHEET

1/9/65



ISS	4	CN 8053	REDRAWN	9-65
-----	---	---------	---------	------



ALLOCATE & HOLD LOGIC

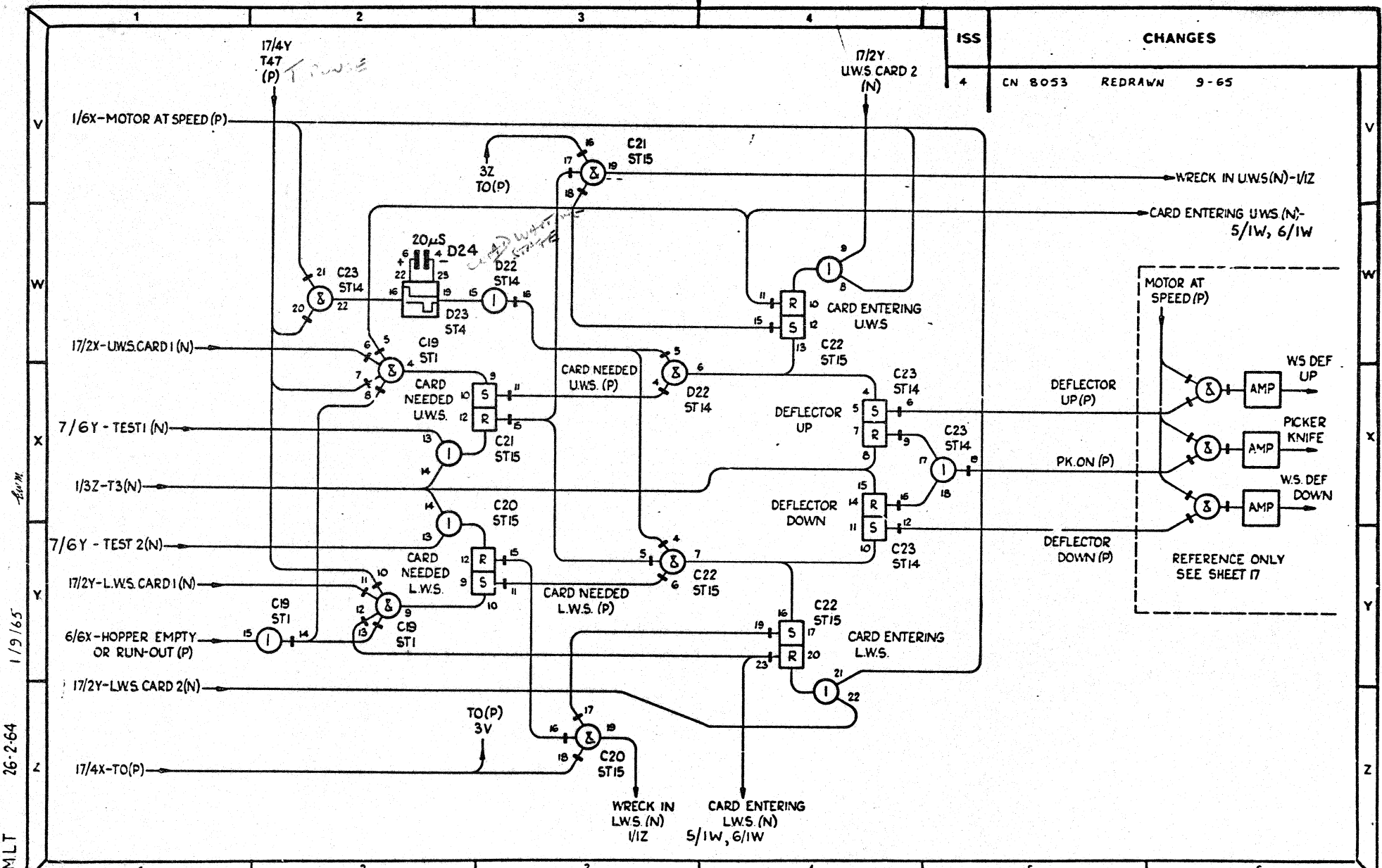
7019075 / 4
DIAGRAM ISSUE

2
SHEET

DRAWN TO
PROV. STD
79 02101

ISSUE	4	4	4	4	4	4	4	4	4	4	4	4	4	4	4	4	4	4	4	
SHEET	1	2	3	4	5	6	7	8	9	10	11	12	13	14	15	16	17	18	19	20

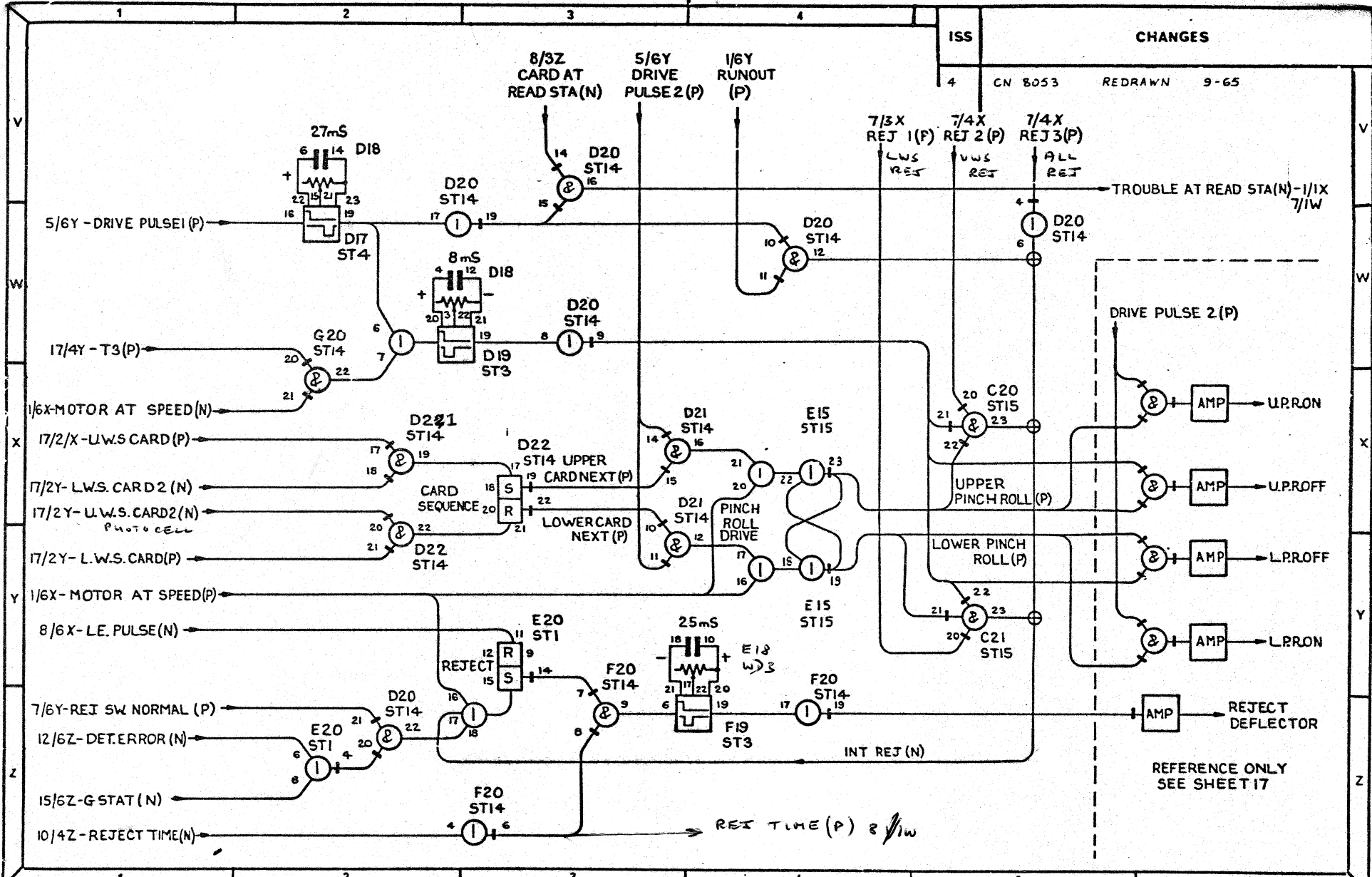
ISSUE NUMBERS OF OTHER SHEETS AT THE TIME OF ISSUING THIS SHEET



ISS	CHANGES			
4	CN 8053	REDRAWN	9-65	

1/19/65
 26-264
 MLT

	DEFLECTION & PK. LOGIC.	7019075 / 4	3	DRAWN TO	ISSUE	1	2	3	4	5	6	7	8	9	10	11	12	13	14	15	16	17	18	19	20
	DIAGRAM	ISSUE	SHEET	7902101	SHEET	1	2	3	4	5	6	7	8	9	10	11	12	13	14	15	16	17	18	19	20
						ISSUE NUMBERS OF OTHER SHEETS AT THE TIME OF ISSUING THIS SHEET																			



ISS CHANGES
 4 CN 8053 REDRAWN 9-65

1/9/65
 25 2.65
 SC



PINCH ROLL & REJECTION LOGIC

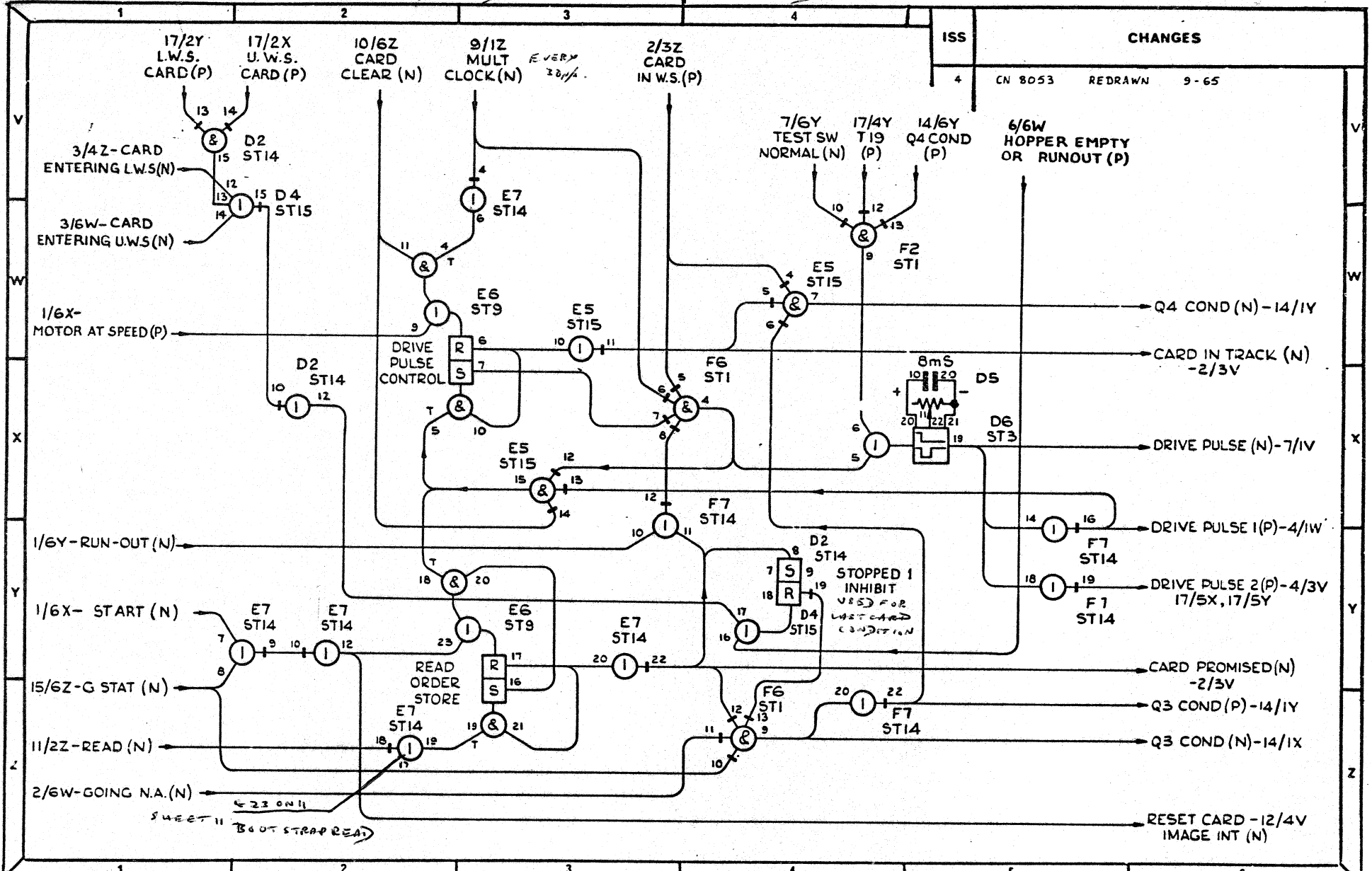
7019075/ 4
 DIAGRAM ISSUE SHEET

4
 DRAWN TO PROV. STD 7902101

ISSUE	1	2	3	4	5	6	7	8	9	10	11	12	13	14	15	16	17	18	19	20
ISSUE NUMBERS OF OTHER SHEETS AT THE TIME OF ISSUING THIS SHEET																				

LOGIC EXISTS TO STORE ANOTHER READ ORDER
 BUT EXU ONLY CARES FOR CARD BEING READ

I.E. INSTEAD OF LOCKING A F STOPPED I AND IT LOOKS AT TERMINATE



ISS CHANGES
 4 CN 8053 REDRAWN 9-65

1/9/65
 PJC



FEED ORDER
 CIRCUIT LOGIC

7019075 / 4
 DIAGRAM ISSUE

5
 SHEET

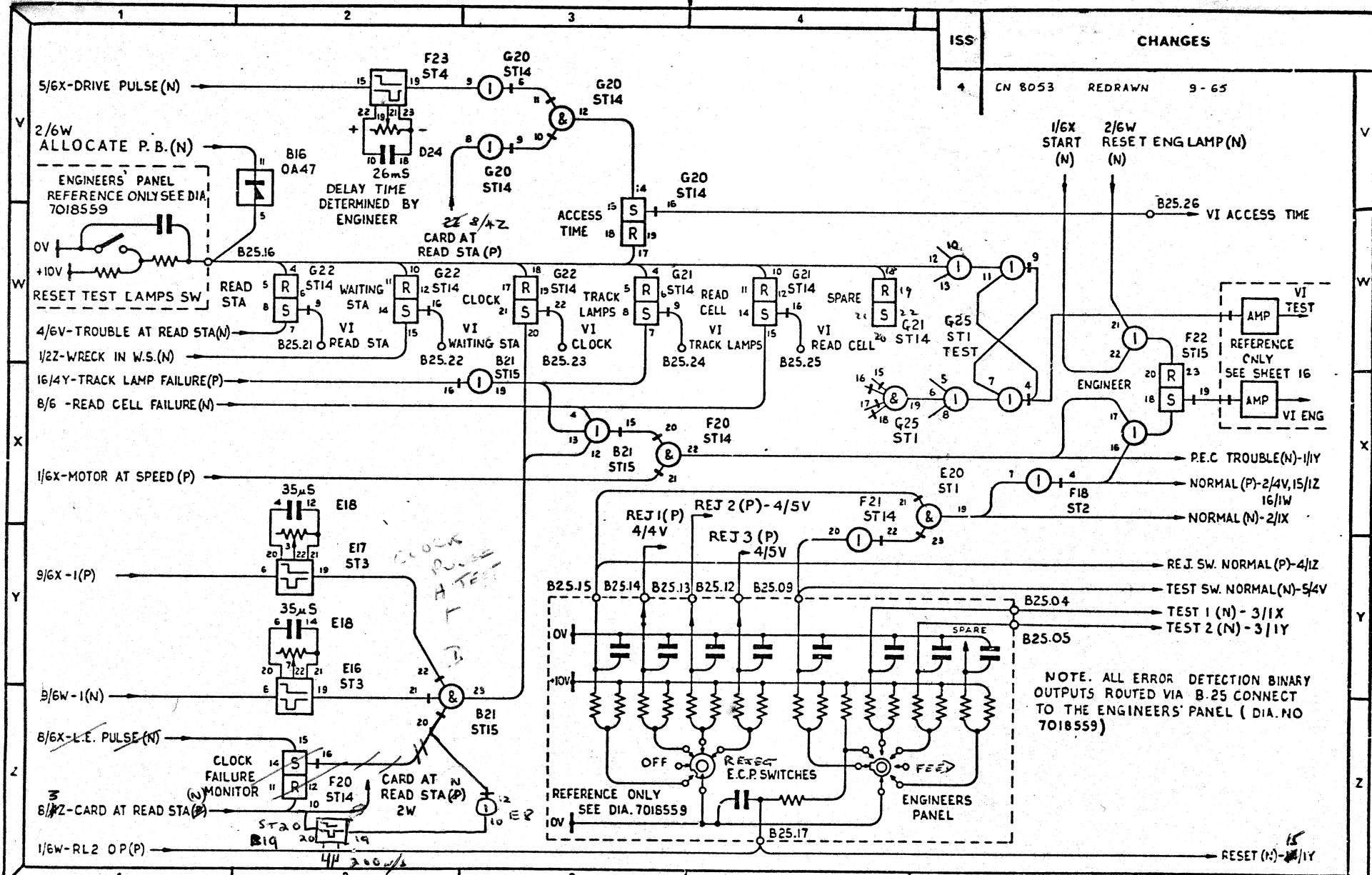
DRAWN TO
 PROV. STD
 7902101

ISSUE	4	4	4	4	4	4	4	4	4	4	4	4	4	4	4	4	4	4	4	
SHEET	1	2	3	4	5	6	7	8	9	10	11	12	13	14	15	16	17	18	19	20

ISSUE NUMBERS OF OTHER SHEETS AT THE TIME OF ISSUING THIS SHEET

ISS: CHANGES

4 CN 8053 REDRAWN 9-65

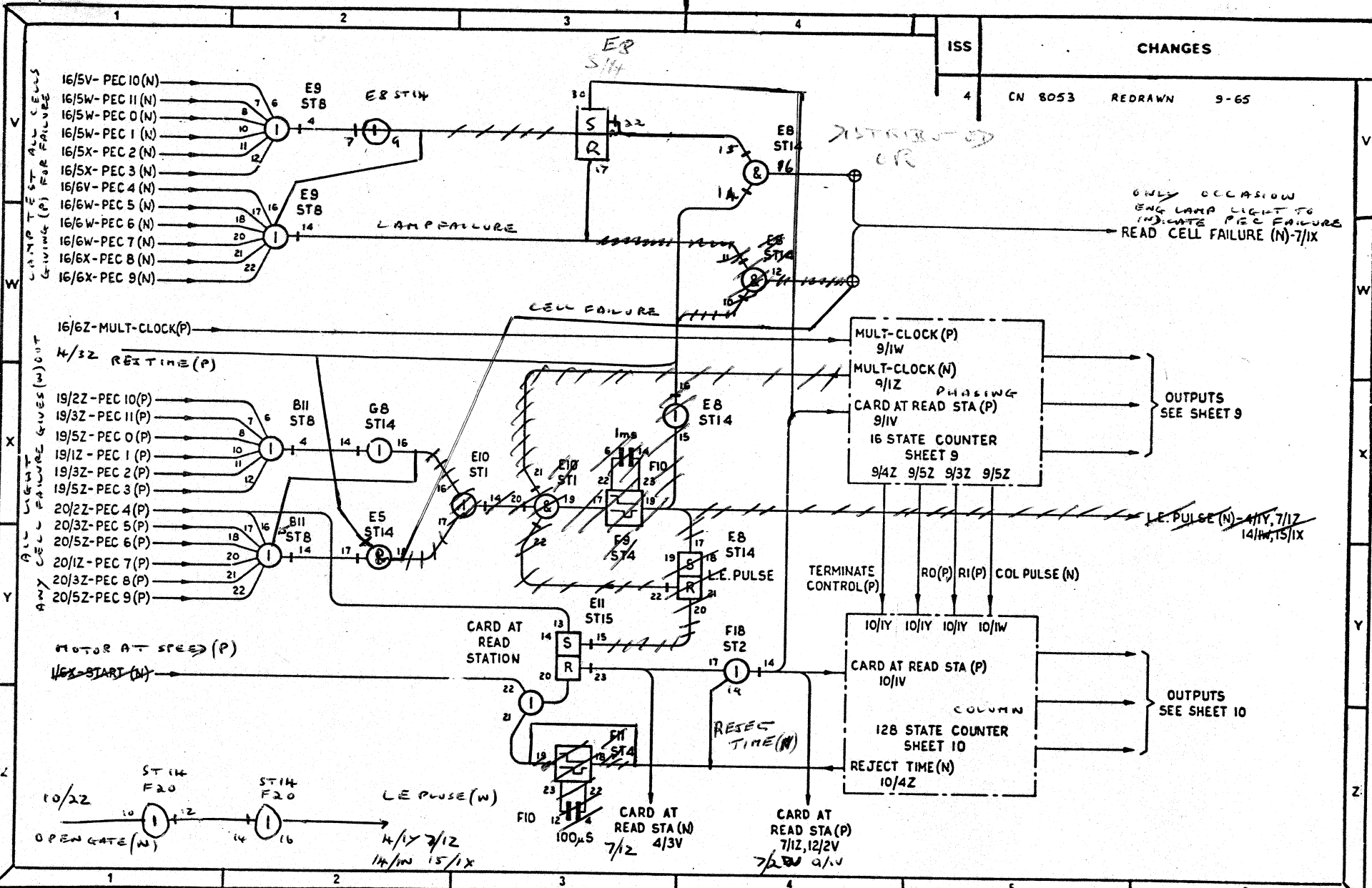


2-3-64
 1/9/65
 2-3-64
 V.M.S.

V.M.S 25265

1/9/65

8/1/64



ISS CHANGES

4	CN 8053	REDRAWN	9-65
---	---------	---------	------

ONLY OCCASION
ENG LAMP LIGHT TO
INDICATE P.C.C FAILURE
READ CELL FAILURE (N)-7/1X

OUTPUTS
SEE SHEET 9

OUTPUTS
SEE SHEET 10



COUNTER CONTROL LOGIC

7019075/ 4
DIAGRAM ISSUE SHEET 8

DRAWN TO
PROV. STD
7902101

ISSUE	1	2	3	4	5	6	7	8	9	10	11	12	13	14	15	16	17	18	19	20
-------	---	---	---	---	---	---	---	---	---	----	----	----	----	----	----	----	----	----	----	----

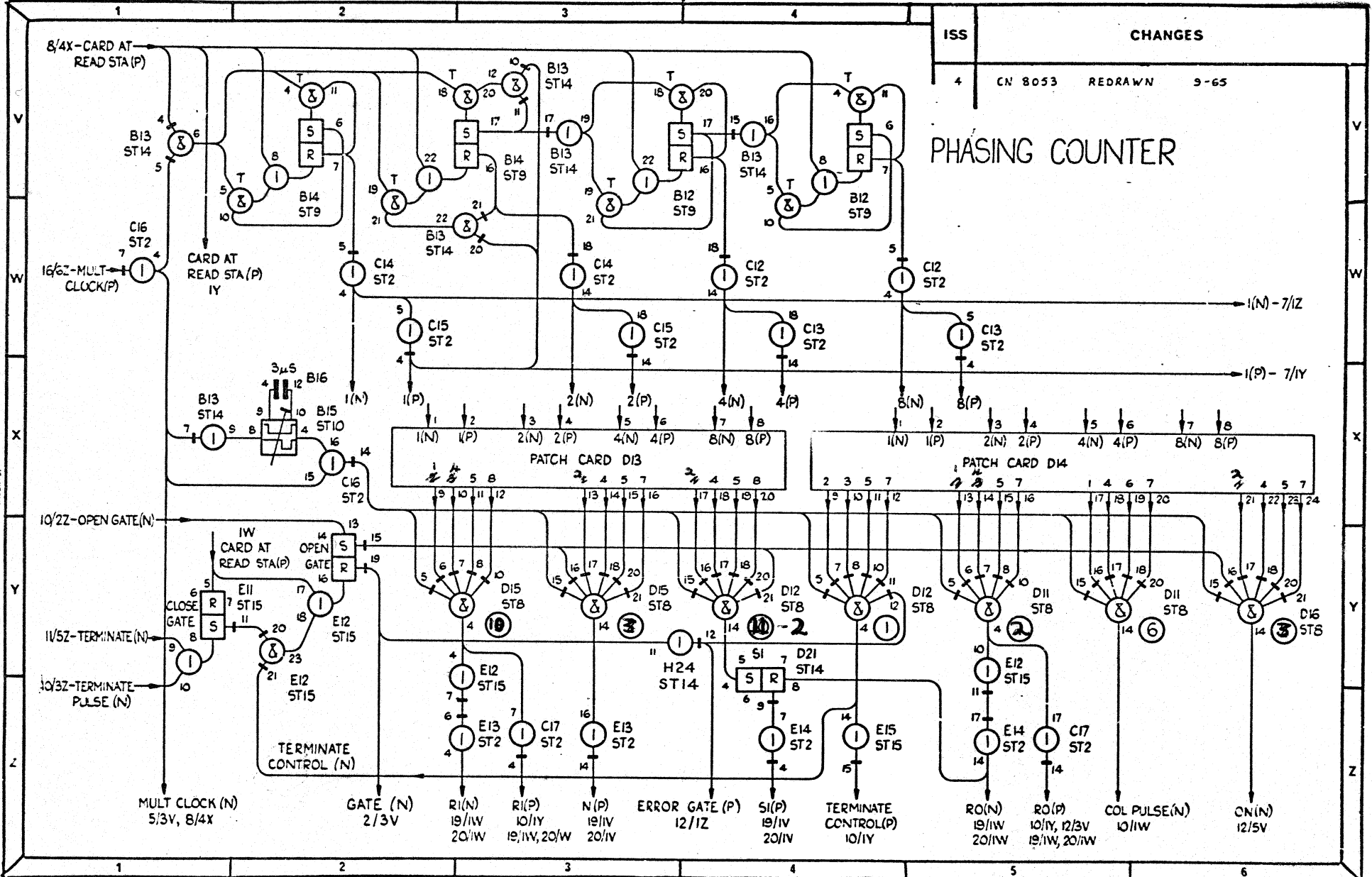
ISSUE NUMBERS OF OTHER SHEETS AT THE TIME OF ISSUING THIS SHEET

PHASING COUNTER COUNTS 16 PULSES
FROM CENTRE OF ONE COL TO CENTRE
OF NEXT COL

ISS CHANGES

4 CN 8053 REDRAWN 9-65

PHASING COUNTER



PLUM. 1/9/65 4-3-65 MLT



16 STATE
COUNTER LOGIC

7019075 / 4

DIAGRAM

ISSUE

9

SHEET

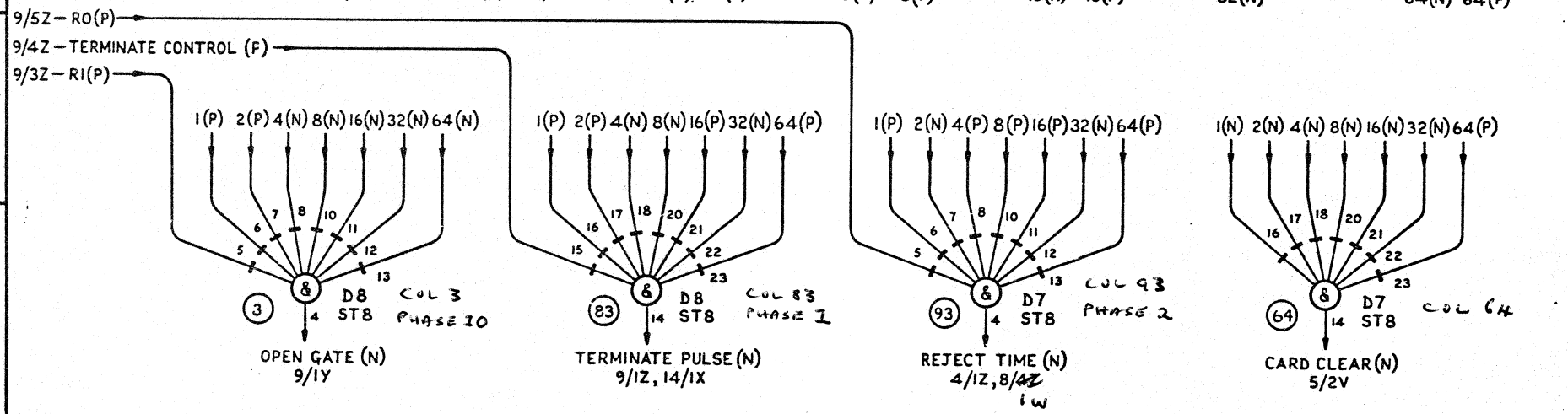
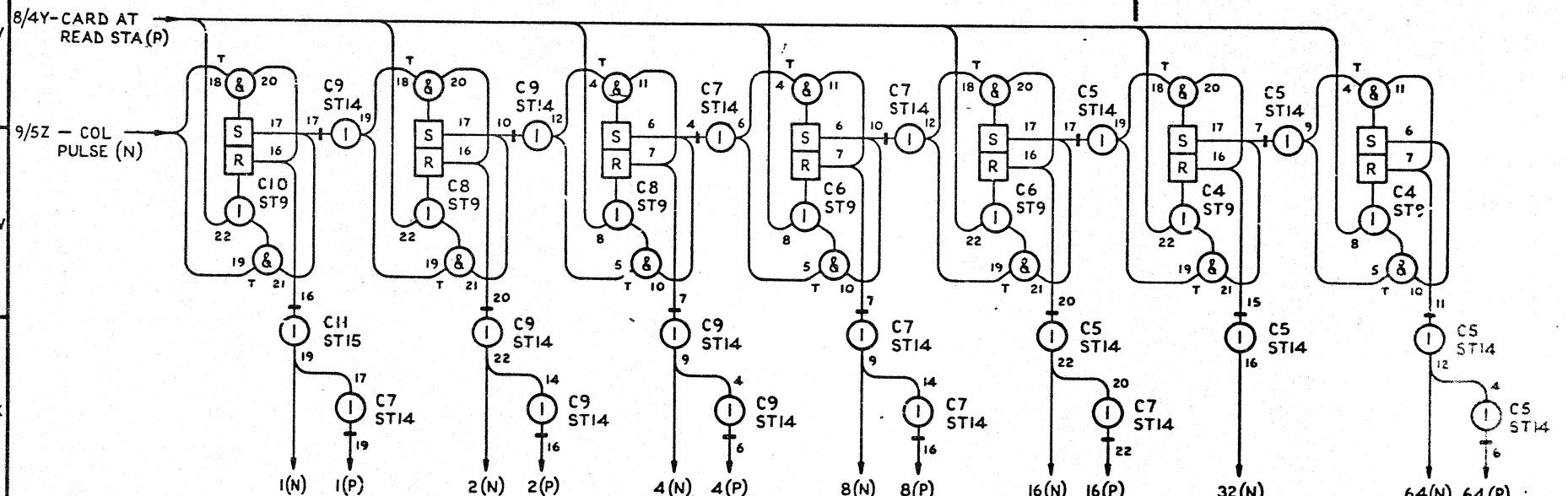
DRAWN TO
PROV. STD

7902101

ISSUE	4	4	4	4	4	4	4	4	4	4	4	4	4	4	4	4	4	4	4	
SHEET	1	2	3	4	5	6	7	8	9	10	11	12	13	14	15	16	17	18	19	20
ISSUE NUMBERS OF OTHER SHEETS AT THE TIME OF ISSUING THIS SHEET																				

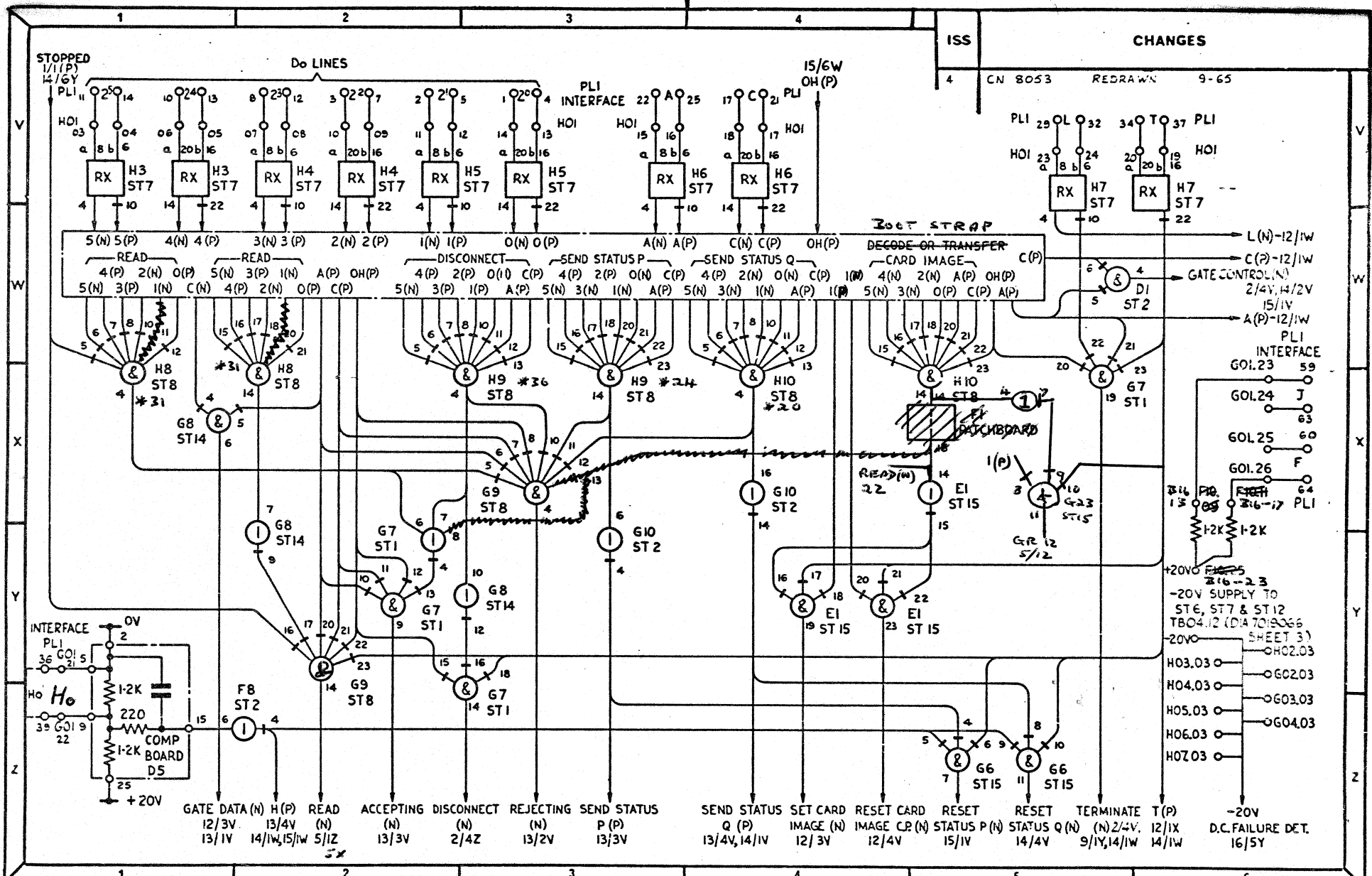
COLUMN COUNTER

ISS CHANGES
4 CN 8053 REDRAWN 2-65



-LUM
1/9/65
25-2-65
JW

-lum. 1/9/65 I 3.65 L.E.G.



ISS CHANGES
4 CN 8053 REDRAWN 9-65



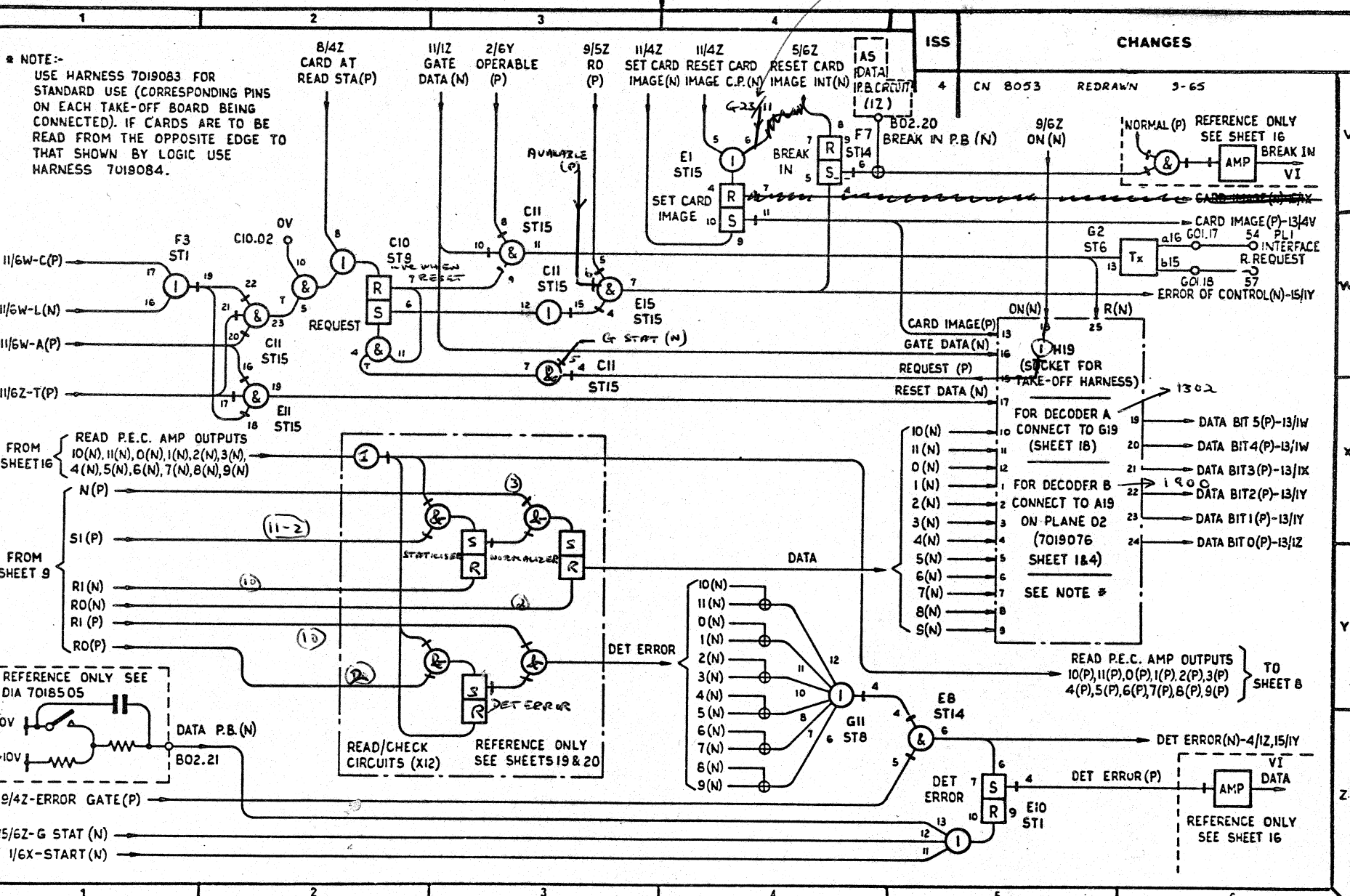
STANDARD INTERFACE LOGIC (PART A)

7019075 / 4
DIAGRAM ISSUE SHEET

DRAWN TO PROV. STD 7902101

ISSUE	1	2	3	4	5	6	7	8	9	10	11	12	13	14	15	16	17	18	19	20
SHEET	1	2	3	4	5	6	7	8	9	10	11	12	13	14	15	16	17	18	19	20
ISSUE NUMBERS OF OTHER SHEETS AT THE TIME OF ISSUING THIS SHEET																				

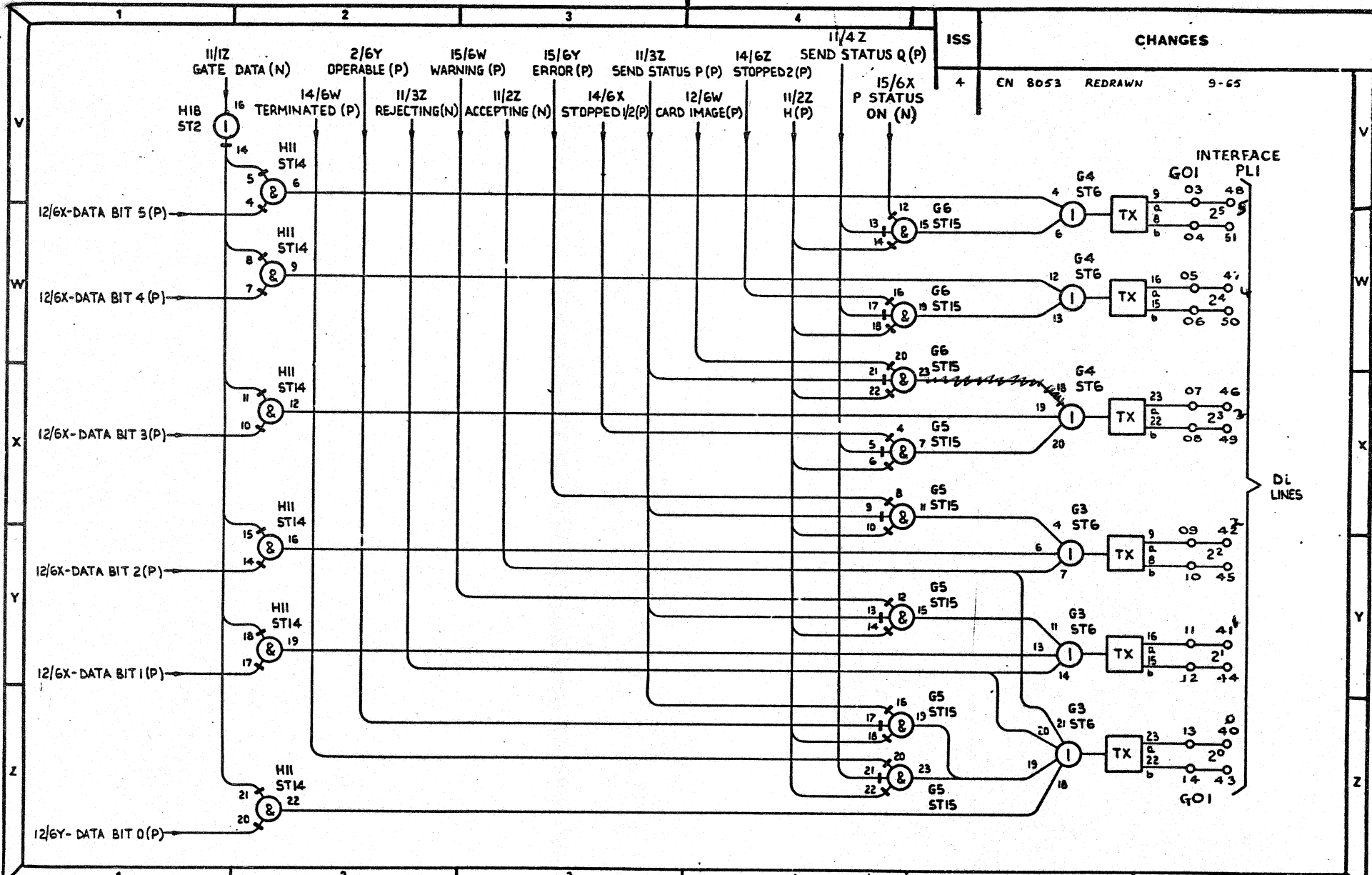
* NOTE:-
 USE HARNESS 7019083 FOR
 STANDARD USE (CORRESPONDING PINS
 ON EACH TAKE-OFF BOARD BEING
 CONNECTED). IF CARDS ARE TO BE
 READ FROM THE OPPOSITE EDGE TO
 THAT SHOWN BY LOGIC USE
 HARNESS 7019084.



11/9/65
 4-3-65
 V.M.S

CHANGES

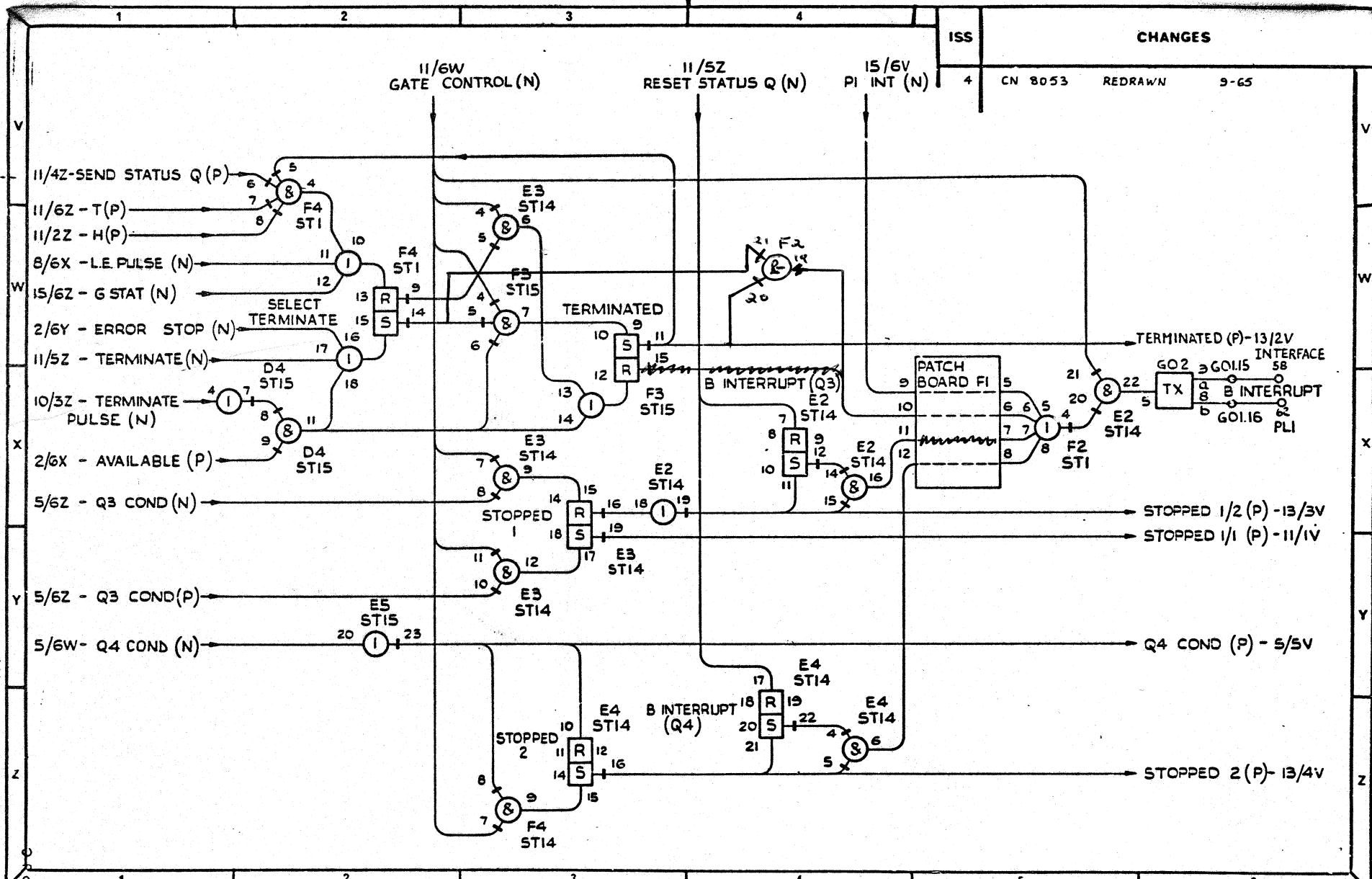
ISS	4	CN 8053	REDRAWN	3-65
-----	---	---------	---------	------



ISS 4
 CHANGES
 CN 8053 REDRAWN 9-65

M.M. 3-3-65
 1/9/65
 ZUMM

	STANDARD INTERFACE LOGIC (PART C)	7019075 / 4	13	DRAWN TO PROV. STD	ISSUE 4
	DIAGRAM	ISSUE	SHEET	79 02101	SHEET 1 2 3 4 5 6 7 8 9 10 11 12 13 14 15 16 17 18 19 20
	ISSUE NUMBERS OF OTHER SHEETS AT THE TIME OF ISSUING THIS SHEET				



ISS 4 CN 8053 REDRAWN 9-65

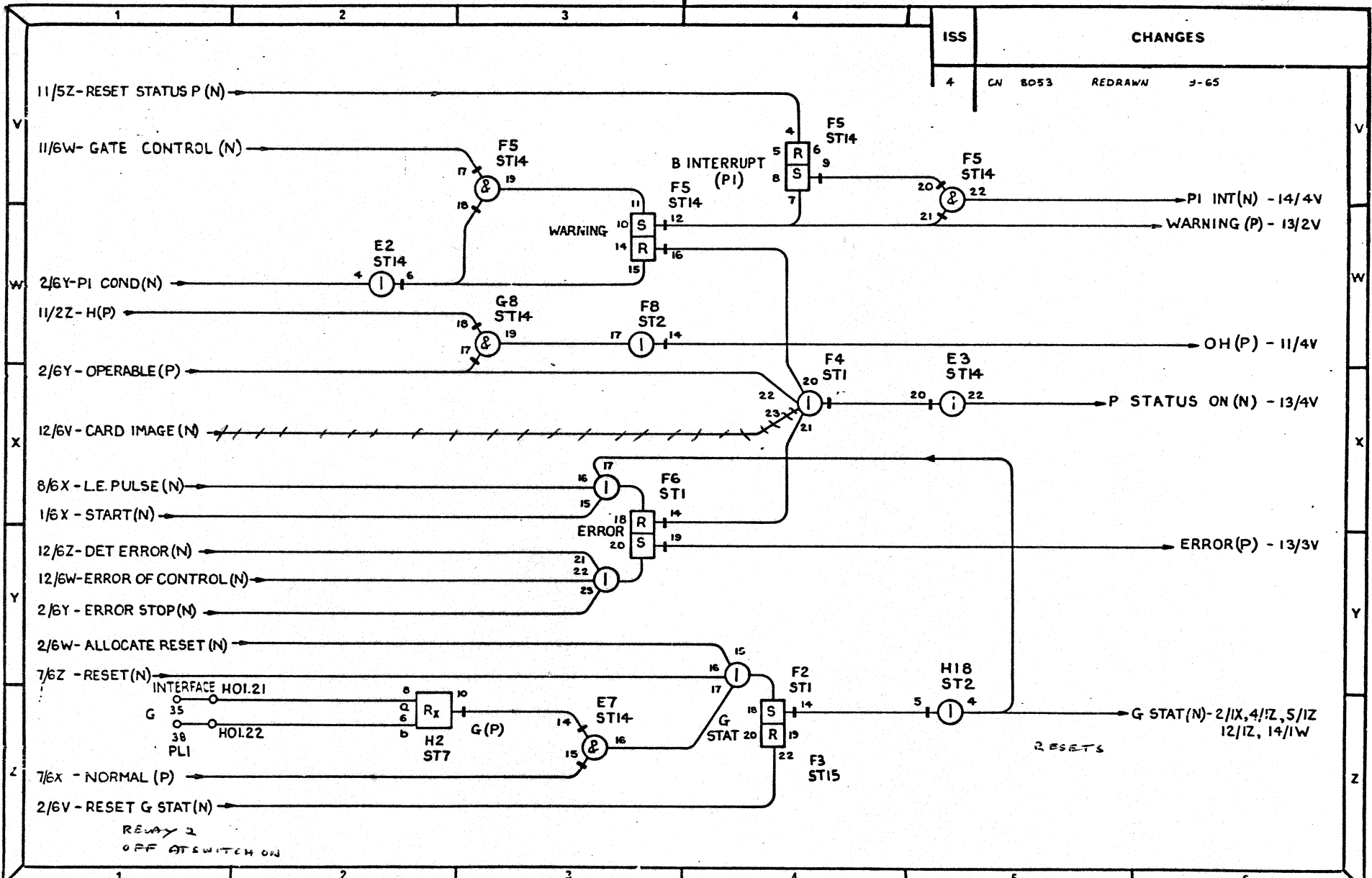
1/9/65



Q STATUS LOGIC

7019075 / 4 14
DIAGRAM ISSUE SHEET

DRAWN TO:	ISSUE	4	4	4	4	4	4	4	4	4	4	4	4	4	4	4	4	4	4		
PROV. STD:	SHEET	1	2	3	4	5	6	7	8	9	10	11	12	13	14	15	16	17	18	19	20
7992101	ISSUE NUMBERS OF OTHER SHEETS AT THE TIME OF ISSUING THIS SHEET																				



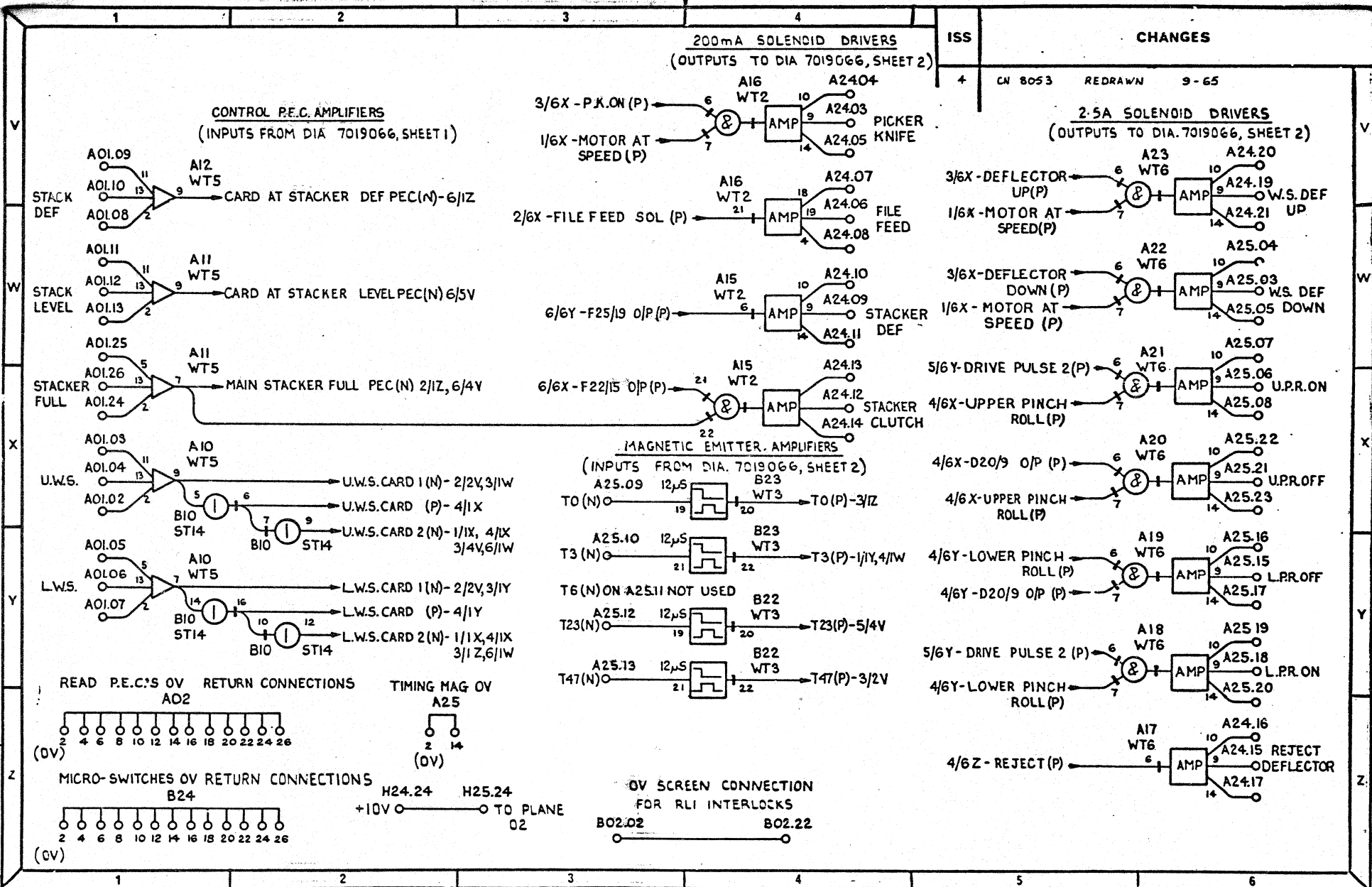
SC 1.3.65 1/9/65

lum.

1/9/65

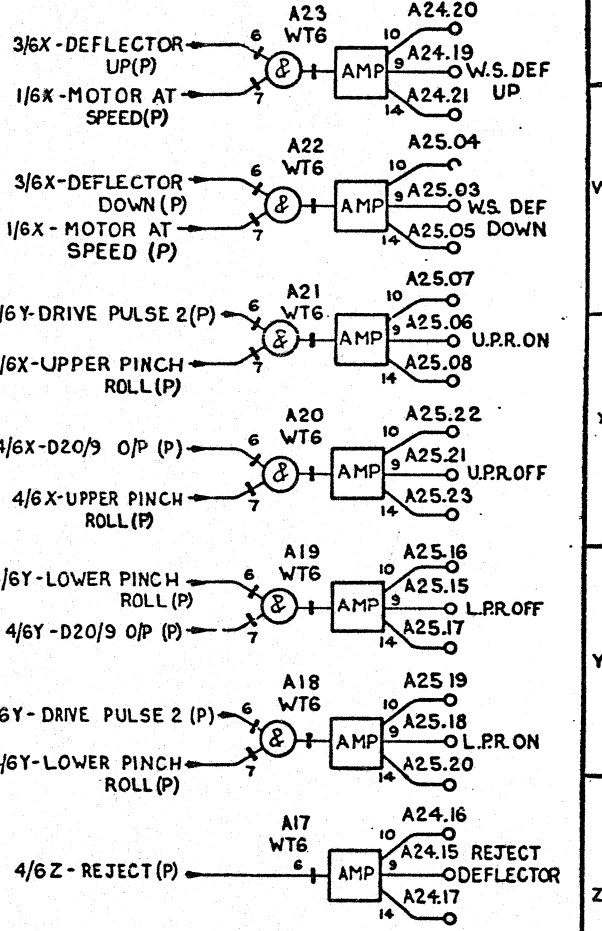
3.3.65

S.C.



ISS	CHANGES	
4	CN 8053	REDRAWN 9-65

2.5A SOLENOID DRIVERS
(OUTPUTS TO DIA. 7019066, SHEET 2)



TRACK CONNEXION LOGIC (PART B)

7019075 / 4 17

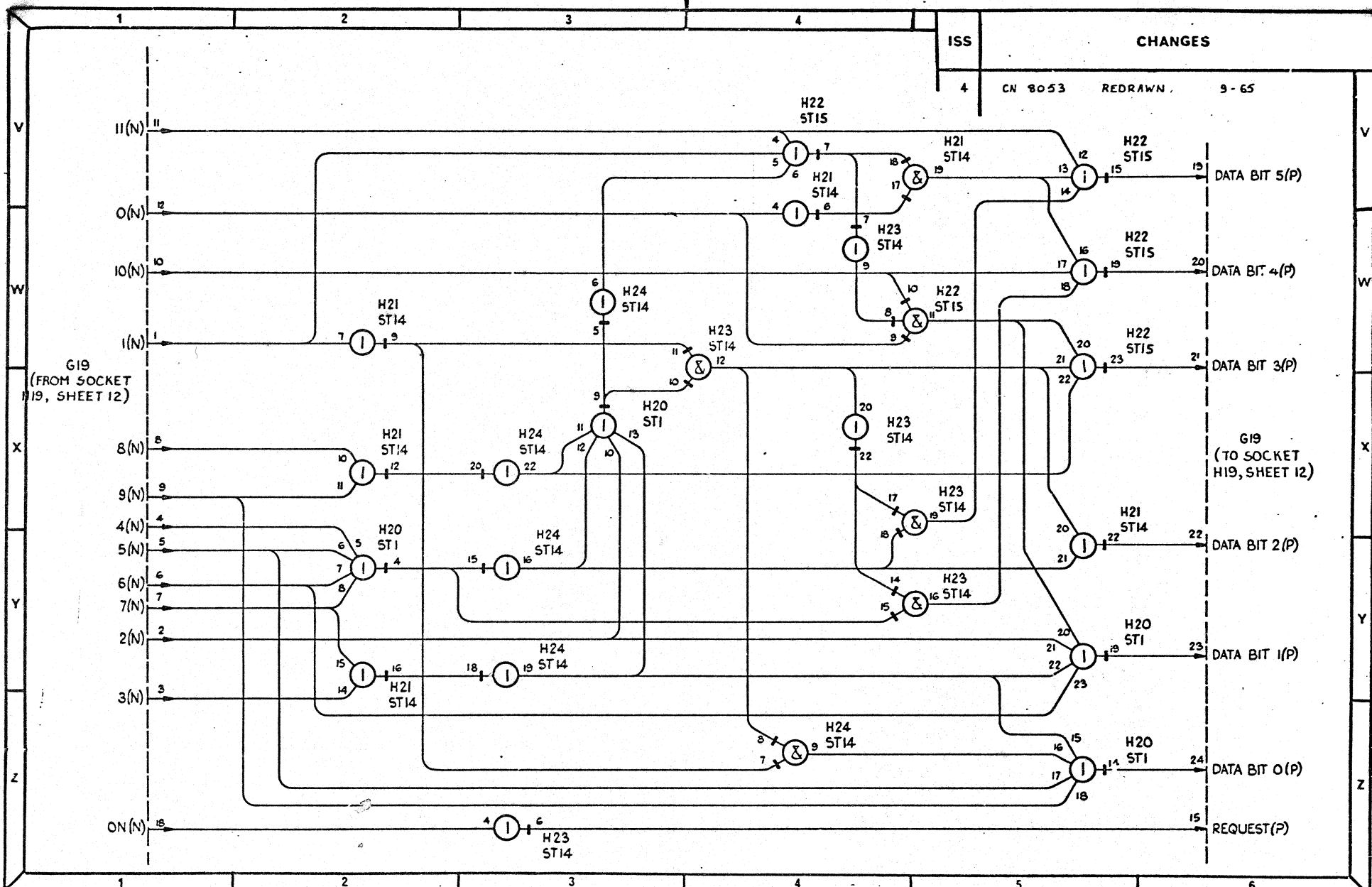
DRAWN TO PROV. STD 79 02101

ISSUE	1	2	3	4	5	6	7	8	9	10	11	12	13	14	15	16	17	18	19	20
SHEET	1	2	3	4	5	6	7	8	9	10	11	12	13	14	15	16	17	18	19	20
ISSUE NUMBERS OF OTHER SHEETS AT THE TIME OF ISSUING THIS SHEET																				

DIAGRAM

ISSUE SHEET

1-3-65 1/9/65 -lum. MLT



ISS	CHANGES		
4	CN 8053	REDRAWN	9-65

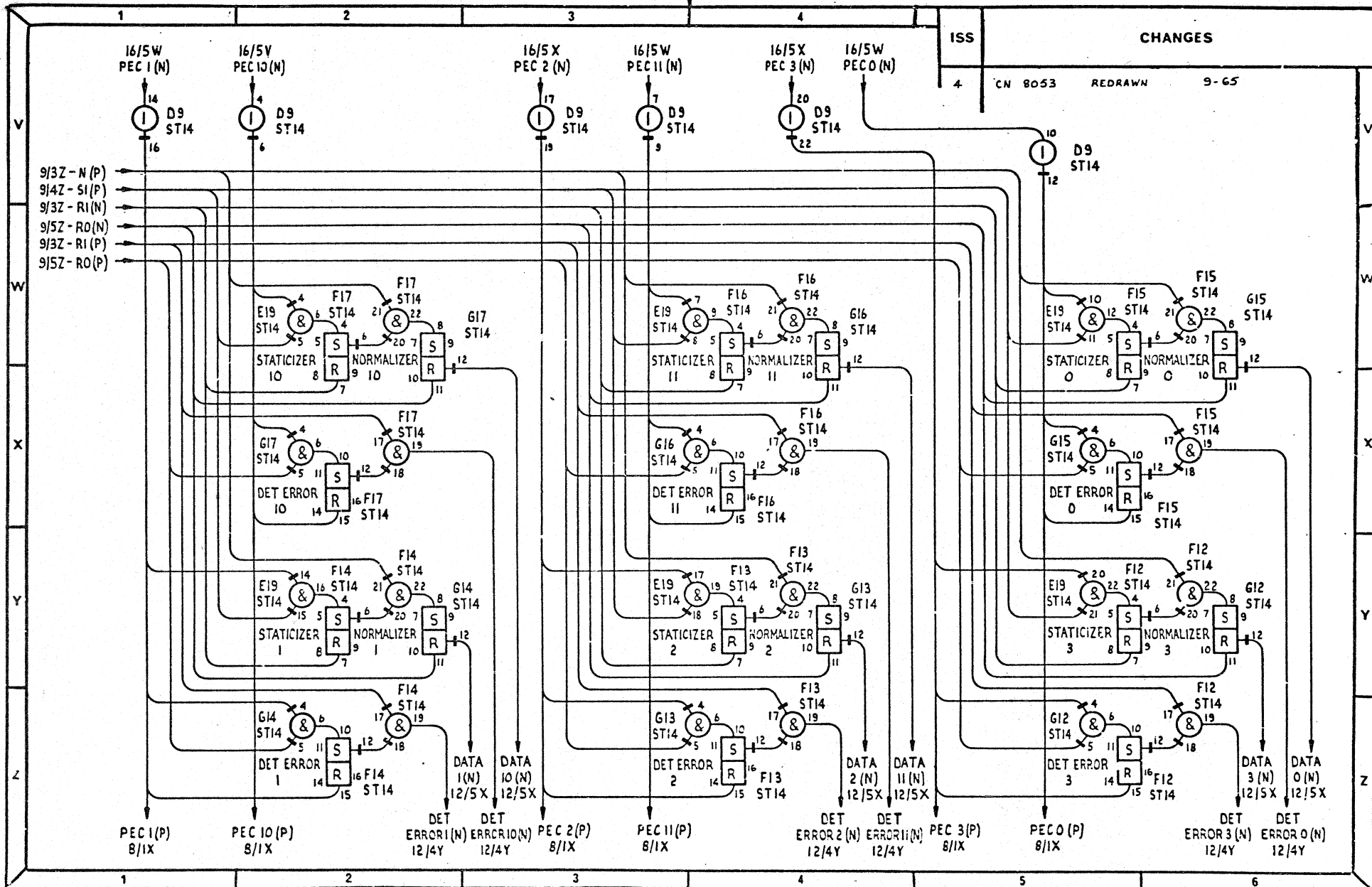


DECODER A

7019075 / 4 18
 DIAGRAM ISSUE SHEET

DRAWN TO
 PROV. STD
 79 02101

ISSUE	1	2	3	4	5	6	7	8	9	10	11	12	13	14	15	16	17	18	19	20
ISSUE NUMBERS OF OTHER SHEETS AT THE TIME OF ISSUING THIS SHEET																				



ISS
4 CN 8053 REDRAWN 9-65

-LUM.
1/9/65
R. S.



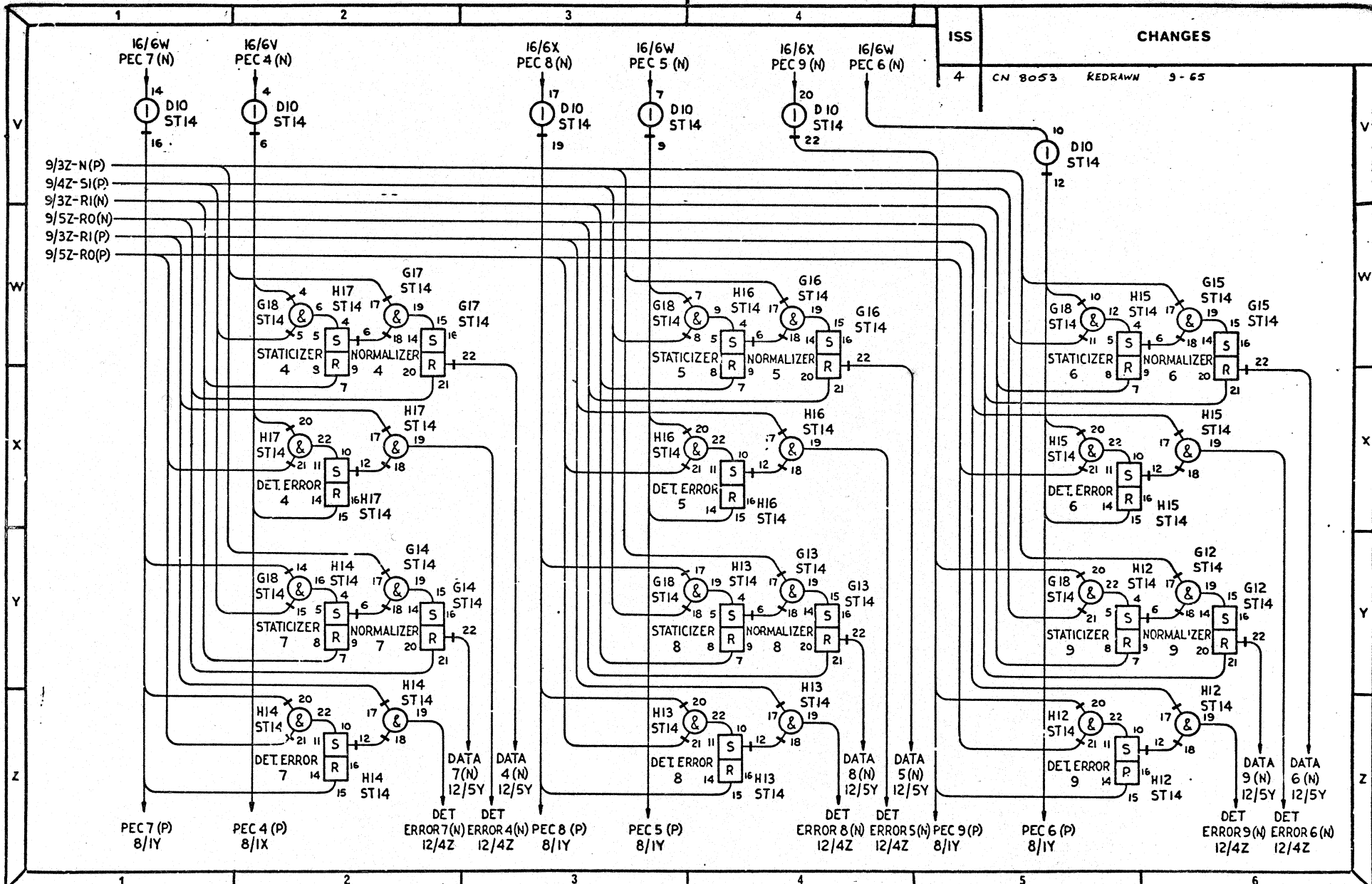
READ & CHECK LOGIC
(DETAILED) POSNS 10, 11,
0, 1, 2, 3

7019075/ 4 19
DIAGRAM ISSUE SHEET

DRAWN TO
PROV. STD
79 02101

ISSUE	1	2	3	4	5	6	7	8	9	10	11	12	13	14	15	16	17	18	19	20
SHEET	1	2	3	4	5	6	7	8	9	10	11	12	13	14	15	16	17	18	19	20

ISSUE NUMBERS OF OTHER SHEETS AT THE TIME OF ISSUING THIS SHEET



ISS CHANGES

4 CN 8053 REDRAWN 9-65

W.M.

11/9/65

3-3-65

L.E.G.



READ & CHECK LOGIC (DETAILED) POSNS 4,5, 6, 7, 8, 9.

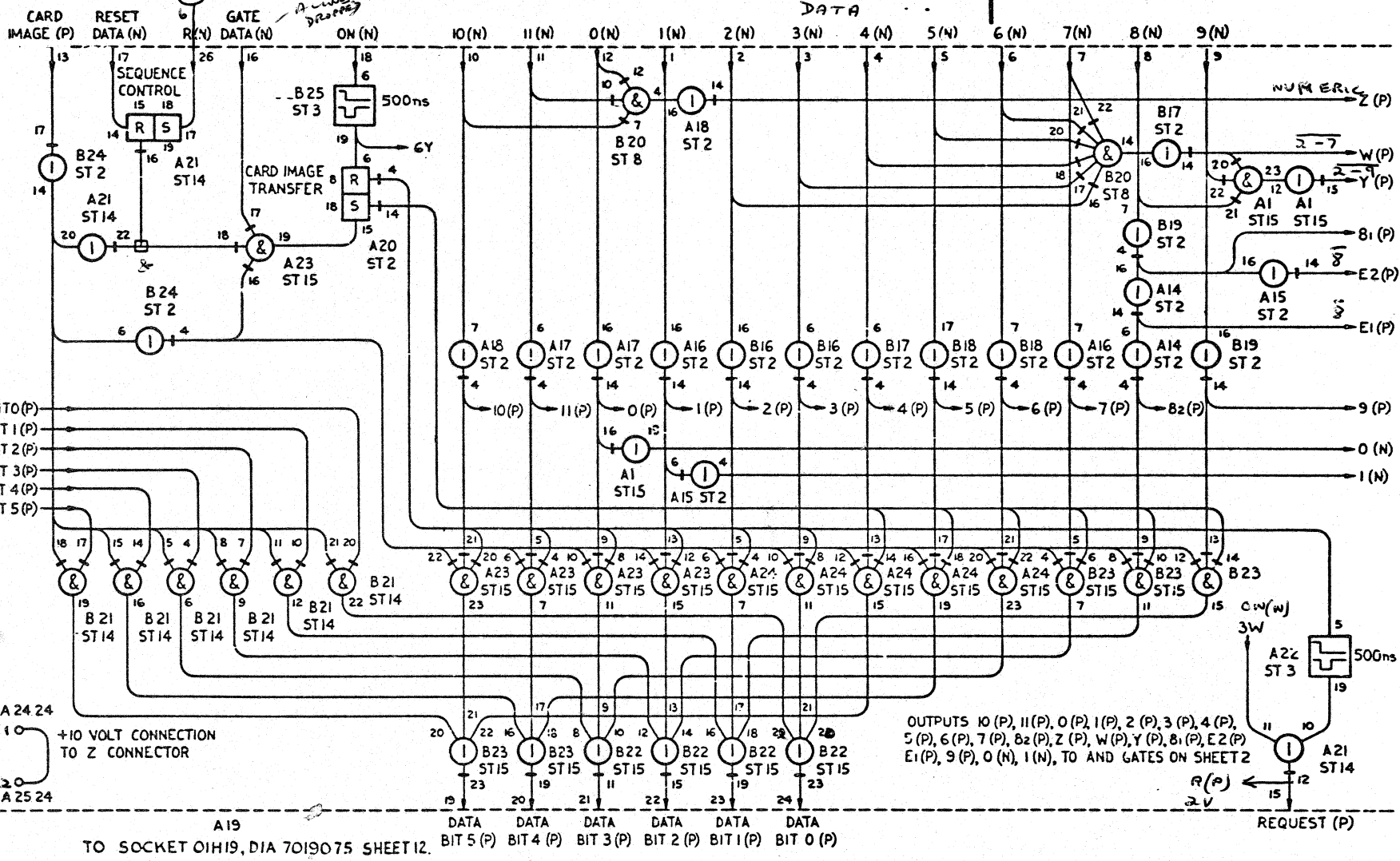
7019075 / 4 20
DIAGRAM ISSUE SHEET

DRAWN TO PROV. STD 7902101

ISSUE	1	2	3	4	5	6	7	8	9	10	11	12	13	14	15	16	17	18	19	20	
SHEET																					
ISSUE NUMBERS OF OTHER SHEETS AT THE TIME OF ISSUING THIS SHEET																					

A19 (FROM SOCKET OIH19, DIA. 7019075, SHEET 12)

ISS CHANGES
3 CN 8053 REDRAWN 9-65



1/9/65
23-2-65
LEG



CONTROL LOGIC

7019076/ 3
DIAGRAM ISSUE SHEET

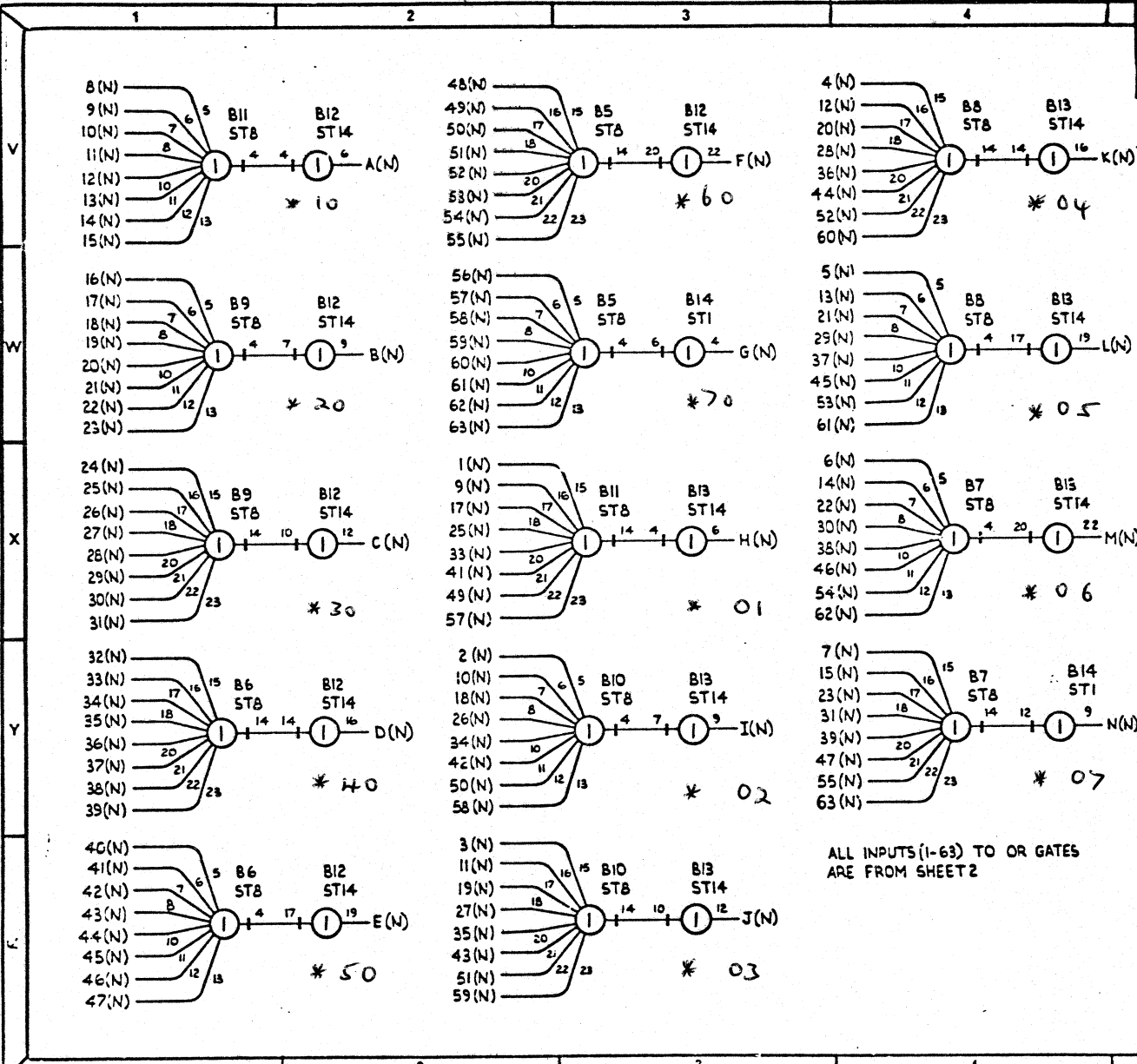
DRAWN TO	ISSUE	3	3	3
PROV. STD	SHEET	1	2	3
79 02101	ISSUE NUMBERS OF OTHER SHEETS AT THE TIME OF ISSUING THIS SHEET	4	5	6
		7	8	9
		10	11	12
		13	14	15
		16	17	18
		19	20	

-lum.

1/9/65

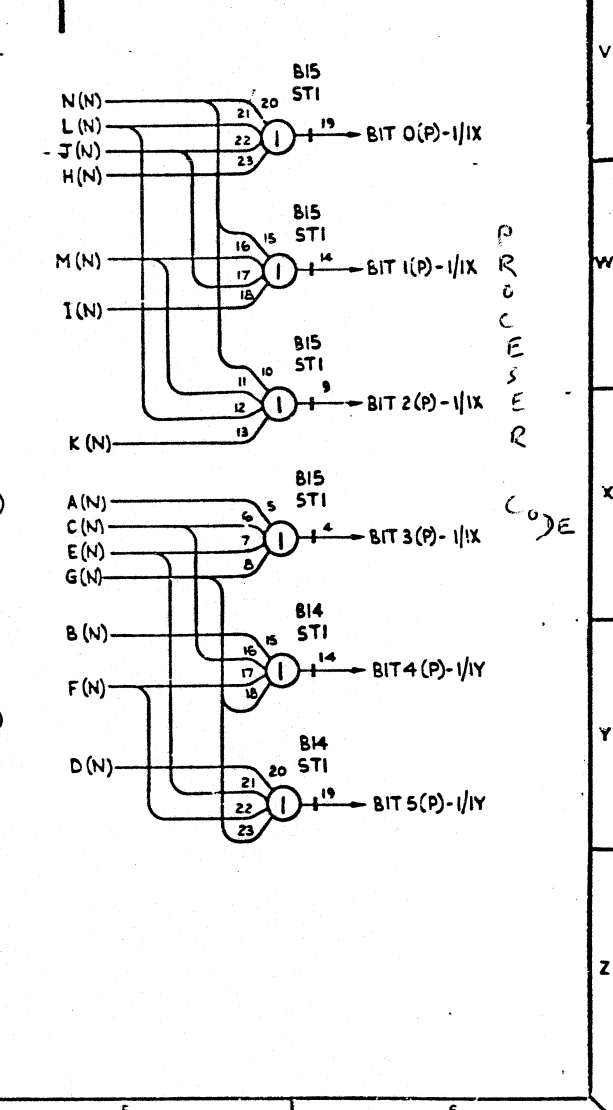
23-2-65

M.M



ISS CHANGES

3 CN 8053 REDRAWN 9-85



P
R
O
C
E
S
S
E
R

C
O
D
E

ALL INPUTS (1-63) TO OR GATES
ARE FROM SHEET 2



DECODER (PART B)

7019076 / 3

DIAGRAM

ISSUE

3
SHEET

DRAWN TO
PROV. STD
79 02101

ISSUE	3	3	3																	
SHEET	1	2	3	4	5	6	7	8	9	10	11	12	13	14	15	16	17	18	19	20

ISSUE NUMBERS OF OTHER SHEETS AT THE TIME OF ISSUING THIS SHEET

ISS

CHANGES

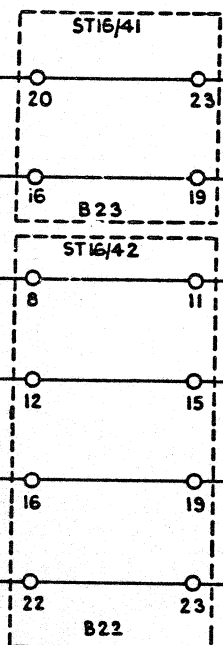
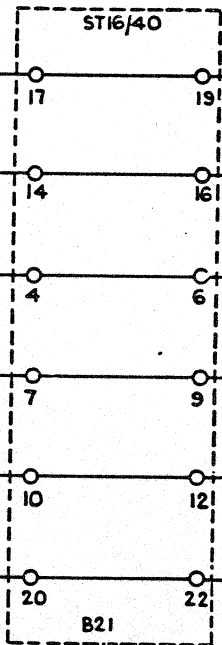
3

CN 8053 REDRAWN 9-65

10 (N)
11 (N)
0 (N)
1 (N)
2 (N)
3 (N)
4 (N)
5 (N)
6 (N)
7 (N)
8 (N)
9 (N)

DECODE 12
LINES TO 6
(SHEETS 1, 2 AND 3.)

BIT 5 (P)
(3/6Y)
BIT 4 (P)
(3/6Y)
BIT 3 (P)
(3/6X)
BIT 2 (P)
(3/6X)
BIT 1 (P)
(3/6W)
BIT 0 (P)
(3/6V)



DATA BIT 5
19
DATA BIT 4
20
DATA BIT 3
21
DATA BIT 2
22
DATA BIT 1
23
DATA BIT 0
24

A19

A19

THIS PART OF SOCKET
REPEATED ON SHEET L
(3V TO 6V)

THIS PART OF SOCKET REPEATED
ON SHEET L (3Z AND 4Z)

1/9/65

25.3.65

SCOOPER



DECODER OUTPUT
CIRCUIT
(NON CARD IMAGE)

7019076 / 3

DIAGRAM

ISSUE

4 SHEET

DRAWN TO
PROV. STD
79 02101

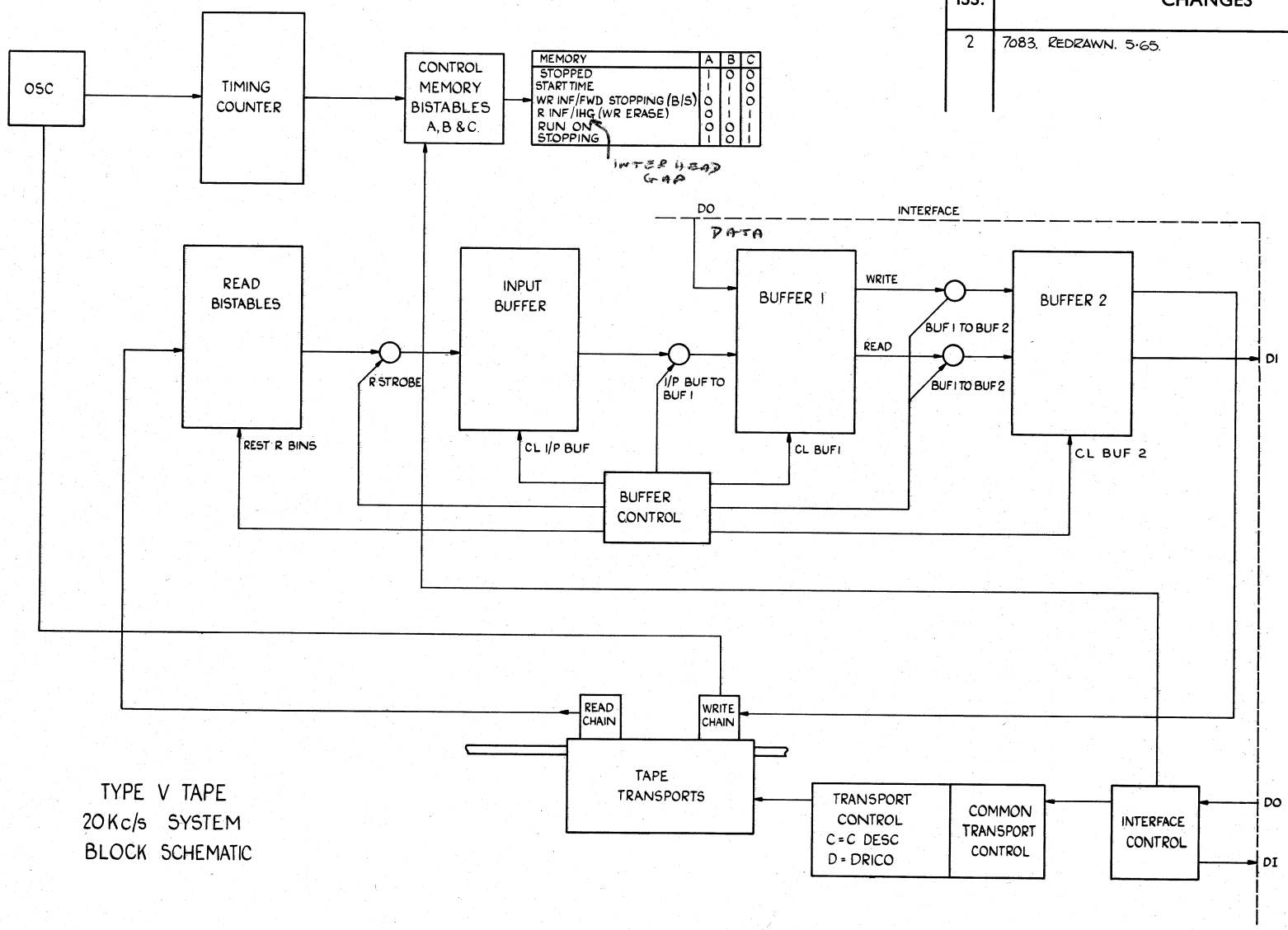
ISSUE 3 3 3

SHEET 1 2 3 4 5 6 7 8 9 10 11 12 13 14 15 16 17 18 19 20

ISSUE NUMBERS OF OTHER SHEETS AT THE TIME OF ISSUING THIS SHEET

ISS. CHANGES

2 7083. REDRAWN. 5-65.



TYPE V TAPE
20Kc/s SYSTEM
BLOCK SCHEMATIC

MAYNOR 26-3-64



LOGICAL DIAGRAM

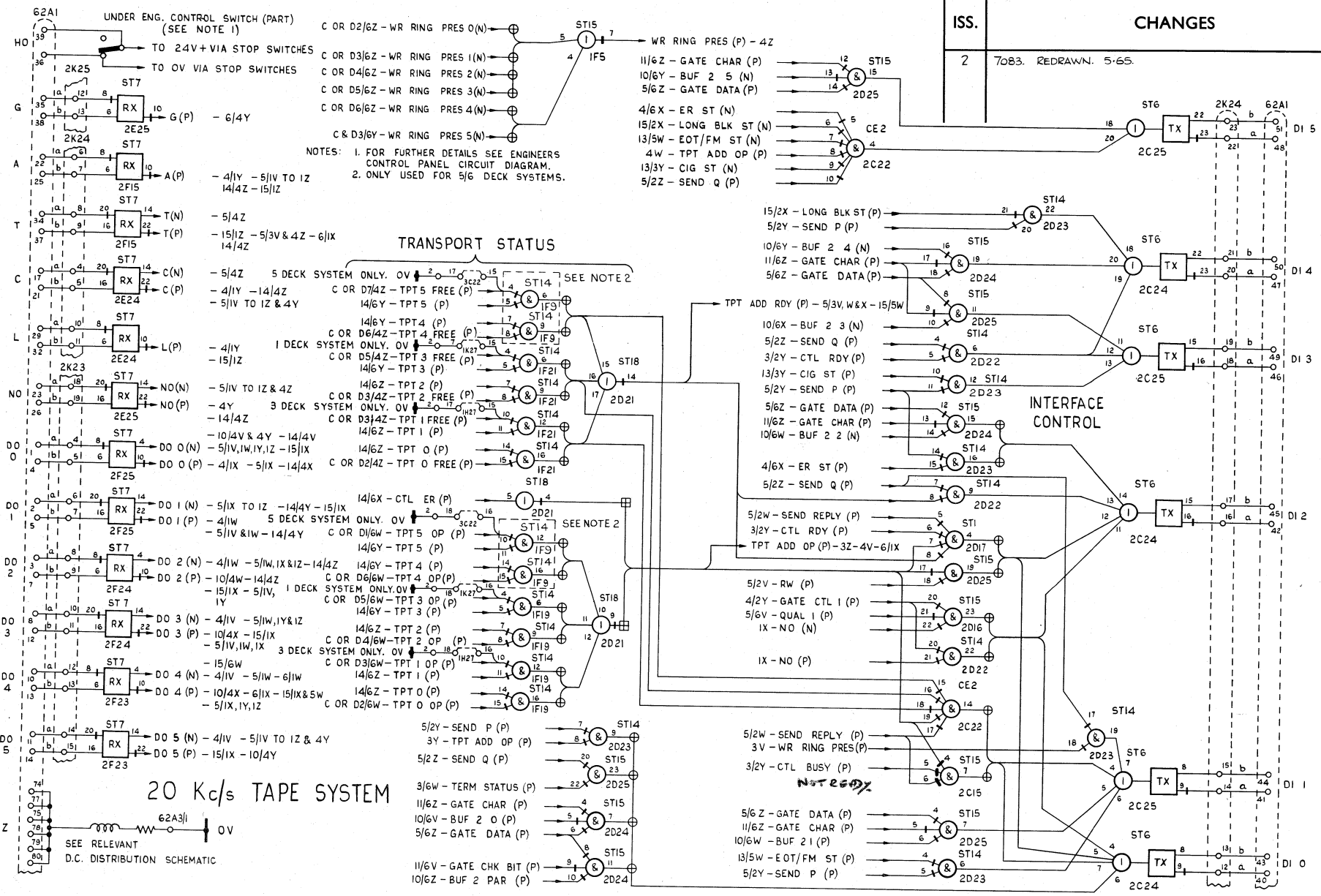
5007665 / 2
ASSEMBLY ISSUE SHEET

ISSUE	2	2	2	2	2	2	2	2	2	2	2	2	2	2	2	2	2	2		
SHEET	1	2	3	4	5	6	7	8	9	10	11	12	13	14	15	16	17	18	19	20

ISSUE NUMBERS OF OTHER SHEETS AT THE TIME OF ISSUING THIS SHEET.

V
W
X
Y
Z
V-SMITH 31.3.65

7 1 2 3 4 5 6



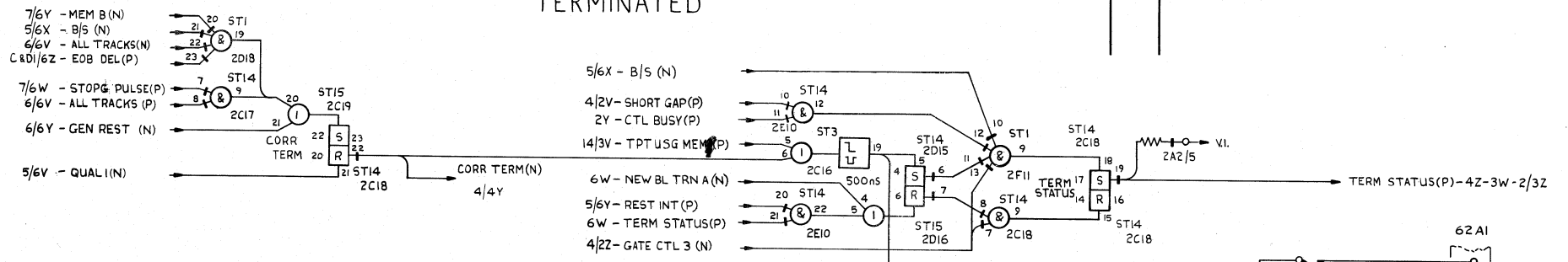
LOGIC DIAGRAM

5007665 / 2
ASSEMBLY ISSUE SHEET

ISSUE	2	2	2	2	2	2	2	2	2	2	2	2	2	2	2	2	2	2	2	
SHEET	1	2	3	4	5	6	7	8	9	10	11	12	13	14	15	16	17	18	19	20
ISSUE NUMBERS OF OTHER SHEETS AT THE TIME OF ISSUING THIS SHEET.																				

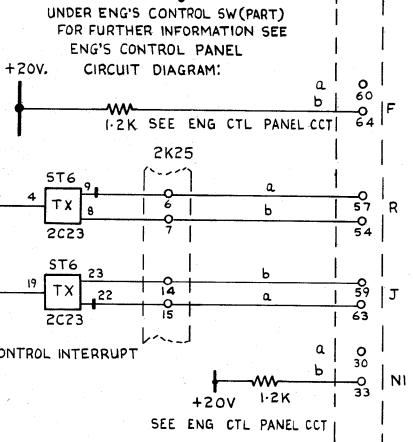
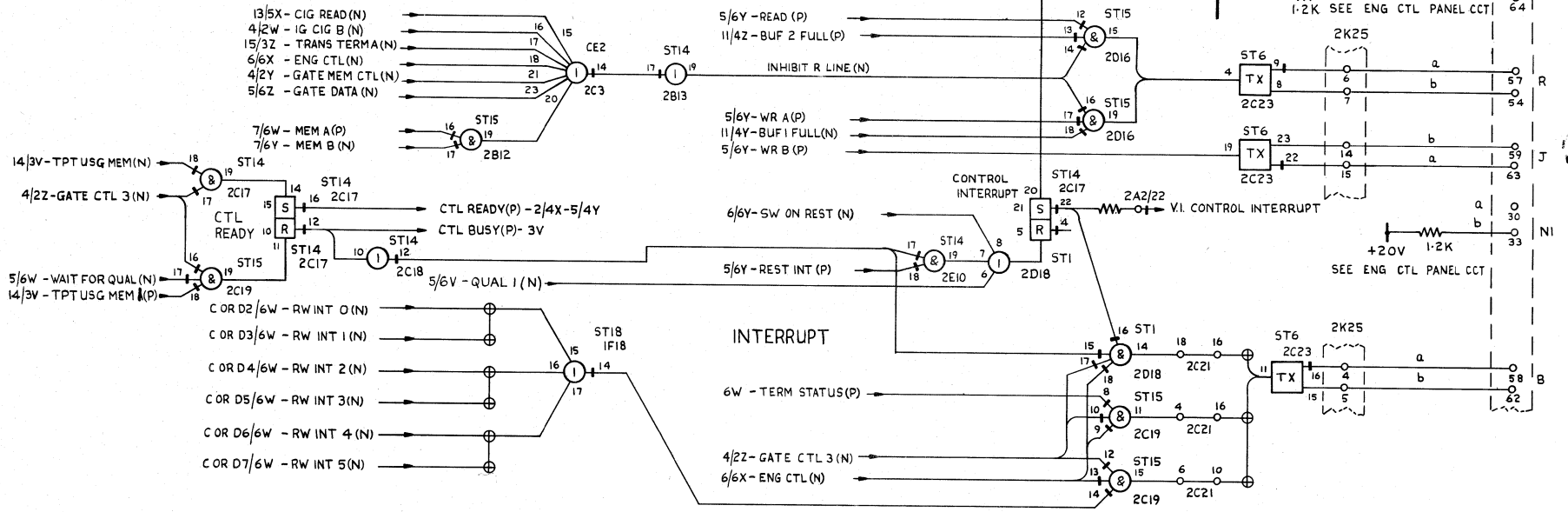
ISS.	CHANGES
2	7083. REDRAWN. 5-65.

TERMINATED



20Kc/s TAPE SYSTEM.

R LINE



A. WILLIS 14-4-65 CKD J. WELLS



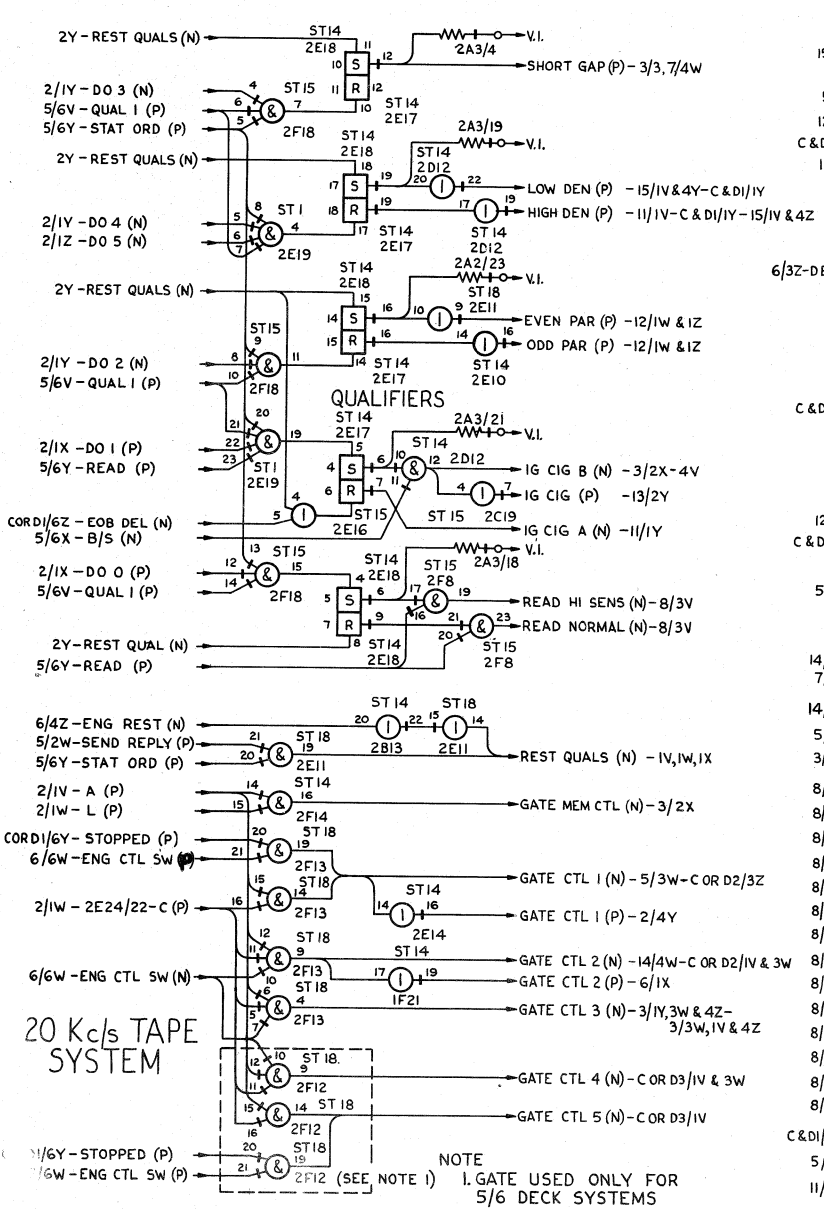
LOGIC DIAGRAM

5007665 / 2 3
ASSEMBLY ISSUE SHEET

ISSUE	2	2	2	2	2	2	2	2	2	2	2	2	2	2	2	2	2	2		
SHEET	1	2	3	4	5	6	7	8	9	10	11	12	13	14	15	16	17	18	19	20

ISSUE NUMBERS OF OTHER SHEETS AT THE TIME OF ISSUING THIS SHEET.

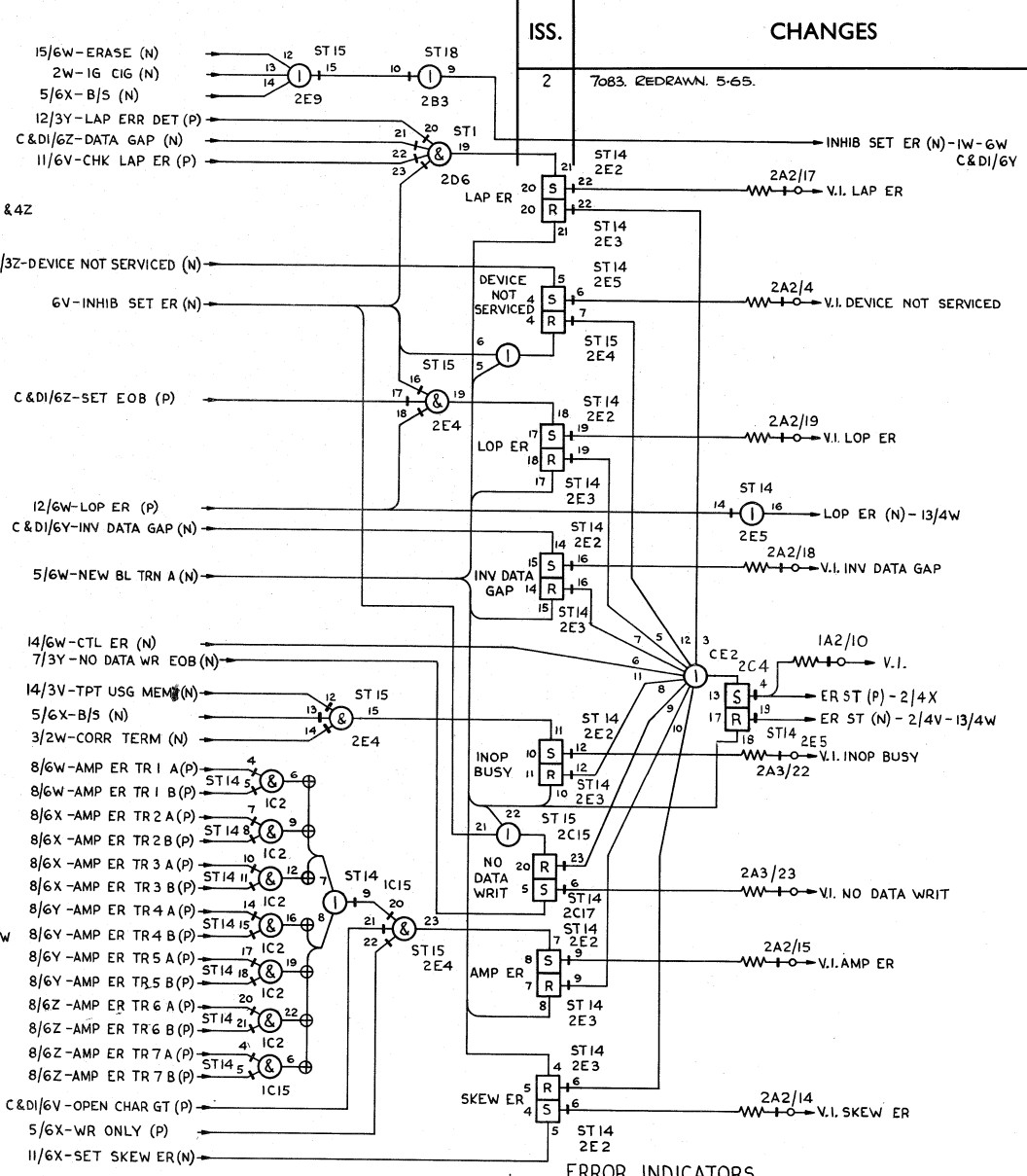
L. GARNER 19-3-65 CKD J. WELLS R. W. LEE



QUALIFIERS

20 Kc/s TAPE SYSTEM

NOTE
1. GATE USED ONLY FOR 5/6 DECK SYSTEMS



ERROR INDICATORS

ISS. CHANGES

2 7083. REDRAWN. 5-65.



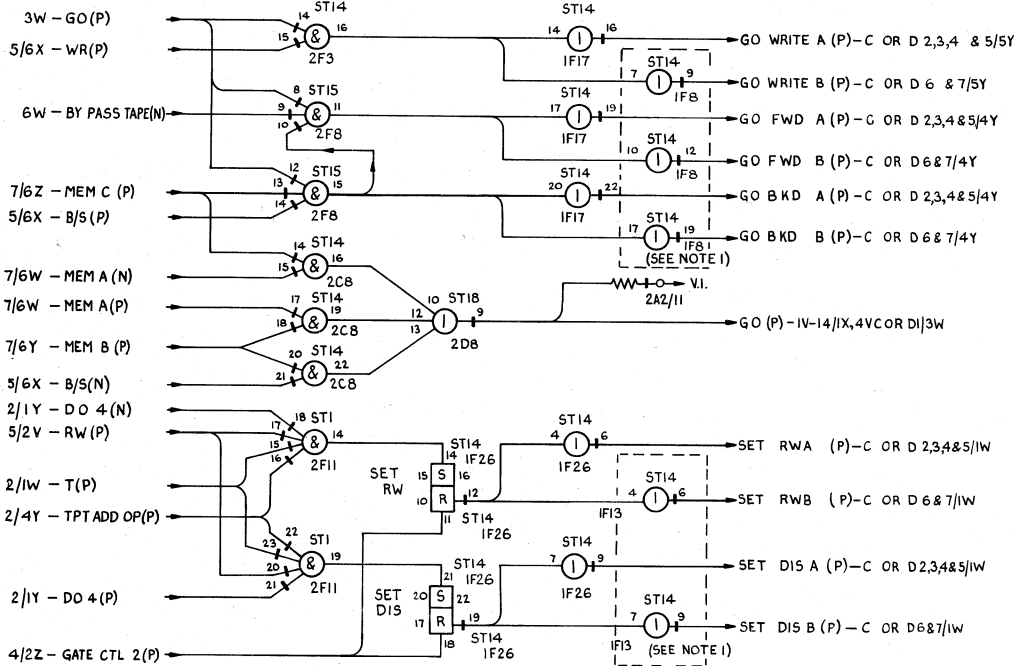
LOGICAL DIAGRAM

5007665 / 2 4
ASSEMBLY ISSUE SHEET

ISSUE	2	2	2	2	2	2	2	2	2	2	2	2	2	2	2	2	2	2	2	
SHEET	1	2	3	4	5	6	7	8	9	10	11	12	13	14	15	16	17	18	19	20

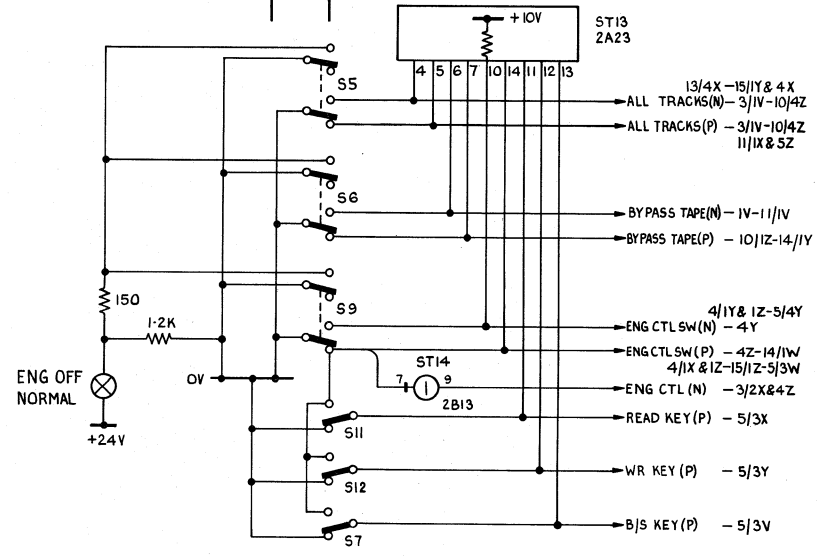
ISSUE NUMBERS OF OTHER SHEETS AT THE TIME OF ISSUING THIS SHEET.

S. COOPER 29.3.65 D.K.D. T. WELLS P.M. W.M.K.

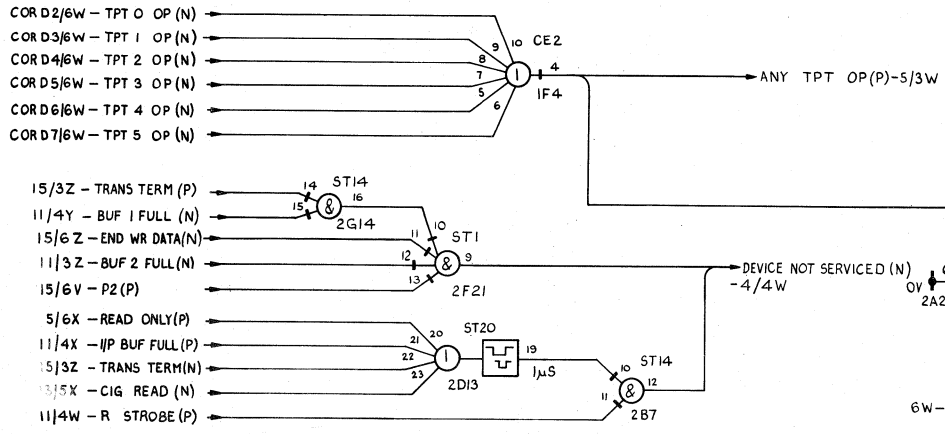


20 Kc/s TAPE SYSTEM

ISS.	CHANGES
2	7083. REDRAWN 5-65.



ENGINEERS CONTROL PANEL



RESET CONTROL

NOTE
1. GATES USED ONLY FOR 5/6 DECK SYSTEMS



LOGIC DIAGRAM

5007665 / 2 6
ASSEMBLY ISSUE SHEET

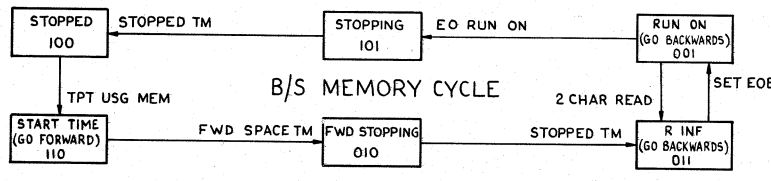
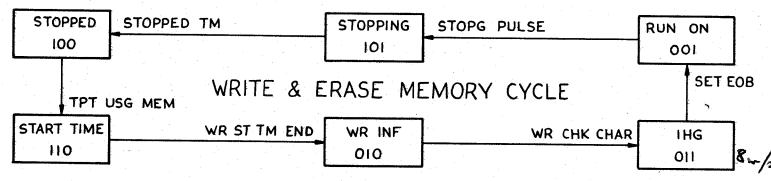
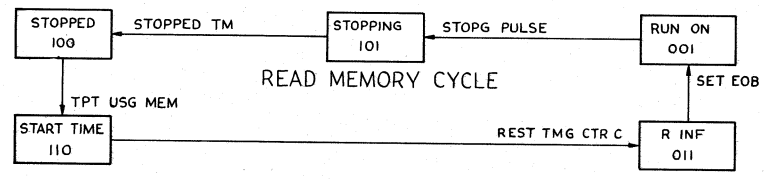
ISSUE	2	2	2	2	2	2	2	2	2	2	2	2	2	2	2	2	2	2	2	
SHEET	1	2	3	4	5	6	7	8	9	10	11	12	13	14	15	16	17	18	19	20
ISSUE NUMBERS OF OTHER SHEETS AT THE TIME OF ISSUING THIS SHEET.																				

ISS.

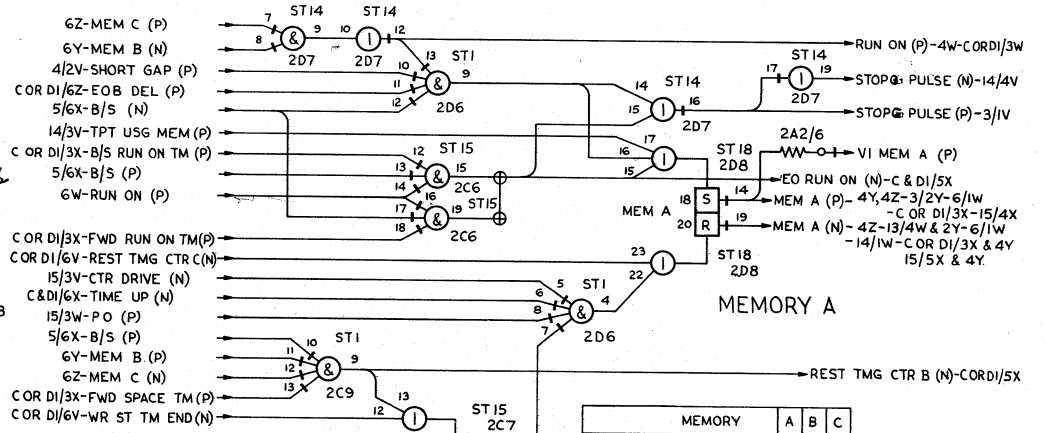
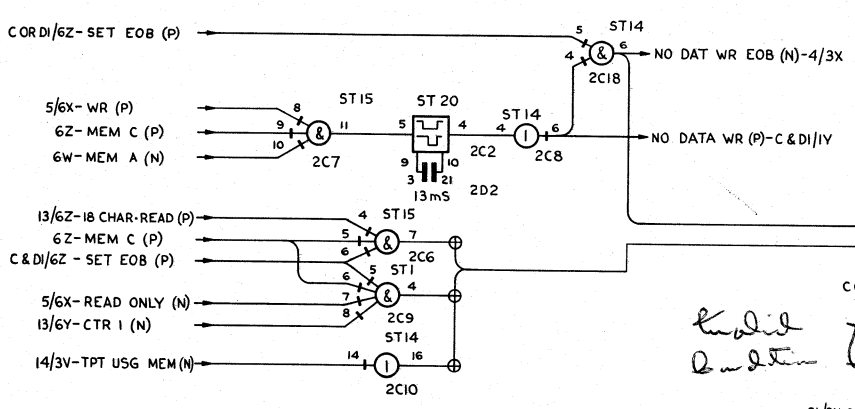
CHANGES

2

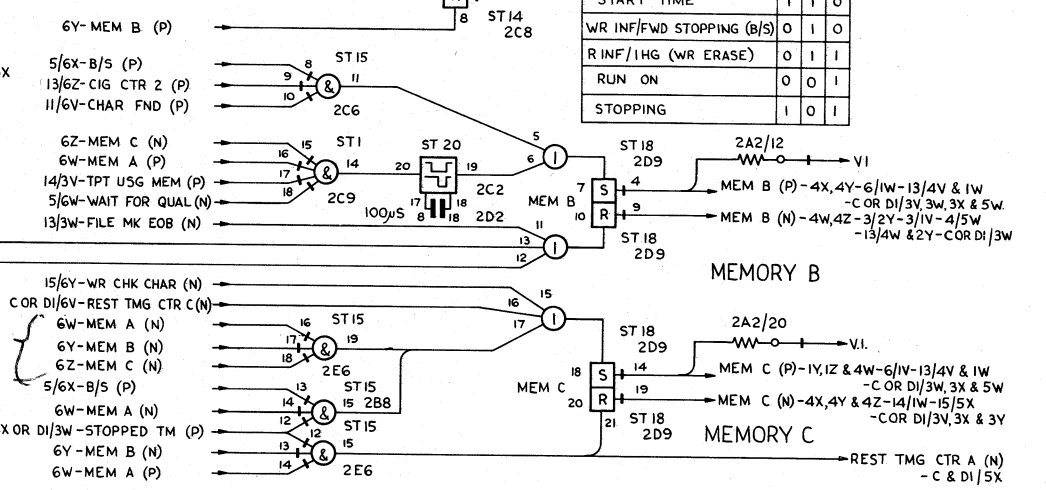
7083. REDRAWN. 5-65.



20 Kc/s TAPE SYSTEM



MEMORY	A	B	C
STOPPED	1	0	0
START TIME	1	1	0
WR INF/FWD STOPPING (B/S)	0	1	0
R INF/IHG (WR ERASE)	0	1	1
RUN ON	0	0	1
STOPPING	1	0	1



L. GARNER 30-3-65 P. WELLS



LOGIC DIAGRAM

5007665 / 2
ASSEMBLY

ISSUE 7
SHEET

ISSUE	2	2	2	2	2	2	2	2	2	2	2	2	2	2	2	2	2	2	2	
SHEET	1	2	3	4	5	6	7	8	9	10	11	12	13	14	15	16	17	18	19	20

ISSUE NUMBERS OF OTHER SHEETS AT THE TIME OF ISSUING THIS SHEET.

NOTES

1. ALL PIN NO'S REMAIN AS IN TPT 0.
2. BRICK LOCATION NO'S ARE CHANGED AS IN TABLES.
3. PIN NO'S THAT ARE REPEATED FOR A PARTICULAR BOARD POS'N ARE BRACKETED.

4	C OR D6/3Z
5	C OR D7/3Z

OR

(SEE TABLE) →	0	14/3V
TPT * USG MEM A(N)	1	14/3V
	2	14/3V
	3	14/3V

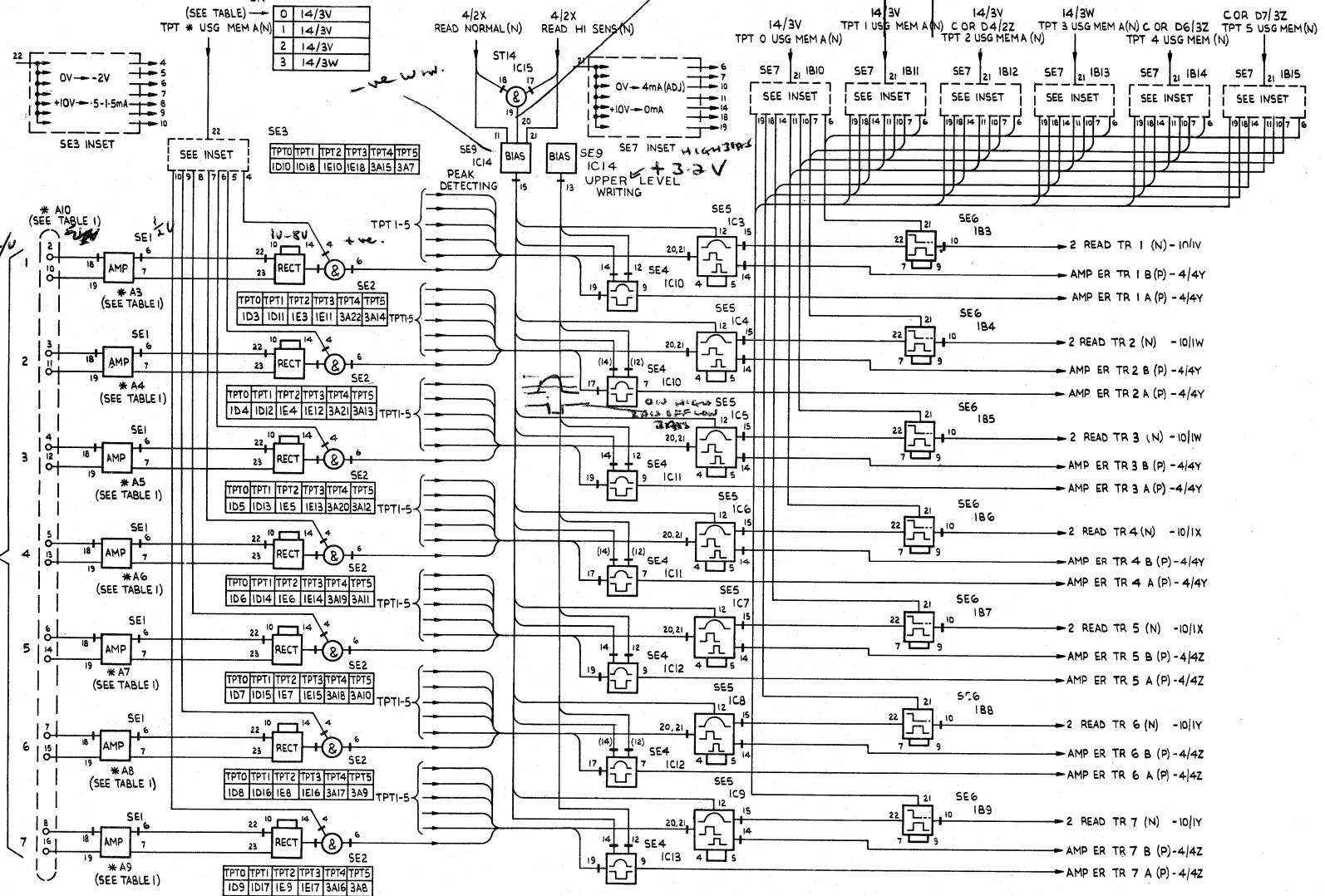
NORMAL +1.2V
HIGH +.6V

CHECK READING
BIAS +.8V

ISS.	CHANGES
2	7083. REDRAWN. 5-65.

TABLE 1

TPT0	TPT1	TPT2	TPT3	TPT4	TPT5
* 11	12	41	42	71	72



FROM READ HEADS TPT 0 (SEE NOTE 1)

READ CHAIN
20Kc/s
TAPE
SYSTEM

M. MITCHELL 30-3-65

	LOGIC DIAGRAM	5007665 / 2	8	ISSUE	2	2	2	2	2	2	2	2	2	2	2	2	2	2	2					
	ASSEMBLY	ISSUE	SHEET	SHEET	1	2	3	4	5	6	7	8	9	10	11	12	13	14	15	16	17	18	19	20
	ISSUE NUMBERS OF OTHER SHEETS AT THE TIME OF ISSUING THIS SHEET.																							

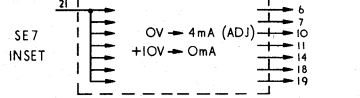
DRAWN BY V.M. SMITH. DATE 6-4-65 NOTES CKD J.WELLS

C OR D2/2Z TPT 0 USC MEM (N) C OR D4/2Z TPT 2 USC MEM (N) 14/3W TPT 4 USC MEM A (N)
 C OR D3/2Z TPT 1 USC MEM (N) C OR D5/2Z TPT 3 USC MEM (N) 14/3W TPT 5 USC MEM (N)

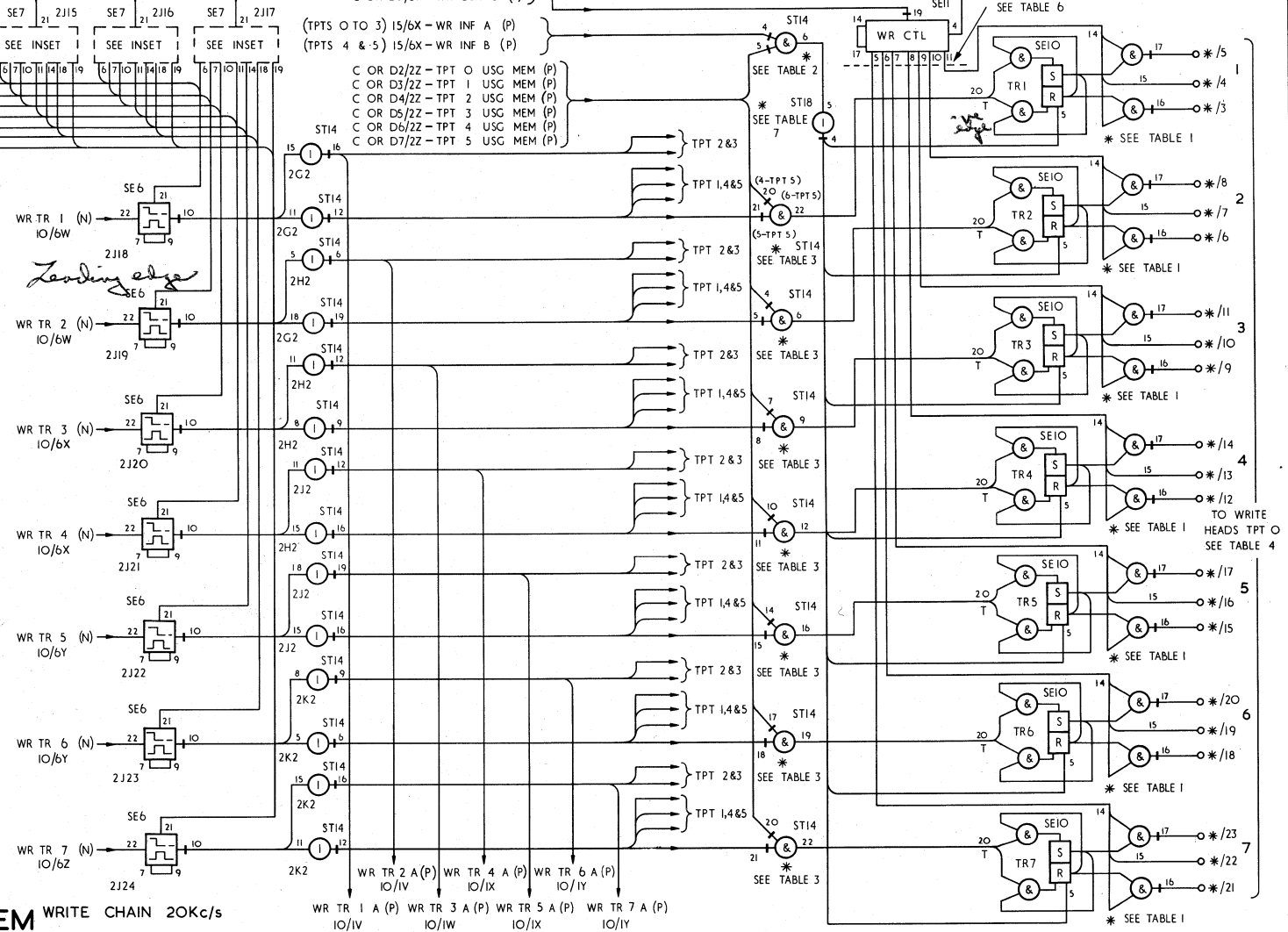
C OR D2/6Z - WR RING PRES 0
 C OR D3/6Z - WR RING PRES 1
 C OR D4/6Z - WR RING PRES 2
 C OR D5/6Z - WR RING PRES 3
 C OR D6/6Z - WR RING PRES 4
 C OR D7/6Z - WR RING PRES 5

ISS. CHANGES
 2 7083. REDRAWN. 5-65

REF	TRACK	TPT0	TPT1	TPT2	TPT3	TPT4	TPT5
TABLE 1							
	1	2G4	2H4	2J4	2K4	3D16	3D8
	2	2G5	2H5	2J5	2K5	3D15	3D7
	3	2G6	2H6	2J6	2K6	3D14	3D6
SEIO	4	2G7	2H7	2J7	2K7	3D13	3D5
	5	2G8	2H8	2J8	2K8	3D12	3D4
	6	2G9	2H9	2J9	2K9	3D11	3D3
	7	2G10	2H10	2J10	2K10	3D10	3D2
TABLE 2							
ST14	—	1G15	1H15	1J15	1K15	3B10	3C10
TABLE 3							
ST14	1	2G2	2H2	2J2	2K2	3D18	3D18
ST14	2-7	2G3	2H3	2J3	2K3	3D17	3D19
TABLE 4							
OUTPUT TERMINALS	ALL	1G1	1H1	1J1	1K1	3B25	3C25
TABLE 5							
SE11	—	2G11	2H11	2J11	2K11	3D9	3C4
TABLE 6							
	1	11	5	11	5	11	5
OUTPUT PINS	3	9	7	9	7	9	7
	4	8	8	8	8	8	8
	5	7	9	7	9	7	9
	6	6	10	6	10	6	10
	7	5	11	5	11	5	11
TABLE 7							
ST18	—	1G14	1H14	1J14	1K14	3B11	3C11



20 Kc/s TAPE SYSTEM WRITE CHAIN 20Kc/s



LOGIC DIAGRAM

5007665 / 2 9
 DIAGRAM ISSUE SHEET

ISSUE	2	2	2	2	2	2	2	2	2	2	2	2	2	2	2	2	2	2	2											
SHEET	1	2	3	4	5	6	7	8	9	10	11	12	13	14	15	16	17	18	19	20	21	22	23	24	25	26	27	28	29	30

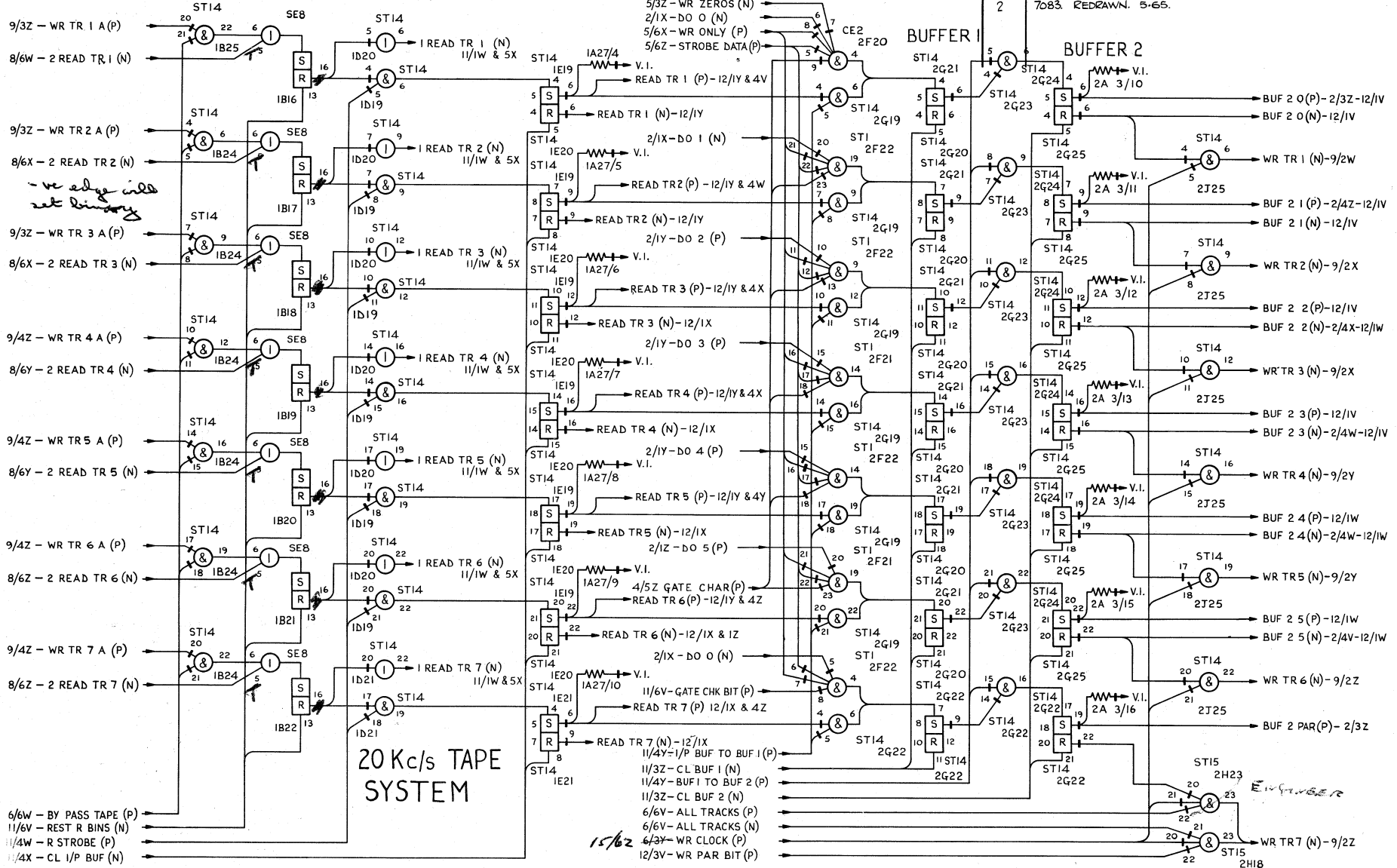
JWELLS 23-3-65

READ BINARIES

INPUT BUFFER

ISS.

CHANGES



7083. REDRAWN. 5-65.

ISS.	CHANGES
2	7083. REDRAWN. 5-65.
	BUF 2 0 (P) - 2/3Z - 12/IV
	BUF 2 0 (N) - 12/IV
	WR TR 1 (N) - 9/2W
	BUF 2 1 (P) - 2/4Z - 12/IV
	BUF 2 1 (N) - 12/IV
	WR TR 2 (N) - 9/2X
	BUF 2 2 (P) - 12/IV
	BUF 2 2 (N) - 2/4X - 12/IV
	WR TR 3 (N) - 9/2X
	BUF 2 3 (P) - 12/IV
	BUF 2 3 (N) - 2/4W - 12/IV
	WR TR 4 (N) - 9/2Y
	BUF 2 4 (P) - 12/IV
	BUF 2 4 (N) - 2/4W - 12/IV
	WR TR 5 (N) - 9/2Y
	BUF 2 5 (P) - 12/IV
	BUF 2 5 (N) - 2/4W - 12/IV
	WR TR 6 (N) - 9/2Z
	BUF 2 PAR (P) - 2/3Z
	WR TR 7 (N) - 9/2Z



LOGIC DIAGRAM

5007665 / 2 10
ASSEMBLY ISSUE SHEET

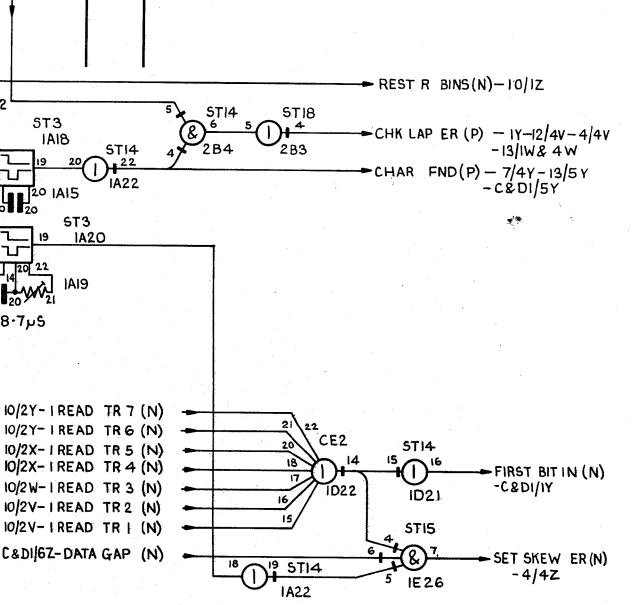
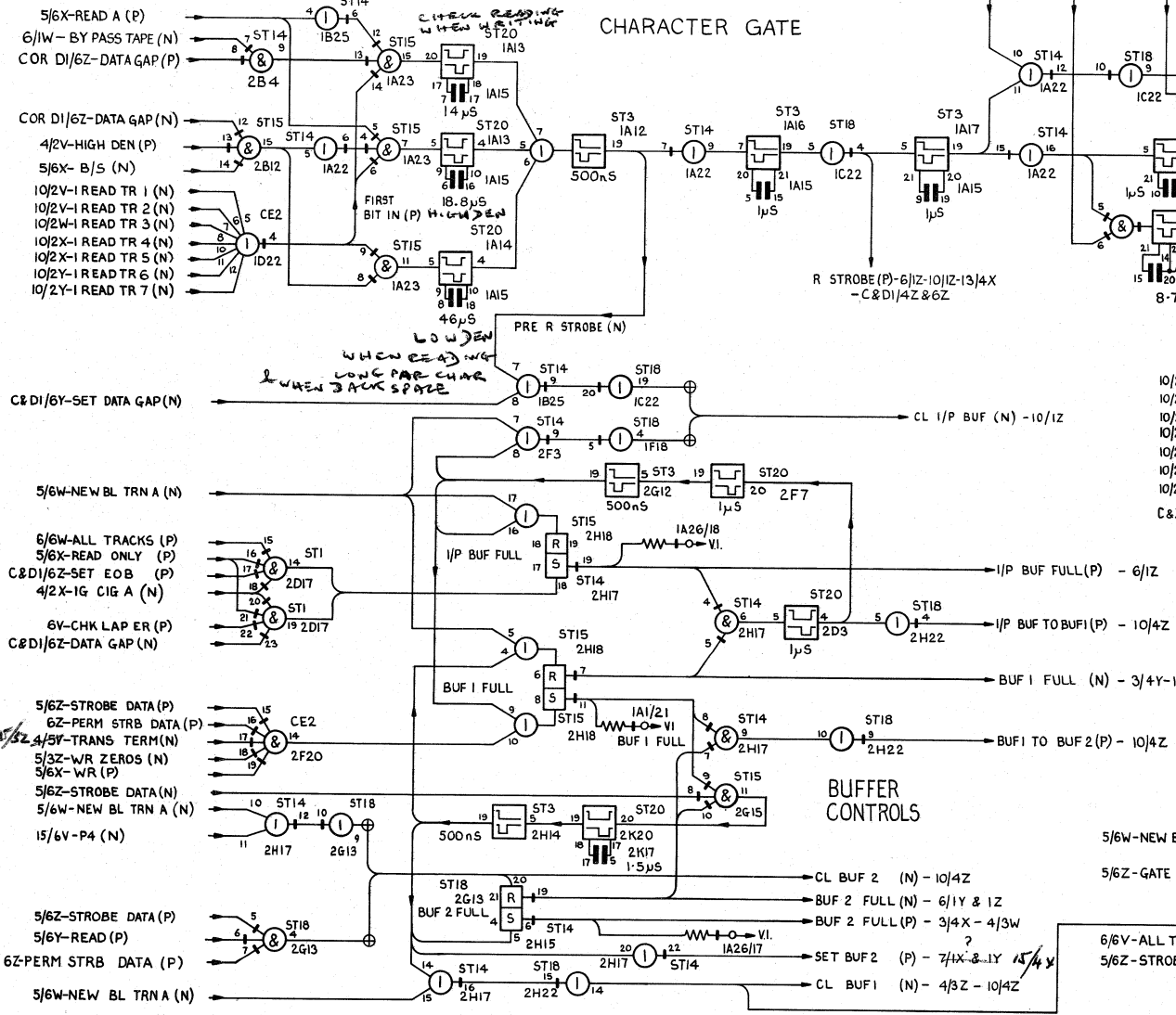
ISSUE	2	2	2	2	2	2	2	2	2	2	2	2	2	2	2	2	2	2		
SHEET	1	2	3	4	5	6	7	8	9	10	11	12	13	14	15	16	17	18	19	20
ISSUE NUMBERS OF OTHER SHEETS AT THE TIME OF ISSUING THIS SHEET.																				

ISS.

CHANGES

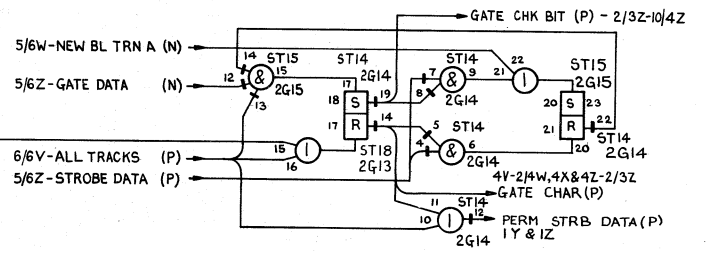
2 7083 REDRAWN. 5-65.

CHARACTER GATE



20 Kc/s TAPE SYSTEM

ALL TRACK CHARACTER COUNTER.



CKD J WELLS
17. 3. 65
S. COOPER

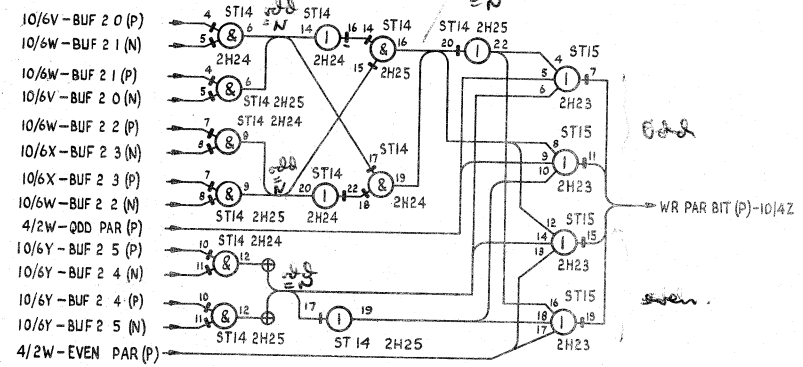
	LOGIC DIAGRAM	5007665 / 2	11	ISSUE	2	2	2	2	2	2	2	2	2	2	2	2	2	2						
	ASSEMBLY	ISSUE	SHEET	SHEET	1	2	3	4	5	6	7	8	9	10	11	12	13	14	15	16	17	18	19	20
	ISSUE NUMBERS OF OTHER SHEETS AT THE TIME OF ISSUING THIS SHEET.																							

ISS.

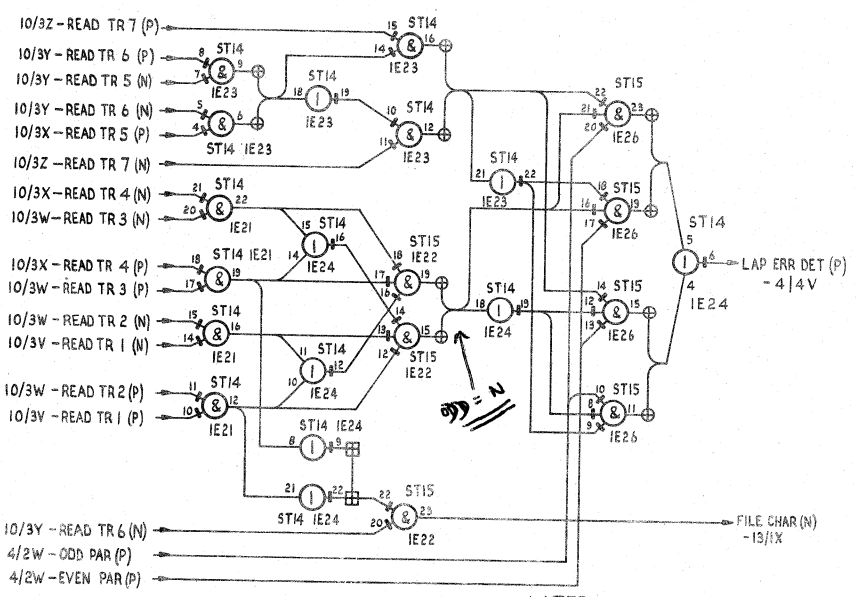
CHANGES

2

7083. REDRAWN. 5-65.

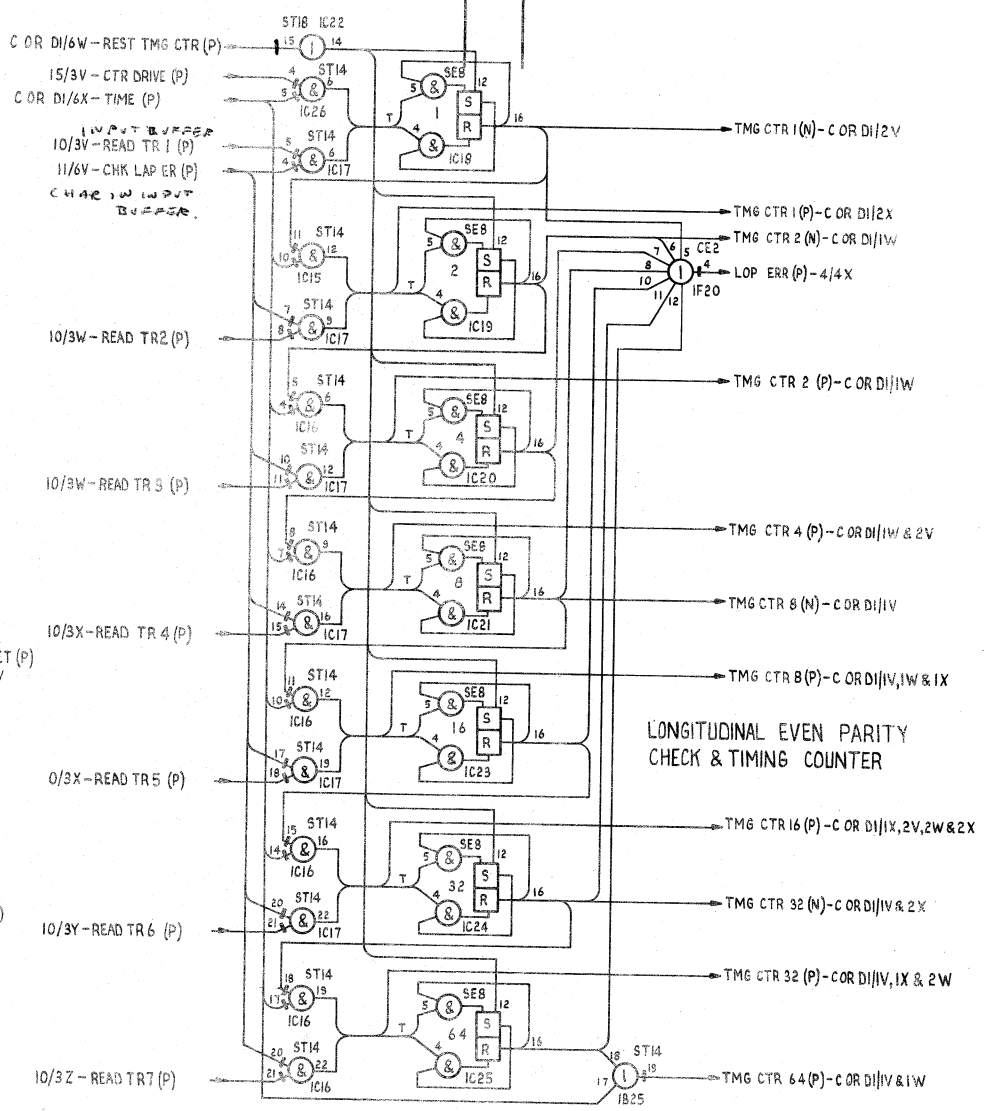


PARITY GENERATION



LATERAL PARITY CHECK

20 Kc/s TAPE SYSTEM



LONGITUDINAL EVEN PARITY CHECK & TIMING COUNTER

SHILLADAY 23-3-65 CKD. J.WELLS



LOGIC DIAGRAM

5007665 / 2 12
ASSEMBLY ISSUE SHEET

ISSUE	2	2	2	2	2	2	2	2	2	2	2	2	2	2	2	2	2	2	2	
SHEET	1	2	3	4	5	6	7	8	9	10	11	12	13	14	15	16	17	18	19	20
ISSUE NUMBERS OF OTHER SHEETS AT THE TIME OF ISSUING THIS SHEET.																				

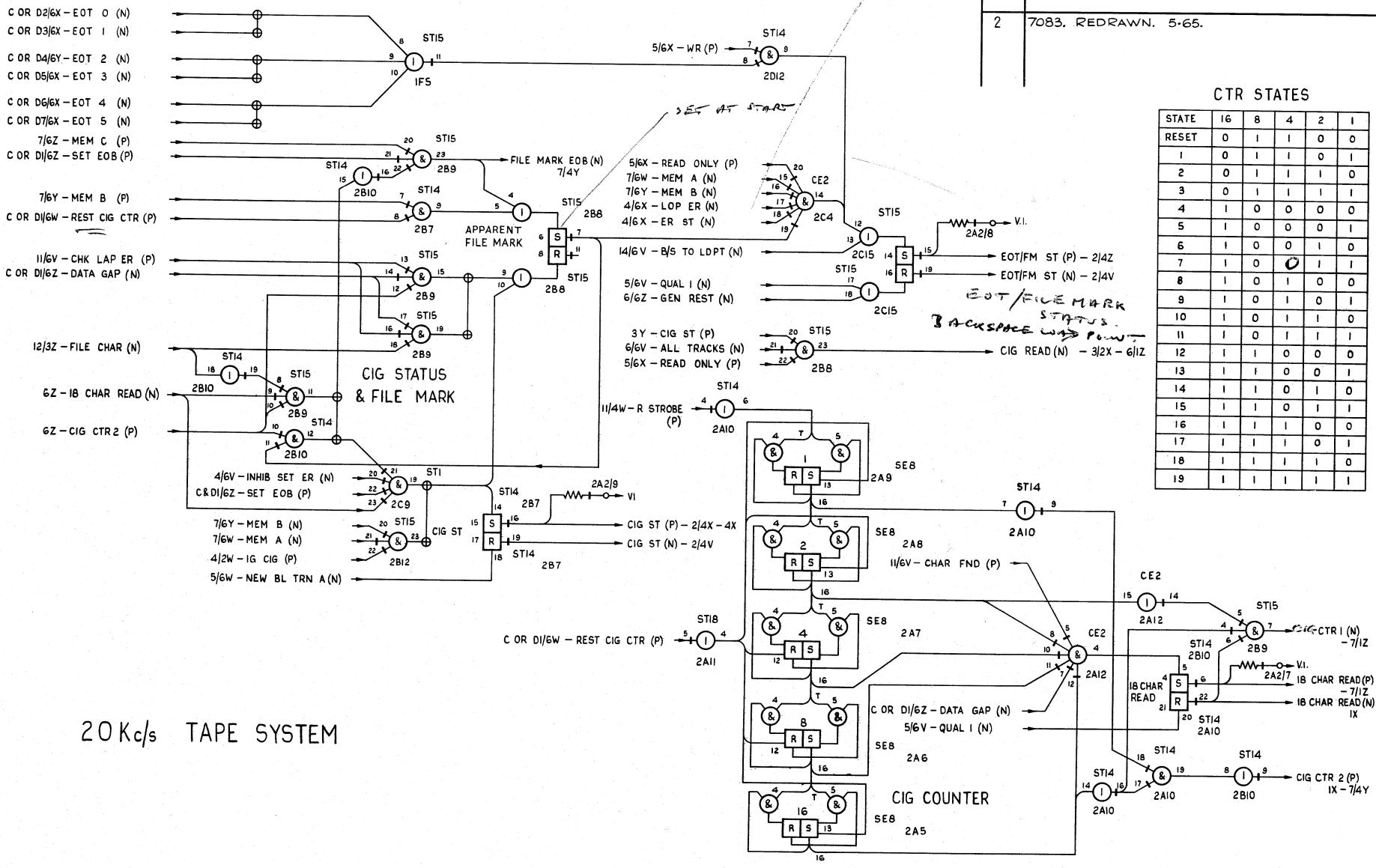
ISS.

CHANGES

2 7083. REDRAWN. 5-65.

CTR STATES

STATE	16	8	4	2	1
RESET	0	1	1	0	0
1	0	1	1	0	1
2	0	1	1	1	0
3	0	1	1	1	1
4	1	0	0	0	0
5	1	0	0	0	1
6	1	0	0	1	0
7	1	0	1	1	1
8	1	0	1	0	0
9	1	0	1	0	1
10	1	0	1	1	0
11	1	0	1	1	1
12	1	1	0	0	0
13	1	1	0	0	1
14	1	1	0	1	0
15	1	1	0	1	1
16	1	1	1	0	0
17	1	1	1	0	1
18	1	1	1	1	0
19	1	1	1	1	1



20Kc/s TAPE SYSTEM

V. SMITH 25-3-65 CKD J. WELLS



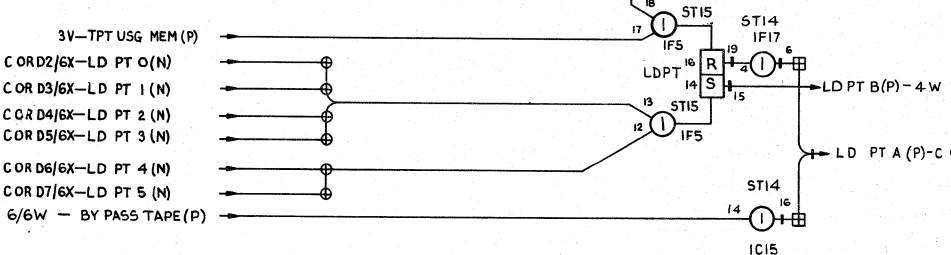
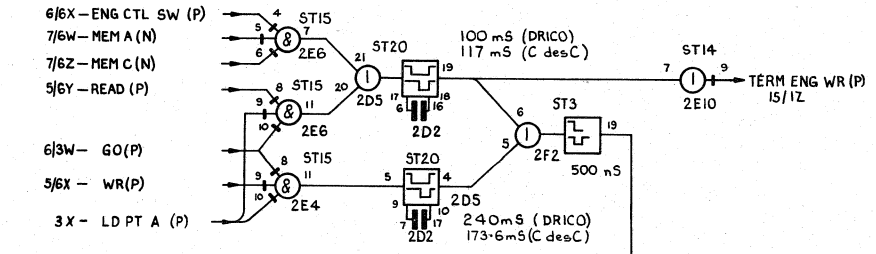
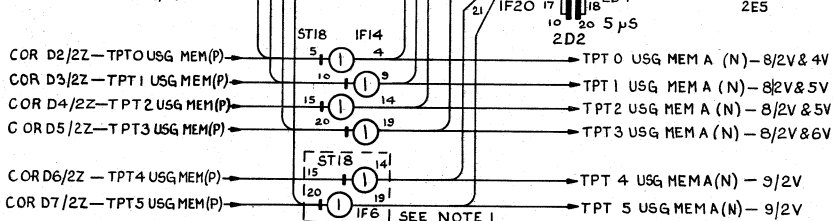
LOGIC DIAGRAM

5007665 / 2 13
ASSEMBLY ISSUE SHEET

ISSUE	2	2	2	2	2	2	2	2	2	2	2	2	2	2	2	2				
SHEET	1	2	3	4	5	6	7	8	9	10	11	12	13	14	15	16	17	18	19	20

ISSUE NUMBERS OF OTHER SHEETS AT THE TIME OF ISSUING THIS SHEET.

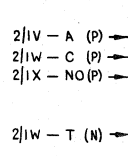
STRAP 19 TO 14 FOR:-
 5 DFCK SYSTEM
 3 DECK SYSTEM
 2 DECK SYSTEM
 IOR2 DECK SYSTEM



COMMON TRANSPORT CONTROL

20Kc/s TAPE SYSTEM

NOTES:- 1. ONLY USED FOR 5/6 DECK SYSTEMS.
 2. STRAP ON 2 DECK SYSTEM ONLY. (PIN 17 TO 15).

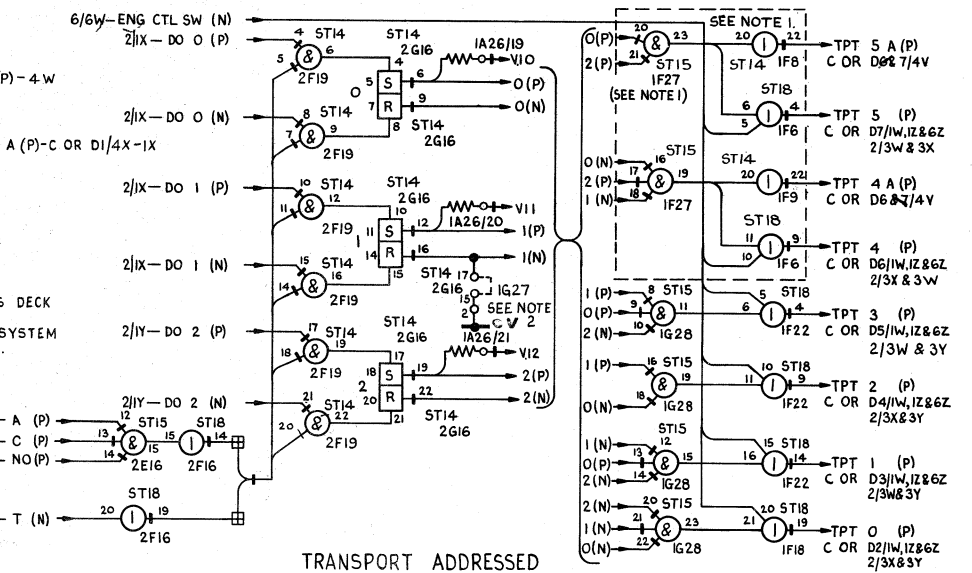
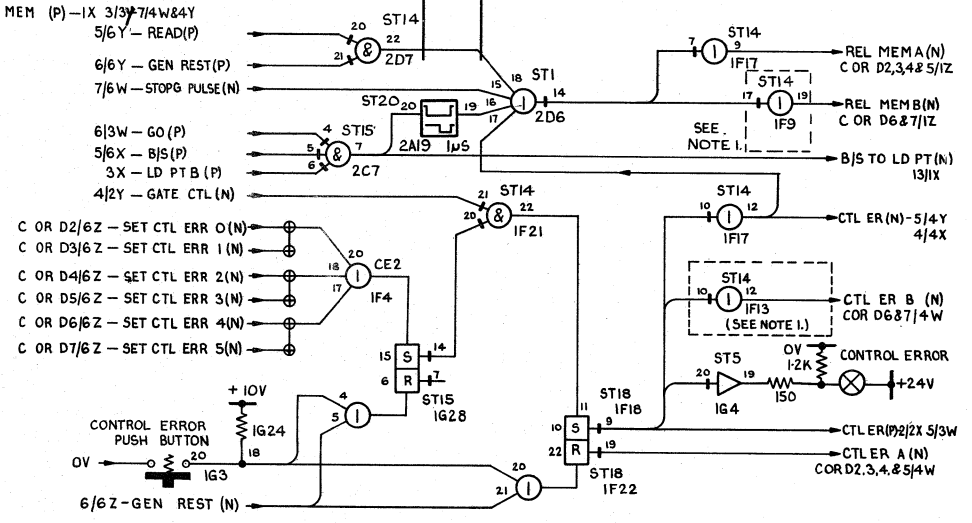


ISS.

CHANGES

2

7083. REDRAWN. 5-65.



TRANSPORT ADDRESSED



LOGIC DIAGRAM

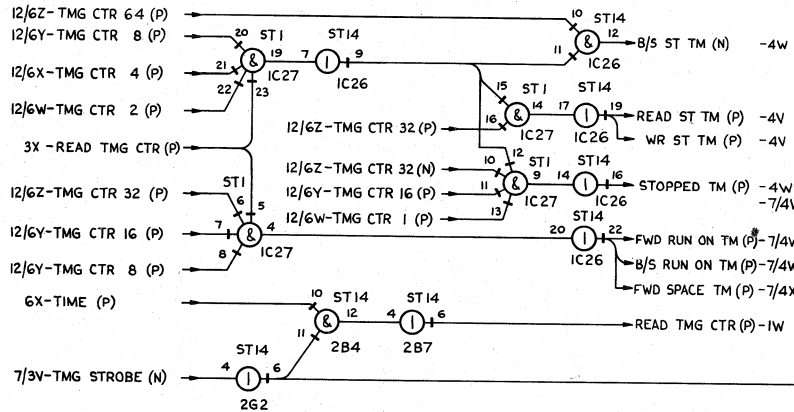
5007665 / 2 14
 ASSEMBLY ISSUE SHEET

ISSUE	?	2	2	2	2	2	2	2	2	2	2	2	2	2	2	2	2	2	2	
SHEET	1	2	3	4	5	6	7	8	9	10	11	12	13	14	15	16	17	18	19	20
ISSUE NUMBERS OF OTHER SHEETS AT THE TIME OF ISSUING THIS SHEET.																				

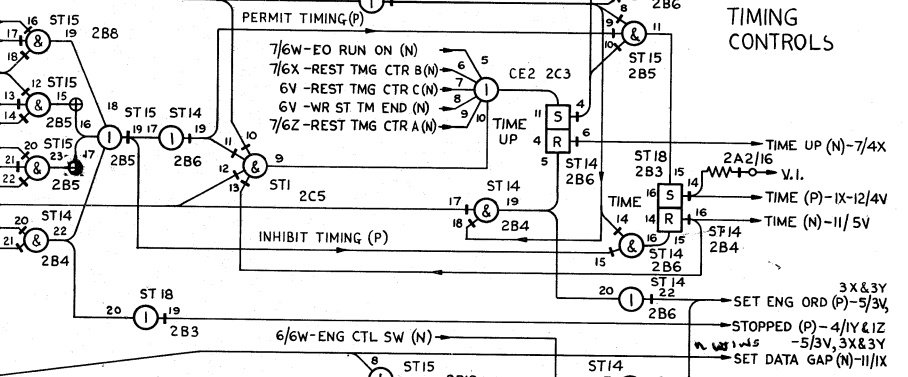
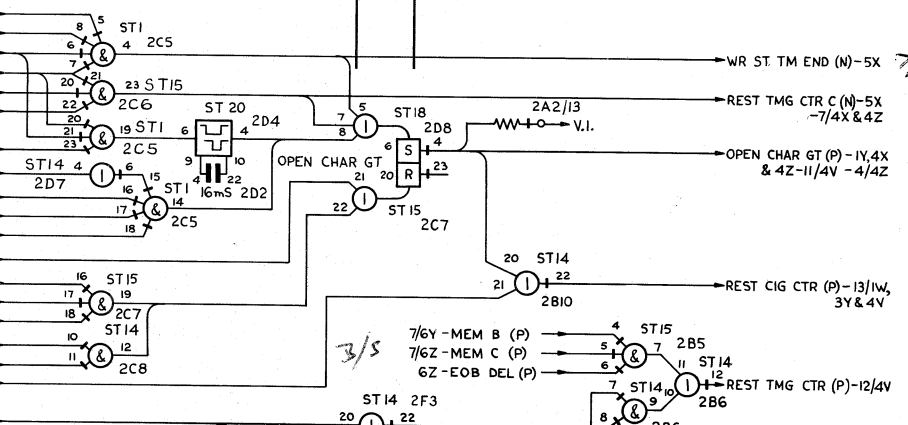
20 Kc/s TAPE SYSTEM

ISS. CHANGES

C DES C COUNTER TIMES



- 3W-WR ST TM (P)
- 5/6X-WR (P)
- 7/6Z-MEM C (N)
- 7/6Y-MEM B (P)
- 5/6X-READ ONLY (P)
- 3W-READ ST TM (P)
- 5/6X-WR (P)
- 3W-B/S ST TM (N)
- 5/6X-B/S (P)
- 7/6Z-MEM C (P)
- 7/6Y-MEM B (P)
- 6/3W-GO (P)
- 7/6Y-MEM B (N)
- 5/6X-B/S (N)
- 6Z-EOB DEL (P)
- 7/6W-RUN ON (P)
- 3X-STOPPED TM (P)
- 6Z-EOB DEL (N)
- 7/3V-CTR DRIVE (P)
- 5/6Y-WR B (P)
- 7/6W-MEM A (N)
- 7/6Y-MEM B (P)
- 7/6Z-MEM C (P)
- 6V-OPEN CHAR GT (P)
- 14/3X-LD PT A (P)
- 7/6W-MEM A (P)
- 7/6Z-MEM C (N)
- 7/6Y-MEM B (N)
- 7/6Z-MEM C (N)



E.O.B. DETECTION

COMMON TO ALL DECKS.

CKD J WELLS
24-3-65
L. GARNER



LOGIC DIAGRAM

5007666 /
ASSEMBLY

ISSUE SHEET

ISSUE

SHEET	1	2	3	4	5	6	7	8	9	10	11	12	13	14	15	16	17	18	19	20
-------	---	---	---	---	---	---	---	---	---	----	----	----	----	----	----	----	----	----	----	----

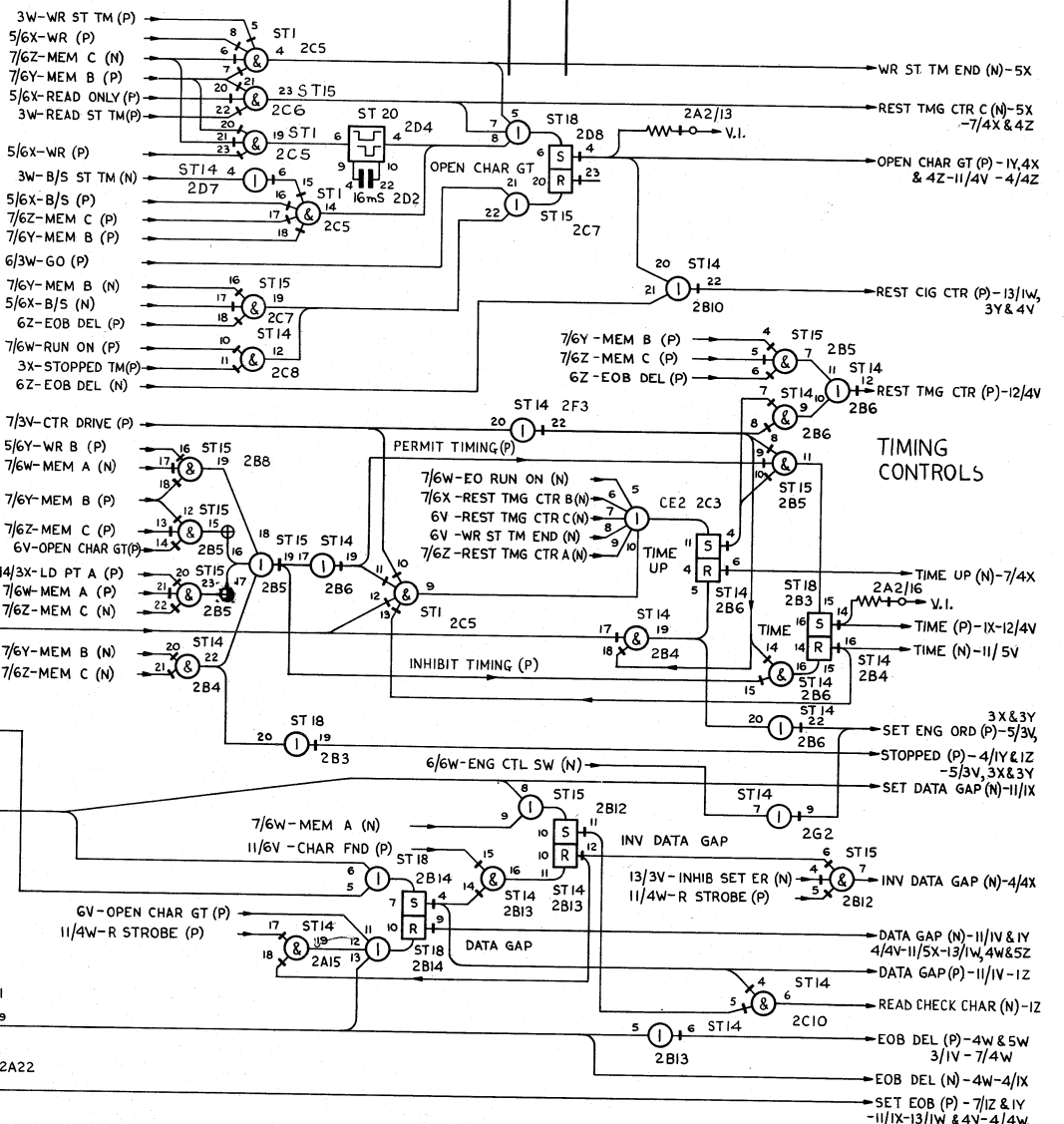
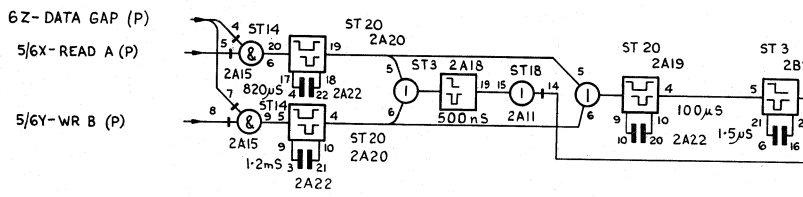
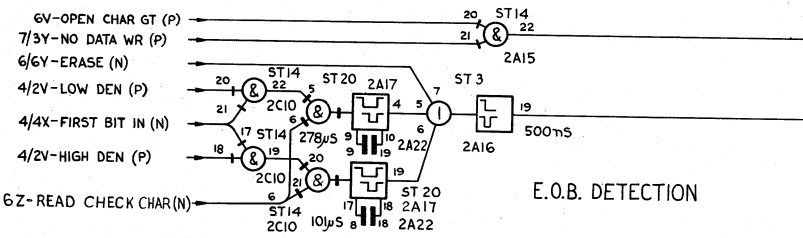
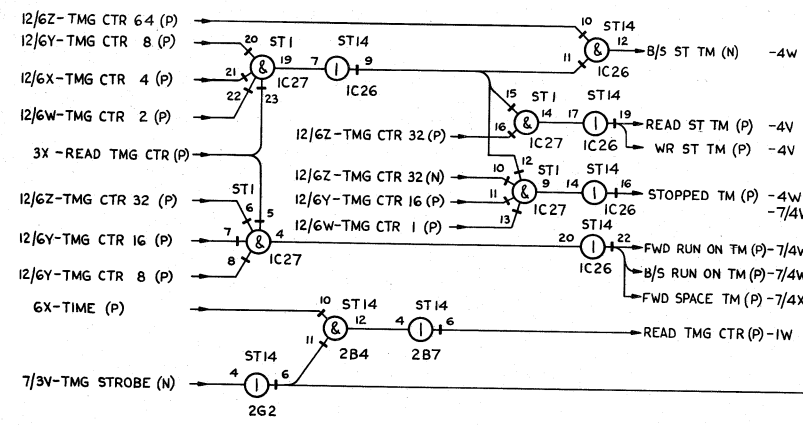
ISSUE NUMBERS OF OTHER SHEETS AT THE TIME OF ISSUING THIS SHEET.

ISS.

CHANGES

20 Kc/s TAPE SYSTEM

C DES C COUNTER TIMES



CKD J WELLS
24-3-65
L. GARNER



LOGIC DIAGRAM

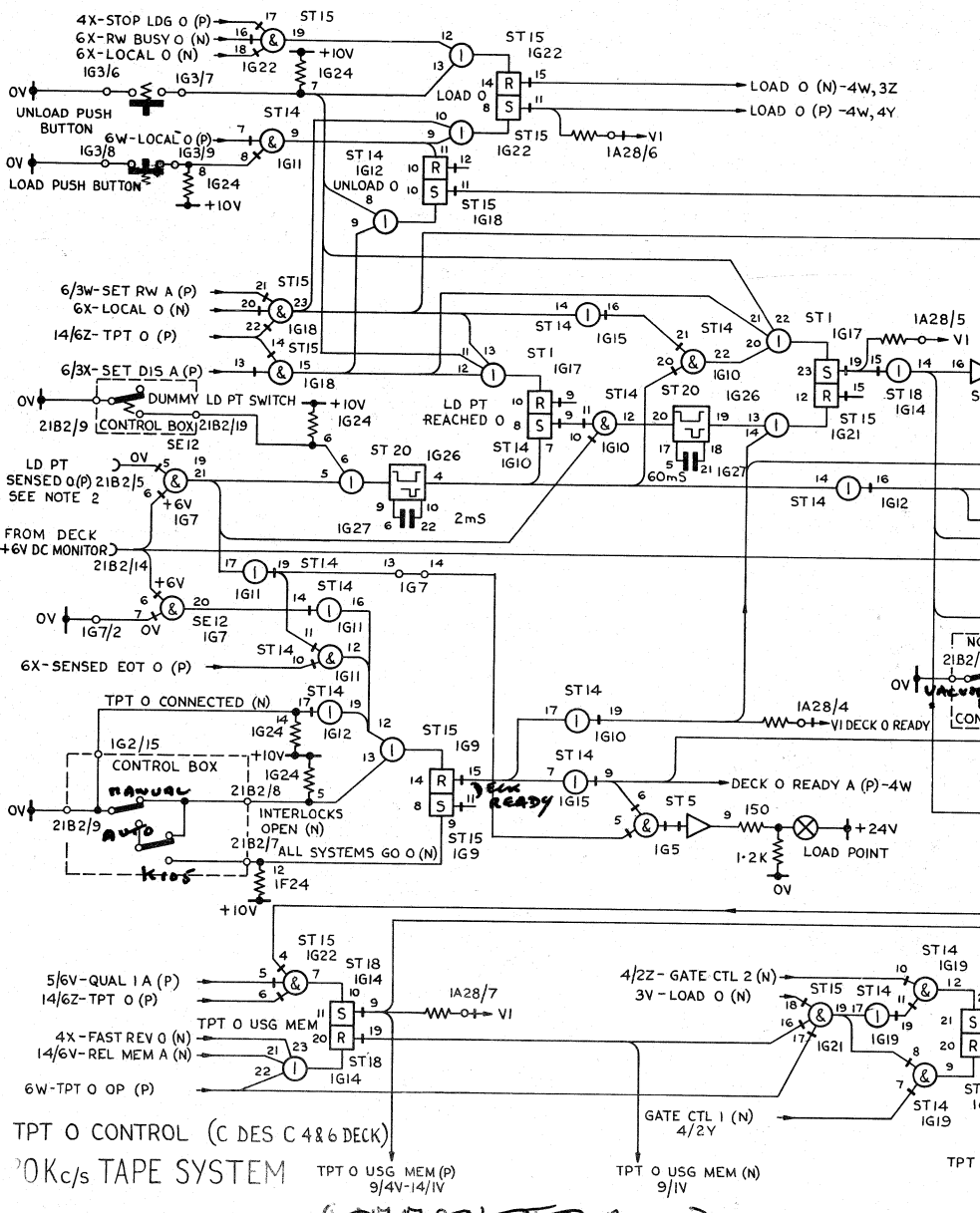
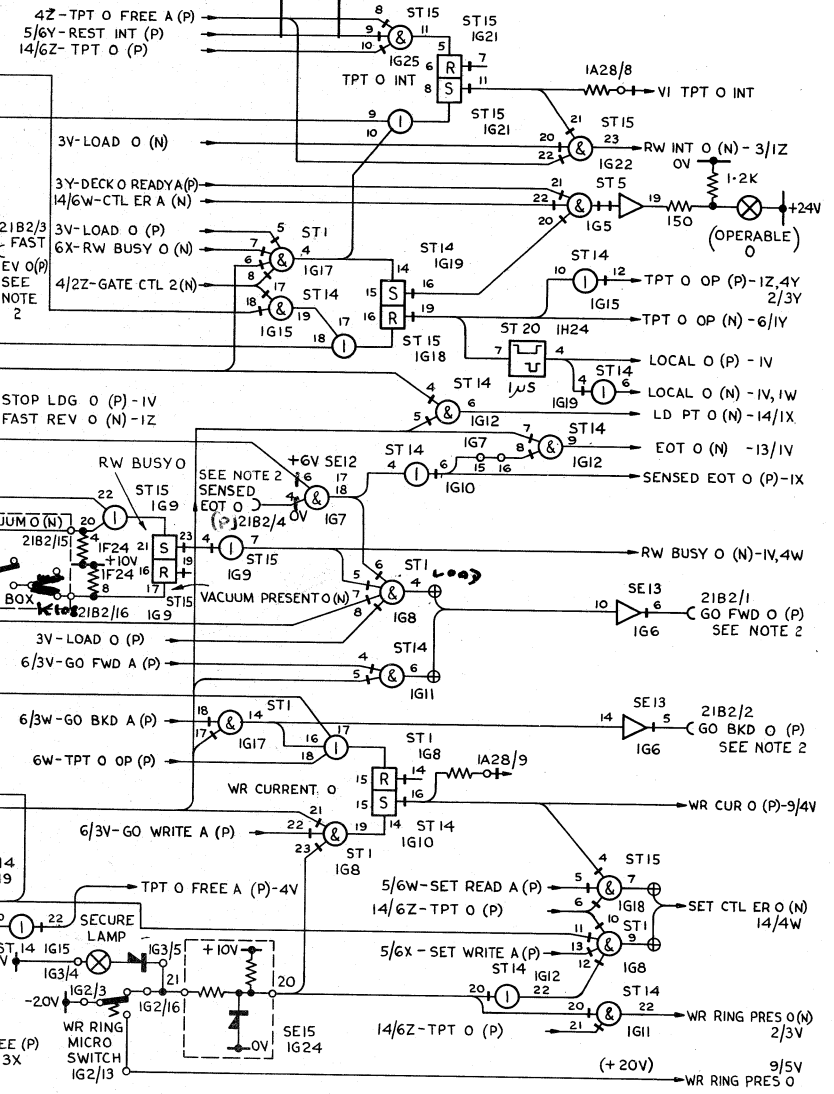
5007666 /
ASSEMBLY ISSUE SHEET 1

ISSUE																				
SHEET	1	2	3	4	5	6	7	8	9	10	11	12	13	14	15	16	17	18	19	20
ISSUE NUMBERS OF OTHER SHEETS AT THE TIME OF ISSUING THIS SHEET.																				

V

ISS. CHANGES

NOTE:
 1, 4 & 6 DECK SYSTEMS ONLY.
 NOT USED FOR 2 DECK SYSTEMS.
 2 CONNECTIONS TO & FROM DECK
 USE LOGIC LEVELS OF 0V & -6V



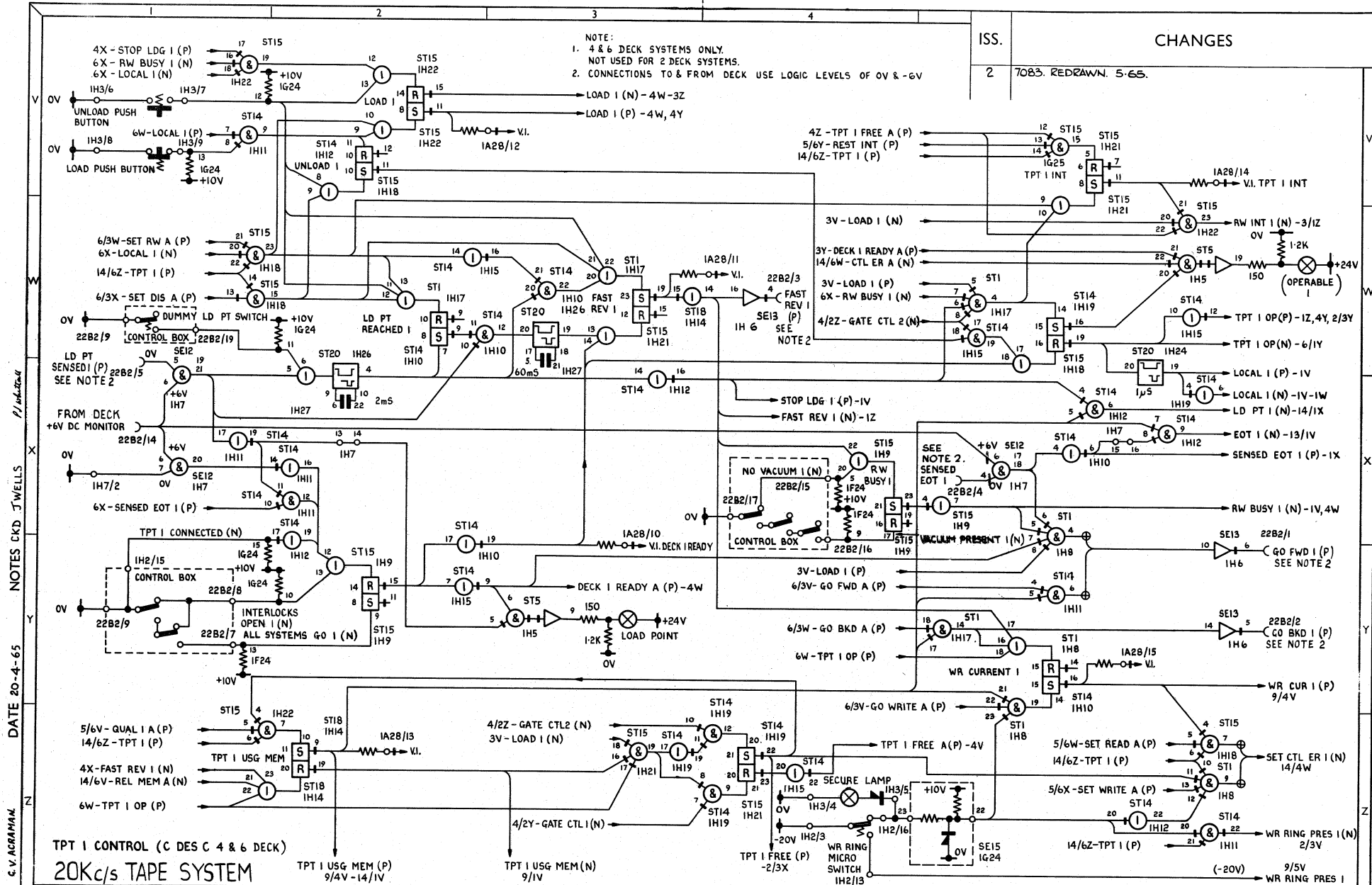
COMMON TO ALL DECKS



LOGIC DIAGRAM

5007666 / 2 2
 ASSEMBLY ISSUE SHEET

ISSUE																				
SHEET	1	2	3	4	5	6	7	8	9	10	11	12	13	14	15	16	17	18	19	20
ISSUE NUMBERS OF OTHER SHEETS AT THE TIME OF ISSUING THIS SHEET.																				



NOTE:
 1. 4 & 6 DECK SYSTEMS ONLY.
 NOT USED FOR 2 DECK SYSTEMS.
 2. CONNECTIONS TO & FROM DECK USE LOGIC LEVELS OF 0V & -6V

ISS. 2 2 2 2 2
 2 7083. REDRAWN. 5-65.

DRAWN BY G.V. AGRAPAHAN DATE 20-4-65 NOTES CKD J.WELLS P.1 of 2

TPT I CONTROL (C DES C 4 & 6 DECK)
 20Kc/s TAPE SYSTEM

LOGIC DIAGRAM

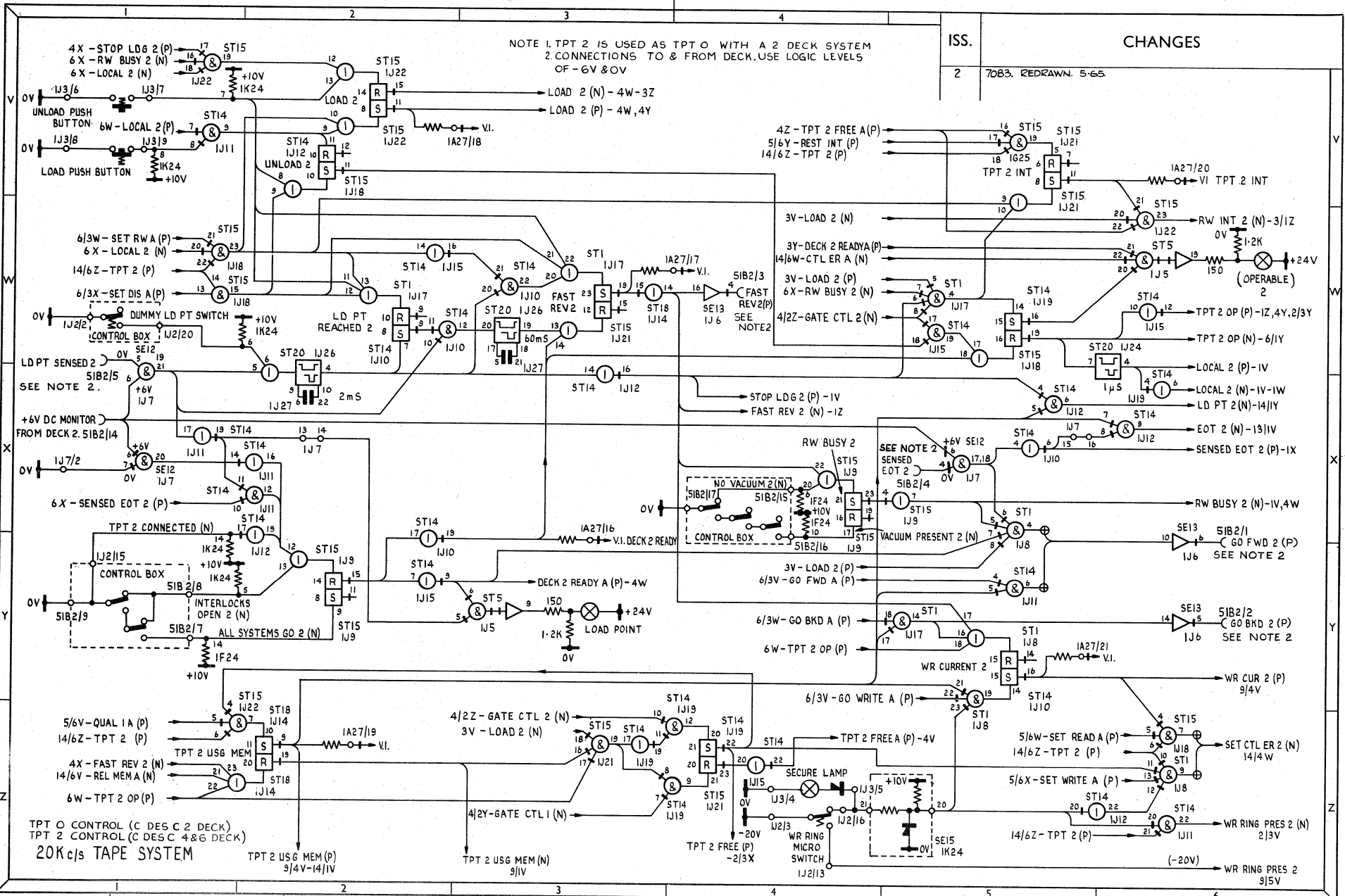
5007666/ 2 3

DIAGRAM ISSUE SHEET

ISSUE	2	2	2	2	2																													
SHEET	1	2	3	4	5	6	7	8	9	10	11	12	13	14	15	16	17	18	19	20	21	22	23	24	25	26	27	28	29	30				

ISSUE NUMBERS OF OTHER SHEETS AT THE TIME OF ISSUING THIS SHEET.

DRAWN BY R. SHILLADAY DATE 21-4-65



	LOGIC DIAGRAM	5007666 / 2 4	ISSUE	SHEET																														
		DIAGRAM	2 4	2 2 2 2 2 2																														
					<table border="1" style="border-collapse: collapse; width: 100%;"> <tr> <td style="width: 10%;">1</td><td style="width: 10%;">2</td><td style="width: 10%;">3</td><td style="width: 10%;">4</td><td style="width: 10%;">5</td><td style="width: 10%;">6</td><td style="width: 10%;">7</td><td style="width: 10%;">8</td><td style="width: 10%;">9</td><td style="width: 10%;">10</td><td style="width: 10%;">11</td><td style="width: 10%;">12</td><td style="width: 10%;">13</td><td style="width: 10%;">14</td><td style="width: 10%;">15</td><td style="width: 10%;">16</td><td style="width: 10%;">17</td><td style="width: 10%;">18</td><td style="width: 10%;">19</td><td style="width: 10%;">20</td><td style="width: 10%;">21</td><td style="width: 10%;">22</td><td style="width: 10%;">23</td><td style="width: 10%;">24</td><td style="width: 10%;">25</td><td style="width: 10%;">26</td><td style="width: 10%;">27</td><td style="width: 10%;">28</td><td style="width: 10%;">29</td><td style="width: 10%;">30</td> </tr> </table>	1	2	3	4	5	6	7	8	9	10	11	12	13	14	15	16	17	18	19	20	21	22	23	24	25	26	27	28	29
1	2	3	4	5	6	7	8	9	10	11	12	13	14	15	16	17	18	19	20	21	22	23	24	25	26	27	28	29	30					

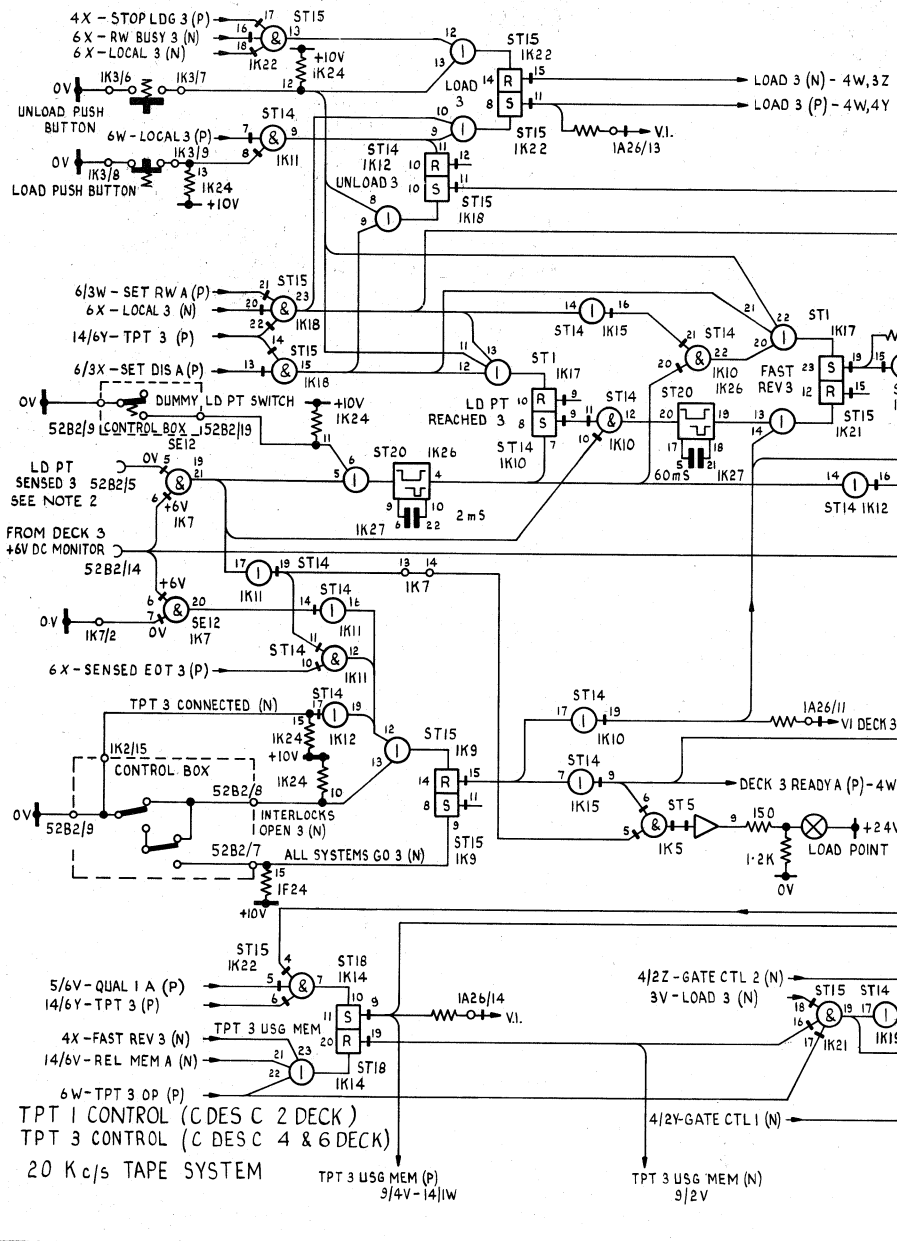
ISSUE NUMBERS OF OTHER SHEETS AT THE TIME OF ISSUING THIS SHEET.

P. J. WELLS

J. WELLS

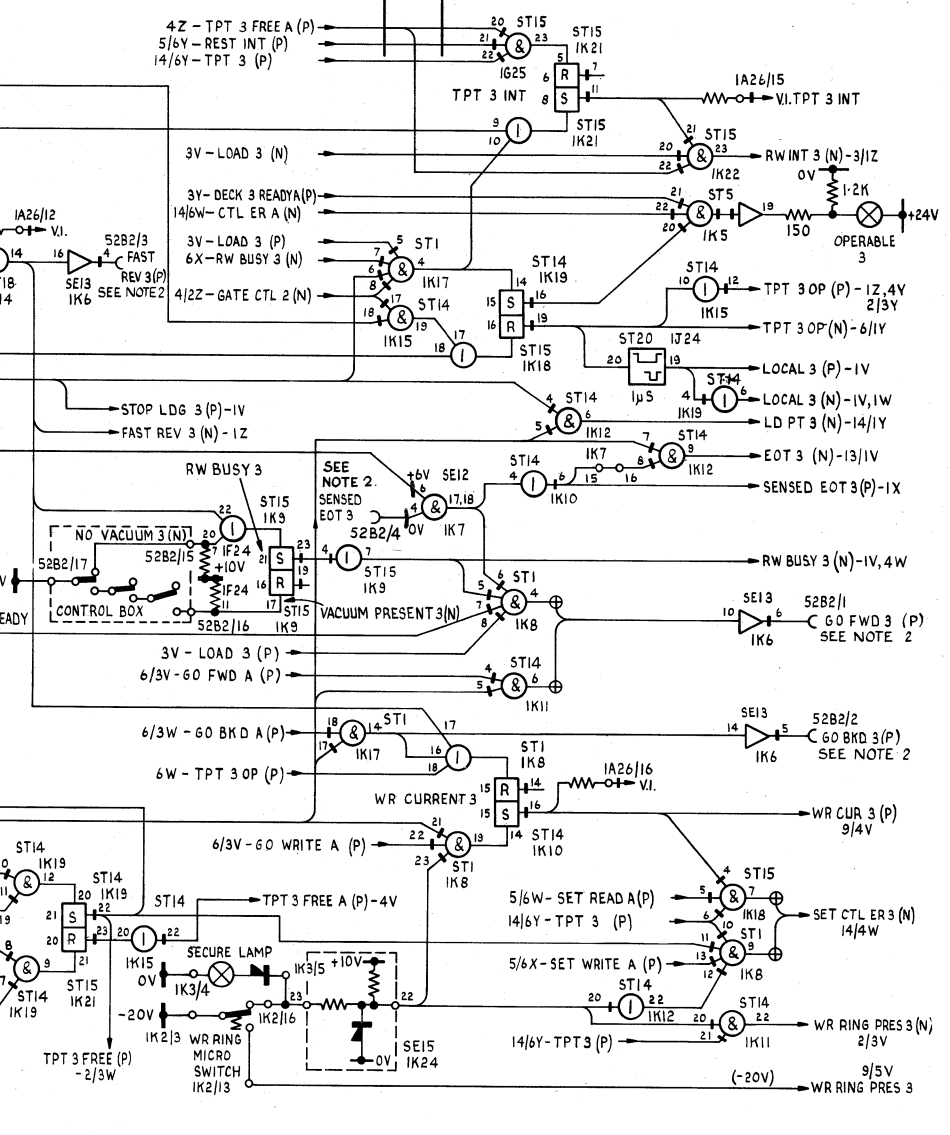
7-4-65

R. SHILLADY



NOTE 1. TPT 3 IS USED AS TPT 1 WITH A 2 DECK SYSTEM
 2. CONNECTIONS TO & FROM DECK HAVE LOGIC LEVELS OF -6V & 0V

ISS.	2	7083 REDRAWN. 5-65.
CHANGES		



LOGIC DIAGRAM

5007666 / 2
 ASSEMBLY ISSUE SHEET

ISSUE	2	2	2	2	2	2														
SHEET	1	2	3	4	5	6	7	8	9	10	11	12	13	14	15	16	17	18	19	20

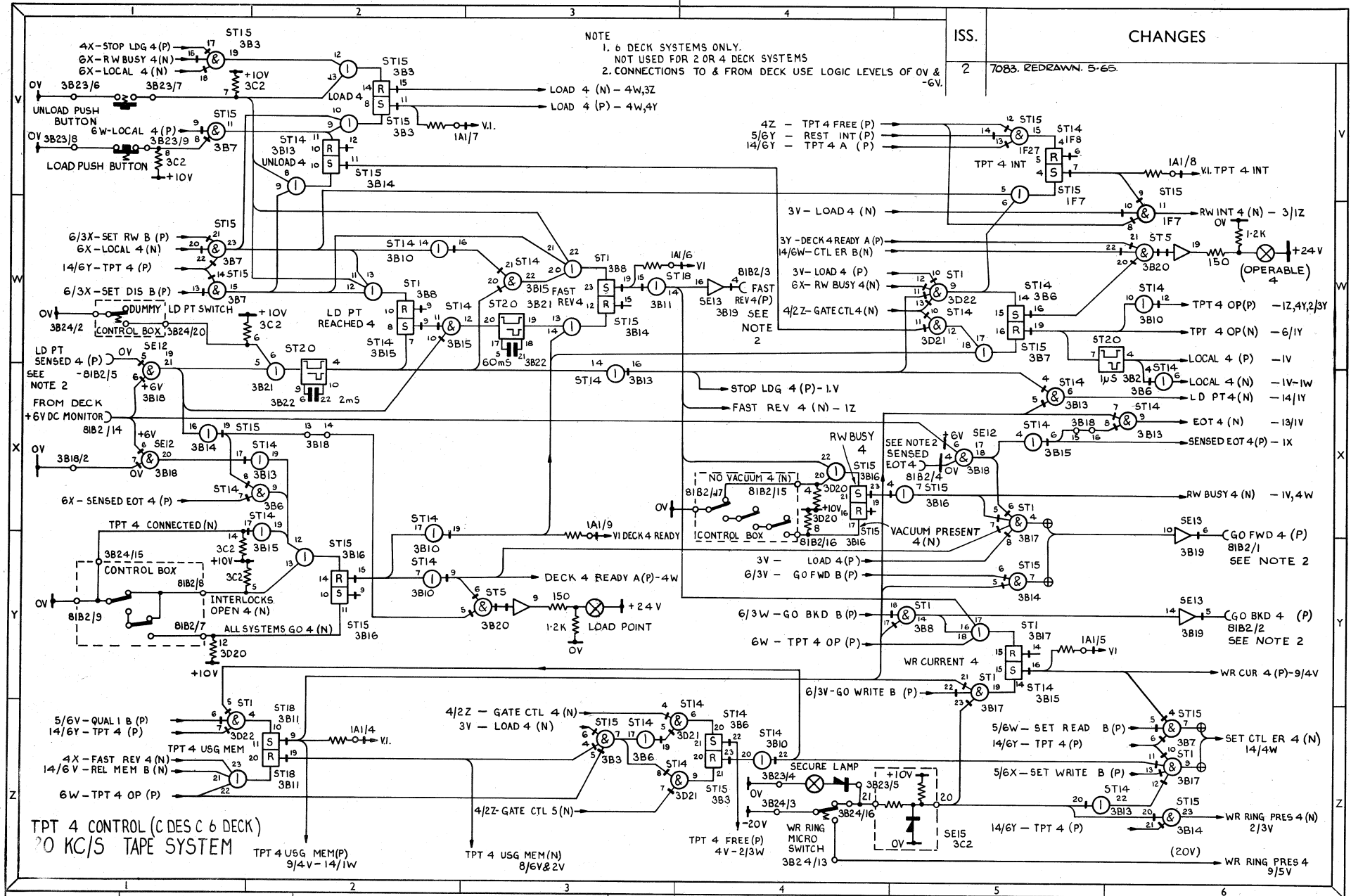
ISSUE NUMBERS OF OTHER SHEETS AT THE TIME OF ISSUING THIS SHEET.

NOTE
 1. 6 DECK SYSTEMS ONLY.
 NOT USED FOR 2 OR 4 DECK SYSTEMS
 2. CONNECTIONS TO & FROM DECK USE LOGIC LEVELS OF OV & -6V.

ISS.

CHANGES

2 7083. REDRAWN 5-65.



LOGIC DIAGRAM

5007666 / 2 6
 DIAGRAM ISSUE SHEET

ISSUE 2 2 2 2 2 2

SHEET 1 2 3 4 5 6 7 8 9 10 11 12 13 14 15 16 17 18 19 20 21 22 23 24 25 26 27 28 29 30

ISSUE NUMBERS OF OTHER SHEETS AT THE TIME OF ISSUING THIS SHEET.

11-10-65

NOTES CKD J WELLS

DATE 7-4-65

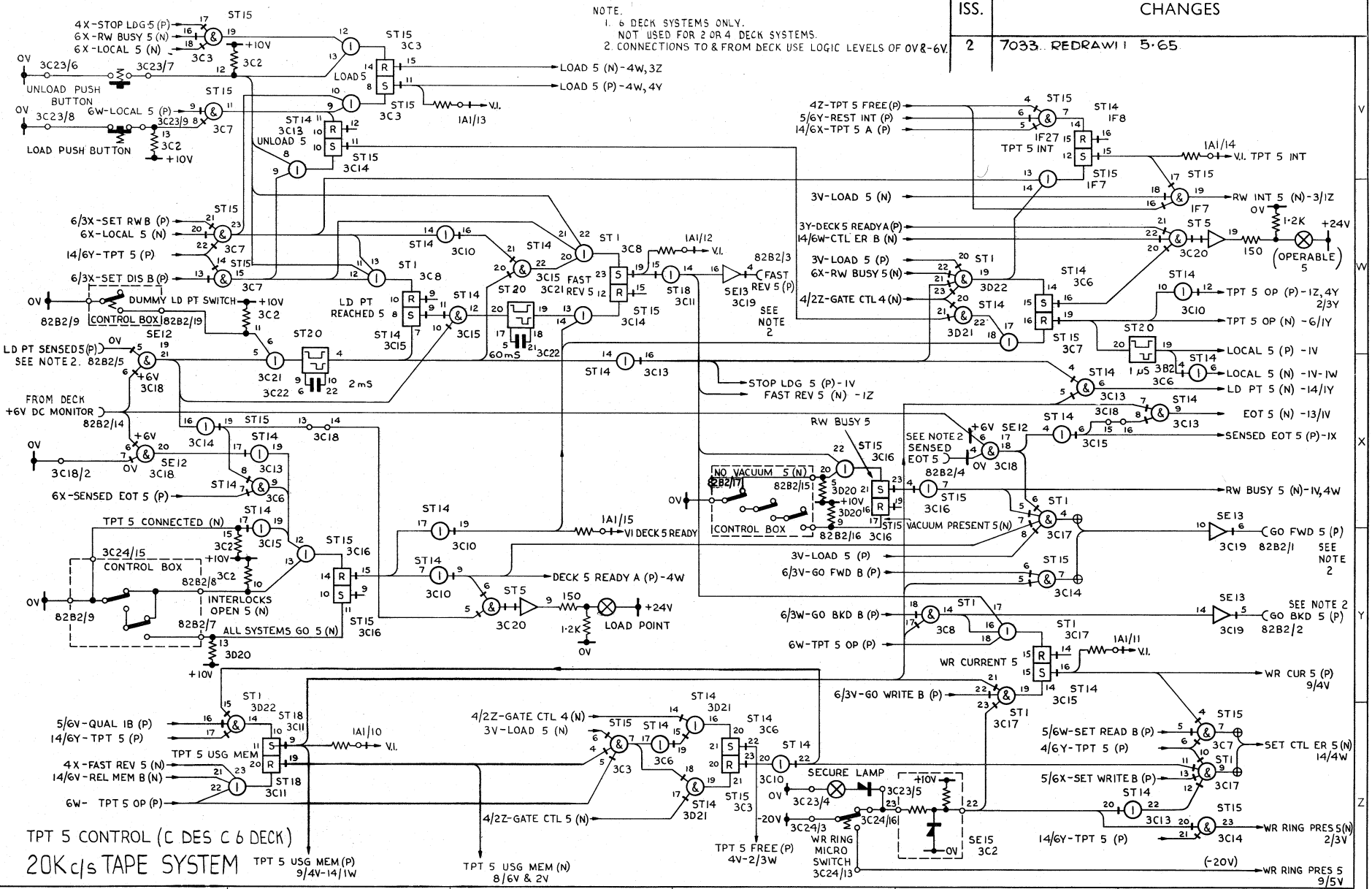
DRAWN BY L. GARNER

NOTE:
 1. 6 DECK SYSTEMS ONLY.
 NOT USED FOR 2 OR 4 DECK SYSTEMS.
 2. CONNECTIONS TO & FROM DECK USE LOGIC LEVELS OF 0V & 6V.

ISS.

CHANGES

2 7033. REDRAWN 1 5-65



LOGIC DIAGRAM

5007666 / 2 7
 DIAGRAM ISSUE SHEET

ISSUE

SHEET	1	2	3	4	5	6	7	8	9	10	11	12	13	14	15	16	17	18	19	20	21	22	23	24	25	26	27	28	29	30
-------	---	---	---	---	---	---	---	---	---	----	----	----	----	----	----	----	----	----	----	----	----	----	----	----	----	----	----	----	----	----

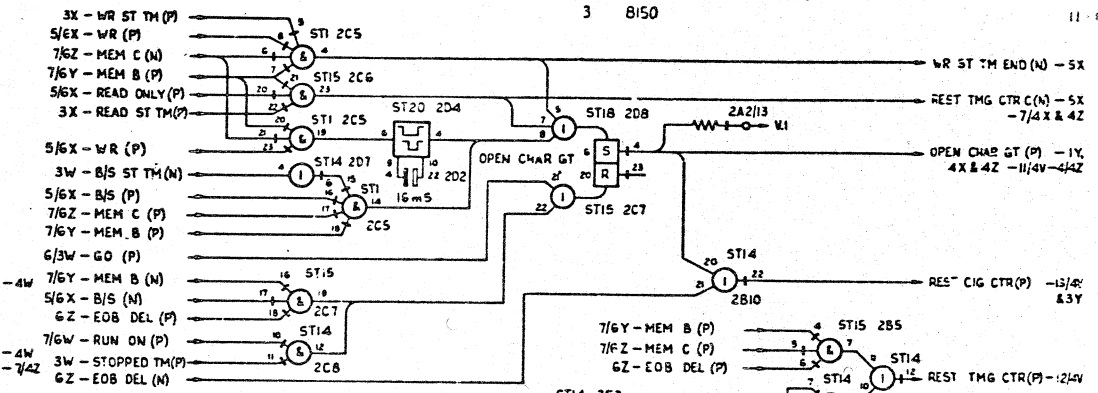
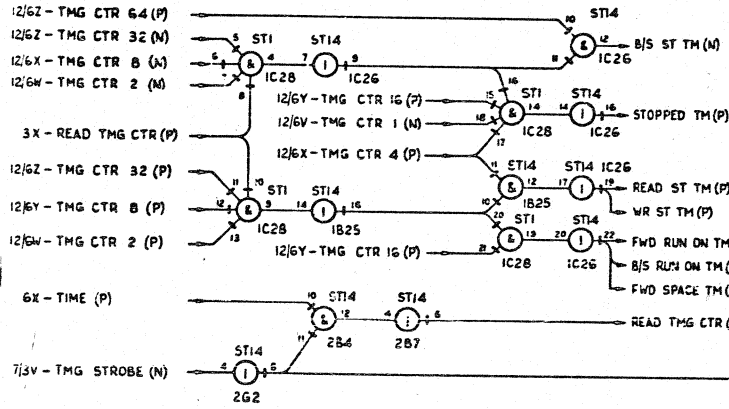
ISSUE NUMBERS OF OTHER SHEETS AT THE TIME OF ISSUING THIS SHEET.

ISS CHANGES

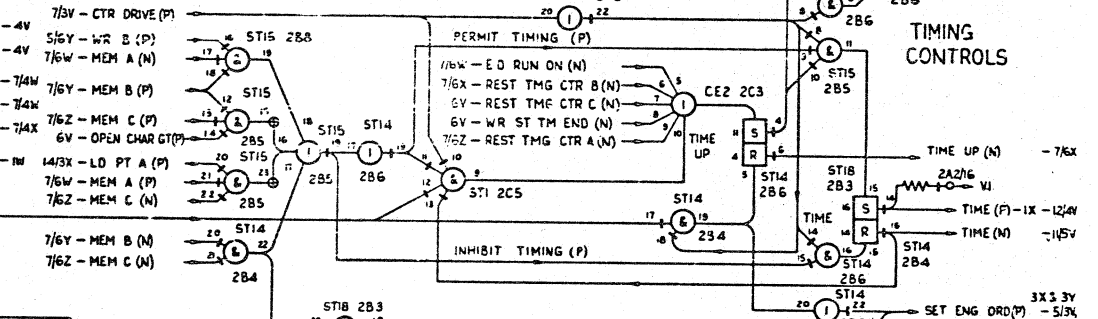
2 1055. REDRAWN. 5-65
3 8150

11 65

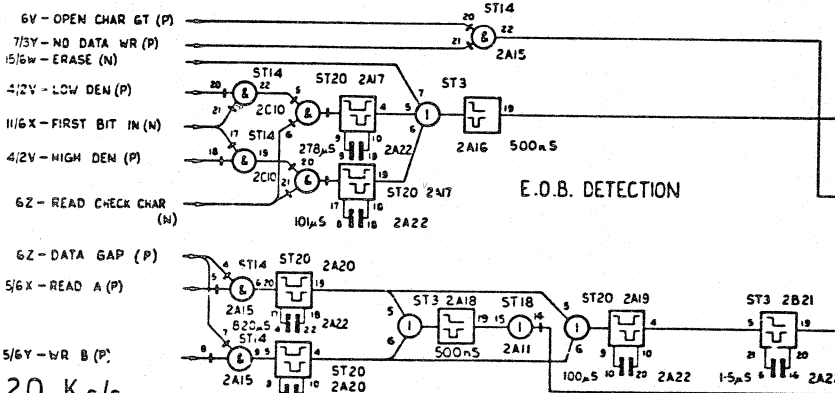
DRICO COUNTER TIMES



TIMING CONTROLS

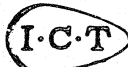


E.O.B. DETECTION



20 Kc/s TAPE SYSTEM

DRICO COMMON



LOGIC DIAGRAM

5007667 / 3

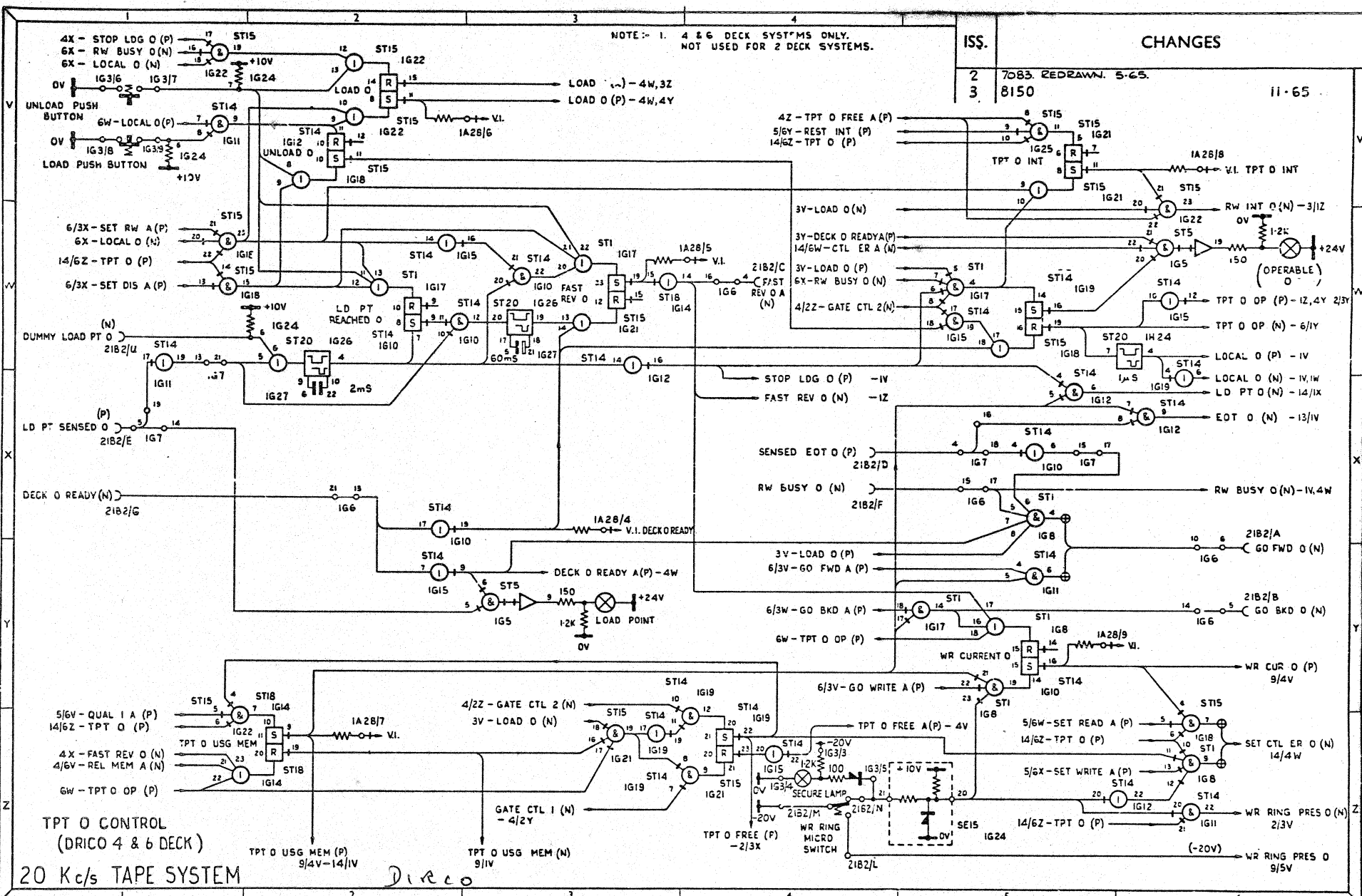
DRAWN TO PROV. STD 7902101

ISSUE 3 3 3 3 3

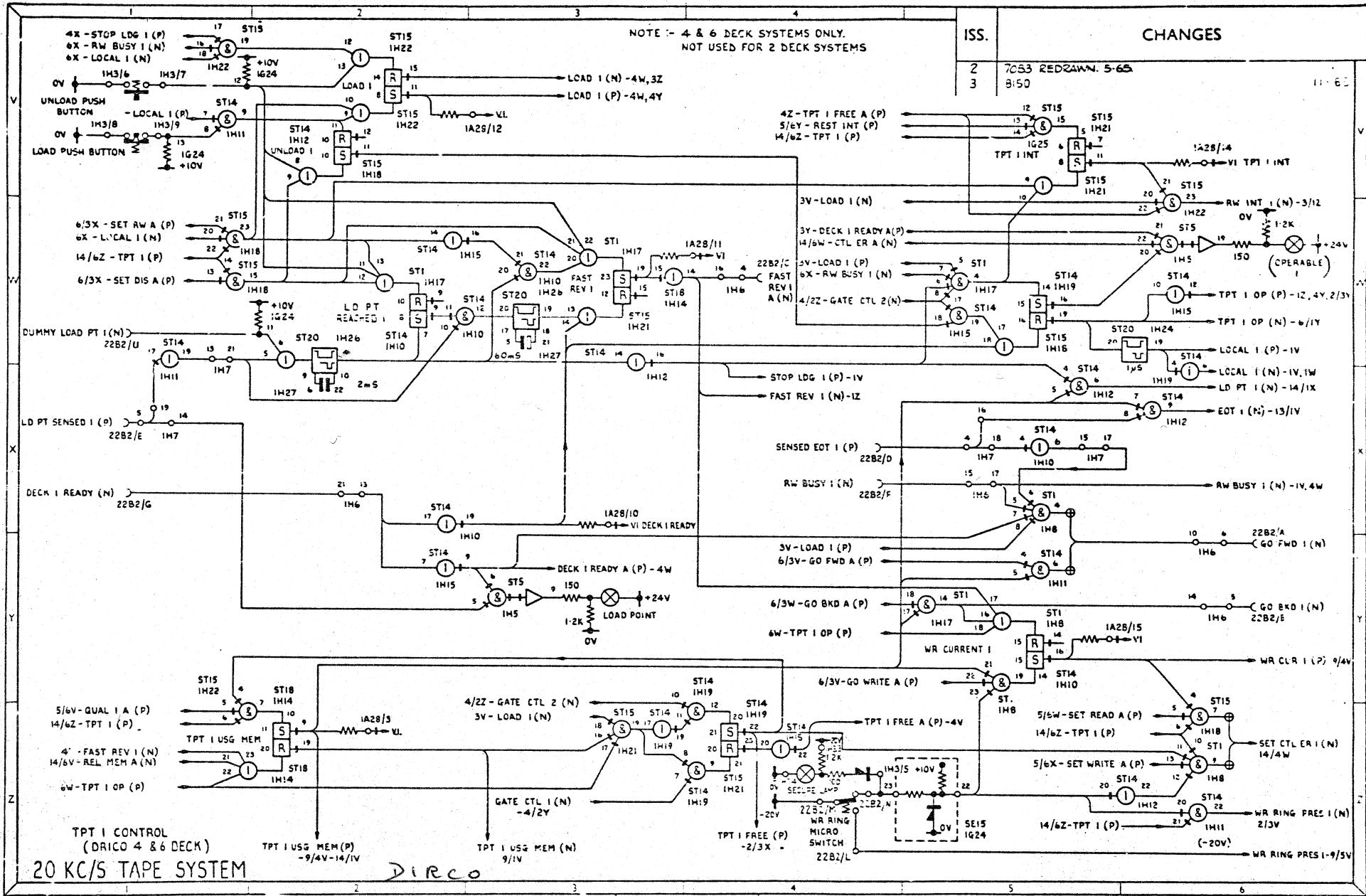
SHEET	1	2	3	4	5	6	7	8	9	10	11	12	13	14	15	16	17	18	19	20	21	22	23	24	25	26	27	28	29	30
-------	---	---	---	---	---	---	---	---	---	----	----	----	----	----	----	----	----	----	----	----	----	----	----	----	----	----	----	----	----	----

ISSUE NUMBERS OF OTHER SHEETS AT THE TIME OF ISSUING THIS SHEET

DRAWN BY V.M. SMITH DATE 9-4-65 NOTES CKD J.WELLS



I.C.T.	LOGIC DIAGRAM	5007667 / 3	2	ISSUE 3 3 3 3 3
		DIAGRAM	ISSUE SHEET	
SHEET 1 2 3 4 5 6 7 8 9 10 11 12 13 14 15 16 17 18 19 20 21 22 23 24 25 26 27 28 29 30				
ISSUE NUMBERS OF OTHER SHEETS AT THE TIME OF ISSUING THIS SHEET.				



DRAWN BY G. KRAMAN

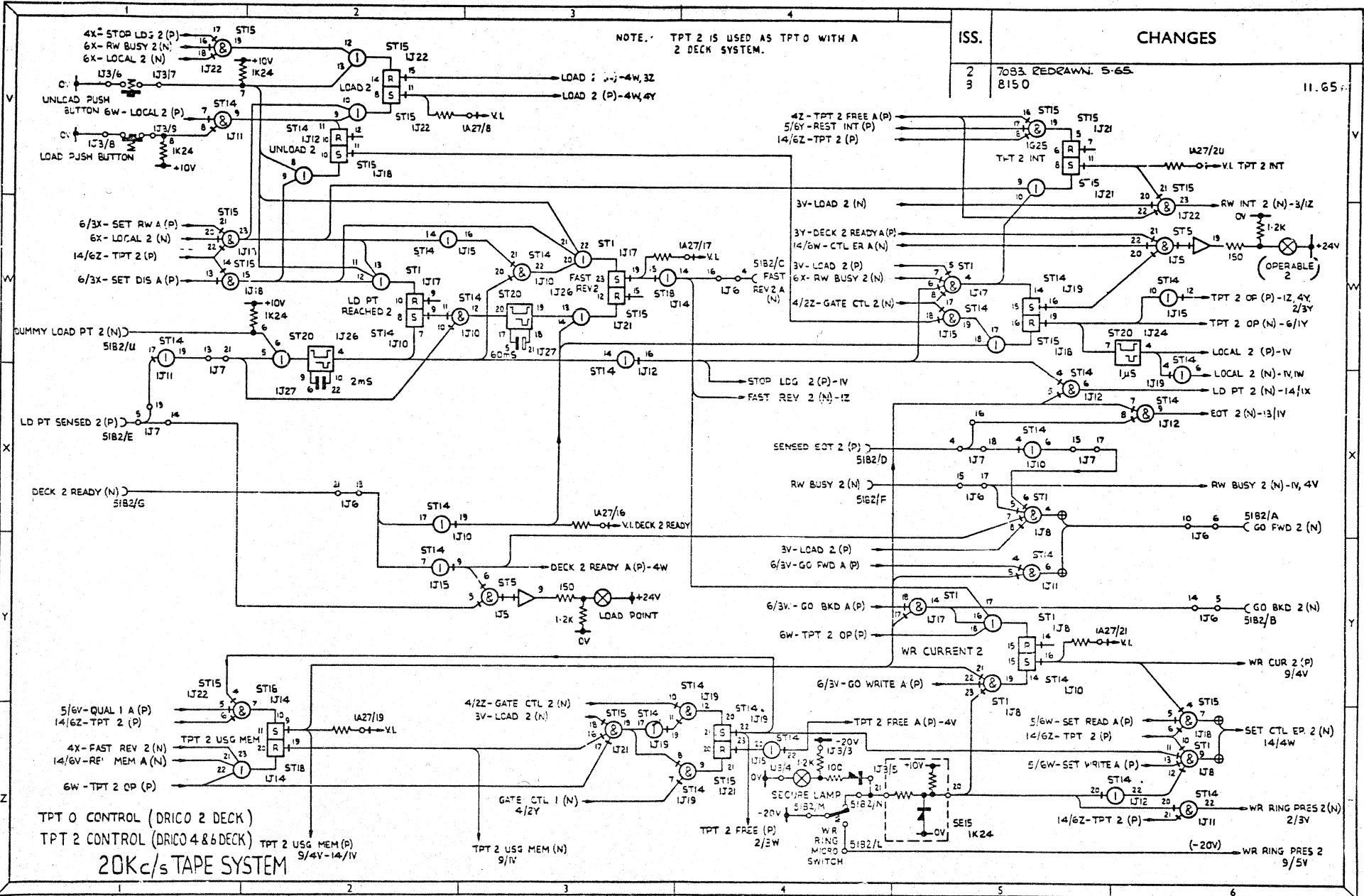


LOGIC DIAGRAM

5007667/ 3 3
DIAGRAM ISSUE SHEET

DATE 13-4-65 NOTES CKD J.WELLS

DRAWN BY M. MITCHELL



ISS.	CHANGES
2	7093. REDRAWN. 5-65.
3	8150

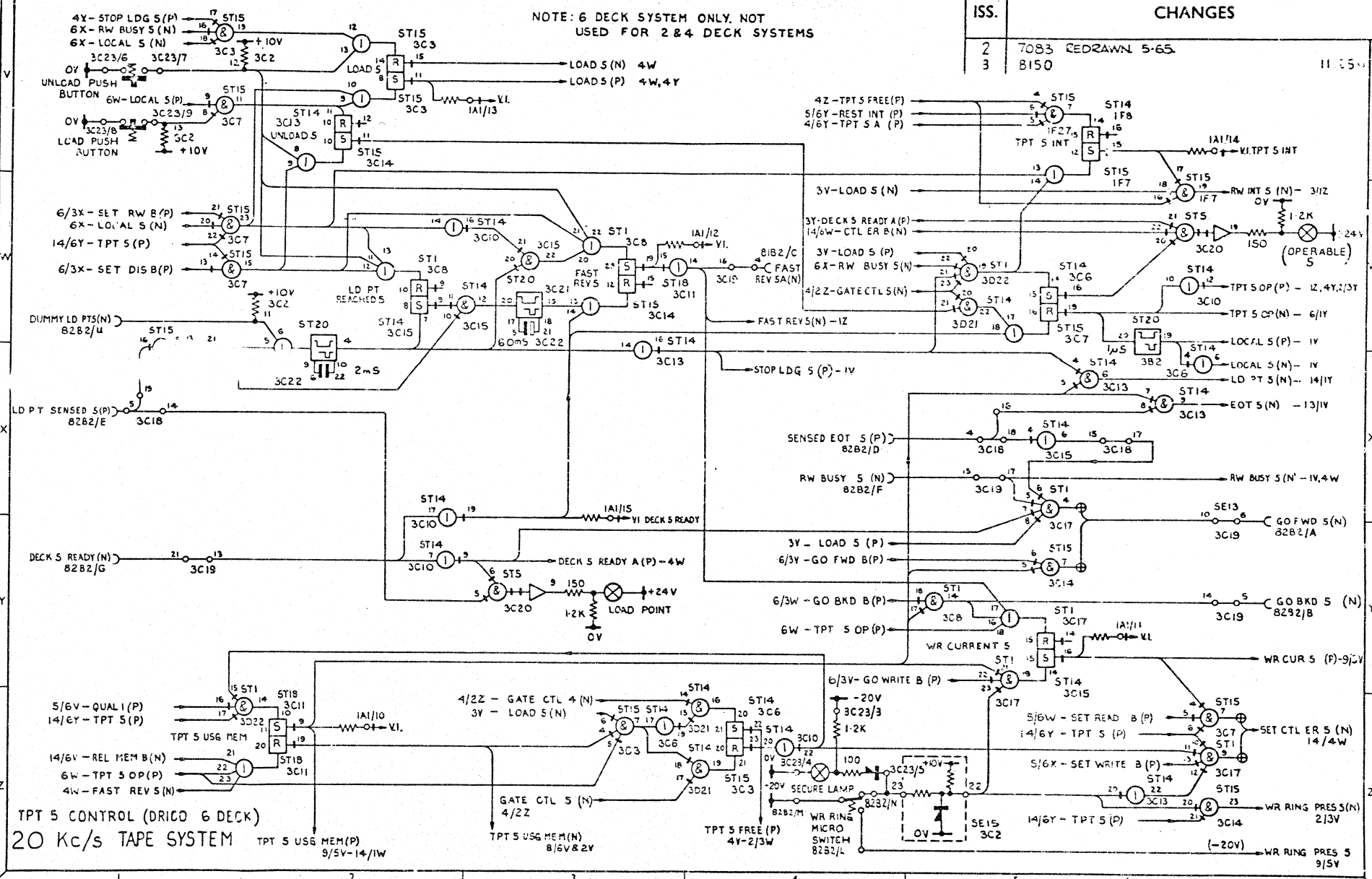
11.65

TPT 0 CONTROL (DRICO 2 DECK)
TPT 2 CONTROL (DRICO 4 & 6 DECK)
20Kc/s TAPE SYSTEM

LOGIC DIAGRAM	5007667 / 3 4	ISSUE 3 3 3 3 3 3
DIAGRAM	ISSUE SHEET	SHEET 1 2 3 4 5 6 7 8 9 10 11 12 13 14 15 16 17 18 19 20 21 22 23 24 25 26 27 28 29 30
		ISSUE NUMBERS OF OTHER SHEETS AT THE TIME OF ISSUING THIS SHEET.

NOTE: 6 DECK SYSTEM ONLY. NOT USED FOR 2 & 4 DECK SYSTEMS

ISS.	CHANGES
2	7083 REDRAWN 5-65
3	8150



TPT 5 CONTROL (DRICO 6 DECK)
20 Kc/s TAPE SYSTEM
TPT 5 USE MEM (P) 9/5V-14/1W
GATE CTL S (N) 4/2Z
TPT 5 USE MEM (N) 8/6V&2V

DRAWN BY S. COOPER

DATE 5.4.65

NOTES CKD J. WILS



LOGIC DIAGRAM

5007667 / 3 7
DIAGRAM ISSUE SHEET

ISSUE	3	3	3	3	3																									
SHEET	1	2	3	4	5	6	7	8	9	10	11	12	13	14	15	16	17	18	19	20	21	22	23	24	25	26	27	28	29	30

ISSUE NUMBERS OF OTHER SHEETS AT THE TIME OF ISSUING THIS SHEET.