

INDEX OF LOGICAL DRAWINGS FOR WGC.02 DATA FLOW

DRAWING

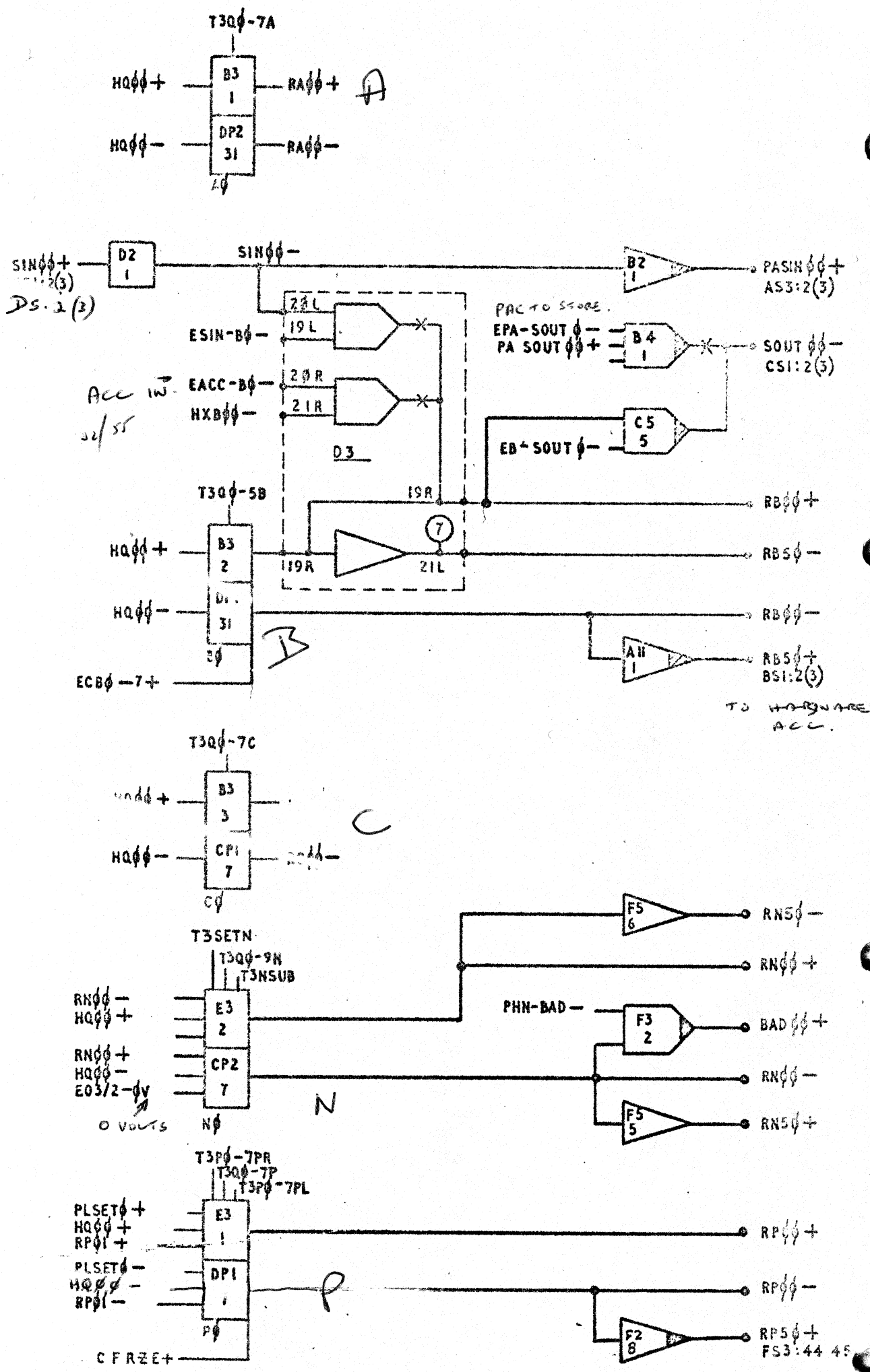
TITLE

DRAWING

TITLE

00o	Stats Slice	24	Mill Slice & P. Register
00i	Gates Slice	25	Carry Gates to C22
01o	Stats Slice	26	Overflow Gates to C23
01i	Gates Slice	27	Cybo & Blockcarry
02o	Stats Slice	28	Block Carry
02i	Gates Slice	29	Block Carry
03o	Stats Slice	30	Parity Bit Stage 1
03i	Gates Slice	31	Parity Bit Stage 1
04o	Stats Slice	32	Parity Bit Stage 2 & 3
04i	Gates Slice	33	Parity Fail, RB24 & Gates
05o, 05i	Gates Slice & Slice	34	N Count Gates
06o	Stats Slice	35	N Count Gates
06i	Gates Slice	36	N Register Gates
07o	Stats Slice	37	Character Register
07i	Gates Slice	38	X Register Gates & Decode
08o	Stats Slice	39	Datum Register & Res. Check
09o	Gates Slice	40	Datum Register & Res. Check
09i	Stats Slice	41	Datum Register & Res. Check
10o	Gates Slice	42	Limit Register & Res. Check
10i	Stats Slice	43	Limit Register & Res. Check
11o	Gates Slice	44	Limit Register & Res. Check
11i	Stats Slice	45	H Register Bits 0-5
12o	Gates Slice	46	G Register Bits 6-9
12i	Stats Slice	47	Mill Tests
13o	Gates Slice	48	Mill Tests
13i	Stats Slice	49	Sad < 8 Test
14o	Gates Slice	50	K, 074 & ZS Tests
14i	Stats Slice	51, 51i	General Tests
15o	Gates Slice	52	Function Gates
15i	Stats Slice	53	Illegal Op. & Mon. Mode States
16o	Gates Slice	54	ZS & A Stats
16i	Stats Slice	55	Store PAC & ACC Control
17o	Gates Slice	56o 56i 56i	Store Enable
17i	Stats Slice	56a 56a 56a	Store Enable
18o	Gates Slice	56c 56i	Link Packages.
18i	Stats Slice	57	Spec. Register 64
19o	Gates Slice	58	Spec. Register 65, 129
19i	Stats Slice	59	Mill Timer
20o	Gates Slice	60	Sad Field Decode
20i	Stats Slice	61	K Field Decode
21o	Gates Slice	62	L Field Decode
21i	Stats Slice	63	Q In Field Decode
22o	Gates Slice	64	Q Out Field Decode
22i	Stats Slice	65	Q Out Field Decode
23o	Gates Slice	66	Q Out Field Decode
23i	Stats Slice	67	Misc. Field Decode
		68	Misc. Field Decode
		70	Close Operation

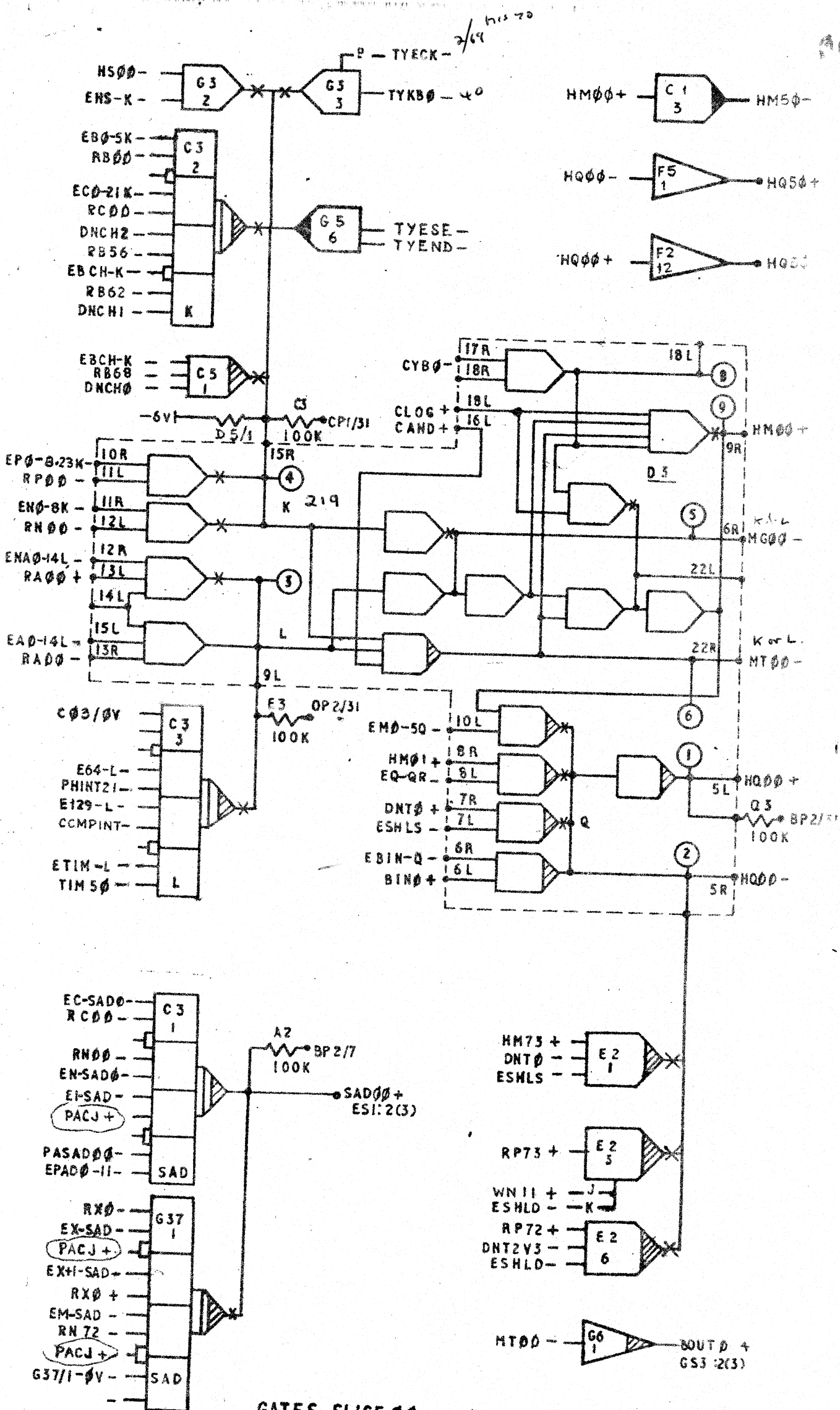
000



U.S.C. 52/000

STATS.SLICE.

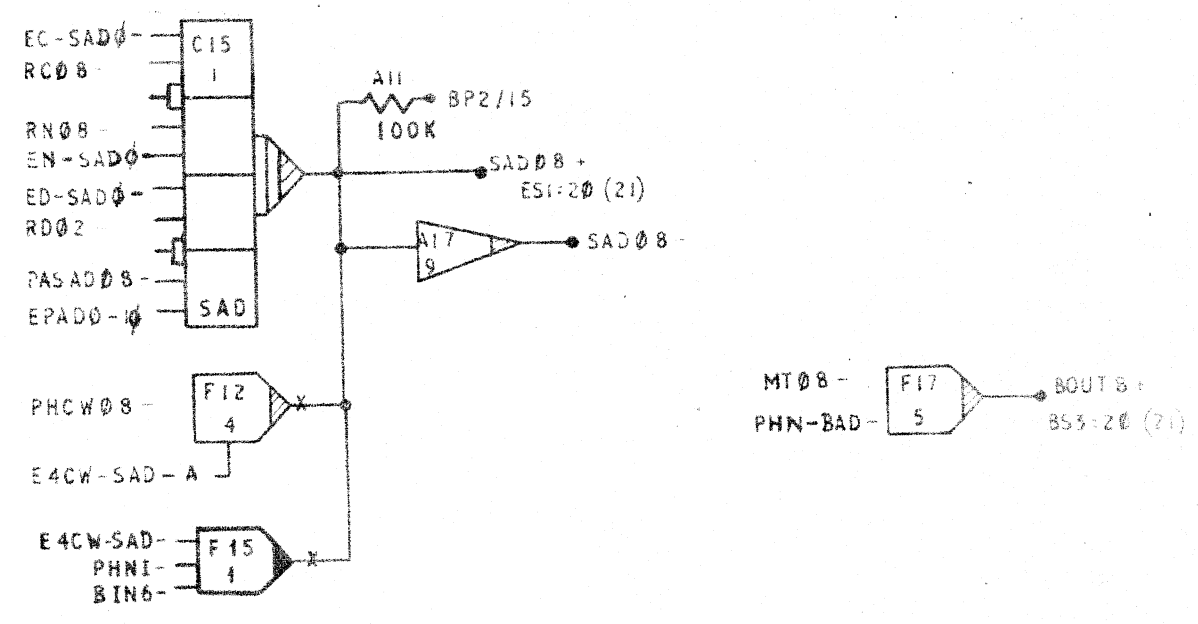
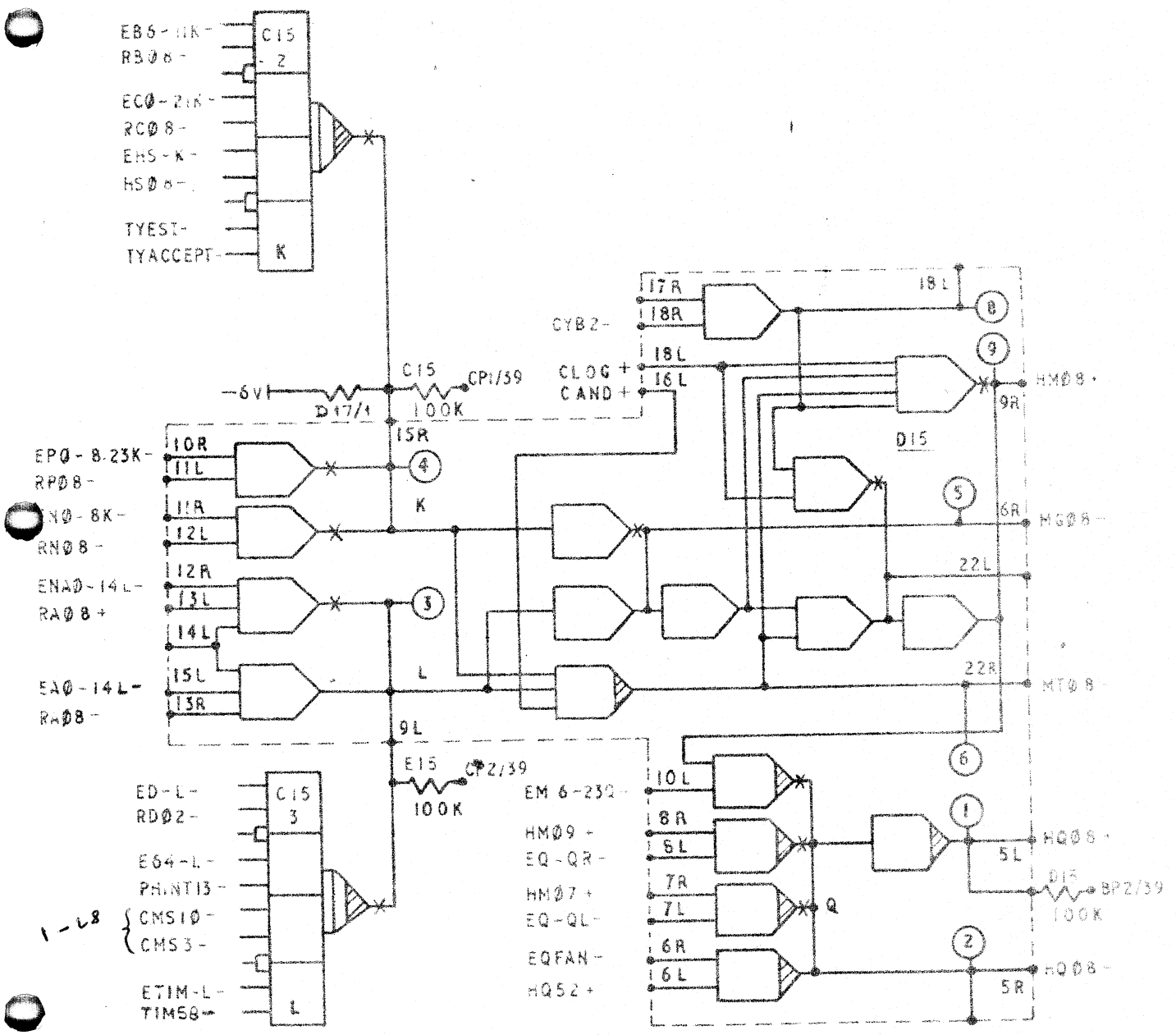
505	ISS								
01	0827								



GATES SLICE 00

W.G.C. 02/00

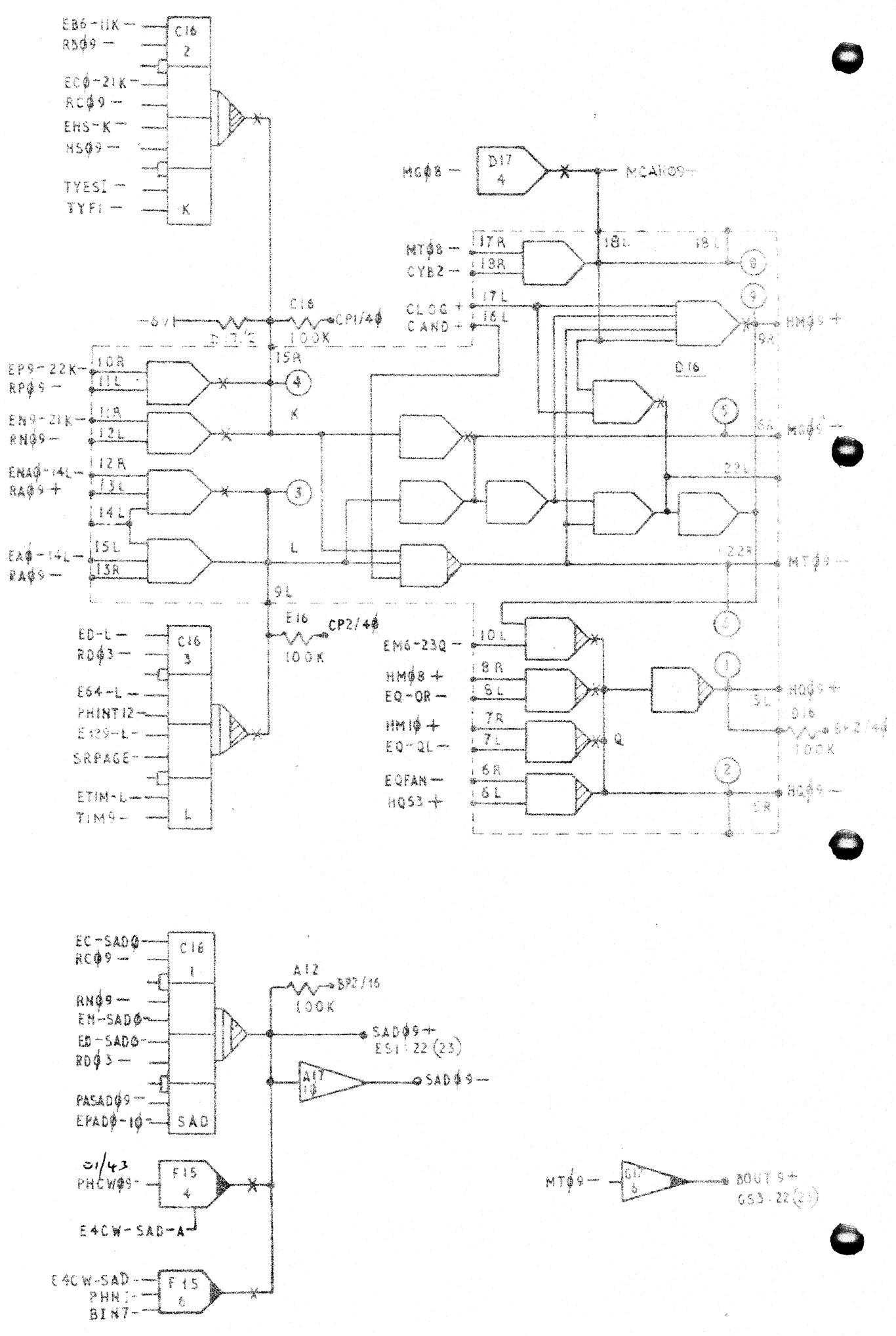
SUB.	ISS	1	2							
ACW	0827	0894	0930							
	25/8/67	14/11/67	2/1/68							



GATE SLICE 0

W.G.C. 02/08

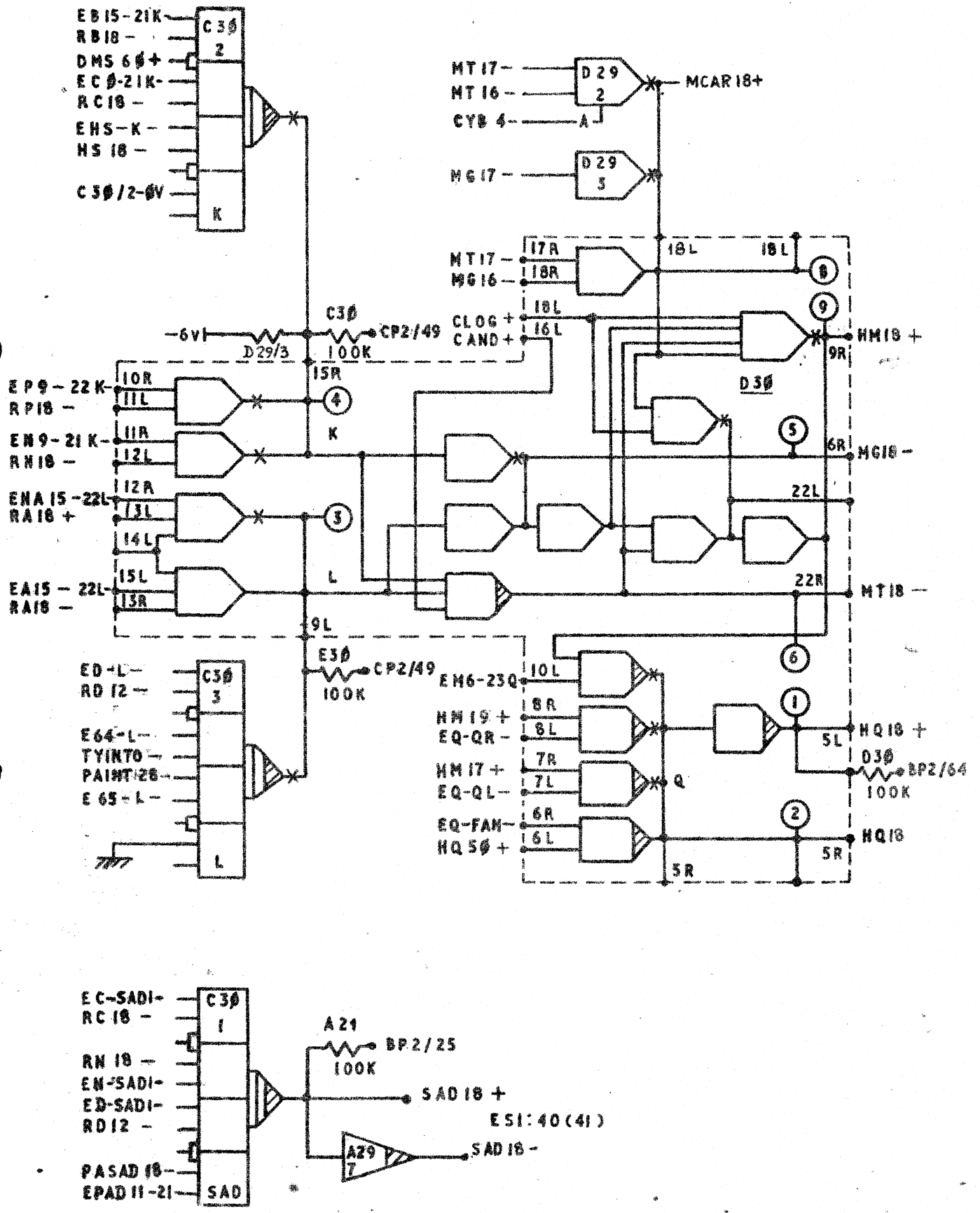
SUB.	ISS	1	2							
ACW	0827	1527	1581							

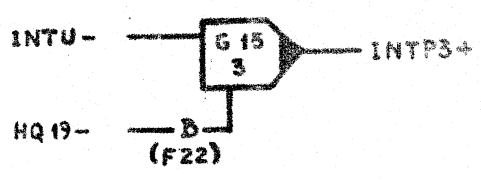
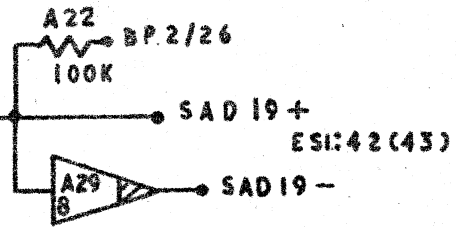
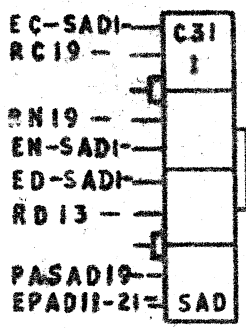
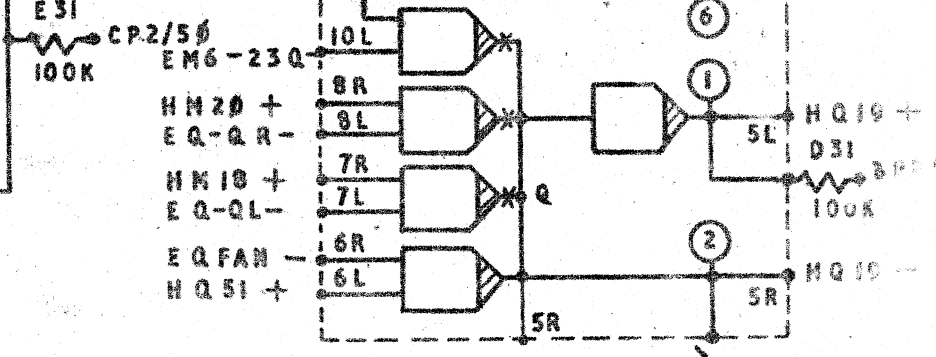
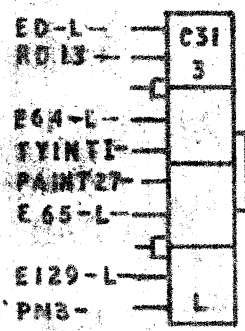
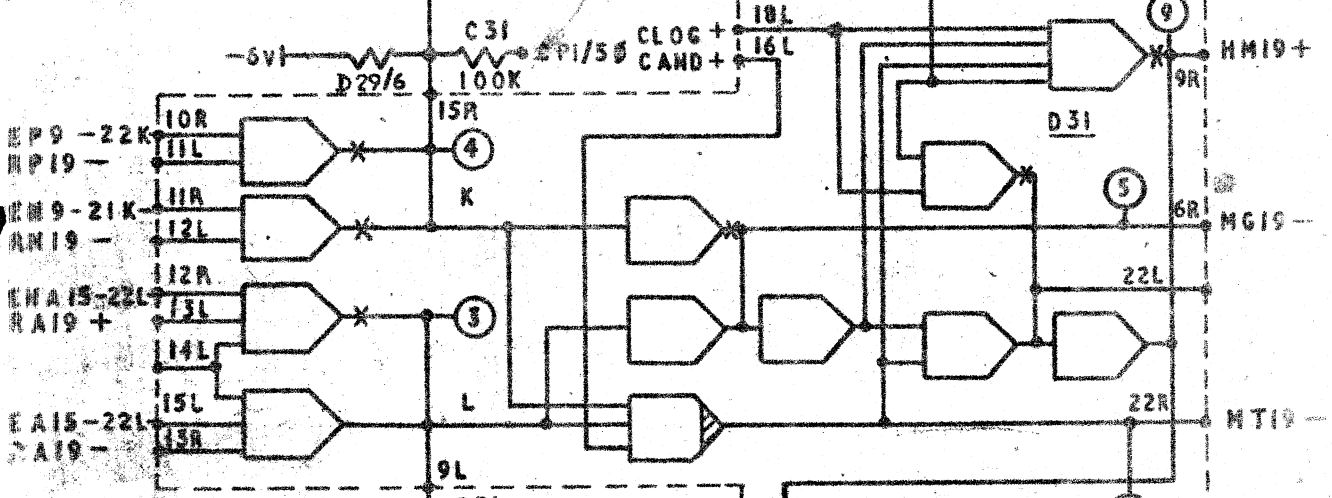
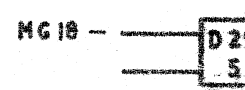
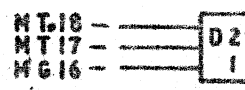
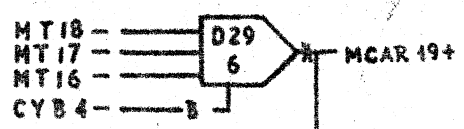
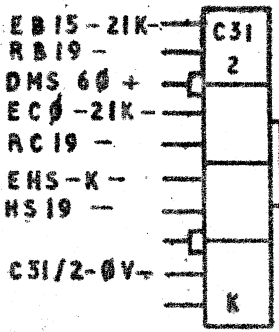


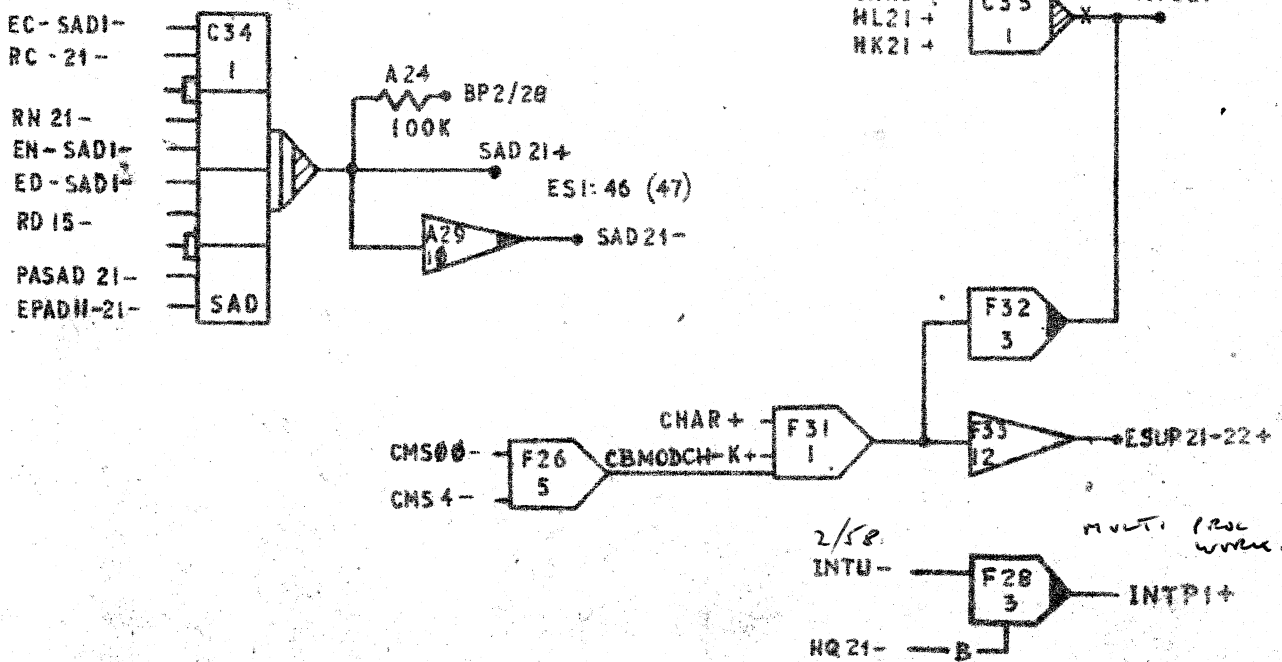
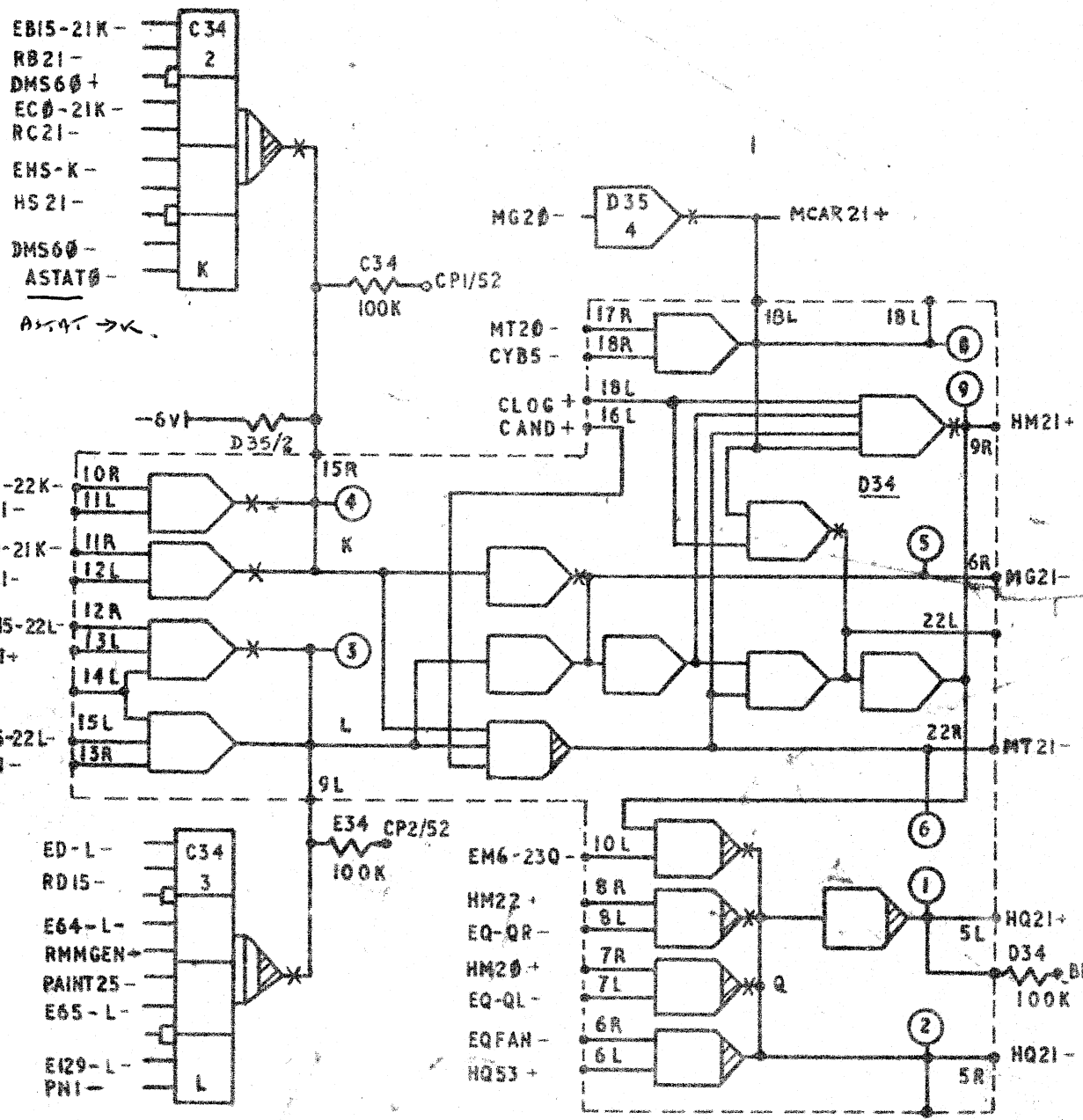
GATES SLICE 9.

WGC 82/49

SUB.	ISS	1	2																	
ACW	0827	1527	1581																	
GATES SLICE 9																				



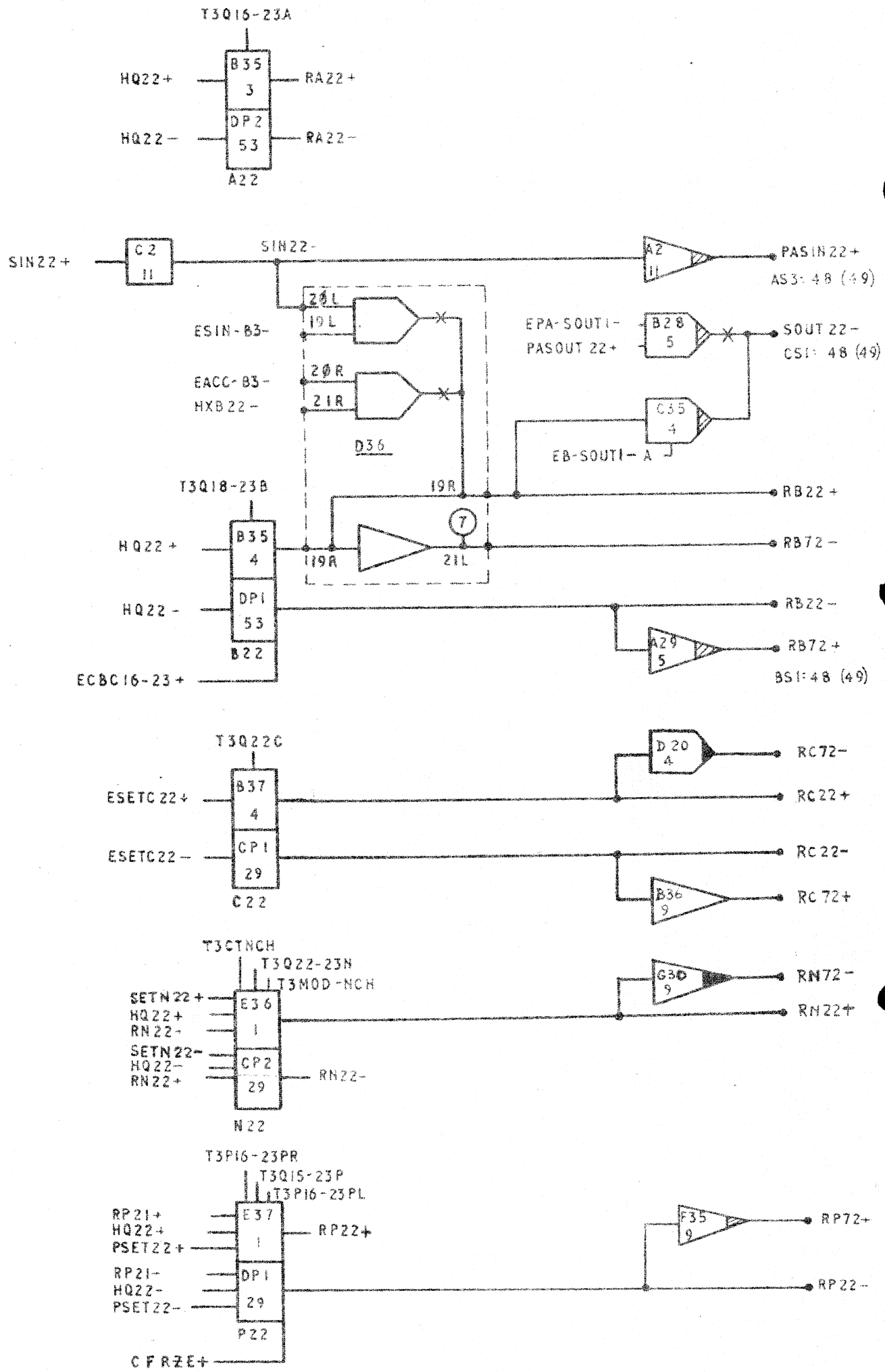




SLICE 21

W.G.C. 2/71

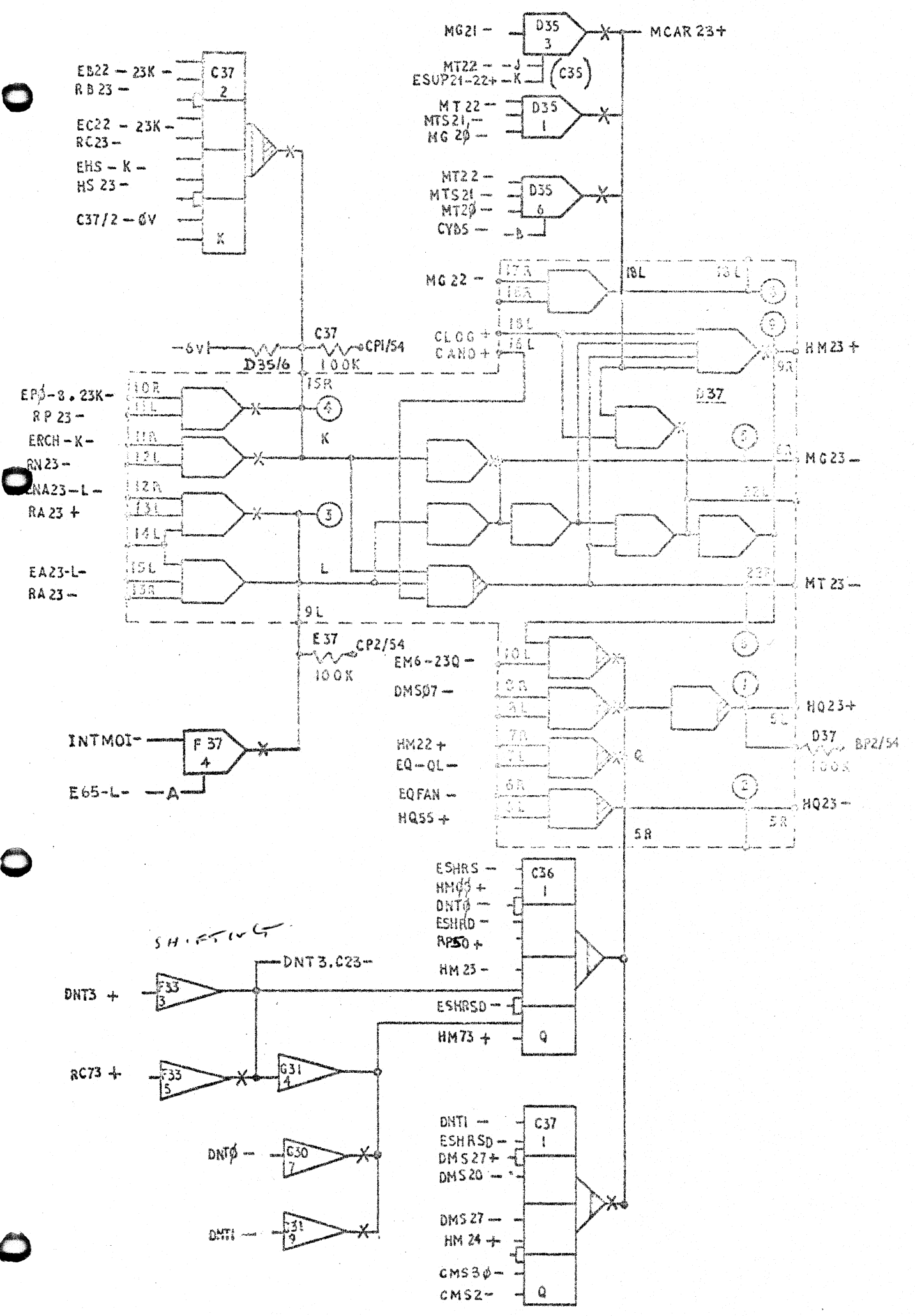
185	1	2	3						
-----	---	---	---	--	--	--	--	--	--



W.G.C. 02/220

STATS SLICE 22

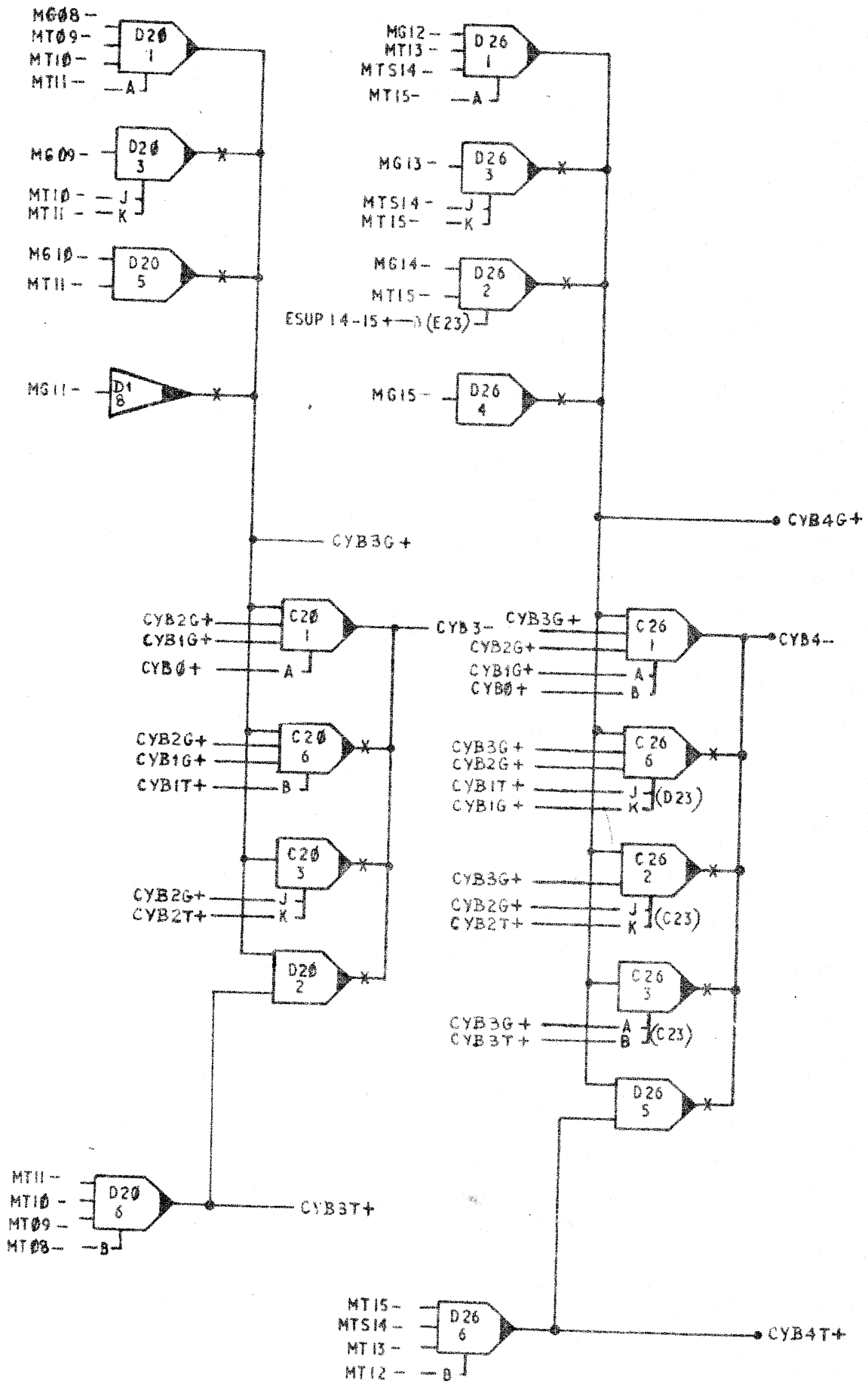
SUB	ISS	1	2	3						
A.C.W.	0827	0930	0963	1565						
DATE	25/8/67	21/1/69	12/3/68	30/9/69						



DNT3 SLICE 23

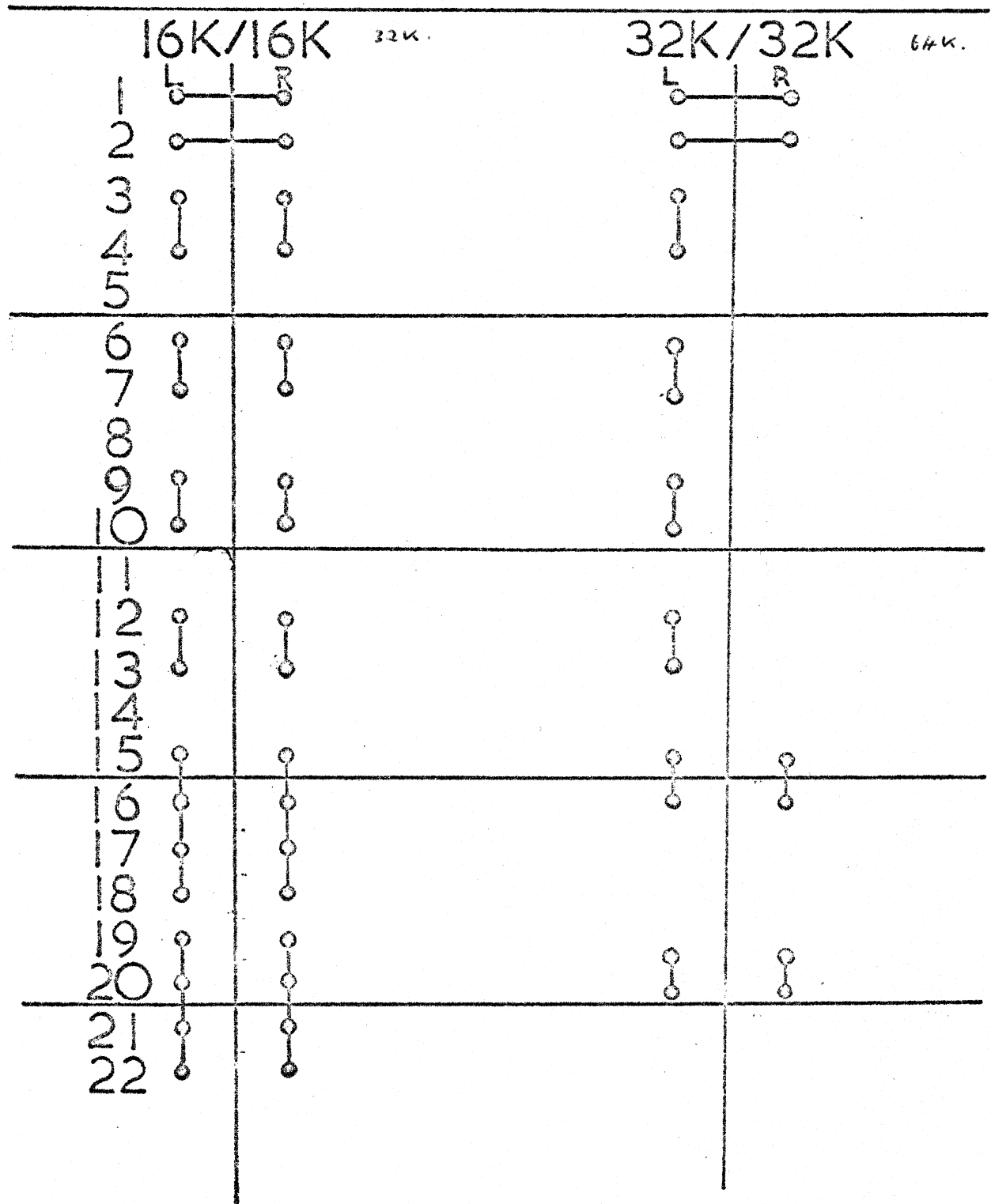
7-6-5-12/231

188 1 2 3
 0007 0096 0900 0930



SAMPLE WIRING OF E40 FOR USUAL STORE CONFIGURATIONS

56



SUB	ISS				
ACW	0885				

WGC02/56

LINK PACKAGE FITTED TO WGC.02 AT E40

Link Package E40 is to be modified to these instructions only when the machine is Cabled for 'Basic Store'.

1) LINK PACKAGE AT WGC.02 - E40

Modification to this Package is based on the Core Store configuration of the Machine.

Examine Core Store configuration to determine :-

- (a) Total Store Capacity.
- (b) Size and Number of Modules.

Add Links as follows :-

- (a) For One Store Module Link 1L to 1R
- (b) For Two Store Modules Link 1L to 1R and 2L to 2R.
- (c) Reading off against Total Store Capacity, Add Links as indicated in Table 1.

TABLE 1			
Total Store Capacity	16+	15+	14+
32K	LK.1	LK.2&3	-
48K	LK.1	LK.2	LK.3
64K	LK.1	-	-
80K	LK.2	LK.3	LK.3
96K	LK.2	LK.3	-
128K	-	-	-

SEE TABLE 3

- (d) Reading off against the Lower Store Module Capacity, Add Links as indicated in Table 2.

TABLE 2		
Lower Store Capacity	15+	14+
16K	LK.1	LK.1
32K	LK.1	-
64K	-	-

SEE TABLE 3

Note: THE "LOWER" STORE MODULE IS THAT WHICH IS FITTED NEAREST TO THE LOGIC IN THE MACHINE CONFIGURATION.

TABLE 3			
LINK No.	16+	15+	14+
LK.1	3L to 4L	15L to 16L	3R to 4R
	6L to 7L	19L to 20L	6R to 7R
	9L to 10L	15R to 16R	9R to 10R
	12L to 13L	19R to 20R	12R to 13R
LK.2	3L to 5L	15L to 17L	-
	6L to 8L	19L to 21L	-
	9L to 11L	15R to 17R	-
	12L to 14L	19R to 21R	-
LK.3	-	15L to 18L	3R to 5R
	-	19L to 22L	6R to 8R
	-	15R to 18R	9R to 11R
	-	19R to 22R	12R to 14R

