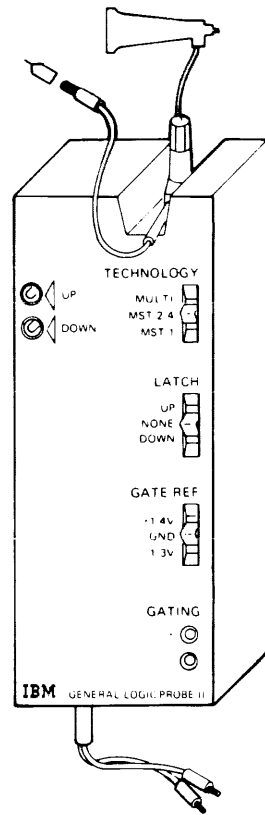
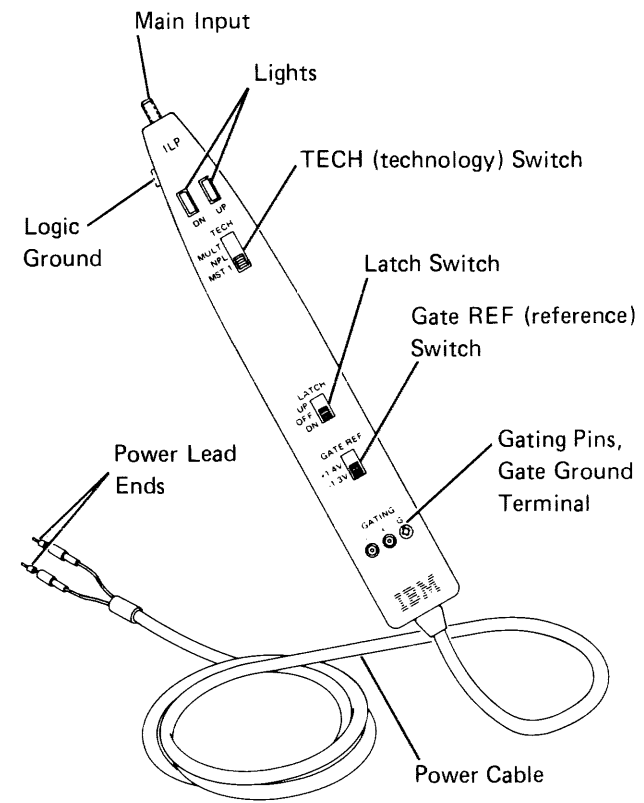


EC 826380			PN 2597110
27MAY83			

**General Logic Probe II**



**Integrated Logic Probe**



**Logic Probe Power Sources**

	POWER (red lead)	GROUND (black lead)
5360 Logic Gate	any D03 pin (card sockets C through T)	any D08 pin
10SR Disk Logic Gate	any D03 pin	any D08 pin

AAXXX GENERAL INFORMATION AND DATAFLOW  
 ABXXX CARD PLUGCHARTS  
 ADXXX NETLIST AND PINLIST  
 AEXXX VOLTAGE DISTRIBUTION  
 CA100 CONTROL PANEL  
 CMXXX CSP PANEL INTERFACE  
 CNXXX CSP CHANNEL/DATAFLOW/STORAGE  
 CP10X MSP CARD  
 CR110 MAIN STORAGE (CARD 4)  
 CS110 MAIN STORAGE (CARD 3)  
 CT110 MAIN STORAGE (CARD 2)  
 CU110 MAIN STORAGE (CARD 1)  
 DFXXX DISKETTE ADAPTER  
 DGX20 DISKETTE VFO  
 EXXXX DISKETTE DRIVE  
 FCXXX DISK ADAPTER A AND C  
 FDXXX DISK ADAPTER B AND D  
 GXXXX DISK DRIVE  
 HEX00 DATA STORAGE ATTACHMENT  
 JJXXX 10SR PASSTHROUGH CARD  
 LLXXX LAN ATTACHMENT  
 MXXXX 1255 ATTACHMENT  
 PRXXX PRINTER CONTROLLER  
 PSXXX PRINTER ADAPTER  
 PTXXX PRINTER STATE SEQUENCER

RKXXX SLCA LINE ADAPTER AND CABLE  
 RV900 SLCA CONTROL PANEL CABLE  
 SCXXX 1200 BPS LINE ADAPTER 1 AND 3 AND CABLES  
 SDXXX 1200 BPS LINE ADAPTER 2 AND 4 AND CABLES  
 SFXXX COMMUNICATIONS ADAPTER 1 AND CABLES  
 SGXXX COMMUNICATIONS ADAPTER 2 AND CABLES  
 SHXXX COMMUNICATIONS ADAPTER 3 AND CABLES  
 SJXXX COMMUNICATIONS ADAPTER 4 AND CABLES  
 SKXXX COMMUNICATIONS ADAPTER 5 AND CABLES  
 SLXXX COMMUNICATIONS ADAPTER 6 AND CABLES  
 SMXXX COMMUNICATIONS ADAPTER 7 AND CABLES  
 SNXXX COMMUNICATIONS ADAPTER 8 AND CABLES  
 SPXXX COMMUNICATIONS CONTROLLER  
 ST900 COMMUNICATIONS CONTROL PANEL CABLE  
 SU310 TERMINATOR CARD  
 TX1XX 6157 TAPE ATTACHMENT  
 TX2XX 8809 TAPE ATTACHMENT  
 WX1XX WORK STATION CONTROLLER  
 WX3XX WORK STATION EXPANSION 2  
 YAXXX BASE POWER  
 YBXXX FEATURE POWER A2 BOARD  
 YCXXX FEATURE POWER A3 BOARD  
 YDXXX FEATURE EXPANSION SUPPLY

\*\*\*\*\* PURPOSELY BLANK \*\*\*\*\*

(C) COPYRIGHT IBM CORP 1983

5360 FLD PAGE - BASE  
PURPOSELY BLANK  
PN 2597230 EC 842375  
PAGE 2 OF 9 PEC  
LOC  
DATE 04/24/86

The 5360 System FLD's are designed to facilitate freelance problem determination when the normal maintenance aids have failed to isolate a problem.

All signal voltage levels are "VTL" ('-' EQUALS 0 to +0.6 volts, '+' EQUALS 2.4 to 5.0 volts) unless otherwise specified.

The attempt was made to show each card on a single page. Inputs are shown on the left, Outputs are shown on the right. Bi-Directional signals are labeled "BI-DI", and may appear as inputs or outputs. Not all test points are shown.

The logic flow information between the Input/Output blocks will not generally enable the isolation of a specific input fault from a known output fault. In most cases it will be necessary to use the appropriate MIM section in conjunction with the FLD page to accomplish input fault isolation.

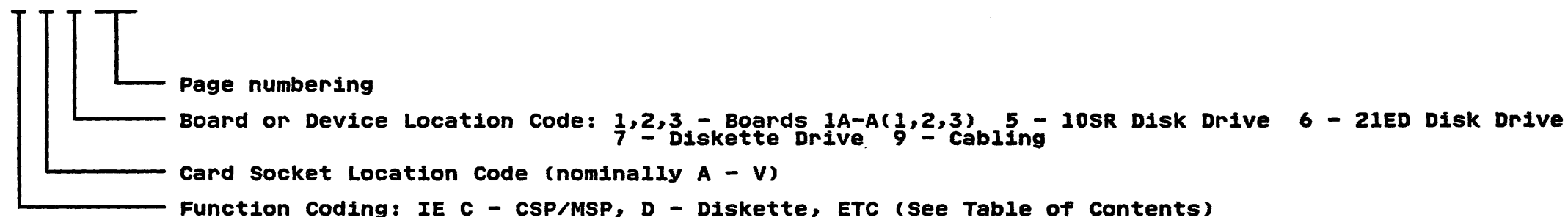
Logical "Dot OR" functions contained on a single board are shown by Pseudo-dotting. Pseudo-dotted inputs show multiple sources. Pseudo-dotted outputs have multi-source pages indicated with asterisks.

Nets will be cross referenced to non-existent pages. This merely indicates that board wiring exists to support a feature which is not installed on a particular system. It may also indicate that mutually exclusive features share a card socket location.

Communication features have too many available combinations to show each one uniquely. Therefore elements of multiple features may be shown on a single page. A knowledge of the actual installed features is required when using such pages.

FLD page numbering conventions combine elements of function and location. Exceptions will exist when clarity of description conflict with the convention.

a a N N N

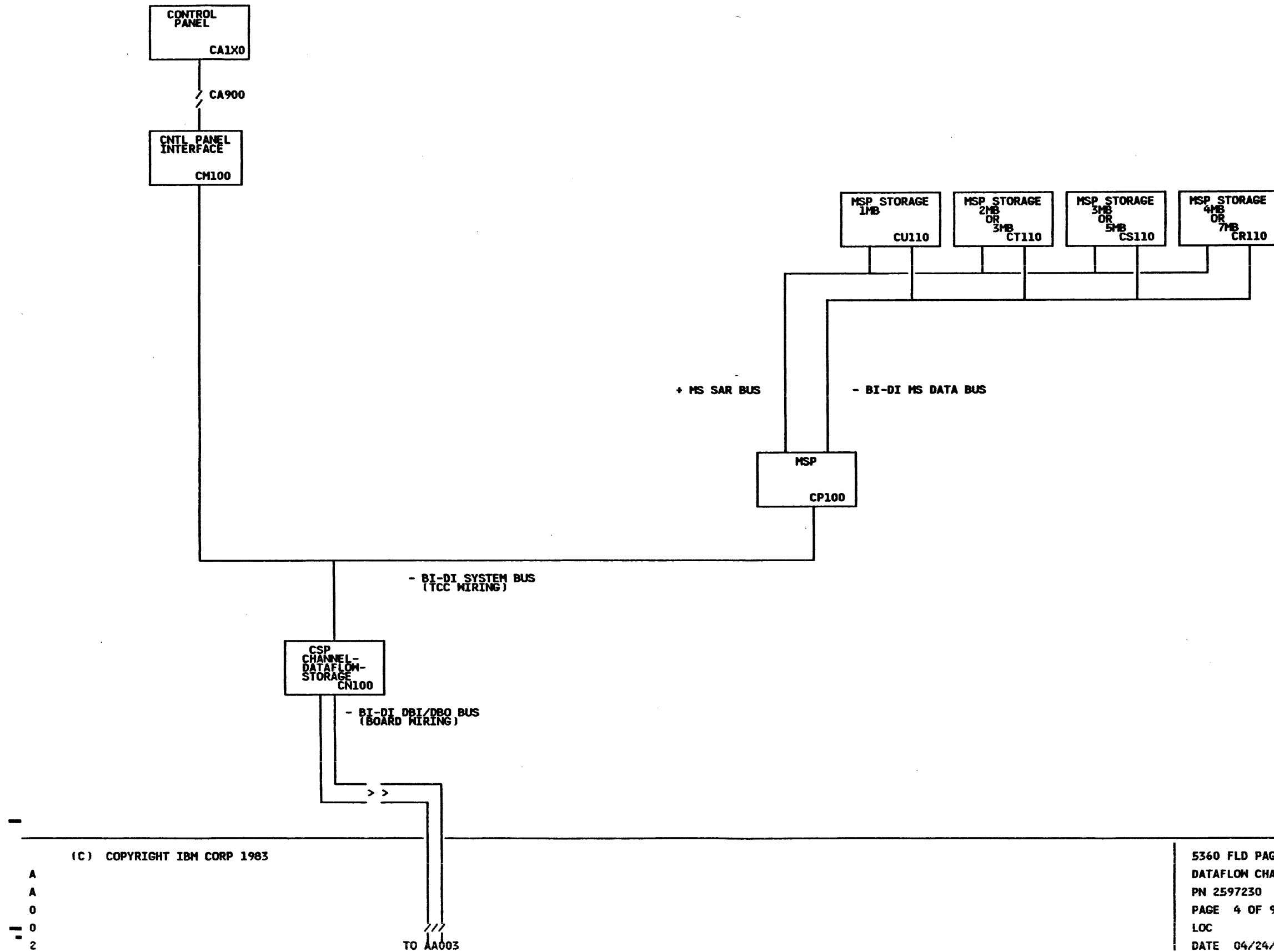


(C) COPYRIGHT IBM CORP 1983

A  
A  
0  
0  
.

5360 FLD PAGE - BASE
GENERAL INFORMATION
PN 2597230      EC 842375
PAGE 3 OF 9      PEC
LOC
DATE 11/04/85

A  
A  
0  
0  
1

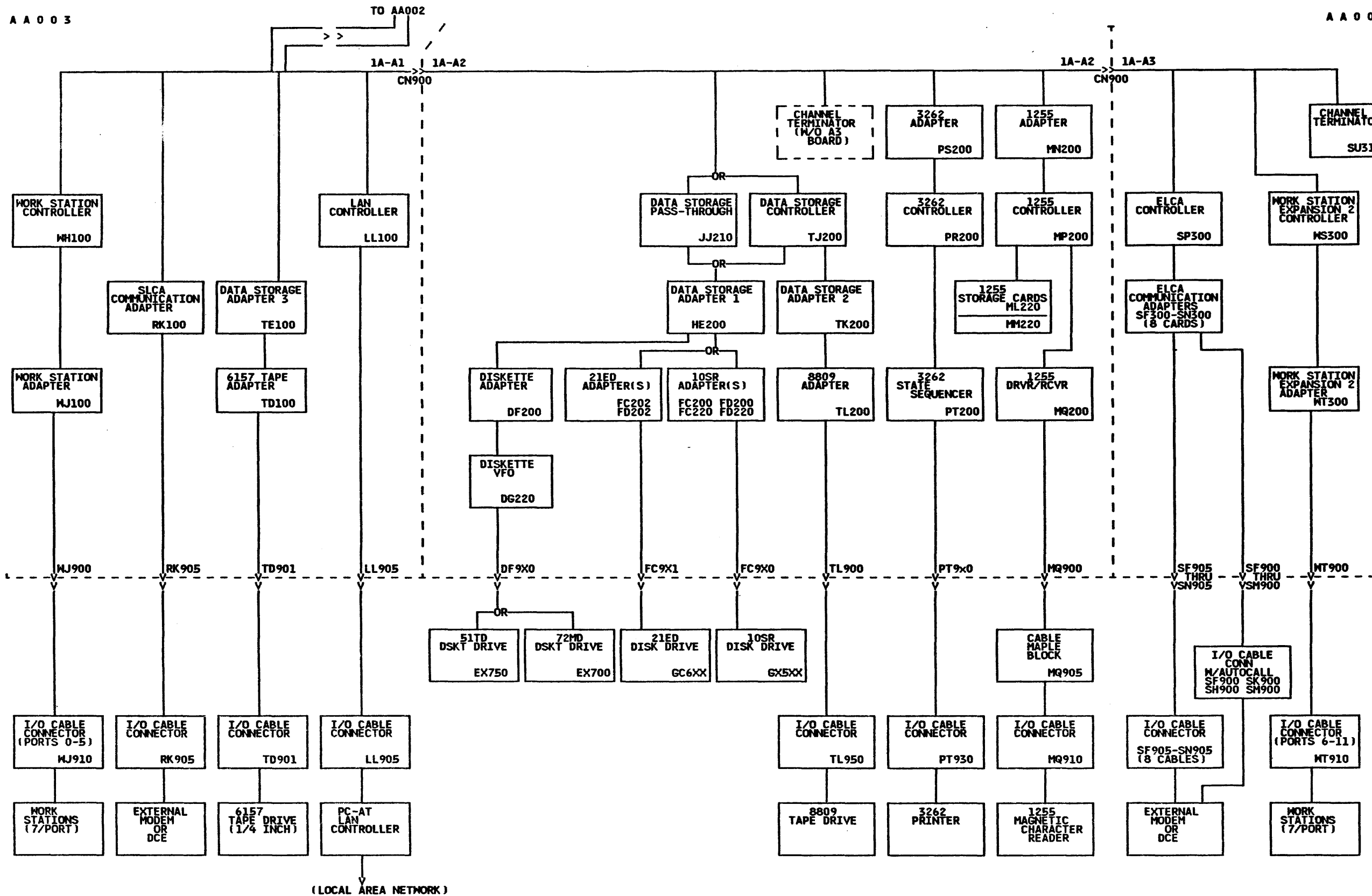


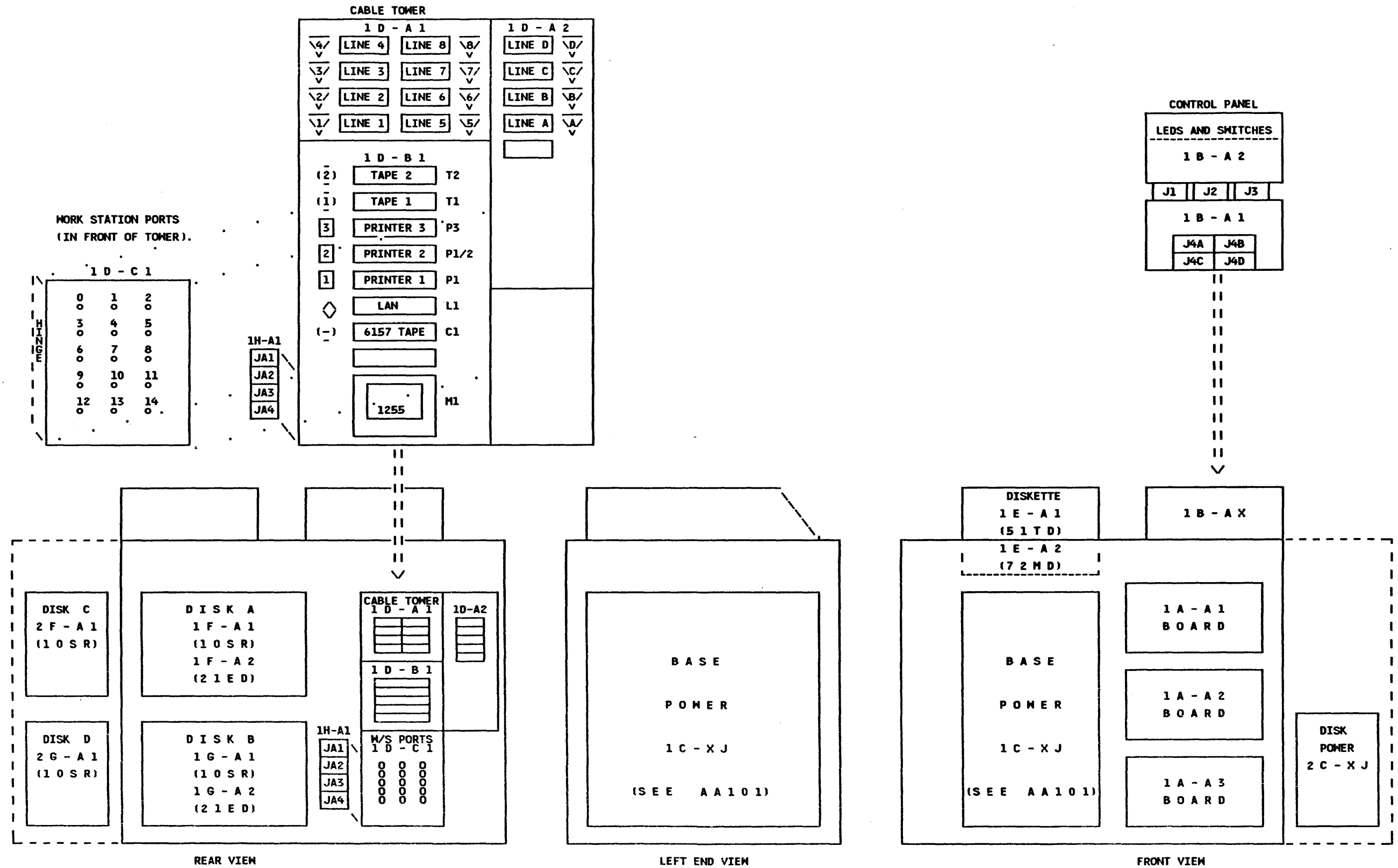
(C) COPYRIGHT IBM CORP 1983

A  
A  
0  
0  
2

5360 FLD PAGE - BASE	A
DATAFLOW CHART - CSP/MSP	A
PN 2597230 EC 842375	0
PAGE 4 OF 9 PEC	0
LOC	0
DATE 04/24/86	2

TO AA003





(C) COPYRIGHT IBM CORP 1983

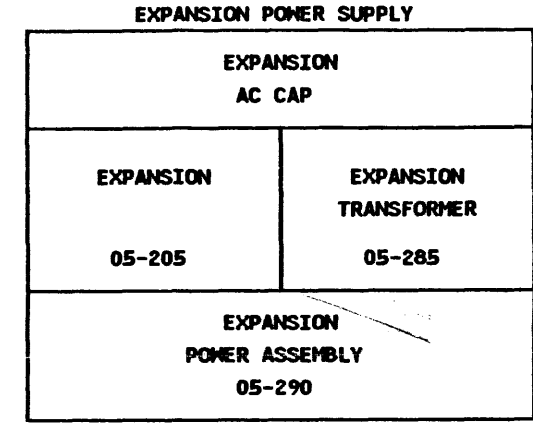
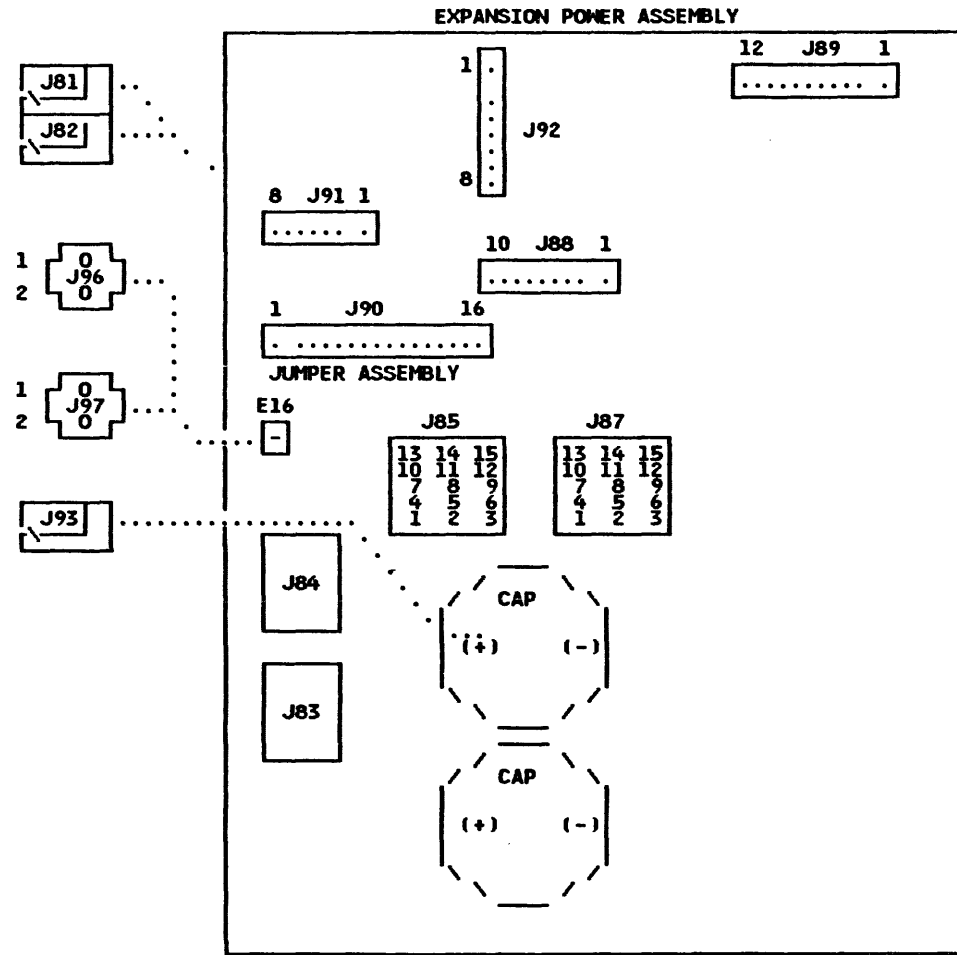
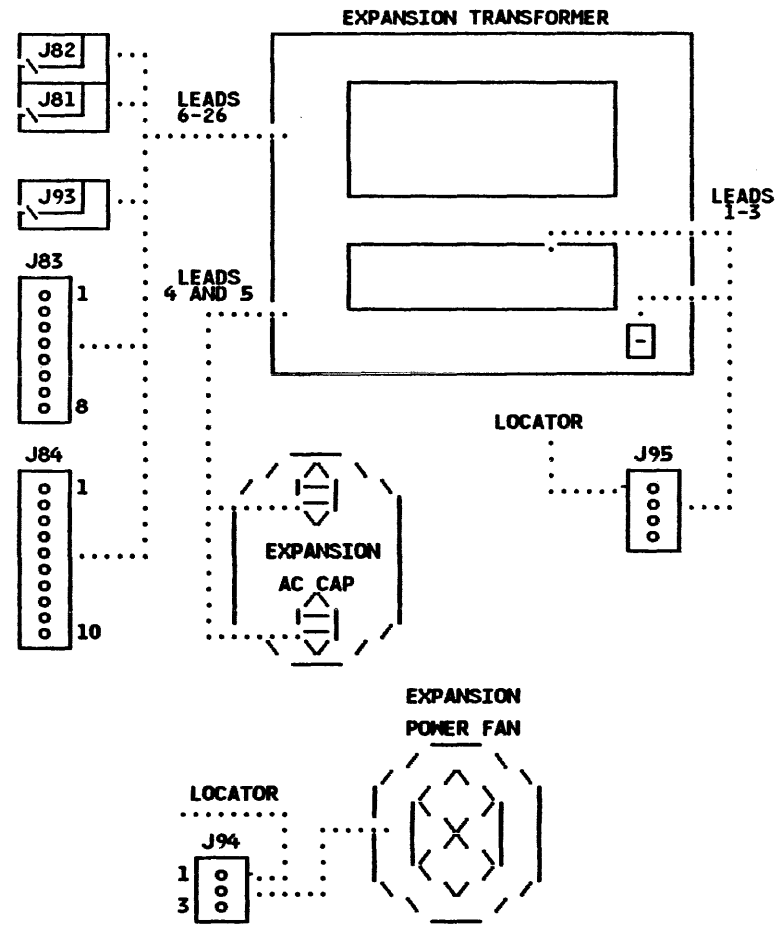
NOTE : MODEL B1 (NON-CSU) PRINTERS HAVE ONLY TWO CABLE CONNECTIONS.  
DURING INSTALLATION, DECALS 1 AND 2 ARE REPLACED BY 1/2 IN THE P1/2 LOCATION.

5360 FLD PAGE - BASE	A
LOCATION NAMING CONVENTIONS	A
PN 2597230 EC 842375	A
PAGE 6 OF 9 PEC	1
LOC	0
DATE 04/24/86	0

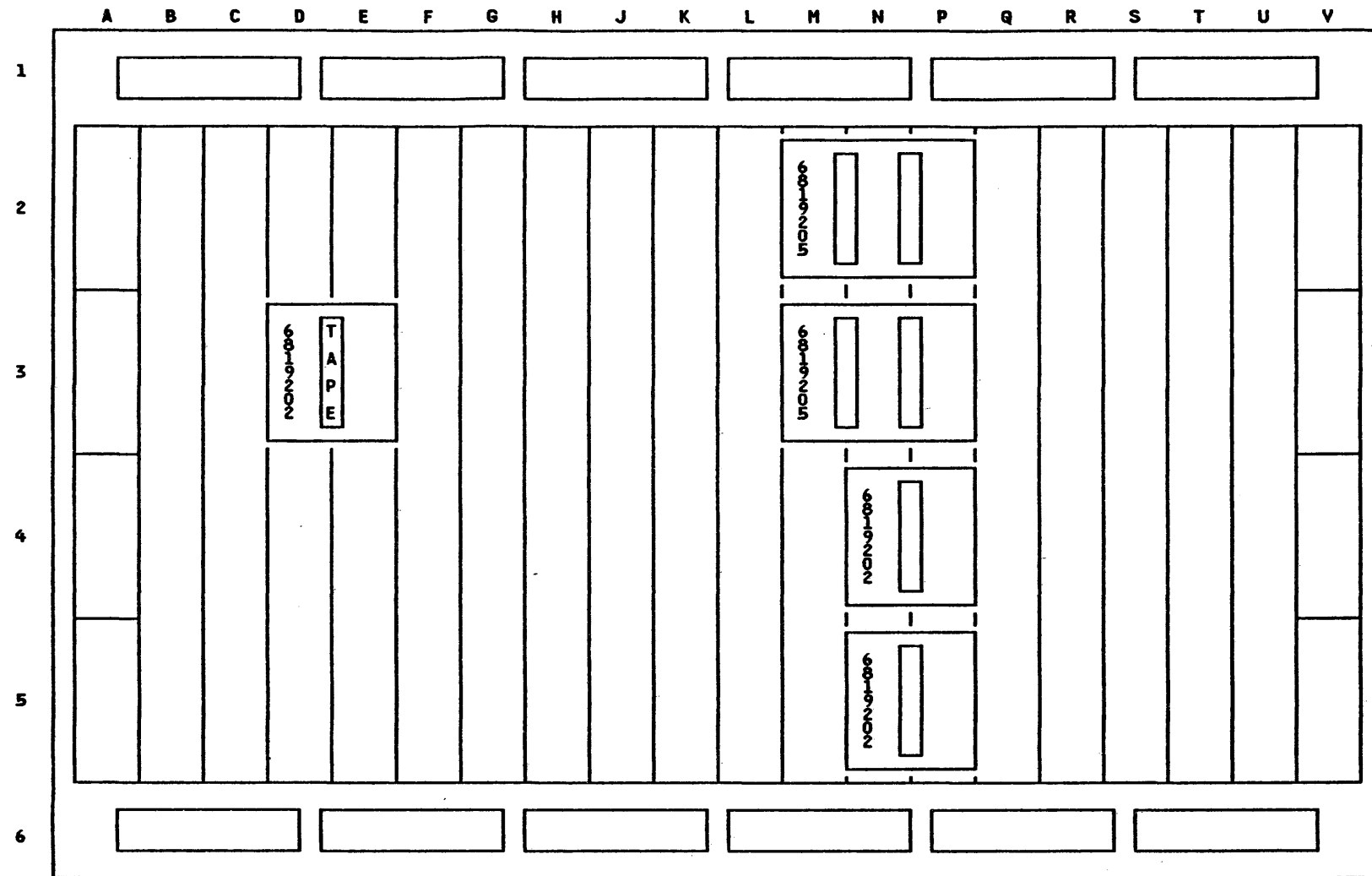
AA100



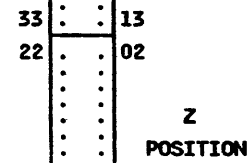
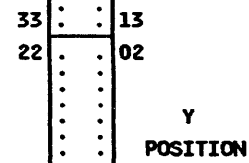
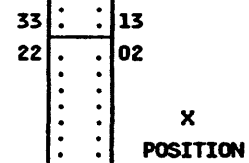
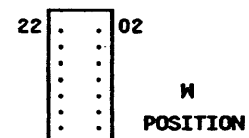




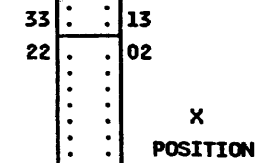
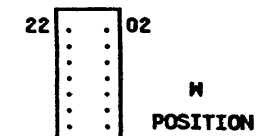




IDENTIFICATION AND NUMBERING SEQUENCE FOR CARD TOP CARD CONNECTORS

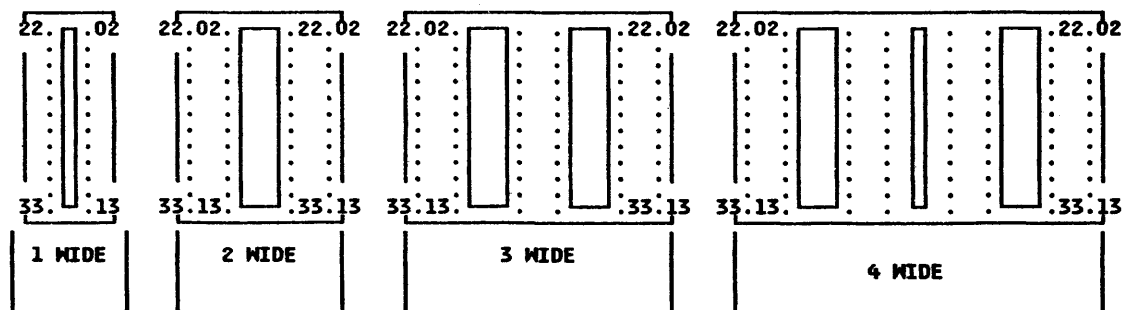


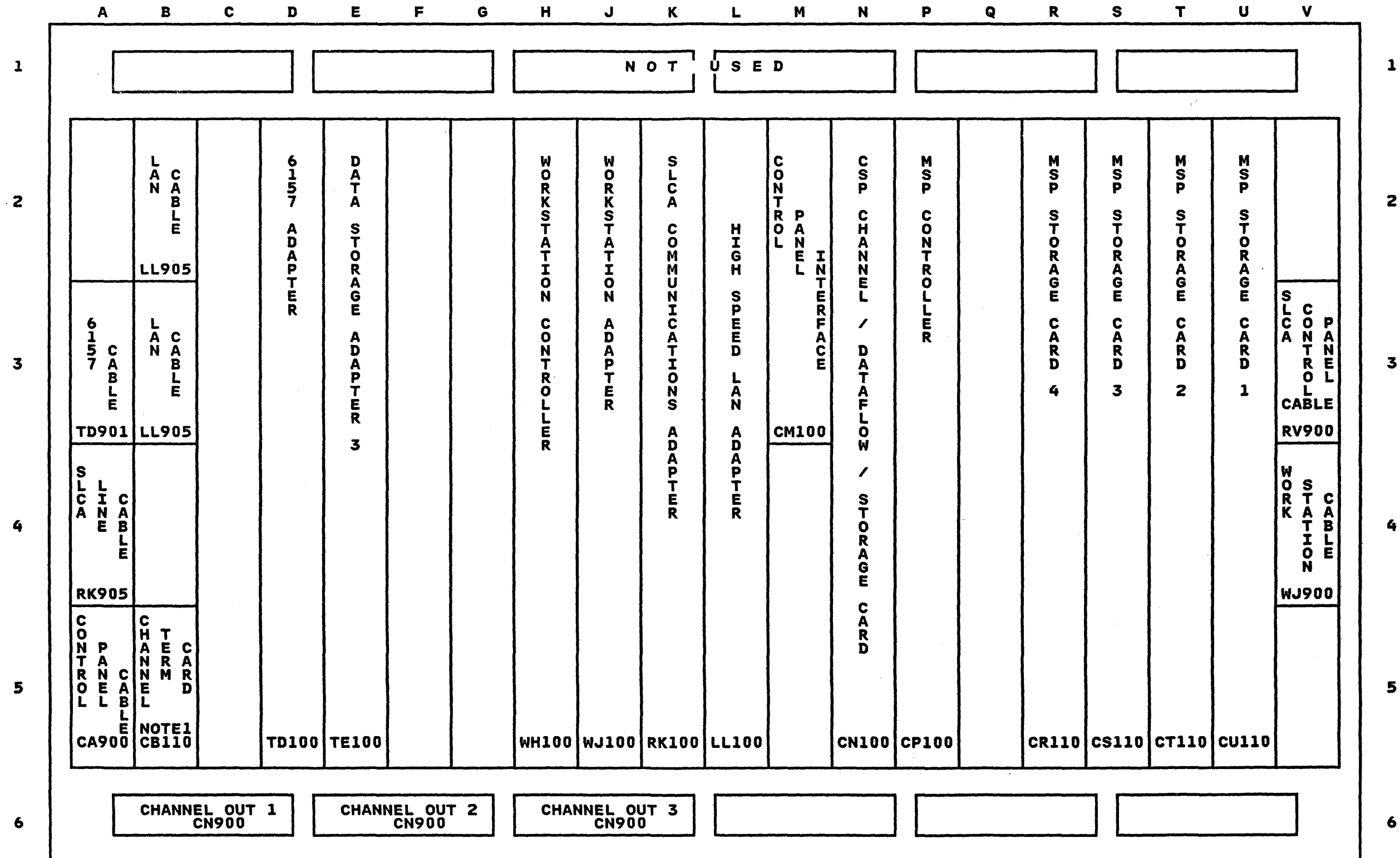
4 WIDE CARDS



2 WIDE CARDS

TOP CARD CONNECTOR PIN NUMBERING SEQUENCE





(C) COPYRIGHT IBM CORP 1983

NOTES:  
1) NOT INSTALLED IF A2 OR A3 BOARD ARE INSTALLED.

5360 FLD PAGE - STAGE 3

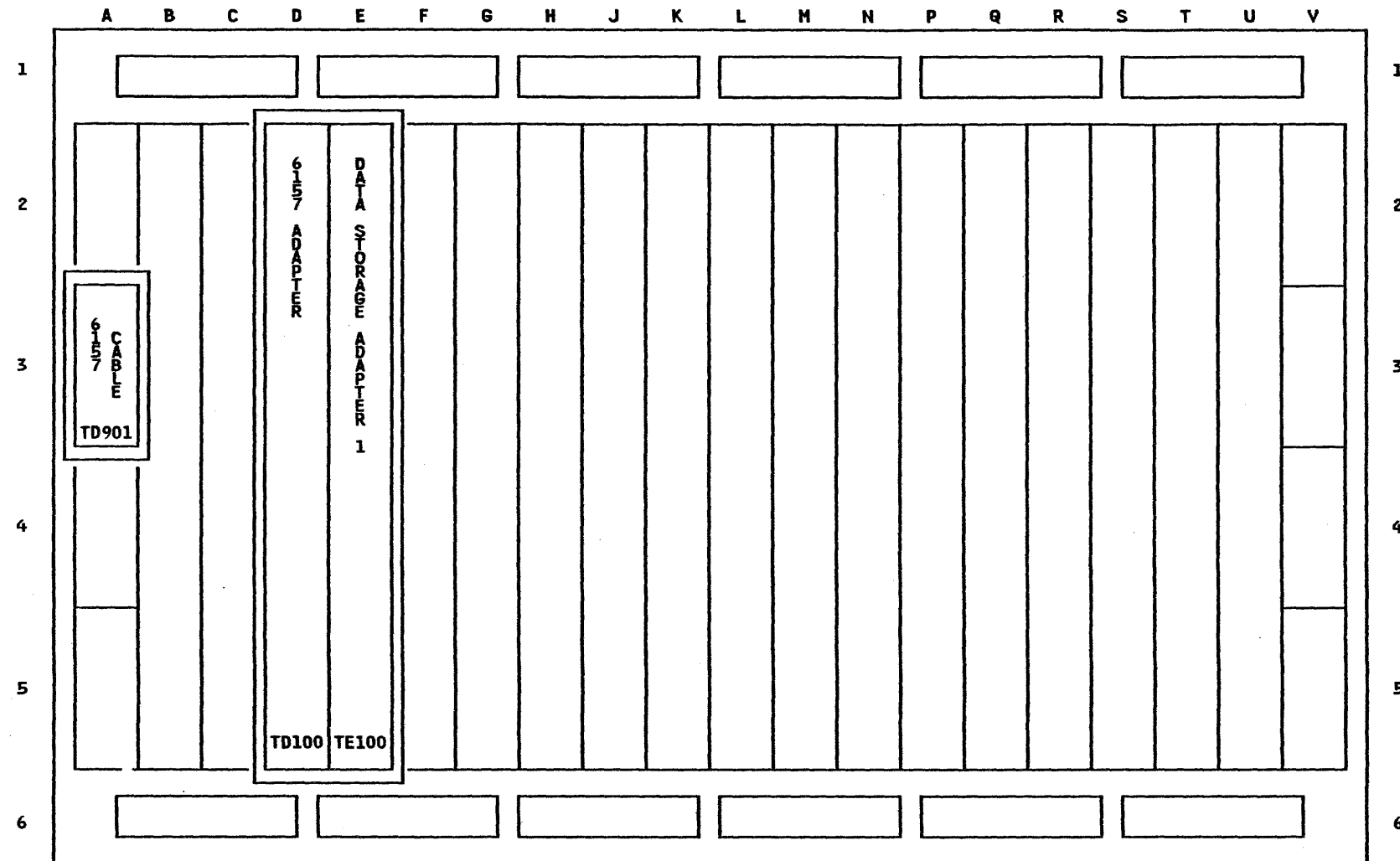
PLUGCHART A1 BOARD

PN 2597232 EC 842375

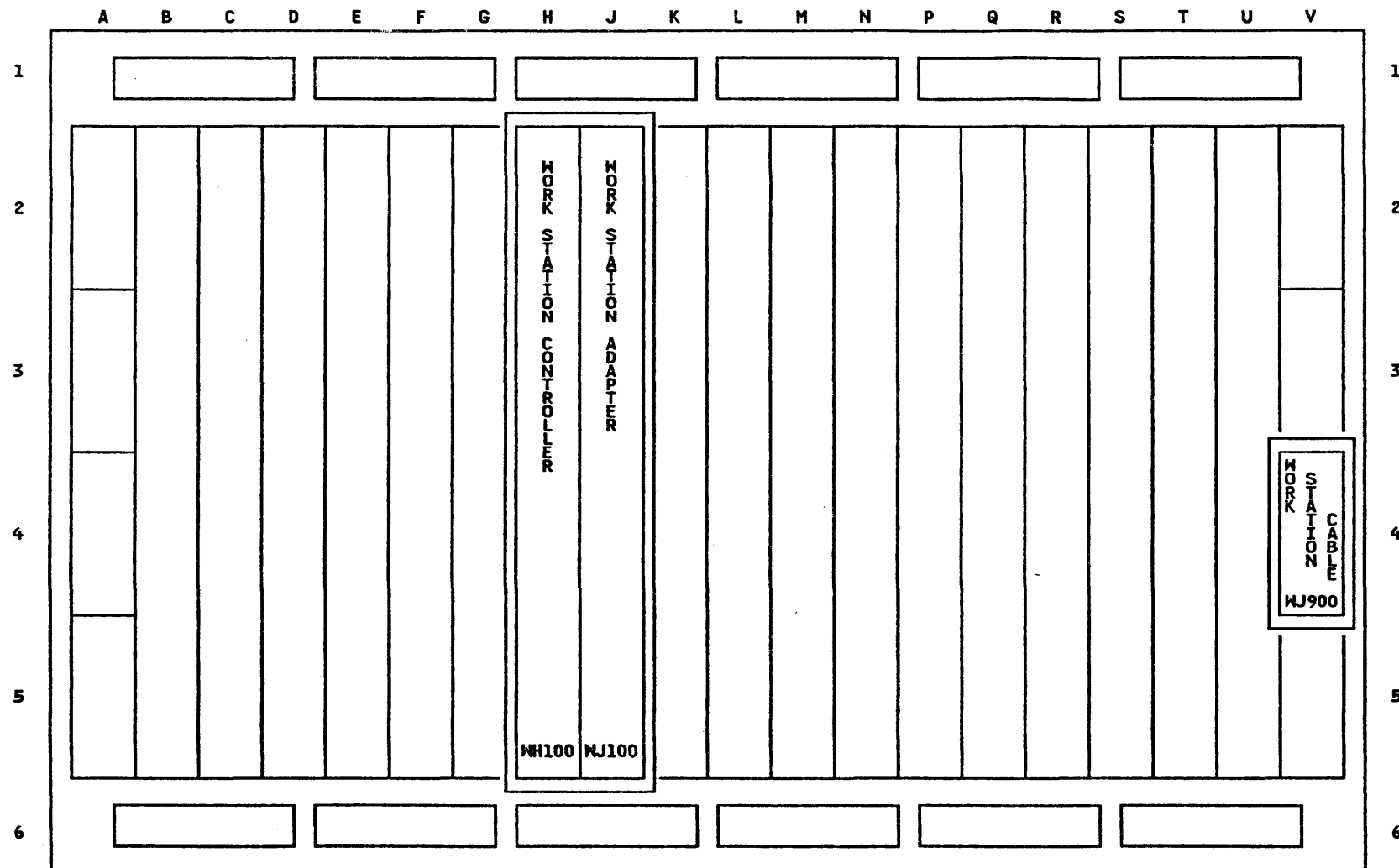
PAGE 1 OF 1 PEC

LOC 1A-A1

DATE 05/29/86



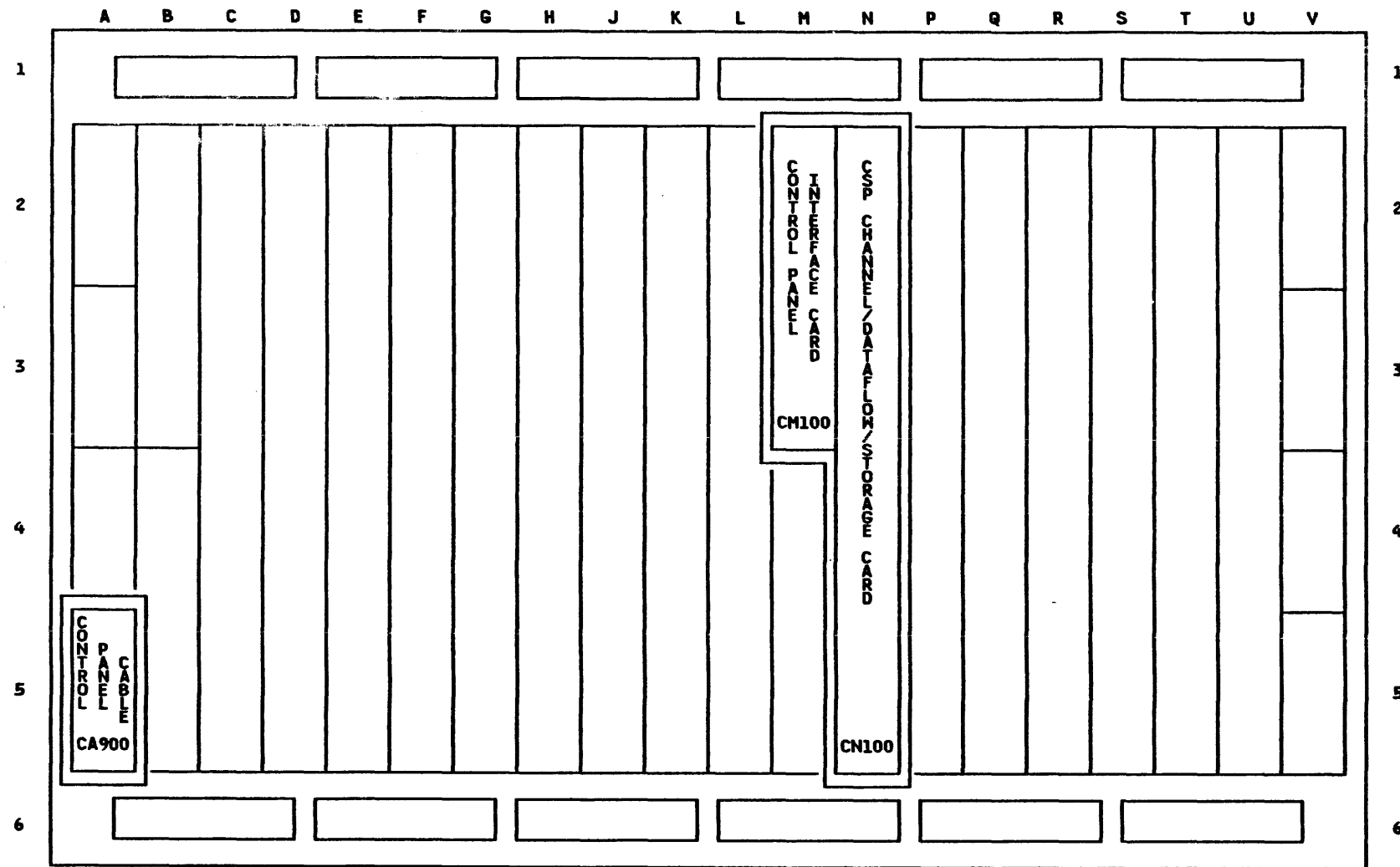
21ED ATTACH CARD LOCATIONS		
LOCATION	DESCRIPTION	PART NUMBER
1A-A1D5	6157 TAPE ADAPTER CARD	2597642
1A-A1E2	DATA STORAGE ADAPTER 3	2462228



WORK STATION ATTACH CARD LOCATIONS		
LOCATION	DESCRIPTION	PART NUMBER
1A-A1H2	WORK STATION CONTROLLER	(NOTE 1)
	BASE 16KW	4234063
	BASE 16KW	4177036
	EXPANSION FEATURE 48KW	4234065
	EXPANSION FEATURE 48KW	4177038
1A-A1J2	EXPANSION FEATURE 64KW	4237136
	EXPANSION FEATURE 64KW	2597763
	WORK STATION ADAPTER	4177047
1A-A1V4	WS CABLE ASSEMBLY	4177027
		2597740
		8636624

NOTE 1 THE CARD IN 1A-A1H2 IS INTERCHANGEABLE WITH THE CARDS IN 1A-A2J2 AND 1A-A3P2 (IF ELCA IS INSTALLED), AND 1A-A3S2 (IF SECOND WORK STATION CONTROLLER EXPANSION IS INSTALLED), AS A DIAGNOSTIC TOOL FOR PROBLEM ISOLATION.

NOTE 2 THE CARD IN 1A-A1J2 IS INTERCHANGEABLE WITH THE CARD IN 1A-A3T2 (IF SECOND WORK STATION CONTROLLER EXPANSION IS INSTALLED), AS A DIAGNOSTIC TOOL FOR PROBLEM ISOLATION.



CSP AND CNTL PNL DRIVER CARD LOCATIONS		
LOCATION	DESCRIPTION	PART NUMBER
1A-A1M2	CONTROL PANEL INTERFACE	2597694
1A-A1N2	CSP/CHANNEL/DATAFLOW CD	2597686

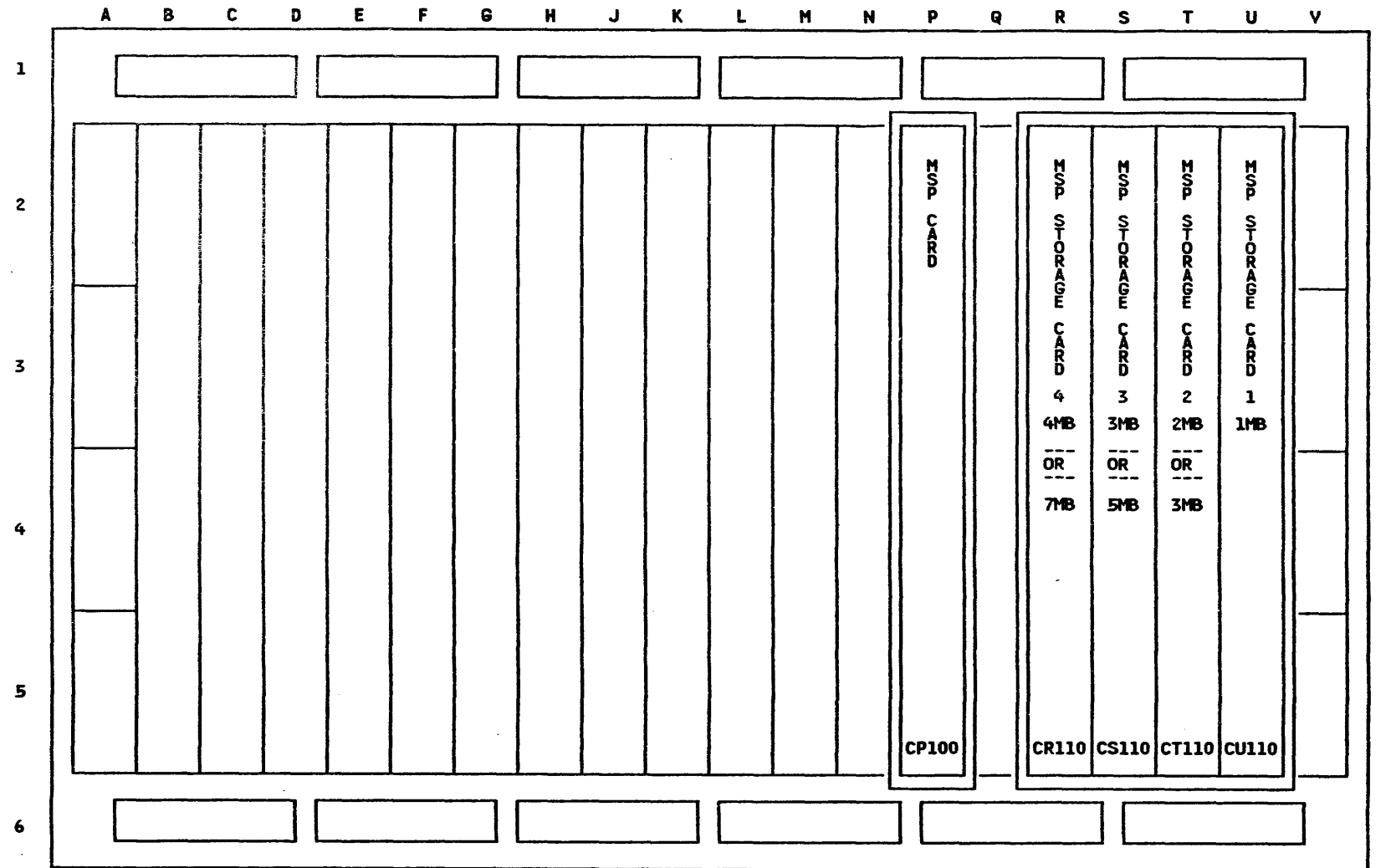
AB140

(C) COPYRIGHT IBM CORP 1983

5360 FLD PAGE - BASE  
 PLUGCHART CSP / CRL/PANEL  
 PN 2597234 EC 842375  
 PAGE 2 OF 3 PEC  
 LOC 1A-A1  
 DATE 05/29/86

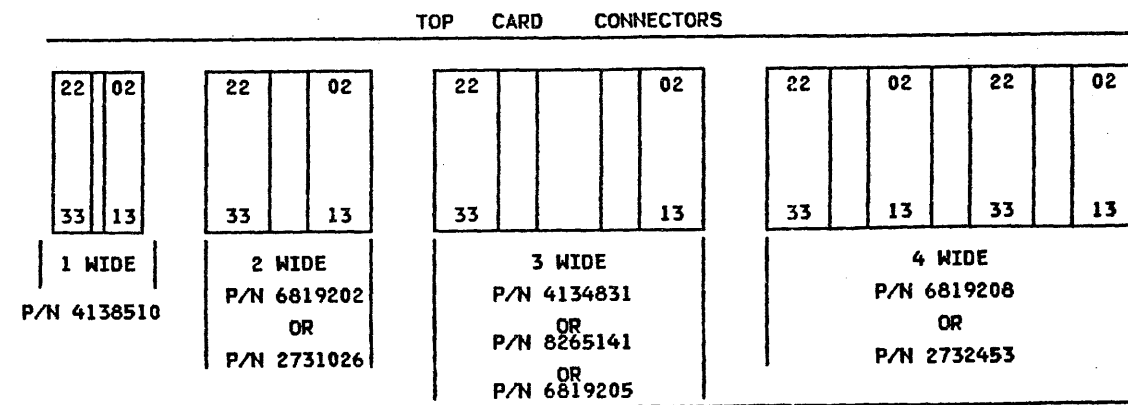
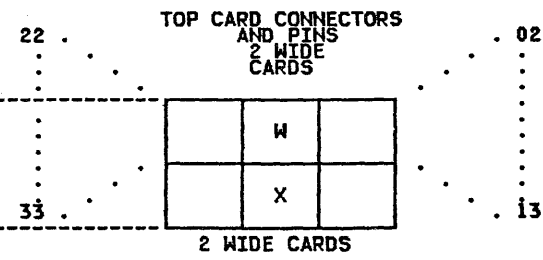
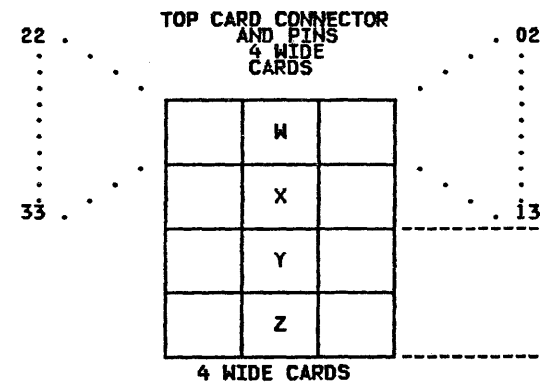
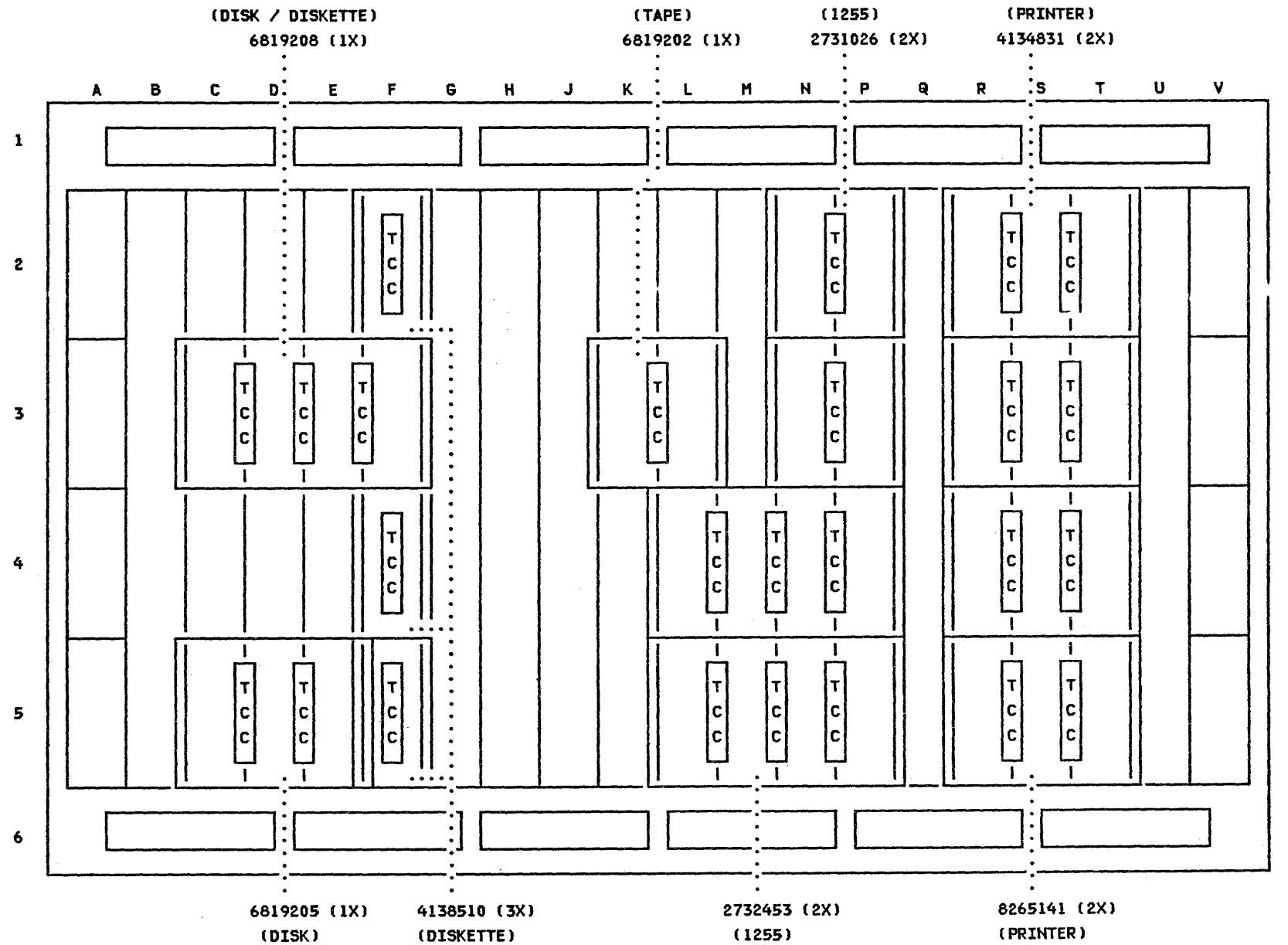
AB140





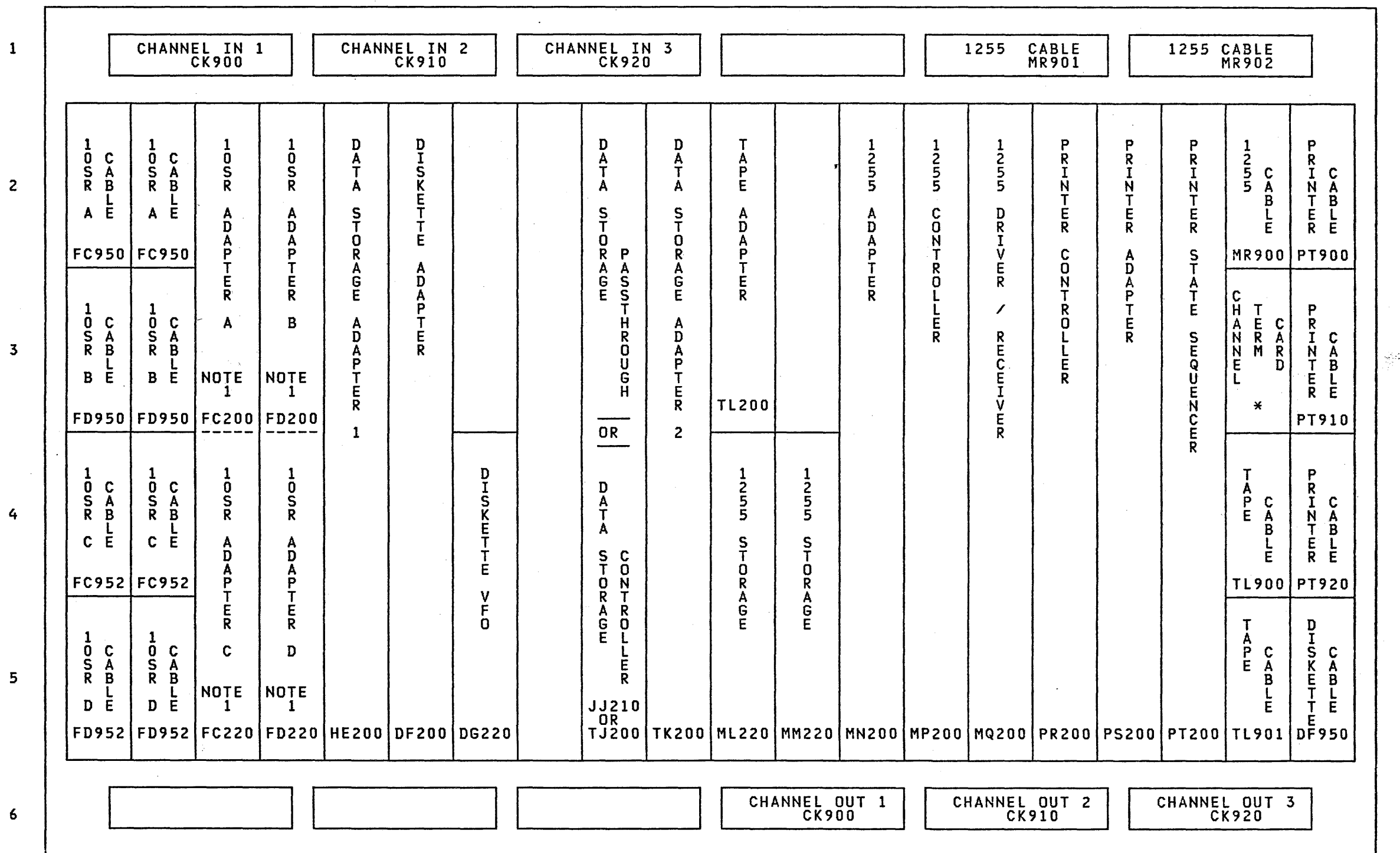
MSP / STORAGE CARD LOCATIONS		
LOCATION	DESCRIPTION	PART NUMBER
1A-A1P2	MSP CARD	4247754
1A-A1R2	MSP STORAGE CARD 4 1MB 2MB	(NOTE 1) 2597612 6103188
1A-A1S2	MSP STORAGE CARD 3 1MB 2MB	(NOTE 1) 2597612 6103188
1A-A1T2	MSP STORAGE CARD 2 1MB 2MB	(NOTE 1) 2597612 6103188
1A-A1U2	MSP STORAGE CARD 1 1MB	(NOTE 1) 2597612

NOTE 1 SEE MAP 1170(1 MEGABYTE CARDS), OR 2 MEGABYTE CARDS FOR INTERCHANGE PROCEDURES.



NOTE 1. TOP CARD CONNECTORS COULD BE 1, 2, 3, OR 4 WIDE.

A B C D E F G H J K L M N P Q R S T U V



A  
B  
2  
0  
2

(C) COPYRIGHT IBM CORP 1983

\* NOT INSTALLED IF A3 BOARD IS INSTALLED.

NOTE 1. THE CARDS IN SLOTS C2 AND D2 ON EARLY MACHINES CAN BE 4 WIDE.

5360 FLD PAGE - FEATURE

PLUGCHART 1A-A2 BOARD

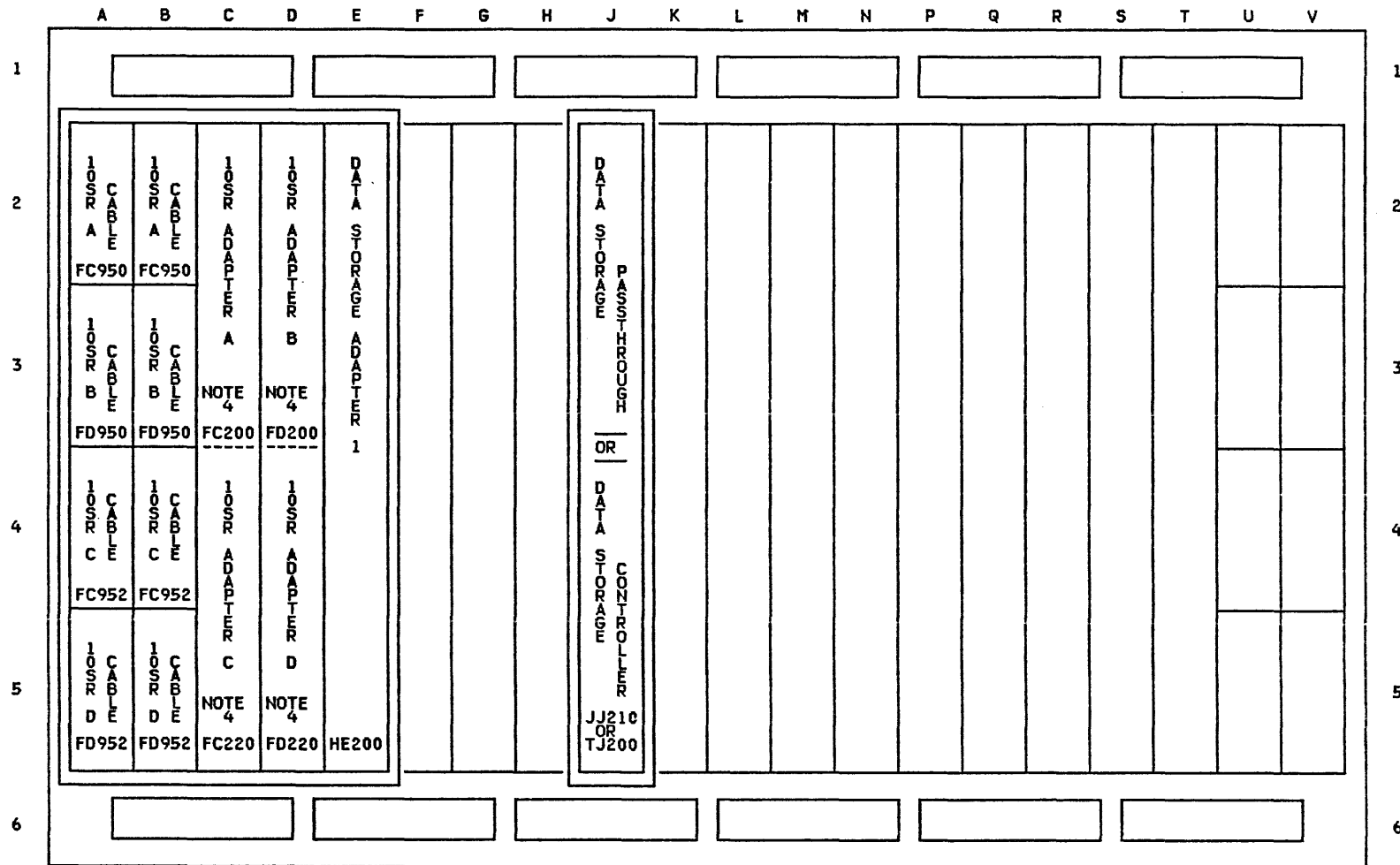
PN 2596270 EC 826487

PAGE 1 OF 2 PEC 826449

LOC 1A-A2

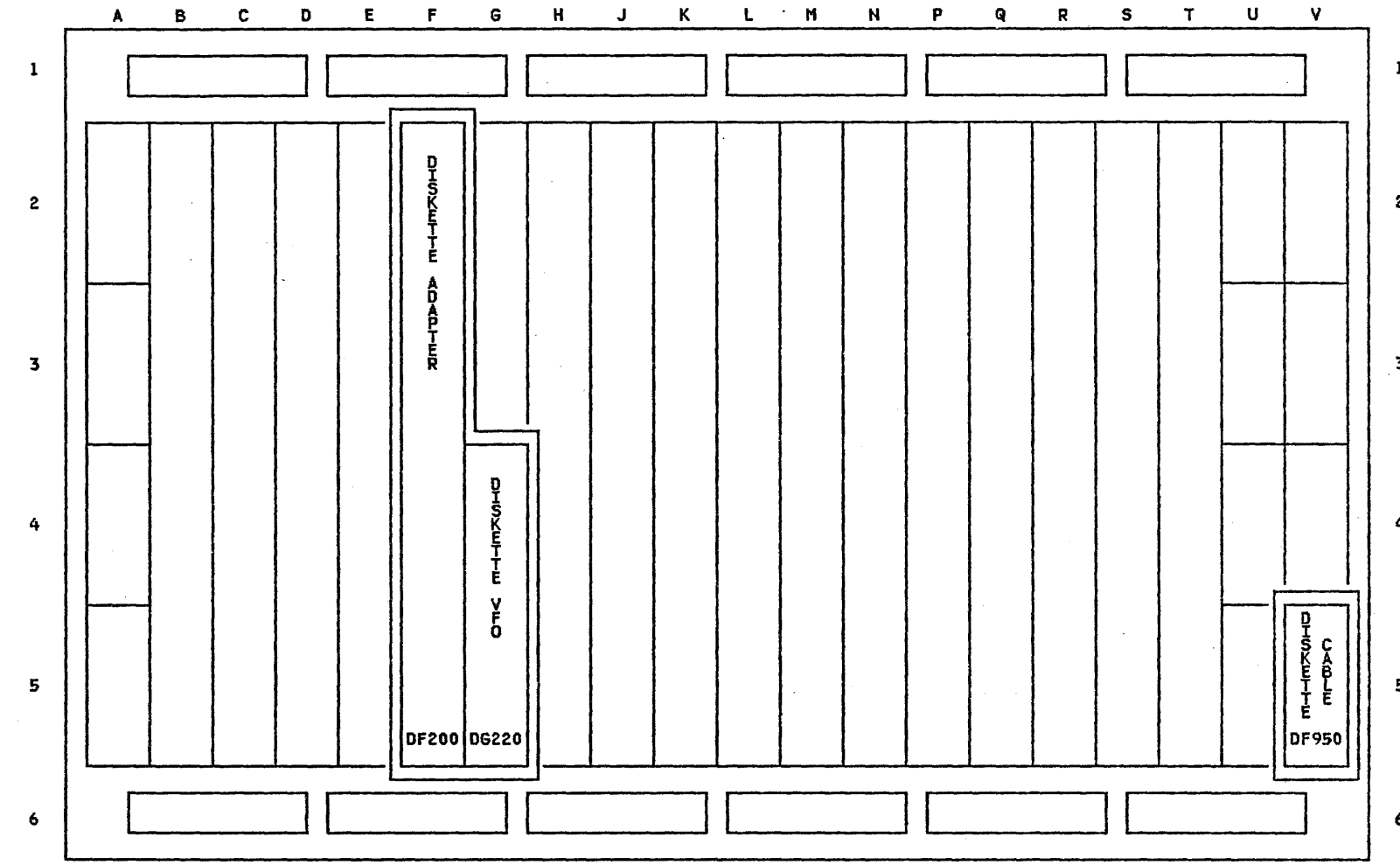
DATE 02/15/84

A  
B  
2  
0  
2



10SR ATTACH CARD LOCATIONS		
LOCATION	DESCRIPTION	PART NUMBER
1A-A2C2	10SR ADAPTER A	(NOTE 1)
		2437380 (NOTE 4)
		2437341
1A-A2D2	10SR ADAPTER B	2437385
		(NOTE 1)
		2437380 (NOTE 4)
1A-A2C4	10SR ADAPTER C	2437341
		2437385
		(NOTE 1)
1A-A2D4	10SR ADAPTER D	2437341
		2437385
		(NOTE 1)
1A-A2E2	DATA STORAGE ADAPTER 1	(NOTE 2)
		4234085
		2462228
1A-A2J2	DISK CHANNEL INTERCONNECT	(NOTE 3)
		4176988
		4234061
	OR	2597727
		(NOTE 3)
		4177039
	DATA STORAGE CONTROLLER	4237136

- NOTE 1 THE CARDS IN C2, D2, C4 AND D4 (IF INSTALLED) ARE INTERCHANGEABLE.
- NOTE 2 THE CARD IN E2 MAY BE INTERCHANGED WITH THE CARD IN K2. (IF THE TAPE FEATURE IS INSTALLED.)
- NOTE 3 IF THE 8809 TAPE ATTACH FEATURE IS INSTALLED, THE DATA STORAGE CONTROLLER CARD WILL RESIDE IN THE J2 LOCATION, PAGE AB230 CONTAINS P/N INFORMATION.
- NOTE 4 THE CARD P/N 2437380 IS A 4 WIDE CARD.



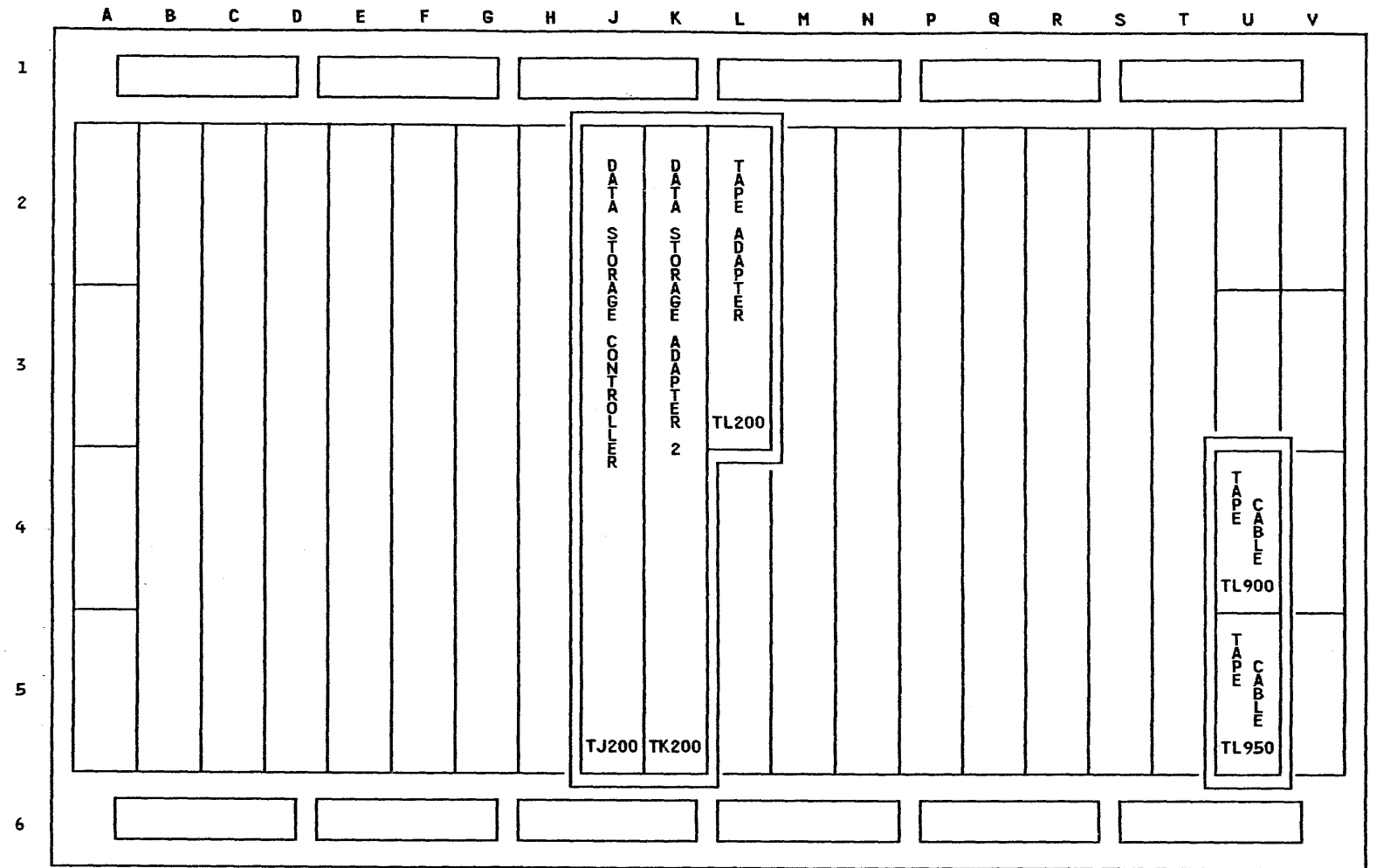
NOTE 1 ON 51TD SYSTEMS ONLY  
 THERE MUST BE A BLACK FEATURE WIRE ON THE BOARD  
 FROM F2D06 TO F2D13.

DISKETTE ATTACH FILE CONTROL CARD

LOCATION	DESCRIPTION	PART NUMBER
1A-A2F2	DISKETTE ADAPTER	2437016
		4247732
		4247734
		4247736
		4247737
1A-A2G4	DISKETTE VFO (FOR 51TD ATTACHMENT)	8562949 (NOTE 1)
		2462692 (FOR 72MD ATTACHMENT)

DISKETTE DRIVE FILE CONTROL CARD

LOCATION	DESCRIPTION	PART NUMBER
1E-A1A1	51TD FILE CONTROL CARD	4240728 (NOTE 1)
1E-A2A1	72MD FILE CONTROL CARD	5563735

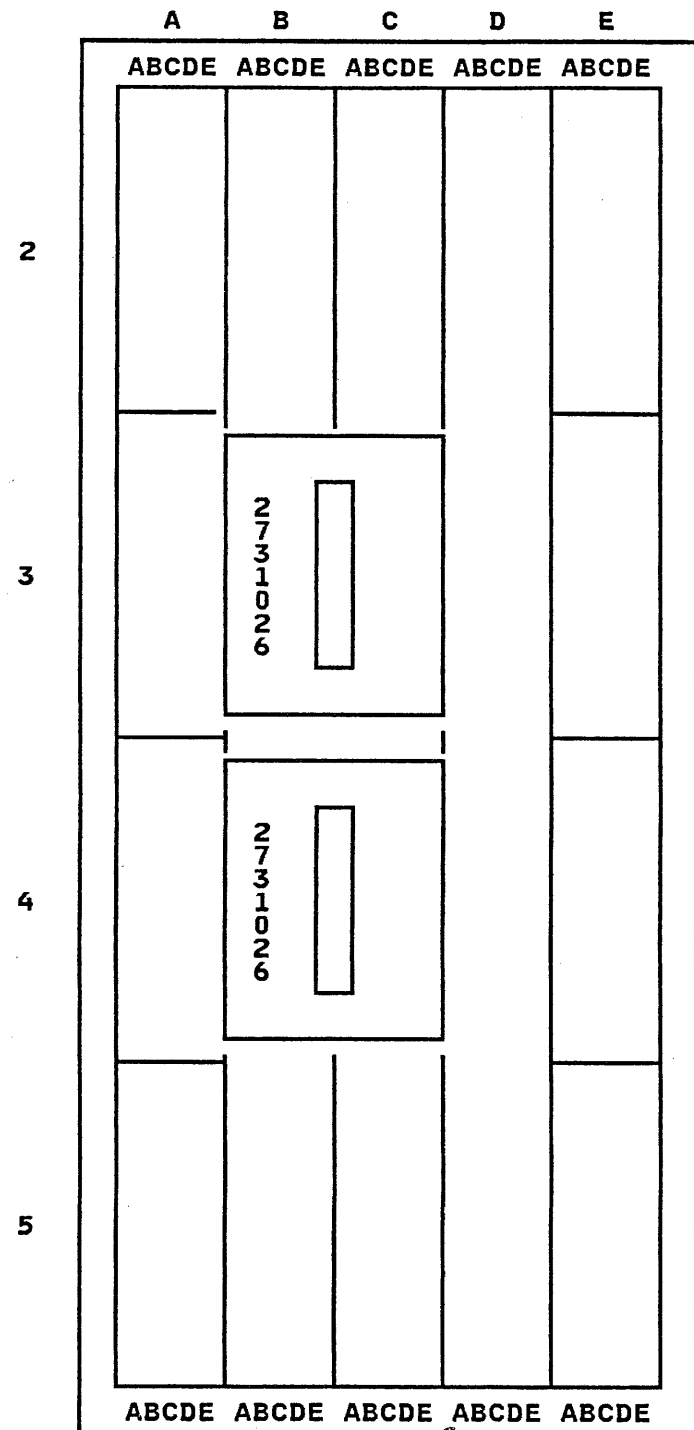


8809 ATTACH CARD LOCATIONS		
LOCATION	DESCRIPTION	PART NUMBER
1A-A2J2	DATA STORAGE CONTROLLER	(NOTE 1,3) 4177039
		4237134 *
		4237136 *
		2597763 *
1A-A2K2	DATA STORAGE ADAPTER 2	(NOTE 2,3) 2597717
		4234085
		2462264 *
		2462228 *
1A-A2L2	TAPE ADAPTER	4233687
		4233689
		2597721
		2597725

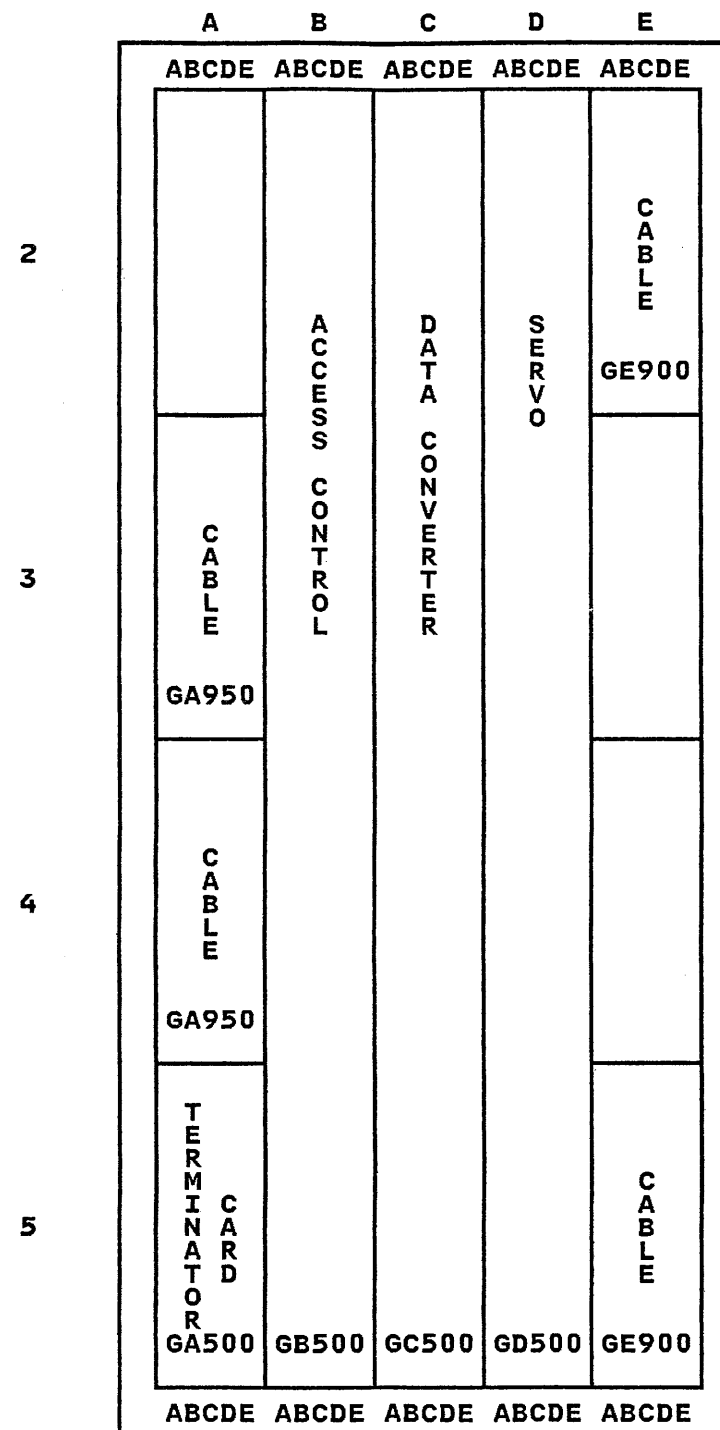
- NOTE 1 THE CARD IN 1A-A2J2 IS INTERCHANGEABLE WITH THE CARDS IN 1A-A1H2, AND 1A-A3S2 (IF SECOND M.S. EPANSION IS INSTALLED), AND 1A-A3P2 (IF ELCA IS INSTALLED), AS A DIAGNOSTIC TOOL FOR PROBLEM ISOLATION
- NOTE 2 THE CARDS IN K2 AND E2 ARE INTERCHANGEABLE.
- NOTE 3 \* DENOTES FUNCTIONAL PRE-REQUISITE (IE: IF J2 P/N 4237134/36 IS INSTALLED, E2 AND K2 MUST BE P/N 2462264 or 2462228).

A B 4 0 0

TOP CARD CONNECTORS



\*\*\*\*\* 10SR MOD-1 DRIVE BOARD \*\*\*\*\*  
( CARD SIDE VIEW )



A B 4 0 0

CARD LOCATIONS		
LOCATION	DESCRIPTION	PART NUMBER
1F-A1A5	TERMINATOR CARD	1615662
1F-A1B2	ACCESS CONTROL CARD	2439883 1615583 2439875 5811816
1F-A1C2	DATA CONVERTER CARD	5811805 2439854 1615631 1615632 1615339
1F-A1D2	SERVO CARD	5811803 5811892 5811834 5811890 1615367 1615571
1F-A1A3 1G-A1A3 2F-A1A3 2G-A1A3	CABLE DISK-A CABLE DISK-B CABLE DISK-C CABLE DISK-D	8636631 8636632 4233940 4233941
1F-A1A4 1G-A1A4 2F-A1A4 2G-A1A4	CABLE DISK-A CABLE DISK-B CABLE DISK-C CABLE DISK-D	8636631 8636632 4233940 4233941
1F-A1E2	CABLE	1615508
1F-A1E5	CABLE	1615509
1F-W1B	DATA CHANNEL CARD	2439881 2439838

(C) COPYRIGHT IBM CORP 1983

CAUTION: DO NOT MIX MOD-1 AND MOD-2 CARDS

5360 FLD PAGE - OPTION

PLUGCHART 10SR BOARD

PN 4177213 EC 842375

PAGE 1 OF 1 PEC 840562

LOC 1F-A1/1G-A1/2F-A1/2G-A1

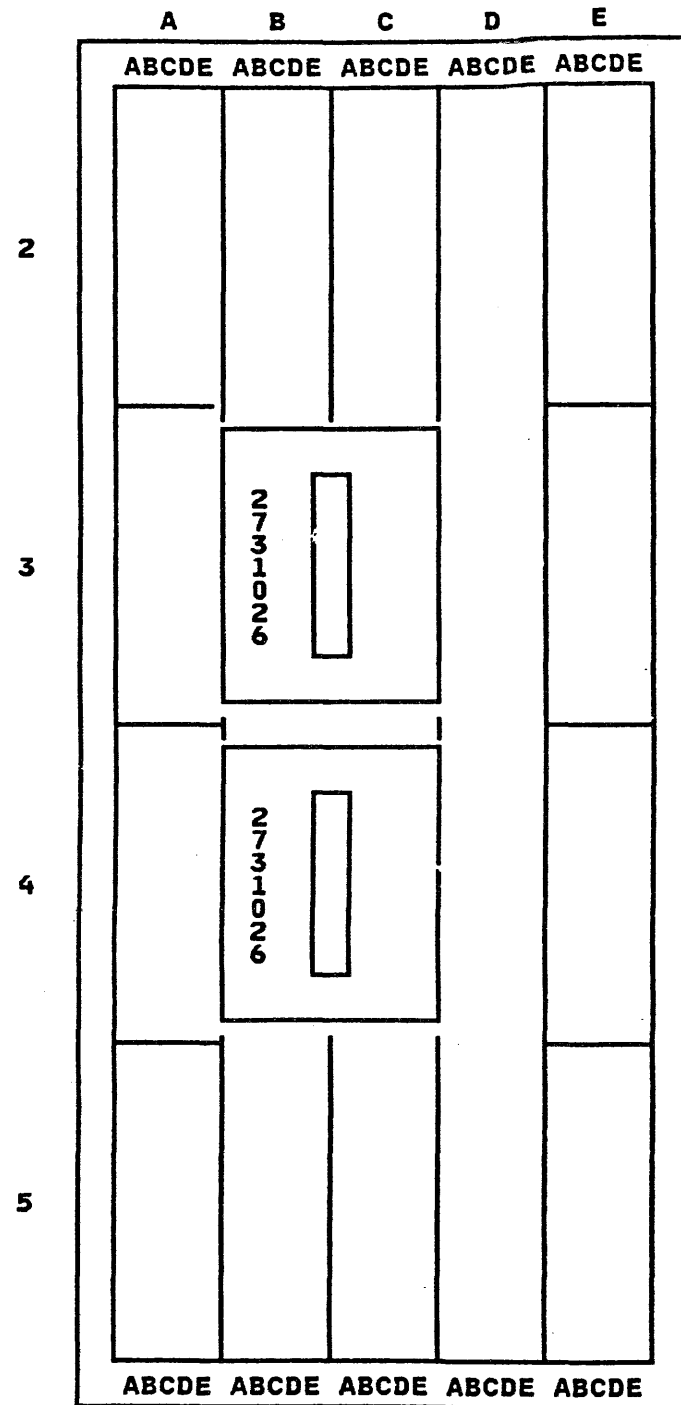
DATE 07/25/86

A  
B  
4  
0  
0

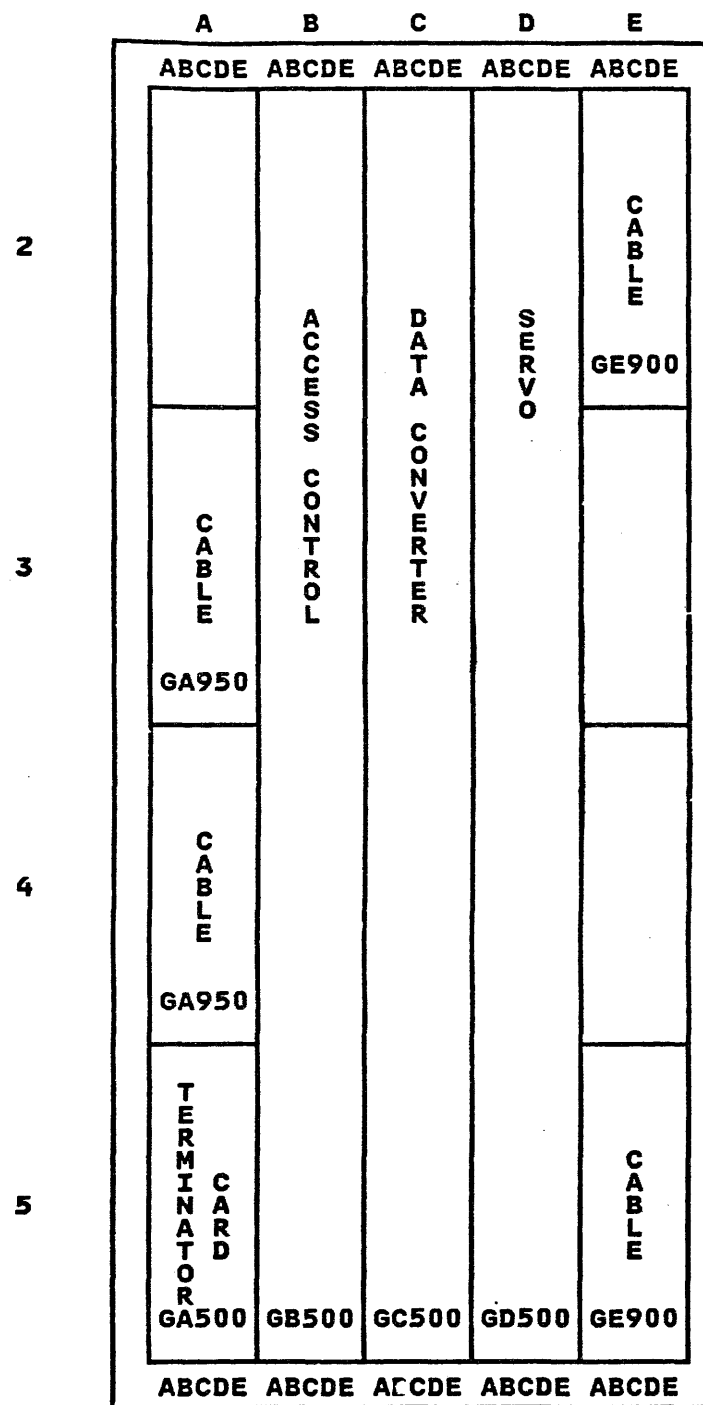
A  
B  
4  
0  
0

A B 4 0 2

TOP CARD CONNECTORS



\*\*\*\*\* 10SR MOD-2 DRIVE BOARD \*\*\*\*\*  
( CARD SIDE VIEW )



A B 4 0 2

CARD LOCATIONS		
LOCATION	DESCRIPTION	PART NUMBER
1F-A1A5	TERMINATOR CARD	1615662
1F-A1B2	ACCESS CONTROL CARD	6493738
1F-A1C2	DATA CONVERTER CARD	6493724 6493735
1F-A1D2	SERVO CARD	6493726 6493737 6493709
1F-A1A3 1G-A1A3 2F-A1A3 2G-A1A3	CABLE DISK-A CABLE DISK-B CABLE DISK-C CABLE DISK-D	8636631 8636632 4233940 4233941
1F-A1A4 1G-A1A4 2F-A1A4 2G-A1A4	CABLE DISK-A CABLE DISK-B CABLE DISK-C CABLE DISK-D	8636631 8636632 4233940 4233941
1F-A1E2	CABLE	1615508
1F-A1E5	CABLE	1615509
1F-W1B	DATA CHANNEL CARD	6493732

(C) COPYRIGHT IBM CORP 1985

CAUTION: DO NOT MIX MOD 1 AND MOD 2 CARDS

A  
B  
4  
0  
2

5360 FLQ PAGE - OPTION  
PLUGCHART 10SR MOD-2 BOARD  
PN 2596733 EC 840572  
PAGE 1 OF 1 PEC 842350  
LOC 1F-A1/1G-A1/2F-A1/2G-A1  
DATE 02/13/86

A  
B  
4  
0  
2



NET NO*	PIN	PIN	NET NO*	PIN	PIN	NET NO*	PIN	PIN	NET NO*	PIN	PIN	NET NO*	PIN	PIN
CA100BB20(01)	V3D02		CM100BC30(15)	M2W32	N2W32	CN100BB40(01)	M2S03		CU100CA00(03)	U2G12		CU100CA00(04)	S2D06	T2D06
CA900AA10	A5B02	M2G07	CM100BC43(02)	M2W02		CN100BB40(02)	E2B04	H2M04	CU100CA00(04)	P2J13	R2J13	CU100CA00(05)	P2B06	R2B06
CA900AA11	A5B13	M2D13	CM100BC43(03)	M2X09			K2U02	L2U02		S2J13	T2J13		S2B06	T2B06
CA900AA12	A5D10	C6B02*	CM100BC43(04)	M2X10		CN100BB43	D6E02*	E2B02	CP100CA00(05)	P2G13	R2G13	CU100CA00(06)	U2B06	
	M2J12		CM100BC43(05)	M2X11			H2M02	K2M04		S2G13	T2G13	CU100CA00(07)	P2D07	R2D07
CA900AA13	A5D11	M2J13	CM100BC43(06)	M2X12			L2M04	N2M04		U2G13		CU100CA00(08)	S2D07	T2D07
CA900AA14	A5D12	B6A04*	CM100BC43(07)	M2X13		CN100BB44	E2B10	F6C04*	CP100CA00(06)	P2P02	R2P02	CU100CA00(09)	U2D07	
	E2608	L2P11	CM100B11(04)	A5B03	A5B04		H2M10	K2M02		S2P02	T2P02	CU100CA00(10)	P2B07	R2B07
CA900AA15	A5D13	C6C04*		A5B05	A5B06		L2M02	N2M02	CP100CA00(07)	P2M02	R2M02	CU100CA00(11)	U2B07	
	D2P09		CM100BB20(03)	A5B07			E2D09	H2P09		S2M02	T2M02	CU100CA00(12)	P2D10	R2D10
CA900AA16	A5D04	A6E02*		A5B08	A5B09		H6B02*	K2M03	CP100CA00(08)	P2M02	R2M02	CU100CA00(13)	S2D10	T2D10
	D2B05	M2J07		A5B10	A5B11		L2M03	N2M03		S2M02	T2M02	CU100CA00(14)	U2D10	
CM100AAA0	M2D04			A5D07	M2G08		J2P11	J6D04*	CP100CA00(09)	P2P04	R2P04	CU100CA00(15)	S2B10	R2B10
CM100AAA1	M2D07			M2G09	M2G10		N2G12			S2P04	T2P04	CU100CA00(16)	U2D10	
CM100AAA2	M2D12			M2G11	M2J09		J6E04*	K2M07	CP100CA09( A )	P2D09	R2D09	CU100CA00(17)	S2B10	R2B10
CM100AAB1	M2G03		CN010AA30(02)	B6B04*	H2U09		L2M07	N2M06		S2D09	T2D09	CU100CA00(18)	U2B10	
CM100AAB2	M2B07		CN010AA30(03)	K2M05	N2J11		E2G06	K6A04*	CP100CA09( B )	S2D09	T2D09	CU100CA00(19)	P2D11	R2D11
CM100AAB3	M2D05			B6C04*	E2J09		N2G13			U2D09		CU100CA00(20)	S2D11	T2D11
CM100AAB4	M2D10		CN010AA30(04)	L2M05	N2J12		C6D02*	H2M09	CP100CA09( C )	P2S11	R2S11	CU100CA00(21)	U2D11	
CM100AAB5	M2D06			E6B02*	N2J13		N2P07			S2S11	T2S11	CU100CA00(22)	P2B11	R2B11
CM100AAB6	M2B09		CN010AB30(04)	C6B04*	E2P04		N2G07		CP100CA09( D )	U2S11		CU100CA00(23)	S2B11	T2B11
CM100AAC0(00)	M2G04			H2M06	H2S07		N2G10			P2U10	R2J06	CU100CA00(24)	U2B11	
CM100AAC0(01)	M2J04		CN010AB30(05)	H2U10	K2M09		N2G02			S2J06	T2J06	CU100CA00(25)	P2D12	R2D12
CM100AAC0(02)	M2G05			L2M09	N2M09		E2B07	H2U07	CP100CA13( A )	U2J06		CU100CA00(26)	S2D12	T2D12
CM100AAC0(03)	M2J05			B6B02*	E2G07		J6A02*	K2U13		P2M03	R2M03	CU100CA00(27)	U2D12	
CM100AAC0(04)	M2G06			E2J10	E2M05		L2U13	N2U13	CP100CA13( B )	S2M03	T2M03	CU100CA00(28)	P2B12	R2B12
CM100AAC0(05)	M2J06			K2M10	L2M10		E2D04	H2S02		U2M03		CU100CA00(29)	S2B12	T2B12
CM100AAC0(06)	M2D09			N2M10			H6A02*	K2U04	CP100CA13( C )	P2U09	R2U09	CU100CA00(30)	U2B12	
CM100AAC7	M2B10		CN010AB30(06)	J6D02*	K2M12		L2U04	N2U04		S2U09	T2U09	CU100CA00(31)	P2D13	R2D13
CM100AAC8	M2B04			L2M12	N2M12		H2U02	F6E02*	CP100CA13( D )	U2U09		CU100CA00(32)	S2D13	T2D13
CM100AAC9	M2B05		CN010AB30(07)	J6A04*	K2M13		L2U05	N2U05		P2M04	R2M04	CU100CA00(33)	U2B13	
CM100AAD0	M2B06			L2M13	N2M13		H2U02	K2U05		S2M04	T2M04	CU100CA00(34)	S2B13	T2B13
CM100BA10(00)	M2X22	N2X22	CN010AC30(00)	H2P13	H2S09		E2D11	H2S03	CP100CA17( A )	P2D05	R2D05	CU100CA00(35)	U2B13	
CM100BA10(01)	M2X23	N2X23		H2S12	H2S13		L2U06	N2U06		S2D05	T2D05	CU100CA00(36)	P2J04	R2J04
CM100BA10(02)	M2X24	N2X24		H2U11	J6C04*		E2D06	H2S04	CP100CA17( B )	U2D05		CU100CA00(37)	S2J04	T2J04
CM100BA10(03)	M2X25	N2X25		N2P09			H6C04*	K2U07		S2J04	T2J04	CU100CA00(38)	U2J04	
CM100BA14	M2X26	N2X26	CN010AC30(01)	E2D13	E2G12		L2U07	N2U07	CP100CA17( C )	P2J10	R2J10	CU100CA00(39)	P2G04	R2G04
CM100BA15	M2X33	N2X33		E2G13	E2M04		E2D07	G6A02*		S2J10	T2J10	CU100CA00(40)	S2G04	T2G04
	P2X33		CN010AC30(03)	J6B04*	N2P10		H2U04	K2U09	CP100CA17( D )	U2J10		CU100CA00(41)	U2G04	
CM100BB50(00)	A5D05	M2J11		C6A02*	N2P11		L2U09	N2U09		P2G10	R2G10	CU100CA00(42)	S2G10	T2G10
CM100BB50(01)	A5D06	M2J10	CN010AC30(05)	F6D02*	N2P12		E2D12	H2S10	CP100CA21	U2G10		CU100CA00(43)	S2J05	T2J05
CM100BB57	A5D09	M2G12		L2P13	N2J05		H6D04*	K2U10		P2J07	R2S03	CU100CA00(44)	U2J05	
CM100BB58	A5B12	M2G13		K2P12	K2P10		L2U10	N2U10	CP100CA22	S2S03	T2S03	CU100CA00(45)	P2G05	R2G05
CM100BB60	A5D02	M2B08		L2P13	N2J05		E2D10	H2U05		U2S03		CU100CA00(46)	S2G05	T2G05
CM100BB62	B6B02*	E2J12	CN020AA30	N2P13	E6B04*		H6D02*	K2U11	CP100CA22	P2U12	R2U12	CU100CA00(47)	U2G05	
	H2J12	J2J12		E2B11			L2U11	N2U11		S2U12	T2U12	CU100CA00(48)	P2P06	R2P06
	K2M08	L2M08	CN020AB30	N2J04	E6C02*		L2U12	H2U06	CP100CA24	U2U12		CU100CA00(49)	S2P06	T2P06
CM100BB63	B6E04*	E2P06		E2D05	K2P06		E2B13	H2U06		P2U05	R2U05	CU100CA00(50)	U2P06	
	M2B11		CN020AC30	H2P05	N2P06		H6E02*	K2U12		S2U05	T2U05	CU100CA00(51)	P2M06	R2M06
CM100BB64	B6D02*	E2M06		L2P06	N2P06		L2U12	N2U12	CP100CA25(01)	U2U05		CU100CA00(52)	S2M06	T2M06
	M2B12		CN020AD30	C6E04*	E2J11		E2J07	E6E04*		P2U11	U2U11	CU100CA00(53)	U2M06	
CM100BB65	M2B03			H2S05	K2P04		H2M07	K2S13	CP100CA25(02)	T2S12		CU100CA00(54)	P2P07	R2P07
CM100BB66(00)	M2D02			L2P04	N2P04		L2S13	N2S13	CP100CA25(03)	S2U12		CU100CA00(55)	S2P07	T2P07
CM100BB66(01)	M2G02			E2B06	F6D04*		E2G02	F6A04*	CP100CA25(04)	S2U13		CU100CA00(56)	U2P07	
CM100BB67	H6E04*			H2U13	L2P05		H2P04	K2S04	CP100CA29(01)	R2S13		CU100CA00(57)	U2G02	
CM100BC21( PH )	M2W13	N2W13	CN020AG30	N2P05			L2S04	N2S04	CP100CA29(02)	P2G02		CU100CA00(58)	S2M07	R2M07
	P2W13			C6D04*			E2J02	F6E04*	CP100CA29(03)	T2G03		CU100CA00(59)	S2H07	T2M07
CM100BC21(00)	M2W03	N2W03	CN100BA10(00)	M2X29	N2X29		H2M12	H2M12	CP100CA29(04)	S2G06		CU100CA00(60)	U2M07	
	P2W03			P2X29			K2S05	L2S05	CP100CA33	R2G07	R2P10	CU100CA00(61)	P2P10	R2P10
CM100BC21(01)	M2W05	N2W05	CN100BA10(01)	M2X30	N2X30		N2S05		CP100CA34	P2B03		CU100CA00(62)	S2P10	T2P10
	P2W05			P2X30			E2G03	F6B02*	CP100CA35	P2S10		CU100CA00(63)	U2P10	
CM100BC21(02)	M2W06	N2W06	CN100BA10(02)	M2X28	N2X28		H2P11	K2S07	CP100CA35	P2S10		CU100CA00(64)	P2M10	R2M10
	P2W06			P2X28			L2S07	N2S06	CP100CB10	M2W22	P2W22	CU100CA00(65)	S2M10	T2M10
CM100BC21(03)	M2W07	N2W07	CN100BA13	M2X02	N2X02		E2G04	E6D02*	CP100CB11	M2X06	P2X06	CU100CA00(66)	U2M10	
	P2W07			P2X02			H2P06	K2S08	CP100CB12	N2Y03	P2Y03	CU100CA00(67)	P2P11	R2P11
CM100BC21(04)	M2W09	N2W09	CN100BA14	M2X05	N2X05		L2S08	N2S07	CP100CB13	N2Y05	P2Y05	CU100CA00(68)	S2P11	T2P11
	P2W09			P2X05			E2J04	F6B04*	CP100CB14	N2Y07	P2Y07	CU100CA00(69)	U2P11	
CM100BC21(05)	M2W10	N2W10	CN100BA15	N2X03	P2X03		H2P07	K2S09	CP100CB15	N2Y09	P2Y09	CU100CA00(70)	P2M11	R2M11
	P2W10			P2X03	P2Y23		L2S09	N2S09	CU100AAB1( C )	R2S10	S2S10	CU100CA00(71)	S2M11	T2M11
CM100BC21(06)	M2W11	N2W11	CN100BA16	N2Y23	P2Y23		E2G10	F6C02*		U2S10		CU100CA00(72)	U2M11	
	P2W11			P2Y22	P2Y22		H2P12	K2S10	CU100AAB5( C )	R2U10	S2U10	CU100CA00(73)	P2P12	R2P12
CM100BC21(07)	M2W12	N2W12	CN100BA17	N2Y22	P2Y22		L2S10	N2S10		U2U10		CU100CA00(74)	S2P12	T2P12
	P2W12			P2Y24	P2Y24		E2J05	E6E02*	CU100AAC0( D )	R2B03	S2B03	CU100CA00(75)	U2P12	
CM100BC30( PL )	M2W33	N2W33	CN100BA18	N2Y02	P2Y02		L2S11	N2S11		T2B03	U2B03	CU100CA00(76)	P2M12	R2M12
	P2W33			P2Y02	P2Y02		E2J06	G6A04*	CU100AAC3	R2J07	S2J07	CU100CA00(77)	S2M12	T2M12
CM100BC30(08)	M2W24	N2W24	CN100BA19	N2Y02	P2Y02		H2P10	K2S11		T2J07	U2J07	CU100CA00(78)	U2M12	
	P2W24			P2Y25	P2Y25		L2S11	N2S11	CU110CA00(00)	P2P13	R2P13	CU100CA00(79)	S2P13	T2P13
CM100BC30(09)	M2W25	N2W25	CN100BA20	N2Y06	P2Y06		E2J05	E6E02*		S2D02	T2D02	CU100CA00(80)	U2D02	
	P2W25			P2Y25	P2Y25		H2P10	K2S11	CP100CA00(01)	P2B02	R2B02	CU100CA00(81)	P2B02	R2B02
CM100BC30(10)	M2W26	N2W26	CN100BA21	N2Y25	P2Y25		L2S11	N2						

NET NO*	PIN	PIN	NET NO*	PIN	PIN	NET NO*	PIN	PIN	NET NO*	PIN	PIN	NET NO*	PIN	PIN
RK100FT14	K2B08		TE100AP15 ( B )	D2D07	E2P13	YA171BA30(05)	S1D10							
RK100FT15	K2D06		TE100AP17	E2M13		YA171BA30(06)	S1C13							
RK100FT16	K2D05		TE100AP18	E2U02		YA171BA30(07)	P1C10							
RK905CP20	A4D05	K2D13	TE100AP19	E2S03		YA171BA30(08)	P1B13							
RK905CP21	A4D07	K2D12	TE100AP20	E2S02		YA171BA30(09)	G1C13							
RK905CP22	A4D09	K2G03	TE100AP22 ( A )	E2S07		YA171BA30(10)	D1C10							
RK905CP23	A4B08	K2D10	TE100AP22 ( B )	D2D06	E2U06	YA171BA30(11)	D1B13							
RK905CP24	A4D02	K2D09	TE100AP24	E2S12		YA171BA30(12)	B3A01							
RK905CP25	A4D11	K2G04	TE100AP25	E2U07		YA171BA30(13)	B2E14							
RK905CP26	A4D12	K2D11	TE100AP26	E2U12		YA171BA30(14)	B3E14							
RK905CP27	A4B12	K2G06	TE100AP27	E2S08		YA171BA30(15)	B4A01							
RK905CP28	A4B13	K2G05	TE100AP29 ( A )	E2U13		YA171BA30(16)	B4E14							
RK905CP29	A4B03	K2J04	TE100AP29 ( B )	D2D05	E2S13	YA171BA30(17)	B5A01							
RK905CP30	A4B06	K2J05	TE100AP31	E2S04		YA171BA30(18)	D6C02							
ST900AA10	V3B04		TE100AP32	E2U04		YA171BA30(19)	D6B05							
ST900AA11	V3B07		TE100AP33	E2U05		YA171BA30(20)	G6D02							
ST900AA12	V3B05		TE100AP34	E2S06		YA171BA30(21)	G6C05							
ST900AA13	V3B06		TE100AP39	E2B05		YA171BA30(22)	P6B05							
ST900AA14	V3B03		TE100AP45	E2M02	E2P02	YA171BA30(23)	S6D02							
ST900AA15	V3B02		TE100AP46	E2B08		YA171BA30(24)	S6C05							
ST900AA17	V3B09		WH100AAA9	H2U12		YA171BA30(25)	U4E14							
ST900AA20	K2P11	V3D02	WH100AAB2	H2P03		YA171BA30(26)	U5A01							
TD100ACA2	D2X05		WH100AAB6	H2G06		YA171BA30(27)	U3E14							
TD100ACB0	D2X33		WH100AAB7	H2J13		YA171BA30(28)	U4A01							
TD100CA01	A3B02	D2B03	WH100AAC0	H2B11		YA171BA30(29)	U2E14							
TD100CA02	A3B11	D2S06	WH100AAC3	H2B06		YA171BA30(30)	U3A01							
TD100CA03	A3D07	D2B08	WH100BA41	H2B02	J2B02	YA171BA30(31)	P1C13							
TD100CA04	A3B12	D2M04	WH100BA42	H2B10	J2B10	YA171BA30(32)	G1C10							
TD100CA05	D2D02	E2M11	WH100BA43	H2D09	J2D09	YA171BA30(33)	D1C13							
TD100CA06	A3D09	D2G13	WH100BA44 (00)	H2D02	J2D02	YA171BA30(34)	B3E01							
TD100CA07	D2D04	E2U11	WH100BA44 (01)	H2B03	J2B03	YA171BA30(35)	B5E01							
TD100CA09	A3D04	D2D10	WH100BA44 (02)	H2B04	J2B04	YA171BA30(36)	D6C05							
TD100CA10	A3D12	D2G10	WH100BA47 ( P )	H2B07	J2B07	YA171BA30(37)	P6C05							
TD100CB00 ( P )	D2X32	E2X32	WH100BA47 (00)	H2D04	J2D04	YA171BA30(38)	S6D05							
TD100CB00 (00)	D2X22	E2X22	WH100BA47 (01)	H2B12	J2B12	YA171BA30(39)	U5E01							
TD100CB00 (01)	D2X23	E2X23	WH100BA47 (02)	H2D11	J2D11	YA171BA30(40)	U4E01							
TD100CB00 (02)	D2X24	E2X24	WH100BA47 (03)	H2D06	J2D06	YA171BA30(41)	U3E01							
TD100CB00 (03)	D2X25	E2X25	WH100BA47 (04)	H2D07	J2D07	YA171BA30(44)	S1C10							
TD100CB00 (04)	D2X26	E2X26	WH100BA47 (05)	H2D12	J2D12	YA171BA30(45)	P1B10							
TD100CB00 (05)	D2X28	E2X28	WH100BA47 (06)	H2D10	J2D10	YA171BA30(46)	U2A14							
TD100CB00 (06)	D2X29	E2X29	WH100BA47 (07)	H2B13	J2B13	YA171BA30(47)	D1B10							
TD100CB00 (07)	D2X30	E2X30	WJ100AAA3	J2B05		YA171BA30(48)	B2A14							
TD100CB09	D2X27		WJ100AAC6	J2P04		YA171BA30(49)	G6D05							
TD100CB10	D2X31		WJ100AAC7	J2P07		YA171BA30(50)	B4A14							
TD901ACD1	A3B13		WJ100AAD2	J2P06		YA171BA30(51)	D6B02							
TD901AC00	A3D02	D2G06	WJ100AAD3	J2P12		YA171BA30(52)	G6C02							
TD901AC01	A3D05	D2D11	WJ100AAD4	J2P05		YA171BA30(53)	P6B02							
TD901AC02	A3D06	D2J13	WJ100AAD5	J2P09		YA171BA30(54)	U4A14							
TD901AC03	A3D10	D2G11	WJ100AAD6	J2M04		YA171BA30(55)	U3A14							
TD901AC04	A3D11	D2G12	WJ100AAD7	J2P13		YA171BA30(56)	G1D13							
TD901AC05 ( P )	A3D13	D2B07	WJ100BA11	J2M13	J2U04	YA905GA20	G1D10							
TD901AC05 (00)	A3B03	D2B13	WJ100BA12	J2M02	J2P02	YA905LC10	G1D10	L3B09						
TD901AC05 (01)	A3B04	D2D13	WJ100BA13	J2M10	J2P10	YA905LC30	L3D08	P6C02						
TD901AC05 (02)	A3B05	D2B10	WJ100BA14 ( P )	H2J07	J2J07	YA905PF20	P6C02							
TD901AC05 (03)	A3B06	D2B11	WJ100BA14 (00)	H2G02	J2G02									
TD901AC05 (04)	A3B07	D2D09	WJ100BA14 (01)	H2J02	J2J02									
TD901AC05 (05)	A3B08	D2D12	WJ100BA14 (02)	H2G03	J2G03									
TD901AC05 (06)	A3B09	D2B04	WJ100BA14 (03)	H2G04	J2G04									
TD901AC05 (07)	A3B10	D2B12	WJ100BA14 (04)	H2J04	J2J04									
TD901AC14	A3D03		WJ100BA14 (05)	H2G10	J2G10									
TE100ABB0	E2X04	E2X08	WJ100BA14 (06)	H2J05	J2J05									
	E2X27	E2X31	WJ100BA14 (07)	H2J06	J2J06									
TE100ACA7	E2G11		WJ100BA23	H2G13	J2G13									
TE100ACB1	E2G05		WJ100BA24	H2G12	J2G12									
TE100ACB6	E2M03		WJ100BA25	H2D13	J2D13									
TE100ACB8	E2J13		WJ100BA27	H2J10	J2J10									
TE100ACB9	E2M07		WJ100BA28	H2G07	J2G07									
TE100ACC1	E2M10		WJ100BA29	H2G11	J2G11									
TE100ACC3	E2M12		WJ100BA30	H2J09	J2J09									
TE100ACC4	E2P10		WJ100BA31	H2J11	J2J11									
TE100ACC5	E2P11		WJ100BA32	H2D05	J2D05									
TE100ACC6	E2P12		WJ100BA33	J2M12										
TE100ACC8	E2U09		WJ100BA34	J2M03										
TE100ACD0	E2S11		WJ100BA41	J2U02	V4D02									
TE100ACD1	E2U10		WJ100BA42	J2S02	V4B02									
TE100ACD2	E2S05		WJ100BA43	J2U05	V4D04									
TE100ACD3	E2S10		WJ100BA44	J2S03	V4B04									
TE100AN01	D2X02	E2X02	WJ100BA45	J2U06	V4D05									
TE100AN02	D2X03	E2X03	WJ100BA46	J2S04	V4B05									
TE100AN03	E2X05		WJ100BA47	J2U07	V4D07									
TE100AN04	D2X06	E2X06	WJ100BA48	J2S07	V4B07									
TE100AN06 (00)	D2X07	E2X07	WJ100BA49	J2U09	V4D09									
TE100AN06 (01)	D2X09	E2X09	WJ100BA50	J2S10	V4B09									
TE100AN06 (02)	D2X10	E2X10	WJ100BA51	J2U10	V4D10									
TE100AN06 (03)	D2X11	E2X11	WJ100BA52	J2S12	V4B10									
TE100AN06 (04)	D2X12	E2X12	WJ900AA2	V4D08	V4D08									
TE100AN12	E2X33		YA171BA30 (01)	S6C02										
TE100AP12	D2B02	E2P07	YA171BA30 (02)	S1D13										
TE100AP13	E2M08		YA171BA30 (03)	B4E01										
TE100AP15 ( A )	E2P09		YA171BA30 (04)	B3A14										

AD100 (C) COPYRIGHT IBM CORP. 1984

NOTE: IF THE NET NAME HAS A TRAILING ZERO (I.E. CN100BB10), THIS TRAILING ZERO WILL BE SHOWN IN THE NET AND PIN LISTS. THE LOGIC PAGES WILL OMIT THESE TRAILING ZEROS, THUS CN100BB50 AND CN100BB5 REPRESENT THE SAME NET. \* : 'X' IN PIN FIELD (I.E. ASD12\*) DENOTES AN I/O PIN. (NN) : '(NN)' IN NET NO. FIELD (I.E. CN100BC71(B)) DENOTES THE STRAND NUMBER IN A BUNDLED NET.

BOARD 1A-A1 (STAGE 3)  
P/N 2597690

NET LIST  
LOC=1A-A1  
PN2597237 EC842375  
MACH TYPE=5360  
DATE= 18JUL86  
P602

PIN	NET NO*	PIN	NET NO*	PIN	NET NO*	PIN	NET NO*	PIN	NET NO*	PIN	NET NO*	PIN	NET NO*
A3B02	TD100CA01	B2603	LL100FK21	D2X25	TD100CB00(03)	E2U06	TE100P22( B )	H2J10	WJ100BA27	J2M10	WJ100BA13	K2P12	KN100AC30(06)
A3B03	TD901AC05(00)	B2604	LL100FK24	D2X26	TD100CB00(04)	E2U07	TE100P25	H2J11	WJ100BA31	J2M12	WJ100BA33	K2P13	RK100FP11
A3B04	TD901AC05(01)	B2605	LL100FK10(07)	D2X27	TD100CB09	E2U09	TE100ACC0	H2J12	CM100BB62	J2M13	WJ100BA11	K2S02	CN100BB40(00)
A3B05	TD901AC05(02)	B2606	LL905CP14	D2X28	TD100CB00(05)	E2U10	TE100ACD1	H2J13	WH100AA87	J2P02	WJ100BA12	K2S03	CN100BB40(01)
A3B06	TD901AC05(03)	B2608	LL905CP40(17)	D2X29	TD100CB00(06)	E2U11	TD100CA07	H2M02	CN100BB43	J2P04	WJ100AAC6	K2S04	CN100BC81(00)
A3B07	TD901AC05(04)	B2609	LL905CP40(19)	D2X30	TD100CB00(07)	E2U12	TE100AP24	H2M03	CN100BB40(01)	J2P05	WJ100AAD4	K2S05	CN100BC81(09)
A3B08	TD901AC05(05)	B2610	LL905CP20(05)	D2X31	TD100CB10	E2U13	TE100AP29( A )	H2M04	CN100BB40(02)	J2P06	WJ100AAD7	K2S07	CN100BC81(10)
A3B09	TD901AC05(06)	B2611	LL100FK10(02)	D2X32	TD100CB00( P )	E2X02	TE100AN01	H2M06	CN010AB30(04)	J2P07	WJ100AAC7	K2S08	CN100BC81(11)
A3B10	TD901AC05(07)	B2612	LL905CP30(12)	D2X33	TD100CB00	E2X03	TE100AN02	H2M07	CN100BC81(PL)	J2P09	WJ100AAD5	K2S09	CN100BC81(12)
A3B11	TD100CA02	B2613	LL100FK10(04)	D6B02	YAI71BA30(51)	E2X04	TE100ABB0	H2M09	CN100BB53	J2P10	WJ100BA13	K2S10	CN100BC81(13)
A3B12	TD100CA04	B2J02	LL100FK10(06)	D6B05	YAI71BA30(19)	E2X05	TE100AN03	H2M10	CN100BB44	J2P11	CN100BB50	K2S11	CN100BC81(14)
A3B13	TD901ACD1	B2J03	LL100FK22	D6C02	YAI71BA30(18)	E2X06	TE100AN04	H2M12	CN100BC81(09)	J2P12	WJ100AAD3	K2S12	CN100BC81(15)
A3D02	TD901AC00	B2J04	LL100FK23	D6C05	YAI71BA30(36)	E2X07	TE100AN06(00)	H2M13	CN100BC81(15)	J2P13	WJ100AAD7	K2S13	CN100BC81(PL)
A3D03	TD901AC14	B2J05	LL100FK10(01)	D6E02	CN100BB43	E2X08	TE100ABB0	H2P02	CN100BB40(00)	J2S02	WJ100BA42	K2U02	CN100BB40(02)
A3D04	TD100CA09	B2J06	LL100FK20	E2B02	CN100BB43	E2X09	TE100AN06(01)	H2P03	WH100AA82	J2S03	WJ100BA44	K2U04	CN100BC71(00)
A3D05	TD901AC01	B2J08	LL905CP40(16)	E2B03	CN100BB40(01)	E2X10	TE100AN06(02)	H2P04	CN100BC81(00)	J2S04	WJ100BA46	K2U05	CN100BC71(01)
A3D06	TD901AC02	B2J09	LL100FK10(00)	E2B04	CN100BB40(02)	E2X11	TE100AN06(03)	H2P05	CN020AB30	J2S07	WJ100BA48	K2U06	CN100BC71(02)
A3D07	TD100CA03	B2J10	LL905CP30(14)	E2B05	TE100AP39	E2X12	TE100AN06(04)	H2P06	CN100BC81(11)	J2S10	WJ100BA50	K2U07	CN100BC71(03)
A3D09	TD100CA06	B2J11	LL100FK10( P )	E2B06	CN020AD30	E2X22	TD100CB00(00)	H2P07	CN100BC81(12)	J2S12	WJ100BA52	K2U09	CN100BC71(04)
A3D10	TD901AC03	B2J13	LL905CP30(15)	E2B07	CN100BC71(PH)	E2X23	TD100CB00(01)	H2P09	CN100BB45	J2U02	WJ100BA41	K2U10	CN100BC71(05)
A3D11	TD901AC04	B3A01	YAI71BA30(12)	E2B08	TE100AP46	E2X24	TD100CB00(02)	H2P10	CN100BC81(14)	J2U04	WJ100BA11	K2U11	CN100BC71(06)
A3D12	TD100CA10	B3A14	YAI71BA30(04)	E2B10	CN100BB44	E2X25	TD100CB00(03)	H2P11	CN100BC81(10)	J2U05	WJ100BA43	K2U12	CN100BC71(07)
A3D13	TD901AC05( P )	B3E01	YAI71BA30(34)	E2B11	CN020AA30	E2X26	TD100CB00(04)	H2P12	CN100BC81(13)	J2U06	WJ100BA45	K2U13	CN100BC71(PH)
A4B02	RK100FK14	B3E14	YAI71BA30(14)	E2B12	CN100BC71(01)	E2X27	TE100ABB0	H2P13	CN010AC30(00)	J2U07	WJ100BA47	K6A04	CN100BB52
A4B03	RK905CP29	B4A01	YAI71BA30(15)	E2B13	CN100BC71(07)	E2X28	TD100CB00(05)	H2S02	CN100BC71(00)	J2U09	WJ100BA49	L2B02	LL905CP20(07)
A4B04	RK100FK16	B4A14	YAI71BA30(50)	E2D02	CN100BB40(00)	E2X29	TD100CB00(06)	H2S03	CN100BC71(02)	J2U10	WJ100BA51	L2B03	LL905CP11
A4B05	RK100FK11	B4E01	YAI71BA30(03)	E2D04	CN100BC71(00)	E2X30	TD100CB00(07)	H2S04	CN100BC71(03)	J6A02	CN100BC71(PH)	L2B04	LL905CP30(PH)
A4B06	RK905CP30	B4E14	YAI71BA30(16)	E2D05	CN020AB30	E2X31	TE100ABB0	H2S05	CN020AC30	J6A04	CN010AB30(07)	L2B05	LL905CP20(04)
A4B08	RK905CP23	B5A01	YAI71BA30(17)	E2D06	CN100BC71(03)	E2X32	TD100CB00( P )	H2S07	CN010AB30(04)	J6B04	CN010AC30(01)	L2B06	LL905CP20(PL)
A4B09	RK100FK31	B5E01	YAI71BA30(35)	E2D07	CN100BC71(04)	E2X33	TE100AN12	H2S09	CN010AC30(00)	J6C04	CN010AC30(00)	L2B07	LL905CP20(03)
A4B10	RK100FK30	B6A04	CA900AA14	E2D09	CN100BB45	E6B02	CN010AA30(04)	H2S10	CN100BC71(05)	J6D02	CN010AB30(06)	L2B09	LL905CP20(00)
A4B12	RK905CP27	B6B02	CN100BB62	E2D10	CN100BC71(06)	E6B04	CN020AA30	H2S11	CN100BC81(09)	J6D04	CN100BB50	L2B10	LL100FK10(03)
A4B13	RK905CP28	B6B04	CN010AB30(05)	E2D11	CN100BC71(02)	E6C02	CN020AB30	H2S12	CN010AC30(00)	J6E04	CN100BB51	L2B11	LL905CP30(10)
A4D02	RK905CP24	B6B04	CN010AA30(02)	E2D12	CN100BC71(05)	E6D02	CN100BC71(05)	H2S13	CN010AC30(00)	K2B02	RK100AA00	L2B12	LL905CP12
A4D04	RK100FK15	B6C04	CN010AA30(03)	E2D13	CN010AC30(01)	E6E02	CN100BC81(14)	H2U02	CN100BC71(01)	K2B03	RK100AA01	L2B13	LL905CP40(18)
A4D05	RK905CP20	B6D02	CN100BB64	E2G02	CN100BC81(08)	E6E04	CN100BC81(PL)	H2U04	CN100BC71(04)	K2B04	RK100AA02	L2D02	LL905CP30(13)
A4D06	RK100FK13	B6E04	CN100BB63	E2G03	CN100BC81(10)	F6A04	CN100BC81(08)	H2U05	CN100BC71(06)	K2B05	RK100FT11	L2D04	LL905CP20(02)
A4D07	RK905CP21	C6A02	CN010AC30(03)	E2G04	CN100BC81(11)	F6B02	CN100BC81(10)	H2U06	CN100BC71(07)	K2B06	RK100FT12	L2D05	LL905CP30(08)
A4D09	RK905CP22	C6B02	CA900AA12	E2G05	TE100ACB1	F6B04	CN100BC81(12)	H2U07	CN100BC71(PH)	K2B07	RK100FT13	L2D06	LL905CP10
A4D10	RK100FK20	C6B04	CN010AB30(04)	E2G06	CN100BB52	F6C02	CN100BC81(13)	H2U09	CN010AA30(02)	K2B08	RK100FT14	L2D07	LL905CP20(06)
A4D11	RK905CP25	C6C04	CA900AA15	E2G07	CN010AB30(05)	F6C04	CN100BB44	H2U10	CN010AB30(04)	K2B09	RK100FK15	L2D09	LL905CP20(01)
A4D12	RK905CP26	C6D02	CN100BB53	E2G08	CA900AA14	F6D02	CN010AC30(04)	H2U11	CN010AC30(00)	K2B10	RK100FK13	L2D10	LL905CP30(09)
A4D13	RK100FK12	C6D04	CN020AG30	E2G10	CN100BC81(13)	F6D04	CN020AD30	H2U12	WH100AA09	K2B11	RK100FK20	L2D11	LL905CP13
A5B02	CA900AA10	C6D04	DF200BA27	E2G11	TE100ACA7	F6E02	CN100BC71(01)	H2U13	CN020AD30	K2B12	RK100FK16	L2D12	LL100FK25
A5B03	CM100DB11(04)	C6E04	CN020AC30	E2G12	CN010AC30(01)	F6E04	CN100BC81(09)	H6A02	CN100BC71(00)	K2B13	RK100FK11	L2D13	LL905CP30(11)
A5B04	CM100DB11(04)	D1B10	YAI71BA30(47)	E2G13	CN010AC30(01)	G1C10	YAI71BA30(32)	H6B02	CN100BB45	K2D02	RK100AA03	L2D14	LL100FK10(04)
A5B05	CM100DB11(04)	D1B13	YAI71BA30(11)	E2J02	CN100BC81(09)	G1C13	YAI71BA30(09)	H6B04	CN100BC71(02)	K2D04	RK100AA04	L2D15	LL905CP30(12)
A5B06	CM100DB11(04)	D1C10	YAI71BA30(10)	E2J04	CN100BC81(12)	G1D10	YAI71BA30(05)	H6C04	CN100BC71(03)	K2D05	RK100FT16	L2D16	LL100FK10(02)
A5B07	CM100DB11(04)	D1C13	YAI71BA30(33)	E2J05	CN100BC81(14)	G1D10	YAI71BA30(05)	H6D02	CN100BC71(06)	K2D06	RK100FT15	L2D17	LL905CP20(05)
A5B08	CM100DB20(03)	D2B02	TE100AP12	E2J06	CN100BC81(15)	G1D13	YAI71BA30(56)	H6D04	CN100BC71(05)	K2D09	RK905CP24	L2D18	LL905CP40(19)
A5B09	CM100DB20(03)	D2B03	TD100CA01	E2J07	CN100BC81(PL)	G6A02	CN100BC71(04)	H6E02	CN100BC71(07)	K2D10	RK905CP23	L2D19	LL905CP40(17)
A5B10	CM100DB20(03)	D2B04	TD901AC05(06)	E2J09	CN010AA30(03)	G6A04	CN100BC81(15)	H6E04	CM100BB67	K2D11	RK905CP26	L2D20	LL905CP14
A5B11	CM100DB20(03)	D2B05	CA900AA16	E2J10	CN010AB30(05)	G6C02	YAI71BA30(52)	J2B02	WH100BA41	K2D12	RK905CP21	L2D21	LL100FK10(07)
A5B12	CM100BB58	D2B07	TD901AC05( P )	E2J11	CN020AC30	G6C05	YAI71BA30(21)	J2B03	WH100BA44(01)	K2D13	RK905CP20	L2D22	LL100FK24
A5B13	CA900AA11	D2B08	TD100CA03	E2J12	CN100BB62	G6D02	YAI71BA30(20)	J2B04	WH100BA44(02)	K2G02	RK100FK12	L2D23	LL100FK21
A5D02	CM100BB60	D2B10	TD901AC05(02)	E2J13	TE100ACB0	G6D05	YAI71BA30(49)	J2B05	WJ100AA03	K2G03	RK905CP22	L2D24	LL100FK10(05)
A5D04	CA900AA16	D2B11	TD901AC05(03)	E2M02	TE100AP45	H2B02	WH100AA41	J2B07	WH100BA47( P )	K2G04	RK905CP25	L2D25	LL905CP30(15)
A5D05	CM100BB50(00)	D2B12	TD901AC05(07)	E2M03	TE100ACB6	H2B03	WH100BA44(01)	J2B10	WH100BA42	K2G05	RK905CP28	L2D26	LL100FK10( P )
A5D06	CM100BB50(01)	D2B13	TD901AC05(00)	E2M04	CN010AC30(01)	H2B04	WH100BA44(02)	J2B12	WH100BA47(01)	K2G06	RK905CP27	L2D27	LL905CP30(14)
A5D07	CM100DB20(03)	D2D02	TD100CA05	E2M05	CN010AB30(05)	H2B06	WH100FA03	J2B13	WH100BA47(07)	K2G08	RK100AA02	L2D28	LL100FK10(00)
A5D09	CM100BB57	D2D04	TD100CA07	E2M06	CM100BB64	H2B07	WH100FA47( P )	J2D02	WH100BA44(00)	K2G10	RK100AA05	L2D29	LL905CP40(16)
A5D10	CA900AA12	D2D05	TE100AP29( B )	E2M07	TE100ACB9	H2B10	WH100FA42	J2D04	WH100BA47(00)	K2G11	RK100AA06	L2D30	LL100FK20
A5D11	CA900AA13	D2D06	TE100AP22( B )	E2M08	TE100AP13	H2B11	WH100AAC0	J2D05	WJ100BA32	K2G12	RK100FP14	L2D31	LL100FK10(01)
A5D12	CA900AA14	D2D07	TE100AP15( B )	E2M10	TE100ACC1	H2B12	WH100FA47(01)	J2D06	WH100BA47(03)	K2G13	RK100FP17	L2D32	LL100FK23
A5D13	CA900AA15	D2D09	TD901AC05(04)	E2M11	TD100CA05	H2B13	WH100FA47(07)	J2D07	WH100BA47(04)	K2J02	RK100FK14	L2D33	LL100FK10(06)
A6E02	CA900AA16	D2D10	TD100CA09	E2M12	TE100ACC3	H2D02	WH100BA44(00)	J2D09	WH100BA43	K2J04	RK905CP29	L2D34	LL905CP30(05)
B2A14	YAI71BA30(48)	D2D11	TD901AC01	E2M13	TE100AP17	H2D04	WH100BA47(00)	J2D10	WH100BA47(06)	K2J05	WH100BA47(06)	L2M02	CN100BB44
B2B02	LL905CP40(18)	D2D12	TD901AC05(05)	E2P02	TE100AP45	H2D05	WJ100BA32	J2D11	WH100BA47(02)	K2J06	RK100FK30	L2M03	CN100BB45
B2B03	LL905CP12	D2D13	TD901AC05(01)	E2P04	CN010AB30(04)	H2D06	WH100FA47(03)	J2D12	WH100BA47(05)	K2J07	RK100FK31	L2M04	CN100BB43
B2B04	LL905CP30(10)	D2D14	TD901AC00	E2P06	CM100BB63	H2D07	WH100FA47(04)	J2D13	WJ100BA25	K2J09	RK100AKA0	L2M05	CN010AA30(03)
B2B05	LL100FK10(03)	D2G10	TD100CA10	E2P07	TE100AP12	H2D09	WH100BA43	J2D13	WJ100BA25	K2J13	RK100FP12	L2M07	CN100BB51
B2B06	LL905CP20(00)	D2G11	TD901AC03	E2P09	TE100AP15( A )	H2D10	WH100FA47(06)	J2G03	WJ100BA14(02)	K2M02	CN100BB44	L2M08	CM100BB62
B2B08	LL905CP20(03)	D2G12	TD901AC04	E2P10	TE100ACC4	H2D11	WH100FA47(02)	J2G04	WJ100BA14(03)	K2M03	CN100BB45	L2M09	CN010AB30(04)
B2B09	LL905CP20(PL)	D2G13	TD100CA06	E2P11	TE100ACC5	H2D12	WH100FA47(05)	J2G07					

PIN	NET NO*	PIN	NET NO*	PIN	NET NO*	PIN	NET NO*	PIN	NET NO*	PIN	NET NO*	PIN	NET NO*
L2S10	CN100BC81 (13)	M2X25	CN100BA10 (03)	N2Y22	CN100BA17	P2W03	CN100BC21 (00)	R2M07	CUI10CA00 (23)	S2S11	CP100CA09 ( B )	U2B13	CUI10CA00 (15)
L2S11	CN100BC81 (14)	M2X26	CN100BA14	N2Y23	CN100BA16	P2W05	CN100BC21 (01)	R2M10	CUI10CA00 (25)	S2U02	CUI10CA00 (32)	U2D02	CUI10CA00 (02)
L2S12	CN100BC81 (15)	M2X28	CN100BA10 (02)	N2Y24	CN100BA18	P2W06	CN100BC21 (02)	R2M11	CUI10CA00 (27)	S2U04	CUI10CA00 (34)	U2D04	CUI10CA00 (00)
L2S13	CN100BC81 (PL)	M2X29	CN100BA10 (00)	N2Y25	CN100BA21	P2W07	CN100BC21 (03)	R2M12	CUI10CA00 (29)	S2U05	CP100CA24	U2D05	CP100CA17 ( A )
L2U02	CN100BB40 (02)	M2X30	CN100BA10 (31)	N2Y26	CN100BA22	P2W09	CN100BC21 (04)	R2M13	CUI10CA00 (31)	S2U06	CUI10CA00 (36)	U2D06	CUI10CA00 (04)
L2U04	CN100BC71 (00)	M2X33	CN100BA15	N2Y30	CN100BA23	P2W10	CN100BC21 (05)	R2P02	CP100CA00 (06)	S2U07	CUI10CA00 (38)	U2D07	CUI10CA00 (06)
L2U05	CN100BC71 (01)	N2G02	CN100BB68	N2Z02	CN100BA30	P2W11	CN100BC21 (06)	R2P04	CP100CA00 (08)	S2U09	CP100CA13 ( B )	U2D09	CP100CA09 ( A )
L2U06	CN100BC71 (02)	N2G07	CN100BB66	N2Z03	CN100BA31	P2W12	CN100BC21 (07)	R2P06	CUI10CA00 (20)	S2U10	CUI10AAB5 ( C )	U2D10	CUI10CA00 (08)
L2U07	CN100BC71 (03)	N2G10	CN100BB67	N2Z05	CN100BA32	P2W13	CN100BC21 (PH)	R2P07	CUI10CA00 (22)	S2U12	CP100CA22	U2D11	CUI10CA00 (10)
L2U09	CN100BC71 (04)	N2G12	CN100BB50	N2Z06	CN100BA33	P2W22	CP100CB10	R2P10	CUI10CA00 (24)	S2U13	CP100CA25 (03)	U2D12	CUI10CA00 (12)
L2U10	CN100BC71 (05)	N2G13	CN100BB52	N2Z22	CN100BA34	P2W23	CN100BC30 (14)	R2P11	CUI10CA00 (26)	S6C02	YA171BA30 (01)	U2D13	CUI10CA00 (14)
L2U11	CN100BC71 (06)	N2J04	CN020AA30	N2Z23	CN100BA35	P2W24	CN100BC30 (08)	R2P12	CUI10CA00 (28)	S6C05	YA171BA30 (24)	U2E14	YA171BA30 (29)
L2U12	CN100BC71 (07)	N2J05	CN010AC30 (05)	N2Z25	CN100BA36	P2W25	CN100BC30 (09)	R2P13	CUI10CA00 (30)	S6D02	CUI10CA00 (30)	U2G02	CP100CA29 (01)
L2U13	CN100BC71 (PH)	N2J11	CN010AA30 (02)	N2Z26	CN100BA37	P2W26	CN100BC30 (10)	R2S02	CUI10CA00 (33)	S6D05	YA171BA30 (38)	U2G04	CUI10CA00 (17)
L3B09	YA905LC10	N2J12	CN010AA30 (03)	P1B10	YA171BA30 (45)	P2W28	CN100BC30 (11)	R2S03	CP100CA21	T2B02	CUI10CA00 (01)	U2G05	CUI10CA00 (19)
L3D08	YA905LC30	N2J13	CN010AA30 (04)	P1B13	YA171BA30 (08)	P2W29	CN100BC30 (12)	R2S04	CP100CA21	T2B03	CUI10CA00 (02)	U2G10	CP100CA17 ( C )
M2B02	CN100BB62	N2M02	CN100BB44	P1C10	YA171BA30 (07)	P2W30	CN100BC30 (13)	R2S06	CUI10CA00 (37)	T2B04	CUI10CA00 (03)	U2G11	CP100CA00 (01)
M2B03	CN100BB65	N2M03	CN100BB45	P1C13	YA171BA30 (31)	P2W32	CN100BC30 (15)	R2S07	CUI10CA00 (39)	T2B06	CUI10CA00 (05)	U2G12	CP100CA00 (03)
M2B04	CN100AAC8	N2M04	CN100BB43	P2B02	CUI10CA00 (01)	P2W33	CN100BC30 (PL)	R2S10	CUI10AAB1 ( C )	T2B07	CUI10CA00 (07)	U2G13	CP100CA00 (05)
M2B05	CN100AAC9	N2M05	CN100BB51	P2B03	CP100CA34	P2X02	CN100BA13	R2S11	CP100CA09 ( B )	T2B10	CUI10CA00 (09)	U2J04	CUI10CA00 (16)
M2B06	CN100AAD0	N2M09	CN010AB30 (04)	P2B04	CUI10CA00 (03)	P2X03	CN100BA15	R2S13	CP100CA25 (04)	T2B11	CUI10CA00 (11)	U2J05	CUI10CA00 (18)
M2B07	CN100AAB2	N2M10	CN010AB30 (05)	P2B06	CUI10CA00 (05)	P2X05	CN100BA14	R2U02	CUI10CA00 (32)	T2B12	CUI10CA00 (13)	U2J06	CP100CA09 ( D )
M2B08	CN100BB60	N2M12	CN010AB30 (06)	P2B07	CUI10CA00 (07)	P2X06	CP100CB11	R2U04	CUI10CA00 (34)	T2B13	CUI10CA00 (15)	U2J07	CUI10AAB3
M2B09	CN100AAB6	N2M13	CN010AB30 (07)	P2B10	CUI10CA00 (09)	P2X28	CN100BA10 (02)	R2U05	CP100CA24	T2D02	CUI10CA00 (00)	U2J10	CP100CA17 ( B )
M2B10	CN100AAC7	N2P04	CN020AC30	P2B11	CUI10CA00 (11)	P2X29	CN100BA10 (00)	R2U06	CUI10CA00 (36)	T2D04	CUI10CA00 (02)	U2J11	CP100CA00 (00)
M2B11	CN100BB63	N2P05	CN020AD30	P2B12	CUI10CA00 (13)	P2X30	CN100BA10 (01)	R2U07	CUI10CA00 (38)	T2D05	CP100CA17 ( A )	U2J12	CP100CA00 (02)
M2B12	CN100BB64	N2P06	CN020AB30	P2B13	CUI10CA00 (15)	P2X33	CN100BA15	R2U09	CP100CA13 ( B )	T2D06	CUI10CA00 (04)	U2J13	CP100CA00 (04)
M2B13	CP100CA33	N2P07	CN100BB53	P2D02	CUI10CA00 (00)	P2Y02	CN100BA19	R2U10	CUI10AAB5 ( C )	T2D07	CUI10CA00 (06)	U2M02	CP100CA00 (07)
M2D02	CN100BB66 (00)	N2P09	CN010AC30 (00)	P2D04	CUI10CA00 (02)	P2Y03	CP100CB12	R2U12	CP100CA22	T2D09	CP100CA09 ( A )	U2M03	CP100CA13 ( A )
M2D04	CN100AAA0	N2P10	CN010AC30 (01)	P2D05	CP100CA17 ( C )	P2Y05	CP100CB13	S1C10	YA171BA30 (44)	T2D10	CUI10CA00 (08)	U2M04	CP100CA13 ( D )
M2D05	CN100AAB3	N2P11	CN010AC30 (03)	P2D06	CUI10CA00 (04)	P2Y06	CN100BA20	S1C13	YA171BA30 (06)	T2D11	CUI10CA00 (10)	U2M06	CUI10CA00 (21)
M2D06	CN100AAB5	N2P12	CN010AC30 (04)	P2D07	CUI10CA00 (06)	P2Y07	CP100CB14	S1D10	YA171BA30 (05)	T2D12	CUI10CA00 (12)	U2M07	CUI10CA00 (12)
M2D07	CN100AAA1	N2P13	CN010AC30 (06)	P2D09	CP100CA09 ( A )	P2Y09	CP100CB15	S1D13	YA171BA30 (02)	T2D13	CUI10CA00 (14)	U2M10	CUI10CA00 (25)
M2D09	CN100AAC0 (06)	N2S02	CN100BB40 (00)	P2D10	CUI10CA00 (08)	P2Y22	CN100BA17	S2B02	CUI10CA00 (01)	T2G03	CP100CA29 (02)	U2M11	CUI10CA00 (27)
M2D10	CN100AAB4	N2S03	CN100BB40 (01)	P2D11	CUI10CA00 (10)	P2Y23	CN100BA16	S2B03	CUI10AAB0 ( C )	T2G04	CUI10CA00 (01)	U2M12	CUI10CA00 (17)
M2D11	DF200BA27	N2S04	CN100BC81 (08)	P2D12	CUI10CA00 (12)	P2Y24	CN100BA18	S2B04	CUI10CA00 (03)	T2G05	CUI10CA00 (19)	U2M13	CUI10CA00 (31)
M2D12	CN100AAA2	N2S05	CN100BC81 (09)	P2D13	CUI10CA00 (14)	P2Y25	CN100BA21	S2B06	CUI10CA00 (05)	T2G10	CP100CA17 ( C )	U2P02	CP100CA00 (06)
M2D13	CA900AA11	N2S06	CN100BC81 (10)	P2G02	CP100CA29 (01)	P2Y26	CN100BA22	S2B07	CUI10CA00 (07)	T2G11	CP100CA00 (01)	U2P04	CP100CA00 (08)
M2G02	CN100BB66 (01)	N2S07	CN100BC81 (11)	P2G03	CP100CA29 (02)	P2Y30	CN100BA23	S2B10	CUI10CA00 (09)	T2G12	CP100CA00 (03)	U2P06	CUI10CA00 (20)
M2G03	CN100AAB1	N2S09	CN100BC81 (12)	P2G04	CUI10CA00 (17)	P2Z02	CN100BA30	S2B11	CUI10CA00 (11)	T2G13	CP100CA00 (05)	U2P07	CUI10CA00 (22)
M2G04	CN100AAC0 (00)	N2S10	CN100BC81 (13)	P2G05	CUI10CA00 (19)	P2Z03	CN100BA31	S2B12	CUI10CA00 (13)	T2J04	CUI10CA00 (16)	U2P10	CUI10CA00 (24)
M2G05	CN100AAC0 (02)	N2S11	CN100BC81 (14)	P2G06	CP100CA29 (03)	P2Z05	CP100BA32	S2B13	CUI10CA00 (15)	T2J05	CUI10CA00 (18)	U2P11	CUI10CA00 (26)
M2G06	CN100AAC0 (04)	N2S12	CN100BC81 (15)	P2G07	CP100CA29 (04)	P2Z06	CN100BA33	S2D02	CUI10CA00 (00)	T2J06	CP100CA09 ( D )	U2P12	CUI10CA00 (28)
M2G07	CA900AA10	N2S13	CN100BC81 (PL)	P2G10	CP100CA17 ( C )	P2Z22	CN100BA34	S2D04	CUI10CA00 (02)	T2J07	CUI10AAB3	U2P13	CUI10CA00 (30)
M2G08	CN100BB20 (03)	N2U02	CN100BB40 (02)	P2G11	CP100CA00 (01)	P2Z23	CN100BA35	S2D05	CP100CA17 ( A )	T2J10	CP100CA17 ( B )	U2S02	CUI10CA00 (33)
M2G09	CN100BB20 (03)	N2U04	CN100BC71 (00)	P2G12	CP100CA00 (03)	P2Z25	CN100BA36	S2D06	CUI10CA00 (04)	T2J11	CP100CA00 (00)	U2S03	CP100CA21
M2G10	CN100BB20 (03)	N2U05	CN100BC71 (01)	P2G13	CP100CA00 (05)	P2Z26	CN100BA37	S2D07	CUI10CA00 (06)	T2J12	CUI10CA00 (02)	U2S04	CP100CA00 (35)
M2G11	CN100BB20 (03)	N2U06	CN100BC71 (02)	P2J02	CP100CA33	P6B02	YA171BA30 (53)	S2D09	CP100CA09 ( A )	T2J13	CP100CA00 (04)	U2S06	CUI10CA00 (37)
M2G12	CN100BB57	N2U07	CN100BC71 (03)	P2J04	CUI10CA00 (16)	P6B05	YA171BA30 (22)	S2D10	CUI10CA00 (08)	T2M02	CUI10CA00 (08)	U2S07	CUI10CA00 (07)
M2G13	CN100BB58	N2U09	CN100BC71 (04)	P2J05	CUI10CA00 (18)	P6C02	YA905LC30	S2D11	CUI10CA00 (10)	T2M03	CUI10AAB1 ( C )	U2S10	CP100AAB1 ( C )
M2J04	CN100AAC0 (01)	N2U10	CN100BC71 (05)	P2J07	CP100CA21	P6C05	YA905PF20	S2D12	CUI10CA00 (12)	T2M04	CP100CA13 ( D )	U2S11	CP100CA09 ( B )
M2J05	CN100AAC0 (03)	N2U11	CN100BC71 (06)	P2J10	CP100CA17 ( B )	P6C02	YA905PF20	S2D13	CUI10CA00 (14)	T2M06	CUI10CA00 (21)	U2U02	CUI10CA00 (32)
M2J06	CN100AAC0 (05)	N2U12	CN100BC71 (07)	P2J11	CP100CA00 (00)	R2B02	CUI10CA00 (01)	S2G04	CUI10CA00 (17)	T2M07	CUI10CA00 (23)	U2U04	CUI10CA00 (34)
M2J07	CA900AA16	N2U13	CN100BC71 (PH)	P2J12	CP100CA00 (02)	R2B03	CUI10AAB0 ( D )	S2G05	CUI10CA00 (19)	T2M10	CUI10CA00 (19)	U2U05	CP100CA24
M2J09	CN100BB20 (03)	N2U03	CN100BC21 (00)	P2J13	CP100CA00 (04)	R2B04	CUI10CA00 (03)	S2G06	CP100CA29 (03)	T2M11	CUI10CA00 (27)	U2U06	CUI10CA00 (36)
M2J10	CN100BB50 (01)	N2U05	CN100BC21 (01)	P2M02	CP100CA00 (07)	R2B06	CUI10CA00 (05)	S2G10	CUI10CA00 (05)	T2M12	CUI10CA00 (29)	U2U07	CUI10CA00 (38)
M2J11	CN100BB50 (00)	N2U06	CN100BC21 (02)	P2M03	CP100CA13 ( A )	R2B07	CUI10CA00 (07)	S2G11	CP100CA00 (01)	T2M13	CUI10CA00 (31)	U2U09	CP100CA13 ( B )
M2J12	CA900AA12	N2U07	CN100BC21 (03)	P2M04	CP100CA13 ( D )	R2B10	CUI10CA00 (09)	S2G12	CP100CA00 (03)	T2P02	CP100CA00 (06)	U2U10	CUI10AAB5 ( C )
M2J13	CA900AA13	N2U09	CN100BC21 (04)	P2M06	CUI10CA00 (21)	R2B11	CUI10CA00 (11)	S2G13	CP100CA00 (05)	T2P04	CP100CA25 (01)	U2U11	CP100CA00 (08)
M2M02	CN100BC43 (02)	N2U10	CN100BC21 (05)	P2M07	CUI10CA00 (23)	R2B12	CUI10CA00 (13)	S2J04	CUI10CA00 (16)	T2P06	CUI10CA00 (20)	U2U12	CP100CA22
M2M03	CN100BC21 (00)	N2U11	CN100BC21 (06)	P2M10	CUI10CA00 (25)	R2B13	CUI10CA00 (15)	S2J05	CUI10CA00 (18)	T2P07	CUI10CA00 (22)	U3A01	YA171BA30 (30)
M2M05	CN100BC21 (01)	N2U12	CN100BC21 (07)	P2M11	CUI10CA00 (27)	R2D02	CUI10CA00 (00)	S2J06	CP100CA09 ( D )	T2P10	CUI10CA00 (24)	U3A14	YA171BA30 (55)
M2M06	CN100BC21 (02)	N2U13	CN100BC21 (PH)	P2M12	CUI10CA00 (29)	R2D04	CUI10CA00 (02)	S2J07	CUI10AAB3	T2P11	CUI10CA00 (26)	U3E01	YA171BA30 (41)
M2M07	CN100BC21 (03)	N2M23	CN100BC30 (14)	P2M13	CUI10CA00 (31)	R2D05	CP100CA17 ( A )	S2J10	CUI10CA00 (14)	T2P12	CUI10CA00 (28)	U3E14	YA171BA30 (27)
M2M09	CN100BC21 (04)	N2M24	CN100BC30 (08)	P2P02	CP100CA00 (06)	R2D06	CUI10CA00 (04)	S2J11	CP100CA00 (00)	T2P13	CUI10CA00 (30)	U4A01	YA171BA30 (28)
M2M10	CN100BC21 (05)	N2M25	CN100BC30 (09)	P2P04	CP100CA00 (08)	R2D07	CUI10CA00 (06)	S2J12	CP100CA00 (02)	T2S02	CUI10CA00 (33)	U4A14	YA171BA30 (54)
M2M11	CN100BC21 (06)	N2M26	CN100BC30 (10)	P2P06	CUI10CA00 (20)	R2D09	CP100CA09 ( A )	S2J13	CP100CA00 (04)	T2S03	CP100CA21	U4E01	YA171BA30 (4

PIN	NET NO*
V4B09	WJ100BA50
V4B10	WJ100BA52
V4D08	WJ900AAA2
V4D02	WJ100BA41
V4D04	WJ100BA43
V4D05	WJ100BA45
V4D07	WJ100BA47
V4D08	WJ900AAA2
V4D09	WJ100BA49
V4D10	WJ100BA51

PIN	NET NO*
-----	---------

PIN	NET NO*
-----	---------

PIN	NET NO*
-----	---------

PIN	NET NO*
-----	---------

PIN	NET NO*
-----	---------

PIN	NET NO*
-----	---------

NOTE: IF THE NET NAME HAS A TRAILING ZERO (I.E. CN100B850), THIS TRAILING ZERO WILL BE SHOWN IN THE NET AND PIN LISTS. THE LOGIC PAGES WILL OMIT THESE TRAILING ZEROS, THUS CN100B850 AND CN100B85 REPRESENT THE SAME NET.  
\* : '\*' IN PIN FIELD (I.E. A5D12\*) DENOTES AN I/O PIN.  
(NN): '(NN)' IN NET NO\* FIELD (I.E. CN100BC71(8)) DENOTES THE STRAND NUMBER IN A BUNDLED NET.

BOARD 1A-A1 (STAGE 3)  
P/N 2597690

PIN LIST		A
LOC=1A-A1		D
PN 2597238	EC 842375	1
MACH TYPE=5360		0
DATE= 03OCT86		1
		PG03

NET NO*	PIN	PIN	NET NO*	PIN	PIN	NET NO*	PIN	PIN	NET NO*	PIN	PIN	NET NO*	PIN	PIN	NET NO*	PIN	PIN
CA900AA12	C1B11*	N6B02*	CN100BC71 (02)	H1B13*	J2503	FC200AE01 (01)	E2X23		FD200AF20 (00)	B3B02		HE200AP06 (05)	E2M04		ML220BA01 (02)	P2U10	
CA900AA14	B1A13*	E2G04		N2G03	S2G03	FC200AE01 (02)	E2X24		FD200AF20 (01)	B3B03		HE200AP12	E2P07	F2J10	ML220BA01 (03)	L4D10	M4D10
	K2G04	L2B13		T6B04*		FC200AE01 (03)	E2X25		FD200AF20 (02)	B3B04		HE200AP13	E2M08		ML220BA01 (04)	L4J06	M4J06
CA900AA15	M6A04*		CN100BC71 (03)	H1C13*	J2504	FC200AE01 (04)	E2X26		FD200AF30	A3D04		HE200AP15 (A)	E2P09		ML220BA01 (05)	L4J07	M4J07
	C1C13*	M6C04*		N2G04	S2G04	FC200AE01 (05)	E2X28		FD200AF40	A3B03		HE200AP15 (B)	E2P13		ML220BA01 (06)	L4G08	M4G08
CA900AA16	Q2J07	S2B06		T6C04*		FC200AE01 (06)	E2X29		FD200AF60	A3D09		HE200AP15 (C)	E2M13		ML220BA01 (07)	L4G07	M4G07
	A1E11*	F2J05	CN100BC71 (04)	G1A11*	J2U04	FC200AE01 (07)	E2X30		FD200AG20	A3D11		HE200AP15 (D)	E2U02		ML220BA01 (08)	L4D06	M4D06
	L6E02*			N2J04	S2J04	FC200AF10	B2B10		FD200AG30	A3D06		HE200AP19	E2S03		ML220BA01 (09)	L4D13	M4D13
CL010AA30 (01)	B1B13*	M6B04*	CN100BC71 (05)	S6A02*	J2510	FC200AF20 (P)	B2B05		FD200AG40	A3B02	B3D02	HE200AP20	E2S02	F2G06	ML220BA01 (10)	L4D12	M4D12
CL010AA30 (02)	B1C13*	M6C04*		H1D13*	J2510	FC200AF20 (00)	B2B02		FD220AF10	B4B02		HE200AP22 (A)	E2S07		ML220BA01 (11)	L4G03	M4G03
CL010AA30 (03)	B1A11*	M6A02*		N2G05	S2G05	FC200AF20 (01)	B2B03		FD220AF20 (P)	B4B05		HE200AP22 (B)	E2U06		ML220BA01 (12)	L4J04	M4J04
CL010AA30 (04)	E1B11*		CN100BC71 (06)	T6D04*	J2U05	FC200AF20 (02)	B2B04		FD220AF20 (00)	B4B02		HE200AP22 (C)	E2S12		ML220BA01 (13)	L4G04	M4G04
CL010AB30 (04)	C1B13*	N6B04*		H1D11*	J2U05	FC200AF30	A2D04		FD220AF20 (01)	B4B03		HE200AP22 (D)	E2U07		ML220BA01 (14)	L4J05	M4J05
CL010AB30 (05)	B1B11*	M6B02*		N2J05	S2J05	FC200AF40	A2B03		FD220AF20 (02)	B4B04		HE200AP26	E2U12		ML220BA01 (15)	L4J02	M4J02
CL010AB30 (06)	J1D11*	U6D02*		T6D02*		FC200AG10	A2D09		FD220AF30	A4D04		HE200AP27	E2S08	F2J04	ML220BA01 (16)	L4D12	M4D12
CL010AB30 (07)	J1A13*	U6A04*	CN100BC71 (07)	H1E11*	J2U06	FC200AG20	A2D11		FD220AF40	A4B03		HE200AP29 (A)	E2U13		ML220BA01 (17)	L4G03	M4G03
CL010AC30 (00)	J1C13*	U6C04*		N2J06	S2J06	FC200AG30	A2D06		FD220AG10	A4D09		HE200AP29 (B)	E2S13		ML220BA01 (18)	L4G03	M4G03
CL010AC30 (01)	J1B13*	U6B04*		T6E02*		FC200AG40	A2B02	B2D02	FD220AG20	A4D11		HE200AP29 (C)	E2S04		ML220BA01 (19)	L4G03	M4G03
CL010AC30 (03)	C1A11*	N6A02*	CN100BC81 (PL)	E1E13*	J2M07	FC200AK10 (A)	E2M10		FD220AG30	A4D06		HE200AP29 (D)	E2U04		ML220BA01 (20)	L4J04	M4J04
CL010AC30 (04)	F1D11*	R6D02*		N2B07	Q6E04*	FC200AK10 (B)	E2M11		FD220AG40	A4B02	B4D02	HE200AP33	E2U05		ML220BA01 (21)	L4G04	M4G04
CL010AC30 (05)	A1D11*	L6D02*	CN100BC81 (08)	S2B07	T2B07	FC200AK10 (C)	E2M12		FD950AE01	A3D07		HE200AP34	E2S06	F2J07	ML220BA01 (22)	L4G04	M4G04
CL010AC30 (06)	C1C11*	N6C02*		F1A13*	J2P04	FC200AK10 (D)	E2P10		FD950AE02	A3D12		HE200AP36	E2B06	J2P03	ML220BA01 (23)	L4G04	M4G04
CL020AA30	E1B13*	Q6B04*		N2B08	R6A04*	FC200AK20 (A)	E2U09		FD950AE03	A3B04		HE200AP37	E2B11		ML220BA01 (24)	L4J05	M4J05
CL020AB30	E1C11*	Q6C02*	CN100BC81 (09)	S2B08	T2B08	FC200AK20 (B)	E2U11		FD950AE04	A3B05		HE200AP39 (01)	E2B05		ML220BA01 (25)	L4J02	M4J02
CL020AC30	C1E13*	N6E04*		F1E13*	J2M12	FC200AK20 (C)	E2S11		FD950AE05	A3D10		HE200AP39 (04)	E2J09	J2G06	ML220BA01 (26)	L4J02	M4J02
CL020AD30	F1D13*	R6D04*	CN100BCA1 (10)	N2B12	R6E04*	FC200AK20 (D)	E2U10		FD950AE06	A3D05		HE200AP42	E2J11	J2U12	ML220BA01 (27)	L4J02	M4J02
CL020AG30	C1D13*	N6D04*		S2B12	T2B12	FC200B00 (P)	F2X22		FD950AE08	A3B08		HE200AP43	E2D05	J2D05	ML220BA01 (28)	L4B13	M4B13
CN100BB62	B1C11*	E2J12		F1B11*	J2P11	FC200B00 (00)	F2X22		FD950AE09	A3B10		HE200AP45	E2M02	E2P02	ML220BA01 (29)	L4G09	M4G09
	J2J12	K2J12	CN100BC81 (11)	N2D11	R6B02*	FC200B00 (01)	F2X23		FD950AE10	A3D13		HE200AP46	E2B08		ML220BA01 (30)	L4B12	M4B12
	M6C02*	N2D07		S2D11	T2D09	FC200B00 (02)	F2X24		FD950AE11	A3B13		JJ210AE01 (P)	E2J07	J2J07	ML220BA01 (31)	L4X28	M4X28
CN100BB63	B1E13*	E2P06		E1D11*	J2P06	FC200B00 (03)	F2X25		FD950AG02 (P)	B3D13		JJ210AE01 (00)	E2G02	J2G02	ML220BA01 (32)	L4X28	M4X28
	M6E04*		CN100BC81 (12)	N2D06	Q6D02*	FC200B00 (04)	F2X26		FD950AG02 (00)	B3D04		JJ210AE01 (01)	E2J02	J2J02	ML220BA01 (33)	L4X29	M4X29
CN100BB64	B1D11*	E2M06		S2D06	T2D06	FC200B00 (05)	F2X29		FD950AG02 (00)	B3D05		JJ210AE01 (02)	E2G03	J2G03	ML220BA01 (34)	L4X30	M4X30
	K2M06	M6D02*		F1B13*	J2P07	FC200B00 (06)	F2X29		FD950AG02 (01)	B3D05		JJ210AE01 (03)	E2G04	J2G04	ML220BA01 (35)	L4X11	M4X11
CN100BB67	K1B11*	S2J12		N2E09	R6B04*	FC200B00 (07)	F2X30		FD950AG02 (02)	B3D06		JJ210AE01 (04)	E2J04	J2J04	ML220BA01 (36)	L4X12	M4X12
	V6B02*		CN100BC81 (13)	S2B09	T2B09	FC220AF10	B4B10		FD950AG02 (03)	B3D07		JJ210AE01 (05)	E2G10	J2G10	ML220BA01 (37)	L4X32	M4X32
	H1E13*	T6E04*		F1C11*	J2P12	FC220AF20 (P)	B4B05		FD950AG02 (04)	B3D08		JJ210AE01 (06)	E2J05	J2J05	ML220BA01 (38)	L4X31	M4X31
CN010AA30 (04)	J2U09			N2D12	R6C02*	FC220AF20 (00)	B4B02		FD950AG02 (05)	B3D10		JJ210AE01 (07)	E2J06	J2J06	ML220BA01 (39)	L4X10	M4X10
CN010AB30 (05)	J2M06		CN100BC81 (14)	S2D12	T2D10	FC220AF20 (01)	B4B03		FD950AG02 (06)	B3D11		JJ210AE12 (P)	E2B07	J2B07	ML220BA01 (40)	L4X25	M4X25
CN010AB30 (06)	J2M06			E1E11*	J2P10	FC220AF20 (02)	B4B04		FD950AG02 (07)	B3D12		JJ210AE12 (00)	E2D04	J2D04	ML220BA01 (41)	L4X03	M4X03
CN010AB30 (07)	J2S07	J2U10		N2D10	Q6E02*	FC220AF30	A4D04		FD950AG11	B3E12		JJ210AE12 (01)	E2B12	J2B12	ML220BA01 (42)	L4X04	M4X04
CN010AC30 (01)	J2U11	S2D04	CN100BC81 (15)	S2D10	T2D07	FC220AF40	A4B03		FD952AE01	A4D07		JJ210AE12 (02)	E2D11	J2D11	ML220BA01 (43)	L4X25	M4X25
CN010AC30 (03)	J2P13	J2S09		G1A13*	J2M13	FC220AG10	A4D09		FD952AE02	A4D12		JJ210AE12 (03)	E2D06	J2D06	ML220BA01 (44)	L4X06	M4X06
	J2S12	J2S13		N2B13	S2B13	FC220AG20	A4D11		FD952AE03	A4B04		JJ210AE12 (04)	E2D07	J2D07	ML220BA01 (45)	L4X05	M4X05
CN010AC30 (04)	J2P13	J2S09		S6A04*	T2B13	FC220AG30	A4D06	B4D02	FD952AE04	A4B05		JJ210AE12 (05)	E2D12	J2D12	ML220BA01 (46)	L4X24	M4X24
	J2S12	J2S13	DF200BA11	E2P12	F2B12	FC220AG40	A4B02		FD952AE05	A4D10		JJ210AE12 (06)	E2D10	J2D10	ML220BA01 (47)	L4X23	M4X23
CN020AA30	N2B04	S2B04	DF200BA20	F2B02	V5B02	FC950AE01	A2D07		FD952AE06	A4D05		JJ210AE12 (07)	E2B13	J2B13	ML220BA01 (48)	L4X22	M4X22
CN020AB30	J2P05	N2D05	DF200BA21	F2B03	V5B03	FC950AE02	A2D12		FD952AE08	A4B08		JJ210AE23	E2B02	J2B02	ML220BA01 (49)	L4X22	M4X22
	S2D05		DF200BA22	F2B04	V5B04	FC950AE03	A2B04		FD952AE09	A4B10		JJ210AE24 (00)	E2D02	J2D02	ML220BA01 (50)	L4X22	M4X22
CN020AC30	J2S05		DF200BA23	F2B05	V5B05	FC950AE04	A2B05		FD952AE10	A4D13		JJ210AE24 (01)	E2B03	J2B03	ML220BA01 (51)	L4X24	M4X24
CN020AD30	J2U13		DF200BA24	F2B12	V5B12	FC950AE05	A2D10		FD952AE11	A4B13		JJ210AE24 (02)	E2B04	J2B04	ML220BA01 (52)	L4X24	M4X24
CN020AG30	F2G02		DF200BA25	F2D06	V5D06	FC950AE06	A2D05		FD952AG01	B4B13		JJ210AE31	E2D09	J2D09	ML220BA01 (53)	L4X23	M4X23
CN100BB40 (00)	E1A11*	J2P02	DF200BA26	F2D07	V5D07	FC950AE08	A2B08		FD952AG02 (P)	B4D13		JJ210AF03	E2B10	J2B10	ML220BA01 (54)	L4X23	M4X23
	N2D02	Q6A02*	DF200BA27	F2B06	V5B06	FC950AE09	A2B10		FD952AG02 (00)	B4D04		ML200BA10 (PH)	N2Z10		ML220BA01 (55)	L4X23	M4X23
	S2D02	T2B02	DF200BA28	F2B07	V5B07	FC950AE10	A2D13		FD952AG02 (01)	B4D05		ML200BA10 (PL)	N2Z23		ML220BA01 (56)	L4X24	M4X24
CN100BB40 (01)	E1A13*	J2M03	DF200BA29	F2B08	V5B08	FC950AE11	A2B13		FD952AG02 (02)	B4D06		ML200BA10 (00)	N2Z28		ML220BA01 (57)	L4X24	M4X24
	N2B03	Q6A04*	DF200BA30	F2B09	V5B09	FC950AG02 (P)	B2D13		FD952AG02 (03)	B4D07		ML200BA10 (01)	N2Z20		ML220BA01 (58)	L4X24	M4X24
	S2B03	T2B03	DF200BA31	F2D12	V5D12	FC950AG02 (00)	B2D04		FD952AG02 (04)	B4D08		ML200BA10 (02)	N2Z29		ML220BA01 (59)	L4X24	M4X24
CN100BB40 (02)	E1C13*	J2M04	DF200BA32	F2D13	V5D13	FC950AG02 (01)	B2D05		FD952AG02 (05)	B4D10		ML200BA10 (03)	N2Z30		ML220BA01 (60)	L4X24	M4X24
	N2B05	Q6C04*	DF200BA33	F2D14	V5D14	FC950AG02 (02)	B2D06		FD952AG02 (06)	B4D11		ML200BA10 (04)	N2Z11		ML220BA01 (61)	L4X24	M4X24
	S2B05	T2B05	DF200BA34	F2D15	V5D15	FC950AG02 (03)	B2D07		FD952AG02 (07)	B4D12		ML200BA10 (05)	N2Z12		ML220BA01 (62)	L4X24	M4X24
CN100BB43	D1E11*	J2M02	DF200BA35	F2D16	V5D16	FC950AG02 (04)	B2D08		FD952AG11	B4B12		ML200BA10 (06)	N2Z32		ML220BA01 (63)	L4X24	M4X24
	N2B02	P6B02*	DF200BA50	F2G07	F2J02	FC950AG02 (05)	B2D10		GA950AG4								

NET NO*	PIN	PIN	NET NO*	PIN	PIN	NET NO*	PIN	PIN	NET NO*	PIN	PIN	NET NO*	PIN	PIN	NET NO*	PIN	PIN
MN200885	N2W10	N2W11	MP2008A49	N2U02		MQ2008A16	Q2D06	Y5B07	PR2008A05	R2P05	R2P06	PR2008B55	R2Y27	T2Y27	PT2008A16(07)	S2P10	T2P06
	P2W10		MP2008B10	P2W07		MQ2008A17	Q2D07	Y6D13	PR2008A06(01)	R2W03	S2W03	PR2008B56(P)	R2X30	S2X30	PT2008A25(FH)	R2U07	T2U07
MN200886	P2W11		MP2008B11	P2Y09		MQ2008A18	Q2D09	U2D11	PR2008A06(02)	R2G03	S2M12	PR2008B56(00)	T2X30		PT2008A25(PL)	R2S10	T2S10
MN200889	N2Y29	P2Y29	MP2008B15	P2W09		MQ2008A19	Q2D10	Y5B08	PR2008A06(03)	T2S02	S2W04	PR2008B56(01)	R2X11	S2X11	PT2008A25(00)	R2S05	T2S05
MN200891	N2W29	P2W29	MP2008B16	P2W02		MQ2008A20	Q2B11	Y5B04	PR2008A06(04)	R2M04	S2W04	PR2008B56(02)	T2X11		PT2008A25(01)	R2S03	T2S03
MN200892	N2W27	P2W27	MP2008B17	P2W25		MQ2008A21(P)	N2S04	Q2G11	PR2008A06(05)	R2W04	S2W04	PR2008B56(03)	R2X29	S2X29	PT2008A25(02)	R2U10	T2U10
MN200893	N2W28	P2W28	MP2008B18	P2W26		MQ2008A21(00)	N2M13	Q2P02	PR2008A06(06)	T2W04		PR2008B56(04)	R2X12	S2X12	PT2008A25(03)	R2S09	T2S09
MN200894	N2W30	P2W30	MP2008B19	P2W05		MQ2008A21(01)	N2M12	Q2J10	PR2008A06(07)	R2G04	S2J07	PR2008B56(05)	R2X10	S2X10	PT2008A25(04)	R2S13	T2S13
MN200895	N2X02	P2X02	MP2008B20	P2W08		MQ2008A21(02)	N2M08	Q2M03	PR2008A06(08)	T2S06		PR2008B56(06)	R2X32	S2X32	PT2008A25(05)	R2U13	T2U13
MP2008AA0	P2D05		MP2008B30(00)	P2X28		MQ2008A21(03)	N2M07	Q2G10	PR2008A06(09)	R2Y10	S2Y10	PR2008B56(07)	R2X32	S2X32	PT2008A25(06)	R2S08	T2S08
MP2008AA1	P2S02		MP2008B30(01)	P2X08		MQ2008A21(04)	N2M05	Q2P05	PR2008A06(10)	T2Y10		PR2008B56(08)	R2X12	S2X12	PT2008A25(07)	R2S07	T2S07
MP2008AA2	P2B03		MP2008B30(02)	P2X27		MQ2008A21(05)	N2M04	Q2M09	PR2008A06(11)	R2J04	T2J02	PR2008B56(09)	R2X12	S2X12	PT2008A25(08)	R2U12	T2U12
MP2008AA3	P2D13		MP2008B30(03)	P2X09		MQ2008A21(06)	N2M03	Q2J11	PR2008A06(12)	R2D09	T2M02	PR2008B56(10)	T2X12		PT2008A25(09)	R2S04	T2S04
MP2008AA4	P2D12		MP2008B30(04)	P2W13		MQ2008A21(07)	N2M02	Q2M05	PR2008A10	R2B09		PR2008B56(11)	R2X31	S2X31	PT2008A25(10)	R2U04	T2U04
MP2008AA5	P2B05		MP2008B30(05)	P2W31		MQ2008A30	N2U05	Q2S03	PR2008A11	R2J11		PR2008B56(12)	T2X31		PT2008A25(11)	R2S12	T2S12
MP2008AA6	P2P04		MP2008B30(06)	P2W12		MQ2008A31	N2U06	Q2P11	PR2008A12	R2J13		PR2008B56(13)	R2X33	S2X33	PT2008A25(12)	R2U06	T2U06
MP2008AA7	P2M09		MP2008B30(07)	P2W33		MQ2008A32	N2U07	Q2P09	PR2008A13	R2G09		PR2008B56(14)	T2X33		PT2008A25(13)	R2U05	T2U05
MP2008AA8	P2B04		MP2008B30(08)	P2W13	M4W13	MQ2008A33	N2U09	Q2U06	PR2008A14	R2D07		PR2008B56(15)	R2X13	S2X13	PT2008A25(14)	R2U11	T2U11
MP2008AA9	P2D06		MP2008B30(09)	L4W13		MQ2008A34	N2U10	Q2S10	PR2008A15(00)	R2B12		PR2008B56(16)	T2X13		PT2008A25(15)	R2U09	T2U09
MP2008AA0	P2G05		MP2008B30(10)	P2Y13		MQ2008A35	N2U11	Q2S05	PR2008A15(01)	R2G10		PR2008B56(17)	R2X06	S2H06	PT2008A44	V2B02	T2J12
MP2008AA1	P2U02		MP2008B30(11)	L4X22	M4X22	MQ2008A36	N2U12	Q2U02	PR2008A15(02)	R2J09		PR2008B56(18)	R2W24	S2W24		V2B02	
MP2008AB0(PH)	P2Z23		MP2008B30(12)	L4X08	M4X08	MQ2008A37	N2U13	Q2U05	PR2008A16(00)	R2B13	S2H06	PR2008B56(19)	R2W23	S2W23		V2B02	
MP2008AB0(PL)	P2Z02		MP2008B30(13)	P2Z08		MQ2008A38	N2S03	Q2U10	PR2008A16(01)	R2J05	S2S06	PR2008B56(20)	R2Y28		PT2008A45(P)	S2M10	T2M13
MP2008AB0(00)	P2Z29		MP2008B30(14)	L4W33	M4W33	MQ2008A39	N2S05	Q2P04	PR2008A16(02)	R2J04		PR2008B56(21)	R2X07			V4B10	
MP2008AB0(01)	P2Z30		MP2008B30(15)	P2Y33	M4X27	MQ2008A40	N2S07	Q2P10	PR2008A16(03)	R2M03		PR2008B56(22)	R2W22			V4B10	
MP2008AB0(02)	P2Z11		MP2008B30(16)	L4X27		MQ2008A41	N2S08	Q2M02	PR2008A16(04)	R2P07		PR2008B56(23)	R2Y07		PT2008A45(00)	T2H04	V4B02
MP2008AB0(03)	P2Z12		MP2008B30(17)	P2Z27		MQ2008A42	N2S10	Q2M08	PR2008A16(05)	R2P12		PR2008B56(24)	R2Y05		PT2008A45(01)	T2H05	V4B03
MP2008AB0(04)	P2Z32		MP2008B30(18)	L4X07	M4X07	MQ2008A43	N2S12	Q2U07	PR2008A16(06)	R2M07		PR2008B56(25)	R2Y04		PT2008A45(02)	T2M06	V4B04
MP2008AB0(05)	P2Z31		MP2008B30(19)	P2Z07		MQ2008A44	N2S13	Q2M10	PR2008A16(07)	R2D02		PR2008B56(26)	R2Y22		PT2008A45(03)	T2M07	V4B05
MP2008AB0(06)	P2Z10		MP2008B30(20)	L4W32	M4W32	MQ2008A45	N2S09	Q2S07	PR2008A16(08)	R2B02		PR2008B56(27)	R2Y03		PT2008A45(04)	T2M08	V4B06
MP2008AB0(07)	P2Z09		MP2008B30(21)	P2Y32		MQ2008A46	Q2S13	Y5B12	PR2008A16(09)	R2M13		PR2008B56(28)	R2Y25		PT2008A45(05)	T2M09	V4B07
MP2008AB0(08)	P2Z03		MP2008B30(22)	L4X33	M4X33	MQ2008A47	Q2U13	Y5B13	PR2008A16(10)	R2P02		PR2008B56(29)	R2Y24		PT2008A45(06)	T2M10	V4B08
MP2008AB0(09)	P2Z04		MP2008B30(23)	P2Z33		MQ2008A48	Q2U11	Y5D10	PR2008A16(11)	R2M08		PR2008B56(30)	R2Y23		PT2008A45(07)	T2M12	V4B09
MP2008AB0(10)	P2Z25		MP2008B30(24)	L4X13	M4X13	MQ2008A49	Q2S12	Y5D11	PR2008A16(12)	R2M10		PR2008B56(31)	R2Y02		PT2008B01	S2Y04	T2Y04
MP2008AB0(11)	P2Z06		MP2008B30(25)	P2D13		MQ2008A50	Q2U12	Y5D12	PR2008A16(13)	R2P11		PS2008A09	S2S11		PT2008B02	S2Y02	T2Y02
MP2008AB0(12)	P2Z26		MP2008B30(26)	L4W12	M4W12	MQ2008A51	Q2G12	Y6D02	PR2008A16(14)	R2M12		PS2008A10	S2G06	S2M05	PT2008B03	S2Y03	T2Y03
MP2008AB0(13)	P2Z05		MP2008B30(27)	P2Y12		MQ2008A52	Q2J12	Y6D04	PR2008A16(15)	R2M02		PS2008A11	R2J02		PT2008B04	S2Y05	T2Y05
MP2008AB0(14)	P2Z24		MP2008B30(28)	L4W30	M4W30	MQ2008A53	Q2J13	Y6D05	PR2008A16(16)	R2G13		PS2008A12	S2J09		PT2008B05	S2Y28	T2Y28
MP2008AB0(15)	P2Z23		MP2008B30(29)	P2Y30		MQ2008A54	Q2M04	Y6D06	PR2008A16(17)	R2J12		PS2008A13	S2M11	T2P13	PT2008B06(00)	S2Z23	T2Z23
MP2008AA0	P2D11		MP2008B30(30)	P2X32		MQ2008A55	Q2M06	Y6D07	PR2008A16(18)	R2G12		PS2008A14	S2G13	V3D06	PT2008B06(01)	S2Z24	T2Z24
MP2008AA1	P2D10		MP2008B30(31)	L4W31	M4W31	MQ2008A56	Q2P06	Y6D09	PR2008A16(19)	R2P13		PS2008A15	S2P07	V3D07	PT2008B06(02)	S2Z25	T2Z25
MP2008AA2	P2B07		MP2008B30(32)	P2Y31		MQ2008A57	Q2M07	Y6D10	PR2008A16(20)	R2B08		PS2008A16	S2M02	V3D12	PT2008B07	R2Y29	T2Y29
MP2008AA3	P2G08		MP2008B30(33)	L4W11	M4W11	MQ2008A58	Q2P07	Y6D11	PR2008A16(21)	R2J07		PS2008A17	S2U13	V3D04	PT900AA00	V2D04	
MP2008AA4	P2D04		MP2008B30(34)	N2J13	P2Y11	MQ2008A59	Q2M11	Y6D12	PR2008A16(22)	R2P09		PS2008A18	S2S05	V3D09	PT900AA10	S2D13	V2D03
MP2008AA5	P2P05	P2P06	MP2008B30(35)	P2Y08		MQ2008A60	Q2M12	U2S02	PR2008A16(23)	R2P10		PS2008A19	S2S02	V2D09	PT900AA11	S2P12	V2B12
MP2008AA6(01)	P2M03		MP2008B30(36)	L4W26	M4W26	MQ2008A61	Q2P12	U2B03	PR2008A16(24)	R2G07		PS2008A20	S2U02	V2D12	PT900AA12	S2M08	V2D05
MP2008AA6(02)	P2G03		MP2008B30(37)	P2Y26		MQ2008A62	Q2P13	U2B04	PR2008A16(25)	R2B10		PS2008A21	S2M13	V2D11	PT900AA13	S2J11	V2D06
MP2008AA6(03)	P2M04		MP2008B30(38)	L4W06	M4W06	MQ2008A63	Q2S02	U2S05	PR2008A16(26)	R2J10		PS2008A22	S2S03	V2D13	PT900AA14	S2P11	V2D10
MP2008AA6(04)	P2G04		MP2008B30(39)	P2Y06		MQ2008A64	Q2S04	U2B06	PR2008A16(27)	R2M04		PS2008A23	S2U07	T2P07	PT900AA15	S2M07	V2B03
MP2008AA6(05)	P2Y10		MP2008B30(40)	L4W27	M4W27	MQ2008A65	Q2U04	U2B08	PR2008A16(28)	R2M04	S2H07	PS2008A24	S2U09	V4D09	PT900AA16	S2S12	V2B05
MP2008AA6(06)	P2J04		MP2008B30(41)	P2Y27		MQ2008A66	Q2S06	U2B09	PR2008A16(29)	R2W07	S2Y09	PS2008A25	S2U10	T2P10	PT900AA17	S2S13	V2B06
MP2008AA9	P2D09		MP2008B30(42)	Q2U04		MQ2008A67	Q2U08	U2B10	PR2008A16(30)	R2W09		PS2008A26	S2U11	T2P11	PT900AA18	S2P04	T2J13
MP2008AA0	P2B09		MP2008B30(43)	Q2S08		MQ2008A68	Q2S09	U2B12	PR2008A16(31)	R2W02	S2H02	PS2008A27	S2U12	T2P12	PT900AA19	S2S09	V2B11
MP2008AA1	P2J11		MP2008B30(44)	Q2U09		MQ2008A69	Q2U09	U2B13	PR2008A16(32)	R2W25	S2W25	PS2008A28	S2U12	T2P12	PT900AA20	S2B13	V3D05
MP2008AA2	P2J13		MP2008B30(45)	Q2S11		MQ2008A70	Q2S11	U2D13	PR2008A16(33)	R2W25		PS2008A29	S2U13	T2P12	PT900AA21	S2B13	V3D05
MP2008AA3	P2G09		MP2008B30(46)	Q2S11		MQ2008A71	Q2S11	U2D13	PR2008A16(34)	R2W26	S2W26	PS2008A30	S2U13	T2P12	PT900AA22	S2B13	V3D05
MP2008AA4	P2D07		MP2008B30(47)	R2D05		MQ2008A72	R2D05		PR2008A16(35)	R2W26	S2W26	PS2008A31	S2U13	T2P12	PT900AA23	S2B13	V3D05
MP2008AA5(00)	P2B12		MP2008B30(48)	R2S02		MQ2008A73	R2S02		PR2008A16(36)	R2W26	S2W26	PS2008A32	S2U13	T2P12	PT900AA24	S2B13	V3D05
MP2008AA5(01)	P2G10		MP2008B30(49)	R2B03		MQ2008A74	R2B03		PR2008A16(37)	R2W26	S2W26	PS2008A33	S2U13	T2P12	PT900AA25	S2B13	V3D05
MP2008AA5(02)	P2J09		MP2008B30(50)	R2D13		MQ2008A75	R2D13		PR2008A16(38)	R2W26	S2W26	PS2008A34	S2U13	T2P12	PT900AA26	S2B13	V3D05
MP2008AA8	P2B13		MP2008B30(51)	R2D12		MQ2008A76	R2D12		PR2008A16(39)	R2W26	S2W26	PS2008A35	S2U13	T2P12	PT900AA27	S2B13	V3D05
MP2008AA9	P2J05		MP2008B30(52)	R2X08		MQ2008A77	R2X08		PR2008A16(40)	R2W26	S2W26	PS2008A36	S2U13	T2P12	PT900AA28	S2B13	V3D05
MP2008AA0	P2J05		MP2008B30(53)	T2X08		MQ2008A78	T2X08		PR2008A16(41)	R2W26	S2W26	PS2008A37	S2U13	T2P12	PT900AA29	S2B13	V3D05
MP2008AA1	P2J06		MP2008B30(54)	T2X08		MQ2008A79	T2X08		PR2008A16(42)	R2W26	S2W26	PS2008A38	S2U13	T2P12	PT900AA30	S2B13	V3D05
MP2008AA2	P2M03		MP2008B30(55)	T2X27		MQ2008A80	T2X27		PR2008A16(43)	R2W26	S2W26	PS2008A39	S2U13	T2P12	PT900AA31	S2B13	V3D05
MP2008AA3	P2P07		MP2008B30(														

NET NO*	PIN	PIN	NET NO*	PIN	PIN	NET NO*	PIN	PIN	NET NO*	PIN	PIN	NET NO*	PIN	PIN	NET NO*	PIN	PIN
TJ200BA44(00)	J2D02	K2D02	TL200BA11(06)	L2B12	U5E13	YB100MA01(13)	S6D05										
TJ200BA44(01)	J2B03	K2B03	TL200BA11(07)	L2D11	U5D12	YB100MA01(14)	U5E01										
TJ200BA44(02)	J2B04	K2B04	TL200BA21	L2B03	U5D10	YB100MA01(15)	U4E01										
TJ200BA47(P)	J2B07	K2B07	TL200BA22	L2B04	U5B09	YB100MA01(16)	U3E01										
TJ200BA47(00)	J2D04	K2D04	TL200BA23	L2B06	U5D09	YB200EA10(01)	S1C10										
TJ200BA47(01)	J2B12	K2B12	TL200BA24	L2D05	U4D07	YB200EA10(02)	G1C10										
TJ200BA47(02)	J2D11	K2D11	TL200BA25	L2D06	U5B10	YB200EA10(03)	B2A14										
TJ200BA47(03)	J2D06	K2D06	TL200BA26(P)	L2D07	U4B02	YB200EA10(04)	B4A14										
TJ200BA47(04)	J2D07	K2D07	TL200BA26(00)	L2D13	U4D02	YB200EA10(05)	D6B02										
TJ200BA47(05)	J2D12	K2D12	TL200BA26(01)	L2B11	U4B03	YB200EA10(06)	G1D10										
TJ200BA47(06)	J2D10	K2D10	TL200BA26(02)	L2D10	U4D03	YB200EA10(07)	P6B02										
TJ200BA47(07)	J2B13	K2B13	TL200BA26(03)	L2D04	U4B04	YB200EA10(08)	S6C02										
TK200AA80(P)	J2J07		TL200BA26(04)	L2B02	U4D04	YB200EA10(09)	G6D02										
TK200AA80(00)	J2G02		TL200BA26(05)	L2B05	U4B06	YB200EA10(10)	U2A14										
TK200AA80(01)	J2J02		TL200BA26(06)	L2B07	U4D06	YB905FC20	P6C02										
TK200AA80(02)	J2G03		TL200BA26(07)	L2D02	U4B07	YB905FC40	G6C02										
TK200AA80(03)	J2G04		TL200BA35	K2S05	L2G02	YB905GF10	G6C02										
TK200AA80(04)	J2J04		TL200BA36	K2P11	L2J04	YB905PF20	P6C02										
TK200AA80(05)	J2G10		TL200BA41(P)	K2X32	L2X32	YB905UDA0	U4A14										
TK200AA80(06)	J2J05		TL200BA41(00)	K2X22	L2X22												
TK200AA80(07)	J2J06		TL200BA41(01)	K2X23	L2X23												
TK200AB80	K2X04	K2X08	TL200BA41(02)	K2X24	L2X24												
	K2X27	K2X31	TL200BA41(03)	K2X25	L2X25												
TK200ACA7	K2G11		TL200BA41(04)	K2X26	L2X26												
TK200ACB1	K2G05		TL200BA41(05)	K2X28	L2X28												
TK200ACB5	K2P06		TL200BA41(06)	K2X29	L2X29												
TK200ACB8	K2J13	K2M03	TL200BA41(07)	K2X30	L2X30												
TK200ACB9	K2M07		TL900AA10(P)	L2G03	U4B09												
TK200ACC1	K2M10		TL900AA10(00)	L2J05	U4D09												
TK200ACC2	K2M11		TL900AA10(01)	L2G05	U4B10												
TK200ACC3	K2M12		TL900AA10(02)	L2G12	U4D10												
TK200ACC4	K2P10		TL900AA10(03)	L2G10	U4B11												
TK200ACC6	K2P12		TL900AA10(04)	L2G11	U4D11												
TK200ACC8	K2U09		TL900AA10(05)	L2J06	U4B12												
TK200ACC9	K2U11		TL900AA10(06)	L2J02	U4D12												
TK200ACD0	K2S11		TL900AA10(07)	L2G07	U4B13												
TK200ACD1	K2U10		TL900AA30	L2J09	U4D13												
TK200ACD3	K2S10		TL900AB21	L2J07	U5D07												
TK200ACD4	K2B11		TL900AB25	L2G06	U5B07												
TK200AN01	K2X02	L2X02	TL900AB26	L2J13	U5B06												
TK200AN02	K2X03	L2X03	TL900AB27	L2G08	U5B04												
TK200AN03	K2X05	L2X05	TL900AB28	L2G13	U5D06												
TK200AN04	K2X06		TL900AB30	U5B02	U5B03												
TK200AN06(00)	K2X07	L2X07		U5D02	U5D03												
TK200AN06(01)	K2X09	L2X09		U5D04													
TK200AN06(02)	K2X10	L2X10	YAI70FF10(01)	B3E01													
TK200AN06(03)	K2X11	L2X11	YAI70FF10(02)	B4E01													
TK200AN06(04)	K2X12	L2X12	YAI70FF10(03)	U3E01													
TK200AN12	K2X33	L2X33	YAI70FF10(04)	U4E01													
TK200AP01(04)	J2J13	K2M05	YAI70FF30	U3A14													
TK200AP01(05)	J2B06	K2P04	YAI70FF40	B3A14													
TK200AP01(06)	J2J10	K2J10	YAI75B801(01)	B2E14	S1D10												
TK200AP01(07)	J2G07	K2G07	YAI75B801(02)	B3A01	S1C13												
TK200AP06(00)	J2G13	K2G13	YAI75B801(03)	B3E14	P1C10												
TK200AP06(01)	J2G12	K2G12	YAI75B801(04)	B4A01	P1B13												
TK200AP06(04)	J2D13	K2D13	YAI75B801(05)	G1C13	U2E14												
TK200AP06(06)	K2M04		YAI75B801(06)	D1C10	U3A01												
TK200AP12	K2P07		YAI75B801(07)	D1B13	U3E14												
TK200AP13	K2M08		YAI75B801(08)	B2E14	U4A01												
TK200AP15(A)	K2P09		YAI75B801(09)	B3A01													
TK200AP15(B)	K2P13		YAI75B801(10)	B3E14													
TK200AP15(C)	K2M13		YAI75B801(11)	B4A01													
TK200AP15(D)	K2U02		YAI75B801(12)	B4E14													
TK200AP19	K2S03	L2G04	YAI75B801(13)	B5A01													
TK200AP20	K2S02		YAI75B801(14)	D6C02													
TK200AP22(A)	K2S07		YAI75B801(15)	D6B05													
TK200AP22(B)	K2U06		YAI75B801(16)	G6C05													
TK200AP22(C)	K2S12		YAI75B801(17)	P6B05													
TK200AP22(D)	K2U07		YAI75B801(18)	S6C05													
TK200AP26	K2U12	L2J12	YAI75B801(19)	S6D02													
TK200AP27	K2S08		YAI75B801(20)	U5A01													
TK200AP29(A)	K2U13		YAI75B801(21)	U4E14													
TK200AP29(B)	K2S13		YAI75B801(22)	U4A01													
TK200AP29(C)	K2S04		YAI75B801(23)	U3E14													
TK200AP29(D)	K2U04		YAI75B801(24)	U3A01													
TK200AP33	K2U05	L2J10	YAI75B801(25)	U2E14													
TK200AP34	K2S06		YA915BBA0	B2A14													
TK200AP36	J2P03	K2B06	YA915UAA0	U2A14													
TK200AP37	K2B11		YB100MA01(01)	S1D13													
TK200AP39	K2B05		YB100MA01(02)	P1C13													
TK200AP40	J2G11	J2J09	YB100MA01(03)	P1B10													
	K2J09		YB100MA01(04)	G1D13													
TK200AP42	J2U12	K2J11	YB100MA01(05)	D1C13													
TK200AP43	J2D05	K2D05	YB100MA01(06)	D1B10													
TK200AP45	K2M02	K2P02	YB100MA01(07)	B3E01													
TK200AP46	J2J11	K2B08	YB100MA01(08)	B4E01													
TL200BA11(P)	L2D12	U5D13	YB100MA01(09)	B5E01													
TL200BA11(00)	L2B10	U5B11	YB100MA01(10)	D6C05													
TL200BA11(04)	L2B08	U5B12	YB100MA01(11)	G6D05													
TL200BA11(05)	L2D09	U5D11	YB100MA01(12)	P6C05													

A  
D (C) COPYRIGHT IBM CORP. 1984  
2  
0  
0

NOTE: IF THE NET NAME HAS A TRAILING ZERO (I.E. CN100BB50), THIS TRAILING ZERO WILL BE SHOWN IN THE NET AND PIN LISTS. THE LOGIC PAGES WILL OMIT THESE TRAILING ZEROS. \* : '\*' IN PIN FIELD (I.E. ASD12\*) DENOTES AN I/O PIN. (NN) : '(NN)' IN NET NO. FIELD (I.E. CN100BC71(2)) DENOTES THE STRAND NUMBER IN A BUNDLED NET.

BOARD 1A-A2 (STAGE 2)  
P/N 4233904

NET LIST		
LOC=1A-A2		A
		D
		2
		0
PN 2597129	EC 826487	0
MACH TYPE=5360		0
DATE= 13JAN84		PG03









PIN	NET NO*
Y6D04	HQ900A821(00)
Y6D05	HQ900A821(01)
Y6D06	HQ900A821(02)
Y6D07	HQ900A821(03)
Y6D09	HQ900A821(04)
Y6D10	HQ900A821(05)
Y6D11	HQ900A821(06)
Y6D12	HQ900A821(07)
Y6D13	HQ200A17

PIN	NET NO*
-----	---------

PIN	NET NO*
-----	---------

PIN	NET NO*
-----	---------

PIN	NET NO*
-----	---------

PIN	NET NO*
-----	---------

PIN	NET NO*
-----	---------

NOTE: IF THE NET NAME HAS A TRAILING ZERO (I.E. CN100BB50), THIS TRAILING ZERO WILL BE SHOWN IN THE NET AND PIN LISTS. THE LOGIC PAGES WILL OMIT THESE TRAILING ZEROES. THUS CN100BB50 AND CN100BB5 REPRESENT THE SAME NET.  
\* : '\*' IN PIN FIELD (I.E. A5D12\*) DENOTES AN I/O PIN.  
(NN): '(NN)' IN NET NO\* FIELD (I.E. CN100BC71(8)) DENOTES THE STRAND NUMBER IN A BUNDLED NET.

BOARD 1A-A2 (STAGE 2)  
P/N 4233904

PIN LIST		A
LOC=1A-A2		D
PN 2597130	EC 826487	2
MACH TYPE=5360		0
DATE= 13JAN84		1
		PG04



NET NO*	PIN	PIN	NET NO*	PIN	PIN	NET NO*	PIN	PIN	NET NO*	PIN	PIN	NET NO*	PIN	PIN	NET NO*	PIN	PIN
SH905AR11	A4		SJ905ANAS	A5P12		SK900AR13	B08	U2	EK905FG16	B2P04		SL905FC11	B3P02		SM905ARA4	B4P06	
SH905AR12	B08	A4	SJ905ARA0	A5P17		SK900AR14	D02	U2	EK905FG18	B2P19		SL905FC12	B3P04		SM905ARA5	B4P22	
SH905AR13	B08	A4	SJ905ARA1	A5P15		SK900AR15	D11	U2	EK905FG19	B2P21		SL905FC13	B3P14		SM905ARA6	B4P03	
SH905AR14	D02	A4	SJ905ARA2	A5P08		SK900AR16	D12	U2	EK905FG10	B2P18		SL905FC14	B3P19		SM905ARB0	B4P25	
SH905AR15	D11	A4	SJ905ARA3	A5P05		SK900CC11	B05	U2	EK905FG11	B2P11		SL905FC15	B3P21		SM905ARB1	B4P12	
SH905AR16	D12	A4	SJ905ARA4	A5P06		SK900CC12	B02	U2	EK905FG13	B2P20		SL905FG10	B3P02		SM905AR10	D05	B4
SH905AR17	B12	A4	SJ905ARA5	A5P22		SK900CC13	B04	U2	EK905FG14	B2P23		SL905FG11	B3P11		SM905AR11	D07	B4
SH905AR18	B13	A4	SJ905ARA6	A5P03		SK900CC14	D13	U2	EK905FG15	B2P19		SL905FG12	B3P23		SM905AR12	D09	B4
SH905CC10	D10	A4	SJ905ARA7	A5P25		SK900CC15	D04	U2	EK905FG16	B2P02		SL905FG13	B3P18		SM905AR13	B08	B4
SH905CC11	B05	A4	SJ905ARB0	A5P12		SK900CC16	D06	U2	EK905FG17	B2P02		SL905FG14	B3P14		SM905AR14	D02	B4
SH905CC12	B02	A4	SJ905AR10	A5	A5D05	SK900CP20	D05	K2G10	EL300AKA1	L2P07		SL905FG15	B3P20		SM905AR15	D11	B4
SH905CC13	B04	A4	SJ905AR11	A5	A5D07	SK900CP21	D07	K2G11	EL300AKA2	L2G08		SL905FG16	B3P04		SM905AR16	D12	B4
SH905CC14	D13	A4	SJ905AR12	A5	A5D09	SK900CP22	D09	K2B02	EL300AHA0	L2B02		SL905FG18	B3P19		SM905AR17	B12	B4
SH905CC15	D04	A4	SJ905AR13	A5	A5B08	SK900CP23	B08	K2B04	EL300AHA1	L2B03		SL905FG19	B3P21		SM905AR18	B13	B4
SH905CC16	D06	A4	SJ905AR14	A5	A5D02	SK900CP24	D02	K2D02	EL300AHA2	L2B04		SL905FQ10	B3P18		SM905CC10	D10	B4
SH905CC18	B10	A4	SJ905AR15	A5	A5D11	SK900CP25	D11	K2B04	EL300AHA3	L2D02		SL905FQ11	B3P11		SM905CC11	B05	B4
SH905CC19	B09	A4	SJ905AR16	A5	A5D12	SK900CP26	D12	K2B03	EL300AHA4	L2D04		SL905FQ13	B3P20		SM905CC12	B02	B4
SH905CPB9	B03	A4	SJ905AR17	A5	A5B12	SK900FG11		U2P15	EL300AHA5	L2G10		SL905FQ14	B3P23		SM905CC13	B04	B4
SH905CPC0	B06	A4	SJ905AR18	A5	A5B13	SK900FG12		U2P14	EL300AHA6	L2G11		SL905FQ15	B3P19		SM905CC14	D13	B4
SH905CPD0	D05	H2D13	SJ905CC10	A5	A5D10	SK900FG13		U2P17	EL300FK11	B05	L2B13	SL905FQ16	B3P02		SM905CC15	D04	B4
SH905CP21	D07	H2D12	SJ905CC11	A5	A5B05	SK900FG14		U2P20	EL300FK12	D13	L2G02	SM300AKA0	M2P09		SM905CC16	D06	B4
SH905CP22	D09	H2G03	SJ905CC12	A5	A5B02	SK900FG15		U2P04	EL300FK13	D06	L2B10	SM300AKA1	M2P07		SM905CC18	B10	B4
SH905CP23	B08	H2D10	SJ905CC13	A5	A5B04	SK900FG16		U2P02	EL300FK14	B02	L2J02	SM300AKA2	M2G08		SM905CC19	B09	B4
SH905CP24	D02	H2D09	SJ905CC14	A5	A5D13	SK905AJA0		B2P22	EL300FK15	D04	L2B09	SM300FK11	B05	M2B13	SM905CPB9	B03	B4
SH905CP25	D11	H2G04	SJ905CC15	A5	A5D04	SK905AJA1		B2P16	EL300FK16	B04	L2B12	SM300FK12	D13	M2G02	SM905CPC0	B06	B4
SH905CP26	D12	H2D11	SJ905CC16	A5	A5D06	SK905AJA2		B2P13	EL300FK20	D10	L2B11	SM300FK13	D06	M2B10	SM905CP20	D05	M2D13
SH905CP27	B12	H2G06	SJ905CC18	A5	A5B10	SK905AJA3		B2P17	EL300FK30	B10	L2J06	SM300FK14	B02	M2J02	SM905CP21	D07	M2D12
SH905CP28	B13	H2G05	SJ905CC19	A5	A5B09	SK905AJA4		B2P06	EL300FK31	B09	L2J07	SM300FK15	D04	M2B09	SM905CP22	D09	M2G03
SH905CP29	B03	H2J04	SJ905CPB9	A5	A5B03	SK905AJA5		B2P09	EL300FT11	L2B05		SM300FK16	B04	M2B12	SM905CP23	B08	M2D10
SH905CP30	B06	H2J05	SJ905CPC0	A5	A5B06	SK905AJA6		B2P03	EL300FT12	L2B06		SM300FK20	D10	M2B11	SM905CP24	D02	M2B09
SH905FC10	A4P20		SJ905CP20	A5D05	J2D13	SK905AJA7		B2P12	EL300FT13	L2B07		SM300FK30	B10	M2J06	SM905CP25	D11	M2G04
SH905FC11	A4P02		SJ905CP21	A5D07	J2D12	SK905AJA8		B2P15	EL300FT14	L2B08		SM300FK31	B09	M2J07	SM905CP26	D12	M2D11
SH905FC12	A4P04		SJ905CP22	A5D09	J2G03	SK905ANA0		B2P03	EL300FT15	L2D06		SM300FT11	D06	M2B05	SM905CP27	B12	M2G06
SH905FC13	A4P14		SJ905CP23	A5B08	J2D10	SK905ANA1		B2P06	EL300FT16	L2D05		SM300FT12	B02	M2B06	SM905CP28	B13	M2G05
SH905FC14	A4P19		SJ905CP24	A5D02	J2D09	SK905ANA2		B2P08	EL905AJA0	B3P22		SM300FT13	B05	M2B07	SM905CP29	B03	M2J04
SH905FC15	A4P21		SJ905CP25	A5D11	J2G04	SK905ANA3		B2P05	EL905AJA1	B3P16		SM300FT14	D13	M2B08	SM905CP30	B06	M2J05
SH905FG10	A4P02		SJ905CP26	A5D12	J2D11	SK905ANA4		B2P25	EL905AJA2	B3P13		SM300FT15	B04	M2D06	SM905FC10	B4P20	
SH905FG11	A4P11		SJ905CP27	A5B12	J2G06	SK905ANA5		B2P12	EL905AJA3	B3P17		SM300FT16	D04	M2D05	SM905FC11	B4P02	
SH905FG12	A4P23		SJ905CP28	A5B13	J2G05	SK905ARA0		B2P17	EL905AJA4	B3P06		SM900ARA0	U3P18		SM905FC12	B4P04	
SH905FG13	A4P18		SJ905CP29	A5B03	J2J04	SK905ARA1		B2P15	EL905AJA5	B3P09		SM900ARA1	U3P10		SM905FC13	B4P14	
SH905FG14	A4P14		SJ905CP30	A5B06	J2J05	SK905ARA2		B2P08	EL905AJA6	B3P03		SM900ARA2	U3P13		SM905FC14	B4P19	
SH905FG15	A4P20		SJ905FC10	A5P20		SK905ARA3		B2P05	EL905AJA7	B3P12		SM900ARA3	U3P05		SM905FC15	B4P21	
SH905FG16	A4P04		SJ905FC11	A5P02		SK905ARA4		B2P06	EL905AJA8	B3P15		SM900ARA4	U3P08		SM905FC10	B4P02	
SH905FG18	A4P19		SJ905FC12	A5P04		SK905ARA5		B2P22	EL905AJA8	B3P03		SM900ARA5	U3P06		SM905FC11	B4P11	
SH905FG19	A4P21		SJ905FC13	A5P14		SK905ARA6		B2P03	EL905ANA0	B3P06		SM900ARA6	U3P03		SM905FC12	B4P23	
SH905FG10	A4P18		SJ905FC14	A5P19		SK905ARA7		B2P25	EL905ANA1	B3P06		SM900ARA7	U3P03		SM905FC13	B4P18	
SH905FQ11	A4P11		SJ905FC15	A5P21		SK905ARB0		B2P12	EL905ANA2	B3P08		SM900ARA8	D05	U3	SM905FC14	B4P19	
SH905FQ13	A4P20		SJ905FC16	A5P02		SK905AR10		D05	EL905ANA3	B3P05		SM900ARA9	D07	U3	SM905FC15	B4P21	
SH905FQ14	A4P23		SJ905FC17	A5P11		SK905AR11		D07	EL905ANA4	B3P25		SM900ARA10	D09	U3	SM905FC16	B4P20	
SH905FQ15	A4P19		SJ905FC18	A5P23		SK905AR12		D09	EL905ANA5	B3P12		SM900ARA11	B08	U3	SM905FC17	B4P04	
SH905FQ16	A4P02		SJ905FC19	A5P18		SK905AR13		B08	EL905ARA0	B3P17		SM900ARA12	D02	U3	SM905FC18	B4P19	
SJ300AKA0	J2J09		SJ905FG10	A5P14		SK905AR14		D02	EL905ARA1	B3P15		SM900ARA13	D11	U3	SM905FC19	B4P21	
SJ300AKA1	J2P07		SJ905FG11	A5P20		SK905AR15		D11	EL905ARA2	B3P08		SM900ARA14	D12	U3	SM905FQ10	B4P18	
SJ300AKA2	J2G08		SJ905FG12	A5P04		SK905AR16		D12	EL905ARA3	B3P05		SM900CC11	B05	U3	SM905FQ11	B4P11	
SJ300AHA0	J2B02		SJ905FG13	A5P19		SK905AR17		B12	EL905ARA4	B3P06		SM900CC12	B02	U3	SM905FQ12	B4P20	
SJ300AHA1	J2B03		SJ905FG14	A5P19		SK905AR18		B13	EL905ARA5	B3P22		SM900CC13	B04	U3	SM905FQ13	B4P23	
SJ300AHA2	J2B04		SJ905FG15	A5P21		SK905AR19		B13	EL905ARA6	B3P03		SM900CC14	D13	U3	SM905FQ14	B4P19	
SJ300AHA3	J2D02		SJ905FQ10	A5P18		SK905CC10		D10	EL905ARA7	B3P25		SM900CC15	D04	U3	SM905FQ15	B4P02	
SJ300AHA4	J2D04		SJ905FQ11	A5P11		SK905CC11		B05	EL905ARA8	B3P12		SM900CC16	D06	U3	SM905FQ16	B4P02	
SJ300AHA5	J2G10		SJ905FQ12	A5P20		SK905CC12		B02	EL905ARA9	B05	B3	SM900CP20	D05	M2G10	SN300AKA0	N2J09	
SJ300AHA6	J2G11		SJ905FQ13	A5P23		SK905CC13		B04	EL905ANA0	D07	B3	SM900CP21	D07	M2G11	SN300AKA1	N2P07	
SJ300FK11	A5B05	J2B13	SJ905FQ14	A5P23		SK905CC14		D13	EL905ANA1	D09	B3	SM900CP22	D09	M2B02	SN300AKA2	N2G08	
SJ300FK12	A5D13	J2G02	SJ905FQ15	A5P19		SK905CC15		D04	EL905ANA2	B08	B3	SM900CP23	B08	M2B04	SN300AHA0	N2B02	
SJ300FK13	A5D06	J2B10	SK300AKA0	K2P07		SK905CC16		D06	EL905ANA3	D02	B3	SM900CP24	D02	M2D02	SN300AHA1	N2B03	
SJ300FK14	A5B02	J2J02	SK300AKA1	K2P07		SK905CC18		B10	EL905ANA4	D11	B3	SM900CP25	D11	M2D04	SN300AHA2	N2B04	
SJ300FK15	A5B04	J2B09	SK300AKA2	K2G08		SK905CC19		B09	EL905ANA5	D12	B3	SM900CP26	D12	M2B03	SN300AHA3	N2D02	
SJ300FK16	A5B04	J2B12	SK300FK11	B05	K2B13	SK905CPB9		B03	EL905ANA6	B12	B3	SM900CP27	D12	M2B03	SN300AHA4	N2D04	
SJ300FK17	A5B04	J2B11	SK300FK12	D13	K2G02	SK905CP20		B06	EL905ANA7	B13	B3	SM900FG11	U3P15		SN300AHA5	N2G10	
SJ300FK20	A5D10	J2B11	SK300FK13	D06	K2B10	SK905CP21		D07	EL905ANA8	B02	B3	SM900FG12	U3P14		SN300AHA6	N2G11	
SJ300FK30	A5B10	J2J06	SK300FK14	B02	K2J02	SK905CP22		D09	EL905ANA9	B02	B3	SM900FG13	U3P17		SN300FK11	B05	N2B13
SJ300FK31	A5B09	J2J07	SK300FK15	D04	K2B09	SK905CP23		B08	EL905FC11	B05	B3	SM900FG14	U3P20		SN300FK12	D13	N2G02
SJ300FT11	J2B05		SK300FK16	B04	K2B12	SK905CP24		B08	EL905FC12	B02	B3	SM900FG15	U3P04		SN300FK13	D06	N2B10
SJ300FT12	J2B06		SK300FK17	D10	K2B11	SK905CP25		D02	EL905FC13	B04	B3	SM900FG16	U3P02		SN300FK14	B02	N2J02
SJ300FT13	J2B07		SK300FK18	B10	K2J06	SK905CP26		D11	EL905FC14	D13	B3	SM905AJA0	B4P22		SN300FK15	D04	N2B09
SJ300FT14	J2B08		SK300FK19	B09	K2J07	SK905CP27		D12	EL905FC15	D04	B3	SM905AJA1	B4P16		SN300FK16	B04	N2B12
SJ300FT15	J2D06		SK300FK20	B09	K2J07	SK905CP28		D12	EL905FC16	D06	B3	SM905AJA2	B4P13		SN300FK20	D10	N2B11
SJ300FT16	J2D05		SK300FK21	B06	K2B05												

NET NO*	PIN	PIN	NET NO*	PIN	PIN	NET NO*	PIN	PIN	NET NO*	PIN	PIN	NET NO*	PIN	PIN	NET NO*	PIN	PIN
SN905AJA8	B5P15		SP300BA44(00)	H2S02	N2S02	WS300BA22	S2U09		YC100BB01(30)	B4A14							
SN905ANA0	B5P03			P2D02		WS300BA41	S2B02	T2B02	YC100BB01(31)	U3A14							
SN905ANA1	B5P06		SP300BA44(01)	F2S03	G2S03	WS300BA42	S2B10	T2B10	YC100BB01(32)	U4A01							
SN905ANA2	B5P08			H2S03	J2S03	WS300BA43	S2D09	T2D09	YC100BB01(33)	U5A01							
SN905ANA3	B5P05			K2S03	L2S03	WS300BA44(00)	S2D02	T2D02	YC100BB01(34)	B3A01							
SN905ANA4	B5P25			M2S03	N2S03	WS300BA44(01)	S2B03	T2B03	YC100BB01(35)	B3E14							
SN905ANA5	B5P12			P2B03		WS300BA44(02)	S2B04	T2B04	YC100BB01(36)	B4E14							
SN905ARA0	B5P17		SP300BA44(02)	F2U02	G2U02	WS300BA47(P)	S2B07	T2B07	YC100BB01(41)	S1D13							
SN905ARA1	B5P15			H2U02	J2U02	WS300BA47(00)	S2D04	T2D04	YC100BB01(42)	S1C13							
SN905ARA2	B5P08			K2U02	L2U02	WS300BA47(01)	S2B12	T2B12	YC100BB01(43)	P1C13							
SN905ARA3	B5P05			M2U02	N2U02	WS300BA47(02)	S2D11	T2D11	YC100BB01(44)	U2A14							
SN905ARA4	B5P06			P2B04		WS300BA47(03)	S2D06	T2D06	YC100BB01(45)	U3A01							
SN905ARA5	B5P22		SP300BA47(P)	F2S13	G2S13	WS300BA47(04)	S2D07	T2D07	YC100BB01(46)	B5E01							
SN905ARA6	B5P03			H2S13	J2S13	WS300BA47(05)	S2D12	T2D12	YC100BB01(47)	D6B05							
SN905ARB0	B5P25			K2S13	L2S13	WS300BA47(06)	S2D10	T2D10	YC100BB01(48)	D6C02							
SN905ARB1	B5P12			M2S13	N2S13	WS300BA47(07)	S2B13	T2B13	YC100BB01(49)	G6C02							
SN905AR10	D05	B5		P2B07		WT300AAA3	T2B05		YC100BB01(50)	G6D05							
SN905AR11	D07	B5	SP300BA47(00)	F2S04	G2S04	WT300AAC6	T2P04		YC100BB01(51)	P6B05							
SN905AR12	D09	B5		H2S04	J2S04	WT300AAC7	T2P07		YC100BB01(52)	P6C02							
SN905AR13	B08	B5		K2S04	L2S04	WT300AAD2	T2P06		YC100BB01(53)	S6C05							
SN905AR14	D02	B5		M2S04	N2S04	WT300AAD3	T2P12		YC100BB01(54)	S6D02							
SN905AR15	D11	B5		P2D04		WT300AAD4	T2P05		YC100BB01(55)	U5E01							
SN905AR16	D12	B5	SP300BA47(01)	F2S05	G2S05	WT300AAD5	T2P09		YC100BB01(56)	U4A14							
SN905AR17	B12	B5		H2S05	J2S05	WT300AAD6	T2M04		YC100BB01(57)	U4E01							
SN905AR18	B13	B5		K2S05	L2S05	WT300AAD7	T2P13		YC100BB01(58)	U3E01							
SN905CC10	D10	B5		M2S05	N2S05	WT300BA11	T2M13	T2U04	YC905AQQ20	D1B10	Q3						
SN905CC11	B05	B5		P2B12		WT300BA12	T2M02	T2P02	YC905AQQ40	66D02	Q3						
SN905CC12	B02	B5	SP300BA47(02)	F2S07	G2S07	WT300BA13	T2M10	T2P10									
SN905CC13	B04	B5		H2S07	J2S07	WT300BA14(P)	S2J07	T2J07									
SN905CC14	D13	B5		K2S07	L2S07	WT300BA14(00)	S2G02	T2G02									
SN905CC15	D04	B5		M2S07	N2S07	WT300BA14(01)	S2J02	T2J02									
SN905CC16	D06	B5		P2D11		WT300BA14(02)	S2G03	T2G03									
SN905CC18	B10	B5	SP300BA47(03)	F2S08	G2S08	WT300BA14(03)	S2G04	T2G04									
SN905CC19	B09	B5		H2S08	J2S08	WT300BA14(04)	S2J04	T2J04									
SN905CP89	B03	B5		K2S08	L2S08	WT300BA14(05)	S2G10	T2G10									
SN905CP90	B06	B5		M2S08	N2S08	WT300BA14(06)	S2J05	T2J05									
SN905CP20	D05	N2D13		P2D06		WT300BA14(07)	S2J06	T2J06									
SN905CP21	D07	N2D12	SP300BA47(04)	F2S09	G2S09	WT300BA23	S2G13	T2G13									
SN905CP22	D09	N2G03		H2S09	J2S09	WT300BA24	S2G12	T2G12									
SN905CP23	B08	N2D10		K2S09	L2S09	WT300BA25	S2D13	T2D13									
SN905CP24	D02	N2D09		M2S09	N2S09	WT300BA27	S2J10	T2J10									
SN905CP25	D11	N2G04		P2D07		WT300BA28	S2G07	T2G07									
SN905CP26	D12	N2D11	SP300BA47(05)	F2S10	G2S10	WT300BA29	S2G11	T2J13									
SN905CP27	B12	N2G06		H2S10	J2S10	WT300BA30	S2J09	T2J09									
SN905CP28	B13	N2G05		K2S10	L2S10	WT300BA31	S2J11	T2J11									
SN905CP29	B03	N2J04		M2S10	N2S10	WT300BA32	S2D05	T2D05									
SN905CP30	B06	N2J05		P2D12		WT300BA33	T2M12										
SN905FC10	B5P20		SP300BA47(06)	F2S11	G2S11	WT300BA34	T2M03										
SN905FC11	B5P02			H2S11	J2S11	WT300BA41	T2U02	V4D02									
SN905FC12	B5P04			K2S11	L2S11	WT300BA42	T2S02	V4B02									
SN905FC13	B5P14			M2S11	N2S11	WT300BA43	T2U05	V4D04									
SN905FC14	B5P19			P2D10		WT300BA44	T2S03	V4B04									
SN905FC15	B5P21		SP300BA47(07)	F2S12	G2S12	WT300BA45	T2U06	V4D05									
SN905FG10	B5P02			H2S12	J2S12	WT300BA46	T2S04	V4B05									
SN905FG11	B5P11			K2S12	L2S12	WT300BA47	T2U07	V4D07									
SN905FG12	B5P23			M2S12	N2S12	WT300BA48	T2S07	V4B07									
SN905FG13	B5P18			P2B13		WT300BA49	T2U09	V4D09									
SN905FG14	B5P14		ST900AA10	V5B04		WT300BA50	T2S10	V4B09									
SN905FG15	B5P20		ST900AA11	V5B07		WT300BA51	T2U10	V4D10									
SN905FG16	B5P04		ST900AA12	V5B05		WT300BA52	T2S12	V4B10									
SN905FG18	B5P19		ST900AA13	V5B06		WT900AAA2	V4D08	V4D08									
SN905FG19	B5P21		ST900AA14	V5B03		YC100BB01(01)	B5A01										
SN905FG20	B5P18		ST900AA15	V5B02		YC100BB01(02)	B2E14										
SN905FQ11	B5P11		ST900AA17	V5B09		YC100BB01(03)	D6B02										
SN905FQ13	B5P20		ST900AA20	F2P11	V5D02	YC100BB01(04)	P6B02										
SN905FQ14	B5P23		ST900AA21	G2P11	V5D03	YC100BB01(05)	B4A01										
SN905FQ15	B5P19		ST900AA22	H2P11	V5D04	YC100BB01(06)	D6C05										
SN905FQ16	B5P02		ST900AA23	J2P11	V5D05	YC100BB01(07)	G6C05										
SP300AA9	P2U12		ST900AA24	K2P11	V5B10	YC100BB01(08)	P6C05										
SP300AA82	P2P03		ST900AA25	L2P11	V5B11	YC100BB01(09)	S6D05										
SP300AAC1	P2G11		ST900AA26	M2P11	V5B12	YC100BB01(10)	S6C02										
SP300AAC2	P2J09		ST900AA27	N2P11	V5B13	YC100BB01(11)	U4E14										
SP300BA41	F2M04	G2M04	SU310ALB1	U4D12		YC100BB01(12)	U3E14										
	H2M04	J2M04	WS300AAA9	S2U12		YC100BB01(13)	U2E14										
	K2M04	L2M04	WS300AA82	S2P03		YC100BB01(14)	S1C10										
	M2M04	N2M04	WS300AA86	S2G06		YC100BB01(15)	P1B10										
SP300BA42	P2B02		WS300AA87	S2J13		YC100BB01(16)	G1C10										
	F2M02	G2M02	WS300AAC0	S2B11		YC100BB01(17)	G1D13										
	H2M02	J2M02	WS300AAC3	S2B06		YC100BB01(18)	D1C13										
	K2M02	L2M02	WS300BA11(00)	S2S13		YC100BB01(19)	S1D10										
	M2M02	N2M02	WS300BA11(01)	S2S12		YC100BB01(20)	P1C10										
SP300BA43	P2B10		WS300BA11(03)	S2U11		YC100BB01(21)	P1B13										
	F2M03	G2M03	WS300BA11(04)	S2P13		YC100BB01(22)	G1D10										
	H2M03	J2M03	WS300BA11(06)	S2S09		YC100BB01(23)	G1C13										
	K2M03	L2M03	WS300BA16(04)	S2U10		YC100BB01(24)	D1C10										
	M2M03	N2M03	WS300BA16(06)	S2S07		YC100BB01(25)	D1B13										
SP300BA44(00)	P2D09		WS300BA16(07)	S2M06		YC100BB01(26)	B2A14										
	F2S02	G2S02	WS300BA19	S2P05		YC100BB01(27)	B3E01										
	H2S02	J2S02	WS300BA20	S2S05		YC100BB01(28)	B3A14										
	K2S02	L2S02	WS300BA21	S2U13		YC100BB01(29)	B4E01										

NOTE: IF THE NET NAME HAS A TRAILING ZERO (I+E+CN1002B10), THIS TRAILING ZERO WILL BE SHOWN IN THE NET AND PIN LISTS. THE LOGIC PAGES WILL OMIT THESE TRAILING ZEROS, THUS CN100BB50 AND CN100BB5 REPRESENT THE SAME NET. \* : \* IN PIN FIELD (I+E+ASD12\*) DENOTES AN I/D PIN. (NN): (NN) IN NET NO. FIELD (I+E+CN100BC71(8)) DENOTES THE STRAND NUMBER IN A BUNDLED NET.

PIN	NET NO*	PIN	NET NO*	PIN	NET NO*	PIN	NET NO*	PIN	NET NO*	PIN	NET NO*	PIN	NET NO*
B02	SF300FK14	B08	S6905AR13	D02	SM905AR14	D09	SH905AR12	A2	SF905AR12	A3P04	S6905FG16	A4P19	SH905FG18
B02	SF905CC12	B08	S6905CP23	D02	SM905CP24	D09	SH905CP22	A2	SF905AR13	A3P05	S6905ANA3	A4P19	SH905FC15
B02	S6300FK14	B08	SH900AR13	D02	SN905AR14	D09	SK900AR12	A2	SF905AR14	A3P06	S6905AJA4	A4P20	SH905FC10
B02	S6905CC12	B08	SH900CP23	D02	SN905CP24	D09	SK900CP22	A2	SF905AR15	A3P06	S6905ANA1	A4P20	SH905FG15
B02	SH300FK14	B08	SH905AR13	D04	SF300FK15	D09	SK905AR12	A2	SF905AR16	A3P06	S6905ANA4	A4P21	SH905FC13
B02	SH300FT12	B08	SH905CP23	D04	SF905CC15	D09	SK905CP22	A2	SF905AR17	A3P06	S6905ANA2	A4P21	SH905FC15
B02	SH900CC12	B08	SK900AR13	D04	S6300FK15	D09	SL905AR12	A2	SF905AR18	A3P08	S6905ANA2	A4P22	SH905FG19
B02	SH905CC12	B08	SK900CP23	D04	S6905CC15	D09	SL905CP22	A2	SF905CC10	A3P08	S6905ARA2	A4P22	SH905AJA0
B02	SK300FK14	B08	SK905AR13	D04	SH300FK15	D09	SM900AR12	A2	SF905CC11	A3P09	S6905AJA5	A4P22	SH905ARA5
B02	SK300FT12	B08	SK905CP23	D04	SH300FT16	D09	SM900CP22	A2	SF905CC12	A3P11	S6905FG11	A4P23	SH905FG12
B02	SK900CC12	B08	SL905AR13	D04	SH900CC15	D09	SM905AR12	A2	SF905CC13	A3P11	S6905FG11	A4P23	SH905FG14
B02	SK905CC12	B08	SL905CP23	D04	SH905CC15	D09	SM905CP22	A2	SF905CC14	A3P12	S6905AJA7	A4P23	SH905FG14
B02	SL300FK14	B08	SM900AR13	D04	SK300FK15	D09	SM905AR12	A2	SF905CC15	A3P12	S6905ANA5	A4P25	SH905ANA4
B02	SL905CC12	B08	SM900CP23	D04	SK300FT16	D09	SN905CP22	A2	SF905CC16	A3P12	S6905ANA5	A4P25	SH905AR80
B02	SM300FK14	B08	SM905AR13	D04	SK900CC15	D10	SF300FK20	A2	SF905CC18	A3P12	S6905ARB1	A5	SJ905AR10
B02	SM900CC12	B08	SM905CP23	D04	SL905CC15	D10	SF905CC10	A2	SF905CC19	A3P12	S6905AJA2	A5	SJ905AR12
B02	SM905CC12	B08	SN905AR13	D04	SL300FK15	D10	SF905CC10	A2	SF905CC19	A3P12	S6905AJA2	A5	SJ905AR12
B02	SN300FK14	B08	SN905CP23	D04	SL905CC15	D10	SH300FK20	A2	SF905CC19	A3P12	S6905AJA2	A5	SJ905AR12
B02	SN900CC12	B09	SF300FK31	D04	SH300FT16	D10	SH905CC10	A2P02	SF905CC19	A3P14	S6905AJA8	A5	SJ905AR14
B02	SN905CC12	B09	SF905CC19	D04	SH900CC15	D10	SH905CC10	A2P02	SF905CC19	A3P14	S6905AJA8	A5	SJ905AR14
B03	SF905CPB9	B09	S6300FK31	D04	SM900CC15	D10	SK300FK20	A2P02	SF905CC19	A3P14	S6905AJA8	A5	SJ905AR14
B03	SF905CP29	B09	S6905CC19	D04	SM905CC15	D10	SK905CC10	A2P03	SF905CC19	A3P14	S6905AJA8	A5	SJ905AR14
B03	S6905CPB9	B09	SH300FK31	D04	SN300FK15	D10	SL300FK20	A2P03	SF905ANA0	A3P15	S6905AJA8	A5	SJ905AR14
B03	S6905CP29	B09	SH905CC19	D04	SN905CC15	D10	SL905CC10	A2P03	SF905ANA0	A3P15	S6905AJA8	A5	SJ905AR14
B03	SH905CPB9	B09	SK300FK31	D05	SF905AR10	D10	SM300FK20	A2P04	SF905FC12	A3P17	S6905AJA3	A5	SJ905AR16
B03	SH905CP29	B09	SK905CC19	D05	SF905CP20	D10	SN300FK20	A2P04	SF905FC16	A3P17	S6905AJA3	A5	SJ905AR16
B03	SK905CPB9	B09	SL300FK31	D05	S6905AR10	D10	SH905CC10	A2P05	SF905ANA3	A3P18	S6905ARA0	A5	SJ905SC10
B03	SK905CP29	B09	SL905CC19	D05	S6905CP20	D10	SH905CC10	A2P05	SF905ANA3	A3P18	S6905ARA0	A5	SJ905SC10
B03	SL905CPB9	B09	SM300FK31	D05	SH900AR10	D11	SF905AR15	A2P06	SF905AJA4	A3P19	S6905FG15	A5	SJ905SC12
B03	SL905CP29	B09	SM905CC19	D05	SH900CP20	D11	SF905CP25	A2P06	SF905ANA1	A3P19	S6905FG15	A5	SJ905SC12
B03	SM905CPB9	B09	SM300FK31	D05	SH905AR10	D11	S6905CP25	A2P06	SF905ANA1	A3P20	S6905FG15	A5	SJ905SC12
B03	SM905CP29	B09	SM905CC19	D05	SH905CP20	D11	SG905CP25	A2P08	SF905ANA2	A3P20	S6905FG15	A5	SJ905SC12
B03	SH905CPB9	B10	SF300FK30	D05	SK900AR10	D11	SH900AR15	A2P08	SF905ANA2	A3P22	S6905AJA0	A5	SJ905CPB0
B03	SH905CP29	B10	SF905CC18	D05	SK905AR10	D11	SH900CP25	A2P09	SF905AJA5	A3P22	S6905AJA0	A5	SJ905CPB0
B04	SF300FK16	B10	S6300FK30	D05	SK905AR10	D11	SH905CP25	A2P11	SF905AJA7	A3P23	S6905AJA2	A5B02	SJ300FK14
B04	SF905CC13	B10	S6905CC18	D05	SK905CP20	D11	SK900AR15	A2P11	SF905FG11	A3P23	S6905AJA2	A5B02	SJ300FK14
B04	S6300FK16	B10	SH300FK30	D05	SL905AR10	D11	SK900CP25	A2P12	SF905AJA7	A3P23	S6905AJA2	A5B03	SJ905CPB9
B04	S6905CC13	B10	SH905CC18	D05	SL905CP20	D11	SK905AR15	A2P12	SF905ANA5	A3P23	S6905AJA2	A5B03	SJ905CPB9
B04	SH300FK16	B10	SK300FK30	D05	SM900AR10	D11	SK905AR15	A2P12	SF905ANA5	A3P25	S6905ANA4	A5B04	SJ300FK16
B04	SH300FT15	B10	SK905CC18	D05	SM900CP20	D11	SK905CP25	A2P13	SF905AR12	A3P25	S6905ANA4	A5B04	SJ300FK16
B04	SH900CC13	B10	SL300FK30	D05	SM905AR10	D11	SL905AR15	A2P14	SF905FC13	A4	SH905AR10	A5B05	SJ300FK11
B04	SH905CC13	B10	SL905CC18	D05	SM905CP20	D11	SL905CP25	A2P14	SF905FC13	A4	SH905AR10	A5B05	SJ300FK11
B04	SK300FK16	B10	SM300FK30	D05	SM905CP20	D11	SM900CP25	A2P15	SF905AJA8	A4	SH905AR11	A5B06	SJ905CC11
B04	SK300FT15	B10	SM905CC18	D05	SM905CP20	D11	SM905AR15	A2P15	SF905AJA8	A4	SH905AR11	A5B06	SJ905CC11
B04	SK900CC13	B10	SM905CC18	D06	SF300FK13	D11	SM905CP25	A2P16	SF905AJA4	A4	SH905AR12	A5B06	SJ905CC11
B04	SK905CC13	B10	SM905CC18	D06	SF905CC13	D11	SM905CP25	A2P16	SF905AJA4	A4	SH905AR12	A5B06	SJ905CC11
B04	SL300FK16	B12	SF905AR17	D06	S6300FK13	D11	SM905CP25	A2P17	SF905AJA4	A4	SH905AR13	A5B06	SJ905CC11
B04	SL905CC13	B12	SF905CP27	D06	S6905CC13	D11	SM905CP25	A2P17	SF905AJA4	A4	SH905AR13	A5B06	SJ905CC11
B04	SM300FK16	B12	S6905AR17	D06	SH300FK13	D12	SM905CP25	A2P18	SF905AJA4	A4	SH905AR14	A5B06	SJ905CC11
B04	SM300FT15	B12	S6905CP27	D06	SH300FT11	D12	SM905CP25	A2P18	SF905AJA4	A4	SH905AR14	A5B06	SJ905CC11
B04	SM900CC13	B12	SH905AR17	D06	SH900CC16	D12	SM905CP25	A2P19	SF905AJA4	A4	SH905AR15	A5B08	SJ905CC13
B04	SM905CC13	B12	SH905CP27	D06	SH905CC16	D12	SM905CP25	A2P19	SF905AJA4	A4	SH905AR15	A5B08	SJ905CC13
B04	SN300FK16	B12	SK905AR17	D06	SK300FK13	D12	SM905CP25	A2P20	SF905AJA4	A4	SH905AR16	A5B09	SJ905CP27
B04	SN905CC13	B12	SK905CP27	D06	SK300FT11	D12	SM905CP25	A2P20	SF905AJA4	A4	SH905AR16	A5B09	SJ905CP27
B05	SF300FK11	B12	SL905AR17	D06	SK900CC16	D12	SM905CP25	A2P20	SF905AJA4	A4	SH905AR17	A5B10	SJ905CC19
B05	SF905CC11	B12	SL905CP27	D06	SK905CC16	D12	SM905CP25	A2P21	SF905FG15	A4	SH905AR17	A5B10	SJ905CC19
B05	S6300FK11	B12	SM905AR17	D06	SL300FK13	D12	SM905CP25	A2P21	SF905FG15	A4	SH905AR18	A5B12	SJ905CC13
B05	S6905CC11	B12	SM905CP27	D06	SL905CC16	D12	SM905CP25	A2P21	SF905FG15	A4	SH905AR18	A5B12	SJ905CC13
B05	SH300FK11	B12	SM905AR17	D06	SM300FK13	D12	SM905CP25	A2P22	SF905ANA0	A4	SH905AR18	A5B13	SJ905AR18
B05	SH300FT13	B12	SM905CP27	D06	SM300FT11	D12	SM905CP25	A2P22	SF905ANA0	A4	SH905AR18	A5B13	SJ905AR18
B05	SH900CC11	B13	SF905AR18	D06	SM900CC16	D12	SM905CP25	A2P23	SF905AJA2	A4	SH905AR19	A5D02	SJ905CP28
B05	SH905CC11	B13	SF905CP28	D06	SM905CC16	D12	SM905CP25	A2P23	SF905AJA2	A4	SH905AR19	A5D02	SJ905CP28
B05	SK300FK11	B13	S6905AR18	D06	SM900FK13	D12	SM905CP25	A2P25	SF905FG14	A4	SH905AR19	A5D02	SJ905CP28
B05	SK300FT13	B13	S6905CP28	D06	SM905CC16	D12	SM905CP25	A2P25	SF905FG14	A4	SH905AR19	A5D02	SJ905CP28
B05	SK900CC11	B13	SH905AR18	D07	SM900CC16	D12	SM905CP25	A3	SF905AR10	A4P02	SH905AR19	A5D04	SJ300FK15
B05	SK905CC11	B13	SH905CP28	D07	SM905CC16	D12	SM905CP25	A3	SF905AR10	A4P02	SH905AR19	A5D04	SJ300FK15
B05	SL300FK11	B13	SK905AR18	D07	SF905CP21	D12	SM905CP25	A3	SF905AR10	A4P03	SH905AR20	A5D05	SJ905CC19
B05	SL905CC11	B13	SK905CP28	D07	SF905AR11	D12	SM905CP25	A3	SF905AR10	A4P03	SH905AR20	A5D05	SJ905CC19
B05	SM300FK11	B13	SL905AR18	D07	SG905CP21	D12	SM905CP25	A3	SF905AR11	A4P03	SH905AR20	A5D05	SJ905CC19
B05	SM300FT13	B13	SL905CP28	D07	SH900AR11	D12	SM905CP25	A3	SF905AR11	A4P04	SH905AR21	A5D05	SJ905CC19
B05	SM900CC11	B13	SM905AR18	D07	SH900CP21	D12	SM905CP25	A3	SF905AR11	A4P05	SH905AR21	A5D05	SJ905CC19
B05	SM905CC11	B13	SM905CP28	D07	SH905AR11	D12	SM905CP25	A3	SF905AR12	A4P05	SH905AR21	A5D05	SJ905CC19
B05	SN300FK11	B13	SN905AR18	D07	SK900AR11	D12	SM905CP25	A3	SF905AR12	A4P06	SH905AR22	A5D11	SJ905AR15
B05	SN905CC11	B13	SN905CP28	D07	SK900CP21	D12	SM905CP25	A3	SF905AR12	A4P06	SH905AR22	A5D11	SJ905AR15
B06	SF905CPC0	D02	SF905AR14	D02	SF905AR14	D07	SM905CP25	A3	SF905AR13	A4P06	SH905AR22	A5D11	SJ905AR15
B06	SF905CP30	D02	S6905AR14	D02	S6905AR14	D07	SM905CP25	A3	SF905AR13	A4P06	SH905AR22	A5D11	SJ905AR15
B06	S6905CPC0	D02	S6905CP24	D02	S6905CP24	D07	SM905CP25	A3	SF905AR15	A4P06	SH905AR22	A5D11	SJ905AR15
B06	S6905CP30	D02	SH900AR14	D02	SH900AR14	D07	SM905CP25	A3	SF905AR15	A4P06	SH905AR22	A5D11	SJ905AR15
B06	SH905CP30	D02	SH900CP24	D02	SH900CP24	D07	SM905CP25	A3	SF905AR16	A4P06	SH905AR22	A5D12	SJ905AR16
B06	SH905CP0	D02	SH905AR14	D02	SH905AR14	D07	SM905CP25	A3	SF905AR16	A4P06	SH905AR22	A5D12	SJ905AR16
B06	SK905CP30	D02	SH905CP24	D02	SH905CP24	D07	SM905CP25	A3	SF905AR17	A4P06	SH905AR22	A5D12	SJ905AR16
B06	SK905CP0	D02	SK900AR14	D02	SK900AR14	D07	SM905CP25	A3	SF905AR17	A4P06	SH905AR22	A5D12	SJ905AR16
B06	SL905CP30	D02	SK900CP24	D02	SK900CP24	D07	SM905CP25	A3	SF905AR18	A4P06	SH905AR22	A5D12	SJ905AR16
B06	SL905CP0	D02	SK905AR14	D02	SK905AR14	D07	SM905CP25	A3	SF905AR18	A4P06	SH905AR22	A5D12	SJ905AR16
B06	SM905CPC0	D02	SK905AR14	D02	SK905AR14	D07	SM905CP25	A3	SF905AR18	A4P06	SH905AR22	A5D12	SJ905AR16
B06	SM905CP30	D02	SK905CP24	D02	SK905CP24	D07	SM905CP25	A3	SF905AR18	A4P06	SH905AR22	A5D12	SJ905AR16
B06	SM905CP0	D02	SL905AR14	D02	SL905AR14	D07	SM905CP25	A3	SF905AR18	A4P06	SH905AR22	A5D12	SJ905AR16
B06	SH905CPC0	D02	SL905CP24	D02	SL905CP24	D07	SM905CP25	A3	SF905AR18				





PIN	NET NO*	PIN	NET NO*	PIN	NET NO*	PIN	NET NO*	PIN	NET NO*	PIN	NET NO*	PIN	NET NO*
J2U07	SF300F20(03)	L2B04	SL300AWA2	M2B07	SH300FT13	N2B09	SN300FK15	P2D06	SP300BA47(03)	S1A11	CN100BC71(04)	T1B13	CH100BC71(02)
J2U09	SF300F20(04)	L2B05	SL300FT11	M2B08	SH300FT14	N2B10	SN300FK13	P2D07	SP300BA47(04)	S1A13	CN100BC81(15)	T1C13	CH100BC71(03)
J2U10	SF300F20(05)	L2B06	SL300FT12	M2B09	SH300FK15	N2B11	SN300FK20	P2D09	SP300BA43	S1C10	YC100BB01(14)	T1D11	CH100BC71(06)
J2U11	SF300F20(06)	L2B07	SL300FT13	M2B10	SH300FK13	N2B12	SN300FK16	P2D10	SP300BA47(06)	S1C13	YC100BB01(42)	T1D13	CH100BC71(05)
J2U12	SF300F20(07)	L2B08	SL300FT14	M2B11	SH300FK20	N2B13	SN300FK11	P2D11	SP300BA47(05)	S1D10	YC100BB01(19)	T1E11	CH100BC71(07)
J2U13	SF300F20(P)	L2B09	SL300FK15	M2B12	SH300FK16	N2D02	SN300AWA3	P2D12	SP300BA47(02)	S1D13	YC100BB01(41)	T1E13	CH100BB68
K2B02	SK900CP22	L2B10	SL300FK13	M2B13	SH300FK11	N2D04	SN300AWA4	P2D13	SP300FB12(04)	S2B02	WS300BA41	T2B02	WS300BA41
K2B03	SK900CP26	L2B11	SL300FK20	M2D02	SH900CP24	N2D05	SN300FT16	P2G02	SF300FB20(00)	S2B03	WS300BA44(01)	T2B03	WS300BA44(01)
K2B04	SK900CP23	L2B12	SL300FK16	M2D04	SH900CP25	N2D06	SN300FT15	P2G03	SF300FB20(02)	S2B04	WS300BA44(02)	T2B04	WS300BA44(02)
K2B05	SK300FT11	L2B13	SL300FK11	M2D05	SH300FT16	N2D09	SN900CP24	P2G04	SF300FB20(03)	S2B06	WS300AAC3	T2B05	WT300AAA3
K2B06	SK300FT12	L2D02	SL300AWA3	M2D06	SH300FT15	N2D10	SN900CP23	P2G06	SF300FB12(05)	S2B07	WS300BA47(P)	T2B07	WS300BA47(P)
K2B07	SK300FT13	L2D04	SL300AWA4	M2D09	SH905CP24	N2D11	SN900CP26	P2G07	SF300FB30(07)	S2B10	WS300BA42	T2B10	WS300BA42
K2B08	SK300FT14	L2D05	SL300FT16	M2D10	SH905CP23	N2D12	SN900CP21	P2G10	SF300FB20(05)	S2B11	WS300AAC0	T2B12	WS300BA47(01)
K2B09	SK300FK15	L2D06	SL300FT15	M2D11	SH905CP26	N2D13	SN900CP20	P2G11	SP300AAC1	S2B12	WS300BA47(01)	T2B13	WS300BA47(07)
K2B10	SK300FK13	L2D09	SL905CP24	M2D12	SH905CP21	N2G02	SN300FK12	P2G12	SF300FB12(01)	S2B13	WS300BA47(07)	T2D02	WS300BA44(00)
K2B11	SK300FK20	L2D10	SL905CP23	M2D13	SH905CP22	N2G03	SN900CP22	P2G13	SF300FB12(00)	S2D02	WS300BA44(00)	T2D05	WS300BA47(00)
K2B12	SK300FK16	L2D11	SL905CP26	M2G02	SH300FK12	N2G04	SN900CP25	P2J02	SF300FB20(01)	S2D04	WS300BA47(00)	T2D05	WT300BA32
K2B13	SK300FK11	L2D12	SL905CP21	M2G03	SH905CP22	N2G05	SN900CP28	P2J04	SF300FB20(04)	S2D05	WT300BA32	T2D06	WS300BA47(03)
K2D02	SK900CP24	L2D13	SL905CP20	M2G04	SH905CP25	N2G06	SN900CP27	P2J05	SF300FB20(06)	S2D06	WS300BA47(03)	T2D07	WS300BA47(04)
K2D04	SK900CP25	L2G02	SL300FK12	M2G05	SH905CP28	N2G08	SN300AKA2	P2J06	SF300FB20(07)	S2D07	WS300BA47(04)	T2D09	WS300BA43
K2D05	SK300FT16	L2G03	SL905CP22	M2G06	SH905CP27	N2G10	SN300AWA5	P2J07	SF300FB20(P)	S2D09	WS300BA43	T2D10	WS300BA47(06)
K2D06	SK300FT15	L2G04	SL905CP25	M2G08	SH300AKA2	N2G11	SN300AWA6	P2J09	SF300FB30(06)	S2D10	WS300BA47(06)	T2D11	WS300BA47(02)
K2D09	SK905CP24	L2G05	SL905CP28	M2G10	SH900CP20	N2G12	SF300FP14	P2J10	SF300FB30(06)	S2D11	WS300BA47(02)	T2D12	WS300BA47(05)
K2D10	SK905CP23	L2G06	SL905CP27	M2G11	SH900CP21	N2G13	SF300FP17	P2J11	SF300FB16	S2D12	WS300BA47(05)	T2D13	WT300BA25
K2D11	SK905CP26	L2G08	SL300AKA2	M2G12	SF300FP14	N2J02	SN300FK14	P2J12	WT300BA25	S2D13	WT300BA25	T2G02	WT300BA14(00)
K2D12	SK905CP21	L2G10	SL300AWA5	M2G13	SF300FP17	N2J04	SN900CP29	P2J13	SF300FB30(04)	S2G02	WT300BA14(00)	T2G03	WT300BA14(02)
K2D13	SK905CP20	L2G11	SL300AWA6	M2J02	SH300FK14	N2J05	SH900CP30	P2M02	WT300BA14(03)	S2G03	WT300BA14(02)	T2G04	WT300BA14(03)
K2G02	SK300FK12	L2G12	SF300FP14	M2J04	SH905CP29	N2J06	SH300FK30	P2M03	CN100BB40(01)	S2G04	WT300BA14(03)	T2G07	WT300BA28
K2G03	SK905CP22	L2G13	SF300FP17	M2J05	SH905CP30	N2J07	SH300FK31	P2M04	CH100BB40(02)	S2G06	WT300BA14(05)	T2G10	WT300BA14(05)
K2G04	SK905CP25	L2J02	SL300FK14	M2J06	SH300FK30	N2J09	SH300AKA0	P2M06	CH010AB30(06)	S2G07	WT300BA28	T2G12	WT300BA24
K2G05	SK905CP28	L2J04	SL905CP29	M2J07	SH300FK31	N2J10	SF300FP12	P2M07	CN100BC81(PL)	S2G10	WT300BA14(05)	T2G13	WT300BA23
K2G06	SK905CP27	L2J05	SL905CP30	M2J08	SH300FK30	N2J13	SF300FP12	P2M09	CN100BB53	S2G11	WT300BA29	T2J02	WT300BA14(01)
K2G08	SK300AKA2	L2J07	SL300FK31	M2J09	SH300AKA0	N2M02	SP300BA42	P2M10	CN100BB44	S2G12	WT300BA24	T2J04	WT300BA14(04)
K2G10	SK900CP20	L2J09	SL300AKA0	M2J10	SH300AKA0	N2M03	SP300BA43	P2M11	CN100BC81(09)	S2G13	WT300BA23	T2J05	WT300BA14(06)
K2G11	SK900CP21	L2J13	SF300FP12	M2J11	SP300BA42	N2M04	SP300BA41	P2M12	CH100BC81(15)	S2J02	WT300BA14(01)	T2J06	WT300BA14(07)
K2G12	SF300FP14	L2M02	SP300BA42	M2M02	SP300BA43	N2M05	SF300FB15	P2M13	CN100BB40(00)	S2J04	WT300BA14(04)	T2J07	WT300BA14(P)
K2G13	SF300FP17	L2M03	SP300BA43	M2M03	SP300BA44	N2M06	SF300FB13	P2P02	SP300AA82	S2J05	WT300BA14(06)	T2J09	WT300BA30
K2J02	SK300FK14	L2M04	SP300BA41	M2M04	SF300FB15	N2M07	SF300FP13	P2P03	CH100BC81(08)	S2J06	WT300BA14(07)	T2J10	WT300BA27
K2J04	SK905CP29	L2M05	SF300FB15	M2M05	SF300FB13	N2M08	CH100BB62	P2P04	CN020AB30	S2J07	WT300BA14(P)	T2J11	WT300BA31
K2J05	SK905CP30	L2M06	SF300FP13	M2M06	CH100BB62	N2M09	CH100BB62	P2P05	CH100BC81(11)	S2J09	WT300BA30	T2J12	CH100BB62
K2J06	SK300FK31	L2M07	CH100BB62	M2M07	CH100BB62	N2M10	SF300FB30(04)	P2P06	SF300FB30(05)	S2J10	WT300BA27	T2J13	WT300BA29
K2J07	SK300AKA0	L2M08	SF300FB30(04)	M2M08	CH100BB62	N2M11	SF300FB30(05)	P2P07	SF300FB30(06)	S2J11	WT300BA27	T2M02	WT300BA19
K2J09	SK300AKA0	L2M09	SF300FB30(05)	M2M09	SF300FB30(04)	N2M12	SF300FB30(06)	P2P09	SF300FB30(07)	S2J12	WT300BA31	T2M03	WT300BA34
K2J13	SF300FP12	L2M10	SF300FB30(06)	M2M10	SF300FB30(05)	N2M13	SF300FB30(07)	P2P10	SF300FP16	S2J13	WT300BA27	T2M04	WT300AA63
K2M02	SP300BA42	L2M11	SF300FB30(07)	M2M11	SF300FB30(06)	N2P02	SF300FB16	P2P11	SF300FB16	S2J14	WT300BA23	T2M05	WT300BA13
K2M03	SP300BA43	L2M12	SF300FB30(06)	M2M12	SF300FB30(07)	N2P05	SF300FP15	P2P12	SF300FP15	S2M02	CH100BB43	T2M10	WT300BA33
K2M04	SP300BA41	L2M13	SF300FB30(07)	M2P02	SF300FB16	N2P06	SF300FB11	P2P13	CN010AC30(05)	S2M03	CH100BB40(01)	T2M12	WT300BA33
K2M05	SF300FB15	L2P02	SF300FB16	M2P05	SF300FB15	N2P07	SF300FB11	P2P14	CH100BC71(00)	S2M04	CH100BB40(02)	T2M13	WT300BA11
K2M06	SF300FP13	L2P04	SF300FB16	M2P06	SF300FB11	N2P09	SF300FB12(00)	P2S02	CN100BC71(02)	S2M06	WS300BA16(07)	T2P02	WT300BA12
K2M07	CH100BB51	L2P05	SF300FP15	M2P07	SH300AKA1	N2P10	SF300FB12(01)	P2S03	CH100BC71(03)	S2M07	CH100BC81(PL)	T2P04	WT300AAC6
K2M08	CH100BB62	L2P07	SF300FB11	M2P09	SF300FP15	N2P11	SF300FB12(04)	P2S04	CH020AC30	S2M09	CH100BB53	T2P05	WT300AAD2
K2M09	SF300FB30(04)	L2P09	SL300AKA1	M2P10	SF300FP15	N2P12	ST900AA26	P2S05	CN020AC30	S2M10	CH100BB44	T2P06	WT300AAD2
K2M10	SF300FB30(05)	L2P10	SF300FB12(00)	M2P11	SF300FP15	N2P13	SF300FB12(04)	P2S07	CN010AC30(05)	S2M11	CN100BC81(09)	T2P07	WT300AAC7
K2M12	SF300FB30(06)	L2P11	SF300FB12(01)	M2P12	SF300FB12(04)	N2S02	SF300FP11	P2S09	CN100BC71(05)	S2M12	CN100BC81(15)	T2P09	WT300AAD5
K2M13	SF300FB30(07)	L2P12	ST900AA25	M2P13	SF300FB12(04)	N2S03	SF300FP11	P2S10	CN100BC81(08)	S2M13	CN100BB40(00)	T2P10	WT300BA13
K2P02	SF300FP16	L2P13	SF300FB12(04)	M2S02	SP300BA44(00)	N2S04	SP300BA44(01)	P2S11	CN010AC30(05)	S2P02	WS300AA82	T2P11	CH100BB50
K2P04	SF300FB16	L2S02	SP300BA44(00)	M2S03	SP300BA44(01)	N2S05	SP300BA47(00)	P2S12	CH010AC30(05)	S2P03	WS300AA82	T2P12	WT300AAD3
K2P05	SF300FP15	L2S03	SP300BA44(01)	M2S04	SP300BA47(00)	N2S06	SP300BA47(01)	P2U02	CN100BC71(01)	S2P04	CH010AC30(05)	T2P13	WT300AAD7
K2P06	SF300FB11	L2S04	SP300BA47(00)	M2S07	SP300BA47(02)	N2S07	SP300BA47(03)	P2U04	CH100BC71(04)	S2P05	CH100BC81(11)	T2P14	WT300BA42
K2P07	SK300AKA1	L2S05	SP300BA47(01)	M2S08	SP300BA47(03)	N2S08	SP300BA47(04)	P2U05	CH100BC71(06)	S2P06	CH100BC81(12)	T2S03	WT300BA44
K2P09	SF300FB12(00)	L2S06	SP300BA47(02)	M2S09	SP300BA47(04)	N2S10	SP300BA47(05)	P2U06	CH100BC71(07)	S2P07	CH100BB45	T2S04	WT300BA46
K2P10	SF300FB12(01)	L2S07	SP300BA47(03)	M2S10	SP300BA47(05)	N2S11	SP300BA47(06)	P2U07	CH100BC71(PH)	S2P10	CN100BC81(14)	T2S07	WT300BA48
K2P11	ST900AA24	L2S08	SP300BA47(04)	M2S11	SP300BA47(06)	N2S12	SP300BA47(07)	P2U09	CN010AA30(03)	S2P11	CN100BC81(10)	T2S10	WT300BA50
K2P12	SF300FB12(04)	L2S09	SP300BA47(05)	M2S12	SP300BA47(07)	N2S13	SP300BA47(08)	P2U10	CN010AA30(04)	S2P12	CN100BC81(13)	T2S12	WT300BA52
K2P13	SF300FP11	L2S10	SP300BA47(06)	M2S13	SP300BA47(08)	N2U02	SP300BA44(02)	P2U11	CN010AC30(03)	S2P13	WS300BA11(04)	T2U02	WT300BA41
K2S02	SP300BA44(00)	L2S11	SP300BA47(07)	M2U02	SP300BA47(P)	N2U04	SF300FB20(00)	P2U12	SP300AA9	S2S02	CN100BC71(00)	T2U04	WT300BA11
K2S03	SP300BA44(01)	L2S12	SP300BA47(08)	M2U05	SP300BA44(02)	N2U05	SF300FB20(01)	P2U13	CN020AD30	S2S03	CN100BC71(02)	T2U05	WT300BA43
K2S04	SP300BA47(00)	L2S13	SP300BA47(P)	M2U06	SF300FB20(00)	N2U06	SF300FB20(02)	P6B02	YC100BB01(04)	S2S04	CH100BC71(03)	T2U06	WT300BA45
K2S05	SP300BA47(01)	L2U02	SP300BA44(02)	M2U07	SF300FB20(00)	N2U07	SF300FB20(03)	P6B05	YC100BB01(51)	S2S05	WS300BA20	T2U07	WT300BA47
K2S07	SP300BA47(02)	L2U04	SF300FB2										

PIN	NET NO*	PIN	NET NO*	PIN	NET NO*	PIN	NET NO*	PIN	NET NO*	PIN	NET NO*
U2A14	YC1008B01(44)	V2B04	SF300FT15	V5B09	ST900AA17						
U2E14	YC1008B01(13)	V2B04	SF900CC13	V5B10	CA1008B20(05)						
U2P02	SK900FG16	V2B05	SF300FT13	V5B10	ST900AA24						
U2P03	SK900ARA6	V2B05	SF900CC11	V5B11	CA1008B20(06)						
U2P04	SK900FG15	V2B08	SF900AR13	V5B11	ST900AA25						
U2P05	SK900ARA3	V2B08	SF900CP23	V5B12	CA1008B20(07)						
U2P06	SK900ARA5	V2D02	SF900AR14	V5B12	ST900AA26						
U2P08	SK900ARA4	V2D02	SF900CP24	V5B13	CA1008B20(08)						
U2P10	SK900ARA1	V2D04	SF300FT16	V5B13	ST900AA27						
U2P13	SK900ARA2	V2D04	SF900CC15	V5D02	CA1008B20(01)						
U2P14	SK900FG12	V2D05	SF900AR10	V5D02	ST900AA20						
U2P15	SK900FG11	V2D05	SF900CP20	V5D03	CA1008B20(02)						
U2P17	SK900FG13	V2D06	SF300FT11	V5D03	ST900AA21						
U2P18	SK900ARA0	V2D06	SF900CC16	V5D04	CA1008B20(03)						
U2P20	SK900FG14	V2D07	SF900AR11	V5D04	ST900AA22						
U3	SH900AR10	V2D07	SF900CP21	V5D05	CA1008B20(04)						
U3	SH900AR11	V2D09	SF900AR12	V5D05	ST900AA23						
U3	SH900AR12	V2D09	SF900CP22								
U3	SH900AR13	V2D11	SF900AR15								
U3	SH900AR14	V2D11	SF900CP25								
U3	SH900AR15	V2D12	SF900AR16								
U3	SH900AR16	V2D12	SF900CP26								
U3	SH900CC11	V2D13	SF300FT14								
U3	SH900CC12	V2D13	SF900CC14								
U3	SH900CC13	V2P02	SF900FG16								
U3	SH900CC14	V2P03	SF900ARA6								
U3	SH900CC15	V2P04	SF900FG15								
U3	SH900CC16	V2P05	SF900ARA3								
U3A01	YC1008B01(45)	V2P06	SF900ARA5								
U3A14	YC1008B01(31)	V2P08	SF900ARA4								
U3E01	YC1008B01(58)	V2P10	SF900ARA1								
U3E14	YC1008B01(12)	V2P13	SF900ARA2								
U3P02	SH900FG16	V2P14	SF900FG12								
U3P03	SH900ARA6	V2P15	SF900FG11								
U3P04	SH900FG15	V2P17	SF900FG13								
U3P05	SH900ARA3	V2P18	SF900ARA0								
U3P06	SH900ARA5	V2P20	SF900FG14								
U3P08	SH900ARA4	V3	SH900AR10								
U3P10	SH900ARA1	V3	SH900AR11								
U3P13	SH900ARA2	V3	SH900AR12								
U3P14	SH900FG12	V3	SH900AR13								
U3P15	SH900FG11	V3	SH900AR14								
U3P17	SH900FG13	V3	SH900AR15								
U3P18	SH900ARA0	V3	SH900AR16								
U3P20	SH900FG14	V3	SH900CC11								
U4A01	YC1008B01(32)	V3	SH900CC12								
U4A14	YC1008B01(56)	V3	SH900CC13								
U4B02	CN1008C81(PL)	V3	SH900CC14								
U4B03	CN1008C81(15)	V3	SH900CC15								
U4B04	CN1008B53	V3	SH900CC16								
U4B05	CN1008B40(02)	V3P02	SH900FG16								
U4B06	CN1008B68	V3P03	SH900ARA6								
U4B07	CN1008C81(12)	V3P04	SH900FG15								
U4B08	CN1008C81(13)	V3P05	SH900ARA3								
U4B09	CN1008C81(14)	V3P06	SH900ARA5								
U4B10	CN1008B50	V3P08	SH900ARA4								
U4B11	CN1008B51	V3P10	SH900ARA1								
U4B12	CN1008B52	V3P13	SH900ARA2								
U4B13	CN1008B40(01)	V3P14	SH900FG12								
U4D02	CN1008B45	V3P15	SH900FG11								
U4D04	CN1008B43	V3P17	SH900FG13								
U4D05	CN1008C81(09)	V3P18	SH900ARA0								
U4D06	CN1008C81(11)	V3P20	SH900FG14								
U4D07	CN1008C81(08)	V4B02	MT300BA42								
U4D09	CN1008B44	V4B04	MT300BA44								
U4D10	CN1008C81(10)	V4B05	MT300BA46								
U4D11	CN1008B40(00)	V4B07	MT300BA48								
U4D12	SU310ALB1	V4B09	MT300BA50								
U4D13	CN1008B67	V4B10	MT300BA52								
U4E01	YC1008B01(57)	V4D08	MT900AA2								
U4E14	YC1008B01(11)	V4D02	MT300BA41								
U5A01	YC1008B01(33)	V4D04	MT300BA43								
U5E01	YC1008B01(55)	V4D05	MT300BA45								
V1A13	CN1008B52	V4D07	MT300BA47								
V1B11	CN1008B67	V4D08	MT900AA2								
V2	SF900AR10	V4D09	MT300BA49								
V2	SF900AR11	V4D10	MT300BA51								
V2	SF900AR12	V5B02	SF300FP16								
V2	SF900AR13	V5B02	ST900AA15								
V2	SF900AR14	V5B03	SF300FP15								
V2	SF900AR15	V5B03	ST900AA14								
V2	SF900AR16	V5B04	SF300FP11								
V2	SF900CC11	V5B04	ST900AA10								
V2	SF900CC12	V5B05	SF300FP13								
V2	SF900CC13	V5B05	ST900AA12								
V2	SF900CC14	V5B06	SF300FP14								
V2	SF900CC15	V5B06	ST900AA13								
V2	SF900CC16	V5B07	SF300FP12								
V2B02	SF300FT12	V5B07	ST900AA11								
V2B02	SF900CC12	V5B09	SF300FP17								

A  
D  
3  
0  
1  
(C) COPYRIGHT IBM CORP. 1984

NOTE: IF THE NET NAME HAS A TRAILING ZERO (I.E. CN1008B50), THIS TRAILING ZERO WILL BE SHOWN IN THE NET AND PIN LISTS. THE LOGIC PAGES WILL OMIT THESE TRAILING ZEROS. \* : \* IN PIN FIELD (I.E. ASD12\*) DENOTES AN I/O PIN. (NN) : IN NET NO. FIELD (I.E. CN1008C71(8)) DENOTES THE STRAND NUMBER IN A BUNDLED NET.

BOARD 1A-A3 (STAGE 2 W/8 LINES)  
P/N 2595464

PIN LIST  
A  
D  
3  
0  
1  
LDC=1A-A3  
PN 4233833 EC 839954  
MACH TYPE=5360  
DATE= 06NOV84  
P604

NET NO*	PIN	PIN	NET NO*	PIN	PIN	NET NO*	PIN	PIN	NET NO*	PIN	PIN	NET NO*	PIN	PIN	NET NO*	PIN	PIN																																																																																																																																																																																																																																																																																																																																																																																																																																																																																																																																																																																																																																																																																																																																																																																																																																																																																																																																																																																																																																																																																																																																																				
6A5008A01	A4D02	A5D02	6B5008B04(05)	B2Y25	C2Y25	6D5008A03	E3D05		6E9008C88	E2D02		6A9158T20	D2M11	D4	6B5008B08	B2Y09	C2Y09	6D5008A06	E3B09		6E9008C89	E2D04		6A9158T20	E4B11	E5B11	6B5008B09	B2Y05	C2Y05	6D5008A07	E3B07	E5D05	6E9008C90	E2D07		6A9158T20	D2M13	D5	6B5008B10	B2Y30	C2Y30	6D5008A08	E3B05		6E9008C91	E2D08		6A9158T20	E4B13	E5B13	6B5008B11	B2Y28	C2Y28	6D5008A09	E3B13		6E9008C92	E2D09		6A9158T20	B2J13	B4	6B5008B12	B2Y27	C2Y27	6D5008A10	E3B07		6E9008C93	E2D10		6A9158T20	A3B02	B2B02	6B5008B13	B2X22	C2X22	6D5008A11	E3B07		6E9008C94	E2D11		6A9158T20	A3B02	C2B02	6B5008B14	B2Y29	C2Y29	6D5008A12	E3B13		6E9008C95	E2D12		6A9158T20	A3D04	C2B04	6B5008B15	B2Y04	C2Y04	6D5008A13	E3B13		6E9008C96	E2D13		6A9158T20	A3D09	C2B09	6B5008B16	B2Y07	C2Y07	6D5008A14	E3B13		6E9008C97	E2D14		6A9158T20	A3D09	C2B09	6B5008B17	B2Y12	C2Y12	6D5008A15	E3B13		6E9008C98	E2D15		6A9158T20	A3D06	C2J06	6B5008B18	B2X30	C2X30	6D5008A16	E3B13		6E9008C99	E2D16		6A9158T20	A3D06	C2J06	6B5008B19	B2X04	C2X04	6D5008A17	E3B13		6E9008C00	E2D17		6A9158T20	A3D11	C2J11	6B5008B20	B2X04	C2X04	6D5008A18	E3B13		6E9008C01	E2D18		6A9158T20	A4D13	A5D13	6B5008B21	B2Y07	C2Y07	6D5008A19	E3B13		6E9008C02	E2D19		6A9158T20	A4D13	A5D13	6B5008B22	B2Y07	C2Y07	6D5008A20	E3B13		6E9008C03	E2D20		6A9158T20	B2U12	B2U12	6B5008B23	B2Y12	C2Y12	6D5008A21	E3B13		6E9008C04	E2D21		6A9158T20	A4D04	A5D04	6B5008B24	B2Y12	C2Y12	6D5008A22	E3B13		6E9008C05	E2D22		6A9158T20	B2S04	B2S04	6B5008B25	B2Y12	C2Y12	6D5008A23	E3B13		6E9008C06	E2D23		6A9158T20	A4D05	A5D05	6B5008B26	B2X30	C2X30	6D5008A24	E3B13		6E9008C07	E2D24		6A9158T20	A4D05	A5D05	6B5008B27	B2X30	C2X30	6D5008A25	E3B13		6E9008C08	E2D25		6A9158T20	B2S05	B2S05	6B5008B28	B2X30	C2X30	6D5008A26	E3B13		6E9008C09	E2D26		6A9158T20	A4D06	A5D06	6B5008B29	B2X30	C2X30	6D5008A27	E3B13		6E9008C10	E2D27		6A9158T20	B2U06	B2U06	6B5008B30	B2X30	C2X30	6D5008A28	E3B13		6E9008C11	E2D28		6A9158T20	A4D07	A5D07	6B5008B31	B2X30	C2X30	6D5008A29	E3B13		6E9008C12	E2D29		6A9158T20	A4D07	A5D07	6B5008B32	B2X30	C2X30	6D5008A30	E3B13		6E9008C13	E2D30		6A9158T20	B2S07	B2S07	6B5008B33	B2X30	C2X30	6D5008A31	E3B13		6E9008C14	E2D31		6A9158T20	A4D08	A5D08	6B5008B34	B2X30	C2X30	6D5008A32	E3B13		6E9008C15	E2D32		6A9158T20	A4D08	A5D08	6B5008B35	B2X30	C2X30	6D5008A33	E3B13		6E9008C16	E2D33		6A9158T20	A4D09	A5D09	6B5008B36	B2X30	C2X30	6D5008A34	E3B13		6E9008C17	E2D34		6A9158T20	A4D09	A5D09	6B5008B37	B2X30	C2X30	6D5008A35	E3B13		6E9008C18	E2D35		6A9158T20	B2S09	B2S09	6B5008B38	B2X30	C2X30	6D5008A36	E3B13		6E9008C19	E2D36		6A9158T20	A4D09	A5D09	6B5008B39	B2X30	C2X30	6D5008A37	E3B13		6E9008C20	E2D37		6A9158T20	A4D09	A5D09	6B5008B40	B2X30	C2X30	6D5008A38	E3B13		6E9008C21	E2D38		6A9158T20	A4D10	A5D10	6B5008B41	B2X30	C2X30	6D5008A39	E3B13		6E9008C22	E2D39		6A9158T20	B2S10	B2S10	6B5008B42	B2X30	C2X30	6D5008A40	E3B13		6E9008C23	E2D40		6A9158T20	A4D10	A5D10	6B5008B43	B2X30	C2X30	6D5008A41	E3B13		6E9008C24	E2D41		6A9158T20	A4D10	A5D10	6B5008B44	B2X30	C2X30	6D5008A42	E3B13		6E9008C25	E2D42		6A9158T20	B2S11	B2S11	6B5008B45	B2X30	C2X30	6D5008A43	E3B13		6E9008C26	E2D43		6A9158T20	A4D11	A5D11	6B5008B46	B2X30	C2X30	6D5008A44	E3B13		6E9008C27	E2D44		6A9158T20	A4D11	A5D11	6B5008B47	B2X30	C2X30	6D5008A45	E3B13		6E9008C28	E2D45		6A9158T20	B2S12	B2S12	6B5008B48	B2X30	C2X30	6D5008A46	E3B13		6E9008C29	E2D46		6A9158T20	A4D12	A5D12	6B5008B49	B2X30	C2X30	6D5008A47	E3B13		6E9008C30	E2D47		6A9158T20	A4D12	A5D12	6B5008B50	B2X30	C2X30	6D5008A48	E3B13		6E9008C31	E2D48		6A9158T20	B2S13	B2S13	6B5008B51	B2X30	C2X30	6D5008A49	E3B13		6E9008C32	E2D49		6A9158T20	A4D13	A5D13	6B5008B52	B2X30	C2X30	6D5008A50	E3B13		6E9008C33	E2D50		6A9158T20	A4D13	A5D13	6B5008B53	B2X30	C2X30	6D5008A51	E3B13		6E9008C34	E2D51		6A9158T20	B2S14	B2S14	6B5008B54	B2X30	C2X30	6D5008A52	E3B13		6E9008C35	E2D52		6A9158T20	A4D14	A5D14	6B5008B55	B2X30	C2X30	6D5008A53	E3B13		6E9008C36	E2D53		6A9158T20	A4D14	A5D14	6B5008B56	B2X30	C2X30	6D5008A54	E3B13		6E9008C37	E2D54		6A9158T20	B2S15	B2S15	6B5008B57	B2X30	C2X30	6D5008A55	E3B13		6E9008C38	E2D55		6A9158T20	A4D15	A5D15	6B5008B58	B2X30	C2X30	6D5008A56	E3B13		6E9008C39	E2D56		6A9158T20	A4D15	A5D15	6B5008B59	B2X30	C2X30	6D5008A57	E3B13		6E9008C40	E2D57		6A9158T20	B2S16	B2S16	6B5008B60	B2X30	C2X30	6D5008A58	E3B13		6E9008C41	E2D58		6A9158T20	A4D16	A5D16	6B5008B61	B2X30	C2X30	6D5008A59	E3B13		6E9008C42	E2D59		6A9158T20	A4D16	A5D16	6B5008B62	B2X30	C2X30	6D5008A60	E3B13		6E9008C43	E2D60		6A9158T20	B2S17	B2S17	6B5008B63	B2X30	C2X30	6D5008A61	E3B13		6E9008C44	E2D61		6A9158T20	A4D17	A5D17	6B5008B64	B2X30	C2X30	6D5008A62	E3B13		6E9008C45	E2D62		6A9158T20	A4D17	A5D17	6B5008B65	B2X30	C2X30	6D5008A63	E3B13		6E9008C46	E2D63		6A9158T20	B2S18	B2S18	6B5008B66	B2X30	C2X30	6D5008A64	E3B13		6E9008C47	E2D64		6A9158T20	A4D18	A5D18	6B5008B67	B2X30	C2X30	6D5008A65	E3B13		6E9008C48	E2D65		6A9158T20	A4D18	A5D18	6B5008B68	B2X30	C2X30	6D5008A66	E3B13		6E9008C49	E2D66		6A9158T20	B2S19	B2S19	6B5008B69	B2X30	C2X30	6D5008A67	E3B13		6E9008C50	E2D67		6A9158T20	A4D19	A5D19	6B5008B70	B2X30	C2X30	6D5008A68	E3B13		6E9008C51	E2D68		6A9158T20	A4D19	A5D19	6B5008B71	B2X30	C2X30	6D5008A69	E3B13		6E9008C52	E2D69		6A9158T20	B2S20	B2S20	6B5008B72	B2X30	C2X30	6D5008A70	E3B13		6E9008C53	E2D70		6A9158T20	A4D20	A5D20	6B5008B73	B2X30	C2X30	6D5008A71	E3B13		6E9008C54	E2D71		6A9158T20	A4D20	A5D20	6B5008B74	B2X30	C2X30	6D5008A72	E3B13		6E9008C55	E2D72		6A9158T20	B2S21	B2S21	6B5008B75	B2X30	C2X30	6D5008A73	E3B13		6E9008C56	E2D73		6A9158T20	A4D21	A5D21	6B5008B76	B2X30	C2X30	6D5008A74	E3B13		6E9008C57	E2D74		6A9158T20	A4D21	A5D21	6B5008B77	B2X30	C2X30	6D5008A75	E3B13		6E9008C58	E2D75		6A9158T20	B2S22	B2S22	6B5008B78	B2X30	C2X30	6D5008A76	E3B13		6E9008C59	E2D76		6A9158T20	A4D22	A5D22	6B5008B79	B2X30	C2X30	6D5008A77	E3B13		6E9008C60	E2D77		6A9158T20	A4D22	A5D22	6B5008B80	B2X30	C2X30	6D5008A78	E3B13		6E9008C61	E2D78		6A9158T20	B2S23	B2S23	6B5008B81	B2X30	C2X30	6D5008A79	E3B13		6E9008C62	E2D79		6A9158T20	A4D23	A5D23	6B5008B82	B2X30	C2X30	6D5008A80	E3B13		6E9008C63	E2D80		6A9158T20	A4D23	A5D23	6B5008B83	B2X30	C2X30	6D5008A81	E3B13		6E9008C64	E2D81		6A9158T20	B2S24	B2S24	6B5008B84	B2X30	C2X30	6D5008A82	E3B13		6E9008C65	E2D82		6A9158T20	A4D24	A5D24	6B5008B85	B2X30	C2X30	6D5008A83	E3B13		6E9008C66	E2D83		6A9158T20	A4D24	A5D24	6B5008B86	B2X30	C2X30	6D5008A84	E3B13		6E9008C67	E2D84		6A9158T20	B2S25	B2S25	6B5008B87	B2X30	C2X30	6D5008A85	E3B13		6E9008C68	E2D85		6A9158T20	A4D25	A5D25	6B5008B88	B2X30	C2X30	6D5008A86	E3B13		6E9008C69	E2D86		6A9158T20	A4D25	A5D25	6B5008B89	B2X30	C2X30	6D5008A87	E3B13		6E9008C70	E2D87		6A9158T20	B2S26	B2S26	6B5008B90	B2X30	C2X30	6D5008A88	E3B13		6E9008C71	E2D88		6A9158T20	A4D26	A5D26	6B5008B91	B2X30	C2X30	6D5008A89	E3B13		6E9008C72	E2D89		6A9158T20	A4D26	A5D26	6B5008B92	B2X30	C2X30	6D5008A90	E3B13		6E9008C73	E2D90		6A9158T20	B2S27	B2S27	6B5008B93	B2X30	C2X30	6D5008A91	E3B13		6E9008C74	E2D91		6A9158T20	A4D27	A5D27	6B5008B94	B2X30	C2X30	6D5008A92	E3B13		6E9008C75	E2D92		6A9158T20	A4D27	A5D27	6B5008B95	B2X30	C2X30	6D5008A93	E3B13		6E9008C76	E2D93		6A9158T20	B2S28	B2S28	6B5008B96	B2X30	C2X30	6D5008A94	E3B13		6E9008C77	E2D94		6A9158T20	A4D28	A5D28	6B5008B97	B2X30	C2X30	6D5008A95	E3B13		6E9008C78	E2D95		6A9158T20	A4D28	A5D28	6B5008B98	B2X30	C2X30	6D5008A96	E3B13		6E9008C79	E2D96		6A9158T20	B2S29	B2S29	6B5008B99	B2X30	C2X30	6D5008A97	E3B13		6E9008C80	E2D97		6A9158T20	A4D29	A5D29	6B5008B00	B2X30	C2X30	6D5008A98	E3B13		6E900

PIN	NET NO.	PIN	NET NO.	PIN	NET NO.	PIN	NET NO.	PIN	NET NO.	PIN	NET NO.	PIN	NET NO.
A3B02	GA950AE31	B2X03	GC500BB12	C2M08	GC500BA08	D2J04	GB500BA10	E4B12	GC500BA31				
A3B03	GA950AE34	B2X04	GC500BB13	C2M09	GC500BA23	D2J05	GB500BA15	E4B13	GA915BT20				
A3B04	GB500BA02	B2X06	GC500BB20	C2M10	GC500BA36	D2J07	GB500BA12	E4D02	GB500BA05				
A3B05	GC500BA10	B2X10	GC500BB06	C2M12	GC500BA31	D2J09	GD500AA00	E4D04	GB500BA12				
A3B08	GC500BA13(00)	B2X11	GC500BB04	C2P02	GC500BA02	D2J10	GB500BA14	E4D05	GC500BA21				
A3B10	GC500BA13(01)	B2X12	GC500BB07(01)	C2P04	GC500AA1	D2M07	GD500BA30	E4D06	GC500BA24				
A3D04	GA950AE32	B2X13	GC500BB07(04)	C2P05	GC500BA05	D2M08	GE900BG15	E4D07	GB500BA19				
A3D05	GC500BA15	B2X22	GB500BB14	C2P05	GB500BA17	D2M09	GE900EK11	E4D09	GE900E210				
A3D06	GA950AE35	B2X23	GC500BB10	C2P07	GC500AA2	D2M11	GA915BN20	E4D10	GC500BA17				
A3D07	GC500BA09	B2X24	GC500BB11	C2P09	GE900EK12	D2M13	GA915BT20	E4D12	GE900DG11				
A3D09	GA950AE33	B2X29	GC500BB18	C2P10	GB500BA16	D2P02	GD500BA27	E4D13	GE900DG12				
A3D10	GC500BA11	B2X30	GB500BB20	C2P11	GC500BA31	D2P09	GD500BA26	E5B05	GE900C9C2				
A3D11	GA950AE36	B2X31	GC500BB03	C2P12	GC500BA16	D2P10	GB500BA21	E5B03	GE900C9C10				
A3D12	GC500BA12	B2X32	GC500BB07(02)	C2P13	GC500BA21	D2P12	GB500BA09	E5B04	GB500BA19				
A3D13	GB500BA01	B2X33	GB500BB01	C2S02	GD500BA02	D2P13	GB500BA08	E5B06	GE900C9C4				
A4B02	GA950AG62(00)	B2Y02	GC500BB02	C2S03	GC500BA17	D2S04	GD500BA24	E5B07	GB500BA35				
A4B03	GA950AG62(01)	B2Y04	GB500BB16	C2S04	GC500BA45	D2S05	GD500BA24	E5B10	GE900DG13				
A4B04	GA950AG62(02)	B2Y05	GB500BB09	C2S05	GC500BA44	D2S07	GC500BA18	E5B11	GA915BN20				
A4B05	GA950AG62(P)	B2Y06	GC500BB05	C2S07	GC500BA43	D2S08	GC500BA19	E5B12	GE900DG14				
A4B10	GA950AG66	B2Y07	GB500BB17	C2S08	GC500BA29	D2S10	GE900DG13	E5D13	GA915BT20				
A4B12	GB500BA03	B2Y08	GC500BB14	C2S09	GC500BA19	D2S11	GE900EK14	E5D03	GE900C9B9				
A4B13	GA950AG61	B2Y09	GB500BB08	C2S10	GC500BA41	D2S12	GE900DG14	E5D04	GB500BA18				
A4D02	GA500BA01	B2Y12	GB500BB19	C2S11	GE900EQ10	D2U04	GD500AA07	E5D05	GD500BA19				
A4D04	GA950AGD2(00)	B2Y22	GB500BB04(04)	C2S12	GC500BA42	D2U06	GD500BA23	E5D06	GE900DG15				
A4D05	GA950AGD2(01)	B2Y23	GB500BB04(03)	C2U02	GB500BA05	D2U07	GD500BA23	E5D07	GE900DG16				
A4D06	GA950AGD2(02)	B2Y24	GB500BB04(02)	C2U04	GC500BA45	D2U11	GE900DG11	E5D08	GE900C9C2				
A4D07	GA950AGD2(03)	B2Y25	GB500BB04(05)	C2U05	GC500BA44	D2U12	GE900DG12	E5D09	GE900DG17				
A4D08	GA950AGD2(04)	B2Y26	GB500BB03	C2U06	GC500BA30	D2U13	GE900DG10	E5D11	GE900DG11				
A4D10	GA950AGD2(05)	B2Y27	GB500BB13	C2U07	GC500BA43	D3A01	YA170FD10(20)	E5D12	GE900DG12				
A4D11	GA950AGD2(06)	B2Y28	GB500BB11	C2U09	GC500BA13	D3A14	YA170FD10(05)	E5D13	GE900DG10				
A4D12	GA950AGD2(07)	B2Y29	GB500BB15	C2U10	GC500BA41	D3E01	GC500BA20						
A4D13	GA950AGD2(P)	B2Y30	GB500BB10	C2U11	GC500BA22	D3E14	YA170FD10(21)						
A5B02	GA950AG62(00)	B2Y31	GC500BB16	C2U12	GC500BA42	D4	GA915BN20						
A5B03	GA950AG62(01)	B2Y32	GC500BB17	C2U13	GC500BA31	D4A01	YA170FD10(22)						
A5B04	GA950AG62(02)	B2Y33	GB500BB02	C2X02	GC500BB01	D4A14	YA170FD10(07)						
A5B05	GA950AG62(P)	B3A01	YA170FD10(14)	C2X03	GC500BB12	D4E01	YA170FD10(06)						
A5B10	GA950AG66	B3A14	YA170FD10(11)	C2X04	GC500BB13	D4E14	YA170FD10(23)						
A5B13	GA950AG61	B3E01	YA170FD10(04)	C2X06	GC500BB20	D5	GA915BT20						
A5D02	GA500BA01	B3E14	YA170FD10(15)	C2X10	GC500BB06	D5A14	YA170FD10(24)						
A5D04	GA950AGD2(00)	B4	GA915FN20	C2X11	GC500BB04	D5A14	YA170FD10(29)						
A5D05	GA950AGD2(01)	B4A01	YA170FD10(16)	C2X12	GC500BB07(01)	E2B02	GB500BA43						
A5D06	GA950AGD2(02)	B4A14	YA170FD10(10)	C2X13	GC500BB07(04)	E2B03	GC500BA05						
A5D07	GA950AGD2(03)	B4E01	YA170FD10(30)	C2X22	GB500BB14	E2B04	GE900C9B9						
A5D09	GA950AGD2(04)	B4E14	YA170FD10(17)	C2X23	GC500BB10	E2B05	GE900C9C4						
A5D10	GA950AGD2(05)	B5A14	YA170FD10(05)	C2X24	GC500BB11	E2B06	GE900C9C4						
A5D11	GA950AGD2(06)	B5A14	YA170FD10(18)	C2X29	GC500BB18	E2B07	GE900C9C4						
A5D12	GA950AGD2(07)	C2B02	GD500BA01	C2X30	GB500BB20	E2B08	GC500BA03						
A5D13	GA950AGD2(P)	C2B03	GC500BA40	C2X31	GC500BB03	E2B09	GE900C9C11						
B2A14	YA170FD10(12)	C2B04	GC500BA36	C2X32	GC500BB07(02)	E2B10	GC500BA02						
B2B02	GA950AE31	C2B05	GC500BA35	C2X33	GB500BB01	E2B11	GE900C9B3						
B2D11	GC500BA32	C2B07	GC500BA32	C2Y02	GC500BB02	E2D02	GE900C9B8						
B2E14	YA170FD10(13)	C2B08	GE900CB13	C2Y04	GB500BB14	E2D03	GE900C9E9						
B2G02	GB500BA40	C2B09	GE900CB11	C2Y05	GB500BB09	E2D04	GE900C9B9						
B2G08	GE900EK13	C2B10	GC500BA34	C2Y06	GC500BB05	E2D05	GC500BA07						
B2G10	GD500BA09	C2B12	GC500BA38	C2Y07	GB500BB17	E2D06	GC500BA36						
B2G11	GE900EK14	C2D02	GC500BA40	C2Y08	GC500BA14	E2D07	GE900C9C2						
B2J02	GB500AAD5	C2D04	GC500BA36	C2Y09	GB500BB08	E2D08	GE900C9C2						
B2J05	GB500AAD6	C2D05	GC500BA35	C2Y12	GB500BB19	E2D09	GE900C9B2						
B2J13	GA915FN20	C2D06	GC500BA37	C2Y22	GB500BB04(04)	E2D10	GC500BA04						
B2M02	GD500BA18	C2D07	GC500BA32	C2Y23	GB500BB04(03)	E2D12	GC500BA06						
B2M05	GD500BA08	C2D09	GE900CB12	C2Y24	GB500BB04(02)	E2D13	GE900C9C10						
B2M07	GD500BA07	C2D10	GC500BA34	C2Y25	GB500BB04(05)	E3B02	GD500BA26						
B2M08	GD500BA06	C2D11	GC500BA39	C2Y26	GB500BB03	E3B03	GD500BA25						
B2M09	GC500BA23	C2D12	GC500BA38	C2Y27	GB500BB13	E3B04	GE900EK13						
B2M10	GE900EK10	C2D13	GC500BA39	C2Y28	GB500BB11	E3B05	GE900EK14						
B2P02	GB500BA41	C2G02	GB500BA04	C2Y29	GB500BB15	E3B07	GD500BA19						
B2P04	GB500AA2	C2G03	GC500BA15	C2Y30	GB500BB10	E3B08	GE900DG13						
B2P07	GC500BA33	C2G04	GA950AE32	C2Y31	GC500BB16	E3B09	GD500BA06						
B2P12	GC500BA16	C2G05	GC500BA10	C2Y32	GC500BB17	E3B10	GB500BA17						
B2P13	GC500BA21	C2G07	GC500BA09	C2Y33	GB500BB02	E3B11	GD500BA21						
B2S02	GA950AG62(00)	C2G08	GC500BA13(00)	D2A14	YA170FD10(09)	E3B13	GD500BA22						
B2S03	GA950AG62(01)	C2G09	GA950AE33	D2B03	GB500BA23(07)	E3D02	GE900EK11						
B2S04	GA950AGD2(00)	C2G10	GC500BA11	D2B04	GB500BA23(06)	E3D04	GE900DG15						
B2S05	GA950AGD2(01)	C2G12	GC500BA12	D2B05	GB500BA23(05)	E3D05	GD500BA03						
B2S07	GA950AGD2(03)	C2G13	GC500BA33	D2B07	GB500BA23(04)	E3D06	GC500BA30						
B2S08	GC500BA43	C2J02	GC500BA37	D2B08	GB500BA23(03)	E3D07	GC500BA20						
B2S09	GA950AGD2(04)	C2J04	GC500BA26	D2B09	GB500BA23(02)	E3D09	GC500BA04						
B2S10	GA950AGD2(05)	C2J05	GC500BA27	D2B10	GB500BA23(01)	E3D10	GC500BA03						
B2S12	GA950AGD2(07)	C2J06	GA950AE35	D2D02	GB500BA23(12)	E3D11	GE900C9B3						
B2S13	GB500BA42	C2J07	GC500BA28	D2D04	GB500BA23(11)	E3D12	GE900EK12						
B2U02	GA950AE34	C2J09	GC500BA25	D2D05	GB500BA23(10)	E3D13	GE900EK10						
B2U04	GA950AG62(02)	C2J10	GC500BA13(01)	D2D06	GB500BA23(09)	E4B02	GB500BA07						
B2U05	GA950AG62(P)	C2J11	GA950AE36	D2D07	GB500BA23(08)	E4B03	GB500BA22						
B2U06	GA950AGD2(02)	C2J12	GC500BA20	D2D09	GB500BA20	E4B04	GB500BA13						
B2U07	GC500BA22	C2J13	GB500BA01	D2D10	GB500BA07	E4B05	GB500BA16						
B2U09	GC500BA01	C2M02	GC500BA06	D2D11	GB500BA06	E4B07	GC500BA25						
B2U10	GA950AG66	C2M03	GC500BA03	D2E14	YA170FD10(19)	E4B08	GB500BA02						
B2U11	GA950AGD2(06)	C2M04	GC500BA07	D2G04	GB500BA11	E4B09	GB500BA35						
B2U12	GA950AGD2(P)	C2M05	GC500BA04	D2G05	GD500BA30	E4B10	GC500BA16						
B2X02	GC500BB01	C2M07	GC500BA24	D2G08	GB500BA13	E4B11	GA915BN20						

A  
D (C) COPYRIGHT IBM CORP. 1983  
4  
0  
1

NOTE: IF THE NET NAME HAS A TRAILING ZERO (I.E. CL100BB10), THIS TRAILING ZERO WILL BE SHOWN IN THE NET AND PIN LISTS. THE LOGIC PAGES WILL OMIT THESE TRAILING ZEROES, THUS CL100BB10 AND CL100BB1 REPRESENT THE SAME NET.  
\* : \*X\* IN PIN FIELD (I.E. A5D12\*) DENOTES AN I/O PIN.  
(NN) : \*(NN)\* IN NET NO. FIELD (I.E. CK100BC61(8)) DENOTES THE STRAND NUMBER IN A BUNDLED NET.

BOARD 1F-A1  
P/N 4248948

PIN LIST  
A  
D  
4  
0  
1  
LOC=1F-A1  
PN 4177222 EC 826380  
MACH TYPE=5360  
DATE= 16JAN84  
PG01









PIN	NET NO*	PIN	NET NO*	PIN	NET NO*	PIN	NET NO*	PIN	NET NO*	PIN	NET NO*	PIN	NET NO*
YA110AA01		D13	YA140A212	229	YA970AA19	A3D07	YA171FH15	F1B0T	YA100BA20	04002	YA105GA10	19007	YA110CEB70
YA110AA02		G02	YA910AA20	A1B02	YA140A255	A3D07	YA920AA23	F1S1D	YA100DE10	04004	YA100CA30	19008	YA110EB80
YA110AA03		G03	YA140A214	A1B03	YA140A240	A3D08	YA171FH23	F2B0T	YA100CA40	05001	YA100CA30	21001	YA170FB10
YA110AA05		G05	YA910AA23	A1B04	YA900AA44	A3D08	YA920AA24	F2S1D	YA100DA10	05002	YA105GB10	21002	YA170FB20
YA110AA06		G06	YA910AA22	A1B05	YA900AA41	A3D09	YA171FH17	F3B0T	YA100CA40	05003	YA100CA40	22	YA170FH12
YA110AA07		G07	YA910AA21	A1B06	YA900AA42	A3D09	YA920AA25	F3S1D	YA100DB10	06001	YA100CA40	22	YA170FH13
YA110AA08		G09	YA910AA45	A1B08	YA140A250	A3D10	YA171FH12	F4B0T	YA100CA40	06001	YA105BE10	22	YA170FH14
YA110AA09		G10	YA140A217	A1B09	YA900AA40	A3D10	YA920AA26	F4S1D	YA100DC10	06002	YA105BE20	22	YA170FH15
YA110AA10		G11	YA910AA31	A1B11	YA140A211	A3D12	YA171FH24	F5B0T	YA100CA40	06002	YA105GC10	22	YA170FH16
YA110AA11		G12	YA910AA32	A1B12	YA140A213	A3D12	YA920AA27	F5S1D	YA100DD10	06003	YA100CA30	22	YA170FH17
YA110AA12		G13	YA910AA33	A1B13	YA140A212	A4B02	YA140A218	F6B0T	YA110EA60	06003	YA105BE30	22	YA170FH18
YA120CA91		J02	YA910AA25	A1D02	YA140A231	A4B02	YA930AA11	F6S1D	YA120AD10	07001	YA100CA40	22	YA170FH19
YA120CA92		J03	YA140A241	A1D03	YA140A232	A4B03	YA140A244	F7B0T	YA110EA90	07001	YA105BD10	22	YA170FH20
YA150AA06		J05	YA910AA24	A1D04	YA140A233	A4B03	YA930AA30	F7S1D	YA120AB10	07003	YA100CA30	22	YA170FH21
YA150AA07		J06	YA140A262	A1D05	YA140A234	A4B04	YA930AA23	F8B0T	YA110EA70	07003	YA105BD30	22	YA170FH22
YA150AA08		J07	YA140A260	A1D06	YA140A235	A4B04	YC100BC20	F8S1D	YA120AA10	07005	YA100GS10	22	YA170FH23
YA150AA09		J08	YA140A251	A1D07	YA140A236	A4B05	YA930AA24	F9B0T	YA110EA80	07005	YA105BD50	22	YA170FH24
YA150AA10		J13	YA140A256	A1D08	YA140A237	A4B05	YC100BC40	F9S1D	YA120AC10	08001	YA100CA40	22	YA170FH25
YA150AA11		M02	YA140A266	A1D09	YA140A238	A4B06	YA140A264	K1001	YA120CA91	08001	YA105BF10	22	YA171AD10
YA150AA12		M03	YA140A242	A1D10	YA140A221	A4B06	YA930AA31	K1002	YA120CA92	08002	YA105BF20	22	YA171AD20
YA150AA13		M04	YA920AA20	A1D11	YA140A220	A4B07	YA140A261	K1003	YA100CA30	08002	YA105GC10	22	YA171AD30
YA150AA14		M05	YA920AA21	A1D12	YA900AA43	A4B07	YA930AA32	K1004	YA100CA40	08003	YA100CA30	22	YA171AD40
YA150AA15		M06	YA920AA22	A1D13	YA900AA45	A4B08	YA140A253	K1005	YA100BA10	08003	YA105BF30	22	YA171AD50
YA150AA16		M07	YA920AA23	A2B02	YA910AA25	A4B08	YA930AA33	K1006	YA100BA20	09001	YA105BE10	22	YA171AD60
YA150AA17		M08	YA920AA24	A2B02	YB100ME09	A4B13	YA140A257	LCAC1	YA100AC10	09002	YA105BE20	22	YA171AG10
YA150AA18		M09	YA920AA25	A2B03	YA140A241	A4B13	YA930AA10	LCAC2	YA100AC20	09003	YA105BE30	22B02	YA171AD10
YA150AA19		M10	YA920AA26	A2B03	YA910AA40	A4D02	YA930AA20	LCGND	YA100AC30	10001	YA105BE10	22B02	YA920AA10
YA150AA20		P02	YA920AA30	A2B05	YA910AA24	A4D02	YC100BC60	LFAC1	YA100AC10	10002	YA105BE20	22B03	YA171AD60
YA150AA21		P03	YA140A243	A2B05	YB100ME10	A4D04	YA930AA21	LFAC2	YA100AC20	10003	YA105BE30	22B03	YA920AA40
YA150AA22		P04	YA920AA31	A2B06	YA140A262	A4D04	YC100BC30	LFAC2	YA100AC20	10003	YA105BE30	22B04	YA170FH13
YA150DA10(01)		P05	YA920AA32	A2B06	YA910AA41	A4D05	YA930AA22	LFAC2	YA100AC20	11001	YA100AA01	22B04	YA171FH13
YA150DA10(02)		P06	YA140A263	A2B07	YA910AA42	A4D05	YC100BC50	RC	YA100BA10	11002	YA100AA03	22B05	YA170FH14
YA150DA10(03)		P07	YA140A259	A2B07	YA910AA42	A4D05	YA930AA22	RC	YA100BA10	11003	YA100AA12	22B05	YA171FH14
YA150DA10(04)		P08	YA140A252	A2B08	YA140A251	A4D05	YA930AA22	RC	YA100BA20	11004	YA100AA11	22B05	YA171FH14
YA150DA10(05)		P09	YA920AA33	A2B08	YA140A251	A4D05	YA930AA22	RC	YA100CA30	11005	YA100AA02	22B06	YA170FH21
YA150DA10(06)		P10	YA920AA34	A2B13	YA910AA10	A4D05	YC100BC50	RC	YA100CA40	11006	YA100AA10	22B06	YA171FH21
YA150DA40		P11	YA920AA35	A2B02	YA910AA20	A4D05	YC100BC50	SCE01	YA170FC10(01)	11007	YA100AA05	22B07	YA170FH15
YA160EC10		P13	YA920AA36	A2D02	YB100ME12	A4D05	YC100BC50	SCE02	YA170FC10(05)	11008	YA100AA04	22B07	YA171FH15
YA175AB30		S02	YA930AA20	A2D03	YA140A214	A4D05	YC100BC50	SCE03	YA170FC10(09)	11009	YA100AA06	22B08	YA170FH23
YB100GA01		S04	YA930AA21	A2D03	YA910AA11	A4D05	YC100BC50	SCE04	YC100BD10	11010	YA100AA07	22B08	YA171FH23
YB100GA02		S05	YA930AA22	A2D05	YA910AA23	A4D05	YC100BC50	SCE05	YA150AA11	11011	YA100AA08	22B09	YA170FH17
YB100GA03		U02	YA140A218	A2D05	YB100ME06	A4D05	YC100BC50	SCE06	YA160EC10	11012	YA100AA09	22B09	YA171FH17
YB100GA11		U03	YA140A244	A2D06	YB100ME07	A4D05	YC100BC50	SCE07	YB100MC10	12001	YA120AA10	22B10	YA170FH12
YB100GA12		U04	YA930AA23	A2D06	YA910AA22	A4D05	YC100BC50	SCE08	YA960AA37(01)	12003	YA10EA30	22B10	YA170FH12
YB100GA13		U05	YA930AA24	A2D07	YA910AA21	A4D05	YC100BC50	SCE09	YA175AB30	12004	YA10EA40	22B12	YA170FH24
YB100GA14		U06	YA140A264	A2D07	YB100ME11	A4D05	YC100BC50	SCE11	YA160EC10	12005	YA10EA50	22B12	YA171FH24
YB100GA21		U07	YA140A261	A2D07	YA910AA45	A4D05	YC100BC50	SCE12	YB100MC10	12006	YA10EA60	22D02	YA170FH18
YB100GA22		U08	YA140A253	A2D09	YA140A217	A4D05	YC100BC50	SCE13	YB100MC10	12007	YA10EA70	22D02	YA171FH18
YB100GA23		U13	YA140A257	A2D10	YA140A217	A4D05	YC100BC50	SCE14	YC100BD10	12008	YA10EA80	22D03	YA171AD30
YB100GA24		X02	YA950AA20	A2D10	YA910AA12	A4D05	YC100BC50	SCE15	YB100GA02	12009	YA10EA90	22D03	YA920AA41
YB100GA31		X04	YA140A245	A2D11	YB200EB50	A4D05	YC100BC50	SCE15	YA100AC10	13001	YA120CA10	22D04	YA170FH20
YB100GA32		X05	YA140A265	A2D12	YB200EB40	A4D05	YC100BC50	SCE15	YA100AC30	13001	YA120CA30	22D04	YA171FH20
YB100GA33		X08	YA140A254	A2D13	YA910AA33	A4D05	YC100BC50	SCE15	YA105GA10	13003	YA120CA92	22D05	YA170FH19
YC100AA01		X28	YA140A215	A2D13	YB200EB60	A4D05	YC100BC50	SCE15	YA105GB10	13004	YA130DD10	22D05	YA171FH19
YC100AA02		X29	YA950AA21	A2GND	YA140A251	A4D05	YC100BC50	SCE15	YA105GC10	13004	YA120AD10	22D06	YA171AD50
YC100AA03		X30	YA950AA22	A2GND	YA910AA43	A4D05	YC100BC50	SCE15	YA105GD10	13004	YA120AA40	22D06	YA920AA42
YC100AA04		X31	YA950AA23	A2GND	YA910AA44	A4D05	YC100BC50	SCE15	YA105GE20	13005	YA120CA91	22D07	YA171AD20
YC100AA05		X32	YA950AA24	A3B02	YA171FH18	A4D05	YC100BC50	SCE15	YA105GF20	13005	YA960AA21	22D07	YA920AA43
YC100AA06		X33	YA140A258	A3B02	YA920AA30	A4D05	YC100BC50	SCE15	YA105GH20	13006	YA120AA10	22D08	YA171AD40
YC100AA11		Y02	YA960AA11	A3B03	YA140A243	A4D05	YC100BC50	SCE15	YA105GI20	13006	YA120CA10	22D08	YA920AA44
YC100AA13		Y03	YA960AA30	A3B03	YA920AA41	A4D05	YC100BC50	SCE15	YA105GJ20	13007	YA10EA30	22D09	YA170FH22
YC100AA16		Y04	YA960AA31	A3B04	YA171FH20	A4D05	YC100BC50	SCE15	YA105AK20	13007	YA10EA50	22D09	YA171FH22
YC100AA17		Y06	YA960AA34	A3B04	YA920AA31	A4D05	YC100BC50	SCE15	YA105AL20	13008	YA10EA60	22D10	YA170FH16
YC100AA18		Y07	YA960AA32	A3B05	YA171FH19	A4D05	YC100BC50	SCE15	YA105AM20	13008	YA10EA70	22D10	YA171FH16
YC100AA19		Y08	YA960AA35	A3B05	YA920AA32	A4D05	YC100BC50	SCE15	YA105AN20	13009	YA10EA80	22D11	YA170FH25
YC100AA20		Y09	YA960AA13	A3B06	YA140A263	A4D05	YC100BC50	SCE15	YA105AO20	13009	YA10EA90	22D11	YA170FH25
YC100AA21		Y11	YA960AA33	A3B06	YA920AA42	A4D05	YC100BC50	SCE15	YA105AP20	13010	YA120CA80	22D11	YA171FH25
YC100AA22		Y13	YA140A267	A3B06	YA140A263	A4D05	YC100BC50	SCE15	YA105AQ20	13010	YA120CA80	22D13	YA170FH11
Y02	YA140A231	Y22	YA960AA10	A3B07	YA920AA43	A4D05	YC100BC50	SCE15	YA105AR20	13011	YA120CA80	22D13	YA171FH11
Y03	YA140A232	Y25	YA140A219	A3B08	YA140A252	A4D05	YC100BC50	SCE15	YA105AS20	13011	YA120CA80	22D13	YA171FH11
Y04	YA140A233	Y30	YA140A216	A3B08	YA920AA44	A4D05	YC100BC50	SCE15	YA105AT20	13011	YA120CA80	22D13	YA171FH11
Y05	YA140A234	Y31	YA960AA14	A3B09	YA171FH22	A4D05	YC100BC50	SCE15	YA105AU20	13011	YA120CA80	22D13	YA171FH11
Y06	YA140A235	Y32	YA960AA15	A3B09	YA920AA33	A4D05	YC100BC50	SCE15	YA105AV20	13011	YA120CA80	22D13	YA171FH11
Y07	YA140A236	Y33	YA960AA16	A3B10	YA171FH16	A4D05	YC100BC50	SCE15	YA105AW20	13011	YA120CA80	22D13	YA171FH11
Y08	YA140A237	Z02	YA140A272	A3B10	YA920AA34	A4D05	YC100BC50	SCE15	YA105AX20	13011	YA120CA80	22D13	YA171FH11
Y09	YA140A238	Z03	YA140A273	A3B11	YA171FH25	A4D05	YC100BC50	SCE15	YA105AY20	13011	YA120CA80	22D13	YA171FH11
B10	YA140A221	Z04	YA140A274	A3B11	YA920AA35	A4D05	YC100BC50	SCE15	YA105AZ20	13011	YA120CA80	22D13	YA171FH11
B11	YA140A220	Z05	YA140A275	A3B13	YA171FH11	A4D05	YC100BC50	SCE15	YA105BA20	13011	YA120CA80	22D13	YA171FH11
B12	YA900AA43	Z06	YA140A276	A3B13	YA920AA36	A4D05	YC100BC50	SCE15	YA105BB20	13011	YA120CA80	22D13	YA171FH11
B13	YA900AA45	Z07	YA140A277	A3D02	YA140A266	A4D05	YC100BC50	SCE15	YA105BC20	13011	YA120CA80	22D13	YA171FH11
D02	YA140A255	Z08	YA140A278	A3D02	YA920AA10	A4D05	YC100BC50	SCE15	YA105BD20	13011	YA120CA80	22D13	YA171FH11
D03	YA140A240	Z09	YA140A279	A3D03	YA140A242	A4D05	YC100BC50	SCE15	YA105BE20	13011	YA120CA80	22D13	YA171FH11
D04	YA900AA44	Z22	YA970AA12	A3D03	YA920AA40	A4D05	YC100BC50	SCE15	YA105BF20	1			





A E 3 0 0

\*\*\*\*\* 1A-A3 BOARD VOLTAGE DISTRIBUTION (PIN SIDE VIEW) \*\*\*\*\*  
 V U T S R Q P N M L K J H G F E D C B A  
 EDCBA

A E 3 0 0

10	11	12	13	14	05	05	05	05	05	05	03	10
1	1	1	1	1	11	10	50	50	50	50	50	11
2	2	2	2	2	5	5	5	5	5	5	5	5
3	3	3	3	3	5	5	5	5	5	5	5	5
4	4	4	4	4	5	5	5	5	5	5	5	5
5	5	5	5	5	5	5	5	5	5	5	5	5
6	6	6	6	6	5	5	5	5	5	5	5	5
5	5	5	5	5	5	5	5	5	5	5	5	5
4	4	4	4	4	5	5	5	5	5	5	5	5
3	3	3	3	3	5	5	5	5	5	5	5	5
2	2	2	2	2	5	5	5	5	5	5	5	5
1	1	1	1	1	5	5	5	5	5	5	5	5
10	11	12	13	14	05	06	20	05	06	06	06	10
1	1	1	1	1	50	50	05	50	50	50	50	5

(C) COPYRIGHT IBM CORP 1983  
 A E 3 0 0

VOLTAGE KEY  
 PIN VOLTAGE  
 0 GROUND  
 + 1.7 VOLTS  
 + 1.7 SENSE POINT  
 + 1.7 GND REFERENCE

VOLTAGE KEY  
 PIN VOLTAGE  
 5 + 5 VOLTS  
 6 - 5 VOLTS  
 7 - 12 VOLTS  
 8 + 8.5 VOLTS

VOLTAGE KEY  
 PIN VOLTAGE  
 9 + 12 VOLTS

5360 FLD PAGE - FEATURE  
 VOLTAGE DISTRIBUTION, 1A-A3  
 PN 4233816 EC 839954  
 PAGE 1 OF 1 PEC  
 LOC- 1A-A3  
 DATE 12/04/84

A E 3 0 0

\*\*\*\* 1F-A1 / 1G-A1 \*\*\*\*  
 ( PIN SIDE VIEW )  
 E D C B A  
 EDCBAEDCBAEDCBAEDCBA

1	+	+	+	+	+	+	+	+	+	+	+	+	+	1
2	5	+	5	+	5	+	5	+	5	+	5	+	5	2
3	5	5	+	+	+	+	+	+	+	+	+	+	+	3
4	+	6	+	6	+	6	+	6	+	6	+	6	+	4
5	+	6	+	6	+	6	+	6	+	6	+	6	+	5
6	0	6	+	6	+	6	+	6	+	6	+	6	+	6
7	0	6	+	6	+	6	+	6	+	6	+	6	+	7
8	0	+	0	+	0	+	0	+	0	+	0	+	0	8
9	+	+	+	+	+	+	+	+	+	+	+	+	+	9
10	+	+	+	+	+	+	+	+	+	+	+	+	+	10
11	+	+	+	+	+	+	+	+	+	+	+	+	+	11
12	+	+	+	+	+	+	+	+	+	+	+	+	+	12
13	+	+	+	+	+	+	+	+	+	+	+	+	+	13
14			0	5		0	5							14
1	+		+	0		+	6		+		+	0		1
2	5	+	5	+	5	+	5	+	5	+	5	+	5	2
3	+	+	+	+	+	+	+	+	+	+	+	+	+	3
4	+	6	+	6	+	6	+	6	+	6	+	6	+	4
5	+	6	+	6	+	6	+	6	+	6	+	6	+	5
6	0	+	0	+	0	+	0	+	0	+	0	+	0	6
7	+	+	+	+	+	+	+	+	+	+	+	+	+	7
8	+	+	+	+	+	+	+	+	+	+	+	+	+	8
9	+	+	+	+	+	+	+	+	+	+	+	+	+	9
10	+	+	+	+	+	+	+	+	+	+	+	+	+	10
11	+	+	+	+	+	+	+	+	+	+	+	+	+	11
12	+	+	+	+	+	+	+	+	+	+	+	+	+	12
13	+	+	+	+	+	+	+	+	+	+	+	+	+	13
14			0	5		0	5							14
1	+		+	9		+	2		+		+	0		1
2	5	+	5	+	5	+	5	+	5	+	5	+	5	2
3	+	+	+	+	+	+	+	+	+	+	+	+	+	3
4	+	6	+	6	+	6	+	6	+	6	+	6	+	4
5	+	6	+	6	+	6	+	6	+	6	+	6	+	5
6	0	+	0	+	0	+	0	+	0	+	0	+	0	6
7	+	+	+	+	+	+	+	+	+	+	+	+	+	7
8	+	+	+	+	+	+	+	+	+	+	+	+	+	8
9	+	+	+	+	+	+	+	+	+	+	+	+	+	9
10	+	+	+	+	+	+	+	+	+	+	+	+	+	10
11	+	9	+	+	+	+	+	+	+	+	+	+	+	11
12	+	+	+	+	+	+	+	+	+	+	+	+	+	12
13	+	7	+	+	+	+	+	+	+	+	+	+	+	13
14			0	5		0	5							14
1	+		+	7		+	6		+		+	0		1
2	5	+	5	+	5	+	5	+	5	+	5	+	5	2
3	+	+	+	+	+	+	+	+	+	+	+	+	+	3
4	+	6	+	6	+	6	+	6	+	6	+	6	+	4
5	+	6	+	6	+	6	+	6	+	6	+	6	+	5
6	0	+	0	+	0	+	0	+	0	+	0	+	0	6
7	+	+	+	+	+	+	+	+	+	+	+	+	+	7
8	+	+	+	+	+	+	+	+	+	+	+	+	+	8
9	+	+	+	+	+	+	+	+	+	+	+	+	+	9
10	+	+	+	+	+	+	+	+	+	+	+	+	+	10
11	+	9	+	+	+	+	+	+	+	+	+	+	+	11
12	+	+	+	+	+	+	+	+	+	+	+	+	+	12
13	+	7	+	+	+	+	+	+	+	+	+	+	+	13
14			0	5		0	5							14
E		D		C		B		A						

(C) COPYRIGHT IBM CORP 1983

A  
E  
4  
0  
0

VOLTAGE KEY  
 PIN VOLTAGE  
 0 GROUND  
 2 - POWER GOOD SENSE POINT  
 5 + 5 VOLTS  
 6 - 5 VOLTS  
 7 - 12 VOLTS  
 9 + 12 VOLTS

5360 FLD PAGE - OPTION

VOLTAGE DISTRIBUTION - 10SR

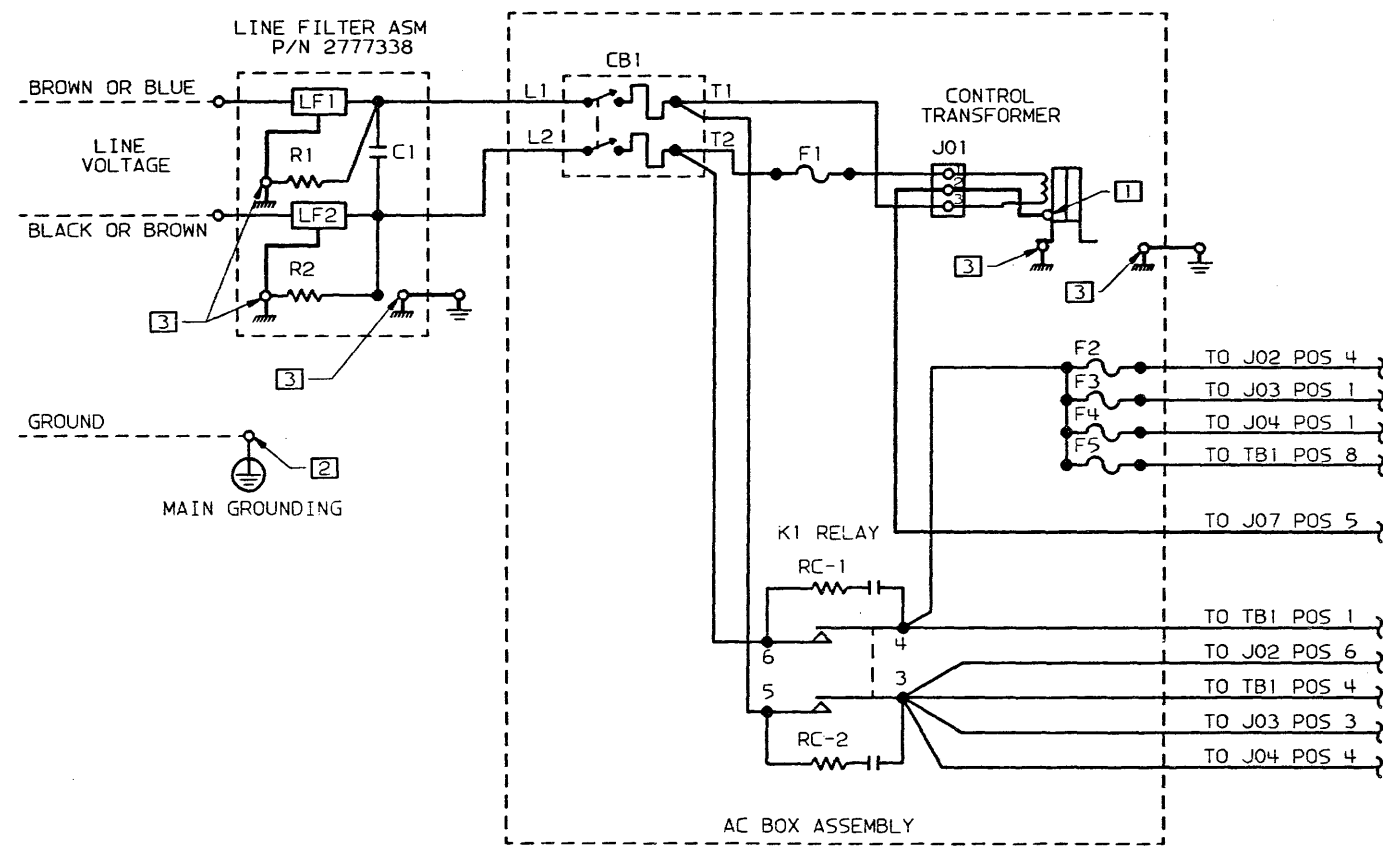
PN 4177228 EC 826487

PAGE 1 OF 1 PEC 826380

LOC 1F-A1 / 1G-A1

DATE 02/15/84

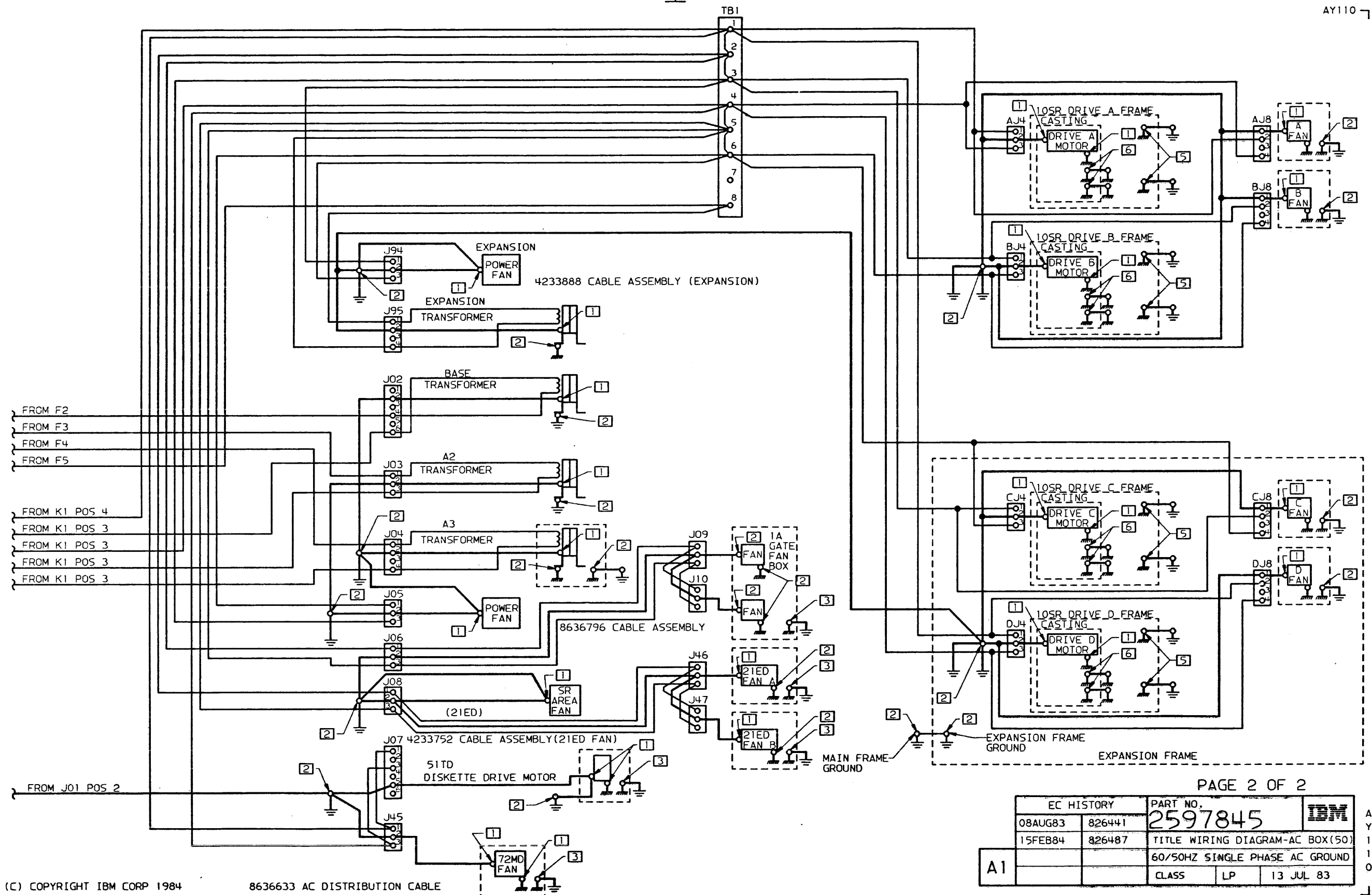
A  
E  
4  
0  
0



NOTES

- 1 STAR WASHER
- 2 THREAD FORMING SCREW
- 3 GROUNDING CONTINUITY BY DIRECT METAL TO METAL CONTACT
- 4 ALL J CONNECTORS ON THIS SHEET HAVE GREEN/YELLOW LEADS WHICH ARE SAFETY GROUNDS. ALL SAFETY GROUNDS MUST BE PROPERLY PLACED. REF SECTION 05-275 OF MIM IF ANY QUESTIONS TO WHERE DEVICES ARE LOCATED IN MAIN FRAME
- CHASSIS GROUND
- FRAME OR SYSTEM GROUND
- 5 SCREW AND LARGE WASHER HOLDING STRAP (10SR FRAME GROUND TO SYSTEM GROUND)
- 6 SCREW AND LARGE WASHER HOLDING STRAP (10SR CASTING GROUND TO 10SR FRAME GROUND)

A1	EC HISTORY		PART NO.	IBM
	08AUG83	826441	2597845	
	15FEB84	826487	TITLE WIRING DIAGRAM-AC BOX	
	60/50HZ SINGLE PHASE AC GROUND			
	CLASS	LP	13 JUL 83	

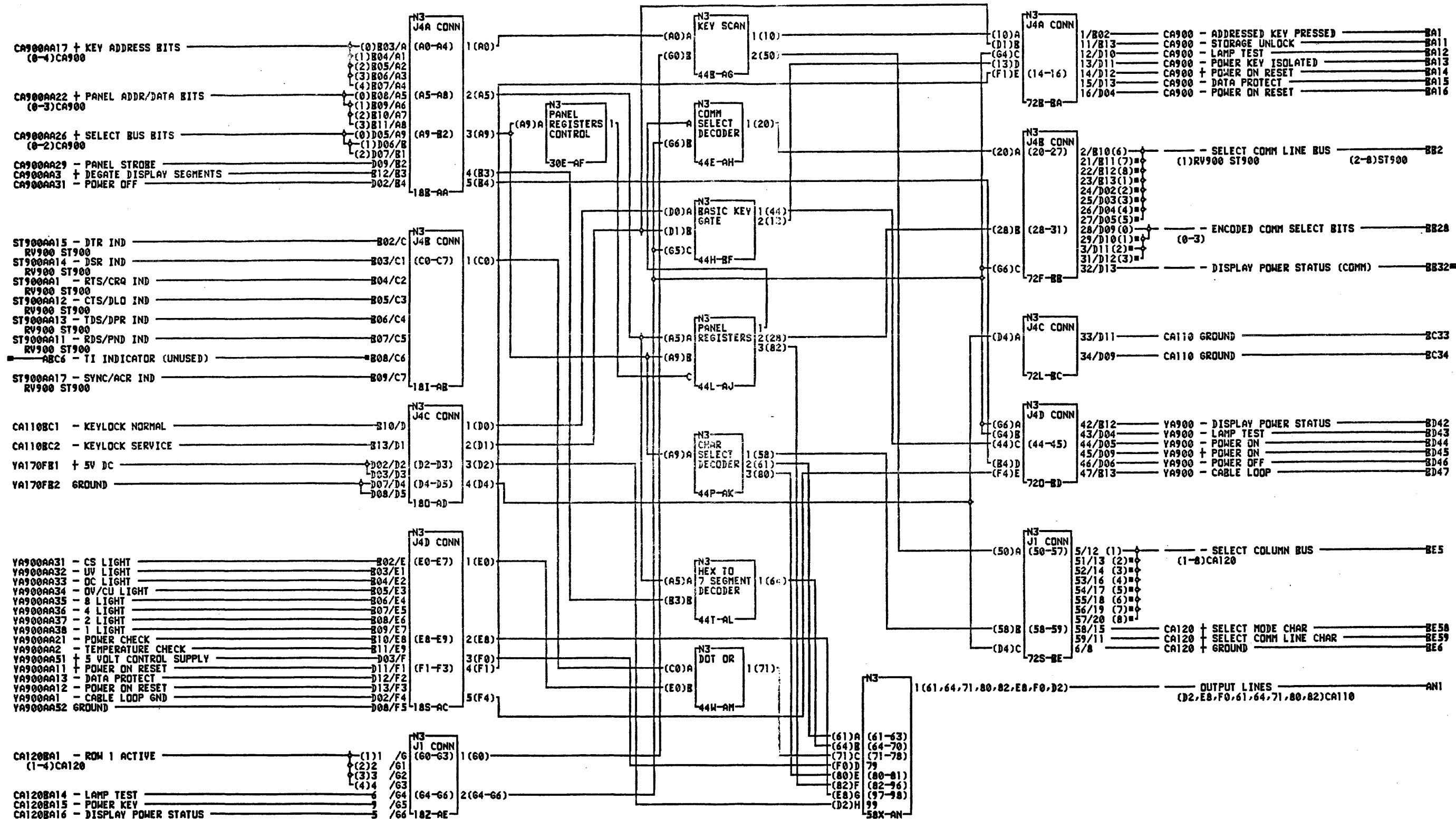


(C) COPYRIGHT IBM CORP 1984

8636633 AC DISTRIBUTION CABLE

PAGE 2 OF 2

EC HISTORY		PART NO.	IBM
08AUG83	826441	2597845	
15FEB84	826487	TITLE WIRING DIAGRAM-AC BOX(50)	
		60/50HZ SINGLE PHASE AC GROUND	
A1		CLASS	LP 13 JUL 83



COMMENTS  
A1(C) COPYRIGHT IBM CORP 1984

5360 FLD PAGE - BASE  
CON PAN DRI BRD AND POWER SWITCH  
P/N 2597211 EC 842375  
PAGE 1 OF 9 PEC

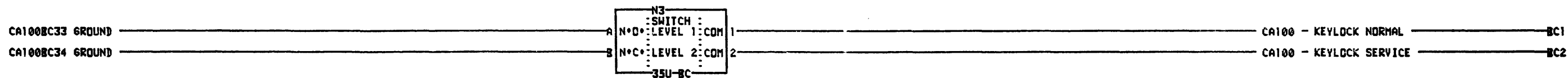
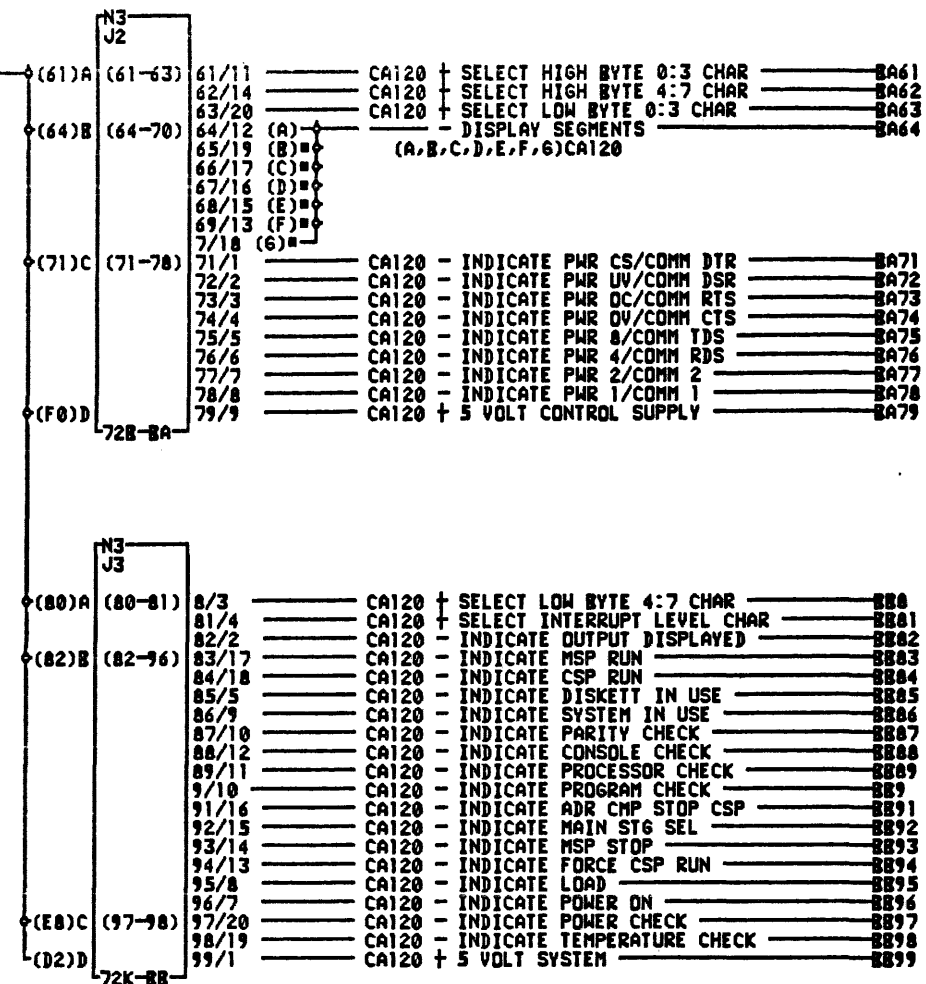
LDC=1B-A1  
USN 00003 PRI=17JUL86 0048  
AUC= PFORM=KSEB SEC NEXTBLK B6  
MACH=5360000  
CID NBSE249 JOB U393923D

C  
A  
1  
0  
0

C  
A  
1  
0  
0



CA100CAN1 OUTPUT LINES  
(D2,EB,F0,61,64,71,80,82)CA100



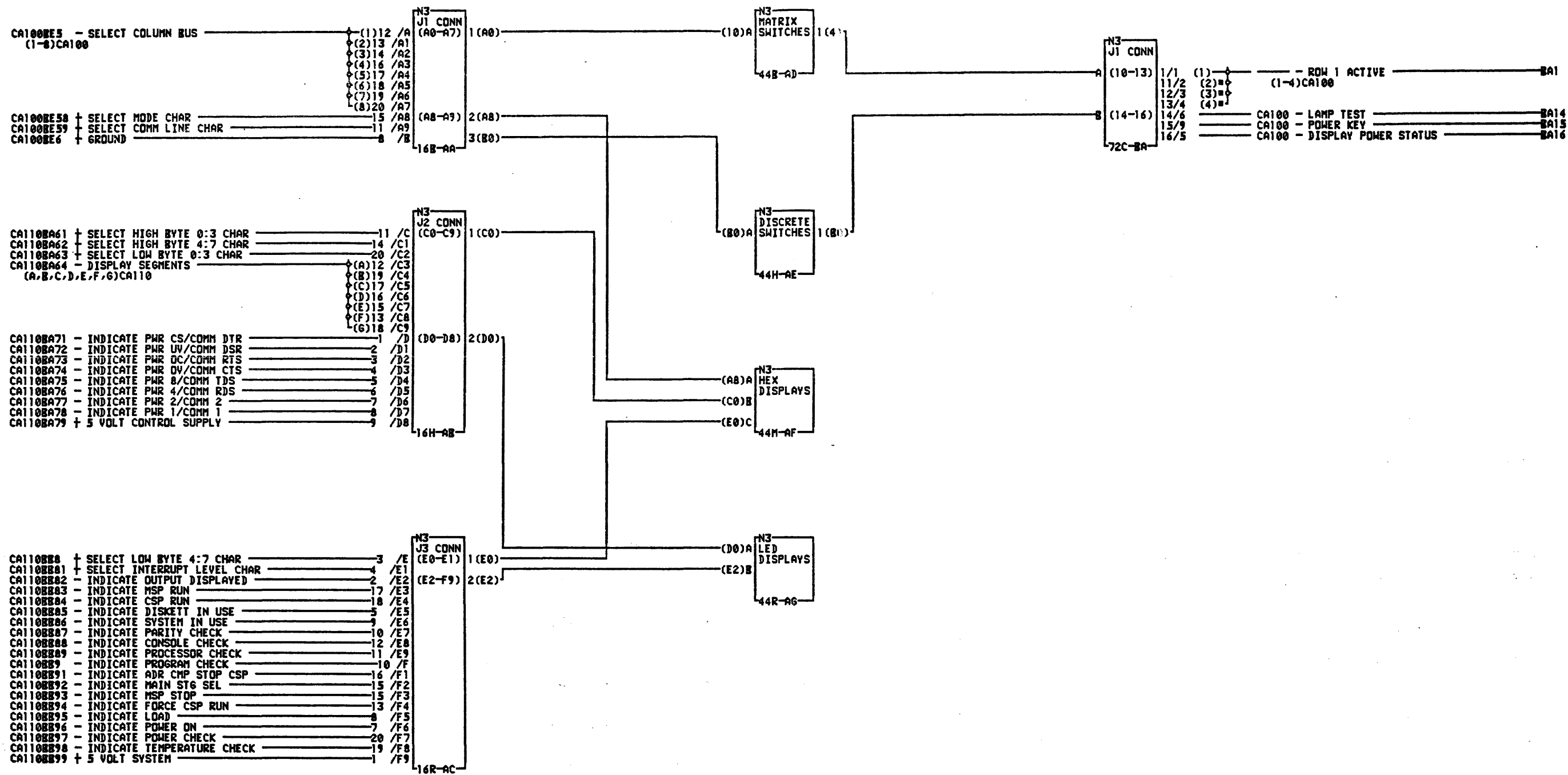
COMMENTS  
A1(C) COPYRIGHT IBM CORP 1984

5360 FLD PAGE - BASE  
CON PAN DRI BRD AND POWER SWITCH  
P/N 2597134 EC 842375  
PAGE 2 OF 9 PEC 842350

LOC=1B-A1  
USN 00003 PRI=13JUN86 0919  
AUC= SEC  
PFORM=KSEB NEXTBLK BD  
MACH=5360000  
CID NBSE196 JOB U393923B

CA110  
0001

C  
A  
1  
0  
0001



COMMENTS

AI(C) COPYRIGHT IBM CORP 1984

5360 FLD PAGE - BASE  
 CONTROL PANEL DISPLAY BOARD  
 P/N 2597211 EC 842375  
 PAGE 3 OF 9 PEC

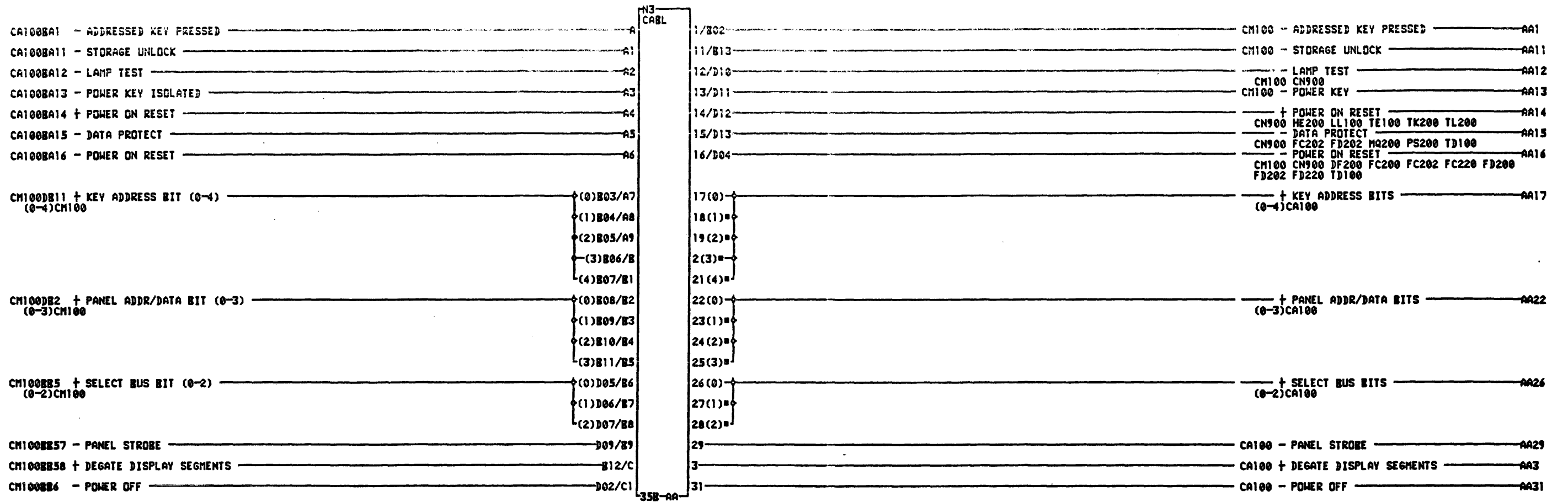
LDC=1B-A2  
 USN 00003 PRI=17JUL86 0848  
 AUC= PFORM=KSEB SEC NEXTBLK BB  
 MACH=5360000  
 CID NBSE249 JOB U393923D

CA120

0001

CA120

0001



COMMENTS  
A1(C) COPYRIGHT IBM CORP 1984

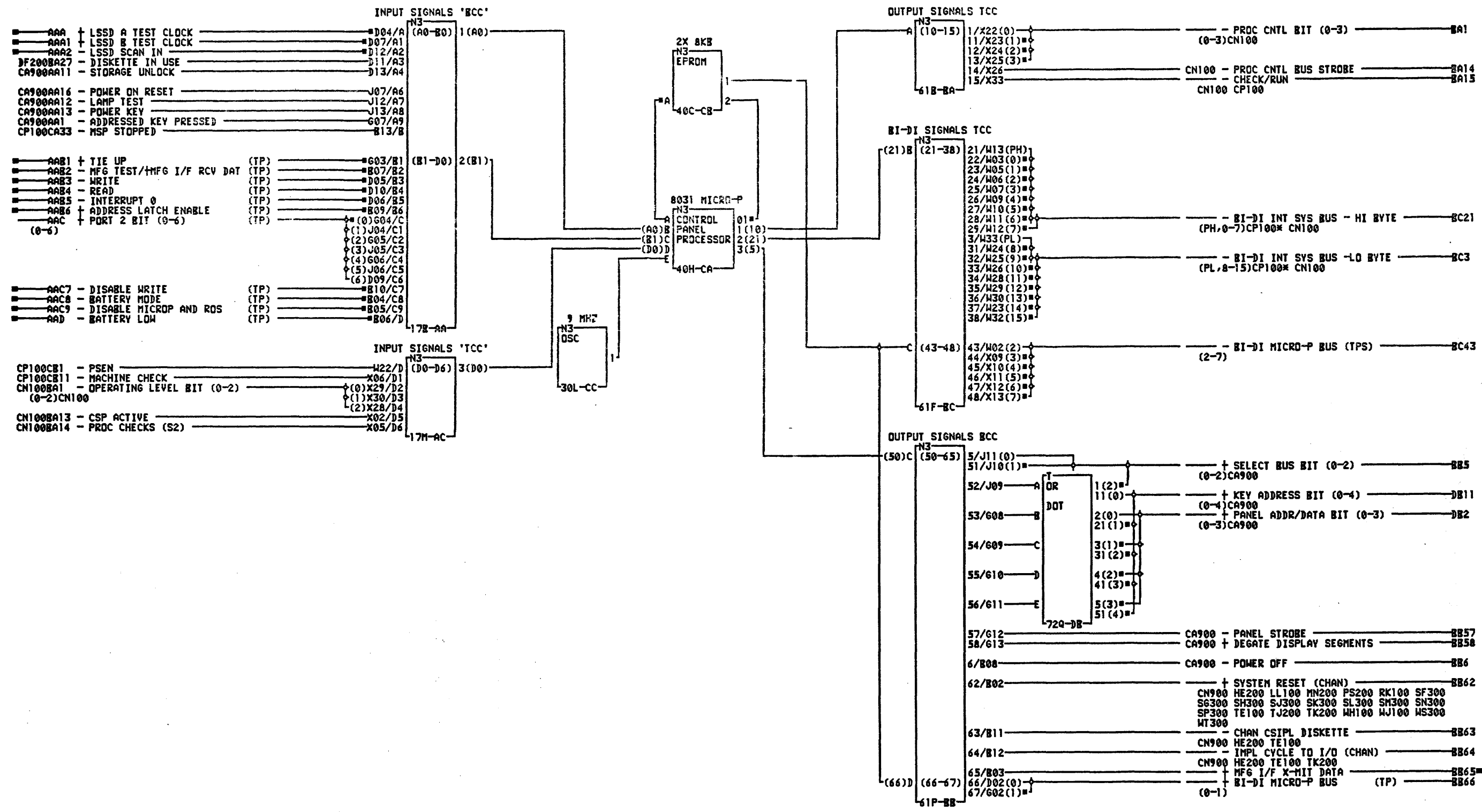
C  
A  
9  
0  
0  
0001

5360 FLD PAGE - BASE  
CONTROL PANEL CABLE SOCKET  
P/N 2597211 EC 842375  
PAGE 4 OF 9 PEC

LCC=1A-A1A5

USN 00003 PRI=17JUL86 0848  
AUC= SEC 21JUL86 0841  
PFORM=KSEB NEXTBLK AB  
MACH=5360000  
CID N8SE249 JOB U393923D

C  
A  
9  
0  
0  
0001



COMMENTS  
A1(C) COPYRIGHT IBM CORP 1984

5360 FLD PAGE - BASE  
 CNTRL PANEL CONTROL CARD  
 P/N 2597211 EC 842375  
 PAGE 5 OF 9 PEC

LOC=1A-A1M2  
 USN 00003 PRI=17JUL86 0848  
 AUC= SEC 21JUL86 0841  
 PFORM=KSEB NEXTBLK DC  
 MACH=5360000  
 CID NBSE249 JOB U393923D

CM100  
0001

CM100  
0001

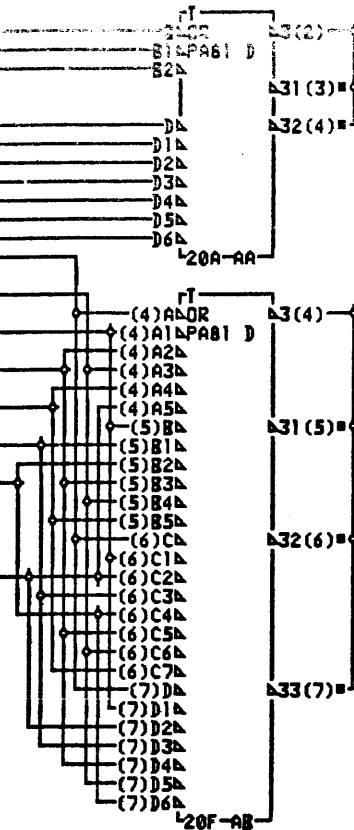
RK100FB15 - SLCA INTERRUPT REQUEST 2  
LL100FB11 - LAN INTERRUPT LEVEL 2  
SP300BA22 - MLCA INTRPT REQ 2 (ORA)

MICROINTERRUPT REQ  
(2-4)CN100 CN900 AA3

WH100BA22 - SYSTEM INTPT 'A' REQUEST  
TE100AP4 - MICRO INT REQ 4  
JJ210AE35 - SYS INT LVL 4 REQ  
TJ200BA22 - SYSTEM INTPT 'A' REQUEST  
PS200BA11 - MICRO INTERRUPT REQUEST 4  
WS300BA22 - WS EXP 2 LVL 4 INT REQ  
MN200BA42 - 1255 INTERRUPT REQUEST  
WH100BA16 - SYSTEM ARS BITS A-C

(4,6-7)WH100  
LL100FB4 - LAN ARS BITS 4-7  
(4-7)LL100  
TE100AP01 - ARS BIT 5,6-7  
(4-7)TE100  
RK100FB3 - SLCA ARS BITS 4-7  
(4-7)RK100  
WS300BA16 - WS EXP 2 ARS BITS 4,6-7  
(4)WS300 (5)  
JJ210AE36 SYS ARS BIT 6, 7, 5  
(5-7)JJ210 (6)WS300  
TJ200BA16 - SYSTEM ARS BITS A-C  
(5-7)TJ200

SP300BA16 - MLCA ARS BIT 4,6,7  
(4,6-7)SP300



TE100AP06 - TAG BIT 0,1,4,6  
(0-1,4,6)TE100  
WH100BA11 - SYSTEM TAG BITS 0-6  
(0-1,3-4,6)WH100  
TJ200BA11 - SYSTEM TAG BITS 0-6  
(0-1,3-4,6)TJ200  
WS300BA11 - WS EXP 2 INTERRUPT REQUEST  
(0-1,3-4,6)WS300  
SP300BA11 - MLCA TBI 0-6  
(0-1,3-4,6)SP300  
RK100FB12 - SLCA TBI BITS 0,1,4  
(0-1,4)RK100  
LL100FB12 - LAN TBI BITS 1,4,6  
(1,4,6)LL100

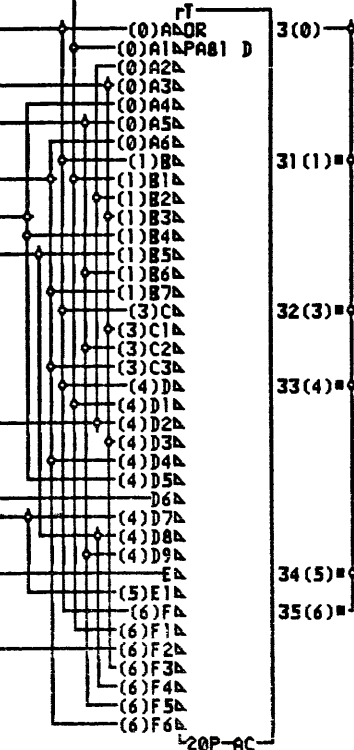
TAG BUS IN  
(0-1,3-6)CN100 CN900 AC3

JJ210AE32 - SYS TBI BIT 0, 1, 4, PMRD  
(0-1,4)JJ210

PT200BA14 - CHAN CBI BIT 4 GATED  
MN200BA4 - 1255 TAG BUS IN  
(4-5)MN200

PS200BA12 - DEVICE PARITY CHECK (CBI-5)

JJ210AF01 - TAG BIT 6  
(6)JJ210



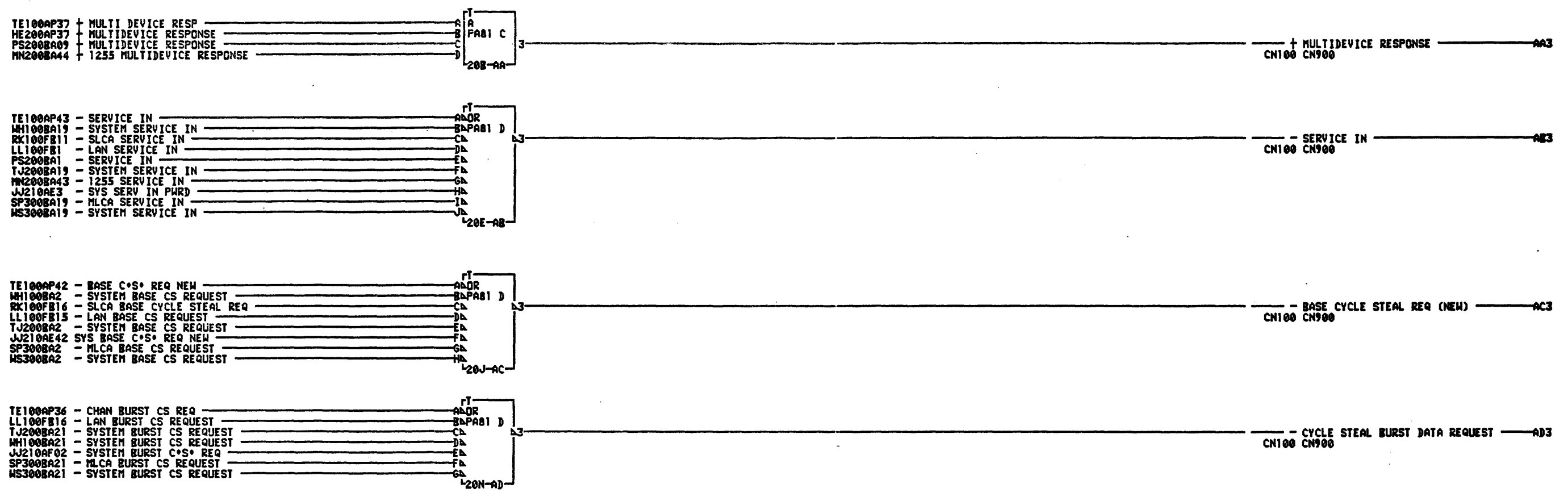
COMMENTS  
A1(C) COPYRIGHT IBM CORP 1984

5360 FLD PAGE - BASE  
CSF CHANNEL DOTTED INPUTS  
P/N 259211 EC 842375  
PAGE 6 OF 9 PEC

LDC=1A-RIN2  
USA 00003 PRI=17JUL86 0848  
ARC SEC 21JUL86 0841  
PPRM=KSER NEXTBLK AD  
ARC=330000  
CIS NEST249 JOB U39323D

C  
N  
0  
1  
0  
0001

C  
N  
0  
1  
0  
0001



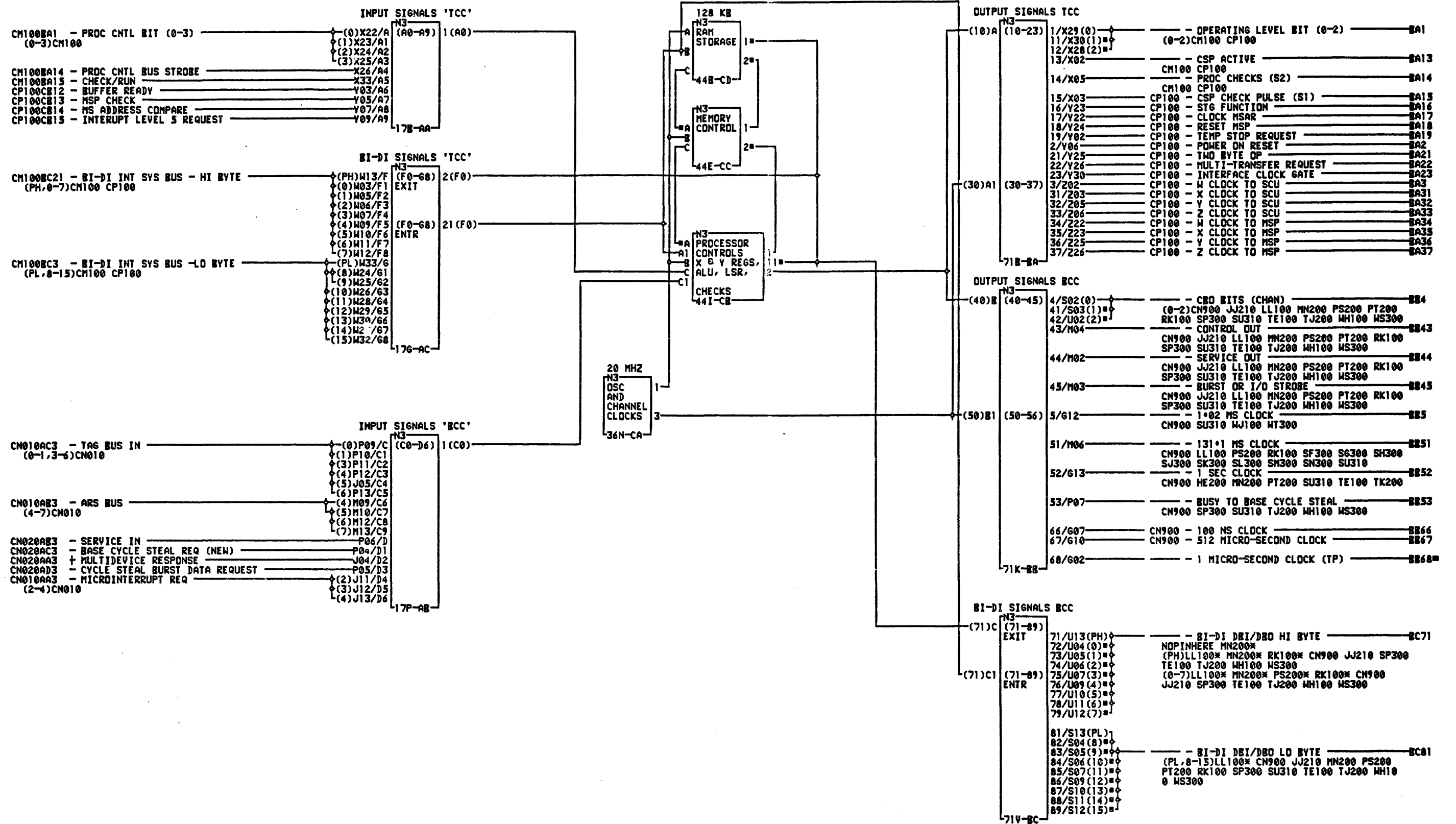
COMMENTS  
A1(C) COPYRIGHT IBM CORP 1984

5360 FLD PAGE - BASE  
CSP CHANNEL DOTTED INPUTS  
P/N 2597211 EC 842375  
PAGE 7 OF 9 PEC

LDC=1A-A1N2  
USN 00003 PRI=17JUL86 0848  
AUC= SEC 21JUL86 0841  
PFORM=KSEB NEXTBLK AE  
MACH=5360000  
CID N85E249 JOB U39323D

C  
N  
0  
2  
0  
0001

C  
N  
0  
2  
0  
0001



COMMENTS  
A1(C) COPYRIGHT IBM CORP 1984

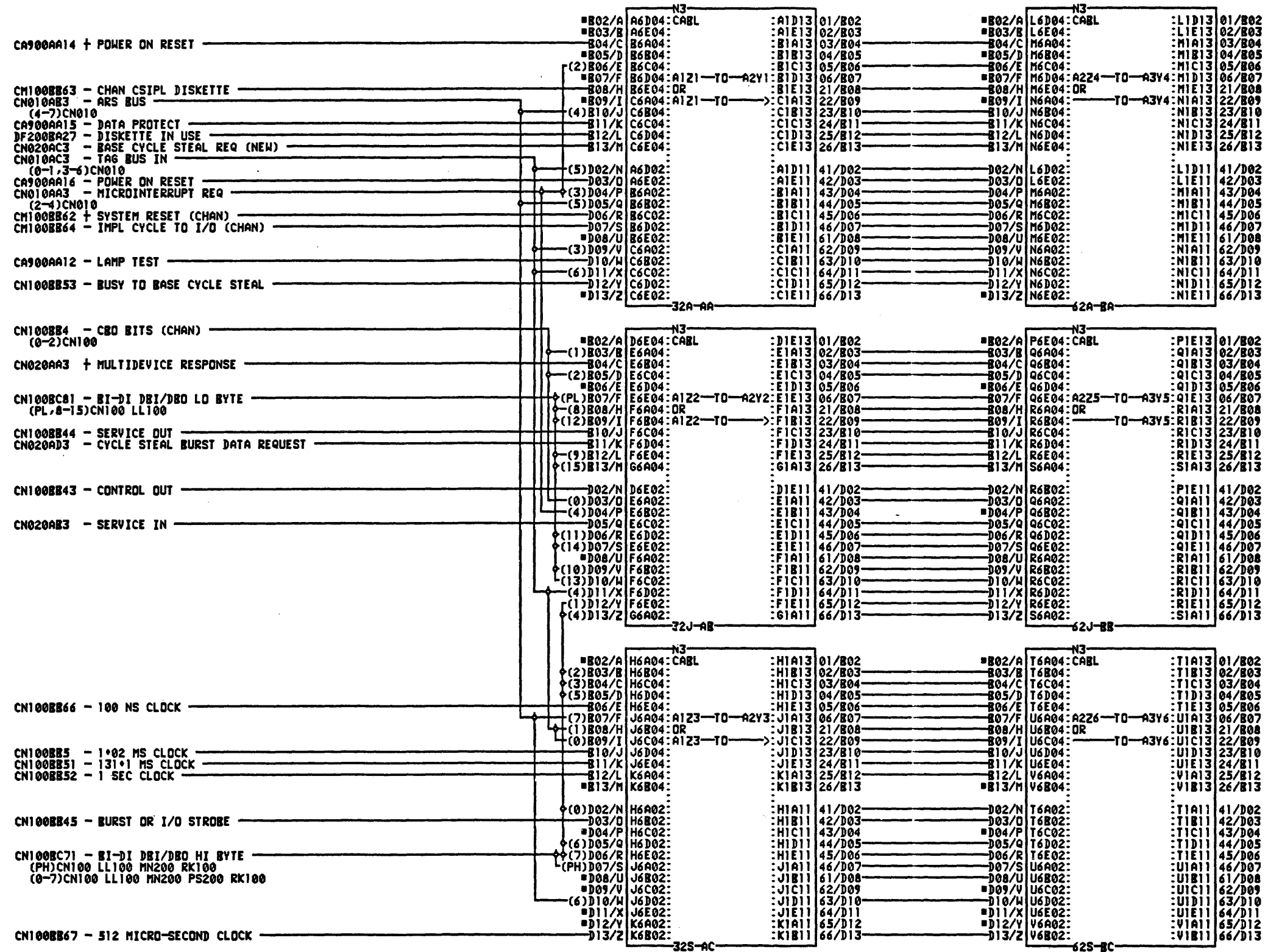
5360 FLJ PAGE - BASE  
CSP CHANNEL CARD  
P/N 2597211 EC 842375  
PAGE 8 OF 9 PEC

LOC=1A-A1N2

USN 00003 PRI=17JUL86 0848  
AUC= SEC 21JUL86 0841  
PFORM=KSEB NEXTBLK CE  
MACH=5360000  
CID NBSE249 JOB U39323D

CN100  
0001

CN100  
0001



COMMENTS  
AI (C) COPYRIGHT IBM CORP 1984

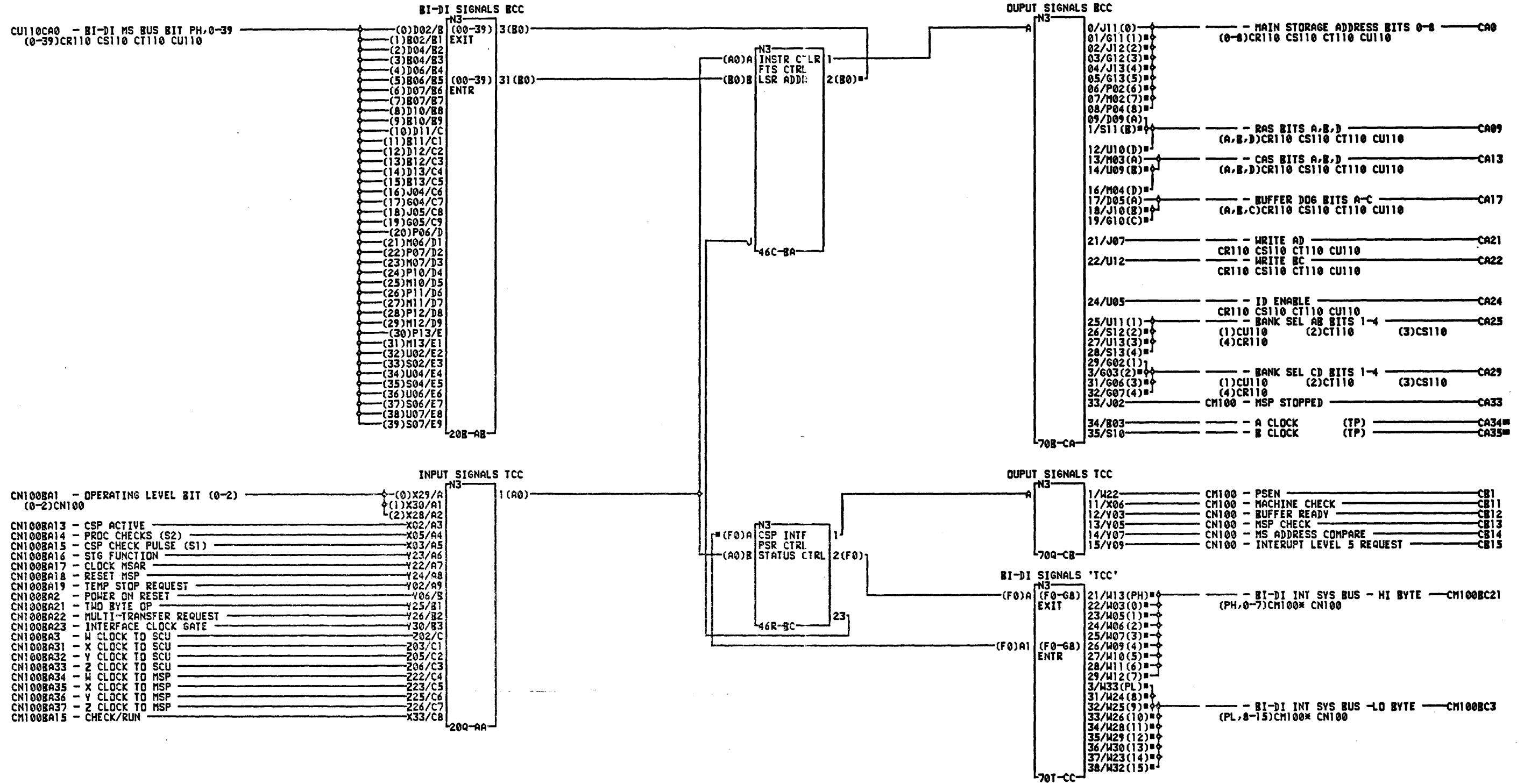
5360 FLD PAGE - BASE  
CSP CHANNEL  
P/N 2597211 EC 842375  
PAGE 9 OF 9 PEC

LOC=  
USN 00003 PRI=17JUL86 0848  
AUC=  
PFORM=KSEB SEC  
MACH=5360000 NEXTBLK BD  
CID NRSE249 JNR 117070270

C  
N  
9  
0  
0  
0001

C  
N  
9  
0  
0





COMMENTS  
A1(C) COPYRIGHT IBM CORP 1984

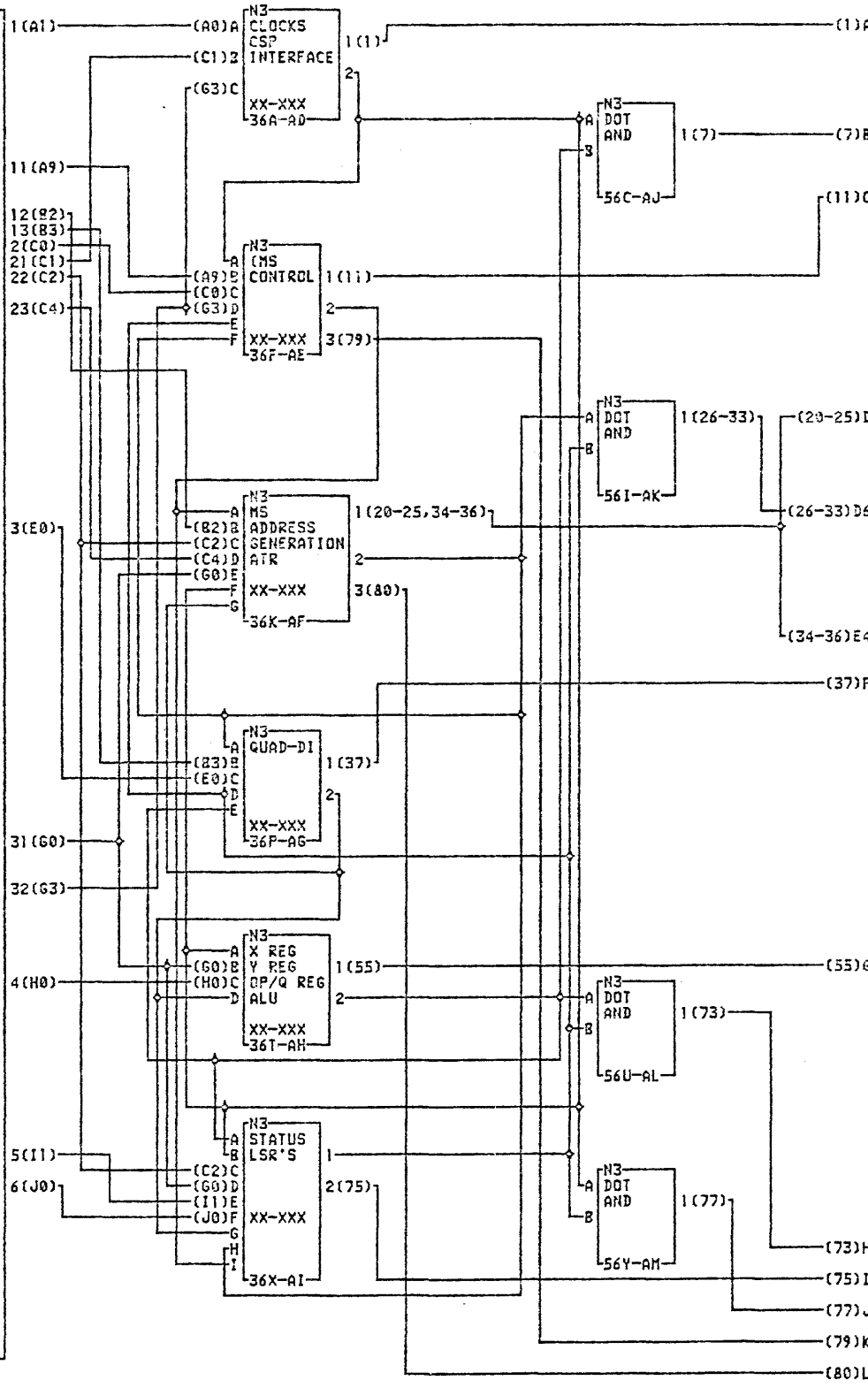
5360 FLD PAGE - BASE  
MSP CONTROL AND DATA FLOW  
P/N 2597212 EC 842375  
PAGE 1 OF 1 PEC

LOC=1A-AIP2

USN 00003 PRI=22JUL86 1009

AUC= PF0RM=KSEB SEC  
MACH=5360000 NEXTBLK CD  
CID NBSE249 JOB U393923D

- CP100AF47 - ALLOW ALT REQ X33/A
- CN100B836 - TEMP STOP REQUEST (S2) S13/A1
- CN100B831 - ALLOW MSP RUN (S2) U10/A2
- CN100B833 - STG FUNCTION FROM CSP (S2) U06/A3
- CN100B838 - TWO BIT OP TO MSP (S2) S05/A4
- CN100B835 - RESET MSP (S2) U04/A5
- CP100AF55 - BLOCK CONTROL CLOCKS Y27/A6
- CP100AF54 - EXTEND C2 Y05/A7
- CN100B834 - CLOCK MSAR (S2) U13/A8
- CP100AF19 - MAIN STORAGE CONTROL BIT 0-1 (0)Z32/A9 (1)Y25/B
- (0-1)CP100
- CP100AF02 + S2 210/B1
- CN100B83 - SNS/LOAD MSP RESS (S2) S11/B2
- CP100AF01 + S1 230/B3
- CP100AF0 - FILTERED POWER ON RESET 213/C
- CUI10BE31 - MS CLOCK ENABLE S08/C1
- CR110 CS110 CT110 CUI10 P07/C2
- AAC2 - B CLOCK P04/C3
- CP100AF49 - BUFFER 223/C4
- CP100AF53 - ENABLE SYS REG CONTROL Y09/C5
- CN100B832 - CMR CTRL REQUIRED (S2) S06/C6
- AAC3 - A CLOCK (0)Y33/C7
- CP100AF4 + PACT ADDRESS BIT 0-2 (1)Y32/C8 (2)Y08/C9
- (0-2)CP100
- CN100B837 - I/O ATR SELECT BIT 1 (S2) S04/D
- CP100AF48 - ATR BANK 1 SELECTED 222/D1
- CP100AF51 - CLOCK MSAR L2 Y30/D2
- CP100AF36 + MSAR INCREMENT CONTROL BIT 0-2 (0)X07/D3 (1)X22/D4 (2)X13/D5
- (0-2)CP100
- CP100AF45 - LSR BUS CONTROL BIT 0-1 (0)Y12/D7 (1)Y12/D7
- (0-1)CP100
- CP100AF39 - SYSTEM BUS DRIVER CONTROL X04/E
- CN100B851 - BI-DI SYSTEM BUS HI BYTE (PH,0-7)CN100 (0)P10/E2 (1)P09/E3 (2)M13/E4 (3)M12/E5 (4)M10/E6 (5)P12/E7 (6)M11/E8 (7)P06/E9
- CN100B861 - BI-DI SYSTEM BUS LO BYTE (PL,8-15)CN100 (8)P05/F1 (9)M07/F2 (10)M06/F3 (11)M05/F4 (12)M04/F5 (13)P13/F6 (14)M03/F7 (15)P02/F8
- CP100AF57 - CONTROL PARITY BAD X25/F9
- CP100AF31 - DESTINATION CONTROL BIT 0-4 (2)Z04/G (3)Z33/G1 (4)Z31/G2
- (0-4)CP100
- CP100AF27 - SOURCE CONTROL BIT 0-3 (0)Z08/G3 (1)Z09/G4 (2)Z28/G5 (3)Z27/G6 (0)Z12/G7 (1)Z07/G8
- (0-3)CP100
- CP100AF52 - CLOCK OP/Q/X/Y L2 Y03/H
- CP100AF5 + CARRY IN X03/H1
- CP100AF14 - ALU CONTROL BIT 0-4 (0)M05/H2 (1)M13/H3 (2)M23/H4 (3)M12/H5 (4)M26/H6
- (0-4)CP100
- CP100AF1 - X GATE CONTROL BIT 0-1 (0)M31/H7 (1)M32/H8
- (0-1)CP100
- CP100AF12 - Y GATE CONTROL BIT 0-1 (0)M10/H9 (1)M33/I
- (0-1)CP100
- CP100AF43 - Q CONTROL BIT 0-1 (0)X30/I1 (1)Y23/I2
- (0-1)CP100
- CP100AF21 - LSR ADDRESS BITS 0-3 (0)M02/J (1)M27/J1 (2)M25/J2 (3)M22/J3
- (0-3)CP100
- CUI10BE36 - MS PARITY CHECK H04/J5
- CR110 CS110 CT110 CUI10 U09/J6
- CP100AF26 + MSP EXECUTING U09/J6
- CUI10BE35 - MS MULTIPLE BIT ERROR S03/J7
- CR110 CS110 CT110 CUI10 U05/J8
- CN100B859 - CHECK RUN S02/J9
- CP100AF56 - MSP CLK STOP/SEL PROC MODE 1 Z25/K
- CUI10BE34 - MS SINGLE BIT ERROR
- CR110 CS110 CT110 CUI10



- (01-06)A
- 01/Y26 - MSP CLOCKS STOPPED 0001 CQ100 BA04
- 02/Y10 - CN100 + GATE CONTROL CLOCKS BA01
- 03/U11 - CP100 - SYSTEM RESET LATCHED BA02
- 04/U02 - CN100 - MSP DATA AVAILABLE BA03
- 05/S10 - CN100 - MSP CHECK BA05
- 06/E12 - CN100 + MS ADDRESS COMPARE BA06
- 07/Z03 - CP100 - OP REG BIT 5/TWO BYTE OP BA07
- 08/Y28 - CP100 - OP REG BIT 1/TEMP STOP REQ BA08
- 09/Y31 - CP100 - OP REG BIT 6/(-READ/WRITE) BA09
- 1/Z05 - CP100 - OP REG BIT 7/(-RESS/TSTORAGE) BA1
- 11/P11 - READ BUFFER BA11
- 12/U12 - CR110 CS110 CT110 CUI10 LOAD BUFFER BA12
- 13/J07 - CR110 CS110 CT110 CUI10 MS BYTE SELECT LOW BA13
- 14/J02 - CR110 CS110 CT110 CUI10 MS BYTE SELECT HIGH BA14
- 15/J10 - CR110 CS110 CT110 CUI10 MS READ/WRIT BA15
- 16/G07(1)
- 17/S07(2)
- 18/G06(3)
- 19/G12(4) - (1)CUI10 (2)CT110 (3)CS110 (4)CR110 BA16
- 2/J09(6)
- 21/J11(7)
- 22/J12(8)
- 23/G04(9)
- 24/J05(10) - MS ADDRESS BIT 6-22 (6-22)CR110 CS110 CT110 CUI10 BA2
- 25/S02(11)
- 26/B03(12)
- 27/B04(13)
- 28/D05(14)
- 29/D07(15)
- 3/B07(16)
- 31/D09(17)
- 32/D10(18)
- 33/D11(19)
- 34/D12(20)
- 35/B13(21)
- 36/G03(22)
- 37/G02(PH) - + BI-DI MS BUS BIT PH, 0 - 7 (PH,0-7)CR110x CS110x CT110x CUI10x BA37
- 38/J13(0)
- 39/G13(1)
- 4/G11(2)
- 41/G10(3)
- 42/G08(4)
- 43/J06(5)
- 44/G05(6)
- 45/J04(7) - + BI-DI MS BUS BIT PL, 8 - 15 (PL,8-15)CR110x CS110x CT110x CUI10x BA46
- 46/B02(PL)
- 47/D13(8)
- 48/B12(9)
- 49/B10(10)
- 5/B11(11)
- 51/B08(12)
- 52/D06(13)
- 53/B05(14)
- 54/D04(15)
- 55/W09 - CP100 - OP REG BIT 8/Q REG BIT 0 BA55
- 56/X02 - CP100 - OP REG BIT 9/Q REG BIT 1 BA56
- 57/W28 - CP100 - OP REG BIT 10/Q REG BIT 2 BA57
- 58/W08 - CP100 - OP REG BIT 11/Q REG BIT 3 BA58
- 59/X28 - CP100 - OP REG BIT 12/Q REG BIT 4 BA59
- 6/X09 - CP100 - OP REG BIT 13/Q REG BIT 5 BA6
- 61/X10 - CP100 - OP REG BIT 14/Q REG BIT 6 BA61
- 62/X08 - CP100 - OP REG BIT 15/Q REG BIT 7 BA62
- 63/W30 - CP100 - OP REG BIT 0 BA63
- 64/Y22 - CP100 - OP REG BIT 4 BA64
- 65/W07 - CP100 + Q ZONE ZERO BA65
- 66/Y02 - CP100 + Q NUMERIC ZERO BA66
- 67/X23 - CP100 + ZERO/X REG BIT 3 BA67
- 68/X12 - CP100 + NEGATIVE BA68
- 69/X32 - CP100 + ONES BA69
- 7/X27 - CP100 + SIGNIFICANT DIGIT BA7
- 71/X26 - CP100 + HEX 20 BA71
- 72/X05 - CP100 + ALU CARRY OUT BA72
- 73/Y04 - CP100 - OP REG BIT 2/CHECKS DETECTED BA73
- 74/X31 - CP100 - OP REG BIT 3/ADR CMFR STOP BA74
- 75/U07 - CP100 - DISABLE ECC BA75
- CR110 CS110 CT110 CUI10
- 77/Z26 - CP100 - ALTERNATE MODE REQUEST BA77
- 78/Y13 - CP100 + ALLOW MSP RUN INTERNAL BA78
- 79/W03 - CP100 - C2 TIMING PULSE BA79
- (80)L
- 71A-BA
- 8/Y07 - CP100 + MS ADDRESS BIT 23 BA8

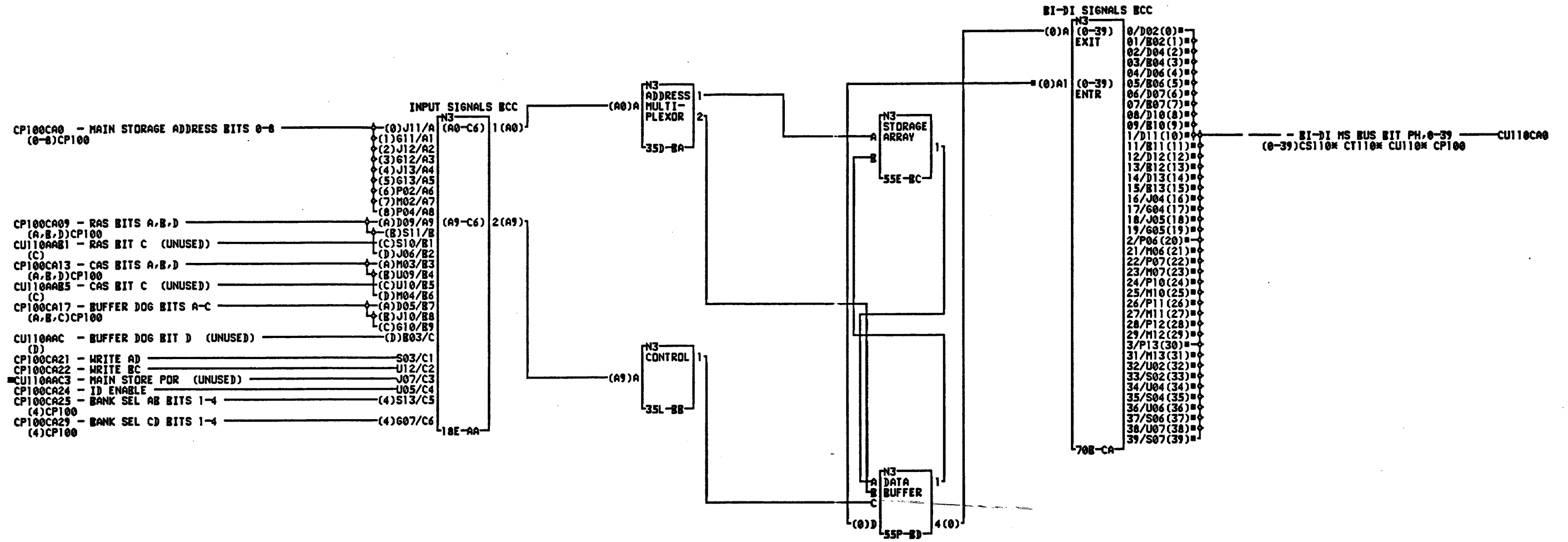
COMMENTS  
A1(C) COPYRIGHT IBM CORP 1984

5360 FLD PAGE - BASE  
MSP DATA FLOW  
P/N 2597135 EC 826487  
PAGE 3 OF 3 PEC

LDC=1A-A1Q2

USN 00001 PRI=12JAN84 0714 C  
Q  
1  
AUC= PFDRM=KSEB SEC NEXTBLK BB 0  
MACH=5360000 0  
CID NBSE196 JOB M6401139 0  
0001

C  
Q  
1  
0  
0001



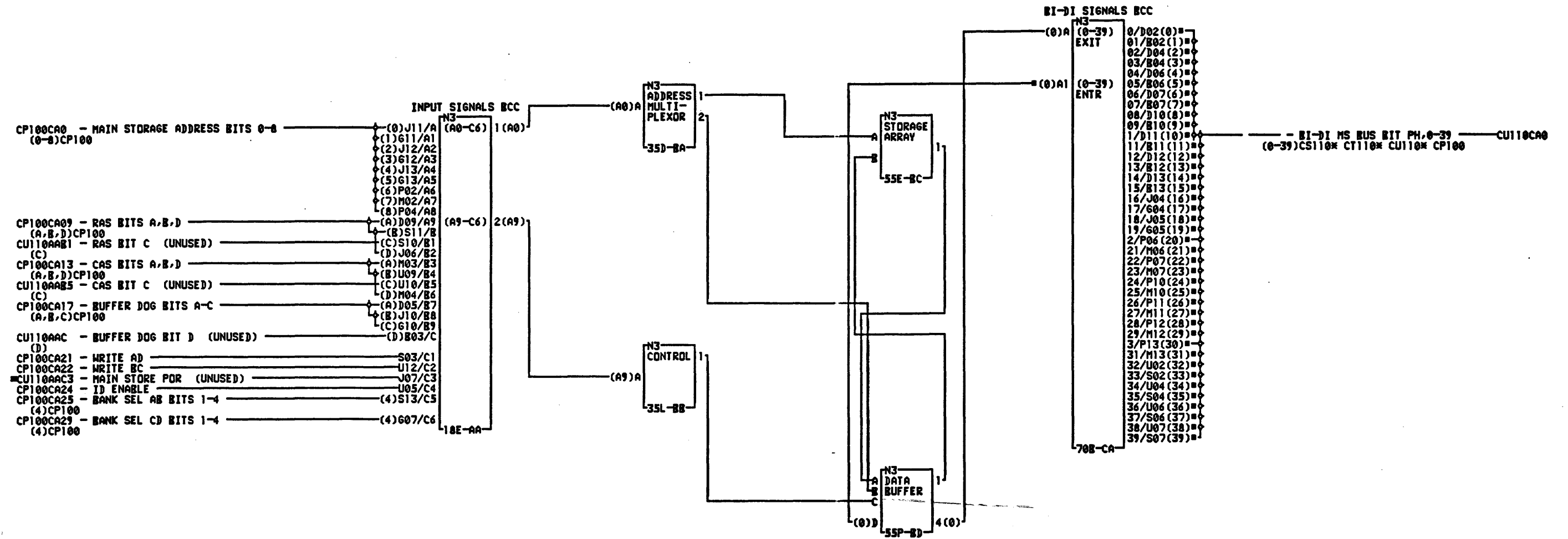
COMMENTS  
A1(C) COPYRIGHT IBM CORP 1984

5360 FLD PAGE - FEATURE  
 MAIN STORAGE  
 P/N 2597216 EC 842375  
 PAGE 1 OF 1 PEC

LOC=1A-A1R2  
 USN 00003 PRI=22JUL86 1009  
 AUC= SEC  
 PFORM=KSEB NEXTBLK CB  
 MACH=5360000  
 CID NBSE249 JOB U393923D

CR  
110  
0001

CR  
110  
0001



COMMENTS  
A1(C) COPYRIGHT IBM CORP 1984

5360 FLD PAGE - FEATURE  
 MAIN STORAGE  
 P/N 2597216 EC 842375  
 PAGE 1 OF 1 PEC

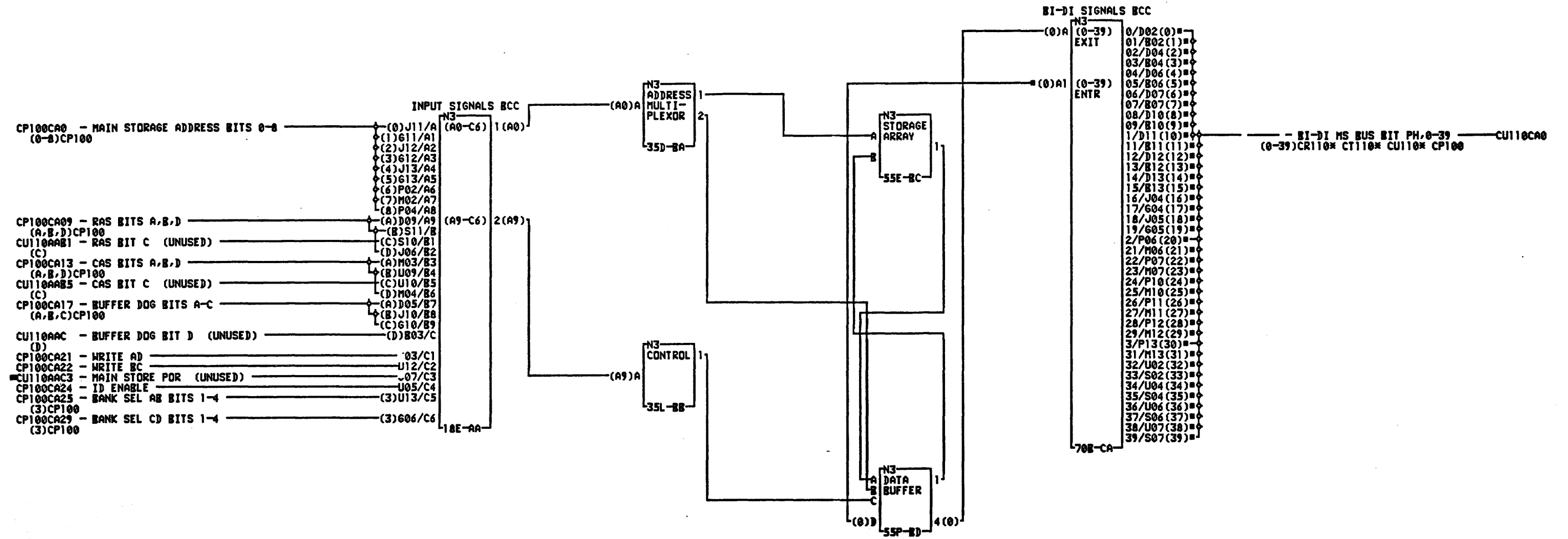
LOC=1A-A1R2

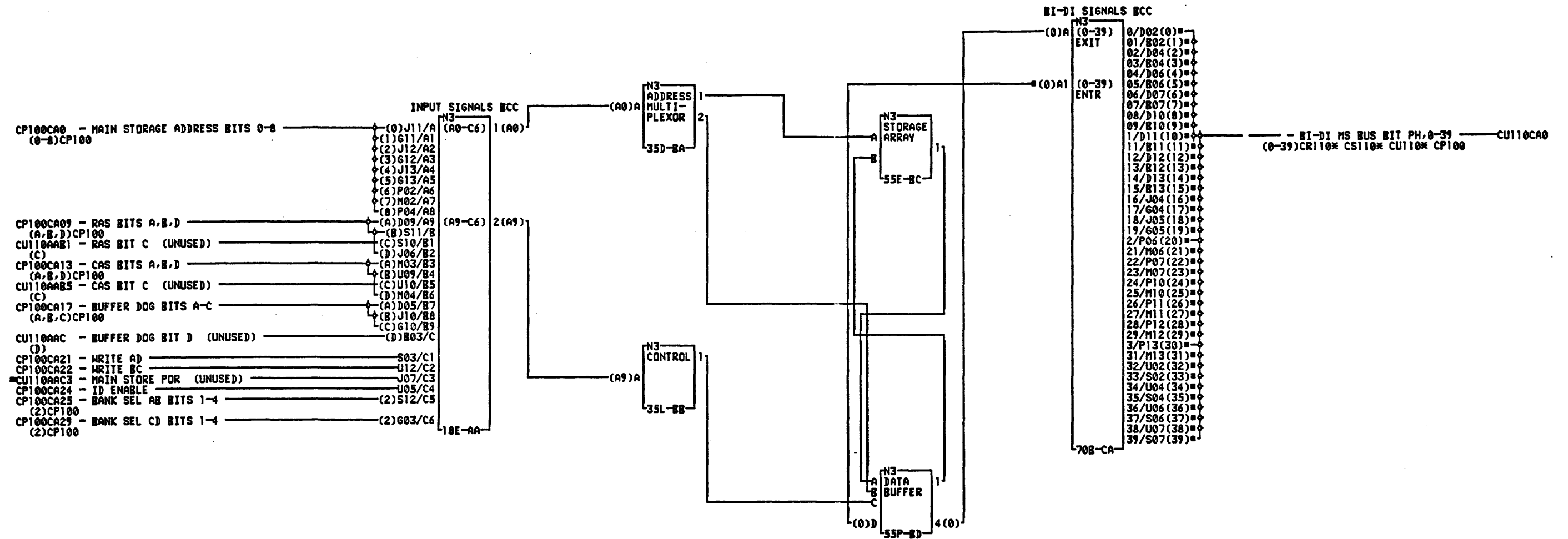
USN 00003 PRI=22JUL86 1009

AUC= PF0RM=KSEB SEC NEXTBLK CB  
 MACH=5360000  
 CID NBSE249 JOB U39323D

CR 1 0 0001

CR 1 0 0001





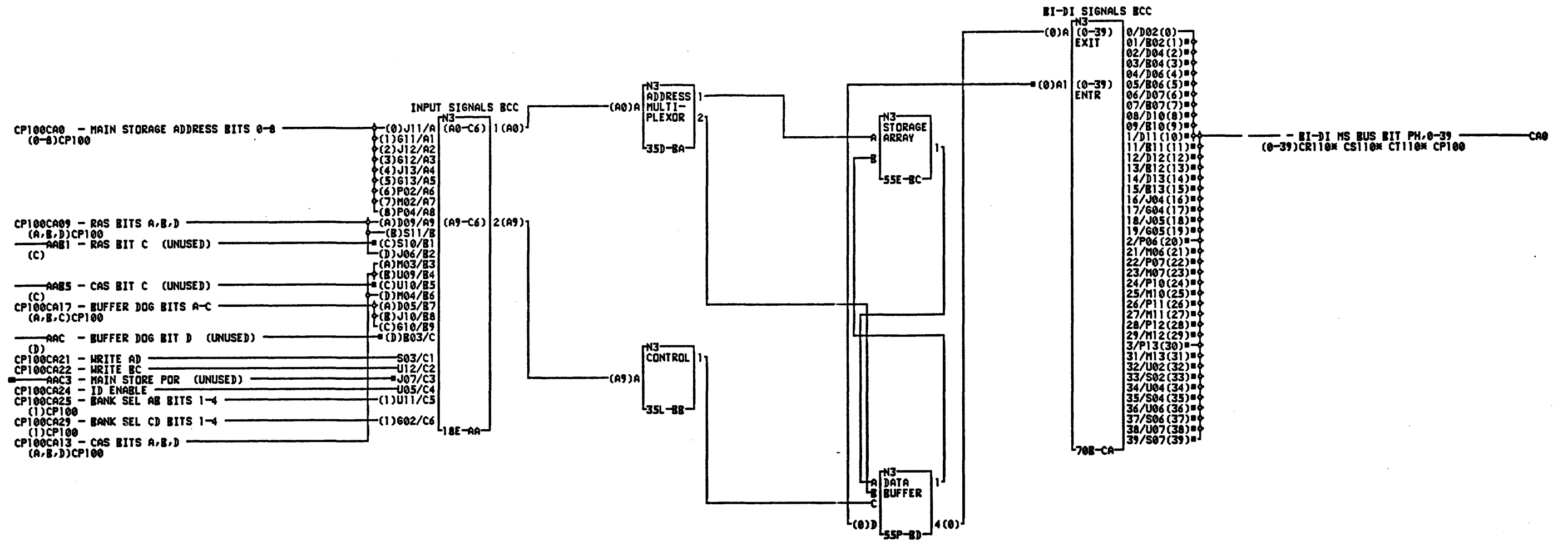
COMMENTS  
A1(C) COPYRIGHT IBM CORP 1983

CT1A  
0001

5360 FLD PAGE - FEATURE  
MAIN STORAGE  
P/N 2597214 EC 842375  
PAGE 1 OF 1 PEC

LOC=1A-A1T2  
USN 00003 PRI=31JUL86 1155  
AUC= SEC  
PFORM=KSEB NEXTBLK CB  
MACH=5360000  
CID NBSE249 JOB U393923D

CT1A  
0001

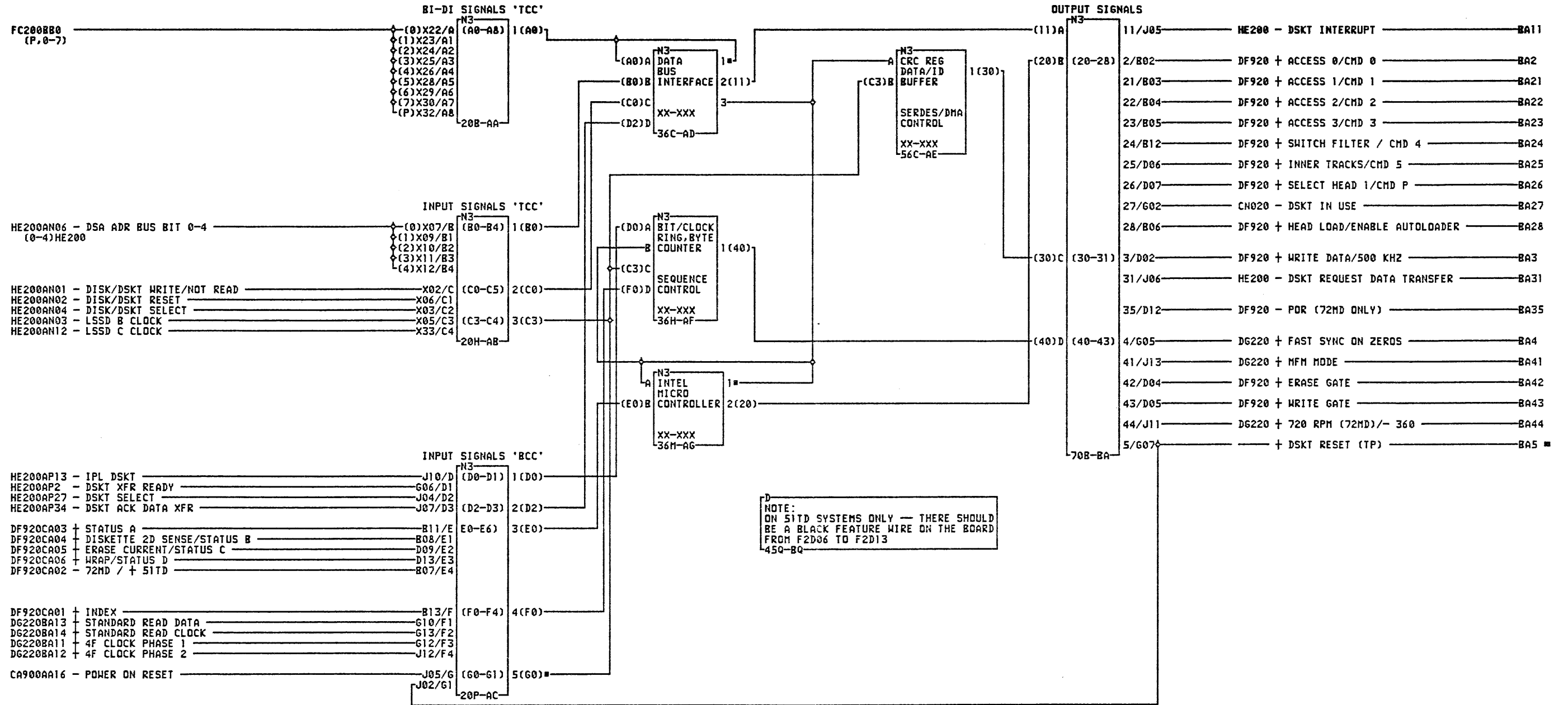


COMMENTS  
A1(C) COPYRIGHT IBM CORP 1983

5360 FL) PAGE - BASE  
MAIN STORAGE  
P/N 2597213 EC 842375  
PAGE 1 OF 1 PEC  
LOC=1A-A1U2  
USN 00003 PRI=31JUL86 1155  
AUC= SEC  
PFORM=KSER NEXTBLK CB  
MACH=5360000  
CID N8E249 JOB U393923

C  
U  
1  
0

C  
U  
1  
0



COMMENTS  
 D1(C) COPYRIGHT IBM CORP 1983

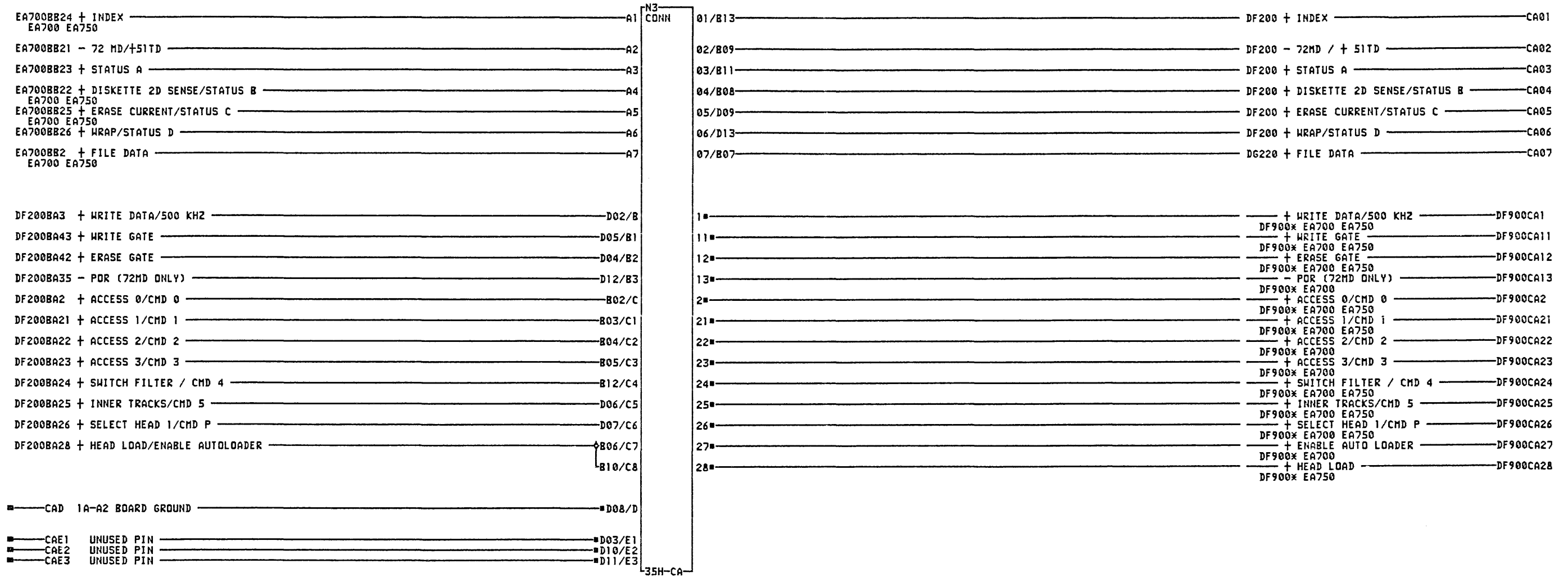
5360 FLD PAGE - BASE  
 DSKT ADAPTER  
 P/N 2597139 EC 839981  
 PAGE 1 OF 3 826487

LDC=1A-A2F2  
 USN 00002 PRI=25APR84 0719  
 AUC= PF0RM=KSEB SEC NEXTBLK BR  
 MACH=5360000  
 CID NBSE196 JOB J9400933

DF200

DF200





COMMENTS  
A1(C) COPYRIGHT IBM CORP 1984

5360 FLD PAGE - BASE  
DSKT SIGNAL CABLE  
P/N 2597139 EC 839981  
PAGE 2 OF 3 826487

LOC=1A-A2V5

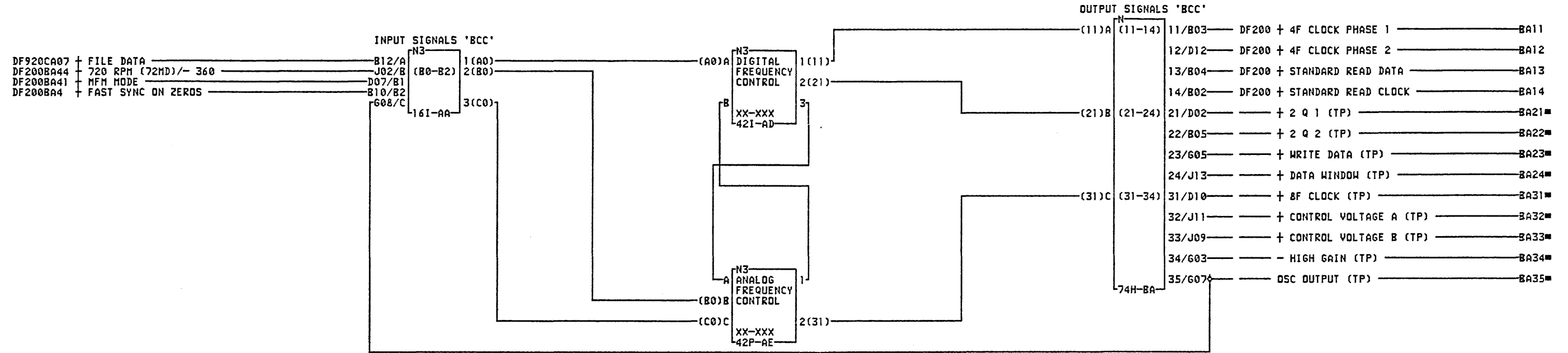
USN 00002      PRI=23APR84 0921  
AUC=            SEC  
PFORM=KSEB    NEXTBLK CB  
MACH=5360000  
CID NBSE196    JOB J9400933

D  
F  
9  
2  
0

0001

D  
F  
9  
2  
0

0001



COMMENTS  
D1(C) COPYRIGHT IBM CORP 1983

D  
6  
2  
0

0001

5360 FLD PAGE -- BASE  
DSKT VFD  
P/N 2597139 EC 839981  
PAGE 3 OF 3 826487

LOC=1A-A264

USN 00002

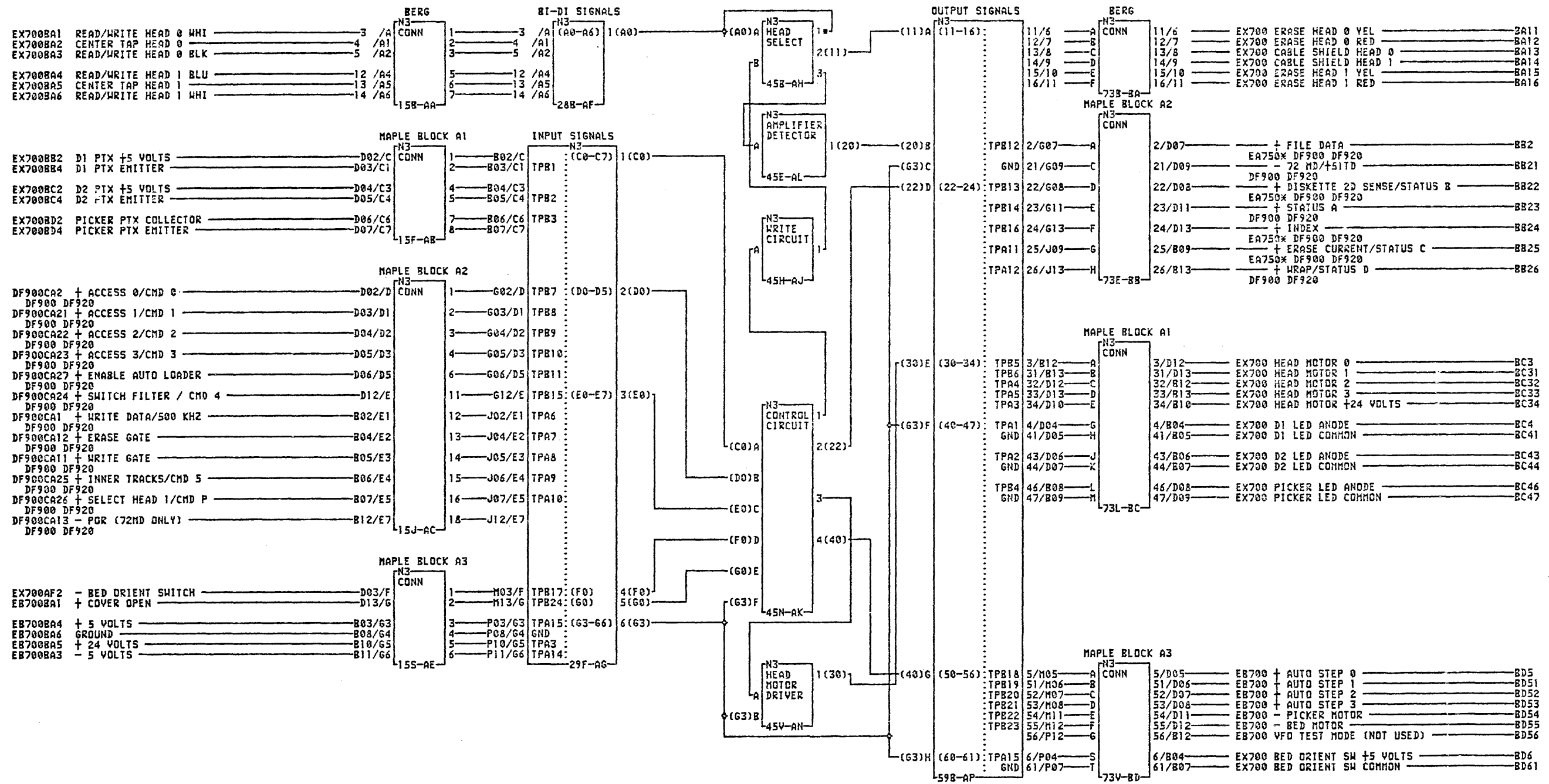
AUC=  
PFORM=KSEB  
MACH=5360000  
CID NBSE196

PRI=25APR84 0719

SEC  
NEXTBLK BB  
JOB J9400933

D  
6  
2  
0

0001



COMMENTS

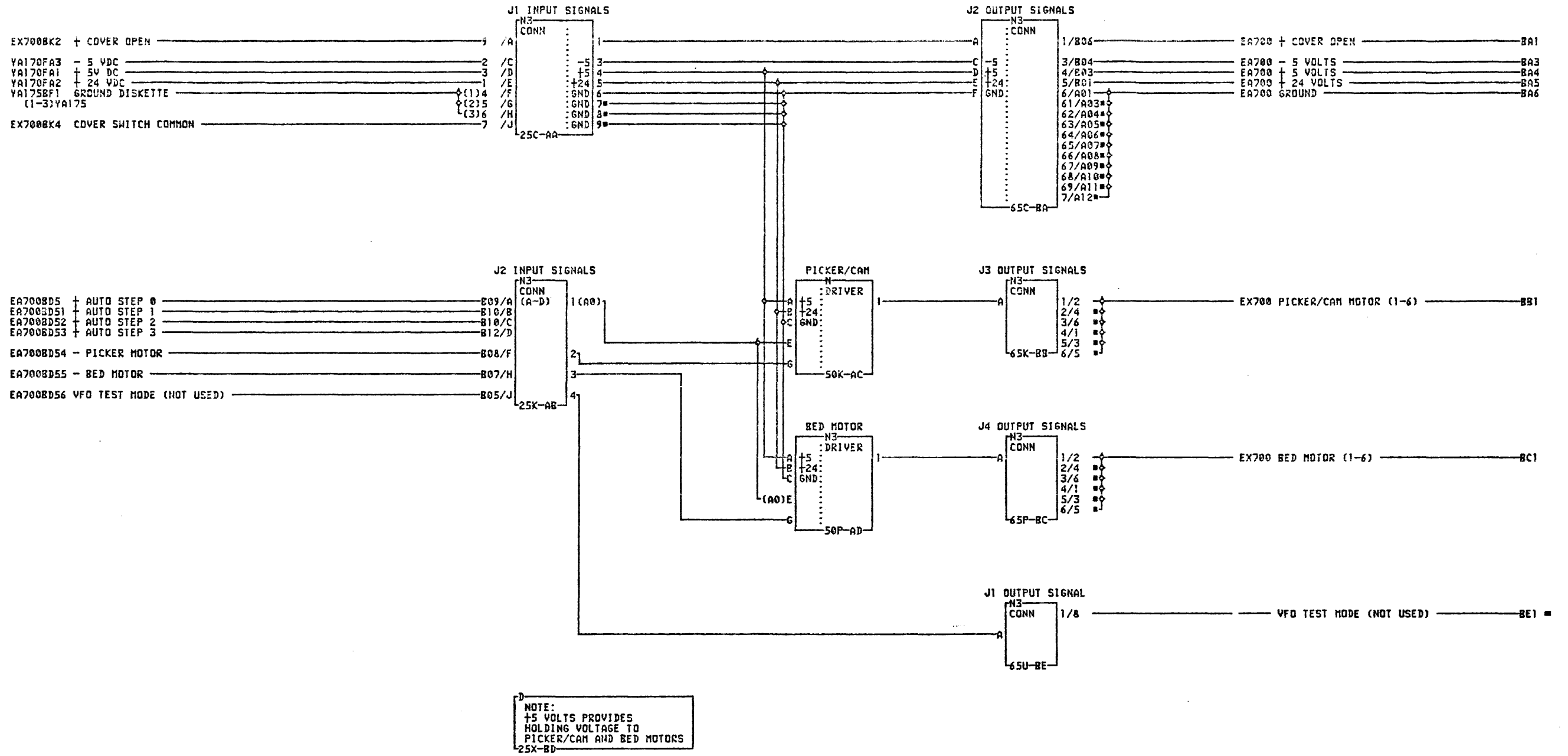
- 1 (C) COPYRIGHT IBM CORP 1983
- 2
- 3 TPA-13 IS GROUND\*
- 4 ADDITIONAL TEST PNTS THP-1
- 5 THROUGH THP-16 ARE SHOWN IN
- 6 MIN 93-245\*

5360 FLD PAGE - OPTION  
72ND CONTROL CARD  
P/N 4177239 EC 826487  
PAGE 1 OF 3 PEC 826380

LOC=1E-A2A1

USN 00001 PRI=12JAN84 0714  
AUC= SEC  
PFDRM=KSEB NEXTBLK BF  
MACH=5360000  
CID NB5E196 JOB M6401139

E  
A  
7  
0  
0

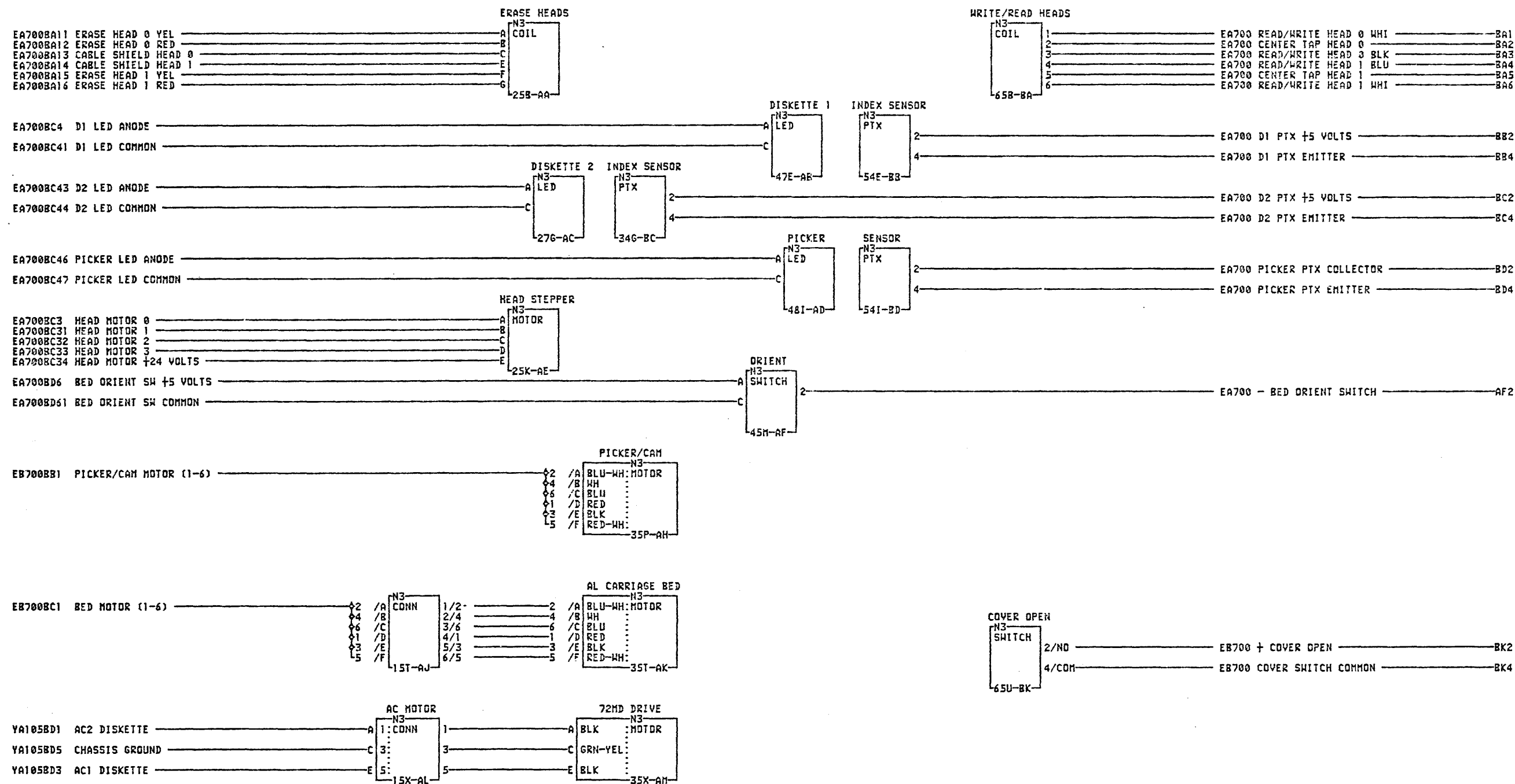


COMMENTS  
AI (C) COPYRIGHT IBM CORP 1983

EB700  
0001

5360 FLD PAGE - OPTION  
72HD DRIVER BOARD  
P/N 4177239 EC 826487  
PAGE 2 OF 3 PEC 826380  
LOC=1E-A281  
USN 00001 PRI=12JAN84 0714  
AUC= PFORM=KSEB SEC NEXTBLK BF  
HACH=5360000  
CID NBSE196 JOB M6401139

EB700  
0001



COMMENTS

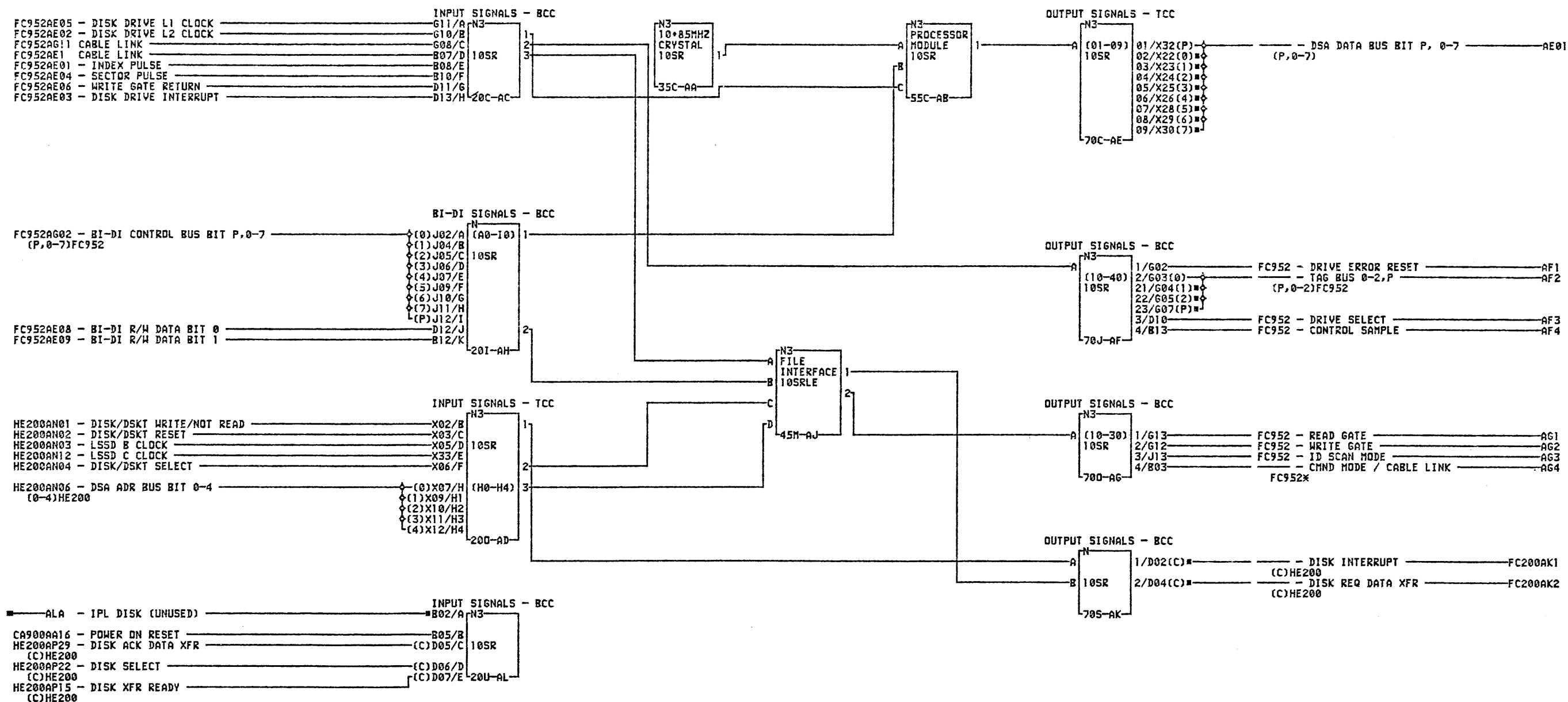
AI (C) COPYRIGHT IBM CORP 1983

5360 FLD PAGE - OPTION  
72MD MISC COMPONENTS  
P/N 4177239 EC 826487  
PAGE 3 OF 3 PEC 826380

LOC=1E-A2

USN 00001 PRI=12JAN84 0714

AUC= PFORM=KSEB SEC NEXTBLK BL  
MACH=5360000  
CID NBSE196 JOB M6401139



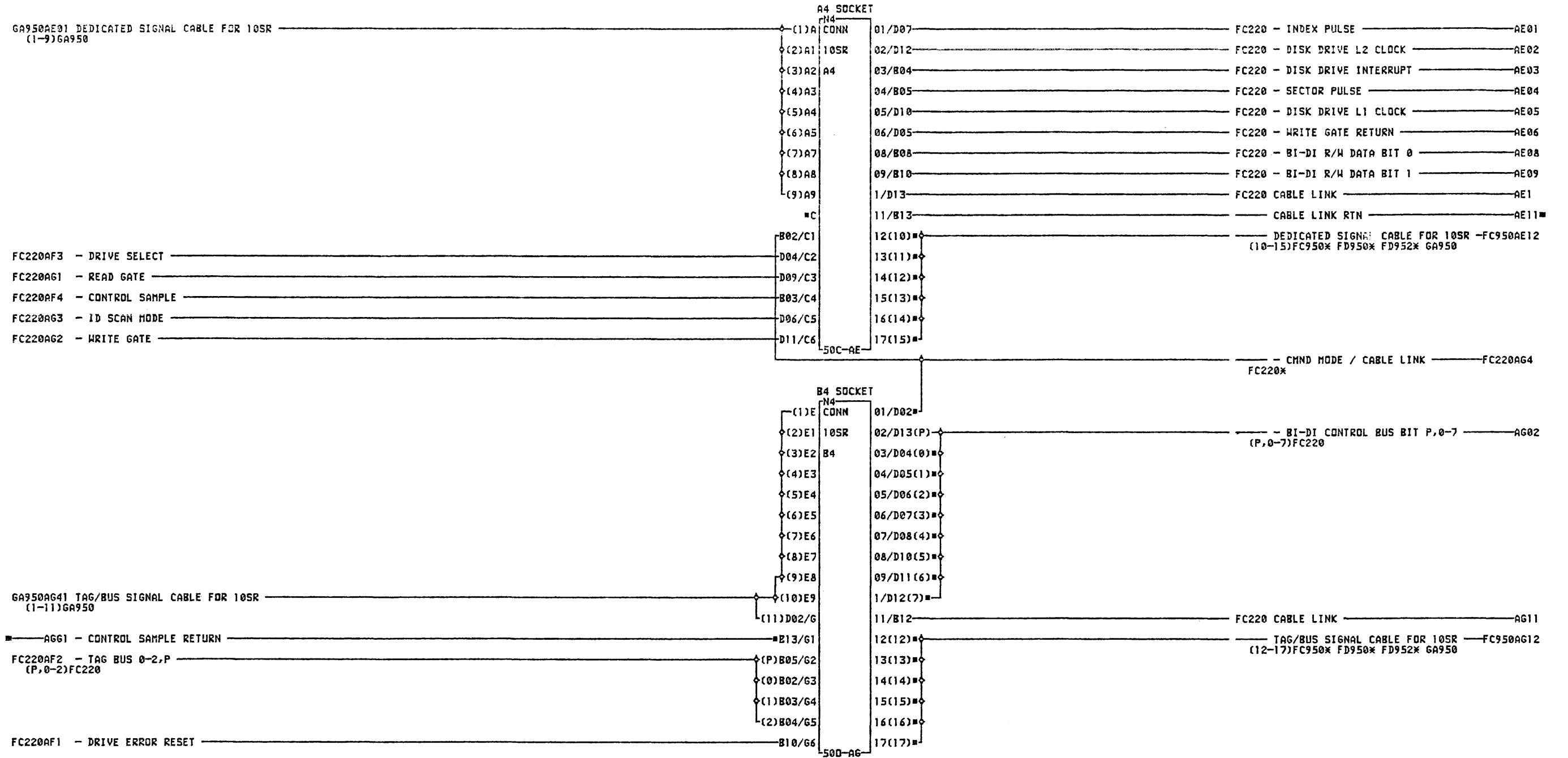
COMMENTS  
A1(C) COPYRIGHT IBM CORP 1983

5360 FLD PAGE - FEATURE  
10SR ATTACHMENT CARD (C)  
P/N 4177247 EC 826487  
PAGE 1 OF 2 PEC 826380

LOC=1A-A2C4

USN 00001 PRI=11JAN84 1734

AUC=10SR SEC  
PFORM=KSER NEXTBLK AM  
MACH=049A000  
CID NB5E80 JOB M9700748



COMMENTS  
A1(C) COPYRIGHT IBM CORP 1983

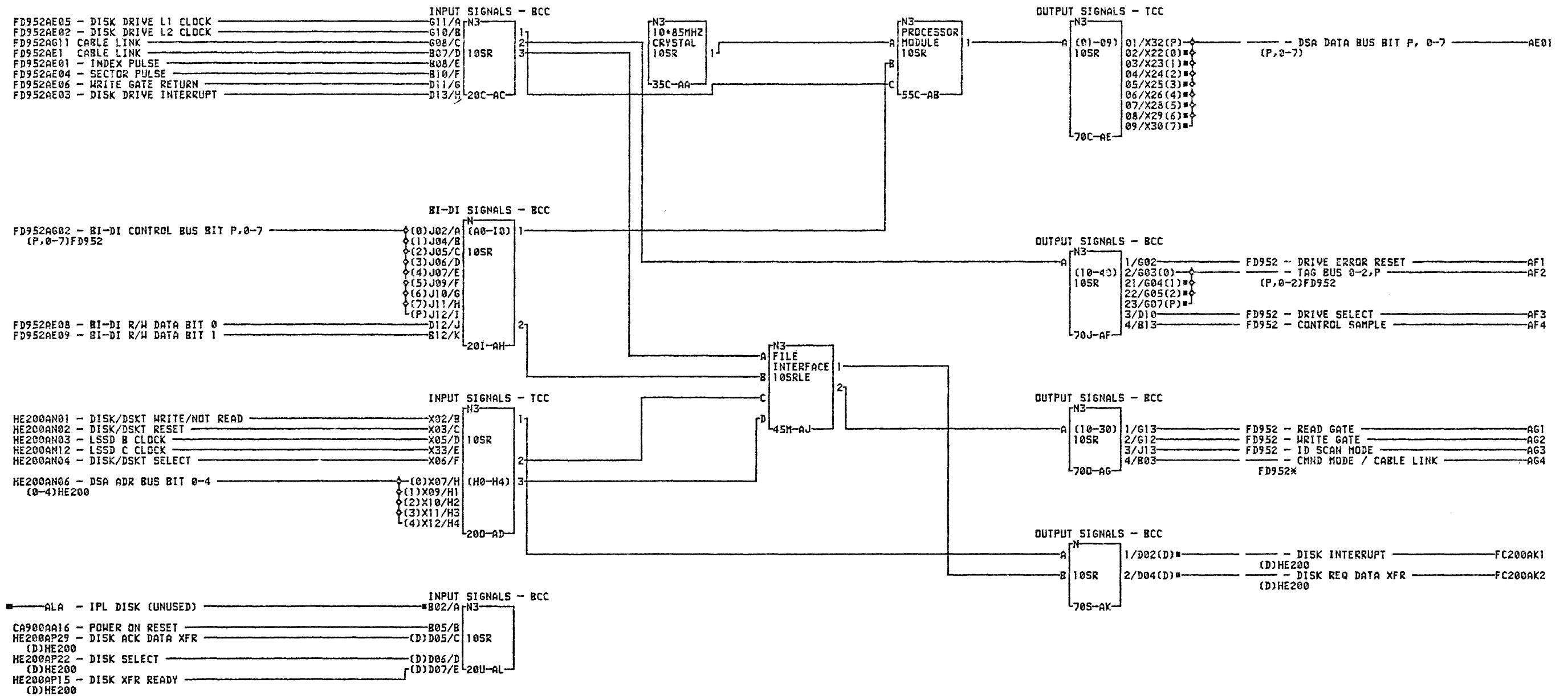
5360 FLD PAGE - FEATURE  
10SR SIGNAL CABLES (C)  
P/N 4177247 EC 826487  
PAGE 2 OF 2 PEC 826380

LDC=1A-A2

USN 00001 PRI=11JAN84 1734  
AUC=10SR SEC  
PFORM=KSEB NEXTBLK AH  
MACH=049A000  
CID NBSE80 JOB M9700748

F  
C  
9  
5  
2  
0001

F  
C  
9  
5  
2  
0001



COMMENTS

AI(C) COPYRIGHT IBM CORP 1983

5360 FLD PAGE - FEATURE  
 10SR ATTACHMENT CARD (D)  
 P/N 4177248 EC 826487  
 PAGE 1 OF 2 PEC 826380

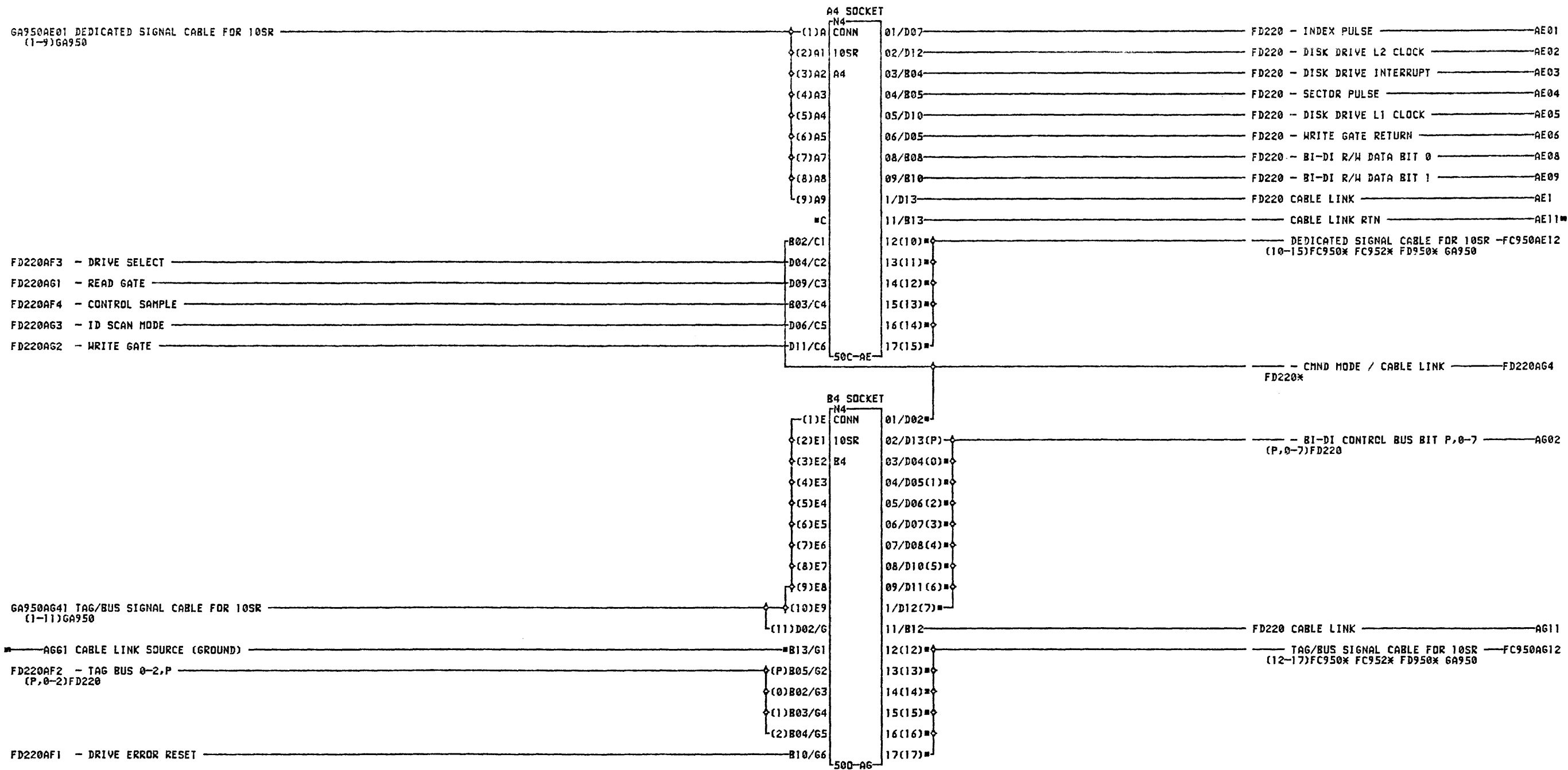
LOC=1A-A2D4

USN 00001 PRI=11JAN84 1734  
 AUC=10SR SEC  
 PFORM=KSEB NEXTBLK AM  
 MACH=049A000  
 CID NB5E80 JOB M9700748

F  
 D  
 2  
 2  
 0  
 0001

F  
 D  
 2  
 2  
 0  
 0001





COMMENTS  
 AI(C) COPYRIGHT IBM CORP 1983

5360 FLD PAGE - FEATURE  
 10SR SIGNAL CABLES (D)  
 P/N 4177248 EC 826487  
 PAGE 2 OF 2 PEC 826380

LDC=1A-A2

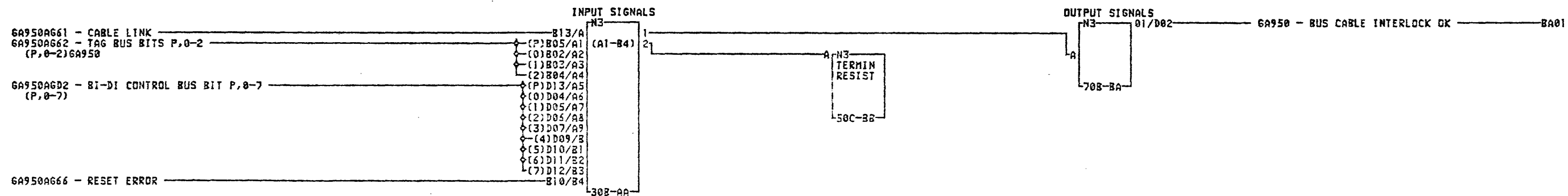
USN 00001 PRI=11JAN84 1734  
 AUC=10SR SEC  
 PFORM=KSEB NEXTBLK AH  
 MACH=049A000  
 CID NBSE80 JOB M9700748

FD952

0001

FD952

0001



COMMENTS

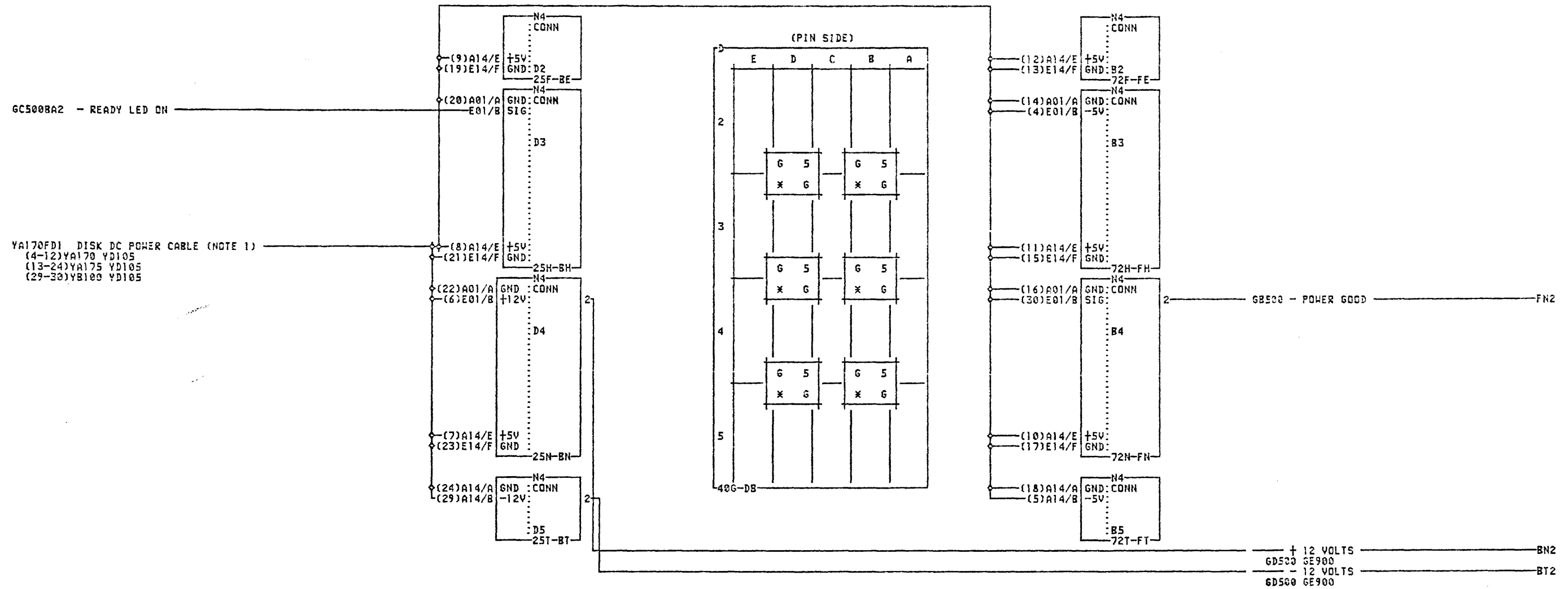
AI(C) COPYRIGHT IBM CORP 1983

5350 FLD PAGE - 10SR OPTION  
 TERMINATOR CARD  
 P/N 417249 EC 826487  
 PAGE 1 OF 12 PEC 826380

LDC=1F-A1A5

USN 00001 PRI=12JAN84 0714  
 AUC= SEC  
 PFORM=KSEB NEXTBLK BC  
 MACH=5350000  
 CID N85E196 JOB M6401139

6  
 A  
 5  
 0  
 0



COMMENTS

1 (C) COPYRIGHT IBM CORP 1983  
 2  
 3 NOTE 1:  
 4 (SEE SOURCE NET PAGES)

5360 FLD PAGE - 10SR OPTION  
 BOARD MINI-BUS POWER CONNECTORS  
 P/N 4177249 EC 826487  
 PAGE 2 OF 12 PEC 826380

LOC=1F-A1

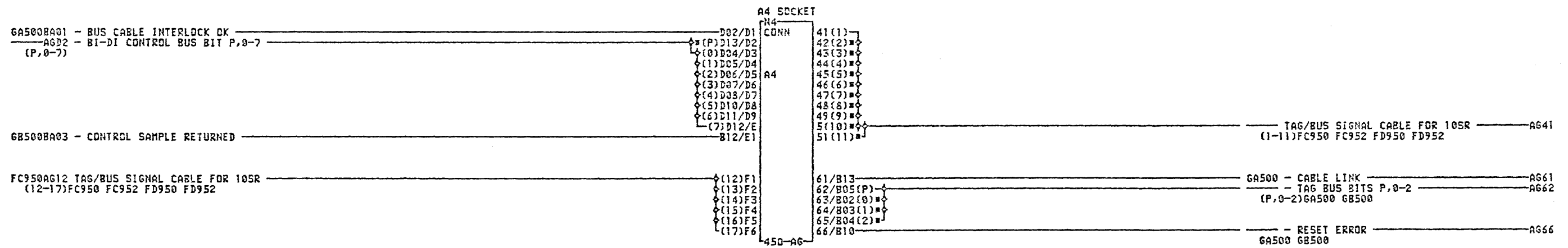
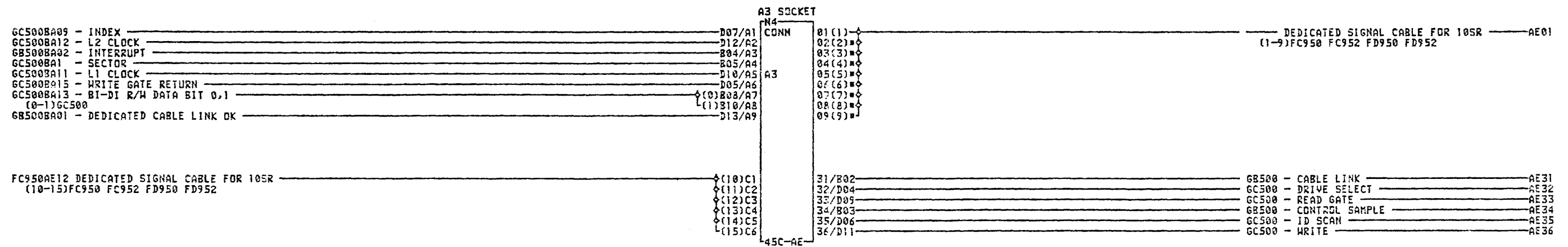
USN 00001 PRI=12JAN84 0714  
 AUC= SEC  
 PFORM=KSEB NEXTBLK FU  
 MACH=5360000  
 CID N85E196 JOB N6401139

6  
 9  
 1  
 5

0001

6  
 9  
 1  
 5

0001



COMMENTS

A1(C) COPYRIGHT IBM CORP 1983

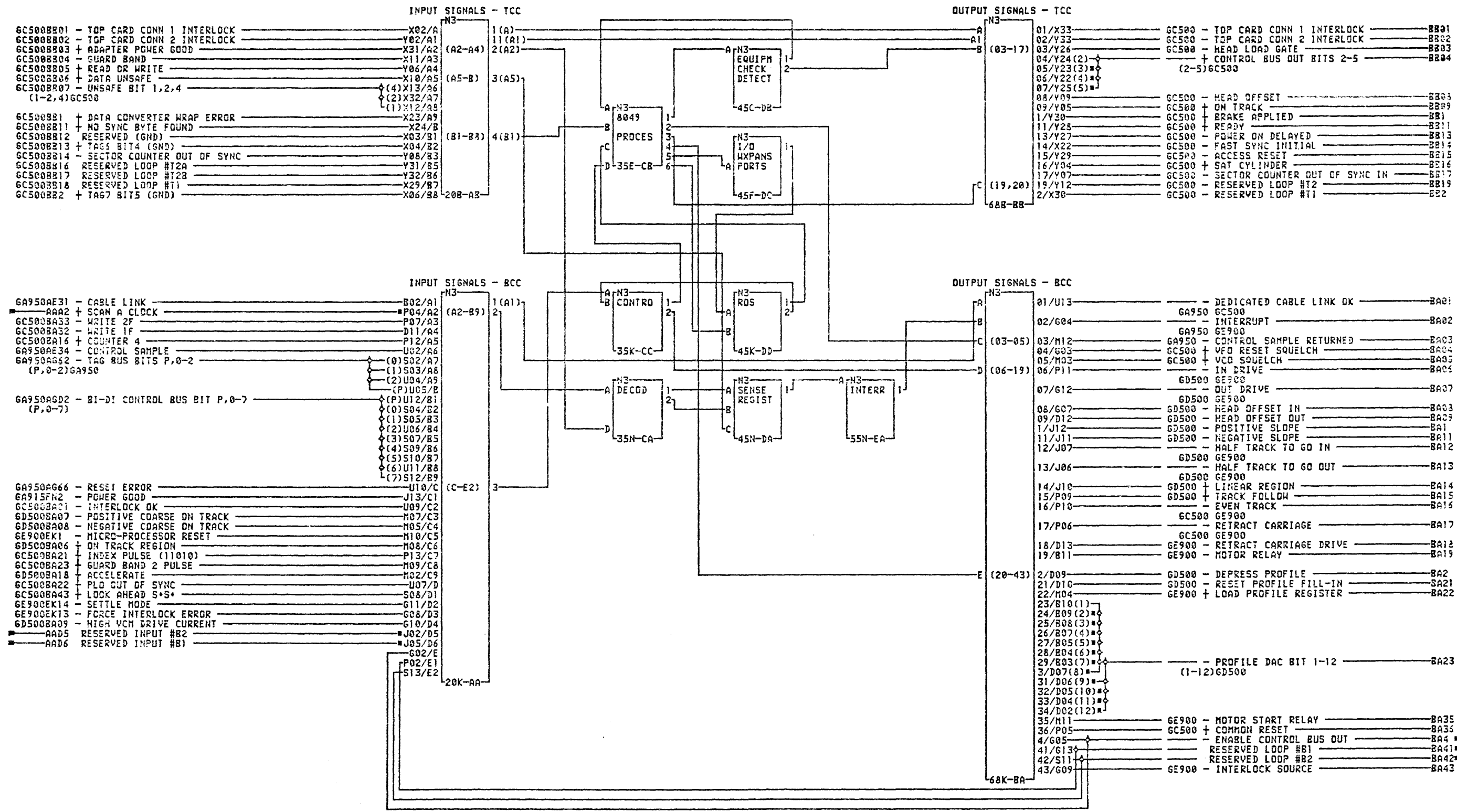
5360 FLD PAGE - 10SR OPTION  
STAR SIGNAL CABLES  
P/N 4177249 EC 826487  
PAGE 3 OF 12 PEC 826380

LOC=1F-A1

USN 00001 PRI=12JAN84 0714  
AUC= SEC  
PFORM=KSEB NEXTBLK AH  
MACH=5360000  
CID NBSE196 JOB M6401139

6  
A  
9  
5  
0

G  
A  
9  
5  
0



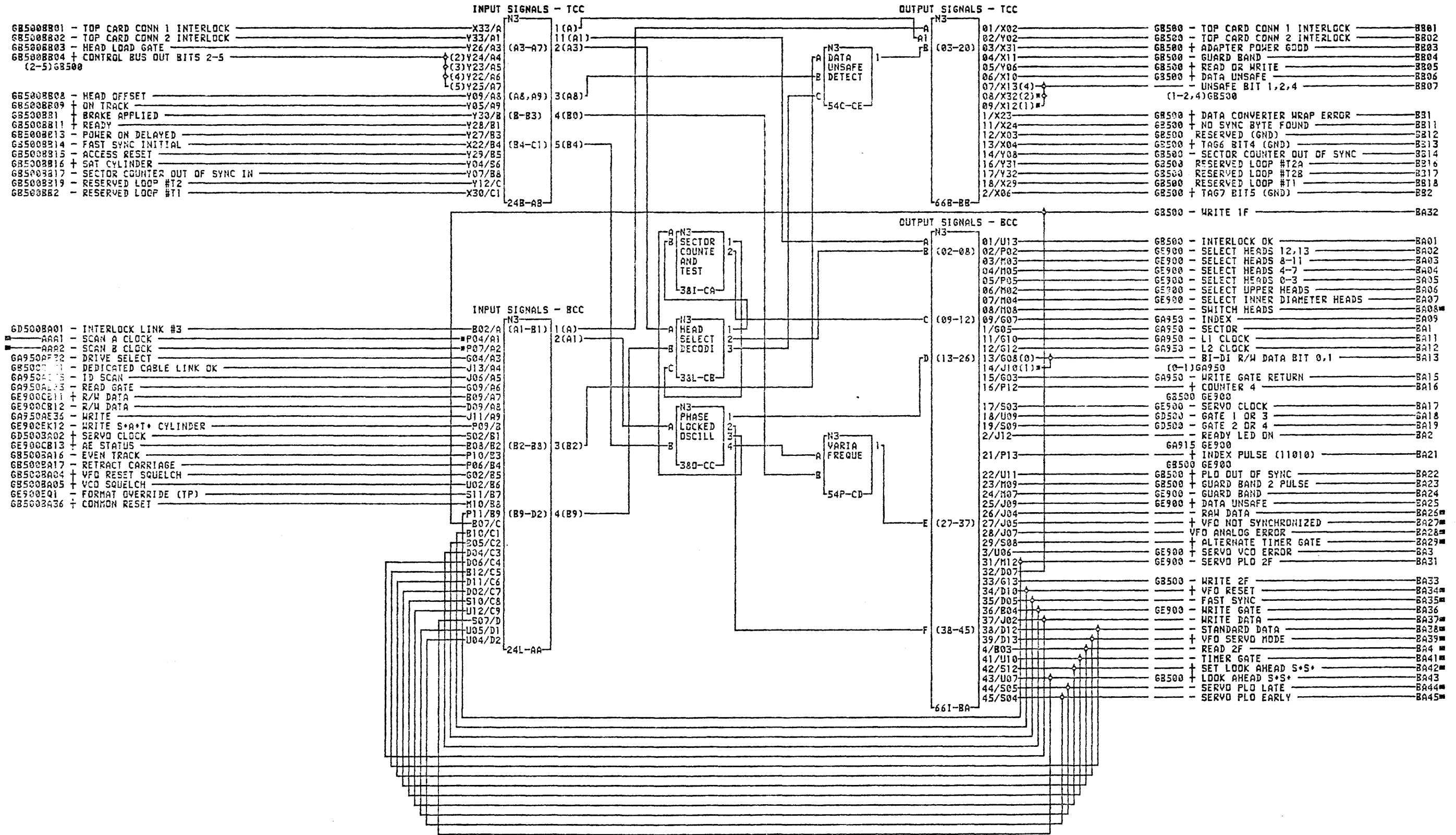
COMMENTS  
A1(C) COPYRIGHT IBM CORP 1983

5360 FLD PAGE - 10SR OPTION  
ACCESS CONTROL CARD  
P/H 4177249 EC 826487  
PAGE 4 OF 12 PEC 826380

LOC=1F-A1B2  
USN 00001 PRI=12JAN84 0714  
AUC= PFORM=KSEB SEC NEXTBLK EB  
MACH=5360000  
CID NBSE196 JOB M6401139

6  
8  
5  
0  
0  
0001

0001



COMMENTS  
A1(C) COPYRIGHT IBM CORP 1983

5360 FLD PAGE - 10SR OPTION  
DATA CONVERTER CARD  
P/N 4177249 EC 826487  
PAGE 5 OF 12 PEC 826383

LDC=1F-A1C2

USN 00001

PRI=12JAN84 0714

AUC=

SEC

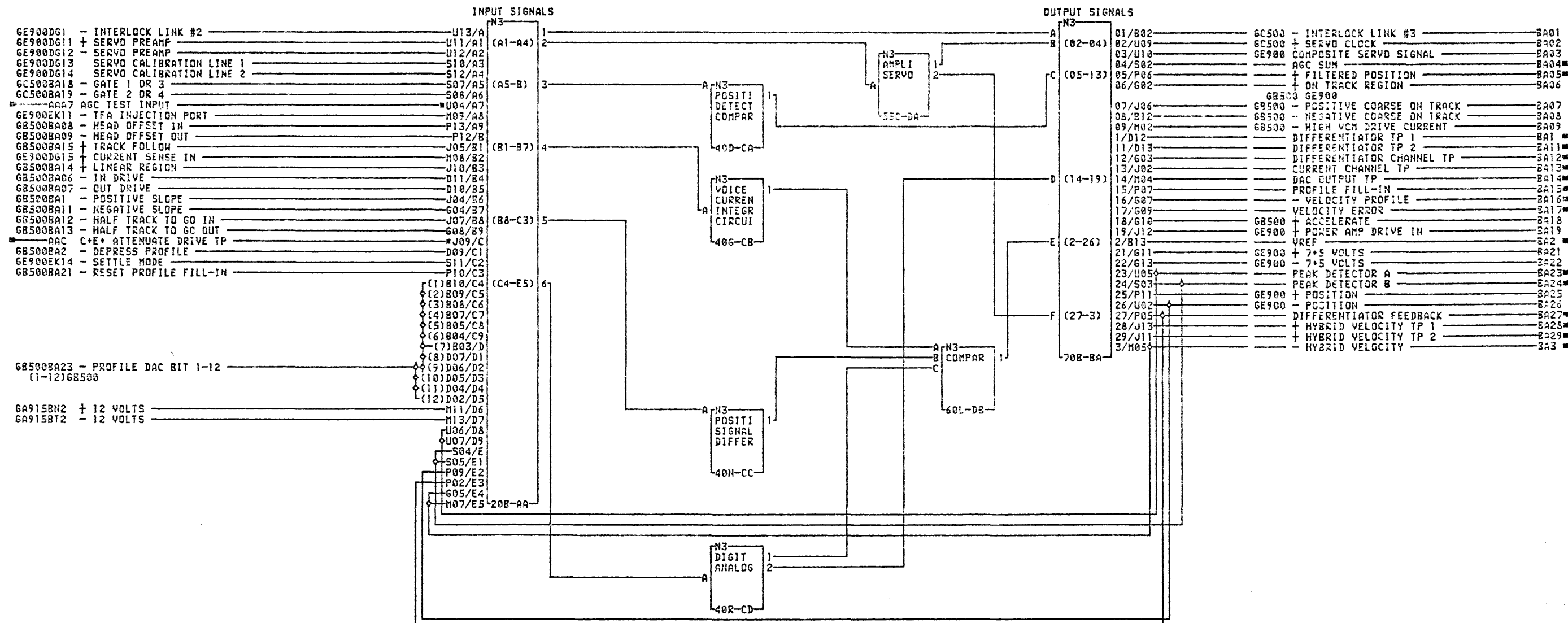
PFORM=KSEB

NEXTBLK CF

MACH=5360000

JOB M6401139

CID NBSE196



COMMENTS  
 AI(C) COPYRIGHT IBM CORP 1983

5360 FLD PAGE - 10SR OPTION  
 SERVO CONTROL CARD  
 P/N 4177249 EC 826487  
 PAGE 6 OF 12 PEC 826360

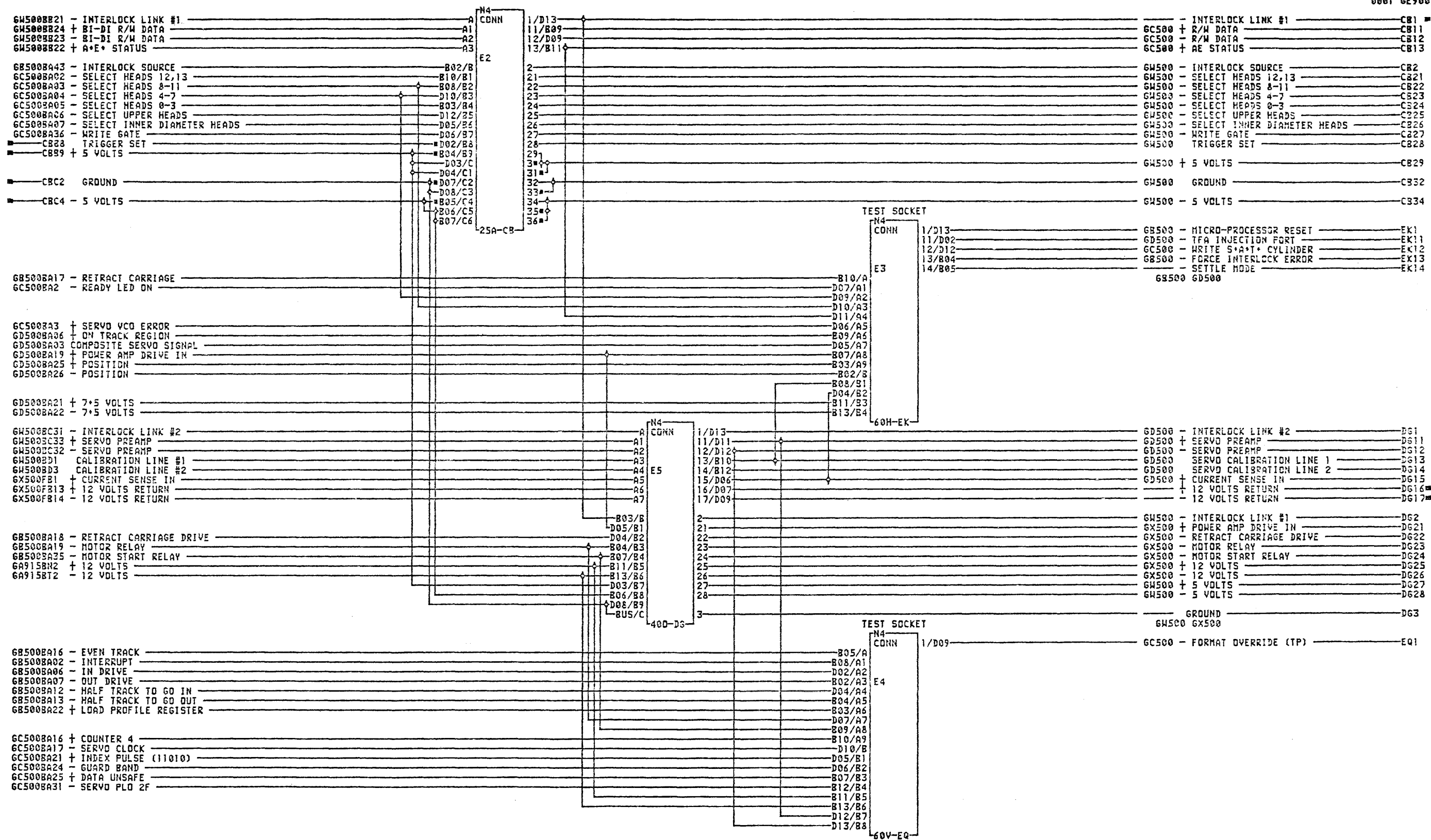
LDC=IF-A1D2  
 USN 00001 PRI=12JAN84 0714  
 AUC= SEC  
 PFORM=KSEB NEXTBLK DC  
 MACH=5360000  
 CID NBSE196 JOB M6401139

6  
 5  
 0  
 8

6  
 5  
 0  
 0

0001

0001



COMMENTS

A1(C) COPYRIGHT IBM CORP 1983  
 2  
 3E2 = HDA DATA CONNECTOR  
 4E3 / E4 = TEST POINTS  
 5E5 = HDA SERVO CONNECTOR

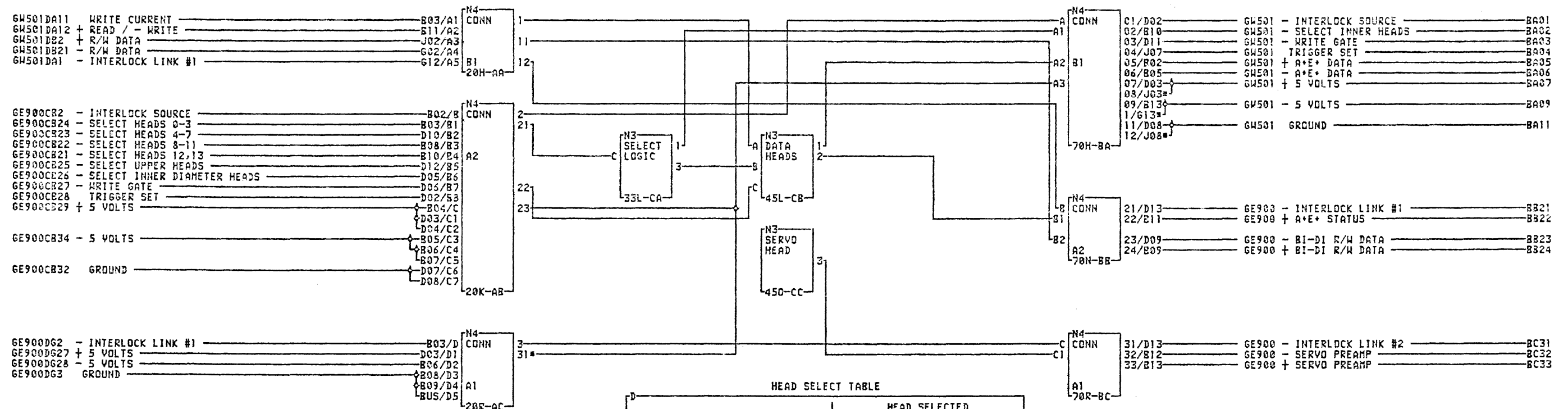
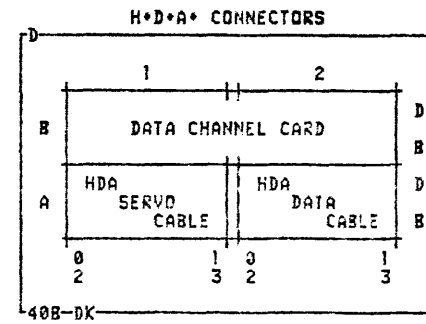
5360 FLD PAGE - 10SR OPTION  
 BOARD CONNECTORS & TEST POINTS  
 P/N 4177249 EC 826487  
 PAGE 7 OF 12 PEC 826388

LOC=1F-A1

USN 00001 PRI=12JAN84 0714  
 AUC= PF0RM=KSEB SEC NEXTBLK ER  
 MACH=5360000  
 CID NB5E196 JOB M6401139

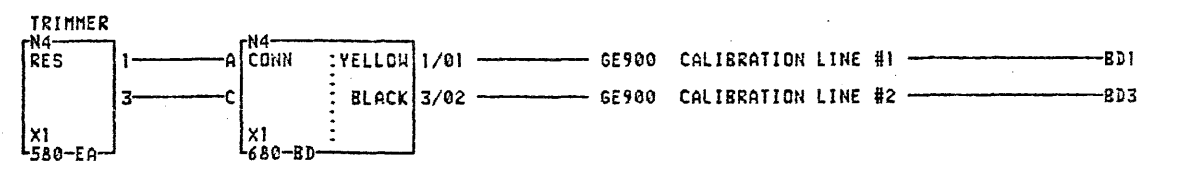
6  
E  
9  
0  
8





HEAD SELECT TABLE

SIGNAL NAME	HEAD SELECTED													
	0	0	0	0	0	0	0	0	0	1	1	1	1	
	0	1	2	3	4	5	6	7	8	9	0	1	2	3
- SELECT HEADS 12,13	+	+	+	+	+	+	+	+	+	+	+	+	-	-
- SELECT HEADS 8-11	+	+	+	+	+	+	+	+	-	-	-	-	+	+
- SELECT HEADS 4-7	+	+	+	+	-	-	-	-	+	+	+	+	+	+
- SELECT HEADS 0-3	-	-	-	-	+	+	+	+	+	+	+	+	+	+
- SELECT UPPER HEADS	+	+	-	-	+	+	-	-	+	-	-	+	+	+
- SELECT INNER DIAMETER HEADS	+	-	+	-	+	-	+	-	+	-	+	-	+	-



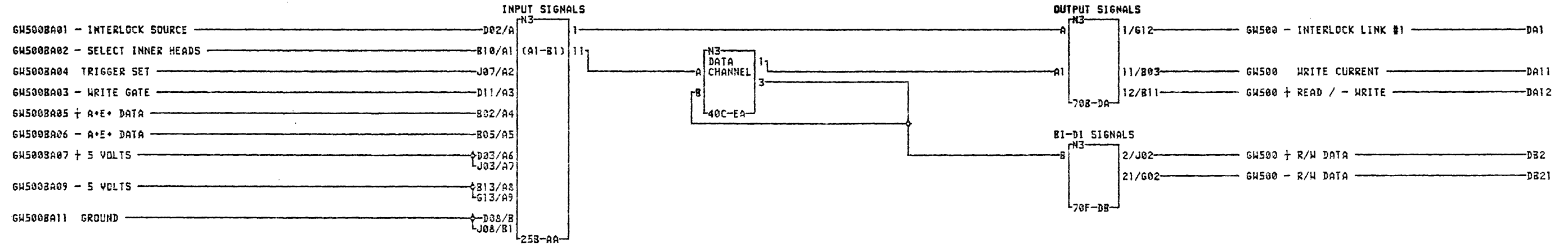
COMMENTS  
A1(C) COPYRIGHT IBM CORP 1983

5360 FLD PAGE - 10SR OPTION  
HEAD & DISK ASSEMBLY (HDA)  
P/N 4177249 EC 826487  
PAGE 8 OF 12 PEC 826380

LOC=1F-W1  
USN 00001 PRI=12JAN84 0714 6  
AUC= SEC 5  
PFORM=KSEB NEXTBLK EB 0  
MACH=5360000  
CID NB5E196 JOB M6401139 0

64500  
0001

0001



COMMENTS

A1(C) COPYRIGHT IBM CORP 1983

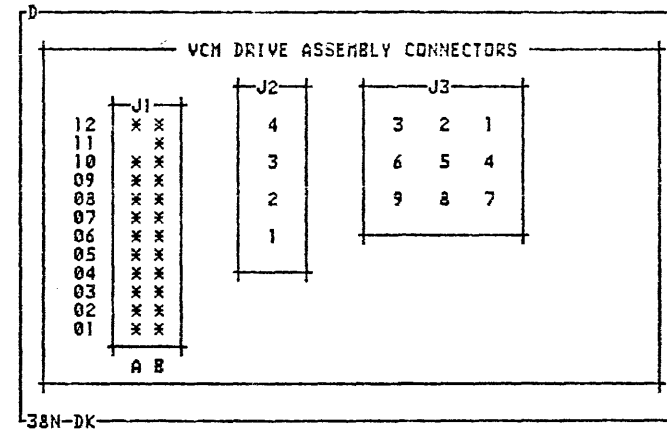
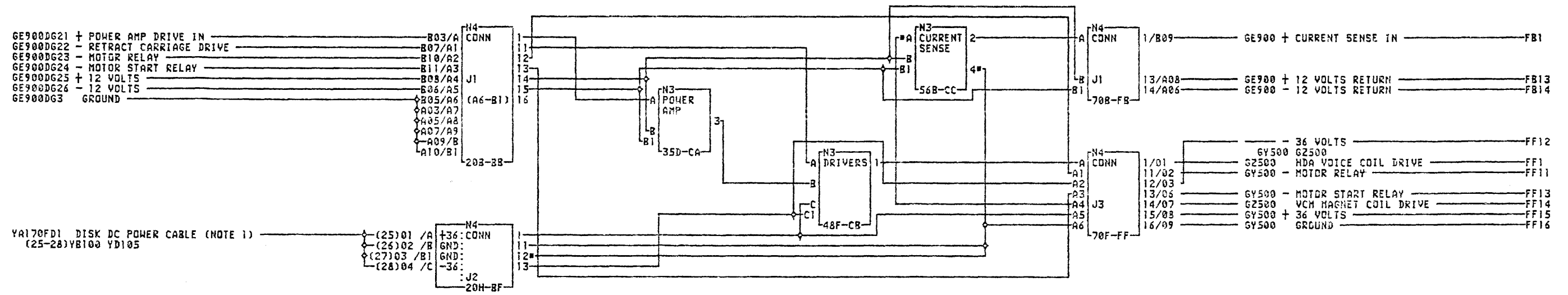
5360 FLD PAGE - 10SR OPTION  
 DATA CHANNEL CARD  
 P/N 4177249 EC 826487  
 PAGE 9 OF 12 PEC 826380

LOC=1F-W1B1

USN 00001 PRI=12JAN84 0714  
 AUC= PFDRM=KSEB SEC NEXTBLK EB  
 MACH=5360000  
 CID NBSE196 JOB M6401139

6  
 W  
 5  
 0  
 1  
 0001

6  
 H  
 5  
 0  
 1



COMMENTS

A1(C) COPYRIGHT IBM CORP 1983  
 2  
 3NOTE 1:  
 4 (SEE SOURCE NET PAGES)

5360 FLD PAGE - 10SR OPTION  
 VCM DRIVE ASSEMBLY  
 P/N 4177249 EC 826487  
 PAGE 10 OF 12 PEC 826380

LOC=1F-X1

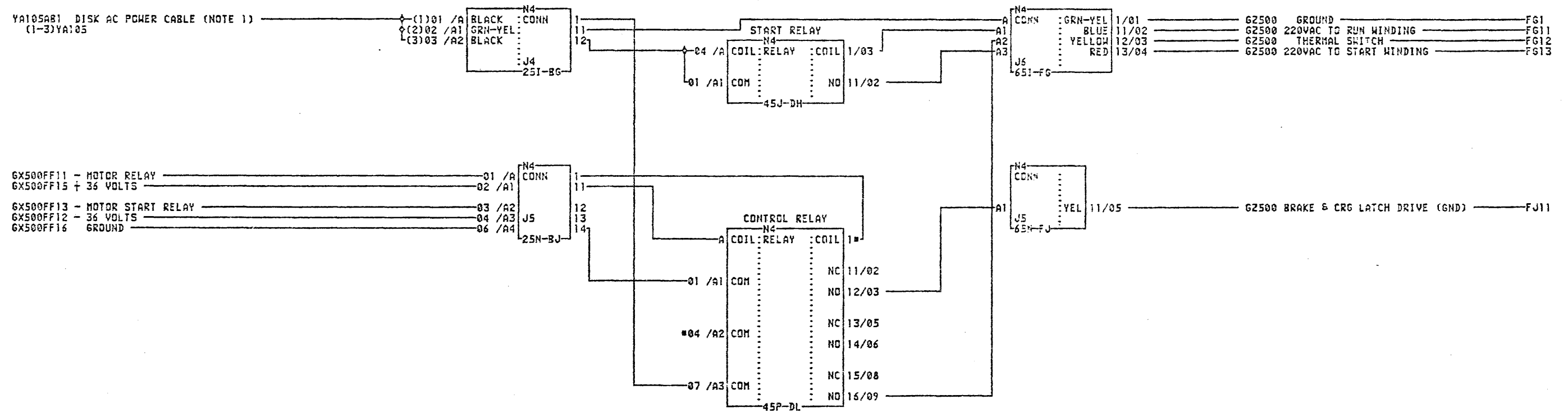
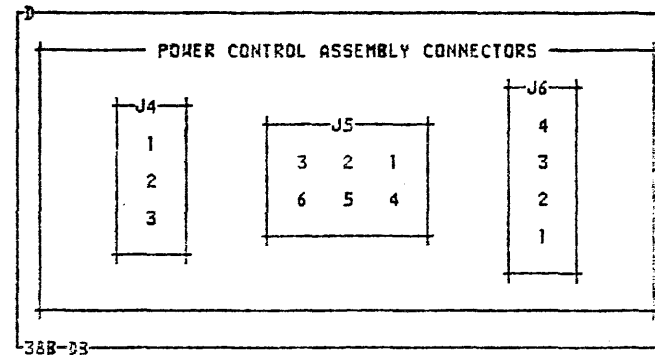
USN 00001 PRI=12JAN84 0714  
 AUC= SEC  
 PFORM=KSEB NEXTBLK F6  
 MACH=5360000  
 CID NBSE196 JOB M6401139

6  
 X  
 5  
 0  
 0

0001

6  
 X  
 5  
 0  
 0

0001



COMMENTS  
 A1(C) COPYRIGHT IBM CORP 1983  
 2  
 3NOTE 1:  
 4 (SEE SOURCE NET PAGE)

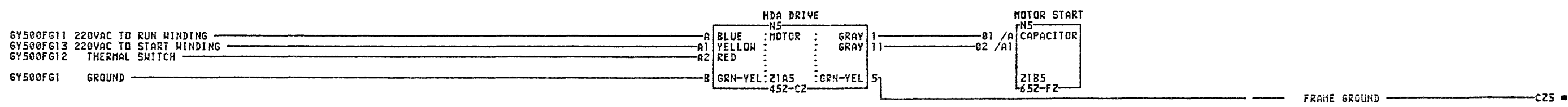
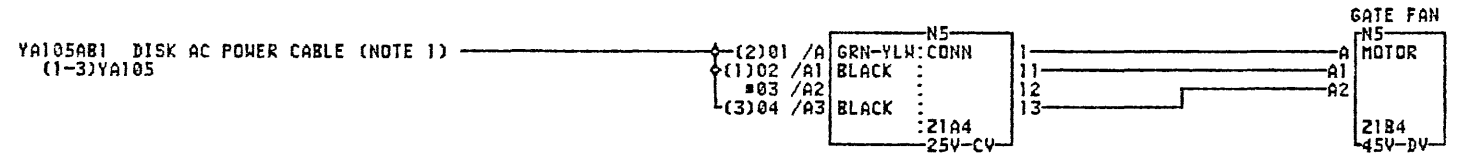
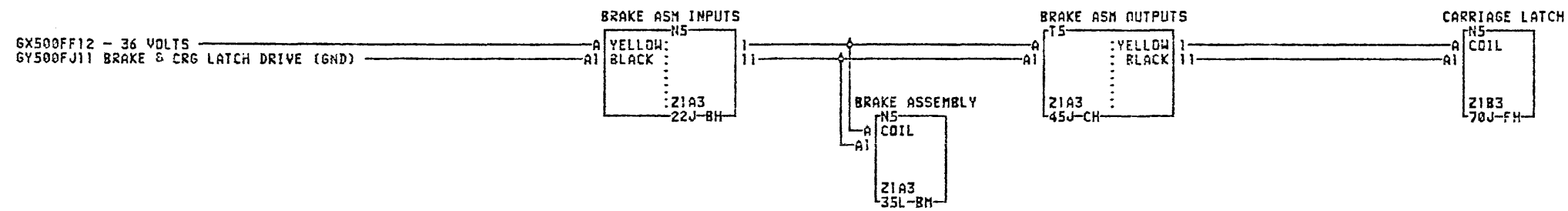
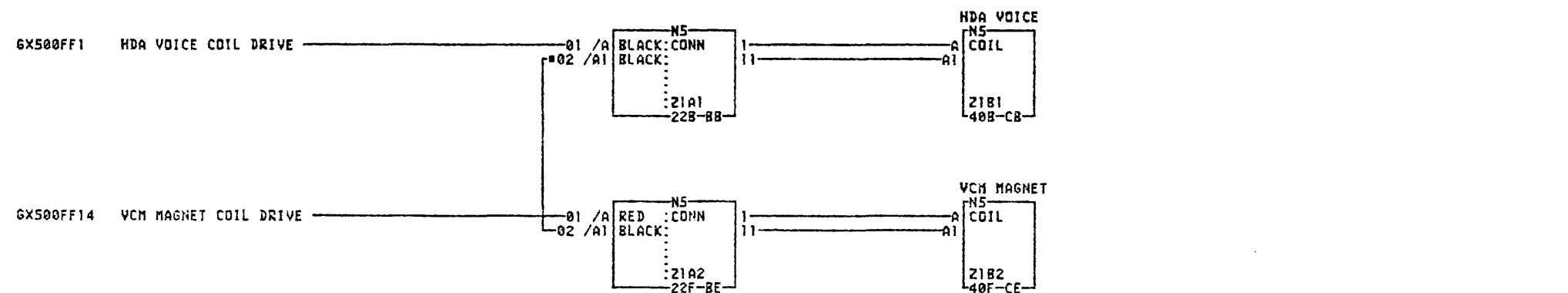
5360 FLD PAGE - 10SR OPTION  
 POWER CONTROL ASSEMBLY  
 P/N 4177249 EC 826487  
 PAGE 11 OF 12 PEC 826380

LOC=1F-Y1  
 USN 00001 PRI=12JAN84 0714  
 AUC= SEC  
 PFORM=KSEB NEXTBLK FK  
 MACH=5360000  
 CID NBSE196 JOB M6401139

6  
 Y  
 5  
 0  
 0

0001

0001



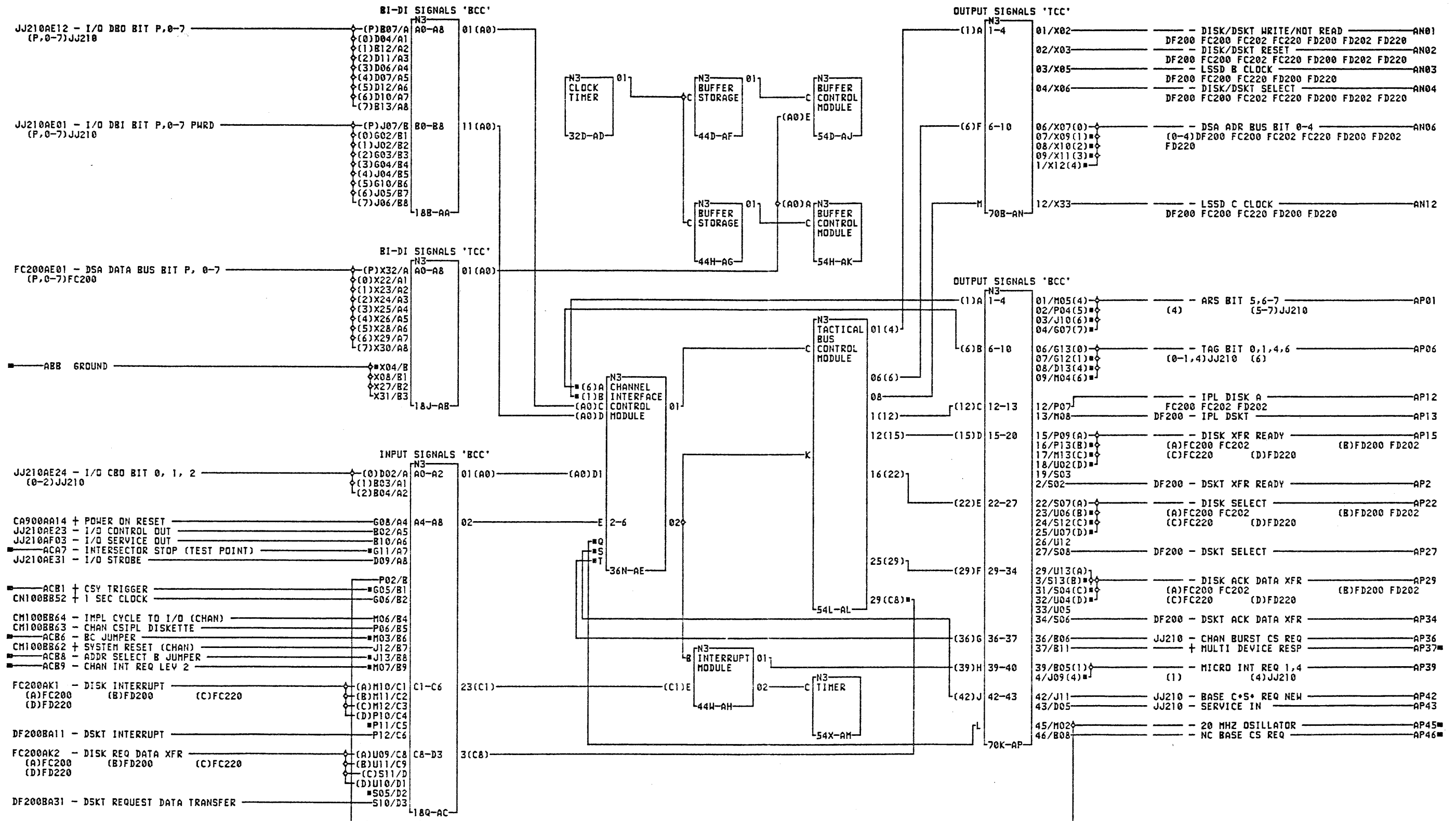
COMMENTS  
 1 A1(C) COPYRIGHT IBM CORP 1983  
 2  
 3 NOTE 1:  
 4 (SEE SOURCE NET PAGE)

5360 FLD PAGE - 10SR OPTION  
 ELECTRO-MECHANICAL COMPONENTS  
 P/N 4177249 EC 826487  
 PAGE 12 OF 12 PEC 826380

6  
 2  
 5  
 0  
 0001

LDC=1F-  
 USN 00001 PRI=12JAN84 0714  
 AUC= SEC  
 PFORM=KSEB NEXTBLK F0  
 MACH=5360000  
 CID N85E196 JOB M6401139

6  
 2  
 5  
 0  
 0001



COMMENTS

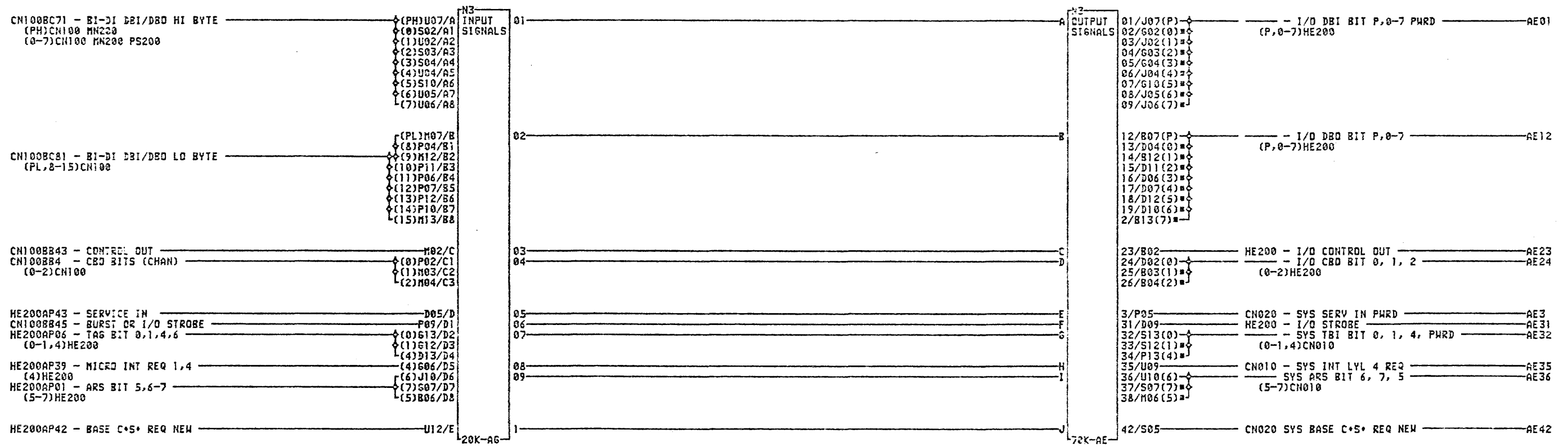
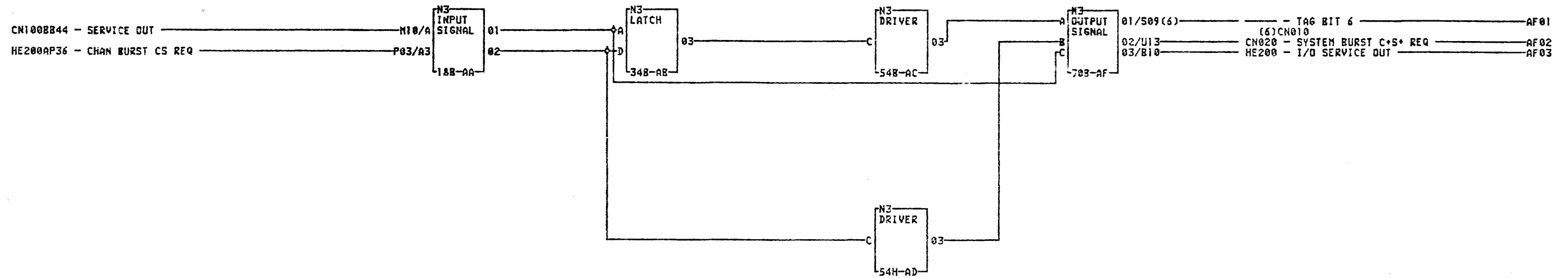
A1(C) COPYRIGHT IBM CORP 1984

5360 FLD PAGE - OPTION  
 DSA #1  
 P/N 2597149 EC 826487  
 PAGE 1 OF 1 PEC

LDC=1A-A2E2  
 USN 00001 PRI=12JAN84 0714  
 AUC= SEC  
 PFORM=KSEB NEXTBLK AQ  
 MACH=5360000  
 CID NBSE196 JOB T9601402

H  
 E  
 2  
 0  
 0  
 0001

H  
 E  
 2  
 0  
 0  
 0001

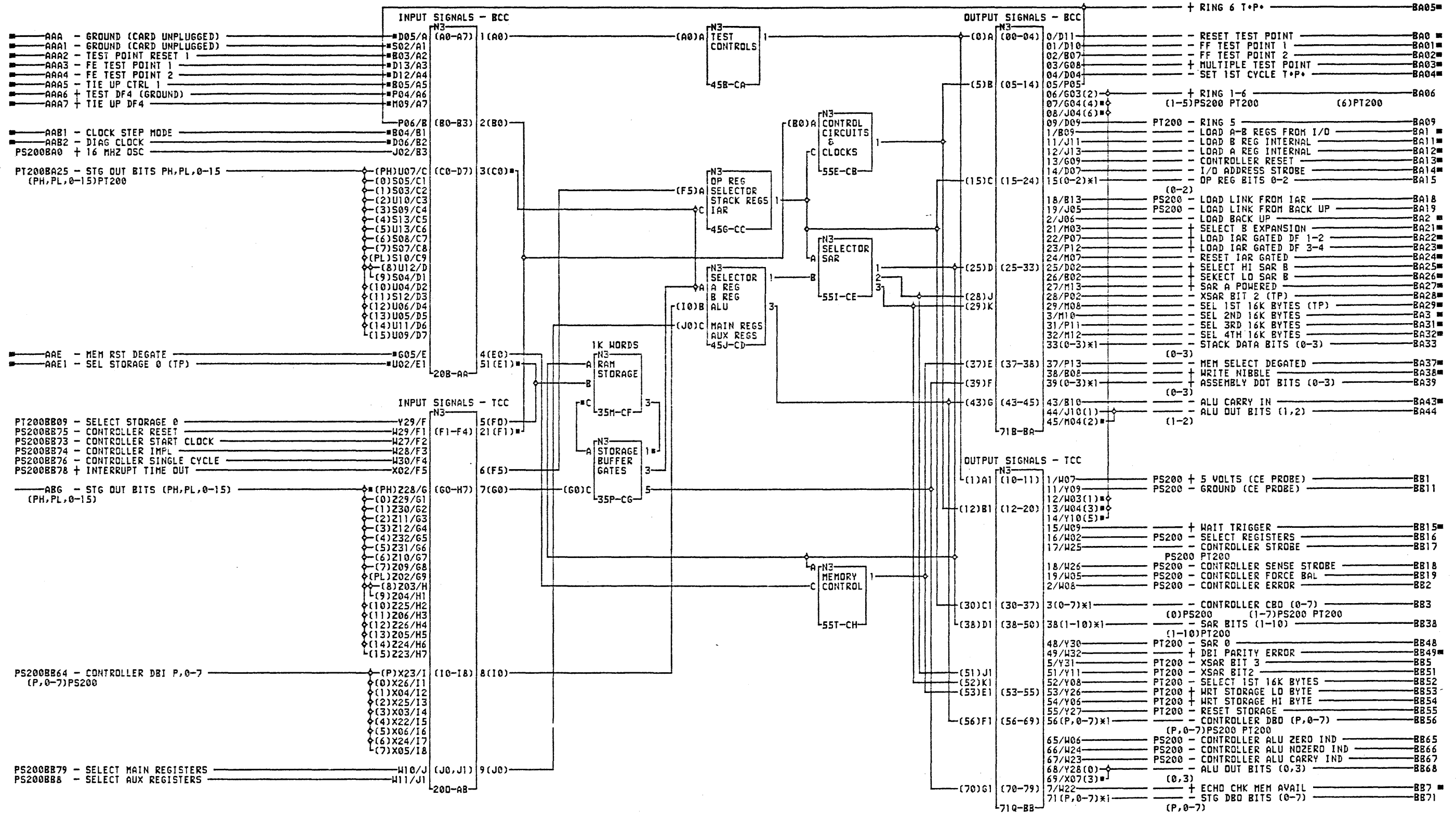


COMMENTS  
 A1(C) COPYRIGHT IBM CORP 1984

5360 FLD PAGE - OPTION  
 DATA STORAGE PASSTHROUGH  
 P/N 2597150 EC 826487  
 PAGE 1 OF 1 PEC  
 LDC=1A-A2J2  
 USN 00001 PRI=12JAN84 0714  
 AUC= SEC  
 PFORM=KSEB NEXTBLK BB  
 MACH=5360000  
 CID NBSE196 JOB M6401139

J  
J  
2  
1  
0

J  
J  
2  
1  
0



COMMENTS	PINS	PINS	PINS	PINS
1 (C) COPYRIGHT IBM CORP 1984	BA	31/X08	45/Z33	73/Y04
2	15/B12	32/X27	46/Z13	74/Y22
3 FOR ADDITIONAL INFORMATION	16/G10	33/X09	47/Y12	75/Y03
4 SEE MIM 50-620	17/J09	34/W13	56/X30	76/Y25
	33/M02	35/W31	57/X11	77/Y24
	34/G13	36/W12	58/X29	78/Y23
	35/J12	37/W33	59/X10	79/Y02
	36/G12	38/Y13	60/X32	
	39/J07	39/Z22	61/X12	
	40/P09	40/Z08	62/X31	
	41/P10	41/Y33	63/X33	
	42/G07	42/Z27	64/X13	
	BB	43/Z07	71/Y07	

5360 FLD PAGE - FEATURE  
 PTRR CONTROLLER  
 P/N 2597152 EC 826487  
 PAGE 1 OF 7 PEC

LOC=1A-A2R2

USN 00001 PRI=12JAN84 0714 P  
 AUC= SEC R  
 PFORM=KSEB NEXTBLK CI 2  
 MACH=5360000 0  
 CID NBSE196 JOB J9800544 0  
 0001



PRNTR SOCKET 3 (BLUE)

PT900AA0 CABLE INTERLOCK 6 (GROUND)	D04/A	TO	0	CABLE INTERLOCK 6 (GROUND)	BA0
PT900AA01 - CHECK INDICATOR	D09/A1	PRINTER	01	- CHECK INDICATOR	BA01
PT900AA02 - INTERLOCK INDICATOR	D11/A2		02	- INTERLOCK INDICATOR	BA02
PT900AA03 - FORMS INDICATOR	D12/A3		03	- FORMS INDICATOR	BA03
PT900AA04 - READY INDICATOR	D13/A4		04	- READY INDICATOR	BA04
PT900AA05 - PRINTER POWER ON	BC2/A5		05	- PRINTER POWER ON	BA05
BA0 - WRAP RETURN 1 DATA BIT 6	B	FROM	1/D03	PT900 - WRAP RETURN 1 DATA BIT 6	BA1
BA01 - STOP/RESET KEY	B1	PRINTER	11/B12	PT900 - STOP/RESET KEY	BA11
BA02 - THERMAL CHECK 2	B2		12/D05	PT900 - THERMAL CHECK 2	BA12
BA03 - WRAP RETURN 2 DATA BIT 7	B3		13/D06	PT900 - WRAP RETURN 2 DATA BIT 7	BA13
BA04 - READY KEY	B4		14/D10	PT900 - READY KEY	BA14
BA05 - THERMAL CHECK 1	B5		15/B03	PT900 - THERMAL CHECK 1	BA15
BA06 - CARRIAGE SPACE KEY	B6		16/B05	PT900 - CARRIAGE SPACE KEY	BA16
BA07 - CARRIAGE RESTORE KEY	B7		17/B06	PT900 - CARRIAGE RESTORE KEY	BA17
BA08 - POWER COMPLETE	B8		18/B08	PT900 - POWER COMPLETE	BA18
BA09 - CARRIAGE & LPI	B9		19/B11	PT900 - CARRIAGE & LPI	BA19
BAC CABLE INTERLOCK 5	C		2/B13	PT900 CABLE INTERLOCK 5	BA2
BAC1 - WRAP RETURN 3 DATA BIT P	C1		21/B04	PT900 - WRAP RETURN 3 DATA BIT P	BA21
			35B-BA		

PRNTR SOCKET 2 (BLUE)

PT910AA0 - CARRIAGE GO	D04/A	TO	0	- CARRIAGE GO	BB0
PT910AA01 + POR (POWER ON RESET)	D06/A1	PRINTER	01	+ POR (POWER ON RESET)	BB01
PT910AA02 - ACTIVATE PAPER CLAMP	D07/A2		02	- ACTIVATE CLAMP	BB02
PT910AA03 - CLOSE CONTACTOR	D09/A3		03	- CLOSE CONTACTOR	BB03
PT910AA04 - BELT GO	D12/A4		04	- BELT GO	BB04
PT910AA05 CABLE INTERLOCK 4	D05/A5		05	CABLE INTERLOCK 4	BB05
BB0 - CARRIAGE PEDESTAL CHECK	B	FROM	1/D10	PT910 - CARRIAGE PEDESTAL CHECK	BB1
BB01 - HOME	B1	PRINTER	11/D11	PT910 - HOME	BB11
BB02 - PRINTER E.S.V	B2		12/D13	PT910 - PRINTER BUSY	BB12
BB03 + END OF FORMS	B3	NOTE	13/B02	PT910 + END OF FORMS	BB13
BB04 - PRINT SUBSCANS	B4		14/B03	PT910 - PRINT SUBSCANS	BB14
BB05 - THROAT CLOSED	B5		15/B04	PT910 - THROAT CLOSED	BB15
BB06 - FORMS PULSE	B6		16/B06	PT910 - FORMS PULSE	BB16
BB07 - CARRIAGE ADVANCE	B7		17/B07	PT910 - CARRIAGE ADVANCE	BB17
BB08 - IMPRESSION CONTROL SINGLE SHOT	B8		18/B08	PT910 - IMPRESSION CONTROL SINGLE SHOT	BB18
BB09 - RIBBON CHECK	B9		19/B09	PT910 - RIBBON CHECK	BB19
BB0 - CE SWITCH ON	C		2/B11	PT910 - CE SWITCH ON	BB2
BBC1 - BELT UP TO SPEED	C1		21/B12	PT910 - BELT UP TO SPEED	BB21
BBC2 CABLE INTERLOCK 3	C2		22/B13	PT910 CABLE INTERLOCK 3	BB22
			35J-BB		

PRNTR SOCKET 1 (BLUE)

PT920AA0 - HAMMER SAMPLE PWRD	D07/A	TO	0	- HAMMER SAMPLE	BC0
PT920AA01 - FIRE TIER 1-5 (1-5)PT920	(1)D09/A1	PRINTER	01(1)	- FIRE TIER 1-5 (1-5)	BC01
	(2)D10/A2		02(2)		
	(3)D11/A3		03(3)		
	(4)D12/A4		04(4)		
	(5)D13/A5		05(5)		
PT920AA06 CABLE INTERLOCK 2	D03/A6		06	CABLE INTERLOCK 2	BC06
PT920AA07 - PRINTER DATA BIT P,0-7 (P,0-7)PT920	(P)B10/A7		07(P)	- PRINTER DATA BIT P,0-7 (P,0-7)	BC07
	(0)B02/A8		08(0)		
	(1)B03/A9		09(1)		
	(2)B04/B		1(2)		
	(3)B05/B1		11(3)		
	(4)B06/B2		12(4)		
	(5)B07/B3		13(5)		
	(6)B08/B4		14(6)		
	(7)B09/B5		15(7)		
PT920AA16 - PRINTER DATA STROBE	D06/B6		16	- PRINTER DATA STROBE	BC16
BCC - NOT PRINT TIME	C	FROM	2/D04	PT920 - NOT PRINT TIME	BC2
BCC1 - DATA PARITY CHECK	C1	PRINTER	21/D05	PT920 - DATA PARITY CHECK	BC21
BCC2 - HAMMER ECHO RETURN	C2		22/B12	PT920 - HAMMER ECHO RETURN	BC22
BCC3 CABLE INTERLOCK 1	C3		23/B13	PT920 - CABLE INTERLOCK 1	BC23
			35R-BC		

COMMENTS

1 (C) COPYRIGHT IBM CORP 1984  
 2  
 3 FOR 2 WIDE CONNECTOR/SOCKET  
 4 THE D02-D13 PINS SHOWN FOR  
 5 PRINTER CABLE SOCKET 2 ARE  
 6 EQUAL TO PINS J02-J13 AND  
 7 THE B02-B13 PINS ARE EQUAL  
 8 TO THE 602-613 PINS

P  
T  
9  
3  
8

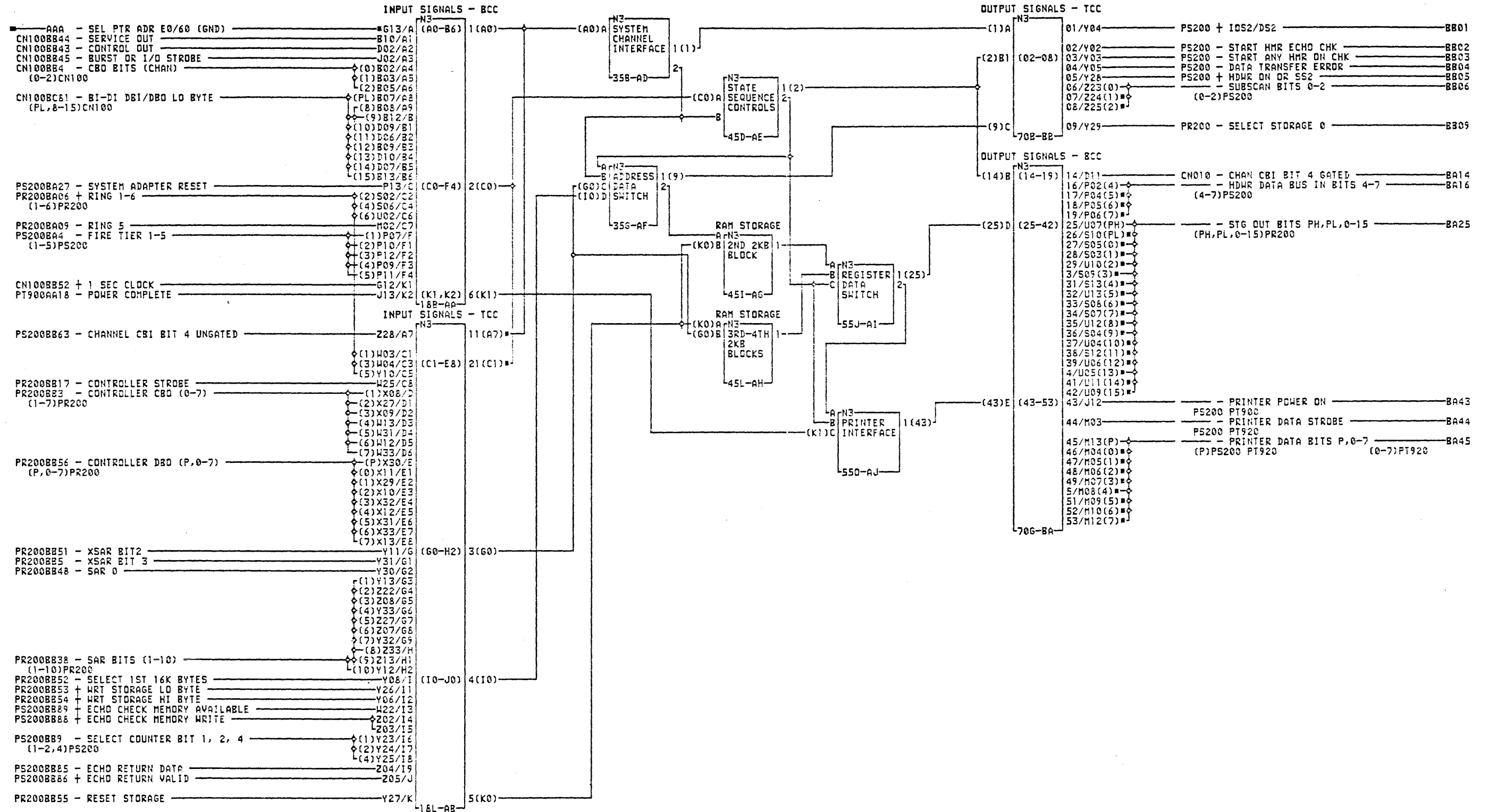
5360 FLD PAGE - FEATURE  
 PRTR CONNECTOR  
 P/N 2597152 EC 826487  
 PAGE 7 OF 7 PEC

LOC=1D-B1

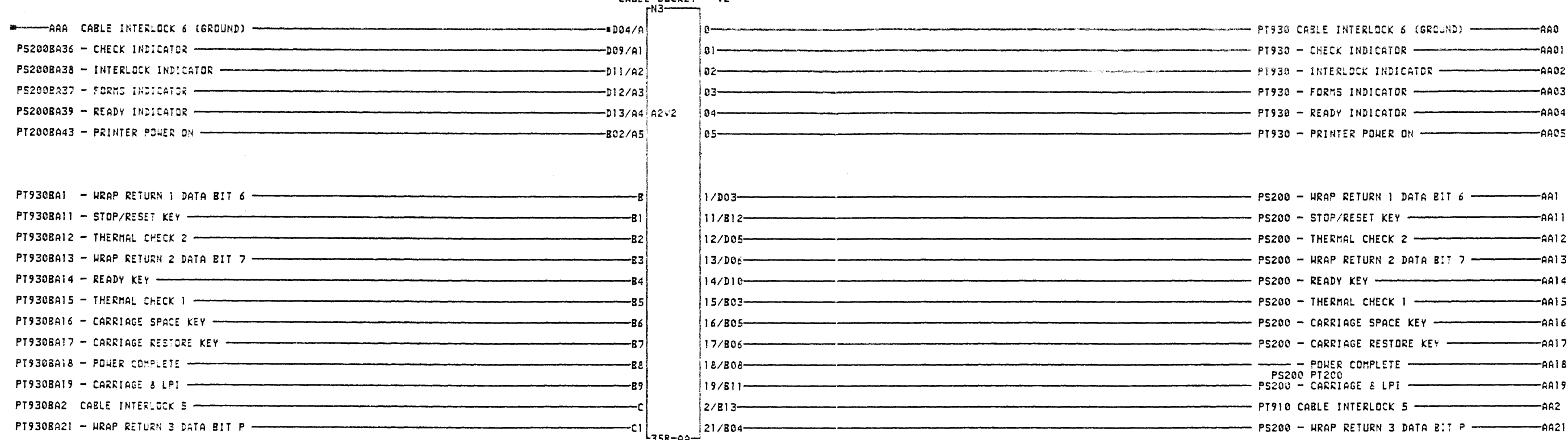
USN 00001 PRI=12JAN84 0714

AUC=  
 PFORM=KSEB SEC  
 MACH=5360000 NEXTBLK BD  
 CID NB5E196 JOB J9800544

P  
T  
9  
3  
8



CABLE SOCKET - V2



358-AA

COMMENTS

AI(C) COPYRIGHT IBM CORP 1984

5360 FLD PAGE - FEATURE  
 PTRR CABLE  
 P/N 2597152 EC 826487  
 PAGE 4 OF 7 PEC

LOC=1A-A2V2

USN 00001 PRI=12JAN84 0714  
 AUC= SEC  
 PFORM=KSEB NEXTBLK AB  
 MACH=5360000  
 CID NBSE196 JOB J9800544

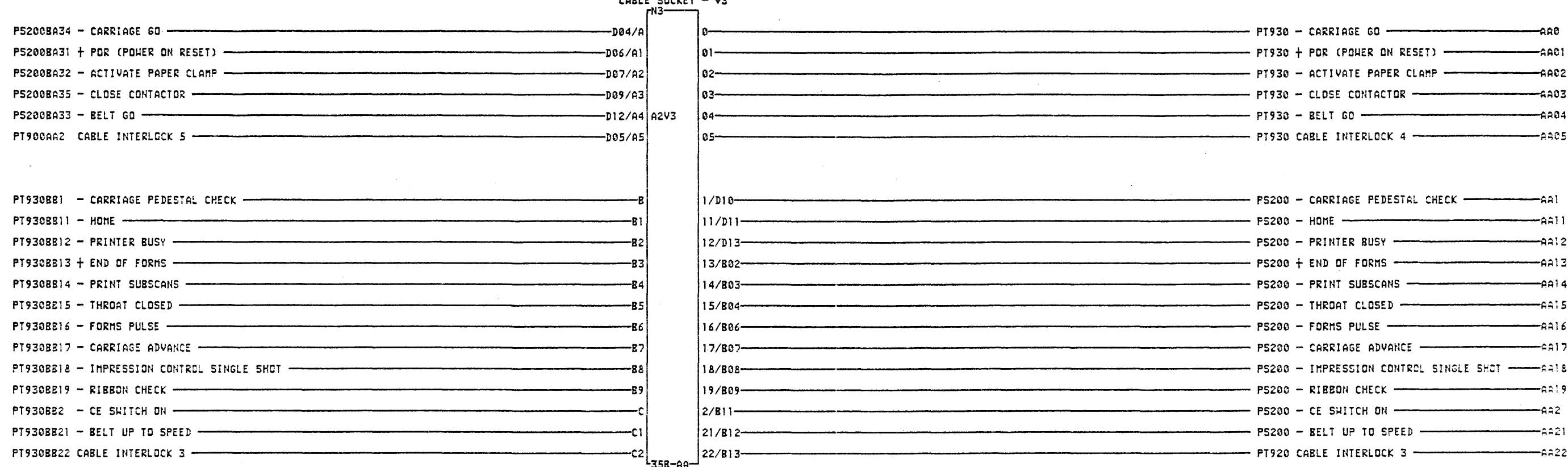
P  
T  
9  
0  
0

0001

P  
T  
9  
0  
0

0001

CABLE SOCKET - V3

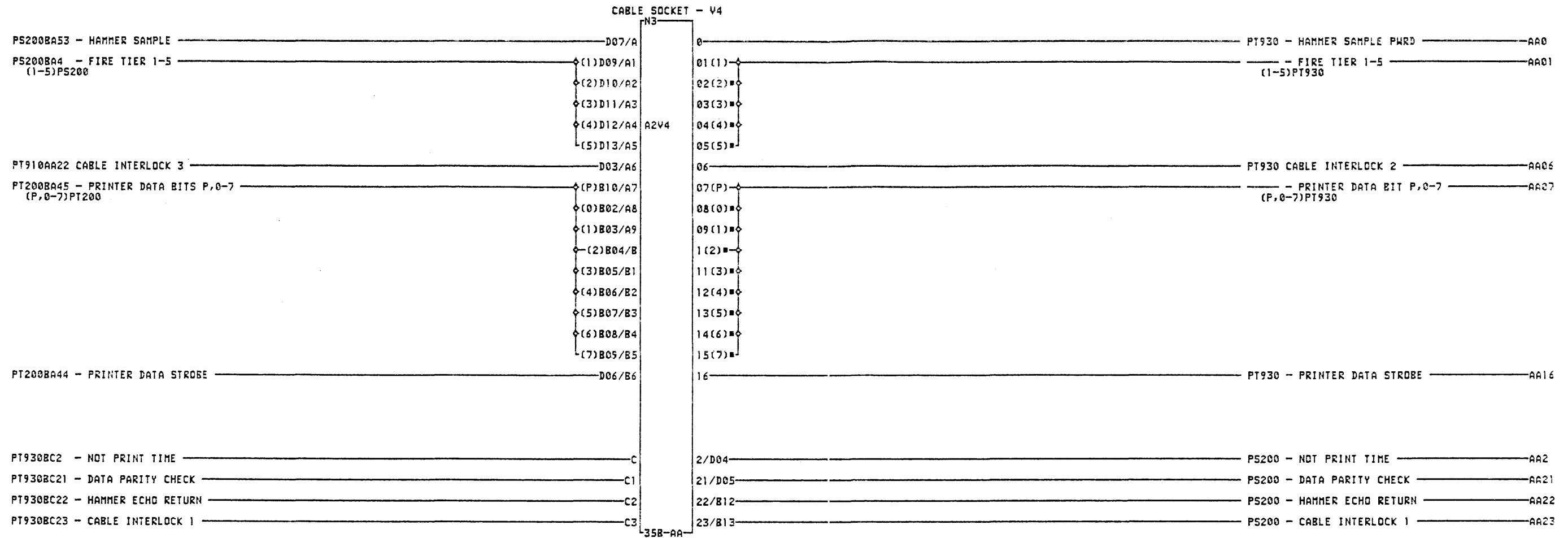


COMMENTS  
A1(C) COPYRIGHT IBM CORP 1984

5360 FLD PAGE - FEATURE  
PRTR CABLE  
P/N 2597152 EC 826487  
PAGE 5 OF 7 PEC  
LOC=1A-A2V3  
USN 00001 PRI=12JAN84 0714  
AUC= SEC  
PFORM=KSEB NEXTBLK AB  
MACH=5360000  
CID NBSE196 JOB J9800544

P  
T  
9  
1  
0

P  
T  
9  
1  
0

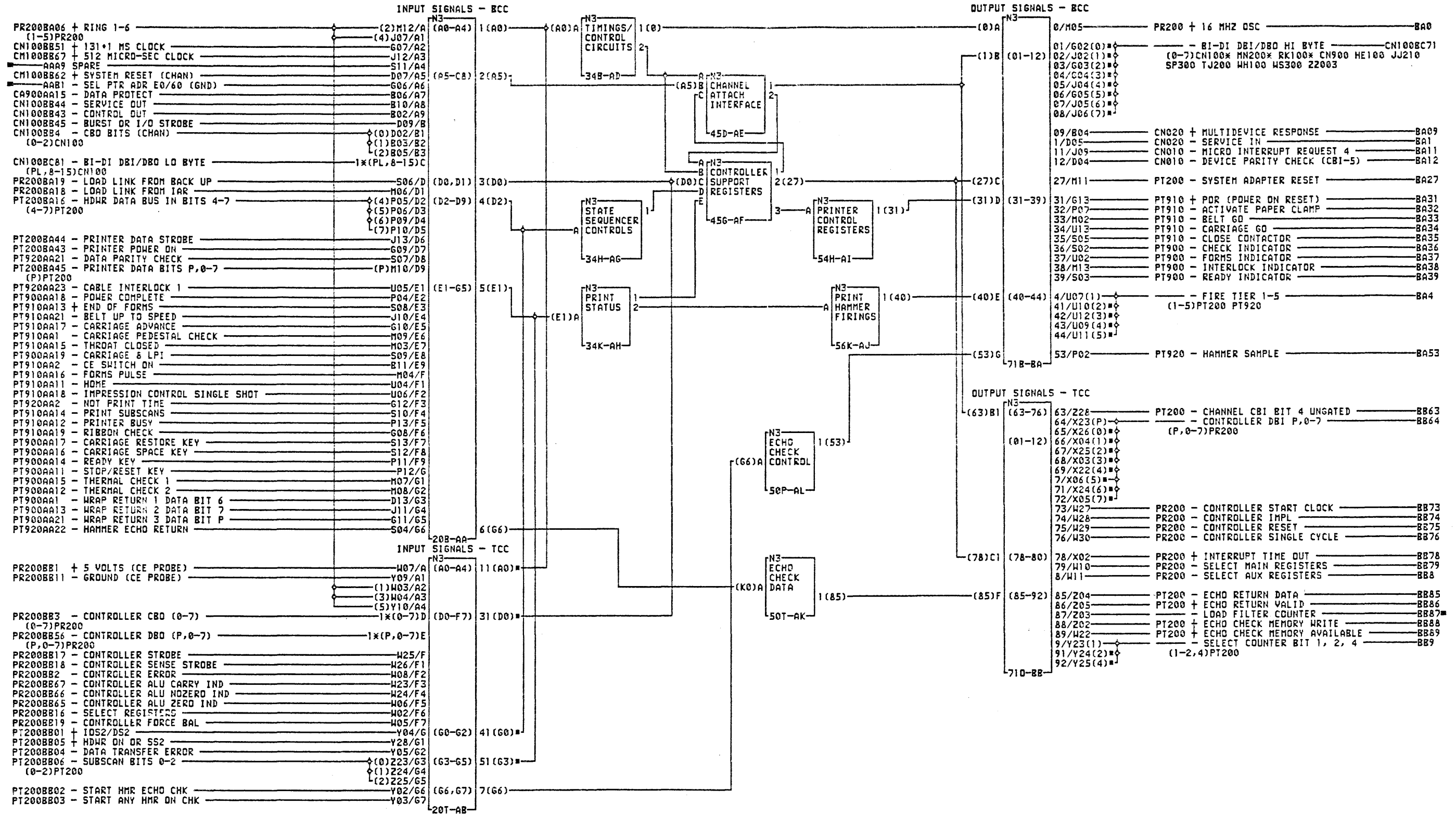


COMMENTS  
A1(C) COPYRIGHT IBM CORP 1984

5360 FLD PAGE - FEAT...  
PRTR CABLE  
P/N 2597152 EC 82427  
PAGE 6 OF 7 PEC  
LDC=1A-A2V4  
USN 00001 PRI=12JAN84 0714  
AUC= SEC  
PFORM=KSEB NEXTBLK 43  
MACH=5360000  
CID NBSE196 JOB J9800544

P  
T  
9  
2  
0  
0001

P  
T  
9  
2  
0  
0001

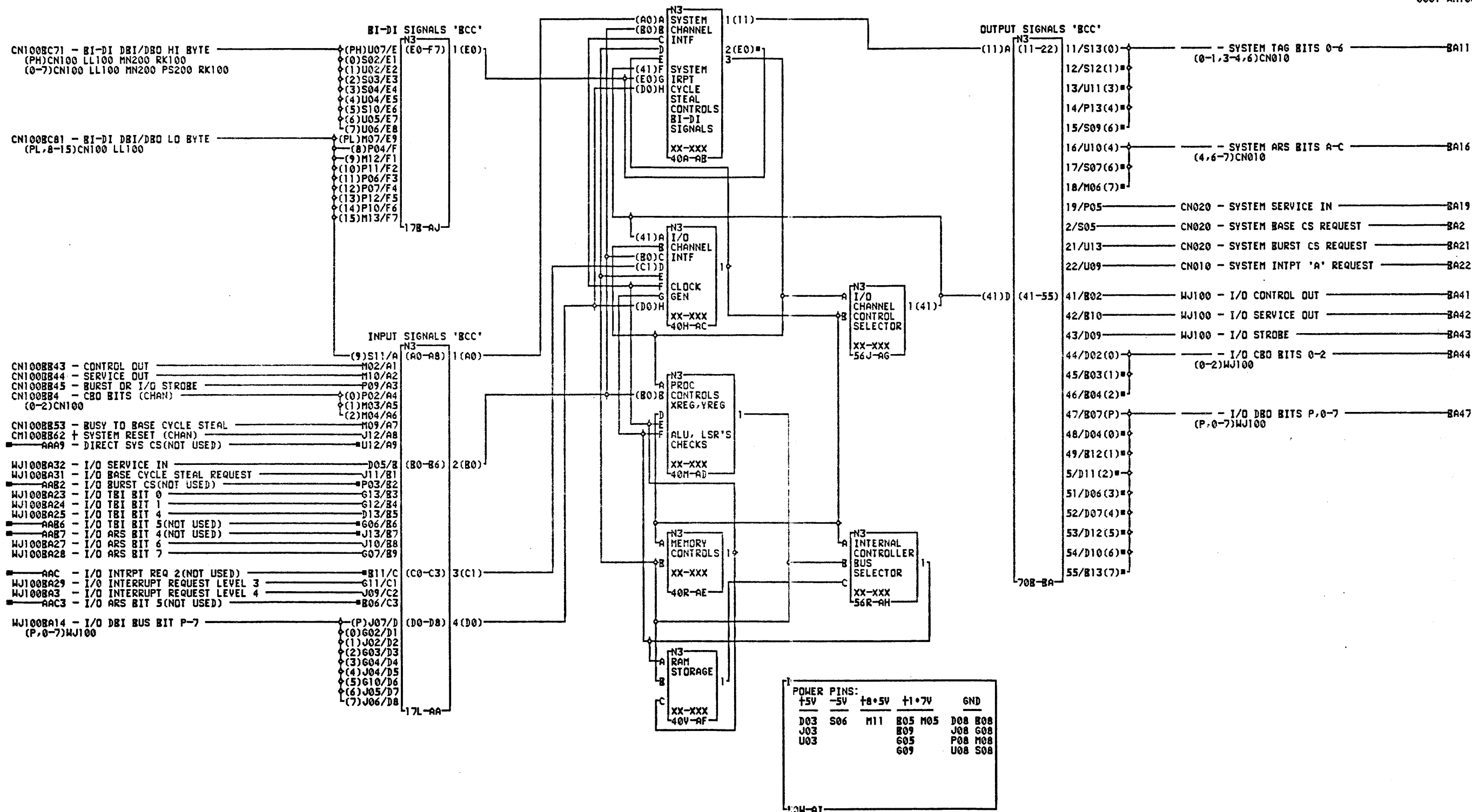


COMMENTS	PINS	PINS
A1(C) COPYRIGHT IBM CORP 1984	AA	D3/X09
2	C0/B07	D4/H13
3 FOR ADDITIONAL INFORMATION	C1/B08	D5/H31
4 SEE MIM 50-610	C2/B12	D6/H12
	C3/D11	D7/H33
	C4/D06	E0/X30
	C5/B09	E1/X11
	C6/D12	E2/X29
	C7/D10	E3/X10
	C8/B13	E4/X32
	AB	E5/X12
	D0/X28	E6/X31
	D1/X08	E7/X33
	D2/X27	E8/X13

5360 FLD PAGE - FEATURE  
 PRTR ADAPTER  
 P/N 2597152 EC 826487  
 PAGE 2 OF 7 PEC

LDC=1A-A252

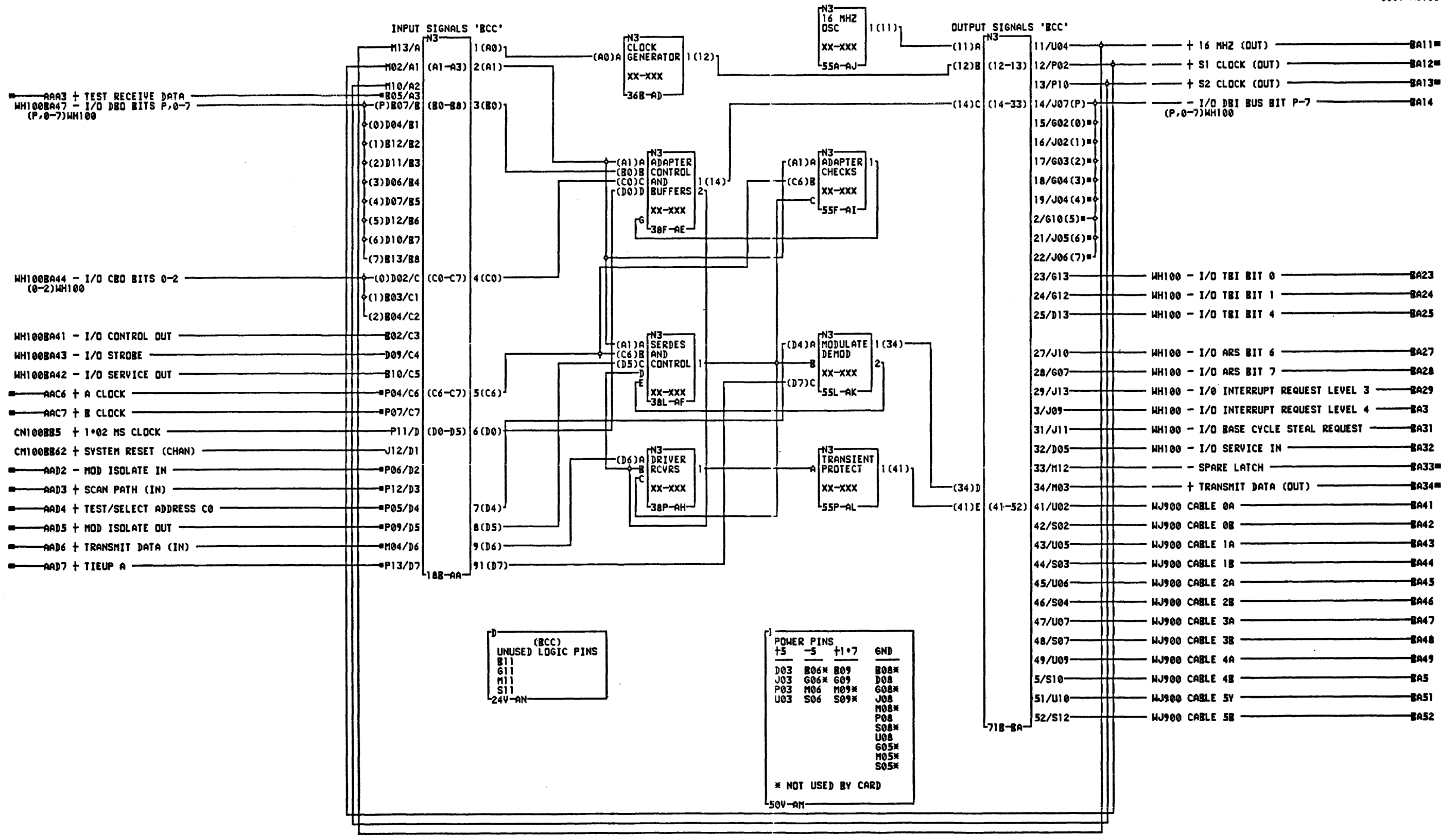
USN 00002 PRI=12JAN84 0714 P  
 AUC= SEC 28JUN84 1928 S  
 PFORM=KSEB NEXTBLK BC 2  
 MACH=5360000 JOB J9800544 0  
 CID NBSE196 0001



COMMENTS  
 1 (C) COPYRIGHT IBM CORP 1984  
 2  
 3 NOTE 1:  
 4 THE S11 BCC TAB PIN  
 5 IS USED AS THE BUS  
 6 COUPLER PERSONALIZED BIT.

5360 FLD PAGE - FEATURE  
 WORK STATION CONTROLLER  
 P/N 2597156 EC 842375  
 PAGE 1 OF 4 PEC 826487

LOC=1A-A1H2  
 USN 00003 PRI=13JUN86 0919  
 AUC= SEC  
 PFORM=KSEB NEXTBLK BB  
 MACH=5360000  
 CID NBSE196 JOB U393923B



COMMENTS  
 A1(C) COPYRIGHT IBM CORP 1984  
 D1(C) COPYRIGHT IBM CORP 1983

5360 FLD PAGE - FEATURE  
 WORK STATION ADAPTER  
 P/N 2597156 EC 842375  
 PAGE 2 OF 4 PEC 826487

LOC=1A-A1J2

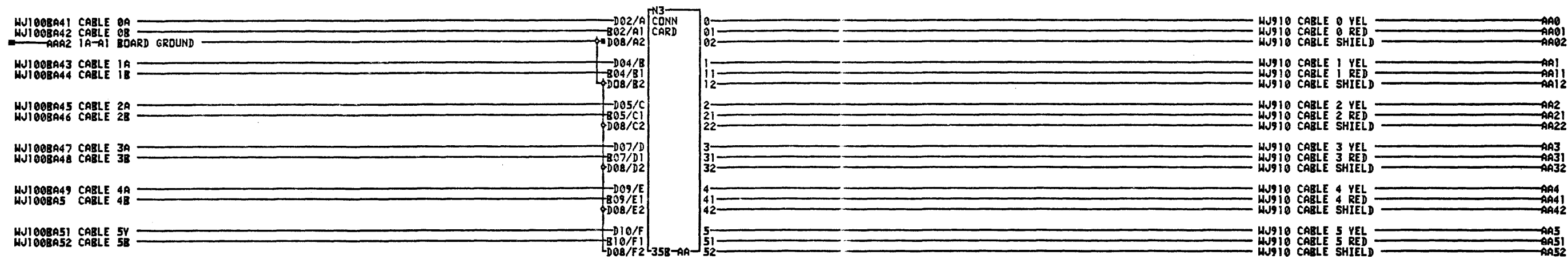
USN 00003 PRI=13JUN86 0919

AUC= PFORM=KSEB SEC  
 MACH=5360000 NEXTBLK BB  
 CID NBSE196 JOB U393923B

0001

WJ100





COMMENTS  
 A1(C) COPYRIGHT IBM CORP 1984

W  
 J  
 9  
 0  
 0  
 0001

5360 FLD PAGE - FEATURE  
 WORK STATION CABLE  
 P/N 2597156 EC 042375  
 PAGE 3 OF 4 PEC 026487  
 LOC=1A-A1V4  
 USN 00003 PRI=13JUN86 0919  
 AUC= SEC  
 PFORM=KSEB NEXTBLK AB  
 MACH=5360000  
 CID NBSE196 JOB U3939238

W  
 J  
 9  
 0  
 0  
 0001



COMMENTS

AI(C) COPYRIGHT IBM CORP 1964

M  
J  
9  
1  
0

5360 FLD PAGE - FEATURE  
 WORK STATION CONNECTOR  
 P/N 2597156 EC 842375  
 PAGE 4 OF 4 PEC 826487

LOC=1D-C1

USN 00003

AUC=

PFORM=KSEB

MACH=5360000

CID NBSE196

PRI=13JUN86 0919

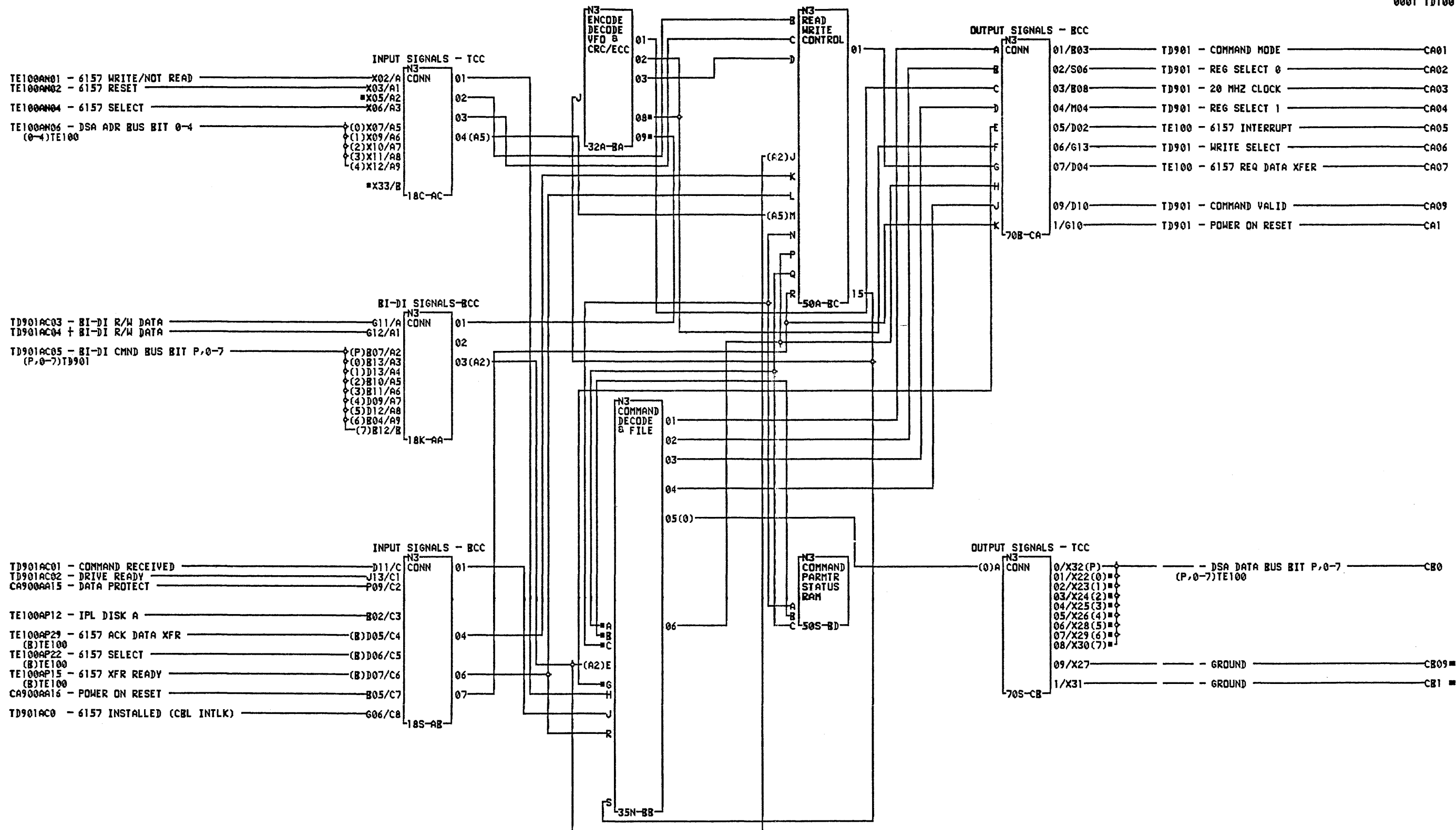
SEC

NEXTBLK AG

JOB U3939238

M  
J  
9  
1  
0

0001



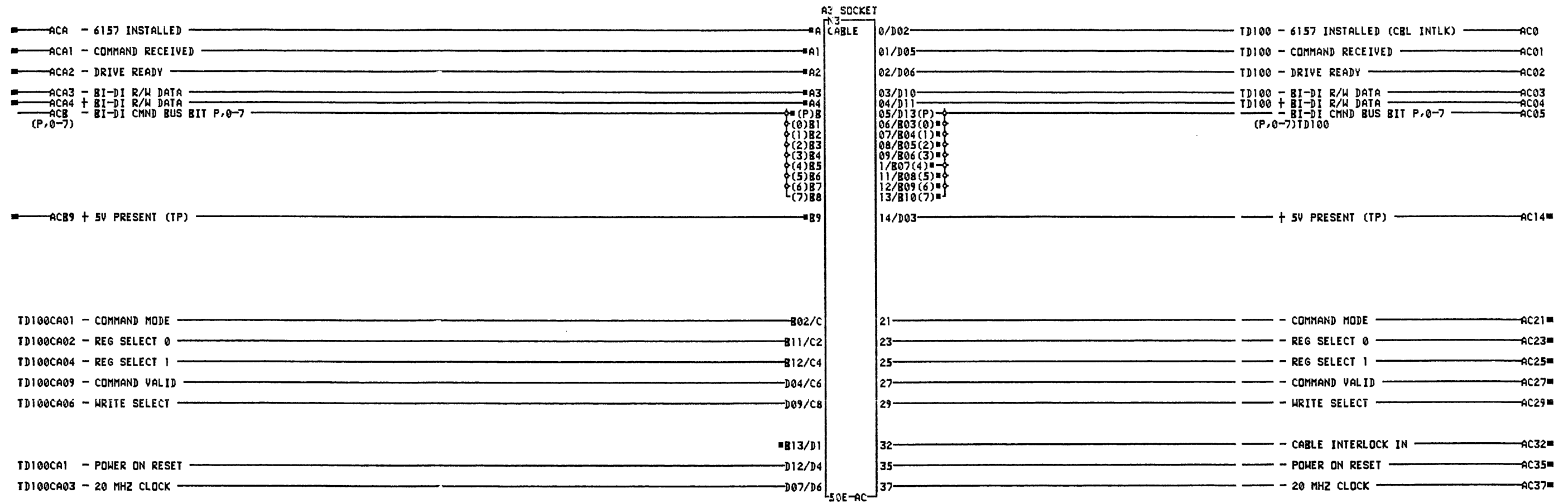
COMMENTS  
A1(C) COPYRIGHT IBM CORP 1984

5360 FLD PAGE - FEATURE  
6157 ATTACHMENT CARD  
P/N 2597217 EC 842375  
PAGE 1 OF 3 PEC

LOC=1A-A1D2  
USN 00003 PRI=13JUN86 0919  
AUC= SEC  
PFORM=KSEB NEXTBLK CC  
MACH=5360000  
CID NBSE196 JOB U393923B

TD100  
0001

TD100  
0001



COMMENTS  
A1(C) COPYRIGHT IBM CORP 1984

5360 FLD PAGE - FEATURE  
6157 SIGNAL CABLE  
P/N 2597217 EC 842375  
PAGE 2 OF 3 PEC

LOC=1A-A1A3

USN 00003 PRI=13JUN86 0919

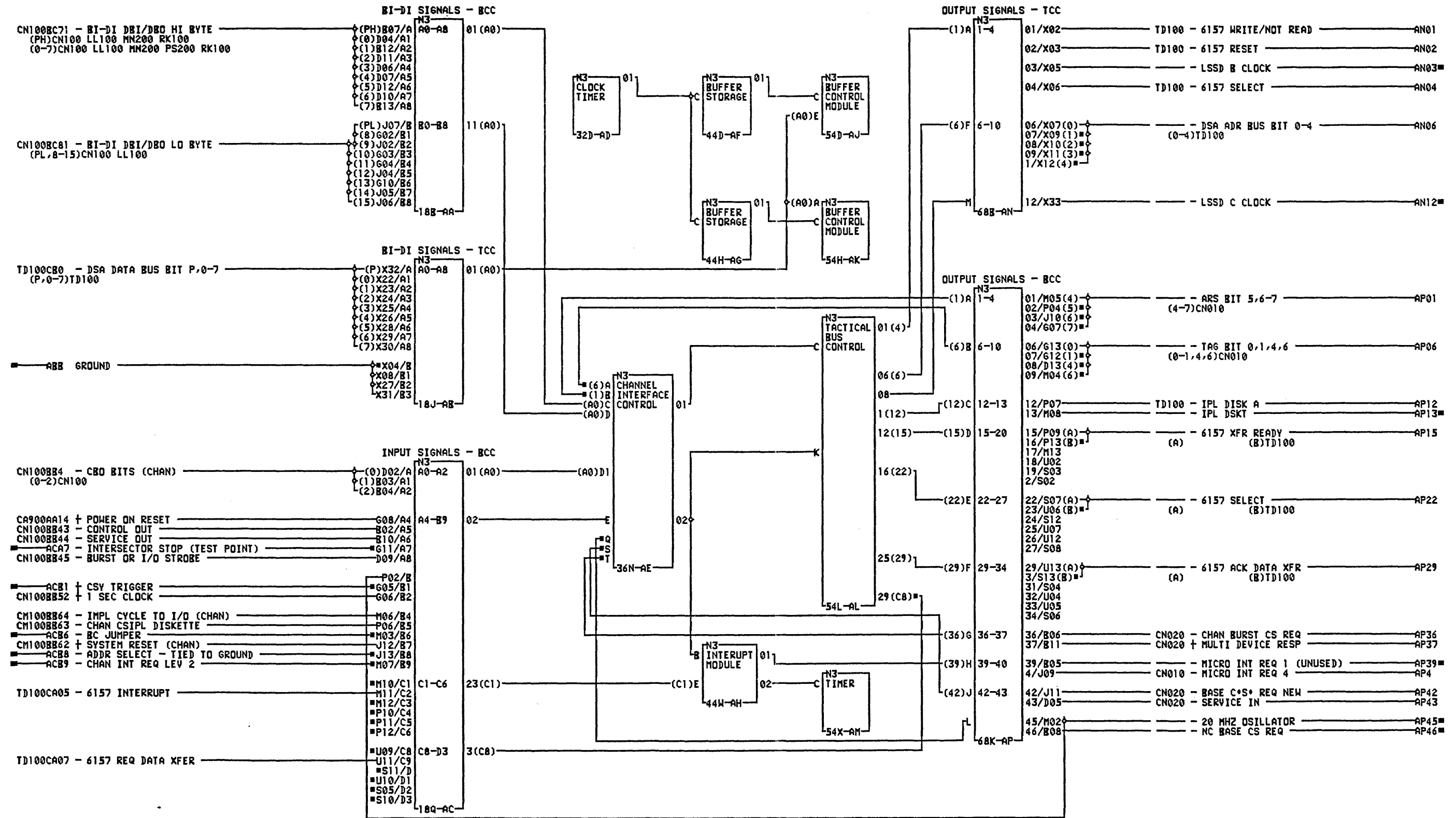
AUC= PFORM=KSEB SEC NEXTBLK AD  
MACH=5360000  
CID NBSE196 JOB U393923B

TD901

0001

TD901

0001

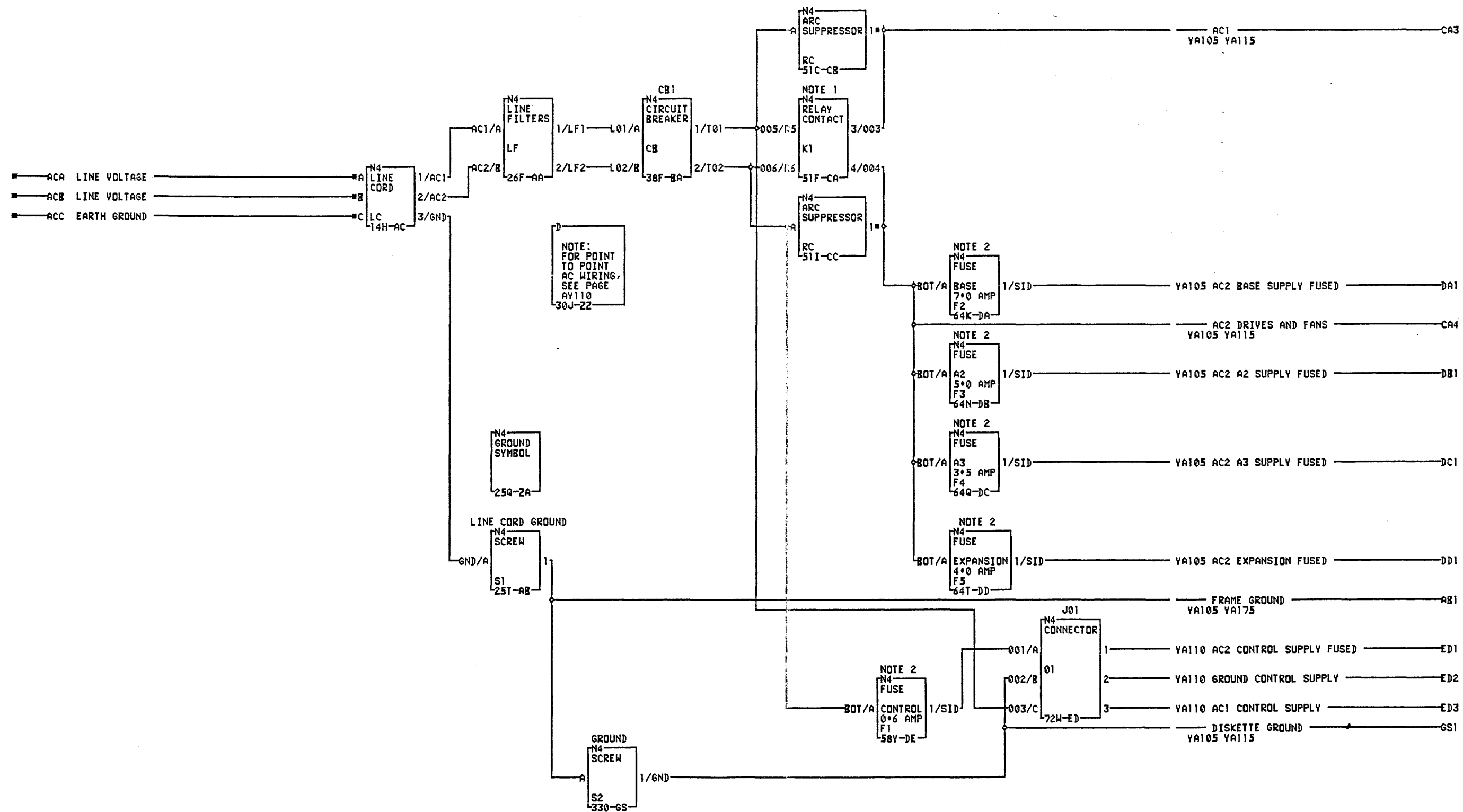


COMMENTS  
 A1(C) COPYRIGHT IBM CORP 1984

5360 FLD PAGE - FEATURE  
 DSA #3  
 P/N 2597217 EC 842375  
 PAGE 3 OF 3 PEC  
 LOC=1A-A1E2  
 USN 00003 PRI=13JUN86 0919  
 AUC= PFORM=KSEB SEC NEXTBLK AQ  
 MACH=5360000  
 CID NBSE196 JOB U393923B

TE  
 1  
 0  
 0  
 0001

TE  
 1  
 0  
 0  
 0001



NOTE:  
FOR POINT  
TO POINT  
AC WIRING,  
SEE PAGE  
AY110  
30J-22

NOTE 2  
N4  
FUSE  
BASE  
7.0 AMP  
F2  
64K-DA

NOTE 2  
N4  
FUSE  
A2  
5.0 AMP  
F3  
64N-DB

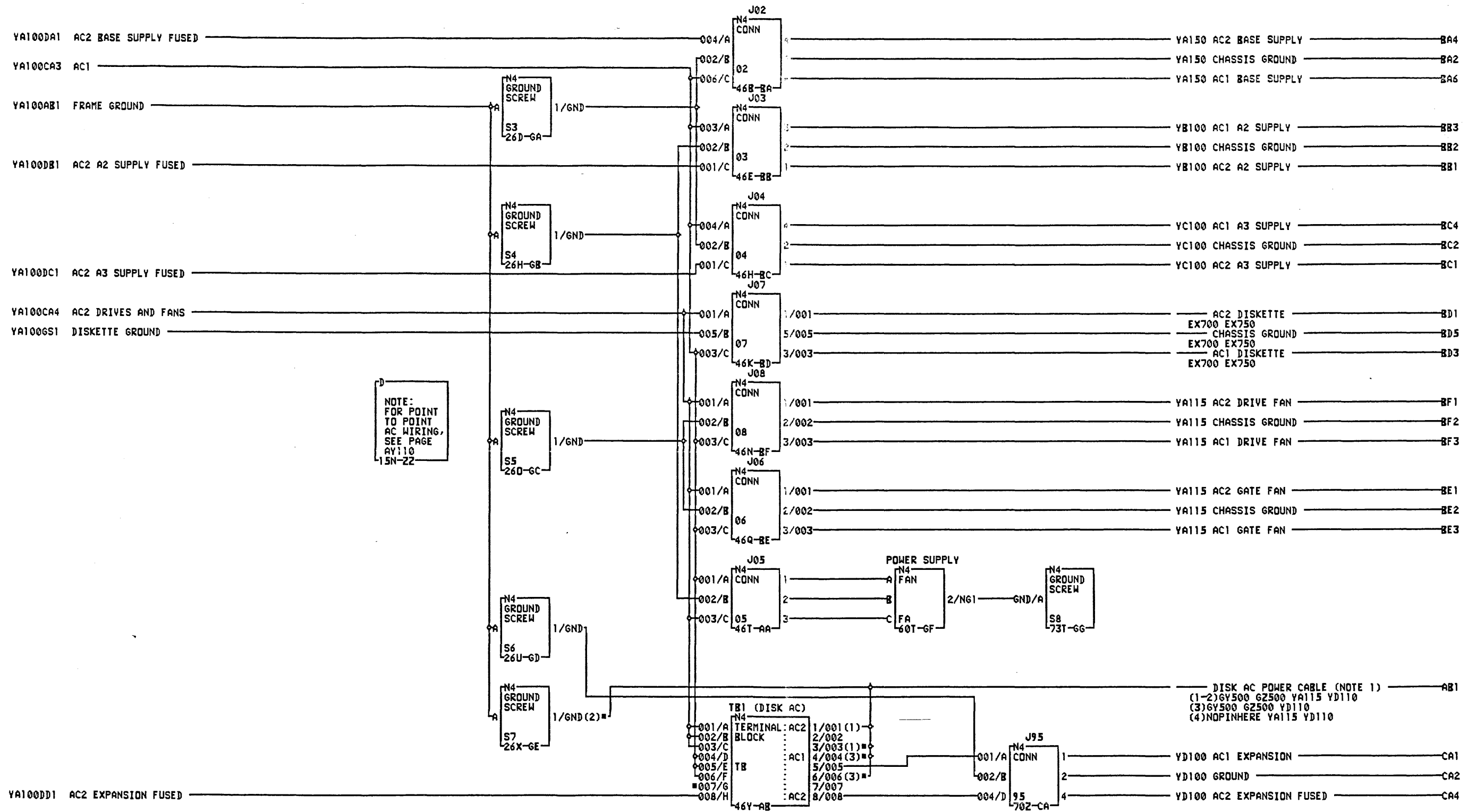
NOTE 2  
N4  
FUSE  
A3  
3.5 AMP  
F4  
64Q-DC

NOTE 2  
N4  
FUSE  
EXPANSION  
4.0 AMP  
F5  
64T-DD

NOTE 2  
N4  
FUSE  
CONTROL  
0.6 AMP  
F1  
58Y-DE

COMMENTS  
A1(C) COPYRIGHT IBM CORP. 1983  
2  
3 NOTE 1:  
4 RELAY K1 COIL IS ON PAGE  
5 YA120\*  
6  
7 NOTE 2:  
8 FUSE PART NUMBER CAN BE  
9 FOUND ON MIM 05-215  
Y  
A  
1  
0  
0  
0  
0001

5360 FLD PAGE - BASE  
AC INPUT DISTRIBUTION  
P/N 4177259 EC 842375  
PAGE 1 OF 21 PEC 839954  
LOC=1C-XJ  
USN 00001 PRI=22APR86 1508  
AUC= PFORM=KSEB SEC NEXTBLK 20  
MACH=5360000  
CID NBSE80 JOB U393923A  
Y  
A  
1  
0  
0  
0001

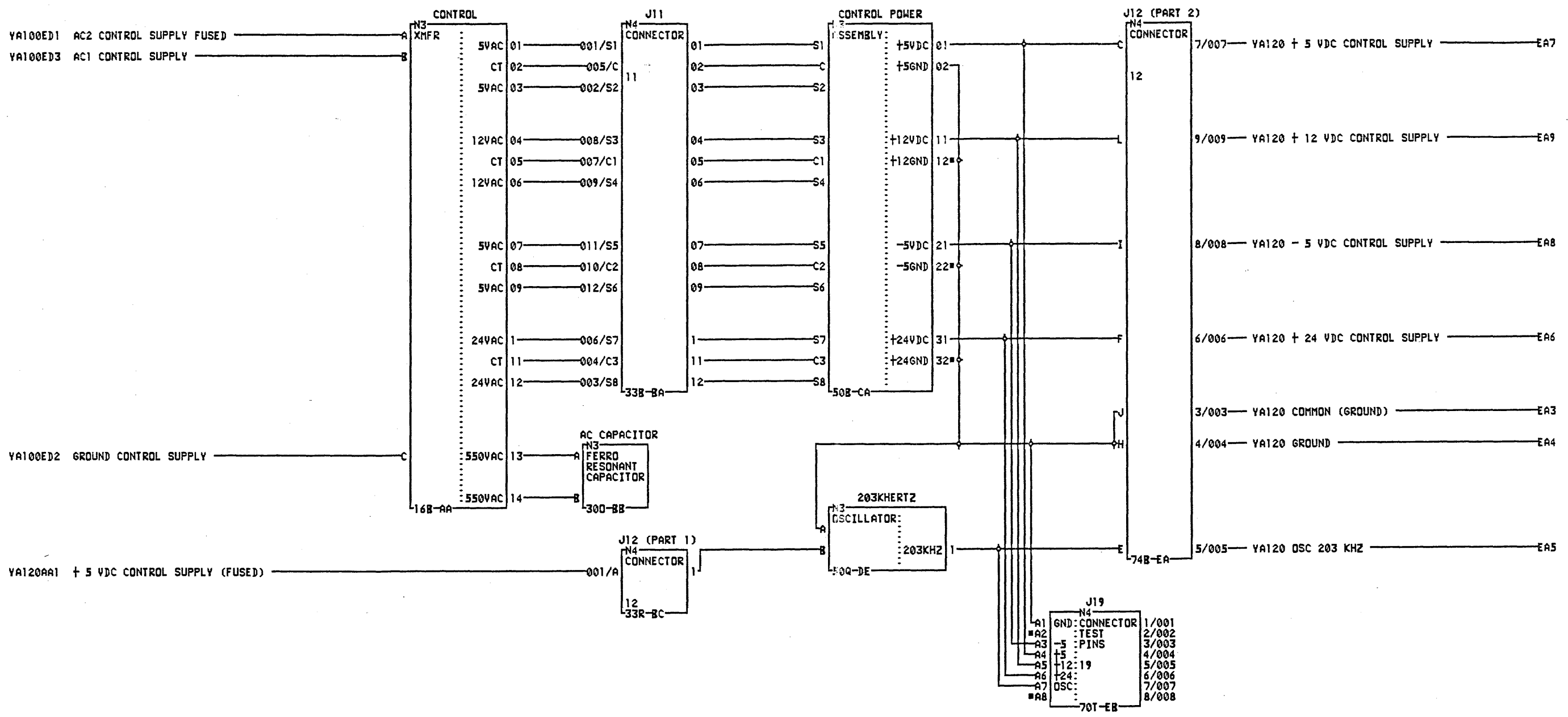


NOTE:  
FOR POINT  
TO POINT  
AC WIRING,  
SEE PAGE  
AY110  
15N-22

COMMENTS  
A1(C) COPYRIGHT IBM CORP 1983  
2  
3 NOTE 1 (T81 PINOUTS):  
4 DRIVE A - PINS 1 8 4  
5 DRIVE B - PINS 3 8 6  
6 DRIVE C - PINS 3 8 6  
7 DRIVE D - PINS 1 8 4  
8 EXPANSION FAN - PINS 3 8 6

5360 FLD PAGE - BASE  
AC DISTRIBUTION  
P/N 4177259 EC 842375  
PAGE 2 OF 21 PEC 839954  
LOC=1C-XJ  
USN 00001 PRI=22APR86 1508  
AUC= SEC  
PFORM=KSEB NEXTBLK 20  
MACH=5380000  
CID NBSE80 JOB U393923A

Y  
A  
1  
0  
5  
0001



COMMENTS  
A1(C) COPYRIGHT IBM CORP. 1983

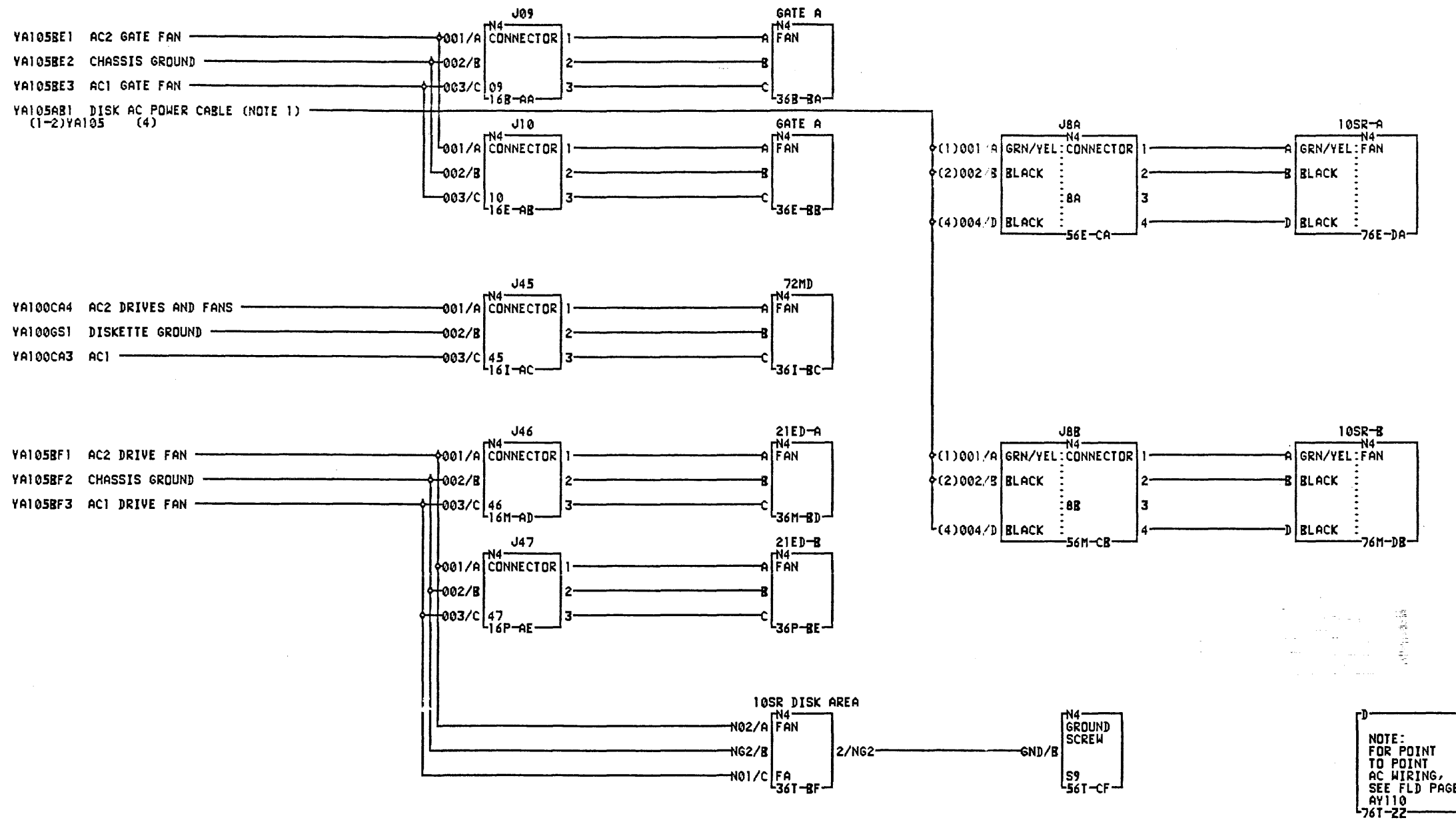
5360 FLD PAGE - BASE  
CONTROL SUPPLY  
P/N 4177259 EC 842375  
PAGE 3 OF 21 PEC 839954

LOC=1C-XJ  
USN 00001 PRI=22APR86 1508  
AUC= PFORM=KSEB SEC NEXTBLK EC  
MACH=5360000 JOB U393923A  
CID NBSE80

YA110

YA110





COMMENTS

- 1 (C) COPYRIGHT IBM CORP. 1983
- 2 NOTE 1:
- 3 ADDITIONAL TB1 PINOUTS:
- 4 10SR FAN A - PINS 1 & 4
- 5 10SR FAN B - PINS 3 & 6

5360 FLD PAGE - BASE  
FANS  
P/N 4177259 EC 842375  
PAGE 4 OF 21 PEC 839954

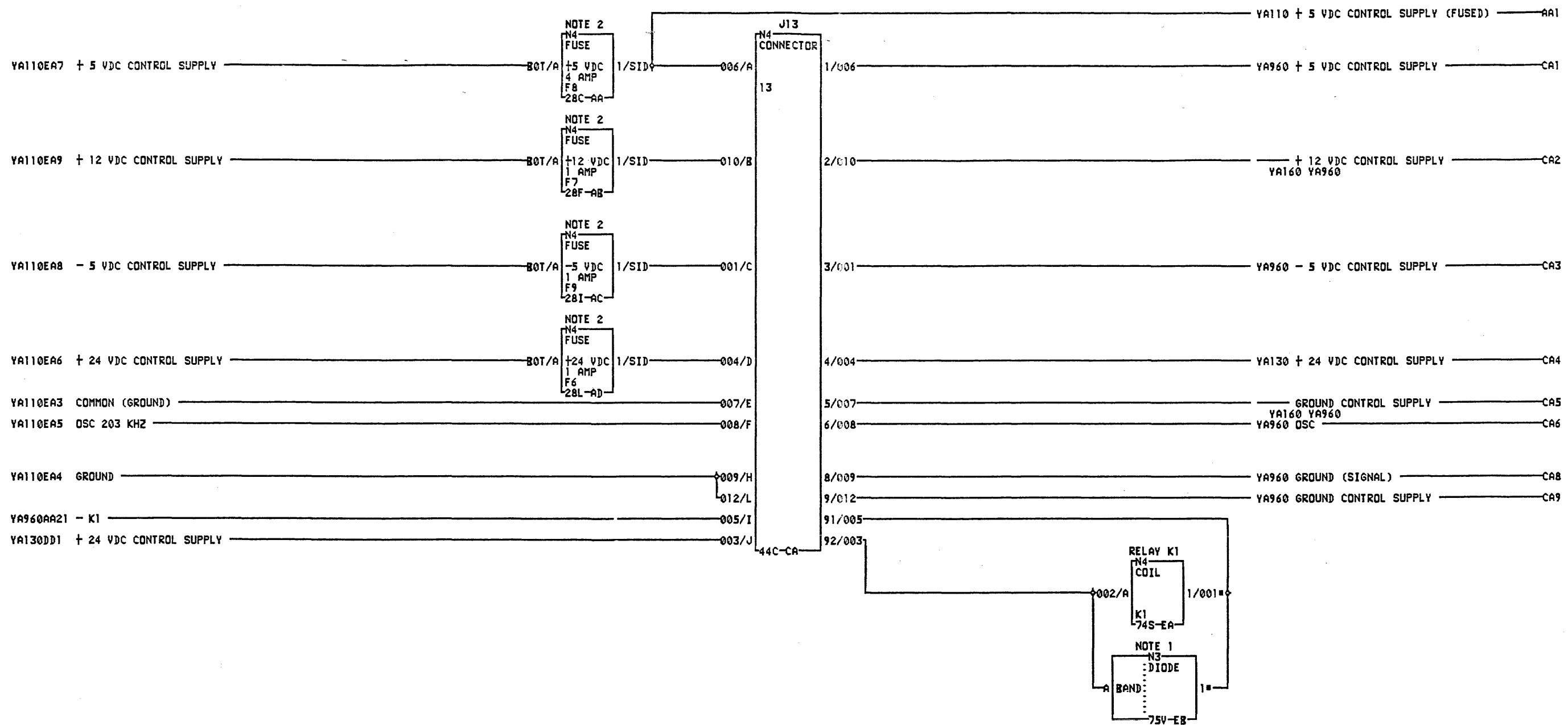
LDC=1C-XJ  
USN 00001 PRI=22APR86 1508  
AUC=  
PFORM=KSEB SEC  
MACH=5360000 NEXTBLK Z0  
CID NBSE80 JOB U393923A

YA115

0001

YA115

0001



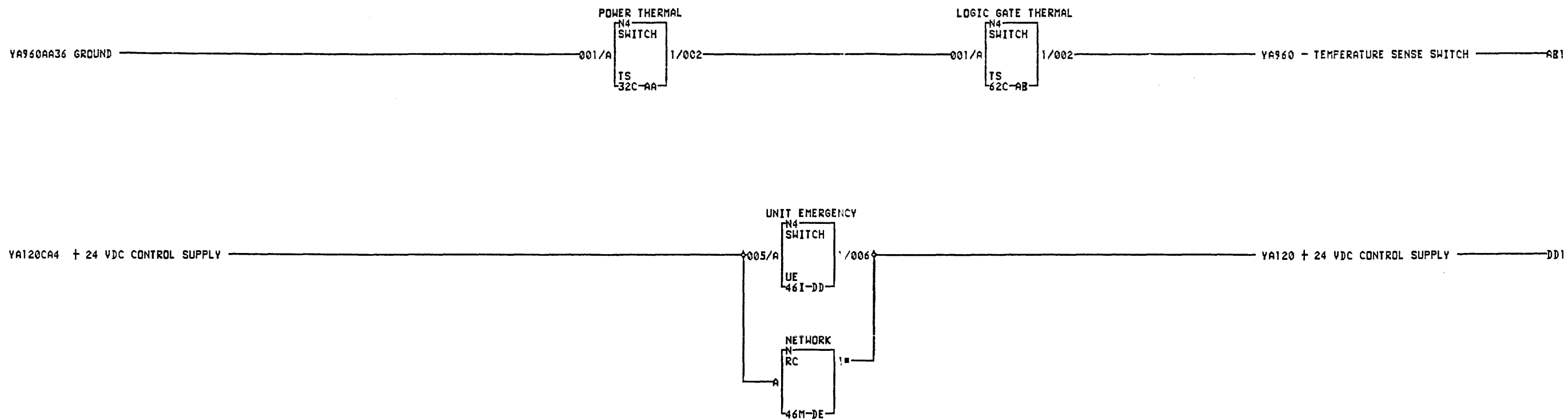
COMMENTS

A1 (C) COPYRIGHT IBM CORP. 1983  
 2  
 3 NOTE 1:  
 4 BAND OF DIODE IS PLACED  
 5 AT NUMBER 02 CONTACT  
 6 OF RELAY.  
 7  
 8 NOTE 2:  
 9 FUSE PART NUMBERS CAN BE  
 B1 FOUND ON MIM 05-215

Y  
 A  
 1  
 2  
 0  
 0001

5360 FLD PAGE - BASE  
 CONTROL SUPPLY DISTRIBUTION  
 P/N 4177259 EC 842375  
 PAGE 5 OF 21 PEC 839954  
 LOC=1C-XJ  
 USN 00001 PRI=22APR86 1508  
 AUC= PFORM=KSEB SEC NEXTBLK EC  
 MACH=5360000  
 CID NBSE80 JOB U393923A

Y  
 A  
 1  
 2  
 0



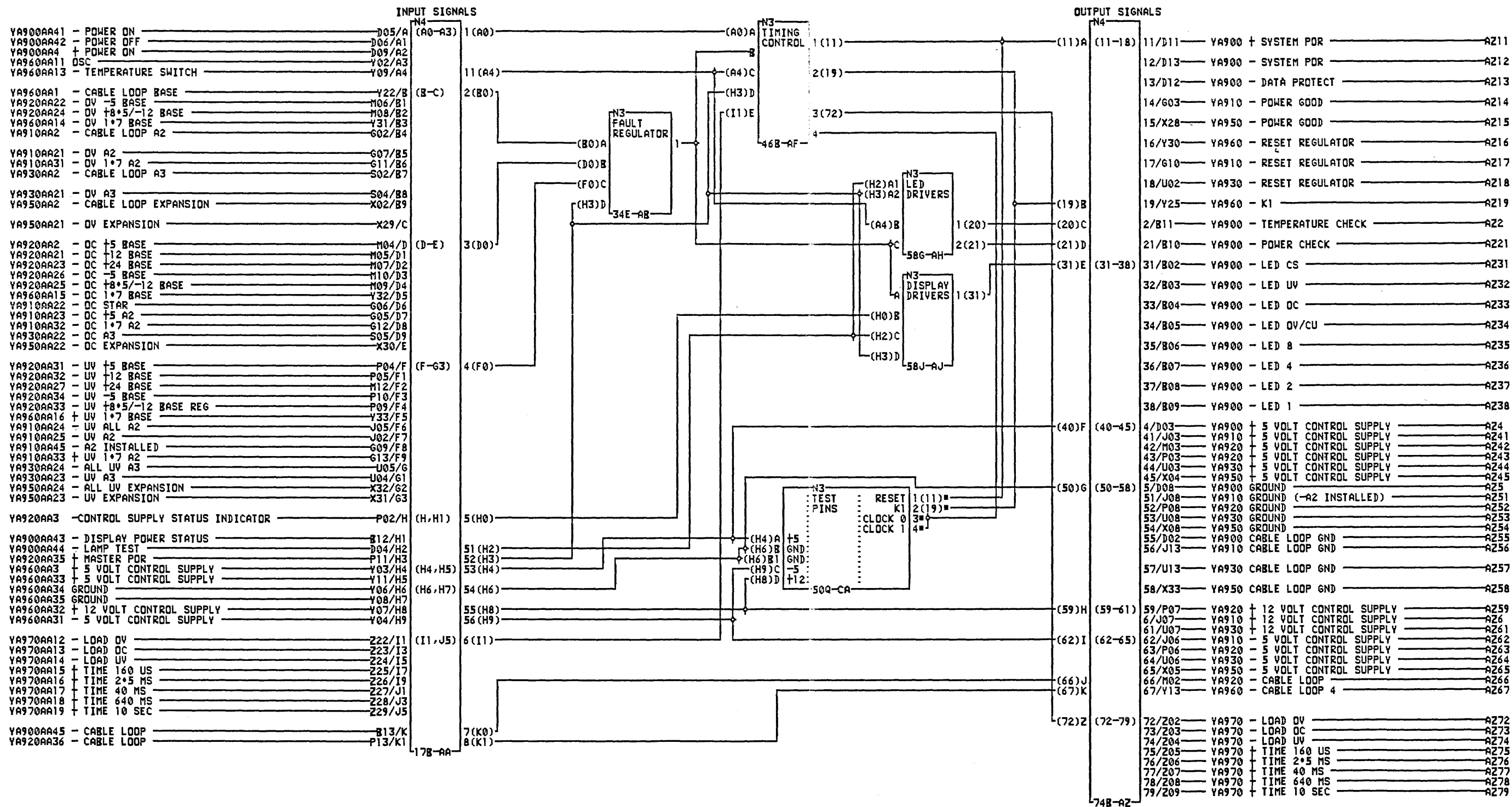
COMMENTS  
A1(C) COPYRIGHT IBM CORP. 1983

5360 FLD PAGE - BASE  
THERMAL SWITCHES & UE SWITCH  
P/N 4177259 EC 842375  
PAGE 6 OF 21 PEC 839954

LOC=1C-XJ  
USN 0001 PRI=22APR86 1508  
AUC= SEC  
PFORM=KSEB NEXTBLK DF  
MACH=5360000  
CID NBSE80 JOB U393923A

YA130  
0001

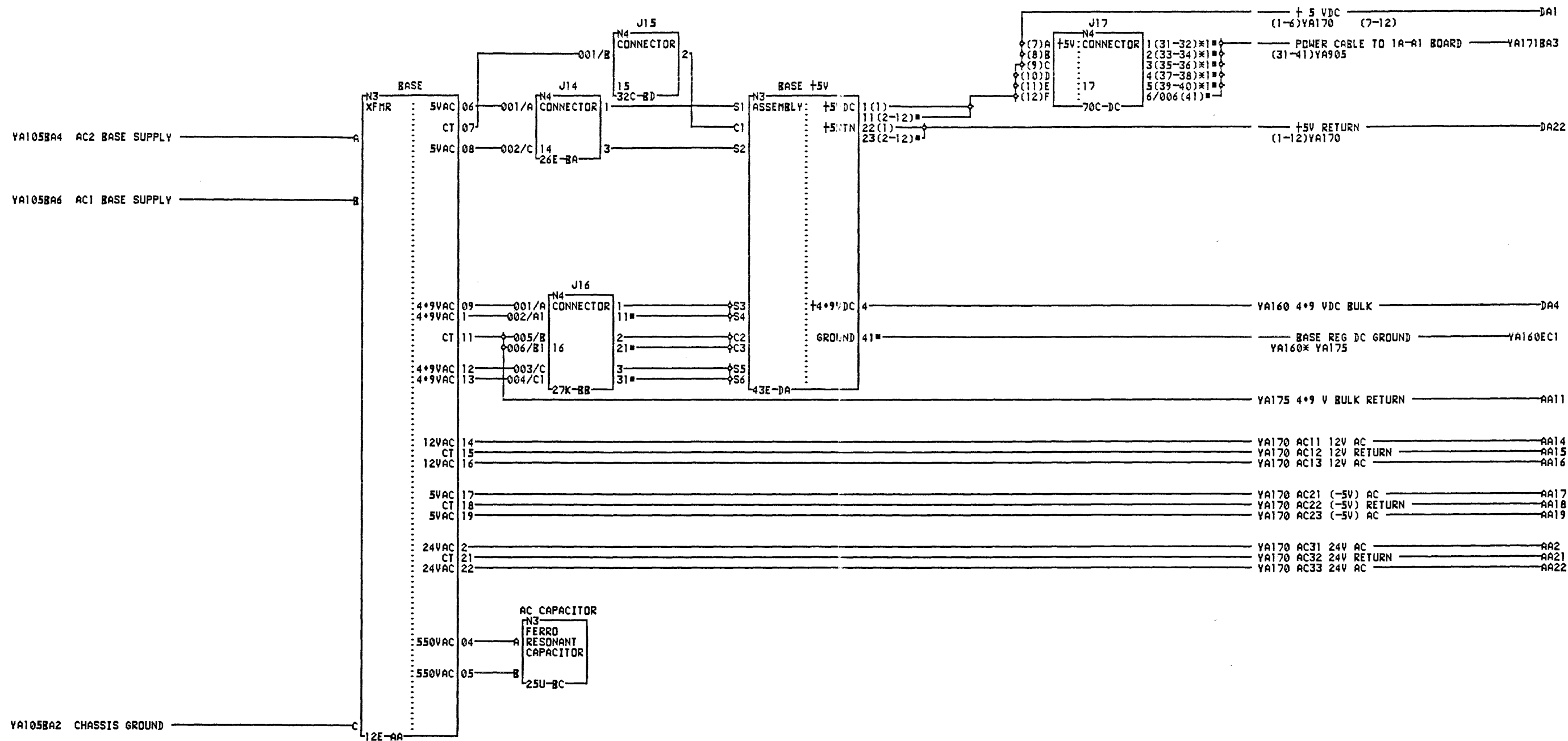
YA130  
0001



COMMENTS  
A1(C) COPYRIGHT IBM CORP. 1983

5360 FLD PAGE - BASE  
PROTECT CARD  
P/N 4177259 EC 842375  
PAGE 7 OF 21 PEC 839954  
LOC=1C-XJ  
USN 00001 PRI=22APR86 1508  
AUC= PFORM=KSEB SEC NEXTBLK CB  
MACH=5360000  
CID NBSE80 JOB U39323A

Y  
A  
1  
4  
0



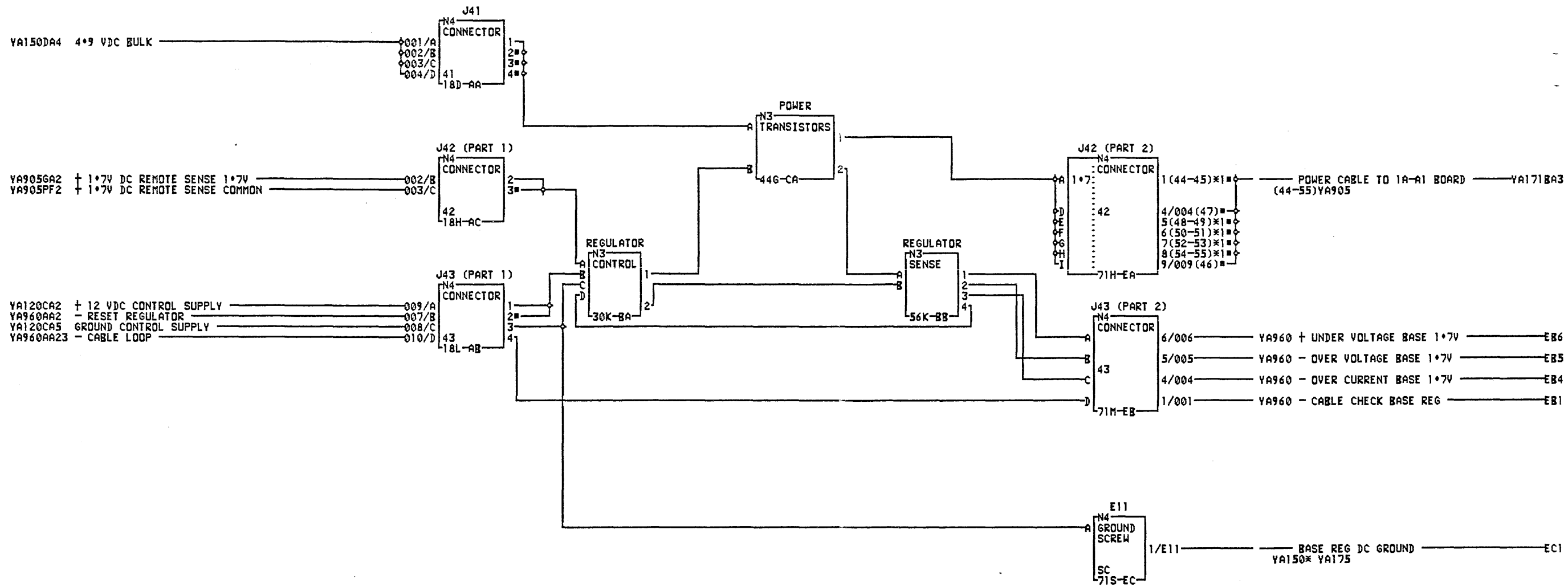
COMMENTS  
A1(C) COPYRIGHT IBM CORP. 1983

PINS  
DC  
10/001  
20/002  
30/003  
40/004  
50/005

5360 FLD PAGE - BASE  
TRANSFORMER & +5V ASSEMBLY  
P/N 4177259 EC 842375  
PAGE 8 OF 21 PEC 839954

LOC=1C-XJ  
USN 00001 PRI=22APR86 1508  
AUC= SEC  
PFORM=KSEB NEXTBLK DD  
MACH=5360000  
CID NBSE80 JOB U393923A

Y  
A  
1  
5  
0  
0001



COMMENTS  
A1(C) COPYRIGHT IBM CORP. 1983

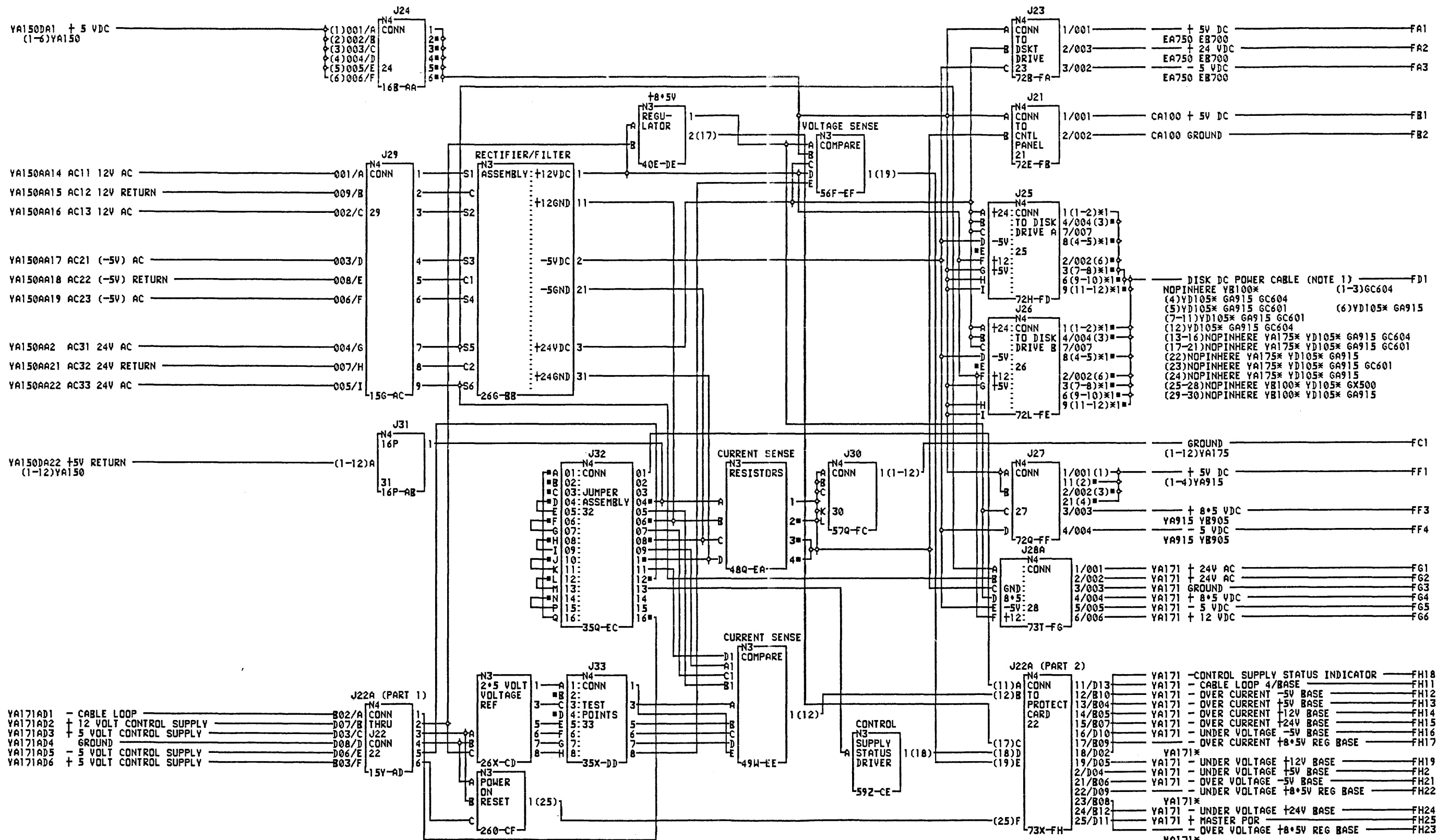
Y  
A  
1  
6  
0  
0001

PINS  
EA  
10/001  
50/005  
60/006  
70/007  
80/008

5360 FLD PAGE - BASE  
BASE 1.7V REGULATOR  
P/N 4177259 EC 842375  
PAGE 9 OF 21 PEC 839954

LDC=1C-XJ  
USN 00001 PRI=22APR86 1508  
AUC= PFORM=KSEB SEC  
MACH=5360000 NEXTBLK ED  
CID NBSE80 JOB U393923A

Y  
A  
1  
6  
0  
0001

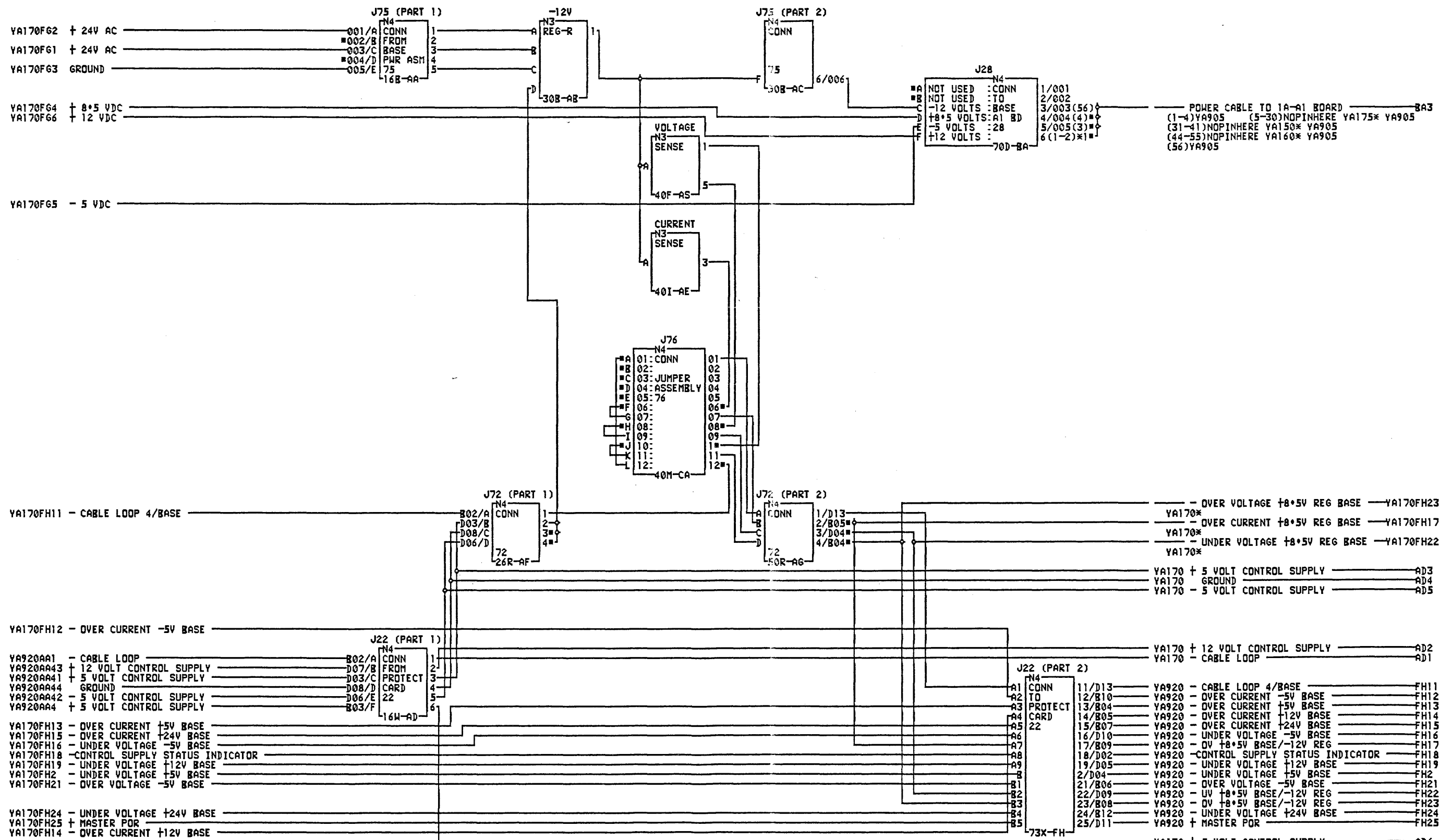


COMMENTS  
 A1(C) COPYRIGHT IBM CORP 1983  
 2  
 3 NOTE 1:  
 4 DRIVE A - CONN J25  
 5 DRIVE B - CONN J26

PINS	FD
10/001	
30/003	
60/006	
80/008	
90/009	
FE	
10/001	
30/003	
60/006	
80/008	
90/009	

5360 FLD PAGE - BASE  
 BASE POWER ASSEMBLY (PART 1)  
 P/N 4177259 EC 842375  
 PAGE 10 OF 21 PEC 839954

LDC=1C-XJ  
 USN 00001 PRI=22APR86 1508  
 AUC= PFORM=KSEB SEC NEXTBLK FI  
 MACH=5360000  
 CID NBSE80 JOB U393923A



COMMENTS  
A1(C) COPYRIGHT IBM CORP 1983

PINS  
BA  
60/006

YA  
1  
7  
1  
0001

5360 FLD PAGE - BASE  
BASE POWER ASSEMBLY (PART 2)  
P/N 4177259 EC 842375  
PAGE 11 OF 21 PEC 839954

L0C=1C-XJ

USN 00001 PRI=22APR86 1508

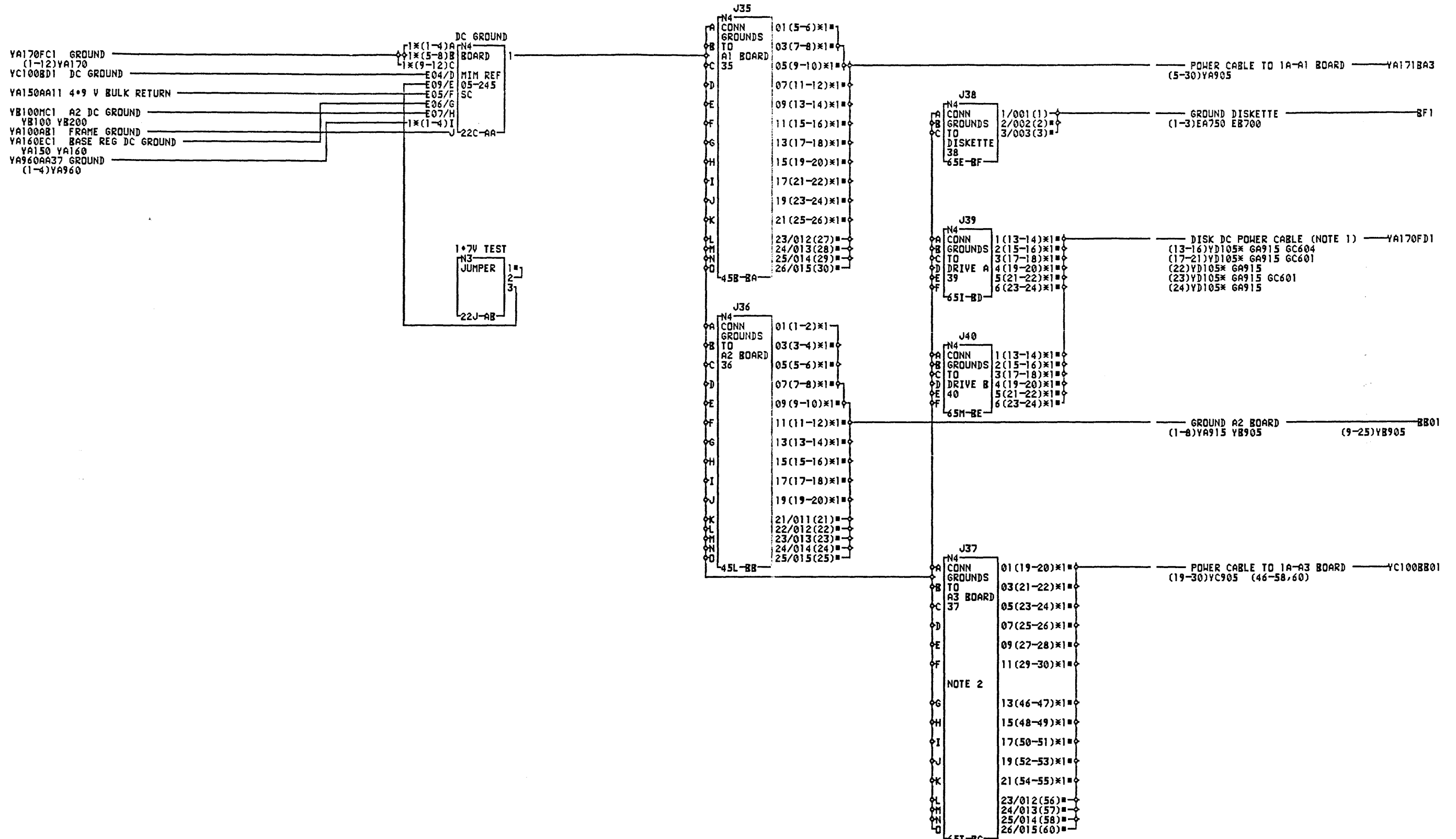
AUC= PFORM=KSEB SEC NEXTBLK FI

MACH=5360000

CID NBSE80 JOB U393923A

YA  
1  
7  
1  
0001





COMMENTS	PINS	PINS	PINS	PINS
A1(C) COPYRIGHT IBM CORP. 1983	AA	17/009	BC	20/002
B NOTE 1:	A0/E01	19/010	01/001	30/003
2 DRIVE A - CONN J39	B0/E02	21/011	03/002	40/004
3 DRIVE B - CONN J40	C0/E03	BB	05/003	50/005
C NOTE 2:	I0/E08	01/001	07/004	60/006
2 ON EARLY SYSTEMS, J37	BA	03/002	09/005	BE
3 IS A 6 POSITION CONNECTOR*	01/001	05/003	11/006	10/001
4 OTHER STRANDS SHOWN WILL	03/002	07/004	13/007	20/002
5 NOT BE WIRED*	05/003	09/005	15/008	30/003
	07/004	11/006	17/009	40/004
	09/005	13/007	19/010	50/005
	11/006	15/008	21/011	60/006
	13/007	17/009	BD	
	15/008	19/010	10/001	

5360 FLD PAGE - BASE  
 DC GROUND BOARD  
 P/N 4177259 EC 842375  
 PAGE 12 OF 21 PEC 839954

LOC=1C-XJ  
 USN 00001 PRI=22APR86 1508  
 AUC= SEC  
 PFORM=KSEB NEXTBLK B6  
 MACH=5360000  
 CID NBSE80 JOB U393923A

YA175

YA175

		JA1			
YA140A255 CABLE LOOP GND	B02/A1	CABLE LOOP	CONNECT TO CONTROL PANEL	CABLE LOOP 1	CA100 - CABLE LOOP GND AA1
YA140A211 + SYSTEM POR	B11/A2	+SYSTEM POR		+SYSTEM POR 11	CA100 + POWER ON RESET AA11
YA140A212 - SYSTEM POR	B13/A3	-SYSTEM POR		-SYSTEM POR 12	CA100 - POWER ON RESET AA12
YA140A213 - DATA PROTECT	B12/A4	DATA PROTECT		DATA PROTECT 13	CA100 - DATA PROTECT AA13
YA140A22 - TEMPERATURE CHECK	D11/B1	TEMP CHECK		TEMP CHECK 2	CA100 - TEMPERATURE CHECK AA2
YA140A221 - POWER CHECK	D10/B2	POWER CHECK		POWER CHECK 21	CA100 - POWER CHECK AA21
YA140A231 - LED CS	D02/C1	LED CS		LED CS 31	CA100 - CS LIGHT AA31
YA140A232 - LED UV	D03/C2	LED UV		LED UV 32	CA100 - UV LIGHT AA32
YA140A233 - LED DC	D04/C3	LED DC		LED DC 33	CA100 - DC LIGHT AA33
YA140A234 - LED OV/CU	D05/C4	LED OV/CU		LED OV/CU 34	CA100 - OV/CU LIGHT AA34
YA140A235 - LED 8	D06/C5	LED 8		LED 8 35	CA100 - 8 LIGHT AA35
YA140A236 - LED 4	D07/C6	LED 4		LED 4 36	CA100 - 4 LIGHT AA36
YA140A237 - LED 2	D08/C7	LED 2		LED 2 37	CA100 - 2 LIGHT AA37
YA140A238 - LED 1	D09/C8	LED 1		LED 1 38	CA100 - 1 LIGHT AA38
CA100B45 + POWER ON	N1	+POWER ON		+POWER ON 4/B09	YA140 + POWER ON AA4
CA100B44 - POWER ON	N2	-POWER ON		-POWER ON 41/B05	YA140 - POWER ON AA41
CA100B46 - POWER OFF	N3	-POWER OFF		-POWER OFF 42/B06	YA140 - POWER OFF AA42
CA100B42 - DISPLAY POWER STATUS	N4	-DISPLAY PWR		-DISPLAY PWR 43/D12	YA140 - DISPLAY POWER STATUS AA43
CA100B43 - LAMP TEST	N5	-LAMP TEST		-LAMP TEST 44/B04	YA140 - LAMP TEST AA44
CA100B47 - CABLE LOOP	N6	-CABLE LOOP		-CABLE LOOP 45/D13	YA140 - CABLE LOOP AA45
YA140A24 + 5 VOLT CONTROL SUPPLY	B03/E1	+5-V CONTROL		+5-V CONTROL 51	CA100 + 5 VOLT CONTROL SUPPLY AA51
YA140A25 GROUND	B08/E2	GROUND		GROUND 52	CA100 GROUND AA52

46B-AA

COMMENTS  
A1(C) COPYRIGHT IBM CORP. 1983

5360 FLD PAGE - BASE  
JA1 CABLE  
P/N 4177259 EC 842375  
PAGE 13 OF 21 PEC 839954

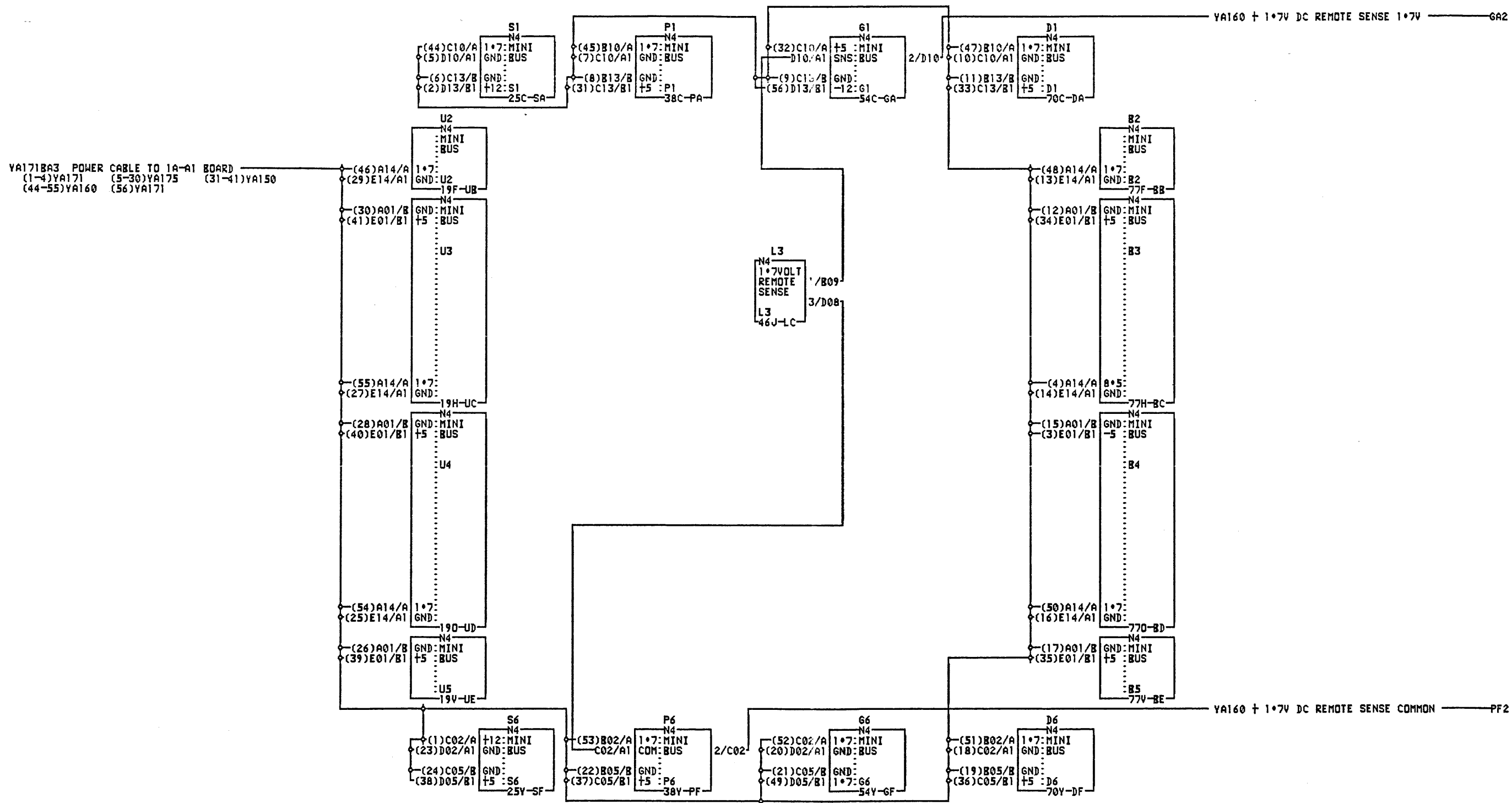
L0C=1C-XJA1

USN 00001 PRI=22APR86 1508

AUC=  
PFORM=KSEB SEC  
MACH=5360000 NEXTBLK AB  
CID NBSE80 JOB U393923A

Y  
A  
9  
0  
0

0001



YA171B3 POWER CABLE TO 1A-A1 BOARD  
 (1-4)YA171 (5-30)YA175 (31-41)YA150  
 (44-55)YA160 (56)YA171

YA160 + 1.7V DC REMOTE SENSE 1.7V GA2

YA160 + 1.7V DC REMOTE SENSE COMMON PF2

COMMENTS  
 A1(C) COPYRIGHT IBM CORP. 1983

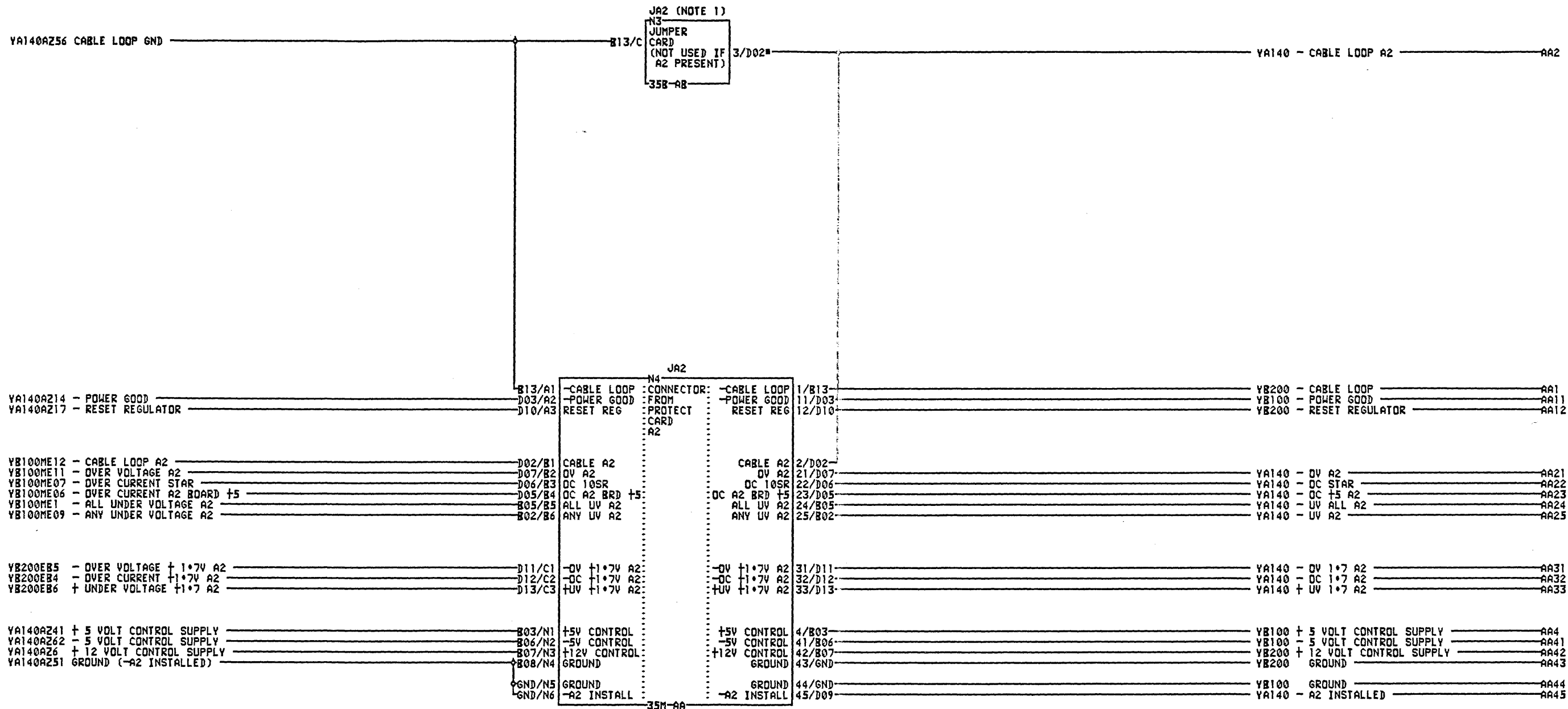
5360 FLD PAGE - BASE  
 A1 BOARD POWER DISTRIBUTION  
 P/N 4177259 EC 842375  
 PAGE 14 OF 21 PEC 839954

LOC=1A-A1  
 USN 00001 PRI=22APR86 1508  
 AUC= SEC  
 PFORM=KSEB NEXTBLK UF  
 MACH=5360000  
 CID NBSE80 JOB U393923A

Y  
 A  
 9  
 0  
 5

0001

0001

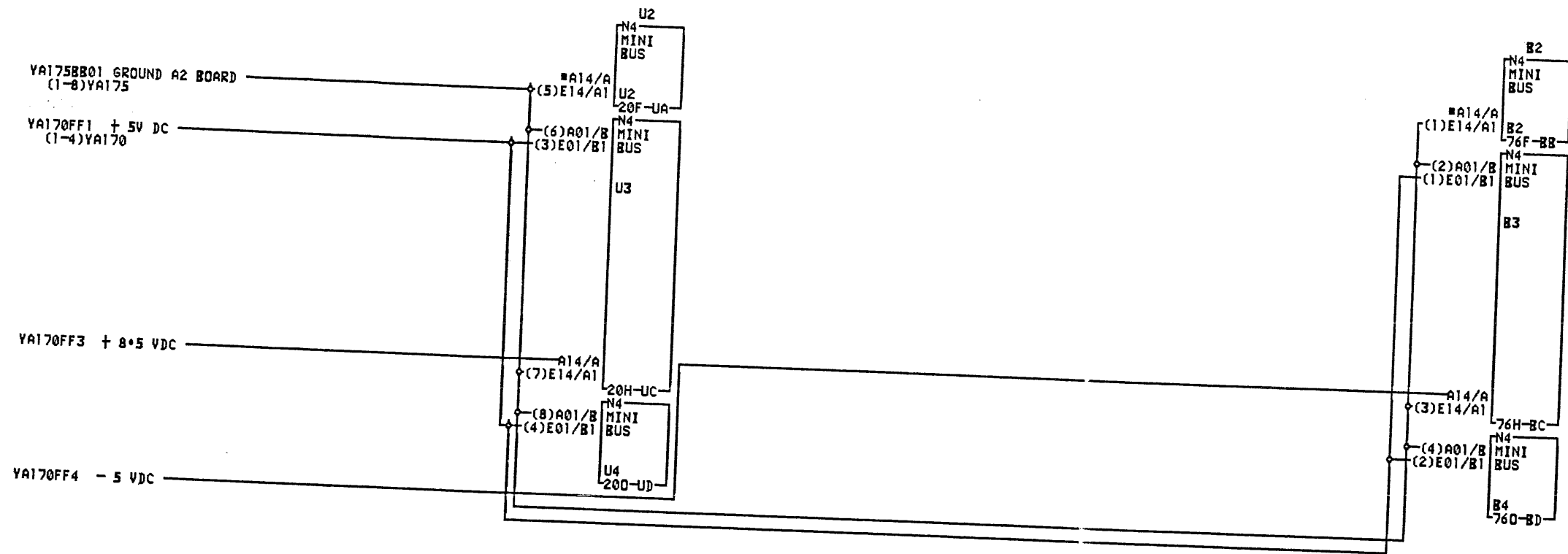


COMMENTS  
 1 (C) COPYRIGHT IBM CORP. 1983  
 2  
 3 NOTE 1:  
 4 SYSTEMS WITH NO  
 5 A2 POWER SUPPLY  
 6 REQUIRE THE JUMPER CARD

5360 FLD PAGE - BASE  
 JA2 CABLE  
 P/N 4177259 EC 842375  
 PAGE 15 OF 21 PEC 839954  
 LQC=1C-XJA2  
 USN 00001 PRI=22APR86 1508  
 AUC= SEC  
 PFORM=KSEB NEXTBLK AC  
 MACH=5360000  
 CID NBSE80 JOB U393923A

Y  
A  
9  
1

Y  
A  
9  
1  
0  
0001



COMMENTS

A1(C) COPYRIGHT IBM CORP. 1983  
 2  
 3NOTE 1:  
 4 THIS VERSION OF VOLTAGE  
 5 DISTRIBUTION IS LIMITED TO  
 6 SYSTEMS WHERE THE PRINTER  
 7 IS THE ONLY ATTACHMENT ON  
 8 THE 1A-A2 BOARD

5360 FLD PAGE - BASE  
 A2 BOARD POWER DISTRIBUTION  
 P/N 4177259 EC 842375  
 PAGE 16 OF 21 PEC 839954

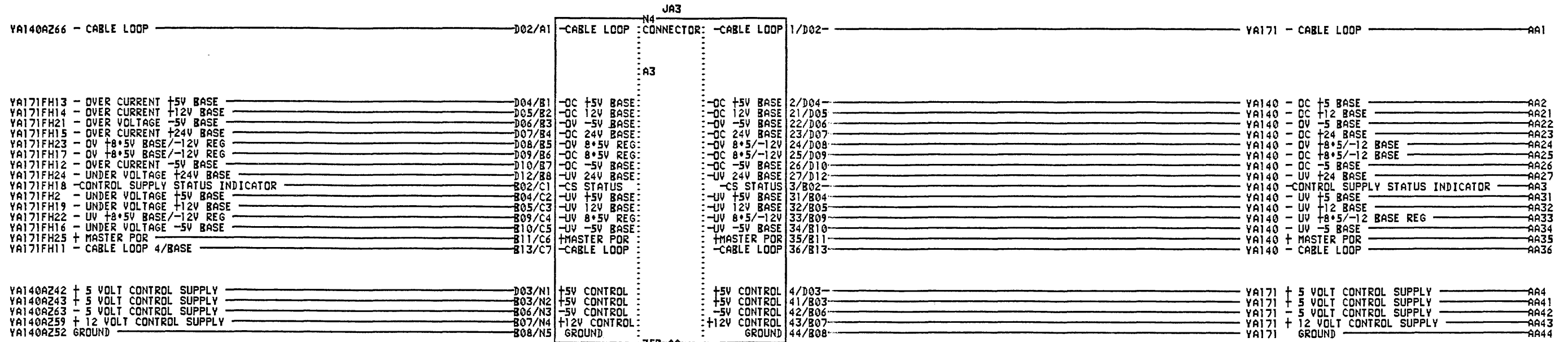
LOC=1A-A2  
 USN 00001 PRI=22APR86 1508  
 AUC=  
 PFORM=KSEB SEC  
 MACH=5360000 NEXTBLK UE  
 CID NBSE80 JOB U393923A

YA915

0001

YA915

0001



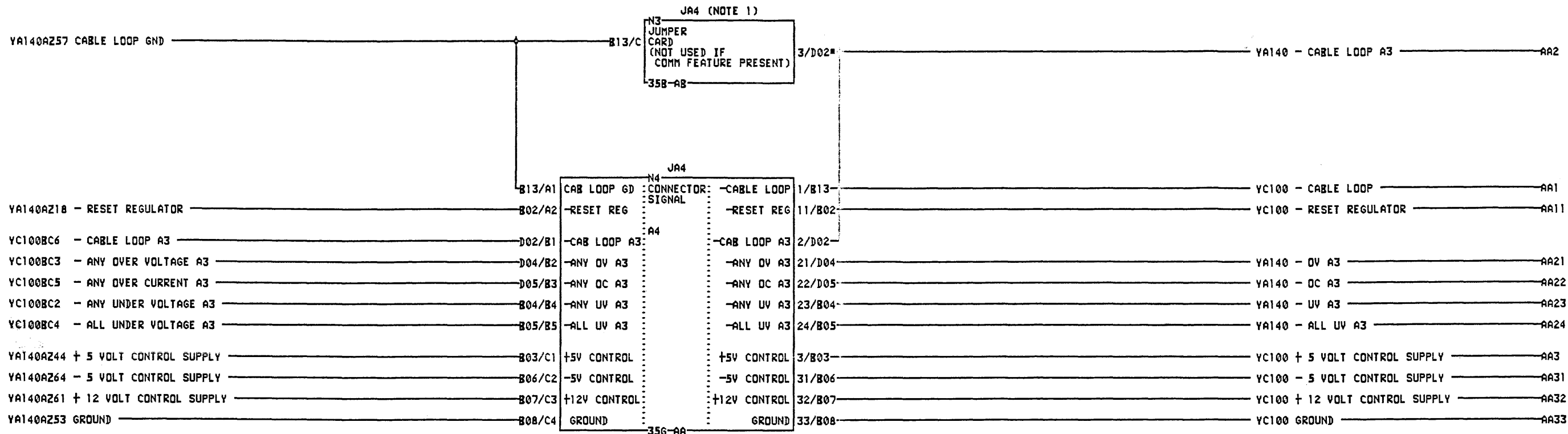
COMMENTS  
A1(C) COPYRIGHT IBM CORP. 1983

5360 FLD PAGE - BASE  
JA3 CABLE  
P/N 4177259 EC 842375  
PAGE 17 OF 21 PEC 839954

LOC=1C-XJA3

USN 00001 PRI=22APR86 1508

AUC= SEC  
PFORM=KSEB NEXTBLK AB  
MACH=5360000  
CID NBSE80 JOB U393923A

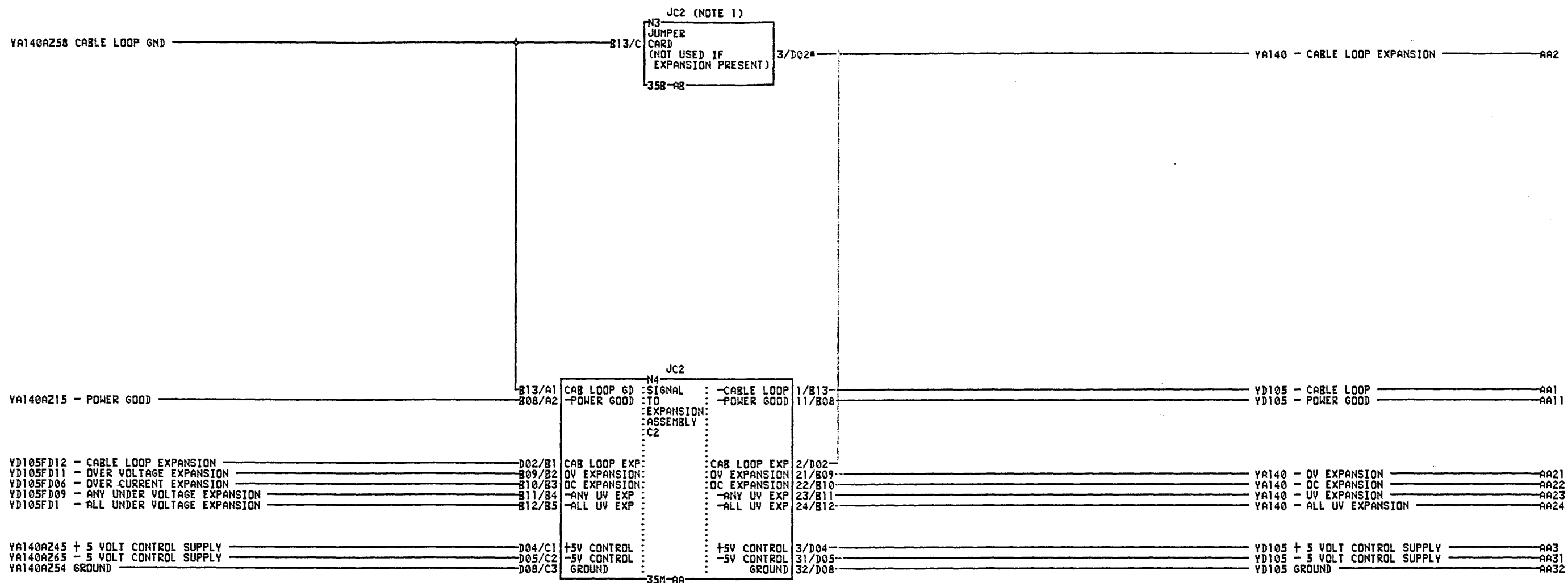


COMMENTS  
 1 (C) COPYRIGHT IBM CORP. 1983  
 2  
 3 NOTE 1:  
 4 SYSTEMS WITH NO A3  
 5 POWER SUPPLY OR A3  
 6 LOGIC BOARD INSTALLED  
 7 REQUIRE THE JUMPER CARD

5360 FLD PAGE - BASE  
 JA4 CABLE  
 P/N 4177259 EC 842375  
 PAGE 18 OF 21 PEC 839954  
 LOC=1C-XJA4  
 USN 00001 PRI=22APR86 1508  
 AUC= PFORM=KSEB SEC  
 MACH=5360000 NEXTBLK AC  
 CID NBSE80 JOB U393923A

YA930  
 0001

YA930  
 0001



COMMENTS

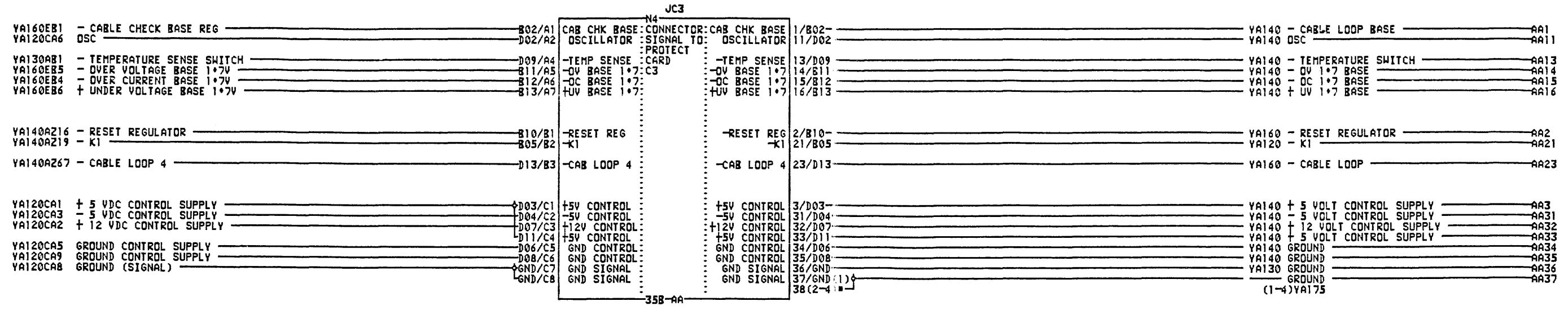
A1(C) COPYRIGHT IBM CORP. 1983  
 2  
 3NOTE 1:  
 4 SYSTEMS WITH NO  
 5 EXPANSION POWER SUPPLY  
 6 REQUIRE THE JUMPER CARD

Y  
 A  
 9  
 5  
 0  
 0001

5360 FLD PAGE - BASE  
 JC2 CABLE  
 P/N 4177259 EC 842375  
 PAGE 19 OF 21 PEC 839954  
 LOC=2C-XJC2  
 USN 00001 PRI=22APR86 1508  
 AUC=  
 PFORM=KSEB SEC  
 MACH=5340000 NEXTBLK AC  
 CID NBSE80 JOB U393923A

Y  
 A  
 9  
 5  
 0  
 0001



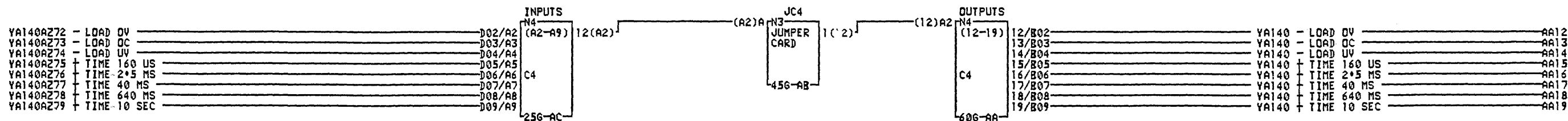


COMMENTS  
A1(C) COPYRIGHT IBM CORP. 1983

5360 FLD PAGE - BASE  
JC3 CABLE  
P/N 4177259 EC 842375  
PAGE 20 OF 21 PEC 839954  
LDC=1C-XJC3  
USN 00001 PRI=22APR86 1508  
AUC=  
PFORM=KSEB SEC  
MACH=5360000 NEXTBLK AB  
CID NBSE80 JOB U393923A

Y  
A  
9  
6  
0  
0001

Y  
A  
9  
6  
0  
0001



COMMENTS  
A1(C) COPYRIGHT IBM CORP. 1983

Y  
A  
9  
7  
0

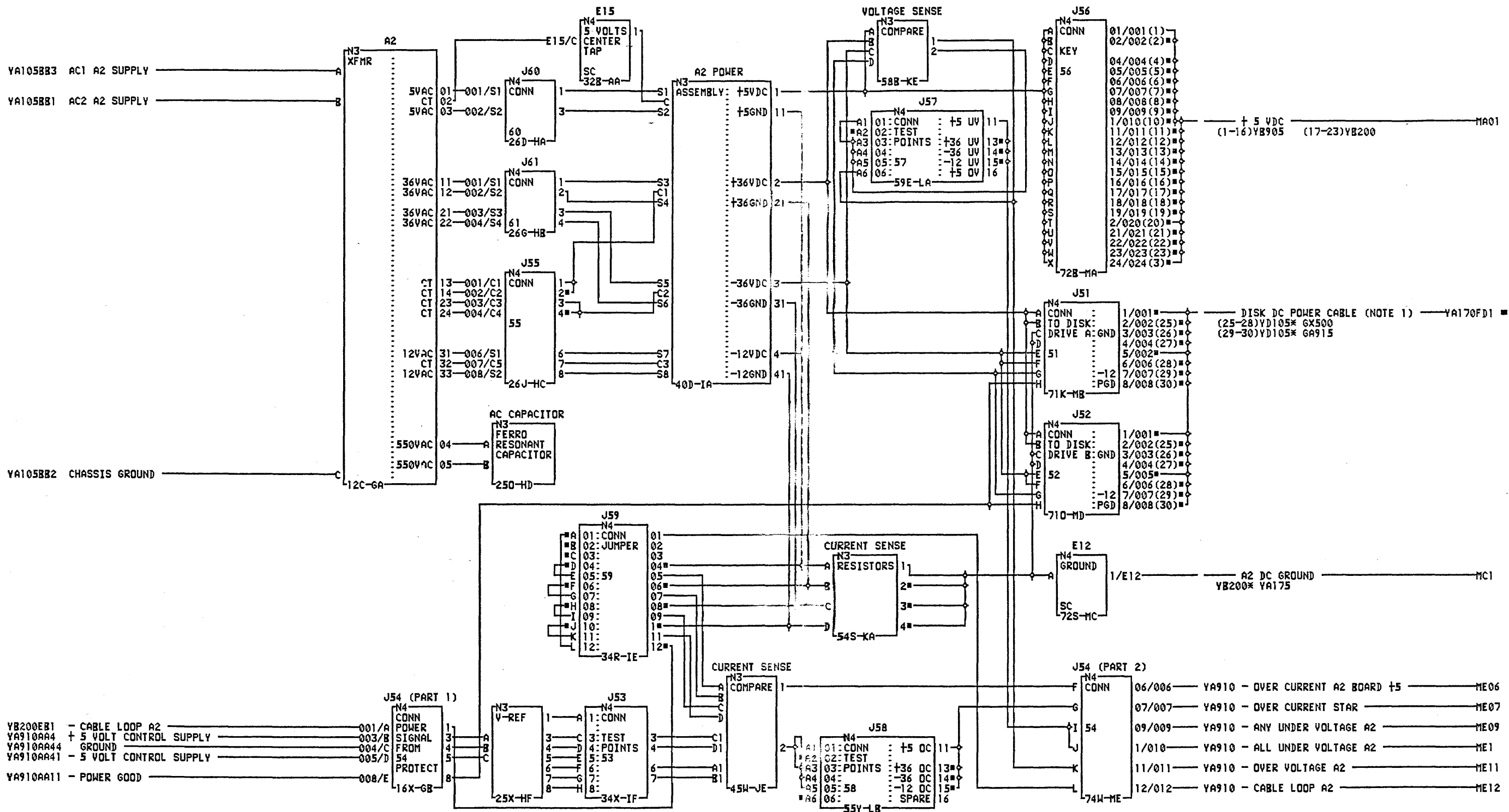
5360 FLD PAGE - BASE  
JC4 JUMPER CARD  
P/N 4177259 EC 842375  
PAGE 21 OF 21 PEC 839954

LOC=1C-XJC4

USN 00001 PRI=22APR86 1508

AUC= SEC  
PFORM=KSEB NEXTBLK AD  
MACH=5360000  
CID NBSE80 JOB U393923A

Y  
A  
9  
7  
0

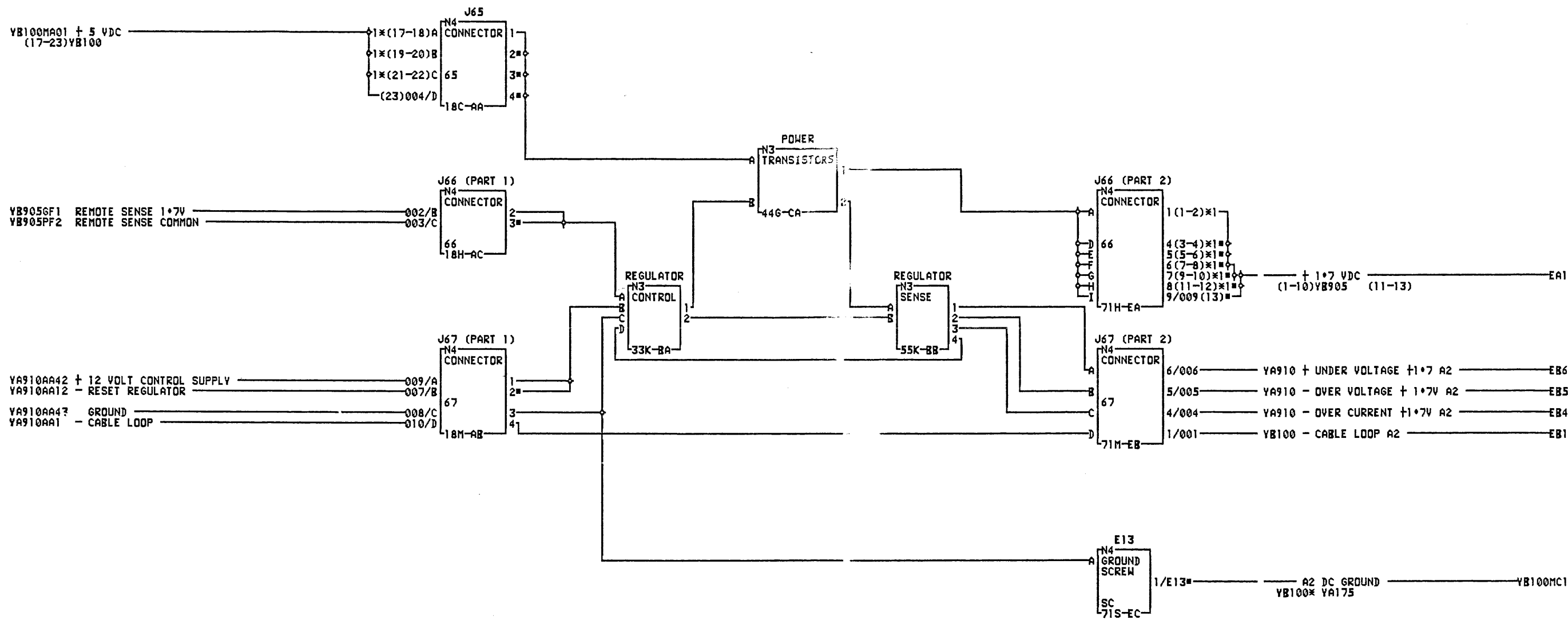


COMMENTS  
 A1(C) COPYRIGHT IBM CORP 1983  
 2  
 3NOTE 1:  
 4 DRIVE A - CONN J51  
 5 DRIVE B - CONN J52

5360 FLD PAGE - FEATURE  
 A2 POWER SUPPLY  
 P/N 4177260 EC 842375  
 PAGE 1 OF 3 PEC 839954  
 LOC=1C-XJ  
 USN 00001 PRI=22APR86 1500  
 AUC= SEC  
 PFORM=KSEB NEXTBLK MF  
 MACH=5360000  
 CID NBSE80 JOB U393923D

Y  
B  
1  
0  
0

Y  
B  
1  
0  
0



COMMENTS  
AT(C) COPYRIGHT IBM 1983

PINS  
AA  
A0/001  
B0/002  
C0/003  
EA  
10/001  
40/004  
50/005  
60/006  
70/007  
80/008

5360 FLD PAGE - FEATURE  
A2 1.7V REGULATOR  
P/N 4177260 EC 842375  
PAGE 2 OF 3 PEC 839954

LOC=1C-XJ

USN 00001 PRI=22APR86 1508

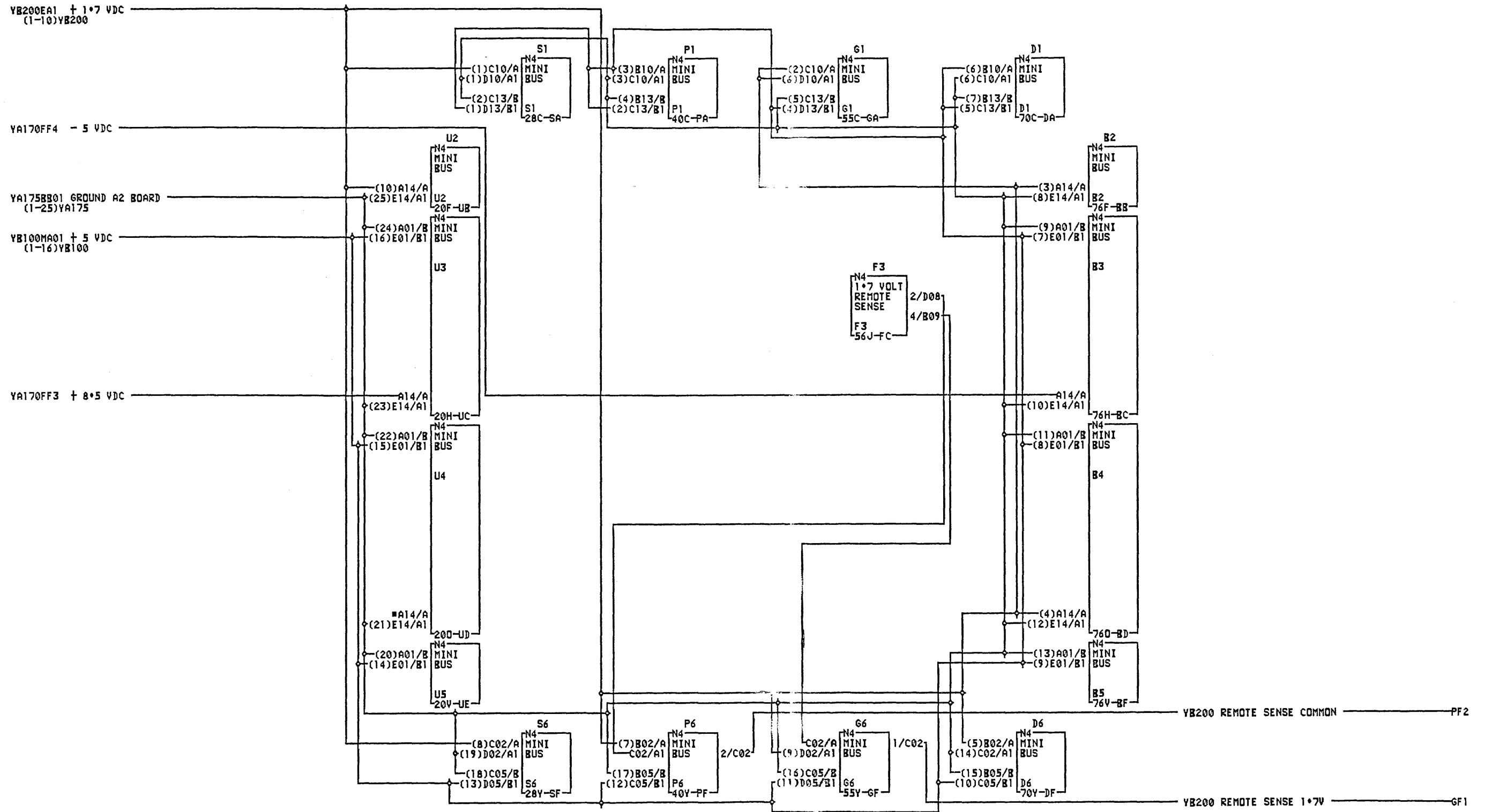
AUC= PFORM=KSEB SEC NEXTBLK ED  
MACH=5360000  
CID NBSE80 JOB U393923D

Y  
B  
2  
0  
0

Y  
B  
2  
0  
0

0001

0001



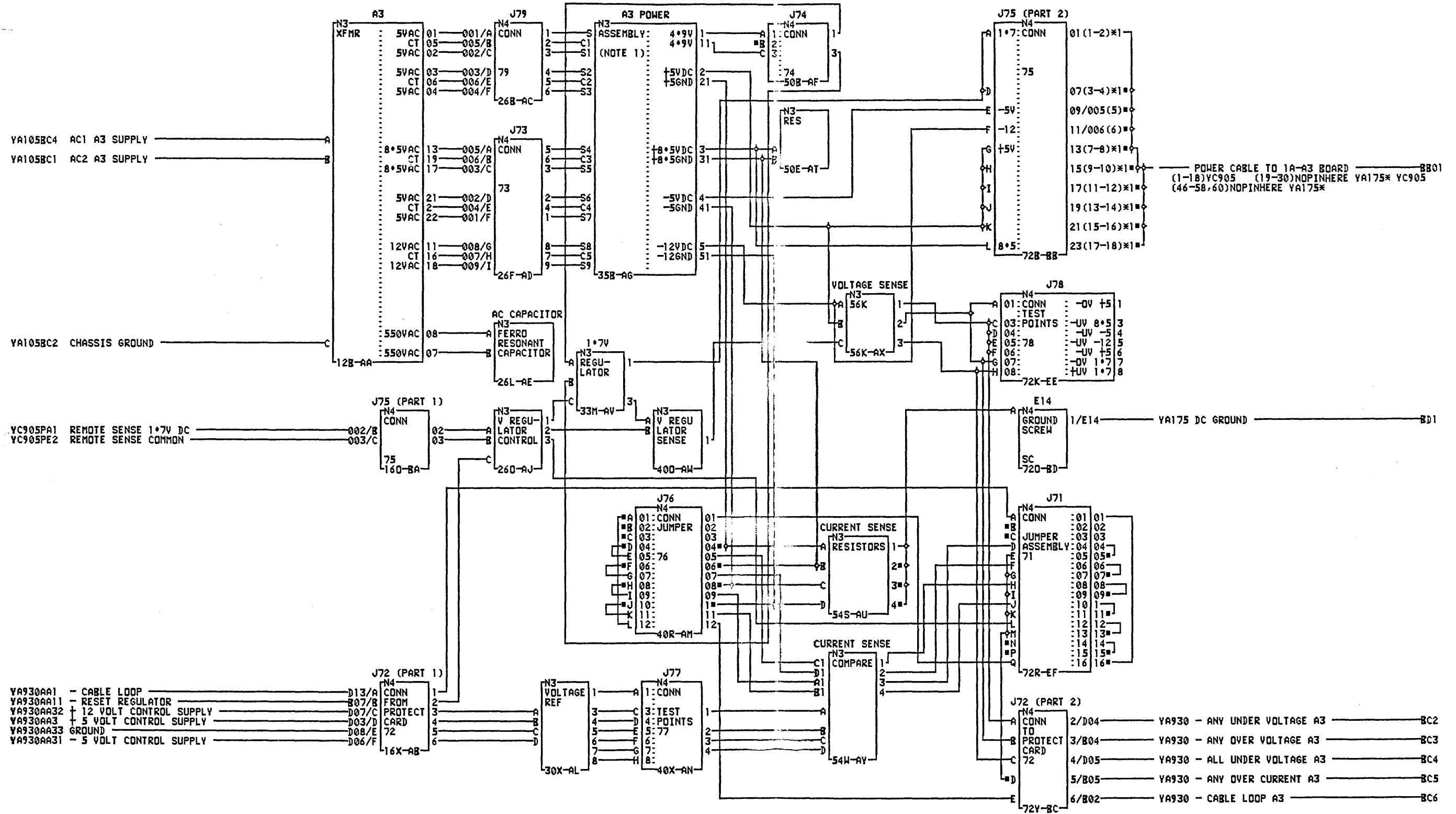
COMMENTS  
A1(C) COPYRIGHT IBM CORP. 1983

5360 FLD PAGE - FEATURE  
A2 BOARD POWER DISTRIBUTION  
P/N 4177260 EC 842375  
PAGE 3 OF 3 PEC 839954

LDC=1A-A2  
USN 00001 PRI=22APR86 1508  
AUC= PFORM=KSEB SEC NEXTBLK UF  
MACH=5360000  
CID NBSE80 JOB U39323D

Y  
B  
9  
0  
5

Y  
B  
9  
0  
5



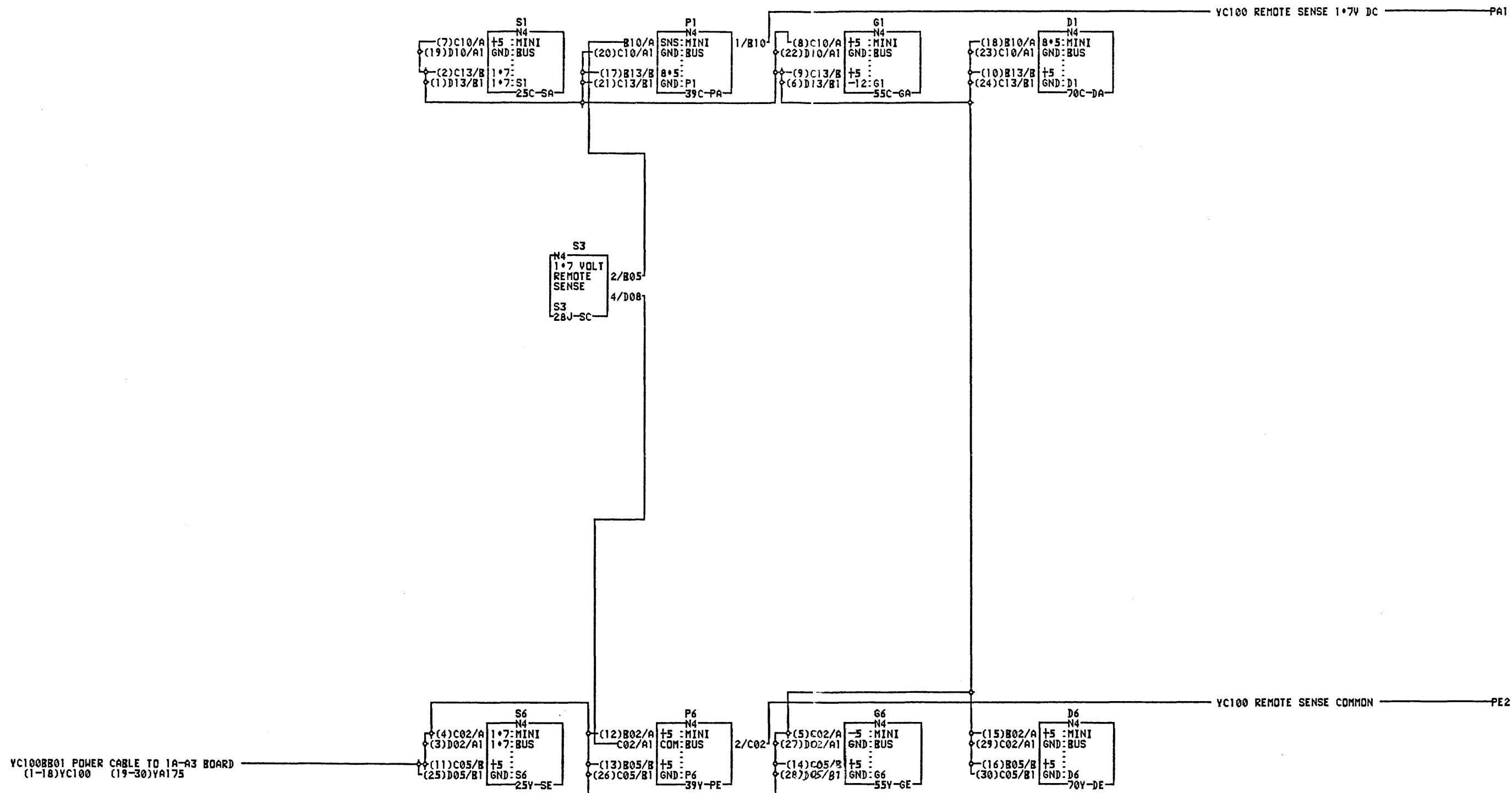
COMMENTS	PINS
A1(C) COPYRIGHT IBM CORP. 1983	BB
2	01/001
3 NOTE 1:	07/004
4 RECTIFIER BLOCK IS A LARGE	13/007
5 HEAT SINK WITH A REGULATOR	15/008
6 SHARING A COMMON SURFACE	17/009
	19/010
	21/011
	23/012

5360 FLD PAGE - FEATURE  
A3 POWER SUPPLY  
P/N 4177261 EC 842375  
PAGE 1 OF 2 PEC 839954

LOC=1C-XJ  
USN 00001 PRI=22APR86 1508  
AUC= PFORM=KSEB SEC  
MACH=5360000 NEXTBLK EG  
CID NBSE80 JOB U393923D

Y  
C  
1  
0  
0

Y  
C  
1  
0  
0



COMMENTS  
A1(C) COPYRIGHT IBM CORP. 1983

5360 FLD PAGE - FEATURE  
A3 BOARD POWER DISTRIBUTION  
P/N 4177261 EC 842375  
PAGE 2 OF 2 PEC 839954

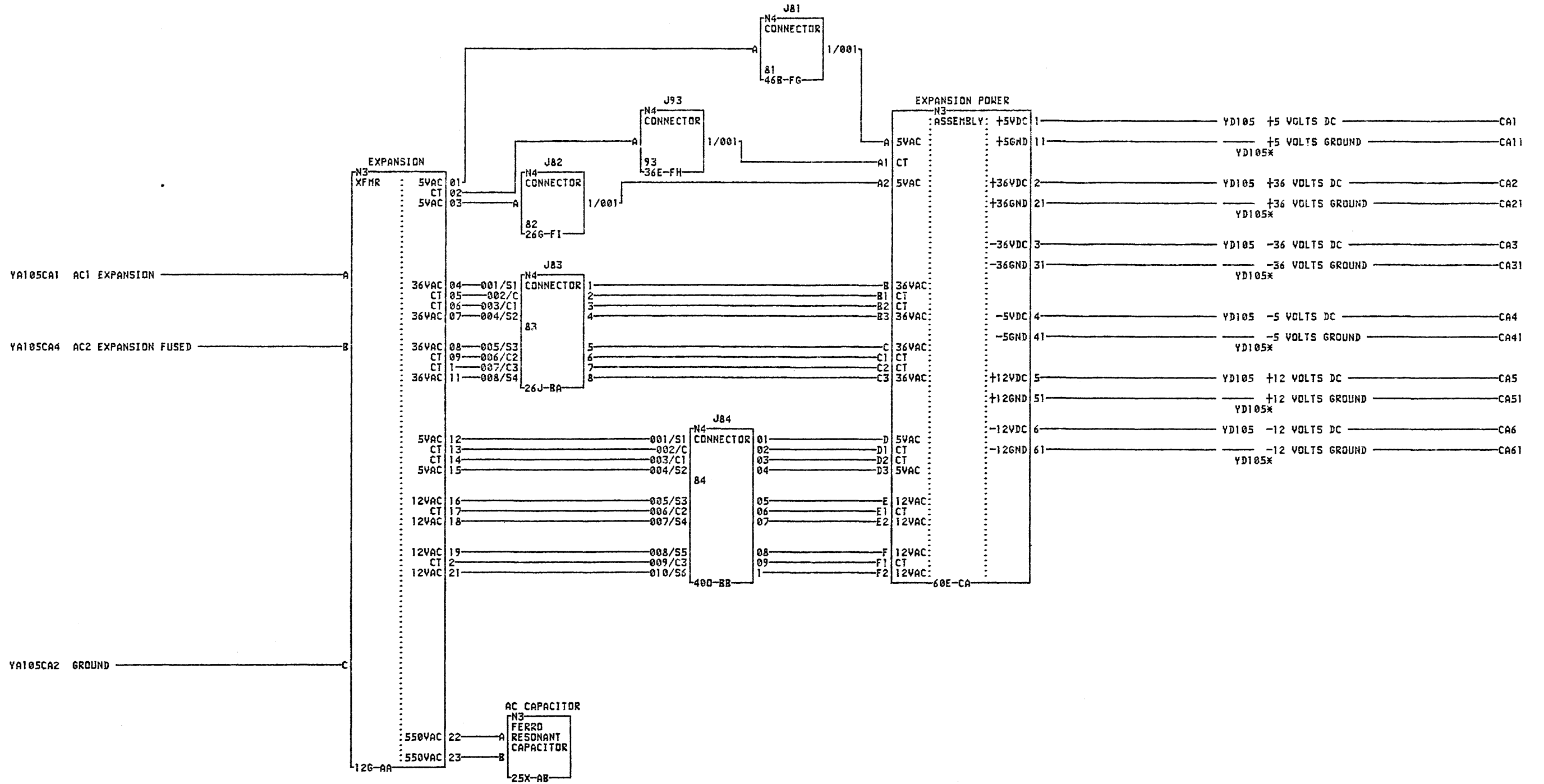
LDC=1A-A3  
USN 00001 PRI=22APR86 1508  
AUC= SEC  
PFORM=KSEB NEXTBLK SF  
MACH=5360000  
CID NBSE80 JOB U393923D

Y  
C  
9  
0  
5

0001

Y  
C  
9  
0  
5

0001



COMMENTS  
A1(C) COPYRIGHT IBM CORP 1983

5360 FLD PAGE - FEATURE  
EXPANSION SUPPLY  
P/N 417262 EC 826487  
PAGE 1 OF 3 PEC 826380

LOC=2C-XJ

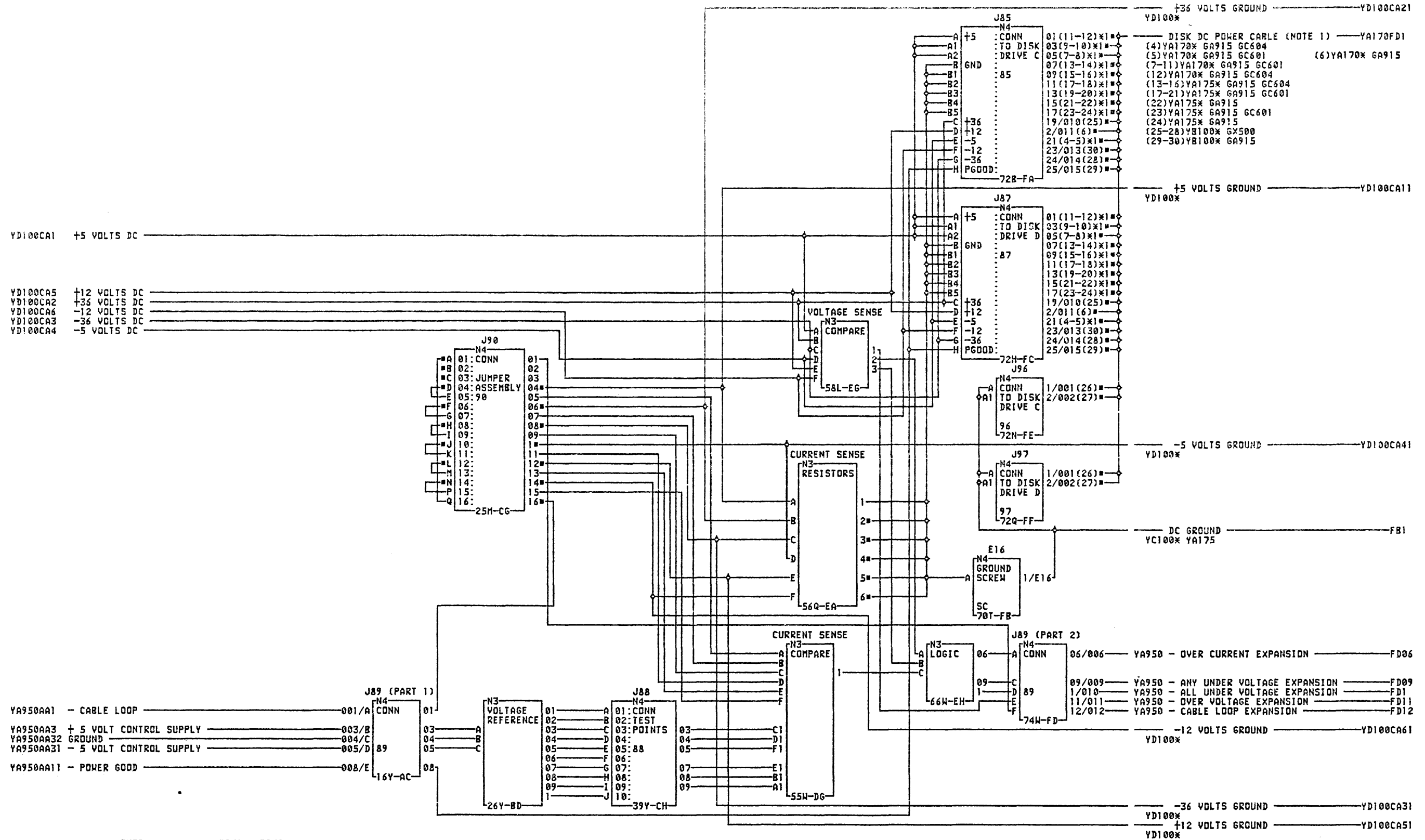
USN 00001 PRI=11JAN84 1734

AUC=  
PFORM=KSEB  
MACH=049A000  
CID NBSE80

SEC  
NEXTBLK FJ  
JOB M9700748

Y  
D  
1  
0  
0  
0001





COMMENTS	PINS	PINS
1 (C) COPYRIGHT IBM CORP 1983	FA	05/003
2 NOTE 1:	01/001	07/004
3 DRIVE C - CONN J85, J96	03/002	09/005
4 DRIVE D - CONN J87, J97	05/003	11/006
	07/004	13/007
	09/005	15/008
	11/006	17/009
	13/007	21/012
	15/008	
	17/009	
	21/012	
	FC	
	01/001	
	03/002	

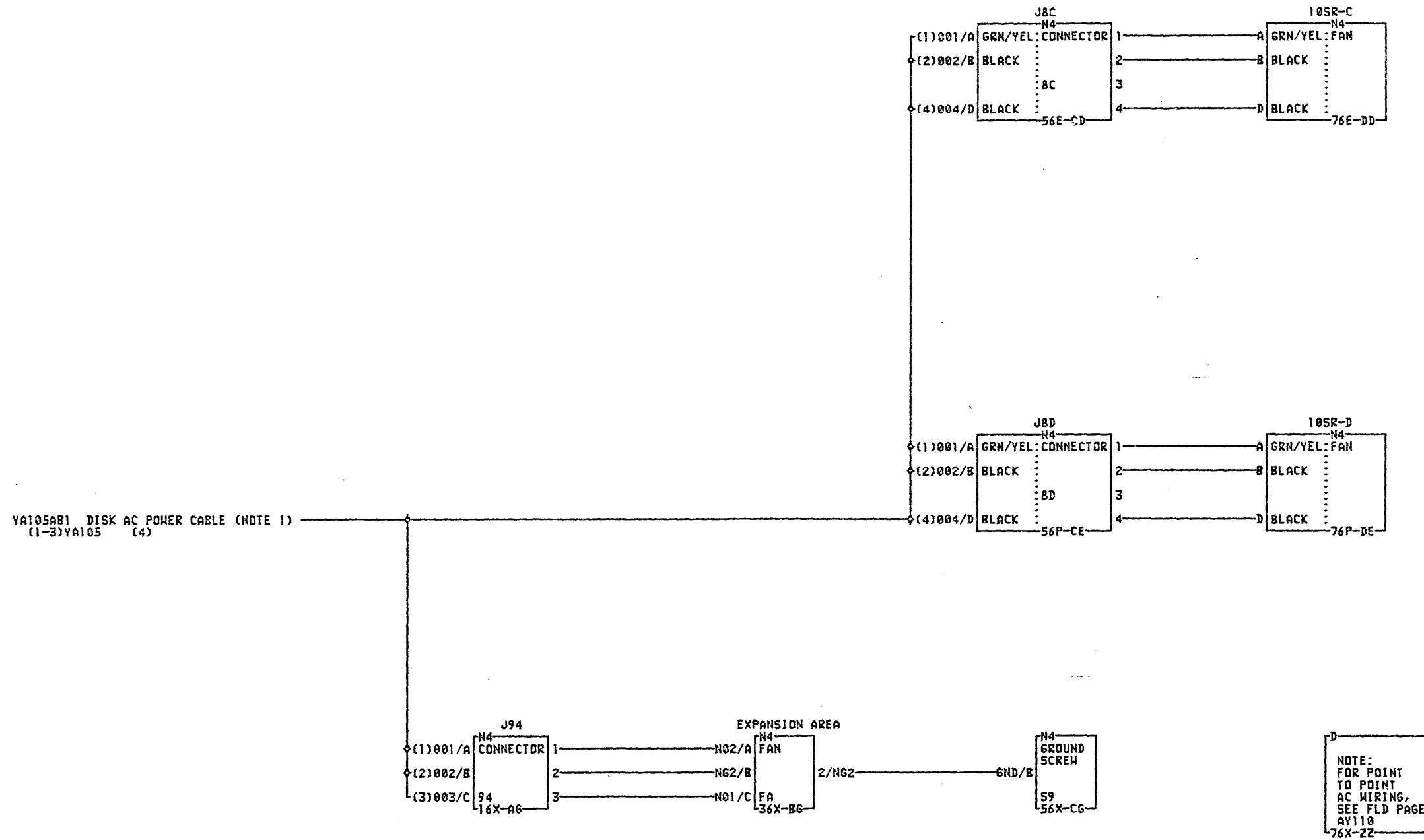
5360 FLD PAGE - FEATURE  
 EXPANSION SUPPLY  
 P/N 4177262 EC 826487  
 PAGE 2 OF 3 PEC 826388

LOC=2C-XJ

USN 00001 PRI=11JAN84 1734 Y  
 D  
 1  
 0  
 5

AUC= SEC  
 PFORM=KSEB NEXTBLK F6  
 MACH=049A000  
 CID NBSE80 JOB M9700748

0001



COMMENTS

- 1 A) (C) COPYRIGHT IBM CORP. 1983
- 2 NOTE 1:
- 3 ADDITIONAL TB1 PINOUTS:
- 4 10SR FAN C - PINS 3 & 6
- 5 10SR FAN D - PINS 1 & 4

5360 FLD PAGE - FEATURE  
EXPANSION FANS  
P/N 4177262 EC 826487  
PAGE 3 OF 3 PEC 826380

LDC=2C-XJ

USN 00001 PRI=11JAN84 1734  
AUC= SEC  
PFORM=KSEB NEXTBLK 20  
MACH=049A000  
CID NRSE80 JOB M9700748

Y  
D  
1  
1  
0  
0001

Y  
D  
1  
1  
0  
0001