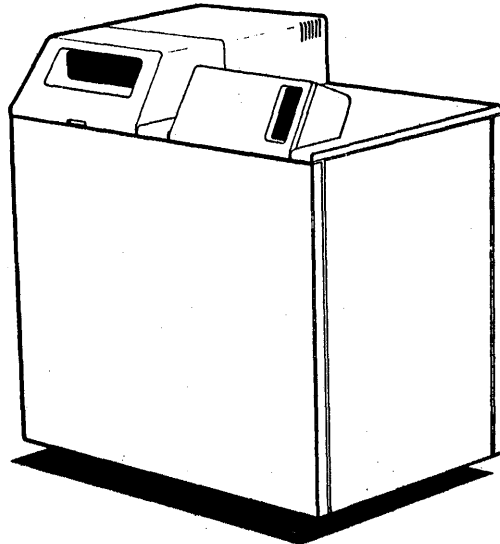


IBM SYSTEM/36

Safety Inspection Guide



5360

Pg 1 of 16	2597837 Part Num	EC 826380 27 May 83	EC 826487 15 Feb 84	
------------	---------------------	------------------------	------------------------	--

This page is intentionally left blank.

5360

Pg 2 of 16	2597837 Part Num
------------	---------------------

EC 826380 27 May 83	EC 826487 15 Feb 84	
------------------------	------------------------	--

GETTING READY

Before performing the inspection procedures contained in this guide, ensure that present conditions are safe, the machine is powered off, and all electrical power is removed at the line cord.

Safety Conditions

If present conditions are not safe, you must determine if the condition is serious. For example, the following conditions are not safe:

- **Electrical:** In the primary power area, a frame that is not at ground potential.
- **Mechanical:** Missing belt covers.
- **Explosive:** Bulging capacitors or a damaged CRT face.

You must determine if the problem should be repaired before you can continue with this inspection.

Safety Education

Before performing the inspection procedures contained in this guide, you must have completed the Electrical Safety Training Course for IBM Customer Engineers self-study course (77170 or latest level).

Chemicals

Do not use solvents, cleaners, or other chemicals not approved by IBM.

Performing the Inspection

IBM machines are designed and assembled with safety items installed to protect owners, operators, and service personnel from injury. This inspection guide identifies areas of the machine that may not be safe. Use good judgement to identify other safety conditions not covered by this inspection guide.

Features

Parts of this inspection guide check features. Complete only the parts for features that are installed.

Reference Information

Ensure that the following reference information is available:

- Customer Engineering Memorandums (CEMs) including Engineering Change Announcements (ECAs) and Service Aids (SAs) for this machine type
- Latest machine history if possible
- System/36 maintenance information manuals to review the safety sections of all areas to be inspected
- The manual What to Do Before Your Computer Arrives, GBOF-4773
- The manual Electrical Safety for IBM Customer Engineers, S229-8124

5360

Pg 3 of 16	2597837 Part Num
------------	---------------------

EC 826380 27 May 83	EC 826487 15 Feb 84	
------------------------	------------------------	--

UNIT EMERGENCY SWITCH

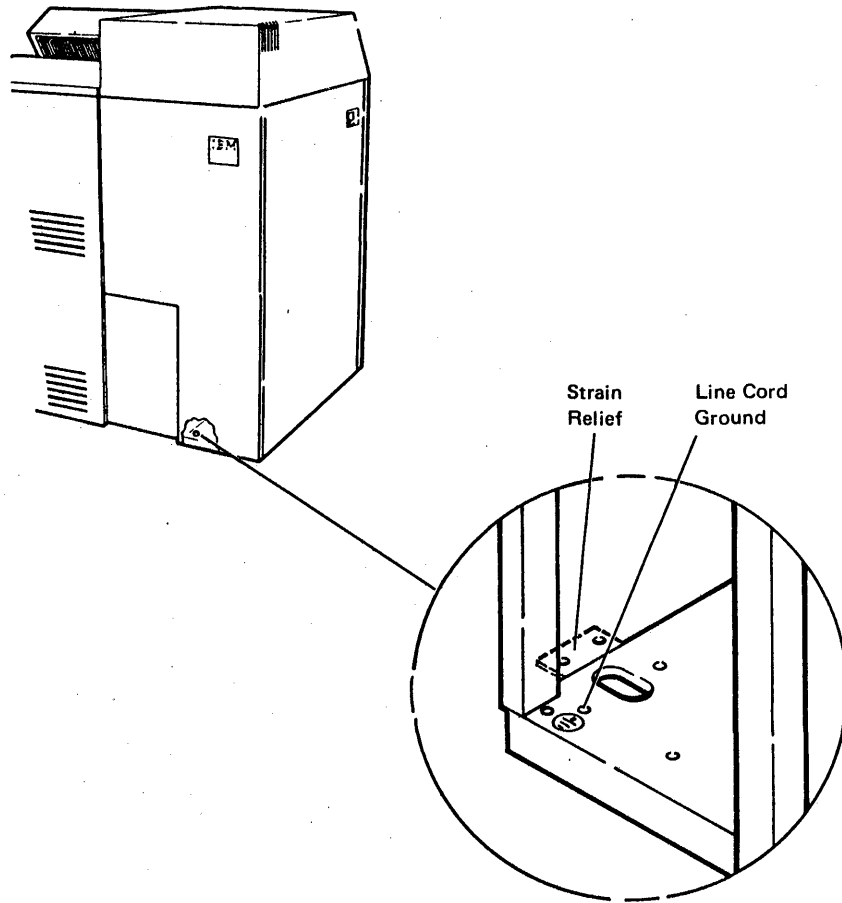
Check Step

- 1. Set the Unit Emergency switch to the Power Off position, verify that the Power light is off and that the system does not power on when you press the Power key.
- 2. Set the Unit Emergency switch to the Power Enable position, verify that the system powers on when you press the Power key and that the Power light goes on.
- 3. With the system power on (Power light on), set the Unit Emergency switch to the Power Off position. Verify that the system powers off (Power light off).
- 4. Leave the Unit Emergency switch in the Power Off position and remove the line cord before continuing with the safety inspection.

5360

Pg 4 of 16	2597837 Part Num	EC 826380 27 May 83	EC 826487 15 Feb 84	
------------	---------------------	------------------------	------------------------	--

PRIMARY POWER INPUT



Check Step

- 1. Check the line cord for visible cracks, wear, or damage.
- 2. Ensure that the line cord has the correct power plug. See the manual What To Do Before Your Computer Arrives for the correct plug type.

Check Step

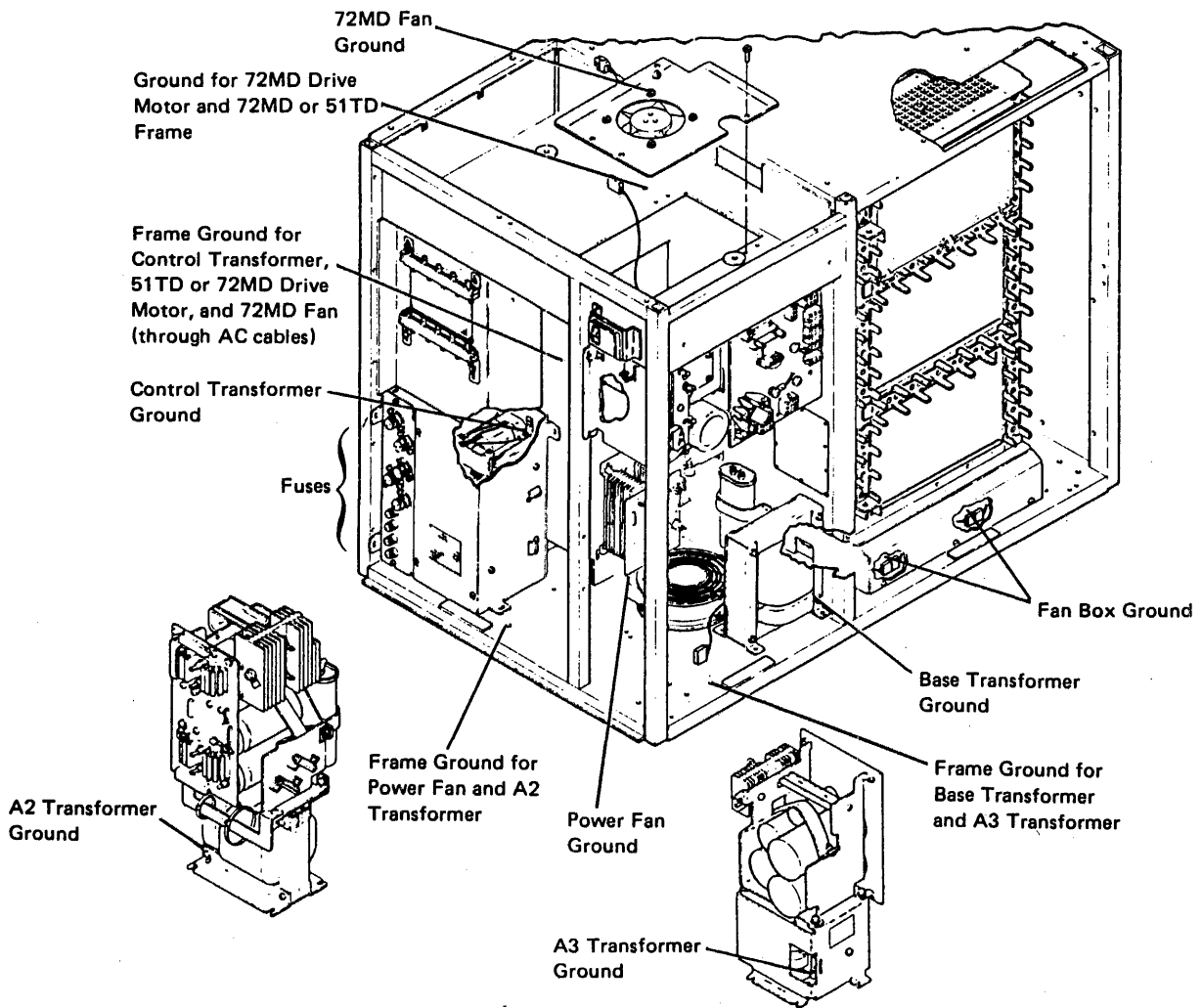
- 3. Ensure that the line cord is held in position by the strain relief.
- 4. Check for .2 ohm or less of resistance between the line cord ground and the ground pin on the power plug.

5360

Pg 5 of 16	2597837 Part Num
------------	---------------------

EC 826380 27 May 83	EC 826487 15 Feb 84	
------------------------	------------------------	--

PRIMARY POWER AREA



Check Step

- 1. Ensure that all of the AC safety ground screws shown on the diagram are tight.
- 2. Check the primary power area for loose or damaged cables. Grommets should be installed where cables pass through metal openings.
- 3. Check the inside of the system for foreign materials.

Check Step

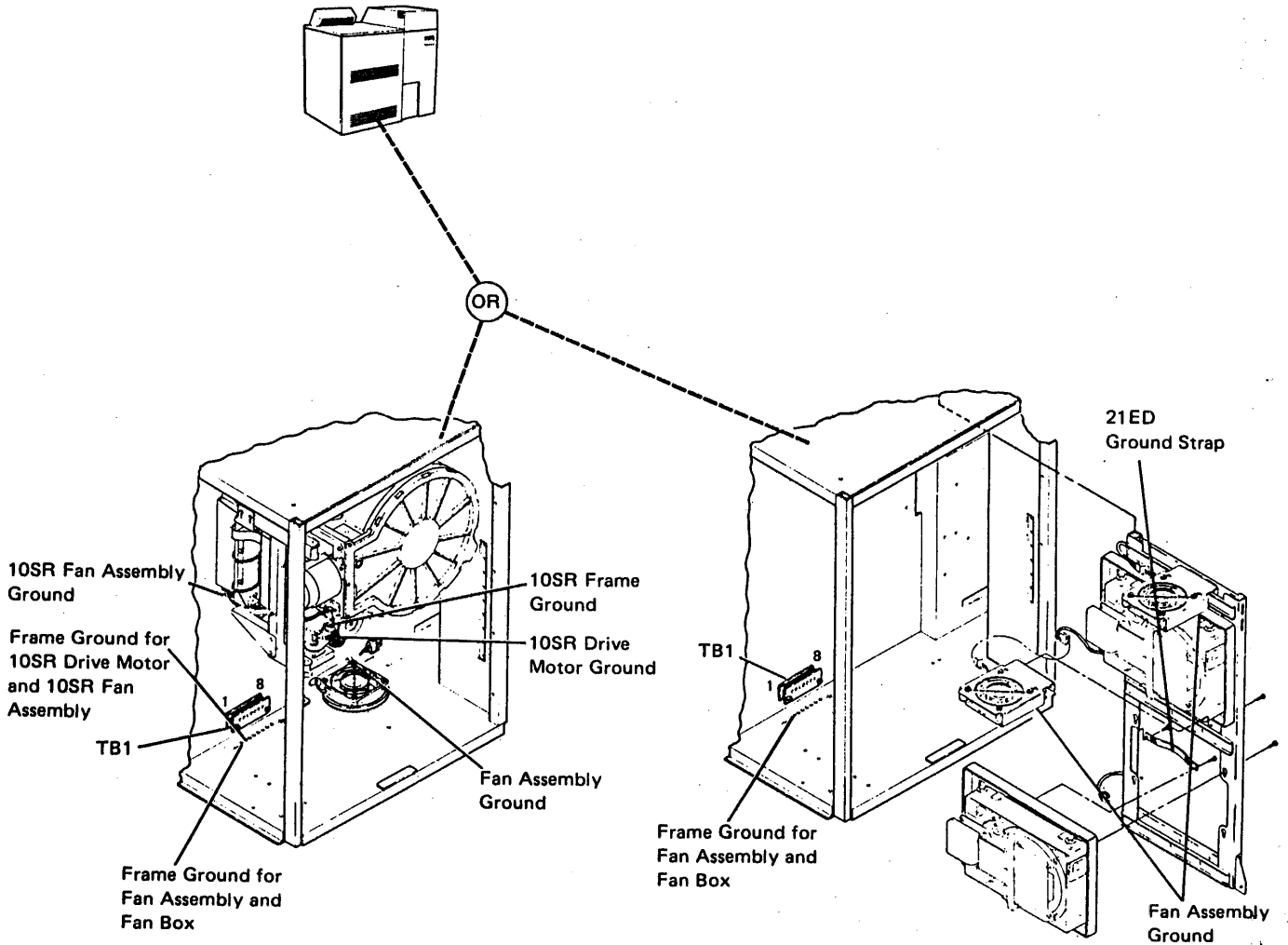
- 4. Ensure that the safety screens are in place for the power fan and the A-gate fans.
- 5. Ensure that all fuses are the correct size. See 05-215 in the Power MIM for the size and part number of the fuses.

5360

Pg 6 of 16	2597837 Part Num
------------	---------------------

EC 826380 27 May 83	EC 826487 15 Feb 84	
------------------------	------------------------	--

DISK AREA



Check Step

- 1. For 10SR disk drives, ensure that the belt guard and the fan guard are installed for each disk drive.
- 2. For 10SR disk drives, ensure that the ground strap located near the hinge on the top of the disk drive is tight.

Check Step

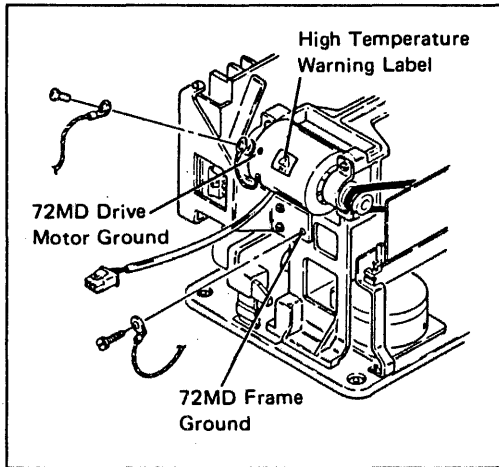
- 3. For 21ED disk drives, ensure that the 21ED ground strap and the fan assembly ground screws are tight for each disk drive.
- 4. For either the 21ED or the 10SR disk drives, ensure that the safety cover is installed on TB1.

5360

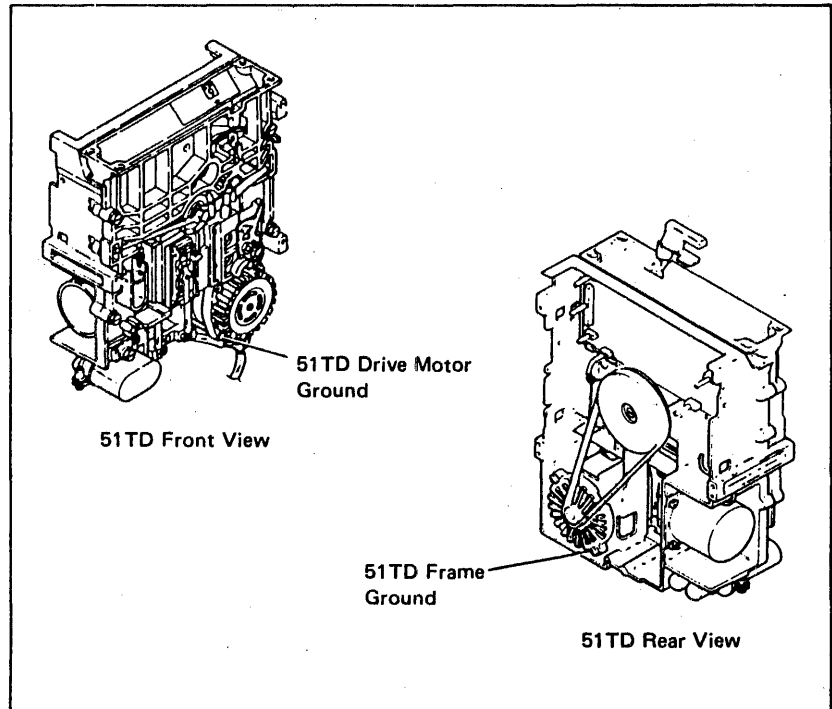
Pg 7 of 16	2597837 Part Num
------------	---------------------

EC 826380 27 May 83	EC 826487 15 Feb 84	
------------------------	------------------------	--

DISKETTE AREA



Rear View of 72MD



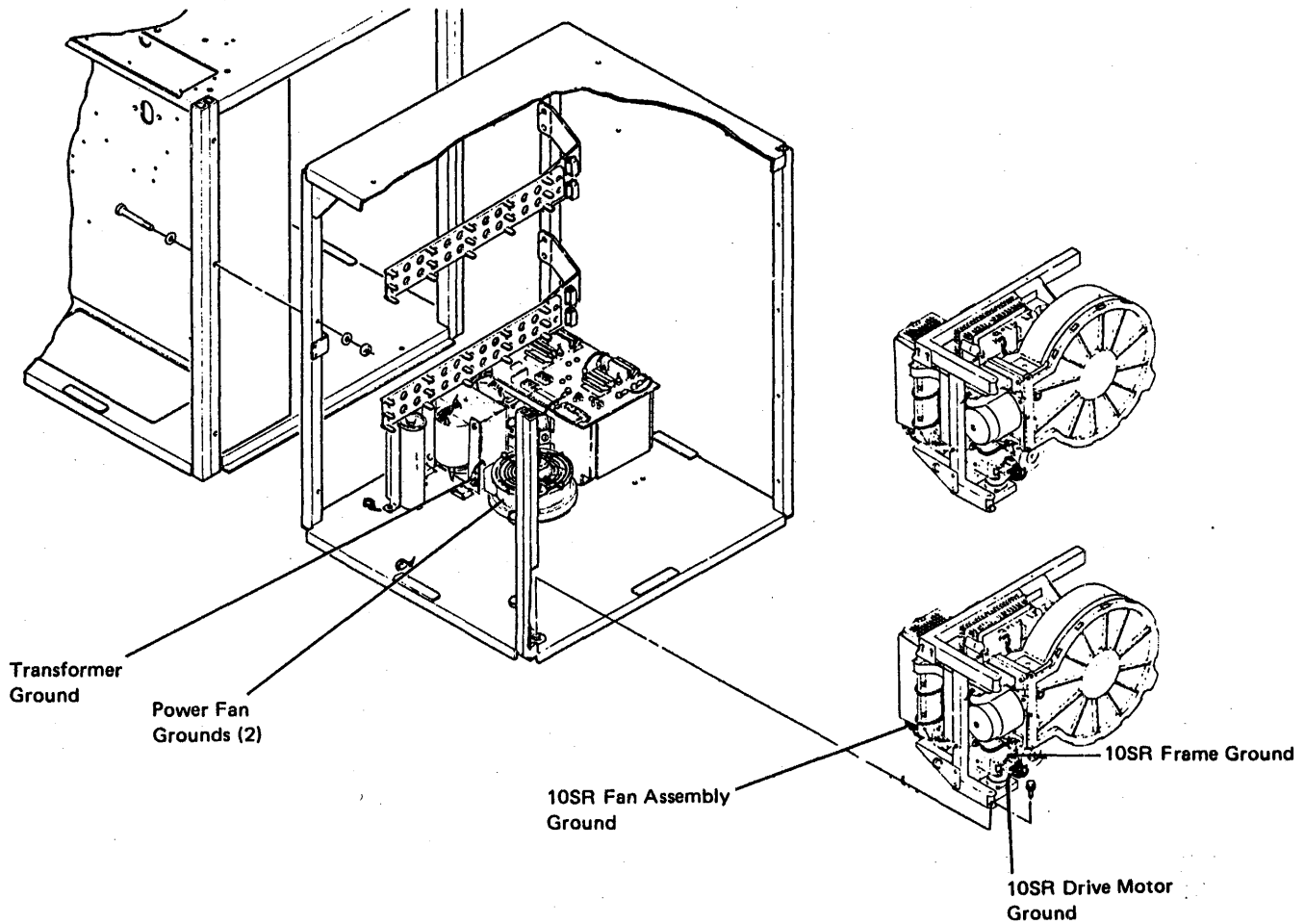
Check Step

- [_] 1. For either the 51TD or the 72MD diskette drive, ensure that the drive motor and the frame ground screws are tight.
- [_] 2. For 72MD diskette drives, ensure that the drive motor has a high temperature warning label.

5360

Pg 8 of 16	2597837 Part Num	EC 826380 27 May 83	EC 826487 15 Feb 84	
------------	---------------------	------------------------	------------------------	--

EXPANSION FRAME AREA



Check Step

- 1. Ensure that the expansion transformer ground and the expansion power fan grounds (2) are tight.
- 2. Ensure that the belt guard and the fan guard are installed for 10SR disk drives C and D.

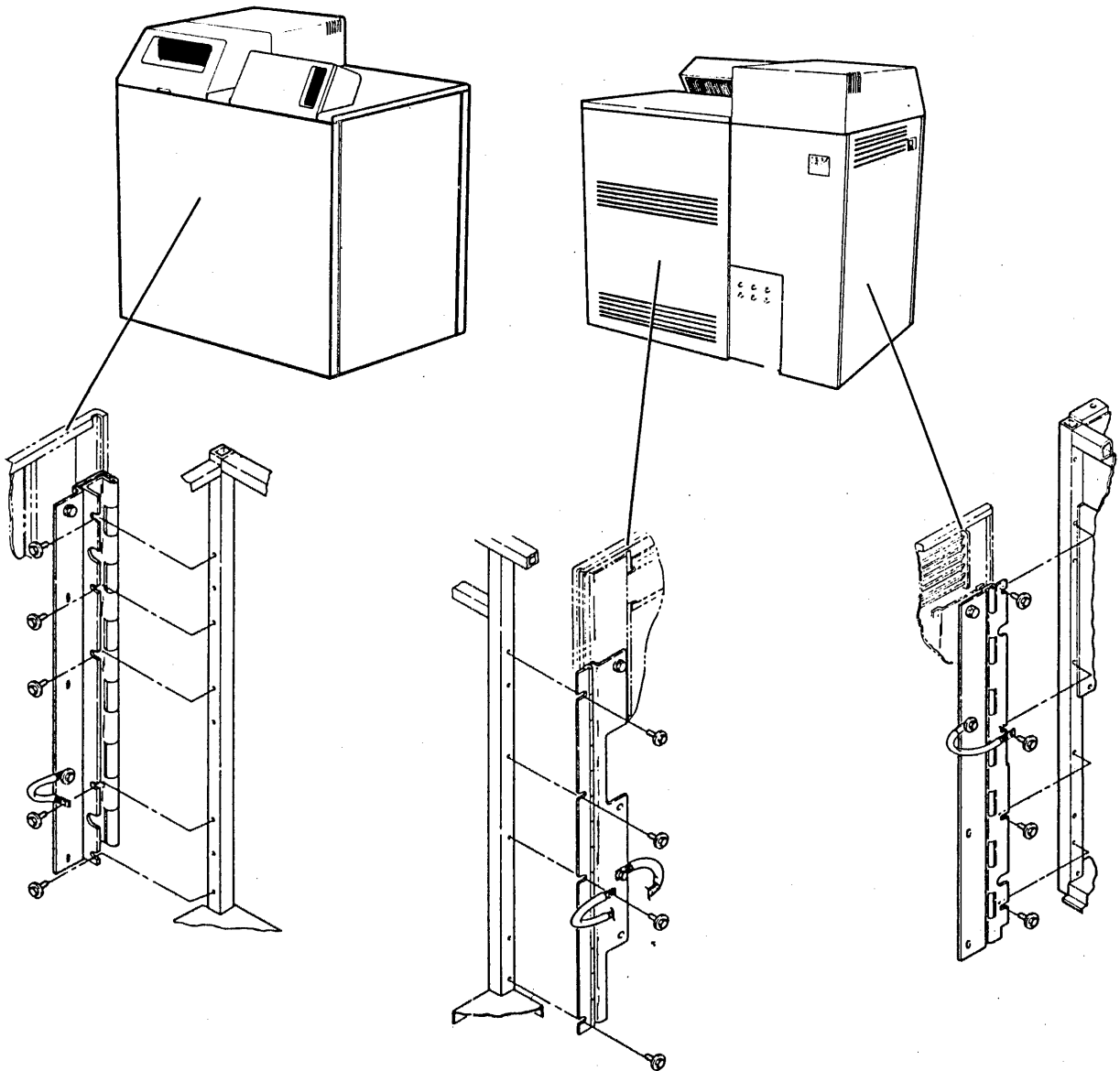
- 3. Ensure that the ground strap located near the hinge on the top of the disk drive is tight.

5360

Pg 9 of 16	2597837 Part Num
------------	---------------------

EC 826380 27 May 83	EC 826487 15 Feb 84	
------------------------	------------------------	--

BASE SYSTEM COVERS



Check Step

[_] 1. Check all system covers for loose or broken hinges and sharp edges.

Check Step

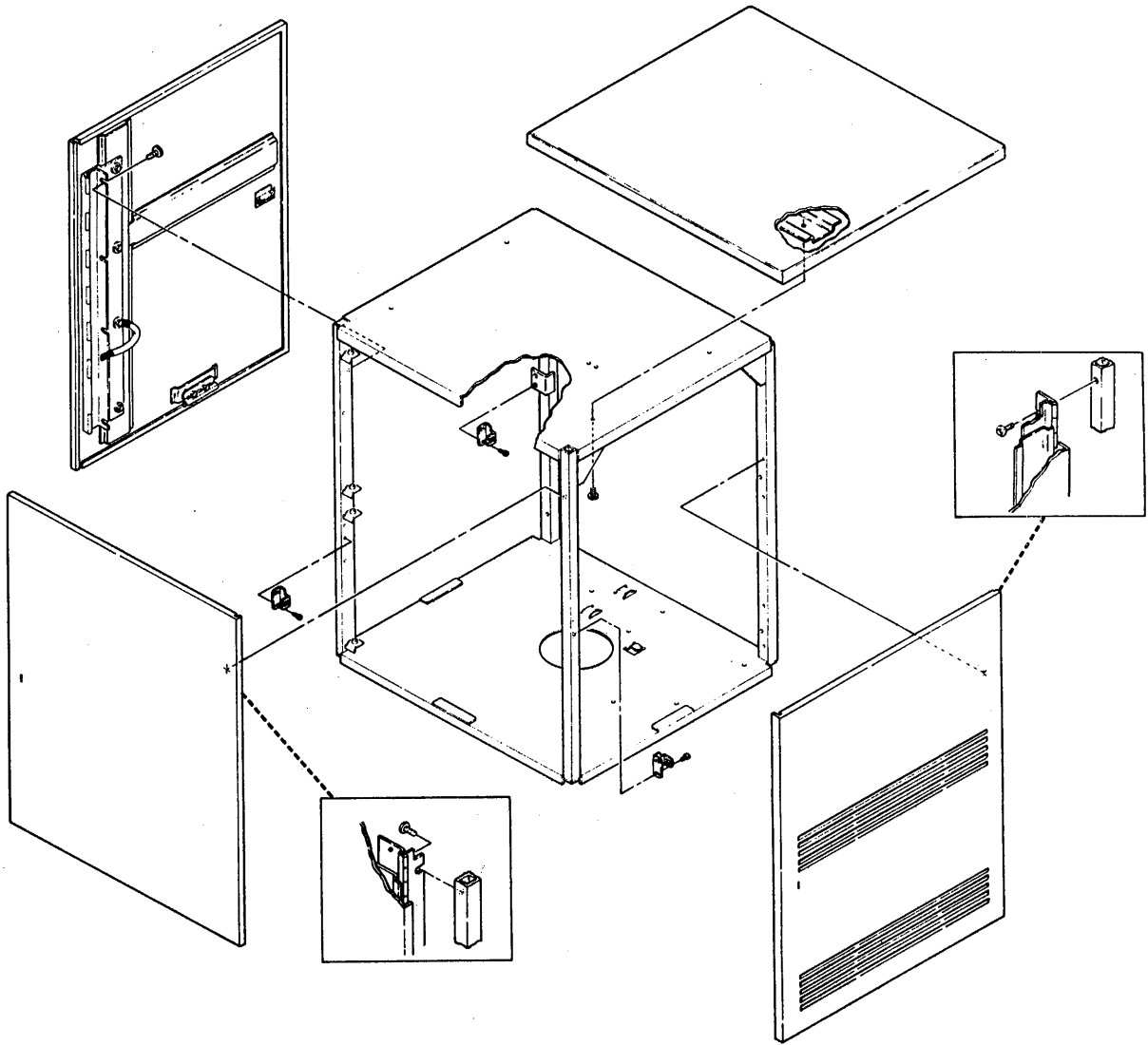
[_] 2. Ensure that all cover ground straps are tight.

5360

Pg 10 of 16	2597837 Part Num
-------------	---------------------

EC 826380 27 May 83	EC 826487 15 Feb 84	
------------------------	------------------------	--

EXPANSION FRAME COVERS



Check Step

1. Check all expansion frame covers for loose or broken hinges and sharp edges.

Check Step

2. Ensure that all cover ground straps are tight.

5360

Pg 11 of 16	2597837 Part Num
-------------	---------------------

EC 826380 27 May 83	EC 826487 15 Feb 84	
------------------------	------------------------	--

BASE SYSTEM SAFETY LABELS

Check Step

[_] Ensure that the system has the following safety labels:

Four labels (A):

HAZARDOUS AREA TRAINED SERVICE PERSONNEL ONLY

Three labels (B):

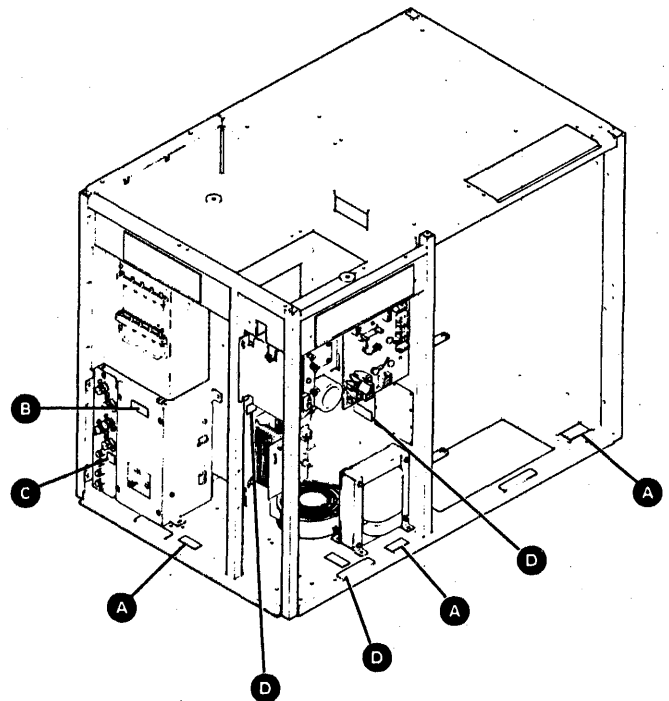
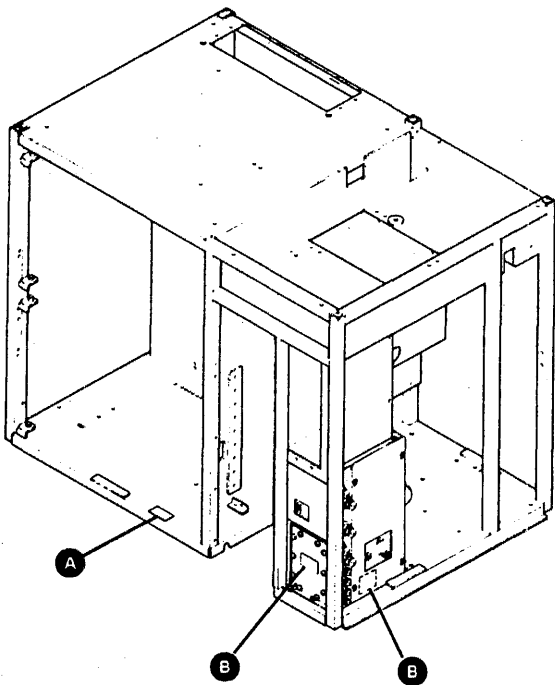
LINE VOLTAGE PRESENT WITH MACHINE POWER OFF

One label (C):

WARNING For continued protection against fire hazard, replace only with same type and rating of fuse

Three labels (D):

550 V



5360

Pg 12 of 16	2597837 Part Num
-------------	---------------------

EC 826380 27 May 83	EC 826487 15 Feb 84	
------------------------	------------------------	--

EXPANSION FRAME SAFETY LABELS

Check Step

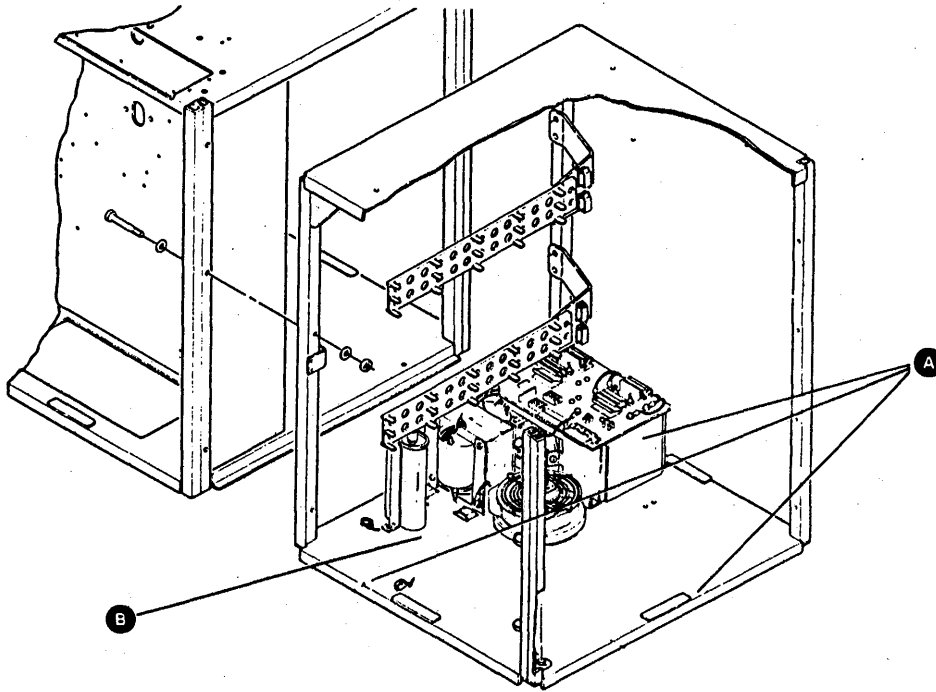
[_] Ensure that the expansion frame has the following safety labels:

Three labels (A):

HAZARDOUS AREA TRAINED SERVICE PERSONNEL ONLY

One label (B):

550 V



5360

Pg 13 of 16	2597837 Part Num
-------------	---------------------

EC 826380 27 May 83	EC 826487 15 Feb 84	
------------------------	------------------------	--

Safety Label Part Numbers

Part Number Includes A, B, and C	Part Number For D Only	Language Group
4236722	2767640	English
4236735	2767640	Canadian/French
4236730	2767640	French
4236733	2767640	Spanish
4236732	2767640	Italian
4236731	2767640	German
4236734	2767640	Japanese
4236777	2767640	Finnish
4236778	2767640	Swedish
8265366	2767640	Norway
8265367	2767640	Denmark
8265368	2767640	Belgium

5360

Pg 14 of 16	2597837 Part Num
-------------	---------------------

EC 826380 27 May 83	EC 826487 15 Feb 84	
------------------------	------------------------	--

SAFETY INSPECTION COMPLETE

Check Step

- 1. Plug in the line cord and set the Unit Emergency switch to the Power Enable position. Press the Power key and verify that the system powers on and that the Power light goes on.

- 2. Return the system to the customer and inform the local branch office.

5360

Pg 15 of 16	2597837 Part Num
-------------	---------------------

EC 826380 27 May 83	EC 826487 15 Feb 84	
------------------------	------------------------	--

This page is intentionally left blank.

5360

Pg 16 of 16	2597837 Part Num
-------------	---------------------

EC 826380 27 May 83	EC 826487 15 Feb 84	
------------------------	------------------------	--