

I B M	PART NUMBER	4177105
		DATE
PUBLICATION DRAWING	26 MARCH 82	838739
	27 MAY 83	826380
	15 FEB 84	826487
	04 DEC 84	839954
	04 NOV 85	842350
	01 AUG 86	842375

BASE FORM NUMBER S131-0899
 TITLE. IBM SYSTEM/36 PARTS CATALOG

NOTE. ALL ITEMS FOLLOWING THE LAST ROW OF ASTERISKS ARE TO BE SHIPPED.

CHANGE NUMBER	FORM / TNL	DESCRIPTION / COMMENTS
***** 838739	***** S131-0899	***** CHECKPOINT 5 DRAFT
***** 826380	***** S131-0899-0	***** RELEASE 1, FIRST CUSTOMER SHIP
***** 826487	***** S131-0899-1	***** RELEASE 2, FIRST CUSTOMER SHIP
***** 839954	***** S131-0899-2	***** RELEASE 3, FIRST CUSTOMER SHIP
***** 842350	***** S131-0899-3	***** RELEASE 4, FIRST CUSTOMER SHIP
***** 842375	***** S131-0899-4	***** RELEASE 5, FIRST CUSTOMER SHIP



System/36

IBM System/36 Parts Catalog

Order Number
S131-0899-4



System/36

IBM System/36 Parts Catalog

Order Number
S131-0899-4

Preface

The purpose of this publication is to list and to show illustrations of all replaceable assemblies, subassemblies, and detail parts released to Production Control on or before 18 July 1986, on System/36. This publication is for the use of an IBM customer engineer, a service representative, or another IBM location.

Fifth Edition - July 1986

Changes are periodically made to the information herein; before using this publication in connection with the operation of IBM systems, be sure you have the latest edition.

Use this publication only for the purposes stated in the Preface.

This publication could contain technical inaccuracies or typographical errors. Address your comments to IBM Corporation, Department 245, Rochester, Minnesota 55901. IBM may use and distribute any of the information you supply in any way it believes appropriate without incurring any obligation whatever. You may, of course, continue to use the information you supply.

©Copyright International Business Machines Corporation 1986

HOW TO USE THIS PARTS CATALOG ii

VISUAL INDEXES iv

Figure	Title	Page	Figure	Title	Page
1	Base Power	1	29	A2 Power Supply	39
2	Feature Power	4	30	Line Filter Box Assembly	40
3	Expansion Frame Power	5	31	Fan Box Assembly	41
4	Gate/Control Panel	6	32	72MD Diskette Storage Drive Assembly	45
5	WSC Gate/TB1	7	33	72MD Carriage Bed Assembly	47
6	Unit Emergency Switch	8	34	72MD Drive Assembly	49
7	Expansion Frame Hardware	9	35	72MD Drive Assembly	51
8	10SR File Mounting	10	36	72MD Drive Assembly	53
9	Expansion 10SR Mounting	11	37	72MD Picker/Cam Assembly	55
10	21ED File Mounting	12	38	72MD Picker/Cam Assembly	57
11	Cable Tower/Communications	13	39	72MD Base Casting Assembly	60
12	72MD Mounting	16	40	51TD Final Assembly	61
13	51TD Mounting	17	41	51TD Motor, Capacitor, and Actuator Asm.	63
14	Machine Covers	18	42	51TD Guide and Clamping Assembly	65
15	Expansion Top Cover/Catch	19	43	51TD Carriage and Pulley Assembly	66
16	Front Cover	20	44	51TD Casting and Spindle Assembly	67
17	Expansion Front Cover	21	45	10SR Final Assembly	71
18	Right Rear Cover	22	46	10SR Frame Assembly	73
19	Expansion Rear Cover	23	47	10SR Subframe Assembly	74
20	Left Rear Cover	24	48	10SR Head/Disk Assembly	76
21	Left End Cover	25	49	10SR Gate Assembly	77
22	Expansion Right End Cover	26	50	21ED Final Assembly	78
23	72MD Top Cover	27	51	Card Retention Hardware	79
24	51TD Top Cover	29	52	Cable Retention Hardware	80
25	Control Panel Assembly	30	53	Cable and Jumper Component Parts	85
26	Base Gate Assembly	32	54	Line Cord Chart	86
27	AC Box Assembly	34	55	CABLE ASSEMBLIES	87
28	A3 Power Supply (MLCA Only)	37		NUMERICAL INDEX	X-1
28A	A3 Power Supply (ELCA Only)	38			

HOW TO USE THIS PARTS CATALOG

PART 1

To find parts quickly, a general understanding of the structure of this catalog is necessary. The catalog is divided into three major sections:

- The Visual Index, containing overall views of the machine, with call-outs pointing to detailed figures.
- The Catalog Section, containing a pictorial breakdown of assemblies and subassemblies.
- The Numerical Index, which is a numerical list of all parts used in the machine, with cross-references to the figure on which the part is found.

VISUAL INDEX

The Visual Index, located before the Catalog Section, contains a reduced illustration of every figure in the Catalog Section. The reduced illustrations are tied together with flow arrows to form a natural progression from large assemblies to small assemblies and possibly subassemblies. In effect, a visual table of contents is formed by the Visual Index illustrations.

CATALOG SECTION

The Catalog Section contains the full-sized illustrations previously noted in the Visual Index. Index numbers on figures refer to corresponding entries in the Group Assembly Parts List accompanying each figure. Refer to part II for explanation of terms used in the Group Assembly Parts List.

NUMERICAL INDEX

The Numerical Index is located after the Catalog Section and contains a complete list, in numerical order, of all part numbers used on the machine. Listed with the part number is the index and figure number on which the part is illustrated. The numerical index makes it possible to locate a part when only the part number is known.

STACKED INDEX NUMBERS

Stacked Index numbers are used when showing a part and its attaching hardware. The circled index number indicates the assembly is broken down within the figure.

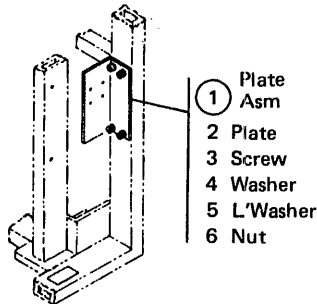


ILLUSTRATION NOTES

Cross-reference notes are directly on the illustration. The illustration's next higher assembly reference, normally located in the upper left corner of the page will read: "For Parts Not Shown See Figure X". If an assembly is referenced to a lower level figure, the note located next to the index number will read: "5 See Figure X."

DOUBLE LINED DETAIL BOX

The double lined box differentiates between parts shown on the basic model and parts related to a level and/or feature difference. An explanation of the level or feature difference is given in the double lined box.

FINDING A PART

The Visual Index is the starting point for locating a part. The illustrations in the Visual Index are reduced versions of all illustrations in the Catalog Section; therefore, the illustrations can be used to find the assembly containing the desired part. Use references to the detailed figure in the Catalog Section, or to another Visual Index illustration, to determine location of part number.

Once the detailed figure in the catalog section is determined, finding the part on the figure and referring to the listing for the part number and description is all that is required in most cases. If the first catalog section figure referenced shows the assembly containing the required part, the index number for the assembly will reference a lower-level figure where the assembly is broken down to its component parts. If the figure referenced by the Visual Index contains neither the part nor an assembly containing the part, it is then necessary to go to the next higher assembly figure. This figure should then contain the part or an assembly containing the part; if not, an even higher level figure must be used. Refer back to the Visual Index for some other figure that could show the desired part.

Note: Many detailed parts are unavailable, because they are part of an inseparable assembly (two or more parts welded or bonded together), or because they are part of an assembly purchased as a unit. If the part is found on a purchased assembly, and the detail parts of this assembly do not have IBM part numbers, in either case, you need to obtain the part number of the assembly, rather than the detailed part.

EXAMPLE FOR ORDERING PARTS

FIGURE- INDEX NUMBER	PART NUMBER	UNITS PER ASM.	DESCRIPTION FOR FIGURE 25			
			1	2	3	4
25	2592881					FAN ASM, 60 HZ
- 1	2172188	1	.	.	.	GUARD
- 2	2591483	AR	.	.	.	SEAL
- 3	2592892	1	.	.	.	BRACKET
- 4	2591431	1	.	.	.	FAN ASM
- 5	334932	1	.	.	.	RING, TERMINAL
- 6	1168117	1	.	.	.	CONNECTOR
- 7	1168114	3	.	.	.	TERMINAL
- 8	2591402	1	.	.	.	FAN

If the entire fan is required, part number 2592881 should be ordered (all one dot items will be received). If only the subassembly is required, part number 2591431 should be ordered (all two dot items will be received). Each part may be ordered individually.

Note: If you order a part that requires a label, make sure you order the label in the correct language. For example: A part of a Quebec machine should have a French Canadian language label rather than a French language label.

HOW TO USE THIS PARTS CATALOG

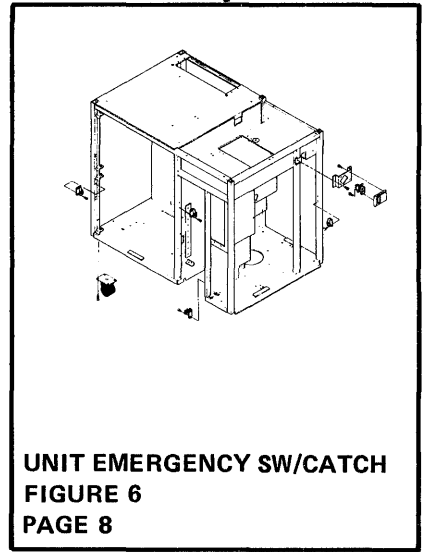
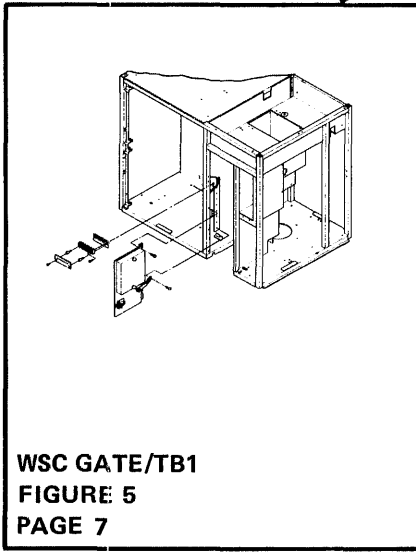
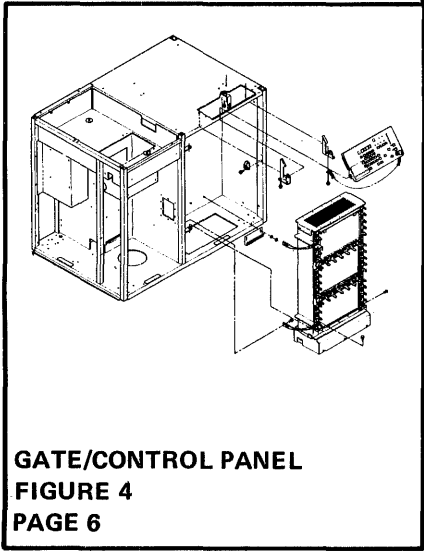
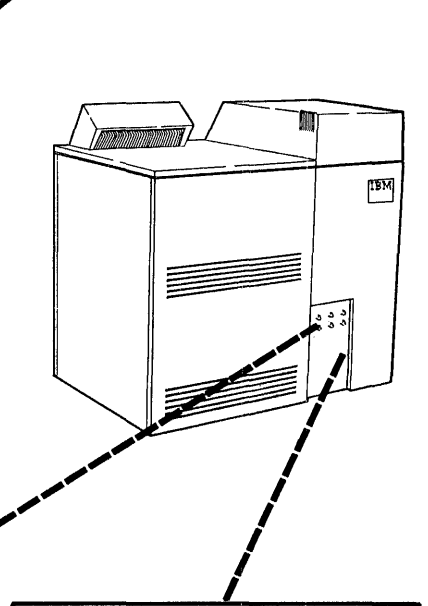
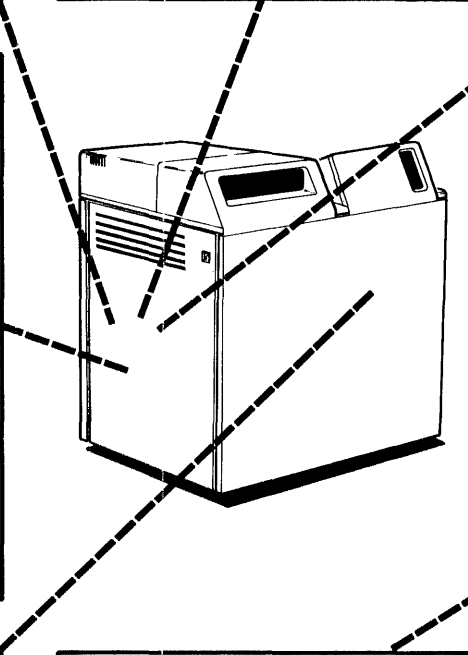
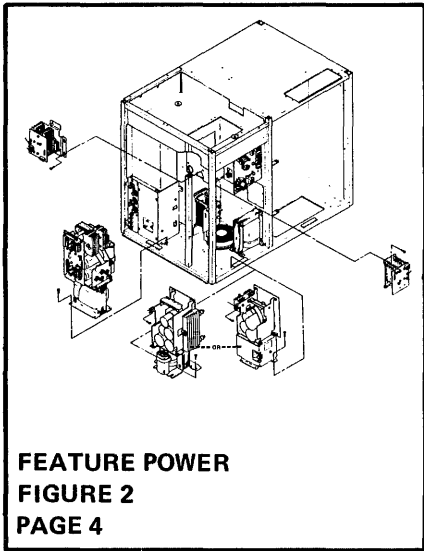
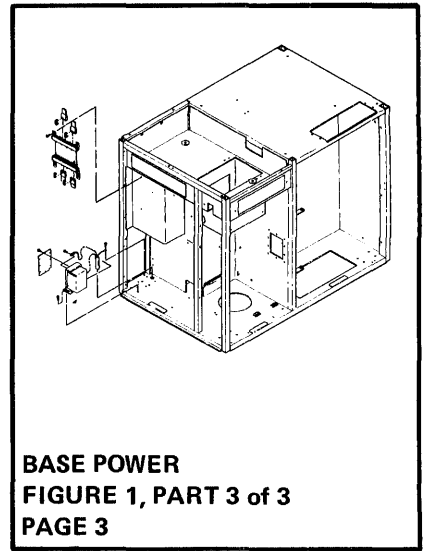
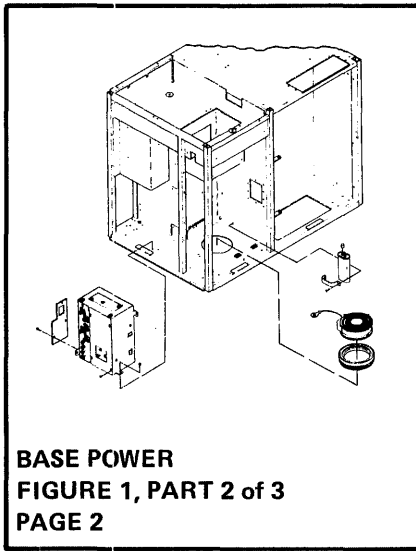
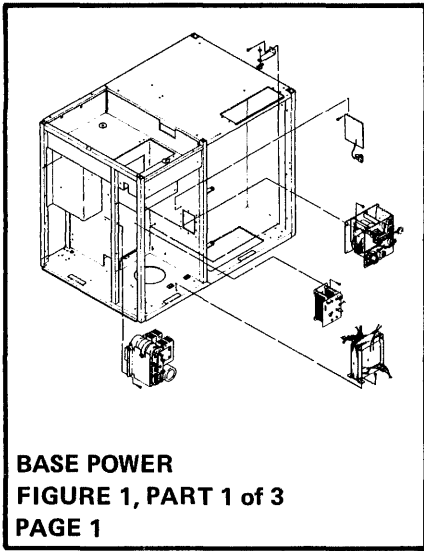
Part II

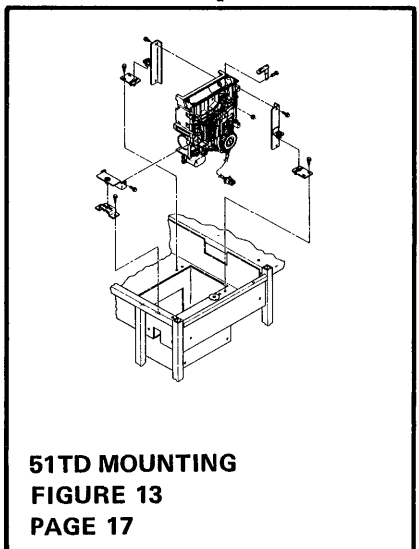
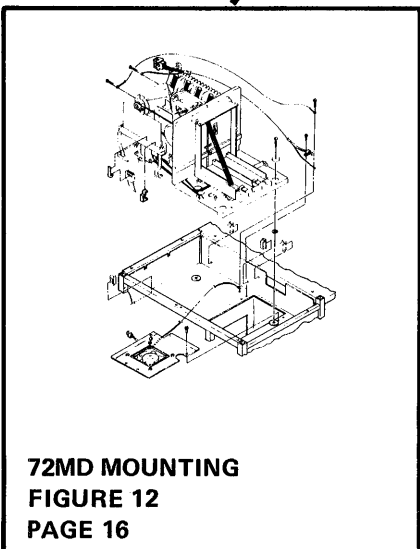
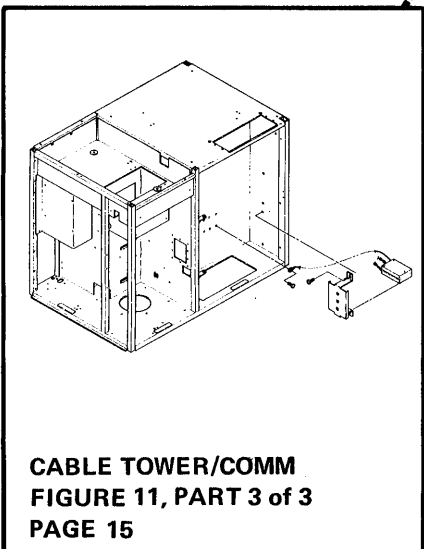
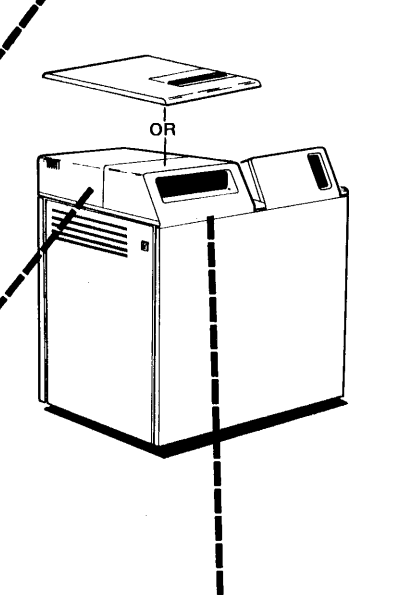
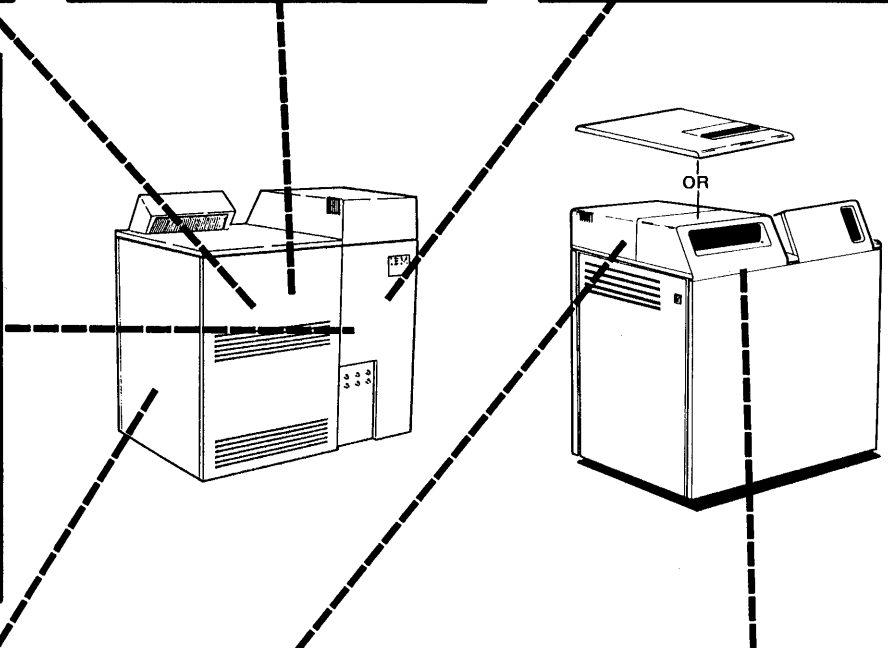
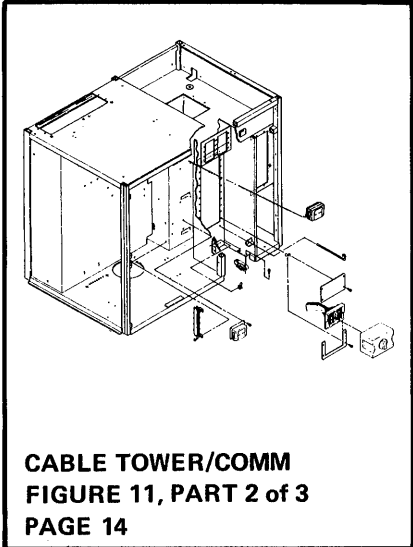
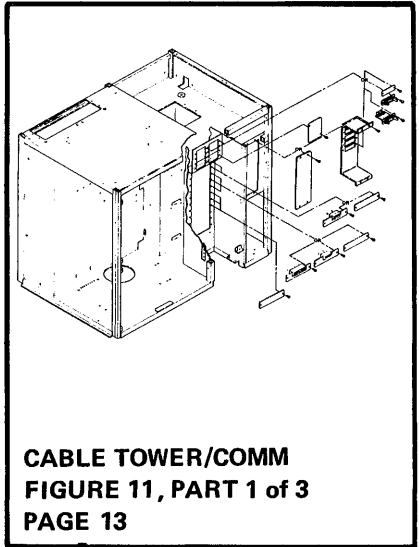
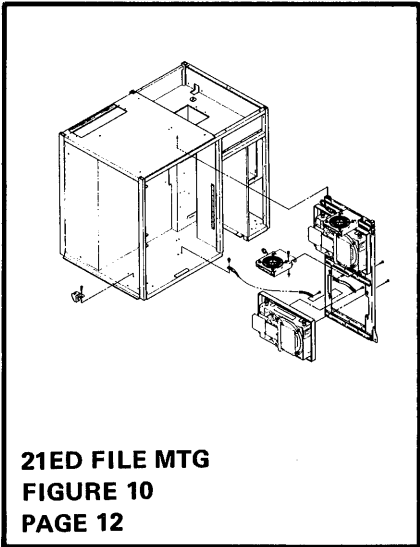
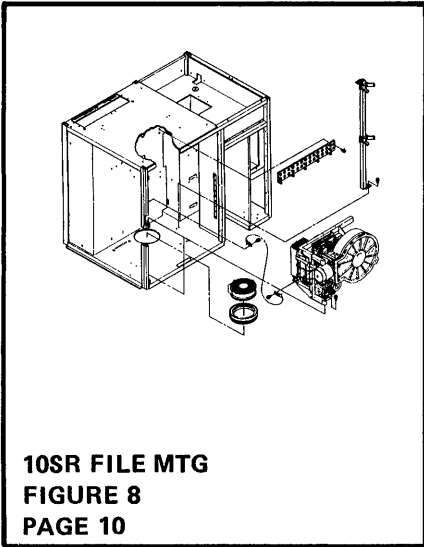
- A** *AR*
As Required (AR) in the units per assembly column denotes that the quantity is used as required.
- B** *INDENTURE*
The relationship of a part to its next higher assembly is indicated by indentures. For example:
- 1 2 3 4
Unit
 . Assemblies and Detail Parts of Unit
 . Attaching Parts for Assemblies & Detail Parts
 . . Subassemblies
 . . Attaching Parts of Subassemblies
 . . . Detail Parts for Subassemblies, etc.

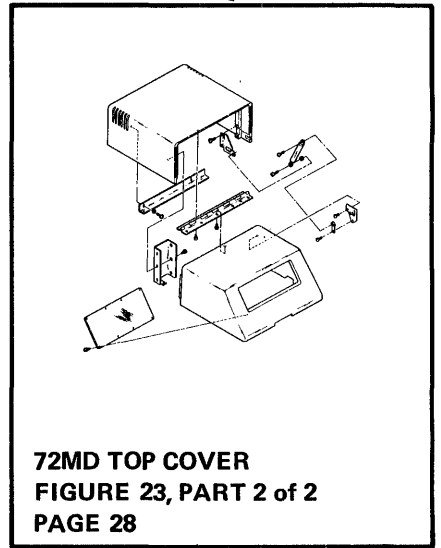
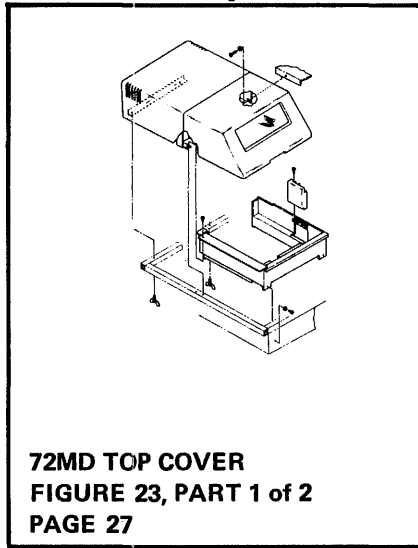
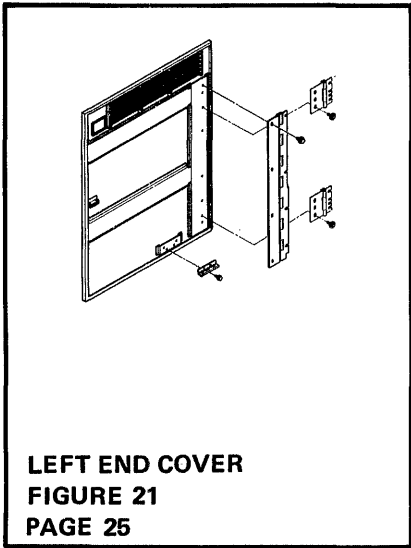
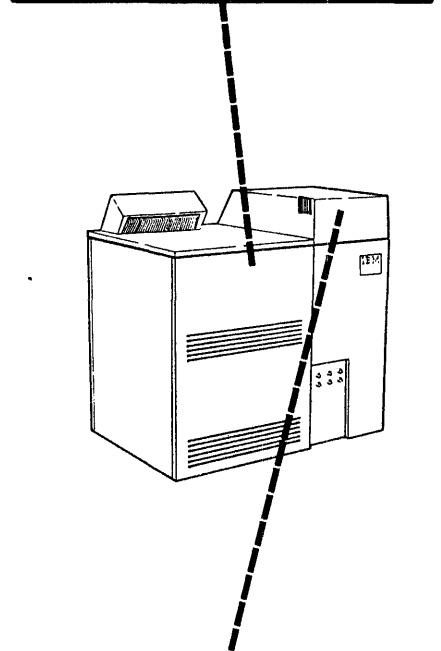
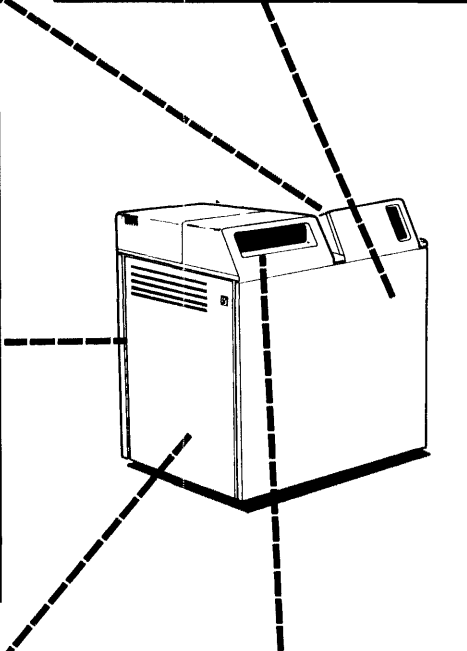
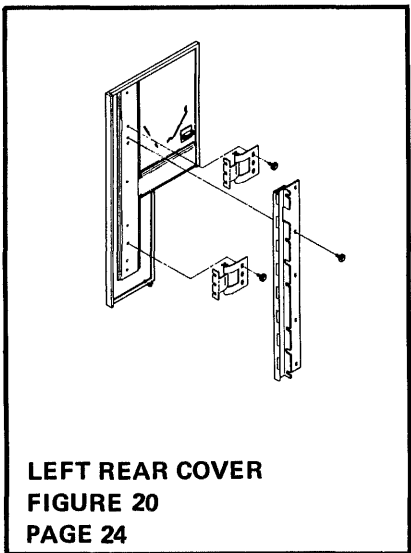
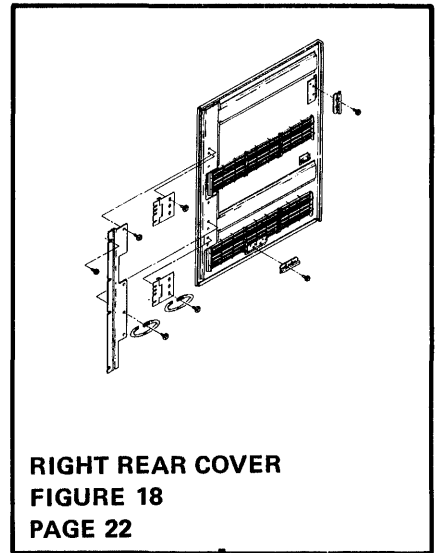
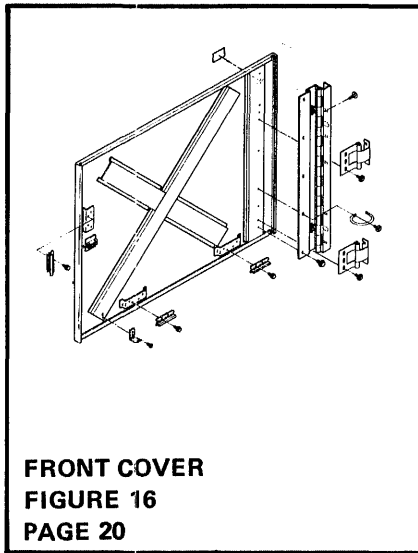
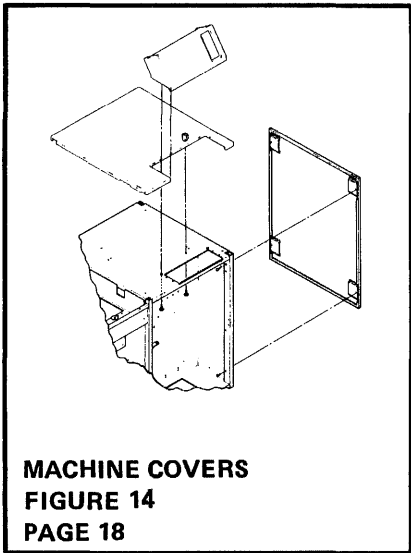
- C** *NR*
The NR in the part number column denotes the part is procurable but not recommended for field replacement, and that the next higher assembly should be ordered.
- D** *NP*
The entry NP in the part number column denotes the assembly is non-procurable and the detail parts should be ordered separately.
- E** *NO NO.*
When this indication appears in the part number column, it denotes a group of parts for which no assembly part number has been assigned, and the detail parts should be ordered separately.

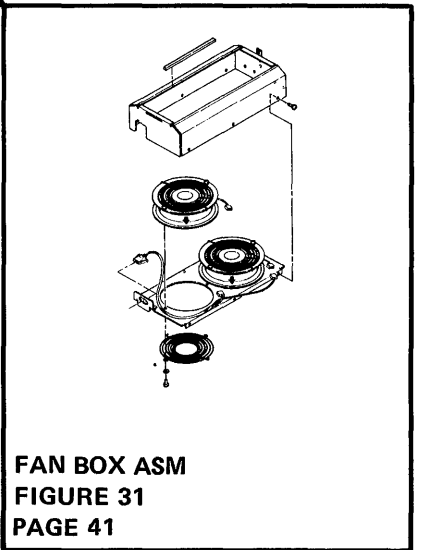
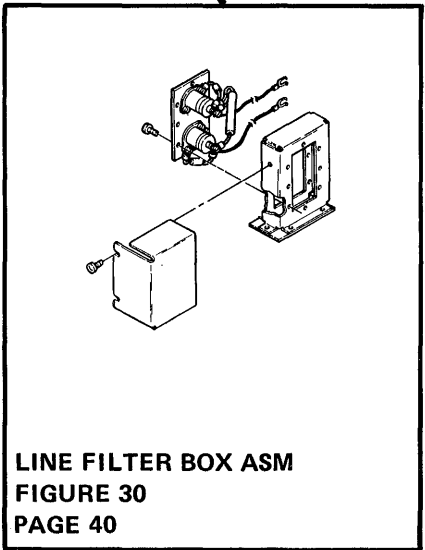
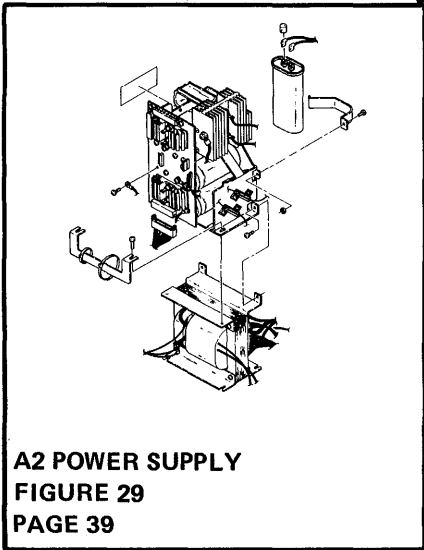
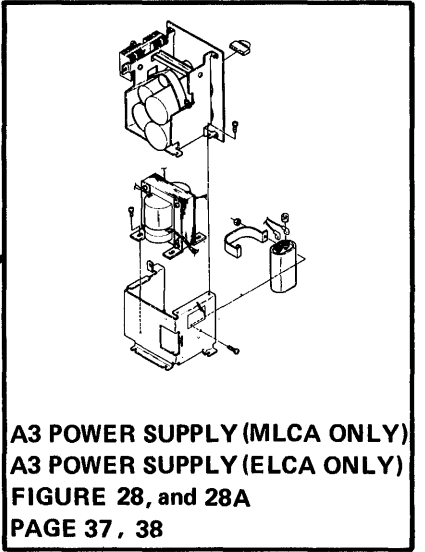
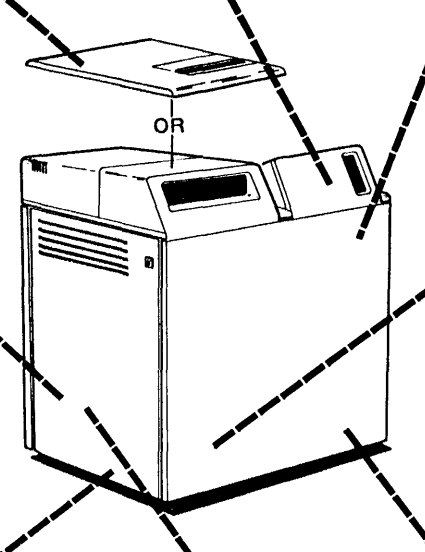
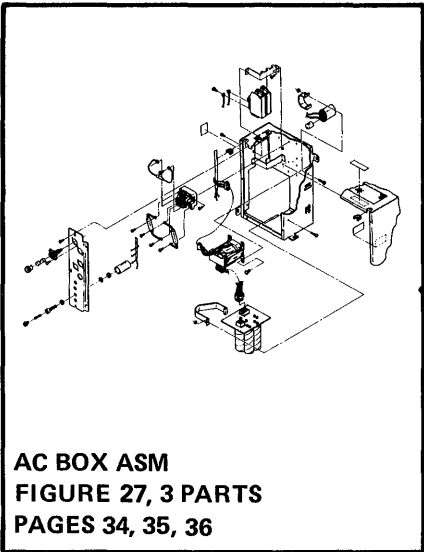
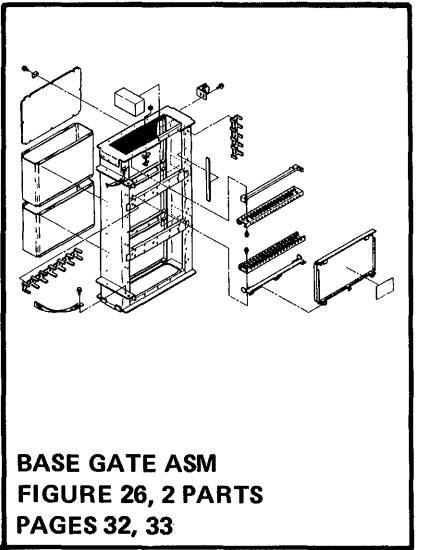
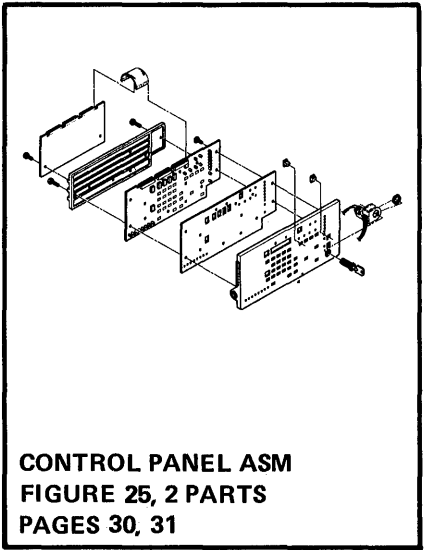
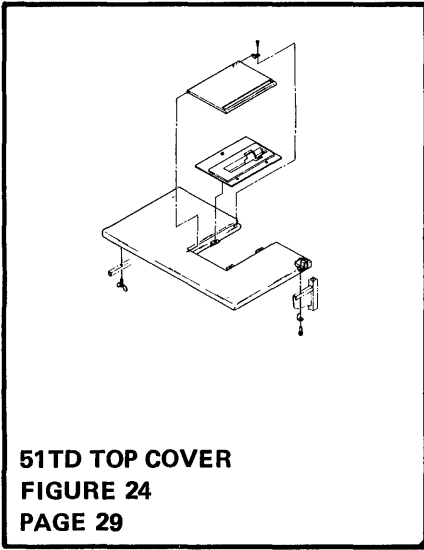
EXAMPLE OF PARTS LIST

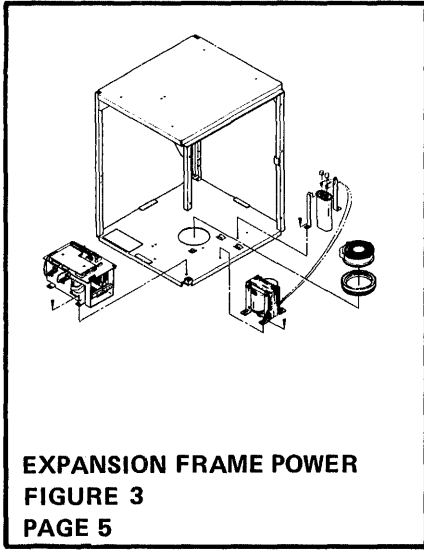
FIGURE-INDEX NUMBER	PART NUMBER	UNITS PER ASM.	DESCRIPTION FOR FIGURE 5			
			1	2	3	4
5	NO NO.					BEZEL AND OPERATOR PANEL ASSEMBLY
- 1	2767400	1				• Bracket, LED and Switch
- 2	7362104 NR	1				• Potentiometer
- 3	7363983	1				• Potentiometer
- 4	7362299	2				• Knob Asm
- 5	8330754	5				• LED, Light
- 6	5552875	1				• Block, LED
- 7	1621811	AR				• Clip
- 8	1940	5				• Screw, Thd Form-hex Wshr Hd 6-19 x 1/2 Lg
- 9	5552875	1				• Cable Asm, CE Diag Ind and Switch
- 10	7362322	1				• Cable Asm, AC Distribution
- 11	7362939	1				• . Switch
- 12	2767401 NP	1				• Bezel, English
- 12	7364967 NP	1				• Bezel, French
- 12	7362142 NP	1				• Bezel, Japanese
- 12	2767391 NP	1				• Bezel, Spanish
- 12	8330738 NP	1				• Bezel, German
- 12	515661 NP	1				• Bezel, Italian



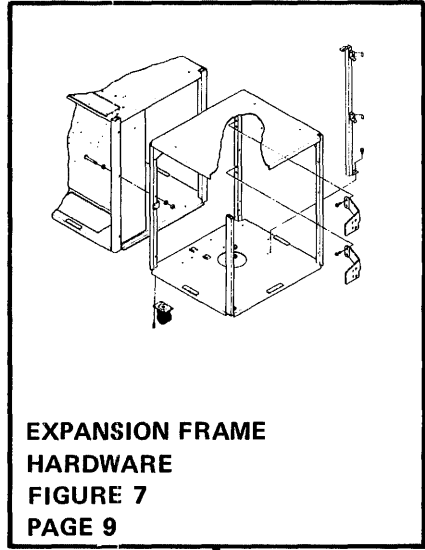




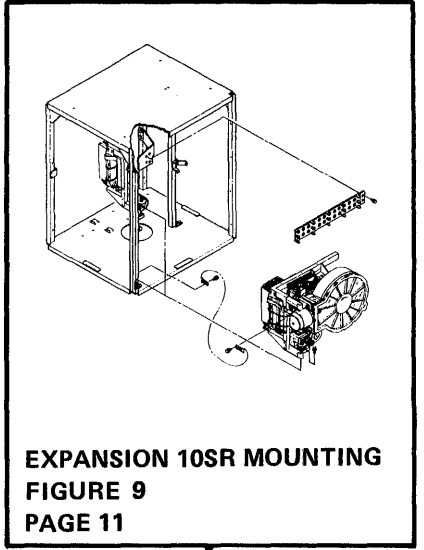




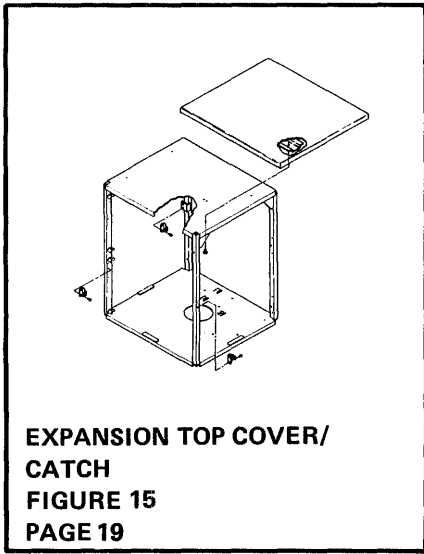
EXPANSION FRAME POWER
FIGURE 3
PAGE 5



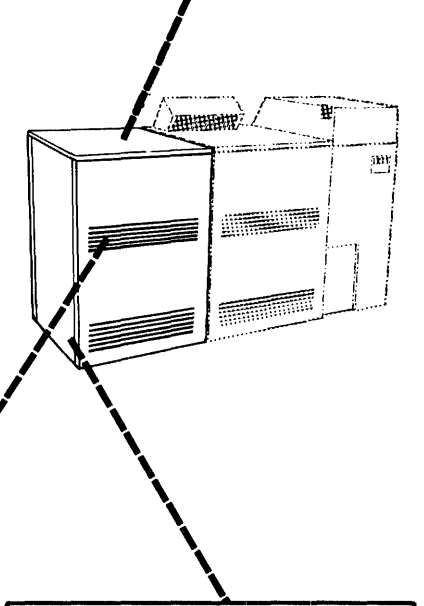
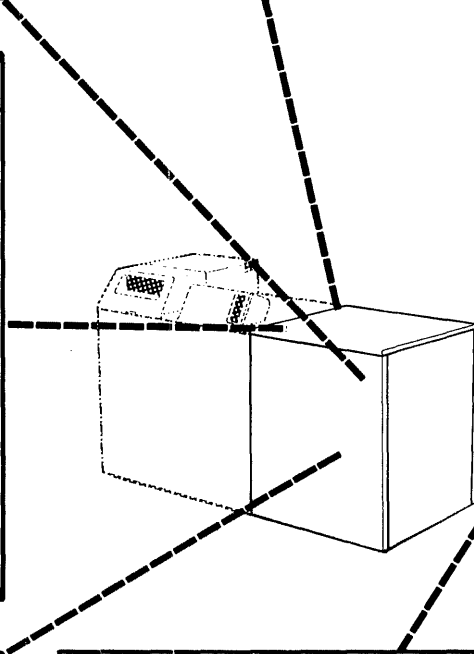
EXPANSION FRAME
HARDWARE
FIGURE 7
PAGE 9



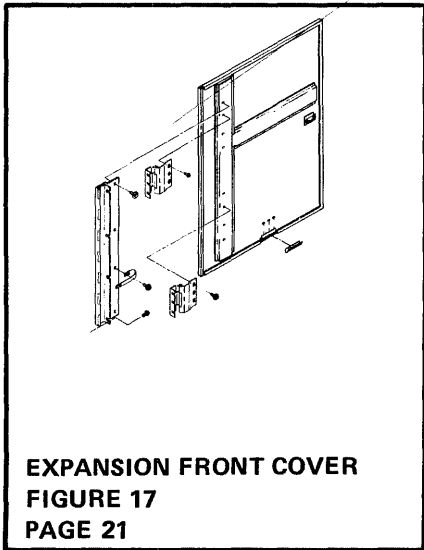
EXPANSION 10SR MOUNTING
FIGURE 9
PAGE 11



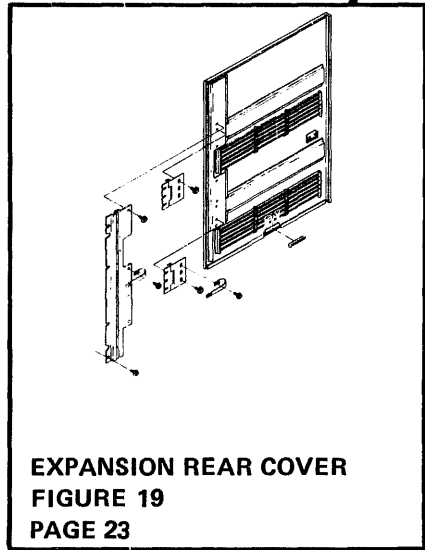
EXPANSION TOP COVER/
CATCH
FIGURE 15
PAGE 19



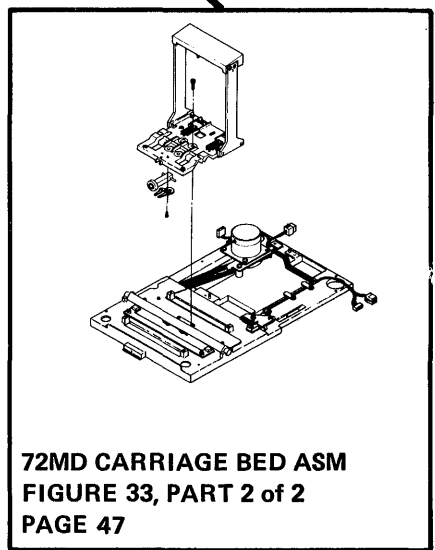
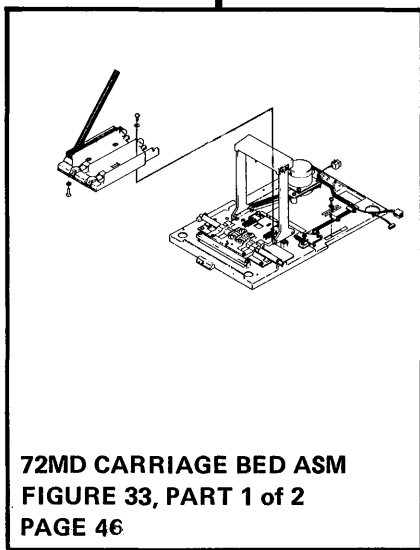
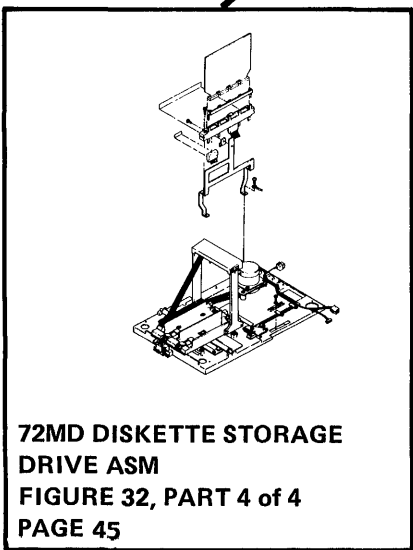
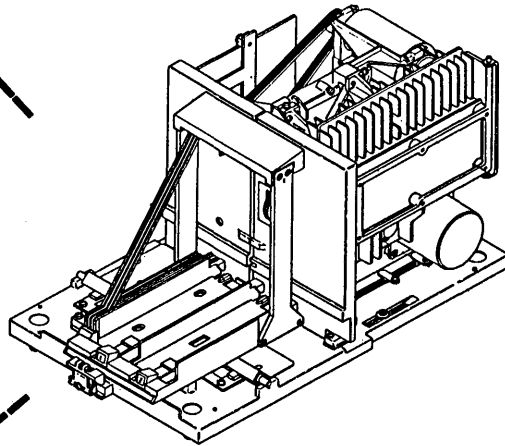
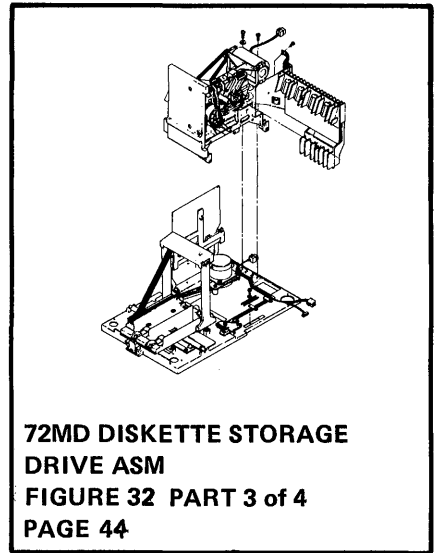
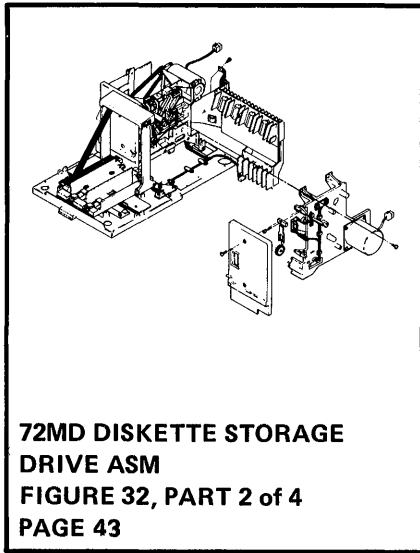
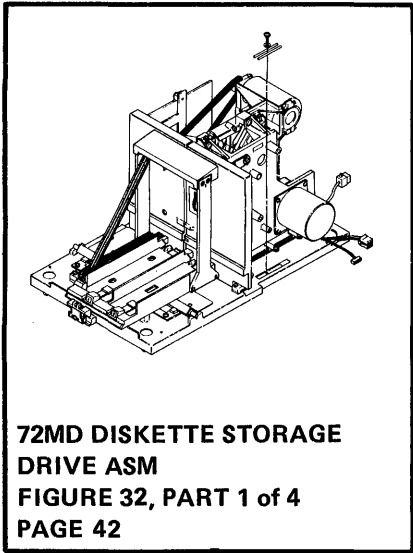
EXPANSION RIGHT END COVER
FIGURE 22
PAGE 26

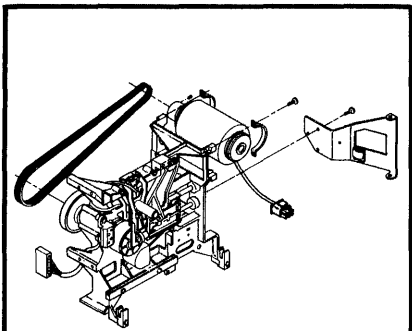


EXPANSION FRONT COVER
FIGURE 17
PAGE 21

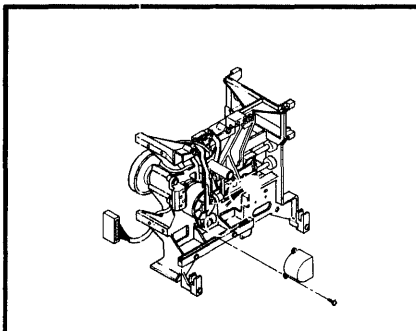


EXPANSION REAR COVER
FIGURE 19
PAGE 23

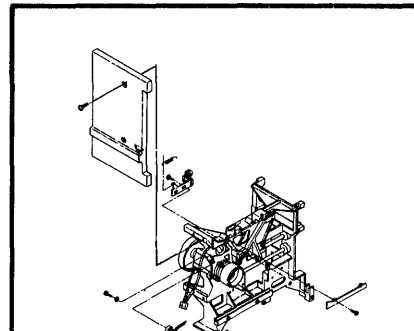




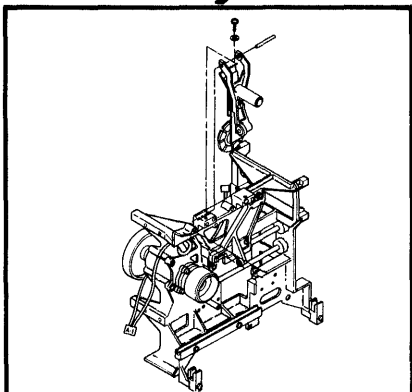
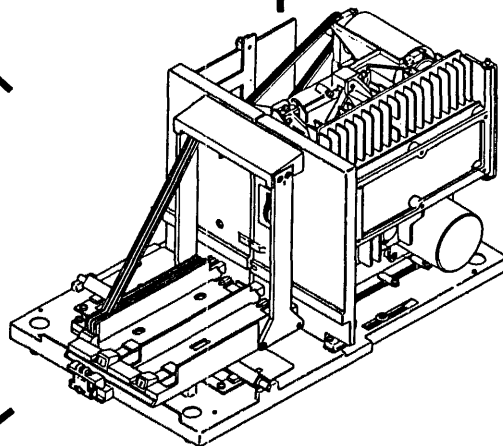
**72MD DRIVE ASM
FIGURE 34, PART 1 of 2
PAGE 48**



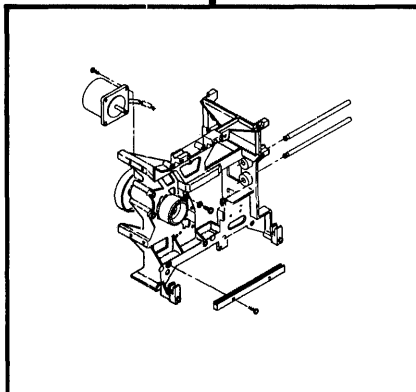
**72MD DRIVE ASM
FIGURE 34, PART 2 of 2
PAGE 49**



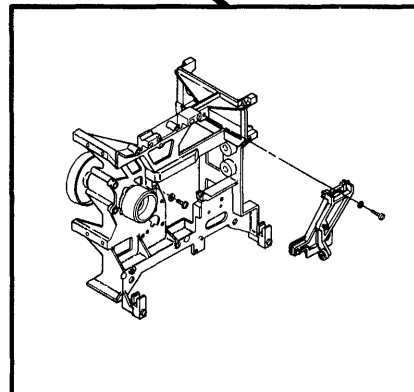
**72MD DRIVE ASM
FIGURE 35, PART 1 of 2
PAGE 50**



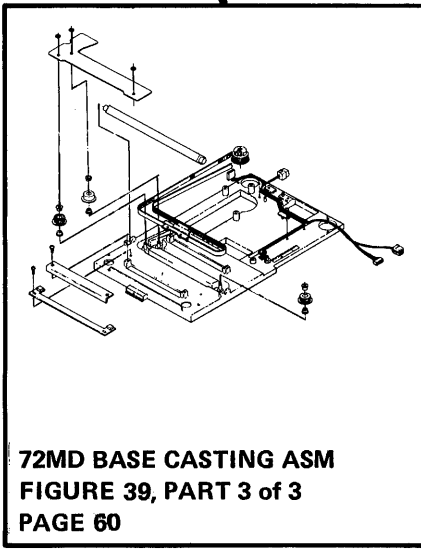
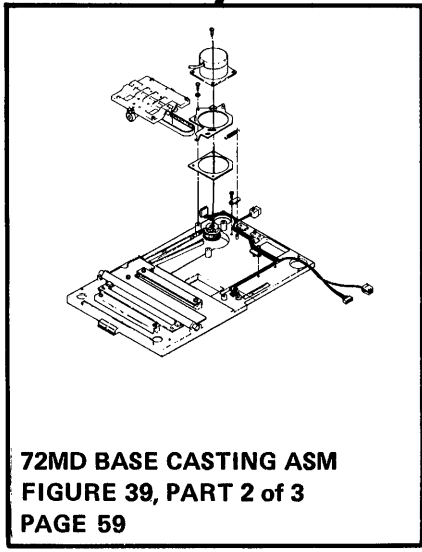
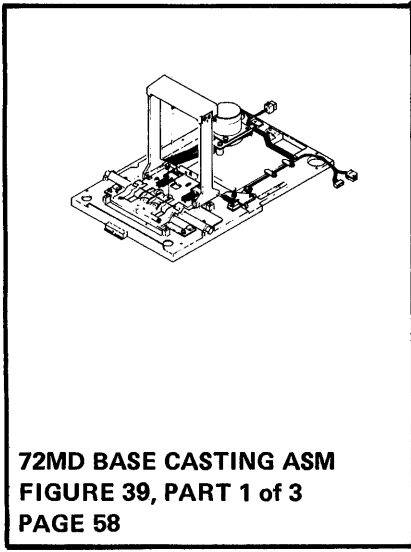
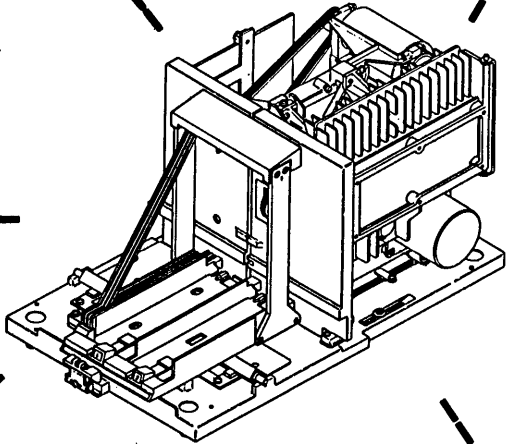
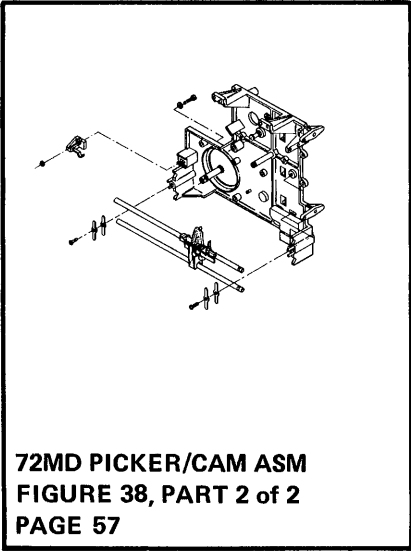
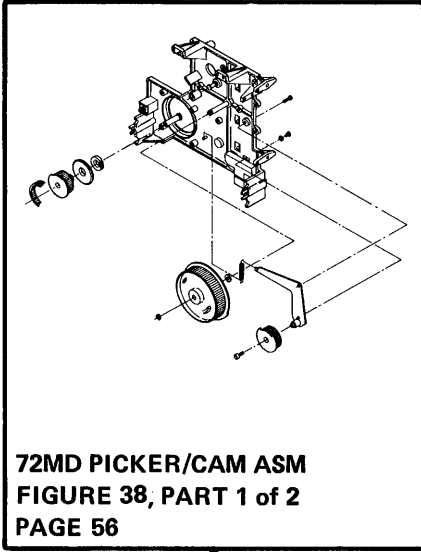
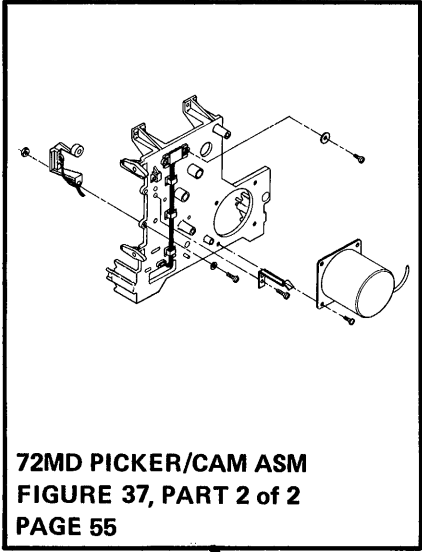
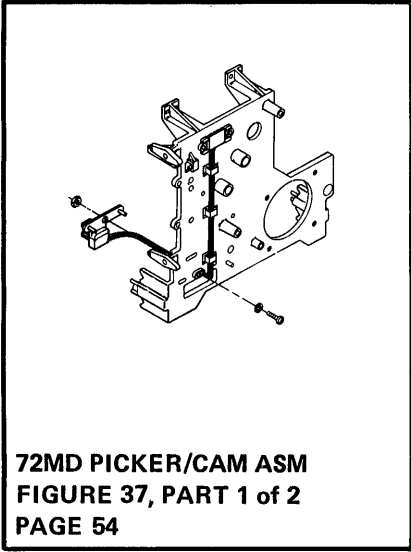
**72MD DRIVE ASM
FIGURE 35, PART 2 of 2
PAGE 51**

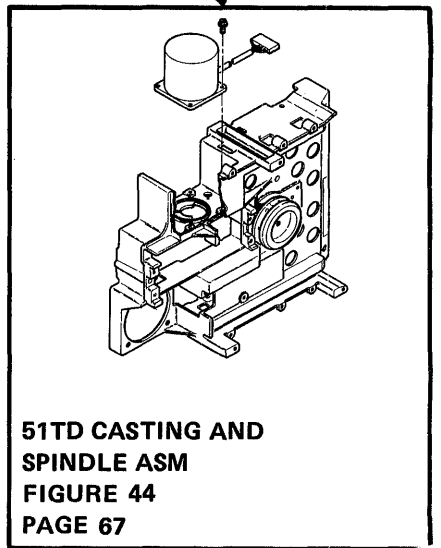
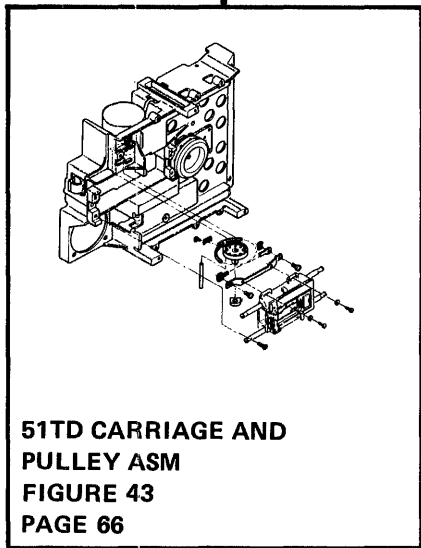
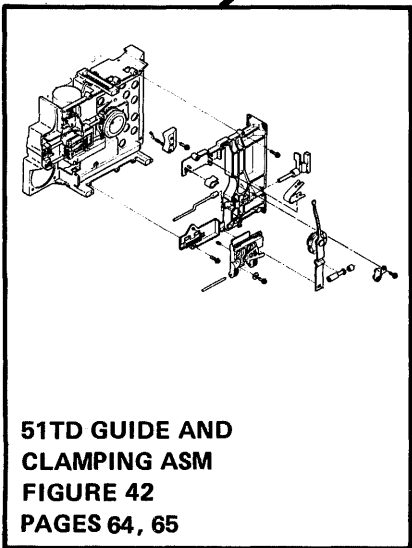
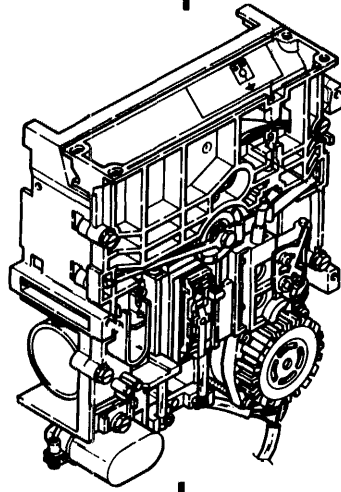
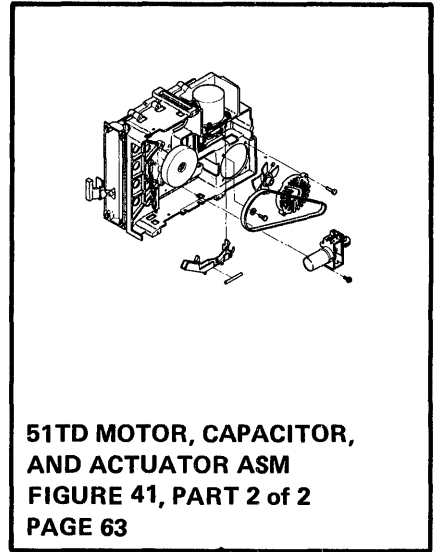
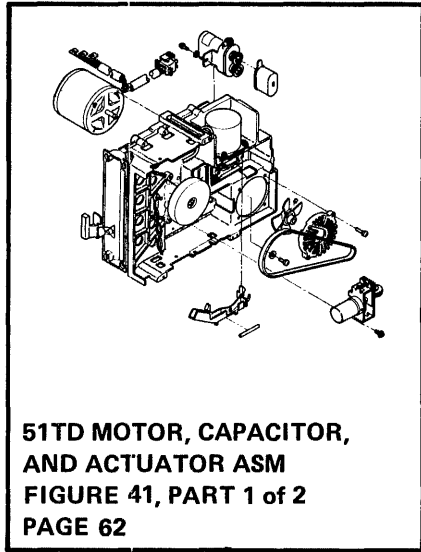
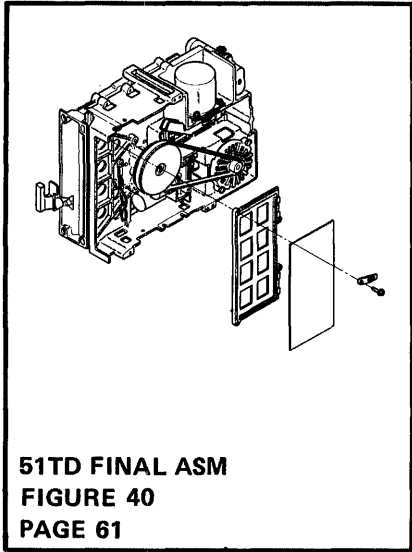


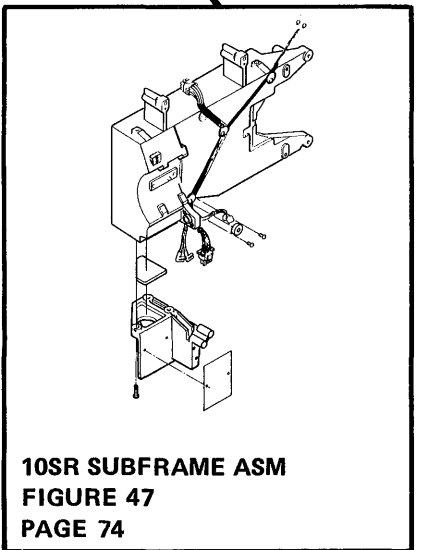
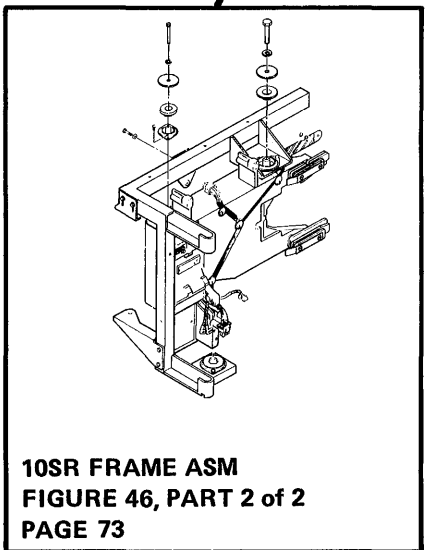
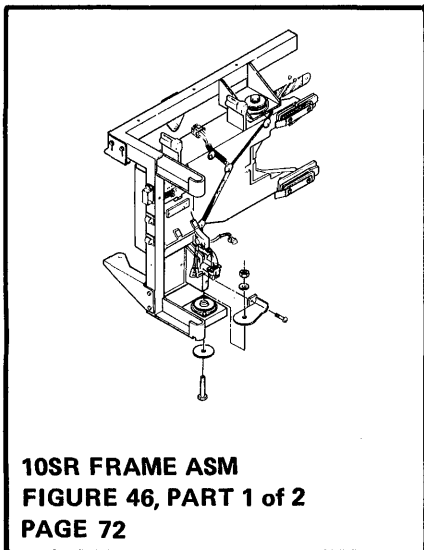
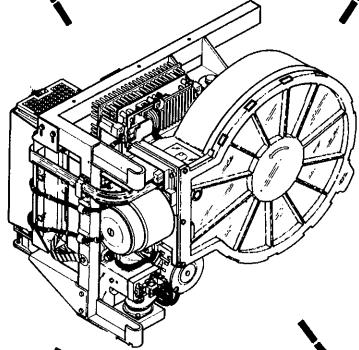
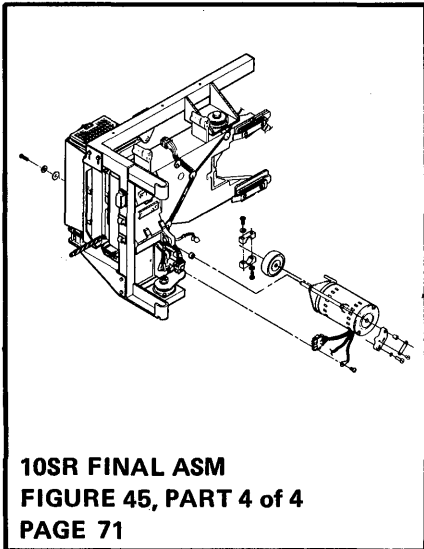
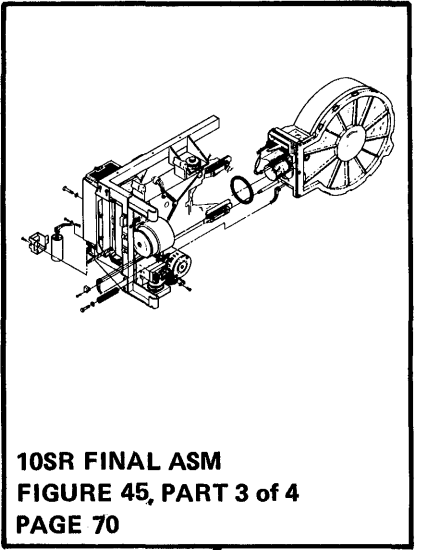
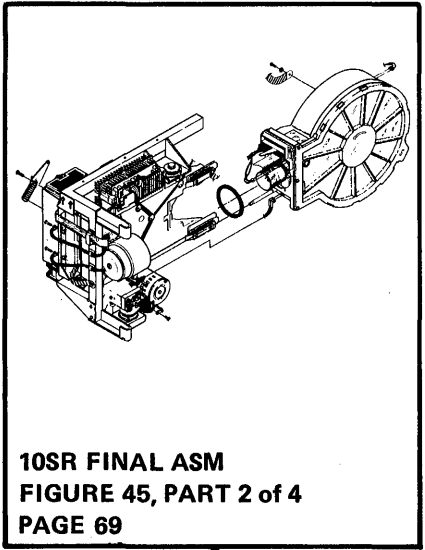
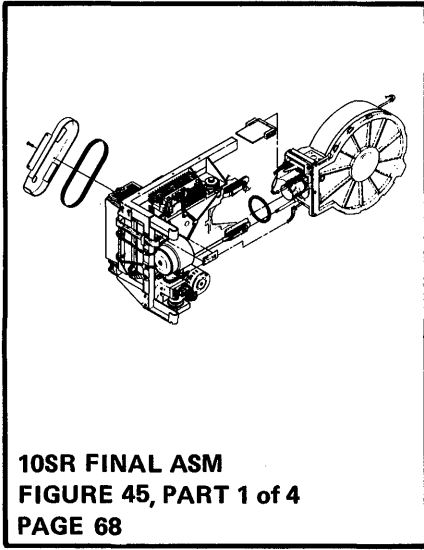
**72MD DRIVE ASM
FIGURE 36, PART 1 of 2
PAGE 52**

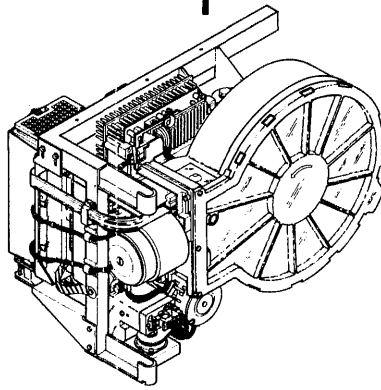
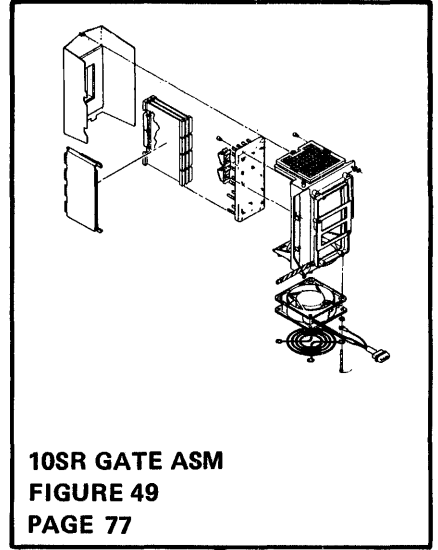
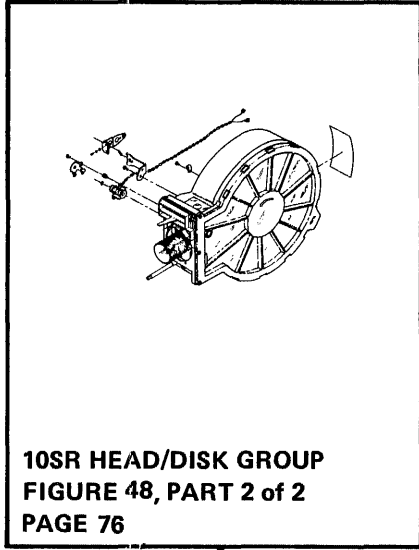
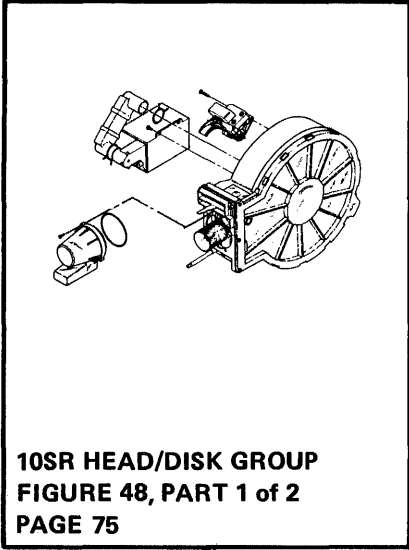


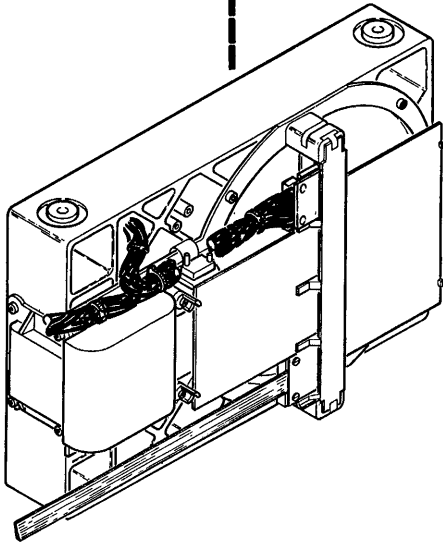
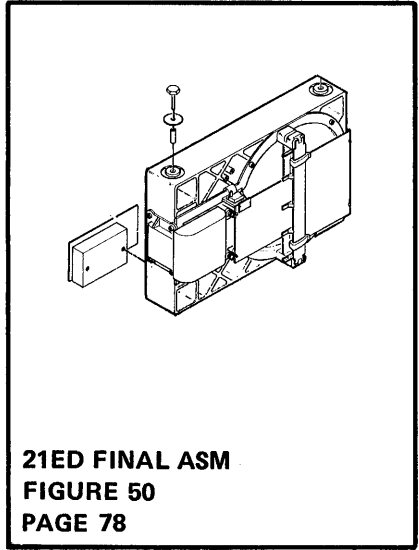
**72MD DRIVE ASM
FIGURE 36, PART 2 of 2
PAGE 53**

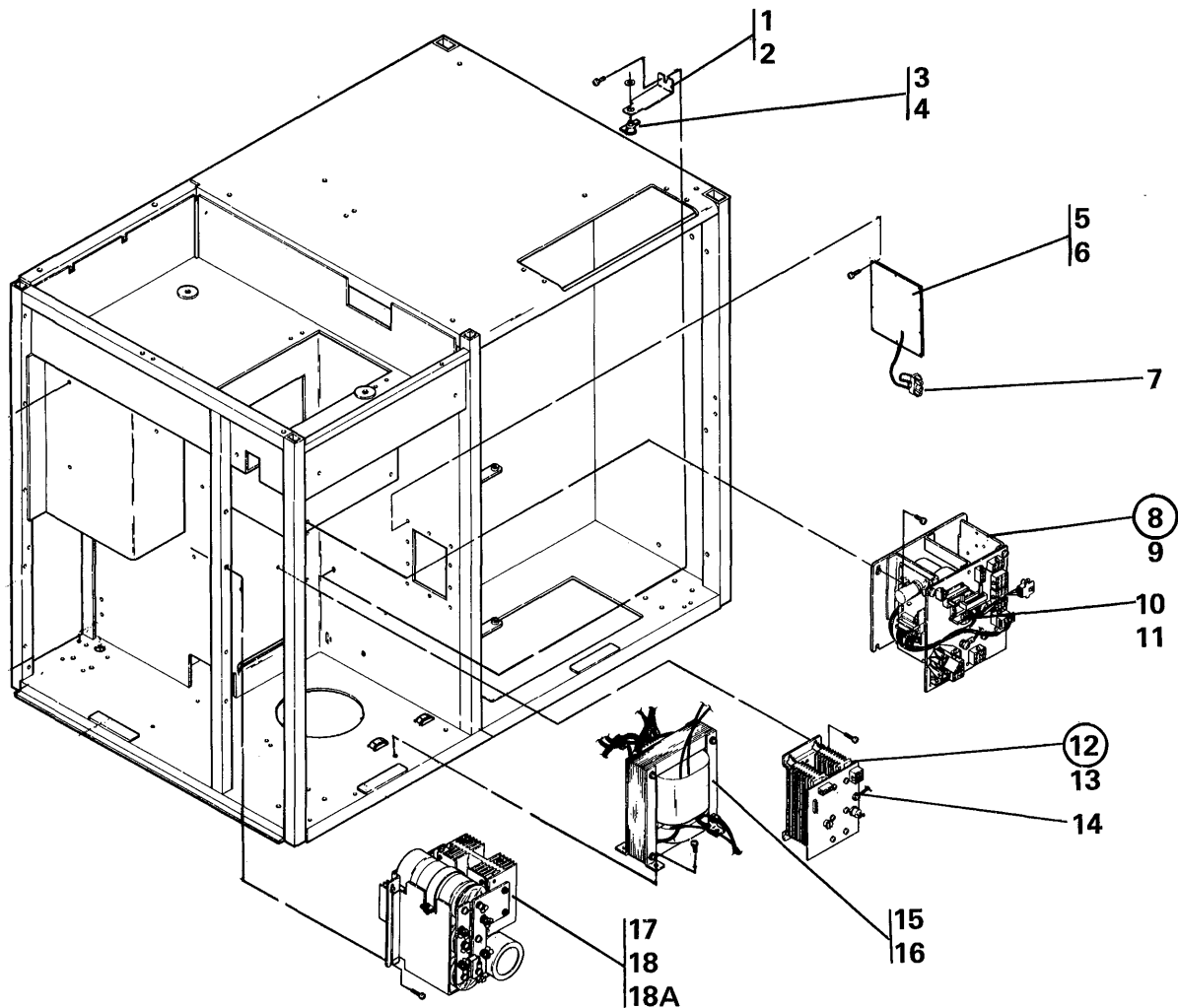






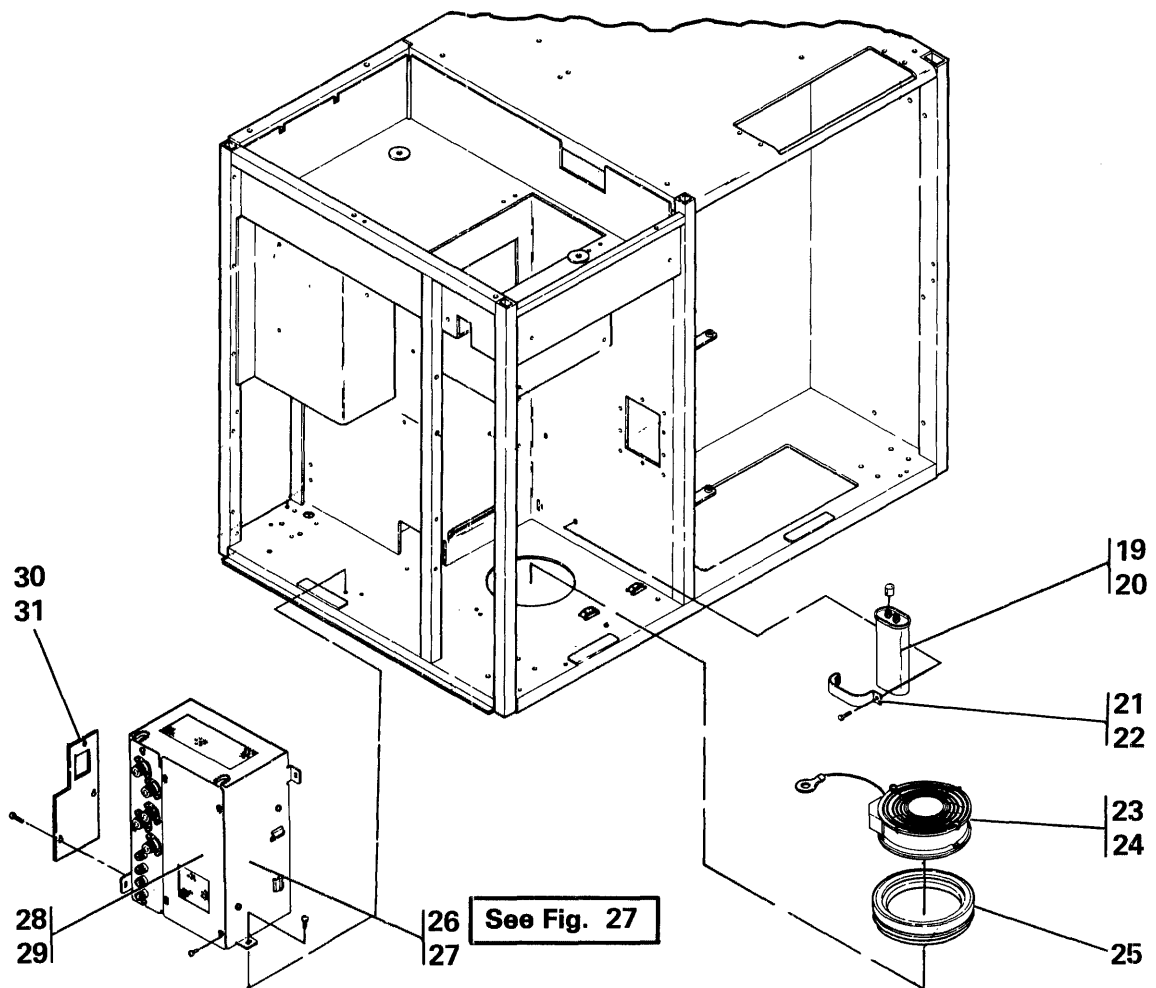






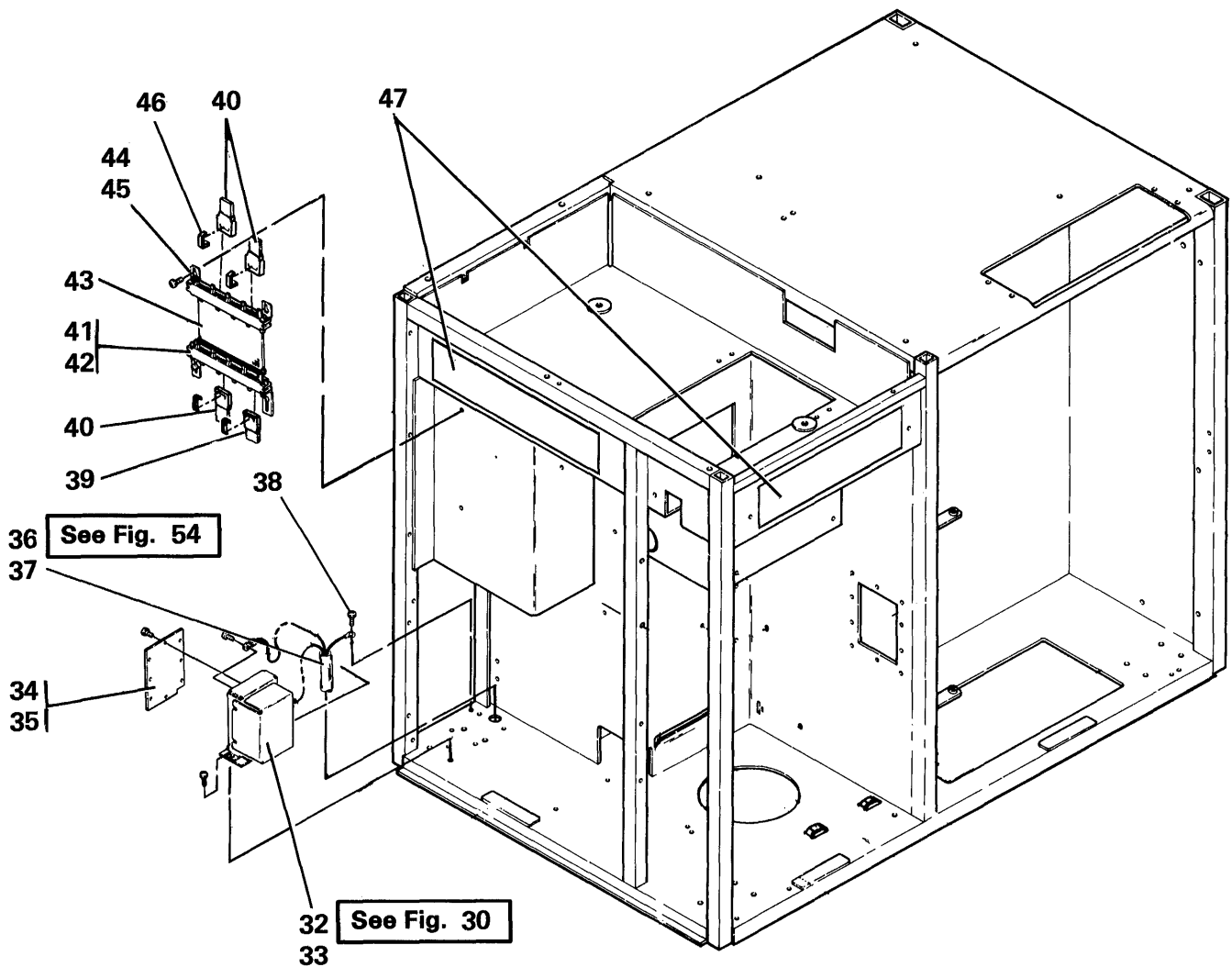
INDEX NUMBER	PART NUMBER	UNITS /ASM	DESCRIPTION FOR FIGURE 1			
			1	2	3	4
1	NO NO.		BASE POWER			
- 1	2777481	1	• Bracket			
- 2	2549782	1	• Screw,Thd-Form Hex-Wshr Hd M5 x .8 x 10-.8 Lg			
- 3	2597586	1	• Power Thermal Switch			
- 4	2588053	1	• Clip,Speed 7/32 ID x 1/2 OD			
- 5	2777473	1	• DC Ground Board			
- 5	2777428	1	• DC Ground Board (ELCA)			
- 6	2549782	10	• Screw,Thd-Form Hex-Wshr Hd M5 x .8 x 10-.8 Lg			
- 7	4233901	1	• 1.7V Test Jumper			
- 8	2777380	1	• Base Power Assembly			
- 9	2549782	4	• Screw,Thd-Form Hex-Wshr Hd M5 x .8 x 10-.8 Lg			
- 10	2777418	1	• • Jumper (J32)			
- 11	1608329	1	• Cable Clip			
- 12	2777306	1	• Base 1.7V Regulator			
- 13	2549782	2	• Screw,Thd-Form Hex-Wshr Hd M5 x .8 x 10-.8 Lg			
- 14	2777398	1	• • Ground Wire (E11)			
- 15	2777341	1	• Base Transformer - 60 Hz			
- 15	2777342	1	• Base Transformer - 50 Hz			
- 16	2549782	2	• Screw,Thd-Form Hex-Wshr Hd M5 x .8 x 10-.8 Lg			
- 17	2777327	1	• Base 5V Assembly			
- 18	2549782	3	• Screw,Thd-Form Hex-Wshr Hd M5 x .8 x 10-.8 Lg			
- 18 A	8265370	2	• Screw,Thd-Form Hex Hd M5 x .8 x 12-.8 Lg			

Figure 1. BASE POWER (Part 1 of 3)



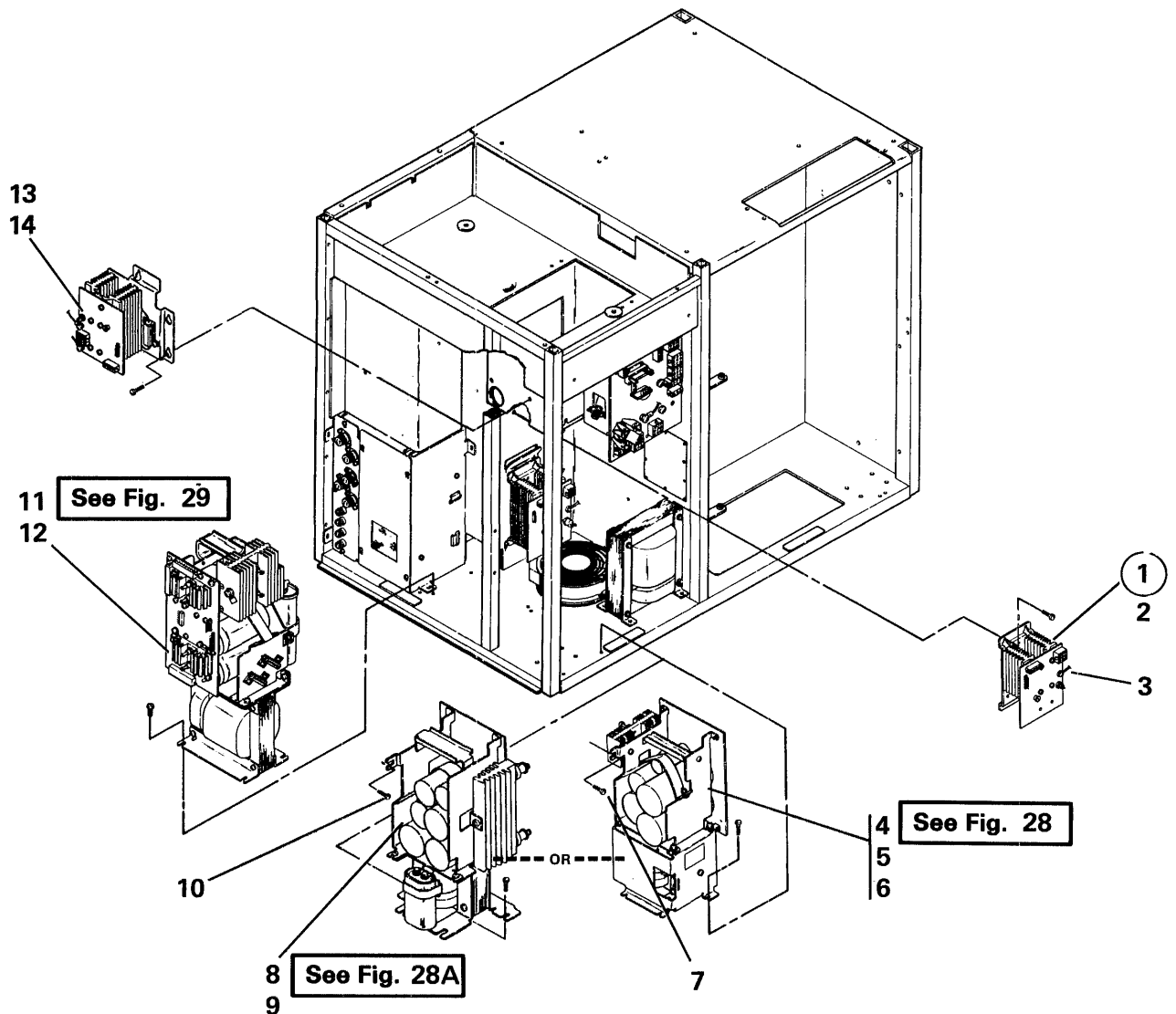
INDEX NUMBER	PART NUMBER	UNITS /ASM	DESCRIPTION FOR FIGURE 1				
			1	2	3	4	
1 - 19	5252843	1	•	AC Capacitor - 60 Hz			
- 19	8279052	1	•	AC Capacitor - 50 Hz			
- 19	2777381	1	•	AC Capacitor - 60 Hz (Mexican built only)			
- 19	2777382	1	•	AC Capacitor - 50 Hz (Mexican built only)			
- 20	526378	2	•	Insulator			
- 21	2777323	1	•	Strap			
- 22	2549783	1	•	Screw,Thd-Form Hex Wshr Hd M5 x .8 x 16 Lg			
- 23	2777396	1	•	Power Fan - 60 Hz			
- 23	2777465	1	•	Power Fan - 50 Hz			
- 24	2595809	1	•	Safety Ground Wire			
- 25	4233944	1	•	Ring			
- 26	2777330 NP	1	•	AC Box - 60 Hz			
- 26	2777335 NP	1	•	AC Box - 50 Hz			
- 26	2777388 NP	1	•	AC Box - 50 Hz (Multi-Phase)			
- 27	2549782	3	•	Screw,Thd-Form Hex Hd M5 x .8 x 12-.8 Lg			
- 28	2777478	1	•	Cover			
- 29	1621811	4	•	Screw,Thd-Form Hex-Wshr Hd M4 x .7 x 10 Lg			
- 30	2777373	1	•	Cover			
- 30	2777374	1	•	Cover (Multi-Phase)			
- 31	1621811	3	•	Screw,Thd-Form Hex-Wshr Hd M4 x .7 x 10 Lg			

Figure 1. BASE POWER (Part 2 of 3)



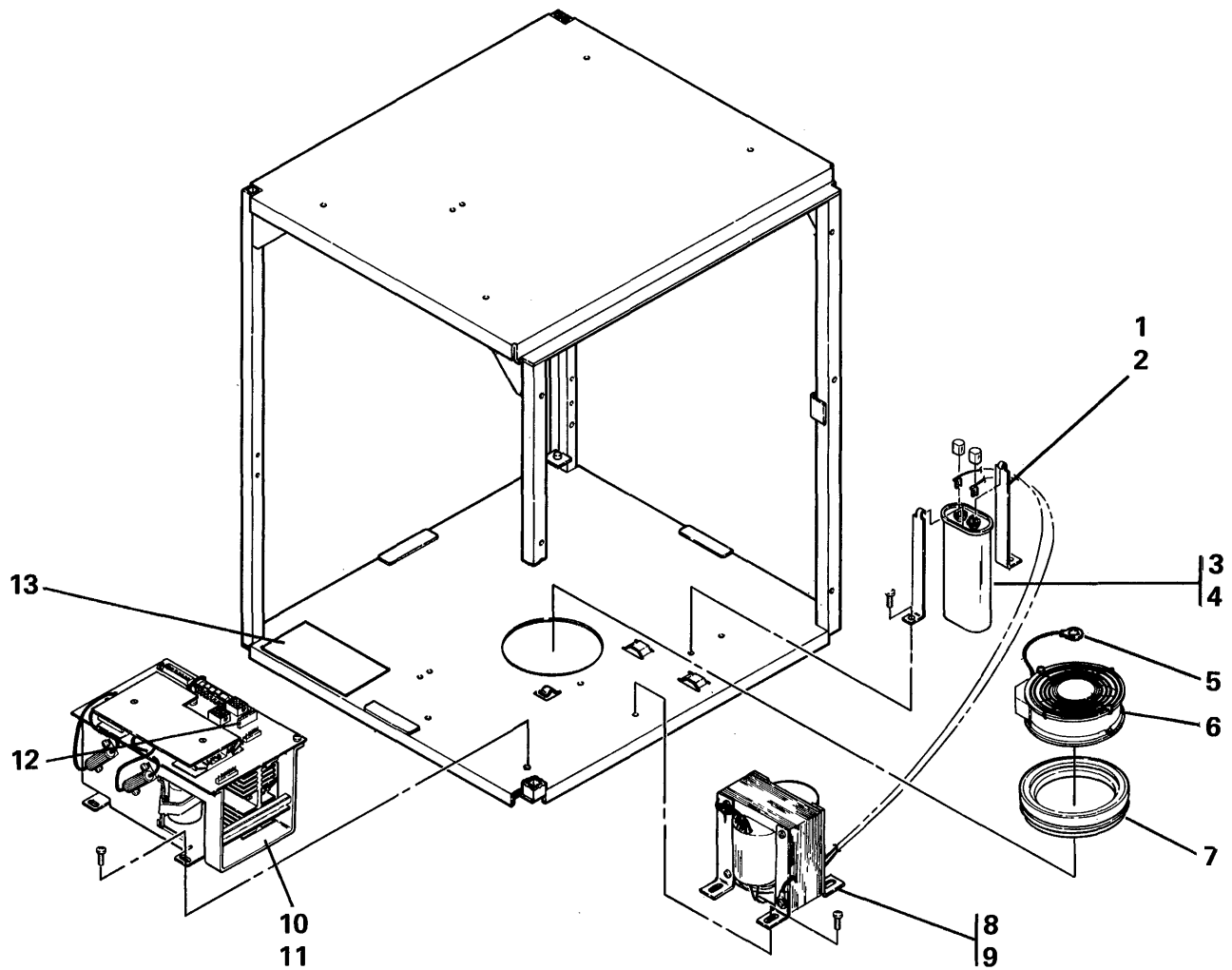
INDEX NUMBER	PART NUMBER	UNITS /ASM	DESCRIPTION FOR FIGURE 1				
			1	2	3	4	
1 -	32	2777338 NP	1				• Line Filter Box Assembly
-	32	2777413 NP	1				• Line Filter Box Assembly (Multi-Phase only)
-	33	1621811	3				• Screw,Thd-Form Hex-Wshr Hd M4 x .7 x 10 Lg
-	34	2777469	1				• Cover
-	35	1621811	8				• Screw,Thd-Form Hex-Wshr Hd M4 x .7 x 10 Lg
-	36	xxxxxxx	1				• Line Cord Assembly
-	37	236849	2				• Screw,Mach-Bind Hd 10-32 x 1/4 Lg
-	38	2595039	1				• Screw,Thd-Form Hex-Wshr Hd M5 x .8 x 10-.8 Lg
-	39	2777422	1				• Jumper Card - JC4
-	40	2777318	3				• Jumper Card - JA2, JA4, JC2 (Without Features)
-	41	2777420	1				• Lower Maple Block
-	42	2549782	2				• Screw,Thd-Form Hex-Wshr Hd M5 x .8 x 10-.8 Lg
-	43	xxxxxxx	1				• Protect Card (See FLD pg. AA101)
-	44	2777475	1				• Upper Maple Block
-	45	2549782	2				• Screw,Thd-Form Hex-Wshr Hd M5 x .8 x 10-.8 Lg
-	46	4233751	7				• Cable Clip
-	47	4233871	1				• Decal

Figure 1. BASE POWER (Part 3 of 3)



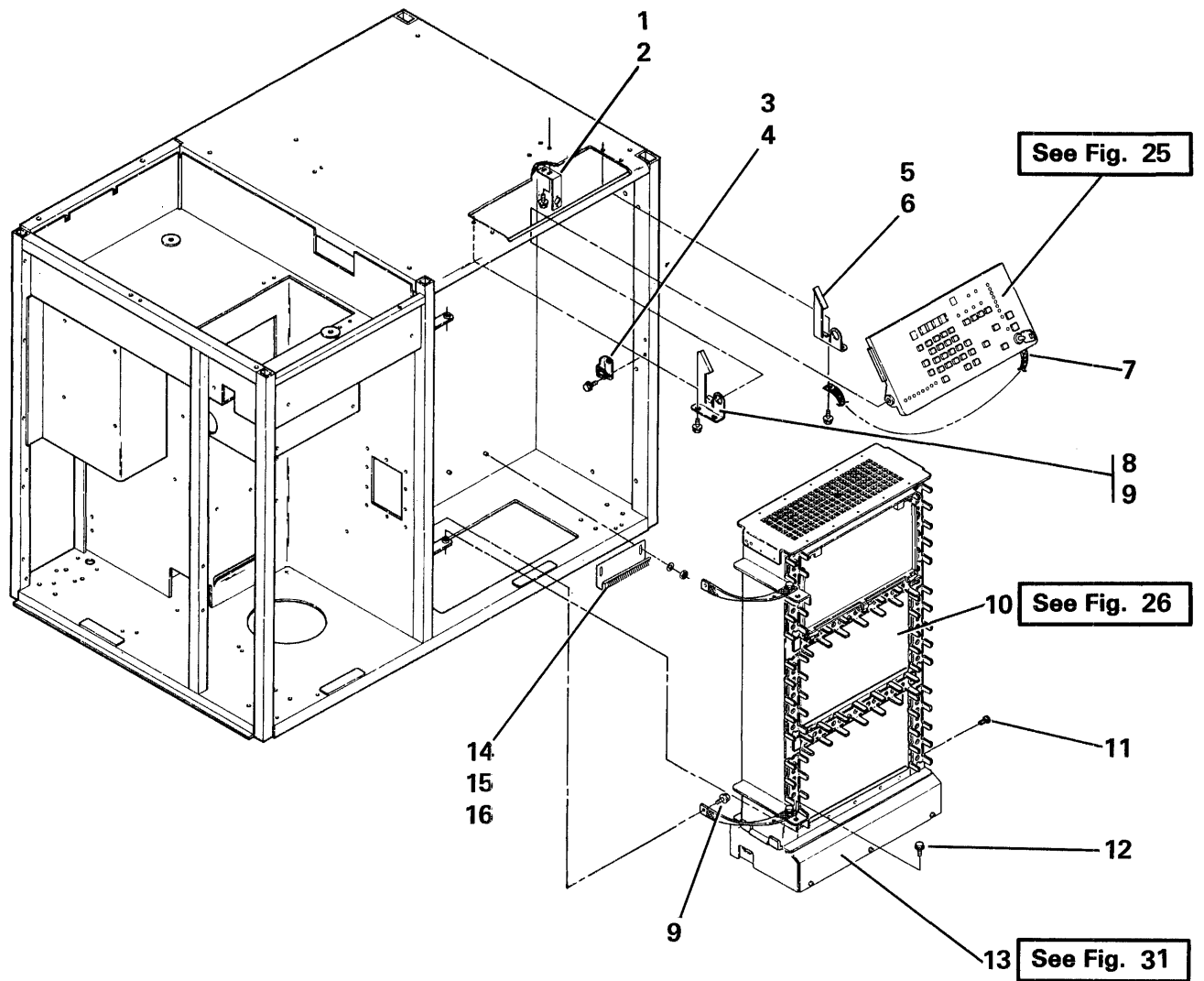
INDEX NUMBER	PART NUMBER	UNITS /ASM	DESCRIPTION FOR FIGURE 2			
			1	2	3	4
2	NO NO.		FEATURE POWER			
- 1	2777308	1	• A2 1.7V Regulator			
- 2	2549782	2	• Screw,Thd-Form Hex-Wshr Hd M5 x .8 x 10-.8 Lg			
- 3	2777409	1	• • Ground Wire (E13)			
- 4	2777436 NP	1	• A3 Power Supply 60 Hz (Old Style, MLCA only)			
- 4	2777435 NP	1	• A3 Power Supply 50 Hz (Old Style, MLCA only)			
- 5	2549782	3	• Screw,Thd-Form Hex-Wshr Hd M5 x .8 x 10-.8			
- 6	1608329	1	• Cable Clip			
- 7	8265370	1	• Screw,Thd-Form Hex Hd M5 x .8 x 12-.8 Lg			
- 8	5565080 NP	1	• A3 Power Supply 60 Hz (New Style, ELCA only)			
- 8	5564935 NP	1	• A3 Power Supply 50 Hz (New Style, ELCA only)			
- 9	1621842	3	• Screw,			
- 10	8265370	1	• Screw,Thd-Form Hex Hd M5 x .8 x 12-.8 Lg			
- 11	2777433 NP	1	• A2 Power Supply (60 Hz)			
- 11	2777434 NP	1	• A2 Power Supply (50 Hz)			
- 12	2549782	3	• Screw,Thd-Form Hex-Wshr Hd M5 x .8 x 10-.8 Lg			
- 13	5565076	1	• 1.7V Regulator - A3			
- 14	2549782	3	• Screw,Thd-Form Hex-Wshr Hd M5 x .8 x 10-.8			

Figure 2. FEATURE POWER (Part 1 of 1)



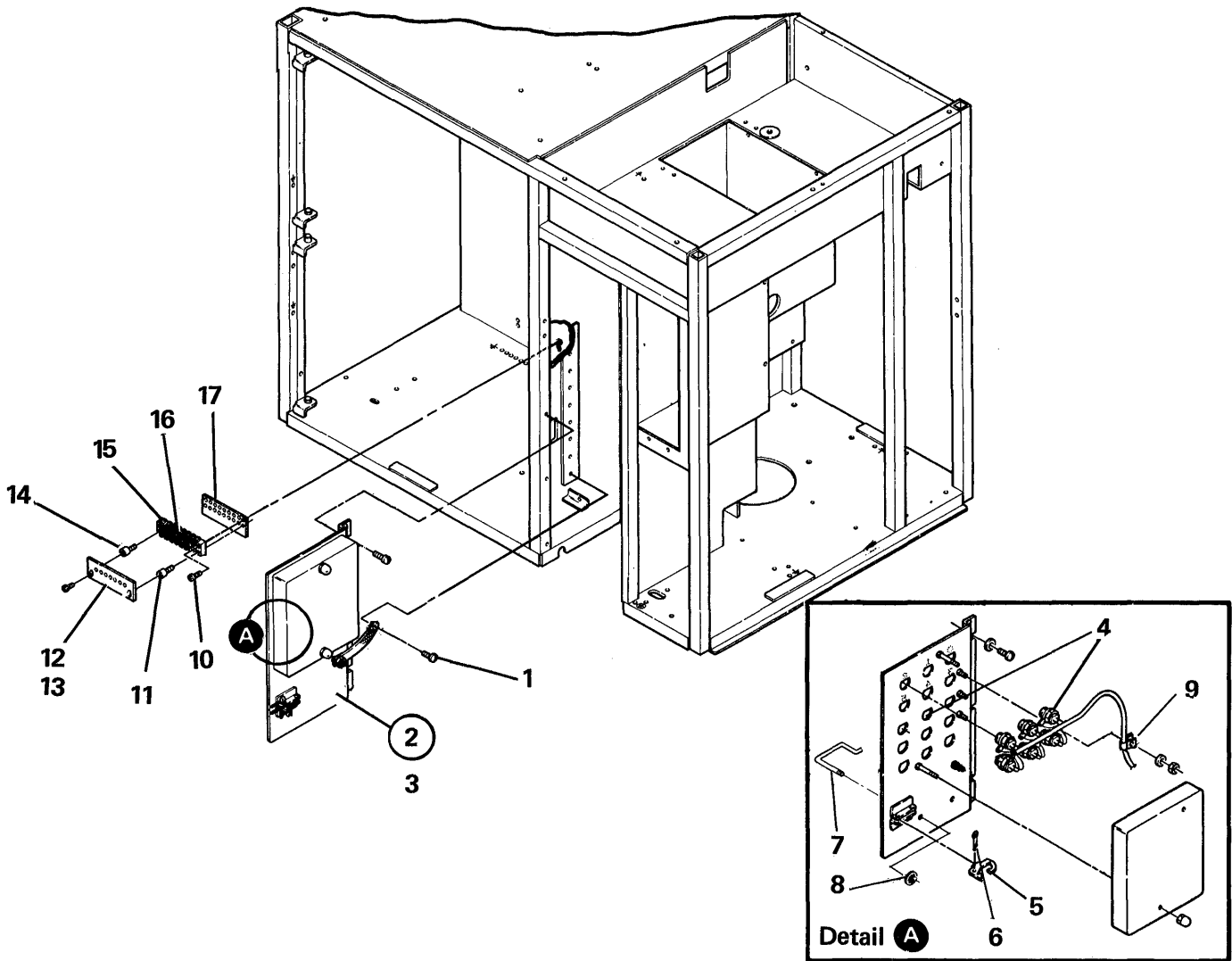
INDEX NUMBER	PART NUMBER	UNITS /ASM	DESCRIPTION FOR FIGURE 3			
			1	2	3	4
3	NO NO.		EXPANSION FRAME POWER			
-	1 2777467	2	• Bracket			
-	2 4236318	2	• Screw,Thd-Form Hex-Wshr Hd M5 x .8 x 10-.8 Lg			
-	3 8279052	1	• Capacitor, 50/60 Hz			
-	3 2777382	1	• Capacitor (Mexican built only)			
-	4 526378	2	• Insulator			
-	5 2595816	1	• Safety ground wire			
-	6 2777396	1	• Fan Assembly, 60 Hz			
-	6 2777465	1	• Fan Assembly, 50 Hz			
-	7 4233944	1	• Ring, Fan			
-	8 2777347	1	• Transformer, 60 Hz			
-	8 2777348	1	• Transformer, 50 Hz			
-	9 2549782	2	• Screw,Thd-Form Hex-Wshr Hd M5 x .8 x 10-.8 Lg			
-	10 2777304	1	• Filter Assembly			
-	11 2549782	2	• Screw,Thd-Form Hex-Wshr Hd M5 x .8 x 10-.8 Lg			
-	12 2777372	1	• Jumper Assembly (J90)			
-	13 2597822	1	• Label			

Figure 3. EXPANSION FRAME POWER (Part 1 of 1)



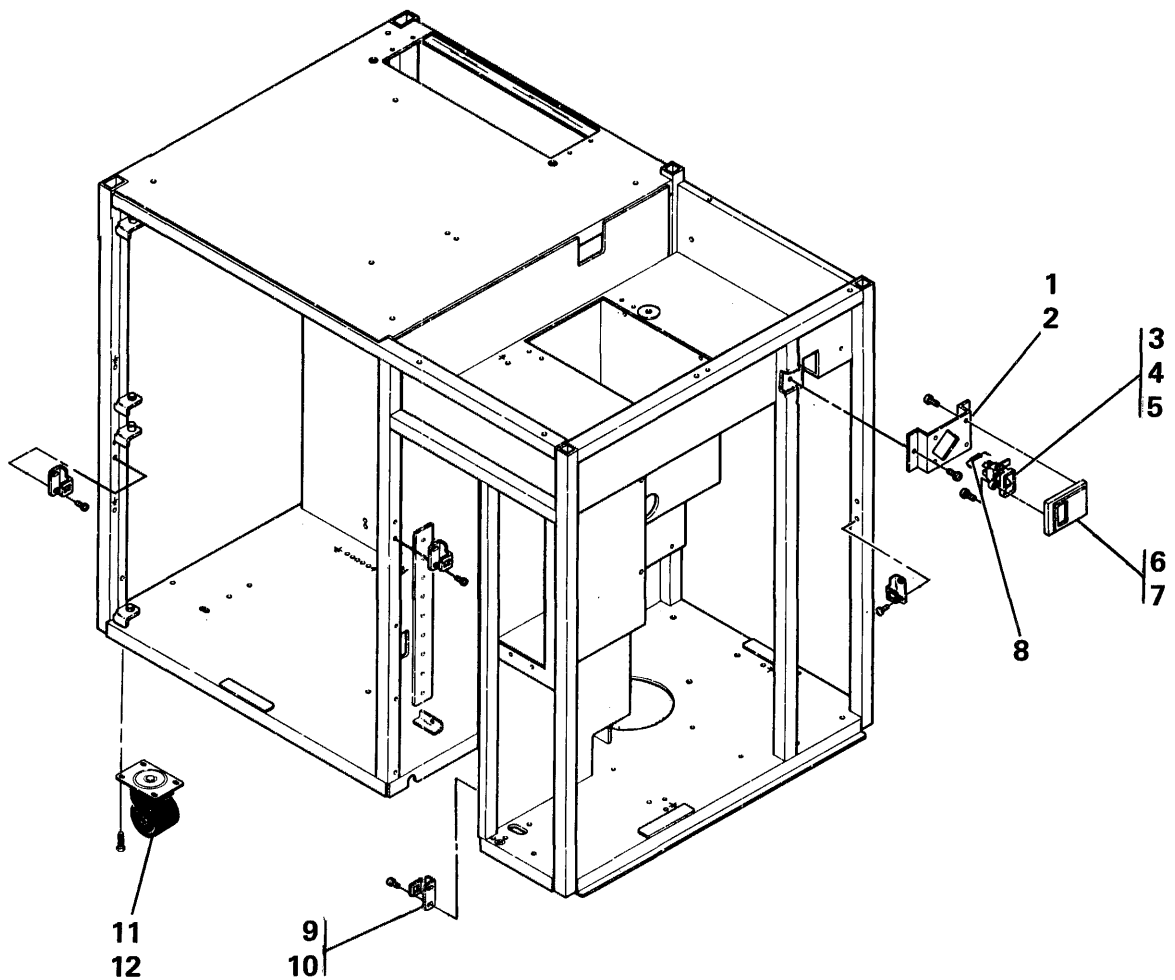
INDEX NUMBER	PART NUMBER	UNITS /ASM	DESCRIPTION FOR FIGURE 4			
			1	2	3	4
4	NO NO.		GATE/CONTROL PANEL			
- 1	8636813	1	• Bracket Assembly-Gate Stop			
- 2	2595039	2	• Screw,Thd-Form Hex-Wshr Hd M5 x .8 x 10-.8 Lg			
- 3	4233748	1	• Catch			
- 4	2549782	2	• Screw,Thd-Form Hex-Wshr Hd M5 x .8 x 10-.8 Lg			
- 5	8636606	1	• Bracket			
- 6	8265370	2	• Screw,Thd-Form Hex Hd M5 x .8 x 12-.8 Lg			
- 7	2597838	1	• Strap, Ground			
- 8	8636607	1	• Bracket			
- 9	8265370	2	• Screw,Thd-Form Hex Hd M5 x .8 x 12-.8 Lg			
- 10	4177081	1	• Gate Assembly			
- 11	1621811	1	• Screw,Thd-Form Hex-Wshr Hd M4 x .7 x 10 Lg			
- 12	2595039	2	• Screw,Thd-Form Hex-Wshr Hd M4 x .7 x 10 Lg			
- 13	8636535	1	• Fan Box Assembly (60 Hz)			
- 13	8636581	1	• Fan Box Assembly (50 Hz)			
- 14	2595977	1	• Bracket Assembly (Gate Gnd)			
- 15	1622346	2	• Washer,Lock-Ext Star 4.3 ID x 8 OD x .5 Thk			
- 16	1622403	2	• Nut,Hex-Double Chamfer M4 x 7 Fl W 3.2 Thk			

Figure 4. GATE/CONTROL PANEL (Part 1 of 1)



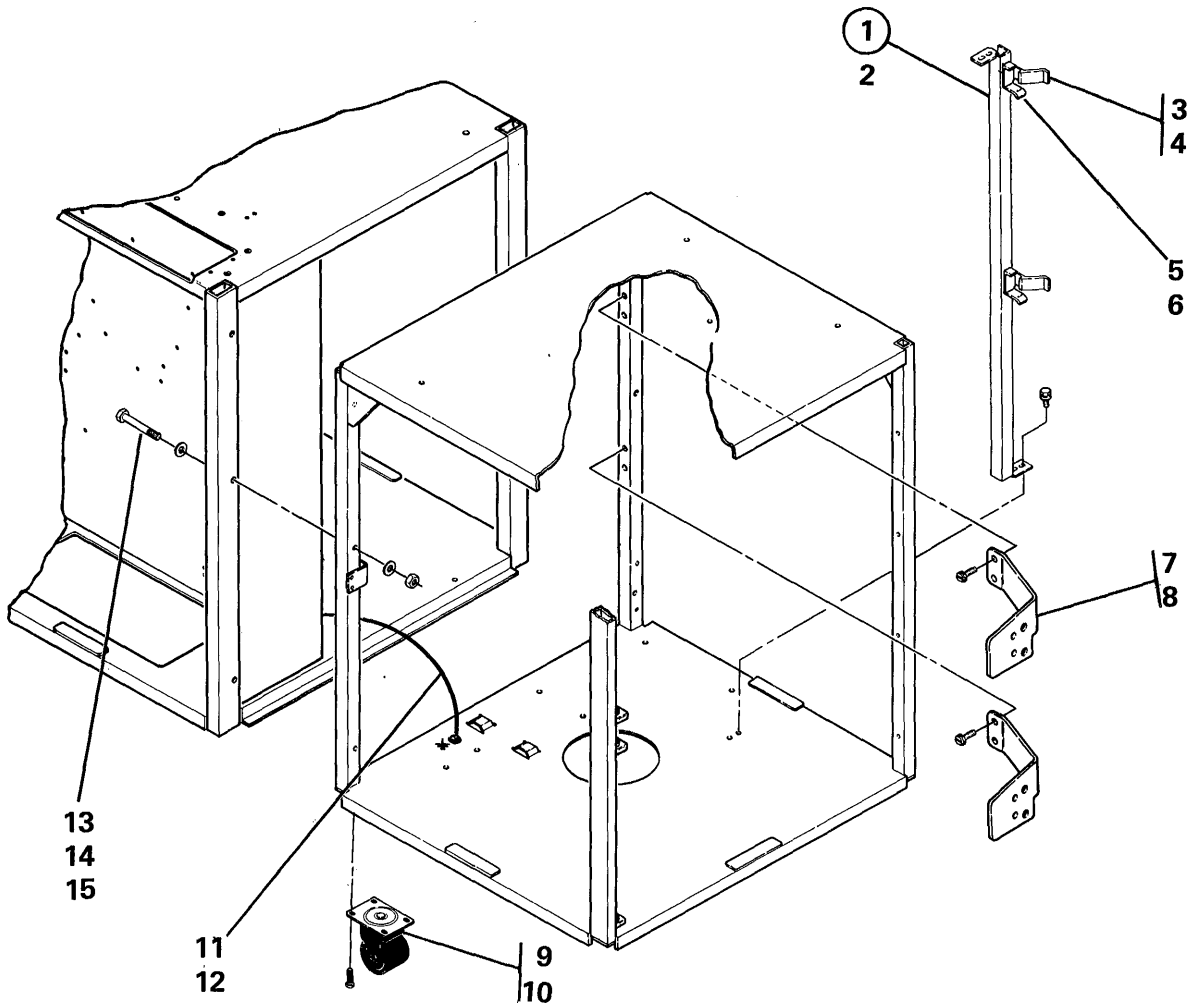
INDEX NUMBER	PART NUMBER	UNITS /ASM	DESCRIPTION FOR FIGURE 5			
			1	2	3	4
5			WSC GATE/TB1			
- 1	8265370	1	• Screw,Thd-Form Hex Hd M5 x .8 x 12-.8 Lg			
- 2	4233762	1	• WSC Gate Assembly			
- 3	8265370	3	• Screw,Thd-Form Hex Hd M5 x .8 x 12-.8 Lg			
- 4	8636624	1	• • Cable Assembly (Ports 0-5)			
- 4	2597431	1	• • Cable Assembly (Ports 6-11)			
- 5	4177156	1	• • Latch			
- 6	35868	1	• • Pin			
- 7	4233868	1	• • Retainer			
- 8	1092125	1	• • Clip,Retaining 5/32 Groove Dia			
- 9	2102365	1	• • Clamp			
- 10	1621193	2	• Screw,Mach-Slot Pan Hd M4 x .7 x 16 Lg			
- 11	2548558	1	• Stud			
- 12	350977	1	• Shield			
- 13	1621197	1	• Screw,Mach-Slot Pan Hd M4 x .7 x 6 Lg			
- 14	2548559	1	• Stud			
- 15	317145	1	• TB1 (Term Block) - Part of AC Cable			
- 16	367115	5	• Jumpers - Part of AC Cable			
- 17	4483258	1	• Marker			

Figure 5. WSC GATE/TB1 (Part 1 of 1)



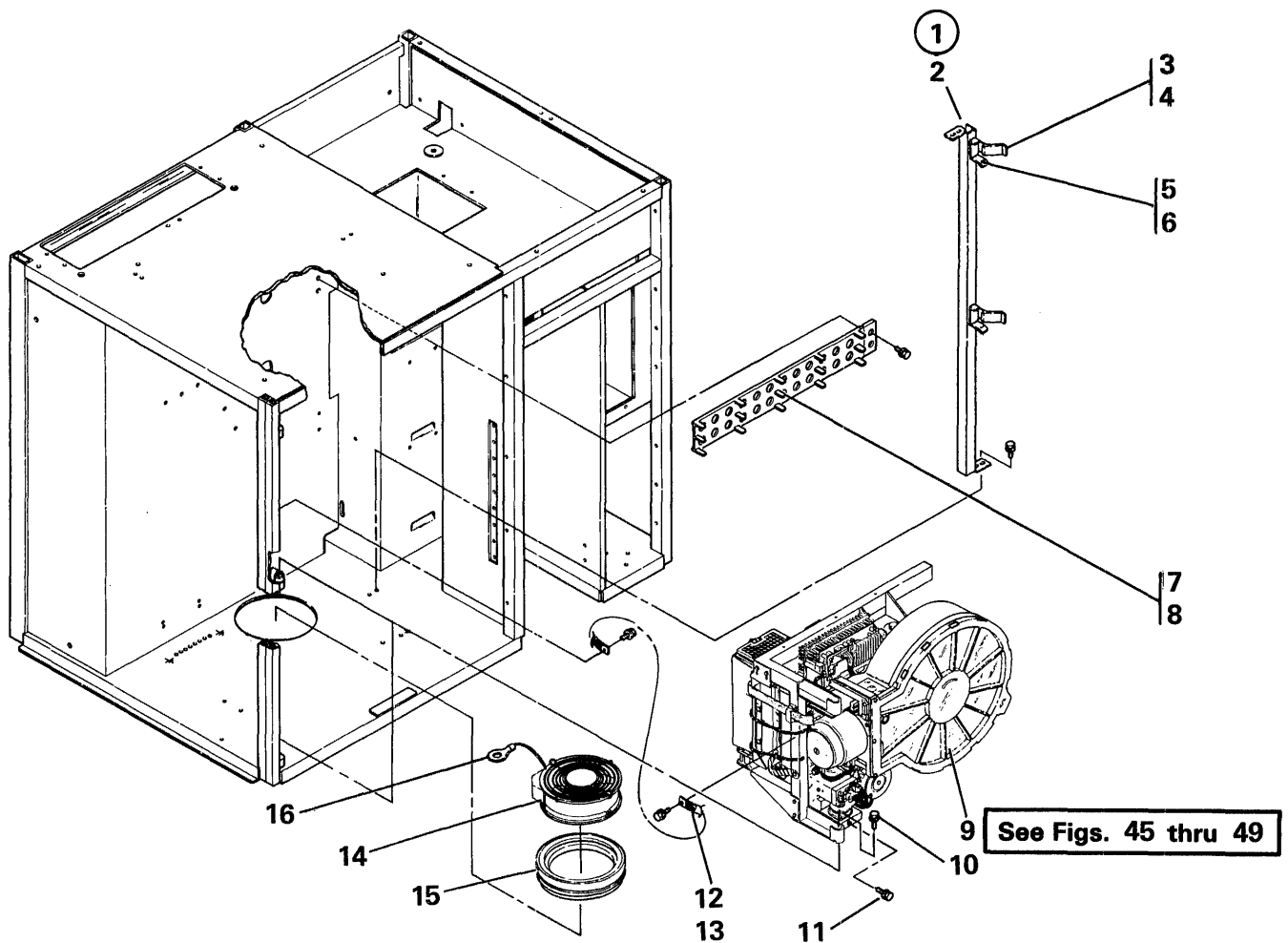
INDEX NUMBER	PART NUMBER	UNITS /ASM	DESCRIPTION FOR FIGURE 6			
			1	2	3	4
6	NO NO.		UNIT EMERGENCY SWITCH/CATCH			
- 1	8636807	1	• Bracket			
- 2	8265370	2	• Screw,Thd-Form Hex Hd M5 x .8 x 12-.8 Lg			
- 3	4521305	1	• Switch			
- 4	91610	4	• Screw,Thd-Ctg Bd Hd No. 6 x 1/2 Lg			
- 5	4521357	1	• Housing			
- 6	4521358	1	• Plate, English			
- 6	4797370	1	• Plate, French, Canada French			
- 6	4797001	1	• Plate, German			
- 6	4797005	1	• Plate, Italian			
- 6	4797003	1	• Plate, Spanish			
- 6	4797007	1	• Plate, Japanese			
- 7	1608428	4	• Screw,Thd-Form Hex Wshr Hd 6-19 x 1/4 Lg			
- 8	2597430	1	• R/C Jumper Assembly			
- 9	4233748	4	• Catch			
- 10	2549782	8	• Screw,Thd-Form Hex-Wshr Hd M5 x .8 x 10-.8 Lg			
- 11	4233705	4	• Caster			
- 12	1621821	16	• Screw, M6 x 1 x 10-0.8 Lg			

Figure 6. UNIT EMERGENCY SWITCH/CATCH (Part 1 of 1)



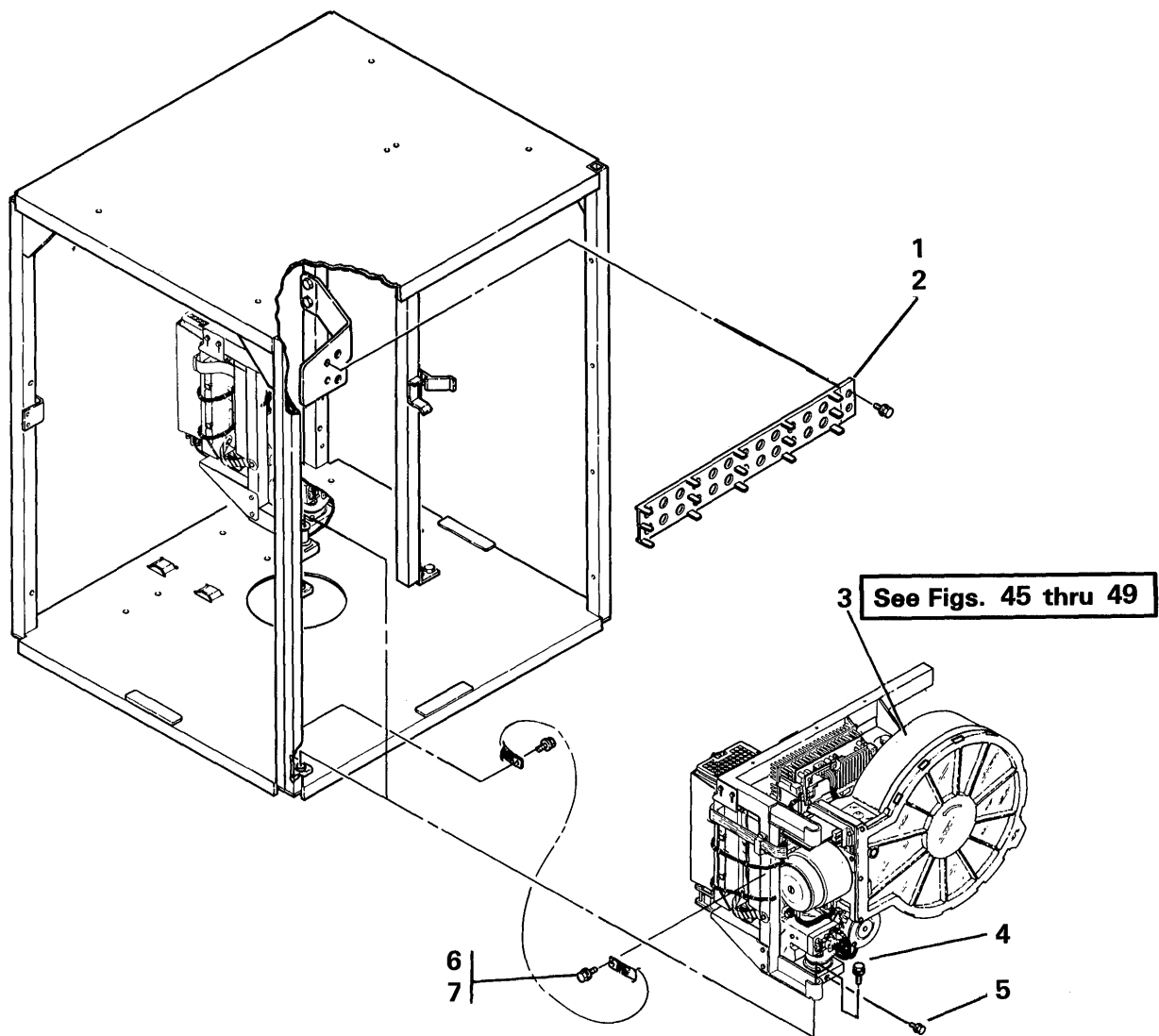
INDEX NUMBER	PART NUMBER	UNITS /ASM	DESCRIPTION FOR FIGURE 7			
			1	2	3	4
7	NO NO.		EXPANSION FRAME HARDWARE			
- 1	2597820	1	• Post Assembly			
- 2	2549782	4	• Screw,Thd-Form Hex-Wshr Hd M5 x .8 x 10-.8 Lg			
- 3	8636580	2	• • Latch			
- 4	8265370	4	• • Screw,Thd-Form Hex Hd M5 x .8 x 12-.8 Lg			
- 5	2596013	2	• • Bracket			
- 6	2549782	4	• • Screw,Thd-Form Hex-Wshr Hd M5 x .8 x 10-.8 Lg			
- 7	2595113	2	• Bracket			
- 8	2549782	4	• Screw,Thd-Form Hex-Wshr Hd M5 x .8 x 10-.8 Lg			
- 9	4233705	4	• Caster			
- 10	1621821	16	• Screw, M6 x 1 x 10-0.8 Lg			
- 11	2595809	1	• Ground jumper			
- 12	2549782	2	• Screw,Thd-Form Hex-Wshr Hd M5 x .8 x 10-.8 Lg			
- 13	1621604	6	• Screw			
- 14	1622306	12	• Washer			
- 15	1622419	6	• Nut			

Figure 7. EXPANSION FRAME HARDWARE (Part 1 of 1)



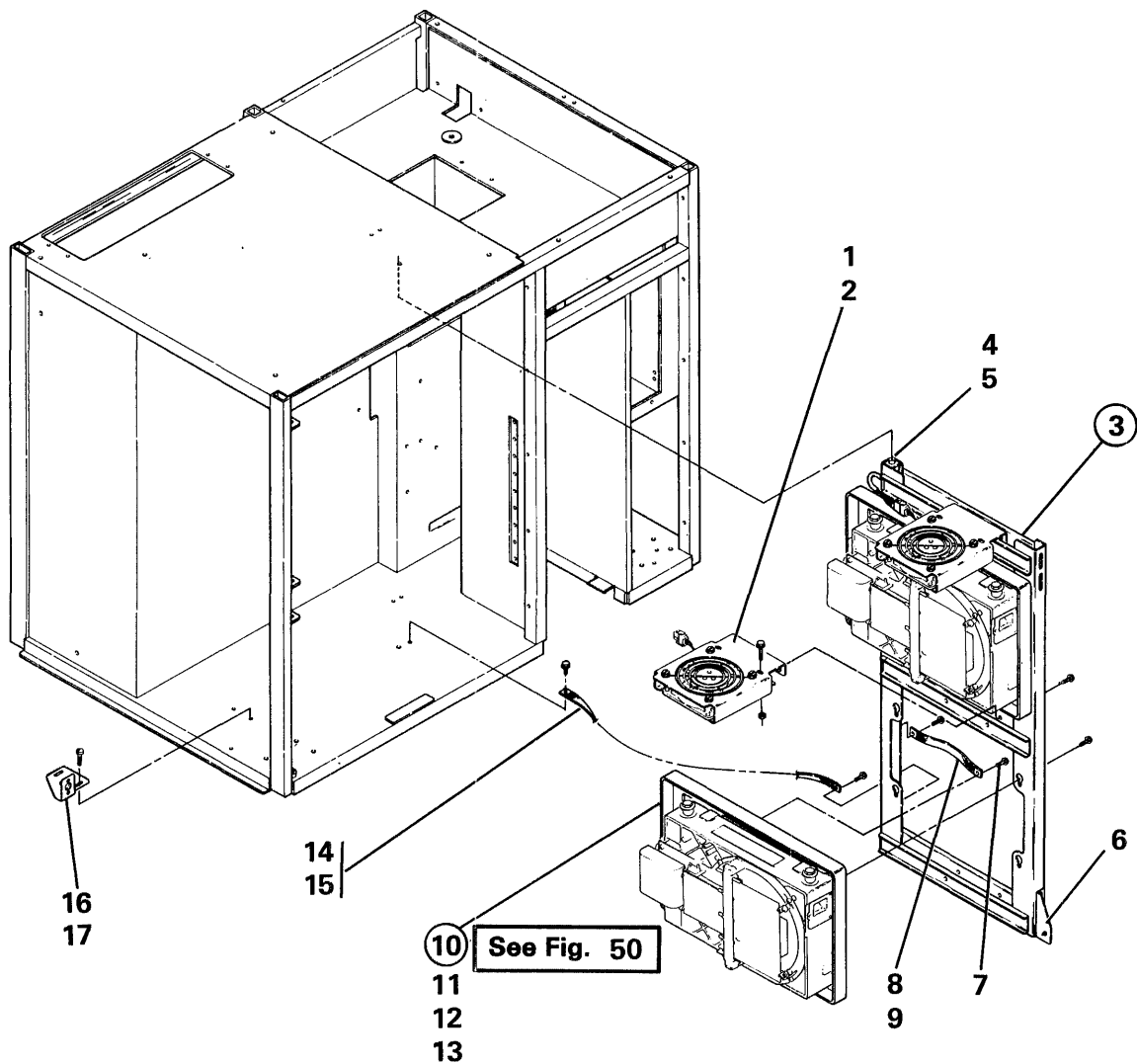
INDEX NUMBER	PART NUMBER	UNITS /ASM	DESCRIPTION FOR FIGURE 8			
			1	2	3	4
8	NO NO.		10SR FILE MOUNTING			
- 1	2597820	1	• Post Assembly			
- 2	2549782	4	• Screw,Thd-Form Hex-Wshr Hd M5 x .8 x 10-.8 Lg			
- 3	8636580	2	• • Latch			
- 4	8265370	4	• • Screw,Thd-Form Hex Hd M5 x .8 x 12-.8 Lg			
- 5	2596013	2	• • Bracket			
- 6	2549782	4	• • Screw,Thd-Form Hex-Wshr Hd M5 x .8 x 10-.8 Lg			
- 7	4233861	2	• Cable Trough			
- 8	2549782	4	• Screw,Thd-Form Hex-Wshr Hd M5 x .8 x 10-.8 Lg			
- 9	1615310 NR	2	• 60 Hz File Model 1			
- 9	1615313 NR	2	• 50 Hz File Model 1			
- 9	6493610 NR	2	• 60 Hz File Model 2			
- 9	6493613 NR	2	• 50 Hz File Model 2			
- 10	2595039	2	• Screw,			
- 11	1621823	1	• Screw, M6 x 1 x 16 Lg			
- 12	4233855	2	• Ground Strap			
- 13	8265370	4	• Screw,Thd-Form Hex Hd M5 x .8 x 12-.8 Lg			
- 14	2777396	1	• Fan Assembly, 60 Hz			
- 14	2777465	1	• Fan Assembly, 50 Hz			
- 15	4233944	2	• Ring			
- 16	2595816	1	• Safety Ground Wire			

Figure 8. 10SR FILE MOUNTING (Part 1 of 1)



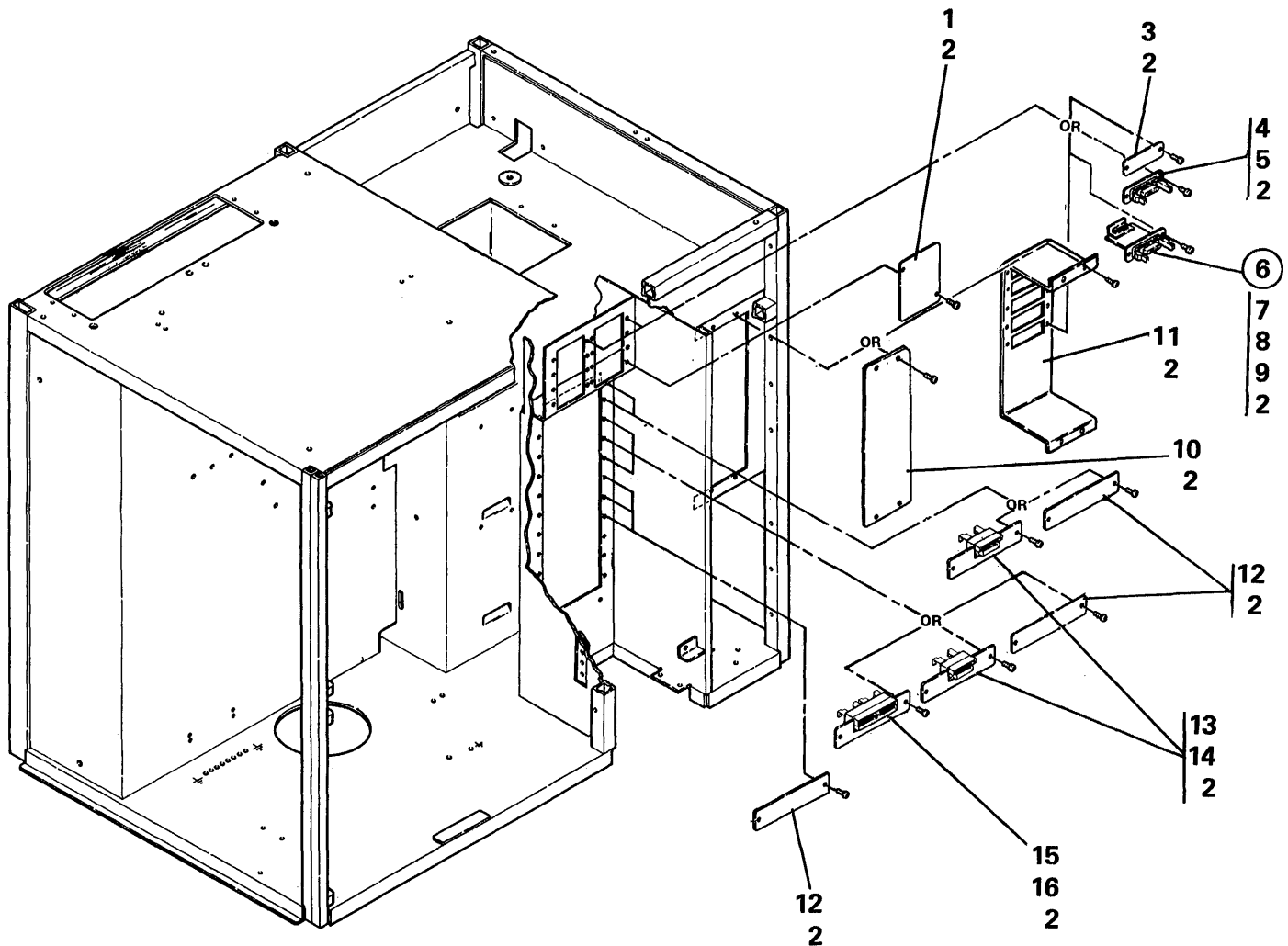
INDEX NUMBER	PART NUMBER	UNITS /ASM	DESCRIPTION FOR FIGURE 9			
			1	2	3	4
9	NO NO.		EXPANSION 10SR MTG			
- 1	4233861	2	• Cable Trough			
- 2	2549782	4	• Screw,Thd-Form Hex-Wshr Hd M5 x .8 x 10-.8 Lg			
- 3	1615310 NR	2	• 60 Hz File Model 1			
- 3	1615313 NR	2	• 50 Hz File Model 1			
- 3	6493610 NR	2	• 60 Hz File Model 2			
- 3	6493613 NR	2	• 50 Hz File Model 2			
- 4	2595039	2	• Screw			
- 5	1621823	1	• Screw, M6 x 1 x 16 Lg			
- 6	4233855	2	• Ground Strap			
- 7	8265370	4	• Screw,Thd-Form Hex Hd M5 x .8 x 12-.8 Lg			

Figure 9. EXPANSION 10SR MTG (Part 1 of 1)



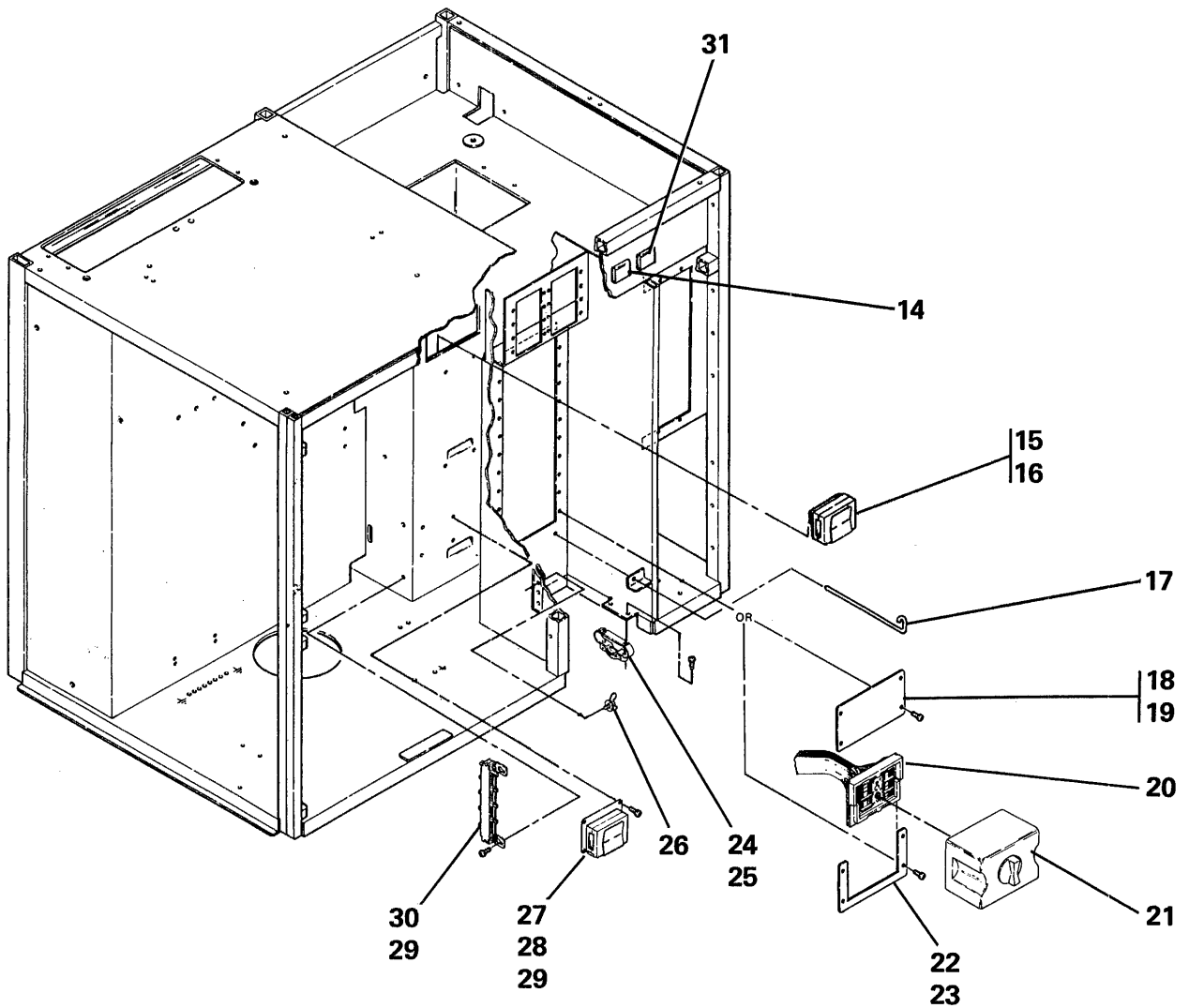
INDEX NUMBER	PART NUMBER	UNITS /ASM	DESCRIPTION FOR FIGURE 10			
			1	2	3	4
10	NO NO.		21ED FILE MOUNTING			
- 1	4233746	2	• Fan Assembly			
- 2	8265370	4	• Screw,Thd-Form Hex Hd M5 x .8 x 12-.8 Lg			
- 3	4233880	1	• Gate Assembly			
- 4	4177079	2	• • Pivot			
- 5	1621821	4	• • Screw, M6 x 1 x 10-0.8 Lg			
- 6	4233764	1	• • Latch Assembly			
- 7	4233722	2	• Screw,Thd-Form Hex Wshr Hd M4 x .7 x 10-.8 Lg			
- 8	4233855	2	• Jumper			
- 9	8265370	4	• Screw,Thd-Form Hex Hd M5 x .8 x 12-.8 Lg			
- 10	4233870 NP	2	• 21ED 30 MB File Assembly			
- 11	2549782	8	• Screw,Thd-Form Hex-Wshr Hd M5 x .8 x 10-.8 Lg			
- 12	1616514 NP	1	• • 21ED 30 MB File			
- 13	4178389	1	• • Frame			
- 14	4233855	1	• Jumper			
- 15	8265370	2	• Screw,Thd-Form Hex Hd M5 x .8 x 12-.8 Lg			
- 16	4233765	1	• Catch Assembly			
- 17	2549782	2	• Screw,Thd-Form Hex-Wshr Hd M5 x .8 x 10-.8 Lg			

Figure 10. 21ED FILE MOUNTING (Part 1 of 1)



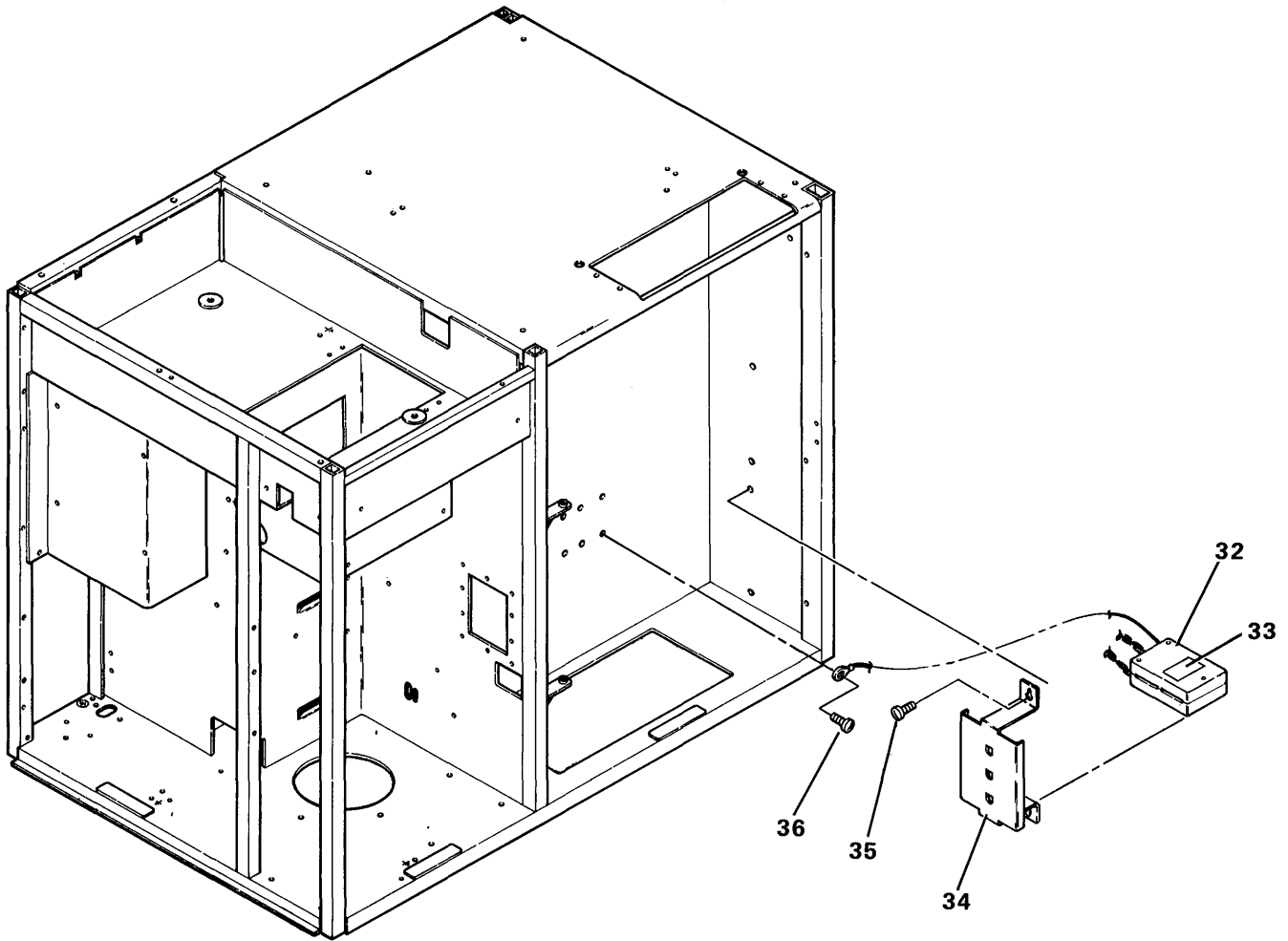
INDEX NUMBER	PART NUMBER	UNITS /ASM	DESCRIPTION FOR FIGURE 11			
			1	2	3	4
11	NO NO.		CABLE TOWER/COMMUNICATION			
- 1	8636820	1	• Cover (SLCA, MLCA Only)			
- 2	2549782	AR	• Screw, Thd-Form Hex-Wshr Hd M5 x .8 x 10-.8 Lg			
- 3	8636821	AR	• Plate			
- 4	xxxxxxx	AR	• Cable Asm, (See Figure 55)			
- 5	7364586	AR	• Retainer			
- 6	xxxxxxx	AR	• Cable Assembly, (See Figure 55)			
- 7	4176983	1	• • Surge Protect Card			
- 8	8636683	1	• • Cable			
- 9	4233742	AR	• Retainer			
- 10	2595026	1	• Cover			
- 11	2597427	1	• Bracket - Autocall			
- 12	8636712	AR	• Plate			
- 13	4233942	AR	• Connector Assembly			
- 14	4233708	AR	• Bracket			
- 15	5362304	AR	• Connector Assembly			
- 16	8636713	AR	• Bracket			

Figure 11. CABLE TOWER/COMMUNICATION (Part 1 of 3)



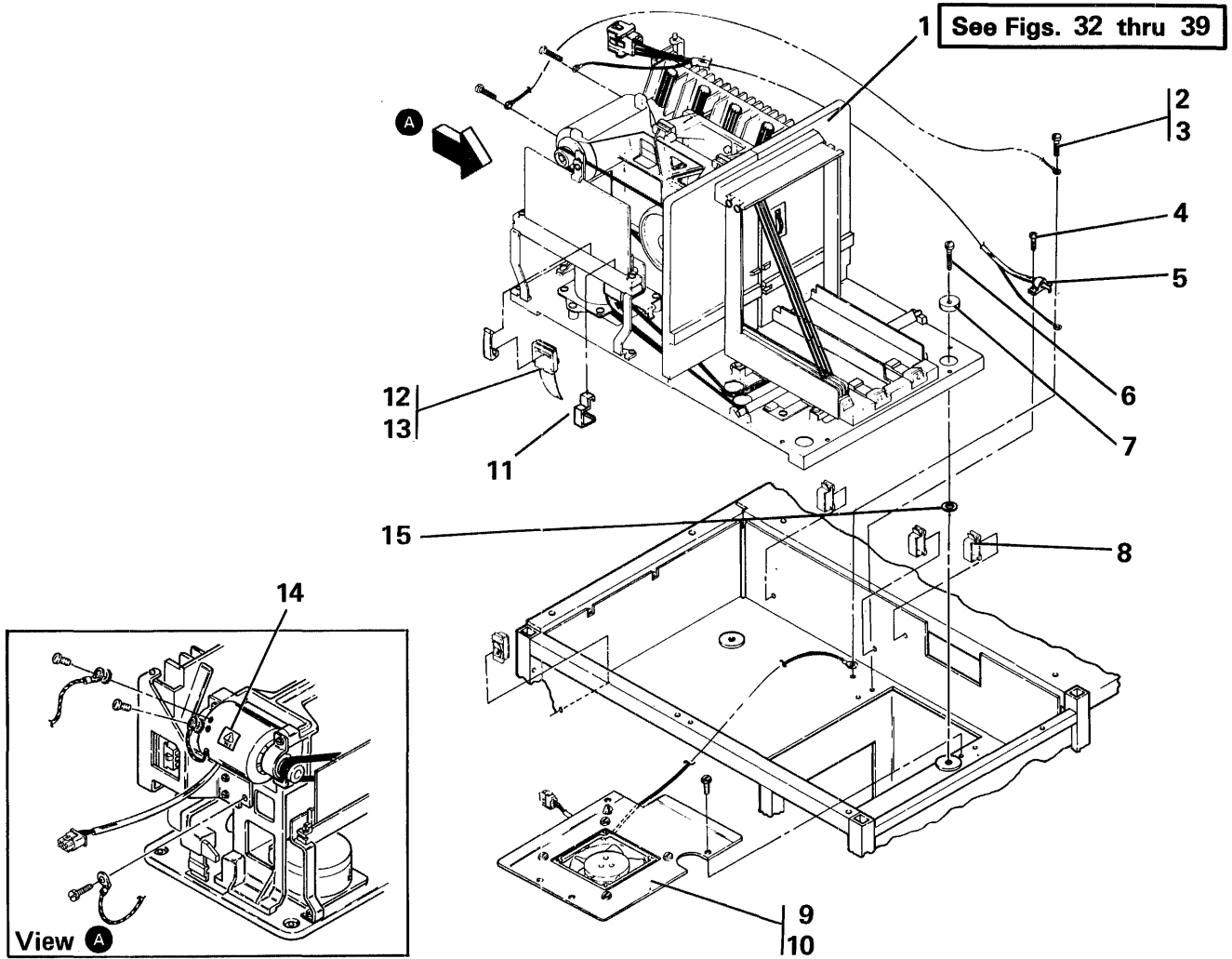
INDEX NUMBER	PART NUMBER	UNITS /ASM	DESCRIPTION FOR FIGURE 11				
			1	2	3	4	
11 - 14	8636690	1	•	•	•	•	Wrap Connector
- 15	2597888	1	•	•	•	•	Bracket
- 16	853288	2	•	•	•	•	Core Ferrite
- 17	4233726	2	•	•	•	•	Pin
- 18	8636714	1	•	•	•	•	Cover
- 19	2549782	4	•	•	•	•	Screw,Thd-Form Hex-Wshr Hd M5 x .8 x 10-.8 Lg
- 20	2595282	1	•	•	•	•	Connector Assembly
- 21	2446184	1	•	•	•	•	Connector Wrap
- 22	8636715	1	•	•	•	•	Bracket
- 23	2549782	4	•	•	•	•	Screw,Thd-Form Hex-Wshr Hd M5 x .8 x 10-.8 Lg
- 24	4233981	1	•	•	•	•	Strain Relief
- 25	1621824	2	•	•	•	•	Screw,Thd-Form Hex Wshr Hd M5 x .8 x 25-1.3 Lg
- 26	4234003	AR	•	•	•	•	Screw, Wing
- 27	2588046	1	•	•	•	•	Bracket
- 28	853288	2	•	•	•	•	Core Ferrite
- 29	2549782	6	•	•	•	•	Screw,Thd-Form Hex-Wshr Hd M5 x .8 x 10-.8 Lg
- 30	2777475	1	•	•	•	•	Block Interposer
- 31	4178459	1	•	•	•	•	Wrap Connector (6157 Tape)

Figure 11. CABLE TOWER/COMMUNICATION (Part 2 of 3)



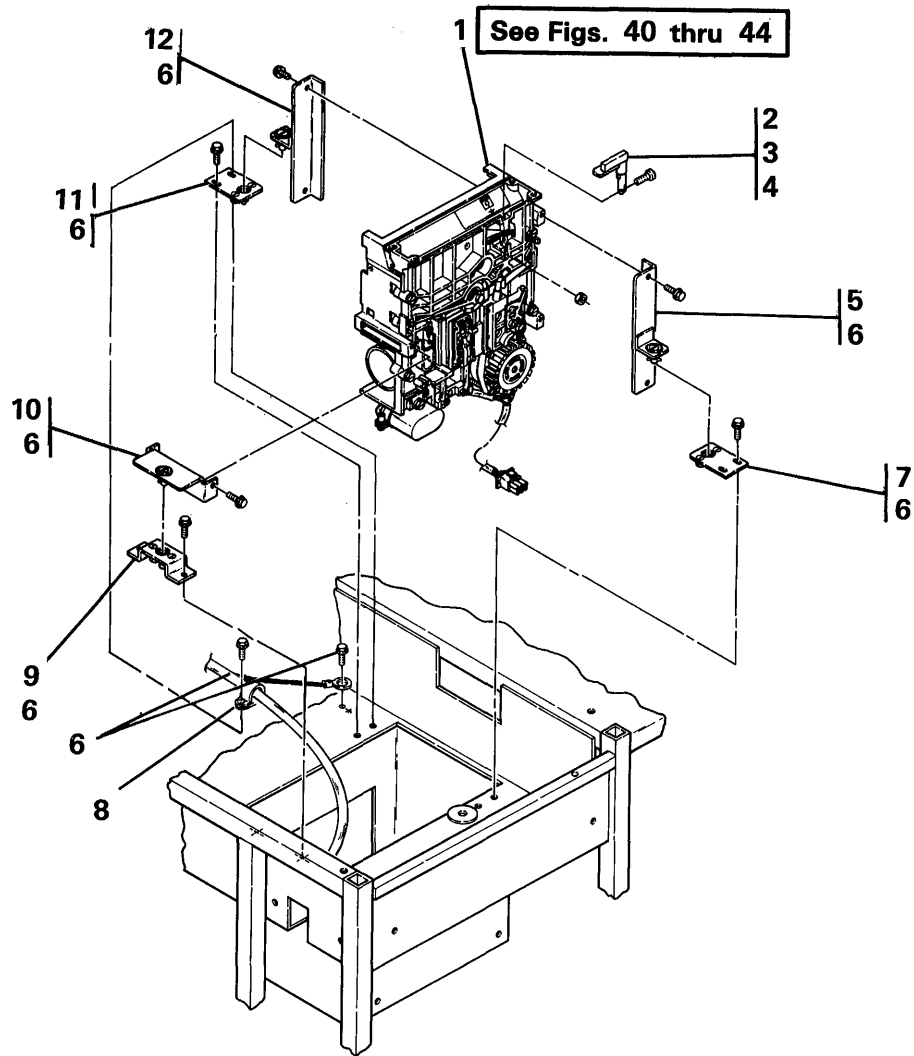
INDEX NUMBER	PART NUMBER	UNITS /ASM	DESCRIPTION FOR FIGURE 11				
			1	2	3	4	
11 - 32	2595141	AR					• Coupler Assembly (A1 Board)
- 32	4233737	AR					• Coupler Assembly (A3 Board)
- 33	4413711	AR					• Warning Label (France)
- 33	4413712	AR					• Warning Label (Italy)
- 34	4234049	1					• Coupler Clamp
- 35	2549782	2					• Screw,Thd-Form Hex-Wshr Hd M5 x .8 x 10-.8 Lg
- 36	2549782	1					• Screw,Thd-Form Hex-Wshr Hd M5 x .8 x 10-.8 Lg

Figure 11. CABLE TOWER/COMMUNICATION (Part 3 of 3)



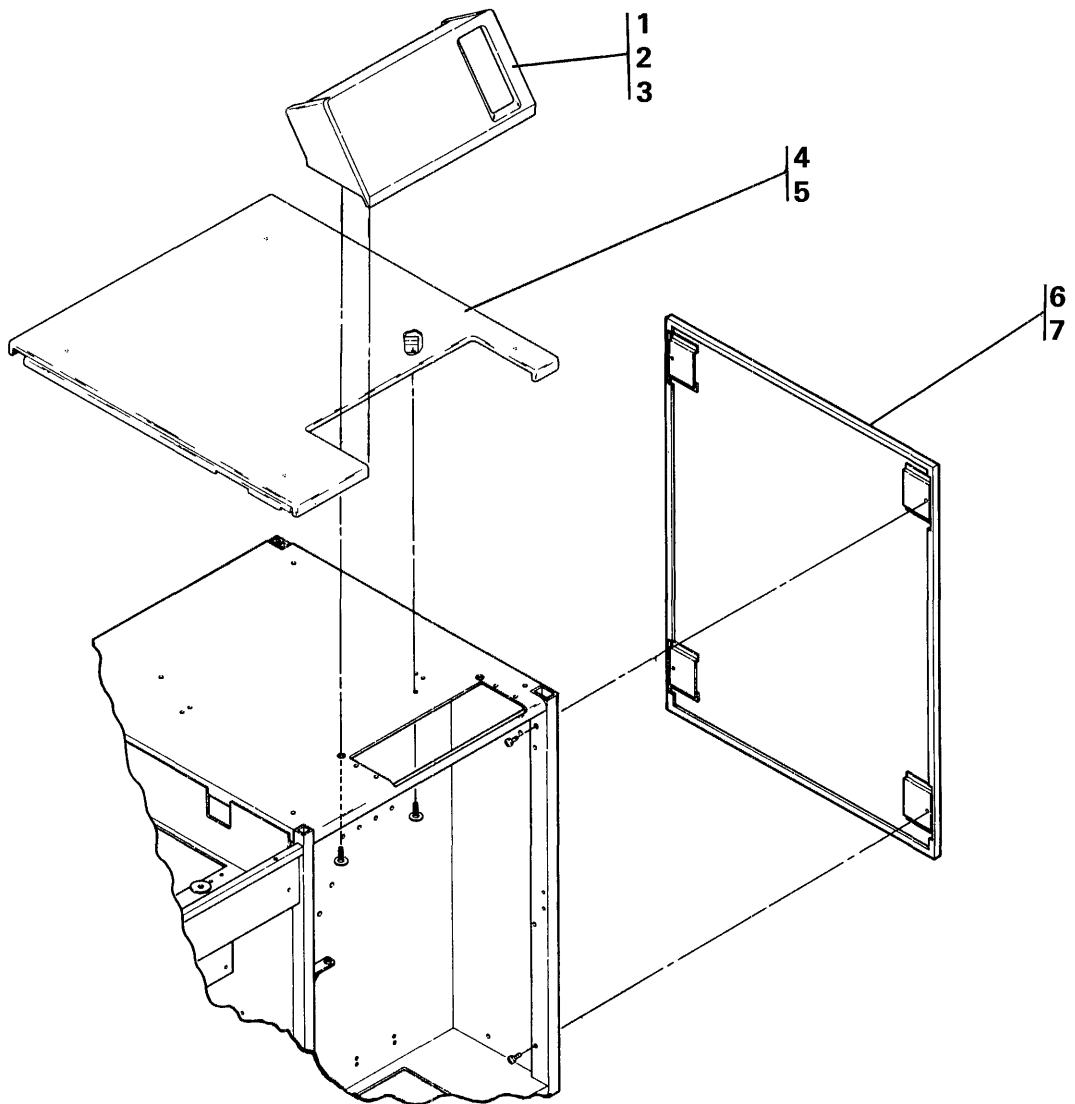
INDEX NUMBER	PART NUMBER	UNITS /ASM	DESCRIPTION FOR FIGURE 12			
			1	2	3	4
12	NO NO.					
- 1	2462401 NR	1				72MD MOUNTING
- 1	2462403 NR	1				• 72MD Assembly (60 Hz)
- 2	1621811	1				• 72MD Assembly (50 Hz)
- 3	7034877	1				• Screw,Thd-Form Hex-Wshr Hd M4 x .7 x 10 Lg
- 4	1621811	1				• Jumper
- 5	356742	1				• Screw,Thd-Form Hex-Wshr Hd M4 x .7 x 10 Lg
- 6	1621235	4				• Clamp
- 7	2462137	4				• Screw,Mach-Slot Pan Hd M6 x 1 x 35 Lg
- 8	4233899	4				• Limiter (Shockmount)
- 9	2597854	1				• Clip
- 10	1621811	4				• Fan/Plate Assembly
- 11	2597815	1				• Screw,Thd-Form Hex-Wshr Hd M4 x .7 x 10 Lg
- 12	8636636	1				• Retainer
- 13	4233751	1				• Cable
- 14	2595327	1				• Retainer
- 15	2597890	4				• Label
						• Ring, Shock

Figure 12. 72MD MOUNTING (Part 1 of 1)



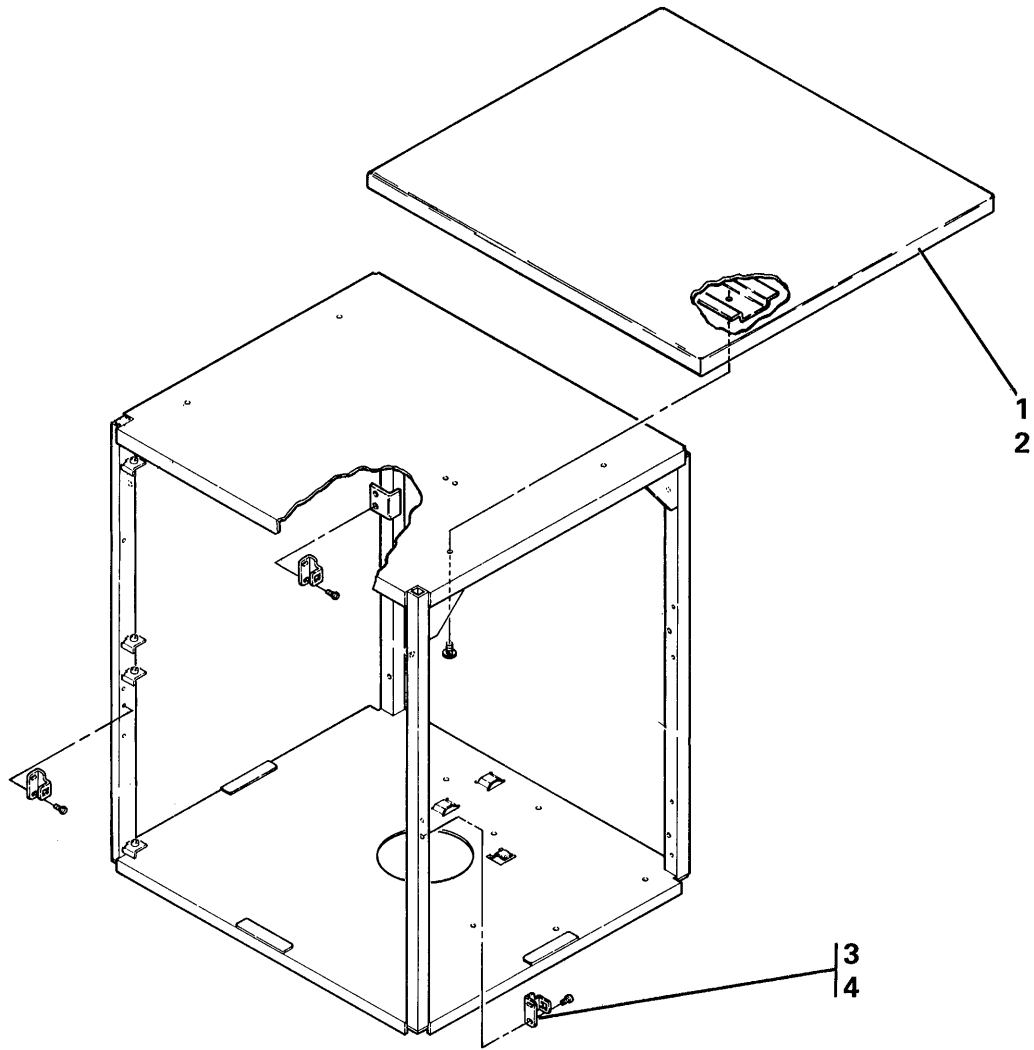
INDEX NUMBER	PART NUMBER	UNITS /ASM	DESCRIPTION FOR FIGURE 13			
			1	2	3	4
13						
- 1	4240523	1				51TD MOUNTING
- 1	4240521	1				• 60 Hz 51TD
- 2	4177829	1				• 50 Hz 51TD
- 3	1621182	1				• Knob
- 4	1622402	1				• Screw, Mach-Slot Pan Hd M3.5 x .6 x 8 Lg
- 5	4233776	1				• Nut, Hex-Double Chamfer M3.5 x 6 Fl W x 2.8 Thk
- 6	1621811	12				• Bracket Assembly
- 7	4233773	1				• Screw, Thd-Form Hex-Wshr Hd M4 x .7 x 10 Lg
- 8	356742	1				• Plate Assembly
- 9	4233774	1				• Clamp
- 10	4233775	1				• Bracket Assembly
- 11	4233773	1				• Bracket Assembly
- 12	4233777	1				• Plate Assembly

Figure 13. 51TD MOUNTING (Part 1 of 1)



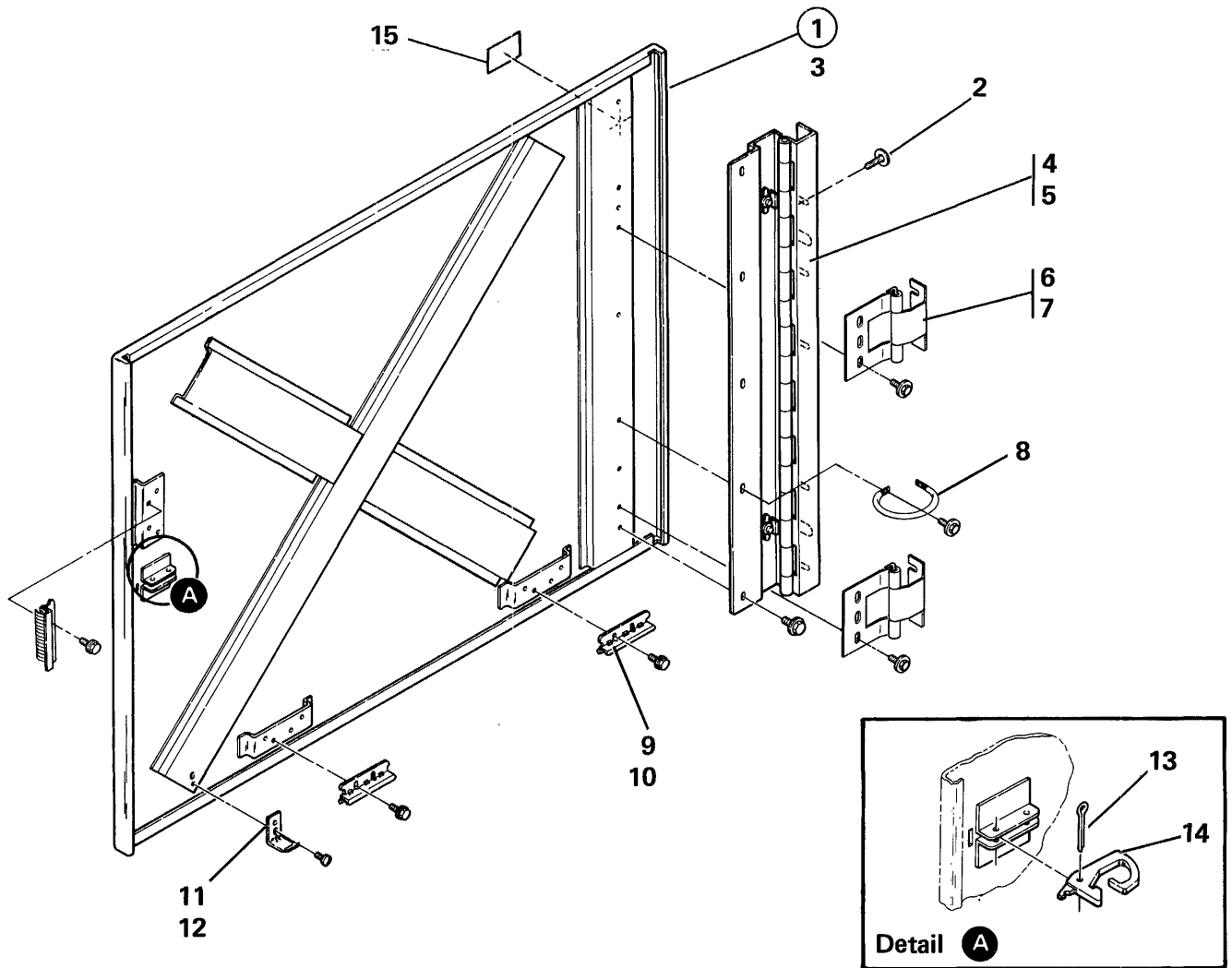
INDEX NUMBER	PART NUMBER	UNITS /ASM	DESCRIPTION FOR FIGURE 14			
			1	2	3	4
14	NO NO.					
- 1	8636556	1				MACHINE COVERS
- 2	4233722	2				• Housing-Control Panel
- 3	4233983	1				• Screw,Thd-Form Hex Wshr Hd M4 x .7 x 10-.8 Lg
- 3	4233800	1				• Label (1.3 CSP)
- 3	2597209	1				• Label (1.3 CSP w/ELCA)
- 3	2597210	1				• Label (Stage 2.1)
- 3	2597210	1				• Label (Stage 3.0)
- 4	8636557	1				• Cover, Right Top
- 5	4233722	5				• Screw,Thd-Form Hex Wshr Hd M4 x .7 x 10-.8 Lg
- 6	4233709	1				• Cover, Right End
- 7	1621819	4				• Screw,Thd-Form Hex Wshr Hd M5 x .8 x 30-1.3 Lg

Figure 14. MACHINE COVERS (Part 1 of 1)



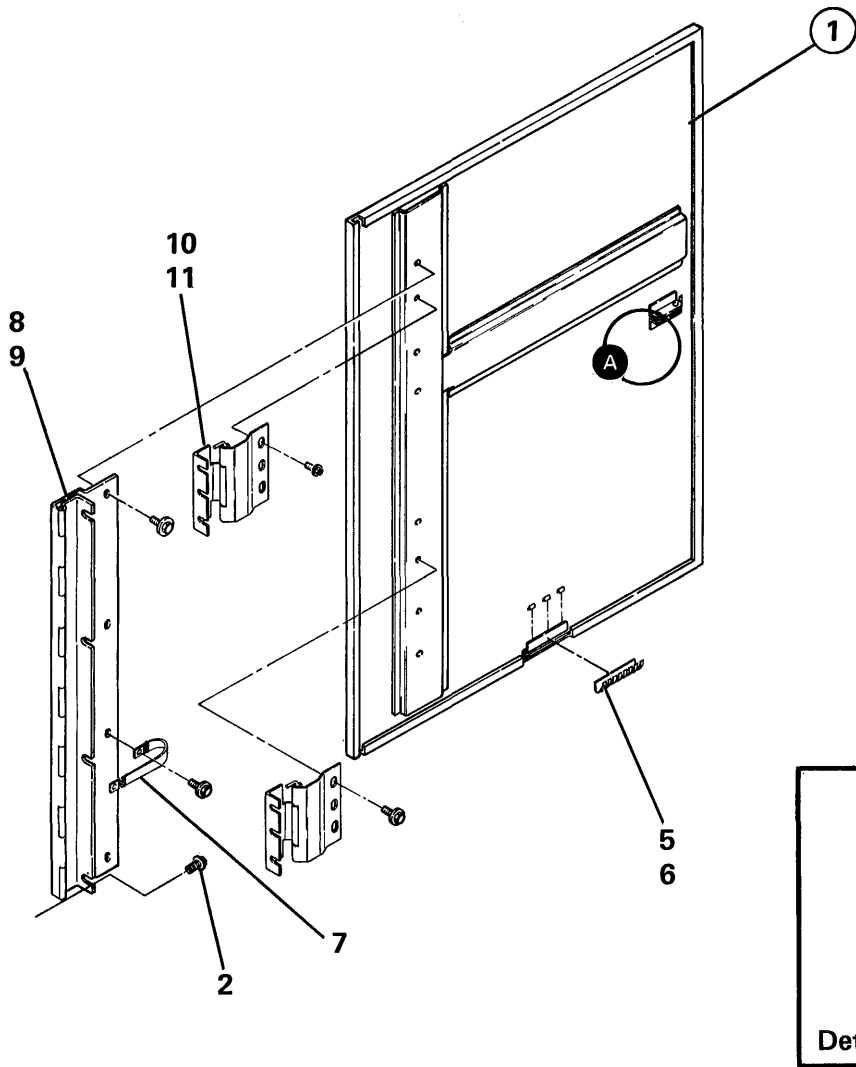
INDEX NUMBER	PART NUMBER	UNITS /ASM	DESCRIPTION FOR FIGURE 15			
			1	2	3	4
15	NO NO. 8636666	1	EXPANSION TOP COVER/CATCH			
-	1	1	• Top Cover Assembly			
-	2	4	• Screw,Thd-Form Hex Wshr Hd M4 x .7 x 10-.8 Lg			
-	3	3	• Catch			
-	4	6	• Screw			

Figure 15. EXPANSION TOP COVER/CATCH (Part 1 of 1)



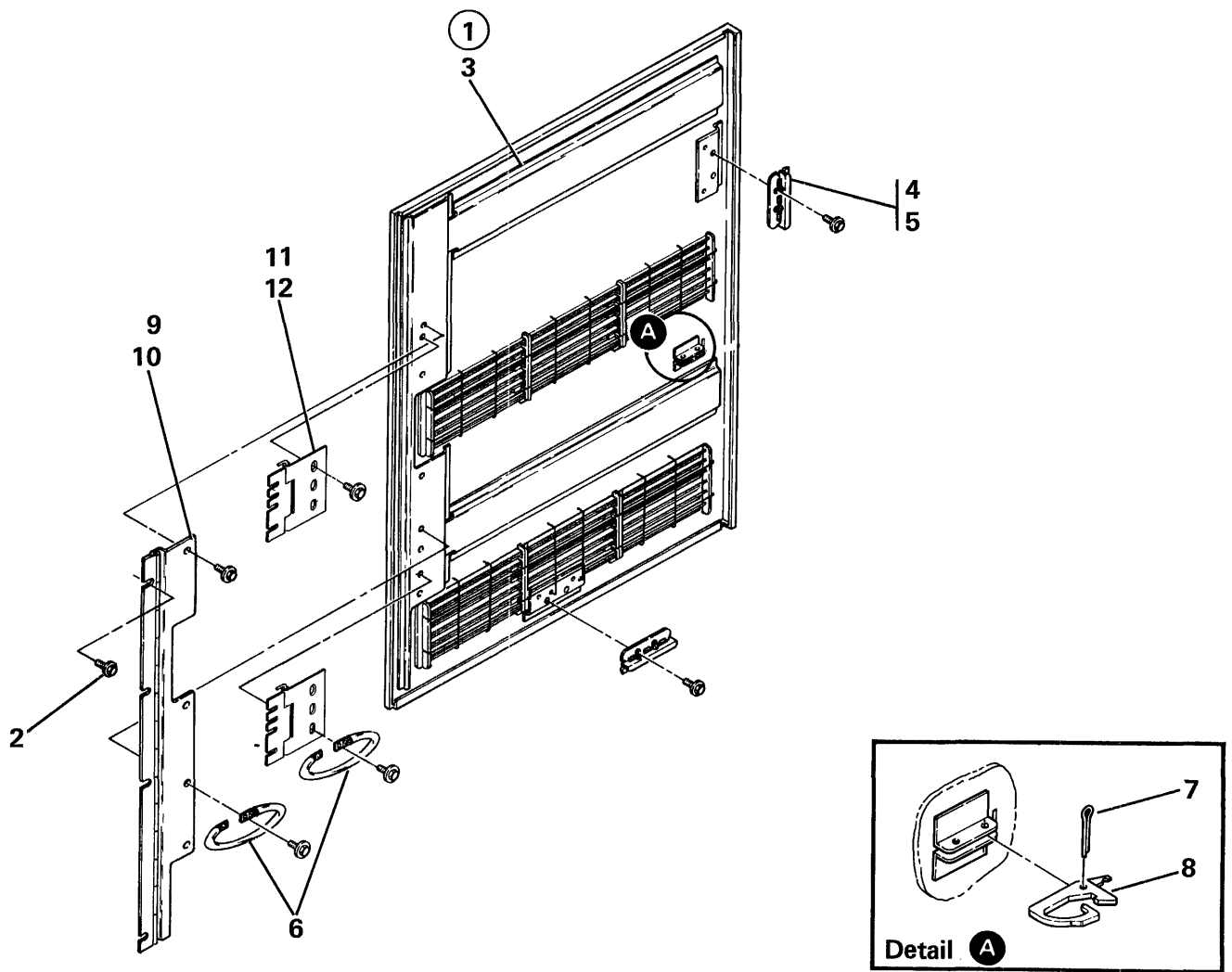
INDEX NUMBER	PART NUMBER	UNITS /ASM	1	2	3	4	DESCRIPTION FOR FIGURE 16
16	NO NO.						FRONT COVER
- 1	8636573	1					• Front Cover Assembly
- 2	8265370	5					• Screw,Thd-Form Hex Hd M5 x .8 x 12-.8 Lg
- 3	8636574	1					• • Cover
- 4	4234048	1					• • Hinge
- 5	8265370	5					• • Screw,Thd-Form Hex Hd M5 x .8 x 12-.8 Lg
- 6	2421362	2					• • Hinge (Italian built only)
- 7	8265370	4					• • Screw,Thd-Form Hex Hd M5 x .8 x 12-.8 Lg
- 8	4233855	1					• • Strap, Ground
- 9	2546721	3					• • Bracket
- 10	1621811	6					• • Screw,Thd-Form Hex-Wshr Hd M4 x .7 x 10 Lg
- 11	4177097	1					• • Support
- 12	2549782	1					• • Screw,Thd-Form Hex-Wshr Hd M5 x .8 x 10-.8 Lg
- 13	35868	1					• • Pin,Cotter 1/8 Dia x 3/4 Lg
- 14	4177074	1					• • Latch
- 15	2595010	1					• Nameplate

Figure 16. FRONT COVER (Part 1 of 1)



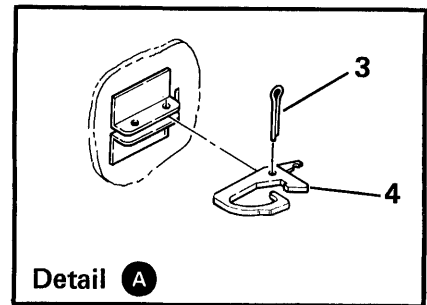
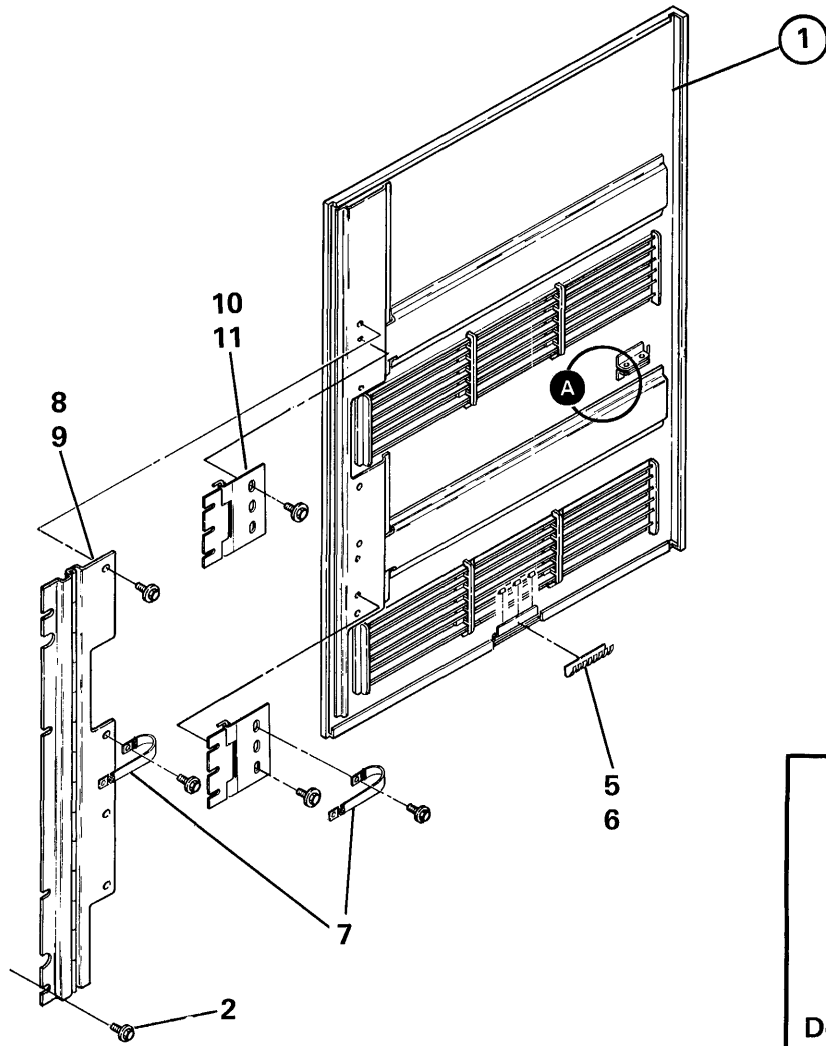
INDEX NUMBER	PART NUMBER	UNITS /ASM	DESCRIPTION FOR FIGURE 17			
			1	2	3	4
17	NO NO.		EXPANSION FRONT COVER			
- 1	4233959	1	• Front Cover Assembly			
- 2	8265370	4	• Screw,Thd-Form Hex Hd M5 x .8 x 12-.8 Lg			
- 3	35868	1	• • Pin,Cotter 1/8 Dia x 3/4 Lg			
- 4	4177074	1	• • Latch			
- 5	2596225	1	• • Fingerstock			
- 6	2590081	3	• • Clip			
- 7	4233855	1	• • Strap, Ground			
- 8	4233955	1	• • Hinge			
- 9	8265370	4	• • Screw,Thd-Form Hex Hd M5 x .8 x 12-.8 Lg			
- 10	2422546	2	• • Hinge (Italian built only)			
- 11	8265370	4	• • Screw,Thd-Form Hex Hd M5 x .8 x 12-.8 Lg			

Figure 17. EXPANSION FRONT COVER (Part 1 of 1)



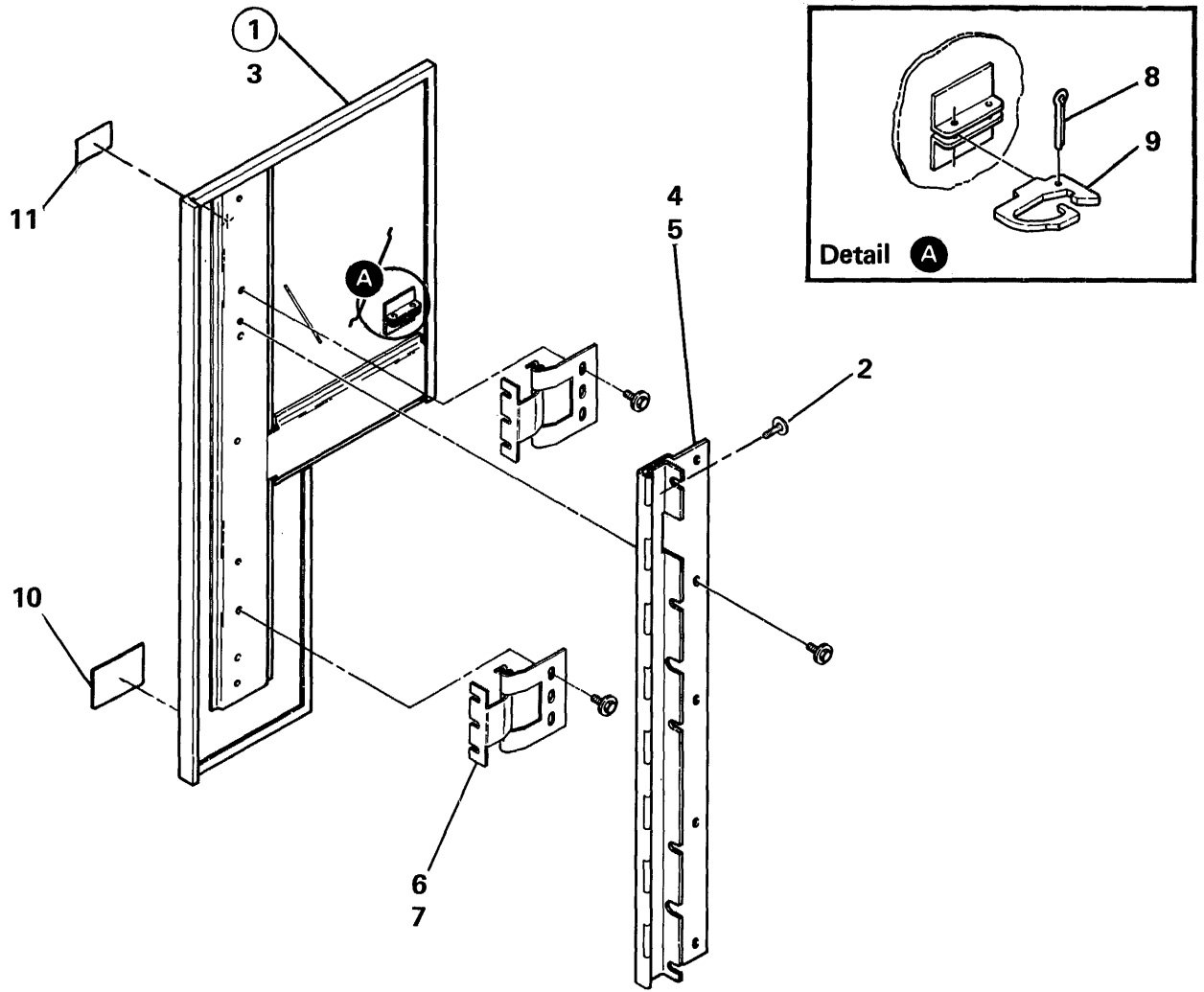
INDEX NUMBER	PART NUMBER	UNITS /ASM	DESCRIPTION FOR FIGURE 18				
			1	2	3	4	
18	NO NO.						RIGHT REAR COVER
-	1	1					• Right Rear Cover Assembly
-	2	4					• Screw,Thd-Form Hex Hd M5 x .8 x 12-.8 Lg
-	3	1					• • Cover
-	4	2					• • Bracket
-	5	4					• • Screw,Thd-Form Hex-Wshr Hd M4 x .7 x 10 Lg
-	6	1					• • Strap, Ground
-	7	1					• • Pin,Cotter 1/8 Dia x 3/4 Lg
-	8	1					• • Latch
-	9	1					• • Hinge
-	10	4					• • Screw,Thd-Form Hex Hd M5 x .8 x 12-.8 Lg
-	11	2					• • Hinge (Italian built only)
-	12	4					• • Screw,Thd-Form Hex Hd M5 x .8 x 12-.8 Lg

Figure 18. RIGHT REAR COVER (Part 1 of 1)



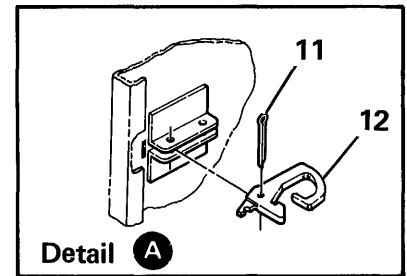
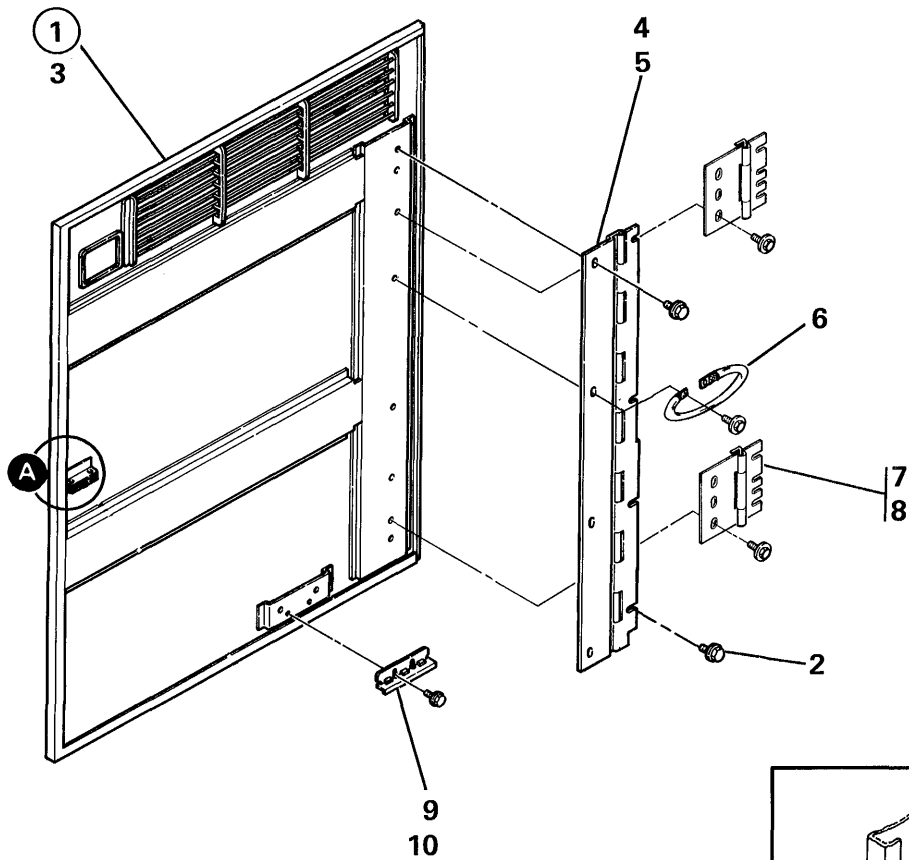
INDEX NUMBER	PART NUMBER	UNITS /ASM	DESCRIPTION FOR FIGURE 19			
			1	2	3	4
19	NO NO.					
- 1	8636668	1				EXPANSION REAR COVER
- 2	8265370	4				• Rear Cover Assembly
- 3	35868	1				• Screw,Thd-Form Hex Hd M5 x .8 x 12-.8 Lg
- 4	4177074	1				• • Pin,Cotter 1/8 Dia x 3/4 Lg
- 5	2596225	1				• • Latch
- 6	2590081	3				• • Fingerstock
- 7	4233855	1				• • Clip
- 8	4233954	1				• • Strap, Ground
- 9	8265370	4				• • Hinge
- 10	2422547	2				• • Screw,Thd-Form Hex Hd M5 x .8 x 12-.8 Lg
- 11	8265370	4				• • Hinge (Italian built only)
						• • Screw,Thd-Form Hex Hd M5 x .8 x 12-.8 Lg

Figure 19. EXPANSION REAR COVER (Part 1 of 1)



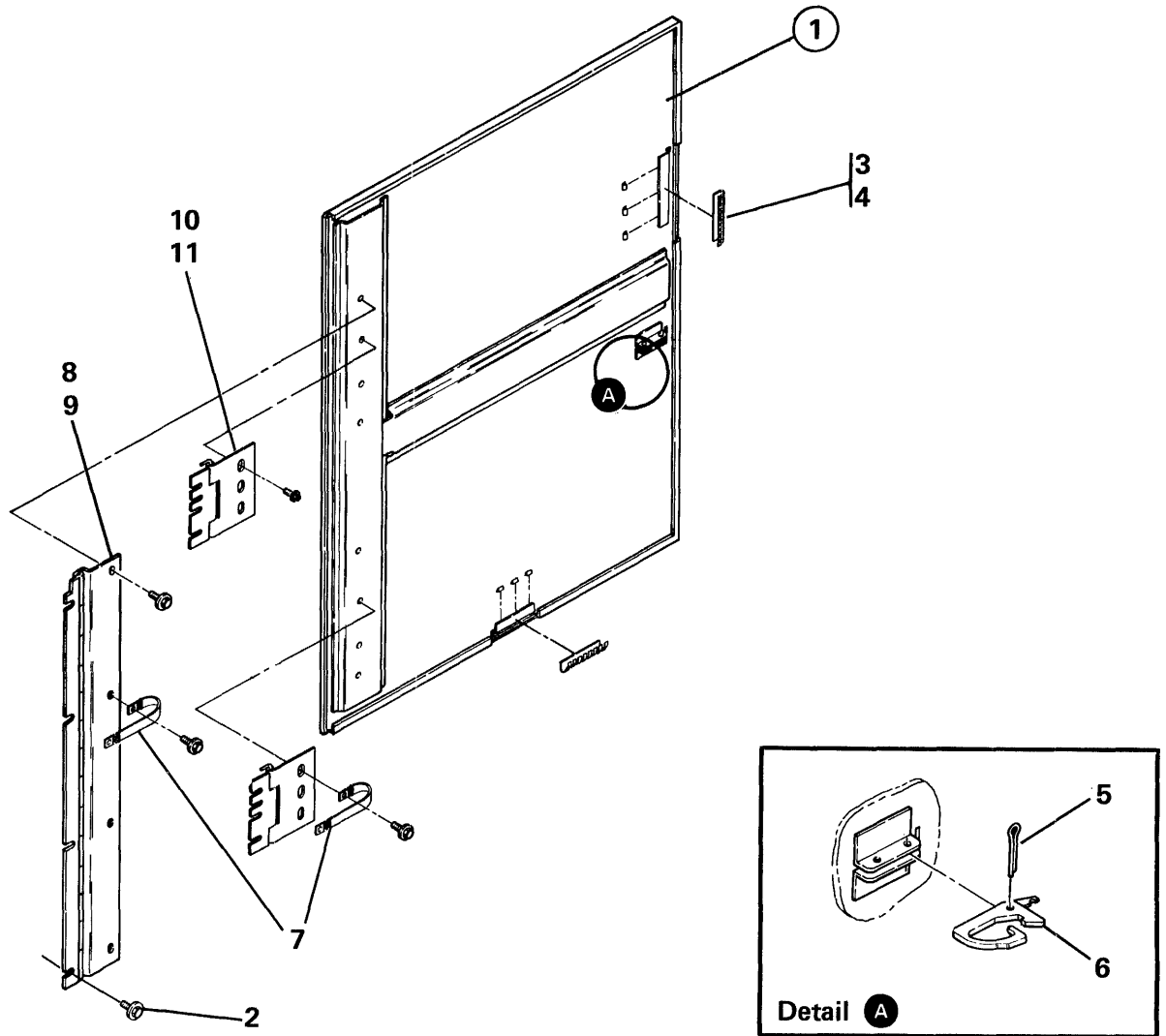
INDEX NUMBER	PART NUMBER	UNITS /ASM	DESCRIPTION FOR FIGURE 20			
			1	2	3	4
20	NO NO.		LEFT REAR COVER			
-	1	1	• Left Rear Cover Assembly			
-	2	5	• Screw,Thd-Form Hex Hd M5 x .8 x 12-.8 Lg			
-	3	1	• • Cover			
-	4	1	• • Hinge			
-	5	5	• • Screw,Thd-Form Hex Hd M5 x .8 x 12-.8 Lg			
-	6	2	• • Hinge (Italian built only)			
-	7	4	• • Screw,Thd-Form Hex Hd M5 x .8 x 12-.8 Lg			
-	8	1	• • Pin,Cotter 1/8 Dia x 3/4 Lg			
-	9	1	• • Latch			
-	10	1	• Mexican Label			
-	11	1	• Nameplate			

Figure 20. LEFT REAR COVER (Part 1 of 1)



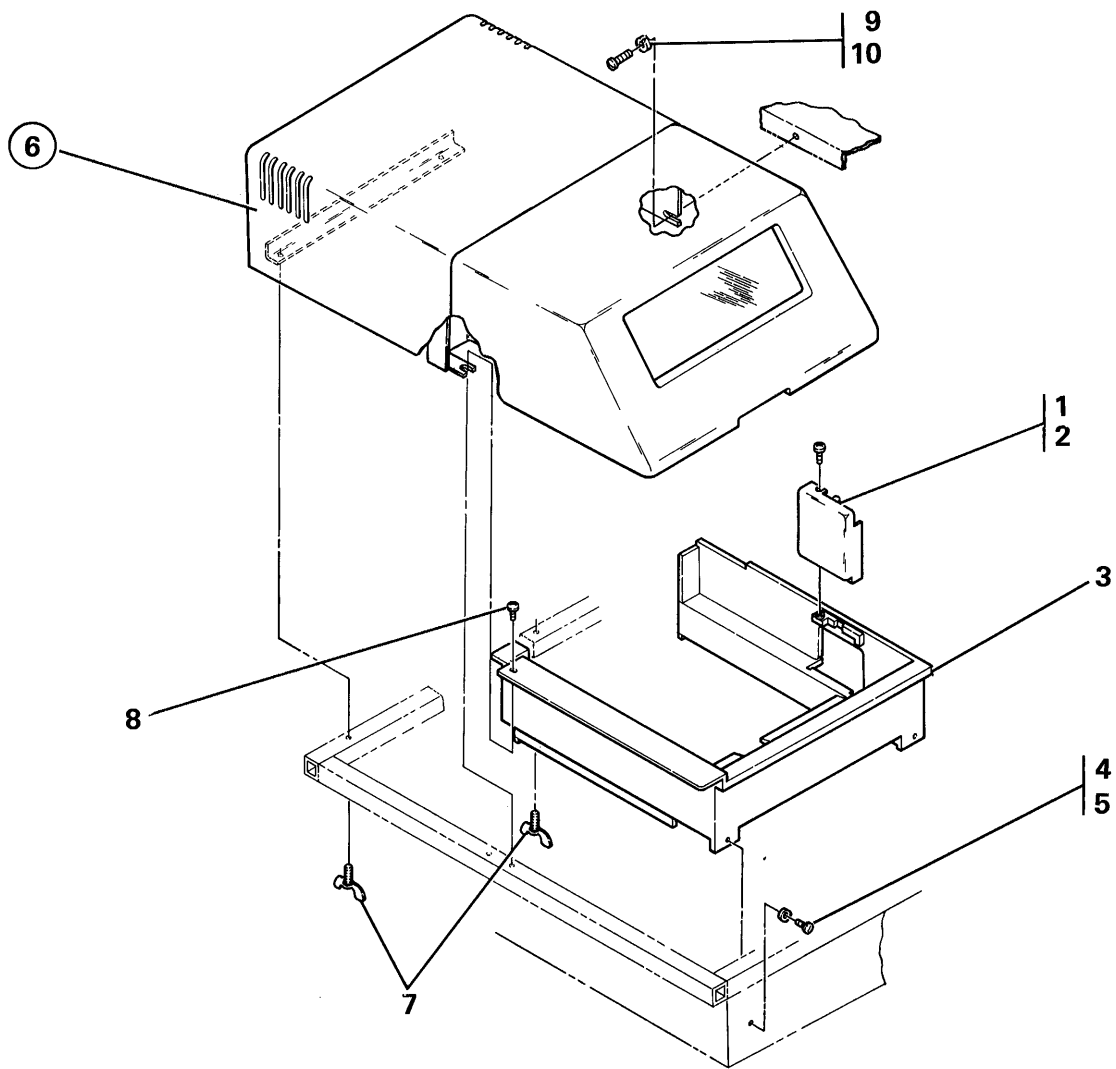
INDEX NUMBER	PART NUMBER	UNITS /ASM	DESCRIPTION FOR FIGURE 21			
			1	2	3	4
21	NO NO.		LEFT END COVER			
- 1	8636567	1	• Left End Cover Assembly			
- 2	8265370	4	• Screw,Thd-Form Hex Hd M5 x .8 x 12-.8 Lg			
- 3	4233710	1	• • Cover			
- 4	8636678	1	• • Hinge			
- 5	8265370	4	• • Screw,Thd-Form Hex Hd M5 x .8 x 12-.8 Lg			
- 6	4233855	1	• • Strap, Ground			
- 7	2421361	2	• • Hinge (Italian built only)			
- 8	8265370	4	• • Screw,Thd-Form Hex Hd M5 x .8 x 12-.8 Lg			
- 9	2546721	1	• • Bracket			
- 10	1621811	2	• • Screw,Thd-Form Hex-Wshr Hd M4 x .7 x 10 Lg			
- 11	35868	1	• • Pin,Cotter 1/8 Dia x 3/4 Lg			
- 12	4177074	1	• • Latch			

Figure 21. LEFT END COVER (Part 1 of 1)



INDEX NUMBER	PART NUMBER	UNITS /ASM	DESCRIPTION FOR FIGURE 22			
			1	2	3	4
22	NO NO.					
- 1	4233956	1				EXPANSION RIGHT END COVER
- 2	8265370	4				• Right End Cover
- 3	2596225	2				• Screw,Thd-Form Hex Hd M5 x .8 x 12-.8 Lg
- 4	2590081	6				• • Fingerstock
- 5	35868	1				• • Clip
- 6	4177074	1				• • Pin, Cotter
- 7	4233855	1				• • Latch
- 8	8636678	1				• • Ground Strap
- 9	8265370	4				• • Hinge
- 10	2422546	2				• • Screw,Thd-Form Hex Hd M5 x .8 x 12-.8 Lg
- 11	8265370	4				• • Hinge (Italian built only)
						• • Screw,Thd-Form Hex Hd M5 x .8 x 12-.8 Lg

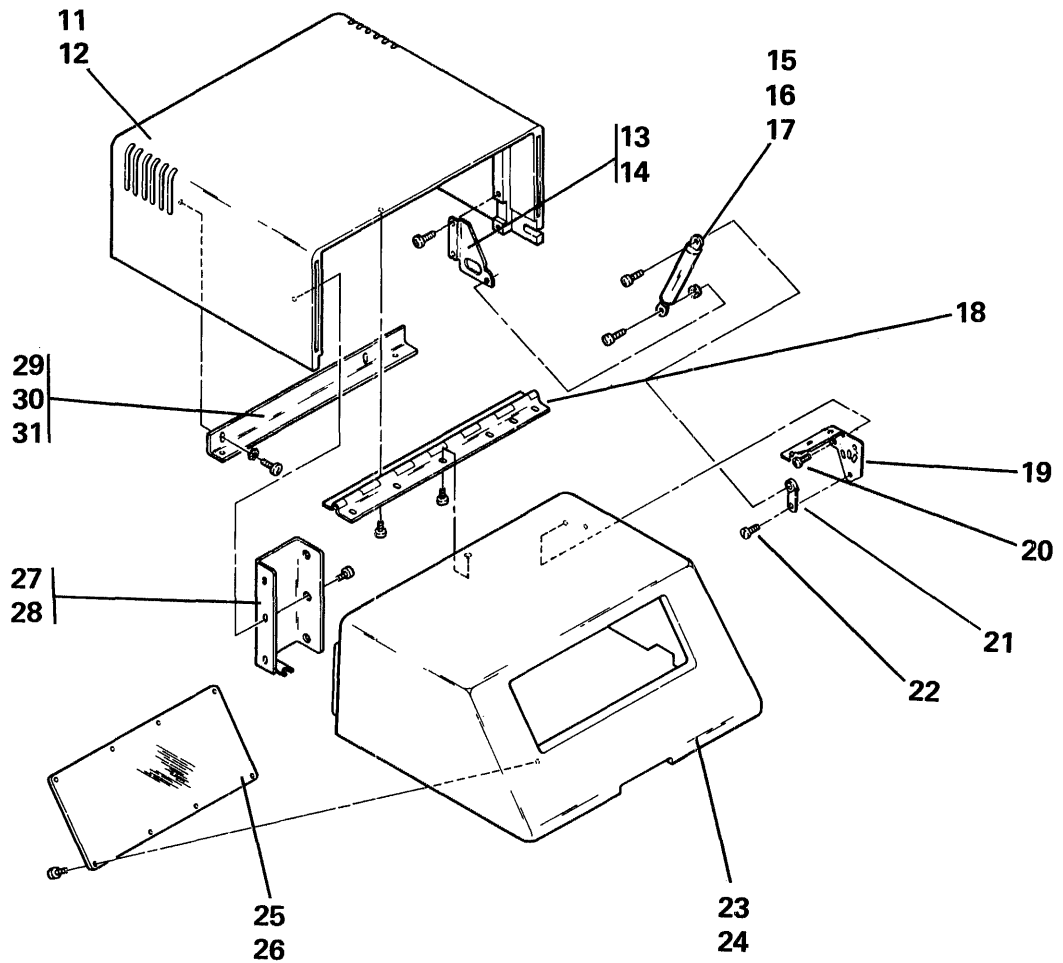
Figure 22. EXPANSION RIGHTN END COVER (Part 1 of 1)



INDEX NUMBER	PART NUMBER	UNITS /ASM	DESCRIPTION FOR FIGURE 23			
			1	2	3	4
23	NO NO.		72MD TOP COVER			
- 1	4233946	1	• Interlock Switch Asm			
- 2	811426	1	• Screw,Thd-Form 6-32 x 3/8 Lg			
- 3	4233900	1	• Filler (8636613 Ref)			
- 4	2549526	2	• Screw,Thd-Form Hex Hd M3.63 x 1.34 x 12 Lg			
- 5	510810	2	• Washer,Flat 3/16 ID x 7/16 OD x 1/16 Thk			
- 6	4233733	1	• 72MD Top Cover Assembly			
- 7	2549722	2	• Screw,Wing Hd M4 x 35 Lg			
- 8	1621813	1	• Screw,Thd-Form Hex-Wshr Hd M4 x .7 x 16 Lg			
- 9	1621813	1	• Screw,Thd-Form Hex-Wshr Hd M4 x .7 x 16 Lg			
- 10	110029	1	• Washer,Flat No. 8 x 5/8 OD x 1/16 Thk			

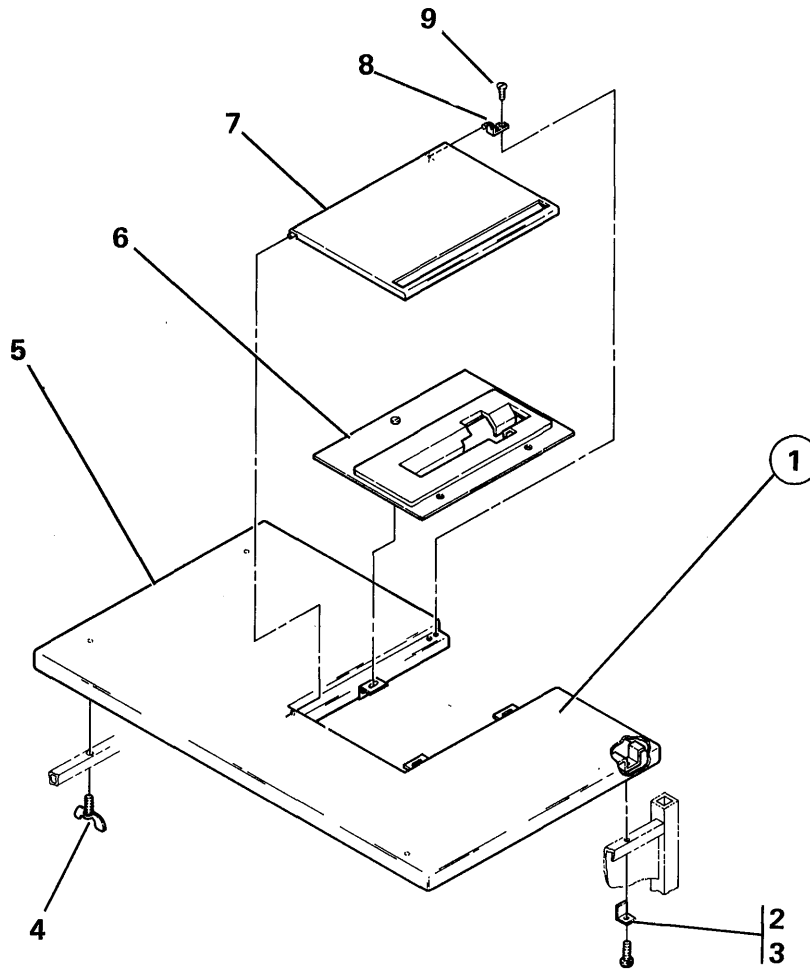
Figure 23. 72MD TOP COVER (Part 1 of 2)

For Parts
Not Shown
See Fig. 23
Part 1 of 2



INDEX NUMBER	PART NUMBER	UNITS /ASM	DESCRIPTION FOR FIGURE 23				
			1	2	3	4	
23 - 11	xxxxxxx NP	1	• •	• •	• •	• •	Cover (Order Assembly 4233733)
- 12	2549526	6	• •	• •	• •	• •	Screw,Thd-Form Hex Hd M3.63 x 1.34 x 12 Lg
- 13	4233962	1	• •	• •	• •	• •	Bracket
- 14	1621812	2	• •	• •	• •	• •	Screw,Thd-Form Hex-Wshr Hd M4 x .7 x 8 Lg
- 15	8636794	1	• •	• •	• •	• •	Spring
- 16	4233724	2	• •	• •	• •	• •	Screw,Hex-Wshr Hd M4 x .7 x 12-.8 Lg
- 17	600395	1	• •	• •	• •	• •	Washer,Flat 13/64 ID x 3/4 OD x 3/32 Thk
- 18	8636793	1	• •	• •	• •	• •	Hinge
- 19	2597868	1	• •	• •	• •	• •	Plate
- 20	2549526	2	• •	• •	• •	• •	Screw,Thd-Form Hex Hd M3.63 x 1.34 x 12 Lg
- 21	2597869	1	• •	• •	• •	• •	Arm
- 22	1621309	1	• •	• •	• •	• •	Screw
- 23	xxxxxxx NP	1	• •	• •	• •	• •	Cover (Order Assembly 4233733)
- 24	2549526	6	• •	• •	• •	• •	Screw,Thd-Form Hex Hd M3.63 x 1.34 x 12 Lg
- 25	8636614	1	• •	• •	• •	• •	Window
- 26	2549526	8	• •	• •	• •	• •	Screw,Thd-Form Hex Hd M3.63 x 1.34 x 12 Lg
- 27	8636558	1	• •	• •	• •	• •	Bracket
- 28	2549526	3	• •	• •	• •	• •	Screw,Thd-Form Hex Wshr Hd M3.5 x .6 x 8 Lg
- 29	8636605	1	• •	• •	• •	• •	Bracket
- 30	2549526	2	• •	• •	• •	• •	Screw,Thd-Form Hex Hd M3.63 x 1.34 x 12 Lg
- 31	1622346	2	• •	• •	• •	• •	Washer.Lock-Ext Star 4.3 ID x 8 OD x .5 Thk

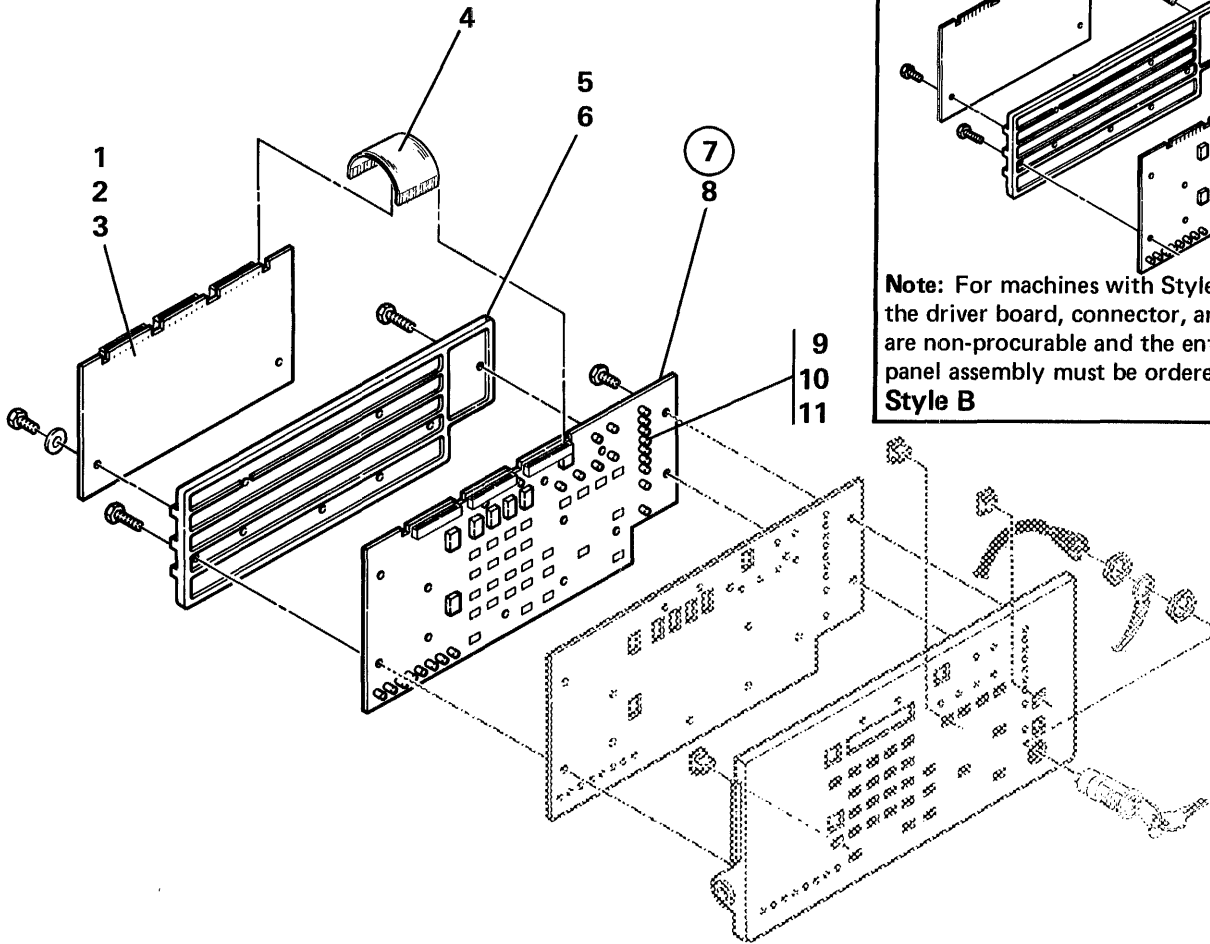
Figure 23. 72MD TOP COVER (Part 2 of 2)



INDEX NUMBER	PART NUMBER	UNITS /ASM	DESCRIPTION FOR FIGURE 24			
			1	2	3	4
24	NO NO.		51TD TOP COVER			
- 1	4233778	1	• 51TD Top Cover Assembly			
- 2	4233706	1	• Bracket			
- 3	1621195	1	• Screw, Mach-Slot Pan Hd M4 x .7 x 25 Lg			
- 4	2549722	3	• Screw, Wing Hd M4 x 35 Lg			
- 5	8636618	1	• • Cover Assembly			
- 6	8636744	1	• • Bezel Assembly			
- 7	8636743	1	• • Door			
- 8	4177158	1	• • Bracket			
- 9	1621295	2	• • Screw, Slot-Flat Hd M3.5 x .6 x 6 Lg			

Figure 24. 51TD TOP COVER (Part 1 of 1)

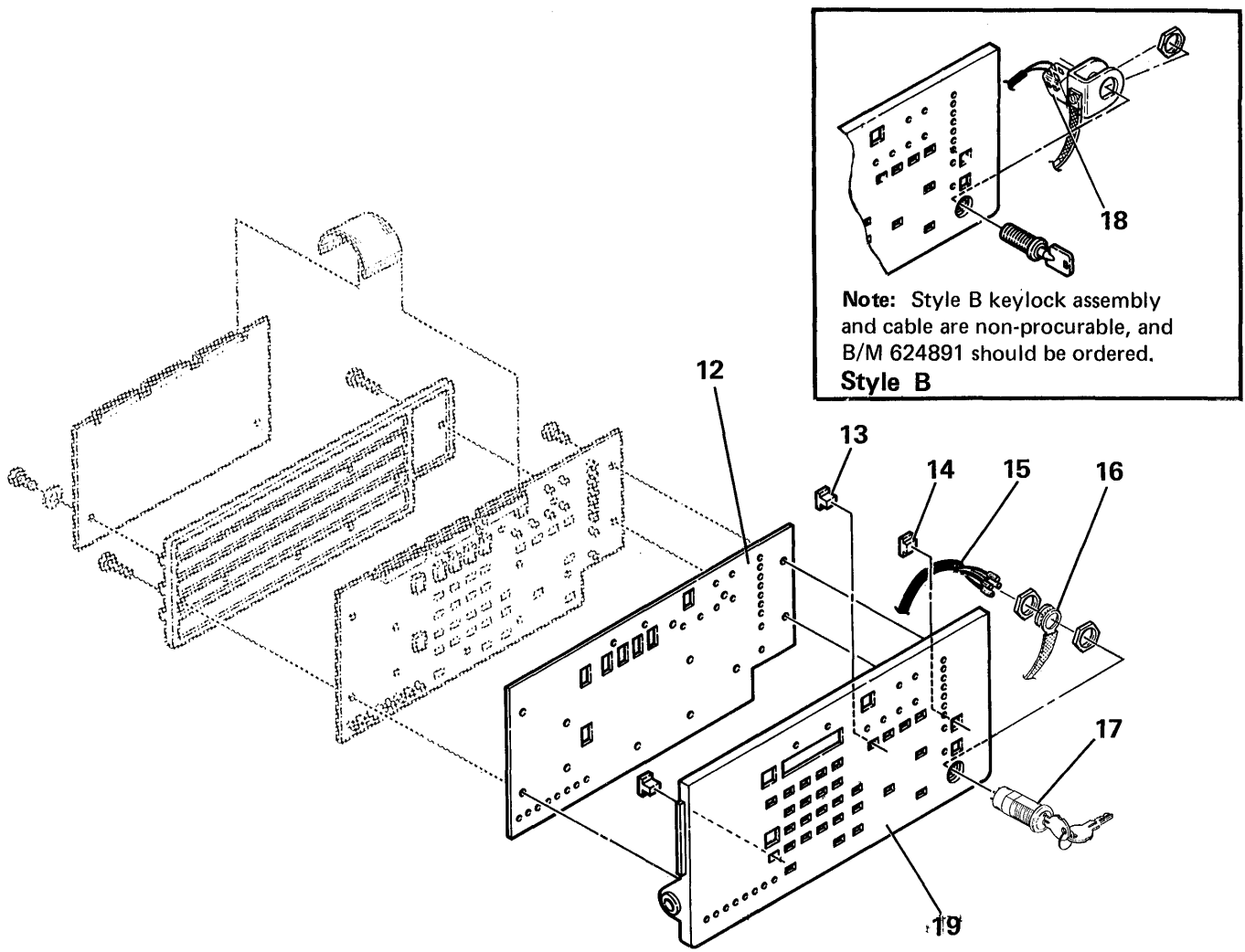
**For Parts
Not Shown
See Fig. 4**



Note: For machines with Style B control panel, the driver board, connector, and display board are non-procurable and the entire control panel assembly must be ordered.
Style B

INDEX NUMBER	PART NUMBER	UNITS /ASM	DESCRIPTION FOR FIGURE 25			
			1	2	3	4
25	8636694 8636695		CONTROL PANEL ASSEMBLY Control Panel, English Control Panel, French-Canada French			
	8636696 8636697 8636698		Control Panel, German Control Panel, Italian Control Panel, Spanish			
	8636699		Control Panel, Japanese			
- 1	2595944	1	• Driver Board - Style A (For Style B See Note Above)			
- 2	2543915	2	• Screw,Thd-Form Hex Wshr Hd 3.6 x 1.3 x 6 Lg			
- 3	1692680	2	• Washer			
- 4	2595253	3	• Connector - Style A (For Style B See Note Above)			
- 5	8636553	1	• Frame			
- 6	2549529	8	• Screw,Thd-Form Hex Hd 3.12 x 1.27 x 14 Lg			
- 7	2595942	1	• Display Board - Style A (For Style B See Note Above)			
- 8	2543915	4	• Screw,Thd-Form Hex Wshr Hd 3.6 x 1.3 x 6 Lg			
- 9	1590007 NR	AR	• • LED, Green			
- 10	1590008 NR	AR	• • LED, Yellow			
- 11	2397045 NR	AR	• • LED, Red			

Figure 25. CONTROL PANEL ASSEMBLY (Part 1 of 2)

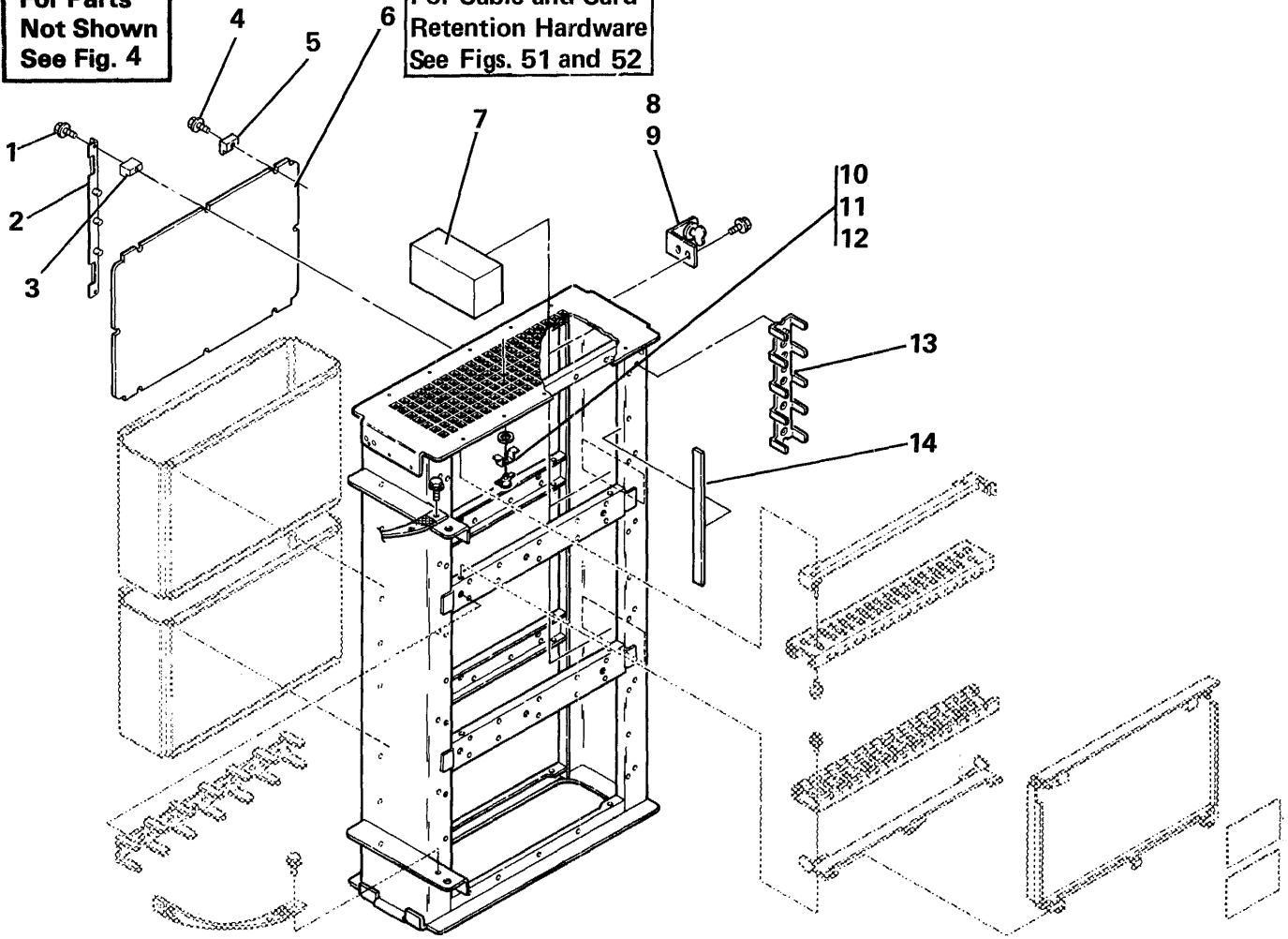


INDEX NUMBER	PART NUMBER	UNITS /ASM	DESCRIPTION FOR FIGURE 25				
			1	2	3	4	
25 -	12	1					• Shield
-	13	30					• Keybutton
-	14	2					• Keybutton
-	15	1					• Cable - Style A (For Style B See Note Above)
-	16	1					• Gnd Jumper
-	17	1					• Keylock, W/Key - Style A
-	17						(For Style B See Note Above)
-	18	2					• • Microswitch (Style B only)
-	19	1					• Dress Plate - English
-	19	1					• Dress Plate - French-Canada French
-	19	1					• Dress Plate - German
-	19	1					• Dress Plate - Italian
-	19	1					• Dress Plate - Spanish
-	19	1					• Dress Plate - Japanese

Figure 25. CONTROL PANEL ASSEMBLY (Part 2 of 2)

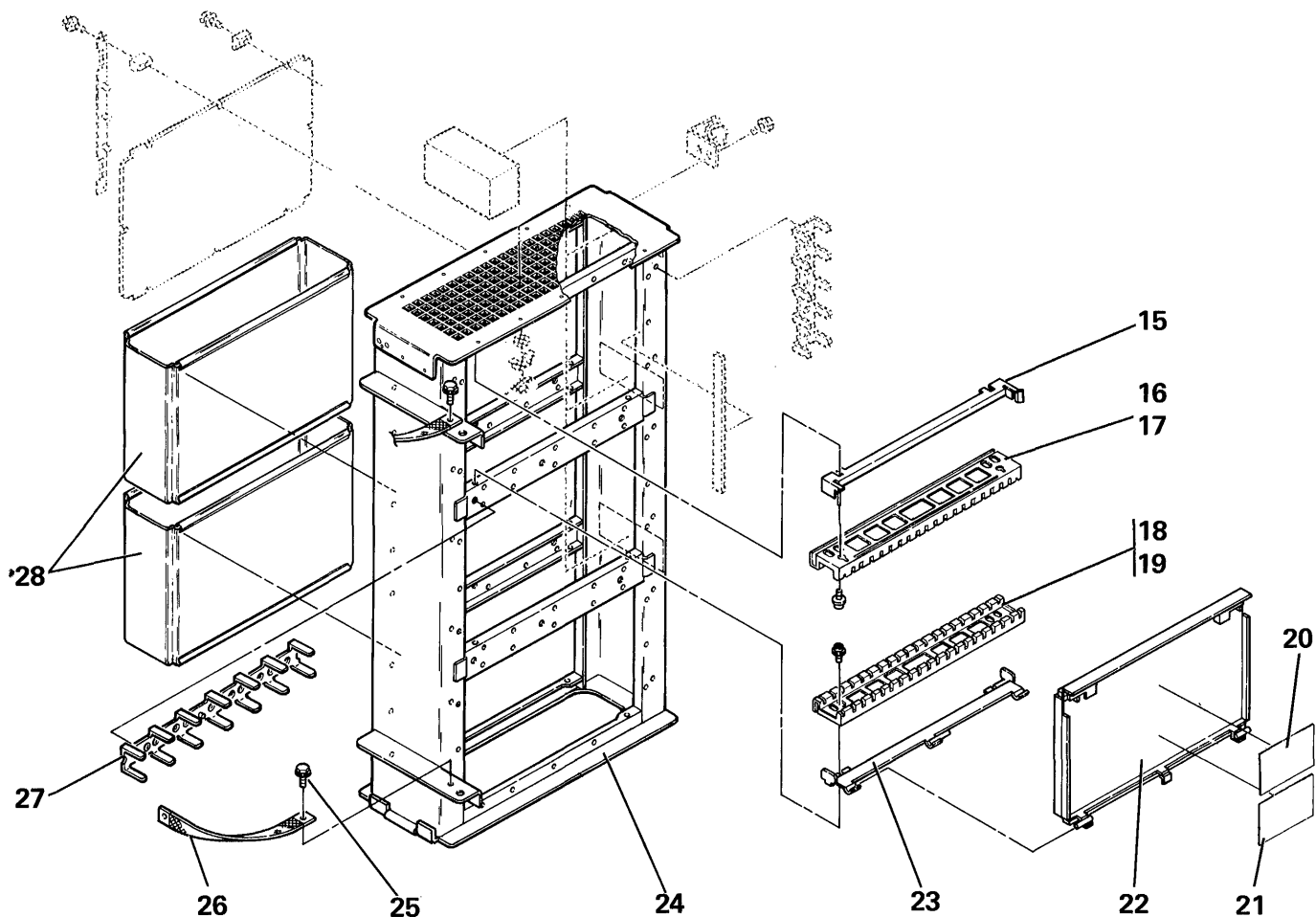
For Parts
Not Shown
See Fig. 4

For Cable and Card
Retention Hardware
See Figs. 51 and 52



INDEX NUMBER	PART NUMBER	UNITS /ASM	DESCRIPTION FOR FIGURE 26			
			1	2	3	4
26	4177081		BASE GATE ASSEMBLY			
- 1	1621809	2	• Screw,			
- 2	4177083	1	• Bar Asm			
- 3	5560533	2	• Clamp			
- 4	4236584	14	• Screw,Thd-Form Hex-Wshr Hd M3.5 x .6 x 17 Lg			
- 5	4236583	14	• Clamp			
- 6	xxxxxxx	1	• Logic Board			
- 7	4236694	6	• Foam			
- 8	8636795	1	• Striker			
- 9	2549782	2	• Screw,Thd-Form Hex-Wshr Hd M5 x .8 x 10-.8 Lg			
- 10	2597587	1	• Gate Thermal Switch			
- 11	4234041	1	• Bracket			
- 12	2588053	1	• Clip,Speed 7/32 ID x 1/2 OD			
- 13	4233703	6	• Cable Trough			
- 14	813482	2	• Seal			

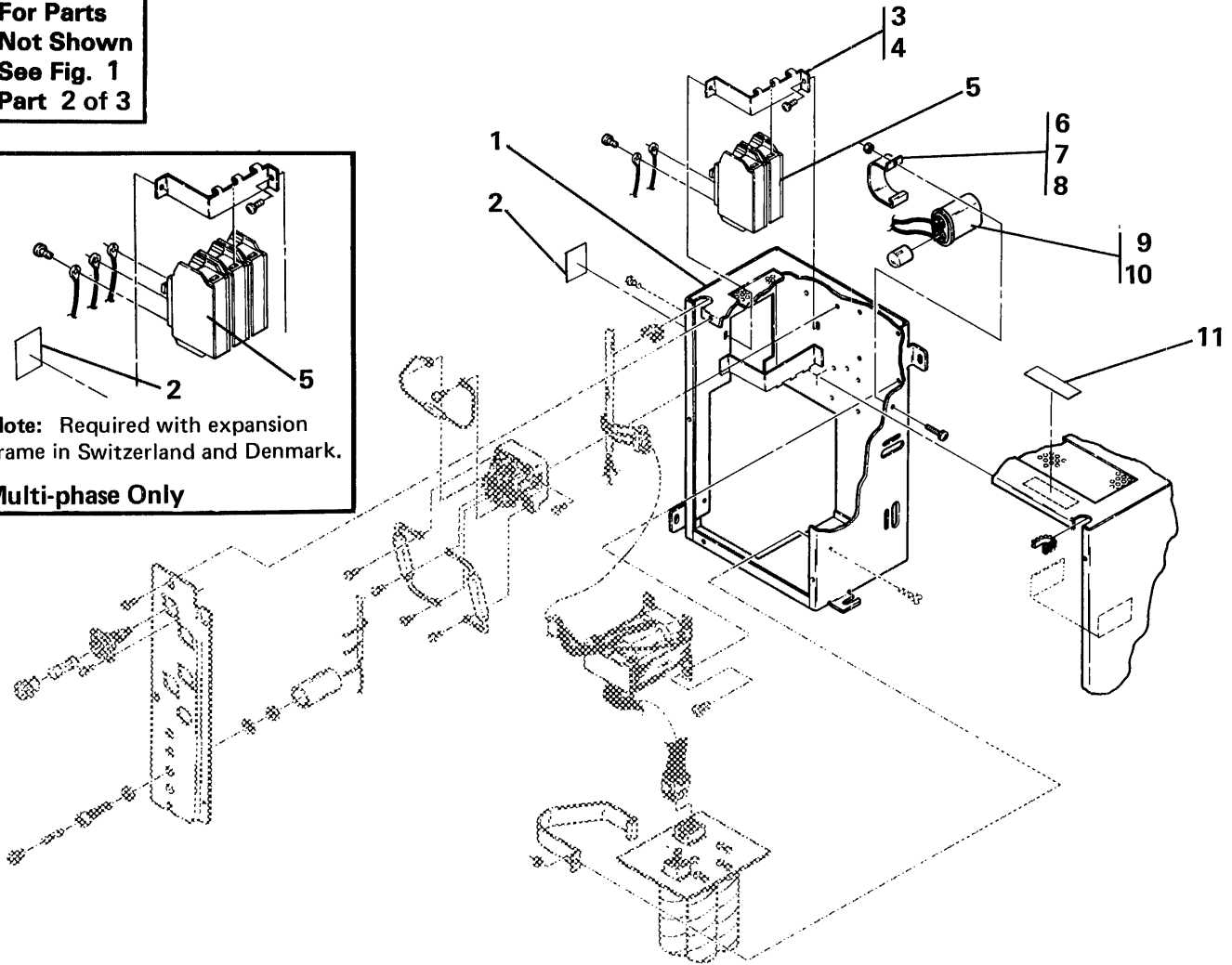
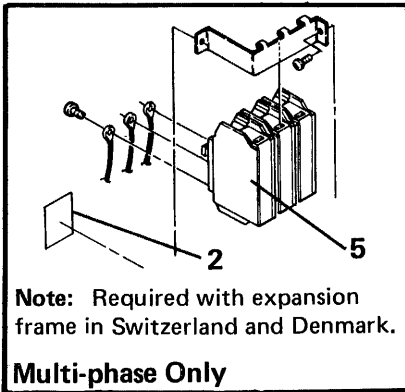
Figure 26. BASE GATE ASSEMBLY (Part 1 of 2)



INDEX NUMBER	PART NUMBER	UNITS /ASM	DESCRIPTION FOR FIGURE 26			
			1	2	3	4
26 -	15	2597814	1	•	Bracket	
-	16	4233866	1	•	Guide	
-	17	4177163	2	•	Screw,Thd-Form Sock Wshr Hd M3.5 x .6 x 8-.8 Lg	
-	18	4233866	1	•	Guide	
-	19	4177163	2	•	Screw,Thd-Form Sock Wshr Hd M3.5 x .6 x 8-.8 Lg	
-	20	2597419	1	•	Label	
-	20	8265402	1	•	Label, Mexico	
-	21	2597847	1	•	Label	
-	22	819290	1	•	Cover	
-	23	2731304	1	•	Hinge	
-	24	8636532	1	•	Gate	
-	25	8265370	2	•	Screw,Thd-Form Hex Hd M5 x .8 x 12-.8 Lg	
-	26	2101089	2	•	Strap, Ground	
-	27	4233704	2	•	Cable Trough	
-	28	8265273	2	•	Chimney Assembly	

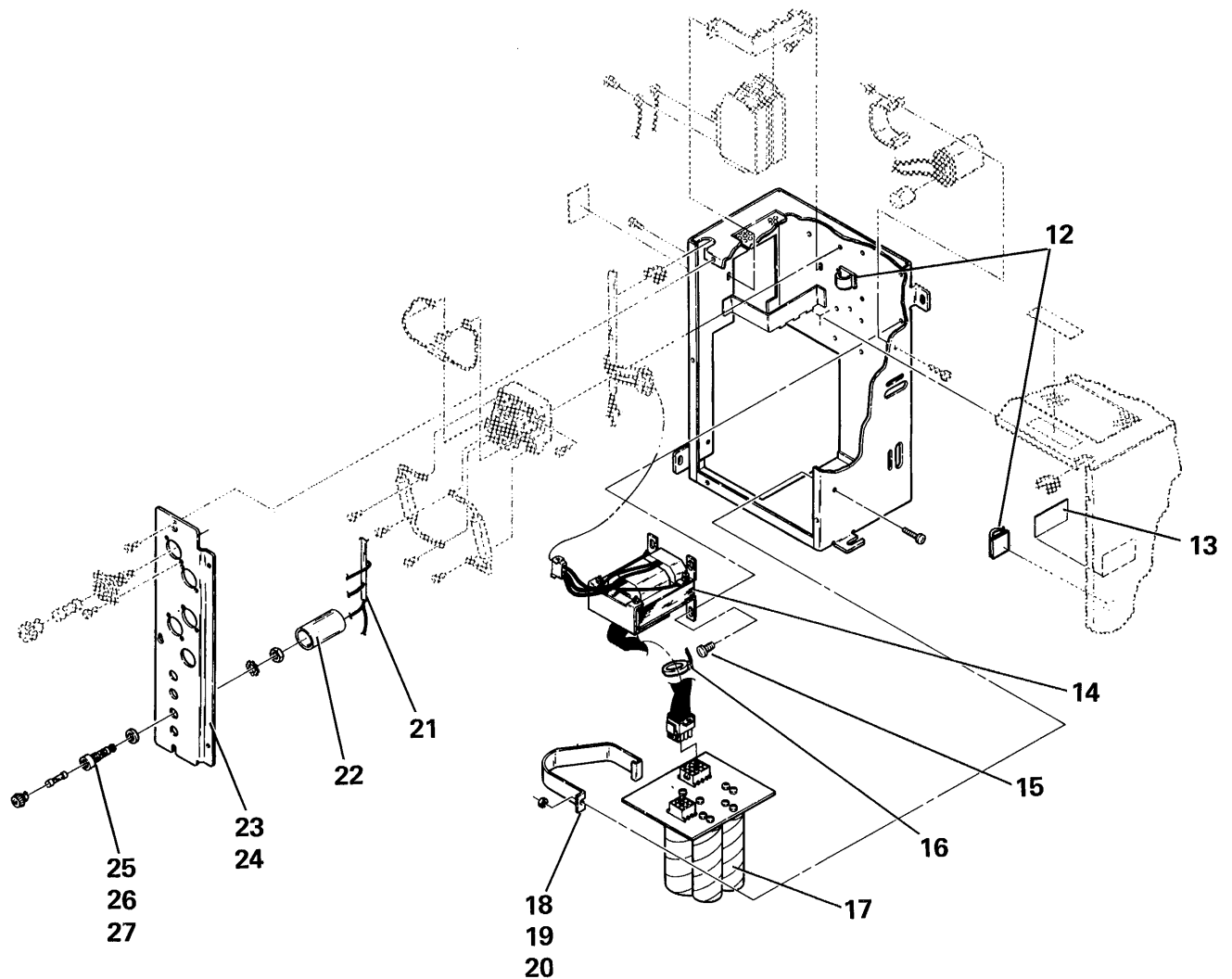
Figure 26. BASE GATE ASSEMBLY (Part 2 of 2)

**For Parts
Not Shown
See Fig. 1
Part 2 of 3**



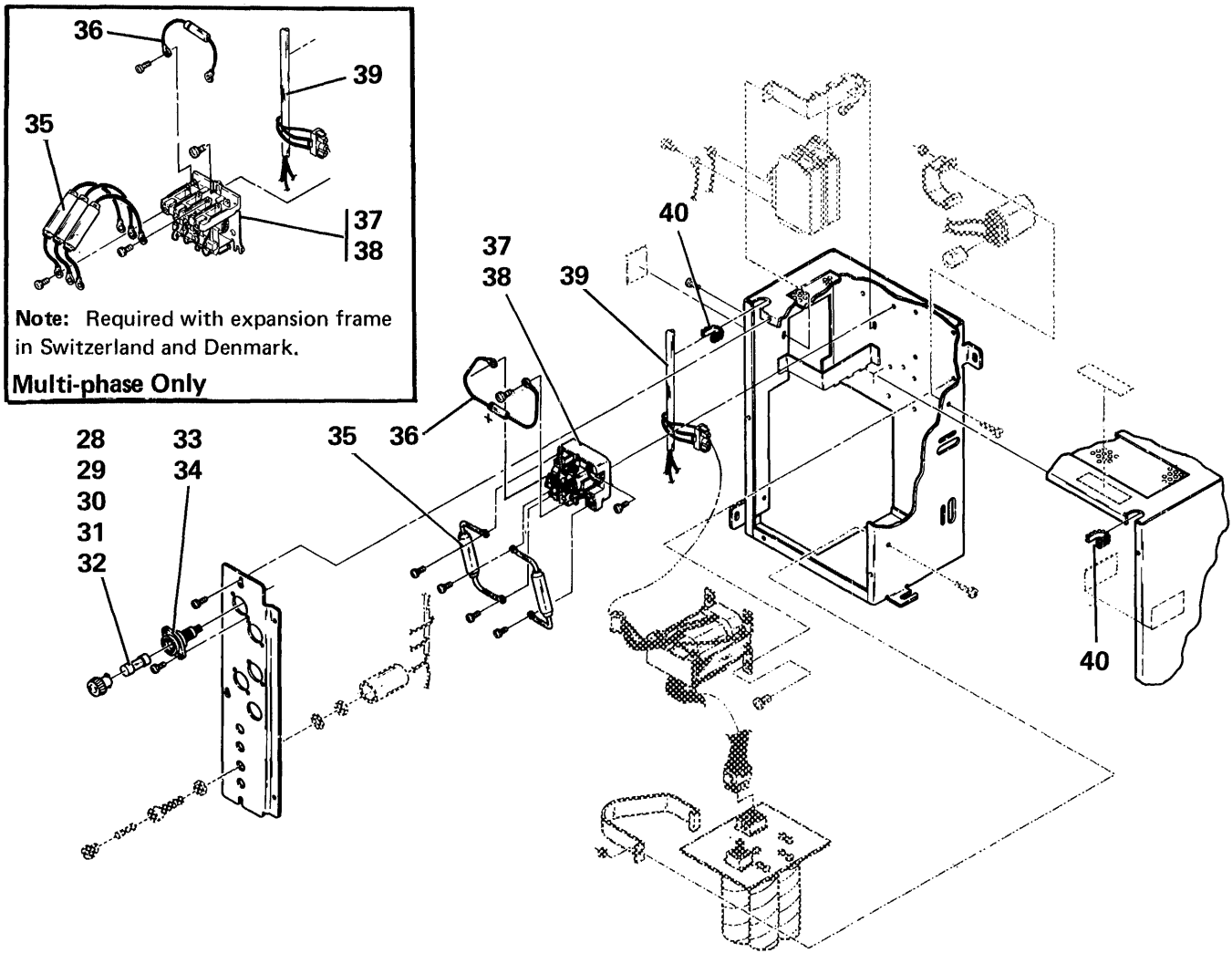
INDEX NUMBER	PART NUMBER	UNITS /ASM	DESCRIPTION FOR FIGURE 27			
			1	2	3	4
27	2777330 NP 2777335 NP		AC BOX AC Box - 60 Hz AC Box - 50 Hz			
- 1	2777338 NP 2777366 NP	1	AC Box - 50 Hz Multi-Phase (See Note Above)			
- 2	2777390	1	• Chassis			
- 2	2777461	1	• Label			
- 3	2777353	1	• Label - Multi-Phase Only (See Note Above)			
- 4	7362130	2	• Bracket			
- 5	5719455	1	• Screw,Thd-Form Hex Hd M4 x .7 x 6 Lg			
- 5	5719454	1	• Circuit Breaker (CB1)			
- 6	5565109	1	• Circuit Breaker (CB1) - Multi-Phase Only (See Note Above)			
- 7	5761943	1	• Strap			
- 8	322551	1	• Nut and Lockwasher 6-32			
- 9	5252836	1	• Screw,Mach-Bind Hd 6-32 x 3/4 Lg			
- 9	2777334	1	• Control AC Capacitor 50/60 Hz			
- 10	526378	2	• AC Capacitor 50 Hz (Mexican built only)			
- 11	5564498	1	• Insulator			
			• Label			

Figure 27. AC BOX (Part 1 of 3)



INDEX NUMBER	PART NUMBER	UNITS /ASM	DESCRIPTION FOR FIGURE 27				
			1	2	3	4	
27 -	12	2	•	Cable Clamp			
-	13	1	•	Label			
-	14	1	•	Control Transformer - 60 Hz			
-	14	1	•	Control Transformer - 50 Hz			
-	15	4	•	Screw, Mach-Slot Pan Hd M5 x .8 x 10 Lg			
-	16	1	•	Cable Tie			
-	17	1	•	Control Power Assembly			
-	18	1	•	Strap			
-	19	1	•	Nut and Lockwasher 6-32			
-	20	1	•	Screw, Mach-Bind Hd 6-32 x 3/4 Lg			
-	21	1	•	Control Cable Assembly			
-	22	4	•	Tubing			
-	23	1	•	Plate			
-	24	3	•	Screw, Thd-Form Hex Hd M4 x .7 x 6 Lg			
-	25	4	•	DC Fuse Holder - (50 Hz WT and Italian built only)			
-	25	4	•	DC Fuse Holder - 60 Hz			
-	26	3	•	Fuse (250V) 1.0A-F6,F7,F9			
-	27	1	•	Fuse (250V) 4.0A-F8			

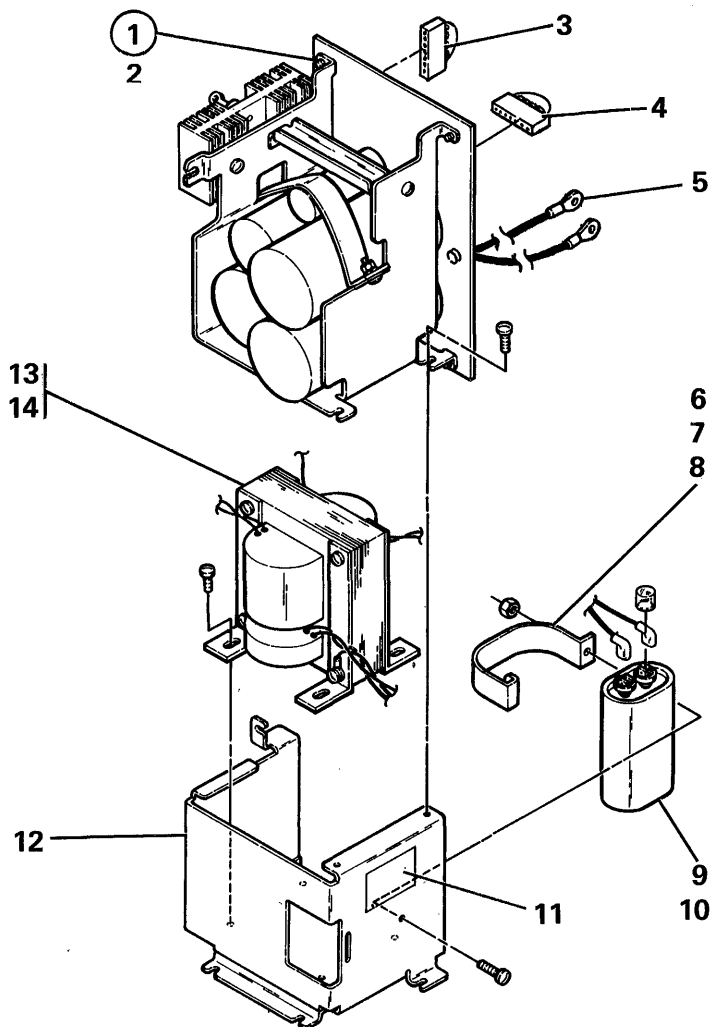
Figure 27. AC BOX (Part 2 of 3)



INDEX NUMBER	PART NUMBER	UNITS /ASM	DESCRIPTION FOR FIGURE 27				
			1	2	3	4	
27 -	28	252590	1				• Fuse (250V) 0.6A-F1
-	29	2495463	1				• Fuse (250V) 7.0A-F2
-	30	107666	1				• Fuse (250V) 5.0A-F3
-	31	2495470	1				• Fuse (250V) 3.5A-F4
-	32	107665	1				• Fuse (250V) 4.0A-F5
-	33	92752	5				• AC Fuse Holder
-	34	1621183	10				• Screw, Mach-Slot Pan Hd M3.5 x .6 x 10 Lg
-	35	2777474	2				• Arc Suppressor
-	35	2777474	3				• Arc Suppressor - Multi-Phase Only (See Note Above)
-	36	5565215	1				• Diode Assembly
-	36	2777243	1				• Diode Assembly - Multi-Phase Only (See Note Above)
-	37	2775241	1				• Relay, K1
-	37	2588425	1				• Relay K1- Multi-Phase Only (See Note Above)
-	38	1621193	2				• Screw, Mach-Slot Pan Hd M4 x .7 x 16 Lg
-	38	1621191	3				• Screw, Mach-Slot Pan Hd M4 x .7 x 10 Lg - Multi-Phase Only
-	39	8636633	1				• AC Cable Assembly
-	39	2595014	1				• Cable Asm - Multi-Phase Only (See Note Above)
-	40	2549926	2				• Grommet

Figure 27. AC BOX (Part 3 of 3)

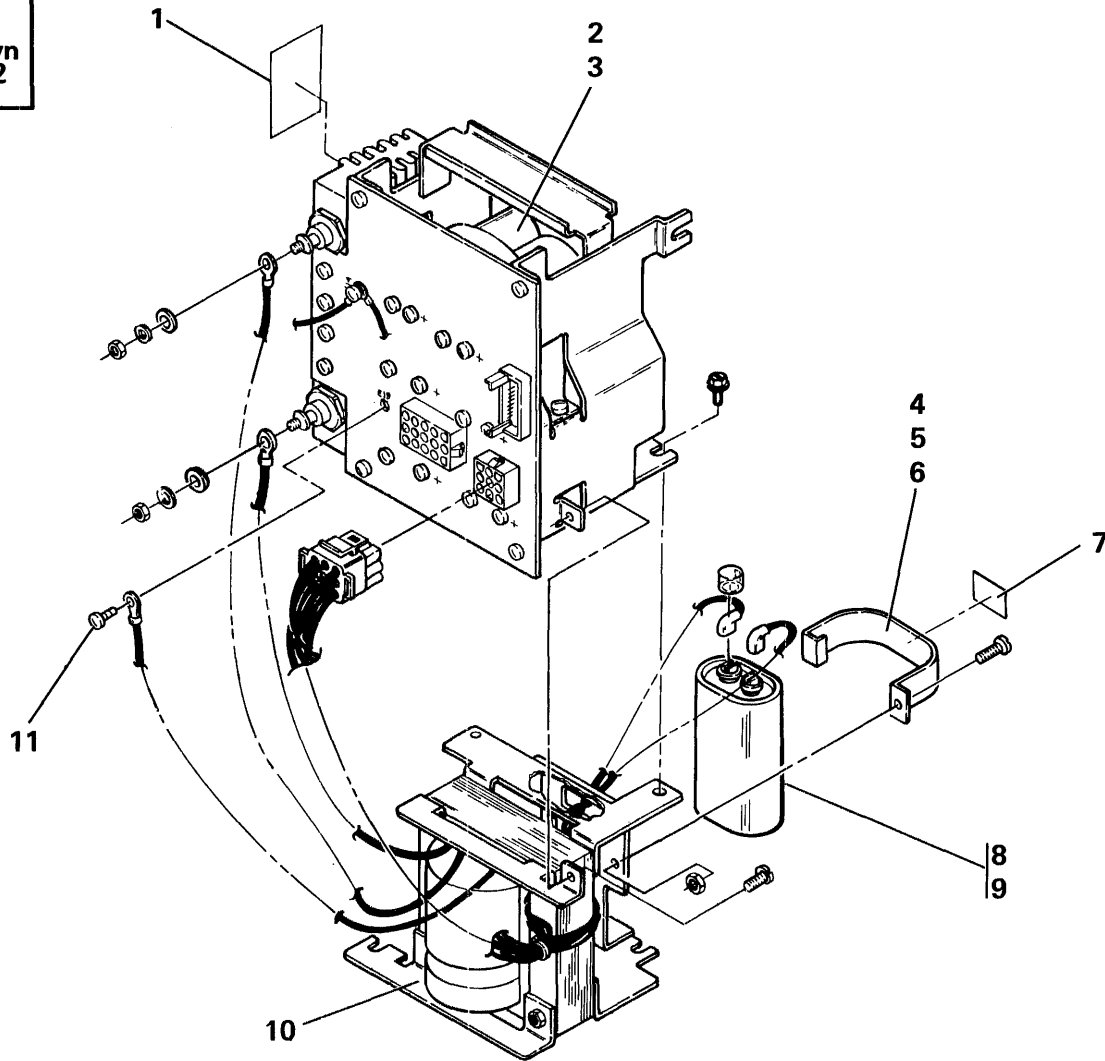
For Parts
Not Shown
See Fig. 2



INDEX NUMBER	PART NUMBER	UNITS /ASM	DESCRIPTION FOR FIGURE 28			
			1	2	3	4
28	2777435 NR 2777436 NR		A3 POWER SUPPLY (OLD STYLE, MLCA ONLY) A3 Power Supply - 50 Hz A3 Power Supply - 60 Hz			
- 1	2777309	1	• A3 Power Assembly			
- 2	2549782	3	• Screw,Thd-Form Hex-Wshr Hd M5 x .8 x 10-.8 Lg			
- 3	2777418	1	• • Jumper Assembly (J71)			
- 4	2777372	1	• • Jumper Assembly (J76)			
- 5	2777297	2	• • Ground Wires (E14)			
- 6	5761789	1	• Strap			
- 7	19944	1	• Screw,Mach-Bind Hd 8-32 x 3/4 Lg			
- 8	600960	1	• Nut,Lock-No. 8-32			
- 9	6814312	1	• A3 AC Capacitor 50/60 Hz			
- 9	2777383	1	• A3 AC Capacitor 50 Hz (Mexican built only)			
- 10	526378	2	• Insulator			
- 11	5564498	1	• Label			
- 12	2777463	1	• Chassis			
- 13	2777345	1	• A3 Transformer (60 Hz)			
- 13	2777346	1	• A3 Transformer (50 Hz)			
- 14	2549782	4	• Screw,Thd-Form Hex-Wshr Hd M5 x .8 x 10-.8 Lg			

Figure 28. A3 POWER SUPPLY (OLD STYLE) (Part 1 of 1)

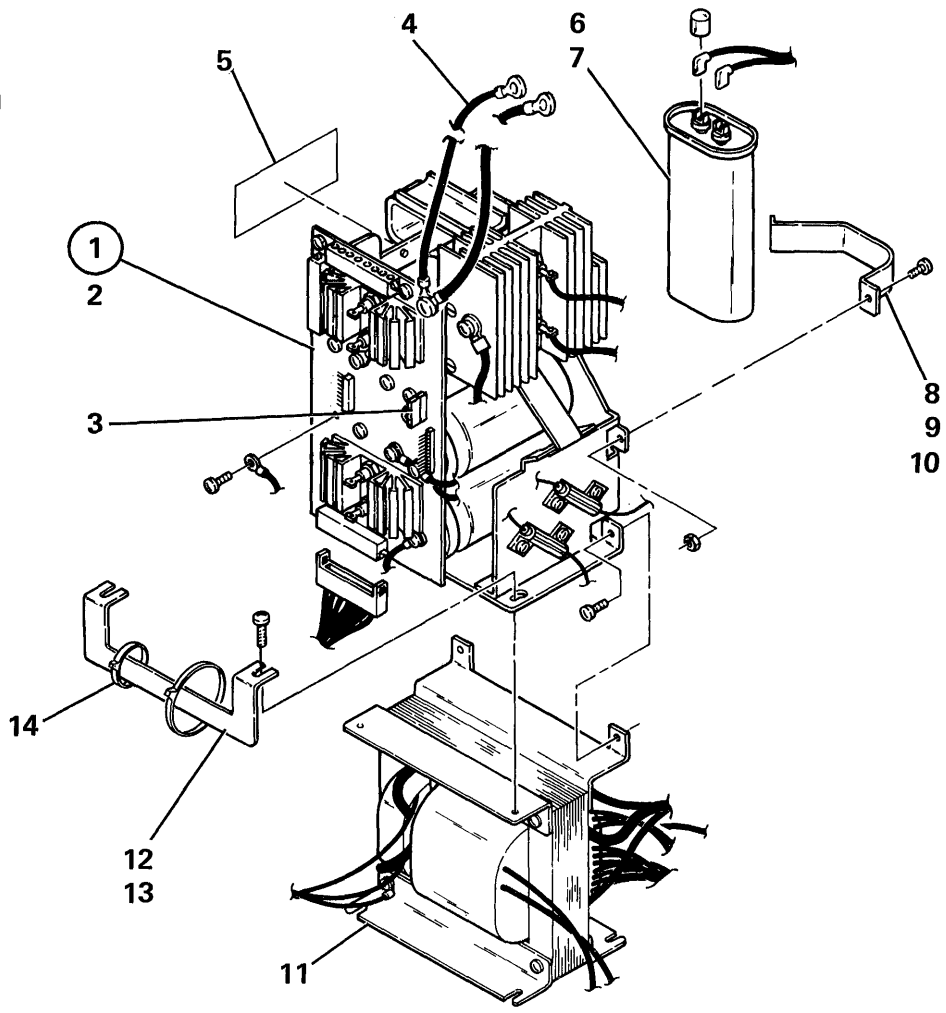
For Parts
Not Shown
See Fig. 2



INDEX NUMBER	PART NUMBER	UNITS /ASM	DESCRIPTION FOR FIGURE 28A			
			1	2	3	4
28A -			A3 POWER SUPPLY (NEW STYLE, ELCA ONLY)			
	5565080 NR		A3 Power Supply - 60 Hz			
	5564935 NR		A3 Power Supply - 50 Hz			
- 1	5564498	1	• Label			
- 2	5564641	1	• Filter Assembly			
- 3	2549782	3	• Screw,Thd-Form Hex-Wshr Hd M5 x .8 x 10-.8 Lg			
- 4	5761795	1	• Strap- AC Cap			
- 5	19944	1	• Screw,Mach-Bind Hd 8-32 x 3/4 Lg			
- 6	600960	1	• Nut,Lock-No. 8-32			
- 7	2767640	1	• Label			
- 8	6814313	1	• Capacitor AC			
- 9	526378	2	• Insulator AC			
- 10	5565054	1	• A3 Transformer (50 Hz)			
- 10	5565055	1	• A3 Transformer (60 Hz)			
- 11	32042	1	• Screw,			

Figure 28A. A3 POWER SUPPLY (NEW STYLE) (Part 1 of 1)

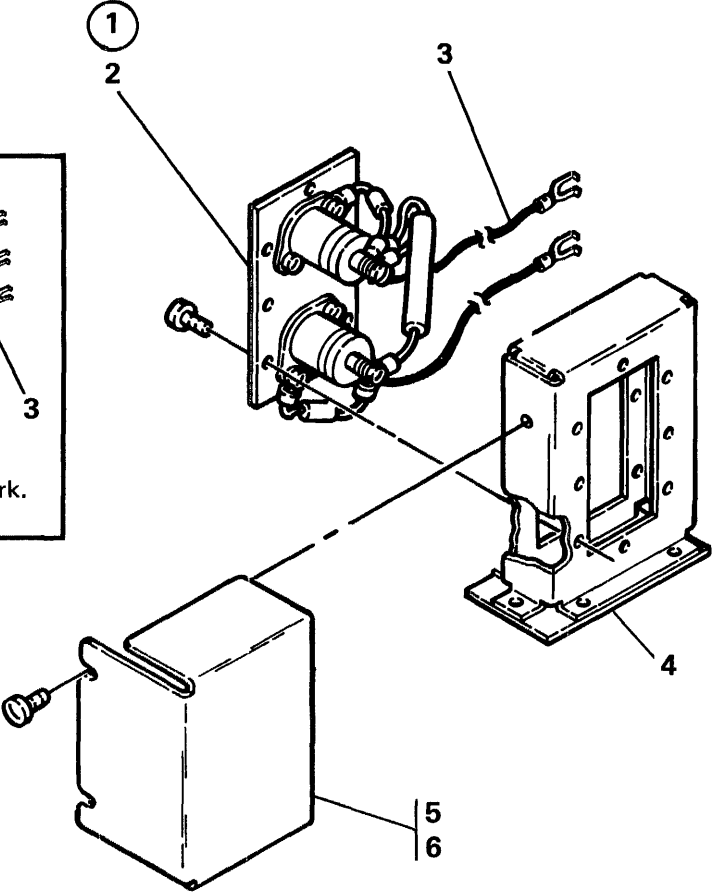
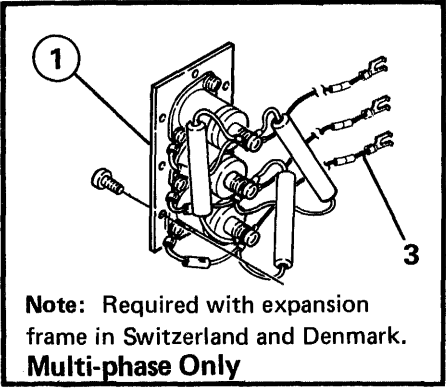
For Parts
Not Shown
See Fig. 2



INDEX NUMBER	PART NUMBER	UNITS /ASM	DESCRIPTION FOR FIGURE 29			
			1	2	3	4
29	2777433 NR 2777434 NR		A2 POWER SUPPLY A2 Power Supply - 60 Hz A2 Power Supply - 50 Hz			
- 1	2777307	1	• A2 Power Assembly			
- 2	4236318	2	• Screw,Thd-Form Hex-Wshr Hd M5 x .8 x 10-.8 Lg			
- 3	2777372	1	• Jumper Assembly (J59)			
- 4	5758625	2	• Ground Wire (E12)			
- 5	5564498	1	• Label			
- 6	5252843	1	• A2 AC Capacitor (60 Hz)			
- 6	8279052	1	• A2 AC Capacitor (50 Hz)			
- 6	2777381	1	• A2 AC Capacitor (60 Hz-Mexican built only)			
- 6	2777382	1	• A2 AC Capacitor (50 Hz-Mexican built only)			
- 7	526378	2	• Insulator			
- 8	2777430	1	• Strap			
- 9	438567	1	• Screw,Mach-Bd Hd 6-32 x 1 Lg			
- 10	5761943	1	• Nut and Lockwasher 6-32			
- 11	2777343	1	• A2 Transformer (60 Hz)			
- 11	2777344	1	• A2 Transformer (50 Hz)			
- 12	2777325	1	• Bracket			
- 13	4236318	2	• Screw,Thd-Form Hex Wshr Hd M5 x .8 x 16 Lg			
- 14	533783	2	• Cable Tie			

Figure 29. A2 POWER SUPPLY (Part 1 of 1)

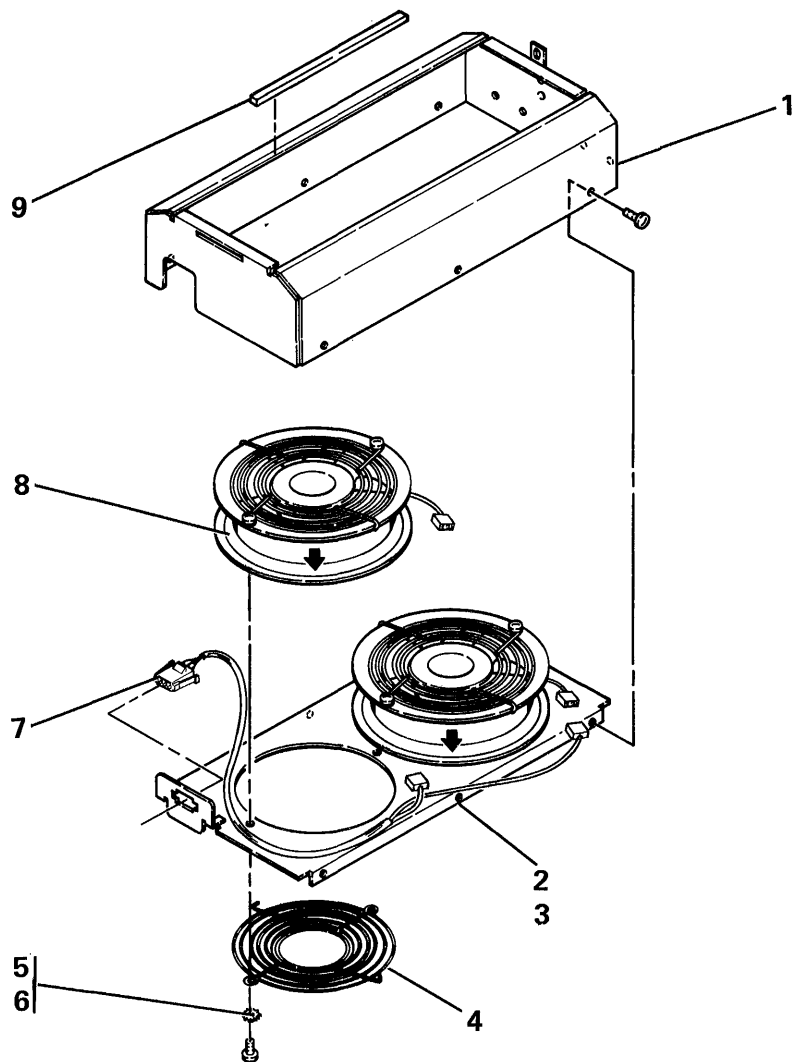
**For Parts
Not Shown
See Fig. 1
Part 3 of 3**



INDEX NUMBER	PART NUMBER	UNITS /ASM	DESCRIPTION FOR FIGURE 30			
			1	2	3	4
30	2777338 2777413					LINE FILTER BOX ASSEMBLY LINE FILTER BOX ASSEMBLY - MULTI-PHASE (See Note Above)
-	1 2777336 NP	1				• Filter Assembly
-	1 2777412 NP	1				• Filter Assembly - Multi-Phase Only (See Note Above)
-	2 7362130	8				• Screw,Thd-Form Hex Hd M4 x .7 x 6 Lg
-	3 2777482	2				• • Jumper, (AC Wire)
-	3 2777482	3				• Jumper - Multi-Phase Only (See Note Above)
-	4 2777468	1				• Filter Box
-	5 2777470	1				• Cover
-	6 1621811	2				• Screw,Thd-Form Hex-Wshr Hd M4 x .7 x 10 Lg

Figure 30. LINE FILTER BOX ASSEMBLY (Part 1 of 1)

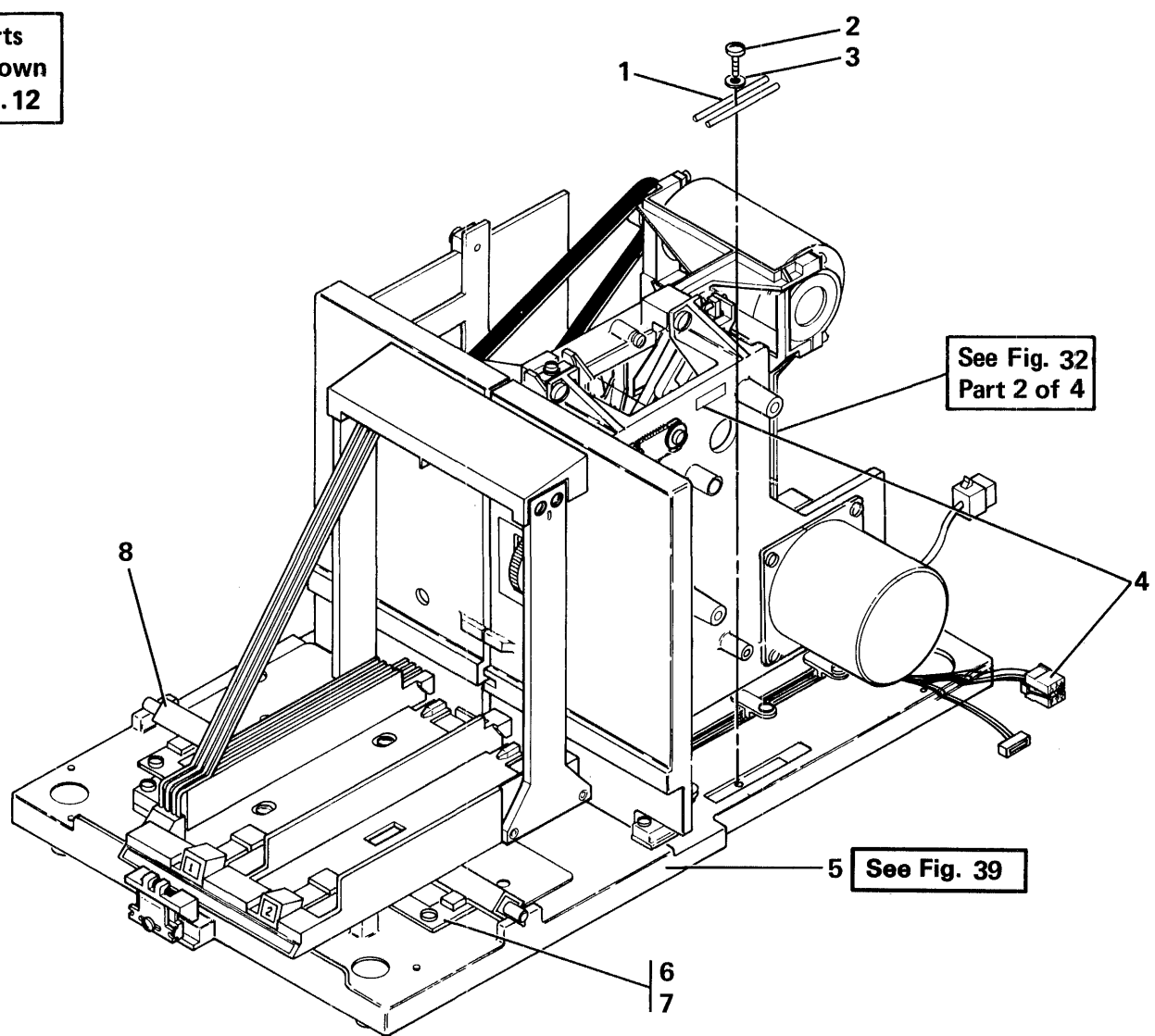
For Parts
Not Shown
See Fig. 4



INDEX NUMBER	PART NUMBER	UNITS /ASM	DESCRIPTION FOR FIGURE 31			
			1	2	3	4
31	8636535 8636581		FAN BOX ASSEMBLY Fan Box Assembly - 60 Hz Fan Box Assembly - 50 Hz			
- 1	8636541	1	• Box			
- 2	8636533	1	• Plate			
- 3	1621811	6	• Screw,Thd-Form Hex-Wshr Hd M4 x .7 x 10 Lg			
- 4	4233939	2	• Guard			
- 5	2549782	4	• Screw,Thd-Form Hex-Wshr Hd M5 x .8 x 10-.8 Lg			
- 6	1622347	4	• Washer,Lock-Ext Star 5.3 ID x 10 OD x .6 Thk			
- 7	8636796	1	• Cable Assembly			
- 8	2777396	2	• Fan (60 Hz)			
- 8	2777465	2	• Fan (50 Hz)			
- 9	4236762	1	• Seal			

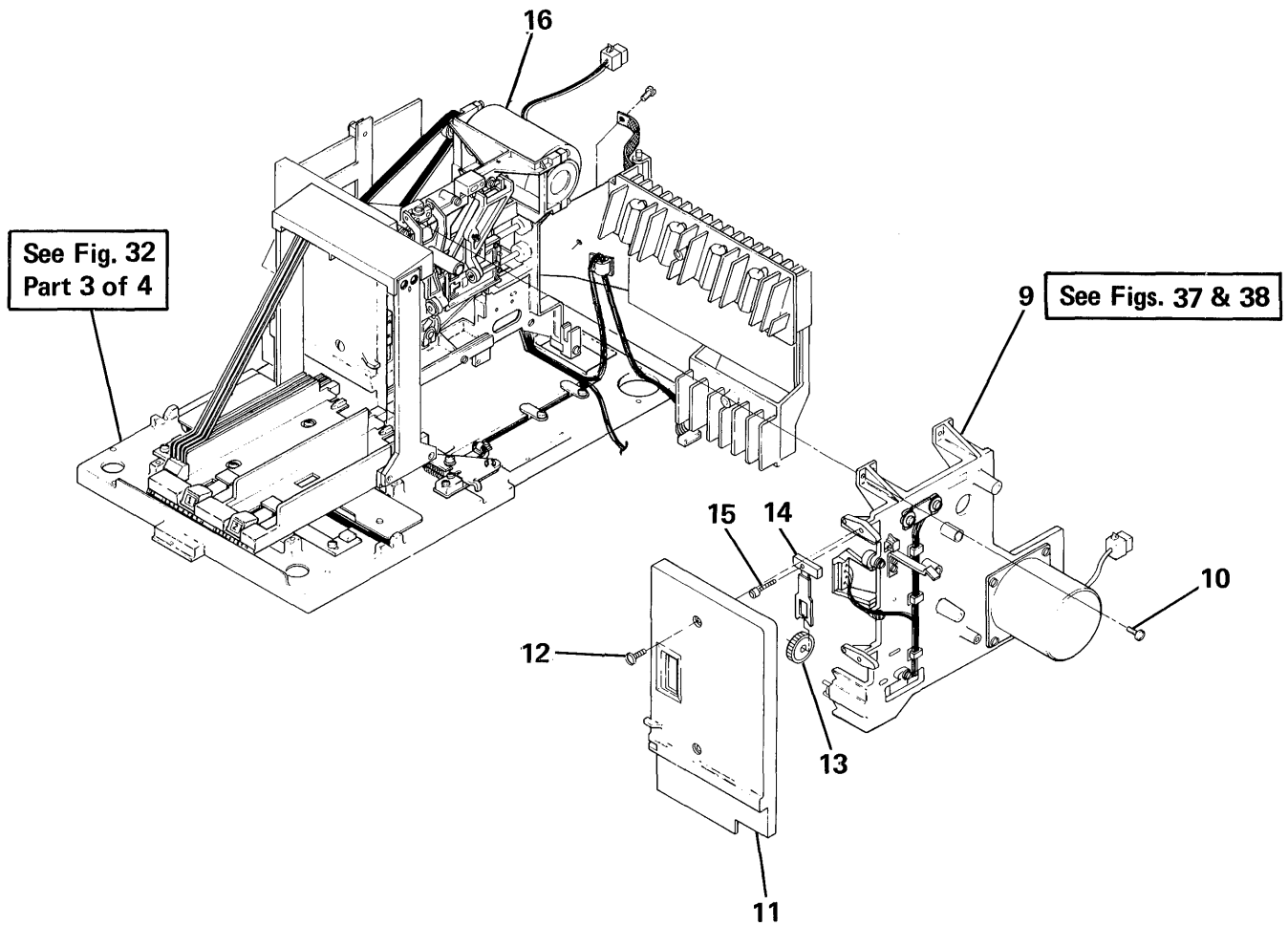
Figure 31. FAN BOX ASSEMBLY (Part 1 of 1)

For Parts
Not Shown
See Fig. 12



INDEX NUMBER	PART NUMBER	UNITS /ASM	DESCRIPTION FOR FIGURE 32			
			1	2	3	4
32	2462401 NR 2462403 NR		72MD DISKETTE STORAGE DRIVE ASM Diskette Storage Drive Asm, 220V 60 Hz Diskette Storage Drive Asm, 200V 50 Hz			
-	1 2462574	2	• Pin			
-	2 2462686	1	• Screw,Thd-form M4 x .7 x 16 Lg			
-	3 45690	1	• Washer,Flat No. 10 x 7/16 OD x 1/32 Thk			
-	4 2462609	1	• Label			
-	5 2462416	1	• Base Casting Assembly			
-	6 2462439	2	• Stabilizer			
-	7 1621308	4	• Screw,Slot-Flat Hd M4 x .7 x 8 Lg			
-	8 2462438	1	• Guide Way			

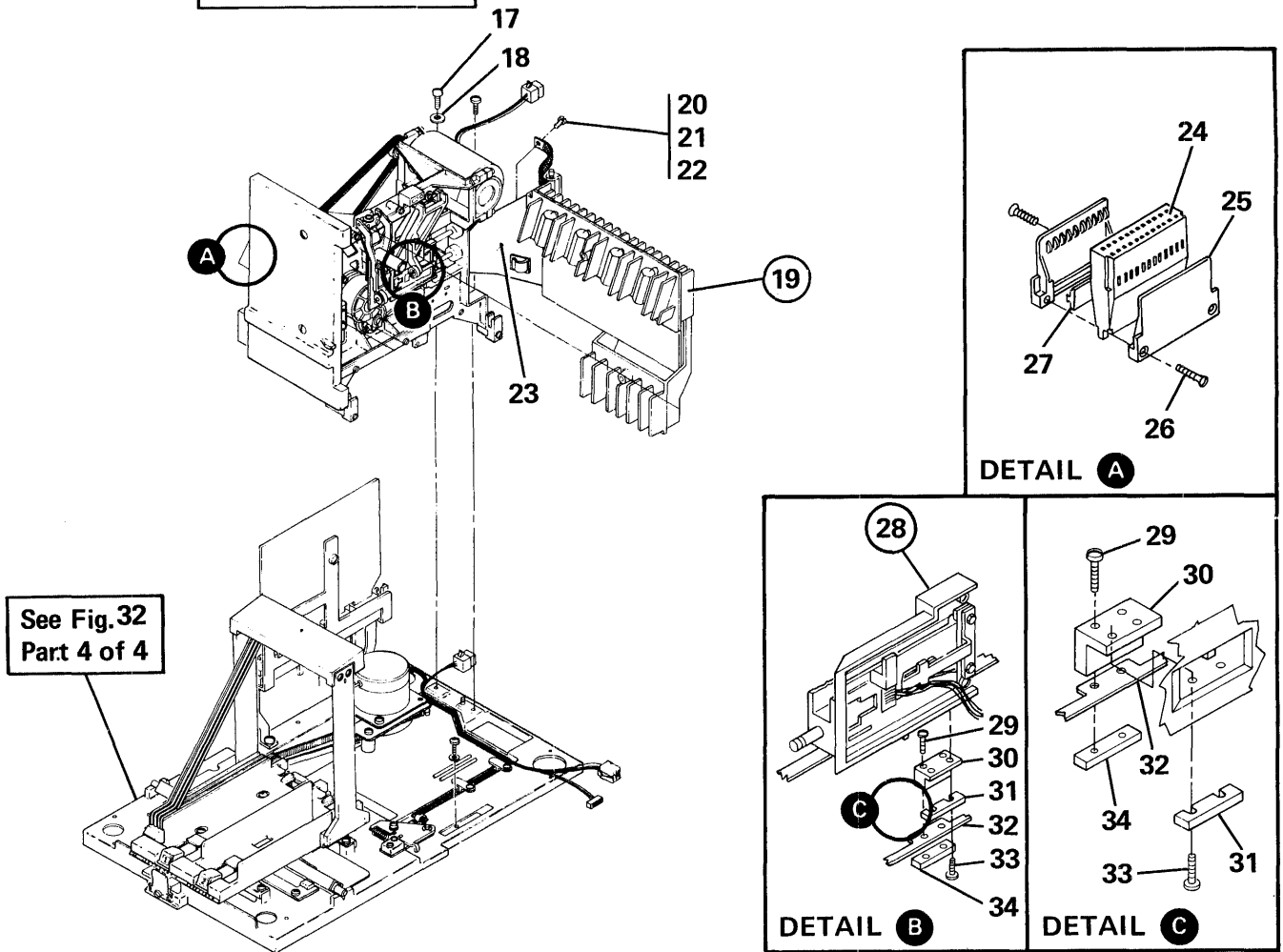
Figure 32. 72MD DISKETTE STORAGE DRIVE ASM (Part 1 of 4)



INDEX NUMBER	PART NUMBER	UNITS /ASM	DESCRIPTION FOR FIGURE 32			
			1	2	3	4
32 - 9	2462415	1	•	•	•	•
- 10	1621191	2	•	•	•	•
- 11	2462586	1	•	•	•	•
- 12	1621190	2	•	•	•	•
- 13	2462482	1	•	•	•	•
- 14	2462481	1	•	•	•	•
- 15	1621190	1	•	•	•	•
- 16	2462602	1	•	•	•	•

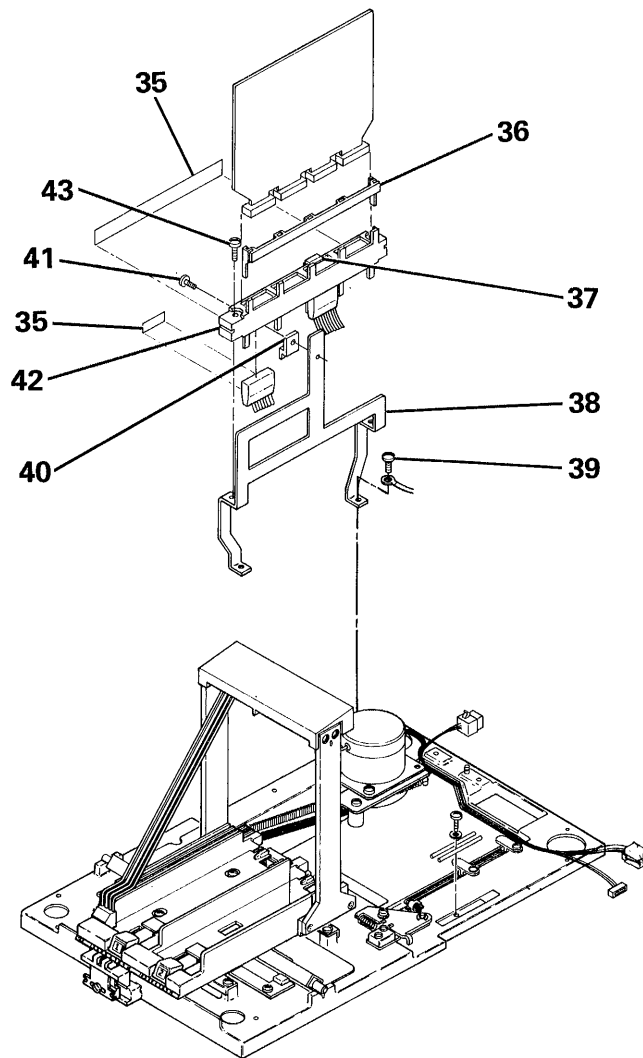
Figure 32. 72MD DISKETTE STORAGE DRIVE ASM (Part 2 of 4)

See Figs. 34, 35 & 36



INDEX NUMBER	PART NUMBER	UNITS /ASM	DESCRIPTION FOR FIGURE 32					
			1	2	3	4		
32 -	17	2462687	4	•	•	•	•	• Screw,Thd-form M5 x .8 x 16.4 Lg
-	18	1622347	1	•	•	•	•	• Washer,Lock-Ext Star 5.3 ID x 10 OD x .6 Thk
-	19	2462545	1	•	•	•	•	• Circuit Board
-	20	523022	1	•	•	•	•	• Strap, Ground
-	21	2462685	1	•	•	•	•	• Screw,Thd-form M4 x .7 x 10 Lg
-	22	1622346	1	•	•	•	•	• Washer,Lock-Ext Star 4.3 ID x 8 OD x .5 Thk
-	23	2462685	1	•	•	•	•	• Screw,Thd-form M4 x .7 x 10 Lg
-	24	2462615	1	•	•	•	•	• Cable Assembly
-	25	5466397	2	•	•	•	•	• Strain Relief
-	26	109918	2	•	•	•	•	• Screw,Flat Hd Self Tap-No.4 x 1/2 Lg
-	27	5466393	2	•	•	•	•	• Clamp,
-	28	2462650	1	•	•	•	•	• Head
-	29	1621172	2	•	•	•	•	• Screw,Mach-Slot Pan Hd M3 x .5 x 10 Lg
-	30	2462536	1	•	•	•	•	• Block
-	31	2462538	1	•	•	•	•	• Retainer
-	32	5562044	1	•	•	•	•	• Stainless Band
-	33	1621172	2	•	•	•	•	• Screw,Mach-Slot Pan Hd M3 x .5 x 10 Lg
-	34	2462537	1	•	•	•	•	• Nut Plate

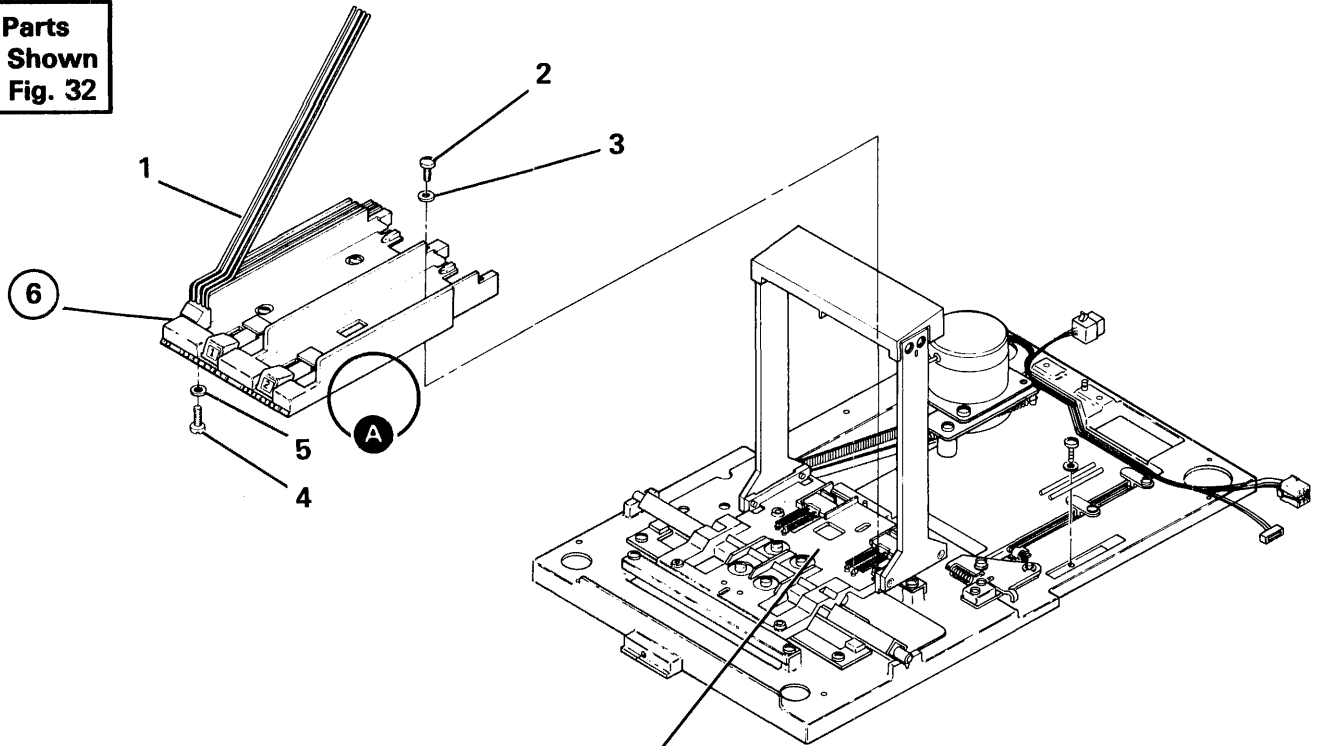
Figure 32. 72MD DISKETTE STORAGE DRIVE ASM (Part 3 of 4)



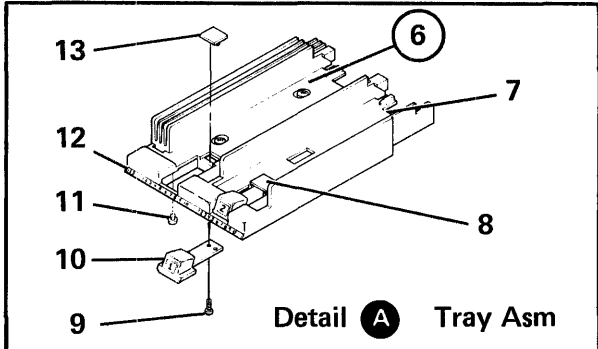
INDEX NUMBER	PART NUMBER	UNITS /ASM	DESCRIPTION FOR FIGURE 32			
			1	2	3	4
32 - 35	2462609	4	•	•	•	•
- 36	813590	1	•	•	•	•
- 37	2469295	1	•	•	•	•
- 38	2462539	1	•	•	•	•
- 39	2462685	2	•	•	•	•
- 40	2280297	1	•	•	•	•
- 41	1621182	1	•	•	•	•
- 42	818039	1	•	•	•	•
- 43	1621194	2	•	•	•	•

Figure 32. 72MD DISKETTE STORAGE DRIVE ASM (Part 4 of 4)

For Parts
Not Shown
See Fig. 32

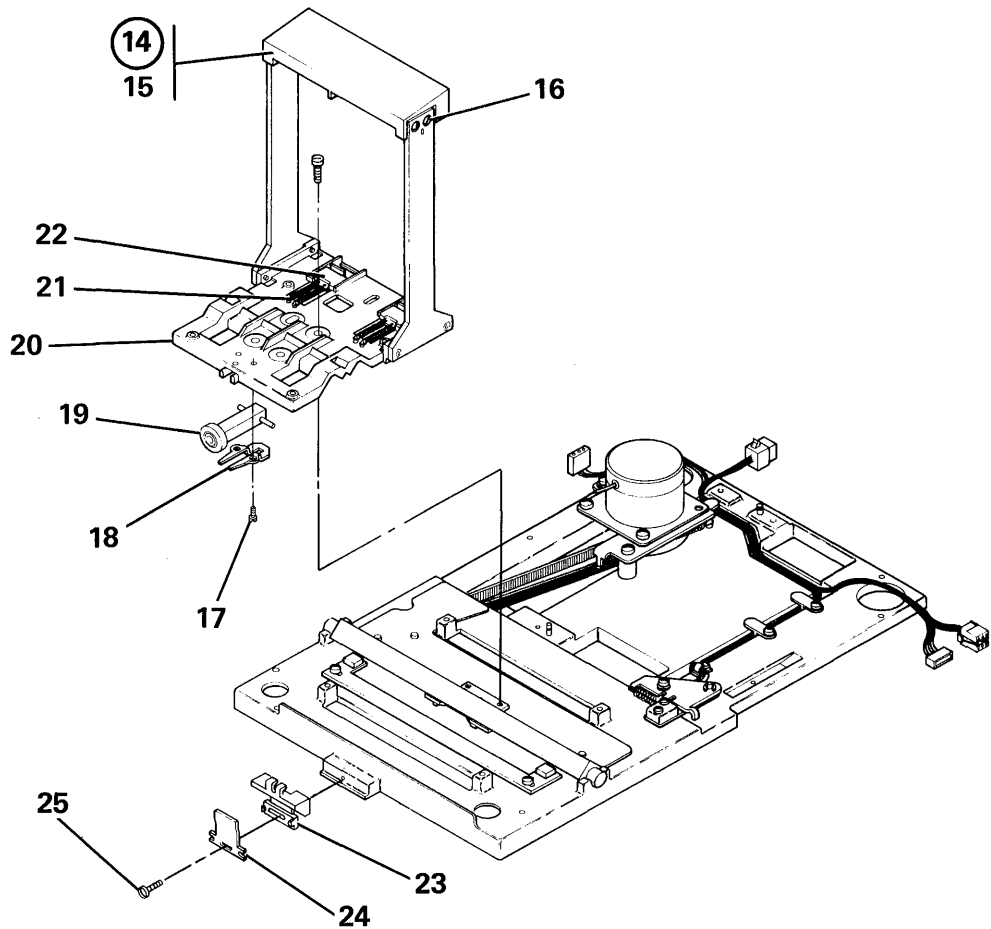


See Fig. 33 Part 2 of 2



INDEX NUMBER	PART NUMBER	UNITS /ASM	DESCRIPTION FOR FIGURE 33			
			1	2	3	4
33	NO NO.		72MD CARRIAGE BED ASSEMBLY			
- 1	2462514	1	• Support Assembly			
- 2	1621190	4	• Screw, Mach-Slot Pan Hd M4 x .7 x 8 Lg			
- 3	366155	4	• Washer, 5/32 ID x 5/16 OD x 1/32 Thk			
- 4	1621172	2	• • Screw, Mach-Slot Pan Hd M3 x .5 x 10 Lg			
- 5	1622316	2	• Washer, Lock-Spring 3.1 ID x 6.2 OD x .8 Thk			
- 6	2462541	1	• Tray Assembly			
- 7	2462570	1	• • Tray			
- 8	2462517	1	• • Retainer			
- 9	5563671	4	• • Screw, Slotted Pan Hd M3 x .5 x 8 Lg			
- 10	2462516	1	• • Retainer			
- 11	651858	4	• • Bumper			
- 12	2462649	1	• • Label			
- 13	2462519	2	• • Nut Bar			

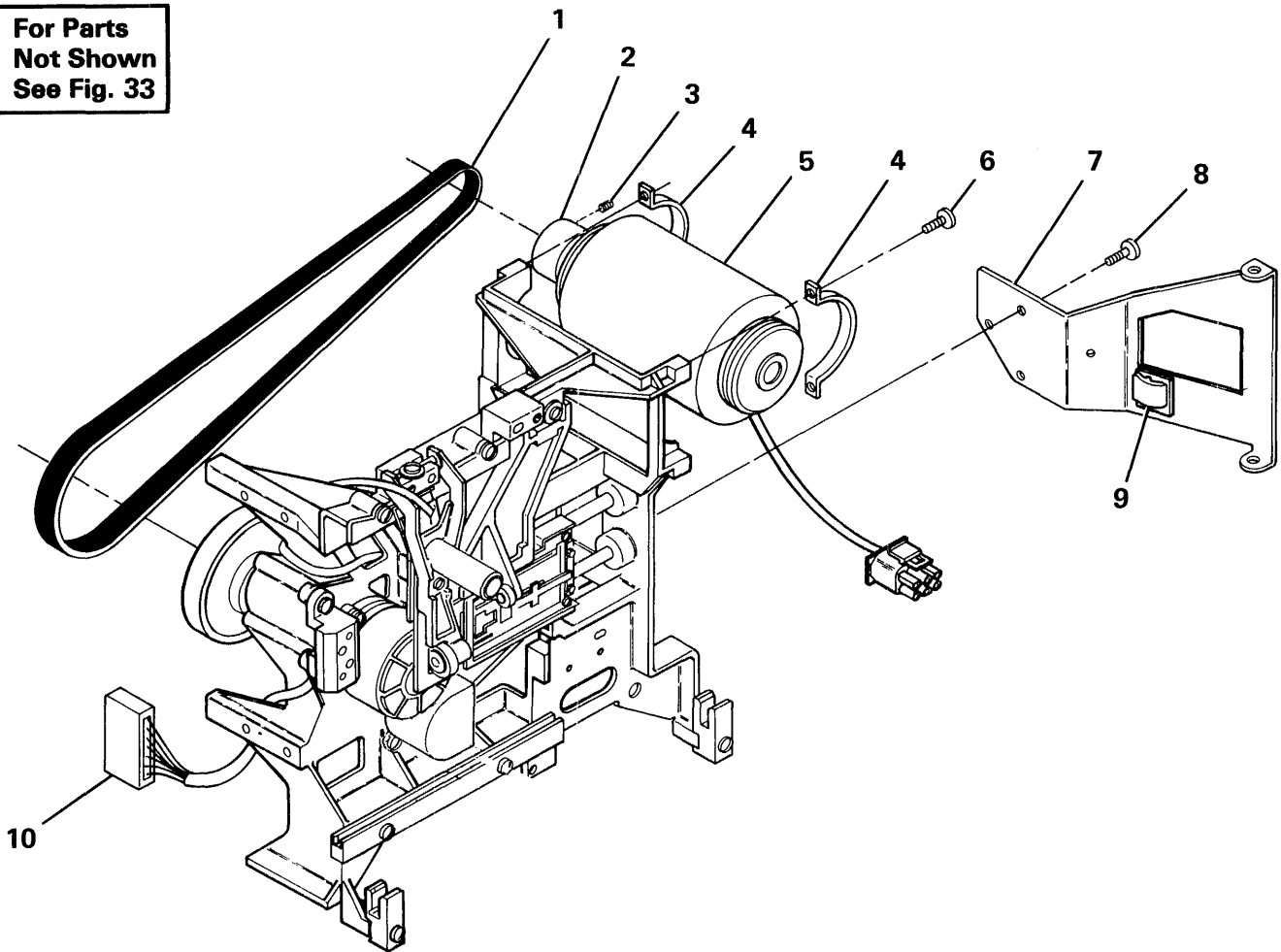
Figure 33. 72MD CARRIAGE BED ASSEMBLY (Part 1 of 2)



INDEX NUMBER	PART NUMBER	UNITS /ASM	DESCRIPTION FOR FIGURE 33			
			1	2	3	4
33 - 14	2462547	1	•	•	•	• Carriage Bed Assembly
- 15	2462546	1	•	•	•	• • Housing
- 16	1621846	4	•	•	•	• • Screw,Thd-Form Slot Pan Hd M3.5 x 10 Lg
- 17	1621852	2	•	•	•	• • Screw,Thd-Form Slot Pan Hd M4 x .7 x 10 Lg
- 18	2462488	1	•	•	•	• • Spring
- 19	2462490	1	•	•	•	• • Arm Assembly
- 20	2462548	1	•	•	•	• • Carriage And Support Assembly
- 21	35247	4	•	•	•	• • Spring
- 22	2462515	2	•	•	•	• • Ejector
- 23	2462646	1	•	•	•	• Interlock
- 24	2462647	1	•	•	•	• Stop
- 25	1621192	1	•	•	•	• Screw,Mach-Slot Pan Hd M4 x .7 x 12 Lg

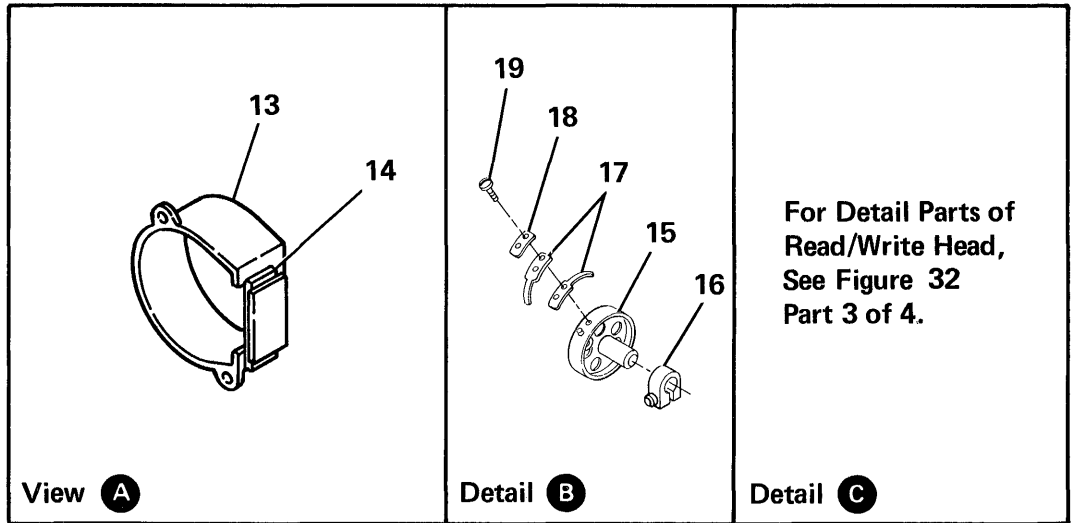
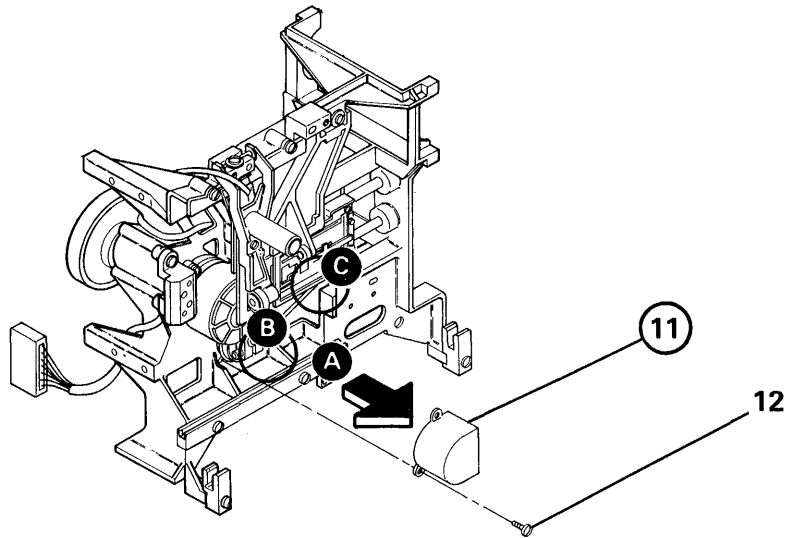
Figure 33. 72MD CARRIAGE BED ASSEMBLY (Part 2 of 2)

For Parts
Not Shown
See Fig. 33



INDEX NUMBER	PART NUMBER	UNITS /ASM	DESCRIPTION FOR FIGURE 34			
			1	2	3	4
34	2462602		72MD DRIVE ASSEMBLY			
- 1	2462593	1	• Belt, 60 Hz			
- 1	5563653	1	• Belt, 50 hz			
- 2	2462590	1	• Pulley, 60 Hz			
- 2	2462594	1	• Pulley, 50 Hz			
- 3	1621769	1	• Setscrew, M4 x .7 x 5 Lg			
- 4	2462534	2	• Clamp			
- 5	4178052	1	• Motor, 220/230V 60 Hz			
- 5	4178056	1	• Motor, 220/230V 50 Hz			
- 6	2462685	4	• Screw, Thd-form M4 x .7 x 10 Lg			
- 7	2462551	1	• Bracket			
- 8	2462685	3	• Screw, Thd-form M4 x .7 x 10 Lg			
- 9	2596291	1	• Clamp			
- 10	2462615	1	• Cable Assembly			

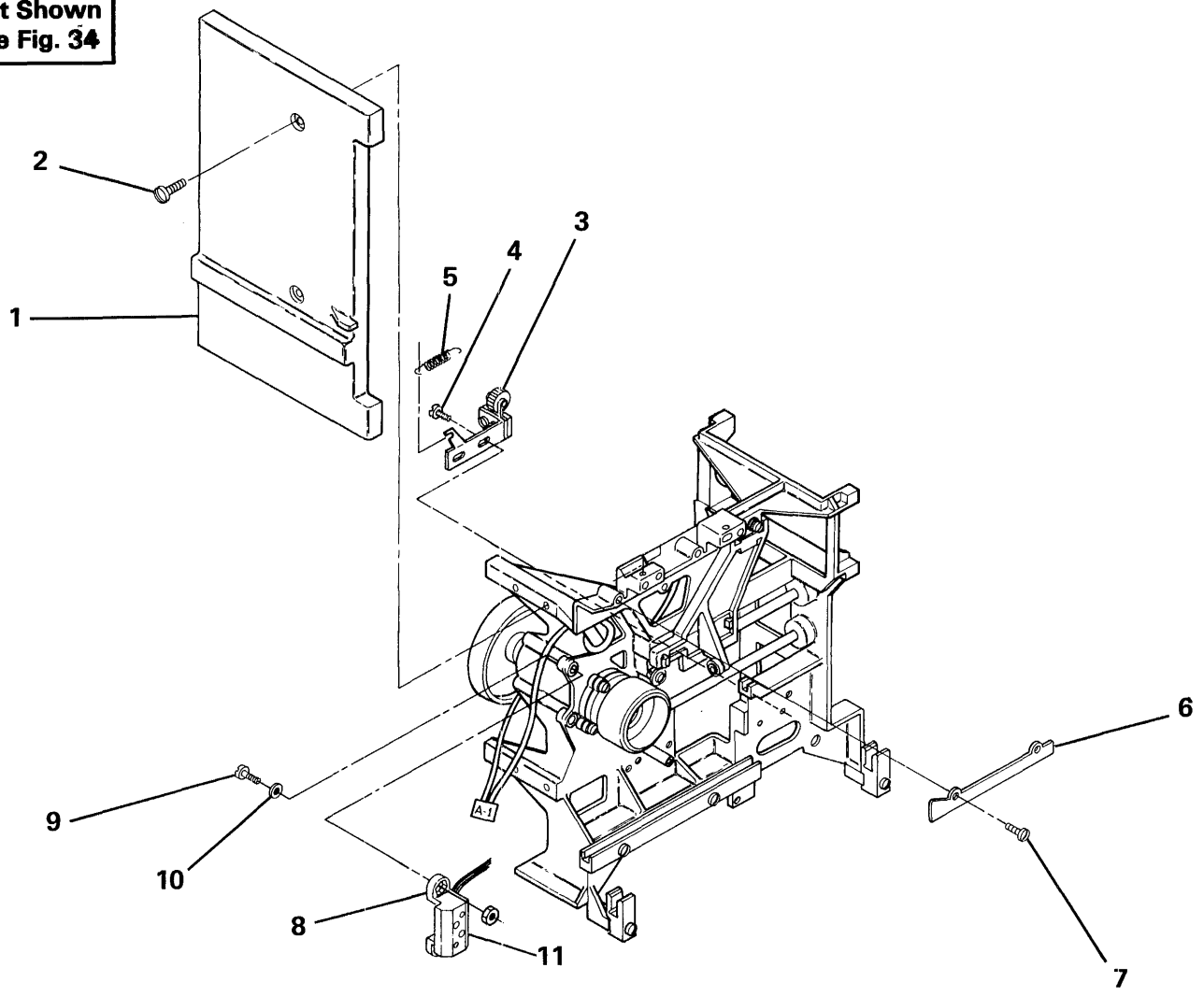
Figure 34. 72MD DRIVE ASSEMBLY (Part 1 of 2)



INDEX NUMBER	PART NUMBER	UNITS /ASM	DESCRIPTION FOR FIGURE 34			
			1	2	3	4
34 - 11	5562088	1	•	•	•	•
- 12	1621181	2	•	•	•	•
- 13	5562059	1	•	•	•	•
- 14	5562035	1	•	•	•	•
- 15	5562086	1	•	•	•	•
- 16	2305493	1	•	•	•	•
- 17	5562044	1	•	•	•	•
- 18	5562037	1	•	•	•	•
- 19	438548	1	•	•	•	•

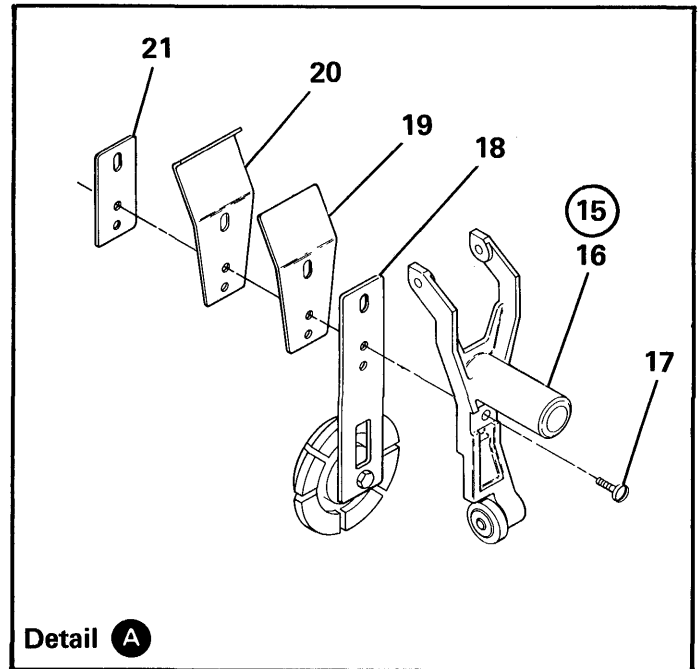
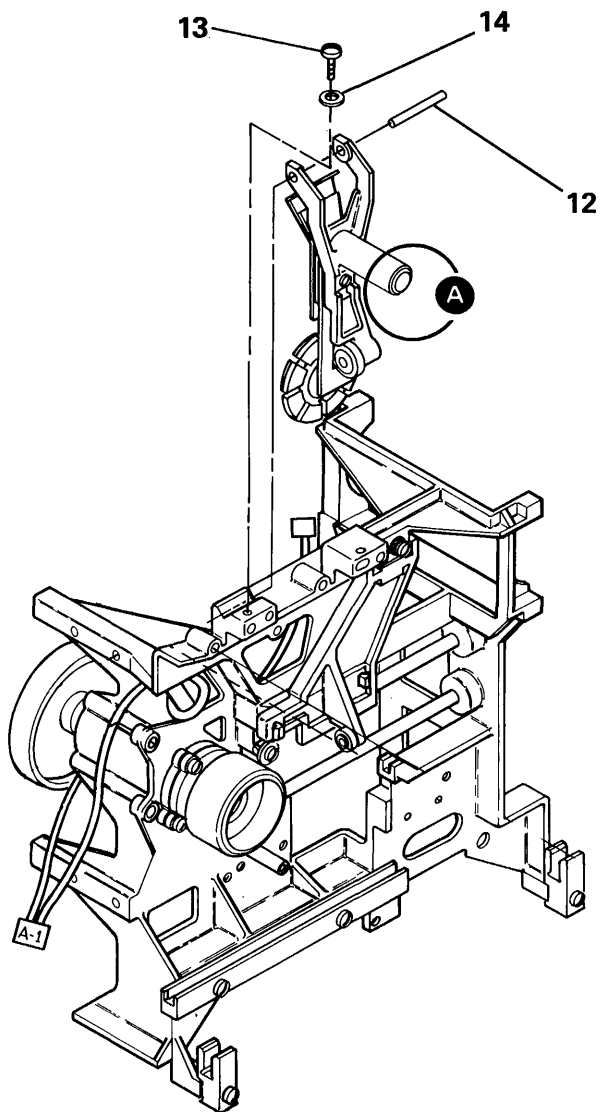
Figure 34. 72MD DRIVE ASSEMBLY (Part 2 of 2)

**For Parts
Not Shown
See Fig. 34**



INDEX NUMBER	PART NUMBER	UNITS /ASM	DESCRIPTION FOR FIGURE 35			
			1	2	3	4
35	2462602		72MD DRIVE ASSEMBLY			
- 1	2462472	1	• Bezel			
- 2	1621194	2	• Screw, Mach-Slot Pan Hd M4 x .7 x 20 Lg			
- 3	5562085	1	• Idler Assembly			
- 4	2549781	2	• Screw, Mach-Pan Hd M5 x 8-.8 Lg			
- 5	5562051	1	• Spring			
- 6	2462435	1	• Guide			
- 7	2462685	2	• Screw, Thd-form M4 x .7 x 10 Lg			
- 8	2462600	1	• Photo Detector			
- 9	1621193	2	• Screw, Mach-Slot Pan Hd M4 x .7 x 16 Lg			
- 10	1622304	2	• Washer, Flat 4.3 ID x 9 OD x .8 Thk			
- 11	1622403	2	• Nut, Hex-Double Chamfer M4 x 7 Fl W x 3.2 Thk			

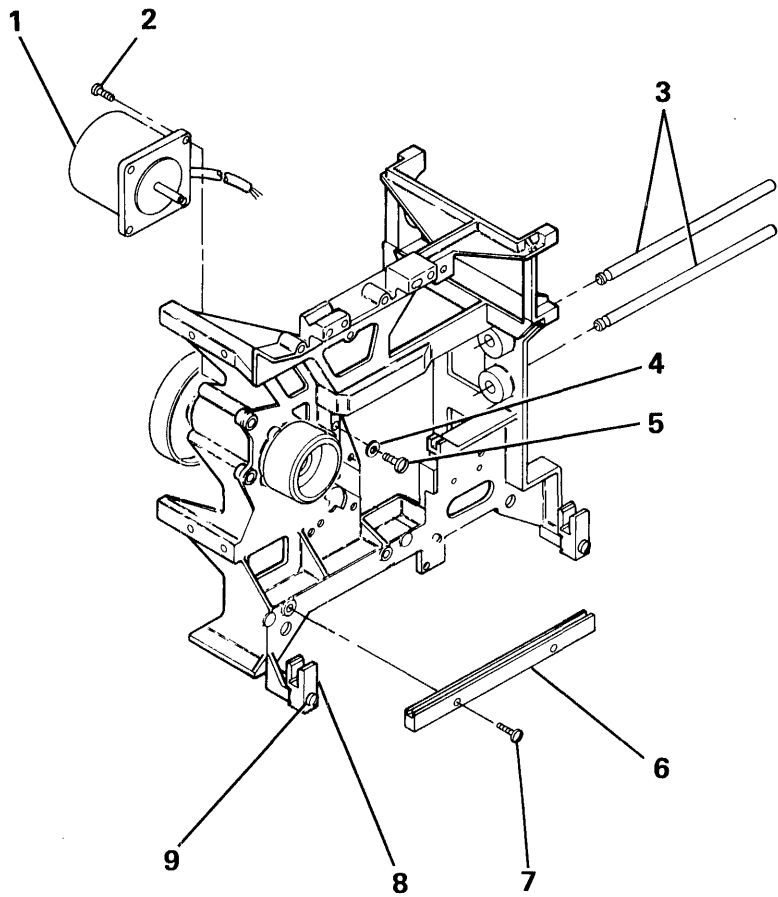
Figure 35. 72MD DRIVE ASSEMBLY (Part 1 of 2)



INDEX NUMBER	PART NUMBER	UNITS /ASM	DESCRIPTION FOR FIGURE 35			
			1	2	3	4
35	- 12	5562098	1	•	•	Pin
	- 13	2462685	1	•	•	Screw,Thd-form M4 x .7 x 10 Lg
	- 14	110029	1	•	•	Washer,Flat No. 8 x 5/8 OD x 1/16 Thk
	- 15	2462683	1	•	•	Collet Assembly
	- 16	2462499	1	•	•	Arm
	- 17	1621192	1	•	•	Screw,Mach-Slot Pan Hd M4 x .7 x 12 Lg
	- 18	2462582	1	•	•	Collet
	- 19	2462553	1	•	•	Spring
	- 20	2462581	1	•	•	Spring
	- 21	2462575	1	•	•	Plate

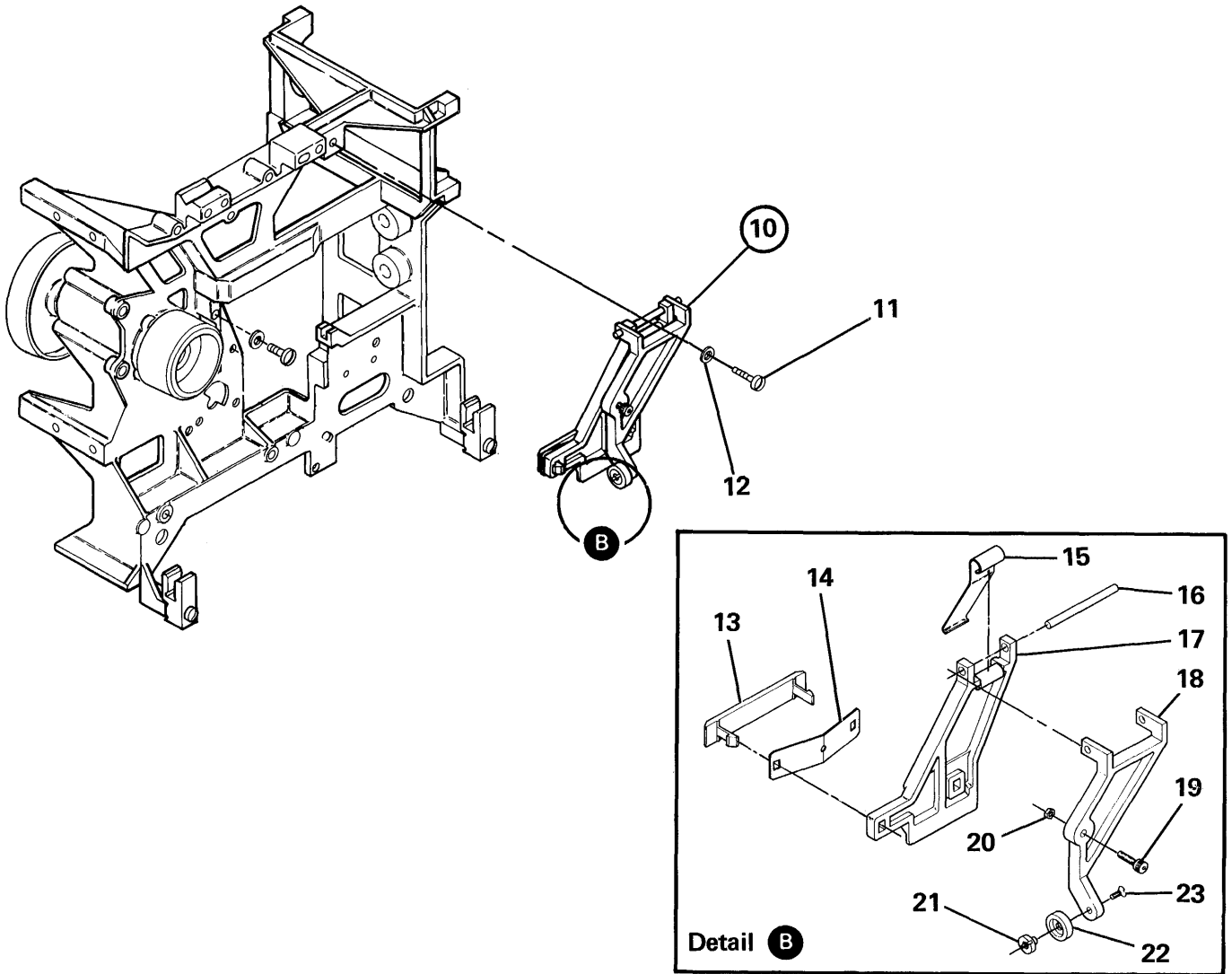
Figure 35. 72MD DRIVE ASSEMBLY (Part 2 of 2)

**For Parts
Not Shown
See Fig. 35**



INDEX NUMBER	PART NUMBER	UNITS /ASM	DESCRIPTION FOR FIGURE 36			
			1	2	3	4
36	2462602		72MD DRIVE ASSEMBLY			
- 1	2462606	1	• Motor, Stepper			
- 2	1621183	3	• Screw, Mach-Slot Pan Hd M3.5 x .6 x 10 Lg			
- 3	5562038	2	• Rod, Guide			
- 4	2462690	2	• Washer, 4.4 ID x 11 OD x 1.5 Thk			
- 5	2462686	2	• Screw, Thd-form M4 x .7 x 16 Lg			
- 6	2462432	1	• Guide			
- 7	2462686	2	• Screw, Thd-form M4 x .7 x 16 Lg			
- 8	2462433	2	• Bracket			
- 9	2462688	2	• Screw, Thd Form M4 x .7 x 25-1.2 Lg			

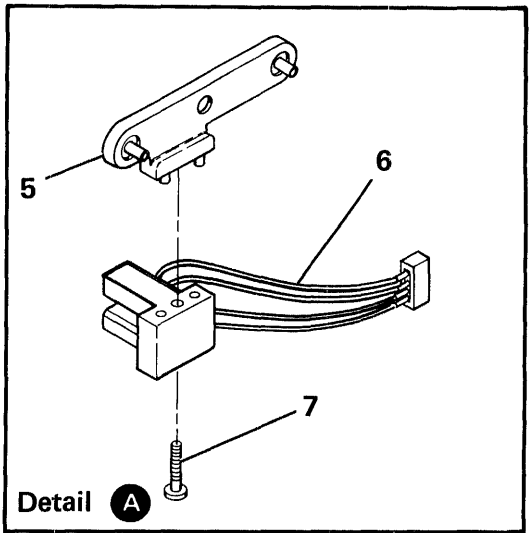
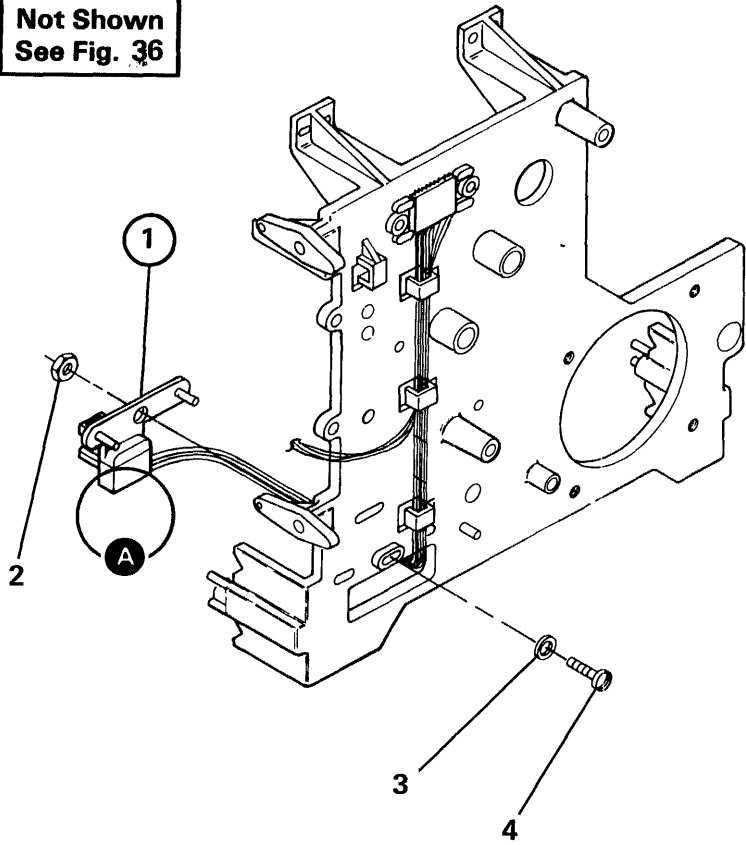
Figure 36. 72MD DRIVE ASSEMBLY (Part 1 of 2)



INDEX NUMBER	PART NUMBER	UNITS /ASM	DESCRIPTION FOR FIGURE 36				
			1	2	3	4	
<u>36</u>	10	5563692	1	• Head Load Bail Assembly			
-	11	2462685	1	• Screw,Thd-form M4 x .7 x 10 Lg			
-	12	110029	1	• Washer,Flat No. 8 x 5/8 OD x 1/16 Thk			
-	13	4178062	1	• • Shoe			
-	14	4178063	1	• • Spring, Shoe			
-	15	2462588	1	• • Spring, Actuator Return			
-	16	5563693	1	• • Pin, Pivot			
-	17	5563690	1	• • Bail, Head Load			
-	18	5563691	1	• • Arm, Cam Follower			
-	19	1621511	1	• • Screw,Soc-Cap Hd M4 x .7 x 12 Lg			
-	20	1622417	1	• • Nut,Hex Lock M4			
-	21	2462629	1	• • Stud			
-	22	2462674	1	• • Roller			
-	23	1621286	1	• • Screw,Slot-Flat Hd M3 x .5 x 8 Lg			

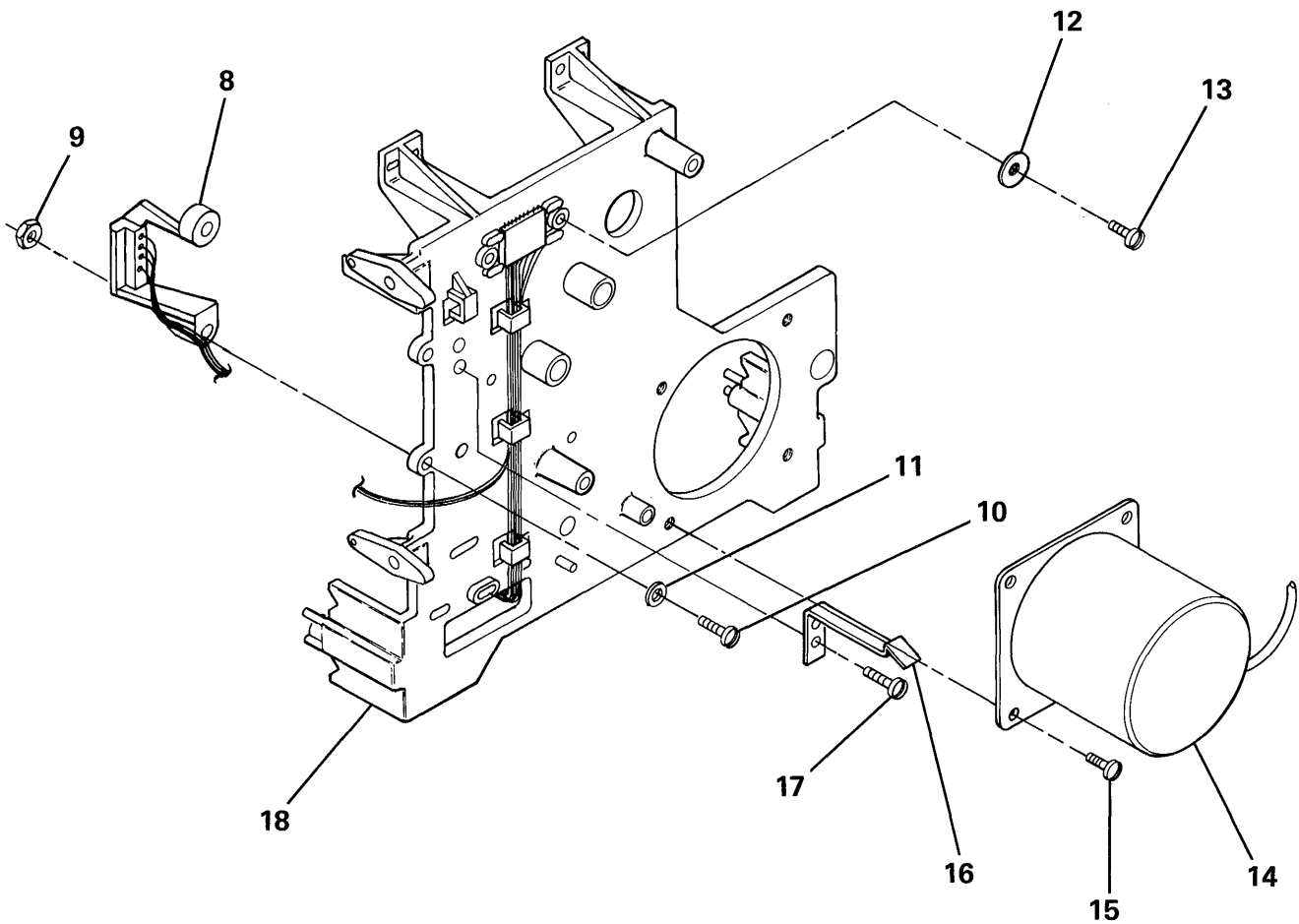
Figure 36. 72MD DRIVE ASSEMBLY (Part 2 of 2)

**For Parts
Not Shown
See Fig. 36**



INDEX NUMBER	PART NUMBER	UNITS /ASM	1	2	3	4	DESCRIPTION FOR FIGURE 37
37	2462415						72MD PICKER/CAM ASSEMBLY
- 1	5563660	1					• Sensor Assembly
- 2	1622403	2					• Nut,Hex-Double Chamfer M4 x 7 Fl W x 3.2 Thk
- 3	35229	1					• Washer, 11/64 ID x 7/16 OD
- 4	1621193	1					• Screw,Mach-Slot Pan Hd M4 x .7 x 16 Lg
- 5	2462567	1					• • Mounting
- 6	2462598	1					• • Sensor
- 7	1621175	1					• • Screw,Mach-Slot Pan Hd M3 x .5 x 20 Lg

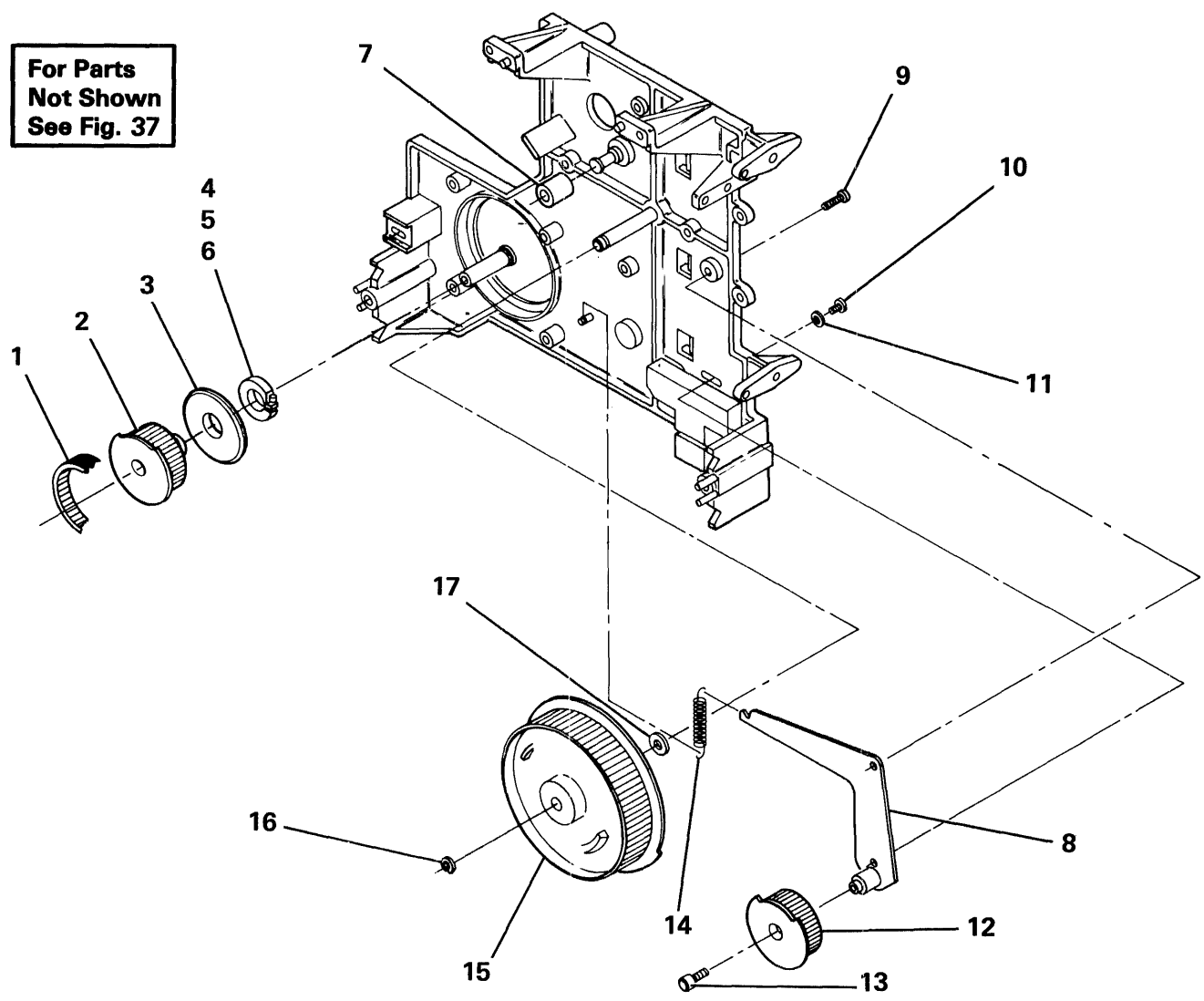
Figure 37. 72MD PICKER/CAM ASSEMBLY (Part 1 of 2)



INDEX NUMBER	PART NUMBER	UNITS /ASM	DESCRIPTION FOR FIGURE 37				
			1	2	3	4	
37 -	8	2462573	1	• LED Assembly			
-	9	1622403	2	• Nut,Hex-Double Chamfer M4 x 7 Fl W x 3.2 Thk			
-	10	1621194	2	• Screw,Mach-Slot Pan Hd M4 x .7 x 20 Lg			
-	11	1622304	2	• Washer,Flat 4.3 ID x 9 OD x .8 Thk			
-	12	110029	1	• Washer,Flat No. 8 x 5/8 OD x 1/16 Thk			
-	13	2462685	2	• Screw,Thd-form M4 x .7 x 10 Lg			
-	14	2462561	1	• Motor			
-	15	2462686	4	• Screw,Thd-form M4 x .7 x 16 Lg			
-	16	2462625	1	• Spring, Gate			
-	17	2462685	2	• Screw,Thd-form M4 x .7 x 10 Lg			
-	18	2462459	1	• Casting, Picker Cam			

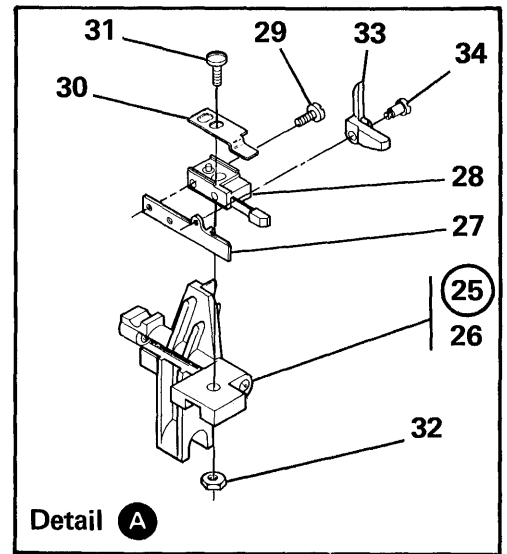
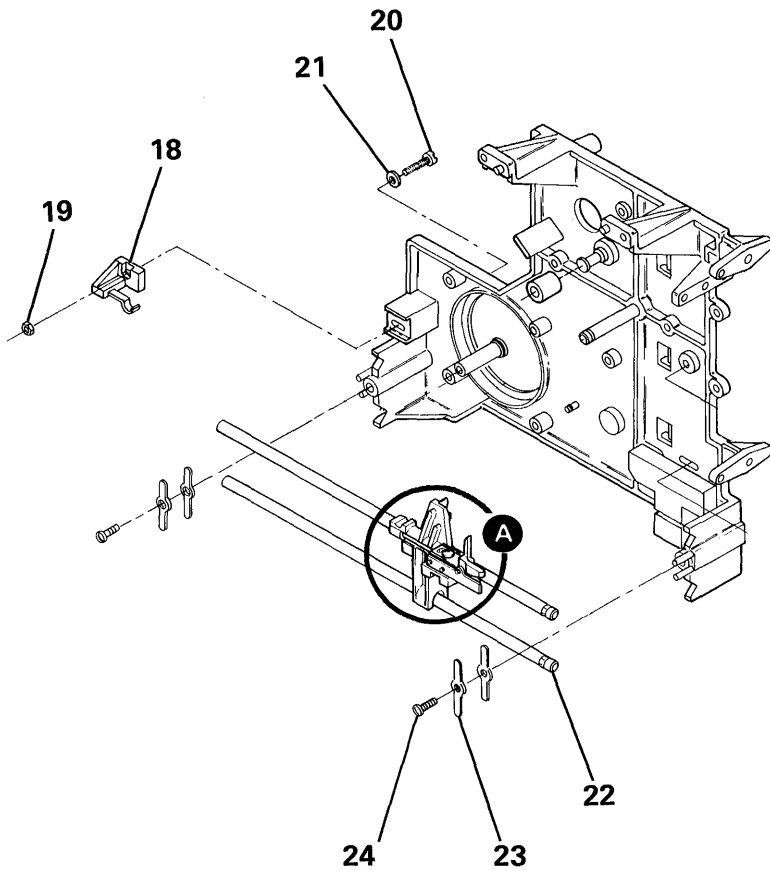
Figure 37. 72MD PICKER/CAM ASSEMBLY (Part 2 of 2)

**For Parts
Not Shown
See Fig. 37**



INDEX NUMBER	PART NUMBER	UNITS /ASM	DESCRIPTION FOR FIGURE 38			
			1	2	3	4
38	2462415		72MD PICKER/CAM ASSEMBLY			
-	1 2462448	1	• Belt			
-	2 2462451	1	• Pulley			
-	3 5563687	1	• Flange			
-	4 2462452	1	• Clamp			
-	5 1621512	1	• Screw, Soc-Cap Hd M4 x .7 x 16 Lg			
-	6 1622318	1	• Washer, Lock-Spring 4.1 ID x 7.5 OD x .9 Thk			
-	7 2462479	1	• Bumper			
-	8 2462465	1	• Picker Assembly			
-	9 1621192	1	• Screw, Mach-Slot Pan Hd M4 x .7 x 12 Lg			
-	10 1621193	1	• Screw, Mach-Slot Pan Hd M4 x .7 x 16 Lg			
-	11 35229	1	• Washer, 11/64 ID x 7/16 OD			
-	12 2462453	1	• Pulley			
-	13 1621190	1	• Screw, Mach-Slot Pan Hd M4 x .7 x 8 Lg			
-	14 2462456	1	• Spring			
-	15 2462461	1	• Cam			
-	16 237245	1	• Ring, Retaining 5/16 ID x 11/32 Thk			
-	17 2462462	1	• Washer, 10.5 ID x 16 OD x .8 Thk			

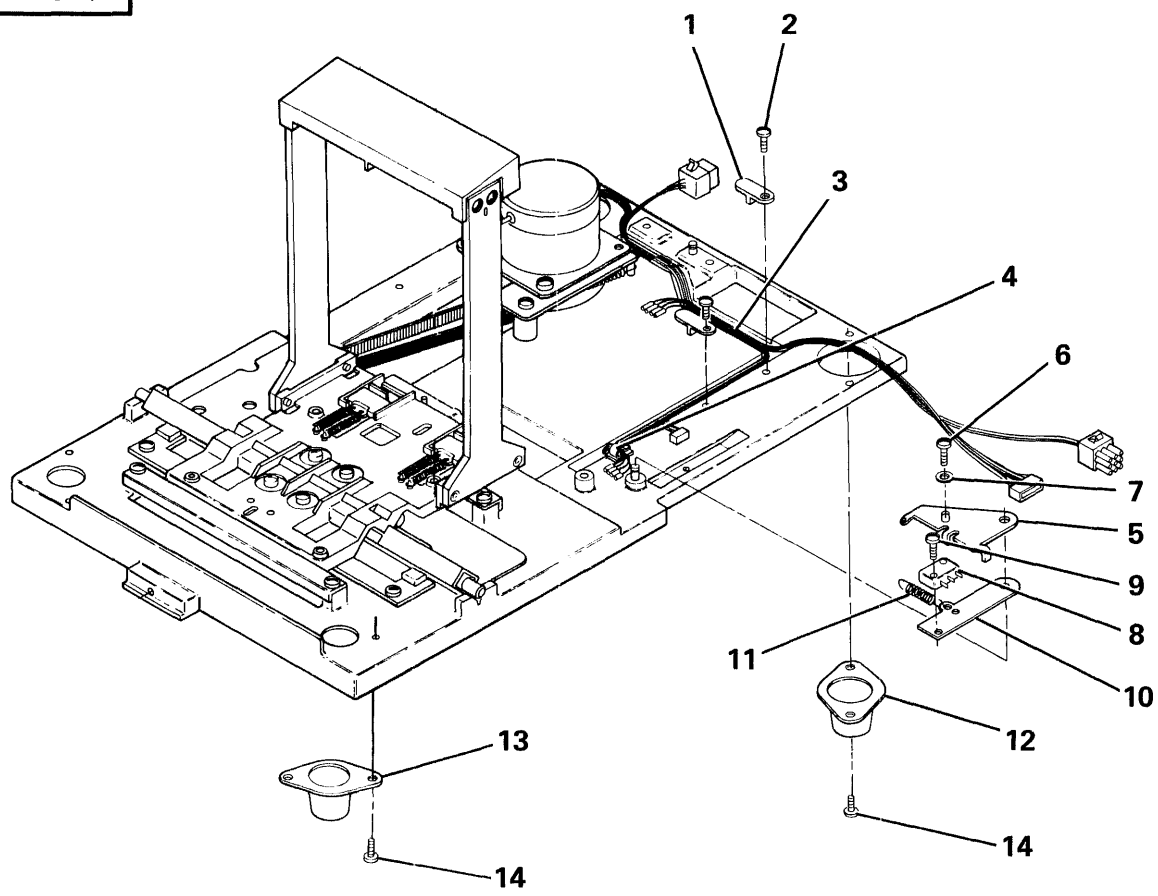
Figure 38. 72MD PICKER/CAM ASSEMBLY (Part 1 of 2)



INDEX NUMBER	PART NUMBER	UNITS /ASM	DESCRIPTION FOR FIGURE 38				
			1	2	3	4	
38 - 18	2462474	1	•	•	•	•	Detent
- 19	1622403	1	•	•	•	•	Nut,Hex-Double Chamfer M4 x 7 Fl W x 3.2 Thk
- 20	1621192	1	•	•	•	•	Screw,Mach-Slot Pan Hd M4 x .7 x 12 Lg
- 21	35229	1	•	•	•	•	Washer, 11/64 ID x 7/16 OD
- 22	2462436	2	•	•	•	•	Rod
- 23	2462334	4	•	•	•	•	Clamp
- 24	2462685	2	•	•	•	•	Screw,Thd-form M4 x .7 x 10 Lg
- 25	2462616	1	•	•	•	•	Picker Assembly
- 26	2462468	1	•	•	•	•	• Carriage
- 27	2462495	1	•	•	•	•	• Arm, Stationary
- 28	2462497	1	•	•	•	•	• Arm, Spring
- 29	1621174	2	•	•	•	•	• Screw,Mach-Slot Pan Hd M3 x .5 x 16 Lg
- 30	2462569	1	•	•	•	•	• Spring
- 31	1621193	1	•	•	•	•	• Screw,Mach-Slot Pan Hd M4 x .7 x 16 Lg
- 32	1622403	1	•	•	•	•	• Nut,Hex-Double Chamfer M4 x 7 Fl W x 3.2 Thk
- 33	2462568	1	•	•	•	•	• Stripper
- 34	2462571	1	•	•	•	•	• Screw,Shoulder M3 x 14 Lg

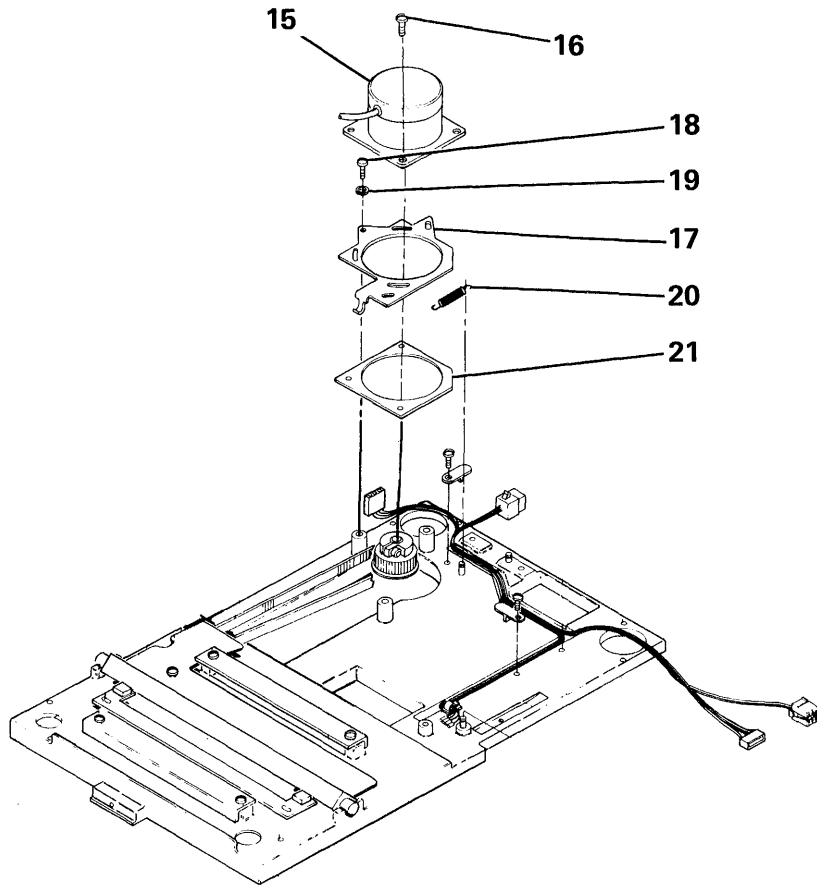
Figure 38. 72MD PICKER/CAM ASSEMBLY (Part 2 of 2)

**For Parts
Not Shown
See Fig. 38**



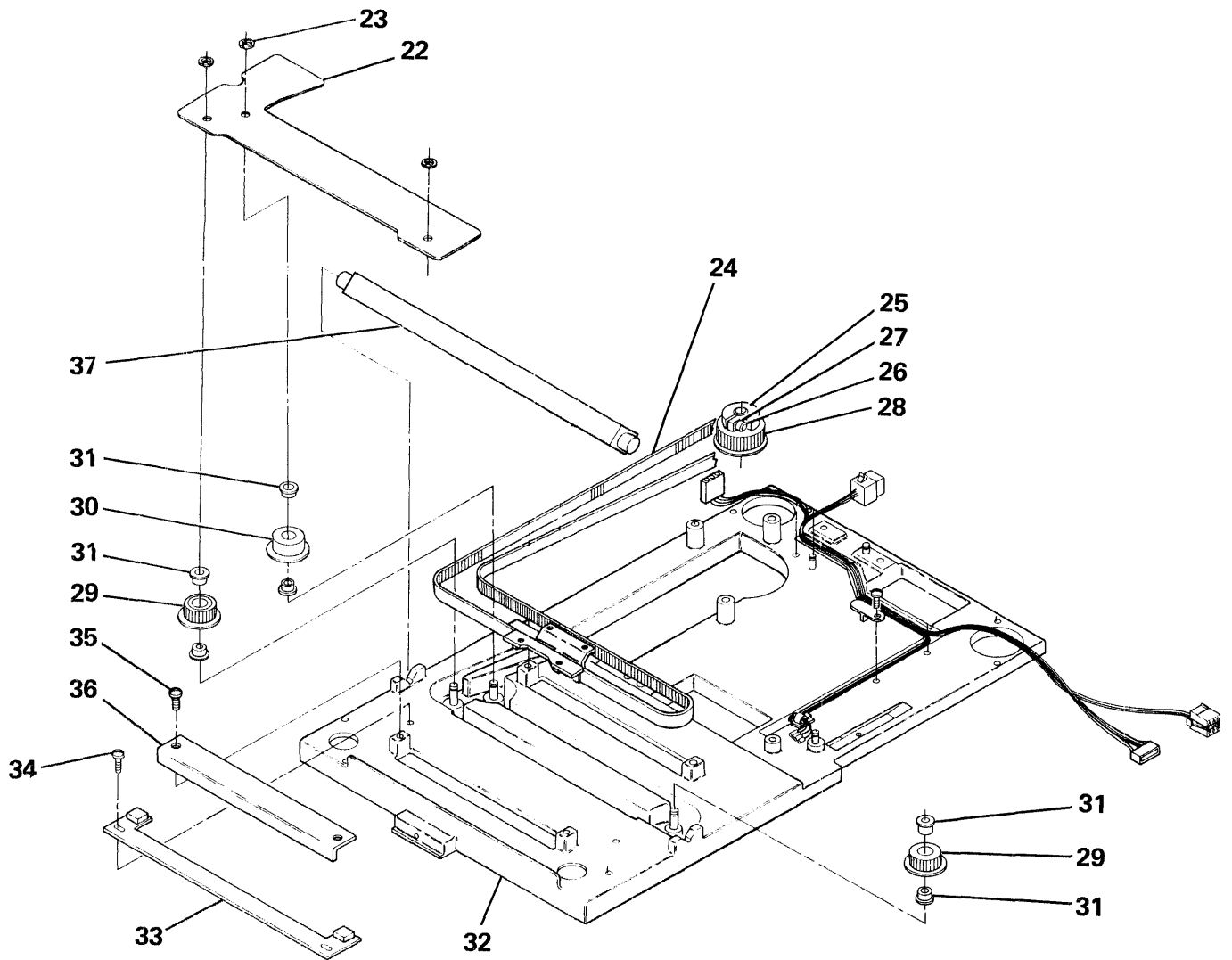
INDEX NUMBER	PART NUMBER	UNITS /ASM	1 2 3 4	DESCRIPTION FOR FIGURE 39
39	2462416			72MD BASE CASTING ASSEMBLY
- 1	2462444	3		• Retainer
- 2	2462685	3		• Screw,Thd-form M4 x .7 x 10 Lg
- 3	2462587	1		• Cable Assembly
- 4	2596275	1		• Clamp
- 5	2462699	1		• Bracket
- 6	1621190	1		• Screw,Mach-Slot Pan Hd M4 x .7 x 8 Lg
- 7	35229	1		• Washer, 11/64 ID x 7/16 OD
- 8	5616743	1		• Switch
- 9	1621173	2		• Screw,Mach-Slot Pan Hd M3 x .5 x 12 Lg
- 10	2462698	1		• Bracket
- 11	58853	1		• Spring
- 12	2462604	2		• Shockmount, Rear
- 13	2545982	2		• Shockmount, Front
- 14	2462685	8		• Screw,Thd-form M4 x .7 x 10 Lg

Figure 39. 72MD BASE CASTING ASSEMBLY (Part 1 of 3)



INDEX NUMBER	PART NUMBER	UNITS /ASM	DESCRIPTION FOR FIGURE 39				
			1	2	3	4	
39 - 15	2462561	1	•				Motor
- 16	1621192	3	•				Screw, Mach-Slot Pan Hd M4 x .7 x 12 Lg
- 17	2462445	1	•				Bracket
- 18	2462686	3	•				Screw, Thd-form M4 x .7 x 16 Lg
- 19	35229	3	•				Washer, 11/64 ID x 7/16 OD
- 20	2462455	1	•				Spring
- 21	2462622	1	•				Plate

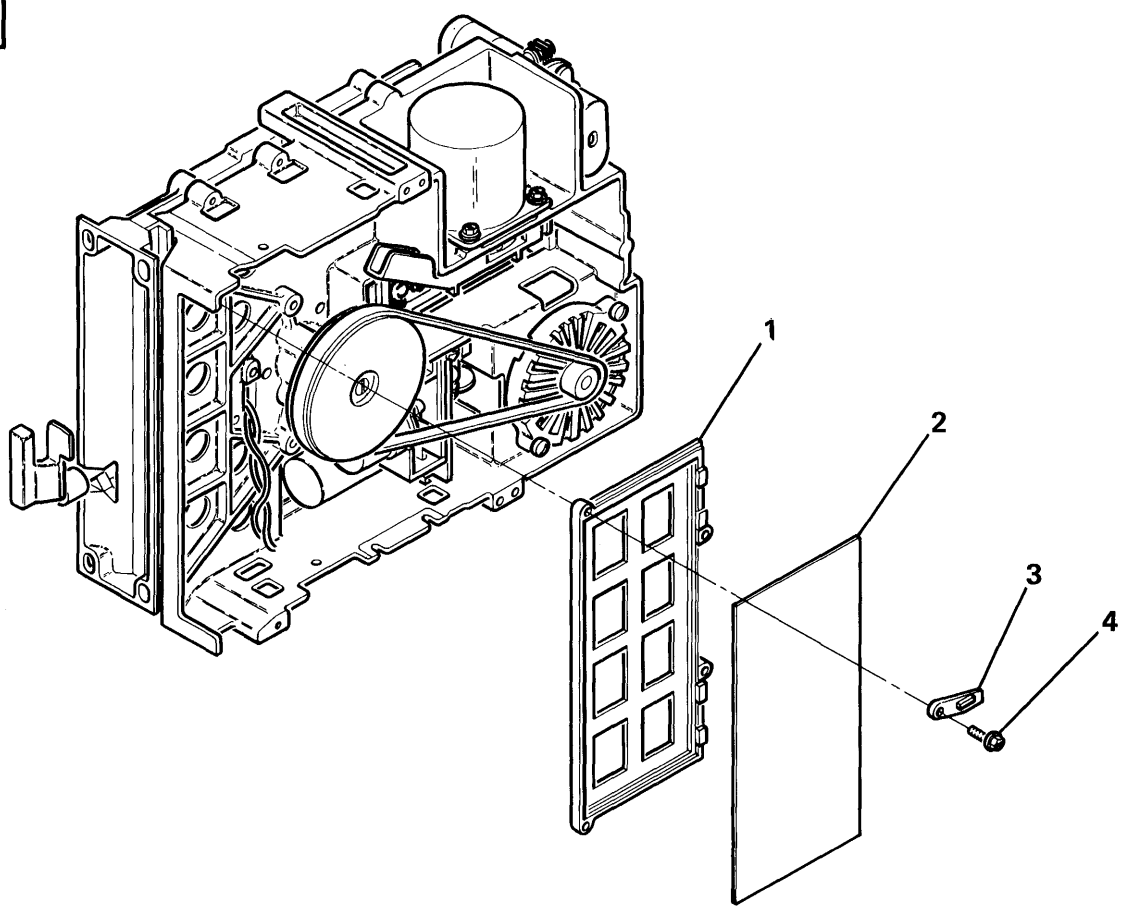
Figure 39. 72MD BASE CASTING ASSEMBLY (Part 2 of 3)



INDEX NUMBER	PART NUMBER	UNITS /ASM	DESCRIPTION FOR FIGURE 39			
			1	2	3	4
39 - 22	5563654	1	•	Shield, Belt		
- 23	1092125	3	•	Clip, Retaining 5/32 Groove Dia		
- 24	2462494	1	•	Belt Assembly		
- 25	2462452	1	•	Clamp		
- 26	1621512	1	•	Screw, Soc-Cap Hd M4 x .7 x 16 Lg		
- 27	1622318	1	•	Washer, Lock-Spring 4.1 ID x 7.5 OD x .9 Thk		
- 28	2462450	1	•	Pulley		
- 29	2462475	2	•	Pulley		
- 30	2462440	1	•	Pulley		
- 31	2462441	6	•	Bushing		
- 32	2462533	1	•	Base		
- 33	2462492	1	•	Carriage, Stop		
- 34	1621190	2	•	Screw, Mach-Slot Pan Hd M4 x .7 x 8 Lg		
- 35	1621308	4	•	Screw, Slot-Flat Hd M4 x .7 x 8 Lg		
- 0				The Following Are Not Part Of This Assembly		
- 36	2462439	2	•	Stabilizer		
- 37	2462438	1	•	Guide Way		

Figure 39. 72MD BASE CASTING ASSEMBLY (Part 3 of 3)

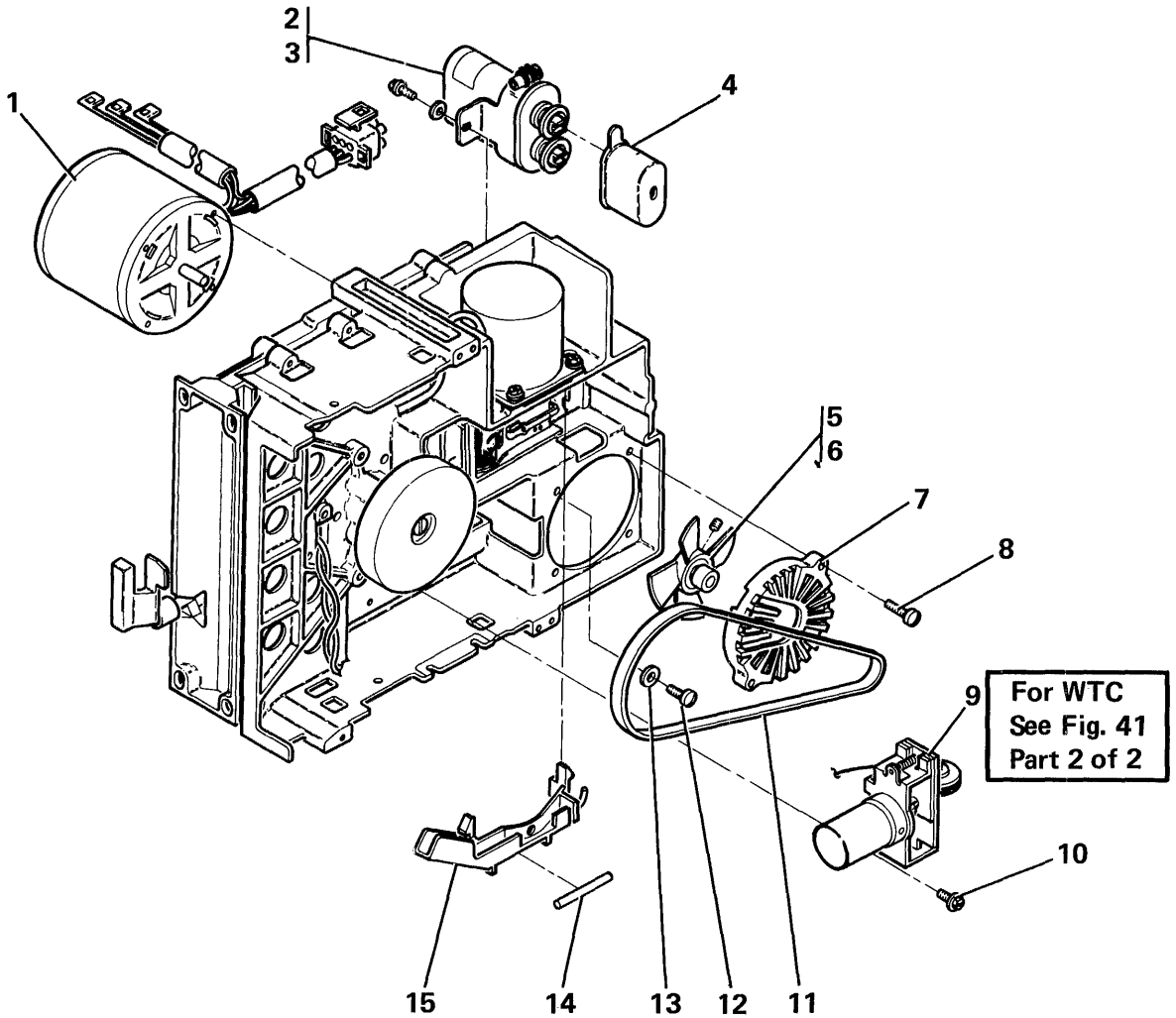
For Parts
Not Shown
See Fig. 13



INDEX NUMBER	PART NUMBER	UNITS /ASM	DESCRIPTION FOR FIGURE 40			
			1	2	3	4
40 -	4240521 NR 4240523 NR		51TD FINAL ASSEMBLY 51TD 200-240/50 Hz 51TD 200-240/60 Hz			
- 1	4240638	1	• Card Holder			
- 2	xxxxxxx	1	• Card Assembly (51TD)			
- 3	4240584	2	• Card Retainer			
- 4	2462686	4	• Screw,Thd-form M4 x .7 x 16 Lg			

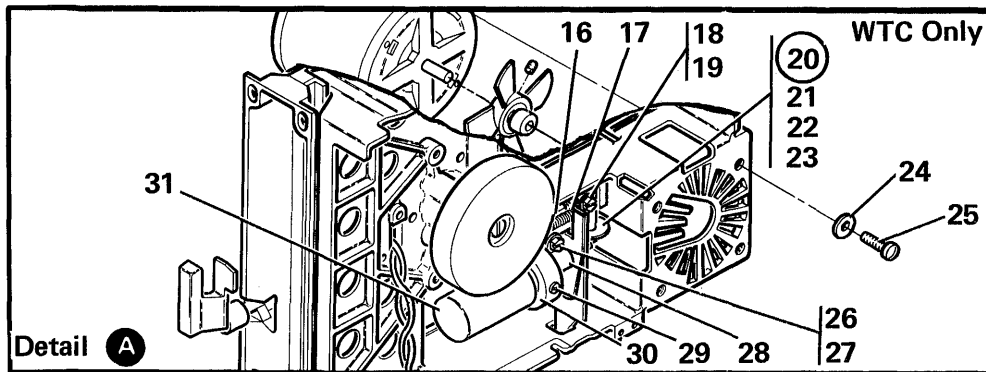
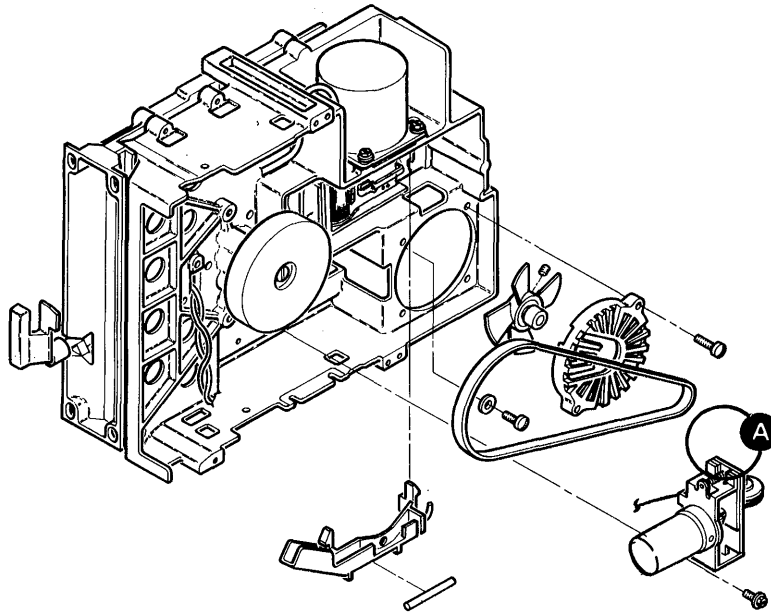
Figure 40. 51TD FINAL ASSEMBLY (Part 1 of 1)

For Parts
Not Shown
See Fig. 40



INDEX NUMBER	PART NUMBER	UNITS /ASM	DESCRIPTION FOR FIGURE 41			
			1	2	3	4
41	NO NO.		51TD MOTOR, CAPACITOR AND ACTUATOR ASSEMBLY			
- 1	4240679	1	• Motor Assembly 220V/50-60 Hz			
- 2	4240635	1	• Capacitor Assembly			
- 3	2462686	1	• Screw,Thd-form M4 x .7 x 16 Lg			
- 4	363001	1	• Capacitor Shield			
- 5	4240675	1	• Pulley And Fan - 60 Hz			
- 5	4240673	1	• Pulley And Fan - 50 Hz			
- 6	1621719	1	• Setscrew,Spline Socket M4 x .7 x 5 Lg			
- 7	4240671	1	• Enclosure			
- 8	1621194	2	• Screw,Mach-Slot Pan Hd M4 x .7 x 20 Lg			
- 9	4240666	1	• Actuator Assembly			
- 10	2462685	2	• Screw,Thd-form M4 x .7 x 10 Lg			
- 11	4240605	1	• Belt, 60 Hz			
- 11	4240604	1	• Belt, 50 Hz			
- 12	1621192	2	• Screw,Mach-Slot Pan Hd M4 x .7 x 12 Lg			
- 13	35229	4	• Washer, 11/64 ID x 7/16 OD			
- 14	5562019	1	• Timing Pin			
- 15	4240610	1	• Guide-Hd Lead			

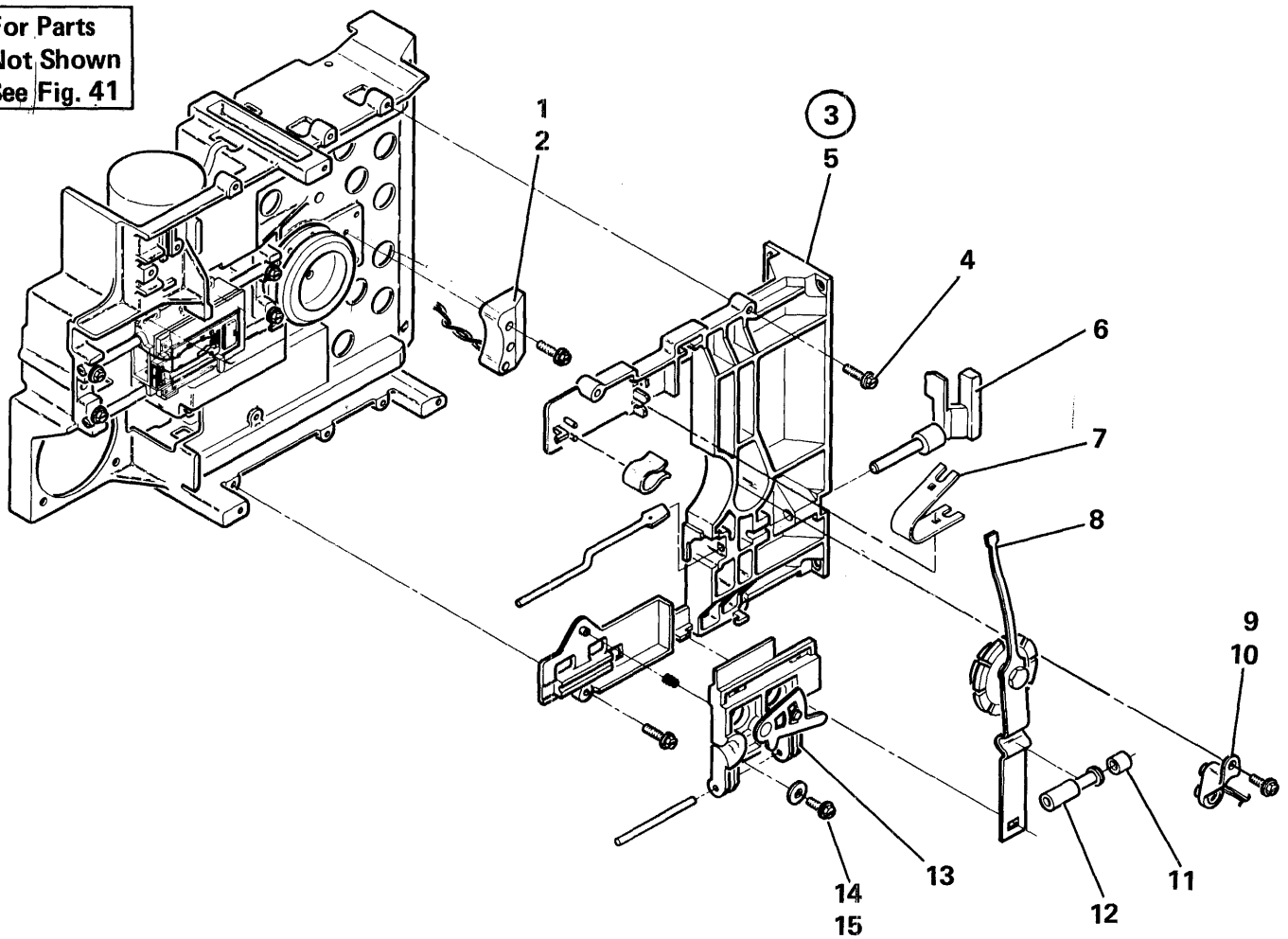
Figure 41. 51TD MOTOR, CAPACITOR AND ACTUATOR ASSEMBLY (Part 1 of 2)



INDEX NUMBER	PART NUMBER	UNITS /ASM	DESCRIPTION FOR FIGURE 41				
			1	2	3	4	
41 - 16	4240563	1	•	Spring (WTC Only)			
- 17	104702	1	•	Pin Dowel 3/16 Dia x 1 Lg (WTC Only)			
- 18	2462685	1	•	Screw,Thd-form M4 x .7 x 10 Lg (WTC Only)			
- 19	35229	1	•	Washer, 11/64 ID x 7/16 OD (WTC Only)			
- 20	2420943	1	•	Pulley Assembly (WTC Only)			
- 21	2420944	1	•	• Shaft (WTC Only)			
- 22	147297	2	•	• Ring,Retaining-Ext 3/32 x 1/32 Thk (WTC Only)			
- 23	1256071	1	•	• Pulley (WTC Only)			
- 24	22478	4	•	Washer,Flat 11/64 ID x 3/8 OD x 1/32 Thk (WTC Only)			
- 25	1621192	4	•	Screw,Mach-Slot Pan Hd M4 x .7 x 12 Lg (WTC Only)			
- 26	2462685	1	•	Screw,Thd-form M4 x .7 x 10 Lg (WTC Only)			
- 27	35229	1	•	Washer, 11/64 ID x 7/16 OD (WTC Only)			
- 28	4240608	1	•	Bumper (WTC Only)			
- 29	5562115	1	•	Setscrew, 10-32 x 4.76 Lg (WTC Only)			
- 30	2420946	1	•	Plate (WTC Only)			
- 31	4240568	1	•	Solenoid Assembly (WTC Only)			

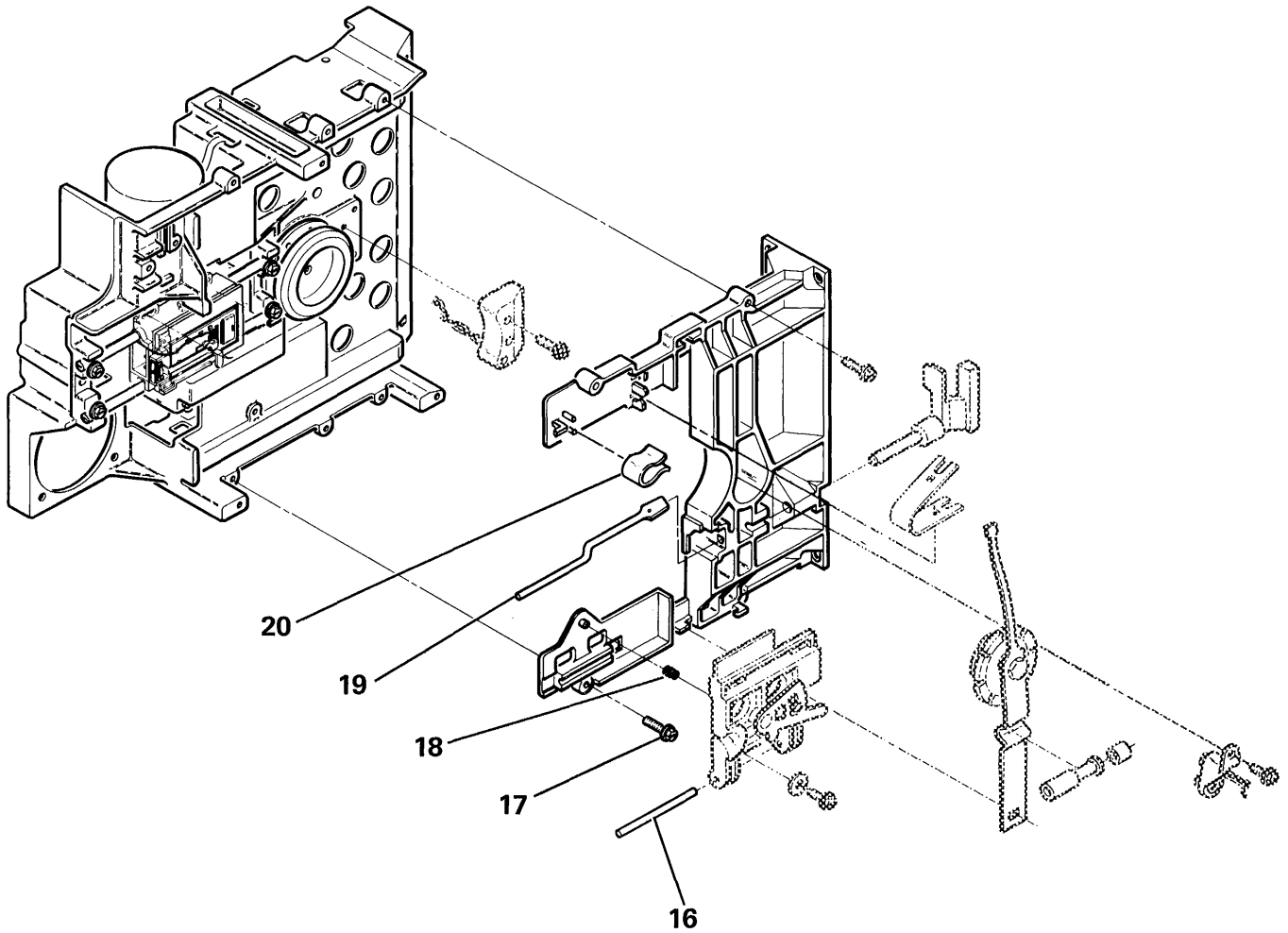
Figure 41. 51TD MOTOR, CAPACITOR AND ACTUATOR ASSEMBLY (Part 2 of 2)

For Parts
Not Shown
See Fig. 41



INDEX NUMBER	PART NUMBER	UNITS /ASM	1 2 3 4	DESCRIPTION FOR FIGURE 42
42	NO NO.			51TD GUIDE AND CLAMPING ASSEMBLY
- 1	4240576	1		• PTX Assembly
- 2	2462686	1		• Screw,Thd-form M4 x .7 x 16 Lg
- 3	4240684	1		• Guide Assembly
- 4	2462686	4		• Screw,Thd-form M4 x .7 x 16 Lg
- 5	4240663	1		• • Guide
- 6	4177829	1		Handle, Not Furnished With Drive
- 7	4240631	1		• • Tension Spring, Tool
- 8	4240589	1		• • Collet Assembly
- 9	4240661	1		• • LED Assembly
- 10	1621193	1		• • Screw,Mach-Slot Pan Hd M4 x .7 x 16 Lg
- 11	4240687	1		• • Roll
- 12	4240614	1		• • Roller
- 13	4240580	1		• • Bail Assembly
- 14	1621192	1		• • Screw,Mach-Slot Pan Hd M4 x .7 x 12 Lg
- 15	49374	1		• • Washer,Flat No. 10 x 17/32 OD x 5/64 Thk

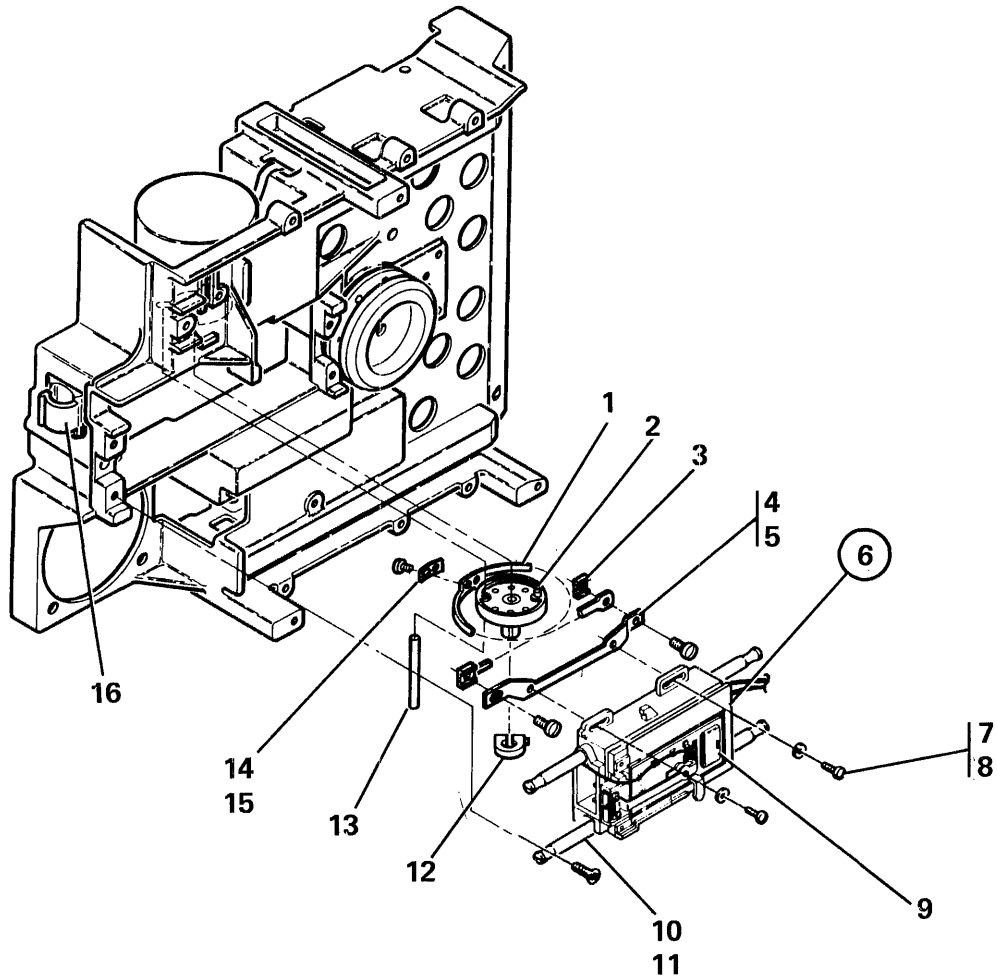
Figure 42. 51TD GUIDE AND CLAMPING ASSEMBLY (Part 1 of 2)



INDEX NUMBER	PART NUMBER	UNITS /ASM	DESCRIPTION FOR FIGURE 42			
			1	2	3	4
42 - 16	2462574	1	•	•	Pin	
- 17	2462686	1	•	•	Screw,Thd-form M4 x .7 x 16 Lg	
- 18	4240583	1	•	•	Spring	
- 19	4240592	1	•	•	Lever	
- 20	4240632	1	•	•	Retainer Spring, Tool	

Figure 42. 51TD GUIDE AND CLAMPING ASSEMBLY (Part 2 of 2)

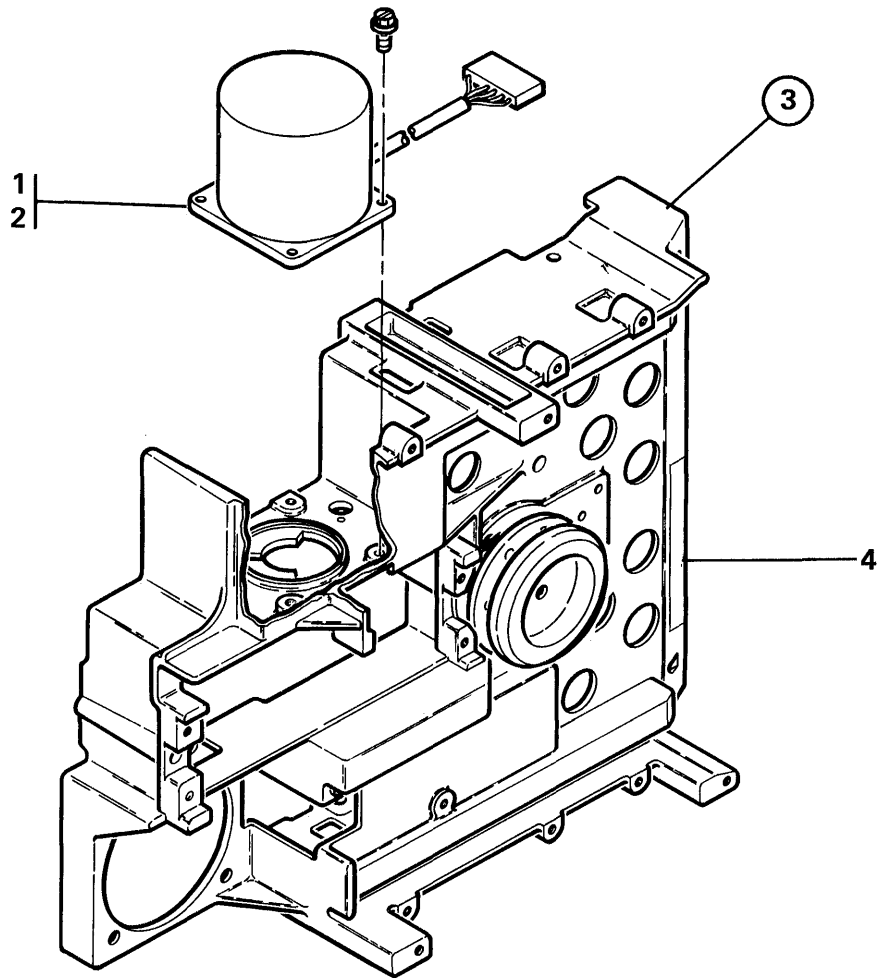
For Parts
Not Shown
See Fig. 42



INDEX NUMBER	PART NUMBER	UNITS /ASM	DESCRIPTION FOR FIGURE 43			
			1	2	3	4
43	NO NO.		51TD CARRIAGE AND PULLEY ASSEMBLY			
- 1	4240596	1	• Drive Band			
- 2	4240594	1	• Pulley Assembly			
- 3	4240601	1	• Clamp			
- 4	4240600	1	• Mounting Bracket			
- 5	1621170	2	• Screw, Mach-Slot Pan Hd M3 x .5 x 6 Lg			
- 6	4240620	1	• Head Carriage			
- 7	1622302	2	• Washer, Flat 3.2 ID x 7 OD x .5 Thk			
- 8	1621170	2	• Screw, Mach-Slot Pan Hd M3 x .5 x 6 Lg			
- 9	2743512	1	• • Load Pad			
- 10	4240573	2	• Guide Rod			
- 11	4240648	4	• Screw, Thd-Form M4 x 0.7 x 12-.8 Lg			
- 12	2305493	1	• Clamp Assembly			
- 13	5562019	1	• Timing Pin			
- 14	4240599	1	• Clamp			
- 15	1621170	1	• Screw, Mach-Slot Pan Hd M3 x .5 x 6 Lg			
- 16	2596291	1	• Clamp			

Figure 43. 51TD CARRIAGE AND PULLEY ASSEMBLY (Part 1 of 1)

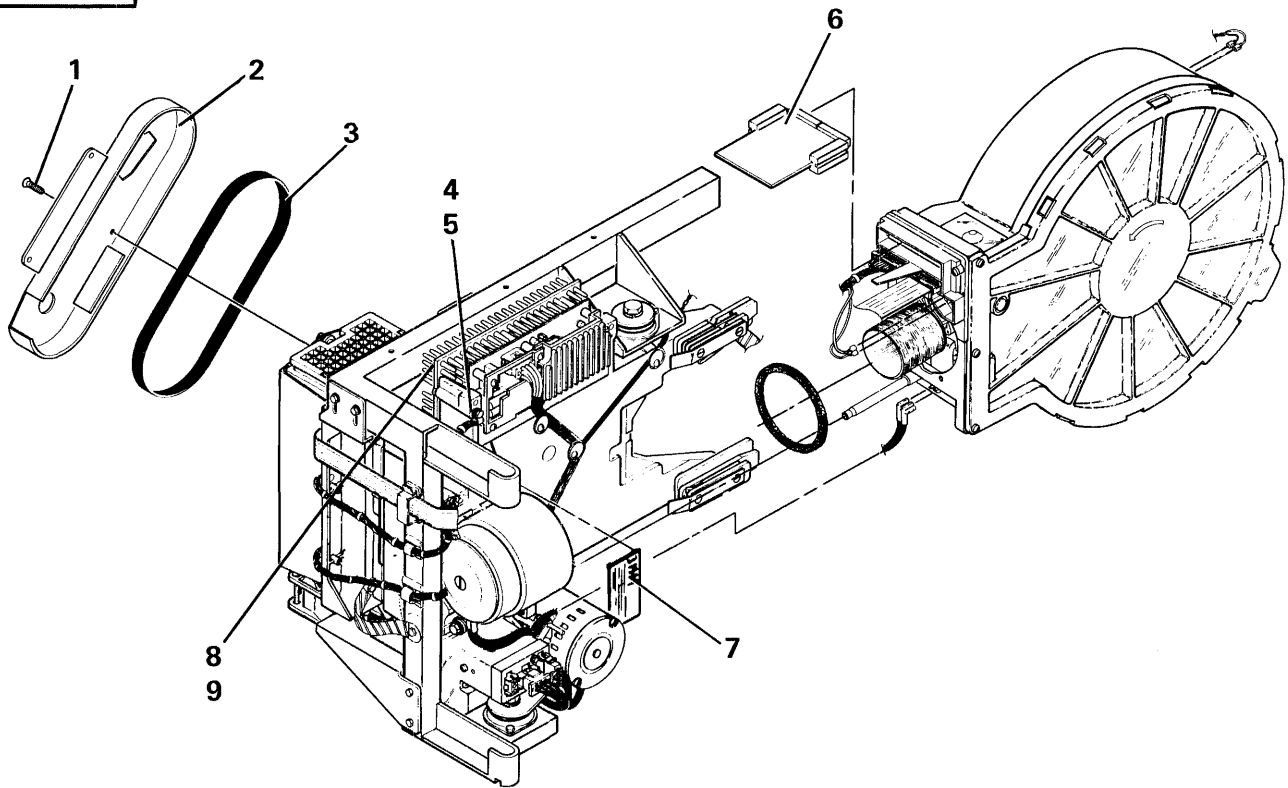
For Parts
Not Shown
See Fig. 43



INDEX NUMBER	PART NUMBER	UNITS /ASM	DESCRIPTION FOR FIGURE 44			
			1	2	3	4
44	NO NO.					
- 1	4240593	1				51TD CASTING AND SPINDLE ASSEMBLY
- 2	2460645	3				• Stepper Motor
- 3	4240646	1				• Screw, Thd Form M4 x .7 x 10 Lg
- 4	4240625	1				• Casting and Spindle Asm
						• • Tape

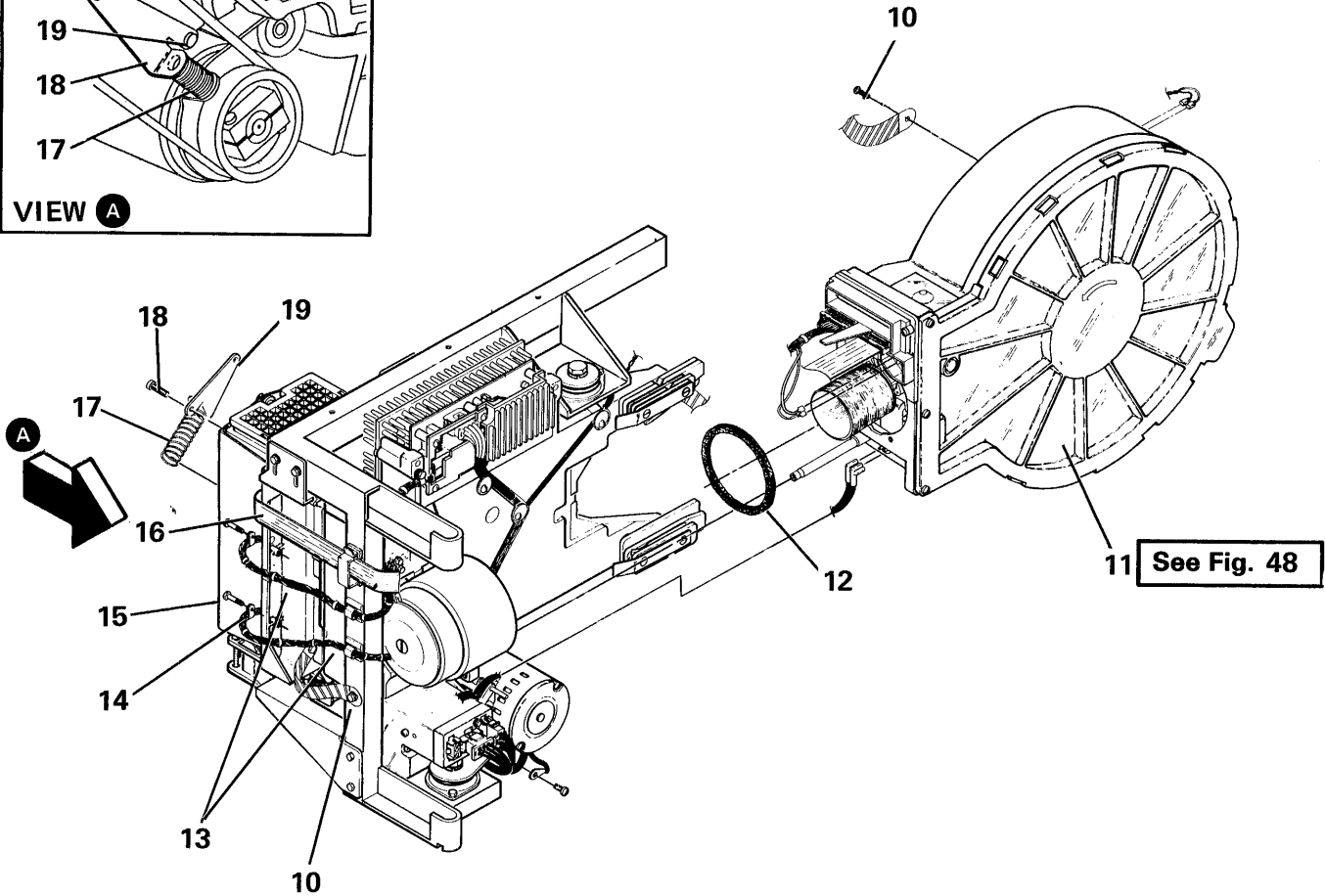
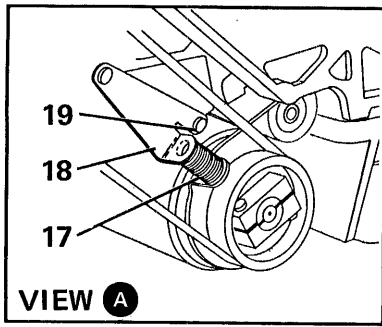
Figure 44. 51TD CASTING AND SPINDLE ASSEMBLY (Part 1 of 1)

For Parts
Not Shown
See Fig. 8



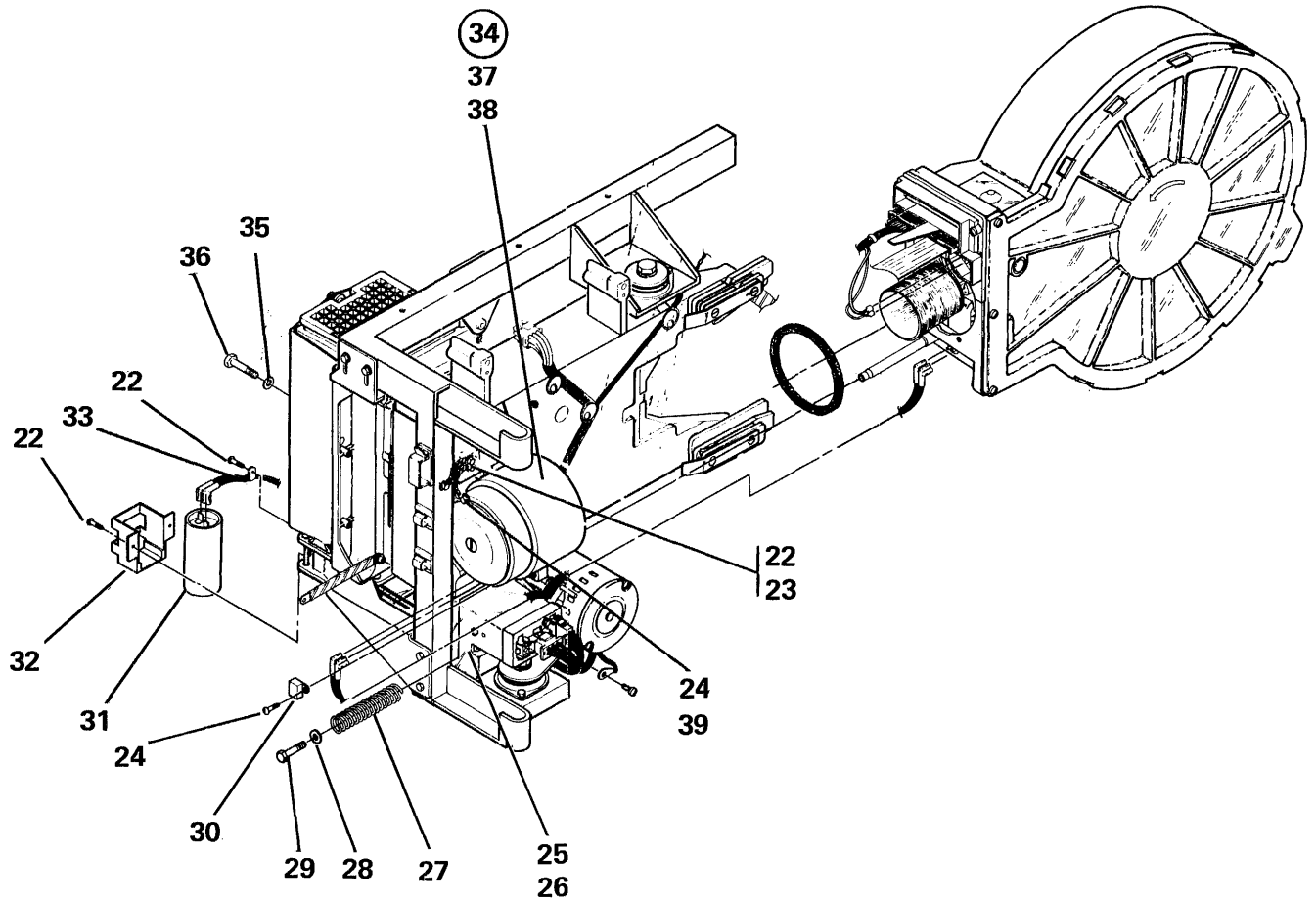
INDEX NUMBER	PART NUMBER	UNITS /ASM	DESCRIPTION FOR FIGURE 45			
			1	2	3	4
45	1615310 NR 1615313 NR					10SR FINAL ASM 10SR File, 200-240V 60 Hz Model 1 10SR File, 200-240V 50 Hz Model 1
-	6493610 NR 6493613 NR 1621320	3				10SR File, 200-240V 60 Hz Model 2 10SR File, 200-240V 50 Hz Model 2 • Screw, Slotted Flat Hd M5 x .8 x 10 Lg
-	1615345	1				• Shield
-	1615379	1				• Belt, 60 Hz
-	1615380	1				• Belt, 50 Hz
-	2102365	1				• Clamp
-	1621190	1				• Screw, Mach-Slot Pan Hd M4 x .7 x 8 Lg
-	811804	1				• Guide
-	2439736	1				• Label, 200-240V 60 Hz
-	2439734	1				• Label, 200-240V 50 Hz
-	5811818	1				• VCM Driver
-	1621211	2				• Screw, Mach-Slot Pan Hd M5 x .8 x 12 Lg

Figure 45. 10SR FINAL ASM (Part 1 of 4)



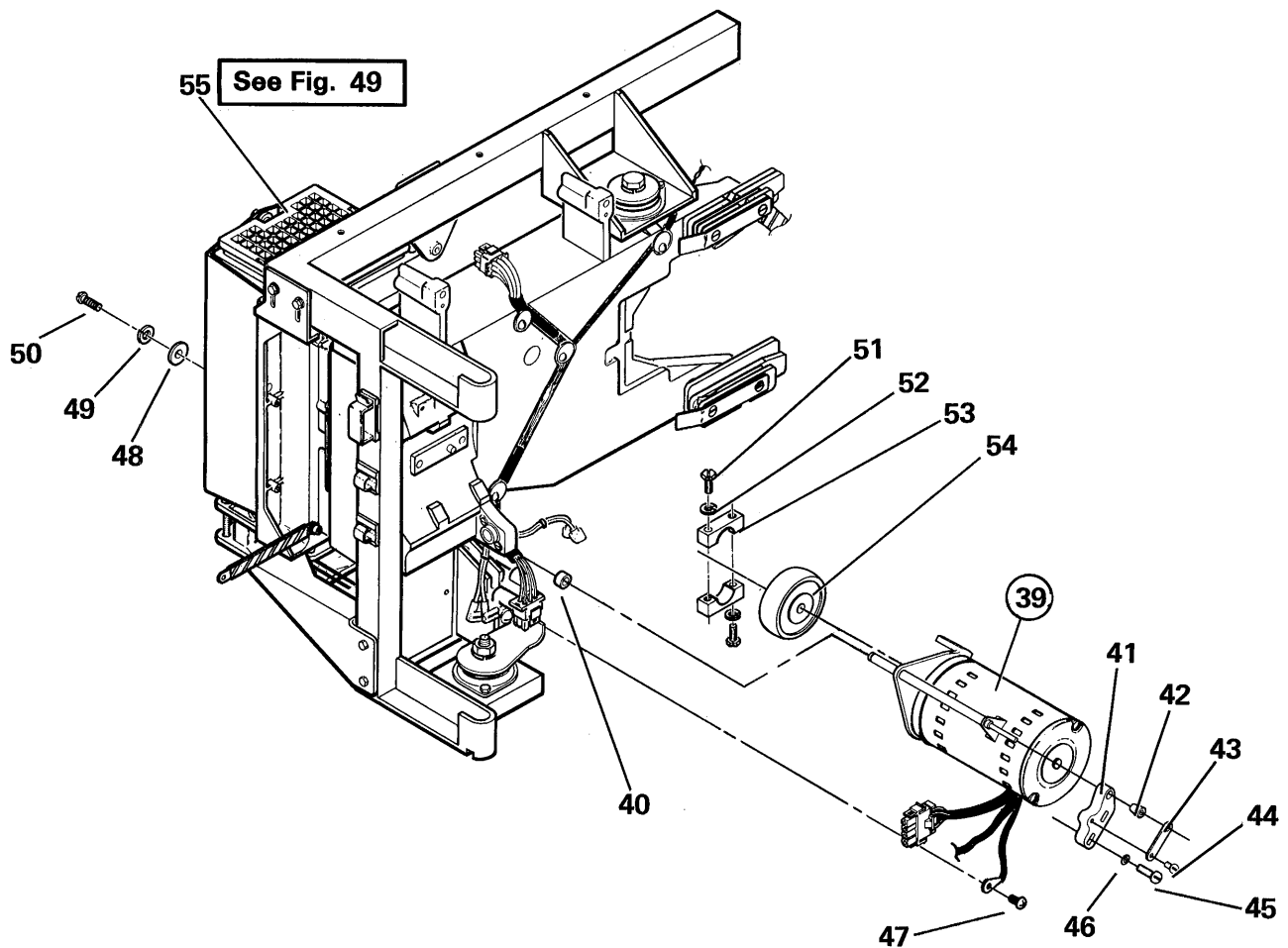
INDEX NUMBER	PART NUMBER	UNITS /ASM	DESCRIPTION FOR FIGURE 45				
			1	2	3	4	
45 -	10	2595039	2	• Screw,Thd-Form Hex-Wshr Hd M5 x .8 x 10-.8 Lg			
-	11	1615600	1	• Head/Disk Group-Model 1			
-	11	6493600	1	• Head/Disk Group-Model 2			
-	12	1615531	1	• Seal			
-	13	1615509	1	• Cable Asm			
-	14	2103365	2	• Clamp			
-	15	1621811	2	• Screw,Thd-Form Hex-Wshr Hd M4 x .7 x 10 Lg			
-	16	1615508	1	• Cable Asm			
-	17	1615644	1	• Spring, Motor Tension			
-	18	1621210	2	• Screw,Mach-Slot Pan Hd M5 x .8 x 10 Lg			
-	19	1615492	1	• Bracket, Tension Spring			

Figure 45. 10SR FINAL ASM (Part 2 of 4)



INDEX NUMBER	PART NUMBER	UNITS /ASM	DESCRIPTION FOR FIGURE 45				
			1	2	3	4	
45 -	22	2549782	3	• Screw,Thd-Form Hex-Wshr Hd M5 x .8 x 10-.8 Lg			
	23	5811833	3	• Washer			
	24	5811804	1	• Clamp			
-	25	1615591	1	• Control Asm, 200-240V			
-	26	1621218	2	• Screw,Mach-Slot Pan Hd M5 x .8 x 45 Lg			
-	27	1615678	1	• Spring			
-	28	1615273	1	• Washer,Flat 6.5 ID x 16.5 OD x 1.5 Thk			
-	29	1695142	1	• Screw,Hex Cap Hd M6 x 1 x 16 Lg			
-	30	1615681	1	• Cover			
-	31	1615703 NR	1	• Capacitor, 200-240V (Included with Motor Asm)			
-	32	1615485	1	• Clamp			
-	33	169698	1	• Clamp			
-	34	5811812	1	• VCM Group			
-	35	1622320	2	• Washer,Lock-Spring 6.1 ID x 11.8 OD x 1.6 Thk			
-	36	1621605	2	• Screw,Hex-Cap Hd M6 x 1 x 60 Lg			
-	37	1615328 NR	1	• • VCM Asm			
-	38	4248945	1	• • Clean Kit			
-	39	1673723	1	• Screw			

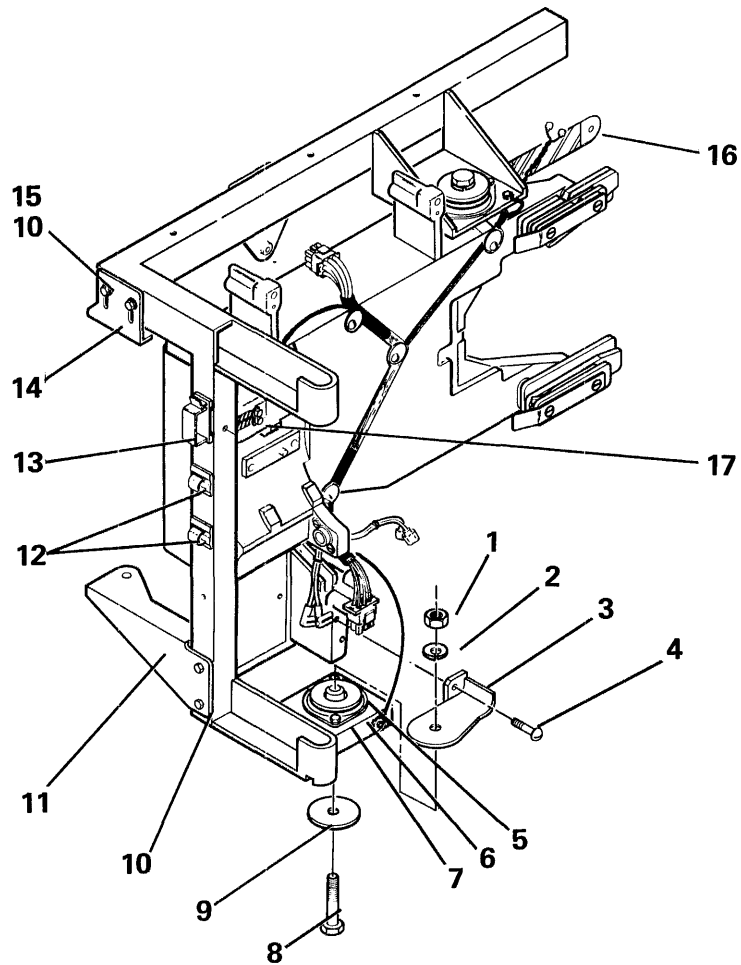
Figure 45. 10SF FINAL ASM (Part 3 of 4)



INDEX NUMBER	PART NUMBER	UNITS /ASM	DESCRIPTION FOR FIGURE 45			
			1	2	3	4
45 -	39	4248988	1	•	Motor Asm & Capacitor,200-240 60 Hz	
-	39	4248990	1	•	Motor Asm & Capacitor,200-240 50 Hz	
-	40	2439775	1	•	Spacer	
-	41	1615413	1	•	Bracket	
-	42	1615412	1	•	Collet	
-	43	1615480	1	•	Keeper	
-	44	1621190	1	•	Screw,Mach-Slot Pan Hd M4 x .7 x 8 Lg	
-	45	1621213	2	•	Screw,Mach-Slot Pan Hd M5 x .8 x 20 Lg	
-	46	1622347	2	•	Washer,Lock-Ext Star 5.3 ID x 10 OD x .6 Thk	
-	47	1621210	1	•	Screw,Mach-Slot Pan Hd M5 x .8 x 10 Lg	
-	48	1622305 NR	1	•	Washer,(Included with Motor Asm)	
-	49	1622319 NR	1	•	Washer,(Included with Motor Asm)	
-	50	1621210 NR	1	•	Screw,(Included with Motor Asm)	
-	51	1621599	2	•	Screw,(Included with Motor Asm)	
-	52	1622320	3	•	Washer,(Included with Motor Asm)	
-	53	1615366	2	•	Clamp (Included with Motor Asm)	
-	54	1615365 NR	1	•	Pully, 60 Hz (Included with Motor Asm)	
-	54	1615215 NR	1	•	Pully, 50 Hz (Included with Motor Asm)	
-	55	1615307	1	•	Gate Asm, 200-240V	

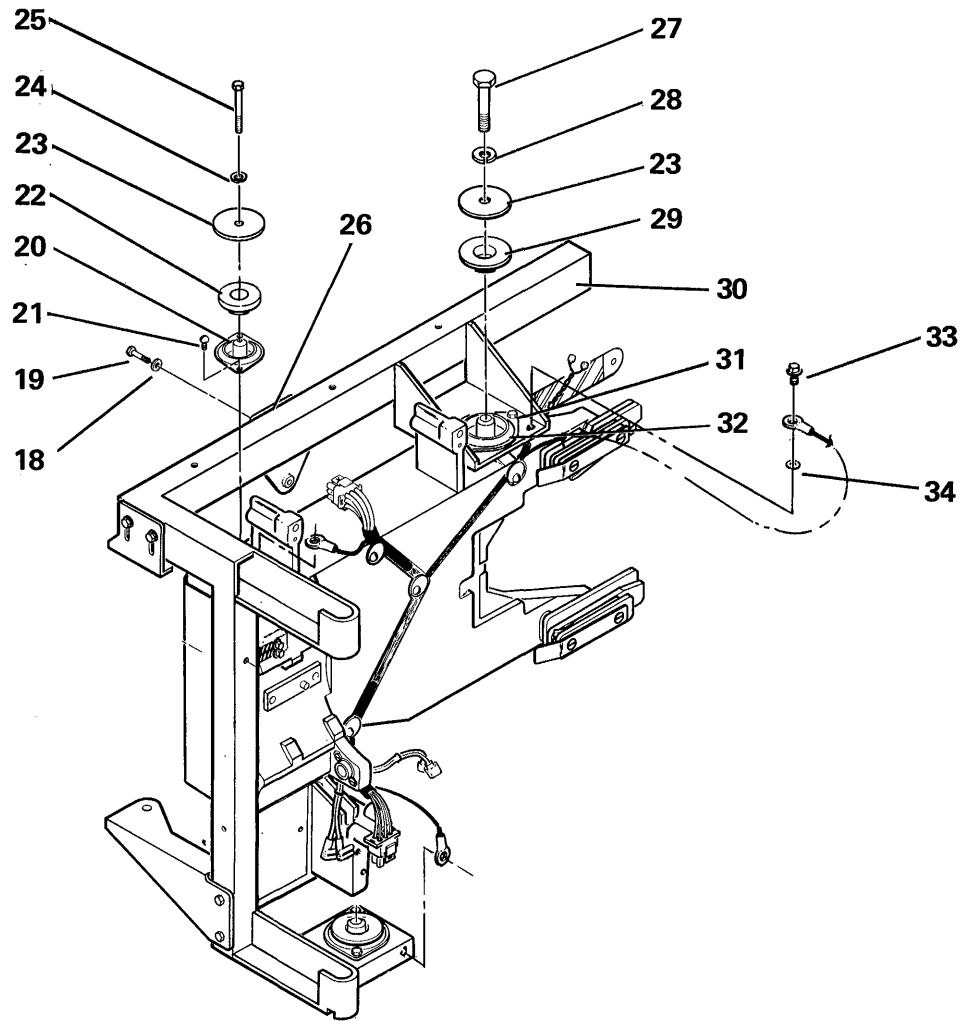
Figure 45. 10SR FINAL ASM (Part 4 of 4)

**For Parts
Not Shown
See Fig. 45**



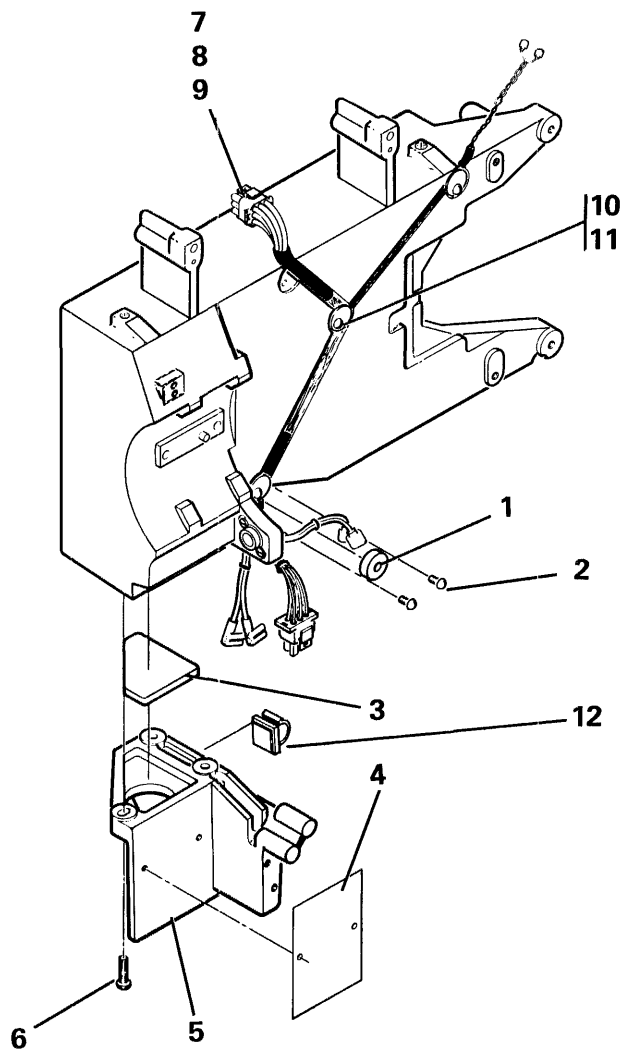
INDEX NUMBER	PART NUMBER	UNITS /ASM	DESCRIPTION FOR FIGURE 46			
			1	2	3	4
46	NO NO.		10SR FRAME ASM			
- 1	1622406	1	• Nut,Hex-Double Chamfer M8 x 13 FI W x 6.5 Thk			
- 2	1622321	1	• Washer,Lock-Spring 8.1 ID x 14.8 OD x 2 Thk			
- 3	1615484	1	• Bracket			
- 4	1621230	2	• Screw,Mach-Slot Pan Hd M6 x 1 x 12 Lg			
- 5	1615687	1	• Snubber			
- 6	1615505	1	• Shockmount			
- 7	7362130	2	• Screw,Thd-Form Hex-Wshr Hd M4 x .7 x 10 Lg			
- 8	1621549	1	• Screw,Hex Cap Hd M8 x 1.25 x 40 Lg			
- 9	1615472	1	• Disk			
- 10	4236318	5	• Screw,Thd-Form Hex-Wshr Hd M5 x .8 x 12-.8 Lg			
- 11	1615453	1	• Bracket			
- 12	2596291	2	• Clamp			
- 13	5811801	1	• Clamp			
- 14	1615452	1	• Bracket			
- 15	1622305	2	• Washer,Flat 5.5 ID x 10 OD x 1 Thk			
- 16	2439776	1	• Jumper Asm			
- 17	2439741	2	• Jumper Asm			

Figure 46. 10SR FRAME ASM (Part 1 of 2)



INDEX NUMBER	PART NUMBER	UNITS /ASM	DESCRIPTION FOR FIGURE 46			
			1	2	3	4
46 - 18	1622305	2	•	•	•	•
- 19	4236318	2	•	•	•	•
- 20	1615348	1	•	•	•	•
- 21	7362130	4	•	•	•	•
- 22	1615688	1	•	•	•	•
- 23	1615472	4	•	•	•	•
- 24	1622320	1	•	•	•	•
- 25	1621601	1	•	•	•	•
- 26	1615471	1	•	•	•	•
- 27	1621549	1	•	•	•	•
- 28	1622321	1	•	•	•	•
- 29	1615687	1	•	•	•	•
- 30	8636657	1	•	•	•	•
- 31	1621811	2	•	•	•	•
- 32	1615505	1	•	•	•	•
- 33	7362130	3	•	•	•	•
- 34	1622346	3	•	•	•	•

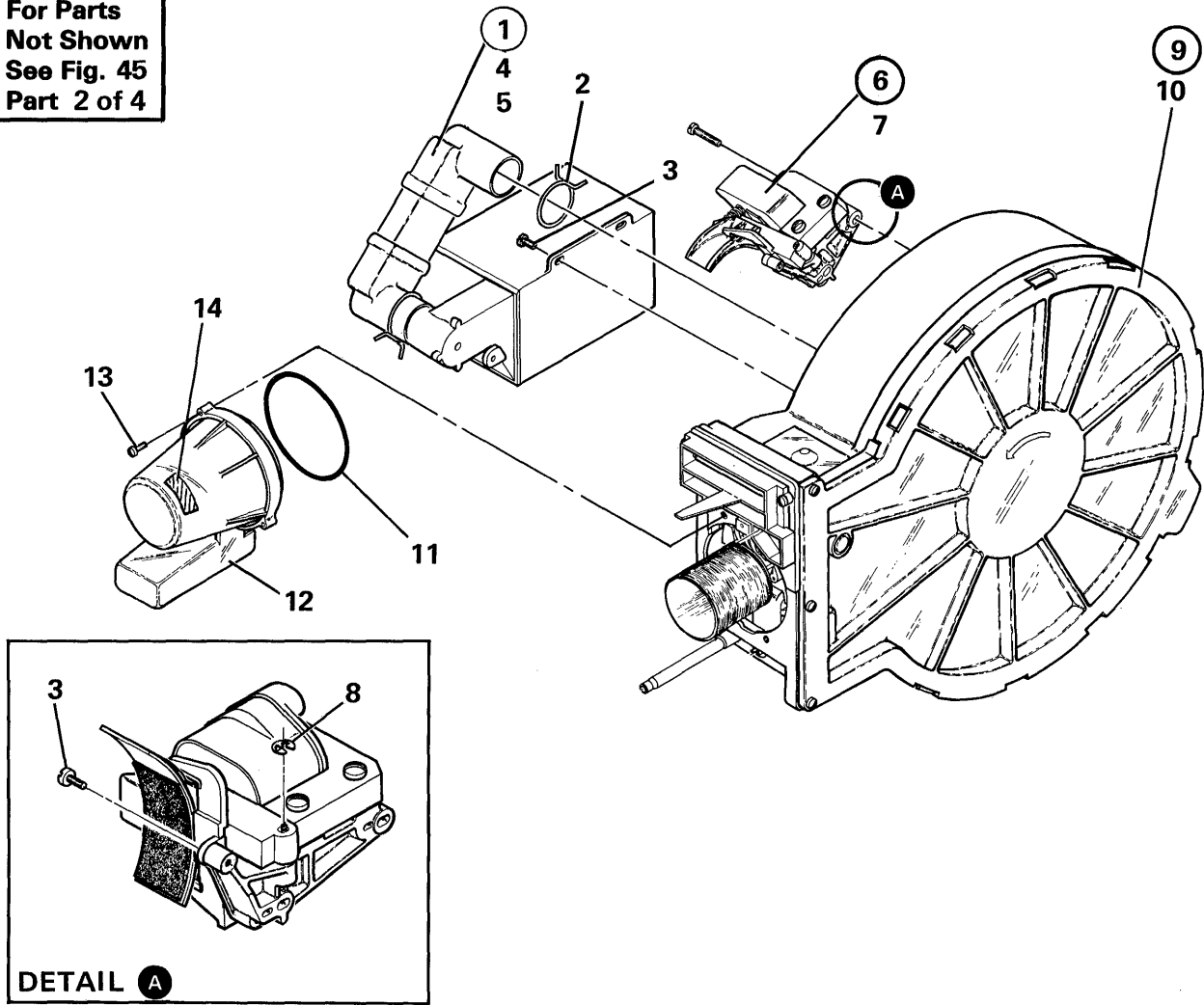
Figure 46. 10SR FRAME ASM (Part 2 of 2)



INDEX NUMBER	PART NUMBER	UNITS /ASM	DESCRIPTION FOR FIGURE 47			
			1	2	3	4
47	NO NO.		10SR SUBFRAME ASM			
- 1	1610840	1	• Bearing			
- 2	1621190	2	• Screw, Mach-Slot Pan Hd M4 x .7 x 8 Lg			
- 3	5811809	1	• Foam Pad			
- 4	2439765	1	• Insulator			
- 5	1615669	1	• Casting			
- 6	1621233	3	• Screw, Mach-Slot Pan Hd M6 x 1 x 25 Lg			
- 7	5811813	1	• Main Cable Group			
- 8	1615374 NR	1	• • Main Cable Asm			
- 9	4248945	1	• • Clean Kit			
- 10	1615673	4	• Disk			
- 11	1621308	4	• Screw, Slot-Flat Hd M4 x .7 x 8 Lg			
- 12	2596291	1	• Clamp			

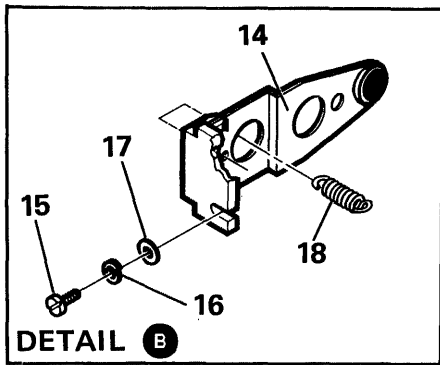
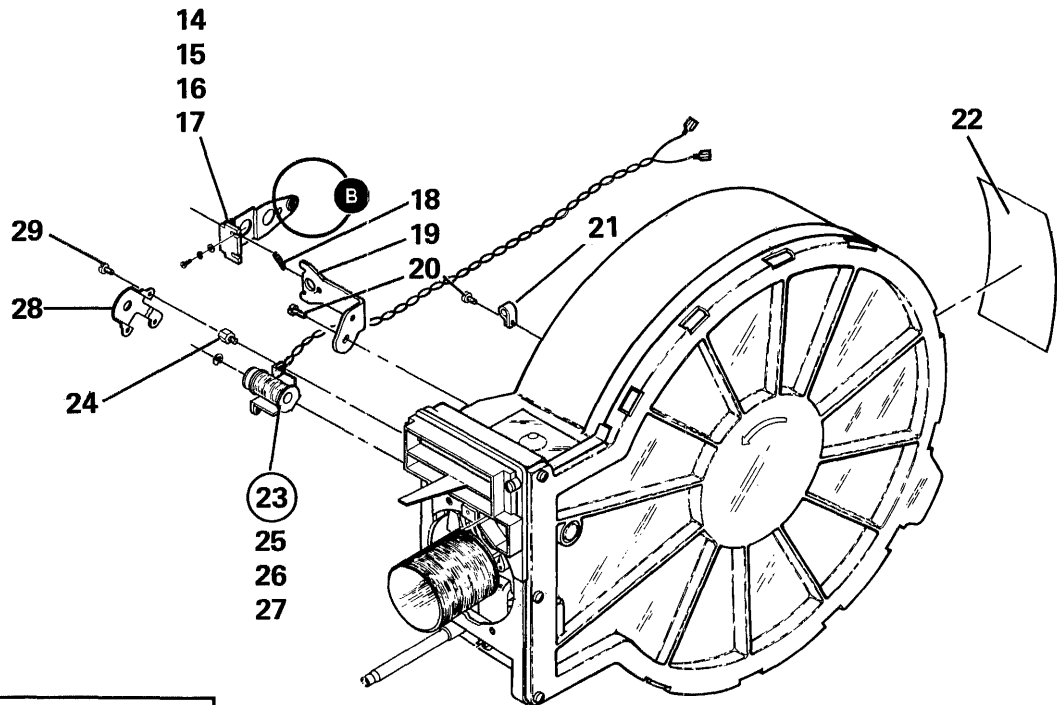
Figure 47. 10SR SUBFRAME ASM (Part 1 of 1)

For Parts
Not Shown
See Fig. 45
Part 2 of 4



INDEX NUMBER	PART NUMBER	UNITS /ASM	DESCRIPTION FOR FIGURE 48				
			1	2	3	4	
48	1615600						10SR HEAD/DISK GROUP-MODEL 1
	6493600						10SR HEAD/DISK GROUP-MODEL 2
- 1	5811810	1					• 10SR Filter Group
- 2	4248977	1					• Clamp
- 3	1621191	5					• Screw, Mach-Slot Pan Hd M4 x .7 x 10 Lg
- 4	5811809	1					• • Clean Kit
- 5	5811814	1					• • Filter Duct Asm
- 6	1615245	1					• Brake Asm
- 7	1621215	2					• Screw, Mach-Slot Pan Hd M5 x .8 x 30 Lg
- 8	1615530	1					• • Clip
- 9	1615325 NP	1					• Head/Disk Asm Model 1
- 9	6493625 NP	1					• Head/Disk Asm Model 2
- 10	4248945	1					• • Clean Kit
- 11	1615318	1					• Seal-Dust Cover
- 12	1615319	1					• Cover-Dust
- 13	1621193	2					• Screw, Mach-Slot Pan Hd M4 x .7 x 16 Lg
- 14	1615228	1					• Label

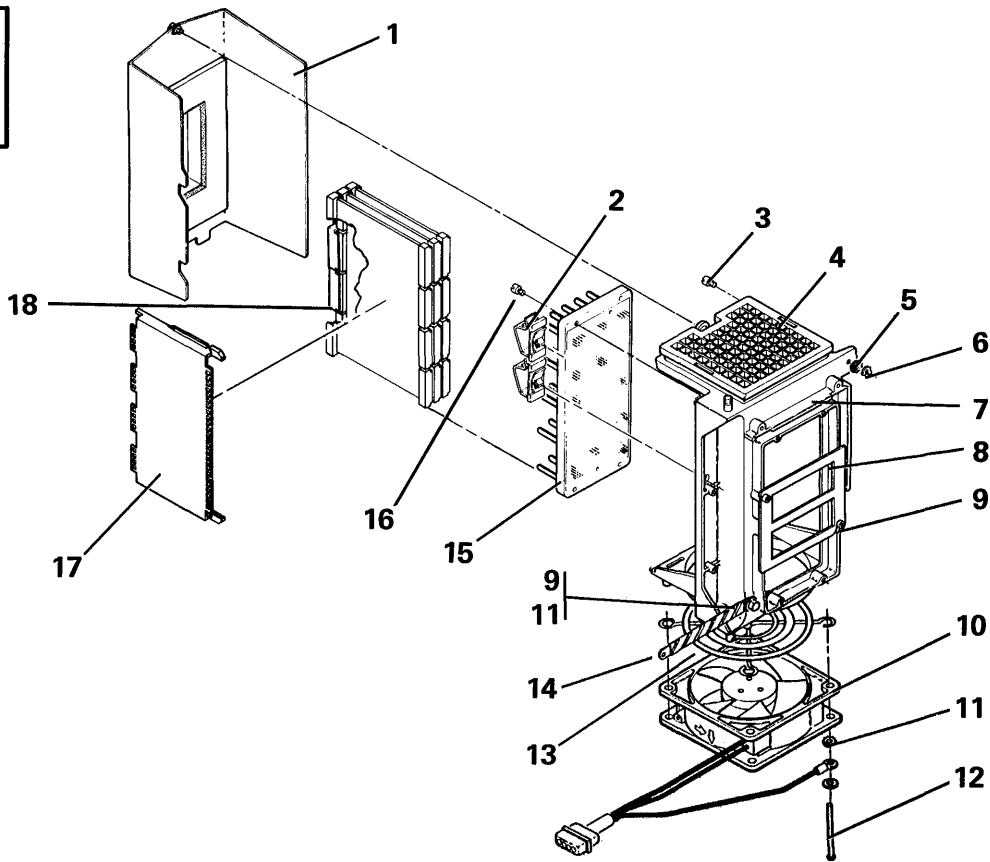
Figure 48. 10SR HEAD/DISK GROUP-MODEL 1 (Part 1 of 2)



INDEX NUMBER	PART NUMBER	UNITS /ASM	DESCRIPTION FOR FIGURE 48			
			1	2	3	4
48 - 14	1615475	1	• Anti Static Brush			
- 15	1621171	2	• Screw, Mach-Slot Pan Hd M3 x .5 x 8 Lg			
- 16	1622316	2	• Washer, Lock-Spring 3.1 ID x 6.2 OD x .8 Thk			
- 17	1622302	2	• Washer, Flat 3.2 ID x 7 OD x .5 Thk			
- 18	1615477	1	• Spring			
- 19	1615478	1	• Bracket			
- 20	1621190	5	• Screw, Mach-Slot Pan Hd M4 x .7 x 8 Lg			
- 21	2122639	3	• Clamp			
- 22	2439730	1	• Label, CE Return			
- 23	5811811	1	• Latch Coil Group			
- 24	1615459	2	• Screw, Hex Standoff Hd M4 x 6.4 Lg			
- 25	1615470 NR	1	• • Clip			
- 26	1615515 NR	1	• • CSU Magnet Asm			
- 27	4248945	1	• • Clean Kit			
- 28	1615458	1	• Cover			
- 29	1621170	2	• Screw, Mach-Slot Pan Hd M3 x .5 x 6 Lg			

Figure 48. 10SR HEAD/DISK GROUP (Part 2 of 2)

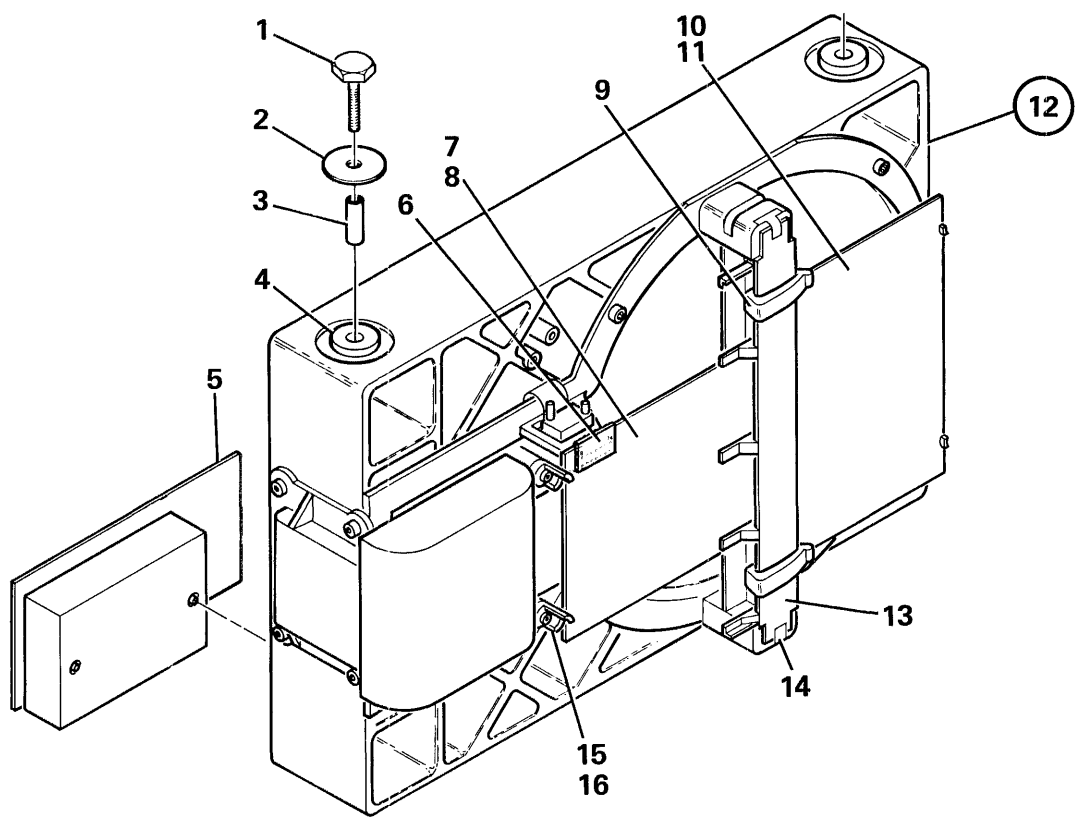
For Parts
Not Shown
See Fig. 45
Part 4 of 4



INDEX NUMBER	PART NUMBER	UNITS /ASM	DESCRIPTION FOR FIGURE 49			
			1	2	3	4
49	1615307 NP		10SR GATE ASM			
- 1	1615449	1	• Cover Asm			
- 2	5811801	2	• Clamp			
- 3	1615451	1	• Stud			
- 4	1615446	1	• Grid (Top)			
- 5	1622305	1	• Washer, Flat 5.5 ID x 10 OD x 1 Thk			
- 6	1092125	1	• Clip, Retaining 5/32 Groove Dia			
- 7	1615445	1	• Frame			
- 8	1615450	1	• Retainer			
- 9	1621811	3	• Screw, Thd-Form Hex-Wshr Hd M4 x .7 x 10 Lg			
- 10	4248985	1	• Fan Asm-High Voltage, 200-240V			
- 11	1622346	5	• Washer, Lock-Ext Star 4.3 ID x 8 OD x .5 Thk			
- 12	1621149	4	• Screw,			
- 13	4233939	1	• Guard			
- 14	2439780	1	• Jumper Asm			
- 15	xxxxxxx	1	The Following P/N's Are Not Part Of This Asm			
- 16	1621816	4	Board Asm			
- 17	8240000	3	Screw, Thd-Form Hex Wshr Hd M4 x .7 x 25 Lg			
- 18	2731026	2	Guide			
			Connector			

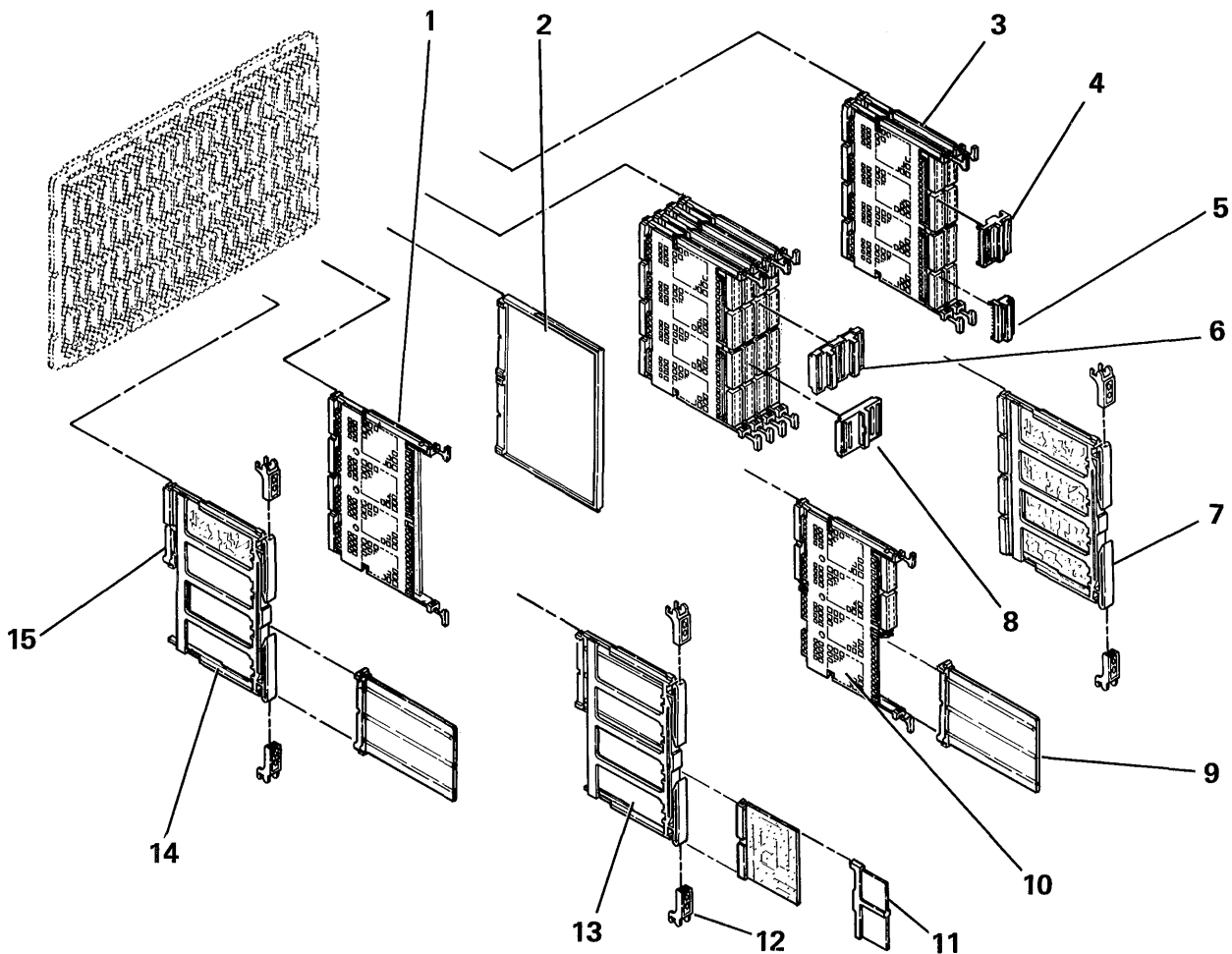
Figure 49. 10SR GATE ASM (Part 1 of 1)

**For Parts
Not Shown
See Fig. 10**



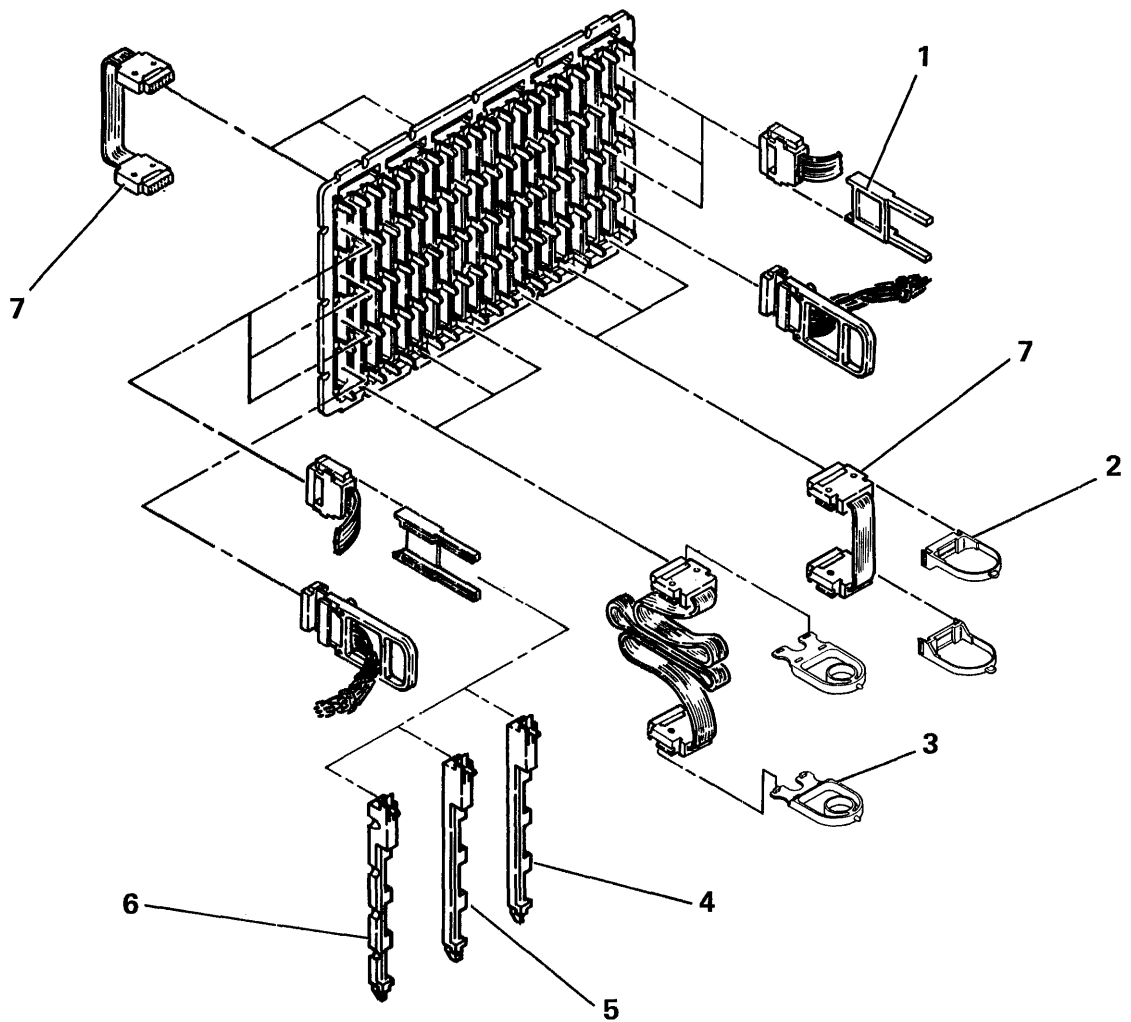
INDEX NUMBER	PART NUMBER	UNITS /ASM	DESCRIPTION FOR FIGURE 50			
			1	2	3	4
50	NO NO.		21ED FINAL ASSEMBLY			
- 1	1621599	4	• Screw, Hex-Cap Hd M6 x 1 x .30 Lg			
- 2	1616732	4	• Washer, Flat 6.1 ID x 28 OD x 2 Thk			
- 3	1616733	4	• Spacer, Shockmount			
- 4	1616580	4	• Shockmount			
- 5	xxxxxxx	1	• Drive Card			
- 6	1616634	1	• Label			
- 7	xxxxxxx	1	• Analog Card			
- 8	811804	1	• Card Guide			
- 9	4233751	2	• Retainer-Cable			
- 10	xxxxxxx	1	• Digital Card			
- 11	813590	1	• Card Guide			
- 12	1616699	1	• Disk Enclosure, 30 MB			
- 13	818039	1	• • Maple Block			
- 14	1616617	2	• • Retainer Clip			
- 15	1616752	4	• • Retainer			
- 16	1621182	4	• • Screw, Mach-Slot Pan Hd M3 x .5 x 8 Lg			

Figure 50. 21ED FINAL ASSEMBLY (Part 1 of 1)



INDEX NUMBER	PART NUMBER	UNITS /ASM	DESCRIPTION FOR FIGURE 51			
			1	2	3	4
51	NO NO.		CARD RETENTION HARDWARE			
- 1	2595322	AR	• Card Holder 4W3H Without TCC			
- 2	819632	AR	• Filler 4W3H			
- 3	2675992	AR	• Card Holder 4W3H With TCC			
- 4	6819211	AR	• TCC 2 Wide MSP or CSP Stage1			
- 4	2731026	AR	• TCC 2 Wide 1255 attach 01AA2 - N & P Sockets			
- 4	6819202	AR	• TCC 2 Wide 8809 Tape attach 01AA2 K & L Sockets			
- 4	6819193	AR	• TCC 2 Wide CSP Stage 2			
- 5	4138510	AR	• TCC 1 Wide			
- 6	6819208	AR	• TCC 4 Wide 01AA1 or 01AA2 (CX-DX-EX-FX)			
- 6	2732453	AR	• TCC 4 Wide 1255 Expansion Feature			
- 7	2633955	AR	• Card Holder 4W			
- 8	6819205	AR	• TCC 3 Wide 10SR 01AA2 (CZ-DZ-EZ)			
- 8	4134831	AR	• TCC 3 Wide 3262 Printer attach (W or X Location)			
- 8	8265141	AR	• TCC 3 Wide 3262 Printer attach (Y or Z Location)			
- 9	816983	AR	• Filler 2W3H			
- 10	8633396	AR	• Card Holder 2W3H With TCC			
- 11	4233943	AR	• Filler 2W1H			
51	4233785	AR	• Retainer Card Lock			
- 13	2633954	AR	• Card Holder 2W3H Without TCC			
- 14	2595461	AR	• Card Holder 2W3H/2-1W3H Without TCC			
- 15	819412	AR	• Filler 1W3H			

Figure 51. CARD RETENTION HARDWARE (Part 1 of 1)



INDEX NUMBER	PART NUMBER	UNITS /ASM	DESCRIPTION FOR FIGURE 52				
			1	2	3	4	
52	NO NO.		CABLE RETENTION HARDWARE				
-	1	819411	AR	• Extender Cable List			
-	2	4177172	AR	• Retainer Low Profile Cables in Y & Z Sockets			
-	3	819296	AR	• Retainer High Profile Cables in Y & Z Sockets			
-	4	819284	AR	• Retainer-Cables In A & V Sockets			
-	5	4139583	AR	• Retainer-Cables In B & U Sockets			
-	6	4233744	AR	• Retainer-Discrete Cables in A-Sockets			
-	7	5802294	AR	• Cable List - BD to BD Crossover Cable-Card Side			
-	7	2595676	AR	• Cable List - BD to BD Crossover Cable-Pin Side			

Figure 52. CABLE RETENTION HARDWARE (Part 1 of 1)

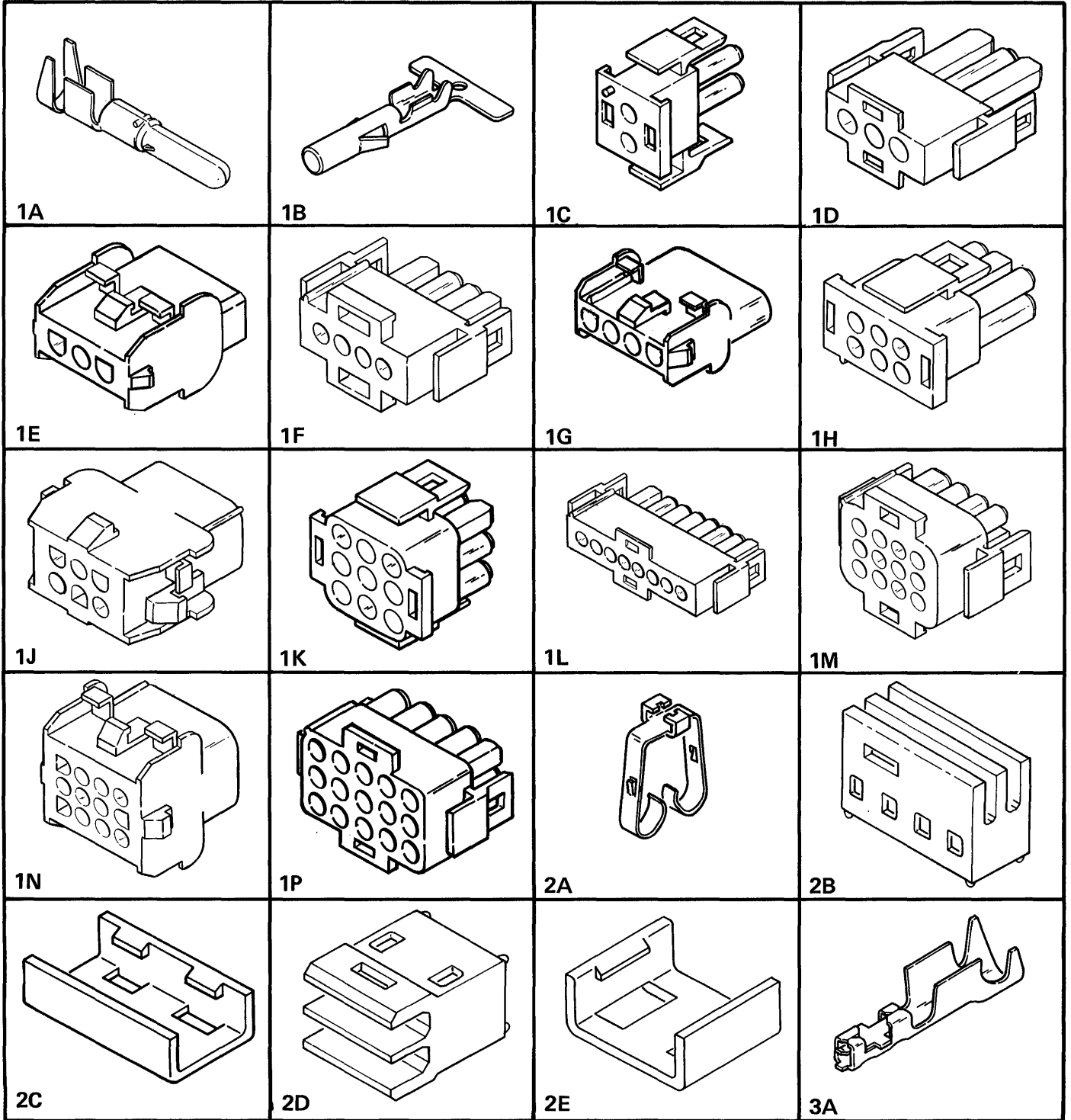


Figure 53. CABLE AND JUMPER COMPONENT PARTS (1 of 5)

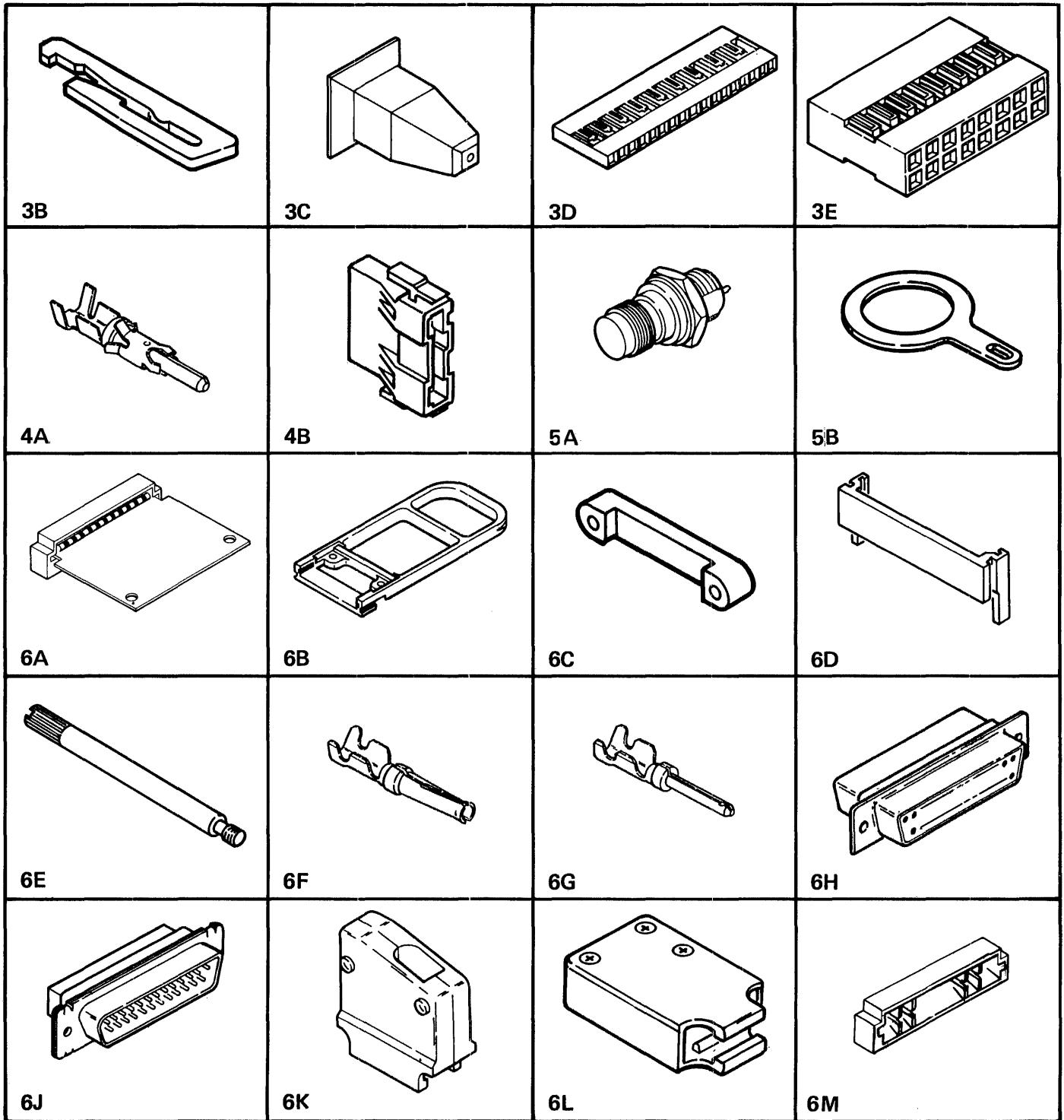


Figure 53. CABLE AND JUMPER COMPONENT PARTS (2 of 5)

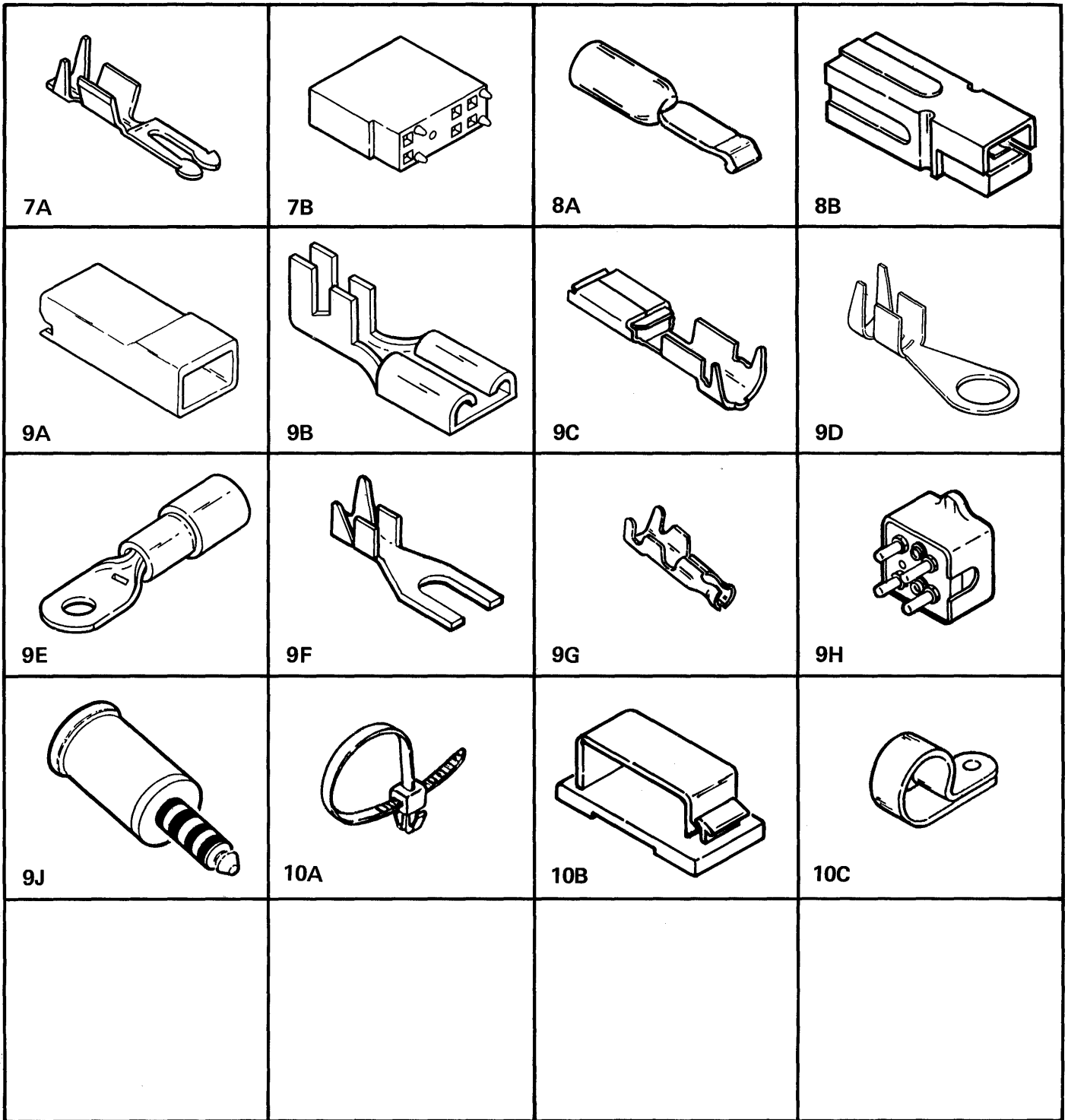


Figure 53. CABLE AND JUMPER COMPONENT PARTS (3 of 5)

FIGURE- INDEX NUMBER	PART NUMBER	UNITS PER ASM.	DESCRIPTION FOR FIGURE 53			
			1	2	3	4
53			CABLE AND JUMPER COMPONENT PARTS			
- 1 A	1661131		Terminal, Pin (18-22 AWG)			
- 1 A	1847520		Terminal, Pin (14-20 AWG- .130 Insulation)			
- 1 A	1847522		Terminal, Pin (14-20 AWG- .200 Insulation)			
- 1 A	2451131		Terminal, Pin (16-18 AWG- .130 Insulation)			
- 1 B	1661132		Terminal, Socket (18-24 AWG- .100 Insulation)			
- 1 B	1847521		Terminal, Socket (14-20 AWG- .130 Insulation)			
- 1 B	1847523		Terminal, Socket (14-20 AWG- .200 Insulation)			
- 1 C	1847524		Plug, 2 Circuit			
- 1 D	1847526		Plug, 3 Circuit			
- 1 E	1847527		Housing, 3 Circuit			
- 1 F	1847528		Plug, 4 Circuit			
- 1 G	1847529		Housing, 4 Circuit (1 x 4)			
- 1 H	1847530		Plug, 6 Circuit (2 x 3)			
- 1 J	1847531		Housing, 6 Circuit (2 x 3)			
- 1 K	1847532		Plug, 9 Circuit (3 x 3)			
- 1 L	4885605		Plug, 8 Circuit (1 x 8)			
- 1 M	1847534		Plug, 12 Circuit (3 x 4)			
- 1 N	1847535		Housing, 12 Circuit (3 x 4)			
- 1 P	1857536		Plug, 15 Circuit (3 x 5)			
- 2 A	813681		Terminal, Contact Miniature Bus			
- 2 B	813801		Housing, 4 Contact Miniature Bus			
- 2 C	813802		Cap, 4 Contact Miniature Bus			
- 2 D	813550		Housing, 2 Contact			
- 2 E	813549		Cap, 2 Contact			
- 3 A	2637681		Terminal, Pin Slip On (18-20 AWG)			
- 3 A	2637681		Terminal, Pin Slip On (22-26 AWG)			
- 3 B	4177188		Key, Polarizing - Use On All Other Berg Connectors			
- 3 B	4177189		Key, Polarizing - Use On Small 90 Degree Berg Connector (A2 Protect)			
- 3 B	4233883		Key, Polarizing - Use On Large Berg Connector (A2			
- 3 C	2637689		Insert, Polarization			
- 3 D	2731731		Housing, 6 Circuit (1 x 6)			
- 3 D	2637680		Housing, 4 Circuit (1 x 4)			
- 3 D	2637684		Housing, 12 Circuit (1 x 12)			
- 3 D	2731391		Housing, 16 Circuit (1 x 16)			
- 3 D	2731406		Housing, 10 Circuit (1 x 10)			
- 3 E	2731392		Housing, 16 Circuit (2 x 8)			
- 3 E	8324648		Housing, 36 Circuit (2 x 18)			
- 3 E	8331591		Housing, 24 Circuit (2 x 12)			
- 4 A	2337406		Terminal, Pin (14 AWG 2.54mm Insulation)			
- 4 B	2777317		Housing, 6 Circuit (1 x 6)			
- 5 A	7364498		Receptacle, Twinax			
- 5 B	4236955		Terminal, Ring (Solder Lug 19.2mm Stud)			
- 6 A	5800634		Paddle Card			
- 6 B	4236560		Retainer, Paddle Card			
- 6 C	5353922		Strain Relief, Paddle Card			
- 6 D	811802		Guide			
- 6 E	1608497		Jack Screw, 4-40 Thread			
- 6 E	1754257		Jack Screw, M3 Thread			
- 6 E	4834495		Jack Screw, M2.6 Thread			
- 6 F	1655337		Terminal, Socket (20-24 AWG .068 Insulation)			
- 6 F	1655358		Terminal, Socket (24-28 AWG .040 Insulation)			
- 6 G	1655339		Terminal, Pin (20-24 AWG .068 Insulation)			
- 6 G	1655359		Terminal, Pin (24-28 AWG .040 Insulation)			
- 6 H	1608648		Receptacle, 15 Circuit			
- 6 H	1655336		Receptacle, 25 Circuit			
- 6 J	1608649		Plug, 15 Circuit			
- 6 J	1655338		Plug, 25 Circuit			
- 6 K	1855555		Housing Asm			

FIGURE- INDEX NUMBER	PART NUMBER	UNITS PER ASM.	DESCRIPTION FOR FIGURE 53			
			1	2	3	4
53 -	6 L	2595048				Hood, Cable Clamp/Cover
-	6 M	1809813				Housing 4 Signal Planes-All other Plug locations
-	6 M	817329				Housing 2 Signal Planes-A1L2,A1B2,A1B3,A2U3,A3U3.
-	6 M					A1J2,O1CA1,A2S2,A2K2,A3N2,A3P2,A3Q2,A3R2,A3U2,A1B2
-	6 M	811304				Housing, Cable
-	7 A	816883				Terminal, Tuning Fork Pin Slip On (18-20 AWG)
-	7 B	1471019				Housing, 6 Circuit Miniature Bus
-	8 A	2281128				Terminal, Power Contact (6-8 AWG)
-	8 B	2281129				Housing, Power Contact
-	9 A	5761882				Housing, 0.0250 Tab Slip On Terminal
-	9 B	430798				Terminal, 0.187 Tab Slip On (18-20 AWG .130 Insulation)
-	9 B	430799				Terminal, 0.250 Tab Slip On (18-24 AWG .130 Insulation)
-	9 B	2502307				Terminal, 0.250 Tab Slip On (10-14 AWG .275 Insulation)
-	9 B	5412817				Terminal, 0.187 Tab Slip On (20-24 AWG .070 Insulation)
-	9 C	813933				Terminal, Slip On (18-20 AWG)
-	9 D	483677				Terminal, Ring (18-20 AWG No. 6 Stud)
-	9 D	483678				Terminal, Ring (14-16 AWG No. 6 Stud)
-	9 D	483679				Terminal, Ring (10-12 AWG No. 6 Stud)
-	9 D	483681				Terminal, Ring (18-20 AWG No. 8 Stud)
-	9 D	483682				Terminal, Ring (14-16 AWG No. 8 Stud)
-	9 D	483683				Terminal, Ring (10-12 AWG No. 8 Stud)
-	9 D	483685				Terminal, Ring (18-20 AWG No. 10 Stud)
-	9 D	483686				Terminal, Ring (14-16 AWG No. 10 Stud)
-	9 D	483687				Terminal, Ring (10-12 AWG No. 10 Stud)
-	9 D	483688				Terminal, Ring (18-20 AWG No. .250 Stud)
-	9 D	483689				Terminal, Ring (14-16 AWG No. .250 Stud)
-	9 D	483690				Terminal, Ring (10-12 AWG No. .250 Stud)
-	9 E	82725				Terminal, Ins Ring (6 AWG No. .250 Stud)
-	9 E	335970				Terminal, Ins Ring (8 AWG No. 8 Stud)
-	9 E	2102617				Terminal, Ins Ring (8 AWG No. 10 Stud)
-	9 F	483693				Terminal, Spade (22-26 AWG No. 4 Stud)
-	9 F	483695				Terminal, Spade (22-26 AWG No. 6 Stud)
-	9 G	368169				Terminal, Pin Slide On (20-24 AWG .071 Ins)
-	9 H	341200				Plug, 4 Pin Telephone
-	9 J	2426232				Jack, 4 Circuit
-	10 A	2282931				Cable Tie
-	10 B	4233899				Cable Clip (6.3mm Depth)
-	10 B	5556740				Cable Clip (12.7mm Depth)
-	10 C	2102367				Cable Clamp

FIGURE 53. CABLE AND JUMPER COMPONENT PARTS (5 of 5)

Line Cord Chart













Plug	Line Cord P/N	Country
	8636638	8 Ft. Lg. U.S./Canada, Costa Rica
	8636637	6 Ft. Lg. U.S. (Chicago)
	4234008	Mexico
	8636640	Bahamas, Bolivia, Jamaica, Netherland Antilles, Thailand
	4233874	Dominican Republic, Ecuador, Guatemala, Honduras, Japan, Korea (South), Panama, Peru, Philippines, Taiwan, Trinidad, Venezuela
No Plug	4233872	60Hz - Bermuda, Columbia, Nicaragua
No Plug	8636639	50Hz - Argintina, Paraguay, Uruguay
No Plug	2595488	50Hz - Multi-phase Switzerland, Denmark
	2421192	Italy, Chile
	2421193	Switzerland
	2421194	Denmark
	2421195	Israel
	2421196	Pakistan, South Africa
	2421197	Bahrain, Cyprus, Hong Kong, India, Ireland, Kenya, Kuwait, Malasia, Oman, Qatar, Saudi Arabia, Sierra Leone, Singapore, United Kingdom
	2421198	Austria, Belgium, Bulgaria, Finland, France, Germany, Iceland, Lebanon, Netherlands, Norway, Portugal, Spain, Sweden, Turkey, Yugoslavia
	4233873	Australia,
	2597413	New Zealand

Figure 54 LINE CORD CHART

FIGURE- INDEX NUMBER	PART NUMBER	UNITS PER ASM.	DESCRIPTION FOR FIGURE 55			
			1	2	3	4
55			CABLE LIST-WHITE RIBBON CABLES			
- 1	2595037		Cable List-1255 Signal			
- 2	2595038		Cable List-A1 Commun to Control Panel			
- 3	2595676		Cable List-BD to BD Crossover Cable-Pin Side			
- 4	4233940		Cable List-3rd 10SR Signal			
- 5	4233941		Cable List-4th 10SR Signal			
- 6	5802294		Cable List-BD to BD Crossover Cable-Card Side			
- 7	8636626		Cable List-A1 Logic Bd to Control Panel			
- 8	8636628		Cable List-3262 Printer Signal			
- 9	8636629		Cable List-1st 21ED Signal			
- 10	4233721		Cable List-2nd 21ED Signal			
- 11	8636630		Cable List-8809 Tape Signal			
- 12	8636631		Cable List-1st 10SR Signal			
- 13	8636632		Cable List-2nd 10SR Signal			
- 14	8636636		Cable List-72MD Signal			
- 15	8636691		Cable List-Channel Signal-A1 to A3			
- 16	8636761		Cable List-A3 Commun to Control Panel			
			EXTERNAL CABLES			
- 17	1489985		Cable Asm-External-EIA Adapter-Belgium			
- 18	1727744		Cable Asm-External-Datel Modem Adapter			
- 19	2597423		Cable Asm-External Autocall (ELCA Only)			
- 20	1749352		Cable Asm-External-Wideband Adapter-France			
- 21	2767157		Cable Asm-External-WT 4 Wire IM Adapter			
- 22	2767158		Cable Asm-External-WT 4 Wire IM Adapter			
- 23	2767159		Cable Asm-External-WT 4 Wire IM Adapter			
- 24	2767160		Cable Asm-External-WT 4 Wire IM Adapter			
- 25	2767161		Cable Asm-External-WT 4 Wire IM Adapter			
- 26	2767164		Cable Asm-External-WT 4 Wire IM Adapter			
- 27	2767165		Cable Asm-External-WT 4 Wire IM Adapter			
- 28	2767166		Cable Asm-External-WT IM Adapter			
- 29	4233735		Cable Asm-External-N-SW IM Netherlands			
- 30	4233736		Cable Asm-External-SW IM UK			
- 31	4233741		Cable Asm-External-WT SW			
- 32	4233885		Cable Asm-External-V35 Wideband			
- 33	6819999		Cable Asm-External-Autocall Interface France			
- 34	6820197		Cable Asm-External-Autocall Interface UK			
- 35	7362846		Cable Asm-External-WT 4 Wire Integrated Modem Adapter			
- 36	8636752		Cable Asm-External-EIA			
- 37	8636753		Cable Asm-External-DDSA			
- 38	8636754		Cable Asm-External-N-SW IM			
- 39	8636755		Cable Asm-External-US/CAN SW 1200 IM			
- 40	8636756		Cable Asm-External-X.21			
- 41	8636758		Cable Asm-External-Autocall (MLCA Only)			
- 42	8636759		Cable Asm-External-SW IM France			
- 43	8636760		Cable Asm-External-N-SW IM France			
			INTERNAL CABLE ASSEMBLIES AND JUMPERS			
- 44	2595137		Cable Asm-A1 Commun-EIA/Autocall/DDSA/DOM 1200			
- 45	2595138		Cable Asm-A1 Commun-X.21			
- 46	2595139		Cable Asm-A1 Commun-N-SW to Surge Protect			
- 47	2595140		Cable Asm-A1 Commun-WT SW to Coupler			
- 48	2595239		Cable Asm-AC to 10SR A and B			
- 49	2595253		Cable Asm-Control Panel Crossover			
- 50	2595275		Cable Asm-A1 Logic DC Power Distribution			
- 51	2595698		Cable Asm-A1 Board FCC Grounding			
- 52	2596752		1/4-inch Tape Internal			
- 53	2597420		Cable Asm-Autocall to Tower (ELCA Only)			
- 54	2597421		Cable Asm-Autocall to Tower (ELCA Only)			
- 55	2597422		Cable Asm-Autocall to Tower (ELCA Only)			
- 56	2597892		Cable Asm-A3 Bd DC Distribution			

FIGURE- INDEX NUMBER	PART NUMBER	UNITS PER ASM.	DESCRIPTION FOR FIGURE 55			
			1	2	3	4
55 - 57	2777387		Cable Asm-Interposer			
- 58	2777459		Cable Asm-A3 Supply Internal Wiring			
- 59	4177157		Cable Asm-DC Ground Board to Base Power Assembly			
- 60	4177185		Cable Asm-A3 Commun-X.21 to Tower			
- 61	4233752		Cable Asm-AC to 21ED Fans			
- 62	4233835		Cable Asm-LAN Continuous Cable			
- 63	4233884		Cable Asm-V35 Wideband to Tower			
- 64	4233887		Jumper Asm-Expansion Power to Base Gnd Board			
- 65	4233888		Cable Asm-Expansion AC Cable Asm			
- 66	4233889		Cable Asm-DC to 10SR C and D			
- 67	4233890		Cable Asm-Expansion Pwr Supply Sense/Control (JC2)			
- 68	4233901		Cable Asm-CE 1.7V Test Jumper			
- 69	4233963		Cable Asm-Control Panel Sense/Control (JA1)			
- 70	4233964		Cable Asm-Base Power Assembly Sense/Control (JA3)			
- 71	5565145		Cable Asm-A3 Regulator			
- 72	5785274		Jumper Asm-Diagnostic Jumper			
- 73	7034877		Jumper Asm-Ground			
- 74	8636543		Cable Asm-Control Panel to Base Power Assembly			
- 75	8636624		Cable Asm-Workstation Twinax to Tower			
- 76	8636627		Cable Asm-Control Cable Assembly			
- 77	8636633		Cable Asm-AC Cable Assembly			
- 78	8636634		Cable Asm-A2 Logic Board from Base Power Asm (J25/J26)			
- 79	8636635		Cable Asm-51TD Signal/Power DC			
- 80	8636642		Cable Asm-A2 Logic Board DC Power			
- 81	8636643		Cable Asm-DC to 21ED			
- 82	8636644		Cable Asm-DC to 10SR A and B			
- 83	8636648		Cable Asm-DC Power to 72MD			
- 84	8636649		Cable Asm-A2 Power Supply Sense/Control (JA2)			
- 85	8636651		Cable Asm-Base Power Supply Sense/Control (JC3)			
- 86	8636653		Cable Asm-Base 5V Assembly			
- 87	8636654		Cable Asm-A3 Power Supply (JA4)			
- 88	8636655		Cable Asm-A3 Logic Board DC Power			
- 89	8636683		Cable Asm-A3 Commun-N-SW to Surge Protect			
- 90	8636746		Cable Asm-A3 Commun-EIA/Autocall/DDSA/DOM 1200 IM (MLCA Only)*			
- 91	8636747		Cable Asm-A3 Commun-WT SW to Coupler			
- 92	8636748		Cable Asm-WT SW Coupler to Tower			
- 93	8636796		Cable Asm-AC Distribution in Gate Fan Box			
			* Except for Autocall and DOM 1200IM, Used by ELCA Also.			

NUMERICAL INDEX

PART NUMBER	LIST AND INDEX NO.	PART NUMBER	LIST AND INDEX NO.	PART NUMBER	LIST AND INDEX NO.	PART NUMBER	LIST AND INDEX NO.
19944	28 - 7	483678	53 - 9D	xxxxxxx	11 - 6	1615472	46 - 23
19944	28A - 5	483679	53 - 9D	xxxxxxx	23 - 11	1615475	48 - 14
22478	41 - 24	483681	53 - 9D	xxxxxxx	23 - 23	1615477	48 - 18
32042	28A - 11	483682	53 - 9D	xxxxxxx	26 - 6	1615478	48 - 19
35229	37 - 3	483683	53 - 9D	xxxxxxx	40 - 2	1615480	45 - 43
35229	38 - 11	483685	53 - 9D	xxxxxxx	49 - 15	1615484	46 - 3
35229	38 - 21	483686	53 - 9D	xxxxxxx	50 - 5	1615485	45 - 32
35229	39 - 7	483687	53 - 9D	xxxxxxx	50 - 7	1615492	45 - 19
35229	39 - 19	483688	53 - 9D	xxxxxxx	50 - 10	1615505	46 - 6
35229	41 - 13	483689	53 - 9D	1092125	5 - 8	1615505	46 - 32
35229	41 - 19	483690	53 - 9D	1092125	39 - 23	1615508	45 - 16
35229	41 - 27	483693	53 - 9F	1092125	49 - 6	1615509	45 - 13
35247	33 - 21	483695	53 - 9F	1256071	41 - 23	1615515	48 - 26
35868	5 - 6	510810	23 - 5	1471019	53 - 7B	1615530	48 - 8
35868	16 - 13	523022	32 - 20	1489985	55 - 17	1615531	45 - 12
35868	17 - 3	526378	1 - 20	1590007	25 - 9	1615591	45 - 25
35868	18 - 7	526378	3 - 4	1590008	25 - 10	1615600	45 - 11
35868	19 - 3	526378	27 - 10	1608329	1 - 11	1615644	45 - 17
35868	20 - 8	526378	28 - 10	1608329	2 - 6	1615669	47 - 5
35868	21 - 11	526378	29 - 7	1608428	6 - 7	1615673	47 - 10
35868	22 - 5	526378	28A - 9	1608497	53 - 6E	1615678	45 - 27
45690	32 - 3	533783	29 - 14	1608648	53 - 6H	1615681	45 - 30
49374	42 - 15	535335	27 - 22	1608649	53 - 6J	1615687	46 - 5
58853	39 - 11	600395	23 - 17	1610840	47 - 1	1615687	46 - 29
82725	53 - 9E	600960	28 - 8	1615215	45 - 54	1615688	46 - 22
91610	6 - 4	600960	28A - 6	1615228	48 - 14	1615703	45 - 31
92752	27 - 33	651858	33 - 11	1615245	48 - 6	1616514	10 - 12
104702	41 - 17	811304	53 - 6M	1615273	45 - 28	1616580	50 - 4
107665	27 - 32	811426	23 - 2	1615307	45 - 55	1616617	50 - 14
107666	27 - 30	811802	53 - 6D	1615310	8 - 9	1616634	50 - 6
109918	32 - 26	811804	45 - 6	1615310	9 - 3	1616699	50 - 12
110029	23 - 10	811804	50 - 8	1615313	8 - 9	1616732	50 - 2
110029	35 - 14	813482	26 - 14	1615313	9 - 3	1616733	50 - 3
110029	36 - 12	813549	53 - 2E	1615318	48 - 11	1616752	50 - 15
110029	37 - 12	813550	53 - 2D	1615319	48 - 12	1621149	49 - 12
111257	27 - 27	813590	32 - 36	1615325	48 - 9	1621170	43 - 5
147297	41 - 22	813590	50 - 11	1615328	45 - 37	1621170	43 - 8
169698	45 - 33	813681	53 - 2A	1615345	45 - 2	1621170	43 - 15
236849	1 - 37	813801	53 - 2B	1615348	46 - 20	1621170	48 - 29
237245	38 - 16	813802	53 - 2C	1615365	45 - 54	1621171	48 - 15
252590	27 - 28	813933	53 - 9C	1615366	45 - 53	1621172	32 - 29
317145	5 - 15	816883	53 - 7A	1615374	47 - 8	1621172	32 - 33
322551	27 - 8	816983	51 - 9	1615379	45 - 3	1621172	33 - 4
322551	27 - 20	817329	53 - 6M	1615380	45 - 3	1621173	39 - 9
335970	53 - 9E	818039	32 - 42	1615412	45 - 42	1621174	38 - 29
341200	53 - 9H	818039	50 - 13	1615413	45 - 41	1621175	37 - 7
350977	5 - 12	819284	52 - 4	1615445	49 - 7	1621181	34 - 12
356742	12 - 5	819290	26 - 22	1615446	49 - 4	1621182	13 - 3
356742	13 - 8	819296	52 - 3	1615449	49 - 1	1621182	32 - 41
363001	41 - 4	819411	52 - 1	1615450	49 - 8	1621182	50 - 16
366155	33 - 3	819412	51 - 15	1615451	49 - 3	1621183	27 - 34
367115	5 - 16	819632	51 - 2	1615452	46 - 14	1621183	36 - 2
368169	53 - 9G	853288	11 - 16	1615453	46 - 11	1621190	32 - 12
430798	53 - 9B	853288	11 - 28	1615458	48 - 28	1621190	32 - 15
430799	53 - 9B	855253	27 - 26	1615459	48 - 24	1621190	33 - 2
438548	34 - 19	xxxxxxx	1 - 36	1615470	48 - 25	1621190	38 - 13
438567	29 - 9	xxxxxxx	1 - 43	1615471	46 - 26	1621190	39 - 6
483677	53 - 9D	xxxxxxx	11 - 4	1615472	46 - 9	1621190	39 - 34

NUMERICAL INDEX

PART NUMBER	LIST AND INDEX NO.	PART NUMBER	LIST AND INDEX NO.	PART NUMBER	LIST AND INDEX NO.	PART NUMBER	LIST AND INDEX NO.
1621190	45 - 5	1621809	26 - 1	1622347	45 - 46	2420944	41 - 21
1621190	45 - 44	1621811	1 - 29	1622402	13 - 4	2420946	41 - 30
1621190	47 - 2	1621811	1 - 31	1622403	4 - 16	2421361	18 - 11
1621190	48 - 20	1621811	1 - 33	1622403	35 - 11	2421361	21 - 7
1621191	27 - 38	1621811	1 - 35	1622403	37 - 2	2421362	16 - 6
1621191	32 - 10	1621811	4 - 11	1622403	37 - 9	2421362	20 - 6
1621191	48 - 3	1621811	12 - 2	1622403	38 - 19	2422546	17 - 10
1621192	33 - 25	1621811	12 - 4	1622403	38 - 32	2422546	22 - 10
1621192	35 - 17	1621811	12 - 10	1622406	46 - 1	2422547	19 - 10
1621192	38 - 9	1621811	13 - 6	1622417	36 - 20	2426232	53 - 9J
1621192	38 - 20	1621811	16 - 10	1622419	7 - 15	2439730	48 - 22
1621192	39 - 16	1621811	18 - 5	1655336	53 - 6H	2439734	45 - 7
1621192	41 - 12	1621811	21 - 10	1655337	53 - 6F	2439736	45 - 7
1621192	41 - 25	1621811	30 - 6	1655338	53 - 6J	2439741	46 - 17
1621192	42 - 14	1621811	31 - 3	1655339	53 - 6G	2439765	47 - 4
1621193	5 - 10	1621811	45 - 15	1655358	53 - 6F	2439775	45 - 40
1621193	27 - 38	1621811	46 - 31	1655359	53 - 6G	2439776	46 - 16
1621193	35 - 9	1621811	49 - 9	1661131	53 - 1A	2439780	49 - 14
1621193	37 - 4	1621812	23 - 14	1661132	53 - 1B	2446184	11 - 21
1621193	38 - 10	1621813	23 - 8	1673723	45 - 39	2451131	53 - 1A
1621193	38 - 31	1621813	23 - 9	1692680	25 - 3	2460645	44 - 2
1621193	42 - 10	1621816	49 - 16	1695142	45 - 29	2462137	12 - 7
1621193	48 - 13	1621819	14 - 7	1727744	55 - 18	2462334	38 - 23
1621194	32 - 43	1621821	6 - 12	1749352	55 - 20	2462401	12 - 1
1621194	35 - 2	1621821	7 - 10	1754257	53 - 6E	2462403	12 - 1
1621194	37 - 10	1621821	10 - 5	1809813	53 - 6M	2462415	32 - 9
1621194	41 - 8	1621823	8 - 11	1847520	53 - 1A	2462416	32 - 5
1621195	24 - 3	1621823	9 - 5	1847521	53 - 1B	2462432	36 - 6
1621197	5 - 13	1621824	11 - 25	1847522	53 - 1A	2462433	36 - 8
1621210	45 - 18	1621842	2 - 9	1847523	53 - 1B	2462435	35 - 6
1621210	45 - 47	1621846	33 - 16	1847524	53 - 1C	2462436	38 - 22
1621210	45 - 50	1621852	33 - 17	1847526	53 - 1D	2462438	32 - 8
1621211	45 - 9	1622302	43 - 7	1847527	53 - 1E	2462438	39 - 37
1621213	45 - 45	1622302	48 - 17	1847528	53 - 1F	2462439	32 - 6
1621215	48 - 7	1622304	35 - 10	1847529	53 - 1G	2462439	39 - 36
1621218	45 - 26	1622304	37 - 11	1847530	53 - 1H	2462440	39 - 30
1621230	46 - 4	1622305	45 - 48	1847531	53 - 1J	2462441	39 - 31
1621233	47 - 6	1622305	46 - 15	1847532	53 - 1K	2462444	39 - 1
1621235	12 - 6	1622305	46 - 18	1847534	53 - 1M	2462445	39 - 17
1621286	36 - 23	1622305	49 - 5	1847535	53 - 1N	2462448	38 - 1
1621295	24 - 9	1622306	7 - 14	1855555	53 - 6K	2462450	39 - 28
1621308	32 - 7	1622316	33 - 5	1857536	53 - 1P	2462451	38 - 2
1621308	39 - 35	1622316	48 - 16	2101089	26 - 26	2462452	38 - 4
1621308	47 - 11	1622318	38 - 6	2102365	5 - 9	2462452	39 - 25
1621309	23 - 22	1622318	39 - 27	2102365	45 - 4	2462453	38 - 12
1621320	45 - 1	1622319	45 - 49	2102367	53 - 10C	2462455	39 - 20
1621511	36 - 19	1622320	45 - 35	2102617	53 - 9E	2462456	38 - 14
1621512	38 - 5	1622320	45 - 52	2103365	45 - 14	2462459	37 - 18
1621512	39 - 26	1622320	46 - 24	2122639	48 - 21	2462461	38 - 15
1621549	46 - 8	1622321	46 - 2	2280297	32 - 40	2462462	38 - 17
1621549	46 - 27	1622321	46 - 28	2281128	53 - 8A	2462465	38 - 8
1621599	45 - 51	1622346	4 - 15	2281129	53 - 8B	2462468	38 - 26
1621599	50 - 1	1622346	23 - 31	2282931	53 - 10A	2462472	35 - 1
1621601	46 - 25	1622346	32 - 22	2305493	34 - 16	2462474	38 - 18
1621604	7 - 13	1622346	46 - 34	2305493	43 - 12	2462475	39 - 29
1621605	45 - 36	1622346	49 - 11	2337406	53 - 4A	2462479	38 - 7
1621719	41 - 6	1622347	31 - 6	2397045	25 - 11	2462481	32 - 14
1621769	34 - 3	1622347	32 - 18	2420943	41 - 20	2462482	32 - 13

NUMERICAL INDEX

PART NUMBER	LIST AND INDEX NO.	PART NUMBER	LIST AND INDEX NO.	PART NUMBER	LIST AND INDEX NO.	PART NUMBER	LIST AND INDEX NO.
2462488	33 - 18	2462647	33 - 24	2549781	35 - 4	2595038	55 - 2
2462490	33 - 19	2462649	33 - 12	2549782	1 - 2	2595039	1 - 38
2462492	39 - 33	2462650	32 - 28	2549782	1 - 6	2595039	4 - 2
2462494	39 - 24	2462674	36 - 22	2549782	1 - 9	2595039	4 - 12
2462495	38 - 27	2462683	35 - 15	2549782	1 - 13	2595039	8 - 10
2462497	38 - 28	2462685	32 - 21	2549782	1 - 16	2595039	9 - 4
2462499	35 - 16	2462685	32 - 23	2549782	1 - 18	2595039	45 - 10
2462514	33 - 1	2462685	32 - 39	2549782	1 - 27	2595048	53 - 6L
2462515	33 - 22	2462685	34 - 6	2549782	1 - 42	2595113	7 - 7
2462516	33 - 10	2462685	34 - 8	2549782	1 - 45	2595136	25 - 17
2462517	33 - 8	2462685	35 - 7	2549782	2 - 2	2595137	55 - 44
2462519	33 - 13	2462685	35 - 13	2549782	2 - 5	2595138	55 - 45
2462533	39 - 32	2462685	36 - 11	2549782	2 - 12	2595139	55 - 46
2462534	34 - 4	2462685	37 - 13	2549782	2 - 14	2595140	55 - 47
2462536	32 - 30	2462685	37 - 17	2549782	3 - 9	2595141	11 - 32
2462537	32 - 34	2462685	38 - 24	2549782	3 - 11	2595239	55 - 48
2462538	32 - 31	2462685	39 - 2	2549782	4 - 4	2595253	25 - 4
2462539	32 - 38	2462685	39 - 14	2549782	6 - 10	2595253	55 - 49
2462541	33 - 6	2462685	41 - 10	2549782	7 - 2	2595275	55 - 50
2462545	32 - 19	2462685	41 - 18	2549782	7 - 6	2595282	11 - 20
2462546	33 - 15	2462685	41 - 26	2549782	7 - 8	2595322	51 - 1
2462547	33 - 14	2462686	32 - 2	2549782	7 - 12	2595327	12 - 14
2462548	33 - 20	2462686	36 - 5	2549782	8 - 2	2595461	51 - 14
2462551	34 - 7	2462686	36 - 7	2549782	8 - 6	2595676	52 - 7
2462553	35 - 19	2462686	37 - 15	2549782	8 - 8	2595676	55 - 3
2462561	37 - 14	2462686	39 - 18	2549782	9 - 2	2595698	55 - 51
2462561	39 - 15	2462686	40 - 4	2549782	10 - 11	2595809	1 - 24
2462567	37 - 5	2462686	41 - 3	2549782	10 - 17	2595809	7 - 11
2462568	38 - 33	2462686	42 - 2	2549782	11 - 2	2595816	3 - 5
2462569	38 - 30	2462686	42 - 4	2549782	11 - 19	2595816	8 - 16
2462570	33 - 7	2462686	42 - 17	2549782	11 - 23	2595942	25 - 7
2462571	38 - 34	2462687	32 - 17	2549782	11 - 29	2595944	25 - 1
2462573	37 - 8	2462688	36 - 9	2549782	11 - 35	2595977	4 - 14
2462574	32 - 1	2462690	36 - 4	2549782	11 - 36	2596013	7 - 5
2462574	42 - 16	2462698	39 - 10	2549782	15 - 4	2596013	8 - 5
2462575	35 - 21	2462699	39 - 5	2549782	16 - 12	2596225	17 - 5
2462581	35 - 20	2469295	32 - 37	2549782	26 - 9	2596225	19 - 5
2462582	35 - 18	2495463	27 - 29	2549782	27 - 15	2596225	22 - 3
2462586	32 - 11	2495470	27 - 31	2549782	28 - 2	2596275	39 - 4
2462587	39 - 3	2502307	53 - 9B	2549782	28 - 14	2596291	34 - 9
2462588	36 - 15	2543915	25 - 2	2549782	31 - 5	2596291	43 - 16
2462590	34 - 2	2543915	25 - 8	2549782	45 - 22	2596291	46 - 12
2462593	34 - 1	2545982	39 - 13	2549782	28A - 3	2596291	47 - 12
2462594	34 - 2	2546721	16 - 9	2549783	1 - 22	2596293	27 - 12
2462598	37 - 6	2546721	18 - 4	2549926	27 - 40	2596752	55 - 52
2462600	35 - 8	2546721	21 - 9	2588046	11 - 27	2597209	14 - 3
2462602	32 - 16	2548558	5 - 11	2588053	1 - 4	2597210	14 - 3
2462604	39 - 12	2548559	5 - 14	2588053	26 - 12	2597419	26 - 20
2462606	36 - 1	2549526	23 - 4	2588425	27 - 37	2597420	55 - 53
2462609	32 - 4	2549526	23 - 12	2590081	17 - 6	2597421	55 - 54
2462609	32 - 35	2549526	23 - 20	2590081	19 - 6	2597422	55 - 55
2462615	32 - 24	2549526	23 - 24	2590081	22 - 4	2597423	55 - 19
2462615	34 - 10	2549526	23 - 26	2592485	25 - 18	2597427	11 - 11
2462616	38 - 25	2549526	23 - 28	2595010	16 - 15	2597430	6 - 8
2462622	39 - 21	2549526	23 - 30	2595010	20 - 11	2597431	5 - 4
2462625	37 - 16	2549529	25 - 6	2595014	27 - 39	2597586	1 - 3
2462629	36 - 21	2549722	23 - 7	2595026	11 - 10	2597587	26 - 10
2462646	33 - 23	2549722	24 - 4	2595037	55 - 1	2597814	26 - 15

NUMERICAL INDEX

PART NUMBER	LIST AND INDEX NO.	PART NUMBER	LIST AND INDEX NO.	PART NUMBER	LIST AND INDEX NO.	PART NUMBER	LIST AND INDEX NO.
2597815	12 - 11	2777334	27 - 9	2777469	1 - 34	4233722	15 - 2
2597820	7 - 1	2777334	27 - 14	2777470	30 - 5	4233724	23 - 16
2597820	8 - 1	2777335	1 - 26	2777473	1 - 5	4233726	11 - 17
2597822	3 - 13	2777336	30 - 1	2777474	27 - 35	4233733	23 - 6
2597838	4 - 7	2777338	1 - 32	2777474	27 - 35	4233735	55 - 29
2597838	25 - 16	2777341	1 - 15	2777475	1 - 44	4233736	55 - 30
2597847	26 - 21	2777342	1 - 15	2777475	11 - 30	4233737	11 - 32
2597854	12 - 9	2777343	29 - 11	2777478	1 - 28	4233741	55 - 31
2597868	23 - 19	2777344	29 - 11	2777479	27 - 23	4233742	11 - 9
2597869	23 - 21	2777345	28 - 13	2777481	1 - 1	4233744	52 - 6
2597882	25 - 15	2777346	28 - 13	2777482	30 - 3	4233746	10 - 1
2597888	11 - 15	2777347	3 - 8	2777482	30 - 3	4233748	4 - 3
2597890	12 - 15	2777348	3 - 8	4134831	51 - 8	4233748	6 - 9
2597892	55 - 56	2777353	27 - 3	4138510	51 - 5	4233748	15 - 3
2633954	51 - 13	2777366	27 - 1	4139583	52 - 5	4233751	1 - 46
2633955	51 - 7	2777372	3 - 12	4176983	11 - 7	4233751	12 - 13
2637680	53 - 3D	2777372	28 - 4	4177074	16 - 14	4233751	50 - 9
2637681	53 - 3A	2777372	29 - 3	4177074	17 - 4	4233752	55 - 61
2637681	53 - 3A	2777373	1 - 30	4177074	18 - 8	4233762	5 - 2
2637684	53 - 3D	2777374	1 - 30	4177074	19 - 4	4233764	10 - 6
2637689	53 - 3C	2777380	1 - 8	4177074	21 - 12	4233765	10 - 16
2675992	51 - 3	2777381	1 - 19	4177074	22 - 6	4233773	13 - 7
2731026	49 - 18	2777381	29 - 6	4177078	20 - 9	4233773	13 - 11
2731026	51 - 4	2777382	1 - 19	4177079	10 - 4	4233774	13 - 9
2731304	26 - 23	2777382	3 - 3	4177081	4 - 10	4233775	13 - 10
2731391	53 - 3D	2777382	29 - 6	4177082	25 - 14	4233776	13 - 5
2731392	53 - 3E	2777383	28 - 9	4177083	26 - 2	4233777	13 - 12
2731406	53 - 3D	2777387	55 - 57	4177097	16 - 11	4233778	24 - 1
2731731	53 - 3D	2777388	1 - 26	4177156	5 - 5	4233785	51 - 12
2732453	51 - 6	2777390	27 - 2	4177157	55 - 59	4233788	25 - 19
2743512	43 - 9	2777396	1 - 23	4177158	24 - 8	4233789	25 - 19
2767157	55 - 21	2777396	3 - 6	4177163	26 - 17	4233790	25 - 19
2767158	55 - 22	2777396	8 - 14	4177163	26 - 19	4233791	25 - 19
2767159	55 - 23	2777396	31 - 8	4177172	52 - 2	4233792	25 - 19
2767160	55 - 24	2777398	1 - 14	4177185	55 - 60	4233800	14 - 3
2767161	55 - 25	2777409	2 - 3	4177188	53 - 3B	4233835	55 - 62
2767164	55 - 26	2777412	30 - 1	4177189	53 - 3B	4233855	8 - 12
2767165	55 - 27	2777412	30 - 1	4177829	13 - 2	4233855	9 - 6
2767166	55 - 28	2777413	1 - 32	4177829	42 - 6	4233855	10 - 8
2767640	27 - 13	2777418	1 - 10	4178052	34 - 5	4233855	10 - 14
2767640	28A - 7	2777418	28 - 3	4178056	34 - 5	4233855	16 - 8
2775241	27 - 37	2777420	1 - 41	4178062	36 - 13	4233855	17 - 7
2777243	27 - 36	2777422	1 - 39	4178063	36 - 14	4233855	18 - 6
2777266	27 - 18	2777428	1 - 5	4178389	10 - 13	4233855	19 - 7
2777297	28 - 5	2777430	29 - 8	4178459	11 - 31	4233855	21 - 6
2777304	3 - 10	2777433	2 - 11	4201819	27 - 25	4233855	22 - 7
2777306	1 - 12	2777434	2 - 11	4233703	26 - 13	4233861	8 - 7
2777307	29 - 1	2777435	2 - 4	4233704	26 - 27	4233861	9 - 1
2777308	2 - 1	2777436	2 - 4	4233705	6 - 11	4233866	26 - 16
2777309	28 - 1	2777459	55 - 58	4233705	7 - 9	4233866	26 - 18
2777317	53 - 4B	2777461	27 - 2	4233706	24 - 2	4233868	5 - 7
2777318	1 - 40	2777463	28 - 12	4233708	11 - 14	4233870	10 - 10
2777323	1 - 21	2777465	1 - 23	4233709	14 - 6	4233871	1 - 47
2777325	29 - 12	2777465	3 - 6	4233710	21 - 3	4233880	10 - 3
2777327	1 - 17	2777465	8 - 14	4233721	55 - 10	4233883	53 - 3B
2777328	27 - 17	2777465	31 - 8	4233722	10 - 7	4233884	55 - 63
2777330	1 - 26	2777467	3 - 1	4233722	14 - 2	4233885	55 - 32
2777333	27 - 14	2777468	30 - 4	4233722	14 - 5	4233887	55 - 64

NUMERICAL INDEX

PART NUMBER	LIST AND INDEX NO.	PART NUMBER	LIST AND INDEX NO.	PART NUMBER	LIST AND INDEX NO.	PART NUMBER	LIST AND INDEX NO.
4233888	55 - 65	4240601	43 - 3	5562038	36 - 3	5811833	45 - 23
4233889	55 - 66	4240604	41 - 11	5562044	32 - 32	6493600	45 - 11
4233890	55 - 67	4240605	41 - 11	5562044	34 - 17	6493610	8 - 9
4233899	12 - 8	4240608	41 - 28	5562051	35 - 5	6493610	9 - 3
4233899	53 - 10B	4240610	41 - 15	5562059	34 - 13	6493613	8 - 9
4233900	23 - 3	4240614	42 - 12	5562085	35 - 3	6493613	9 - 3
4233901	1 - 7	4240620	43 - 6	5562086	34 - 15	6493625	48 - 9
4233901	55 - 68	4240625	44 - 4	5562088	34 - 11	6814312	28 - 9
4233939	31 - 4	4240631	42 - 7	5562098	35 - 12	6814313	28A - 8
4233939	49 - 13	4240632	42 - 20	5562115	41 - 29	6819193	51 - 4
4233940	55 - 4	4240635	41 - 2	5563653	34 - 1	6819202	51 - 4
4233941	55 - 5	4240638	40 - 1	5563654	39 - 22	6819205	51 - 8
4233942	11 - 13	4240646	44 - 3	5563660	37 - 1	6819208	51 - 6
4233943	51 - 11	4240648	43 - 11	5563671	33 - 9	6819211	51 - 4
4233944	1 - 25	4240661	42 - 9	5563687	38 - 3	6819999	55 - 33
4233944	3 - 7	4240663	42 - 5	5563690	36 - 17	7020197	55 - 34
4233944	8 - 15	4240666	41 - 9	5563691	36 - 18	7034877	12 - 3
4233946	23 - 1	4240671	41 - 7	5563692	36 - 10	7034877	55 - 73
4233954	19 - 8	4240673	41 - 5	5563693	36 - 16	7362130	27 - 4
4233955	17 - 8	4240675	41 - 5	5564498	27 - 11	7362130	27 - 24
4233956	22 - 1	4240679	41 - 1	5564498	28 - 11	7362130	30 - 2
4233959	17 - 1	4240684	42 - 3	5564498	29 - 5	7362130	46 - 7
4233962	23 - 13	4240687	42 - 11	5564498	28A - 1	7362130	46 - 21
4233963	55 - 69	4248945	45 - 38	5564641	28A - 2	7362130	46 - 33
4233964	55 - 70	4248945	47 - 9	5564935	2 - 8	7362846	55 - 35
4233981	11 - 24	4248945	48 - 10	5565054	28A - 10	7364498	53 - 5A
4233983	14 - 3	4248945	48 - 27	5565055	28A - 10	7364586	11 - 5
4234003	11 - 26	4248977	48 - 2	5565076	2 - 13	8240000	49 - 17
4234041	26 - 11	4248985	49 - 10	5565080	2 - 8	8265141	51 - 8
4234048	16 - 4	4248988	45 - 39	5565109	27 - 6	8265273	26 - 28
4234049	11 - 34	4248990	45 - 39	5565145	55 - 71	8265370	1 - 18A
4236318	3 - 2	4413711	11 - 33	5565169	27 - 16	8265370	2 - 7
4236318	29 - 2	4413712	11 - 33	5565215	27 - 36	8265370	2 - 10
4236318	29 - 13	4483258	5 - 17	5616743	39 - 8	8265370	4 - 6
4236318	46 - 10	4521305	6 - 3	5719454	27 - 5	8265370	4 - 9
4236318	46 - 19	4521357	6 - 5	5719455	27 - 5	8265370	5 - 1
4236560	53 - 6B	4521358	6 - 6	5758625	29 - 4	8265370	5 - 3
4236583	26 - 5	4797001	6 - 6	5761789	28 - 6	8265370	6 - 2
4236584	26 - 4	4797003	6 - 6	5761795	28A - 4	8265370	7 - 4
4236694	26 - 7	4797005	6 - 6	5761882	53 - 9A	8265370	8 - 4
4236762	31 - 9	4797007	6 - 6	5761943	27 - 7	8265370	8 - 13
4236955	53 - 5B	4797370	6 - 6	5761943	27 - 19	8265370	9 - 7
4240521	13 - 1	4834495	53 - 6E	5761943	29 - 10	8265370	10 - 2
4240523	13 - 1	4885605	53 - 1L	5785274	55 - 72	8265370	10 - 9
4240563	41 - 16	5252836	27 - 9	5800634	53 - 6A	8265370	10 - 15
4240568	41 - 31	5252843	1 - 19	5802294	52 - 7	8265370	16 - 2
4240573	43 - 10	5252843	29 - 6	5802294	55 - 6	8265370	16 - 5
4240576	42 - 1	5353922	53 - 6C	5811801	46 - 13	8265370	16 - 7
4240580	42 - 13	5362304	11 - 15	5811801	49 - 2	8265370	17 - 2
4240583	42 - 18	5412817	53 - 9B	5811804	45 - 24	8265370	17 - 9
4240584	40 - 3	5466393	32 - 27	5811809	47 - 3	8265370	17 - 11
4240589	42 - 8	5466397	32 - 25	5811809	48 - 4	8265370	18 - 2
4240592	42 - 19	5556740	53 - 10B	5811810	48 - 1	8265370	18 - 10
4240593	44 - 1	5560533	26 - 3	5811811	48 - 23	8265370	18 - 12
4240594	43 - 2	5562019	41 - 14	5811812	45 - 34	8265370	19 - 2
4240596	43 - 1	5562019	43 - 13	5811813	47 - 7	8265370	19 - 9
4240599	43 - 14	5562035	34 - 14	5811814	48 - 5	8265370	19 - 11
4240600	43 - 4	5562037	34 - 18	5811818	45 - 8	8265370	20 - 2

NUMERICAL INDEX

PART NUMBER	LIST AND INDEX NO.	PART NUMBER	LIST AND INDEX NO.	PART NUMBER	LIST AND INDEX NO.	PART NUMBER	LIST AND INDEX NO.
8265370	20 - 5	8636567	21 - 1	8636633	27 - 39	8636714	11 - 18
8265370	20 - 7	8636573	16 - 1	8636633	55 - 77	8636715	11 - 22
8265370	21 - 2	8636574	16 - 3	8636634	55 - 78	8636743	24 - 7
8265370	21 - 5	8636576	18 - 1	8636635	55 - 79	8636744	24 - 6
8265370	21 - 8	8636577	18 - 3	8636636	12 - 12	8636746	55 - 90
8265370	22 - 2	8636578	18 - 9	8636636	55 - 14	8636747	55 - 91
8265370	22 - 9	8636580	7 - 3	8636642	55 - 80	8636748	55 - 92
8265370	22 - 11	8636580	8 - 3	8636643	55 - 81	8636752	55 - 36
8265370	26 - 25	8636581	4 - 13	8636644	55 - 82	8636753	55 - 37
8265377	20 - 10	8636599	25 - 19	8636648	55 - 83	8636754	55 - 38
8265402	26 - 20	8636603	25 - 13	8636649	55 - 84	8636755	55 - 39
8266341	27 - 25	8636604	25 - 12	8636651	55 - 85	8636756	55 - 40
8279052	1 - 19	8636605	23 - 29	8636653	55 - 86	8636758	55 - 41
8279052	3 - 3	8636606	4 - 5	8636654	55 - 87	8636759	55 - 42
8279052	29 - 6	8636607	4 - 8	8636655	55 - 88	8636760	55 - 43
8324648	53 - 3E	8636614	23 - 25	8636657	46 - 30	8636761	55 - 16
8331591	53 - 3E	8636618	24 - 5	8636666	15 - 1	8636791	20 - 3
8633396	51 - 10	8636624	5 - 4	8636668	19 - 1	8636792	20 - 4
8636532	26 - 24	8636624	55 - 75	8636677	20 - 1	8636793	23 - 18
8636533	31 - 2	8636626	55 - 7	8636678	21 - 4	8636794	23 - 15
8636535	4 - 13	8636627	27 - 21	8636678	22 - 8	8636795	26 - 8
8636541	31 - 1	8636627	55 - 76	8636683	11 - 8	8636796	31 - 7
8636543	55 - 74	8636628	55 - 8	8636683	55 - 89	8636796	55 - 93
8636553	25 - 5	8636629	55 - 9	8636690	11 - 14	8636807	6 - 1
8636556	14 - 1	8636630	55 - 11	8636691	55 - 15	8636813	4 - 1
8636557	14 - 4	8636631	55 - 12	8636712	11 - 12	8636820	11 - 1
8636558	23 - 27	8636632	55 - 13	8636713	11 - 16	8636821	11 - 3

READER'S COMMENT FORM

Please use this form only to identify publication errors or to request changes in publications. Direct any requests for additional publications, technical questions about IBM systems, changes in IBM programming support, and so on, to your IBM representative or to your IBM-approved remarketer. You may use this form to communicate your comments about this publication, its organization, or subject matter, with the understanding that IBM may use or distribute whatever information you supply in any way it believes appropriate without incurring any obligation to you.

Possible topics for comment are:

	Page No(s).		Page No(s).
Accuracy	_____	Figure/Diagram	_____
Adjustments/Procedures	_____	Index/Table of Contents	_____
Completeness	_____	Organization	_____
Cross-references	_____	Other _____	_____

Comments:

Please provide the information requested below; we will contact you. Thank you for your cooperation.

Name: _____

Telephone:

Job Title: _____

(IBM Tie Line) (Extension)

Address: _____

(Area Code) (Local Number)

Zip Code

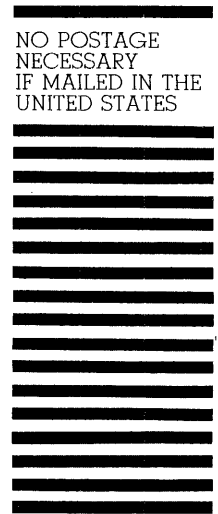
No postage necessary if mailed in the U.S.A.

Cut Along Line

Fold and tape. **Please do not staple.**



NO POSTAGE
NECESSARY
IF MAILED IN THE
UNITED STATES



BUSINESS REPLY MAIL

FIRST CLASS / PERMIT NO. 40 / ARMONK, NEW YORK

POSTAGE WILL BE PAID BY ADDRESSEE

International Business Machines Corporation
Information Development
Department 245
Rochester, Minnesota, U.S.A. 55901

Fold and tape. **Please do not staple.**





System/36 Parts Catalog

International Business Machines Corporation

Order Number
S131-0899-4

Printed in U.S.A.

S131-0899-04

