



**Maintenance Library**

***SYSTEM* / 32**  
**Parts Catalog**

## **PREFACE**

This Illustrated Parts Catalog (IPC) contains listing and illustrations of all replaceable assemblies, subassemblies and detail parts released to Production Control on or before November 1, 1977.

### **Sixth Edition**

Changes are continually made to the specifications herein; any such change will be reported in subsequent revisions or FE Supplements.

A form for reader's comments is provided at the back of this publication. If this form has been removed, comments may be addressed to IBM Corporation, Publications Department 245, Rochester, Minnesota 55901.

© Copyright International Business Machines Corporation 1974, 1975, 1976, 1977

HOW TO USE A PARTS CATALOG . . . . . ii

VISUAL INDEXES . . . . . iv

Figure	Title	Page
1	Covers and Mounting Hardware . . . . .	1
2	Mechanical Assembly . . . . .	3
3	Mechanical Assembly . . . . .	5
4	Mechanical Assembly, Rear . . . . .	7
5	CRT Display Assembly . . . . .	9
6	33FD Mounting Assembly . . . . .	10
7	33FD . . . . .	11
8	33FD Baseplate Assembly . . . . .	13
9	33FD Plate Assembly, Disk Clamping . . . . .	15
10	Operator Panel . . . . .	17
11	Belt Printer Base Assembly . . . . .	19
12	Wire Printer Base Assembly . . . . .	21
13	CE Panel . . . . .	23
14	Panel Assembly 2400 Integrated Modem ASM . . . . .	25
15	Disk Storage Drive Assembly . . . . .	27
16	Disk Storage Drive Assembly . . . . .	29
17	Belt Printer Cover Final Assembly . . . . .	31
18	Belt Printer Cover Final Assembly . . . . .	33
19	Belt Printer Cover Final Assembly . . . . .	35
20	Belt Printer Cover Assembly . . . . .	37
21	Belt Printer Bustle Assembly . . . . .	39
22	Belt Printer Assembly, 155 lpm Machines . . . . .	41
23	Belt Printer Assembly, 155 lpm Machines . . . . .	43
23A	Belt Printer Assembly, 155 lpm Machines . . . . .	45
24	Belt Printer Assembly, 155 lpm Machines . . . . .	47
25	Belt Printer Basic Assembly, 155 lpm Machines . . . . .	49
26	Belt Printer Basic Assembly, 155 lpm Machines . . . . .	53
26A	Belt Printer Assembly, 285 lpm Machines . . . . .	55
26B	Belt Printer Assembly, 285 lpm Machines . . . . .	57
26C	Belt Printer Assembly, 285 lpm Machines . . . . .	59
26D	Belt Printer Assembly, 285 lpm Machines . . . . .	61
26E	Belt Printer Basic Assembly, 285 lpm Machines . . . . .	63
27	Belt Printer Clamp Assembly, Forms . . . . .	65
28	Belt Printer Tractor Assembly, Right . . . . .	67
29	Belt Printer Tractor Assembly, Left . . . . .	69
30	Belt Printer Clamp Assembly, Lower – 155 lpm Machines . . . . .	71
30A	Belt Printer Clamp Assembly, Lower – 285 lpm Machines . . . . .	73
31	Belt Printer Guide Assembly, 132 Pos – 155 lpm Machines . . . . .	75
31A	Belt Printer Hammer Unit Assembly, 285 lpm Machines . . . . .	77
32	Belt Printer Front Assembly, 155 lpm Machines . . . . .	79
33	Belt Printer Front Assembly, 155 lpm Machines . . . . .	81
33A	Belt Printer Front End Assembly, 285 lpm Machines . . . . .	85
34	Belt Printer Ribbon Mounting Bar Assembly, 155 lpm Machines . . . . .	89

34A	Belt Printer Mounting Bar Assembly, 285 lpm Machines . . . . .	91
35	Wire Printer Cover Assembly, Model A1 and A2 . . . . .	93
36	Wire Printer Main Assembly . . . . .	95
37	Wire Printer Frame Assembly, Model A1 and A2 . . . . .	97
38	Wire Printer Feed Assembly, Forms Tractor Unit . . . . .	101
39	Wire Printer Platen Assembly . . . . .	105
40	Wire Printer Power Supply Assembly . . . . .	107
41	Wire Printer A-Frame Assembly . . . . .	111
42	Wire Printer Emitter & Motor Assembly, Forms Feed . . . . .	113
43	Wire Printer Carrier Assembly . . . . .	115
44	Wire Printer Carrier Assembly . . . . .	117
45	Keyboard Assembly . . . . .	119
46	Keybutton Chart, 1 of 4 . . . . .	121
47	Keybutton Chart, 2 of 4 . . . . .	122
48	Keybutton Chart, 3 of 4 . . . . .	123
49	Keybutton Chart, 4 of 4 . . . . .	124
50	High Frequency Power Supply Assembly . . . . .	125
50A	Ferro Resonant Power Supply Assembly . . . . .	127
50B	AC Board Assembly . . . . .	129
51	High Frequency Power Supply Assembly . . . . .	131
51A	Ferro Resonant Power Supply Assembly . . . . .	133
52	High Frequency Power Supply Assembly, Dual-level . . . . .	135
52A	Ferro Resonant Power Supply & Mtg. Plate Assemblies, Dual-level . . . . .	137
52B	Power Supply Assembly, Dual-level . . . . .	139
53	High Frequency Power Supply Assembly, Tri-level . . . . .	141
54	High Frequency Power Supply Assembly, Multi-level . . . . .	143
54A	Ferro Resonant Power Supply Assembly, Multi-level . . . . .	145
55	Line Filter Assembly . . . . .	147
56	Line Filter Assembly . . . . .	149
57	Line Filter Assembly, Germany and Union of South Africa . . . . .	151
58	Line Filter Assembly . . . . .	153
59	Gate, Rear . . . . .	155
60	Gate, Front . . . . .	157
60A	Final Assembly, 1255 Attach to 5320 . . . . .	159
60B	Gate Assembly, 1255 Attach to 5320 . . . . .	161
61	Cable and Jumper Component Parts . . . . .	163
62	Attaching Parts . . . . .	168

NUMERICAL INDEX . . . . . X-1

## HOW TO USE THIS PARTS CATALOG

### PART I

To find parts quickly, a general understanding of the structure of this catalog is necessary. The catalog is divided into three major sections:

- The Visual Index, containing overall views of the machine, with call-outs pointing to detailed figures.
- The Catalog Section, containing a pictorial breakdown of assemblies and subassemblies.
- The Numerical Index, which is a numerical list of all parts used in the machine, with cross-references to the figure on which the part is found.

#### VISUAL INDEX

The Visual Index, located before the Catalog Section, contains a reduced illustration of every figure in the Catalog Section. The reduced illustrations are tied together with flow arrows to form a natural progression from large assemblies to small assemblies and possibly subassemblies. In effect, a visual table of contents is formed by the Visual Index illustrations.

#### CATALOG SECTION

The Catalog Section contains the full-sized illustrations previously noted in the Visual Index. Index numbers on figures refer to corresponding entries in the Group Assembly Parts List accompanying each figure. Refer to part II for explanation of terms used in the Group Assembly Parts List.

#### ATTACHING PARTS LIST

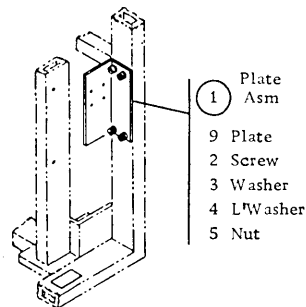
The Attaching Parts List contains common screws, nuts, washers, etc. that are used in the machine. Index numbers for attaching parts are on the illustration, and the description is in the Attaching Parts List.

#### NUMERICAL INDEX

The Numerical Index is located after the Catalog Section and contains a complete list, in numerical order, of all part numbers used on the machine. Listed with the part number is the index and figure number on which the part is illustrated. The numerical index makes it possible to locate a part when only the part number is known.

#### STACKED INDEX NUMBERS

Stacked Index numbers are used when showing a part and its attaching hardware. The sequence of a typical stack is shown at the right. The circled index number indicates the assembly is broken down within the figure.



#### ILLUSTRATION NOTES

Cross-reference notes are directly on the illustration. The illustration's next higher assembly reference, normally located in the upper left corner of the page will read: "For Parts Not Shown See Figure X". If an assembly is referenced to a lower level figure, the note located next to the index number will read: "5 See Figure X."

#### DOUBLE LINED DETAIL BOX

The double lined box differentiates between parts shown on the basic model and parts related to a level and/or feature difference. An explanation of the level or feature difference is given in the double lined box.

#### FINDING A PART

The Visual Index is the starting point for locating a part. The illustrations in the Visual Index are reduced versions of all illustrations in the Catalog Section; therefore, the illustrations can be used to find the assembly containing the desired part. Use references to the detailed figure in the Catalog Section, or to another Visual Index illustration, to determine location of part number.

Once the detailed figure in the catalog section is determined, finding the part on the figure and referring to the listing for the part number and description is all that is required in most cases. If the first catalog section figure referenced shows the assembly containing the required part, the index number for the assembly will reference a lower-level figure where the assembly is broken down to its component parts. If the figure referenced by the Visual Index contains neither the part nor an assembly containing the part, it is then necessary to go to the next higher assembly figure. This figure should then contain the part or an assembly containing the part; if not, an even higher level figure must be used. Refer back to the Visual Index for some other figure that could show the desired part.

*Note:* Many detailed parts are unavailable, because they are part of an inseparable assembly (two or more parts welded or bonded together), or because they are part of an assembly purchased as a unit. If parts are found on a welded or bonded assembly, the following note follows the description of the assembly: "Assembly components are not replaceable." If the part is found on a purchased assembly, and the detail parts of this assembly do not have IBM part numbers, the note following the assembly description will read: "Assembly components are not available." In either case, you need to obtain the part number of the assembly, rather than the detailed part.

#### EXAMPLE FOR ORDERING PARTS

FIGURE INDEX NUMBER	PART NUMBER	UNITS PER ASM	1 2 3 4				DESCRIPTION
50	5726422					FAN ASSEMBLY - PS ENCLOSURE FOR NEXT HIGHER ASM SEE LIST 3-13 AND FOR ILLUSTRATION FIG 50	
-1	334921	2	*			* TERMINAL RING 18-22 AWG, NO 6 INS	
-2	187854	1	*			* SHIELD TERMINAL BLOCK - 2 POS	
-3	5287050	1	*			* FAN ASM - NO CONNECTOR	
-4	5351066	1	*			* BLADE	
-5	5351067	1	*			* MOTOR	
-6	5726426	1	*			* HEADER - POWER SUPPLY FAN	

If the entire fan is required, part number 5726422 should be ordered (all one dot items will be received). If only the sub-assembly is required, part number 5357050 should be ordered (all two dot items will be received). Each part may be ordered individually.

## HOW TO USE THIS PARTS CATALOG

### PART II

- A** *AR*  
As Required (AR) in the units per assembly column denotes that the quantity is used as required.
- B** *ATT PT*  
Attaching Parts: These parts are used to attach a subassembly to an assembly. The attaching parts are listed in the last list just before the numeric index. Special attaching parts are listed with the figure.
- C** *INDENTURE*  
The relationship of a part to its next higher assembly is indicated by indentures. For example:

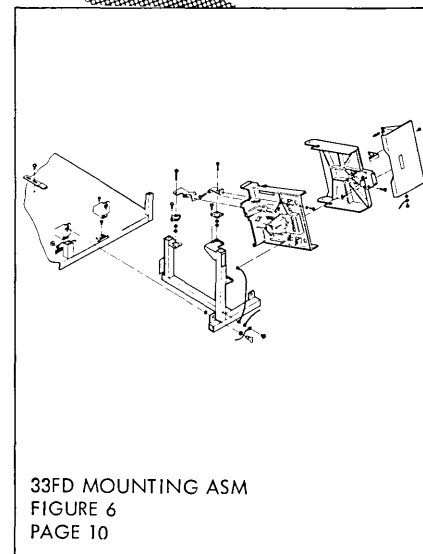
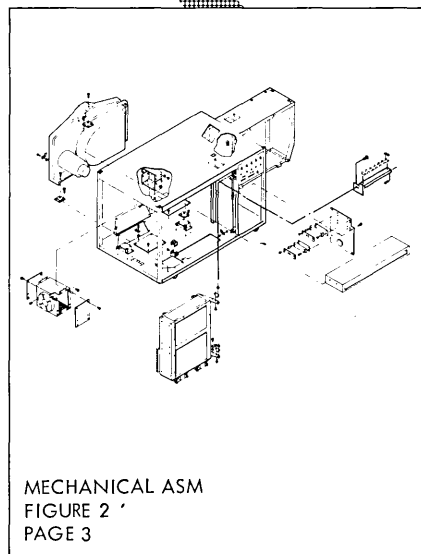
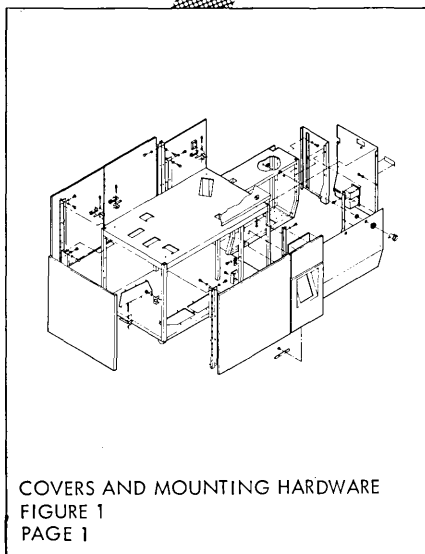
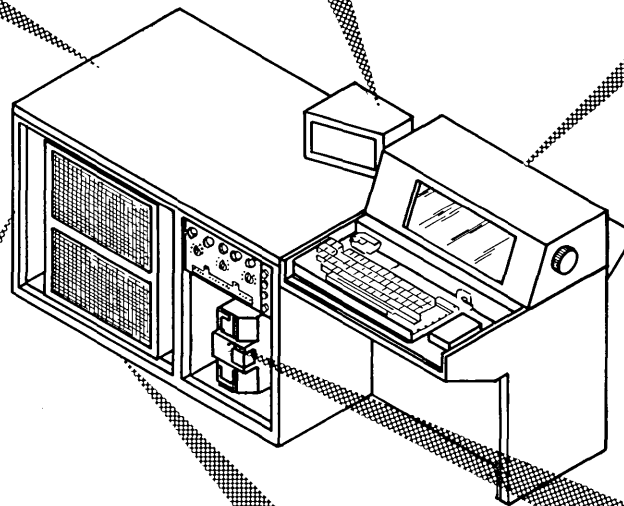
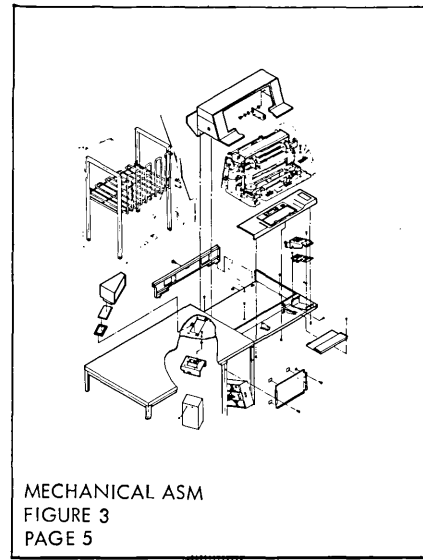
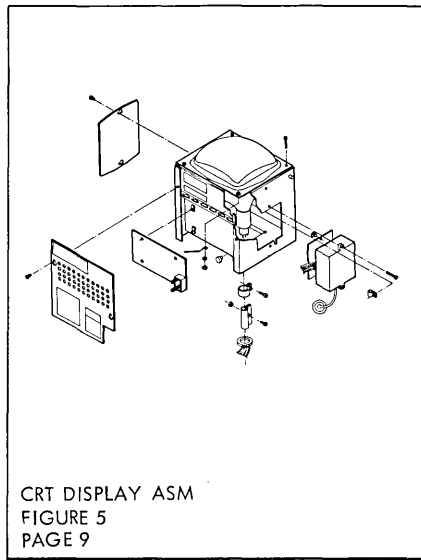
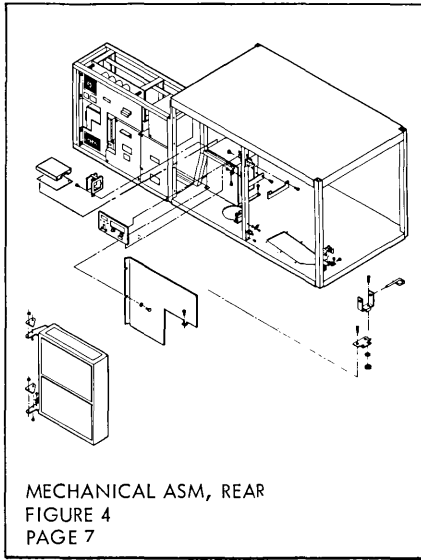
- ```

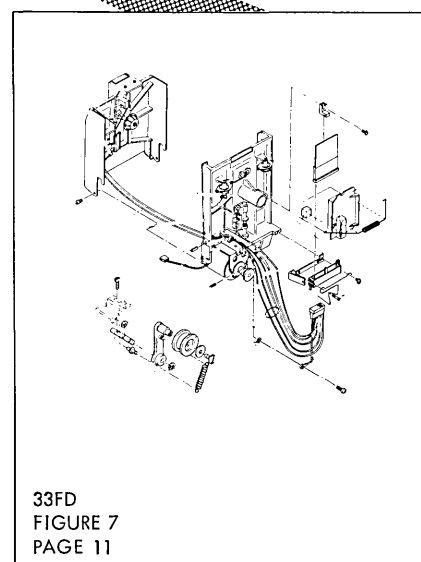
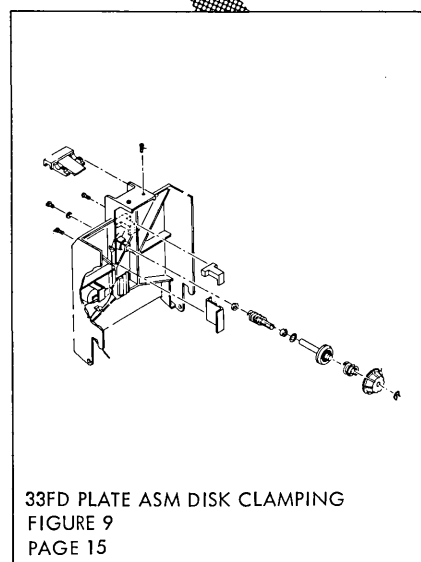
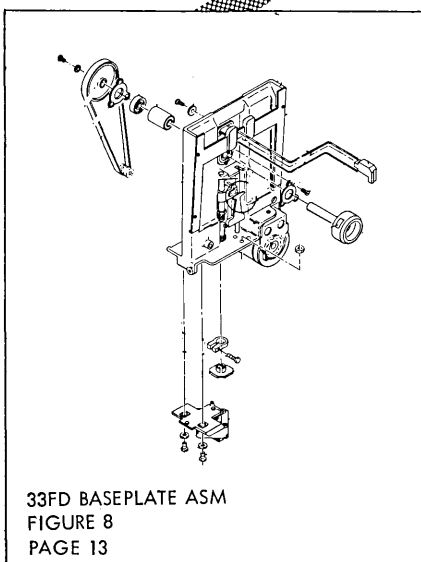
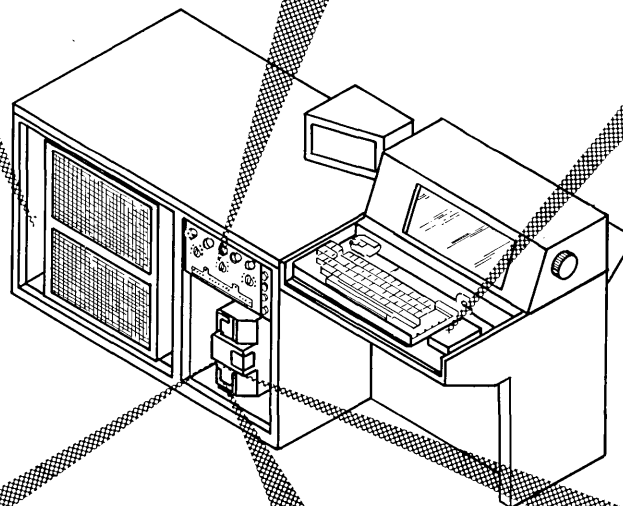
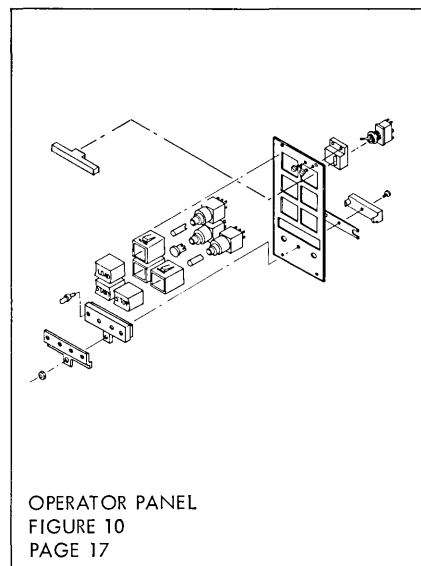
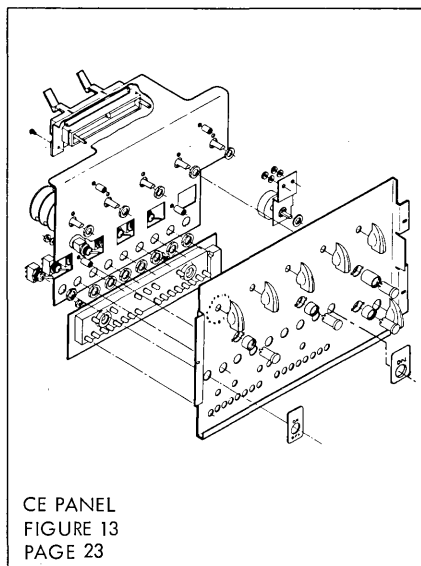
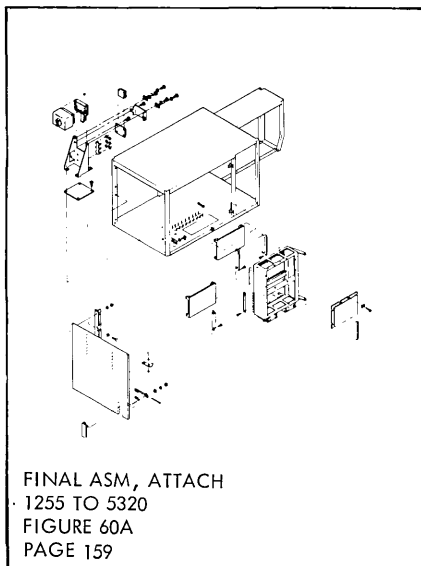
1 2 3 4
Unit
. Assemblies and Detail Parts of Unit
. Attaching Parts for Assemblies & Detail Parts
. . Subassemblies
. . Attaching Parts for Subassemblies
. . . Detail Parts for Subassemblies, etc.
    
```

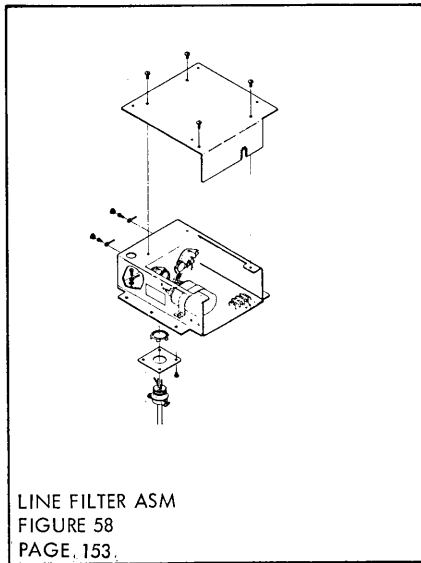
- D** *NR*  
The NR in the part number column denotes the part is procurable but not recommended for field replacement, and that the next higher assembly should be ordered.
- E** *NP*  
The entry NP in the part number column denotes the assembly is non-procurable and the detail parts should be ordered separately.
- F** *NO NO.*  
When this indication appears in the part number column, it denotes a group of parts for which no assembly part number has been assigned, and the detail parts should be ordered separately.

### EXAMPLE OF PARTS LIST

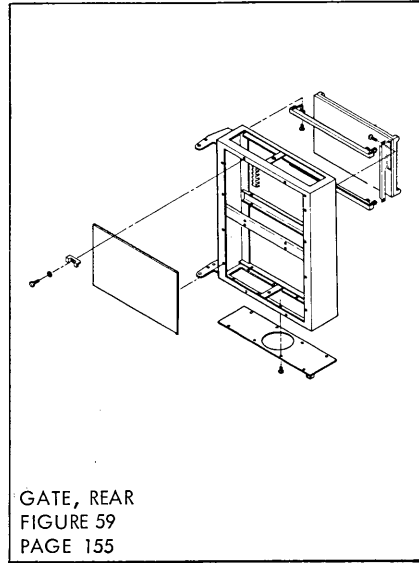
| FIGURE-<br>INDEX<br>NUMBER | PART<br>NUMBER | UNITS<br>PER<br>ASM. | DESCRIPTION |   |   |   |  |  |  |  |
|----------------------------|----------------|----------------------|-------------|---|---|---|--|--|--|--|
|                            |                |                      | 1           | 2 | 3 | 4 |  |  |  |  |
| 37                         | 2448605        |                      |             |   |   |   |  |  |  |  |
| -                          |                |                      |             |   |   |   |  |  |  |  |
| -                          |                |                      |             |   |   |   |  |  |  |  |
| -1                         | 2204176        | 1                    |             |   |   |   |  |  |  |  |
| -2                         | 79842          | AR                   |             |   |   |   |  |  |  |  |
| -3                         | 2204116        | NR                   |             |   |   |   |  |  |  |  |
| -4                         | NO NO.         | 1                    |             |   |   |   |  |  |  |  |
| -5                         | 2204082        | 1                    |             |   |   |   |  |  |  |  |
| -6                         | 2204033        | 1                    |             |   |   |   |  |  |  |  |
| -7                         | 2199258        | 1                    |             |   |   |   |  |  |  |  |
| -8                         | 2199401        | NP                   |             |   |   |   |  |  |  |  |



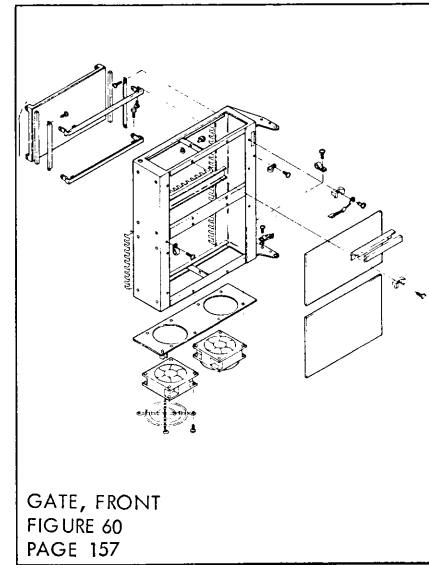




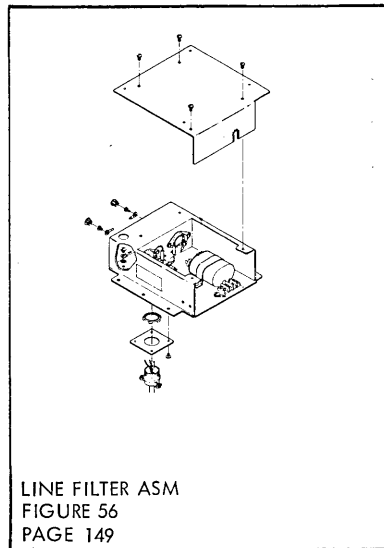
LINE FILTER ASM  
FIGURE 58  
PAGE 153.



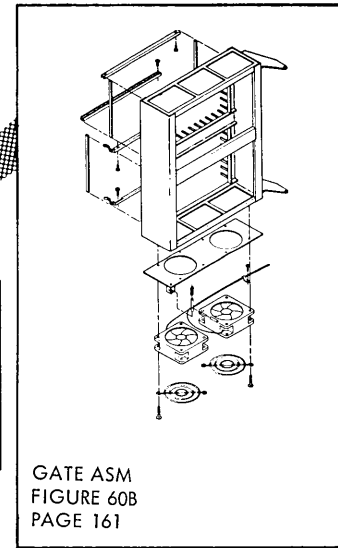
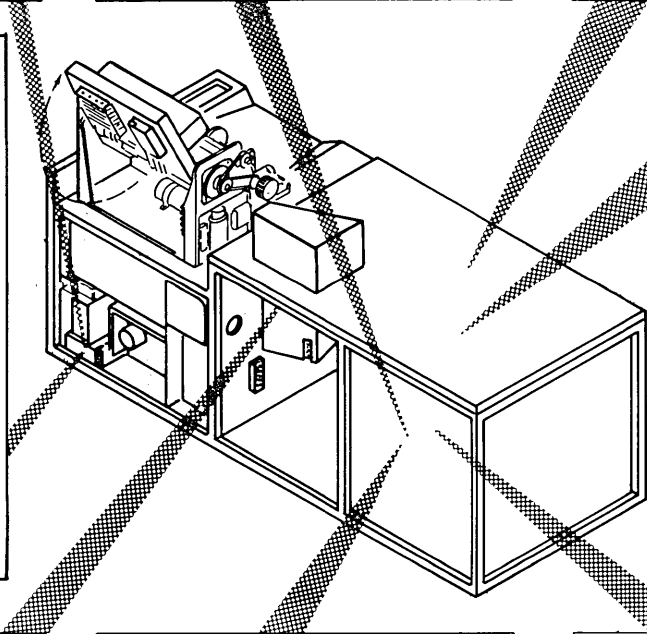
GATE, REAR  
FIGURE 59  
PAGE 155



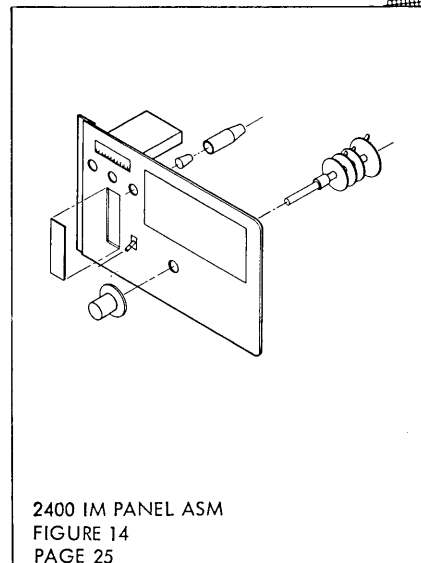
GATE, FRONT  
FIGURE 60  
PAGE 157



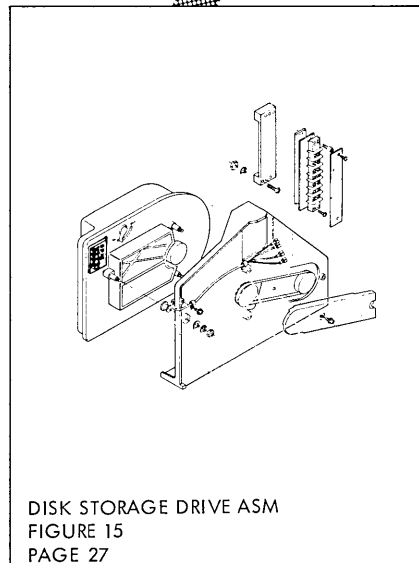
LINE FILTER ASM  
FIGURE 56  
PAGE 149



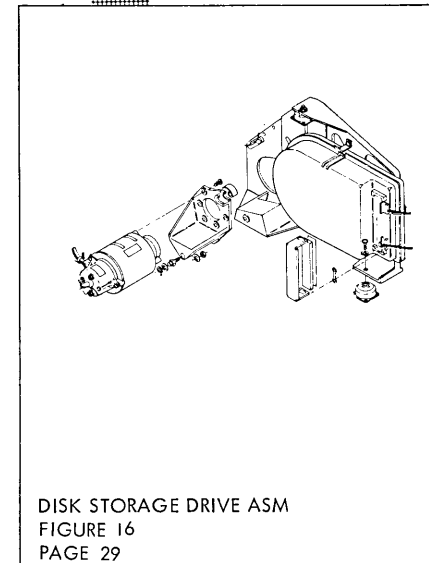
GATE ASM  
FIGURE 60B  
PAGE 161



2400 IM PANEL ASM  
FIGURE 14  
PAGE 25

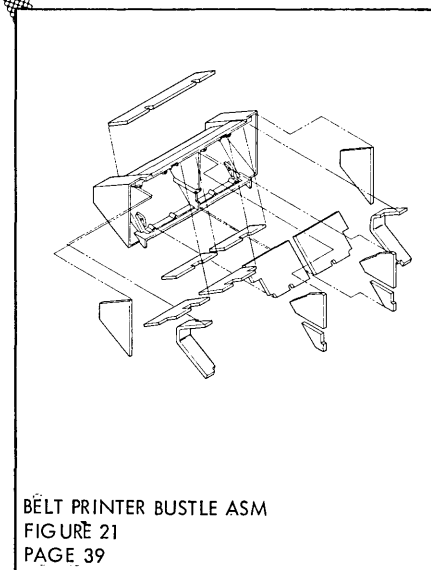
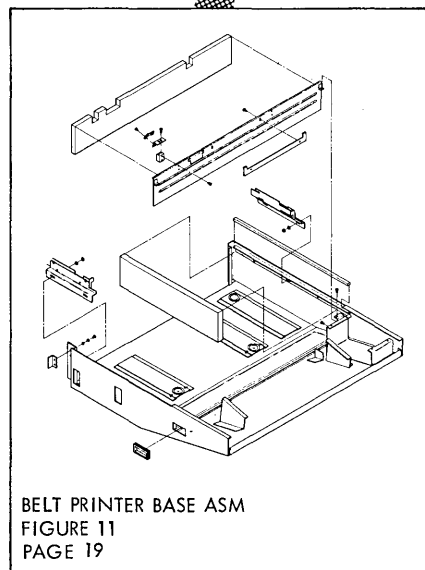
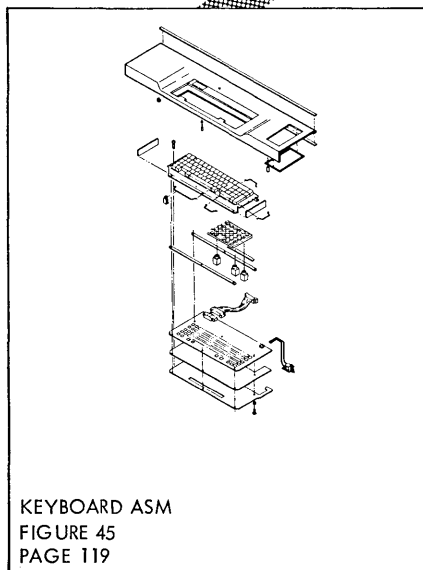
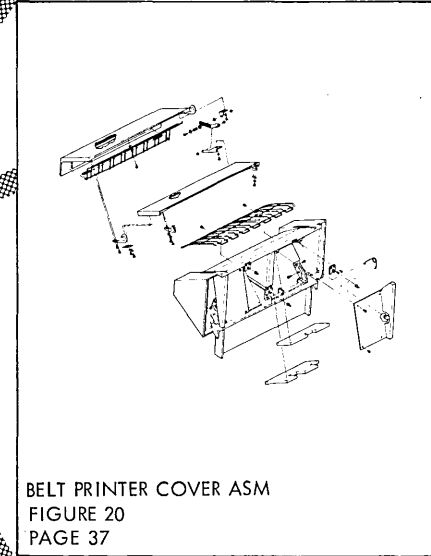
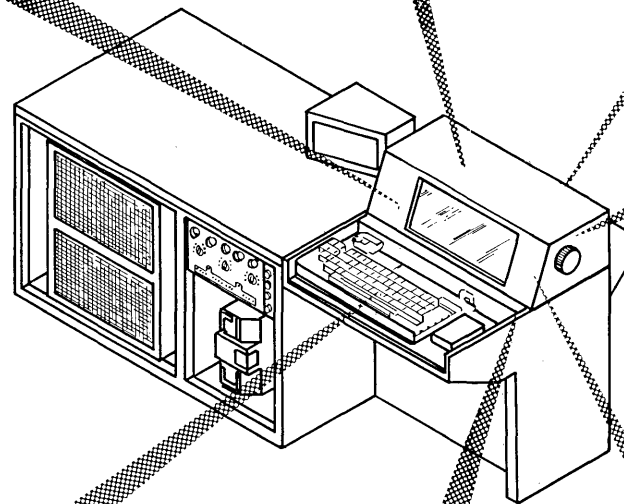
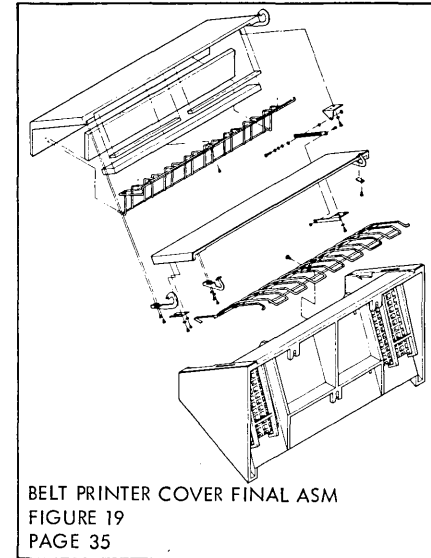
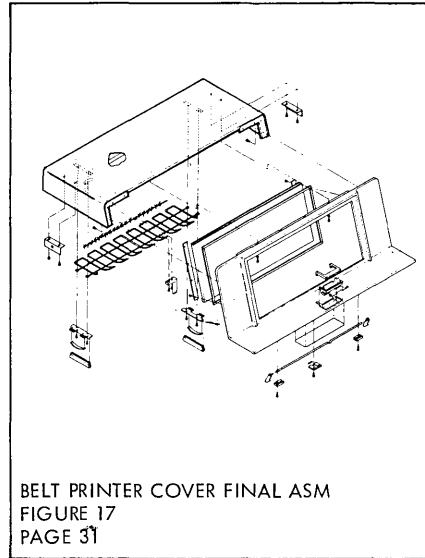
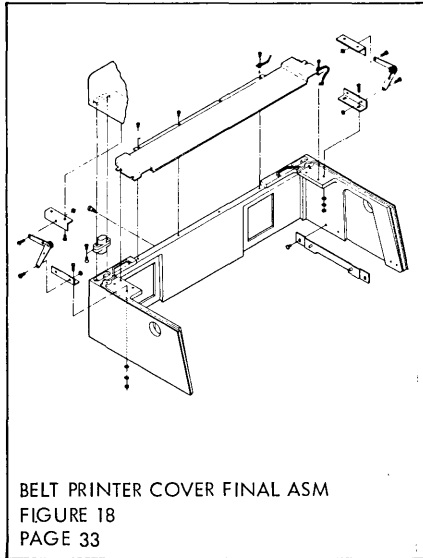


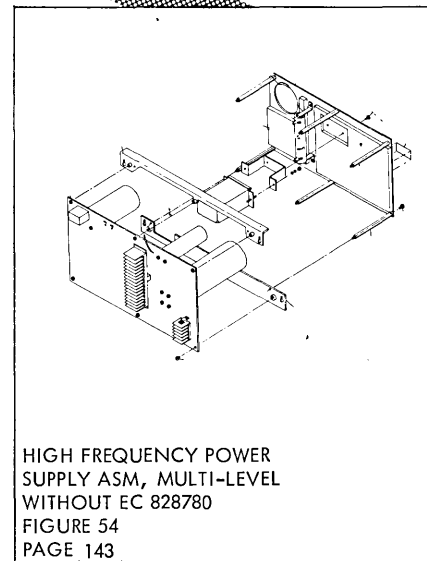
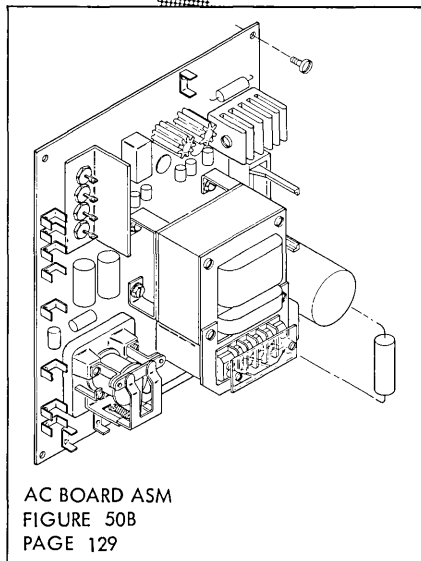
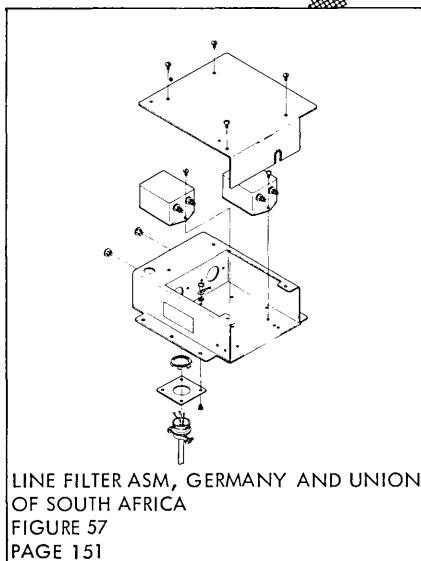
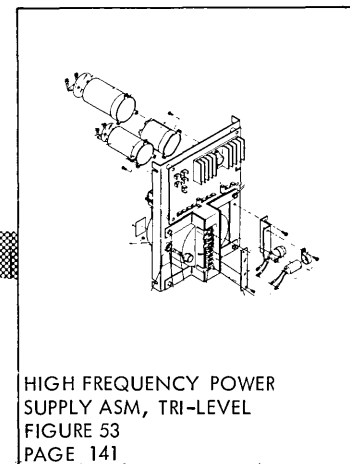
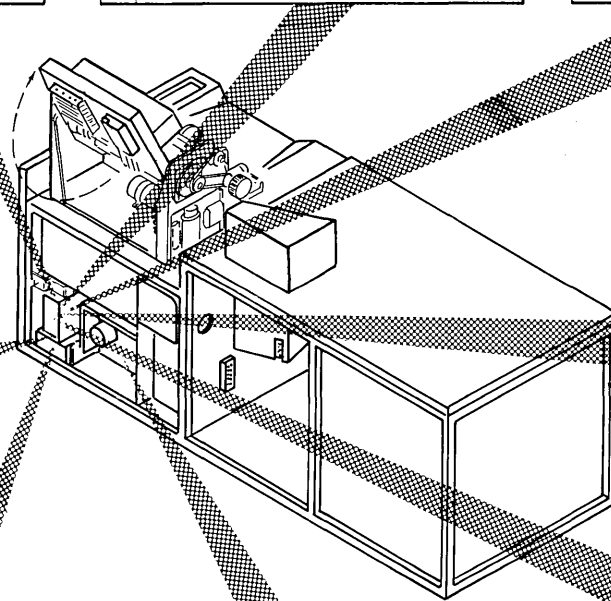
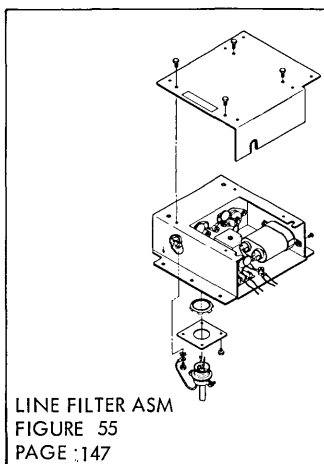
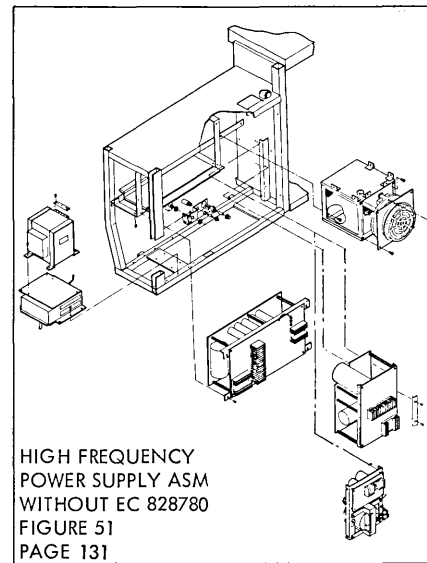
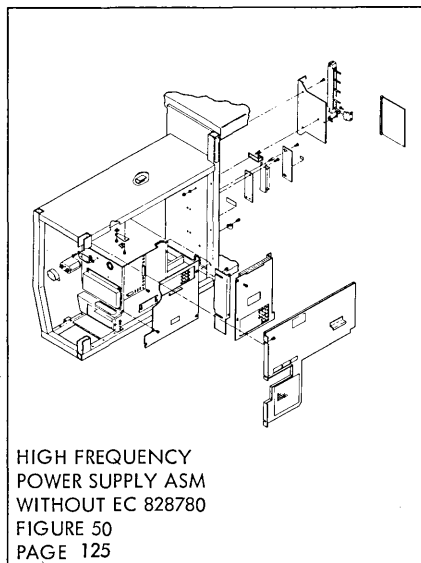
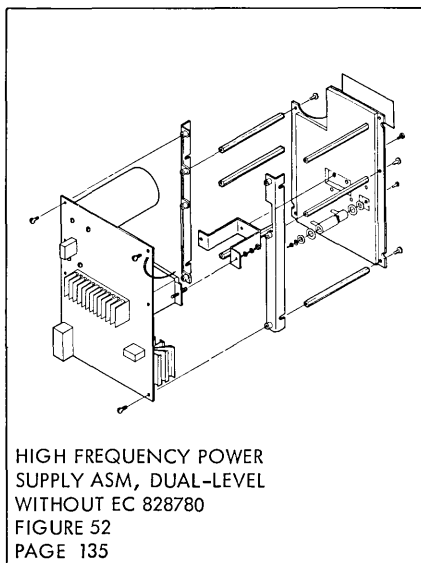
DISK STORAGE DRIVE ASM  
FIGURE 15  
PAGE 27

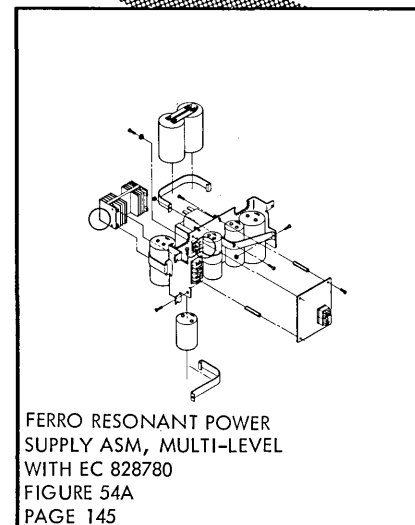
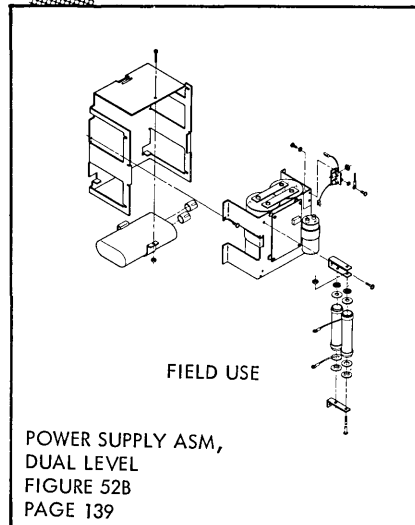
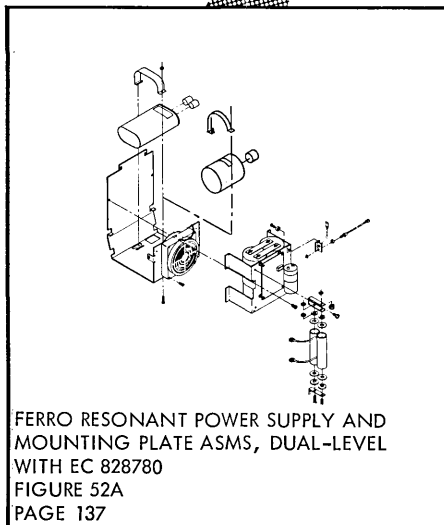
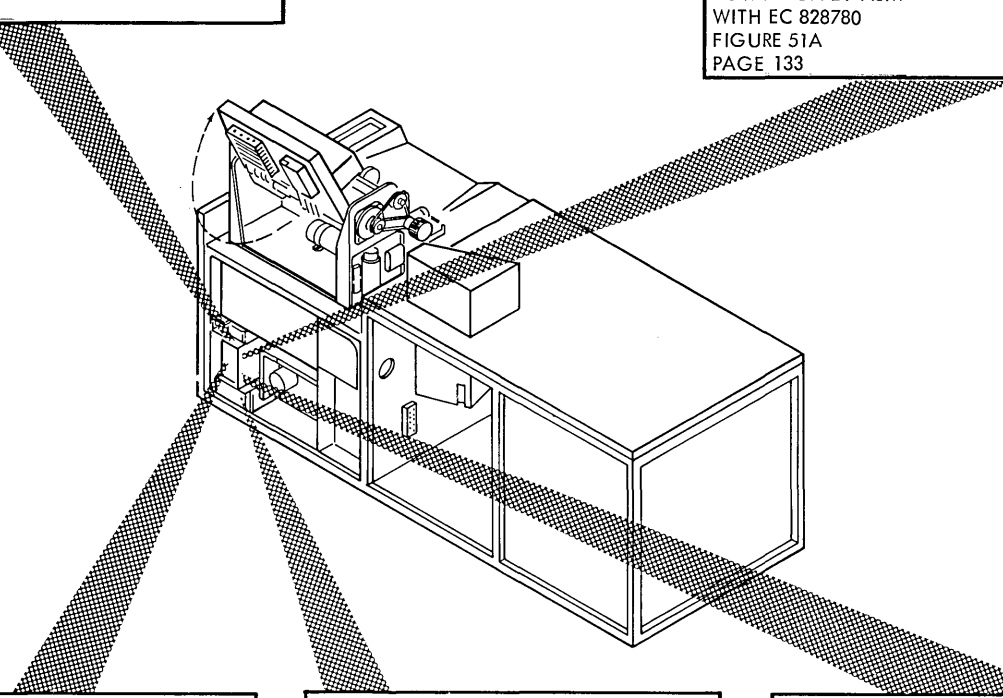
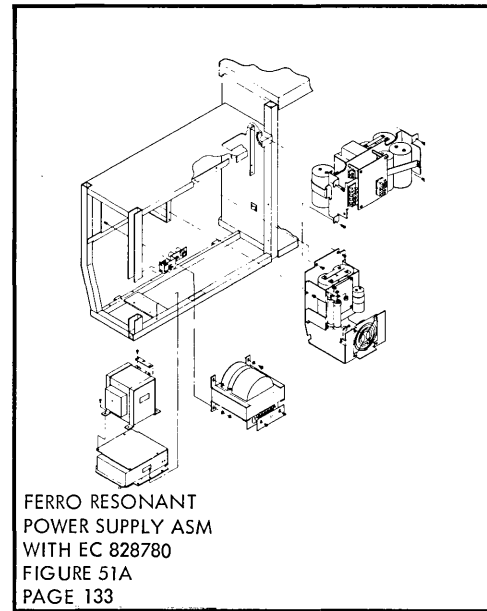
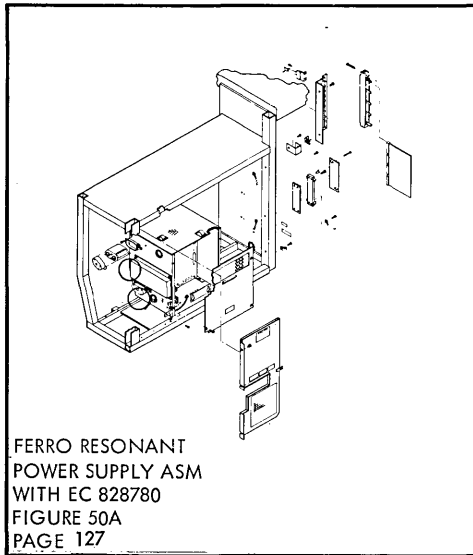


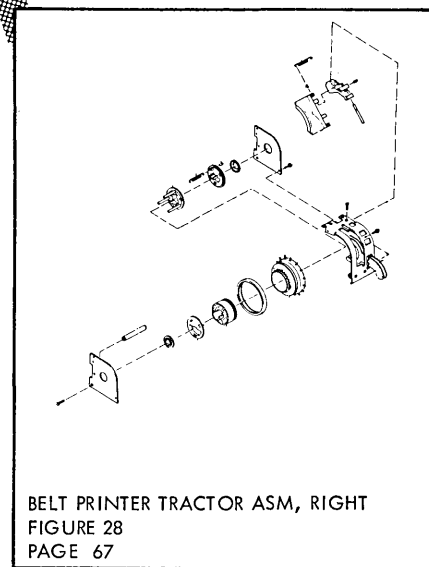
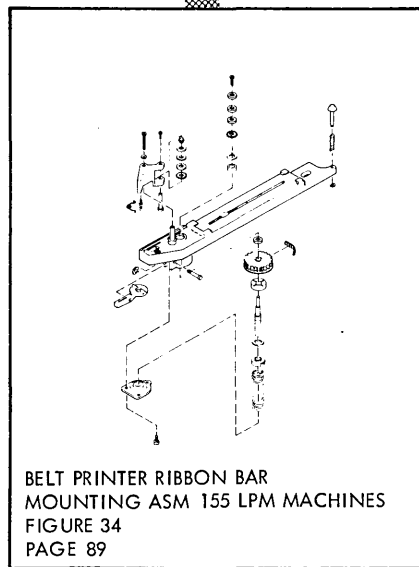
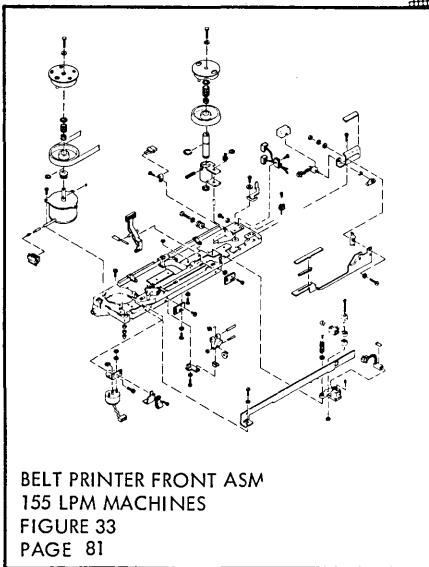
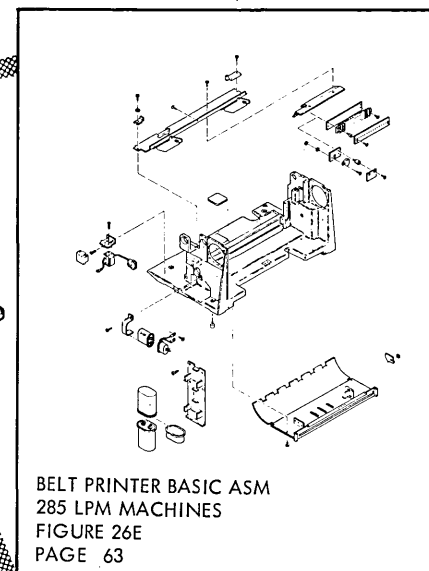
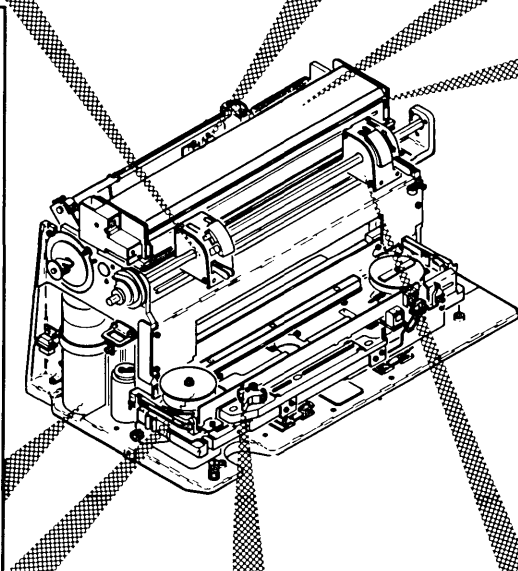
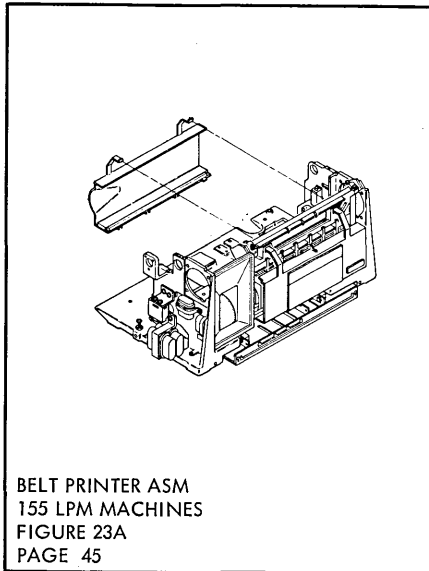
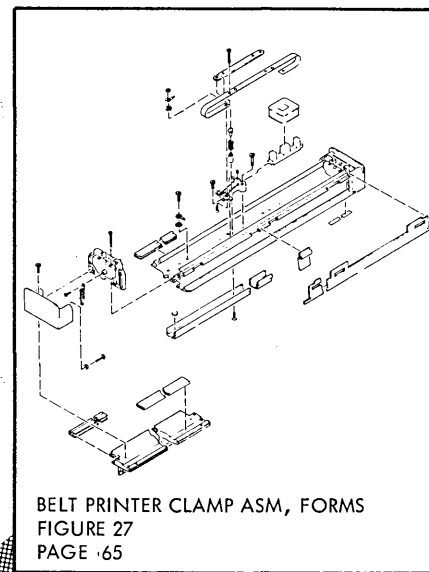
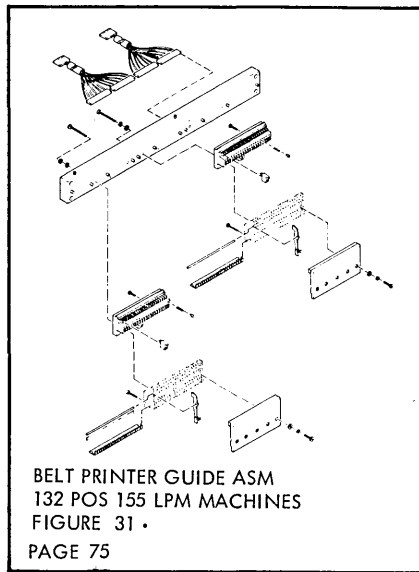
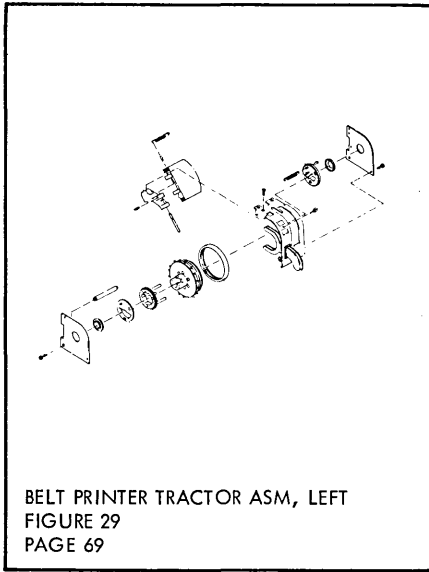
DISK STORAGE DRIVE ASM  
FIGURE 16  
PAGE 29

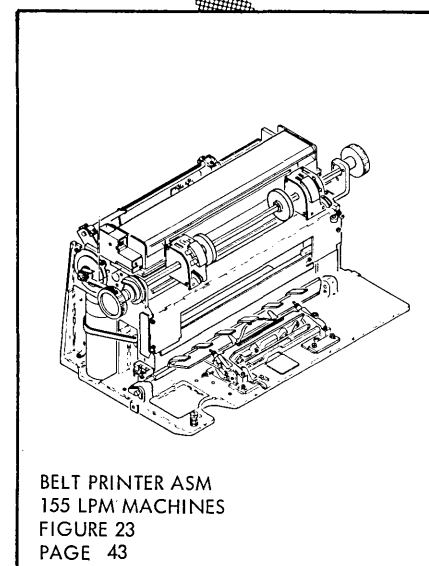
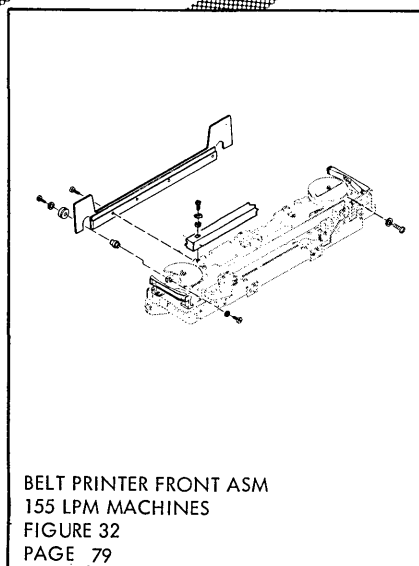
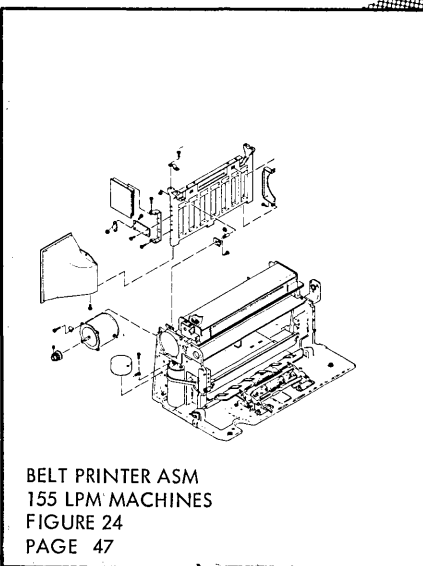
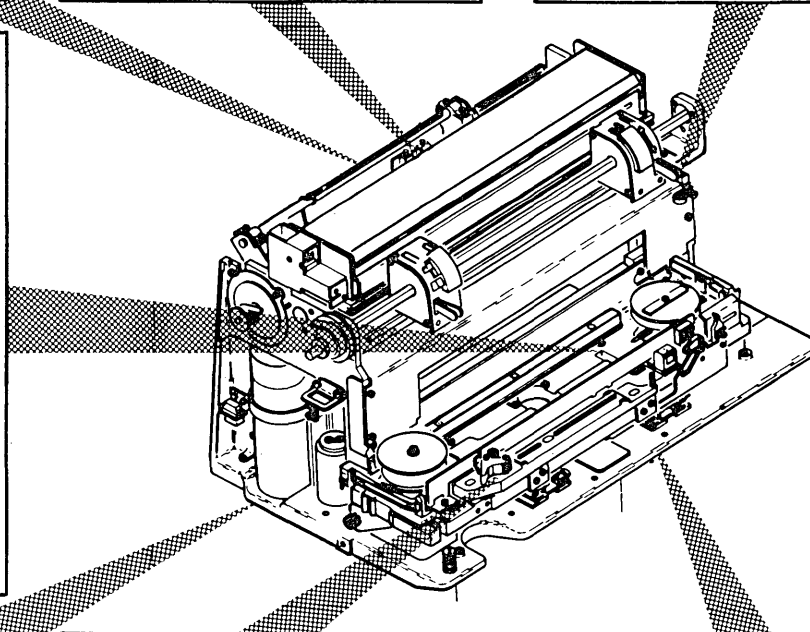
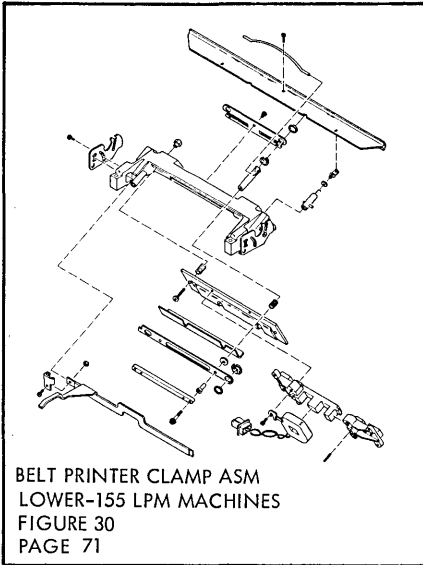
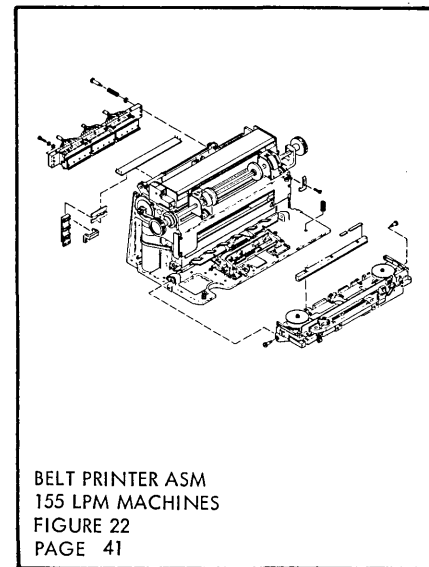
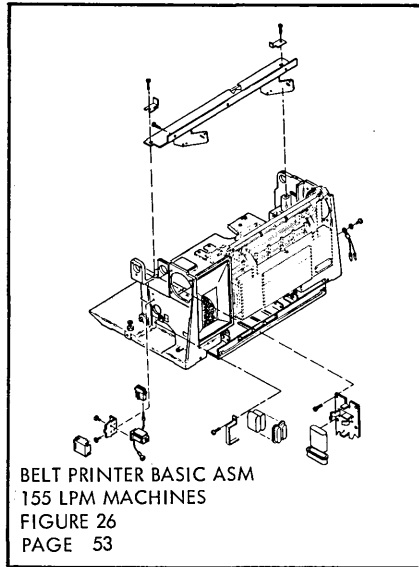
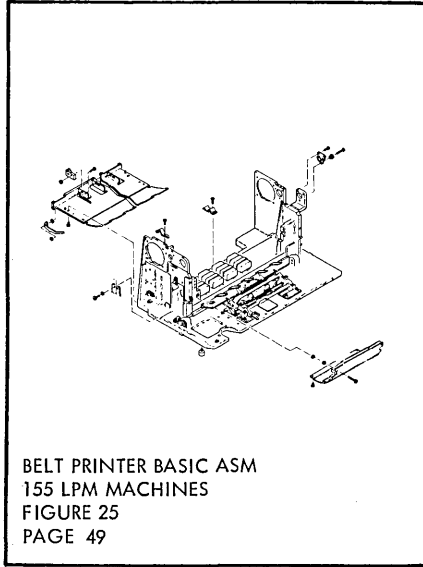


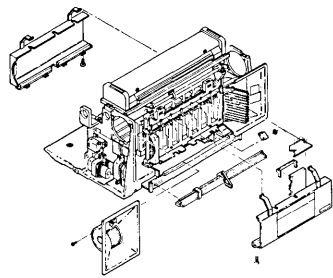




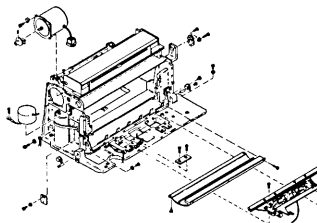




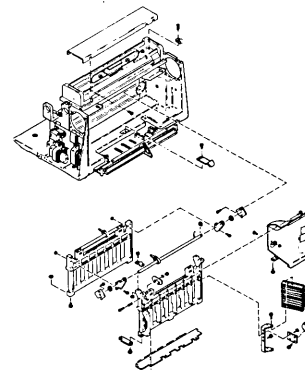




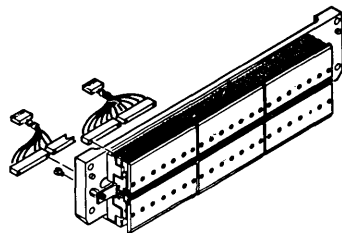
BELT PRINTER ASM,  
285 LPM MACHINES  
FIGURE 26B  
PAGE 57



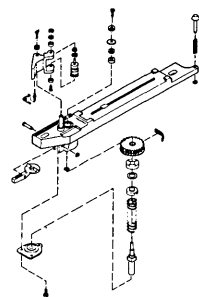
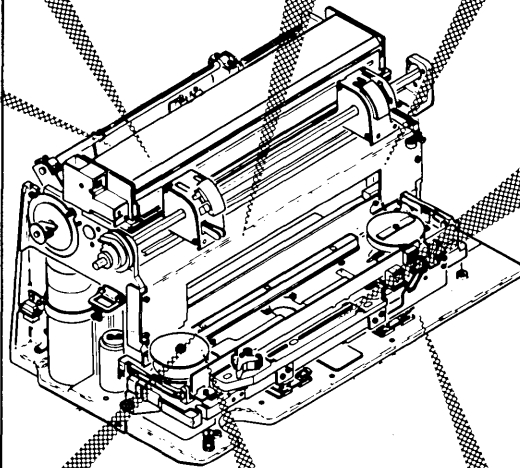
BELT PRINTER ASM,  
285 LPM MACHINES  
FIGURE 26C  
PAGE 59



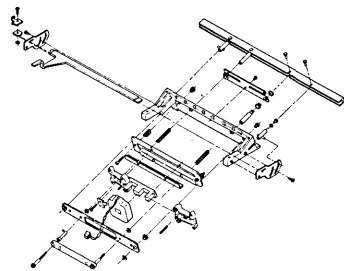
BELT PRINTER ASM,  
285 LPM MACHINES  
FIGURE 26D  
PAGE 61



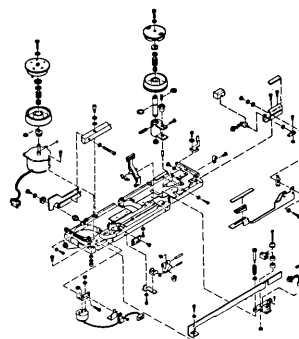
BELT PRINTER HAMMER  
UNIT ASM, 285 LPM MACHINES  
FIGURE 31A  
PAGE 77



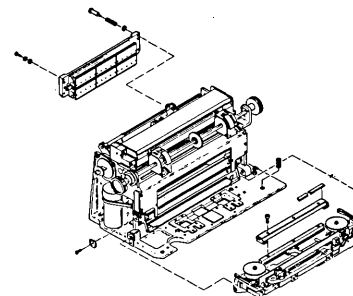
BELT PRINTER MOUNTING  
BAR ASM, 285 LPM MACHINES  
FIGURE 34A,  
PAGE 91



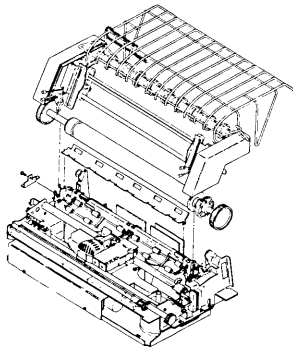
BELT PRINTER CLAMP ASM, LOWER  
285 LPM MACHINES  
FIGURE 30A  
PAGE 73



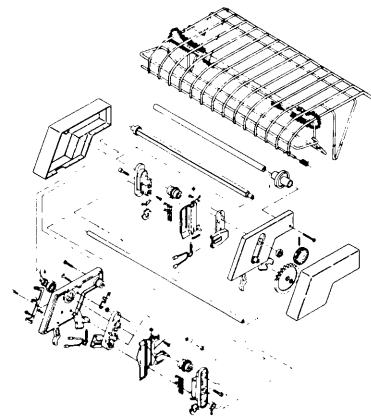
BELT PRINTER FRONT END  
ASM, 285 LPM MACHINES  
FIGURE 33A  
PAGE 85



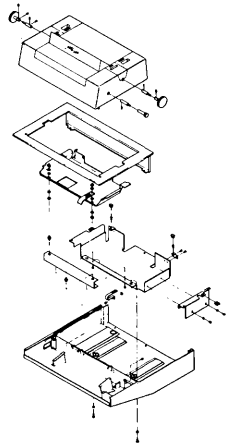
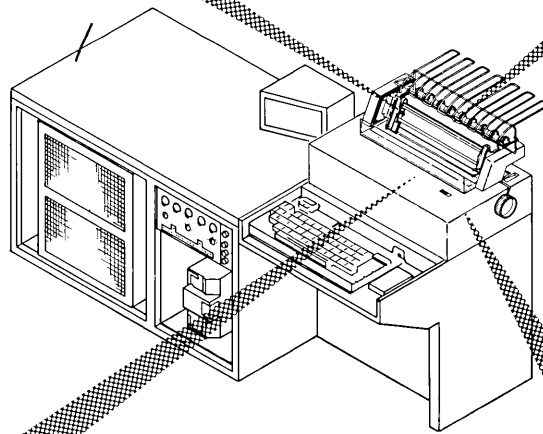
BELT PRINTER ASM,  
285 LPM MACHINES  
FIGURE 26A  
PAGE 55



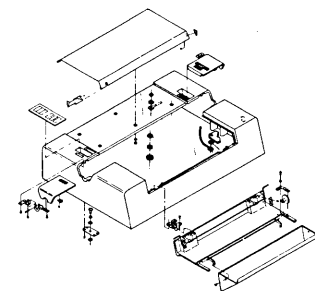
WIRE PRINTER MAIN ASM  
FIGURE 36  
PAGE 95



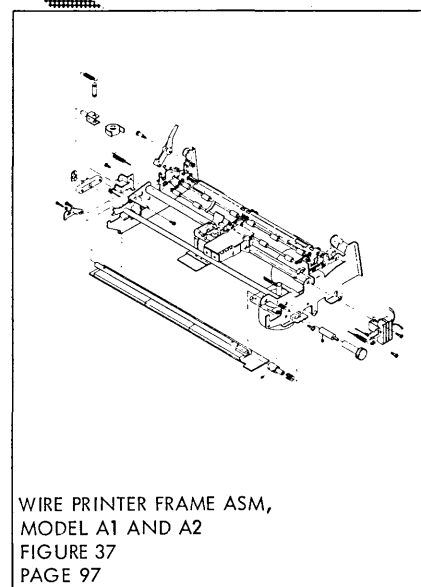
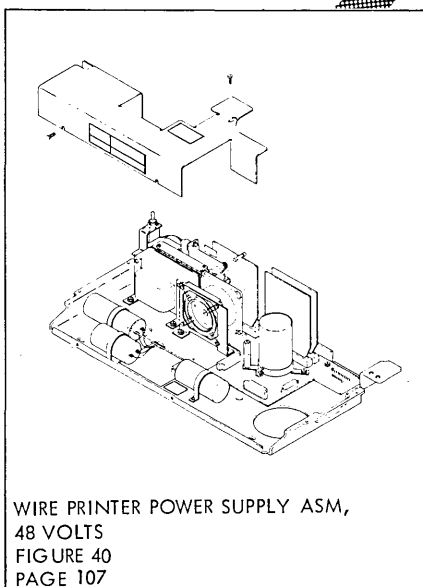
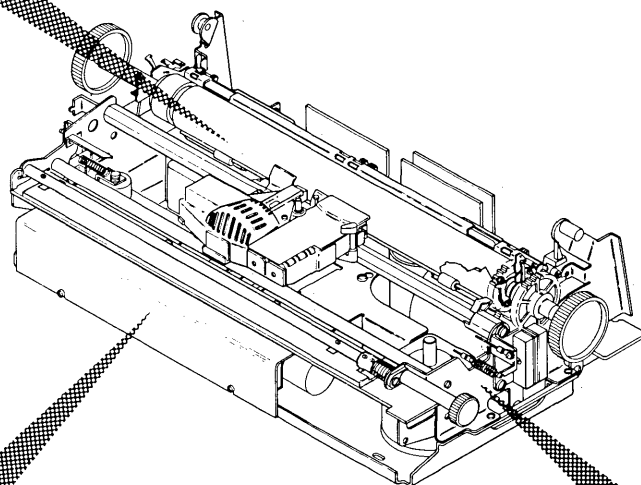
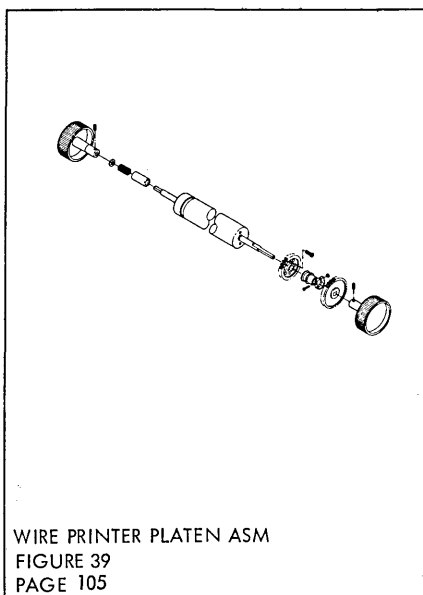
WIRE PRINTER FEED ASM,  
FORMS TRACTOR UNIT  
FIGURE 38  
PAGE 101



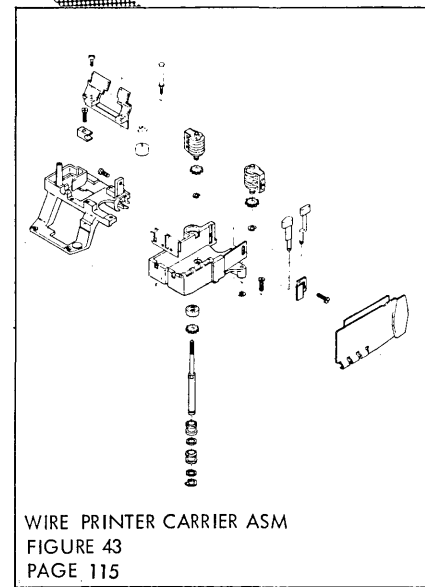
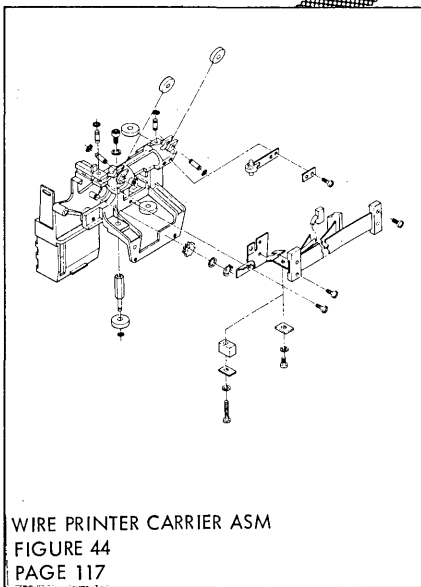
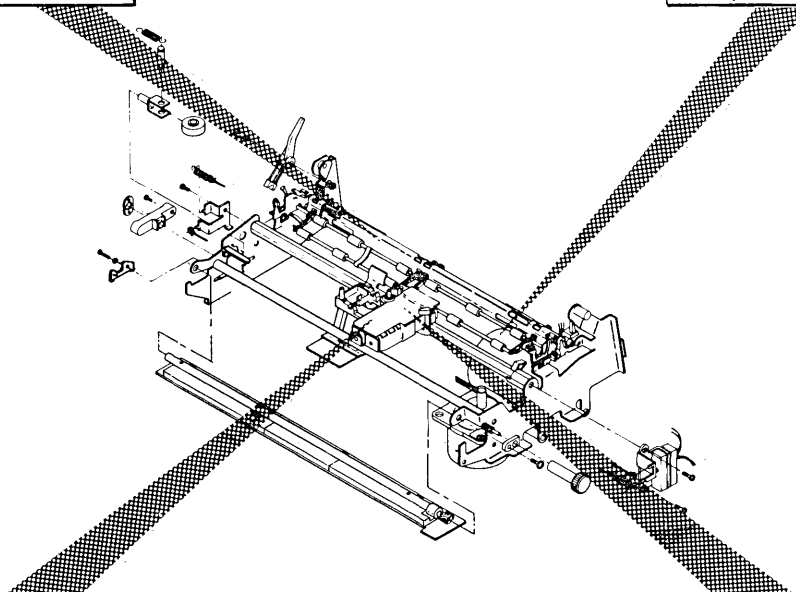
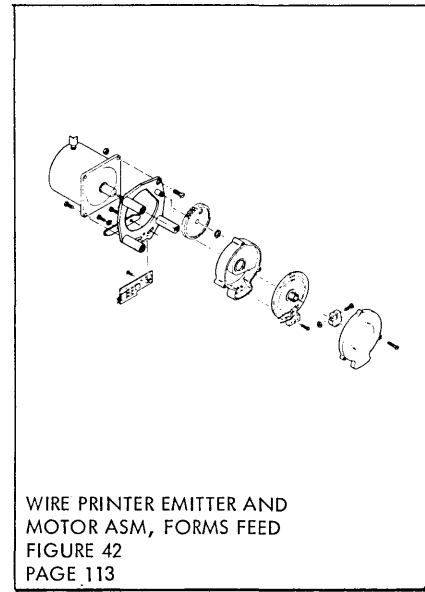
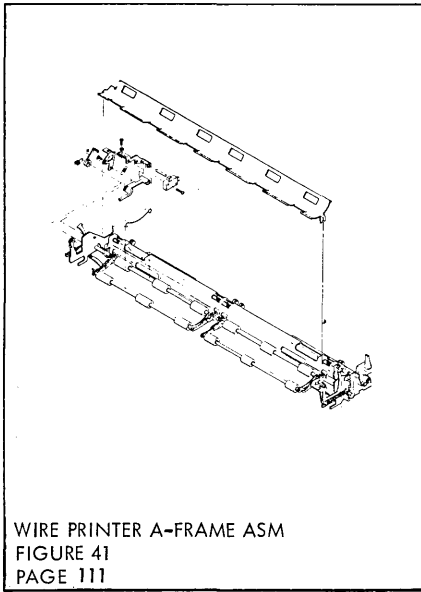
WIRE PRINTER BASE ASM  
FIGURE 12  
PAGE 21



WIRE PRINTER COVER ASM,  
MODEL A1 AND A2  
FIGURE 35  
PAGE 93







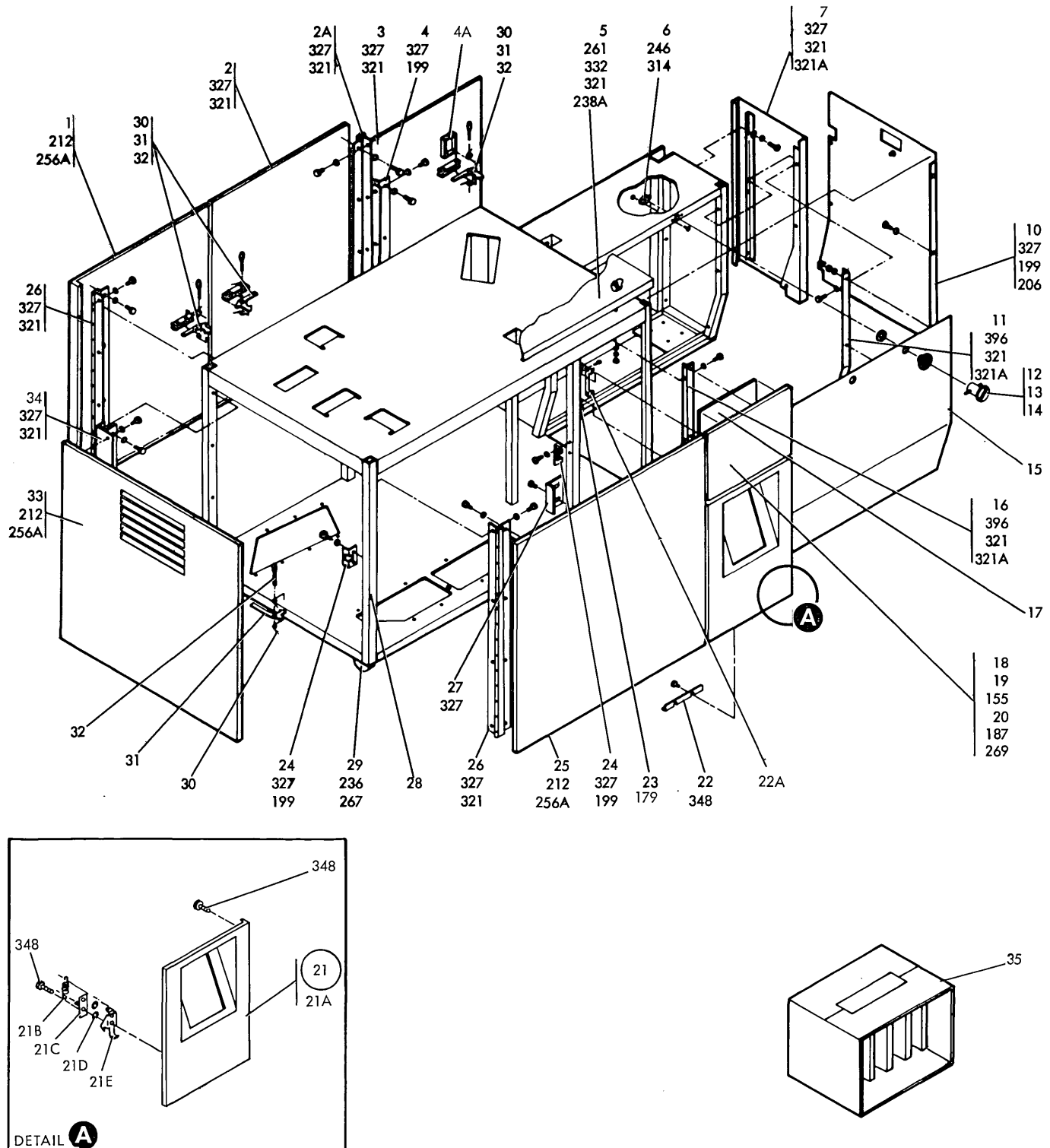


FIGURE 1. COVERS AND MOUNTING HARDWARE. SEE LIST 1.



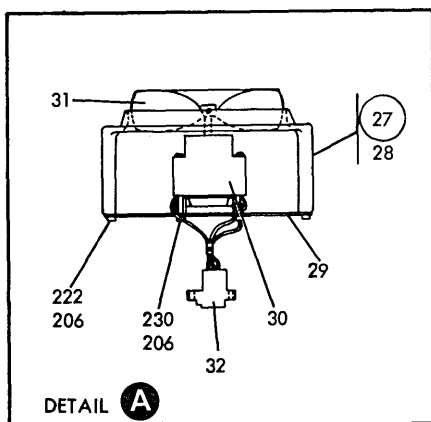
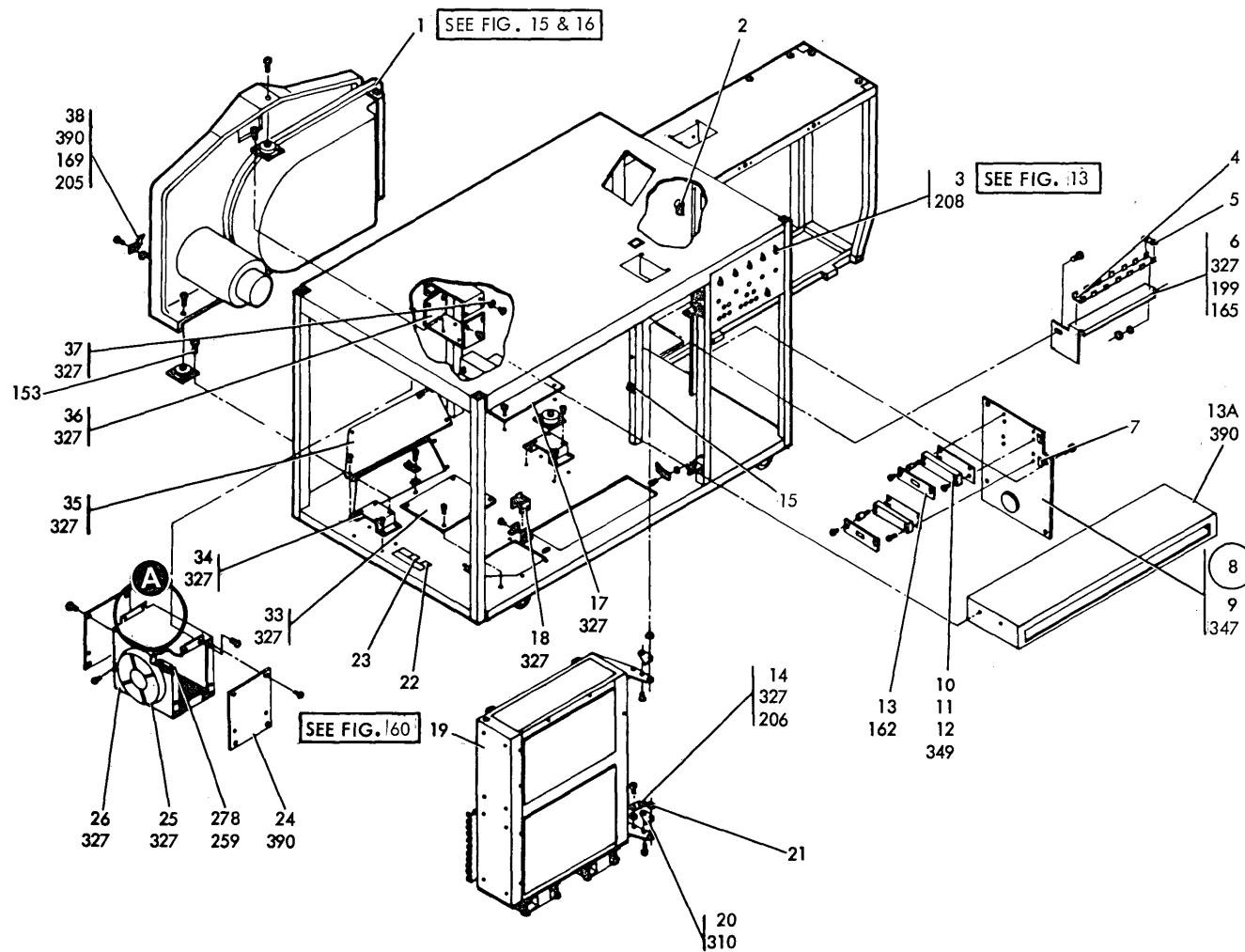


FIGURE 2. MECHANICAL ASM. SEE LIST 2.





| FIGURE-<br>INDEX<br>NUMBER | PART<br>NUMBER | UNITS<br>PER<br>ASM. | DESCRIPTION FOR FIGURE 3                                                                                                            |   |   |   |
|----------------------------|----------------|----------------------|-------------------------------------------------------------------------------------------------------------------------------------|---|---|---|
|                            |                |                      | 1                                                                                                                                   | 2 | 3 | 4 |
| 3                          | 2546300 NP     |                      | MECHANICAL ASM<br>FOR ILLUSTRATION SEE FIG. 3                                                                                       |   |   |   |
| - 1                        | 2455600        | 1                    | • DISPLAY ASM<br>FOR DETAIL BREAKDOWN SEE LIST 5                                                                                    |   |   |   |
| - 2                        | 2546459        | 1                    | • BRACKET                                                                                                                           |   |   |   |
| - 3                        | 313453         | 3                    | • CLIP                                                                                                                              |   |   |   |
| - 4                        | 2456427        | 1                    | • SEAL                                                                                                                              |   |   |   |
| - 5                        | 2456424        | 1                    | • FILTER                                                                                                                            |   |   |   |
| - 6                        | 2456420        | 1                    | • MIRROR PACKAGE                                                                                                                    |   |   |   |
| - 6A                       | 2546702        | 1                    | • COVER                                                                                                                             |   |   |   |
| - 6B                       | 1815423        | 1                    | • FOAM                                                                                                                              |   |   |   |
| - 6C                       | 366433         | 1                    | • SCREW                                                                                                                             |   |   |   |
| - 6D                       | 2772953        | 1                    | • FOAM                                                                                                                              |   |   |   |
| - 6E                       | 2772954        | 1                    | • FOAM                                                                                                                              |   |   |   |
| - 7                        | 2547800        | 1                    | • BELT PRINTER COVER ASM<br>FOR DETAIL BREAKDOWN SEE LISTS 17,18,19,20                                                              |   |   |   |
| - 7A                       | 2101089        | 1                    | • GROUND STRAP                                                                                                                      |   |   |   |
| - 8                        | 1613316        | 2                    | • BRACKET                                                                                                                           |   |   |   |
| - 9                        | 1808534 NP     | 1                    | • BELT PRINTER ASM,SING FEED FIX PLT<br>132 POS 200V<br>USED ON MACHINES WITHOUT EC 831959                                          |   |   |   |
| - 9                        | 1795085 NP     | 1                    | • BELT PRINTER ASM,SING FEED FIX PLT<br>132 POS 200V<br>USED ON MACHINES WITH EC 831959                                             |   |   |   |
| - 9                        | 1815966 NP     | 1                    | • BELT PRINTER ASM,SING FEED FIX PLT<br>132 POS 200V<br>USED ON MACHINES WITH EC 831959<br>FOR DETAIL BREAKDOWN SEE LIST 22,23, 23A |   |   |   |
| - 9                        |                |                      | • BELT PRINTER ASM,SING FEED FIX PLT<br>132 POS 200V<br>USED ON 285 LPM MACHINES<br>FOR DETAIL BREAKDOWN SEE FIG. 26A . 26 B        |   |   |   |
| - 9                        | 843533         | 1                    | • WIRE PRINTER MAIN ASM,40 CPS                                                                                                      |   |   |   |
| - 9                        | 843534         | 1                    | • WIRE PRINTER MAIN ASM,80 CPS                                                                                                      |   |   |   |
| - 9                        | 1638768        | 1                    | • WIRE PRINTER MAIN ASM,120 CPS<br>FOR DETAIL BREAKDOWN SEE LIST 36                                                                 |   |   |   |
| - 9A                       | 2546526        | 1                    | • NAMEPLATE,ENGLISH AND GERMAN                                                                                                      |   |   |   |
| - 9A                       | 2546527        | 1                    | • NAMEPLATE,FRENCH                                                                                                                  |   |   |   |
| - 9A                       | 2546528        | 1                    | • NAMEPLATE,ITALIAN AND SPANISH                                                                                                     |   |   |   |
| - 9A                       | 2546529        | 1                    | • NAMEPLATE,JAPANESE                                                                                                                |   |   |   |
| - 10                       | NO NO.         | 1                    | • KEYBOARD ASM<br>FOR DETAIL BREAKDOWN SEE LIST 45                                                                                  |   |   |   |
| - 11                       | 471672         | 1                    | • GROMMET                                                                                                                           |   |   |   |
| - 12                       | 2546672        | 1                    | • DRESS PLATE,ENGLISH                                                                                                               |   |   |   |
| - 12                       | 2546562        | 1                    | • DRESS PLATE,GERMAN                                                                                                                |   |   |   |
| - 12                       | 2546566        | 1                    | • DRESS PLATE,ITALIAN                                                                                                               |   |   |   |
| - 12                       | 2546568        | 1                    | • DRESS PLATE,SPANISH                                                                                                               |   |   |   |
| - 12                       | 2546570        | 1                    | • DRESS PLATE,FRENCH                                                                                                                |   |   |   |
| - 13                       | 2546412        | 1                    | • OPERATOR PANEL ASM<br>FOR DETAIL BREAKDOWN SEE LIST 10                                                                            |   |   |   |
| - 13A                      | 2594708        | 1                    | • COIL                                                                                                                              |   |   |   |
| - 14                       | 2546658        | 1                    | • BELT PRINTER BASE ASM,MODEL B1<br>FOR DETAIL BREAKDOWN SEE LIST 11                                                                |   |   |   |
| - 14                       | NO NO.         | 1                    | • WIRE PRINTER BASE ASM,MODEL A1 AND A2<br>FOR DETAIL BREAKDOWN SEE LIST 12                                                         |   |   |   |
| - 15                       | 2546411        | 1                    | • CE PANEL ASM<br>FOR DETAIL BREAKDOWN SEE LIST 13                                                                                  |   |   |   |
| - 16                       | 2546539        | 1                    | • LABEL                                                                                                                             |   |   |   |
| - 16A                      | 2546629        | 1                    | • LABEL,USED ON MACHINES WITH DUAL CASE                                                                                             |   |   |   |
| - 17                       | NO NO.         | 1                    | • 33FD MOUNTING ASM<br>FOR DETAIL BREAKDOWN SEE LIST 6                                                                              |   |   |   |
| - 18                       | 2546501        | 1                    | • STAND ASM,CONTINUOUS FORMS<br>NOT PART OF THIS ASM                                                                                |   |   |   |
| - 19                       | 2546511        | 2                    | • • FRAME                                                                                                                           |   |   |   |
| - 20                       | 2243651        | 1                    | • • SHELF                                                                                                                           |   |   |   |
| - 21                       | 737967         | 4                    | • • GLIDE                                                                                                                           |   |   |   |
| - 22                       | 2546806        | 2                    | • STACKER GROUND ASM                                                                                                                |   |   |   |
| - 23                       | 1607463        | 1                    | • • SPRING                                                                                                                          |   |   |   |
| - 24                       | 2773086        | 1                    | • • BLOCK                                                                                                                           |   |   |   |
|                            |                |                      | FOR ATTACHING PARTS, INDEX NOS. 150<br>AND ABOVE, SEE LIST 62                                                                       |   |   |   |
|                            |                |                      |                                                                                                                                     |   |   |   |
|                            |                |                      |                                                                                                                                     |   |   |   |
|                            |                |                      |                                                                                                                                     |   |   |   |

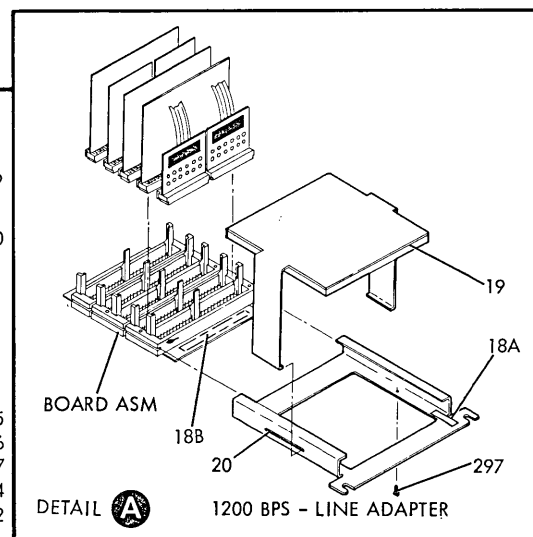
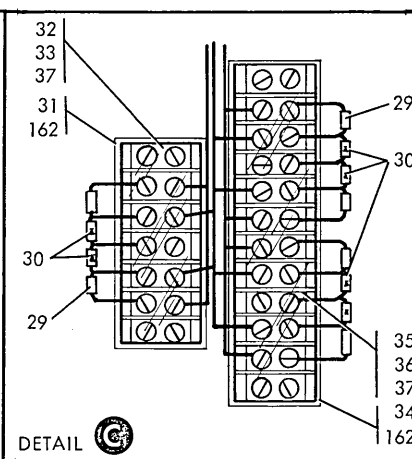
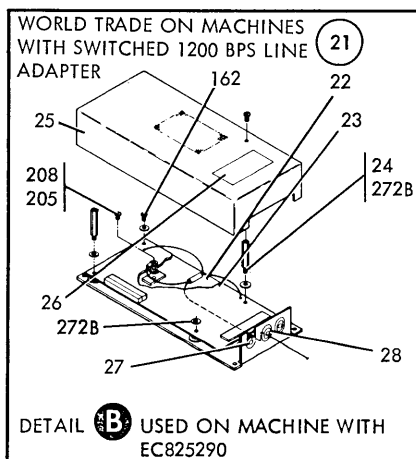
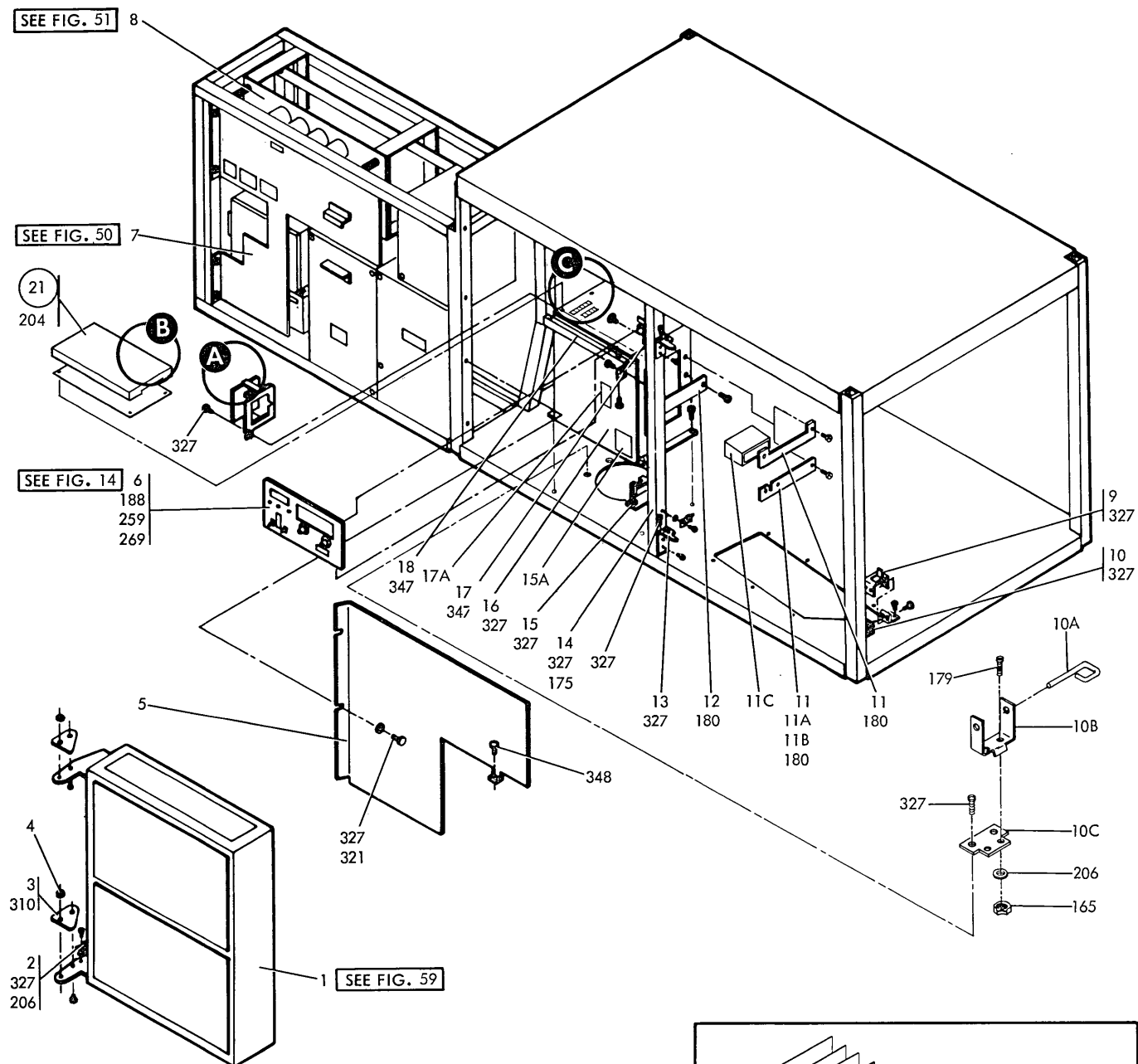


FIGURE 4. MECHANICAL ASM, REAR. SEE LIST 4.



| FIGURE-<br>INDEX<br>NUMBER | PART<br>NUMBER | UNITS<br>PER<br>ASM. | DESCRIPTION FOR FIGURE 4                                                                                                  |   |   |   |
|----------------------------|----------------|----------------------|---------------------------------------------------------------------------------------------------------------------------|---|---|---|
|                            |                |                      | 1                                                                                                                         | 2 | 3 | 4 |
| 4                          | NO NO.         |                      | MECHANICAL ASM REAR<br>FOR ILLUSTRATION SEE FIG. 4                                                                        |   |   |   |
| - 1                        | NO NO.         | 1                    | • GATE<br>FOR DETAIL BREAKDOWN SEE LIST 59                                                                                |   |   |   |
| - 2                        | 2101089        | 1                    | • GROUND STRAP                                                                                                            |   |   |   |
| - 3                        | 2546959        | 2                    | • GUARD                                                                                                                   |   |   |   |
| - 4                        | 310974         | 2                    | • CLIP                                                                                                                    |   |   |   |
| - 5                        | 2546739        | 1                    | • SHIELD                                                                                                                  |   |   |   |
| - 6                        | 2546630        | 1                    | • PANEL ASM,ENGLISH                                                                                                       |   |   |   |
| - 6                        | 2546837        | 1                    | • PANEL ASM,FRENCH                                                                                                        |   |   |   |
| - 6                        | 2546839        | 1                    | • PANEL ASM,GERMAN                                                                                                        |   |   |   |
| - 7                        | NO NO.         | 1                    | FOR DETAIL BREAKDOWN SEE LIST 14<br>• POWER SUPPLY ASM<br>FOR DETAIL BREAKDOWN SEE LIST 50 AND 50A                        |   |   |   |
| - 8                        | NO NO.         | 1                    | • POWER SUPPLY ASM<br>FOR DETAIL BREAKDOWN SEE LIST 51 AND 51A                                                            |   |   |   |
| - 9                        | 2546419        | 1                    | • STOP                                                                                                                    |   |   |   |
| - 10                       | 2546424        | 2                    | • BRACKET                                                                                                                 |   |   |   |
| - 10A                      | 2595827        | 1                    | • PIN,USED ON MACHINES WITH CARD I/O FEATURE                                                                              |   |   |   |
| - 10B                      | 964720         | 1                    | • BRACKET,USED ON MACHINES WITH CARD I/O FEATURE                                                                          |   |   |   |
| - 10C                      | 2772957        | 1                    | • ADAPTER,USED ON MACHINES WITH CARD I/O FEATURE                                                                          |   |   |   |
| - 11                       | 2546685        | 1                    | • PLATE                                                                                                                   |   |   |   |
| - 11                       | 2546714        | 1                    | • PLATE,USED ON MACHINES FOR COMMUNICATION                                                                                |   |   |   |
| - 11A                      | 5313905        | 1                    | • GROMMET,USED ON MACHINES FOR COMMUNICATION                                                                              |   |   |   |
| - 11B                      | 602664         | 1                    | • PLUG,USED ON MACHINES FOR COMMUNICATION                                                                                 |   |   |   |
| - 11C                      | 5362304        | 1                    | • CONNECTOR,USED ON MACHINES WITH 5231 MCU                                                                                |   |   |   |
| - 12                       | 2546684        | 3                    | • COVER                                                                                                                   |   |   |   |
| - 13                       | 2546958        | 2                    | • HINGE ASM                                                                                                               |   |   |   |
| - 14                       | 2546347        | 2                    | • BRACKET                                                                                                                 |   |   |   |
| - 15                       | 2546683        | 1                    | • BRACKET                                                                                                                 |   |   |   |
| - 15A                      | 2772952        | 1                    | • LABEL                                                                                                                   |   |   |   |
| - 16                       | 2546645        | 1                    | • BOX ASM                                                                                                                 |   |   |   |
| - 17                       | 2546636        | 1                    | • BRACKET                                                                                                                 |   |   |   |
| - 17A                      | 2544664        | 1                    | • LABEL,USED ON MACHINES FOR COMMUNICATION                                                                                |   |   |   |
| - 18                       | 2546637        | 1                    | • BRACKET                                                                                                                 |   |   |   |
| - 18A                      | 2546781        | 1                    | • LABEL                                                                                                                   |   |   |   |
| - 18B                      | 815161         | 1                    | • LABEL                                                                                                                   |   |   |   |
| - 19                       | 2455899        | 1                    | • RETAINER ASM                                                                                                            |   |   |   |
| - 20                       | 2455890        | 1                    | • CHASSIS                                                                                                                 |   |   |   |
| - 21                       | 1780955        | 1                    | • PUBLIC SWITCH NETWORK ASM<br>FOR WTC MACHINES WITH SWITCHED<br>1200 BPS LINE ADAPTER<br>USED ON MACHINES WITH EC 825290 |   |   |   |
| - 22                       | 1781109        | 1                    | • PLATE ASM                                                                                                               |   |   |   |
| - 23                       | 1780970        | 1                    | • LINE PLATE ASM                                                                                                          |   |   |   |
| - 24                       | 1778098        | 2                    | • SPACER                                                                                                                  |   |   |   |
| - 25                       | 1780957        | 1                    | • COVER                                                                                                                   |   |   |   |
| - 26                       | 737858         | 1                    | • LABEL                                                                                                                   |   |   |   |
| - 27                       | 317138         | 1                    | • GROMMET                                                                                                                 |   |   |   |
| - 28                       | 1138167        | 2                    | • STRAIN RELIEF                                                                                                           |   |   |   |
| - 29                       | 2730081        | 6                    | • RESISTOR                                                                                                                |   |   |   |
| - 30                       | 2730082        | 6                    | • DIODE                                                                                                                   |   |   |   |
| - 31                       | 5236656        | 1                    | • SHIELD                                                                                                                  |   |   |   |
| - 32                       | 317310         | 1                    | • TERMINAL BLOCK                                                                                                          |   |   |   |
| - 33                       | 740554         | 1                    | • MARKER STRIP                                                                                                            |   |   |   |
| - 34                       | 361537         | 1                    | • SHIELD                                                                                                                  |   |   |   |
| - 35                       | 522850         | 1                    | • TERMINAL BLOCK                                                                                                          |   |   |   |
| - 36                       | 522849         | 1                    | • MARKER STRIP                                                                                                            |   |   |   |
| - 37                       | 210883         | 4                    | • STUD                                                                                                                    |   |   |   |
|                            |                |                      | FOR ATTACHING PARTS, INDEX NOS. 150<br>AND ABOVE, SEE LIST 62                                                             |   |   |   |
|                            |                |                      |                                                                                                                           |   |   |   |
|                            |                |                      |                                                                                                                           |   |   |   |
|                            |                |                      |                                                                                                                           |   |   |   |
|                            |                |                      |                                                                                                                           |   |   |   |
|                            |                |                      |                                                                                                                           |   |   |   |
|                            |                |                      |                                                                                                                           |   |   |   |
|                            |                |                      |                                                                                                                           |   |   |   |

FOR PARTS  
NOT SHOWN  
SEE FIG. 3

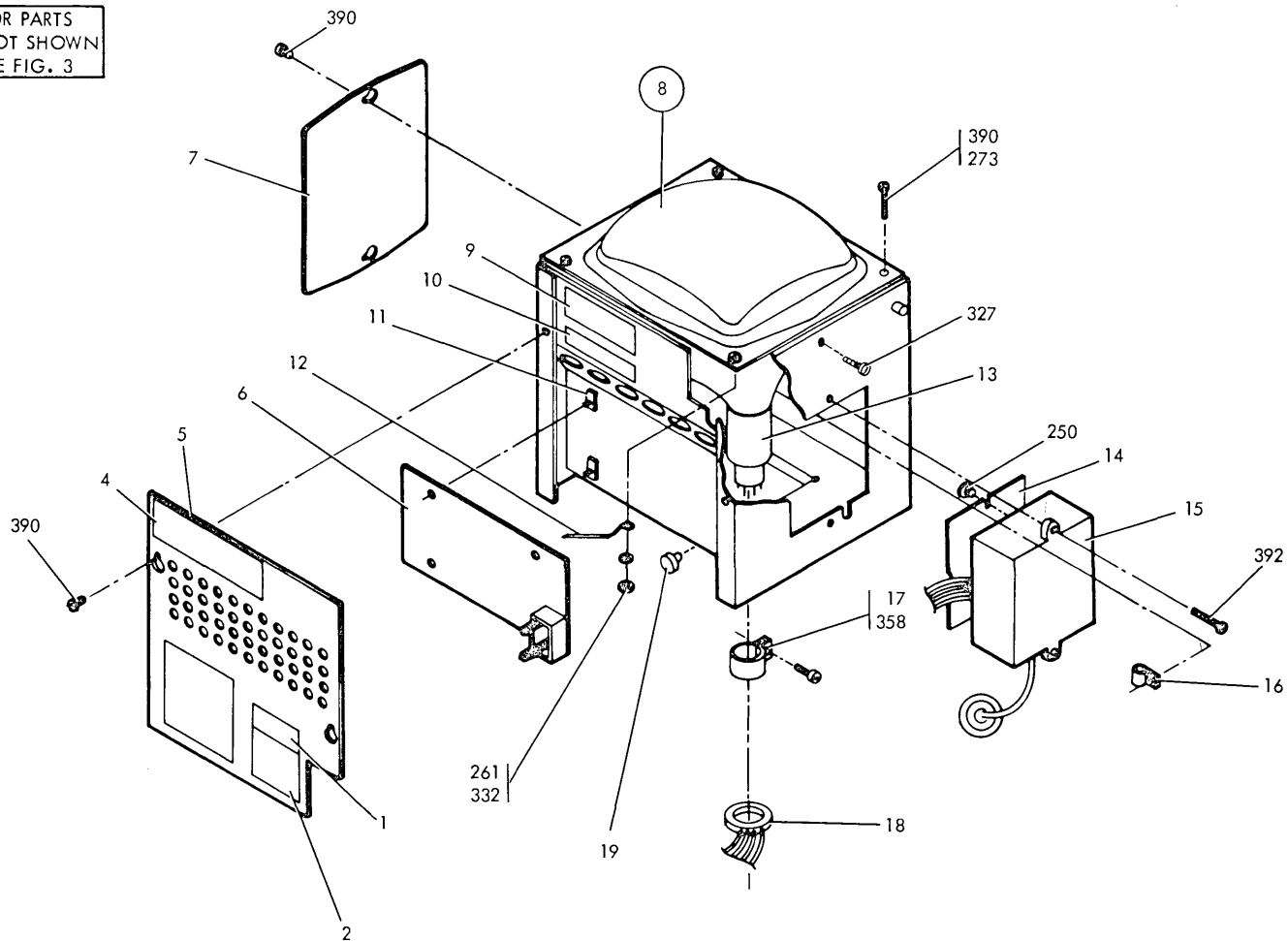


FIGURE 5. CRT DISPLAY ASM. SEE LIST 5.

| FIGURE-<br>INDEX<br>NUMBER | PART<br>NUMBER | UNITS<br>PER<br>ASM. | DESCRIPTION FOR FIGURE 5                                                           |   |   |   |
|----------------------------|----------------|----------------------|------------------------------------------------------------------------------------|---|---|---|
|                            |                |                      | 1                                                                                  | 2 | 3 | 4 |
| 5                          | 2455600        |                      | CRT DISPLAY ASM<br>FOR NEXT HIGHER ASM SEE LIST 3-1<br>AND FOR ILLUSTRATION FIG. 5 |   |   |   |
| - 1                        | 369207         | 1                    | • LABEL,HAZARDOUS AREA                                                             |   |   |   |
| - 2                        | 5719139        | 1                    | • LABEL,WARNING                                                                    |   |   |   |
| - 4                        | 2456709        | 1                    | • LABEL,CAUTION                                                                    |   |   |   |
| - 5                        | 2455644        | 1                    | • SHIELD                                                                           |   |   |   |
| - 6                        | 2455595        | 1                    | • CARD ASM                                                                         |   |   |   |
| - 7                        | 2456413        | 1                    | • PLATE                                                                            |   |   |   |
| - 8                        | 2455625        | 1                    | • CASSIS AND TUBE ASM                                                              |   |   |   |
| - 9                        | 2455661        | 1                    | • LABEL                                                                            |   |   |   |
| - 10                       | 2538125        | 1                    | • LABEL                                                                            |   |   |   |
| - 11                       | 2455623        | 4                    | • SUPPORT                                                                          |   |   |   |
| - 12                       | 2455618        | 1                    | • SPRING                                                                           |   |   |   |
| - 13                       | 2455601        | 1                    | • YOKE ASM                                                                         |   |   |   |
| - 14                       | 2456340        | 1                    | • COVER                                                                            |   |   |   |
| - 15                       | 2455603        | 1                    | • CONVERTOR ASM                                                                    |   |   |   |
| - 16                       | 2162901        | 1                    | • CLAMP                                                                            |   |   |   |
| - 17                       | 2455649        | 1                    | • CLAMP                                                                            |   |   |   |
| - 18                       | 2456699        | 1                    | • SOCKET ASM                                                                       |   |   |   |
| - 19                       | 198982         | 1                    | • BUMPER                                                                           |   |   |   |
|                            |                |                      | FOR ATTACHING PARTS, INDEX NOS. 150<br>AND ABOVE, SEE LIST 62                      |   |   |   |

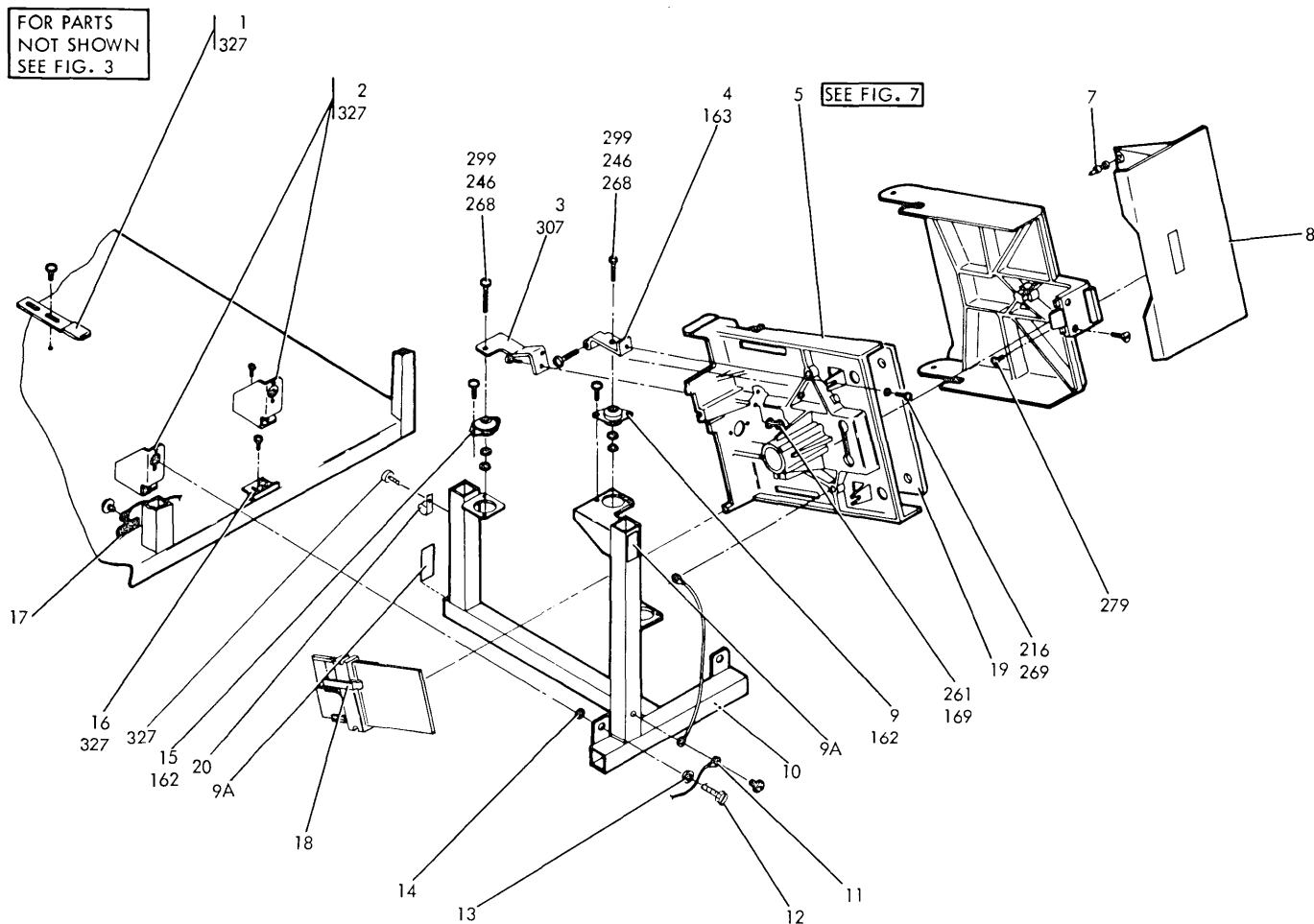


FIGURE 6. 33FD MOUNTING ASM. SEE LIST 6.

| FIGURE-<br>INDEX<br>NUMBER                                    | PART<br>NUMBER | UNITS<br>PER<br>ASM. | DESCRIPTION FOR FIGURE 6                                                              |   |   |   |
|---------------------------------------------------------------|----------------|----------------------|---------------------------------------------------------------------------------------|---|---|---|
|                                                               |                |                      | 1                                                                                     | 2 | 3 | 4 |
| 6                                                             | NO NO.         |                      | 33FD MOUNTING ASM<br>FOR NEXT HIGHER ASM SEE LIST 3-17<br>AND FOR ILLUSTRATION FIG. 6 |   |   |   |
| - 1                                                           | 2546698        | 1                    | • BRACKET                                                                             |   |   |   |
| - 2                                                           | 2546944        | 1                    | • BRACKET                                                                             |   |   |   |
| - 3                                                           | 2546689        | 1                    | • BRACKET                                                                             |   |   |   |
| - 4                                                           | 2546687        | 2                    | • BRACKET                                                                             |   |   |   |
| - 5                                                           | 2305565        | 1                    | • 33FD 60 HZ 208V                                                                     |   |   |   |
| - 5                                                           | 2305566        | 1                    | • 33FD 60 HZ 115V                                                                     |   |   |   |
| - 5                                                           | 2305567        | 1                    | • 33FD 50 HZ 208V                                                                     |   |   |   |
| - 5                                                           | 2305568        | 1                    | • 33FD 50 HZ 115V                                                                     |   |   |   |
| FOR DETAIL BREAKDOWN SEE LIST 7                               |                |                      |                                                                                       |   |   |   |
| - 7                                                           | 2546761        | 2                    | • LOCATOR                                                                             |   |   |   |
| - 8                                                           | 2546551        | 1                    | • COVER KIT                                                                           |   |   |   |
| - 9                                                           | 2455575        | 2                    | • SHOCKMOUNT                                                                          |   |   |   |
| - 9A                                                          | 2455036        | 2                    | • LABEL                                                                               |   |   |   |
| - 10                                                          | 2546688        | 1                    | • FRAME                                                                               |   |   |   |
| - 11                                                          | 2546957        | 2                    | • JUMPER                                                                              |   |   |   |
| - 12                                                          | 312567         | 2                    | • STUD                                                                                |   |   |   |
| - 13                                                          | 312573         | 2                    | • GROMMET                                                                             |   |   |   |
| - 14                                                          | 312575         | 2                    | • SNAP RING                                                                           |   |   |   |
| - 15                                                          | 2455576        | 1                    | • SHOCKMOUNT                                                                          |   |   |   |
| - 16                                                          | 2546695        | 1                    | • CATCH                                                                               |   |   |   |
| - 17                                                          | 2101089        | 1                    | • GROUND STRAP                                                                        |   |   |   |
| - 18                                                          | 2469295        | 1                    | • CLAMP                                                                               |   |   |   |
| - 19                                                          | 5554002        | 1                    | • ANTI-STATIC SKIRT                                                                   |   |   |   |
| - 20                                                          | 2102365        | 1                    | • CLAMP                                                                               |   |   |   |
| FOR ATTACHING PARTS, INDEX NOS. 150<br>AND ABOVE, SEE LIST 62 |                |                      |                                                                                       |   |   |   |

FOR PARTS  
NOT SHOWN  
SEE FIG. 6

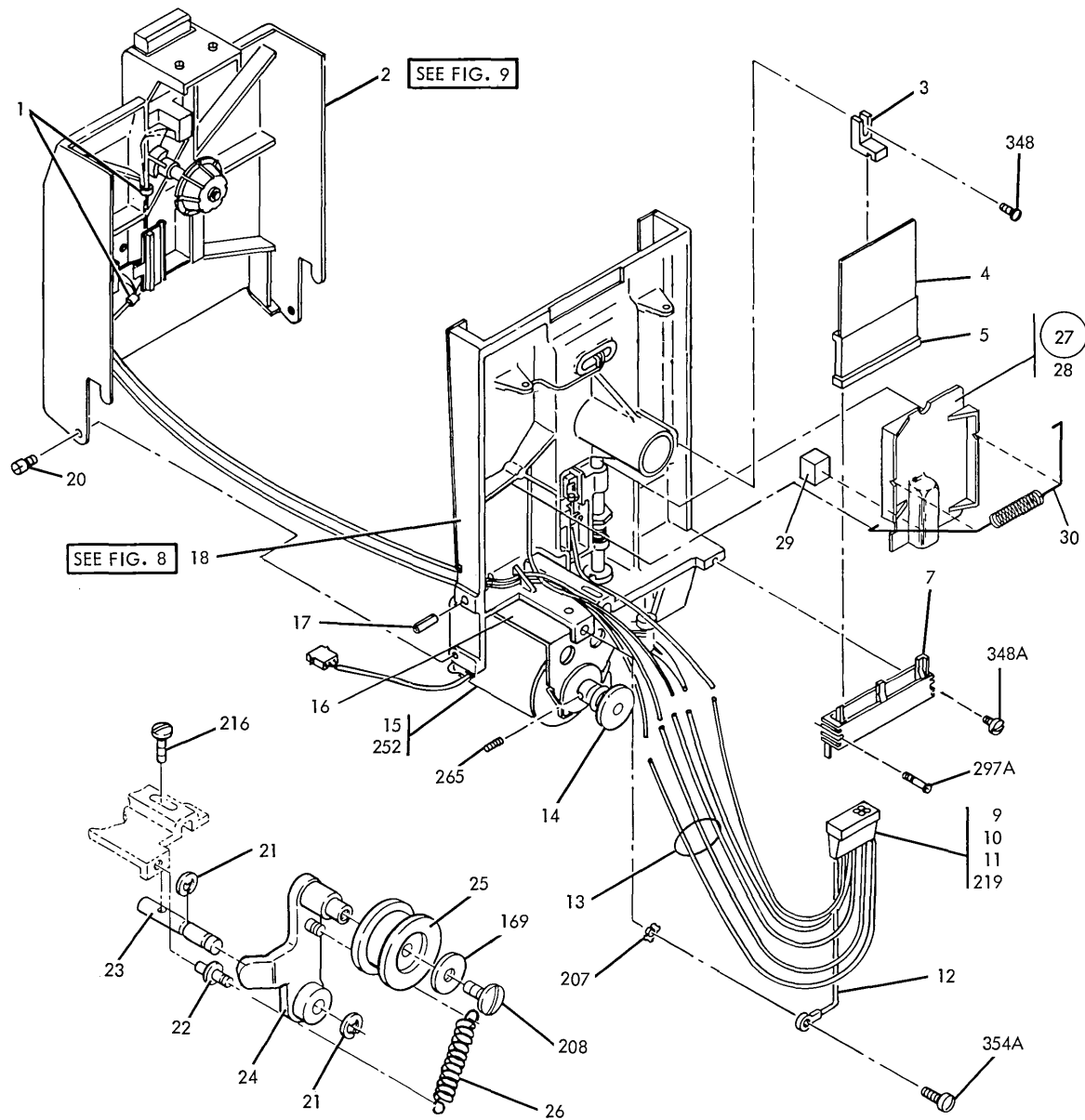


FIGURE 7. 33FD. SEE LIST 7.



FOR PARTS  
NOT SHOWN  
SEE FIG. 7

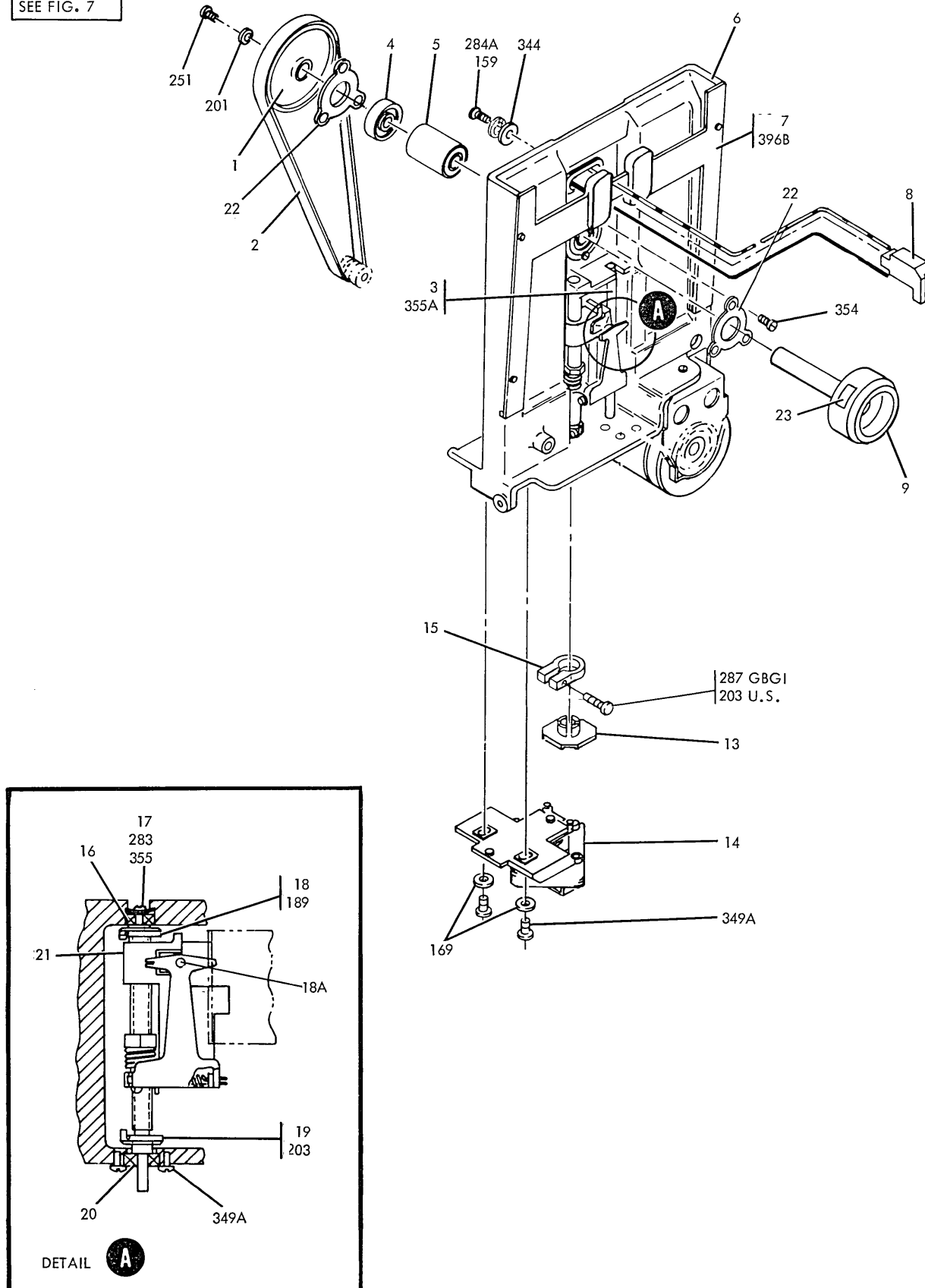


FIGURE 8. 33FD BASEPLATE ASM. SEE LIST 8.



FOR PARTS  
NOT SHOWN  
SEE FIG. 7

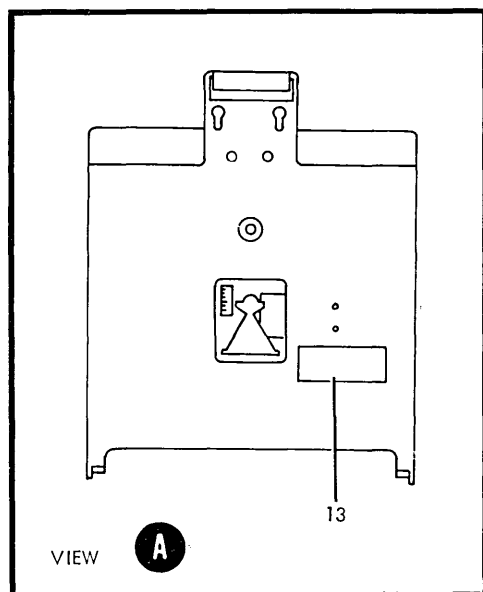
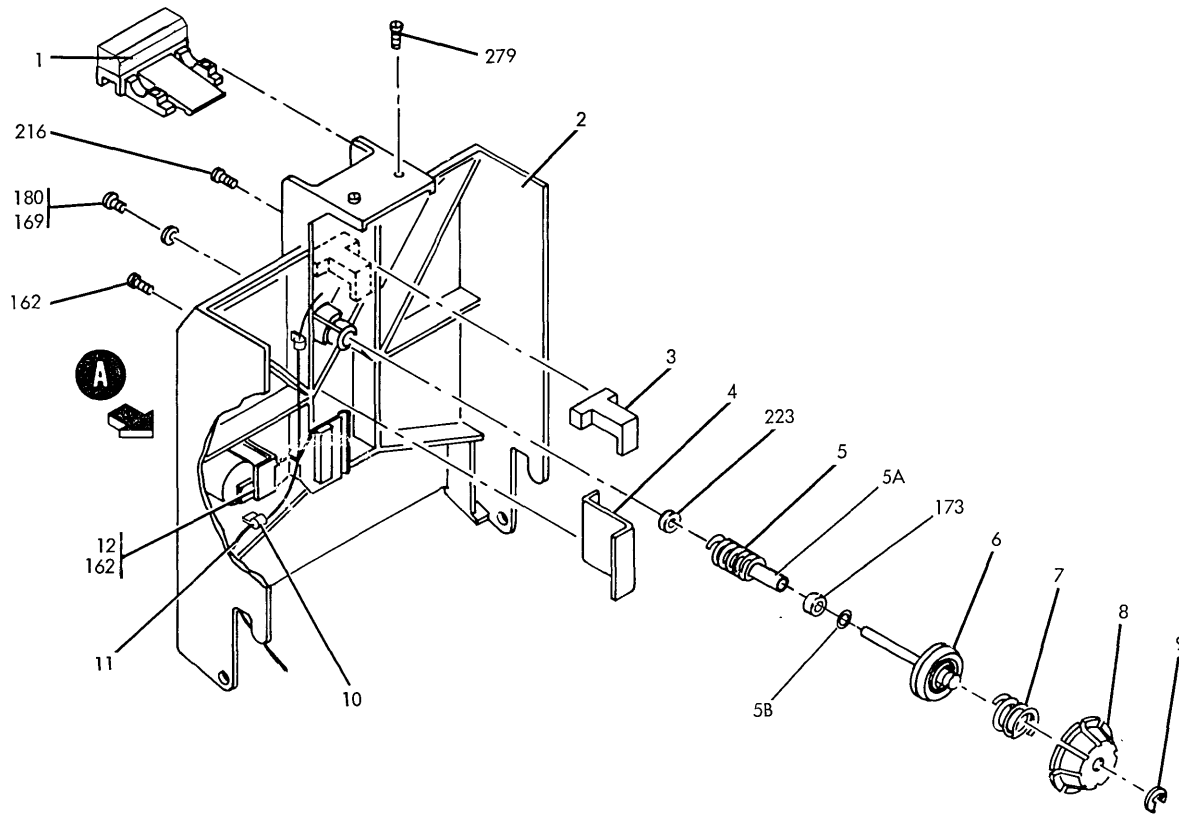


FIGURE 9. PLATE ASM, DISKETTE CLAMPING. SEE LIST 9.



| FIGURE-<br>INDEX<br>NUMBER | PART<br>NUMBER | UNITS<br>PER<br>ASM. | DESCRIPTION FOR FIGURE 9                                                                       |   |   |   |
|----------------------------|----------------|----------------------|------------------------------------------------------------------------------------------------|---|---|---|
|                            |                |                      | 1                                                                                              | 2 | 3 | 4 |
| 9                          | 2305569        |                      | PLATE ASM,DISKETTE CLAMPING<br>FOR NEXT HIGHER ASM SEE LIST 7-2<br>AND FOR ILLUSTRATION FIG. 9 |   |   |   |
| - 1                        | 2546692        | 1                    | • LATCH                                                                                        |   |   |   |
| - 2                        | 2305648        | 1                    | • PLATE                                                                                        |   |   |   |
| - 3                        | 2305656        | 1                    | • LED ASM                                                                                      |   |   |   |
| - 4                        | 2305690        | 1                    | • TRACK IND ASM                                                                                |   |   |   |
| - 5                        | 2305646        | 1                    | • SPRING                                                                                       |   |   |   |
| - 5A                       | 2305462        | 1                    | • SLEEVE                                                                                       |   |   |   |
| - 5B                       | 555427         | 1                    | • SHIM                                                                                         |   |   |   |
| - 6                        | 2305526        | 1                    | • CONE AND SHAFT ASM                                                                           |   |   |   |
| - 7                        | 2305647        | 1                    | • SPRING                                                                                       |   |   |   |
| - 8                        | 2305644        | 1                    | • COLLET                                                                                       |   |   |   |
| - 9                        | 332747         | 1                    | • CLIP                                                                                         |   |   |   |
| - 10                       | 2596275        | 2                    | • CLAMP                                                                                        |   |   |   |
| - 11                       | 2305599        | 1                    | • CABLE ASM                                                                                    |   |   |   |
| - 12                       | 2305609        | 1                    | • HEAD LOAD ASM                                                                                |   |   |   |
| - 13                       | 2305693        | 1                    | • LABEL                                                                                        |   |   |   |
|                            |                |                      | FOR ATTACHING PARTS, INDEX NOS. 150<br>AND ABOVE, SEE LIST 62                                  |   |   |   |
|                            |                |                      |                                                                                                |   |   |   |
|                            |                |                      |                                                                                                |   |   |   |
|                            |                |                      |                                                                                                |   |   |   |
|                            |                |                      |                                                                                                |   |   |   |
|                            |                |                      |                                                                                                |   |   |   |
|                            |                |                      |                                                                                                |   |   |   |
|                            |                |                      |                                                                                                |   |   |   |
|                            |                |                      |                                                                                                |   |   |   |
|                            |                |                      |                                                                                                |   |   |   |
|                            |                |                      |                                                                                                |   |   |   |
|                            |                |                      |                                                                                                |   |   |   |
|                            |                |                      |                                                                                                |   |   |   |
|                            |                |                      |                                                                                                |   |   |   |
|                            |                |                      |                                                                                                |   |   |   |
|                            |                |                      |                                                                                                |   |   |   |
|                            |                |                      |                                                                                                |   |   |   |
|                            |                |                      |                                                                                                |   |   |   |
|                            |                |                      |                                                                                                |   |   |   |
|                            |                |                      |                                                                                                |   |   |   |
|                            |                |                      |                                                                                                |   |   |   |
|                            |                |                      |                                                                                                |   |   |   |
|                            |                |                      |                                                                                                |   |   |   |
|                            |                |                      |                                                                                                |   |   |   |
|                            |                |                      |                                                                                                |   |   |   |
|                            |                |                      |                                                                                                |   |   |   |
|                            |                |                      |                                                                                                |   |   |   |
|                            |                |                      |                                                                                                |   |   |   |
|                            |                |                      |                                                                                                |   |   |   |
|                            |                |                      |                                                                                                |   |   |   |
|                            |                |                      |                                                                                                |   |   |   |

FOR PARTS  
NOT SHOWN  
SEE FIG. 3

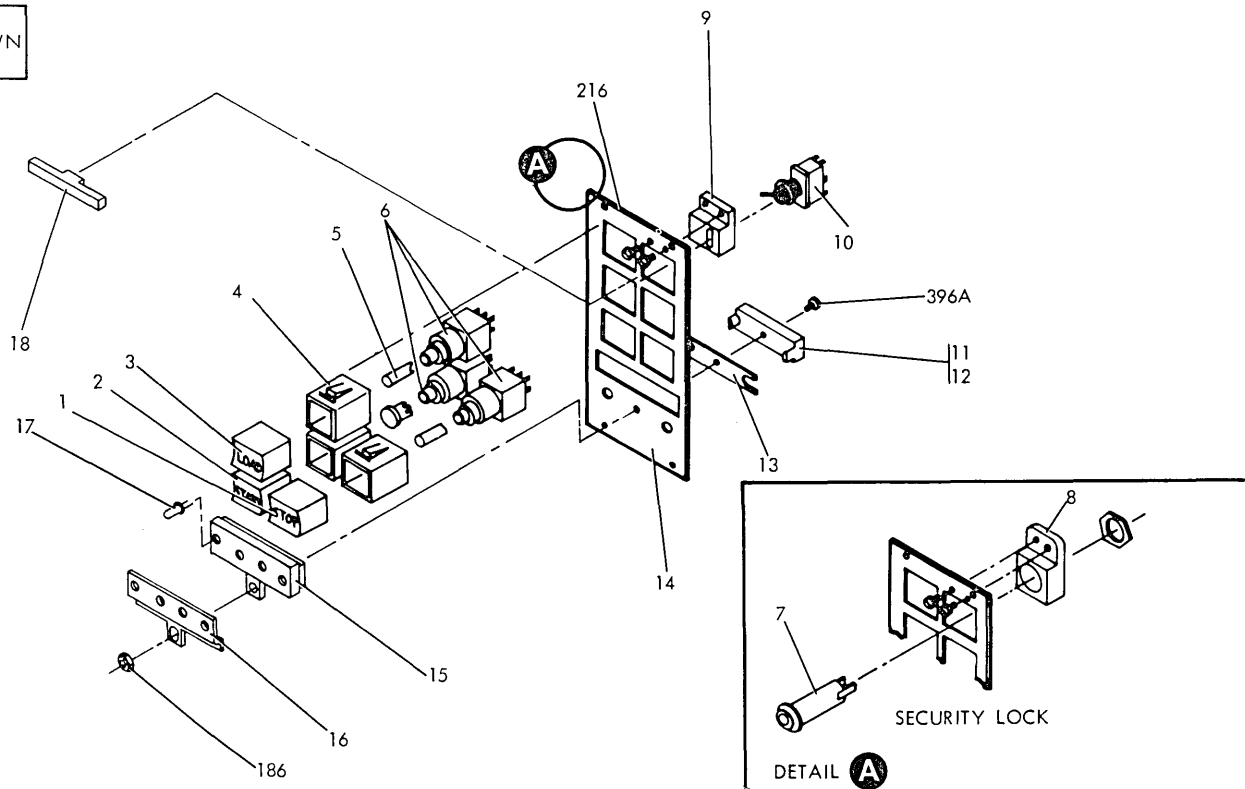


FIGURE 10. OPERATOR PANEL. SEE LIST 10.

| FIGURE-<br>INDEX<br>NUMBER | PART<br>NUMBER | UNITS<br>PER<br>ASM. | DESCRIPTION FOR FIGURE 10                                                                       |   |   |   |
|----------------------------|----------------|----------------------|-------------------------------------------------------------------------------------------------|---|---|---|
|                            |                |                      | 1                                                                                               | 2 | 3 | 4 |
| 10                         | 2546412        |                      | OPERATOR PANEL<br>FOR NEXT HIGHER ASM SEE LIST 3-13<br>AND FOR ILLUSTRATION FIG. 10             |   |   |   |
| - 1                        | 2588004        | 1                    | • BUTTON,STOP-U.S.,FRENCH,GERMAN AND KATAKANNA                                                  |   |   |   |
| - 1                        | 483836         | 1                    | • BUTTON,STOP-ITALIAN                                                                           |   |   |   |
| - 1                        | 483848         | 1                    | • BUTTON,STOP-SPANISH                                                                           |   |   |   |
| - 2                        | 2546748        | 1                    | • BUTTON,START-U.S.,GERMAN AND KATAKANNA                                                        |   |   |   |
| - 2                        | 2546749        | 1                    | • BUTTON,START-FRENCH                                                                           |   |   |   |
| - 2                        | 2546750        | 1                    | • BUTTON,START-ITALIAN                                                                          |   |   |   |
| - 2                        | 2546751        | 1                    | • BUTTON,START-SPANISH                                                                          |   |   |   |
| - 3                        | 2546676        | 1                    | • BUTTON,LOAD-U.S. AND KATAKANNA                                                                |   |   |   |
| - 3                        | 2546574        | 1                    | • BUTTON,LOAD-FRENCH                                                                            |   |   |   |
| - 3                        | 2546571        | 1                    | • BUTTON,LOAD-GERMAN                                                                            |   |   |   |
| - 3                        | 2546572        | 1                    | • BUTTON,LOAD-ITALIAN                                                                           |   |   |   |
| - 3                        | 2546573        | 1                    | • BUTTON,LOAD-SPANISH                                                                           |   |   |   |
| - 3                        | 483714         | 1                    | • BUTTON,FLUSH LOAD KEY                                                                         |   |   |   |
| - 4                        | 827841         | 3                    | • HOUSING                                                                                       |   |   |   |
| - 5                        | 2391121        | 3                    | • LAMP                                                                                          |   |   |   |
| - 6                        | 483550         | 3                    | • SWITCH                                                                                        |   |   |   |
| - 7                        | 2546576        | 1                    | • SWITCH,SECURITY LOCK-DOMESTIC AND WTC                                                         |   |   |   |
| - 8                        | 2546607        | 1                    | • HOUSING,SWITCH-U.S.,WTC AND KATAKANNA                                                         |   |   |   |
| - 9                        | 2593531        | 1                    | • HOUSING,SWITCH POWER ON-OFF-U.S. AND KATAKANNA                                                |   |   |   |
| - 9                        | 2546314        | 1                    | • HOUSING,SWITCH POWER ON-OFF FRENCH,<br>GERMAN,ITALIAN AND SPANISH                             |   |   |   |
| - 10                       | 738827         | 1                    | • SWITCH,POWER ON-OFF DOMESTIC AND WTC                                                          |   |   |   |
| - 11                       | 302090         | 1                    | • TERMINAL BLOCK                                                                                |   |   |   |
| - 11                       | 169698         | 1                    | NOT USED ON ALL MACHINES<br>USED ON MACHINES WITHOUT EC 828644<br>• CLAMP,NOT USED ALL MACHINES |   |   |   |
| - 12                       | 205331         | 6                    | • JUMPER<br>NOT USED ON ALL MACHINES<br>USED ON MACHINES WITHOUT EC 828644                      |   |   |   |
| - 13                       | 302131         | 1                    | • INSULATOR STRIP<br>NOT USED ON ALL MACHINES<br>USED ON MACHINES WITHOUT EC 828644             |   |   |   |
| - 14                       | 2546673        | 1                    | • PLATE                                                                                         |   |   |   |
| - 15                       | 2546829        | 1                    | • BLOCK                                                                                         |   |   |   |
| - 16                       | 2546831        | 1                    | • RETAINER                                                                                      |   |   |   |
| - 17                       | 1582631        | 4                    | • LED                                                                                           |   |   |   |
| - 18                       | 2547849        | 1                    | • BLOCK,CLAMPING<br>USED ON MACHINES WITH EC 825463                                             |   |   |   |
|                            |                |                      | FOR ATTACHING PARTS, INDEX NOS. 150<br>AND ABOVE, SEE LIST 62                                   |   |   |   |

THIS PAGE INTENTIONALLY  
LEFT BLANK

FOR PARTS  
NOT SHOWN  
SEE FIG. 3

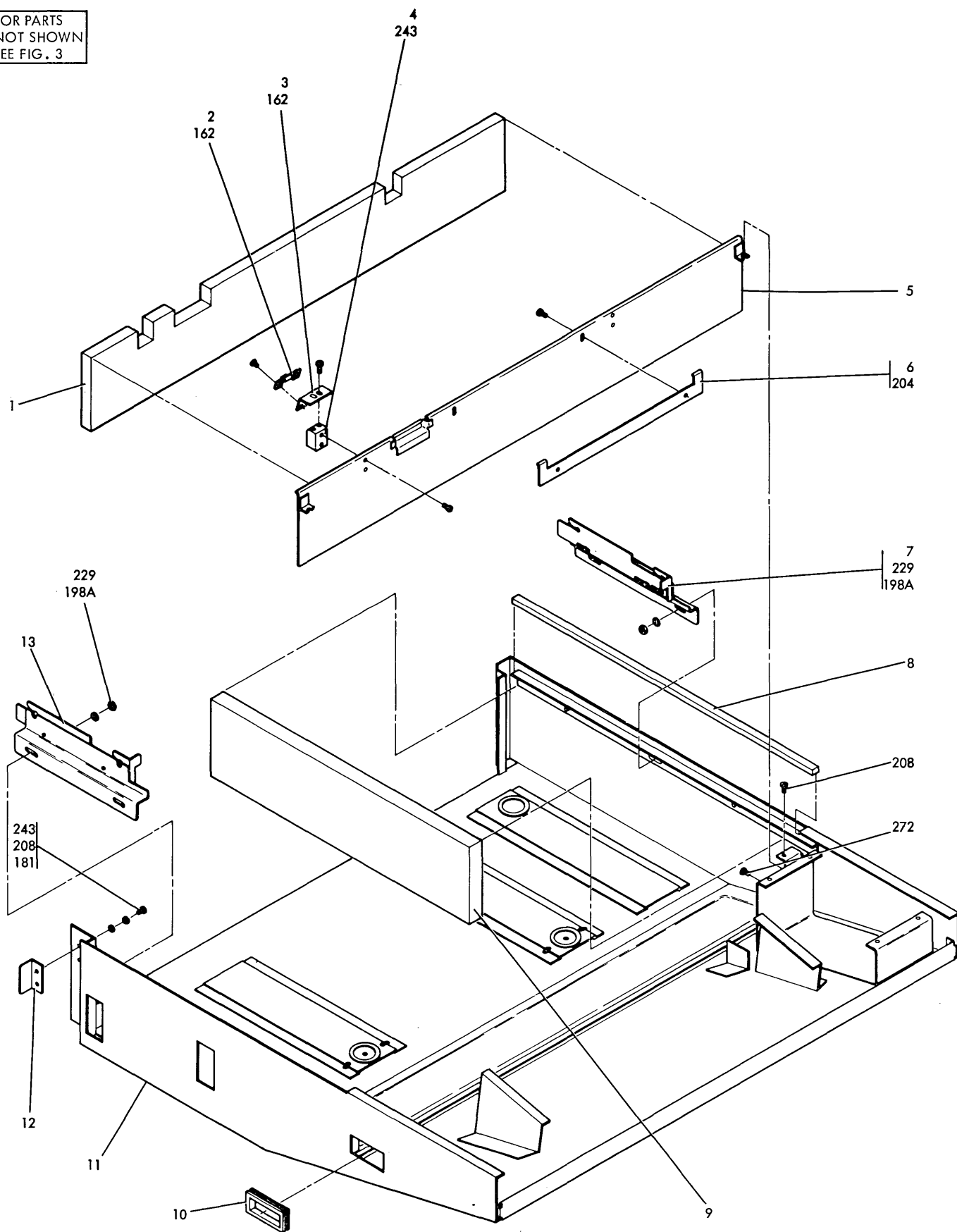


FIGURE 11. BASE ASM, BELT PRINTER. SEE LIST 11.



FOR PARTS  
NOT SHOWN  
SEE FIG. 3

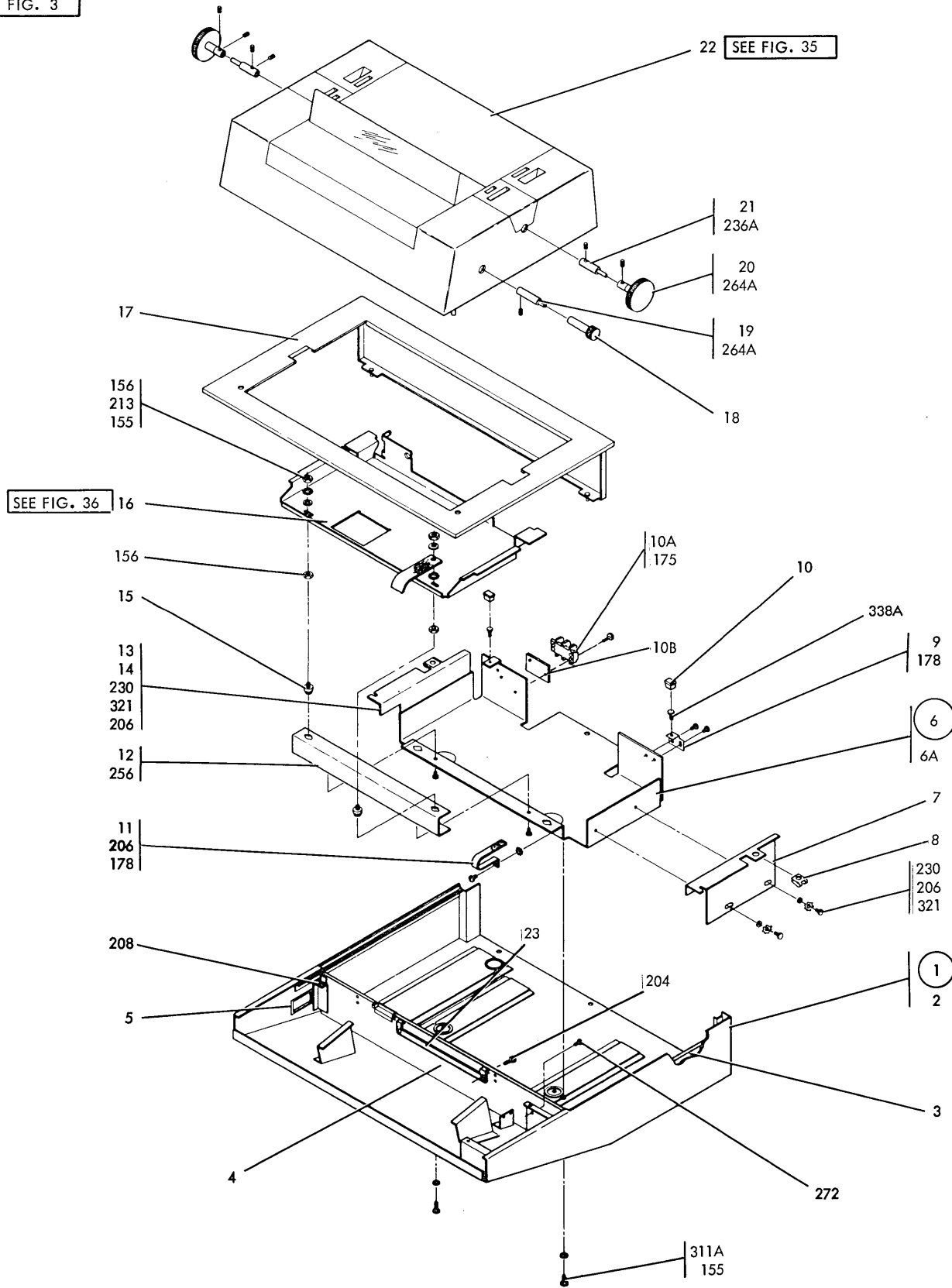


FIGURE 12. BASE ASM, WIRE PRINTER. SEE LIST 12.

| FIGURE-<br>INDEX<br>NUMBER | PART<br>NUMBER | UNITS<br>PER<br>ASM. | DESCRIPTION FOR FIGURE 12                                                                  |   |   |   |
|----------------------------|----------------|----------------------|--------------------------------------------------------------------------------------------|---|---|---|
|                            |                |                      | 1                                                                                          | 2 | 3 | 4 |
| 12                         | NO NO.         |                      | BASE ASM,WIRE PRINTER<br>FOR NEXT HIGHER ASM SEE LIST 3-14<br>AND FOR ILLUSTRATION FIG. 12 |   |   |   |
| - 1                        | 2547837        | 1                    | • PAN ASM                                                                                  |   |   |   |
| - 2                        | 2546661        | 1                    | • • BASE                                                                                   |   |   |   |
| - 3                        | 2546955        | 2                    | • • SEAL                                                                                   |   |   |   |
| - 4                        | 2546344        | 1                    | • • DIVIDER                                                                                |   |   |   |
| - 5                        | 518578         | 1                    | • • SEAL                                                                                   |   |   |   |
| - 6                        | 2546802        | 1                    | • SUPPORT ASM                                                                              |   |   |   |
| - 6A                       | 2546543        | 1                    | • • SUPPORT                                                                                |   |   |   |
| - 7                        | 2546754        | 1                    | • • BRACKET,RH                                                                             |   |   |   |
| - 8                        | 362177         | 1                    | • • RECEPTACLE                                                                             |   |   |   |
| - 9                        | 843480         | 2                    | • • SUPPORT                                                                                |   |   |   |
| - 10                       | 1147178        | 2                    | • • SHOCKMOUNT,REAR                                                                        |   |   |   |
| - 10A                      | 323840         | 1                    | • • TERMINAL BLOCK                                                                         |   |   |   |
| - 10B                      | 2101380        | 1                    | • • MARKER STRIP                                                                           |   |   |   |
| - 11                       | 2101089        | 1                    | • • JUMPER                                                                                 |   |   |   |
| - 12                       | 2546752        | 1                    | • • ADAPTER                                                                                |   |   |   |
| - 13                       | 2546755        | 1                    | • • BRACKET,LH                                                                             |   |   |   |
| - 14                       | 362177         | 1                    | • • RECEPTACLE                                                                             |   |   |   |
| - 15                       | 843252         | 2                    | • • SHOCKMOUNT                                                                             |   |   |   |
| - 16                       | NO NO.         | 1                    | • WIRE PRINTER ASM,MODEL A1 AND A2<br>FOR DETAIL BREAKDOWN SEE LIST 36                     |   |   |   |
| - 17                       | 2546756        | 1                    | • COVER                                                                                    |   |   |   |
| - 18                       | 2772925        | 1                    | • KNOB                                                                                     |   |   |   |
| - 19                       | 1748697        | 1                    | • EXTENDER                                                                                 |   |   |   |
| - 20                       | 1205427        | 2                    | • KNOB                                                                                     |   |   |   |
| - 21                       | 1643022        | 2                    | • EXTENDER                                                                                 |   |   |   |
| - 22                       | 2546771        | 1                    | • COVER ASM                                                                                |   |   |   |
| - 23                       | 2546763        | 1                    | • FOR DETAIL BREAKDOWN SEE LIST 35<br>RETAINER                                             |   |   |   |
|                            |                |                      | FOR ATTACHING PARTS, INDEX NOS. 150<br>AND ABOVE, SEE LIST 62                              |   |   |   |
|                            |                |                      |                                                                                            |   |   |   |
|                            |                |                      |                                                                                            |   |   |   |
|                            |                |                      |                                                                                            |   |   |   |
|                            |                |                      |                                                                                            |   |   |   |
|                            |                |                      |                                                                                            |   |   |   |
|                            |                |                      |                                                                                            |   |   |   |
|                            |                |                      |                                                                                            |   |   |   |
|                            |                |                      |                                                                                            |   |   |   |
|                            |                |                      |                                                                                            |   |   |   |
|                            |                |                      |                                                                                            |   |   |   |
|                            |                |                      |                                                                                            |   |   |   |
|                            |                |                      |                                                                                            |   |   |   |
|                            |                |                      |                                                                                            |   |   |   |
|                            |                |                      |                                                                                            |   |   |   |
|                            |                |                      |                                                                                            |   |   |   |
|                            |                |                      |                                                                                            |   |   |   |

FOR PARTS  
NOT SHOWN  
SEE FIG. 2

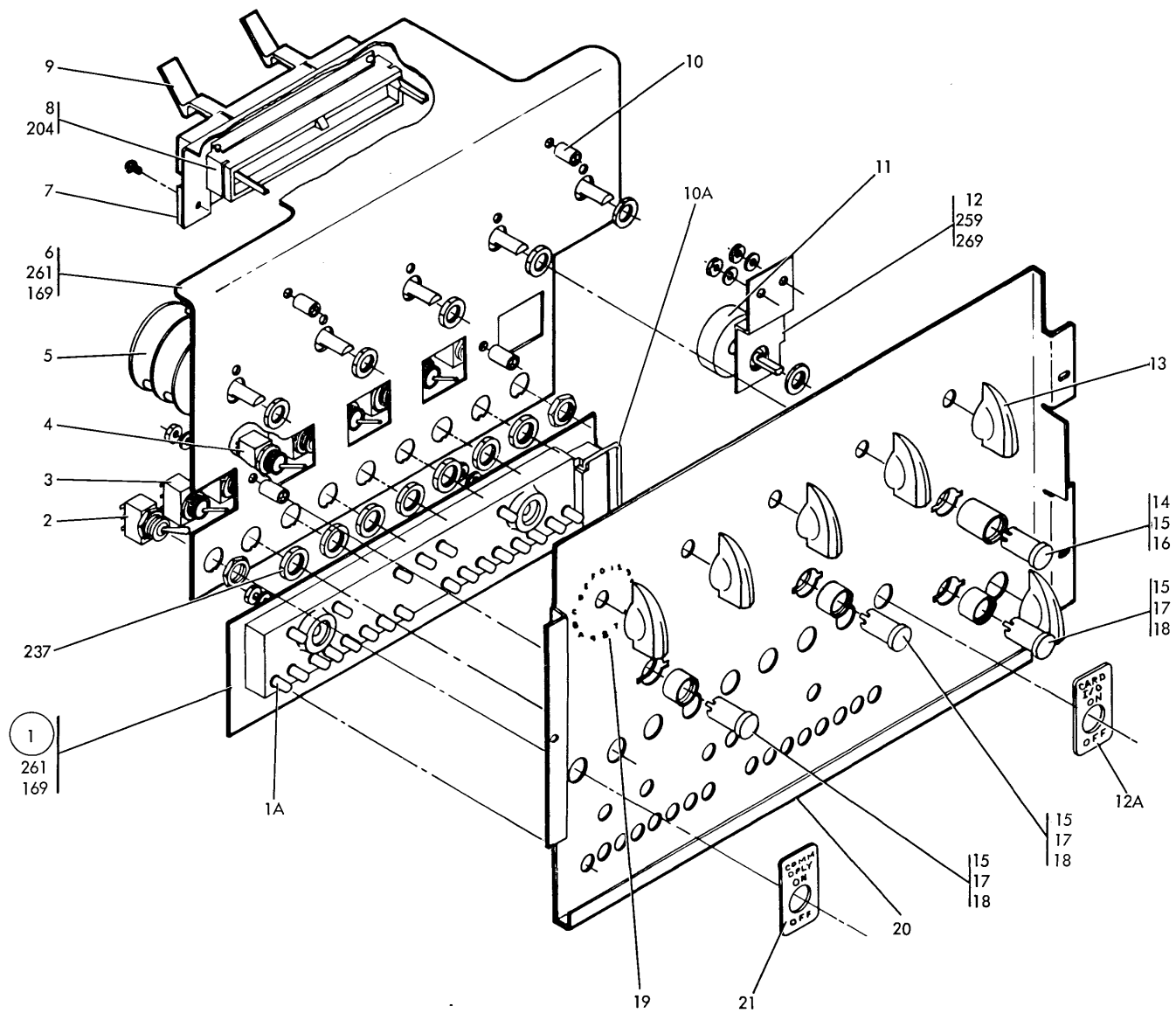


FIGURE 13. CE PANEL. SEE LIST 13.





FOR PARTS  
NOT SHOWN  
SEE FIG. 4

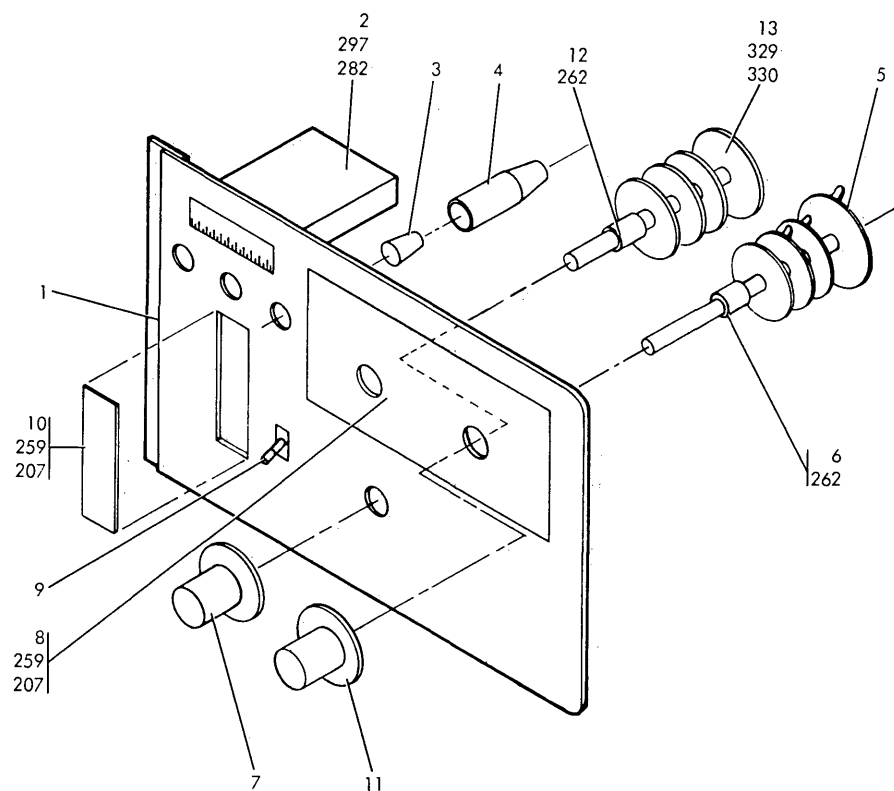


FIGURE 14. PANEL ASM,2400 INTERGRATED MOTEM. SEE LIST 14.

| FIGURE-<br>INDEX<br>NUMBER | PART<br>NUMBER                | UNITS<br>PER<br>ASM. | DESCRIPTION FOR FIGURE 14                                                                                                                                                                          |   |   |   |
|----------------------------|-------------------------------|----------------------|----------------------------------------------------------------------------------------------------------------------------------------------------------------------------------------------------|---|---|---|
|                            |                               |                      | 1                                                                                                                                                                                                  | 2 | 3 | 4 |
| 14                         | 2546630<br>2546837<br>2546839 |                      | PANEL ASM,2400 INTERGRATED MOTEM-ENGLISH<br>PANEL ASM,2400 INTERGRATED MOTEM-FRENCH<br>PANEL ASM,2400 INTERGRATED MOTEM-GERMAN<br>FOR NEXT HIGHER ASM SEE LIST 4-6<br>AND FOR ILLUSTRATION FIG. 14 |   |   |   |
| - 1                        | 5182514                       | 1                    | • PANEL,ENGLISH                                                                                                                                                                                    |   |   |   |
| - 1                        | 5182515                       | 1                    | • PANEL,FRENCH                                                                                                                                                                                     |   |   |   |
| - 1                        | 5182516                       | 1                    | • PANEL,GERMAN                                                                                                                                                                                     |   |   |   |
| - 2                        | 2784404                       | 1                    | • METER ASM                                                                                                                                                                                        |   |   |   |
| - 3                        | 5362325                       | 3                    | • INDICATOR ASM                                                                                                                                                                                    |   |   |   |
| - 4                        | 5353888                       | 3                    | • HOUSING                                                                                                                                                                                          |   |   |   |
| - 5                        | 2730100                       | 1                    | • SWITCH ASM                                                                                                                                                                                       |   |   |   |
| - 6                        | 1770809                       | 1                    | • ADAPTER                                                                                                                                                                                          |   |   |   |
| - 7                        | 5182435                       | 1                    | • KNOB ASM                                                                                                                                                                                         |   |   |   |
| - 8                        | 5182441                       | 1                    | • COVER,BLANK                                                                                                                                                                                      |   |   |   |
| - 8                        | 5182447                       | 1                    | • PANEL,ENGLISH-2 SWITCH                                                                                                                                                                           |   |   |   |
| - 8                        | 5182446                       | 1                    | • PANEL,ENGLISH-1 SWITCH                                                                                                                                                                           |   |   |   |
| - 8                        | 2730021                       | 1                    | • PANEL,FRENCH-2 SWITCH                                                                                                                                                                            |   |   |   |
| - 8                        | 2730020                       | 1                    | • PANEL,FRENCH-1 SWITCH                                                                                                                                                                            |   |   |   |
| - 8                        | 2730023                       | 1                    | • PANEL,GERMAN-2 SWITCH                                                                                                                                                                            |   |   |   |
| - 8                        | 2730022                       | 1                    | • PANEL,GERMAN,1 SWITCH                                                                                                                                                                            |   |   |   |
| - 9                        | 738826                        | 1                    | • SWITCH ASM                                                                                                                                                                                       |   |   |   |
| - 10                       | 5182443                       | 1                    | • COVER BLANK                                                                                                                                                                                      |   |   |   |
| - 11                       | 5182435                       | AR                   | • KNOB                                                                                                                                                                                             |   |   |   |
| - 12                       | 1770809                       | AR                   | • ADAPTER                                                                                                                                                                                          |   |   |   |
| - 13                       | 962985                        | AR                   | • SWITCH                                                                                                                                                                                           |   |   |   |
|                            |                               |                      | FOR ATTACHING PARTS, INDEX NOS. 150<br>AND ABOVE, SEE LIST 62                                                                                                                                      |   |   |   |

THIS PAGE INTENTIONALLY  
LEFT BLANK

FOR PARTS  
NOT SHOWN  
SEE FIG. 2

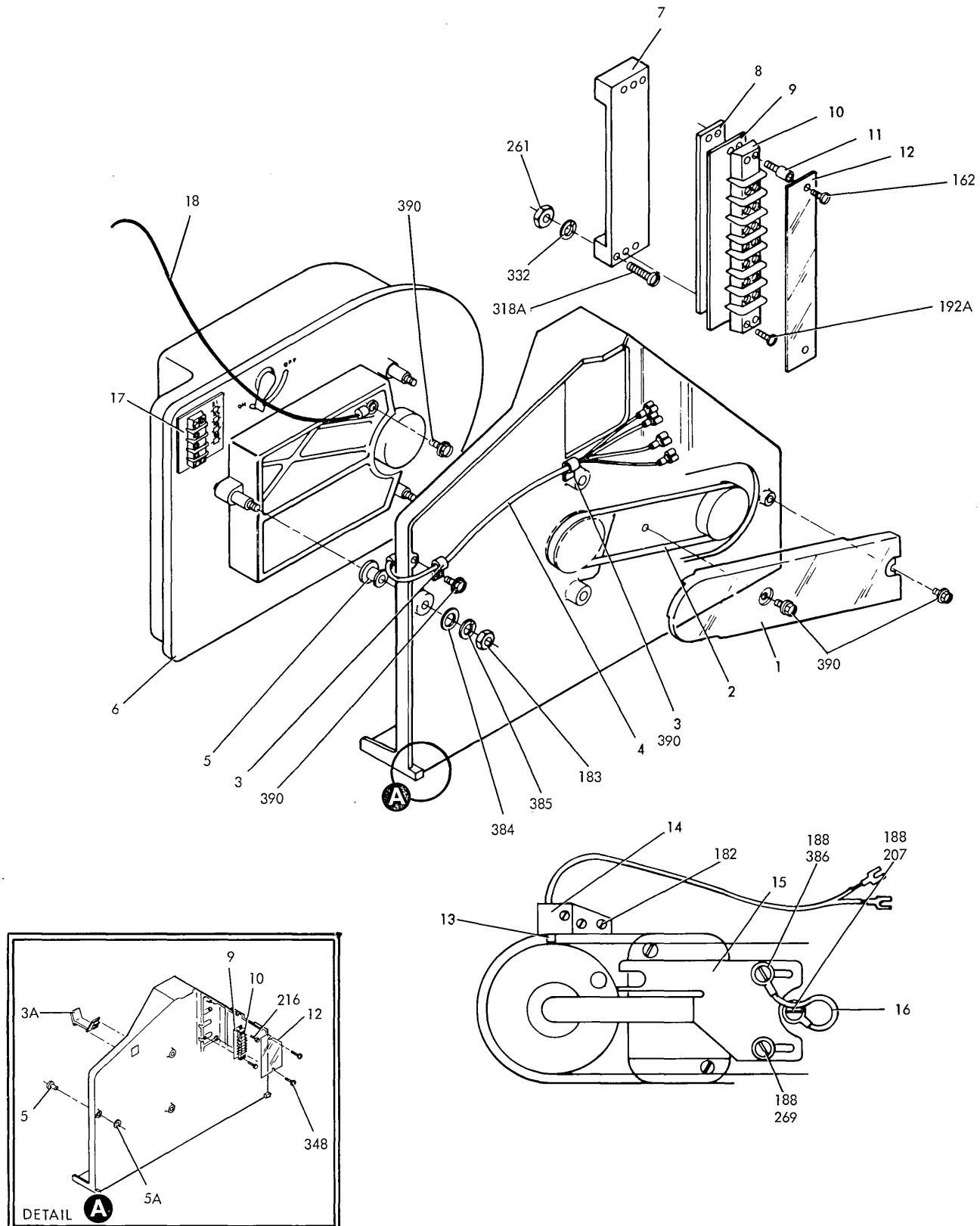


FIGURE 15. DISK STORAGE ASM. SEE LIST 15.



FOR PARTS  
NOT SHOWN:  
SEE FIG. 2

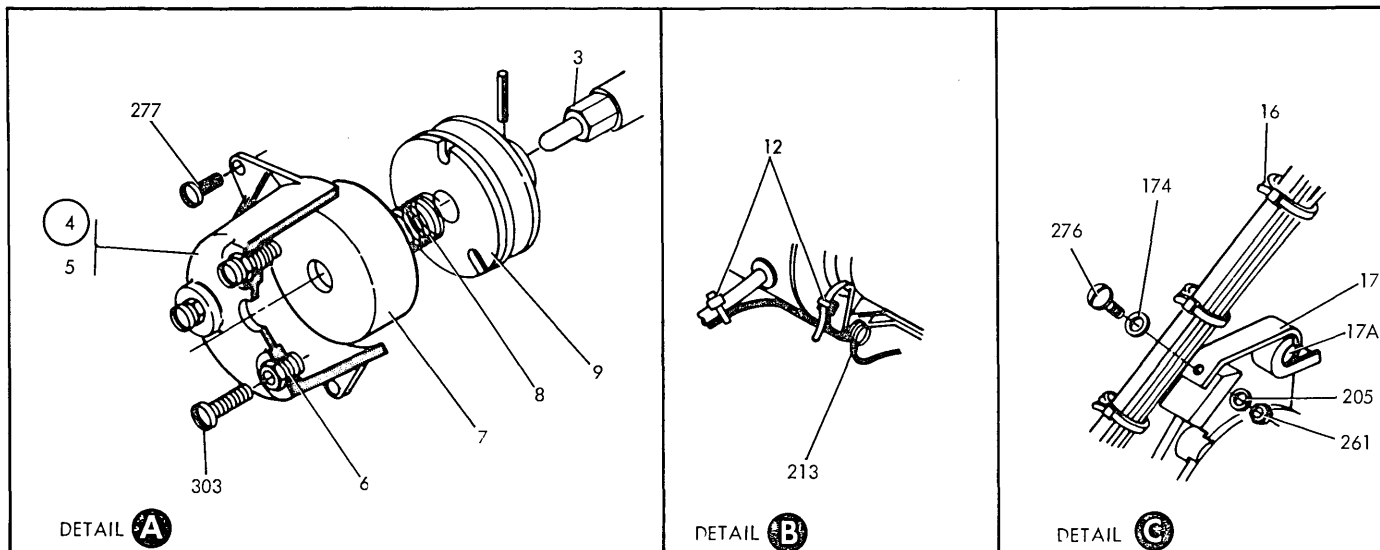
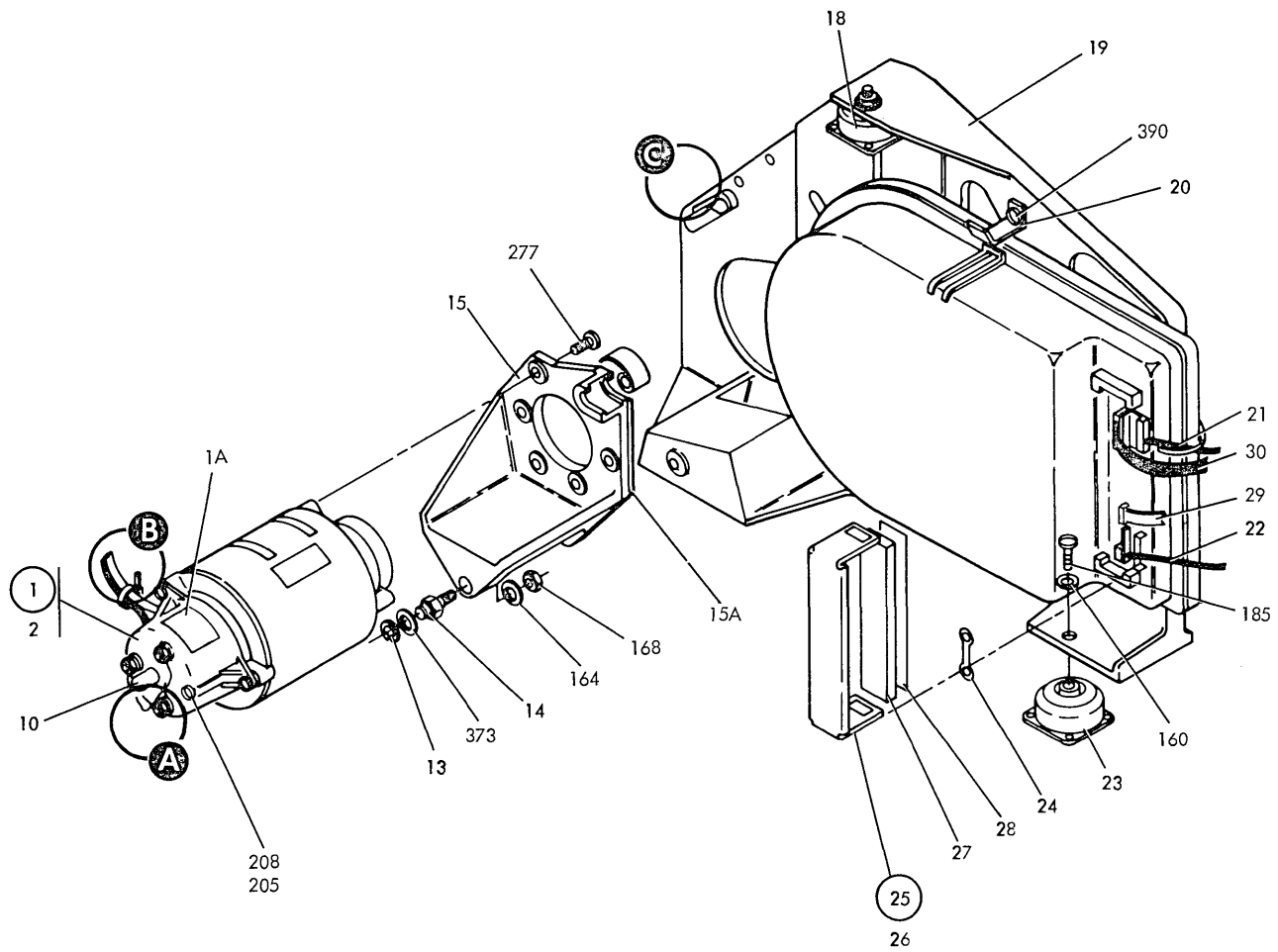


FIGURE 16. 62GV DISK STORAGE DRIVE ASM. SEE LIST 16.

| FIGURE-<br>INDEX<br>NUMBER | PART<br>NUMBER | UNITS<br>PER<br>ASM. | DESCRIPTION FOR FIGURE 16                                                                        |                                             |   |   |
|----------------------------|----------------|----------------------|--------------------------------------------------------------------------------------------------|---------------------------------------------|---|---|
|                            |                |                      | 1                                                                                                | 2                                           | 3 | 4 |
| 16                         | 5144642 NP     |                      | 62GV                                                                                             | DISK STORAGE DRIVE ASM,220V 60 HZ,3MB & 5MB |   |   |
|                            | 5144640 NP     |                      | 62GV                                                                                             | DISK STORAGE DRIVE ASM,220V 50 HZ,3MB & 5MB |   |   |
|                            | 5144710 NP     |                      | 62GV                                                                                             | DISK STORAGE DRIVE ASM,220V 60 HZ,9.1 MB    |   |   |
|                            | 5144706 NP     |                      | 62GV                                                                                             | DISK STORAGE DRIVE ASM,220V 50 HZ,9.1 MB    |   |   |
|                            | 5144683 NP     |                      | 62EH                                                                                             | DISK STORAGE DRIVE ASM,220V 60 HZ,13.7 MB   |   |   |
|                            | 5144682 NP     |                      | 62EH                                                                                             | DISK STORAGE DRIVE ASM,220V 50 HZ,13.7 MB   |   |   |
|                            | 5144645        | 1                    | • MOTOR BRAKE ASM,60 HZ-220V<br>FOR NEXT HIGHER ASM SEE LIST 2-1<br>AND FOR ILLUSTRATION FIG. 16 |                                             |   |   |
| - 1                        | 5144644        | 1                    | • MOTOR BRAKE ASM,50 HZ-220V                                                                     |                                             |   |   |
| - 1A                       | 5145814        | 1                    | • • LABEL                                                                                        |                                             |   |   |
| - 2                        | 5144650        | 1                    | • • MOTOR ASM,60 HZ-220V                                                                         |                                             |   |   |
| - 2                        | 5144687        | 1                    | • • MOTOR ASM,50 HZ-220V                                                                         |                                             |   |   |
| - 2                        | 2451022        | 1                    | • • MOTOR REPLACEMENT KIT,60 HZ 200V                                                             |                                             |   |   |
| - 2                        | 2451023        | 1                    | • • MOTOR REPLACEMENT KIT,50 HZ 200V                                                             |                                             |   |   |
| - 3                        | 5145056 NR     | 1                    | • • • SHAFT THREADED,60 HZ                                                                       |                                             |   |   |
| - 3                        | 5145055 NR     | 1                    | • • • SHAFT,THREADED,50 HZ                                                                       |                                             |   |   |
| - 4                        | 5144660        | 1                    | • • BRAKE ASM                                                                                    |                                             |   |   |
| - 5                        | 5145052        | 1                    | • • • BRACKET,BRAKE MOUNTING                                                                     |                                             |   |   |
| - 6                        | 5144925        | 3                    | • • • BUSHING,THREADED                                                                           |                                             |   |   |
| - 7                        | 5144917        | 1                    | • • • COIL ASM                                                                                   |                                             |   |   |
| - 7                        | 2775956        | 1                    | • • • COIL ASM,SUBSTITUTE                                                                        |                                             |   |   |
| - 8                        | 5144913        | 1                    | • • • SPRING                                                                                     |                                             |   |   |
| - 9                        | 5144916        | 1                    | • • • ARMATURE ASM                                                                               |                                             |   |   |
| - 10                       | 5145057        | 1                    | • • • SPRING ASM                                                                                 |                                             |   |   |
| - 12                       | 5420242        | 2                    | • • • TIE,CABLE                                                                                  |                                             |   |   |
| - 13                       | 5144811        | 1                    | • CLIP,RETAINING                                                                                 |                                             |   |   |
| - 14                       | 5144810        | 1                    | • PIVOT                                                                                          |                                             |   |   |
| - 15                       | 5144815        | 1                    | • BRACKET,MOTOR MOUNTING                                                                         |                                             |   |   |
| - 15A                      | 5145099        | 1                    | • PLATE                                                                                          |                                             |   |   |
| - 16                       | 532393         | 3                    | • TIE,CABLE<br>USED ON MACHINES WITHOUT EC 829781                                                |                                             |   |   |
| - 17                       | 5144813        | 1                    | • SPRING                                                                                         |                                             |   |   |
| - 17A                      | 5145085        | 1                    | • ROLLER                                                                                         |                                             |   |   |
| - 18                       | 2590957        | 1                    | • SHOCKMOUNT,UPPER                                                                               |                                             |   |   |
| - 19                       | 5144812        | 1                    | • SUB FRAME<br>USED ON MACHINES WITHOUT EC 829781                                                |                                             |   |   |
| - 19                       | 2775949        | 1                    | • SUB FRAME<br>USED ON MACHINES WITH EC 829781                                                   |                                             |   |   |
| - 20                       | 5144921        | 1                    | • CLIP<br>USED ON MACHINES WITHOUT EC 829781                                                     |                                             |   |   |
| - 20                       | 2775950        | 1                    | • CLIP<br>USED ON MACHINES WITH EC 829781                                                        |                                             |   |   |
| - 21                       | 5144808        | 1                    | • CABLE ASM,SERVO                                                                                |                                             |   |   |
| - 22                       | 5144809        | 1                    | • CABLE ASM,DATA                                                                                 |                                             |   |   |
| - 23                       | 5145088        | 2                    | • SHOCKMOUNT,LOWER                                                                               |                                             |   |   |
| - 24                       | 811427         | 1                    | • RETAINER                                                                                       |                                             |   |   |
| - 25                       | 5144803        | 1                    | • CARD CLAMP ASM                                                                                 |                                             |   |   |
| - 26                       | 5144804        | 1                    | • • CLAMP                                                                                        |                                             |   |   |
| - 27                       | 5144850        | 1                    | • • PAD                                                                                          |                                             |   |   |
| - 28                       | 5144898        | 1                    | • • PAD                                                                                          |                                             |   |   |
| - 29                       | 5145059        | 1                    | • FLAT CABLE                                                                                     |                                             |   |   |
| - 30                       | 5145818        | 1                    | • CABLE ASM 13.7 MB<br>USED ON MACHINES WITH EC 831976                                           |                                             |   |   |
| - 30                       | 5145064        | 1                    | • CABLE ASM 3MB,5MB,9.1MB AND 13.7MB                                                             |                                             |   |   |
|                            |                |                      | FOR ATTACHING PARTS, INDEX NOS. 150<br>AND ABOVE, SEE LIST 62                                    |                                             |   |   |
|                            |                |                      |                                                                                                  |                                             |   |   |
|                            |                |                      |                                                                                                  |                                             |   |   |
|                            |                |                      |                                                                                                  |                                             |   |   |
|                            |                |                      |                                                                                                  |                                             |   |   |
|                            |                |                      |                                                                                                  |                                             |   |   |
|                            |                |                      |                                                                                                  |                                             |   |   |
|                            |                |                      |                                                                                                  |                                             |   |   |
|                            |                |                      |                                                                                                  |                                             |   |   |

FOR PARTS  
NOT SHOWN  
SEE FIG. 3

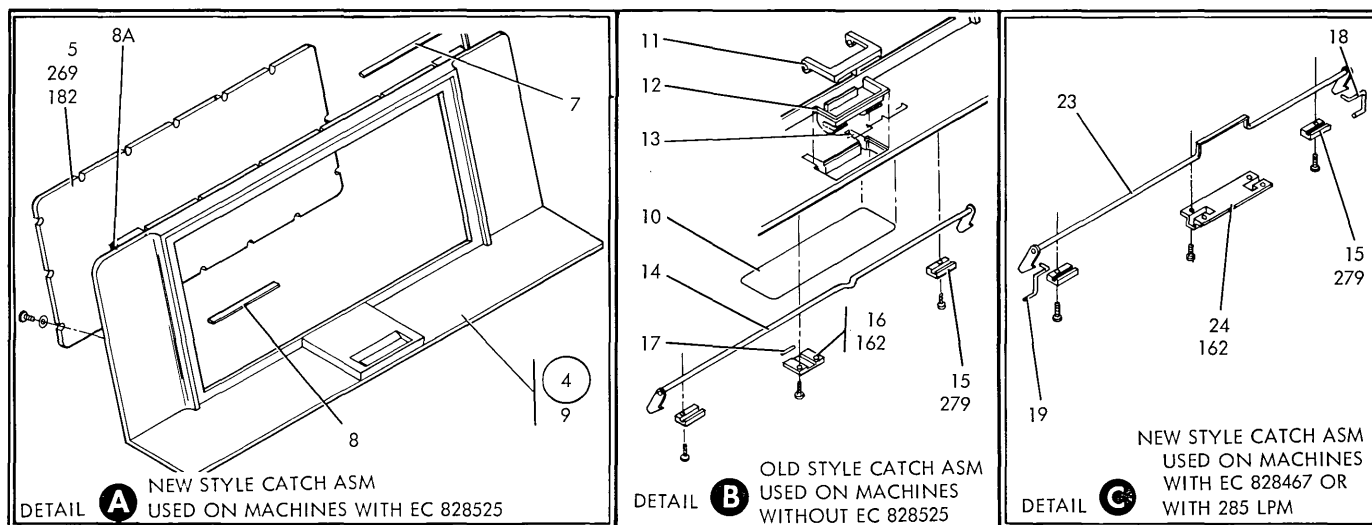
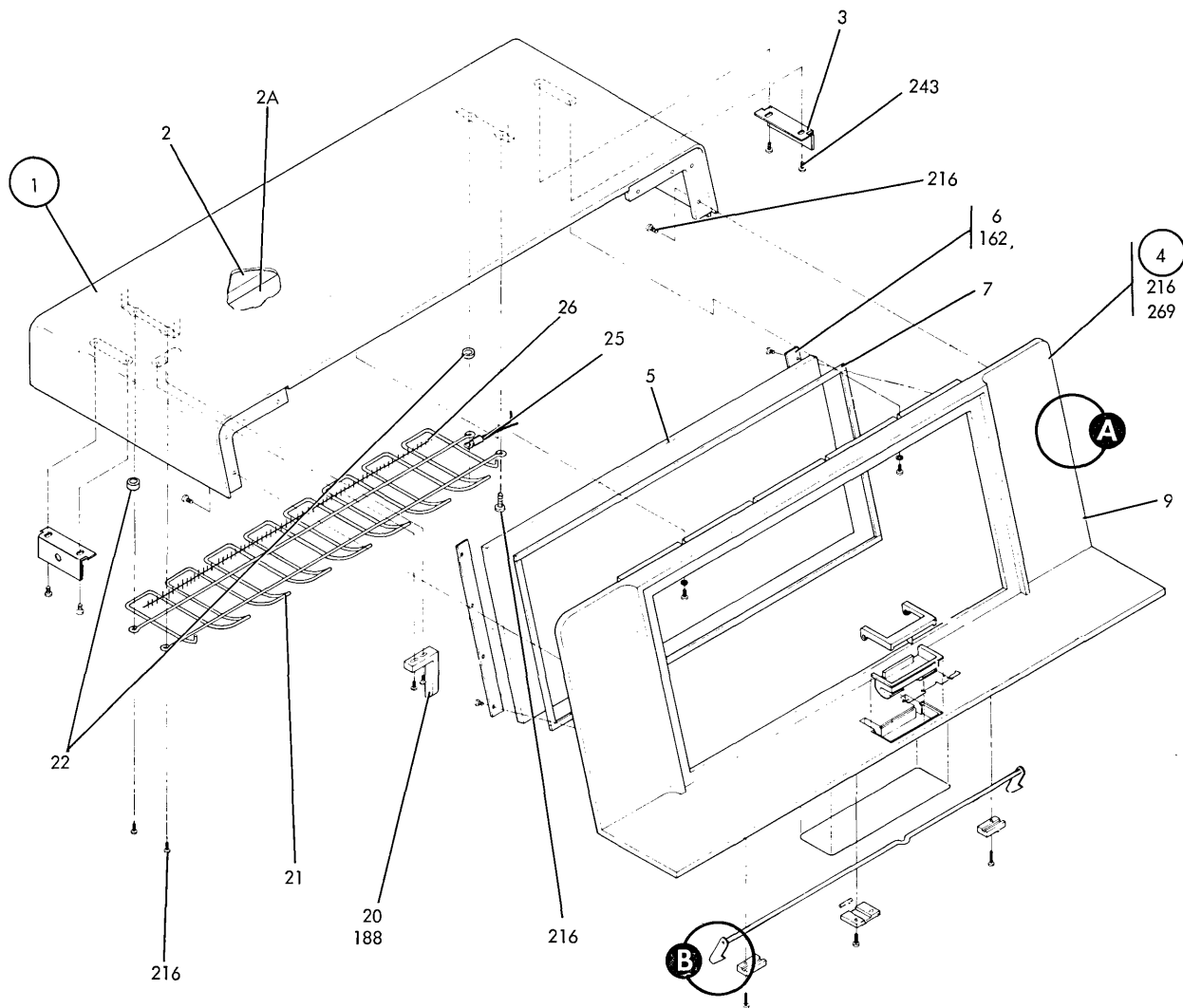


FIGURE 17. BELT PRINTER COVER FINAL ASM. SEE LIST 17.



| FIGURE-<br>INDEX<br>NUMBER | PART<br>NUMBER | UNITS<br>PER<br>ASM. | DESCRIPTION FOR FIGURE 17                                                                                                                                               |   |   |   |
|----------------------------|----------------|----------------------|-------------------------------------------------------------------------------------------------------------------------------------------------------------------------|---|---|---|
|                            |                |                      | 1                                                                                                                                                                       | 2 | 3 | 4 |
| 17                         | 2547800        |                      | BELT PRINTER COVER FINAL ASM<br>USED ON MACHINES WITH EC 828525<br>FOR NEXT HIGHER ASM SEE LIST 3-7<br>AND FOR ILLUSTRATION FIG. 17                                     |   |   |   |
| - 1                        | 1607442        | 1                    | • COVER                                                                                                                                                                 |   |   |   |
| - 2                        | 1815321        | 1                    | • • FOAM                                                                                                                                                                |   |   |   |
| - 2A                       | 1815322        | 1                    | • • FOAM                                                                                                                                                                |   |   |   |
| - 3                        | 1821338        | 2                    | • BRACKET                                                                                                                                                               |   |   |   |
| - 4                        | 1607443        | 1                    | • FRONT COVER ASM,USED ON MACHINES WITHOUT<br>RAISED AREA AROUND CATCH ASM.<br>ORDER ASM 1607443 AND 1607442 WITH<br>HARDWARE SHOWN IN DETAIL B.OLD STYLE<br>CATCH ASM. |   |   |   |
| - 4                        | 1607443        | 1                    | • FRONT COVER ASM,USED ON MACHINES WITH RAISED<br>AREA AROUND CATCH ASM. ORDER HARDWARE<br>SHOWN IN DETAIL C,NEW STYLE CATCH ASM.                                       |   |   |   |
| - 4                        | 2446204        | 1                    | • FRONT COVER ASM,285 LPM PRINTER                                                                                                                                       |   |   |   |
| - 5                        | 5240369 NR     | 1                    | • • WINDOW,USED ON MACHINES WITHOUT EC 828525<br>OLD STYLE CATCH ASM                                                                                                    |   |   |   |
| - 5                        | 1794565        | 1                    | • • WINDOW,USED ON MACHINES WITH EC 828525<br>NEW STYLE CATCH ASM                                                                                                       |   |   |   |
| - 5                        | 1821420        | 1                    | • • WINDOW,285 LPM PRINTER                                                                                                                                              |   |   |   |
| - 6                        | 5240372 NR     | 2                    | • • RETAINER,USED ON MACHINES WITHOUT EC 828525<br>OLD STYLE CATCH ASM                                                                                                  |   |   |   |
| - 7                        | 1821317 NR     | AR                   | • • SEAL,USED ON MACHINES WITHOUT EC 828525<br>OLD STYLE CATCH ASM                                                                                                      |   |   |   |
| - 7                        | 1821446        | 2                    | • • SEAL,USED ON MACHINES WITH EC 828525<br>NEW STYLE CATCH ASM                                                                                                         |   |   |   |
| - 8                        | 1794564        | 1                    | • • SEAL,USED ON MACHINES WITH EC 828525<br>NEW STYLE CATCH ASM                                                                                                         |   |   |   |
| - 8                        | 1821447        | 1                    | • • SEAL,285 LPM PRINTER                                                                                                                                                |   |   |   |
| - 8A                       | 1821445        | 2                    | • • FOAM                                                                                                                                                                |   |   |   |
| - 9                        | 5240352 NR     | 1                    | • • COVER,USED ON MACHINES WITHOUT EC 828525<br>OLD STYLE CATCH ASM                                                                                                     |   |   |   |
| - 9                        | 1607444        | 1                    | • • COVER,USED ON MACHINES WITH EC 828525<br>NEW STYLE CATCH ASM                                                                                                        |   |   |   |
| - 9                        | 2446206        | 1                    | • • COVER ASM,285 LPM PRINTER                                                                                                                                           |   |   |   |
| - 10                       | 1812593        | 1                    | • • • DECAL                                                                                                                                                             |   |   |   |
| - 11                       | 1821370        | 1                    | • ACTUATOR,USED ON MACHINES WITHOUT EC 828525<br>OLD STYLE CATCH ASM                                                                                                    |   |   |   |
| - 12                       | 1821375 NR     | 1                    | • HOUSING,USED ON MACHINES WITHOUT EC 828525<br>OLD STYLE CATCH ASM                                                                                                     |   |   |   |
| - 13                       | 1815300        | 1                    | • SPRING,USED ON MACHINES WITHOUT EC 828525<br>OLD STYLE CATCH ASM                                                                                                      |   |   |   |
| - 14                       | 1821342        | 1                    | • CATCH ASM,USED ON MACHINES WITHOUT EC 828525<br>OLD STYLE CATCH ASM                                                                                                   |   |   |   |
| - 15                       | 1821454        | 2                    | • BLOCK                                                                                                                                                                 |   |   |   |
| - 16                       | 1821386        | 1                    | • BLOCK,USED ON MACHINES WITHOUT EC 828525<br>OLD STYLE CATCH ASM                                                                                                       |   |   |   |
| - 17                       | 1824367        | 1                    | • PIN,USED ON MACHINES WITHOUT EC 828525<br>OLD STYLE CATCH ASM                                                                                                         |   |   |   |
| - 18                       | 1794683        | 1                    | • SPRING,USED ON MACHINES WITH EC 828647<br>NEW STYLE CATCH ASM                                                                                                         |   |   |   |
| - 19                       | 1794682        | 1                    | • SPRING,USED ON MACHINES WITH EC 828647<br>NEW STYLE CATCH ASM                                                                                                         |   |   |   |
| - 20                       | 1815998        | 1                    | • ACTUATOR                                                                                                                                                              |   |   |   |
| - 21                       | 1815289        | 1                    | • RACK                                                                                                                                                                  |   |   |   |
| - 22                       | 1821380        | 2                    | • SPACER                                                                                                                                                                |   |   |   |
| - 23                       | 1794681        | 1                    | • CATCH ASM,USED ON MACHINES WITH EC 828647<br>NEW STYLE CATCH ASM                                                                                                      |   |   |   |
| - 24                       | 1794722        | 1                    | • HOUSING,USED ON MACHINES WITH EC 828647<br>NEW STYLE CATCH ASM                                                                                                        |   |   |   |
| - 25                       | 2547836        | 1                    | • JUMPER                                                                                                                                                                |   |   |   |
| - 26                       | 850248         | 1                    | • ELIMINATOR                                                                                                                                                            |   |   |   |
|                            |                |                      | FOR ATTACHING PARTS, INDEX NOS. 150<br>AND ABOVE, SEE LIST 62                                                                                                           |   |   |   |
|                            |                |                      |                                                                                                                                                                         |   |   |   |
|                            |                |                      |                                                                                                                                                                         |   |   |   |
|                            |                |                      |                                                                                                                                                                         |   |   |   |
|                            |                |                      |                                                                                                                                                                         |   |   |   |

FOR PARTS  
NOT SHOWN  
SEE FIG. 3

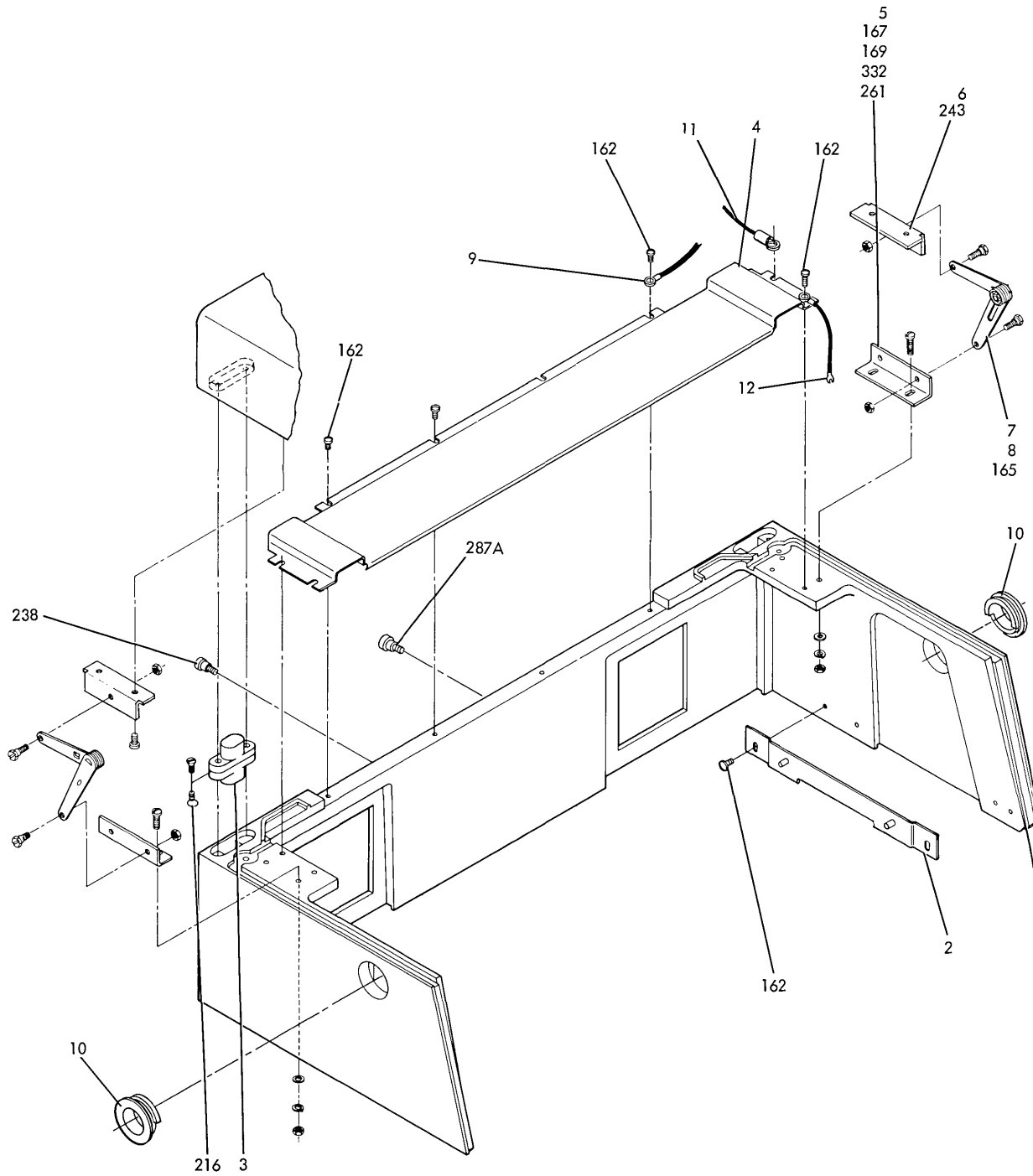


FIGURE 18. BELT PRINTER COVER FINAL ASM. SEE LIST 18.

| FIGURE-<br>INDEX<br>NUMBER | PART<br>NUMBER | UNITS<br>PER<br>ASM. | DESCRIPTION FOR FIGURE 18                                                                        |   |   |   |
|----------------------------|----------------|----------------------|--------------------------------------------------------------------------------------------------|---|---|---|
|                            |                |                      | 1                                                                                                | 2 | 3 | 4 |
| 18                         | 2547800        |                      | BELT PRINTER COVER FINAL ASM<br>FOR NEXT HIGHER ASM SEE LIST 3-7<br>AND FOR ILLUSTRATION FIG. 18 |   |   |   |
| - 1                        | 1607448        | 1                    | • COVER                                                                                          |   |   |   |
| - 2                        | 1613316        | 2                    | • BRACKET                                                                                        |   |   |   |
| - 3                        | 1794555        | 2                    | • HINGE                                                                                          |   |   |   |
| - 4                        | 1815282        | 1                    | • GUIDE                                                                                          |   |   |   |
| - 5                        | 1821339        | 2                    | • BRACKET                                                                                        |   |   |   |
| - 6                        | 1821338        | 2                    | • BRACKET                                                                                        |   |   |   |
| - 7                        | 1821364        | 2                    | • STAY ARM ASM                                                                                   |   |   |   |
| - 8                        | 1821340        | 2                    | • SCREW                                                                                          |   |   |   |
| - 9                        | 2772956        | 1                    | • JUMPER                                                                                         |   |   |   |
| - 10                       | 1821434        | 2                    | • SEAL                                                                                           |   |   |   |
| - 11                       | 2547836        | 1                    | • JUMPER                                                                                         |   |   |   |
| - 12                       | 2772955        | 1                    | • JUMPER                                                                                         |   |   |   |
|                            |                |                      | FOR ATTACHING PARTS, INDEX NOS. 150<br>AND ABOVE, SEE LIST 62                                    |   |   |   |
|                            |                |                      |                                                                                                  |   |   |   |
|                            |                |                      |                                                                                                  |   |   |   |
|                            |                |                      |                                                                                                  |   |   |   |
|                            |                |                      |                                                                                                  |   |   |   |
|                            |                |                      |                                                                                                  |   |   |   |
|                            |                |                      |                                                                                                  |   |   |   |
|                            |                |                      |                                                                                                  |   |   |   |
|                            |                |                      |                                                                                                  |   |   |   |
|                            |                |                      |                                                                                                  |   |   |   |
|                            |                |                      |                                                                                                  |   |   |   |
|                            |                |                      |                                                                                                  |   |   |   |
|                            |                |                      |                                                                                                  |   |   |   |
|                            |                |                      |                                                                                                  |   |   |   |
|                            |                |                      |                                                                                                  |   |   |   |
|                            |                |                      |                                                                                                  |   |   |   |
|                            |                |                      |                                                                                                  |   |   |   |
|                            |                |                      |                                                                                                  |   |   |   |
|                            |                |                      |                                                                                                  |   |   |   |
|                            |                |                      |                                                                                                  |   |   |   |
|                            |                |                      |                                                                                                  |   |   |   |
|                            |                |                      |                                                                                                  |   |   |   |

FOR PARTS  
NOT SHOWN  
SEE FIG. 3

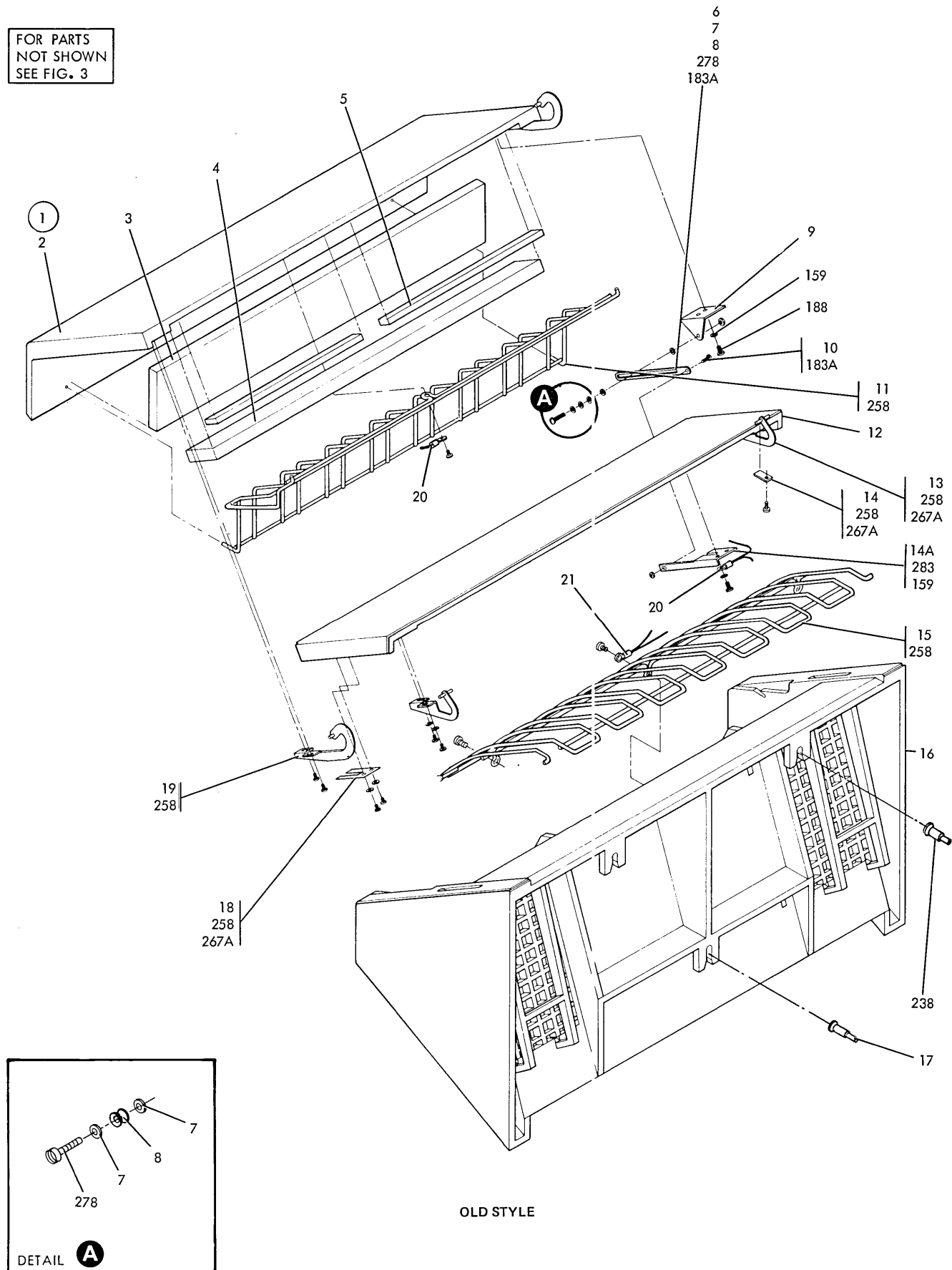
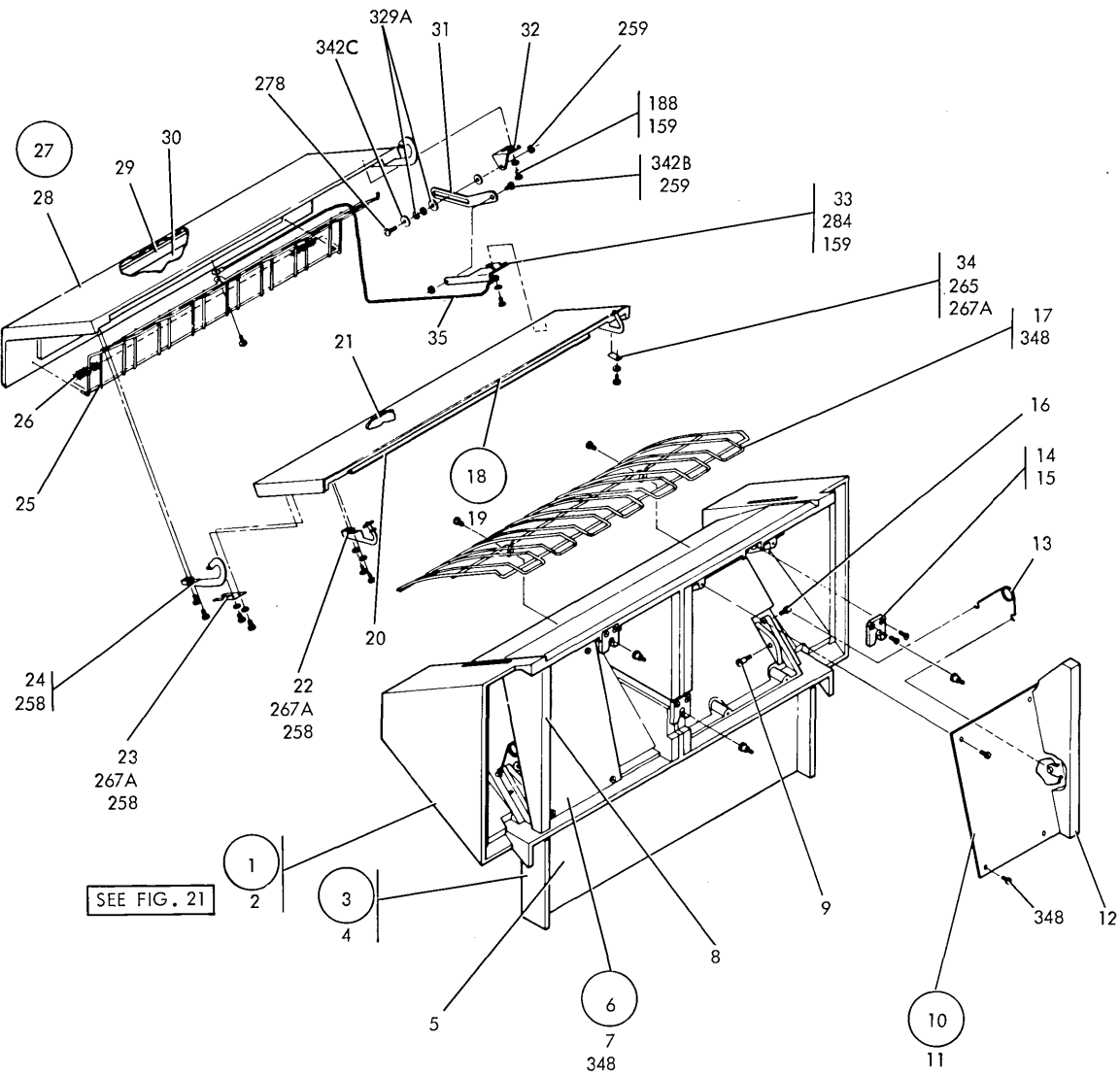


FIGURE 19. BELT PRINTER COVER FINAL ASM. SEE LIST 19.



FOR PARTS  
NOT SHOWN  
SEE FIG. 3

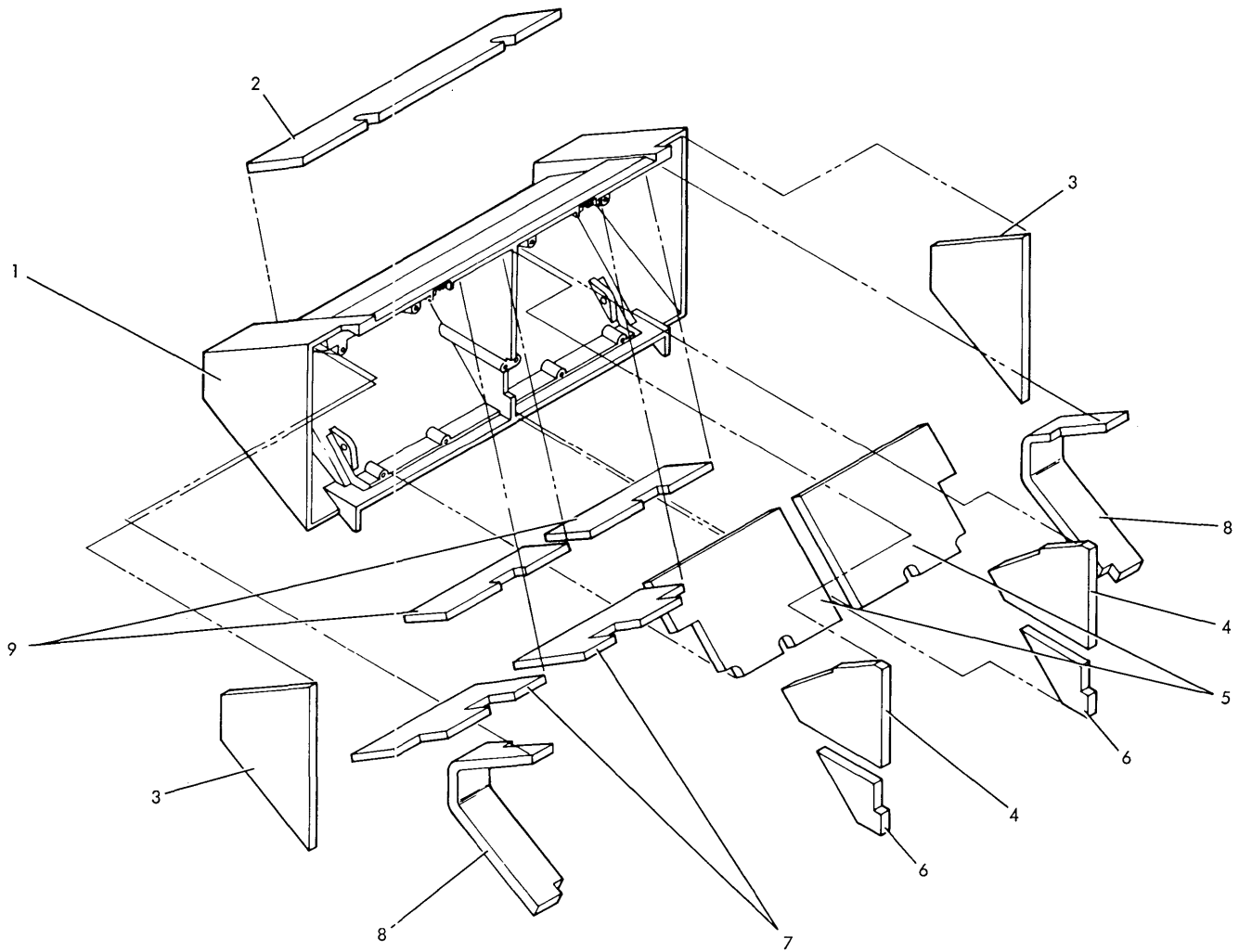


NEW STYLE

FIGURE 20. BELT PRINTER COVER ASM. SEE LIST 20.

| FIGURE-<br>INDEX<br>NUMBER | PART<br>NUMBER | UNITS<br>PER<br>ASM. | DESCRIPTION FOR FIGURE 20                                                                                                                                   |   |   |   |
|----------------------------|----------------|----------------------|-------------------------------------------------------------------------------------------------------------------------------------------------------------|---|---|---|
|                            |                |                      | 1                                                                                                                                                           | 2 | 3 | 4 |
| 20                         | 2547800        |                      | BELT PRINTER COVER FINAL ASM<br>NEW STYLE BAFFLE ASM<br>USED ON MACHINES WITH EC 825452<br>FOR NEXT HIGHER ASM SEE LIST 3-7<br>AND FOR ILLUSTRATION FIG. 20 |   |   |   |
| - 1                        | 2547835        | 1                    | • BAFFLE ASM,BUSTLE<br>FOR DETAIL BREAKDOWN SEE LIST 21                                                                                                     |   |   |   |
| - 2                        | 2547802        | 1                    | • • BUSTLE ASM,BELT PRINTER                                                                                                                                 |   |   |   |
| - 3                        | 2547826        | 1                    | • • COVER ASM                                                                                                                                               |   |   |   |
| - 4                        | 2547827        | 1                    | • • • COVER                                                                                                                                                 |   |   |   |
| - 5                        | 2547811        | 1                    | • • • FOAM                                                                                                                                                  |   |   |   |
| - 6                        | 2547815        | 1                    | • • BAFFLE ASM                                                                                                                                              |   |   |   |
| - 7                        | 2547818        | 1                    | • • • BAFFLE                                                                                                                                                |   |   |   |
| - 8                        | 2547810        | 1                    | • • • FOAM                                                                                                                                                  |   |   |   |
| - 9                        | 2547833        | 2                    | • • STUD                                                                                                                                                    |   |   |   |
| - 10                       | 2547821        | 1                    | • • BAFFLE ASM                                                                                                                                              |   |   |   |
| - 11                       | 2547824        | 1                    | • • • BAFFLE                                                                                                                                                |   |   |   |
| - 12                       | 2547810        | 1                    | • • • FOAM                                                                                                                                                  |   |   |   |
| - 13                       | 2547832        | 2                    | • • SPRING                                                                                                                                                  |   |   |   |
| - 14                       | 2547822        | 1                    | • • TAB                                                                                                                                                     |   |   |   |
| - 15                       | 2547834        | 6                    | • • SCREW                                                                                                                                                   |   |   |   |
| - 16                       | 2547831        | 2                    | • • STUD                                                                                                                                                    |   |   |   |
| - 17                       | 2547829        | 1                    | • • RACK                                                                                                                                                    |   |   |   |
| - 18                       | 1607441        | 1                    | • COVER ASM                                                                                                                                                 |   |   |   |
| - 19                       | 5240351        | 1                    | • • COVER                                                                                                                                                   |   |   |   |
| - 20                       | 1815321        | 1                    | • • FOAM                                                                                                                                                    |   |   |   |
| - 21                       | 1815322        | 1                    | • • FOAM                                                                                                                                                    |   |   |   |
| - 22                       | 1821365        | 2                    | • HINGE                                                                                                                                                     |   |   |   |
| - 23                       | 1815281        | 1                    | • CLAMP                                                                                                                                                     |   |   |   |
| - 24                       | 1815279        | 2                    | • HINGE                                                                                                                                                     |   |   |   |
| - 25                       | 2547830        | 1                    | • RACK                                                                                                                                                      |   |   |   |
| - 26                       | 850248         | 1                    | • ELIMINATOR                                                                                                                                                |   |   |   |
| - 27                       | 2547814        | 1                    | • COVER ASM                                                                                                                                                 |   |   |   |
| - 28                       | 1815273        | 1                    | • • COVER                                                                                                                                                   |   |   |   |
| - 29                       | 2547812        | 1                    | • • FOAM                                                                                                                                                    |   |   |   |
| - 30                       | 2547813        | 1                    | • • FOAM                                                                                                                                                    |   |   |   |
| - 31                       | 2547817        | 1                    | • SLIDE                                                                                                                                                     |   |   |   |
| - 32                       | 2547823        | 1                    | • BRACKET                                                                                                                                                   |   |   |   |
| - 33                       | 1821362        | 1                    | • BRACKET                                                                                                                                                   |   |   |   |
| - 34                       | 1815287        | 4                    | • CLAMP                                                                                                                                                     |   |   |   |
| - 35                       | 2547836        | 1                    | • JUMPER ASM                                                                                                                                                |   |   |   |
|                            |                |                      | FOR ATTACHING PARTS, INDEX NOS. 150<br>AND ABOVE, SEE LIST 62                                                                                               |   |   |   |
|                            |                |                      |                                                                                                                                                             |   |   |   |
|                            |                |                      |                                                                                                                                                             |   |   |   |
|                            |                |                      |                                                                                                                                                             |   |   |   |
|                            |                |                      |                                                                                                                                                             |   |   |   |
|                            |                |                      |                                                                                                                                                             |   |   |   |
|                            |                |                      |                                                                                                                                                             |   |   |   |
|                            |                |                      |                                                                                                                                                             |   |   |   |
|                            |                |                      |                                                                                                                                                             |   |   |   |
|                            |                |                      |                                                                                                                                                             |   |   |   |
|                            |                |                      |                                                                                                                                                             |   |   |   |
|                            |                |                      |                                                                                                                                                             |   |   |   |
|                            |                |                      |                                                                                                                                                             |   |   |   |
|                            |                |                      |                                                                                                                                                             |   |   |   |

FOR PARTS  
NOT SHOWN  
SEE FIG. 20



NEW STYLE

FIGURE 21. BELT PRINTER BUSTLE ASM. SEE LIST 21.



| FIGURE-<br>INDEX<br>NUMBER | PART<br>NUMBER | UNITS<br>PER<br>ASM. | DESCRIPTION FOR FIGURE 21                                                                    |   |   |   |
|----------------------------|----------------|----------------------|----------------------------------------------------------------------------------------------|---|---|---|
|                            |                |                      | 1                                                                                            | 2 | 3 | 4 |
| 21                         | 2547802        |                      | BELT PRINTER BUSTLE ASM<br>FOR NEXT HIGHER ASM SEE LIST 20-2<br>AND FOR ILLUSTRATION FIG. 21 |   |   |   |
| - 1                        | 2547816        | 1                    | • BUSTLE                                                                                     |   |   |   |
| - 2                        | 2547809        | 2                    | • FOAM                                                                                       |   |   |   |
| - 3                        | 2547808        | 2                    | • FOAM                                                                                       |   |   |   |
| - 4                        | 2547828        | 2                    | • FOAM                                                                                       |   |   |   |
| - 5                        | 2547805        | 2                    | • FOAM                                                                                       |   |   |   |
| - 6                        | 2547803        | 2                    | • FOAM                                                                                       |   |   |   |
| - 7                        | 2547806        | 2                    | • FOAM                                                                                       |   |   |   |
| - 8                        | 2547804        | 2                    | • FOAM                                                                                       |   |   |   |
| - 9                        | 2547807        | 2                    | • FOAM                                                                                       |   |   |   |
|                            |                |                      |                                                                                              |   |   |   |
|                            |                |                      |                                                                                              |   |   |   |
|                            |                |                      |                                                                                              |   |   |   |
|                            |                |                      |                                                                                              |   |   |   |
|                            |                |                      |                                                                                              |   |   |   |
|                            |                |                      |                                                                                              |   |   |   |
|                            |                |                      |                                                                                              |   |   |   |
|                            |                |                      |                                                                                              |   |   |   |
|                            |                |                      |                                                                                              |   |   |   |
|                            |                |                      |                                                                                              |   |   |   |
|                            |                |                      |                                                                                              |   |   |   |
|                            |                |                      |                                                                                              |   |   |   |
|                            |                |                      |                                                                                              |   |   |   |
|                            |                |                      |                                                                                              |   |   |   |
|                            |                |                      |                                                                                              |   |   |   |
|                            |                |                      |                                                                                              |   |   |   |
|                            |                |                      |                                                                                              |   |   |   |
|                            |                |                      |                                                                                              |   |   |   |
|                            |                |                      |                                                                                              |   |   |   |
|                            |                |                      |                                                                                              |   |   |   |
|                            |                |                      |                                                                                              |   |   |   |
|                            |                |                      |                                                                                              |   |   |   |
|                            |                |                      |                                                                                              |   |   |   |

FOR PARTS  
NOT SHOWN  
SEE FIG. 3

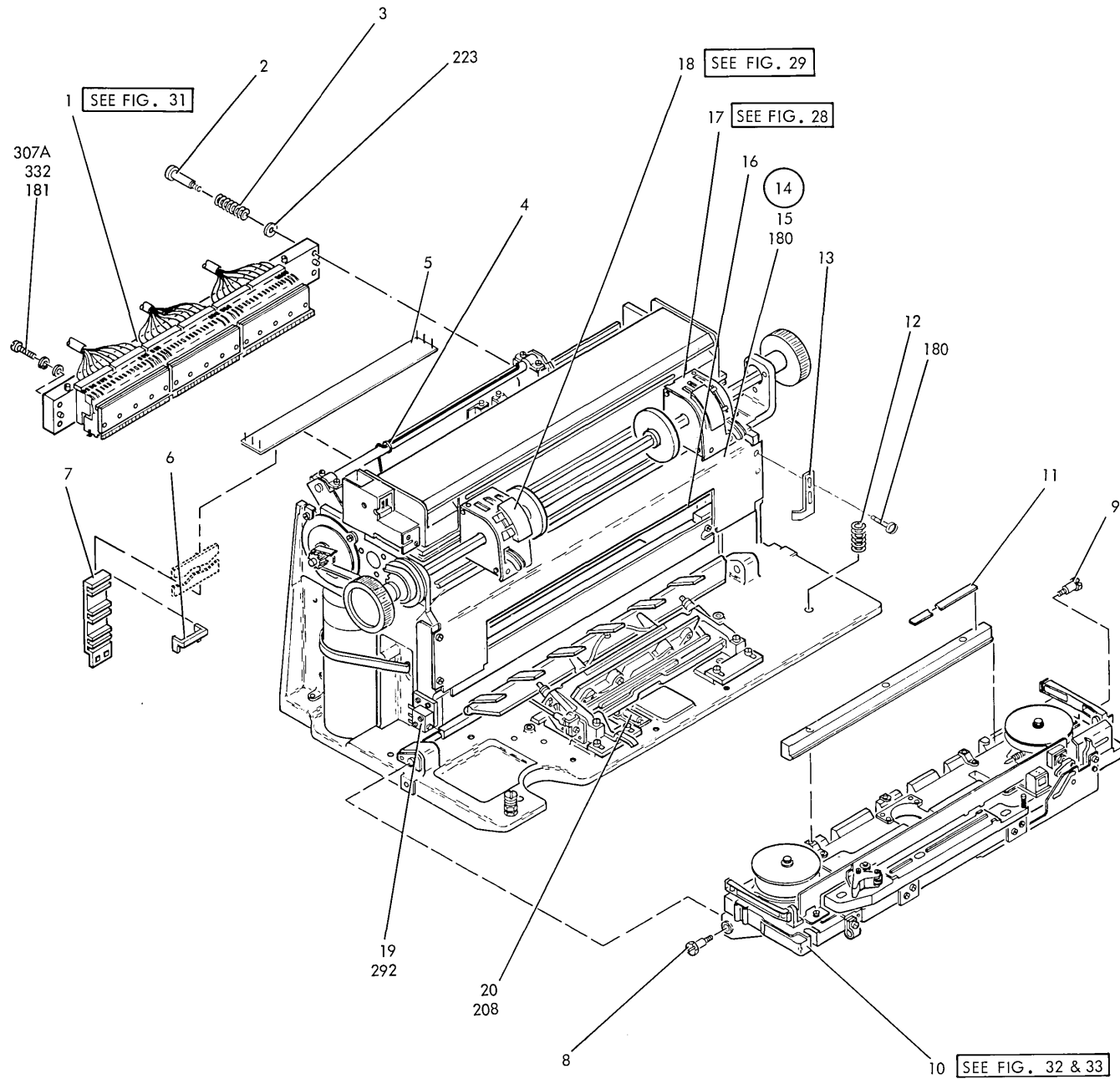


FIGURE 22. BELT PRINTER ASM, 155 LPM MACHINES. SEE LIST 22.

| FIGURE-<br>INDEX<br>NUMBER | PART<br>NUMBER | UNITS<br>PER<br>ASM. | DESCRIPTION FOR FIGURE 22                                                                                                                            |   |   |   |
|----------------------------|----------------|----------------------|------------------------------------------------------------------------------------------------------------------------------------------------------|---|---|---|
|                            |                |                      | 1                                                                                                                                                    | 2 | 3 | 4 |
| 22                         | 1808534 NP     |                      | BELT PRINTER ASM,SING FEED FIX PLT 132 POS 200V<br>USED ON 155 LPM MACHINES<br>USED ON MACHINES WITHOUT EC 831959                                    |   |   |   |
|                            | 1795085 NP     |                      | BELT PRINTER ASM,<br>USED ON 155 LPM MACHINES<br>USED ON MACHINES WITH EC 831959<br>FOR NEXT HIGHER ASM SEE LIST 3-9<br>AND FOR ILLUSTRATION FIG. 22 |   |   |   |
| - 1                        | 1794669        |                      | • GUIDE ASM,132 POS<br>FOR DETAIL BREAKDOWN SEE LIST 31                                                                                              |   |   |   |
| - 2                        | 1800702        | 2                    | • SCREW,SHOULDER                                                                                                                                     |   |   |   |
| - 3                        | 23105          | 2                    | • SPRING                                                                                                                                             |   |   |   |
| - 4                        | 524519         | AR                   | • TIE,CABLE                                                                                                                                          |   |   |   |
| - 5                        | 2731763        | 2                    | • PIN BOARD ASM                                                                                                                                      |   |   |   |
| - 6                        | 811802         | AR                   | • GUIDE,CARD                                                                                                                                         |   |   |   |
| - 6                        | 811804         | AR                   | • GUIDE,CARD                                                                                                                                         |   |   |   |
| - 6                        | 815023         | AR                   | • GUIDE,CARD                                                                                                                                         |   |   |   |
| - 7                        | 1812647        | AR                   | • CARD EXTENDER,12 PAC 2 HI                                                                                                                          |   |   |   |
| - 8                        | 1801781        | 1                    | • PIN,PIVOT-LEFT<br>OLD STYLE PIVOT                                                                                                                  |   |   |   |
| - 9                        | 1801780        | 1                    | • PIN,PIVOT-RIGHT<br>OLD STYLE PIVOT                                                                                                                 |   |   |   |
| - 10                       | 1801911 NP     | 1                    | • FRONT ASM,FIXED PLATEN<br>USED ON MACHINES WITHOUT EC 831959                                                                                       |   |   |   |
| - 10                       | 1795081 NP     | 1                    | • FRONT ASM,FIXED PLATEN<br>USED ON MACHINES WITH EC 831959<br>FOR DETAIL BREAKDOWN SEE LIST 32 AND 33                                               |   |   |   |
| - 11                       | 1821356        |                      | • SCALE                                                                                                                                              |   |   |   |
| - 12                       | 1821330        | 4                    | • SPRING                                                                                                                                             |   |   |   |
| - 13                       | 1794872        | 1                    | • BRACKET                                                                                                                                            |   |   |   |
| - 14                       | 1794535        | 1                    | • GUIDE ASM,UPPER 132 POS                                                                                                                            |   |   |   |
| - 15                       | 1811025        | 1                    | • • GUIDE                                                                                                                                            |   |   |   |
| - 16                       | 1821334        | 1                    | • • SEAL                                                                                                                                             |   |   |   |
| - 17                       | 1812251        | 1                    | • TRACTOR ASM,RIGHT<br>FOR DETAIL BREAKDOWN SEE LIST 28                                                                                              |   |   |   |
| - 18                       | 1812250        | 1                    | • TRACTOR ASM,LEFT<br>FOR DETAIL BREAKDOWN SEE LIST 29                                                                                               |   |   |   |
| - 19                       | 1810951        | 1                    | • SWITCH,5-15V                                                                                                                                       |   |   |   |
| - 19                       | 1589291        | 1                    | • SWITCH,5V                                                                                                                                          |   |   |   |
| - 19                       | 1589292        | 1                    | • SWITCH,8.5V                                                                                                                                        |   |   |   |
| - 20                       | 1794617        | 1                    | • RESISTOR ASM                                                                                                                                       |   |   |   |
|                            |                |                      | FOR ATTACHING PARTS, INDEX NOS. 150<br>AND ABOVE, SEE LIST 62                                                                                        |   |   |   |
|                            |                |                      |                                                                                                                                                      |   |   |   |
|                            |                |                      |                                                                                                                                                      |   |   |   |
|                            |                |                      |                                                                                                                                                      |   |   |   |
|                            |                |                      |                                                                                                                                                      |   |   |   |
|                            |                |                      |                                                                                                                                                      |   |   |   |
|                            |                |                      |                                                                                                                                                      |   |   |   |
|                            |                |                      |                                                                                                                                                      |   |   |   |
|                            |                |                      |                                                                                                                                                      |   |   |   |
|                            |                |                      |                                                                                                                                                      |   |   |   |
|                            |                |                      |                                                                                                                                                      |   |   |   |
|                            |                |                      |                                                                                                                                                      |   |   |   |
|                            |                |                      |                                                                                                                                                      |   |   |   |
|                            |                |                      |                                                                                                                                                      |   |   |   |
|                            |                |                      |                                                                                                                                                      |   |   |   |
|                            |                |                      |                                                                                                                                                      |   |   |   |
|                            |                |                      |                                                                                                                                                      |   |   |   |
|                            |                |                      |                                                                                                                                                      |   |   |   |
|                            |                |                      |                                                                                                                                                      |   |   |   |
|                            |                |                      |                                                                                                                                                      |   |   |   |
|                            |                |                      |                                                                                                                                                      |   |   |   |
|                            |                |                      |                                                                                                                                                      |   |   |   |

FOR PARTS  
NOT SHOWN  
SEE FIG. 3

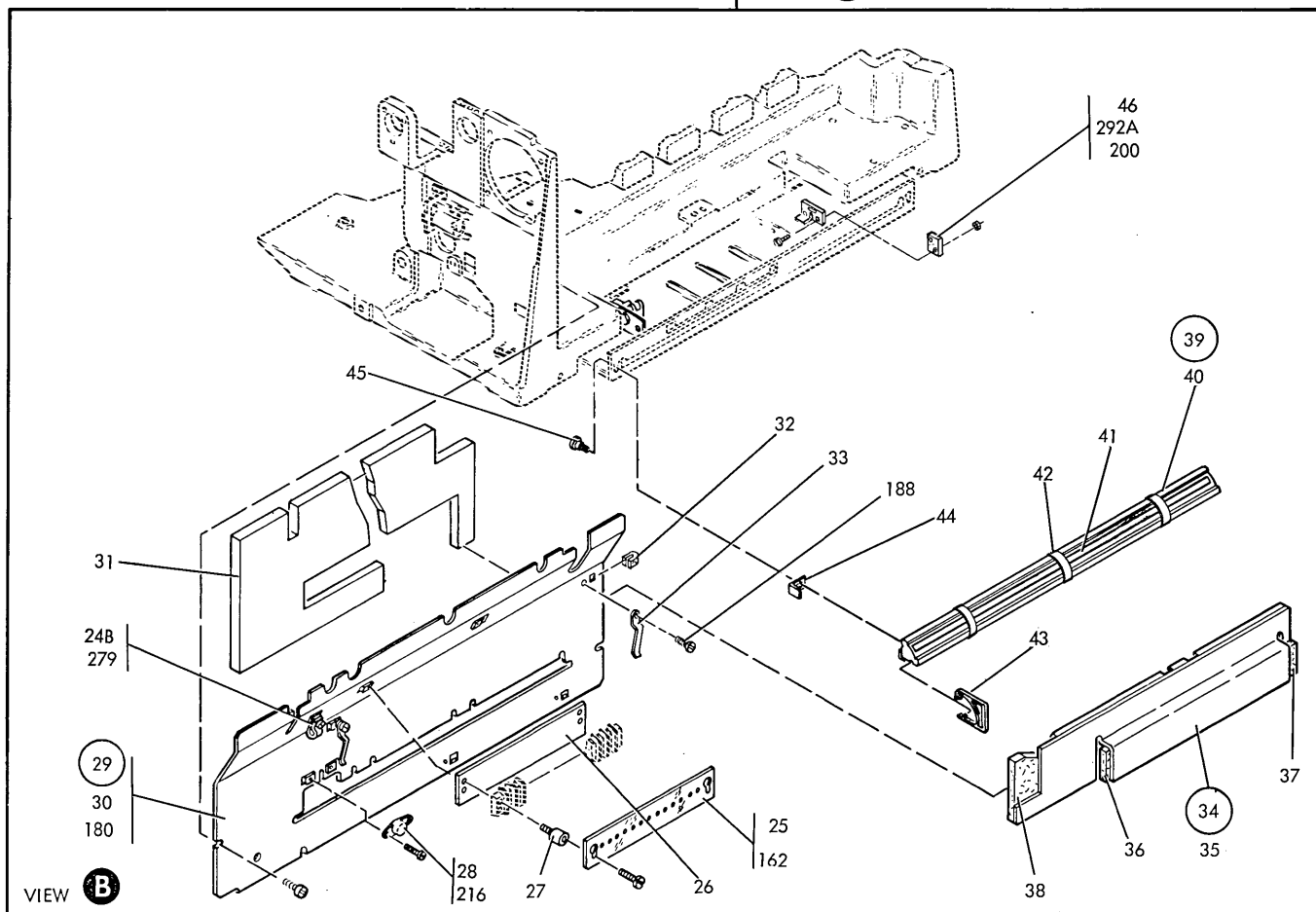
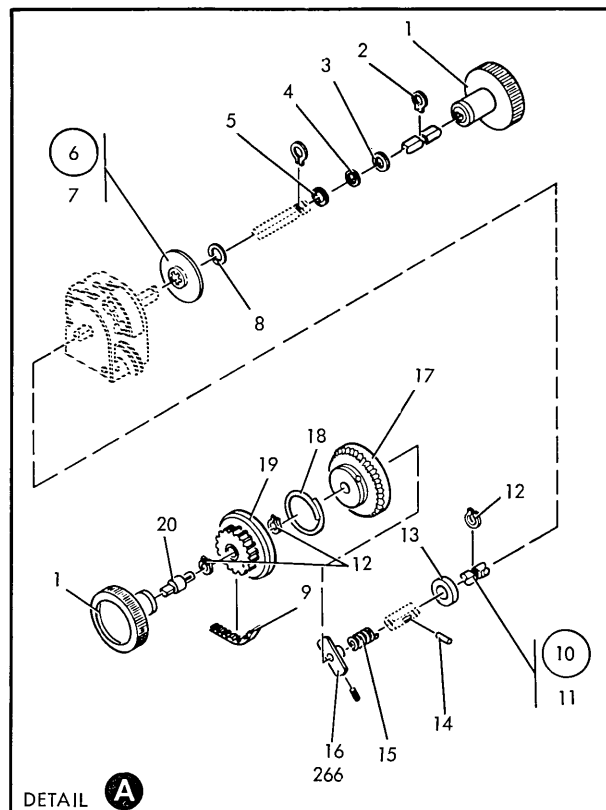
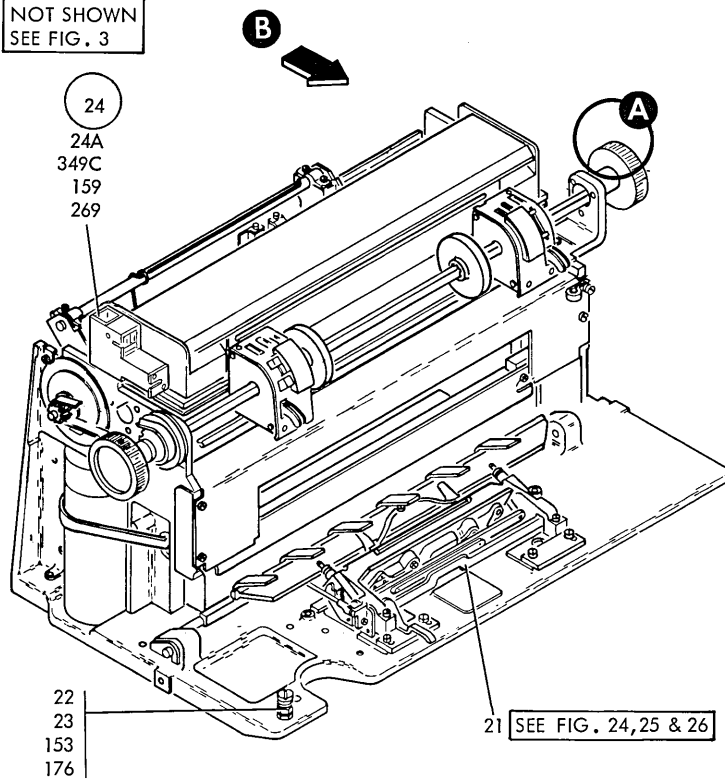


FIGURE 23. BELT PRINTER ASM, 155 LPM MACHINES. SEE LIST 23.

| FIGURE-<br>INDEX<br>NUMBER | PART<br>NUMBER | UNITS<br>PER<br>ASM. | DESCRIPTION FOR FIGURE 23                                                                                                                          |   |   |   |
|----------------------------|----------------|----------------------|----------------------------------------------------------------------------------------------------------------------------------------------------|---|---|---|
|                            |                |                      | 1                                                                                                                                                  | 2 | 3 | 4 |
| 23                         | 1808534 NP     |                      | BELT PRINTER ASM,SING FEED FIX PLT 132 POS 200V<br>USED ON 155 LPM MACHINES<br>USED ON MACHINES WITHOUT EC 831959                                  |   |   |   |
|                            | 1795085 NP     |                      | BELT PRINTER ASM<br>USED ON 155 LPM MACHINES<br>USED ON MACHINES WITH EC 831959<br>FOR NEXT HIGHER ASM SEE LIST 3-9<br>AND FOR ILLUSTRATION FIG 23 |   |   |   |
| - 1                        | 1814637        | 2                    | • KNOB                                                                                                                                             |   |   |   |
| - 2                        | 839379         | 1                    | • RING,RETAINING .460 ID                                                                                                                           |   |   |   |
| - 3                        | 1814603        | 1                    | • WASHER,FLAT                                                                                                                                      |   |   |   |
| - 4                        | 1812294        | 1                    | • SPACER                                                                                                                                           |   |   |   |
| - 5                        | 1814602        | 1                    | • SPACER,NOT ON ALL MACHINES                                                                                                                       |   |   |   |
| - 6                        | 1794534        | 2                    | • DISK ASM                                                                                                                                         |   |   |   |
| - 7                        | 1800890        | 1                    | • DISK                                                                                                                                             |   |   |   |
| - 8                        | 1800941        | 1                    | • RING,RETAINING .490 ID                                                                                                                           |   |   |   |
| - 9                        | 366291         | 1                    | • BELT,TIMING                                                                                                                                      |   |   |   |
| - 10                       | 1794532        | 1                    | • SHAFT ASM,SINGLE FEED                                                                                                                            |   |   |   |
| - 11                       | 1812306        | 1                    | • SHAFT                                                                                                                                            |   |   |   |
| - 12                       | 839379         | 3                    | • RING,RETAINING .460 ID                                                                                                                           |   |   |   |
| - 13                       | 156231         | 1                    | • BEARING,BALL                                                                                                                                     |   |   |   |
| - 14                       | 1815380        | 1                    | • PIN                                                                                                                                              |   |   |   |
| - 15                       | 1812291        | 1                    | • SPRING                                                                                                                                           |   |   |   |
| - 16                       | 1812643        | 1                    | • DRIVER                                                                                                                                           |   |   |   |
| - 17                       | 1812645        | 1                    | • CLUTCH                                                                                                                                           |   |   |   |
| - 18                       | 1802014        | 1                    | • RING                                                                                                                                             |   |   |   |
| - 19                       | 1812646        | 1                    | • GEAR                                                                                                                                             |   |   |   |
| - 20                       | 1812286        | 1                    | • PUSHROD                                                                                                                                          |   |   |   |
| - 21                       | 1815429        | 1                    | • BASIC ASM<br>USED ON MACHINES WITHOUT EC 831959                                                                                                  |   |   |   |
| - 21                       | 1795047        | 1                    | • BASIC ASM<br>USED ON MACHINES WITH EC 831959<br>FOR DETAIL BREAKDOWN SEE LIST 24,25 AND 26                                                       |   |   |   |
| - 22                       | 1801994        | 1                    | • STUD,DAMPENER<br>OLD STYLE PIVOT                                                                                                                 |   |   |   |
| - 23                       | 1801995        | 2                    | • WASHER,RUBBER<br>OLD STYLE PIVOT                                                                                                                 |   |   |   |
| - 24                       | 1812600        | 1                    | • SWITCH ASM                                                                                                                                       |   |   |   |
| - 24                       | 1794725        | 1                    | • SWITCH ASM                                                                                                                                       |   |   |   |
| - 24                       | 1794740        | 1                    | • SWITCH ASM<br>USED ON MACHINES WITHOUT EC 832057<br>USED ON MACHINES WITH EC 832057                                                              |   |   |   |
| - 24A                      | 1589292        | 1                    | • SWITCH,8.5V                                                                                                                                      |   |   |   |
| - 24A                      | 1810951        | 1                    | • SWITCH,5-15V                                                                                                                                     |   |   |   |
| - 24A                      | 1589291        | 1                    | • SWITCH,5V                                                                                                                                        |   |   |   |
| - 24B                      | 2102364        | 1                    | • CLAMP,CABLE                                                                                                                                      |   |   |   |
| - 25                       | 533360         | 1                    | • SHIELD                                                                                                                                           |   |   |   |
| - 26                       | 620240         | 1                    | • INSULATOR                                                                                                                                        |   |   |   |
| - 27                       | 192463         | 2                    | • STUD                                                                                                                                             |   |   |   |
| - 28                       | 369649         | 1                    | • DIODE,TYPE FN                                                                                                                                    |   |   |   |
| - 29                       | 1794613        | 1                    | • COVER ASM,BAFFLE                                                                                                                                 |   |   |   |
| - 30                       | 1794606        | 1                    | • BAFFLE                                                                                                                                           |   |   |   |
| - 31                       | 1815428        | 1                    | • BAFFLE                                                                                                                                           |   |   |   |
| - 32                       | 1821379        | 5                    | • NUT,SPEED 6-32                                                                                                                                   |   |   |   |
| - 33                       | 1794571        | 2                    | • CLAMP                                                                                                                                            |   |   |   |
| - 34                       | 1794609        | 1                    | • COVER ASM,BAFFLE                                                                                                                                 |   |   |   |
| - 35                       | 1794566        | 1                    | • BAFFLE                                                                                                                                           |   |   |   |
| - 36                       | 1794568        | 1                    | • FOAM                                                                                                                                             |   |   |   |
| - 37                       | 1794567        | 1                    | • FOAM                                                                                                                                             |   |   |   |
| - 38                       | 1794569        | 1                    | • FOAM                                                                                                                                             |   |   |   |
| - 39                       | 1794530        | 1                    | • GUIDE ASM,FORMS                                                                                                                                  |   |   |   |
| - 40                       | 1815302        | 1                    | • GUIDE                                                                                                                                            |   |   |   |
| - 41                       | 1815301        | 1                    | • DECAL                                                                                                                                            |   |   |   |
| - 42                       | 1794804        | 3                    | • CLIP                                                                                                                                             |   |   |   |
| - 43                       | 1812638        | 2                    | • GUIDE                                                                                                                                            |   |   |   |
| - 44                       | 1821336        | 2                    | • STOP                                                                                                                                             |   |   |   |
| - 45                       | 1815411        | 2                    | • SCREW,SHOULDER ROUND HD 6-32 X .406                                                                                                              |   |   |   |
| - 46                       | 1589401        | 1                    | • SWITCH,5V<br>USED ON MACHINES WITHOUT EC 831959                                                                                                  |   |   |   |
| - 46                       | 1589402        |                      | • SWITCH,8.5V<br>USED ON MACHINES WITH EC 831959                                                                                                   |   |   |   |
| - 46                       | 1812560        |                      | • SWITCH,5-15V                                                                                                                                     |   |   |   |
|                            |                |                      | FOR ATTACHING PARTS, INDEX NOS. 150<br>AND ABOVE, SEE LIST 62                                                                                      |   |   |   |
|                            |                |                      |                                                                                                                                                    |   |   |   |
|                            |                |                      |                                                                                                                                                    |   |   |   |

FOR PARTS  
NOT SHOWN  
SEE FIG. 3

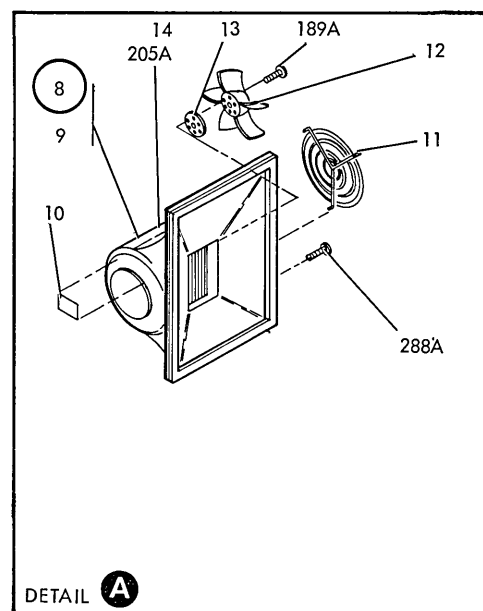
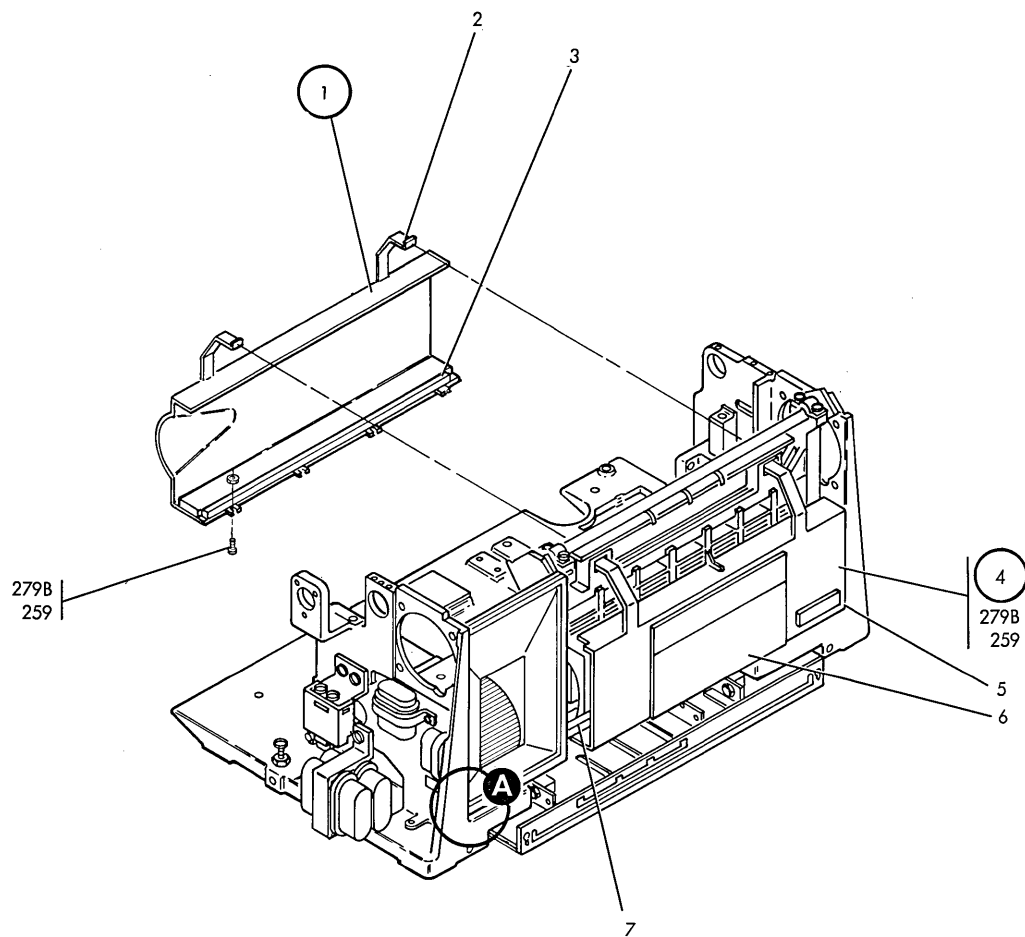


FIGURE 23A. BELT PRINTER ASM, 155 LPM MACHINES. SEE LIST 23A.



FOR PARTS  
NOT SHOWN  
SEE FIG. 23

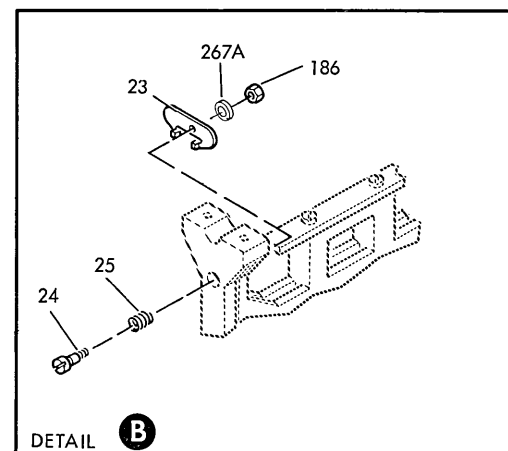
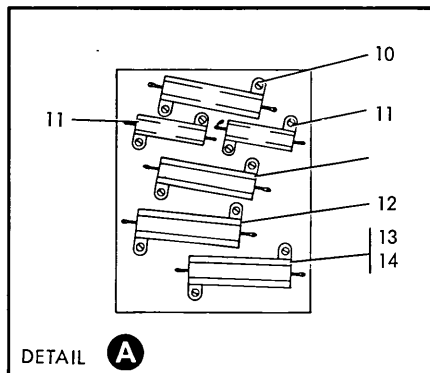
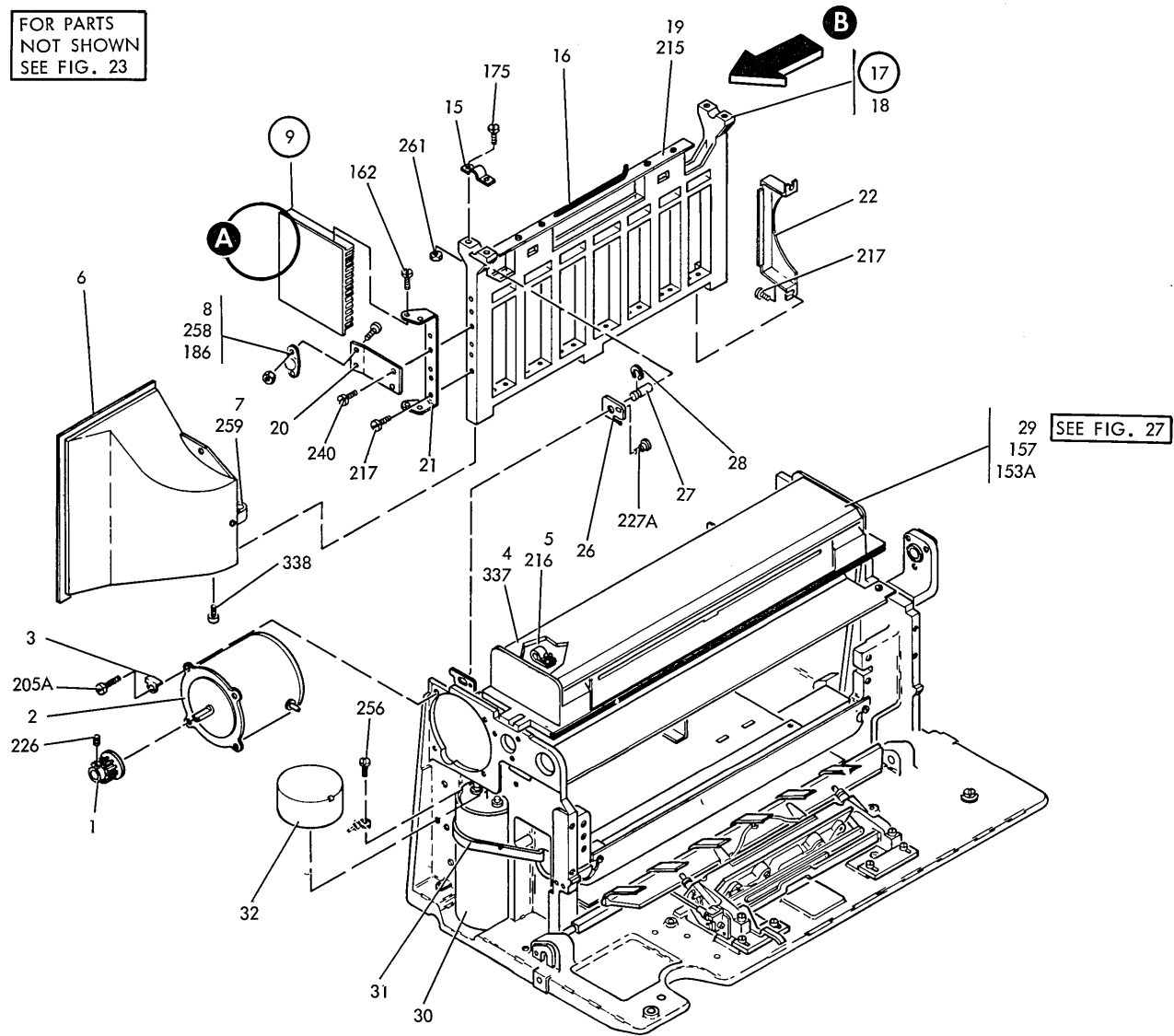


FIGURE 24. BELT PRINTER BASIC ASM, 155 LPM MACHINES. SEE LIST 24.



| FIGURE-<br>INDEX<br>NUMBER | PART<br>NUMBER | UNITS<br>PER<br>ASM. | DESCRIPTION FOR FIGURE 24                                                                                                                                   |   |   |   |
|----------------------------|----------------|----------------------|-------------------------------------------------------------------------------------------------------------------------------------------------------------|---|---|---|
|                            |                |                      | 1                                                                                                                                                           | 2 | 3 | 4 |
| 24                         | 1815429        |                      | BELT PRINTER BASIC ASM<br>USED ON 155 LPM MACHINES<br>USED ON MACHINES WITHOUT EC 831959                                                                    |   |   |   |
|                            | 1795047        |                      | BELT PRINTER BASIC ASM<br>USED ON 155 LPM MACHINES<br>USED ON MACHINES WITH EC 831959<br>FOR NEXT HIGHER ASM SEE LIST 23-21<br>AND FOR ILLUSTRATION FIG. 24 |   |   |   |
| - 1                        | 1812284        | 1                    | • PULLEY, 15 TOOTH                                                                                                                                          |   |   |   |
| - 2                        | 1812316        | 1                    | • MOTOR ASM, STEPPER                                                                                                                                        |   |   |   |
| - 3                        | 1812630        | 1                    | • BRACKET                                                                                                                                                   |   |   |   |
| - 4                        | 1812545        | 1                    | • COVER                                                                                                                                                     |   |   |   |
| - 5                        | 5213276        | 2                    | • CLAMP, CABLE                                                                                                                                              |   |   |   |
| - 6                        | 1801826        | 1                    | • DUCT                                                                                                                                                      |   |   |   |
| - 7                        | 2102364        | 1                    | • CLAMP, CABLE                                                                                                                                              |   |   |   |
| - 8                        | 1807630        | 1                    | • THERMOSTAT, N/C 145 DEGREE                                                                                                                                |   |   |   |
| - 9                        | 1807654        | 1                    | • HEAT SINK                                                                                                                                                 |   |   |   |
| - 10                       | 2410188        | 2                    | • RESISTOR, 7 OHM-R1 AND R4                                                                                                                                 |   |   |   |
| - 11                       | 1582656        | 2                    | • RESISTOR, 6 OHM-R2 AND R3                                                                                                                                 |   |   |   |
| - 12                       | 1582618        | 1                    | • RESISTOR, 13 OHM-R5                                                                                                                                       |   |   |   |
| - 13                       | 1582618        | 1                    | • RESISTOR, 13 OHM-R6                                                                                                                                       |   |   |   |
| - 14                       | 1582676        | 1                    | • RESISTOR, 10 OHM-R6                                                                                                                                       |   |   |   |
| - 15                       | 1800644        | 2                    | • RETAINER                                                                                                                                                  |   |   |   |
| - 16                       | 1794867        | 1                    | • CABLE ASM, INTERNAL BASIC MACHINE                                                                                                                         |   |   |   |
| - 17                       | 1801810        | 1                    | • GATE ASM                                                                                                                                                  |   |   |   |
| - 18                       | 1801811        | 1                    | • FRAME                                                                                                                                                     |   |   |   |
| - 19                       | 1815307        | 1                    | • BAR                                                                                                                                                       |   |   |   |
| - 20                       | 1814596        | 1                    | • BRACKET                                                                                                                                                   |   |   |   |
| - 21                       | 1807655        | 1                    | • BRACKET                                                                                                                                                   |   |   |   |
| - 22                       | 1807632        | 1                    | • COVER                                                                                                                                                     |   |   |   |
| - 23                       | 1815305        | 1                    | • TAB                                                                                                                                                       |   |   |   |
| - 24                       | 1815303        | 1                    | • PIN                                                                                                                                                       |   |   |   |
| - 25                       | 21412          | 1                    | • SPRING                                                                                                                                                    |   |   |   |
| - 26                       | 1794661        | 2                    | • PLATE                                                                                                                                                     |   |   |   |
| - 27                       | 1815306        | 2                    | • PIN                                                                                                                                                       |   |   |   |
| - 28                       | 237245         | 2                    | • CLIP                                                                                                                                                      |   |   |   |
| - 29                       | 1812555        | 1                    | • CLAMP ASM, FORMS<br>FOR DETAIL BREAKDOWN SEE LIST 27                                                                                                      |   |   |   |
| - 30                       | 5214073        | 1                    | • CAPACITOR, ELECT-32,000UF P 75 M 10 PCT 40V                                                                                                               |   |   |   |
| - 31                       | 1800763        | 1                    | • CLAMP, OLD STYLE PIVOT                                                                                                                                    |   |   |   |
| - 31                       | 5405736        | 1                    | • STRAP, NEW STYLE PIVOT                                                                                                                                    |   |   |   |
| - 32                       | 1800754        | 1                    | • COVER, CAPACITOR                                                                                                                                          |   |   |   |
|                            |                |                      | FOR ATTACHING PARTS, INDEX NOS. 150<br>AND ABOVE, SEE LIST 62                                                                                               |   |   |   |
|                            |                |                      |                                                                                                                                                             |   |   |   |
|                            |                |                      |                                                                                                                                                             |   |   |   |
|                            |                |                      |                                                                                                                                                             |   |   |   |
|                            |                |                      |                                                                                                                                                             |   |   |   |
|                            |                |                      |                                                                                                                                                             |   |   |   |
|                            |                |                      |                                                                                                                                                             |   |   |   |
|                            |                |                      |                                                                                                                                                             |   |   |   |
|                            |                |                      |                                                                                                                                                             |   |   |   |
|                            |                |                      |                                                                                                                                                             |   |   |   |
|                            |                |                      |                                                                                                                                                             |   |   |   |
|                            |                |                      |                                                                                                                                                             |   |   |   |
|                            |                |                      |                                                                                                                                                             |   |   |   |
|                            |                |                      |                                                                                                                                                             |   |   |   |
|                            |                |                      |                                                                                                                                                             |   |   |   |

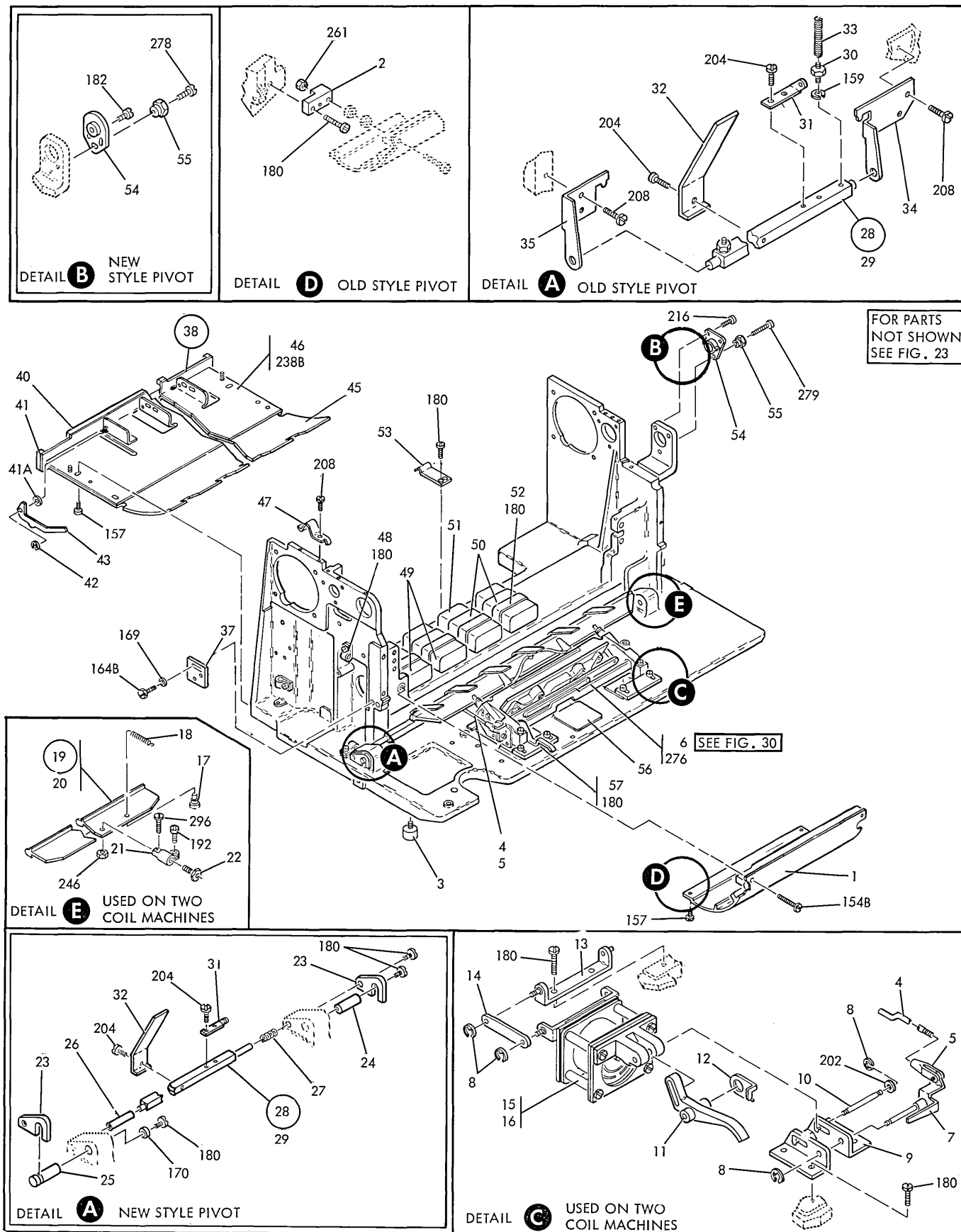


FIGURE 25. BELT PRINTER BASIC ASM, 155 LPM MACHINES. SEE LIST 25.

| FIGURE-<br>INDEX<br>NUMBER | PART<br>NUMBER | UNITS<br>PER<br>ASM. | DESCRIPTION FOR FIGURE 25                                                                                                                                   |   |   |   |
|----------------------------|----------------|----------------------|-------------------------------------------------------------------------------------------------------------------------------------------------------------|---|---|---|
|                            |                |                      | 1                                                                                                                                                           | 2 | 3 | 4 |
| 25                         | 1815429        |                      | BELT PRINTER BASIC ASM<br>USED ON 155 LPM MACHINES<br>USED ON MACHINES WITHOUT EC 831959                                                                    |   |   |   |
|                            | 1795047        |                      | BELT PRINTER BASIC ASM<br>USED ON 155 LPM MACHINES<br>USED ON MACHINES WITH EC 831959<br>FOR NEXT HIGHER ASM SEE LIST 23-21<br>AND FOR ILLUSTRATION FIG. 25 |   |   |   |
| - 1                        | 1794605        | 1                    | • GUIDE,LOWER                                                                                                                                               |   |   |   |
| - 2                        | 1815367        | 1                    | • BLOCK,OLD STYLE PIVOT                                                                                                                                     |   |   |   |
| - 3                        | 1800685        | 4                    | • SHOCKMOUNT                                                                                                                                                |   |   |   |
| - 4                        | 6510154        | 1                    | • LINK,TWO COIL PAPER CLAMP                                                                                                                                 |   |   |   |
| - 4                        | 1076717        | 1                    | • LINK,USED ON MACHINES WITH EC 143756M<br>ONE COIL PAPER CLAMP                                                                                             |   |   |   |
| - 5                        | 1164127        | 1                    | • CLEVIS                                                                                                                                                    |   |   |   |
| - 6                        | 1815270        | 1                    | • CLAMP ASM<br>ONE COIL PAPER CLAMP<br>FOR DETAIL BREAKDOWN SEE LIST 30                                                                                     |   |   |   |
| - 7                        | 1812613        | 1                    | • RETRACTOR ASM<br>TWO COIL PAPER CLAMP                                                                                                                     |   |   |   |
| - 8                        | 219633         | 15                   | • RING,RETAINING<br>TWO COIL PAPER CLAMP                                                                                                                    |   |   |   |
| - 9                        | 1811009        | 2                    | • BRACKET,LATCH<br>TWO COIL PAPER CLAMP                                                                                                                     |   |   |   |
| - 10                       | 1810999        | 3                    | • PIN,GUIDE<br>TWO COIL PAPER CLAMP                                                                                                                         |   |   |   |
| - 11                       | 1811011        | 2                    | • GUIDE,SOLENOID<br>TWO COIL PAPER CLAMP                                                                                                                    |   |   |   |
| - 12                       | 1821377        | 1                    | • SETTER<br>TWO COIL PAPER CLAMP                                                                                                                            |   |   |   |
| - 13                       | 1810997        | 2                    | • BRACKET ASM,PIVOT<br>TWO COIL PAPER CLAMP                                                                                                                 |   |   |   |
| - 14                       | 1811005        | 4                    | • LINK,PIVOT<br>TWO COIL PAPER CLAMP                                                                                                                        |   |   |   |
| - 15                       | 1811010        | 1                    | • SOLENOID ASM,LOWER LEFT<br>TWO COIL PAPER CLAMP                                                                                                           |   |   |   |
| - 16                       | 1815254        | 1                    | • SOLENOID ASM,LOWER RIGHT<br>TWO COIL PAPER CLAMP                                                                                                          |   |   |   |
| - 17                       | 1812626        | 1                    | • STUD<br>TWO COIL PAPER CLAMP                                                                                                                              |   |   |   |
| - 18                       | 24860          | 1                    | • SPRING<br>TWO COIL PAPER CLAMP                                                                                                                            |   |   |   |
| - 19                       | 1811000        | 1                    | • BAR ASM,LOWER                                                                                                                                             |   |   |   |
| - 20                       | 1811029        | 1                    | • • BAR ASM,CLAMP                                                                                                                                           |   |   |   |
| - 21                       | 1811002        | 2                    | • • CONNECTOR,CLAMP                                                                                                                                         |   |   |   |
| - 22                       | 1811003        | 2                    | • • BUSHING                                                                                                                                                 |   |   |   |
| - 23                       | 1815419        | 2                    | • PLATE                                                                                                                                                     |   |   |   |
| - 24                       | 1815416        | 1                    | • PIN,PIVOT RIGHT                                                                                                                                           |   |   |   |
| - 25                       | 1815417        | 1                    | • PIN,PIVOT LEFT                                                                                                                                            |   |   |   |
| - 26                       | 1821327        | 1                    | • PIN                                                                                                                                                       |   |   |   |
| - 27                       | 1821335        | 1                    | • SPRING                                                                                                                                                    |   |   |   |
| - 28                       | 1810983        | 1                    | • BAR ASM,TENSION<br>OLD STYLE PIVOT                                                                                                                        |   |   |   |
| - 28                       | 1821323        | 1                    | • BAR ASM,TENSION<br>NEW STYLE PIVOT                                                                                                                        |   |   |   |
| - 29                       | 1810984        | 1                    | • • BAR,TENSION<br>OLD STYLE PIVOT                                                                                                                          |   |   |   |
| - 29                       | 1821324        | 1                    | • • BAR,TENSION<br>NEW STYLE PIVOT                                                                                                                          |   |   |   |
| - 30                       | 1812609        | 1                    | • • STUD<br>OLD STYLE PIVOT                                                                                                                                 |   |   |   |
| - 31                       | 1812610        | 1                    | • • BRACKET                                                                                                                                                 |   |   |   |
| - 32                       | 1812614        | 6                    | • • SPRING                                                                                                                                                  |   |   |   |
| - 33                       | 1815401        | 1                    | • SPRING,OLD STYLE PIVOT                                                                                                                                    |   |   |   |
| - 34                       | 1812607        | 1                    | • BRACKET,BAR RIGHT<br>OLD STYLE PIVOT                                                                                                                      |   |   |   |
| - 35                       | 1812608        | 1                    | • BRACKET,BAR LEFT<br>OLD STYLE PIVOT                                                                                                                       |   |   |   |
| - 37                       | 1815402        | 1                    | • BRACKET                                                                                                                                                   |   |   |   |
| - 37                       | 1794741        | 1                    | • BRACKET<br>USED ON MACHINES WITHOUT EC 830377                                                                                                             |   |   |   |
| - 38                       | 1794528        | 1                    | • GUIDE ASM,PAPER ENTRY<br>USED ON MACHINES WITHOUT EC 828772                                                                                               |   |   |   |
| - 38                       | 1794729        | 1                    | • GUIDE ASM,PAPER ENTRY<br>USED ON MACHINES WITH EC 828772<br>AND WITH OUT EC 813959                                                                        |   |   |   |
| - 38                       | 1795082        | 1                    | • GUIDE ASM,PAPER ENTRY<br>USED ON MACHINES WITH EC 831959                                                                                                  |   |   |   |
| - 40                       | 1821374        | 1                    | • • SEAL                                                                                                                                                    |   |   |   |
| - 41                       | 1821373        | 2                    | • • SEAL                                                                                                                                                    |   |   |   |

| FIGURE-<br>INDEX<br>NUMBER | PART<br>NUMBER | UNITS<br>PER<br>ASM. | DESCRIPTION FOR FIGURE 25 |   |                                                               |   |
|----------------------------|----------------|----------------------|---------------------------|---|---------------------------------------------------------------|---|
|                            |                |                      | 1                         | 2 | 3                                                             | 4 |
| 25 - 41A                   | 12553          | AR                   | •                         | • | WASHER, FLAT 3/16 ID X 3/8 OD X .024 THK                      |   |
| - 41A                      | 16271          | AR                   | •                         | • | WASHER, FLAT 3/16 ID X 3/8 OD X .010 THK                      |   |
| - 42                       | 1092125        | 1                    | •                         | • | CLIP                                                          |   |
| - 43                       | 1811032        | 1                    | •                         | • | ACTUATOR<br>USED ON MACHINES WITHOUT EC 828772                |   |
| - 43                       | 1794736        | 1                    | •                         | • | ACTUATOR<br>USED ON MACHINES WITH EC 828772                   |   |
| - 45                       | 1815404        | 1                    | •                         | • | GUIDE                                                         |   |
| - 46                       | 1815405        | 1                    | •                         | • | GUIDE ASM                                                     |   |
| - 46                       | 1794728        | 1                    | •                         | • | GUIDE ASM<br>USED ON MACHINES WITHOUT EC 828772               |   |
| - 46                       | 1794728        | 1                    | •                         | • | GUIDE ASM<br>USED ON MACHINES WITH EC 828772                  |   |
| - 46                       | 1794743        | 1                    | •                         | • | GUIDE ASM                                                     |   |
| - 47                       | 1821337        | 1                    | •                         | • | SPRING                                                        |   |
| - 48                       | 2102364        | 3                    | •                         | • | CLAMP                                                         |   |
| - 49                       | 5252806        | 2                    | •                         | • | CAPACITOR, PAPER AC-5MFD 330V-OLD STYLE                       |   |
| - 50                       | 5252848        | 2                    | •                         | • | CAPACITOR, PAPER AC 3MFD 370V-OLD STYLE                       |   |
| - 51                       | 363001         | 4                    | •                         | • | COVER-OLD STYLE                                               |   |
| - 52                       | 1811047        | 2                    | •                         | • | CLAMP-OLD STYLE                                               |   |
| - 53                       | 1794597        | 1                    | •                         | • | LOCK, GATE                                                    |   |
| - 54                       | 1814600        | 1                    | •                         | • | BEARING ASM                                                   |   |
| - 54                       | 1814634        | 1                    | •                         | • | OLD STYLE PIVOT<br>BEARING ASM<br>NEW STYLE PIVOT             |   |
| - 55                       | 1814601        | 1                    | •                         | • | ECCENTRIC                                                     |   |
| - 56                       | 1800481        | 1                    | •                         | • | PLATE                                                         |   |
| - 57                       | 1821393        | 2                    | •                         | • | STOP                                                          |   |
|                            |                |                      |                           |   | FOR ATTACHING PARTS, INDEX NOS. 150<br>AND ABOVE, SEE LIST 62 |   |
|                            |                |                      |                           |   |                                                               |   |
|                            |                |                      |                           |   |                                                               |   |
|                            |                |                      |                           |   |                                                               |   |
|                            |                |                      |                           |   |                                                               |   |
|                            |                |                      |                           |   |                                                               |   |
|                            |                |                      |                           |   |                                                               |   |
|                            |                |                      |                           |   |                                                               |   |
|                            |                |                      |                           |   |                                                               |   |
|                            |                |                      |                           |   |                                                               |   |
|                            |                |                      |                           |   |                                                               |   |
|                            |                |                      |                           |   |                                                               |   |
|                            |                |                      |                           |   |                                                               |   |
|                            |                |                      |                           |   |                                                               |   |
|                            |                |                      |                           |   |                                                               |   |
|                            |                |                      |                           |   |                                                               |   |
|                            |                |                      |                           |   |                                                               |   |
|                            |                |                      |                           |   |                                                               |   |
|                            |                |                      |                           |   |                                                               |   |
|                            |                |                      |                           |   |                                                               |   |
|                            |                |                      |                           |   |                                                               |   |
|                            |                |                      |                           |   |                                                               |   |

THIS PAGE INTENTIONALLY  
LEFT BLANK.

FOR PARTS  
NOT SHOWN  
SEE FIG. 23

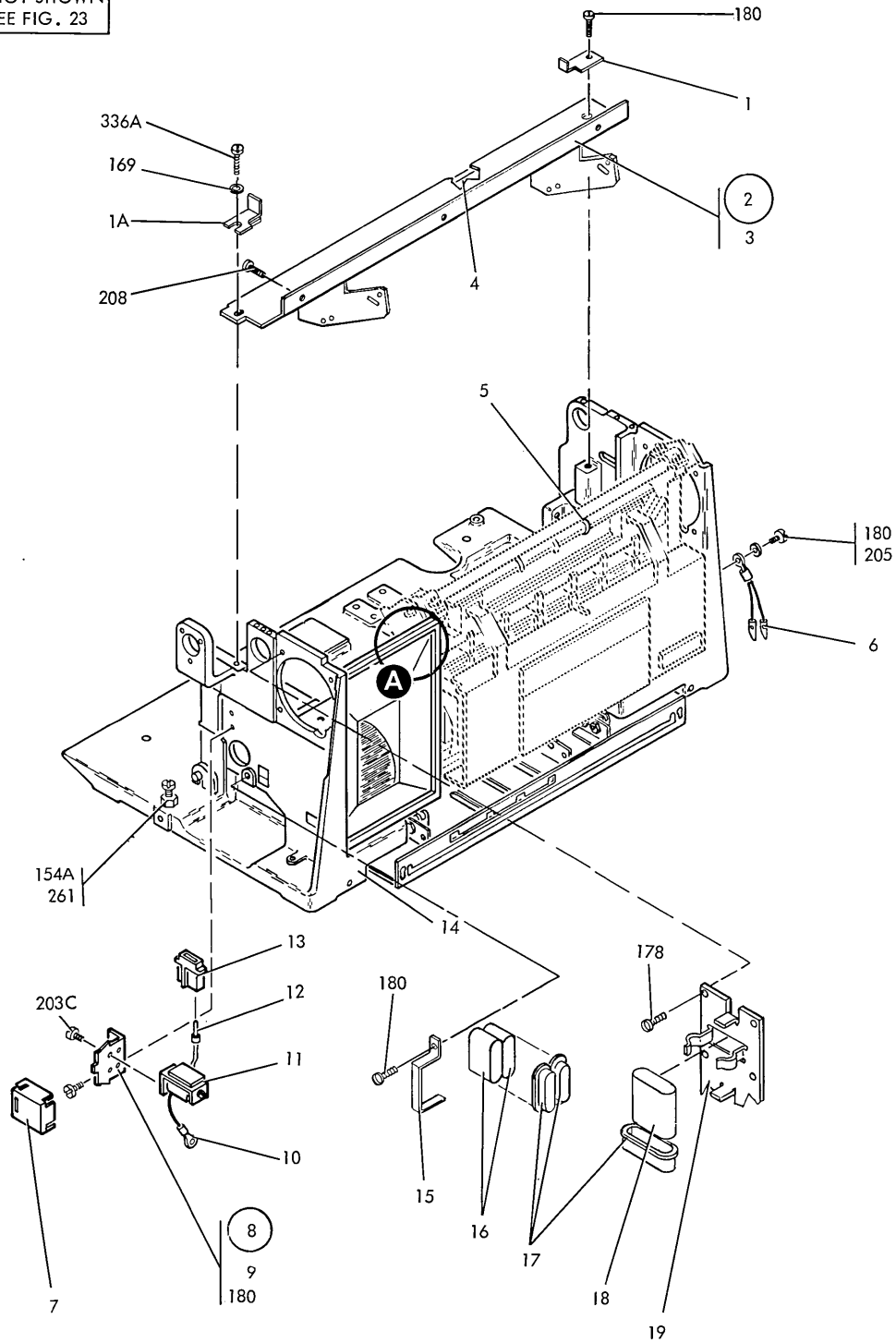


FIGURE 26. BELT PRINTER BASIC ASM, 155 LPM MACHINES. SEE LIST 26.

| FIGURE-<br>INDEX<br>NUMBER | PART<br>NUMBER | UNITS<br>PER<br>ASM. | DESCRIPTION FOR FIGURE 26                                                                                                                                   |   |   |   |
|----------------------------|----------------|----------------------|-------------------------------------------------------------------------------------------------------------------------------------------------------------|---|---|---|
|                            |                |                      | 1                                                                                                                                                           | 2 | 3 | 4 |
| 26                         | 1815429        |                      | BELT PRINTER BASIC ASM<br>USED ON 155 LPM MACHINES<br>USED ON MACHINES WITHOUT EC 831959                                                                    |   |   |   |
|                            | 1795047        |                      | BELT PRINTER BASIC ASM<br>USED ON 155 LPM MACHINES<br>USED ON MACHINES WITH EC 831959<br>FOR NEXT HIGHER ASM SEE LIST 23-21<br>AND FOR ILLUSTRATION FIG. 26 |   |   |   |
| - 1                        | 1794814        | 1                    | • STOP                                                                                                                                                      |   |   |   |
| - 1A                       | 1814630        | 1                    | • STOP                                                                                                                                                      |   |   |   |
| - 2                        | 1794562        | 1                    | • SHIELD ASM                                                                                                                                                |   |   |   |
| - 3                        | 1812304        | 1                    | • • SHIELD                                                                                                                                                  |   |   |   |
| - 4                        | 1794560        | 1                    | • • SEAL                                                                                                                                                    |   |   |   |
| - 5                        | 524519         | 1                    | • TIE,CABLE                                                                                                                                                 |   |   |   |
| - 6                        | 1812632        | 1                    | • PLUG ASM                                                                                                                                                  |   |   |   |
| - 7                        | 1812598        | 1                    | • COVER                                                                                                                                                     |   |   |   |
| - 8                        | 1815873        | 1                    | • CONTACTOR ASM,24VDC                                                                                                                                       |   |   |   |
| - 9                        | 1811048        | 1                    | • • BRACKET                                                                                                                                                 |   |   |   |
| - 10                       | 483679         | 2                    | • • TERMINAL                                                                                                                                                |   |   |   |
| - 11                       | 2410111        | 1                    | • • RELAY,245 OHM 24VDC                                                                                                                                     |   |   |   |
| - 12                       | 1166114        | 2                    | • • TERMINAL                                                                                                                                                |   |   |   |
| - 13                       | 5214573        | 1                    | • • HOUSING,MALE                                                                                                                                            |   |   |   |
| - 14                       | 1794600        | 1                    | • CASTING                                                                                                                                                   |   |   |   |
| - 14                       | 1794950        | 1                    | • USED ON MACHINES WITHOUT EC 832057<br>AND WITHOUT EC 357474E<br>• CASTING                                                                                 |   |   |   |
| - 15                       | 1794579        | 1                    | • CLAMP<br>USED ON MACHINES WITH EC 832057                                                                                                                  |   |   |   |
| - 16                       | 5252806        | 2                    | • CAPACITOR<br>USED ON MACHINES WITH EC 831959                                                                                                              |   |   |   |
| - 17                       | 363001         | 4                    | • COVER<br>USED ON MACHINES WITH EC 831959                                                                                                                  |   |   |   |
| - 18                       | 5252810        | 2                    | • CAPACITOR<br>USED ON MACHINES WITH EC 831959                                                                                                              |   |   |   |
| - 19                       | 4136968        | 1                    | • PLATE<br>USED ON MACHINES WITH EC 831959                                                                                                                  |   |   |   |
|                            |                |                      | FOR ATTACHING PARTS, INDEX NOS. 150<br>AND ABOVE, SEE LIST 62                                                                                               |   |   |   |
|                            |                |                      |                                                                                                                                                             |   |   |   |
|                            |                |                      |                                                                                                                                                             |   |   |   |
|                            |                |                      |                                                                                                                                                             |   |   |   |
|                            |                |                      |                                                                                                                                                             |   |   |   |
|                            |                |                      |                                                                                                                                                             |   |   |   |
|                            |                |                      |                                                                                                                                                             |   |   |   |
|                            |                |                      |                                                                                                                                                             |   |   |   |
|                            |                |                      |                                                                                                                                                             |   |   |   |
|                            |                |                      |                                                                                                                                                             |   |   |   |
|                            |                |                      |                                                                                                                                                             |   |   |   |
|                            |                |                      |                                                                                                                                                             |   |   |   |
|                            |                |                      |                                                                                                                                                             |   |   |   |
|                            |                |                      |                                                                                                                                                             |   |   |   |
|                            |                |                      |                                                                                                                                                             |   |   |   |
|                            |                |                      |                                                                                                                                                             |   |   |   |

FOR PARTS  
NOT SHOWN  
SEE FIG. 3

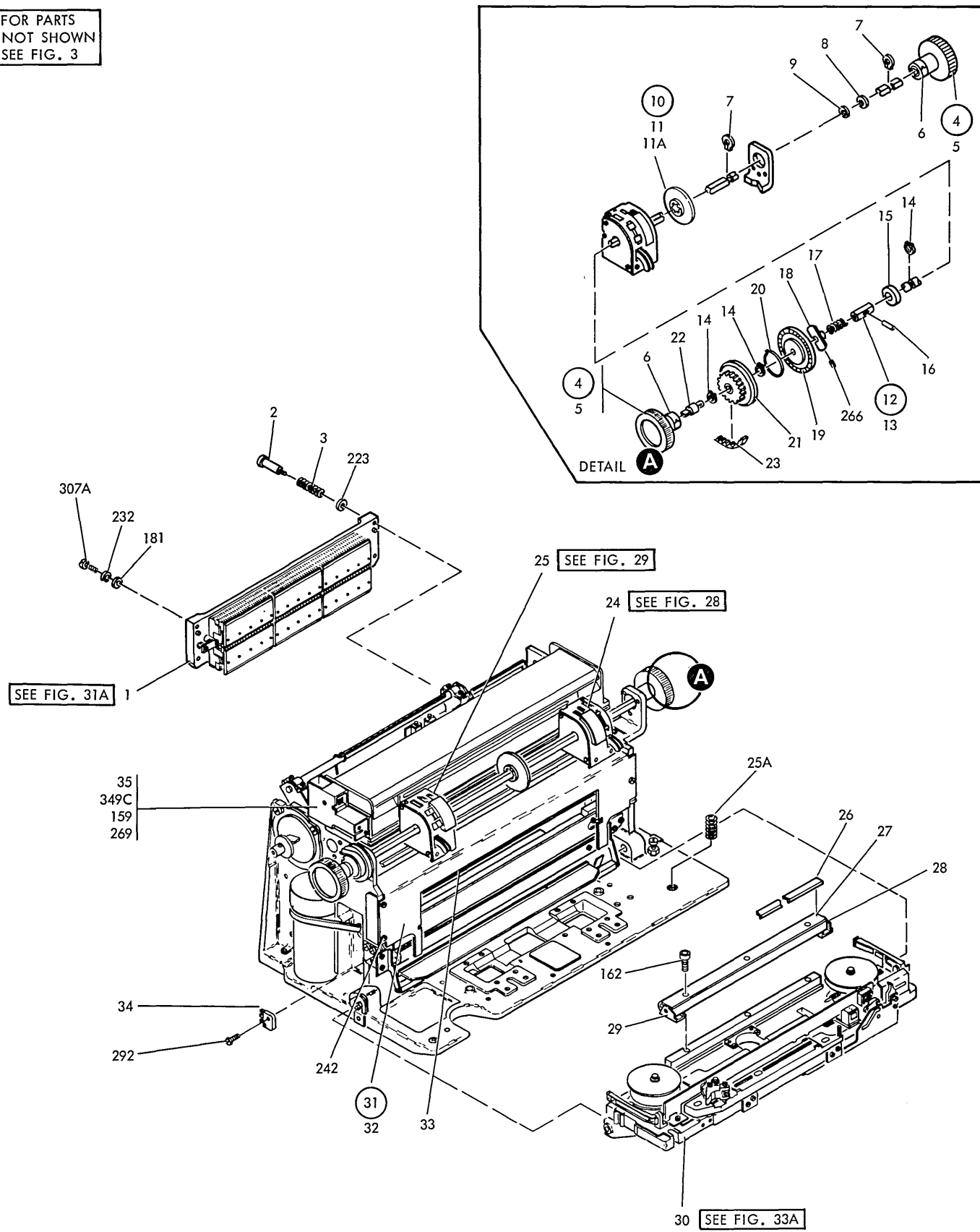


FIGURE 26A. BELT PRINTER ASM, 285 LPM MACHINES. SEE LIST 26A.



| FIGURE-<br>INDEX<br>NUMBER | PART<br>NUMBER | UNITS<br>PER<br>ASM. | DESCRIPTION FOR FIGURE 26A |   |   |                                                                                                                                                     |
|----------------------------|----------------|----------------------|----------------------------|---|---|-----------------------------------------------------------------------------------------------------------------------------------------------------|
|                            |                |                      | 1                          | 2 | 3 | 4                                                                                                                                                   |
| 26A                        | 1815966 NP     |                      |                            |   |   | BELT PRINTER ASM,SING FEED FIX PLT<br>132 POS 200V<br>USED ON 285 LPM MACHINES<br>FOR NEXT HIGHER ASM SEE LIST 3-9<br>AND FOR ILLUSTRATION FIG. 26A |
| - 1                        | 1794816        | 1                    |                            |   |   | • HAMMER UNIT ASM<br>FOR DETAIL BREAKDOWN SEE FIG. 31A                                                                                              |
| - 2                        | 1800702        | 2                    |                            |   |   | • SCREW,SHLDR 8-32                                                                                                                                  |
| - 3                        | 23105          | 2                    |                            |   |   | • SPRING                                                                                                                                            |
| - 4                        | 1814637        | 2                    |                            |   |   | • KNOB ASM                                                                                                                                          |
| - 5                        | 1814636        | 1                    |                            |   |   | • • KNOB                                                                                                                                            |
| - 6                        | 1800868        | 1                    |                            |   |   | • • CLIP                                                                                                                                            |
| - 7                        | 839379         | 2                    |                            |   |   | • RING,RETAINING                                                                                                                                    |
| - 8                        | 1814603        | 1                    |                            |   |   | • SPACER                                                                                                                                            |
| - 9                        | 1812294        | 1                    |                            |   |   | • WASHER                                                                                                                                            |
| - 10                       | 1794534        | 2                    |                            |   |   | • DISK ASM                                                                                                                                          |
| - 11                       | 1800890        | 1                    |                            |   |   | • • DISK                                                                                                                                            |
| - 11A                      | 1800941        | 1                    |                            |   |   | • • RING,RETAINING                                                                                                                                  |
| - 12                       | 1794532        | 1                    |                            |   |   | • CLUTCH ASM                                                                                                                                        |
| - 13                       | 1812306        | 1                    |                            |   |   | • • SHAFT,DRIVE                                                                                                                                     |
| - 14                       | 839379         | 3                    |                            |   |   | • • RING,RETAINING                                                                                                                                  |
| - 15                       | 156231         | 1                    |                            |   |   | • • BEARING,BALL                                                                                                                                    |
| - 16                       | 1815380        | 1                    |                            |   |   | • • PIN,DOWELL                                                                                                                                      |
| - 17                       | 1812291        | 1                    |                            |   |   | • • SPRING,COMPRESSION                                                                                                                              |
| - 18                       | 1812643        | 1                    |                            |   |   | • • DRIVE,CLUTCH                                                                                                                                    |
| - 19                       | 1812645        | 1                    |                            |   |   | • • CLUTCH                                                                                                                                          |
| - 20                       | 1802014        | 1                    |                            |   |   | • • RING,RETAINING                                                                                                                                  |
| - 21                       | 1812646        | 1                    |                            |   |   | • • GEAR,DRIVER                                                                                                                                     |
| - 22                       | 1815361        | 1                    |                            |   |   | • • ROD                                                                                                                                             |
| - 23                       | 366291         | 1                    |                            |   |   | • BELT,TIMING-75 TEETH                                                                                                                              |
| - 24                       | 1816026        | 1                    |                            |   |   | • TRACTOR ASM,RH<br>FOR DETAIL BREAKDOWN SEE LIST 28                                                                                                |
| - 25                       | 1816025        | 1                    |                            |   |   | • TRACTOR ASM,LH<br>FOR DETAIL BREAKDOWN SEE LIST 29                                                                                                |
| - 25A                      | 1821330        | 4                    |                            |   |   | • SPRING                                                                                                                                            |
| - 26                       | 1794806        | 1                    |                            |   |   | • SCALE                                                                                                                                             |
| - 27                       | 1794787        | 1                    |                            |   |   | • SHIELD ASM                                                                                                                                        |
| - 28                       | 1794792        | 1                    |                            |   |   | • PIVOT,RH                                                                                                                                          |
| - 29                       | 1794791        | 1                    |                            |   |   | • PIVOT,LH                                                                                                                                          |
| - 30                       | 1815908        | 1                    |                            |   |   | • FRONT END ASM<br>FOR DETAIL BREAKDOWN SEE LIST 33A                                                                                                |
| - 31                       | 1821426        | 1                    |                            |   |   | • GUIDE ASM,PRINT POSITION                                                                                                                          |
| - 32                       | 1815868        | 1                    |                            |   |   | • • GUIDE                                                                                                                                           |
| - 33                       | 1821334        | 1                    |                            |   |   | • • SEAL                                                                                                                                            |
| - 34                       | 1589292        | 1                    |                            |   |   | • SWITCH,8.5V                                                                                                                                       |
| - 34                       | 1589291        | 1                    |                            |   |   | • SWITCH,5V                                                                                                                                         |
| - 35                       | 1794740        | 1                    |                            |   |   | • SWITCH ASM                                                                                                                                        |
| - 35                       | 1794725        | 1                    |                            |   |   | • SWITCH ASM,USED ON MACHINES WITH EC 828772                                                                                                        |
|                            |                |                      |                            |   |   | FOR ATTACHING PARTS, INDEX NOS. 150<br>AND ABOVE, SEE LIST 62                                                                                       |
|                            |                |                      |                            |   |   |                                                                                                                                                     |
|                            |                |                      |                            |   |   |                                                                                                                                                     |
|                            |                |                      |                            |   |   |                                                                                                                                                     |
|                            |                |                      |                            |   |   |                                                                                                                                                     |
|                            |                |                      |                            |   |   |                                                                                                                                                     |
|                            |                |                      |                            |   |   |                                                                                                                                                     |
|                            |                |                      |                            |   |   |                                                                                                                                                     |
|                            |                |                      |                            |   |   |                                                                                                                                                     |
|                            |                |                      |                            |   |   |                                                                                                                                                     |
|                            |                |                      |                            |   |   |                                                                                                                                                     |
|                            |                |                      |                            |   |   |                                                                                                                                                     |
|                            |                |                      |                            |   |   |                                                                                                                                                     |
|                            |                |                      |                            |   |   |                                                                                                                                                     |
|                            |                |                      |                            |   |   |                                                                                                                                                     |

FOR PARTS  
NOT SHOWN  
SEE FIG. 3

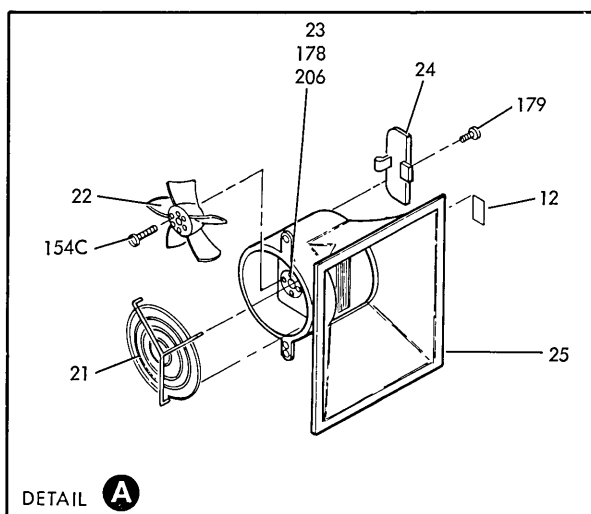
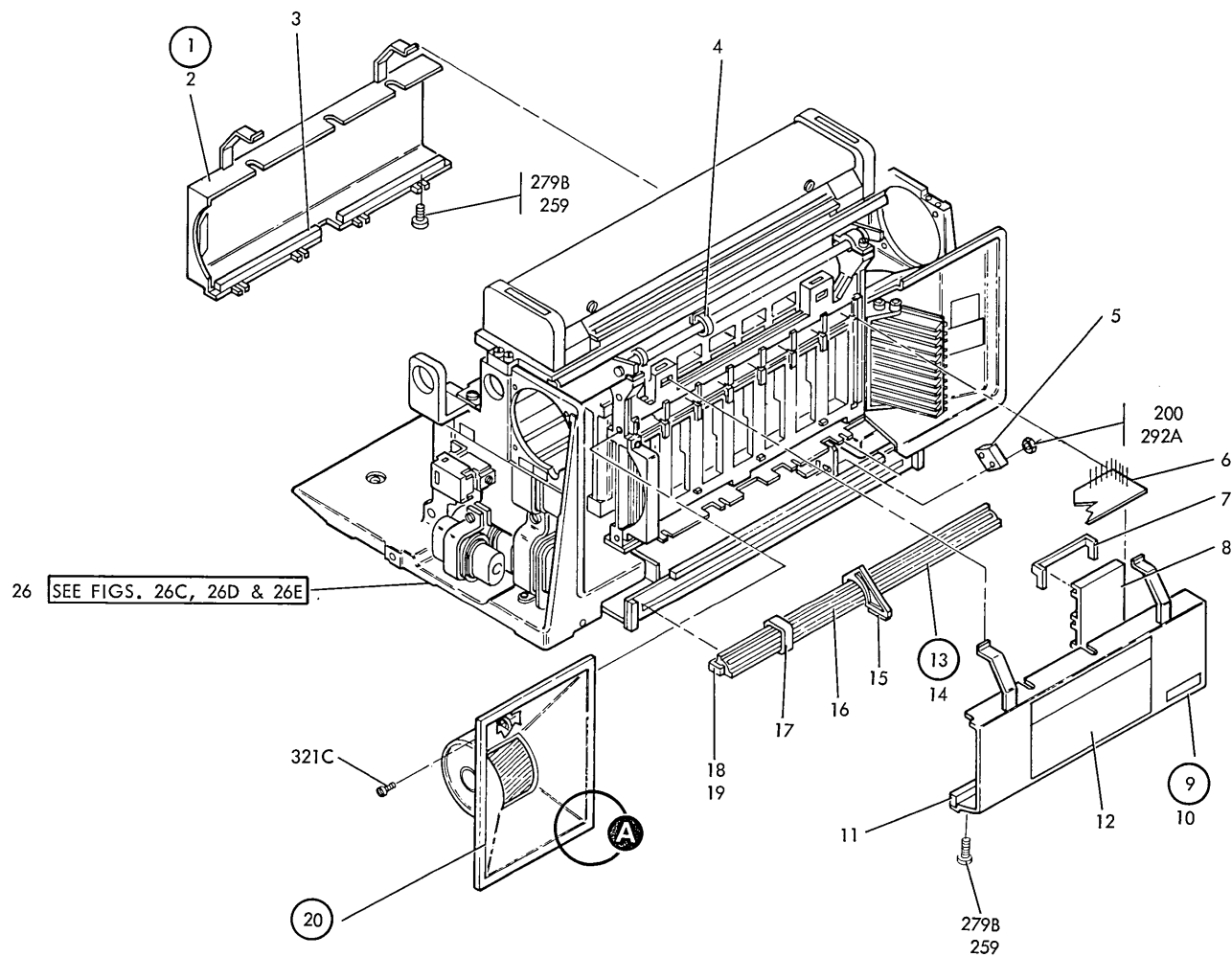


FIGURE 26B. BELT PRINTER ASM, 285 LPM MACHINES. SEE LIST 26B.

| FIGURE-<br>INDEX<br>NUMBER | PART<br>NUMBER | UNITS<br>PER<br>ASM. | DESCRIPTION FOR FIGURE 26B                                                                                                                     |   |   |   |
|----------------------------|----------------|----------------------|------------------------------------------------------------------------------------------------------------------------------------------------|---|---|---|
|                            |                |                      | 1                                                                                                                                              | 2 | 3 | 4 |
| 26B                        | 1815966 NP     |                      | BELT PRINTER ASM,SING FEED FIX PLT<br>132 POS<br>USED ON 285 LPM MACHINES<br>FOR NEXT HIGHER ASM SEE LIST 3-9<br>AND FOR ILLUSTRATION FIG. 26B |   |   |   |
| - 1                        | 1821424        | 1                    | • COVER ASM,FRONT                                                                                                                              |   |   |   |
| - 2                        | 1815897        | 1                    | • • COVER                                                                                                                                      |   |   |   |
| - 3                        | 1815926        | 2                    | • • RETAINER                                                                                                                                   |   |   |   |
| - 4                        | 524519         | A                    | • TIE,CABLE                                                                                                                                    |   |   |   |
| - 5                        | 1589402        | 1                    | • SWITCH                                                                                                                                       |   |   |   |
| - 6                        | 2731763        | 2                    | • PIN BOARD                                                                                                                                    |   |   |   |
| - 7                        | 811804         | A                    | • GUIDE,CARD                                                                                                                                   |   |   |   |
| - 8                        | 1812647        | A                    | • RETAINER,CARD                                                                                                                                |   |   |   |
| - 9                        | 1794526        | 1                    | • COVER ASM,REAR                                                                                                                               |   |   |   |
| - 10                       | 1801817        | 1                    | • • COVER                                                                                                                                      |   |   |   |
| - 11                       | 1812504        | 1                    | • • RETAINING,GUARD                                                                                                                            |   |   |   |
| - 12                       | 1794620        | 1                    | • LABEL                                                                                                                                        |   |   |   |
| - 13                       | 1794530        | 1                    | • GUIDE ASM,FORMS                                                                                                                              |   |   |   |
| - 14                       | 1815302        | 1                    | • • GUIDE,FORMS                                                                                                                                |   |   |   |
| - 15                       | 1812638        | 4                    | • • GUIDE                                                                                                                                      |   |   |   |
| - 16                       | 1815301        | 1                    | • • DECAL,FORMS INDICATOR                                                                                                                      |   |   |   |
| - 17                       | 1794804        | 3                    | • • CLIP                                                                                                                                       |   |   |   |
| - 18                       | 1821336        | 2                    | • • STOP                                                                                                                                       |   |   |   |
| - 19                       | 1815411        | 2                    | • • SHOULDER SCREW                                                                                                                             |   |   |   |
| - 20                       | 1815904        | 1                    | • FAN ASM,208-230V                                                                                                                             |   |   |   |
| - 21                       | 1815946        | 1                    | • • GUARD                                                                                                                                      |   |   |   |
| - 22                       | 1821522        | 1                    | • • BLADE,FAN                                                                                                                                  |   |   |   |
| - 23                       | 1815939        | 1                    | • • MOTOR,200-230 50 AND 60 HZ                                                                                                                 |   |   |   |
| - 24                       | 1815947        | 1                    | • • COVER,DUCT                                                                                                                                 |   |   |   |
| - 25                       | 1815894        | 1                    | • • DUCT,FAN HOUSING                                                                                                                           |   |   |   |
| - 26                       | 1795044        | 1                    | • BASIC ASM<br>FOR DETAIL BREAKDOWN SEE LIST 26C,D AND E                                                                                       |   |   |   |
|                            |                |                      | FOR ATTACHING PARTS, INDEX NOS. 150<br>AND ABOVE, SEE LIST 62                                                                                  |   |   |   |
|                            |                |                      |                                                                                                                                                |   |   |   |
|                            |                |                      |                                                                                                                                                |   |   |   |
|                            |                |                      |                                                                                                                                                |   |   |   |
|                            |                |                      |                                                                                                                                                |   |   |   |
|                            |                |                      |                                                                                                                                                |   |   |   |
|                            |                |                      |                                                                                                                                                |   |   |   |
|                            |                |                      |                                                                                                                                                |   |   |   |
|                            |                |                      |                                                                                                                                                |   |   |   |
|                            |                |                      |                                                                                                                                                |   |   |   |
|                            |                |                      |                                                                                                                                                |   |   |   |
|                            |                |                      |                                                                                                                                                |   |   |   |
|                            |                |                      |                                                                                                                                                |   |   |   |
|                            |                |                      |                                                                                                                                                |   |   |   |
|                            |                |                      |                                                                                                                                                |   |   |   |
|                            |                |                      |                                                                                                                                                |   |   |   |
|                            |                |                      |                                                                                                                                                |   |   |   |
|                            |                |                      |                                                                                                                                                |   |   |   |
|                            |                |                      |                                                                                                                                                |   |   |   |
|                            |                |                      |                                                                                                                                                |   |   |   |
|                            |                |                      |                                                                                                                                                |   |   |   |
|                            |                |                      |                                                                                                                                                |   |   |   |
|                            |                |                      |                                                                                                                                                |   |   |   |
|                            |                |                      |                                                                                                                                                |   |   |   |
|                            |                |                      |                                                                                                                                                |   |   |   |
|                            |                |                      |                                                                                                                                                |   |   |   |
|                            |                |                      |                                                                                                                                                |   |   |   |
|                            |                |                      |                                                                                                                                                |   |   |   |
|                            |                |                      |                                                                                                                                                |   |   |   |
|                            |                |                      |                                                                                                                                                |   |   |   |
|                            |                |                      |                                                                                                                                                |   |   |   |
|                            |                |                      |                                                                                                                                                |   |   |   |
|                            |                |                      |                                                                                                                                                |   |   |   |
|                            |                |                      |                                                                                                                                                |   |   |   |
|                            |                |                      |                                                                                                                                                |   |   |   |
|                            |                |                      |                                                                                                                                                |   |   |   |

FOR PARTS  
NOT SHOWN  
SEE FIG. 26B

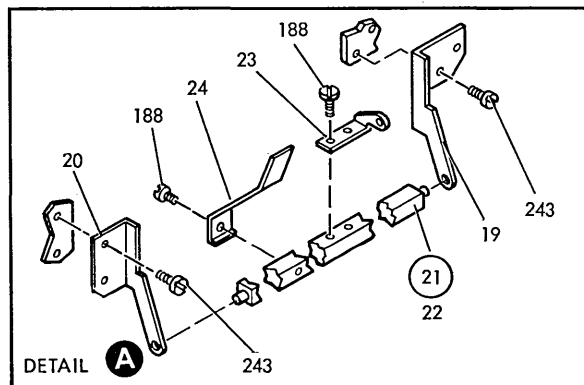
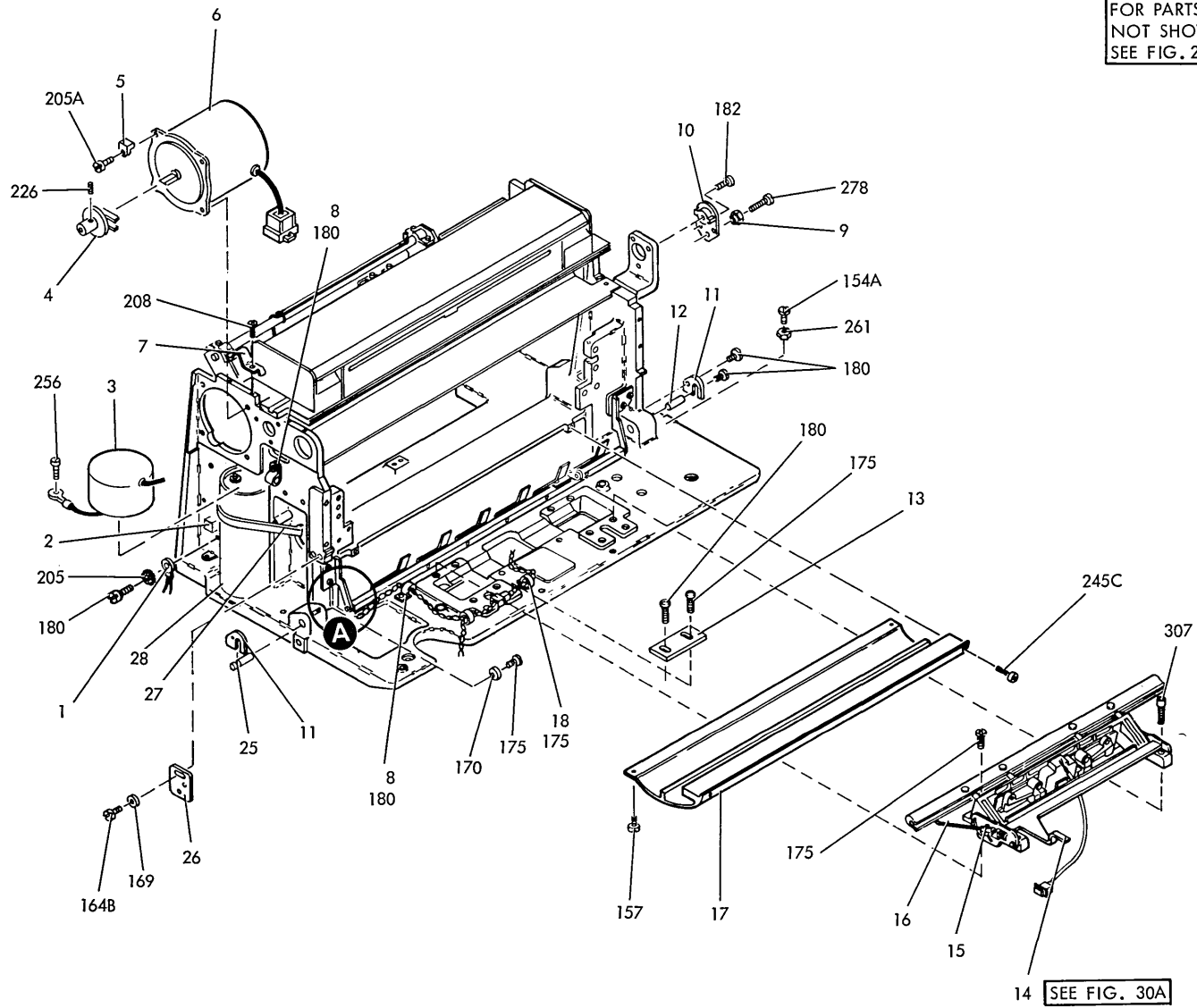


FIGURE 26C. BELT PRINTER BASIC ASM, 285 LPM MACHINES. SEE LIST 26C.

| FIGURE-<br>INDEX<br>NUMBER | PART<br>NUMBER | UNITS<br>PER<br>ASM. | DESCRIPTION FOR FIGURE 26C                                                                    |   |   |   |
|----------------------------|----------------|----------------------|-----------------------------------------------------------------------------------------------|---|---|---|
|                            |                |                      | 1                                                                                             | 2 | 3 | 4 |
| 26C                        | 1795044        |                      | BELT PRINTER BASIC ASM<br>FOR NEXT HIGHER ASM SEE LIST 26B-26<br>AND FOR ILLUSTRATION FIG 26C |   |   |   |
| - 1                        | 1812632        | 1                    | • PLUG ASM                                                                                    |   |   |   |
| - 2                        | 1160983        | 1                    | • HOUSING                                                                                     |   |   |   |
| - 3                        | 1800754        | 1                    | • COVER,CAPACITOR                                                                             |   |   |   |
| - 4                        | 1812284        | 1                    | • PULLEY ASM,15 TOOTH                                                                         |   |   |   |
| - 5                        | 1812630        | 1                    | • BRACKET                                                                                     |   |   |   |
| - 6                        | 1812316        | 1                    | • MOTOR ASM,STEPPER                                                                           |   |   |   |
| - 7                        | 1821337        | 1                    | • SPRING,GROUND                                                                               |   |   |   |
| - 8                        | 2102364        | A                    | • CLAMP,CABLE                                                                                 |   |   |   |
| - 9                        | 1814601        | 1                    | • ECCENTRIC                                                                                   |   |   |   |
| - 10                       | 1814634        | 1                    | • BEARING ASM                                                                                 |   |   |   |
| - 11                       | 1815419        | 2                    | • PLATE                                                                                       |   |   |   |
| - 12                       | 1815416        | 1                    | • PIN,PIVOT RH                                                                                |   |   |   |
| - 13                       | 1821393        | 2                    | • PLATE                                                                                       |   |   |   |
| - 14                       | 1794650        | 1                    | • CLAMP ASM,LOWER<br>FOR DETAIL BREAKDOWN SEE LIST 30A                                        |   |   |   |
| - 15                       | 1164127        | 1                    | • CLEVIS ARM                                                                                  |   |   |   |
| - 16                       | 1076717        | 1                    | • LINK                                                                                        |   |   |   |
| - 17                       | 1815870        | 1                    | • GUIDE,LOWER                                                                                 |   |   |   |
| - 18                       | 5213276        | A                    | • CLAMP                                                                                       |   |   |   |
| - 19                       | 1815889        | 1                    | • BRACKET,RH                                                                                  |   |   |   |
| - 20                       | 1815888        | 1                    | • BRACKET,LH                                                                                  |   |   |   |
| - 21                       | 1815892        | 1                    | • BAR ASM,TENSION                                                                             |   |   |   |
| - 22                       | 1815886        | 1                    | • BAR,FORMS TENSION                                                                           |   |   |   |
| - 23                       | 1815890        | 1                    | • BRACKET                                                                                     |   |   |   |
| - 24                       | 1815887        | 6                    | • SPRING                                                                                      |   |   |   |
| - 25                       | 1815417        | 1                    | • PIN,PIVOT LH                                                                                |   |   |   |
| - 26                       | 1794741        | 1                    | • BRACKET                                                                                     |   |   |   |
| - 27                       | 5405736        | 1                    | • STRAP                                                                                       |   |   |   |
| - 28                       | 5214073        | 1                    | • CAPACITOR,ELECTROLYTIC 32,000MFD 40 VDC                                                     |   |   |   |
|                            |                |                      | FOR ATTACHING PARTS,INDEX NOS. 150<br>AND ABOVE, SEE LIST 62                                  |   |   |   |
|                            |                |                      |                                                                                               |   |   |   |
|                            |                |                      |                                                                                               |   |   |   |
|                            |                |                      |                                                                                               |   |   |   |
|                            |                |                      |                                                                                               |   |   |   |
|                            |                |                      |                                                                                               |   |   |   |
|                            |                |                      |                                                                                               |   |   |   |
|                            |                |                      |                                                                                               |   |   |   |
|                            |                |                      |                                                                                               |   |   |   |
|                            |                |                      |                                                                                               |   |   |   |
|                            |                |                      |                                                                                               |   |   |   |
|                            |                |                      |                                                                                               |   |   |   |
|                            |                |                      |                                                                                               |   |   |   |
|                            |                |                      |                                                                                               |   |   |   |
|                            |                |                      |                                                                                               |   |   |   |
|                            |                |                      |                                                                                               |   |   |   |
|                            |                |                      |                                                                                               |   |   |   |
|                            |                |                      |                                                                                               |   |   |   |
|                            |                |                      |                                                                                               |   |   |   |

FOR PARTS  
NOT SHOWN  
SEE FIG. 26B

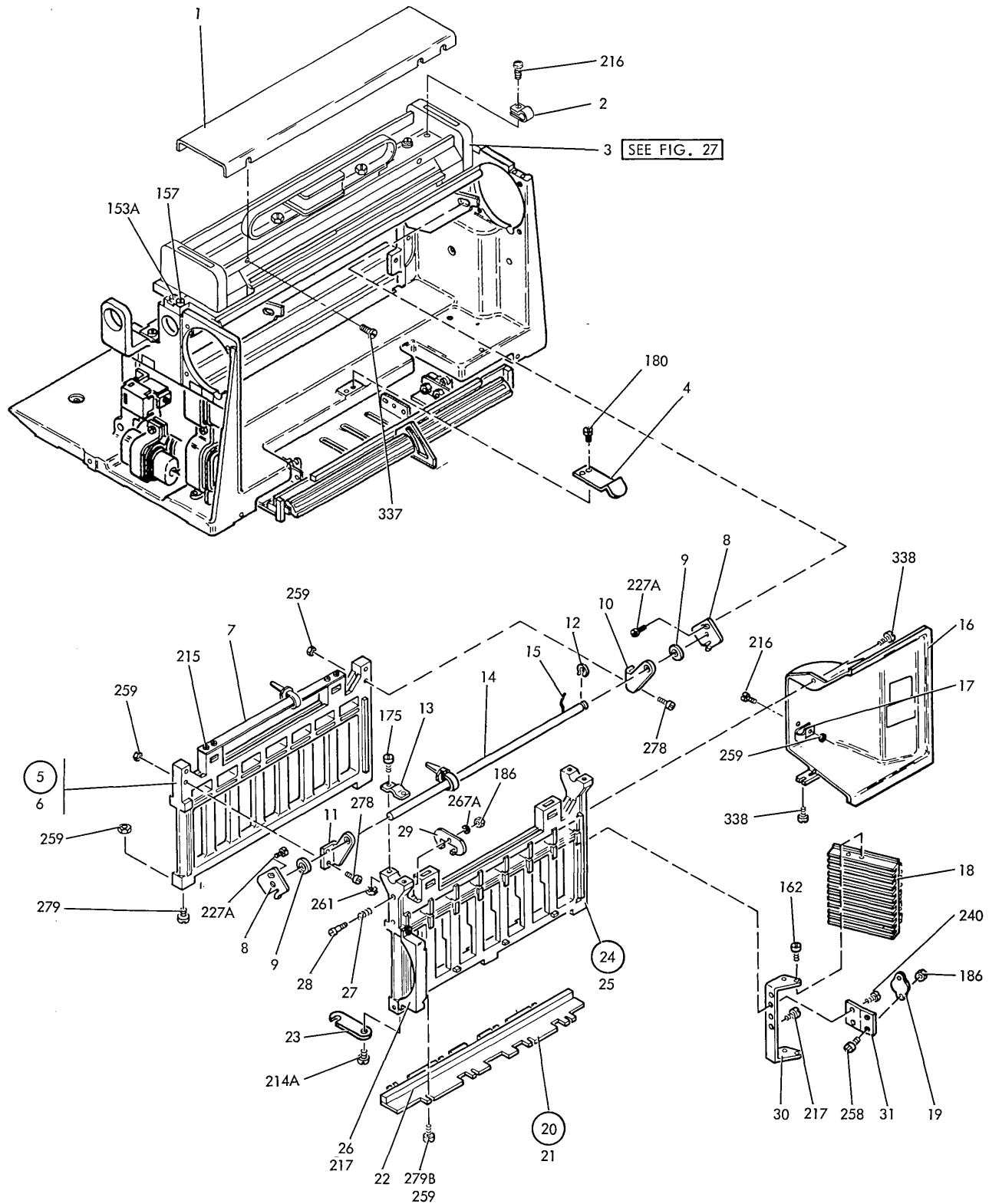


FIGURE 26D. BELT PRINTER BASIC ASM, 285 LPM MACHINES. SEE LIST 26D.

| FIGURE-<br>INDEX<br>NUMBER | PART<br>NUMBER | UNITS<br>PER<br>ASM. | DESCRIPTION FOR FIGURE 26D                                                                    |   |   |   |
|----------------------------|----------------|----------------------|-----------------------------------------------------------------------------------------------|---|---|---|
|                            |                |                      | 1                                                                                             | 2 | 3 | 4 |
| 26D                        | 1795044        |                      | BELT PRINTER BASIC ASM<br>FOR NEXT HIGHER ASM SEE LIST 26B-26<br>AND FOR ILLUSTRATION FIG 26D |   |   |   |
| - 1                        | 1812545        | 1                    | • COVER                                                                                       |   |   |   |
| - 2                        | 5213276        | 1                    | • CLAMP,CABLE                                                                                 |   |   |   |
| - 3                        | 1812555        | 1                    | • CLAMP ASM,FORMS<br>FOR DETAIL BREAKDOWN SEE LIST 27                                         |   |   |   |
| - 4                        | 1794597        | 1                    | • LOCK,GATE                                                                                   |   |   |   |
| - 5                        | 1794619        | 1                    | • SUPPORT ASM                                                                                 |   |   |   |
| - 6                        | 1815893        | 1                    | • • SUPPORT                                                                                   |   |   |   |
| - 7                        | 1815307        | 1                    | • • BAR                                                                                       |   |   |   |
| - 8                        | 1794661        | 2                    | • CLAMP                                                                                       |   |   |   |
| - 9                        | 507078         | 2                    | • SPACER                                                                                      |   |   |   |
| - 10                       | 1815899        | 1                    | • BRACKET                                                                                     |   |   |   |
| - 11                       | 1815898        | 1                    | • BRACKET                                                                                     |   |   |   |
| - 12                       | 237245         | 1                    | • RING,RETAINING                                                                              |   |   |   |
| - 13                       | 1800644        | 2                    | • RETAINER                                                                                    |   |   |   |
| - 14                       | 1815945        | 1                    | • SHAFT                                                                                       |   |   |   |
| - 15                       | 1794830        | 1                    | • CABLE ASM                                                                                   |   |   |   |
| - 16                       | 1815895        | 1                    | • DUCT,EXHAUST                                                                                |   |   |   |
| - 17                       | 2102364        | 1                    | • CLAMP,CABLE                                                                                 |   |   |   |
| - 18                       | 1821422        | 1                    | • HEATSINK                                                                                    |   |   |   |
| - 19                       | 1807630        | 1                    | • THERMOSTAT,N/C 145 DEGREE                                                                   |   |   |   |
| - 20                       | 1821427        | 1                    | • COVER ASM                                                                                   |   |   |   |
| - 21                       | 1815949        | 1                    | • • COVER,BOTTOM                                                                              |   |   |   |
| - 22                       | 1812504        | 1                    | • • RETAINER,GUARD                                                                            |   |   |   |
| - 23                       | 1794629        | 1                    | • CONNECTOR                                                                                   |   |   |   |
| - 24                       | 1815937        | 1                    | • GATE ASM                                                                                    |   |   |   |
| - 25                       | 1801811        | 1                    | • • FRAME,GATE                                                                                |   |   |   |
| - 26                       | 1815896        | 1                    | • • ADAPTER,CARD FRAME COVER                                                                  |   |   |   |
| - 27                       | 21412          | 1                    | • • SPRING                                                                                    |   |   |   |
| - 28                       | 1815305        | 1                    | • • PIN                                                                                       |   |   |   |
| - 29                       | 1815303        | 1                    | • • TAB                                                                                       |   |   |   |
| - 30                       | 1807655        | 1                    | • • BRACKET                                                                                   |   |   |   |
| - 31                       | 1815936        | 1                    | • • BRACKET                                                                                   |   |   |   |
|                            |                |                      | FOR ATTACHING PARTS,INDEX NOS 150<br>AND ABOVE,SEE LIST 62                                    |   |   |   |
|                            |                |                      |                                                                                               |   |   |   |
|                            |                |                      |                                                                                               |   |   |   |
|                            |                |                      |                                                                                               |   |   |   |
|                            |                |                      |                                                                                               |   |   |   |
|                            |                |                      |                                                                                               |   |   |   |
|                            |                |                      |                                                                                               |   |   |   |
|                            |                |                      |                                                                                               |   |   |   |
|                            |                |                      |                                                                                               |   |   |   |
|                            |                |                      |                                                                                               |   |   |   |
|                            |                |                      |                                                                                               |   |   |   |
|                            |                |                      |                                                                                               |   |   |   |
|                            |                |                      |                                                                                               |   |   |   |
|                            |                |                      |                                                                                               |   |   |   |
|                            |                |                      |                                                                                               |   |   |   |
|                            |                |                      |                                                                                               |   |   |   |
|                            |                |                      |                                                                                               |   |   |   |
|                            |                |                      |                                                                                               |   |   |   |
|                            |                |                      |                                                                                               |   |   |   |
|                            |                |                      |                                                                                               |   |   |   |
|                            |                |                      |                                                                                               |   |   |   |
|                            |                |                      |                                                                                               |   |   |   |
|                            |                |                      |                                                                                               |   |   |   |
|                            |                |                      |                                                                                               |   |   |   |

FOR PARTS  
NOT SHOWN  
SEE FIG. 26B

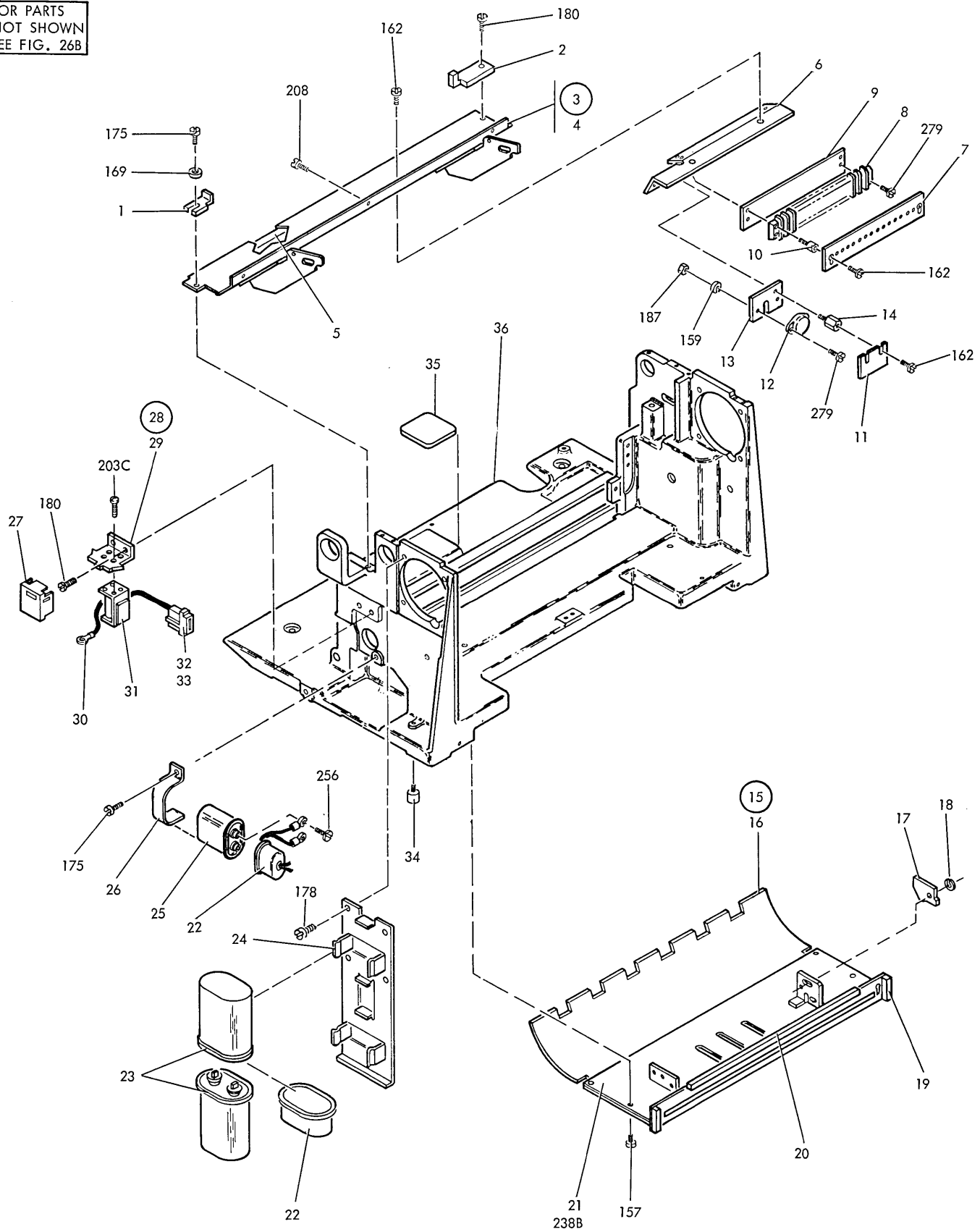


FIGURE 26E. BELT PRINTER BASIC ASM, 285 LPM MACHINES. SEE LIST 26E.





FOR PARTS  
NOT SHOWN  
SEE FIG. 24 & 26D

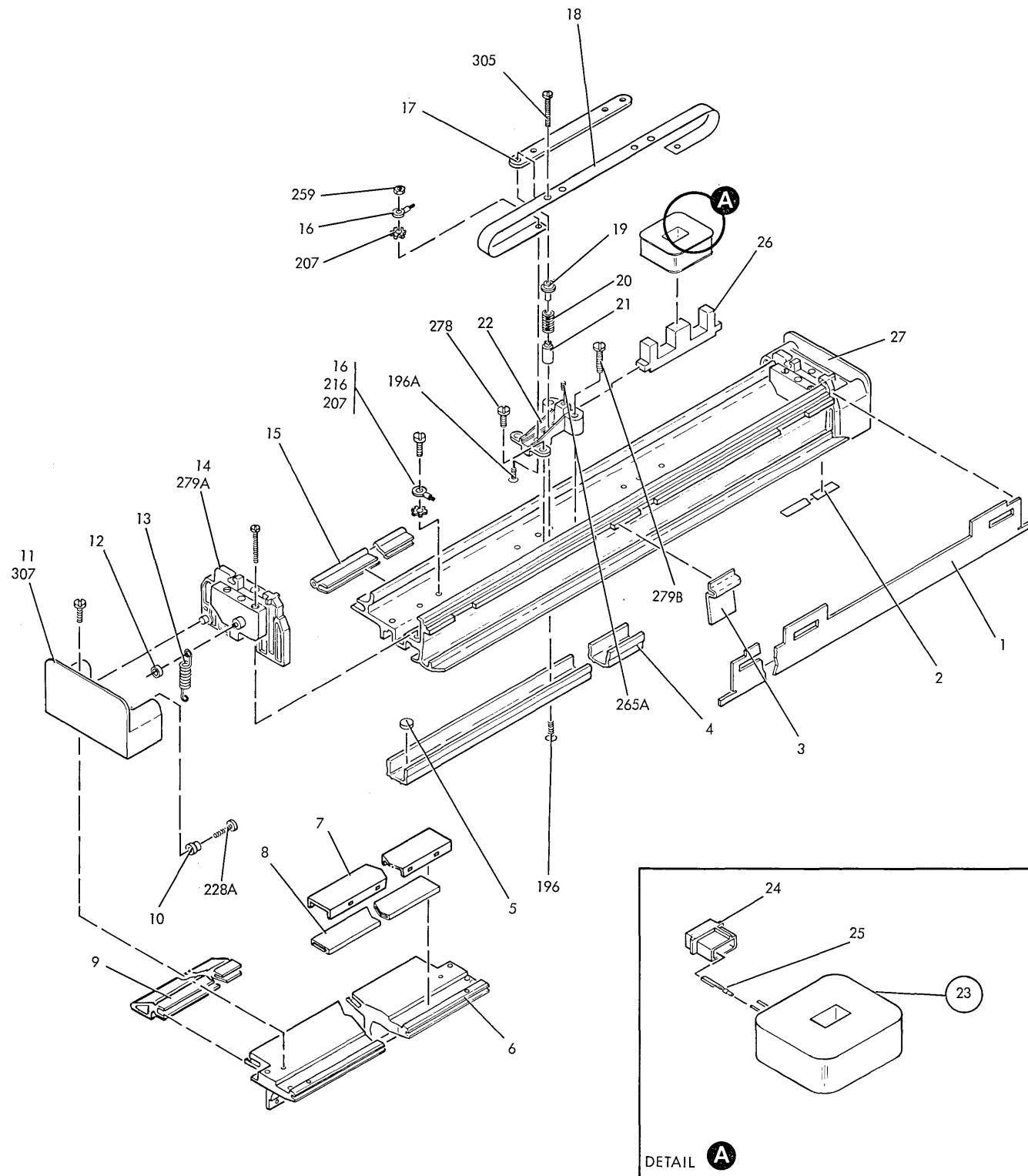


FIGURE 27. BELT PRINTER CLAMP ASM, FORMS. SEE LIST 27.



FOR PARTS  
NOT SHOWN  
SEE FIG. 22 & 26A

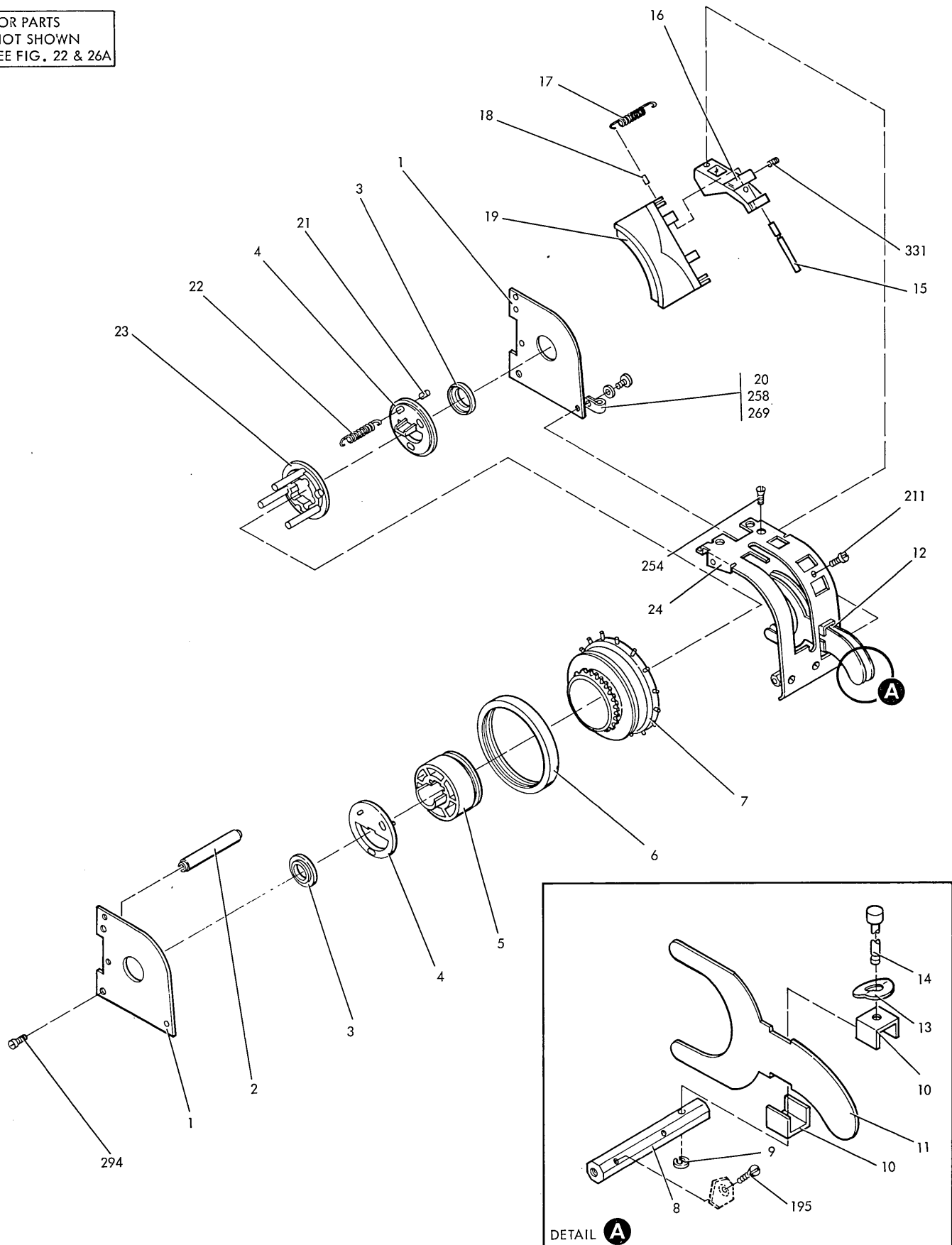


FIGURE 28. BELT PRINTER TRACTOR ASM, RIGHT. SEE LIST 28.



FOR PARTS  
NOT SHOWN  
SEE FIG. 22 & 26A

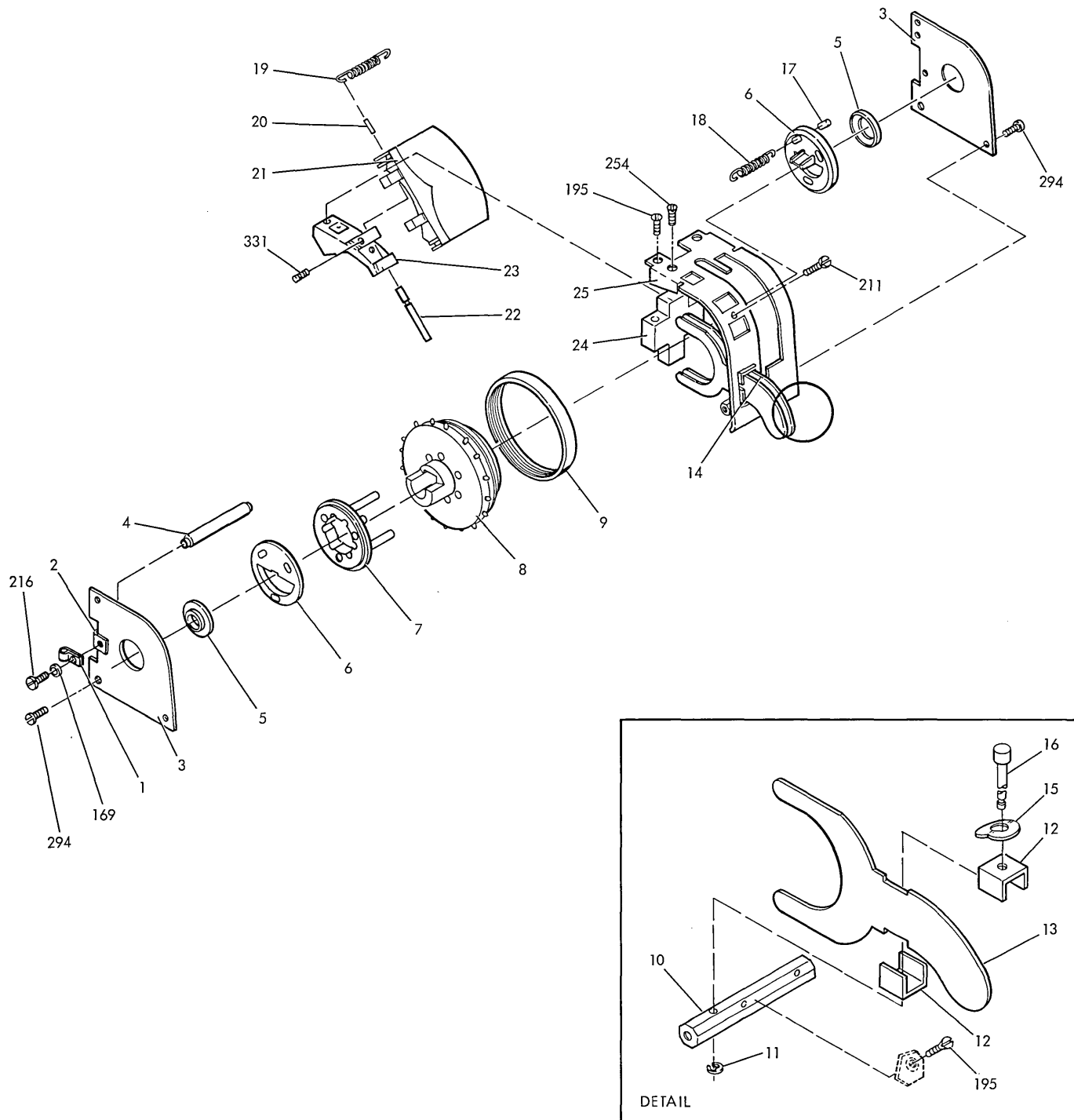


FIGURE 29. BELT PRINTER TRACTOR ASM, LEFT. SEE LIST 29.



FOR PARTS  
NOT SHOWN  
SEE FIG. 25

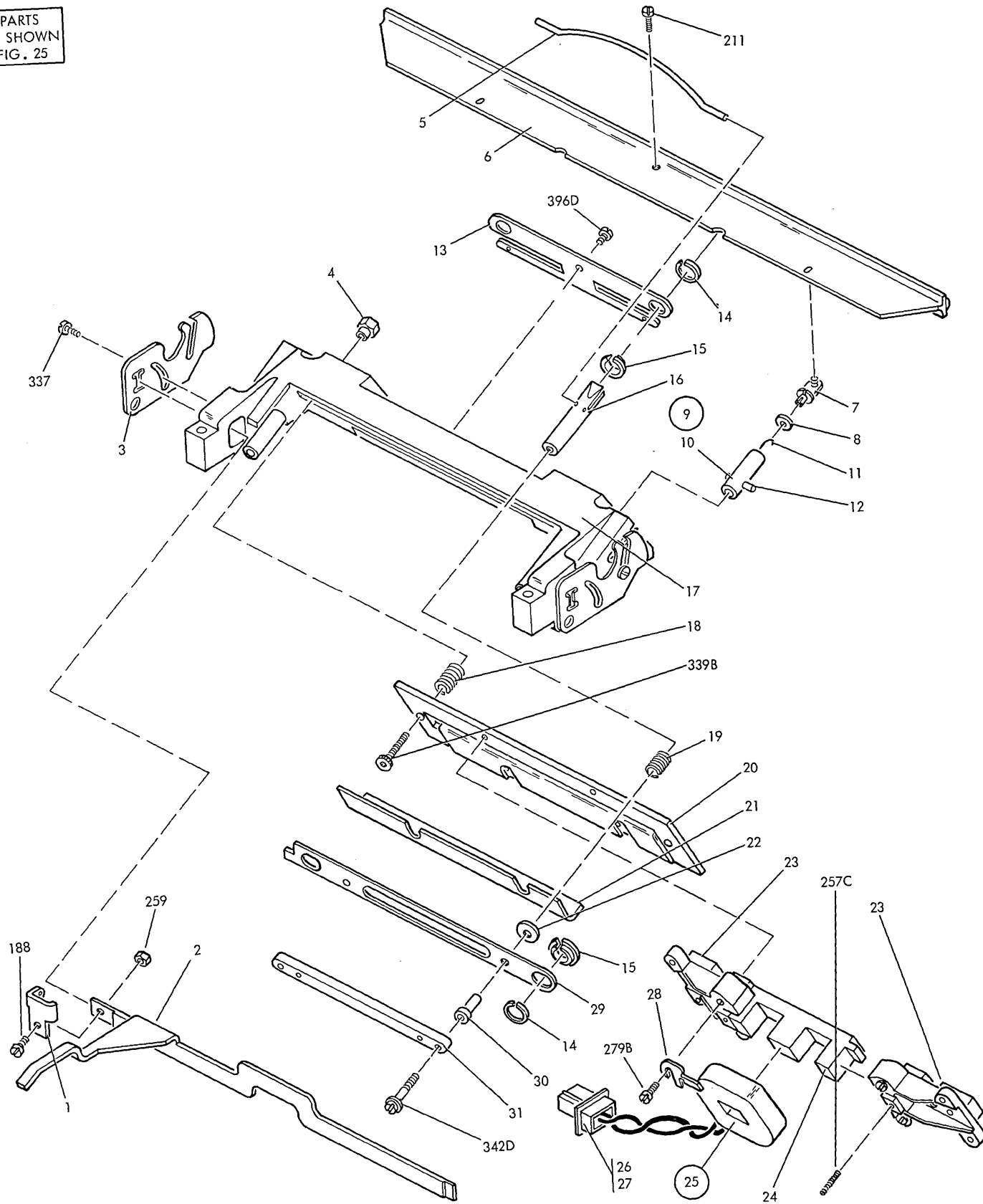


FIGURE 30. BELT PRINTER CLAMP ASM, LOWER-155 LPM MACHINES. SEE LIST 30.



| FIGURE-<br>INDEX<br>NUMBER | PART<br>NUMBER | UNITS<br>PER<br>ASM. | DESCRIPTION FOR FIGURE 30           |                |   |   |
|----------------------------|----------------|----------------------|-------------------------------------|----------------|---|---|
|                            |                |                      | 1                                   | 2              | 3 | 4 |
| 30                         | 1815270        |                      | BELT PRINTER CLAMP ASM,LOWER        |                |   |   |
|                            |                |                      | USED ON 155 LPM MACHINES            |                |   |   |
|                            |                |                      | ONE COIL PAPER CLAMP                |                |   |   |
|                            |                |                      | USED ON MACHINES WITH EC 143756M    |                |   |   |
|                            |                |                      | FOR NEXT HIGHER ASM SEE LIST 25-6   |                |   |   |
|                            |                |                      | AND FOR ILLUSTRATION FIG. 30        |                |   |   |
| - 1                        | 1794556        | 1                    | •                                   | BRACKET        |   |   |
| - 2                        | 1815262        | 1                    | •                                   | LEVER          |   |   |
| - 3                        | 1815263        | 2                    | •                                   | PLATE          |   |   |
| - 4                        | 1814641        | 2                    | •                                   | STUD           |   |   |
| - 5                        | 1814649        | 1                    | •                                   | RETAINER       |   |   |
| - 6                        | 1815264        | 1                    | •                                   | BAR ASM        |   |   |
| - 7                        | 1814653        | 2                    | •                                   | SUPPORT        |   |   |
| - 8                        | 1814642        | 2                    | •                                   | BUMPER         |   |   |
| - 9                        | 1814652        | 2                    | •                                   | TUBE ASM       |   |   |
| - 10                       | 1814651        | 1                    | •                                   | • TUBE         |   |   |
| - 11                       | 1814643        | 1                    | •                                   | • SPRING       |   |   |
| - 12                       | 744103         | 1                    | •                                   | • PIN          |   |   |
| - 13                       | 1814648        | 1                    | •                                   | LOCATOR        |   |   |
| - 14                       | 1814644        | 4                    | •                                   | KEEPER         |   |   |
| - 15                       | 828310         | 4                    | •                                   | BUSHING        |   |   |
| - 16                       | 1814646        | 2                    | •                                   | PUSHER         |   |   |
| - 17                       | 1814645        | 1                    | •                                   | BLOCK          |   |   |
| - 18                       | 1815265        | 2                    | •                                   | SPRING         |   |   |
| - 19                       | 1815433        | 2                    | •                                   | SPRING         |   |   |
| - 20                       | 1814640        | 1                    | •                                   | PLATE          |   |   |
| - 21                       | 1815434        | 2                    | •                                   | STIFFENER      |   |   |
| - 22                       | 5820539        | 2                    | •                                   | SPACER         |   |   |
| - 23                       | 1812621        | 2                    | •                                   | BLOCK          |   |   |
| - 24                       | 1812543        | 1                    | •                                   | E-CORE         |   |   |
| - 25                       | 1812547        | 1                    | •                                   | COIL ASM       |   |   |
| - 26                       | 5214573        | 1                    | •                                   | • HOUSING,MALE |   |   |
| - 27                       | 1166114        | 2                    | •                                   | • TERMINAL     |   |   |
| - 28                       | 1794545        | 1                    | •                                   | KEEPER         |   |   |
| - 29                       | 1814647        | 1                    | •                                   | LOCATOR        |   |   |
| - 30                       | 1815415        | 2                    | •                                   | FERRULE        |   |   |
| - 31                       | 1812536        |                      | •                                   | ARMATURE       |   |   |
|                            |                |                      | FOR ATTACHING PARTS, INDEX NOS. 150 |                |   |   |
|                            |                |                      | AND ABOVE, SEE LIST 62              |                |   |   |
|                            |                |                      |                                     |                |   |   |
|                            |                |                      |                                     |                |   |   |
|                            |                |                      |                                     |                |   |   |
|                            |                |                      |                                     |                |   |   |
|                            |                |                      |                                     |                |   |   |
|                            |                |                      |                                     |                |   |   |
|                            |                |                      |                                     |                |   |   |
|                            |                |                      |                                     |                |   |   |
|                            |                |                      |                                     |                |   |   |
|                            |                |                      |                                     |                |   |   |
|                            |                |                      |                                     |                |   |   |
|                            |                |                      |                                     |                |   |   |
|                            |                |                      |                                     |                |   |   |
|                            |                |                      |                                     |                |   |   |
|                            |                |                      |                                     |                |   |   |
|                            |                |                      |                                     |                |   |   |
|                            |                |                      |                                     |                |   |   |
|                            |                |                      |                                     |                |   |   |
|                            |                |                      |                                     |                |   |   |

FOR PARTS  
NOT SHOWN  
SEE FIG. 26C

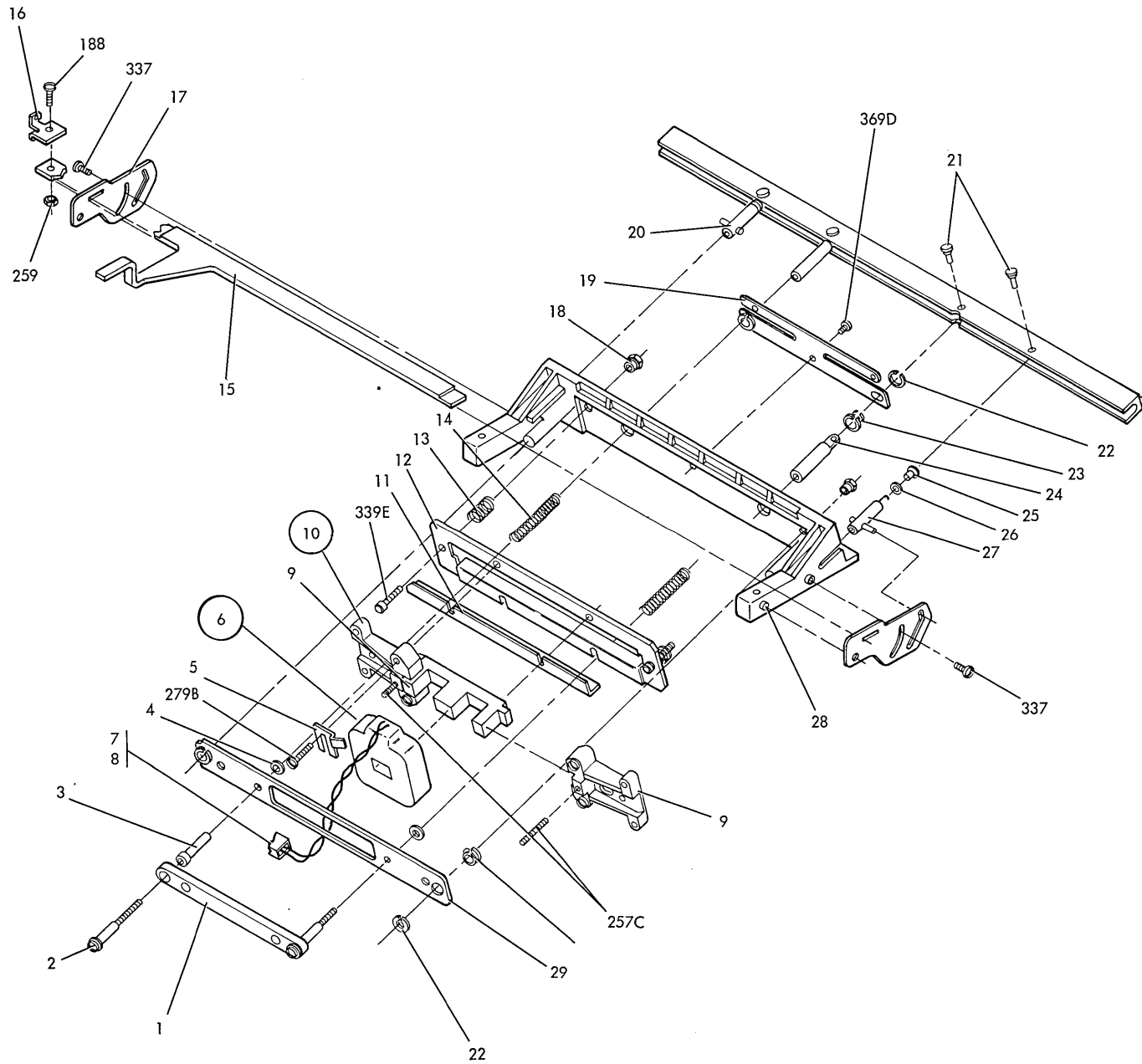
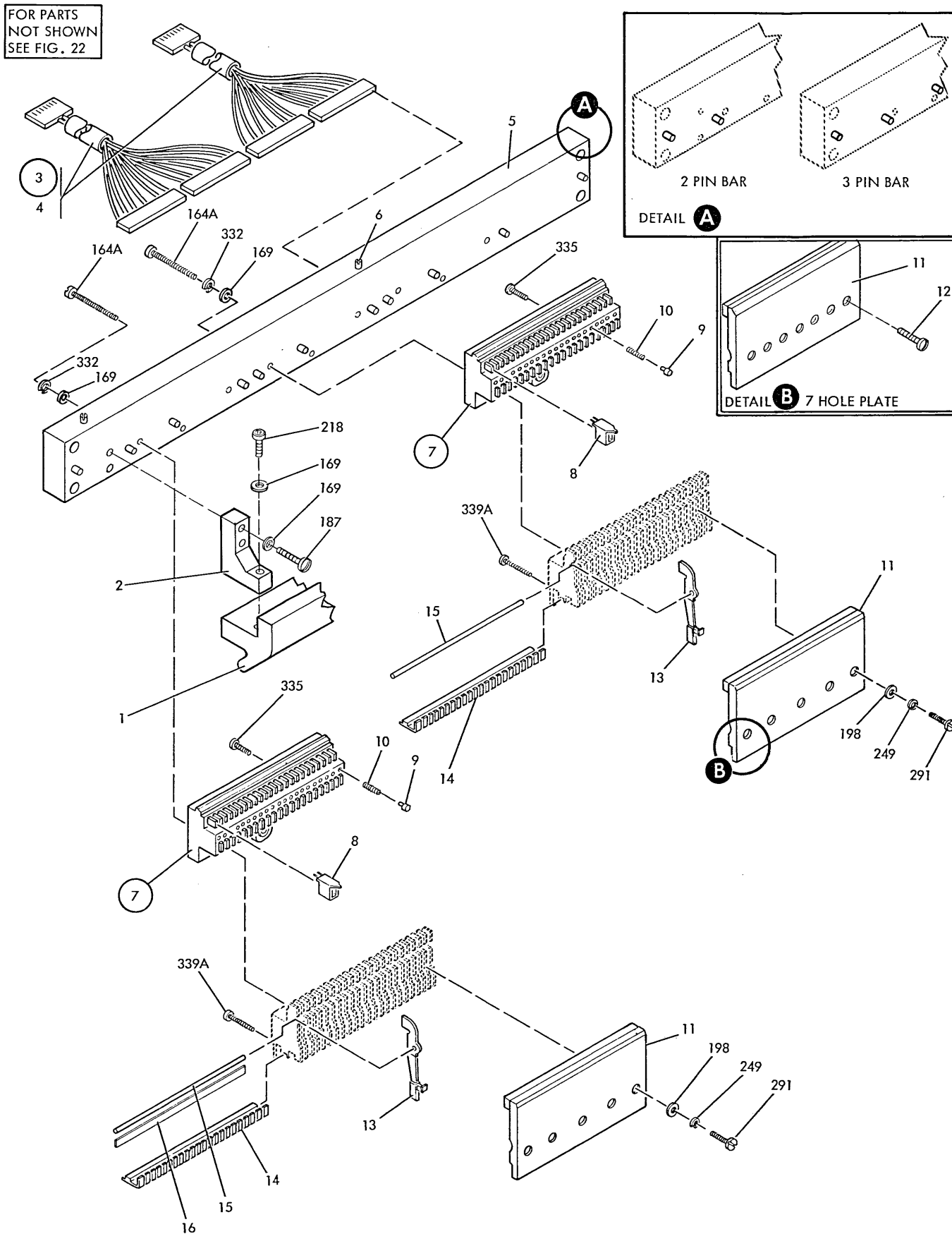


FIGURE 30A. BELT PRINTER CLAMP ASM, LOWER-285 LPM MACHINES. SEE LIST 30A.

| FIGURE-<br>INDEX<br>NUMBER | PART<br>NUMBER | UNITS<br>PER<br>ASM. | DESCRIPTION FOR FIGURE 30A                                                                                                       |   |   |   |
|----------------------------|----------------|----------------------|----------------------------------------------------------------------------------------------------------------------------------|---|---|---|
|                            |                |                      | 1                                                                                                                                | 2 | 3 | 4 |
| 30A                        | 1794650        |                      | BELT PRINTER CLAMP ASM,LOWER<br>USED ON 285 LPM MACHINES<br>FOR NEXT HIGHER ASM SEE LIST 26C-14<br>AND FOR ILLUSTRATION FIG. 30A |   |   |   |
| - 1                        | 1812536        | 1                    | • ARMATURE                                                                                                                       |   |   |   |
| - 2                        | 1815436        | 2                    | • SCREW                                                                                                                          |   |   |   |
| - 3                        | 1815415        | 2                    | • FERRULE                                                                                                                        |   |   |   |
| - 4                        | 5820539        | 2                    | • SPACER                                                                                                                         |   |   |   |
| - 5                        | 1794545        | 1                    | • KEEPER                                                                                                                         |   |   |   |
| - 6                        | 1812547        | 1                    | • COIL ASM                                                                                                                       |   |   |   |
| - 7                        | 5214573        | 1                    | • HOUSING,MALE                                                                                                                   |   |   |   |
| - 8                        | 1166114        | 2                    | • TERMINAL                                                                                                                       |   |   |   |
| - 9                        | 1812543        | 1                    | • E-CORE                                                                                                                         |   |   |   |
| - 10                       | 1812621        | 2                    | • BLOCK                                                                                                                          |   |   |   |
| - 11                       | 1815434        | 1                    | • STIFFENER                                                                                                                      |   |   |   |
| - 12                       | 1814640        | 1                    | • PLATE                                                                                                                          |   |   |   |
| - 13                       | 1815265        | 2                    | • SPRING                                                                                                                         |   |   |   |
| - 14                       | 1815433        | 1                    | • SPRING                                                                                                                         |   |   |   |
| - 15                       | 1794633        | 1                    | • LEVER                                                                                                                          |   |   |   |
| - 16                       | 1794638        | 1                    | • ADAPTOR                                                                                                                        |   |   |   |
| - 17                       | 1794634        | 2                    | • PLATE                                                                                                                          |   |   |   |
| - 18                       | 1814641        | 2                    | • STUD                                                                                                                           |   |   |   |
| - 19                       | 1814648        | 1                    | • LOCATOR                                                                                                                        |   |   |   |
| - 20                       | 1794636        | 2                    | • BAR ASM                                                                                                                        |   |   |   |
| - 21                       | 1794632        | 4                    | • PIN                                                                                                                            |   |   |   |
| - 22                       | 1814644        | 4                    | • KEEPER                                                                                                                         |   |   |   |
| - 23                       | 828310         | 4                    | • BUSHING                                                                                                                        |   |   |   |
| - 24                       | 1794631        | 2                    | • PUSHER                                                                                                                         |   |   |   |
| - 25                       | 1794637        | 2                    | • SPACER                                                                                                                         |   |   |   |
| - 26                       | 1814642        | 2                    | • BUMPER                                                                                                                         |   |   |   |
| - 27                       | 1814652        | 2                    | • TUBE ASM                                                                                                                       |   |   |   |
| - 28                       | 1794645        | 1                    | • BLOCK                                                                                                                          |   |   |   |
| - 29                       | 1814647        | 1                    | • LOCATOR                                                                                                                        |   |   |   |
|                            |                |                      | FOR ATTACHING PARTS, INDEX NOS. 150<br>AND ABOVE, SEE LIST 62                                                                    |   |   |   |
|                            |                |                      |                                                                                                                                  |   |   |   |
|                            |                |                      |                                                                                                                                  |   |   |   |
|                            |                |                      |                                                                                                                                  |   |   |   |
|                            |                |                      |                                                                                                                                  |   |   |   |
|                            |                |                      |                                                                                                                                  |   |   |   |
|                            |                |                      |                                                                                                                                  |   |   |   |
|                            |                |                      |                                                                                                                                  |   |   |   |
|                            |                |                      |                                                                                                                                  |   |   |   |
|                            |                |                      |                                                                                                                                  |   |   |   |
|                            |                |                      |                                                                                                                                  |   |   |   |
|                            |                |                      |                                                                                                                                  |   |   |   |
|                            |                |                      |                                                                                                                                  |   |   |   |
|                            |                |                      |                                                                                                                                  |   |   |   |
|                            |                |                      |                                                                                                                                  |   |   |   |
|                            |                |                      |                                                                                                                                  |   |   |   |
|                            |                |                      |                                                                                                                                  |   |   |   |
|                            |                |                      |                                                                                                                                  |   |   |   |
|                            |                |                      |                                                                                                                                  |   |   |   |
|                            |                |                      |                                                                                                                                  |   |   |   |
|                            |                |                      |                                                                                                                                  |   |   |   |
|                            |                |                      |                                                                                                                                  |   |   |   |
|                            |                |                      |                                                                                                                                  |   |   |   |
|                            |                |                      |                                                                                                                                  |   |   |   |
|                            |                |                      |                                                                                                                                  |   |   |   |
|                            |                |                      |                                                                                                                                  |   |   |   |
|                            |                |                      |                                                                                                                                  |   |   |   |
|                            |                |                      |                                                                                                                                  |   |   |   |
|                            |                |                      |                                                                                                                                  |   |   |   |
|                            |                |                      |                                                                                                                                  |   |   |   |
|                            |                |                      |                                                                                                                                  |   |   |   |
|                            |                |                      |                                                                                                                                  |   |   |   |
|                            |                |                      |                                                                                                                                  |   |   |   |
|                            |                |                      |                                                                                                                                  |   |   |   |

FOR PARTS  
NOT SHOWN  
SEE FIG. 22



| FIGURE-INDEX NUMBER | PART NUMBER | UNITS PER ASM. | DESCRIPTION FOR FIGURE 31                                                                                                       |   |   |   |
|---------------------|-------------|----------------|---------------------------------------------------------------------------------------------------------------------------------|---|---|---|
|                     |             |                | 1                                                                                                                               | 2 | 3 | 4 |
| 31                  | 1794669     |                | BELT PRINTER GUIDE ASM,132 POS<br>USED ON 155 LPM MACHINES<br>FOR NEXT HIGHER ASM SEE LIST 22-1<br>AND FOR ILLUSTRATION FIG. 31 |   |   |   |
| - 1                 | 1794628     | 1              | • FORMS GUIDE                                                                                                                   |   |   |   |
| - 2                 | 1794627     | 2              | • BLOCK                                                                                                                         |   |   |   |
| - 3                 | 1800791     | 1              | • HAMMER UNIT ASM,132 POS                                                                                                       |   |   |   |
| - 4                 | 1800736     | 3              | • • CABLE ASM                                                                                                                   |   |   |   |
| - 5                 | 1800736     | 1              | • • BAR ASM,HAMMER-2 PIN BAR                                                                                                    |   |   |   |
| - 5                 | 1815358     | 1              | • • BAR ASM,HAMMER-3 PIN BAR                                                                                                    |   |   |   |
| - 6                 | 1077739     | AR             | • • PIN                                                                                                                         |   |   |   |
| - 7                 | 1800789     | 3              | • • BLOCK ASM,HAMMER-2 PIN BAR                                                                                                  |   |   |   |
| - 7                 | 1794656     | 3              | • • BLOCK ASM,HAMMER-3 PIN BAR                                                                                                  |   |   |   |
| - 8                 | 1800796     | 22             | • • • COIL ASM                                                                                                                  |   |   |   |
| - 9                 | 1815359     | 22             | • • • PLUNGER                                                                                                                   |   |   |   |
| - 10                | 1800704     | 22             | • • • SPRING                                                                                                                    |   |   |   |
| - 11                | 1800798     | 1              | • • • PLATE,5 HOLE                                                                                                              |   |   |   |
| - 11                | 1794800     | 1              | • • • PLATE,7 HOLE                                                                                                              |   |   |   |
| - 12                | 1794630     | 7              | • • • SCREW,MACH-PAN HD 2-56 X .470 LG<br>USED ON 7 HOLE PLATE                                                                  |   |   |   |
| - 13                | 1800707     | 2              | • • • LEVER,HAMMER                                                                                                              |   |   |   |
| - 14                | 1800717     |                | • • • BUMPER                                                                                                                    |   |   |   |
| - 15                | 1800718     |                | • • • SHAFT                                                                                                                     |   |   |   |
| - 16                | 1800722     |                | • • LABEL                                                                                                                       |   |   |   |
|                     |             |                | FOR ATTACHING PARTS, INDEX NOS. 150<br>AND ABOVE, SEE LIST 62                                                                   |   |   |   |
|                     |             |                |                                                                                                                                 |   |   |   |
|                     |             |                |                                                                                                                                 |   |   |   |
|                     |             |                |                                                                                                                                 |   |   |   |
|                     |             |                |                                                                                                                                 |   |   |   |
|                     |             |                |                                                                                                                                 |   |   |   |
|                     |             |                |                                                                                                                                 |   |   |   |
|                     |             |                |                                                                                                                                 |   |   |   |
|                     |             |                |                                                                                                                                 |   |   |   |
|                     |             |                |                                                                                                                                 |   |   |   |
|                     |             |                |                                                                                                                                 |   |   |   |
|                     |             |                |                                                                                                                                 |   |   |   |
|                     |             |                |                                                                                                                                 |   |   |   |
|                     |             |                |                                                                                                                                 |   |   |   |
|                     |             |                |                                                                                                                                 |   |   |   |
|                     |             |                |                                                                                                                                 |   |   |   |
|                     |             |                |                                                                                                                                 |   |   |   |
|                     |             |                |                                                                                                                                 |   |   |   |
|                     |             |                |                                                                                                                                 |   |   |   |

FOR PARTS  
NOT SHOWN  
SEE FIG. 26A

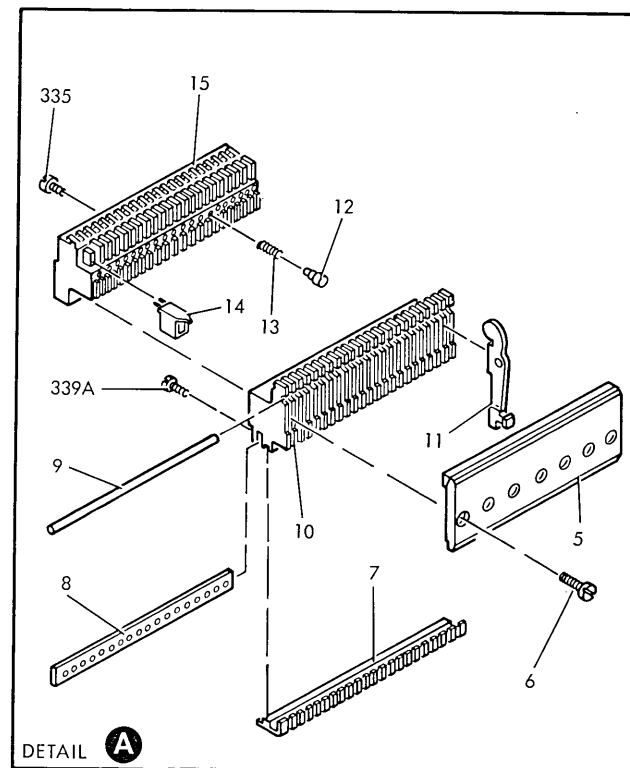
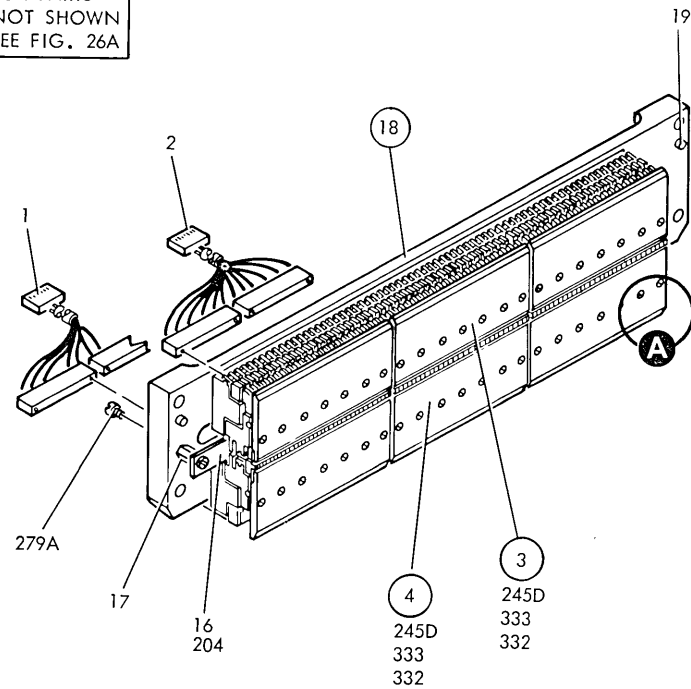


FIGURE 31A. BELT PRINTER HAMMER UNIT ASM, 285 LPM MACHINES. SEE LIST 31A.

| FIGURE-<br>INDEX<br>NUMBER | PART<br>NUMBER | UNITS<br>PER<br>ASM. | DESCRIPTION FOR FIGURE 31A                                                                                                      |   |   |   |
|----------------------------|----------------|----------------------|---------------------------------------------------------------------------------------------------------------------------------|---|---|---|
|                            |                |                      | 1                                                                                                                               | 2 | 3 | 4 |
| 31A                        | 1794816        |                      | BELT PRINTER HAMMER UNIT ASM<br>USED ON 285 LPM MACHINES<br>FOR NEXT HIGHER ASM SEE LIST 26A-1<br>AND FOR ILLUSTRATION FIG. 31A |   |   |   |
| - 1                        | 1815871        | 1                    | • CABLE ASM, HAMMER DRIVE                                                                                                       |   |   |   |
| - 2                        | 1800736        | 1                    | • CABLE ASM, HAMMER DRIVE                                                                                                       |   |   |   |
| - 3                        | 1794781        | 3                    | • BLOCK ASM, 22 HAMMER-UPPER                                                                                                    |   |   |   |
| - 4                        | 1794762        | 3                    | • BLOCK ASM, 22 HAMMER-LOWER                                                                                                    |   |   |   |
| - 5                        | 1794779        | 1                    | • PLATE, UPPER                                                                                                                  |   |   |   |
| - 5                        | 1794761        | 1                    | • PLATE, LOWER                                                                                                                  |   |   |   |
| - 6                        | 1794630        | 7                    | • SCREW                                                                                                                         |   |   |   |
| - 7                        | 1815857        | 1                    | • BUMPER                                                                                                                        |   |   |   |
| - 8                        | 1800741        | 1                    | • BAR, RETAINER                                                                                                                 |   |   |   |
| - 9                        | 1800718        | 1                    | • SHAFT                                                                                                                         |   |   |   |
| - 10                       | 1815864        | 1                    | • COMB BAR AND PIN ASM                                                                                                          |   |   |   |
| - 11                       | 1794815        | 1                    | • LEVER                                                                                                                         |   |   |   |
| - 12                       | 1815359        | 22                   | • PLUNGER                                                                                                                       |   |   |   |
| - 13                       | 1800704        | 22                   | • SPRING                                                                                                                        |   |   |   |
| - 14                       | 1800796        | 22                   | • COIL                                                                                                                          |   |   |   |
| - 15                       | 1815352        | 1                    | • STATOR BLOCK ASM                                                                                                              |   |   |   |
| - 16                       | 1815932        | 1                    | • LABEL                                                                                                                         |   |   |   |
| - 17                       | 1815929        | 1                    | • SPACER                                                                                                                        |   |   |   |
| - 18                       | 1815865        | 1                    | • BAR AND PIN ASM                                                                                                               |   |   |   |
| - 19                       | 104701         | 20                   | • PIN                                                                                                                           |   |   |   |
|                            |                |                      | FOR ATTACHING PARTS, INDEX NOS. 150<br>AND ABOVE, SEE LIST 62                                                                   |   |   |   |
|                            |                |                      |                                                                                                                                 |   |   |   |
|                            |                |                      |                                                                                                                                 |   |   |   |
|                            |                |                      |                                                                                                                                 |   |   |   |

THIS PAGE INTENTIONALLY LEFT BLANK

FOR PARTS  
NOW SHOWN  
SEE FIG. 22

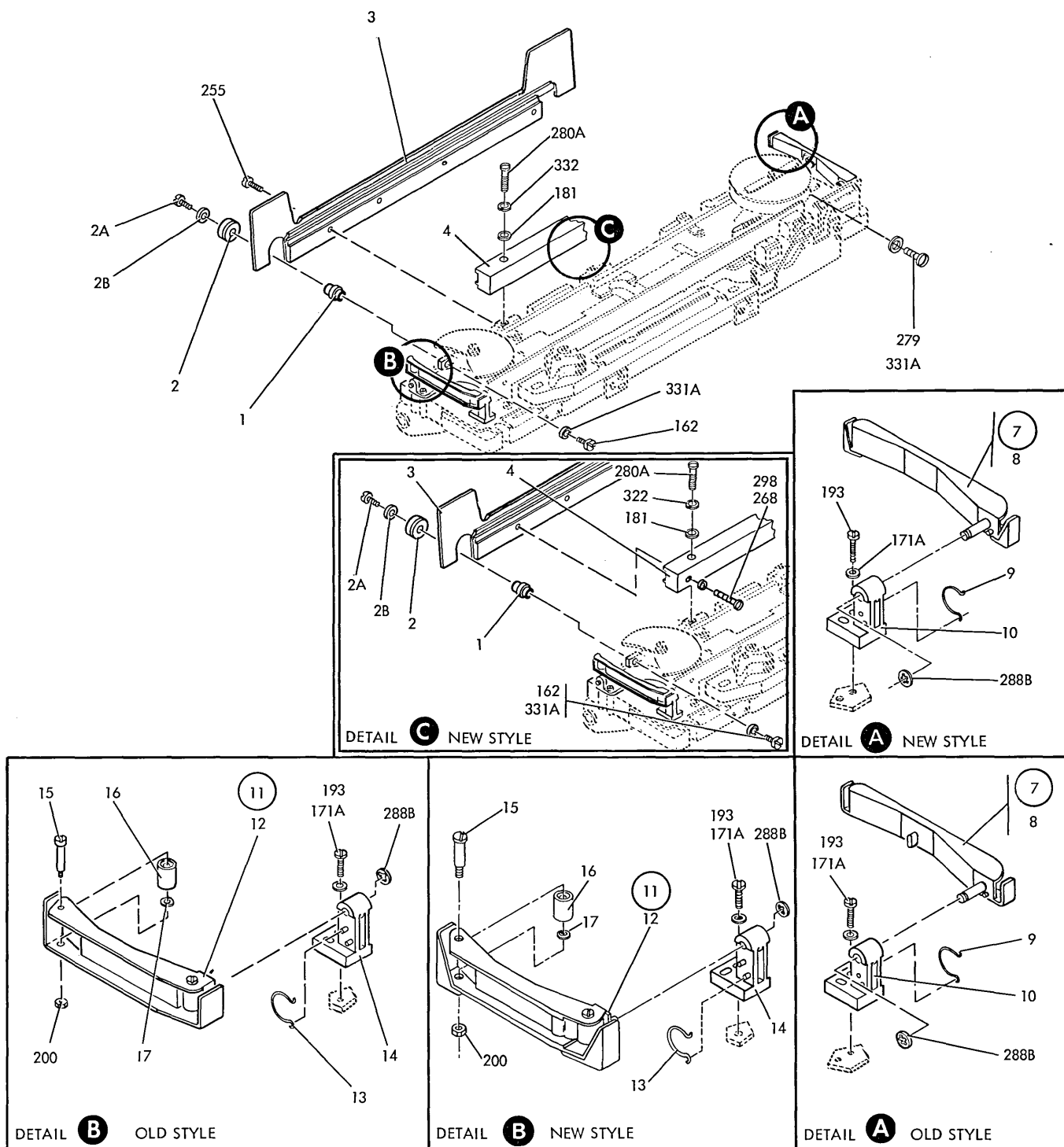
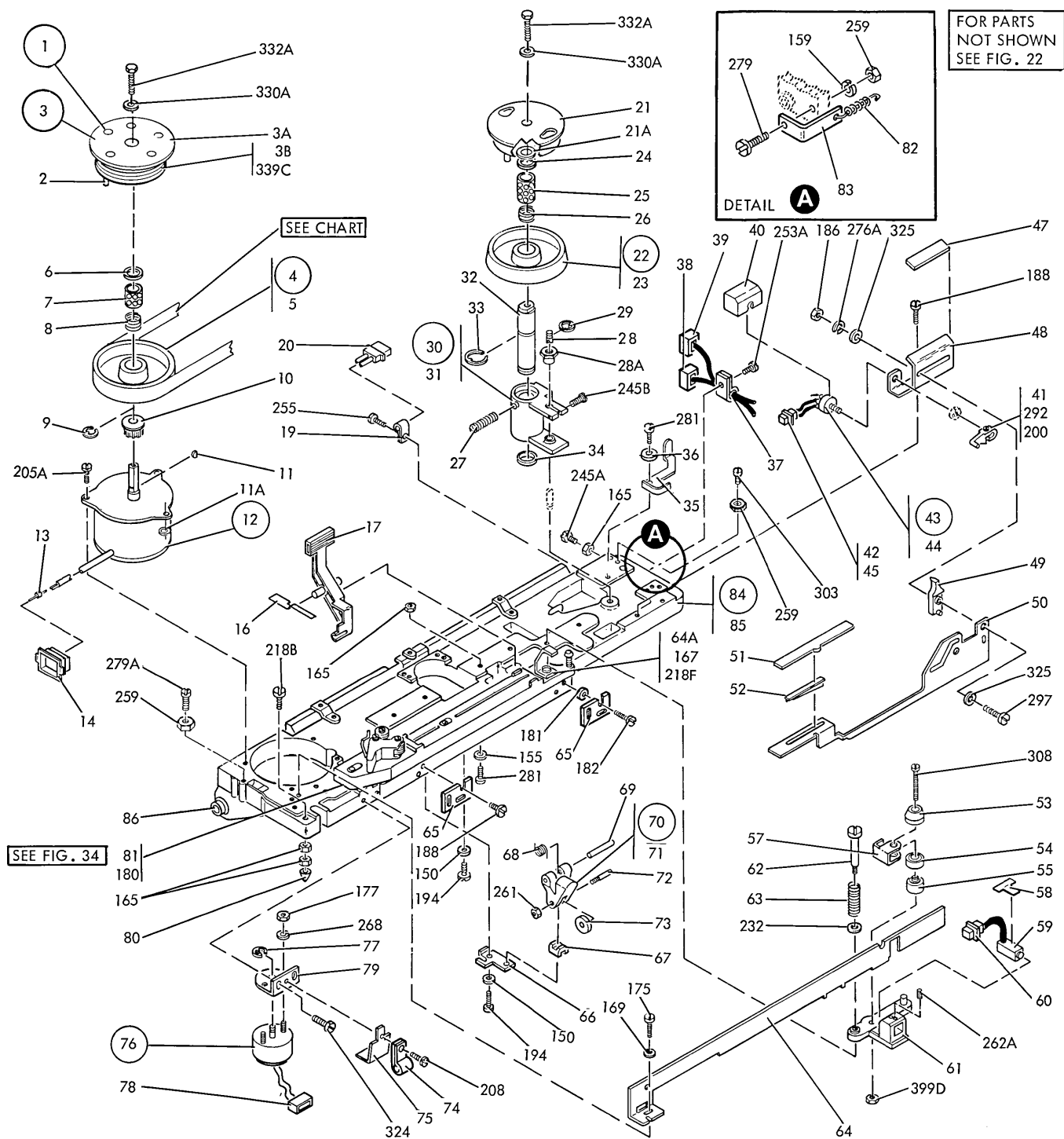


FIGURE 32. BELT PRINTER FRONT ASM, 155 LPM MACHINES. SEE LIST 32.



| FIGURE-<br>INDEX<br>NUMBER | PART<br>NUMBER | UNITS<br>PER<br>ASM. | DESCRIPTION FOR FIGURE 32                                                                                                                                   |   |   |   |
|----------------------------|----------------|----------------------|-------------------------------------------------------------------------------------------------------------------------------------------------------------|---|---|---|
|                            |                |                      | 1                                                                                                                                                           | 2 | 3 | 4 |
| 32                         | 1801911 NP     |                      | BELT PRINTER FRONT ASM<br>USED ON 155 LPM MACHINES<br>USED ON MACHINES WITHOUT EC 831959                                                                    |   |   |   |
|                            | 1795081 NP     |                      | BELT PRINTER FRONT ASM<br>USED ON 155 LPM MACHINES<br>USED ON MACHINES WITH EC 831959<br>FOR NEXT HIGHER ASM SEE LIST 22-10<br>AND FOR ILLUSTRATION FIG. 32 |   |   |   |
| - 1                        | 1800539        | 2                    | • STUD,GROOVED BEARING                                                                                                                                      |   |   |   |
| - 1                        | 1815421        | 1                    | • STUD,SMOOTH BEARING                                                                                                                                       |   |   |   |
| - 2                        | 1794805        | 2                    | • BEARING,GROOVED-ORDER 2 REPLACE BOTH                                                                                                                      |   |   |   |
| - 2A                       | 38235          | 2                    | • SCREW,MACH-BIND HD 6-32 X 5/16 LG ATT PT<br>GROOVER BEARING                                                                                               |   |   |   |
| - 2A                       | 55726          | 2                    | • SCREW,MACH-BIND HD 6-32 X 3/16 LG ATT PT<br>SMOOTH BEARING                                                                                                |   |   |   |
| - 2B                       | 22478          | 2                    | • WASHER,FLAT .170 ID X 3/16 OD X .04 THK ATT PT<br>SMOOTH BEARING                                                                                          |   |   |   |
| - 2B                       | 125145         | 2                    | • WASHER,FLAT NO. 6 X 1/2 OD X 1/32 THK ATT PT<br>GROOVED BEARING                                                                                           |   |   |   |
| - 3                        | 1794752        | 1                    | • SHIELD ASM,OLD STYLE                                                                                                                                      |   |   |   |
| - 3                        | 1794856        | 1                    | • SHIELD ASM,NEW STYLE                                                                                                                                      |   |   |   |
| - 4                        | 1801935        | 1                    | • PLATEN,OLD STYLE                                                                                                                                          |   |   |   |
| - 4                        | 1794824        | 1                    | • PLATEN,NEW STYLE                                                                                                                                          |   |   |   |
| - 7                        | 1814583        | 1                    | • ARM ASM,RIBBON RIGHT<br>USED ON MACHINES WITHOUT EC 828782                                                                                                |   |   |   |
| - 7                        | 1794776        | 1                    | • ARM ASM,RIBBON RIGHT<br>USED ON MACHINES WITH EC 828782                                                                                                   |   |   |   |
| - 8                        | 1812596 NR     | 1                    | • • ARM,RIBBON RIGHT<br>USED ON MACHINES WITHOUT EC 828782                                                                                                  |   |   |   |
| - 8                        | 1794774 NR     | 1                    | • • ARM,RIBBON RIGHT<br>USED ON MACHINES WITH EC 828782                                                                                                     |   |   |   |
| - 9                        | 1807651 NR     | 1                    | • • SPRING                                                                                                                                                  |   |   |   |
| - 10                       | 1814587 NR     | 1                    | • • BLOCK ASM<br>USED ON MACHINES WITHOUT EC 828782                                                                                                         |   |   |   |
| - 10                       | 1794772 NR     | 1                    | • • BLOCK ASM<br>USED ON MACHINES WITH EC 828782                                                                                                            |   |   |   |
| - 11                       | 1814584        | 1                    | • ARM ASM,RIBBON LEFT<br>USED ON MACHINES WITHOUT EC 828782                                                                                                 |   |   |   |
| - 11                       | 1794775        | 1                    | • ARM ASM,RIBBON LEFT<br>USED ON MACHINES WITH EC 828782                                                                                                    |   |   |   |
| - 12                       | 1812595 NR     | 1                    | • • ARM,RIBBON LEFT<br>USED ON MACHINES WITHOUT EC 828782                                                                                                   |   |   |   |
| - 12                       | 1794773        | 1                    | • • ARM,RIBBON LEFT<br>USED ON MACHINES WITH EC 828782                                                                                                      |   |   |   |
| - 13                       | 1807651 NR     | 1                    | • • SPRING                                                                                                                                                  |   |   |   |
| - 14                       | 1814587 NR     | 1                    | • • BLOCK ASM<br>USED ON MACHINES WITHOUT EC 828782                                                                                                         |   |   |   |
| - 14                       | 1794772        | 1                    | • • BLOCK ASM<br>USED ON MACHINES WITH EC 828782                                                                                                            |   |   |   |
| - 15                       | 1812587 NR     | 2                    | • • SHAFT,ROLLER                                                                                                                                            |   |   |   |
| - 16                       | 1812588 NR     | 2                    | • • ROLLER,RIBBON                                                                                                                                           |   |   |   |
| - 17                       | 1812589 NR     | 2                    | • • COLLAR,ROLLER                                                                                                                                           |   |   |   |
|                            |                |                      | FOR ATTACHING PARTS, INDEX NOS. 150<br>AND ABOVE, SEE LIST 62                                                                                               |   |   |   |
|                            |                |                      |                                                                                                                                                             |   |   |   |
|                            |                |                      |                                                                                                                                                             |   |   |   |
|                            |                |                      |                                                                                                                                                             |   |   |   |
|                            |                |                      |                                                                                                                                                             |   |   |   |
|                            |                |                      |                                                                                                                                                             |   |   |   |
|                            |                |                      |                                                                                                                                                             |   |   |   |
|                            |                |                      |                                                                                                                                                             |   |   |   |
|                            |                |                      |                                                                                                                                                             |   |   |   |
|                            |                |                      |                                                                                                                                                             |   |   |   |
|                            |                |                      |                                                                                                                                                             |   |   |   |



| COUNTRY        | PRINT BELTS |         |         |                 |         |                 | COUNTRY       | PRINT BELTS |         |         |                 |         |                 |          |
|----------------|-------------|---------|---------|-----------------|---------|-----------------|---------------|-------------|---------|---------|-----------------|---------|-----------------|----------|
|                | 48 CHAR     | 64 CHAR | KYBD ID | 96 CHAR COURIER | KYBD ID | 96 CHAR ARTISAN |               | 48 CHAR     | 64 CHAR | KYBD ID | 96 CHAR COURIER | KYBD ID | 96 CHAR ARTISAN | 128 CHAR |
| USA            | 1803809     | 1803810 | -       | 1795220         | -       | 1795245         | FRANCE-QWERTY | 1803809     | 1795215 | 32      | 1795225         | 32      | 1795247         | -        |
| ASCII          | 1803809     | 1803837 | -       | -               | -       | -               | FRANCE-AZERTY | 1803809     | 1795215 | 31      | 1795227         | 31      | 1795249         | -        |
| AUS/GER-QWERTZ | 1795124     | 1795125 | -       | 1795261         | -       | 1795255         | ITALY         | 1803809     | 1795215 | 41/46   | 1795260         | 41/46   | 1795254         | -        |
| AUS/GER-QWERTY | 1803809     | 1803810 | -       | 1795262         | -       | 1795256         | JAPAN         | 1795172     | 1795173 | -       | -               | -       | -               | -        |
| GERMANY        | -           | -       | 26/27   | 1795261         | 26/27   | 1795255         | KATAKANA      | -           | 1795198 | -       | 1795199         | -       | -               | 1705106  |
| GERMANY        | -           | -       | 28      | 1795262         | 28      | 1795256         | NORWAY        | 1795154     | 1795155 | -       | -               | -       | -               | -        |
| GERMANY        | -           | -       | 29      | 1795226         | 29      | 1795248         | PORTUGAL      | 1795139     | 1795140 | -       | -               | -       | -               | -        |
| BELGIUM        | 1803809     | 1795215 | -       | -               | -       | -               | SPAIN         | 1795160     | 1795161 | -       | -               | -       | -               | -        |
| BRAZIL         | 1795169     | 1795170 | -       | -               | -       | -               | SPNSH SPKG    | 1795163     | 1795164 | -       | -               | -       | -               | -        |
| DENMARK        | 1795154     | 1795155 | 56/57   | 1795276         | 56/57   | 1795767         | SWEDEN        | 1795157     | 1795158 | -       | -               | -       | -               | -        |
| FINLAND        | 1795157     | 1795158 | -       | -               | -       | -               | UK            | 1795166     | 1795167 | 66/67   | 1795230         | 66/67   | 1795252         | -        |

FIGURE 33. BELT PRINTER FRONT ASM,155 LPM MACHINES. SEE LIST 33.

| FIGURE-<br>INDEX<br>NUMBER | PART<br>NUMBER | UNITS<br>PER<br>ASM. | DESCRIPTION FOR FIGURE 33                                                                                                                                   |   |   |   |
|----------------------------|----------------|----------------------|-------------------------------------------------------------------------------------------------------------------------------------------------------------|---|---|---|
|                            |                |                      | 1                                                                                                                                                           | 2 | 3 | 4 |
| 33                         | 1801911 NP     |                      | BELT PRINTER FRONT ASM<br>USED ON 155 LPM MACHINES<br>USED ON MACHINES WITHOUT EC 831959                                                                    |   |   |   |
|                            | 1795081 NP     |                      | BELT PRINTER FRONT ASM<br>USED ON 155 LPM MACHINES<br>USED ON MACHINES WITH EC 831959<br>FOR NEXT HIGHER ASM SEE LIST 22-10<br>AND FOR ILLUSTRATION FIG. 33 |   |   |   |
| - 2                        | 104697         | 1                    | • • PIN                                                                                                                                                     |   |   |   |
| - 3                        | 1794708        | 1                    | • • FLYWHEEL ASM                                                                                                                                            |   |   |   |
| - 3A                       | 1794834        | 1                    | • • • SCREEN ASM                                                                                                                                            |   |   |   |
| - 3B                       | 1821402        | 5                    | • • • DISC                                                                                                                                                  |   |   |   |
| - 4                        | 1801905        | 1                    | • PULLEY ASM,DRIVE                                                                                                                                          |   |   |   |
| - 5                        | 1801902        | 1                    | • • PULLEY,DRIVE                                                                                                                                            |   |   |   |
| - 6                        | 1801941        | 1                    | • • • RETAINER,BEARING                                                                                                                                      |   |   |   |
| - 7                        | 1801940        | 1                    | • • • BEARING,CAGE                                                                                                                                          |   |   |   |
| - 8                        | 1794866 NR     | 1                    | • • • SPRING                                                                                                                                                |   |   |   |
| - 9                        | 251227         | 1                    | • RING,RETAINING                                                                                                                                            |   |   |   |
| - 10                       | 1801971        | 1                    | • PULLEY,DRIVE                                                                                                                                              |   |   |   |
| - 11                       | 328027         | 1                    | • KEY,SHAFT                                                                                                                                                 |   |   |   |
| - 11A                      | 1795075        | 3                    | • SHIM                                                                                                                                                      |   |   |   |
| - 12                       | 1816039        | 1                    | • MOTOR                                                                                                                                                     |   |   |   |
| - 13                       | 1166114        | 6                    | • • • TERMINAL                                                                                                                                              |   |   |   |
| - 14                       | 1166499        | 1                    | • • • HOUSING                                                                                                                                               |   |   |   |
| - 16                       | 1801991        | 1                    | • SPRING                                                                                                                                                    |   |   |   |
| - 17                       | 1801989        | 1                    | • LEVER                                                                                                                                                     |   |   |   |
| - 19                       | 5213276        | 1                    | • CLAMP                                                                                                                                                     |   |   |   |
| - 20                       | 1812492        | 1                    | • HOUSING,CONNECTOR MALE                                                                                                                                    |   |   |   |
| - 21                       | 1812464        | 1                    | • COVER,IDLER                                                                                                                                               |   |   |   |
| - 21A                      | 1794754        | 1                    | • SPACER                                                                                                                                                    |   |   |   |
| - 22                       | 1801906        | 1                    | • PULLEY ASM,IDLER                                                                                                                                          |   |   |   |
| - 23                       | 1801903        | 1                    | • • PULLEY,IDLER                                                                                                                                            |   |   |   |
| - 24                       | 1801941        | 1                    | • • • RETAINER,BEARING                                                                                                                                      |   |   |   |
| - 25                       | 1801940 NR     | 1                    | • • • BEARING,CAGE                                                                                                                                          |   |   |   |
| - 26                       | 1794866 NR     | 1                    | • • • SPRING                                                                                                                                                |   |   |   |
| - 27                       | 1800527        | 1                    | • SPRING                                                                                                                                                    |   |   |   |
| - 28                       | 1794809        | 1                    | • SHAFT,PIVOT                                                                                                                                               |   |   |   |
| - 28A                      | 1794808        | 1                    | • IDLER,ECCENTRIC                                                                                                                                           |   |   |   |
| - 29                       | 257982         | 2                    | • CLIP                                                                                                                                                      |   |   |   |
| - 30                       | 1812463        | 1                    | • PIVOT ASM                                                                                                                                                 |   |   |   |
| - 31                       | 1812465        | 1                    | • • • BLOCK,PIVOT                                                                                                                                           |   |   |   |
| - 32                       | 1812462        | 1                    | • • • SHAFT,IDLER                                                                                                                                           |   |   |   |
| - 33                       | 251227         | 2                    | • • • RING,RETAINING                                                                                                                                        |   |   |   |
| - 34                       | 156231         | 4                    | • • • BEARING,BALL                                                                                                                                          |   |   |   |
| - 35                       | 1812456        | 1                    | • LEVER,RELEASE                                                                                                                                             |   |   |   |
| - 36                       | 1812334        | 1                    | • SPACER                                                                                                                                                    |   |   |   |
| - 37                       | 169698         | 1                    | • CLAMP                                                                                                                                                     |   |   |   |
| - 38                       | 5214573        | 1                    | • HOUSING                                                                                                                                                   |   |   |   |
| - 39                       | 1166117        | 1                    | • HOUSING                                                                                                                                                   |   |   |   |
| - 40                       | 1812493        | 1                    | • COVER                                                                                                                                                     |   |   |   |
| - 41                       | 1801999        | 1                    | • FOLLOWER                                                                                                                                                  |   |   |   |
| - 42                       | 1166117        | 1                    | • HOUSING                                                                                                                                                   |   |   |   |
| - 43                       | 1810970        | 1                    | • POTENTIOMETER ASM                                                                                                                                         |   |   |   |
| - 44                       | 1582590        | 1                    | • • • POTENTIOMETER                                                                                                                                         |   |   |   |
| - 45                       | 483999         | 2                    | • • • TERMINAL                                                                                                                                              |   |   |   |
| - 47                       | 1810963        | 1                    | • LABEL                                                                                                                                                     |   |   |   |
| - 48                       | 1810964        | 1                    | • BRACKET                                                                                                                                                   |   |   |   |
| - 49                       | 1810967        | 1                    | • KNOB                                                                                                                                                      |   |   |   |
| - 50                       | 1810962        | 1                    | • CARRIER                                                                                                                                                   |   |   |   |
| - 50                       | 1794582        | 1                    | • CARRIER                                                                                                                                                   |   |   |   |
| - 51                       | 1810966        | 1                    | • PLATE                                                                                                                                                     |   |   |   |
| - 52                       | 1794581        | 1                    | • RAMP                                                                                                                                                      |   |   |   |
| - 53                       | 1815409        | 1                    | • SUPPORT,BEARING UPPER                                                                                                                                     |   |   |   |
| - 54                       | 1794753        | 1                    | • BEARING,BALL                                                                                                                                              |   |   |   |
| - 55                       | 1815410        | 1                    | • SUPPORT,BEARING LOWER                                                                                                                                     |   |   |   |
| - 57                       | 1794758        | 1                    | • CLEARER                                                                                                                                                   |   |   |   |
| - 58                       | 4136975        | 1                    | • SPACER                                                                                                                                                    |   |   |   |
| - 59                       | 1803793        | 1                    | • EMITTER ASM                                                                                                                                               |   |   |   |
| - 60                       | 5214573        | 1                    | • HOUSING                                                                                                                                                   |   |   |   |
| - 61                       | 1794838        | 1                    | • BRACKET,TRANSDUCER                                                                                                                                        |   |   |   |
| - 62                       | 1812457        | 2                    | • SCREW,SHOULDER                                                                                                                                            |   |   |   |
| - 63                       | 1794770        | 2                    | • SPRING                                                                                                                                                    |   |   |   |
| - 64                       | 4136961        | 1                    | • GUARD,PRINT                                                                                                                                               |   |   |   |
| - 64A                      | 1794941        | 1                    | • BRACKET                                                                                                                                                   |   |   |   |
| - 65                       | 1811021        | 2                    | • PLATE,SOLENOID GUIDE                                                                                                                                      |   |   |   |
| - 66                       | 1821407        | 1                    | • RETAINER                                                                                                                                                  |   |   |   |
| - 67                       | 1821408        | 1                    | • PLATE                                                                                                                                                     |   |   |   |
| - 68                       | 1800487        | 1                    | • SPRING                                                                                                                                                    |   |   |   |
| - 69                       | 104712         | 1                    | • PIN                                                                                                                                                       |   |   |   |
| - 70                       | 1810969        | 1                    | • FOLLOWER ASM                                                                                                                                              |   |   |   |

| FIGURE-<br>INDEX<br>NUMBER | PART<br>NUMBER | UNITS<br>PER<br>ASM. | DESCRIPTION FOR FIGURE 33 |                                                               |           |   |
|----------------------------|----------------|----------------------|---------------------------|---------------------------------------------------------------|-----------|---|
|                            |                |                      | 1                         | 2                                                             | 3         | 4 |
| 33 - 71                    | 1810968        | 1                    | •                         | •                                                             | FOLLOWER  |   |
| - 72                       | 1814586        | 1                    | •                         | •                                                             | ECCENTRIC |   |
| - 73                       | 110129         | 1                    | •                         | •                                                             | BEARING   |   |
| - 74                       | 5213276        | 1                    | •                         | CLAMP                                                         |           |   |
| - 75                       | 1814621        | 1                    | •                         | SHIELD                                                        |           |   |
| - 76                       | 1802035        | 1                    | •                         | SOLENOID ASM                                                  |           |   |
| - 77                       | 1092125        | 1                    | •                         | CLIP                                                          |           |   |
| - 78                       | 5214573        | 1                    | •                         | •                                                             | HOUSING   |   |
| - 79                       | 1814620        | 1                    | •                         | BRACKET                                                       |           |   |
| - 80                       | 2638059        | 1                    | •                         | BUMPER                                                        |           |   |
| - 81                       | 1794829        | 1                    | •                         | RIBBON MOUNTING BAR ASM<br>FOR DETAIL BREAKDOWN SEE LIST 34   |           |   |
| - 82                       | 1815420        | 1                    | •                         | SPRING                                                        |           |   |
| - 83                       | 1815418        | 1                    | •                         | BRACKET                                                       |           |   |
| - 84                       | 1807647        | 1                    | •                         | BASE ASM,FRONT                                                |           |   |
| - 85                       | 1807640 NP     | 1                    | •                         | •                                                             | CASTING   |   |
| - 86                       | 1821329        | 2                    | •                         | •                                                             | BUSHING   |   |
|                            |                |                      |                           | FOR ATTACHING PARTS, INDEX NOS. 150<br>AND ABOVE, SEE LIST 62 |           |   |
|                            |                |                      |                           |                                                               |           |   |
|                            |                |                      |                           |                                                               |           |   |
|                            |                |                      |                           |                                                               |           |   |
|                            |                |                      |                           |                                                               |           |   |
|                            |                |                      |                           |                                                               |           |   |
|                            |                |                      |                           |                                                               |           |   |
|                            |                |                      |                           |                                                               |           |   |
|                            |                |                      |                           |                                                               |           |   |
|                            |                |                      |                           |                                                               |           |   |
|                            |                |                      |                           |                                                               |           |   |
|                            |                |                      |                           |                                                               |           |   |
|                            |                |                      |                           |                                                               |           |   |
|                            |                |                      |                           |                                                               |           |   |
|                            |                |                      |                           |                                                               |           |   |
|                            |                |                      |                           |                                                               |           |   |
|                            |                |                      |                           |                                                               |           |   |
|                            |                |                      |                           |                                                               |           |   |
|                            |                |                      |                           |                                                               |           |   |
|                            |                |                      |                           |                                                               |           |   |
|                            |                |                      |                           |                                                               |           |   |
|                            |                |                      |                           |                                                               |           |   |
|                            |                |                      |                           |                                                               |           |   |
|                            |                |                      |                           |                                                               |           |   |
|                            |                |                      |                           |                                                               |           |   |
|                            |                |                      |                           |                                                               |           |   |
|                            |                |                      |                           |                                                               |           |   |
|                            |                |                      |                           |                                                               |           |   |
|                            |                |                      |                           |                                                               |           |   |
|                            |                |                      |                           |                                                               |           |   |
|                            |                |                      |                           |                                                               |           |   |

THIS PAGE INTENTIONALLY  
LEFT BLANK

FOR PARTS  
NOT SHOWN  
SEE FIG. 26A

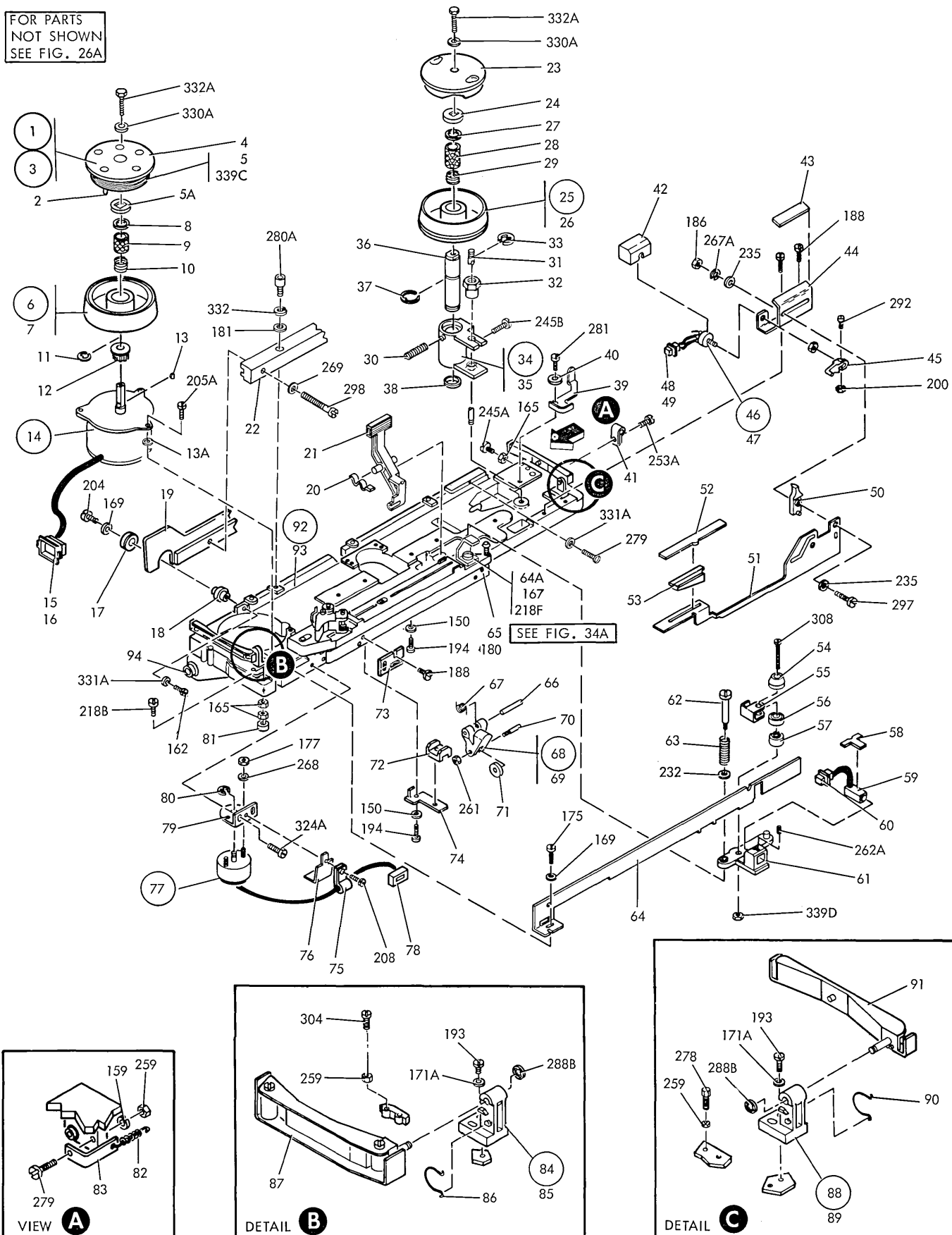


FIGURE 33A. BELT PRINTER FRONT END ASM, 285 LPM MACHINES. SEE LIST 33A.

| FIGURE-<br>INDEX<br>NUMBER | PART<br>NUMBER | UNITS<br>PER<br>ASM. | DESCRIPTION FOR FIGURE 33A                                                                                                     |   |   |   |
|----------------------------|----------------|----------------------|--------------------------------------------------------------------------------------------------------------------------------|---|---|---|
|                            |                |                      | 1                                                                                                                              | 2 | 3 | 4 |
| 33A                        | 1815908        |                      | BELT PRINTER FRONT END ASM<br>USED ON 285 LPM MACHINES<br>FOR NEXT HIGHER ASM SEE LIST 26A-30<br>AND FOR ILLUSTRATION FIG. 33A |   |   |   |
| - 1                        | 1821401        | 1                    | • FLYWHEEL ASM                                                                                                                 |   |   |   |
| - 2                        | 104697         | 1                    | • • PIN                                                                                                                        |   |   |   |
| - 3                        | 1794708        | 1                    | • • FLYWHEEL ASM                                                                                                               |   |   |   |
| - 4                        | 1794834        | 1                    | • • • SCREEN ASM                                                                                                               |   |   |   |
| - 5                        | 1821402        | 5                    | • • • DISC                                                                                                                     |   |   |   |
| - 5A                       | 1794751        | 1                    | • SPACER                                                                                                                       |   |   |   |
| - 6                        | 1801905        | 1                    | • PULLEY ASM,DRIVE                                                                                                             |   |   |   |
| - 7                        | 1801902        | 1                    | • • PULLEY,DRIVER                                                                                                              |   |   |   |
| - 8                        | 1801941        | 1                    | • • RETAINER,BEARING                                                                                                           |   |   |   |
| - 9                        | 1801940        | 1                    | • • BEARING,CAGE                                                                                                               |   |   |   |
| - 10                       | 1815348        | 1                    | • • SPRING,COMPRESSION                                                                                                         |   |   |   |
| - 11                       | 251227         | 1                    | • RING,RETAINING                                                                                                               |   |   |   |
| - 12                       | 1801971        | 1                    | • PULLEY TIMING                                                                                                                |   |   |   |
| - 13                       | 328037         | 1                    | • KEY                                                                                                                          |   |   |   |
| - 13A                      | 1795075        | 3                    | • SHIM                                                                                                                         |   |   |   |
| - 14                       | 1816039        | 1                    | • MOTOR ASM                                                                                                                    |   |   |   |
| - 15                       | 1166114        | 6                    | • • PIN                                                                                                                        |   |   |   |
| - 16                       | 1166499        | 1                    | • • CONNECTOR                                                                                                                  |   |   |   |
| - 17                       | 1815421        | 2                    | • STUD                                                                                                                         |   |   |   |
| - 18                       | 1794748        | 2                    | • BEARING                                                                                                                      |   |   |   |
| - 19                       | 1794810        | 1                    | • SHIELD ASM                                                                                                                   |   |   |   |
| - 20                       | 1801991        | 1                    | • SPRING                                                                                                                       |   |   |   |
| - 21                       | 1801989        | 1                    | • LEVER                                                                                                                        |   |   |   |
| - 22                       | 1794824        | 1                    | • PLATEN                                                                                                                       |   |   |   |
| - 23                       | 1812464        | 1                    | • COVER,IDLER                                                                                                                  |   |   |   |
| - 24                       | 1794754        | 1                    | • SPACER                                                                                                                       |   |   |   |
| - 25                       | 1801906        | 1                    | • PULLEY ASM,IDLER                                                                                                             |   |   |   |
| - 26                       | 1801903        | 1                    | • • PULLEY,IDLER                                                                                                               |   |   |   |
| - 27                       | 1801941        | 1                    | • • RETAINER,BEARING                                                                                                           |   |   |   |
| - 28                       | 1801940        | 1                    | • • BEARING,CAGE                                                                                                               |   |   |   |
| - 29                       | 1815348        | 1                    | • • SPRING,COMPRESSION                                                                                                         |   |   |   |
| - 30                       | 1800527        | 1                    | • SPING,COMPRESSION                                                                                                            |   |   |   |
| - 31                       | 1794809        | 1                    | • SHAFT,PIVOT                                                                                                                  |   |   |   |
| - 32                       | 1794808        | 1                    | • ECCENTRIC                                                                                                                    |   |   |   |
| - 33                       | 257982         | 2                    | • CLIP,RETAINING                                                                                                               |   |   |   |
| - 34                       | 1812463        | 1                    | • PIVOT ASM                                                                                                                    |   |   |   |
| - 35                       | 1812465        | 1                    | • • BLOCK,PIVOT                                                                                                                |   |   |   |
| - 36                       | 1812462        | 1                    | • • SHAFT,IDLER                                                                                                                |   |   |   |
| - 37                       | 219743         | 2                    | • • RING,RETAINING                                                                                                             |   |   |   |
| - 38                       | 156231         | 2                    | • • BEARING,BALL                                                                                                               |   |   |   |
| - 39                       | 1812456        | 1                    | • LEVER,RELEASE                                                                                                                |   |   |   |
| - 40                       | 1812334        | 1                    | • SPACER                                                                                                                       |   |   |   |
| - 41                       | 169698         | 1                    | • CLAMP,CABLE                                                                                                                  |   |   |   |
| - 42                       | 1812493        | 1                    | • COVER,POTENTIOMETER                                                                                                          |   |   |   |
| - 43                       | 1810963        | 1                    | • LABEL                                                                                                                        |   |   |   |
| - 44                       | 1810964        | 1                    | • BRACKET                                                                                                                      |   |   |   |
| - 45                       | 1810999        | 1                    | • FOLLOWER                                                                                                                     |   |   |   |
| - 46                       | 1810970        | 1                    | • POTENTIOMETER ASM                                                                                                            |   |   |   |
| - 47                       | 1582590        | 1                    | • • POTENTIOMETER,25K PIM 10 PCT 1W                                                                                            |   |   |   |
| - 48                       | 1166117        | 1                    | • • HOUSING                                                                                                                    |   |   |   |
| - 49                       | 483999         | 2                    | • • CONTACT,PIN                                                                                                                |   |   |   |
| - 50                       | 1810967        | 1                    | • KNOB                                                                                                                         |   |   |   |
| - 51                       | 1821421        | 1                    | • CARRIER                                                                                                                      |   |   |   |
| - 52                       | 1810966        | 1                    | • PLATE,RAMP                                                                                                                   |   |   |   |
| - 53                       | 1794649        | 1                    | • RAMP                                                                                                                         |   |   |   |
| - 54                       | 1815409        | 1                    | • SUPPORT,UPPER                                                                                                                |   |   |   |
| - 55                       | 1794758        | 1                    | • CLEANER                                                                                                                      |   |   |   |
| - 56                       | 1794753        | 1                    | • BEARING                                                                                                                      |   |   |   |
| - 57                       | 1815410        | 1                    | • SUPPORT,LOWER                                                                                                                |   |   |   |
| - 58                       | 4136975        | 1                    | • SPACER                                                                                                                       |   |   |   |
| - 59                       | 1803793        | 1                    | • EMITTER ASM                                                                                                                  |   |   |   |
| - 60                       | 5214573        | 1                    | • HOUSING,MALE                                                                                                                 |   |   |   |
| - 61                       | 1794838        | 1                    | • BRACKET,TRANSDUCER                                                                                                           |   |   |   |
| - 62                       | 1812457        | 2                    | • SCREW,SHOULDER 8-32                                                                                                          |   |   |   |
| - 63                       | 1794770        | 2                    | • SPRING                                                                                                                       |   |   |   |
| - 64                       | 4136961        | 1                    | • GUARD                                                                                                                        |   |   |   |
| - 64A                      | 1794941        | 1                    | • BRACKET                                                                                                                      |   |   |   |
| - 65                       | 1815907        | 1                    | • RIBBON MOUNTING BAR ASM<br>FOR DETAIL BREAKDOWN SEE LIST 34A                                                                 |   |   |   |
| - 66                       | 104712         | 1                    | • PIN                                                                                                                          |   |   |   |
| - 67                       | 1800487        | 1                    | • SPRING                                                                                                                       |   |   |   |
| - 68                       | 1810969        | 1                    | • FOLLOWER ASM                                                                                                                 |   |   |   |
| - 69                       | 1810968        | 1                    | • • SUPPORT,FOLLOWER                                                                                                           |   |   |   |
| - 70                       | 1814586        | 1                    | • • ECCENTRIC                                                                                                                  |   |   |   |
| - 71                       | 110129         | 1                    | • • BEARING                                                                                                                    |   |   |   |
| - 72                       | 1821408        | 1                    | • PLATE,PRESSURE                                                                                                               |   |   |   |

| FIGURE-<br>INDEX<br>NUMBER | PART<br>NUMBER | UNITS<br>PER<br>ASM. | DESCRIPTION FOR FIGURE 33A |   |                      |                                                               |
|----------------------------|----------------|----------------------|----------------------------|---|----------------------|---------------------------------------------------------------|
|                            |                |                      | 1                          | 2 | 3                    | 4                                                             |
| 33A-                       | 73             | 1811021              | 1                          | • | PLATE                |                                                               |
| -                          | 74             | 1821407              | 1                          | • | RETAINER             |                                                               |
| -                          | 75             | 5213276              | 1                          | • | CLAMP, CABLE         |                                                               |
| -                          | 76             | 1814621              | 1                          | • | GUARD, SOLENIOD      |                                                               |
| -                          | 77             | 1802035              | 1                          | • | SOLENIOD ASM         |                                                               |
| -                          | 78             | 5214573              | 1                          | • | HOUSING              |                                                               |
| -                          | 79             | 1814620              | 1                          | • | BRACKET, SOLENIOD    |                                                               |
| -                          | 80             | 1092125              | 1                          | • | CLIP                 |                                                               |
| -                          | 81             | 2638059              | 1                          | • | BUMPER               |                                                               |
| -                          | 82             | 1815420              | 1                          | • | SPRING               |                                                               |
| -                          | 83             | 1815418              | 1                          | • | BRACKET              |                                                               |
| -                          | 84             | 1815915              | 1                          | • | ARM ASM, RIBBON-LH   |                                                               |
| -                          | 85             | 1794772              | 1                          | • | BLOCK, RIBBON ARM    |                                                               |
| -                          | 86             | 1807651              | 1                          | • | SPRING               |                                                               |
| -                          | 87             | 1815922              | 1                          | • | ARM, RIBBON-LH       |                                                               |
| -                          | 88             | 1815914              | 1                          | • | ARM ASM, RIBBON-RH   |                                                               |
| -                          | 89             | 1794772              | 1                          | • | BLOCK, RIBBON ARM    |                                                               |
| -                          | 90             | 1807651              | 1                          | • | SPRING               |                                                               |
| -                          | 91             | 1815923              | 1                          | • | ARM, RIBBON-RH       |                                                               |
| -                          | 92             | 1807647              | 1                          | • | BASE ASM, FRONT      |                                                               |
| -                          | 93             | 1807640              | 1                          | • | CASTING, FRONT PIVOT |                                                               |
| -                          | 94             | 1821329              | 2                          | • | BUSHING              |                                                               |
|                            |                |                      |                            |   |                      | FOR ATTACHING PARTS, INDEX NOS. 150<br>AND ABOVE, SEE LIST 62 |
|                            |                |                      |                            |   |                      |                                                               |
|                            |                |                      |                            |   |                      |                                                               |
|                            |                |                      |                            |   |                      |                                                               |
|                            |                |                      |                            |   |                      |                                                               |
|                            |                |                      |                            |   |                      |                                                               |
|                            |                |                      |                            |   |                      |                                                               |
|                            |                |                      |                            |   |                      |                                                               |
|                            |                |                      |                            |   |                      |                                                               |
|                            |                |                      |                            |   |                      |                                                               |
|                            |                |                      |                            |   |                      |                                                               |
|                            |                |                      |                            |   |                      |                                                               |
|                            |                |                      |                            |   |                      |                                                               |
|                            |                |                      |                            |   |                      |                                                               |
|                            |                |                      |                            |   |                      |                                                               |
|                            |                |                      |                            |   |                      |                                                               |
|                            |                |                      |                            |   |                      |                                                               |
|                            |                |                      |                            |   |                      |                                                               |
|                            |                |                      |                            |   |                      |                                                               |
|                            |                |                      |                            |   |                      |                                                               |
|                            |                |                      |                            |   |                      |                                                               |
|                            |                |                      |                            |   |                      |                                                               |
|                            |                |                      |                            |   |                      |                                                               |
|                            |                |                      |                            |   |                      |                                                               |
|                            |                |                      |                            |   |                      |                                                               |
|                            |                |                      |                            |   |                      |                                                               |
|                            |                |                      |                            |   |                      |                                                               |
|                            |                |                      |                            |   |                      |                                                               |
|                            |                |                      |                            |   |                      |                                                               |
|                            |                |                      |                            |   |                      |                                                               |



THIS PAGE INTENTIONALLY LEFT BLANK

FOR PARTS  
NOT SHOWN  
SEE FIG. 33

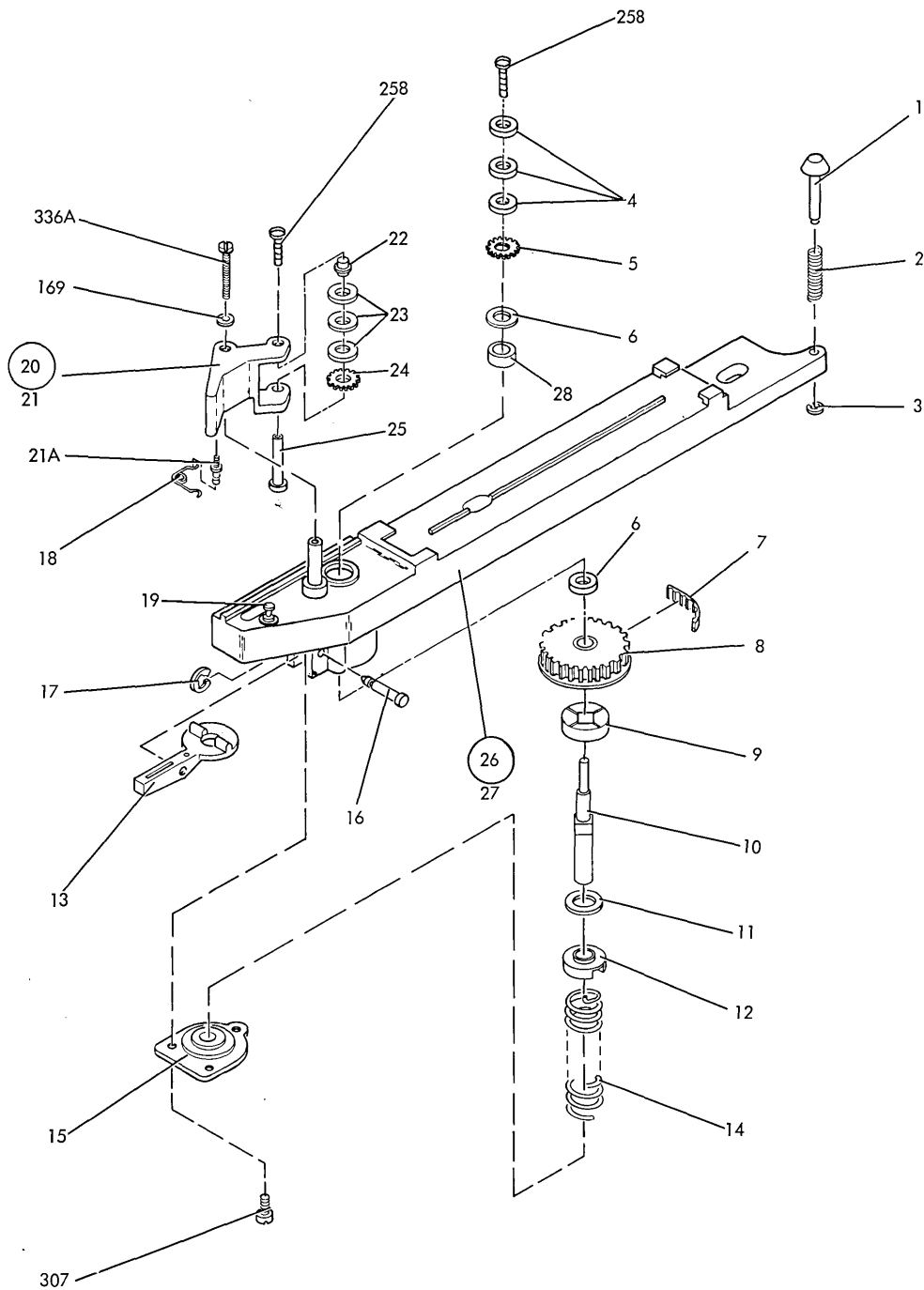


FIGURE 34. BELT PRINTER RIBBON MOUNTING BAR ASM, 155 LPM MACHINES. SEE LIST 34.



FOR PARTS  
NOT SHOWN  
SEE FIG. 33A

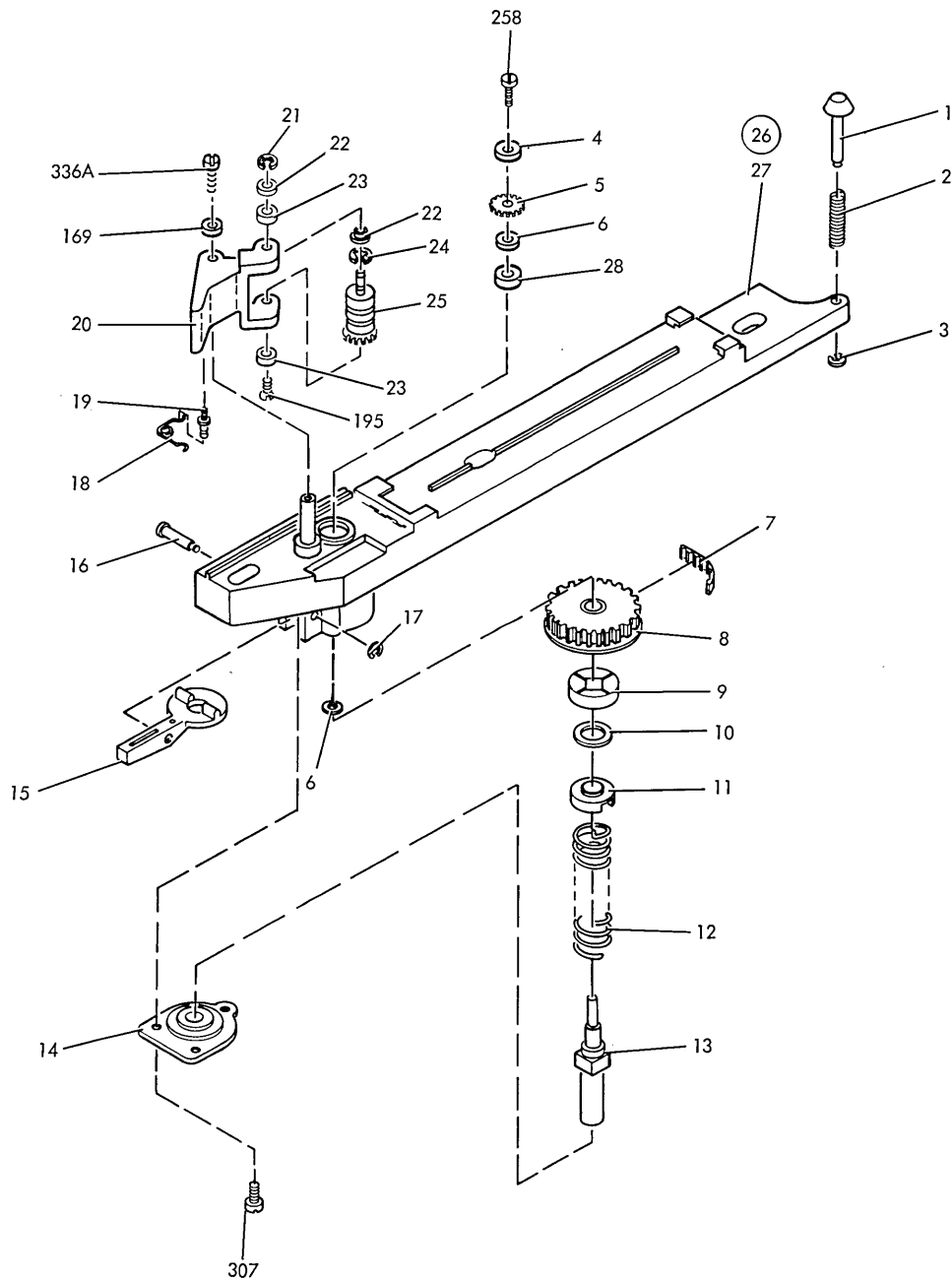


FIGURE 34A. BELT PRINTER RIBBON MOUNTING BAR ASM, 285 LPM MACHINES. SEE LIST 34A.



FOR PARTS  
NOT SHOWN  
SEE FIG. 12

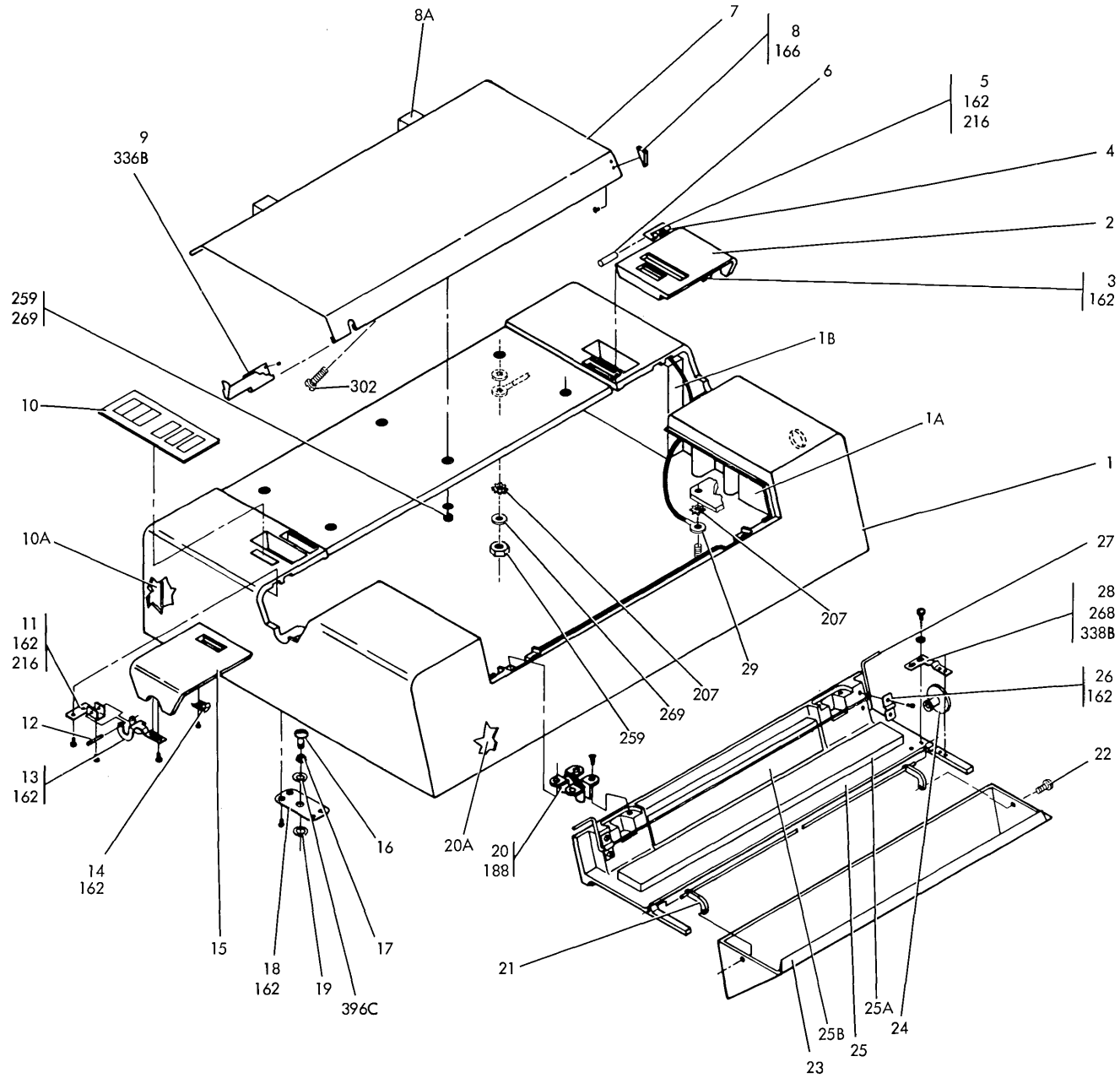


FIGURE 35. WIRE PRINTER COVER ASM, MODEL A1 AND A2. SEE LIST 35.



FOR PARTS  
NOT SHOWN  
SEE FIG. 3

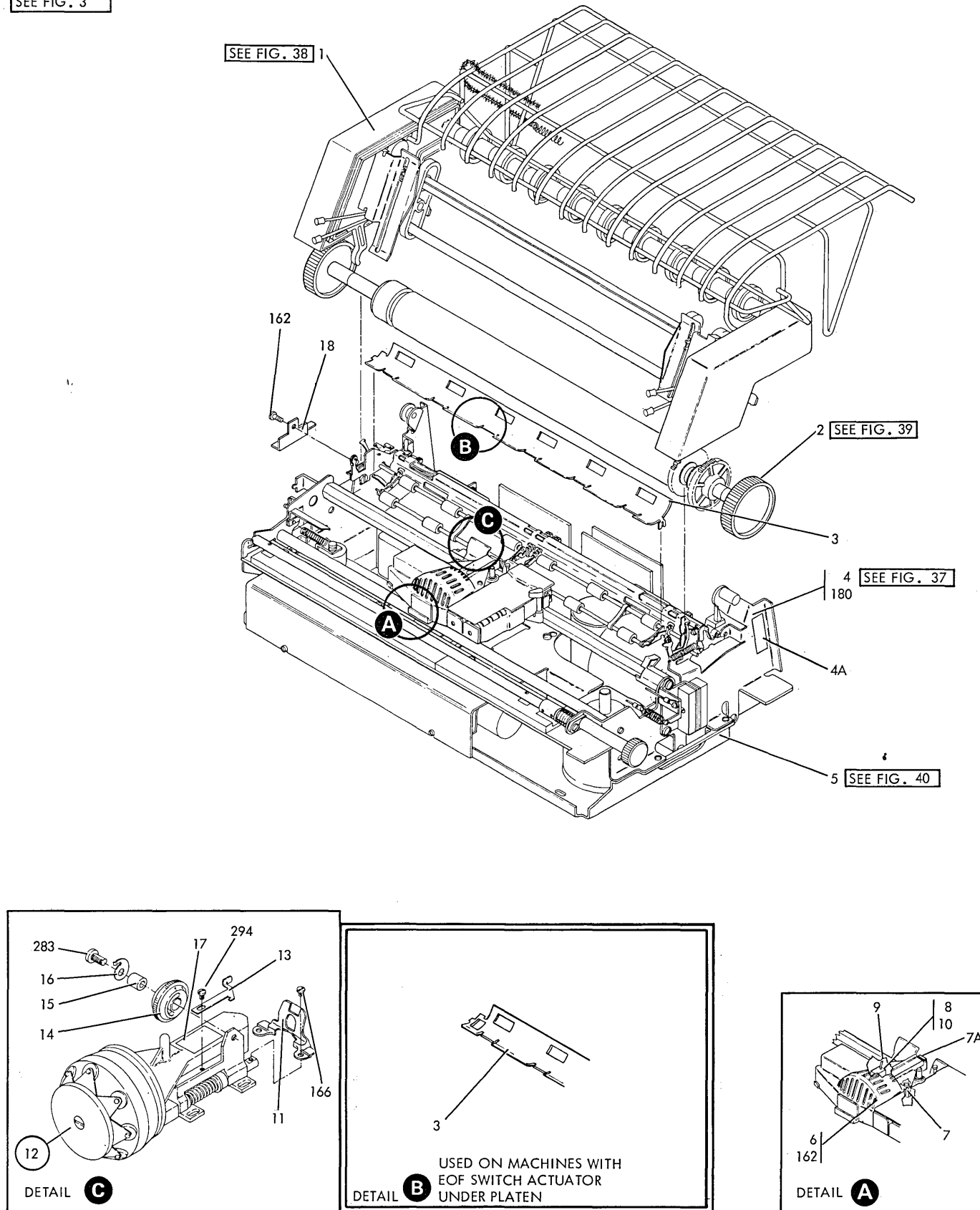


FIGURE 36. WIRE PRINTER MAIN ASM. SEE LIST 36.





FOR PARTS  
NOT SHOWN  
SEE FIG. 36

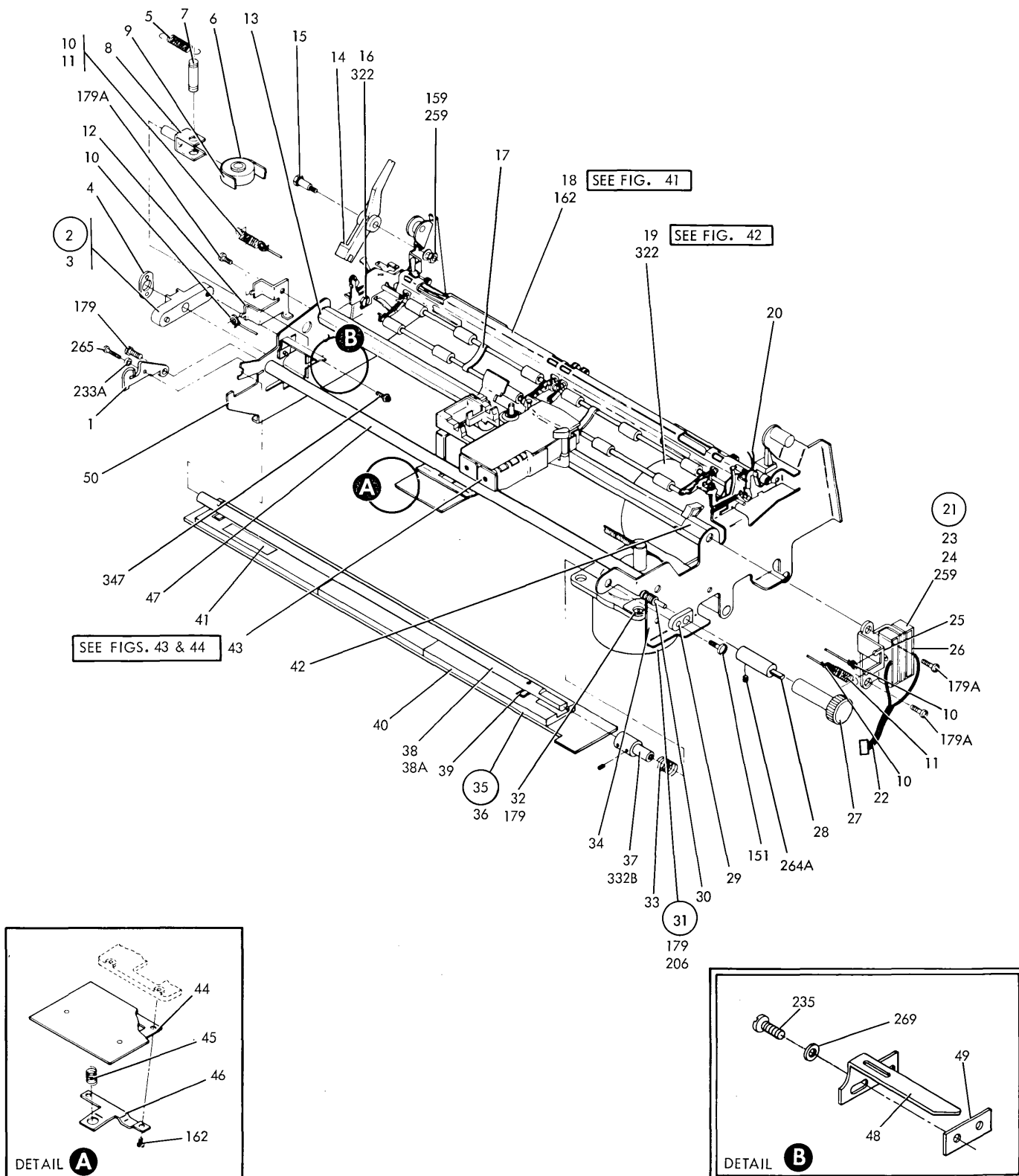


FIGURE 37. WIRE PRINTER FRAME ASM, MODEL A1 AND A2. SEE LIST 37.

| FIGURE-<br>INDEX<br>NUMBER | PART<br>NUMBER              | UNITS<br>PER<br>ASM. | DESCRIPTION FOR FIGURE 37                                                                                                          |   |   |   |
|----------------------------|-----------------------------|----------------------|------------------------------------------------------------------------------------------------------------------------------------|---|---|---|
|                            |                             |                      | 1                                                                                                                                  | 2 | 3 | 4 |
| 37                         | 843110<br>843334<br>1638713 |                      | WIRE PRINTER FRAME ASM,40 CPS<br>WIRE PRINTER FRAME ASM,80 CPS<br>WIRE PRINTER FRAME ASM,120 CPS                                   |   |   |   |
|                            |                             |                      | FOR NEXT HIGHER ASM SEE LIST 36-4<br>AND FOR ILLUSTRATION FIG. 37                                                                  |   |   |   |
| - 1                        | 843389                      | 1                    | • BRACKET                                                                                                                          |   |   |   |
| - 2                        | 843468                      | 1                    | • BELT TENSIONER ASM,40 CPS                                                                                                        |   |   |   |
| - 2                        | 843493                      | 1                    | • BELT TENSIONER ASM,80 CPS                                                                                                        |   |   |   |
| - 2                        | 1638766                     | 1                    | • BELT TENSIONER ASM,120 CPS                                                                                                       |   |   |   |
| - 3                        | 843359 NR                   | 1                    | • BUSHING                                                                                                                          |   |   |   |
| - 4                        | 843357 NR                   | 1                    | • PLATE,SPRING HOOK                                                                                                                |   |   |   |
| - 5                        | 843434 NR                   | 2                    | • SPRING,BELT TAKE-UP 80 CPS                                                                                                       |   |   |   |
| - 5                        | 843360 NR                   | 2                    | • SPRING,BELT TAKE-UP 40 AND 120 CPS                                                                                               |   |   |   |
| - 6                        | 843146 NR                   | 1                    | • PULLEY ASM                                                                                                                       |   |   |   |
| - 7                        | 843356 NR                   | 1                    | • SHAFT                                                                                                                            |   |   |   |
| - 8                        | 843355 NR                   | 1                    | • YOKE ASM,40 AND 80 CPS                                                                                                           |   |   |   |
| - 8                        | 1638775 NR                  | 1                    | • YOKE ASM,120 CPS                                                                                                                 |   |   |   |
| - 9                        | 843152 NR                   | 1                    | • BELT,40 CPS                                                                                                                      |   |   |   |
| - 9                        | 843153 NR                   | 1                    | • BELT,80 AND 120 CPS                                                                                                              |   |   |   |
| - 10                       | 1638837                     | 2                    | • LINE ASM                                                                                                                         |   |   |   |
| - 12                       | 843352                      | 1                    | • BRACKET,RIBBON DRIVE LINE                                                                                                        |   |   |   |
| - 13                       | 843173                      | 1                    | • SHAFT                                                                                                                            |   |   |   |
| - 14                       | 843577                      | 1                    | • LEVER,FORMS SWITCH                                                                                                               |   |   |   |
| - 15                       | 843317                      | 1                    | • STUD,SWITCH LEVER                                                                                                                |   |   |   |
| - 16                       | 843344                      | 2                    | • SCREW,SHOULDER                                                                                                                   |   |   |   |
| - 17                       | 843123                      | 2                    | • SPRING                                                                                                                           |   |   |   |
| - 18                       | 843240                      | 1                    | • A-FRAME ASM<br>FOR DETAIL BREAKDOWN SEE LIST 41                                                                                  |   |   |   |
| - 19                       | 843180                      | 1                    | • EMITTER AND MOTOR ASM<br>USED ON MACHINES WITH AMPLIFIER CARD<br>ON EMITTER AND MOTOR ASM                                        |   |   |   |
| - 19                       | 1638714                     | 1                    | • EMITTER AND MOTOR ASM<br>USED ON MACHINES WITHOUT AMPLIFIER CARD<br>ON EMITTER AND MOTOR ASM<br>FOR DETAIL BREAKDOWN SEE LIST 42 |   |   |   |
| - 20                       | 843264                      | 1                    | • CABLE ASM,FORMS EMITTER ASM<br>USED ON MACHINES WITH AMPLIFIER CARD<br>ON EMITTER AND MOTOR ASM                                  |   |   |   |
| - 21                       | 843573                      | 1                    | • TAPER PIN CONNECTOR ASM<br>USED ON MACHINES WITH AMPLIFIER CARD<br>ON EMITTER AND MOTOR ASM                                      |   |   |   |
| - 21                       | 1638758                     | 1                    | • TAPER PIN CONNECTOR ASM<br>USED ON MACHINES WITHOUT AMPLIFIER CARD<br>ON EMITTER AND MOTOR ASM                                   |   |   |   |
| - 22                       | 843263                      | 1                    | • CABLE ASM,MACHINE<br>USED ON MACHINES WITH AMPLIFIER CARD<br>ON EMITTER AND MOTOR ASM                                            |   |   |   |
| - 22                       | 1638782                     | 1                    | • CABLE ASM,MACHINE<br>USED ON MACHINES WITHOUT AMPLIFIER CARD<br>ON EMITTER AND MOTOR ASM                                         |   |   |   |
| - 23                       | 302090                      | 2                    | • TERMINAL BLOCK                                                                                                                   |   |   |   |
| - 24                       | 302131                      | 2                    | • INSULATOR                                                                                                                        |   |   |   |
| - 25                       | 843233                      | 1                    | • BRACKET,PIN CONNECTOR                                                                                                            |   |   |   |
| - 26                       | 843569                      | 1                    | • LABEL                                                                                                                            |   |   |   |
| - 27                       | 2722118                     | 1                    | • KNOB,HORIZ FINE ADJUST                                                                                                           |   |   |   |
| - 28                       | 1748697                     | 1                    | • EXTENDER                                                                                                                         |   |   |   |
| - 29                       | 843194                      | 1                    | • NUT PLATE                                                                                                                        |   |   |   |
| - 30                       | 843195                      | 1                    | • STUD HORIZ FINE ADJUST<br>USED ON MACHINES WITH AMPLIFIER CARD<br>ON EMITTER AND MOTOR ASM                                       |   |   |   |
| - 30                       | 1638778                     | 1                    | • STUD<br>USED ON MACHINES WITHOUT AMPLIFIER CARD<br>ON EMITTER AND MOTOR ASM                                                      |   |   |   |
| - 31                       | 843167                      | 1                    | • MOTOR/PULLEY ASM,40 CPS                                                                                                          |   |   |   |
| - 31                       | 843164                      | 1                    | • MOTOR/PULLEY ASM,80 AND 120 CPS                                                                                                  |   |   |   |
| - 32                       | 843174                      | 1                    | • BRACKET                                                                                                                          |   |   |   |
| - 33                       | 843211                      | 1                    | • SPRING                                                                                                                           |   |   |   |
| - 34                       | 843236 NP                   | 1                    | • BRACKET ASM,RH<br>USED ON MACHINES WITH AMPLIFIER CARD<br>ON EMITTER AND MOTOR ASM                                               |   |   |   |
| - 34                       | 1638725                     | 1                    | • BRACKET ASM,RH<br>USED ON MACHINES WITHOUT AMPLIFIER CARD<br>ON EMITTER AND MOTOR ASM                                            |   |   |   |
| - 35                       | 843589                      | 1                    | • EMITTER ASM,PRINTER<br>USED ON MACHINES WITH AMPLIFIER CARD<br>ON EMITTER AND MOTOR ASM                                          |   |   |   |
| - 35                       | 1638711                     | 1                    | • EMITTER ASM,PRINTER<br>USED ON MACHINES WITHOUT AMPLIFIER CARD<br>ON EMITTER AND MOTOR ASM                                       |   |   |   |
| - 36                       | 843564 NR                   | 1                    | • PC BOARD                                                                                                                         |   |   |   |



THIS PAGE INTENTIONALLY  
LEFT BLANK

FOR PARTS  
NOT SHOWN  
SEE FIG. 36

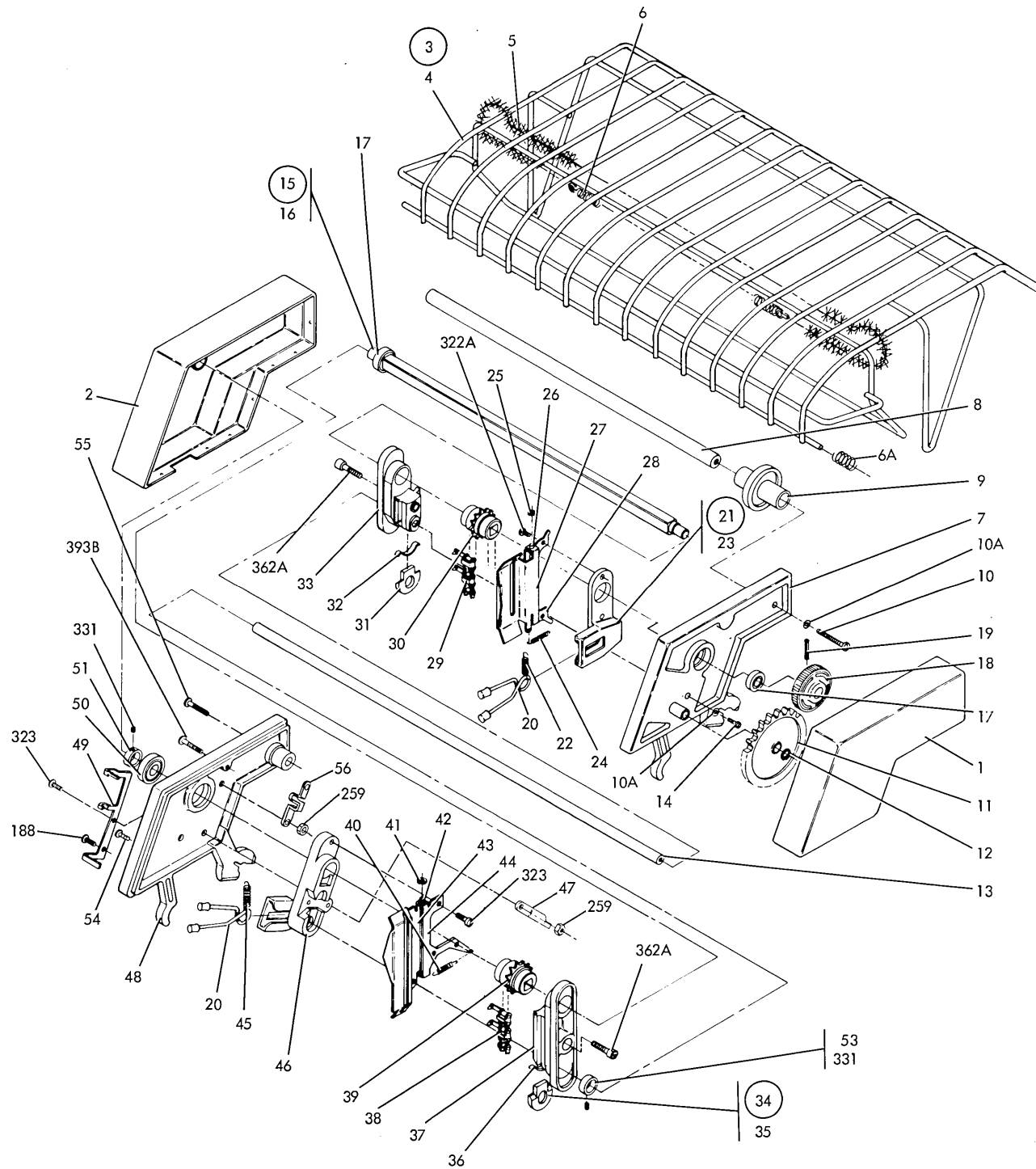


FIGURE 38. WIRE PRINTER FEED ASM, FORMS TRACTOR UNIT. SEE LIST 38.

| FIGURE-<br>INDEX<br>NUMBER | PART<br>NUMBER | UNITS<br>PER<br>ASM. | DESCRIPTION FOR FIGURE 38                                                                                                                                                                                           |   |   |   |
|----------------------------|----------------|----------------------|---------------------------------------------------------------------------------------------------------------------------------------------------------------------------------------------------------------------|---|---|---|
|                            |                |                      | 1                                                                                                                                                                                                                   | 2 | 3 | 4 |
| 38                         | 1638807        |                      | WIRE PRINTER FEED ASM,FORMS TRACTOR UNIT<br>WITH ROUND HANDLED LOCK SPRING<br>USED ON MACHINES WITHOUT EC 828739                                                                                                    |   |   |   |
|                            | 1638830        |                      | WIRE PRINTER FEED ASM,FORMS TRACTOR UNIT<br>WITHOUT COVERS AND GUIDE ASM<br>WITH SQUARE HANDLED LOCK SPRING<br>USED ON MACHINES WITH EC 828739<br>FOR NEXT HIGHER ASM SEE LIST 36-1<br>AND FOR ILLUSTRATION FIG. 38 |   |   |   |
| - 1                        | 843139         | 1                    | • COVER,RH-WHITE                                                                                                                                                                                                    |   |   |   |
| - 2                        | 843138         | 1                    | • COVER,LH-WHITE                                                                                                                                                                                                    |   |   |   |
| - 3                        | 2594626        | 1                    | • GUIDE ASM,FORMS                                                                                                                                                                                                   |   |   |   |
| - 4                        | 2547850        | 1                    | • • GUIDE,FORMS RACK                                                                                                                                                                                                |   |   |   |
| - 5                        | 843574         | 1                    | • • ELIMINATOR                                                                                                                                                                                                      |   |   |   |
| - 6                        | 843576         | 1                    | • • SPRING                                                                                                                                                                                                          |   |   |   |
| - 6A                       | 1638838        | 1                    | • • SPRING                                                                                                                                                                                                          |   |   |   |
| - 7                        | 843145 NR      | 1                    | • FRAME,RH                                                                                                                                                                                                          |   |   |   |
|                            |                |                      | WITH ROUND HANDLED LOCK SPRING<br>USED ON MACHINES WITHOUT EC 828739                                                                                                                                                |   |   |   |
| - 7                        | 1638821 NR     | 1                    | • FRAME,RH                                                                                                                                                                                                          |   |   |   |
|                            |                |                      | WITH SQUARE HANDLED LOCK SPRING<br>USED ON MACHINES WITH EC 828739                                                                                                                                                  |   |   |   |
| - 8                        | 843281 NR      | 1                    | • SHAFT                                                                                                                                                                                                             |   |   |   |
| - 9                        | 843282 NR      | 9                    | • ROLLER                                                                                                                                                                                                            |   |   |   |
| - 10                       | 843278         | 1                    | • SCREW                                                                                                                                                                                                             |   |   |   |
|                            |                |                      | WITH ROUND HANDLED LOCK SPRING<br>USED ON MACHINES WITHOUT EC 828739                                                                                                                                                |   |   |   |
| - 10                       | 1638815        | 1                    | • SCREW                                                                                                                                                                                                             |   |   |   |
|                            |                |                      | WITH SQUARE HANDLED LOCK SPRING<br>USED ON MACHINES WITH EC 828739                                                                                                                                                  |   |   |   |
| - 10A                      | 638875         | 2                    | • WASHER,SPRING                                                                                                                                                                                                     |   |   |   |
|                            |                |                      | WITH SQUARE HANDLED LOCK SPRING<br>USED ON MACHINES WITH EC 828739                                                                                                                                                  |   |   |   |
| - 11                       | 843283         | 1                    | • GEAR                                                                                                                                                                                                              |   |   |   |
| - 12                       | 311072         | 1                    | • CLIP,RETAINING                                                                                                                                                                                                    |   |   |   |
| - 13                       | 1638802        | 1                    | • SHAFT                                                                                                                                                                                                             |   |   |   |
| - 14                       | 843277         | 2                    | • SCREW                                                                                                                                                                                                             |   |   |   |
|                            |                |                      | WITH ROUND HANDLED LOCK SPRING<br>USED ON MACHINES WITHOUT EC 828739                                                                                                                                                |   |   |   |
| - 14                       | 1638816        | 1                    | • SCREW                                                                                                                                                                                                             |   |   |   |
|                            |                |                      | WITH SQUARE HANDLED LOCK SPRING<br>USED ON MACHINES WITH EC 828739                                                                                                                                                  |   |   |   |
| - 15                       | 843204 NR      | 1                    | • SHAFT AND GEAR ASM                                                                                                                                                                                                |   |   |   |
| - 16                       | 843279 NR      | 1                    | • • SHAFT                                                                                                                                                                                                           |   |   |   |
| - 17                       | 156364 NR      | 2                    | • • BEARING                                                                                                                                                                                                         |   |   |   |
| - 18                       | 843207 NR      | 1                    | • • GEAR                                                                                                                                                                                                            |   |   |   |
| - 19                       | 1128526 NR     | 1                    | • • PIN,ROLL                                                                                                                                                                                                        |   |   |   |
| - 20                       | 843206 NR      | 1                    | • LOCK SPRING ASM                                                                                                                                                                                                   |   |   |   |
| - 21                       | 843205 NR      | 1                    | • TRACTOR ASM,RH                                                                                                                                                                                                    |   |   |   |
|                            |                |                      | WITH ROUND HANDLED LOCK SPRING<br>USED ON MACHINES WITHOUT EC 828739                                                                                                                                                |   |   |   |
| - 21                       | 1638823 NR     | 1                    | • TRACTOR ASM,RH                                                                                                                                                                                                    |   |   |   |
|                            |                |                      | WITH SQUARE HANDLED LOCK SPRING<br>USED ON MACHINES WITH EC 828739                                                                                                                                                  |   |   |   |
| - 22                       | 1164080 NR     | 1                    | • • SPRING                                                                                                                                                                                                          |   |   |   |
|                            |                |                      | WITH ROUND HANDLED LOCK SPRING<br>USED ON MACHINES WITHOUT EC 828739                                                                                                                                                |   |   |   |
| - 23                       | 843291 NR      | 1                    | • • CARRIER                                                                                                                                                                                                         |   |   |   |
|                            |                |                      | WITH ROUND HANDLED LOCK SPRING<br>USED ON MACHINES WITHOUT EC 828739                                                                                                                                                |   |   |   |
| - 23                       | 1638825 NR     | 1                    | • • CARRIER                                                                                                                                                                                                         |   |   |   |
|                            |                |                      | WITH SQUARE HANDLED LOCK SPRING<br>USED ON MACHINES WITH EC 828739                                                                                                                                                  |   |   |   |
| - 24                       | 843289         | 1                    | • • SPRING                                                                                                                                                                                                          |   |   |   |
|                            |                |                      | WITH ROUND HANDLED LOCK SPRING<br>USED ON MACHINES WITHOUT EC 828739                                                                                                                                                |   |   |   |
| - 24                       | 1638833        | 1                    | • • SPRING                                                                                                                                                                                                          |   |   |   |
|                            |                |                      | WITH SQUARE HANDLED LOCK SPRING<br>USED ON MACHINES WITH EC 828739                                                                                                                                                  |   |   |   |
| - 25                       | 219633         | 2                    | • • RING,RETAINING                                                                                                                                                                                                  |   |   |   |
| - 26                       | 843272         | 1                    | • • HINGE PIN                                                                                                                                                                                                       |   |   |   |
| - 27                       | 843292         | 1                    | • • PRESSURE PLATE                                                                                                                                                                                                  |   |   |   |
|                            |                |                      | WITH ROUND HANDLED LOCK SPRING<br>USED ON MACHINES WITHOUT EC 828739                                                                                                                                                |   |   |   |
| - 27                       | 1638832        | 1                    | • • PLATE,PRESSURE                                                                                                                                                                                                  |   |   |   |
|                            |                |                      | WITH SQUARE HANDLED LOCK SPRING<br>USED ON MACHINES WITH EC 828739                                                                                                                                                  |   |   |   |
| - 28                       | 843288 NR      | 1                    | • • HINGE                                                                                                                                                                                                           |   |   |   |
| - 29                       | 843274 NR      | 1                    | • • CHAIN ASM                                                                                                                                                                                                       |   |   |   |
|                            |                |                      | WITH ROUND HANDLED LOCK SPRING<br>USED ON MACHINES WITHOUT EC 828739                                                                                                                                                |   |   |   |

| FIGURE-<br>INDEX<br>NUMBER | PART<br>NUMBER | UNITS<br>PER<br>ASM. | DESCRIPTION FOR FIGURE 38 |                                                                                        |                                                                                     |   |
|----------------------------|----------------|----------------------|---------------------------|----------------------------------------------------------------------------------------|-------------------------------------------------------------------------------------|---|
|                            |                |                      | 1                         | 2                                                                                      | 3                                                                                   | 4 |
| 38                         |                |                      |                           |                                                                                        |                                                                                     |   |
| - 29                       | 1638834 NR     | 1                    | •                         | •                                                                                      | CHAIN ASM<br>WITH SQUARE HANDLED LOCK SPRING<br>USED ON MACHINES WITH EC 828739     |   |
| - 30                       | 843285 NR      | 1                    | •                         | •                                                                                      | SPROCKET                                                                            |   |
| - 31                       | 843270 NR      | 1                    | •                         | •                                                                                      | TENSIONER                                                                           |   |
| - 31                       | 1638829 NR     | 1                    | •                         | •                                                                                      | WITH ROUND HANDLED LOCK SPRING<br>USED ON MACHINES WITHOUT EC 828739<br>TENSIONER   |   |
| - 32                       | 843273 NR      | 1                    | •                         | •                                                                                      | WITH SQUARE HANDLED LOCK SPRING<br>USED ON MACHINES WITH EC 828739<br>SPRING        |   |
| - 33                       | 843290 NR      | 1                    | •                         | •                                                                                      | CHAIN GUIDE<br>WITH ROUND HANDLED LOCK SPRING<br>USED ON MACHINES WITHOUT EC 828739 |   |
| - 33                       | 1638827 NR     | 1                    | •                         | •                                                                                      | CHAIN GUIDE<br>WITH SQUARE HANDLED LOCK SPRING<br>USED ON MACHINES WITH EC 828739   |   |
| - 34                       | 1638806 NR     | 1                    | •                         | TRACTOR ASM,LH<br>WITH ROUND HANDLED LOCK SPRING<br>USED ON MACHINES WITHOUT EC 828739 |                                                                                     |   |
| - 34                       | 1638822 NR     | 1                    | •                         | TRACTOR ASM,LH<br>WITH SQUARE HANDLED LOCK SPRING<br>USED ON MACHINES WITH EC 828739   |                                                                                     |   |
| - 35                       | 843270 NR      | 1                    | •                         | •                                                                                      | TENSIONER<br>WITH ROUND HANDLED LOCK SPRING<br>USED ON MACHINES WITHOUT EC 828739   |   |
| - 35                       | 1638828 NR     | 1                    | •                         | •                                                                                      | TENSIONER<br>WITH SQUARE HANDLED LOCK SPRING<br>USED ON MACHINES WITH EC 828739     |   |
| - 36                       | 843273 NR      | 1                    | •                         | •                                                                                      | SPRING                                                                              |   |
| - 37                       | 843137 NR      | 1                    | •                         | •                                                                                      | CHAIN GUIDE<br>WITH ROUND HANDLED LOCK SPRING<br>USED ON MACHINES WITHOUT EC 828739 |   |
| - 37                       | 1638826 NR     | 1                    | •                         | •                                                                                      | CHAIN GUIDE<br>WITH SQUARE HANDLED LOCK SPRING<br>USED ON MACHINES WITH EC 828739   |   |
| - 38                       | 843276 NR      | 1                    | •                         | •                                                                                      | CHAIN ASM                                                                           |   |
| - 39                       | 843285 NR      | 1                    | •                         | •                                                                                      | SPROCKET                                                                            |   |
| - 40                       | 843287         | 1                    | •                         | •                                                                                      | SPRING                                                                              |   |
| - 41                       | 219633         | 1                    | •                         | •                                                                                      | RING,RETAINING                                                                      |   |
| - 42                       | 843275         | 1                    | •                         | •                                                                                      | HINGE PIN                                                                           |   |
| - 43                       | 843293         | 1                    | •                         | •                                                                                      | PRESSURE PLATE                                                                      |   |
| - 44                       | 843286 NR      | 1                    | •                         | •                                                                                      | HINGE PLATE                                                                         |   |
| - 45                       | 1164080 NR     | 1                    | •                         | •                                                                                      | SPRING                                                                              |   |
| - 46                       | 1638801 NR     | 1                    | •                         | •                                                                                      | CARRIER,LH<br>WITH ROUND HANDLED LOCK SPRING<br>USED ON MACHINES WITHOUT EC 828739  |   |
| - 46                       | 1638824 NR     | 1                    | •                         | •                                                                                      | CARRIER<br>WITH SQUARE HANDLED LOCK SPRING<br>USED ON MACHINES WITH EC 828739       |   |
| - 47                       | 1638804        | 1                    | •                         | STRAP<br>WITH ROUND HANDLED LOCK SPRING<br>USED ON MACHINES WITHOUT EC 828739          |                                                                                     |   |
| - 48                       | 1638820        | 1                    | •                         | TRACTOR FRAME,LH                                                                       |                                                                                     |   |
| - 49                       | 1638805        | 1                    | •                         | STRAP,TRACTOR GROUND<br>USED ON MACHINES WITHOUT ITEM 56                               |                                                                                     |   |
| - 49                       | 1638988        | 1                    | •                         | STRAP,TRACTOR GROUND<br>USED ON MACHINES WITH ITEM 56                                  |                                                                                     |   |
| - 50                       | 156364         | 1                    | •                         | BEARING                                                                                |                                                                                     |   |
| - 51                       | 327686         | 1                    | •                         | COLLAR                                                                                 |                                                                                     |   |
| - 53                       | 313694         | 1                    | •                         | COLLAR                                                                                 |                                                                                     |   |
| - 54                       | 843277         | 1                    | •                         | SCREW                                                                                  |                                                                                     |   |
| - 55                       | 843278         | 1                    | •                         | SCREW                                                                                  |                                                                                     |   |
| - 56                       | 2594621        | 1                    | •                         | STRAP,TRACTOR GROUND<br>USED ON MACHINES WITH EC 579977                                |                                                                                     |   |
|                            |                |                      |                           |                                                                                        | FOR ATTACHING PARTS, INDEX NOS. 150<br>AND ABOVE, SEE LIST 62                       |   |
|                            |                |                      |                           |                                                                                        |                                                                                     |   |
|                            |                |                      |                           |                                                                                        |                                                                                     |   |
|                            |                |                      |                           |                                                                                        |                                                                                     |   |
|                            |                |                      |                           |                                                                                        |                                                                                     |   |



THIS PAGE INTENTIONALLY  
LEFT BLANK

FOR PARTS  
NOT SHOWN  
SEE FIG. 36

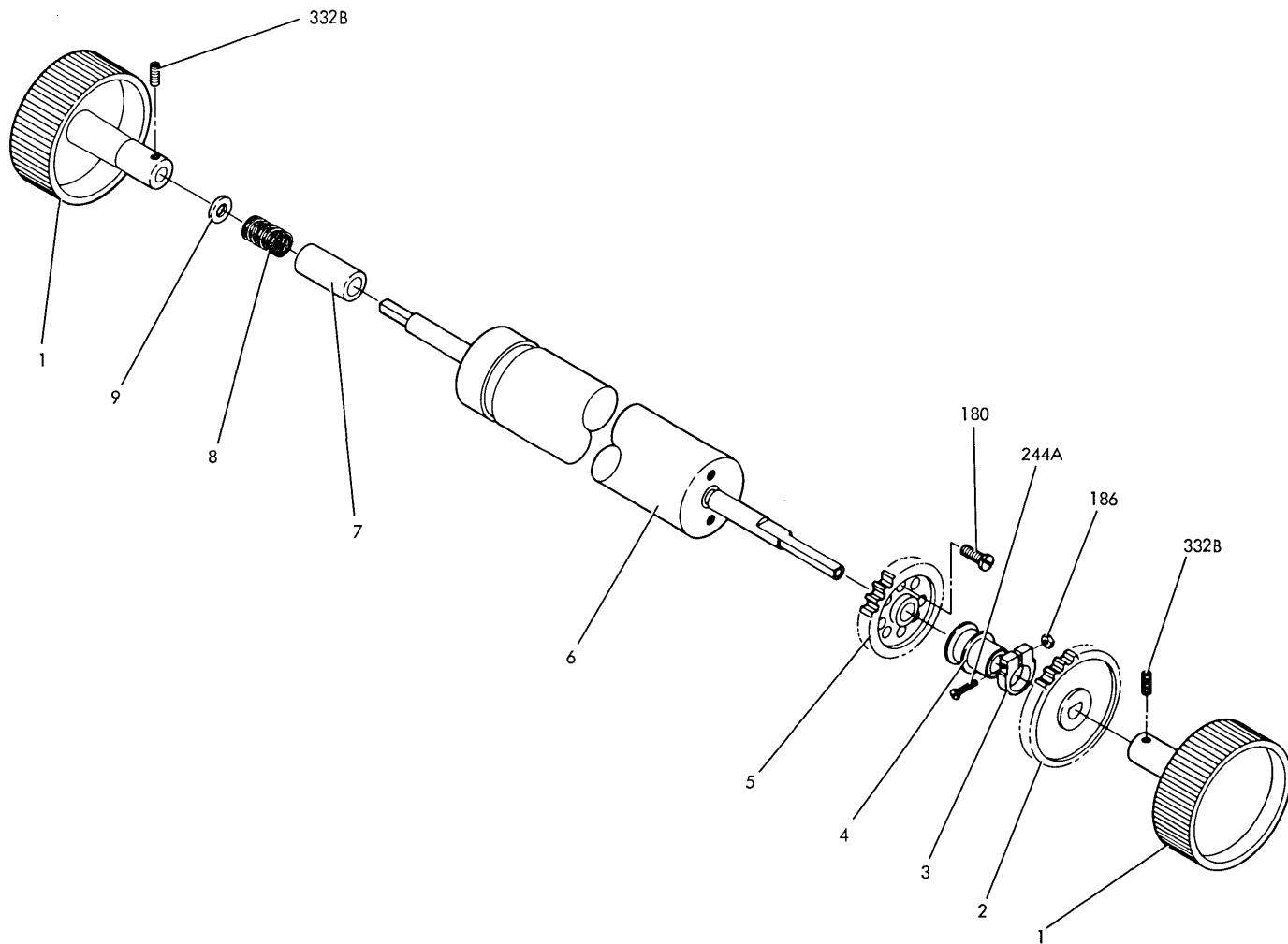


FIGURE 39. WIRE PRINTER PLATEN ASM. SEE LIST 39.



FOR PARTS  
NOT SHOWN  
SEE FIG. 36

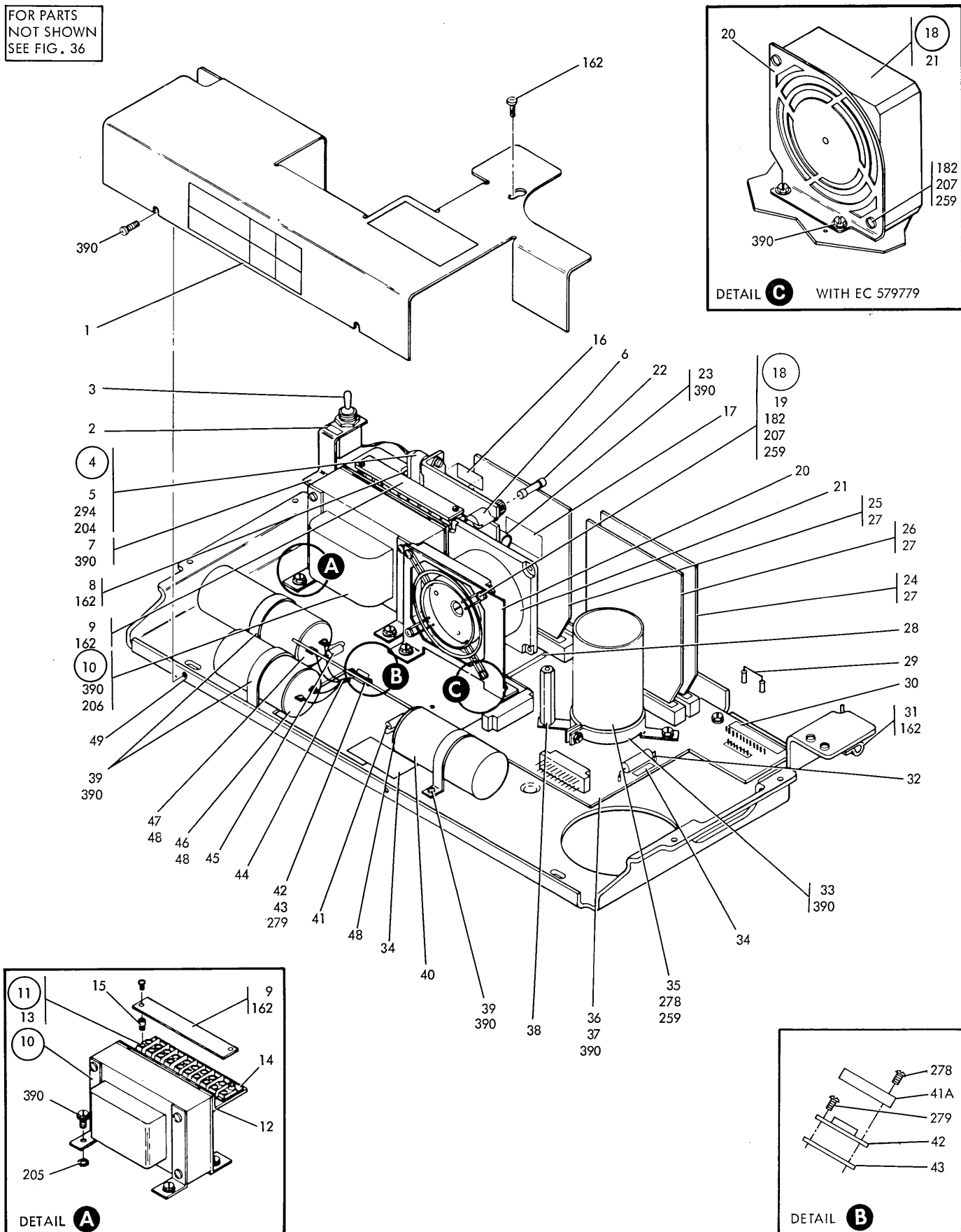


FIGURE 40. WIRE PRINTER POWER SUPPLY ASM, MODEL A1 AND A2. SEE LIST 40.

| FIGURE-<br>INDEX<br>NUMBER | PART<br>NUMBER              | UNITS<br>PER<br>ASM. | DESCRIPTION FOR FIGURE 40                                                                                                                                                                  |   |   |   |
|----------------------------|-----------------------------|----------------------|--------------------------------------------------------------------------------------------------------------------------------------------------------------------------------------------|---|---|---|
|                            |                             |                      | 1                                                                                                                                                                                          | 2 | 3 | 4 |
| 40                         | 843571<br>843570<br>1638770 |                      | WIRE PRINTER POWER SUPPLY ASM,40 CPS<br>WIRE PRINTER POWER SUPPLY ASM,80 CPS<br>WIRE PRINTER POWER SUPPLY ASM,120 CPS<br>FOR NEXT HIGHER ASM SEE LIST 36-5<br>AND FOR ILLUSTRATION FIG. 40 |   |   |   |
| - 1                        | 843221                      | 1                    | • COVER                                                                                                                                                                                    |   |   |   |
| - 2                        | 122685                      | 1                    | • LABEL                                                                                                                                                                                    |   |   |   |
| - 3                        | 738825                      | 1                    | • SWITCH                                                                                                                                                                                   |   |   |   |
| - 4                        | 843597                      | 1                    | • AC WIRING ASM                                                                                                                                                                            |   |   |   |
| - 5                        | 1132475 NR                  | 1                    | • • CONNECTOR                                                                                                                                                                              |   |   |   |
| - 6                        | 1638846 NR                  | 1                    | • • FUSE HOLDER                                                                                                                                                                            |   |   |   |
| - 7                        | 843578                      | 1                    | • BRACKET,FORM SWITCH                                                                                                                                                                      |   |   |   |
| - 8                        | 1204528                     | 1                    | • GUIDE,LH                                                                                                                                                                                 |   |   |   |
| - 9                        | 361537                      | 1                    | • SHIELD                                                                                                                                                                                   |   |   |   |
| - 10                       | 843593                      | 1                    | • TRANSFORMER,48 VOLT                                                                                                                                                                      |   |   |   |
| - 11                       | 843587 NR                   | 1                    | • • TERMINAL BLOCK ASM                                                                                                                                                                     |   |   |   |
| - 12                       | 843581 NR                   | 1                    | • • • BRACKET                                                                                                                                                                              |   |   |   |
| - 13                       | 522850 NR                   | 1                    | • • • TERMINAL BLOCK                                                                                                                                                                       |   |   |   |
| - 14                       | 522849                      | 1                    | • • • MARKER STRIP                                                                                                                                                                         |   |   |   |
| - 15                       | 2728872                     | 2                    | • • • STANDOFF                                                                                                                                                                             |   |   |   |
| - 16                       | 843267                      | 1                    | • LABEL,48 VOLT                                                                                                                                                                            |   |   |   |
| - 17                       | 843762                      | 1                    | • LABEL                                                                                                                                                                                    |   |   |   |
| - 18                       | 843595                      | 1                    | • FAN ASM,40 AND 80 CPS<br>USED ON MACHINES WITH WIRE TYPE FAN GUARD                                                                                                                       |   |   |   |
| - 18                       | 1638990                     | 1                    | • FAN ASM,40 AND 80 CPS<br>USED ON MACHINES WITHOUT WIRE TYPE<br>FAN GUARD                                                                                                                 |   |   |   |
| - 18                       | 1638717                     | 1                    | • FAN ASM, 120 CPS                                                                                                                                                                         |   |   |   |
| - 19                       | 5130688 NR                  | 1                    | • • GUARD                                                                                                                                                                                  |   |   |   |
| - 20                       | 843134 NR                   | 1                    | • • BRACKET<br>USED ON MACHINES WITH WIRE TYPE FAN GUARD                                                                                                                                   |   |   |   |
| - 20                       | 1638703                     | 1                    | • • BRACKET<br>USED ON MACHINES WITHOUT WIRE TYPE<br>FAN GUARD                                                                                                                             |   |   |   |
| - 21                       | 843590 NR                   | 1                    | • • FAN,40 AND 80 CPS                                                                                                                                                                      |   |   |   |
| - 21                       | 1638783                     | 1                    | • • FAN,120 CPS                                                                                                                                                                            |   |   |   |
| - 22                       | 1143492                     | 1                    | • FUSE,48 VOLT MACHINE                                                                                                                                                                     |   |   |   |
| - 23                       | 533289                      | 1                    | • CLAMP                                                                                                                                                                                    |   |   |   |
| - 24                       | 5863338                     | 1                    | • CIRCUIT CARD,VOLTAGE REGULATOR<br>USED ON MACHINES WITH AMPLIFIER CARD<br>ON EMITTER AND MOTOR ASM                                                                                       |   |   |   |
| - 24                       | 5863340                     | 1                    | • CIRCUIT CARD,VOLTAGE REGULATOR<br>USED ON MACHINES WITHOUT AMPLIFIER CARD<br>ON EMITTER AND MOTOR ASM                                                                                    |   |   |   |
| - 25                       | 5863336                     | 1                    | • CIRCUIT CARD,WIRE DRIVER<br>USED ON MACHINES WITH AMPLIFIER CARD<br>ON EMITTER AND MOTOR ASM                                                                                             |   |   |   |
| - 25                       | 5863341                     | 1                    | • CIRCUIT CARD,WIRE DRIVER<br>USED ON MACHINES WITHOUT AMPLIFIER CARD<br>ON EMITTER AND MOTOR ASM                                                                                          |   |   |   |
| - 26                       | 5863337                     | 1                    | • CIRCUIT CARD,MOTOR DRIVER<br>USED ON MACHINES WITH AMPLIFIER CARD<br>ON EMITTER AND MOTOR ASM                                                                                            |   |   |   |
| - 26                       | 5863342                     | 1                    | • CIRCUIT CARD,MOTOR DRIVER<br>USED ON MACHINES WITHOUT AMPLIFIER CARD<br>ON EMITTER AND MOTOR ASM                                                                                         |   |   |   |
| - 27                       | 811804                      | 3                    | • GUIDE,12 PAC                                                                                                                                                                             |   |   |   |
| - 28                       | 843487                      | 1                    | • INSULATOR,120 CPS                                                                                                                                                                        |   |   |   |
| - 29                       | 452608                      | 2                    | • JUMPER                                                                                                                                                                                   |   |   |   |
| - 30                       | 843458                      | 1                    | • LABEL,TEST POINTS                                                                                                                                                                        |   |   |   |
| - 31                       | 1204527                     | 1                    | • GUIDE,RH                                                                                                                                                                                 |   |   |   |
| - 32                       | 843472                      | 1                    | • RESISTOR,40 AND 120 CPS                                                                                                                                                                  |   |   |   |
| - 32                       | 843473                      | 1                    | • JUMPER,80 CPS                                                                                                                                                                            |   |   |   |
| - 33                       | 5240478                     | 1                    | • CLAMP                                                                                                                                                                                    |   |   |   |
| - 34                       | 843494                      | 1                    | • LABEL,WARNING-40 AND 120 CPS                                                                                                                                                             |   |   |   |
| - 35                       | 2706648                     | 1                    | • CAPACITOR                                                                                                                                                                                |   |   |   |
| - 36                       | 843475                      | 1                    | • BOARD A1,POWER SUPPLY                                                                                                                                                                    |   |   |   |
| - 37                       | 843347                      | 1                    | • INSULATOR                                                                                                                                                                                |   |   |   |
| - 38                       | 843366                      | 1                    | • STUD                                                                                                                                                                                     |   |   |   |
| - 39                       | 843129                      | 3                    | • CLAMP                                                                                                                                                                                    |   |   |   |
| - 40                       | 2706649                     | 1                    | • CAPACITOR                                                                                                                                                                                |   |   |   |
| - 41                       | 843447                      | 1                    | • RESISTOR ASM                                                                                                                                                                             |   |   |   |
| - 41A                      | 843246                      | 1                    | • COVER                                                                                                                                                                                    |   |   |   |
| - 42                       | 5252662                     | 1                    | • TRANSISTOR ASM                                                                                                                                                                           |   |   |   |
| - 43                       | 5130489                     | 1                    | • INSULATOR                                                                                                                                                                                |   |   |   |
| - 44                       | 843342                      | 1                    | • CABLE ASM                                                                                                                                                                                |   |   |   |
| - 45                       | 5261899                     | 1                    | • RESISTOR ASM                                                                                                                                                                             |   |   |   |
| - 46                       | 1550418                     | 1                    | • CAPACITOR,40 AND 80 CPS                                                                                                                                                                  |   |   |   |
| - 47                       | 2706647                     | 1                    | • CAPACITOR                                                                                                                                                                                |   |   |   |



THIS PAGE INTENTIONALLY LEFT BLANK

FOR PARTS  
NOT SHOWN  
SEE FIG. 37

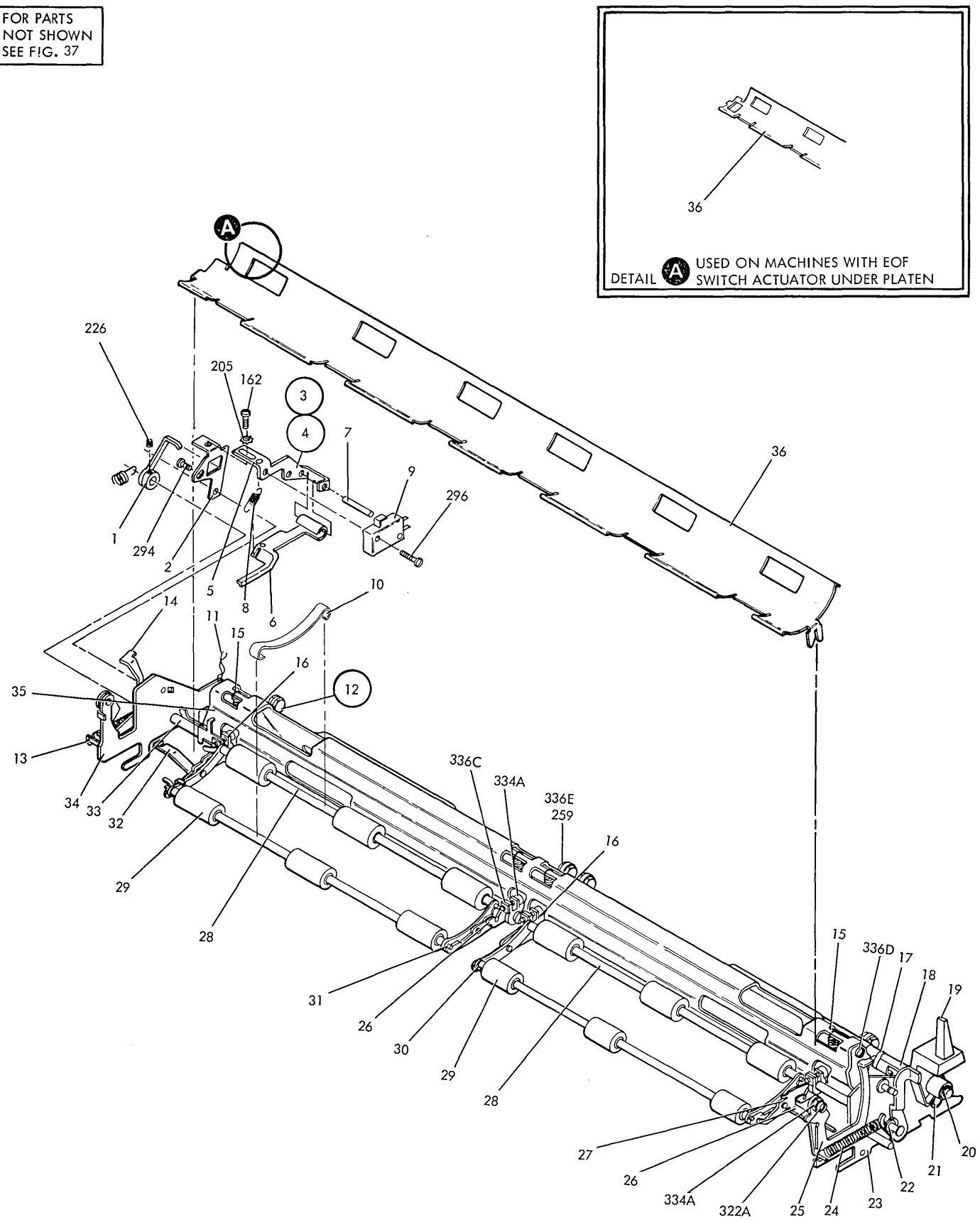


FIGURE 41. WIRE PRINTER A-FRAME ASM. SEE LIST 41.





FOR PARTS  
NOT SHOWN  
SEE FIG. 37

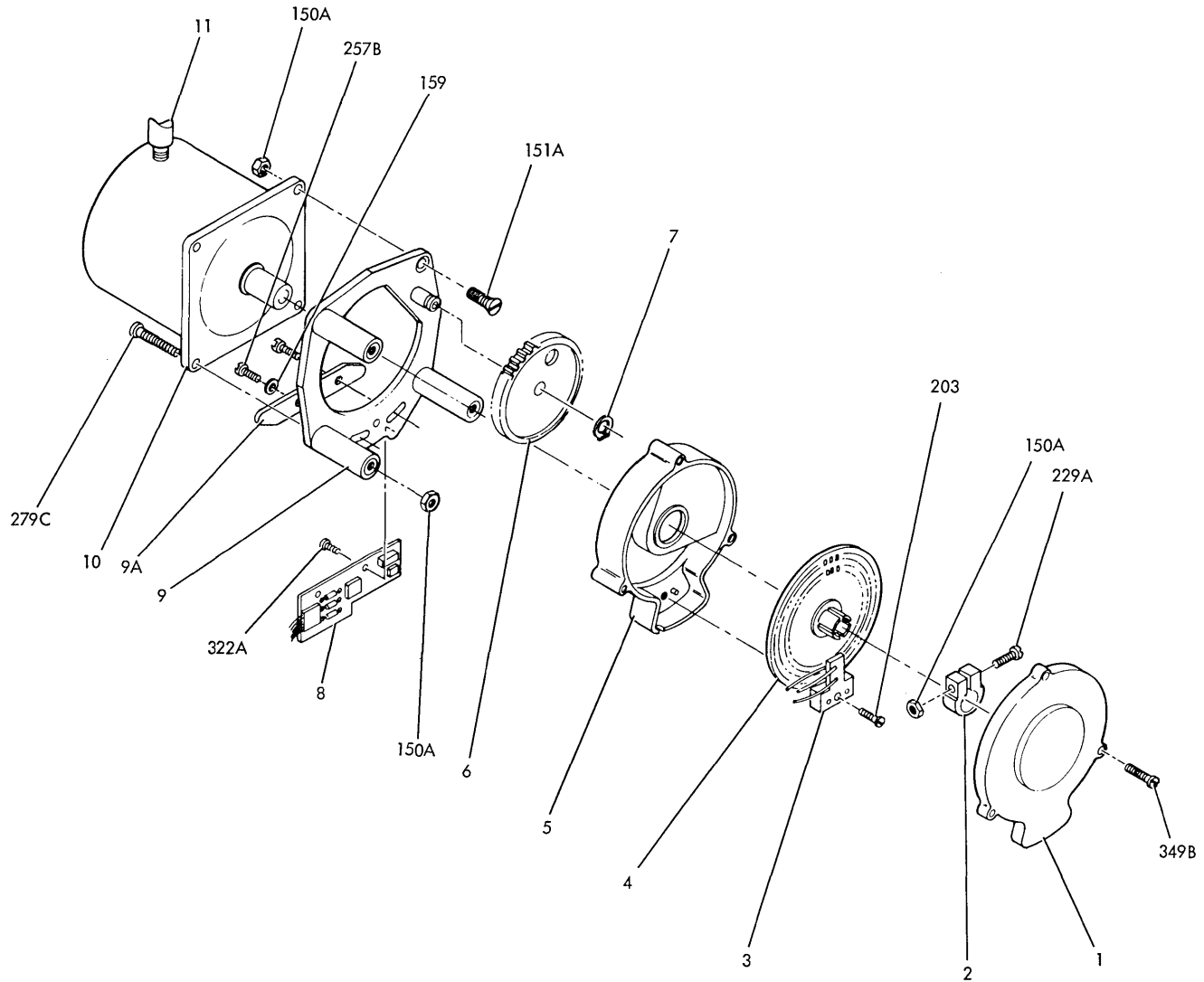


FIGURE 42. WIRE PRINTER EMITTER AND MOTOR ASM, FORMS FEED. SEE LIST 42.



FOR PARTS  
NOT SHOWN  
SEE FIG. 37

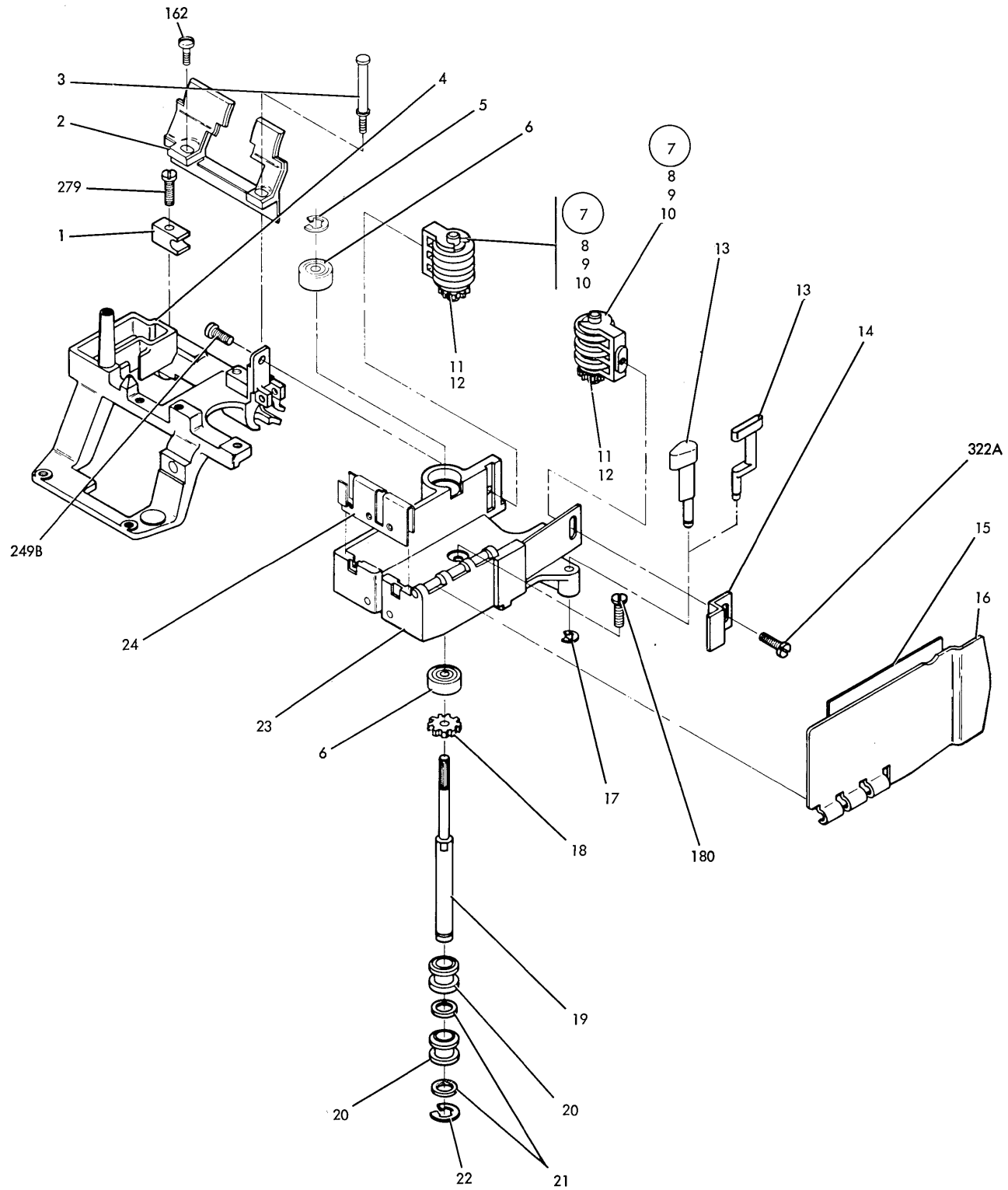


FIGURE 43. WIRE PRINTER CARRIER ASM. SEE LIST 43.



FOR PARTS  
NOT SHOWN  
SEE FIG. 37

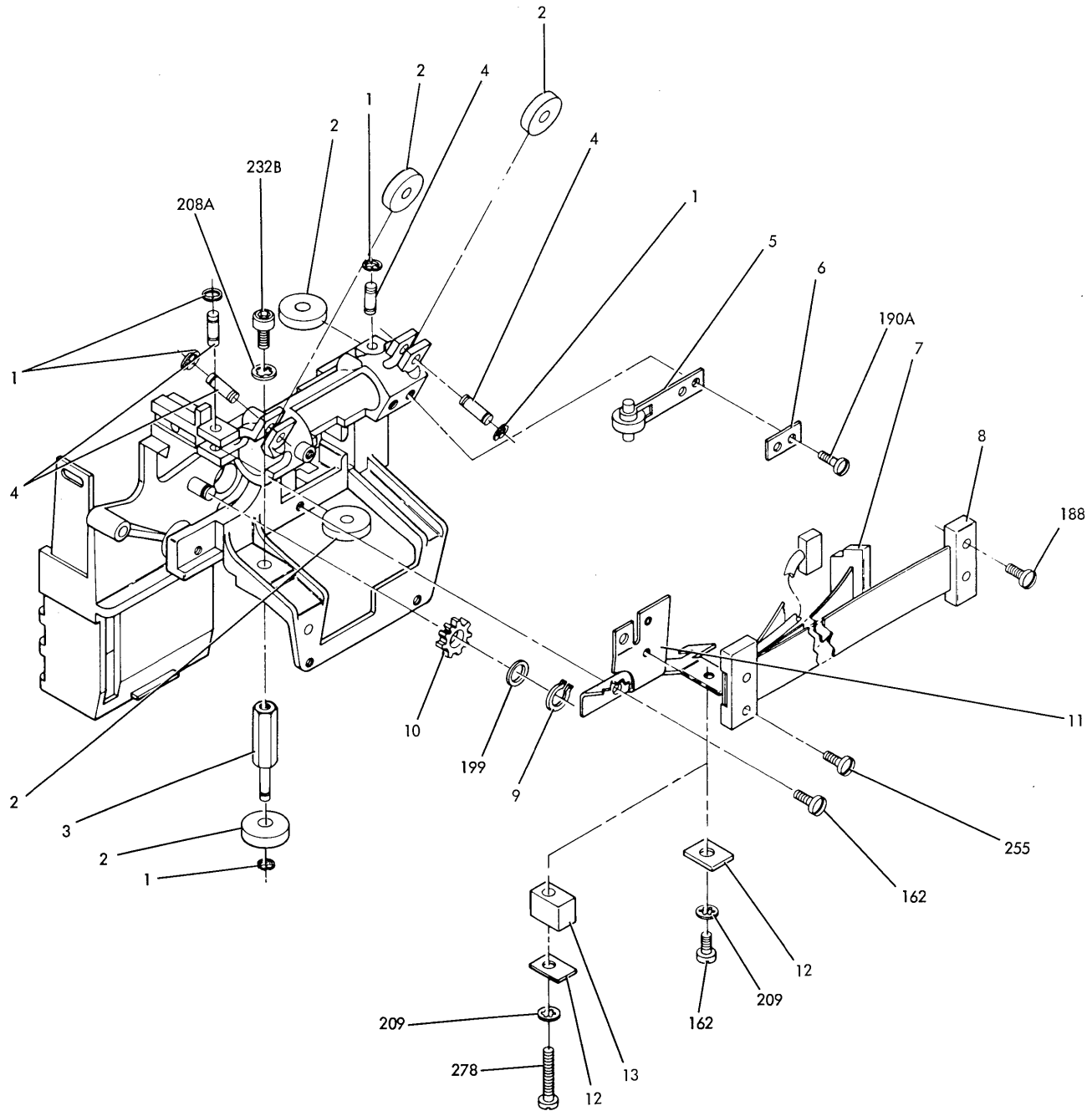
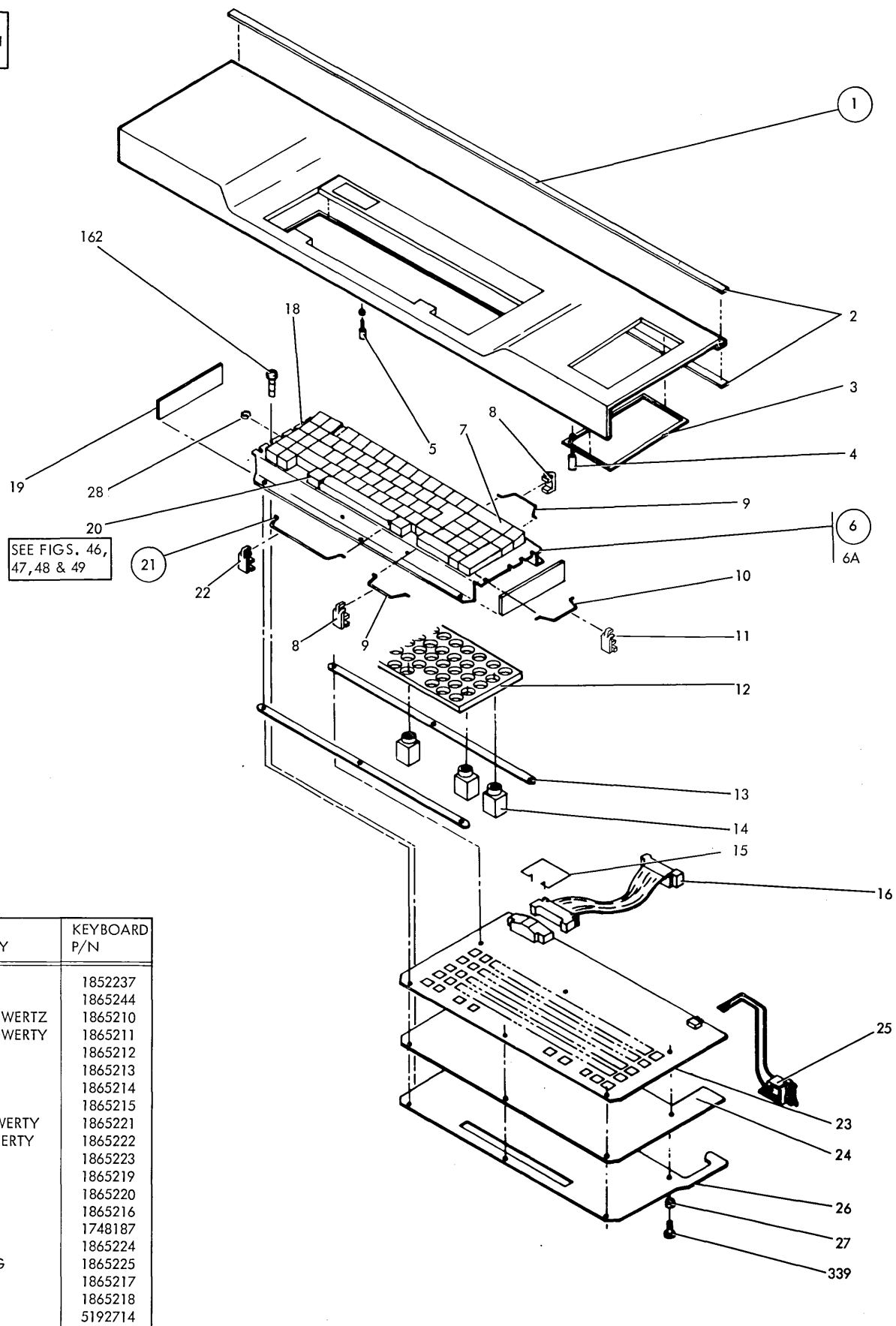


FIGURE 44. WIRE PRINTER CARRIER ASM. SEE LIST 44.



FOR PARTS  
NOT SHOWN  
SEE FIG. 3



| COUNTRY        | KEYBOARD P/N |
|----------------|--------------|
| USA            | 1852237      |
| ASCII          | 1865244      |
| AUS/GER-QWERTZ | 1865210      |
| AUS/GER-QWERTY | 1865211      |
| BELGIUM        | 1865212      |
| BRAZIL         | 1865213      |
| DENMARK        | 1865214      |
| FINLAND        | 1865215      |
| FRANCE-QWERTY  | 1865221      |
| FRANCE-AZERTY  | 1865222      |
| ITALY          | 1865223      |
| JAPAN          | 1865219      |
| KATAKANA       | 1865220      |
| NORWAY         | 1865216      |
| PORTUGAL       | 1748187      |
| SPAIN          | 1865224      |
| SPNSH SPKG     | 1865225      |
| SWEDEN         | 1865217      |
| UK 1           | 1865218      |
| UK 2           | 5192714      |

FIGURE 45. KEYBOARD ASM. SEE LIST 45.





|    |    |    |    |    |    |    |    |    |    |    |    |    |    |    |    |    |    |    |
|----|----|----|----|----|----|----|----|----|----|----|----|----|----|----|----|----|----|----|
| 1  | 2  | 3  | 4  | 5  | 6  | 7  | 8  | 9  | 10 | 11 | 12 | 13 | 14 | 15 | 16 | 17 | 18 | 19 |
| 20 | 21 | 22 | 23 | 24 | 25 | 26 | 27 | 28 | 29 | 30 | 31 | 32 | 33 | 34 | 35 | 36 | 37 | 38 |
| 39 | 40 | 41 | 42 | 43 | 44 | 45 | 46 | 47 | 48 | 49 | 50 | 51 | 52 | 53 | 54 | 55 | 73 |    |
| 56 | 57 | 58 | 59 | 60 | 61 | 62 | 63 | 64 | 65 | 66 | 67 | 68 | 69 | 70 | 71 | 72 |    |    |
| 74 | 75 |    | 76 |    | 77 |    |    |    | 78 |    | 79 |    | 80 |    | 81 |    |    |    |

| POS | US      | ASCII   | AUS/GER-<br>QWERTZ | AUS/GER-<br>QWERTY | BELGIUM | BRAZIL  | PORTUGAL | DENMARK | FINLAND | FRANCE-<br>QWERTY |
|-----|---------|---------|--------------------|--------------------|---------|---------|----------|---------|---------|-------------------|
| 1   | 1854016 | 1854016 | 1854600            | 1854600            | 1854016 | 1854016 | 1854016  | 1854016 | 1854016 | 1854609           |
| 2   | 1854017 | 1854017 | 1854601            | 1854601            | 1854017 | 1854017 | 1854017  | 1854017 | 1854017 | 1854610           |
| 3   | 1853546 | 1854680 | 1853546            | 1853546            | 1853546 | 1853546 | 1854680  | 1853546 | 1853546 | 1853546           |
| 4   | 1853499 | 1853499 | 1854641            | 1853499            | 1854651 | 1854641 | 1854641  | 1854641 | 1854653 | 1854651           |
| 5   | 1853500 | 1853500 | 1854642            | 1853500            | 1853500 | 1854642 | 1854642  | 1854642 | 1854642 | 1853500           |
| 6   | 1853501 | 1853501 | 1854643            | 1853501            | 1853501 | 1854643 | 1854643  | 1854643 | 1854654 | 1853501           |
| 7   | 1853502 | 1853502 | 1853502            | 1853502            | 1853502 | 1853502 | 1853502  | 1853502 | 1853502 | 1853502           |
| 8   | 1854018 | 1854669 | 1854644            | 1854018            | 1854644 | 1854644 | 1854644  | 1854644 | 1854644 | 1854644           |
| 9   | 1853504 | 1853504 | 1854645            | 1853504            | 1854645 | 1854645 | 1854645  | 1854645 | 1854645 | 1854645           |
| 10  | 1853505 | 1853505 | 1854646            | 1853505            | 1854646 | 1854646 | 1854646  | 1854646 | 1854646 | 1854646           |
| 11  | 1853506 | 1853506 | 1854647            | 1853506            | 1854647 | 1854647 | 1854647  | 1854647 | 1854647 | 1854647           |
| 12  | 1853507 | 1853507 | 1854648            | 1853507            | 1854648 | 1854648 | 1854648  | 1854648 | 1854648 | 1854648           |
| 13  | 1853508 | 1853508 | 1854649            | 1853508            | 1854649 | 1854649 | 1854649  | 1854649 | 1854655 | 1854649           |
| 14  | 1853509 | 1853509 | 1854650            | 1853509            | 1854652 | 1854650 | 1643586  | 1854650 | 1854656 | 1643586           |
| 15  | 1853547 | 1853547 | 1853547            | 1853547            | 1853547 | 1853547 | 1853547  | 1853547 | 1853547 | 1853547           |
| 16  | BLANK   | BLANK   | BLANK              | BLANK              | BLANK   | BLANK   | BLANK    | BLANK   | BLANK   | BLANK             |
| 17  | 1854019 | 1854019 | 1854720            | 1854720            | 1854019 | 1854019 | 1854019  | 1854019 | 1854019 | 1854721           |
| 18  | BLANK   | BLANK   | BLANK              | BLANK              | BLANK   | BLANK   | BLANK    | BLANK   | BLANK   | BLANK             |
| 19  | 1854020 | 1854020 | 1854608            | 1854608            | 1854020 | 1854020 | 1854020  | 1854020 | 1854020 | 1854618           |
| 20  | 1854021 | 1854021 | 1854602            | 1854602            | 1854021 | 1854021 | 1854021  | 1854021 | 1854021 | 1854611           |
| 21  | 1854022 | 1854022 | 1854603            | 1854603            | 1854022 | 1854022 | 1854022  | 1854022 | 1854022 | 1854612           |
| 22  | 1854023 | 1854023 | 1854637            | 1854637            | 1854023 | 1854023 | 1854023  | 1854023 | 1854023 | 1854638           |
| 23  | 1853510 | 1853510 | 1853510            | 1854672            | 1854672 | 1853510 | 1853510  | 1853510 | 1853510 | 1853510           |
| 24  | 1853511 | 1853511 | 1853511            | 1854670            | 1854670 | 1853511 | 1853511  | 1853511 | 1853511 | 1853511           |
| 25  | 1853512 | 1853512 | 1853512            | 1853512            | 1853512 | 1853512 | 1853512  | 1853512 | 1853512 | 1853512           |
| 26  | 1853513 | 1853513 | 1853513            | 1853513            | 1853513 | 1853513 | 1853513  | 1853513 | 1853513 | 1853513           |
| 27  | 1853514 | 1853514 | 1853514            | 1853514            | 1853514 | 1853514 | 1853514  | 1853514 | 1853514 | 1853514           |
| 28  | 1853515 | 1853515 | 1854670            | 1853515            | 1853515 | 1853515 | 1853515  | 1853515 | 1853515 | 1853515           |
| 29  | 1853516 | 1853516 | 1853516            | 1853516            | 1853516 | 1853516 | 1853516  | 1853516 | 1853516 | 1853516           |
| 30  | 1853517 | 1853517 | 1853517            | 1853517            | 1853517 | 1853517 | 1853517  | 1853517 | 1853517 | 1853517           |
| 31  | 1853518 | 1853518 | 1853518            | 1853518            | 1853518 | 1853518 | 1853518  | 1853518 | 1853518 | 1853518           |
| 32  | 1853519 | 1853519 | 1853519            | 1853519            | 1853519 | 1853519 | 1853519  | 1853519 | 1853519 | 1853519           |
| 33  | 1855430 | 1853585 | 1854671            | 1854024            | 1854673 | 1854674 | 1854674  | 1854675 | 1854676 | 1854673           |
| 34  | 1854025 | 1854025 | 1854716            | 1854716            | 1854025 | 1854025 | 1854025  | 1854025 | 1854025 | 1854717           |
| 35  | 1854026 | 1854026 | 1854026            | 1854026            | 1854026 | 1854026 | 1854026  | 1854026 | 1854026 | 1854026           |
| 36  | 1854027 | 1854027 | 1854027            | 1854027            | 1854027 | 1854027 | 1854027  | 1854027 | 1854027 | 1854027           |
| 37  | 1854028 | 1854028 | 1854028            | 1854028            | 1854028 | 1854028 | 1854028  | 1854028 | 1854028 | 1854028           |
| 38  | 1854029 | 1854029 | 1854636            | 1854636            | 1854029 | 1854029 | 1854029  | 1854029 | 1854029 | 1854635           |
| 39  | 1854030 | 1854030 | 1854604            | 1854604            | 1854030 | 1854030 | 1854030  | 1854030 | 1854030 | 1854613           |
| 40  | 1853607 | 1853607 | 1853607            | 1853607            | 1853607 | 1853607 | 1853607  | 1853607 | 1853607 | 1854614           |

NOTE: FOR POSITIONS 41 THRU 81, SEE PART 2

FIGURE 46. KEYBUTTON CHART POSITIONS 1 THRU 40. PART 1 OF 4.

|    |    |    |    |    |    |    |    |    |    |    |    |    |    |    |    |    |    |    |
|----|----|----|----|----|----|----|----|----|----|----|----|----|----|----|----|----|----|----|
| 1  | 2  | 3  | 4  | 5  | 6  | 7  | 8  | 9  | 10 | 11 | 12 | 13 | 14 | 15 | 16 | 17 | 18 | 19 |
| 20 | 21 | 22 | 23 | 24 | 25 | 26 | 27 | 28 | 29 | 30 | 31 | 32 | 33 | 34 | 35 | 36 | 37 | 38 |
| 39 | 40 | 41 | 42 | 43 | 44 | 45 | 46 | 47 | 48 | 49 | 50 | 51 | 52 | 53 | 54 | 55 | 73 |    |
| 56 | 57 | 58 | 59 | 60 | 61 | 62 | 63 | 64 | 65 | 66 | 67 | 68 | 69 | 70 | 71 | 72 |    |    |
| 74 | 75 |    | 76 |    | 77 |    |    |    | 78 |    | 79 |    |    | 80 |    | 81 |    |    |

| POS  | US      | ASCII   | AUS/GER-<br>QWERTZ | AUS/GER-<br>QWERTY | BELGIUM | BRAZIL  | PORTUGAL | DENMARK | FINLAND | FRANCE-<br>QWERTY |
|------|---------|---------|--------------------|--------------------|---------|---------|----------|---------|---------|-------------------|
| 41   | 1854032 | 1854032 | 1854704            | 1854704            | 1854032 | 1854032 | 1854032  | 1854032 | 1854032 | 1854705           |
| 42   | 1853521 | 1853521 | 1853521            | 1853521            | 1854683 | 1853521 | 1853521  | 1853521 | 1853521 | 1853521           |
| 43   | 1853522 | 1853522 | 1853522            | 1853522            | 1853522 | 1853522 | 1853522  | 1853522 | 1853522 | 1853522           |
| 44   | 1853523 | 1853523 | 1853523            | 1853523            | 1853523 | 1853523 | 1853523  | 1853523 | 1853523 | 1853523           |
| 45   | 1853524 | 1853524 | 1853524            | 1853524            | 1853524 | 1853524 | 1853524  | 1853524 | 1853524 | 1853524           |
| 46   | 1853525 | 1853525 | 1853525            | 1853525            | 1853525 | 1853525 | 1853525  | 1853525 | 1853525 | 1853525           |
| 47   | 1853526 | 1853526 | 1853526            | 1853526            | 1853526 | 1853526 | 1853526  | 1853526 | 1853526 | 1853526           |
| 48   | 1853527 | 1853527 | 1853527            | 1853527            | 1853527 | 1853527 | 1853527  | 1853527 | 1853527 | 1853527           |
| 49   | 1853528 | 1853528 | 1853528            | 1853528            | 1853528 | 1853528 | 1853528  | 1853528 | 1853528 | 1853528           |
| 50   | 1853529 | 1853529 | 1853529            | 1853529            | 1853529 | 1853529 | 1853529  | 1853529 | 1853529 | 1853529           |
| 51   | 1853530 | 1853530 | 1854681            | 1853530            | 1854684 | 1854686 | 1854686  | 1854688 | 1854690 | 1854684           |
| 52   | 1853531 | 1853531 | 1854682            | 1853531            | 1854685 | 1854687 | 1854687  | 1854689 | 1854691 | 1854685           |
| 53   | 1854033 | 1854033 | 1854033            | 1854033            | 1854033 | 1854033 | 1854033  | 1854033 | 1854033 | 1854033           |
| 54   | 1854034 | 1854034 | 1854034            | 1854034            | 1854034 | 1854034 | 1854034  | 1854034 | 1854034 | 1854034           |
| 55   | 1854035 | 1854035 | 1854035            | 1854035            | 1854035 | 1854035 | 1854035  | 1854035 | 1854035 | 1854035           |
| * 56 | 1853567 | 1853567 | 1853567            | 1853567            | 1853567 | 1853567 | 1853567  | 1853567 | 1853567 | 1853567           |
| 57   | 1853562 | 1853562 | 1853562            | 1853562            | 1853562 | 1853562 | 1853562  | 1853562 | 1853562 | 1853562           |
| 58   | 1853552 | 1853552 | 1854708            | 1854708            | 1853552 | 1853552 | 1853552  | 1853552 | 1853552 | 1853552           |
| 59   | 1853532 | 1853532 | 1854696            | 1853532            | 1854700 | 1853532 | 1853532  | 1853553 | 1853532 | 1853532           |
| 60   | 1853533 | 1853533 | 1853533            | 1853533            | 1853533 | 1853533 | 1853533  | 1853533 | 1853533 | 1853533           |
| 61   | 1853534 | 1853534 | 1853534            | 1853534            | 1853534 | 1853534 | 1853534  | 1853534 | 1853534 | 1853534           |
| 62   | 1853535 | 1853535 | 1853535            | 1853535            | 1853535 | 1853535 | 1853535  | 1853535 | 1853535 | 1853535           |
| 63   | 1853536 | 1853536 | 1853536            | 1853536            | 1853536 | 1853536 | 1853536  | 1853536 | 1853536 | 1853536           |
| 64   | 1853537 | 1853537 | 1853537            | 1853537            | 1853537 | 1853537 | 1853537  | 1853537 | 1853537 | 1853537           |
| 65   | 1853538 | 1853538 | 1853538            | 1853538            | 1853538 | 1853538 | 1853538  | 1853538 | 1853538 | 1853538           |
| 66   | 1853539 | 1853539 | 1854697            | 1853539            | 1854697 | 1854697 | 1854697  | 1854697 | 1854701 | 1854697           |
| 67   | 1853540 | 1853540 | 1854698            | 1853540            | 1854698 | 1854698 | 1854698  | 1854698 | 1854702 | 1854698           |
| 68   | 1853541 | 1853541 | 1854699            | 1853541            | 1854699 | 1854699 | 1854699  | 1854699 | 1854703 | 1854699           |
| 69   | 1853553 | 1853553 | 1854711            | 1854711            | 1853553 | 1853553 | 1853553  | 1853553 | 1853553 | 1853553           |
| 70   | 1854038 | 1854038 | 1854038            | 1854038            | 1854038 | 1854038 | 1854038  | 1854038 | 1854038 | 1854038           |
| 71   | 1854039 | 1854039 | 1854039            | 1854039            | 1854039 | 1854039 | 1854039  | 1854039 | 1854039 | 1854039           |
| 72   | 1854040 | 1854040 | 1854040            | 1854040            | 1854040 | 1854040 | 1854040  | 1854040 | 1854040 | 1854040           |
| 73   | 1854036 | 1854036 | 1854724            | 1854724            | 1854036 | 1854036 | 1854036  | 1854036 | 1854036 | 1854725           |
| 74   | 1854041 | 1854041 | 1854606            | 1854606            | 1854041 | 1854041 | 1854041  | 1854041 | 1854041 | 1854616           |
| 75   | 1854042 | 1854042 | 1854607            | 1854607            | 1854042 | 1854042 | 1854042  | 1854042 | 1854042 | 1854617           |
| 76   | 1854043 | 1854043 | 1854043            | 1854043            | 1854043 | 1854043 | 1854043  | 1854043 | 1854043 | 1854714           |
| 77   | 1785024 | 1785024 | 1785024            | 1785024            | 1785024 | 1785024 | 1785024  | 1785024 | 1785024 | 1785024           |
| 78   | 1785024 | 1785024 | 1785024            | 1785024            | 1785024 | 1785024 | 1785024  | 1785024 | 1785024 | 1785024           |
| 79   | 1854043 | 1854043 | 1854043            | 1854043            | 1854043 | 1854043 | 1854043  | 1854043 | 1854043 | 1854714           |
| 80   | 1854044 | 1854044 | 1854044            | 1854044            | 1854044 | 1854044 | 1854044  | 1854044 | 1854044 | 1854044           |
| 81   | 1854045 | 1854045 | 1854727            | 1854045            | 1854045 | 1854727 | 1854727  | 1854727 | 1854727 | 1854045           |

NOTE: FOR POSITIONS 1 THRU 40, SEE PART 1

\* KEY POSITION 56 HAS "CODE" KEYBUTTON P/N 1650576 ON WORD PROCESSING SYSTEM

FIGURE 47. KEYBUTTON CHART POSITIONS 41 THRU 81. PART 2 OF 4.

|    |    |    |    |    |    |    |    |    |    |    |    |    |    |    |    |    |    |    |
|----|----|----|----|----|----|----|----|----|----|----|----|----|----|----|----|----|----|----|
| 1  | 2  | 3  | 4  | 5  | 6  | 7  | 8  | 9  | 10 | 11 | 12 | 13 | 14 | 15 | 16 | 17 | 18 | 19 |
| 20 | 21 | 22 | 23 | 24 | 25 | 26 | 27 | 28 | 29 | 30 | 31 | 32 | 33 | 34 | 35 | 36 | 37 | 38 |
| 39 | 40 | 41 | 42 | 43 | 44 | 45 | 46 | 47 | 48 | 49 | 50 | 51 | 52 | 53 | 54 | 55 | 73 |    |
| 56 | 57 | 58 | 59 | 60 | 61 | 62 | 63 | 64 | 65 | 66 | 67 | 68 | 69 | 70 | 71 | 72 |    |    |
| 74 | 75 | 76 | 77 | 78 | 79 | 80 | 81 |    |    |    |    |    |    |    |    |    |    |    |

| POS | FRANCE-AZERTY | ITALY   | JAPAN   | KATKAN  | NORWAY  | SPAIN   | SPA-SPK | SWEDEN  | UK 1    | UK 2    |
|-----|---------------|---------|---------|---------|---------|---------|---------|---------|---------|---------|
| 1   | 1854609       | 1854619 | 1854016 | 1854016 | 1854016 | 1854625 | 1854625 | 1854016 | 1854016 | 1854016 |
| 2   | 1854610       | 1854017 | 1854017 | 1854017 | 1854017 | 1854626 | 1854626 | 1854017 | 1854017 | 1854017 |
| 3   | 1853546       | 1853546 | 1854680 | 1854594 | 1853546 | 1853546 | 1853546 | 1853546 | 1853546 | 1854680 |
| 4   | 1854651       | 1854651 | 1854651 | 1854595 | 1854653 | 1854641 | 1854641 | 1854653 | 1854651 | 1854651 |
| 5   | 1853500       | 1853500 | 1853500 | 1854596 | 1854657 | 1854642 | 1854642 | 1854642 | 1854660 | 1854660 |
| 6   | 1853501       | 1853501 | 1854665 | 1854597 | 1854658 | 1854668 | 1853501 | 1854654 | 1853501 | 1853501 |
| 7   | 1853502       | 1853502 | 1853502 | 1854598 | 1853502 | 1853502 | 1853502 | 1853502 | 1853502 | 1853502 |
| 8   | 1854644       | 1854644 | 1854644 | 1854599 | 1854644 | 1854644 | 1854644 | 1854644 | 1854644 | 1854644 |
| 9   | 1854645       | 1854645 | 1854661 | 1854728 | 1854645 | 1854645 | 1854645 | 1854645 | 1854661 | 1854661 |
| 10  | 1854646       | 1854646 | 1854646 | 1854729 | 1854646 | 1854646 | 1854646 | 1854646 | 1854646 | 1854646 |
| 11  | 1854647       | 1854647 | 1854647 | 1854730 | 1854647 | 1854647 | 1854647 | 1854647 | 1854647 | 1854647 |
| 12  | 1854648       | 1854648 | 1854666 | 1854731 | 1854648 | 1854648 | 1854648 | 1854648 | 1854662 | 5192893 |
| 13  | 1854649       | 1854649 | 1854663 | 1854732 | 1854655 | 1854649 | 1854649 | 1854655 | 1854663 | 1854663 |
| 14  | 1854652       | 1854652 | 1854667 | 1854733 | 1854659 | 1854650 | 1854650 | 1854656 | 1854664 | 5192894 |
| 15  | 1853547       | 1853547 | 1853547 | 1854734 | 1853547 | 1853547 | 1853547 | 1853547 | 1853547 | 1853547 |
| 16  | BLANK         | BLANK   | BLANK   | 1854767 | BLANK   | BLANK   | BLANK   | BLANK   | BLANK   | BLANK   |
| 17  | 1854721       | 1854722 | 1854019 | 1854769 | 1854019 | 1854723 | 1854723 | 1854019 | 1854019 | 1854019 |
| 18  | BLANK         | BLANK   | BLANK   | 1854768 | BLANK   | BLANK   | BLANK   | BLANK   | BLANK   | BLANK   |
| 19  | 1854618       | 1854624 | 1854020 | 1854020 | 1854020 | 1854633 | 1854633 | 1854020 | 1854020 | 1854020 |
| 20  | 1854611       | 1854620 | 1854021 | 1854021 | 1854021 | 1854627 | 1854627 | 1854021 | 1854021 | 1854021 |
| 21  | 1854612       | 1854621 | 1854022 | 1854022 | 1854022 | 1854628 | 1854628 | 1854022 | 1854022 | 1854022 |
| 22  | 1854638       | 1854639 | 1854023 | 1854023 | 1854023 | 1854640 | 1854640 | 1854023 | 1854023 | 1854023 |
| 23  | 1854672       | 1853510 | 1853510 | 1854735 | 1853510 | 1853510 | 1853510 | 1853510 | 1853510 | 1853510 |
| 24  | 1854670       | 1853511 | 1853511 | 1854736 | 1853511 | 1853511 | 1853511 | 1853511 | 1853511 | 1853511 |
| 25  | 1853512       | 1853512 | 1853512 | 1854737 | 1853512 | 1853512 | 1853512 | 1853512 | 1853512 | 1853512 |
| 26  | 1853513       | 1853513 | 1853513 | 1854738 | 1853513 | 1853513 | 1853513 | 1853513 | 1853513 | 1853513 |
| 27  | 1853514       | 1853514 | 1853514 | 1854739 | 1853514 | 1853514 | 1853514 | 1853514 | 1853514 | 1853514 |
| 28  | 1853515       | 1853515 | 1853515 | 1854740 | 1853515 | 1853515 | 1853515 | 1853515 | 1853515 | 1853515 |
| 29  | 1853516       | 1853516 | 1853516 | 1854741 | 1853516 | 1853516 | 1853516 | 1853516 | 1853516 | 1853516 |
| 30  | 1853517       | 1853517 | 1853517 | 1854742 | 1853517 | 1853517 | 1853517 | 1853517 | 1853517 | 1853517 |
| 31  | 1853518       | 1853518 | 1853518 | 1854743 | 1853518 | 1853518 | 1853518 | 1853518 | 1853518 | 1853518 |
| 32  | 1853519       | 1853519 | 1853519 | 1854744 | 1853519 | 1853519 | 1853519 | 1853519 | 1853519 | 1853519 |
| 33  | 1854673       | 1854673 | 1854678 | 1854745 | 1854675 | 1854679 | 1854679 | 1854675 | 1854677 | 5192895 |
| 34  | 1854717       | 1854718 | 1854025 | 1854025 | 1854025 | 1854719 | 1854719 | 1854025 | 1854025 | 1854025 |
| 35  | 1854026       | 1854026 | 1854026 | 1854026 | 1854026 | 1854026 | 1854026 | 1854026 | 1854026 | 1854026 |
| 36  | 1854027       | 1854027 | 1854027 | 1854027 | 1854027 | 1854027 | 1854027 | 1854027 | 1854027 | 1854027 |
| 37  | 1854028       | 1854028 | 1854028 | 1854028 | 1854028 | 1854028 | 1854028 | 1854028 | 1854028 | 1854028 |
| 38  | 1854635       | 1854635 | 1854029 | 1854029 | 1854029 | 1854634 | 1854634 | 1854029 | 1854029 | 1854029 |
| 39  | 1854613       | 1854622 | 1854030 | 1854030 | 1854030 | 1854629 | 1854629 | 1854030 | 1854030 | 1854030 |
| 40  | 1854614       | 1853607 | 1853607 | 1853607 | 1853607 | 1853607 | 1853607 | 1853607 | 1853607 | 1853607 |

NOTE: FOR POSITIONS 41 THRU 81, SEE PART 4

FIGURE 48. KEYBUTTON CHART POSITIONS 1 THRU 40. PART 3 OF 4.

|    |    |    |    |    |    |    |    |    |    |    |    |    |    |    |    |    |    |    |
|----|----|----|----|----|----|----|----|----|----|----|----|----|----|----|----|----|----|----|
| 1  | 2  | 3  | 4  | 5  | 6  | 7  | 8  | 9  | 10 | 11 | 12 | 13 | 14 | 15 | 16 | 17 | 18 | 19 |
| 20 | 21 | 22 | 23 | 24 | 25 | 26 | 27 | 28 | 29 | 30 | 31 | 32 | 33 | 34 | 35 | 36 | 37 | 38 |
| 39 | 40 | 41 | 42 | 43 | 44 | 45 | 46 | 47 | 48 | 49 | 50 | 51 | 52 | 53 | 54 | 55 | 73 |    |
| 56 | 57 | 58 | 59 | 60 | 61 | 62 | 63 | 64 | 65 | 66 | 67 | 68 | 69 | 70 | 71 | 72 |    |    |
| 74 | 75 | 76 | 77 | 78 | 79 | 80 | 81 |    |    |    |    |    |    |    |    |    |    |    |

| POS  | FRANCE-<br>AZERTY | ITALY   | JAPAN   | KATKAN  | NORWAY  | SPAIN   | SPA-SPK | SWEDEN  | UK 1    | UK 2    |
|------|-------------------|---------|---------|---------|---------|---------|---------|---------|---------|---------|
| 41   | 1854705           | 1854706 | 1854032 | 1854032 | 1854032 | 1854707 | 1854707 | 1854032 | 1854032 | 1854032 |
| 42   | 1854683           | 1853521 | 1853521 | 1854746 | 1853521 | 1853521 | 1853521 | 1853521 | 1853521 | 1853521 |
| 43   | 1853522           | 1853522 | 1853522 | 1854747 | 1853522 | 1853522 | 1853522 | 1853522 | 1853522 | 1853522 |
| 44   | 1853523           | 1853523 | 1853523 | 1854748 | 1853523 | 1853523 | 1853523 | 1853523 | 1853523 | 1853523 |
| 45   | 1853524           | 1853524 | 1853524 | 1854749 | 1853524 | 1853524 | 1853524 | 1853524 | 1853524 | 1853524 |
| 46   | 1853525           | 1853525 | 1853525 | 1854750 | 1853525 | 1853525 | 1853525 | 1853525 | 1853525 | 1853525 |
| 47   | 1853526           | 1853526 | 1853526 | 1854751 | 1853526 | 1853526 | 1853526 | 1853526 | 1853526 | 1853526 |
| 48   | 1853527           | 1853527 | 1853527 | 1854752 | 1853527 | 1853527 | 1853527 | 1853527 | 1853527 | 1853527 |
| 49   | 1853528           | 1853528 | 1853528 | 1854753 | 1853528 | 1853528 | 1853528 | 1853528 | 1853528 | 1853528 |
| 50   | 1853529           | 1853529 | 1853529 | 1854754 | 1853529 | 1853529 | 1853529 | 1853529 | 1853529 | 1853529 |
| 51   | 1854684           | 1854684 | 1854692 | 1854755 | 1854689 | 1854694 | 1854694 | 1854681 | 1854692 | 1854692 |
| 52   | 1854685           | 1854685 | 1854693 | 1854756 | 1854688 | 1854695 | 1854695 | 1854682 | 1854693 | 1854693 |
| 53   | 1854033           | 1854033 | 1854033 | 1854033 | 1854033 | 1854033 | 1854033 | 1854033 | 1854033 | 1854033 |
| 54   | 1854034           | 1854034 | 1854034 | 1854034 | 1854034 | 1854034 | 1854034 | 1854034 | 1854034 | 1854034 |
| 55   | 1854035           | 1854035 | 1854035 | 1854035 | 1854035 | 1854035 | 1854035 | 1854035 | 1854035 | 1854035 |
| * 56 | 1853567           | 1853567 | 1853567 | 1853567 | 1853567 | 1853567 | 1853567 | 1853567 | 1853567 | 1853567 |
| 57   | 1853562           | 1853562 | 1853562 | 1853562 | 1853562 | 1853562 | 1853562 | 1853562 | 1853562 | 1853562 |
| 58   | 1853652           | 1854709 | 1853552 | 1853552 | 1853552 | 1854710 | 1854710 | 1853552 | 1853652 | 1853652 |
| 59   | 1854700           | 1853532 | 1853532 | 1854757 | 1853532 | 1853532 | 1853532 | 1853532 | 1853532 | 1853532 |
| 60   | 1853533           | 1853533 | 1853533 | 1854758 | 1853533 | 1853533 | 1853533 | 1853533 | 1853533 | 1853533 |
| 61   | 1853534           | 1853534 | 1853534 | 1854759 | 1853534 | 1853534 | 1853534 | 1853534 | 1853534 | 1853534 |
| 62   | 1853535           | 1853535 | 1853535 | 1854760 | 1853535 | 1853535 | 1853535 | 1853535 | 1853535 | 1853535 |
| 63   | 1853536           | 1853536 | 1853536 | 1854761 | 1853536 | 1853536 | 1853536 | 1853536 | 1853536 | 1853536 |
| 64   | 1853537           | 1853537 | 1853537 | 1854762 | 1853537 | 1853537 | 1853537 | 1853537 | 1853537 | 1853537 |
| 65   | 1853538           | 1853538 | 1853538 | 1854763 | 1853538 | 1853538 | 1853538 | 1853538 | 1853538 | 1853538 |
| 66   | 1854697           | 1854697 | 1853539 | 1854764 | 1854697 | 1854697 | 1854697 | 1854697 | 1853539 | 1853539 |
| 67   | 1854698           | 1854698 | 1853540 | 1854765 | 1854698 | 1854698 | 1854698 | 1854698 | 1853540 | 1853540 |
| 68   | 1854699           | 1854699 | 1853541 | 1854766 | 1854699 | 1854699 | 1854699 | 1854699 | 1853541 | 1853541 |
| 69   | 1854653           | 1854712 | 1853553 | 1853553 | 1853553 | 1854713 | 1854713 | 1853553 | 1853653 | 1853653 |
| 70   | 1854038           | 1854038 | 1854038 | 1854038 | 1854038 | 1854038 | 1854038 | 1854038 | 1854038 | 1854038 |
| 71   | 1854039           | 1854039 | 1854039 | 1854039 | 1854039 | 1854039 | 1854039 | 1854039 | 1854039 | 1854039 |
| 72   | 1854040           | 1854040 | 1854040 | 1854040 | 1854040 | 1854040 | 1854040 | 1854040 | 1854040 | 1854040 |
| 73   | 1854725           | 1854725 | 1854036 | 1854036 | 1854036 | 1854726 | 1854726 | 1854036 | 1854036 | 1854036 |
| 74   | 1854616           | 1854616 | 1854041 | 1854041 | 1854041 | 1854631 | 1854631 | 1854041 | 1854041 | 1854041 |
| 75   | 1854617           | 1854617 | 1854042 | 1854042 | 1854042 | 1854632 | 1854632 | 1854042 | 1854042 | 1854042 |
| 76   | 1854714           | 1854715 | 1854043 | 1854043 | 1854043 | 1854043 | 1854043 | 1854043 | 1854043 | 1854043 |
| 77   | 1785024           | 1785024 | 1785024 | 1785024 | 1785024 | 1785024 | 1785024 | 1785024 | 1785024 | 1785024 |
| 78   | 1785024           | 1785024 | 1785024 | 1785024 | 1785024 | 1785024 | 1785024 | 1785024 | 1785024 | 1785024 |
| 79   | 1854714           | 1854715 | 1854043 | 1854043 | 1854043 | 1854043 | 1854043 | 1854043 | 1854043 | 1854043 |
| 80   | 1854044           | 1854044 | 1854044 | 1854044 | 1854044 | 1854044 | 1854044 | 1854044 | 1854044 | 1854044 |
| 81   | 1854045           | 1854727 | 1854045 | 1854045 | 1854045 | 1854045 | 1854727 | 1854727 | 1854045 | 1854045 |

NOTE: FOR POSITIONS 1 THRU 40, SEE PART 3

\* KEY POSITION 56 HAS "CODE" KEYBUTTON P/N 1650576 ON WORD PROCESSING SYSTEM

FIGURE 49. KEYBUTTON CHART POSITIONS 41 THRU 81. PART 4 OF 4.

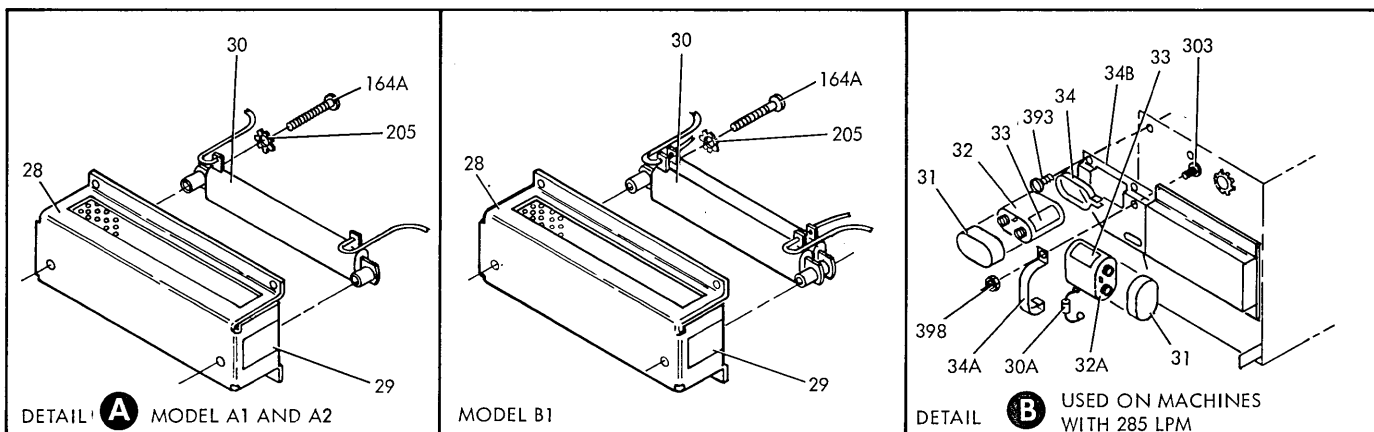
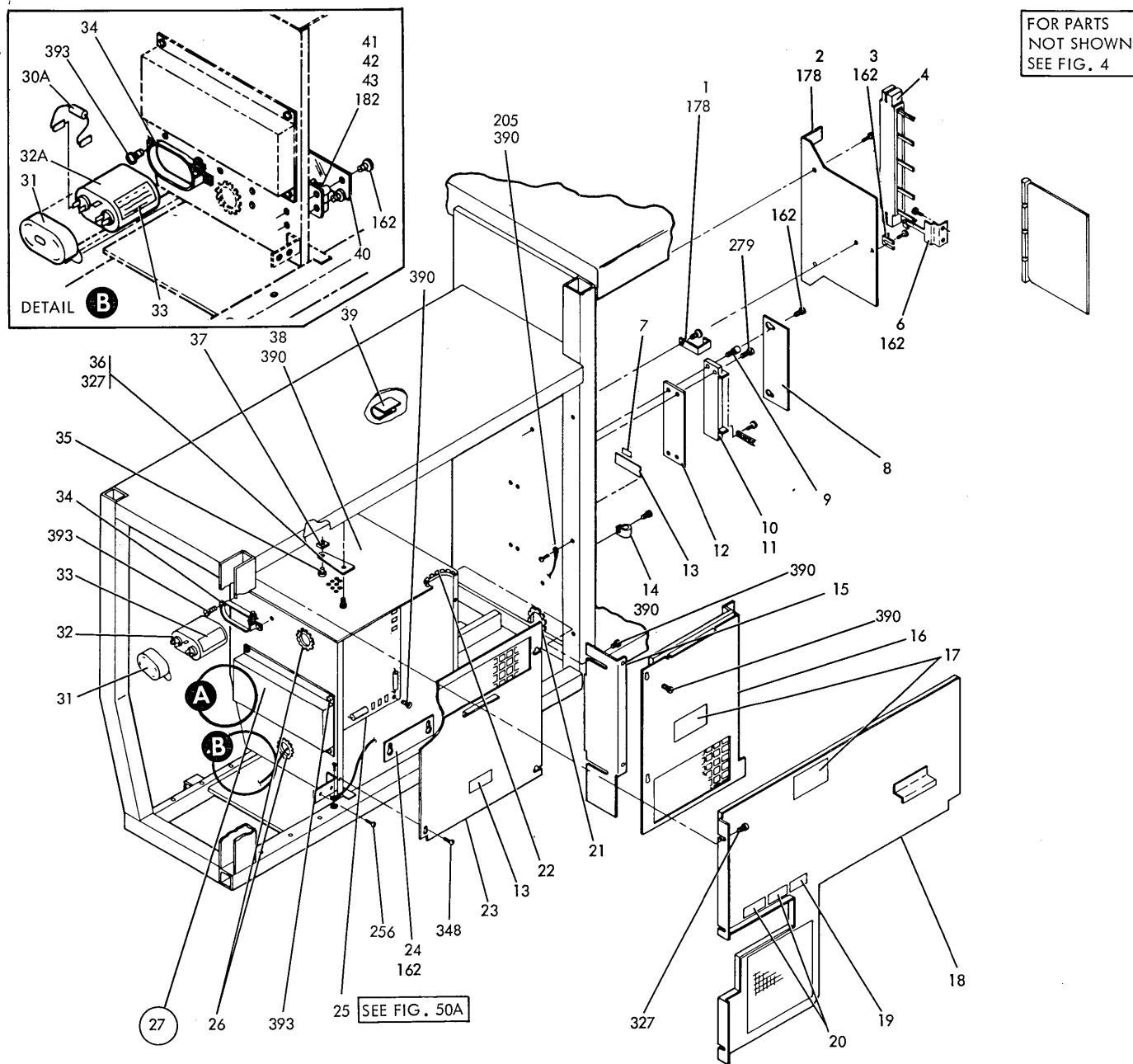
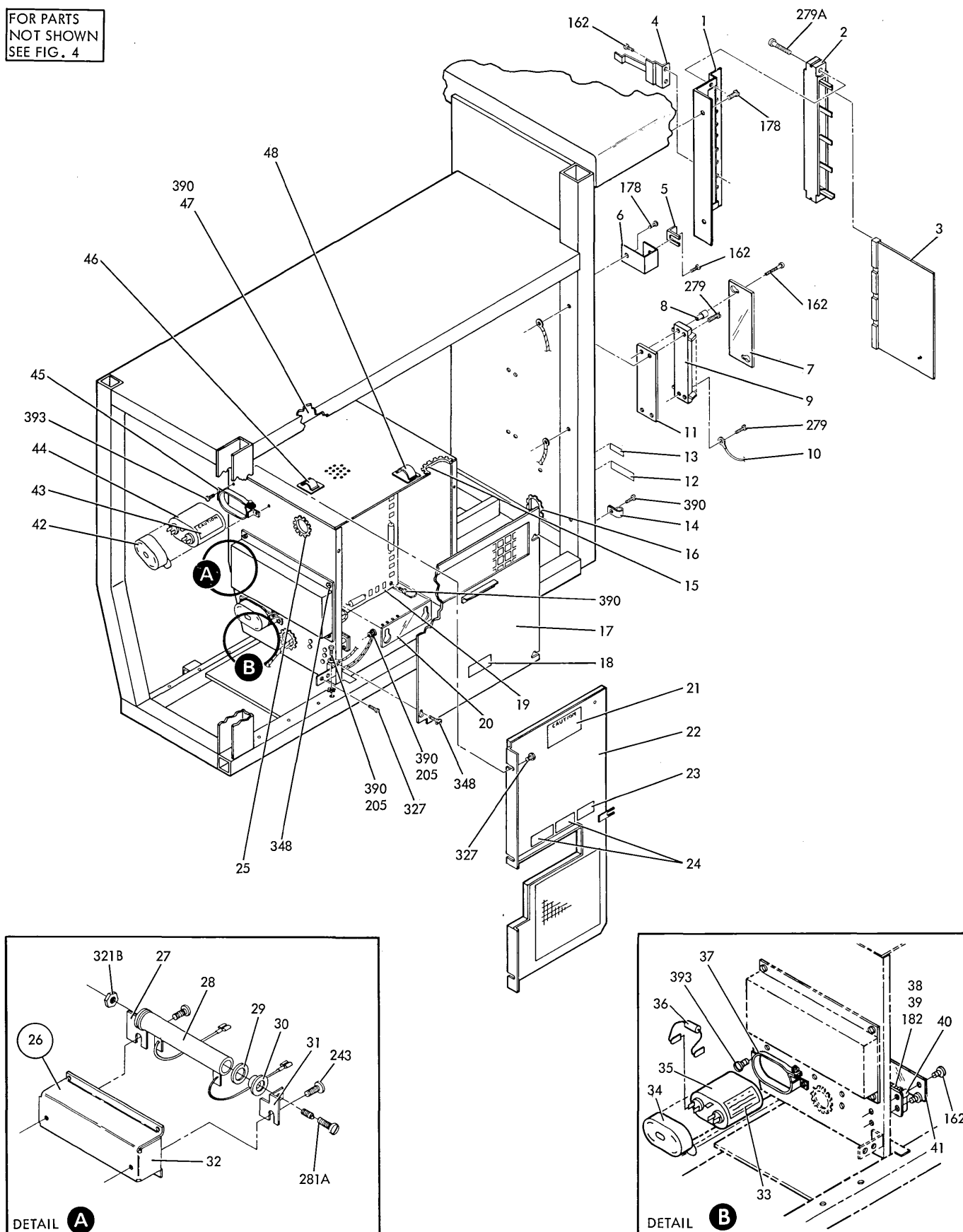


FIGURE 50. HIGH FREQUENCY POWER SUPPLY ASM. SEE LIST 50.

| FIGURE-<br>INDEX<br>NUMBER | PART<br>NUMBER | UNITS<br>PER<br>ASM. | DESCRIPTION FOR FIGURE 50                                                                                                                 |   |   |   |
|----------------------------|----------------|----------------------|-------------------------------------------------------------------------------------------------------------------------------------------|---|---|---|
|                            |                |                      | 1                                                                                                                                         | 2 | 3 | 4 |
| 50                         | 2546300 NP     |                      | HIGH FREQUENCY POWER SUPPLY ASM<br>USED ON MACHINES WITHOUT EC 828780<br>FOR NEXT HIGHER ASM SEE LIST 4-7<br>AND FOR ILLUSTRATION FIG. 50 |   |   |   |
| - 1                        | 2547854        | 1                    | • BRACKET                                                                                                                                 |   |   |   |
| - 2                        | 2547853        | 1                    | • BRACKET                                                                                                                                 |   |   |   |
| - 3                        | 2280297        | 1                    | • RETAINER                                                                                                                                |   |   |   |
| - 4                        | 818039         | 1                    | • CONNECTOR                                                                                                                               |   |   |   |
| - 6                        | 2546746        | 2                    | • RETAINER                                                                                                                                |   |   |   |
| - 7                        | 2546539        | 1                    | • LABEL                                                                                                                                   |   |   |   |
| - 8                        | 350977         | 1                    | • SHIELD                                                                                                                                  |   |   |   |
| - 9                        | 210883         | 1                    | • STANDOFF                                                                                                                                |   |   |   |
| - 10                       | 317145         | 1                    | • TERMINAL BLOCK                                                                                                                          |   |   |   |
| - 11                       | 472187         | 3                    | • JUMPER                                                                                                                                  |   |   |   |
| - 12                       | 242256         | 1                    | • MARKER STRIP                                                                                                                            |   |   |   |
| - 13                       | 138754         | 2                    | • LABEL                                                                                                                                   |   |   |   |
| - 14                       | 2114108        | 1                    | • CLAMP                                                                                                                                   |   |   |   |
| - 15                       | 2546595        | 1                    | • BRACKET                                                                                                                                 |   |   |   |
| - 16                       | 5564584        | 1                    | • SHIELD ASM                                                                                                                              |   |   |   |
| - 17                       | 2546953        | 2                    | • LABEL                                                                                                                                   |   |   |   |
| - 18                       | 5564582        | 1                    | • SHIELD ASM                                                                                                                              |   |   |   |
| - 19                       | 2591163        | 1                    | • LABEL                                                                                                                                   |   |   |   |
| - 20                       | 2546539        | AR                   | • LABEL                                                                                                                                   |   |   |   |
| - 21                       | 2546556        | 1                    | • GROMMET                                                                                                                                 |   |   |   |
| - 22                       | 2546557        | 1                    | • GROMMET                                                                                                                                 |   |   |   |
| - 23                       | 2546606        | 1                    | • COVER,USED ON MACHINES WITHOUT EC 825429<br>OLD STYLE COVER                                                                             |   |   |   |
| - 23                       | 5565031        | 1                    | • COVER,USED ON MACHINES WITH EC 825429<br>NEW STYLE COVER                                                                                |   |   |   |
| - 24                       | 5790504        | 1                    | • SHIELD,60 HZ                                                                                                                            |   |   |   |
| - 24                       | 4120458        | 1                    | • SHIELD,50 HZ                                                                                                                            |   |   |   |
| - 25                       | 5564591        | 1                    | • AC BOARD ASM,60 HZ                                                                                                                      |   |   |   |
| - 25                       | 5564590        | 1                    | • AC BOARD ASM,50 HZ<br>FOR DETAIL BREAKDOWN SEE FIG. 50B                                                                                 |   |   |   |
| - 25A                      | 5564566        | 1                    | • • RESISTOR ASM,SURGE                                                                                                                    |   |   |   |
| - 26                       | 2546558        | 1                    | • GROMMET                                                                                                                                 |   |   |   |
| - 27                       | 5564488        | 1                    | • ARRESTOR,BELT PRINTER                                                                                                                   |   |   |   |
| - 27                       | 5565029        | 1                    | • ARRESTOR,WIRE PRINTER                                                                                                                   |   |   |   |
| - 28                       | 5564489        | 1                    | • • BOX                                                                                                                                   |   |   |   |
| - 29                       | 1127426        | 2                    | • • LABEL                                                                                                                                 |   |   |   |
| - 30                       | 5564487        | 1                    | • • RESISTOR,BELT PRINTER                                                                                                                 |   |   |   |
| - 30                       | 5565028        | 1                    | • • RESISTOR,WIRE PRINTER                                                                                                                 |   |   |   |
| - 30A                      | 5565035        | 1                    | • RESISTOR ASM<br>GERMAN AND UNION OF SOUTH AFRICA                                                                                        |   |   |   |
| - 31                       | 363001         | AR                   | • BOOT                                                                                                                                    |   |   |   |
| - 32                       | 5252837        | 1                    | • CAPACITOR,60 HZ                                                                                                                         |   |   |   |
| - 32                       | 5252838        | 1                    | • CAPACITOR,50 HZ                                                                                                                         |   |   |   |
| - 32A                      | 5252805        | 1                    | • CAPACITOR<br>GERMAN AND UNION OF SOUTH AFRICA                                                                                           |   |   |   |
| - 33                       | 138752         | AR                   | • LABEL                                                                                                                                   |   |   |   |
| - 34                       | 737732         | AR                   | • CLAMP                                                                                                                                   |   |   |   |
| - 34A                      | 2446381        | 1                    | • STRAP,CAPACITOR                                                                                                                         |   |   |   |
| - 34B                      | 2446382        | 1                    | • BRACKET                                                                                                                                 |   |   |   |
| - 35                       | 5428337        | 1                    | • THERMAL SWITCH                                                                                                                          |   |   |   |
| - 36                       | 2546823        | 1                    | • BRACKET                                                                                                                                 |   |   |   |
| - 37                       | 2588053        | 1                    | • CLIP                                                                                                                                    |   |   |   |
| - 38                       | 2546609        | 1                    | • ENCLOSURE<br>OLD STYLE ENCLOSURE<br>USED ON MACHINES WITHOUT EC 825429                                                                  |   |   |   |
| - 38                       | 5565004        | 1                    | • ENCLOSURE USED ON MACHINES WITH EC 825429<br>NEW STYLE ENCLOSURE                                                                        |   |   |   |
| - 38                       | 2547907        | 1                    | • ENCLOSURE<br>GERMAN AND UNION OF SOUTH AFRICA                                                                                           |   |   |   |
| - 39                       | 2596291        | 1                    | • CABLE CLIP                                                                                                                              |   |   |   |
| - 40                       | 5319909        | 1                    | • SHIELD                                                                                                                                  |   |   |   |
| - 41                       | 323836         | 1                    | • TERMINAL BLOCK<br>GERMAN AND UNION OF SOUTH AFRICA                                                                                      |   |   |   |
| - 42                       | 5318920        | 1                    | • MARKER STRIP<br>GERMAN AND UNION OF SOUTH AFRICA                                                                                        |   |   |   |
| - 43                       | 5261627        | 2                    | • STUD<br>GERMAN AND UNION OF SOUTH AFRICA                                                                                                |   |   |   |
|                            |                |                      | FOR ATTACHING PARTS, INDEX NOS. 150<br>AND ABOVE, SEE LIST 62                                                                             |   |   |   |

FOR PARTS  
NOT SHOWN  
SEE FIG. 4







FOR PARTS  
NOT SHOWN  
SEE FIG. 50

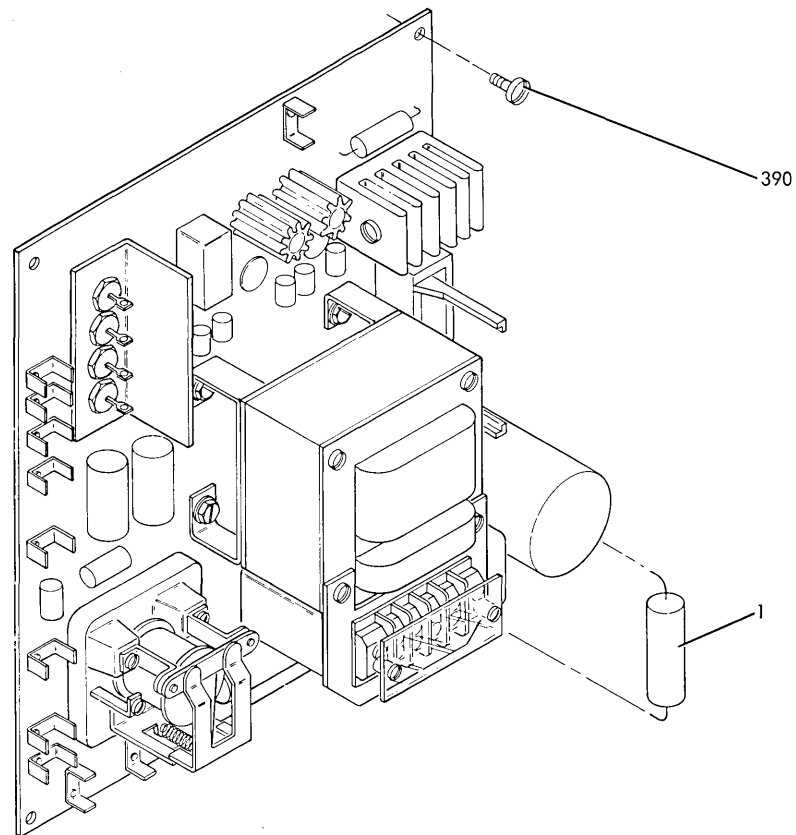


FIGURE 50B. AC BOARD ASM. SEE LIST 50B.

| FIGURE-<br>INDEX<br>NUMBER | PART<br>NUMBER     | UNITS<br>PER<br>ASM. | DESCRIPTION FOR FIGURE 50B                                                                                        |   |   |   |
|----------------------------|--------------------|----------------------|-------------------------------------------------------------------------------------------------------------------|---|---|---|
|                            |                    |                      | 1                                                                                                                 | 2 | 3 | 4 |
| 50B                        | 5564591<br>5564590 |                      | AC BOARD ASM, 60 HZ<br>AC BOARD ASM, 50 HZ<br>FOR NEXT HIGHER ASM SEE LIST 50-25<br>AND FOR ILLUSTRATION FIG. 50B |   |   |   |
| 1                          | 5564566            | 1                    | • RESISTOR ASM, SURGE                                                                                             |   |   |   |
|                            |                    |                      | FOR ATTACHING PARTS, INDEX NOS. 150<br>AND ABOVE, SEE LIST 62                                                     |   |   |   |
|                            |                    |                      |                                                                                                                   |   |   |   |
|                            |                    |                      |                                                                                                                   |   |   |   |
|                            |                    |                      |                                                                                                                   |   |   |   |
|                            |                    |                      |                                                                                                                   |   |   |   |
|                            |                    |                      |                                                                                                                   |   |   |   |
|                            |                    |                      |                                                                                                                   |   |   |   |
|                            |                    |                      |                                                                                                                   |   |   |   |
|                            |                    |                      |                                                                                                                   |   |   |   |

THIS PAGE INTENTIONALLY  
LEFT BLANK.

FOR PARTS  
NOT SHOWN  
SEE FIG. 4

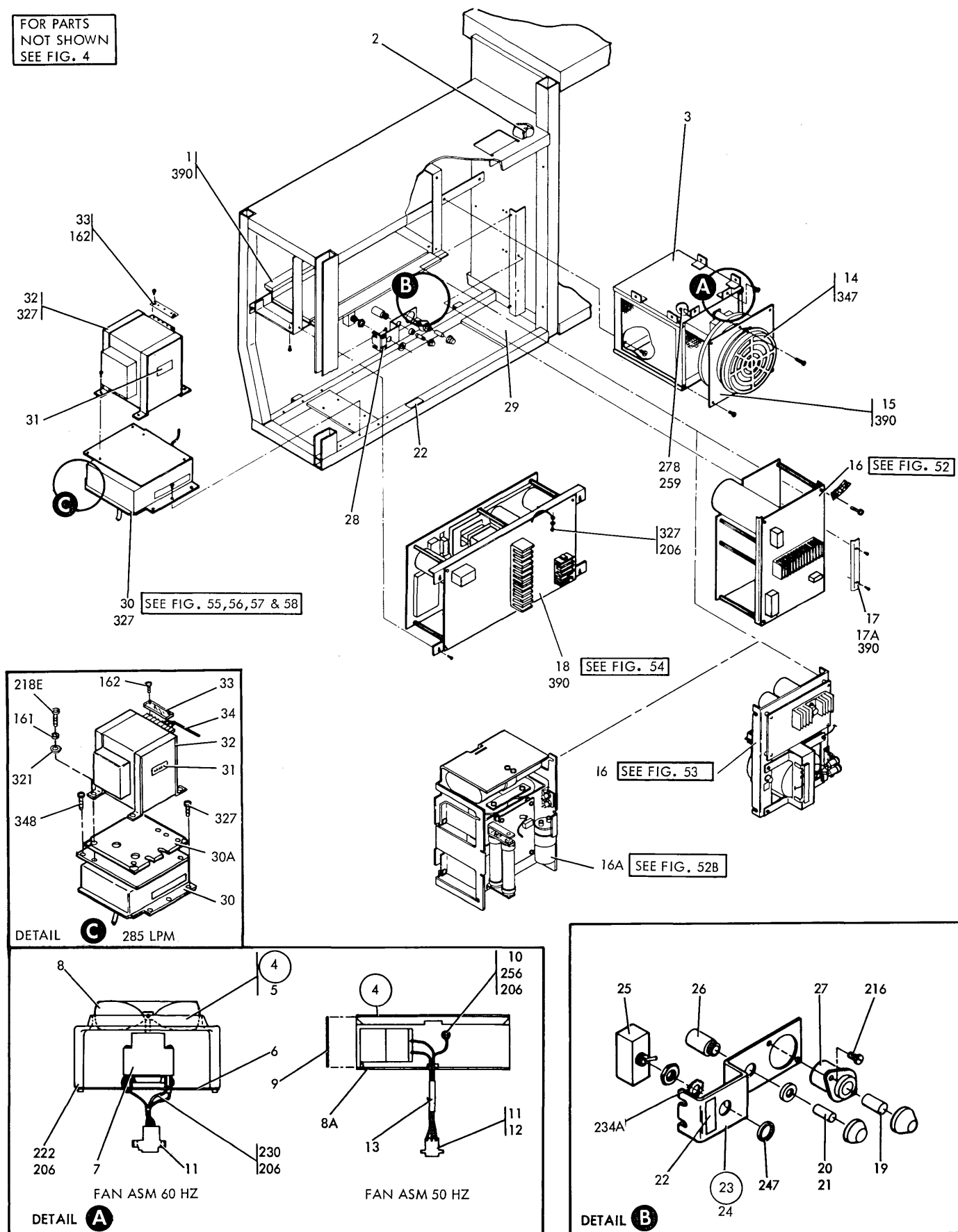


FIGURE 51. HIGH FREQUENCY POWER SUPPLY ASM. SEE LIST 51.

| FIGURE-<br>INDEX<br>NUMBER | PART<br>NUMBER | UNITS<br>PER<br>ASM. | DESCRIPTION FOR FIGURE 51                                                                                                                   |   |   |   |
|----------------------------|----------------|----------------------|---------------------------------------------------------------------------------------------------------------------------------------------|---|---|---|
|                            |                |                      | 1                                                                                                                                           | 2 | 3 | 4 |
| 51                         | 2546300 NP     |                      | HIGH FREQUENCY POWER SUPPLY ASM<br>USED ON MACHINES WITHOUT EC 828780<br>FOR NEXT HIGHER ASM SEE LIST 4-8<br>AND FOR ILLUSTRATION FIG. 51   |   |   |   |
| - 1                        | 5564588        | 1                    | • PLATE ASM                                                                                                                                 |   |   |   |
| - 2                        | 2546559        | 1                    | • GROMMET                                                                                                                                   |   |   |   |
| - 3                        | 2546767        | 1                    | • HOUSING,FAN                                                                                                                               |   |   |   |
| - 4                        | 5357051        | 1                    | • FAN ASM,60 HZ                                                                                                                             |   |   |   |
| - 4                        | 2546930        | 1                    | • FAN ASM,50 HZ                                                                                                                             |   |   |   |
| - 5                        | 5357069        | 1                    | • • ORIFICE                                                                                                                                 |   |   |   |
| - 6                        | 5357068        | 1                    | • • BRACKET                                                                                                                                 |   |   |   |
| - 7                        | 5357063        | 1                    | • • MOTOR,60 HZ                                                                                                                             |   |   |   |
| - 8                        | 5357066        | 1                    | • • BLADE,60 HZ                                                                                                                             |   |   |   |
| - 8A                       | 2546929        | 1                    | • • FAN,50 HZ                                                                                                                               |   |   |   |
| - 9                        | 5261304        | 1                    | • • LABEL                                                                                                                                   |   |   |   |
| - 10                       | 483685         | 1                    | • • TERMINAL,RING                                                                                                                           |   |   |   |
| - 11                       | 5353852        | 1                    | • • HOUSING,60 HZ                                                                                                                           |   |   |   |
| - 11                       | 5353853        | 1                    | • • HOUSING,50 HZ                                                                                                                           |   |   |   |
| - 12                       | 5353854        | 3                    | • • TERMINAL                                                                                                                                |   |   |   |
| - 13                       | 16367          | AR                   | • • TUBING                                                                                                                                  |   |   |   |
| - 14                       | 5357059        | 1                    | • SHIELD,60HZ                                                                                                                               |   |   |   |
| - 14                       | 4103594        | 1                    | • SHIELD,50HZ                                                                                                                               |   |   |   |
| - 15                       | 2546768        | 1                    | • PLATE                                                                                                                                     |   |   |   |
| - 16                       | 5564430        | 1                    | • HIGH FREQUENCY POWER SUPPLY ASM<br>DUAL LEVEL,BELT PRINTER<br>FOR DETAIL BREAKDOWN SEE LIST 52                                            |   |   |   |
| - 16                       | 5564973        | 1                    | • HIGH FREQUENCY POWER SUPPLY ASM,60 HZ<br>TRI-LEVEL,WIRE PRINTER                                                                           |   |   |   |
| - 16                       | 5564965        | 1                    | • HIGH FREQUENCY POWER SUPPLY ASM,50 HZ<br>TRI-LEVEL,WIRE PRINTER<br>FOR DETAIL BREAKDOWN SEE LIST 53                                       |   |   |   |
| - 16                       | 2446211        | 1                    | • POWER SUPPLY ASM,DUAL LEVEL 60 HZ                                                                                                         |   |   |   |
| - 16                       | 2446213        | 1                    | • POWER SUPPLY ASM,DUAL LEVEL 50 HZ<br>FOR FIELD USE AND RECON MACHINES<br>FOR DETAIL BREAKDOWN SEE LIST 52B                                |   |   |   |
| - 16A                      | 5565296        | 1                    | • JUMPER ASM                                                                                                                                |   |   |   |
| - 17                       | 2546596        | 1                    | • BRACKET                                                                                                                                   |   |   |   |
| - 17A                      | 2546766        | 1                    | • PROTECTOR                                                                                                                                 |   |   |   |
| - 18                       | 5564560        | 1                    | • HIGH FREQUENCY POWER SUPPLY ASM,MULTI-LEVEL<br>FOR DETAIL BREAKDOWN SEE LIST 54                                                           |   |   |   |
| - 19                       | 107669         | 1                    | • FUSE,200-235V                                                                                                                             |   |   |   |
| - 20                       | 111262         | 1                    | • FUSE,200-235V                                                                                                                             |   |   |   |
| - 21                       | 631810         | 1                    | • HEAT SHRINK TUBE                                                                                                                          |   |   |   |
| - 22                       | 369207         | 1                    | • LABEL                                                                                                                                     |   |   |   |
| - 23                       | 2546711        | 1                    | • BRACKET ASM                                                                                                                               |   |   |   |
| - 24                       | 2546599        | 1                    | • • BRACKET                                                                                                                                 |   |   |   |
| - 25                       | 2546842        | 1                    | • • SWITCH                                                                                                                                  |   |   |   |
| - 26                       | 179946         | 1                    | • • FUSEHOLDER                                                                                                                              |   |   |   |
| - 27                       | 92752          | 1                    | • • FUSEHOLDER                                                                                                                              |   |   |   |
| - 28                       | 2546539        | 1                    | • LABEL                                                                                                                                     |   |   |   |
| - 29                       | 2546769        | 1                    | • FOAM                                                                                                                                      |   |   |   |
| - 30                       | 5564960        | 1                    | • LINE FILTER ASM,60 HZ<br>OLD STYLE LINE FILTER                                                                                            |   |   |   |
| - 30                       | 5564959        | 1                    | • LINE FILTER ASM,50 HZ<br>OLD STYLE LINE FILTER<br>USED ON MACHINES WITHOUT EC 825429                                                      |   |   |   |
| - 30                       | 5564976        | 1                    | • LINE FILTER ASM,50HZ 200/220/235V 1 PHASE<br>NEW STYLE LINE FILTER<br>USED ON MACHINES WITH EC 825429<br>FOR DETAIL BREAKDOWN SEE LIST 55 |   |   |   |
| - 30                       | 5564977        | 1                    | • LINE FILTER ASM,50HZ 200/220 235V 1 PHASE<br>GERMANY AND UNION SOUTH AFRICA<br>FOR DETAIL BREAKDOWN SEE LIST 57                           |   |   |   |
| - 30                       | 5564979        | 1                    | • LINE FILTER ASM,60 HZ AND 50 HZ<br>NEW STYLE LINE FILTER<br>USED ON MACHINES WITH EC 825429<br>FOR DETAIL BREAKDOWN SEE LIST 58           |   |   |   |
| - 30A                      | 2446216        | 1                    | • PLATE,285 LPM BELT PRINTER                                                                                                                |   |   |   |
| - 31                       | 1141554        | 1                    | • LABEL                                                                                                                                     |   |   |   |
| - 32                       | 4119419        | 1                    | • AUTO-TRANSFORMER,WTC ONLY                                                                                                                 |   |   |   |
| - 32                       | 5565323        | 1                    | • TRANSFORMER,60 HZ-285 LPM BELT PRINTER                                                                                                    |   |   |   |
| - 32                       | 4119617        | 1                    | • TRANSFORMER,50 HZ-285 LPM BELT PRINTER                                                                                                    |   |   |   |
| - 33                       | 535506         | 1                    | • SHIELD,WTC                                                                                                                                |   |   |   |
| - 33                       | 533362         | 1                    | • SHIELD,285 LPM BELT PRINTER                                                                                                               |   |   |   |
| - 34                       | 2446217        | 1                    | • CABLE ASM,285 LPM BELT PRINTER                                                                                                            |   |   |   |
|                            |                |                      | FOR ATTACHING PARTS, INDEX NOS. 150<br>AND ABOVE, SEE LIST 62                                                                               |   |   |   |

FOR PARTS  
NOT SHOWN  
SEE FIG. 4

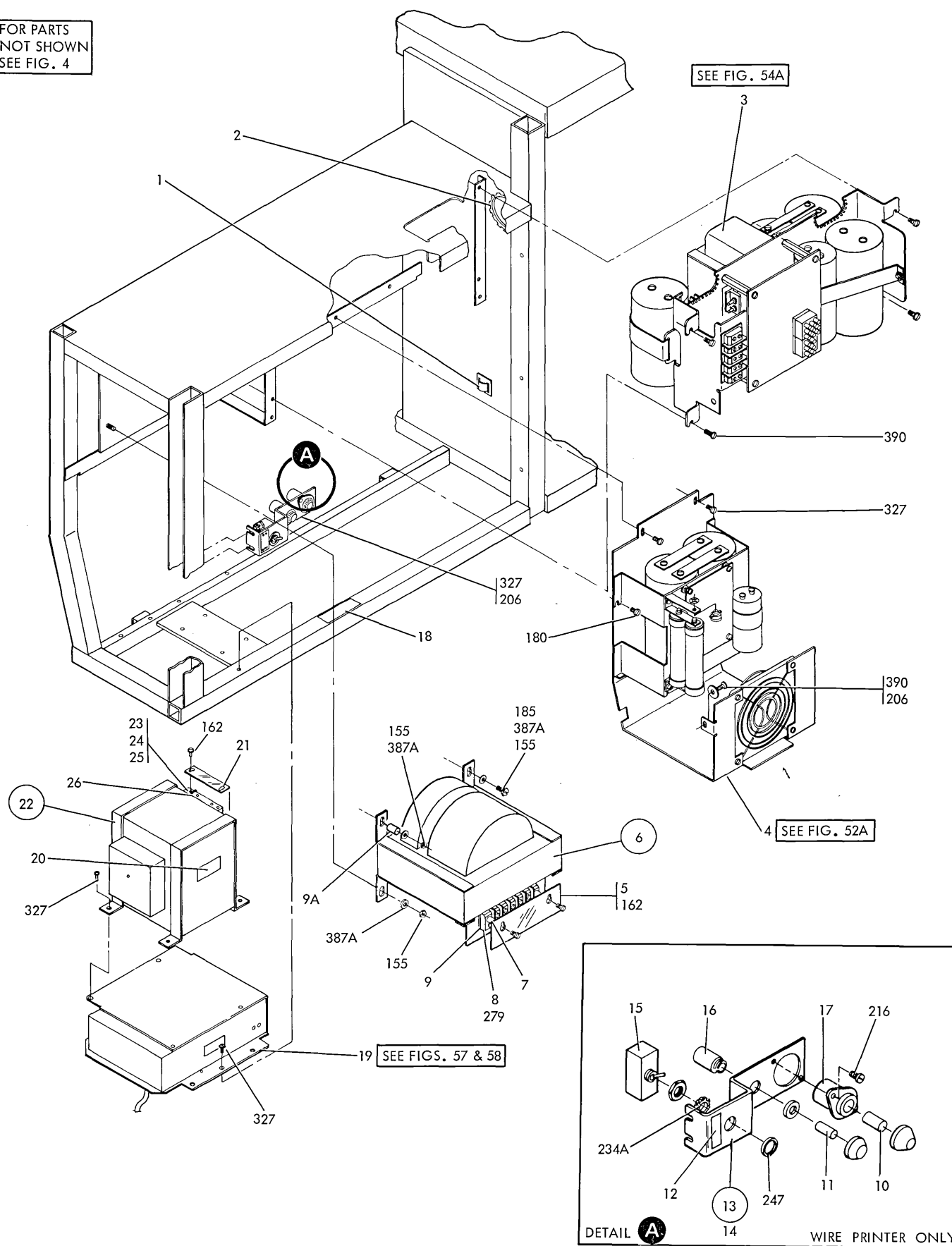


FIGURE 51A. FERRO RESONANT POWER SUPPLY ASM. SEE LIST 51A.



FOR PARTS  
NOT SHOWN  
SEE FIG. 51

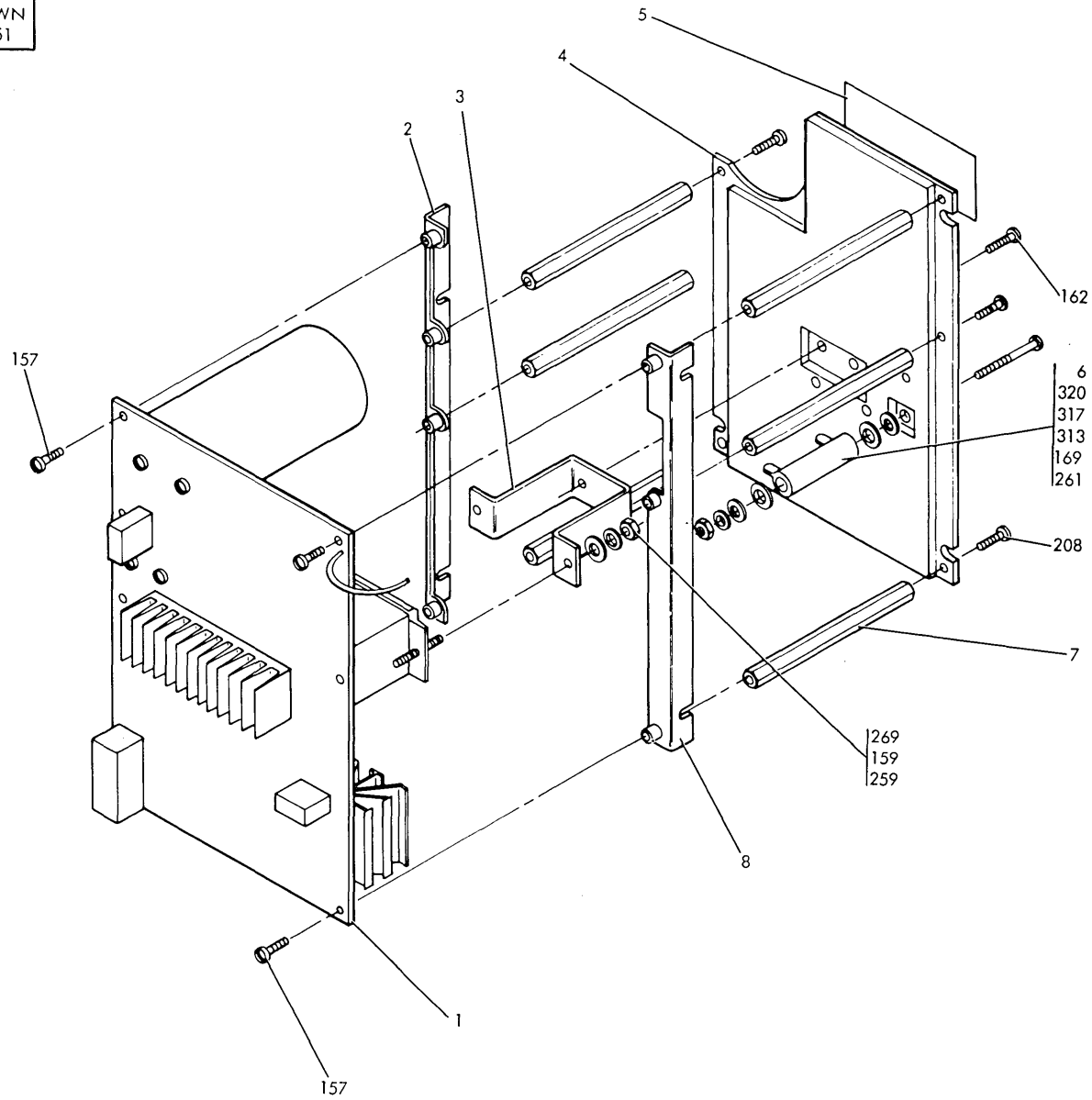


FIGURE 52. HIGH FREQUENCY POWER SUPPLY ASM,DUAL-LEVEL. SEE LIST 52.

| FIGURE-<br>INDEX<br>NUMBER | PART<br>NUMBER | UNITS<br>PER<br>ASM. | DESCRIPTION FOR FIGURE 52                                                                                                                              |                 |   |   |
|----------------------------|----------------|----------------------|--------------------------------------------------------------------------------------------------------------------------------------------------------|-----------------|---|---|
|                            |                |                      | 1                                                                                                                                                      | 2               | 3 | 4 |
| 52                         | 5564430        |                      | HIGH FREQUENCY POWER SUPPLY ASM,DUAL-LEVEL<br>USED ON MACHINES WITHOUT EC 828780<br>FOR NEXT HIGHER ASM SEE LIST 51-16<br>AND FOR ILLUSTRATION FIG. 52 |                 |   |   |
| -                          | 1              | 5564426              | 1                                                                                                                                                      | • PC BOARD      |   |   |
| -                          | 2              | 2546590              | 1                                                                                                                                                      | • ANGLE,LEFT    |   |   |
| -                          | 3              | 5564496              | 1                                                                                                                                                      | • BRACKET       |   |   |
| -                          | 4              | 2546509              | 1                                                                                                                                                      | • STIFFENER ASM |   |   |
| -                          | 5              | 5564498              | 1                                                                                                                                                      | • LABEL         |   |   |
| -                          | 6              | 303542               | 1                                                                                                                                                      | • RESISTOR      |   |   |
| -                          | 7              | 2546581              | 6                                                                                                                                                      | • BAR           |   |   |
| -                          | 8              | 2546593              | 1                                                                                                                                                      | • ANGLE,RIGHT   |   |   |
|                            |                |                      | FOR ATTACHING PARTS, INDEX NOS. 150<br>AND ABOVE, SEE LIST 62                                                                                          |                 |   |   |



THIS PAGE INTENTIONALLY  
LEFT BLANK.

FOR PARTS  
NOT SHOWN  
SEE FIG. 51A

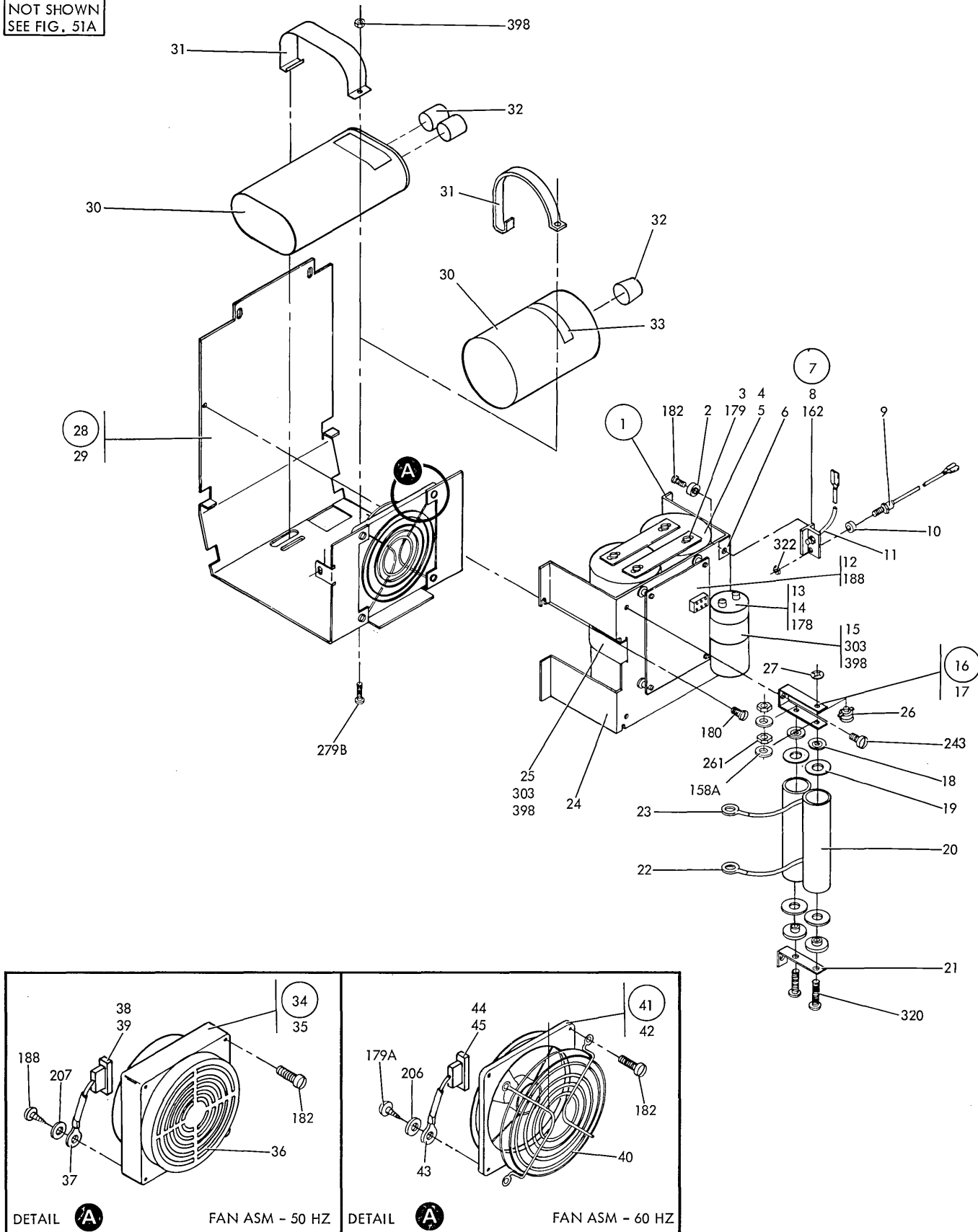


FIGURE 52A. FERRO RESONANT POWER SUPPLY AND MOUNTING PLATE ASMS, DUAL-LEVEL. SEE LIST 52A.

| FIGURE-<br>INDEX<br>NUMBER | PART<br>NUMBER | UNITS<br>PER<br>ASM. | DESCRIPTION FOR FIGURE 52A                                                                                                                                                  |   |   |   |
|----------------------------|----------------|----------------------|-----------------------------------------------------------------------------------------------------------------------------------------------------------------------------|---|---|---|
|                            |                |                      | 1                                                                                                                                                                           | 2 | 3 | 4 |
| 52A                        | NO. NO. NP     |                      | FERRO-RESONANT POWER SUPPLY AND<br>MOUNTING PLATE ASMS,DUAL-LEVEL<br>USED ON MACHINES WITH EC 828780<br>FOR NEXT HIGHER ASM SEE LIST 51A-4<br>AND FOR ILLUSTRATION FIG. 52A |   |   |   |
| - 1                        | 5565265        | 1                    | • POWER SUPPLY ASM,DUAL LEVEL                                                                                                                                               |   |   |   |
| - 2                        | 5232824        | 2                    | • • BUSHING,RECTIFIER MTG                                                                                                                                                   |   |   |   |
| - 3                        | 2572196        | 2                    | • • COMMON BUS                                                                                                                                                              |   |   |   |
| - 4                        | 5252740        | 2                    | • • CAPACITOR,100 KUF                                                                                                                                                       |   |   |   |
| - 5                        | 631769         | 2                    | • • SHIELD,CAPACITOR                                                                                                                                                        |   |   |   |
| - 6                        | 5761979        | 1                    | • • INSULATOR,MICA,RECT ASM                                                                                                                                                 |   |   |   |
| - 7                        | 5565274        | 1                    | • • RECTIFIER ASM,24V                                                                                                                                                       |   |   |   |
| - 8                        | 5762383        | 1                    | • • HEATSINK,T-BAR                                                                                                                                                          |   |   |   |
| - 9                        | 598479         | 2                    | • • RECTIFIER,10 AMP                                                                                                                                                        |   |   |   |
| - 10                       | 419131         | 2                    | • • SPACER,RECTIFIER MTG                                                                                                                                                    |   |   |   |
| - 11                       | 5565279        | 2                    | • • JUMPER ASM                                                                                                                                                              |   |   |   |
| - 12                       | 5565275        | 1                    | • • PC BOARD                                                                                                                                                                |   |   |   |
| - 13                       | 5252715        | 1                    | • • CAPACITOR,8.4KUF                                                                                                                                                        |   |   |   |
| - 14                       | 5261296        | 1                    | • • SHIELD,CAPACITOR                                                                                                                                                        |   |   |   |
| - 15                       | 5761787        | 1                    | • • STRAP,CAPACITOR MTG                                                                                                                                                     |   |   |   |
| - 16                       | 5565276        | 1                    | • • RESISTOR AND BRACKET ASM,25 OHM                                                                                                                                         |   |   |   |
| - 17                       | 5565283        | 1                    | • • BRACKET,THERMAL MTG                                                                                                                                                     |   |   |   |
| - 18                       | 528007         | 4                    | • • CENTERING WASHER                                                                                                                                                        |   |   |   |
| - 19                       | 521695         | 4                    | • • INSULATING WASHER                                                                                                                                                       |   |   |   |
| - 20                       | 322739         | 2                    | • • RESISTOR,50 OHM                                                                                                                                                         |   |   |   |
| - 21                       | 5565284        | 1                    | • • BRACKET,RESISTOR MTG                                                                                                                                                    |   |   |   |
| - 22                       | 5759866        | 1                    | • • JUMPER ASM                                                                                                                                                              |   |   |   |
| - 23                       | 5759701        | 1                    | • • JUMPER ASM                                                                                                                                                              |   |   |   |
| - 24                       | 5565269        | 1                    | • • CHASSIS                                                                                                                                                                 |   |   |   |
| - 25                       | 5232806        | 1                    | • • STRAP,CAPACITOR MTG                                                                                                                                                     |   |   |   |
| - 26                       | 5428337        | 1                    | • THERMAL SWITCH                                                                                                                                                            |   |   |   |
| - 27                       | 2588053        | 1                    | • CLIP                                                                                                                                                                      |   |   |   |
| - 28                       | 2594693        | 1                    | • MOUNTING PLATE AND FAN ASM, 60 HZ                                                                                                                                         |   |   |   |
| - 28                       | 2594692        | 1                    | • MOUNTING PLATE AND FAN ASM, 50 HZ                                                                                                                                         |   |   |   |
| - 29                       | 5565271        | 1                    | • PLATE                                                                                                                                                                     |   |   |   |
| - 30                       | 5252843        | 1                    | • • CAPACITOR,60 HZ                                                                                                                                                         |   |   |   |
| - 30                       | 4120829        | 1                    | • • CAPACITOR,50 HZ                                                                                                                                                         |   |   |   |
| - 31                       | 5761795        | 1                    | • • STRAP,60 HZ                                                                                                                                                             |   |   |   |
| - 31                       | 5761785        | 1                    | • • STRAP,50 HZ                                                                                                                                                             |   |   |   |
| - 32                       | 526378         | 2                    | • • INSULATOR,60 HZ                                                                                                                                                         |   |   |   |
| - 32                       | 2722507        | 1                    | • • INSULATOR,50 HZ                                                                                                                                                         |   |   |   |
| - 33                       | 138752         | 1                    | • • LABEL                                                                                                                                                                   |   |   |   |
| - 34                       | 5565303        | 1                    | • • FAN ASM, 50 HZ                                                                                                                                                          |   |   |   |
| - 35                       | 4120171        | 1                    | • • FAN                                                                                                                                                                     |   |   |   |
| - 36                       | 4103890        | 2                    | • • GUARD                                                                                                                                                                   |   |   |   |
| - 37                       | 483677         | 1                    | • • TERMINAL                                                                                                                                                                |   |   |   |
| - 38                       | 5353853        | 1                    | • • CONNECTOR                                                                                                                                                               |   |   |   |
| - 39                       | 5353854        | 3                    | • • TERMINAL                                                                                                                                                                |   |   |   |
| - 40                       | 2172166        | 1                    | • • FAN GUARD, 60 HZ                                                                                                                                                        |   |   |   |
| - 41                       | 2503537        | 1                    | • • FAN ASM, 60 HZ                                                                                                                                                          |   |   |   |
| - 42                       | 5357090        | 1                    | • • FAN                                                                                                                                                                     |   |   |   |
| - 43                       | 483677         | 1                    | • • TERMINAL                                                                                                                                                                |   |   |   |
| - 44                       | 5353853        | 1                    | • • CONNECTOR                                                                                                                                                               |   |   |   |
| - 45                       | 5353854        | 3                    | • • TERMINAL                                                                                                                                                                |   |   |   |
|                            |                |                      | FOR ATTACHING PARTS, INDEX NOS. 150<br>AND ABOVE, SEE LIST 62                                                                                                               |   |   |   |
|                            |                |                      |                                                                                                                                                                             |   |   |   |
|                            |                |                      |                                                                                                                                                                             |   |   |   |
|                            |                |                      |                                                                                                                                                                             |   |   |   |
|                            |                |                      |                                                                                                                                                                             |   |   |   |
|                            |                |                      |                                                                                                                                                                             |   |   |   |
|                            |                |                      |                                                                                                                                                                             |   |   |   |
|                            |                |                      |                                                                                                                                                                             |   |   |   |
|                            |                |                      |                                                                                                                                                                             |   |   |   |
|                            |                |                      |                                                                                                                                                                             |   |   |   |
|                            |                |                      |                                                                                                                                                                             |   |   |   |

FOR PARTS  
NOT SHOWN  
SEE FIG. 51

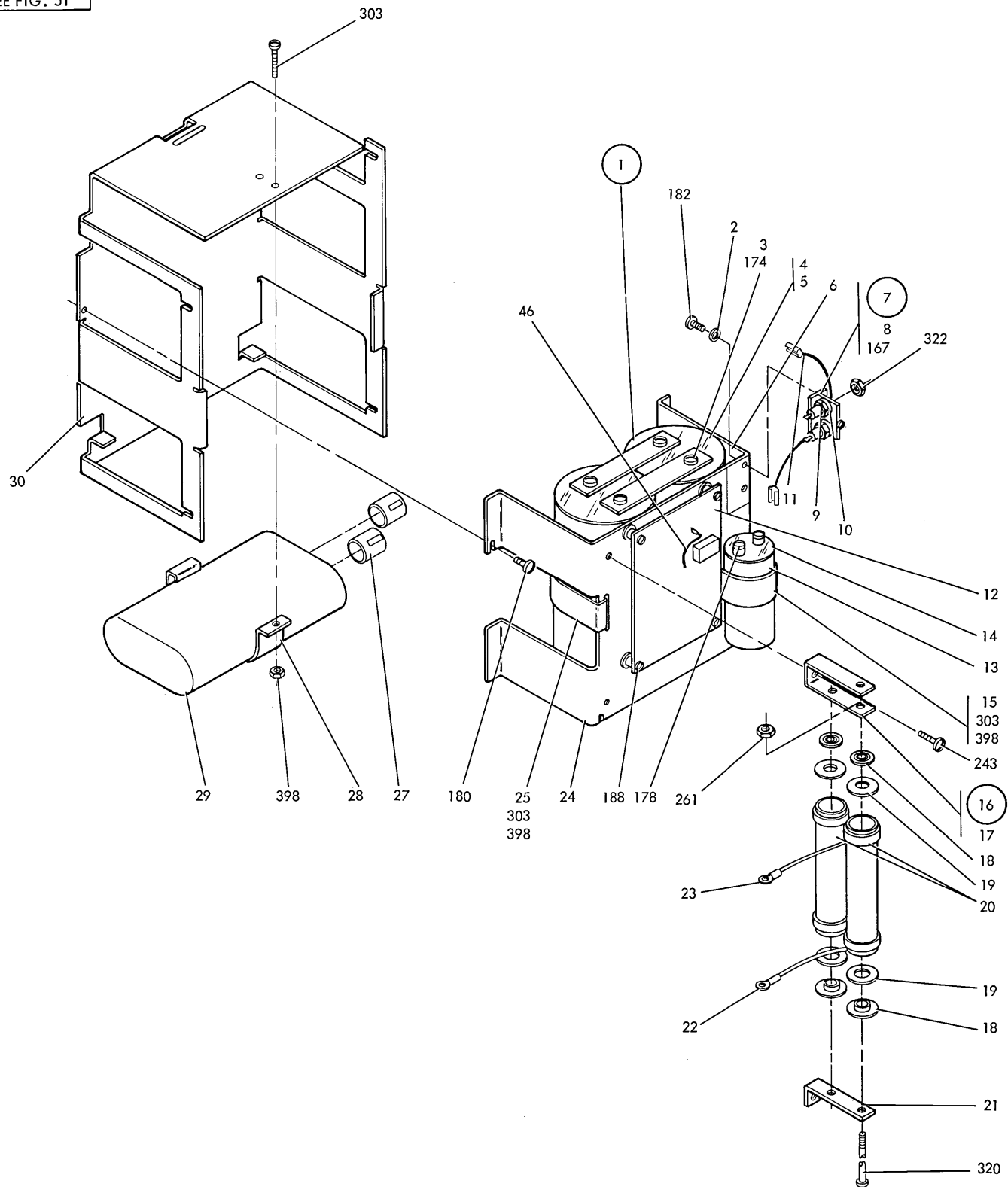


FIGURE 52B. POWER SUPPLY ASM, DUAL LEVEL. SEE LIST 52B.



FOR PARTS  
NOT SHOWN  
SEE FIG. 51!

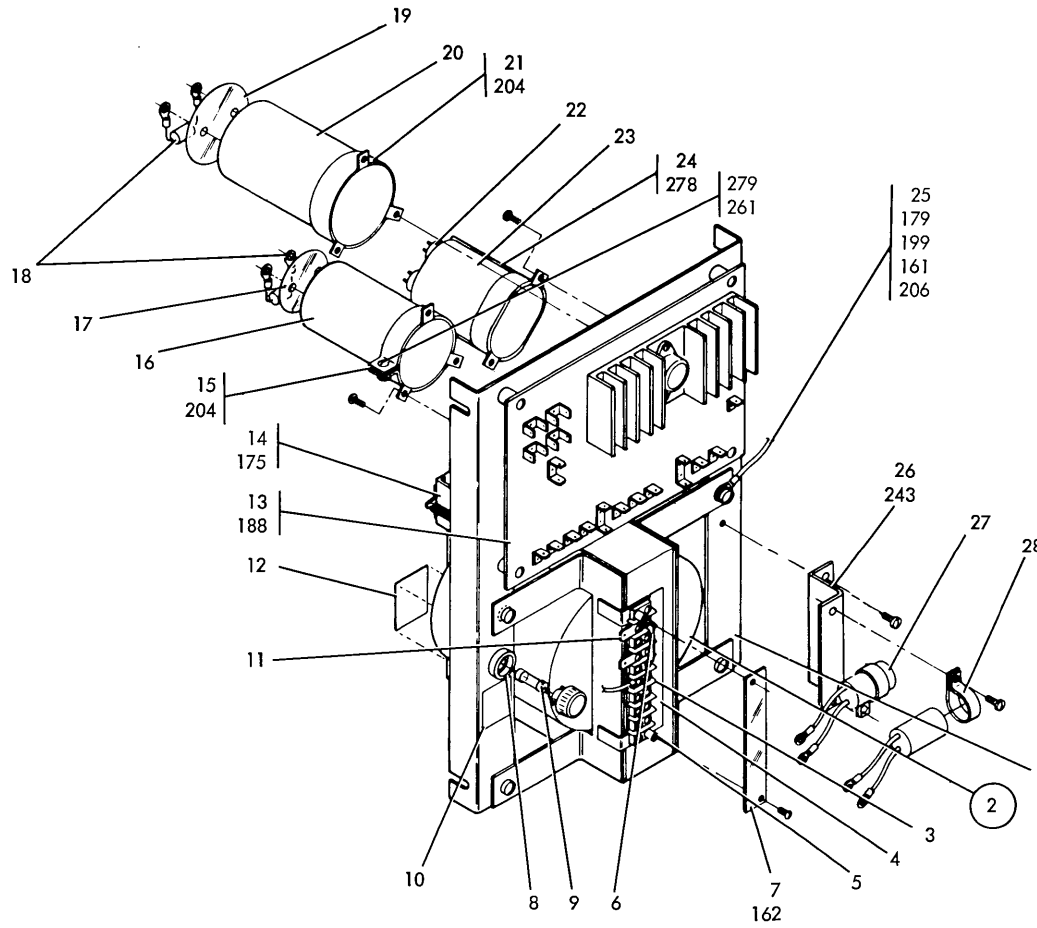


FIGURE 53. HIGH FREQUENCY POWER SUPPLY ASM, TRI-LEVEL. SEE LIST 53.



FOR PARTS  
NOT SHOWN  
SEE FIG. 51

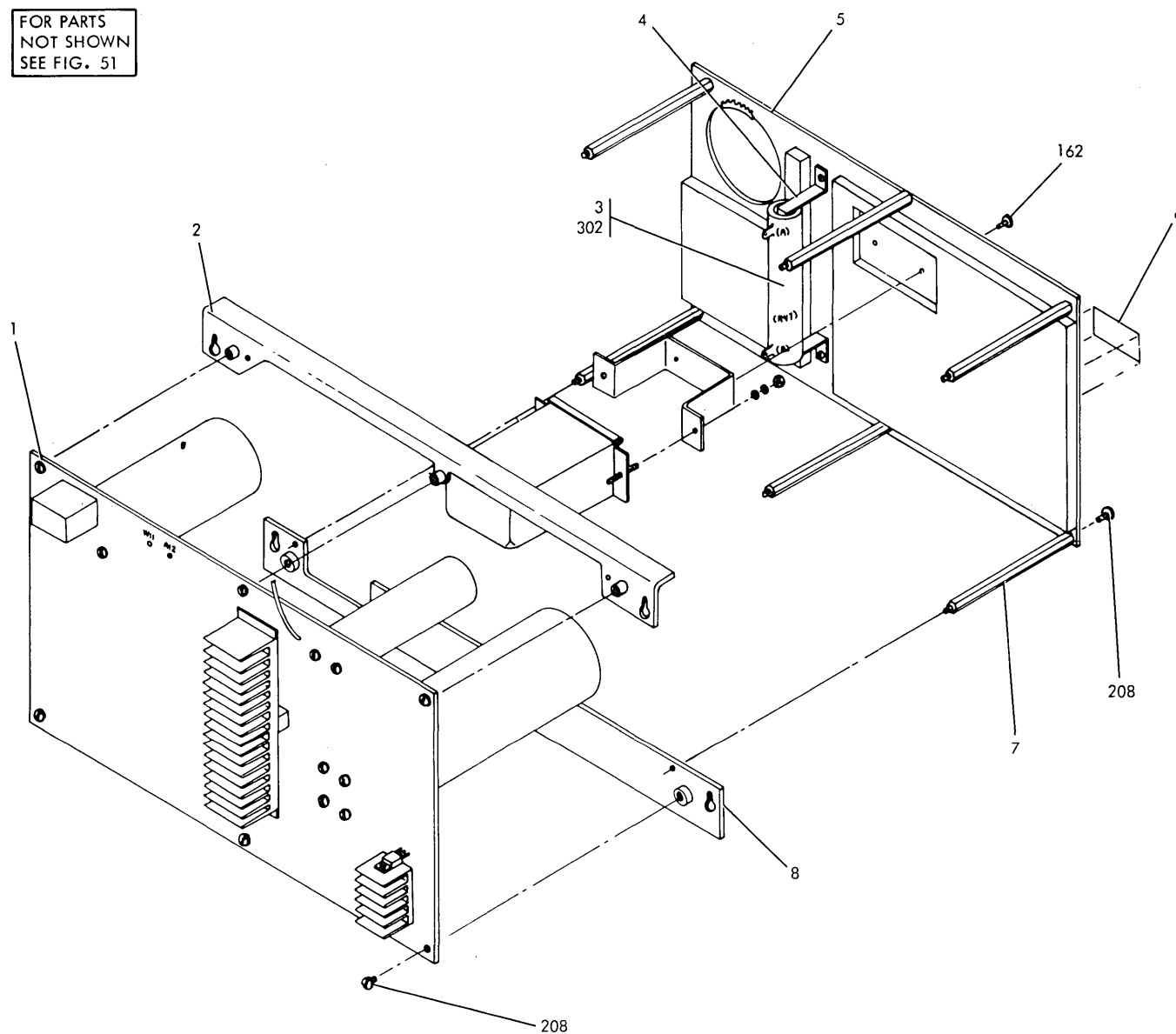


FIGURE 54. HIGH FREQUENCY POWER SUPPLY ASM, MULTI-LEVEL. SEE LIST 54.

| FIGURE-<br>INDEX<br>NUMBER | PART<br>NUMBER | UNITS<br>PER<br>ASM. | DESCRIPTION FOR FIGURE 54                                                                                                                                |                 |   |   |  |
|----------------------------|----------------|----------------------|----------------------------------------------------------------------------------------------------------------------------------------------------------|-----------------|---|---|--|
|                            |                |                      | 1                                                                                                                                                        | 2               | 3 | 4 |  |
| 54                         | 5564560        |                      | HIGH FREQUENCY POWER SUPPLY ASM, MULTI-LEVEL<br>USED ON MACHINES WITHOUT EC 828780<br>FOR NEXT HIGHER ASM SEE LIST 51-18<br>AND FOR ILLUSTRATION FIG. 54 |                 |   |   |  |
| -                          | 1              | 5564562              | 1                                                                                                                                                        | • PC BOARD      |   |   |  |
| -                          | 2              | 2546588              | 1                                                                                                                                                        | • ANGLE TOP     |   |   |  |
| -                          | 3              | 303542               | 1                                                                                                                                                        | • RESISTOR      |   |   |  |
| -                          | 4              | 510316               | 2                                                                                                                                                        | • BRACKET       |   |   |  |
| -                          | 5              | 5564467              | 1                                                                                                                                                        | • STIFFENER ASM |   |   |  |
| -                          | 6              | 5564498              | 1                                                                                                                                                        | • LABEL         |   |   |  |
| -                          | 7              | 2546578              | 6                                                                                                                                                        | • TIE BAR       |   |   |  |
| -                          | 8              | 5564447              | 1                                                                                                                                                        | • BAR-LOWER     |   |   |  |
|                            |                |                      | FOR ATTACHING PARTS, INDEX NOS. 150<br>AND ABOVE, SEE LIST 62                                                                                            |                 |   |   |  |



THIS PAGE INTENTIONALLY  
LEFT BLANK.

FOR PARTS  
NOT SHOWN  
SEE FIG. 51A

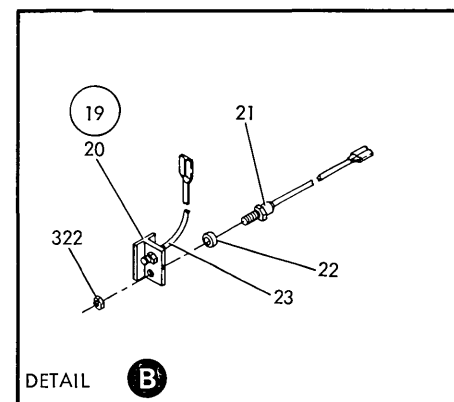
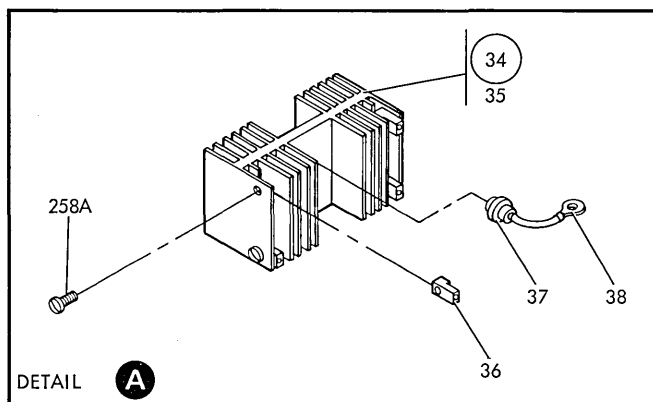
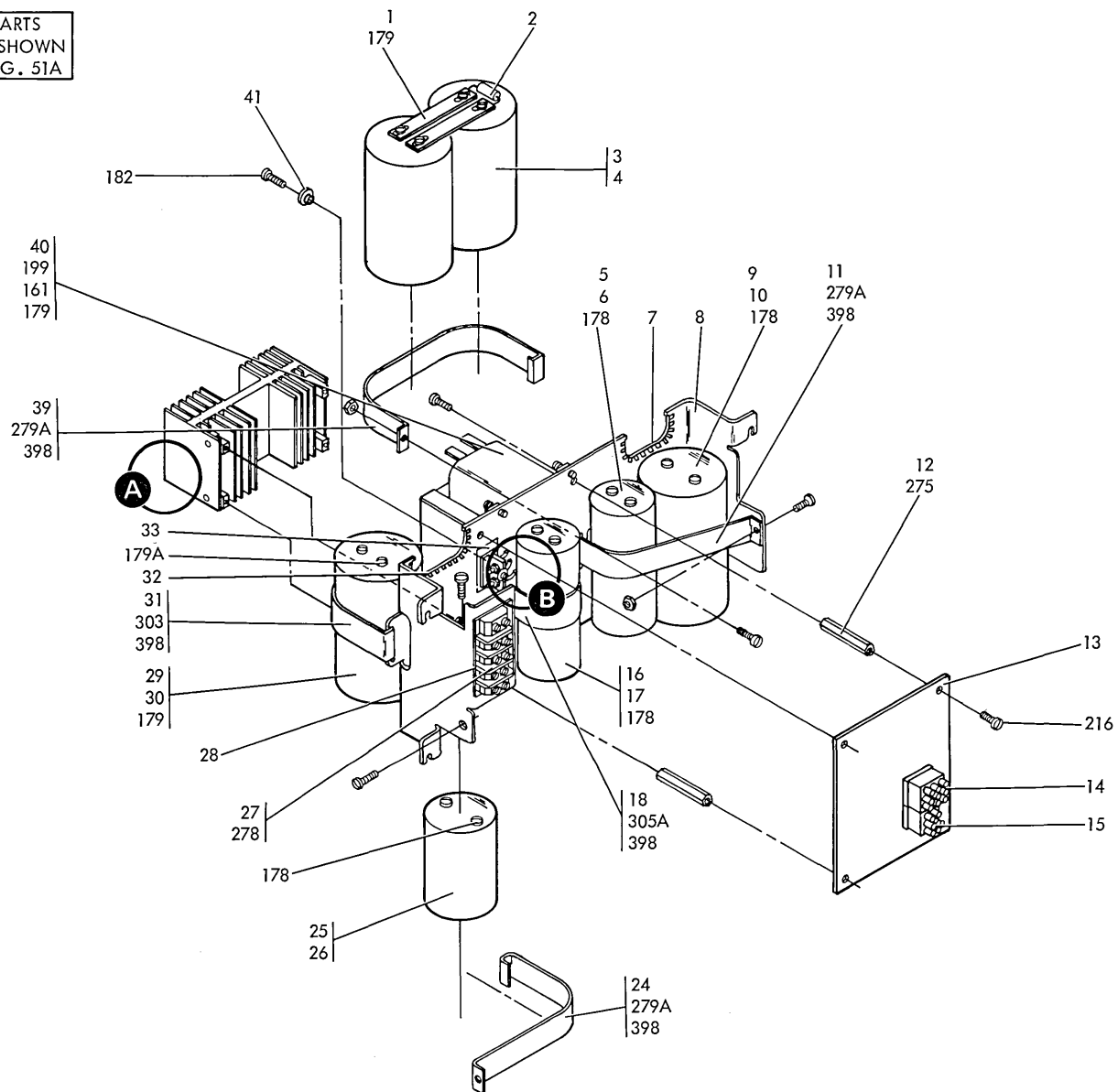


FIGURE 54A. FERRO-RESONANT POWER SUPPLY ASM, MULTI-LEVEL. SEE LIST 54A.



FOR PARTS  
NOT SHOWN  
SEE FIG. 51

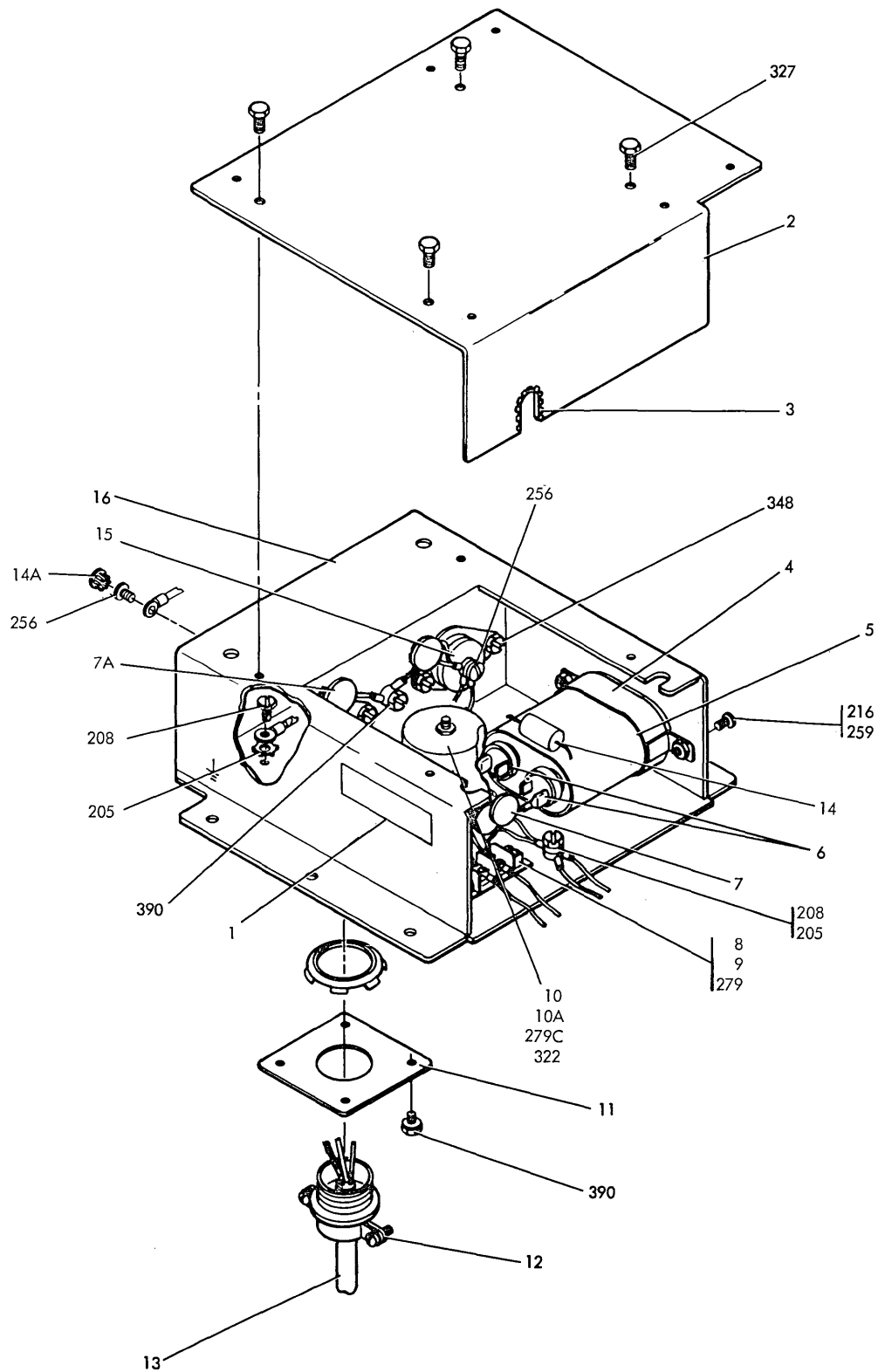


FIGURE 55. LINE FILTER ASM. SEE LIST 55.



FOR PARTS  
NOT SHOWN  
SEE FIG. 51

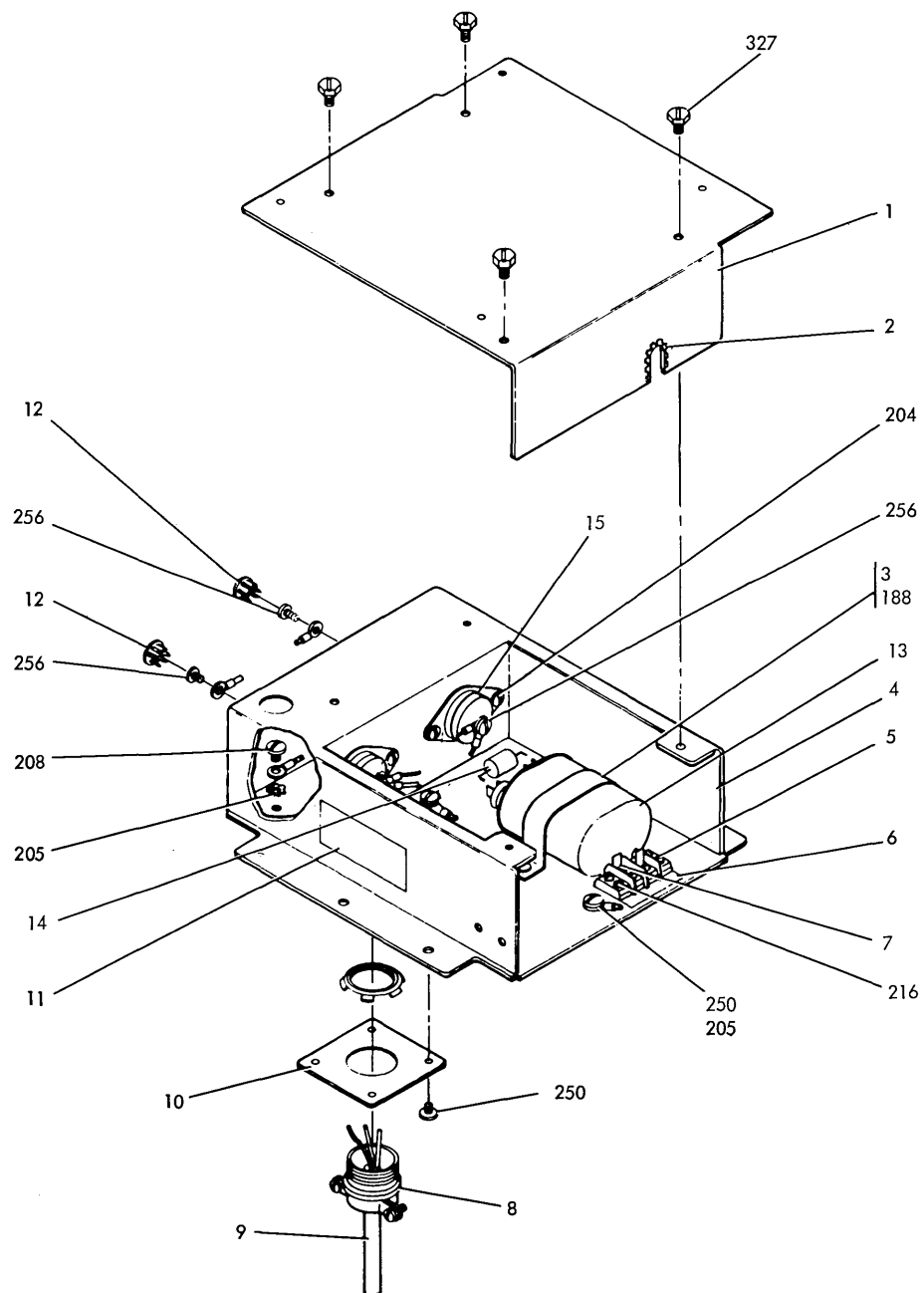


FIGURE 56. LINE FILTER ASM. SEE LIST 56.



FOR PARTS  
NOT SHOWN  
SEE FIG. 51

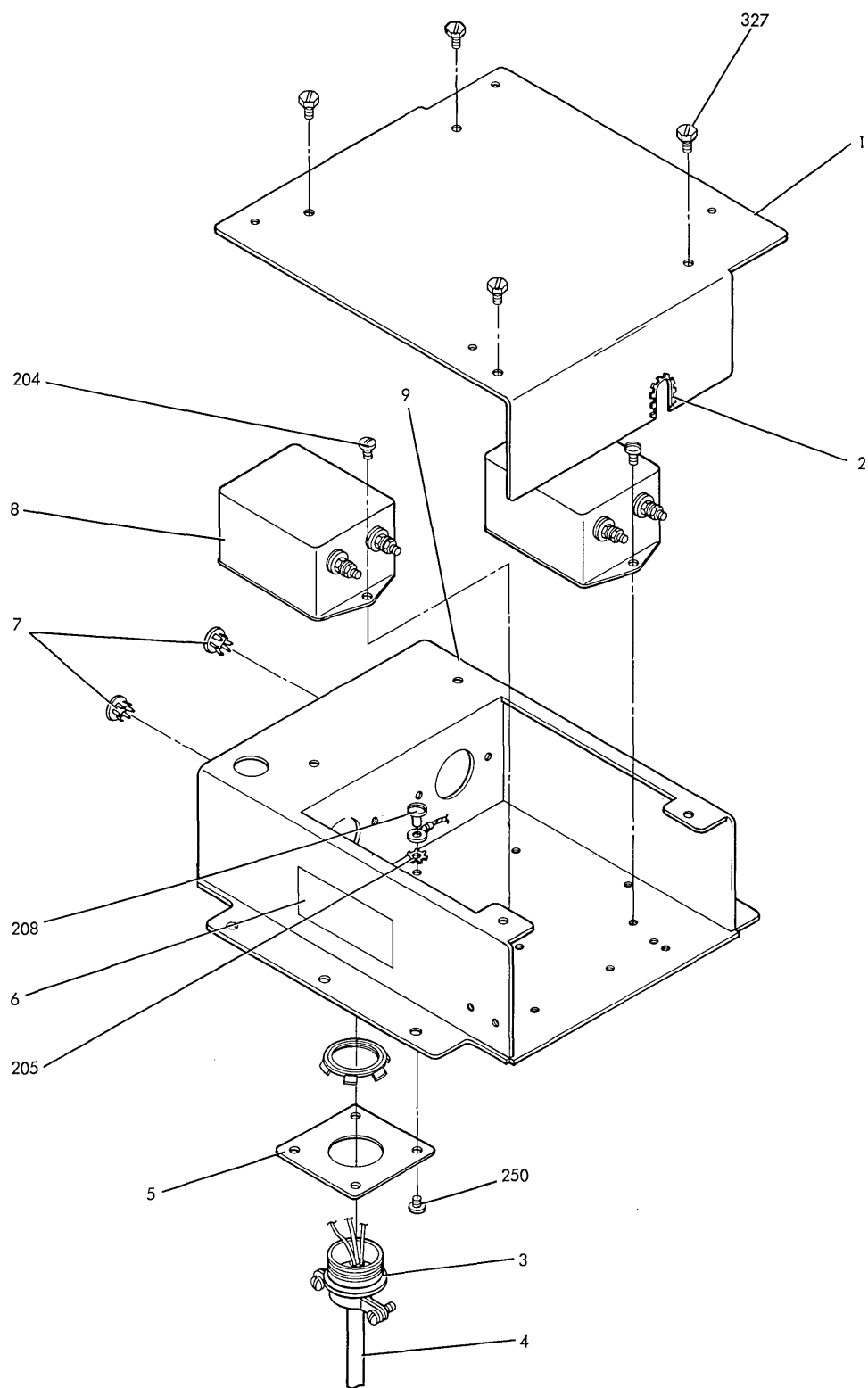


FIGURE 57. LINE FILTER ASM, GERMANY AND UNION OF SOUTH AFRICA. SEE LIST 57.





FOR PARTS  
NOT SHOWN  
SEE FIG. 51.

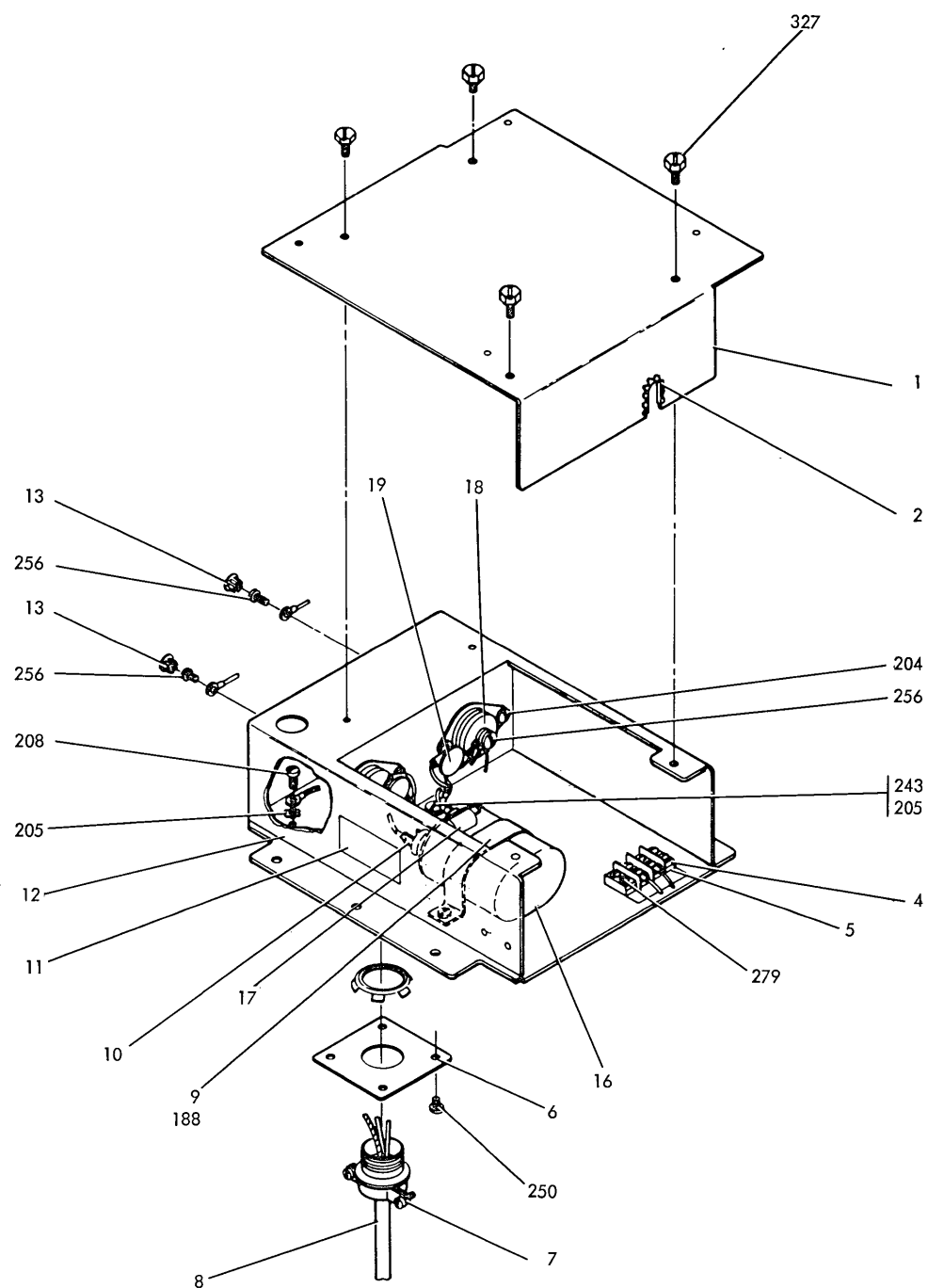


FIGURE 58. LINE FILTER ASM. SEE LIST 58.



FOR PARTS  
NOT SHOWN  
SEE FIG. 4

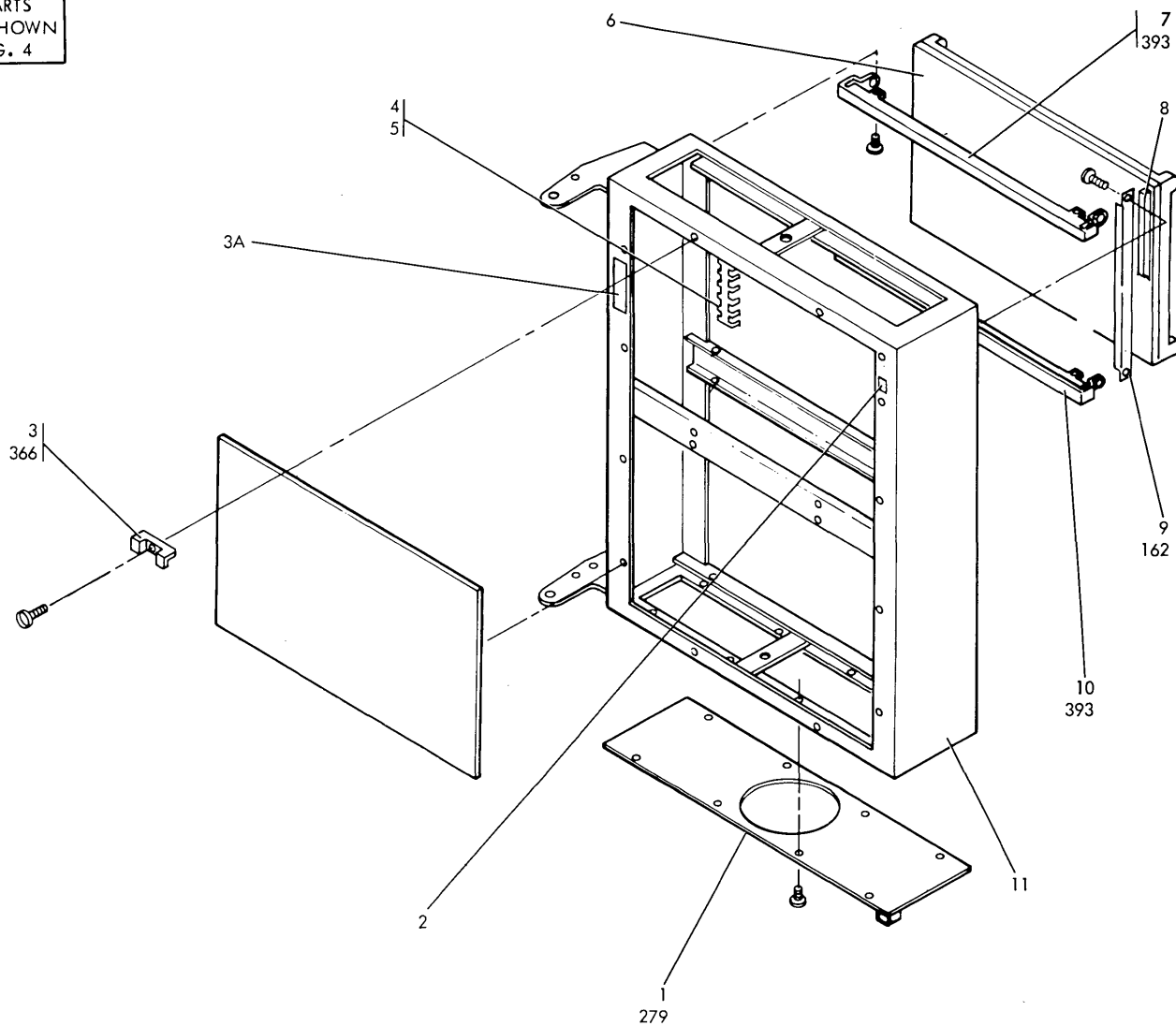


FIGURE 59. GATE, REAR. SEE LIST 59.

| FIGURE-<br>INDEX<br>NUMBER | PART<br>NUMBER | UNITS<br>PER<br>ASM. | DESCRIPTION FOR FIGURE 59                                                      |   |   |   |
|----------------------------|----------------|----------------------|--------------------------------------------------------------------------------|---|---|---|
|                            |                |                      | 1                                                                              | 2 | 3 | 4 |
| 59                         | NO NO.         |                      | GATE, REAR<br>FOR NEXT HIGHER ASM SEE LIST 4-1<br>AND FOR ILLUSTRATION FIG. 59 |   |   |   |
| - 1                        | 2546650        | 1                    | • PLATE                                                                        |   |   |   |
| - 2                        | 2588420        | 1                    | • LABEL                                                                        |   |   |   |
| - 3                        | 813179         | 8                    | • CLAMP                                                                        |   |   |   |
| - 3A                       | 2546539        | 1                    | • LABEL                                                                        |   |   |   |
| - 4                        | 2590010        | 1                    | • TROUGH                                                                       |   |   |   |
| - 5                        | 811427         | 6                    | • CLAMP                                                                        |   |   |   |
| - 6                        | 813466         | 1                    | • COVER                                                                        |   |   |   |
| - 7                        | 813452         | 1                    | • BRACKET                                                                      |   |   |   |
| - 8                        | 813482         | 2                    | • SEAL                                                                         |   |   |   |
| - 9                        | 817927         | 2                    | • RETAINER                                                                     |   |   |   |
| - 10                       | 813451         | 1                    | • BRACKET                                                                      |   |   |   |
| - 11                       | 2546371        | 1                    | • FRAME                                                                        |   |   |   |
|                            |                |                      | FOR ATTACHING PARTS, INDEX NOS. 150<br>AND ABOVE, SEE LIST 62                  |   |   |   |
|                            |                |                      |                                                                                |   |   |   |
|                            |                |                      |                                                                                |   |   |   |

THIS PAGE INTENTIONALLY  
LEFT BLANK.

FOR PARTS  
NOT SHOWN  
SEE FIG. 2

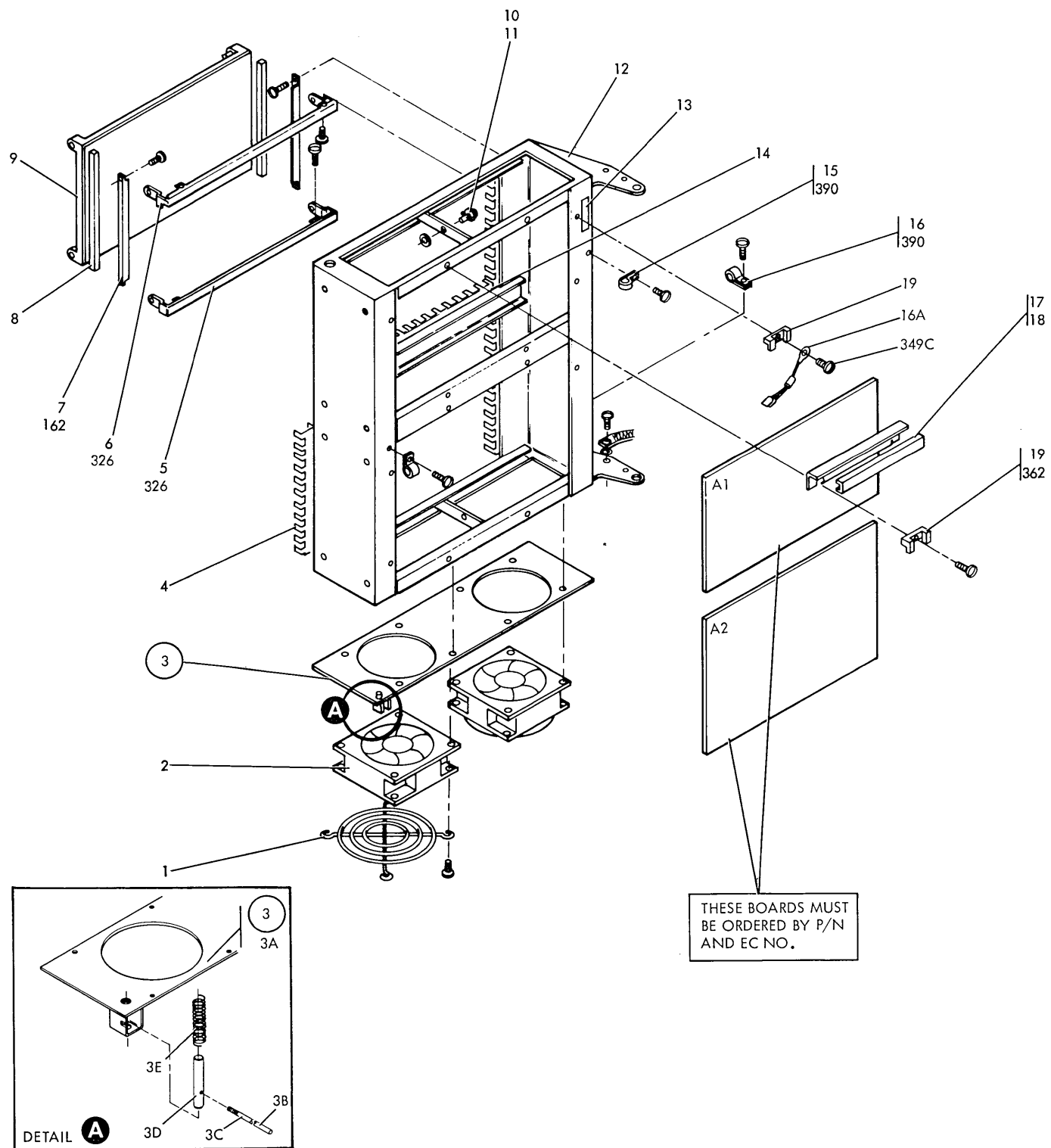


FIGURE 60. GATE, FRONT. SEE LIST 60.



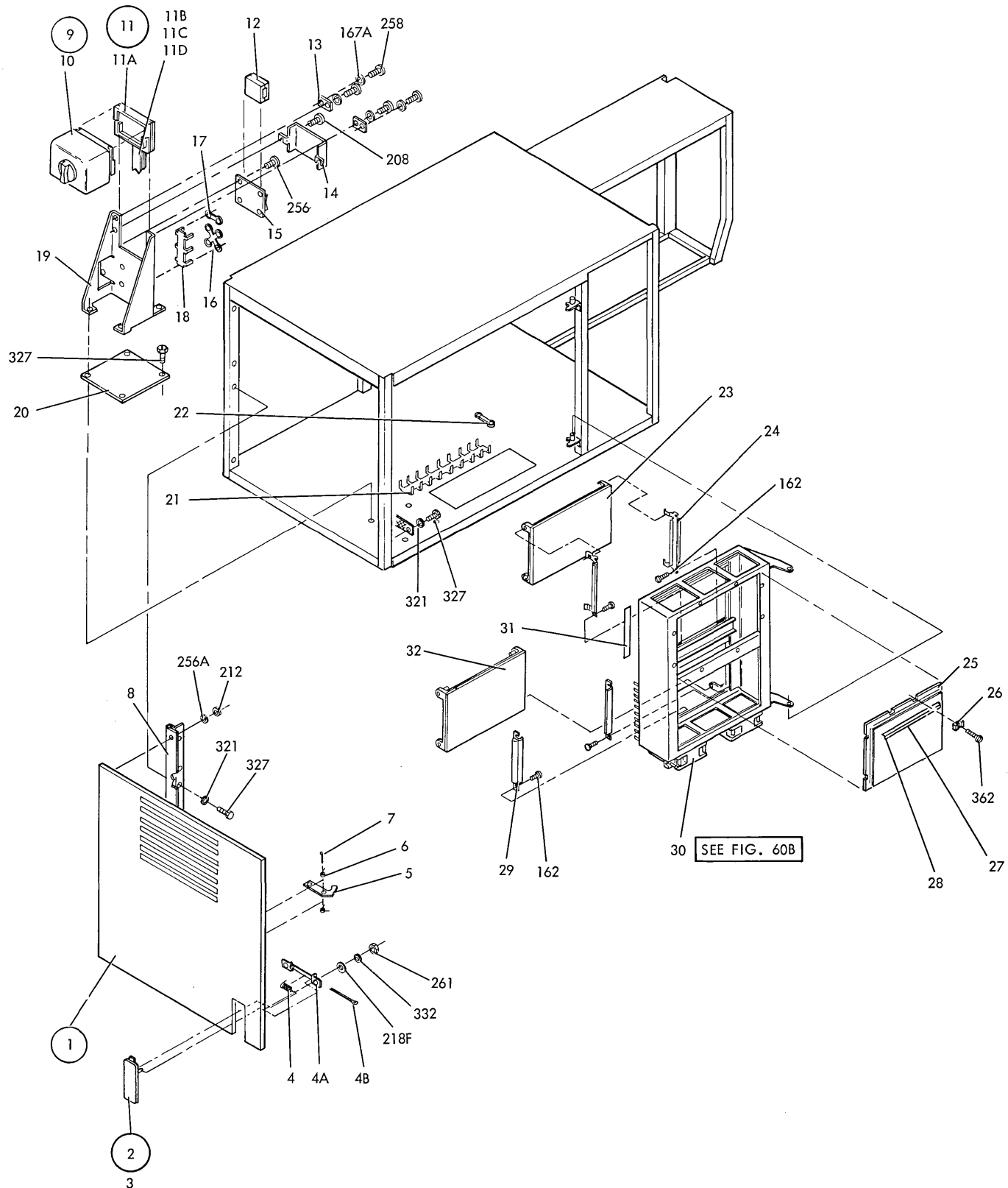


FIGURE 60A. FINAL ASM, 1255 ATTACH TO 5320. SEE LIST 60A.





FOR PARTS  
NOT SHOWN  
SEE FIG. 60A

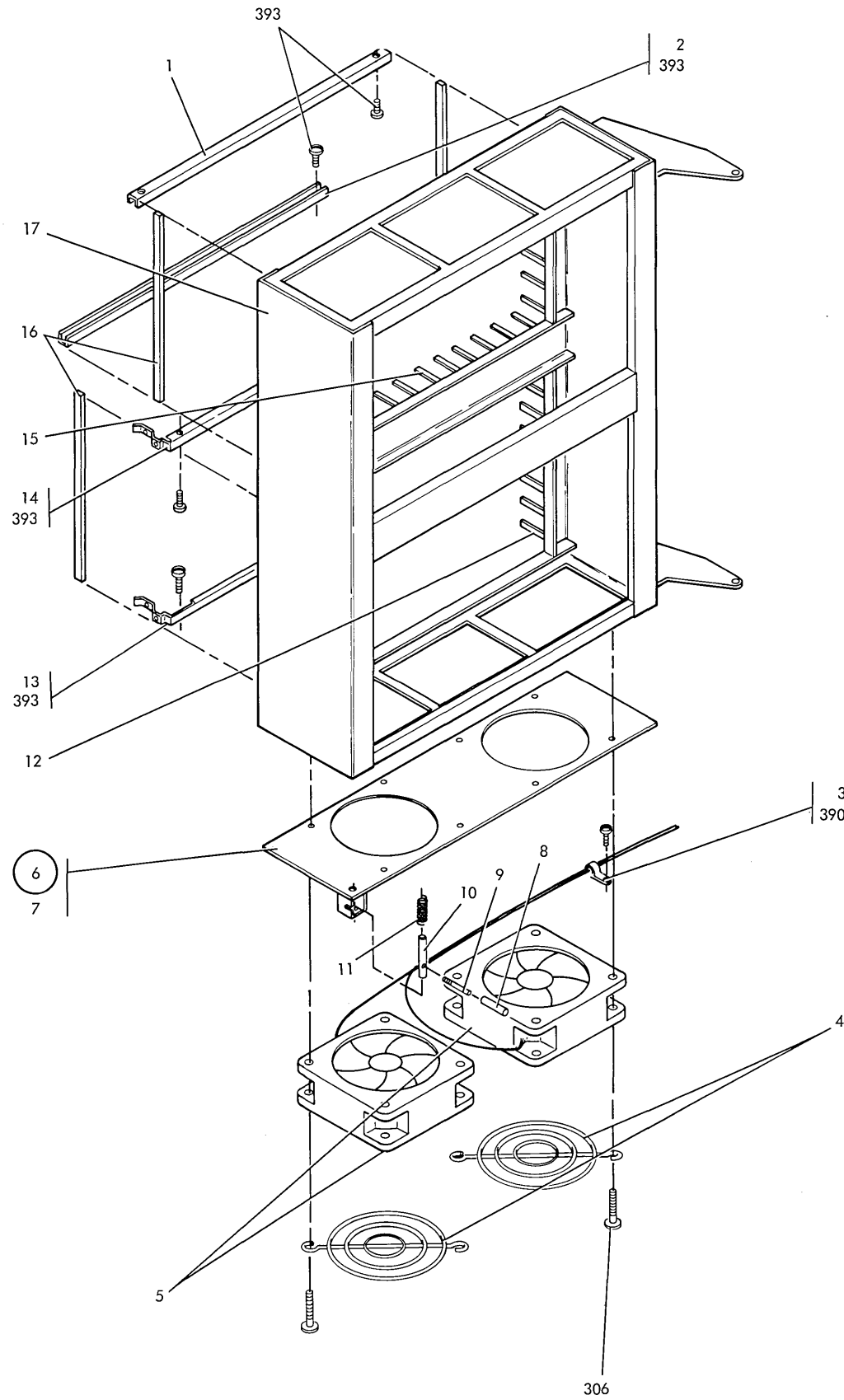


FIGURE 60B. GATE ASSEMBLY, 1255 ATTACH TO 5320. SEE LIST 60B.



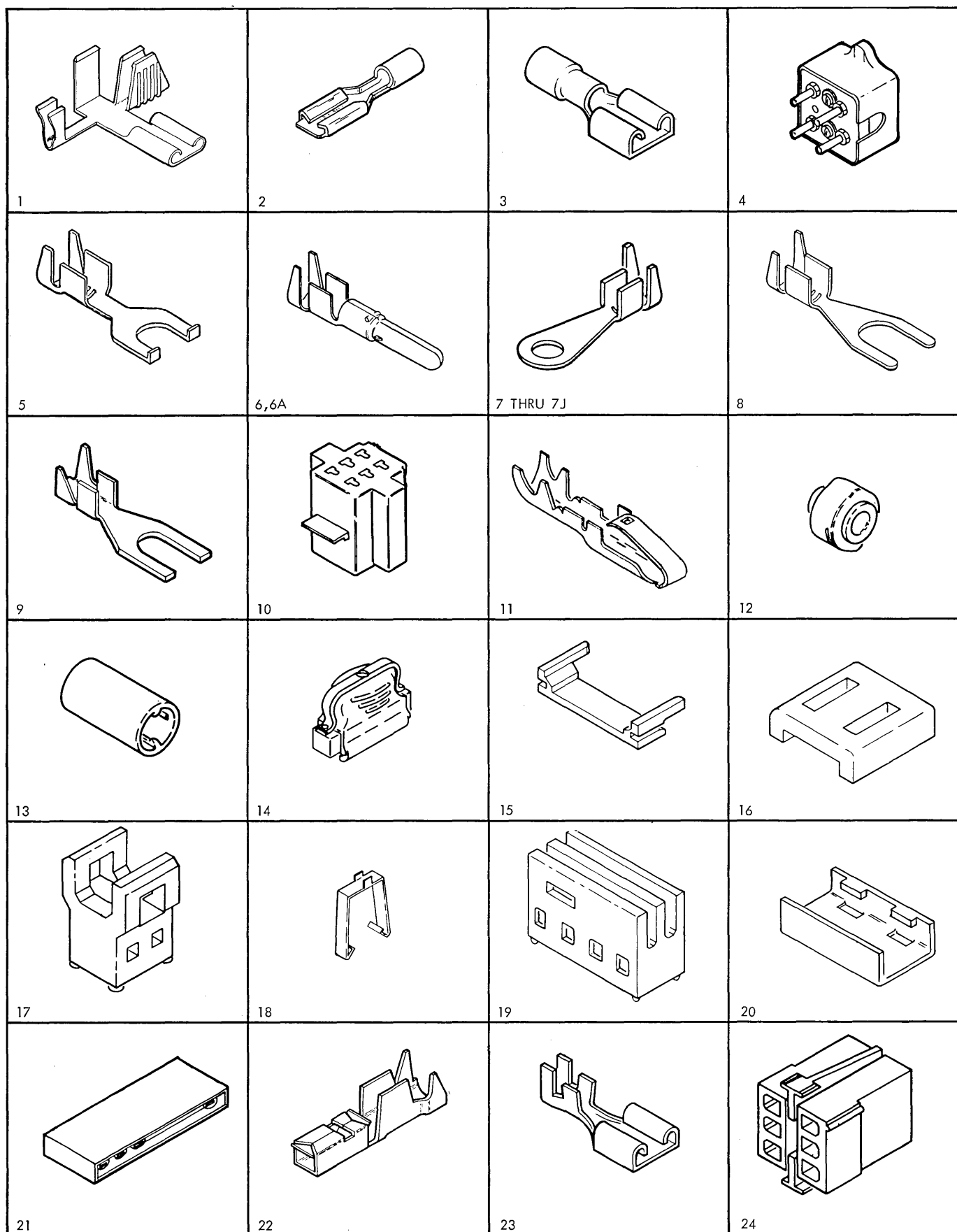


FIGURE 61. CABLE AND JUMPER COMPONENT PARTS. SEE LIST 61.

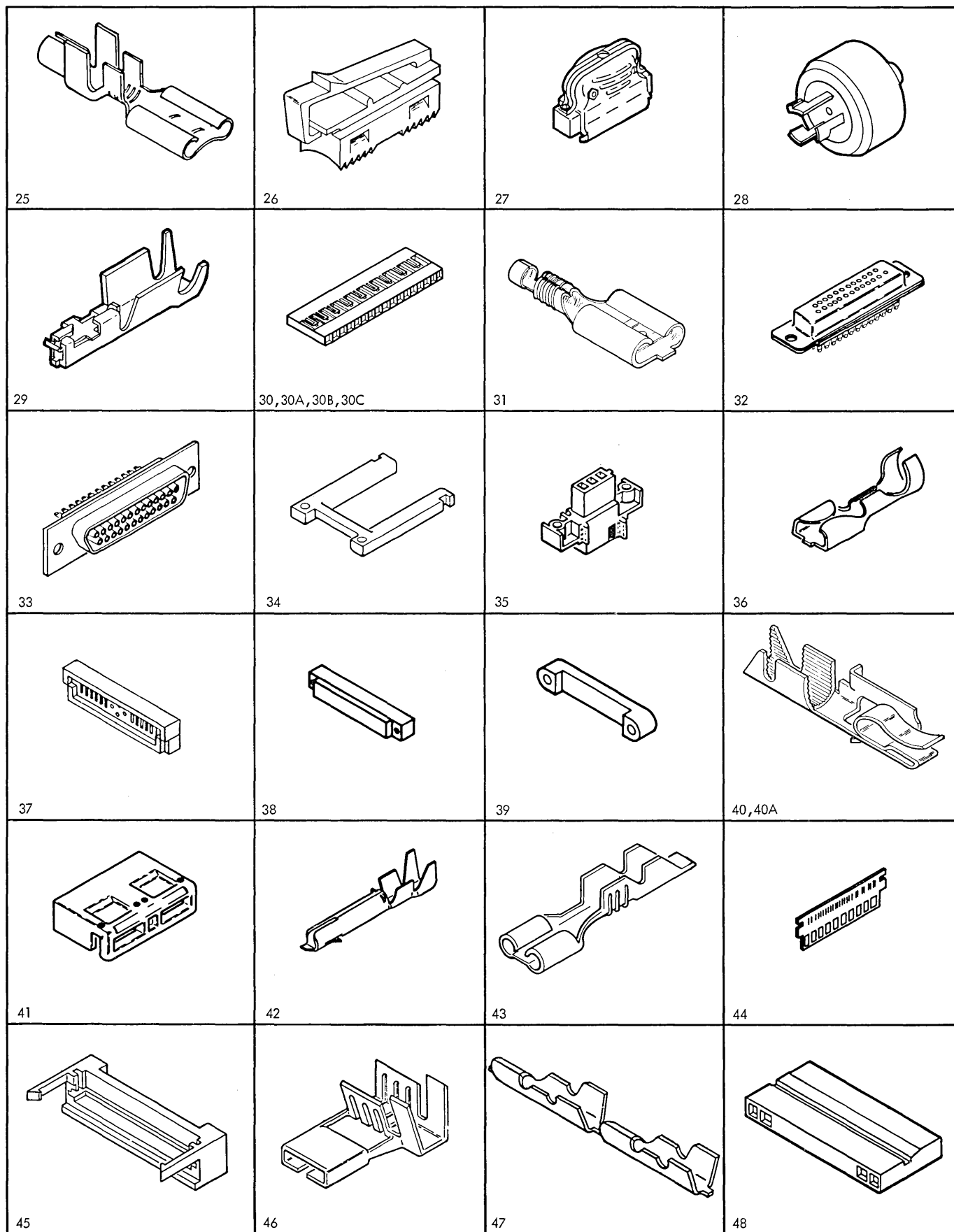
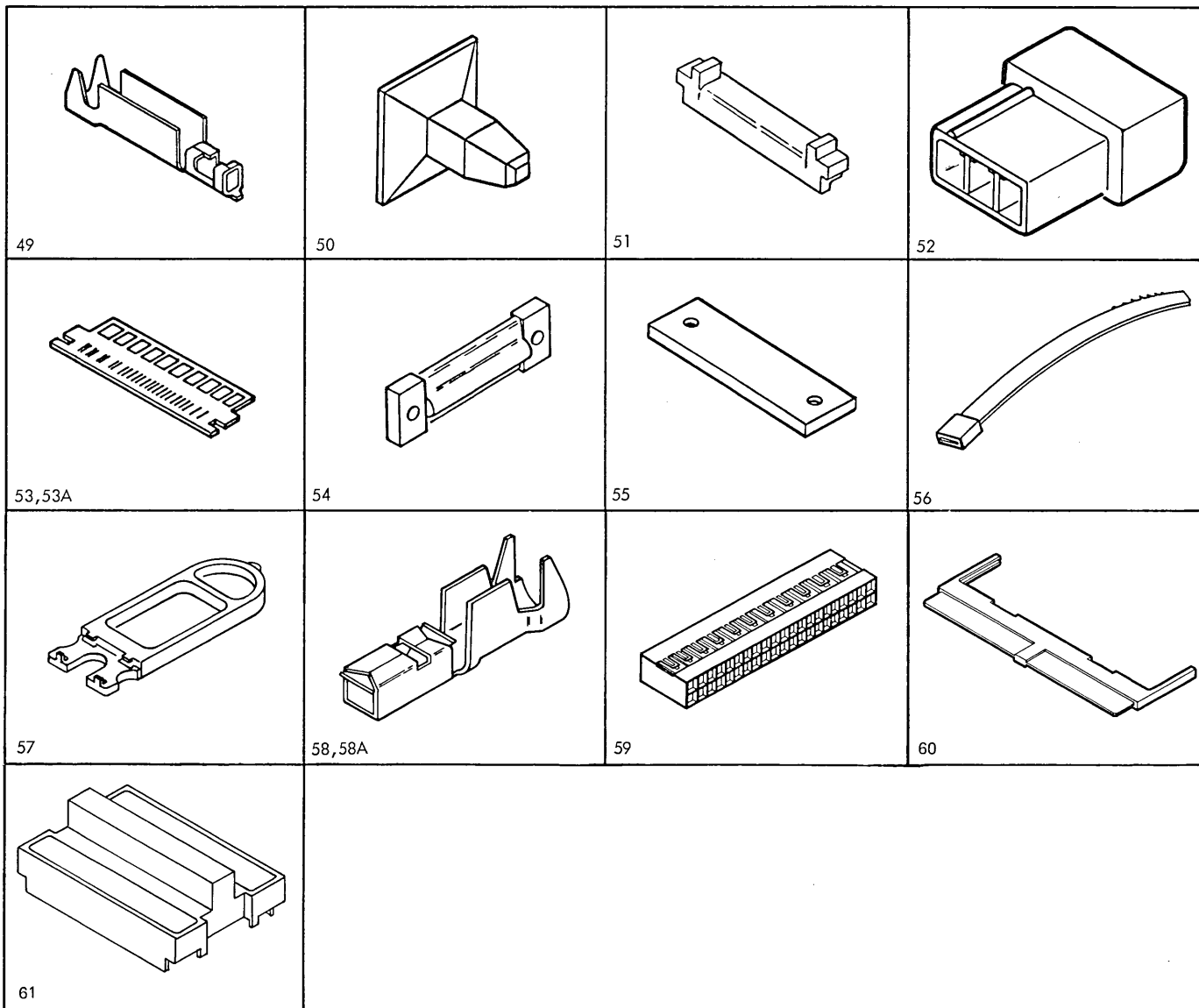


FIGURE 61. CABLE AND JUMPER COMPONENT PARTS. SEE LIST 61.



| FIGURE-<br>INDEX<br>NUMBER | PART<br>NUMBER | UNITS<br>PER<br>ASM. | DESCRIPTION FOR FIGURE 61                                                                      |   |   |   |
|----------------------------|----------------|----------------------|------------------------------------------------------------------------------------------------|---|---|---|
|                            |                |                      | 1                                                                                              | 2 | 3 | 4 |
| 61                         | NO NO.         |                      | CABLE AND JUMPER COMPONENT PARTS                                                               |   |   |   |
|                            | 843262         |                      | • CABLE ASM,PRINT HEAD                                                                         |   |   |   |
|                            | 843263         |                      | • CABLE ASM,MACHINE<br>WITH FORMS EMITTER PC BOARD<br>USED ON MACHINES WITHOUT EC 579623       |   |   |   |
|                            | 1638782        |                      | • CABLE ASM,MACHINE<br>WITHOUT FORMS EMITTER PC BOARD<br>USED ON MACHINES WITH EC 579623       |   |   |   |
|                            | 843264         |                      | • CABLE ASM,FORMS EMITTER<br>WITH FORMS EMITTER PC BOARD<br>USED ON MACHINES WITHOUT EC 579623 |   |   |   |
|                            | 843333         |                      | • CABLE ASM,END OF FORMS                                                                       |   |   |   |
|                            | 843342         |                      | • CABLE ASM,POWER SUPPLY                                                                       |   |   |   |
|                            | 1142961        |                      | • CABLE ASM BULK-2 CONDUCTOR                                                                   |   |   |   |
|                            | 1620027        |                      | • CABLE ASM,AC TO PRINTER                                                                      |   |   |   |
|                            | 1620028        |                      | • CABLE ASM,I/O SIGNAL                                                                         |   |   |   |
|                            | 1794867        |                      | • CABLE ASM,INTERNAL BASIC MACHINE-155 LPM                                                     |   |   |   |
|                            | 1794830        |                      | • CABLE ASM,INTERNAL BASIC MACHINE-285 LPM                                                     |   |   |   |
|                            | 2446190        |                      | • CABLE ASM,1255 ATTACH TO 5230                                                                |   |   |   |
|                            | 2446384        |                      | • CABLE ASM,285 LPM BELT PRINTER                                                               |   |   |   |
|                            | 2546402        |                      | • CABLE ASM,PSN TO COUPLER 20 FT                                                               |   |   |   |
|                            | 2546414        |                      | • CABLE ASM,PSN TO COUPLER 40 FT                                                               |   |   |   |
|                            | 2546468        |                      | • CABLE ASM,BSC SWITCH                                                                         |   |   |   |
|                            | 2546474        |                      | • CABLE ASM,PRINTER                                                                            |   |   |   |
|                            | 2546475        |                      | • CABLE ASM,CRT                                                                                |   |   |   |
|                            | 2546477        |                      | • CABLE ASM,41 VAC TO USE METER                                                                |   |   |   |
|                            | 2546478        |                      | • CABLE ASM,MODEM BOARD TO CONN                                                                |   |   |   |
|                            | 2546480        |                      | • CABLE ASM,VOLT DIST TO MODEM BOARD                                                           |   |   |   |
|                            | 2546481        |                      | • CABLE ASM,OPERATOR PANEL                                                                     |   |   |   |
|                            |                |                      | OLD STYLE<br>USED ON MACHINES WITHOUT EC 828644                                                |   |   |   |
|                            | 2547799        |                      | • CABLE ASM,OPERATOR PANEL<br>NEW STYLE<br>USED ON MACHINES WITH EC 828644                     |   |   |   |
|                            | 2546482        |                      | • CABLE ASM,CE PANEL                                                                           |   |   |   |
|                            | 2546483        |                      | • CABLE ASM,D.C. DISTRIBUTION                                                                  |   |   |   |
|                            | 2546485        |                      | • CABLE ASM,POWER DISTRIBUTION TO GATE                                                         |   |   |   |
|                            | 2546486        |                      | • CABLE ASM,MODEM BOARD TO TERM BOARD                                                          |   |   |   |
|                            | 2546487        |                      | • CABLE ASM,MODE M PANEL                                                                       |   |   |   |
|                            | 2546488        |                      | • CABLE ASM,A.C. DISTRIBUTION                                                                  |   |   |   |
|                            | 2546489        |                      | • CABLE ASM,24V PRINTER                                                                        |   |   |   |
|                            | 2546490        |                      | • CABLE ASM,POWER SENCE                                                                        |   |   |   |
|                            | 2546491        |                      | • CABLE ASM,A.C. FOR FANS,MOTORS                                                               |   |   |   |
|                            | 2546492        |                      | • CABLE ASM,DISKETTE                                                                           |   |   |   |
|                            | 2546493        |                      | • CABLE ASM                                                                                    |   |   |   |
|                            | 2546618        |                      | • CABLE ASM,MINI 12 TO SPN ASM                                                                 |   |   |   |
|                            | 2546631        |                      | • CABLE ASM,EQUALIZER                                                                          |   |   |   |
|                            | 2546632        |                      | • CABLE ASM,DUAL EQUALIZERS                                                                    |   |   |   |
|                            | 2546633        |                      | • CABLE ASM,EIA                                                                                |   |   |   |
|                            | 2546634        |                      | • CABLE ASM,CONNECTOR TO AUTO ANS COUPLER                                                      |   |   |   |
|                            | 2546635        |                      | • CABLE ASM,TB TO COUPLER                                                                      |   |   |   |
|                            | 2546670        |                      | • CABLE ASM,BSCA ADAPT TO 1200 BPS LINE AD                                                     |   |   |   |
|                            | 2546707        |                      | • CABLE ASM,1200 BPS MODEM TO CBS COUPLER                                                      |   |   |   |
|                            | 2546723        |                      | • CABLE ASM,EIA                                                                                |   |   |   |
|                            | 2546724        |                      | • CABLE ASM,CONNECTOR TO AUTO ANS COUPLER                                                      |   |   |   |
|                            | 2546725        |                      | • CABLE ASM,TB TO COUPLER                                                                      |   |   |   |
|                            | 2546726        |                      | • CABLE ASM,1200 BPS MODEM TO CBS COUPLER                                                      |   |   |   |
|                            | 2546732        |                      | • CABLE ASM,POWER SENSE                                                                        |   |   |   |
|                            | 2546733        |                      | • CABLE ASM,AC BOARD                                                                           |   |   |   |
|                            | 2546741        |                      | • CABLE ASM,LEASED LINE                                                                        |   |   |   |
|                            | 2773050        |                      | • CABLE ASM,CARD I/O SWITCH                                                                    |   |   |   |
|                            | 2546787        |                      | • CABLE ASM,MODEM PANEL                                                                        |   |   |   |
|                            | 2547887        |                      | • CABLE ASM,PRINTER SIGNAL                                                                     |   |   |   |
|                            | 5144807        |                      | • CABLE ASM,5 MB                                                                               |   |   |   |
|                            | 5145064        |                      | • CABLE ASM,9.1 MB                                                                             |   |   |   |
|                            | 2444554        |                      | • CABLE ASM,1255 ATTACH-PLUS 5V,GND                                                            |   |   |   |
|                            | 2446190        |                      | • CABLE ASM,1255 ATTACH-PLUS 8.5V,MINUS 12V                                                    |   |   |   |
| - 1                        | 209486         |                      | • TERMINAL,FLAG NON INSULATED 18-22 AWG                                                        |   |   |   |
| - 2                        | 236915         |                      | • TERMINAL,SLIP ON 20-18 AWG                                                                   |   |   |   |
| - 3                        | 236916         |                      | • TERMINAL,SLIP ON 24-22 AWG                                                                   |   |   |   |
| - 4                        | 341200         |                      | • PLUG,4 PRONG                                                                                 |   |   |   |
| - 5                        | 483648         |                      | • TERMINAL-FLANGED 22-26 AWG NO. 6 STUD                                                        |   |   |   |
| - 6                        | 483657         |                      | • TERMINAL-TAPER PIN 26-22 AWG                                                                 |   |   |   |
| - 6A                       | 483658         |                      | • TERMINAL-TAPER PIN 18-20 AWG                                                                 |   |   |   |
| - 7                        | 483676         |                      | • TERMINAL,RING 26-22 AWG NO. 6                                                                |   |   |   |
| - 7A                       | 483677         |                      | • TERMINAL,RING 20-18 AWG NO. 6                                                                |   |   |   |
| - 7B                       | 483678         |                      | • TERMINAL,RING 16-14 AWG NO. 6                                                                |   |   |   |
| - 7C                       | 483679         |                      | • TERMINAL,RING 12-10 AWG NO. 6                                                                |   |   |   |
| - 7D                       | 483681         |                      | • TERMINAL,RING 20-18 AWG NO. 8                                                                |   |   |   |
| - 7E                       | 483682         |                      | • TERMINAL,RING 16-14 AWG NO. 8                                                                |   |   |   |

| FIGURE-<br>INDEX<br>NUMBER | PART<br>NUMBER | UNITS<br>PER<br>ASM. | DESCRIPTION FOR FIGURE 61 |   |   |   |                                            |
|----------------------------|----------------|----------------------|---------------------------|---|---|---|--------------------------------------------|
|                            |                |                      | 1                         | 2 | 3 | 4 |                                            |
| 61 - 7F                    | 483685         |                      |                           |   |   |   | • TERMINAL,RING 20-18 AWG NO. 10 HOLE      |
| - 7G                       | 483686         |                      |                           |   |   |   | • TERMINAL,RING 16-14 AWG NO. 10 HOLE      |
| - 7H                       | 483689         |                      |                           |   |   |   | • TERMINAL,RING 14-16 AWG NO. .250 STUD    |
| - 7J                       | 483690         |                      |                           |   |   |   | • TERMINAL,RING 12-10 AWG 1/4 HOLE         |
| - 8                        | 483693         |                      |                           |   |   |   | • TERMINAL,STRAIGHT 22-26 AWG NO. 4 STUD   |
| - 9                        | 483695         |                      |                           |   |   |   | • TERMINAL,STRAIGHT SPADE 22-26 NO. 6 STUD |
| - 10                       | 609686         |                      |                           |   |   |   | • CONNECTOR,6 POSITION PANEL MOUNTING      |
| - 11                       | 609687         |                      |                           |   |   |   | • TERMINAL,SLIP ON 22-18 AWG               |
| - 12                       | 760259         |                      |                           |   |   |   | • SHEILD GROUNDING SPLICE                  |
| - 13                       | 760260         |                      |                           |   |   |   | • TERMASHIELD INSULATING SLEEVE            |
| - 14                       | 765295         |                      |                           |   |   |   | • HOOD AND STRAIN RELIEF ASM               |
| - 15                       | 811802         |                      |                           |   |   |   | • CARD GUIDE,1 SOCKET                      |
| - 15A                      | 811804         |                      |                           |   |   |   | • CARD GUIDE,2 SOCKET                      |
| - 15B                      | 813590         |                      |                           |   |   |   | • CARD GUIDE,4 SOCKET                      |
| - 16                       | 813549         |                      |                           |   |   |   | • CAP,MINIATURE BUS                        |
| - 17                       | 813550         |                      |                           |   |   |   | • HOUSING                                  |
| - 18                       | 813681         |                      |                           |   |   |   | • CONTACT                                  |
| - 19                       | 813801         |                      |                           |   |   |   | • HOUSING,VOLTAGE CROSSOVER                |
| - 20                       | 813802         |                      |                           |   |   |   | • CARD GUIDE,6 PAC                         |
| - 21                       | 815434         |                      |                           |   |   |   | • TERMINAL,8 POSITION                      |
| - 22                       | 815933         |                      |                           |   |   |   | • TERMINAL,SLIP ON 20-18 AWG               |
| - 23                       | 1127037        |                      |                           |   |   |   | • TERMINAL,SLIP ON 18-14 AWG               |
| - 24                       | 1160977        |                      |                           |   |   |   | • HOUSING-SOCKET TERMINAL                  |
| - 25                       | 2502307        |                      |                           |   |   |   | • TERMINAL,SLIP ON 14-10 AWG               |
| - 26                       | 2546373        |                      |                           |   |   |   | • ANCHOR,CABLE                             |
| - 27                       | 2546708        |                      |                           |   |   |   | • ADAPTER-ASM BSCA SHORTING BAR            |
| - 28                       | 2594759        |                      |                           |   |   |   | • PLUG                                     |
| - 29                       | 2637682        |                      |                           |   |   |   | • CONNECTOR,DISCRETE WIRE 22-26 AWG        |
| - 30                       | 2731835        |                      |                           |   |   |   | • HOUSING                                  |
| - 30A                      | 2731836        |                      |                           |   |   |   | • HOUSING                                  |
| - 30B                      | 2731838        |                      |                           |   |   |   | • HOUSING                                  |
| - 30C                      | 2731839        |                      |                           |   |   |   | • HOUSING                                  |
| - 31                       | 5213274        |                      |                           |   |   |   | • TERMINAL SLIP ON 22-18 AWG               |
| - 32                       | 5302662        |                      |                           |   |   |   | • CONNECTOR,MINIATURE 25 POSITION MALE     |
| - 33                       | 5302663        |                      |                           |   |   |   | • CONNECTOR,25 POSITION FEMALE             |
| - 34                       | 5352967        |                      |                           |   |   |   | • STRAIN RELIEF                            |
| - 35                       | 5353851        |                      |                           |   |   |   | • HOUSING,CONNECTOR RECEPTACLE 3 POS       |
| - 36                       | 5353852        |                      |                           |   |   |   | • TERMINAL,SLIP ON 20-16 AWG               |
| - 37                       | 5353869        |                      |                           |   |   |   | • CONNECTOR BLOCK                          |
| - 38                       | 5353896        |                      |                           |   |   |   | • STRAIN RELIEF                            |
| - 39                       | 5353922        |                      |                           |   |   |   | • STRAIN RELIEF                            |
| - 40                       | 5362301        |                      |                           |   |   |   | • CONTACT,SERPENT LARGE 26-22 AWG          |
| - 40A                      | 5404480        |                      |                           |   |   |   | • COVER,GREAT SERPENT                      |
| - 41                       | 5362306        |                      |                           |   |   |   | • COVER,CONNECTOR BLOCK                    |
| - 42                       | 5412643        |                      |                           |   |   |   | • TERMINAL,SOCKET 16-14 AWG                |
| - 43                       | 5412817        |                      |                           |   |   |   | • TERMINAL,QUICK DISCONNECT                |
| - 44                       | 5800634        |                      |                           |   |   |   | • CARD ASM,TERMINATOR TWISTED PAIR         |
| - 45                       | 818556         |                      |                           |   |   |   | • STRAIN RELIEF                            |
| - 46                       | 843341         |                      |                           |   |   |   | • TERMINAL,FLAG RECEPTACLE 16-20 AWG       |
| - 47                       | 2114526        |                      |                           |   |   |   | • RECEPTACLE,PIN                           |
| - 48                       | 2637680        |                      |                           |   |   |   | • HOUSING 1X4                              |
| - 49                       | 2637682        |                      |                           |   |   |   | • CONNECTOR DISCRETE 26-22 AWG             |
| - 50                       | 2637689        |                      |                           |   |   |   | • INSERT POLARIZATION                      |
| - 51                       | 4685093        |                      |                           |   |   |   | • STRAIN RELIEF                            |
| - 52                       | 1166117        |                      |                           |   |   |   | • HOUSING                                  |
| - 53                       | 5800610        |                      |                           |   |   |   | • CARD                                     |
| - 53A                      | 5998622        |                      |                           |   |   |   | • CARD                                     |
| - 54                       | 652650         |                      |                           |   |   |   | • STRAIN RELIEF                            |
| - 55                       | 652683         |                      |                           |   |   |   | • FILLER                                   |
| - 56                       | 2546652        |                      |                           |   |   |   | • TIE WRAP                                 |
| - 57                       | 819410         |                      |                           |   |   |   | • HOLDER,CABLE-1 AND 6 ROW -3 HIGH         |
| - 58                       | 815933         |                      |                           |   |   |   | • CONNECTOR,DISCRETE WIRE                  |
| - 58A                      | 815934         |                      |                           |   |   |   | • CONNECTOR,DISCRETE WIRE-22-26 AWG        |
| - 59                       | 2732326        |                      |                           |   |   |   | • HOUSING,CTR TO CTR SPACING-2 X 14        |
| - 60                       | 4236556        |                      |                           |   |   |   | • CARD EXTENDER,2W                         |
| - 60A                      | 4236557        |                      |                           |   |   |   | • CARD EXTENDER,4W                         |
| - 61                       | 2731026        |                      |                           |   |   |   | • CARD CONNECTOR ASM, TOP                  |
|                            |                |                      |                           |   |   |   |                                            |
|                            |                |                      |                           |   |   |   |                                            |
|                            |                |                      |                           |   |   |   |                                            |
|                            |                |                      |                           |   |   |   |                                            |



| FIGURE-<br>INDEX<br>NUMBER | PART<br>NUMBER | UNITS<br>PER<br>ASM. | DESCRIPTION FOR FIGURE 62                   |   |   |   |
|----------------------------|----------------|----------------------|---------------------------------------------|---|---|---|
|                            |                |                      | 1                                           | 2 | 3 | 4 |
| 62                         |                |                      | ATTACHING PARTS                             |   |   |   |
| - 150                      | 324            |                      | • WASHER,FLAT .193 X 3/4 OD                 |   |   |   |
| - 150A                     | 221            |                      |                                             |   |   |   |
| - 150B                     | 119            |                      | • SCREW,MACH-FLAT HD 6-32 X 1/2 LG          |   |   |   |
| - 151                      | 337            |                      | • SCREW,MACH-FIL HD 8-32 X 3/8 LG           |   |   |   |
| - 151A                     | 367            |                      | • SCREW,MACH-FL CSK HD 10-32 X 5/8 LG       |   |   |   |
| - 152                      | 443            |                      | • SCREW,MACH-FIL HD 10-32 X 3/8 LG          |   |   |   |
| - 153                      | 453            |                      | • WASHER,FLAT 3/8 ID X 13/16 OD X 1/16 THK  |   |   |   |
| - 153A                     | 845            |                      | • SCREW,MACH-FIL HD 8-32 X 1/2 LG           |   |   |   |
| - 154                      | 641            |                      | • SCREW,MACH-FIL HD 8-32 X 3/4 LG           |   |   |   |
| - 154A                     | 2031           |                      | • SCREW,MACH-FIL HD 8-32 X 5/8 LG           |   |   |   |
| - 154B                     | 2032           |                      | • SCREW,MACH-FIL HD 8-32 X 7/8 LG           |   |   |   |
| - 154C                     | 2863           |                      | • SCREW,MACH-RD HD 3-48 X 1/4 LG            |   |   |   |
| - 155                      | 3550           |                      | • WASHER,FLAT 1/4 ID X 9/16 OD X .05 THK    |   |   |   |
| - 156                      | 3960           |                      | • NUT,HEX 1/4-20 X 7/16 FL W                |   |   |   |
| - 157                      | 5528           |                      | • SCREW,MACH-BIND HD 8-32 X 5/8 LG          |   |   |   |
| - 158                      | 5677           |                      | • SCREW,MACH-BIND HD 10-32 X 3/4 LG         |   |   |   |
| - 158A                     | 6318           |                      | • WASHER,LOCK                               |   |   |   |
| - 159                      | 6364           |                      | • WASHER,LOCK-SPLIT NO. 6 X 1/4 OD          |   |   |   |
| - 160                      | 6935           |                      | • WASHER,LOCK-SPLIT 1/4 ID X .493 OD        |   |   |   |
| - 161                      | 9092           |                      | • WASHER,LOCK-SPLIT NO. 10 X .337 OD        |   |   |   |
| - 162                      | 10170          |                      | • SCREW,MACH-BIND HD 6-32 X 1/4 LG          |   |   |   |
| - 163                      | 10295          |                      | • SCREW,MACH-BIND HD 10-32 X 1-1/4 LG       |   |   |   |
| - 164                      | 10309          |                      | • WASHER,LOCK-SPLIT 3/8 ID X 5/8 OD         |   |   |   |
| - 164A                     | 10340          |                      | • SCREW,MACH-FIL HD 8-32 X 1-5/8 LG         |   |   |   |
| - 164B                     | 10993          |                      | • SCREW,MACH-HEX HD 8-32 X 3/8 LG           |   |   |   |
| - 165                      | 11598          |                      | • NUT,HEX 10-32                             |   |   |   |
| - 166                      | 15887          |                      | • SCREW,MACH-BIND HD 2-56 X 1/8 LG          |   |   |   |
| - 167                      | 19944          |                      | • SCREW,MACH-BIND HD 8-32 X 3/4 LG          |   |   |   |
| - 167A                     | 20038          |                      | • WASHER,FLAT .128 ID X 5/16 OD X .031 THK  |   |   |   |
| - 168                      | 22349          |                      | • NUT,HEX 3/8-16 X 9/16 FL W                |   |   |   |
| - 169                      | 22478          |                      | • WASHER,FLAT .170 ID X 3/8 OD X 1/32 THK   |   |   |   |
| - 170                      | 23141          |                      | • WASHER,FLAT NO. 10 X 9/16 OD X 1/16 THK   |   |   |   |
| - 171                      | 23787          |                      | • SCREW,MACH-BIND HD 5-40 X 1/4 LG          |   |   |   |
| - 171A                     | 24511          |                      | • WASHER,FL-NO.8 X 5/16 OD X 1/32 THK       |   |   |   |
| - 172                      | 24752          |                      | • SCREW,MACH-FIL HD 8-32 X 5/16 LG          |   |   |   |
| - 173                      | 25018          |                      | • WASHER,FLAT 1/4 ID X 1/2 OD X .046 THK    |   |   |   |
| - 174                      | 25263          |                      | • WASHER,FLAT .173 ID X 7/8 OD X 1/16 THK   |   |   |   |
| - 175                      | 25627          |                      | • SCREW,MACH-BIND HD 8-32 X 1/2 LG          |   |   |   |
| - 176                      | 25793          |                      | • NUT,HEX 5/16-18 X 1/2 FL W                |   |   |   |
| - 177                      | 27073          |                      | • NUT,LOCK 5-40                             |   |   |   |
| - 178                      | 28413          |                      | • SCREW,MACH-BIND HD 10-32 X 5/16 LG        |   |   |   |
| - 179                      | 32042          |                      | • SCREW,MACH-BIND HD 10-32 X 3/8 LG         |   |   |   |
| - 179A                     | 32617          |                      | • SCREW,MACH-BIND HD 10-32 X NF X 0.4375 LG |   |   |   |
| - 180                      | 34512          |                      | • SCREW,MACH-BIND HD 8-32 X 3/8 LG          |   |   |   |
| - 181                      | 35229          |                      | • WASHER,11/64 ID X 7/16 OD                 |   |   |   |
| - 182                      | 35739          |                      | • SCREW,MACH-BIND HD 6-32 X 7/16 LG         |   |   |   |
| - 183                      | 36109          |                      | • NUT,HEX 1/4-20 X 7/16 FL W                |   |   |   |
| - 183A                     | 36776          |                      | • NUT,HEX JAM 6-32                          |   |   |   |
| - 184                      | 36823          |                      | • NUT,HEX 2-56                              |   |   |   |
| - 185                      | 36844          |                      | • SCREW,MACH-HEX HD 1/4-20 X 5/8 LG         |   |   |   |
| - 186                      | 37913          |                      | • NUT,HEX 4-40                              |   |   |   |
| - 187                      | 38051          |                      | • NUT,JAM 6-32 X .093 THK                   |   |   |   |
| - 188                      | 38235          |                      | • SCREW,MACH-BIND HD 6-32 X 5/16 LG         |   |   |   |
| - 189                      | 38250          |                      | • SCREW,MACH-FIL HD 2-56 X 3/8 LG           |   |   |   |
| - 189A                     | 38255          |                      | • SCREW                                     |   |   |   |
| - 190                      | 38261          |                      | • SCREW,MACH-FIL HD 4-40 X 3/16 LG          |   |   |   |
| - 190A                     | 38350          |                      | • SCREW,MACH-FIL HD 6-32 X 1/4 LG           |   |   |   |
| - 191                      | 38351          |                      | • SCREW,MACH-FIL HD 6-32 X 5/16 LG          |   |   |   |
| - 191A                     | 38352          |                      | • SCREW,MACH-FIL HD 6-32 X 3/8 LG           |   |   |   |
| - 192                      | 38353          |                      | • SCREW,MACH-FIL HD 6-32 X 7/16 LG          |   |   |   |
| - 192A                     | 38354          |                      | • SCREW,MACH-FIL HD 6-32 X 1/2              |   |   |   |
| - 193                      | 38368          |                      | • SCREW,MACH-FIL HD 8-32 X 7/16 LG          |   |   |   |
| - 194                      | 38387          |                      | • SCREW,MACH-FIL HD 10-32 X 11/16 LG        |   |   |   |
| - 195                      | 38433          |                      | • SCREW,MACH-FLAT HD 4-40 X 1/4 LG          |   |   |   |
| - 196                      | 38443          |                      | • SCREW,MACH-FLAT HD 6-32 X 5/16 LG         |   |   |   |
| - 196A                     | 38447          |                      | • SCREW,MACH-FLAT HD 6-32 X 5/8 LG          |   |   |   |
| - 197                      | 44262          |                      | • SCREW,MACH-DOWEL 8-32 X 5/8 LG            |   |   |   |
| - 198                      | 45624          |                      | • WASHER,FLAT NO. 2 X 7/32 OD X .02 THK     |   |   |   |
| - 198A                     | 45659          |                      | • WASHER,FLAT .19 ID X 13/32 OD X 3/32 THK  |   |   |   |
| - 199                      | 45690          |                      | • WASHER,FLAT NO. 10 X 7/16 OD X 1/32 THK   |   |   |   |
| - 200                      | 47987          |                      | • NUT,HEX 2-56 X 3/16 FL W                  |   |   |   |
| - 201                      | 49374          |                      | • WASHER,FLAT NO. 10 X .53 OD X .08 THK     |   |   |   |
| - 202                      | 49901          |                      | • WASHER                                    |   |   |   |
| - 203                      | 52523          |                      | • SCREW,MACH-FIL HD 4-40 X 5/8 LG           |   |   |   |
| - 203A                     | 52998          |                      | • SCREW,MACH-FIL HD 8-32 X 1-1/2 LG         |   |   |   |
| - 203B                     | 52570          |                      | • SCREW,MACH FLAT HD 2-56 X .312            |   |   |   |
| - 203C                     | 52684          |                      | • SCREW,MACH,BIND HD 8-32 X 5/8 LG          |   |   |   |
| - 204                      | 55726          |                      | • SCREW,MACH-BIND HD 6-32 X 3/16 LG         |   |   |   |
| - 205                      | 55901          |                      | • WASHER,LOCK-INT TOOTH .168 ID X .381 OD   |   |   |   |

| FIGURE-<br>INDEX<br>NUMBER | PART<br>NUMBER | UNITS<br>PER<br>ASM. | DESCRIPTION FOR FIGURE 62 |                                              |   |   |
|----------------------------|----------------|----------------------|---------------------------|----------------------------------------------|---|---|
|                            |                |                      | 1                         | 2                                            | 3 | 4 |
| 62 - 205A                  | 55918          |                      | •                         | SCREW,MACH-BIND HD 10-32 X 5/8 LG            |   |   |
| - 206                      | 56079          |                      | •                         | WASHER,LOCK-EXT TOOTH .195 ID X .410 OD      |   |   |
| - 206A                     | 56121          |                      | •                         | WASHER,LOCK-INT T NO.10 X / .381 OD          |   |   |
| - 207                      | 56722          |                      | •                         | WASHER,LOCK-EXT TOOTH .141 ID                |   |   |
| - 208                      | 58207          |                      | •                         | SCREW,MACH-BIND HD 8-32 X 1/4 LG             |   |   |
| - 208A                     | 60646          |                      | •                         | WASHER,LOCK-INT T NO.8 X 0.340 OD            |   |   |
| - 209                      | 62031          |                      | •                         | WASHER,LOCK-INT TOOTH NO. 6 X .295 OD        |   |   |
| - 210                      | 65756          |                      | •                         | WASHER,LOCK-INT TOOTH 1/4 X .478 OD          |   |   |
| - 211                      | 67873          |                      | •                         | SCREW,THD FORM-PAN HD 4-40 X 3/16 LG         |   |   |
| - 212                      | 72828          |                      | •                         | NUT,LOCK-HEX 8-32 X .334 FL W                |   |   |
| - 213                      | 76574          |                      | •                         | WASHER,LOCK-EXT TOOTH 1/4 ID X 1/2 OD        |   |   |
| - 214                      | 79842          |                      | •                         | SETSCREW,SPLINE DRIVE CUP PT 8-32 X 3/8 LG   |   |   |
| - 214A                     | 80651          |                      | •                         | SCREW,THD FORM-BIND HD 6-32 X 3/8 LG         |   |   |
| - 215                      | 80652          |                      | •                         | SCREW,THD FORM-BIND HD 6-32 X 5/8 LG         |   |   |
| - 216                      | 81693          |                      | •                         | SCREW,MACH-BIND HD 6-32 X 3/8 LG             |   |   |
| - 217                      | 91610          |                      | •                         | SCREW,THD FORM-BIND HD NO. 6 X 1/2 LG        |   |   |
| - 217A                     | 101807         |                      | •                         | SCREW,CAP-SOC HD 8-32 X 5/8 LG               |   |   |
| - 218                      | 104613         |                      | •                         | SCREW,ALLEN CAP 8-32 X 1/2 LG                |   |   |
| - 218A                     | 109317         |                      | •                         | SCREW,MACH-FLAT HD 8-32 X 1 LG               |   |   |
| - 218B                     | 106419         |                      | •                         | SCREW,MACH-BIND HD 10-32 X 1-3/4 LG          |   |   |
| - 218C                     | 101807         |                      | •                         | SCREW,SOC HD CAP 8-32 X 5/8                  |   |   |
| - 218D                     | 104845         |                      | •                         | SCREW                                        |   |   |
| - 218E                     | 104763         |                      | •                         | SCREW,CAP-SOC HD 10-32 X 1/2 LG              |   |   |
| - 218F                     | 110029         |                      | •                         | WASHER FLAT NO. 8 X 5/8 OD X 1/16 THK        |   |   |
| - 219                      | 109918         |                      | •                         | SCREW,THD FORM-FLAT HD NO. 4 X 1/2 LG        |   |   |
| - 220                      | 112628         |                      | •                         | SCREW,THD FORM-PAN HD NO. 4 X 3/8 LG         |   |   |
| - 221                      | 114201         |                      | •                         | WASHER,FLAT .128 ID X 3/8 OD X 1/16 THK      |   |   |
| - 222                      | 120211         |                      | •                         | SCREW,MACH-HEX HD 10-32 X 1/2 LG             |   |   |
| - 223                      | 120571         |                      | •                         | WASHER,FLAT 1/4 ID X 5/8 OD X 1/16 THK       |   |   |
| - 224                      | 123543         |                      | •                         | SCREW,MACH-BIND HD 3-48 X 3/8 LG             |   |   |
| - 225                      | 123639         |                      | •                         | SETSCREW,8-32 X 1/8 LG                       |   |   |
| - 226                      | 123780         |                      | •                         | SETSCREW,SPLINE DRIVE CUP PT 10-32 X 3/16 LG |   |   |
| - 227                      | 124222         |                      | •                         | SCREW,THD FORM-BIND HD                       |   |   |
| - 227A                     | 124226         |                      | •                         | SCREW,CAP SOC HD 8-32 X .162 LG              |   |   |
| - 228                      | 125145         |                      | •                         | WASHER,FLAT NO. 6 X 1/2 OD X 1/32 THK        |   |   |
| - 228A                     | 125738         |                      | •                         | SCREW,THD FORM-PAN HD 6-32 X 3/4 LG          |   |   |
| - 229                      | 125930         |                      | •                         | NUT,HEX 10-32                                |   |   |
| - 229A                     | 129654         |                      | •                         | SCREW,CAP-SOC HD 10-32 X 3/4 LG              |   |   |
| - 230                      | 130434         |                      | •                         | SCREW,MACH-SLOT HEX HD 10-32 X 3/8 LG        |   |   |
| - 231                      | 133903         |                      | •                         | WASHER,FLAT .125 ID X 13/64 OD X 1/32 THK    |   |   |
| - 232                      | 139050         |                      | •                         | WASHER,FLAT .252 ID X 13/16 OD X 1/16 THK    |   |   |
| - 232A                     | 140777         |                      | •                         | WASHER,FLAT 1/4 ID X 3/4 OD X 3/32 THK       |   |   |
| - 232B                     | 149897         |                      | •                         | SCREW,CAP-SOC HD 8-32 X 0.375 LG             |   |   |
| - 233                      | 149909         |                      | •                         | SCREW,CAP-SOC HD 1/4-20 X 1-3/4 LG           |   |   |
| - 233A                     | 150209         |                      | •                         | WASHER,STAR 0.115 ID X 0.270 OD              |   |   |
| - 234                      | 150390         |                      | •                         | WASHER,FLAT 1/4 ID X 5/8 OD X 1/16 THK       |   |   |
| - 235                      | 170215         |                      | •                         | SCREW ASM WASHER 6-32 X 3/8 LG               |   |   |
| - 236                      | 171049         |                      | •                         | SCREW,MACH-HEX HD 5/16-18 X 5/8 LG           |   |   |
| - 236A                     | 173937         |                      | •                         | SETSCREW,SPLINE DR CUP PT 8-32 X 1/8 LG      |   |   |
| - 237                      | 179743         |                      | •                         | NUT,HEX 15/32-32 X 9/16 FL W                 |   |   |
| - 238                      | 179922         |                      | •                         | SCREW,SHOULDER 10-32 X 5/16 X 3/4            |   |   |
| - 238A                     | 179966         |                      | •                         | WASHER,LOCK-EXT TOOTH 5/16 ID                |   |   |
| - 238B                     | 183900         |                      | •                         | SCREW,MACH-BIND HD 8-32 X 1/4 LG             |   |   |
| - 239                      | 186036         |                      | •                         | SCREW,MACH-FLAT HD 1/4-20 X 1/2 LG           |   |   |
| - 240                      | 186399         |                      | •                         | SCREW,MACH-BIND HD 5-40 X 1/8 LG             |   |   |
| - 241                      | 186636         |                      | •                         | SCREW,MACH-BIND HD 5-40 X 1/8 LG             |   |   |
| - 242                      | 186758         |                      | •                         | SCREW,MACH-BIND HD 8-32 X 7/16 LG            |   |   |
| - 243                      | 186759         |                      | •                         | SCREW,MACH-BIND HD 8-32 X 5/16 LG            |   |   |
| - 244                      | 186924         |                      | •                         | SCREW,MACH-SOC HD 4-40 X 3/8 LG              |   |   |
| - 244A                     | 186925         |                      | •                         | SCREW,MACH-6 FLUT SOC HD 4-40 X 5/8 LG       |   |   |
| - 245                      | 186926         |                      | •                         | SCREW,MACH-SOC HD 4-40 X 3/4 LG              |   |   |
| - 245A                     | 204616         |                      | •                         | SCREW,MACH HEX HD 10-32 X 1LG                |   |   |
| - 245B                     | 186929         |                      | •                         | SCREW,FLUTED-SOC HD 6/32 X 7/8 LG            |   |   |
| - 245C                     | 186952         |                      | •                         | SCREW,SOC HEX HD 10-32 X 1-3/4 LG            |   |   |
| - 245D                     | 186931         |                      | •                         | SCREW,CAP-SOC HD 8-32 X 1-1/2 LG             |   |   |
| - 246                      | 216128         |                      | •                         | NUT,LOCK 4-40                                |   |   |
| - 247                      | 216323         |                      | •                         | NUT,DRESS .469-32                            |   |   |
| - 248                      | 218812         |                      | •                         | WASHER,FLAT 1.0D X .313 ID X .093 THK        |   |   |
| - 249                      | 219549         |                      | •                         | WASHER,LOCK-SPLIT NO. 2 X .165 OD            |   |   |
| - 249B                     | 2181071        |                      | •                         | SCREW,PAN HD THD 6-32 X .50 LG               |   |   |
| - 250                      | 221790         |                      | •                         | SCREW,MACH-BIND HD 8-32 X 3/16 LG            |   |   |
| - 251                      | 234331         |                      | •                         | SCREW ASM WASHER-FIL HD 10-32 X 1/2 LG       |   |   |
| - 252                      | 234341         |                      | •                         | SCREW ASM WASHER-HEX HD 1/4-20 X 5/8 LG      |   |   |
| - 253                      | 234344         |                      | •                         | SCREW ASM WASHER-HEX HD 1/4-20 X 1 LG        |   |   |
| - 253A                     | 236550         |                      | •                         | SCREW,MACH-BIND HD 4-40 X 3/8 LG             |   |   |
| - 254                      | 236529         |                      | •                         | SCREW,THD FORM-FLAT HD 4-40 X 3/8 LG         |   |   |
| - 254A                     | 2305548        |                      | •                         | SCREW,LEADS BEARING 6-32 X .330              |   |   |
| - 255                      | 236550         |                      | •                         | SCREW,MACH-BIND HD 4-40 X 3/8 LG             |   |   |
| - 255A                     | 2305564        |                      | •                         | SCREW,SOC HD CAP 4-40 X .375                 |   |   |
| - 256                      | 236849         |                      | •                         | SCREW,MACH-BIND HD 10-32 X 1/4 LG            |   |   |
| - 256A                     | 237032         |                      | •                         | WASHER,FLAT 7/32 ID X 3/4 OD X 1/16 THK      |   |   |

| FIGURE-<br>INDEX<br>NUMBER | PART<br>NUMBER | UNITS<br>PER<br>ASM. | DESCRIPTION FOR FIGURE 62 |                                            |   |   |
|----------------------------|----------------|----------------------|---------------------------|--------------------------------------------|---|---|
|                            |                |                      | 1                         | 2                                          | 3 | 4 |
| 62 - 256B                  | 244055         |                      | •                         | SCREW,THD FORM-BIND HD NO.4 X 1/2 LG       |   |   |
| - 257                      | 250627         |                      | •                         | SCREW,ALLEN CAP 6-32 X 3/8 LG              |   |   |
| - 257A                     | 256106         |                      | •                         | SCREW,MACH-SOC HD 8-32 X 7/8 LG            |   |   |
| - 257B                     | 251820         |                      | •                         | SCREW,CAP-SOC HD 6-32 X 1/2 LG             |   |   |
| - 257C                     | 251762         |                      | •                         | SCREW                                      |   |   |
| - 258                      | 251970         |                      | •                         | SCREW,MACH-BIND HD 4-40 X 1/4 LG           |   |   |
| - 258A                     | 255629         |                      | •                         | SCREW,THD FORM-FL CSK HD NO. 6 X 1/2 LG    |   |   |
| - 259                      | 257187         |                      | •                         | NUT,HEX 6-32                               |   |   |
| - 260                      | 257188         |                      | •                         | NUT,HEX 8-32 X 11/32 FL W                  |   |   |
| - 261                      | 257189         |                      | •                         | NUT,HEX 8-32                               |   |   |
| - 262                      | 257957         |                      | •                         | SETSCREW,6 FLUTE HD CUP PT 4-40 X 1/8 LG   |   |   |
| - 262A                     | 257958         |                      | •                         | SETSCREW,6 FLUTE HD-FL PT 4-40 X 3/16 LG   |   |   |
| - 263                      | 257959         |                      | •                         | SETSCREW,6 FLUTE HD CUP PT 4-40 X 3/16 LG  |   |   |
| - 264                      | 257960         |                      | •                         | SETSCREW,6 FLUTE HD CUP PT 4-40 X 1/4 LG   |   |   |
| - 264A                     | 257969         |                      | •                         | SETSCREW,6 FLUTE 6-32 X 1/8 LG CUP PT      |   |   |
| - 265                      | 257970         |                      | •                         | SETSCREW,6 FLUTE HD FL PT 6-32 X 1/4 LG    |   |   |
| - 265A                     | 257974         |                      | •                         | SETSCREW,6 FLUTE 6-32 X 3/8 LG FT PT       |   |   |
| - 266                      | 257976         |                      | •                         | SETSCREW,6 FLUTE HD FL PT 6-32 X 1/2 LG    |   |   |
| - 267                      | 257983         |                      | •                         | WASHER,LOCK-SPLIT .319 ID X .519 OD        |   |   |
| - 267A                     | 257984         |                      | •                         | WASHER,LOCK-SPLIT .115 ID X .212 OD        |   |   |
| - 268                      | 257985         |                      | •                         | WASHER,FLAT 1/8 ID X 1/4 OD                |   |   |
| - 269                      | 257986         |                      | •                         | WASHER,FLAT 5/32 ID X 5/16 OD X 1/32 THK   |   |   |
| - 270                      | 257989         |                      | •                         | WASHER,LOCK                                |   |   |
| - 271                      | 263217         |                      | •                         | WASHER,LOCK-INT TOOTH .09 ID               |   |   |
| - 272                      | 265195         |                      | •                         | SCREW                                      |   |   |
| - 272A                     | 307837         |                      | •                         | STUD-LION .705 LG                          |   |   |
| - 272B                     | 303336         |                      | •                         |                                            |   |   |
| - 273                      | 308426         |                      | •                         | NUT,SPEED 8-32                             |   |   |
| - 274                      | 311167         |                      | •                         | SETSCREW,NYLOCK-SOC-10-32 X 3/8 LG         |   |   |
| - 275                      | 316807         |                      | •                         | SCREW,MACH-FLAT HD 6-32 X 3/8 LG           |   |   |
| - 276                      | 321483         |                      | •                         | SCREW,MACH-BIND HD 8-32 X 1 LG             |   |   |
| - 277                      | 322028         |                      | •                         | SCREW,MACH-BIND HD 1/4-20 X 3/4 LG         |   |   |
| - 278                      | 322065         |                      | •                         | SCREW,MACH-BIND HD 6-32 X 5/8 LG           |   |   |
| - 279                      | 322550         |                      | •                         | SCREW,MACH-BIND HD 6-32 X 1/2 LG           |   |   |
| - 279A                     | 322552         |                      | •                         | SCREW,MACH-BIND HD 6-32 X 7/8 LG           |   |   |
| - 279B                     | 322551         |                      | •                         | SCREW,MACH-BIND HD 6-32 X 3/4 LG           |   |   |
| - 279C                     | 322562         |                      | •                         | SCREW,MACH-BIND HD 10-32 X 2 LG            |   |   |
| - 280                      | 328500         |                      | •                         | SCREW,6-32 X 1/4 LG                        |   |   |
| - 280A                     | 332560         |                      | •                         | SCREW,CAP-SOC HD 8-32 X 1-1/4 LG           |   |   |
| - 281                      | 332620         |                      | •                         | SCREW,MACH-BIND HD 10-32 X 1/2 LG          |   |   |
| - 281A                     | 334588         |                      | •                         | SCREW                                      |   |   |
| - 282                      | 338169         |                      | •                         | WASHER,LOCK-EXT TOOTH 1/8 ID X 1/4 OD      |   |   |
| - 283                      | 338238         |                      | •                         | SCREW,MACH-BIND HD 4-40 X 5/16 LG          |   |   |
| - 284                      | 344015         |                      | •                         | NUT,HEX-LOCK 6-32 X 5/16 FL W              |   |   |
| - 284A                     | 344299         |                      | •                         | SCREW,MACH-SLOTTED HEX HD 6-32 X 3/8 LG    |   |   |
| - 285                      | 353624         |                      | •                         | SCREW,HEX HD                               |   |   |
| - 286                      | 355369         |                      | •                         | SCREW,MACH-SOC HD 6-32 X 3/4 LG            |   |   |
| - 287                      | 357820         |                      | •                         | SCREW,MACH-SOC HD 4-40 X 1/2 LG            |   |   |
| - 287A                     | 366443         |                      | •                         | SCREW,SHOULDER 6-32 X .312                 |   |   |
| - 288                      | 367028         |                      | •                         | SCREW,MACH-FIL HD 6-32 X 1/4 LG            |   |   |
| - 288A                     | 381741         |                      | •                         | SCREW,MACH-PAN HD 8-32 X 3/8 LG            |   |   |
| - 288B                     | 418278         |                      | •                         | WASHER,LOCK INT .453 OD                    |   |   |
| - 289                      | 419130         |                      | •                         | WASHER,MICA .195 ID X 5/8 OD X .0027 THK   |   |   |
| - 290                      | 438538         |                      | •                         | SCREW,MACH-BIND HD 2-56 X 1/4 LG           |   |   |
| - 291                      | 438540         |                      | •                         | SCREW,MACH-BIND HD 2-56 X 3/8 LG           |   |   |
| - 292                      | 438542         |                      | •                         | SCREW,MACH-BIND HD 2-56 X 1/2 LG           |   |   |
| - 292A                     | 438543         |                      | •                         | SCREW,MACH-BIND HD 2-56 X 5/8 LG           |   |   |
| - 293                      | 438544         |                      | •                         | SCREW,MACH-BIND HD 2-56 X 3/4 LG           |   |   |
| - 294                      | 438548         |                      | •                         | SCREW,MACH-BIND HD 4-40 X 3/16 LG          |   |   |
| - 295                      | 438549         |                      | •                         | SCREW,MACH-BIND HD 4-40 X 7/16 LG          |   |   |
| - 296                      | 438550         |                      | •                         | SCREW,MACH-BIND HD 4-40 X 1-1/4 LG         |   |   |
| - 297                      | 438551         |                      | •                         | SCREW,MACH-BIND HD 4-40 X 5/8 LG           |   |   |
| - 298                      | 438552         |                      | •                         | SCREW,MACH-BIND HD 4-40 X 3/4 LG           |   |   |
| - 299                      | 438553         |                      | •                         | SCREW,MACH-BIND HD 4-40 X 7/8 LG           |   |   |
| - 300                      | 438554         |                      | •                         | SCREW,MACH-BIND HD 4-40 X 1 LG             |   |   |
| - 301                      | 438560         |                      | •                         | SCREW,MACH-FLAT HD 4-40 X 1 LG             |   |   |
| - 302                      | 438566         |                      | •                         | SCREW,MACH-BIND HD 6-32 X 1/8 LG           |   |   |
| - 303                      | 438567         |                      | •                         | SCREW,MACH-BIND HD 6-32 X 1 LG             |   |   |
| - 304                      | 438568         |                      | •                         | SCREW,MACH-BIND HD 6-32 X 1-1/8 LG         |   |   |
| - 305                      | 438569         |                      | •                         | SCREW,MACH-BIND HD 6-32 X 1-1/4 LG         |   |   |
| - 305A                     | 438570         |                      | •                         | SCREW,MACH-BIND HD 6-32 X 1-1/2 LG         |   |   |
| - 306                      | 438572         |                      | •                         | SCREW,MACH-BIND HD 6-32 X 2 LG             |   |   |
| - 307                      | 438586         |                      | •                         | SCREW,MACH-BIND HD 8-32 X 7/8 LG           |   |   |
| - 307A                     | 438588         |                      | •                         | SCREW,MACH-BIND HD 8-32 X 1-1/4 LG         |   |   |
| - 308                      | 438589         |                      | •                         | SCREW,MACH-BIND HD 8-32 X 1-1/2 LG         |   |   |
| - 309                      | 438593         |                      | •                         | SCREW,MACH-BIND HD 8-32 X 2-1/2 LG         |   |   |
| - 310                      | 438611         |                      | •                         | SCREW,MACH-FIL HD 1/4-20 X 3/8 LG          |   |   |
| - 311                      | 438622         |                      | •                         | SCREW,MACH-BIND HD 1/4-20 X 3/8 LG         |   |   |
| - 311A                     | 438623         |                      | •                         | SCREW,MACH-UNDRCT BIND HD 114-20 X 5/8 LG  |   |   |
| - 312                      | 442958         |                      | •                         | WASHER,FLAT 7/16 ID X 3/4 OD X 1/32 THK    |   |   |
| - 313                      | 442959         |                      | •                         | WASHER,FLAT 11/64 ID X 15/32 OD X 1/32 THK |   |   |

| FIGURE-<br>INDEX<br>NUMBER | PART<br>NUMBER | UNITS<br>PER<br>ASM. | DESCRIPTION FOR FIGURE 62 |                                               |   |   |
|----------------------------|----------------|----------------------|---------------------------|-----------------------------------------------|---|---|
|                            |                |                      | 1                         | 2                                             | 3 | 4 |
| 62 - 314                   | 472729         |                      | •                         | SCREW,MACH-FLAT HD 4-40 X 3/8 LG              |   |   |
| - 315                      | 483611         |                      | •                         | SCREW                                         |   |   |
| - 316                      | 507796         |                      | •                         | SCREW,MACH-BIND HD 10-32 X 1 LG               |   |   |
| - 317                      | 510468         |                      | •                         | WASHER,CUPPED 1/64 ID X 1/2 OD X 1/32 LG      |   |   |
| - 318                      | 510810         |                      | •                         | WASHER,FLAT 3/16 ID X 7/16 OD X 1/16 THK      |   |   |
| - 319                      | 512508         |                      | •                         | SCREW,MACH-FL HD 6-32 X .417 LG               |   |   |
| - 320                      | 515718         |                      | •                         | SCREW,MACH-FIL CAP HD 8-32 X 5 LG             |   |   |
| - 321                      | 600395         |                      | •                         | WASHER,FLAT 13/64 ID X 3/4 OD X 3/32 THK      |   |   |
| - 321A                     | 600560         |                      | •                         | WASHER,LOCK                                   |   |   |
| - 321B                     | 600960         |                      | •                         | NUT,LOCK NO. 8-32                             |   |   |
| - 321C                     | 601093         |                      | •                         | SCREW,THD FORM-PAN HD 8-32 X 1/4 LG           |   |   |
| - 322                      | 602721         |                      | •                         | NUT,LOCK 10-32                                |   |   |
| - 322A                     | 731626         |                      | •                         | SCREW,PAN HD-6-32 X 1/4 LG                    |   |   |
| - 322B                     | 637733         |                      | •                         | SCREW                                         |   |   |
| - 323                      | 734483         |                      | •                         | SCREW,MACH-PAN HD 6-32 X 3/8 LG               |   |   |
| - 324                      | 736712         |                      | •                         | SCREW ASM WASHER-SLOT HEX HD 8-32 X 7/16 LG   |   |   |
| - 324A                     | 738378         |                      | •                         | SCREW                                         |   |   |
| - 325                      | 807612         |                      | •                         | WASHER,FLAT .113 ID X 5/16 OD                 |   |   |
| - 325A                     | 807842         |                      | •                         | WASHER,FLAT .089 ID X .281 OD                 |   |   |
| - 326                      | 811426         |                      | •                         | SCREW,THD FORM 6-32 X 3/8 LG                  |   |   |
| - 327                      | 813706         |                      | •                         | SCREW,THD FORM-HEX WSHR HD 10-32 X 3/8 LG     |   |   |
| - 328                      | 822002         |                      | •                         | SCREW,CAP SOC HD 8-32 X 1 LG                  |   |   |
| - 329                      | 824486         |                      | •                         | NUT,HEX 3/8-32                                |   |   |
| - 329A                     | 834293         |                      | •                         | WASHER,BELLEVILLE .375 OD X 190 ID X .027 THK |   |   |
| - 330                      | 846555         |                      | •                         | WASHER,LOCK-INT TOOTH .380 ID X .507 OD       |   |   |
| - 330A                     | 856516         |                      | •                         |                                               |   |   |
| - 331                      | 1073462        |                      | •                         | SETSCREW,FLAT PT 6-32 X 3/16 LG               |   |   |
| - 331A                     | 1090394        |                      | •                         | WASHER,FLAT .157 ID X 5/16 OD                 |   |   |
| - 332                      | 1090873        |                      | •                         | WASHER,LOCK 3/16 ID X 5/16 OD                 |   |   |
| - 332A                     | 1091035        |                      | •                         | SCREW,MACH-HEX HD 8-32 X 3/8 LG               |   |   |
| - 332B                     | 1100523        |                      | •                         | SETSCREW,SPLINE DR CUP DT 6-32 X 3/16         |   |   |
| - 332C                     | 1115736        |                      | •                         | SCREW                                         |   |   |
| - 333                      | 1117437        |                      | •                         | WASHER,FLAT .171 ID X 7/16 OD                 |   |   |
| - 334                      | 1124740        |                      | •                         | SCREW,MACH-BIND HD 6-32 X 1/4 LG              |   |   |
| - 334A                     | 1124803        |                      | •                         | NUT                                           |   |   |
| - 334B                     | 1128280        |                      | •                         | SCREW,MACH-6 FLUTE SOC HD 6-32 X 7/16 LG      |   |   |
| - 335                      | 1132887        |                      | •                         | SCREW,MACH-BIND HD 4-40 X 17/32 LG            |   |   |
| - 336                      | 1134567        |                      | •                         | SCREW,THD FORM 4-40 X 3/16 LG                 |   |   |
| - 336A                     | 1154092        |                      | •                         | SCREW,MACH-BIND HD 8-32 X 1/4 LG              |   |   |
| - 336B                     | 1134801        |                      | •                         | STUD,PAPER GAUGE                              |   |   |
| - 336C                     | 1134829        |                      | •                         | NUT,6-32 NC2B                                 |   |   |
| - 336D                     | 1138975        |                      | •                         | SCREW                                         |   |   |
| - 336E                     | 1147586        |                      | •                         | SCREW                                         |   |   |
| - 337                      | 1154943        |                      | •                         | SCREW,THD FORM 6-20 X 1/2 LG                  |   |   |
| - 338                      | 1161166        |                      | •                         | SCREW,THD FORM-PAN HD 8-32 X 1/2 LG           |   |   |
| - 338A                     | 1175530        |                      | •                         | STUD,HEX HD SHOULDER                          |   |   |
| - 338B                     | 1208139        |                      | •                         | SCREW,THD 4-24 X .25 LG                       |   |   |
| - 339                      | 1786825        |                      | •                         | SCREW                                         |   |   |
| - 339A                     | 1800703        |                      | •                         | SCREW,CAP-SOC HD 4-40 X 3/4 LG                |   |   |
| - 339B                     | 1794641        |                      | •                         | SCREW,CAP SOC HD,SELF LOCK 8-32 X 5/8 LG      |   |   |
| - 339C                     | 1794784        |                      | •                         | SCREW,MACH-BIND HD 6-32 X 13/16 LG            |   |   |
| - 339D                     | 1794837        |                      | •                         | NUT                                           |   |   |
| - 339E                     | 1794631        |                      | •                         | SCREW                                         |   |   |
| - 340                      | 1811036        |                      | •                         | SCREW,MACH-HEX HD 2-56 X 3/4 LG               |   |   |
| - 341                      | 1815294        |                      | •                         | SCREW                                         |   |   |
| - 342                      | 1815295        |                      | •                         | SCREW                                         |   |   |
| - 342B                     | 1821359        |                      | •                         | SCREW,SHOULDER 6-32                           |   |   |
| - 342C                     | 1821363        |                      | •                         | WASHER,.159 ID X .50 OD X .060 THK            |   |   |
| - 342D                     | 1815436        |                      | •                         | SCREW                                         |   |   |
| - 342E                     | 2121470        |                      | •                         | SCREW                                         |   |   |
| - 343                      | 2121488        |                      | •                         | SCREW,CAP-BUTTON SOC HD 8-32 X 1/4 LG         |   |   |
| - 344                      | 2130285        |                      | •                         | WASHER,FLAT 5/32 ID X 7/8 OD X .047 THK       |   |   |
| - 345                      | 2181001        |                      | •                         | SCREW,MACH-HEX WSHR HD 10-32 X 3/4 LG         |   |   |
| - 346                      | 2181002        |                      | •                         | SCREW,THD FORM-HEX WSHR HD 8-32 X 3/4 LG      |   |   |
| - 347                      | 2181004        |                      | •                         | SCREW,THD FORM-HEX WSHR HD 10-32 X 3/8 LG     |   |   |
| - 348                      | 2181005        |                      | •                         | SCREW,THD FORM-HEX WSHR HD 6-32 X 3/8 LG      |   |   |
| - 348A                     | 2181006        |                      | •                         | SCREW,THD FORM                                |   |   |
| - 349                      | 2181011        |                      | •                         | SCREW,THD FORM-HEX WSHR HD 6-32 X 1/2 LG      |   |   |
| - 349A                     | 2195400        |                      | •                         | SCREW,THD FORM-HEX HD 8-32 X 5/8 LG           |   |   |
| - 349B                     | 2181071        |                      | •                         | SCREW,PAN HD THD FORM 6-32 X .50              |   |   |
| - 349C                     | 2181088        |                      | •                         | SCREW,HEX SOC HD THD FORM 6-32 X 7/8          |   |   |
| - 350                      | 2200705        |                      | •                         | SCREW,THUMB 10-32 X 1.275 LG                  |   |   |
| - 351                      | 2219193        |                      | •                         | WASHER,FLAT .195 ID X .440 OD X .015 THK      |   |   |
| - 352                      | 2278074        |                      | •                         | WASHER                                        |   |   |
| - 353                      | 2280591        |                      | •                         | NUT,LOCK 4-40                                 |   |   |
| - 354                      | 2305547        |                      | •                         | SCREW,THD FORM-FLAT HD 8-32 X 7/16 LG         |   |   |
| - 355                      | 2305663        |                      | •                         | WASHER,SPRING .327 ID X .490 OD X .005 THK    |   |   |
| - 356                      | 2455596        |                      | •                         | SCREW,WELD 8-32 X 1/2 LG                      |   |   |
| - 357                      | 2456378        |                      | •                         | SCREW,MACH-FLAT HD NO. 6 X 1 LG               |   |   |
| - 358                      | 2456996        |                      | •                         | SCREW,MACH-HEX WSHR HD 8-18 X 1/4 LG          |   |   |
| - 359                      | 2546960        |                      | •                         | SCREW,WING 10-32 X 3/8 LG                     |   |   |





## NUMERICAL INDEX

| PART NUMBER | LIST AND INDEX NO. | PART NUMBER | LIST AND INDEX NO. | PART NUMBER | LIST AND INDEX NO. | PART NUMBER | LIST AND INDEX NO. |
|-------------|--------------------|-------------|--------------------|-------------|--------------------|-------------|--------------------|
| 119         | 62 - 150B          | 38447       | 62 - 196A          | 138754      | 50 - 13            | 236916      | 61 - 3             |
| 221         | 62 - 150A          | 44262       | 62 - 197           | 138754      | 50A - 12           | 237032      | 62 - 256A          |
| 324         | 62 - 150           | 45624       | 62 - 198           | 138754      | 50A - 18           | 237245      | 24 - 28            |
| 337         | 62 - 151           | 45659       | 62 - 198A          | 138755      | 55 - 1             | 237245      | 26D - 12           |
| 367         | 62 - 151A          | 45690       | 62 - 199           | 138755      | 56 - 11            | 237327      | 55 - 12            |
| 443         | 62 - 152           | 47987       | 62 - 200           | 138755      | 57 - 6             | 237327      | 56 - 8             |
| 453         | 62 - 153           | 49374       | 62 - 201           | 138755      | 58 - 11            | 237327      | 57 - 3             |
| 641         | 62 - 154           | 49901       | 62 - 202           | 139050      | 62 - 232           | 237327      | 58 - 7             |
| 845         | 62 - 153A          | 52523       | 62 - 203           | 140777      | 62 - 232A          | 241886      | 26E - 14           |
| 2031        | 62 - 154A          | 52570       | 62 - 203B          | 149897      | 62 - 232B          | 242256      | 50 - 12            |
| 2032        | 62 - 154B          | 52684       | 62 - 203C          | 149909      | 62 - 233           | 242256      | 50A - 11           |
| 2863        | 62 - 154C          | 52998       | 62 - 203A          | 150209      | 62 - 233A          | 244055      | 62 - 256B          |
| 3550        | 62 - 155           | 55726       | 32 - 2A            | 150390      | 62 - 234           | 250627      | 62 - 257           |
| 3960        | 62 - 156           | 55726       | 62 - 204           | 156231      | 23 - 13            | 251227      | 33 - 9             |
| 5528        | 62 - 157           | 55901       | 62 - 205           | 156231      | 26A - 15           | 251227      | 33 - 33            |
| 5677        | 62 - 158           | 55918       | 62 - 205A          | 156231      | 33 - 34            | 251227      | 33A - 11           |
| 6318        | 62 - 158A          | 56079       | 62 - 206           | 156231      | 33A - 38           | 251762      | 62 - 257C          |
| 6364        | 62 - 159           | 56121       | 62 - 206A          | 156364      | 38 - 17            | 251820      | 62 - 257B          |
| 6935        | 62 - 160           | 56722       | 62 - 207           | 156364      | 38 - 50            | 251970      | 62 - 258           |
| 9092        | 62 - 161           | 58207       | 62 - 208           | 169698      | 10 - 11            | 253220      | 26E - 8            |
| 10170       | 62 - 162           | 60646       | 62 - 208A          | 169698      | 15 - 3             | 255629      | 62 - 258A          |
| 10295       | 62 - 163           | 62031       | 62 - 209           | 169698      | 33 - 37            | 256106      | 62 - 257A          |
| 10309       | 62 - 164           | 65756       | 62 - 210           | 169698      | 33A - 41           | 257187      | 62 - 259           |
| 10340       | 62 - 164A          | 67873       | 62 - 211           | 170215      | 62 - 235           | 257188      | 62 - 260           |
| 10993       | 62 - 164B          | 72828       | 62 - 212           | 171049      | 62 - 236           | 257189      | 62 - 261           |
| 11598       | 62 - 165           | 76574       | 62 - 213           | 173937      | 62 - 236A          | 257922      | 7 - 17             |
| 12553       | 25 - 41A           | 79842       | 62 - 214           | 179743      | 62 - 237           | 257957      | 62 - 262           |
| 15887       | 62 - 166           | 80651       | 62 - 214A          | 179922      | 62 - 238           | 257958      | 62 - 262A          |
| 16271       | 25 - 41A           | 80652       | 62 - 215           | 179946      | 51 - 26            | 257959      | 62 - 263           |
| 16367       | 51 - 13            | 81693       | 62 - 216           | 179946      | 51A - 16           | 257960      | 62 - 264           |
| 19944       | 62 - 167           | 91610       | 62 - 217           | 179946      | 53 - 8             | 257969      | 62 - 264A          |
| 20038       | 62 - 167A          | 92752       | 51 - 27            | 179966      | 62 - 238A          | 257970      | 62 - 265           |
| 21412       | 24 - 25            | 92752       | 51A - 17           | 183900      | 62 - 238B          | 257974      | 62 - 265A          |
| 21412       | 26D - 27           | 101807      | 62 - 217A          | 186036      | 62 - 239           | 257976      | 62 - 266           |
| 22349       | 62 - 168           | 101807      | 62 - 218C          | 186399      | 62 - 240           | 257982      | 7 - 21             |
| 22478       | 32 - 2B            | 104613      | 62 - 218           | 186636      | 62 - 241           | 257982      | 33 - 29            |
| 22478       | 62 - 169           | 104697      | 33 - 2             | 186758      | 62 - 242           | 257982      | 33A - 33           |
| 23105       | 22 - 3             | 104697      | 33A - 2            | 186759      | 62 - 243           | 257983      | 62 - 267           |
| 23105       | 26A - 3            | 104701      | 31A - 19           | 186924      | 62 - 244           | 257984      | 62 - 267A          |
| 23141       | 62 - 170           | 104712      | 33 - 69            | 186925      | 62 - 244A          | 257985      | 62 - 268           |
| 23787       | 62 - 171           | 104712      | 33A - 66           | 186926      | 62 - 245           | 257986      | 62 - 269           |
| 24511       | 62 - 171A          | 104763      | 62 - 218E          | 186929      | 62 - 245B          | 257989      | 62 - 270           |
| 24752       | 62 - 172           | 104845      | 62 - 218D          | 186931      | 62 - 245D          | 259256      | 55 - 10A           |
| 24860       | 25 - 18            | 106419      | 62 - 218B          | 186952      | 62 - 245C          | 263217      | 62 - 271           |
| 25018       | 62 - 173           | 107669      | 51 - 19            | 192049      | 39 - 9             | 264641      | 43 - 12            |
| 25252       | 34A - 24           | 107669      | 51A - 10           | 192463      | 23 - 27            | 264998      | 28 - 18            |
| 25263       | 62 - 174           | 109317      | 62 - 218A          | 198982      | 5 - 19             | 264998      | 29 - 20            |
| 25627       | 37 - 38A           | 109918      | 62 - 219           | 204500      | 60 - 3C            | 265195      | 62 - 272           |
| 25627       | 62 - 175           | 110029      | 62 - 218F          | 204500      | 60B - 9            | 302090      | 10 - 11            |
| 25793       | 62 - 176           | 110129      | 33 - 73            | 204616      | 62 - 245A          | 302090      | 37 - 23            |
| 27073       | 62 - 177           | 110129      | 33A - 71           | 205331      | 10 - 12            | 302131      | 10 - 13            |
| 28413       | 62 - 178           | 110129      | 34 - 28            | 209486      | 61 - 1             | 302131      | 37 - 24            |
| 32042       | 62 - 179           | 110129      | 34A - 28           | 210883      | 2 - 10             | 303336      | 62 - 272B          |
| 32617       | 62 - 179A          | 111262      | 51 - 20            | 210883      | 4 - 37             | 303542      | 52 - 6             |
| 34512       | 62 - 180           | 111262      | 51A - 11           | 210883      | 15 - 11            | 303542      | 54 - 3             |
| 35229       | 62 - 181           | 112628      | 62 - 220           | 210883      | 26E - 10           | 307837      | 35 - 16            |
| 35739       | 62 - 182           | 114201      | 62 - 221           | 210883      | 50 - 9             | 307837      | 62 - 272A          |
| 35868       | 1 - 32             | 120211      | 62 - 222           | 210883      | 50A - 8            | 308426      | 62 - 273           |
| 35868       | 60A - 7            | 120571      | 62 - 223           | 216128      | 62 - 246           | 310974      | 2 - 21             |
| 36109       | 62 - 183           | 122685      | 40 - 2             | 216323      | 62 - 247           | 310974      | 4 - 4              |
| 36776       | 62 - 183A          | 123543      | 62 - 224           | 218812      | 62 - 248           | 311072      | 38 - 12            |
| 36823       | 62 - 184           | 123639      | 62 - 225           | 219549      | 62 - 249           | 311167      | 62 - 274           |
| 36844       | 62 - 185           | 123780      | 62 - 226           | 219633      | 25 - 8             | 312567      | 1 - 14             |
| 37913       | 62 - 186           | 124222      | 62 - 227           | 219633      | 38 - 25            | 312567      | 6 - 12             |
| 38051       | 62 - 187           | 124226      | 62 - 227A          | 219633      | 38 - 41            | 312572      | 1 - 6              |
| 38235       | 32 - 2A            | 125145      | 32 - 2B            | 219633      | 43 - 17            | 312573      | 1 - 13             |
| 38235       | 62 - 188           | 125145      | 62 - 228           | 219633      | 44 - 1             | 312573      | 6 - 13             |
| 38250       | 62 - 189           | 125738      | 62 - 228A          | 219743      | 33A - 37           | 312575      | 1 - 12             |
| 38255       | 62 - 189A          | 125930      | 62 - 229           | 221790      | 62 - 250           | 312575      | 6 - 14             |
| 38261       | 62 - 190           | 126036      | 53 - 4             | 225574      | 44 - 2             | 313453      | 3 - 3              |
| 38350       | 62 - 190A          | 127324      | 54A - 37           | 233355      | 43 - 6             | 313694      | 38 - 53            |
| 38351       | 62 - 191           | 129654      | 62 - 229A          | 234331      | 62 - 251           | 316807      | 62 - 275           |
| 38352       | 62 - 191A          | 130118      | 39 - 8             | 234341      | 62 - 252           | 317132      | 54A - 27           |
| 38353       | 62 - 192           | 130434      | 62 - 230           | 234344      | 62 - 253           | 317138      | 4 - 27             |
| 38354       | 62 - 192A          | 133903      | 62 - 231           | 236529      | 62 - 254           | 317145      | 2 - 11             |
| 38368       | 62 - 193           | 138752      | 50 - 33            | 236550      | 62 - 253A          | 317145      | 50 - 10            |
| 38387       | 62 - 194           | 138752      | 50A - 33           | 236550      | 62 - 255           | 317145      | 50A - 9            |
| 38433       | 62 - 195           | 138752      | 50A - 43           | 236849      | 62 - 256           | 317145      | 51A - 7            |
| 38443       | 62 - 196           | 138752      | 52A - 33           | 236915      | 61 - 2             | 317173      | 13 - 13            |

## NUMERICAL INDEX

| PART NUMBER | LIST AND INDEX NO. |
|-------------|--------------------|
| 317310      | 4 - 32             |
| 317315      | 51A - 23           |
| 319526      | 15 - 8             |
| 321237      | 53 - 7             |
| 321483      | 62 - 276           |
| 322028      | 62 - 277           |
| 322065      | 62 - 278           |
| 322270      | 54A - 28           |
| 322550      | 62 - 279           |
| 322551      | 62 - 279B          |
| 322552      | 62 - 279A          |
| 322562      | 62 - 279C          |
| 322739      | 52A - 20           |
| 322739      | 52B - 20           |
| 322766      | 15 - 10            |
| 322766      | 53 - 3             |
| 323836      | 50 - 41            |
| 323836      | 50A - 38           |
| 323836      | 55 - 8             |
| 323836      | 56 - 5             |
| 323836      | 58 - 4             |
| 323840      | 12 - 10A           |
| 327686      | 38 - 51            |
| 328027      | 33 - 11            |
| 328037      | 33A - 13           |
| 328500      | 62 - 280           |
| 331655      | 55 - 9             |
| 331655      | 56 - 6             |
| 331655      | 58 - 5             |
| 332560      | 62 - 280A          |
| 332620      | 62 - 281           |
| 332747      | 9 - 9              |
| 332747      | 43 - 22            |
| 332920      | 60 - 3E            |
| 332920      | 60B - 11           |
| 334588      | 62 - 281A          |
| 336628      | 29 - 2             |
| 338169      | 62 - 282           |
| 338238      | 62 - 283           |
| 341200      | 61 - 4             |
| 344015      | 62 - 284           |
| 344299      | 62 - 284A          |
| 350665      | 53 - 28            |
| 350977      | 2 - 13             |
| 350977      | 50 - 8             |
| 350977      | 50A - 7            |
| 353624      | 62 - 285           |
| 355369      | 62 - 286           |
| 356742      | 60 - 16            |
| 356742      | 60B - 3            |
| 357820      | 62 - 287           |
| 360339      | 2 - 12             |
| 361537      | 4 - 34             |
| 361537      | 40 - 9             |
| 362177      | 12 - 8             |
| 362177      | 12 - 14            |
| 362178      | 35 - 19            |
| 363001      | 25 - 51            |
| 363001      | 26 - 17            |
| 363001      | 26E - 22           |
| 363001      | 50 - 31            |
| 363001      | 50A - 34           |
| 363001      | 50A - 42           |
| 365323      | 26E - 9            |
| 366291      | 23 - 9             |
| 366291      | 26A - 23           |
| 366433      | 3 - 6C             |
| 366433      | 19 - 17            |
| 366443      | 62 - 287A          |
| 367028      | 62 - 288           |
| 369207      | 5 - 1              |
| 369207      | 51 - 22            |
| 369207      | 51A - 18           |
| 369649      | 23 - 28            |
| 369649      | 26E - 12           |
| 381741      | 62 - 288A          |
| 418278      | 62 - 288B          |
| 419130      | 62 - 289           |
| 419131      | 52A - 10           |

| PART NUMBER | LIST AND INDEX NO. |
|-------------|--------------------|
| 419131      | 52B - 10           |
| 419131      | 54A - 22           |
| 438538      | 62 - 290           |
| 438540      | 62 - 291           |
| 438542      | 62 - 292           |
| 438543      | 62 - 292A          |
| 438544      | 62 - 293           |
| 438548      | 62 - 294           |
| 438549      | 62 - 295           |
| 438550      | 62 - 296           |
| 438551      | 62 - 297           |
| 438552      | 62 - 298           |
| 438553      | 62 - 299           |
| 438554      | 62 - 300           |
| 438560      | 62 - 301           |
| 438566      | 62 - 302           |
| 438567      | 62 - 303           |
| 438568      | 62 - 304           |
| 438569      | 62 - 305           |
| 438570      | 62 - 305A          |
| 438572      | 62 - 306           |
| 438586      | 62 - 307           |
| 438588      | 62 - 307A          |
| 438589      | 62 - 308           |
| 438593      | 62 - 309           |
| 438611      | 62 - 310           |
| 438622      | 62 - 311           |
| 438623      | 62 - 311A          |
| 442958      | 62 - 312           |
| 442959      | 62 - 313           |
| 452608      | 40 - 29            |
| 471672      | 3 - 11             |
| 471672      | 60 - 18            |
| 471672      | 60A - 27           |
| 472187      | 50 - 11            |
| 472187      | 50A - 10           |
| 472729      | 62 - 314           |
| 483550      | 10 - 6             |
| 483611      | 62 - 315           |
| 483648      | 61 - 5             |
| 483657      | 61 - 6             |
| 483658      | 61 - 6A            |
| 483676      | 61 - 7             |
| 483677      | 52A - 37           |
| 483677      | 52A - 43           |
| 483677      | 61 - 7A            |
| 483678      | 61 - 7B            |
| 483679      | 26 - 10            |
| 483679      | 26E - 30           |
| 483679      | 61 - 7C            |
| 483681      | 61 - 7D            |
| 483682      | 61 - 7E            |
| 483685      | 51 - 10            |
| 483685      | 61 - 7F            |
| 483686      | 61 - 7G            |
| 483689      | 61 - 7H            |
| 483690      | 61 - 7J            |
| 483693      | 61 - 8             |
| 483695      | 61 - 9             |
| 483714      | 10 - 3             |
| 483836      | 10 - 1             |
| 483848      | 10 - 1             |
| 483999      | 33 - 45            |
| 483999      | 33A - 49           |
| 507078      | 26D - 9            |
| 507796      | 62 - 316           |
| 507853      | 55 - 14A           |
| 507853      | 56 - 12            |
| 507853      | 57 - 7             |
| 507853      | 58 - 13            |
| 510316      | 54 - 4             |
| 510468      | 62 - 317           |
| 510810      | 62 - 318           |
| 512508      | 62 - 319           |
| 515718      | 62 - 320           |
| 518578      | 11 - 10            |
| 518578      | 12 - 5             |
| 521695      | 50A - 29           |
| 521695      | 52A - 19           |

| PART NUMBER | LIST AND INDEX NO. |
|-------------|--------------------|
| 521695      | 52B - 19           |
| 522849      | 4 - 36             |
| 522849      | 40 - 14            |
| 522850      | 4 - 35             |
| 522850      | 40 - 13            |
| 524519      | 22 - 4             |
| 524519      | 26 - 5             |
| 524519      | 26B - 4            |
| 524519      | 41 - 17            |
| 526378      | 52A - 32           |
| 526378      | 52B - 27           |
| 526378      | 53 - 22            |
| 528007      | 50A - 30           |
| 528007      | 52A - 18           |
| 528007      | 52B - 18           |
| 528264      | 34A - 21           |
| 532393      | 16 - 16            |
| 533289      | 40 - 23            |
| 533360      | 23 - 25            |
| 533362      | 51 - 33            |
| 533362      | 51A - 5            |
| 535506      | 51 - 33            |
| 535506      | 51A - 21           |
| 555427      | 9 - 5B             |
| 594940      | 60A - 13           |
| 598479      | 52A - 9            |
| 598479      | 52B - 9            |
| 598479      | 54A - 21           |
| 600395      | 62 - 321           |
| 600560      | 62 - 321A          |
| 600960      | 62 - 321B          |
| 601093      | 62 - 321C          |
| 602664      | 4 - 11B            |
| 602721      | 62 - 322           |
| 609686      | 61 - 10            |
| 609687      | 61 - 11            |
| 615683      | 53 - 9             |
| 615817      | 51A - 9A           |
| 620240      | 23 - 26            |
| 631769      | 52A - 5            |
| 631769      | 52B - 5            |
| 631769      | 54A - 4            |
| 631769      | 54A - 10           |
| 631769      | 54A - 30           |
| 631810      | 51 - 21            |
| 637733      | 62 - 322B          |
| 638875      | 38 - 10A           |
| 639328      | 51A - 26           |
| 652650      | 61 - 54            |
| 652683      | 61 - 55            |
| 652876      | 1 - 21B            |
| 698924      | 60A                |
| 730432      | 55 - 3             |
| 731626      | 62 - 322A          |
| 734483      | 62 - 323           |
| 736712      | 62 - 324           |
| 737732      | 50 - 34            |
| 737732      | 50A - 37           |
| 737732      | 50A - 45           |
| 737732      | 55 - 4             |
| 737858      | 4 - 26             |
| 737967      | 3 - 21             |
| 738378      | 62 - 324A          |
| 738825      | 13 - 3             |
| 738825      | 40 - 3             |
| 738826      | 14 - 9             |
| 738827      | 10 - 10            |
| 738827      | 13 - 4             |
| 740554      | 4 - 33             |
| 744103      | 30 - 12            |
| 752149      | 35 - 17            |
| 760259      | 61 - 12            |
| 760260      | 61 - 13            |
| 765295      | 61 - 14            |
| 766352      | 53 - 15            |
| 807612      | 62 - 325           |
| 807842      | 62 - 325A          |
| 811426      | 62 - 326           |
| 811427      | 2 - 5              |

| PART NUMBER | LIST AND INDEX NO. |
|-------------|--------------------|
| 811427      | 16 - 24            |
| 811427      | 59 - 5             |
| 811427      | 60A - 17           |
| 811427      | 60A - 22           |
| 811802      | 22 - 6             |
| 811802      | 61 - 15            |
| 811804      | 7 - 5              |
| 811804      | 22 - 6             |
| 811804      | 26B - 7            |
| 811804      | 40 - 27            |
| 811804      | 61 - 15A           |
| 813179      | 59 - 3             |
| 813179      | 60 - 19            |
| 813179      | 60A - 26           |
| 813392      | 13 - 8             |
| 813451      | 59 - 10            |
| 813451      | 60 - 5             |
| 813451      | 60B - 13           |
| 813452      | 59 - 7             |
| 813452      | 60 - 6             |
| 813452      | 60B - 14           |
| 813466      | 59 - 6             |
| 813466      | 60 - 9             |
| 813466      | 60A - 32           |
| 813480      | 60 - 7             |
| 813482      | 59 - 8             |
| 813482      | 60 - 8             |
| 813482      | 60B - 16           |
| 813519      | 60A - 16           |
| 813549      | 61 - 16            |
| 813550      | 61 - 17            |
| 813590      | 61 - 15B           |
| 813681      | 61 - 18            |
| 813706      | 62 - 327           |
| 813769      | 23A - 10           |
| 813801      | 61 - 19            |
| 813802      | 61 - 20            |
| 815023      | 22 - 6             |
| 815161      | 4 - 18B            |
| 815434      | 61 - 21            |
| 815933      | 61 - 22            |
| 815933      | 61 - 58            |
| 815934      | 61 - 58A           |
| 817927      | 59 - 9             |
| 817927      | 60A - 29           |
| 818039      | 50 - 4             |
| 818039      | 50A - 2            |
| 818556      | 61 - 45            |
| 822002      | 62 - 328           |
| 824486      | 62 - 329           |
| 827841      | 10 - 4             |
| 828310      | 30 - 15            |
| 828310      | 30A - 23           |
| 834293      | 19 - 8             |
| 834293      | 62 - 329A          |
| 839379      | 23 - 2             |
| 839379      | 23 - 12            |
| 839379      | 26A - 7            |
| 839379      | 26A - 14           |
| 843110      | 36 - 4             |
| 843110      | 37                 |
| 843123      | 37 - 17            |
| 843123      | 41 - 10            |
| 843129      | 40 - 39            |
| 843130      | 36 - 12            |
| 843132      | 42 - 1             |
| 843133      | 42 - 5             |
| 843134      | 40 - 20            |
| 843137      | 38 - 37            |
| 843138      | 38 - 2             |
| 843139      | 38 - 1             |
| 843143      | 40 - 49            |
| 843145      | 38 - 7             |
| 843146      | 37 - 6             |
| 843147      | 43 - 20            |
| 843152      | 37 - 9             |
| 843153      | 37 - 9             |
| 843155      | 43 - 3             |
| 843157      | 42 - 4             |



## NUMERICAL INDEX

| PART NUMBER | LIST AND INDEX NO. | PART NUMBER | LIST AND INDEX NO. | PART NUMBER | LIST AND INDEX NO. | PART NUMBER | LIST AND INDEX NO. |
|-------------|--------------------|-------------|--------------------|-------------|--------------------|-------------|--------------------|
| 843159      | 44 - 5             | 843300      | 43 - 1             | 843578      | 40 - 7             | 1147573     | 41 - 32            |
| 843161      | 43 - 21            | 843302      | 41 - 12            | 843581      | 40 - 12            | 1147580     | 41 - 29            |
| 843162      | 44 - 12            | 843304      | 36 - 14            | 843584      | 37 - 37            | 1147586     | 62 - 336E          |
| 843164      | 37 - 31            | 843305      | 36 - 16            | 843585      | 37 - 40            | 1147588     | 41 - 21            |
| 843167      | 37 - 31            | 843306      | 36 - 15            | 843586      | 37 - 38            | 1147591     | 41 - 26            |
| 843169      | 43 - 9             | 843317      | 37 - 15            | 843587      | 40 - 11            | 1147592     | 41 - 16            |
| 843170      | 37 - 43            | 843323      | 36 - 9             | 843589      | 37 - 35            | 1147597     | 41 - 15            |
| 843170      | 43                 | 843324      | 36 - 8             | 843590      | 40 - 21            | 1147599     | 41 - 34            |
| 843170      | 44                 | 843326      | 36 - 6             | 843593      | 40 - 10            | 1154092     | 62 - 336A          |
| 843172      | 43 - 8             | 843329      | 43 - 4             | 843595      | 40 - 18            | 1154943     | 62 - 337           |
| 843173      | 37 - 13            | 843333      | 41 - 11            | 843597      | 40 - 4             | 1160977     | 61 - 24            |
| 843174      | 37 - 32            | 843333      | 61                 | 843762      | 40 - 17            | 1160983     | 26C - 2            |
| 843175      | 37 - 47            | 843334      | 36 - 4             | 846555      | 62 - 330           | 1161166     | 62 - 338           |
| 843177      | 43 - 19            | 843334      | 37                 | 850248      | 17 - 26            | 1164080     | 38 - 22            |
| 843179      | 43 - 18            | 843336      | 42 - 9             | 850248      | 20 - 26            | 1164080     | 38 - 45            |
| 843180      | 37 - 19            | 843337      | 37 - 46            | 850250      | 60 - 3B            | 1164127     | 25 - 5             |
| 843180      | 42                 | 843341      | 61 - 46            | 850250      | 60B - 8            | 1164127     | 26C - 15           |
| 843181      | 43 - 11            | 843342      | 40 - 44            | 853288      | 60A - 12           | 1166114     | 26 - 12            |
| 843182      | 37 - 45            | 843342      | 61                 | 855260      | 2 - 23             | 1166114     | 26E - 32           |
| 843183      | 44 - 11            | 843344      | 37 - 16            | 855286      | 2 - 22             | 1166114     | 27 - 25            |
| 843185      | 44 - 10            | 843345      | 36 - 13            | 856516      | 62 - 330A          | 1166114     | 30 - 27            |
| 843194      | 37 - 29            | 843347      | 40 - 37            | 960766      | 2 - 22             | 1166114     | 30A - 8            |
| 843195      | 37 - 30            | 843349      | 43 - 15            | 962985      | 14 - 13            | 1166114     | 33 - 13            |
| 843202      | 37 - 44            | 843350      | 44 - 13            | 964720      | 4 - 10B            | 1166114     | 33A - 15           |
| 843204      | 38 - 15            | 843352      | 37 - 12            | 1073418     | 28 - 9             | 1166117     | 33 - 39            |
| 843205      | 38 - 21            | 843355      | 37 - 8             | 1073418     | 29 - 11            | 1166117     | 33 - 42            |
| 843206      | 38 - 20            | 843356      | 37 - 7             | 1073462     | 62 - 331           | 1166117     | 33A - 48           |
| 843207      | 38 - 18            | 843357      | 37 - 4             | 1076717     | 25 - 4             | 1166117     | 61 - 52            |
| 843208      | 42 - 3             | 843359      | 37 - 3             | 1076717     | 26C - 16           | 1166499     | 33 - 14            |
| 843209      | 42 - 8             | 843360      | 37 - 5             | 1077739     | 31 - 6             | 1166499     | 33A - 16           |
| 843211      | 37 - 33            | 843366      | 40 - 38            | 1090394     | 62 - 331A          | 1172141     | 35 - 6             |
| 843215      | 36 - 3             | 843378      | 42 - 2             | 1090873     | 62 - 332           | 1172141     | 35 - 12            |
| 843215      | 41 - 36            | 843384      | 44 - 4             | 1091035     | 62 - 332A          | 1175530     | 62 - 338A          |
| 843221      | 40 - 1             | 843385      | 44 - 6             | 1092125     | 25 - 42            | 1176717     | 53 - 21            |
| 843223      | 43 - 14            | 843386      | 44 - 8             | 1092125     | 26E - 18           | 1204263     | 41 - 14            |
| 843231      | 43 - 13            | 843387      | 44 - 3             | 1092125     | 33 - 77            | 1204274     | 41 - 33            |
| 843232      | 43 - 16            | 843389      | 37 - 1             | 1092125     | 33A - 80           | 1204527     | 40 - 31            |
| 843233      | 37 - 25            | 843411      | 36 - 2             | 1092125     | 34 - 17            | 1204528     | 40 - 8             |
| 843235      | 37 - 50            | 843411      | 39                 | 1092125     | 34A - 17           | 1205310     | 41 - 23            |
| 843236      | 37 - 34            | 843413      | 39 - 7             | 1092195     | 43 - 5             | 1205314     | 41 - 25            |
| 843237      | 36 - 10            | 843414      | 39 - 2             | 1100523     | 62 - 332B          | 1205315     | 41 - 19            |
| 843240      | 37 - 18            | 843415      | 39 - 5             | 1103695     | 41 - 22            | 1205427     | 12 - 20            |
| 843240      | 41                 | 843416      | 39 - 6             | 1103744     | 28 - 13            | 1205427     | 39 - 1             |
| 843246      | 40 - 41A           | 843434      | 37 - 5             | 1103744     | 29 - 15            | 1205562     | 41 - 18            |
| 843252      | 12 - 15            | 843444      | 37 - 43            | 1115633     | 41 - 20            | 1208139     | 62 - 338B          |
| 843260      | 43 - 10            | 843444      | 43                 | 1115633     | 44 - 9             | 1290621     | 41 - 24            |
| 843262      | 44 - 7             | 843444      | 44                 | 1115736     | 62 - 332C          | 1550418     | 40 - 46            |
| 843262      | 61                 | 843445      | 43 - 23            | 1117437     | 62 - 333           | 1582590     | 33 - 44            |
| 843263      | 37 - 22            | 843446      | 39 - 3             | 1124740     | 62 - 334           | 1582590     | 33A - 47           |
| 843263      | 61                 | 843447      | 40 - 41            | 1124803     | 62 - 334A          | 1582618     | 24 - 12            |
| 843264      | 37 - 20            | 843458      | 40 - 30            | 1127037     | 61 - 23            | 1582618     | 24 - 13            |
| 843264      | 61                 | 843463      | 39 - 4             | 1127426     | 50 - 29            | 1582631     | 10 - 17            |
| 843267      | 40 - 16            | 843465      | 43 - 2             | 1128138     | 41 - 28            | 1582656     | 24 - 11            |
| 843270      | 38 - 31            | 843467      | 43 - 23            | 1128280     | 62 - 334B          | 1582676     | 24 - 14            |
| 843270      | 38 - 35            | 843468      | 37 - 2             | 1128526     | 38 - 19            | 1589291     | 22 - 19            |
| 843272      | 38 - 26            | 843472      | 40 - 32            | 1132475     | 40 - 5             | 1589291     | 23 - 24A           |
| 843273      | 38 - 32            | 843473      | 40 - 32            | 1132887     | 62 - 335           | 1589291     | 26A - 34           |
| 843273      | 38 - 36            | 843475      | 40 - 36            | 1133746     | 42 - 7             | 1589292     | 22 - 19            |
| 843274      | 38 - 29            | 843480      | 12 - 9             | 1134567     | 62 - 336           | 1589292     | 23 - 24A           |
| 843275      | 38 - 42            | 843487      | 40 - 28            | 1134801     | 62 - 336B          | 1589292     | 26A - 34           |
| 843276      | 38 - 38            | 843493      | 37 - 2             | 1134829     | 62 - 336C          | 1589401     | 23 - 46            |
| 843277      | 38 - 14            | 843494      | 40 - 34            | 1134837     | 41 - 13            | 1589402     | 23 - 46            |
| 843277      | 38 - 54            | 843532      | 43 - 7             | 1138167     | 4 - 28             | 1589402     | 26B - 5            |
| 843278      | 38 - 10            | 843533      | 3 - 9              | 1138545     | 27 - 12            | 1607018     | 50A - 3            |
| 843278      | 38 - 55            | 843533      | 36                 | 1138545     | 34 - 3             | 1607440     | 19 - 1             |
| 843279      | 38 - 16            | 843534      | 3 - 9              | 1138545     | 34A - 3            | 1607441     | 19 - 12            |
| 843281      | 38 - 8             | 843534      | 36                 | 1138975     | 62 - 336D          | 1607441     | 20 - 18            |
| 843282      | 38 - 9             | 843536      | 43 - 24            | 1141520     | 35 - 3             | 1607442     | 17 - 1             |
| 843283      | 38 - 11            | 843561      | 42 - 11            | 1141520     | 35 - 14            | 1607443     | 17 - 4             |
| 843285      | 38 - 30            | 843564      | 37 - 36            | 1141554     | 51 - 31            | 1607443     | 17 - 4             |
| 843285      | 38 - 39            | 843569      | 37 - 26            | 1141554     | 51A - 20           | 1607444     | 17 - 9             |
| 843286      | 38 - 44            | 843570      | 36 - 5             | 1142961     | 61                 | 1607448     | 18 - 1             |
| 843287      | 38 - 40            | 843570      | 40                 | 1143227     | 53 - 6             | 1607449     | 19 - 16            |
| 843288      | 38 - 28            | 843571      | 36 - 5             | 1143492     | 40 - 22            | 1607463     | 3 - 23             |
| 843289      | 38 - 24            | 843571      | 40                 | 1147178     | 12 - 10            | 1609087     | 19                 |
| 843290      | 38 - 33            | 843573      | 37 - 21            | 1147559     | 41 - 35            | 1613316     | 3 - 8              |
| 843291      | 38 - 23            | 843574      | 38 - 5             | 1147570     | 41 - 27            | 1613316     | 18 - 2             |
| 843292      | 38 - 27            | 843576      | 38 - 6             | 1147571     | 41 - 30            | 1620027     | 61                 |
| 843293      | 38 - 43            | 843577      | 37 - 14            | 1147572     | 41 - 31            | 1620028     | 61                 |

## NUMERICAL INDEX

| PART NUMBER | LIST AND INDEX NO. | PART NUMBER | LIST AND INDEX NO. | PART NUMBER | LIST AND INDEX NO. | PART NUMBER | LIST AND INDEX NO. |
|-------------|--------------------|-------------|--------------------|-------------|--------------------|-------------|--------------------|
| 1638703     | 40 - 20            | 1638889     | 41 - 9             | 1794597     | 26D - 4            | 1794792     | 26A - 28           |
| 1638704     | 42 - 6             | 1638890     | 41 - 7             | 1794600     | 26 - 14            | 1794800     | 31 - 11            |
| 1638706     | 36 - 12            | 1638891     | 41 - 1             | 1794605     | 25 - 1             | 1794804     | 23 - 42            |
| 1638709     | 43 - 11            | 1638893     | 36 - 3             | 1794606     | 23 - 30            | 1794804     | 26B - 17           |
| 1638711     | 37 - 35            | 1638893     | 41 - 36            | 1794609     | 23 - 34            | 1794805     | 32 - 2             |
| 1638712     | 37 - 42            | 1638988     | 38 - 49            | 1794613     | 23 - 29            | 1794806     | 26A - 26           |
| 1638713     | 36 - 4             | 1638990     | 40 - 18            | 1794617     | 22 - 20            | 1794808     | 33 - 28A           |
| 1638713     | 37                 | 1638991     | 37 - 41            | 1794619     | 26D - 5            | 1794808     | 33A - 32           |
| 1638714     | 37 - 19            | 1641483     | 35 - 15            | 1794620     | 26B - 12           | 1794809     | 33 - 28            |
| 1638714     | 42                 | 1641484     | 35 - 2             | 1794627     | 31 - 2             | 1794809     | 33A - 31           |
| 1638715     | 37 - 43            | 1641621     | 35 - 4             | 1794628     | 31 - 1             | 1794810     | 33A - 19           |
| 1638715     | 43                 | 1641622     | 35 - 11            | 1794629     | 26D - 23           | 1794814     | 26 - 1             |
| 1638715     | 44                 | 1641626     | 35 - 7             | 1794630     | 31 - 12            | 1794814     | 26E - 2            |
| 1638716     | 43 - 7             | 1641650     | 35 - 22            | 1794630     | 31A - 6            | 1794815     | 31A - 11           |
| 1638717     | 40 - 18            | 1641653     | 35 - 23            | 1794631     | 30A - 24           | 1794816     | 26A - 1            |
| 1638718     | 36 - 7             | 1641654     | 35 - 18            | 1794631     | 62 - 339E          | 1794816     | 31A                |
| 1638725     | 37 - 34            | 1642849     | 35 - 5             | 1794632     | 30A - 21           | 1794824     | 32 - 4             |
| 1638727     | 36 - 7A            | 1642849     | 35 - 13            | 1794633     | 30A - 15           | 1794824     | 33A - 22           |
| 1638740     | 42 - 6             | 1643022     | 12 - 21            | 1794634     | 30A - 17           | 1794829     | 33 - 81            |
| 1638742     | 37 - 39            | 1643274     | 45 - 21            | 1794636     | 30A - 20           | 1794829     | 34                 |
| 1638752     | 36 - 9             | 1644159     | 35 - 26            | 1794637     | 30A - 25           | 1794830     | 26D - 15           |
| 1638758     | 37 - 21            | 1644162     | 35 - 27            | 1794638     | 30A - 16           | 1794830     | 61                 |
| 1638763     | 37 - 48            | 1644317     | 35 - 9             | 1794641     | 62 - 339B          | 1794834     | 33 - 3A            |
| 1638764     | 37 - 49            | 1646064     | 35 - 8A            | 1794645     | 30A - 28           | 1794834     | 33A - 4            |
| 1638766     | 37 - 2             | 1646686     | 54A - 3            | 1794649     | 33A - 53           | 1794837     | 62 - 339D          |
| 1638768     | 3 - 9              | 1646686     | 54A - 29           | 1794650     | 26C - 14           | 1794838     | 33 - 61            |
| 1638768     | 36                 | 1648482     | 45 - 13            | 1794650     | 26E - 5            | 1794838     | 33A - 61           |
| 1638770     | 36 - 5             | 1748131     | 45 - 14            | 1794650     | 30A                | 1794856     | 32 - 3             |
| 1638770     | 40                 | 1748697     | 12 - 19            | 1794656     | 31 - 7             | 1794866     | 33 - 8             |
| 1638775     | 37 - 8             | 1748697     | 37 - 28            | 1794661     | 24 - 26            | 1794866     | 33 - 26            |
| 1638778     | 37 - 30            | 1748726     | 35 - 1             | 1794661     | 26D - 8            | 1794867     | 24 - 16            |
| 1638780     | 42 - 9             | 1748853     | 35 - 8             | 1794669     | 22 - 1             | 1794867     | 61                 |
| 1638782     | 37 - 22            | 1761861     | 35 - 21            | 1794669     | 31                 | 1794872     | 22 - 13            |
| 1638782     | 61                 | 1761892     | 35 - 28            | 1794681     | 17 - 23            | 1794923     | 27 - 9             |
| 1638783     | 40 - 21            | 1761915     | 35 - 24            | 1794682     | 17 - 19            | 1794941     | 33 - 64A           |
| 1638785     | 36 - 4A            | 1770694     | 45 - 6A            | 1794683     | 17 - 18            | 1794942     | 33A - 64A          |
| 1638786     | 42 - 5             | 1770695     | 45 - 12            | 1794708     | 33 - 3             | 1794950     | 26 - 14            |
| 1638787     | 43 - 13            | 1770696     | 45 - 26            | 1794708     | 33A - 3            | 1794950     | 26E - 36           |
| 1638788     | 43 - 14            | 1770809     | 14 - 6             | 1794722     | 17 - 24            | 1794953     | 34 - 4             |
| 1638791     | 43 - 23            | 1770809     | 14 - 12            | 1794724     | 61 - 57            | 1794953     | 34 - 23            |
| 1638797     | 37 - 38            | 1770947     | 45 - 23            | 1794725     | 23 - 24            | 1794954     | 34 - 20            |
| 1638801     | 38 - 46            | 1776698     | 45 - 24            | 1794725     | 26A - 35           | 1794956     | 34A - 4            |
| 1638802     | 38 - 13            | 1778098     | 4 - 24             | 1794728     | 25 - 46            | 1794958     | 34A - 25           |
| 1638804     | 38 - 47            | 1780955     | 4 - 21             | 1794729     | 25 - 38            | 1794961     | 34 - 18            |
| 1638805     | 38 - 49            | 1780957     | 4 - 25             | 1794735     | 26E - 15           | 1794961     | 34A - 18           |
| 1638806     | 38 - 34            | 1780970     | 4 - 23             | 1794736     | 25 - 43            | 1795044     | 26B - 26           |
| 1638807     | 36 - 1             | 1781109     | 4 - 22             | 1794736     | 26E - 17           | 1795044     | 26C                |
| 1638807     | 38                 | 1786825     | 62 - 339           | 1794740     | 23 - 24            | 1795044     | 26D                |
| 1638810     | 36 - 11            | 1794525     | 23A - 1            | 1794740     | 26A - 35           | 1795044     | 26E                |
| 1638812     | 36 - 17            | 1794526     | 23A - 4            | 1794741     | 25 - 37            | 1795047     | 23 - 21            |
| 1638813     | 36 - 17            | 1794526     | 26B - 9            | 1794741     | 26C - 26           | 1795047     | 24                 |
| 1638815     | 38 - 10            | 1794528     | 25 - 38            | 1794743     | 25 - 46            | 1795047     | 25                 |
| 1638816     | 38 - 14            | 1794530     | 23 - 39            | 1794743     | 26E - 21           | 1795047     | 26                 |
| 1638820     | 38 - 48            | 1794530     | 26B - 13           | 1794748     | 33A - 18           | 1795075     | 33 - 11A           |
| 1638821     | 38 - 7             | 1794532     | 23 - 10            | 1794751     | 33A - 5A           | 1795075     | 33A - 13A          |
| 1638822     | 38 - 34            | 1794532     | 26A - 12           | 1794752     | 32 - 3             | 1795081     | 22 - 10            |
| 1638823     | 38 - 21            | 1794534     | 23 - 6             | 1794753     | 33 - 54            | 1795081     | 32                 |
| 1638824     | 38 - 46            | 1794534     | 26A - 10           | 1794753     | 33A - 56           | 1795081     | 33                 |
| 1638825     | 38 - 23            | 1794535     | 22 - 14            | 1794754     | 33 - 21A           | 1795082     | 25 - 38            |
| 1638826     | 38 - 37            | 1794545     | 30 - 28            | 1794754     | 33A - 24           | 1795085     | 3 - 9              |
| 1638827     | 38 - 33            | 1794545     | 30A - 5            | 1794758     | 33 - 57            | 1795085     | 22                 |
| 1638828     | 38 - 35            | 1794546     | 27 - 7             | 1794758     | 33A - 55           | 1795085     | 23                 |
| 1638829     | 38 - 31            | 1794555     | 18 - 3             | 1794761     | 31A - 5            | 1795085     | 23A                |
| 1638830     | 36 - 1             | 1794555     | 35 - 20            | 1794762     | 31A - 4            | 1800481     | 25 - 56            |
| 1638830     | 38                 | 1794556     | 30 - 1             | 1794770     | 33 - 63            | 1800481     | 26E - 35           |
| 1638832     | 38 - 27            | 1794560     | 26 - 4             | 1794770     | 33A - 63           | 1800487     | 33 - 68            |
| 1638833     | 38 - 24            | 1794562     | 26 - 2             | 1794772     | 32 - 10            | 1800487     | 33A - 67           |
| 1638834     | 38 - 29            | 1794564     | 17 - 8             | 1794772     | 32 - 14            | 1800527     | 33 - 27            |
| 1638837     | 37 - 10            | 1794565     | 17 - 5             | 1794772     | 33A - 85           | 1800527     | 33A - 30           |
| 1638838     | 38 - 6A            | 1794566     | 23 - 35            | 1794772     | 33A - 89           | 1800539     | 32 - 1             |
| 1638844     | 37 - 38A           | 1794567     | 23 - 37            | 1794773     | 32 - 12            | 1800571     | 34 - 27            |
| 1638846     | 40 - 6             | 1794568     | 23 - 36            | 1794774     | 32 - 8             | 1800644     | 24 - 15            |
| 1638856     | 42 - 9A            | 1794569     | 23 - 38            | 1794775     | 32 - 11            | 1800644     | 26D - 13           |
| 1638857     | 36 - 18            | 1794571     | 23 - 33            | 1794776     | 32 - 7             | 1800655     | 28 - 6             |
| 1638880     | 41 - 3             | 1794579     | 26 - 15            | 1794779     | 31A - 5            | 1800655     | 29 - 9             |
| 1638881     | 41 - 5             | 1794579     | 26E - 26           | 1794781     | 31A - 3            | 1800685     | 25 - 3             |
| 1638882     | 41 - 6             | 1794581     | 33 - 52            | 1794784     | 62 - 339C          | 1800685     | 26E - 34           |
| 1638883     | 41 - 2             | 1794582     | 33 - 50            | 1794787     | 26A - 27           | 1800702     | 22 - 2             |
| 1638884     | 41 - 8             | 1794597     | 25 - 53            | 1794791     | 26A - 29           | 1800702     | 26A - 2            |

## NUMERICAL INDEX

| PART NUMBER | LIST AND INDEX NO. | PART NUMBER | LIST AND INDEX NO. | PART NUMBER | LIST AND INDEX NO. | PART NUMBER | LIST AND INDEX NO. |
|-------------|--------------------|-------------|--------------------|-------------|--------------------|-------------|--------------------|
| 1800703     | 62 - 339A          | 1803793     | 33 - 59            | 1812261     | 29 - 4             | 1812543     | 27 - 26            |
| 1800704     | 31 - 10            | 1803793     | 33A - 59           | 1812262     | 29 - 10            | 1812543     | 30 - 24            |
| 1800704     | 31A - 13           | 1807630     | 24 - 8             | 1812264     | 28 - 14            | 1812543     | 30A - 9            |
| 1800707     | 31 - 13            | 1807630     | 26D - 19           | 1812264     | 29 - 16            | 1812545     | 24 - 4             |
| 1800717     | 31 - 14            | 1807632     | 24 - 22            | 1812265     | 28 - 10            | 1812545     | 26D - 1            |
| 1800718     | 31 - 15            | 1807640     | 33 - 85            | 1812265     | 29 - 12            | 1812547     | 27 - 23            |
| 1800718     | 31A - 9            | 1807640     | 33A - 93           | 1812266     | 29 - 25            | 1812547     | 30 - 25            |
| 1800722     | 31 - 16            | 1807647     | 33 - 84            | 1812267     | 28 - 24            | 1812547     | 30A - 6            |
| 1800736     | 31 - 4             | 1807647     | 33A - 92           | 1812268     | 28 - 16            | 1812550     | 27 - 27            |
| 1800736     | 31 - 5             | 1807651     | 32 - 9             | 1812268     | 29 - 23            | 1812551     | 27 - 14            |
| 1800736     | 31A - 2            | 1807651     | 32 - 13            | 1812269     | 29 - 21            | 1812552     | 27 - 11            |
| 1800741     | 31A - 8            | 1807651     | 33A - 86           | 1812271     | 28 - 15            | 1812553     | 27 - 6             |
| 1800754     | 24 - 32            | 1807651     | 33A - 90           | 1812271     | 29 - 22            | 1812555     | 24 - 29            |
| 1800754     | 26C - 3            | 1807654     | 24 - 9             | 1812272     | 28 - 17            | 1812555     | 26D - 3            |
| 1800763     | 24 - 31            | 1807655     | 24 - 21            | 1812272     | 29 - 19            | 1812555     | 27                 |
| 1800789     | 31 - 7             | 1807655     | 26D - 30           | 1812275     | 28 - 5             | 1812556     | 27 - 3             |
| 1800791     | 31 - 3             | 1808534     | 3 - 9              | 1812284     | 24 - 1             | 1812558     | 27 - 15            |
| 1800796     | 31 - 8             | 1808534     | 22                 | 1812284     | 26C - 4            | 1812560     | 23 - 46            |
| 1800796     | 31A - 14           | 1808534     | 23                 | 1812286     | 23 - 20            | 1812587     | 32 - 15            |
| 1800798     | 31 - 11            | 1808534     | 23A                | 1812291     | 23 - 15            | 1812588     | 32 - 16            |
| 1800868     | 26A - 6            | 1810951     | 22 - 19            | 1812291     | 26A - 17           | 1812589     | 32 - 17            |
| 1800890     | 23 - 7             | 1810951     | 23 - 24A           | 1812294     | 23 - 4             | 1812593     | 17 - 10            |
| 1800890     | 26A - 11           | 1810962     | 33 - 50            | 1812294     | 26A - 9            | 1812595     | 32 - 12            |
| 1800941     | 23 - 8             | 1810963     | 33 - 47            | 1812301     | 29 - 24            | 1812596     | 32 - 8             |
| 1800941     | 26A - 11A          | 1810963     | 33A - 43           | 1812304     | 26 - 3             | 1812598     | 26 - 7             |
| 1801780     | 22 - 9             | 1810964     | 33 - 48            | 1812306     | 23 - 11            | 1812598     | 26E - 27           |
| 1801781     | 22 - 8             | 1810964     | 33A - 44           | 1812306     | 26A - 13           | 1812600     | 23 - 24            |
| 1801810     | 24 - 17            | 1810966     | 33 - 51            | 1812316     | 24 - 2             | 1812607     | 25 - 34            |
| 1801811     | 24 - 18            | 1810966     | 33A - 52           | 1812316     | 26C - 6            | 1812608     | 25 - 35            |
| 1801811     | 26D - 25           | 1810967     | 33 - 49            | 1812325     | 28 - 21            | 1812609     | 25 - 30            |
| 1801816     | 23A - 11           | 1810967     | 33A - 50           | 1812325     | 29 - 17            | 1812610     | 25 - 31            |
| 1801817     | 23A - 5            | 1810968     | 33 - 71            | 1812328     | 28 - 8             | 1812613     | 25 - 7             |
| 1801817     | 26B - 10           | 1810968     | 33A - 69           | 1812333     | 28 - 19            | 1812614     | 25 - 32            |
| 1801823     | 23A - 2            | 1810969     | 33 - 70            | 1812334     | 33 - 36            | 1812615     | 27 - 13            |
| 1801824     | 23A - 9            | 1810969     | 33A - 68           | 1812334     | 33A - 40           | 1812616     | 27 - 10            |
| 1801826     | 24 - 6             | 1810970     | 33 - 43            | 1812337     | 34 - 9             | 1812617     | 27 - 5             |
| 1801902     | 33 - 5             | 1810970     | 33A - 46           | 1812337     | 34A - 9            | 1812620     | 27 - 2             |
| 1801902     | 33A - 7            | 1810975     | 34 - 8             | 1812338     | 34 - 5             | 1812621     | 27 - 22            |
| 1801903     | 33 - 23            | 1810975     | 34A - 8            | 1812338     | 34 - 24            | 1812621     | 30 - 23            |
| 1801903     | 33A - 26           | 1810979     | 34 - 26            | 1812340     | 34 - 21            | 1812621     | 30A - 10           |
| 1801905     | 33 - 4             | 1810979     | 34A - 26           | 1812342     | 34 - 12            | 1812622     | 27 - 19            |
| 1801905     | 33A - 6            | 1810983     | 25 - 28            | 1812342     | 34A - 11           | 1812624     | 27 - 20            |
| 1801906     | 33 - 22            | 1810984     | 25 - 29            | 1812343     | 34 - 10            | 1812626     | 25 - 17            |
| 1801906     | 33A - 25           | 1810997     | 25 - 13            | 1812344     | 34 - 19            | 1812630     | 24 - 3             |
| 1801911     | 22 - 10            | 1810999     | 25 - 10            | 1812344     | 34 - 21A           | 1812630     | 26C - 5            |
| 1801911     | 32                 | 1810999     | 33A - 45           | 1812344     | 34A - 19           | 1812632     | 26 - 6             |
| 1801911     | 33                 | 1811000     | 25 - 19            | 1812346     | 34 - 22            | 1812632     | 26C - 1            |
| 1801935     | 32 - 4             | 1811002     | 25 - 21            | 1812347     | 34 - 25            | 1812638     | 23 - 43            |
| 1801940     | 33 - 7             | 1811003     | 25 - 22            | 1812348     | 34 - 14            | 1812638     | 26B - 15           |
| 1801940     | 33 - 25            | 1811005     | 25 - 14            | 1812348     | 34A - 12           | 1812643     | 23 - 16            |
| 1801940     | 33A - 9            | 1811009     | 25 - 9             | 1812451     | 34 - 11            | 1812643     | 26A - 18           |
| 1801940     | 33A - 28           | 1811010     | 25 - 15            | 1812451     | 34A - 10           | 1812645     | 23 - 17            |
| 1801941     | 33 - 6             | 1811011     | 25 - 11            | 1812456     | 33 - 35            | 1812645     | 26A - 19           |
| 1801941     | 33 - 24            | 1811021     | 33 - 65            | 1812456     | 33A - 39           | 1812646     | 23 - 19            |
| 1801941     | 33A - 8            | 1811021     | 33A - 73           | 1812457     | 33 - 62            | 1812646     | 26A - 21           |
| 1801941     | 33A - 27           | 1811025     | 22 - 15            | 1812457     | 33A - 62           | 1812647     | 22 - 7             |
| 1801956     | 34 - 1             | 1811029     | 25 - 20            | 1812462     | 33 - 32            | 1812647     | 26B - 8            |
| 1801956     | 34A - 1            | 1811032     | 25 - 43            | 1812462     | 33A - 36           | 1814583     | 32 - 7             |
| 1801957     | 34 - 2             | 1811036     | 62 - 340           | 1812463     | 33 - 30            | 1814584     | 32 - 11            |
| 1801957     | 34A - 2            | 1811047     | 25 - 52            | 1812463     | 33A - 34           | 1814586     | 33 - 72            |
| 1801962     | 34 - 7             | 1811048     | 26 - 9             | 1812464     | 33 - 21            | 1814586     | 33A - 70           |
| 1801962     | 34A - 7            | 1811048     | 26E - 29           | 1812464     | 33A - 23           | 1814587     | 32 - 10            |
| 1801971     | 33 - 10            | 1812250     | 22 - 18            | 1812465     | 33 - 31            | 1814587     | 32 - 14            |
| 1801971     | 33A - 12           | 1812250     | 29                 | 1812465     | 33A - 35           | 1814596     | 24 - 20            |
| 1801989     | 33 - 17            | 1812251     | 22 - 17            | 1812492     | 33 - 20            | 1814597     | 27 - 16            |
| 1801989     | 33A - 21           | 1812251     | 28                 | 1812493     | 33 - 40            | 1814600     | 25 - 54            |
| 1801991     | 33 - 16            | 1812254     | 28 - 7             | 1812493     | 33A - 42           | 1814601     | 25 - 55            |
| 1801991     | 33A - 20           | 1812254     | 29 - 8             | 1812494     | 23A - 14           | 1814601     | 26C - 9            |
| 1801994     | 23 - 22            | 1812255     | 28 - 4             | 1812504     | 23A - 3            | 1814602     | 23 - 5             |
| 1801995     | 23 - 23            | 1812255     | 29 - 6             | 1812504     | 23A - 7            | 1814603     | 23 - 3             |
| 1801999     | 33 - 41            | 1812256     | 28 - 23            | 1812504     | 26B - 11           | 1814603     | 26A - 8            |
| 1802014     | 23 - 18            | 1812256     | 29 - 7             | 1812504     | 26D - 22           | 1814619     | 34 - 15            |
| 1802014     | 26A - 20           | 1812257     | 28 - 22            | 1812505     | 23A - 6            | 1814619     | 34A - 14           |
| 1802035     | 33 - 76            | 1812257     | 29 - 18            | 1812516     | 27 - 18            | 1814620     | 33 - 79            |
| 1802035     | 33A - 77           | 1812258     | 28 - 3             | 1812536     | 27 - 17            | 1814620     | 33A - 79           |
| 1802039     | 34 - 13            | 1812258     | 29 - 5             | 1812536     | 30 - 31            | 1814621     | 33 - 75            |
| 1802039     | 34A - 15           | 1812260     | 28 - 1             | 1812536     | 30A - 1            | 1814621     | 33A - 76           |
| 1803774     | 34 - 16            | 1812260     | 29 - 3             | 1812538     | 27 - 21            | 1814630     | 26 - 1A            |
| 1803774     | 34A - 16           | 1812261     | 28 - 2             | 1812540     | 27 - 4             | 1814630     | 26E - 1            |

## NUMERICAL INDEX

| PART NUMBER | LIST AND INDEX NO. | PART NUMBER | LIST AND INDEX NO. | PART NUMBER | LIST AND INDEX NO. | PART NUMBER | LIST AND INDEX NO. |
|-------------|--------------------|-------------|--------------------|-------------|--------------------|-------------|--------------------|
| 1814631     | 28 - 11            | 1815380     | 26A - 16           | 1815931     | 26E - 6            | 1821420     | 17 - 5             |
| 1814631     | 29 - 13            | 1815401     | 25 - 33            | 1815932     | 31A - 16           | 1821421     | 33A - 51           |
| 1814632     | 28 - 12            | 1815402     | 25 - 37            | 1815935     | 26E - 11           | 1821422     | 26D - 18           |
| 1814632     | 29 - 14            | 1815404     | 25 - 45            | 1815936     | 26D - 31           | 1821424     | 26B - 1            |
| 1814634     | 25 - 54            | 1815405     | 25 - 46            | 1815937     | 26D - 24           | 1821426     | 26A - 31           |
| 1814634     | 26C - 10           | 1815406     | 23A - 13           | 1815939     | 26B - 23           | 1821427     | 26D - 20           |
| 1814636     | 26A - 5            | 1815407     | 23A - 12           | 1815943     | 34A - 27           | 1821429     | 26E - 3            |
| 1814637     | 23 - 1             | 1815409     | 33 - 53            | 1815945     | 26D - 14           | 1821434     | 18 - 10            |
| 1814637     | 26A - 4            | 1815409     | 33A - 54           | 1815946     | 26B - 21           | 1821445     | 17 - 8A            |
| 1814640     | 30 - 20            | 1815410     | 33 - 55            | 1815947     | 26B - 24           | 1821446     | 17 - 7             |
| 1814640     | 30A - 12           | 1815410     | 33A - 57           | 1815949     | 26D - 21           | 1821447     | 17 - 8             |
| 1814641     | 30 - 4             | 1815411     | 23 - 45            | 1815950     | 34A - 23           | 1821454     | 17 - 15            |
| 1814641     | 30A - 18           | 1815411     | 26B - 19           | 1815952     | 34A - 22           | 1821522     | 26B - 22           |
| 1814642     | 30 - 8             | 1815415     | 30 - 30            | 1815953     | 34A - 5            | 1824367     | 17 - 17            |
| 1814642     | 30A - 26           | 1815415     | 30A - 3            | 1815966     | 3 - 9              | 1852231     | 45 - 28            |
| 1814643     | 30 - 11            | 1815416     | 25 - 24            | 1815966     | 26A                | 1861398     | 45 - 8             |
| 1814644     | 30 - 14            | 1815416     | 26C - 12           | 1815966     | 26B                | 1862655     | 57 - 8             |
| 1814644     | 30A - 22           | 1815417     | 25 - 25            | 1815998     | 17 - 20            | 1863841     | 45 - 6             |
| 1814645     | 30 - 17            | 1815417     | 26C - 25           | 1816025     | 26A - 25           | 1863870     | 45 - 11            |
| 1814646     | 30 - 16            | 1815418     | 33 - 83            | 1816025     | 29                 | 1863871     | 45 - 10            |
| 1814647     | 30 - 29            | 1815418     | 33A - 83           | 1816026     | 26A - 24           | 1864454     | 45 - 19            |
| 1814647     | 30A - 29           | 1815419     | 25 - 23            | 1816026     | 28                 | 1864974     | 45 - 18            |
| 1814648     | 30 - 13            | 1815419     | 26C - 11           | 1816027     | 29 - 21            | 1864992     | 45 - 18            |
| 1814648     | 30A - 19           | 1815420     | 33 - 82            | 1816028     | 28 - 19            | 1865299     | 45 - 23            |
| 1814649     | 30 - 5             | 1815420     | 33A - 82           | 1816039     | 33 - 12            | 1865335     | 45 - 27            |
| 1814651     | 30 - 10            | 1815421     | 32 - 1             | 1816039     | 33A - 14           | 1865344     | 45 - 9             |
| 1814652     | 30 - 9             | 1815421     | 33A - 17           | 1821317     | 17 - 7             | 2101089     | 2 - 14             |
| 1814652     | 30A - 27           | 1815423     | 3 - 6B             | 1821323     | 25 - 28            | 2101089     | 2 - 38             |
| 1814653     | 30 - 7             | 1815427     | 19 - 5             | 1821324     | 25 - 29            | 2101089     | 3 - 7A             |
| 1815254     | 25 - 16            | 1815428     | 23 - 31            | 1821327     | 25 - 26            | 2101089     | 4 - 2              |
| 1815262     | 30 - 2             | 1815429     | 23 - 21            | 1821329     | 33 - 86            | 2101089     | 6 - 17             |
| 1815263     | 30 - 3             | 1815429     | 24                 | 1821329     | 33A - 94           | 2101089     | 12 - 11            |
| 1815264     | 30 - 6             | 1815429     | 25                 | 1821330     | 22 - 12            | 2101338     | 51A - 7            |
| 1815265     | 30 - 18            | 1815429     | 26                 | 1821330     | 26A - 25A          | 2101342     | 51A - 24           |
| 1815265     | 30A - 13           | 1815433     | 30 - 19            | 1821334     | 22 - 16            | 2101358     | 51A - 8            |
| 1815269     | 27 - 8             | 1815433     | 30A - 14           | 1821334     | 26A - 33           | 2101380     | 12 - 10B           |
| 1815270     | 25 - 6             | 1815434     | 30 - 21            | 1821335     | 25 - 27            | 2102364     | 23 - 24B           |
| 1815270     | 30                 | 1815434     | 30A - 11           | 1821336     | 23 - 44            | 2102364     | 24 - 7             |
| 1815273     | 19 - 2             | 1815435     | 27 - 1             | 1821336     | 26B - 18           | 2102364     | 25 - 48            |
| 1815273     | 20 - 28            | 1815436     | 30A - 2            | 1821337     | 25 - 47            | 2102364     | 26C - 8            |
| 1815274     | 19 - 11            | 1815436     | 62 - 342D          | 1821337     | 26C - 7            | 2102364     | 26D - 17           |
| 1815276     | 19 - 15            | 1815857     | 31A - 7            | 1821338     | 17 - 3             | 2102365     | 6 - 20             |
| 1815279     | 19 - 19            | 1815864     | 31A - 10           | 1821338     | 18 - 6             | 2102366     | 60 - 15            |
| 1815279     | 20 - 24            | 1815865     | 31A - 18           | 1821339     | 18 - 5             | 2114108     | 50 - 14            |
| 1815281     | 19 - 18            | 1815867     | 26E - 16           | 1821340     | 18 - 8             | 2114108     | 50A - 14           |
| 1815281     | 20 - 23            | 1815868     | 26A - 32           | 1821342     | 17 - 14            | 2114526     | 61 - 47            |
| 1815282     | 18 - 4             | 1815870     | 26C - 17           | 1821348     | 34 - 6             | 2121470     | 62 - 342E          |
| 1815287     | 19 - 14            | 1815871     | 31A - 1            | 1821348     | 34A - 6            | 2121488     | 62 - 343           |
| 1815287     | 20 - 34            | 1815873     | 26 - 8             | 1821356     | 22 - 11            | 2130285     | 62 - 344           |
| 1815289     | 17 - 21            | 1815873     | 26E - 28           | 1821359     | 19 - 10            | 2162901     | 5 - 16             |
| 1815294     | 62 - 341           | 1815876     | 26E - 4            | 1821359     | 62 - 342B          | 2172166     | 52A - 40           |
| 1815295     | 62 - 342           | 1815886     | 26C - 22           | 1821360     | 19 - 6             | 2181001     | 62 - 345           |
| 1815300     | 17 - 13            | 1815887     | 26C - 24           | 1821361     | 19 - 9             | 2181002     | 62 - 346           |
| 1815301     | 23 - 41            | 1815888     | 26C - 20           | 1821362     | 19 - 14A           | 2181004     | 62 - 347           |
| 1815301     | 26B - 16           | 1815889     | 26C - 19           | 1821362     | 20 - 33            | 2181005     | 62 - 348           |
| 1815302     | 23 - 40            | 1815890     | 26C - 23           | 1821363     | 19 - 7             | 2181006     | 62 - 348A          |
| 1815302     | 26B - 14           | 1815892     | 26C - 21           | 1821363     | 62 - 342C          | 2181011     | 62 - 349           |
| 1815303     | 24 - 24            | 1815893     | 26D - 6            | 1821364     | 18 - 7             | 2181071     | 62 - 249B          |
| 1815303     | 26D - 29           | 1815894     | 26B - 25           | 1821365     | 19 - 13            | 2181071     | 62 - 349B          |
| 1815305     | 24 - 23            | 1815895     | 26D - 16           | 1821365     | 20 - 22            | 2181088     | 62 - 349C          |
| 1815305     | 26D - 28           | 1815896     | 26D - 26           | 1821370     | 17 - 11            | 2192519     | 55 - 15            |
| 1815306     | 24 - 27            | 1815897     | 26B - 2            | 1821373     | 25 - 41            | 2192519     | 56 - 15            |
| 1815307     | 24 - 19            | 1815898     | 26D - 11           | 1821373     | 26E - 19           | 2192519     | 58 - 18            |
| 1815307     | 26D - 7            | 1815899     | 26D - 10           | 1821374     | 25 - 40            | 2195400     | 62 - 349A          |
| 1815321     | 17 - 2             | 1815904     | 23A - 8            | 1821374     | 26E - 20           | 2200705     | 62 - 350           |
| 1815321     | 20 - 20            | 1815904     | 26B - 20           | 1821375     | 17 - 12            | 2200751     | 8 - 18A            |
| 1815322     | 17 - 2A            | 1815907     | 33A - 65           | 1821377     | 25 - 12            | 2219193     | 62 - 351           |
| 1815322     | 20 - 21            | 1815907     | 34A                | 1821379     | 23 - 32            | 2243651     | 3 - 20             |
| 1815328     | 19 - 3             | 1815908     | 26A - 30           | 1821380     | 17 - 22            | 2274833     | 7 - 7              |
| 1815333     | 19 - 4             | 1815908     | 33A                | 1821386     | 17 - 16            | 2278074     | 62 - 352           |
| 1815348     | 33A - 10           | 1815914     | 33A - 88           | 1821393     | 25 - 57            | 2280297     | 7 - 3              |
| 1815348     | 33A - 29           | 1815915     | 33A - 84           | 1821393     | 26C - 13           | 2280297     | 50 - 3             |
| 1815352     | 31A - 15           | 1815916     | 34A - 13           | 1821401     | 33A - 1            | 2280297     | 50A - 5            |
| 1815358     | 31 - 5             | 1815917     | 34A - 20           | 1821402     | 33 - 3B            | 2280591     | 62 - 353           |
| 1815359     | 31 - 9             | 1815922     | 33A - 87           | 1821402     | 33A - 5            | 2305462     | 9 - 5A             |
| 1815359     | 31A - 12           | 1815923     | 33A - 91           | 1821407     | 33 - 66            | 2305526     | 9 - 6              |
| 1815361     | 26A - 22           | 1815926     | 26B - 3            | 1821407     | 33A - 74           | 2305528     | 8 - 19             |
| 1815367     | 25 - 2             | 1815927     | 26E - 13           | 1821408     | 33 - 67            | 2305530     | 8 - 17             |
| 1815380     | 23 - 14            | 1815929     | 31A - 17           | 1821408     | 33A - 72           | 2305537     | 8 - 20             |

## NUMERICAL INDEX

| PART NUMBER | LIST AND INDEX NO. | PART NUMBER | LIST AND INDEX NO. | PART NUMBER | LIST AND INDEX NO. | PART NUMBER | LIST AND INDEX NO. |
|-------------|--------------------|-------------|--------------------|-------------|--------------------|-------------|--------------------|
| 2305538     | 8 - 16             | 2446190     | 61                 | 2546394     | 2 - 13A            | 2546566     | 3 - 12             |
| 2305544     | 8 - 13             | 2446190     | 61                 | 2546396     | 60 - 3A            | 2546568     | 3 - 12             |
| 2305545     | 8 - 14             | 2446204     | 17 - 4             | 2546396     | 60B - 7            | 2546570     | 3 - 12             |
| 2305546     | 8 - 22             | 2446206     | 17 - 9             | 2546397     | 60 - 3D            | 2546571     | 10 - 3             |
| 2305547     | 62 - 354           | 2446211     | 51 - 16            | 2546397     | 60B - 10           | 2546572     | 10 - 3             |
| 2305548     | 62 - 254A          | 2446211     | 52B                | 2546402     | 61                 | 2546573     | 10 - 3             |
| 2305549     | 8 - 6              | 2446213     | 51 - 16            | 2546411     | 2 - 3              | 2546574     | 10 - 3             |
| 2305555     | 7 - 8              | 2446213     | 52B                | 2546411     | 3 - 15             | 2546575     | 13 - 5             |
| 2305564     | 62 - 255A          | 2446216     | 51 - 30A           | 2546411     | 13                 | 2546576     | 10 - 7             |
| 2305565     | 6 - 5              | 2446217     | 51 - 34            | 2546412     | 3 - 13             | 2546578     | 54 - 7             |
| 2305565     | 7                  | 2446375     | 52B - 30           | 2546412     | 10                 | 2546581     | 52 - 7             |
| 2305566     | 6 - 5              | 2446381     | 50 - 34A           | 2546414     | 61                 | 2546588     | 54 - 2             |
| 2305566     | 7                  | 2446382     | 50 - 34B           | 2546419     | 2 - 18             | 2546590     | 52 - 2             |
| 2305567     | 6 - 5              | 2446384     | 61                 | 2546419     | 4 - 9              | 2546593     | 52 - 8             |
| 2305567     | 7                  | 2447536     | 53 - 14            | 2546424     | 4 - 10             | 2546595     | 50 - 15            |
| 2305568     | 6 - 5              | 2447618     | 13 - 14            | 2546459     | 3 - 2              | 2546596     | 51 - 17            |
| 2305568     | 7                  | 2451022     | 16 - 2             | 2546465     | 13 - 19            | 2546599     | 51 - 24            |
| 2305569     | 7 - 2              | 2451023     | 16 - 2             | 2546468     | 13 - 2             | 2546599     | 51A - 14           |
| 2305569     | 9                  | 2455036     | 6 - 9A             | 2546468     | 61                 | 2546604     | 60 - 3             |
| 2305570     | 7 - 18             | 2455575     | 6 - 9              | 2546469     | 55 - 13            | 2546604     | 60B - 6            |
| 2305570     | 8                  | 2455576     | 6 - 15             | 2546469     | 58 - 8             | 2546605     | 2 - 37             |
| 2305572     | 8 - 23             | 2455595     | 5 - 6              | 2546470     | 55 - 13            | 2546606     | 50 - 23            |
| 2305598     | 7 - 12             | 2455596     | 62 - 356           | 2546470     | 58 - 8             | 2546607     | 10 - 8             |
| 2305599     | 7 - 13             | 2455600     | 3 - 1              | 2546471     | 55 - 13            | 2546609     | 50 - 38            |
| 2305599     | 9 - 11             | 2455600     | 5                  | 2546471     | 56 - 9             | 2546618     | 61                 |
| 2305604     | 8 - 8              | 2455601     | 5 - 13             | 2546471     | 57 - 4             | 2546629     | 3 - 16A            |
| 2305609     | 9 - 12             | 2455603     | 5 - 15             | 2546471     | 58 - 8             | 2546630     | 4 - 6              |
| 2305616     | 8 - 2              | 2455605     | 13 - 11            | 2546473     | 45 - 16            | 2546630     | 14                 |
| 2305617     | 8 - 13             | 2455618     | 5 - 12             | 2546474     | 61                 | 2546631     | 61                 |
| 2305618     | 8 - 18             | 2455623     | 5 - 11             | 2546475     | 61                 | 2546632     | 61                 |
| 2305619     | 8 - 9              | 2455625     | 5 - 8              | 2546477     | 61                 | 2546633     | 61                 |
| 2305620     | 8 - 5              | 2455644     | 5 - 5              | 2546478     | 61                 | 2546634     | 61                 |
| 2305621     | 8 - 1              | 2455649     | 5 - 17             | 2546479     | 55 - 13            | 2546635     | 61                 |
| 2305629     | 8 - 3              | 2455661     | 5 - 9              | 2546479     | 56 - 9             | 2546636     | 4 - 17             |
| 2305631     | 7 - 14             | 2455890     | 4 - 20             | 2546479     | 57 - 4             | 2546637     | 4 - 18             |
| 2305632     | 7 - 16             | 2455899     | 4 - 19             | 2546479     | 58 - 8             | 2546639     | 35 - 25            |
| 2305633     | 7 - 15             | 2456340     | 5 - 14             | 2546480     | 61                 | 2546640     | 60 - 2             |
| 2305644     | 9 - 8              | 2456378     | 62 - 357           | 2546481     | 61                 | 2546640     | 60B - 5            |
| 2305646     | 9 - 5              | 2456413     | 5 - 7              | 2546482     | 61                 | 2546641     | 60 - 1             |
| 2305647     | 9 - 7              | 2456420     | 3 - 6              | 2546483     | 61                 | 2546641     | 60B - 4            |
| 2305648     | 9 - 2              | 2456424     | 3 - 5              | 2546485     | 61                 | 2546645     | 4 - 16             |
| 2305649     | 7 - 20             | 2456427     | 3 - 4              | 2546486     | 61                 | 2546650     | 59 - 1             |
| 2305656     | 9 - 3              | 2456699     | 5 - 18             | 2546487     | 61                 | 2546651     | 1 - 19             |
| 2305659     | 8 - 7              | 2456709     | 5 - 4              | 2546488     | 61                 | 2546652     | 61 - 56            |
| 2305663     | 62 - 355           | 2456996     | 62 - 358           | 2546489     | 61                 | 2546653     | 1 - 23             |
| 2305670     | 8 - 21             | 2469295     | 6 - 18             | 2546490     | 61                 | 2546654     | 45 - 5             |
| 2305689     | 8 - 15             | 2502307     | 61 - 25            | 2546491     | 61                 | 2546655     | 45 - 4             |
| 2305690     | 9 - 4              | 2503537     | 52A - 41           | 2546492     | 61                 | 2546656     | 11 - 9             |
| 2305693     | 9 - 13             | 2526734     | 42 - 10            | 2546493     | 61                 | 2546657     | 11 - 1             |
| 2305707     | 7 - 15             | 2538125     | 5 - 10             | 2546501     | 3 - 18             | 2546658     | 3 - 14             |
| 2305708     | 7 - 14             | 2544664     | 4 - 17A            | 2546509     | 52 - 4             | 2546658     | 11                 |
| 2305718     | 7 - 24             | 2546300     | 1                  | 2546511     | 3 - 19             | 2546659     | 1 - 18             |
| 2305720     | 7 - 25             | 2546300     | 2                  | 2546526     | 3 - 9A             | 2546661     | 11 - 11            |
| 2305722     | 7 - 22             | 2546300     | 3                  | 2546527     | 3 - 9A             | 2546661     | 12 - 2             |
| 2305725     | 7 - 23             | 2546300     | 50                 | 2546528     | 3 - 9A             | 2546668     | 13 - 20            |
| 2305726     | 7 - 26             | 2546300     | 51                 | 2546529     | 3 - 9A             | 2546670     | 61                 |
| 2391121     | 10 - 5             | 2546314     | 10 - 9             | 2546539     | 2 - 7              | 2546671     | 45 - 3             |
| 2397045     | 13 - 1A            | 2546344     | 11 - 5             | 2546539     | 3 - 16             | 2546672     | 3 - 12             |
| 2410111     | 26 - 11            | 2546344     | 12 - 4             | 2546539     | 50 - 7             | 2546673     | 10 - 14            |
| 2410111     | 26E - 31           | 2546347     | 4 - 14             | 2546539     | 50 - 20            | 2546676     | 10 - 3             |
| 2410188     | 24 - 10            | 2546357     | 1 - 28             | 2546539     | 50A - 13           | 2546683     | 4 - 15             |
| 2444552     | 60A - 30           | 2546359     | 1 - 2              | 2546539     | 50A - 24           | 2546684     | 4 - 12             |
| 2444552     | 60B                | 2546361     | 1 - 2A             | 2546539     | 51 - 28            | 2546685     | 4 - 11             |
| 2444553     | 60A - 9            | 2546363     | 1 - 10             | 2546539     | 51A - 12           | 2546687     | 6 - 4              |
| 2444554     | 61                 | 2546364     | 1 - 7              | 2546539     | 59 - 3A            | 2546688     | 6 - 10             |
| 2444998     | 60A - 31           | 2546365     | 1 - 3              | 2546539     | 60 - 13            | 2546689     | 6 - 3              |
| 2446169     | 60A - 19           | 2546367     | 1 - 31             | 2546543     | 12 - 6A            | 2546691     | 1 - 21C            |
| 2446170     | 60A - 4A           | 2546367     | 60A - 5            | 2546547     | 15 - 18            | 2546692     | 9 - 1              |
| 2446173     | 60A - 1            | 2546369     | 1 - 5              | 2546551     | 1 - 21             | 2546694     | 1 - 21A            |
| 2446174     | 60A - 4B           | 2546371     | 59 - 11            | 2546551     | 6 - 8              | 2546695     | 6 - 16             |
| 2446175     | 60A - 3            | 2546371     | 60 - 12            | 2546556     | 50 - 21            | 2546696     | 1 - 21E            |
| 2446176     | 60A - 2            | 2546371     | 60B - 17           | 2546556     | 50A - 16           | 2546697     | 1 - 21D            |
| 2446182     | 60A - 25           | 2546373     | 61 - 26            | 2546557     | 50 - 22            | 2546698     | 6 - 1              |
| 2446184     | 60A - 10           | 2546374     | 2 - 36             | 2546557     | 50A - 15           | 2546699     | 2 - 17             |
| 2446185     | 60A - 11B          | 2546375     | 2 - 34             | 2546558     | 50 - 26            | 2546701     | 45 - 1             |
| 2446186     | 60A - 11C          | 2546377     | 1 - 4              | 2546558     | 50A - 25           | 2546702     | 3 - 6A             |
| 2446187     | 60A - 11D          | 2546384     | 1 - 30             | 2546559     | 51 - 2             | 2546705     | 11 - 12            |
| 2446188     | 60A - 11           | 2546384     | 60A - 6            | 2546559     | 51A - 2            | 2546707     | 61                 |
| 2446189     | 60A - 14           | 2546385     | 1 - 24             | 2546562     | 3 - 12             | 2546708     | 61 - 27            |

## NUMERICAL INDEX

| PART NUMBER | LIST AND INDEX NO. | PART NUMBER | LIST AND INDEX NO. | PART NUMBER | LIST AND INDEX NO. | PART NUMBER | LIST AND INDEX NO. |
|-------------|--------------------|-------------|--------------------|-------------|--------------------|-------------|--------------------|
| 2546710     | 2 - 8              | 2546953     | 50A - 21           | 2572196     | 52A - 3            | 2772953     | 3 - 6D             |
| 2546711     | 51 - 23            | 2546955     | 11 - 8             | 2572196     | 52B - 3            | 2772954     | 3 - 6E             |
| 2546711     | 51A - 13           | 2546955     | 12 - 3             | 2572196     | 54A - 1            | 2772955     | 18 - 12            |
| 2546712     | 13 - 21            | 2546956     | 1 - 15             | 2572878     | 13 - 17            | 2772956     | 18 - 9             |
| 2546714     | 4 - 11             | 2546957     | 6 - 11             | 2582985     | 53 - 24            | 2772956     | 19 - 21            |
| 2546715     | 1 - 17             | 2546958     | 4 - 13             | 2586842     | 51A - 15           | 2772957     | 4 - 10C            |
| 2546721     | 1 - 22             | 2546959     | 2 - 20             | 2588004     | 10 - 1             | 2772970     | 13 - 12A           |
| 2546722     | 1 - 27             | 2546959     | 4 - 3              | 2588009     | 13 - 15            | 2772978     | 35 - 29            |
| 2546723     | 61                 | 2546960     | 62 - 359           | 2588046     | 60A - 15           | 2773050     | 61                 |
| 2546724     | 61                 | 2546961     | 62 - 360           | 2588053     | 50 - 37            | 2773055     | 50A                |
| 2546725     | 61                 | 2546965     | 1 - 11             | 2588053     | 52A - 27           | 2773055     | 51A                |
| 2546726     | 61                 | 2546966     | 1 - 16             | 2588053     | 60 - 11            | 2773086     | 3 - 24             |
| 2546732     | 61                 | 2546968     | 2 - 9              | 2588303     | 60A - 18           | 2775949     | 16 - 19            |
| 2546733     | 61                 | 2547799     | 61                 | 2588325     | 62 - 362           | 2775950     | 15 - 12            |
| 2546739     | 4 - 5              | 2547800     | 3 - 7              | 2588420     | 59 - 2             | 2775950     | 16 - 20            |
| 2546741     | 61                 | 2547800     | 17                 | 2588682     | 2 - 2              | 2775951     | 15 - 3A            |
| 2546746     | 50 - 6             | 2547800     | 18                 | 2588872     | 62 - 362A          | 2775956     | 16 - 7             |
| 2546746     | 50A - 4            | 2547800     | 20                 | 2590010     | 2 - 4              | 2775957     | 15 - 5A            |
| 2546748     | 10 - 2             | 2547802     | 20 - 2             | 2590010     | 59 - 4             | 2775958     | 15 - 5             |
| 2546749     | 10 - 2             | 2547802     | 21                 | 2590010     | 60 - 4             | 2784404     | 14 - 2             |
| 2546750     | 10 - 2             | 2547803     | 21 - 6             | 2590010     | 60B - 12           | 4103594     | 51 - 14            |
| 2546751     | 10 - 2             | 2547804     | 21 - 8             | 2590011     | 60A - 21           | 4103890     | 52A - 36           |
| 2546752     | 12 - 12            | 2547805     | 21 - 5             | 2590332     | 60A - 4            | 4119419     | 51 - 32            |
| 2546754     | 12 - 7             | 2547806     | 21 - 7             | 2590366     | 1 - 29             | 4119419     | 51A - 22           |
| 2546755     | 12 - 13            | 2547807     | 21 - 9             | 2590579     | 62 - 363           | 4119460     | 51A - 6            |
| 2546756     | 12 - 17            | 2547808     | 21 - 3             | 2590957     | 16 - 18            | 4119617     | 51 - 32            |
| 2546760     | 45 - 2             | 2547809     | 21 - 2             | 2591163     | 50 - 19            | 4120171     | 52A - 35           |
| 2546761     | 6 - 7              | 2547810     | 20 - 8             | 2592742     | 62 - 364           | 4120221     | 51A - 25           |
| 2546763     | 11 - 6             | 2547810     | 20 - 12            | 2593179     | 62 - 365           | 4120241     | 51A - 8            |
| 2546763     | 12 - 23            | 2547811     | 20 - 5             | 2593531     | 10 - 9             | 4120458     | 50 - 24            |
| 2546766     | 51 - 17A           | 2547812     | 20 - 29            | 2594621     | 38 - 56            | 4120458     | 50A - 20           |
| 2546767     | 51 - 3             | 2547813     | 20 - 30            | 2594625     | 50A - 22           | 4120829     | 52A - 30           |
| 2546768     | 51 - 15            | 2547814     | 20 - 27            | 2594626     | 38 - 3             | 4136961     | 33 - 64            |
| 2546769     | 51 - 29            | 2547815     | 20 - 6             | 2594692     | 52A - 28           | 4136961     | 33A - 64           |
| 2546771     | 12 - 22            | 2547816     | 21 - 1             | 2594693     | 52A - 28           | 4136968     | 26 - 19            |
| 2546771     | 35                 | 2547817     | 20 - 31            | 2594694     | 7 - 29             | 4136968     | 26E - 24           |
| 2546781     | 4 - 18A            | 2547818     | 20 - 7             | 2594695     | 7 - 27             | 4136975     | 33 - 58            |
| 2546782     | 11 - 4             | 2547821     | 20 - 10            | 2594708     | 3 - 13A            | 4136975     | 33A - 58           |
| 2546783     | 11 - 3             | 2547822     | 20 - 14            | 2594708     | 45 - 25            | 4236556     | 61 - 60            |
| 2546784     | 11 - 2             | 2547823     | 20 - 32            | 2594759     | 61 - 28            | 4236557     | 61 - 60A           |
| 2546787     | 11 - 13            | 2547824     | 20 - 11            | 2595827     | 4 - 10A            | 4236558     | 60A - 23           |
| 2546787     | 61                 | 2547826     | 20 - 3             | 2596275     | 7 - 1              | 4236563     | 60A - 24           |
| 2546788     | 11 - 7             | 2547827     | 20 - 4             | 2596275     | 9 - 10             | 4236567     | 60B - 1            |
| 2546789     | 1 - 25             | 2547828     | 21 - 4             | 2596291     | 2 - 15             | 4236568     | 60B - 2            |
| 2546790     | 1 - 1              | 2547829     | 20 - 17            | 2596291     | 50 - 39            | 4410769     | 41 - 4             |
| 2546791     | 1 - 33             | 2547830     | 20 - 25            | 2596291     | 50A - 46           | 4685093     | 61 - 51            |
| 2546792     | 1 - 26             | 2547831     | 20 - 16            | 2596291     | 51A - 1            | 5129597     | 60 - 14            |
| 2546793     | 1 - 34             | 2547832     | 20 - 13            | 2596293     | 50A - 48           | 5129597     | 60B - 15           |
| 2546793     | 60A - 8            | 2547833     | 20 - 9             | 2637680     | 61 - 48            | 5130489     | 40 - 43            |
| 2546794     | 1 - 22A            | 2547834     | 20 - 15            | 2637682     | 61 - 29            | 5130688     | 40 - 19            |
| 2546802     | 12 - 6             | 2547835     | 20 - 1             | 2637682     | 61 - 49            | 5144640     | 2 - 1              |
| 2546806     | 3 - 22             | 2547836     | 17 - 25            | 2637689     | 61 - 50            | 5144640     | 15                 |
| 2546823     | 50 - 36            | 2547836     | 18 - 11            | 2638059     | 33 - 80            | 5144640     | 16                 |
| 2546824     | 2 - 24             | 2547836     | 19 - 20            | 2638059     | 33A - 81           | 5144642     | 2 - 1              |
| 2546827     | 13 - 16            | 2547836     | 20 - 35            | 2706647     | 40 - 47            | 5144642     | 15                 |
| 2546829     | 10 - 15            | 2547837     | 12 - 1             | 2706648     | 40 - 35            | 5144642     | 16                 |
| 2546831     | 10 - 16            | 2547847     | 35 - 10            | 2706649     | 40 - 40            | 5144644     | 16 - 1             |
| 2546837     | 4 - 6              | 2547848     | 13 - 10A           | 2722118     | 37 - 27            | 5144645     | 16                 |
| 2546837     | 14                 | 2547848     | 45 - 15            | 2722507     | 52A - 32           | 5144647     | 15 - 6             |
| 2546839     | 4 - 6              | 2547849     | 10 - 18            | 2728872     | 40 - 15            | 5144650     | 16 - 2             |
| 2546839     | 14                 | 2547850     | 38 - 4             | 2730020     | 14 - 8             | 5144660     | 16 - 4             |
| 2546842     | 51 - 25            | 2547853     | 50 - 2             | 2730021     | 14 - 8             | 5144681     | 15 - 6             |
| 2546928     | 13 - 9             | 2547853     | 50A - 1            | 2730022     | 14 - 8             | 5144682     | 2 - 1              |
| 2546929     | 51 - 8A            | 2547854     | 50 - 1             | 2730023     | 14 - 8             | 5144682     | 15                 |
| 2546930     | 51 - 4             | 2547854     | 50A - 6            | 2730081     | 4 - 29             | 5144682     | 16                 |
| 2546932     | 2 - 26             | 2547855     | 2 - 6              | 2730082     | 4 - 30             | 5144683     | 2 - 1              |
| 2546934     | 2 - 33             | 2547856     | 35 - 20A           | 2730100     | 14 - 5             | 5144683     | 15                 |
| 2546934     | 60A - 20           | 2547857     | 35 - 10A           | 2731026     | 61 - 61            | 5144683     | 16                 |
| 2546935     | 2 - 35             | 2547858     | 35 - 25A           | 2731763     | 22 - 5             | 5144687     | 16 - 2             |
| 2546936     | 13 - 10            | 2547859     | 35 - 25B           | 2731763     | 26B - 6            | 5144691     | 62 - 366           |
| 2546937     | 13 - 12            | 2547860     | 35 - 1B            | 2731835     | 61 - 30            | 5144698     | 15 - 6             |
| 2546940     | 13 - 1             | 2547861     | 35 - 1A            | 2731836     | 61 - 30A           | 5144706     | 2 - 1              |
| 2546941     | 13 - 6             | 2547887     | 61                 | 2731838     | 61 - 30B           | 5144706     | 15                 |
| 2546943     | 13 - 7             | 2547890     | 60 - 16A           | 2731839     | 61 - 30C           | 5144706     | 16                 |
| 2546944     | 6 - 2              | 2547907     | 50 - 38            | 2732326     | 61 - 59            | 5144710     | 2 - 1              |
| 2546949     | 13 - 18            | 2547907     | 50A - 47           | 2772891     | 7 - 28             | 5144710     | 15                 |
| 2546951     | 60 - 17            | 2548010     | 1 - 4A             | 2772892     | 7 - 30             | 5144710     | 16                 |
| 2546951     | 60A - 28           | 2566645     | 62 - 361           | 2772925     | 12 - 18            | 5144730     | 62 - 367           |
| 2546953     | 50 - 17            | 2571762     | 62 - 361A          | 2772952     | 4 - 15A            | 5144737     | 62 - 368           |

## NUMERICAL INDEX

| PART NUMBER | LIST AND INDEX NO. | PART NUMBER | LIST AND INDEX NO. | PART NUMBER | LIST AND INDEX NO. | PART NUMBER | LIST AND INDEX NO. |
|-------------|--------------------|-------------|--------------------|-------------|--------------------|-------------|--------------------|
| 5144747     | 62 - 369           | 5213458     | 53 - 16            | 5350012     | 62 - 393B          | 5564735     | 54A - 2            |
| 5144748     | 62 - 370           | 5214073     | 24 - 30            | 5352967     | 61 - 34            | 5564950     | 55 - 16            |
| 5144775     | 62 - 371           | 5214073     | 26C - 28           | 5353301     | 62 - 393A          | 5564951     | 55 - 2             |
| 5144789     | 62 - 372           | 5214367     | 54A - 25           | 5353851     | 61 - 35            | 5564952     | 55 - 11            |
| 5144794     | 15 - 13            | 5214374     | 53 - 20            | 5353852     | 2 - 32             | 5564952     | 56 - 10            |
| 5144802     | 15 - 2             | 5214573     | 26 - 13            | 5353852     | 51 - 11            | 5564952     | 57 - 5             |
| 5144803     | 16 - 25            | 5214573     | 26E - 33           | 5353852     | 61 - 36            | 5564952     | 58 - 6             |
| 5144804     | 16 - 26            | 5214573     | 27 - 24            | 5353853     | 51 - 11            | 5564955     | 55 - 6             |
| 5144805     | 15 - 5             | 5214573     | 30 - 26            | 5353853     | 52A - 38           | 5564955     | 58 - 10            |
| 5144807     | 61                 | 5214573     | 30A - 7            | 5353853     | 52A - 44           | 5564957     | 55 - 7             |
| 5144808     | 16 - 21            | 5214573     | 33 - 38            | 5353854     | 51 - 12            | 5564957     | 55 - 7A            |
| 5144809     | 16 - 22            | 5214573     | 33 - 60            | 5353854     | 52A - 39           | 5564957     | 58 - 19            |
| 5144810     | 16 - 14            | 5214573     | 33 - 78            | 5353854     | 52A - 45           | 5564958     | 55 - 10            |
| 5144811     | 16 - 13            | 5214573     | 33A - 60           | 5353869     | 61 - 37            | 5564959     | 51 - 30            |
| 5144812     | 16 - 19            | 5214573     | 33A - 78           | 5353888     | 14 - 4             | 5564959     | 55                 |
| 5144813     | 16 - 17            | 5214963     | 54A - 5            | 5353896     | 61 - 38            | 5564960     | 51 - 30            |
| 5144815     | 16 - 15            | 5232793     | 62 - 387A          | 5353922     | 61 - 39            | 5564960     | 55                 |
| 5144820     | 62 - 373           | 5232806     | 52A - 25           | 5357051     | 2 - 27             | 5564961     | 53 - 2             |
| 5144829     | 15 - 14            | 5232806     | 52B - 25           | 5357051     | 51 - 4             | 5564963     | 53 - 13            |
| 5144833     | 62 - 374           | 5232806     | 54A - 39           | 5357059     | 2 - 25             | 5564965     | 51 - 16            |
| 5144839     | 62 - 375           | 5232824     | 52A - 2            | 5357059     | 51 - 14            | 5564965     | 53                 |
| 5144845     | 62 - 376           | 5232824     | 52B - 2            | 5357063     | 2 - 30             | 5564966     | 53 - 1             |
| 5144848     | 62 - 377           | 5236656     | 4 - 31             | 5357063     | 51 - 7             | 5564973     | 51 - 16            |
| 5144850     | 16 - 27            | 5240351     | 20 - 19            | 5357066     | 2 - 31             | 5564973     | 53                 |
| 5144867     | 62 - 378           | 5240352     | 17 - 9             | 5357066     | 51 - 8             | 5564974     | 53 - 2             |
| 5144869     | 62 - 379           | 5240369     | 17 - 5             | 5357068     | 2 - 29             | 5564976     | 51 - 30            |
| 5144870     | 62 - 380           | 5240372     | 17 - 6             | 5357068     | 51 - 6             | 5564976     | 56                 |
| 5144874     | 15 - 1             | 5240477     | 54A - 6            | 5357069     | 2 - 28             | 5564977     | 51 - 30            |
| 5144886     | 15 - 16            | 5240477     | 54A - 26           | 5357069     | 51 - 5             | 5564977     | 51A - 19           |
| 5144890     | 62 - 381           | 5240478     | 40 - 33            | 5357090     | 52A - 42           | 5564977     | 57                 |
| 5144893     | 62 - 382           | 5252514     | 54A - 16           | 5362301     | 61 - 40            | 5564979     | 51 - 30            |
| 5144898     | 16 - 28            | 5252662     | 40 - 42            | 5362304     | 4 - 11C            | 5564979     | 51A - 19           |
| 5144907     | 62 - 383           | 5252715     | 52A - 13           | 5362306     | 61 - 41            | 5564979     | 58                 |
| 5144913     | 16 - 8             | 5252715     | 52B - 13           | 5362308     | 62 - 394           | 5565001     | 56 - 1             |
| 5144916     | 16 - 9             | 5252740     | 52A - 4            | 5362325     | 14 - 3             | 5565001     | 57 - 1             |
| 5144917     | 16 - 7             | 5252740     | 52B - 4            | 5372318     | 62 - 395           | 5565001     | 58 - 1             |
| 5144921     | 16 - 20            | 5252805     | 50 - 32A           | 5372858     | 62 - 396           | 5565002     | 56 - 4             |
| 5144922     | 62 - 384           | 5252805     | 50A - 35           | 5393343     | 62 - 396A          | 5565002     | 57 - 9             |
| 5144925     | 16 - 6             | 5252805     | 55 - 5             | 5404480     | 61 - 40A           | 5565002     | 58 - 12            |
| 5144999     | 15 - 7             | 5252805     | 56 - 13            | 5405736     | 24 - 31            | 5565004     | 50 - 38            |
| 5145050     | 62 - 385           | 5252805     | 58 - 16            | 5405736     | 26C - 27           | 5565004     | 50A - 47           |
| 5145051     | 62 - 386           | 5252806     | 25 - 49            | 5412643     | 61 - 42            | 5565011     | 56 - 3             |
| 5145052     | 16 - 5             | 5252806     | 26 - 16            | 5412817     | 61 - 43            | 5565011     | 58 - 9             |
| 5145055     | 16 - 3             | 5252806     | 26E - 25           | 5420242     | 16 - 12            | 5565012     | 56 - 2             |
| 5145056     | 16 - 3             | 5252810     | 26 - 18            | 5428337     | 50 - 35            | 5565012     | 57 - 2             |
| 5145056     | 62 - 387           | 5252810     | 26E - 23           | 5428337     | 52A - 26           | 5565012     | 58 - 2             |
| 5145057     | 16 - 10            | 5252837     | 50 - 32            | 5446011     | 60A - 11A          | 5565013     | 53 - 27            |
| 5145059     | 16 - 29            | 5252837     | 50A - 44           | 5447741     | 7 - 9              | 5565014     | 53 - 26            |
| 5145064     | 15 - 4             | 5252838     | 50 - 32            | 5466393     | 7 - 11             | 5565028     | 50 - 30            |
| 5145064     | 16 - 30            | 5252838     | 50A - 44           | 5466397     | 7 - 10             | 5565029     | 50 - 27            |
| 5145064     | 61                 | 5252841     | 52B - 29           | 5468294     | 60 - 10            | 5565031     | 50 - 23            |
| 5145085     | 16 - 17A           | 5252841     | 53 - 23            | 5554002     | 6 - 19             | 5565031     | 50A - 17           |
| 5145088     | 16 - 23            | 5252843     | 52A - 30           | 5562367     | 50A - 23           | 5565033     | 53 - 10            |
| 5145089     | 15 - 12            | 5252843     | 52B - 29           | 5564426     | 52 - 1             | 5565034     | 53 - 25            |
| 5145099     | 16 - 15A           | 5252848     | 25 - 50            | 5564430     | 51 - 16            | 5565035     | 50 - 30A           |
| 5145582     | 15 - 15            | 5252966     | 54A - 9            | 5564430     | 52                 | 5565035     | 50A - 36           |
| 5145814     | 16 - 1A            | 5256498     | 62 - 388           | 5564447     | 54 - 8             | 5565035     | 55 - 14            |
| 5145818     | 15 - 4             | 5257473     | 62 - 389           | 5564467     | 54 - 5             | 5565035     | 56 - 14            |
| 5145818     | 16 - 30            | 5261296     | 40 - 48            | 5564487     | 50 - 30            | 5565035     | 58 - 17            |
| 5182435     | 14 - 7             | 5261296     | 52A - 14           | 5564488     | 50 - 27            | 5565037     | 53 - 17            |
| 5182435     | 14 - 11            | 5261296     | 52B - 14           | 5564489     | 50 - 28            | 5565038     | 53 - 19            |
| 5182441     | 14 - 8             | 5261304     | 51 - 9             | 5564489     | 50A - 32           | 5565262     | 54A - 40           |
| 5182443     | 14 - 10            | 5261627     | 50 - 43            | 5564496     | 52 - 3             | 5565264     | 51A - 3            |
| 5182446     | 14 - 8             | 5261627     | 50A - 40           | 5564498     | 52 - 5             | 5565264     | 54A                |
| 5182447     | 14 - 8             | 5261899     | 40 - 45            | 5564498     | 53 - 12            | 5565265     | 52A - 1            |
| 5182514     | 14 - 1             | 5271288     | 56 - 7             | 5564498     | 54 - 6             | 5565265     | 52B - 1            |
| 5182515     | 14 - 1             | 5302662     | 61 - 32            | 5564551     | 53 - 18            | 5565268     | 54A - 8            |
| 5182516     | 14 - 1             | 5302663     | 61 - 33            | 5564560     | 51 - 18            | 5565269     | 52A - 24           |
| 5183362     | 45 - 22            | 5313905     | 4 - 11A            | 5564560     | 54                 | 5565269     | 52B - 24           |
| 5183439     | 45 - 7             | 5318920     | 50 - 42            | 5564562     | 54 - 1             | 5565271     | 52A - 29           |
| 5213274     | 61 - 31            | 5318920     | 50A - 39           | 5564566     | 50 - 25A           | 5565273     | 54A - 13           |
| 5213276     | 24 - 5             | 5319035     | 1 - 20             | 5564566     | 50B - 1            | 5565274     | 52A - 7            |
| 5213276     | 26C - 18           | 5319854     | 62 - 390           | 5564582     | 50 - 18            | 5565274     | 52B - 7            |
| 5213276     | 26D - 2            | 5319888     | 62 - 391           | 5564584     | 50 - 16            | 5565275     | 52A - 12           |
| 5213276     | 28 - 20            | 5319909     | 50 - 40            | 5564588     | 51 - 1             | 5565275     | 52B - 12           |
| 5213276     | 29 - 1             | 5319909     | 50A - 41           | 5564590     | 50 - 25            | 5565276     | 52A - 16           |
| 5213276     | 33 - 19            | 5344991     | 8 - 4              | 5564590     | 50B                | 5565276     | 52B - 16           |
| 5213276     | 33 - 74            | 5349929     | 62 - 392           | 5564591     | 50 - 25            | 5565279     | 52A - 11           |
| 5213276     | 33A - 75           | 5350006     | 62 - 393           | 5564591     | 50B                | 5565279     | 52B - 11           |

## NUMERICAL INDEX

| PART NUMBER | LIST AND INDEX NO. |
|-------------|--------------------|
| 5565283     | 52A - 17           |
| 5565283     | 52B - 17           |
| 5565284     | 52A - 21           |
| 5565284     | 52B - 21           |
| 5565285     | 54A - 12           |
| 5565286     | 54A - 32           |
| 5565287     | 54A - 7            |
| 5565288     | 54A - 34           |
| 5565289     | 54A - 15           |
| 5565290     | 54A - 14           |
| 5565291     | 54A - 38           |
| 5565293     | 54A - 19           |
| 5565294     | 54A - 23           |
| 5565296     | 51 - 16A           |
| 5565297     | -54A - 35          |
| 5565298     | 50A - 19           |
| 5565299     | 50A - 19           |
| 5565303     | 52A - 34           |
| 5565304     | 50A - 27           |
| 5565305     | 50A - 31           |
| 5565306     | 50A - 28           |
| 5565307     | 50A - 26           |
| 5565313     | 51A - 6            |
| 5565323     | 51 - 32            |
| 5700484     | 62 - 396B          |
| 5719139     | 5 - 2              |
| 5729723     | 15 - 9             |
| 5759404     | 52B - 26           |
| 5759701     | 52A - 23           |
| 5759701     | 52B - 23           |
| 5759866     | 52A - 22           |
| 5759866     | 52B - 22           |
| 5761783     | 52B - 28           |
| 5761785     | 52A - 31           |
| 5761785     | 54A - 11           |
| 5761785     | 54A - 31           |
| 5761786     | 54A - 18           |
| 5761786     | 54A - 24           |
| 5761787     | 52A - 15           |
| 5761787     | 52B - 15           |
| 5761788     | 52B - 28           |
| 5761795     | 52A - 31           |
| 5761943     | 62 - 398           |
| 5761979     | 52A - 6            |
| 5761979     | 52B - 6            |
| 5761979     | 54A - 33           |
| 5762034     | 54A - 36           |
| 5762073     | 54A - 17           |
| 5762383     | 52A - 8            |
| 5762383     | 52B - 8            |
| 5762383     | 54A - 20           |
| 5762407     | 51A - 9            |
| 5762407     | 51A - 9            |
| 5762407     | 53 - 5             |
| 5784857     | 62 - 396D          |
| 5790504     | 50 - 24            |
| 5790504     | 50A - 20           |
| 5800610     | 61 - 53            |
| 5800634     | 61 - 44            |
| 5820539     | 30 - 22            |
| 5820539     | 30A - 4            |
| 5824095     | 26E - 7            |
| 5863336     | 40 - 25            |
| 5863337     | 40 - 26            |
| 5863338     | 40 - 24            |
| 5863340     | 40 - 24            |
| 5863341     | 40 - 25            |
| 5863342     | 40 - 26            |
| 5888272     | 53 - 11            |
| 5996358     | 62 - 396C          |
| 5998622     | 61 - 53A           |
| 6510154     | 25 - 4             |
| 7322692     | 1 - 35             |
| 7340625     | 62 - 397           |
| 8524194     | 7 - 4              |

| PART NUMBER | LIST AND INDEX NO. |
|-------------|--------------------|
|-------------|--------------------|

| PART NUMBER | LIST AND INDEX NO. |
|-------------|--------------------|
|-------------|--------------------|

| PART NUMBER | LIST AND INDEX NO. |
|-------------|--------------------|
|-------------|--------------------|



## READER'S COMMENT FORM

System/32 Parts Catalog

S131-0595-5

### YOUR COMMENTS, PLEASE . . .

Your comments assist us in improving the usefulness of our publications; they are an important part of the input used in preparing updates to the publications. All comments and suggestions become the property of IBM.

Please do not use this form for technical questions about the system or for requests for additional publications; this only delays the response. Instead, direct your inquiries or requests to your IBM representative or to the IBM branch office serving your locality.

Corrections or clarifications needed:

*Page*            *Comment*

Due to the current paper shortage, we will not send a reply to your comments unless you check the box below.

I would like a reply.

Name \_\_\_\_\_

Address \_\_\_\_\_

- Thank you for your cooperation. No postage necessary if mailed in the U.S.A. <sup>1</sup>

Cut Along Line

Fold

Fold

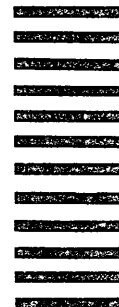
FIRST CLASS  
PERMIT NO. 40  
ARMONK, N. Y.

**BUSINESS REPLY MAIL**

NO POSTAGE STAMP NECESSARY IF MAILED IN THE UNITED STATES

POSTAGE WILL BE PAID BY . . .

IBM Corporation  
General Systems Division  
Development Laboratory  
Publications, Dept. 245  
Rochester, Minnesota 55901



Fold

Fold



International Business Machines Corporation

General Systems Division  
5775D Glenridge Drive N. E.  
P.O. Box 2150  
Atlanta, Georgia 30301  
(U.S.A. only)

General Business Group/International  
44 South Broadway  
White Plains, New York 10601  
U.S.A.  
(International)

System/32 Parts Catalog Printed in USA S131-0595-5

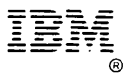
**System/32**

**System/32**

Fold

Use clear acetate tab  
obtained locally

S131-0595-5



International Business Machines Corporation

General Systems Division  
5775D Glenridge Drive N. E.  
P.O. Box 2150  
Atlanta, Georgia 30301  
(U.S.A. only)

General Business Group/International  
44 South Broadway  
White Plains, New York 10601  
U.S.A.  
(International)

Printed in USA S131-0595-5