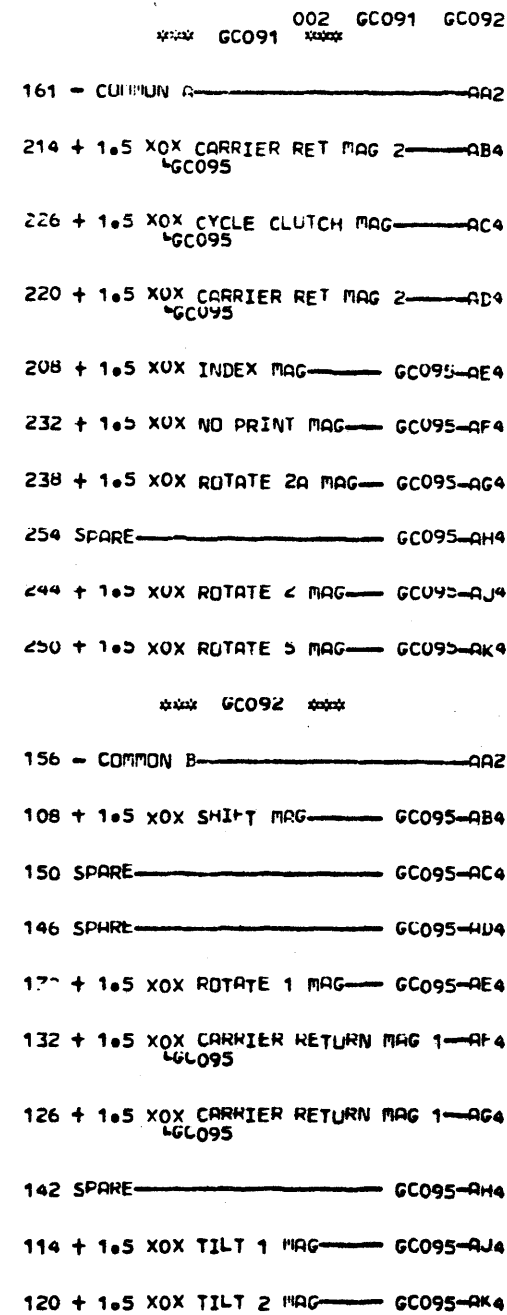
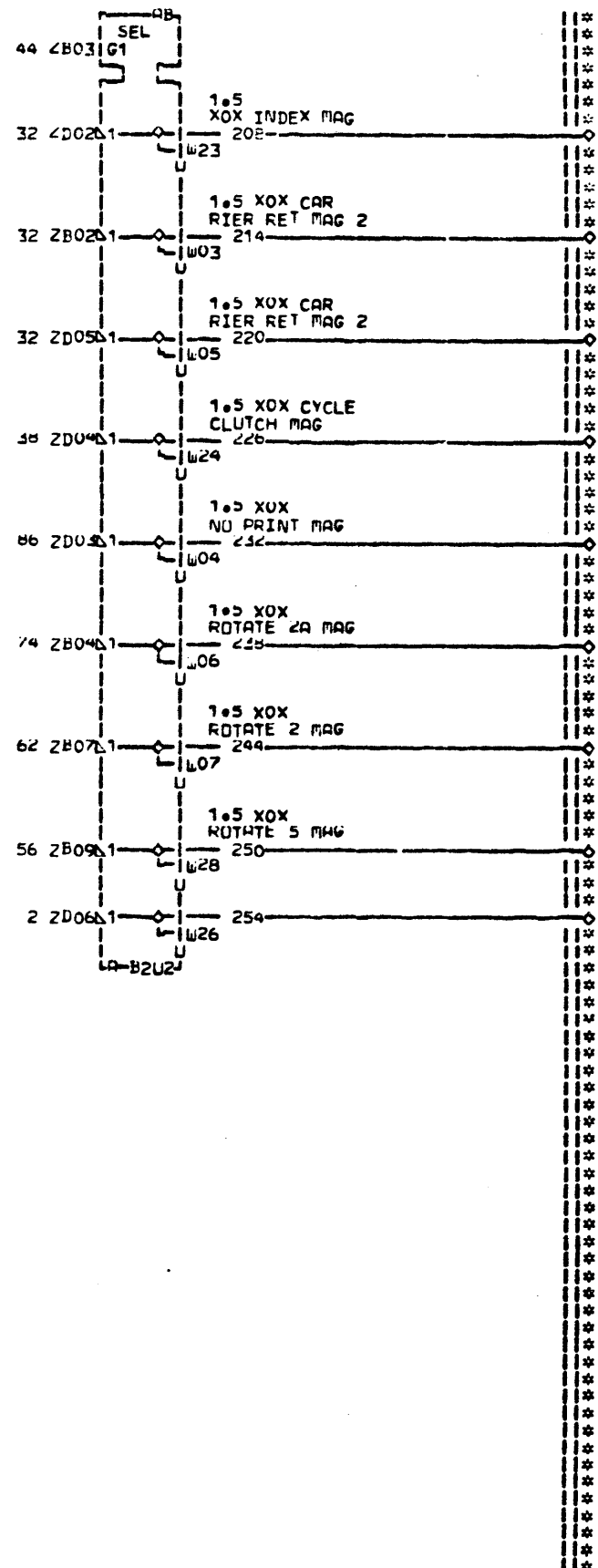
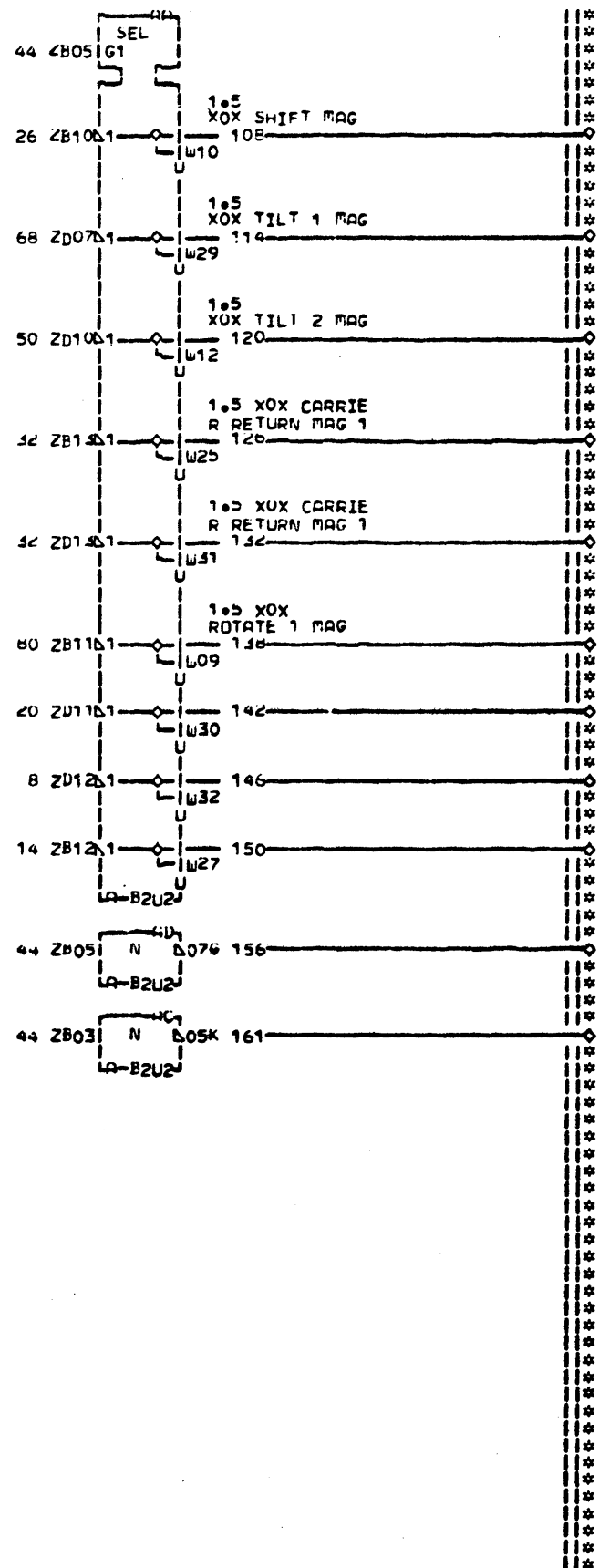
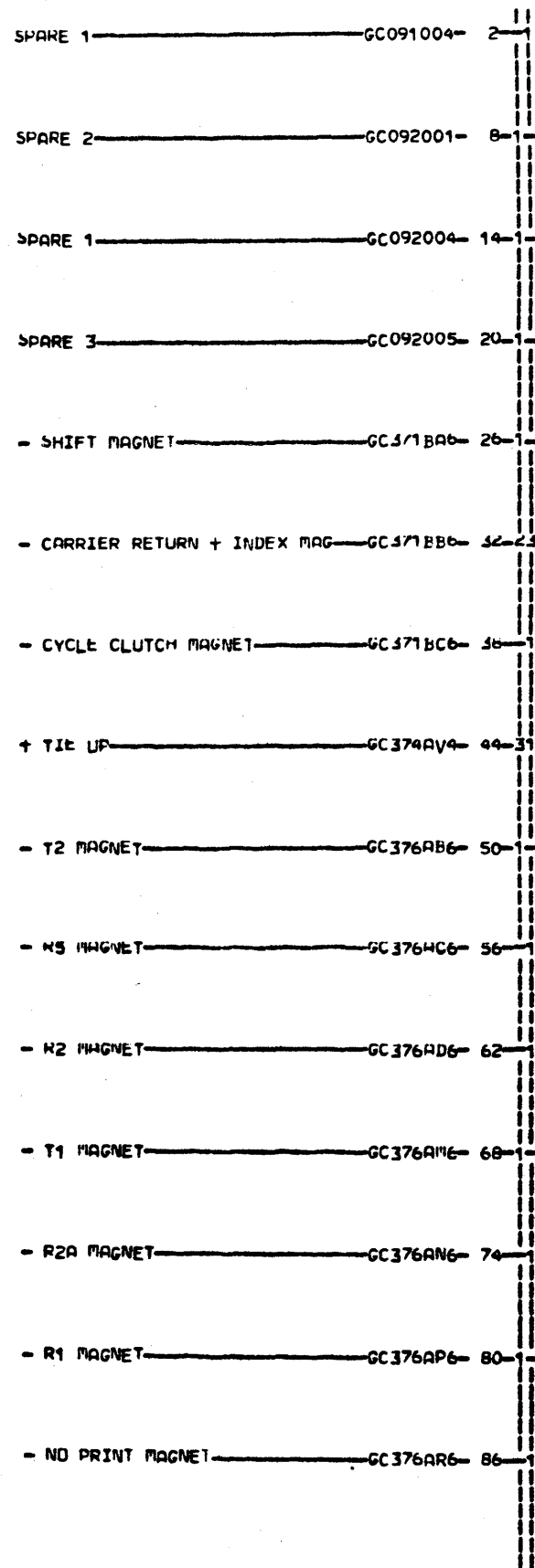


LOC. TYPE

PRINTER KEYBOARD SERVICE PAGE	
EoC-HISTORY 816756	MACH. SYS3-CPU FRAME 01
DATE LAST EC 09-01-71 818659	IBM CORP. GSD P.No 2588889

GC001

002

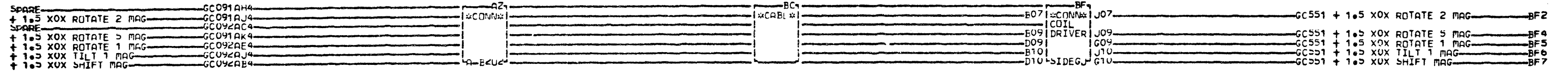
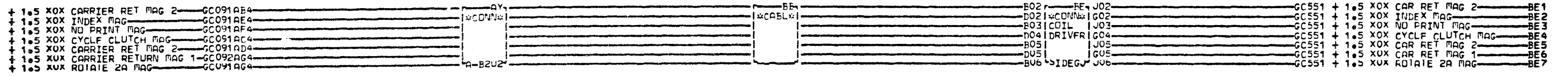


LOC. TYPE
 A-B2U2 2609

PAGE VER EC LEV
 GC091 002 818659
 GC092 002 818659

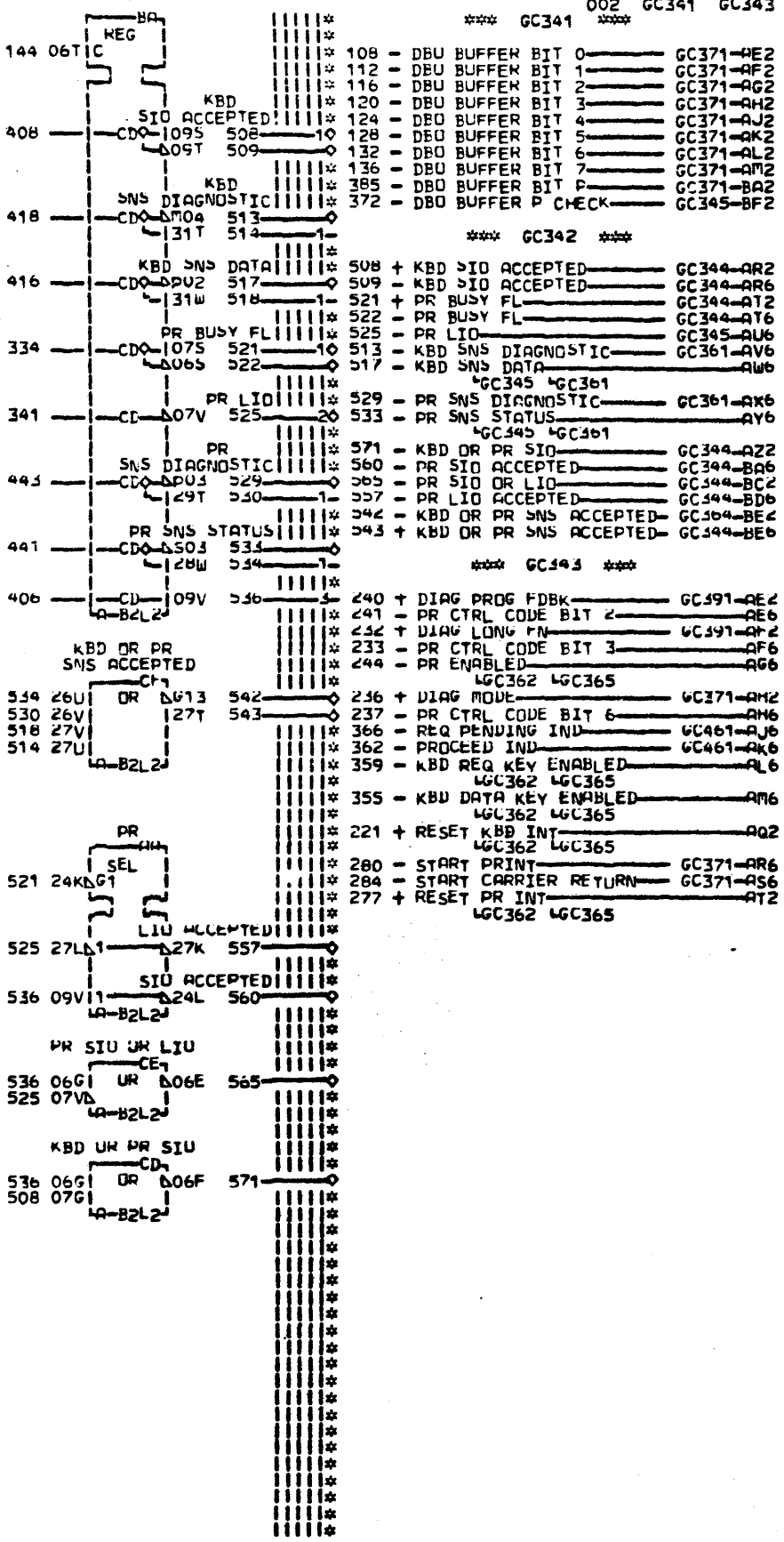
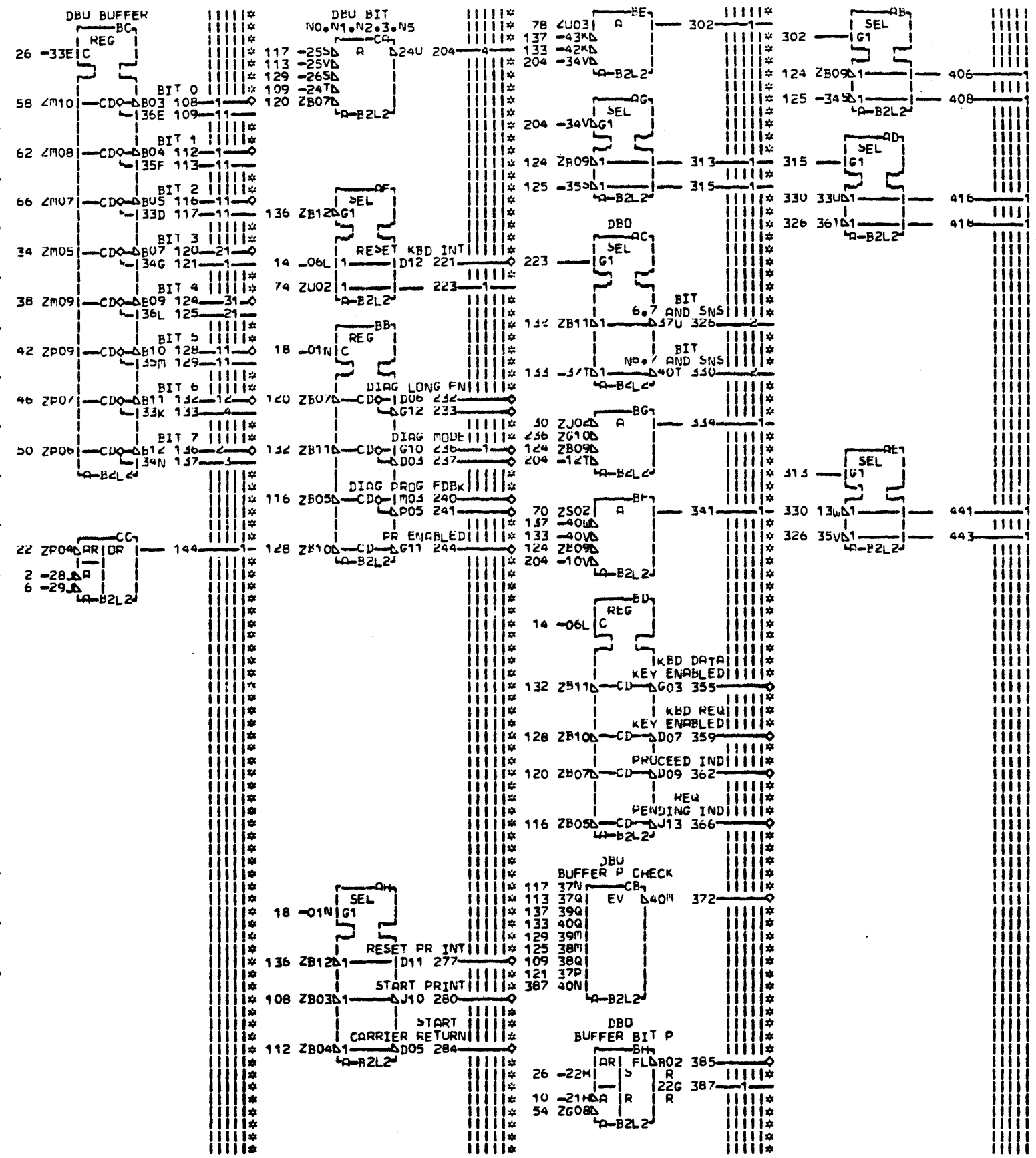
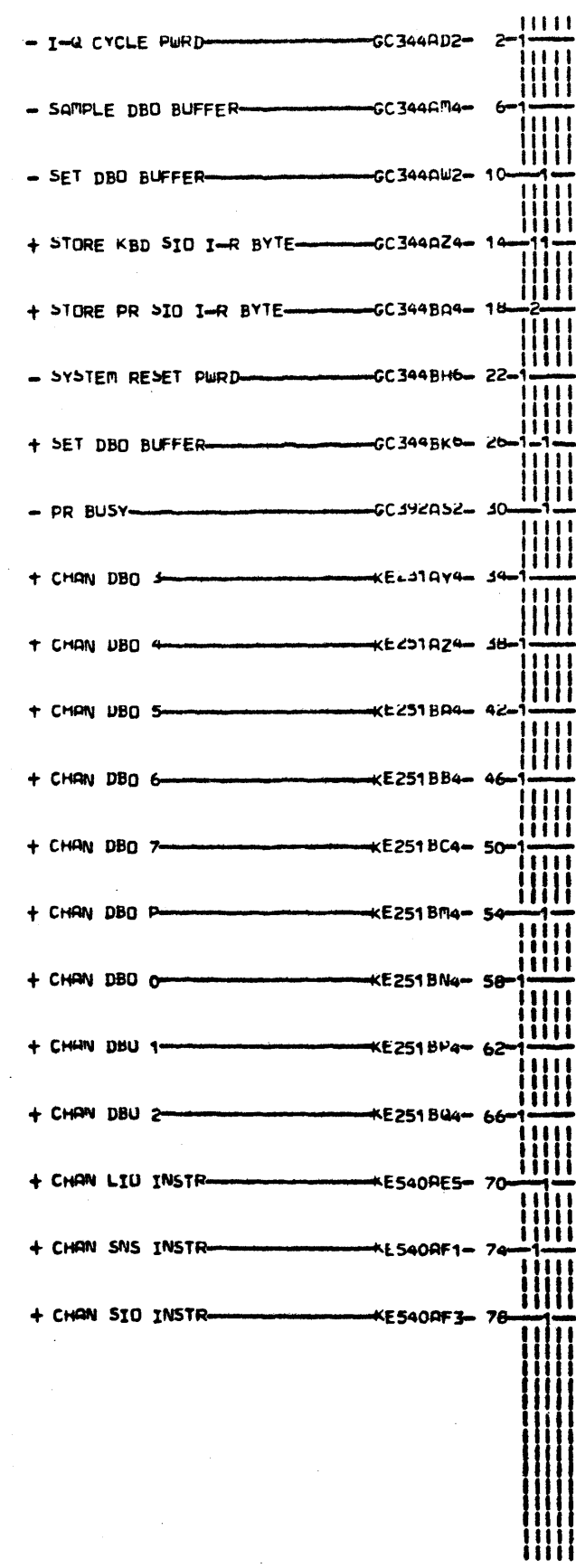
GC091
 GC092
 002

COIL DRIVER PRE DRIVER		
E-C-HISTORY	R-MACH-SYS3-CPU	
816756		
FRAME	01	GC091
IBM CORP	GSD	GC092
DATE LAST EC		
09-01-71	818659	Page 2588890 002



LOC. TYPE

COIL DRIVER PRE DRIVER		G C 0 9 5
CABLE TO DEVICE		
E-C-HISTORY 816756	R-MACH-SYS3-CPU	002
DATE 109-01-71	LAST EC 818659	
FRAME IBM CORP. GSD	P.No. 2588891	



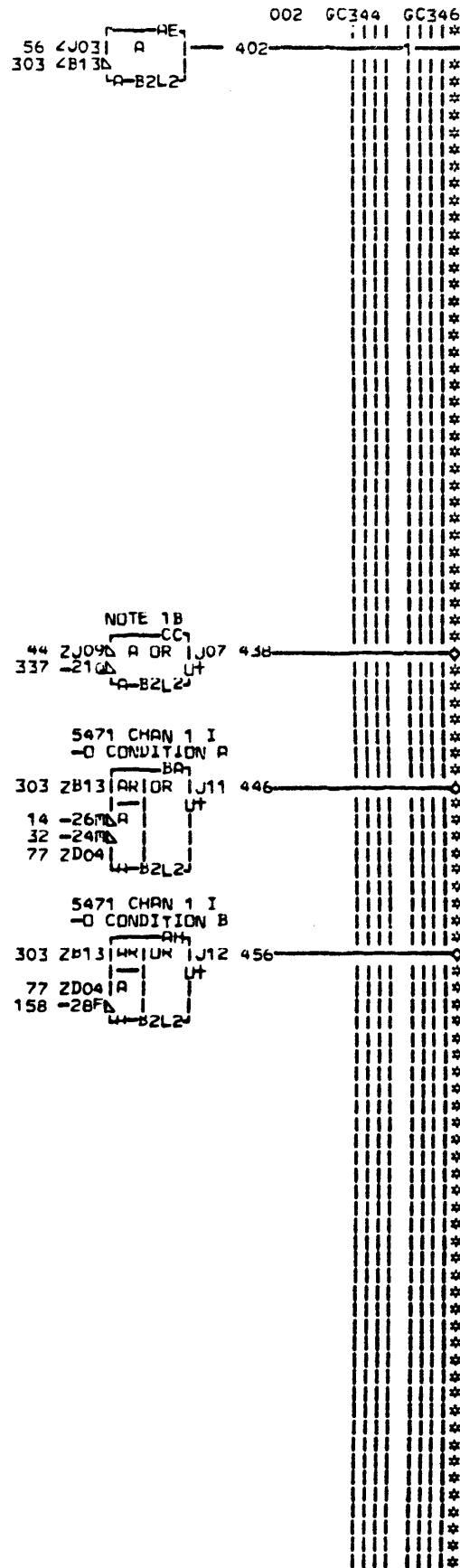
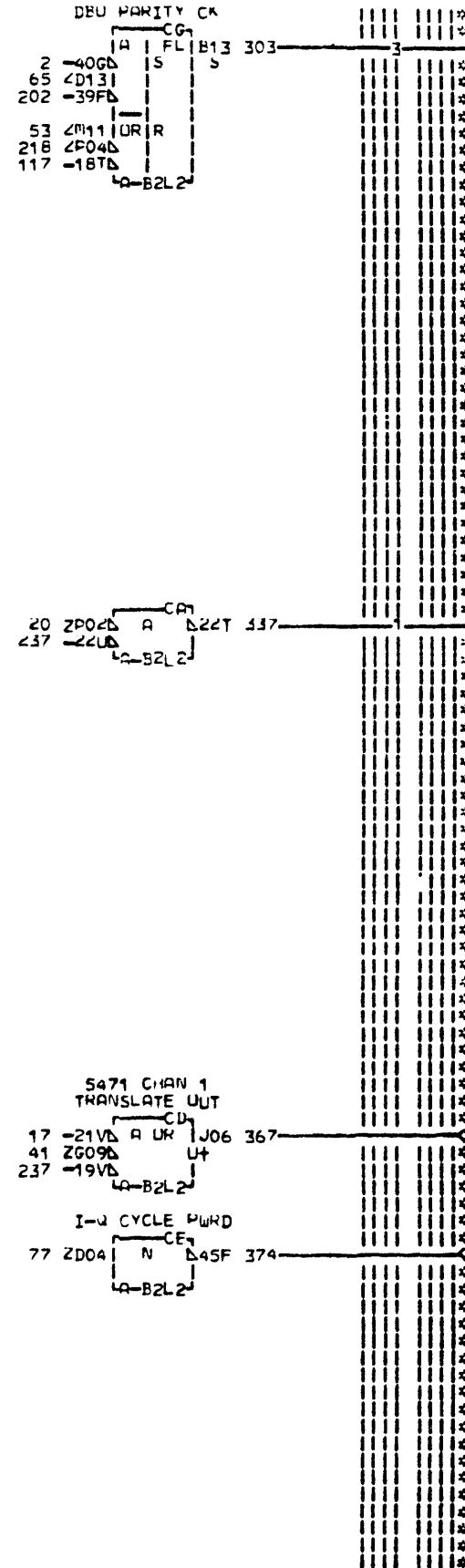
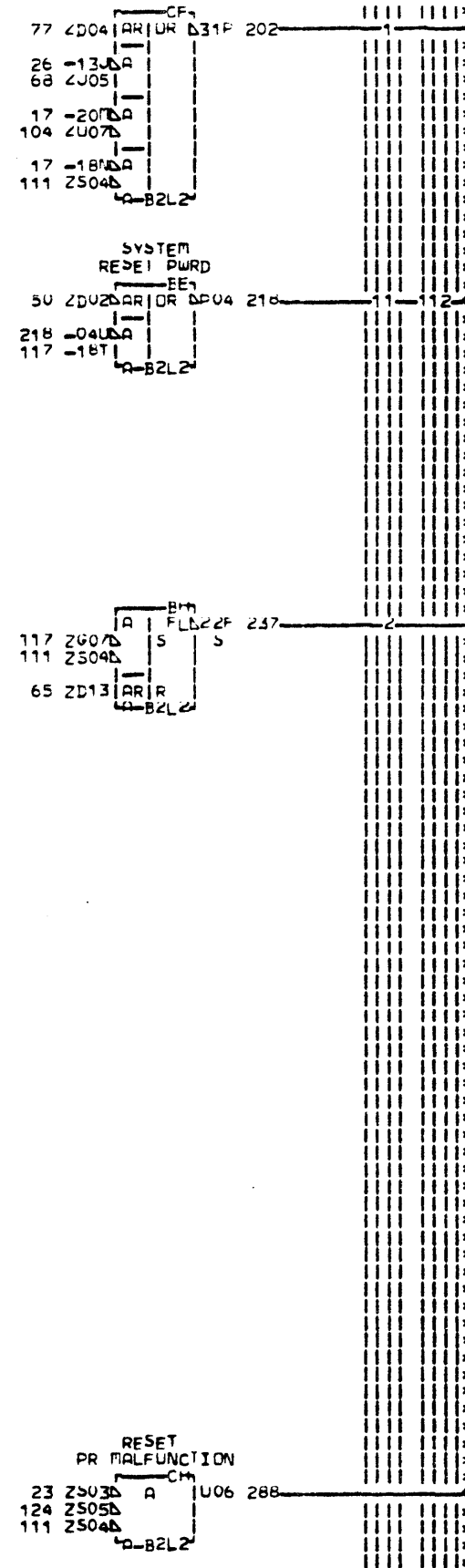
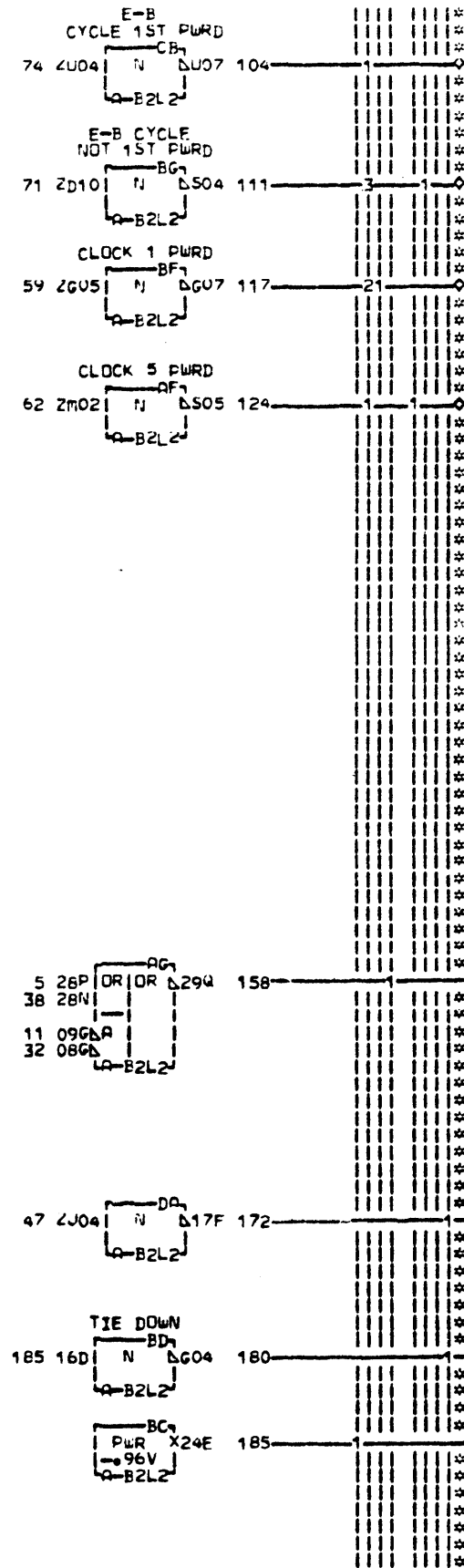
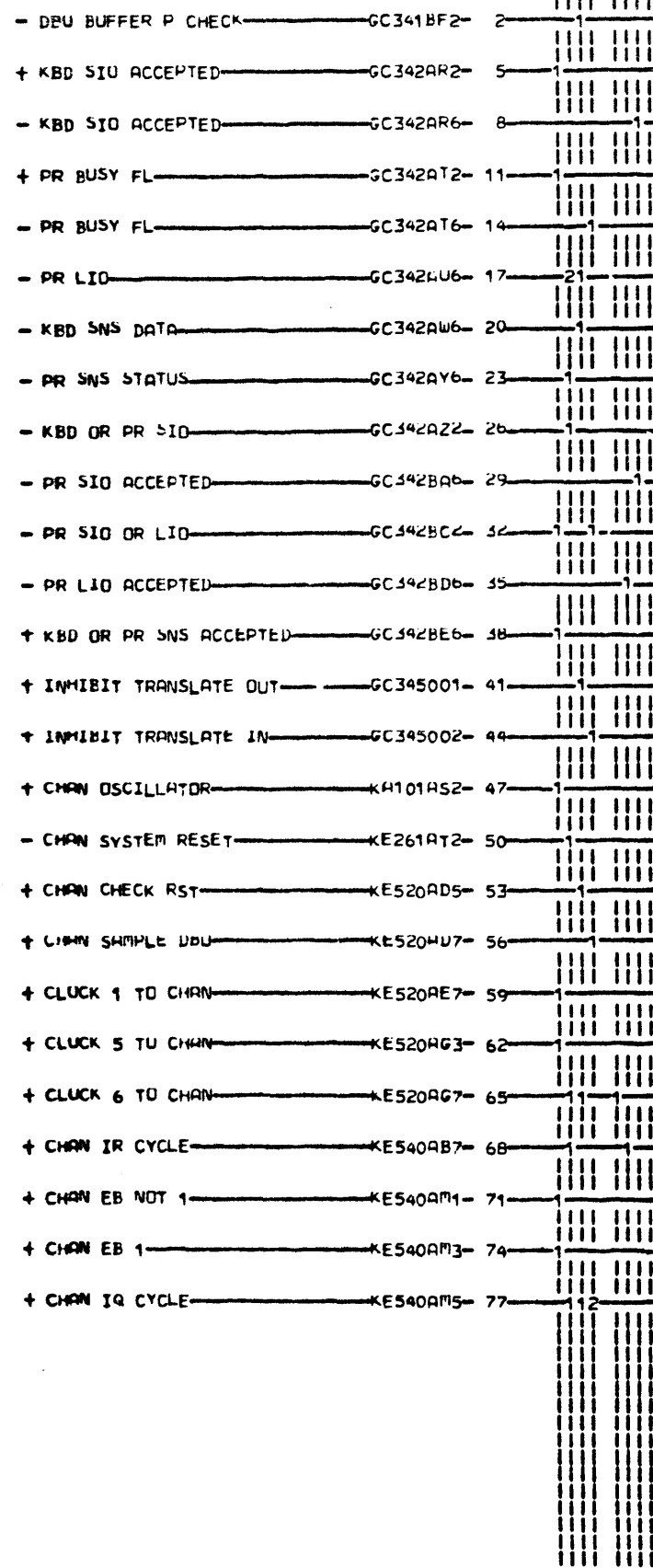
* NOTE PR CTRL CODE BITS AVAILABLE FOR DIAGNOSTIC USE

LOC. TYPE A-B2L2 3034

PAGE VER EC LEV GC341 002 818659 GC342 002 818659 GC343 002 818659

PRINTER KEYBOARD	
SID IR BYTE	
E-C-HISTORY	R-MACH-SYS3-CPU
B16756	
DATE LAST EC	09-01-71 818659
FRAME 01	GC341
IBM CORP-GSD	GC343
PoN 7369440	002

GC341
GC343
002



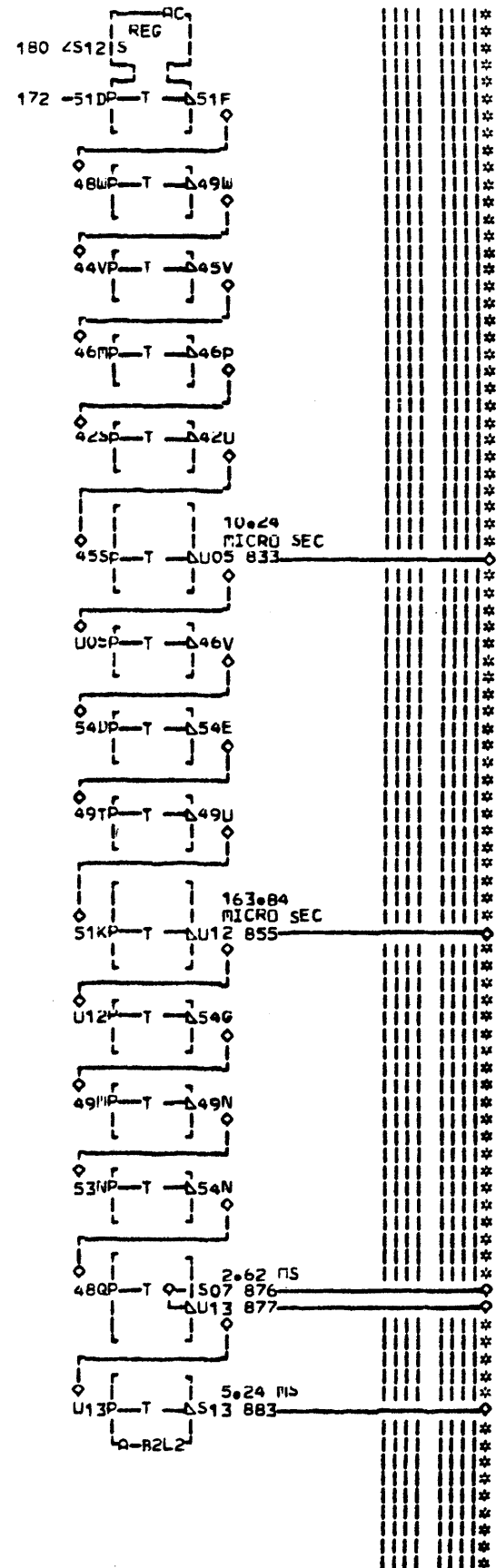
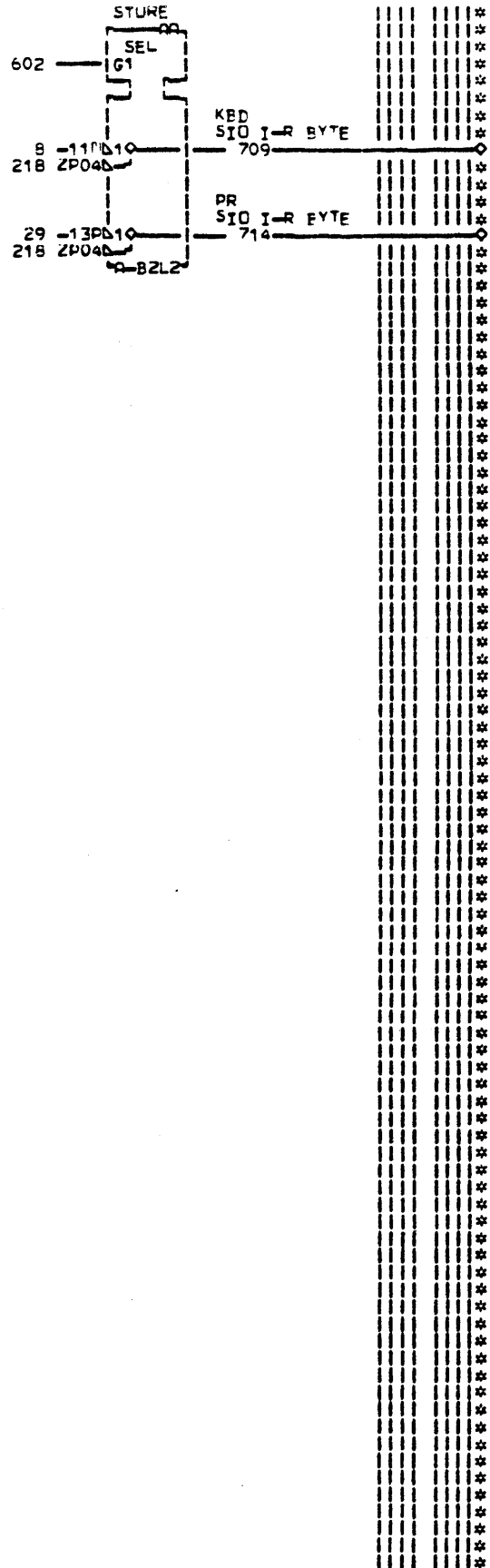
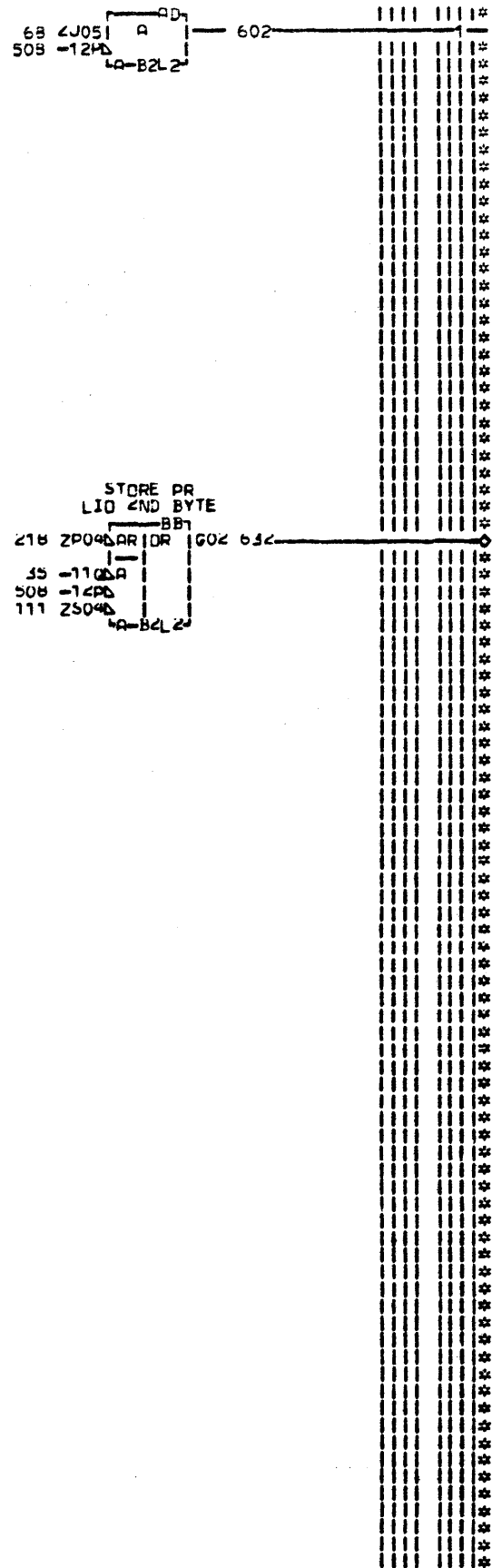
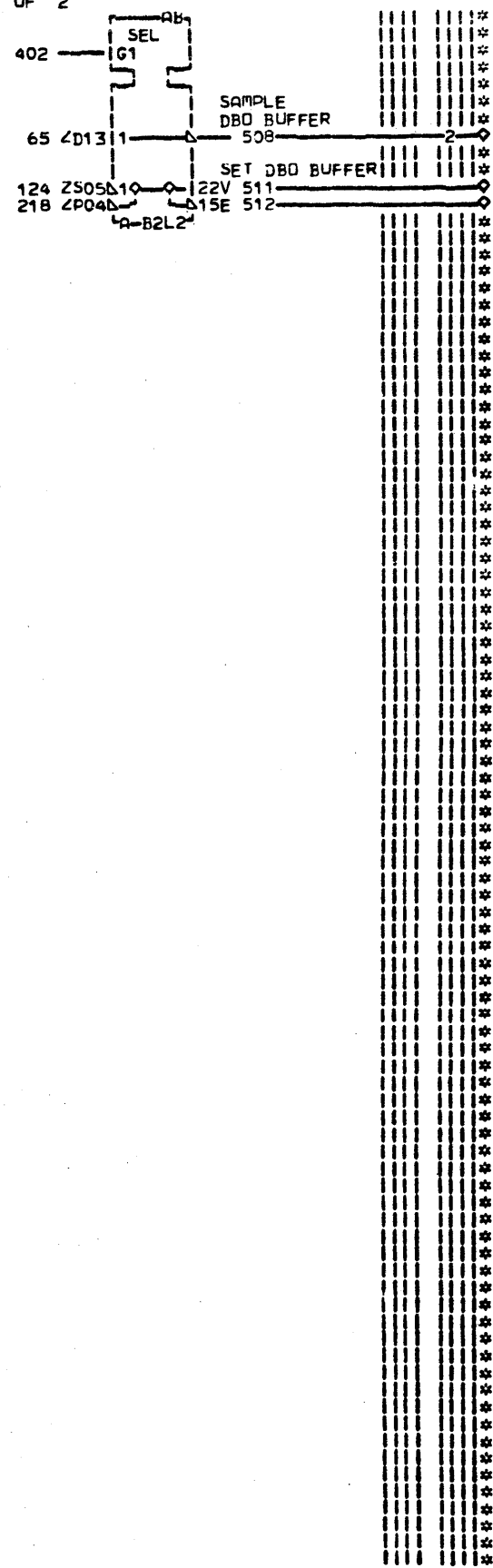
PAGE * NOTE 1 INHIBIT TRANSLATE
 01 LINES AVAILABLE FOR
 02 DIAGNOSTIC USE

GC344
 GC346
 002

LOC. TYPE
 A-B2L2 3034

PAGE VER EC LEV
 GC344 002 818659
 GC345 002 818659
 GC346 002 818659

PRINTER KEYBOARD	01	PAGE
INSTRUCTION DECODING	02	OF
E-C-HISTORY	02	02
816756		
FRAME	01	GC344
IBM CORP.G5D		GC346
DATE LAST EC		
09-01-71 818659	PeNo 7369441	002



- *** GC344 ***
- 124 - CLUCK 5 PWRD AB2
- GC362 GC363
- 374 - I-Q CYCLE PWRD GC342-AD2
- 508 - SAMPLE DBD BUFFER GC342-AM4
- 512 - SET DBD BUFFER GC341-AW2
- 456 + 5471 CHAN 1 I-O CONDITION B AX6
- WB107
- 446 + 5471 CHAN 1 I-O CONDITION A AY6
- WB107
- 709 + STORE KBD SID I-R BYTE GC343-AZ4
- 714 + STORE PR SID I-R BYTE GC343-BA4
- 652 + STORE PR LIO END BYTE GC341-BB4
- 218 - SYSTEM RESET PWRD BH6
- GC342 GC355 GC363 GC391
- GC392
- 511 + SET DBD BUFFER GC341-BK6
- *** GC345 ***
- 117 - CLOCK 1 PWRD GC361-AR2
- 111 - I-B CYCLE NOT 1ST PWRD GC361-AB2
- 104 - I-B CYCLE 1ST PWRD GC361-AG2
- 438 + 5471 CHAN 1 TRANSLATE IN AH2
- WB103
- 367 + 5471 CHAN 1 TRANSLATE OUT AJ2
- WB103
- 288 + RESET PR MALFUNCTION GC392-AX2
- *** GC346 ***
- 876 + 2.62 MS GC352-AF2
- 877 - 2.62 MS AM6
- GC352 GC382 GC392
- 855 - 163.84 MICRO SEC GC355-AR6
- 883 - 5.24 MS AT6
- GC362 GC382
- 833 - 10.24 MICRO SEC AU6
- GC352 GC355 GC391

PAGE * NOTE 1 INHIBIT TRANSLATE
 02 LINES AVAILABLE FOR
 02 OF DIAGNOSTIC USE

GC344
 GC346
 002

LOC. TYPE
 A-B2L2 3034

PAGE VER EC LEV
 GC344 002 818659
 GC345 002 818659
 GC346 002 818659

PRINTER KEYBOARD	02
INSTRUCTION DECODING	02
E-C-HISTORY	02
MACH-SYS3-CPU	02
816756	
FRAME 01	GC344
IBM CORP.65D	GC346
DATE LAST EC	
09-01-71 818659	PaNo 7369441 002

+ 2.62 MS GC346AF2- 2-1

- 2.62 MS GC346AM6- 7-1

- 10.24 MICRO SEC GC346AU6- 12-2

+ LOAD KBD KEY FL GC355AY2- 17-1

+ LOAD KBD CODE DATA BUFFER GC355AZ2- 22-1

- KBD CODE BIT B GC381AQ6- 27-1

- KBD CODE BIT A GC381AR6- 32-1

- KBD CODE BIT Z GC381AS6- 37-1

- KBD CODE BIT P GC381AT6- 42-1

- KBD CODE BIT H GC381BM6- 47-1

- KBD CODE BIT 8 GC381BN6- 52-1

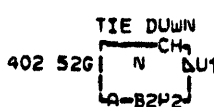
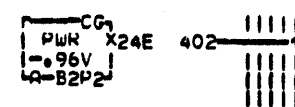
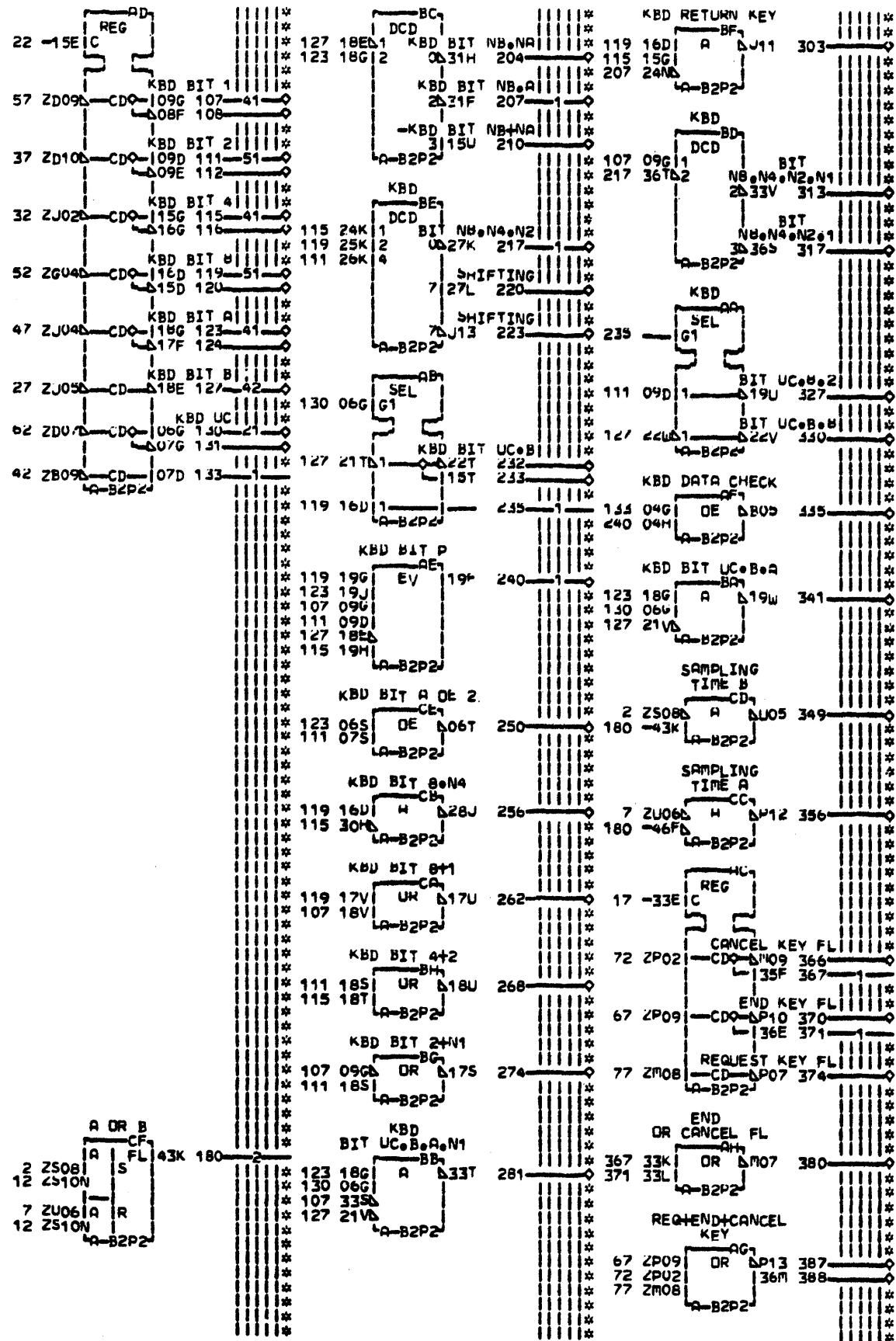
- KBD CODE BIT 1 GC381BP6- 57-1

- KBD CODE UC GC381BU6- 62-1

+ KBD END KEY GC461BJ4- 67-2

+ KBD CANCEL KEY GC461BK4- 72-2

+ KBD REQ KEY GC461BL4- 77-2



002 GC351 GC352

*** GC351 ***

127 - KBD BIT B GC353-AC6

123 + KBD BIT A GC353-AD2

124 - KBD BIT A GC353-AD6

119 + KBD BIT 8 GC353-AE2

120 - KBD BIT 8 GC354-AE6

115 + KBD BIT 4 GC353-AF2

116 - KBD BIT 4 GC353-AF6

111 + KBD BIT 2 GC354-AJ2

112 - KBD BIT 2 GC353-AJ6

107 + KBD BIT 1 GC354-AK2

108 - KBD BIT 1 GC353-AK6

130 + KBD UC GC353-AM2

131 - KBD UC GC354-AM6

240 + KBD BIT P GC353-AU2

335 - KBD DATA CHECK GC364-AV2

370 - END KEY FL GC363-AY2

386 - CANCEL KEY FL GC362-AZ2

374 - REQUEST KEY FL GC365-BA2

387 - REQ+END+CANCEL KEY GC355-BC2

388 + REQ+END+CANCEL KEY GC355-BC6

380 - END OR CANCEL FL GC365-BD2

*** GC352 ***

327 - KBD BIT UC0B0A GC353-AB6

232 - KBD BIT UC0B GC353-AB6

341 - KBD BIT UC0B0A GC353-AC6

330 - KBD BIT UC0B0A GC353-AD6

281 - KBD BIT UC0B0A GC353-AE6

207 - KBD BIT NB0A GC353-AF6

317 - KBD BIT NB0A0N201 GC354-AG6

313 - KBD BIT NB0A0N20N1 GC353-AH6

217 - KBD BIT NB0A0N2 GC353-AJ6

303 - KBD RETURN KEY GC363-AK6

220 + KBD SHIFTING GC355-AL2

223 - KBD SHIFTING GC364-AL6

210 - KBD BIT NB+NA GC353-AM2

233 - KBD BIT NB+NB GC354-AN2

274 - KBD BIT 2+N1 GC353-AP2

268 - KBD BIT 4+2 GC354-AQ2

262 - KBD BIT 8+1 GC354-AR2

256 - KBD BIT 8+N4 GC353-AS6

204 - KBD BIT NB0NH GC353-AT6

356 - SAMPLING TIME A GC355-LG354

349 - SAMPLING TIME B GC355-LG391 GC392

250 - KBD BIT A UE 2 GC353-AM2

503 - TIE DOWN GC355-AZ2

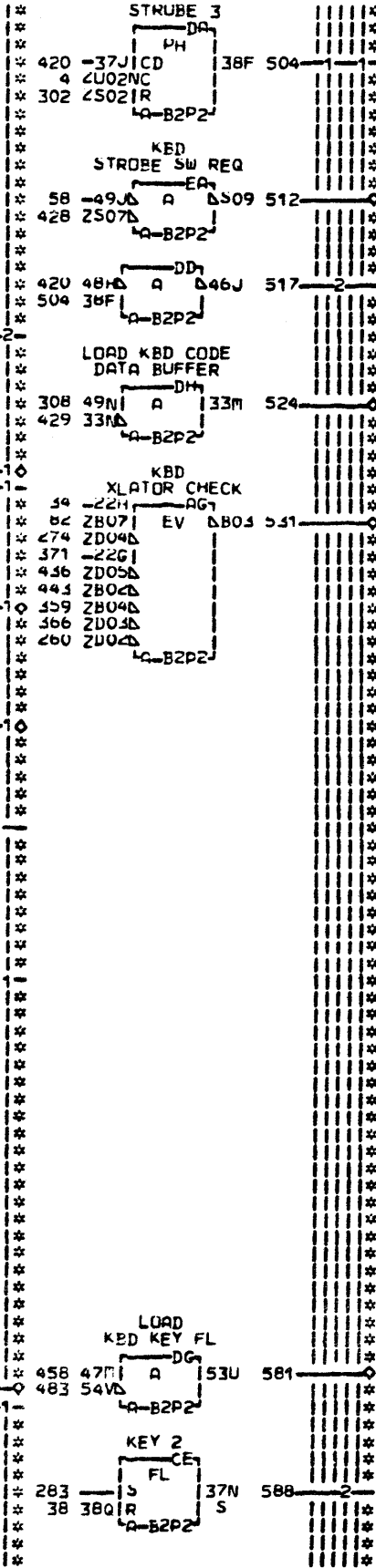
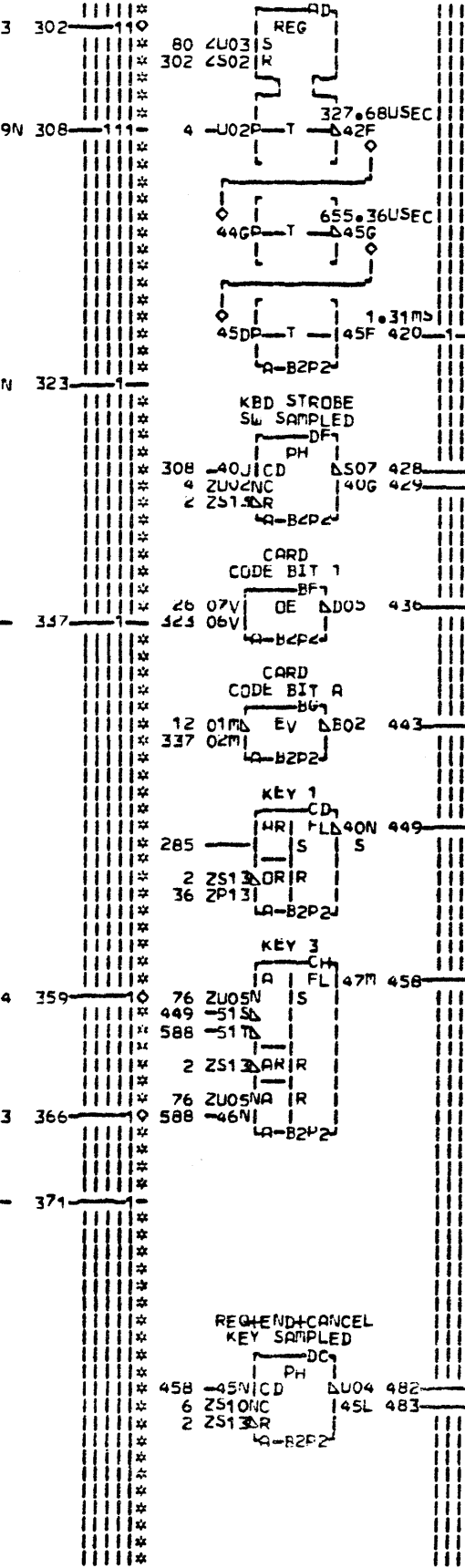
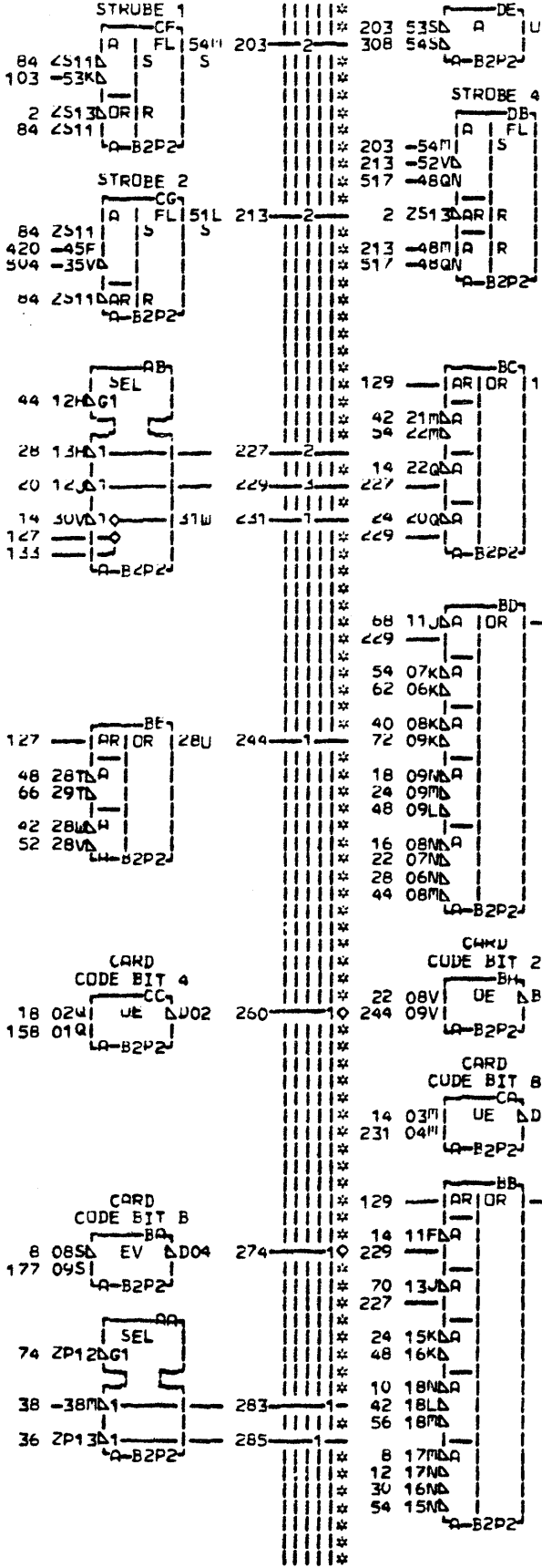
LOC. TYPE
A-B2P2 3035

PAGE VER EC LEV
GC351 002 818659
GC352 002 818659

GC351
GC352
002

PRINTER KEYBOARD		
KBD DATA BUFFER		
GC351	GC352	GC353
816756	816756	816756
FRAME	01	GC351
IBM CORP.	65D	GC352
DATE	LAST EC	
09-01-71	818659	P.No 258898 002

- SYSTEM RESET PWRD	GC344BH6	2-114
- 16384 MICRO SEC	GC346AR6	4-21
- 1024 MICRO SEC	GC346AU6	6-1
- KBD BIT B	GC351AC6	8-11
+ KBD BIT A	GC351AD2	10-1
- KBD BIT A	GC351AD6	12-1
+ KBD BIT B	GC351AE2	14-1
- KBD BIT B	GC351AE6	16-1
+ KBD BIT 4	GC351AF2	18-2
- KBD BIT 4	GC351AF6	20-1
+ KBD BIT 2	GC351AJ2	22-2
- KBD BIT 2	GC351AJ6	24-3
+ KBD BIT 1	GC351AK2	26-1
- KBD BIT 1	GC351AK6	28-1
+ KBD UC	GC351AM2	30-1
- KBD UC	GC351AM6	32-1
+ KBD BIT P	GC351AU2	34-1
- REQEND+CANCEL KEY	GC351BC2	36-1
+ REQEND+CANCEL KEY	GC351BC6	38-1
- KBD BIT UC0B0Z	GC352AA6	40-2
- KBD BIT UC0B	GC352AB6	42-2
- KBD BIT UC0B0A	GC352AC6	44-3
- KBD BIT UC0B0B	GC352AD6	46-1
- KBD BIT UC0B0A0N1	GC352AE6	48-2
- KBD BIT NB0A	GC352AF6	50-1
- KBD BIT NB0N40N201	GC352AG6	52-1
- KBD BIT NB0N40N20M1	GC352AH6	54-3
- KBD BIT NB0N40N2	GC352AJ6	56-2
+ KBD SHIFTING	GC352AL2	58-1
- KBD BIT NB0N40N	GC352AM2	60-1
- KBD BIT NUC0NB	GC352AN2	62-1
- KBD BIT 20N1	GC352AP2	64-1
- KBD BIT 402	GC352AQ2	66-1
- KBD BIT 801	GC352AR2	68-1
- KBD BIT 80N0	GC352AS6	70-1
- KBD BIT NB0NA	GC352AT6	72-1
- SAMPLING TIME A	GC352AU6	74-1
- SAMPLING TIME B	GC352AV6	76-2
- KBD BIT A DE 2	GC352AW2	78-1
- TIE DOWN	GC352AZ2	80-1
+ TEST PARITY TIME	GC353001	82-1
- KBD STROBE SW	GC381AU6	84-1



*** GC353 ***	
531 - KBD XLTOR CHECK	GC364-AL2
274 - CARD CODE BIT B	GC362-AN2
*** GC354 ***	
436 - CARD CODE BIT 1	GC364-AF2
443 - CARD CODE BIT A	GC363-AG2
359 - CARD CODE BIT C	GC364-AH2
366 - CARD CODE BIT 8	GC363-AM2
260 - CARD CODE BIT 4	GC363-AP2
*** GC355 ***	
482 - REQEND+CANCEL KEY SAMPLED	AS6 LGC363 LGC365
302 + RESET STROBE TIMING	AV2
428 - KBD STROBE SW SAMPLED	GC363-AW6
581 + LOAD KBD KEY FL	GC351-AY2
524 + LOAD KBD CODE DATA BUFFER	AZ2 LGC351
512 - KBD STROBE SW REQ	GC365-BA6

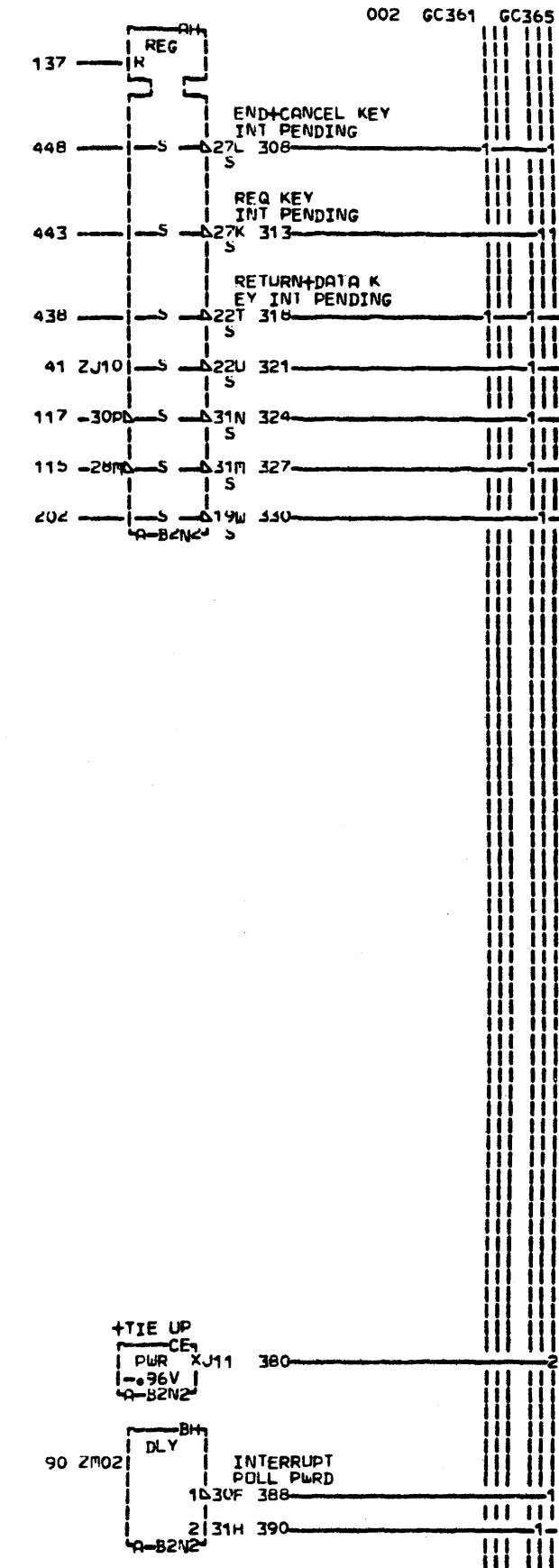
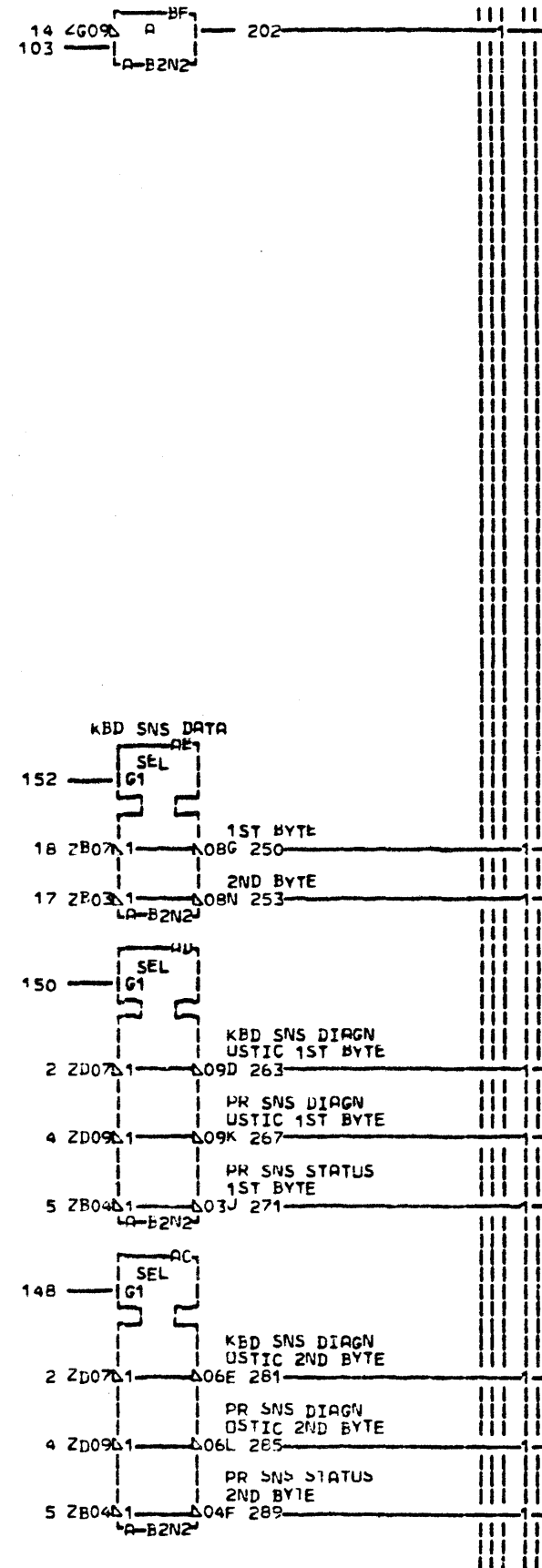
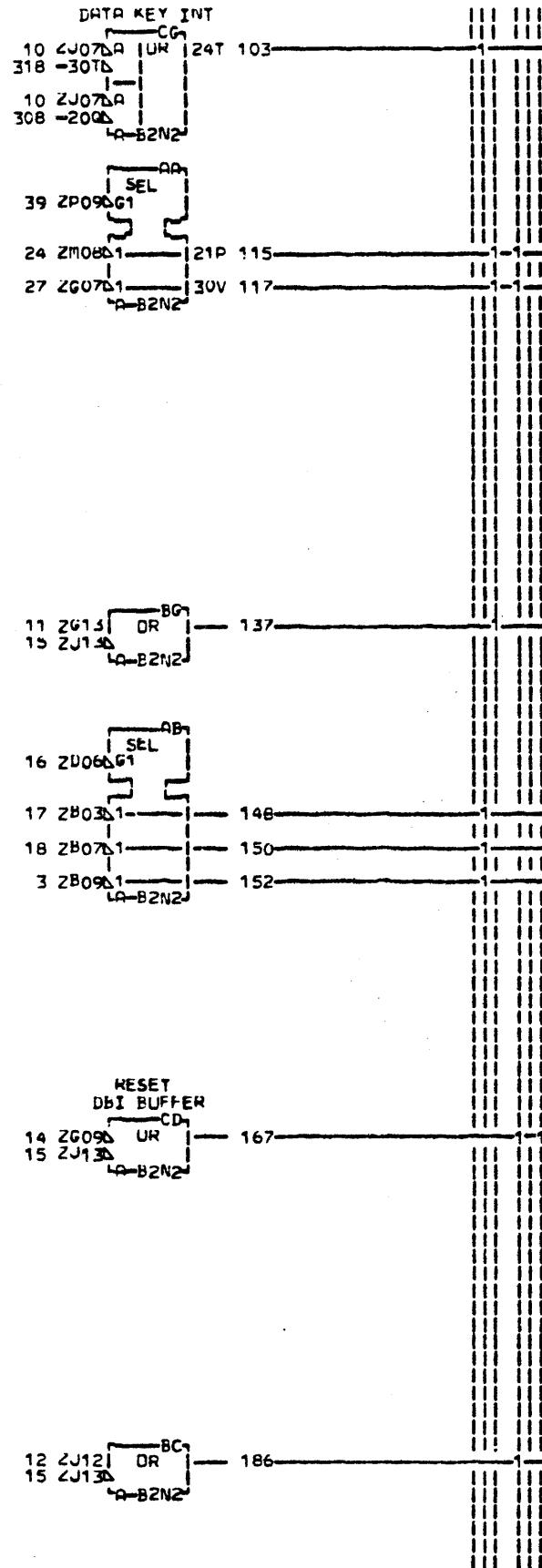
LOC. TYPE
A-B2P2 3035

PAGE VER EC LEV
GC353 002 818659
GC354 002 818659
GC355 002 818659

PRINTER KEYBOARD KBD TRANSLATOR E.C.O.-HISTORY		R1 MACH. SYS3-CPU 816736	
FRAME	01	GC353	
DATE	LAST EC 09-01-71 818659	IBM CORP-GSD	GC355
P.No. 7369442			002

GC353
GC355
002

- KBD SNS DIAGNOSTIC	GC342AV6	2	1	1	1
- KBD SNS DATA	GC342AW6	3	1	1	1
- PR SNS DIAGNOSTIC	GC342AX6	4	1	1	1
- PR SNS STATUS	GC342AY6	5	1	1	1
- KBD OR PR SNS ACCEPTED	GC342BE2	6	1	1	1
- PR ENABLED	GC343AG6	8	1	1	1
- KBD REQ KEY ENABLED	GC343AL6	9	1	1	1
- KBD DATA KEY ENABLED	GC343AM6	10	1	1	1
+ RESET KBD INT	GC343AQ2	11	1	1	1
+ RESET PR INT	GC343AT2	12	1	1	1
- CLOCK 5 PWRD	GC344AB2	14	1	1	1
- SYSTEM RESET PWRD	GC344BH6	15	1	1	1
- CLOCK 1 PWRD	GC345AA2	16	1	1	1
- E-B CYCLE NOT 1ST PWRD	GC345AB2	17	1	1	1
- E-B CYCLE 1ST PWRD	GC345AG2	18	1	1	1
- 5.24 MS	GC346AT6	20	1	1	1
- KBD DATA CHECK	GC351AV2	21	1	1	1
- END KEY FL	GC351AY2	22	1	1	1
- CANCEL KEY FL	GC351AZ2	23	1	1	1
- REQUEST KEY FL	GC351BA2	24	1	1	1
- REQ+END+CANCEL KEY	GC351BC2	26	1	1	1
- END OR CANCEL FL	GC351BD2	27	1	1	1
- KBD RETURN KEY	GC352AK6	28	1	1	1
- KBD SHIFTING	GC352AL6	29	1	1	1
- KBD XLATOR CHECK	GC353AL2	30	1	1	1
- CARD CODE BIT B	GC354AN2	32	1	1	1
- CARD CODE BIT 1	GC354AF2	33	1	1	1
- CARD CODE BIT A	GC354AG2	34	1	1	1
- CARD CODE BIT C	GC354AM2	35	1	1	1
- CARD CODE BIT B	GC354AN2	36	1	1	1
- CARD CODE BIT A	GC354AP2	38	1	1	1
- REQ+END+CANCEL KEY SAMPLED	GC355AS6	39	1	1	1
- KBD STROBE SW SAMPLED	GC355AW6	40	1	1	1
- KBD STROBE SW REQ	GC355BA6	41	1	1	1
- SPARE 2	GC362001	42	1	1	1
- SPARE 5	GC362003	44	1	1	1
- SPARE 7	GC363002	45	1	1	1
- SPARE 8	GC364001	46	1	1	1
- C.E. SNS BIT	GC364002	47	1	1	1
- CYCLE FL	GC372AY6	48	1	1	1
- PR ROTATE 2A	GC373AQ6	50	1	1	1
- PR TILT 2	GC373AR2	51	1	1	1
- PR TILT 1	GC373AU2	52	1	1	1
- PR ROTATE 5	GC373AW2	53	1	1	1
- PR ROTATE 2	GC374AH6	54	1	1	1
- PR MUTATE 1	GC374AS6	56	1	1	1
- PR XLATOR CHECK	GC374AU6	57	1	1	1
- UPPER SHIFT REQD	GC375AL6	58	1	1	1
- LOWER SHIFT REQD	GC375AM6	59	1	1	1
- UNPRINTABLE CHARACTER	GC376AL2	60	1	1	1
- NU PRINT	GC376AT2	62	1	1	1
- KBD CODE BIT B	GC381AQ6	63	1	1	1
- KBD CODE BIT A	GC381AM6	64	1	1	1
- KBD CODE BIT 2	GC381AS6	65	1	1	1
- KBD CODE BIT F	GC381AT6	66	1	1	1
- KBD STRUBE SW	GC381AU6	68	1	1	1
- PR LONG FUNCTION SW	GC381AV6	69	1	1	1
- KBD CODE BIT A	GC381BH6	70	1	1	1
- KBD CODE BIT B	GC381BN6	71	1	1	1
- KBD CODE BIT 1	GC381BP6	72	1	1	1
- KBD CODE LC	GC381BQ6	74	1	1	1
- PR FEEDBACK SW	GC381BR6	75	1	1	1
- PR SHIFT MODE SW	GC381BS6	76	1	1	1
- PR END OF FORM SW	GC381BT6	77	1	1	1
- 2.68 SEC	GC382BC6	78	1	1	1
- PR FEEDBACK SW SAMPLED	GC391AQ6	80	1	1	1
- PR LONG FUNCTION SW SAMPLED	GC391AR6	81	1	1	1
- PR EXTRA CYCLE FL	GC392AF6	82	1	1	1
- PR FEEDBACK TOO LATE FL	GC392AG6	83	1	1	1
- END OF LINE FL	GC392AM6	84	1	1	1
- PR CYCLE TOO LONG FL	GC392AN6	86	1	1	1
+ PR BUSY	GC392AP2	87	1	1	1
- PR BUSY	GC392AS2	88	1	1	1
- PR MALFUNCTION	GC392AU2	89	1	1	1
+ CHAN INTERRUPT POLL	KE540AM7	90	1	1	1

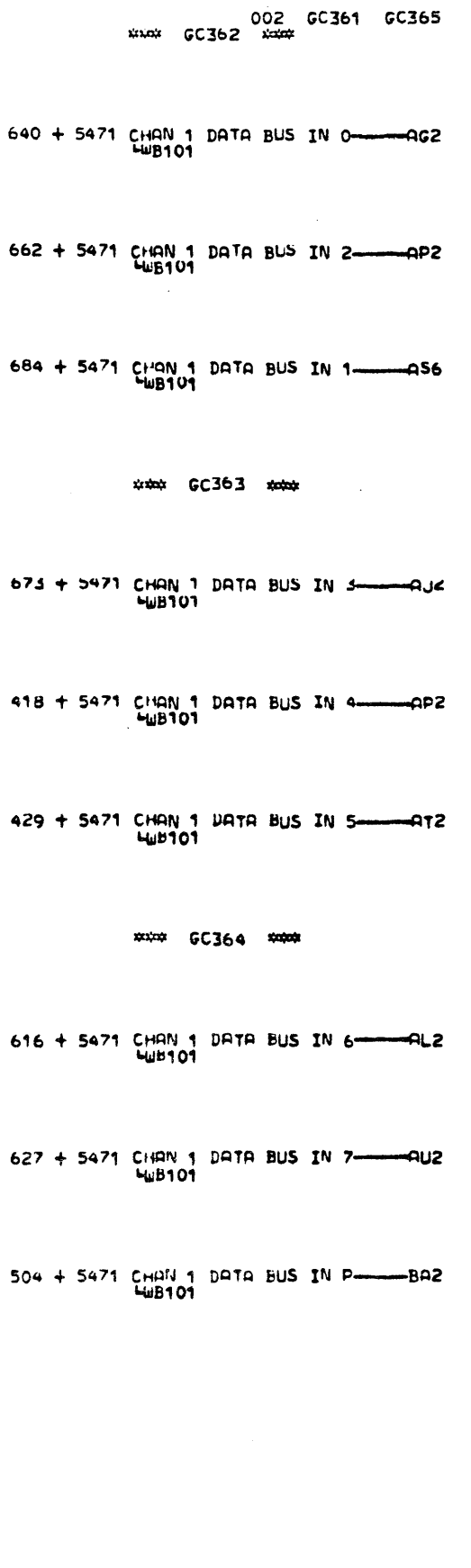
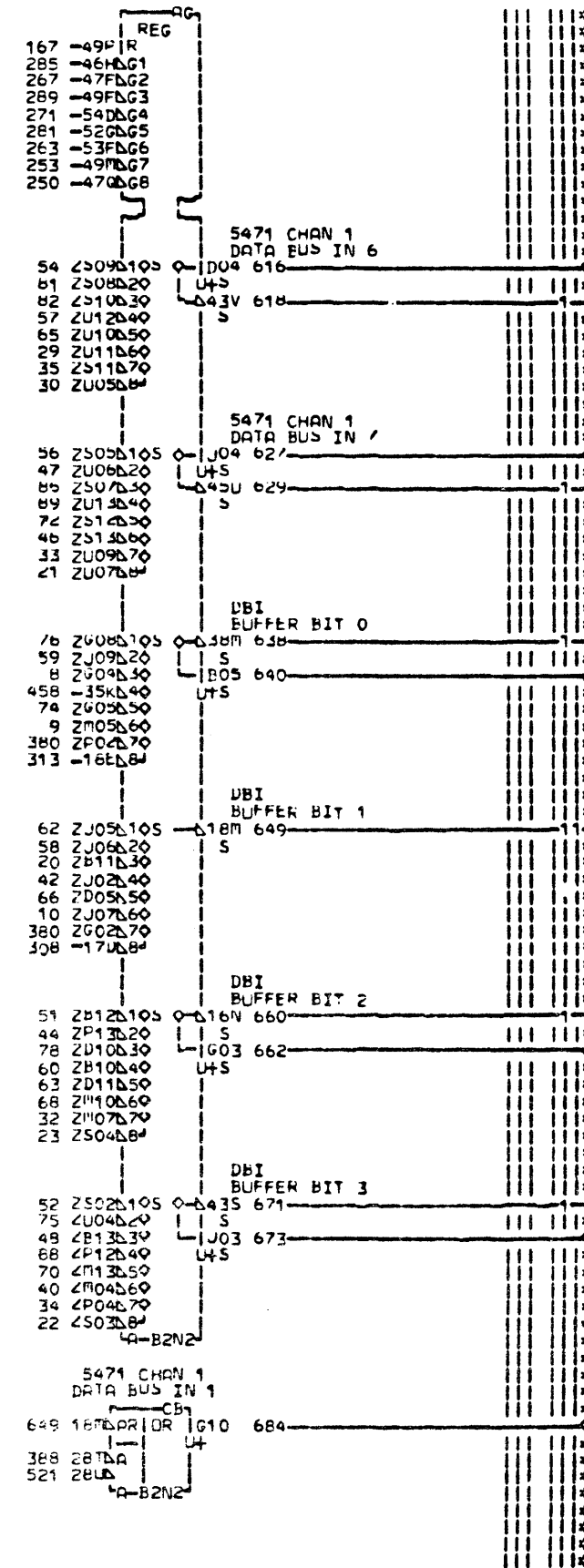
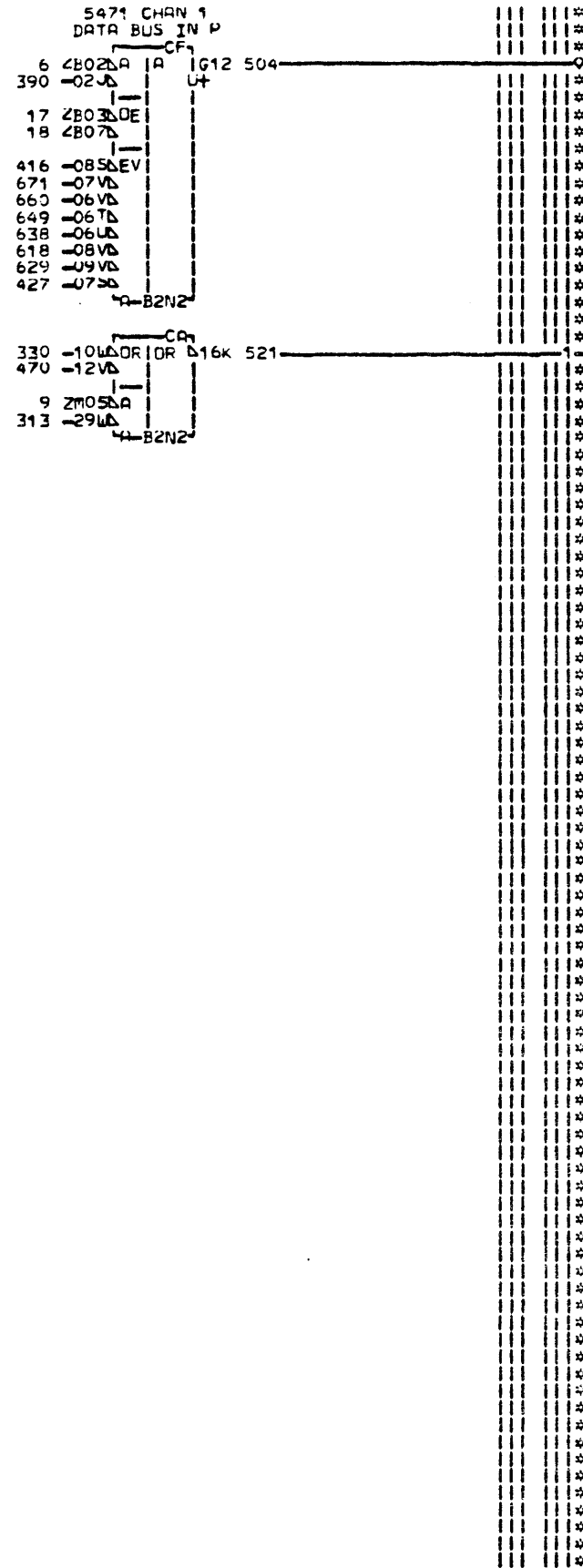
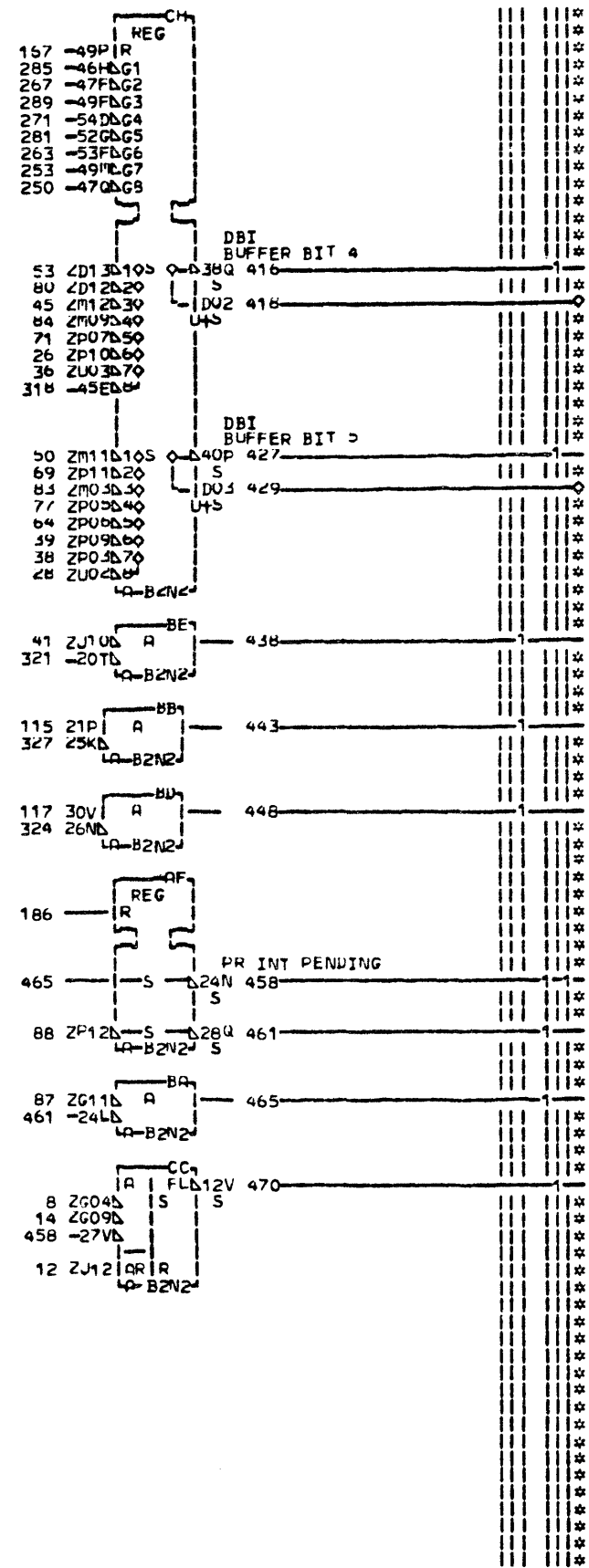


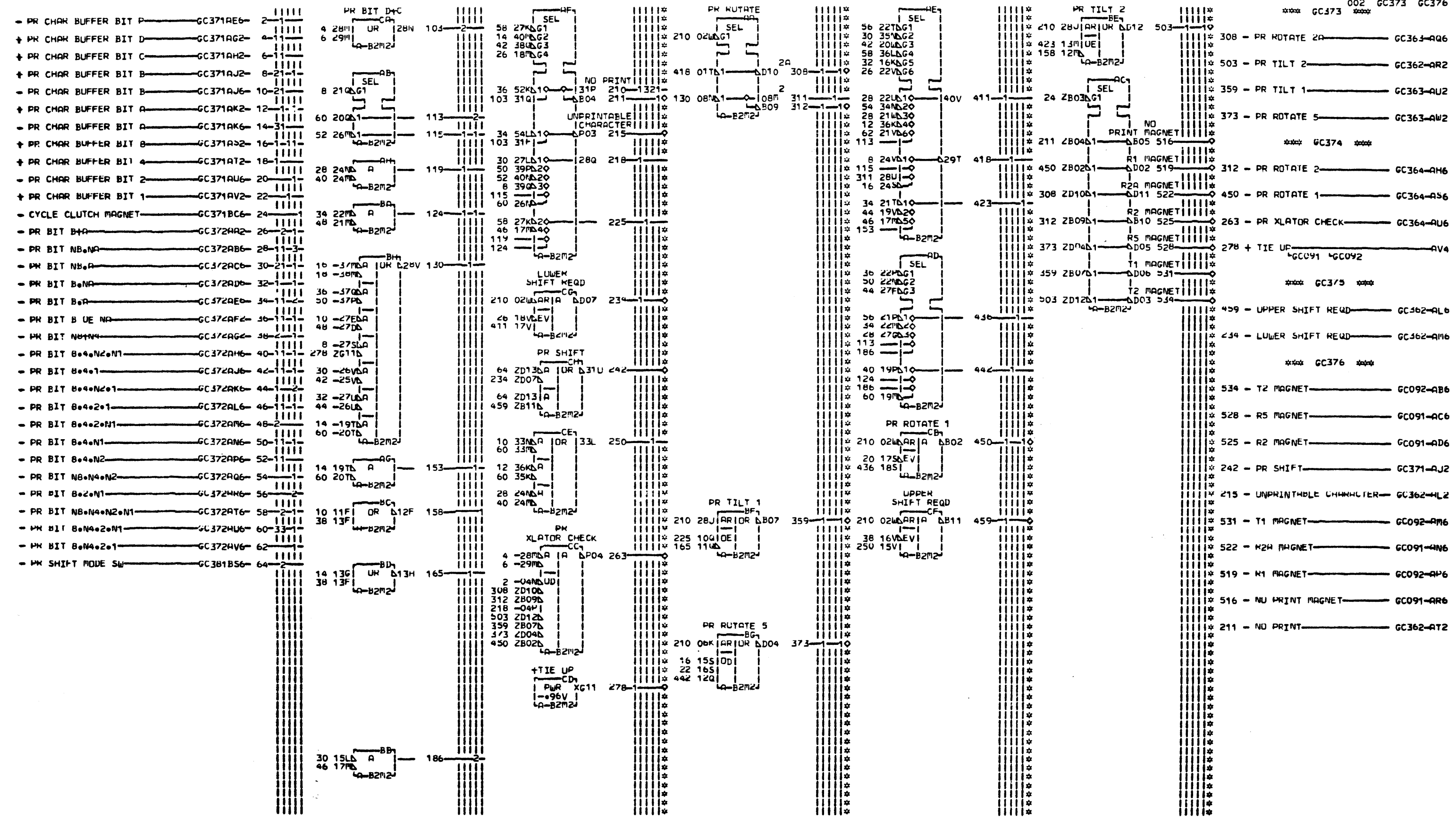
PAGE
01
OF
02
GC361
GC365
002

LOC. TYPE
A-B2N2 3036

PAGE VER EC LEV
GC361 002 818659
GC362 002 818659
GC363 002 818659
GC364 002 818659
GC365 002 818659

PRINTER KEYBOARD	PAGE	01
SENSE DATA GATING	OF	02
E.C. HISTORY	MACH. SYS3-CPU	02
818756	FRAME	01 GC361
DATE LAST EC	IBM CORP. GSD	GC365
09-01-71 818659	PaNo 7369443	002

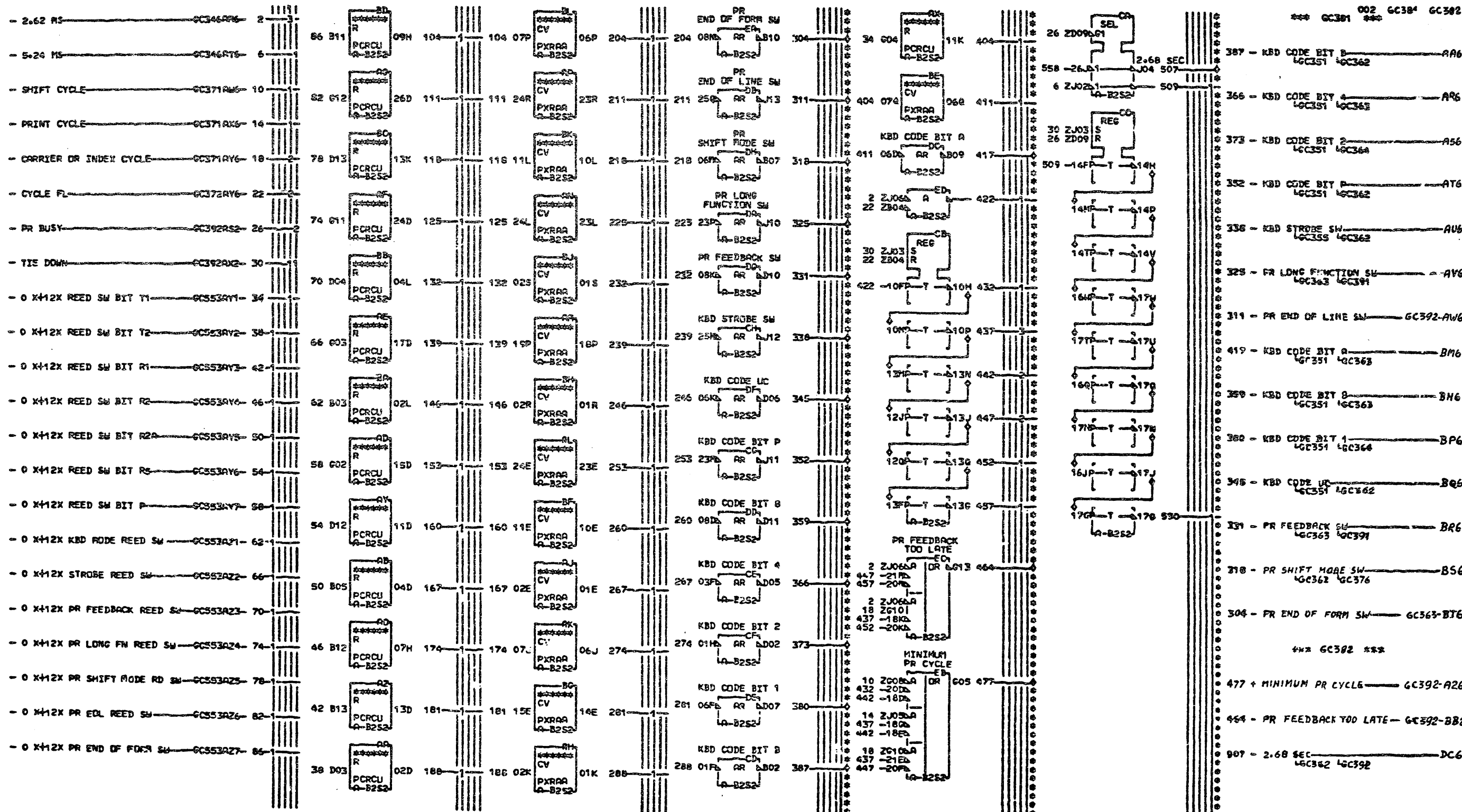




LOC. TYPE
A-B2M2 3037

PAGE VER EC LEV
GC373 002 B18659
GC374 002 B18659
GC375 002 B18659
GC376 002 B18659

PRINTER KEYBOARD			
PR XLATOR			
E.C. HISTORY - R. MACH. SYS3-CPU			
816756			
FRAME	01	GC373	
IBM CORP.	GSD	GC376	
DATE	LAST EC		
09-01-71	B18659		
P.No.	7369444	002	

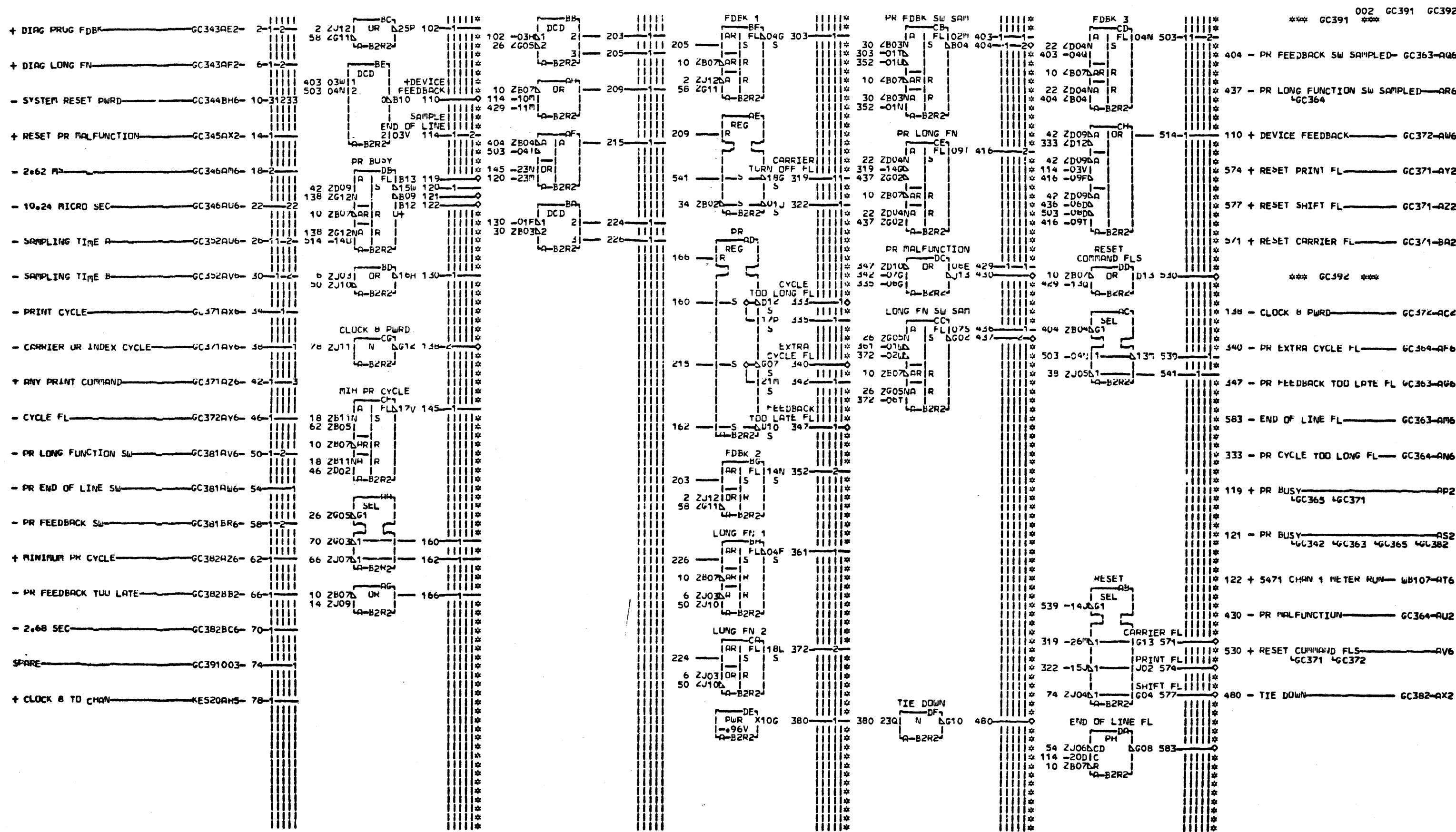


LDC TYPE
A-8782 3038

PAGE VER EC LEV
GC381 002 818659
GC382 002 571988

GC381
GC382
002

PRINTER KEYBOARD FEED SWITCH LEVEL SETTING	
E.C. HISTORY 816756 818639	FRAME J4 GC381 IBM CORP. 6SD GC382 P.N. 7369445 002
DATE LAST EC 04-19-77 571988	



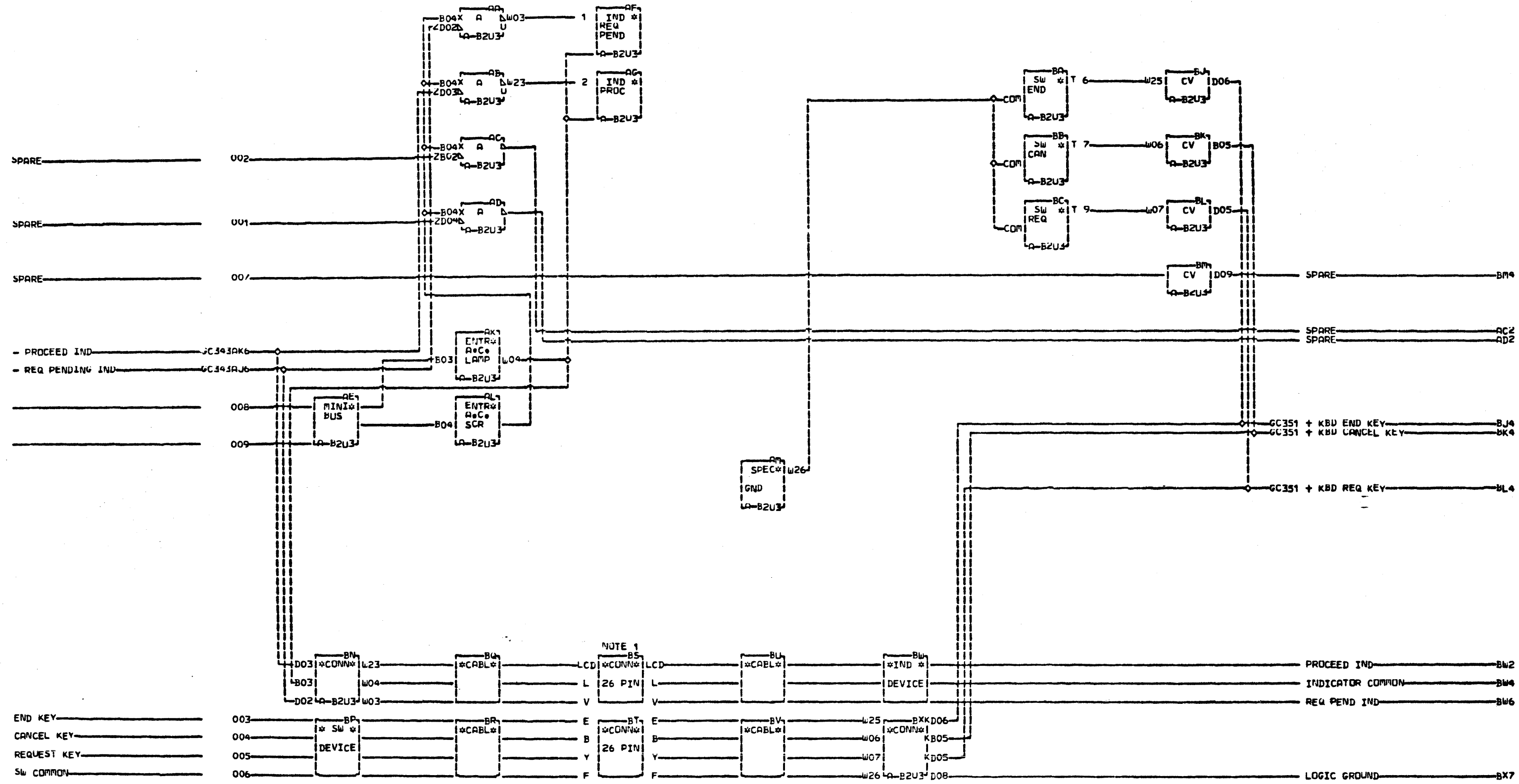
LOC. TYPE
A-B2R2 3039

PAGE VER EC LEV
GC391 002 818659
GC392 002 818659

PRINTER KEYBOARD CONTROLS		
SWITCH SAMPLING		
E-C-HISTORY R-MACH-SYS3-CPU		
816756		
FRAME	01	GC391
DATE	LAST EC	IBN CORP.GSD GC392
09-01-71	818659	PeNo 7369446 002

GC391
GC392
002

91



NOTE 1

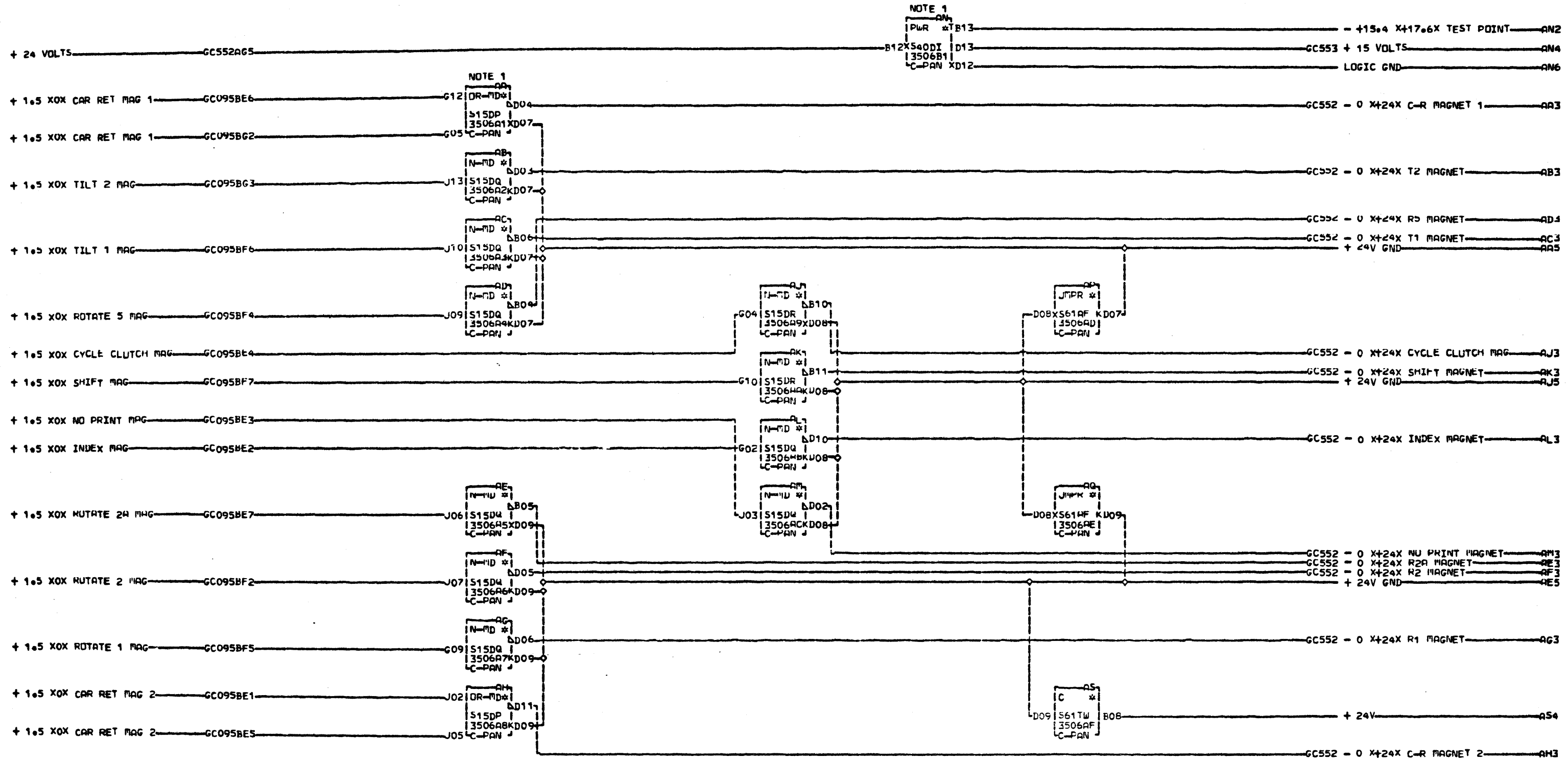
BS
LCD *CONN* LCD *IND*
L 26 PIN L DEVICE
V V

BT
E *CONN* E W25 BXKD06
B *CONN* B W06 *CONN* KB05
Y Y W07 KD05
F F W26 A-B2U3 D08

* NOTE 1
AN LC PREFIX TO ANOTHER ALPHA
CHARACTER INDICATES LOWER CASE

LOC. TYPE
A-B2U3 4646

SWITCH LEVEL SET AND INDICATOR DRIVER		6 C 6 1
E-C-HISTORY 816756	R-PACK-SYS3-CPU FRAME 01	
DATE 09-01-71	LAST EC 818659	IBM CORP. GSD PcNo 2588912



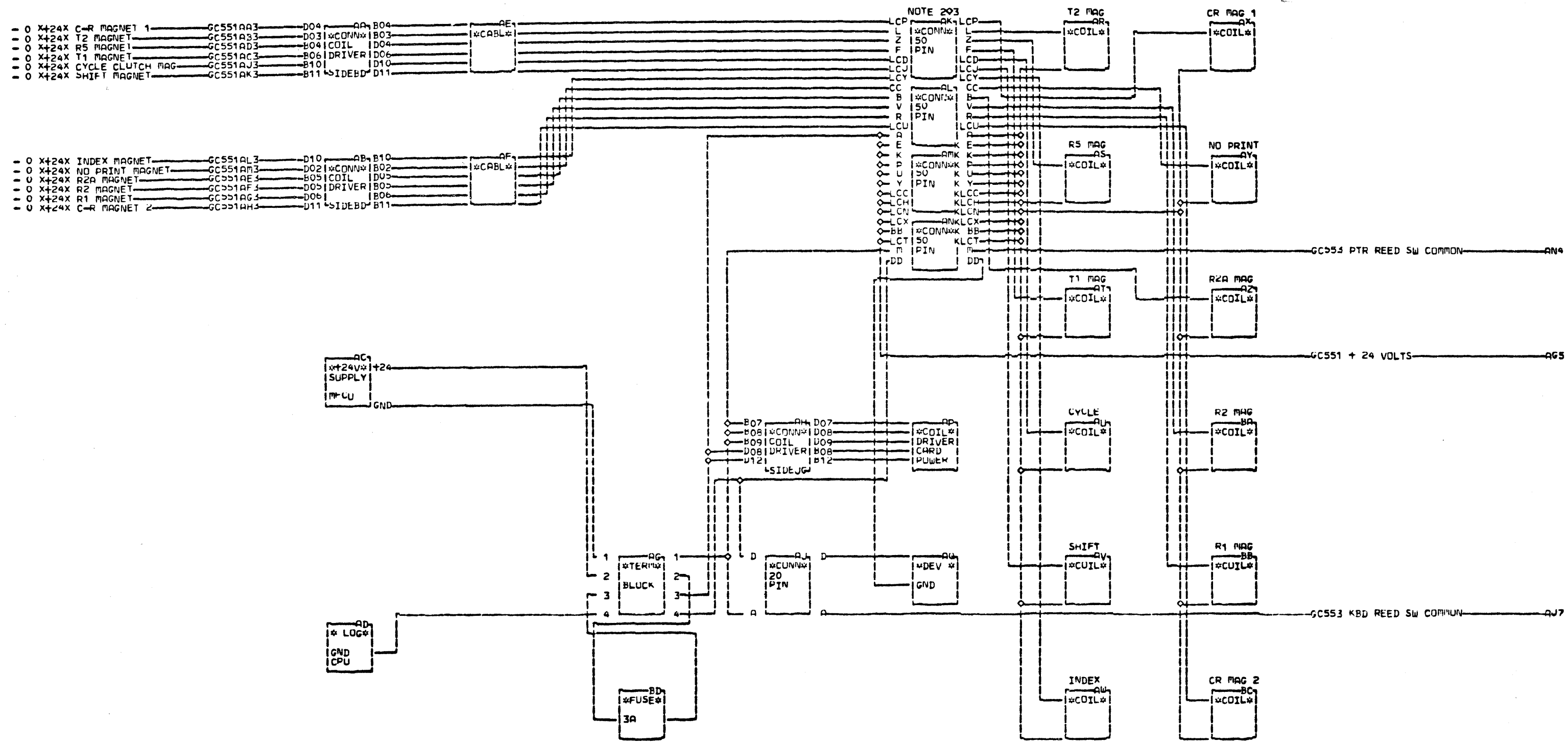
* NOTE 1
 THIS CARD IS LOCATED
 UNDER THE PRINTER KBD
 CARD PN IS 5860220

LOC. TYPE

12-COIL DRIVERS AND 15V SUPPLY	
E-C-HISTORY 816756	R1 MACH. SYS3-CPU
DATE LAST EC 09-01-71 818659	FRAME 01 IBM CORP. GSD P.No. 2588913

8/1
 002

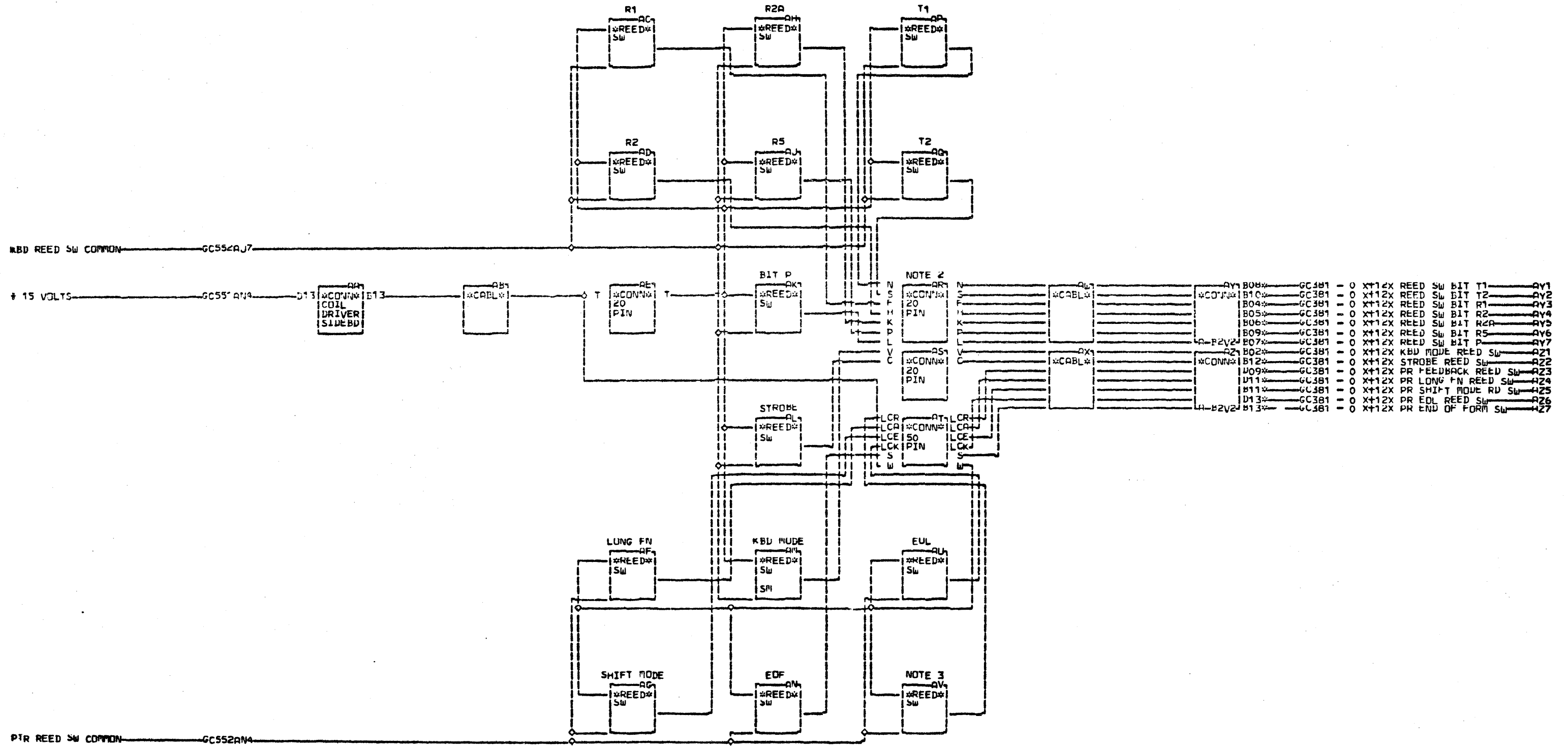
002



* NOTE 1 COILS ARE LOCATED IN
 KEYBOARD PRINTER
 * NOTE 2 AN LC PREFIX TO
 C ANOTHER ALPHA CHARACTER
 S INDICATES LOWER CASE
 * NOTE 3 THE COMMON
 2 CONNECTIONS SHOWN BELOW ARE
 LOCATED IN THE 50 PIN
 002CONNECTOR

LOC. TYPE

PRINTER KEYBOARD COIL CONNECTIONS E.C. HISTORY R1 MACH. SYS3-CPU 816756		FRAME 01 IBM CORP. GSD P.No. 2588914
DATE 09-01-71 LAST EC 818659	002	



* NOTE 1 REED SWITCHES ARE LOCATED IN KEYBOARD PRINTER
 6 * NOTE 2 AN LC PREFIX TO C ANOTHER ALPHA CHARACTER
 5 INDICATES LOWER CASE
 5 * NOTE 3 THIS IS THE OR OF 3
 3 SWITCHES SHIFT FEEDBACK AND OPERATIONAL FEEDBACK AND 002PRINT FEEDBACK

AY1	A-B2V2B08	AZ3	A-B2V2D09
AY2	A-B2V2B10	AZ4	A-B2V2D11
AY3	A-B2V2B04	AZ5	A-B2V2B11
AY4	A-B2V2B05	AZ6	A-B2V2B13
AY5	A-B2V2B06	AZ7	A-B2V2B13
AY6	A-B2V2B09		
AY7	A-B2V2B07		
AZ1	A-B2V2B02		
AZ2	A-B2V2B12		

LOC. TYPE

PRINTER KEYBOARD REED SWITCH CONNECTIONS	
E-C-HISTORY 916756	R1 MACH. SYS3-CPU
FRAME 01	IBM CORP. GSD
DATE 09-01-71	LAST EC 818659
P.No 2588915	