



C656-416L-CD

# AIR TRAINING COMMAND

COMPUTER SYSTEMS DEPARTMENT

## CIRCUITS & DIAGRAMS

ABR30533-1  
DIGITAL AND SITUATION DISPLAYS, AN/FSQ-7

15 November 1965

RESPONSIBLE AGENCY OF ATC

Keesler Technical Training Center  
Keesler AFB, Mississippi

FOR ATC INSTRUCTIONAL PURPOSES ONLY

CONTENTS

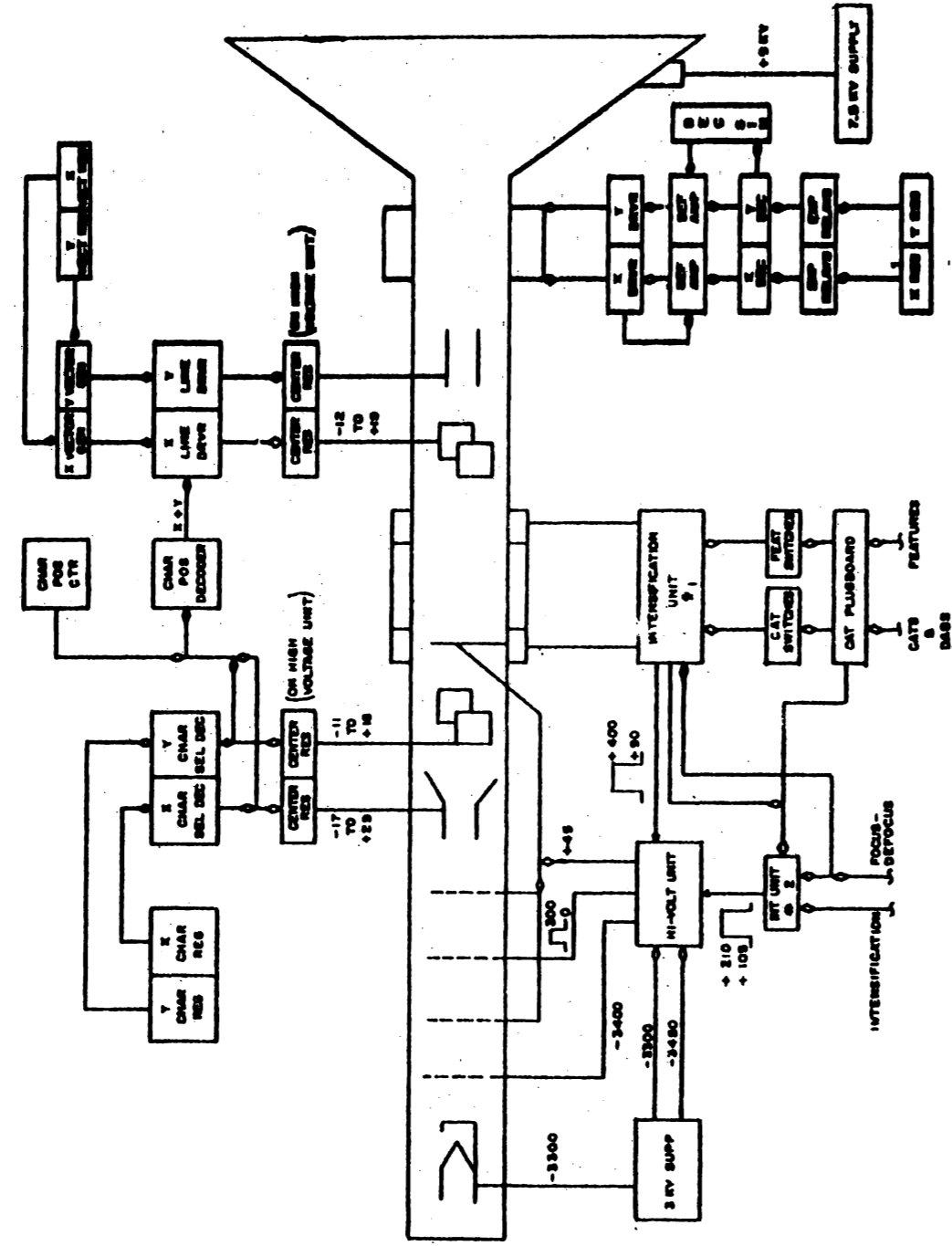
TITLE	PAGE
DD Block Diagram	1
DDGE Block Diagram	1
Simplified X-Y Decoder Circuit	1
SD Expansion Chart	2
MDI Overall Block Diagram	2
Photographic Recorder-Reproducer, Block Diagram	2
SD Block Diagram	3
Information in Tabular Message	3
SDGE with RD Message In	3
<del>Situation Display Generator Element</del>	4
Situation Display Generator Element	5
SD High Voltage Unit	6
Timing Chart I, Vector Message	7
Timing Chart II, Tabular, Not-Info	8
Timing Chart, Work Sheet	9
SD Console Digital Display	10
M. I. Matrix Readout Alarm & Switching Ckt.	11
Initial Period - DDGE Timing	11
Core Matrix Control	11
Light Gun-Wing Panel Information Flow	12

DYE



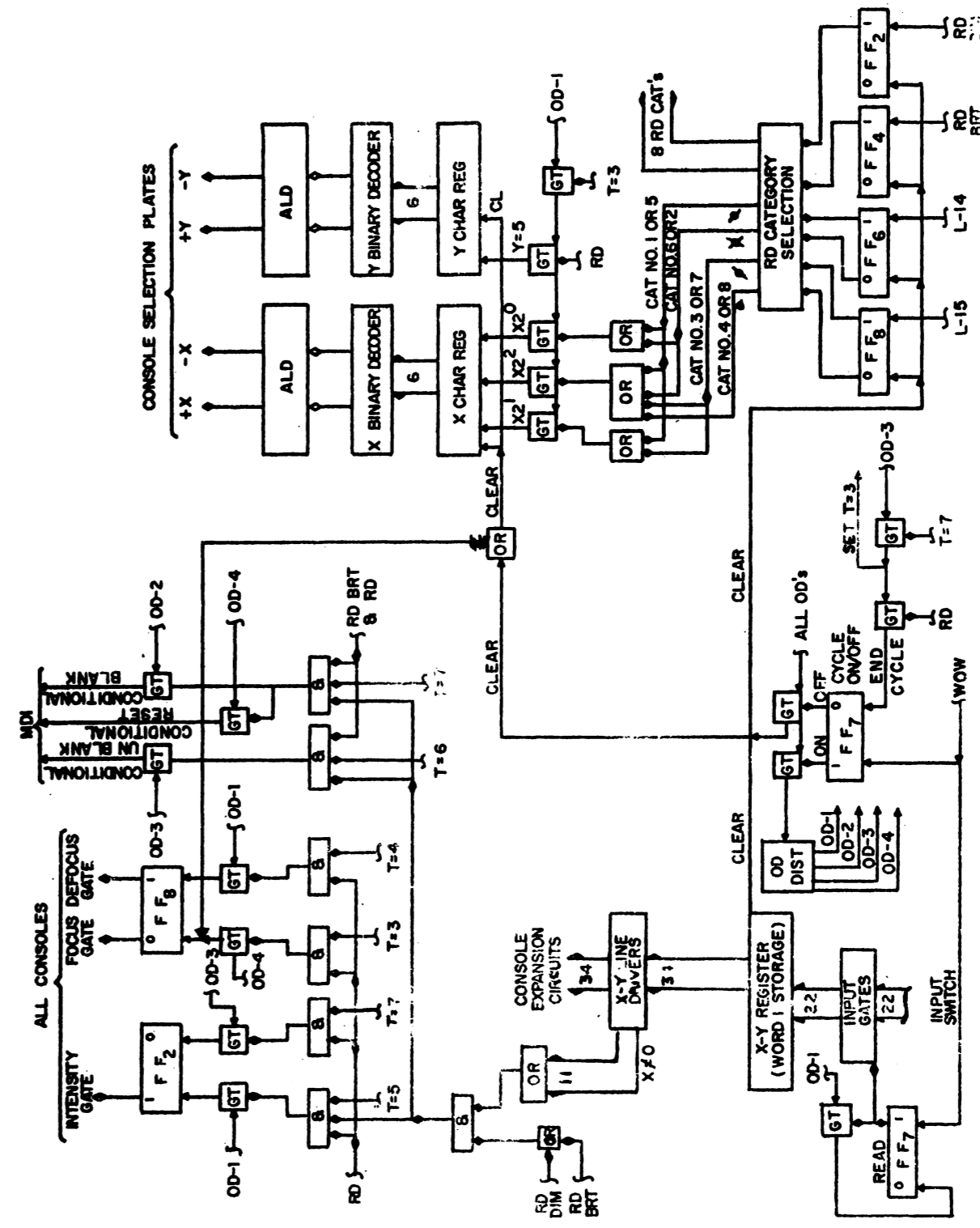
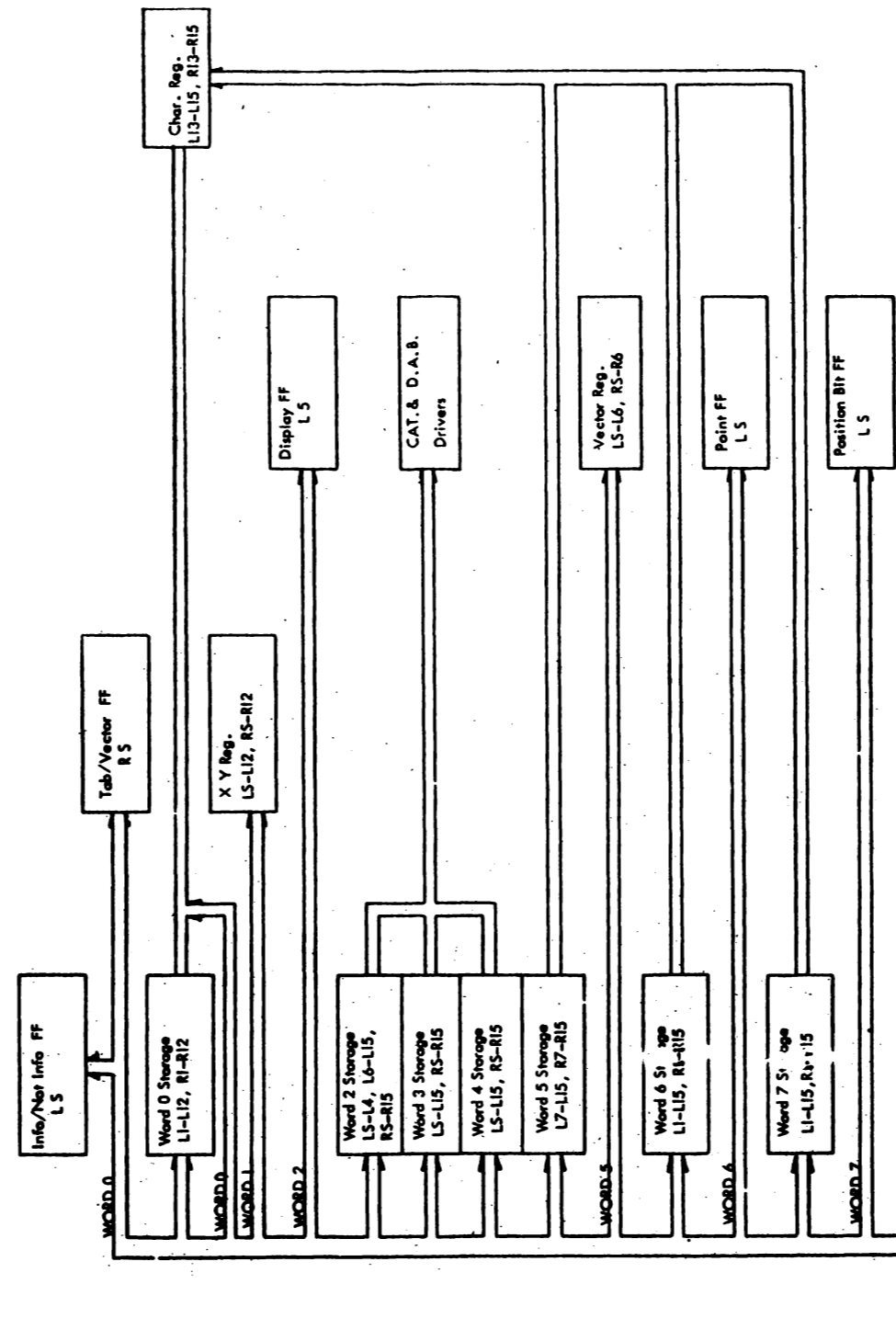


S. D. BLOCK DIAGRAM



TITLE: S.D. BLOCK DIAGRAM

INFORMATION FLOW IN TABULAR MESSAGE

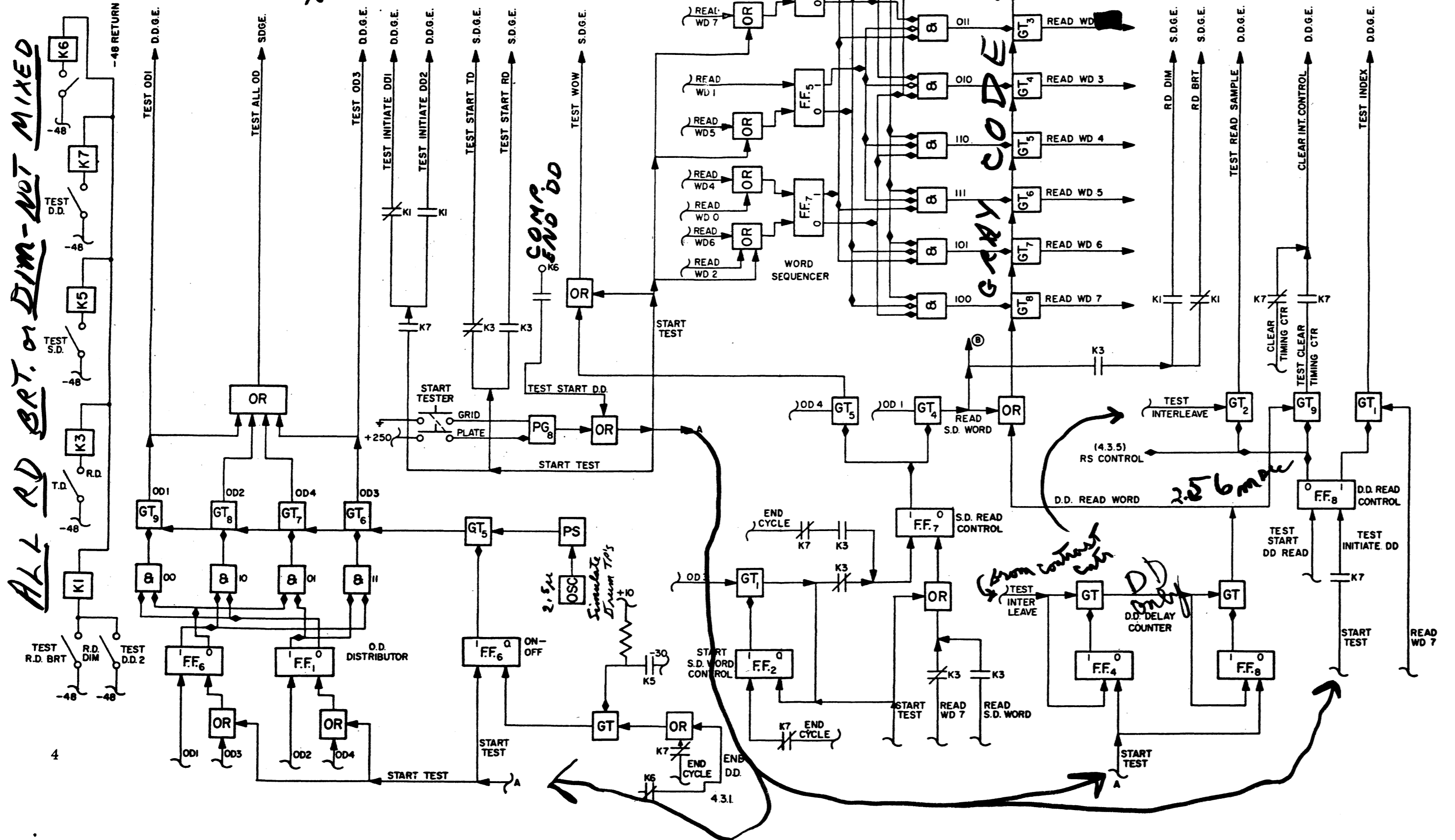


TITLE: SDGE WITH RD MESSAGE IN

K5 for 9D  
 K7 only one as shown in D.D. test  
 0-1027.54 sec  
 DYNAMIC DTE  
 S.D.G.E.  
 1st cycle is dummy

**TEST**  
 DISPLAY ELEMENT

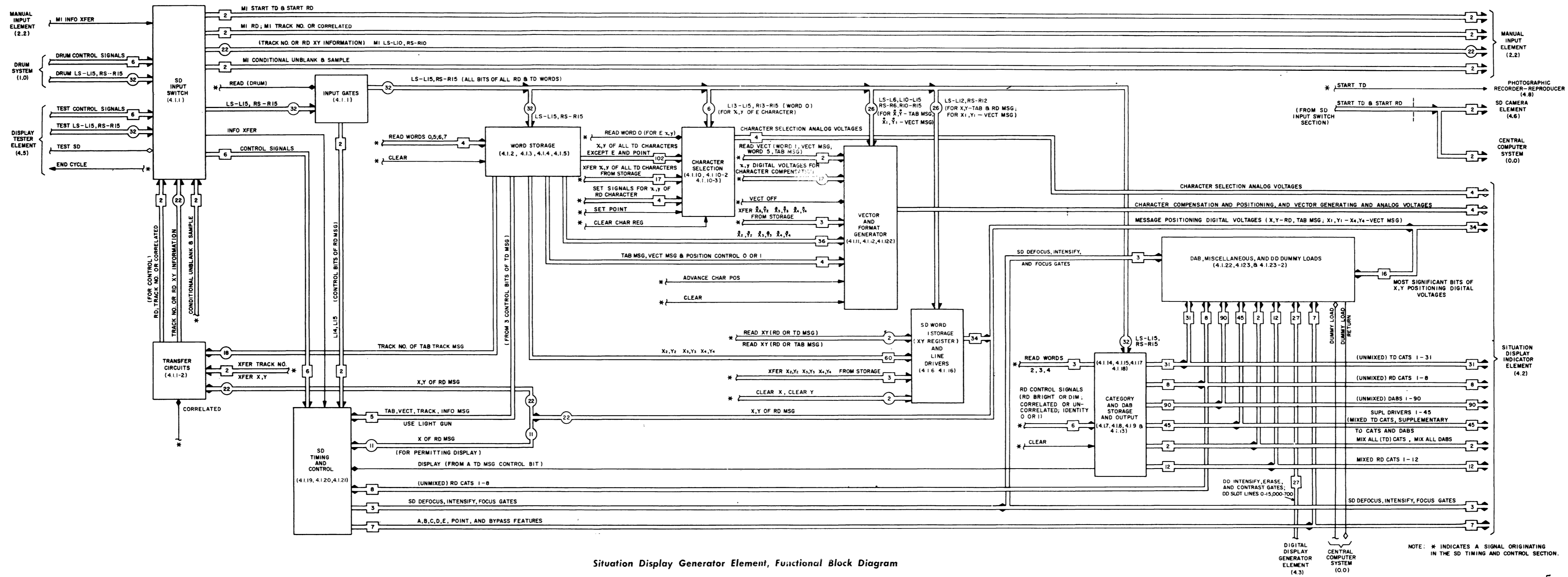
ALL RD BRT. or DIM- NOT MIXED



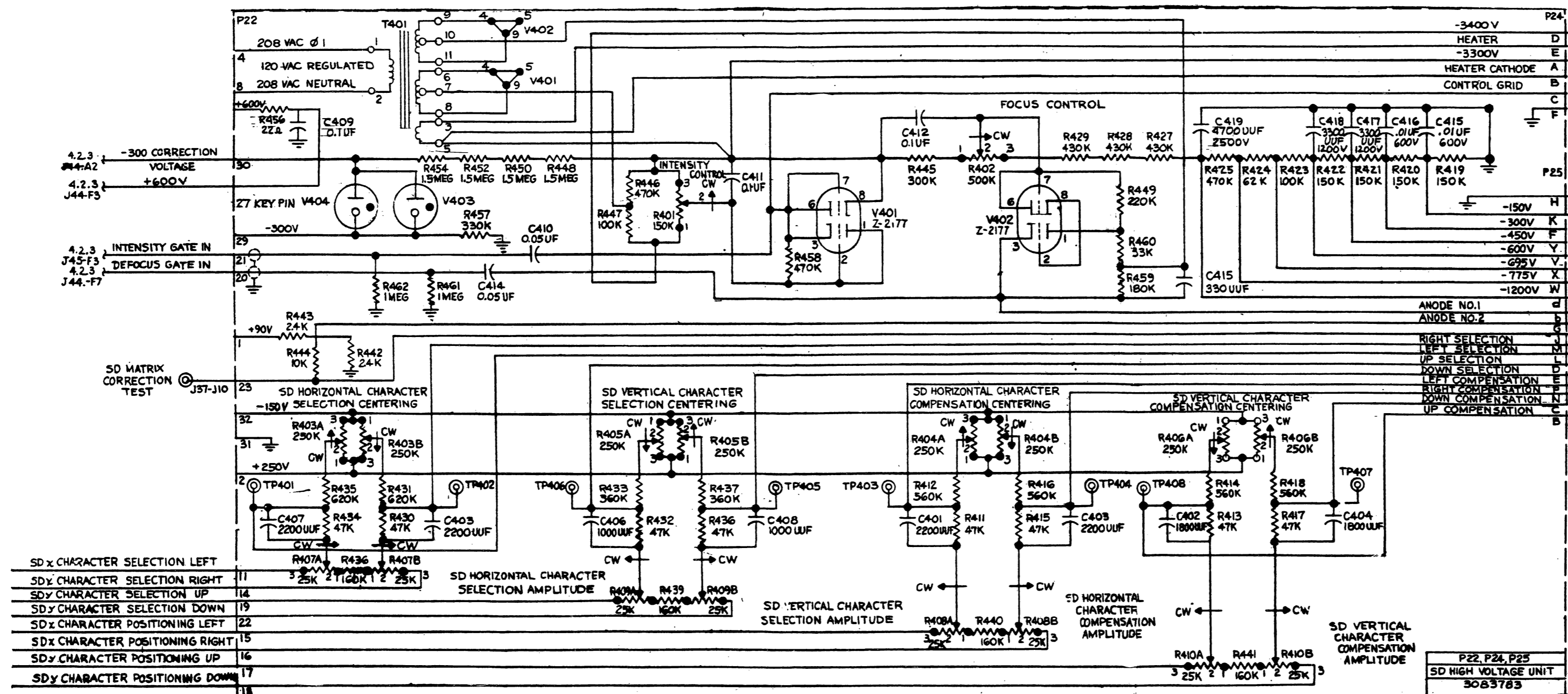
2.56 msec  
 20.4 msec  
 x 11  
 225.28 for S.D.G.E.

from contact  
 D.D. delay counter

2.56 msec

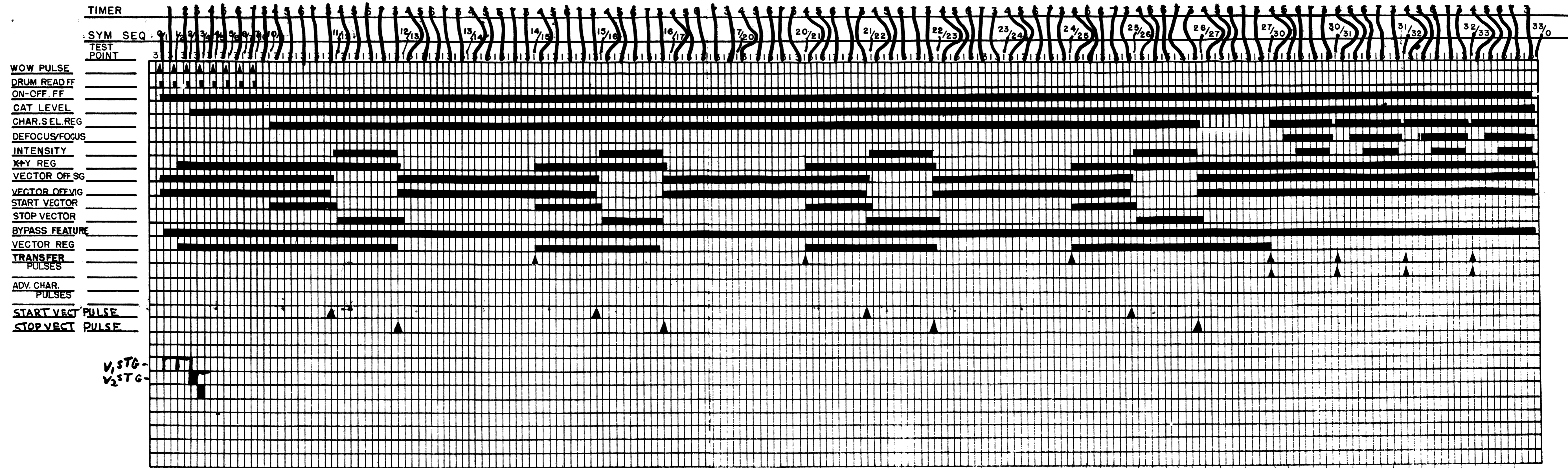


Situation Display Generator Element, Functional Block Diagram





# TIMING CHART I



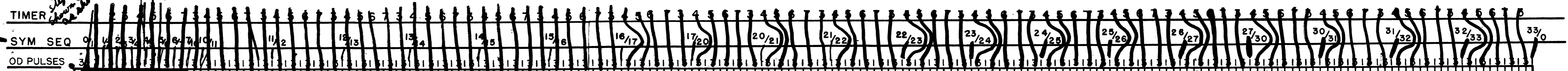
features used in Track message

AND POINT, VECTOR, ON  
B features to INFO message  
P. 2010 - SDGE TEXT

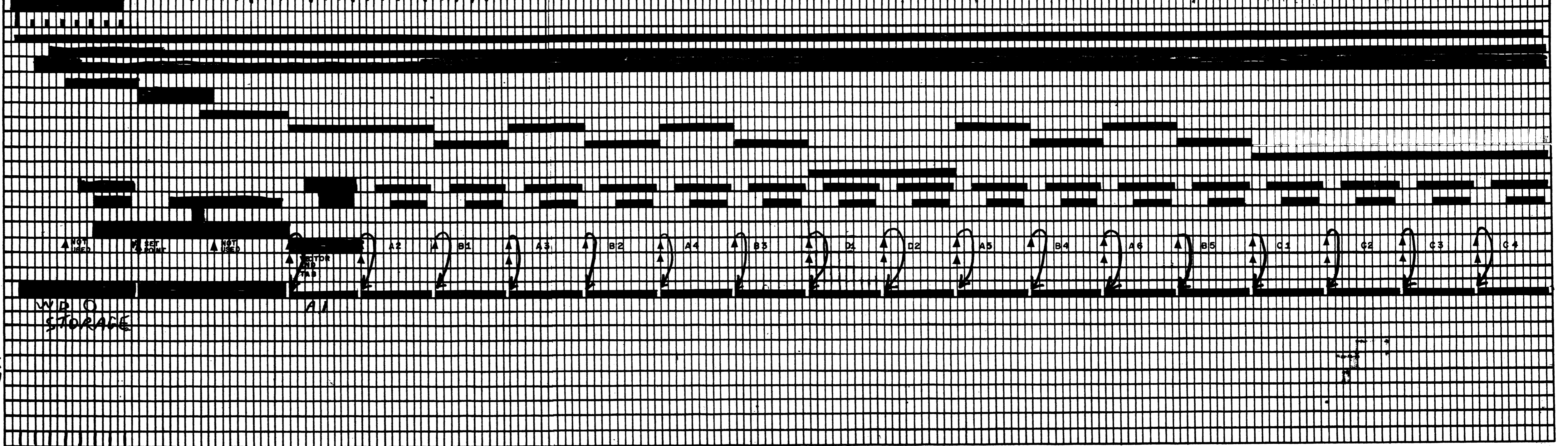
Step timer at OD-3  
Sym. Seq at OD-1

# TRACK

## TIMING CHART II



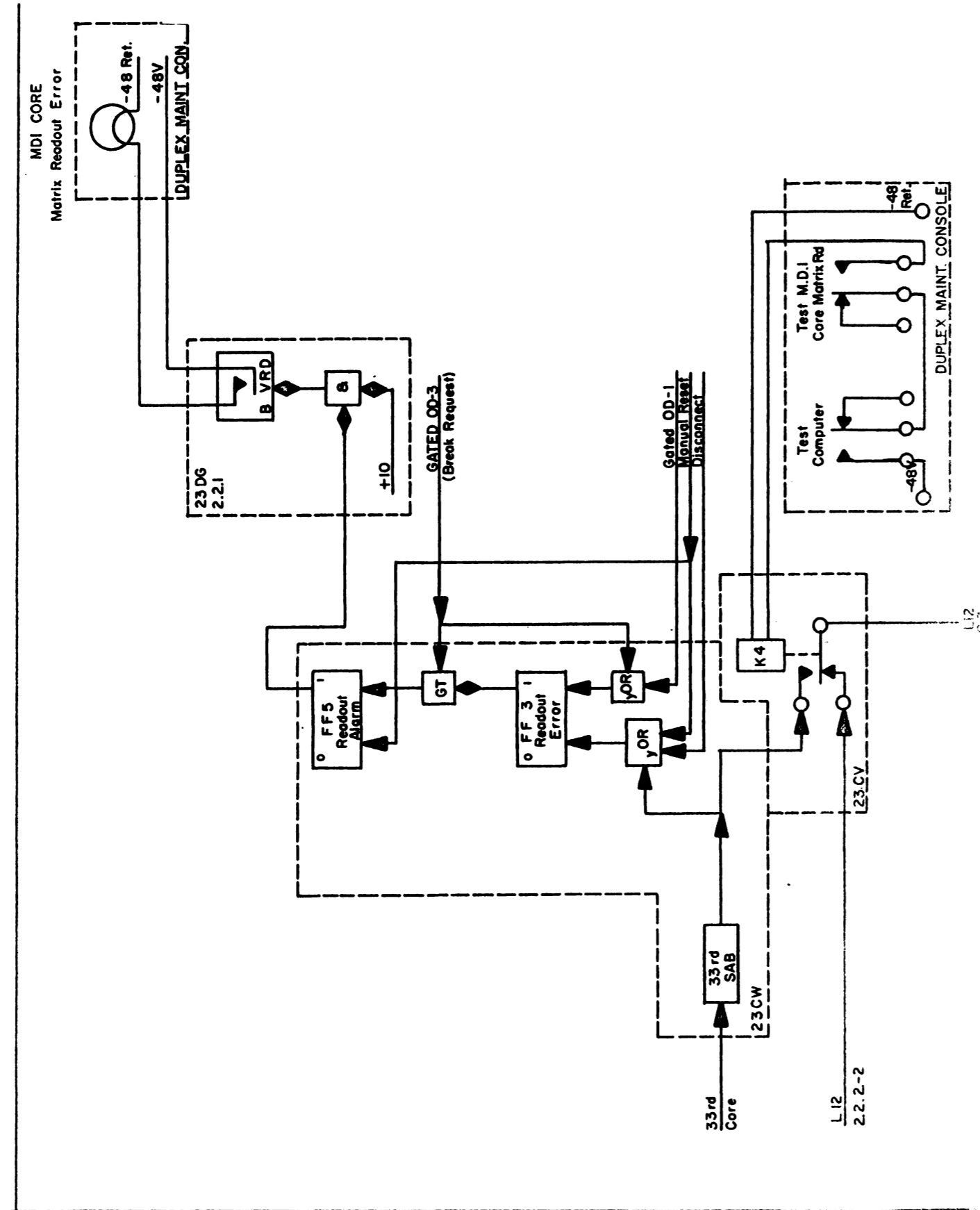
OD4 WOW PULSES	
DRUM READ FF	4.120
ON-OFF FF	4.120
CAT LEVEL	4.17
X+Y REG	4.16
E FEATURE	4.1.19
POINT FEATURE	4.1.19
BY PASS FEATURE	4.1.19
A FEATURES	4.1.19
B FEATURES	4.1.19
C FEATURES	4.1.19
D FEATURES	4.1.19
DEFOCUSE GT	4.1.20
INT. GATE	4.1.20
PASS LTE. GUN	4.1.20
VECTOR REG	4.1.12
XFER PULSES	4.1.20
ADV CHAR PULSES	4.1.20
CHAR SEL REG	4.1.10



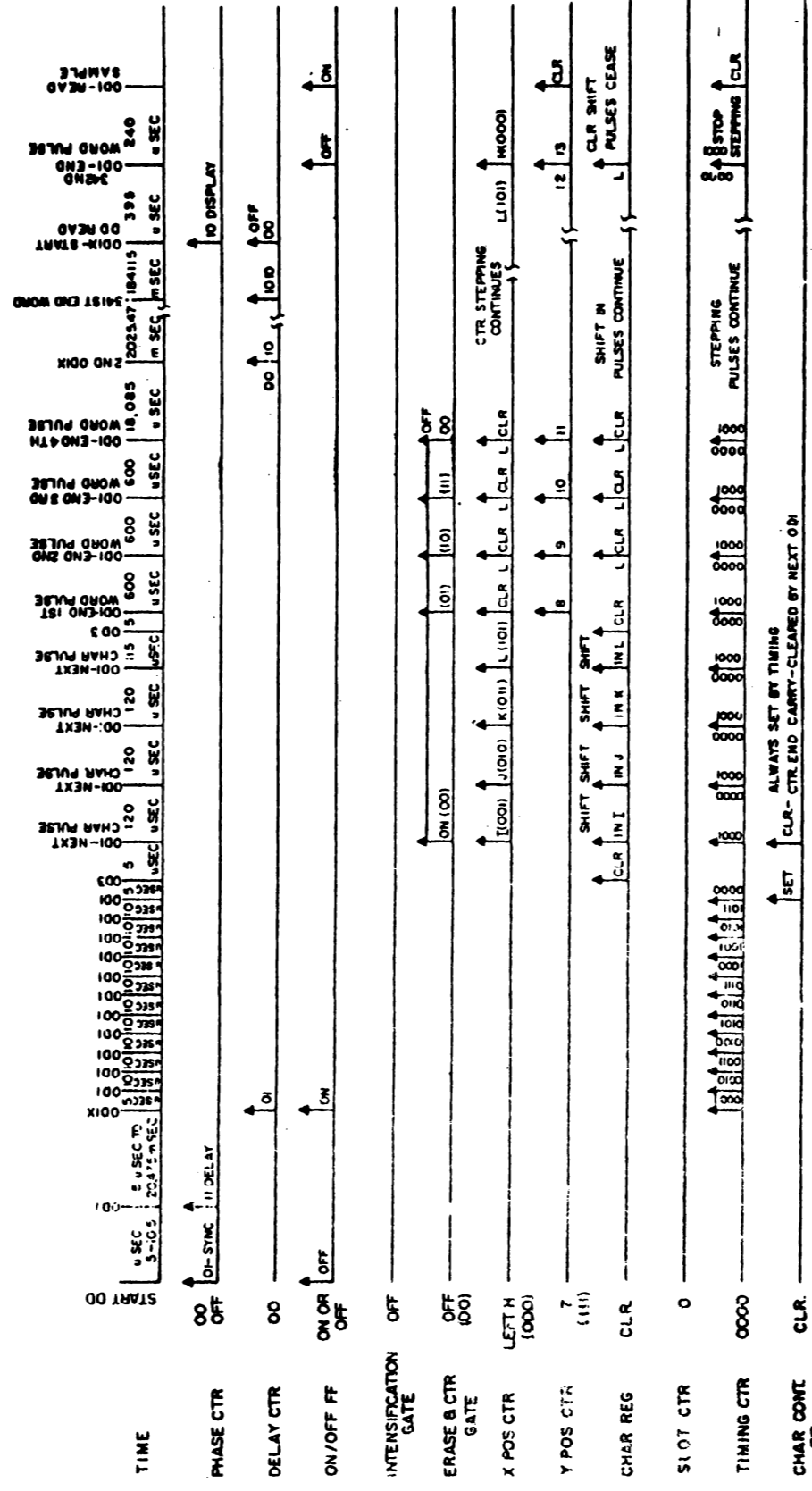
that increase  
CHAR POS X  
CNTR Y

Read WD to WD STORAGE  
0 1 2 3 4 5 6 7  
80M

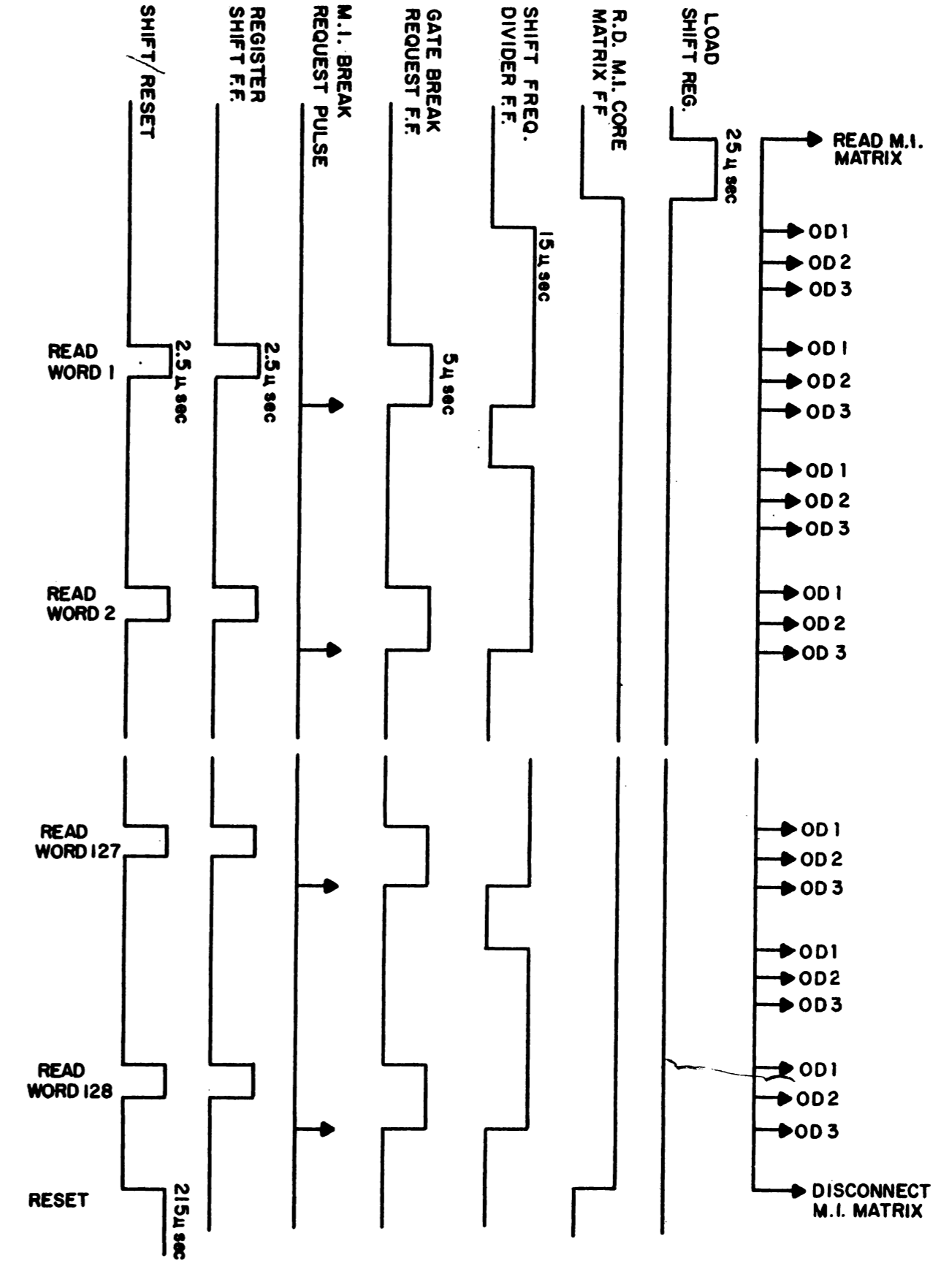
A1 A2 B1 A3 B2



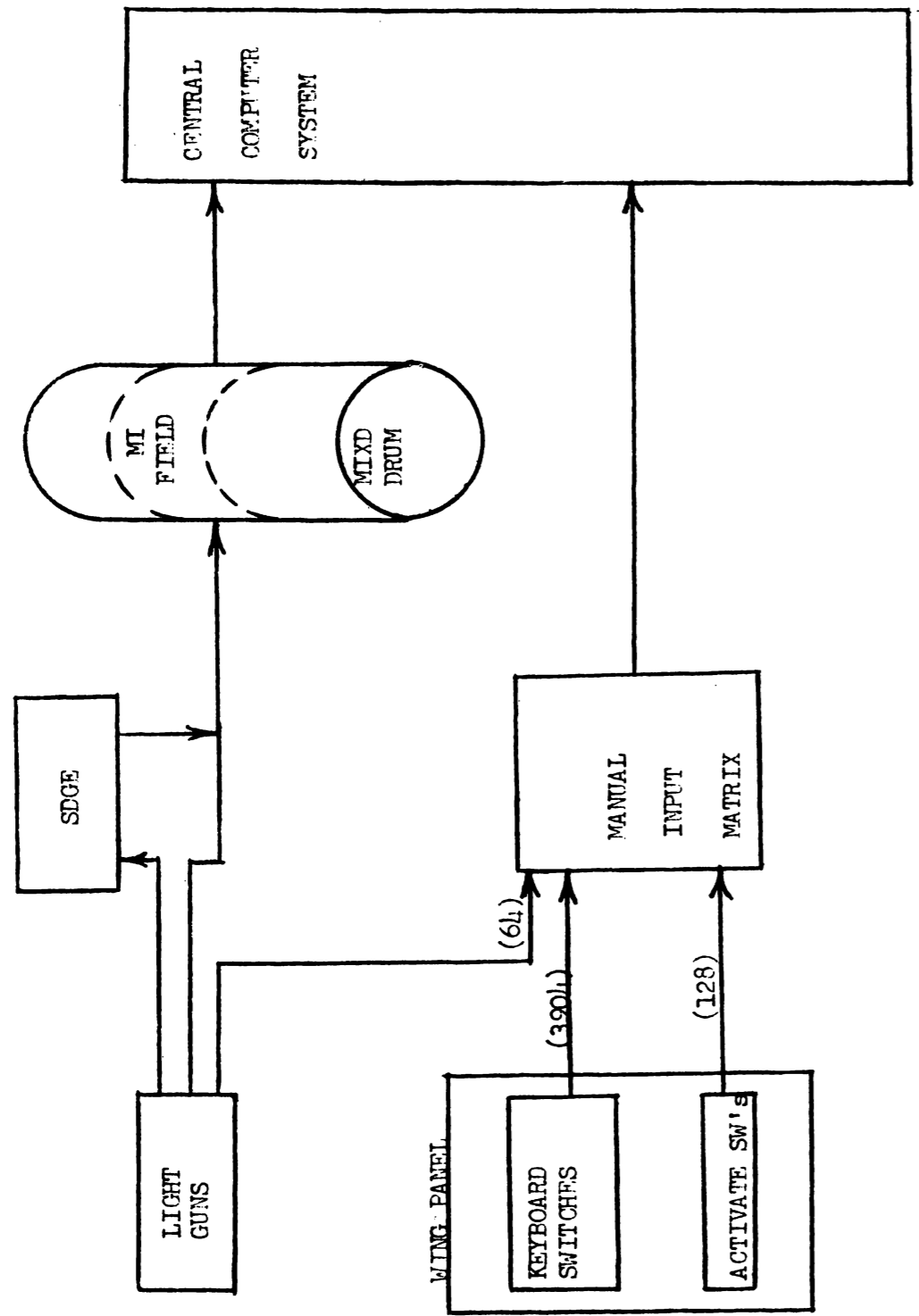
TITLE:  
M. I. Matrix Readout Alarm & Switching Ckt.



INITIAL PERIOD—ODGE TIMING



TITLE: CORE MATRIX CONTROL



LIGHT GUN-WING PANEL INFORMATION FLOW

## NOTES

## NOTES