



**Maintenance Library**

**129**

**Card Data Recorder  
Models 1-3  
Parts Catalog**

## PREFACE

This Parts Catalog (PC) contains listings and illustrations of all replaceable assemblies, subassemblies and detail parts released to Production Control on or before December 15, 1973 for the 129 Card Data Recorder Models 1-3.

*Sixth Edition (December 1973)*

This edition of the 129 Card Data Recorder Models 1-3, Form S123-1055-5, is a major revision of, and obsoletes, Form S123-1055-4.

*Fifth Edition (May 1972)*

This edition of the 129 Card Data Recorder Models 1-3, Form S123-1055-4, is a major revision of, and obsoletes, Form S123-1055-3.

*Fourth Edition (December 1971)*

This edition of the 129 Card Data Recorder Models 1-3, Form S123-1055-3, is a major revision of, and obsoletes, Form S123-1055-2.

*Third Edition (May 1971)*

This edition of the 129 Card Data Recorder Models 1-3, Form S123-1055-2, is a major revision of, and obsoletes, Form S123-1055-1.

*Second Edition (March 1971)*

This edition of the 129 Card Data Recorder Models 1-3, Form S123-1055-1, is a major revision of, and obsoletes, Form S123-1055-0.

Requests for copies of IBM publications should be made to your IBM representative or to the IBM branch office serving your locality.

This manual has been prepared by the IBM System Products Division, Product Publications, Dept. B98-Parts Catalog Center, P.O. Box 390, Poughkeepsie, New York 12602.

A form is provided at the back of this publication for reader's comments. If the form has been removed, comments may be sent to the above address.

# HOW TO USE THIS PARTS CATALOG

## HOW TO FIND PART INFORMATION:

WHEN ASSEMBLY LOCATION IS KNOWN,

PERFORM STEPS

①, ③ AND ④

WHEN ASSEMBLY NAME IS KNOWN

PERFORM STEPS

②, ③ AND ④

WHEN PART NUMBER IS KNOWN

PERFORM STEPS

⑤, ⑥ AND ⑦

**①** TURN TO THE VISUAL INDEX - THEN LOCATE, BY ILLUSTRATION, THE ASSEMBLY CONTAINING THE PART.

**②** TURN TO THE CONTENTS PAGE - THEN LOCATE, BY NAME, THE ASSEMBLY CONTAINING THE PART.

**③** TURN TO THE PAGE FOR THAT ASSEMBLY - THEN LOCATE THE PART VISUALLY.

**④** USING THE INDEX NUMBER SHOWN WITH THE PART, REFER TO THE ACCOMPANYING LISTING TO OBTAIN THE PART NUMBER, DESCRIPTION AND QUANTITY.

**⑤** TURN TO THE NUMERICAL INDEX - THEN NOTE THE FIGURE AND INDEX NUMBER GIVEN FOR THAT PART NUMBER.

**⑥** TURN TO THE FIGURE NUMBER GIVEN - THEN FIND THE INDEX NUMBER ON THE ILLUSTRATION.

**⑦** FIND THE CORRESPONDING INDEX NUMBER IN THE ACCOMPANYING LISTING TO OBTAIN THE DESCRIPTION AND QUANTITY OF THE PART.

**NOTE:**  
IF THE DESIRED ITEM IS PART OF A SUBASSEMBLY NOT BROKEN DOWN WITHIN THAT FIGURE, REFER TO THE FIGURE ASSIGNED TO THE SUBASSEMBLY, LOCATE THE PART VISUALLY AND OBTAIN THE PART NUMBER, DESCRIPTION AND QUANTITY FROM THE ACCOMPANYING LISTING.

# GLOSSARY

- ① NO NO. - When this notation appears in the Part No. column, it denotes a part or group of parts that have not been assigned a part number or which are not recommended for field replacement.
- ② COMM - This notation in the Part No. Column denotes hardware procurable from normal commercial sources and not identified by an IBM part number.
- ③ NR - This notation in the Part No. column denotes a part not recommended for field replacement.
- ④ NP - This notation in the Part No. or Description column indicates parts that are non-procurable. In these cases the next higher assembly should be ordered.
- ⑤ INDENTURE - The indentation of items under the numerals 1 through 4 at the head of the Description column shows the relationship between assemblies, subassemblies and detail parts. For example:  
 1 2 3 4  
 Major Unit  
 . Assemblies and detail parts of Major Unit  
 . Attaching Parts for Assemblies and Detail Parts  
 . . Subassemblies  
 . . Attaching Parts for Subassemblies  
 . . . Detail Parts for Subassemblies, etc.
- ⑥ ATT PT - This notation in the Description column is used to denote hardware that attaches assemblies, subassemblies and detail parts to the next higher assembly. The attaching hardware is listed immediately following the part to be attached.
- ⑦ AR - The notation AR in the Units Per Asm. column indicates that the quantity of the part is used as required.
- ⑧ REF - The notation REF in the Units Per Asm. column indicates that the listing of the assembly is repeated and reference should be made to its previous listing for the quantity required.
- ⑨ USABLE ON CODE - Part application and interchangeability for similar assemblies is indicated by a code in the Usable On Code column. The codes apply only to the listing in which they appear. If the Usable On Code column is blank, the parts apply to all assemblies in that list. Two types of codes are used. The alphabetic code denotes similar assemblies and/or machine features. The numeric code indicates the engineering level of the assembly. Refer to the beginning of each list for an explanation of the codes.
- ⑩ SUFFIX CODE - The suffix code indicates the month and the year of the engineering change which affected interchangeability of the part. The alphabetic letter indicates the month and the number indicates the year.
- ⑪ SIMILAR ASSEMBLIES - If two or more assemblies contain a majority of identical parts, they are combined in the same listing. Parts common to assemblies are illustrated and listed by one index number. Parts peculiar to one or the other of the assemblies are listed separately and identified by a code in the Usable On Code column.

FIGURE-INDEX NUMBER	PART NUMBER	1	2	3	4	DESCRIPTION	UNITS PER ASM.	USABLE ON CODE
		DRIVE MOTOR ASSEMBLY						
2-		④	⑨			CODE A USED ON 60 HZ ONLY CODE B USED ON 50 HZ ONLY CODE 1 USED PRIOR TO FEB. 1970	⑧	
-	2199376 NP					MOTOR ASM, DRIVE-115/220 VOLTS 60 HZ	REF	⑨
-	2199386 NP					MOTOR ASM, DRIVE-220 VOLTS 50 HZ FOR NEXT HIGHER ASM, SEE FIGURE 1-92 FOR ILLUSTRATION, SEE FIGURE 2	REF	
-1	2204176	⑤				. PULLEY, 60 HZ	1	A
-1	2199255					. PULLEY, 50 HZ	1	B
-2	79842					. SETSCREW- 8-32 X 3/8 LG	ATT PT	
-3	2204116	①				. MOTOR ASM, 220V AC 60 HZ	1	A
-4	NO NO.					. MOTOR ASM, 220V AC 50 HZ	NP	B
-5	5526					. SCREW, - 8-32 X 0.625 LG	ATT PT	
-6	2204082					. . FERRULE, OUTER	1	1
-7	2204033	②				. . FERRULE, INNER	1	
-8	COMM	③				. . MOTOR, DRIVE- 220V 60 HZ	1	
-8	2199258					. . MOTOR, DRIVE- 220V 50 HZ	1	
-9	2199401 NR					. PLATE, MOTOR MT- 60 HZ	1	A
-9	2199402 NR					. PLATE, MOTOR MT- 50 HZ	1	B

## CONTENTS

Bed Plate Assembly, Stacker . . . . .	71
Cabinet Assembly . . . . .	43
Cable Assemblies with Component Parts (2 sheets). . . . .	116

### CARD TRANSPORT ASSEMBLY (9 sheets)

Card Feed Area (sheet 6) . . . . .	59
Casting and Pressure Roll Arms Area (sheet 7) . . . . .	62
Column Counter and Punch Drive Area - Non Stepping Motor (sheet 3) . . . . .	51
Escapement Drive Gear Train Area - Non Stepping Motor (sheet 4) . . . . .	54
Motor Drive Gear Train Area - Non Stepping Motor (sheet 5) . . . . .	56
Punch and Eject Area - Non Stepping Motor (sheet 2). . . . .	48
Punch and Punch Drive Area (sheet 8) . . . . .	65
Stacker and Motor Area (sheet 1) . . . . .	46
Stepping Motor Area (sheet 9) . . . . .	68
Covers, 129 Card Data Recorder . . . . .	2
Eject Unit Assembly - Model 2 Non Stepping Motor . . . . .	98
Feed Assembly, Card (2 sheets) . . . . .	111
Final Assembly, 129 Card Data Recorder (2 sheets) . . . . .	23
Gate Assembly, Standard and Expansion . . . . .	28

### KEYBOARD ASSEMBLY

Keyboard Cover Assembly - STANDARD . . . . .	5
Keyboard Cover Assembly - KATAKANA . . . . .	8
Keyboard Assembly (2 sheets) . . . . .	16
Chart I. Keybutton Language Groups - STANDARD (2 sheets) . . . . .	10
Chart II. Keybutton Nomenclature - STANDARD . . . . .	12
Chart III. Interposer and Keylever Positions - STANDARD . . . . .	13
Chart IV. Keystem Switch Positions - STANDARD . . . . .	13
Chart V. Keybutton Part Numbers and Nomenclature - KATAKANA . . . . .	14
Chart VI. Interposer and Keylever Positions - KATAKANA . . . . .	15
Chart VII. Keystem Switch Positions - KATAKANA . . . . .	15
Magnet and Punch Drive Assembly (2 sheets) . . . . .	101

### MAGNET ASSEMBLIES

Magnet Assembly (Clutch) . . . . .	76
Magnet Assembly (Escapement) Non Stepping Motor . . . . .	107
Magnet Assembly (Latch) . . . . .	109
Magnet Assembly (Print Suppression - Models 2 and 3) . . . . .	100
Magnet Assembly (Punch Clutch) . . . . .	105
Magnet Assembly (Punch Drive) . . . . .	106

### POWER SUPPLIES

Power Supply Assembly - Non Stepping Motor Old Style (2 sheets) . . . . .	30
Power Supply Assembly - Non Stepping Motor New Style (2 sheets) . . . . .	39
Power Supply Assembly (2 sheets) . . . . .	35

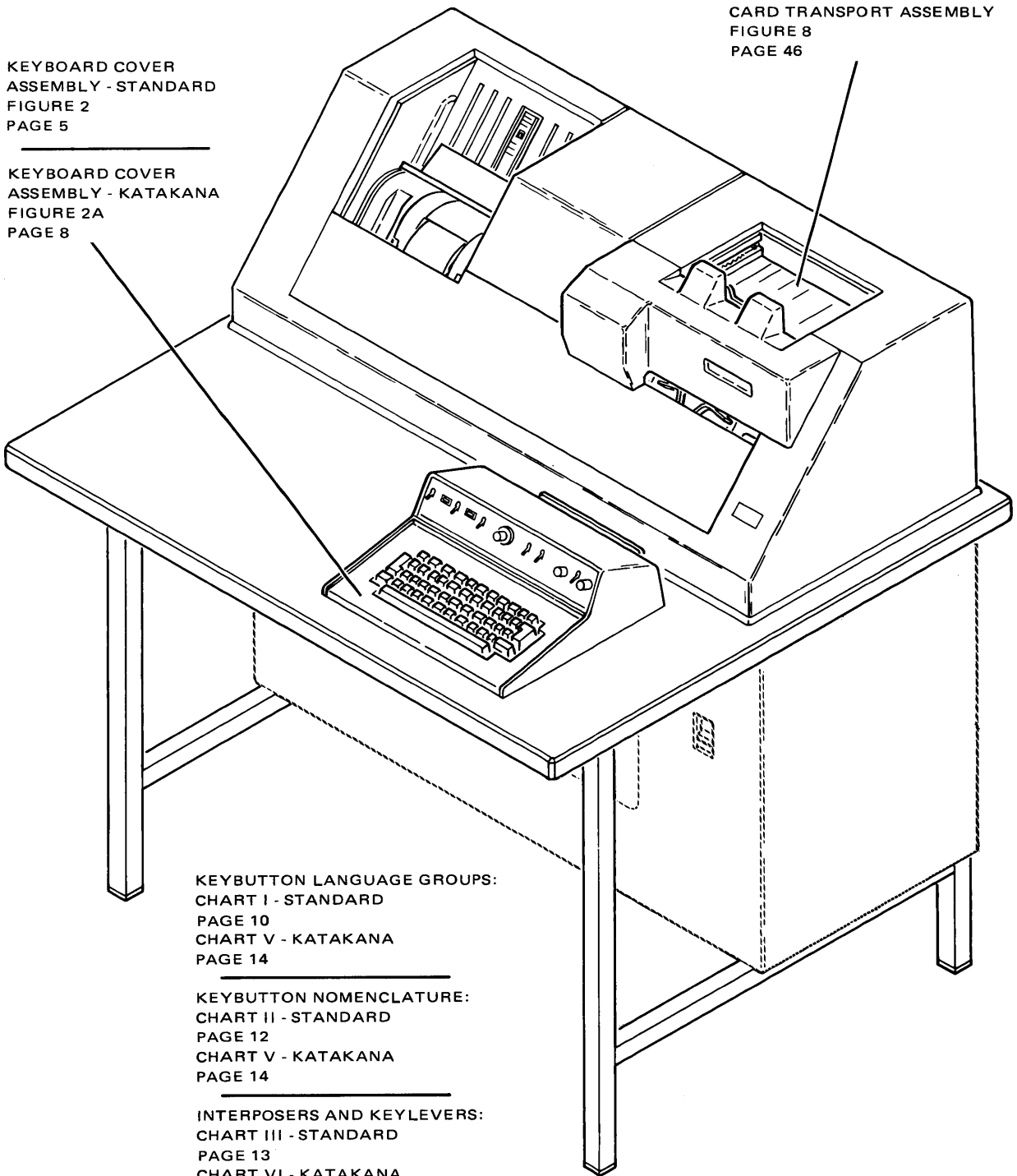
# CONTENTS

## PUNCH UNIT ASSEMBLIES

Die and Stripper Interposer Assembly - Models 2 and 3 . . . . .	86
Feed Unit Assembly, Ribbon - Models 2 and 3 Old Style . . . . .	80
Feed Unit Assembly, Ribbon - Models 2 and 3 New Style . . . . .	82
Guide Assembly . . . . .	93
Interposer and Punch Assembly - Interpret Feature . . . . .	89
Interposer Assembly, Ribbon Print - Models 2 and 3 . . . . .	77
Print Unit Assembly - Models 2 and 3 . . . . .	83
Punch Assembly, Non-Print - Model 1 . . . . .	96
Punch Unit Assembly - Interpret Feature . . . . .	94
Wire Unit Assembly, Print - Models 2 and 3 . . . . .	85
Stacker Assembly - Non Stepping Motor . . . . .	72
Stacker Assembly . . . . .	74

# STEPPING/NON STEPPING MOTOR

VISUAL  
INDEX



KEYBOARD COVER  
ASSEMBLY - STANDARD  
FIGURE 2  
PAGE 5

KEYBOARD COVER  
ASSEMBLY - KATAKANA  
FIGURE 2A  
PAGE 8

CARD TRANSPORT ASSEMBLY  
FIGURE 8  
PAGE 46

KEYBUTTON LANGUAGE GROUPS:  
CHART I - STANDARD  
PAGE 10  
CHART V - KATAKANA  
PAGE 14

KEYBUTTON NOMENCLATURE:  
CHART II - STANDARD  
PAGE 12  
CHART V - KATAKANA  
PAGE 14

INTERPOSERS AND KEYLEVERS:  
CHART III - STANDARD  
PAGE 13  
CHART VI - KATAKANA  
PAGE 15

KEYBOARD ASSEMBLY  
STANDARD AND KATAKANA  
FIGURE 3  
PAGE 16

129 CARD DATA RECORDER COVERS  
FIGURE 1  
PAGE 2

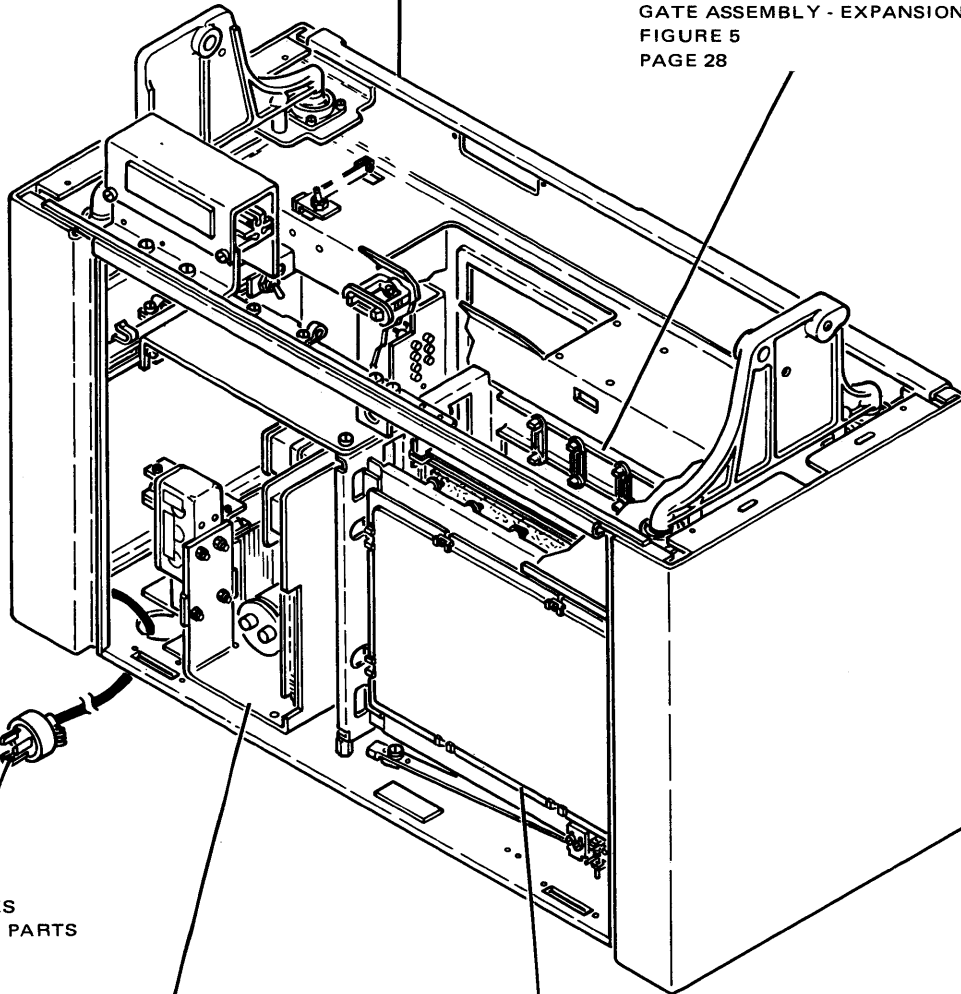
# STEPPING/NON STEPPING MOTOR

VISUAL  
INDEX

129 CARD DATA RECORDER FINAL ASSEMBLY  
FIGURE 4  
PAGE 23

CABINET ASSEMBLY  
FIGURE 7  
PAGE 43

GATE ASSEMBLY - EXPANSION  
FIGURE 5  
PAGE 28



CABLE ASSEMBLIES  
WITH COMPONENT PARTS  
FIGURE 27  
PAGE 116

POWER SUPPLY ASSEMBLY  
NON-STEPPING MOTOR  
FIGURE 6 - OLD STYLE  
PAGE 30  
FIGURE 6B - NEW STYLE  
PAGE 39  
FIGURE 6A - REPLACEMENT  
PAGE 35

GATE ASSEMBLY - STANDARD  
FIGURE 5  
PAGE 28

POWER SUPPLY ASSEMBLY  
STEPPING MOTOR AND  
NON-STEPPING MOTOR REPLACEMENT  
FIGURE 6A  
PAGE 35



# STEPPING MOTOR

FOR NON STEPPING MOTOR  
CARD TRANSPORT  
SEE VISUAL III

VISUAL  
INDEX

MAGNET AND PUNCH DRIVE ASSEMBLY  
FIGURE 21  
PAGE 101

PUNCH CLUTCH MAGNET ASSEMBLY  
FIGURE 22  
PAGE 105

STACKER BED PLATE ASSEMBLY  
FIGURE 9  
PAGE 71

PRINT SUPPRESSION MAGNET  
MODELS 2 AND 3  
FIGURE 20  
PAGE 100

MAGNET ASSEMBLY  
FIGURE 23  
PAGE 106

CLUTCH MAGNET ASSEMBLY  
FIGURE 11  
PAGE 76

PRINT UNIT ASSEMBLY  
MODELS 2 AND 3  
FIGURE 14  
PAGE 83

PRINT WIRE UNIT ASSEMBLY  
MODELS 2 AND 3  
FIGURE 15  
PAGE 85

STACKER ASSEMBLY  
FIGURE 10A  
PAGE 74

RIBBON PRINT INTERPOSER  
ASSEMBLY - MODELS 2 AND 3  
FIGURE 12  
PAGE 77

NON-PRINT PUNCH ASSEMBLY  
MODEL 1  
FIGURE 18  
PAGE 96

DIE AND STRIPPER INTERPOSER  
ASSEMBLY - MODELS 2 AND 3  
FIGURE 16  
PAGE 86

INTERPOSER AND PUNCH ASSEMBLY  
INTERPRET FEATURE  
FIGURE 16A  
PAGE 89

GUIDE ASSEMBLY - MODELS 1-3  
FIGURE 17  
PAGE 92

PUNCH UNIT ASSEMBLY  
INTERPRET FEATURE  
FIGURE 17A  
PAGE 94

RIBBON FEED UNIT  
ASSEMBLY - MODELS 2 AND 3  
OLD STYLE  
FIGURE 13  
PAGE 80

RIBBON FEED UNIT  
ASSEMBLY - MODELS 2 AND 3  
NEW STYLE  
FIGURE 13A  
PAGE 82

LATCH MAGNET ASSEMBLY  
FIGURE 25  
PAGE 109

CARD FEED ASSEMBLY  
FIGURE 26  
PAGE 111

CARD TRANSPORT ASSEMBLY  
FIGURE 8  
PAGE 46

# NON STEPPING MOTOR

VISUAL  
INDEX

MAGNET AND PUNCH DRIVE ASSEMBLY  
FIGURE 21  
PAGE 101

STACKER BED PLATE ASSEMBLY  
FIGURE 9  
PAGE 71

PRINT SUPPRESSION MAGNET  
MODELS 2 AND 3  
FIGURE 20  
PAGE 100

PUNCH CLUTCH MAGNET ASSEMBLY  
FIGURE 22  
PAGE 105

CLUTCH MAGNET ASSEMBLY  
FIGURE 11  
PAGE 76

MAGNET ASSEMBLY  
FIGURE 23  
PAGE 106

PRINT UNIT ASSEMBLY  
MODELS 2 AND 3  
FIGURE 14  
PAGE 83

PRINT WIRE UNIT ASSEMBLY  
MODELS 2 AND 3  
FIGURE 15  
PAGE 85

STACKER ASSEMBLY  
FIGURE 10  
PAGE 72

EJECT UNIT ASSEMBLY  
MODEL 2  
FIGURE 19  
PAGE 98

CARD FEED ASSEMBLY  
FIGURE 26  
PAGE 111

RIBBON PRINT INTERPOSER  
ASSEMBLY - MODELS 2 AND 3  
FIGURE 12  
PAGE 77

LATCH MAGNET ASSEMBLY  
FIGURE 25  
PAGE 109

RIBBON FEED UNIT  
ASSEMBLY - MODELS 2 AND 3  
OLD STYLE  
FIGURE 13  
PAGE 80

NON-PRINT PUNCH ASSEMBLY  
MODEL 1  
FIGURE 18  
PAGE 96

RIBBON FEED UNIT  
ASSEMBLY - MODELS 2 AND 3  
NEW STYLE  
FIGURE 13A  
PAGE 82

DIE AND STRIPPER INTERPOSER  
ASSEMBLY - MODELS 2 AND 3  
FIGURE 16  
PAGE 86

GUIDE ASSEMBLY - MODELS 1-3  
FIGURE 17  
PAGE 92

ESCAPEMENT MAGNET ASSEMBLY  
FIGURE 24  
PAGE 107

CARD TRANSPORT ASSEMBLY  
FIGURE 8  
PAGE 46

FOR STEPPING MOTOR  
CARD TRANSPORT  
SEE VISUAL II

**CATALOG SECTION**

# STEPPING/NON STEPPING MOTOR

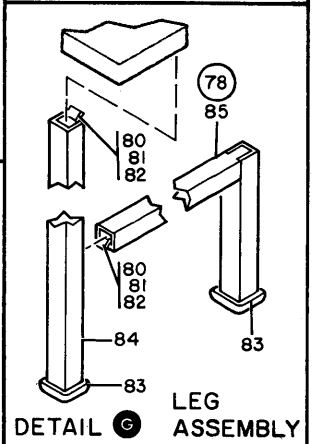
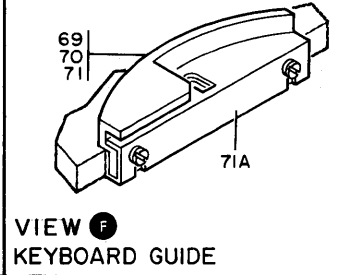
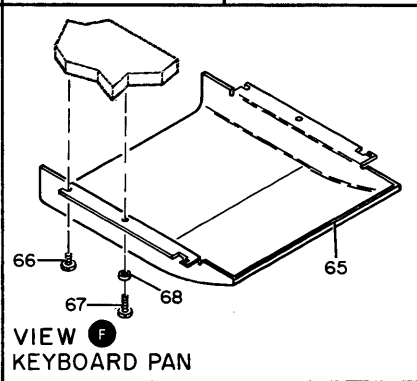
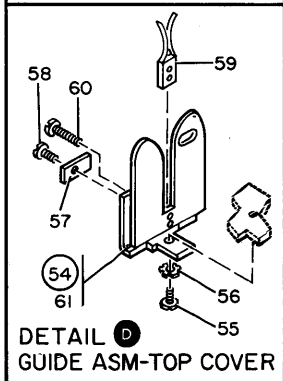
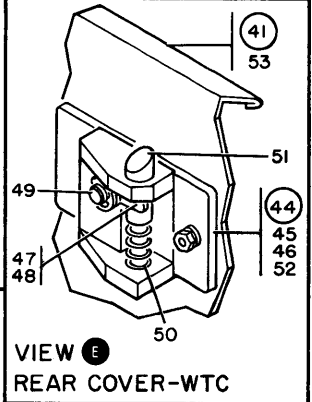
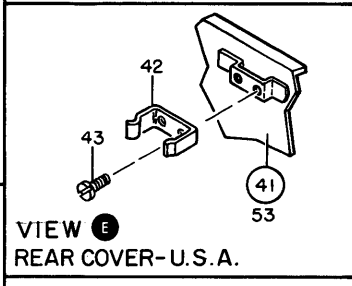
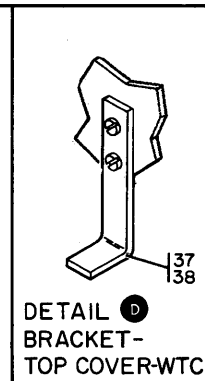
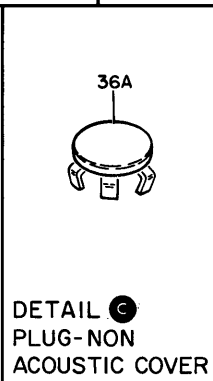
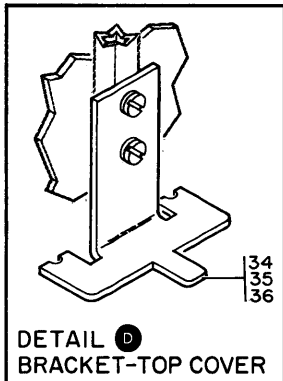
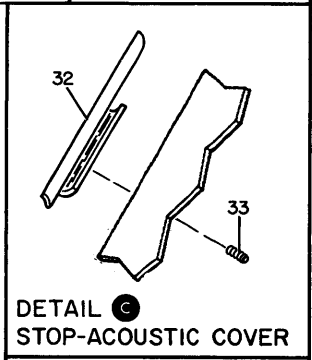
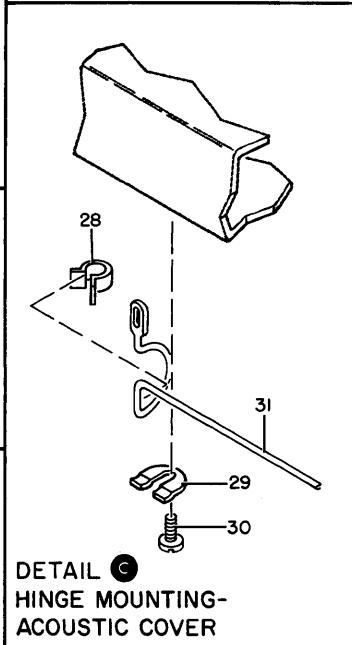
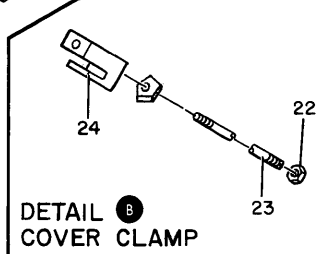
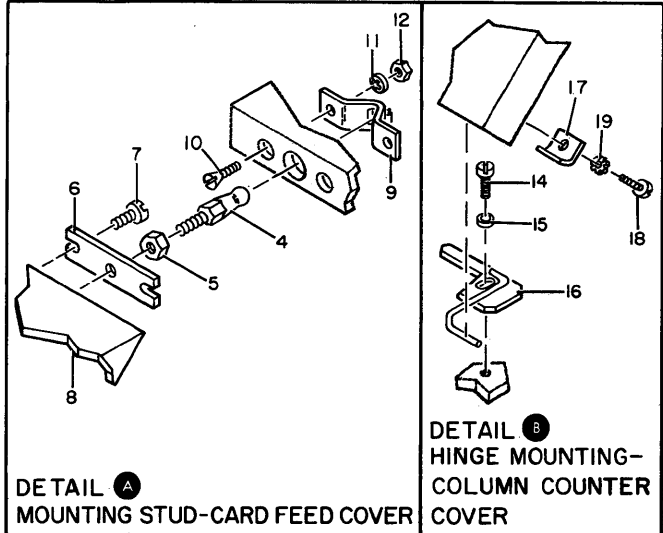
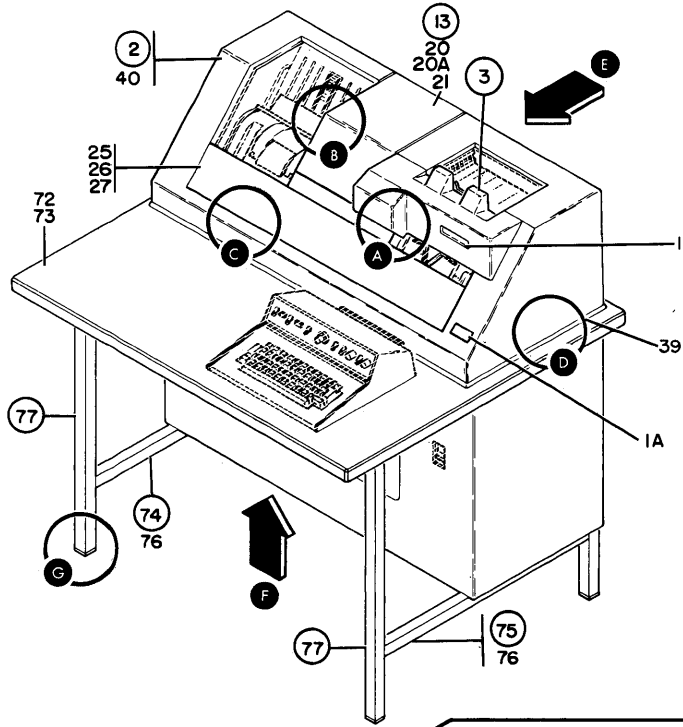


FIGURE 1. 129 CARD DATA RECORDER COVERS. SEE LIST 1.

# STEPPING/NON STEPPING MOTOR

## 129 CARD DATA RECORDER COVERS

FIGURE- INDEX NUMBER	PART NUMBER	DESCRIPTION	UNITS				USABLE ON CODE
			1	2	3	4	
1	961201 NP	129 CARD DATA RECORDER COVERS					
-		129 CARD DATA RECORDER COVERS FOR ILLUSTRATION, SEE FIGURE 1					
- 1	961980	. NAMEPLATE-IBM 129 ENREGISTREUR					1
- 1	961981	. NAMEPLATE-IBM 129 LOCHER PRUFER					1
- 1	961991	. NAMEPLATE-KATAKANA					1
- 1A	381977	. STRIP-MACHINE NUMBERING					2
- 2	961280 NP	. COVER ASM, ACOUSTIC PRINT-DOM					
- 2	961279 NP	. COVER ASM, ACOUSTIC PRINT-WTC					
- 2	961281 NP	. COVER ASM, NON-ACOUSTIC PRINT-DOM					
- 2	961278 NP	. COVER ASM, NON-ACOUSTIC PRINT-WTC					
- 2	961550 NP	. COVER ASM, ACOUSTIC NON-PRINT-DOM					
- 2	961272 NP	. COVER ASM, ACOUSTIC NON-PRINT-WTC					
- 2	961271 NP	. COVER ASM, NON-ACOUSTIC NON-PRINT-DOM					
- 2	961273 NP	. COVER ASM, NON-ACOUSTIC NON-PRINT-WTC					
- 3	961293	. . . CARD FEED COVER ASM-PRINT					1
- 3	961295	. . . CARD FEED COVER ASM-NON-PRINT					1
- 4	312615	. . . . STUD-CARD FEED COVER BALL					2
- 5	257189	. . . . NUT, HEX- 8-32			ATT PT		2
- 6	362852	. . . . PLATE, MOUNTING-BALL JOINT					2
- 7	731626	. . . . SCREW, SELF TAPPING-PAN HD 6-32 X 1/4 LG			ATT PT		2
- 8	961292	. . . . COVER-PRINT					1
- 8	961294	. . . . COVER-NON-PRINT					1
- 9	313453	. . . . LATCH-CARD FEED COVER					2
- 10	472729	. . . SCREW, MACH-FL CSK HD 4-40 X 3/8 LG			ATT PT		4
- 11	150209	. . . WASHER, LOCK-INT TEETH NO. 4 X 17/64 OD			ATT PT		4
- 12	37913	. . . NUT-HEX 4-40 X .250 ID			ATT PT		4
- 13	961282	. . . COVER ASM, EMITTER-DOMESTIC					1
- 13	983536	. . . COVER ASM, EMITTER-WORLD TRADE					1
- 14	381741	. . . SCREW, THRED FORM-PAN HD 8-32 X 3/8 LG			ATT PT		2
- 15	22478	. . . WASHER, FL- 0.170 ID 0.375 OD 0.32 THK			ATT PT		2
- 16	5404364	. . . . HINGE, DRUM COVER					1
- 17	5404367	. . . . RETAINER, DRUM COVER HINGE					1
- 18	731629	. . . . SCREW, SELF TAPPING- 10-32 X 3/8 LG			ATT PT		2
- 19	56079	. . . . WASHER, LOCK-EXT T .195 ID .410 OD			ATT PT		2
- 20	2462485	. . . . PAD-TOP					1
- 20A	5462484	. . . . PAD-FRONT					1
- 21	961283	. . . . COVER, COLUMN COUNTER-DOMESTIC					1
- 21	982606	. . . . COVER, COLUMN COUNTER-WORLD TRADE					1
- 22	11598	. . . NUT, PLAIN-HEX 10-32 X 3/8 FL W					1
- 23	961347	. . . SETSCREW, HEADLESS- 10-32 X 2 1/4					1
- 24	961299	. . . CLAMP, COVER					1
- 25	5373585	. . . COVER ASM, ACOUSTIC PRINT					1
- 25	5373590	. . . COVER ASM, ACOUSTIC NON-PRINT					1
- 26	5213365	. . . NUT, ACORN-6-32 NC 2B			ATT PT		4
- 27	56722	. . . WASHER, LOCK-EXT TEETH NO. 6			ATT PT		4
- 28	1138464	. . . CLIP-RETAINER					2
- 29	1124336	. . . BRACKET, TOP COVER					2
- 30	731626	. . . SCREW, SELF TAPPING-PAN HD 6-32 X 1/4 LG			ATT PT		2
- 31	5372374	. . . HINGE, COVER-ACOUSTIC					1
- 32	381727	. . . STOP, ACOUSTIC COVER-STD					1
- 33	112055	. . . SETSCREW- 8-32 X 1/4			ATT PT		1
- 34	5408849	. . . BRACKET, GUIDE					2
- 35	734483	. . . SCREW, PAN HD- 6-32 X 0.380 LG			ATT PT		4
- 36	62031	. . . WASHER, LOCK-INT TEETH NO. 6 X 0.295 OD			ATT PT		4
- 36A	184379	. . . PLUG					1
- 37	8112156	. . . BRACKET					1
- 38	601093	. . . SCREW, MACH-BIND HD 8-32 X 3/8 LG			ATT PT		2
- 39	5462564	. . . PAD, TOP COVER, LEFT CENTER- 3.75 X 2.00					AR
- 39	5462483	. . . PAD, TOP COVER, CENTER REAR- 3.75 X 3.00					AR
- 39	5462481	. . . PAD, TOP COVER, LEFT-SPECIAL CUT					1
- 39	5462482	. . . PAD, TOP COVER, RIGHT-SPECIAL CUT					1
- 39	5462516	. . . PAD, FEED COVER- 9.00 X 3.50					1
- 39	5462515	. . . PAD, CARD HOPPER, REAR- 7.75 X 1.00					AR
- 39	5462514	. . . PAD, CARD HOPPER, RIGHT- 4.50 X 1.00					AR
- 39	5462484	. . . PAD, AUX DUP REAR PANEL- 4.25 X 3.00					AR
- 39	5440739	. . . SEAL, PROG COVER					1
- 39	5372271	. . . SEAL, ACOUSTIC COVER					1
- 39	5400989	. . . SEAL, TOP COVER-MOLDED					1
- 39	5462539	. . . SEAL, PUNCH					AR
- 39	5462567	. . . SEAL, ACOUSTIC SIDE- 5.00 X 2.00					AR
- 39	5372237	. . . SEAL, ACOUSTIC COVER-RH					AR
- 39	962787	. . . SEAL, RIGHT					AR
- 39	962792	. . . SEAL, LEFT					AR
- 39	963398	. . . PAD, SIDE					AR
- 39	963399	. . . PAD, REAR					AR
- 39	983115	. . . SEAL, TOP COVER-LH					AR
- 39	983116	. . . SEAL, TOP COVER-RH					AR

# STEPPING/NON STEPPING MOTOR

129 CARD DATA RECORDER COVERS

FIGURE- INDEX NUMBER	PART NUMBER	DESCRIPTION				UNITS PER ASM.	USABLE ON CODE
		1	2	3	4		
1 - 40	381722	. . .	COVER, TOP-DOM			1	
- 40	5403983	. . .	COVER, TOP-WTC			1	
- 41	961549	. . .	REAR COVER ASM-DOM			1	
- 41	961553	. . .	REAR COVER ASM-WTC			1	
- 42	5367303	. . .	SPRING-DOMESTIC			1	
- 43	731631	. . .	SCREW, PAN HD- 4-40 X 1/4 LG	ATT PT		2	
- 44	8018034	. . .	INTERLOCK ASM-WORLD TRADE USED PRIOR TO JULY 1971			1	
- 44	8112347	. . .	INTERLOCK ASM-WORLD TRADE USED AFTER JULY 1971			1	
- 45	23931	. . .	NUT, PLAIN, HEX- 8-32 X 5/16 FL W	ATT PT		2	
- 46	60646	. . .	WASHER, LOCK-INT T NO. 8	ATT PT		2	
- 47	4062756	. . .	LEVER			1	
- 48	192049	. . .	RING, RETAINING	ATT PT		1	
- 49	4062758	. . .	SHAFT			1	
- 50	91034	. . .	SPRING USED PRIOR TO JULY 1971			1	
- 50	8108642	. . .	SPRING USED AFTER JULY 1971			1	
- 51	4106830	. . .	PIN			1	
- 52	8108033	. . .	BRACKET USED PRIOR TO JULY 1971			1	
- 52	8139750	. . .	BRACKET USED AFTER JULY 1971			1	
- 53	961321	. . .	COVER, REAR-DOM			1	
- 53	961555	. . .	COVER, REAR-WTC			1	
- 54	5372307	. . .	GUIDE ASSEMBLY-COVER GROUND			2	
- 55	32042	. . .	SCREW, MACH BIND. HD 10-32 X 3/8 LG.	ATT PT		2	
- 56	56079	. . .	WASHER, LOCK-EXT T .195 ID .410 OD	ATT PT		2	
- 57	364728	. . .	CLAMP USED PRIOR TO SEPT. 1971			1	
- 58	55726	. . .	SCREW, MACH-BIND HD 6-32 X .188 LG	ATT PT		1	
- 59	5393309	. . .	SPRING-GROUND, TOP COVER			1	
- 60	38235	. . .	SCREW, MACH-BIND HD 6-32 X 0.312 LG	ATT PT		1	
- 61	5393282	. . .	GUIDE			1	
- 65	961548	. . .	PAN, KEYBOARD			1	
- 65	8112312	. . .	PAN, KEYBOARD-SUBSTITUTE			1	
- 66	223779	. . .	SCREW, THD FORMING-BIND HD NO. 8 X 1/2 LG	ATT PT		4	
- 67	106419	. . .	SCREW, MACH-BIND HD 10-32 X 1-3/4 LG	ATT PT		2	
- 68	45690	. . .	WASHER, FL - NO.10 X 7/16 OD X 1/32 THK	ATT PT		2	
- 69	961372	. . .	GUIDE, KEYBOARD			2	
- 70	38616	. . .	SCREW, RD HD WOOD-NO. 6 X .750 LG	ATT PT		4	
- 71	257986	. . .	WASHER, FLAT NO. 6	ATT PT		4	
- 71A	961368	. . .	STRIP, GROUNDING			2	
- 72	961370	. . .	READING BOARD			1	
- 73	5372858	. . .	SCREW, THD CTG- 10-32 X 1/2	ATT PT		4	
- 74	5422287	. . .	LEG ASM, LEFT			1	
- 75	5422288	. . .	LEG ASM, RIGHT			1	
- 76	507796	. . .	SCREW, MACH-BIND HD 10-32 X 1 LG	ATT PT		6	
- 77	5367147	. . .	LEG ASM, VERTICAL			1	
- 78	5400882	. . .	LEG ASM, HORIZONTAL-LEFT			1	
- 78	5400883	. . .	LEG ASM, HORIZONTAL-RIGHT			1	
- 80	362819	. . .	CLAMP-LEG MOUNTING			1	
- 81	332620	. . .	SCREW, MACH-BIND HD 10-32 X 1/2 LG	ATT PT		1	
- 82	9092	. . .	WASHER-LOCK, SPLIT RING, .194 ID .3370D	ATT PT		1	
- 83	962350	. . .	PAD, LEG BASE			1	
- 84	5367203	. . .	LEG, VERTICAL			1	
- 85	5400880	. . .	LEG, HORIZONTAL-LEFT			1	
- 85	5400881	. . .	LEG, HORIZONTAL-RIGHT			1	

# STEPPING/NON STEPPING MOTOR

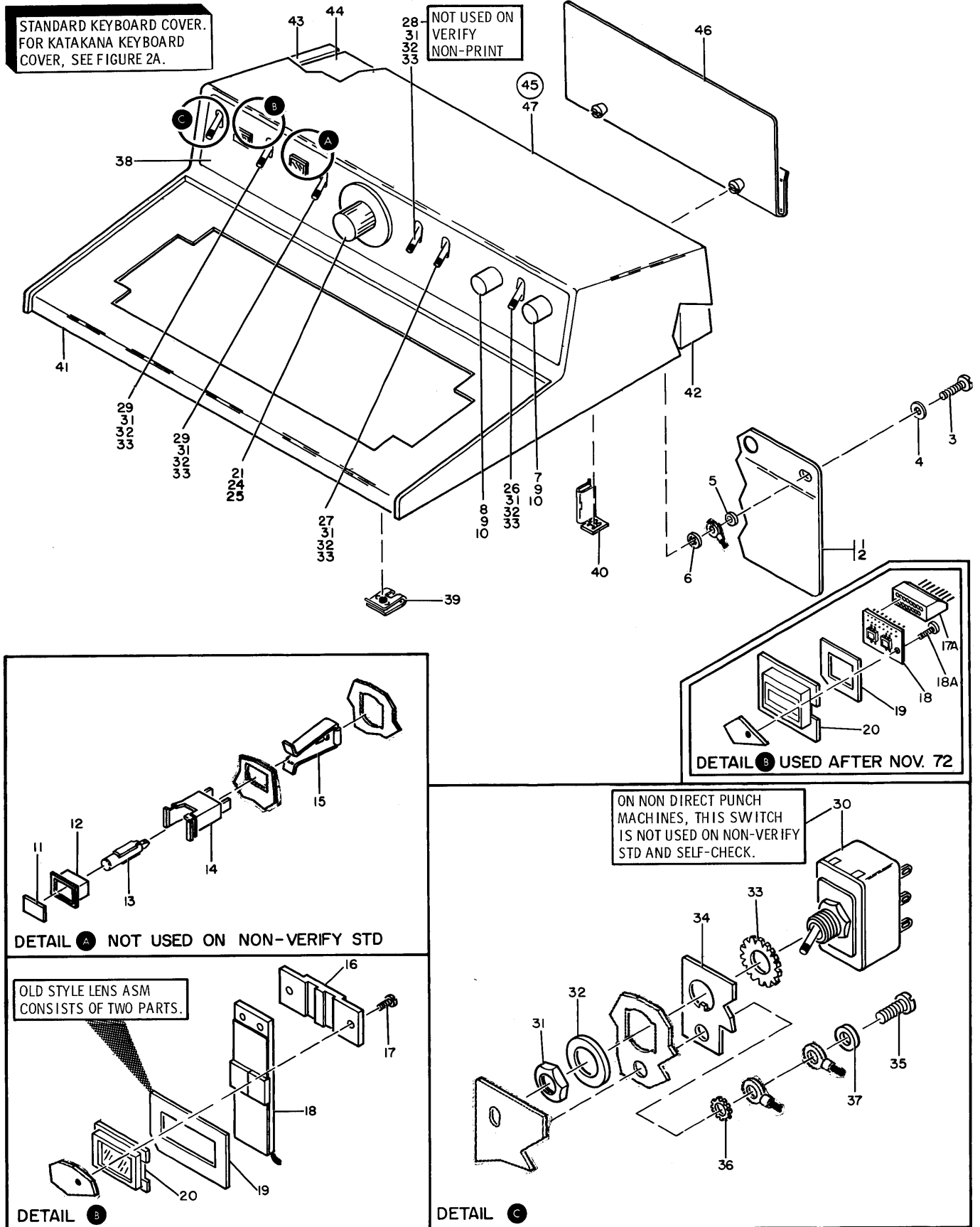


FIGURE 2. KEYBOARD COVER ASSEMBLY-STANDARD. SEE LIST 2.

# STEPPING/NON STEPPING MOTOR

## KEYBOARD COVER ASSEMBLY-STANDARD

FIGURE- INDEX NUMBER	PART NUMBER	DESCRIPTION	UNITS PER ASM.	USABLE ON CODE
		1 2 3 4		
2 -	961503	KEYBOARD COVER ASSEMBLY-STANDARD FOR ILLUSTRATION,SEE FIGURE 2	1	
- 1	5462580	• SHIELD	1	
- 2	38235	• SCREW,MACH-BIND HD 6-32 X 0.312 LG	ATT PT	2
- 3	35739	• SCREW,MACH-BIND HD 6-32 X 15/16 LG	ATT PT	1
- 4	40949	• WASHER,FL-NO.8 X 1/2 OD X 1/16 THK	ATT PT	3
- 5	22478	• WASHER,FL- 0.170 ID 0.375 OD 0.32 THK	ATT PT	1
- 6	62031	• WASHER,LOCK-INT TEETH NO. 6 X 0.295 OD	ATT PT	1
- 7	961542	• LENS,REC BKSP-ENGLISH		1
- 7	961982	• LENS,RET COL 1-FRENCH		1
- 7	961983	• LENS,SATZ RUCK-GERMAN		1
- 8	961475	• BUTTON,READ-ENGLISH		1
- 8	961860	• BUTTON,LECT-FRENCH		1
- 8	961861	• BUTTON,EINL-GERMAN		1
- 9	483577	• SWITCH,PUSH BUTTON-SPDT MOMENTARY		2
- 10	2572878	• SPACER-FUNCTIONAL SWITCH	ATT PT	2
- 11	961557	• LENS,S.C.-ENGLISH		1
- 11	961558	• LENS,VERIFY-ENGLISH		1
- 11	961559	• LENS,S.C. VERIFY-ENGLISH		1
- 11	961907	• LENS,CHIF CLE-FRENCH		1
- 11	961974	• LENS,VERIF-FRENCH		1
- 11	961978	• LENS,VER CH C-FRENCH		1
- 11	961908	• LENS,NR PR-GERMAN		1
- 11	961977	• LENS,PRUFEN-GERMAN		1
- 11	961979	• LENS,NR PR FEHLER-GERMAN		1
- 12	770386	• HOLDER,BULB NOT USED ON NON-VERIFY STD MACHINES		1
- 13	2391121	• LAMP,INCANDESCENT-4.5 V 200 MA NOT USED ON NON-VERIFY STD MACHINES		1
- 14	5302505	• SOCKET ASM NOT USED ON NON-VERIFY STD MACHINES		1
- 15	961487	• CLIP ASM-LAMP RETAINING		1
- 16	961802	• RETAINER NOT USED ON NON-VERIFY STD MACHINES USED PRIOR TO NOV. 1972		1
- 17	15887	• SCREW,MACH-BIND HD 2-56 X 1/8 LG	ATT PT	2
- 17A	964628	• CABLE ASM-COLUMN INDICATOR		1
- 18	961792	• INDICATOR ASSEMBLY		1
- 18	2396634	• L.E.D. ASM USED PRIOR TO NOV. 1972		1
- 18A	15887	• SCREW,MACH-BIND HD 2-56 X 1/8 LG	ATT PT	2
- 19	961801 NR	• INSULATOR USED PRIOR TO JUNE 1971		1
- 19	962764	• INSULATOR,COLUMN INDICATOR USED AFTER JUNE 1971		1
- 20	961803 NR	• LENS ASM		1
- 20	962765	• LENS ASM USED PRIOR TO JUNE 1971		1
- 21	961528	• KNOB AND DIAL ASM-ENGLISH		1
- 21	961986	• KNOB AND DIAL ASM-FRENCH		1
- 21	961987	• KNOB AND DIAL ASM-GERMAN		1
- 24	961525	• SWITCH,ROTARY-10 POS		1
- 25	961526	• SPACER-ID .255 OD .500	ATT PT	1
- 26	738828	• SWITCH,TOGGLE-SPDT MOMENTARY ACTION		1
- 27	738825	• SWITCH,TOGGLE-SPST MAINTAINED ACTION		1
- 28	738825	• SWITCH,TOGGLE-SPST MAINTAINED ACTION NOT USED ON VERIFY NON-PRINT MACHINES		1
- 29	5754501	• SWITCH,TOGGLE-SPDT MAINTAINED ACTION		2
- 30	5754501	• SWITCH,TOGGLE-NON DIRECT PUNCH NOT USED ON NON-VERIFY		1
- 30	963589	• SWITCH,TOGGLE-DIRECT PUNCH USED ON VERIFY MACHINES & INTERPRET FEAT		1
- 30	738826	• SWITCH,TOGGLE-DIRECT PUNCH		1
- 31	179743	• NUT,PLAIN,HEX- 15/32-32 X 9/16 FL W	ATT PT	6
- 32	151441	• SPACER	ATT PT	6
- 33	159373	• WASHER,LOCK-EXT TEETH 15/32 ID X 3/4 OD	ATT PT	6
- 34	961524	• BRACKET,SWITCH MTG		1
- 35	81693	• SCREW,MACH-BIND HD 6-32 X .250 LG	ATT PT	1
- 36	56722	• WASHER,LOCK-EXT TEETH NO. 6	ATT PT	1
- 37	22478	• WASHER,FL- 0.170 ID 0.375 OD 0.32 THK	ATT PT	1



# STEPPING/NON STEPPING MOTOR

## KEYBOARD COVER ASSEMBLY-STANDARD

FIGURE- INDEX NUMBER	PART NUMBER	DESCRIPTION				UNITS PER ASM.	USABLE ON CODE
		1	2	3	4		
2 - 38	961781	• SWITCH PLATE,NON VERIFY-ENGLISH				1	
- 38	961899	• SWITCH PLATE,NON VERIFY-FRENCH				1	
- 38	961900	• SWITCH PLATE,NON VERIFY-GERMAN				1	
- 38	961782	• SWITCH PLATE,NON VERIFY S.C.-ENGLISH				1	
- 38	961901	• SWITCH PLATE,NON VERIFY S.C.-FRENCH				1	
- 38	961902	• SWITCH PLATE,NON VERIFY S.C.-GERMAN				1	
- 38	961783	• SWITCH PLATE,VERIFY PRINT-ENGLISH				1	
- 38	961903	• SWITCH PLATE,VERIFY PRINT-FRENCH				1	
- 38	961904	• SWITCH PLATE,VERIFY PRINT-GERMAN				1	
- 38	961784	• SWITCH PLATE,VERIFY NON PRINT-ENGLISH				1	
- 38	961905	• SWITCH PLATE,VERIFY NON PRINT-FRENCH				1	
- 38	961906	• SWITCH PLATE,VERIFY NON PRINT-GERMAN				1	
- 38	963432	• SWITCH PLATE,NON VERIFY-ENGLISH DIR PCH				1	
- 38	963439	• SWITCH PLATE,NON VERIFY-FRENCH DIR PCH				1	
- 38	963435	• SWITCH PLATE,NON VERIFY-GERMAN DIR PCH				1	
- 38	963431	• SWITCH PLATE,NON VER SC-ENGLISH DIR PCH				1	
- 38	963440	• SWITCH PLATE,NON VER SC-FRENCH DIR PCH				1	
- 38	963436	• SWITCH PLATE,NON VER SC-GERMAN DIR PCH				1	
- 38	963433	• SWITCH PLATE,VER PRINT-ENGLISH DIR PCH				1	
- 38	963441	• SWITCH PLATE,VER PRINT-FRENCH DIR PCH				1	
- 38	963437	• SWITCH PLATE,VER PRINT-GERMAN DIR PCH				1	
- 38	963434	• SWITCH PLATE,VER N/PRINT-ENGLISH DIR PCH				1	
- 38	963442	• SWITCH PLATE,VER N/PRINT-FRENCH DIR PCH				1	
- 38	963438	• SWITCH PLATE,VER N/PRINT-GERMAN DIR PCH				1	
- 38	981848	• PLATE,NCN VERIFY-INTERPRET ENGLISH				1	
- 38	982306	• PLATE,NON VERIFY-INTERPRET GERMAN				1	
- 38	982309	• PLATE,NON VERIFY-INTERPRET FRENCH				1	
- 38	981849	• PLATE,NCN VERIFY-INTERPRET ENGLISH				1	
- 38	982307	• PLATE,NCN VERIFY-S.C. INTERPRET GERMAN				1	
- 38	982310	• PLATE,NON VERIFY-S.C. INTERPRET FRENCH				1	
- 38	981850	• PLATE,VERIFY W/O S.C. INTERPRET ENGLISH				1	
- 38	982308	• PLATE,VERIFY W/O S.C. INTERPRET GERMAN				1	
- 38	982311	• PLATE,VERIFY W/O S.C. INTERPRET FRENCH				1	
- 39	5404084	• NUT-SHEET SPRING				2	
- 40	5372713	• BRACKET,MOUNTING,ROLLER				2	
- 41	961536	• PLATE ASM-KEYBUTTON				1	
- 41	981582	• PLATE ASM,KEYBOARD-AUX STOR				1	
- 42	961485	• PAD,ACOUSTIC-RIGHT				1	
- 43	961484	• PAD,ACOUSTIC-LEFT				1	
- 44	961486	• PAD,ACOUSTIC-TOP				1	
- 45	5404382	• COVER ASSEMBLY AND PROGRAM CARD HOLDER				1	
- 46	5372372	• • HOLDER,CARD,PROGRAM				1	
- 47	5372319	• • COVER-MAIN KEYBOARD				1	

# STEPPING/NON STEPPING MOTOR

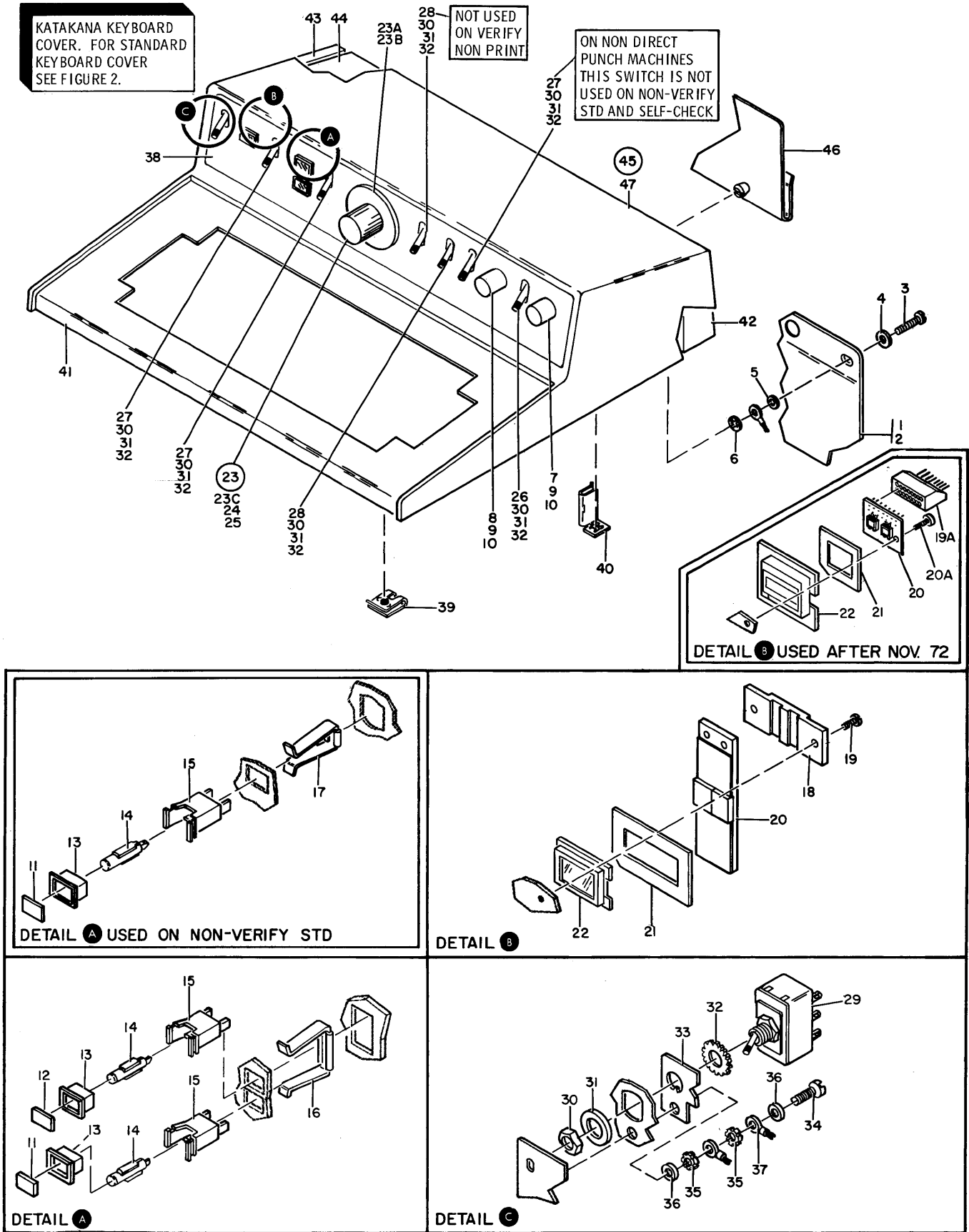


FIGURE 2A. KEYBOARD COVER ASSEMBLY-KATAKANA. SEE LIST 2A.

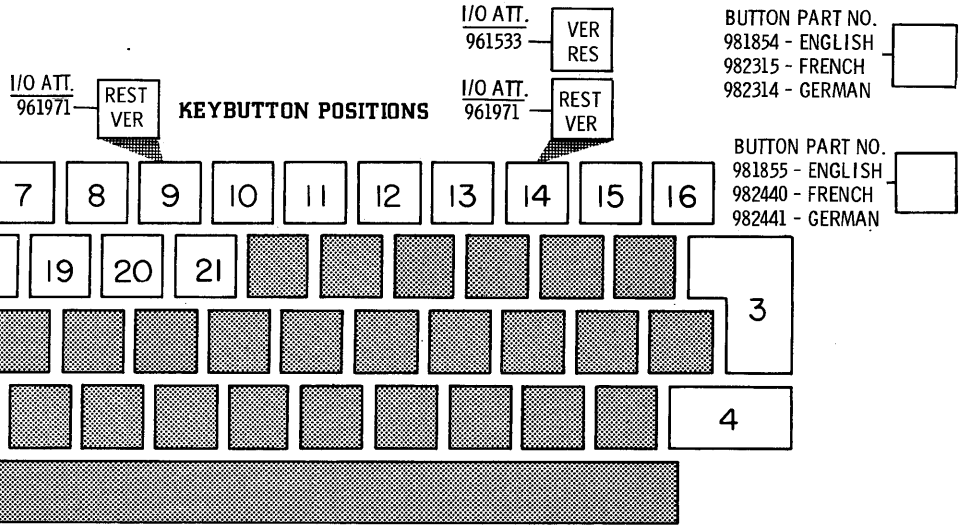
# STEPPING/NON STEPPING MOTOR

## KEYBOARD COVER ASSEMBLY-KATAKANA

FIGURE- INDEX NUMBER	PART NUMBER	DESCRIPTION	UNITS	USABLE
			PER ASM.	ON CODE
2A-	963313	KEYBOARD COVER ASSEMBLY-KATAKANA FOR ILLUSTRATION,SEE FIGURE 2A	1	
- 1	5462580	. SHIELD	1	
- 2	38235	. SCREW,MACH-BIND HD 6-32 X 0.312 LG	2	
- 3	315739	. SCREW	1	
- 4	40949	. WASHER,FL-NO.8 X 1/2 OD X 1/16 THK	3	
- 5	22478	. WASHER,FL- 0.170 ID 0.375 OD 0.32 THK	1	
- 6	62031	. WASHER,LOCK-INT TEETH NO. 6 X 0.295 OD	1	
- 7	961542	. LENS-REC BKSP	1	
- 8	961475	. BUTTON-READ	1	
- 9	483577	. SWITCH,PUSH BUTTON-SPDT MOMENTARY	2	
- 10	2572878	. SPACER-FUNCTIONAL SWITCH	2	
- 11	963310	. LENS-KANA	1	
- 12	961557	. LENS-S.C.	1	
- 12	961558	. LENS-VERIFY	1	
- 12	961559	. LENS-S.C. VER NOT USED ON NON VERIFY STANDARD MACHINES	1	
- 13	770386	. HOLDER,BULB	AR	
- 14	2391121	. LAMP,INCANDESCENT-4.5 V 200 MA	AR	
- 15	5302505	. SOCKET ASM	AR	
- 16	963340	. CLIP ASM,LAMP RETAINING	AR	
- 17	961487	. CLIP ASM-LAMP RETAINING	AR	
- 18	961802	. RETAINER USED PRIOR TO NOV. 1972	1	
- 19	15887	. SCREW,MACH-BIND HD 2-56 X 1/8 LG	2	
- 19A	964628	. CABLE ASM-COLUMN INDICATOR	1	
- 20	961792	. INDICATOR ASM USED PRIOR TO NOV. 1972	1	
- 20	2396634	. L.E.D. ASM USED AFTER NOV. 1972	1	
- 20A	15887	. SCREW,MACH-BIND HD 2-56 X 1/8 LG	2	
- 21	962764	. INSULATOR,COLUMN INDICATOR	1	
- 22	962765	. LENS ASM	1	
- 23	961528	. DIAL ASSEMBLY	1	
- 23A	961545	. . DIAL- 10 POS	1	
- 23B	1090623	. . SCREW,SELF TAPPING- 3/16 LG	2	
- 23C	482220	. . KNOB,ROTARY	1	
- 24	961525	. SWITCH,ROTARY-10 POS	1	
- 25	961526	. SPACER-ID .255 OD .500	1	
- 26	738828	. SWITCH,TOGGLE-SPDT MOMENTARY ACTION	1	
- 27	5754501	. SWITCH,TOGGLE-NON DIRECT PUNCH NOT USED ON NON VERIFY STD AND SELF-CHK	3	
- 27	963589	. SWITCH,TOGGLE-DIRECT PUNCH USED ON VERIFY MACHINES	1	
- 27	963585	. SWITCH,TOGGLE-DIRECT PUNCH USED ON NON VERIFY MACHINES	1	
- 28	738825	. SWITCH,TOGGLE-SPST MAINTAINED ACTION NOT USED ON VERIFY NON-PRINT MACHINES	2	
- 29	963302	. SWITCH,TOGGLE	1	
- 30	179743	. NUT,PLAIN,HEX- 15/32-32 X 9/16 FL W	7	
- 31	151441	. SPACER	7	
- 32	159373	. WASHER,LOCK-EXT TEETH 15/32 ID X 3/4 OD	7	
- 33	963301	. BRACKET,SWITCH	1	
- 34	81693	. SCREW,MACH-BIND HD 6-32 X .250 LG	1	
- 35	56722	. WASHER,LOCK-EXT TEETH NO. 6	2	
- 36	22478	. WASHER,FL- 0.170 ID 0.375 OD 0.32 THK	2	
- 37	608268	. JUMPER ASSEMBLY	1	
- 38	963303	. SWITCH PLATE,VERIFY NON PRINT	1	
- 38	963304	. SWITCH PLATE,VERIFY PRINT	1	
- 38	963305	. SWITCH PLATE,NON VERIFY S.C.	1	
- 38	963306	. SWITCH PLATE,NON VERIFY	1	
- 38	963443	. SWITCH PLATE,NON VERIFY-DIRECT PUNCH	1	
- 38	963444	. SWITCH PLATE,NON VERIFY SC-DIRECT PUNCH	1	
- 38	963445	. SWITCH PLATE,VERIFY PRINT-DIRECT PUNCH	1	
- 38	963446	. SWITCH PLATE,VERIFY N/PRINT-DIRECT PUNCH	1	
- 39	5404084	. NUT-SHEET SPRING	2	
- 40	5372318	. NUT,SHEET SPRING	2	
- 41	963329	. PLATE,KEYBUTTON	1	
- 42	961485	. PAD,ACOUSTIC-RIGHT	1	
- 43	961484	. PAD,ACOUSTIC-LEFT	1	
- 44	961486	. PAD,ACOUSTIC-TOP	1	
- 45	963342	. COVER ASM AND PROGRAM CARD HOLDER	1	
- 46	5372372	. . HOLDER,CARD,PROGRAM	1	
- 47	5372319	. . COVER-MAIN KEYBOARD	1	

# STEPPING/NON STEPPING MOTOR

STANDARD KEYBUTTON LANGUAGE GROUPS.  
FOR KATAKANA KEYBUTTON PART NUMBERS SEE CHART V.



FOR KEYBUTTONS IN SHADED AREA SEE CHART I, PART 2

**CHART I. KEYBUTTON LANGUAGE GROUPS (PART 1 OF 2)**

NOTE: FOR KEYBUTTON NOMENCLATURE SEE CHART II.

BUTTON POS.	U. S. A. ITALY ASCII	FRANCE	BELGIUM	DENMARK	UNITED KINGDOM	BRAZIL	SPAIN	PORTUGAL	LATIN AMERICA	GERMANY/AUSTRIA	FINLAND/SWEDEN	NORWAY
1	961530	961972	961530	961530	961530	961530	961530	961530	961530	961973	961530	961530
2	5353598	8107664	5353598	5353598	5353598	5353598	5353598	5353598	5353598	8107637	5353598	5353598
3	5422194	8110166	5422194	5422194	5422194	5422194	5422194	5422194	5422194	961936	5422194	5422194
4	5353599	5353599	5353599	5353599	5353599	5353599	5353599	5353599	5353599	5353599	5353599	5353599
5	5353554	8107655	5353554	5353554	5353554	5353554	5353554	5353554	5353554	8107632	5353554	5353554
6	5353555	+ 8109268	8109268	961915	5353555	8109371	8110870	8111632	8109270	▲ 5471576	961915	961915
7	5353556	5353556	5353556	5353556	5353556	5353556	5353556	5353556	5353556	▲ 961917	5353556	5353556
8	5353557	+ 8109263	8109263	8107738	8107766	8107738	8107761	8110433	5353557	▲ 961809	8107738	8107738
9	VER.	5353741	5353741	5353741	5353741	5353741	5353741	8110434	5353741	▲ 961976	5353741	5353741
	N/VER.	5353741	5353741	5353741	5353741	5353741	5353741	8110434	5353741	▲ 5353757	5353741	5353741
	VER. SC	5353741	5353741	5353741	5353741	5353741	5353741	8110434	5353741	▲ 961939	5353741	5353741
10	N/VER. SC	5353741	5353741	5353741	5353741	5353741	5353741	8110434	5353741	▲ 961941	5353741	5353741
	VER.	961531	961919	961531	961531	961531	961531	961531	961531	961975	961531	961531
	N/VER.	5353757	5353757	5353757	5353757	5353757	5353757	5353757	5353757	5353757	5353757	5353757
11	VER.	5353729	8107666	5353729	5353729	5353729	5353729	5353729	5353729	8107644	5353729	5353729
	N/VER.	5353559	8107657	5353559	5353559	5353559	5353559	5353559	5353559	5353559	5353559	5353559
12	961476	961858	961476	961476	961476	961476	961476	961476	961476	961859	961476	961476
13	5353560	5353560	5353560	5353560	5353560	5353560	5353560	5353560	5353560	5353560	5353560	5353560
14	VER.	961533	961971	961533	961533	961533	961533	961533	961533	▲ NONE	961533	961533
	N/VER.	5353757	5353757	5353757	5353757	5353757	5353757	5353757	5353757	▲ 961813	5353757	5353757
	VER. SC	961572	961938	961572	961572	961572	961572	961572	961572	▲ NONE	961572	961572
N/VER. SC	961573	961940	961573	961573	961573	961573	961573	961573	▲ NONE	961573	961573	
15	5353563	8107658	5353563	5353563	5353563	5353563	5353563	5353563	5353563	8107635	5353563	5353563
16	961529	5471575	961529	961529	961529	961529	961529	961529	961529	▲ 8107639	961529	961529
17	5353715	+ 8107771	8107771	5353715	5353715	5353715	5353715	5353715	5353715	5353715	5353715	5353715
18	5353716	+ 8107772	8107772	5353716	5353716	5353716	5353716	5353716	5353716	5353716	5353716	5353716
19	5353717	5353717	5353717	5353717	5353717	5373717	5353717	5353717	5353717	5353717	5353717	5353717
20	* 5353606	+ 8109269	8109269	5353606	8107774	5353606	5353606	5353606	5353606	5353606	5353606	5353606
21	* 5353569	5353569	5353569	5353569	5353569	5353569	5353569	5353569	5353569	5353569	5353569	5353569

\* THESE PART NUMBERS APPLY TO U. S. A. AND ITALY ONLY.  
ASCII PART NUMBERS:  
POS. 20 - 8111965  
POS. 21 - 5480439

▲ THESE PART NUMBERS APPLY TO GERMANY (AZERTY) ONLY  
GERMANY (QWERTY) PART NUMBERS:  
POS. 6 - 5353555  
POS. 7 - 5353556  
POS. 8 - 5353557  
POS. 9 - 5353741  
POS. 14 [ 961976 - VER.  
5353757 - N/VER.  
961939 - VER. SC  
961941 - N/VER. SC  
POS. 16 - 5471576

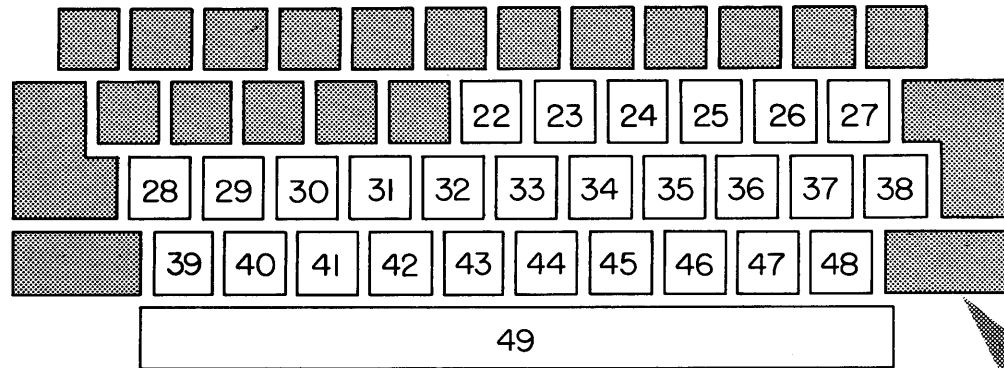
† THESE PART NUMBERS APPLY TO FRANCE (AZERTY) ONLY.  
FRANCE (QWERTY) PART NUMBERS:  
POS. 6 - 5353555  
POS. 8 - 5353557  
POS. 17 - 5353715  
POS. 18 - 5353716  
POS. 20 - 5353606

CHART I. KEYBUTTON LANGUAGE GROUPS—STANDARD (1 OF 2).

# STEPPING/NON STEPPING MOTOR

STANDARD KEYBUTTON LANGUAGE GROUPS.  
FOR KATAKANA  
KEYBUTTON PART NUMBERS  
SEE CHART V.

## KEYBUTTON POSITIONS



### CHART I. KEYBUTTON LANGUAGE GROUPS (PART 2 OF 2)

FOR KEYBUTTONS  
IN SHADED AREA  
SEE CHART I, PART 1

NOTE: FOR KEYBUTTON NOMENCLATURE SEE CHART II.

BUTTON POS.	U. S. A. ITALY ASCII	FRANCE	BELGIUM	DENMARK	UNITED KINGDOM	BRAZIL	SPAIN	PORTUGAL	LATIN AMERICA	GERMANY/ AUSTRIA	FINLAND/ SWEDEN	NORWAY
22	5353608	5353608	5353608	5353608	5353608	5353608	5353608	5353608	5353608	▲8109713	5353608	5353608
23	5353571	5353571	5353571	5353571	5353571	5353571	5353571	5353571	5353571	5353571	5353571	5353571
24	5353572	5353572	5353572	5353572	5353572	5353572	5353572	5353572	5353572	5353572	5353572	5353572
25	5353573	5353573	5353573	5353573	5353573	5353573	5353573	5353573	5353573	5353573	5353573	5353573
26	5353574	5353574	5353574	5353574	5353574	5353574	5353574	5353574	5353574	5353574	5353574	5353574
27	5353727	8107659	5353727	5353727	5353727	5353727	5353727	5353727	5353727	▲ 961811	5353727	5353727
28	5353576	†8107680	8107680	5353576	5353576	5353576	5353576	5353576	5353576	▲ 961808	5353576	5353576
29	5353711	5353711	5353711	5353711	5353711	5353711	5353711	5353711	5353711	5353711	5353711	5353711
30	5353610	5353610	5353610	5353610	5353610	5353610	5353610	5353610	5353610	5353610	5353610	5353610
31	5353723	5353723	5353723	5353723	5353723	5353723	5353723	5353723	5353723	5353723	5353723	5353723
32	5353712	5353712	5353712	5353712	5353712	5353712	5353712	5353712	5353712	5353712	5353712	5353712
33	5353713	5353713	5353713	5353713	5353713	5353713	5353713	5353713	5353713	5353713	5353713	5353713
34	5422212	5422212	5422212	5422212	5422212	5422212	5422212	5422212	5422212	5422212	5422212	5422212
35	5422213	5422213	5422213	5422213	5422213	5422213	5422213	5422213	5422213	5422213	5422213	5422213
36	5422214	5422214	5422214	5422214	5422214	5422214	5422214	5422214	5422214	5422214	5422214	5422214
37	5353585	8107662	5353585	5353585	5353585	5353585	5353585	5353585	5353585	▲ 961810	5353585	5353585
38	5353726	8107663	5353726	5353726	5353726	5353726	5353726	5353726	5353726	▲ 961812	5353726	5353726
39	5353587	†8107681	8107681	5353587	5353587	5353587	5353587	5353587	5353587	▲8110221	5353587	5353587
40	5353724	5353724	5353724	5353724	5353724	5353724	5353724	5353724	5353724	5353724	5353724	5353724
41	5353615	5353615	5353615	5353615	5353615	5353615	5353615	8110414	8107771	5353615	5353615	5353615
42	5353616	5353616	5353616	5353616	5353616	5353616	5353616	5353616	5353616	5353616	5353616	5353616
43	*5353725	5353725	5353725	5353725	5353725	5353725	5353725	5353725	5353725	5353725	5353725	5353725
44	5353714	5353714	5353714	5353714	5353714	5353714	5353714	5353714	5353714	5353714	5353714	5353714
45	5353593	5353593	5353593	5353593	5353593	5353593	5353593	5353593	5353593	5353593	5353593	5353593
46	5353594	5353594	5353594	8107780	5353594	8109325	5353594	5353594	5353594	5353594	8107780	8107777
47	5353595	5353595	5353595	8107778	5353595	8109326	5353595	5353595	5353595	5353595	8107781	8107778
48	961915	961916	961915	8107883	961915	961915	961915	961915	961915	▲ 961814	8107782	8107779
49	5353619	5353619	5353619	5353619	5353619	5353619	5353619	5353619	5353619	5353619	5353619	5353619

\* THIS PART NUMBER APPLIES TO U. S. A. AND ITALY ONLY. ASCII PART NUMBER 8111967.

▲ THESE PART NUMBERS APPLY TO GERMANY (AZERTY) ONLY  
GERMANY (QWERTY) PART NUMBERS:  
POS. 22 - 5353608 | POS. 38 - 8107639  
POS. 27 - 8107640 | POS. 39 - 5353587  
POS. 28 - 5353576 | POS. 48 - 961533  
POS. 37 - 8107636

† THESE PART NUMBERS APPLY TO FRANCE  
FRANCE (AZERTY) ONLY.  
FRANCE (QWERTY) PART NUMBERS:  
POS. 28 - 5353576  
POS. 39 - 5353587

CHART I. KEYBUTTON LANGUAGE GROUPS—STANDARD (2 OF 2).

# STEPPING/NON STEPPING MOTOR

STANDARD KEYBUTTON  
NOMENCLATURE. FOR  
KATAKANA KEYBUTTON  
NOMENCLATURE  
SEE CHART V.

## CHART II. KEYBUTTON NOMENCLATURE

NOTE: PART NUMBERS OF BUTTONS LISTED IN NUMERICAL  
ORDER. USAGE INDICATED IN CHART I.

PART NUMBER	NOMENCLATURE
961476	- LZ -
961529	PROG SEL
961530	FIELD-WORD BKSP
961531	VER CORR
961533	VER RES
961572	VER SC
961573	SC RES
961808	% A
961809	< *
961810	; O
961811	U
961812	. A
961813	ZUF
961814	SPRG
961858	-MZ -
961859	-NL -
961915	CHAR BKSP
961916	RET ARR
961917	ZEICH RÜCK
961919	CORR VER
961936	LEER SPALTEN/ NULL LINKS STRG
961938	VER CH C
961939	PRÜF NR PR
961940	CH C REST
961941	NR PR LÖSCH
961971	REST VER
961972	ZONE/MOT RET ARR
961973	FELD/WORT RÜCK
961975	PRÜF KORR
961976	PRÜF LÖSCH
981854	BL COL LZ CTL
981855	AUX STOR
982314	LE SPA NL LKS
982315	COL BLNCH ZG
982440	REP AUX
982441	ZUS DUP
5353554	MULT PCH
5353555	# @
5353556	, %
5353557	\$ *
5353559	DUP
5353560	O /
5353563	REL

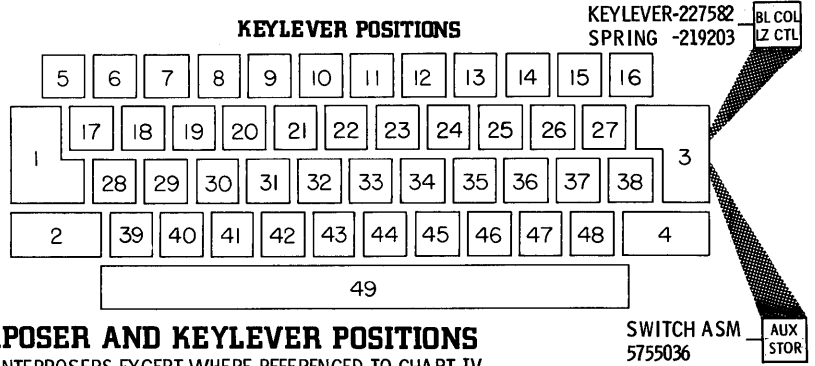
PART NUMBER	NOMENCLATURE
5353569	0-8-2 T
5353571	1 U
5353572	2 I
5353573	3 O
5353574	& P
5353576	A
5353585	SKIP
5353587	Z
5353593	7 M
5353594	8 ,
5353595	9 .
5353598	NUMERIC
5353599	ALPHA
5353606	# R
5353608	Y
5353610	: D
5353615	" C
5353616	= V
5353619	SPACE BAR
5353711	> S
5353712	← G
5353713	' H
5353714	( N
5353715	+ Q
5353716	- W
5353717	) E
5353723	; F
5353724	? X
5353725	! B
5353726	REG
5353727	FEED
5353729	VER DUP
5353741	. <
5353757	BLANK 1st ROW
5422194	BLANK COLUMNS/ LEFT ZERO CTRL
5422212	4 J
5422213	5 K
5422214	6 L
5471575	SEL PROG
5471576	PROG AUSW
5480439	\ T
8107632	ML
8107635	AUSL
8107636	SPRG

PART NUMBER	NOMENCLATURE
8107637	NUMERISCH
8107639	KE
8107640	ZUF
8107644	PRUF DUP
8107655	PERF MULT
8107657	REP
8107658	LIB
8107659	ALIM
8107662	SAUT
8107663	POS COL 1
8107664	NUMERIQUE
8107666	REP VER
8107680	Q
8107681	W
8107738	*
8107761	PTS *
8107766	€ *
8107771	+ A
8107772	- Z
8107774	\$ R
8107777	8 Ø
8107778	9 AE
8107779	A
8107780	8 A
8107781	9 A
8107782	O
8107883	Ø
8109263	F *
8109268	# ā
8109269	§ R
8109270	N @
8109325	8 Ø
8109326	9 Ç
8109371	Å
8109713	I Z
8110166	COLONNES BLANCHES/ CDE ZERO GAUCHE
8110221	Y
8110414	C
8110432	* <
8110433	\$ §
8110434	, ÷
8110870	# N
8111632	% Å
8111965	[ R
8111967	] B

CHART II. KEYBUTTON NOMENCLATURE.

# STEPPING/NON STEPPING MOTOR

STANDARD KEYLEVER, INTERPOSER AND KEYSTEM SWITCH POSITIONS. FOR KATAKANA KEYLEVER, INTERPOSER AND KEYSTEM SWITCH POSITIONS SEE CHARTS VI AND VII.



## CHART III. INTERPOSER AND KEYLEVER POSITIONS

NOTE: ALL POSITIONS USE INTERPOSERS EXCEPT WHERE REFERENCED TO CHART IV, THESE POSITIONS USE KEYSTEM SWITCHES.

KEYLEVER POSITION	1	2	3	4	5	6*	7**	8	9**	10
INTERPOSER	See Chart IV	See Chart IV	219346	See Chart IV	See Chart IV	219202	219202	219202	219202	See Chart IV
INTERPOSER SPRING	219203	219203	219203	219203	219203	219203	219203	219203	219203	219203
KEYLEVER	227582	227582	227582	227582	227582	227582	227582	227582	227582	227582

KEYLEVER POSITION	11	12	13	14	15	16	17	18	19	20
INTERPOSER	See Chart IV	219202	219202	See Chart IV	219202	See Chart IV	219346	219346	219346	219346
INTERPOSER SPRING	219203	219203	219203	219203	219203	219203	219203	219203	219203	219203
KEYLEVER	227582	227582	227582	227582	227582	227582	227582	227582	227582	227582

KEYLEVER POSITION	21	22	23	24	25	26	27	28	29	30
INTERPOSER	219346	219346	219346	219346	219346	219346	See Chart IV	219229	219229	219229
INTERPOSER SPRING	219203	219203	219203	219203	219203	219203	219203	219203	219203	219203
KEYLEVER	227582	227582	227582	227582	227582	227582	227582	227582	227582	227582

KEYLEVER POSITION	31	32	33	34	35	36	37	38	39	40
INTERPOSER	219229	219229	219225	219229	219229	219229	219229	See Chart IV	219347	219347
INTERPOSER SPRING	219203	219203	219203	219203	219203	219203	219203	219203	219203	219203
KEYLEVER	227582	227582	227582	227582	227582	227582	227582	227582	227582	227582

KEYLEVER POSITION	41	42	43	44	45	46	47	48 <sup>+</sup>	49
INTERPOSER	219347	219347	219347	219347	219347	219347	219347	219347	227529
INTERPOSER SPRING	219203	219203	219203	219203	219203	219203	219203	219203	219203
KEYLEVER	227582	227582	227582	227582	227582	227582	227582	227582	227582

\* - INTERPOSER USED ON ALL LANGUAGE GROUPS EXCEPT FINLAND/SWEDEN, GERMANY/AUSTRIA, NORWAY AND DENMARK. FOR SWITCH ASM SEE CHART IV.

† INTERPOSER USED FOR FINLAND/SWEDEN, GERMANY/AUSTRIA, NORWAY AND DENMARK. ALL OTHER LANGUAGE GROUPS USE SWITCH ASM, SEE CHART IV.

\*\* INTERPOSER USED ON ALL LANGUAGE GROUPS EXCEPT GERMANY/AUSTRIA. FOR SWITCH ASM SEE CHART IV.

## CHART IV. KEYSTEM SWITCH POSITIONS

NOTE: USAGE INDICATED IN CHART III.

### KEYSTEM SWITCH USAGE CODES

BUTTON POS.	SWITCH ASM SEE SHEET 7	USED ON CODE:					
		A	B	C	D	E	F
1	5755036	X					
2	5755036	X					
4	5471433	X					
5	5755036		X		X		
5	5471433			X			
5	961517					X	
6	961517			X			
6	5755036					X	
7	5755036					X	
9	5755036					X	X

BUTTON POS.	SWITCH ASM SEE SHEET 7	USED ON CODE:					
		A	B	C	D	E	F
10	5755036	X					
11	5755036	X					
14	961516				X		X
14	5755036					X	
16	5755036	X					
27	961517				X		
38	5755036				X		
48	5471433		X				
48	5471433				X		

A - Used on all language groups.  
 B - Used on all language groups except Norway, Denmark, Finland/Sweden.  
 C - Used on Norway, Denmark, Finland/Sweden language groups only.  
 D - Used on all language groups except Germany/Austria.  
 E - Used on Germany/Austria language group.  
 F - I/O Attachment Feature.

CHARTS III AND IV. INTERPOSERS, KEYLEVERS AND SWITCHES-STANDARD.

# STEPPING/NON STEPPING MOTOR

KATAKANA KEYBUTTON PART  
NUMBERS AND NOMENCLATURE.  
FOR STANDARD KEYBUTTON LANGUAGE  
GROUPS AND NOMENCLATURE  
SEE CHARTS I AND II.

## KEYBUTTON POSITIONS

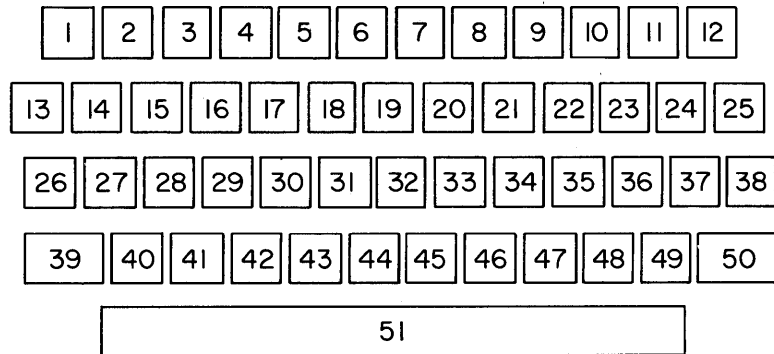


CHART V. KEYBUTTON PART NUMBERS AND NOMENCLATURE

BUTTON POS.	BUTTON PART NUMBER	BUTTON NOMENCLATURE	
1	5952004		又
2	5952007	# @	フ
3	5952011	, %	ア
4	5952015	¥ *	ウ
5	5952019	. <	エ
6	VER 963348	VER CORR	オ
	NON VER 963318		オ
7	VER 5952124	VER/DUP	ヤ
	NON VER 5952026	DUP	ヤ
8	963350	--	ユ
9	5952035	0 /	ヨ
10	963319		フ
11	5952042	REL	ホ
12	963315	PROG SEL	へ
13	963352	RESET	
14	5952005	+ Q	タ
15	5952009	- W	テ
16	5952013	) E	イ
17	5952017	€ R	ス
18	5952020	0&2 T	カ
19	5952024	l Y	ン
20	5952029	1 U	ナ
21	5952034	2 I	ニ
22	5952037	3 O	ラ
23	5952040	& P	セ
24	5952044	FEED	ゝ
25	1975344	BL COL LZ CTL	。

BUTTON POS.	BUTTON PART NUMBER	BUTTON NOMENCLATURE	
26	963314	FL/WD BKSP	□
27	5952006	A	チ
28	5952010	> S	ト
29	5952014	: D	シ
30	5952018	; F	ハ
31	5952021	┌ G	キ
32	5952025	H	ク
33	1975339	4 J	マ
34	1975340	5 K	ノ
35	1975341	6 L	リ
36	5952041	SKIP	レ
37	5952045	REG	ケ
38	5952048		ム
39	5353598	NUMERIC	
40	5952008	Z	ツ
41	5952012	? X	ザ
42	5952027	" C	ッ
43	5952016	= V	ヒ
44	5952023	! B	コ
45	5952028	( N	ニ
46	5952032	7 M	モ
47	5952036	8 ,	ホ
48	5952039	9 .	ル
49	963312	CHAR BKSP	メ
50	5353599	ALPHA	
51	5353619	SPACE BAR	

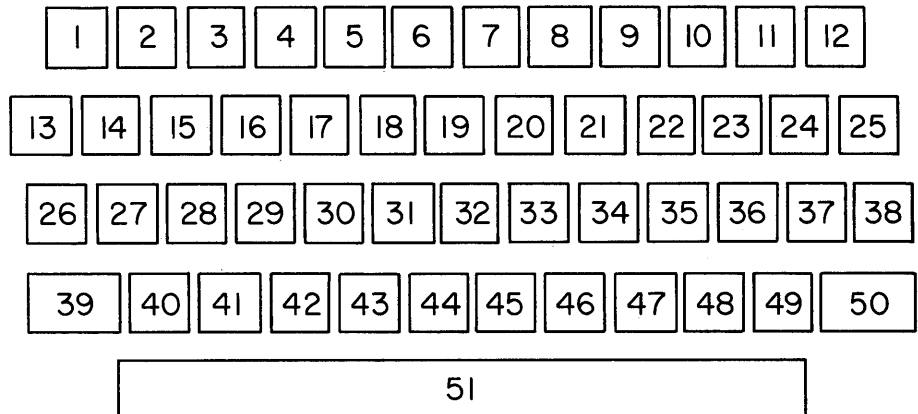
CHART V. KEYBUTTONS AND NOMENCLATURE-KATAKANA.



# STEPPING/NON STEPPING MOTOR

KATAKANA KEYLEVER, INTERPOSER AND KEYSTEM SWITCH POSITIONS. FOR STANDARD KEYLEVER, INTERPOSER AND KEYSTEM SWITCH POSITIONS SEE CHARTS III AND IV.

## KEYLEVER POSITIONS



### CHART VI. INTERPOSER AND KEYLEVER POSITIONS

NOTE: ALL POSITIONS USE INTERPOSERS EXCEPT WHERE REFERENCED TO CHART VII, THESE POSITIONS USE KEYSTEM SWITCHES.

KEYLEVER POSITION	1	2	3	4	5	6	7	8	9	10
INTERPOSER	219202	219202	219202	219202	219202	See Chart VII	See Chart VII	219202	219202	219202
INTERPOSER SPRING	219203	219203	219203	219203	219203	219203	219203	219203	219203	219203
KEYLEVER	227582	227582	227582	227582	227582	227582	227582	227582	227582	227582

KEYLEVER POSITION	11	12*	13	14	15	16	17	18	19	20
INTERPOSER	219202	219202	See Chart VII	219346	219346	219346	219346	219346	219346	219346
INTERPOSER SPRING	219203	219203	219203	219203	219203	219203	219203	219203	219203	219203
KEYLEVER	227582	227582	227582	227582	227582	227582	227582	227582	227582	227582

KEYLEVER POSITION	21	22	23	24 *	25	26 *	27	28	29	30
INTERPOSER	219346	219346	219346	219346	219346	219229	219229	219229	219229	219229
INTERPOSER SPRING	219203	219203	219203	219203	219203	219203	219203	219203	219203	219203
KEYLEVER	227582	227582	227582	227582	227582	227582	227582	227582	227582	227582

KEYLEVER POSITION	31	32	33	34	35	36	37 *	38	39	40
INTERPOSER	219229	219229	219229	219229	219229	219229	219229	219229	See Chart VII	219347
INTERPOSER SPRING	219203	219203	219203	219203	219203	219203	219203	219203	219203	219203
KEYLEVER	227582	227582	227582	227582	227582	227582	227582	227582	227582	227582

KEYLEVER POSITION	41	42	43	44	45	46	47	48	49 *	50
INTERPOSER	219347	219347	219347	219347	219347	219347	219347	219347	219347	See Chart VII
INTERPOSER SPRING	219203	219203	219203	219203	219203	219203	219203	219203	219203	219203
KEYLEVER	227582	227582	227582	227582	227582	227582	227582	227582	227582	227582

KEYLEVER POSITION	51
INTERPOSER	963343
INTERPOSER SPRING	219203
KEYLEVER	227582

\* USE INTERPOSER AS NOTED, FOR KEYSTEM SWITCH, SEE CHART VII.

### CHART VII. KEYSTEM SWITCH POSITIONS

NOTE: USAGE INDICATED IN CHART VI.

BUTTON POS.	SWITCH ASM SEE SHEET 7	BUTTON POS.	SWITCH ASM SEE SHEET 7
6	5755036	26	5755036
7	5755036	37	961517
12	5755036	39	5755036
13	5471433	49	5471433
24	5755036	50	5755036

CHARTS VI AND VII. INTERPOSERS, KEYLEVERS AND SWITCHES-KATAKANA.

# STEPPING/NON STEPPING MOTOR

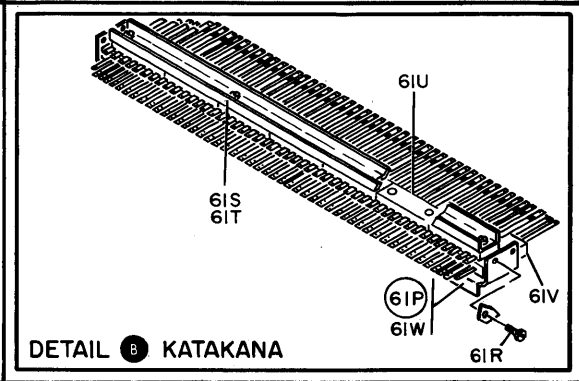
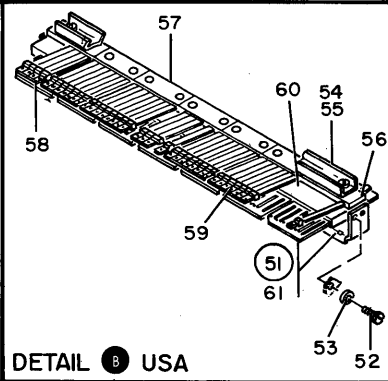
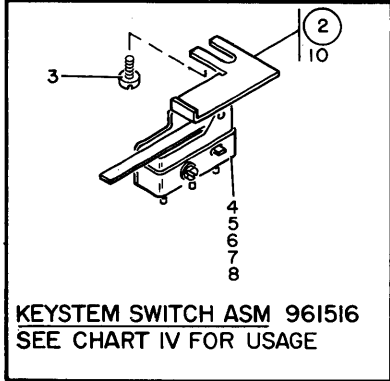
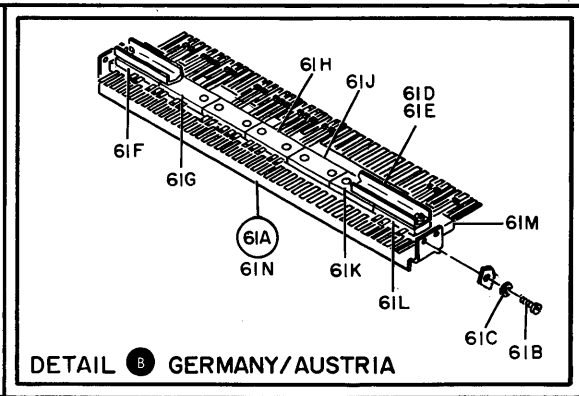
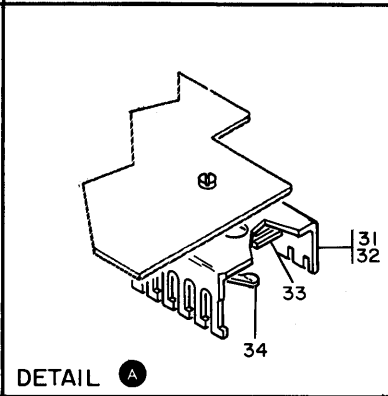
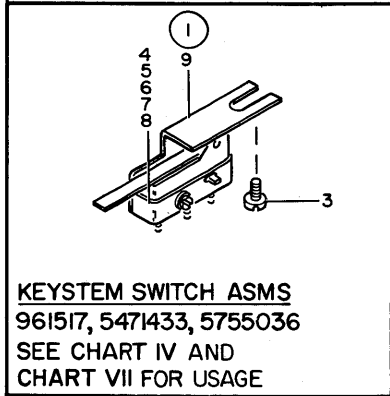
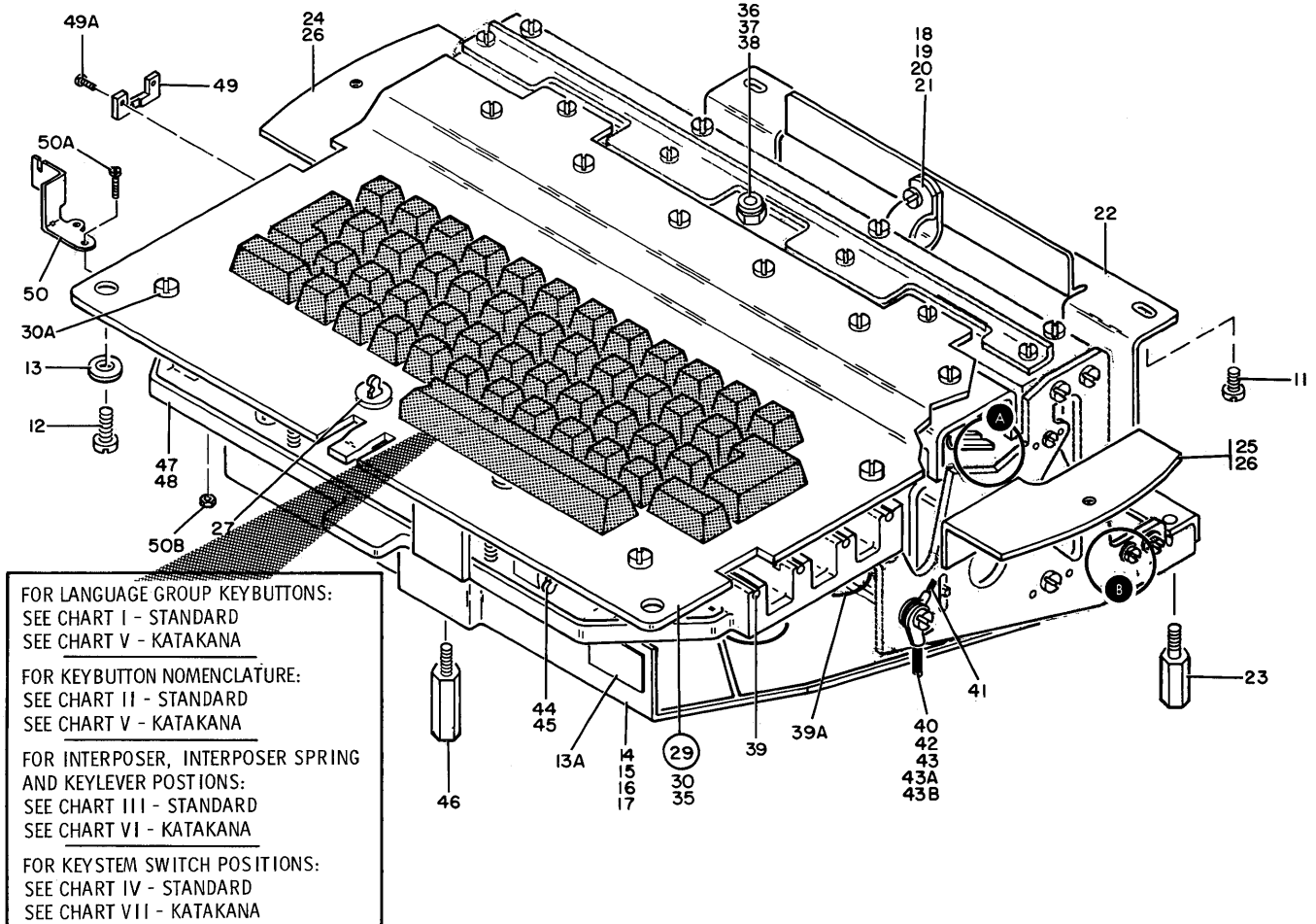


FIGURE 3. KEYBOARD ASSEMBLY. SHEET 1 OF 2. INDEX NOS. 1-61W. SEE LIST 3.

# STEPPING/NON STEPPING MOTOR

## KEYBOARD ASSEMBLY

FIGURE- INDEX NUMBER	PART NUMBER	DESCRIPTION	UNITS				USABLE ON CODE	
			1	2	3	4		
3 -	964016	KEYBOARD ASSEMBLY					1	
-	961506	KEYBOARD ASSEMBLY - NON STEPPING MOTOR USED ON ALL LANGUAGE GROUPS EXCEPT FINLAND/SWEDEN, GERMANY/AUSTRIA DENMARK, NORWAY AND KATAKANA					1	
-	964017	KEYBOARD ASSEMBLY					1	
-	961872	KEYBOARD ASSEMBLY - NON STEPPING MOTOR USED ON FINLAND/SWEDEN DENMARK AND NORWAY LANGUAGE GROUPS					1	
-	964018	KEYBOARD ASSEMBLY					1	
-	961805	KEYBOARD ASSEMBLY-NON STEPPING MOTOR USED ON GERMANY/AUSTRIA LANGUAGE GROUPS					1	
-	963325	KEYBOARD ASSEMBLY-KATAKANA FOR ILLUSTRATION, SEE FIGURE 3					1	
		FOR KEYBUTTON PART NUMBERS: SEE CHART I-STANDARD AND CHART V-KATAKANA						
		FOR KEYBUTTON NOMENCLATURE: SEE CHART II-STANDARD AND CHART V-KATAKANA						
		FOR INTERPOSER, KEYSTEM AND SPRINGS: SEE CHART III-STANDARD AND CHART VI-KATAKANA						
- 1	961517	• KEYSTEM SWITCH ASM-NO. 1					AR	
- 1	5471433	• KEYSTEM SWITCH ASM-NO. 2					AR	
- 1	5755036	• KEYSTEM SWITCH ASM-NO. 3 FOR KEYSTEM SWITCH USAGE: SEE CHARTS III AND IV-STANDARD AND CHARTS VI AND VII-KATAKANA					AR	
- 2	961516	• KEYSTEM SWITCH ASM-NO. 4 FOR KEYSTEM SWITCH USAGE: SEE CHARTS III AND IV-STANDARD AND CHARTS VI AND VII-KATAKANA					AR	
- 3	196299	• SCREW, MACH-BIND HD 5-40 X 1/2 LG			ATT PT		AR	
- 4	5214866	• SWITCH-PRECISION SPDT MOMENTARY ACTION					1	
- 5	438541	• SCREW, MACH-BIND HD 2-56 X 7/16 LG			ATT PT		1	
- 6	45624	• WASHER, FL-NO. 2 X 7/32 OD X 0.020 THK			ATT PT		1	
- 7	219549	• WASHER, LOCK-SPLIT NO. 2 X 0.165 OD			ATT PT		1	
- 8	47987	• NUT, PLAIN, HEX- 2-56 X 3/16 FL W			ATT PT		1	
- 9	961518	• BRACKET, SWITCH NO. 1					1	
- 9	5471432	• BRACKET, SWITCH NO. 2					1	
- 9	5462501	• BRACKET, SWITCH NO. 3					1	
- 10	961519	• BRACKET, SWITCH NO. 4					1	
- 11	185052	• SCREW, SELF-TAPPING-PAN HD 6-18 X 0.375 LG ATTACHING HARDWARE FOR KEYBOARD COVER					2	
- 12	734483	• SCREW, PAN HD- 6-32 X 0.380 LG					2	
- 13	22478	• WASHER, FL- 0.170 ID 0.375 OD 0.32 THK ATTACHING HARDWARE FOR KEYBOARD COVER					2	
- 13A	982607	• LABEL, LUBRICATION					1	
- 14	5462711	• COVER, BOTTOM					1	
- 15	58207	• SCREW, MACH-UNDRCT BIND HD 8-32 X .250 LG			ATT PT		2	
- 16	60646	• WASHER, LOCK-INT T NO. 8			ATT PT		2	
- 17	45690	• WASHER, FL - NO. 10 X 7/16 OD X 1/32 THK			ATT PT		2	
- 18	327922	• CLAMP, CABLE-.625 DIAMETER					1	
- 19	25627	• SCREW-BC. HD 8-32 X .500 LG			ATT PT		1	
- 20	22478	• WASHER, FL- 0.170 ID 0.375 OD 0.32 THK			ATT PT		1	
- 21	257189	• NUT, HEX- 8-32			ATT PT		1	
- 22	961534	• BRACKET, COVER					1	
- 23	442576	• STUD, FEED ROLL MOUNTING			ATT PT		2	
- 24	5367186	• BRACKET, PIVOT-KEYBOARD, LEFT					1	
- 25	5367142	• BRACKET, PIVOT-KEYBOARD, RIGHT					1	
- 26	10170	• SCREW, MACH-BIND HD 6-32 X 1/4 LG			ATT PT		4	
- 27	219204	• BUMPER, KEY					AR	
- 27	963353	• BUMPER, KEY-KATAKANA					7	
- 27	1119715	USED ON KEYSTEM POS. 6, 7, 12, 24, 26, 37, 49 SEE INTERPOSER AND KEYLEVERS-CHART VI. • BUMPER, KEY-KATAKANA					45	
		USED IN ALL REMAINING POSITIONS						

# STEPPING/NON STEPPING MOTOR

## KEYBOARD ASSEMBLY

FIGURE- INDEX NUMBER	PART NUMBER	DESCRIPTION	UNITS PER ASM.	USABLE ON CODE
3 - 29	961478	. PLATE ASM-SUPPORT USED PRIOR TO AUG. 1972	1	
- 29	5367166	. PLATE ASM-SUPPORT USED AFTER AUG. 1972	1	
- 30	4236	. SCREW,MACH-FIL H 5-40 X 1/4 LG ATT PT	2	
- 30A	5393274	. SCREW,MACHINE-BINDING HD 5-40NC X 0.250 ATT PT	4	
- 31	219278	. CHANNEL-HOOK	1	
- 32	961192	. SCREW,PAN HD,THD CUTTING- 5-40 X .25 ATT PT	6	
- 33	227502	. PLATE-SPRING MTG ATT PT	6	
- 34	227501	. SPRING-HOOK	2	
- 35	961480	. PLATE ASM-SUPPORT USED PRIOR TO AUG. 1972	1	
- 35	5422231	. PLATE ASM-SUPPORT USED AFTER AUG. 1972	1	
- 36	28762	. SCREW,MACH-FH 5-40 X 1-1/4 IN. LG	1	
- 37	1090199	. WASHER,FL-NO. 6 X 9/32 OD X 0.031 THK	1	
- 38	103372	. NUT,SELF LKG,HEX- 5-40 X 1/4 FL W	1	
- 39	219209	. SHAFT-BELL CRANK	4	
- 39A	312489	. CORD,NYLON	AR	
- 40	528484	. JUMPER ASSEMBLY-GROUND	1	
- 41	5755385	. JUMPER ASM	1	
- 42	32042	. SCREW, MACH BIND. HD 10-32 X 3/8 LG. ATT PT	1	
- 43	45690	. WASHER, FL - NO.10 X 7/16 OD X 1/32 THK ATT PT	2	
- 43A	56079	. WASHER,LOCK-EXT T .195 ID .410 OD ATT PT	1	
- 43B	11598	. NUT,PLAIN-HEX 10-32 X 3/8 FL W ATT PT	1	
- 44	227527	. BAIL-SPACE BAR	1	
- 44	5756230	. BAIL,SPACE BAR-KATAKANA	1	
- 45	140738	. SCREW,MACH-BIND HD 5-40 X 3/16 LG ATT PT	2	
- 46	960818	. STUD,HEX- 5-40 X .968	1	
- 47	312492	. PLATE-GUIDE	1	
- 47	963344	. PLATE,GUIDE-KATAKANA	1	
- 48	38368	. SCREW,MACHINE-FIL H 8-32 X 0.438 LG ATT PT	2	
- 49	963321	. BRACKET	1	
- 49A	438548	. SCREW,MACH-BIND HD 4-40 X 3/16 LG ATT PT	2	
- 50	5318595	. BRACKET-SPACE BAR GUIDE	1	
- 50A	120044	. SCREW,MACH-BIND HD 5-40 X 3/8 LG ATT PT	2	
- 50B	27073	. NUT,PLAIN,HEX- 5-40 X 3/16 FL W ATT PT	2	
- 51	961515	. LATCH ASM-KEYBOARD CONTACT USED ON ALL LANGUAGE GROUPS EXCEPT FINLAND/SWEDEN,GERMANY/AUSTRIA, DENMARK,NORWAY AND KATAKANA	1	
- 51	982564	. LATCH ASM,KEYBOARD CONTACTS USED FROM OCT. 1972 TO JUNE 1973 ON FINLAND/SWEDEN,DENMARK AND NORWAY	1	
- 51	961873	. LATCH ASSEMBLY-KEYBOARD CONTACTS USED ON FINLAND/SWEDEN,DENMARK AND NORWAY LANGUAGE GROUPS	1	
- 52	4236	. SCREW,MACH-FIL H 5-40 X 1/4 LG ATT PT	4	
- 53	163899	. WASHER,LOCK-SPLIT NO. 6 X 0.255 OD ATT PT	4	
- 54	5367162	. BRACKET-CLAMP	1	
- 55	38255	. SCREW,MACH-FIL H 3-48 X 1/2 LG ATT PT	4	
- 56	961513	. CONTACT ASM-1 POS	1	
- 56	961969	. CONTACT ASM,2 POS USED ON ASM 961515 ONLY	1	
- 56	982566	. CONTACT ASM- 2 POS USED ON ASM 982564 ONLY	1	
- 57	961511	. CONTACT ASM-5 POS	1	
- 57	964610	. CONTACT ASM- 5 POS USED ON ASM 982564 ONLY	1	
- 58	961512	. CONTACT ASM-4 POS	1	
- 58	961970	. CONTACT ASM,3 POS USED ON ASM 961515 ONLY	1	
- 58	982567	. CONTACT ASM- 3 POS USED ON ASM 982564 ONLY	1	
- 59	961514	. CONTACT ASM-7 POS	4	
- 59	964615	. CONTACT ASM- 7 POS USED ON ASM 982564 ONLY	4	
- 60	961510	. COMMON ASSEMBLY	1	
- 60	961874	. COMMON ASSEMBLY USED ON ASM 961515 ONLY	1	
- 60	982565	. COMMON ASM USED ON ASM 982564 ONLY	1	
- 61	5367152	. BRACKET-LATCH MCOUNTING	1	

# STEPPING/NON STEPPING MOTOR

## KEYBOARD ASSEMBLY

FIGURE- INDEX NUMBER	PART NUMBER	DESCRIPTION				UNITS PER ASM.	USABLE ON CODE
		1	2	3	4		
3 - 61A	982559	. LATCH ASM-KEYBOARD CONTACT USED FROM OCT. 1972 TO JUNE 1973 ON GERMANY/AUSTRIA ONLY				1	
- 61A	961807	. LATCH ASM-KEYBOARD CONTACT USED ON GERMANY/AUSTRIA LANGUAGE GROUPS				1	
- 61B	4236	. SCREW,MACH-FIL H 5-40 X 1/4 LG				ATT PT	4
- 61C	163899	. WASHER,LOCK-SPLIT NO. 6 X 0.255 OD				ATT PT	4
- 61D	5367162	. . BRACKET-CLAMP					1
- 61E	38255	. . SCREW,MACH-FIL H 3-48 X 1/2 LG				ATT PT	4
- 61F	961834	. . CONTACT ASM,4 POS USED ON ASM 961807 ONLY					1
- 61G	961514	. . CONTACT ASM-7 POS USED ON ASM 982559 ONLY					2
- 61G	964615	. . CONTACT ASM- 7 POS USED ON ASM 982559 ONLY					2
- 61H	961511	. . CONTACT ASM-5 POS USED ON ASM 961807 ONLY					1
- 61H	964610	. . CONTACT ASM- 5 POS USED ON ASM 982559 ONLY					1
- 61J	961817	. . CONTACT ASM 6 POS USED ON ASM 961807 ONLY					1
- 61J	982561	. . CONTACT ASM- 6 POS USED ON ASM 982559 ONLY					1
- 61K	961816	. . CONTACT ASM,6 POS USED ON ASM 961807 ONLY					1
- 61K	982560	. . CONTACT ASM- 6 POS USED ON ASM 982559 ONLY					1
- 61L	961970	. . CONTACT ASM,3 POS USED ON ASM 961807 ONLY					1
- 61L	982567	. . CONTACT ASM- 3 POS USED ON ASM 982559 ONLY					1
- 61M	961815	. . COMMON ASM USED ON ASM 961807 ONLY					1
- 61M	982562	. . COMMON ASM USED ON ASM 982559 ONLY					1
- 61N	5367152	. . BRACKET-LATCH MOUNTING					1
- 61P	963322	. LATCH ASM-KEYBOARD CONTACT USED ON KATAKANA ONLY					1
- 61R	196299	. SCREW,MACH-BIND HD 5-40 X 1/2 LG				ATT PT	2
- 61S	5367162	. . BRACKET-CLAMP					1
- 61T	38255	. . SCREW,MACH-FIL H 3-48 X 1/2 LG				ATT PT	4
- 61U	961514	. . CONTACT ASM-7 POS					7
- 61V	963323	. . COMMON ASM					1
- 61W	5367152	. . BRACKET-LATCH MOUNTING					1

# STEPPING/NON STEPPING MOTOR

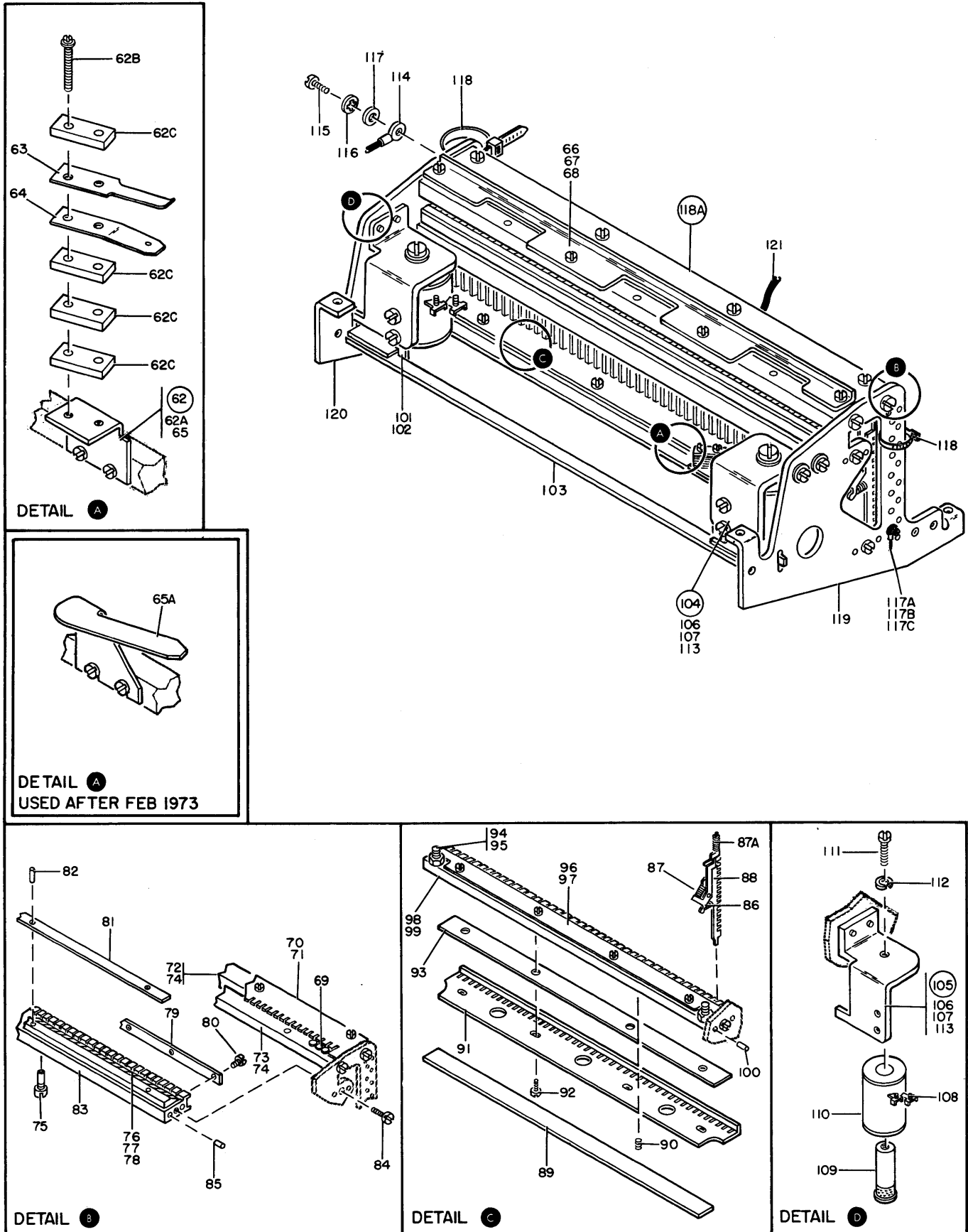


FIGURE 3. KEYBOARD ASSEMBLY. SHEET 2 OF 2. INDEX NOS. 62-121. SEE LIST 3.

# STEPPING/NON STEPPING MOTOR

## KEYBOARD ASSEMBLY

FIGURE- INDEX NUMBER	PART NUMBER	DESCRIPTION	1 2 3 4				UNITS PER ASM.	USABLE ON CODE
			1	2	3	4		
3 - 62	961481	• SPRING ASSEMBLY USED PRIOR TO MAY 1971					1	
- 62	339176	• SPRING ASM USED AFTER MAY 1971					1	
- 62A	196299	• SCREW, MACH-BIND HD 5-40 X 1/2 LG			ATT PT		2	
- 62B	173205	• SCREW, ASMD WASHER-RH 5-40 X 21/32 LG					1	
- 62C	204843	• INSULATOR-BLOCK PUNCH UNIT CONTACT					4	
- 63	339113	• SPRING, CONTACT STIFFENER					1	
- 64	205609	• SPRING, CONTACT					1	
- 65	219368	• BRACKET-COMBINATION BAIL CONTACT					1	
- 65A	982585	• SPRING, RESTORE BAIL USED AFTER FEB. 1973					1	
- 66	313355	• GUIDE USED PRIOR TO APRIL 1972					1	
- 67	196299	• SCREW, MACH-BIND HD 5-40 X 1/2 LG			ATT PT		4	
- 68	150109	• WASHER, FL-NO. 5 X 11/32 OD X 0.040 THK			ATT PT		2	
- 69	219235	• KEY-INTLK					44	
- 69	219235	• KEY, INTLK-KATAKANA					48	
- 70	362829	• PLATE-LATCH USED PRIOR TO APRIL 1972					1	
- 70	962462	• PLATE, LATCH					1	
- 71	196299	• SCREW, MACH-BIND HD 5-40 X 1/2 LG			ATT PT		4	
- 72	313353	• BAR-SWITCH PLATE MOUNTING USED PRIOR TO APRIL 1972					1	
- 72	962461	• BAR, SWITCH PLATE MOUNTING USED AFTER APRIL 1973					1	
- 73	382349	• BAR, COMBINATION					1	
- 73	1792641	• BAR, COMBINATION-KATAKANA					1	
- 74	294	• SCREW, MACH-RH 5-40 X 5/16 LG			ATT PT		4	
- 75	219472	• SCREW, EXT RELIEVED BODY- 10-32 X 29/64 LG					1	
- 76	219232	• BAR-HOOK SUPPORT					1	
- 76	1792629	• BAR, HOOK SUPPORT-KATAKANA					1	
- 77	673	• SCREW, MACH-FIL H 5-40 X 1/2 LG			ATT PT		3	
- 78	105047	• WASHER, LOCK-INT TEETH NO. 5 X 1/4 OD			ATT PT		3	
- 79	219226	• PLATE-LATCH					1	
- 80	311483	• SCREW, MACH-FIL H 2-56 X 5/16					6	
- 81	219272	• GUIDE-INTERLOCK					1	
- 81	1975483	• GUIDEINTERLOCK KATAKANA					1	
- 82	134998	• PIN					5	
- 83	219225	• BAR-LATCH					1	
- 84	3500	• SCREW, FIL H 5-40 X .312					2	
- 85	7371	• PIN					2	
- 86	219224	• SPRING, HELICAL, COMPR- 11 TURNS					38	
- 86	219224	• SPRING, HELICAL-KATAKANA					48	
- 87	219333	• SPRING, HELICAL, COMPR- 10.8 TURNS					38	
- 87	219333	• SPRING, HELICAL-KATAKANA					48	
- 87A	219262	• SPRING, HELICAL, COMPR- 21.5 TURNS					AR	
- 88	219357	• LATCH ASSEMBLY					AR	
- 89	5480051	• BUMPER-LATCH CONTACT USED PRIOR TO OCT. 1971					1	
- 89	962827	• BUMPER, LATCH CONTACT USED AFTER OCT. 1971					1	
- 90	133798	• SET SCREW, FLUTED HEADLESS-5-40 X .125					4	
- 91	219237	• PLATE-COMBINATION BAIL STOP					1	
- 91	963347	• PLATE, COMBINATION BAIL STOP-KATAKANA					1	
- 92	196299	• SCREW, MACH-BIND HD 5-40 X 1/2 LG			ATT PT		4	
- 93	5488676	• ISCLATOR					1	
- 94	5755059	• STUD-NEOPRENE HD 10-32 THD 0.62 LG O/A					2	
- 95	11598	• NUT, PLAIN-HEX 10-32 X 3/8 FL W			ATT PT		2	
- 96	219236 NR	• GUIDE-BAIL LOWER					1	
- 97	196299 NR	• SCREW, MACH-BIND HD 5-40 X 1/2 LG			ATT PT		4	
- 98	219216 NR	• BAR-BAIL GUIDE MOUNTING					1	
- 99	3500 NR	• SCREW, FIL HD MACH-5-40 X .312 LG			ATT PT		2	
-100	7371 NR	• PIN, STR, HDLS- 3/32 DIA X 3/16 LG			ATT PT		4	
-101	219268	• PIVOT-ARMATURE					2	
-102	196299	• SCREW, MACH-BIND HD 5-40 X 1/2 LG			ATT PT		4	
-103	219485	• BAIL ASSEMBLY-RESTORING					1	
-103	382284	• ARMATURE ASSEMBLY USED PRIOR TO AUG. 1973 USED AFTER AUG. 1973					1	

# STEPPING/NON STEPPING MOTOR

## KEYBOARD ASSEMBLY

FIGURE- INDEX NUMBER	PART NUMBER	DESCRIPTION				UNITS PER ASM.	USABLE ON CODE
		1	2	3	4		
3 -104	315309	• YOKE ASM,KEYBOARD RESTORE-RIGHT				1	
-105	315310	• YOKE ASM,KEYBOARD RESTORE-LEFT				1	
-106	2300	• SCREW,MACH-FIL H 8-32 X 1/4 LG				4	
-107	22478	• WASHER,FL- 0.170 ID 0.375 OD 0.32 THK				4	
-108	48594	• SCREW,MACH-BIND HD 6-32 X 0.250 LG				2	
-109	316047 NR	• CORE,ELECTROMAGNET				1	
-110	316046	• MAGNET-KEYBOARD RESTORER				1	
-111	38383	• SCREW,MACH-FIL H 10-32 X 7/16 LG				1	
-112	9092	• WASHER-LOCK,SPLIT RING, .194 ID .3370D				1	
-113	960837	• BRACKET,YOKE ASM-RIGHT				1	
-113	960836	• BRACKET,YOKE ASM-LEFT				1	
-114	5755385	• JUMPER ASSEMBLY				1	
-115	196698	• SCREW,MACH-BIND HD 5-40 X 5/16 LG				1	
-116	105047	• WASHER,LOCK-INT TEETH NO. 5 X 1/4 OD				1	
-117	1866	• WASHER,FL-NO. 4 X 1/4 OD X 0.025 THK				1	
-117A	962924	• JUMPER ASM				1	
-117B	196298	• SCREW,MACH-BIND HD 5-40 X 3/16 LG				1	
-117C	56722	• WASHER,LOCK-EXT TEETH NO. 6				1	
-118	524519	• CABLE TIE,SELF CLINCHING				2	
-118A	982717	• BAR ASM-KATAKANA				1	
-118A	961538	• BAR ASM, MTG COMPONENT PARTS ARE INDEXES 79-85, 96-100, 119, AND 120				1	
-119	961551 NR	• PLATE, RIGHT SIDE				1	
-120	5367205 NR	• PLATE, LEFT SIDE				1	
-121	964015	• CABLE ASM,KEYBOARD				1	
-121	961385	• CABLE ASM,KEYBOARD - NON STEPPING MOTOR				1	
-121	961835	• CABLE ASM,KEYBOARD-GERMAN NON STEPPING				1	
-121	961406	• CABLE ASM,KEYBOARD-GERMAN				1	
-121	963345	• CABLE ASM,KEYBOARD-KATAKANA FOR COMPONENT PARTS,SEE FIGURE 27				1	



# STEPPING/NON STEPPING MOTOR

## REAR VIEW

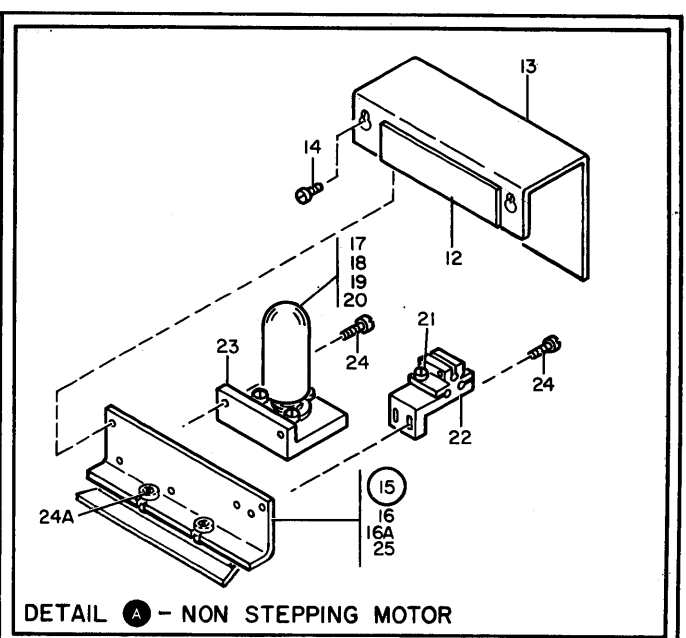
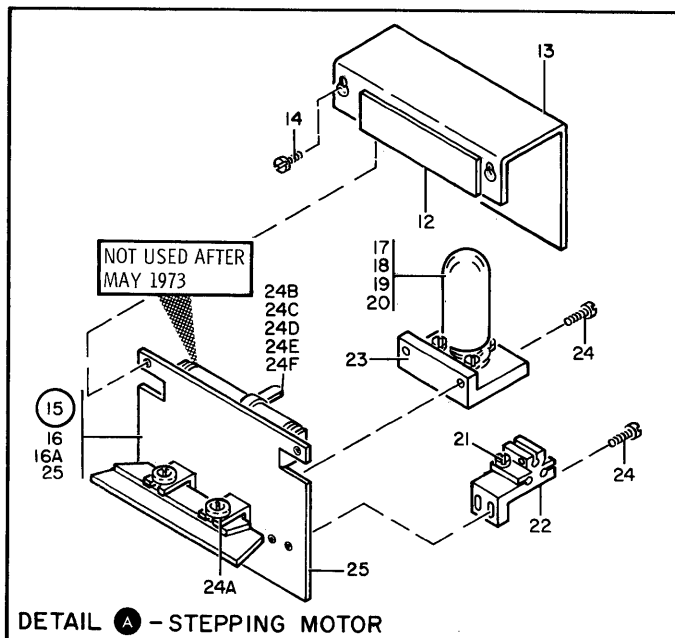
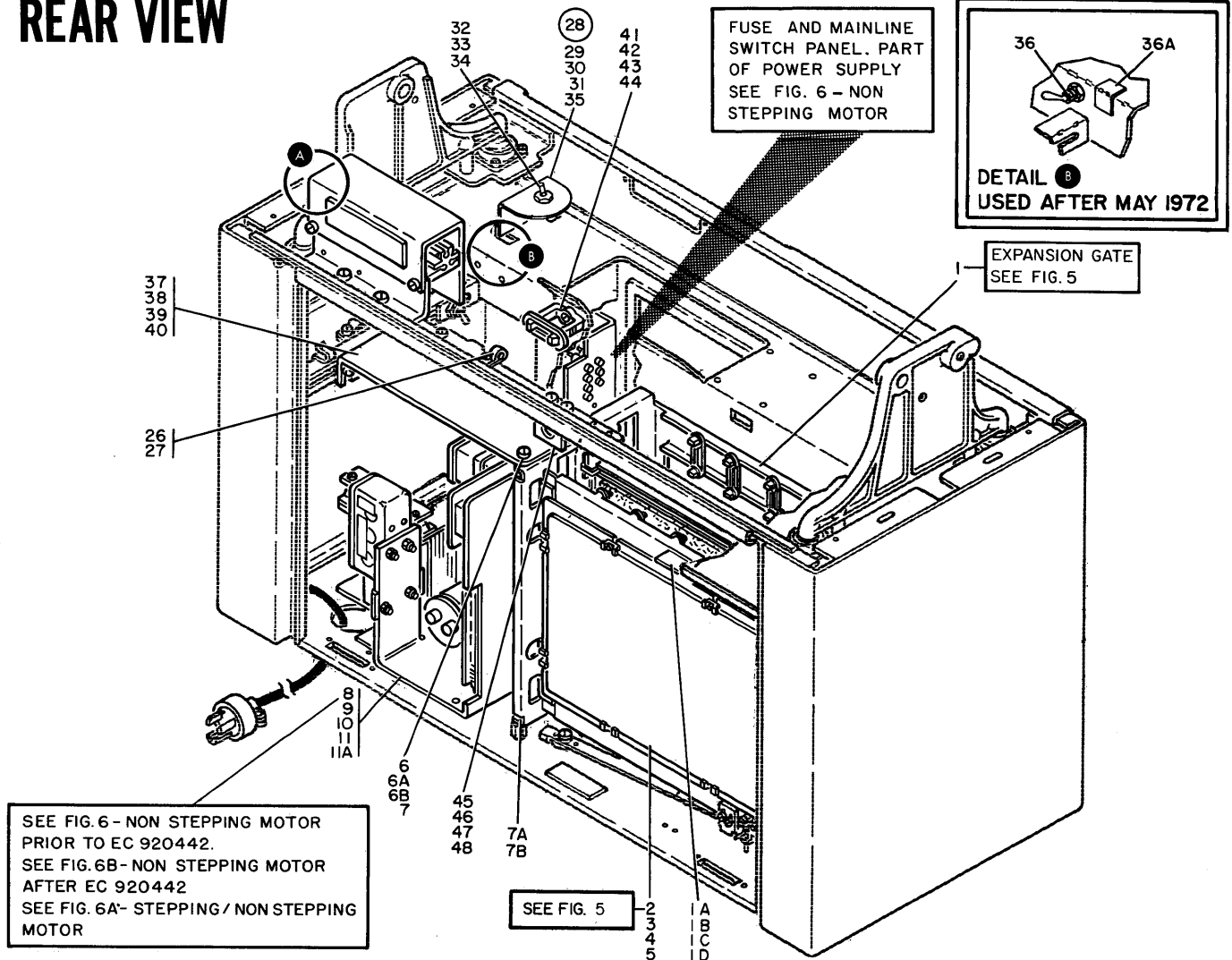


FIGURE 4. 129 CARD DATA RECORDER FINAL ASSEMBLY. SHEET 1 OF 2. INDEX NOS. 1-48. SEE LIST 4.

# STEPPING/NON STEPPING MOTOR

129 CARD DATA RECORDER FINAL ASSEMBLY

FIGURE-INDEX NUMBER	PART NUMBER	DESCRIPTION	UNITS PER ASM.	USABLE ON CODE
4 -	963600 NP 961200 NP	129 CARD DATA RECORDER 129 CARD DATA RECORDER-NON STEPPING FOR ILLUSTRATION,SEE FIGURE 4		
- 1 - 1	961599 NP 963430 NP	. GATE ASSEMBLY,EXPANSION-NON STEPPING . GATE ASSEMBLY,EXPANSION FOR DETAIL BREAKDOWN,SEE FIGURE 5		
- 1A - 1B - 1C	961346 81693 6364	. BRACKET . SCREW,MACH-BIND HD 6-32 X .250 LG . WASHER,LOCK-SPLIT NO. 6 X 1/4 OD	1 1 1	
- 1D - 2	257187 961349 NP	. NUT,PLAIN,HEX- 6-32 . GATE ASSEMBLY-STANDARD MACHINE FOR DETAIL BREAKDOWN,SEE FIGURE 5	1	
- 3 - 4 - 5	81693 6364 257187	. SCREW,MACH-BIND HD 6-32 X .250 LG . WASHER,LOCK-SPLIT NO. 6 X 1/4 OD . NUT,PLAIN,HEX- 6-32	2 2 2	
- 6 - 6A - 6B	597014 1071723 2593374	. SCREW,EXT RELIEVED BODY- 10-32 X 0.240 . WASHER,SPRING TENSION . WASHER,BELLVILLE	1 1 1	
- 7 - 7A - 7B	11598 332747 3550	. NUT,PLAIN-HEX 10-32 X 3/8 FL W . RING,RETAINING-EXT 0.207 ID X 0.025 THK . WASHER,FL- 1/4 X 9/16 OD X 0.050 THK	1 1 2	
- 8 - 8	2609100 2609110	. POWER SUPPLY ASSEMBLY- 60 HZ N/STEPPING . POWER SUPPLY ASSEMBLY- 50 HZ N/STEPPING USED PRIOR TO EC 920442	1 1	
- 8 - 8	2609130 2609140	FOR DETAIL BREAKDOWN,SEE FIGURE 6 . POWER SUPPLY ASSEMBLY- 60 HZ N/STEPPING . POWER SUPPLY ASSEMBLY- 50 HZ N/STEPPING USED AFTER EC 920442	1 1	
- 8 - 8	2623060 2623050	FOR DETAIL BREAKDOWN,SEE FIGURE 6B . POWER SUPPLY ASSEMBLY - 60 HZ . POWER SUPPLY ASSEMBLY - 50 HZ REPLACEMENT FOR STEPPING MOTOR AND NON STEPPING MOTOR	1 1	
- 9 - 10	130434 56079	. SCREW-MACH,SLOTTED HEX HD NO.10-32 X.375 . WASHER,LOCK-EXT T .195 ID .410 CD	2 2	
- 11 - 11A - 12	28413 45690 1141554	. SCREW,MACH-BIND HD 10-32 X 5/16 LG . WASHER, FL - NO.10 X 7/16 OD X 1/32 THK . LABEL	2 2 1	
- 13 - 13 - 14	963517 961224 10170	. COVER,BULB . COVER,BULB - NON STEPPING MOTOR . SCREW,MACH-BIND HD 6-32 X 1/4 LG	1 1 2	
- 15 - 15 - 16	963519 961215 963396	. LIGHT SOURCE ASSEMBLY . LIGHT SOURCE ASSEMBLY - NON STEPPING MOTOR . SCREW	1 1 2	
- 16A - 17	110029 5462551	. WASHER,FL-NO 8 X 5/8 OD X 1/16 THK . LAMP,INCANDESCENT USED PRIOR TO S/N 20,000	2 1	
- 17	964786	. LAMP, INCANDESCENT USED ON S/N 20,000 AND HIGHER	1	
- 18 - 19 - 20 - 21	35739 56722 257187 322550	. SCREW,MACH-BIND HD 6-32 X 15/16 LG . WASHER,LOCK-EXT TEETH NO. 6 . NUT,PLAIN,HEX- 6-32 . SCREW,MACH-BIND HD 6-32 X 1/2 LG	3 1 3 1	
- 22 - 23 - 24	5462773 5462774 322550	. HOLDER,FERRULE . HOLDER,LAMP . SCREW,MACH-BIND HD 6-32 X 1/2 LG	1 1 4	
- 24A - 24B	615802 963521	. GROMMET . RESISTOR USED ON STEPPING MOTOR PRIOR TO OCT 1971	AR 1	
- 24B	963541	. RESISTOR- 10 OHMS,50W USED ON STEPPING MOTOR FROM OCT. 1971 TO MAY 1973	1	
- 24C - 24D - 24E	515718 442959 5322904	. SCREW,MACH,FIL H- 6-32 X 5 . WASHER,INSULATING- 0.172 ID . WASHER,CENTERING- 0.173 ID	1 2 2	
- 24F - 25 - 25	257189 963516 961223	. NUT,HEX- 6-32 . BRACKET,LAMP HOLDER . BRACKET,LAMP HOLDER - NON STEPPING MOTOR	2 1 1	
- 26 - 27	356742 81693	. CLAMP,LCOF- 0.250 ID 0.177 DIA MTG HOLE . SCREW,MACH-BIND HD 6-32 X .250 LG	AR 1	

# STEPPING/NON STEPPING MOTOR

## 129 CARD DATA RECORDER FINAL ASSEMBLY

FIGURE-INDEX NUMBER	PART NUMBER	DESCRIPTION	1	2	3	4	USABLE	
							PER ASM.	ON CODE
4 - 28	961268	• SWITCH ASM USED PRIOR TO MAY 1972					1	
- 29	91373	• SCREW, MACH-BIND HD 3-48 X 0.250 LG				ATT PT		2
- 30	150209	• WASHER, LOCK-INT TEETH NO. 4 X 17/64 OD				ATT PT		2
- 31	8506	• NUT, PLAIN, HEX- 3-48 X 3/16 FL W				ATT PT		2
- 32	738827	• • SWITCH-TOGGLE DPDT 20V 0.02A						1
- 33	179743	• • NUT, PLAIN, HEX- 15/32-32 X 9/16 FL W				ATT PT		1
- 34	159373	• • WASHER, LOCK-EXT TEETH 15/32 ID X 3/4 OD				ATT PT		1
- 35	961269	• • BRACKET, SWITCH						1
- 36	479319	• SWITCH, TOGGLE USED AFTER MAY 1972						1
- 36A	964604	• LABEL						1
- 37	961452	• BRACKET, GATE SUPPORT						1
- 38	120211	• SCREW, MACH-HEX HD 10-32 X 1/2 LG				ATT PT		2
- 39	45690	• WASHER, FL - NO.10 X 7/16 OD X 1/32 THK				ATT PT		2
- 40	961451	• NUT, BRACKET MTG				ATT PT		1
- 41	523250	• CLAMP-ADJUSTABLE CABLE						2
- 42	119	• SCREW, MACH-FL CSK HD 8-32 X 1/2 LG				ATT PT		2
- 43	1090873	• WASHER, LOCK, SPLIT RING- .168 ID, .296 OD				ATT PT		2
- 44	257189	• NUT, HEX- 8-32				ATT PT		2
- 45	5405902	• BRACKET						1
- 46	34512	• SCREW, BIND HD 8-32 X .375 LG				ATT PT		2
- 47	1090873	• WASHER, LOCK, SPLIT RING- .168 ID, .296 OD				ATT PT		2
- 48	22478	• WASHER, FL- 0.170 ID 0.375 OD 0.32 THK				ATT PT		2

# STEPPING/NON STEPPING MOTOR REAR VIEW

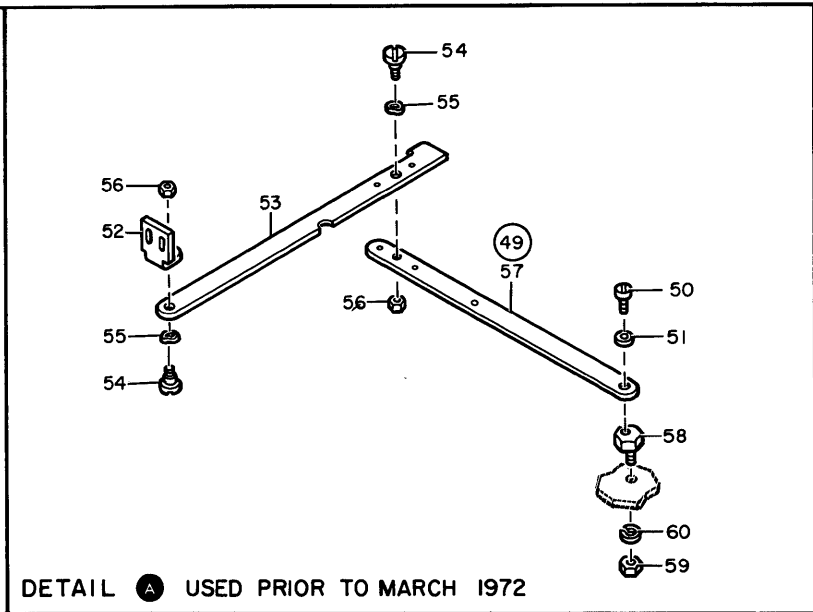
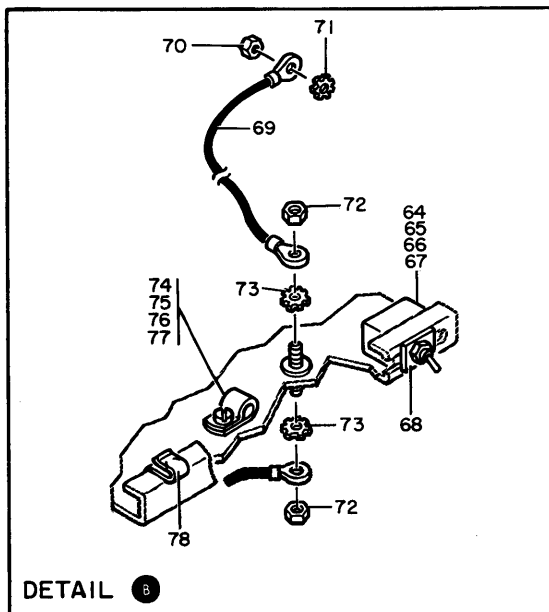
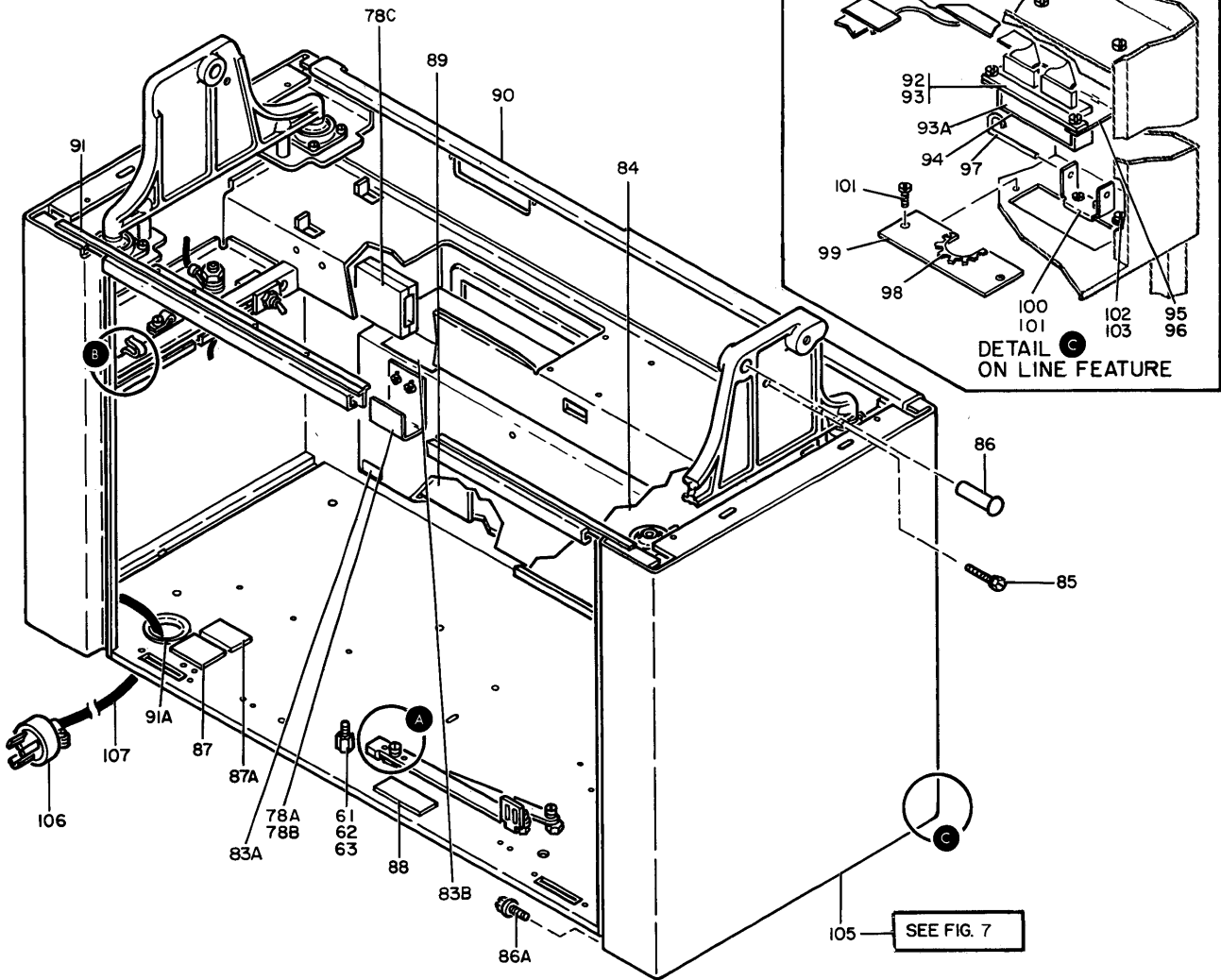


FIGURE 4. 129 CARD DATA RECORDER FINAL ASSEMBLY. SHEET 2 OF 2. INDEX NOS. 49-107. SEE LIST 4.

# STEPPING/NON STEPPING MOTOR

129 CARD DATA RECORDER FINAL ASSEMBLY

FIGURE- INDEX NUMBER	PART NUMBER	DESCRIPTION	UNITS	USABLE
			PER ASM.	ON CODE
4 - 49	961459	. ARM ASM-GATE RETAINING USED PRIOR TO MARCH 1972	1	
- 50	597014	. SCREW,EXT RELIEVED BODY- 10-32 X 0.240 ATT PT	1	
- 51	1071723	. WASHER,SPRING TENSION ATT PT	1	
- 52	5471331	. . BRACKET-GATE ARM	1	
- 53	5471321	. . ARM-GATE RETAINING	1	
- 54	597014	. . SCREW,EXT RELIEVED BODY- 10-32 X 0.240 ATT PT	2	
- 55	1071723	. . WASHER,SPRING TENSION ATT PT	2	
- 56	11598	. . NUT,PLAIN-HEX 10-32 X 3/8 FL W ATT PT	2	
- 57	5471322	. . ARM-GATE RETAINING	1	
- 58	961458	. STUD,HEX-.250-20 X .38 LG USED PRIOR TO MARCH 1972	1	
- 59	3960	. NUT,PLAIN,HEX- 1/4-20 X 7/16 FL W ATT PT	1	
- 60	6935	. WASHER,LOCK-SPLIT 1/4 X 0.493 OD ATT PT	1	
- 61	961453	. STUD,PLVOT-HEX-.250-20 X .50	1	
- 62	3960	. NUT,PLAIN,HEX- 1/4-20 X 7/16 FL W ATT PT	1	
- 63	6935	. WASHER,LOCK-SPLIT 1/4 X 0.493 OD ATT PT	1	
- 64	301214	. SWITCH,TOGGLE-DPST 250V AC/DC 3 AMP	1	
- 65	179743	. NUT,PLAIN,HEX- 15/32-32 X 9/16 FL W ATT PT	1	
- 66	159373	. WASHER,LOCK-EXT TEETH 15/32 ID X 3/4 OD ATT PT	1	
- 67	151762	. SPLICE,CONDUCTOR ATT PT	4	
- 68	960783	. NAMEPLATE,TOGGLE SWITCH	1	
- 69	5367309	. LEAD ELECTRICAL	1	
- 70	257187	. NUT,PLAIN,HEX- 6-32 ATT PT	1	
- 71	56722	. WASHER,LOCK-EXT TEETH NO. 6 ATT PT	1	
- 72	11598	. NUT,PLAIN-HEX 10-32 X 3/8 FL W ATT PT	2	
- 73	56079	. WASHER,LOCK-EXT T .195 ID .410 OD ATT PT	2	
- 74	2102366	. CLAMP,LCOP- 0.470 ID 0.170 DIA MTG HOLE	1	
- 75	322550	. SCREW,MACH-BIND HD 6-32 X 1/2 LG ATT PT	1	
- 76	56722	. WASHER,LOCK-EXT TEETH NO. 6 ATT PT	1	
- 77	257187	. NUT,PLAIN,HEX- 6-32 ATT PT	1	
- 78	5422228	. FASTENER, CONNECTOR	1	
- 78A	644831	. BRACKET	1	
- 78B	70078	. SCREW,THD CUTTING-PAN HD 6-32 X 1/4 LG ATT PT	2	
- 78C	853288	. CLAMP,CABLE	2	
- 83A	1141554	. LABEL, SAFETY	1	
- 83B	369207	. LABEL	1	
- 84	5405909	. COVER, DUST	1	
- 84	8112536	. COVER,DUST-WTC	1	
- 85	234344	. SCREW,ASMD WASHER-FIL HD 1/4-20 X 1 LG	2	
- 86	340626	. STUD-BASE MTG	2	
- 86A	5353301	. SCREW,THREAD FORMING- 1/4-20 X 5/8 LG	4	
- 87	1141554	. LABEL - WARNING HIGH TEMP	1	
- 87A	2582954	. LABEL	1	
- 88	369207	. LABEL - HAZARDOUS AREA	1	
- 89	5364692	. LABEL - WARNING, FUSE	1	
- 90	5462555	. SEAL	1	
- 91	962939	. SEAL,RUBBER STRIP	1	
- 91A	5406084	. GROMMET-STRAIN RELIEF	1	
- 92	2595828	. BAR	1	
- 93	10170	. SCREW,MACH-BIND HD 6-32 X 1/4 LG ATT PT	2	
- 93A	982750	. DECAL-ON/LINE	1	
- 94	5362305	. CONNECTOR	1	
- 94	961843	. CABLE ASM,LINE CORD-CHICAGO	1	
- 95	964721	. BRACKET,CONNECTOR	1	
- 96	10170	. SCREW,MACH-BIND HD 6-32 X 1/4 LG ATT PT	2	
- 97	2595827	. PIN	1	
- 98	2595832	. GROMMET	AR	
- 99	964719	. PLATE	1	
- 100	964720	. BRACKET,STRAIN RELIEF	1	
- 101	58207	. SCREW,MACH-UNDRCT BIND HD 8-32 X .250LG ATT PT	3	
- 102	236849	. SCREW,MACH-BIND HD 10-32 X 0.250 LG ATT PT	1	
- 103	56079	. WASHER,LOCK-EXT T .195 ID .410 CD ATT PT	1	
- 104	2596293	. CLAMP	3	
- 105	961291	. CABINET-DOMESTIC	1	
- 105	983406	. CABINET-WORLD TRADE	1	
- 106	624035	FOR DETAIL BREAKDOWN,SEE FIGURE 7 . PLUG,200/208/230V TWIST LOCK	1	
- 106	256342	. PLUG,200/208/230V NON-TWIST LOCK	1	
- 106	624034	. PLUG,115V TWIST LOCK	1	
- 106	961236	. PLUG,115V NON-TWIST LOCK SEE FIGURE 27	1	
- 107	961374	. CABLE ASM-LIGHT SOURCE	1	
- 107	961378	. CABLE ASM-POWER DIST	1	
- 107	5367309	. CABLE ASM-ELECT LEAD	1	
- 107	5501278	. CABLE ASM- 60 HZ 6 FT FOR COMPONENT PARTS,SEE FIGURE 27	1	

# STEPPING/NON STEPPING MOTOR

FOR PARTS NOT SHOWN SEE FIG. 4 SHEET I

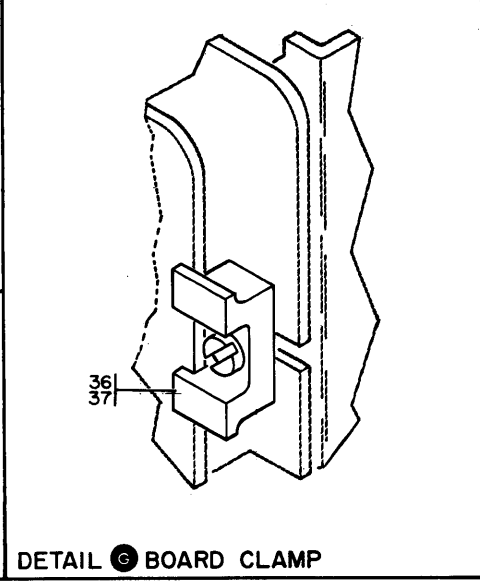
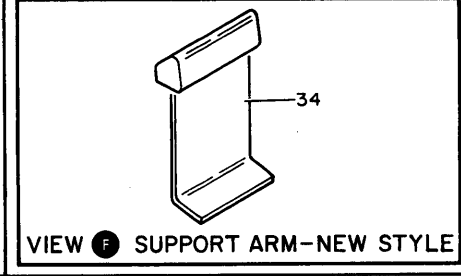
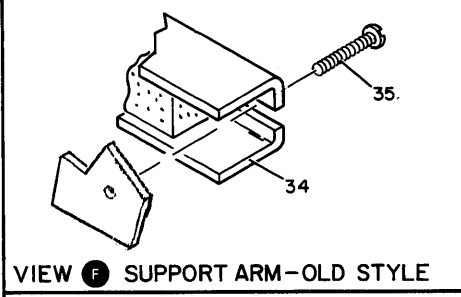
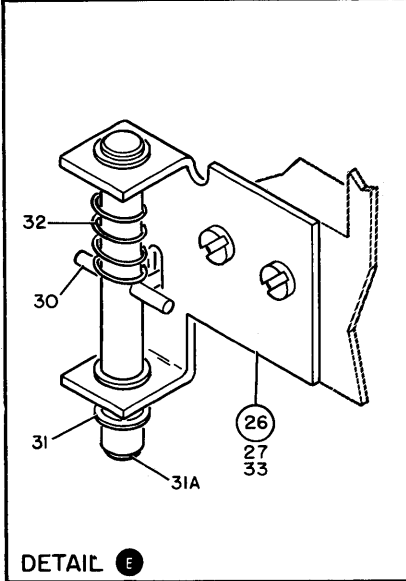
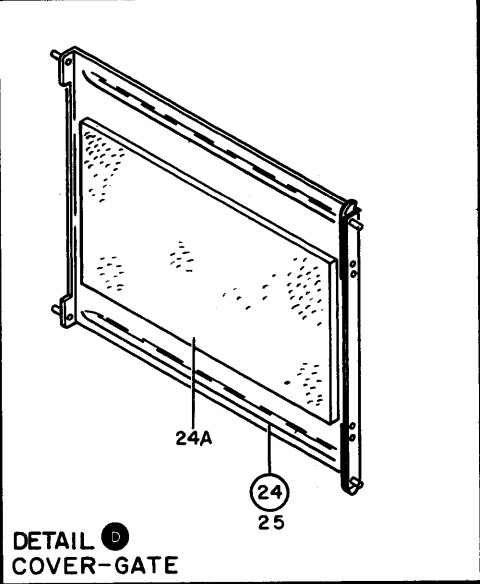
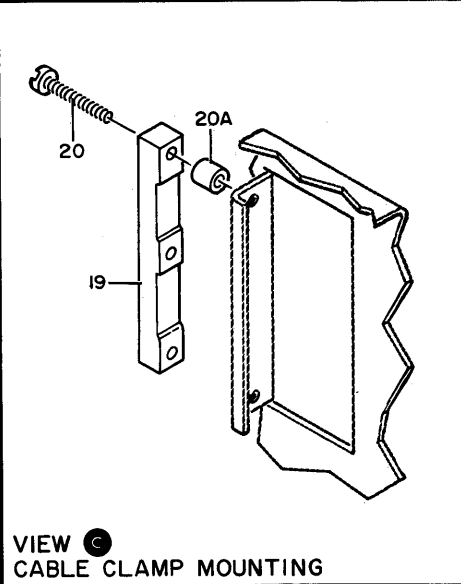
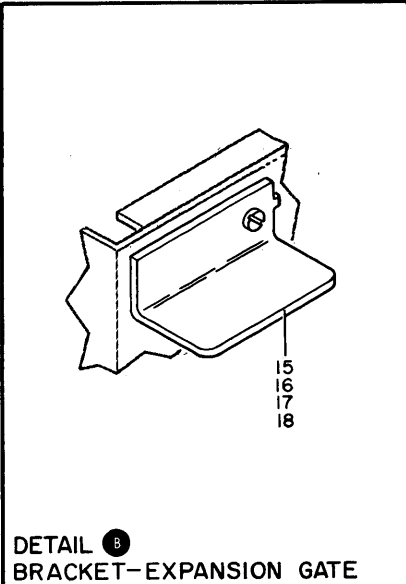
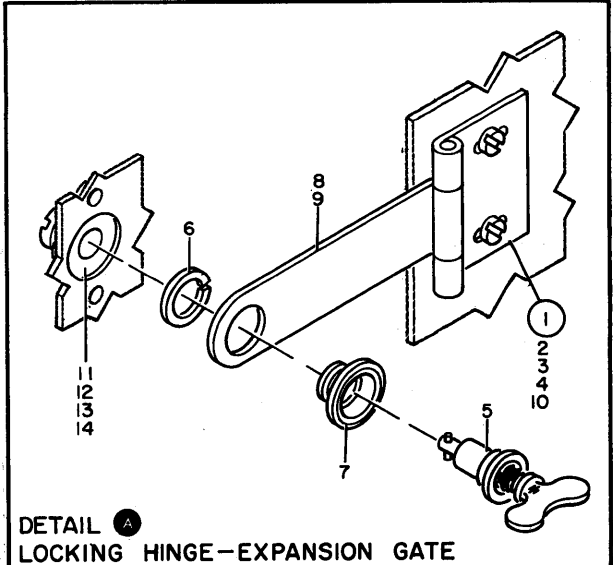
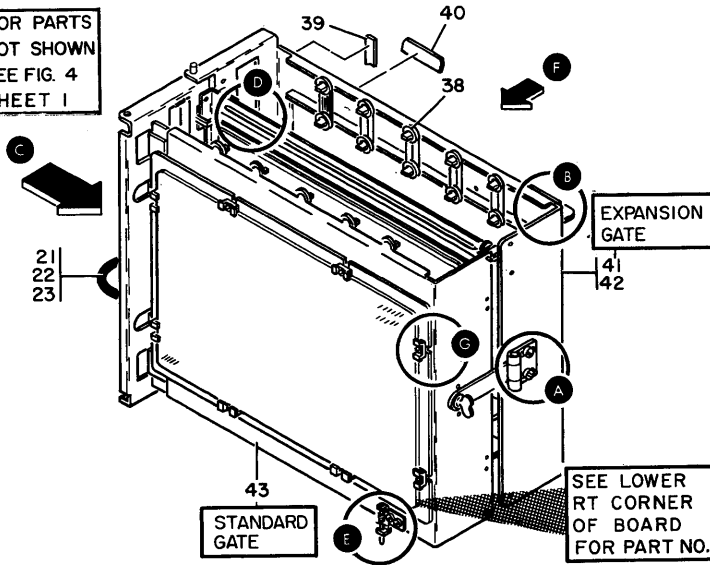


FIGURE 5. GATE ASSEMBLY-STANDARD AND EXPANSION. SEE LIST 5.

# STEPPING/NON STEPPING MOTOR

## GATE ASSEMBLY-STANDARD AND EXPANSION

FIGURE- INDEX NUMBER	PART NUMBER	DESCRIPTION				UNITS PER ASM.	USABLE ON CODE
		1	2	3	4		
5 -	961599 NP	GATE ASSEMBLY, EXPANSION-NON STEPPING					
-	963430 NP	GATE ASSEMBLY, EXPANSION FOR NEXT HIGHER ASM, SEE FIGURE 4-1 AND FOR ILLUSTRATION, SEE FIGURE 5					
-	961349 NP	GATE ASSEMBLY-STANDARD MACHINE FOR NEXT HIGHER ASM, SEE FIGURE 4-2 AND FOR ILLUSTRATION, SEE FIGURE 5					
- 1	5471335	• HINGE ASM-GATE LOCK				1	
- 2	81693	• SCREW, MACH-BIND HD 6-32 X .250 LG				2	
- 3	6364	• WASHER, LOCK-SPLIT NO. 6 X 1/4 OD				2	
- 4	257187	• NUT, PLAIN, HEX- 6-32				2	
- 5	317409	• STUD				1	
- 6	312575	• RING, RETAINING- 0.4375 ID X 0.040 THK				1	
- 7	312573	• EYELET, TURNLOCK FASTENER- 0.354 ID				1	
- 8	5471333 NR	• ARM, HINGE				1	
- 9	5471334 NR	• RIVET				2	
- 10	5471487	• LEAF, HINGE				1	
- 11	312571	• RECEPTACLE-FASTENER				1	
- 12	52522	• SCREW, MACH-FH 4-40 X 5/16 LG				2	
- 13	257984	• WASHER, LOCK-SPLIT 1/8 ID X 13/64 OD				2	
- 14	37913	• NUT-HEX 4-40 X .250 ID				2	
- 15	961346	• BRACKET				2	
- 16	81693	• SCREW, MACH-BIND HD 6-32 X .250 LG				2	
- 17	6364	• WASHER, LOCK-SPLIT NO. 6 X 1/4 OD				2	
- 18	257187	• NUT, PLAIN, HEX- 6-32				2	
- 19	595969	• CLAMP, CABLE				2	
- 20	438552	• SCREW, MACH-BIND HD 4-40 X 3/4 LG				4	
- 20A	5495557	• SPACER				4	
- 21	5480100	• JUMPER ASM				AR	
- 22	236849	• SCREW, MACH-BIND HD 10-32 X 0.250 LG				2	
- 23	56079	• WASHER, LOCK-EXT T .195 ID .410 OD				2	
- 24	961419	• COVER ASM, GATE				1	
- 24A	5755114	• PAD-GATE COVER				AR	
- 25	5755118	• COVER ASSEMBLY-GATE				1	
- 26	961455	• BRACKET ASM-ARM AND LOCK				1	
- 27	81693	• SCREW, MACH-BIND HD 6-32 X .250 LG				2	
- 30	528337	• PIN, ROLL				1	
- 31	332747	• RING, RETAINING-EXT 0.207 ID X 0.025 THK				3	
- 31A	962878	• PIN, LATCH				1	
- 32	2229116	• SPRING, COMPRESSION- 1 IN. FREE LENGTH				1	
- 33	5471336	• BRACKET-GATE LOCK				1	
- 34	5755580	• SUPPORT				1	
- 34	964752	USED PRIOR TO JULY 1972 • SUPPORT				1	
- 35	251970	• SCREW-MACH BD. HD. 4-40 X 1/4 LG				2	
- 36	813179	• CLAMP-BOARD				8	
- 37	811417	• SCREW, HEX SOCKET H- 6-32 X 1/2 LG				8	
- 38	811427	• STRAP, CABLE				10	
- 39	813450	• STRIP-ID				AR	
- 40	813848	• STRIP-ID				AR	
- 41	5755122	• GATE, EXPANSION-NON STEPPING MOTOR				1	
- 41	963408	• GATE, EXPANSION				1	
- 42	1144248	• RETAINER, SELF LOCKING, INT TOOTH				1	
- 43	5755125	• GATE, STANDARD				1	

# NON STEPPING MOTOR

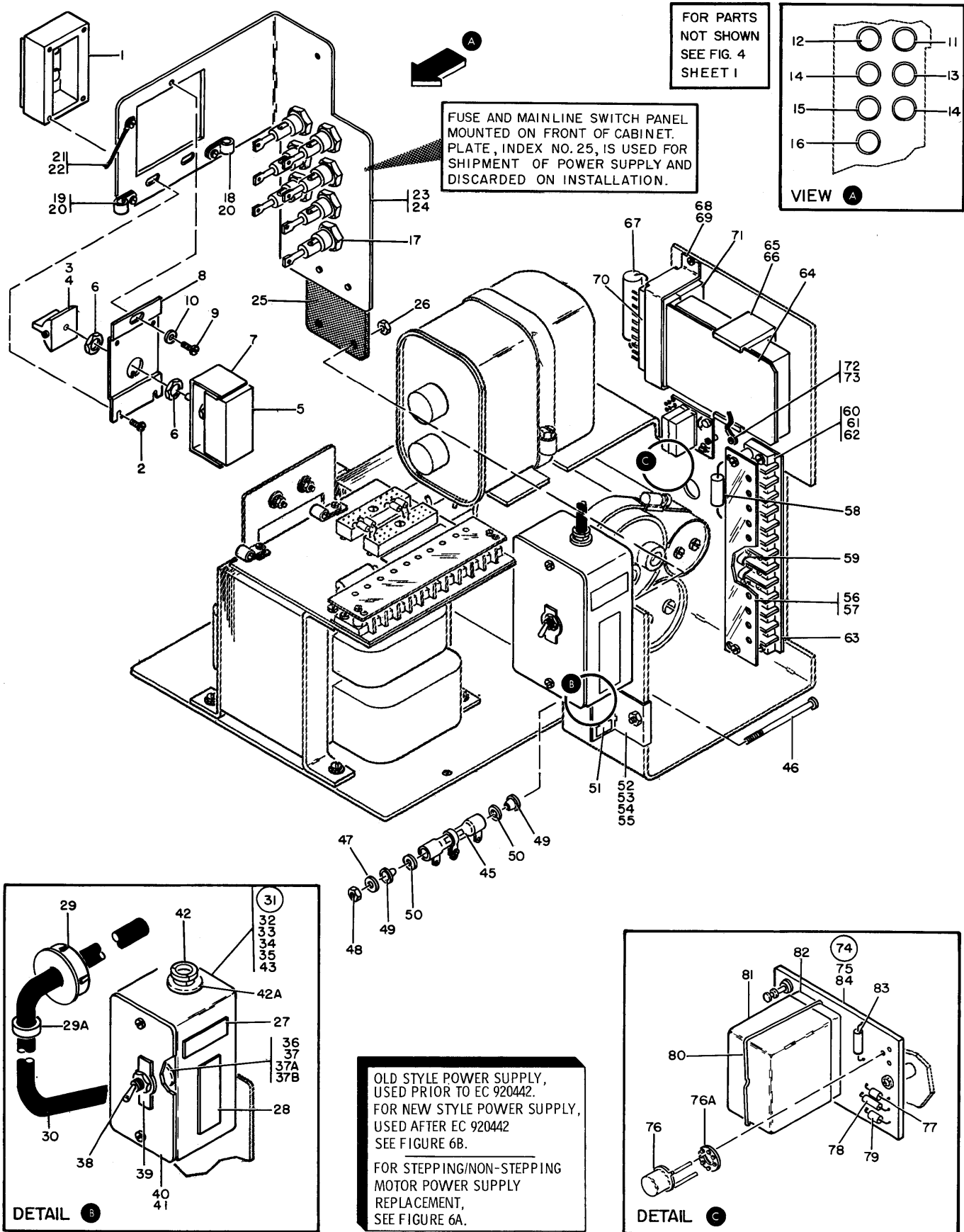


FIGURE 6. POWER SUPPLY ASSEMBLY, NON STEPPING MOTOR-OLD STYLE. SHEET 1 OF 2. INDEX NOS. 1-84. SEE LIST 6.



# NON STEPPING MOTOR

## POWER SUPPLY ASSEMBLY, NON STEPPING MOTOR-OLD STYLE

FIGURE- INDEX NUMBER	PART NUMBER	DESCRIPTION	1 2 3 4				UNITS PER ASM.	USABLE ON CODE
			1	2	3	4		
6 -	2609100	POWER SUPPLY ASSEMBLY-60 HZ					REF	
-	2609110	POWER SUPPLY ASSEMBLY-50 HZ USED PRIOR TO EC 920442					REF	
		FOR NEXT HIGHER ASM, SEE FIGURE 4-8 AND FOR ILLUSTRATION, SEE FIGURE 6						
- 1	482193	• FRAME, SWITCH					1	
- 2	236550	• SCREW, MACH-BIND HD 4-40 X 0.375 LG			ATT PT		2	
- 3	482194	• TOGGLE-MAINLINE SWITCH					1	
- 4	257961	• SETSCREW-SPLINE DR CUP PT 4-40 X 1/4 LG			ATT PT		1	
- 5	805023	• SWITCH, TOGGLE					1	
- 6	179743	• NUT, PLAIN, HEX- 15/32-32 X 9/16 FL W			ATT PT		2	
- 7	2609107	• COVER, SAFETY					1	
- 8	5762143	• BRACKET, SWITCH MTG					1	
- 9	10170	• SCREW, MACH-BIND HD 6-32 X 1/4 LG			ATT PT		1	
- 10	45677	• WASHER, FL- 5/32 X 7/16 OD X 0.040 THK			ATT PT		1	
- 11	5214302	• FUSE- 250V, 8A USED ON 60 HZ ASM ONLY					1	
- 11	4117092	• FUSE- 250V, 6A USED ON 50 HZ ASM ONLY					1	
- 12	855252	• FUSE - 3A					1	
- 13	338165	• FUSE- 3A, 125V 60 HZ					1	
- 13	1143492	• FUSE- 4A 50 HZ					1	
- 14	5214456	• FUSE- 250V, 6A					2	
- 15	5214149	• FUSE- 250V, 1.5A					1	
- 16	855253	• FUSE					1	
- 17	179946	• HOLDER-FUSE					7	
- 18	356742	• CLAMP, LCOP- 0.250 ID 0.177 DIA MTG HOLE USED ON 60 HZ ASM ONLY					1	
- 18	357433	• CLAMP, LCOP- 0.187 ID 0.203 DIA MTG HOLE USED ON 50 HZ ASM ONLY					1	
- 19	350663	• CLAMP, CABLE					1	
- 20	28413	• SCREW, MACH-BIND HD 10-32 X 5/16 LG			ATT PT		2	
- 21	2507239	• JUMPER ASM					1	
- 22	236849	• SCREW, MACH-BIND HD 10-32 X 0.250 LG			ATT PT		1	
- 23	2609121	• BRACKET, FUSE & SWITCH					1	
- 24	236849	• SCREW, MACH-BIND HD 10-32 X 0.250 LG			ATT PT		2	
- 25	2609146	• PLATE USED FOR SHIPMENT OF POWER SUPPLY ONLY					1	
- 26	257187	• NUT, PLAIN, HEX- 6-32			ATT PT		2	
- 27	138754	• DECAL, VOLTAGE					1	
- 28	845762	• DECAL-VOLTAGE					1	
- 29	5404376	• PLUG, SNAP-IN					1	
- 29	5762418	• BUSHING USED PRIOR TO JUNE 1971 USED AFTER JUNE 1971					1	
- 29A	2571362	• BUSHING, STRAIN RELIEF					1	
- 30	2609105	• LINE CORD ASM- 50 HZ 12 FT					1	
- 30	2609106	• LINE CORD ASM- 60 HZ 12 FT					1	
- 30	2609108	• CABLE ASM-LINE FILTER 50 HZ					1	
- 30	2609115	• CABLE ASM-POWER SUPPLY AC					1	
- 30	2609116	• CABLE ASM-POWER SUPPLY DC					1	
- 30	2609117	• CABLE ASM-LINE FILTER 60 HZ FOR COMPONENT PARTS, SEE FIGURE 27					1	
- 31	2609128	• LINE FILTER ASM- 50 HZ					1	
- 31	2609109	• LINE FILTER ASM- 60 HZ					1	
- 32	322065	• SCREW, MACH-BIND HD 6-32 X 5/8 LG			ATT PT		2	
- 33	257986	• WASHER, FLAT NO. 6			ATT PT		4	
- 34	56722	• WASHER, LOCK-EXT TEETH NO. 6			ATT PT		2	
- 35	257187	• NUT, PLAIN, HEX- 6-32			ATT PT		2	
- 36	2609103	• CAPACITOR					AR	
- 37	236849	• SCREW, MACH-BIND HD 10-32 X 0.250 LG			ATT PT		4	
- 37A	56079	• WASHER, LOCK-EXT T .195 ID .410 OD			ATT PT		4	
- 37B	45690	• WASHER, FL - NO.10 X 7/16 OD X 1/32 THK			ATT PT		4	
- 38	313246	• SWITCH, TOGGLE					1	
- 39	317309	• NAMEPLATE, SWITCH-ON/OFF					1	
- 40	2609134	• PLATE, SWITCH					1	
- 41	10170	• SCREW, MACH-BIND HD 6-32 X 1/4 LG			ATT PT		2	
- 42	2571362	• BUSHING, STRAIN RELIEF					2	
- 42A	2623059	• BUSHING					2	
- 43	2102151	• BOX, SINGLE UTILITY					1	
- 45	341750	• RESISTOR, 1 OHM, 25W, P/M 10%					1	
- 46	438593	• SCREW-MACH-BIND HD NO. 8-32 X 2 1/2 LG			ATT PT		1	
- 47	2903	• WASHER, FL-NO. 6 X 1/2 OD X 1/32 THK			ATT PT		1	
- 48	5761938	• NUT			ATT PT		1	
- 49	507144	• WASHER-CENTERING 0.173 ID X 5/8 OD					2	
- 50	442958	• INSULATOR, WASH- 7/16 ID 3/4 OD 1/32 THK					2	
- 51	5785198	• LABEL-TEMP WARNING					1	

# NON STEPPING MOTOR

POWER SUPPLY ASSEMBLY, NON STEPPING MOTOR-OLD STYLE

FIGURE- INDEX NUMBER	PART NUMBER	DESCRIPTION	UNITS PER ASM.	USABLE ON CODE
6 - 52	2609149	• SHIELD, RESISTOR USED ON 60 HZ ONLY	1	
- 53	28413	• SCREW, MACH-BIND HD 10-32 X 5/16 LG	1	ATT PT
- 54	56079	• WASHER, LOCK-EXT T .195 ID .410 CD	1	ATT PT
- 55	11598	• NUT, PLAIN-HEX 10-32 X 3/8 FL W	1	ATT PT
- 56	352826	• COVER	1	
- 57	322550	• SCREW, MACH-BIND HD 6-32 X 1/2 LG	2	ATT PT
- 58	2609148	• RESISTOR ASM, 0.2 OHMS, 5W, 5% USED ON 60 HZ ONLY	1	
- 59	367115	• JUMPER-TERMINAL STRIP VDC DISTR BRS	2	
- 60	323842	• TERMINAL BOARD- 12 DBL SCREW TERMINALS	1	
- 61	210883	• STUD-SHIELD MTG, TAPPED, NO. 6-32	2	ATT PT
- 62	10170	• SCREW, MACH-BIND HD 6-32 X 1/4 LG	2	ATT PT
- 63	621447	• STRIP, MARKER	1	
- 64	375428	• CARD ASM	1	
- 65	5786979	• HOLDER, CARD	1	
- 66	38235	• SCREW, MACH-BIND HD 6-32 X 0.312 LG	2	ATT PT
- 67	2609126	• CAPACITGR ASM, 250 MFD 12VDC	1	
- 68	5762423	• BRACKET	1	
- 69	10170	• SCREW, MACH-BIND HD 6-32 X 1/4 LG	2	ATT PT
- 70	216076	• TERMINAL BLOCK AND CONTACT ASSEMBLY	1	
- 71	5761625	• SPACER	1	
- 72	2507239	• JUMPER ASM	1	
- 73	236849	• SCREW, MACH-BIND HD 10-32 X 0.250 LG	1	ATT PT
- 74	5709400	• CARD ASM, SEQUENCING	1	
- 75	236550	• SCREW, MACH-BIND HD 4-40 X 0.375 LG	2	ATT PT
- 76	369652 NR	• TRANSISTOR-PNP	1	
- 76A	811399 NR	• INSULATOR	1	
- 77	369611 NR	• DIODE, SEMICONDUCTOR-ZENER, TYPE DY	1	
- 78	491221 NR	• RESISTOR-FIXED-COMP 39 OHM P/M 5PCT 1/2W	1	
- 79	2111232 NR	• SEMICONDUCTOR DEVICE, DIODE-TYPE AM	1	
- 80	5318966	• RETAINER-RELAY	1	
- 81	5318969	• RELAY	1	
- 82	5214120 NR	• SOCKET, RELAY- 4 POLE, PRINTED CIRCUIT	1	
- 83	509499 NR	• RESISTOR, FXD, COMP- 130 OHMS P/M 5% 1/2W	1	
- 84	5709399	• BOARD, COMPONENT	1	ATT PT

# NON STEPPING MOTOR

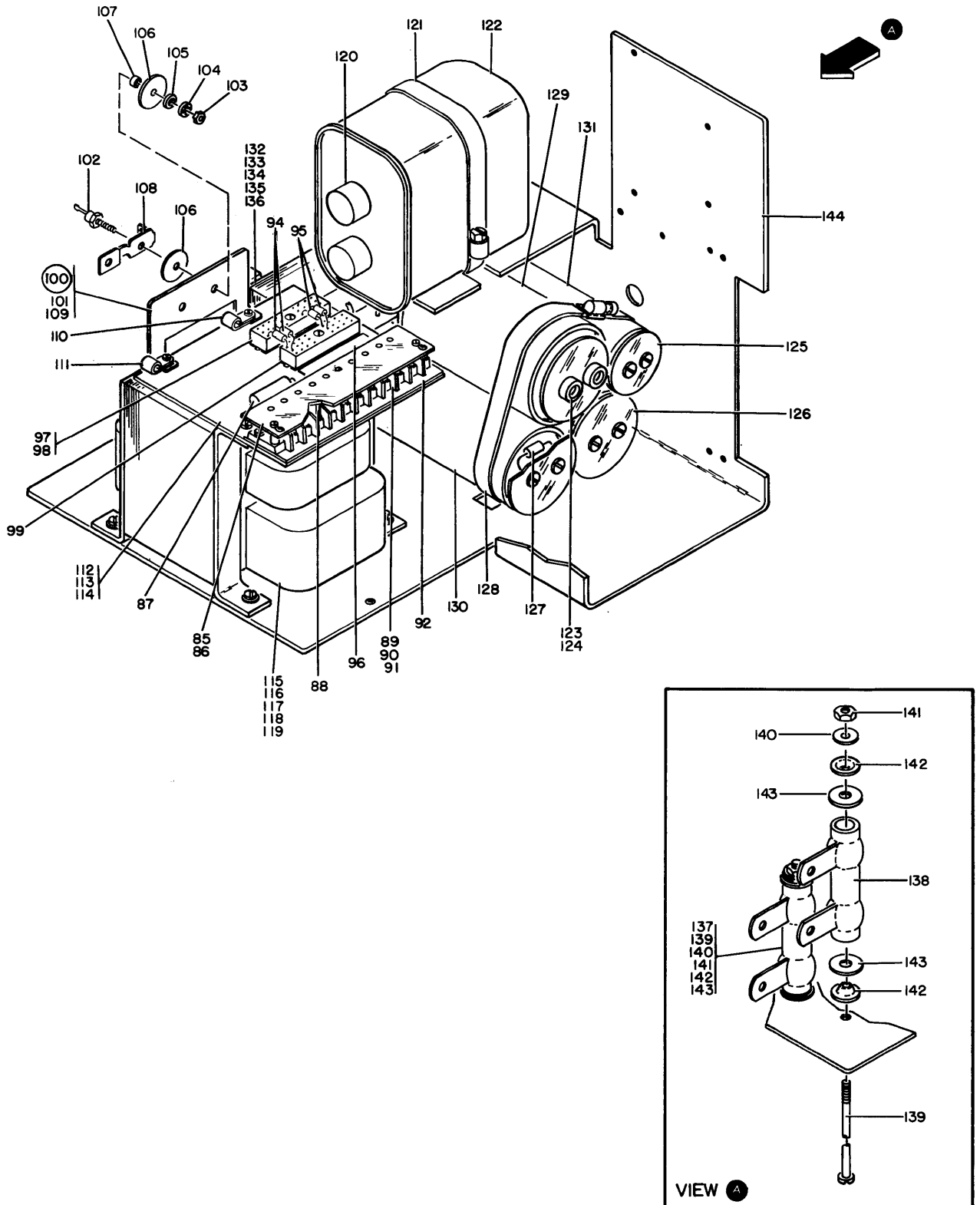


FIGURE 6. POWER SUPPLY ASSEMBLY, NON STEPPING MOTOR-OLD STYLE. SHEET 2 OF 2. INDEX NOS. 85-144. SEE LIST 6.

# NON STEPPING MOTOR

## POWER SUPPLY ASSEMBLY,NGN STEPPING MOTOR-OLD STYLE

FIGURE- INDEX NUMBER	PART NUMBER	DESCRIPTION	UNITS PER ASM.	USABLE ON CODE
6 - 85	350977	. COVER	1	
- 86	322550	. SCREW,MACH-BIND HD 6-32 X 1/2 LG	2	
- 87	2609124	. CAPACITOR ASM, 1.0 MFD 600VDC	1	
- 88	367115	. JUMPER-TERMINAL STRIP VDC DISTR BRS	2	
- 89	317145	. TERMINAL BOARD- 8 DBL SCREW TERMINALS	1	
- 90	210883	. STUD-SHIELD MTG,TAPPED,NO. 6-32	2	
- 91	10170	. SCREW,MACH-BIND HD 6-32 X 1/4 LG	2	
- 92	362193	. MARKER STRIP- 10 POS NOS. 1 THRU 8	1	
- 94	5732249	. DIODE ASSEMBLY	2	
- 95	2609123	. DIODE	2	
- 96	5478946	. LABEL	1	
- 97	302090	. CONNECTOR,RECP,ELEC- 24 FEMALE CONTACTS	2	
- 98	438550	. SCREW,MACH-BIND HD 4-40 X 1/2 LG	2	
- 99	302131	. INSULATOR,TERMINAL BLOCK	2	
-100	2609127	. HEATSINK ASM	1	
-101	32042	. SCREW, MACH BIND. HD 10-32 X 3/8 LG.	2	
-102	598479	. SEMICONDUCTOR DEVICE-DIODE,150V 10A	2	
-103	11598	. NUT,PLAIN-HEX 10-32 X 3/8 FL W	2	
-104	56121	. WASHER,LOCK-INT TEETH NO. 10 X 0.381 OD	2	
-105	45690	. WASHER, FL - NO.10 X 7/16 OD X 1/32 THK	2	
-106	217017	. WASHER-INSULATING	4	
-107	473582	. INSULATOR	2	
-108	478043	. JUMPER - PLATE	1	
-109	2609125	. BRACKET,DIODE MTG	1	
-110	356742	. CLAMP,LOOP- 0.250 ID 0.177 DIA MTG HOLE	AR	
-110	357433	. CLAMP,LOOP- 0.187 ID 0.203 DIA MTG HOLE	AR	
-111	350663	. CLAMP,CABLE	1	
-112	2609122	. BRACKET,TRANSFORMER	1	
-113	32042	. SCREW, MACH BIND. HD 10-32 X 3/8 LG.	2	
-114	56079	. WASHER,LOCK-EXT T .195 ID .410 OD	2	
-115	2609104	. TRANSFORMER,FERRO-RESONANT- 60 HZ	1	
-115	2609114	. TRANSFORMER,FERRO-RESONANT- 50 HZ	1	
-116	32042	. SCREW, MACH BIND. HD 10-32 X 3/8 LG.	4	
-117	9092	. WASHER-LOCK,SPLIT RING, .194 ID .337OD	4	
-118	45690	. WASHER, FL - NO.10 X 7/16 OD X 1/32 THK	4	
-119	56079	. WASHER,LOCK-EXT T .195 ID .410 OD	1	
-120	526378	. CAP-INSULATION	2	
-121	2581985	. CLAMP	1	
-122	361536	. CAPACITOR,FXD,PAPER- 30UF P/M 6% 300VAC	1	
-123	306855	. STUD-HEX 10-32 THD BOTH ENDS 11/16 LG OA	2	
-124	5351115	. INSULATOR-BUSHING	2	
-125	361503	. COVER-CAPACITOR	1	
-126	362206	. COVER, CAPACITOR	3	
-127	337523	. RESISTOR ASSY, 1K 1W	1	
-128	2581985	. CLAMP	1	
-129	5214962	. CAPACITGR,ELECTROLYTIC- 10,000 UF	1	
-130	5709382	. CAPACITOR,ELECTROLYTIC- 49,000 UF	2	
-131	483107	. CAPACITOR 3100 MFD	1	
-132	219993	. CHOKE, FILTER ASM	1	
-133	32042	. SCREW, MACH BIND. HD 10-32 X 3/8 LG.	4	
-134	9092	. WASHER-LOCK,SPLIT RING, .194 ID .337OD	4	
-135	45690	. WASHER, FL - NO.10 X 7/16 OD X 1/32 THK	4	
-136	56079	. WASHER,LOCK-EXT T .195 ID .410 OD	1	
-137	301805	. RESISTOR,W/W FXD 500 OHMS P/M 5% 25W	1	
-138	5213405	. RESISTOR,FIXED,WIREWOUND- 0.30HMS PM 10%	1	
-139	438593	. SCREW-MACH-BIND HD NO. 8-32 X 2 1/2 LG	2	
-140	2903	. WASHER,FL-NO. 6 X 1/2 OD X 1/32 THK	2	
-141	5761938	. NUT	2	
-142	510468	. WASHER,CUPPED- 1/5IN X .029 DIA	4	
-143	5761935	. WASHER,NONMETLLC- 0.380 ID 3/4 OD 1/32 T	4	
-144	2609120	. CHASSIS	1	

# STEPPING/NON STEPPING MOTOR

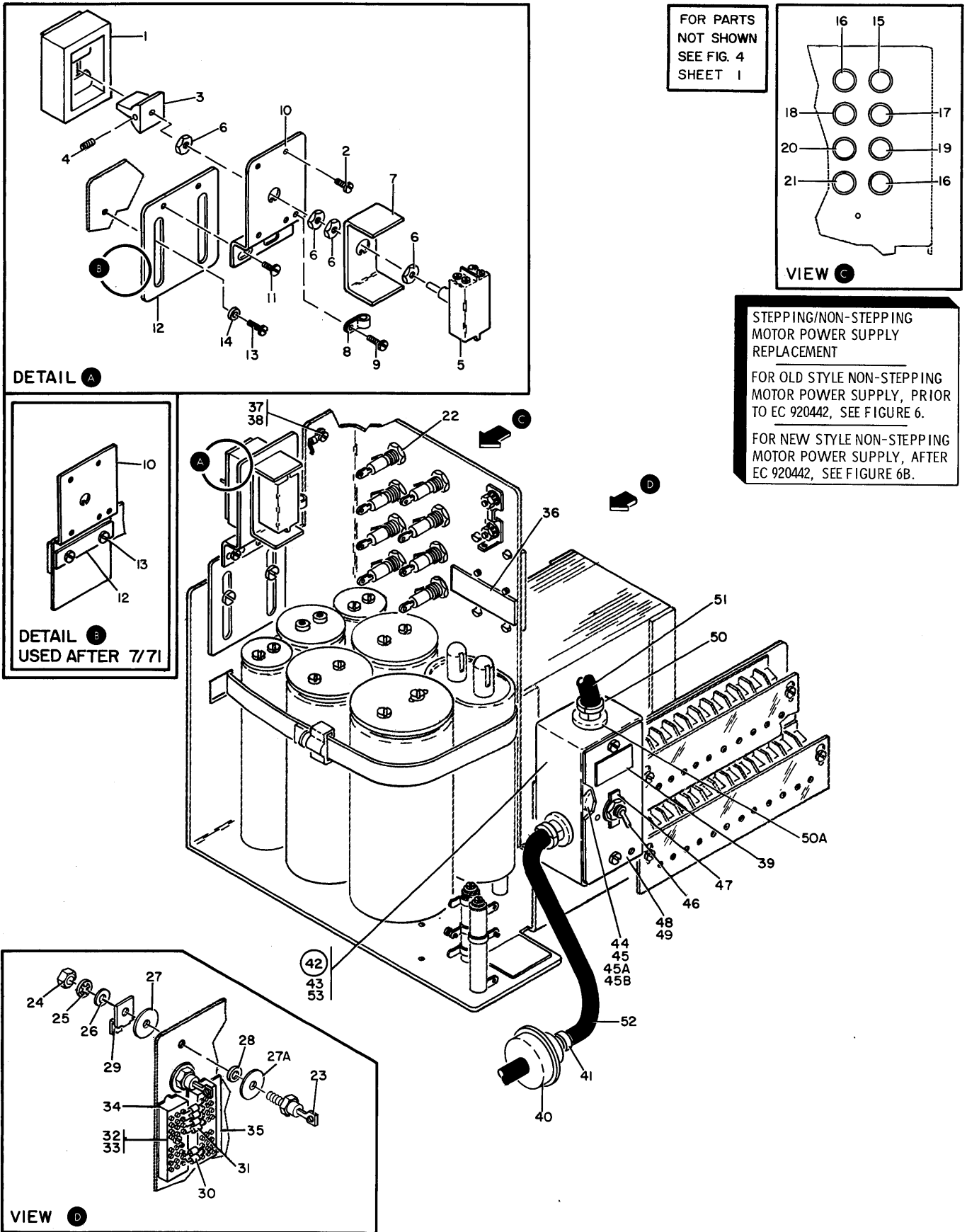


FIGURE 6A. POWER SUPPLY ASSEMBLY. SHEET 1 OF 2. INDEX NOS. 1-53. SEE LIST 6A.

# STEPPING/NON STEPPING MOTOR

## POWER SUPPLY ASSEMBLY

FIGURE- INDEX NUMBER	PART NUMBER	DESCRIPTION				UNITS PER ASM.	USABLE ON CODE
		1	2	3	4		
6A-	2623060	POWER SUPPLY ASSEMBLY - 60 HZ				REF	
-	2623050	POWER SUPPLY ASSEMBLY - 50 HZ FOR NEXT HIGHER ASM. SEE FIGURE 4-8				REF	
- 1	482193	AND FOR ILLUSTRATION, SEE LIST 6A • FRAME, MAINLINE SWITCH NOT PART OF POWER SUPPLY, ORDER SEPARATE				1	
- 2	236550	• SCREW, MACH-BIND HD 4-40 X 0.375 LG ATT PT				4	
- 3	482194	• BAT, MAINLINE SWITCH NOT PART OF POWER SUPPLY, ORDER SEPARATE				1	
- 4	257961	• SCREW, CUP POINT 4-40 X .250 ATT PT				1	
- 5	805023	• SWITCH, MAINLINE				1	
- 6	179743	• NUT, HEX- 15/32-32 X 9/16 FL W ATT PT				2	
- 7	2609107	• COVER, SAFETY				1	
- 8	534768	• CLAMP, CABLE				1	
- 9	28413	• SCREW, MACH-BIND HD 10-32 X 5/16 LG ATT PT				1	
- 10	2609136	• BRACKET, HORIZONTAL ALIGN USED PRIOR TO AUG. 1971				1	
- 10	2623068	• BRACKET, SWITCH MTG USED AFTER AUG. 1971				1	
- 11	28413	• SCREW, MACH-BIND HD 10-32 X 5/16 LG ATT PT				1	
- 12	2609135	• BRACKET, VERT ALIGN USED PRIOR TO AUG. 1971				1	
- 12	2623069	• PLATE, SWITCH MTG USED AFTER AUG. 1971				1	
- 13	28413	• SCREW, MACH-BIND HD 10-32 X 5/16 LG ATT PT				AR	
- 14	45690	• WASHER, FL- NO. 10 X 7/16 OD X 1/32 THK ATT PT				AR	
- 15	5214302	• FUSE, CARTRIDGE 8A, 250V 60 HZ				1	
- 15	4117092	• FUSE, 6A, 250V 50 HZ				1	
- 16	855252	• FUSE - 3A				2	
- 17	338165	• FUSE- 3A 60 HZ				1	
- 17	1143492	• FUSE- 4A 50 HZ				1	
- 18	4117092	• FUSE- 6A, 25V				1	
- 19	5214456	• FUSE, CARTRIDGE 6A, 250V				1	
- 20	5214149	• FUSE, CARTRIDGE 1.5A, 250V				1	
- 21	303549	• FUSE- 1.0A, 250V				1	
- 22	179946	• FUSE HOLDER, PNL MTG 15A, 250V				8	
- 23	598479	• RECTIFIER, SILICON				2	
- 24	11598	• NUT, PLAIN-HEX 01-32 X 3/8 LF W ATT PT				2	
- 25	56121	• WASHER, LOCK-INT TEETH NO. 10 X 0.381 OD ATT PT				2	
- 26	45690	• WASHER, FL-NO. 10 X 7/16 OD X 1/32 THK ATT PT				2	
- 27	217017	• WASHER-INSULATING				2	
- 27A	217019	• WASHER, INSULATING				2	
- 28	473582	• INSULATOR, SPACING				2	
- 29	478043	• PLATE-JUMPER				1	
- 30	5732249	• DIODE ASSEMBLY				2	
- 31	2609123	• DIODE ASM 3A				4	
- 32	302090	• CONNECTOR, RECP, ELEC- 24 FEMALE CONTACTS				2	
- 33	438550	• SCREW, MACH-BIND ATT PT				2	
- 34	302131	• INSULATOR, TERMINAL BLOCK				1	
- 35	5478946	• LABEL				1	
- 36	5713563	• LABEL, CAUTION				1	
- 37	236849	• SCREW, MACH-BIND HD 10-32 X 0.250 LG				1	
- 38	2507239	• WASHER				1	
- 39	138754	• DECAL, VOLTAGE-ENGLISH, JAPANESE				1	
- 40	5762418	• BUSHING, SNAP				AR	
- 41	2571362	• BUSHING, STRAIN RELIEF				AR	
- 42	2609109	• LINE FILTER ASM- 60 HZ				1	
- 42	2609128	• LINE FILTER ASM- 50 HZ				1	
- 43	236849	• SCREW, MACH-BIND HD 10-32 X 0.250 LG ATT PT				2	
- 44	2609103	• RESISTOR/CAPACITOR, LINE FILTER ASM				2	
- 45	236849	• SCREW, MACH-BIND HD 10-32 X 0.250 LG ATT PT				4	
- 45A	56079	• WASHER, LOCK-EXT T .195 ID .410 OD ATT PT				4	
- 45B	45690	• WASHER, FL - NO. 10 X 7/16 OD X 1/32 THK ATT PT				4	
- 46	313246	• SWITCH, DOUBLE POLE, TOGGLE				1	
- 47	317309	• NAMEPLATE, TOGGLE SWITCH				1	
- 48	2609134	• PLATE, SWITCH				1	
- 49	10170	• SCREW, MACH-BIND HD 6-32 X 1/4 LG ATT PT				2	
- 50	2571362	• BUSHING, STRAIN RELIEF				2	
- 50A	2623059	• BUSHING				2	
- 51	2609117	• CABLE ASM, JACKETED-AC- 60 HZ				1	
- 52	2609106	• LINE CORD ASM- 60 HZ				1	
- 53	2102151	• BOX, SINGLE UTILITY				1	

# STEPPING/NON STEPPING MOTOR

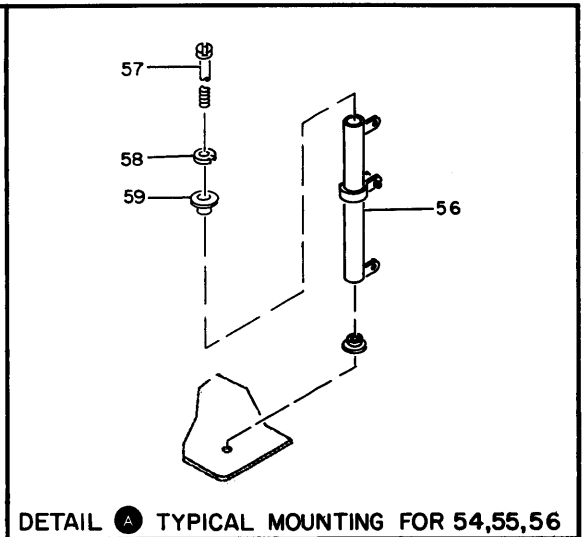
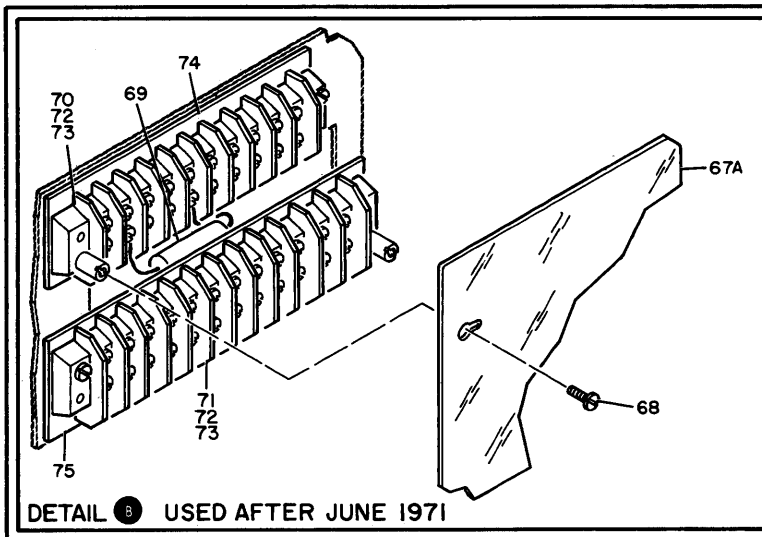
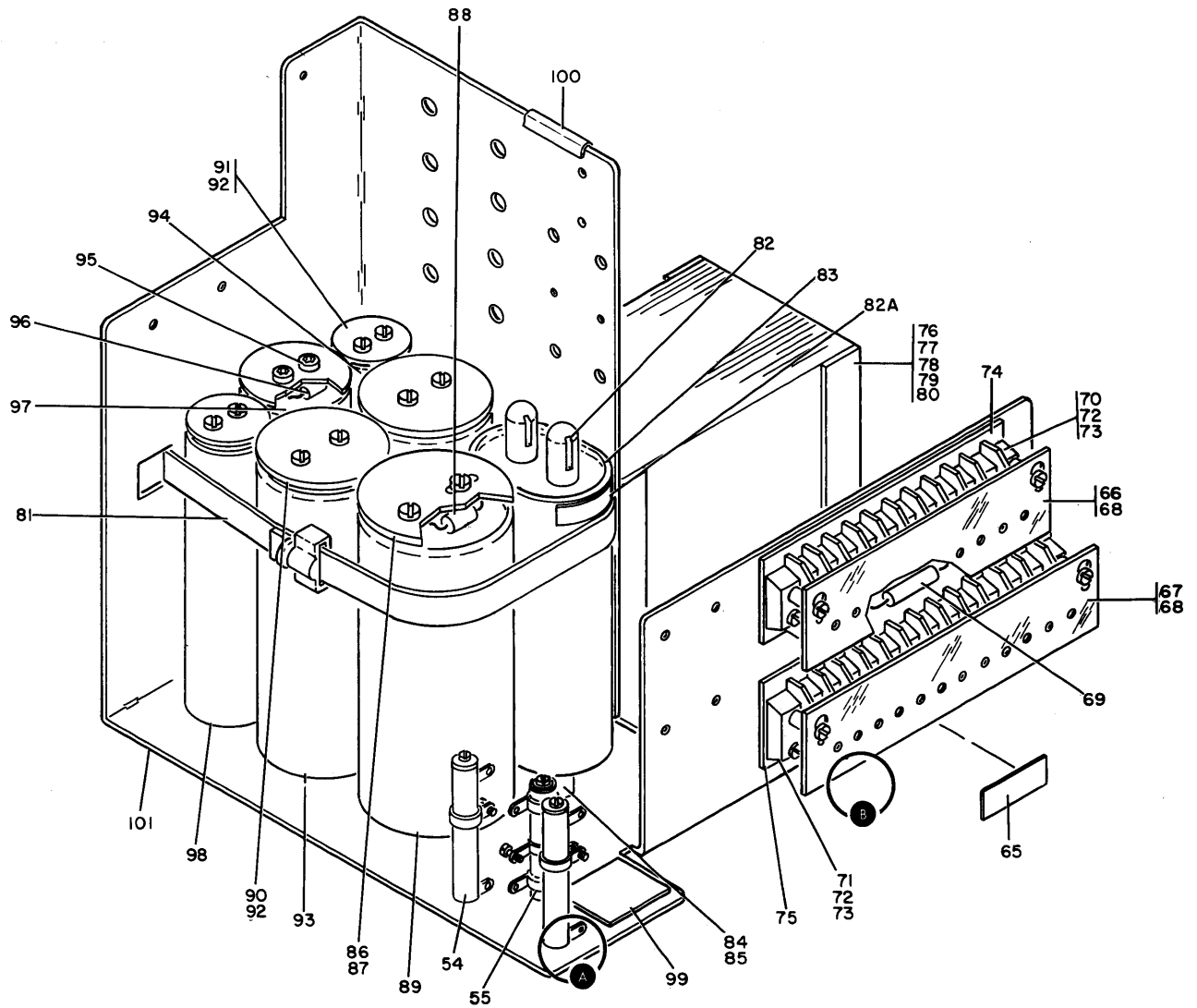


FIGURE 6A. POWER SUPPLY ASSEMBLY. SHEET 2 OF 2. INDEX NOS. 54-101. SEE LIST 6A.

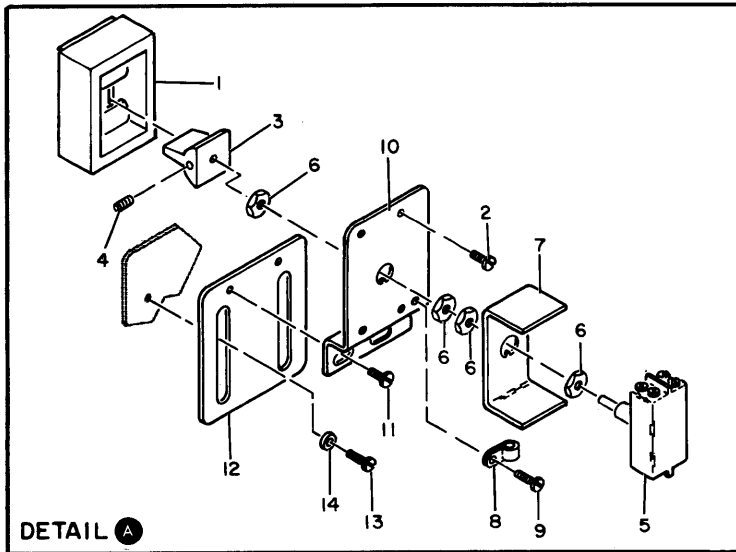
# STEPPING/NON STEPPING MOTOR

## POWER SUPPLY ASSEMBLY

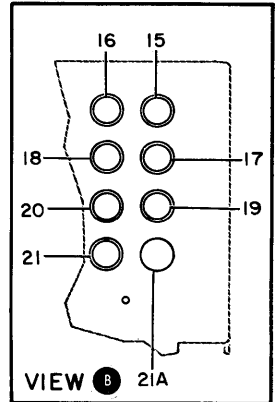
FIGURE- INDEX NUMBER	PART NUMBER	DESCRIPTION	UNITS PER ASM.	USABLE ON CODE
6A - 54	963541	• RESISTOR- 10 OHMS, 50 W	1	
- 55	963521	• RESISTOR	1	
- 56	254867	• RESISTOR, ADJ-WW 50 OHMS 10PCT 50W	1	
- 57	504698	• SCREW, MACH-RH 8-32 X 4-1/4 LG ATT PT	3	
- 58	1090873	• WASHER, LOCK, SPLIT RING- .168 ID, .296 OD ATT PT	3	
- 59	510468	• WASHER, CUPPED- 1/5 IN X .029 DIA	6	
- 65	845762	• LABEL, VOLTAGE	1	
- 66	582444	• COVER- TERMINAL BOARD	1	
		USED PRIOR TO JUNE 1971		
- 67	352826	• COVER	1	
		USED PRIOR TO JUNE 1971		
- 67A	2623065	• SHIELD	1	
		USED AFTER JUNE 1971		
- 68	322550	• SCREW, MACH-BIND HD 6-32 X 1/2 LG ATT PT	AR	
- 69	2609124	• CAPACITOR- 1MFD, 600V	1	
- 70	322767	• STRIP, BARRIER TERMINAL 10 POS	1	
- 71	323842	• STRIP, BARRIER TERMINAL 12 TERM	1	
- 72	210883	• STUD, TAPPED MOUNTING 6-32 X .50 ATT PT	AR	
- 73	10170	• SCREW, MACH-BIND HD 6-32 X 1/4 LG ATT PT	4	
- 74	363434	• STRIP, MARKER 10 POS	1	
- 75	589814	• STRIP, MARKER 12 POS	1	
- 76	2623063	• TRANSFORMER- 60 HZ	1	
- 76	2623053	• TRANSFORMER- 50 HZ	1	
- 77	32042	• SCREW, MACH-BIND HD 10-32 X .375 ATT PT	4	
- 78	9092	• WASHER, LOCK, SPRING .194 ID ATT PT	4	
- 79	1940	• WASHER, FL-NO. 10 X 9/16 OD X 3/64 THK ATT PT	4	
- 80	56079	• WASHER, LOCK, EXT. TOOTH .204 ID ATT PT	1	
- 81	2581986	• CLAMP, ADJUSTABLE	1	
- 82	526378	• INSULATOR, TERMINAL, CAPACITOR	2	
- 82A	5713563	• LABEL	1	
- 83	5252624	• CAPACITOR	1	
- 84	2623056	• SPACER .22 ID	1	
- 85	99	• SCREW, MACH-FL CSK HD 10-32 X 3/8 LG ATT PT	1	
- 86	337334	• COVER, CAPACITOR SAFETY	1	
- 87	361503	• SCREW ATT PT	1	
- 88	337523	• RESISTOR ASM, 1K OHM 1W	4	
- 89	5214952	• CAPACITOR, ELECTROLYTIC, 100,000 UF +75, -10%	1	
- 90	5240477	• SHIELD, CAPACITOR	2	
- 91	362206	• COVER, CAPACITOR	1	
- 92	361503	• SCREW ATT PT	1	
- 93	5214966	• CAPACITOR, ELECTROLYTIC, 84,000UF +75, -10%	2	
- 94	5214969	• CAPACITOR, ELECTROLYTIC, 9,600UF +75, -10%	1	
- 95	2609144	• SCREW	2	
- 96	2609113	• RESISTOR ASM 1.0K - 5W 1%	1	
- 97	5214962	• CAPACITOR, ELECTROLYTIC, 10,000UF +75, -10%	1	
- 98	5214162	• CAPACITOR, ELECTROLYTIC, 3,000UF +75, -10%	1	
- 99	1141554	• LABEL, WARNING HIGH TEMP	1	
-100	5755833	• MOULDING, RUBBER	1	
-101	2609129	• CHASSIS, POWER SUPPLY	1	



# NON STEPPING MOTOR



FOR PARTS  
NOT SHOWN  
SEE FIG. 4  
SHEET 1



NEW STYLE POWER SUPPLY,  
USED AFTER EC 920442.  
FOR OLD STYLE POWER SUPPLY,  
USED PRIOR TO EC 920442  
SEE FIGURE 6.

FOR STEPPING/NON-STEPPING  
MOTOR POWER SUPPLY REPLACEMENT  
SEE FIGURE 6A.

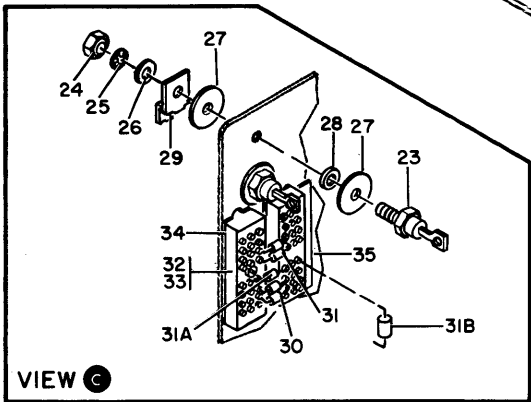
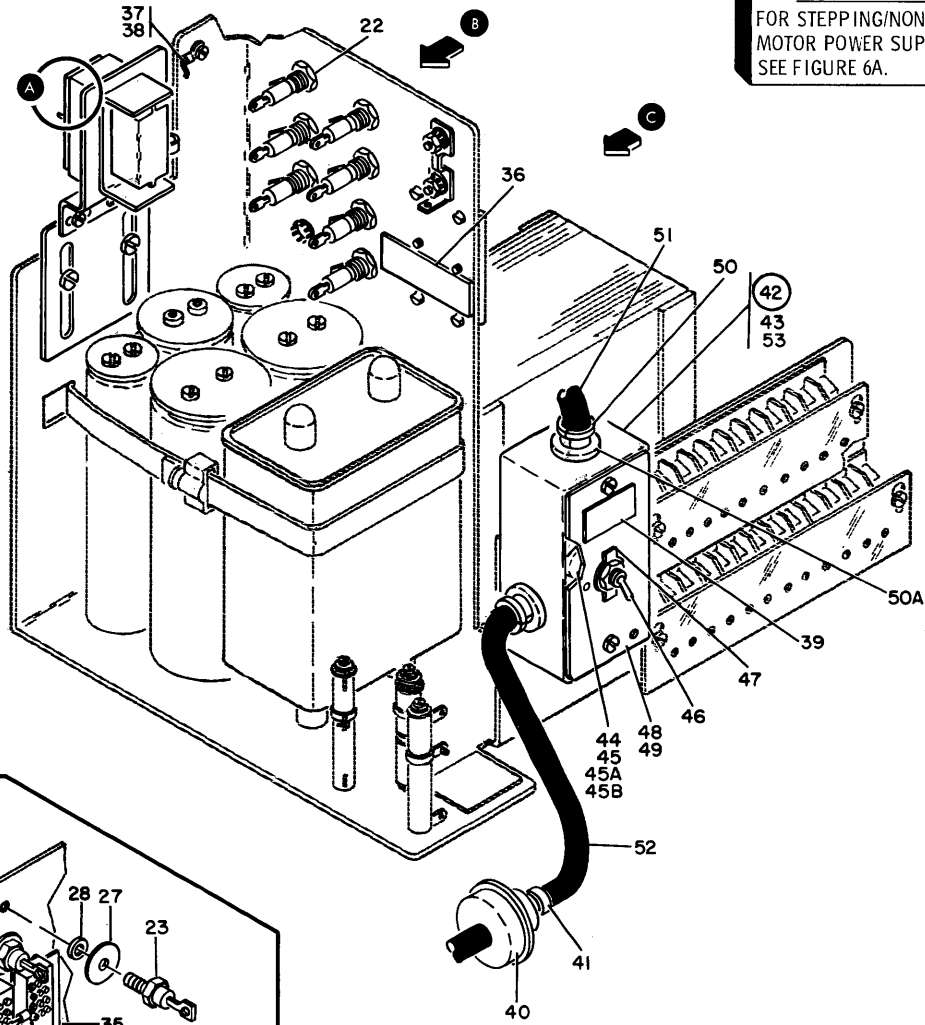


FIGURE 6B. POWER SUPPLY ASSEMBLY, NON STEPPING MOTOR-NEW STYLE. SHEET 1 OF 2. INDEX NOS. 1-53. SEE LIST 6B.

# NON STEPPING MOTOR

## POWER SUPPLY ASSEMBLY, NON STEPPING MOTOR-NEW STYLE

FIGURE- INDEX NUMBER	PART NUMBER	DESCRIPTION	UNITS PER ASM.	USABLE ON CODE
6B-	2609130	POWER SUPPLY ASSEMBLY - 60 HZ	REF	
-	2609140	POWER SUPPLY ASSEMBLY- 50 HZ FOR NEXT HIGHER ASM, SEE FIGURE 4-8 AND FOR ILLUSTRATION, SEE LIST 6B	REF	
- 1	482193	. HOUSING-MAINLINE SWITCH	1	
- 2	236550	. SCREW, MACH-BIND HD 4-40 X 0.375 LG	4	ATT PT
- 3	482194	. TOGGLE-MAINLINE SWITCH	1	
- 4	257961	. SETSCREW-SPLINE DR CUP PT 4-40 X 1/4 LG	1	ATT PT
- 5	805023	. SWITCH, MAINLINE	1	
- 6	179743	. NUT, PLAIN, HEX- 15/32-32 X 9/16 FL W	2	ATT PT
- 7	2609107	. COVER, SAFETY	1	
- 8	533289	. CLAMP, CABLE	1	
- 9	28413	. SCREW, MACH-BIND HD 10-32 X 5/16 LG	1	ATT PT
- 10	2609136	. BRACKET, HORIZONTAL ALIGNMENT	1	
- 11	28413	. SCREW, MACH-BIND HD 10-32 X 5/16 LG	1	ATT PT
- 12	2609135	. BRACKET, VERTICAL ALIGNMENT	1	
- 13	28413	. SCREW, MACH-BIND HD 10-32 X 5/16 LG	2	ATT PT
- 14	45690	. WASHER, FL - NO. 10 X 7/16 OD X 1/32 THK	2	ATT PT
- 15	5214302	. FUSE- 250V, 8A	1	
- 15	4117092	. FUSE- 250V, 6A	1	
- 16	855252	. FUSE- 3A	1	
- 17	338165	. FUSE- 3A	1	
- 18	4117092	. FUSE- 250V, 6A	1	
- 19	5214456	. FUSE- 250V, 6A	1	
- 20	5214149	. FUSE- 250V, 1.5A	1	
- 21	303549	. FUSE, CARTRIDGE-SLOW BLOW 1.0 AMP 250V	1	
- 21A	805598	. PLUG	1	
- 22	179946	. HOLDER-FUSE	7	
- 23	598479	. SEMICONDUCTOR DEVICE-DIODE, 150V 10A	2	
- 24	11598	. NUT, PLAIN-HEX 10-32 X 3/8 FL W	2	ATT PT
- 25	56121	. WASHER, LOCK-INT TEETH NO. 10 X 0.381 OD	2	ATT PT
- 26	45690	. WASHER, FL - NO. 10 X 7/16 OD X 1/32 THK	2	ATT PT
- 27	217017	. WASHER-INSULATING	4	
- 28	473582	. INSULATOR, SPACING	2	
- 29	478043	. PLATE, JUMPER	1	
- 30	5732249	. DIODE ASSEMBLY	2	
- 31	2609123	. DIODE ASM	2	
- 31A	2609148	. RESISTOR ASM, 0.2 OHMS, 5W, 5% . RESISTOR- 115 OHMS	1	
- 31B	981803		1	
- 32	302090	PART OF INTERPRET FEATURE . CONNECTOR, RECP, ELEC- 24 FEMALE CONTACTS	2	
- 33	438550	. SCREW, MACH-BIND HD 4-40 X 1/2 LG	2	ATT PT
- 34	302131	. INSULATOR, TERMINAL BLOCK	2	
- 35	5478946	. LABEL	1	
- 36	5713563	. LABEL	1	
- 37	2507239	. JUMPER ASM	1	
- 38	236849	. SCREW, MACH-BIND HD 10-32 X 0.250 LG	1	ATT PT
- 39	138754	. DECAL, VOLTAGE	1	
- 40	5762418	. BUSHING	1	
- 41	2571362	. BUSHING, STRAIN RELIEF	AR	
- 42	2609109	. LINE FILTER ASM- 60 HZ	AR	
- 42	2609128	. LINE FILTER ASM- 50 HZ	1	
- 43	236849	. SCREW, MACH-BIND HD 10-32 X 0.250 LG	2	ATT PT
- 44	2609103	. RESISTOR/CAPACITOR, LINE FILTER ASM	2	
- 45	236849	. SCREW, MACH-BIND HD 10-32 X 0.250 LG	4	ATT PT
- 45A	56079	. WASHER, LOCK-EXT T .195 ID .410 OD	4	ATT PT
- 45B	45690	. WASHER, FL - NG. 10 X 7/16 OD X 1/32 THK	4	ATT PT
- 46	313246	. SWITCH, TOGGLE	1	
- 47	317309	. NAMEPLATE, SWITCH-ON/OFF	1	
- 48	2609134	. PLATE, SWITCH	1	
- 49	10170	. SCREW, MACH-BIND HD 6-32 X 1/4 LG	2	ATT PT
- 50	2571362	. BUSHING, STRAIN RELIEF	1	
- 50A	2623059	. BUSHING	2	
- 51	2609117	. CABLE ASM, JACKETED, AC- 60 HZ	1	
- 52	2609106	. JUMPER ASM	1	
- 53	2102151	. BOX, SINGLE UTILITY	1	

# NON STEPPING MOTOR

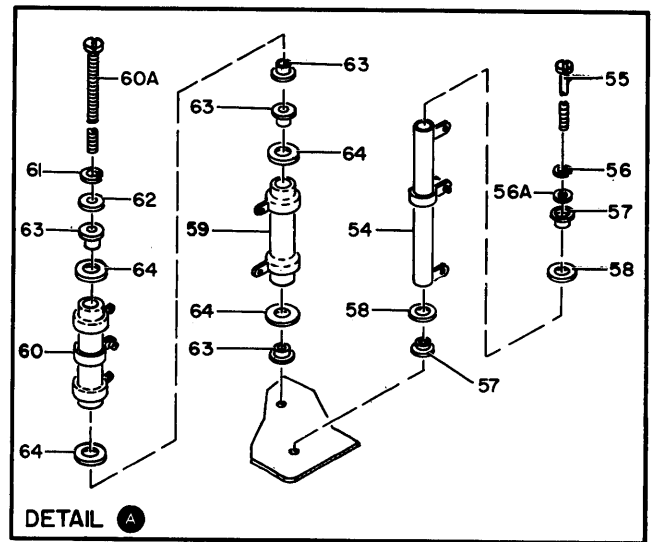
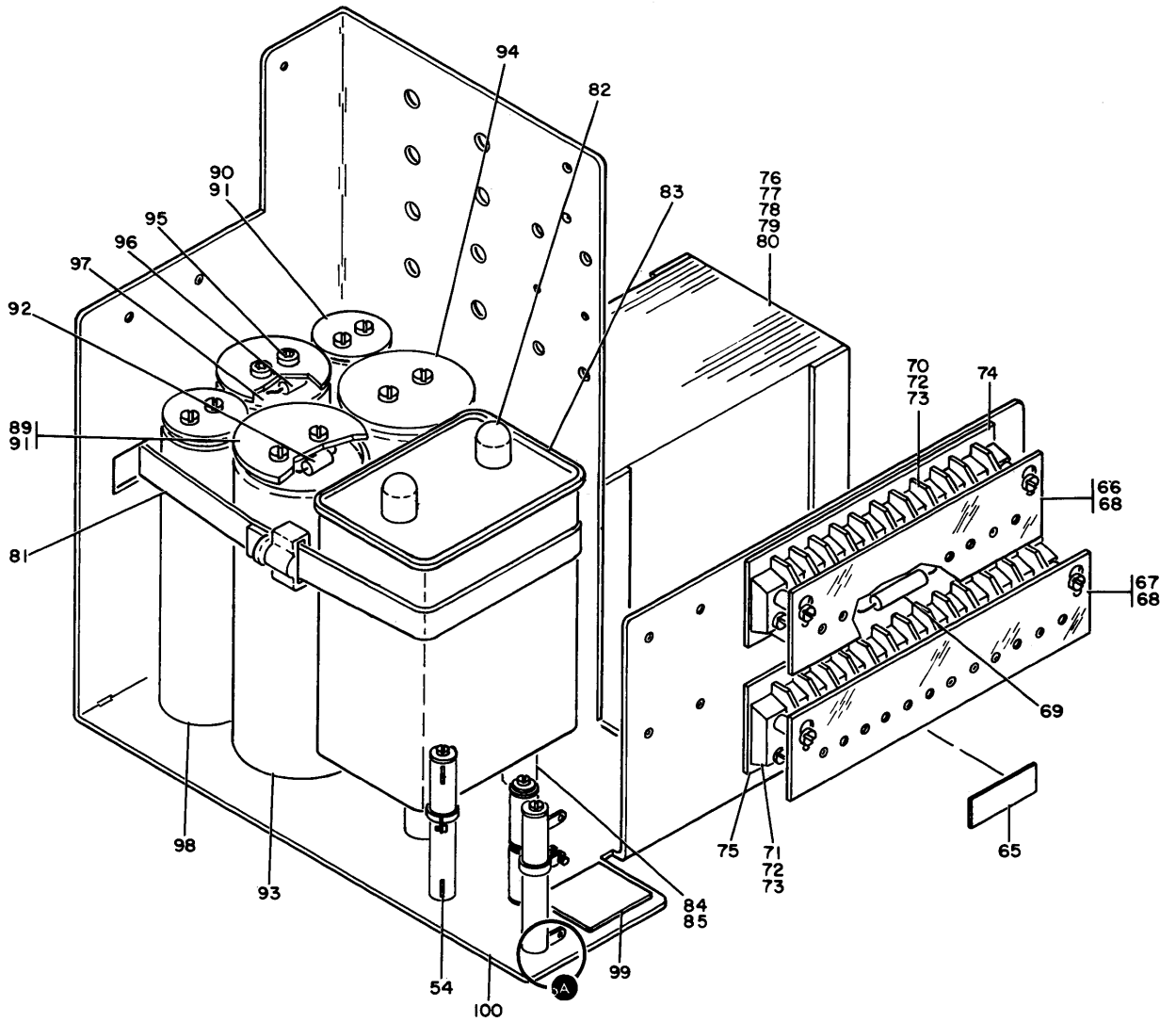


FIGURE 6B. POWER SUPPLY ASSEMBLY, NON STEPPING MOTOR-NEW STYLE. SHEET 2 OF 2. INDEX NOS. 54-100. SEE LIST 6B.

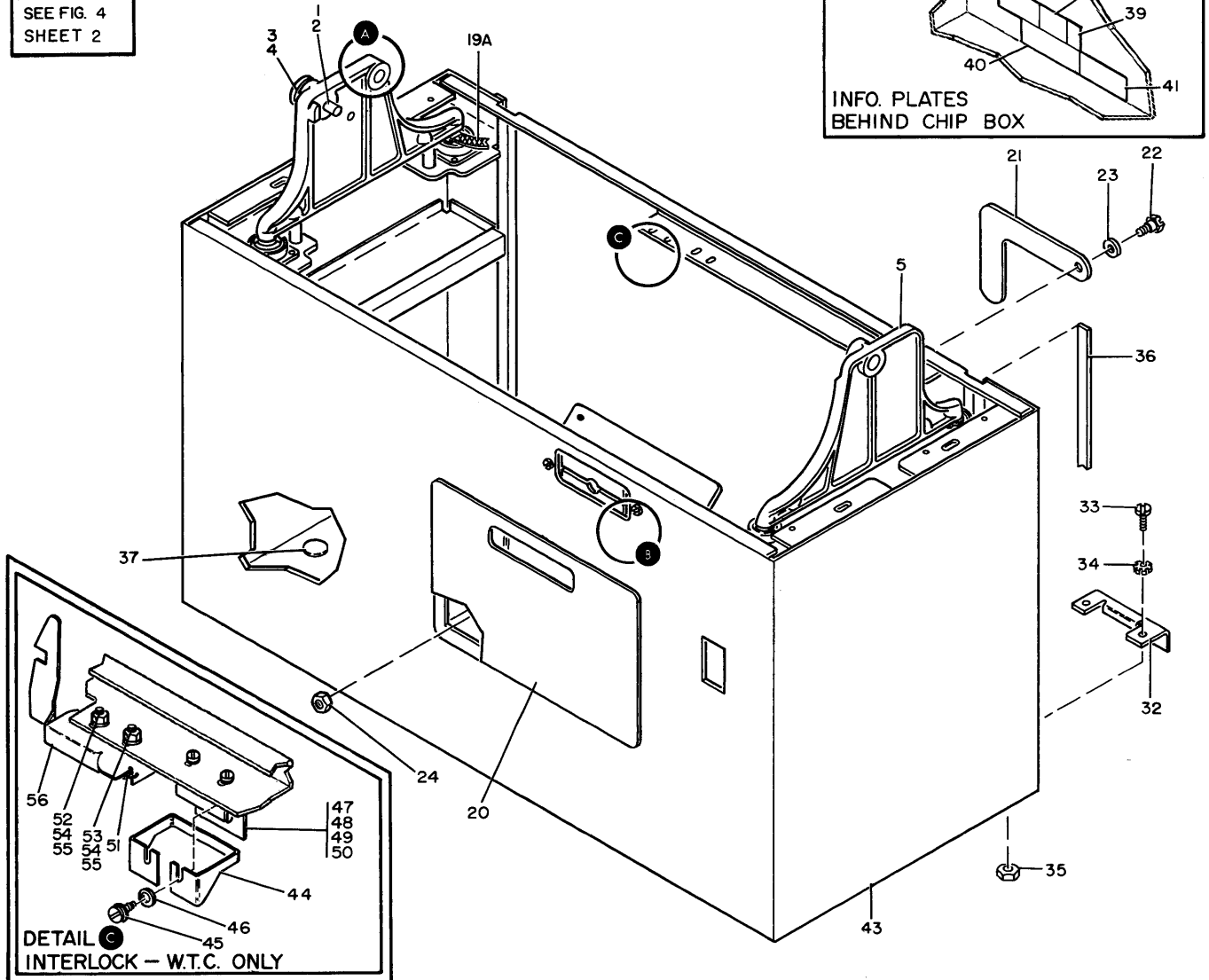
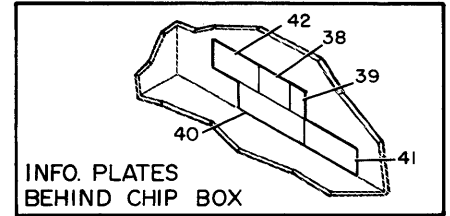
# NON STEPPING MOTOR

## POWER SUPPLY ASSEMBLY,NGN STEPPING MOTOR-NEW STYLE

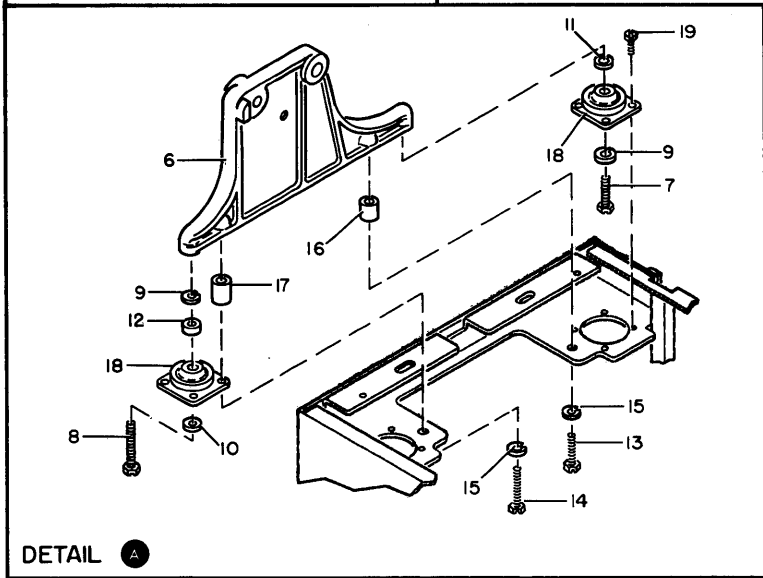
FIGURE- INDEX NUMBER	PART NUMBER	DESCRIPTION				UNITS PER ASM.	USABLE ON CODE
		1	2	3	4		
6B- 54	254867	. RESISTOR,ADJ-WW 50 OHMS 10PCT 50W				2	
- 55	504698	. SCREW,MACH-RH 8-32 X 4-1/4 LG				2	
- 56	1090873	. WASHER,LOCK,SPLIT RING- .168 ID, .296 OD				2	
- 56A	2903	. WASHER,FL-NO. 6 X 1/2 OD X 1/32 THK				2	
- 57	510468	. WASHER,CUPPED- 1/5IN X .029 DIA				4	
- 58	5761935	. WASHER,NONMETLLC- 0.380 ID 3/4 CD 1/32 T				2	
- 59	341750	. RESISTOR,WIREWOUND- 1 OHM,25W,1% USED PRIOR TO MARCH 1972				1	
- 59	963521	. RESISTOR- 10 OHMS,50W,PM 10% USED AFTER MARCH 1972				1	
- 60	5213405	. RESISTOR- 0.3 OHMS,PM 10%-NON STEPPING				1	
- 60	963541	. RESISTOR- 10 OHMS,PM 10%-STEPPING				1	
- 60A	504698	. SCREW,MACH-RH 8-32 X 4-1/4 LG				1	
- 61	1090873	. WASHER,LOCK,SPLIT RING- .168 ID, .296 OD				1	
- 62	2903	. WASHER,FL-NO. 6 X 1/2 OD X 1/32 THK				1	
- 63	510468	. WASHER,CENTERING				2	
- 64	442958	. INSULATCR,WASH- 7/16 ID 3/4 OD 1/32 THK				2	
- 65	845762	. DECAL-VOLTAGE				1	
- 66	582444	. COVER-TERMINAL BOARD				1	
- 67	352826	. COVER				1	
- 68	322550	. SCREW,MACH-BIND HD 6-32 X 1/2 LG				4	
- 69	2609124	. CAPACITOR- 1MFD,600V				1	
- 70	322767	. TERMINAL BOARD- 10 DBL SCREW TERMINALS				1	
- 71	323842	. TERMINAL BOARD- 12 DBL SCREW TERMINALS				1	
- 72	210883	. STUD-SHIELD MTG,TAPPED,NO. 6-32				4	
- 73	10170	. SCREW,MACH-BIND HD 6-32 X 1/4 LG				4	
- 74	363434	. MARKER STRIP- 10 POS NOS. 1 THRU 10				1	
- 75	589814	. STRIP,MARKER				1	
- 76	2609104	. TRANSFORMER,FERRO-RESONANT ASM- 60 HZ				1	
- 76	2609114	. TRANSFORMER,FERRO-RESONANT ASM- 50 HZ				1	
- 77	32042	. SCREW, MACH BIND. HD 10-32 X 3/8 LG.				4	
- 78	9092	. WASHER-LOCK,SPLIT RING, .194 ID .337OD				4	
- 79	1940	. WASHER,FL-NO. 10 X 9/16 OD X 3/64 THK				4	
- 80	56079	. WASHER,LOCK-EXT T .195 ID .410 CD				1	
- 81	2581986	. CLAMP,ADJUSTABLE				1	
- 82	526378	. CAP-INSULATION				2	
- 83	361536	. CAPACITOR,FXD,PAPER- 30UF P/M 6% 300VAC				1	
- 84	2623056	. SPACER- 1.12 LG				2	
- 85	99	. SCREW,MACH-FL CSK HD 10-32 X 3/8 LG				2	
- 89	5240477	. SHIELD,CAPACITOR				2	
- 90	362206	. COVER, CAPACITOR				1	
- 91	361503	. SCREW				1	
- 92	2609138	. RESISTOR				2	
- 93	5214966	. CAPACITOR- CAN TYPE				2	
- 94	5214969	. CAPACITOR- 9,600MF,25VDC				1	
- 95	2609144	. SCREW ASM				2	
- 96	2609113	. RESISTOR ASM- 1K OHM,5W,1%				1	
- 97	5214962	. CAPACITOR,ELECTROLYTIC- 10,000 UF				1	
- 98	5214162	. CAPACITOR- 3000MF,50VDC				1	
- 99	1141554	. LABEL, SAFETY				1	
-100	2609129	. CHASSIS				1	

# STEPPING/NON STEPPING MOTOR

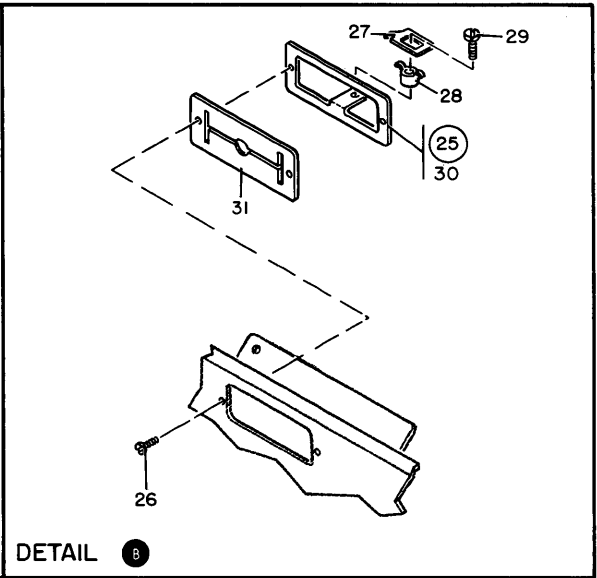
FOR PARTS  
NOT SHOWN  
SEE FIG. 4  
SHEET 2



DETAIL C  
INTERLOCK - W.T.C. ONLY



DETAIL A



DETAIL B

FIGURE 7. CABINET ASSEMBLY. SEE LIST 7.

# STEPPING/NON STEPPING MOTOR

## CABINET ASSEMBLY

FIGURE- INDEX NUMBER	PART NUMBER	DESCRIPTION	UNITS PER ASM.	USABLE ON CODE
7 -	961291 NP	CABINET-DOMESTIC	REF	
-	983406 NP	CABINET-WORLD TRADE	REF	
		FOR NEXT HIGHER ASM,SEE FIGURE 4-105		
		AND FOR ILLUSTRATION,SEE FIGURE 7		
- 1	227991	. PIN,STR,HEADED- 1/4 DIA X 1-3/16 LG	1	
- 2	192049	. RING,RETAINING-EXT 0.185 ID X 0.020 THK ATT PT	2	
- 3	227992	. KNOB-DETENT PIN BASE PIVOT	1	
- 4	151139	. SPRING,HELICAL,COMPR- 7 TURNS	1	
- 5	5367196	. END CASTING-RH	1	
- 6	5367197	. END CASTING-LH	1	
- 7	36112	. SCREW,MACH-HEX HD 1/4-20 X 1-1/2 LG ATT PT	1	
- 8	59648	. SCREW-LOWER BRACKET ATT PT	2	
- 9	6935	. WASHER,LOCK-SPLIT 1/4 X 0.493 OD ATT PT	2	
- 10	3550	. WASHER,FL- 1/4 X 9/16 OD X 0.050 THK ATT PT	4	
- 11	5404343	. SPACER, .50 OD X .266 ID X .12 THK ATT PT	2	
- 12	5404344	. SPACER, .50 OD X .266 ID X .25 THK ATT PT	2	
- 13	19852	. SCREW,MACH-HEX HD 1/4-20 X 1 1/4 LG ATT PT	2	
- 14	36112	. SCREW,MACH-HEX HD 1/4-20 X 1-1/2 LG ATT PT	2	
- 15	6935	. WASHER,LOCK-SPLIT 1/4 X 0.493 OD ATT PT	4	
- 16	5404345	. SPACER, .50 OD X .266 ID X .75 THK	2	
- 17	5404346	. SPACER, .50 OD X .266 ID X .84 THK	2	
- 18	5372244	. MOUNT,RESILIENT	4	
- 19	734483	. SCREW,PAN HD- 6-32 X 0.380 LG ATT PT	16	
- 19A	961369	. STRAP,GROUNDING	1	
- 20	5353467	. CHIP BOX	1	
- 21	961289	. ARM	1	
- 22	961297	. STUD ATT PT	1	
- 23	1071723	. WASHER,SPRING TENSION ATT PT	1	
- 24	257189	. NUT,HEX- 8-32 ATT PT	1	
- 25	5372259	. BRACKET ASSEMBLY	1	
- 26	34512	. SCREW,BIND.HD 8-32 X .375 LG ATT PT	2	
- 27	2114680	. . CLIP-CABLE	1	
- 28	2114681	. . CRADLE-CABLE	1	
- 29	34512	. . SCREW,BIND.HD 8-32 X .375 LG ATT PT	1	
- 30	5372313	. . BRACKET-GROMMET AND CABLE CLAMP	1	
- 31	5367117	. GROMMET-KEYBOARD CABLE	1	
- 32	961320	. SPRING,COVER CONTACT	2	
- 33	38433	. SCREW,MACH-FH 4-40 X 1/4 LG ATT PT	4	
- 34	338169	. WASHER,LOCK-EXT TEETH NO. 4 X .260 OD ATT PT	4	
- 35	37913	. NUT-HEX 4-40 X .250 ID ATT PT	4	
- 36	5367113	. SEAL,RUBBER STRIP	2	
- 37	962742	. PLUG,SNAP-IN	1	
		USED PRIOR TO JULY 1971		
- 38	855282 NR	. PLATE-SERIAL NUMBER LT	1	
- 39	855283	. PLATE-SERIAL NUMBER RT	1	
- 40	961831	. DECAL,VOLTAGE	1	
- 40	961832	. DECAL,VOLTAGE	1	
- 40	961833	. DECAL,VOLTAGE	1	
- 41	855824	. LABEL	1	
- 41	960750	. LABEL	1	
- 42	855262	. PLATE,PROPERTY OF ARMONK	AR	
- 42	855263	. PLATE,PROPERTY OF IBM WT	AR	
- 42	855264	. PLATE,MANUFACTURED BY USA	AR	
- 42	855265	. PLATE,MANUFACTURED BY USA	AR	
- 42	855266	. PLATE,MANUFACTURED BY WT	AR	
- 42	855270	. PLATE,RECONDITIONED BY USA	AR	
- 42	855271	. PLATE,RECONDITIONED BY USA	AR	
- 42	855272	. PLATE,RECONDITIONED BY WT	AR	
- 42	855273	. PLATE,RENOVATED BY USA	AR	
- 42	855274	. PLATE,RENOVATED BY USA	AR	
- 42	855275	. PLATE,RENOVATED BY WT	AR	
- 42	855284	. PLATE,MANUFACTURING EXPORT	AR	
- 42	855285	. PLATE,UK IMPORT	AR	
- 42	855286	. PLATE,UL APPROVAL	AR	
- 42	960746	. PLATE,PROPERTY OF IBM CANADA	AR	
- 42	960766	. PLATE,CANADIAN STANDARD ASSOCIAN	AR	
- 43	961290 NR	. CABINET	1	
- 43	964717	. CABINET-ON LINE (DOMESTIC)	1	
- 43	983407	. CABINET-(WTC)	1	
- 43	983413	. CABINET-ON LINE (WTC)	1	



# STEPPING/NON STEPPING MOTOR

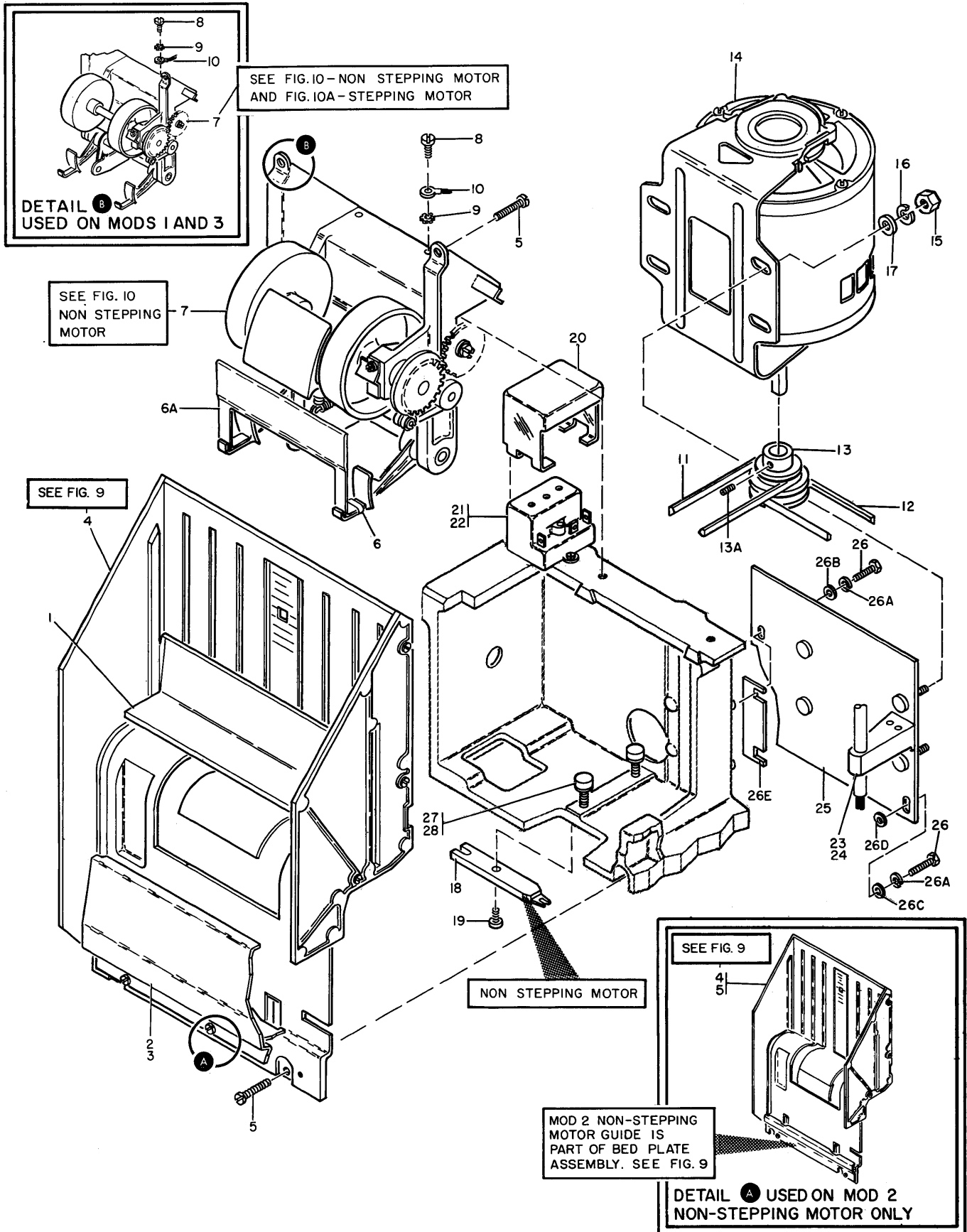


FIGURE 8. CARD TRANSPORT ASM-STACKER AND MOTOR AREA. SHEET 1 OF 9. INDEX NOS. 1-28. SEE LIST 8.



# STEPPING/NON STEPPING MOTOR

## CARD TRANSPORT ASSEMBLY

FIGURE- INDEX NUMBER	PART NUMBER	DESCRIPTION				UNITS PER ASM.	USABLE ON CODE
		1	2	3	4		
8 -	963525 NP	CARD TRANSPORT-MODS 1,2,3 STEPPING MOTOR				1	
-	961800 NP	CARD TRANSPORT-MODS 1 NON STEPPING MOTOR				1	
-	961300 NP	CARD TRANSPORT-MODS 2 NON STEPPING MOTOR				1	
-	961700 NP	CARD TRANSPORT-MODS 3 NON STEPPING MOTOR FOR ILLUSTRATION,SEE FIGURE 8				1	
- 1	381736	. WEIGHT, CARD				1	
- 2	963560	. GUIDE,STACKER-STEPPING MOTOR ALL MODS				1	
- 2	961679	. GUIDE,STACKER-MODS 1 AND 3 - NON STEPPING MOTOR				1	
- 3	2175684	. SCREW,THREAD FORMING-PAN HD 4-40 X 3/8LG ATT PT				3	
- 4	963630	. STACKER BED PLATE-STEPPING MOTOR ALL MOD				1	
- 4	961610	. STACKER BED PLATE-MODELS 1 AND 3 - NON STEPPING MOTO				1	
- 4	961270	. STACKER BED PLATE-MODEL 2 - NON STEPPING MOTOR				1	
- 5	443	FOR DETAIL BREAKDOWN,SEE FIGURE 9					
- 6	961582	. SCREW,MACH-FIL H 10-32 X 3/8 LG ATT PT				4	
- 6A	961583	. CLIP				1	
- 7	963650	. GUIDE-CARD TRAVELING STUFFER				1	
- 7	961625	. STACKER ASSEMBLY				1	
- 7	5475064 NP	FOR DETAIL BREAKDOWN, SEE FIGURE 10A					
- 8	38688	. STACKER ASSEMBLY-MODELS 1 AND 3 - NON STEPPING MOTOR				1	
- 9	76574	. STACKER ASSEMBLY-MODEL 2 - NON STEPPING MOTOR				1	
- 10	5759344	FOR DETAIL BREAKDOWN,SEE FIGURE 10					
- 11	310363	. SCREW-SUPPORT & TRIM MOUNTING .750 LONG ATT PT				2	
- 11	310228	. LOCKWASHER-EXT TOOTH ID .267 X OD .510 ATT PT				2	
- 12	310364	. JUMPER ASSEMBLY				1	
- 12	5372346	. BELT,MACHINE DRIVE- 60 HZ				1	
- 13	5372360	. BELT,MACHINE DRIVE- 50 HZ				1	
- 13	310779	. BELT,PUNCH DRIVE- 60 HZ				1	
- 13	5372359	. BELT,PUNCH DRIVE- 50 HZ				1	
- 13	5372358	. PULLEY-MOD 1 60 HZ				1	
- 13A	26380	. PULLEY-MODS 2 AND 3 60 HZ				1	
- 14	5422230	. PULLEY-MOD 1 50 HZ				1	
- 14	305268	. PULLEY-MODS 2 AND 3 50 HZ				1	
- 15	36109	. SCREW				1	
- 15	3960	. MOTOR-60 HZ				1	
- 16	6935	. MOTOR- 50 HZ				1	
- 16	657564	. NUT,PLAIN,HEX- 1/4-20 X 7/16 FL W ATT PT				AR	
- 17	963567	. NUT,PLAIN,HEX- 1/4-20 X 7/16 FL W ATT PT				AR	
- 17	962994	. WASHER,LOCK-SPLIT 1/4 X 0.493 OD ATT PT				AR	
- 18	961635	. WASHER,LOCK,SPLIT ATT PT				AR	
- 19	961636	. WASHER,FLAT ATT PT				AR	
- 19	3960	. SPACER				1	
- 20	5462534	. LINK ASM-MODS 1 AND 3 - NON STEPPING MOTOR				1	
- 21	305267	. PIVOT,ARM				1	
- 22	99	. NUT,PLAIN,HEX- 1/4-20 X 7/16 FL W ATT PT				AR	
- 23	340024	. NUT,PLAIN,HEX- 1/4-20 X 7/16 FL W ATT PT				AR	
- 24	38443	. COVER, MOTOR START RELAY				1	
- 25	310596	. RELAY				1	
- 25	963403	. SCREW,MACH-FL CSK HD 10-32 X 3/8 LG ATT PT				2	
- 26	186036	. SUPPORT, FLEXIBLE SHAFT				1	
- 26	38688	. SCREW,MACH-FL CSK HD 6-32 X 5/16 LG ATT PT				1	
- 26A	6935	. PLATE,MOTOR MOUNTING-NON STEPPING MOTOR				1	
- 26B	963404	. PLATE,MOTOR MOUNTING				1	
- 26C	963567	. SCREW,MACH-FH 1/4-20 X 1/2 LG ATT PT				AR	
- 26C	3550	USED ON NON STEPPING MOTOR ONLY					
- 26D	2596374	. SCREW-SUPPORT & TRIM MOUNTING .750 LONG ATT PT				AR	
- 26E	962994	. WASHER,LOCK-SPLIT 1/4 X 0.493 OD ATT PT				AR	
- 27	5372239	. SPACER- 0.25 LG ATT PT				2	
- 28	3960	. WASHER,FLAT ATT PT				AR	
		USED PRIOR TO FEB 1972					
		. WASHER,FL- 1/4 X 9/16 OD X 0.050 THK ATT PT				AR	
		USED AFTER FEB 1972					
		. WASHER,SPRING				AR	
		USED AFTER APRIL 1972					
		. SPACER				AR	
		. BUMPER,CBM SCREW FRONT				2	
		. NUT,PLAIN,HEX- 1/4-20 X 7/16 FL W ATT PT				2	

# NON STEPPING MOTOR

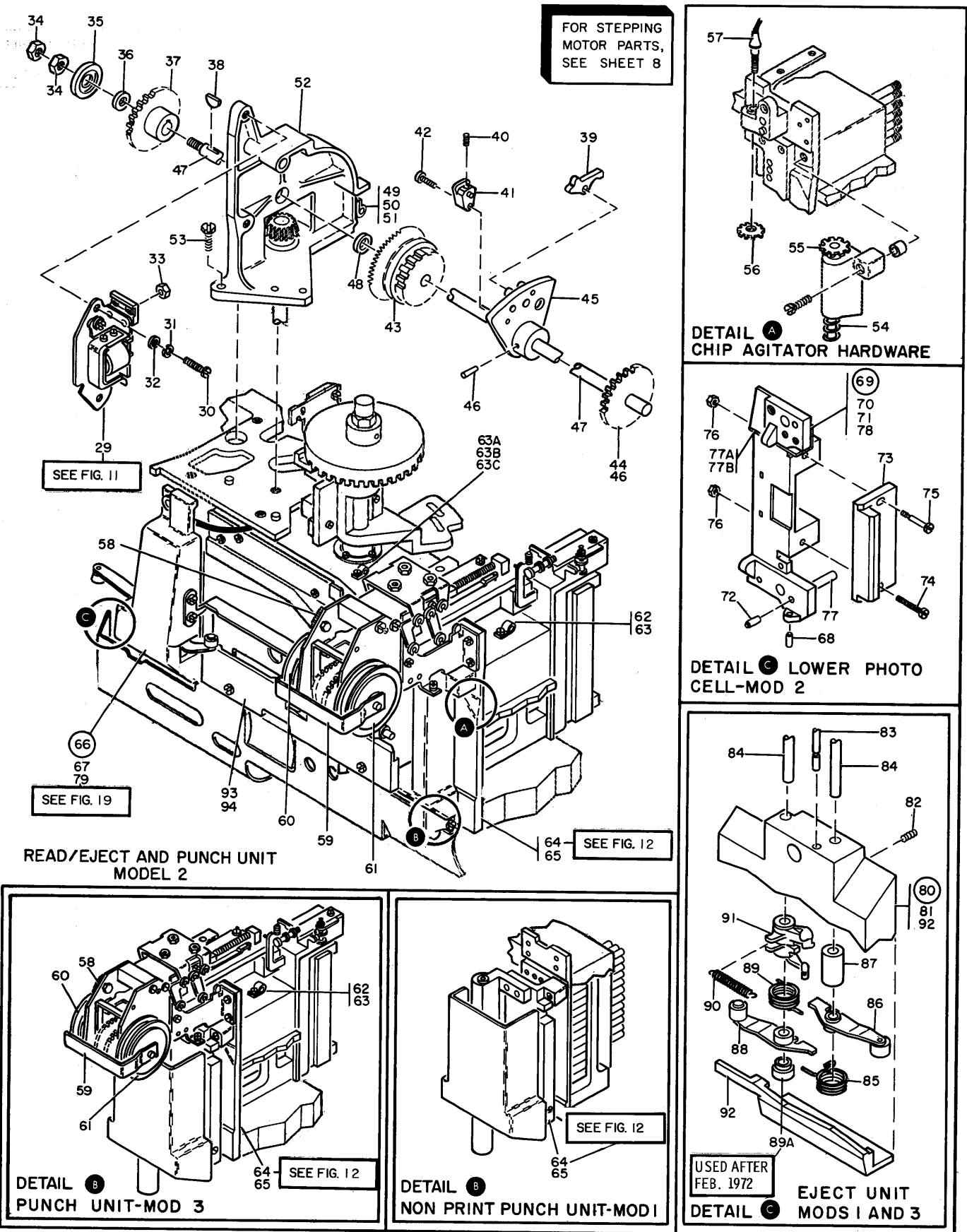


FIGURE 8. CARD TRANSPORT ASM-PUNCH AND EJECT AREA. SHEET 2 OF 9. INDEX NOS. 29-94. SEE LIST 8.

# NON STEPPING MOTOR

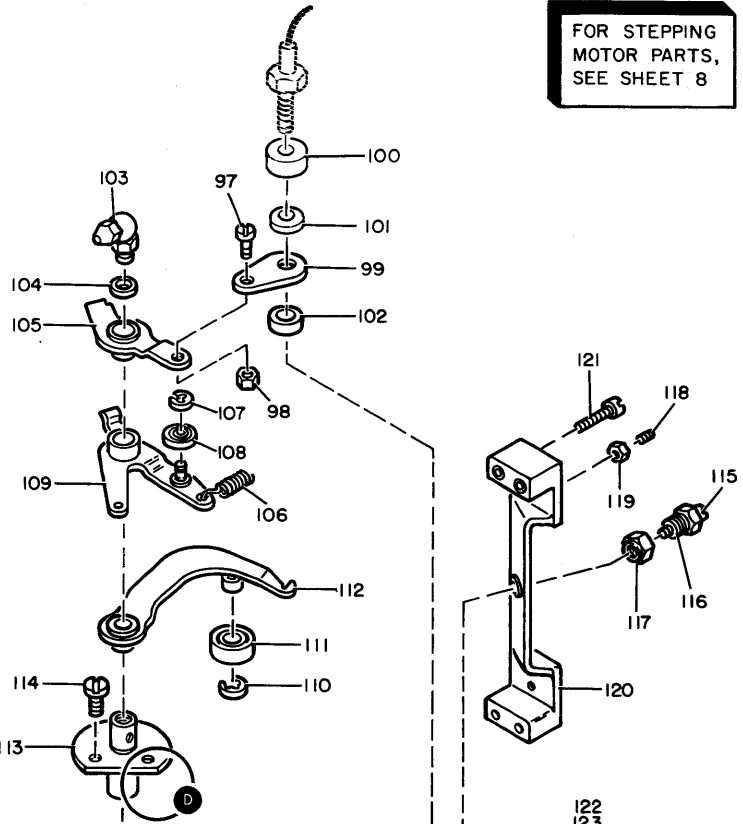
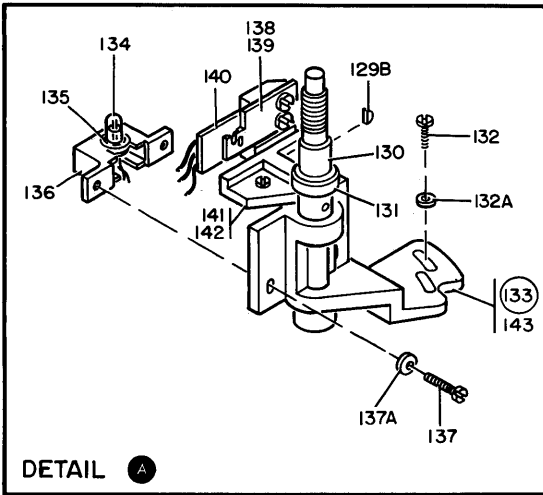
## CARD TRANSPORT ASSEMBLY

FIGURE- INDEX NUMBER	PART NUMBER	DESCRIPTION				UNITS PER ASM.	USABLE ON CODE
		1	2	3	4		
8 - 29	338586	• CLUTCH MAGNET ASSEMBLY FOR DETAIL BREAKDOWN, SEE FIGURE 11				1	
- 30	120211	• SCREW, MACH-HEX HD 10-32 X 1/2 LG				ATT PT	2
- 31	9092	• WASHER-LOCK, SPLIT RING, .194 ID .33700				ATT PT	2
- 32	47242	• WASHER, FL-NO. 12 X 1/2 OD X 0.062 THK				ATT PT	2
- 33	478	• NUT, PLAIN, HEX- 5-40 X 5/16 FL W BRS				ATT PT	2
- 34	10574	• NUT, PLAIN, HEX- 5/16-24 X 1/2 FL W					2
- 35	961609	• RETAINER-MODS 1 AND 3					1
- 36	5422197	• WASHER, THRUST-.87 OD X .58 ID X .028 USED ON MODS 1 AND 3 ONLY					AR
- 37	228141	• GEAR, SPUR- 38 TEETH 24 DP 1.662 OD					1
- 38	180383	• KEY, WOODRUFF					1
- 39	228157	• DOG-CARD FEED CLUTCH					1
- 40	141015	• SPRING, HELICAL, COMPR- 14 TURNS					1
- 41	141337	• SUPPORT-CLUTCH DOG SPRING					1
- 42	3500	• SCREW, FIL HD MACH-5-40 X .312 LG				ATT PT	1
- 43	961720	• GEAR, CLUTCH-MODS 1 AND 3					1
- 43	310372	• GEAR, CLUTCH-MOD 2					1
- 44	227634 NR	• GEAR, SPUR- 38 TEETH 24 DP 1.661 OD					1
- 45	309833 NR	• ARM ASSEMBLY-CARD FEED CLUTCH					1
- 46	22867	• PIN, TAPERED, PLAIN- 7/8 LG X NO. 3				ATT PT	2
- 47	228135 NR	• SHAFT-CARD FEED CLUTCH					1
- 48	961608	• SPACER-ID .377 OD .620 USED ON MODS 1 AND 3 ONLY					AR
- 49	188555	• CLAMP, LCOP- 5/16 ID 9/64 DIA MTG HOLE USED PRIOR TO JULY 1971					1
- 50	38235	• SCREW, MACH-BIND HD 6-32 X 0.312 LG				ATT PT	1
- 51	257187	• NUT, PLAIN, HEX- 6-32				ATT PT	1
- 52	961620	• SUPPORT ASM, CLUTCH-MODS 1 AND 3					1
- 52	310383	• SUPPORT ASM, CLUTCH-MOD 2					1
- 53	129147	• SCREW, MACH-HEX HD 1/4-20 X 7/8 LG				ATT PT	3
- 54	961673	• SHAFT ASM, CHIP AGITATOR-MOD 1					1
- 54	8105454	• SHAFT ASM, CHIP AGITATOR-MODS 2 AND 3					1
- 55	8105464	• GEAR, NON STEPPING-WORLD TRADE					1
- 55	228275	• GEAR, NON STEPPING-DOMESTIC					1
- 56	310378	• GEAR, NON STEPPING					1
- 57	964783	• SHAFT, FLEXIBLE-MOD 1					1
- 57	964784	• SHAFT, FLEXIBLE-MODS 2 AND 3					1
- 58	141404	• SPRING-MODS 2 AND 3					1
- 59	228242	• RETAINER, RIBBON SPOOL-MODS 2 AND 3					1
- 60	228292	• RIBBON SPOOL, LEFT-MODS 2 AND 3					1
- 61	424810	• RIBBON SPOOL, RIGHT-MODS 2 AND 3					1
- 62	26320	• CLAMP					AR
- 63	196298	• SCREW, MACH-BIND HD 5-40 X 3/16 LG				ATT PT	AR
- 63A	26320	• CLAMP-MODS 1 AND 3					1
- 63A	356742	• CLAMP-MOD 2					1
- 63B	196298	• SCREW, MACH-BIND HD 5-40 X 3/16 LG				ATT PT	AR
- 63B	196698	• SCREW, MACH-BIND HD 5-40 X 5/16 LG				ATT PT	AR
- 63C	22478	• WASHER, FL- 0.170 ID 0.375 OD 0.32 THK				ATT PT	AR
- 64	961420	• RIBBON PRINT INTERPOSER ASSEMBLY-MODEL 2					1
- 64	961650	• RIBBON PRINT INTERPOSER ASSEMBLY-MODEL 3					1
- 64	961670	FOR DETAIL BREAKDOWN, SEE FIGURE 12 • NON-PRINT PUNCH ASSEMBLY-MODEL 1 FOR DETAIL BREAKDOWN, SEE FIGURE 18					1
- 65	358	• SCREW, MACH-FIL H 10-32 X 3/4 LG				ATT PT	2
- 66	961400	• READ UNIT ASSEMBLY-MOD 2					1
- 67	226162	• SCREW, MACH- 8-32 X 3/4 LG				ATT PT	1
- 68	1073462	• . . SETSCREW-SPLINE DR FLAT PT 6-32 X 3/16					3
- 69	5367371	• . . STATION ASSEMBLY-AUTO VERIF, PHOTOCCELL USED PRIOR TO MARCH 1971					1
- 69	961394	• . . STATION ASSEMBLY - AUTO VERIF, PHOTOCCELL USED AFTER MARCH 1971					1
- 70	321483	• . . SCREW, MACH-BIND HD 8-32 X 1 LG				ATT PT	2
- 71	257189	• . . NUT, HEX- 8-32				ATT PT	2
- 72	1846	• . . PIN, STRAIGHT, HEADLESS- 0.156 OD X 0.4375					2
- 73	5367301	• . . BLOCK					1
- 74	322552	• . . SCREW, MACH-BIND HD 6-32 X 7/8 LG				ATT PT	1
- 75	5462764	• . . SCREW- 6-32 X .875				ATT PT	1
- 76	257187	• . . NUT, PLAIN, HEX- 6-32				ATT PT	2
- 77	2391193	• . . GUIDE ASM-OPTICS LIGHT, 12 CHANNEL FIBER					1
- 77A	961396	• . . PLATE					1
- 77B	338238	• . . SCREW				ATT PT	2
- 78	5475082	• . . CASTING, READ STATION USED PRIOR TO MARCH 1971					1
- 78	961393	• . . CASTING USED AFTER MARCH 1971					1
- 79	961401	• . . EJECT UNIT ASSEMBLY-MODEL 2 FOR DETAIL BREAKDOWN, SEE FIGURE 19					1

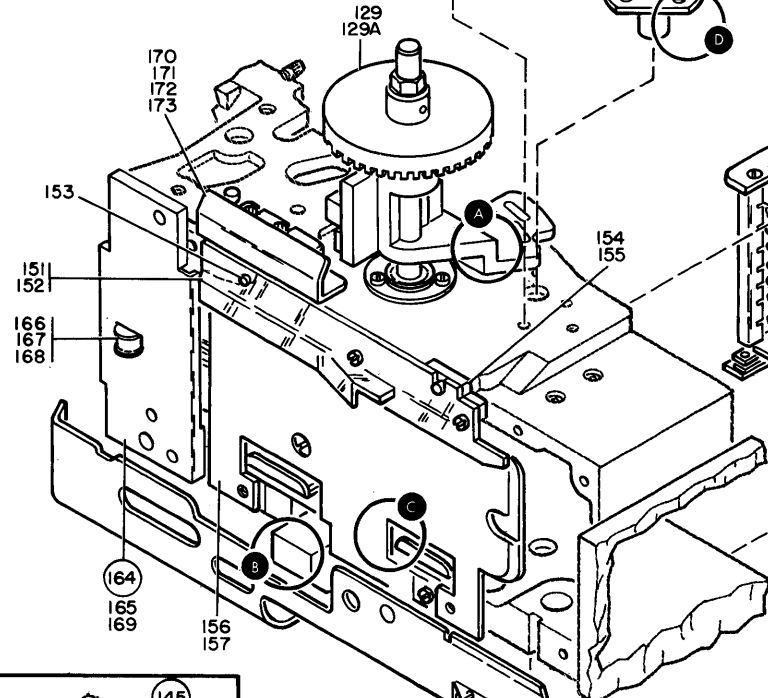


# NON STEPPING MOTOR

FOR STEPPING MOTOR PARTS, SEE SHEET 8



MODS 2 AND 3 ONLY  
SEE FIG. 20



SEE FIG. 21

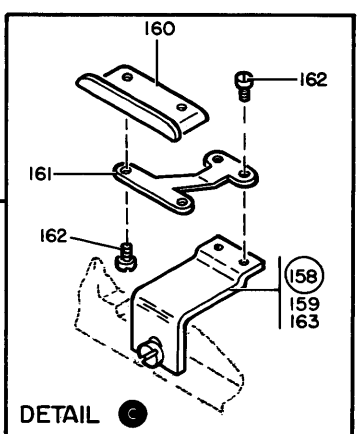
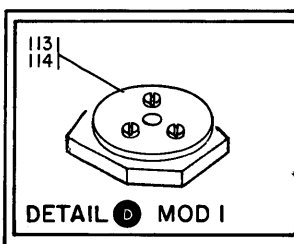
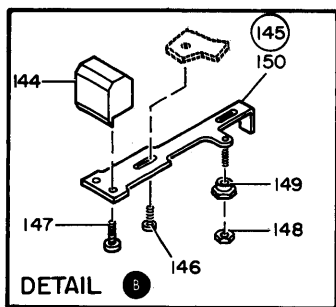


FIGURE 8. CARD TRANSPORT ASM-COLUMN COUNTER AND PUNCH DRIVE AREA. SHEET 3 OF 9. INDEX NOS. 95-173. SEE LIST 8.

# NON STEPPING MOTOR

## CARD TRANSPORT ASSEMBLY

FIGURE- INDEX NUMBER	PART NUMBER	DESCRIPTION	UNITS				USABLE ON CODE	
			1	2	3	4		
8 - 95	961235	. PRINT SUPPRESSION MAGNET-MODELS 2 AND 3 FOR DETAIL BREAKDOWN,SEE FIGURE 20					1	
- 96	12132	. SCREW,MACH-TRUSS HD 8-32 X 5/16 LG ATT PT					2	
- 97	310171	. SCREW,SHLD-FH 5-40 X 0.137 LG					1	
- 98	7341	. NUT,PLAIN,HEX- 5-40 X 1/4 FL W					1	
- 99	310169	. LINK,ECCENTRIC DRIVE-MODS 2 AND 3					1	
-100	964785	. SPACER					1	
-101	110029	. WASHER,FL-NO 8 X 5/8 OD X 1/16 THK					1	
-102	313132	. BEARING,SLV-ECC 0.166ID 0.376 CBDRF IRON					1	
-103	308208	. FITTING,LUB-MODS 2 AND 3					1	
-104	120571	. WASHER,FL- 1/4 X 5/8 OD X 1/16 THK					1	
-105	228287	. ARM ASM,SUPPRESSION-MODS 2 AND 3					1	
-106	228616	. SPRING-MODS 2 AND 3					1	
-107	60489	. CLIP-SPRING					1	
-108	110129	. BEARING-MODS 2 AND 3					1	
-109	228361	. ARM ASM,PRINT-MODS 2 AND 3					1	
-110	60488	. CLIP-SPRING					1	
-111	156364	. BEARING-MODS 2 AND 3					1	
-112	228356	. ARM ASM,IDLER-MODS 2 AND 3					1	
-113	314037	. PLUG,MODS 2 AND 3					1	
-113	227772	. PLUG ASM,REAR PUNCH DRIVE MTG-MOD 1					1	
-114	34512	. SCREW,BIND,HD 8-32 X .375 LG ATT PT					3	
-115	128172	. SETSCREW-SPLINE DR OVAL PT 8-32 X 1/2 LG					1	
-116	227839	. SCREW,MACH-HEX HD 3/8-24 X 1 LG					1	
-117	38092	. NUT,PLAIN,HEX- 3/8-24 X 5/8 FL W					1	
-118	128172	. SETSCREW-SPLINE DR OVAL PT 8-32 X 1/2 LG					2	
-119	6503	. NUT,PLAIN,HEX- 8-32 X 1/4 FL W					2	
-120	227837	. BAR-PUNCH ADJUSTING ANCHOR					1	
-121	38392	. SCREW,MACH-FIL H 10-32 X 1-1/4 LG ATT PT					4	
-122	2102367	. CLAMP-LGOP					1	
-122A	357433	. CLAMP,LGOP- 0.187 ID 0.203 DIA MTG HOLE					1	
-123	332620	. SCREW,MACH-BIND HD 10-32 X 1/2 LG ATT PT					1	
-124	11598	. NUT,PLAIN-HEX 10-32 X 3/8 FL W ATT PT					1	
-125	961350	. MAGNET AND PUNCH DRIVE ASSEMBLY FOR DETAIL BREAKDOWN,SEE FIGURE 21					1	
-126	227769	. PLUG ASSEMBLY-PUNCH DRIVE MOUNTING FRONT					1	
-126A	673	. SCREW,MACH-FIL H 5-40 X 1/2 LG ATT PT					3	
-127	5404053	. CHUTE, CHIP					1	
-127A	5406137 NR	. RIVET, PLASTIC PUSH ATT PT					2	
-128	5406138 NR	. GUIDE, PLASTIC CHIP					1	
-129	961227	. WHEEL ASM-EMITTER AND INDICATOR					1	
-129A	4564	. NUT,PLAIN,HEX- 5/16-18 ATT PT					1	
-129B	328037	. KEY-PUNCH OPERATING CAM SHAFT					1	
-130	961207	. SPACER,WHEEL-EMITTER					1	
-131	156364	. BEARING,BALL,ANNULAR- 0.375 ID 0.875 OD					1	
-132	673	. SCREW,MACH-FIL H 5-40 X 1/2 LG					2	
-132A	1104286	. WASHER,FL-NO. 6 X 3/8 OD X 0.050 THK					2	
-133	961750	. EMITTER ASM					1	
-134	740660	. LAMP ASM,SOLAR MCLDED					1	
-135	1138316	. GROMMET					2	
-136	961234	. BRACKET,LIGHT					1	
-137	338238	. SCREW, MACH-BD HD 4-40 NC X .3125 LG ATT PT					2	
-137A	338169	. WASHER ATT PT					2	
-138	961751	. MASK,EMITTER					1	
-139	961754	. SCREW,BD HD,SHOULDER-6-32 X .109 ATT PT					2	
-140	5462864	. MOUNTING ASSEMBLY, PHOTO CELL					1	
-141	961742	. EMITTER,OPTIC					1	
-142	338238	. SCREW, MACH-BD HD 4-40 NC X .3125 LG ATT PT					2	
-143	961744	. BLOCK,MTG-EMITTER					1	
-144	961317	. BUTTON-CARD RELEASE					1	
-144	961984	. BUTTON-LIB CARTES					1	
-144	961985	. BUTTON-KARTEN AUSLCS					1	
-145	961318	. CARD RELEASE ASM					1	
-146	228090	. SCREW,SHLD-FIL H 5-40 X 11/32 LG ATT PT					1	
-147	38434	. SCREW,MACH-FH 4-40 X 7/16 LG					2	
-148	37913	. NUT-HEX 4-40 X .250 ID					1	
-149	961316	. ECCENTRIC,HEX HD					1	
-150	961315	. LEVER ASM-CARD RELEASE					1	
-151	962937	. COVER,GUIDE RAIL-MODS 1 & 3					1	
-151	345644	. COVER,GUIDE RAIL-MOD 2					1	
-152	196299	. SCREW,MACH-BIND HD 5-40 X 1/2 LG ATT PT					2	
-153	127735	. PIN,TAPERED,THREADED- 1 LG X NO. 2-0					2	
-154	328860	. RAIL-REG LH					1	
-155	113305	. SCREW,MACH-HEX HD 8-32 X 9/16 LG ATT PT					2	
-156	328859	. PLATE,BED-LEFT					1	
-157	314226	. SCREW,MACH-BIND HD 8-32 X 3/8 LG ATT PT					2	



# NON STEPPING MOTOR

ESCAPEMENT DRIVE  
GEAR TRAIN

FOR STEPPING  
MOTOR PARTS,  
SEE SHEET 9

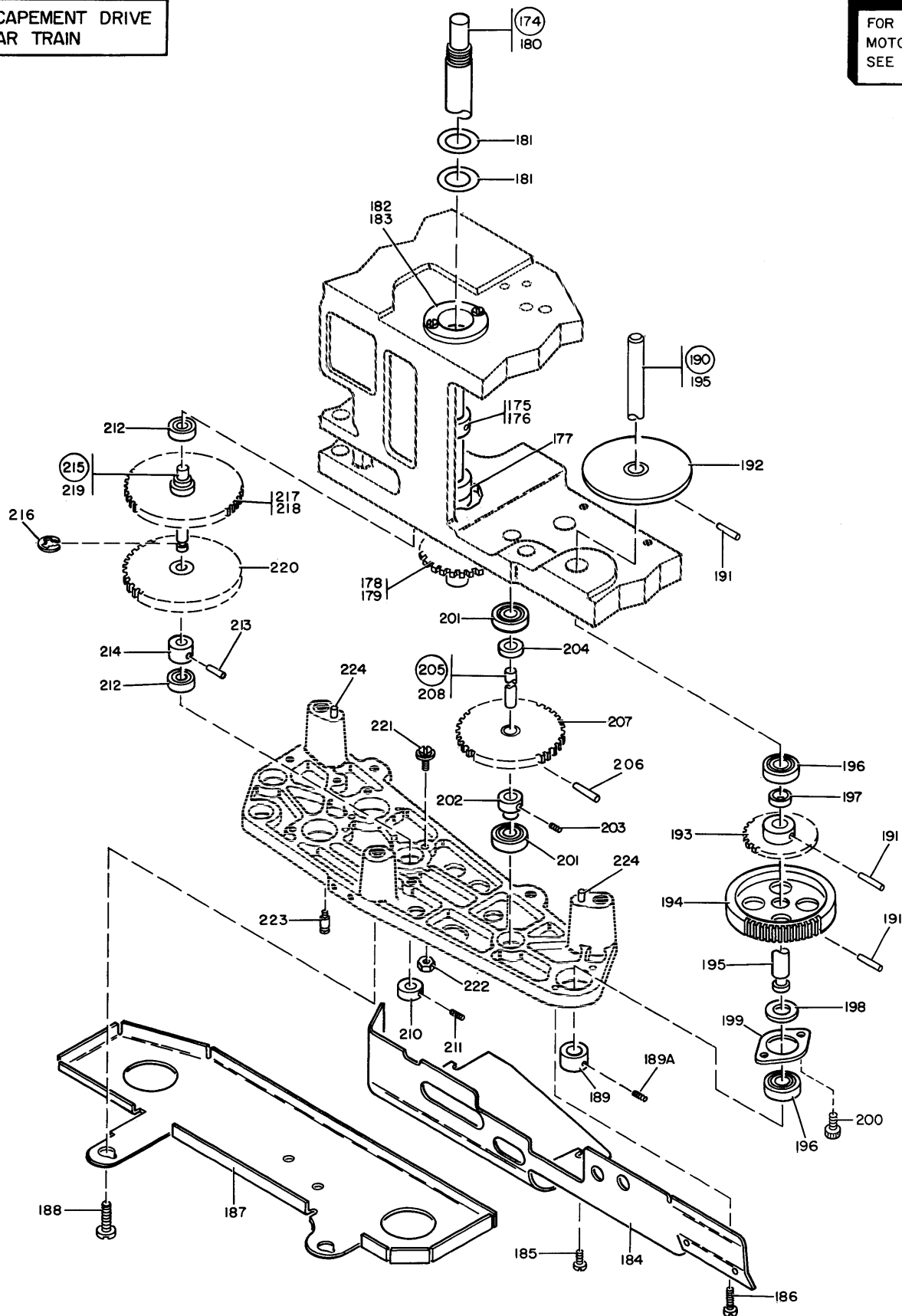


FIGURE 8. CARD TRANSPORT ASM-ESCAPEMENT DRIVE GEAR TRAIN AREA. SHEET 4 OF 9. INDEX NOS. 174-224. SEE LIST 8.



# NON STEPPING MOTOR

## CARD TRANSPORT ASSEMBLY

FIGURE- INDEX NUMBER	PART NUMBER	DESCRIPTION				UNITS PER ASM.	USABLE ON CODE
		1	2	3	4		
8 -174	961210						
-175	139354	NR				1	
-176	219679					1	
-177	156364					1	
-178	345268	NR				1	
-179	139472					1	
-180	961208	NR				1	
-181	5422197					2	
-182	961746					1	
-183	38350					3	
-184	340871					1	
-184	961364					1	
-185	196299					1	
-186	186198					1	
-187	310241					1	
-188	598					2	
-189	228061					1	
-189A	165556					2	
-190	5462655					1	
-191	151231					3	
-192	310347	NR				1	
-193	5462656	NR				1	
-194	301155	NR				1	
-195	228044	NR				1	
-196	156364					2	
-197	228060					1	
-198	301157					1	
-199	228055					1	
-200	169733					3	
-201	110129					2	
-202	228040					1	
-203	165556					2	
-204	5407821					1	
-205	5462657					1	
-206	310469					1	
-207	5462658	NR				1	
-208	228031	NR				1	
-210	228040					1	
-211	165556					2	
-212	110129					2	
-213	154					1	
-214	228036	NR				1	
-215	5462662					1	
-216	257982					2	
-217	5462663					1	
-218	310469					1	
-219	228038	NR				1	
-220	5407798					1	
-221	345974					2	
-222	23815					2	
-223	306314					1	
-224	104699					2	



# NON STEPPING MOTOR

## CARD TRANSPORT ASSEMBLY

FIGURE- INDEX NUMBER	PART NUMBER	DESCRIPTION				UNITS PER ASM.	USABLE ON CODE
		1	2	3	4		
8 -225 -225	961698 NO NO.	<ul style="list-style-type: none"> <li>• SHAFT ASM-MODS 1 AND 3</li> <li>• SHAFT ASM-MOD 2</li> <li style="padding-left: 20px;">TO ORDER SHAFT ASM COMPLETE</li> <li style="padding-left: 20px;">FOR MODS 1 AND 3 ORDER 961698 ASM.</li> <li style="padding-left: 20px;">FOR MOD 2 ALL PARTS, INDEXES 226-229,</li> <li style="padding-left: 20px;">MUST BE ORDERED AS SEPERATE ITEMS</li> </ul>				1 1	
-226 -227 -227	29980 961699 228451	<ul style="list-style-type: none"> <li>• . PIN,TAPERED,PLAIN 11/16 LG X NO. 3-0</li> <li>• . PINION,BEVEL-MODS 1 AND 3</li> <li>• . PINION,BEVEL-MOD 2</li> </ul>				2 1 1	
-227A -228 -229	961703 228059 NR 961697 NR	<ul style="list-style-type: none"> <li>• . SPACER-NON STEPPING MOTOR MODS 1 AND 3</li> <li>• . GEAR,SPUR- 22 TEETH 24 DP 0.9957 OD</li> <li>• . SHAFT-MODS 1 AND 3</li> </ul>				1 1 1	
-229 -230 -231	228156 NR 156364 961762	<ul style="list-style-type: none"> <li>• . SHAFT-MOD 2</li> <li>• BEARING,BALL,ANNULAR- 0.375 ID 0.875 OD</li> <li>• BELT-MODS 1 AND 3</li> </ul>				1 2 1	
-232 -233 -234	15677 165556 961689	<ul style="list-style-type: none"> <li>• SPACER-MODS 1 AND 3</li> <li>• SETSCREW- 5-40 X 1/8 LG</li> <li>• WASHER,ID .385 OD .688</li> </ul>				2 2 2	ATT PT
-235 -235 -235A	961640 228041 961640	<ul style="list-style-type: none"> <li>• ROLLER-MODS 1 AND 3</li> <li>• ROLLER-MOD 2</li> <li>• ROLLER-MODS 1 AND 3</li> </ul>				1 1 1	
-235A	964714	<ul style="list-style-type: none"> <li>USED PRIOR TO MARCH 1972</li> <li>• ROLLER-MODS 1 AND 3</li> <li>USED AFTER MARCH 1972</li> </ul>				1	
-235A -236 -237	228041 165556 12473	<ul style="list-style-type: none"> <li>• ROLLER-MOD 2</li> <li>• SETSCREW- 5-40 X 1/8 LG</li> <li>• PIN,TAPERED,PLAIN- 3/8 LG X NO. 6</li> </ul>				1 AR 2	
-238 -239 -240	228068 228067 15677	<ul style="list-style-type: none"> <li>• GEAR-MOD 2</li> <li>• SHAFT-ROLL EJECT</li> <li>• SPACER-MODS 1 AND 3</li> </ul>				2 2 2	
-240A -241 -242	165556 1145943 257957	<ul style="list-style-type: none"> <li>• SETSCREW- 5-40 X 1/8 LG</li> <li>• GEAR-MODS 1 AND 3</li> <li>• SETSCREW-SPLINE DR CUP PT 4-40 X 1/8 LG</li> </ul>				2 2 2	ATT PT ATT PT
-243 -244 -244A	110129 15677 165556	<ul style="list-style-type: none"> <li>• BEARING,BALL,ANNULAR- 0.250 ID 0.625 OD</li> <li>• SPACER MODS 1 AND 3</li> <li>• SETSCREW- 5-40 X 1/8 LG</li> </ul>				1 1 1	ATT PT
-244B -245	310781 5407818	<ul style="list-style-type: none"> <li>• SPACER-MOD 2</li> <li>• GEAR-MOD 2</li> <li>USED PRIOR TO JUNE 1971</li> </ul>				1 1	
-245	310377	<ul style="list-style-type: none"> <li>• GEAR-MOD 2</li> <li>USED AFTER JUNE 1971</li> </ul>				1	
-245A -246 -246 -247	310773 961761 5407820 12473	<ul style="list-style-type: none"> <li>• WASHER,SPRING TENS- 0.260 ID X 1/2 OD</li> <li>• SHAFT ASM,ROLLER DRIVE-MODS 1 AND 3</li> <li>• SHAFT ASM,PULLEY DRIVE-MOD 2</li> <li>• . PIN,TAPERED,PLAIN- 3/8 LG X NO. 6</li> </ul>				AR 1 1 1	
-248 -249 -249A	310370 NR 110129 310307	<ul style="list-style-type: none"> <li>• . GEAR,HELICAL-16 TEETH</li> <li>• . BEARING,BALL,ANNULAR- 0.250 ID 0.625 OD</li> <li>• . SPACER,SLEEVE-MACHINE,PULLEY</li> </ul>				1 1 1	
-251 -252 -253	23096 310371 NR 961694 NR	<ul style="list-style-type: none"> <li>• . PIN,TAPERED,PLAIN- 1/2 LG X NO. 6</li> <li>• . PULLEY,GROOVE-GEAR DRIVE</li> <li>• . SHAFT-MODS 1 AND 3</li> </ul>				1 1 1	
-253 -254 -255	310368 NR 228061 165556	<ul style="list-style-type: none"> <li>• . SHAFT-MOD 2</li> <li>• COLLAR- 0.376 ID X 0.625 OD X 0.375 THK</li> <li>• SETSCREW- 5-40 X 1/8 LG</li> </ul>				1 1 2	ATT PT
-256 -257 -258	156364 310333 127	<ul style="list-style-type: none"> <li>• BEARING,BALL,ANNULAR- 0.375 ID 0.875 OD</li> <li>• RETAINER-BEARING</li> <li>• SCREW,MACH-FH 5-40 X 3/4 LG</li> </ul>				1 1 2	ATT PT
-258A -259 -260	23815 310469 310391	<ul style="list-style-type: none"> <li>• NUT,PLAIN,HEX- 5-40 X 5/16 FL W</li> <li>• PIN,SPRING- 0.099 X, 11/16 LG</li> <li>• CLUTCH ASSEMBLY-FRICTION</li> </ul>				2 1 1	ATT PT
-261 -262 -263	310799 310401 3500	<ul style="list-style-type: none"> <li>• . SCREW,CAP,SOC HD- 5-40 X 1/2 LG</li> <li>• . SPRING-FRICT CLUTCH</li> <li>• . SCREW, FIL HD MACH-5-40 X .312 LG</li> </ul>				1 1 1	ATT PT
-264 -265 -266	105047 310397 310394	<ul style="list-style-type: none"> <li>• . WASHER,LOCK-INT TEETH NO. 5 X 1/4 OD</li> <li>• . HUB ASSEMBLY</li> <li>• . RING,NYLON FRICTION</li> </ul>				1 1 1	ATT PT
-267 -268 -269	310400 183895 228060	<ul style="list-style-type: none"> <li>• . HOUSING ASSEMBLY-GEAR AND BEARING</li> <li>• WASHER,FL- 3/8 X 5/8 OD X 0.020 THK</li> <li>• SPACER- 0.377 ID X 1/2 OD 0.418 LG</li> </ul>				1 1 1	
-270 -271 -272	228577 228309 156364	<ul style="list-style-type: none"> <li>• ADAPTER-BEARING</li> <li>• BEARING-MODS 1 AND 3</li> <li>• BEARING,BALL,ANNULAR- 0.375 ID 0.875 OD</li> </ul>				1 1 1	
-273 -274	228061 165556	<ul style="list-style-type: none"> <li>• SPACER-MOD 2</li> <li>• SETSCREW- 5-40 X 1/8 LG</li> </ul>				1 2	ATT PT



# STEPPING/NON STEPPING MOTOR

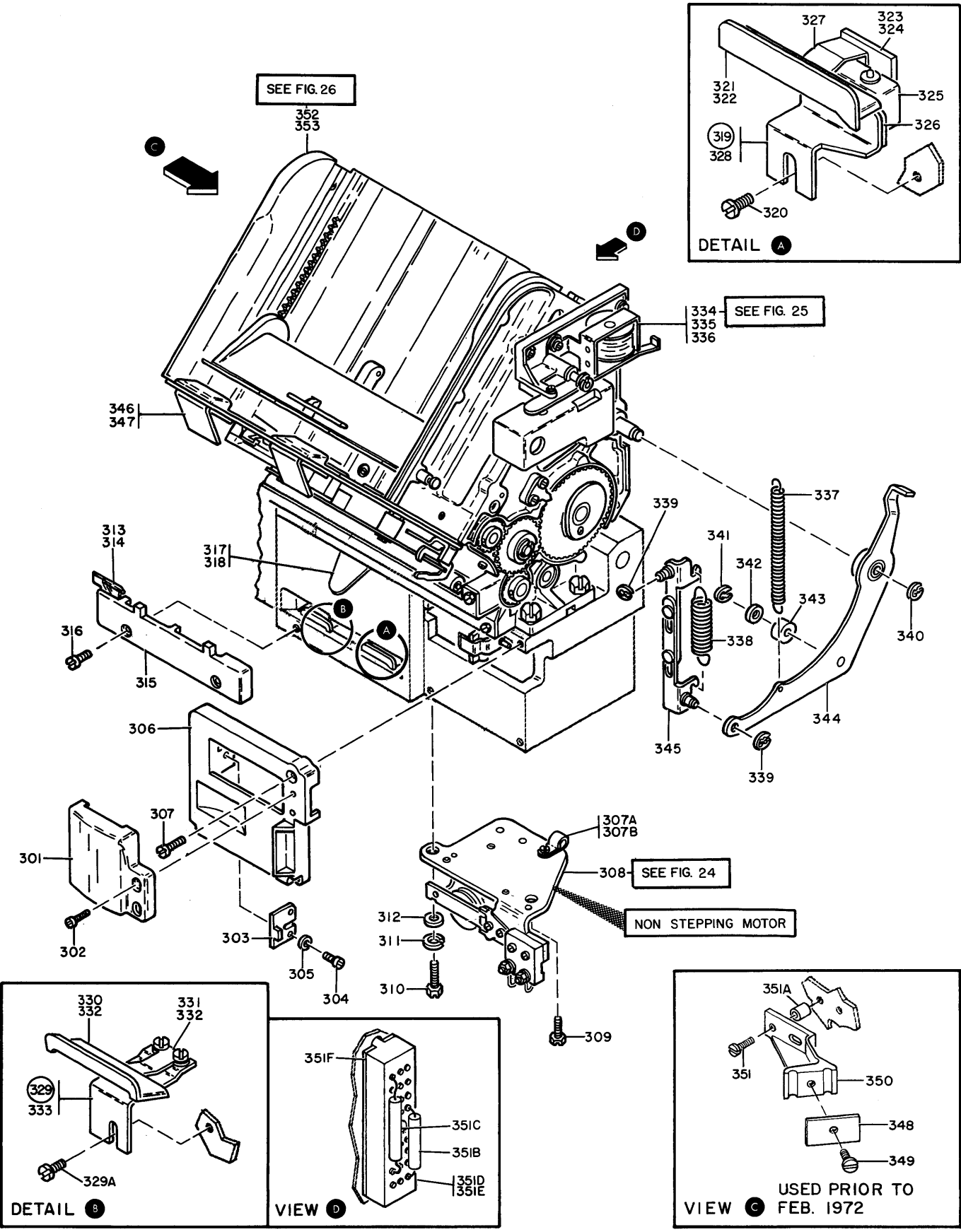


FIGURE 8. CARD TRANSPORT ASM-CARD FEED AREA. SHEET 6 OF 9. INDEX NOS. 301-353. SEE LIST 8.

# STEPPING/NON STEPPING MOTOR

## CARD TRANSPORT ASSEMBLY

FIGURE- INDEX NUMBER	PART NUMBER	DESCRIPTION				UNITS PER ASM.	USABLE ON CODE
		1	2	3	4		
8 -301	313977	. HOOD-CARD PUSHER USED PRIOR TO JUNE 1971				1	
-301	961344	. HOOD-CARD PUSHER USED AFTER JUNE 1971				1	
-302	673	. SCREW,MACH-FIL H 5-40 X 1/2 LG ATT PT				2	
-303	313974	. STOP-CARD PUSHER ARM				1	
-304	120044	. SCREW,MACH-BIND HD 5-40 X 3/8 LG ATT PT				2	
-305	20038	. WASHER,FLAT-NO. 10 X 0.760 OD ATT PT				2	
-306	313978	. PLATE-BED RIGHT				1	
-307	845	. SCREW,MACH-FIL H 8-32 X 1/2 LG ATT PT				3	
-307A	534768	. CLAMP,CABLE				1	
-307B	32042	. SCREW,MACH,BD HD- 10-32 X 3/8 LG ATT PT				1	
-308	961240	. ESCAPEMENT MAGNET ASSEMBLY - NON STEPPING MOTOR FOR DETAIL BREAKDOWN,SEE FIGURE 24				1	
-309	38686	. SCREW,MACH-HEX HD 1/4-20 X 1/2 LG ATT PT				1	
-310	36844	. SCREW,CAP-SLOT HEX HD 1/4-20 X 5/8 LG ATT PT				1	
-311	6935	. WASHER,LOCK-SPLIT 1/4 X 0.493 OD ATT PT				1	
-312	3550	. WASHER,FL- 1/4 X 9/16 OD X 0.050 THK ATT PT				1	
-313	594193	. GUIDE,CARD-RH MODS 1 AND 3				1	
-313	228599	. GUIDE,CARD-RH MOD 2				1	
-314	308292	. PUSH ON NUT-FOR 0.081 STUB ATT PT				1	
-315	961413	. SHIELD,PRESSURE RAIL-MODS 1 AND 3				1	
-315	961414	. SHIELD,PRESSURE RAIL-MOD 2				1	
-316	1500	. SCREW,MACH-FIL H 5-40 X 5/8 LG ATT PT				2	
-317	963587	. GUIDE,CARD ALIGNING				1	
-318	196299	. SCREW,MACH-BIND HD 5-40 X 1/2 LG ATT PT				2	
-319	961275	. CARD LEVER ASM,RH-MOD 2				1	
-320	120044	. SCREW,MACH-BIND HD 5-40 X 3/8 LG ATT PT				1	
-321	328080	. . RAIL-READ CARD USED PRIOR TO FEB 1971				1	
-321	328051	. . RAIL-READ CARD USED AFTER FEB 1971				1	
-322	962342	. . SCREW,MACH-RH 3-48 ATT PT				2	
-323	5447704	. . BLOCK,NUT				1	
-324	438541	. . SCREW,MACH-BIND HD 2-56 X 7/16 LG ATT PT				2	
-325	5214540	. . SWITCH				1	
-326	5462531	. . SPACER,INSULATING				1	
-327	5447701	. . SPRING,PRESSURE RING				1	
-328	5447702	. . BRACKET,MASTER CARD LEVER				1	
-328	5447703	. . BRACKET,MASTER CARD LEVER USED PRIOR TO FEB 1971				1	
-329	314110	. RAIL ASM,PRESSURE,LH & RH-MODS 1 AND 3				2	
-329	314110	. RAIL ASM,PRESSURE,LH-MOD 2				1	
-329A	120044	. SCREW,MACH-BIND HD 5-40 X 3/8 LG ATT PT				AR	
-330	328015	. . RAIL,PRESSURE				1	
-331	228605	. . SPRING-PRESS RAIL				1	
-332	962342	. . SCREW,BND HD- 3-48 X .033 ATT PT				4	
-333	228607	. . BRACKET-PRESS RAIL MOUNTING				1	
-334	328196	. LATCH MAGNET ASSEMBLY-OLD STYLE USED PRIOR TO JUNE 1971				1	
-334	962757	. LATCH MAGNET ASSEMBLY-NEW STYLE USED AFTER JUNE 1971 FOR DETAIL BREAKDOWN,SEE FIGURE 25				1	
-335	34512	. SCREW,BIND.HD 8-32 X .375 LG ATT PT				2	
-336	478	. NUT,HEX- 5-40 ATT PT				2	
-337	227657	. SPRING,HELICAL,EXTENSION- 54 TURNS				1	
-338	301153	. SPRING,HELICAL,EXTENSION- 23-1/2 TURNS				1	
-339	60489	. CLIP-SPRING				2	
-340	60488	. CLIP-SPRING				1	
-341	60489	. CLIP-SPRING				1	
-342	150698	. SPACER- 0.192 ID X 7/16 OD X 1/32 THK				1	
-343	310474	. ROLLER-CARD FEED CAM				1	
-344	227646	. ARM ASSEMBLY-CAM FOLLOWER				1	
-345	301152	. LINK ASSEMBLY-CARD FEED				1	
-346	368969	. COVER-FEED KNIFE ASSEMBLY				1	
-347	5319854	. SCREW,SELF TAPPING-HEX HD 8-32 X 3/8 LG ATT PT				2	
-348	228273	. CLAMP-FLEX SHAFT USED PRIOR TO FEB 1972				1	
-349	34512	. SCREW,BIND.HD 8-32 X .375 LG ATT PT				2	
-350	228490	. BRACKET-UPPER FLEXIBLE SHAFT USED PRIOR TO FEB 1972				1	
-351	337	. SCREW,MACH-FIL H 8-32 X 3/8 LG ATT PT				2	
-351A	5405345	. SPACER USED PRIOR TO FEB 1972				2	
-351B	963588	. RESISTOR USED FROM JULY 1971 TO JULY 1972				AR	



# STEPPING/NON STEPPING MOTOR

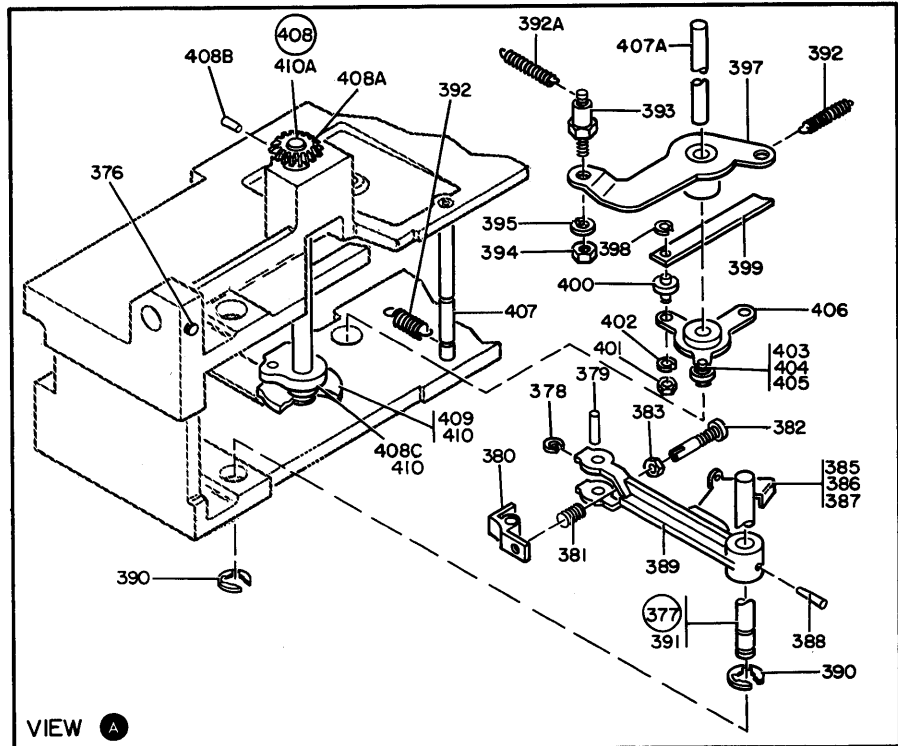
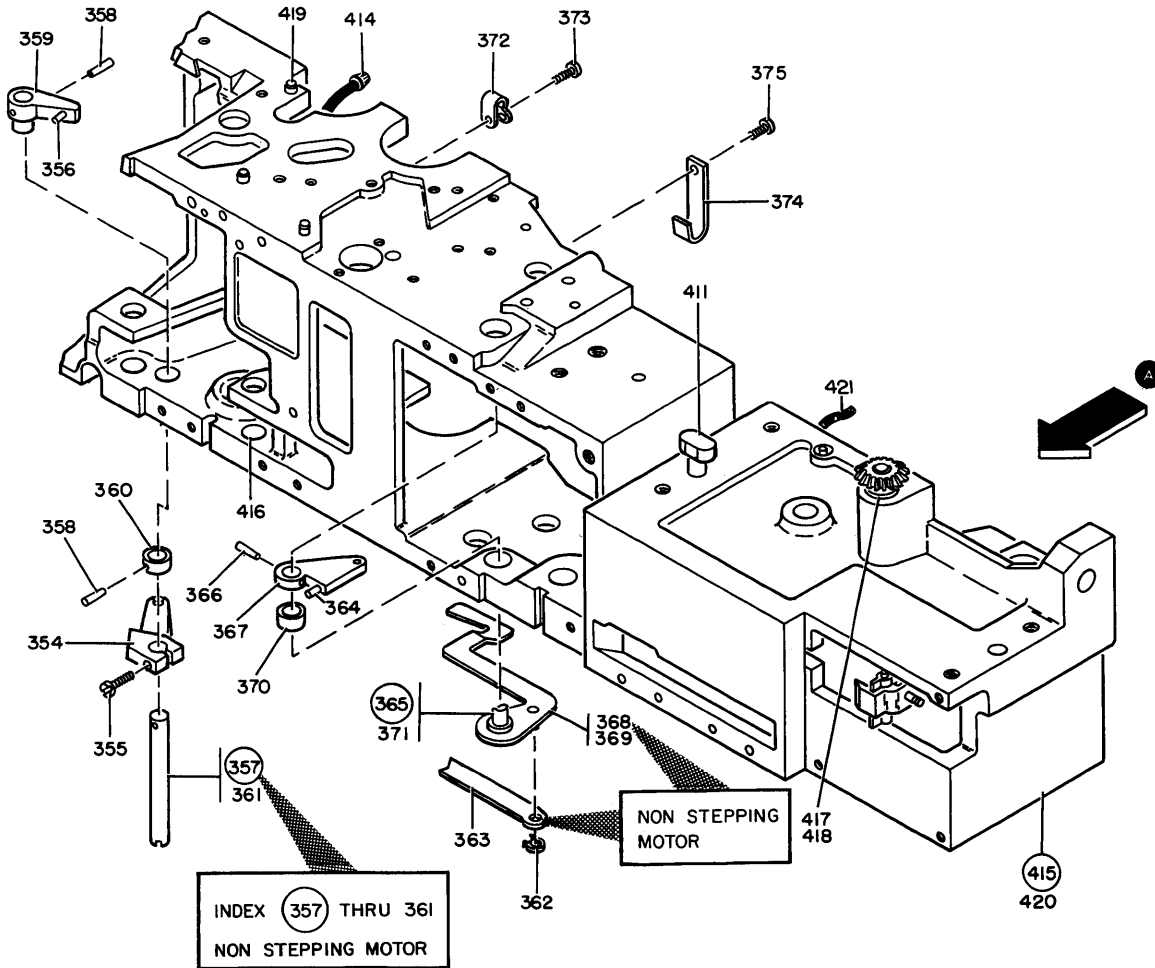


FIGURE 8. CARD TRANSPORT ASM-CASTING AND PRESSURE ROLL ARMS. SHEET 7 OF 9. INDEX 354-421. SEE LIST 8.



# STEPPING/NON STEPPING MOTOR

## CARD TRANSPORT ASSEMBLY

FIGURE- INDEX NUMBER	PART NUMBER	DESCRIPTION	1 2 3 4				UNITS PER ASM.	USABLE ON CODE
			1	2	3	4		
8 -354	309870	• ARM,PRESS ROLL RELEASE-MODS 1,3 N/STEP - NON STEPPING MOTOR					1	
-355	12954	• SCREW,MACH-HEX HD 8-32 X 1/2 LG					1	
-356	227940	• PIN-MODS 1 & 3 NON STEPPING MOTOR					1	
-356	5367343	• PIN-MOD 2 - NON STEPPING MOTOR					1	
-357	309874	• SHAFT ASM, PRESSURE ROLL RELEASE ARM - LH					1	
-358	23096	• PIN- .5 LG					2	
-359	309867 NR	• . ARM-PRESS ROLL RELEASE					1	
-360	150190 NR	• . SPACER- 0.313 ID X 9/16 OD X 0.180 THK					1	
-361	309868 NR	• . SHAFT-PRESS ROLL REL SENSING					1	
-362	25282	• RING-RETAINING,EXT 0.125 ID X 0.015 THK					2	
-363	227941	• LINK-MOD 2 - NON STEPPING MOTOR					1	
-364	227940	• PIN-FEED ROLL OPERATING - NON STEPPING MOTOR					1	
-365	963515	• SHAFT ASM-ROLL RELEASE					1	
-365	961310	• SHAFT ASM-ROLL RELEASE - NON STEPPING MOTOR					1	
-366	28564	• . PIN,TAPERED,PLAIN- 5/8 LG X NC. 6-0					1	
-367	309873 NR	• . LEVER ASSEMBLY-PRESS ROLL RELEASE RH					1	
-368	963514 NR	• . ARM ASM-ROLL RELEASE					1	
-368	961311 NR	• . ARM ASM-ROLL RELEASE - NON STEPPING MOTOR					1	
-369	960726	• . PIN, TAPERED					1	
-370	309872	• . SPACER- 5/16 ID X 1/2 OD X 13/64 THK					1	
-371	227725 NR	• . SHAFT-CARD REL					1	
-372	533289	• CLAMP, CABLE					AR	
-373	6087	• SCREW,MACH-RH 10-32 X 5/16 LG					AR	
-374	961319	• SPRING,LEVER RETURN					1	
-375	236849	• SCREW,MACH-BIND HD 10-32 X 0.250 LG					1	
-376	473858	• SCREW,SET- 1/4-20 X 3/8 LG					2	
-377	5406421	• SHAFT ASM-PUSHER ARM					1	
-378	1073418	• . RING-RETAINING					1	
-379	313975	• . SHAFT-GRIPPER FINGER					1	
-380	340739	• . FINGER-GRIPPER					1	
-381	5462566	• . SPRING,COMPRESSION					1	
-382	341264	• . SCREW-PUSHER ARM					1	
-383	6503	• . NUT,PLAIN,HEX- 8-32 X 1/4 FL W					1	
-385	313971	• . ARM-FOLLOWER CARD PUSHER					1	
-386	3500	• . SCREW, FIL HD MACH-5-40 X .312 LG					2	
-387	105047	• . WASHER,LOCK-INT TEETH NO. 5 X 1/4 OD					2	
-388	310469	• . PIN,SPRING- 0.099 X 11/16 LG					1	
-389	313973 NR	• . ARM-PUSHER					1	
-390	332747	• . RING,RETAINING-EXT 0.207 ID X 0.025 THK					2	
-391	5407863 NR	• . SHAFT-CARD STOP LEVER					1	
-392	24857	• SPRING,HELICAL,EXTENSION- 37 TURNS					2	
-392A	130534	• SPRING,HELICAL,EXTENSION- 35 TURNS					1	
-393	312594	• STUD-PUSHER ARM ECCENTRIC					1	
-394	2899	• NUT,PLAIN,HEX- 8-32 X 3/8 FL W					1	
-395	6318	• WASHER,LOCK-SPLIT NO. 8 X 0.280 OD					1	
-397	227686	• ARM ASSEMBLY-PUSHER CAM					1	
-398	25282	• RING-RETAINING,EXT 0.125 ID X 0.015 THK					2	
-399	313445	• LINK,RIGID-STOP LEVER					1	
-400	227691	• ROLL, CARD RELEASE ECCENTRIC					1	
-401	2899	• NUT,PLAIN,HEX- 8-32 X 3/8 FL W					1	
-402	6318	• WASHER,LOCK-SPLIT NO. 8 X 0.280 OD					1	
-403	159229	• ROLLER					1	
-404	25282	• RING-RETAINING,EXT 0.125 ID X 0.015 THK					1	
-405	58554	• SPACER- 0.158 ID X 5/16 OD X 0.032 THK					1	
-406	227693	• ARM ASSEMBLY-STOP LEVER CAM					1	
-407	227702	• ROD-SPRING ANCHOR					1	
-407A	5407863	• SHAFT-CARD STOP LEVER					1	
-408	961265	• SHAFT ASM					1	
-408A	227700 NR	• . GEAR					1	
-408B	29930	• . PIN,TAPER					1	
-408C	961264	• . CAM CARD PUSHER					1	
-409	309618 NR	• . CAM-CARD STOP					1	
-410	139472	• . PIN,TAPERED,PLAIN- NO. 4 X 3/4 LG					2	
-410A	227705 NR	• . SHAFT					1	
-411	227608	• STUD-CARD FEED LOCATING					2	
-414	151762	• SPLICE,CONDUCTOR					1	



# STEPPING MOTOR

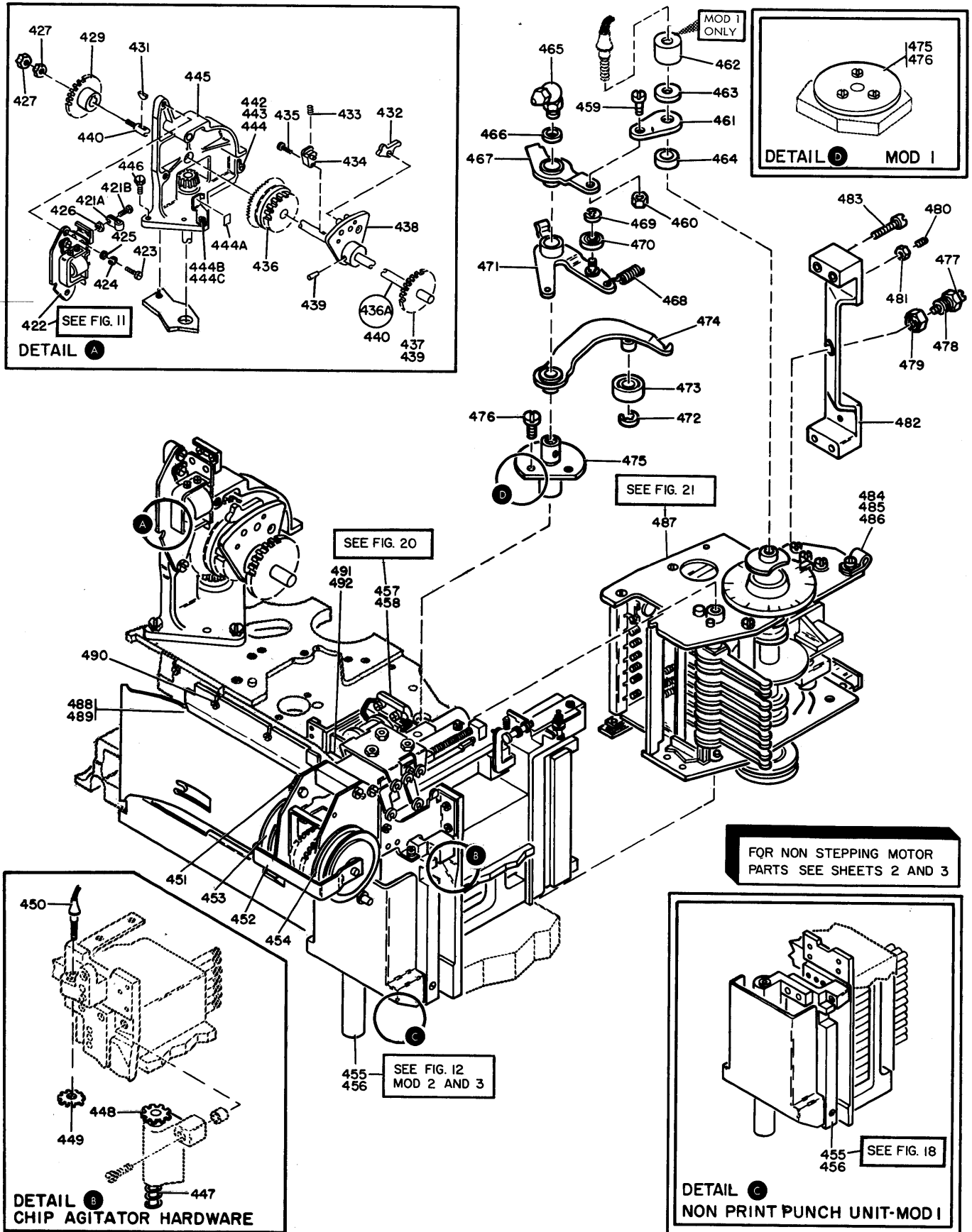


FIGURE 8. CARD TRANSPORT ASM-PUNCH AND DRIVE AREA. SHEET 8 OF 9. INDEX NOS. 421A-492. SEE LIST 8.

# STEPPING MOTOR

## CARD TRANSPORT ASSEMBLY

FIGURE- INDEX NUMBER	PART NUMBER	DESCRIPTION	UNITS PER ASM.	USABLE ON CODE
		1 2 3 4		
8 -421A	357433	• CLAMP,LCOP- 0.187 ID 0.203 DIA MTG HOLE	1	
-421B	196398	• SCREW, MACH BIND HD 5-40 X 7/16 LG	1	ATT PT
-422	338586	• CLUTCH MAGNET ASSEMBLY	1	
FOR DETAIL BREAKDOWN, SEE FIGURE 11				
-423	120211	• SCREW,MACH-HEX HD 10-32 X 1/2 LG	2	ATT PT
-424	9092	• WASHER-LOCK,SPLIT RING, .194 ID .337 OD	2	ATT PT
-425	47242	• WASHER,FL-NO. 12 X 1/2 OD X 0.062 THK	2	ATT PT
-426	478	• NUT,PLAIN,HEX- 5-40 X 5/16 FL W BRS	2	ATT PT
-427	10574	• NUT,PLAIN,HEX- 5/16-24 X 1/2 FL W	2	
-429	228141	• GEAR,SPUR- 38 TEETH 24 DP 1.662 OD	1	
-431	180383	• KEY,WOODRUFF	1	
-432	228157	• DOG-CARD FEED CLUTCH	1	
-433	141015	• SPRING,HELICAL,COMPR- 14 TURNS	1	
-434	141337	• SUPPORT-CLUTCH DOG SPRING	1	
-435	3500	• SCREW,FIL HD MACH- 5-40 X .312 LG	1	ATT PT
-436	310372	• GEAR,CLUTCH-ALL MODS	1	
-436A	228134	• SHAFT ASM, CARD FEED CLUTCH	1	
-437	227634 NR	• GEAR,SPUR- 38 TEETH 24 DD 1.661 OD	1	
-438	309833 NR	• ARM ASSEMBLY-CARD FEED CLUTCH	1	
-439	22867	• PIN,TAPERED,PLAIN- 7/8 LG X NC. 3	2	ATT PT
-440	228135	• SHAFT-CARD FEED CLUTCH	1	
-442	188555	• CLAMP,LCOP- 5/16 ID 9/64 DIA MTG HOLE USED PRIOR TO JULY 1971	1	
-443	38235	• SCREW,MACH-BIND HD 6-32 X 0.312 LG	1	ATT PT
-444	257187	• NUT,PLAIN,HEX- 6-32	1	ATT PT
-444A	963629	• BAFFLE,CLUTCH LATCH SPRING	1	
-444B	963599	• SPRING,CLUTCH LATCH	1	
-444C	3550	• WASHER,FL- 1/4 X 9/16 OD X 0.050 THK	1	ATT PT
-445	310383	• SUPPORT ASM,CLUTCH	1	
-446	129147	• SCREW,MACH-HEX HD 1/4-20 X 7/8 LG	3	ATT PT
-447	8105454	• SHAFT ASM,CHIP AGITATOR-MOD 1	1	
-447	961673	• SHAFT ASM,CHIP AGITATOR-MODS 2 AND 3	1	
-448	310378	• GEAR-MODS 2,3	1	
-449	228275	• GEAR,CHIP AGITATOR-DOMESTIC	1	
-449	8105464	• GEAR,CHIP AGITATOR-WORLD TRADE	1	
-450	964784	• SHAFT,FLEXIBLE-MOD 1	1	
USED AFTER FEB 1972				
-450	964783	• SHAFT,FLEXIBLE-MODS 2 AND 3 USED AFTER FEB. 1973	1	
-451	141404	• SPRING-MODS 2 AND 3	1	
-452	228242	• RETAINER,RIBBON SPOOL-MODS 2 AND 3	1	
-453	228292	• RIBBON SPOOL,LEFT-MODS 2 AND 3	1	
-454	424810	• RIBBON SPOOL,RIGHT-MODS 2 AND 3	1	
-455	961650	• RIBBON PRINT INTERPOSER ASSEMBLY-MODS 2 AND 3	1	
FOR DETAIL BREAKDOWN, SEE FIGURE 12				
-455	961670	• NON-PRINT PUNCH ASSEMBLY-MOD 1 FOR DETAIL BREAKDOWN, SEE FIGURE 18	1	
-456	358	• SCREW,MACH-FIL H 10-32 X 3/4 LG	2	ATT PT
-457	961235	• PRINT SUPPRESSION MAGNET-MODS 2 AND 3 FOR DETAIL BREAKDOWN, SEE FIGURE 20	1	
-458	12132	• SCREW,MACH-TRUSS HD 8-32 X 5/16 LG	2	ATT PT
-459	310171	• SCREW,SHLD-FH 5-40 X 0.137 LG	1	
-460	7341	• NUT,PLAIN,HEX- 5-40 X 1/4 FL W	1	
-461	310169	• LINK,ECCENTRIC DRIVE-MODS 2 AND 3	1	
-462	964785	• SPACER-MOD 1	1	ATT PT
-463	110029	• WASHER,FL-NO 8 X 5/8 OD X 1/16 THK	1	ATT PT
-464	313132	• BEARING,SLV-ECC 0.166ID 0.376 CBORE IRON	1	
-465	308208	• FITTING,LUB-MODS 2 AND 3	1	
-466	120571	• WASHER,FL- 1/4 X 5/8 OD X 1/16 THK	1	
-467	228287	• ARM ASM,SUPPRESSION-MODS 2 AND 3	1	
-468	228616	• SPRING-MODS 2 AND 3	1	
-469	60489	• CLIP-SPRING	1	
-470	110129	• BEARING-MODS 2 AND 3	1	
-471	228361	• ARM ASM, PRINT- MODS 2 AND 3	1	
-472	60488	• CLIP-SPRING	1	
-473	156364	• BEARING-MODS 2 AND 3	1	
-474	228356	• ARM ASM,IDLER-MODS 2 AND 3	1	
-475	314037	• PLUG,MODS 2 AND 3	1	
-475	227772	• PLUG ASM, REAR PUNCH DRIVE MOUNTING - MOD 1	1	
-476	34512	• SCREW,BIND,HD 8-32 X .375 LG	3	ATT PT
-477	128172	• SETSCREW-SPLINE DR OVAL PT 8-32 X 1/2 LG	1	
-478	227839	• SCREW,MACH-HEX HD 3/8-24 X 1 LG	1	
-479	38092	• NUT,PLAIN,HEX- 3/8-24 X 5/8 FL W	1	
-480	128172	• SETSCREW-SPLINE DR OVAL PT 8-32 X 1/2 LG	2	
-481	6503	• NUT,PLAIN,HEX- 8-32 X 1/4 FL W	2	
-482	227837	• BAR-PUNCH ADJUSTING ANCHOR	1	
-483	38392	• SCREW,MACH-FIL H 10-32 X 1-1/4 LG	4	ATT PT



# STEPPING MOTOR

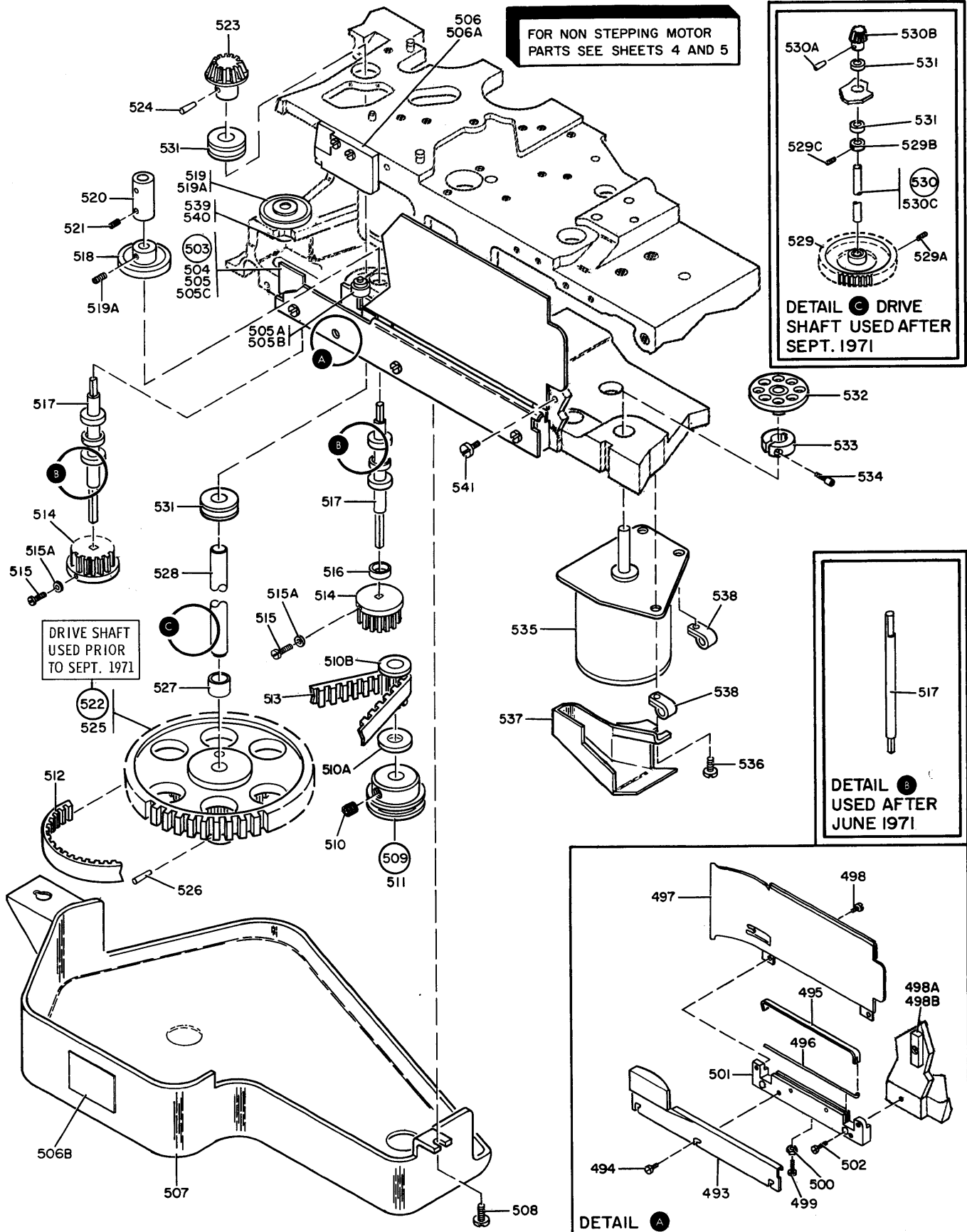


FIGURE 8. CARD TRANSPORT-STEPPING MOTOR AREA. SHEET 9 OF 9. INDEX NOS. 493-541. SEE LIST 8.

# STEPPING MOTOR

## CARD TRANSPORT ASSEMBLY

FIGURE- INDEX NUMBER	PART NUMBER	DESCRIPTION	UNITS PER ASM.	USABLE ON CODE
8 -493	963538	• COVER	1	
-494	236550	• SCREW,MACH-BIND HD 4-40 X 0.375 LG	2	
-495	963542	• RAIL,PRESSURE	1	
-496	963543	• SPRING,PRESSURE PAD	1	
-497	963536	• BED PLATE,END USED PRIOR TO DEC. 1971	1	
-497	962999	• BED PLATE,END USED AFTER DEC. 1971	1	
-498	10170	• SCREW,MACH,BD HD- 6-32 X 1/4	2	
-498A	963597	• BUMPER USED PRIOR TO MARCH 1972	1	
-498A	962939	• BUMPER USED AFTER MARCH 1972	1	
-498B	2101924	• SCREW	1	
-499	38361	• SCREW,MACH-FIL H 6-32 X 1 LG	1	
-500	257187	• NUT,HEX- 6-32	1	
-501	963544	• RAIL,HOUSING USED PRIOR TO DEC. 1971	1	
-501	962998	• RAIL,HOUSING USED AFTER DEC. 1971	1	
-502	2629	• SCREW,MACH,FIL H- 5-40 X 3/8	2	
-503	963575	• EJECT ASM	1	
-504	25627	• SCREW,MACH,BD HD- 8-32 X .500	1	
-505	438549	• SCREW,MACH,BD HD- 4-40 X 7/16	1	
-505A	5407791	• BEARING	1	
-505B	251989	• CLIP,RETAINING	1	
-505C	963576	• PLATE,SPRING	1	
-506	963537	• ADAPTER,CARD GUIDE USED PRIOR TO JULY 1972	1	
-506A	845	• SCREW,MACH,FIL H- 8-32 X 1/2	2	
-506B	369207	• LABEL	1	
-507	963518	• COVER,SAFETY	1	
-508	438622	• SCREW,MACH,BD HD- 1/4-20 X 3/8	2	
-509	964689	• PULLEY ASM,NON PRINT- 60 HZ	1	
-509	964690	• PULLEY ASM,PRINT- 60 HZ	1	
-509	964691	• PULLEY ASM,NON PRINT- 50 HZ	1	
-509	964692	• PULLEY ASM,PRINT- 50 HZ	1	
-510	107374	• SETSCREW,HEADLESS- 1/4-20 X 3/8 LG	1	
-510A	963534	• FLANGE- 50 HZ	1	
-510A	963637	• FLANGE- 60 HZ	1	
-510B	982523	• PULLEY- 60 HZ	1	
-510B	982522	• PULLEY- 50 HZ	1	
-511	982518	• PULLEY,NON PRINT- 60 HZ	1	
-511	982519	• PULLEY,PRINT- 60 HZ	1	
-511	982520	• PULLEY,NON PRINT- 50 HZ	1	
-511	982521	• PULLEY,PRINT- 50 HZ	1	
-512	963522	• BELT	1	
-513	963523	• BELT,TIMING- 60 HZ	1	
-513	983008	• BELT,TIMING- 50 HZ	1	
-514	963569	• PULLEY	2	
-515	338238	• SCREW, MACH-BD HD 4-40 NC X .3125 LG	2	
-515A	10612	• WASHER	2	
-516	963547	• RETAINER,BEARING USED PRIOR TO JUNE 1971	2	
-517	963545	• SHAFT ASM,ROLLER USED PRIOR TO JUNE 1971	2	
-517	963546	• SHAFT USED AFTER JUNE 1971	2	
-518	228041	• ROLL ASM,EJECT-RH	1	
-519	963574	• ROLL ASM,EJECT-LH	1	
-519A	165556	• SETSCREW- 5-40 X 1/8 LG	4	
-520	963511	• COLLAR	1	
-521	257957	• SETSCREW,CPU PT- 4-40 X 1/8	2	
-522	963530	• SHAFT ASM,DRIVE OLD STYLE DRIVE SHAFT,USED PRIOR TO SEPT. 1971. FOR NEW STYLE,SEE INDEXES 529 THRU 531.	1	
-523	228451 NR	• GEAR	1	
-524	29980	• PIN,TAPER	1	
-525	963531 NR	• PULLEY	1	
-526	19167	• PIN,TAPER	1	
-527	228060	• SPACER- 0.377 ID X 1/2 OD 0.418 LG	1	
-528	963529 NR	• SHAFT,DRIVE	1	
-529	963531	• PULLEY	1	
-529A	107374	• SETSCREW,HEADLESS- 1/4-20 X 3/8 LG	1	
-529B	963405	• COLLAR	1	
-529C	257959	• SETSCREW-SPLINE DR CUP PT 4-40 X 3/16 LG	1	

# STEPPING MOTOR

## CARD TRANSPORT ASSEMBLY

FIGURE- INDEX NUMBER	PART NUMBER	DESCRIPTION	1 2 3 4				UNITS PER ASM.	USABLE ON CODE
8 -530	963530	• DRIVE SHAFT ASM NEW STYLE DRIVE SHAFT,USED AFTER SEPT. 1971. FOR OLD STYLE,SEE INDEX 522					1	
-530A	29980	• . PIN,TAPERED,PLAIN 11/16 LG X NG. 3-0					1	
-530B	228451	• . GEAR,BEVEL- 32 TEETH 32 DP 1.075 OD					1	
-530C	963529	• . SHAFT,DRIVE					1	
-531	156364	• BEARING,BALL					2	
-532	963510	• WHEEL,CARD FEED ASM					1	
-533	963507	• COLLAR					1	
-534	963568	• SCREW ATT PT					1	
-535	963520	• MOTOR,STEPPING					1	
-536	332620	• SCREW,MACH-BIND HD 10-32 X 1/2 LG ATT PT					3	
-537	963524	• DEFLECTOR,CHIP					1	
-538	357433	• CLAMP,CABLE					2	
-539	228040	• COLLAR- 0.250 ID X 0.500 OD X 0.406 THK					2	
-540	165556	• SETSCREW- 5-40 X 1/8 LG					4	
-541	221790	• SCREW,MACH-BIND HD 8-32 X 3/16 LG ATT PT					1	



# STEPPING/NON STEPPING MOTOR

FOR PARTS NOT SHOWN SEE FIG. 8 SHEET 1

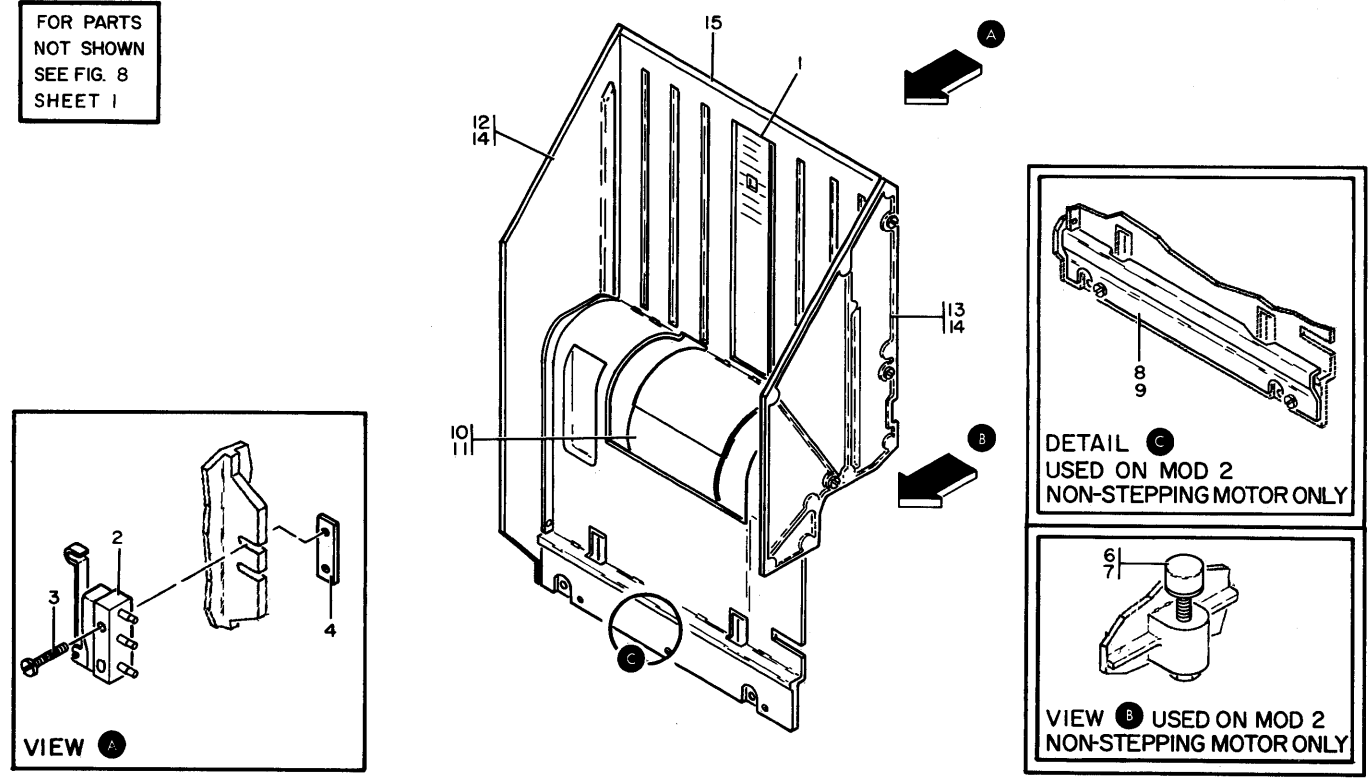


FIGURE 9. STACKER BED PLATE ASSEMBLY. SEE LIST 9.

## STACKER BED PLATE ASSEMBLY

FIGURE-INDEX NUMBER	PART NUMBER	DESCRIPTION	UNITS PER ASM.				USABLE ON CODE
			1	2	3	4	
9 -	963630	STACKER BED PLATE ASSEMBLY					REF
-	961610	STACKER BED PLATE ASSEMBLY-MODS 1 AND 3 - NON STEPPING					REF
-	961270	STACKER BED PLATE ASSEMBLY-MOD 2 - NON STEPPING MOTOR					REF
		FOR NEXT HIGHER ASM, SEE FIGURE 8-4 AND FOR ILLUSTRATION, SEE FIGURE 9					
- 1	362842	• SCALE, INDICATING-STACKER					1
- 2	5477760	• SWITCH-SPDT					1
- 3	438544	• SCREW, BC HD MACH- 2-56 X 3/4 LG			ATT PT		2
- 4	535169	• PLATE-SWITCH ADJUSTING			ATT PT		1
- 6	5372237	• BUMPER-MOD 2					1
- 7	257189	• NUT, HEX- 8-32			ATT PT		1
- 8	960708	• GUIDE-MOD 2					1
- 9	832025	• SCREW			ATT PT		2
- 10	961611	• PLATE, STACKER					1
		ON NON STEPPING MOTOR-MODS 1 & 3, USED PRIOR TO NOV. 1971 AND STEPPING MOTOR-ALL MODS					
- 11	58207	• SCREW, MACH-UNDRCT BIND HD 8-32 X .250 LG			ATT PT		1
- 12	381734	• PLATE-SIDE STACKER, LEFT					1
- 13	381733	• PLATE-SIDE STACKER, RIGHT					1
- 14	734483	• SCREW, PAN HD- 6-32 X 0.380 LG			ATT PT		7
- 15	381732	• BED PLATE, STACKER					1
- 15	962766	• BED PLATE, STACKER					1
		USED ON STEPPING MOTOR, ALL MODELS AND NON STEPPING MOTOR, MODELS 1 AND 3 AFTER JULY 1971					

# NON STEPPING MOTOR

FOR STEPPING MOTOR  
STACKER, SEE FIGURE 10A

FOR PARTS  
NOT SHOWN  
SEE FIG. 8  
SHEET 1

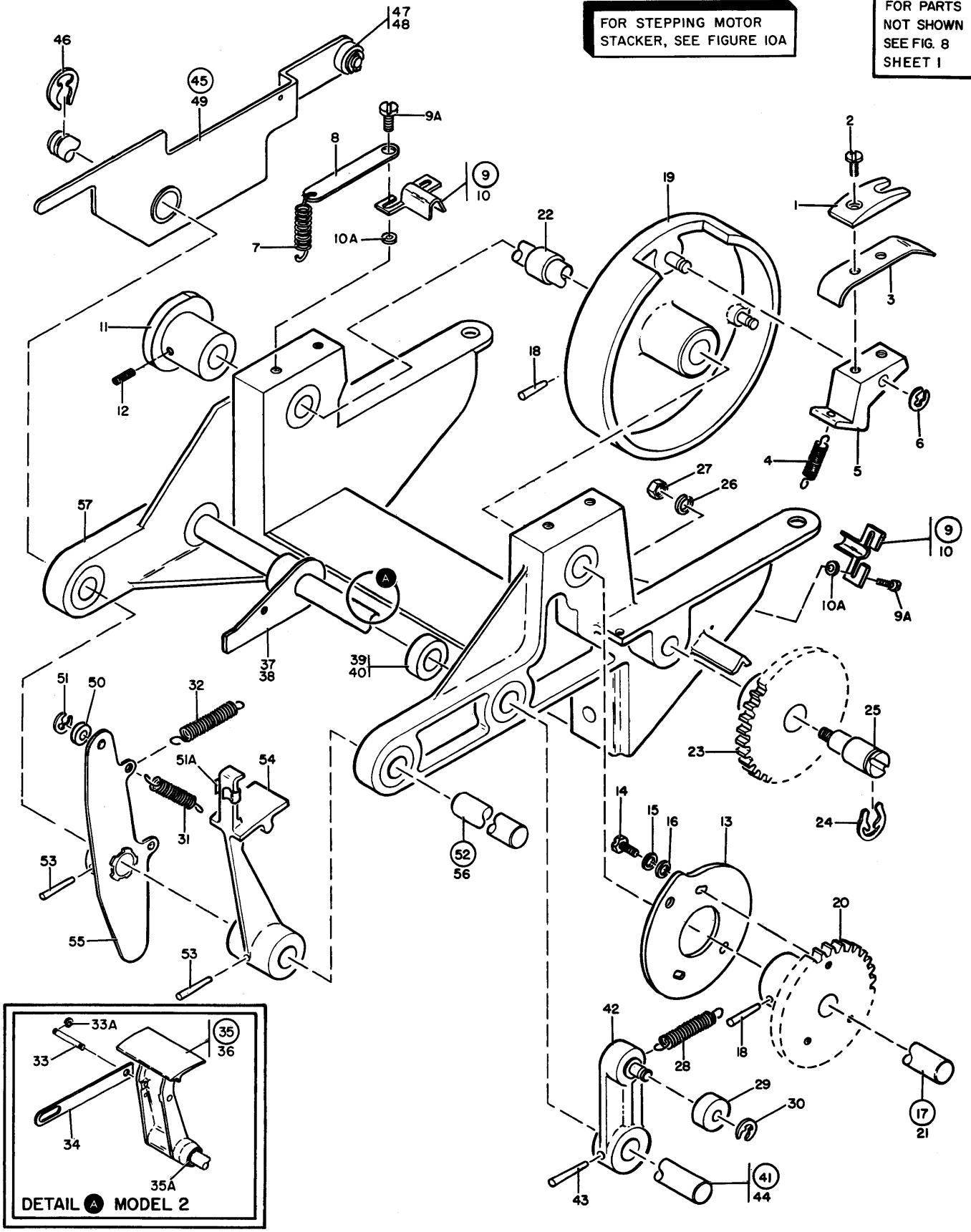


FIGURE 10. STACKER ASSEMBLY-NON STEPPING MOTOR. SEE LIST 10.

# NON STEPPING MOTOR

## STACKER ASSEMBLY-NON STEPPING MOTOR

FIGURE- INDEX NUMBER	PART NUMBER	DESCRIPTION	UNITS	USABLE
			PER ASM.	ON CODE
10 -	961625	STACKER ASSEMBLY-MODS 1 AND 3 - NCN STEPPING MOTOR	REF	
-	5476064 NP	STACKER ASSEMBLY-MOD 2 - NON STEPPING MOTOR FOR NEXT HIGHER ASM,SEE FIGURE 8-7 AND FOR ILLUSTRATION,SEE FIGURE 10		
- 1	310873	• BLOCK-COVER	2	
- 2	196299	• SCREW,MACH-BIND HD 5-40 X 1/2 LG ATT PT	4	
- 3	227526	• STACKER-CARD GRIPPER USED PRIOR TO JULY 1972	2	
- 3	962761	• STACKER,CARD GRIPPER USED AFTER JULY 1972	2	
- 4	110267	• SPRING,HELICAL,EXTENSION- 30.5 TURNS	2	
- 5	227952	• BLOCK-CARD GRIPPER PIVOT	2	
- 6	25282	• RING-RETAINING,EXT 0.125 ID X 0.015 THK ATT PT	2	
- 7	110267	• SPRING-MODS 1 AND 3	1	
- 8	961614	• LINK,SPRING MTD-MODS 1 AND 3	1	
- 9	964657	• CAM AND SCREW ASM,CARD GRIPPER	AR	
- 9A	34512	• SCREW,BIND.HD 8-32 X .375 LG	2	
- 10	962780	• CAM,CARD GRIPPER	1	
- 10A	22478	• WASHER,FL- 0.170 ID 0.375 OD 0.32 THK ATT PT	4	
- 11	961634	• CAM,CARD DRIVE-MODS 1 AND 3	1	
- 12	1073462	• SETSCREW-SPLINE DR FLAT PT 6-32 X 3/16 ATT PT	2	
- 13	961626	• CAM,CARD PUSHER-MODS 1 AND 3 PART OF INDEX NO.17-MODS 1 & 3 SHAFT ASM	1	
- 13	227960	• CAM,CARD PUSHER-MOD 2	1	
- 14	108375	• SCREW,MACH-HEX HD 5-40 X 7/16 LG ATT PT	3	
- 15	22066	• WASHER,FL- 0.140 ID 0.281 OD 0.025 THK ATT PT	3	
- 16	163899	• WASHER,LOCK-SPLIT NO. 6 X 0.255 OD ATT PT	3	
- 17	961622	• DRUM SHAFT ASM-MODS 1 AND 3	1	
- 17	227985	• DRUM SHAFT ASM-MOD 2	1	
- 18	151231	• PIN,TAPERED,PLAIN- 3/4 LG X NC. 3-0	3	
- 19	227961 NR	• DRUM ASSEMBLY-STACKER - RIGHT HAND	2	
- 20	227959 NR	• GEAR,SPUR- 38 TEETH 24 DP 1.663 OD	1	
- 21	263979 NR	• SHAFT-MODS 1 AND 3	1	
- 21	150542	• SHAFT-MOD 2	1	
- 22	5404407	• BUMPER-MOD 2	1	
- 23	227955	• GEAR,SPLR- 42 TEETH 24 DP 1.829 OD	1	
- 24	139766	• RING,RETAINING-EXT 0.281 ID X 0.020 THK ATT PT	1	
- 25	227954	• STUD-STACKER IDLER GEAR ATT PT	1	
- 26	9092	• WASHER-LOCK,SPLIT RING, .194 ID .337OD ATT PT	1	
- 27	11598	• NUT,PLAIN-HEX 10-32 X 3/8 FL W ATT PT	1	
- 28	183866	• SPRING,HELICAL,EXTENSION- 16-1/2 TURNS	1	
- 29	227967	• SPACER	1	
- 30	60489	• CLIP-SPRING ATT PT	1	
- 31	150521	• SPRING,HELICAL,EXTENSION- 30.5 TURNS	1	
- 32	183864	• SPRING-MOD 2	1	
- 33	227963	• SHAFT-MOD 2	1	
- 33A	60489	• CLIP-SPRING ATT PT	2	
- 34	5372238	• LINK-MOD 2	1	
- 35	311649	• GUIDE AND BUSHING ASM-MOD 2	1	
- 35A	227951	• BEARING,SLEEVE- 0.314 ID X 0.565 OD BRZ	2	
- 36	227983	• GUIDE,TRAVELING CARD	1	
- 37	961615	• ARM ASM,ADJUSTABLE-MODS 1 AND 3	1	
- 37	227971	• ARM ASM,ADJUSTABLE-MOD 2 PART OF INDEX NO.41-MOD 2 SHAFT ASM	1	
- 38	251820	• SCREW,CAP,SOC HD- 6-32 X 1/2 LG ATT PT	AR	
- 38	139472	• PIN,TAPERED,PLAIN- 3/4 LG X NO. 4-0 ATT PT	AR	
- 39	961613	• COLLAR,SHAFT-MODS 1 AND 3	1	
- 39	227974	• COLLAR,SHAFT-MOD 2	1	
- 40	173937	• SETSCREW-SPLINE DR CUP PT 8-32 X 1/8 LG ATT PT	AR	
- 41	961623	• SHAFT ASM-MODS 1 AND 3	1	
- 41	227986	• SHAFT ASM-MOD 2	1	
- 42	227966 NR	• LEVER ASSEMBLY-CAM FOLLOWER	1	
- 43	139472	• PIN,TAPERED,PLAIN- 3/4 LG X NC. 4-0 ATT PT	1	
- 44	227984 NR	• SHAFT-CARD PUSHER CAM FOLLOWER	1	
- 45	961630	• LINK,ROLLER ASM	1	
- 46	139766	• RING,RETAINING-EXT 0.281 ID X 0.020 THK ATT PT	1	
- 47	227967	• SPACER	1	
- 48	60489	• CLIP-SPRING ATT PT	1	
- 49	961631	• LINK ASM-ARM	1	
- 50	5372243	• BUSHING-PIVOT	1	
- 51	60489	• CLIP-SPRING ATT PT	1	
- 51A	961582	• CLIP - MODS 1 AND 3	2	
- 52	961621	• SHAFT ASM-MODS 1 & 3 ASM	1	
- 52	309799	• SHAFT ASM-MOD 2 ASM	1	
- 53	139472	• PIN,TAPERED,PLAIN- 3/4 LG X NC. 4-0	3	
- 54	309798 NR	• LEVER-CARD PUSHER	2	
- 55	227979 NR	• ARM ASSEMBLY-CARD PUSHER OPERATING	1	
- 56	961619 NR	• SHAFT-MODS 1 AND 3	1	
- 56	229976 NR	• SHAFT-MOD 2	1	
- 57	961624	• FRAME,STACKER-MODS 1 AND 3	1	

# STEPPING MOTOR

FOR PARTS  
NOT SHOWN  
SEE FIG. 8  
SHEET 1

FOR NON STEPPING MOTOR  
STACKER SEE FIGURE 10

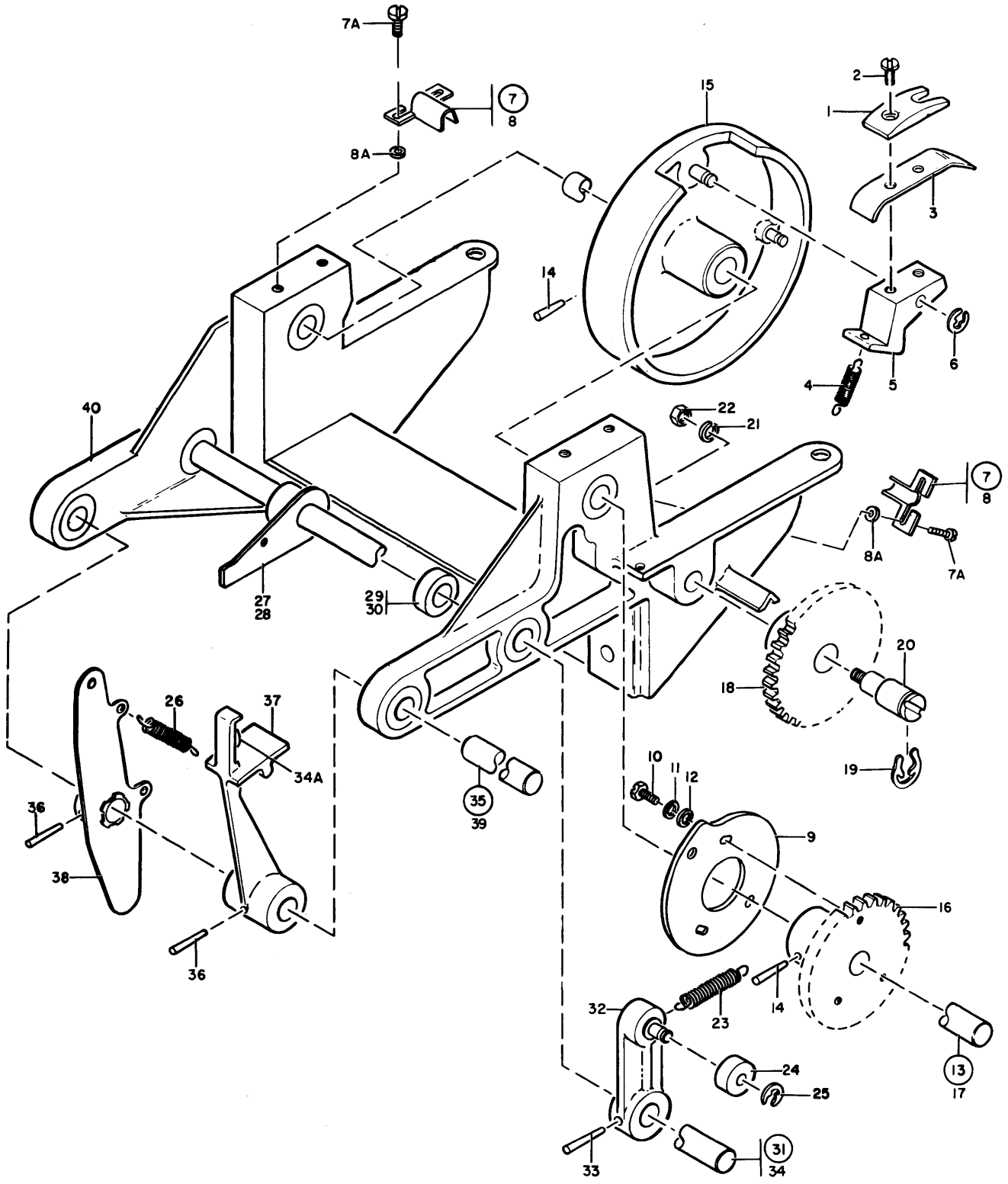


FIGURE 10A. STACKER ASSEMBLY. SEE LIST 10A.

# STEPPING MOTOR

## STACKER ASSEMBLY

FIGURE- INDEX NUMBER	PART NUMBER	DESCRIPTION	1 2 3 4				UNITS PER ASM.	USABLE ON CODE
10A-	963650	STACKER ASSEMBLY FOR NEXT HIGHER ASM, SEE FIGURE 8-7 AND FOR ILLUSTRATION, SEE FIGURE 10A					REF	
- 1	310873	• BLOCK-COVER					2	
- 2	196299	• SCREW,MACH-BIND HD 5-40 X 1/2 LG			ATT PT		4	
- 3	227526	• STACKER-CARD GRIPPER					2	
- 3	962761	USED PRIOR TO JULY 1972 • STACKER,CARD GRIPPER USED AFTER JULY 1972					2	
- 4	110267	• SPRING,HELICAL,EXTENSION- 30-5 TURNS					2	
- 5	227952	• BLOCK-CARD GRIPPER PIVOT					2	
- 6	25282	• RING-RETAINING, EXT 0.125 ID X 0.015 THK			ATT PT		2	
- 7	964657	• CAM AND SCREW ASM,CARD GRIPPER					AR	
- 7A	34512	• SCREW,BIND.HD 8-32 X .375 LG					2	
- 8	962780	• CAM,CARD GRIPPER					1	
- 8A	22478	• WASHER,FL- 0.170 ID 0.375 OD 0.32 THK			ATT PT		4	
- 9	961626	• CAM,CARD PUSHER-MODS 1 AND 3 PART OF INDEX NO. 17 - MODS 1 AND 3 SHAFT ASM					1	
- 10	108375	• SCREW,MACH-HEX-HD 5-40 X 7/16 LG			ATT PT		3	
- 11	22060	• WASHER,FL- 0.140 ID 0.281 OD 0.025 THK			ATT PT		3	
- 12	163899	• WASHER,LOCK-SPLIT NO. 6 X 0.255 OD			ATT PT		3	
- 13	227985	• DRUM SHAFT ASM-MOD 2					1	
- 14	151231	• PIN,TAPERED,PLAIN- 3/4 LG X NC. 3-0					3	
- 15	227961	• DRUM ASSEMBLY-STACKER					2	
- 16	227959	• GEAR,SPUR- 38 TEETH 24 DP 1.663 OD					1	
- 17	263979	• SHAFT-MODS 1 AND 3					1	
- 18	227955	• GEAR,SPLIT- 42 TEETH 24 DP 1.829 OD					1	
- 19	139766	• RING,RETAINING-EXT 0.281 ID X 0.020 THK			ATT PT		1	
- 20	227954	• STUD-STACKER IDLER GEAR			ATT PT		1	
- 21	9092	• WASHER,LOCK,SPLIT- .194 ID X .377 OD			ATT PT		1	
- 22	11598	• NUT,PLAIN-HEX 10-32 X 3/8 FL W			ATT PT		1	
- 23	183866	• SPRING,HELICAL,EXTENSION- 16-1/2 TURNS					1	
- 24	227967	• SPACER					1	
- 25	60489	• CLIP-SPRING			ATT PT		1	
- 26	150521	• SPRING,HELICAL,EXTENSION- 30.5 TURNS					1	
- 27	961615	• ARM ASM,ADJUSTABLE-MODS 1 AND 3					1	
- 28	251820	• SCREW,CAP,SOC HD- 6-32 X 1/2 LG			ATT PT		1	
- 29	961613	• COLLAR,SHAFT-MODS 1 AND 3					1	
- 30	173937	• SETSCREW-SPLINE DR CUP PT 8-32 X 1/8 LG			ATT PT		1	
- 31	961623	• SHAFT ASM-MODS 1 AND 3					1	
- 32	227966 NP	• LEVER ASSEMBLY-CAM FOLLOWER					1	
- 33	139472	• PIN,TAPERED,PLAIN- 3/4 LG X NO. 4-0			ATT PT		1	
- 34	227984	• SHAFT-CARD PUSHER CAM FOLLOWER					1	
- 34A	961582	• CLIP					1	
- 35	309799	• SHAFT ASM-MOD 2 ASM					1	
- 36	139472	• PIN,TAPERED,PLAIN- 3/4 LG X NC. 4-0					3	
- 37	309798	• LEVER,CARD PUSHER					2	
- 38	227979	• ARM ASSEMBLY-CARD PUSHER OPERATING					1	
- 39	229976	• SHAFT-MOD 2					1	
- 40	311498	• FRAME,STACKER					1	

# STEPPING/NON STEPPING MOTOR

FOR PARTS  
NOT SHOWN  
SEE FIG. 8  
SHEET 2

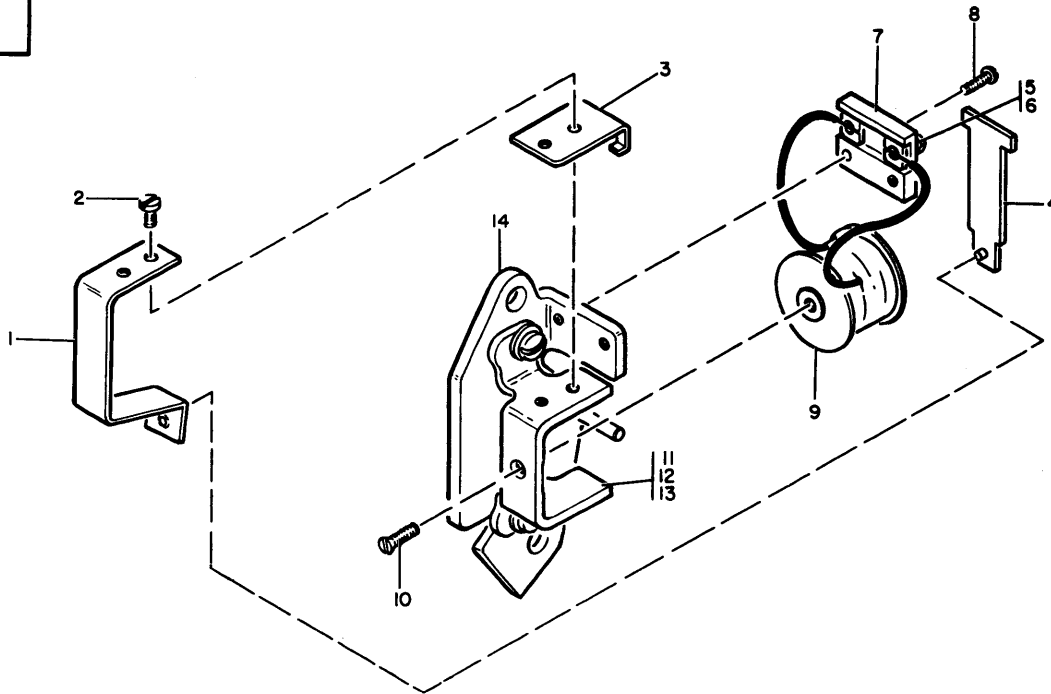


FIGURE 11. CLUTCH MAGNET ASSEMBLY. SEE LIST 11.

## CLUTCH MAGNET ASSEMBLY

FIGURE- INDEX NUMBER	PART NUMBER	DESCRIPTION				UNITS PER ASM.	USABLE ON CODE
		1	2	3	4		
11 -	338586	CLUTCH MAGNET ASSEMBLY FOR NEXT HIGHER ASSEMBLY SEE FIGURE 8-29 AND 8-422 AND FOR ILLUSTRATION, SEE FIGURE 11				REF	
- 1	228162	• CLUTCH-ARM				1	
- 2	186636	• SCREW, MACH-BIND HD 5-40 X 1/8 LG				2	ATT PT
- 3	228153	• CLAMP-ARMATURE KEEPER AND SPRING				1	
- 4	328008	• ARMATURE				1	
- 5	478	• NUT, PLAIN, HEX- 5-40 X 5/16 FL W BRS				2	
- 6	17514	• WASHER, FL-NO. 4 X 5/16 OD X 1/32 THK				2	
- 7	9667	• BLOCK-MAGNET TERMINAL				1	
- 8	2629	• SCREW, MACH-FIL H 5-40 X 3/8 LG				2	ATT PT
- 9	315189	• COIL				1	
- 10	163	• SCREW, MACH-FL CSK HD 5-40 X 5/16 LG				1	ATT PT
- 11	228152	• YOKE-MAGNET				1	
- 12	38381	• SCREW, MACH-FIL H 10-32 X 5/16 LG				2	ATT PT
- 13	139450	• WASHER, FL-NO. 10 X 7/16 OD X 3/64 THK				2	ATT PT
- 14	314269	• BRACKET ASSEMBLY-CLUTCH MAGNET				1	

# STEPPING/NON STEPPING MOTOR

FOR PARTS NOT SHOWN SEE FIG. 8 SHEET 2

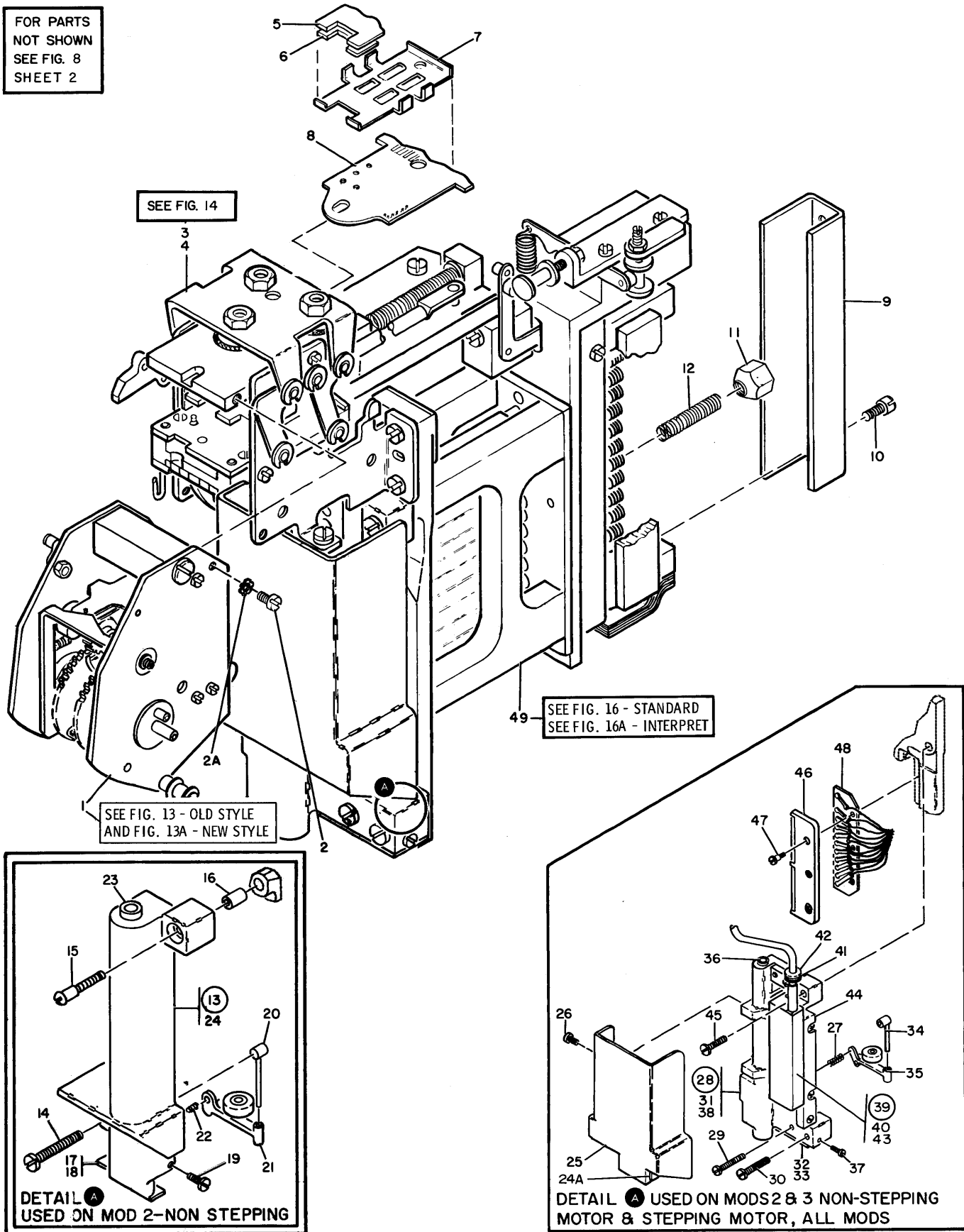


FIGURE 12. RIBBON PRINT INTERPOSER ASSEMBLY, MODELS 2 AND 3. SEE LIST 12.

# STEPPING/NON STEPPING MOTOR

## RIBBON PRINT INTERPOSER ASSEMBLY, MODELS 2 AND 3

FIGURE- INDEX NUMBER	PART NUMBER	DESCRIPTION	UNITS PER ASM.	USABLE ON CODE
12 -	961420	RIBBON PRINT INTERPOSER ASSEMBLY USED ON MODEL 2 - NON STEPPING MOTOR FOR NEXT HIGHER ASM, SEE FIGURE 8-64	REF	
-	961650	RIBBON PRINT INTERPOSER ASSEMBLY USED ON MODELS 2 AND 3 - STEPPING MOTOR AND ON MODEL 3 - NON STEPPING MOTOR FOR NEXT HIGHER ASSEMBLY SEE FIGURE 8-64 AND 8-455 AND FOR ILLUSTRATION, SEE FIGURE 12	REF	
- 1	228450	. RIBBON FEED UNIT ASSEMBLY USED PRIOR TO JAN/FEB 1972 FOR DETAIL BREAKDOWN, SEE FIGURE 13	1	
- 1	8108781	. RIBBON FEED UNIT ASSEMBLY USED AFTER JAN/FEB 1972 FOR DETAIL BREAKDOWN, SEE FIGURE 13A	1	
- 2	175235	. SCREW, BD HD- 3-48 X 1/2	ATT PT	2
- 2A	338169	. WASHER, EXT T- NO. 4	ATT PT	2
- 3	5372345	. PRINT UNIT ASSEMBLY FOR DETAIL BREAKDOWN, SEE FIGURE 14		1
- 4	2300	. SCREW, MACH-FIL H 8-32 X 1/4 LG	ATT PT	4
- 5	305243	. SHIM		5
- 6	228296	. SHIM		AR
- 7	228402	. HOLDER-PRESS PLATE SHIM		1
- 8	8107939	. CODE PLATE, DENMARK/NORWAY		AR
- 8	8109173	. CODE PLATE, U.K. ENGLISH		AR
- 8	8107850	. CODE PLATE, FINLAND/SWEDEN		AR
- 8	8112110	. CODE PLATE, BRAZIL		AR
- 8	8109283	. CODE PLATE, FRENCH (FRANC)/BELGIUM		AR
- 8	8110399	. CODE PLATE, PORTUGAL		AR
- 8	5372337	. CODE PLATE, USA/ITALY/GER/SPAIN/LATIN AM.		AR
- 8	5480436	. CODE PLATE, A.S.C.I.I.		AR
- 8	5372334	. CODE PLATE, H CHARACTER SET		AR
- 8	963307	. CODE PLATE-KATAKANA		1
- 9	228413	. COVER-POS FRAME		1
- 10	2300	. SCREW, MACH-FIL H 8-32 X 1/4 LG	ATT PT	2
- 11	228388	. NUT-SPECIAL 3-48 X 3/16 FL W		12
- 12	982904	. SPRING		12
- 13	5373606	. TUBE ASM, CHIP-MOD 2		1
- 14	38392	. SCREW, MACH-FIL H 10-32 X 1-1/4 LG	ATT PT	1
- 15	310111	. SCREW, SHLD-RH 10-32 X 0.818 LG	ATT PT	1
- 16	310107	. BUSHING-DIE AND GUIDE MTG	ATT PT	1
- 17	312321	. . PLATE-PRESS WHL		1
- 18	325624	. . SCREW, PUSH ROD GUIDE PLATE	ATT PT	1
- 19	10476	. . SCREW, MACH-FH 5-40 X 0.190 LG		1
- 20	369255	. . SHAFT ASSEMBLY-PRESS ROLL		1
- 21	369257	. . BEARING AND LEVER ASM-RH PRESSURE ROLL		1
- 22	313986	. . SPRING, HELICAL-COMP		1
- 23	228280	. . BEARING, SLEEVE- 0.221 ID X 0.345 OD BRZ		1
- 24	5373604	. . TUBE, CHIP		1
- 24A	964623	. OPTIC ASM		1
- 25	961669	. COVER, VERIFY UNIT-MOD 3		1
- 25	964723	USED PRIOR TO JUNE 1972 . COVER, VERIFY UNIT-MOD 3 USED AFTER JUNE 1972		1
- 26	251970	. SCREW-MACH BD. HD. 4-40 X 1/4 LG	ATT PT	2
- 27	313986	. SPRING-MOD 3		1
- 28	961665	. TUBE ASM, CHIP-MOD 3		1
- 29	81693	. SCREW, MACH, BD HD- 6-32 X 1/4 LG	ATT PT	1
- 30	322061	. SCREW, MACH-BIND HD 10-32 X 1-1/4 LG	ATT PT	1
- 31	22550	. SCREW, MACH, FIL H- 5-40 X 7/8 LG	ATT PT	2
- 32	8105458	. . PLATE, ADJUSTING USED PRIOR TO MARCH 1971		1
- 32	963504	. . PLATE, ADJUSTING		1
- 33	325624	USED AFTER MARCH 1971 . . SCREW, PUSH ROD GUIDE PLATE	ATT PT	1
- 34	369255	. . SHAFT ASSEMBLY-PRESS ROLL		1
- 35	963565	. . ARM, PRESSURE ROLL ASSEMBLY		1
- 36	228280 NR	. . BEARING, SLEEVE- 0.221 ID X 0.345 OD BRZ		1
- 37	8106233	. . SCREW, ADJUSTING 5-40 X .188 LG		1
- 38	961666 NR	. . TUBE, CHIP		1
- 39	961745	. OPTIC ASM-MOD 3		1
- 40	81693	. SCREW, MACH-BIND HD 6-32 X 1/4 LG	ATT PT	2
- 41	328041	. . RING, O		1
- 42	1138316	. . GROMMET		1
- 43	961734	. . FIBER OPTIC-VERIFY		1
- 44	961667	. SECTION, CHIP TUBE-MOD 3		1
- 45	38391	. SCREW MACHINE, FIL HD	ATT PT	1



# STEPPING/NON STEPPING MOTOR

RIBBON PRINT INTERPOSER ASSEMBLY, MODELS 2 AND 3

FIGURE- INDEX NUMBER	PART NUMBER	DESCRIPTION	UNITS PER ASM.	USABLE ON CODE
12 - 46	961738	• PLATE, APATURE USED PRIOR TO S/N 20,000	1	
- 46	982705	• PLATE, APATURE USED AFTER S/N 20,000	1	
- 47	961663	• PIN, LOCATING	3	
- 48	961740	• PHOTO BOARD AND CABLE-MOD 1,2,3 STEPPING MOTOR ATT PT	1	
- 48	962953	• PHOTO BOARD-LONG CABLE USED PRIOR TO FEB 1972	1	
- 49	961655	• DIE AND STRIPPER INTERPOSER ASSEMBLY USED ON MODEL 2-STEPPING MOTOR AND MODEL 3 STEPPING/NON STEPPING MOTOR	1	
- 49	982554	• DIE AND STRIPPER INTERPOSER ASSEMBLY PRIOR TO AUG. 1972 USED ON MODEL 2-STEPPING MOTOR AND MODEL 3 STEPPING/NON STEPPING MOTOR	1	
- 49	5754210	• DIE AND STRIPPER INTERPOSER ASSEMBLY AFTER AUGUST 1972 USED ON MODEL 2-NON STEPPING MOTOR	1	
- 49	981713	• INTERPOSER AND PUNCH ASSEMBLY FOR DETAIL BREAKDOWN, SEE FIGURE 16	1	
		• INTERPOSER AND PUNCH ASSEMBLY USED ON INTERPRET FEATURE FOR DETAIL BREAKDOWN, SEE FIGURE 16A		

# STEPPING/NON STEPPING MOTOR

OLD STYLE RIBBON FEED UNIT  
USED PRIOR TO JAN. / FEB. 1972  
FOR NEW STYLE SEE FIGURE 13A

FOR PARTS  
NOT SHOWN  
SEE FIG. 12

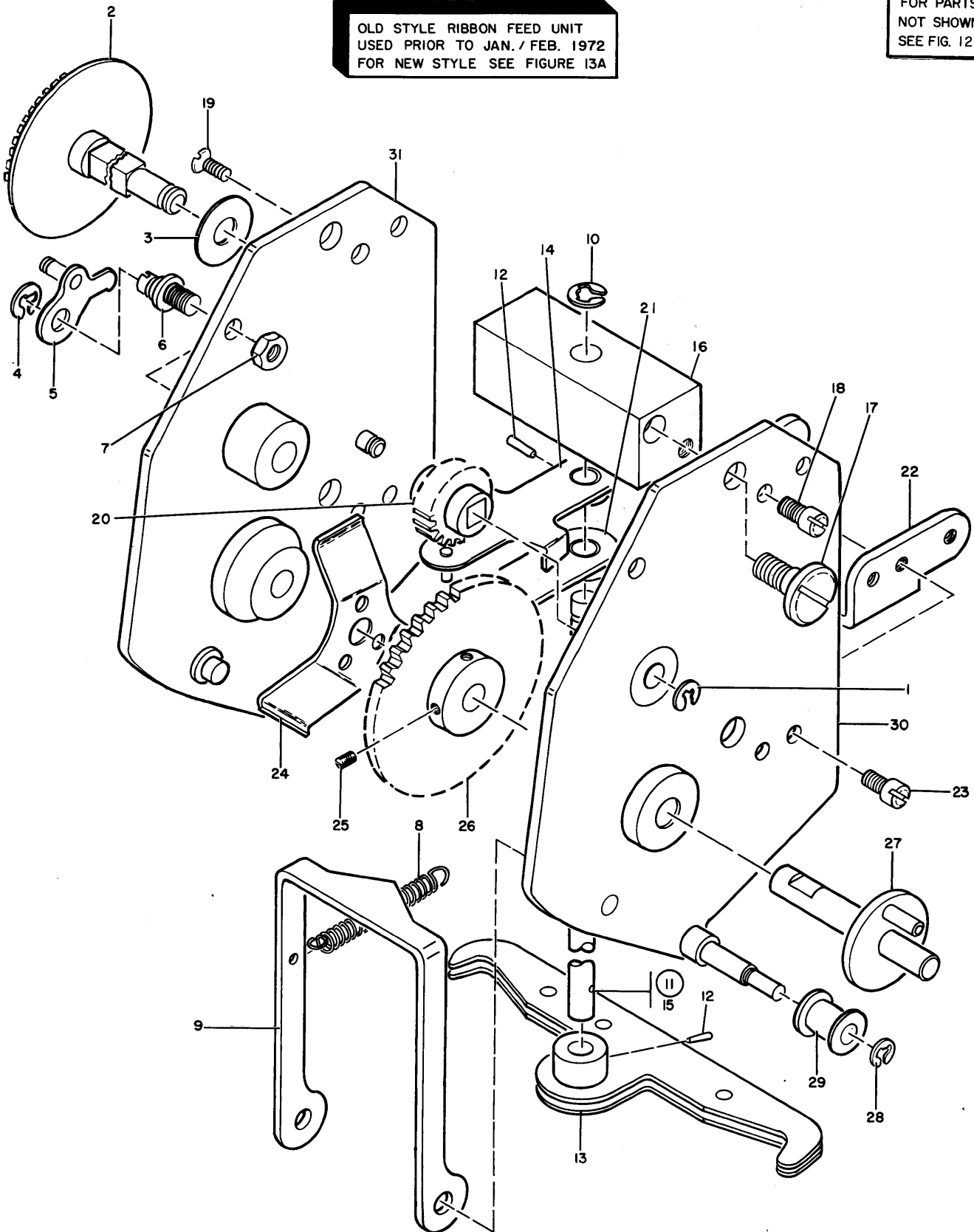


FIGURE 13. RIBBON FEED UNIT ASSEMBLY, MODELS 2 AND 3-OLD STYLE. SEE LIST 13.

# STEPPING/NON STEPPING MOTOR

## RIBBON FEED UNIT ASSEMBLY, MODELS 2 AND 3-OLD STYLE

FIGURE- INDEX NUMBER	PART NUMBER	DESCRIPTION				UNITS PER ASM.	USABLE ON CODE
		1	2	3	4		
13 -	228450	RIBBON FEED UNIT ASSEMBLY-MODELS 2 AND 3 USED PRIOR TO JAN./FEB. 1972 FOR NEXT HIGHER ASM. SEE FIGURE 12-1 AND FOR ILLUSTRATION, SEE FIGURE 13				REF	
- 1	25282	. RING-RETAINING, EXT 0.125 ID X 0.015 THK				1	
- 2	313922	. SHAFT ASSEMBLY-RATCHET DRIVE				1	
- 3	308165	. SPACER- 0.251 ID X 7/16 OD X 1/64 THK				1	
- 4	123206	. CLIP-RET				1	
- 5	301290	. PAWL ASSEMBLY-RATCHET STOP				1	
- 6	228245	. STUD-STOP PAWL PIVOT				1	
- 7	103372	. NUT, SELF LKG, HEX- 5-40 X 1/4 FL W			ATT PT	1	
- 8	110956	. SPRING, HELICAL, EXTENSION- 57.5 TURNS				1	
- 9	228260	. DETENT-RIBBON FEED				1	
- 10	123206	. CLIP-RET				1	
- 11	313935	. SHAFT ASSEMBLY-RIBBON REVERSING				1	
- 12	43740	. . PIN, TAPERED, PLAIN- 5/16 LG X NC. 7-0				2	
- 13	313932 NR	. . ARM ASSEMBLY-RIBBON REVERSE				1	
- 14	228261 NR	. . ARM ASSEMBLY-FEED REVERSE				1	
- 15	228268 NR	. . SHAFT-RIBBON REV				1	
- 16	228256	. PLATE-BEARING				1	
- 17	10775	. SCREW, SHLD-BIND HD 5-40 X 1/2 LG			ATT PT	2	
- 18	2650	. SCREW, MACH-FIL H 3-48 X 1/4 LG			ATT PT	1	
- 19	288	. SCREW, MACH-FL CSK HD 3-48 X 1/4 LG				1	
- 20	313938	. PINION-RATCHET SHIFT				1	
- 21	313927	. FORK ASSEMBLY-FEED REVERSE				1	
- 22	228255	. BRACKET-RIBBON FEED BEARING				1	
- 23	2650	. SCREW, MACH-FIL H 3-48 X 1/4 LG			ATT PT	4	
- 24	313937	. SPRING-RIBBON SPOOL FRICTION				1	
- 25	75533	. SET SCREW .540 THK X 1/8 LG				4	
- 26	313939	. GEAR, SPUR- 66 TEETH 48 DP 1.4126 OD				2	
- 27	228233	. SHAFT ASSEMBLY-RIBBON SPOOL DRIVE				2	
- 28	147297	. RING, RETAINING-EXT 0.094 ID X 0.020 THK				2	
- 29	228375	. WHEEL-RIBBON GUIDE				2	
- 30	313983	. FRAME ASSEMBLY-RIBBON RIGHT SIDE				1	
- 31	313982	. FRAME ASSEMBLY-RIBBON LEFT SIDE				1	

# STEPPING/NON STEPPING MOTOR

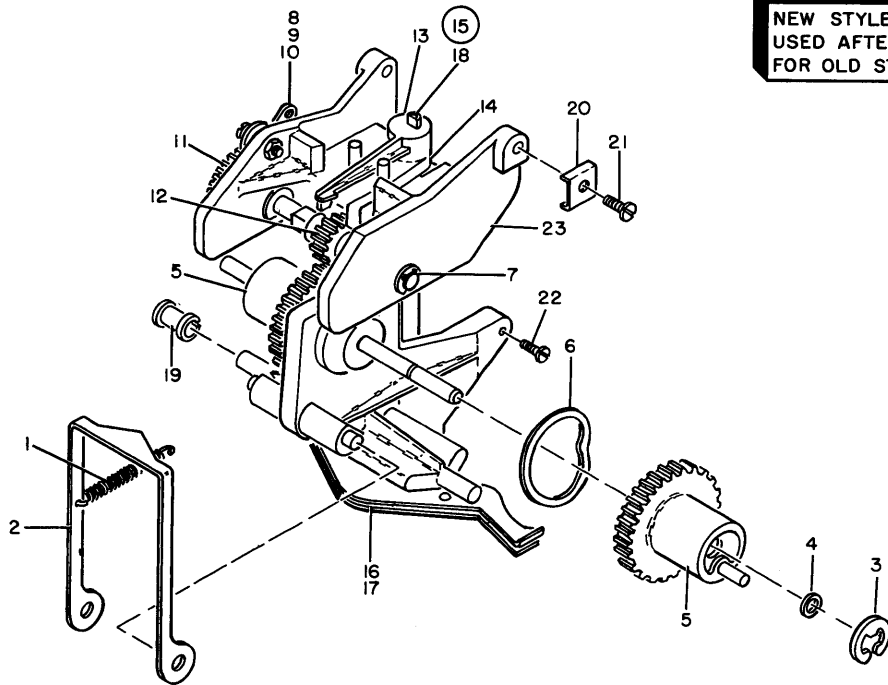


FIGURE 13A. RIBBON FEED UNIT ASSEMBLY, MODELS 2 AND 3-NEW STYLE. SEE LIST 13A.

## RIBBON FEED UNIT ASSEMBLY, MODELS 2 AND 3-NEW STYLE

FIGURE- INDEX NUMBER	PART NUMBER	DESCRIPTION	UNITS	USABLE ON CODE
			PER ASM.	
13A-	8108781	RIBBON FEED UNIT ASSEMBLY-MODELS 2 AND 3 USED AFTER JAN./FEB. 1972 FOR NEXT HIGHER ASM. SEE FIGURE 12-1 AND FOR ILLUSTRATION, SEE FIGURE 13A	REF	
- 1	8112224 NR	• SPRING, EXTENSION	1	
- 2	8108794	• LEVER, CAM	1	
- 3	25282	• CLIP, RETAINING	1	
- 4	8112229 NR	• SHIM- .161 ID X .010 THK	1	
- 5	8108791 NR	• GEAR, SPOOL DRIVE	AR	
- 6	8108793 NR	• WASHER, WAVED- .900 ID	2	
- 7	123206	• CLIP, RETAINING	2	
- 8	301290	• LEVER, PAWL	1	
- 9	8112225	• STUD- 5-40	1	ATT PT
- 10	103372	• NUT, HEX- 5-40	1	ATT PT
- 11	8108787 NR	• SHAFT ASM, RATCHED DRIVE	1	
- 12	8108792 NR	• PINION, RATCHET SHIFT	1	
- 13	8108796 NR	• ARM, TOGGLE- FEED REVERSE	1	
- 14	8108797 NR	• FORK, FEED REVERSE	1	
- 15	8112273 NR	• ARM ASM, RIBBON REVERSE LEVER	1	
- 16	8112272 NR	• ARM, RIBBON REVERSE LEVER	1	
- 17	43740 NR	• PIN, TAPER	1	ATT PT
- 18	8108799 NR	• SHAFT	1	
- 19	8108995 NR	• SPOOL, RIBBON GUIDE	1	
- 20	8108997	• CLAMP	2	
- 21	120367	• SCREW, MACH, BD HD- 3-48 X 3/8	2	ATT PT
- 22	38263	• SCREW, MACH, FIL H- 4-40 X 5/16	2	
- 23	8108783 NR	• CASTING, FEED UNIT	1	

# STEPPING/NON STEPPING MOTOR

FOR PARTS  
NOT SHOWN  
SEE FIG. 12

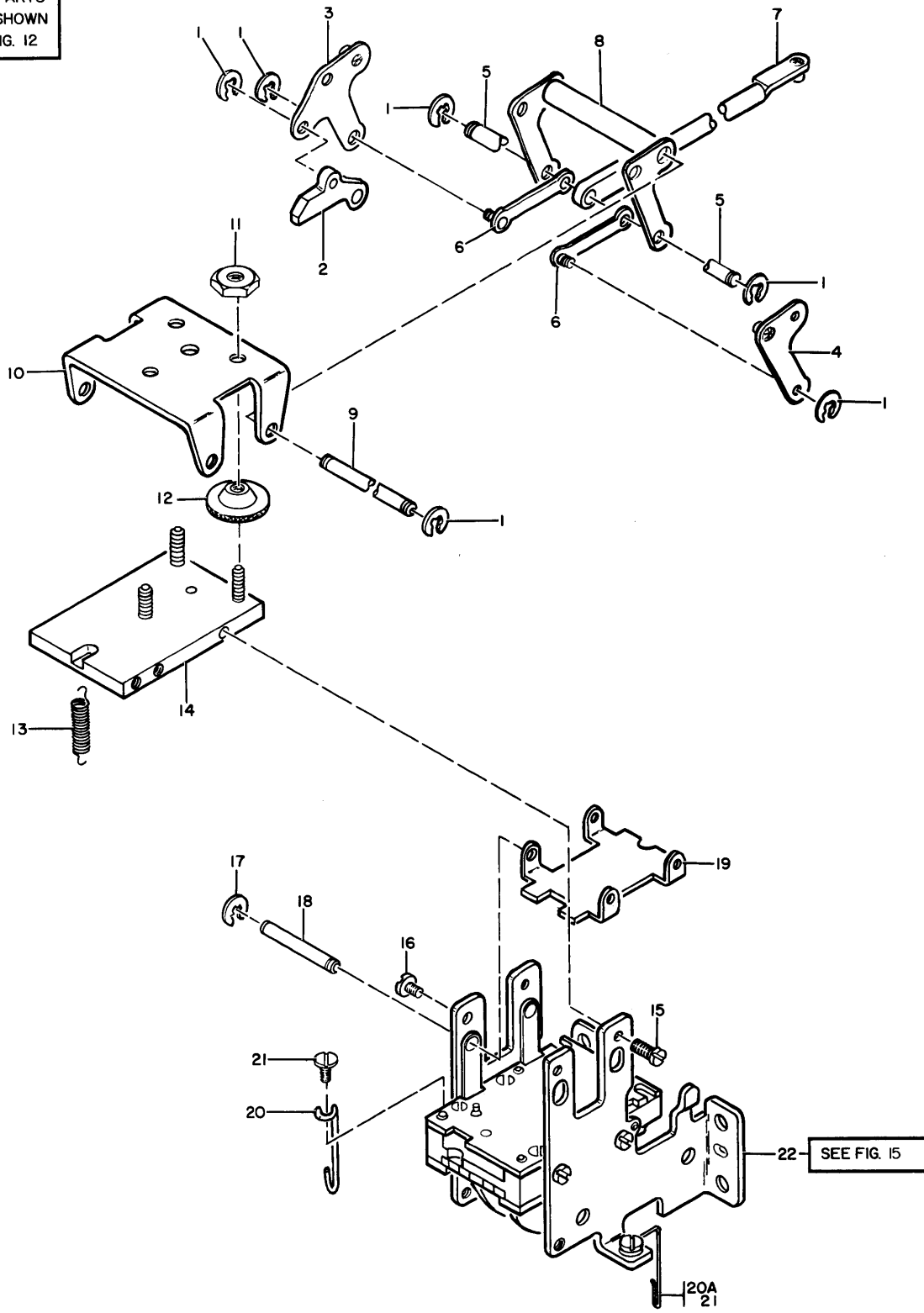


FIGURE 14. PRINT UNIT ASSEMBLY, MODELS 2 AND 3. SEE LIST 14.

# STEPPING/NON STEPPING MOTOR

PRINT UNIT ASSEMBLY, MODELS 2 AND 3

FIGURE- INDEX NUMBER	PART NUMBER	DESCRIPTION	UNITS	USABLE
			PER ASM.	ON CODE
14 -	5372345	PRINT UNIT ASSEMBLY-MODELS 2 AND 3 FOR NEXT HIGHER ASM, SEE FIGURE 12-3 AND FOR ILLUSTRATION, SEE FIGURE 14	REF	
- 1	264641	• RING, RETAINING-EXT 0.114 ID X 0.025 THK	1	
- 2	313924	• PAWL ASSEMBLY-RATCHET FEED	1	
- 3	310834	• ARM-DRIVE	1	
- 4	310833	• ARM-DRIVE	1	
- 5	228430	• SHAFT-PRINT DRIVE CONNECTING ROD	1	
- 6	228431	• LINK ASSEMBLY-CONNECTOR	2	
- 7	310826	• LINK, RIGID-PRINT DRIVE	1	
- 8	228424	• ARM ASSEMBLY-DRIVE	1	
- 9	228423	• SHAFT-PRESSURE PLATE DRIVE ARM	1	
- 10	228434	• PLATE-PIVOT ADJUSTING	1	
- 11	2899	• NUT, PLAIN, HEX- 8-32 X 3/8 FL W	3	ATT PT
- 12	228422	• NUT-SPECIAL 8-32 X 0.649 OD	3	
- 13	301213	• SPRING, HELICAL, EXTENSION- 28 TURNS	1	
- 14	228419	• PLATE ASSEMBLY-ADJUSTING SCREW	1	
- 15	228397	• SCREW, SHLD-FIL H 3-48 X 0.380 LG	2	ATT PT
- 16	2650	• SCREW, MACH-FIL H 3-48 X 1/4 LG	2	ATT PT
- 17	1073418	• RING-RETAINING	4	
- 18	5462520	• SHAFT, PRESSURE PLATE DRIVE	2	
- 19	228412	• PLATE-PRINT PRESS	1	
- 20	313936	• GUIDE-RIBBON	1	
- 20A	313936	• GUIDE-RIBBON	1	
- 20A	963397	USED PRIOR TO AUGUST 1971 • GUIDE, RIBBON	1	
- 21	140738	USED AFTER JUNE 1971 • SCREW, MACH-BIND HD 5-40 X 3/16 LG	2	ATT PT
- 22	5372340	• PRINT WIRE UNIT ASSEMBLY FOR DETAIL BREAKDOWN, SEE FIGURE 15	1	

# STEPPING/NON STEPPING MOTOR

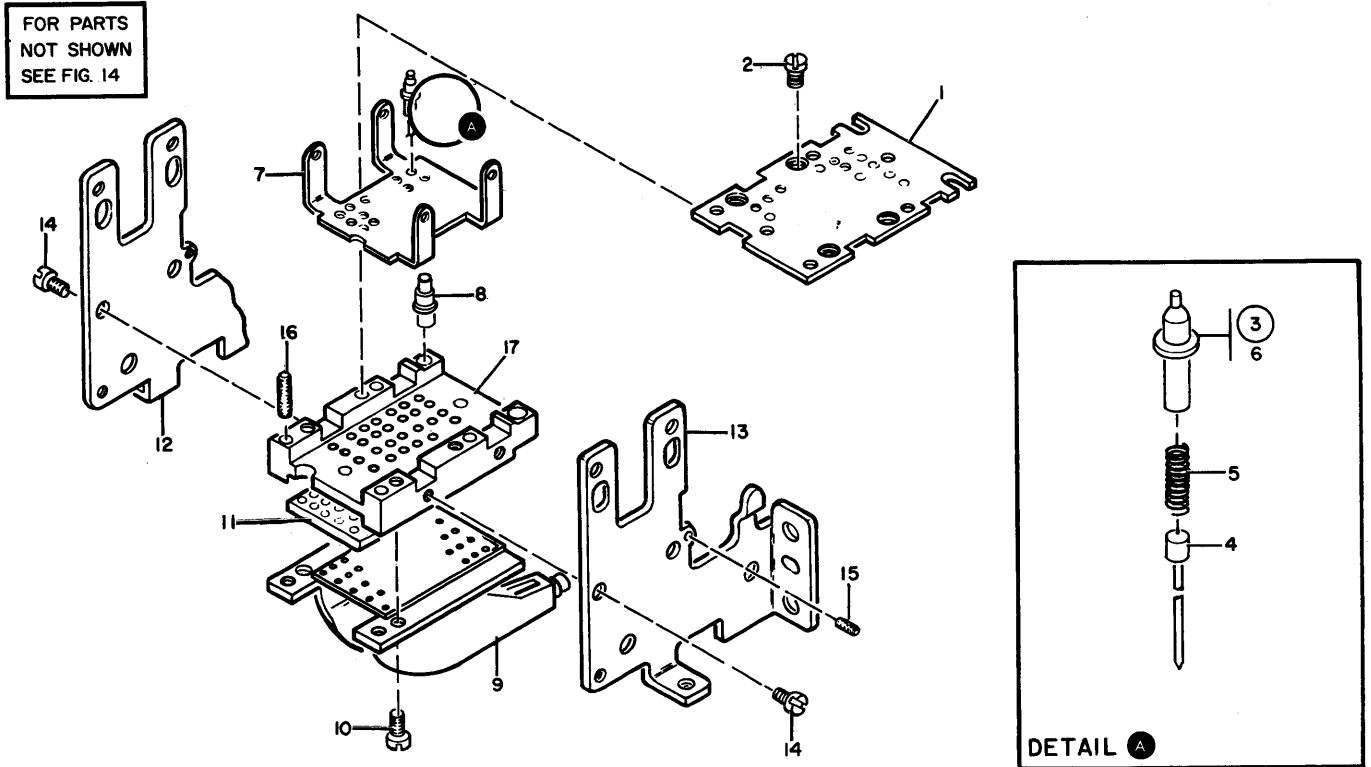


FIGURE 15. PRINT WIRE UNIT ASSEMBLY, MODELS 2 AND 3. SEE LIST 15.

## PRINT WIRE UNIT ASSEMBLY, MODELS 2 AND 3

FIGURE- INDEX NUMBER	PART NUMBER	DESCRIPTION	1 2 3 4				UNITS PER ASM.	USABLE ON CODE
15 -	5372340	PRINT WIRE UNIT ASSEMBLY—MODELS 2 AND 3 FOR NEXT HIGHER ASM, SEE FIGURE 14-22 AND FOR ILLUSTRATION, SEE FIGURE 15					REF	
- 1	5372341	• PLATE-WIRE GUIDE, REAR					1	
- 2	312058	• SCREW, MACH-FH 3-48 X 0.150 LG			ATT PT		4	
- 3	313566	• WIRE ASSEMBLY—PRINT					35	
- 4	313564 NP	• PRINT WIRE AND BUSHING ASSEMBLY					1	
- 5	313569 NP	• SPRING, HELICAL, COMPRESSION					1	
- 6	313563 NP	• HEAD—PRINT WIRE RESTORING					1	
- 7	5372338	• PLATE-WIRE RETURN					1	
- 8	313754	• PLUNGER ASSEMBLY—CODE PLATE RETURN					2	
- 9	5372339	• COVER ASSEMBLY—WIRE TUBE					1	
- 10	2650	• SCREW, MACH-FIL H 3-48 X 1/4 LG			ATT PT		8	
- 11	313599	• WICK—LUBRICATING					6	
- 12	300547	• FRAME—PRINT LEFT SIDE					1	
- 13	300546	• FRAME—PRINT RIGHT SIDE					1	
- 14	91373	• SCREW, MACH-BIND HD 3-48 X 0.250 LG			ATT PT		4	
- 15	313993	• PIN—KNURLED 0.064 DIA X 0.250 LG			ATT PT		4	
- 16	313592	• PIN—KNURLED 0.091 DIA X 0.515 LG					4	
- 17	5372342	• PLATE-WIRE GUIDE, FRONT					1	

# STEPPING/NON STEPPING MOTOR

FOR PARTS  
NOT SHOWN  
SEE FIG. 12

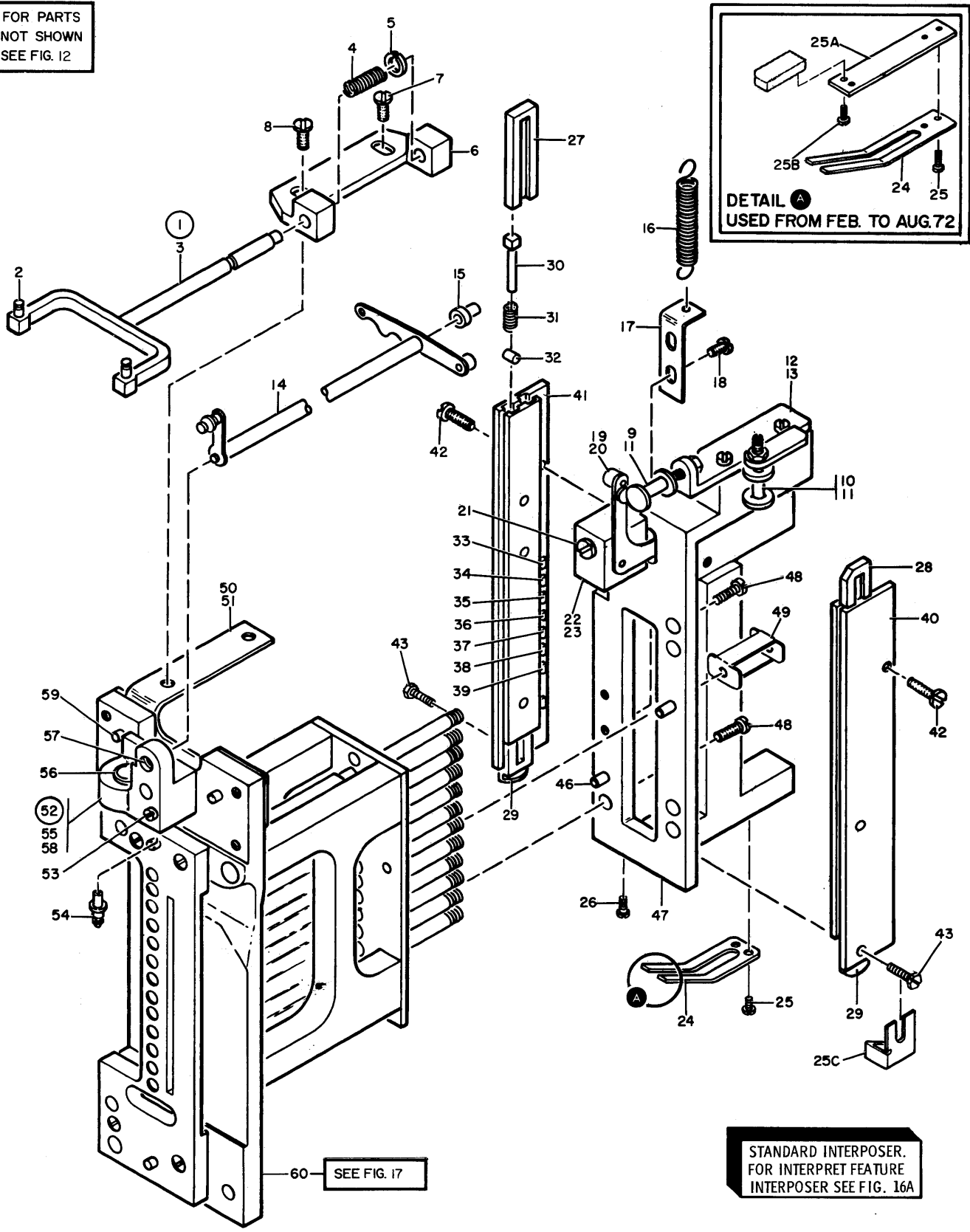


FIGURE 16. DIE AND STRIPPER INTERPOSER ASSEMBLY, MODELS 2 AND 3. SEE LIST 16.



# STEPPING/NON STEPPING MOTOR

## DIE AND STRIPPER INTERPOSER ASSEMBLY, MODELS 2 AND 3

FIGURE- INDEX NUMBER	PART NUMBER	DESCRIPTION	UNITS PER ASM.	USABLE ON CODE
16 -	961655	DIE AND STRIPPER INTERPOSER ASSEMBLY USED ON MODEL 2 STEPPING MOTOR AND MODEL 3 STEPPING/NON STEPPING MOTOR	REF	
-	982554	DIE AND STRIPPER INTERPOSER ASSEMBLY USED ON MODEL 2-STEPPING MOTOR AND MODEL 3 STEPPING/NON STEPPING MOTOR PRIOR TO AUG 1972	REF	
	5754210	DIE AND STRIPPER INTERPOSER ASSEMBLY USED ON MODEL 2-NON STEPPING MOTOR FOR NEXT HIGHER ASM, SEE FIGURE 12-49 AND FOR ILLUSTRATION, SEE FIGURE 16	REF	
- 1	300545	• ROD ASSEMBLY-VERTICAL DRIVE	1	
- 2	300494 NR	• • STUD-VERT DR	2	
- 3	300544 NR	• • ROD-VERTICAL DRIVE	1	
- 4	300548	• SPRING, HELICAL, COMPR- 24 TURNS	1	
- 5	382636	• LOCK, SPRING	1	
- 6	300493	• PLATE-VERTICAL DRIVE ROD GUIDE	1	
- 7	42003	• SCREW, MACH-TRUSS HD 8-32 X 1/4 LG	ATT PT	1
- 8	130431	• SCREW, SPECIAL- 8-32 X 11/64 LG	ATT PT	1
- 9	309999	• STOP-ADJUSTING	2	
- 10	5404248	• STOP, ADJUSTMENT	1	
- 11	6503	• NUT, PLAIN, HEX- 8-32 X 1/4 FL W	ATT PT	2
- 12	309998	• BRACKET-STOP MOUNTING	1	
- 13	845	• SCREW, MACH-FIL H 8-32 X 1/2 LG	ATT PT	2
- 14	309996	• LEVER ASSEMBLY-HORIZONTAL SHIFT	1	
- 15	228403 NR	• BEARING, SLV-FLG 0.095 ID X 0.187 OD BR7	1	
- 16	228411	• SPRING, HELICAL, EXTENSION- 43.5 TURNS	1	
- 17	228386	• BRACKET-INTERPOSER SPRING HORIZONTAL	1	
- 18	140738	• SCREW, TRUSS HD- 5-40 X 3/16 LG	ATT PT	2
- 19	5754291	• BELL CRANK ASM, VERTICAL SHIFT	1	
- 20	60489	• CLIP-SPRING	1	
- 21	2032	• SCREW, MACH-FIL H 8-32 X 7/8 LG	1	
- 22	228438	• BEARING-SHIFT LEV GUIDE	1	
- 23	101926	• PIN, STR, HDLS- 1/16 DIA X 9/32 LG	ATT PT	1
- 24	5754211	• SPRING, LEAF	4	
- 24	962887	• SPRING, PRINT PROTECT USED FROM FEB 1972 TO AUG. 1972	1	
- 25	38353	• SCREW, MACH, FIL H- 6-32 X 7/16	ATT PT	AR
- 25	34512	• SCREW, BIND, HD 8-32 X .375 LG	ATT PT	AR
- 25A	962888	• BRACKET USED FROM FEB 1972 TO AUG. 1972	1	
- 25B	38354	• SCREW, MACH-FIL H 6-32 X 1/2 LG	ATT PT	2
- 25C	964756	• TENSIONER, ADJUSTING SCREW	2	
- 26	5754242	• SCREW, ADJ- 3-48 X .422	2	
- 27	228389	• BAR-HORIZONTAL	1	
- 28	228414	• BAR-VERTICAL	1	
- 29	5754213	• STOP, PRINT INTERPOSER	2	
- 30	5754216	• SPACER, PRINTER INTERPOSER	4	
- 31	5754218	• SPRING, COMPRESSION	1	
- 32	228417	• ROLLER	44	
- 33	228443	• INTERPOSER-PRINT MINUS 1	3	
- 34	228440	• INTERPOSER-PRINT PLUS 2	1	
- 35	228439	• INTERPOSER-PRINT PLUS 1	1	
- 36	228444	• INTERPOSER-PRINT MINUS 2	2	
- 37	228441	• INTERPOSER-PRINT PLUS 3	1	
- 38	228442	• INTERPOSER-PRINT PLUS 4	3	
- 39	228445	• INTERPOSER-PRINT MINUS 3	1	
- 40	228378	• PLATE ASM-PRINT INTERPOSER GUIDE RIGHT	1	
- 41	228381	• PLATE ASM-PRINT INTERPOSER GUIDE LEFT	1	
- 42	4236	• SCREW, FIL H- 5-40 X 1/4	ATT PT	2
- 43	325624	• SCREW, PUSH ROD GUIDE PLATE	ATT PT	2
- 46	1092056	• PIN, STR, HDLS- 1/8 DIA X 5/16 LG	1	
- 47	5754212 NR	• FRAME, PRINT PROTECT	1	
- 48	845	• SCREW, MACH, FIL H- 8-32 X 1/2 LG	ATT PT	2

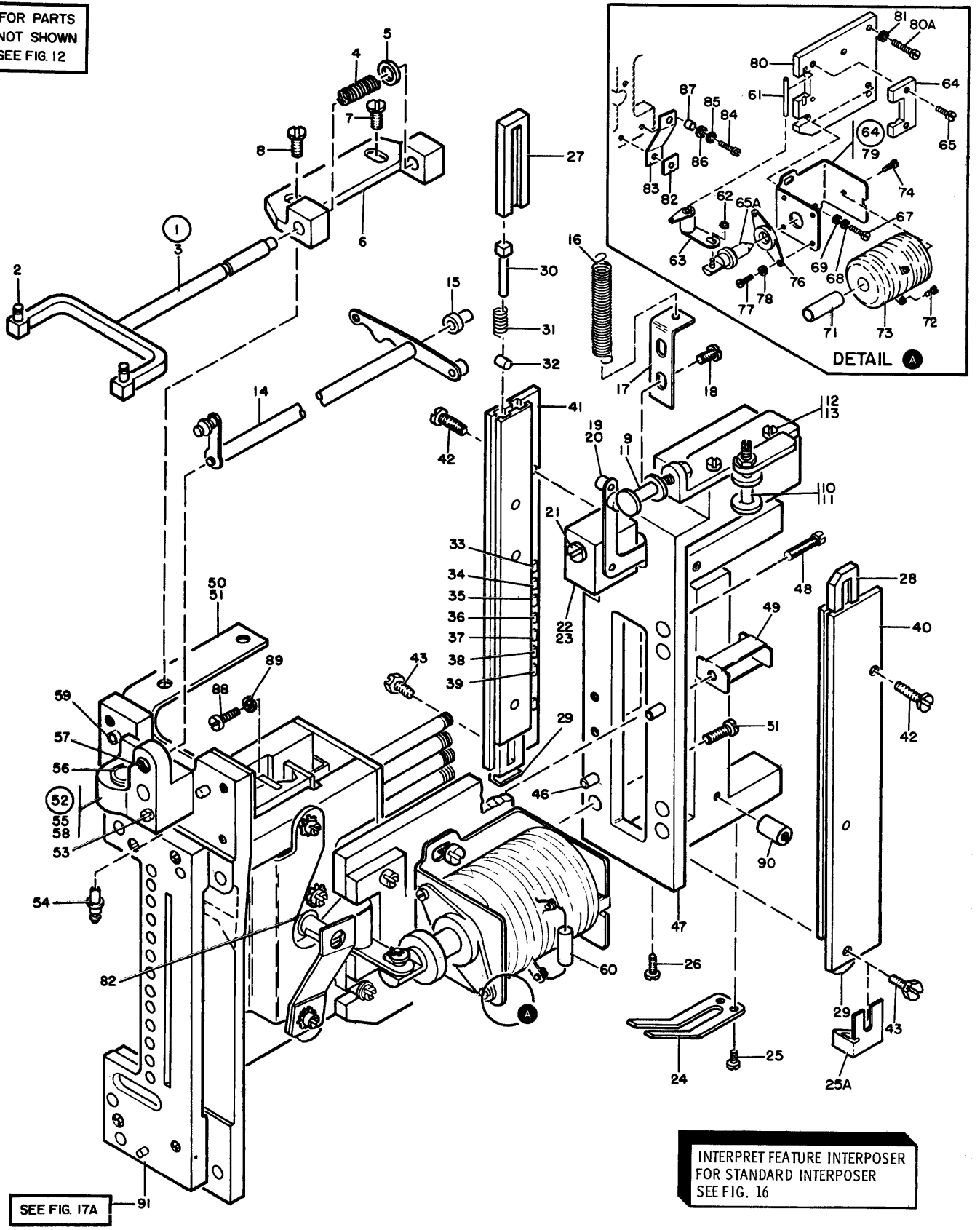
# STEPPING/NON STEPPING MOTOR

DIE AND STRIPPER INTERPOSER ASSEMBLY, MODELS 2 AND 3

FIGURE- INDEX NUMBER	PART NUMBER	DESCRIPTION				UNITS PER ASM.	USABLE ON CODE
		1	2	3	4		
16 - 49	340726	. YOKE-INTERPOSER				12	
- 50	300481	. BRACKET-VERTICAL DRIVE ROD MOUNTING				1	
- 51	24752	. SCREW, MACH-FIL H 8-32 X 5/16 LG				1	ATT PT
- 52	962816	. BLOCK ASM, CHIP DRIVE BEARING				1	
- 53	641	. SCREW, MACH-FIL HD 8-32 X 0.750 LG				1	ATT PT
- 54	228277	. . STUD				1	
- 55	228279 NR	. . BLOCK-CHIP DRIVE BEARING				1	
- 55	962815	. . BLOCK, CHIP DRIVE BEARING USED ON MOD 3 AFTER JULY 1971				1	
- 56	228280 NR	. . BEARING, SLEEVE- 0.221 ID X 0.345 OD BRZ				1	
- 57	228403 NR	. . BEARING, SLV-FLG 0.095 ID X 0.187 OD BRZ				1	
- 58	1092056	. PIN, STR, HDLS- 1/8 DIA X 5/16 LG				4	
- 59	104696	. PIN, STR, HDLS- 1/8 DIA X 1/2 LG				2	
- 60	228301	. GUIDE ASSEMBLY-NON STEPPING MOD 2				1	
- 60	961660 NP	. GUIDE ASSEMBLY-NON STEPPING MCTCR MOD 3 AND STEPPING MOTOR MODS 2 AND 3 PRIOR TO AUG. 1972				1	
- 60	982548	. GUIDE ASSEMBLY-NON STEPPING MCTCR MOD 3 AND STEPPING MOTOR MODS 2 AND 3 AFTER AUG. 1972 FOR DETAIL BREAKDOWN, SEE FIGURE 17				1	

# STEPPING MOTOR

FOR PARTS  
NOT SHOWN  
SEE FIG. 12



SEE FIG. 17A

INTERPRET FEATURE INTERPOSER  
FOR STANDARD INTERPOSER  
SEE FIG. 16

FIGURE 16A. INTERPOSER AND PUNCH ASSEMBLY-INTERPRET FEATURE. SEE LIST 16A.

# STEPPING MOTOR

## INTERPOSER AND PUNCH ASSEMBLY-INTERPRET FEATURE

FIGURE- INDEX NUMBER	PART NUMBER	DESCRIPTION	1 2 3 4				UNITS PER ASM.	USABLE ON CODE
16A-	981713	INTERPOSER AND PUNCH ASSEMBLY FOR NEXT HIGHER ASM, SEE FIGURE 12-49 AND FOR ILLUSTRATION, SEE FIGURE 16A					REF	
- 1	300545	. ROD ASSEMBLY-VERTICAL DRIVE					1	
- 2	300494 NR	. . STUD-VERT DR					2	
- 3	300544 NR	. . ROD-VERTICAL DRIVE					1	
- 4	300548	. SPRING, HELICAL, COMPR- 24 TURNS					1	
- 5	382636	. LOCK, SPRING					1	
- 6	300493	. PLATE-VERTICAL DRIVE ROD GUIDE					1	
- 7	42003	. SCREW, MACH-TRUSS HD 8-32 X 1/4 LG			ATT PT		1	
- 8	130431	. SCREW, SPECIAL- 8-32 X 11/64 LG			ATT PT		1	
- 9	309999	. STOP-ADJUSTING					2	
- 10	309999	. STOP, ADJ					1	
- 11	6503	. NUT, PLAIN, HEX- 8-32 X 1/4 FL W			ATT PT		2	
- 12	309998	. BRACKET-STOP MOUNTING					1	
- 13	845	. SCREW, MACH-FIL H 8-32 X 1/2 LG			ATT PT		2	
- 14	309996	. LEVER ASSEMBLY-HORIZONTAL SHIFT					1	
- 15	228403 NR	. BEARING, SLV-FLG 0.095 ID X 0.187 OD BRZ					1	
- 16	228411	. SPRING, HELICAL, EXTENSION- 43.5 TURNS					1	
- 17	228386	. BRACKET-INTERPOSER SPRING HORIZONTAL					1	
- 18	140738	. SCREW, MACH-BIND HD 5-40 X 3/16 LG			ATT PT		2	
- 19	982410	. BELL CRANK ASM, VERTICAL SHAFT					1	
- 20	60489	. CLIP-SPRING			ATT PT		1	
- 21	2032	. SCREW, MACH-FIL H 8-32 X 7/8 LG					1	
- 22	228438	. BEARING-SHIFT LEV GUIDE					1	
- 23	101926	. PIN, STR, HDLS- 1/16 DIA X 9/32 LG			ATT PT		1	
- 24	5754211	. SPRING, LEAF					4	
- 25	38352	. SCREW, MACH-FIL H 6-32 X 3/8 LG			ATT PT		2	
- 25A	964756	. TENSIONER, ADJUSTING SCREW					2	
- 26	5754242	. SCREW, ADJ- 3-48 X .422					2	
- 27	228414	. BAR, HORIZONTAL SPACER-PRINT INTERPOSER					1	
- 28	228389	. BAR, VERTICAL SPACER-PRINT INTERPOSER					1	
- 29	5754213	. STOP, PRINT INTERPOSER					2	
- 30	5754216	. SPACER, PRINT INTERPOSER					4	
- 31	5754218	. SPRING, COMPRESSION					1	
- 32	228417	. ROLLER					44	
- 33	228443	. INTERPOSER-PRINT MINUS 1					3	
- 34	228440	. INTERPOSER-PRINT PLUS 2					1	
- 35	228439	. INTERPOSER-PRINT PLUS 1					1	
- 36	228444	. INTERPOSER-PRINT MINUS 2					2	
- 37	228441	. INTERPOSER-PRINT PLUS 3					1	
- 38	228442	. INTERPOSER-PRINT PLUS 4					3	
- 39	228445	. INTERPOSER-PRINT MINUS 3					1	
- 40	228378	. PLATE ASM-PRINT INTERPOSER GUIDE RIGHT					1	
- 41	228381	. PLATE ASM-PRINT INTERPOSER GUIDE LEFT					1	
- 42	4236	. SCREW, MACH-FIL H 5-40 X 1/4 LG			ATT PT		2	
- 43	325624	. SCREW, PUSH ROD GUIDE PLATE			ATT PT		2	
- 46	1092056 NR	. PIN, STR, HDLS- 1/8 DIA X 5/16 LG					1	
- 47	981711	. FRAME					1	
- 48	845	. SCREW, MACH-FIL H 8-32 X 1/2 LG			ATT PT		3	
- 49	340726	. YOKE-INTERPOSER					12	
- 50	300481	. BRACKET-VERTICAL DRIVE ROD MOUNTING					1	
- 51	24752	. SCREW, MACH-FIL H 8-32 X 5/16 LG			ATT PT		3	
- 52	962816	. BLOCK ASM, CHIP DRIVE BEARING					1	
- 53	641	. SCREW, MACH-FIL HD 8-32 X 0.750 LG			ATT PT		1	
- 54	228277 NR	. . STUD-CHIP DRIVE IDLER GEAR					1	
- 55	962815	. . BLOCK, CHIP DRIVE BEARING					1	
- 56	228280 NR	. . BEARING, SLEEVE- 0.221 ID X 0.345 OD BRZ					1	
- 57	228403 NR	. . BEARING, SLV-FLG 0.095 ID X 0.187 OD BRZ					1	
- 58	1092056	. PIN, STR, HDLS- 1/8 DIA X 5/16 LG					4	
- 59	104696	. PIN, STR, HDLS- 1/8 DIA X 1/2 LG					2	
- 60	2160917	. DIODE ASM, SILICON, TYPE AM					1	
- 61	594148	. SHAFT					1	
- 62	25282	. RING-RETAINING, EXT 0.125 ID X 0.015 THK					1	
- 63	594151	. CRANK ASM, BELL					1	
- 64	594161	. PLATE					1	
- 65	38452	. SCREW, MACH-FL CSK HD 8-32 X 5/16 LG			ATT PT		2	
- 65A	149625	. PLUNGER ASSEMBLY, SOLENOID					1	

# STEPPING MOTOR

## INTERPOSER AND PUNCH ASSEMBLY-INTERPRET FEATURE

FIGURE- INDEX NUMBER	PART NUMBER	DESCRIPTION				UNITS PER ASM.	USABLE ON CODE
		1	2	3	4		
16A- 66	5401017	• COIL ASM,PUNCH ASM				1	
- 67	337	• SCREW,MACH-FIL H 8-32 X 3/8 LG				2	
- 68	60646	• WASHER,LOCK-INT T NO. 8				2	
- 69	22478	• WASHER,FL- 0.170 ID 0.375 OD 0.32 THK				2	
- 71	149622	• CORE,SOLENOID				1	
- 72	53042	• SCREW,MACH-RH 4-40 X 3/16 LG				1	
- 73	5404057	• COIL				1	
- 74	424	• SCREW,MACH-RH 8-32 X 5/16 LG				1	
- 76	149627	• STOP,SOLENOID				1	
- 77	38364	• SCREW,MACH-FIL H 8-32 X 3/16 LG				2	
- 78	60646	• WASHER,LOCK-INT T NO. 8				2	
- 79	149631	• YOKE				1	
- 80	594155	• PLATE,SOLENOID				1	
- 80A	38372	• SCREW,MACH-RH 8-32 X 11/16 LG				2	
- 81	60646	• WASHER,LOCK-INT T NO. 8				2	
- 82	594139	• PLATE				1	
- 83	594135	• SPRING				1	
- 84	2031	• SCREW,MACH-FIL H 8-32 X 5/8 LG				1	
- 85	60646	• WASHER,LOCK-INT T NO. 8				1	
- 86	22478	• WASHER,FL- 0.170 ID 0.375 OD 0.32 THK				2	
- 87	130374	• COLLAR				1	
- 88	186923	• SCREW-CAP,SOC HD 4-40 X 1/4 LG				4	
- 89	257984	• WASHER,LOCK-SPLIT 1/8 ID X 13/64 OD				4	
- 90	594138	• SPACER				2	
- 91	961712	• PUNCH ASSEMBLY FOR DETAIL BREAKDOWN,SEE FIGURE 17A				1	

# STEPPING/NON STEPPING MOTOR

FOR PARTS NOT SHOWN SEE FIGS. 16 AND 18

STANDARD PUNCH GUIDE.  
FOR INTERPRET FEATURE PUNCH GUIDE SEE FIG. 17A

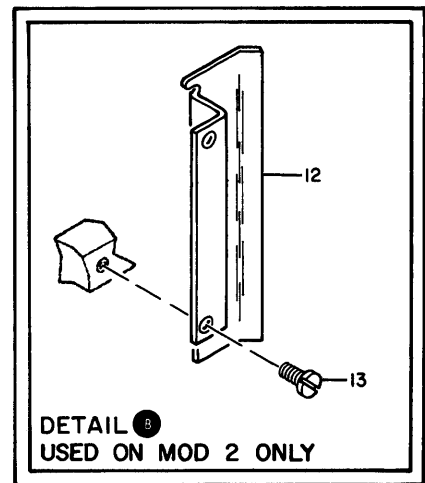
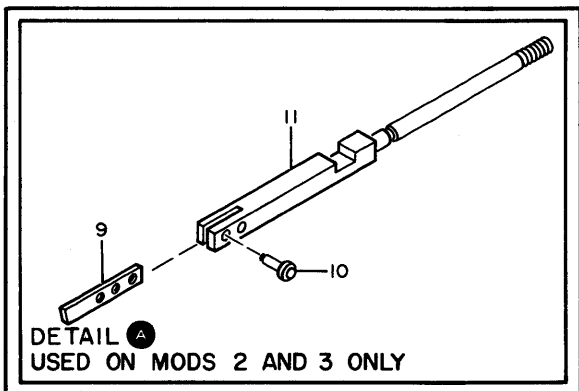
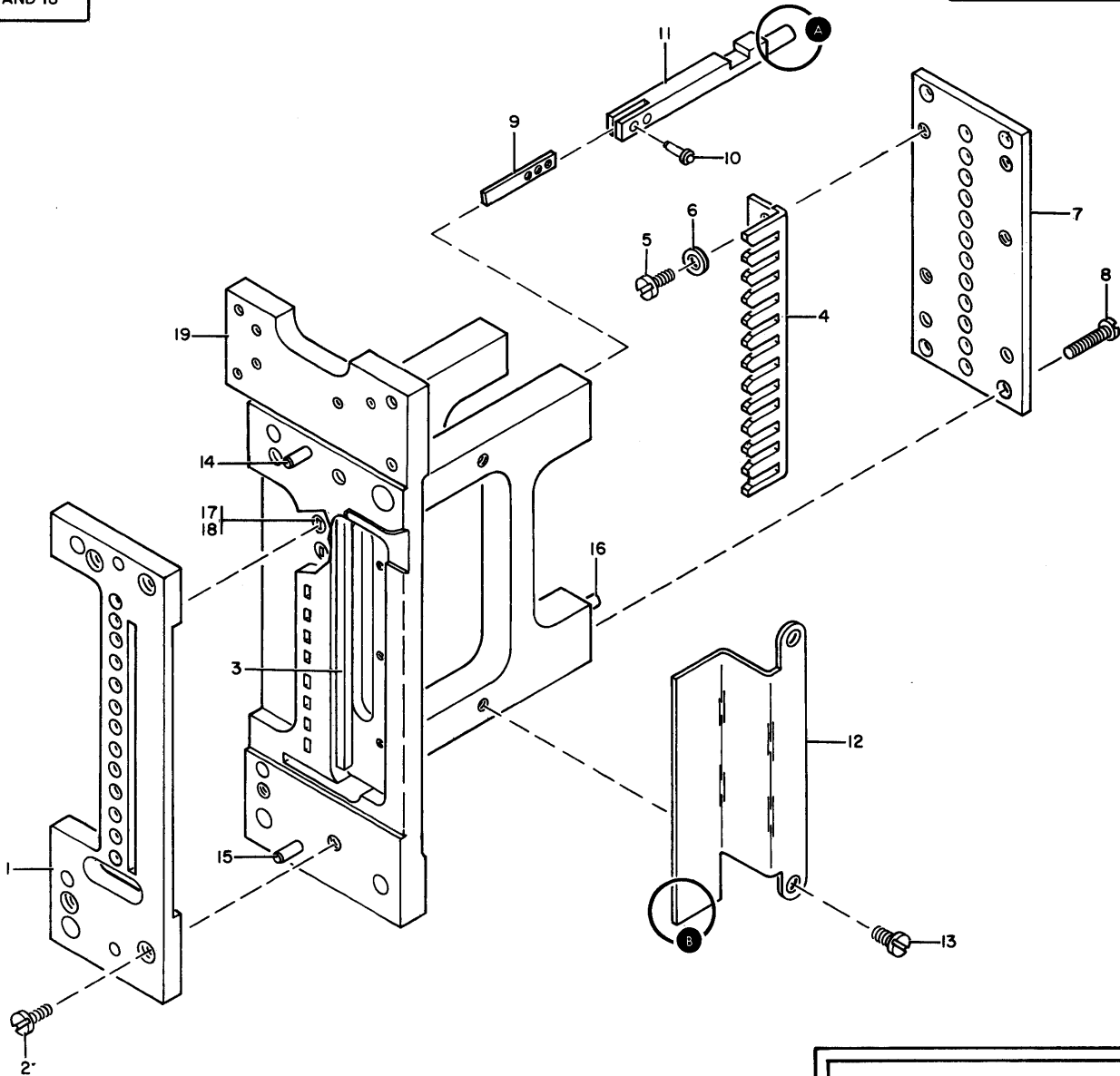


FIGURE 17. GUIDE ASSEMBLY. SEE LIST 17.

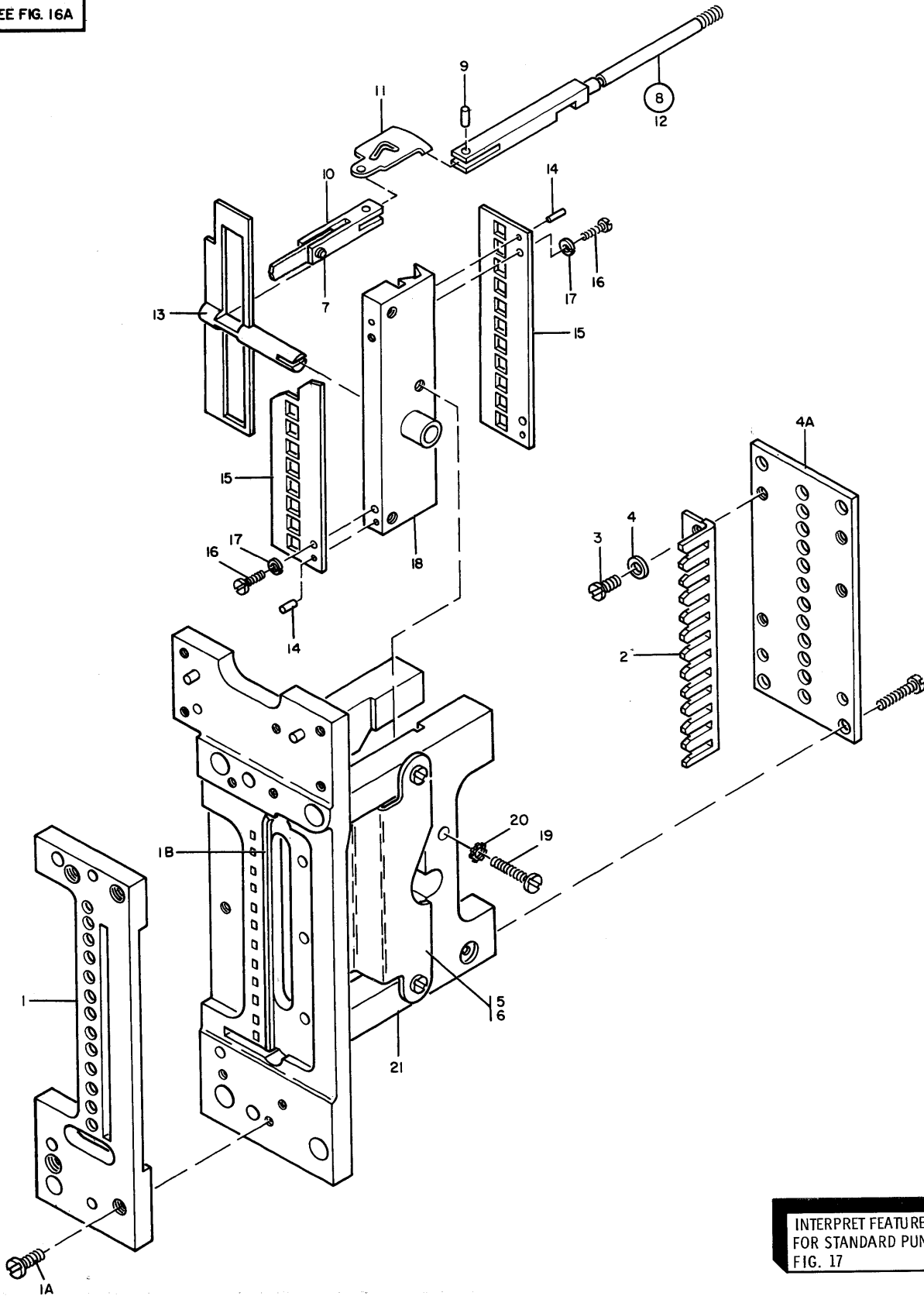
# STEPPING/NON STEPPING MOTOR

## GUIDE ASSEMBLY

FIGURE- INDEX NUMBER	PART NUMBER	DESCRIPTION				UNITS PER ASM.	USABLE ON CODE
		1	2	3	4		
17 -	961675	GUIDE ASSEMBLY-MOD 1 FOR NEXT HIGHER ASM,SEE FIGURE 18-25 AND FOR ILLUSTRATION,SEE FIGURE 17				REF	
-	228301 NP	GUIDE ASSEMBLY-NON STEPPING MOTOR MOD 2				REF	
-	961660 NP	GUIDE ASSEMBLY-NON STEPPING MOTOR MOD 3 AND STEPPING MOTOR MODS 2 AND 3 USED PRIOR TO AUG. 1972				REF	
-	982548	GUIDE ASSEMBLY-NON STEPPING MOTOR MOD 3 AND STEPPING MOTOR MODS 2 AND 3 USED AFTER AUG. 1972 FOR NEXT HIGHER ASM,SEE FIGURE 16-60 AND FOR ILLUSTRATION,SEE FIGURE 17					
- 1	961661 NP	• DIE-MODS NON STEPPING MOTOR MODS 1 & 3 AND STEPPING MOTOR ALL MODS				1	
- 1	961656 NP	• DIE-MOD 1				1	
- 1	228014 NP	• DIE-NON STEPPING MOTOR MOD 2				1	
- 2	2629	• SCREW,MACH-FIL H 5-40 X 3/8 LG				AR	
- 3	961662	• BUMPER-MODS 1 AND 3				1	
- 4	228270	• COMB-PUNCH DRIVE ARM GUIDE				1	
- 5	196298	• SCREW,MACH-BIND HD 5-40 X 3/16 LG				AR	
- 5	77064	• SCREW,MACH-BIND HD 5-40 X 5/32 LG				ATT PT	
- 6	45639	• WASHER,FL-NO. 4 X 5/16 OD X 0.020 THK				ATT PT	
- 7	228303 NR	• GUIDE,SUPPORT PUNCH-MOD 1				2	
- 7	314220 NR	• GUIDE,SUPPORT PUNCH-MODS 2 AND 3				1	
- 8	845	• SCREW,MACH-FIL H 8-32 X 1/2 LG				ATT PT	
- 9	228019	• PUNCH-MOD 1				3	
- 9	8108463	• PUNCH-MODS 2 AND 3				12	
- 10	228020	• PIN,STR,HEADED- 0.0618 DIA X 0.265 LG				ATT PT	
- 11	228018	• SUPPORT,PUNCH-MOD 1				12	
- 11	348701	• SUPPORT,PUNCH-MODS 2 AND 3				12	
- 12	961659	• PLATE,RETAINING-MODS 1 AND 3				1	
- 12	313331	• PLATE,RETAINING-ESCAPEMENT				1	
- 13	55726	• SCREW,MACH-BIND HD 6-32 X .188 LG				ATT PT	
- 13	38271	• SCREW,MACH-FIL H 5-40 X 3/16 LG				ATT PT	
- 14	228016	• PIN-DIE AND PUNCH GUIDE				AR	
- 14	961664	USED ON MOD 2 ONLY • PIN,DOWEL-.156 X 1.00 LG USED ON MODS 1 AND 3 ONLY				1	
- 15	228016	• PIN-DIE AND PUNCH GUIDE				1	
- 16	104696	• PIN,STR,HOLS- 1/8 DIA X 1/2 LG				2	
- 17	180932 NP	• BEARING-PUNCH				36	
- 18	198795 NP	• PUNCH-BEARING MATRIX				12	
- 19	961676 NP	• GUIDE,PUNCH-MOD 1 STEPPING/NON-STEPPING				1	
- 19	961658 NP	• GUIDE,PUNCH-MODS 2 AND 3 STEPPING				1	
- 19	982555 NP	USED PRIOR TO AUG. 1972 • GUIDE,PUNCH-MODS 2 AND 3 STEPPING				1	
- 19	228015 NP	USED AFTER AUG. 1972 • GUIDE,PUNCH-MOD 2 NON STEPPING				1	

# STEPPING MOTOR

FOR PARTS  
NOT SHOWN  
SEE FIG. 16A



INTERPRET FEATURE PUNCH GUIDE.  
FOR STANDARD PUNCH GUIDE SEE  
FIG. 17

FIGURE 17A. PUNCH UNIT ASSEMBLY-INTERPRET FEATURE. SEE LIST 17A.



# STEPPING MOTOR

## PUNCH UNIT ASSEMBLY—INTERPRET FEATURE

FIGURE- INDEX NUMBER	PART NUMBER	DESCRIPTION	UNITS PER ASM.	USABLE ON CODE
		1 2 3 4		
17A-	981712	PUNCH UNIT ASSEMBLY FOR NEXT HIGHER ASM, SEE FIGURE 16A-91 AND FOR ILLUSTRATION, SEE FIGURE 17A	REF	
-	1 961661	. PLATE, DIE	1	
-	1A 2629	. SCREW, MACH-FIL H 5-40 X 3/8 LG	3	
-	1B 961662	. BUMPER, INTERPOSER	1	
-	2 228270	. COMB-PUNCH DRIVE ARM GUIDE	1	
-	3 77064	. SCREW, MACH-BIND HD 5-40 X 5/32 LG	2	
-	4 45639	. WASHER, FL-NO. 4 X 5/16 OD X 0.020 THK	2	
-	4A 314220	. GUIDE, SUPPORT PRINT PUNCH	1	
-	5 981709	. PLATE	1	
-	6 5528	. SCREW, MACH BIND HD 8-32 X .625 LG	2	
-	7 228020	. PIN, STR, HEADED- 0.0618 DIA X 0.265 LG	12	
-	8 594125	. HOLDER ASSEMBLY, PUNCH	12	
-	9 594130	. . PIN	2	
-	10 594128	. . PUNCH	1	
-	11 594129	. . PLATE	1	
-	12 594127	. . SHAFT	1	
-	13 594156	. PLATE ASSEMBLY, PUNCH UNIT	1	
-	14 361739	. PIN, DOWEL	2	
-	15 594134	. PLATE	2	
-	16 186923	. SCREW-CAP, SOC HD 4-40 X 1/4 LG	4	
-	17 257984	. WASHER, LOCK-SPLIT 1/8 ID X 13/64 OD	4	
-	18 594131	. MOUNTING ASSEMBLY, PLATE	1	
-	19 173204	. SCREW, MACH-RD WASHER HD 5-40 X 19/32 LG	1	
-	20 55901	. WASHER, LOCK-EXT TEETH NO. 8 X 0.381 OD	1	
-	21 981710	. FRAME	1	

# STEPPING/NON STEPPING MOTOR

FOR PARTS  
NOT SHOWN  
SEE FIG. 8  
SHEET 2

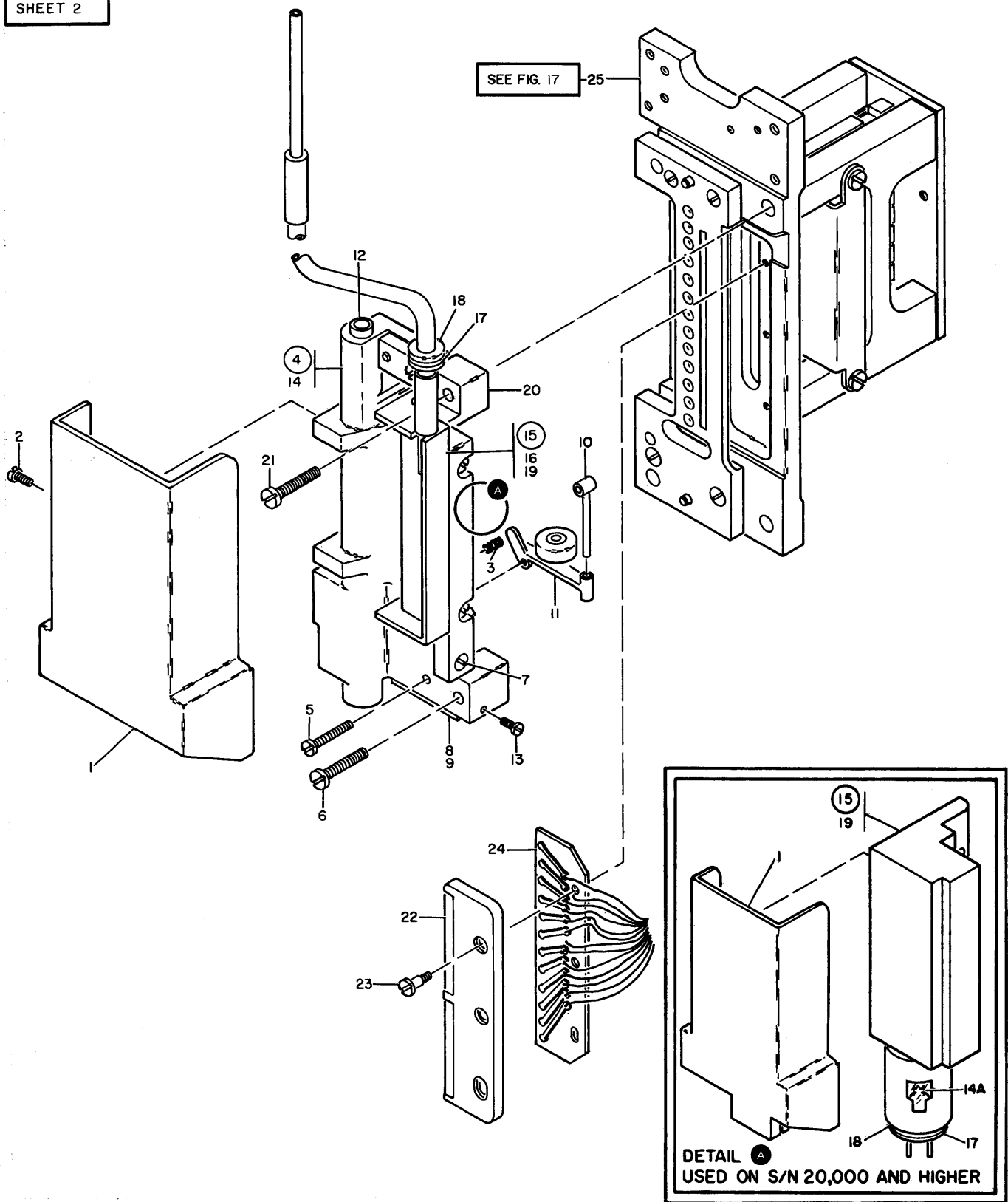


FIGURE 18. NON-PRINT PUNCH ASSEMBLY, MODEL 1. SEE LIST 18.

# STEPPING/NON STEPPING MOTOR

NON-PRINT PUNCH ASSEMBLY,MODEL 1

FIGURE- INDEX NUMBER	PART NUMBER	DESCRIPTION				UNITS PER ASM.	USABLE ON CODE
		1	2	3	4		
18 -	961670 NP	NON-PRINT PUNCH ASSEMBLY-MODEL 1 FOR NEXT HIGHER ASSEMBLY SEE FIGURE 8-64 AND 8-455 AND FOR ILLUSTRATION,SEE FIGURE 18					
- 1	961672	. COVER, VERIFY UNIT USED PRIOR TO JUNE 1972				1	
- 1	964798	. COVER,VERIFY UNIT USED AFTER JUNE 1972				1	
- 2	251970	. SCREW-MACH BD. HD. 4-40 X 1/4 LG ATT PT				2	
- 3	313986	. SPRING, HELICAL-COMP USED PRIOR TO FEB 1971				1	
- 4	961665	. CHIP TUBE ASSEMBLY				1	
- 5	22550	. SCREW,MACH FILL H 5-40 X 7/8 LG ATT PT				2	
- 6	322061	. SCREW,MACH-BIND HD 10-32 X 1-1/4 LG ATT PT				1	
- 7	81693	. SCREW,MACH-BIND HD 6-32 X .250 LG ATT PT				1	
- 8	8105458	. . PLATE, ADJUSTING USED PRIOR TO MARCH 1971				1	
- 8	963504	. . PLATE,ADJUSTING USED AFTER MARCH 1971				1	
- 9	325624	. . SCREW,PUSH ROD GUIDE PLATE ATT PT				1	
- 10	369255	. . SHAFT ASSEMBLY-PRESS ROLL				1	
- 11	963565	. . ARM,PRESSURE ROLL ASM				1	
- 12	228280 NR	. . BEARING,SLEEVE- 0.221 ID X 0.345 OD BRZ				1	
- 13	8106233	. . SCREW, ADJUSTING 5-40 X .188 LG				1	
- 14	961666	. . TUBE,CHIP				1	
- 14A	964624	. . LAMP,INCANDESCENT.				1	
- 15	961745	. OPTIC ASSEMBLY USED PRIOR TO JUNE 1972				1	
- 15	964623	. OPTIC ASM USED AFTER JUNE 1972				1	
- 16	81693	. SCREW,MACH-BIND HD 6-32 X .250 LG ATT PT				2	
- 17	328041	. . RING,O				1	
- 18	1138316	. . GROMMET				1	
- 19	961734	. . FIBER OPTIC-VERIFY				1	
- 20	961667	. SECTION,CHIP TUBE				1	
- 21	38391	. SCREW MACHINE,FIL HD				1	
- 22	961738	. PLATE ASM				1	
- 22	982705	USED PRIOR TO S/N 20,000 . PLATE, APATURE USED AFTER S/N 20,000				1	
- 23	961663	. SCREW, SHOULDER, SLOTTED HD- 4-40 X 3/8 LG ATT PT				3	
- 24	961740	. BOARD, PHOTO USED PRIOR TO FEB 1972				1	
- 24	962953	. PHOTO BOARD- LONG CABLE USED AFTER FEB 1972				1	
- 25	961675	. GUIDE ASSEMBLY-MODEL 1 FOR DETAIL BREAKDOWN,SEE FIGURE 17				1	

# NON STEPPING MOTOR

FOR PARTS  
NOT SHOWN  
SEE FIG. 8  
SHEET 2

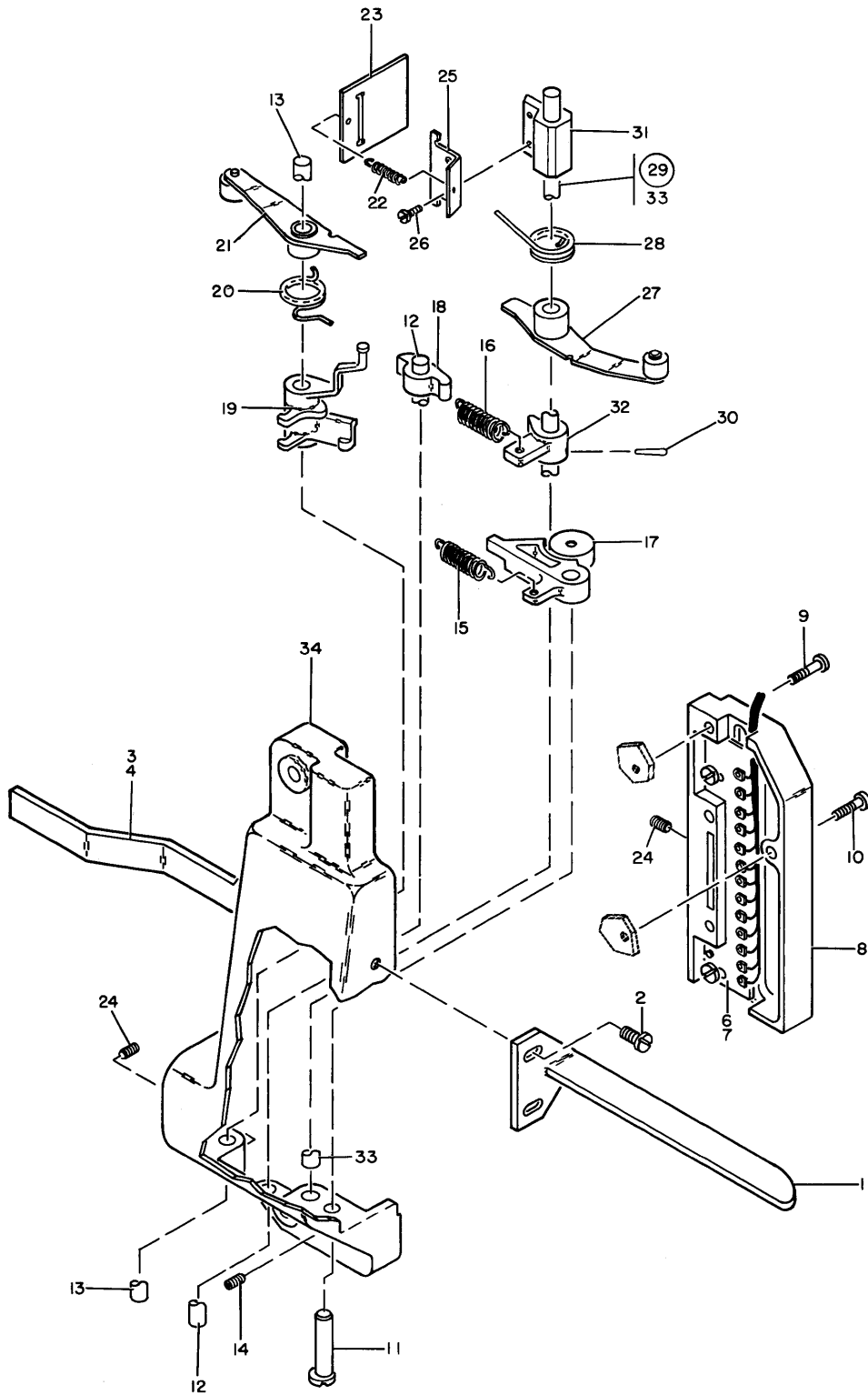


FIGURE 19. EJECT UNIT ASSEMBLY, MODEL 2. SEE LIST 19.

# NON STEPPING MOTOR

## EJECT UNIT ASSEMBLY, MODEL 2

FIGURE- INDEX NUMBER	PART NUMBER	DESCRIPTION	1 2 3 4				UNITS PER ASM.	USABLE ON CODE
19 -	961401	EJECT UNIT ASSEMBLY-MODEL 2 FOR NEXT HIGHER ASM, SEE FIGURE 8-79 AND FOR ILLUSTRATION, SEE FIGURE 19					REF	
- 1	261554	• GUIDE-READ STATION CARD					1	
- 2	10170	• SCREW, MACH-BND HD- 6-32 X 1/4			ATT PT		2	
- 3	5367325	• GUIDE					1	
- 4	3834	• SCREW-CLAMP MOUNTING			ATT PT		2	
- 6	961381	• BOARD ASM-READ					1	
- 7	438548	• SCREW, MACH-BIND HD 4-40 X 3/16 LG			ATT PT		2	
- 8	961404	• PLATE ASM-READ					1	
- 9	5462762	• SCREW- 4-40 X .375			ATT PT		2	
- 10	52603	• SCREW, MACH-RH 4-40 X 3/8 LG			ATT PT		2	
- 11	314482	• STUD-ECCENTRIC					1	
- 12	227931	• SHAFT-CARD REG IDLER					1	
- 13	227929	• SHAFT-EJECT LEV					1	
- 14	1073462	• SETSCREW-SPLINE DR FLAT PT 6-32 X 3/16			ATT PT		2	
- 15	310784	• SPRING, HELICAL, EXTENSION- 23-1/2 TURNS					1	
- 16	50119	• SPRING, HELICAL, EXTENSION- 39 TURNS					1	
- 17	5367355	• LEVER ASSEMBLY					1	
- 18	227930	• LEVER-CARD REGISTER IDLER					1	
- 19	227928	• LEVER-CARD REGISTER AND EJECT					1	
- 20	309733	• SPRING, HELICAL, TORSION-EJECT ROLL 2 TURN					1	
- 21	5367348	• ARM ASSEMBLY					1	
- 22	1072949	• SPRING, HELICAL, EXTENSION- 7 TURNS					1	
- 23	5420106	• PLATE, CARD REGISTER					1	
- 24	382176	• SETSCREW-4-40NC X 0.188 LG			ATT PT		1	
- 25	228572	• STOP-CARD REGISTER					1	
- 26	1856	• SCREW, MACH-FIL H 2-56 X 3/16 LG			ATT PT		2	
- 27	5420108	• ARM ASSEMBLY, REGISTER ROLL					1	
- 28	313243	• SPRING, HELICAL, TORSION- 2 TURNS RH					1	
- 29	227914	• SHAFT ASSEMBLY, CARD REGISTER					1	
- 30	141431	• . PIN, TAPERED, PLAIN- 3/8 LG X NO. 7-0					2	
- 31	227915 NR	• . BLOCK-CARD REGISTER					1	
- 32	227916 NR	• . LEVER-CARD REGISTER					1	
- 33	227917 NR	• . SHAFT-CARD REG					1	
- 34	5367336	• HOUSING					1	

# STEPPING/NON STEPPING MOTOR

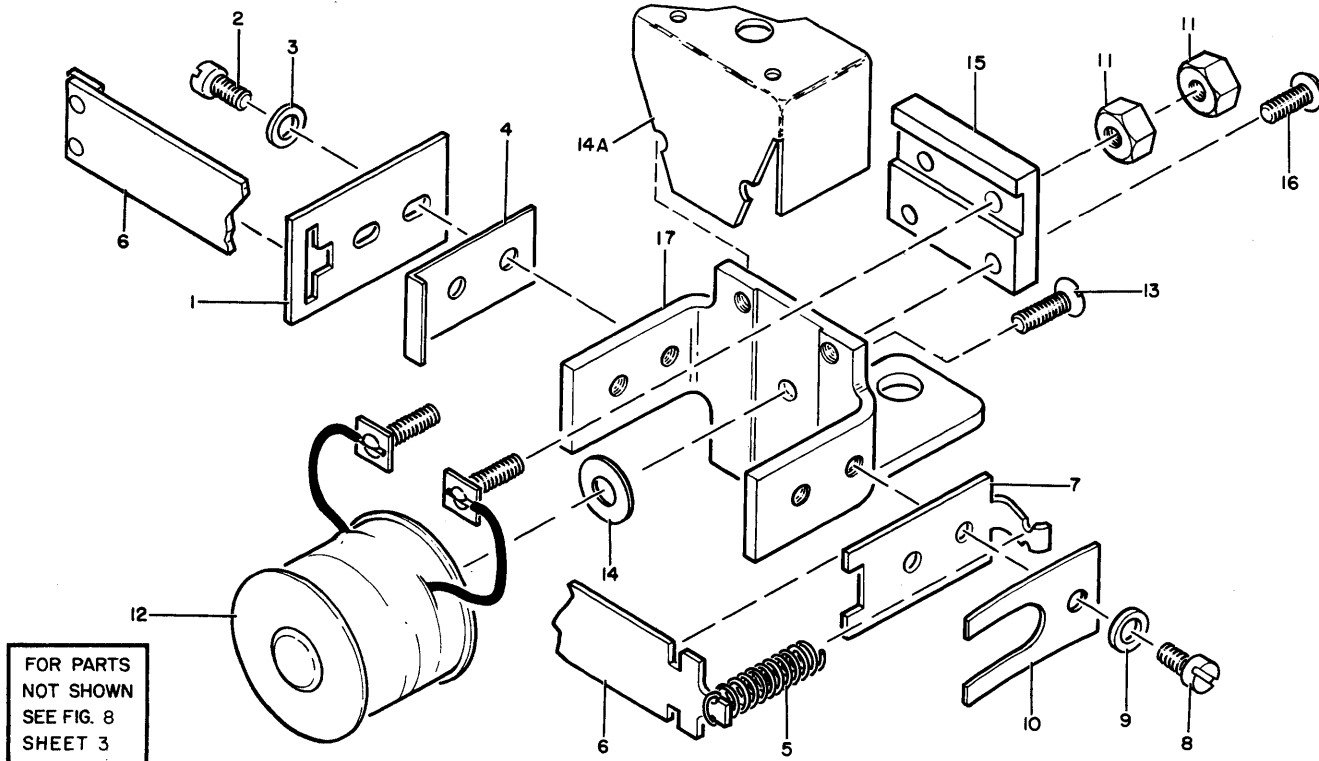


FIGURE 20. PRINT SUPPRESSION MAGNET, MODELS 2 AND 3. SEE LIST 20.

PRINT SUPPRESSION MAGNET, MODELS 2 AND 3

FIGURE- INDEX NUMBER	PART NUMBER	DESCRIPTION	1 2 3 4				UNITS PER ASM.	USABLE ON CODE
20 -	961235	PRINT SUPPRESSION MAGNET-MODELS 2 AND 3 FOR NEXT HIGHER ASSEMBLY, SEE FIGURE 8-95 AND 8-457 AND FOR ILLUSTRATION, SEE FIGURE 20					REF	
- 1	228368	• RETAINER-ARMATURE					1	
- 2	38271	• SCREW, MACH-FIL H 5-40 X 3/16 LG			ATT PT		2	
- 3	11464	• SPACER- 0.128 ID X 7/32 OD X 1/32 THK			ATT PT		2	
- 4	305269	• RESIDUAL					1	
- 5	27084	• SPRING, HELICAL, EXTENSION- 18 TURNS					1	
- 6	228358	• INTERPOSER AND ARMATURE ASSEMBLY					1	
- 7	228366	• PIVOT-ARMATURE					1	
- 8	38271	• SCREW, MACH-FIL H 5-40 X 3/16 LG			ATT PT		2	
- 9	11464	• SPACER- 0.128 ID X 7/32 OD X 1/32 THK			ATT PT		2	
- 10	228370	• SPRING-ARMATURE RETURN					1	
- 11	478	• NUT, PLAIN, HEX- 5-40 X 5/16 FL W BRS					4	
- 12	228094	• COIL AND TERMINAL ASSEMBLY-ESCAPE MAGNET					1	
- 13	163	• SCREW, MACH-FL CSK HD 5-40 X 5/16 LG			ATT PT		1	
- 14	305271	• WASHER, FL-NO. 12 X 3/8 OD X 0.003 THK					AR	
- 14A	962885	• SHIELD					1	
- 15	9667	• BLOCK-MAGNET TERMINAL					1	
- 16	294	• SCREW, MACH-RH 5-40 X 5/16 LG			ATT PT		2	
- 17	314036	• YOKE-MAGNET					1	

# STEPPING/NON STEPPING MOTOR

FOR PARTS  
NOT SHOWN  
SEE FIG. 8  
SHEET 3

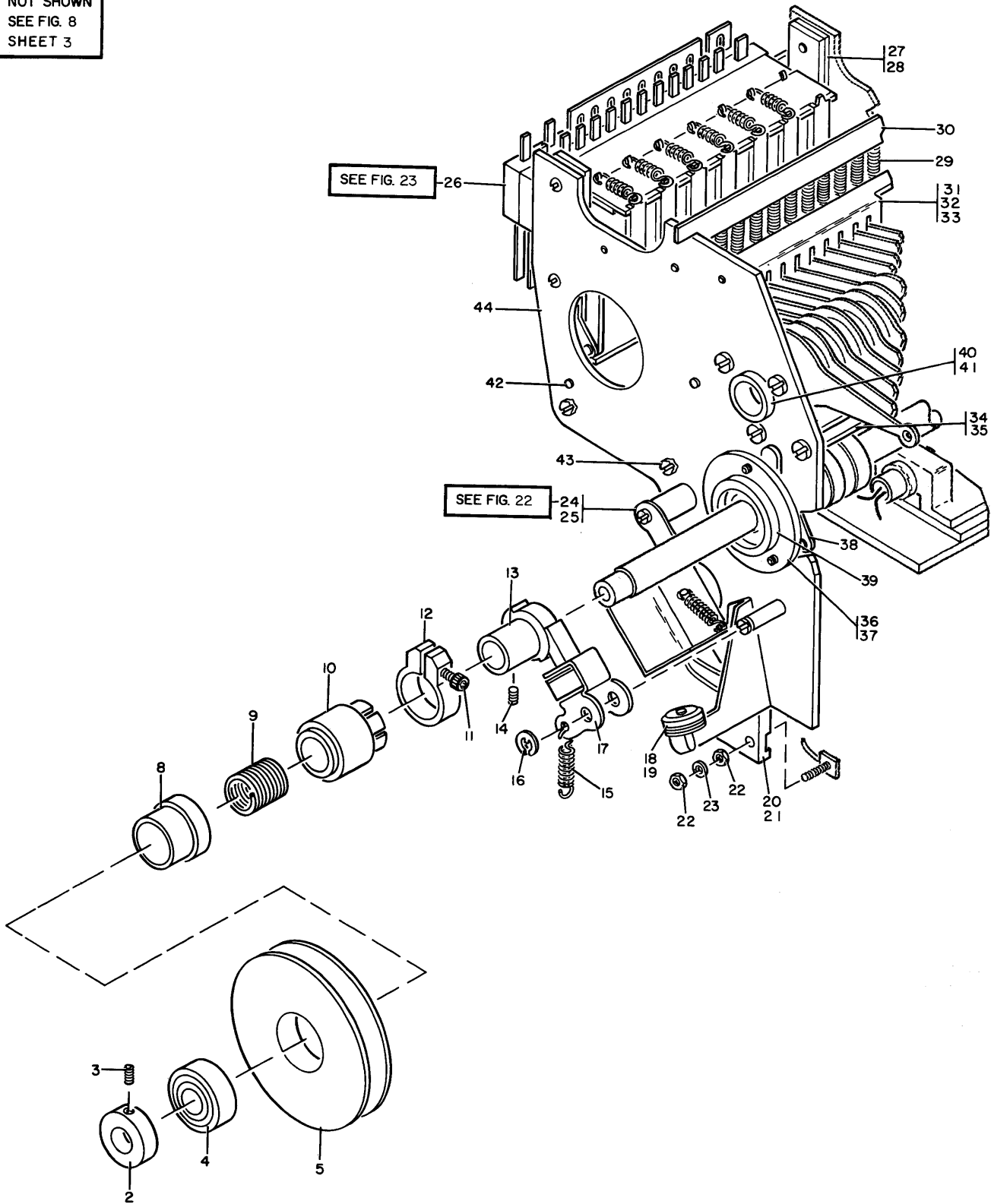


FIGURE 21. MAGNET AND PUNCH DRIVE ASSEMBLY. SHEET 1 OF 2. INDEX NOS. 2-44. SEE LIST 21.

# STEPPING/NON STEPPING MOTOR

## MAGNET AND PUNCH DRIVE ASSEMBLY

FIGURE- INDEX NUMBER	PART NUMBER	DESCRIPTION				UNITS PER ASM.	USABLE ON CODE
		1	2	3	4		
21 -	963550	MAGNET AND PUNCH DRIVE ASSEMBLY				REF	
-	982392	MAGNET AND PUNCH DRIVE ASM-INTERPRET FOR NEXT HIGHER ASM,SEE FIGURE 8-487				REF	
	961350	MAGNET AND PUNCH DRIVE-NON STEPPING FOR NEXT HIGHER ASM,SEE FIGURE 8-125 AND FOR ILLUSTRATION,SEE FIGURE 21				REF	
- 2	301174	• SPACER- 0.345 ID X 11/16 OD X 1/4 THK				1	
- 3	75533	• SET SCREW .540 THK X 1/8 LG ATT PT				1	
- 4	156364	• BEARING,BALL,ANNULAR- 0.375 ID 0.875 OD				1	
- 5	340022	• PULLEY ASSEMBLY-BUSHING CLUTCH AND				1	
- 8	961232	• SLEEVE ASM-ROTATING				1	
- 9	328917	• SPRING,HELICAL,COMPR- 20 TURNS				1	
- 10	961231	• SLEEVE,FIXED				1	
- 11	228348	• SCREW,CAP,SOC HD- 5-40 X 5/8 LG				1	
- 12	328920	• COLLAR,SHAFT-PUNCH CLUTCH SPLIT				1	
- 13	328916	• DETENT-PUNCH				1	
- 14	123780	• SETSCREW-SPLINE DR CUP PT 10-32 X 3/16LG ATT PT				1	
- 15	150676	• SPRING,HELICAL,EXTENSION- 13 TURNS				1	
- 16	60489	• CLIP-SPRING				1	
- 17	344155	• LATCH ASSEMBLY-PUNCH CLUTCH				1	
- 18	342900	• WASHER,NM- 0.156 ID X 0.620 OD X 1/4 THK				1	
- 19	344059	• WASHER,FL-SPL 0.160 ID 5/8 OD 0.062 THK				1	
- 20	9667	• BLOCK-MAGNET TERMINAL				1	
- 21	3500	• SCREW, FIL HD MACH-5-40 X .312 LG ATT PT				1	
- 22	478	• NUT,PLAIN,HEX- 5-40 X 5/16 FL W BRS ATT PT				1	
- 23	17514	• WASHER,FL-NO. 4 X 5/16 OD X 1/32 THK ATT PT				1	
- 24	328901	• PUNCH CLUTCH MAGNET ASSEMBLY				1	
		FOR DETAIL BREAKDOWN,SEE FIGURE 22					
- 25	328928	• SCREW,ASMD WASHER- 8-32 X 13/32 LG ATT PT				1	
- 26	961356	• MAGNET ASSEMBLY				1	
		FOR DETAIL BREAKDOWN,SEE FIGURE 23					
- 27	227778	• PLATE-MAGAZINE YOKE CLAMPING				2	
- 28	25750	• SCREW,MACH-OVAL CSK HD 8-32 X 3/8 LG ATT PT				4	
- 29	110034	• SPRING				12	
- 30	227777	• ANCHOR-INTERPOSER SPRING				1	
- 31	301132	• COMB ASSEMBLY-GUIDE AND BUMPER				1	
- 32	155180	• SCREW,MACH-TRUSS HD 5-40 X 1/4 LG ATT PT				4	
- 33	79233	• WASHER,FL-NO. 5 X 3/8 OD X 0.050 THK ATT PT				4	
- 34	227827	• BAR-SIDE PLATE SPACE				1	
- 35	34512	• SCREW,BIND,HD 8-32 X .375 LG ATT PT				2	
- 36	227775	• HOUSING,CAM SHAFT BRG				1	
- 37	4236	• SCREW,MACH-FIL H 5-40 X 1/4 LG ATT PT				6	
- 38	227779	• PLATE-CAMSHAFT BEARING RETAINER				1	
- 39	156364	• BEARING,BALL,ANNULAR- 0.375 ID 0.875 OD				3	
- 40	227774	• BEARING,SLV-PUNCH BAIL SHAFT 0.438ID BRZ				2	
- 41	337	• SCREW,MACH-FIL H 8-32 X 3/8 LG ATT PT				6	
- 42	632	• PIN,STR,HDLS- 1/8 DIA X 3/8 LG				4	
- 43	1090024	• SCREW-MACH HEX HEAD 8-32 X.38 LG				6	
- 44	328910	• PLATE ASSEMBLY-PUNCH UNIT				1	
- 44	963553	• PLATE ASM,FRONT				1	
		USED ON STEPPING MOTOR AFTER AUGUST 1971					



# STEPPING/NON STEPPING MOTOR

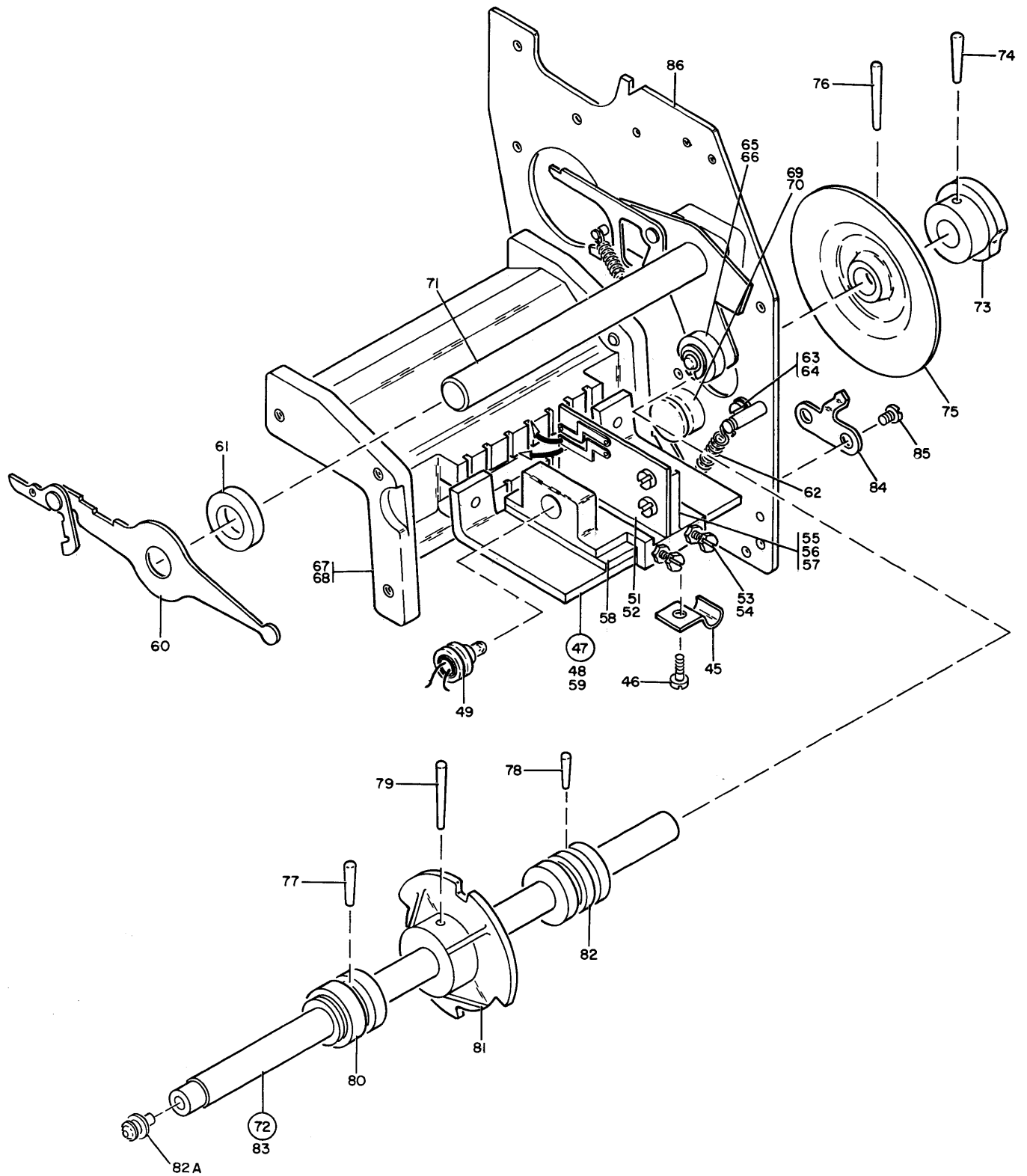


FIGURE 21. MAGNET AND PUNCH DRIVE ASSEMBLY. SHEET 2 OF 2. INDEX NOS. 45-86. SEE LIST 21.

# STEPPING/NON STEPPING MOTOR

## MAGNET AND PUNCH DRIVE ASSEMBLY

FIGURE- INDEX NUMBER	PART NUMBER	DESCRIPTION	UNITS PER ASM.	USABLE ON CODE
		1 2 3 4		
21 - 45	26320	• CLAMP	1	
- 46	196298	• SCREW,MACH-BIND HD 5-40 X 3/16 LG	1	
- 47	961360	• BRACKET ASM-PUNCH DRIVE CB	1	
- 48	19944	• SCREW,MACH-BIND HD 8-32 X 3/4 LG	2	
- 49	982767	• LAMP ASM	1	
- 51	961739	• BOARD,PHOTO	1	
- 52	961259	• SCREW,RD HD-6-32 X .265 LG.	2	
- 53	363343	• SCREW,MACH-HEX HD 4-40 X 1/2 LG	2	
- 54	37913	• NUT-HEX 4-40 X .250 ID	2	
- 55	961258	• BRACKET,BOARD MTG	1	
- 56	338238	• SCREW, MACH-BD HD 4-40 NC X .3125 LG	2	
- 57	438549	• SCREW,MACH-BIND HD 4-40 X 7/16 LG	2	
- 58	961222	• SPACER,LAMP	1	
- 59	961358	• BRACKET,CB PHOTOCCELL	AR	
- 60	308421	• ARM ASSEMBLY-PUNCH OPERATING	12	
		NON REPLACEABLE ON INTERPRET FEATURE		
- 61	304667	• SPACER- 31/64 ID X 3/4 OD X 1/8 THK	11	
- 62	219765	• SPRING,HELICAL,EXTENSION- 19 TURNS	AR	
- 63	4236	• SCREW,MACH-FIL H 5-40 X 1/4 LG	3	
- 64	163899	• WASHER,LOCK-SPLIT NO. 6 X 0.255 OD	3	
- 65	110129	• BEARING,BALL,ANNULAR- 0.250 ID 0.625 OD	1	
- 66	60489	• CLIP-SPRING	1	
- 67	227838	• BRACKET-CIRCUIT BREAKER MOUNTING	1	
- 68	1090024	• SCREW-MACH HEX HEAD 8-32 X.38 LG	6	
- 69	227774	• BEARING,SLV-PUNCH BAIL SHAFT 0.438ID BRZ	2	
- 70	1090024	• SCREW-MACH HEX HEAD 8-32 X.38 LG	6	
- 71	5372379	• BAIL ASSEMBLY,COMPLETE	1	
		USED PRIOR TO JULY 1971		
- 71	962813	• BAIL ASM	1	
		USED AFTER JULY 1971		
- 72	961351	• SHAFT ASM-DRIVE	1	
		USED PRIOR TO JULY 1971		
- 72	963551	• SHAFT ASM-DRIVE	1	
		USED AFTER JULY 1971		
- 73	982782 NR	• CAM-PRINT	1	
- 73	982783	• CAM-PRINT (FIELD REPLACEMENT)	1	
- 74	44507	• PIN,TAPERED,PLAIN- 11/16 LG X NO. 4-0	1	
- 75	314186 NR	• INDEX-CAM SHAFT	1	
- 76	29930	• PIN,TAPERED,PLAIN- 1 LG X NO. 3	1	
- 77	19167	• PIN,TAPERED,PLAIN- 5/8 LG X NO. 3	1	
- 78	29949	• PIN,TAPERED,PLAIN- 9/16 LG	1	
- 79	22867	• PIN,TAPERED,PLAIN- 7/8 LG X NO. 3	AR	
- 79	962988	• PIN, SPIRAL	AR	
- 80	5372376 NR	• CAM,ACTIVE AND COMPLEMENTARY	1	
- 81	961357 NR	• DISC,TIMING	1	
		USED PRIOR TO JULY 1971		
- 81	961355 NR	• DISC,TIMING	1	
		USED AFTER JULY 1971		
- 82	5372382 NR	• CAM	1	
		USED PRIOR TO MAY 1972		
- 82	964677	• CAM, TIMING	1	
		USED AFTER MAY 1972		
- 82A	171059	• FITTING,LUBRICATION- 0.194 PRESS FIT	1	
- 83	301184 NR	• SHAFT-PRINT CAM	1	
- 84	227841	• POINTER-CAMSHAFT INDEX	1	
- 85	196298	• SCREW,MACH-BIND HD 5-40 X 3/16 LG	2	
- 86	5372377	• PLATE ASSEMBLY, REAR SIDE	1	
- 86	963552	• PLATE ASM,REAR	1	
		USED ON STEPPING MOTOR AFTER AUGUST 1971		

# STEPPING/NON STEPPING MOTOR

FOR PARTS  
NOT SHOWN  
SEE FIG. 21  
SHEET 1

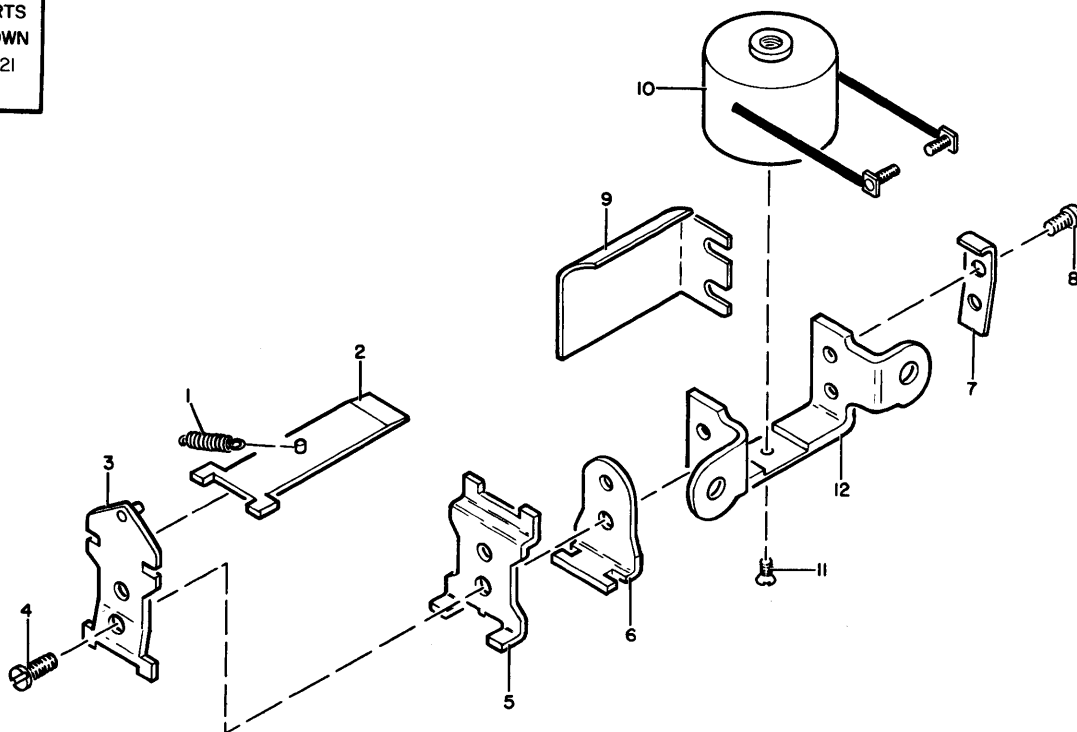


FIGURE 22. PUNCH CLUTCH MAGNET ASSEMBLY. SEE LIST 22.

## PUNCH CLUTCH MAGNET ASSEMBLY

FIGURE- INDEX NUMBER	PART NUMBER	1 2 3 4	DESCRIPTION	UNITS PER ASM.	USABLE ON CODE
22 -	328901		PUNCH CLUTCH MAGNET ASSEMBLY FOR NEXT HIGHER ASM, SEE FIGURE 21-24 AND FOR ILLUSTRATION, SEE FIGURE 22	REF	
- 1	328904		• SPRING, HELICAL, EXTENSION- 9-1/2 TURNS	1	
- 2	328902		• ARMATURE ASSEMBLY-PUNCH CLUTCH	1	
- 3	328903		• PLATE ASSEMBLY-PIVOT	1	
- 4	38271		• SCREW, MACH-FIL H 5-40 X 3/16 LG	2	ATT PT
- 5	344117		• RETAINER-PUNCH CLUTCH ARM	1	
- 6	344123		• PLATE-PIVOT LWR	1	
- 7	305269		• RESIDUAL	1	
- 8	305270		• SCREW, MACH-FH 5-40 X 0.130 LG	2	ATT PT
- 9	305248		• BRACKET-PUNCH CLUTCH COIL	1	
- 10	315189		• COIL	1	
- 11	163		• SCREW, MACH-FL CSK HD 5-40 X 5/16 LG	1	ATT PT
- 12	228152		• YOKE-MAGNET	1	

# STEPPING/NON STEPPING MOTOR

FOR PARTS NOT SHOWN SEE FIG. 21 SHEET 1

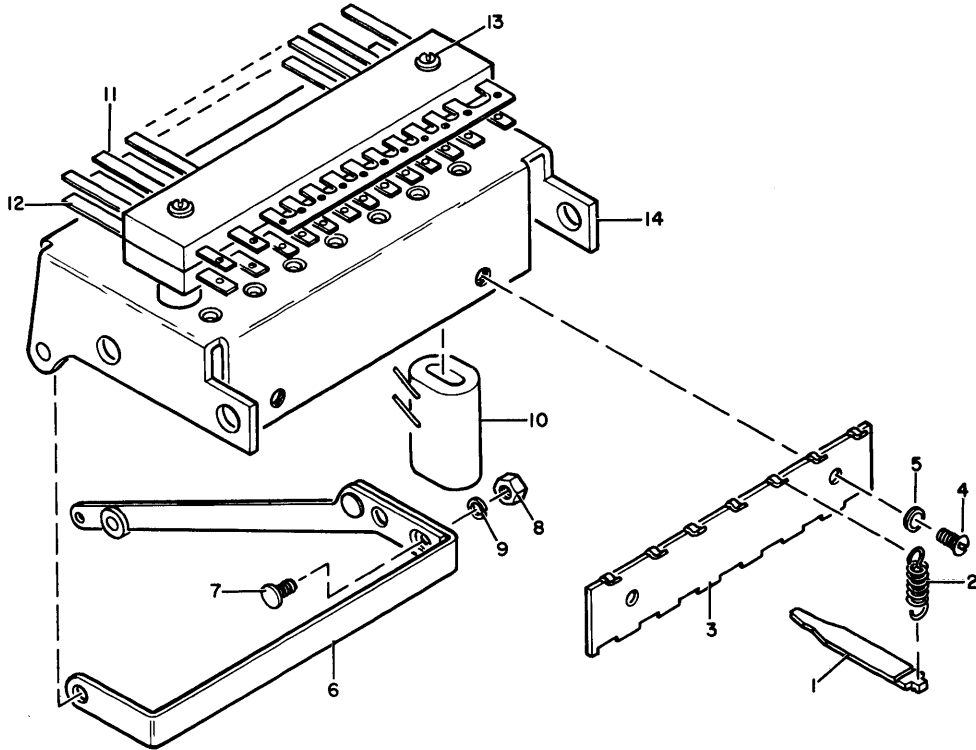


FIGURE 23. MAGNET ASSEMBLY. SEE LIST 23.

## MAGNET ASSEMBLY

FIGURE-INDEX NUMBER	PART NUMBER	DESCRIPTION	1 2 3 4				UNITS PER ASM.	USABLE ON CODE
23 -	961356	MAGNET ASSEMBLY FOR NEXT HIGHER ASM, SEE FIGURE 21-26 AND FOR ILLUSTRATION, SEE FIGURE 23					REF	
- 1	5447674	• ARMATURE					12	
- 2	27084	• SPRING, HELICAL, EXTENSION- 18 TURNS					12	
- 3	227785	• PIVOT-PUNCH MAGNET ARMATURE					2	
- 4	118418	• SCREW, MACH-RH 5-40 X 5/32 LG			ATT PT		4	
- 5	4085	• WASHER, FL-NO. 4 X 3/8 OD X 1/32 THK			ATT PT		4	
- 6	313759	• BAIL ASSEMBLY-KNOCKOFF					1	
- 7	313260	• STUD-ARMATURE KNOCKOFF ECCENTRIC			ATT PT		1	
- 8	6899	• NUT, PLAIN, HEX- 5-40 X 7/32 FL W			ATT PT		1	
- 9	163899	• WASHER, LOCK-SPLIT NO. 6 X 0.255 OD			ATT PT		1	
- 10	315384	• COIL ASSEMBLY-INTERPOSER MAGNET					12	
- 11	228102	• BLOCK, TERMINAL					1	
- 12	228100	• BLOCK-TERMINAL					1	
- 13	173207	• SCREW, ASMD WASHER-RH 5-40 X 25/32 LG			ATT PT		2	
- 14	341060 NR	• YOKE, MAGNET					1	

# NON STEPPING MOTOR

FOR PARTS  
NOT SHOWN  
SEE FIG. 8  
SHEET 6

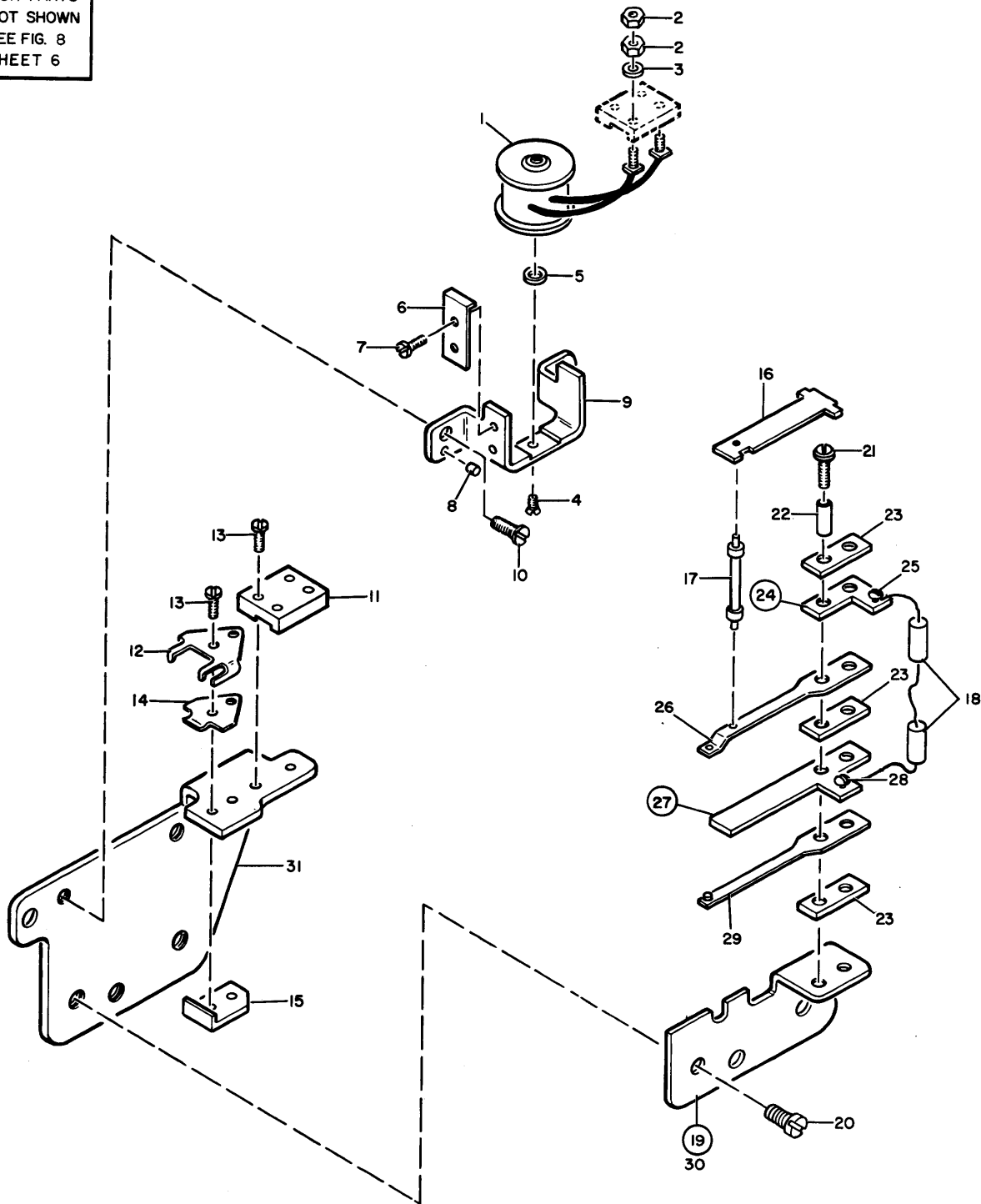


FIGURE 24. ESCAPEMENT MAGNET ASSEMBLY. SEE LIST 24.

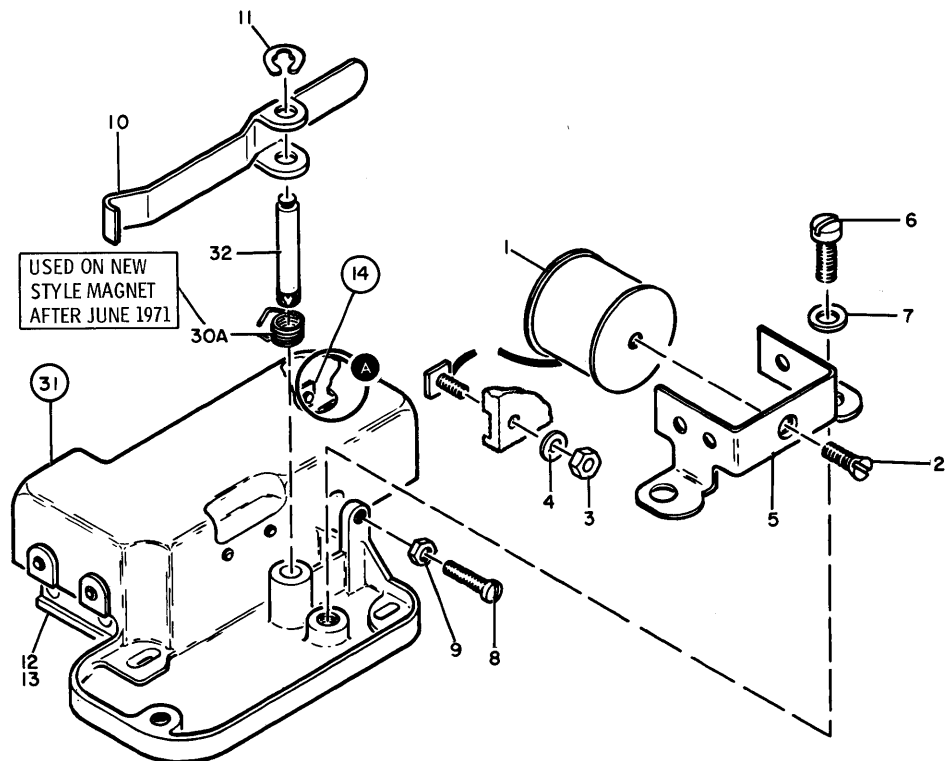
# NON STEPPING MOTOR

## ESCAPEMENT MAGNET ASSEMBLY

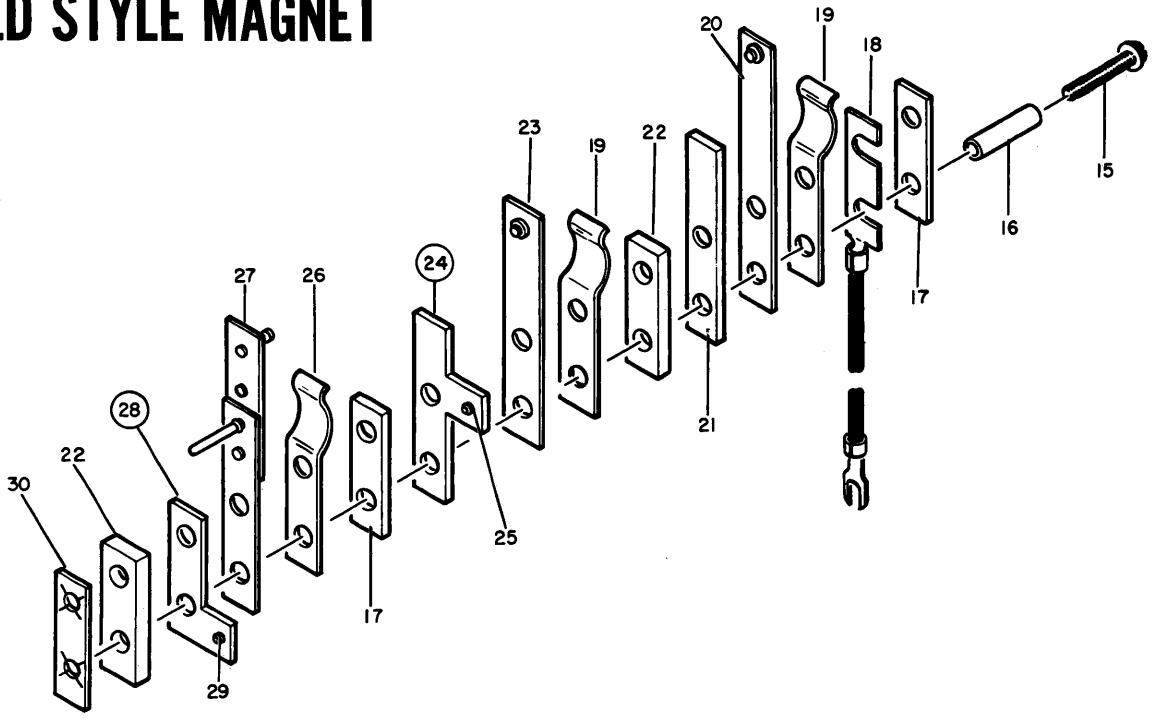
FIGURE-INDEX NUMBER	PART NUMBER	DESCRIPTION	UNITS PER ASM.	USABLE ON CODE
		1 2 3 4		
24 -	961240	ESCAPEMENT MAGNET ASSEMBLY - NON STEPPING MOTOR FOR NEXT HIGHER ASM,SEE FIGURE 8-308 AND FOR ILLUSTRATION,SEE FIGURE 24	REF	
- 1	315189	. COIL	1	
- 2	478	. NUT,PLAIN,HEX- 5-40 X 5/16 FL W BRS	4	
- 3	17514	. WASHER,FL-NO. 4 X 5/16 OD X 1/32 THK	2	
- 4	163	. SCREW,MACH-FL CSK HD 5-40 X 5/16 LG	1	
- 5	305271	. WASHER,FL-NO. 12 X 3/8 OD X 0.003 THK	AR	
- 6	305269	. RESIDUAL	1	
- 7	305270	. SCREW,MACH-FH 5-40 X 0.130 LG	2	
- 8	228095	. PIN,STR,HDLS- 0.094 DIA X 0.219 LG	1	
- 9	228152	. YOKE-MAGNET	1	
- 10	58207	. SCREW,MACH-UNDRCT BIND HD 8-32 X .250LG	2	
- 11	9667	. BLOCK-MAGNET TERMINAL	1	
- 12	313835	. BRACKET-ESCAPE ARMATURE GUIDE	1	
- 13	3500	. SCREW, FIL HD MACH-5-40 X .312 LG	4	
- 14	313836	. SPRING-ESCAPE PIVOT	1	
- 15	304954	. BLOCK-ESCAPEMENT MAGNET MOUNTING BRACKET	1	
- 16	313764	. ARMATURE-ESCAPEMENT	1	
- 17	313837	. ROD-OPERATING	1	
- 18	961239	. ARC SUPPRESSION NETWORK	1	
- 19	961241	. PLATE ASM-CONTACT	1	
- 20	28413	. SCREW,MACH-BIND HD 10-32 X 5/16 LG	2	
- 21	173203	. . SCREW,MACH-RD WASHER HD 5-40 X 17/32 LG	2	
- 22	114045	. . INSULATOR-SCR 0.128 ID 0.186 OD 0.375 LG	2	
- 23	11899	. . INSULATION-CONTACT SPRING 1/16 THK	3	
- 24	138709	. . INSULATOR	1	
- 25	118418	. . . SCREW,MACH-RH 5-40 X 5/32 LG	1	
- 26	313830	. . . SPRING ASSEMBLY-UPPER ESCAPE CONTACT	1	
- 27	180824	. . . TERMINAL ASSEMBLY-CONTACT	1	
- 28	118418	. . . SCREW,MACH-RH 5-40 X 5/32 LG	1	
- 29	313831	. . . SPRING ASSEMBLY-LOWER ESCAPE CONTACT	1	
- 30	313834	. . . BRACKET,ANGLE-MOUNTING	1	
- 31	304943	. BRACKET-MAGNET MOUNTING	1	

# STEPPING/NON STEPPING MOTOR

FOR PARTS NOT SHOWN SEE FIG. 8 SHEET 6



## OLD STYLE MAGNET



DETAIL A USED ON OLD STYLE MAGNET ONLY PRIOR TO JUNE 1971

FIGURE 25. LATCH MAGNET ASSEMBLY. SEE LIST 25.

# STEPPING/NON STEPPING MOTOR

## LATCH MAGNET ASSEMBLY

FIGURE- INDEX NUMBER	PART NUMBER	DESCRIPTION 1 2 3 4	UNITS PER ASM.	USABLE ON CODE
25 -	328196	LATCH MAGNET ASSEMBLY-OLD STYLE USED PRIOR TO JUNE 1971	REF	
-	962757	LATCH MAGNET ASSEMBLY-NEW STYLE USED AFTER JUNE 1971 FOR NEXT HIGHER ASM,SEE FIGURE 8-334 AND FOR ILLUSTRATION,SEE FIGURE 25	REF	
- 1	315189	. COIL	1	
- 2	163	. SCREW,MACH-FL CSK HD 5-40 X 5/16 LG	1	
- 3	478	. NUT,PLAIN,HEX- 5-40 X 5/16 FL W BRS	4	
- 4	17514	. WASHER,FL-NO. 4 X 5/16 OD X 1/32 THK	2	
- 5	228152	. YOKE-MAGNET	1	
- 6	24752	. SCREW,MACH-FIL H 8-32 X 5/16 LG	2	
- 7	102691	. WASHER,FL-NO. 8 X 7/16 OD X 0.049 THK	2	
- 8	52607	. SCREW,MACH-FIL H 5-40 X 7/16 LG	1	
- 9	7341	. NUT,PLAIN,HEX- 5-40 X 1/4 FL W	1	
- 10	227627	. ARMATURE-LATCH	1	
- 11	60489	. CLIP-SPRING	1	
- 12	9667	. BLOCK-MAGNET TERMINAL	1	
- 13	3500	. SCREW, FIL HD MACH-5-40 X .312 LG	2	
- 14	227650	. CONTACT ASSEMBLY,LATCH MAGNET- 48V USED ON OLD STYLE LATCH MAGNET ONLY	1	
- 15	173207	. . SCREW,ASMD WASHER-RH 5-40 X 25/32 LG	2	
- 16	100134	. . INSULATOR-SCR 0.128 ID 0.186 CD 9/16 LG	2	
- 17	11899	. . INSULATION-CONTACT SPRING 1/16 THK	2	
- 18	228561	. . JUMPER ASM-BLK TCR 2-1/2 IN.24AWG 2 LUG	1	
- 19	113111	. . STIFFENER-CONTACT SPRING	2	
- 20	125875	. . CONTACT ASSEMBLY,ELEC-	1	
- 21	117921	. . SUPPORT-SPRING CONTACT	1	
- 22	1974	. . INSULATOR-STOP KEY CONT SPRING SUPPORT	2	
- 23	125877	. . SPRING ASSEMBLY-CONTACT	1	
- 24	21866	. . TERMINAL ASSEMBLY-CONTACT	1	
- 25	118418	. . . SCREW,MACH-RH 5-40 X 5/32 LG	1	
- 26	148915	. . . STIFFENER-SPRING	1	
- 27	227638	. . SPRING ASSEMBLY- 2 POINT CONTACT	1	
- 28	138709	. . INSULATOR	1	
- 29	118418	. . . SCREW,MACH-RH 5-40 X 5/32 LG	1	
- 30	311823	. . INSULATOR-PLATE CONTACT ASSEMBLY	2	
- 30A	962756	. SPRING,ARMATURE RETURN USED ON NEW STYLE LATCH MAGNET ONLY	1	
- 31	227604	. SUPPORT ASSEMBLY-LATCH	1	
- 32	227628 NR	. . PIVOT-LATCH	1	



# STEPPING/NON STEPPING MOTOR

FOR PARTS  
NOT SHOWN  
SEE FIG. 8  
SHEET 6

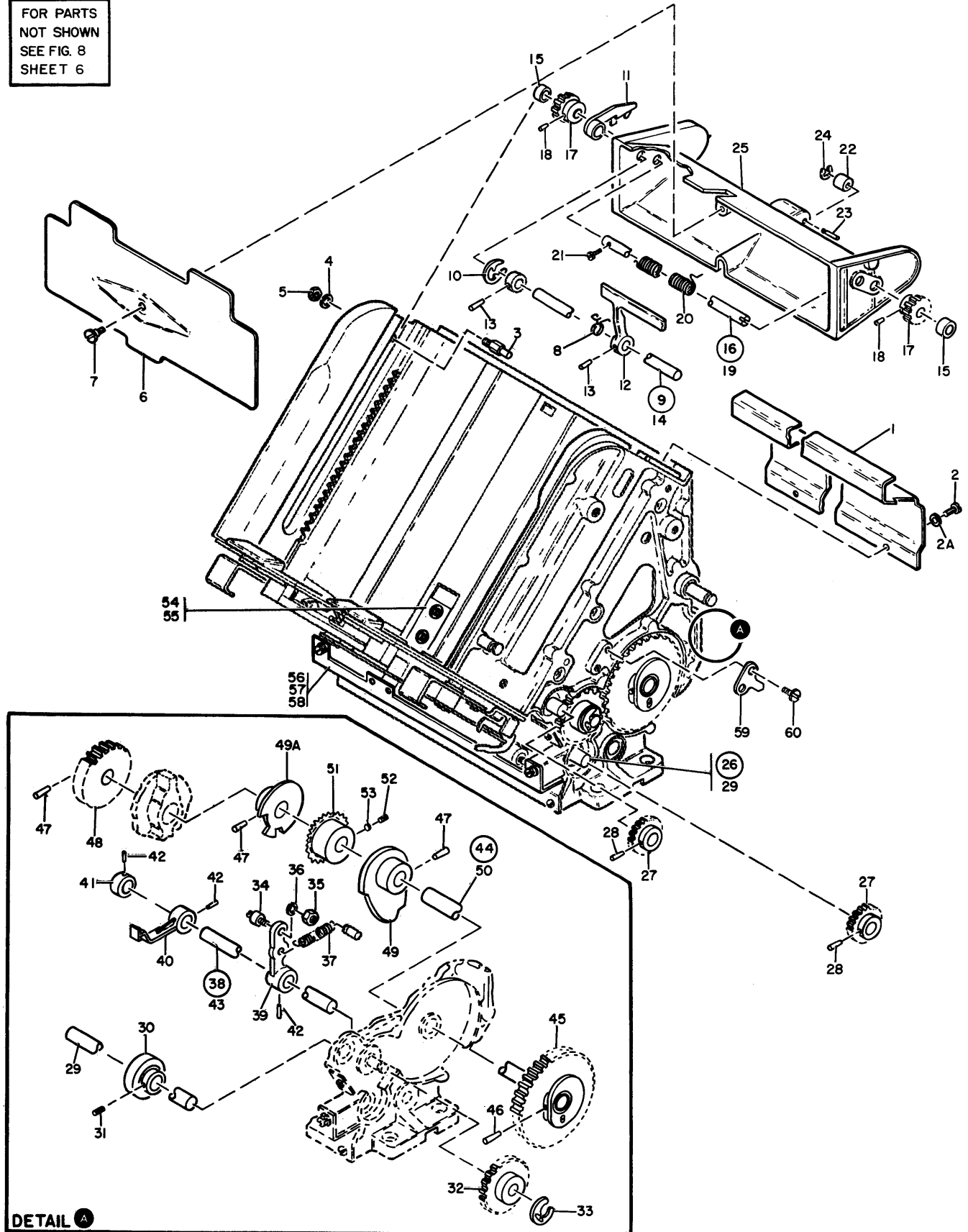


FIGURE 26. CARD FEED ASSEMBLY. SHEET 1 OF 2. INDEX NOS. 1-60. SEE LIST 26.

# STEPPING/NON STEPPING MOTOR

## CARD FEED ASSEMBLY

FIGURE- INDEX NUMBER	PART NUMBER	DESCRIPTION	UNITS PER ASM.	USABLE ON CODE
		1 2 3 4		
26 -	961250	CARD FEED ASSEMBLY FOR NEXT HIGHER ASM,SEE FIGURE 8-352 AND FOR ILLUSTRATION,SEE FIGURE 26	REF	
- 1	362685	• PLATE,BACK-HOPPER	1	
- 2	734483	• SCREW,PAN HD- 6-32 X 0.380 LG	2	
- 2A	257986	• WASHER,FLAT NO. 6	2	
- 3	312089	• STUD-PUSHER LATCH	1	
- 4	221	• NUT,PLAIN,HEX- 10-32 X 5/16 FL W	1	
- 5	9092	• WASHER-LOCK,SPLIT RING, .194 ID .33700	1	
- 6	308168	• PLATE ASSEMBLY-CARD FEED PUSHER	1	
- 7	227945	• SCREW,SHLD-FH 5-40 X 3/8 LG	1	
- 8	312077	• SPRING,HELICAL,TORSION-APPROX 1-7/8TURNS	1	
- 9	312083	• ARM ASSEMBLY-LATCHING PAWL ACTUATOR	1	
- 10	139766	• RING,RETAINING-EXT 0.281 ID X 0.020 THK	2	
- 11	312081 NR	• PAWL ASSEMBLY-LATCHING	1	
- 12	312080 NR	• ARM-ACTUATING CARD PUSHER	1	
- 13	23096	• PIN,TAPERED,PLAIN- 1/2 LG X NC. 6	2	
- 14	312082 NR	• SHAFT-LATCHING PAWL	1	
- 15	228457	• ROLLER-CARD FEED PUSHER	2	
- 16	227681	• SHAFT ASSEMBLY-CARD FEED PUSHER	1	
- 17	227679 NR	• GEAR,SPUR- 18 TEETH 24 DP 0.813 OD	2	
- 18	154	• PIN,TAPERED,PLAIN- 1/2 LG X NO. 4-0	2	
- 19	227680 NR	• PUSHER-SHAFT CARD FEED	1	
- 20	126853	• SPRING,HELICAL,EXTENSION- 119 TURNS	1	
- 21	2650	• SCREW,MACH-FIL H 3-48 X 1/4 LG	1	
- 22	313670	• ROLLER-CARD PUSHER	1	
- 23	340501	• STUD-PUSHER ROLL	1	
- 24	25282	• RING-RETAINING,EXT 0.125 ID X 0.015 THK	2	
- 25	340535	• CASTING-CARD FEED PUSHER	1	
- 26	227820	• SHAFT ASSEMBLY-CARD FEED ROLL	2	
- 27	227624 NR	• GEAR,SPUR- 19 TEETH 24 DP 0.870 OD	1	
- 28	29949	• PIN,TAPERED,PLAIN- 9/16 LG X NO. 4	1	
- 29	227673 NR	• SHAFT-FEED ROLL	1	
- 30	227669	• ROLL ASSEMBLY-RUBBER	2	
- 31	123639	• SETSCREW-SPLINE DR FP 8-32 X 1/8 LG	2	
- 32	227623	• GEAR,SPUR- 33 TEETH 24 DP 1.453 OD	1	
- 33	139766	• RING,RETAINING-EXT 0.281 ID X 0.020 THK	1	
- 34	314238	• FOLLOWER-CARD ALIGNER ECCENTRIC	1	
- 35	6503	• NUT,PLAIN,HEX- 8-32 X 1/4 FL W	1	
- 36	6318	• WASHER,LOCK-SPLIT NO. 8 X 0.280 OD	1	
- 37	79593	• SPRING,HELICAL,EXTENSION- 48 TURNS	1	
- 38	227620	• SHAFT ASM, CARD ALIGNER	1	
- 39	227617 NR	• ARM-CARD ALIGNER FOLLOWER	1	
- 40	227619 NR	• ALIGNER,CARD	1	
- 41	24596 NR	• COLLAR- 0.313 ID X 0.562 OD X 0.215 THK	1	
- 42	29949	• PIN,TAPERED,PLAIN- 9/16 LG X NO. 4	4	
- 43	227651 NR	• SHAFT-CARD ALIGNER	1	
- 44	961251	• SHAFT ASSEMBLY-CARD FEED CAM	1	
- 45	228460 NR	• CAM AND INDEX ASSEMBLY-CARD FEED	1	
- 46	29930	• PIN,TAPERED,PLAIN- 1 LG X NO. 3	1	
- 47	22867 NR	• PIN,TAPERED,PLAIN- 7/8 LG NO.3	AR	
- 47	962988	• PIN, SPIRAL	AR	
- 48	227634	• GEAR,SPUR- 38T	1	
- 49	227652 NR	• CAM-CARD ALIGNER	1	
- 49A	961257 NR	• DISC,TIMING	1	
- 50	227611 NR	• SHAFT-CARD FEED CAM	1	
- 51	227610	• GEAR,BEVEL- 36 TEETH 32 DP 1.169 OD	1	
- 52	176246	• SETSCREW-SPLINE DR CUP PT 10-32 X 1/4 LG	1	
- 53	300575	• BEARING-SHOE THRUST 0.140 OD NYLON	2	
- 54	309851	• KNIFE-THROAT	1	
- 55	29579	• SCREW,MACH-BIND HD 10-32 X 1/4 LG	2	
- 56	5400899	• BAR, CARD ALIGNING	1	
- 57	12954	• SCREW,MACH-HEX HD 8-32 X 1/2 LG	1	
- 58	24511	• WASHER,FL-NO. 8 X 5/16 OD X 1/32 THK	1	
- 59	312054	• POINTER-INDEX	1	
- 60	120044	• SCREW,MACH-BIND HD 5-40 X 3/8 LG	2	

# STEPPING/NON STEPPING MOTOR

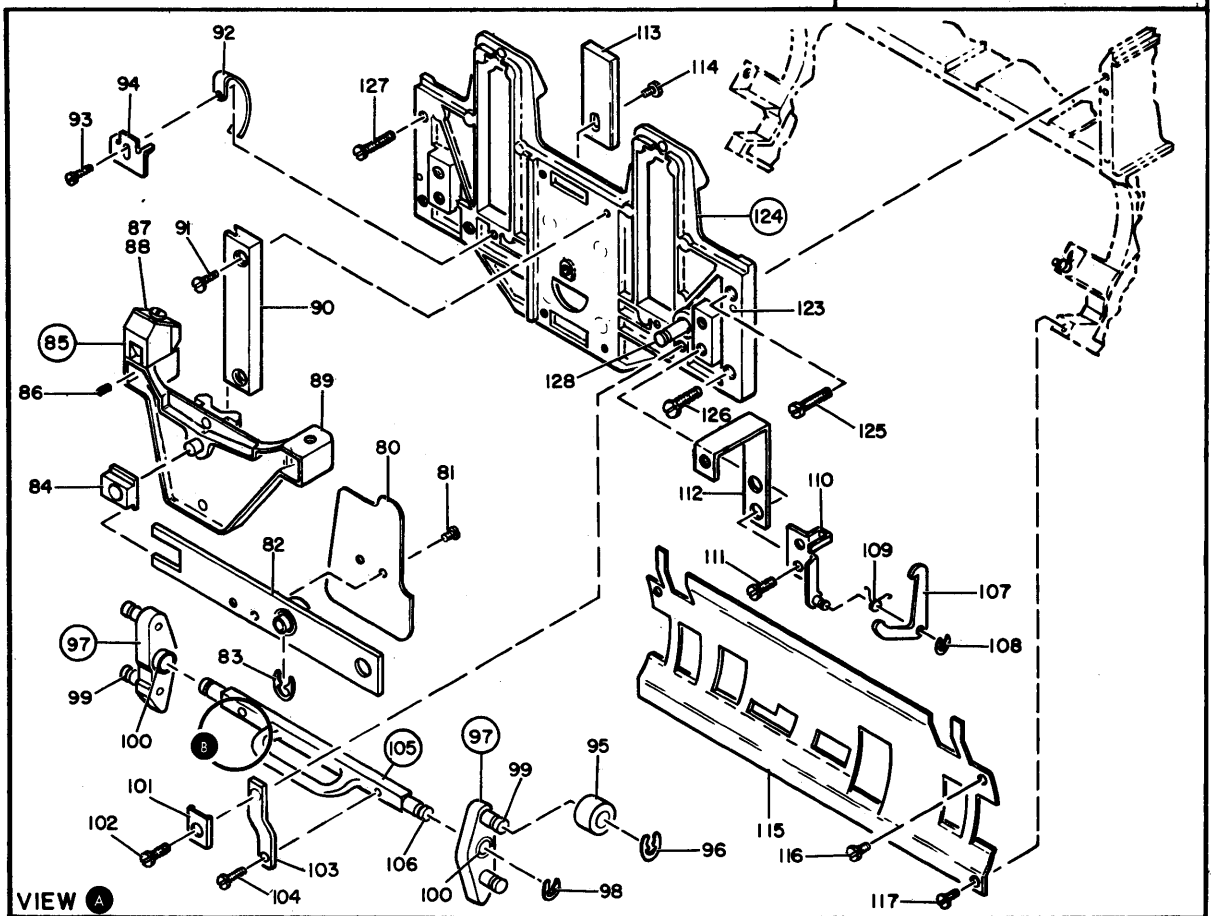
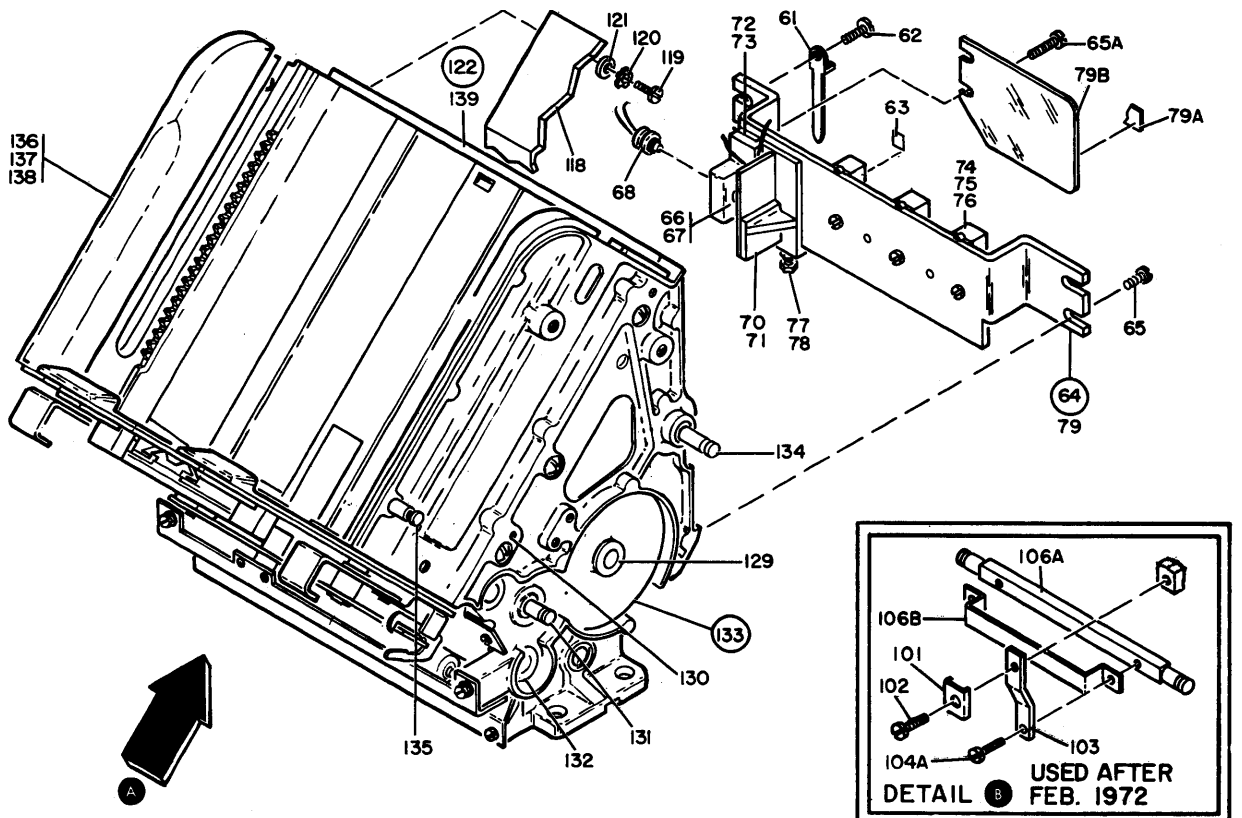


FIGURE 26. CARD FEED ASSEMBLY. SHEET 2 OF 2. INDEX NOS. 61-139. SEE LIST 26.

# STEPPING/NON STEPPING MOTOR

## CARD FEED ASSEMBLY

FIGURE- INDEX NUMBER	PART NUMBER	DESCRIPTION	UNITS PER ASM.	USABLE ON CODE
		1 2 3 4		
26 - 61	532393	. CLAMP-ADJUSTABLE CABLE	1	
- 62	25627	. SCREW-BD. HD 8-32 X .500 LG	1	
- 63	962995	. LABEL- 50 X NO. 1	1	
- 63	962996	. LABEL- 50 X NO. 5	1	
- 64	961260	. BRACKET ASM-CD FEED CB	1	
- 65	34512	. SCREW,BIND,HD 8-32 X .375 LG	2	
- 65A	25627	. SCREW-BD. HD 8-32 X .500 LG	1	
- 66	961739	. BOARD,PHOTO	1	
- 67	961259	. SCREW,RD HD-6-32 X .265 LG.	2	
- 68	982767	. LAMP ASM	1	
- 70	961258	. BRACKET,BOARD MTG	1	
- 71	338238	. SCREW, MACH-BD HD 4-40 NC X .3125 LG	2	
- 72	961222	. SPACER,LAMP	1	
- 73	438549	. SCREW,MACH-BIND HD 4-40 X 7/16 LG	2	
- 74	302090	. CONNECTOR,RECP,ELEC- 24 FEMALE CONTACTS	3	
		QUANTITY OF 2 USED PRIOR TO DEC. 1971		
		QUANTITY OF 3 USED AFTER DEC. 1971		
- 75	198363	. SCREW,THD FORMING-BIND HD NO. 4 X 1/2 LG	AR	
- 76	302131	. INSULATOR,TERMINAL BLOCK	AR	
- 77	363343	. SCREW,MACH-HEX HD 4-40 X 1/2 LG	2	
- 78	37913	. NUT-HEX 4-40 X .250 ID	2	
- 79	961256	. BRACKET,TIMING	1	
- 79A	1141554	. LABEL,SAFETY	1	
- 79B	963423	. SHIELD	1	
		USED FROM AUG. 1971 TO JULY 1972		
- 80	301288	. PLATE-CARD FEED OPERATING ARM	1	
- 81	186636	. SCREW,MACH-BIND HD 5-40 X 1/8 LG	2	
- 82	301286	. ARM ASSEMBLY-CARD FEED OPERATING	1	
- 83	60488	. CLIP-SPRING	1	
- 84	227659	. BLOCK-PIVOT	1	
- 85	340576	. KNIFE AND STUB ASSEMBLY-CARD FEED	2	
- 86	19958	. SETSCREW-SPLINE DR FP 5-40 X 5/16 LG	2	
- 87	340559	. KNIFE,CARD FEED	2	
- 88	7040	. SCREW,MACH-BIND HD 5-40 X 9/32 LG	4	
- 89	5407850	. CARRIER ASM,CARD KNIFE (PLASTIC;USE WITH PART NUMBER 5407842 ONLY)	1	
- 89	227656	. CARRIER ASM,CARD KNIFE (BRONZE;USE WITH PART NUMBER 227633 ONLY)	1	
- 90	5407842	. GUIDE (PLASTIC;USE WITH PART NUMBER 5407850 ONLY)	2	
- 90	227633	. GUIDE (BRONZE;USE WITH PART NUMBER 227656 ONLY)	2	
- 91	120044	. SCREW,MACH-BIND HD 5-40 X 3/8 LG	4	
- 92	227636	. SPRING-CARD FEED MAGAZINE	2	
- 93	196698	. SCREW,MACH-BIND HD 5-40 X 5/16 LG	2	
- 94	309572	. STOP	2	
- 95	309789	. ROLLER-PRESS	4	
- 96	147297	. RING,RETAINING-EXT 0.094 ID X 0.020 THK	4	
- 97	309794	. SUPPORT-ROLLER LEFT SIDE	1	
- 97	309795	. SUPPORT-ROLLER RIGHT SIDE	1	
- 98	147297	. RING,RETAINING-EXT 0.094 ID X 0.020 THK	2	
- 99	309790 NR	. STUD	2	
-100	309791 NR	. BUSHING	1	
-101	227625	. PLATE-PRESS	2	
-102	38381	. SCREW,MACH-FIL H 10-32 X 5/16 LG	2	
-103	309788	. SPRING-PRESSURE ROLL	2	
-104	196698	. SCREW,MACH-BIND HD 5-40 X 5/16 LG	4	
-104A	196398	. SCREW, MACH BIND HD 5-40 X 7/16 LG	2	
-105	309793	. TIE BAR-PRESS ROLL	1	
		USED PRIOR TO FEB 1972		
-106	309792 NR	. INSERT-PRESS ROLL TIE BAR	2	
-106A	964645	. TIE BAR,PRESSURE ROLL	1	
		USED AFTER FEB 1972		
-106B	964646	. HANDLE,TIE BAR	1	
		USED AFTER FEB 1972		
-107	312366	. LATCH-SAFETY	1	
-108	25282	. RING-RETAINING,EXT 0.125 ID X 0.015 THK	1	
-109	313448	. SPRING,HELICAL,TORSION- 4-1/2 TURNS	1	
-110	312364	. BRACKET ASSEMBLY-SAFETY LATCH	1	
-111	186758	. SCREW,MACH-BIND HD 8-32 X 0.438	4	
-112	5372324	. BRACKET-COVER,SAFETY	2	
-113	309852	. BLOCK-THROAT	1	
-114	29579	. SCREW,MACH-BIND HD 10-32 X 1/4 LG	1	
-115	5372233	. GUIDE, FEED HOPPER CARD	1	
-116	196698	. SCREW,MACH-BIND HD 5-40 X 5/16 LG	2	
-117	23814	. SCREW,MACH-FH 5-40 X 7/32 LG	1	
-118	961261	. SHIELD,FEED EMITTER	1	
-119	32042	. SCREW, MACH BIND. HD 10-32 X 3/8 LG.	1	

# STEPPING/NON STEPPING MOTOR

## CARD FEED ASSEMBLY

FIGURE- INDEX NUMBER	PART NUMBER	DESCRIPTION				UNITS PER ASM.	USABLE ON CODE
		1	2	3	4		
26 -120	56079	. WASHER, LOCK-EXT T .195 ID .410 CD				1	
-121	11598	. NUT, PLAIN-HEX 10-32 X 3/8 FL W				1	
-122	309711	. FRAME ASSEMBLY-CARD FEED				1	
-123	311463	. . . PIN, SPRING- 0.133 X 0.500 LG				2	
-124	227603	. . . FRAME-CARD FEED FRONT				1	
-125	2031	. . . SCREW, MACH-FIL H 8-32 X 5/8 LG				1	ATT PT
-126	113305	. . . SCREW, MACH-HEX HD 8-32 X 9/16 LG				1	ATT PT
-127	1500	. . . SCREW, MACH-FIL H 5-40 X 5/8 LG				2	ATT PT
-128	310854 NR	. . . PIN, GROOVED, HEADLESS-OPERATING ARM PIVOT				1	
-129	314383	. . . BEARING, SLEEVE-LH				1	
-129	314382	. . . BEARING, SLEEVE-RH				1	
-130	311462	. . . PIN, SPRING- 0.133 X 0.750 LG				2	
-131	227614 NR	. . . STUD-IDLER GEAR PIVOT				1	
-132	314384	. . . BEARING, SLEEVE- 0.294 ID X 0.565 OD BRZ				6	
-133	227602	. . . FRAME-CARD FEED RIGHT SIDE				1	
-134	227613 NR	. . . PIVOT, CAM FOLLOWER ARM				1	
-135	227637 NR	. . . STUD, CAM FOLLOWER ARM SPRING				1	
-136	227601	. . . FRAME-CARD FEED LEFT SIDE				1	
-137	2031	. . . SCREW, MACH-FIL H 8-32 X 5/8 LG				6	ATT PT
-138	311462	. . . PIN, SPRING- 0.133 X 0.750 LG				4	ATT PT
-139	312087	. . . FRAME				1	

# STEPPING/NON STEPPING MOTOR

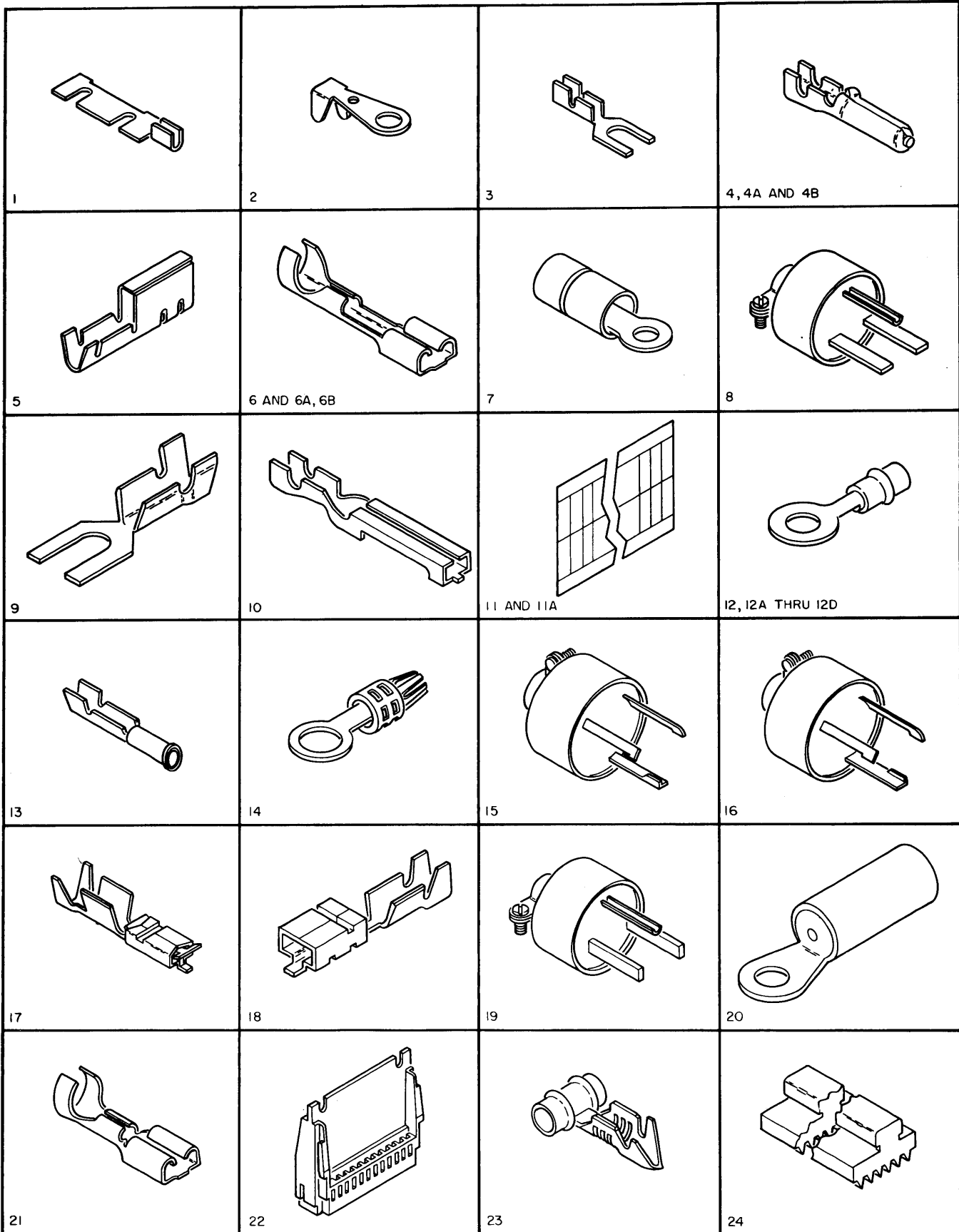


FIGURE 27. CABLE COMPONENT PARTS. SHEET 1 OF 2. INDEX NOS. 1-24. SEE LIST 27.

# STEPPING/NON STEPPING MOTOR

## CABLE ASSEMBLIES WITH COMPONENT PARTS

FIGURE- INDEX NUMBER	PART NUMBER	DESCRIPTION				UNITS PER ASM.	USABLE ON CODE
		1	2	3	4		
27 -	961373	CABLE ASM, SWITCH-VERIFY ONLY FOR COMPONENT PARTS, SEE INDEXES 4A, 6A, 22, 25 AND 26				AR	
-	961374	CABLE ASM-LIGHT SOURCE FOR COMPONENT PARTS, SEE INDEX 12A				AR	
-	961375	CABLE ASM-SWITCH FOR COMPONENT PARTS, SEE INDEXES 4, 6, 6A, 22, 25 AND 26				AR	
-	961376	CABLE ASM-MAGNETS BASIC FOR COMPONENT PARTS, SEE INDEXES 10, 13, 22, 25, 26, 32 AND 32A				AR	
-	961378	CABLE ASM-POWER DIST FOR COMPONENT PARTS, SEE INDEXES 22, 24, 25, 26B AND 32				AR	
-	961379	CABLE ASM-MOTOR FOR COMPONENT PARTS, SEE INDEXES 12, 12A AND 14				AR	
-	961382	CABLE ASM-READ STATION FOR COMPONENT PARTS, SEE INDEXES 22, 24, 25 AND 26				AR	
-	961385	CABLE ASM-KEYBOARD FOR COMPONENT PARTS, SEE INDEXES 6, 6A, 9, 11A, 21, 22, 23, 24, 25 AND 26A				AR	
-	961387	CABLE ASM-FEED UNIT TO GATE FOR COMPONENT PARTS, SEE INDEXES 4A, 22, 24, 25 AND 26				AR	
-	961388	CABLE ASM-PUNCH STATION FOR COMPONENT PARTS, SEE INDEX 4A				AR	
-	961389	CABLE ASM-FEED UNIT TO GATE VERIFY FOR COMPONENT PARTS, SEE INDEXES 4 AND 18				AR	
-	961790	CABLE ASM-COLUMN COUNTER FOR COMPONENT PARTS, SEE INDEXES 22, 24, 25 AND 26A				AR	
-	961835	CABLE ASM, GER KEYBOARD-NON-STEP MOTOR FOR COMPONENT PARTS, SEE INDEXES 6, 6A, 21, 23, 26 AND 33				AR	
-	961843	CABLE ASM, CORD ATTACHMENT- 60 HZ FOR COMPONENT PARTS, SEE INDEXES 32A AND 32B				AR	
-	963345	CABLE ASM, KEYBOARD-KATAKANA FOR COMPONENT PARTS, SEE INDEXES 6, 6A, 9, 11A, 21 AND 23				AR	
-	963428	CABLE ASM, POWER DIST FEATURES FOR COMPONENT PARTS, SEE INDEXES 26B AND 32				AR	
-	963590	CABLE ASM, STEPPING MOTOR AND RESISTOR FOR COMPONENT PARTS, SEE INDEXES 4A, 26, 26B AND 32D				AR	
-	963591	CABLE ASM, LIGHT SOURCE FOR COMPONENT PARTS, SEE INDEX 32A				AR	
-	963592	CABLE ASM, MOTOR FOR COMPONENT PARTS, SEE INDEXES 32A AND 32B				AR	
-	963593	CABLE ASM, POWER DIST STEP MOTOR FOR COMPONENT PARTS, SEE INDEXES 12B, 22, 25, 26, 26B, 32 AND 32D				AR	
-	963594	CABLE ASM, MAGNETS STEPPING MOTOR FOR COMPONENT PARTS, SEE INDEXES 10, 13, 26, 26B, 32D AND 33A				AR	
-	963595	CABLE ASM, SWITCH STEP MOTOR FOR COMPONENT PARTS, SEE INDEXES 6A AND 26				AR	
-	963596	CABLE ASM, FEED UNIT TO GATE STEP MOTOR FOR COMPONENT PARTS, SEE INDEXES 4A AND 26				AR	
-	964006	CABLE ASM, GER KEYBOARD-STEP MOTOR FOR COMPONENT PARTS, SEE INDEXES 6, 6A, 9, 11A, 21, 23 AND 26				AR	
-	964015	CABLE ASM, KEYBOARD FOR COMPONENT PARTS, SEE INDEXES 6, 6A, 9, 11A, 21, 23 AND 26				AR	
-	964628	CABLE ASM-COLUMN INDICATOR FOR COMPONEN PARTS, SEE FIG. 27				AR	
-	981830	CABLE ASM-INTERPRET FOR COMPONENT PARTS, SEE INDEXES 4A, 26, 26B, 32D AND 33A				AR	

# STEPPING/NON STEPPING MOTOR

CABLE ASSEMBLIES WITH COMPONENT PARTS

FIGURE- INDEX NUMBER	PART NUMBER	DESCRIPTION	UNITS	USABLE
			PER ASM.	ON CODE
27 -	2609105	CABLE ASM- 50 HZ FOR COMPONENT PARTS,SEE INDEXES 12A AND 14	AR	
-	2609106	CABLE ASM- 60 HZ FOR COMPONENT PARTS,SEE INDEX 12A	AR	
-	2609108	CABLE ASM- 50 HZ POWER SUPPLY FOR COMPONENT PARTS,SEE INDEXES 12A AND 14	AR	
-	2609115	CABLE ASM-AC FOR COMPONENT PARTS,SEE INDEX 12B	AR	
-	2609116	CABLE ASM-DC FOR COMPONENT PARTS,SEE INDEXES 4,5,11,12B AND 12C	AR	
-	2609117	CABLE ASM- 60 HZ POWER SUPPLY FOR COMPONENT PARTS,SEE INDEXES 12B AND 12C	AR	
-	5367309	CABLE ASM-ELEC LEAD FOR COMPONENT PARTS,SEE INDEXES 12 AND 14	AR	
-	5372384	CABLE ASM,64 CHAR KEYBOARD FOR COMPONENT PARTS,SEE INDEXES 6, 6A,6B,9,11,12A,14,28,29,30 AND 34	AR	
-	5404077	CABLE ASM,IGP FOR COMPONENT PARTS,SEE INDEXES 6A,6B,11 AND 33A	AR	
-	5462590	CABLE ASM,TRANSPORT- 12V FOR COMPONENT PARTS,SEE INDEXES 4A, 4B,10,31,32,32B,32C,33,33A AND 33B	AR	
-	5466560	CABLE ASM,SWITCHPLATE FOR COMPONENT PARTS,SEE INDEXES 6, 6A,21,31 AND 32A	AR	
- 1	103670	• TERMINAL,LUG-NONINS 24AWG 2 MTG SLOTS	AR	
- 2	113750	• TERMINAL,LUG-NONINS 16AWG NO. 8 MTG HOLE	AR	
- 3	186967	• TERMINAL-SPADE,20-24 AWG,#6 HOLE,NON INS	AR	
- 4	187243	• TERMINAL,SMALL TAPER	AR	
- 4A	483657	• TERMINAL,TAPER PIN- 22-26 AWG	AR	
- 4B	483659	• TERMINAL,TAPER PIN- 14-16 AWG	AR	
- 5	216265	• TERMINAL,QUICK DISCONNECT-NONINS 20 AWG	AR	
- 6	236915	• TERMINAL,SLIP ON-20-18 AWG	AR	
- 6A	236916	• TERMINAL-CONTACT FEMALE 24-22 AWG	AR	
- 6B	596255	• TERMINAL,SLIP ON- 24-20 AWG	AR	
- 7	253740	• TERMINAL-RING,10-12 AWG,#6 HOLE,INS	AR	
- 8	256342	• PLUG, 200/208/230V- NON-TWIST LOCK	AR	
- 9	313361	• TERMINAL-SPADE,20-24 AWG,#4 HOLE,NON INS	AR	
- 10	313390	• TERMINAL,QUICK DISCONNECT- 20/22AWG	AR	
- 11	317296	• LABEL-NUMBERING L TO R 1 THRU 33	AR	
- 11A	317297	• LABEL-NUMBERING L TO R 34 THRU 66	AR	
- 12	322025	• TERMINAL-RING,14-16 AWG,1/4 HOLE,INS	AR	
- 12A	334910	• TERMINAL-RING,14-16 AWG,#6 HOLE,INS	AR	
- 12B	334921	• TERMINAL-RING,18-22 AWG,#6 HOLE,INS	AR	
- 12C	334932	• TERMINAL-RING,18-22 AWG,#10 HOLE,INS	AR	
- 12D	360370	• TERMINAL-RING,14-16 AWG,NO. 8 HOLE,INS	AR	
- 13	340634	• TERMINAL,SLIP ON-20 AWG	AR	
- 14	359695	• TERMINAL-RING,14-16 AWG,NO. 10 HOLE,INS	AR	
- 15	624034	• PLUG, TWIST LOCK-15A 125V	AR	
- 16	624035	• PLUG, 200/208/230V- TWIST LOCK	AR	
- 17	815933	• CONNECTOR,DISCRETE WIRE- 18-20 AWG	AR	
- 18	815934	• CONNECTOR-WIRE, 22-26 AWG	AR	
- 19	961236	• PLUG, 115V- NON-TWIST LOCK	AR	
- 20	2101326	• TERMINAL,RING-12-10 AWG	AR	
- 21	5316996	• TERMINAL,SLIDE ON	AR	
- 22	5447741	• HOUSING, SINGLE- HI SERPENT	AR	
- 23	5462535	• TERMINAL,QUICK DISCONNECT-RIGHT ANGLE	AR	
- 24	5466393	• CLAMP, STRAIN RELIEF	AR	



# STEPPING/NON STEPPING MOTOR

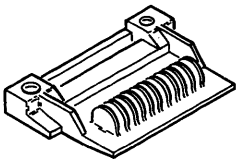
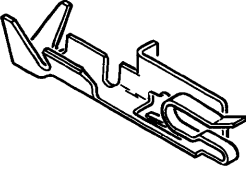
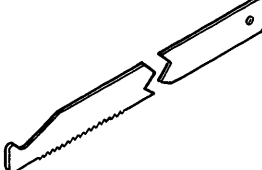
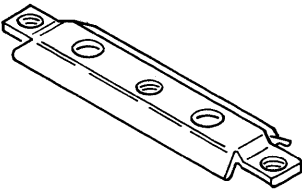
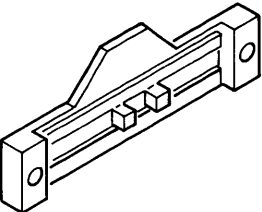
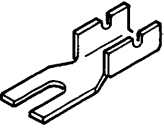
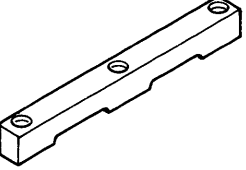
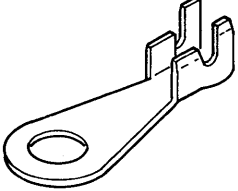

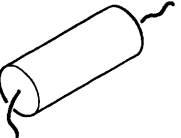
 <p>25</p>	 <p>26, 26A AND 26B</p>	 <p>27</p>	 <p>28</p>
 <p>29</p>	 <p>30</p>	 <p>31</p>	 <p>32, 32A THRU 32D</p>
 <p>33, 33A, 33B</p>	 <p>34</p>		

FIGURE 27. CABLE COMPONENT PARTS. SHEET 2 OF 2. INDEX NOS. 25-34. SEE LIST 27.



# NUMERIC INDEX

PART NO.	LIST AND INDEX NO.	PART NO.	LIST AND INDEX NO.	PART NO.	LIST AND INDEX NO.	PART NO.	LIST AND INDEX NO.
99	6A- 85 6B- 85	3500	3 - 99 8 - 42	10170-CONT	6 - 62 6 - 69	22867-CONT	21 - 79 26 - 47
119	8 - 22		8 -263		6 - 91	23096	8 -251
127	4 - 42		8 -386		6A- 49		8 -358
154	8 -258		8 -435		6A- 73		26 - 13
163	8 -213		21 - 21		6B- 49	23814	26 -117
	26 - 18		24 - 13		6B- 73	23815	8 -222
	11 - 10	3550	25 - 13		8 -498		8 -258A
	20 - 13		4 - 7B	10476	19 - 2	23931	1 - 45
	22 - 11		7 - 10	10574	12 - 19		7 - 54
	24 - 4		8 - 26C		8 - 34	24511	26 - 58
	25 - 2		8 -312		8 -427	24596	26 - 41
221	26 - 4		8 -444C	10612	8 -515A	24752	16 - 51
288	13 - 19	3834	19 - 4	10775	13 - 17		16A- 51
294	3 - 74	3960	4 - 59	11464	20 - 3		25 - 6
337	20 - 16		4 - 62		20 - 9	24857	8 -392
	8 -351		8 - 15	11598	1 - 22	25282	8 -362
	16A- 67		8 - 19		3 - 43B		8 -398
	21 - 41		8 - 28		3 - 95		8 -404
358	8 - 65	4085	23 - 5		4 - 7		10 - 6
	8 -456	4236	3 - 30		4 - 56		10A- 6
424	16A- 74		3 - 52		4 - 72		13 - 1
443	8 - 5		3 - 61B		6 - 55		13A- 3
478	8 - 33		16 - 42		6 -103		16A- 62
	8 -336		16A- 42		6A- 24		26 - 24
	8 -426		21 - 37		6B- 24		26 -108
	11 - 5		21 - 63		8 -124	25627	3 - 19
	20 - 11	4564	8 -129A		8 -486		8 -504
	21 - 22	5528	17A- 6		10 - 27		26 - 62
	24 - 2	6087	8 -373		10A- 22		26 - 65A
	25 - 3	6318	8 -395	11899	26 -121	25750	21 - 28
598	8 -188		8 -402		24 - 23	26320	8 - 62
632	21 - 42		26 - 36		25 - 17		8 - 63A
641	16 - 53	6364	4 - 1C	12132	8 - 96		21 - 45
	16A- 53		4 - 4		8 -458	26380	8 - 13A
673	3 - 77		5 - 3	12473	8 -237	27073	3 - 50B
	8 -126A		5 - 17		8 -247	27084	20 - 5
	8 -132	6503	8 -119	12954	8 -355		23 - 2
	8 -302		8 -383		26 - 57	28413	4 - 11
845	8 -165		8 -481	15677	8 -232		6 - 20
	8 -307		16 - 11		8 -240		6 - 53
	8 -506A		16A- 11		8 -244		6A- 9
	16 - 13		26 - 35	15887	2 - 17		6A- 11
	16 - 48	6899	23 - 8		2 - 18A		6A- 13
	16A- 13	6935	4 - 60		2A- 19		6B- 9
	16A- 48		4 - 63		2A- 20A		6B- 11
	17 - 8		7 - 9	17514	11 - 6		6B- 13
1500	8 - 94		7 - 15		21 - 23		24 - 20
	8 -316		8 - 16		24 - 3	28564	8 -366
	26 -127		8 - 26A		25 - 4	28762	3 - 36
1846	8 - 72	7040	8 -311	19167	8 -278	29579	26 - 55
1856	19 - 26	7341	26 - 88		8 -526		26 -114
1866	3 -117		8 - 98		21 - 77	29930	8 -408B
1940	6A- 79		8 -460	19852	7 - 13		21 - 76
	6B- 79		25 - 9	19944	21 - 48		26 - 46
1974	25 - 22	7371	3 -100	19958	26 - 86	29949	21 - 78
2031	16A- 84	8427	8 -289	20038	8 -305		26 - 28
	26 -125	8506	4 - 31	21866	25 - 24		26 - 42
	26 -137	9092	1 - 82	22060	10A- 11	29980	8 -226
2032	16 - 21		3 -112	22066	10 - 15		8 -524
	16A- 21		6 -117	22478	1 - 15		8 -530A
2300	3 -106		6 -134		2 - 5	32042	1 - 55
	12 - 4		6A- 78		2 - 37		3 - 42
	12 - 10		6B- 78		2A- 5		6 -101
2629	8 -502		8 - 31		2A- 36		6 -113
	11 - 8		8 -424		3 - 13		6 -116
	17 - 2		10 - 26		3 - 20		6 -133
	17A- 1A		10A- 21		3 -107		6A- 77
2650	13 - 18	9667	26 - 5		4 - 48		6B- 77
	13 - 23		11 - 7		7 - 46		8 -307B
	14 - 16		20 - 15		7 - 49		8 -485
	15 - 10		21 - 20		8 - 63C		26 -119
	26 - 21		24 - 11		10 - 10A	34512	4 - 46
2899	8 -394		25 - 12		10A- 8A		7 - 26
	8 -401	10170	3 - 26		16A- 69		7 - 29
	14 - 11		4 - 14		16A- 86		7 - 48
2903	6 - 47		4 - 93	22550	12 - 31		8 -114
	6 -140		4 - 96		18 - 5		8 -335
	6B- 56A		6 - 9	22867	8 - 46		8 -349
	6B- 62		6 - 41		8 -439		8 -476

NOTE: FOR KEYBUTTON, INTERPOSER/KEYLEVER AND SWITCH PART NUMBERS SEE CHARTS I THRU VII, PAGES 10 THRU 15.

PART NO.	LIST AND INDEX NO.	PART NO.	LIST AND INDEX NO.	PART NO.	LIST AND INDEX NO.	PART NO.	LIST AND INDEX NO.
34512-CONT	10 - 9A 10A- 7A 16 - 25 21 - 35 26 - 65	45690-CONT	6A- 26 6A- 45B 6B- 14 6B- 26 6B- 45B	62031-CONT	2 - 6 2A- 6 4 - 78B	120044-CONT	8 - 329A 26 - 60 26 - 91
35739	2 - 3 4 - 18	47242	8 - 32 8 - 425	70078	4 - 25	120211	4 - 38 8 - 30 8 - 423
36109	8 - 15	47987	3 - 8	76574	8 - 9	120367	13A- 21
36112	7 - 7 7 - 14	48594	3 - 108	77064	17 - 5 17A- 3	120571	8 - 104 8 - 466
36844	8 - 310	50119	19 - 16	79233	21 - 33	123206	13 - 4 13 - 10 13A- 7
37913	1 - 12 5 - 14 7 - 35 8 - 148 21 - 54 26 - 78	52522	5 - 12	79593	26 - 37	123639	26 - 31
38092	8 - 117 8 - 479	52603	19 - 10	81693	2 - 35 2A- 34 4 - 18B 4 - 3 4 - 27	123780	21 - 14
38235	1 - 60 2 - 2 2A- 2 6 - 66 8 - 50 8 - 443	52607	25 - 8		5 - 2 5 - 16 5 - 27 12 - 29 12 - 40 18 - 7 18 - 16	125875	25 - 20
38255	3 - 55 3 - 61E 3 - 61T	53042	16A- 72	91034	1 - 50	125877	25 - 23
38263	13A- 22	53042	1 - 58	91373	4 - 29 15 - 14	126853	26 - 20
38271	17 - 13 20 - 2 20 - 8 22 - 4	55901	17A- 20	100134	25 - 16	127735	8 - 153 8 - 490 8 - 115 8 - 118 8 - 477 8 - 480 8 - 53 8 - 446
38350	8 - 183	55918	8 - 171	101926	16 - 23 16A- 23	128172	8 - 115 8 - 118 8 - 477 8 - 480 8 - 53 8 - 446
38352	16A- 25	56079	1 - 19 1 - 56 3 - 43A 4 - 10 4 - 73 4 - 103 5 - 23	102691	6 - 114 6 - 119 6 - 136	129147	8 - 446 16A- 87 16 - 8 16A- 8 4 - 9
38353	16 - 25	56121	6 - 104	103372	6 - 119 6A- 45A 6A- 80 6B- 45A 6B- 80	130374	16A- 87
38354	16 - 25B	56722	6A- 25 6B- 25 1 - 27 2 - 36 2A- 35 3 - 117C 4 - 19 4 - 71 4 - 76 6 - 34 3 - 15 4 - 101 8 - 172 9 - 11 24 - 10	103670	6 - 136 6A- 45A 6A- 80 6B- 45A 6B- 80	130431	16 - 8 16A- 8 4 - 9
38361	8 - 499	58207	8 - 172 9 - 11 24 - 10	104696	27 - 1 16 - 59 16A- 59 17 - 16	130434	16A- 8
38364	16A- 77	58554	8 - 405	104698	8 - 168	130534	8 - 392A
38368	3 - 48	58852	7 - 51	104699	8 - 224 8 - 419 8 - 78 3 - 116 8 - 264 8 - 387 1 - 67 8 - 510 8 - 529A 10 - 14 10A- 10 4 - 16A 8 - 101 8 - 463	133798	3 - 90
38372	16A- 80A	59648	7 - 8	105047	8 - 419 3 - 78 3 - 116 8 - 264 8 - 387 1 - 67 8 - 510 8 - 529A 10 - 14 10A- 10 4 - 16A 8 - 101 8 - 463	133798	3 - 90
38381	11 - 12 26 - 102	60488	8 - 110 8 - 340 8 - 472 26 - 83 8 - 107 8 - 339 8 - 341 8 - 469	106419	8 - 168 8 - 224 8 - 419 3 - 78 3 - 116 8 - 264 8 - 387 1 - 67 8 - 510 8 - 529A 10 - 14 10A- 10 4 - 16A 8 - 101 8 - 463	138709	24 - 24 25 - 28 6 - 27 6A- 39 6B- 39
38383	3 - 111	60489	8 - 340 8 - 472 26 - 83 8 - 107 8 - 339 8 - 341 8 - 469	107374	8 - 224 8 - 419 3 - 78 3 - 116 8 - 264 8 - 387 1 - 67 8 - 510 8 - 529A 10 - 14 10A- 10 4 - 16A 8 - 101 8 - 463	138754	6 - 27 6A- 39 6B- 39
38391	12 - 45 18 - 21 8 - 121 8 - 483 12 - 14	60646	1 - 46 3 - 16 7 - 55 16A- 68 16A- 78 16A- 81 16A- 85 1 - 36	108375	8 - 168 8 - 224 8 - 419 3 - 78 3 - 116 8 - 264 8 - 387 1 - 67 8 - 510 8 - 529A 10 - 14 10A- 10 4 - 16A 8 - 101 8 - 463	139354	8 - 175
38433	7 - 33			110267	8 - 224 8 - 419 3 - 78 3 - 116 8 - 264 8 - 387 1 - 67 8 - 510 8 - 529A 10 - 14 10A- 10 4 - 16A 8 - 101 8 - 463	139450	11 - 13
38434	8 - 147			110029	8 - 419 3 - 78 3 - 116 8 - 264 8 - 387 1 - 67 8 - 510 8 - 529A 10 - 14 10A- 10 4 - 16A 8 - 101 8 - 463	139472	8 - 179 8 - 410 10 - 38 10 - 43 10 - 53 10A- 33
38443	8 - 24			110034	8 - 510 8 - 529A 10 - 14 10A- 10 4 - 16A 8 - 101 8 - 463	139766	10A- 36 10 - 24 10 - 46 10A- 19 26 - 10 26 - 33
38452	16A- 65			110129	21 - 29 8 - 108 8 - 201 8 - 212 8 - 243 8 - 249 8 - 470 21 - 65 10 - 4 10 - 7 10A- 4 13 - 8	140738	3 - 45 14 - 21 16 - 18 16A- 18 8 - 40 8 - 433 8 - 41 8 - 434 8 - 58 8 - 451 19 - 30 13 - 28 26 - 96 26 - 98
38616	1 - 70			110956	8 - 212 8 - 243 8 - 249 8 - 470 21 - 65 10 - 4 10 - 7 10A- 4 13 - 8	141015	8 - 40 8 - 433 8 - 41 8 - 434 8 - 58 8 - 451
38686	8 - 309 8 - 8 8 - 26 8 - 353			112055	1 - 33	141337	8 - 434 8 - 58 8 - 451
40949	2 - 4 2A- 4			113111	25 - 19	141404	8 - 451
42003	16 - 7 16A- 7			113305	8 - 155 8 - 492 26 - 126 27 - 2 24 - 22 25 - 21 23 - 4 24 - 25 24 - 28 25 - 25 25 - 29 3 - 50A 8 - 159 8 - 304 8 - 320	141431	19 - 30
43740	13 - 12 13A- 17			120044	8 - 320	147297	13 - 28 26 - 96 26 - 98
44507	21 - 74					148915	25 - 26
45624	3 - 6					149622	16A- 71
45639	17 - 6 17A- 4					149625	16A- 65A
45658	8 - 298					149627	16A- 76
45677	6 - 10					149631	16A- 79
45690	1 - 68 3 - 17 3 - 43 4 - 11A 4 - 39 6 - 37B 6 - 105 6 - 118 6 - 135 6A- 14					150109	3 - 68

NOTE: FOR KEYBUTTON, INTERPOSER/KEYLEVER AND SWITCH PART NUMBERS SEE CHARTS I THRU VII, PAGES 10 THRU 15.

PART NO.	LIST AND INDEX NO.	PART NO.	LIST AND INDEX NO.	PART NO.	LIST AND INDEX NO.	PART NO.	LIST AND INDEX NO.
151231-CONT	8 -277	186923-CONT	17A- 16	221790	8 -541	227931	19 - 12
	8 -278	186967	27 - 3	223779	1 - 66	227940	8 -356
	10 - 18	187243	27 - 4	226162	8 - 67		8 -364
151441	10A- 14	188555	8 - 49		8 - 81	227941	8 -363
	2 - 32		8 -442	227501	3 - 34	227945	26 - 7
	2A- 31	192049	1 - 48	227502	3 - 33	227951	10 - 35A
151762	4 - 67		7 - 2	227526	10 - 3	227952	10 - 5
	8 -414		8 -296		10A- 3		10A- 5
155180	21 - 32	196143	8 -294	227527	3 - 44	227954	10 - 25
156364	8 -111	196298	3 -117B	227601	26 -136		10A- 20
	8 -131		8 - 63	227602	26 -133	227955	10 - 23
	8 -177		8 - 63B	227603	26 -124		10A- 18
	8 -196		17 - 5	227604	25 - 31	227959	10 - 20
	8 -230		21 - 46	227608	8 -411		10A- 16
	8 -256		21 - 85	227610	26 - 51	227960	10 - 13
	8 -272	196299	3 - 3	227611	26 - 50	227961	10 - 19
	8 -287		3 - 61R	227613	26 -134		10A- 15
	8 -473		3 - 62A	227614	26 -131	227963	10 - 33
	8 -531		3 - 67	227617	26 - 39	227966	10 - 42
	21 - 4		3 - 71	227619	26 - 40		10A- 32
	21 - 39		3 - 92	227620	26 - 38	227967	10 - 29
159229	8 -403		3 - 97	227623	26 - 32		10 - 47
159373	2 - 33		3 -102	227624	26 - 27		10A- 24
	2A- 32		8 -152	227625	26 -101	227971	10 - 37
	4 - 34		8 -185	227627	25 - 10	227974	10 - 39
	4 - 66		8 -291B	227628	25 - 32	227979	10 - 55
163899	3 - 53		8 -292	227633	26 - 90		10A- 38
	3 - 61C		8 -318	227634	8 - 44	227983	10 - 36
	10 - 16		8 -489		8 -437	227984	10 - 44
	10A- 12		10 - 2		26 - 48		10A- 34
	21 - 64		10A- 2	227636	26 - 92	227985	10 - 17
	23 - 9	196398	8 -421B	227637	26 -135		10A- 13
165556	8 -189A		26 -104A	227638	25 - 27	227986	10 - 41
	8 -203	196698	3 -115	227646	8 -344	227991	7 - 1
	8 -211		8 - 63B	227650	25 - 14	227992	7 - 3
	8 -233		26 - 93	227651	26 - 43	228014	17 - 1
	8 -236		26 -104	227652	26 - 49	228015	17 - 19
	8 -240A		26 -116	227656	26 - 89	228016	17 - 14
	8 -244A	196818	8 -283	227657	8 -337		17 - 15
	8 -255	198363	8 -351E	227659	26 - 84	228018	17 - 11
	8 -274		26 - 75	227669	26 - 30	228019	17 - 9
	8 -519A	198795	17 - 18	227673	26 - 29	228020	17 - 10
	8 -540	204843	3 - 62C	227679	26 - 17		17A- 7
169733	8 -200	205115	8 -417	227680	26 - 19	228031	8 -208
171059	21 - 82A	205609	3 - 64	227681	26 - 16	228036	8 -214
173203	24 - 21	210883	6 - 61	227686	8 -397	228038	8 -219
173204	17A- 19		6 - 90	227691	8 -400	228040	8 -202
173205	3 - 62B		6A- 72	227693	8 -406		8 -210
173207	23 - 13		6B- 72	227700	8 -408A		8 -539
	25 - 15	216076	6 - 70	227702	8 -407	228041	8 -235
173937	10 - 40	216208	27 - 28	227705	8 -410A		8 -235A
	10A- 30	216209	27 - 29	227725	8 -371		8 -518
175235	12 - 2	216265	27 - 5	227769	8 -126	228044	8 -195
176246	26 - 52	217017	6 -106	227772	8 -113		8 -280
179743	2 - 31		6A- 27		8 -475	228055	8 -199
	2A- 30		6B- 27	227774	21 - 40	228059	8 -228
	4 - 33	217019	6A- 27A		21 - 69	228060	8 -197
	4 - 65	219204	3 - 27	227775	21 - 36		8 -269
	6 - 6	219209	3 - 39	227777	21 - 30		8 -527
	6A- 6	219216	3 - 98	227778	21 - 27	228061	8 -189
	6B- 6	219224	3 - 86	227779	8 -291A		8 -254
179946	6 - 17		3 - 86		21 - 38		8 -273
	6A- 22	219232	3 - 76	227785	23 - 3	228067	8 -239
	6B- 22	219235	3 - 69	227820	26 - 26	228068	8 -238
180383	8 - 38		3 - 69	227827	21 - 34	228090	8 -146
	8 -431	219236	3 - 96	227837	8 -120	228094	20 - 12
180824	24 - 27	219237	3 - 91		8 -482	228095	24 - 8
180932	17 - 17	219262	3 - 87A	227838	21 - 67	228100	23 - 12
183864	10 - 32	219268	3 -101	227839	8 -116	228102	23 - 11
183866	10 - 28	219278	3 - 31		8 -478	228114	8 -418
	10A- 23	219333	3 - 87	227841	21 - 84	228134	8 -436A
183895	8 -268		3 - 87	227914	19 - 29	228135	8 - 47
184379	1 - 36A	219357	3 - 88	227915	19 - 31		8 -440
185052	3 - 11	219368	3 - 65	227916	19 - 32	228141	8 - 37
186036	8 - 26	219472	3 - 75	227917	8 - 84		8 -429
186198	8 -186	219485	3 -103		19 - 33	228152	11 - 11
186636	11 - 2	219549	3 - 7	227921	8 - 89A		22 - 12
	26 - 81	219679	8 -176	227928	8 - 91		24 - 9
186758	26 -111	219765	21 - 62		19 - 19		25 - 5
186923	16A- 88	219993	6 -132	227929	19 - 13	228153	11 - 3
				227930	19 - 18	228156	8 -229

NOTE: FOR KEYBUTTON, INTERPOSER/KEYLEVER AND SWITCH PART NUMBERS SEE CHARTS I THRU VII, PAGES 10 THRU 15.

PART NO.	LIST AND INDEX NO.	PART NO.	LIST AND INDEX NO.	PART NO.	LIST AND INDEX NO.	PART NO.	LIST AND INDEX NO.
228157	8 - 39 8 -432	228441	16 - 37 16A- 37	257189-CONT	8 - 71 9 - 7	308168	26 - 6 8 -103
228162	11 - 1	228442	16 - 38	257957	8 -242	308208	8 -465 8 -314
228233	13 - 27	228443	16A- 38 16 - 33	257958	8 -521 8 -167	308292	8 -314 21 - 60
228242	8 - 59 8 -452	228444	16A- 33 16 - 36	257959	8 -529C	308421	26 - 94 8 -409
228245	13 - 6	228445	16A- 36 16 - 39	257961	6 - 4 6A- 4	309572	26 - 122 19 - 20
228255	13 - 22	228450	16A- 39 12 - 1	257968	8 - 82	309618	26 - 99 26 -100
228256	13 - 16	228451	13 - REF 8 -227	257982	8 -216 5 - 13	309711	26 - 106 26 -105
228260	13 - 9	228457	8 -523 8 -530B	257984	16A- 89 17A- 17	309733	26 - 97 26 - 97
228261	13 - 14	228460	26 - 15 26 - 45	257986	1 - 71 6 - 33	309788	26 - 97 10 - 54
228268	13 - 15	228490	8 -350	261554	26 - 2A 19 - 1	309792	10A- 37 10 - 52
228270	17 - 4 17A- 2	228561	25 - 18	263979	10 - 21 10A- 17	309798	10A- 35 8 - 45
228273	8 -348	228565	8 -416	264641	14 - 1	309833	8 -438 26 - 54
228275	8 - 55 8 -449	228572	19 - 25	300481	16 - 50 16A- 50	309851	26 - 113 8 -359
228277	16 - 54 16A- 54	228599	8 -313	300493	16 - 6 16A- 6	309867	8 -359 8 -361
228279	16 - 55	228605	8 -161 8 -331	300494	16 - 2 16A- 2	309870	8 -354 8 -370
228280	12 - 23 12 - 36	228607	8 -333	300544	16 - 3 16A- 3	309872	8 -367 8 -357
228287	8 -105 8 -467	228616	8 -106 8 -468	300545	16 - 1 16A- 1	309874	16 - 14 16A- 14
228292	8 - 60 8 -453	229976	10 - 56 10A- 39	300546	15 - 13	309996	16 - 12 16A- 12
228296	12 - 6	234344	4 - 85	300547	15 - 12	309998	16 - 9 16A- 9
228301	16 - 60 17 - REF	236550	6 - 2 6 - 75	300548	16 - 4 16A- 4	310107	16A- 10 12 - 16
228303	17 - 7	236849	4 -102 5 - 22	300557	26 - 53	310111	12 - 15 8 - 99
228309	8 -271		6A- 2 6B- 2	301132	21 - 31	310169	8 -461 8 - 97
228348	21 - 11		8 -494 4 -102	301152	8 -345	310171	8 -459 8 -299
228356	8 -112 8 -474		5 - 22 6 - 22	301153	8 -338	310178	8 -295 8 - 11
228358	20 - 6		6 - 24 6 - 37	301155	8 -194	310228	8 -187 8 -293
228361	8 -109 8 -471		6 - 73 6A- 37	301157	8 -198	310241	8 -293 8 -249A
228366	20 - 7		6A- 43 6A- 45	301174	21 - 2	310307	8 -257 8 -192
228368	20 - 1		6B- 38 6B- 43	301184	21 - 83	310333	8 -276 8 -290
228370	20 - 10		6B- 45 8 -375	301213	8 - 90	310337	8 - 11 8 - 12
228375	13 - 29		27 - 6 27 - 6A	301214	14 - 13	310368	8 -253 8 -248
228378	16 - 40 16A- 40		10 - 38 10A- 28	301286	4 - 64	310370	8 -252 8 - 43
228381	16 - 41 16A- 41		5 - 35 12 - 26	301288	26 - 82	310371	8 -436 8 -245
228386	16 - 17 16A- 17		18 - 2 8 -505B	301290	26 - 80	310372	8 - 56 8 -448
228388	12 - 11		251989	301290	13 - 5 13A- 8	310377	8 - 52 8 -445
228389	16 - 27 16A- 28		253740	301805	6 -137 6 - 97	310378	8 -260 8 -266
228397	14 - 15		254867	302090	6B- 32 8 -351D	310383	8 -267 8 -262
228402	12 - 7		2551970	302131	26 - 74 6 - 99	310391	8 -206 8 -218
228403	16 - 15 16 - 57		251970	302131	6A- 34 6B- 34	310394	8 -259 8 -388
228411	16A- 15 16A- 57		251989	303549	8 -351F 26 - 76	310397	8 -343 8 - 25
228412	16 - 16 16A- 16		253740	304667	21 - 61	310400	8 -245A 8 - 13
228413	16 - 19		254867	304943	6A- 21 6B- 21	310401	8 -244B
228414	12 - 9		256342	304954	24 - 31	310474	
228417	16 - 28 16A- 27		257187	305243	24 - 15	310596	
228419	16A- 32 14 - 14			305248	12 - 5	310773	
228422	14 - 12			305267	22 - 9	310779	
228423	14 - 9			305268	8 - 21	310781	
228424	14 - 8			305269	8 - 14		
228430	14 - 5				20 - 4		
228431	14 - 6				22 - 7		
228434	14 - 10				24 - 6		
228438	16 - 22 16A- 22				22 - 8		
228439	16 - 35 16A- 35				24 - 7		
228440	16 - 34 16A- 34				20 - 14 24 - 5		
					8 -223 6 -123		
					13 - 3		

NOTE: FOR KEYBUTTON, INTERPOSER/KEYLEVER AND SWITCH PART NUMBERS SEE CHARTS I THRU VII, PAGES 10 THRU 15.

PART NO.	LIST AND INDEX NO.	PART NO.	LIST AND INDEX NO.	PART NO.	LIST AND INDEX NO.	PART NO.	LIST AND INDEX NO.
310784	19 - 15	313977	8 -301	328901-CONT	22 - REF	357433-CONT	8 -538
310799	8 -261	313978	8 -306	328902	22 - 2	359695	27 - 14
310826	14 - 7	313982	13 - 31	328903	22 - 3	360370	27 - 12D
310833	14 - 4	313983	13 - 30	328904	22 - 1	361503	6 -125
310834	14 - 3	313986	12 - 22	328910	21 - 44		6A- 87
310854	26 -128		12 - 27	328916	21 - 13		6A- 92
310873	10 - 1		18 - 3	328917	21 - 9		6B- 91
	10A- 1	313993	15 - 15	328920	21 - 12	361536	6 -122
311462	26 -130	314036	20 - 17	328928	21 - 25		6B- 83
	26 -138	314037	8 -113		1 - 81	361739	17A- 14
311463	26 -123		8 -475	332620	8 -123	362193	6 - 92
311498	10A- 40	314110	8 -329		8 -536	362206	6 -126
311649	10 - 35		8 -329		4 - 7A		6A- 91
311823	25 - 30	314111	8 -158	332747	5 - 31		6B- 90
312054	26 - 59	314186	21 - 75		8 -390	362685	26 - 1
312058	15 - 2	314220	17 - 7	334910	27 - 12A	362819	1 - 80
312077	26 - 8		17A- 4A	334921	27 - 12B	362829	3 - 70
312080	26 - 12	314224	8 -163	334932	27 - 12C	362842	9 - 1
312081	26 - 11	314226	8 -157	337334	6A- 86	362852	1 - 6
312082	26 - 14	314238	26 - 34	337523	6 -127	363343	21 - 53
312083	26 - 9	314269	11 - 14		6A- 88		26 - 77
312087	26 -139	314382	26 -129	338165	6 - 13	363434	6A- 74
312089	26 - 3	314383	26 -129		6A- 17		6B- 74
312321	12 - 17	314384	26 -132		6B- 17	364728	1 - 57
312364	26 -110	314482	19 - 11	338169	7 - 34	367115	6 - 59
312366	26 -107	315189	11 - 9		8 -137A		6 - 88
312489	3 - 39A		22 - 10		12 - 2A	368969	8 -346
312492	3 - 47		24 - 1	338238	8 - 77B	369207	4 - 83B
312571	5 - 11		25 - 1		8 -137		4 - 88
312573	5 - 7	315309	3 -104		8 -142		8 -506B
312575	5 - 6	315310	3 -105		8 -515	369255	12 - 20
312594	8 -393	315384	23 - 10		21 - 56		12 - 34
312615	1 - 4	315739	2A- 3		26 - 71		18 - 10
313132	8 -102	316046	3 -110	338586	8 - 29	369257	12 - 21
	8 -464	316047	3 -109		8 -422	369421	8 -299A
313239	8 - 88	317145	6 - 89		11 - REF	369611	6 - 77
313243	19 - 28	317296	27 - 11	339113	3 - 63	369652	6 - 76
313246	6 - 38	317297	27 - 11A	339176	3 - 62	375428	6 - 64
	6A- 46	317309	6 - 39	340022	21 - 5	381722	1 - 40
	6B- 46		6A- 47	340024	8 - 23	381727	1 - 32
313260	23 - 7		6B- 47	340034	8 -300	381732	9 - 15
313331	17 - 12	317409	5 - 5	340501	26 - 23	381733	9 - 13
313353	3 - 72	321483	8 - 70	340535	26 - 25	381734	9 - 12
313355	3 - 66	322025	27 - 12	340559	26 - 87	381736	8 - 1
313361	27 - 9	322061	12 - 30	340576	26 - 85	381741	1 - 14
313362	27 - 30		18 - 6	340626	4 - 86	381977	1 - 1A
313390	27 - 10	322065	6 - 32	340634	27 - 13	382176	19 - 24
313445	8 -399	322550	4 - 21	340726	16 - 49	382284	3 -103
313448	26 -109		4 - 24		16A- 49	382349	3 - 73
313453	1 - 9		4 - 75	340739	8 -380	382636	16 - 5
313563	15 - 6		6 - 57	340871	8 -184		16A- 5
313564	15 - 4		6 - 86	341003	8 -288	424810	8 - 61
313566	15 - 3		6A- 68	341060	23 - 14		8 -454
313569	15 - 5		6B- 68	341264	8 -382	438541	3 - 5
313592	15 - 16	322552	8 - 74	341750	6 - 45		8 -324
313599	15 - 11	322767	6A- 70		6B- 59	438544	9 - 3
313670	26 - 22		6B- 70	341883	8 -297	438548	3 - 49A
313754	15 - 8	323842	6 - 60	342900	21 - 18		19 - 7
313759	23 - 6		6A- 71	344059	21 - 19	438549	8 -505
313764	24 - 16		6B- 71	344117	22 - 5		21 - 57
313830	24 - 26	325624	12 - 18	344123	22 - 6		26 - 73
313831	24 - 29		12 - 33	344155	21 - 17	438550	6 - 98
313834	24 - 30		16 - 43	345268	8 -178		6A- 33
313835	24 - 12		16A- 43	345644	8 -151		6B- 33
313836	24 - 14		18 - 9	345974	8 -221	438552	5 - 20
313837	24 - 17	327922	3 - 18	348701	17 - 11	438593	6 - 46
313922	13 - 2	328008	11 - 4	350663	6 - 19		6 -139
313924	14 - 2	328015	8 -330		6 -111	438622	8 -508
313927	13 - 21	328037	8 -129B	350977	6 - 85	442576	3 - 23
313932	13 - 13	328041	12 - 41	352826	6 - 56	442958	6 - 50
313935	13 - 11		18 - 17		6A- 67		6B- 64
313936	14 - 20	328051	8 -321		6B- 67	442959	4 - 24D
	14 - 20A	328080	8 -160	356742	4 - 26	472729	1 - 10
313937	13 - 24		8 -321		6 - 18	473582	6 -107
313938	13 - 20	328196	8 -334		6 -110		6A- 28
313939	13 - 26		25 - REF		8 - 63A		6B- 28
313971	8 -385	328859	8 -156		6 - 18	473858	8 -376
313973	8 -389	328860	8 -154	357433	6 -110	478043	6 -108
313974	8 -303		8 -491		8 -122A		6A- 29
313975	8 -379	328901	21 - 24		8 -421A		6B- 29

NOTE: FOR KEYBUTTON, INTERPOSER/KEYLEVER AND SWITCH PART NUMBERS SEE CHARTS I THRU VII, PAGES 10 THRU 15.











PART NO.	LIST AND INDEX NO.	PART NO.	LIST AND INDEX NO.	PART NO.	LIST AND INDEX NO.	PART NO.	LIST AND INDEX NO.
8108794	13A- 2						
8108796	13A- 13						
8108797	13A- 14						
8108799	13A- 18						
8108995	13A- 19						
8108997	13A- 20						
8109173	12 - 8						
8109283	12 - 8						
8110399	12 - 8						
8112110	12 - 8						
8112156	1 - 37						
8112224	13A- 1						
8112225	13A- 9						
8112229	13A- 4						
8112272	13A- 16						
8112273	13A- 15						
8112312	1 - 65						
8112347	1 - 44						
8112536	4 - 84						
8139750	1 - 52						

NOTE: FOR KEYBUTTON, INTERPOSER/KEYLEVER AND SWITCH PART NUMBERS SEE CHARTS I THRU VII, PAGES 10 THRU 15.

**READER'S COMMENT FORM**

129 CARD DATA RECORDER MODELS 1-3

S123-1055-5

- We would appreciate your comments, please give specific page and line references where appropriate. If you wish a reply; be sure to include your name and address.

- Thank you for your cooperation. No postage necessary if mailed in the U.S.A.

Cut or Fold Along Line

**Your comments, please . . .**

Your comments on the back of this form will help us produce better publications for your use. Each reply will be carefully reviewed by the persons responsible for writing and publishing this material. All comments and suggestions become the property of IBM.

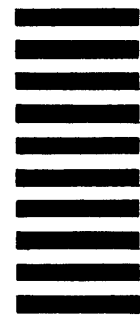
Please note: Requests for copies of publications and for assistance in utilizing your IBM system should be directed to your IBM representative or to the IBM sales office serving your locality.

Fold

Fold

FIRST CLASS  
PERMIT NO. 419  
POUGHKEEPSIE, N.Y.

**Business Reply Mail**  
No postage stamp necessary if mailed in U.S.A.



Postage will be paid by:  
International Business Machines Corporation  
Department B98, Parts Catalog  
P.O. Box 390  
Poughkeepsie, New York 12602

Fold

Fold



**International Business Machines Corporation**  
Data Processing Division  
1133 Westchester Avenue, White Plains, New York 10604  
(U.S.A. only)

**IBM World Trade Corporation**  
821 United Nations Plaza, New York, New York 10017  
(International)



621

129

Fold Use clear acetate tab  
obtained locally

Cut

S123-1055-5

129 Card Data Recorder (PC) Printed in U.S.A. S123-1055-5

**IBM**

International Business Machines Corporation  
Data Processing Division  
1133 Westchester Avenue, White Plains, New York 10604  
(U.S.A. only)

IBM World Trade Corporation  
821 United Nations Plaza, New York, New York 10017  
(International)