

5404283

29 WIRING DIAGRAM INDEX
MOD A

00.29.00.0

NAME	SECTION	PART NO.	LOGIC
POWER SUPPLY 50 CYCLE		5373565	00.29.01.1
POWER SUPPLY 60 CYCLE		5373566	00.29.01.1
NUM KYBD AND INTERPOSERS	1 AND 2	5373553	00.29.02.1
* NUM KYBD AND INT / AUX DUP	1 AND 2	5373564	00.29.02.1
64 CHARACTER KYBD	3 AND 4	5373554	00.29.03.1
CARD FEED, M.P., CLEAR, REL	5 AND 6	5373555	00.29.04.1
* CARD FEED, M.P., CLEAR, REL / MCI	5 AND 6	5373562	00.29.04.1
KEYBOARD RESTORE	7 AND 8	5373556	00.29.05.1
* KEYBOARD RESTORE / MCI	7 AND 8	5373563	00.29.05.1
ESC MAG DUP, SKIP / VLCD	9 AND 10	5373557	00.29.06.1
PUNCH CLUTCH	11 AND 12	5373558	00.29.07.1
* PUNCH CLUTCH / HSS	11 AND 12	5373570	00.29.07.1
PRINT	13 AND 14	5373559	00.29.08.1
* INTERPERSE GANG PUNCH	15 AND 16	5373569	00.29.08.2
COMPONENT LOCATION		5373560	00.29.09.0
KEYBOARD AND CAM REF		5373561	00.29.10.0
* KEYBOARD AND CAM REF / HSS ULCD		5404109	02.29.10.0

* NOTE XI

NOTES
XI

PAGES MARKED WITH ASTERISK ARE FEATURE PAGES. THEY WILL REPLACE THE STANDARD PAGES WHEN THE MACHINE HAS FEATURES INSTALLED.

INTERNATIONAL BUSINESS MACHINES CORP.				DATE	CHANGE NO.	DATE	CHANGE NO.	NOTE	DEVELOPMENT NO.
NAME SYSTEMS DIAGRAM				28 OCT 65	205425 C			X PRINT TO ENG. SPEC. NO. 895291	00.29.00.0
00.29.00.0				13 JAN 66	205425				
DESIGN	RJE	29NOV65	MODEL	11 MAR 66	205542				
CHECK	RAS	29NOV65	DRAW	11 APR 66	205632				
APPRO	RSS	30NOV65	CHECK						

FORM 430-0011

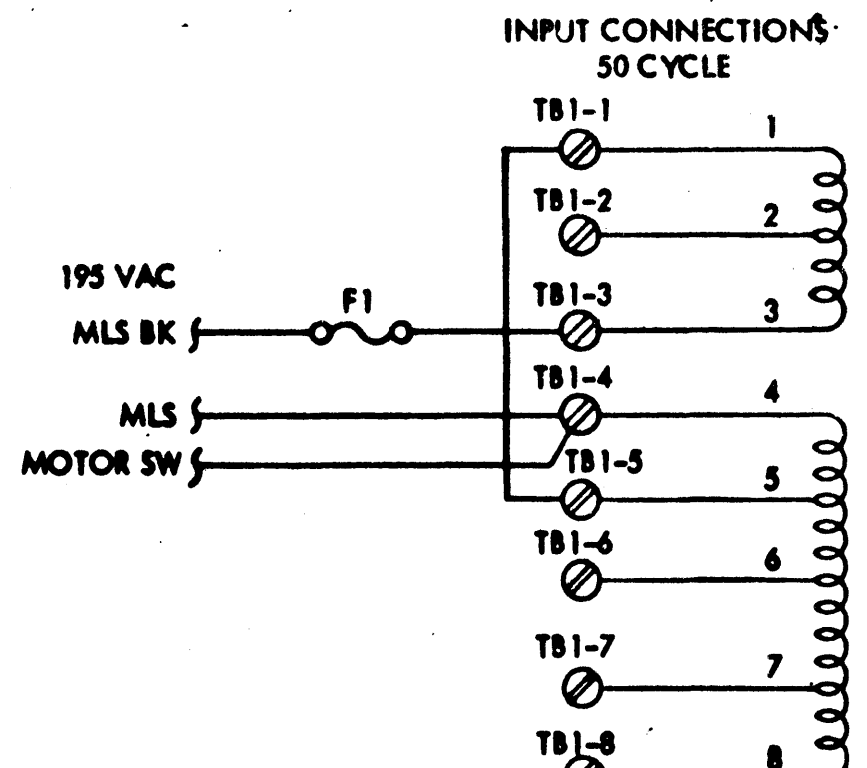
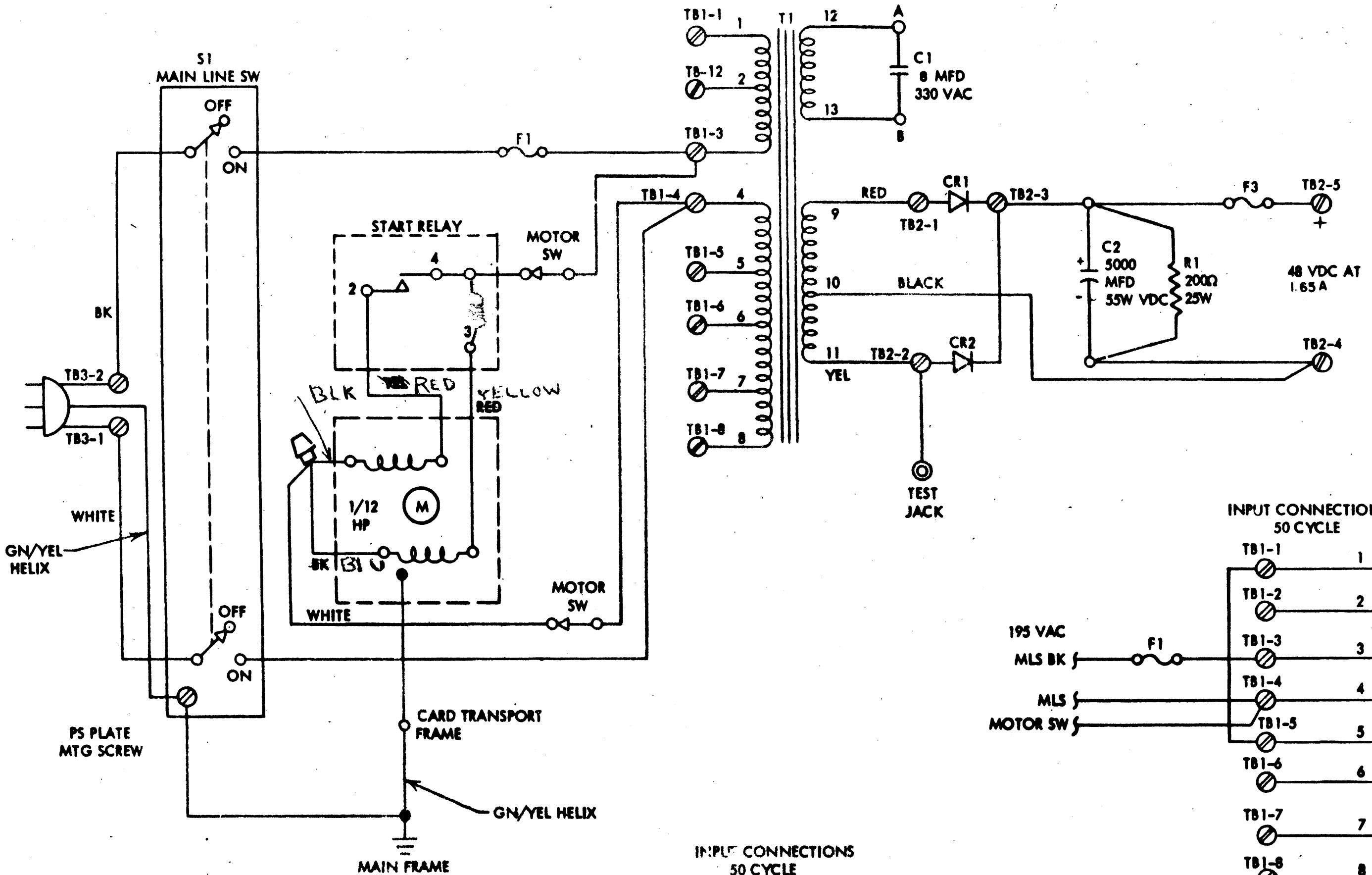
5404283

G. B. CO. NO. 372W 4308

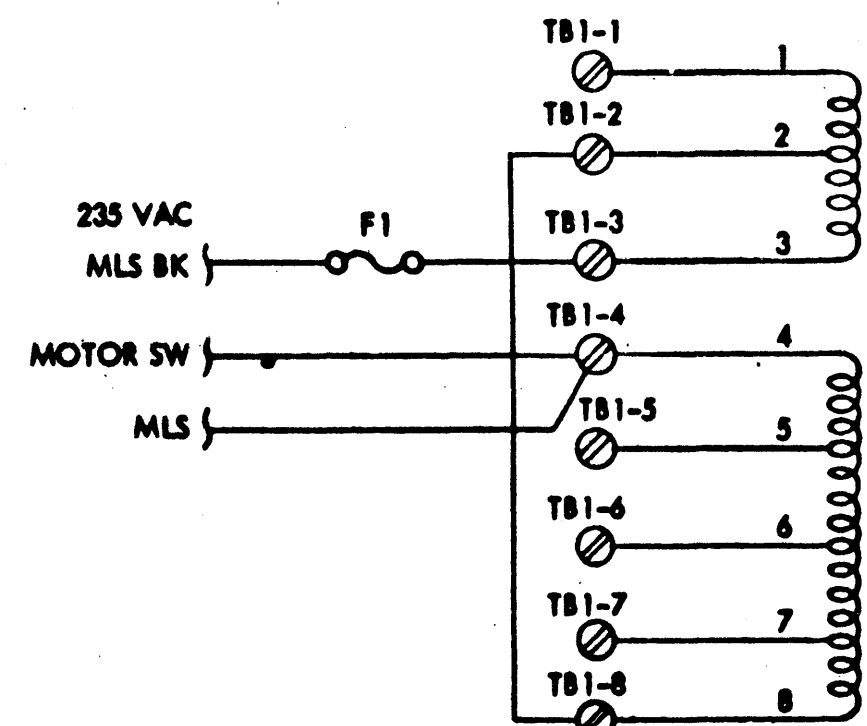
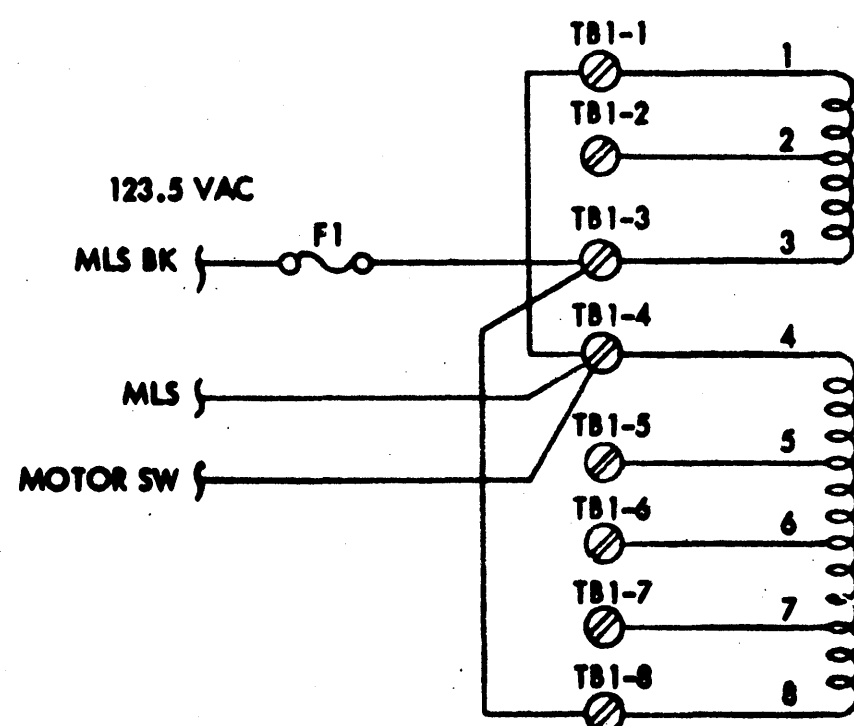
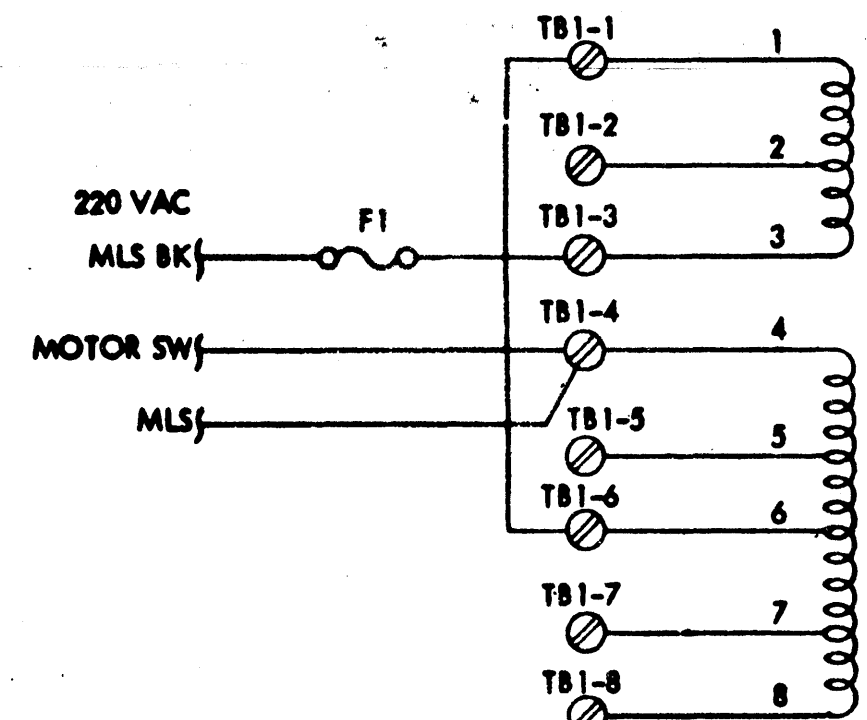
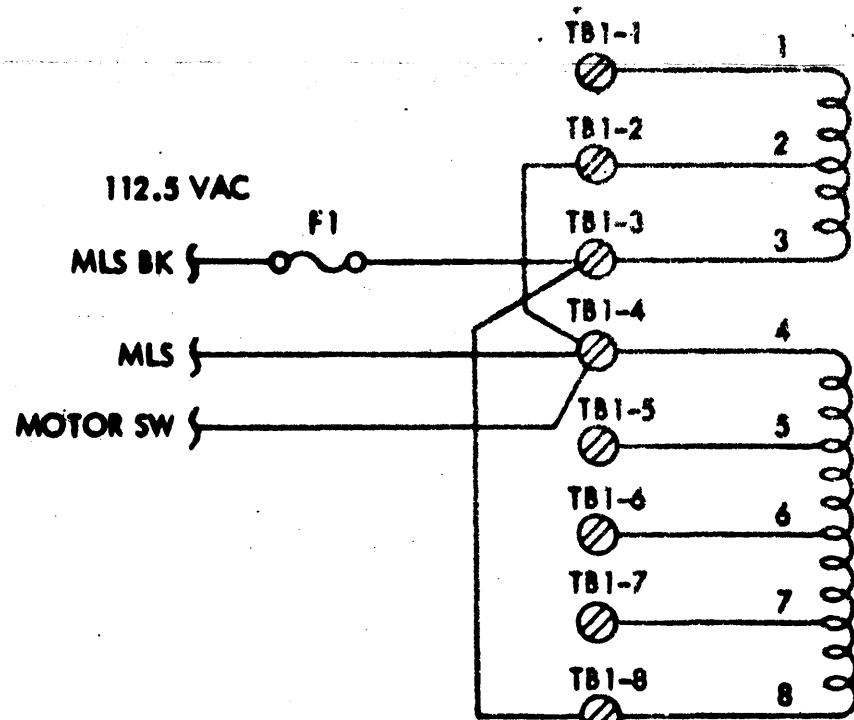
5373565

00.29.01.1

POWER SUPPLY 50 CYCLE
48V AT 1.65A POWER SUPPLY



INPUT CONNECTIONS 50 CYCLE



NAME	PART NUMBER
T1	5404086
C1	5247156
C2	208222
CR1 2A	5404082
CR2 2A	5404082
R1	221110
S1	5372190

LONG TIME LAG FUSE			
	AMPS	PART NO.	VOLTS AC
F1	4.0	107665	112.5
F1	4.0	107665	123.5
F1	2.0	92734	195
F1	2.0	92734	220
F1	2.0	92734	235

FUSE	AMPS	PART NO.	VOLTS DC
F3	2	3344	48

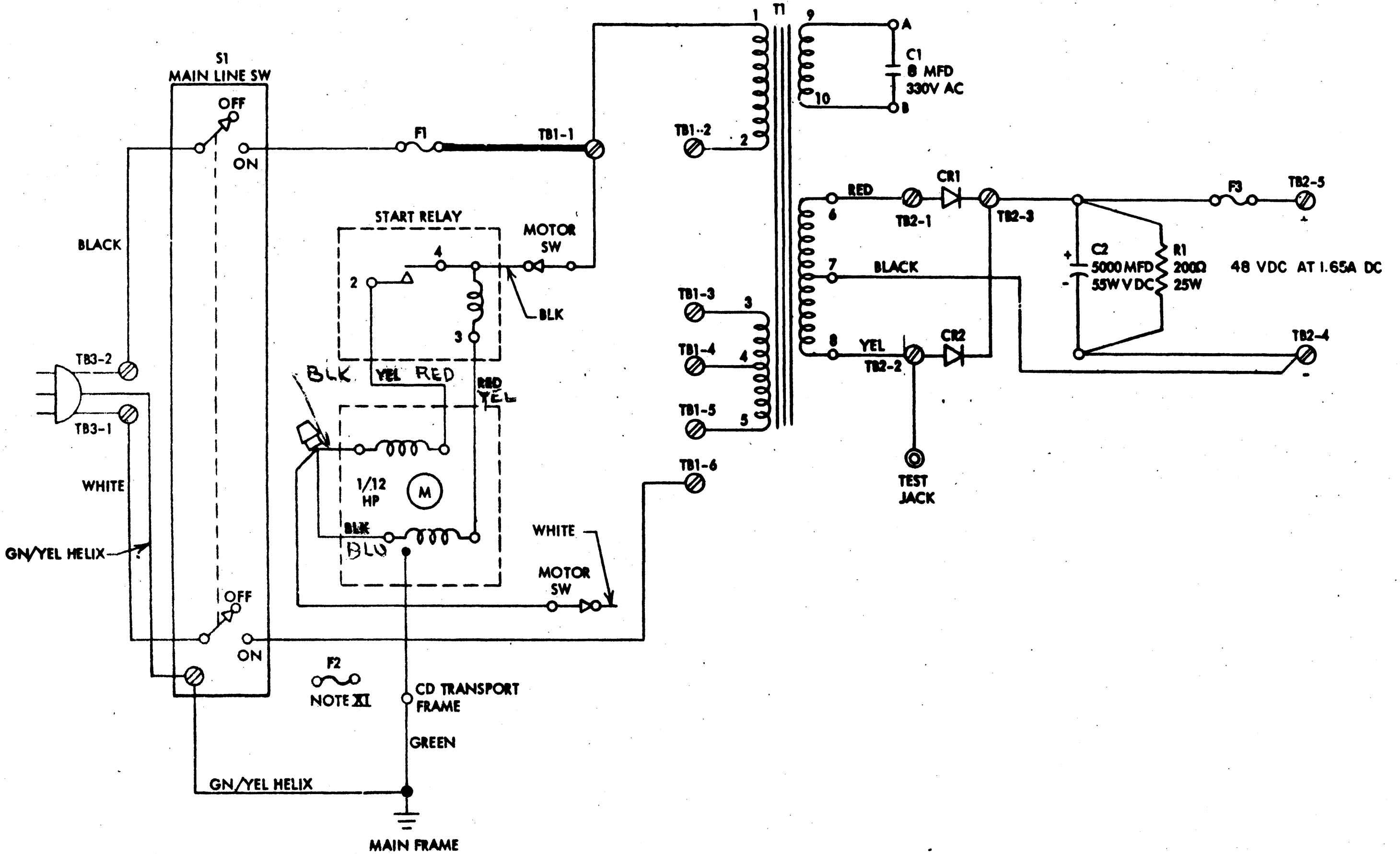
INTERNATIONAL BUSINESS MACHINES CORP.				DATE	CHANGE NO.	DATE	CHANGE NO.	NOTE	DEVELOPMENT NO.
NAME				7-6-65	205332			X PRINT TO ENG. SPEC. NO. 895291	00.29.01.1
SYSTEMS DIAGRAM					51294				
DESIGN WT									
DETAIL									
CHECK LF									
APPRO RLJ									

5373565

5373566

00.29.01.1

POWER SUPPLY 60 CYCLE
48V AT 1.65A POWER SUPPLY

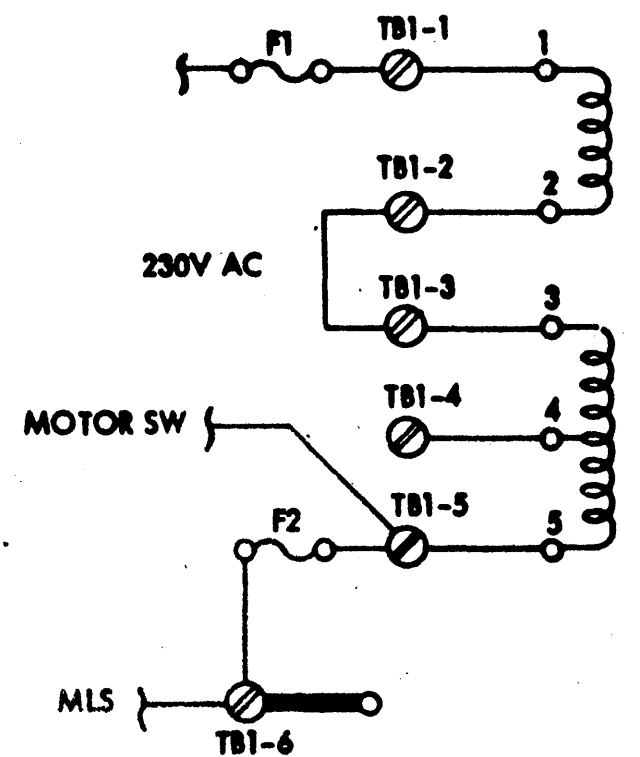
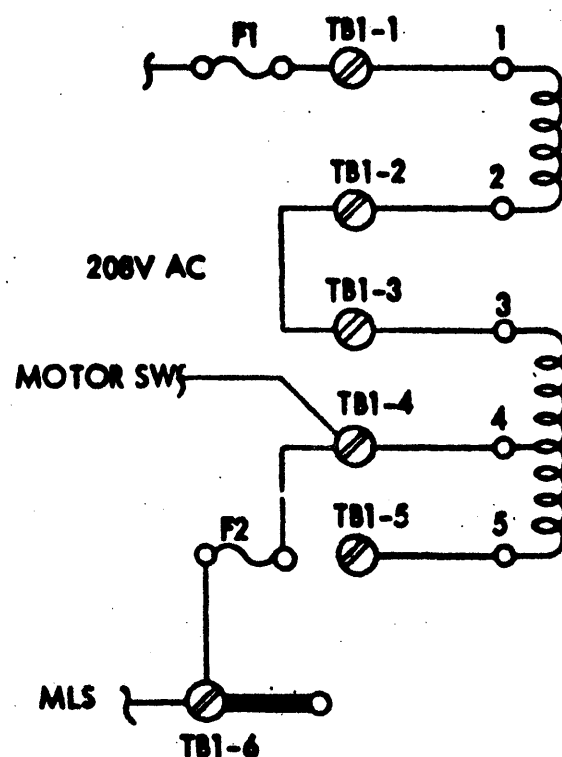
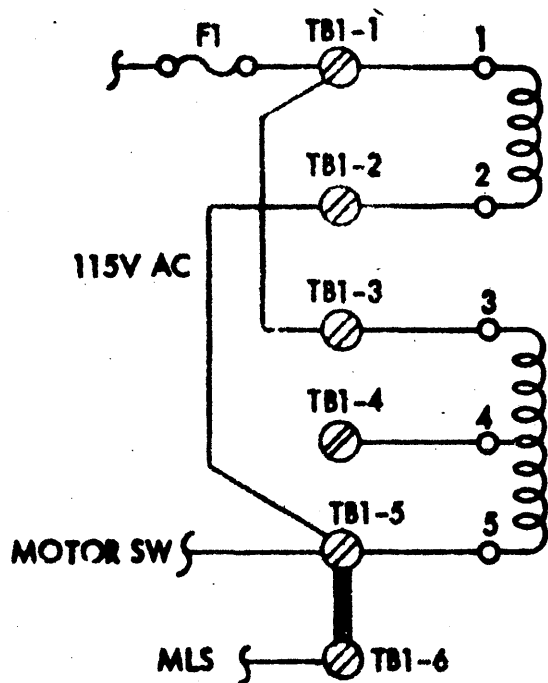


NAME	PART NO.
T1	5404081
C1	5247156
C2	208222
CR1 2A	5404082
CR2 2A	5404082
R1	221110
S1	5372190

LONG TIME LAG FUSE			
FUSE	AMPS	PART NO.	VOLTS AC
F1	4.0	107665	115
F1	2.0	92734	208
F1	2.0	92734	230
F2	2.0	92734	208
F2	2.0	92734	230

FUSE	AMPS	PART NO.	VOLTS DC
F3	2	3344	48

INPUT CONNECTIONS 60 CYC



NOTES

XI FOR 115V OPERATION F2 WILL NOT BE USED

INTERNATIONAL BUSINESS MACHINES CORP.		DATE	CHANGE NO.	DATE	CHANGE NO.	NOTE	DEVELOPMENT NO.
NAME SYSTEMS DIAGRAM		7-8-65	203332			NOTE X PRINT TO ENG. SPEC. NO. 893291	
00.29.01.1			51-294				
DESIGN	WT 5-6-65	MODEL					
DETAIL							
CHECK	LF 5-6-65	DRAW	MI 4-30-65				
APPRO	RLJ 5-6-65	CHECK					

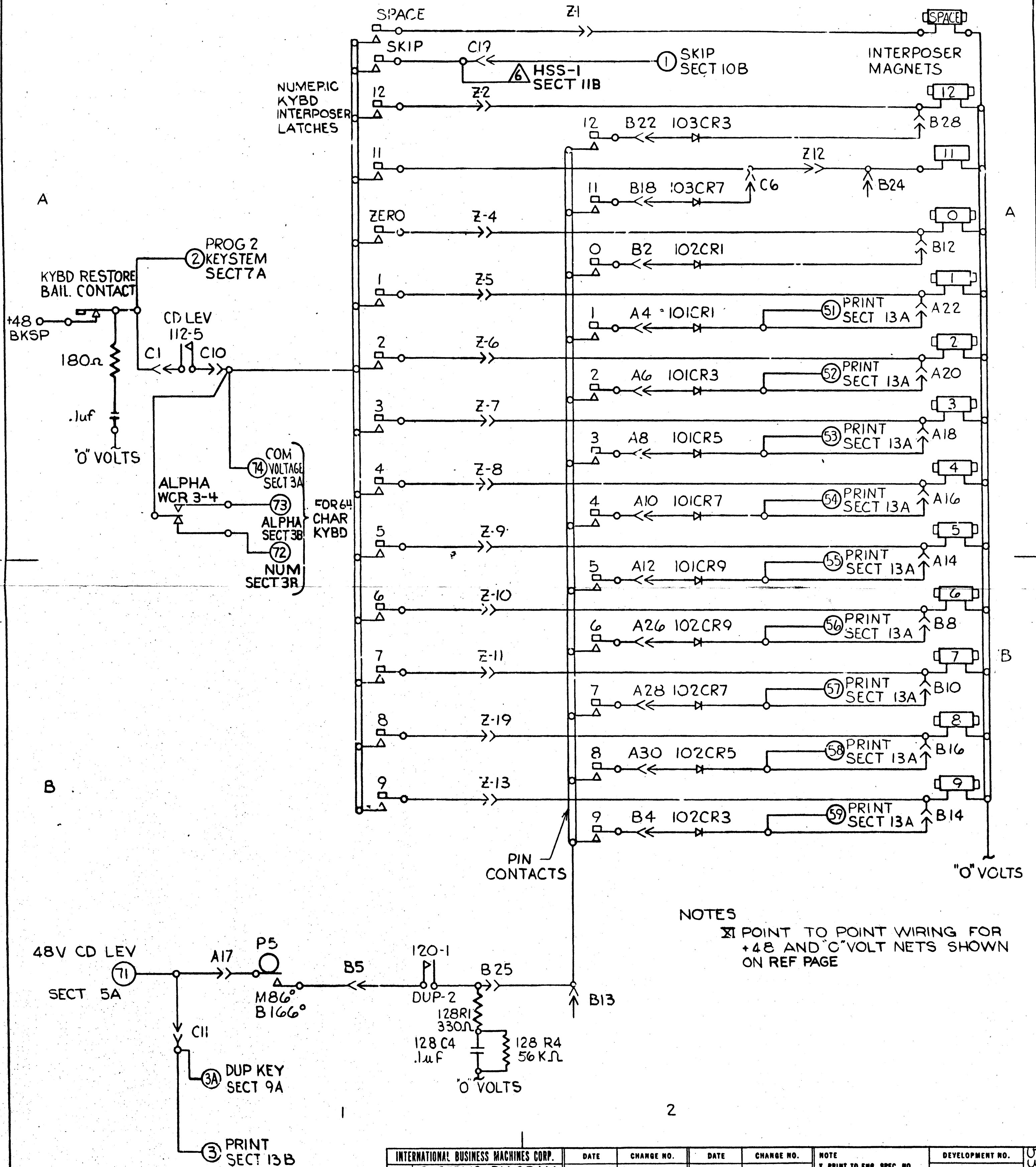
00.29.01.1

5373566

5373553

MASTER

NUMERIC KEYBOARD AND INTERPOSERS



NOTES
 XI POINT TO POINT WIRING FOR +48 AND '0' VOLT NETS SHOWN ON REF PAGE

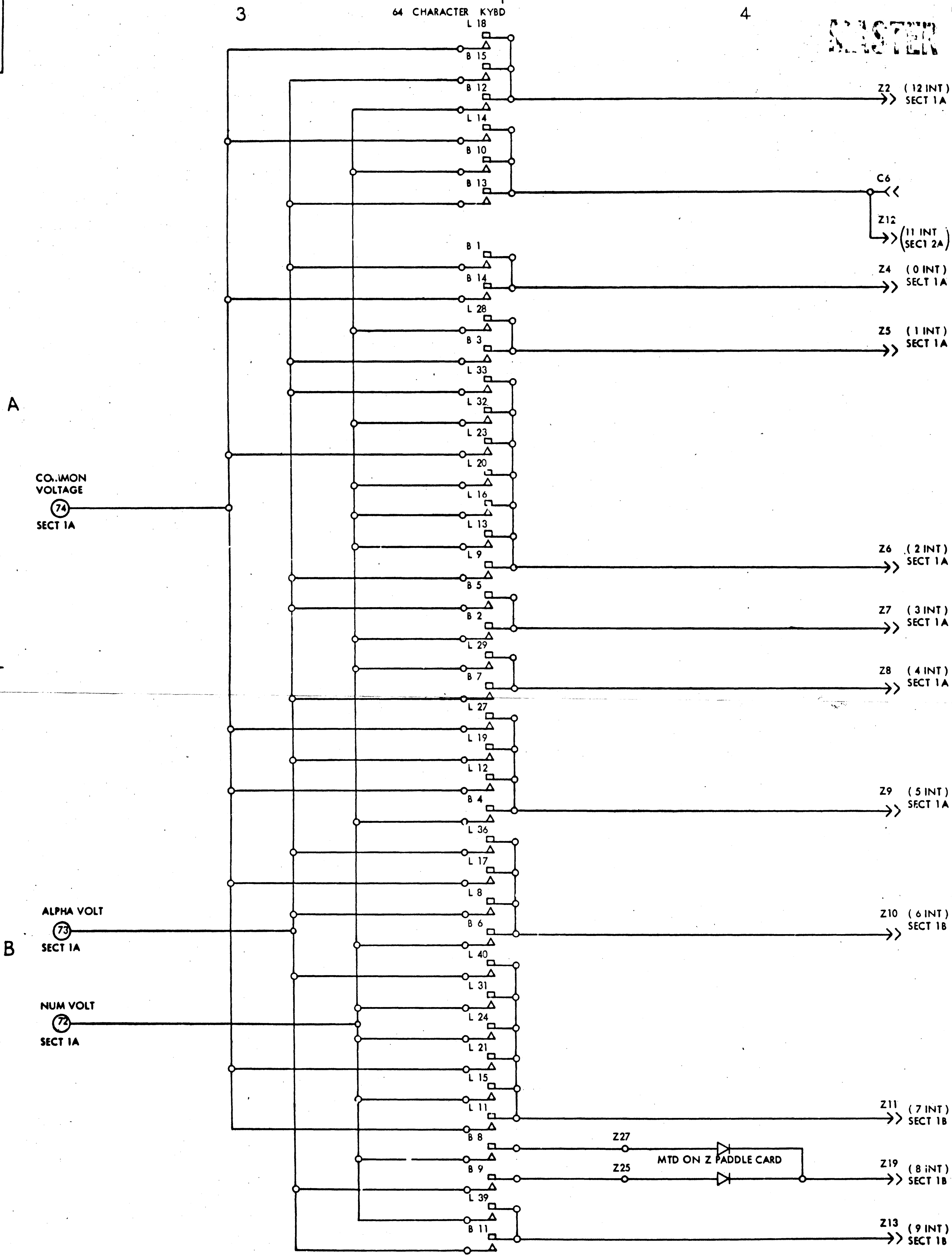
INTERNATIONAL BUSINESS MACHINES CORP.		DATE	CHANGE NO.	DATE	CHANGE NO.	NOTE	DEVELOPMENT NO.
NAME SYSTEMS DIAGRAM		12-30-64	205199			NOTE X PRINT TO ENG. SPEC. NO. 895291	002902.1
DESIGN WT 117-264 MODEL		2-20-65	205260				
DETAIL		5-1-65	205282-A				
CHECK LE 10-264 DRAW CDA 12-2-64		28 OCT 65	205425 C				
APPRO JKC 10-264 CHECK 7-4-2/12-9-64							

5373553

5373554

00.2903.1

MASTER



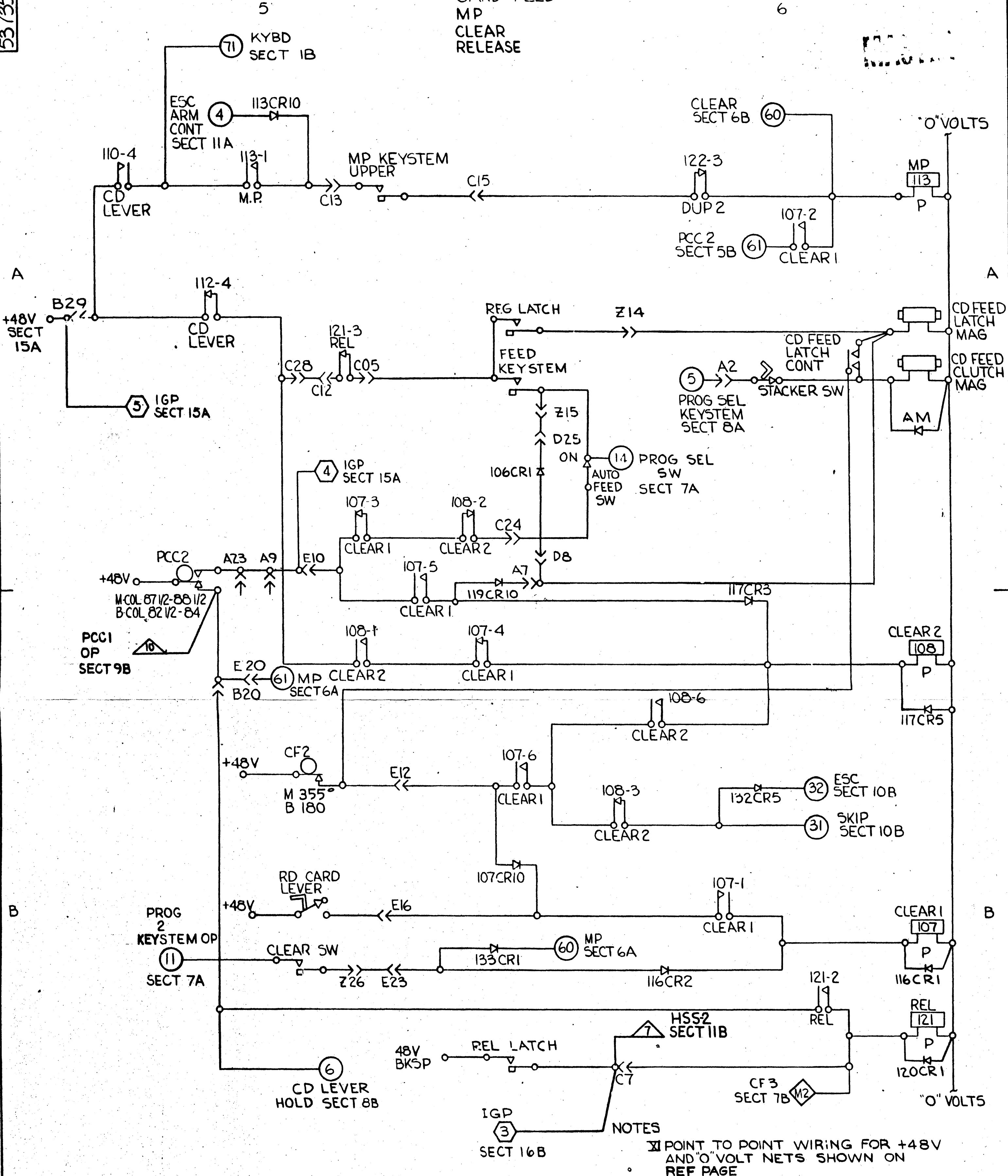
INTERNATIONAL BUSINESS MACHINES CORP.		DATE	CHANGE NO.	DATE	CHANGE NO.	NOTE	DEVELOPMENT NO.
NAME SYSTEMS DIAGRAM		12-30-64	205199			NOTE X PRINT TO ENR. SPEC. NO. 895291	00.2903.1
00.29.03.1		2-18-65	205260				
DESIGN	WT 20CT64 MODEL	5-3-65	205282A				
DETAIL	WT 20CT64	28OCT65	205425C				
CHECK	LF 20CT64 DPAW CDA 2-3-65						
APPRO	JKC 20CT64 CHECK AEK 2-11-65						

5373554

5373555

00.29.04.1

CARD FEED MP CLEAR RELEASE



INTERNATIONAL BUSINESS MACHINES CORP.				DATE		CHANGE NO.		NOTE X PRINT TO ENG. SPEC. NO. 895291	DEVELOPMENT NO.
NAME	SYSTEMS DIAGRAM			2-30-64	205199				
	00.29.04.1			2-18-65	205260				
DESIGN	WT	10-2-64	MODEL	5-1-65	205282-A				
CHECK	LE	10-2-64	DRAW	CDA	12-16-64	28OCT65	205425 C		
APPRO	JRC	10-2-64	CHECK	HCB	12-17-64				

5373555

00.29.04.1

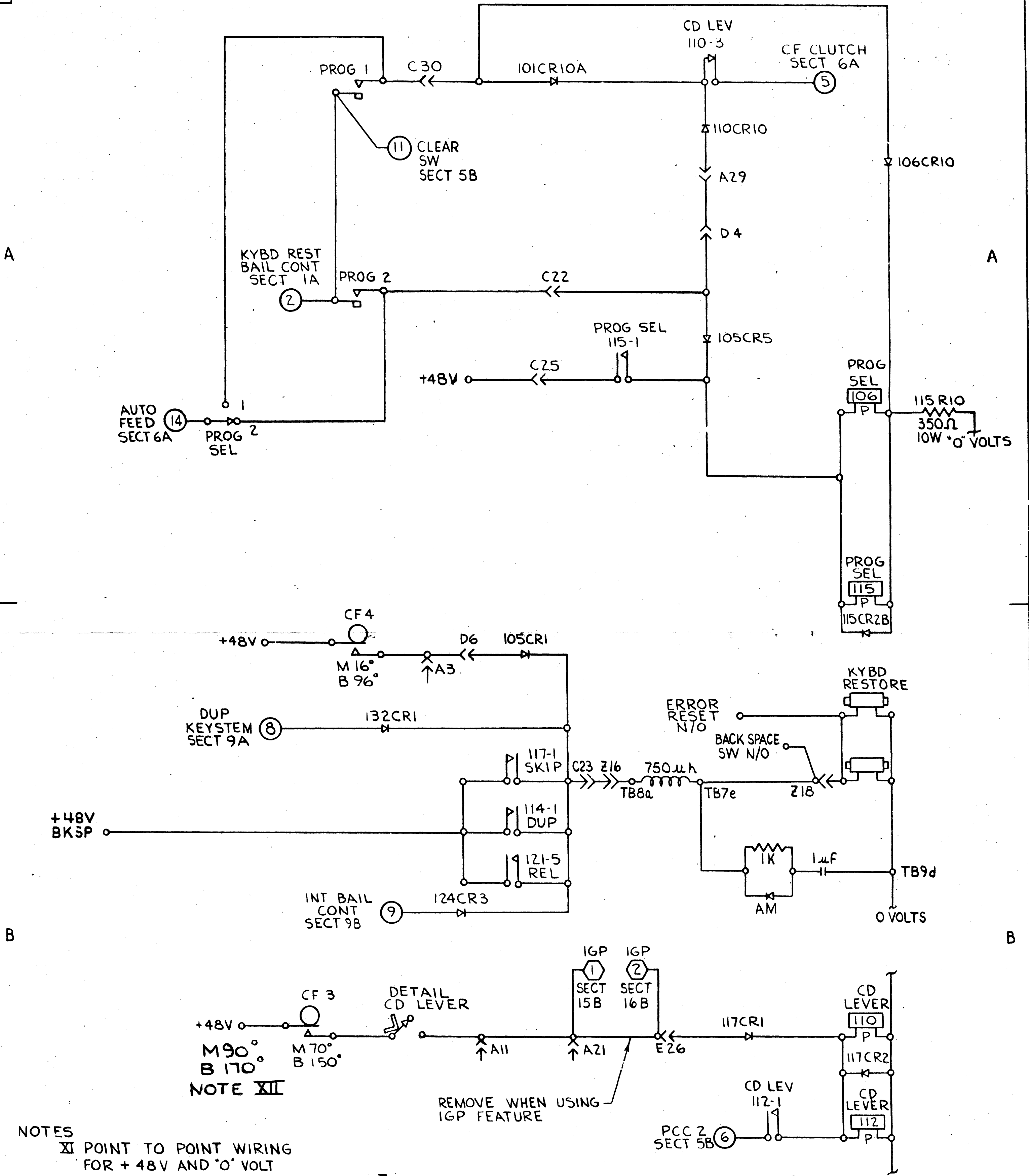
5373556

7

KEYBOARD RESTORE

8

0029.05.1



NOTES
 XI POINT TO POINT WIRING FOR + 48V AND 'O' VOLT NETS SHOWN ON REF PAGE
 XII CAM TIMING FOR HSS AND VLCD ONLY

7

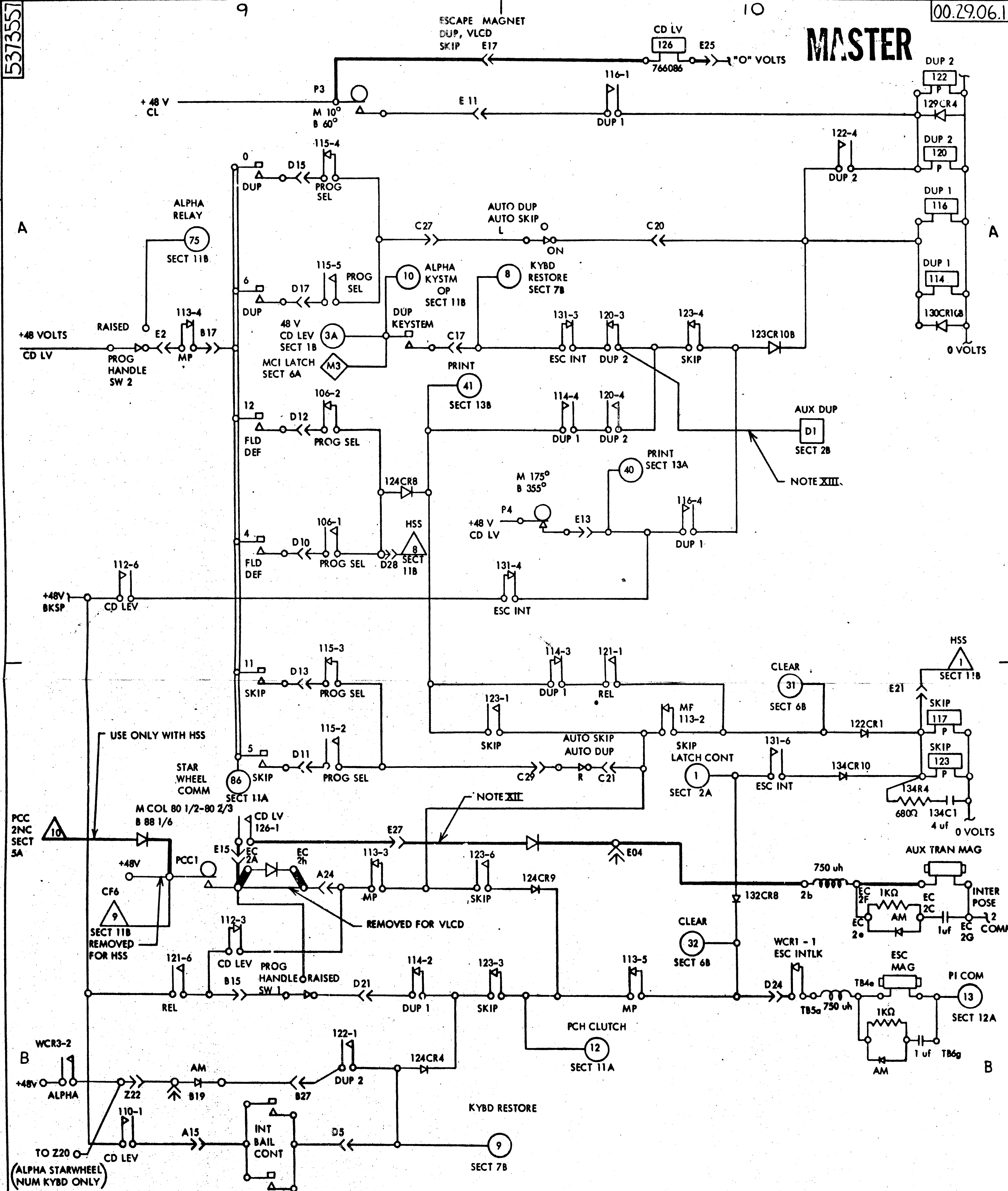
8

INTERNATIONAL BUSINESS MACHINES CORP.				DATE	CHANGE NO.	DATE	CHANGE NO.	NOTE	DEVELOPMENT NO.
NAME				12-30-64	205199			NOTE X PRINT TO ENG. SPEC. NO. 895291	00.29.05.1
SYSTEMS DIAGRAM				2-19-65	205260				
DESIGN				5-1-65	205282-A				
DETAIL				28OCT65	205425C				
CHECK					51-346				
APPRO									

5373551

00.29.06.1

MASTER



NOTES

XI POINT TO POINT WIRING FOR +48V AND "0" VOLT NETS SHOWN ON REF PAGE

XII HEAVY LINES REPRESENT FEATURE INFORMATION

XIII ON "D" LEVEL CARQ AUX DUP HOLD CIRCUIT IS YELLOW WIRE

INTERNATIONAL BUSINESS MACHINES CORP.		DATE	CHANGE NO.	DATE	CHANGE NO.	NOTE	DEVELOPMENT NO.
NAME SYSTEMS DIAGRAM		12-30-64	205199			PRINT TO ENG. SPEC. NO. 895291	5373551
00.29.06.1		2-18-65	205260				
DESIGN WT 20C65	MODEL	5-3-65	205282A				
DETAIL WT 20C65		28OCT65	205425C				
CHECK LF 20C65	DRAW CDA2-4-65						
APPRO JKC 20C65	CHECK AEK 2-11-65						00.29.06.1

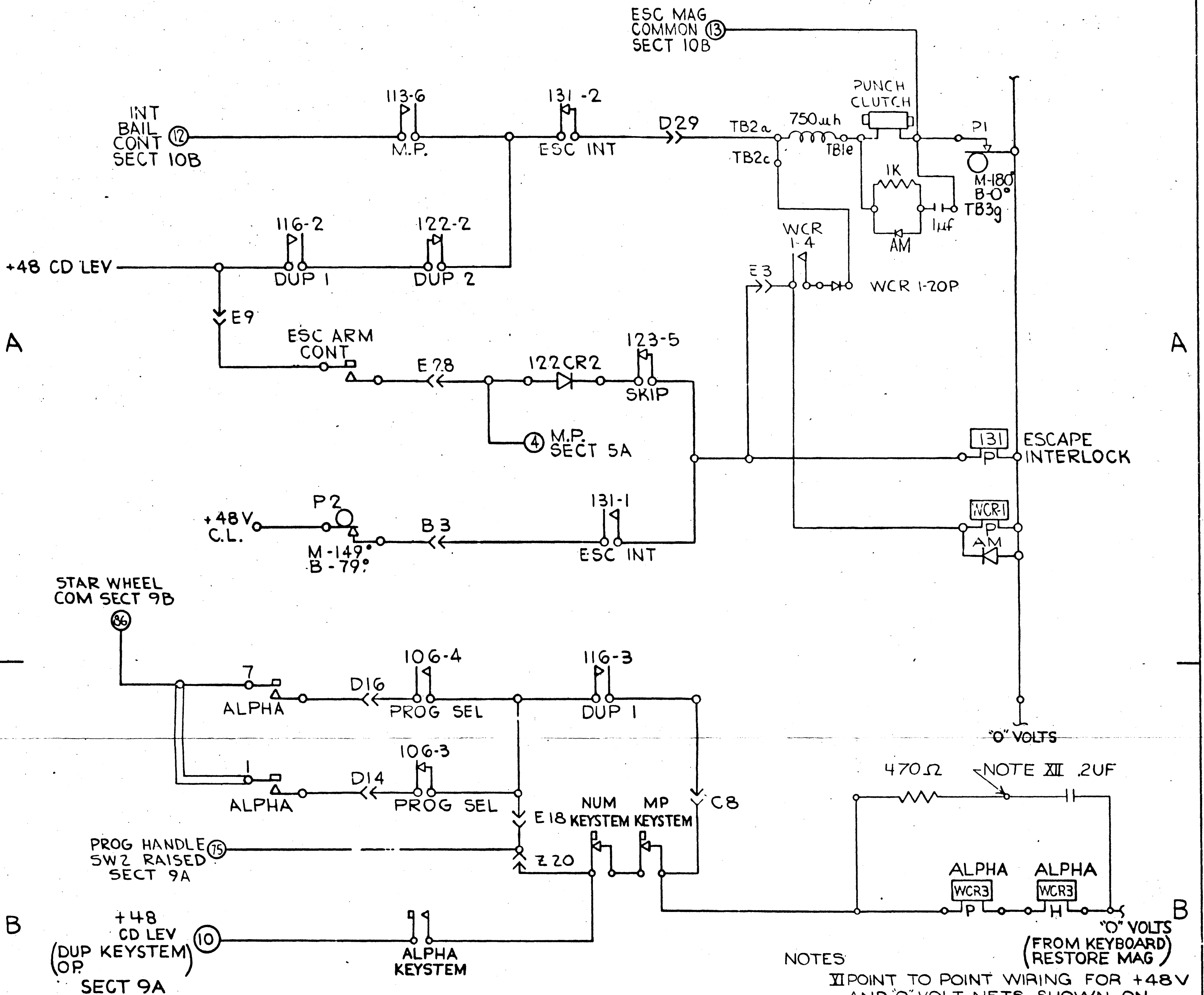
5373558

11

PUNCH CLUTCH

12

00.29.07.1



NOTES
 XII POINT TO POINT WIRING FOR +48V AND 0 VOLT NETS SHOWN ON REF PAGE
 XIII IIRC ON WCR3-10P

11

12

INTERNATIONAL BUSINESS MACHINES CORP.				DATE	CHANGE NO.	DATE	CHANGE NO.	NOTE	DEVELOPMENT NO.
NAME				230 64	205199			X PRINT TO ENG. SPEC. NO. 895291	0373558
00.29.07.1				218 65	205260				
DESIGN	WT	10-2-64	MODEL			5-1-65	205282-A		
DETAIL									
CHECK	LF	10-2-64	DRAW	CDA	12-1-64	280GT65	205425C		
APPRO	JKC	10-2-64	CHECK	JJK	12-2-64	11 APR 66	205632		

00.29.07.1

5373559

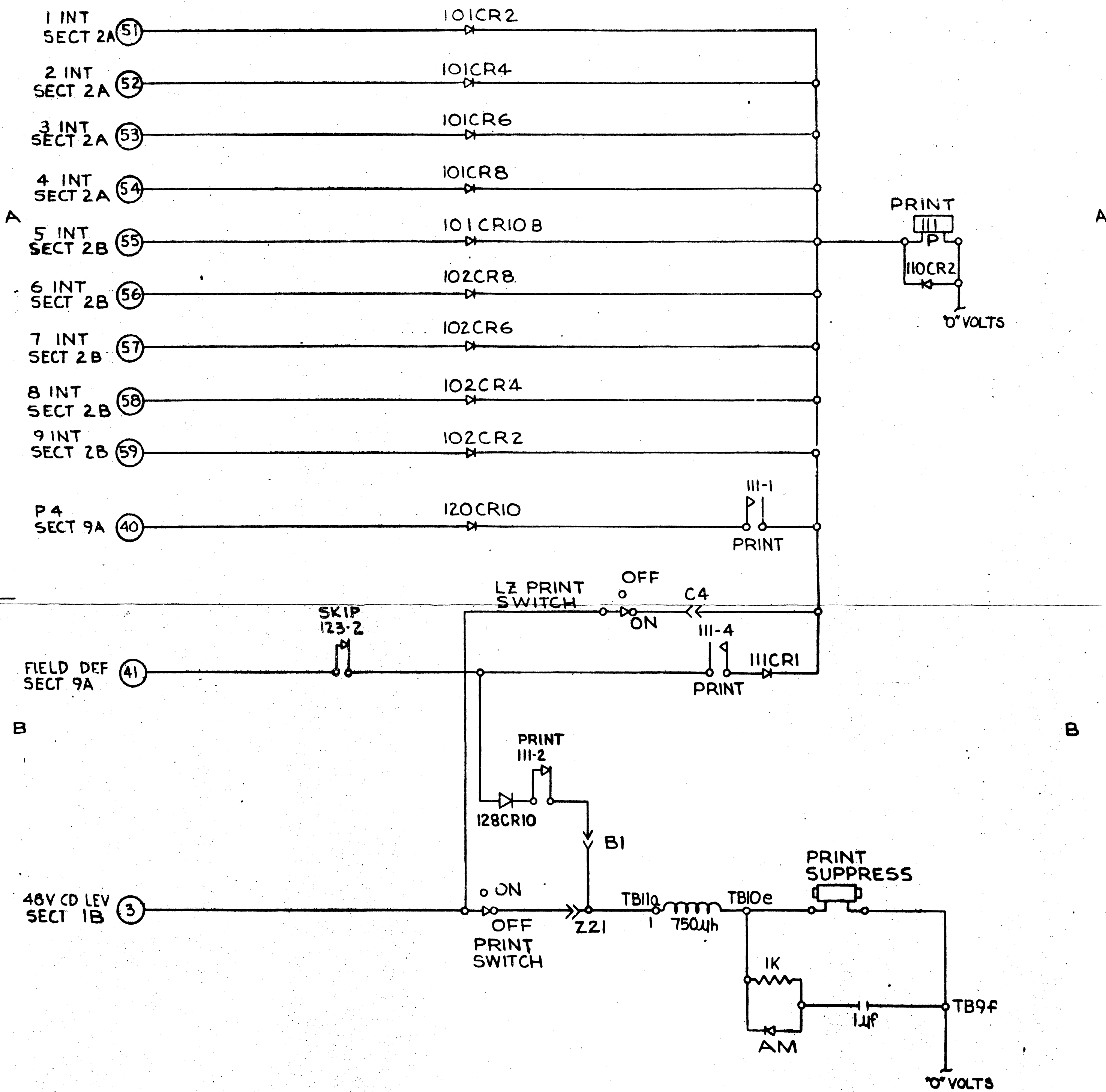
00.29.08.1

13

14

PRINT FEATURE

MASTER



NOTES
 XI POINT TO POINT WIRING FOR +48V AND 0V VOLT NETS SHOWN ON REF PAGE

SIMILAR TO 5393438

INTERNATIONAL BUSINESS MACHINES CORP.		DATE	CHANGE NO.	DATE	CHANGE NO.	NOTE	DEVELOPMENT NO.
NAME		12-30-64	205199			X PRINT TO ENCL. DPG. NO. 895291	5373559
00.29.08.1		2-18-65	205260				
DESIGN	WT 102-64	MODEL		5-1-65	205282-A		
DETAIL				28OCT65	205425 C		
CHECK	LF 102-64	DRA.	CDA 112-15-64				
APPRO	JKC 102-64	CHEGK	HCB 112-17-64				

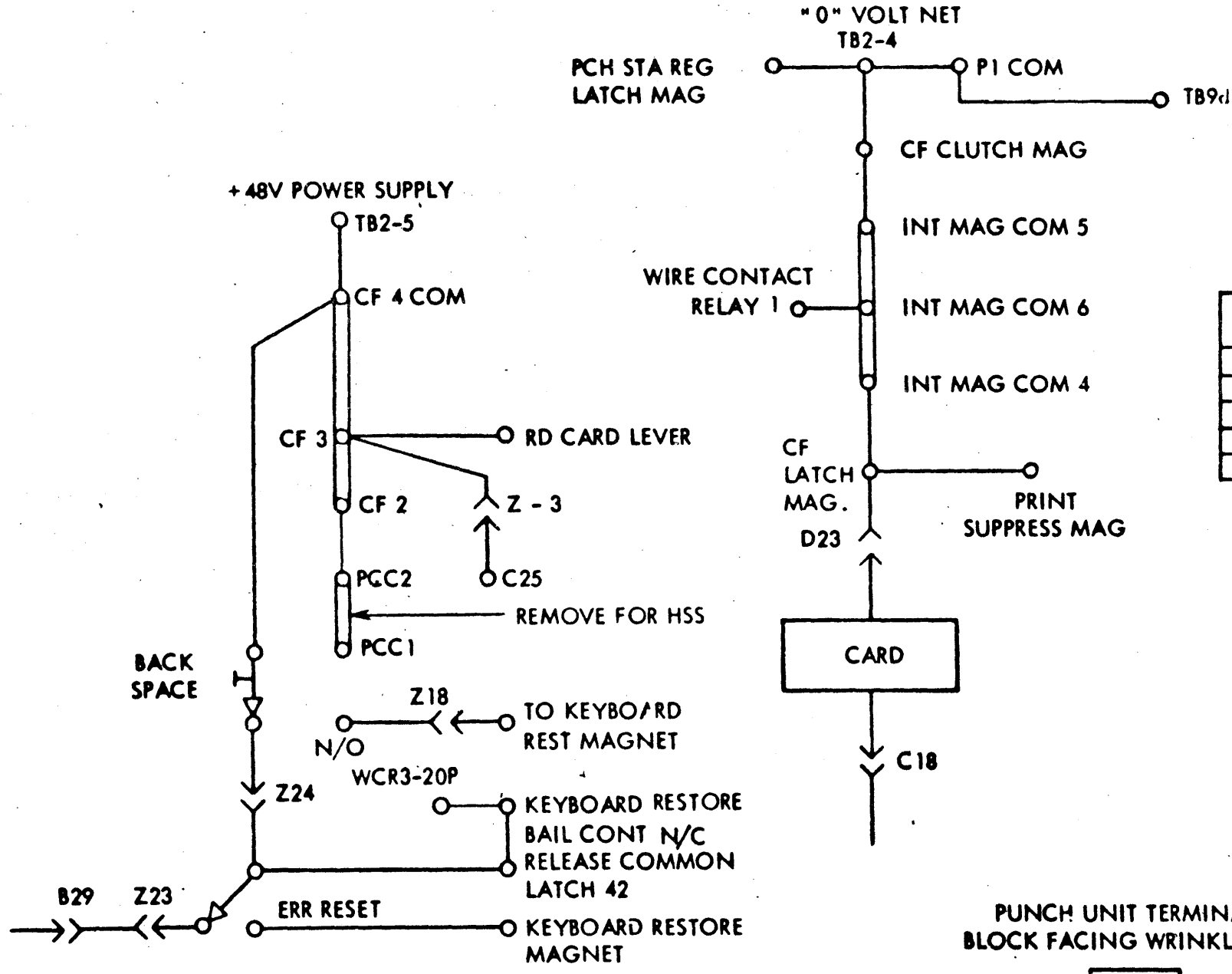
00.29.08.1

RRS

5373560

00.29.09.0

LOCATION CHART



RACE RELAY #	SUB RELAY #
766071	765700
766073	765722
766075	765725
766076	765726
766086	765725

NOTE XVI

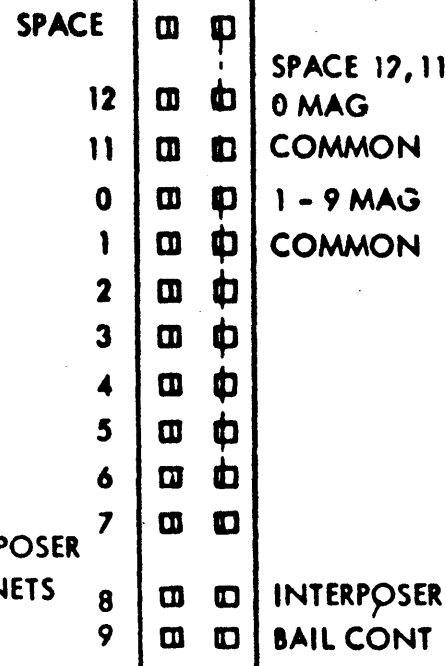
NOTE XV

RECT NO.	SECT
102CR10	8A
110CR2	14A
111CR1	14B
113CR10	5A
115CR2B	8B
116CR1	6B
116CR2	6B
117CR1	6B
117CR3	6B
117CR5	6B
120CR1	6B
120CR4	10A
120CR10B	10A
120CR10	10B
120CR10	5B
117CR2	8B
101CR1	2A
101CR2	13A
101CR3	2A
101CR4	13A
101CR5	2A
101CR6	13A
101CR7	2A
101CR8	13A
101CR9	2B
101CR10A	8A
101CR10B	13A

NOTE XV

RECT NO.	SECT
102CR1	2A
102CR2	13A
102CR3	2B
102CR4	13A
102CR5	2B
102CR6	13A
102CR7	2B
102CR8	13A
102CR9	2B
102CR3	2A
102CR7	2A
102CR1	7B
102CR5	8A
102CR1	6A
110CR10	8A
115CR10	5A
120CR10	13A
120CR1	10B
120CR2	11A
120CR10B	10A
120CR3	7B
120CR4	9B
120CR8	9A
120CR9	10B
120CR10	14B
132CF1	7B
132CF5	6B
132CF8	10B
133CR1	5B

PUNCH UNIT TERMINAL BLOCK FACING WRINKLED LUGS



INTERPOSER MAGNETS

RESISTOR AND CAPACITOR LOCATION

PART NO.	RES	CAP NO.	SECT
527492	115R10	8A	
312428	12R1	1B	
301149	12R4	1B	
217077	12C4	1B	
317014	12R4	10B	
482145	13C1	10B	

REED RELAY LOCATION

RELAY	NO.	COIL	1	2	3	4	5	6	PART NO.
CARD LEVER	126	10A	9B						766086
PROGRAM SELECT	106	8A	9A	11B	11A				766073
CLEAR 1	107	6B	6A	5A	5B	5A	6B		766076
CLEAR 2	108	6B	5B	5A	6B	8B	6B		766075
CARD LEVER	110	8B	9B	8A	5A				766073
* PRINT	111	14A	14B	14B					766073
CARD LEVER	112	8B	9B	5A	1A	9A			766076
MULTI PUNCH	113	6A	5A	10B	9B	9A	10B	11A	766075
DUP 1	114	10A	7B	9B	10B	10A			NOTE XVII
PROG SELECT	115	8A	8A	9B	9B	9A	9A		766076
DUP 1	116	10A	10A	11A	12B	10A			766071
SKIP	117	10B	7B						NOTE XIV
DUP 2	120	10A	1B	10A	10A				766073
RELEASE	121	6B	10B	6B	5A	7B	9B		NOTE XIII
DUP 2	122	10A	9B	11A	6A	10A			NOTE XII
SKIP	123	10B	9B	13B	9B	10A	12A	9B	766075
ESCAPE INTERLOCK	131	12A	11A						766075

CONNECTOR CHART

PIN	A	B	C	D	E	F	Z
1		14B	1A				2A
2	6A	2A	3A		9A		1A
3	7B	11A	6A**		12A		*
4	2A	2B	14B	8A	9B		1A
5	7B	1B	5A	9B			1A
6	2A		2A	7A			1A
7	6A		6B				1A
8	2A	2B	12C	6A			1A
9	5A		2B**		11A		1A
10	2A	2B	1A	9A	5A		1B
11	7B	2B**	1B	9B	9A		1B
12	2B	2A	5A	9A	5B		2A
13	6A**	2B	5A	9B	10A		1B
14	2B	2B	3B	11B			6A
15	9B	9B	5A	9A	9B		6A
16	2A	2B	3B	11B	5B		8B
17	1B	9A	9A	9A	10A		8A
18	2A	2A	*		11B		8B
19		9B	1A				1B
20	2A	5B	10A		5B		11B
21	7B		10B	9B	10B		14B
22	2A	2A	8A				9B
23	5A		8B	*	5B		*
24	9B	2A	5A	10B			*
25	7A**	1B	8A	6A	10A		3B
26	2B		8A**		8B		5B
27	7A**	9B	9A		9B		3B
28	2B	2A	5A	9A	11A		2B**
29	8A	5A	10B	12A			
30	2B		7A				

* LOCATION IS SHOWN ON REFERENCE PAGE
** NOTE XVIII

ARC SUPP ASSEMBLIES (NOTE XI)

MAG	ARC SUPP PART NO.	LOC
DIODE ASM	5400887	
KYBD REST BAIL CONT	5272368	1A
INDUCTOR ASM	5400916	
CAPACITOR	5400889	
CD FD CLUTCH MAG	2170917	6A
RESISTOR ASM	5400888	
ESC INT RLY	347620	12A
CAPACITOR ASM (SHORT LEAD)	5400890	
CAPACITOR ASM	315962	12A
RESISTOR ASM	1127186	12A

REED RELAY DATA

PART NO.	COIL R OHMS	1	2	3	4	5	6
766071	3460	N/O	N/O	N/O	N/O		
766073	3460	N/O	N/C	N/C	N/O		
766075	1940	N/O	N/C	N/C	N/C	N/O	
766076	1940	N/O	N/O	N/C	N/C	N/O	N/O
766086	7335	N/O					

CARD FEED (CF) CAMS

NO.	LOC	PART NO.	M	B
1				
2	5B	309630	355° ± 2	180° ± 5
3	7B	309631	70° ± 2	150° ± 5
4	7B	309631	16° ± 2	96° ± 5

PUNCH (P) CAMS

NO.	LOC	PART NO.	M	B
1	12A	309630	180° ± 1	0° ± 3
2	11A	309634	149 ± 3	79 ± 2
3	9A	227694	10 ± 1	60 ± 3
4	10A	309630	175 ± 3	355 ± 2
5	1B	309629	86 ± 3	166 ± 2
6				
7				

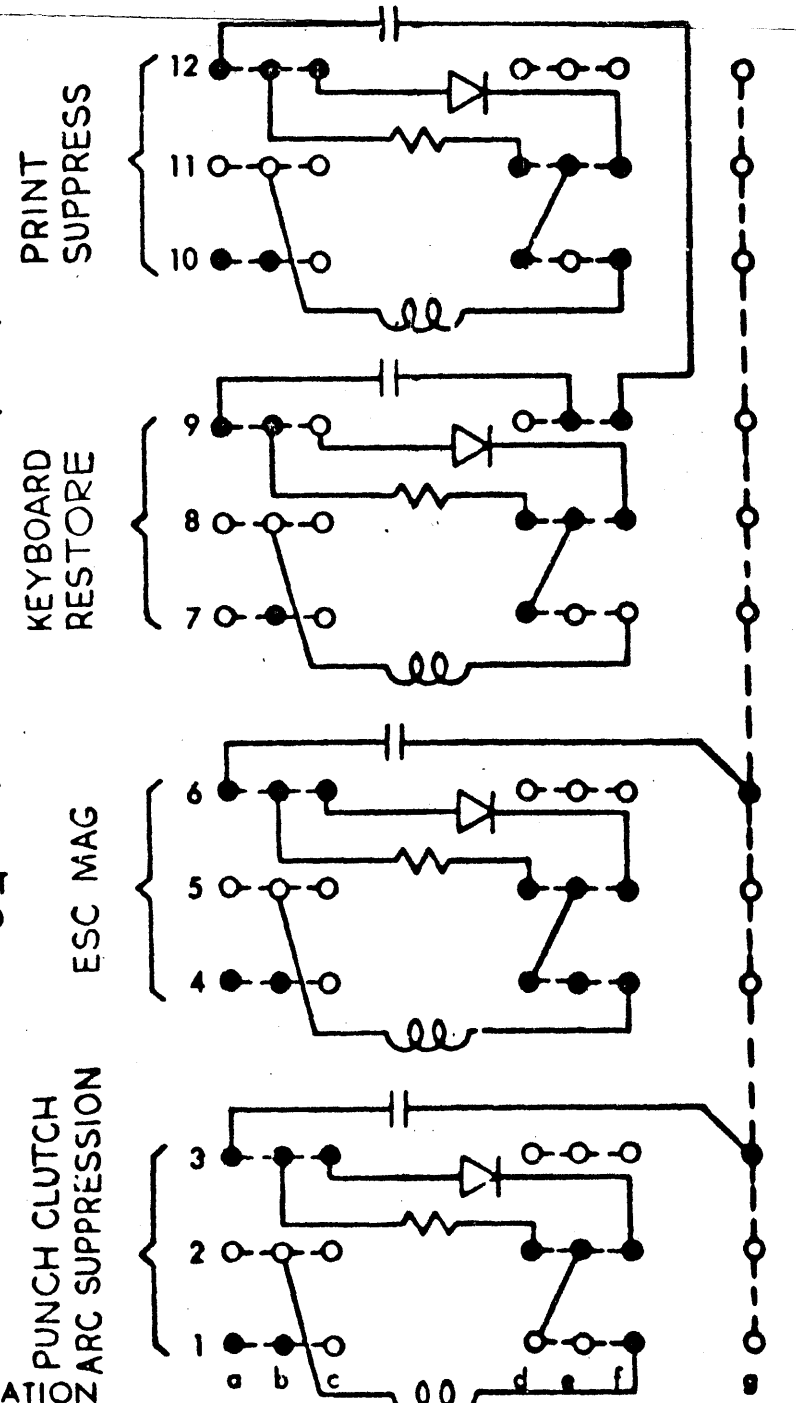
WIRE CONTACT RELAYS

RELAY	NO.	COIL	1	2	3	4	PART NO.
ESC INTLK	1	12A	10B	12A		12A	328273
ALPHA	3	12B	12B	9B		1A	196208

FEATURE REED RELAY LOCATION

RELAY	NO.	COIL	1	2	3	4	5	6	PART NO.
HSS 1 AND 2									NOTE XVII
MCI	119	6A	7B	5A	5A	7A			766076
AUX DUP	130	2B	7B	1B	2B				766073

NAME	DATE	CHANGE NO.	DATE	CHANGE NO.	NOTE	DEVELOPMENT NO.
SYSTEMS DIAGRAM	2-5-65	205199	11APR66	205632	X PRINT TO ENG. SPEC. NO. 895291	
	2-18-65	205260				
	5-3-65	205282A				
	9SEP65	205322				
	28OCT65	205425C				



00.29.09.0

5373560