

- BIT RING 3 PWR BC130AM6  
 +TRK OVEN#ECC DATA CK BK140BG2

-CT 4 BG120BP6

+ GEN RESET BD100AS6  
 -CT 1 BG120AK6

-TIEDOWN 2 BK120AK2

-TIEDOWN 3 BK180AQ2  
 - BIT RING 0 PWR BC130AK6  
 -CT 3 BG120BN6  
 +RESET TR COUNTER BK190AY6

- XFER ECC CONTROL BG170AK6  
 -CT 5 BG120AM6  
 -FORMAT LTCH BH130AV6

-G3 LATCH BK190AK6

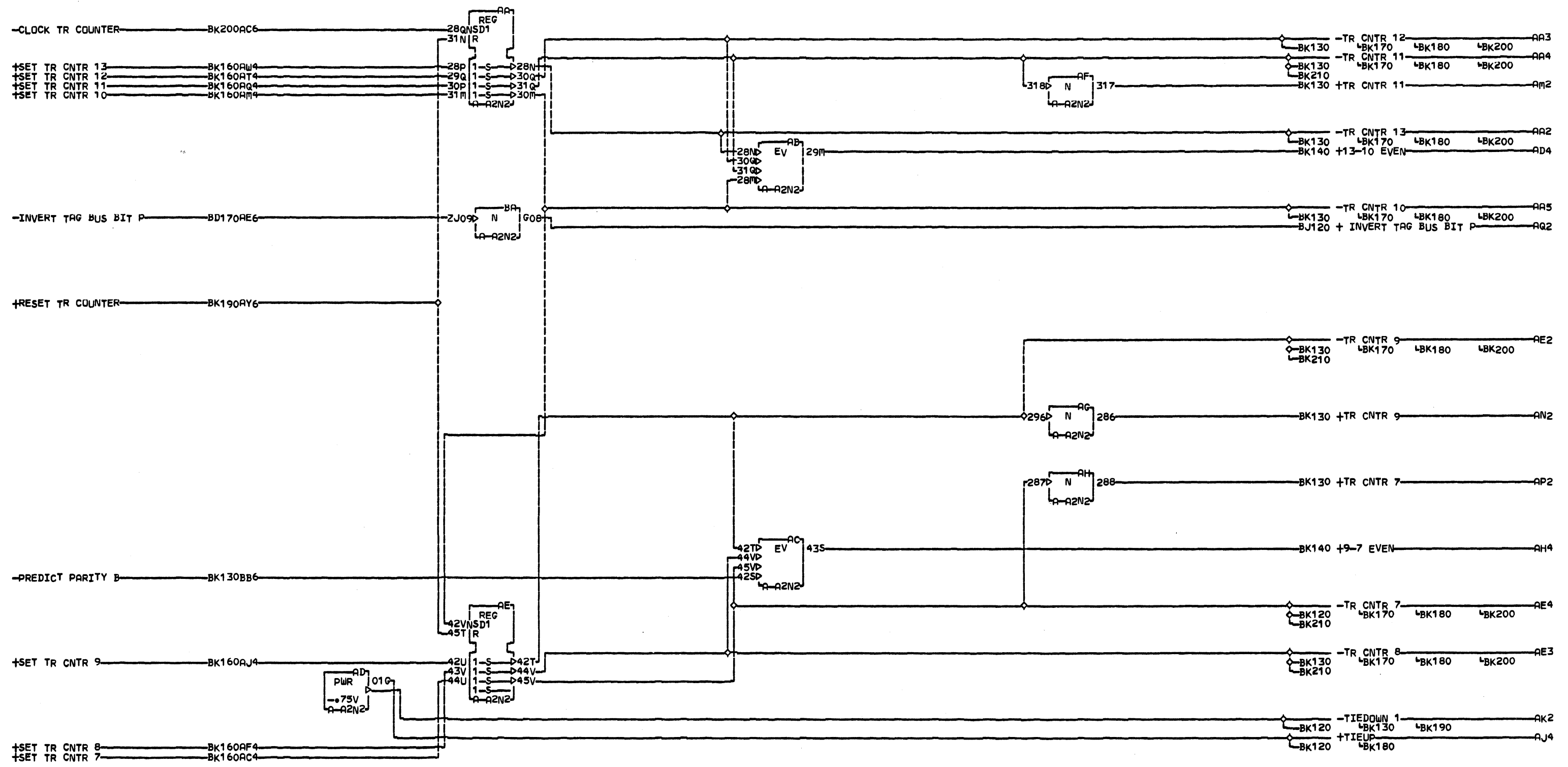
- BIT RING 1 PWR BC130AL6

DCD AC1  
 1 0109 -CONTROL CTR BIT 3 AC6  
 2 1068 -BK140 -BK180 +CONTROL CTR BIT 1 AE2  
 1 1067 -BK150 -BK180 -CONTROL CTR BIT 1 AE6  
 2 095 -BK200 +CONTROL CTR BIT 2 AD2  
 2 096 -BK160 -BK180 -CONTROL CTR BIT 2 AD6  
 3 107 -BK180 -CONTROL CTR BIT 0 AF6

LOC. TYPE  
 A-A2N2 Z467

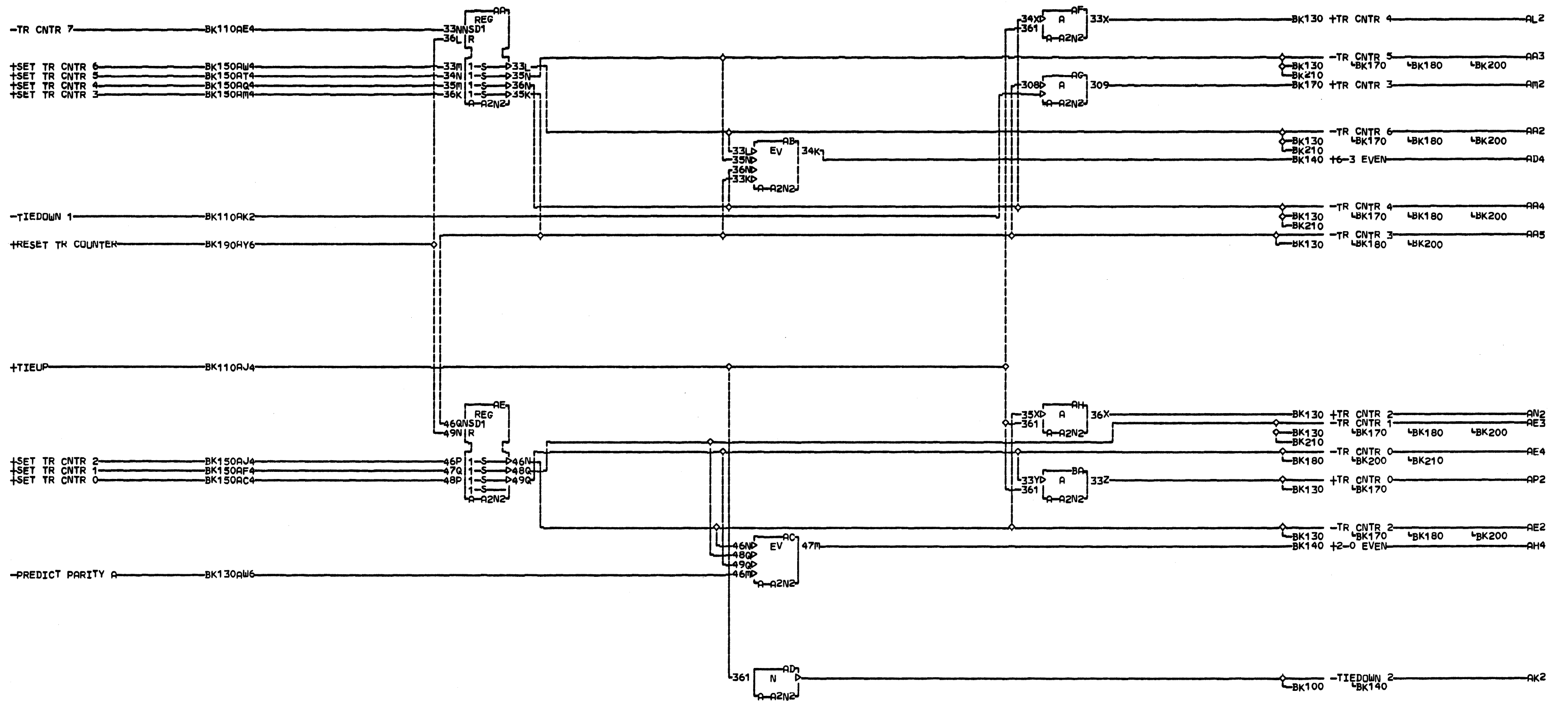
TRACK REMAINING COUNTER	
-E.C.-HISTORY	B-MACH.3350
	FRAME 01
	IBM CORP. SDD
DATE LAST EC	11-01-76 446706
	P.No. 1710261

B  
K  
1  
0  
0



LDC TYPE  
A-A2N2 2467

TRACK REMAINING COUNTER		B
-E.C.-HISTORY	B MACH. 3350	K
	FRAME 01	1
	IBM CORP. SDD	0
DATE LAST EC	P.No. 1710262	000
10-01-76 446706		

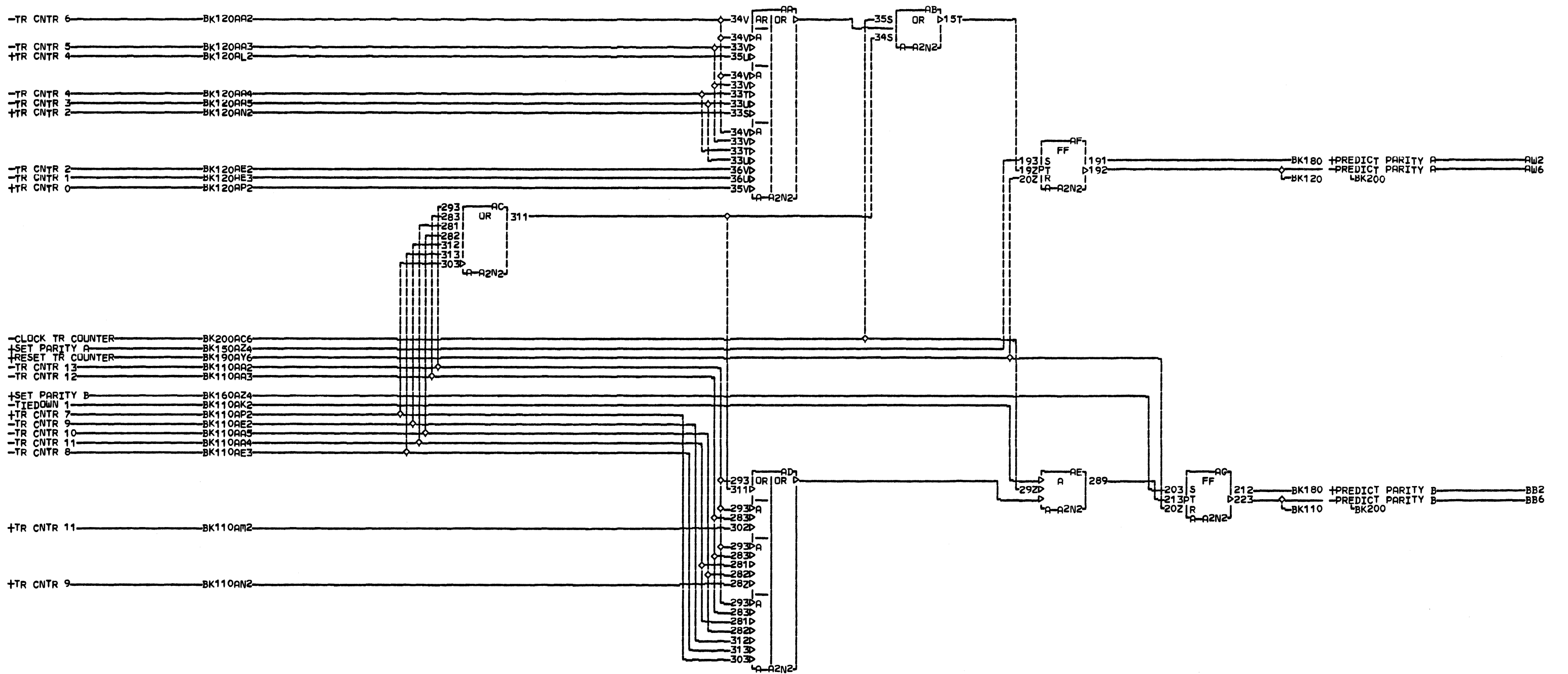


B  
K  
1  
2  
0

LOC. TYPE  
A-A2N2 2467

TRACK REMAINING COUNTER	
E.C. HISTORY	MACH. 3350
DATE	LAST EC
10-01-76	446706
FRAME	01
IBM CORP. SDD	
P.N. 1710263	

B  
K  
1  
2  
0

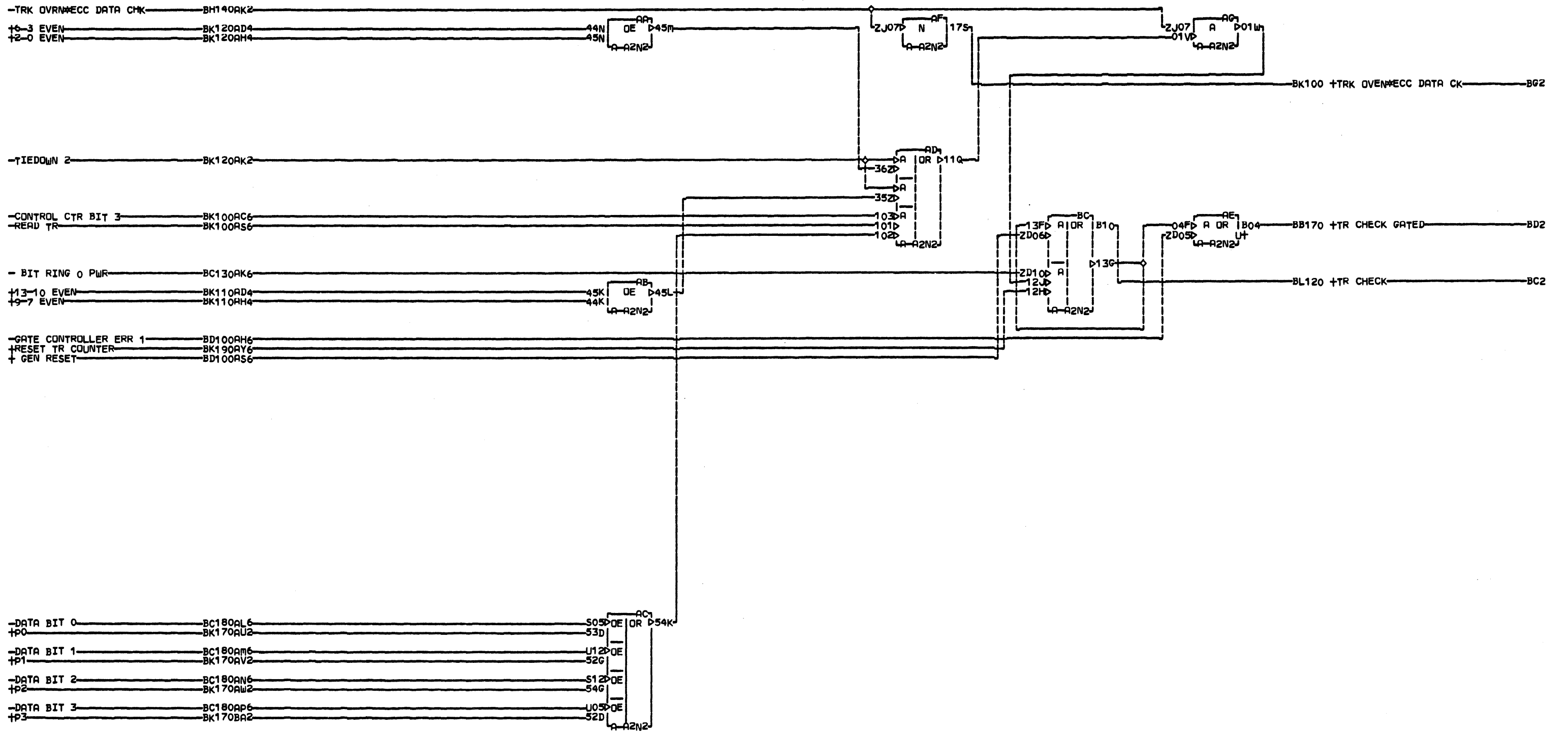


B  
K  
1  
3  
0

LOC. TYPE  
A-A2N2 2467

TRACK REMAINING COUNTER	
E.C. HISTORY	B MACH. 3350
FRAME	01
DATE LAST EC	IBM CORP. SDD
10-01-76 446706	P.N. 1710264

B  
K  
1  
3  
0  
000

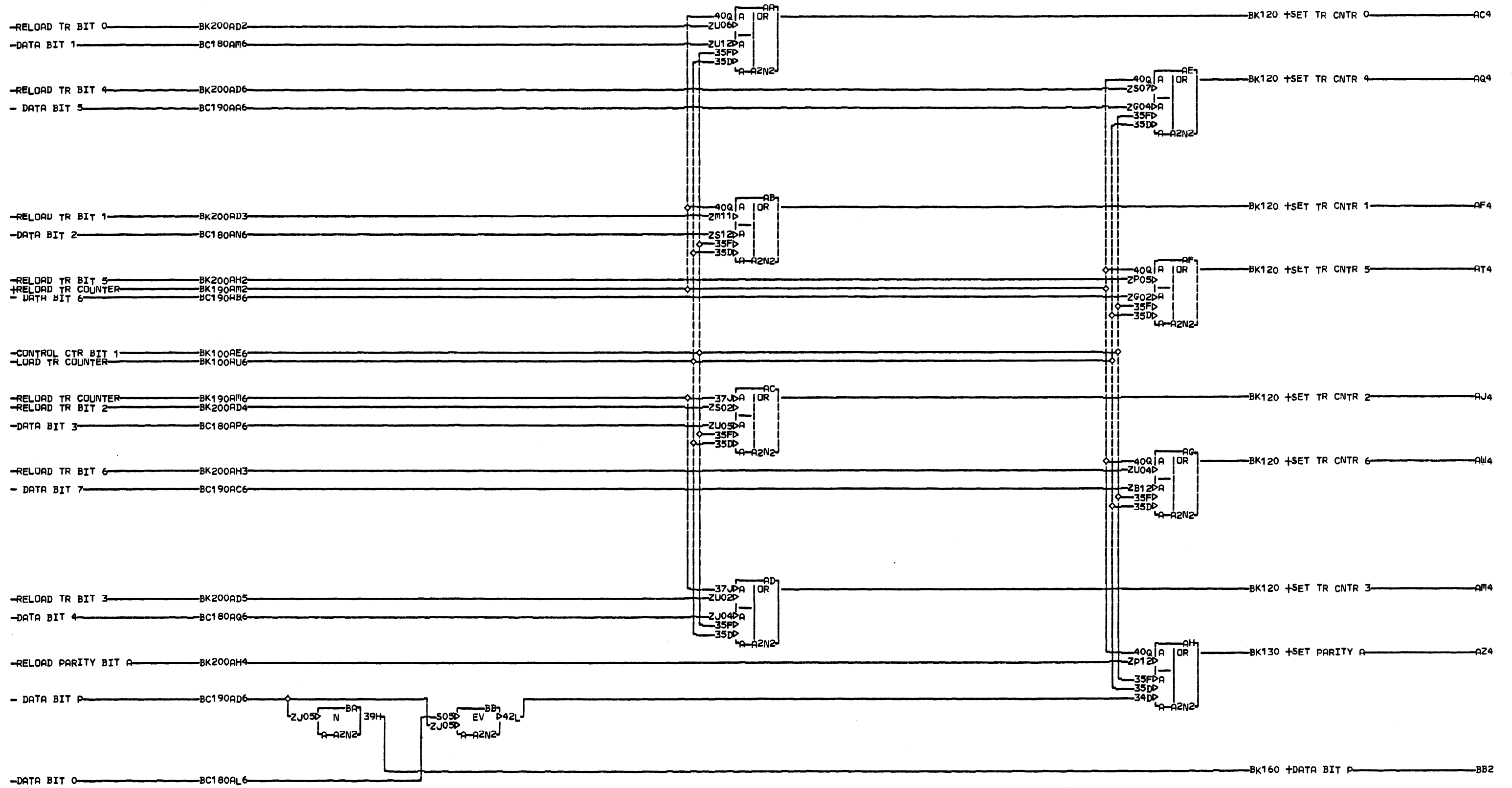


B  
K  
1  
4  
0

LOC. TYPE  
A-A2N2 2467

TRACK REMAINING COUNTER	
E.C. HISTORY	MACH. 3350
FRAME	01
DATE	LAST EC
10-01-76	446706
PoN.	1710265

B  
K  
1  
4  
0

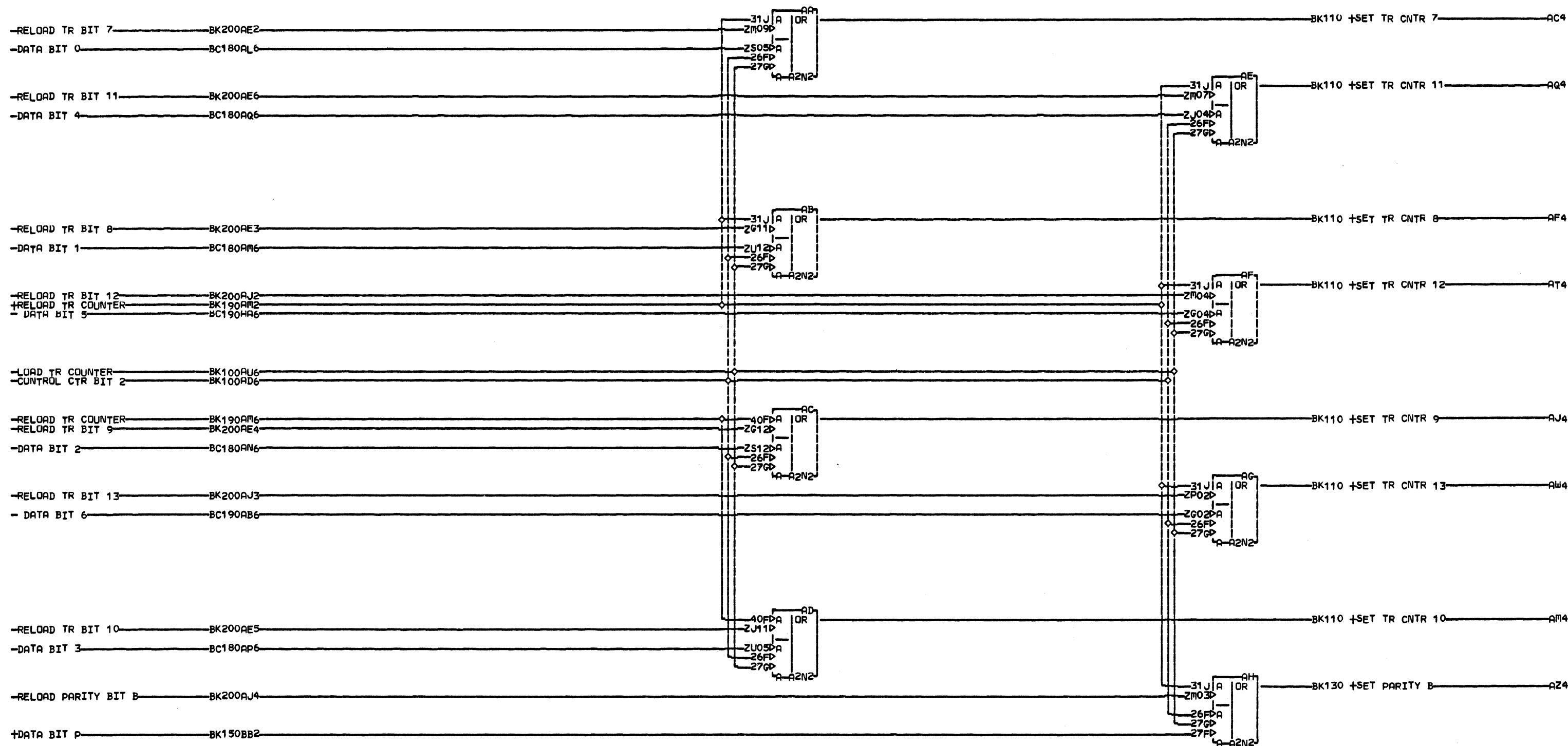


B  
K  
1  
5  
0

LOC. TYPE  
A-A2N2 2467

TRACK REMAINING COUNTER	
E.C. HISTORY	B MACH. 3350
FRAME	01
IBM CORP. SDD	
DATE LAST EC	10-01-76 446706
P.No.	1710266

B  
K  
1  
5  
0  
000

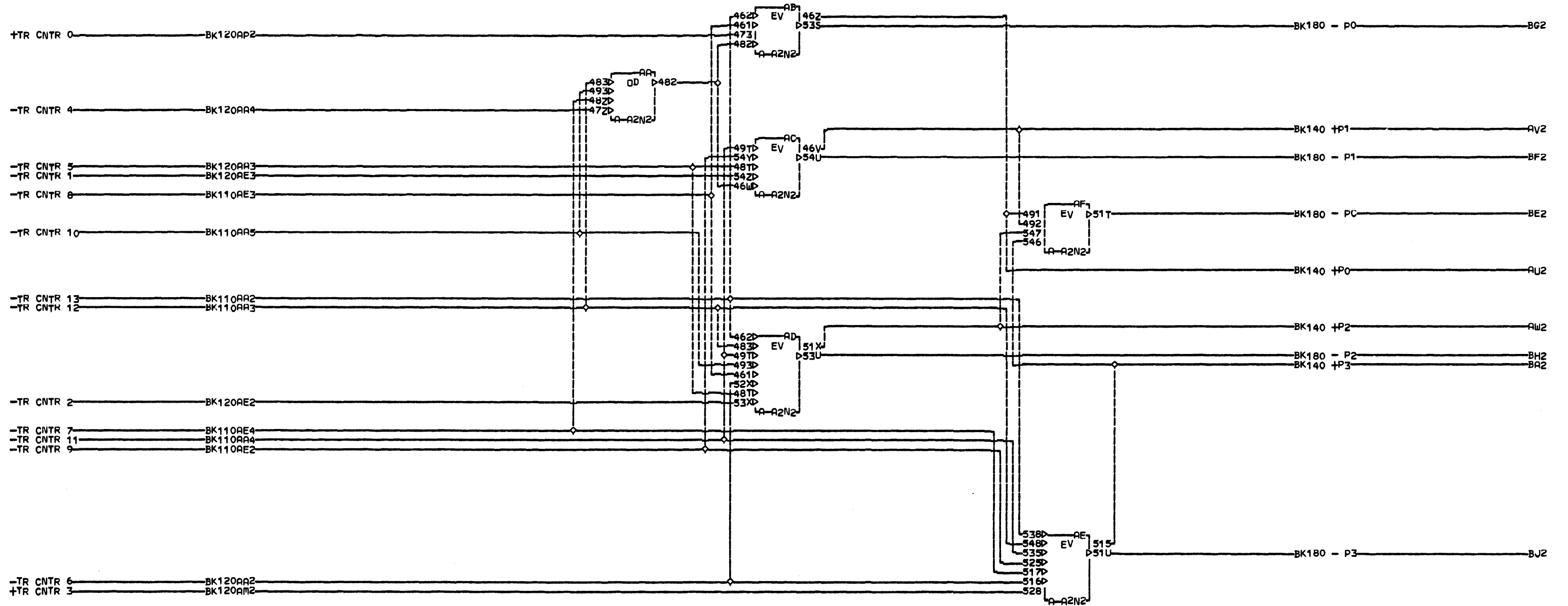


B  
K  
1  
6  
0

LDC TYPE  
A-A2N2 2467

TRACK REMAINING COUNTER	
E.C.-HISTORY	B MACH.3350
	FRAME 01
	IBM CORP. SDD
DATE LAST EC	IP.N. 1710267
10-01-76 446706	

B  
K  
1  
6  
0



LOC. TYPE  
A-A2N2 2467

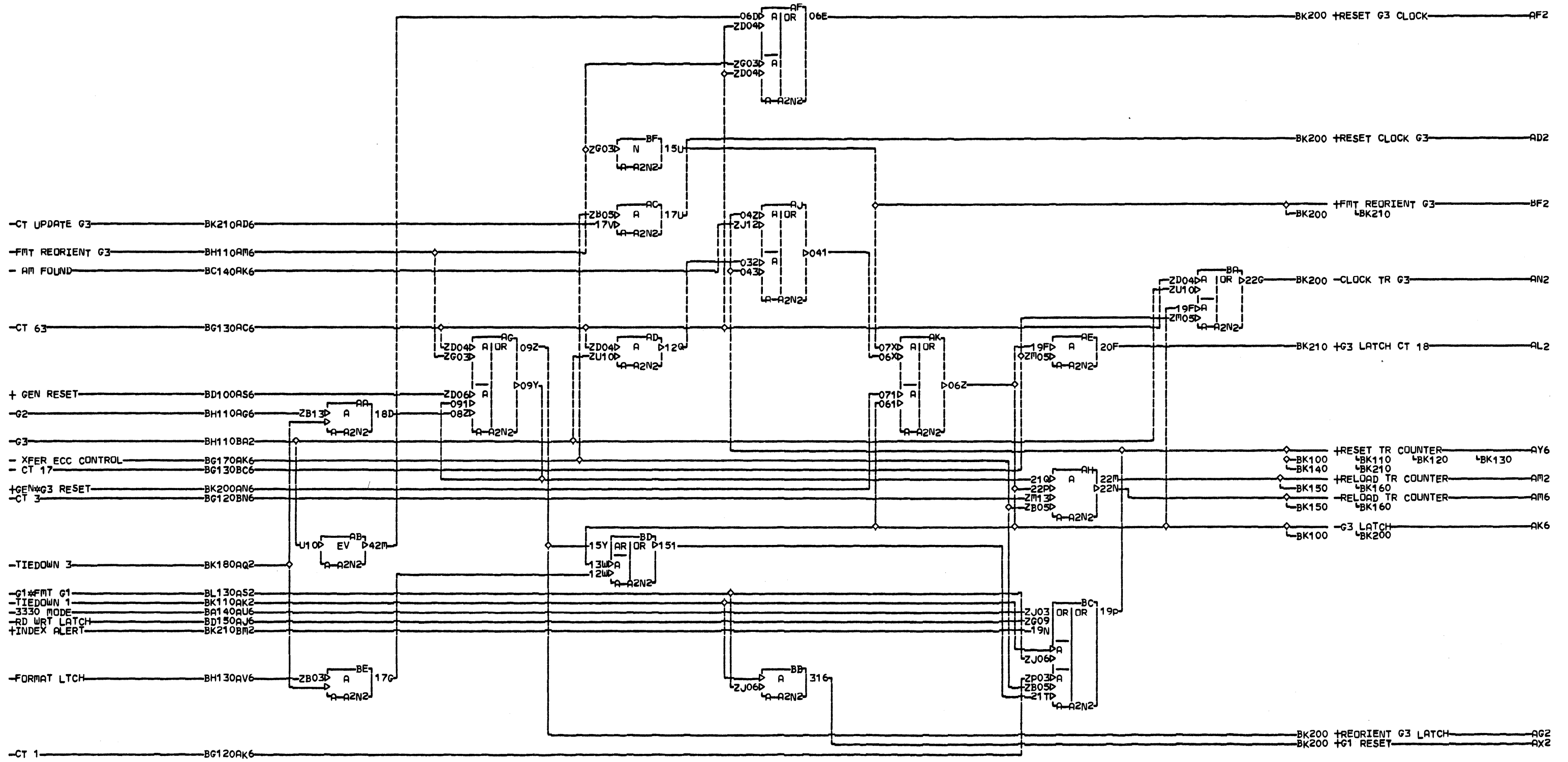
TRACK REMAINING COUNTER	
E.C. HISTORY	MACH. 3350
DATE LAST EC	FRAME 01
10-01-76 446706	IBM CORP. SDD
	IP. N. 1710268

B  
K  
1  
7  
0  
000

B  
K  
1  
7  
0







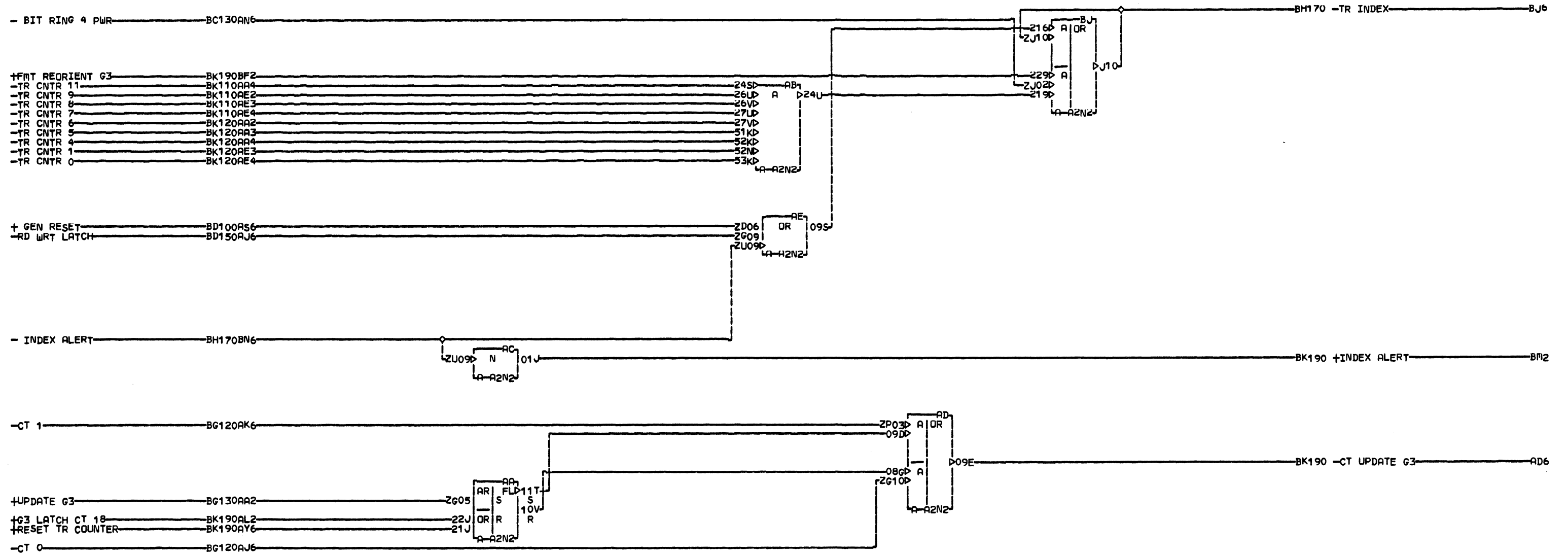
LOC. TYPE  
A-A2N2 2467

TRACK REMAINING COUNTER	
E.C. HISTORY	B MACH. 3350
FRAME	01
DATE LAST EC	IBM CORP. SDD
10-01-76 446706	P.N. 1710270

B  
K  
1  
9  
0

B  
K  
1  
9  
0  
000

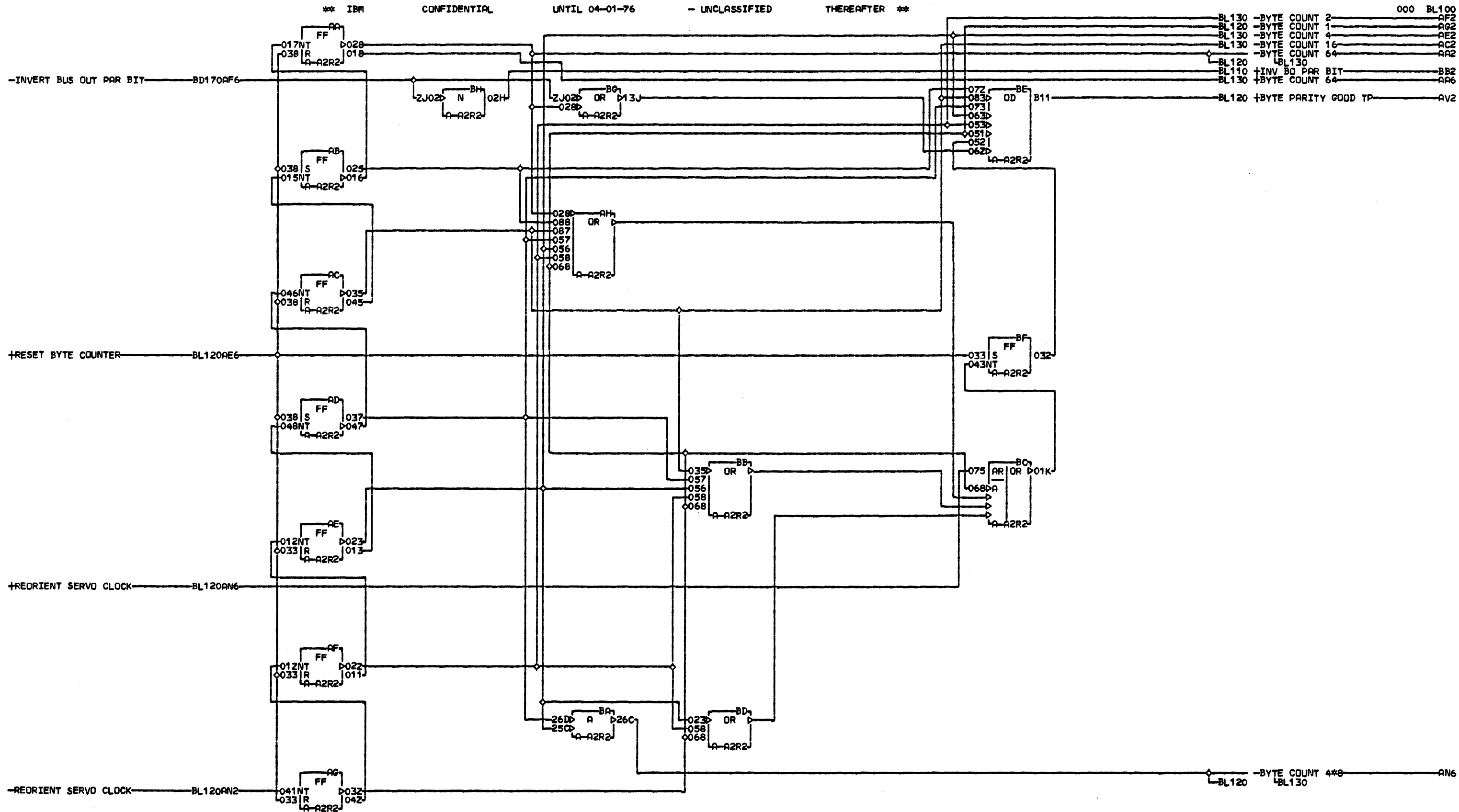




LOC. TYPE  
A-A2N2 Z467

TRACK REMAINING COUNTER	
E.C.-HISTORY	B1 MACH. 3350
	FRAME 01
	IBM CORP. SDD
DATE LAST EC	P.No. 1710272
10-01-76 446706	

B  
K  
2  
1  
0  
000



LOC. TYPE  
A-A2R2 2698

REORIENT COUNTER	
E.C. HISTORY	B MACH. 3350
DATE	LAST EC
01-16-76	446703
FRAME	01
IBM CORP. SDD	
P.N.	1710273

B  
L  
1  
0  
0

B  
L  
1  
0  
0

\*\* IBM

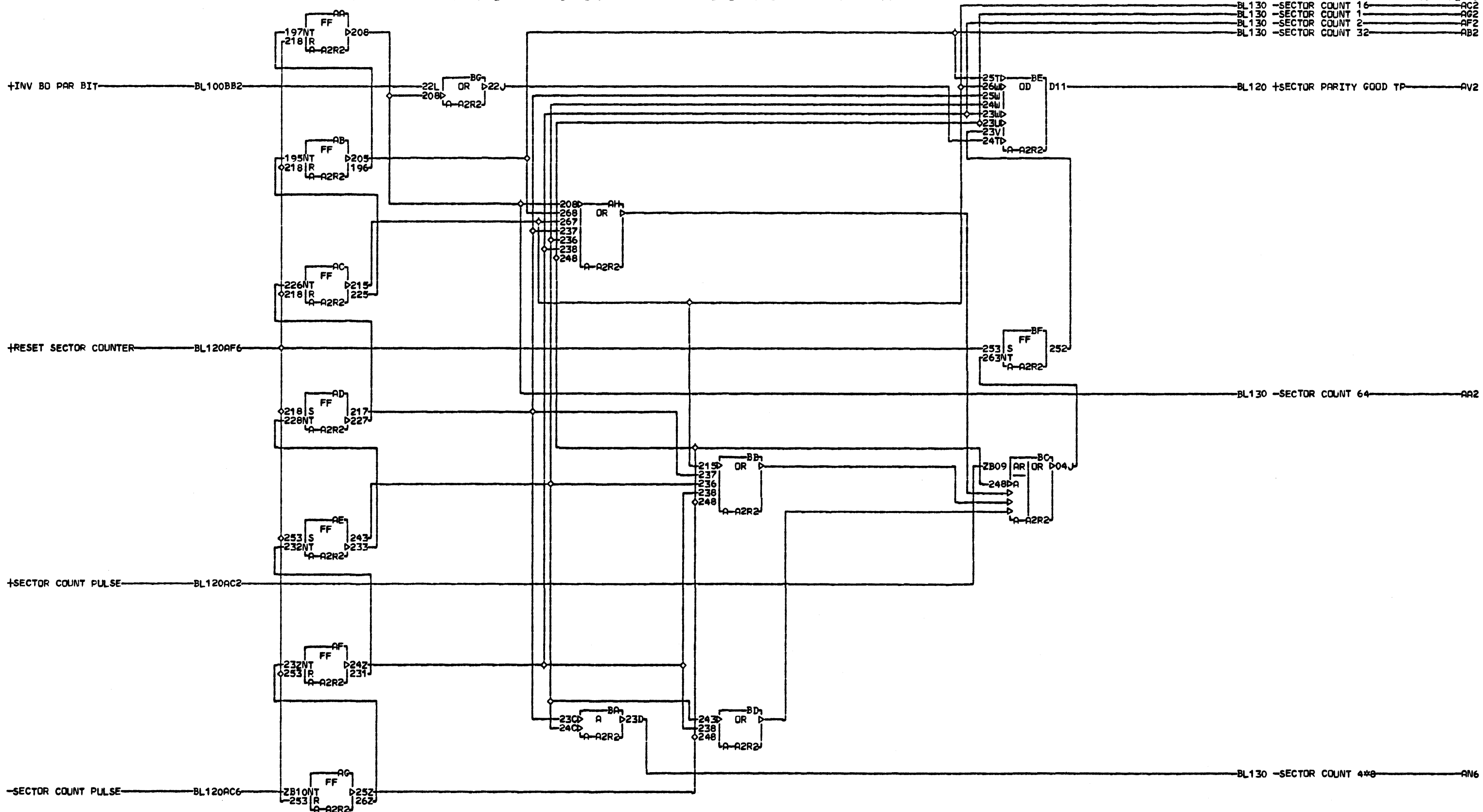
CONFIDENTIAL

UNTIL 04-01-76

- UNCLASSIFIED

THEREAFTER \*\*

000 BL110

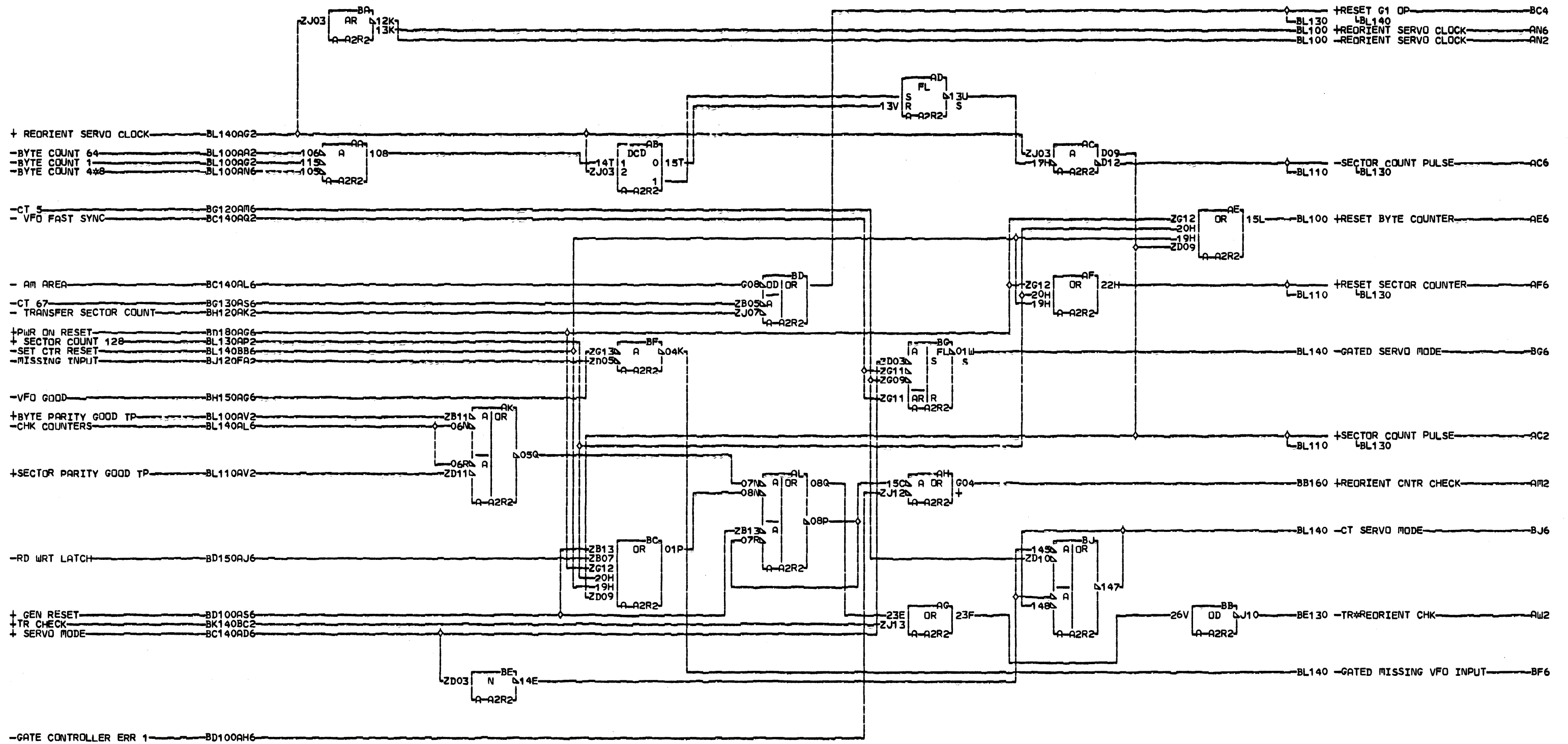


LOC. TYPE  
A-A2R2 2698

REORIENT COUNTER	
E.C. HISTORY	B1 MACH. 3350
DATE LAST EC	FRAME 01
01-16-76 446703	IBM CORP. SDD
	P.N. 1710274

BL110

BL110

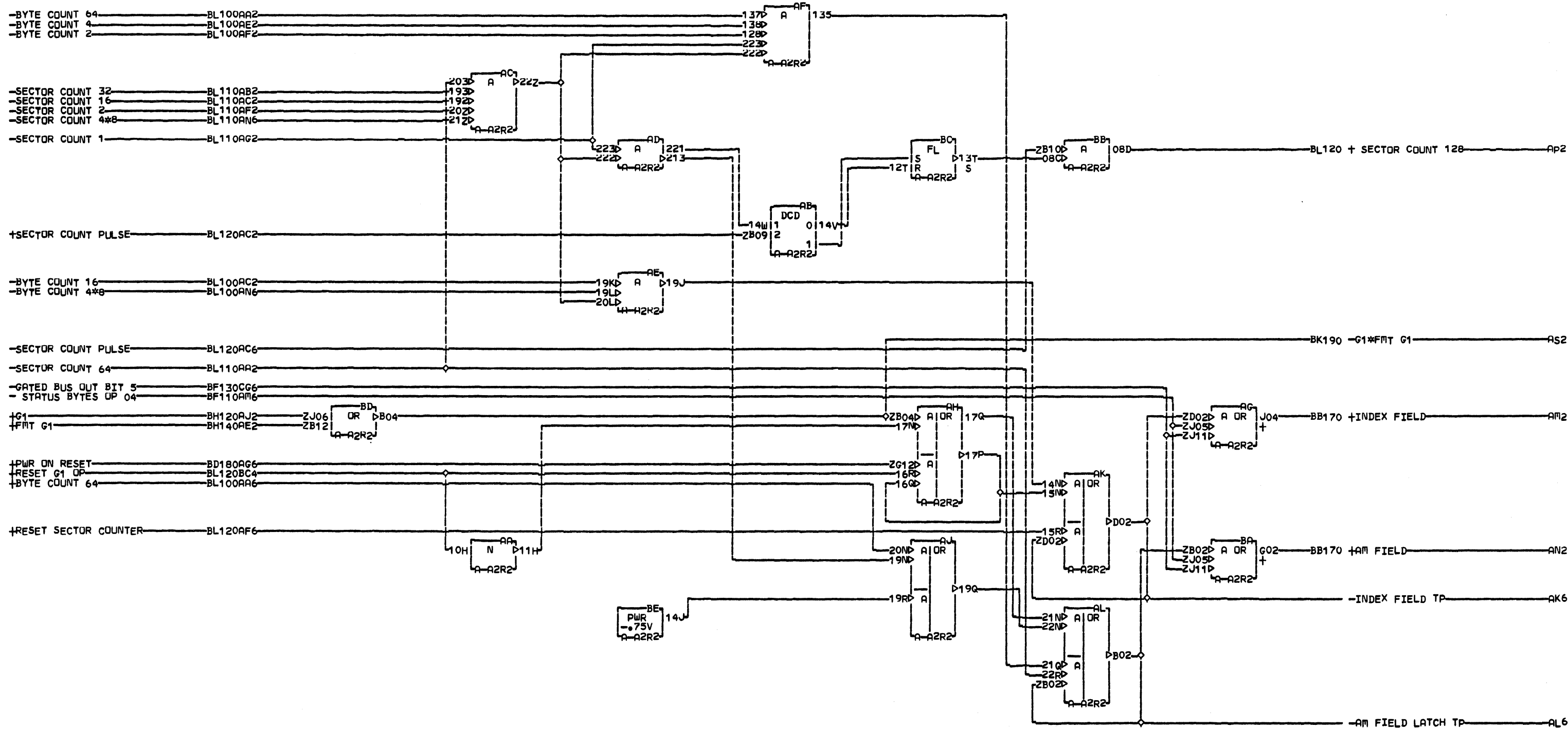


B  
L  
1  
2  
0

LOC. TYPE  
A-A2R2 Z698

REORIENT COUNTER	
-E.C. HISTORY	D-MACH-3350
446703	FRAME 01
446706	IBM CORP. SDD
DATE	LAST EC
01-05-79	446711
	P.N. 1710275

B  
L  
1  
2  
0



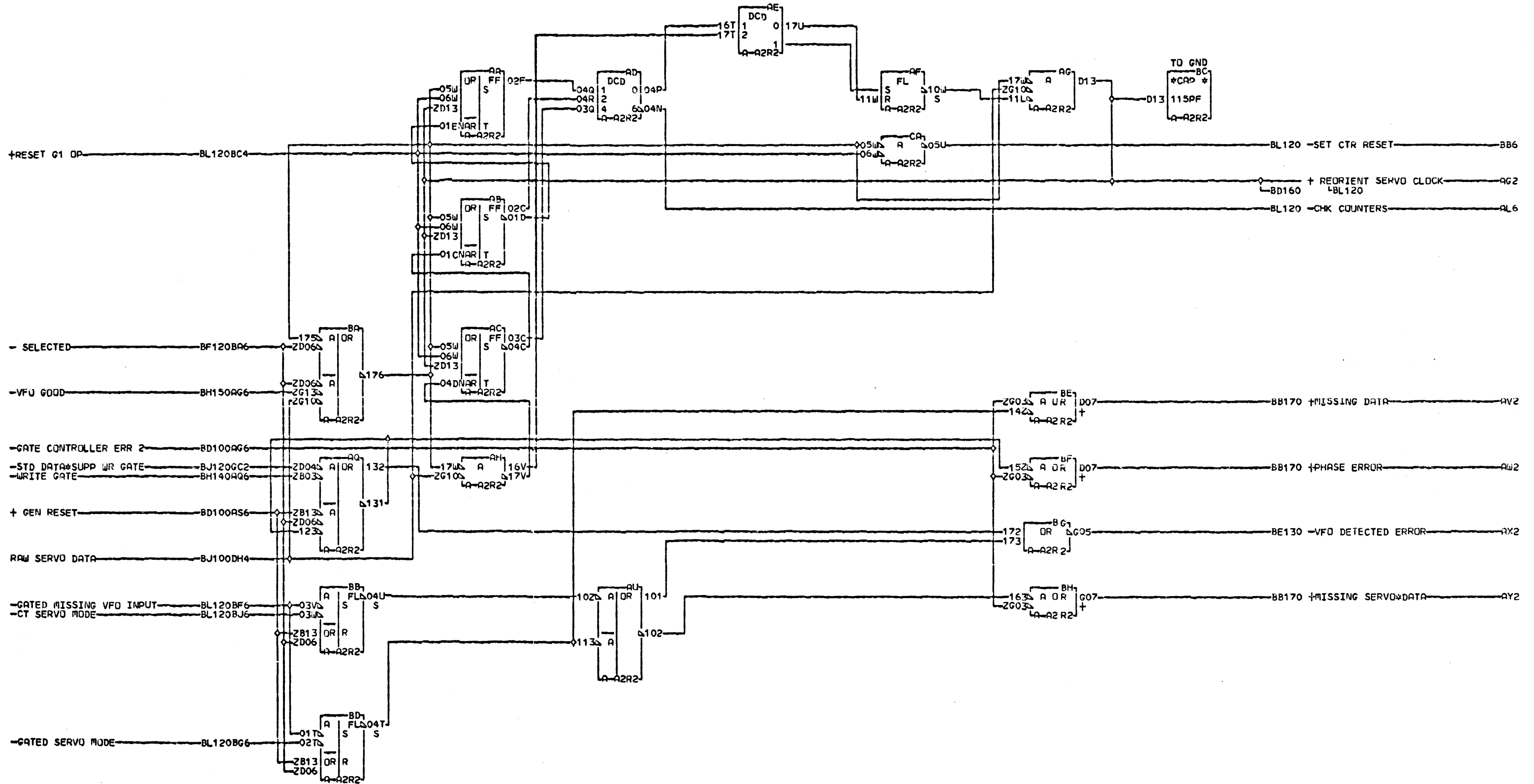
BL130

LOC. TYPE  
A-A2R2 Z698

REQIRIENT COUNTER	
EoC-HISTORY 446703	B1 MACH#3350
DATE LAST EC 10-01-76 446706	FRAME 01 IBM CORP. SDD P.No 1710276

BL130



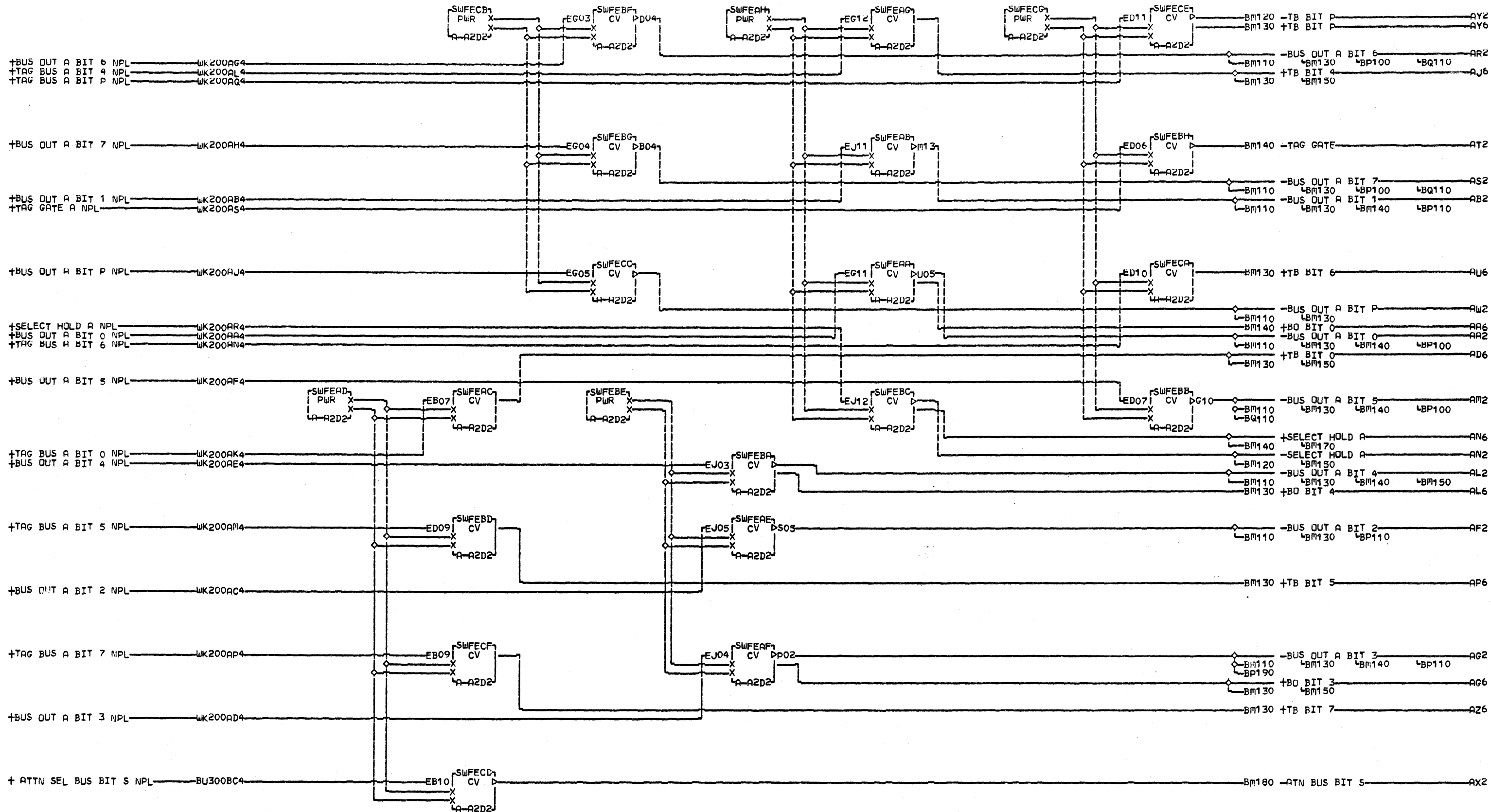


LUC. TYPE  
A-A2R2 2698

REORIENT COUNTER	
E.C. HISTORY	E-MACH. 3350
446703	FRAME 01
446706	IBM CORP. SDD
DATE LAST EC	PeN# 1710277
03-07-80 451336	

B  
L  
1  
4  
0

B  
L  
1  
4  
0

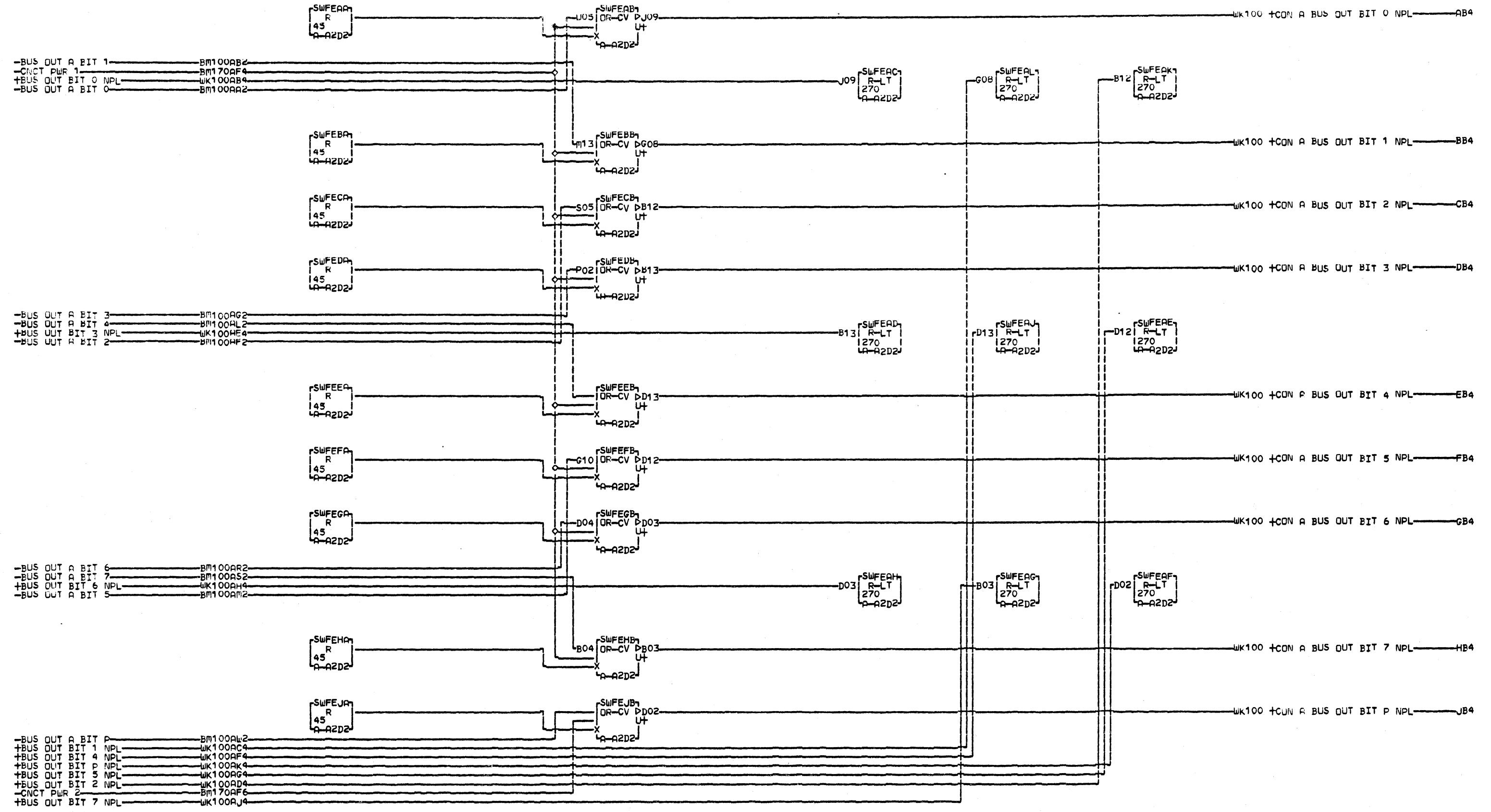


B  
M  
1  
0  
0

LOC. TYPE  
A-A2D2 AA53

SELECT CARD	
E.C. HISTORY	B MACH. 3350
446703	FRAME 01
DATE LAST EC	IBM CORP. SDD
110-01-76 446706	IPeN. 1710278

B  
M  
1  
0  
0



-BUS OUT A BIT 1  
-CNCT PWR 1  
+BUS OUT BIT 0 NPL  
-BUS OUT A BIT 0

BM100AB2  
BM170AF4  
WK100AB4  
BM100AA2

-BUS OUT A BIT 3  
-BUS OUT A BIT 4  
+BUS OUT BIT 3 NPL  
-BUS OUT A BIT 2

BM100AG2  
BM100AL2  
WK100AE4  
BM100AF2

-BUS OUT A BIT 6  
-BUS OUT A BIT 7  
+BUS OUT BIT 6 NPL  
-BUS OUT A BIT 5

BM100AR2  
BM100AS2  
WK100AH4  
BM100AM2

-BUS OUT A BIT P  
+BUS OUT BIT 1 NPL  
+BUS OUT BIT 4 NPL  
+BUS OUT BIT P NPL  
+BUS OUT BIT 5 NPL  
+BUS OUT BIT 2 NPL  
-CNCT PWR 2  
+BUS OUT BIT 7 NPL

BM100AW2  
WK100AC4  
WK100AF4  
WK100AK4  
WK100AG4  
WK100AD4  
BM170AF6  
WK100AJ4

LOC. TYPE  
A-A2D2 AA53

SELECT CARD	
E.C. HISTORY	B MACH. 3350
446703	FRAME 01
	IBM CORP. SDD
DATE 10-01-76	LAST EC 446706
	P.No. 1710279

B  
M  
1  
1  
0

B  
M  
1  
1  
0  
000

IBM

CONFIDENTIAL

UNTIL 04-01-76

UNCLASSIFIED

THEREAFTER

000 BM120

SWFEAR  
R  
45  
A-A2D2

SWFEAB  
OR-CV  
UT  
LA-A2D2

SWFEAC  
R-LT  
270  
A-A2D2

WK110 +CON A SELECT HOLD NPL AB4

-SELECT HOLD A BM100AN2  
-CNCT PWR 2 BM170AF6  
+ SELECT HOLD NPL WK110A24

SWFEAC  
R-LT  
270  
A-A2D2

SWFEBA  
R  
45  
A-A2D2

SWFEBB  
OR-CV  
UT  
LA-A2D2

SWFEAD  
R-LT  
270  
A-A2D2

WK110 +CON A TAG GATE NPL BB4

-MODIFIED TAG GATE BM140BB2  
+ TAG GATE NPL WK110BE4

SWFEBA  
R  
45  
A-A2D2

SWFEBB  
OR-CV  
UT  
LA-A2D2

SWFEAE  
R-LT  
270  
A-A2D2

WK110 +CON A TAG BUS BIT 0 NPL DB4

-TB BIT 0 BM130AA2  
-TB BIT 4 BM130AB2  
+ TAG BUS BIT 0 NPL WK110BA4

SWFEAE  
R-LT  
270  
A-A2D2

SWFEAF  
R-LT  
270  
A-A2D2

SWFEAH  
R-LT  
270  
A-A2D2

+ TAG BUS BIT 4 NPL WK110AS4  
+ TAG BUS BIT 5 NPL WK110AT4

SWFEBA  
R  
45  
A-A2D2

SWFEBB  
OR-CV  
UT  
LA-A2D2

SWFEAG  
R-LT  
270  
A-A2D2

WK110 +CON A TAG BUS BIT 4 NPL EB4

SWFEBA  
R  
45  
A-A2D2

SWFEBB  
OR-CV  
UT  
LA-A2D2

SWFEAG  
R-LT  
270  
A-A2D2

WK110 +CON A TAG BUS BIT 5 NPL FB4

SWFEBA  
R  
45  
A-A2D2

SWFEBB  
OR-CV  
UT  
LA-A2D2

SWFEAG  
R-LT  
270  
A-A2D2

WK110 +CON A TAG BUS BIT 6 NPL GB4

-TB BIT 6 BM130AD2  
-TB BIT 7 BM130AE2  
+ TAG BUS BIT 6 NPL WK110AU4  
-TB BIT 5 BM130AC2

SWFEAG  
R-LT  
270  
A-A2D2

SWFEAJ  
R-LT  
270  
A-A2D2

+ TAG BUS BIT 7 NPL WK110AV4

SWFEBA  
R  
45  
A-A2D2

SWFEBB  
OR-CV  
UT  
LA-A2D2

SWFEAK  
R-LT  
270  
A-A2D2

WK110 +CON A TAG BUS BIT 7 NPL HB4

SWFEJA  
R  
45  
A-A2D2

SWFEJB  
OR-CV  
UT  
LA-A2D2

SWFEAK  
R-LT  
270  
A-A2D2

WK110 +CON A TAG BUS BIT P NPL JB4

-TB BIT P BM100AY2  
+ TAG BUS BIT P NPL WK110AW4

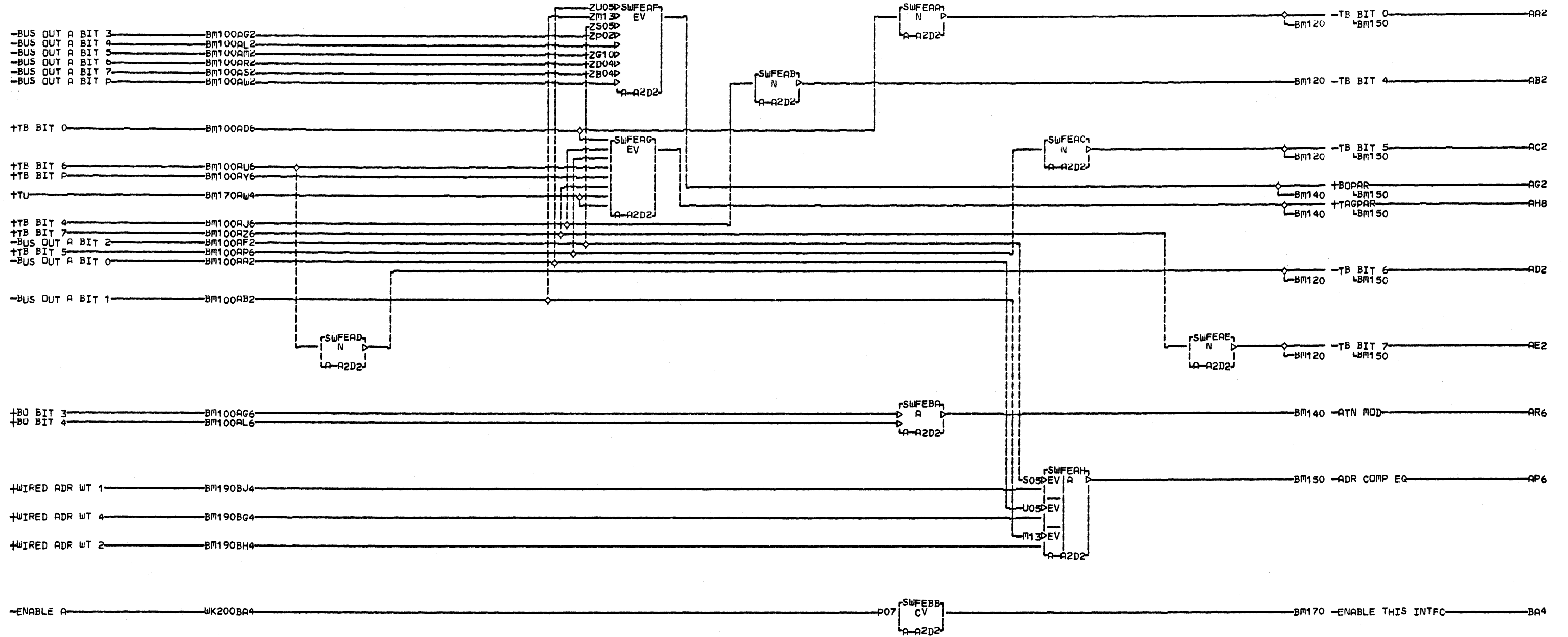
SWFEAK  
R-LT  
270  
A-A2D2

LOC. TYPE  
A-A2D2 AA53

SELECT CARD	
E.C. HISTORY	B MACH. 3350
FRAME	01
DATE	IBM CORP. SDD
01-16-76	446703
P.N.	1710280

BM120

BM120

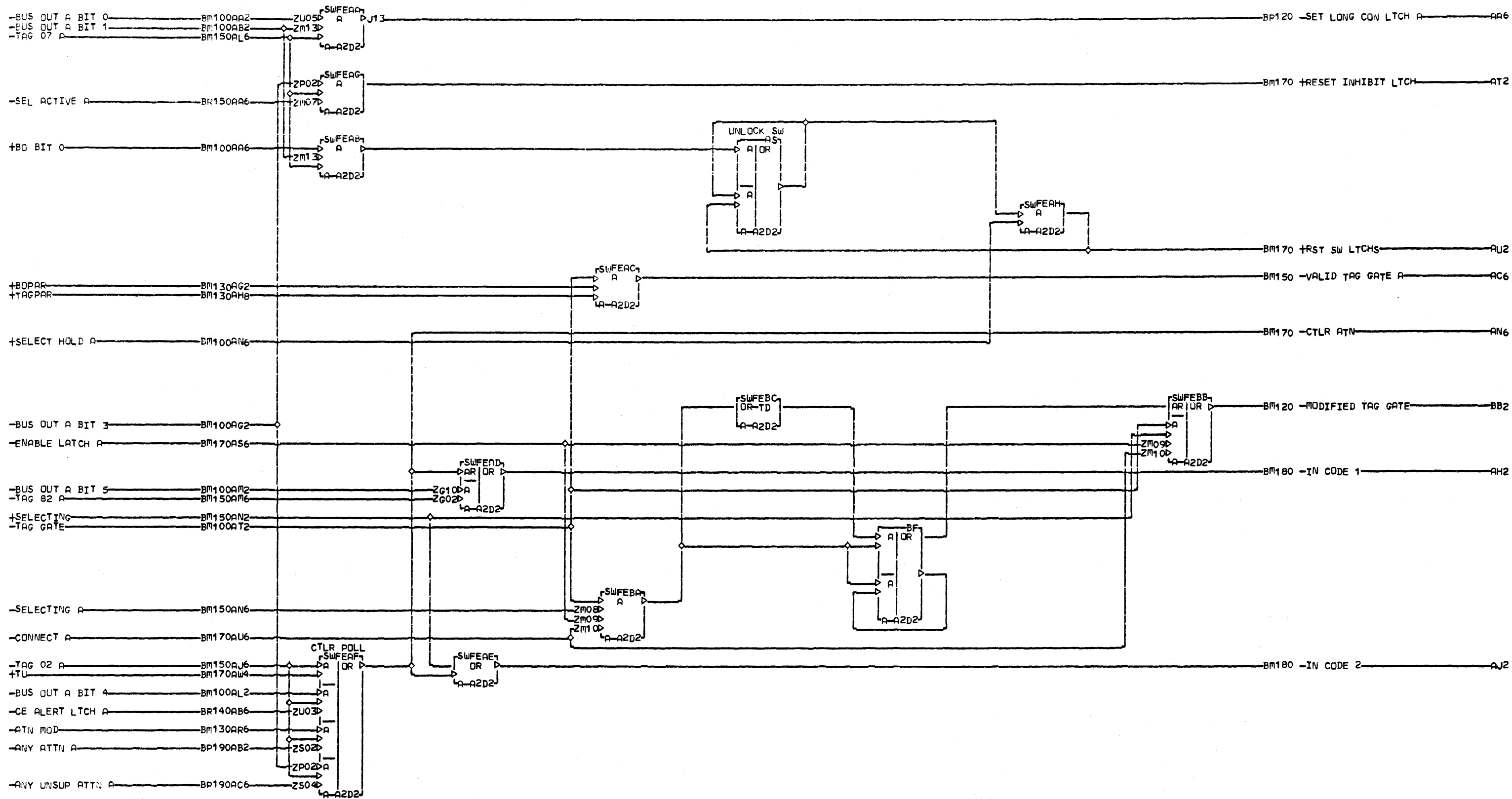


LOC. TYPE  
A-A2D2 AA53

SELECT CARD	
E.C. HISTORY	B1 MACH. 3350
446703	FRAME 01
DATE	LAST EC
10-01-76	446706
IBM CORP. SDD	P.N. 1710281

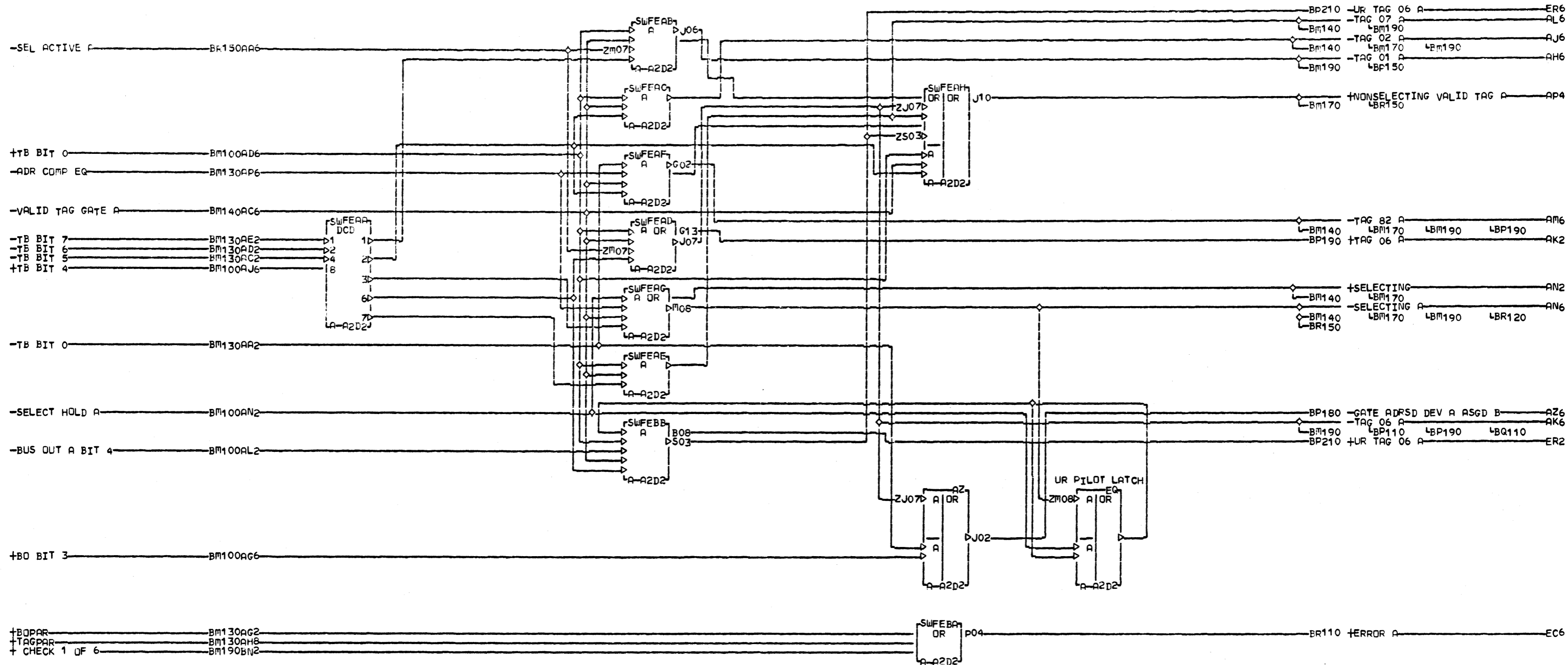
BM130

FILE



LJC TYPE  
A-A2D2 AAS3

SELECT CARD	
E.C. HISTORY	D MACH. 3350
446703	FRAME 01
446706	IBM CORP. SDD
DATE	LAST EC
101-21-77	446707
IP#N.	1710282



B  
M  
1  
5  
0

LOC. TYPE  
A-A2D2 AA53

SELECT CARD TAG DECODE	
-E.C.-HISTORY	D MACH. 3350
446703	FRAME 01
446706	IBM CORP. SDD
DATE LAST EC	P.N. 1710283
01-21-77 446707	

B  
M  
1  
5  
0

IBM

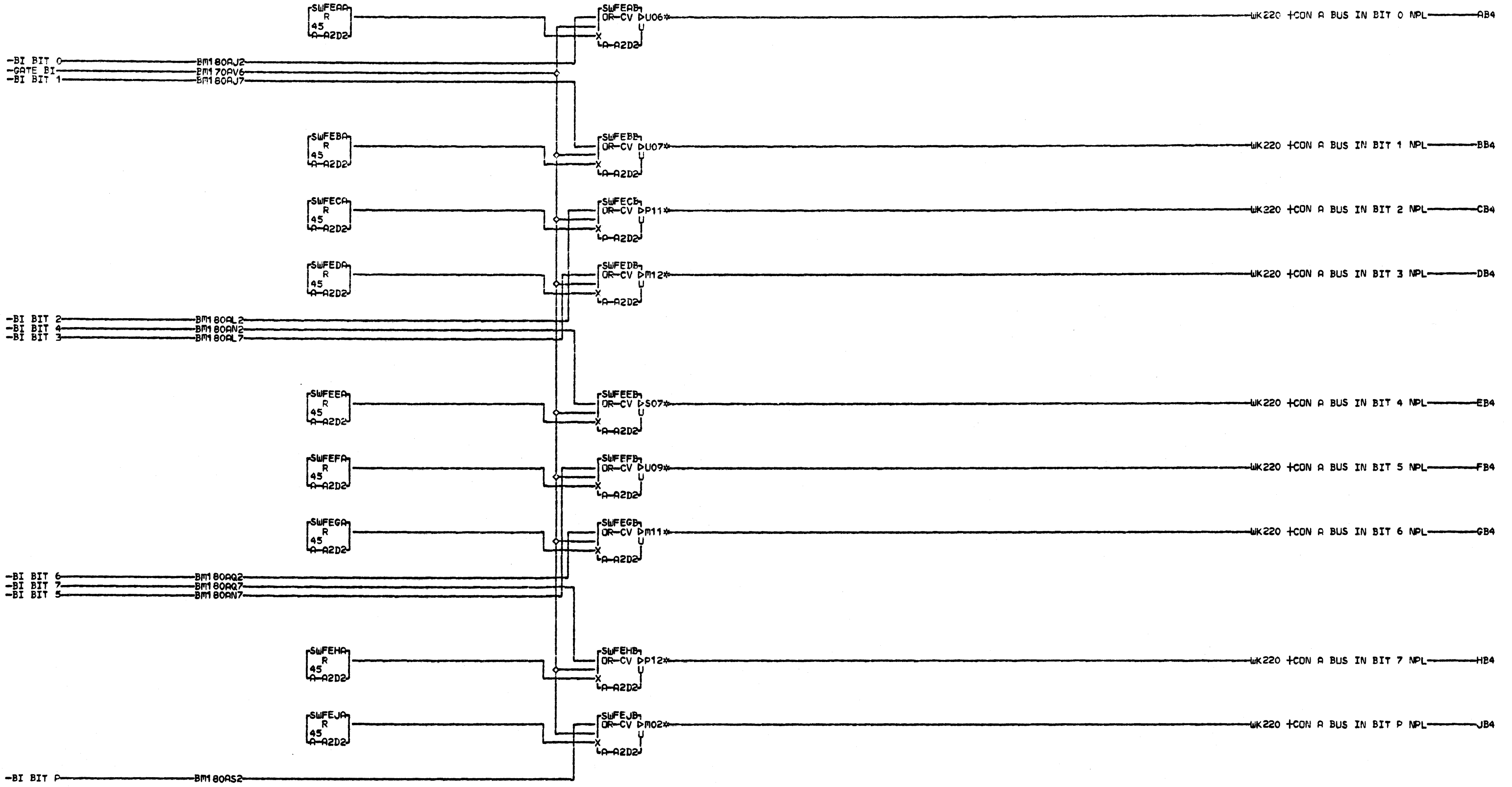
CONFIDENTIAL

UNTIL 04-01-76

UNCLASSIFIED

THEREAFTER

000 BM160



B  
M  
1  
6  
0

000COPYRIGHT IBM CORP 1976

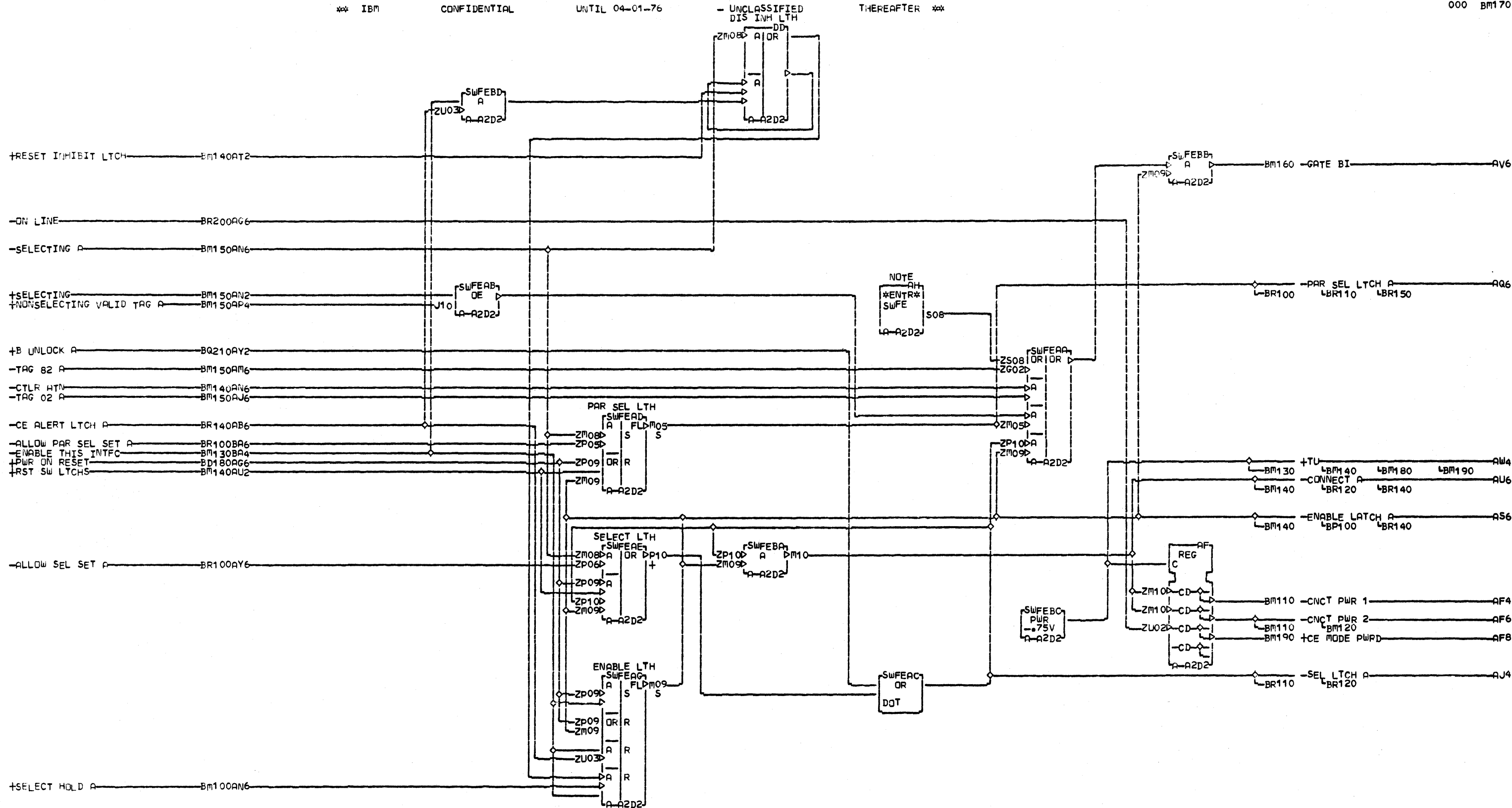
AB2 A-A2A3D05 HB2 A-A2A3B12  
 BB2 A-A2A3B05 JB2 A-A2A3B02  
 CB2 A-A2A3D06  
 DB2 A-A2A3B08  
 01 A-A2A3B09  
 EB2 A-A2A3D09  
 01 A-A2A3D10  
 FB2 A-A2A3B10  
 GB2 A-A2A3D11

LOC. TYPE  
A-A2D2 AA53

SELECT CARD	
E.C. HISTORY	MACH. 3350
DATE	LAST EC
01-16-76	446703
FRAME	01
IBM CORP. SDD	
P.No.	1710284

B  
M  
1  
6  
0  
000





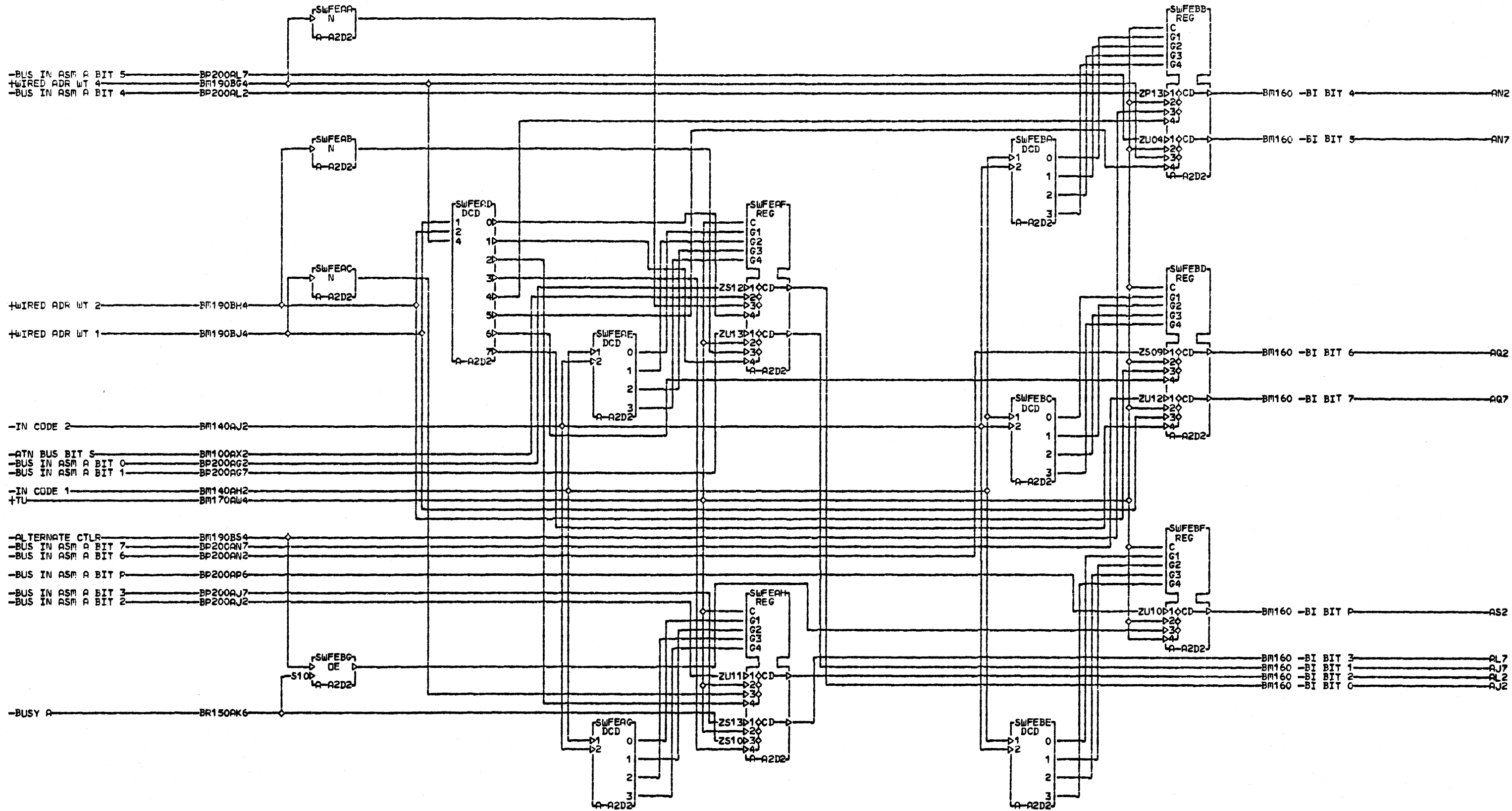
NOTE CE CONNECT FOR INTERFACE A.

LOC. TYPE A-A2D2 AA53

SELECT CARD	
E.C. HISTORY 446703	D. MACH. 3350
DATE 01-21-77	FRAME 01
LAST EC 446707	IBM CORP. SDD
	P.No. 1710285

B  
M  
1  
7  
0

B  
M  
1  
7  
0



-BUS IN ASM A BIT 5 BP200AL7  
 +WIRED ADR WT 4 BM190BG4  
 -BUS IN ASM A BIT 4 BP200AL2

+WIRED ADR WT 2 BM190BH4  
 +WIRED ADR WT 1 BM190BJ4

-IN CODE 2 BM140AJ2  
 -ATN BUS BIT 5 BM100AX2  
 -BUS IN ASM A BIT 0 BP200AG2  
 -BUS IN ASM A BIT 1 BP200AG7  
 -IN CODE 1 BM140AH2  
 +TU BM170AW4

-ALTERNATE CTLR BM190BS4  
 -BUS IN ASM A BIT 7 BP200AN7  
 -BUS IN ASM A BIT 6 BP200AN2  
 -BUS IN ASM A BIT 5 BP200AP6  
 -BUS IN ASM A BIT 3 BP200AJ7  
 -BUS IN ASM A BIT 2 BP200AJ2

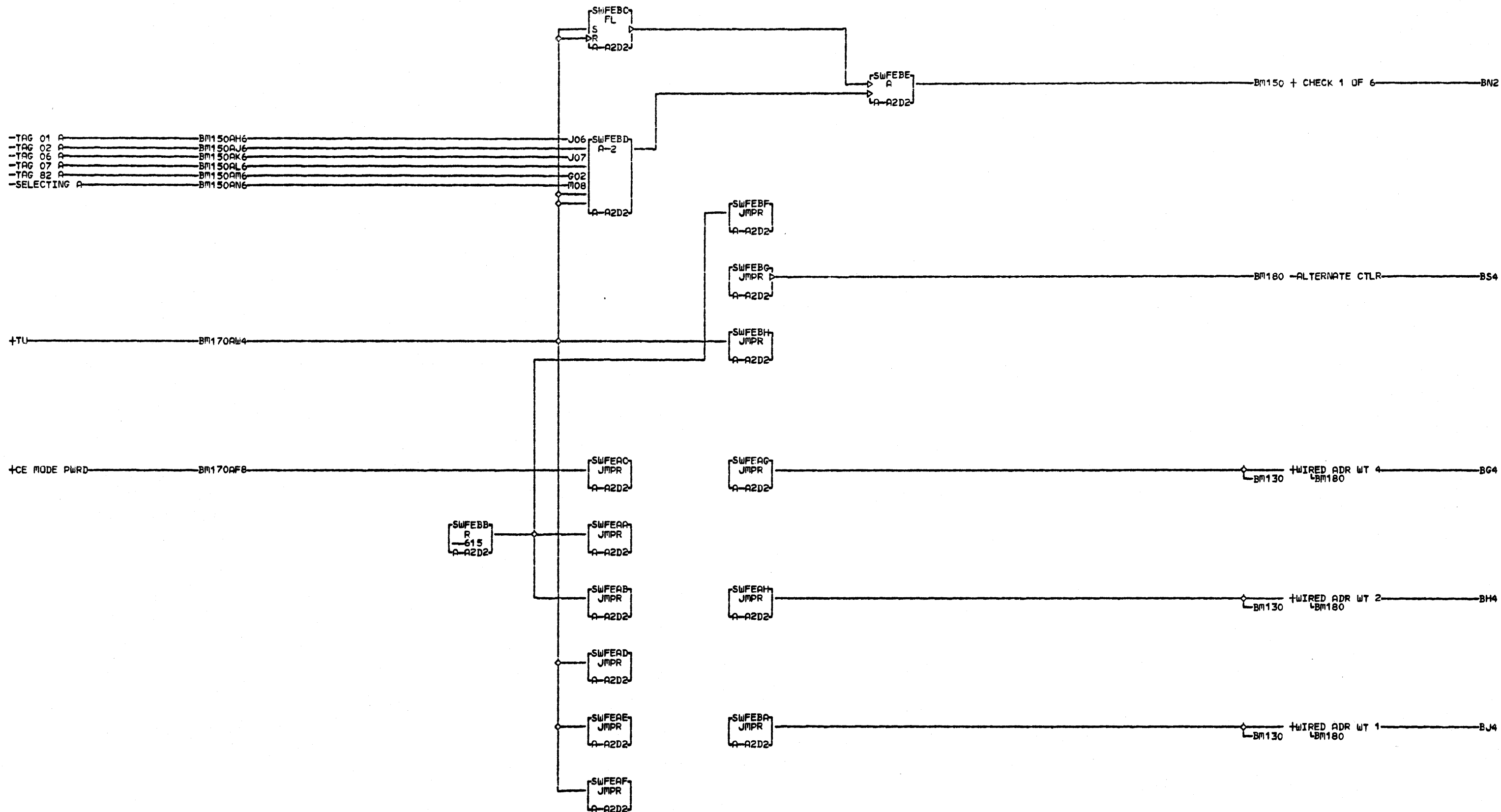
-BUSY A BR150AK6

LOC. TYPE  
 A-A2D2 AA53

SELECT CARD	
-E.C.-HISTORY-	B MACH. 3350
DATE	FRAME 01
LAST EC	IBM CORP. SDD
01-16-76 446703	PaNo 1710286

BM180

BM180



-TAG 01 A  
 -TAG 02 A  
 -TAG 06 A  
 -TAG 07 A  
 -TAG 82 A  
 -SELECTING A

BM150AH6  
 BM150AJ6  
 BM150AK6  
 BM150AL6  
 BM150AM6  
 BM150AN6

J06  
 J07  
 G02  
 M08  
 A-A2D2

+TU BM170AW4

+CE MODE PWRD BM170AFB

SWFEBB  
 R  
 615  
 A-A2D2

SWFEAC  
 JMPR  
 A-A2D2

SWFEA  
 JMPR  
 A-A2D2

SWFEA  
 JMPR  
 A-A2D2

SWFEAD  
 JMPR  
 A-A2D2

SWFEAE  
 JMPR  
 A-A2D2

SWFEAF  
 JMPR  
 A-A2D2

SWFEBF  
 JMPR  
 A-A2D2

SWFEBG  
 JMPR  
 A-A2D2

SWFEBH  
 JMPR  
 A-A2D2

SWFEAC  
 JMPR  
 A-A2D2

SWFEA  
 JMPR  
 A-A2D2

SWFEA  
 JMPR  
 A-A2D2

SWFEA  
 JMPR  
 A-A2D2

SWFEBE  
 A  
 A-A2D2

BM150 + CHECK 1 OF 6 BN2

BM180 -ALTERNATE CTLR BS4

BM130 WIRED ADR WT 4 BM180 BG4

BM130 WIRED ADR WT 2 BM180 BH4

BM130 WIRED ADR WT 1 BM180 BJ4

LOC. TYPE  
 A-A2D2 AA53

SELECT CARD	
E.C.-HISTORY	B MACH. 3350
DATE	FRAME 01
LAST EC	IBM CORP. SDD
01-16-76 446703	P.No. 1710287

BM  
 1  
 9  
 0  
 000

BM  
 1  
 9  
 0



\*\* IBM

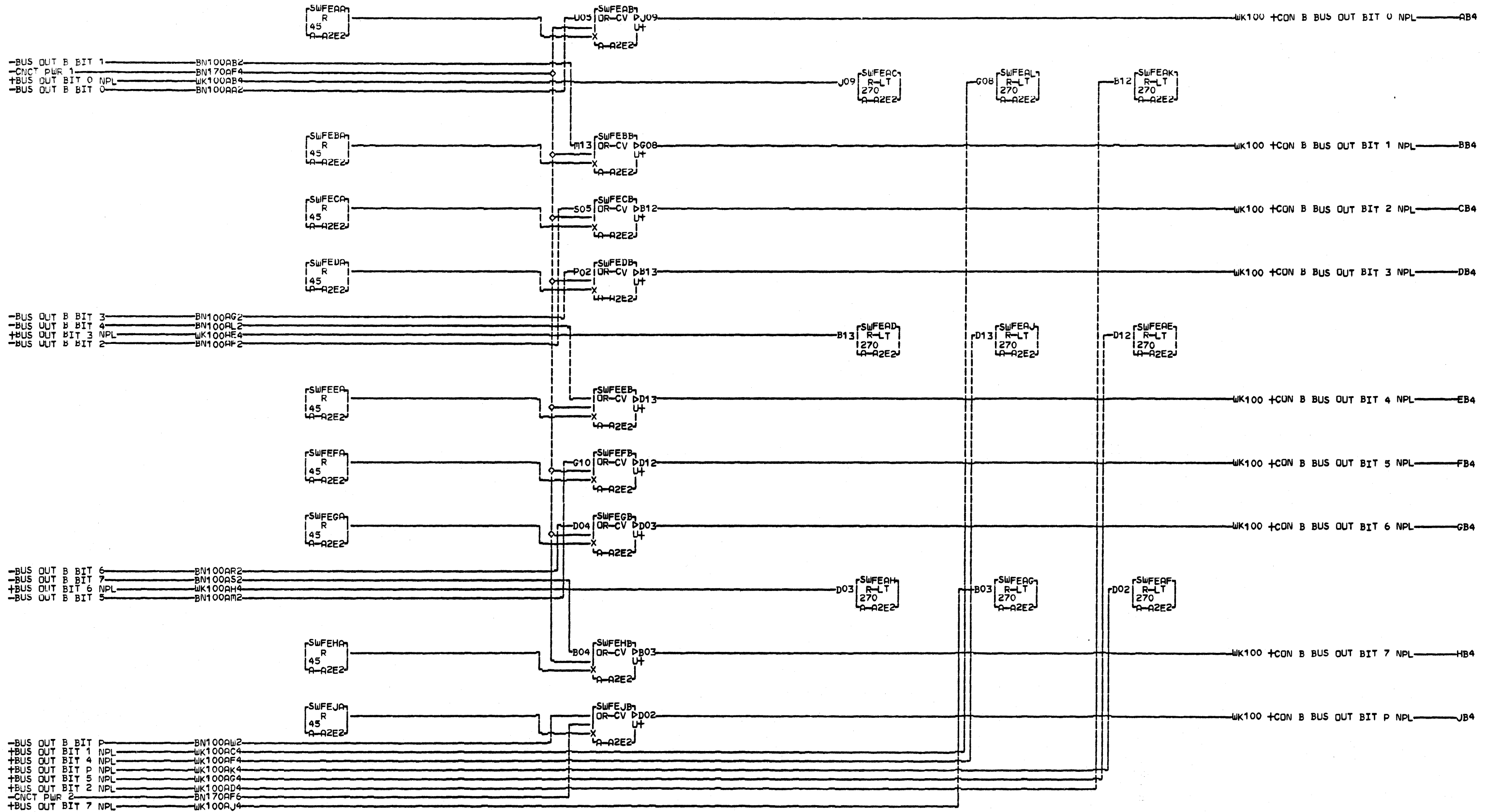
CONFIDENTIAL

UNTIL 04-01-76

- UNCLASSIFIED

THEREAFTER \*\*

000 BN110



-BUS OUT B BIT P BN100AW2  
 +BUS OUT BIT 1 NPL WK100AC4  
 +BUS OUT BIT 4 NPL WK100AF4  
 +BUS OUT BIT P NPL WK100AK4  
 +BUS OUT BIT 5 NPL WK100AG4  
 +BUS OUT BIT 2 NPL WK100AD4  
 -CNCT PWR 2 BN170AF6  
 +BUS OUT BIT 7 NPL WK100AJ4

LQC. TYPE  
A-A2E2 RA53

SELECT CARD	
E.C. HISTORY	B MACH. 3350
446703	FRAME 01
DATE	IBM CORP. SDD
10-01-76 446706	PaN. 1710289

B  
N  
1  
1  
0

B  
N  
1  
1  
0  
000

IBM

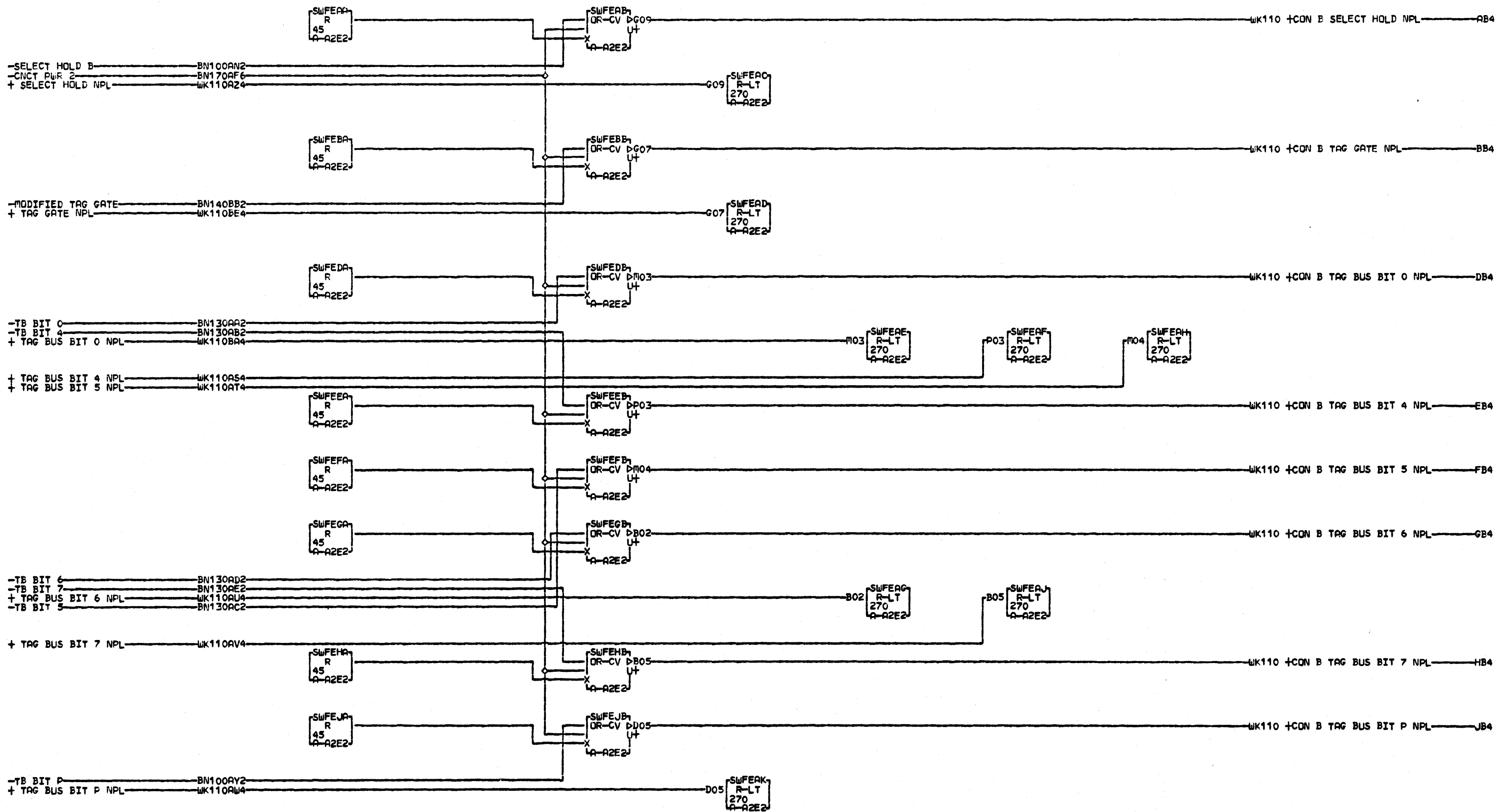
CONFIDENTIAL

UNTIL 04-01-76

UNCLASSIFIED

THEREAFTER

000 BN120



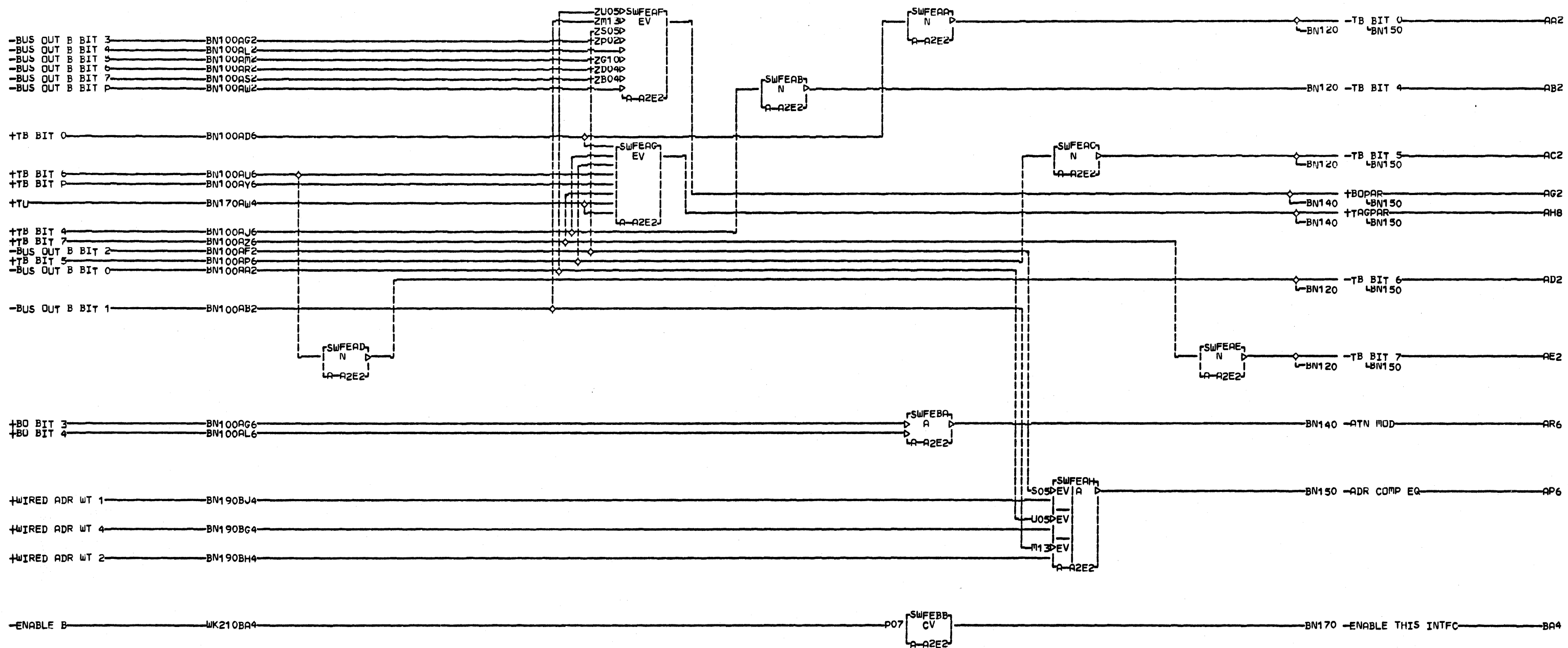
BN120

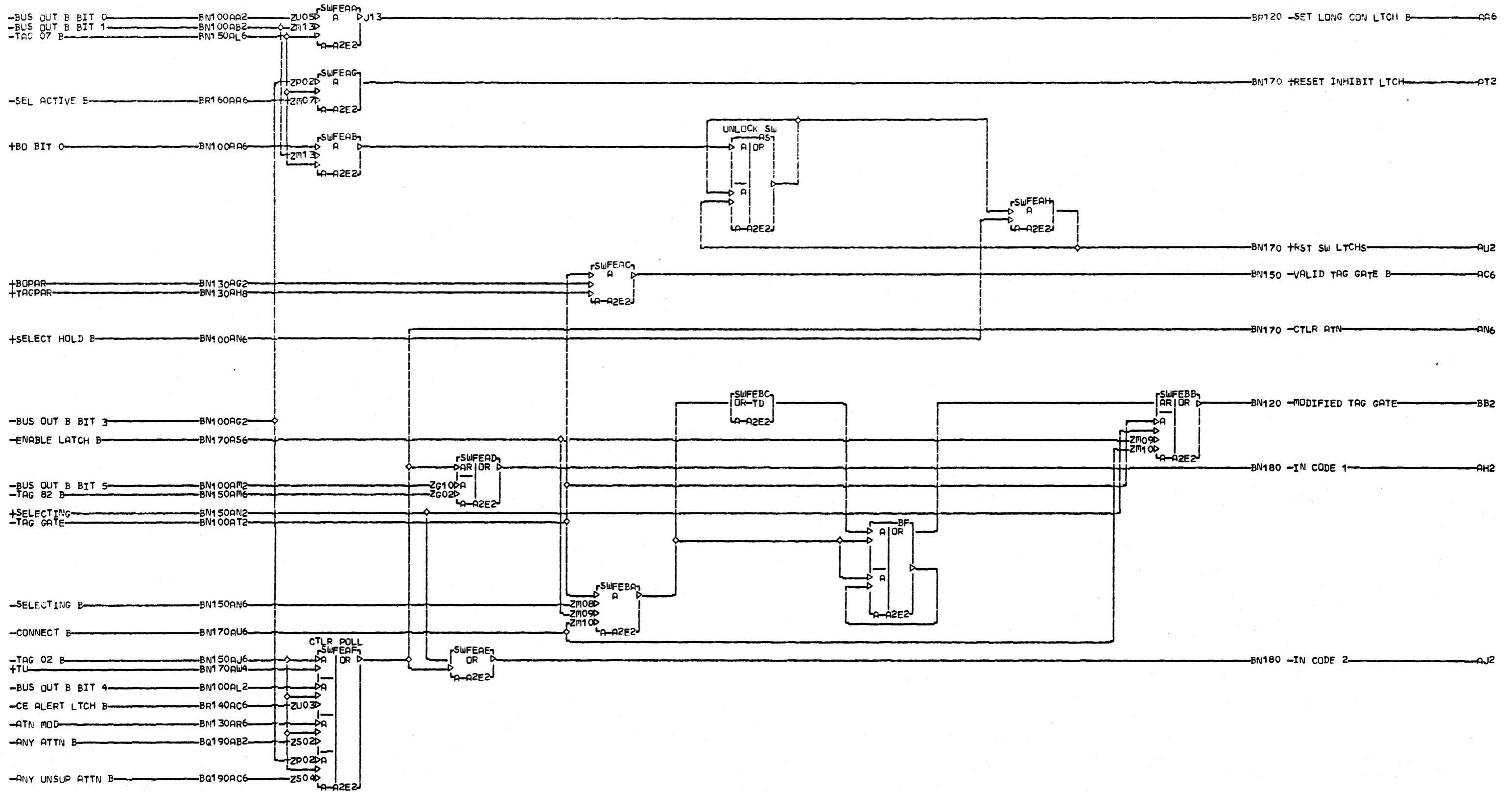
000COPYRIGHT IBM CORP 1976

LOC. TYPE  
A-A2E2 AA53

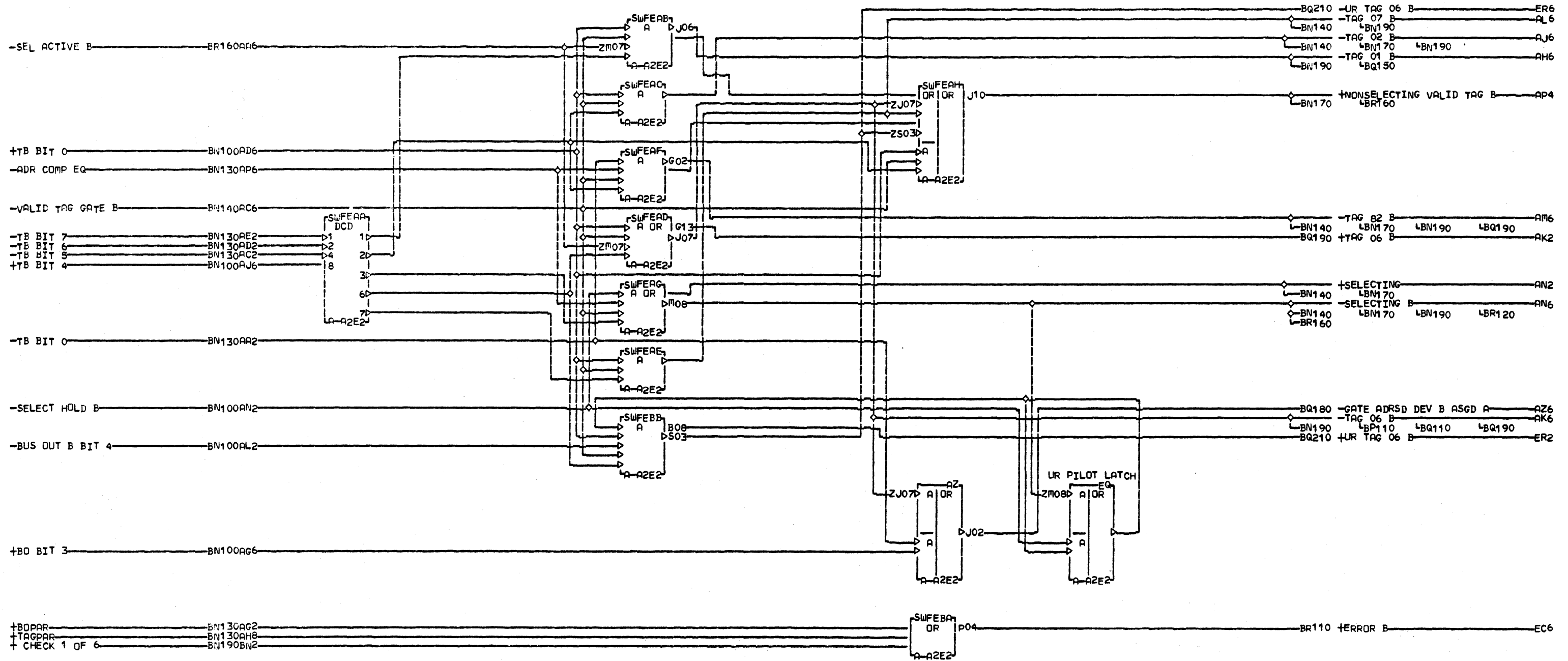
SELECT CARD	
E.C.-HISTORY	B-MACH.3350
DATE	LAST EC
01-16-76	446703
FRAME	01
IBM CORP. SDD	
P.No.	1710290

BN120  
000









B  
N  
1  
5  
0

LOC. TYPE  
A-A2E2 AA53

SELECT CARD TAG DECODE		B N 1 5 0
-E.C.-HISTORY-446703	D-MACH. 3350	
446706	FRAME 01	
DATE 01-21-77	LAST EC 446707	IBM CORP. SDD
		P.No. 1710293

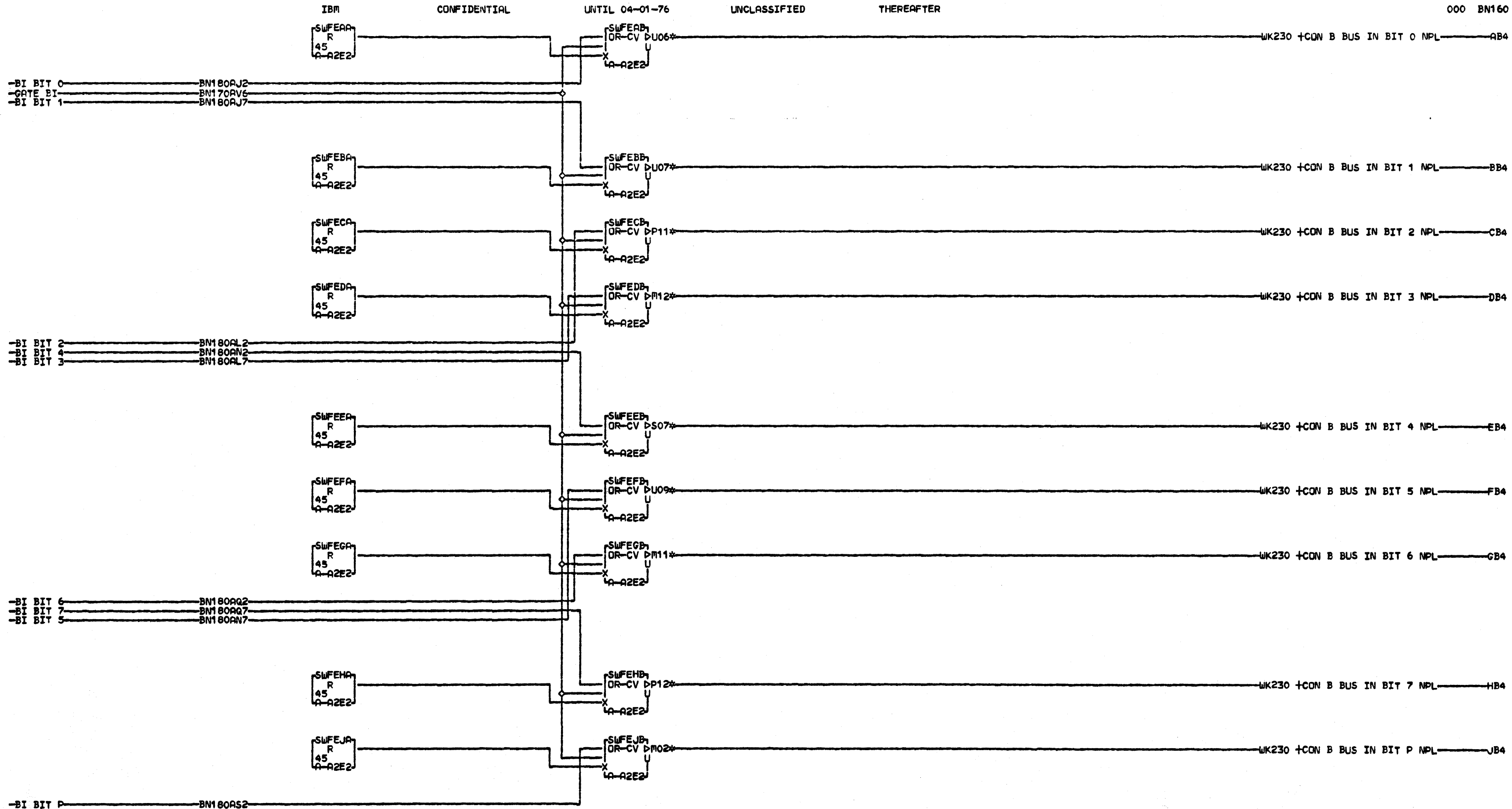
CONFIDENTIAL

UNTIL 04-01-76

UNCLASSIFIED

THEREAFTER

000 BN160



B  
N  
1  
6  
0

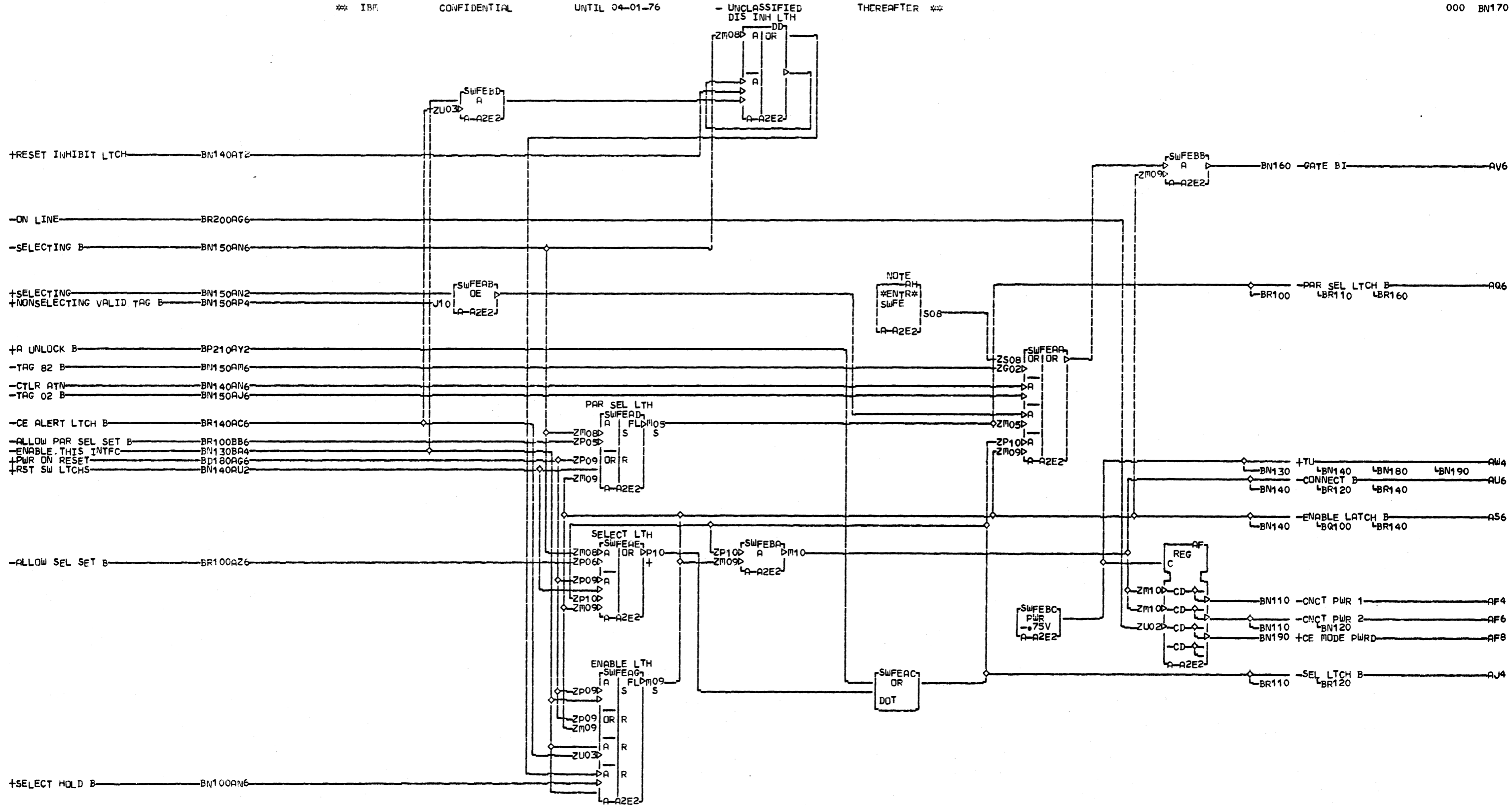
000COPYRIGHT IBM CORP 1976

AB2 A-A2B3D05 HB2 A-A2B3B12  
 BB2 A-A2B3B05 JB2 A-A2B3B02  
 CB2 A-A2B3D06  
 DB2 A-A2B3B08  
 01 A-A2B3B09  
 EB2 A-A2B3D09  
 01 A-A2B3D10  
 FB2 A-A2B3B10  
 GB2 A-A2B3D11

LOC. TYPE  
A-A2E2 AAS3

SELECT CARD	
E.C.-HISTORY	B MACH. 3350
DATE	LAST EC
01-16-76	446703
FRAME	01
IBM CORP. SDD	
PoNo. 1710294	

B  
N  
1  
6  
0  
000



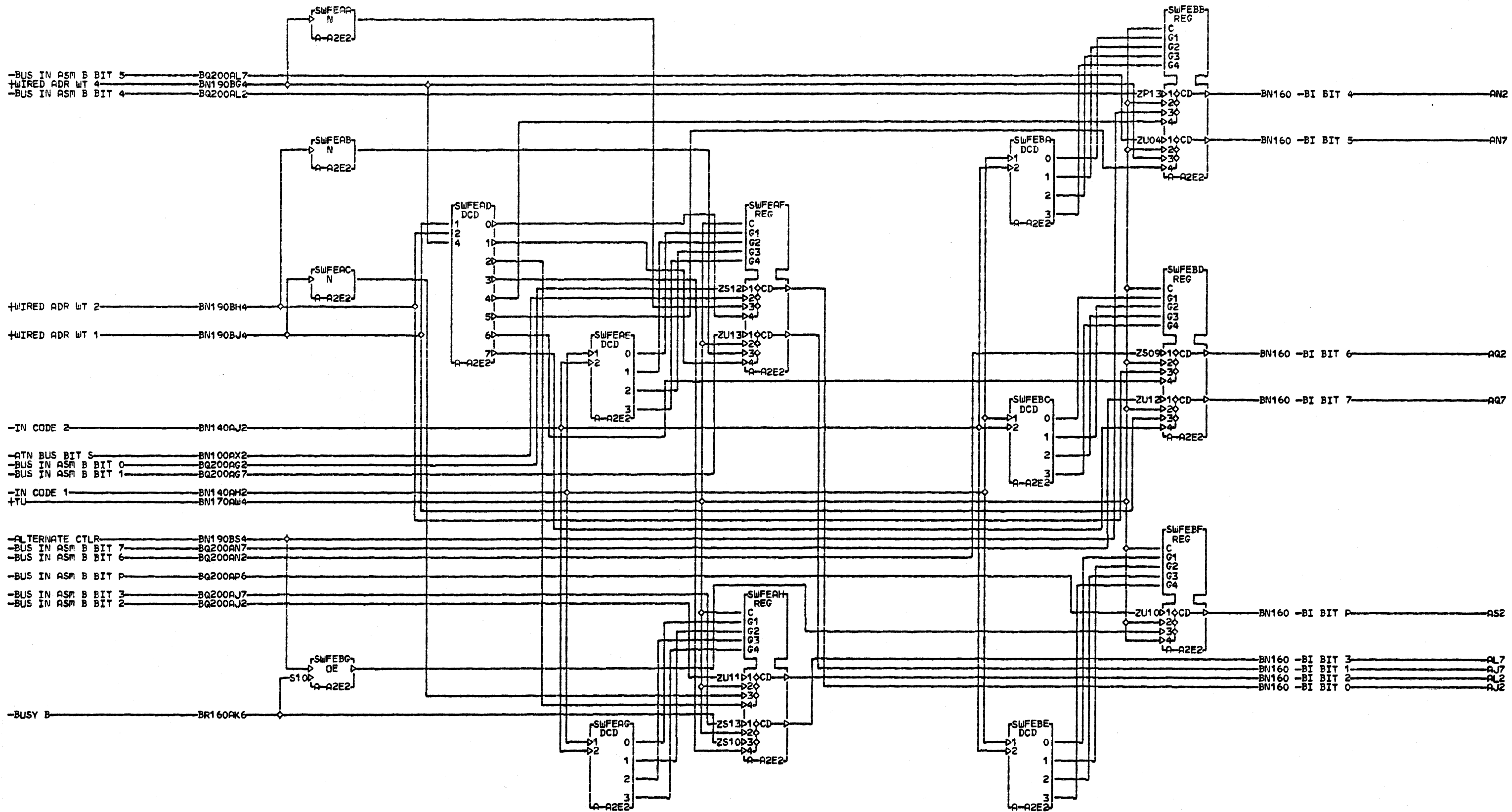
NOTE CE CONNECT FOR INTERFACE B.

B  
N  
1  
7  
0

LOC. TYPE  
A-A2E2 AA53

SELECT CARD	
E.C. HISTORY 446703	MACH. 3350 FRAME 01
DATE LAST EC 01-21-77 446707	IBM CORP. SDD P.No. 1710295

B  
N  
1  
7  
0  
000

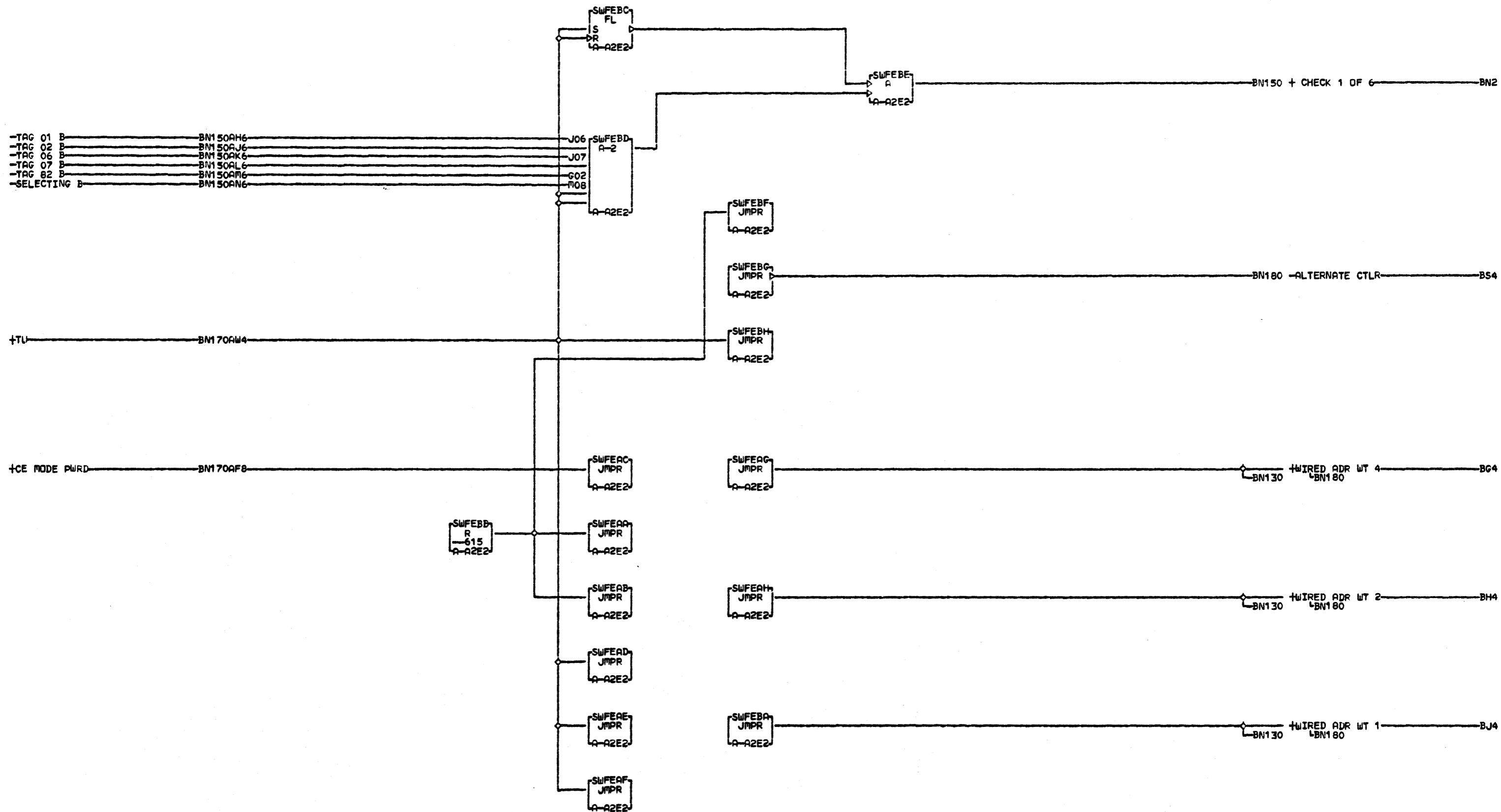


LOC. TYPE  
A-A2E2 AA53

SELECT CARD	
-E.C.-HISTORY	B-MACH.3350
DATE LAST EC	FRAME 01
01-16-76 446703	IBM CORP. SDD
	P.No. 1710296

B  
N  
1  
8  
0

B  
N  
1  
8  
0



-TAG 01 B  
-TAG 02 B  
-TAG 06 B  
-TAG 07 B  
-TAG 82 B  
-SELECTING B

BN150AH6  
BN150AJ6  
BN150AK6  
BN150AL6  
BN150AM6  
BN150AN6

J06  
J07  
G02  
M08

+TU BM70AW4

+CE MODE PWRD BM70AF8

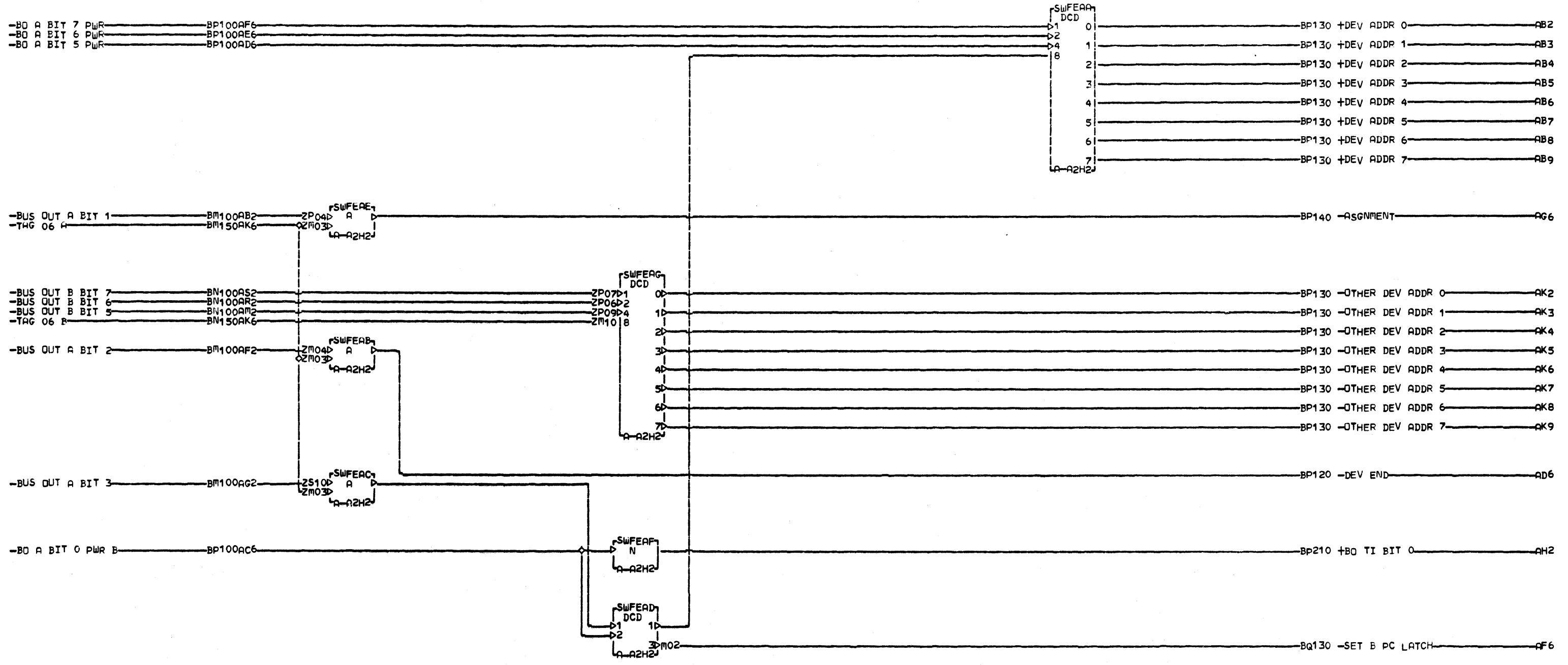
B  
N  
1  
9  
0

LOC. TYPE  
A-A2E2 AA53

SELECT CARD	
E.C. HISTORY	B MACH. 3350
DATE	LAST EC
01-16-76	446703
FRAME	01
IBM CORP. SDD	
P.O. No.	1710297

B  
N  
1  
9  
0

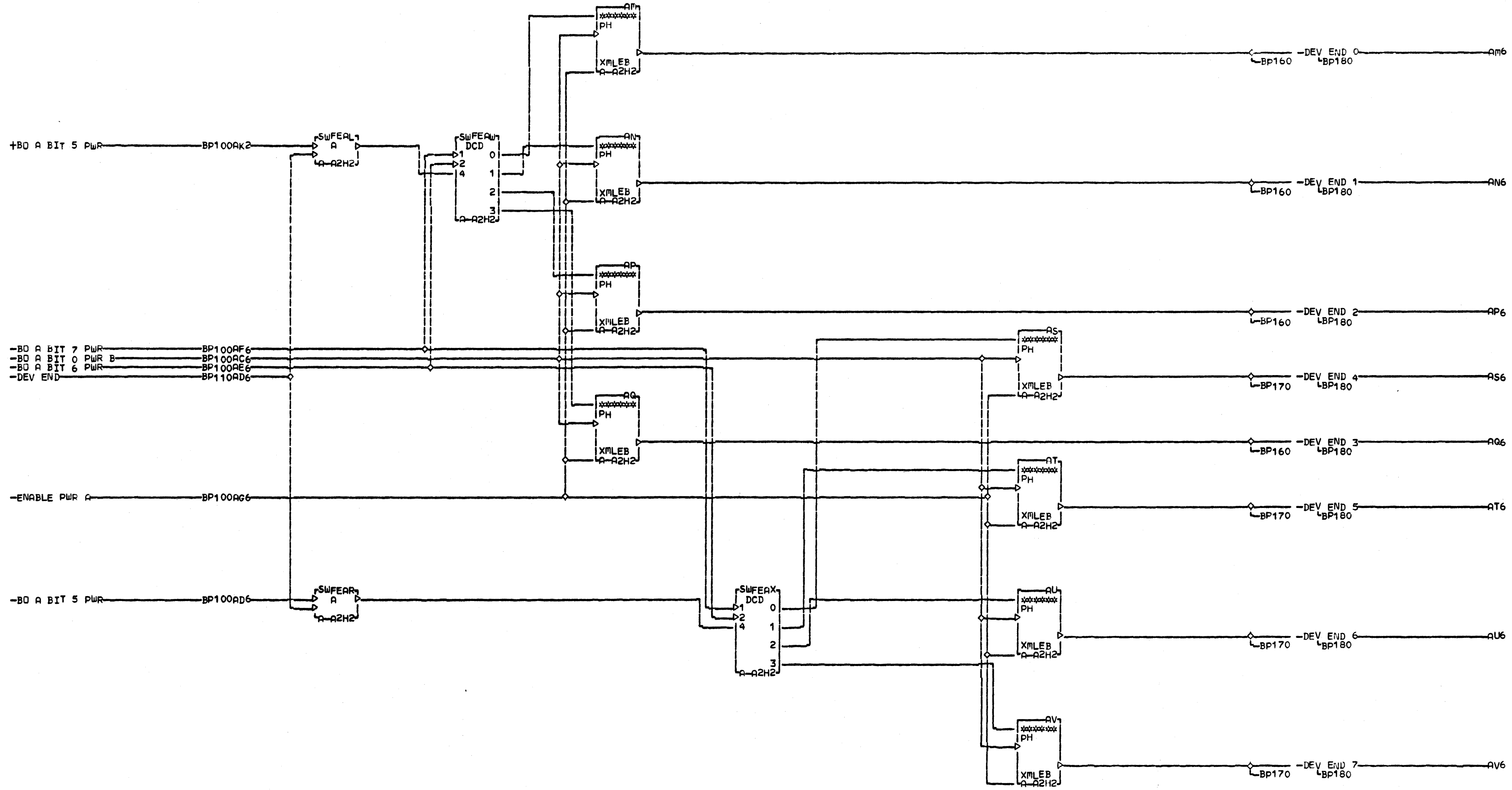




B  
P  
1  
1  
0  
000

LOC. TYPE  
A-A2H2 AA54

A STATUS CARD		B	
DEV DECODE		P	
E.C.-HISTORY	D MACH. 3350	1	
	FRAME 01	0	
	IBM CORP. SDD	000	
DATE 101-21-77	LAST EC 446707	P.N. 1710299	



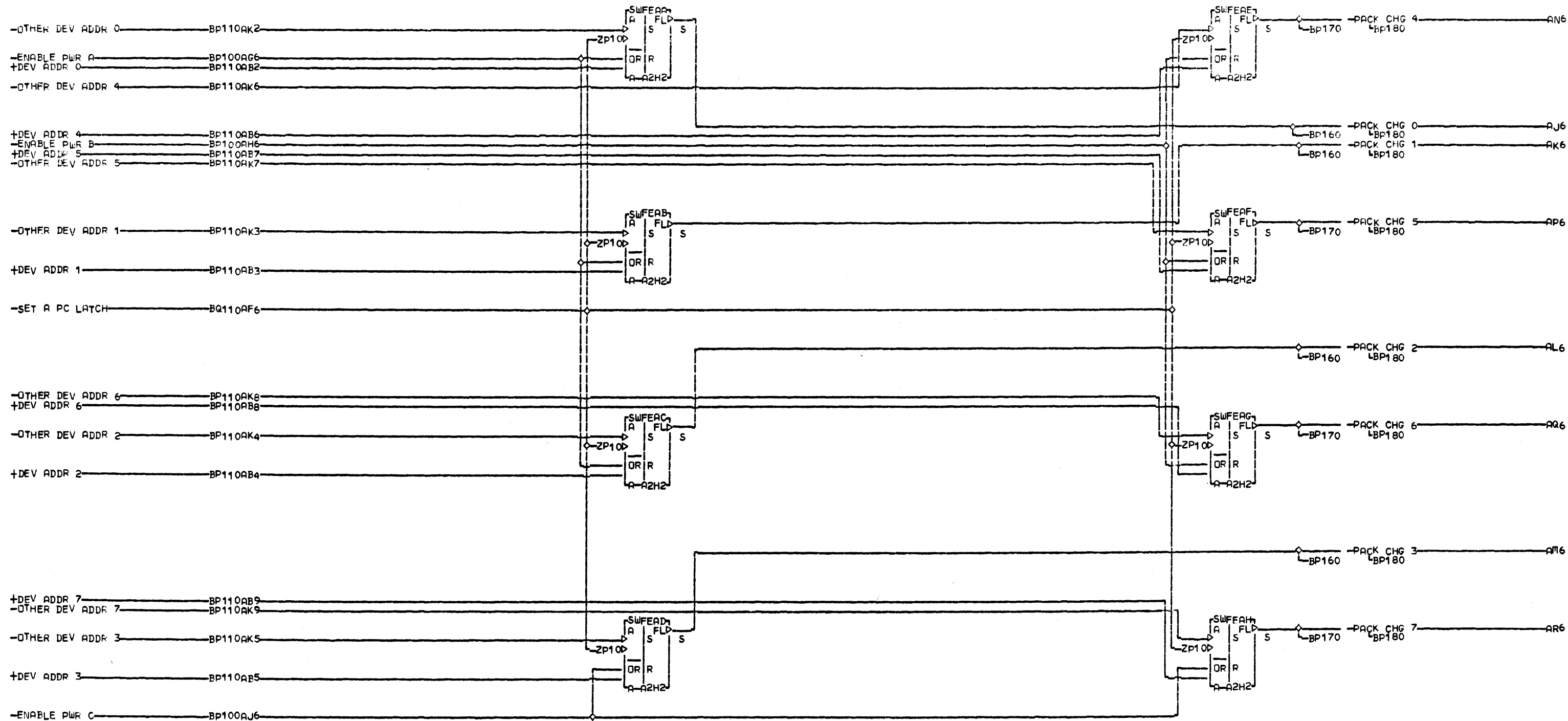
LUC. TYPE  
A-A2H2 AA54

A STATUS CARD	
DEV END LTCH	D
E.C. HISTORY	MACH. 3350
FRAME	01
DATE LAST EC	IBM CORP. SDD
101-21-77 446707	IP.No. 1710300

BP120  
000

BP120  
000





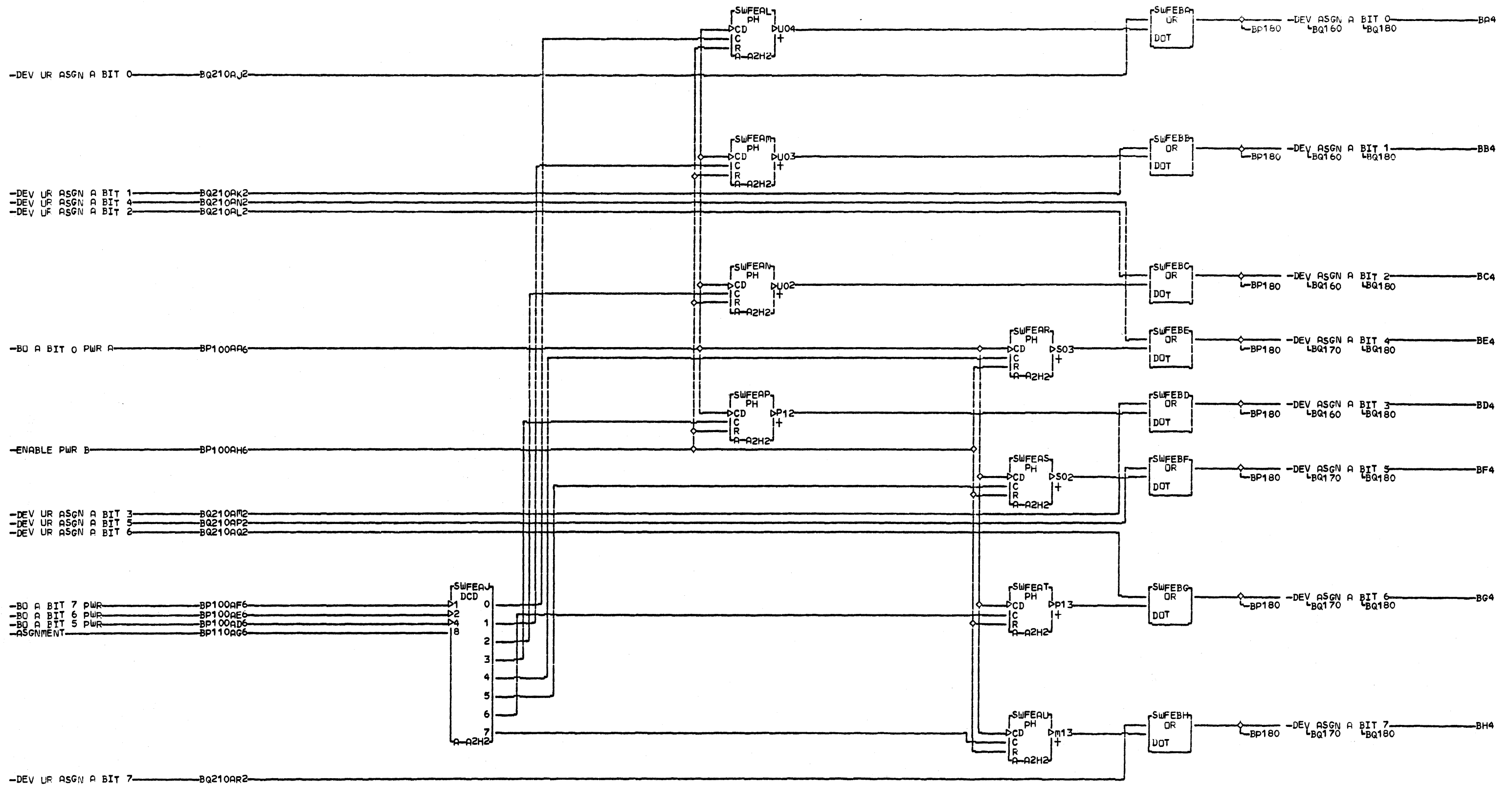
BP130

LUC TYPE  
A-A2H2 AA54

A STATUS CARD		MACH. 3350
PACK CHG LATCH		
E.C. HISTORY		FRAME 01
DATE LAST EC		IBM CORP. SDD
01-21-77	446707	P.N. 1710301

BP130

000

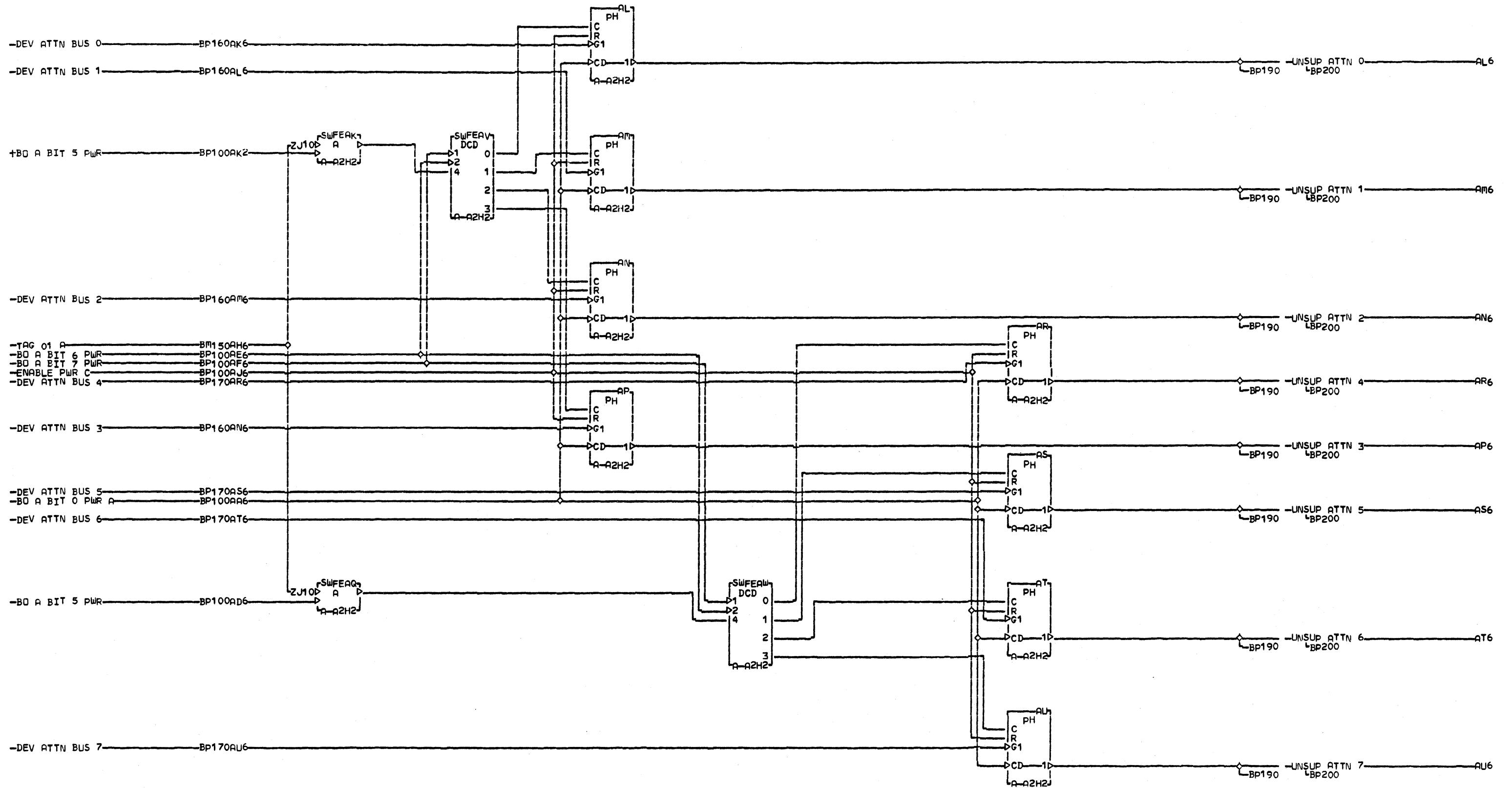


B  
P  
1  
4  
0

LOC. TYPE  
A-A2H2 AA54

A STATUS CARD	
ASGN LTR	
-E.C.-HISTORY	D MACH.3350
DATE	LAST EC
01-21-77	446707
FRAME	01
IBM CORP. GPD	
IP.N. 1710302	

B  
P  
1  
4  
0

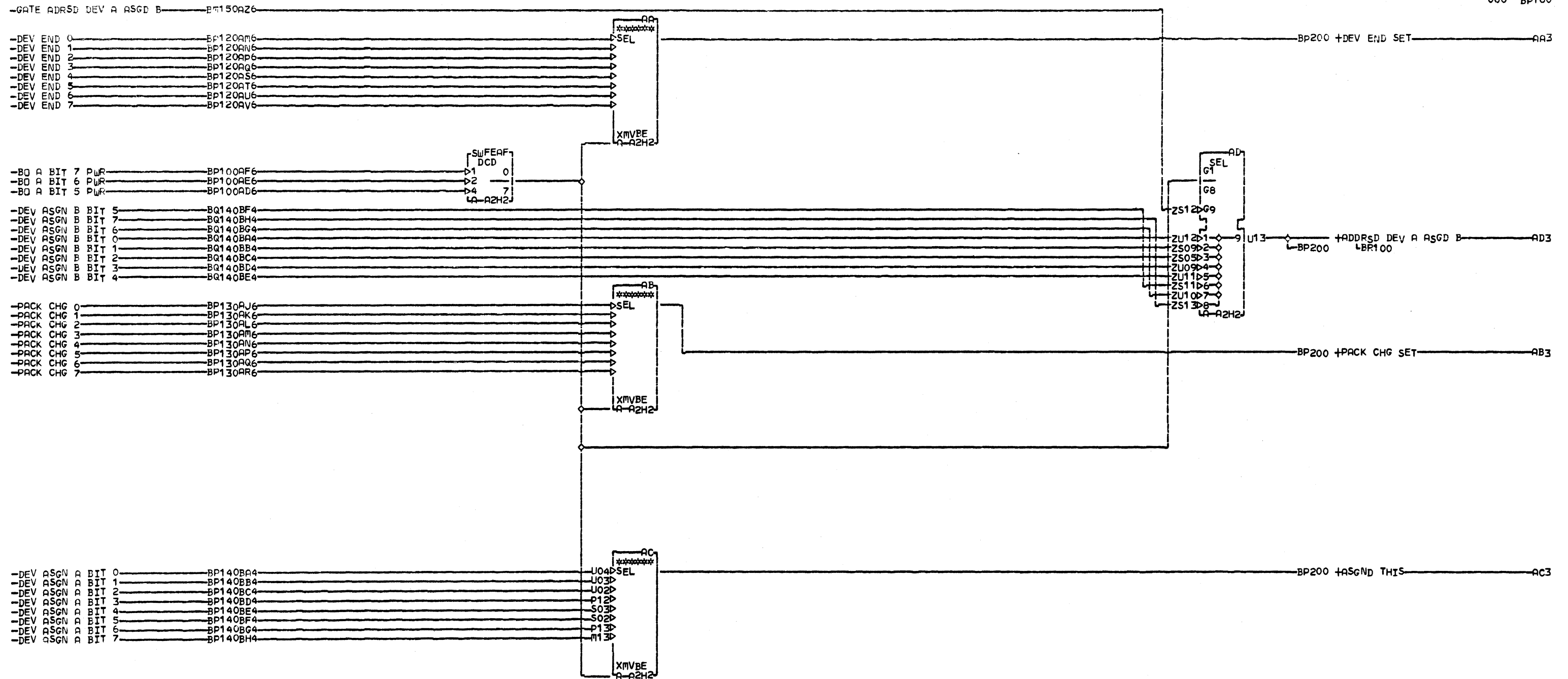


LOC. TYPE  
A-A2H2 AA54

A STATUS CARD	
UNSUP LTCH	
E.C. HISTORY	D MACH. 3350
DATE LAST EC	FRAME 01
101-21-77 446707	IBM CORP. SDD
	P.N. 1710303

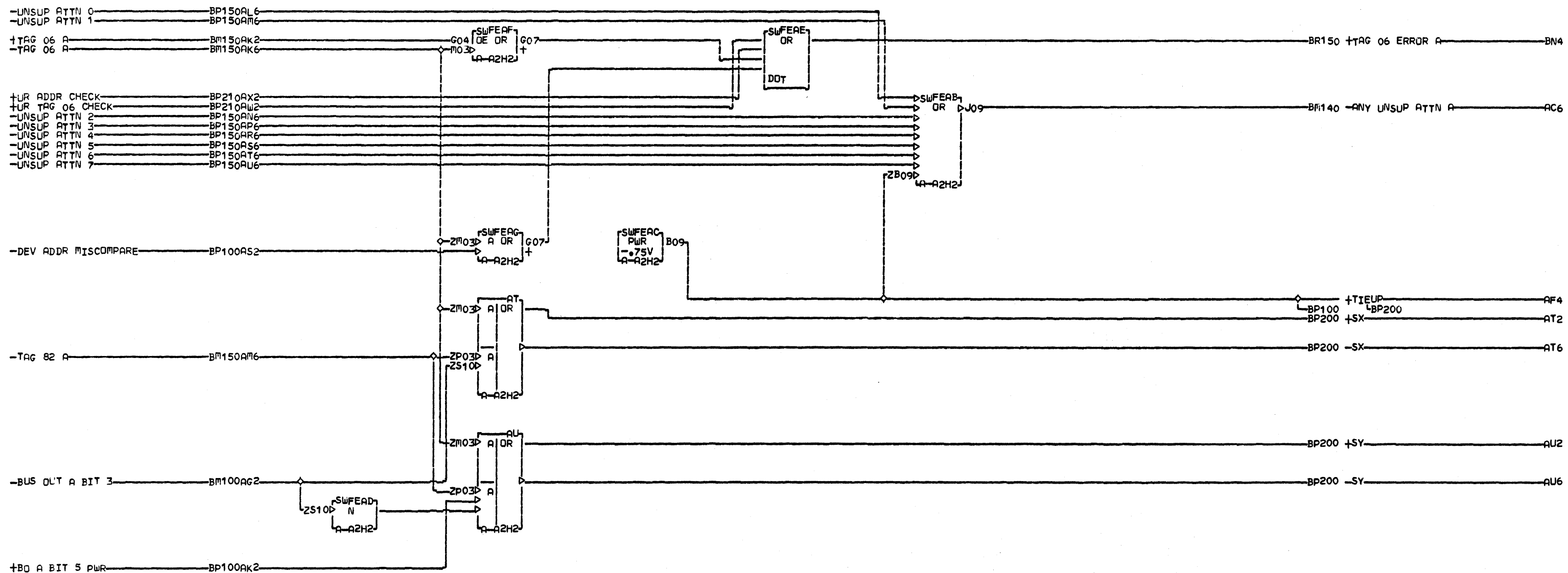
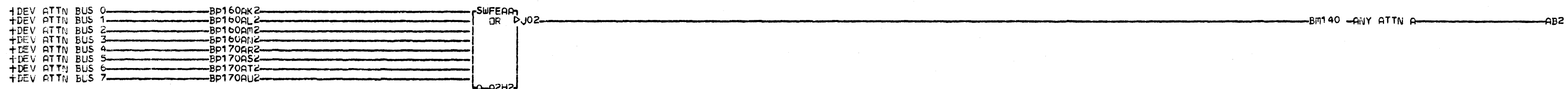






LOC. TYPE  
A-A2H2 AA54

A STATUS CARD		B	
SW STATUS ASM		P	
E.C. HISTORY	D MACH. 3350	FRAME	01
DATE	LAST EC	IBM CORP. SDD	000
101-21-77	446707	P.No. 1710306	



B  
P  
1  
9  
0

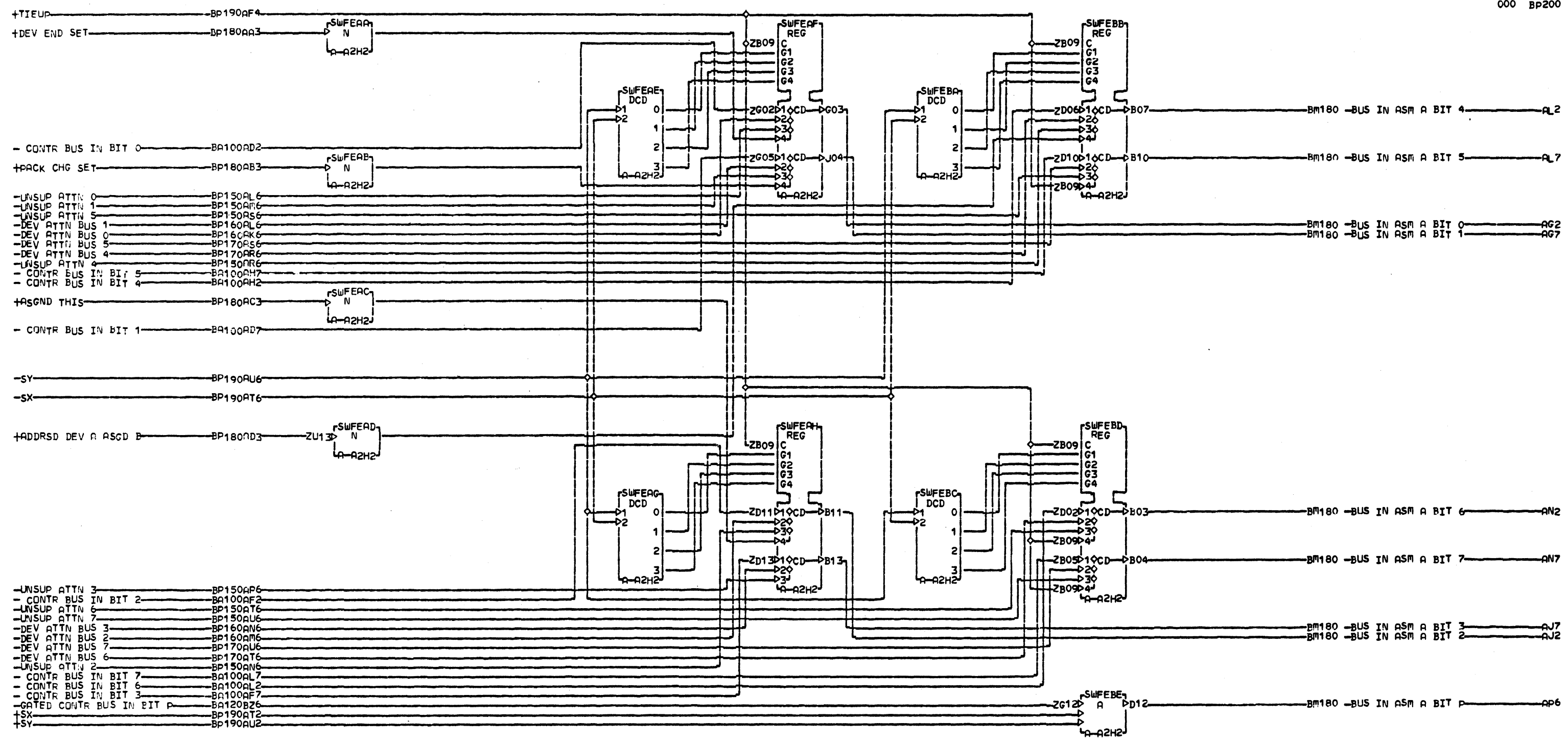
000

LOC. TYPE  
A-A2H2 AA54

A STATUS CARD	
E.C. HISTORY	MACH. 3350
FRAME	01
DATE LAST EC	IBM CORP. SDD
01-21-77 446707	P.N. 1710307

B  
P  
1  
9  
0

000



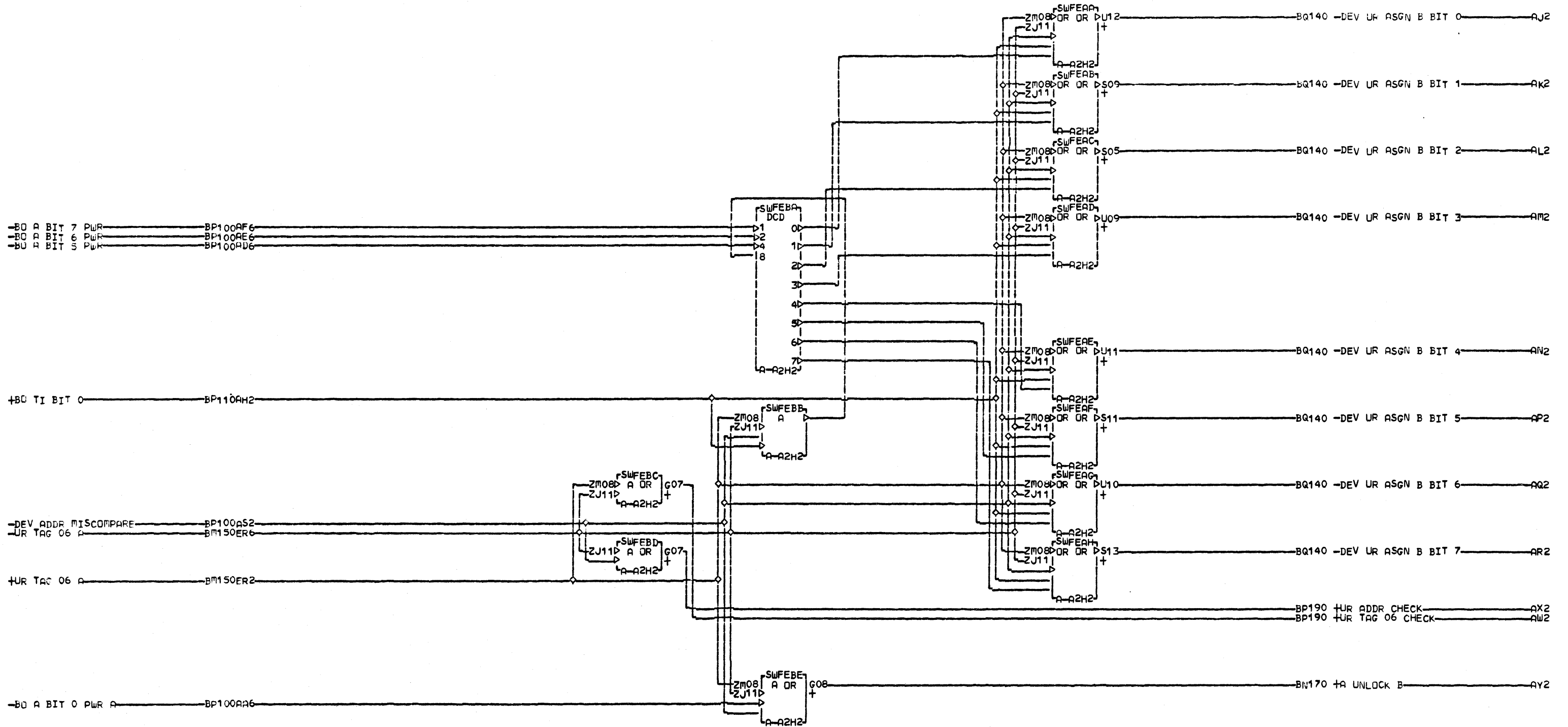
B  
P  
2  
0  
0

LOC. TYPE  
A-A2H2 AA54

A STATUS CARD BUS IN ASM		D MACH. 3350	B P 2 0 0
-E.C.-HISTORY			
DATE	LAST EC	FRAME	01
101-21-77	446707	IBM CORP. SDD	
		P.N. 1710308	

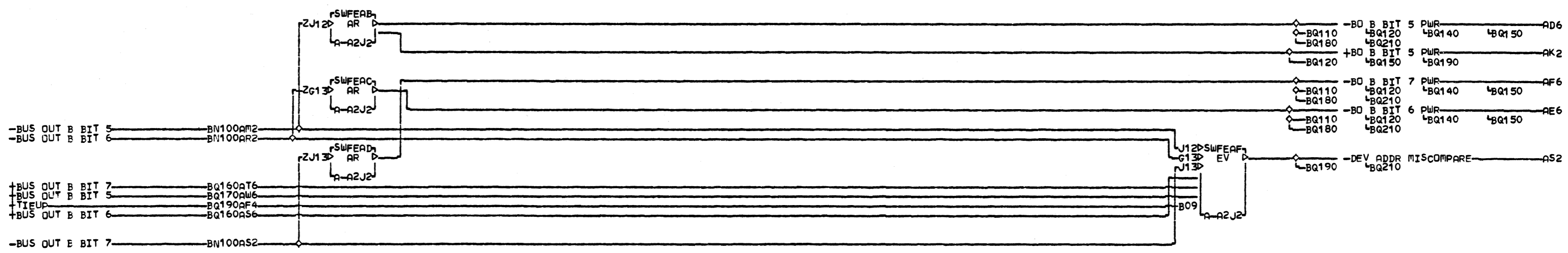
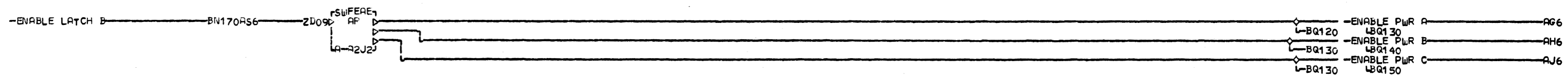
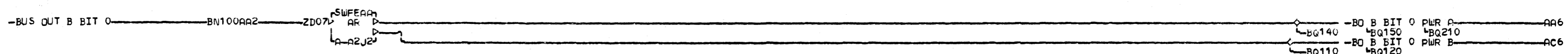
000





LOC. TYPE  
A-A2H2 AA54

UNCONDITIONAL RELEASE	
E.C. HISTORY	D MACH. 3350
FRAME	01
DATE LAST EC	IBM CORP. GPD
01-21-77 446707	P.N. 1710346

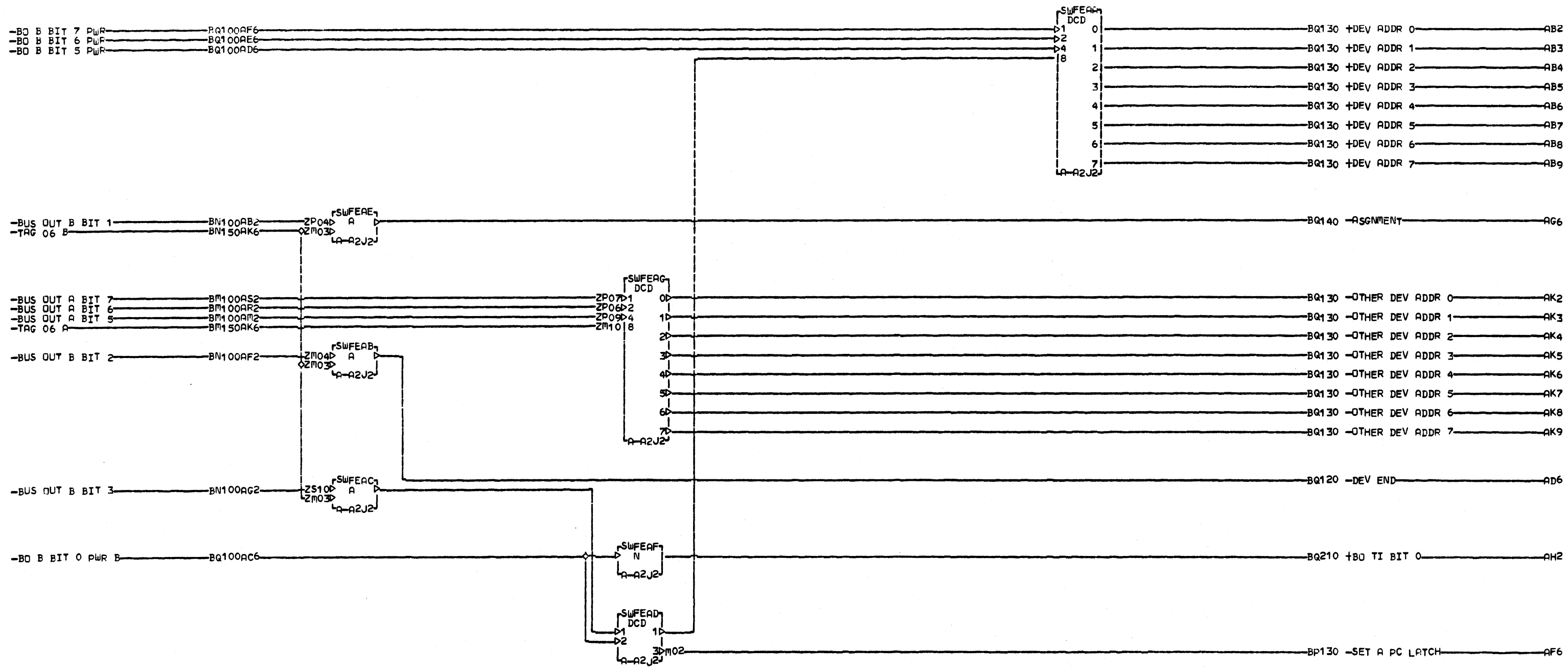


B  
Q  
1  
0  
0  
000

LOC. TYPE  
A-A2J2 AA54

B STATUS CARD	
DRIVERS	
-E.C.-HISTORY	-D-MACH-3350
FRAME	01
DATE LAST EC	IBM CORP. SDD
01-21-77 446707	P.N. 1710309

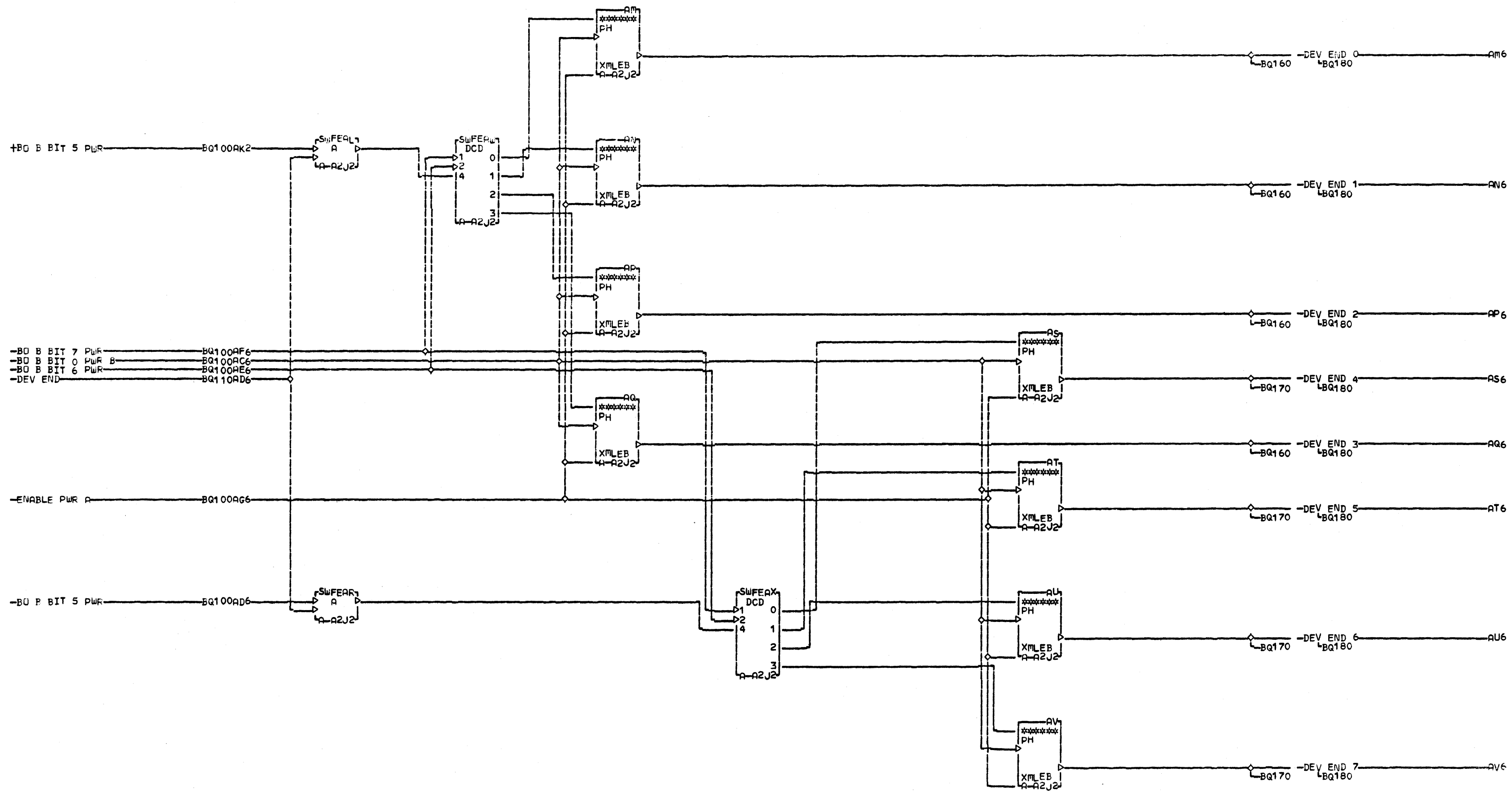
B  
Q  
1  
0  
0  
000



B  
Q  
1  
1  
0  
000

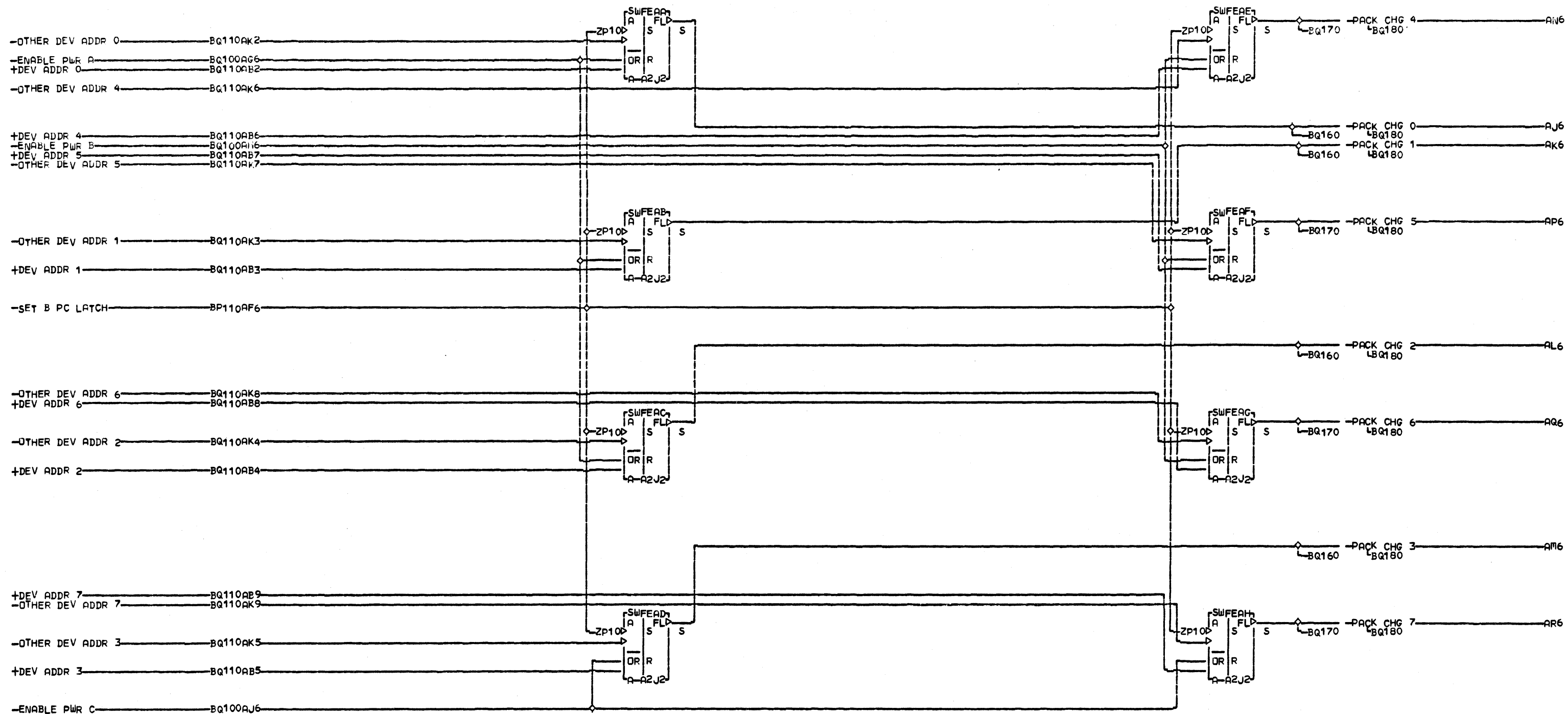
LUC. TYPE  
A-A2J2 AA54

B STATUS CARD		B
DEV DECODE		Q
-E.C.-HISTORY	D MACH. 3350	1
	FRAME 01	1
	IBM CORP. SDD	0
DATE LAST EC	IP.N. 1710310	000
01-21-77 446707		



LOC. TYPE  
A-A2J2 AA54

B STATUS CARD		B
DEV END LCH		Q
-E.C.-HISTORY	MACH. 3350	1
DATE	FRAME	2
LAST EC	IBM CORP. SDD	0
01-21-77 446707	P.No. 1710311	000

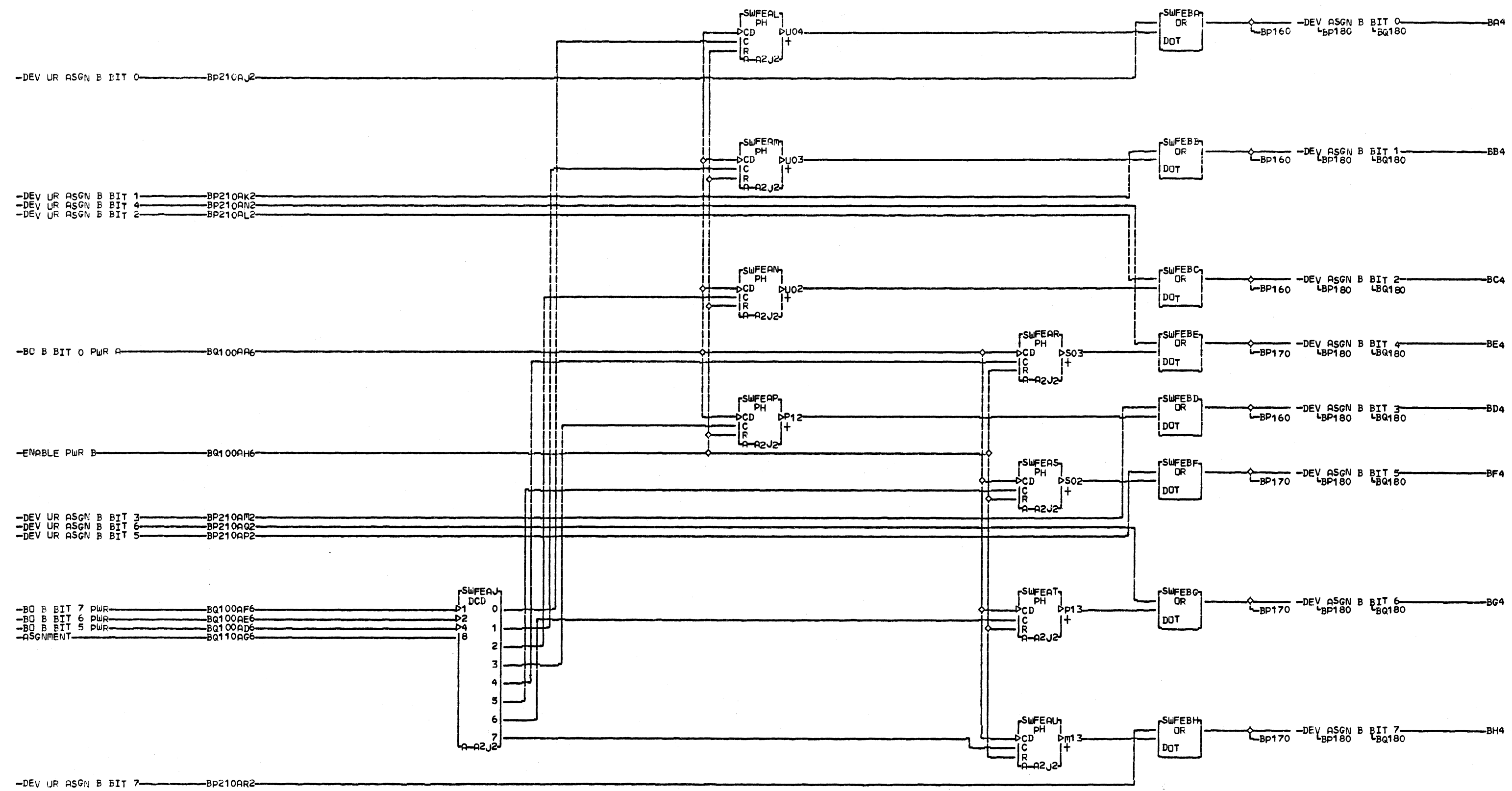


B  
Q  
1  
3  
0  
000

LOC. TYPE  
A-A2J2 AA54

B STATUS CARD	
PACK CHG LATCH	
E.C. HISTORY	MACH. 3350
DATE LAST EC	FRAME 01
01-21-77 446707	IBM CORP. SDD
	P.No. 1710312

B  
Q  
1  
3  
0  
000

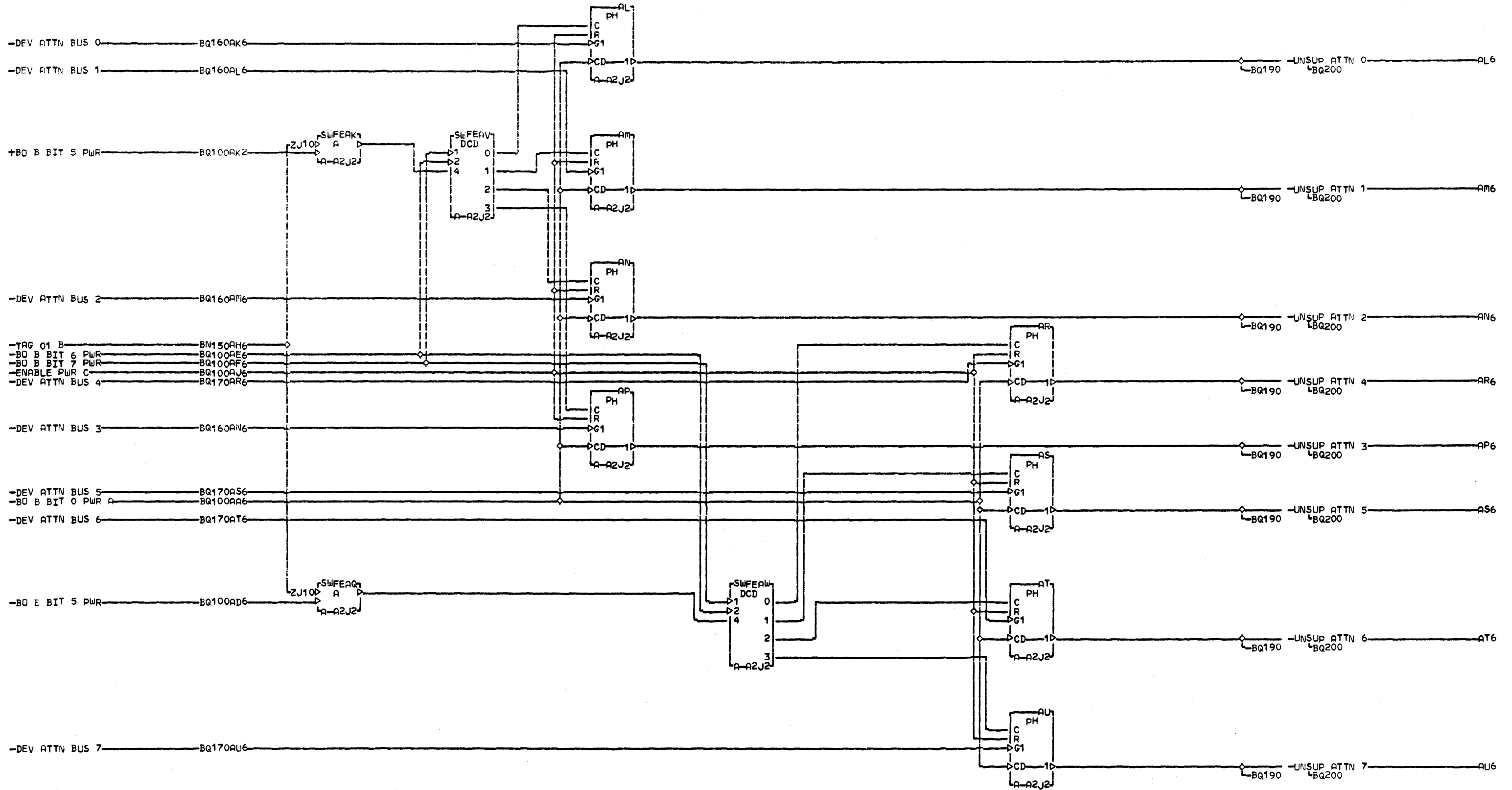


B  
Q  
1  
4  
0  
000

LOC. TYPE  
A-2J2 AA54

B STATUS CARD	
ASGN LTCH	
E.C. HISTORY	D1 MACH. 3350
DATE LAST EC	FRAME 01
01-21-77 446707	IBM CORP. GPD
	P.No. 1710313

B  
Q  
1  
4  
0  
000



B  
Q  
1  
5  
0

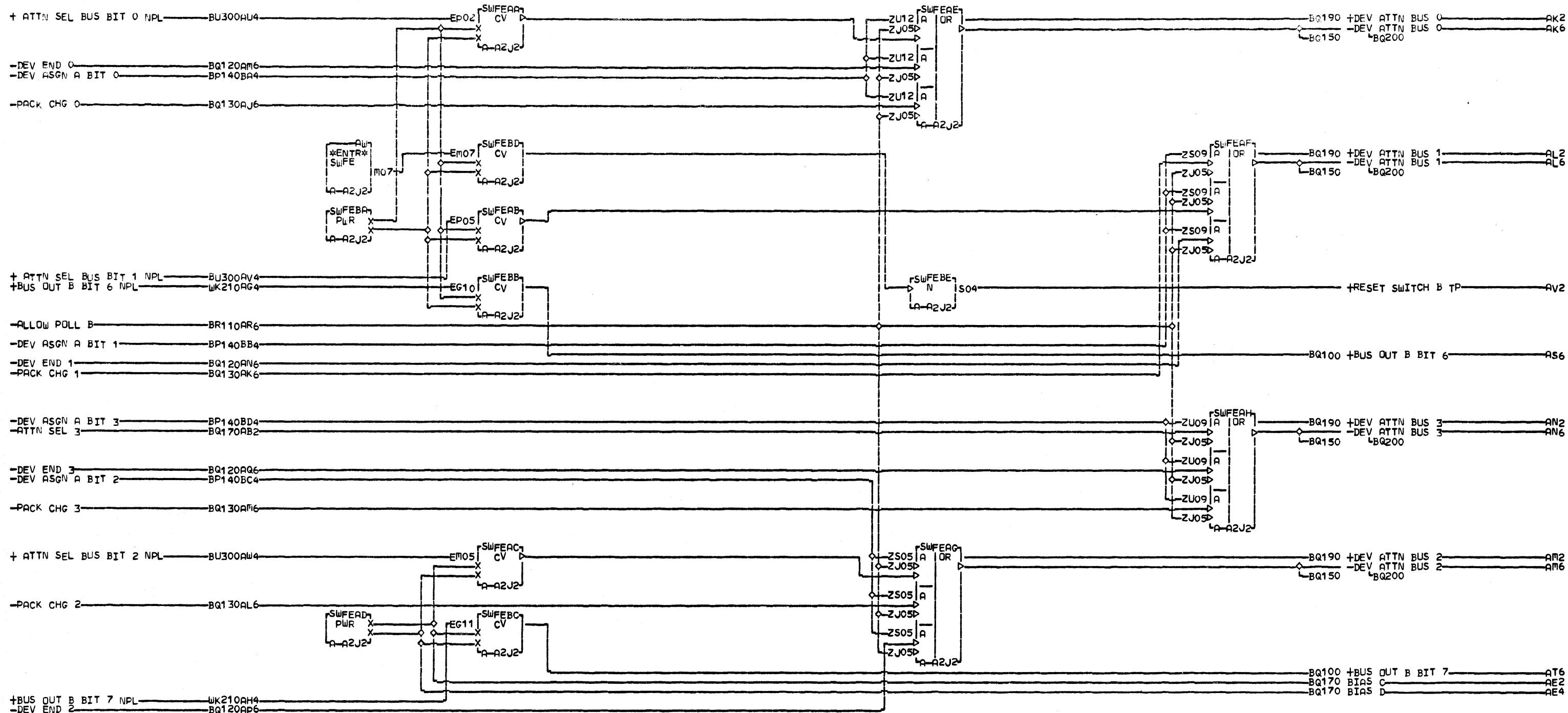
000

LOC. TYPE  
A-A2J2 AA54

B STATUS CARD	
UNSUP LTRCH	
E.C. HISTORY	MACH. 3350
DATE	LAST EC
01-21-77	446707
FRAME	01
IBN CORP. SDD	
P.No.	1710314

B  
Q  
1  
5  
0

000



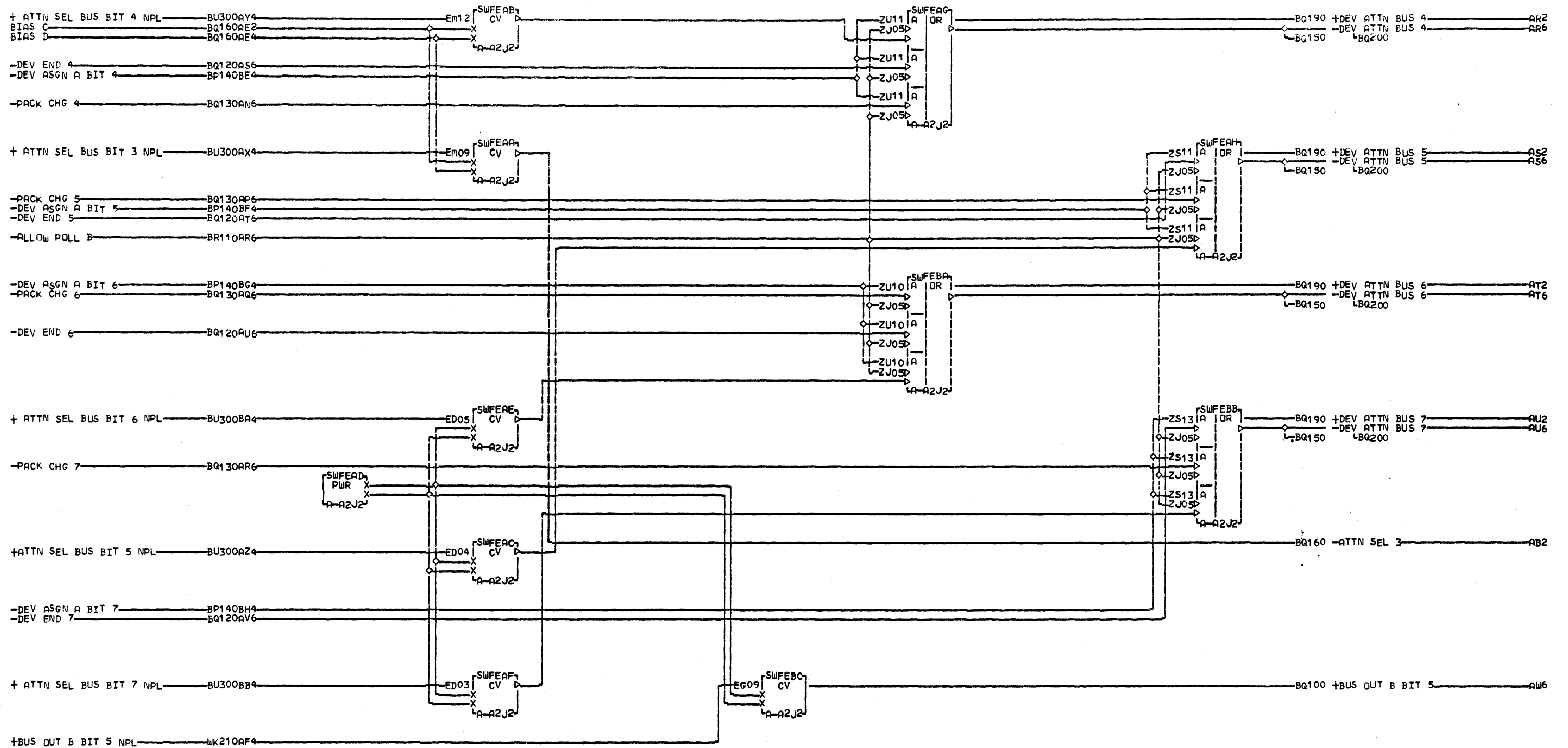
B  
Q  
1  
6  
0

LOC. TYPE  
A-A2J2 AA54

B STATUS CARD	
DEV ATTN BUS 1	
E.C.-HISTORY	D MACH. 3350
FRAME	01
DATE LAST EC	IBM CORP. SDD
101-21-77 446707	I.P.No. 1710315

B  
Q  
1  
6  
0

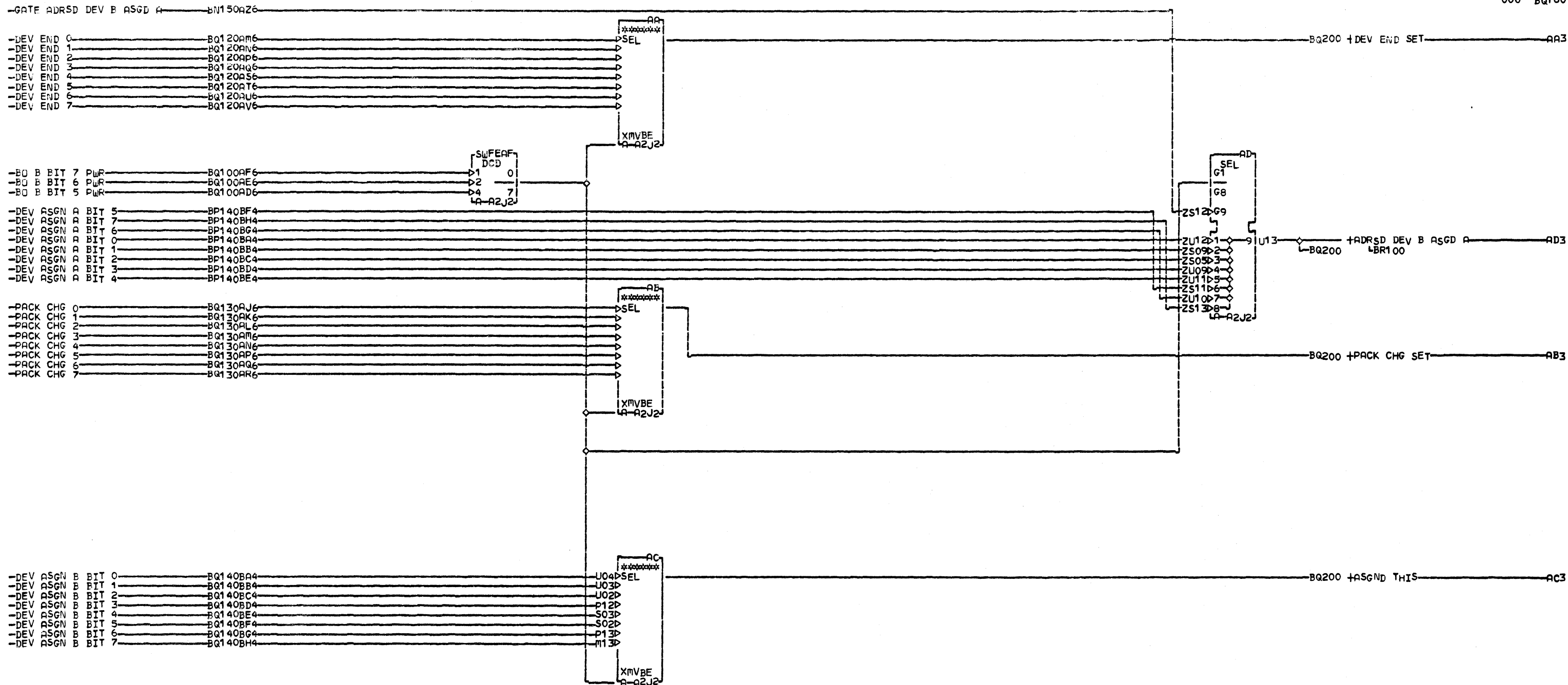




B  
Q  
1  
7  
0  
000

LUC. TYPE  
A-A2J2 AA54

B STATUS CARD		B
DEV ATTN BUS 2		Q
-E.C.-HISTORY	MACH. 3350	1
	FRAME 01	7
	IBM CORP. SDD	0
DATE	LAST EC	000
01-21-77	446707	
	P.N. 1710316	

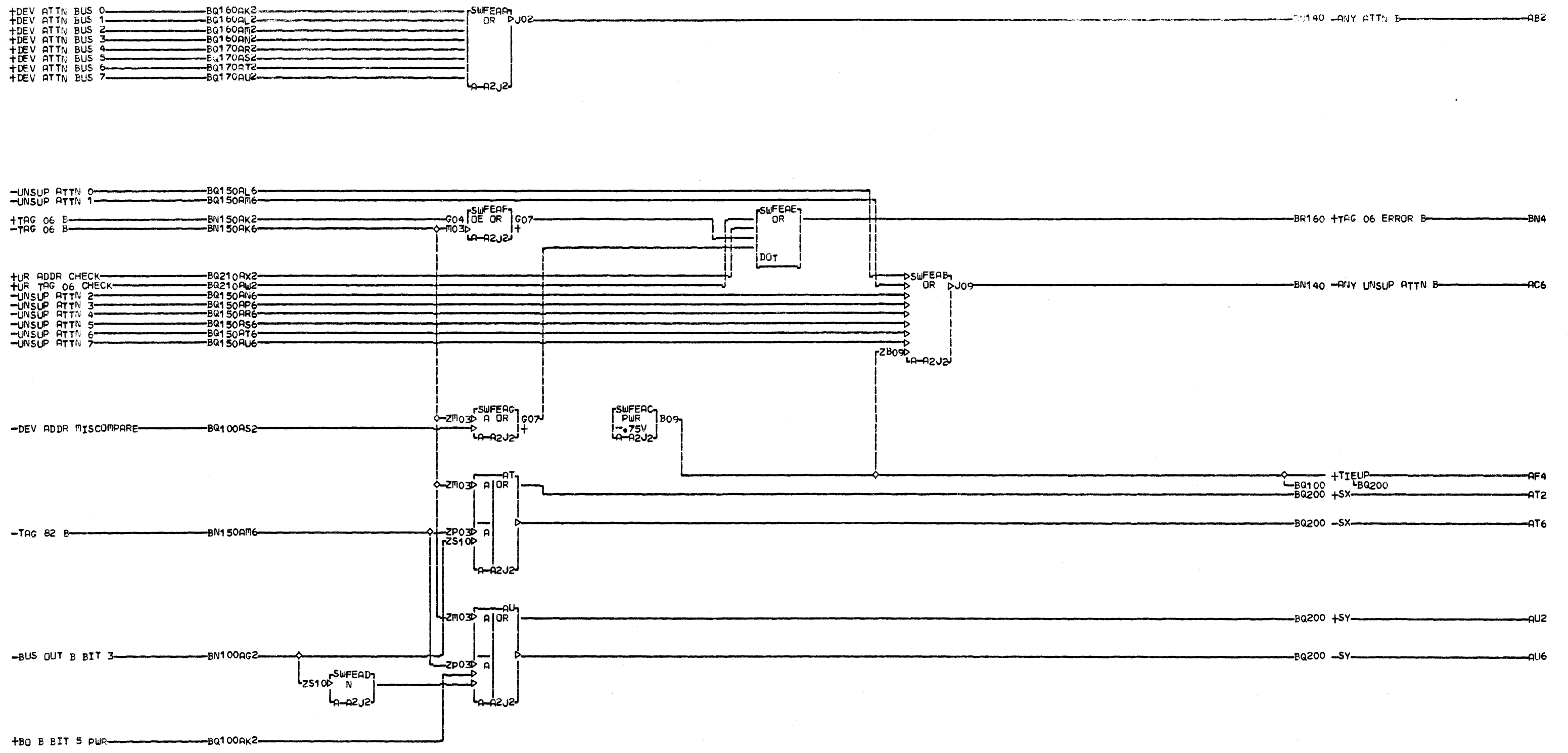


B  
Q  
1  
8  
0  
000

LOC. TYPE  
A-A2J2 AA54

B STATUS CARD		MACH. 3350	01
SW STATUS ASM			
E.C. HISTORY		IBM CORP. SDD	000
DATE	LAST EC	P.No. 1710317	
01-21-77	446707		

B  
Q  
1  
8  
0  
000

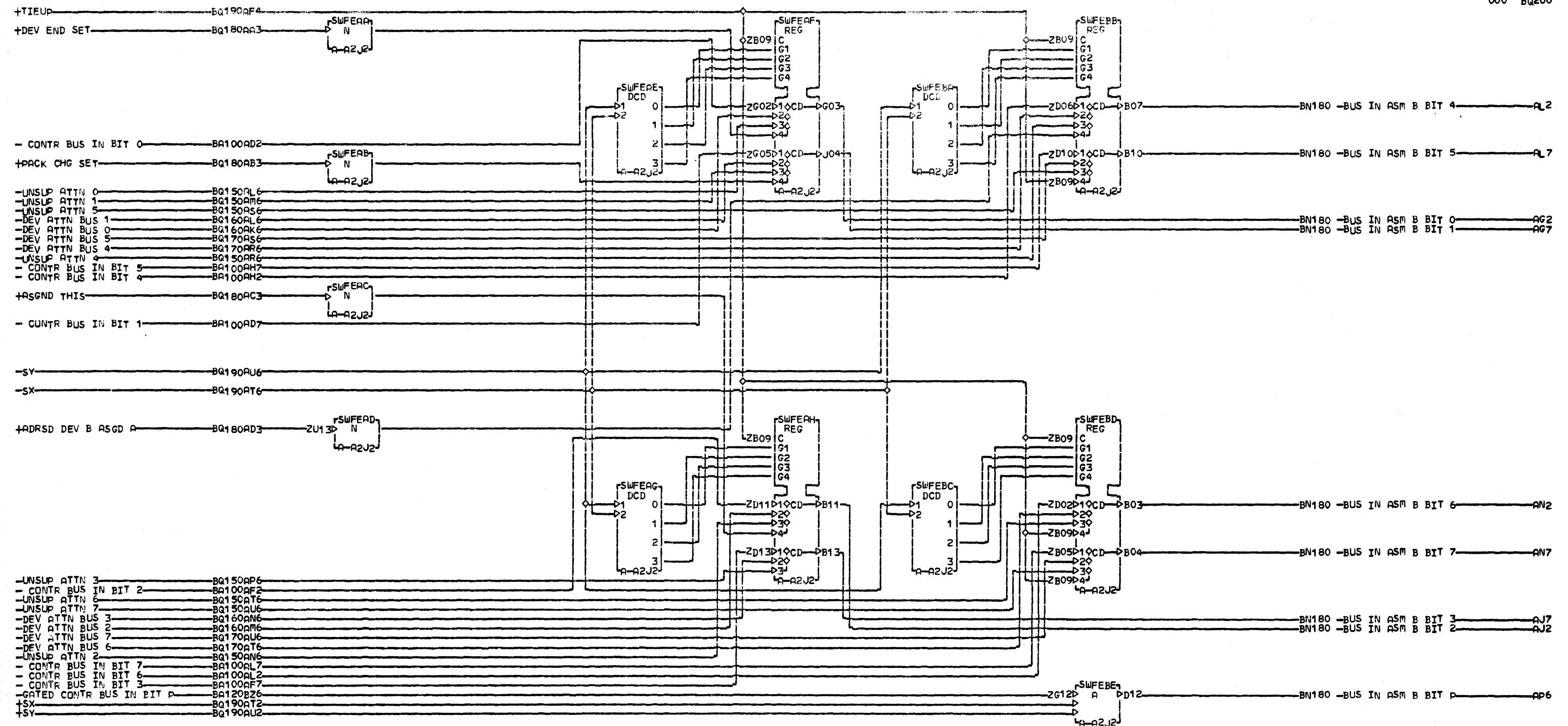


B  
Q  
1  
9  
C  
  
000

LOC. TYPE  
A-A2J2 AA54

B STATUS CARD	
E.C. HISTORY	D MACH. 3350
DATE	LAST EC
101-21-77	446707
FRAME	01
IBM CORP. SDD	
IP.N.	1710318

B  
Q  
1  
9  
C  
  
000



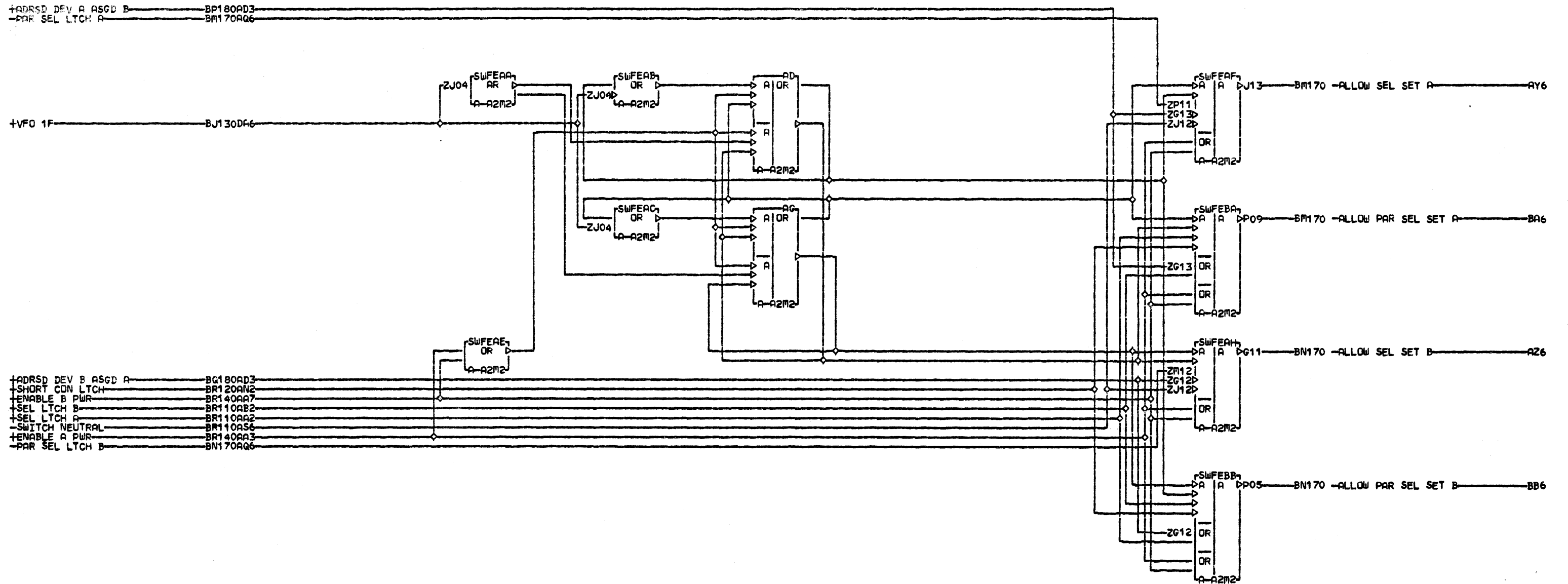
B  
Q  
2  
0  
0

LDC. TYPE  
A-A2J2 AA54

B STATUS CARD	
BUS IN ASM	
E.C. HISTORY	MACH. 3350
FRAME	01
DATE LAST EC	IBM CORP. SDD
01-21-77 446707	P.No. 1710319

B  
Q  
2  
0  
0

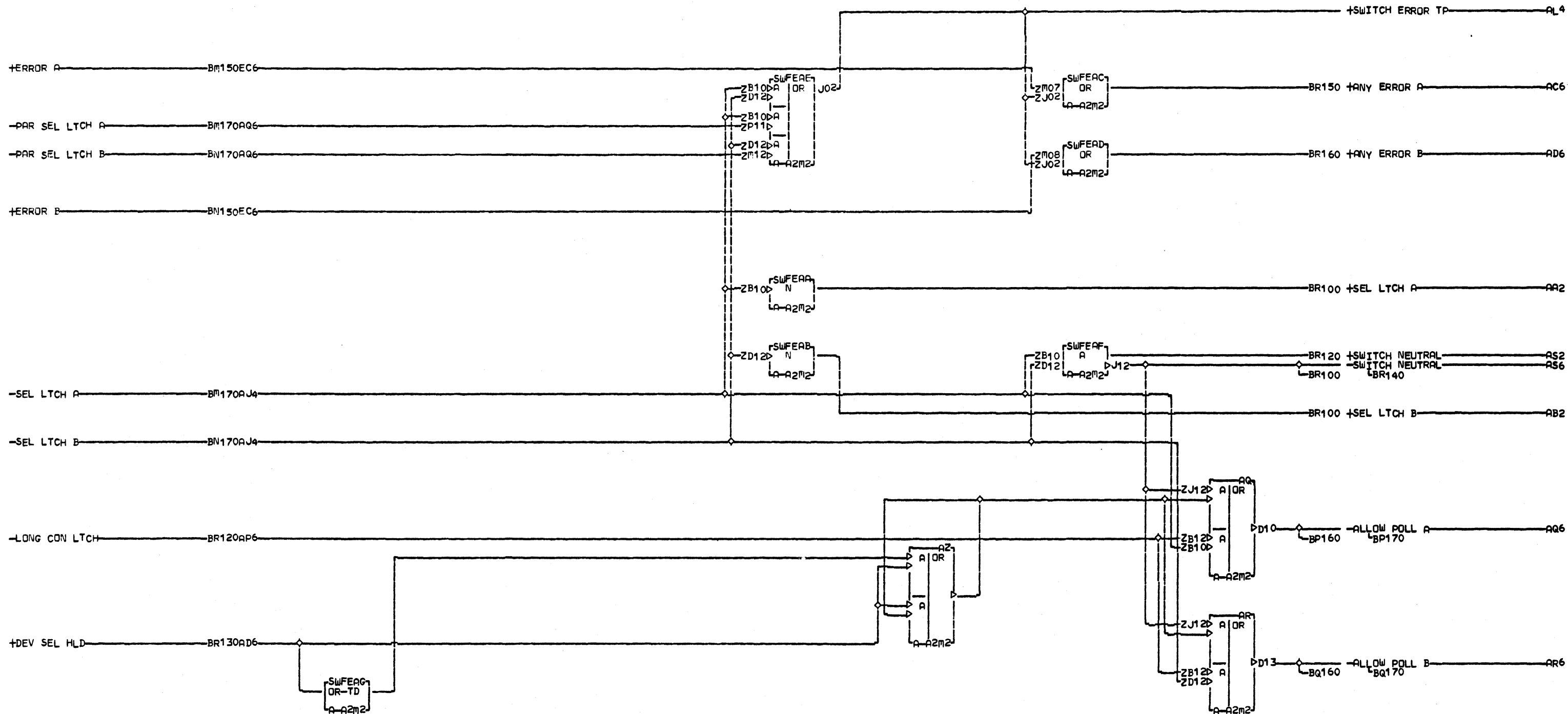




+ADRSD DEV B ASGD A — BG180AD3  
 -SHORT CON LTCH — BR120AN2  
 +ENABLE B PWR — BR140AA7  
 +SEL LTCH B — BR110AB2  
 +SEL LTCH A — BR110AA2  
 -SWITCH NEUTRAL — BR110AS6  
 +ENABLE A PWR — BR140AA3  
 -PAR SEL LTCH B — BN170AQ6

LOC. TYPE  
 A-A2M2 AA55

COMMON CARD TIE BREAKER	
-E.C.-HISTORY-	B-MACH.3350
DATE	LAST EC
01-16-76	446703
FRAME	01
IBM CORP. GPD	
P.No.	1710320

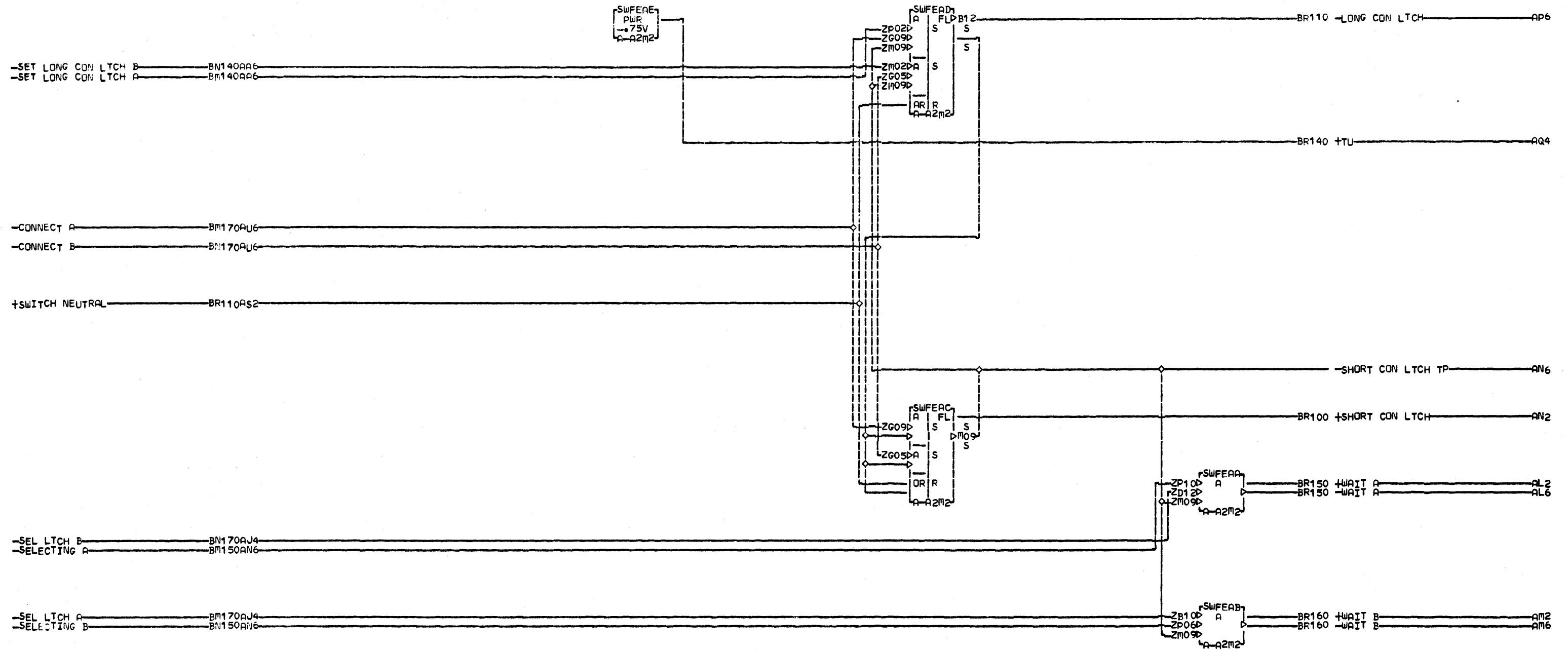


LOC. TYPE  
A-A2M2 AA55

COMMON CARD		SWITCH STATE	
E.C.-HISTORY	446703	MACH.	3350
DATE	LAST EC	FRAME	01
01-21-77	446707	IBM CORP. SDD	
		P.No.	1710321

BR110

BR110



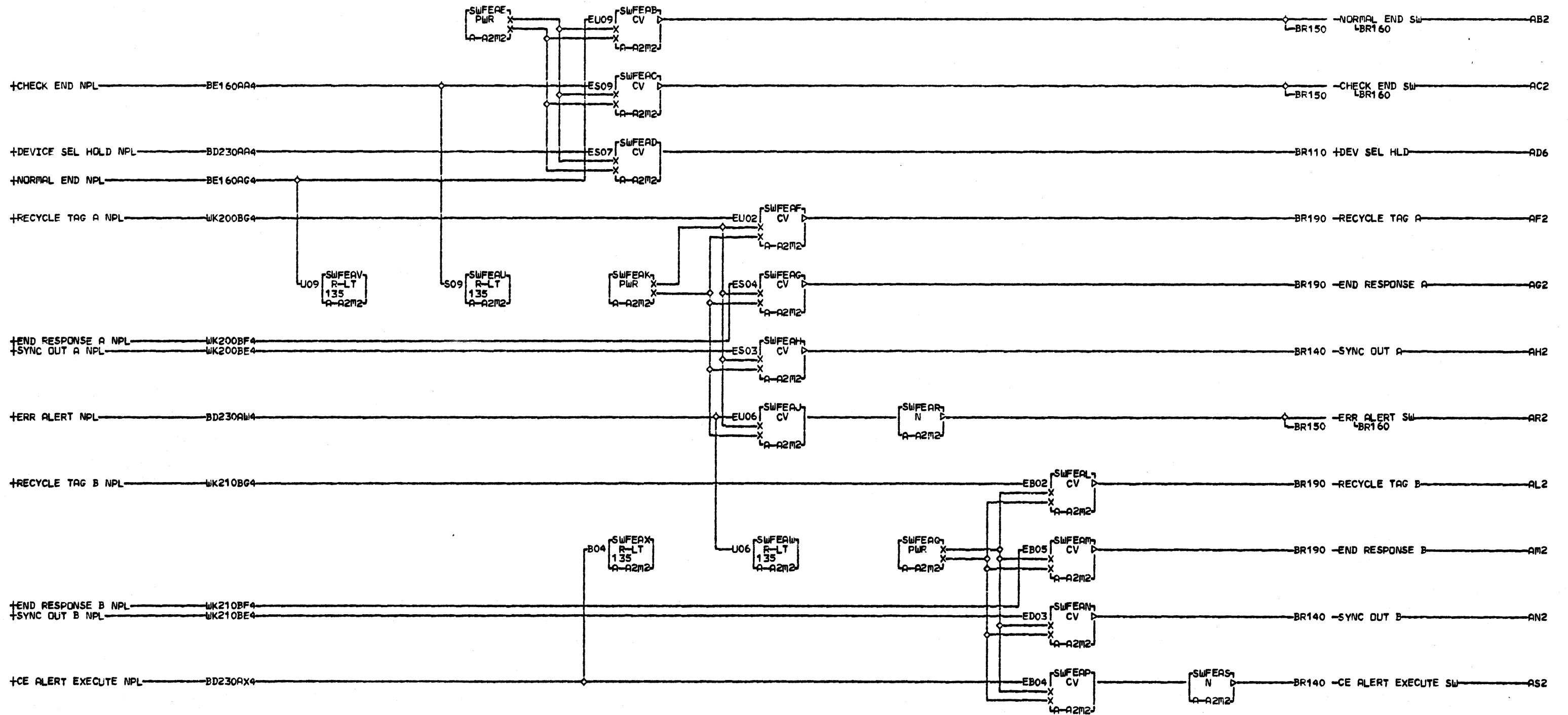
B  
R  
1  
2  
0

LOC. TYPE  
A-A2M2 AA55

COMMON CARD	
CONNECTION STATE	
E.C. HISTORY	D MACH. 3350
446703	
FRAME	01
IBM CORP. SDD	
DATE LAST EC	
01-21-77 446707	
IP.No. 1710322	

B  
R  
1  
2  
0





+CHECK END NPL BE160AA4

+DEVICE SEL HOLD NPL BD230AA4

+NORMAL END NPL BE160AG4

+RECYCLE TAG A NPL WK200BG4

+END RESPONSE A NPL WK200BF4

+SYNC OUT A NPL WK200BE4

+ERR ALERT NPL BD230AW4

+RECYCLE TAG B NPL WK210BG4

+END RESPONSE B NPL WK210BF4

+SYNC OUT B NPL WK210BE4

+CE ALERT EXECUTE NPL BD230AX4

BR150 -NORMAL END SW LBR160 AB2

BR150 -CHECK END SW LBR160 AC2

BR110 +DEV SEL HLD AD6

BR190 -RECYCLE TAG A AF2

BR190 -END RESPONSE A AG2

BR140 -SYNC OUT A AH2

BR150 -ERR ALERT SW LBR160 AR2

BR190 -RECYCLE TAG B AL2

BR190 -END RESPONSE B AM2

BR140 -SYNC OUT B AN2

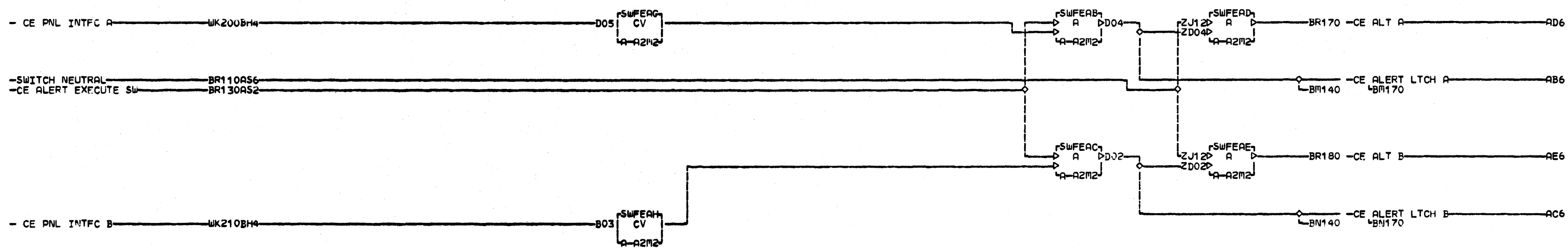
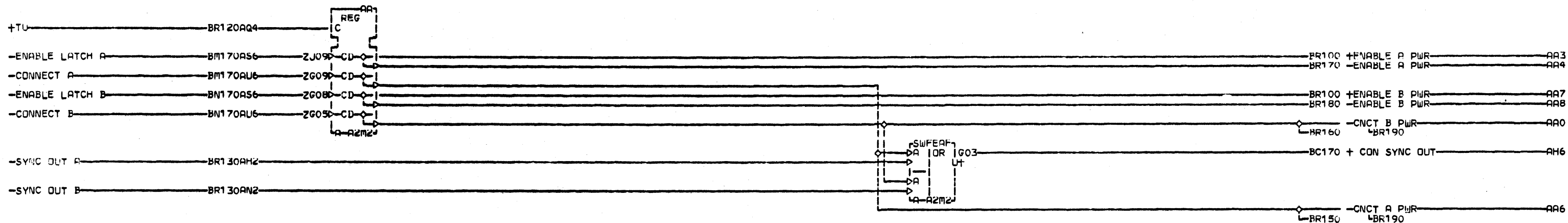
BR140 -CE ALERT EXECUTE SW AS2

BR130

LOC. TYPE A-A2M2 AA55

COMMON CARD	
E.C.-HISTORY	B MACH. 3350
	FRAME 01
	IBM CORP. SDD
DATE LAST EC	P.N. 1710323
01-16-76 446703	

BR130

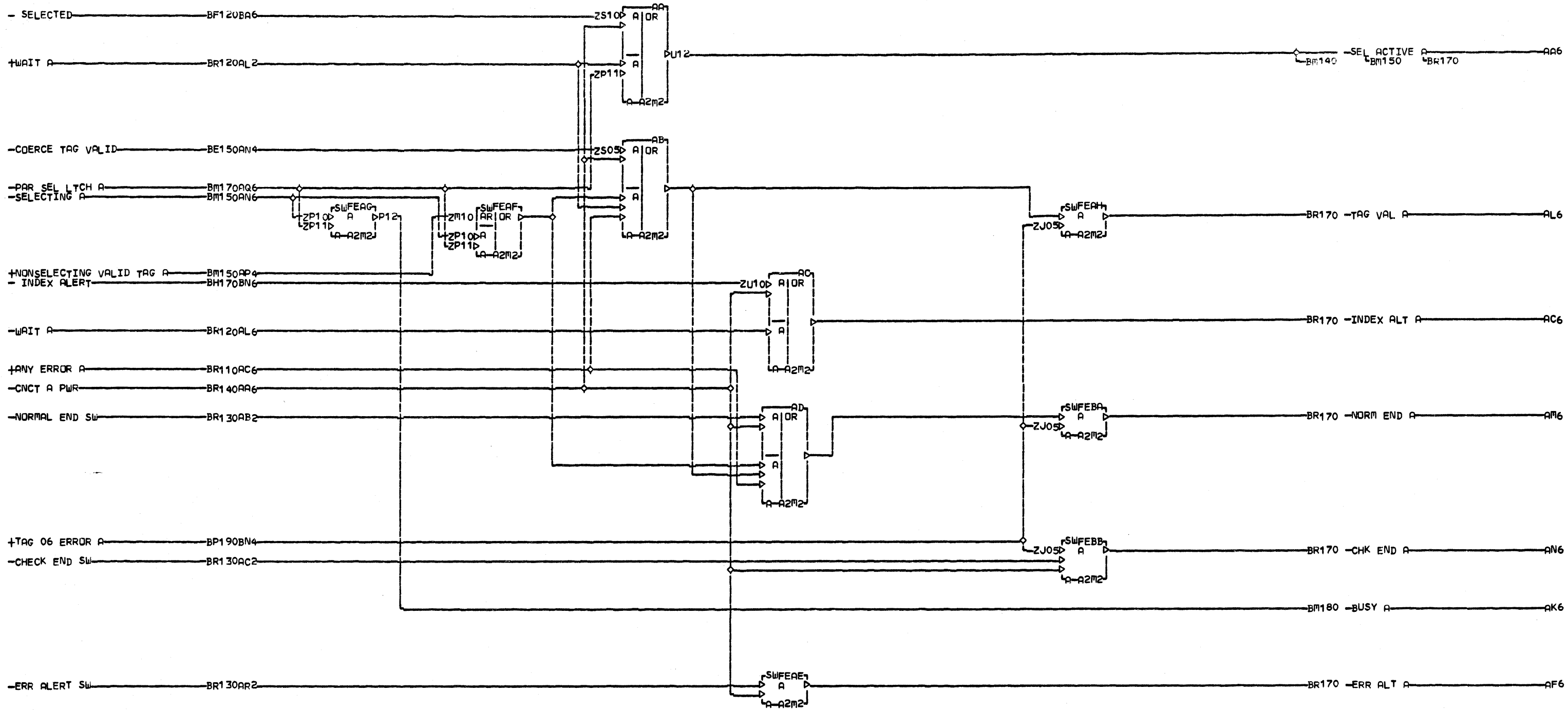


B  
1  
4  
0

LOC. TYPE  
A-A2F2 AA55

COMMON CARD	
446703	DATE LAST EC
446705	101-21-77 446707
FRAME 01	IP.No. 1710324
IBM CORP. SDD	

B  
R  
1  
4  
0

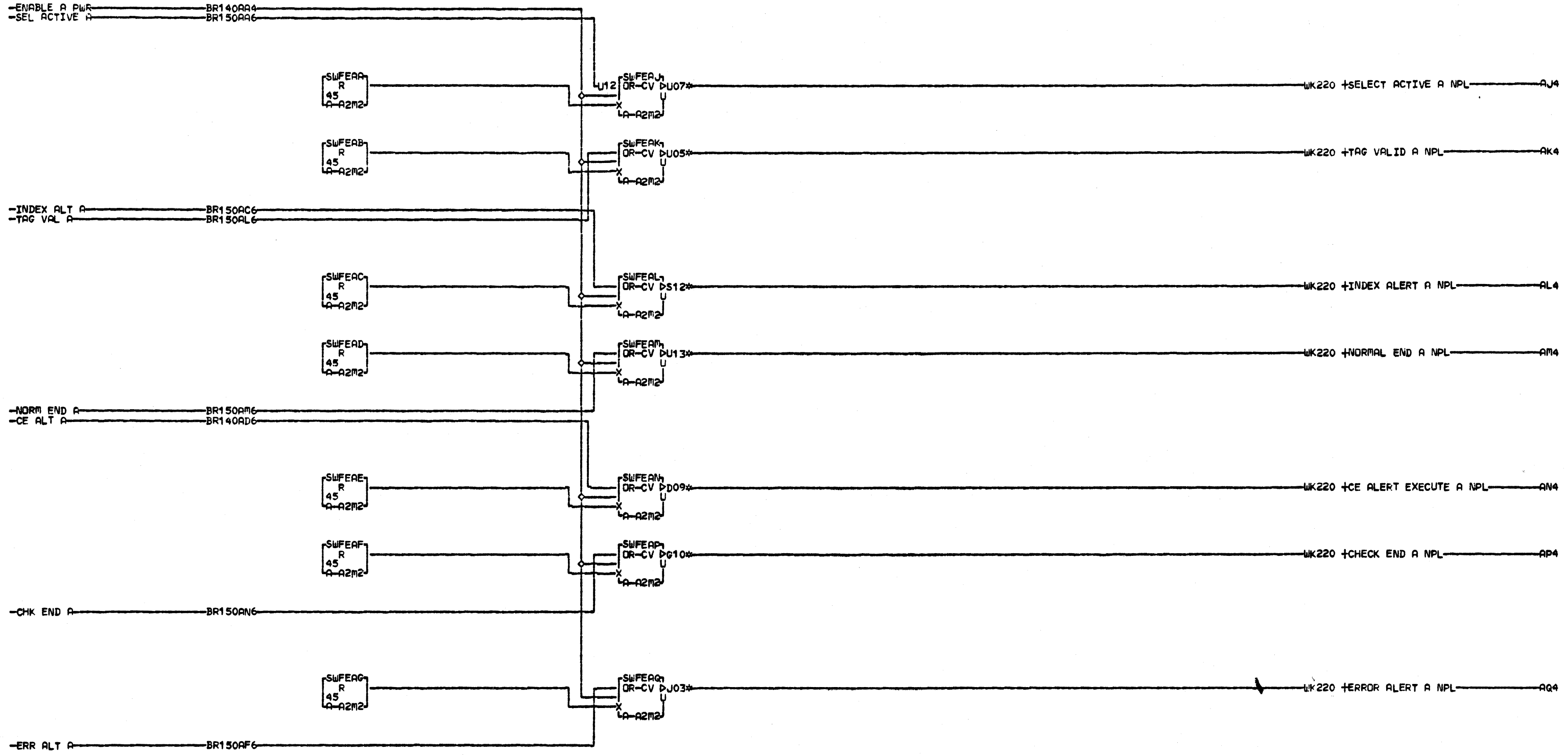


B  
R  
1  
5  
0

LOC. TYPE  
A-A2M2 AA55

COMMON CARD	
E.C. HISTORY	MACH. 3350
446703	FRAME 01
446706	IBM CORP. SDD
DATE LAST EC	P.N. 1710325
01-21-77 446707	

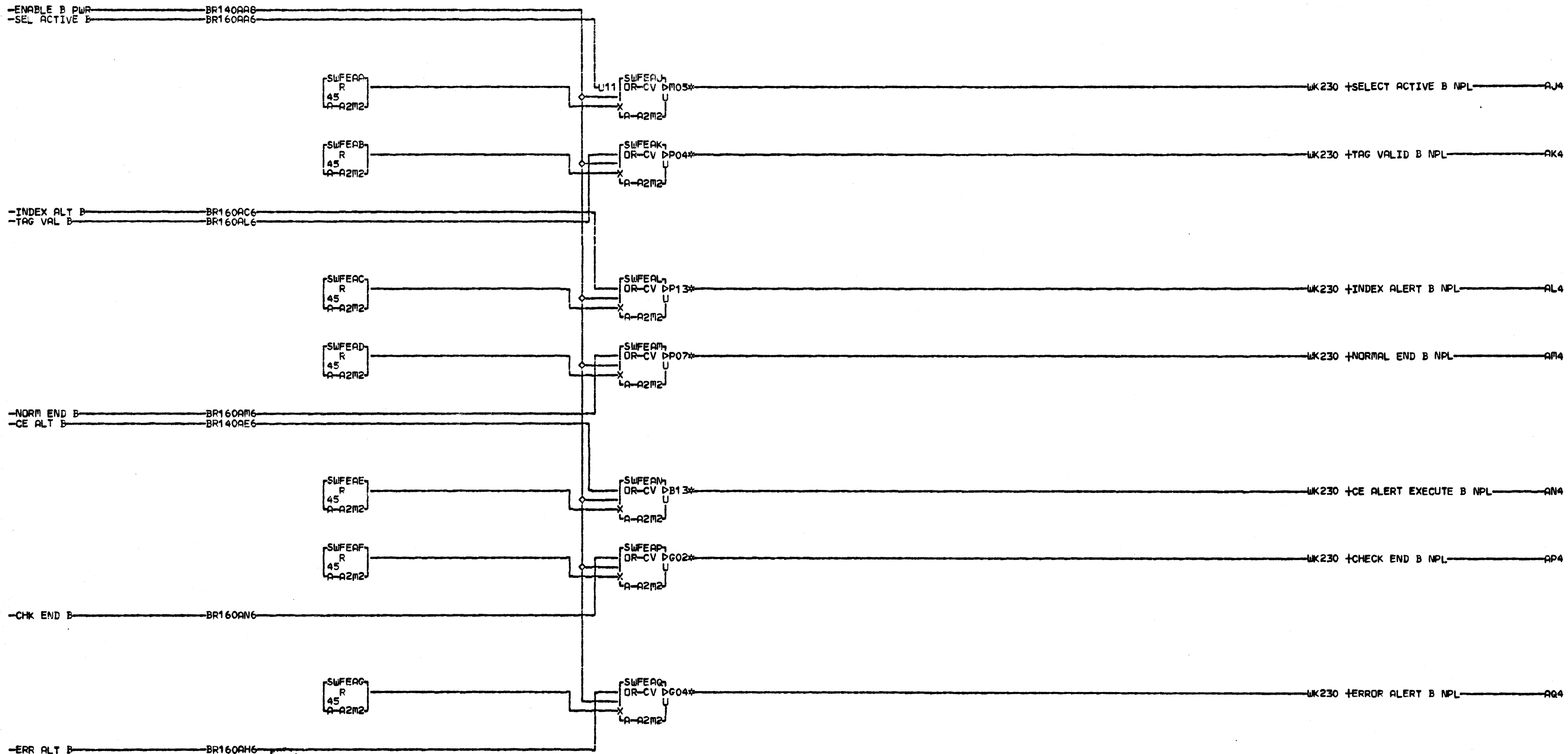
B  
R  
1  
5  
0



- AJ2 T A2A2B02
- AK2 T A2A2D05
- AL2 T A2A2D09
- 01 T A2A2D10
- AM2 T A2A2B05
- AN2 T A2A2B12
- AP2 T A2A2D06
- AQ2 T A2A2B08
- 01 T A2A2B09

LOC. TYPE  
A-A2M2 AA55

COMMON CARD	
-E.C.-HISTORY-	MACH. 3350
	FRAME 01
	IBM CORP. SDD
DATE 01-16-76	LAST EC 446703
	P.N. 1710327



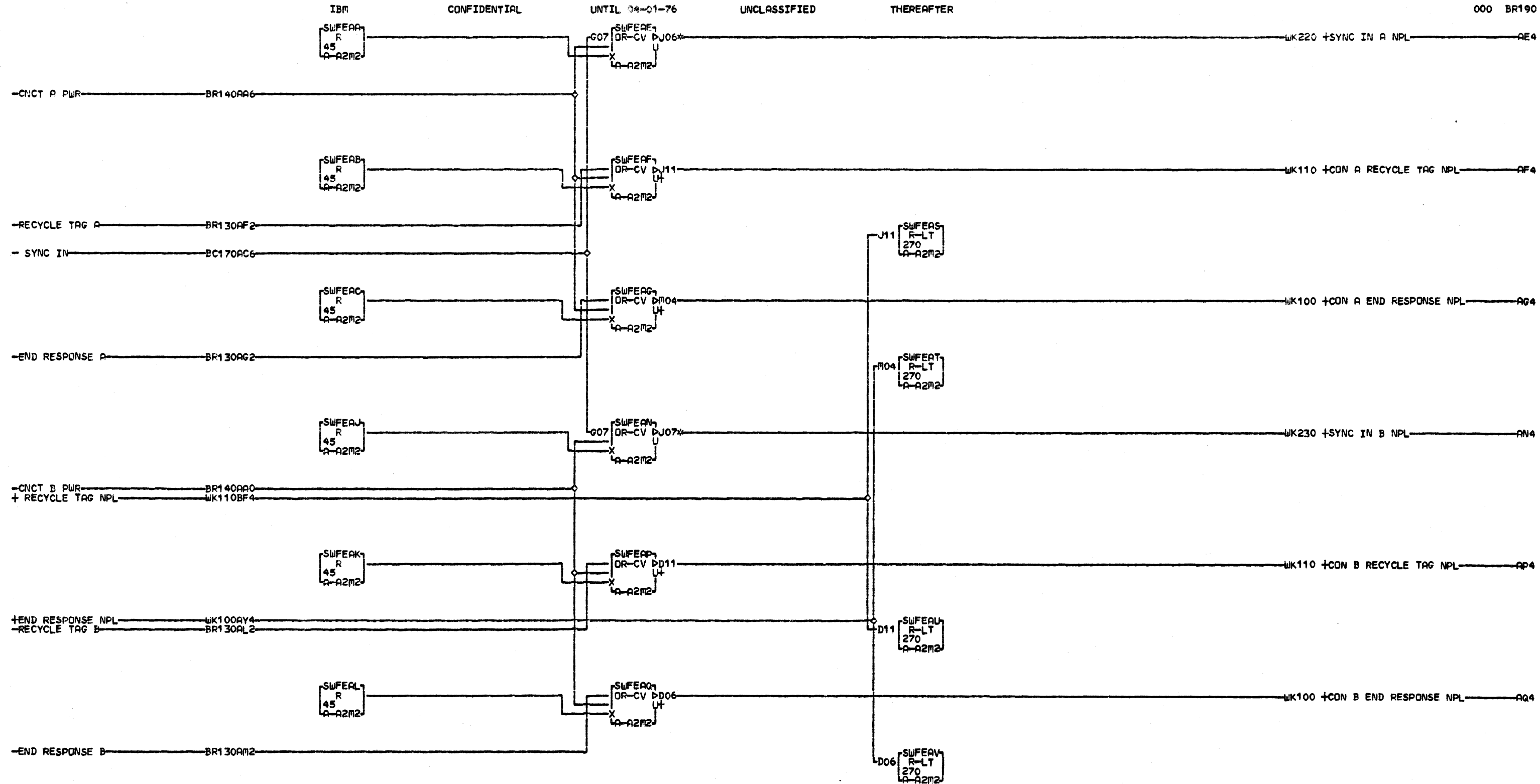
B  
R  
1  
8  
0

AJ2 A-A2B2B02  
 AK2 A-A2B2D05  
 AL2 A-A2B2D09  
 01 A-A2B2D10  
 AM2 A-A2B2B03  
 AN2 A-A2B2B12  
 AP2 A-A2B2D06  
 AQ2 A-A2B2B08  
 01 A-A2B2B09

LOC. TYPE  
A-A2M2 AA55

COMMON CARD	
E.C.-HISTORY	B MACH.3350
	FRAME 01
	IBM CORP. SDD
DATE 01-16-76	LAST EC 446703
	P.No. 1710328

B  
R  
1  
8  
0  
000



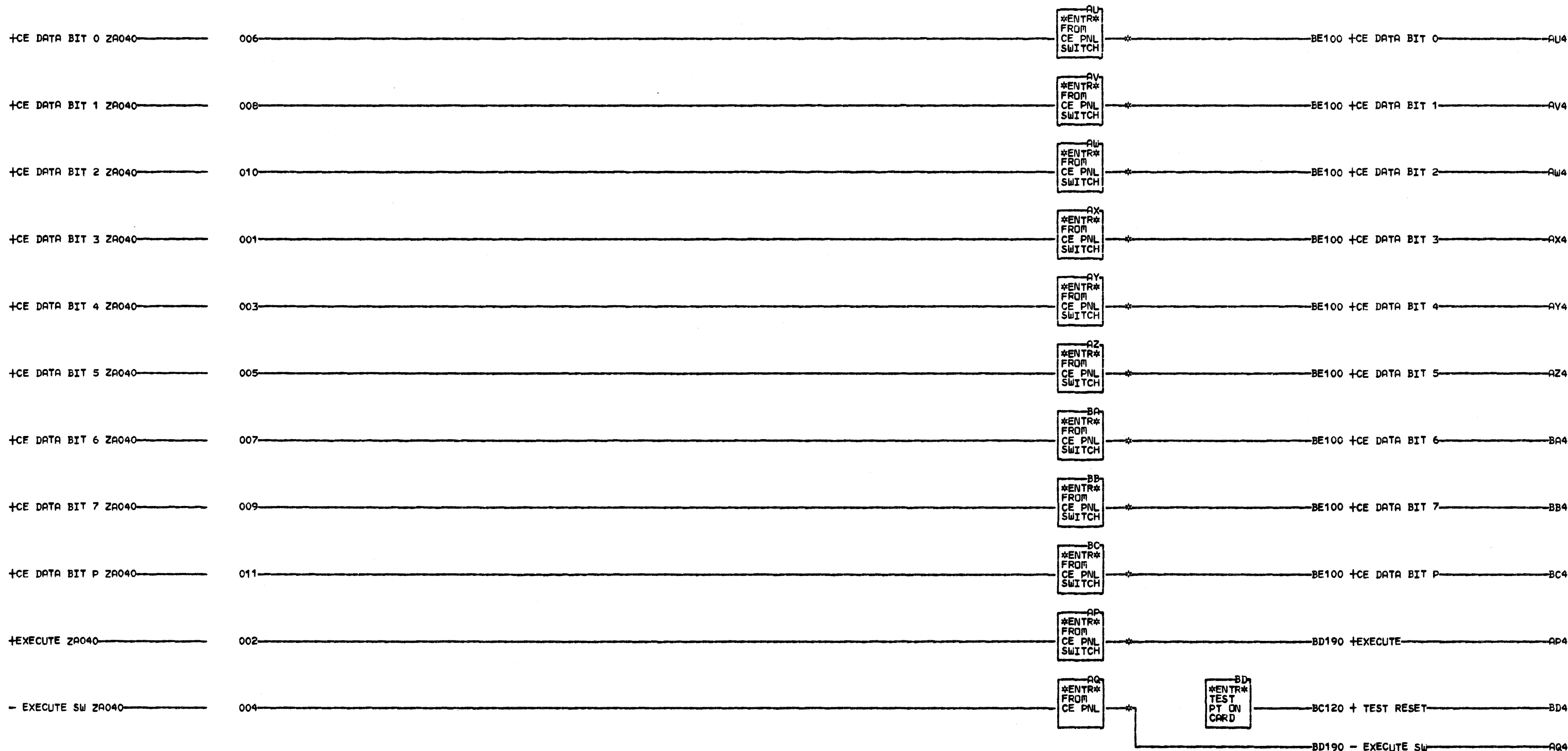
AE2 A-A2A3D13  
AN2 A-A2B3D13

LOC. TYPE  
A-A2M2 AA55

COMMON CARD	
E.C. HISTORY	B MACH. 3350
DATE	LAST EC
01-16-76	446703
FRAME	01
IBM CORP. SDD	
P.No.	1710329

B  
R  
1  
9  
0

B  
R  
1  
9  
0



BU100

AP4 A-A2U5D03 BB4 A-A2U5B13  
 AQ4 A-A2U5D05 BC4 A-A2U5D02  
 AU4 A-A2U5B02  
 AV4 A-A2U5B04  
 AW4 A-A2U5B05  
 AX4 A-A2U5B08  
 AY4 A-A2U5B09  
 AZ4 A-A2U5B10  
 BA4 A-A2U5B12

LOC. TYPE

CE PNL TO CONTROLLER	
E.C.-HISTORY	MACH. 3350
FRAME	01
IBM CORP. GPD	
DATE LAST EC	P.No. 1710330
01-16-76 446703	

BU100

\*\* IBM

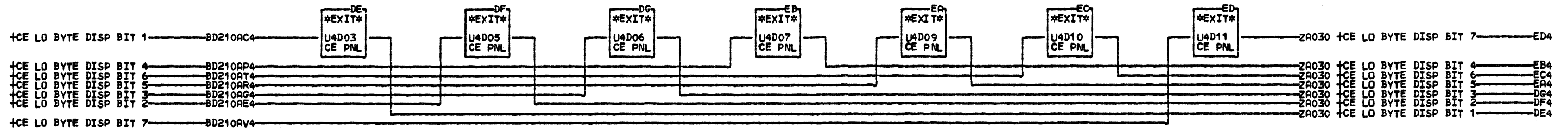
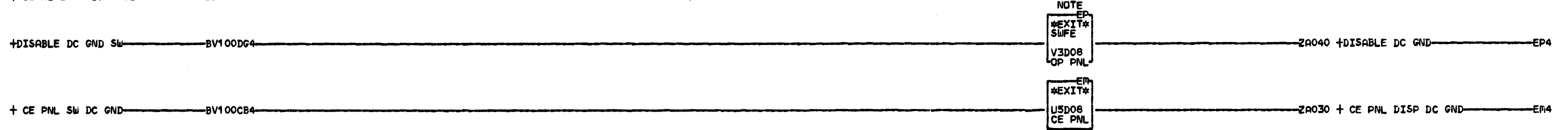
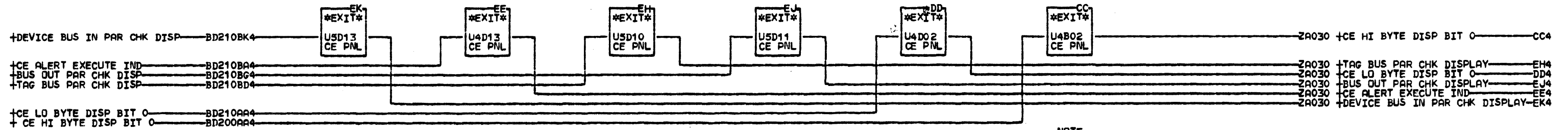
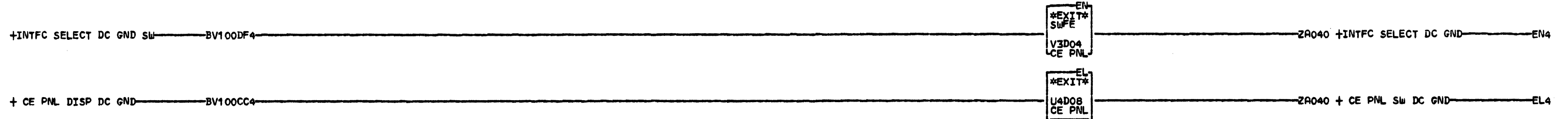
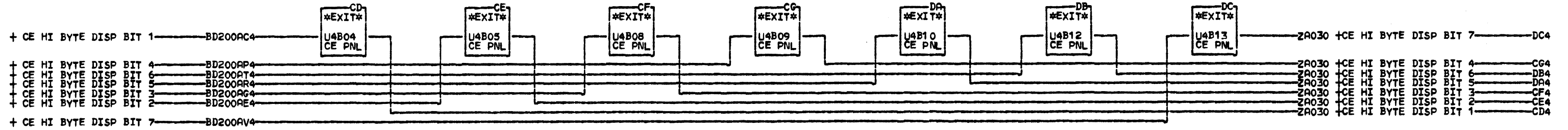
CONFIDENTIAL

UNTIL 04-01-76

- UNCLASSIFIED

THEREAFTER \*\*

000 BU110



NOTE FOR ALT CTRL SEE YC100.

B  
U  
1  
1  
0

000COPYRIGHT IBM CORP 1976

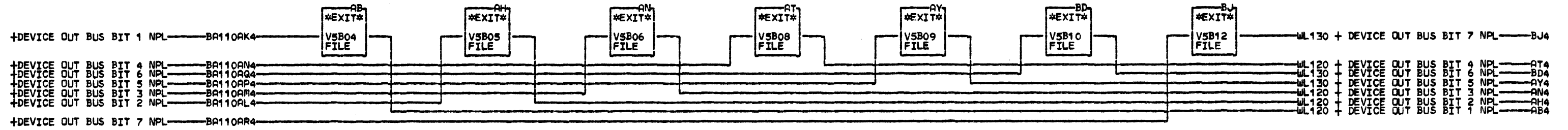
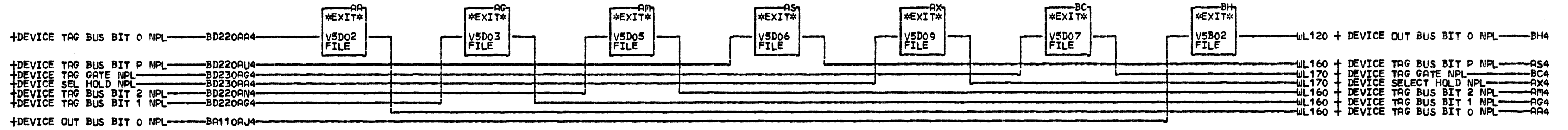
LOC. TYPE

CONTROLLER TO	
CE PNL	
E.C. HISTORY	B. MACH. 3350
DATE	LAST EC
01-16-76	446703
FRAME	01
IBM CORP. GPD	
P.N. 1710331	

B  
U  
1  
1  
0

000





LOC. TYPE

CONTROLLER TO FILE	
E.C. HISTORY	MACH. 3350
DATE	LAST EC
01-16-76	446703
FRAME	01
IBM CORP. GPD	
P.No.	1710332

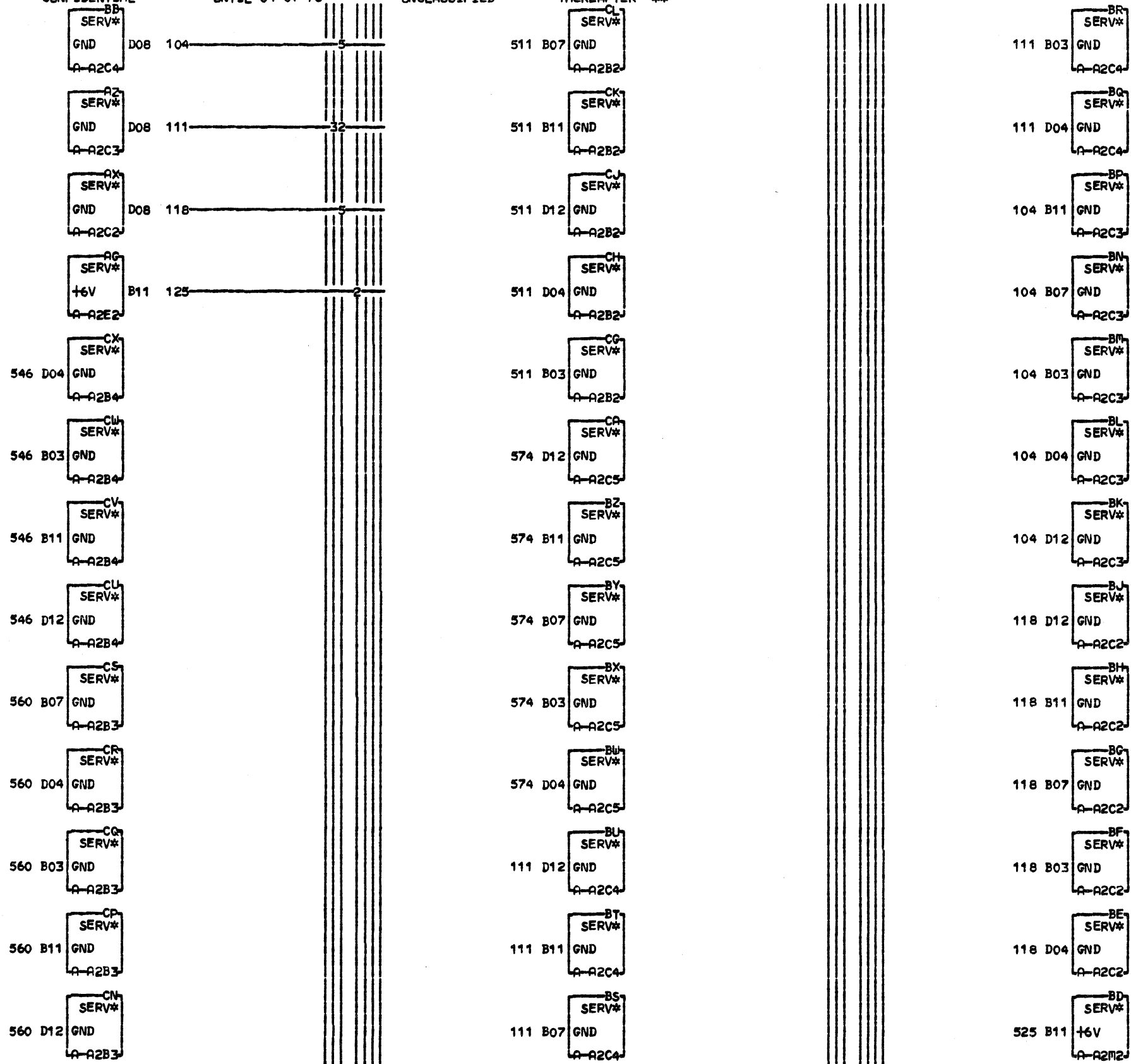
B  
0  
0  
0  
0

B  
0  
0  
0  
0



\*\* IBM CONFIDENTIAL UNTIL 04-01-76 - UNCLASSIFIED THEREAFTER \*\*

000 BV100



LOC. TYPE

PAGE NOTE VOLTAGE DISTRIBUTION  
01 PICTORIAL ON  
OF YA090 OR YB090.  
02

CONTROLLER SERVICE LINES	
E.C.-HISTORY	MACH.3350
FRAME	01
DATE LAST EC	IBM CORP.GPD
01-16-76 446703	P.No. 1710334

