

**Maintenance Library**

**2314**

**Storage Control  
Parts Catalog**

## PREFACE

This Catalog contains information released by Engineering as of the date indicated at the bottom of each page.

### *Fifth Edition (January 1971)*

This is a major revision and makes obsolete Order No. S123-0461-2 and S123-0461-3

Significant changes or additions to the specifications contained in this publication are continually being made. When using this publication in connection with the operation of IBM equipment, contact the local IBM Branch Office for revisions.

Copies of this and other IBM publications can be obtained through IBM Branch Offices.

A form for reader's comments is provided at the back of this publication. If the form has been removed, send your comments to the address below.

This manual was prepared by the IBM System Development Division, Product Publications, Department G24, San Jose, California 95114.

© Copyright International Business Machines Corporation 1967, 1971

## CONTENTS

HOW TO USE THIS PARTS CATALOG . . . . .	iv
Catalog Organization . . . . .	iv
Finding a Part . . . . .	iv
Key Definitions . . . . .	v

### VISUAL INDEXES

I	Storage Control (Front View). . . . .	vi
II	Storage Control (Rear View) . . . . .	vii

### CATALOG SECTION

Cover Group . . . . .	2
2314 Final Assembly (sheet 1 of 2) . . . . .	5
2314 Final Assembly (sheet 2 of 2) . . . . .	9
Blower Assembly . . . . .	12
Power Supply Assembly, 9-12V,10A . . . . .	14
Power Pac Assembly, 12V,13A . . . . .	16
Power Pac Assembly, 12V,2A . . . . .	18
Power Supply Assembly, 12V,2.5A . . . . .	20
Power Supply Assembly, 15V,2.5A . . . . .	22
Power Supply Assembly, 36V,15A . . . . .	24
Power Supply Assembly, 36V,25A . . . . .	26
Power Pac Assembly, 3V,20A . . . . .	28
Power Pac Assembly, 30-36V,4A . . . . .	28
Power Pac Assembly, 3V,45A . . . . .	30
Power Pac Assembly, 6V,40A . . . . .	30

Transformer-Rectifier Assembly . . . . .	32
Transformer-Rectifier Assembly . . . . .	34
AC Power and Sequencing Assembly . . . . .	37
DC Distribution Assembly . . . . .	41
Terminal Block Assembly . . . . .	43
A Gate Assembly . . . . .	44
Fan Assembly, A Gate . . . . .	47
CE Panel Assembly . . . . .	48
CE Buffer Panel Assembly . . . . .	50
Remote Switch Panel Assembly . . . . .	51
B Gate Assembly . . . . .	52
Blower Assembly, B Gate . . . . .	55
2K TROS Gate Assembly . . . . .	57
TROS C Gate Assembly . . . . .	60
4K TROS Gate Assembly . . . . .	62
4K TROS A Gate Assembly . . . . .	64
TROS B Gate Group with Airlines Buffer Feature . . . . .	66
TROS B and C Gate Assembly without Airlines Buffer Feature . . . . .	68
Tape Deck Assembly . . . . .	70
Fan Assembly, TROS Gate . . . . .	71
AC Junction Box Assembly . . . . .	72
Meter Assembly . . . . .	73
Cable Component Group (3 pages) . . . . .	74
NUMERIC INDEX . . . . .	X-1

## HOW TO USE THIS PARTS CATALOG

### CATALOG ORGANIZATION

To find parts quickly a general understanding of the structure of this catalog is necessary. The catalog is divided into three major sections

- The Visual Index shows an overall view of the machine and references the detailed figures in the catalog section.
- The Catalog Section contains a pictorial breakdown of assemblies and subassemblies.
- The Numerical Index is a numerical list of all parts used in the machine, with cross references to the figure on which the part is found.

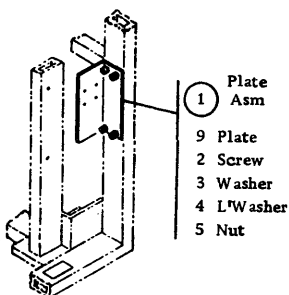
**VISUAL INDEX:** This index, located before the catalog section, shows an overall view of all assemblies in their physical location within the machine. Each assembly or group is named. The figure number where the parts for that assembly are defined is also given.

**CATALOG SECTION:** This section contains the full sized illustrations previously noted in the Visual Index. Index numbers on figures refer to corresponding entries in the Group Assembly Parts List accompanying each figure. Refer to "Key Definition" for explanation of terms used in the Group Assembly Parts List.

**NUMERICAL INDEX:** This index, located after the Catalog Section, contains a complete list, in numerical order, of all part numbers used on the machine. Listed with the part number is the index and figure number on which the part is illustrated. The numerical index makes it possible to locate a part when only the part number is known.

#### STACKED INDEX NUMBERS:

These numbers are used when showing a part and its attaching hardware. The sequence of a typical stack is shown at right. The circled index number indicates the assembly is broken down within the figure.



**ILLUSTRATION NOTES:** Cross-reference notes are printed directly on the illustration. The illustration's next higher assembly reference, normally located in the upper left corner of the page, will read: "For Parts Not Shown See Figure X". If an assembly is referenced to a lower level figure, the note located next to the index number will read: "See Figure X".

**DOUBLE LINED DETAIL BOX:** The information in this box differentiates between parts shown on the basic model and parts related to a level and/or feature difference. An explanation of the level or feature difference is also given here.

### FINDING A PART

The Visual Index is the starting point for locating a part. Use figure references to locate the detailed figure in the catalog section.

Once the detailed figure in the catalog section is found, finding the part on the figure and referring to the listing for the part number and description is all that is required in most cases. If the first catalog section figure referenced shows the assembly containing the required part, the index number for the assembly will reference a lower level figure where the assembly is broken down to its component parts. If the figure referenced by the Visual Index contains neither the part nor an assembly containing the part, it is then necessary to go to the next higher assembly figure. This figure should then contain the part or an assembly containing the part; if not, an even higher level figure must be used. Refer back to the Visual Index for some other figure that could show the desired part.

**NOTE:** Many detailed parts are unavailable because they are part of an inseparable assembly (two or more parts welded or bonded together), or because they are part of an assembly purchased as a unit. If parts are found on a welded or bonded assembly, the following note follows the description of the assembly: "Assembly components are not replaceable". If the part is found on a purchased assembly, and the detail parts of this assembly do not have IBM part numbers, the note following the assembly description will read: "Assembly components are not available". In either case, you need to obtain the part number of the assembly, rather than the detailed part.

### EXAMPLE FOR ORDERING A PART

4 -	5726422	FAN ASM-P/S ENCLOSURE		REF
		SEE FIG 1-184 FOR NEXT HIGHER ASSEMBLY		
		AND FIGURE 4 FOR ILLUSTRATION		
- 1	334921	TERMINAL-RING, 18-22 AWG, #6 HOLE, INS		2
- 2	187854	SHIELD, TERMINAL BLOCK- 2 POS		1
- 3	210984	SCREW, RD HD MACH-6-32 X .250 LG	ATT PT	1
- 4	5357050	FAN ASM-NO CONNECTOR		1
- 5	32042	SCREW, MACH BIND. HD 10-32 X .375 LG	ATT PT	2
- 6	5357066	BLADE		1
- 7	5357067	MOTOR 208V/230V 60CY 220V 50CY		1
- 8	130434	SCREW-MACH, SLOTTED HEX HD 10-32 X .375 LG	ATT PT	2
- 9	56079	WASHER, LOCK-EXT T .195ID .410 OD	ATT PT	2
- 10	5726436	HEADER-POWER SUPPLY FAN		1

If the entire fan is required, part number 5726422 should be ordered (all one-dot items will be received). If only the subassembly is required, part number 5357050 should be ordered (all two-dot items will be received). Each part may be ordered individually.

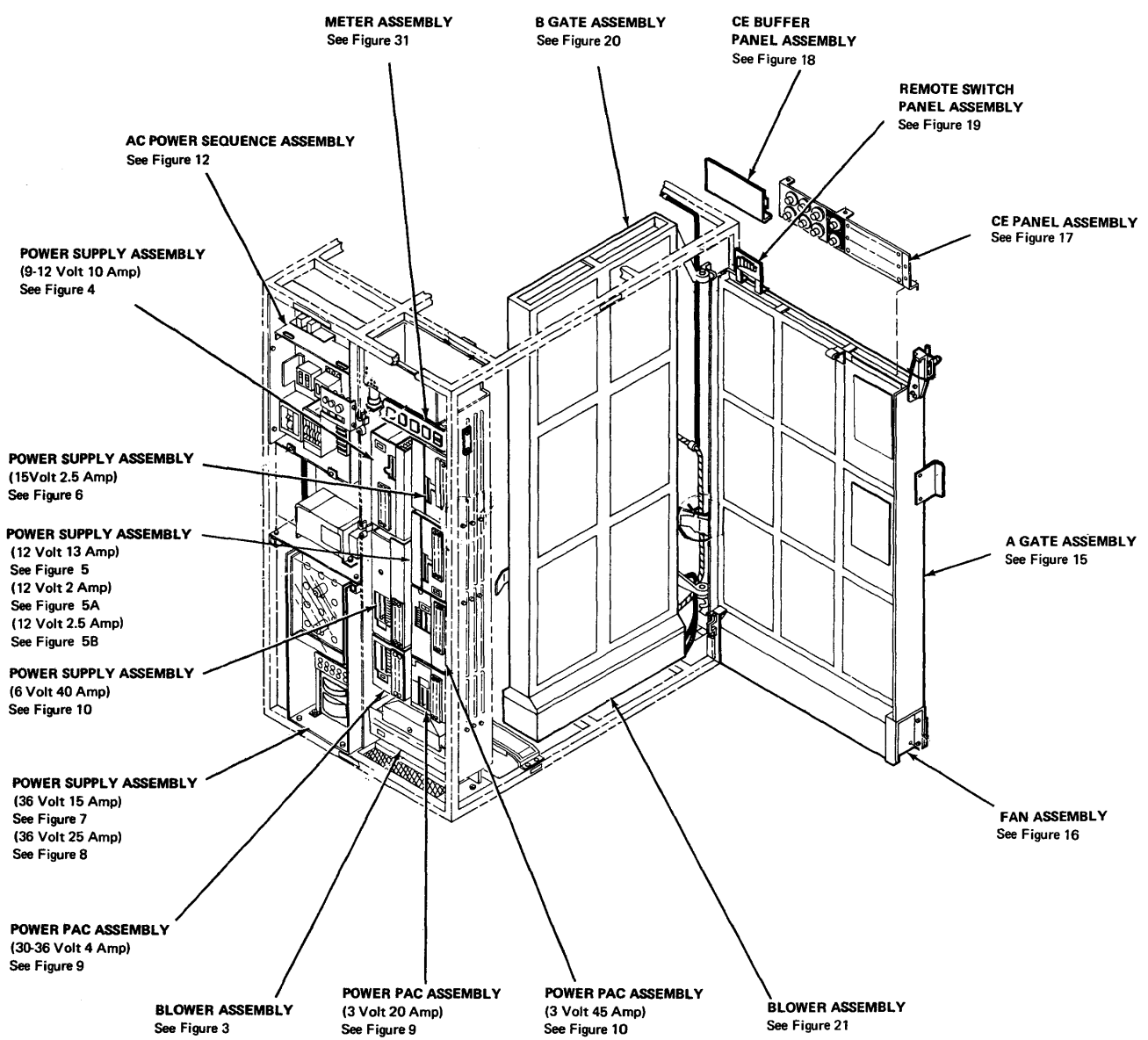
## KEY DEFINITIONS

- 1 **SIMILAR ASSEMBLIES:** If two assemblies contain a majority of identical parts, they are broken down on the same list. Common parts are shown by one index number. Parts peculiar to one or the other of the assemblies are listed separately and identified by Usable On Code.
- 2 **NP:** This entry in the part number column indicates that the assembly is non-procurable and that the detailed parts should be ordered separately.
- 3 **USABLE ON CODE:** Part application and interchangeability are indicated by the usable on code. If this column is blank, the parts pertain to all equipment covered. Two types of codes are used. The alphabetic code denotes similar assemblies and/or features; the numeric code denotes parts or assemblies that may vary in design between groups of machines. Refer to the beginning of each list for the explanation of the code (s).
- 4 **REF:** This entry, in the units per assembly column, denotes an assembly which is completely assembled on a preceding illustration. Quantities for such items are found in its next higher assembly.
- 5 **INDENTURE:** The relationship of a part to its next higher assembly is indicated by indentures.  
For example:  

1	2	3	4
Unit			
. Assemblies and Detail Parts of Unit			
. Attaching Parts for Assemblies & Detail Parts			
. . Subassemblies			
. . Attaching Parts for Subassemblies			
. . . Detail Parts for Subassemblies, etc.			
- 6 **ATT PT:** Attaching Parts. These parts are used to attach a subassembly to an assembly. The attaching parts are listed immediately following the part to be attached.
- 7 **AR:** As Required (AR) in the units per assembly column denotes that the quantity is used as required.
- 8 **NO NUMBER:** When this indication appears in the part number column, it denotes a group of parts for which no assembly part number has been assigned, and the detail parts should be ordered separately.
- 9 **"COMM":** Commercial hardware. When this indication appears in the part number column, it denotes hardware procurable from normal commercial sources and not identified by an IBM part number.
- 10 **NR:** The NR in the part number column denotes the part is procurable but not recommended for field replacement, and that the next higher assembly should be ordered.

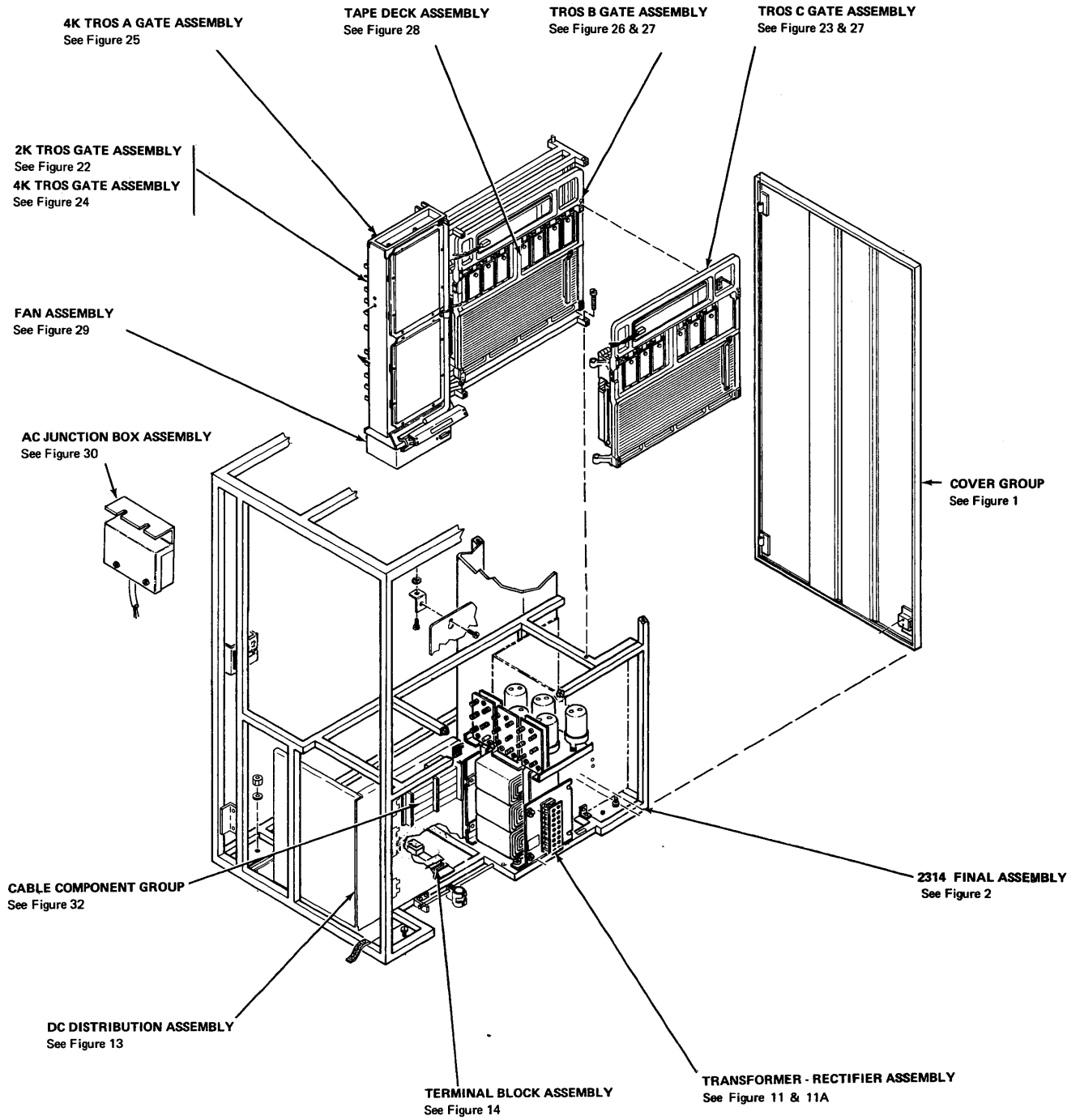
## EXAMPLE OF PARTS LIST

LIST AND INDEX NUMBER	PART NUMBER	DESCRIPTION				UNITS PER ASM.	USABLE ON CODE
		1	2	3	4		
		3 CODE A USED ON 60 HERTZ CODE B USED ON 50 HERTZ CODE 1 USED ONLY WITH STEEL COVERS CODE 2 USED ONLY WITH PLASTIC COVERS				4	3
4 -	5357002 NP	COOLING UNIT ASM, 60 HZ				REF	1A
-	5468301 NP	COOLING UNIT ASM, 50 HZ				REF	1B
		FOR ILLUSTRATION SEE FIGURE 4					
		FOR NEXT HIGHER ASM SEE FIGURE 3-21					
- 1	5349888	. LATCH				1	
- 2	5357136	. SCREW, PAN HD 4-40 X 0.187 THK				2	
		ATT PT					
- 3	5357005	. BLOWER ASM, 60 HZ				1	A
- 3	NO NUMBER	. BLOWER ASM, 50 HZ				1	B
- 4	740501	. SCREW, MACH-HEX HD 6-32 X 1/4 LG				4	
		ATT PT					
- 5	5357144	. . SCROLL AND WHEEL ASM, 60 HZ				1	A
- 5	5468306	. . SCROLL AND WHEEL ASM, 50 HZ				1	B
- 6	81693	. . SCREW, MACH-BIND HD 6-32 X 3/8 LG				3	
		ATT PT					
- 7	56722	. . WASHER-LOCK, EXT T, .150 ID				3	
- 8	5357025 NR	. . . WHEEL ASM, BLOWER-60 HZ				1	A
- 8	5468308 NR	. . . WHEEL ASM, BLOWER-50 HZ				1	B
- 9	"COMM"	. MOTOR AND CONNECTOR ASM				AR	
						7	



STORAGE CONTROL (Front View)

VISUAL INDEX I



STORAGE CONTROL (Rear View)

VISUAL INDEX II

NOTES :



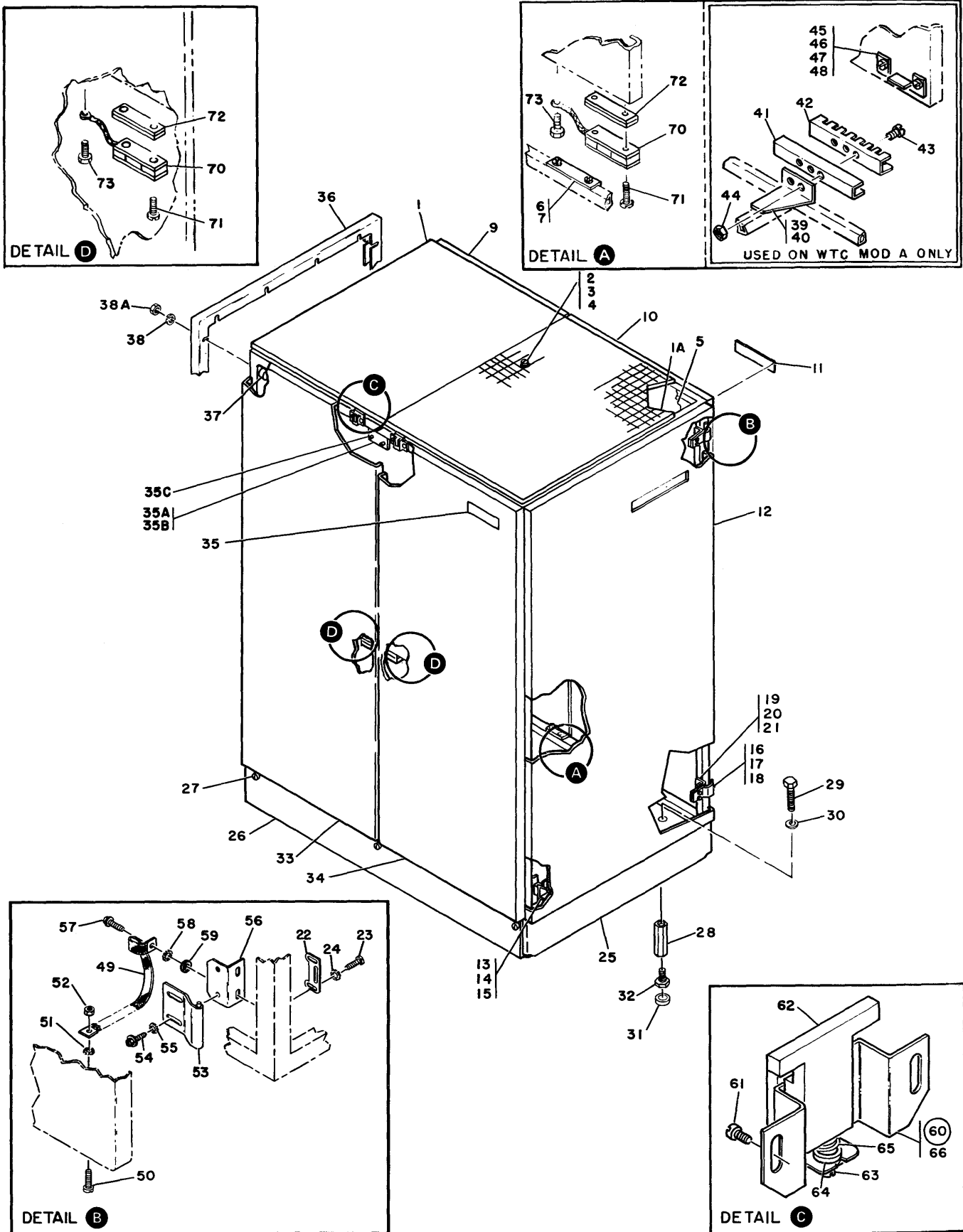



FIGURE 1. COVER GROUP  
SEE LIST 1.

LIST AND INDEX NUMBER	PART NUMBER	DESCRIPTION	UNITS	USABLE
			PER ASM.	ON CODE
		1 2 3 4		
		CODE A USED ON WTC MOD A ONLY		
1 -	2218802 NP	COVER GROUP FOR ILLUSTRATION SEE FIG 1	1	
- 1	2191859	. COVER, TOP LEFT	1	
- 1A	2191860	. COVER, TOP RIGHT	1	
- 2	2181011	. SCREW, SELF TAPPING, 6-32 X .50 LG.	9	ATT PT
- 3	22478	. WASHER, FL- 0.170 ID 0.375 OD 0.032 THK	9	ATT PT
- 4	5397868	. PLUG-LOCATING	9	ATT PT
- 5	2218846	. SCREEN-TOP	1	
- 6	2263003	. BRACKET	2	
- 7	25627	USED ON DOMESTIC MACHINES ONLY		
- 7	55901	. SCREW, MACH-BIND HD 8-32 X 1/2 LG	4	
		. WASHER, LOCK, EXT TEETH - .176 DIA	1	
- 9	2218825	. COVER, LT. REAR, BLUE	1	
- 9	2218876	. COVER, LT. REAR, RED	1	
- 9	2218877	. COVER, LT. REAR, YELLOW	1	
- 9	2218878	. COVER, LT. REAR, GRAY	1	
- 9	2285089	. COVER, LT. REAR, WHITE	1	
- 10	2244731	. COVER, RT REAR, BLUE	1	
- 10	2244732	. COVER, RT REAR, RED	1	
- 10	2244733	. COVER, RT REAR, YELLOW	1	
- 10	2244734	. COVER, RT REAR, GRAY	1	
- 10	2285088	. COVER, RT REAR, WHITE	1	
- 11	4251623	. LABEL, IDENTIFICATION-SOURCE U.K.	1	
- 12	2271169	. COVER, END	1	
- 12	2218827	USED ON DOMESTIC MACHINES ONLY		
		. COVER-END	AR	
- 13	513668	USED ON WTC MACHINES ONLY		
- 14	2181005	. CATCH, FRICTION LATCH	AR	
- 15	56722	. SCREW-HEX HD SELFTAP 6-32 X .375 LONG	AR	ATT PT
- 16	2218923	. WASHER-LOCK, EXT T, .150 ID	AR	ATT PT
- 17	2181004	. HINGE-COVER, LOWER END	AR	
- 18	2125974	. SCREW-HEX HD SELFTAP 10-32 X .375 LONG	AR	ATT PT
- 19	2218919	. WASHER, INT TOOTH, .200 ID X .562 OD	AR	ATT PT
- 20	2181004	. BRACKET-HINGE COVER	AR	
- 21	2125974	. SCREW-HEX HD SELFTAP 10-32 X .375 LONG	AR	ATT PT
- 22	513669	. WASHER, INT TOOTH, .200 ID X .562 OD	AR	ATT PT
- 23	2181005	. STRIKE-FRICTION LATCH	AR	
- 24	56722	. SCREW-HEX HD SELFTAP 6-32 X .375 LONG	AR	ATT PT
- 25	2218642	. WASHER-LOCK, EXT T, .150 ID	AR	ATT PT
- 26	2218638	. KICKSTRIP-END	1	
- 27	58207	. KICKSTRIP-FRONT & REAR	2	
- 28	2191787	. SCREW, BH, 8-32 X 0.250 LG	4	ATT PT
- 29	2191786	. SPACER-1/2-13 X 1-3/4 LG	4	
- 30	130987	. BOLT-SQUARE NECK, 1/2-13 X 2 LG	4	ATT PT
- 31	2162666	. WASHER, LOCK-SPLIT 0.509 ID X 0.879 OD	4	ATT PT
- 32	93178	. CUP	4	
- 33	2271128	. SCREW, CAP-SLOT HD, 1/13 X 3/4 LG	1	
- 33	2271129	. COVER, LT FRONT, BLUE	1	
- 33	2271130	. COVER, LT FRONT, RED	1	
- 33	2271131	. COVER, LT FRONT, YELLOW	1	
- 33	2285087	. COVER, LT FRONT, GRAY	1	
- 34	2218826	. COVER, LT FRONT, WHITE	1	
- 34	2218873	. COVER-RIGHT FRONT, BLUE	1	
- 34	2218874	. COVER-RIGHT FRONT, RED	1	
- 34	2218875	. COVER-RIGHT FRONT, YELLOW	1	
- 34	2285086	. COVER-RIGHT FRONT, GRAY	1	
- 35	2218854	. COVER, RIGHT FRONT, WHITE	1	
- 35	2218856	. NAMEPLATE, DIR ACC STORAGE FAC, ENGLISH	1	
- 35	2218858	. NAMEPLATE, DIR ACC STORAGE FAC, FRENCH	1	
- 35	2218858	. NAMEPLATE, DIR ACC STORAGE FAC, GERMAN	1	
- 35A	2218829	. BRACKET-BUMPER COVER	2	
- 35B	2181004	. SCREW-HEX HD SELFTAP 10-32 X .375 LONG	2	
- 35C	1108505	. BUMPER	4	
- 36	2218922	. SPACER-FRAME	1	
- 37	2218930	. SCREW-HEX SLOTTED HEAD, 0.312-18 X 4-1/2	4	ATT PT
- 38	257983	. WASHER, LOCK-SPLIT 0.319 ID X 0.591 OD	4	ATT PT
- 38A	4564	. NUT, HEX 5/16-18 THREAD	4	ATT PT
- 39	2261829	. BRACKET	1	A
- 40	2181004	. SCREW-HEX HD SELFTAP 10-32 X .375 LONG	2	A
- 41	2532172	. CHANNEL, FINGER STRIP	1	A
- 42	2532078	. FINGER STRIP, 4.046 LONG	1	A
- 43	2300	. SCREW, MACH-FIL H 8-32 X 1/4 LG	2	A
- 44	257189	. NUT, HEX 8-32	2	A
- 45	2261828	. FINGER	2	A
- 46	38235	. SCREW, BIND HD 6-32 X .312 LONG	4	A

LIST AND INDEX NUMBER	PART NUMBER	DESCRIPTION				UNITS PER ASM.	USABLE ON CODE
		1	2	3	4		
I - 47	56722	.	WASHER-LOCK, EXT T, .150 ID		ATT PT	4	A
- 48	257187	.	NUT, HEX 6-32 NC		ATT PT	4	A
- 49	2101376	.	STRAP-GROUND			2	
- 50	332620	.	SCREW, MACH-BIND HD 10-32 X 1/2 LG		ATT PT	2	
- 51	56079	.	WASHER, LOCK EXT TEETH, NO. 10 X 0.20 TH		ATT PT	4	
- 52	11598	.	NUT, HEX, 10-32 X 0.375 FL W		ATT PT	2	
- 53	2218929	.	HINGE-COVER			AR	
- 54	2181004	.	SCREW-HEX HD SELFTAP 10-32 X .375 LONG		ATT PT	AR	
- 55	2125974	.	WASHER, INT TOOTH, .200 ID X .562 OD		ATT PT	AR	
- 56	2218919	.	BRACKET-HINGE COVER			9	
- 57	2181004	.	SCREW-HEX HD SELFTAP 10-32 X .375 LONG		ATT PT	18	
- 58	2125974	.	WASHER, INT TOOTH, .200 ID X .562 OD		ATT PT	18	
- 59	56079	.	WASHER, LOCK EXT TEETH, NO. 10 X 0.20 TH		ATT PT	2	
- 60	2218822	.	LATCH ASSEMBLY, 60 HZ			AR	
- 60	2218824	.	LATCH ASM, 50 HZ			5	
- 61	2181004	.	SCREW-HEX HD SELFTAP 10-32 X .375 LONG		ATT PT	AR	
- 62	2218848	.	LATCH, COVER-60HZ			1	
- 62	2218849	.	LATCH-COVER, TOOL OPERATED-50HZ			1	
- 63	2218860	.	SCREW-PAN HD, 6-32 X 1 LG		ATT PT	1	
- 64	257986	.	WASHER, 0.156 ID X 0.035 THK			1	
- 65	508137	.	SPRING, HELICAL, COMPR- 9 TURNS			1	
- 66	2218861	.	BRACKET-LATCH			1	
- 70	848877	.	LATCH ASM, MAGNETIC			4	
- 71	38269	.	SCREW, MACH 4-40 X 1.00 LG			8	
- 71	216128	.	NUT, LOCK- 4-40 NC			8	
- 72	824393	.	SPACER, MAGNETIC LATCH			4	
- 73	25627	.	SCREW, MACH-BIND HD 8-32 X 1/2 LG			4	
- 73	55901	.	WASHER, LOCK, EXT TEETH - .176 DIA			4	
- 73	257189	.	NUT, HEX 8-32			4	
		**** END OF LIST 1 ****					

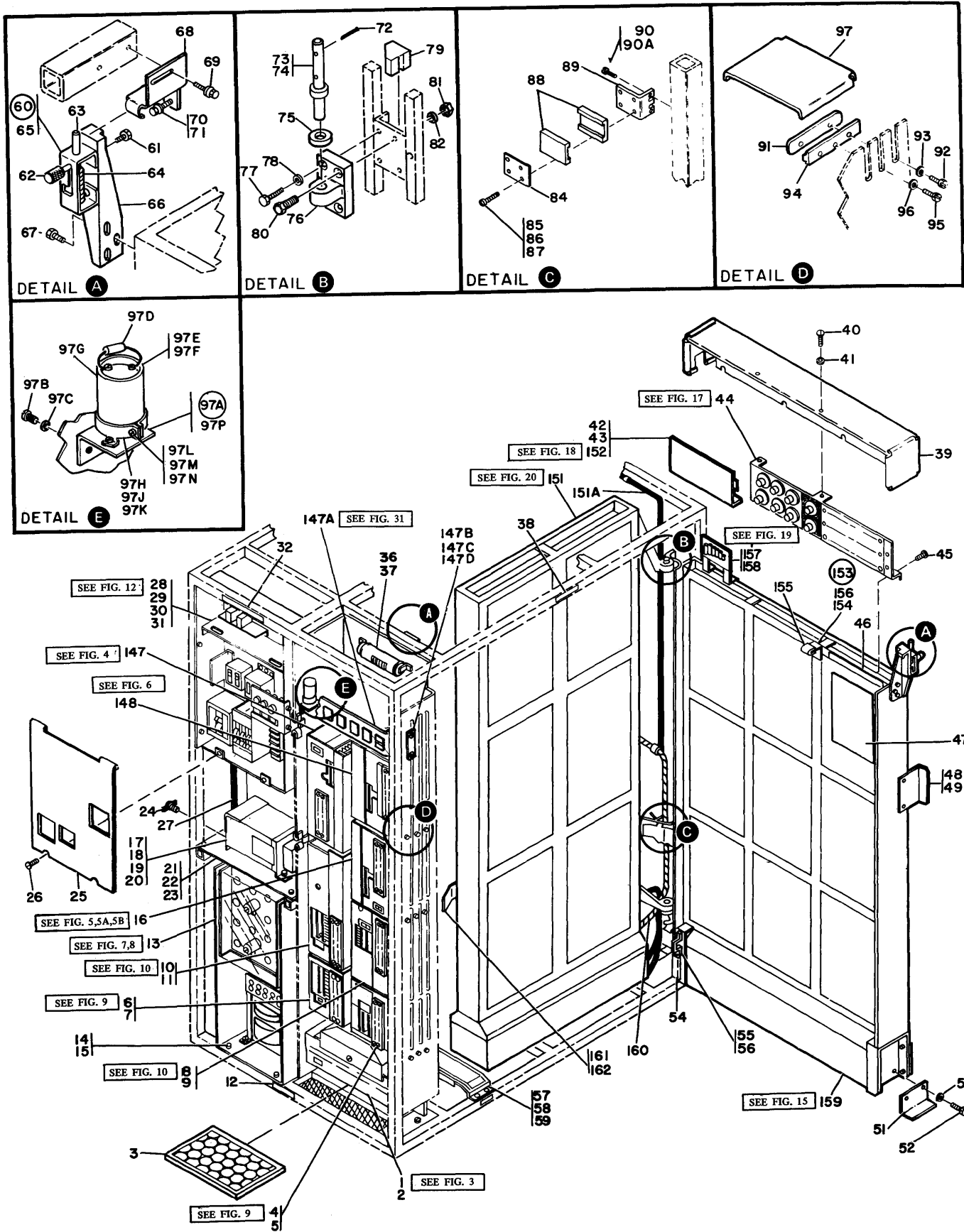


FIGURE 2. 2314 FINAL ASSEMBLY. REAR VIEW.  
 (Sheet 1 of 2. Index No. 1 thru 97P, and 147 thru 162) SEE LIST 2.

LIST AND INDEX NUMBER	PART NUMBER	DESCRIPTION	UNITS PER ASM.	USABLE
				ON CODE
		CODE A USED W/AIRLINES BUFFER FEA CODE B USED ON MODEL B ONLY		
		CODE D USED W/2844 OR AIRLINES BUFFER CODE E USED W/O 2844 OR AIRLINES BUFFER CODE F USED W/2844 ATTACH FEA		
		CODE G USED WITH STAND ALONE FEATURE CODE 1 USED W/4 TIMING CARDS CODE 2 USED W/2 TIMING CARDS		
		CODE 3 USED WITH POWER COMPATABILITY CODE 4 USED WITHOUT POWER COMPATIBILITY (FIELD USE)		
2 -	2218801 NP	2314 FINAL ASM	1	
- 1	2184084	. BLOWER ASSEMBLY, 60 HERTZ	1	
- 1	2191774	. BLOWER ASSEMBLY, 50 HERTZ	1	
		FOR DETAIL BREAKDOWN SEE FIGURE 3		
- 2	2181004	. SCREW, THREAD FORMING-HEX WASHER HD ATT PT	2	
- 3	2128556	. FILTER, AIR, 12.0 X 6.50 INCHES.	1	
- 4	5234379	. POWER PAC ASM, 3V AT 20 AMP	1	
		FOR DETAIL BREAKDOWN SEE FIGURE 9		
- 5	374873	. CARD ASM-REG	1	3
- 5	372677	. CARD ASM-MINUS 3VDC OVERVOLTAGE PROTECT	1	3
- 5	372676	. CARD ASM	1	4
		PARTS OF THIS ASM ARE NOT REPLACEABLE		
- 6	730460	. POWER PAC ASM, 30-36V AT 4 AMP	1	
		FOR DETAIL BREAKDOWN SEE FIGURE 9		
- 7	375387	. CARD ASM, VOLTAGE REGULATOR	1	3
- 7	375414	. CARD ASM, OVERVOLTAGE PROT.	1	3
- 7	372260	. CARD ASM	1	4
- 7	375310	. CARD ASM	1	4
		PARTS OF THIS ASM ARE NOT REPLACEABLE		
- 8	5392896	. POWER PAC ASM, 3V AT 45 AMP	1	
		FOR DETAIL BREAKDOWN SEE FIGURE 10		
- 9	374873	. CARD ASSEMBLY-REG	1	
- 9	372677	. CARD ASM-MINUS 3VDC OVERVOLTAGE PROTECT	1	
		PARTS OF THIS ASM ARE NOT REPLACEABLE		
- 10	5239180	. POWER PAC ASM, 6V AT 40 AMP	1	
		FOR DETAIL BREAKDOWN SEE FIGURE 10		
- 11	375385	. CARD ASM, VOLTAGE REGULATOR	1	3E
- 11	372423	. CARD ASM, OVERVOLTAGE	1	3E
- 11	375162	. CARD ASM, OVERVOLTAGE	1	3F
- 11	372990	. CARD ASM	1	4
		ASSEMBLY COMPONENTS ARE NOT REPLACEABLE		
- 12	124943	. LABEL-HAZARDOUS AREA	1	
- 13	5709630	. POWER SUPPLY ASM, 36V AT 25 AMP, 60 HZ	1	
- 13	5709640	. POWER SUPPLY ASM, 36V AT 25 AMP, 50 HZ USED W/EXTERNAL LOAD RESISTOR FOR DETAIL BREAKDOWN SEE FIGURE 8	1	
- 13	5760737	. POWER SUPPLY ASM, 36V AT 15 AMP, 60 HZ	1	
- 13	5760750	. POWER SUPPLY ASM, 36V AT 15 AMP, 50 HZ USED W/O EXTERNAL LOAD RESISTOR	1	
		FOR DETAIL BREAKDOWN SEE FIGURE 7		
- 14	2181004	. SCREW, THREAD FORMING-HEX WASHER HD ATT PT	4	
- 15	56079	. WASHER-LOCK, EXT T .204 ID .410 OD ATT PT	1	
- 16	5762080	. POWER SUPPLY ASM, 12V AT 13A WHEN REPLACING COMPLETE ASM ORDER 5712365 P/S ASM FOR DETAIL BREAKDOWN SEE FIGURE 5	1	3
- 16	5712365	. POWER SUPPLY ASM, 12V AT 2 AMP	1	3
		FOR DETAIL BREAKDOWN SEE FIGURE 5A		
- 16	5239412	. POWER SUPPLY ASM, 12V AT 2.5 AMP, 60 HZ	1	4
- 16	5239430	. POWER SUPPLY ASM, 12V AT 2.5 AMP, 50 HZ FOR DETAIL BREAKDOWN SEE FIGURE 5B	1	4
- 16A	372085	. CARD ASM, REG	1	3
- 16B	374837	. CARD ASM, DRIVER	1	3
		ASSEMBLY COMPONENTS ARE NOT REPLACEABLE		
- 17	2194932	. TRANSFORMER, 220V/115V 1.15 KVA 60 HZ	1	
- 17	4116479	. TRANSFORMER, 50HZ	1	
- 18	2181004	. SCREW, THREAD FORMING-HEX WASHER HD ATT PT	3	
- 19	2125974	. WASHER, INT TOOTH, .200 ID X .562 OD ATT PT	3	
- 20	56079	. WASHER-LOCK, EXT T .204 ID .410 OD ATT PT	1	
- 21	2218869	. BRACKET-TRANSFORMER MOUNTING	1	
- 22	2181004	. SCREW, THREAD FORMING-HEX WASHER HD ATT PT	4	
- 23	56079	. WASHER-LOCK, EXT T .204 ID .410 OD ATT PT	1	
- 24	237327	. CLAMP-CABLE	1	
- 25	2218842	. COVER, SEQUENCE-60 HZ	1	E
- 25	4056253	. COVER, SEQUENCE-50 HZ	1	E
- 25	2218847	. COVER, SEQUENCE-50 HZ	1	F
- 26	2181004	. SCREW, THREAD FORMING-HEX WASHER HD ATT PT	2	

LIST AND INDEX NUMBER	PART NUMBER	DESCRIPTION	UNITS PER ASM.	USABLE ON CODE
2 - 27	2218901	. CABLE ASM,LINE FILTER TO SEQ BOX,60 HZ	1	
- 27	4056288	. CABLE ASM,FILTER TO SEQUENCE,50 HZ	1	
		FOR COMPONENTS SEE FIG 32		
- 28	2218806	. AC POWER AND SEQUENCE ASM,60 HZ	1	
- 28	2218809	. AC POWER AND SEQUENCE ASM,50 HZ	1	
		FOR DETAIL BREAKDOWN SEE FIGURE 12		
- 29	2181004	. SCREW-HEX HD SELFTAP 10-32 X .375 LONG	ATT PT	2
- 30	332620	. SCREW,MACH-BIND HD 10-32 X 1/2 LG	ATT PT	2
- 31	56079	. WASHER-LOCK,EXT T .204 ID .410 OD	ATT PT	2
- 32	535632	. DECAL-INST,HAZARDOUS AREA		1
- 36	322687	. RESISTOR		1 4
- 37	236849	. SCREW,MACH-BIND HD 10-32 X 1/4 LG		2 4
- 38	124943	. LABEL-HAZARDOUS AREA		1
- 39	2218893	. COVER-CE PANEL		1
- 40	5350006	. SCREW, SELF TAPPING, 6-32 X .250 LONG	ATT PT	6
- 41	56722	. WASHER-LOCK,EXT T, .150 ID	ATT PT	6
- 42	2218892	. PANEL-BLANK,CE		1
		USED W/O AIRLINES BUFFER FEATURE ONLY		
- 43	236849	. SCREW,MACH-BIND HD 10-32 X 1/4 LG	ATT PT	2
- 44	2218880	. PANEL ASSEMBLY- CE 50 AND 60 CYCLE		1
		FOR DETAIL BREAKDOWN SEE FIGURE 17		
- 45	236849	. SCREW,MACH-BIND HD 10-32 X 1/4 LG	ATT PT	4
- 46	2251089	. LABEL		1
- 47	2244999	. LABEL,ERROR CODE		1
- 48	2194029	. HANDLE-CARD GATE		1
- 49	811426	. SCREW,MACH-PAN HD 6-32 X 3/8 IN. LG	ATT PT	4
- 51	2261623	. SHOE		1
- 52	140425	. SCREW,MACH-HEX HD 10-32 X 5/16 LG	ATT PT	2
- 53	2261624	. WASHER,BLVL,0.203 ID X 0.88 OD X 0.09 TH	ATT PT	2
- 54	2111680	. EXTRUSION-RUBBER		AR
- 55	2184181	. CLAMP-POWER CABLE		1
- 56	5319854	. SCREW, SELF TAPPING, 8-32 X .375 LONG	ATT PT	2
- 57	2218888	. SUPPORT-CARD GATE		1
- 58	2181001	. SCREW,THD FORMING-HEX WASH HD 10-32X 3/4	ATT PT	2
- 59	2181004	. SCREW,THREAD FORMING-HEX WASHER HD	ATT PT	2
- 60	2172092	. LATCH ASSEMBLY-GATE		1
- 61	10170	. SCREW-MACH,BIND HD NO. 6-32 X .250 LG	ATT PT	2
- 62	528013	. . STUD-LATCH		1
- 63	528014	. . PIN-LATCH		1
- 64	528012	. . SPRING,HELICAL,COMPR		1
- 65	528011	. . BRACKET-LATCH		1
- 66	2193908	. BRACKET-LATCH		1
- 67	2181004	. SCREW,THREAD FORMING-HEX WASHER HD	ATT PT	3
- 68	2218879	. STRIKE-GATE LATCH		1
- 69	2181004	. SCREW,THREAD FORMING-HEX WASHER HD	ATT PT	2
- 70	255939	. SCREW-BUMPER ADJ 1/4-20 X 1-3/16 LG		1
- 71	3690	. NUT,PLAIN,HEXAGON		1
- 72	55102	. PIN,COTTER-EXT PRONG 0.060 DIA X 3/4 LG		2
- 73	2184164	. PIN,HINGE,LOWER		1
- 74	2128529	. PIN,HINGE,UPPER		1
- 75	130985	. WASHER,FL- 0.531 ID 1-1/16 OD 0.095 THK		2
- 76	244571	. PLATE,HINGE		2
- 77	38688	. SCREW,HEX HD,1/4-20 X 0.750 LG	ATT PT	7
- 78	76574	. WASHER, LOCK-EXT. TEETH .250	ATT PT	7
- 79	2285319	. STOP,GATE		1
- 80	59647	. SCREW,MACH-HEX HD 1/4-20 X 1 LG		1
- 81	3960	. NUT,PLAIN,HEX- 1/4-20 X 7/16 FL W		1
- 82	3550	. WASHER,FLAT 1/4 ID-9/16-OD-0.05 THICK		1
- 84	2211491	. PLATE,FLAT CORE		1
- 85	438602	. SCREW,MACH-BIND HD 10-32 X 1-1/2 LG	ATT PT	4
- 86	2125974	. WASHER, INT TOOTH, .200 ID X .562 OD	ATT PT	4
- 87	11598	. NUT,HEX, 10-32 X 0.375 FL W	ATT PT	4
- 88	853288	. CORE,FERRITE		2
- 89	2211492	. BRACKET,FLAT CORE		1
- 90	2181004	. SCREW,THREAD FORMING-HEX WASHER HD	ATT PT	2
- 90A	2125974	. LOCKWASHER,DISHED,EXT,INT,NO. 10	ATT PT	2
- 91	2193932	. OUTER RAIL,POWER SUPPLY MOUNTING		AR
- 92	101706	. SCREW,MACH-HEX HD 10-32 X 3/4 LG	ATT PT	AR
- 93	2125974	. WASHER, INT TOOTH, .200 ID X .562 OD	ATT PT	AR
- 94	2193933	. INNER RAIL,POWER SUPPLY MOUNTING		AR
- 95	130434	. SCREW-MACH,SLOTTED HEX HD NO.10-32 X.375	ATT PT	AR
- 96	2125974	. WASHER, INT TOOTH, .200 ID X .562 OD	ATT PT	AR
- 97	2218921	. SHIELD-POWER SUPPLY		1
- 97A	2261932	. CAPACITOR ASM,SEQ. CNTRL.		1 3
- 97B	130434	. SCREW-MACH,SLOTTED HEX HD NO.10-32 X.375	ATT PT	3 3
- 97C	2125974	. WASHER, INT TOOTH, .200 ID X .562 OD	ATT PT	3 3

LIST AND INDEX NUMBER	PART NUMBER	DESCRIPTION	UNITS PER ASM.	USABLE ON CODE
2- 97D	5736944	. . RESISTOR ASM	1	
- 97E	32042	. . SCREW, MACH BIND. HD 10-32 X 3/8 LG.	2	
- 97F	56121	. . WASHER, LOCK-INT TEETH NO. 10 X 0.381 OD	2	
- 97G	5261077	. . CAPACITOR-ELECTROLYTIC	1	
- 97H	320456	. . CLAMP	1	
- 97J	55726	. . SCREW, MACH-BIND HD 6-32 X .188 LG	3	ATT PT
- 97K	62031	. . WASHER, LOCK-INT TEETH NO. 6 X 0.295 OD	3	ATT PT
- 97L	322551	. . SCREW, BIND HD 6-32 X 0.75 LONG	1	
- 97M	257187	. . NUT, HEX 6-32 NC	1	
- 97N	62031	. . WASHER, LOCK-INT TEETH NO. 6 X 0.295 OD	1	
- 97P	2261931	. . BRACKET, L	1	
- 98	2227449	. BRACKET, MOUNTING-TROS FRONT	1	2E
- 99	2181004	. SCREW, THREAD FORMING-HEX WASHER HD	2	E
-100	2194096	. BRACKET, TOP REAR-TROS MOUNTING	1	2E
-101	2181004	. SCREW, THREAD FORMING-HEX WASHER HD	2	E
-102	2267940	. TROS GATE, 2 K, 60 HZ	1	2E
-102	2267939	. TROS GATE, 2 K, 50 HZ	1	2E
		FOR DETAIL BREAKDOWN SEE FIGURE 22		
-103	129147	. SCREW, MACH-HEX HD 1/4-20 X 7/8 LG	2	E
-104	5350092	. SCREW	10	E
-105	76574	. WASHER, LOCK-EXT. TEETH .250	12	E
-106	24091	. WASHER, FL- 5/16 X 3/4 OD X 1/16 THK	12	E
-107	2227546	. BUSHING, NYLON-TROS	12	E
-108	2227446	. STRIP, INSUL, 1.00 X 3.00	6	2E
-108	2227447	. STRIP, INSUL, 1.00 X 6.00	6	2E
-109	2194097	. BRACKET, TOP FRONT-TROS MOUNTING	1	
-110	2181004	. SCREW, THREAD FORMING-HEX WASHER HD	2	
-111	2267935	. BRACKET	1	2E
-112	2181004	. SCREW, THREAD FORMING-HEX WASHER HD	2	E
-112A	2218898	. CABLE ASM-AC DIST FANS AND 12 VPS	1	
		FOR COMPONENTS SEE FIGURE 32		
-112B	2271122	. PLATE	1	
-112C	28413	. SCREW, MACH-BIND HD 10-32 X 5/16 LG	4	
-112D	2271123	. BRACKET, L	4	
-112E	5349929	. SCREW, THD FORMING HEX- 8-32 X 1/2 LG	4	
-112F	55901	. LOCKWASHER	4	
-112G	2218865	. BRACKET-I/O SUPPORT	1	
-112H	2181004	. SCREW-HEX HD SELFTAP 10-32 X .375 LONG	1	
-113	2100837	. CLAMP, CABLE	2	
-114	2244886	. SHIM, 2.25 SQUARE X 0.060 TH	2	
-115	2218823	. FILTER-LINE, 3 X 40 AMP 60 HZ	1	
-115	4100341	. FILTER-LINE, 35 AMP, 50 HZ	1	
-116	2191737	. SCREW, THD FORMING-HEX WASH HD 10-32X 1.0	4	ATT PT
-117	45690	. WASHER, FLAT	4	ATT PT
-118	2227513	. WASHER, SHLDR 0.22 ID X 0.75 OD X 0.10 TH	4	ATT PT
-119	138755	. DECAL, INST-LINE V PRESENT W/MACH PWR OFF	1	
-120	2191899	. SPACER-FILTER	4	
-121	2181004	. SCREW, THREAD FORMING-HEX WASHER HD	4	ATT PT
-122	5760770	. TRANSF.-RECT. ASM, MULTI LEVEL, 60HZ	1	3
-122	5760860	. TRANSF.-RECT. ASM, MULTI LEVEL, 50HZ	1	3
		FOR DETAIL BREAKDOWN SEE FIGURE 11		
-122	5709670	. TRANSFORMER ASSEMBLY, 60 HZ	1	4
-122	5709680	. TRANSFORMER ASM, 50 HZ	1	4
		FOR DETAIL BREAKDOWN SEE FIGURE 11A		
-123	5353301	. SCREW-THREAD FORMING, HEX. WASHER HEAD	4	ATT PT
-124	2125656	. LOCKWASHER,	4	ATT PT
-125	76574	. WASHER, LOCK-EXT. TEETH .250	1	ATT PT
-125A	2101376	. STRAP-GROUND	1	
-125B	2125974	. WASHER, INT TOOTH, .200 ID X .562 OD	1	
-125C	2218911	. SHIELD	1	4
-125D	438622	. SCREW, BIND HD, 1/4-20 X 3/8LG	2	4
-126	2193936	. BOLT-CABLE CLAMP, 1/4-20 X 3/4 LG	1	
-127	3960	. NUT, PLAIN, HEX- 1/4-20 X 7/16 FL W	2	ATT PT
-128	2218837	. BRACKET-CABLE CLAMP	1	
-129	2181004	. SCREW, THREAD FORMING-HEX WASHER HD	2	ATT PT
-130	2157384	. STRAP, GROUND	1	
-131	2181004	. SCREW, THREAD FORMING-HEX WASHER HD	1	ATT PT
-132	56079	. WASHER-LOCK, EXT T .204 ID .410 OD	1	ATT PT
-133	2218978 NP	. DC DISTRIBUTION GROUP, I/O	1	
		FOR DETAIL BREAKDOWN SEE FIG 13		
-134	2181004	. SCREW, THREAD FORMING-HEX WASHER HD	AR	ATT PT
-135	56079	. WASHER-LOCK, EXT T .204 ID .410 OD	1	ATT PT
-136	2218805	. FRAME ASM.	1	
-137	471901	. . CASTER	4	
-138	76846	. . NUT-HEXAGON	4	ATT PT
-139	130987	. . WASHER, LOCK-SPLIT 0.509 ID X 0.879 OD	4	ATT PT
-139A	2285717	. BRACKET	1	B

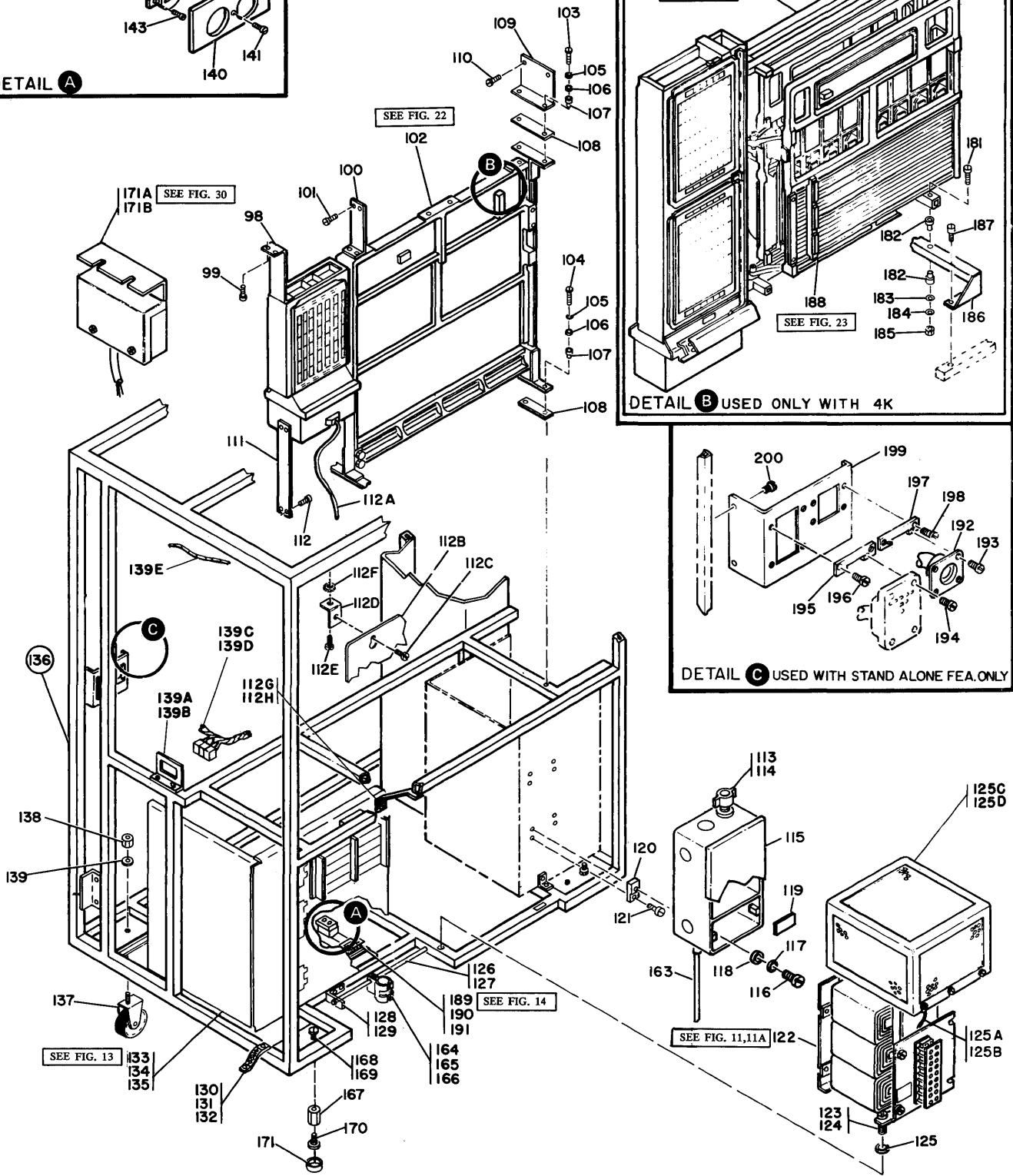
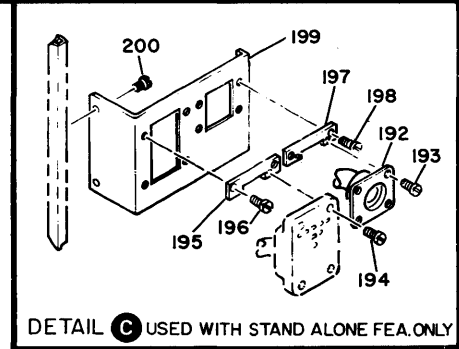
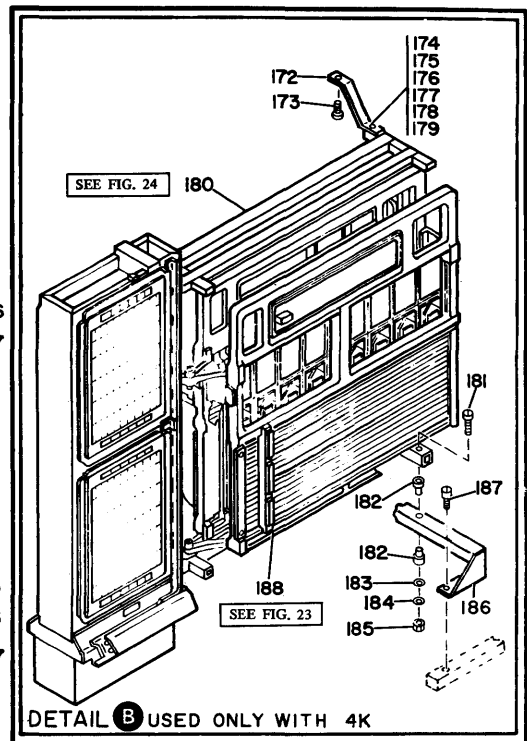
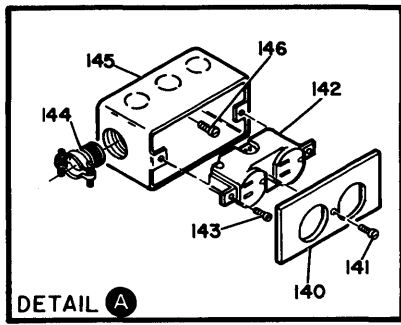


FIGURE 2. 2314 FINAL ASSEMBLY. FRONT VIEW.  
 (Sheet 2 of 2. Index No. 98 thru 146, and 163 thru 200) SEE LIST 2.



LIST AND INDEX NUMBER	PART NUMBER	DESCRIPTION	UNITS	USABLE
			PER ASM.	ON CODE
2	-139B 2181004	. SCREW-HEX HD SELFTAP 10-32 X .375 LONG	2	B
	-139C 2285715	. CABLE ASM,DIST. BLOCKS TO MIXER CONN FOR COMPONENTS SEE FIGURE 32	1	B
-139D	107158	. SCREW	6	B
-139D	37913	. NUT, HEX 4-40 NC	6	B
-139E	2285718	. CABLE ASM,AC INTERCONN TO FCU,50 HZ FOR COMPONENTS SEE FIGURE 32	1	B
-140	359018	. COVER, CONVENIENCE OUTLET	1	
-141	-COMM.-	. SCREW,FLAT HD ATT PT	1	
-142	357995	. OUTLET,CONVENIENCE, 60 HERTZ	1	
-142	418835	. OUTLET,CONVENIENCE,220V 50 HZ	1	
-143	-COMM.-	. SCREW,FLAT HD ATT PT	2	
-144	2100264	. RELIEF,CABLE STRAIN	2	
-145	2102151	. BOX-UTILITY	1	
-146	2181004	. SCREW,THREAD FORMING-HEX WASHER HD ATT PT	2	
-147	5709440	POWER SUPPLY ASM,9-12V AT 10A 60 HZ	1	A
-147	5709480	POWER SUPPLY ASM,9-12V AT 10A 50 HZ	1	A
-147A	2271175	FOR DETAIL BREAKDOWN SEE FIGURE 4 METER ASM,DOMESTIC-MOD A AND B	1	
-147A	2271179	METER ASM,GERMAN-MOD A AND B	1	
-147A	2271183	METER ASM,FRENCH-MOD A AND B FOR DETAIL BREAKDOWN SEE FIG 31	1	
-147B	2193932	OUTER RAIL ATT PT	2	
-147C	332620	SCREW,MACH-BIND HD 10-32 X 1/2 LG ATT PT	4	
-147D	2125974	WASHER, INT TOOTH, .200 ID X .562 OD ATT PT	4	
-148	5761560	POWER SUPPLY ASM,15VDC AT 2.5 AMP,60 HZ	1	A
-148	5761550	POWER SUPPLY ASM,15VDC AT 2.5 AMP,50 HZ FOR DETAIL BREAKDOWN SEE FIGURE 6	1	A
-151	2218819	B GATE ASSEMBLY,60 HZ	1	A
-151	2218820	B GATE ASSEMBLY,50 HZ FOR DETAIL BREAKDOWN SEE FIGURE 20	1	A
-151A	2218899	CABLE ASSEMBLY-DC DISTRIBUTION MOD 1	1	
-151A	2262024	CABLE ASM,DC DISTRIB UTION AND MOD A AND B	1	
-152	2218811	FOR COMPONENTS SEE FIG 32 CE BUFFER PANEL ASM	1	A
-153	2218946	FOR DETAIL BREAKDOWN SEE FIGURE 18 BUMPER ASM	1	A
-154	740501	SCREW,MACH-HEX HD 6-32 X 1/4 LG ATT PT	2	A
-155	5203114	. CHANNEL	2	
-156	2218945	. BRACKET,BUMPER	1	
-157	2218966	REMOTE SWITCH ASM	1	
-158	2181005	USED ON REMOTE SWITCH ATT W/2 CHAN SW FOR DETAIL BREAKDOWN SEE FIGURE 19 SCREW, SELF TAPPING, 6-32 X .375 LG. ATT PT	2	
-159	2218804	A GATE ASM,W/O 2 CHAN SW-MOD 1 & 2314 A	1	
-159	2285702	A GATE ASM,W/O 2 CHAN SW-2314 B	1	
-159	2218817	A GATE ASM,W/2 CHAN SW -MOD 1 & 2314 A	1	
-159	2285704	A GATE ASM,W/2 CHAN SW -2314 B	1	
-160	2218977	FOR DETAIL BREAKDOWN SEE FIGURE 15 CABLE ASM, AC POWER TO B GATE	1	A
-160	2218976	CABLE ASM, B GATE TO POWER SEQUENCING.	1	A
-160	2218566	CABLE ASSEMBLY-SINGLE MULTIPLEX MOD 1	1	
-160	2271160	CABLE ASM,MPX MOD A	1	
-161	2218947	FOR COMPONENTS SEE FIG 32 SUPPORT,GATE STABILIZER	1	A
-162	5353301	SCREW-THREAD FORMING, HEX. WASHER HEAD ATT PT	2	A
-163	2250866	CABLE ASM,LINE CORD,6 FT 60 HZ MOD 1/A1/B-W/O 2844 (+7 DRIVES)	1	
-163	2278271	CABLE ASM,LINE CORD,14 FT 60 HZ MOD 1/A1/B-W/O 2844 (+7 DRIVES)	1	
-163	2271108	CABLE ASSEMBLY,LINE CORD,6 FT 60 HZ MOD A/B (-6 DRIVES)	1	
-163	2271049	CABLE ASSEMBLY,LINE CORD,14 FT 60 HZ MOD A/B (-6 DRIVES)	1	
-163	2218904	CABLE ASSEMBLY,LINE CORD,WTC 50 HZ MOD 1 AND A1 W/O 2844	1	
-163	2271154	CABLE ASSEMBLY,LINE CORD,UK 50 HZ MOD 1 AND A2 W/O 2844	1	
-163	2271163	CABLE ASSEMBLY,LINE CORD,WTC 50 HZ MOD A (-6DRIVES)	1	
-163	2271164	CABLE ASSEMBLY,LINE CORD,UK 50HZ MOD A (-6 DRIVES) FOR COMPONENTS SEE FIGURE 32	1	
-164	2191879	CLAMP,0.468 ID	2	
-164	2191882	CLAMP,0.968 ID	8	
-165	332620	SCREW,MACH-BIND HD 10-32 X 1/2 LG	10	
-166	11598	NUT,HEX,10-32 X 0.375 FL W ATT PT	10	
-167	2191787	SPACER-1/2-13 X 1-3/4 LG	4	
-168	93178	SCREW,CAP-SLOT HD,1/13 X 3/4 LG ATT PT	4	
-169	130987	WASHER,LOCK-SPLIT 0.509 ID X 0.879 OD ATT PT	4	
-170	2191786	BOLT-SQUARE NECK,1/2-13 X 2 LG	4	
-171	2162666	CUP	4	
-171A	2262094	JUNCTION BOX ASM,AC 60HZ MOD A ONLY	1	
-171A	2262096	JUNCTION BOX ASM,AC 50HZ MOD A ONLY FOR DETAIL BREAKDOWN SEE FIG 30	1	

LIST AND INDEX NUMBER	PART NUMBER	DESCRIPTION	UNITS PER ASM.	USABLE ON CODE	
					1 2 3 4
2 -171B	55918	SCREW,MACH-BIND HD 10-32 X 5/8 LG	ATT PT	2	
-171B	56079	WASHER,LOCK EXT TEETH,NO.10 X 0.20 TH	ATT PT	2	
-172	2218926	BRACKET,Z		4	D
-173	2181004	SCREW,THREAD FORMING-HEX WASHER HD	ATT PT	4	D
-174	36112	SCREW,MACH-HEX HD 1/4-20 X 1-1/2 LG	ATT PT	4	D
-175	2218925	BUSHING, TROS ISOLATING - .75 DIA	ATT PT	4	D
-176	150909	SPACER,0.750 OD X0.257 ID X 0.125 TH	ATT PT	4	D
-177	3550	WASHER,FLAT 1/4 ID-9/16-OD-0.05 THICK	ATT PT	4	D
-178	6935	WASHER,LOCK-SPLIT 1/4 X 0.493 OD	ATT PT	4	D
-179	3960	NUT,PLAIN,HEX- 1/4-20 X 7/16 FL W	ATT PT	4	D
-180	2267942	TROS GATE ASM,4K,60 HZ		1	2D
-180	2267941	TROS GATE ASM,4K,50 HZ		1	2D
-180	2244870	TROS GATE ASSEMBLY,2K BASIC FOR DETAIL BREAKDOWN SEE FIGURE 24		1	1E
-181	59652	SCREW,MACH-HEX HD 1/4-20 X 3/4 LG	ATT PT	4	D
-182	2218925	BUSHING, TROS ISOLATING - .75 DIA	ATT PT	8	D
-183	3550	WASHER,FLAT 1/4 ID-9/16-OD-0.05 THICK	ATT PT	4	D
-184	6935	WASHER,LOCK-SPLIT 1/4 X 0.493 OD	ATT PT	4	D
-185	3960	NUT,PLAIN,HEX- 1/4-20 X 7/16 FL W	ATT PT	4	D
-186	2218924	BRACKET,TROS BASE		2	D
-187	5353301	SCREW-THREAD FORMING, HEX. WASHER HEAD	ATT PT	4	D
-188	2267952	TROS C GATE ASM, 7 BANKS		1	2
-188	2218914	TROS C GATE ASSEMBLY- 7 BANKS USED W/AIRLINES BUFFER FEA ONLY		1	1
-188	2267953	TROS C GATE ASM, 2 BANKS MOD 1 AND A ONLY		1	1
-188	2218913	TROS C GATE ASSEMBLY- 2 BANKS MOD 1 AND A ONLY USED W/2844-W/O AIRLINES BUFFER FEA FOR DETAIL BREAKDOWN SEE FIGURE 23		1	F
-189	2244992	BLOCK ASM,TERMINAL FOR DETAIL BREAKDOWN SEE FIGURE 14		1	F
-190	2181004	SCREW,THREAD FORMING,10-32 X 0.38 LG	ATT PT	2	F
-171	5319888	SCREW, SELF TAPPING, 10-32 X .625 LONG	ATT PT	2	F
-192	2285026	CABLE ASM,AC INTERCONN,60HZ FOR COMPONENTS SEE FIG 32		1	G
-193	38263	SCREW,MACH-FIL H 4-40 X 5/16 LG	ATT PT	4	G
-194	38351	SCREW,MACH-FIL HD 6-32 X .312 LG		4	G
-195	2285032	PLATE		2	G
-196	38351	SCREW,MACH-FIL HD 6-32 X .312 LG	ATT PT	4	G
-197	2285033	PLATE		2	G
-198	38351	SCREW,MACH-FIL HD 6-32 X .312 LG	ATT PT	4	G
-199	2285030	BRACKET,FCU CABLES		1	G
-200	90261	SCREW,250-20 ***** END OF LIST 2 *****	ATT PT	2	G

FOR PARTS  
NOT SHOWN  
SEE FIG. 2

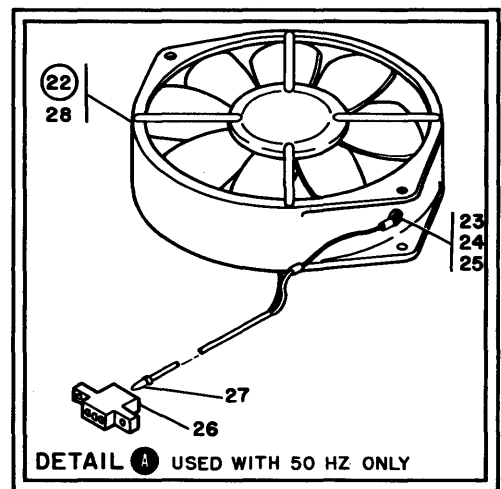
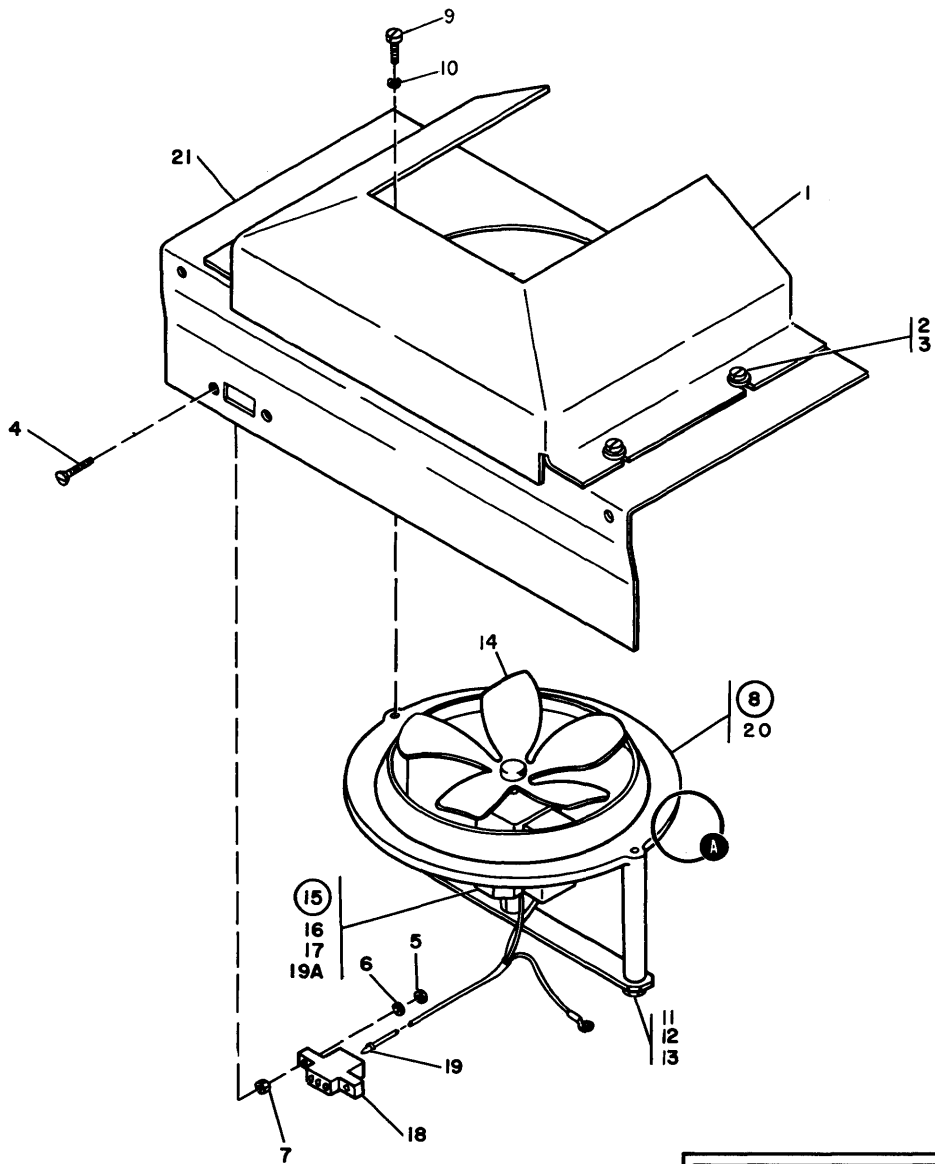
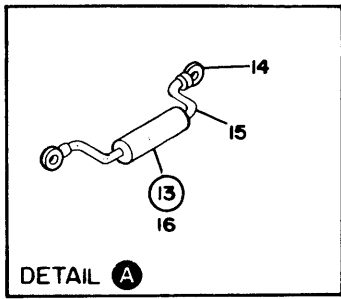


FIGURE 3. BLOWER ASSEMBLY.  
SEE LIST 3.





FOR PARTS  
NOT SHOWN  
SEE FIG. 2

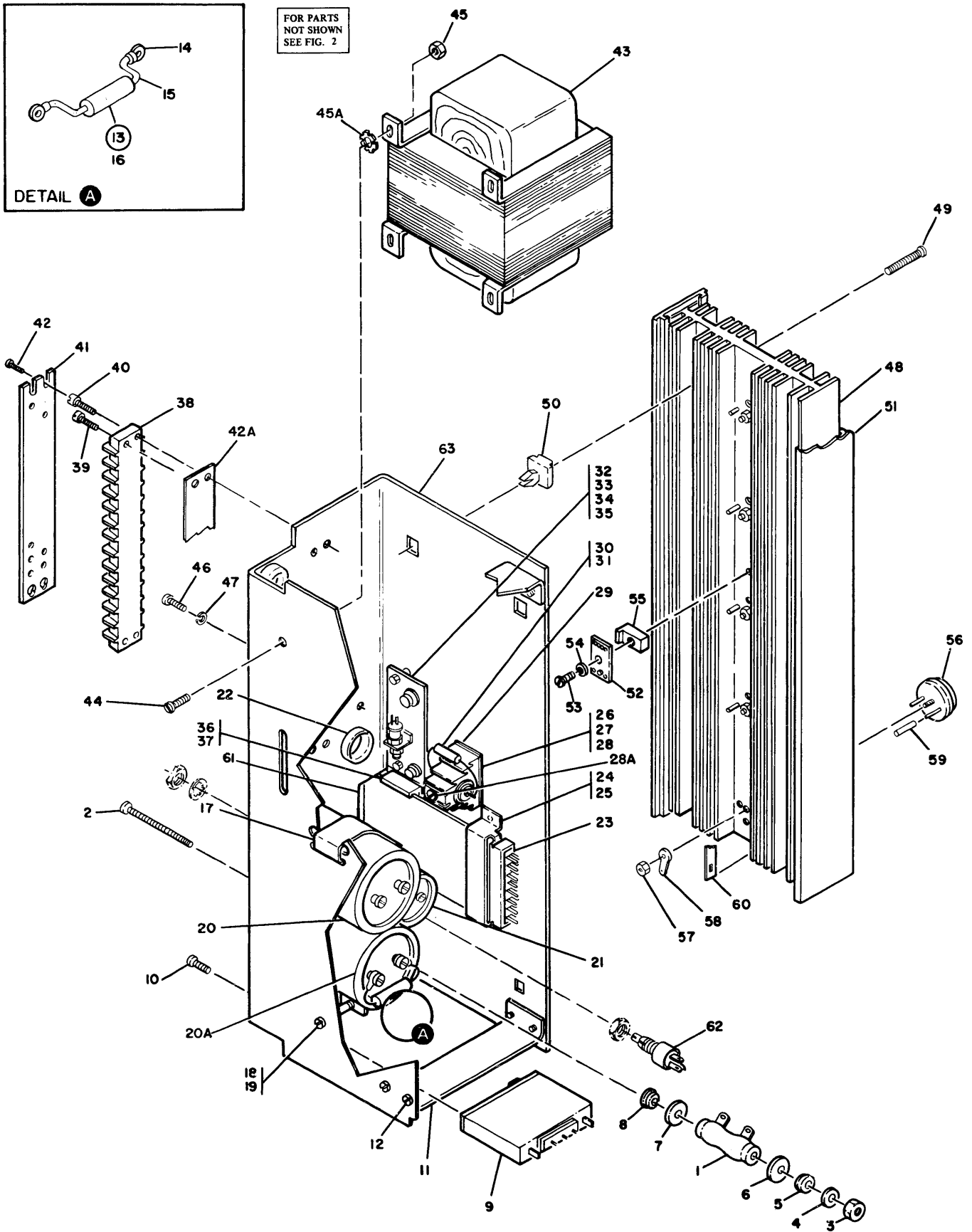


FIGURE 4. POWER SUPPLY ASSEMBLY (9-12 VOLT 10 AMP)  
SEE LIST 4.

LIST AND INDEX NUMBER	PART NUMBER	DESCRIPTION	UNITS	USABLE ON CODE
			PER ASM.	
4 -	5709440	POWER SUPPLY ASM,9-12V AT 10A 60 HZ	REF	
-	5709480	POWER SUPPLY ASM,9-12V AT 10A 50 HZ	REF	
		FOR NEXT HIGHER ASM SEE FIGURE 2-147		
- 1	730452	. RESISTOR,FXD	1	
- 2	331982	. SCREW,MACH RD HD 8-32 X 1-1/4 LG	1	
- 3	5761938	. NUT/LOCKWASHER ASSEMBLY - 8-32	1	
- 4	2903	. WASHER,FL-NO. 6 X 1/2 OD X 1/32 THK	1	
- 5	510468	. CUP WASHER	2	
- 6	5761935	. WASHER	2	
- 7	5761935	. WASHER	2	
- 8	510468	. CUP WASHER	2	
- 9	5214547	. CIRCUIT BREAKER	1	
- 10	38235	. SCREW,BIND HD 6-32 X .312 LONG	2	
- 11	5761779	. BRACKET,CHASSIS	2	
- 12	731629	. SCREW,PAN HD- 10-32 X 0.380 LG	8	
- 13	5261936	. RESISTOR ASSEMBLY,200 OHMS 5W	1	
- 14	334932	. . TERMINAL, RING NO.18 THRU NO.22WIRE INSU	2	
- 15	113819	. . TUBING	2	
- 16	477144	. . RESISTOR, WIREWOUND - 200 OHM 5W	1	
- 17	5761793	. STRAP,CAPACITOR MTG	1	
- 18	438571	. SCREW, BINDING HEAD, 6-32 NC X 1-3/4 LG	1	
- 19	5761943	. NUT,HEX 10-32 NC	1	
- 20	5261077	. CAPACITOR-ELECTROLYTIC	1	
- 20A	5214366	. CAPACITOR	1	
- 21	5261127	. CAPACITOR-ELECTROLYTIC	1	
- 22	5761936	. GROMMET	3	
- 23	216076	. TERMINAL BLOCK AND CONTACT ASSEMBLY FOR COMPONENTS SEE FIGURE 32-83	1	
- 24	5761904	. BRACKET	1	
- 25	5761907	. RIVET	2	
- 26	2480607	. RECTIFIER ASSEMBLY FOR SUBSTITUTE PART USE 5761977	1	
		ASSEMBLY COMPONENTS ARE NOT REPLACEABLE		
- 27	81693	. SCREW,MACH-BIND HD 6-32 X 3/8 LG	2	
- 28	5762215	. WASHER,INSULATING	2	
- 28A	81693	. SCREW,MACH-BIND HD 6-32 X 3/8 LG	1	
- 29	5761979	. INSULATOR	1	
- 30	217077	. CAPACITOR, .010 UF	1	
- 31	113819	. TUBING	2	
- 32	5761989	. OVERVOLTAGE CARD ASSEMBLY, 12 VOLT	1	
- 33	438551	. SCREW,MACH-BIND HD 4-40 X 5/8 LG	2	
- 34	332779	. SPACER	2	
- 35	37913	. NUT, HEX 4-40 NC	2	
- 36	5712309	. GUIDE	1	
- 37	5761907	. RIVET	2	
- 38	82353	. TERMINAL BOARD- 14 DBL SCREW TERMINALS	1	
- 39	210883	. STUD, EXT 6-32 X 1/2 INT 6-32 X 0.19 DP	2	
- 40	322550	. SCREW,6-32 X 0.50 LG	2	
- 41	533360	. SHIELD,14 POS.	1	
- 42	10170	. SCREW-MACH,BIND HD NO. 6-32 X .250 LG	2	
- 42A	620240	. MARKER STRIP,14 POS	1	
- 43	5761738	. TRANSFORMER,60 HZ	1	
- 43	4116486	. TRANSFORMER,50HZ	1	
- 44	332620	. SCREW,MACH-BIND HD 10-32 X 1/2 LG	4	
- 45	5761908	. NUT,HEX 10-32 NC	4	
- 45A	56079	. WASHER, LOCK EXT TEETH, NO. 10 X 0.20 TH	1	
- 46	10170	. SCREW-MACH,BIND HD NO. 6-32 X .250 LG	1	
- 47	56722	. WASHER-LOCK,EXT T, .150 ID	1	
- 48	5761768	. HEAT SINK	1	
- 49-	5761913	. SCREW	4	
- 50	5761796	. INSULATOR,HEAT SINK	4	
- 51	473536	. SEAL	AR	
- 52	5761909	. TERMINAL, BRASS	1	
- 53	2181002	. SCREW-HEX HD SELFTAP 8-32 X .750 LONG	1	
- 54	5374689	. BUSHING	1	
- 55	5761798	. INSULATOR, PHENOLIC - .38W X .75 LG	1	
- 56	369214	. TRANSISTOR,TYPE 108	5	
- 57	11598	. NUT,HEX, 10-32 X 0.375 FL W	5	
- 58	316996	. TERMINAL,LUG-NONINS 9AWG NO. 8 MTG HOLE	1	
- 59	5761976	. TUBING	10	
- 60	5761968	. BUS STRIP	1	
- 61	375249	. CARD ASM	1	
		ASSEMBLY COMPONENTS ARE NOT REPLACEABLE		
- 62	207340	. PTOENTIOMETER,250 OHM 1/2 W P/M 10%	1	
- 63	5762439	. CHASSIS,14.25 IN ***** END OF LIST 4 *****	1	

FOR PARTS  
NOT SHOWN  
SEE FIG. 2

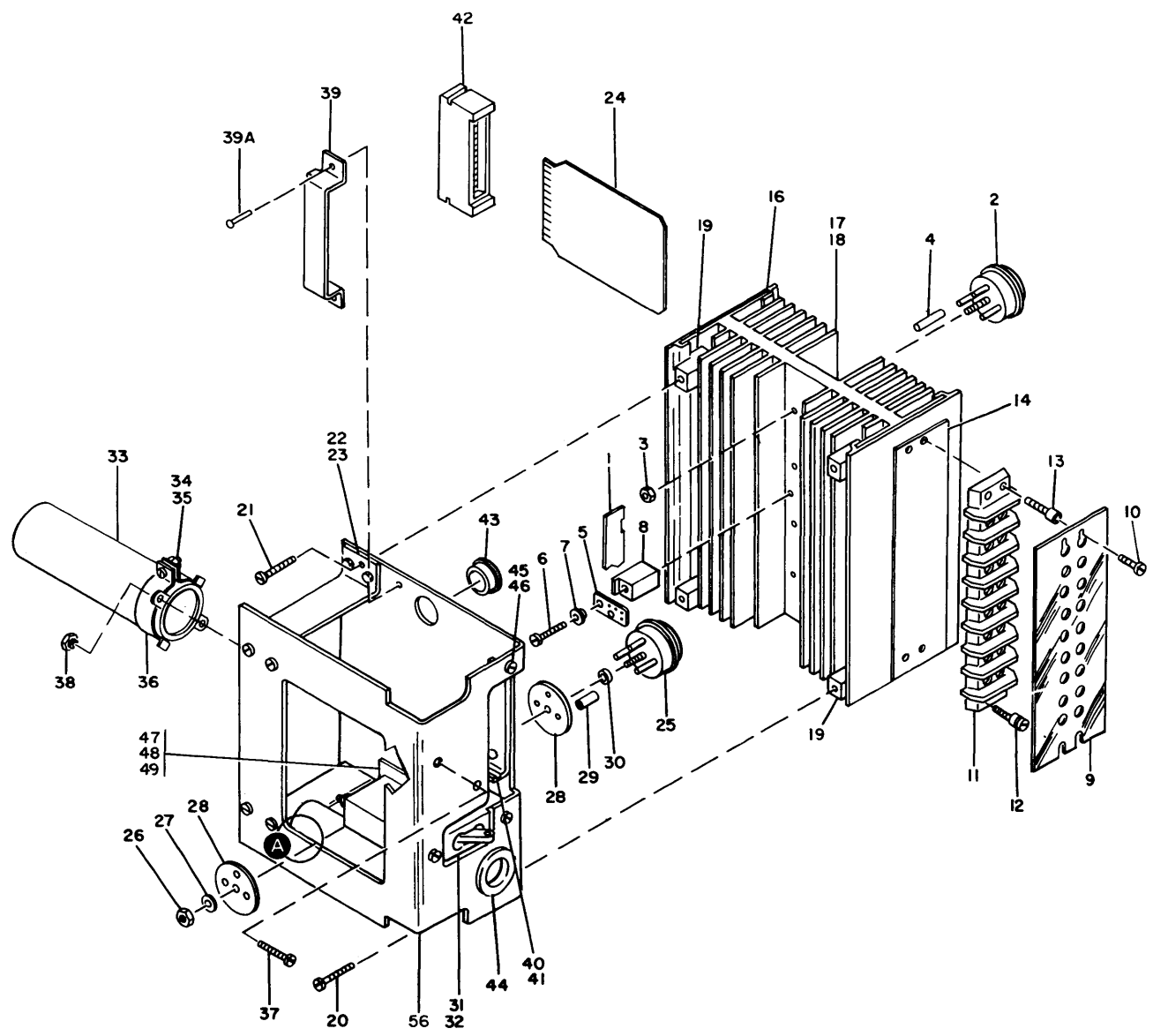
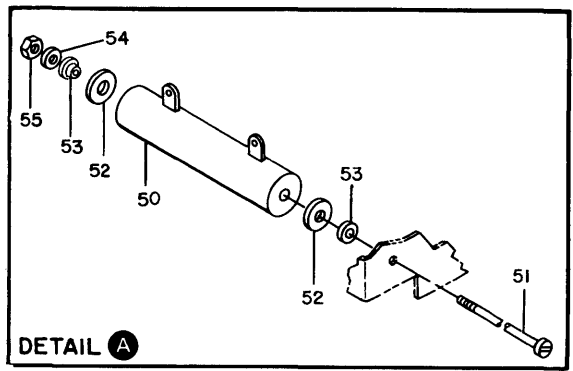


FIGURE 5. POWER PAC ASSEMBLY (12 VOLT 13 AMP)  
SEE LIST 5

LIST AND INDEX NUMBER	PART NUMBER	DESCRIPTION	UNITS PER ASM.	USABLE ON CODE
			1 2 3 4	
5 -	5762080	POWER PAC ASM,12V AT 13 AMP FOR NEXT HIGHER ASM SEE FIGURE 2-16	REF	
- 1	5762045	. BUS STRIP	1	
- 2	369214	. TRANSISTOR,TYPE 108	4	
- 3	11598	. NUT,HEX, 10-32 X 0.375 FL W	4	ATT PT
- 4	5761976	. TUBING	8	
- 5	5762037	. TERMINAL	1	
- 6	5762058	. SCREW,HEX HD,6-32 X 1.125 LG	1	ATT PT
- 7	1134232	. WASHER	1	ATT PT
- 8	5762036	. STANDOFF	1	
- 9	352088	. SHIELD,9 POS	1	
- 10	81693	. SCREW-MACH,BIND HD NO. 6-32 X 3/8 LG	1	
- 11	323844	. BLOCK,TERMINAL 9 POSITION	1	
- 12	2032	. SCREW,FILL HD 8-32 X 7/8 LG	2	
- 13	2572866	. SPACER	2	
- 14	730439	. MARKER STRIP, 9 POSITION	1	
- 16	5762025	. SEAL,AIR	2	
- 17	5762015	. HEAT SINK,4 TRANSISTOR MTG	1	
- 18	255629	. SCREW,THD CTG-FL CSK HD NO. 6 X 1/2 LG	4	ATT PT
- 19	5762034	. INSULATOR,HEATSINK	4	
- 20	91610	. SCREW,THD CTG-BIND HD 6-32 X 1/2 LG	2	ATT PT
- 21	80652	. SCREW,THD CTG-BIND HD 6-32 X 5/8 LG	2	ATT PT
- 22	5762033	. BRACKET	2	
- 23	186759	. SCREW,MACH-BIND HD 8-32 X 5/16 LG	4	ATT PT
- 24	375161	. CARD ASM,REGULATOR	1	
- 25	369214	. TRANSISTOR,TYPE 108	1	
- 26	11598	. NUT,HEX, 10-32 X 0.375 FL W	1	ATT PT
- 27	45690	. WASHER,FLAT	1	ATT PT
- 28	5762406	. INSULATOR	2	ATT PT
- 29	5761976	. TUBING	2	ATT PT
- 30	473582	. INSULATOR	1	ATT PT
- 31	5214551	. PROTECTOR,CIRCUIT	1	
- 32	38235	FOR SUBSTITUTE PART ORDER 4116994		
- 33	730428	. SCREW,BIND HD 6-32 X .312 LONG	2	ATT PT
- 34	38354	. CAPACITOR,FXD,ELECT-8,000 MFD 15 VDCW	1	
- 35	5761943	. SCREW,MACH-FIL H 6-32 X 1/2 LG	1	ATT PT
- 36	301768	. NUT,HEX 10-32 NC	1	ATT PT
- 37	38235	. CLAMP	1	
- 38	5761943	. SCREW,BIND HD 6-32 X .312 LONG	1	ATT PT
- 39	5761904	. NUT,HEX 10-32 NC	2	ATT PT
- 39A	5761907	. BRACKET	1	
- 40	5712309	. RIVET	2	ATT PT
- 41	5761907	. GUIDE	1	
- 42	216076	. RIVET	AR	ATT PT
- 43	5762057	. RECEPTACLE ASM,SINGLE CARD FOR COMPONENTS SEE FIG 32-201	1	
- 44	5761936	. GROMMET,SNAP BUSHING	AR	
- 45	236849	. GROMMET	AR	
- 46	56079	. SCREW,MACH-BIND HD 10-32 X 1/4 LG	1	
- 47	5762475	. WASHER, LOCK EXT TEETH, NO. 10 X 0.20 TH	1	
- 48	438550	. CARD ASM,OVERVOLTAGE ASSEMBLY COMPONENTS ARE NOT REPLACEABLE	1	
- 49	332779	. SCREW,MACH-BIND HD 4-40 X 1/2 LG	2	ATT PT
- 50	730426	. SPACER	2	ATT PT
- 51	331982	. RESISTOR	1	
- 52	5761935	. SCREW,MACH RD HD 8-32 X 1-1/4 LG	AR	ATT PT
- 53	510468	. WASHER	AR	ATT PT
- 54	22478	. CUP WASHER	AR	ATT PT
- 55	600960	. WASHER,FL- 0.170 ID 0.375 OD 0.032 THK	AR	ATT PT
- 56	5762005	. NUT/LOCKWASHER ASSEMBLY - 8-32	AR	ATT PT
		. CHASSIS	1	
		***** END OF LIST 5 *****		



FOR PARTS  
NOT SHOWN  
SEE FIG. 2

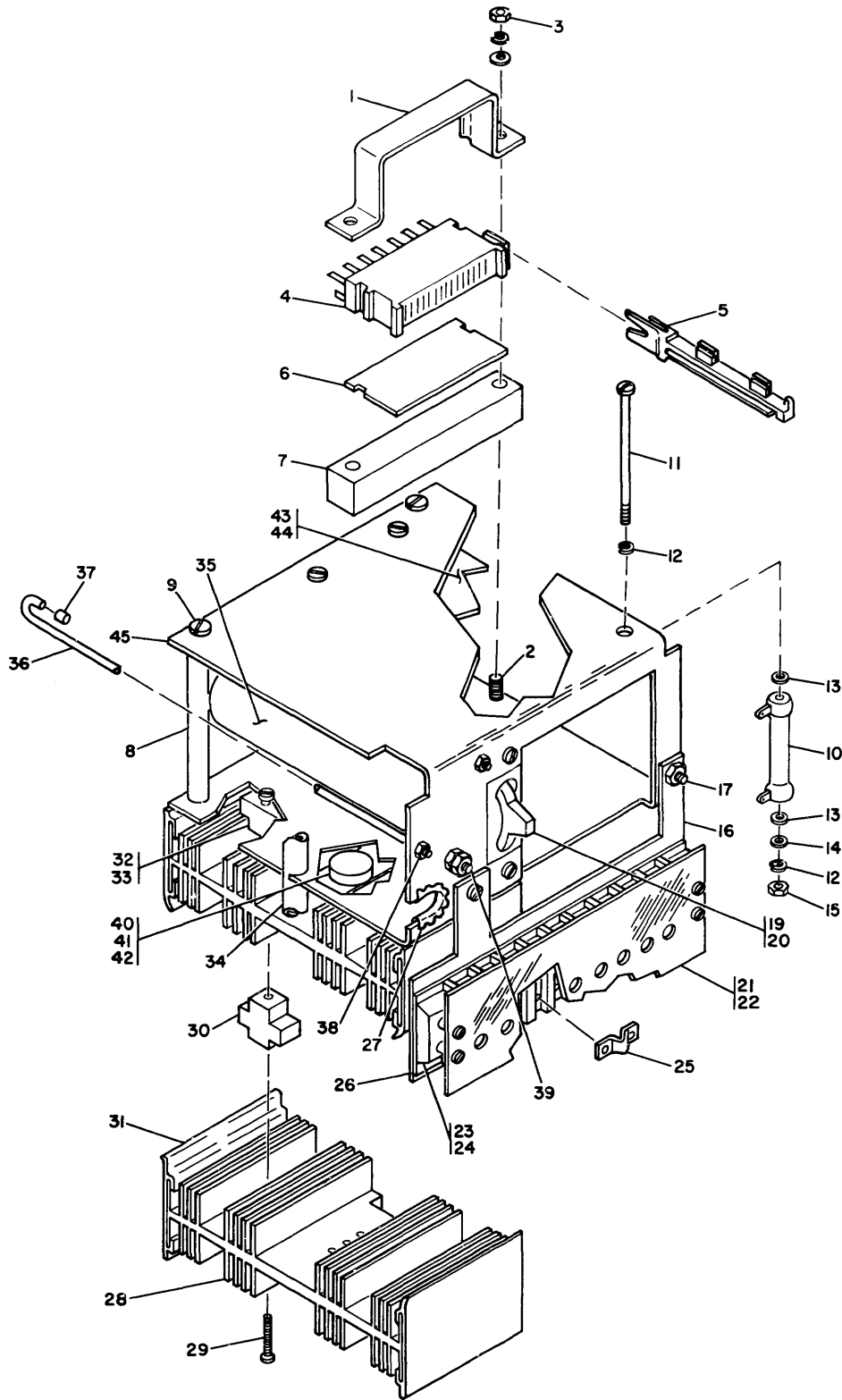
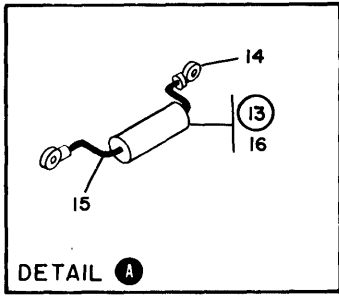


FIGURE 5A. POWER PAC ASSEMBLY (12 VOLT 2 AMP)  
SEE LIST 5A.

LIST AND INDEX NUMBER	PART NUMBER	DESCRIPTION	UNITS	USABLE ON CODE
			PER ASM.	
		1 2 3 4		
5A-	5712365	POWER PAC ASM, 12 VOLT AT 2 AMP FOR NEXT HIGHER ASM SEE FIGURE 2-16	REF	
- 1	473530	. BRACKET	1	
- 2	438567	. SCREW,MACH-UNDRCT BIND HD 6-32 X 1 LG	2	
- 3	257986	. WASHER,0.156 ID X 0.035 THK	2	
- 3	62031	. WASHER,LOCK-INT TEETH NO. 6 X 0.295 OD	2	
- 3	38051	. NUT,PLAIN HEX 6-32 X 1/4 FL W	2	
- 4	216076	. RECEPTACLE ASM,SINGLE CARD	2	
		FOR COMPONENTS SEE FIGURE 32-197		
- 5	216206	. GUIDE-SINGLE CARD LONG	2	
- 6	473547	. SPACER,1 X 2 3/8 IN .12 IN THICK	1	
- 7	730443	. SPACER-CARD RECP	1	
- 8	730444	. SPACER,SLEEVE	2	
- 9	730446	. SCREW,MACH-BINDING HD 10-32 X 3.16 LG	2	
- 10	5261117	. RESISTOR,FXD,WW- 0.5 OHMS P/M 10% 25W	1	
- 11	438593	. SCREW-MACH-BIND HD NO. 8-32 X 2 1/2 LG	1	
- 12	60646	. WASHER,LOCK-INT TEETH NO. 8 X 0.340 OD	1	
- 13	510468	. CUP WASHER	2	
- 14	22478	. WASHER,FL- 0.170 ID 0.375 OD 0.032 THK	1	
- 15	257189	. NUT, HEX 8-32	1	
- 16	730455	. PLATE,MTG-TERMINAL BOARD	1	
- 17	236849	. SCREW,MACH-BIND HD 10-32 X 1/4 LG	1	
- 17	55918	. SCREW,MACH-BIND HD 10-32 X 5/8 LG	1	
- 17	56079	. WASHER, LOCK EXT TEETH, NO. 10 X 0.20 TH	1	
- 17	11598	. NUT,HEX, 10-32 X 0.375 FL W	2	
- 19	5261807	. CIRCUIT BREAKER	1	
- 20	10170	. CREW,MACH BIND HD,6-32 X 0.25 LG	2	
- 21	473545	. SHIELD,9 POSITION	1	
- 22	210984	. SCREW,MACH RH 6-32 X .25	1	
- 23	323844	. BLOCK,TERMINAL 9 POSITION	1	
- 24	210986	. STUD, SLOTTED 8-32 X 1/2 LG THREAD	3	
- 24	210985	. STUD, EXT 8-32 X 1/2 INT 6-32 X 0.19 DP	AR	
- 25	730468	. JUMPER-TERMINAL STRIP	2	
- 26	730439	. MARKER STRIP-9 POS	1	
- 27	730432	. GROMMET,CATERPILLAR	AR	
- 28	730448	. HEAT SINK	2	
- 29	730445	. SCREW,SELF TAPPING NO.6 X 2.18 LG	4	
- 30	5712367	. TIE BAR	2	
- 31	473536	. SEAL	AR	
- 32	473531	. INSULATOR	4	
- 33	473544	. SCREW,BINDING HEAD SELF TAP NO 6 1/2 IN	4	
- 34	253569	. INSULATION SLEEVING,ELEC- 0.375 ID	AR	
- 35	5261127	. CAPACITOR-ELECTROLYTIC	1	
- 36	473432	. CLAMP	2	
- 37	473412	. INSULATOR	1	
- 38	62031	. WASHER,LOCK-INT TEETH NO. 6 X 0.295 OD	2	
- 38	5213365	. NUT, ACORN-6-32 NC 2B	2	
- 39	441181	. POTENTIOMETER	1	
- 40	369214	. TRANSISTOR,TYPE 108	1	
- 41	219423	. TUBE,RUBBER- 0.085 ID X 0.120 OD X 2 LG	2	
- 42	11891	. NUT,PLAIN,HEX- 10-32 X 3/8 FL W BRS	1	
- 43	5253897	. CARD ASSEMBLY-OVERVOLTAGE CKT 12V	1	
- 44	322550	. SCREW,6-32 X 0.50 LG	2	
- 44	257985	. WASHER,0.156 ID X 0.035 THK	2	
- 44	36776	. NUT,PLAIN,HEX- 6-32 X 5/16 FL W	2	
- 44	719180	. SPACER	2	
- 45	5712366	. CHASSIS ***** END OF LIST 5A *****	1	



FOR PARTS  
NOT SHOWN  
SEE FIG. 2

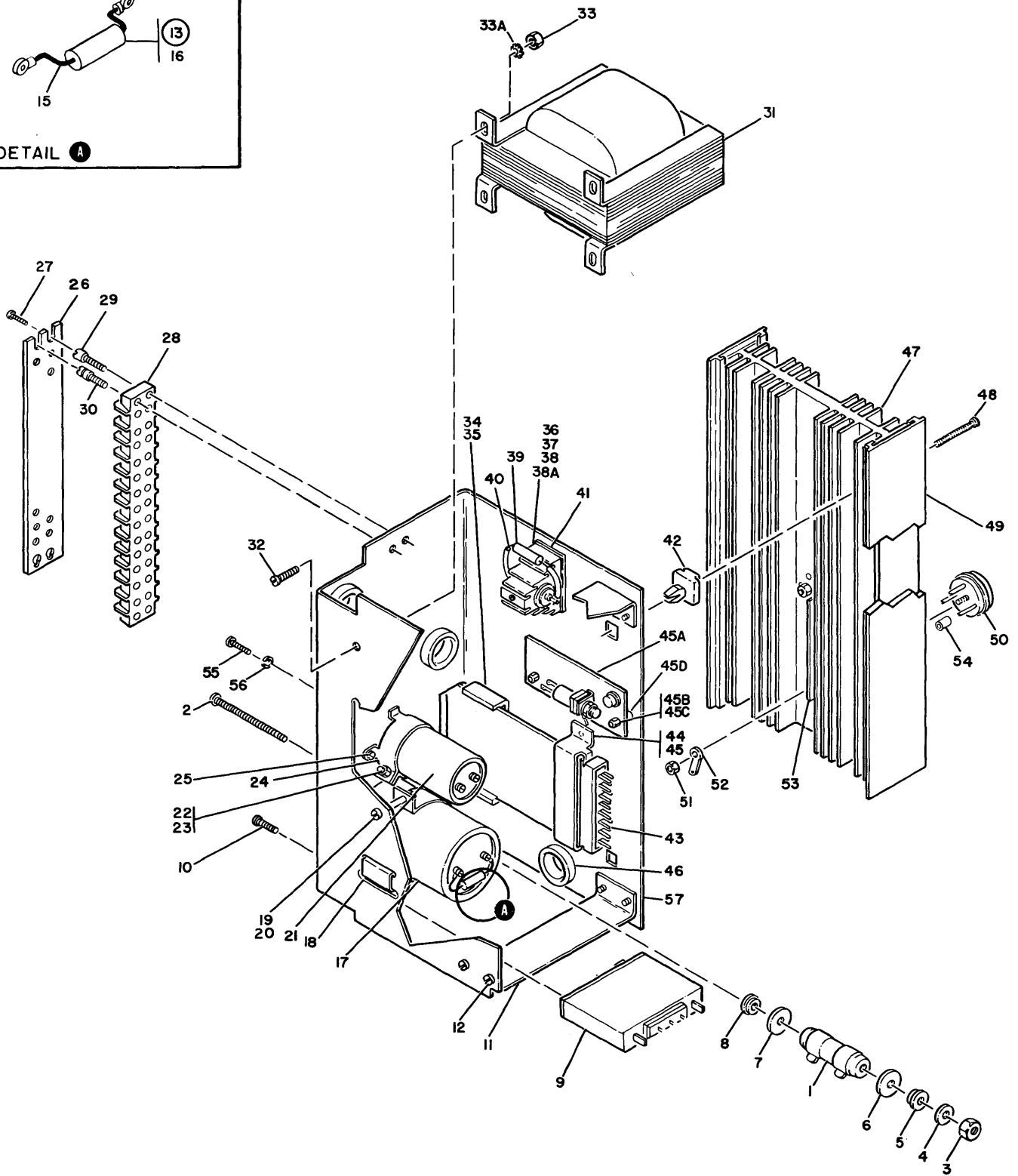


FIGURE 5B. POWER SUPPLY ASSEMBLY (12 VOLT 2.5 AMP)  
SEE LIST 5B

LIST AND INDEX NUMBER	PART NUMBER	DESCRIPTION				UNITS PER ASM.	USABLE ON CODE
		1	2	3	4		
		CODE A USED ON 60 HZ ONLY CODE B USED ON 50 HZ ONLY					
5B-	5239412	POWER SUPPLY ASM, 12V AT 2.5 AMP, 60 HZ				REF	
-	5239430	POWER SUPPLY ASM, 12V AT 2.5 AMP, 50 HZ FOR NEXT HIGHER ASM SEE FIGURE 2-16				REF	
- 1	5261117	. RESISTOR, FXD, WW- 0.5 OHMS P/M 10% 25W				1	
- 2	438593	. SCREW-MACH-BIND HD NO. 8-32 X 2 1/2 LG ATT PT				1	
- 3	5761938	. NUT/LOCKWASHER ASSEMBLY - 8-32 ATT PT				1	
- 4	2903	. WASHER, FL-NO. 6 X 1/2 OD X 1/32 THK				1	
- 5	510468	. CUP WASHER				1	
- 6	5761935	. WASHER				1	
- 7	5761935	. WASHER				1	
- 8	510468	. CUP WASHER				1	
- 9	5214544	. CIRCUIT BREAKER				1	
- 10	38235	. SCREW, BIND HD 6-32 X .312 LONG ATT PT				2	
- 11	5761779	. BRACKET, CHASSIS				2	
- 12	731629	. SCREW, PAN HD- 10-32 X 0.380 LG ATT PT				8	
- 13	5261937	. RESISTOR ASM- 1.1K OHMS 2W				1	
- 14	359695	. . TERMINAL-RING LUG NO.10 STUD				2	
- 15	113819	. . TUBING				2	
- 16	492568	. . RESISTOR, FXD 1,100 OHMS P/M 5% 2W				1	
- 17	5261077	. CAPACITOR-ELECTROLYTIC				1	
- 18	5761786	. STRAP, CAPACITOR				1	
- 19	438570	. SCREW, MACH-BIND HD 6-32 X 1-1/2 LG ATT PT				1	
- 20	5761943	. NUT, HEX 10-32 NC ATT PT				1	
- 21	5261127	. CAPACITOR-ELECTROLYTIC				1	
- 22	510379	. SCREW ATT PT				1	A
- 22	322550	. SCREW, 6-32 X 0.50 LG ATT PT				1	B
- 23	5761943	. NUT, HEX 10-32 NC ATT PT				1	
- 24	301768	. BRACKET				1	
- 25	55726	. SCREW, MACH-BIND HD 6-32 X .188 LG ATT PT				2	
- 26	5761952	. SHIELD, 13 POS				1	A
- 26	210990	. SHIELD- 13 POSITION				1	B
- 27	10170	. SCREW-MACH, BIND HD NO. 6-32 X .250 LG ATT PT				2	A
- 27	210984	. SCREW, MACH RH 6-32 X .25 ATT PT				1	B
- 28	5214556	. TERMINAL BOARD, 13 POS				1	
- 29	5261167	. STUD- 8-32 X 0.438 LG W/6-32 TAPPED HOLE ATT PT				1	
- 30	25627	. SCREW, MACH-BIND HD 8-32 X 1/2 LG ATT PT				2	A
- 30	5261165	. STUD, SHLDR- 8-32 X 0.438 LG THD ATT PT				3	B
- 31	5761735	. TRANSFORMER, 60 HZ				1	
- 31	4116493	. TRANSFORMER, 50 HZ				1	
- 32	332620	. SCREW, MACH-BIND HD 10-32 X 1/2 LG ATT PT				4	
- 33	5761908	. NUT, HEX 10-32 NC ATT PT				4	
- 34	5712309	. GUIDE				1	
- 35	5761907	. RIVET				2	
- 36	5761977	. RECTIFIER ASSEMBLY				1	
- 37	734483	. SCREW, PAN HD- 6-32 X 0.380 LG ATT PT				3	
- 38	5762215	. WASHER, INSULATING ATT PT				2	
- 39	491228	. CAPACITOR, .010 UF				1	
- 40	113819	. TUBING				AR	
- 41	5761979	. INSULATOR				1	
- 42	5761796	. INSULATOR, HEAT SINK				4	
- 43	216076	. RECEPTACLE ASM, SINGLE CARD				1	
		FOR COMPONENTS SEE FIGURE 32-201					
- 44	5761904	. BRACKET				1	
- 45	5761907	. RIVET				2	
- 45A	5761989	. OVERVOLTAGE CARD ASSEMBLY, 12 VOLT PARTS OF THIS ASM ARE NOT REPLACEABLE				1	
- 45B	438551	. SCREW, MACH-BIND HD 4-40 X 5/8 LG ATT PT				2	
- 45C	37913	. NUT, HEX 4-40 NC ATT PT				2	
- 45D	332779	. SPACER				2	
- 46	5761936	. GROMMET				2	
- 47	5761759	. HEAT SINK				1	
- 48	5761913	. SCREW, ATT PT				4	
- 49	473536	. SEAL				AR	
- 50	369214	. TRANSISTOR, TYPE 108				2	
- 51	11598	. NUT, HEX, 10-32 X 0.375 FL W ATT PT				2	
- 52	316996	. TERMINAL, LUG-NONINS 9AWG NO. 8 MTG HOLE				1	
- 53	5761965	. BUS STRIP				1	
- 54	5761976	. TUBING				AR	
- 55	10170	. SCREW-MACH, BIND HD NO. 6-32 X .250 LG				1	
- 56	56722	. WASHER-LOCK, EXT T, .150 ID				1	
- 57	5761758	. CHASSIS				1	
		**** END OF LIST 5B ****					

FOR PARTS  
NOT SHOWN  
SEE FIG. 2

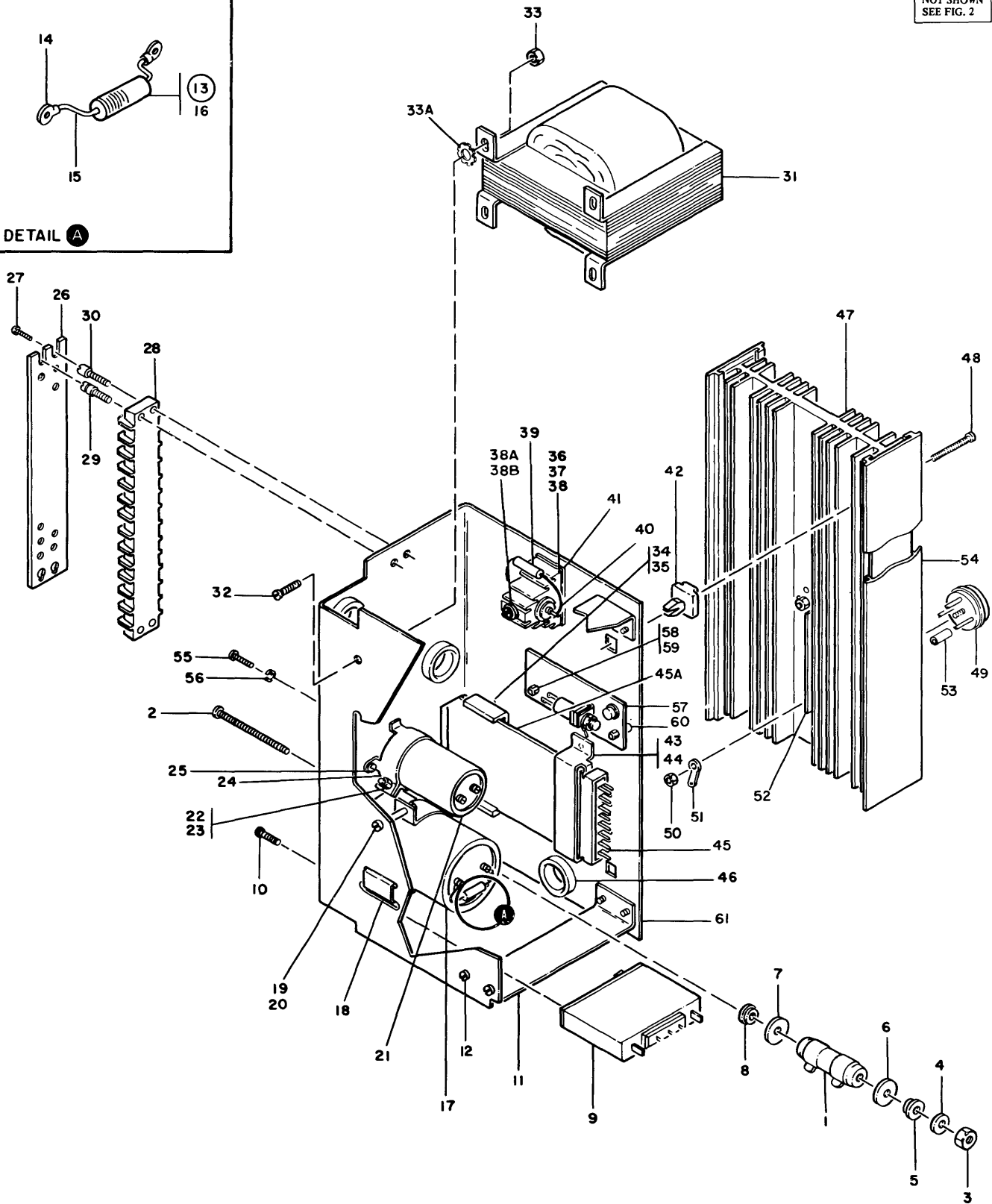
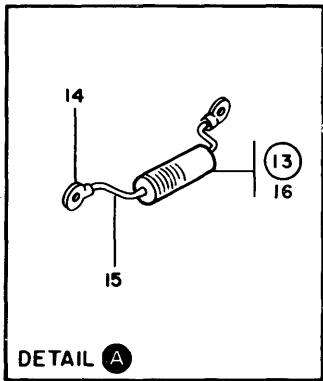


FIGURE 6. POWER SUPPLY ASSEMBLY (15 VOLT 2.5 AMP)  
SEE LIST 6.

LIST AND INDEX NUMBER	PART NUMBER	DESCRIPTION	UNITS	USABLE
			PER ASM.	ON CODE
6 -	5761560	POWER SUPPLY ASM, 15 VOLT 2.5 AMP-W/OV CARD 60 HZ	REF	
-	5761550	POWER SUPPLY ASM, 15 VOLT 2.5 AMP-W/OV CARD 50 HZ	REF	
		FOR NEXT HIGHER ASM SEE FIGURE 2-159		
- 1	5261117	. RESISTOR,0.50 OHMS 25 WATTS WIREWOUND P/M 10	1	
- 2	438593	. SCREW-MACH-BIND HD NO. 8-32 X 2 1/2 LG ATT PT	1	
- 3	600960	. NUT,LOCKING,8-32 ATT PT	1	
- 4	2903	. WASHER,FL-NO. 6 X 1/2 OD X 1/32 THK	1	
- 5	510468	. CUP WASHER	1	
- 6	5761935	. WASHER	1	
- 7	5761935	. WASHER	1	
- 8	510468	. CUP WASHER	1	
- 9	5214544	. CIRCUIT BREAKER	1	
		FOR SUBSTITUTE CB 50HZ ORDER 4116988		
- 10	38235	. SCREW,BIND HD 6-32 X .312 LONG ATT PT	2	
- 11	5761779	. BRACKET,CHASSIS	2	
- 12	731629	. SCREW,PAN HD- 10-32 X 0.380 LG ATT PT	8	
- 13	5261937	. RESISTOR ASSEMBLY 1.1K OHM 2W	1	
- 14	359695	. . TERMINAL-RING LUG NO.10 STUD	2	
- 15	113819	. . TUBING	2	
- 16	492568	. . RESISTOR,FXD 1,100 OHM 2W P/M 5%	1	
- 17	5261077	. CAPACITOR, ELECT.	1	
- 18	5761786	. STRAP,CAPACITOR	1	
- 19	438570	. SCREW,MACH-BIND HD 6-32 X 1-1/2 LG ATT PT	1	
- 20	5761943	. NUT,HEX 10-32 NC ATT PT	1	
- 21	208228	. CAPACITOR,ELECTROLYTIC 5500 UF 19V	1	
- 22	510379	. SCREW ATT PT	1	
- 23	5761943	. NUT,HEX 10-32 NC ATT PT	1	
- 24	301768	. BRACKET	1	
- 25	55726	. SCREW,MACH-BIND HD 6-32 X .188 LG ATT PT	2	
- 26	5761952	. SHIELD,13 POS.	1	
- 27	10170	. SCREW-MACH,BIND HD NO. 6-32 X .250 LG ATT PT	2	
- 28	5214556	. TERMINAL BOARD,13 POS	1	
- 29	5261167	. STUD- 8-32 X 0.438 LG W/6-32 TAPPED HOLE ATT PT	2	
- 30	25627	. SCREW,MACH-BIND HD 8-32 X 1/2 LG ATT PT	2	
- 31	5252503	. TRANSFORMER,60 HZ	1	
- 31	4116444	. TRANSFORMER,50 HZ	1	
- 32	332620	. SCREW,MACH-BIND HD 10-32 X 1/2 LG ATT PT	4	
- 33	602721	. NUT,10-32 ATT PT	4	
- 33A	56079	. WASHER, LOCK EXT TEETH, NO. 10 X 0.20 TH	1	
- 34	5712309	. GUIDE	1	
- 35	5761907	. RIVET ATT PT	2	
- 36	5761977	. RECTIFIER ASSEMBLY	1	
- 37	734483	. SCREW,PAN HD 6-32 X 3/8 LG	2	
- 38	5762215	. WASHER,INSULATING ATT PT	2	
- 38A	734483	. SCREW,PAN HD 6-32 X 3/8	2	
- 38B	5762156	. WASHER, 0.144 ID 1.120 OD	1	
- 39	491228	. CAPACITOR, .010 UF	1	
- 40	113819	. TUBING	AR	
- 41	5761979	. INSULATOR	1	
- 42	5761796	. INSULATOR,HEAT SINK	4	
- 43	5761904	. BRACKET	1	
- 44	5761907	. RIVET ATT PT	2	
- 45	216076	. RECEPTACLE ASM,SINGLE CARD	1	
		FOR COMPONENTS SEE FIG 32-201		
- 45A	375204	. CARD ASM ASSEMBLY COMPONENTS ARE NOT REPLACEABLE	1	
- 46	5761936	. GROMMET	3	
- 47	5761759	. HEAT SINK,9.25 LG	1	
- 48	5761913	. SCREW, ATT PT	4	
- 49	369214	. TRANSISTOR,TYPE 108	2	
- 50	11598	. NUT,HEX, 10-32 X 0.375 FL W ATT PT	2	
- 51	316996	. TERMINAL,LUG-NONINS 9AWG NO. 8 MTG HOLE	1	
- 52	5761965	. BUS STRIP	1	
- 53	5761976	. TUBING	4	
- 54	473536	. SEAL	AR	
- 55	10170	. SCREW-MACH,BIND HD NO. 6-32 X .250 LG	1	
- 56	56722	. WASHER-LOCK,EXT T, .150 ID	1	
- 57	5761956	. OVERVOLTAGE CARD ASM	1	
		ASSEMBLY COMPONENTS ARE NOT REPLACEABLE		
- 58	438551	. SCREW,MACH-HD,4-40 X 5/8 LG	2	
- 59	37913	. NUT,HEX 4-40 NC	2	
- 60	332779	. SPACER	1	
- 61	5761758	. CHASSIS,,9.25 LG	1	
		**** END OF LIST 6 ****		

FOR PARTS  
NOT SHOWN  
SEE FIG. 2

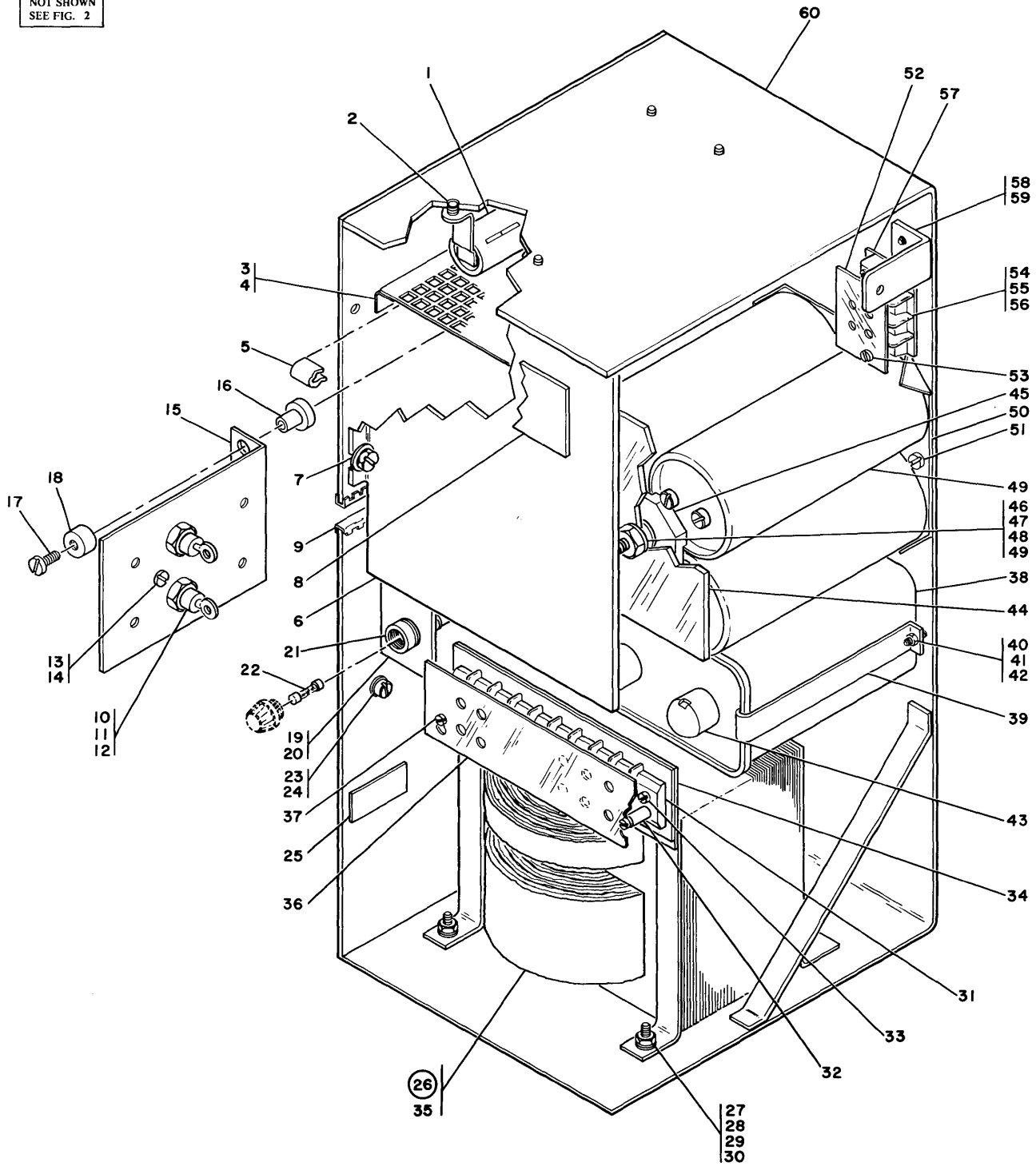
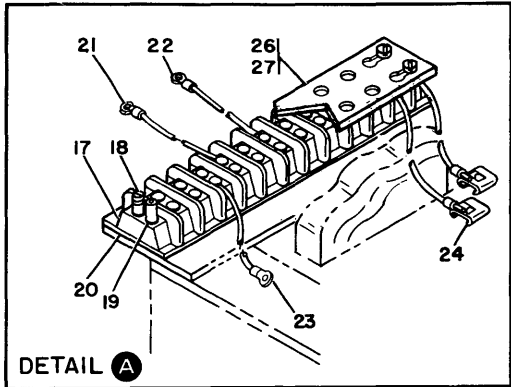


FIGURE 7. POWER SUPPLY ASSEMBLY (36 VOLT 15 AMP)  
SEE LIST 7.

LIST AND INDEX NUMBER	PART NUMBER	DESCRIPTION	UNITS	USABLE
			PER ASM.	ON CODE
7 -	5760737	POWER SUPPLY ASM,36V AT 15 AMP,60 HZ	REF	
-	5760750	POWER SUPPLY ASM,36V AT 15 AMP,50 HZ USED W/O EXTERNAL LOAD RESISTOR FOR NEXT HIGHER ASM SEE FIGURE 2-13	REF	
- 1	317317	. RESISTOR,FXD WW 10 OHM 100 W P/M 10%	2	
- 2	58207	. SCREW,BH.8-32 X 0.250 LG ATT PT	4	
- 3	5760747	. COVER,SAFETY	1	
- 4	58207	. SCREW,BH.8-32 X 0.250 LG ATT PT	4	
- 5	223528	. CHANNEL,RUBBER	AR	
- 6	5760741	. COVER	1	
- 7	28413	. SCREW,MACH-BIND HD 10-32 X 5/16 LG ATT PT	3	
- 8	2229404	. LABEL,HIGH TEMPERATURE	1	
- 9	730432	. GROMMET,CATERPILLAR	AR	
- 10	127324	. SEMICONDUCTOR DEVICE,D10- 150V 30 AMP	2	
- 11	160017	. NUT,PLAIN,HEX- 1/4-28 X 7/16 FL W ATT PT	2	
- 12	65756	. WASHER,LOCK-INT TEETH 0.25 ID X 0.478 OD ATT PT	2	
- 13	28413	. SCREW,MACH-BIND HD 10-32 X 5/16 LG	1	
- 14	56121	. WASHER,LOCK-INT TEETH NO. 10 X 0.381 OD	1	
- 15	5738784	. HEATSINK	1	
- 16	5351114	. BUSHING,INSULATING ATT PT	2	
- 17	5351113	. SCREW,CAPTIVE 10-32 X 0.500 LG ATT PT	2	
- 18	5351115	. BUSHING ATT PT	2	
- 19	5761792	. BRACKET	1	
- 20	58207	. SCREW,BH.8-32 X 0.250 LG ATT PT	2	
- 21	179946	. HOLDER-FUSE	1	
- 22	596676	. FUSE,CARTRIDGE-15 AMP 250V	1	
- 23	28413	. SCREW,MACH-BIND HD 10-32 X 5/16 LG	1	
- 24	56079	. WASHER-LOCK,EXT T .204 ID .410 OD	1	
- 25	801652	. LABEL	1	
- 26	5760742	. TRANSFORMER ASM,60 HZ	1	
- 26	4118422	. TRANSFORMER ASM,50 HZ	1	
- 27	25895	. SCREW,MACH-FH 1/4-20 X 3/4 LG ATT PT	4	
- 28	6935	. LOCKWASHER,SPLIT 0.25-20,0.493 OD ATT PT	4	
- 29	3960	. NUT,PLAIN,HEX- 1/4-20 X 7/16 FL W ATT PT	4	
- 30	122592	. LOCKWASHER,EXT.Tooth 0.384 ID ATT PT	1	
- 31	315956	. . BOARD,TERMINAL-8 POS	1	
- 32	210883	. . STUD, EXT 6-32 X 1/2 INT 6-32 X 0.19 DP ATT PT	2	
- 33	322065	. . SCREW,MACH-BIND HD 6-32 X 5/8 LG ATT PT	2	
- 34	322272	. . MARKER STRIP,8 POS.	1	
- 35	5760743	. . TRANSFORMER,60 HZ	1	
- 35	4118644	. . TRANSFORMER,50 HZ	1	
- 36	533361	. SHIELD,8 POS	1	
- 37	10170	. SCREW-MACH,BIND HD NO. 6-32 X .250 LG ATT PT	2	
- 38	5319839	. CAPACITOR,PAPER 40 MFD 330V	1	
- 39	361968	. CLAMP	2	
- 40	322551	. SCREW,BIND HD 6-32 X 0.75 LONG ATT PT	2	
- 41	62031	. WASHER,LOCK-INT TEETH NO. 6 X 0.295 OD ATT PT	2	
- 42	257187	. NUT,HEX 6-32 NC ATT PT	2	
- 43	526378	. CAP,TERMINAL	2	
- 44	5762089	. SHIELD	1	
- 45	749470	. CLAMP, CAPACITOR	1	
- 46	511091	. BOLT ATT PT	1	
- 47	6935	. LOCKWASHER,SPLIT 0.25-20,0.493 OD ATT PT	1	
- 48	3550	. WASHER,FLAT 1/4 ID-9/16-OD-0.05 THICK ATT PT	1	
- 49	36109	. NUT,PLAIN,HEX- 1/4-20 X 7/16 FL W ATT PT	4	
- 50	5239117	. PLATE	1	
- 51	58207	. SCREW,BH.8-32 X 0.250 LG ATT PT	4	
- 52	337509	. SHIELD,2 POS	1	
- 53	10170	. SCREW-MACH,BIND HD NO. 6-32 X .250 LG ATT PT	2	
- 54	317193	. TERMINAL BLOCK,2 POS	1	
- 55	210883	. STUD, EXT 6-32 X 1/2 INT 6-32 X 0.19 DP ATT PT	2	
- 56	322065	. SCREW,MACH-BIND HD 6-32 X 5/8 LG ATT PT	2	
- 57	315730	. MARKER STRIP,2 POS	1	
- 58	5761912	. BRACKET	1	
- 59	58207	. SCREW,BH.8-32 X 0.250 LG ATT PT	2	
- 60	5760738	. CHASSIS ***** END OF LIST 7 *****	1	





FOR PARTS  
NOT SHOWN  
SEE FIG. 2

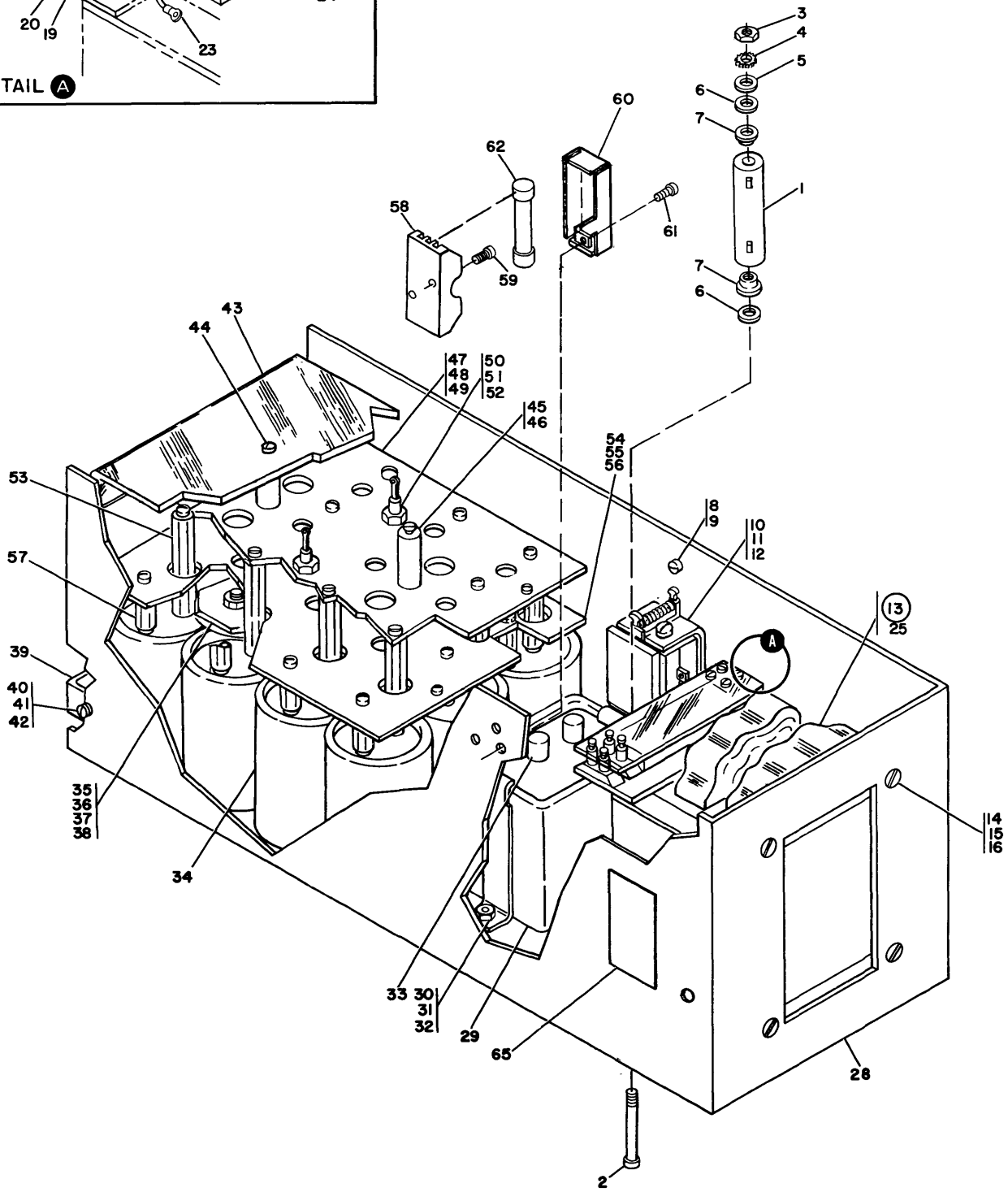


FIGURE 8. POWER SUPPLY ASSEMBLY (36 VOLT 25 AMP)  
SEE LIST 8.

LIST AND INDEX NUMBER	PART NUMBER	DESCRIPTION				UNITS PER ASM.	USABLE ON CODE
		1	2	3	4		
8 -		CODE A USED ON 60HZ ONLY CODE B USED ON 50 HZ ONLY					
-	5709630	POWER SUPPLY ASM,36V AT 25 AMP,60 HZ				REF	
-	5709640	POWER SUPPLY ASM,36V AT 25 AMP,50 HZ				REF	
		USED W/EXTERNAL LOAD RESISTOR FOR NEXT HIGHER ASM SEE FIGURE 2-13					
- 1	476364	. RESISTOR-FXD-WW 5 OHM P/M 10PCT 50W				1	
- 2	304479	. SCREW,MACH-RH 8-32 X 4-3/4 LG				ATT PT	2
- 3	257189	. NUT, HEX 8-32				ATT PT	1
- 4	55901	. WASHER, LOCK, EXT TEETH - .176 DIA				ATT PT	1
- 5	607477	. WASHER, BEARING RETAINER				ATT PT	1
- 6	521695	. INSULATOR,WASH- 1/2 ID 1 OD 1/32 THK				ATT PT	2
- 7	528007	. WASHER,CENTERING				ATT PT	2
- 8	32042	. SCREW, MACH BIND. HD 10-32 X 3/8 LG.					1
- 9	9092	. WASHER-LOCK,SPLIT RING, .194 ID .3370D					1
- 10	2158694	. RELAY,3PDT 24 VAC COIL					1
- 11	257187	. NUT,HEX 6-32 NC				ATT PT	1
- 12	56722	. WASHER-LOCK,EXT T, .150 ID				ATT PT	1
- 13	5709632	. TRANSFORMER ASM,60HZ					1
- 13	5709642	. TRANSFORMER ASM,50HZ					1
- 14	25895	. SCREW,MACH-FH 1/4-20 X 3/4 LG				ATT PT	4
- 15	6935	. LOCKWASHER,SPLIT 0.25-20,0.493 OD				ATT PT	4
- 15	76574	. WASHER, LOCK-EXT. TEETH .250				ATT PT	2
- 16	3960	. NUT,PLAIN,HEX- 1/4-20 X 7/16 FL W				ATT PT	4
- 17	320451	. . TERMINAL BOARD- 10 DBL SCREW TERMINALS					1
- 18	210986	. . STUD, SLOTTED 8-32 X 1/2 LG THREAD				ATT PT	3
- 19	210985	. . STUD, EXT 8-32 X 1/2 INT 6-32 X 0.19 DP				ATT PT	1
- 20	550578	. . MARKER STRIP- 10 POS NOS. 1 THRU 10					1
- 21	186968	. . TERMINAL,LUG-INS 10/12AWG NO. 8 MTG HOLE					6
- 22	2101326	. . TERMINAL-CLIP,BARREL NO.12-10 WIRE INSUL					1
- 23	360370	. . TERMINAL-RING TOUNGUE NO.14-16 WIRE					4
- 24	517913	. . CLIP, SLIP ON NO.18-16 AWG					2
- 25	5214088	. . TRANSFORMER,60 HZ					1
- 25	4100342	. . TRANSFORMER,50 HZ					1
- 26	533342	. SHIELD,10 POSITION					1
- 26	188697	. SHIELD- 10 POSITION					1
- 27	10170	. SCREW-MACH,BIND HD NO. 6-32 X .250 LG				ATT PT	1
- 27	210984	. SCREW,MACH RH 6-32 X .25				ATT PT	1
- 28	5709633	. CHASSIS,POWER SUPPLY					1
- 29	5214085	. CAPACITOR,FIXED,PAP-50 UF P/M 10%,330VAC					1
- 30	517197	. BRACKET-CAPACITOR MOUNTING					2
- 31	321483	. SCREW,MACH-BIND HD 8-32 X 1 LG				ATT PT	2
- 32	257189	. NUT, HEX 8-32				ATT PT	2
- 33	526378	. CAP,TERMINAL					2
- 34	5214073	. CAPACITOR,0.032 UUF P/M 10%,40VDC					12
- 35	749470	. CLAMP, CAPACITOR					4
- 36	511091	. BOLT				ATT PT	4
- 37	3960	. NUT,PLAIN,HEX- 1/4-20 X 7/16 FL W				ATT PT	4
- 38	6935	. LOCKWASHER,SPLIT 0.25-20,0.493 OD				ATT PT	4
- 39	5762409	. BRACKET					1
- 40	186759	. SCREW,MACH-BIND HD 8-32 X 5/16 LG				ATT PT	2
- 41	60646	. WASHER,LOCK-INT TEETH NO. 8 X 0.340 OD				ATT PT	2
- 42	22478	. WASHER,FL- 0.170 ID 0.375 OD 0.032 THK				ATT PT	2
- 43	5709635	. SHIELD					1
- 44	81693	. SCREW,MACH-BIND HD 6-32 X 3/8 LG				ATT PT	2
- 45	5762295	. STANDOFF,1.50 LG,6-32 INT THREAD					2
- 46	81693	. SCREW,MACH-BIND HD 6-32 X 3/8 LG				ATT PT	2
- 47	5709634	. BUS PLATE					1
- 48	32042	. SCREW, MACH BIND. HD 10-32 X 3/8 LG.				ATT PT	12
- 49	9092	. WASHER-LOCK,SPLIT RING, .194 ID .3370D				ATT PT	12
- 50	127324	. SEMICONDUCTOR DEVICE,D10- 150V 30 AMP					2
- 51	6935	. LOCKWASHER,SPLIT 0.25-20,0.493 OD				ATT PT	2
- 52	160017	. NUT,PLAIN,HEX- 1/4-28 X 7/16 FL W				ATT PT	2
- 53	386842	. SPACER-SWITCHPLATE					12
- 54	5709634	. BUS PLATE					1
- 55	32042	. SCREW, MACH BIND. HD 10-32 X 3/8 LG.				ATT PT	12
- 56	9092	. WASHER-LOCK,SPLIT RING, .194 ID .3370D				ATT PT	12
- 57	253268	. STUD-TERMINAL GUARD					12
- 58	123049	. FUSEHOLDER-PHENOLIC 1 POS 30 AMP 250V					1
- 59	845	. SCREW,MACH-FIL H 8-32 X 1/2 LG				ATT PT	2
- 60	5762085	. SHIELD					1
- 61	338238	. SCREW,BIND HD 4-40 X 0.312 LG				ATT PT	1
- 62	210473	FUSE,17.5 AMPS,LAG TIME,NON-INDICATING					1
		***** END OF LIST 8 *****					

FOR PARTS  
NOT SHOWN  
SEE FIG. 2

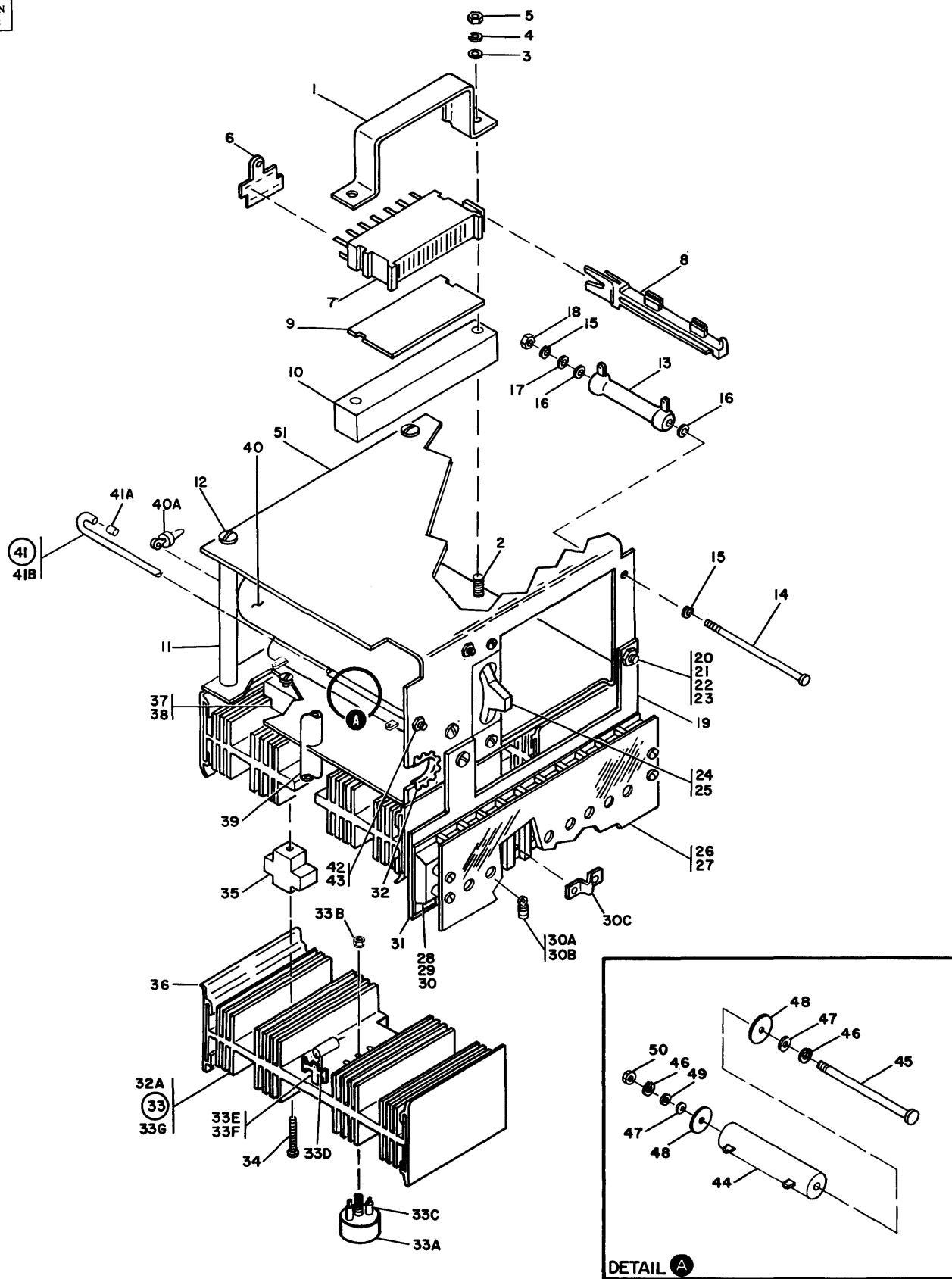


FIGURE 9. POWER PAC ASSEMBLY (3 VOLT 20 AMP, 30-36 VOLT 4 AMP)  
SEE LIST 9.

LIST AND INDEX NUMBER	PART NUMBER	DESCRIPTION	UNITS PER ASM.	USABLE ON CODE
9 -		CODE A USED ON 3V 20 AMP POWER PAC ASM CODE B USED ON 30-36V 4 AMP PWR PAC ASM		
-	5234379	POWER PAC ASSEMBLY, 3V AT 20AMP	REF	
-	730460	POWER PAC ASM, 30V-36V 4 AMP-MIDPAC FOR NEXT HIGHER ASM SEE FIGURE 2-4, 2-6	REF	
- 1	473530	. BRACKET	1	
- 2	438567	. SCREW, MACH-UNDRCT BIND HD 6-32 X 1 LG	2	ATT PT
- 3	257986	. WASHER, 0.156 ID X 0.035 THK	2	ATT PT
- 4	62031	. WASHER, LOCK-INT TEETH NO. 6 X 0.295 OD	2	ATT PT
- 5	38051	. NUT, PLAIN HEX 6-32 X 1/4 FL W	2	ATT PT
- 6	730177	. BUS, RECEPTACLE, 8 POSITION	2	
- 7	216076	. RECEPTACLE ASM, SINGLE CARD FOR COMPONENTS SEE FIGURE 32-201	2	
- 8	216206	. GUIDE-SINGLE CARD LONG	2	
- 9	473547	. SPACER, 1 X 2 3/8 IN .12 IN THICK	1	
- 10	730443	. SPACER-CARD RECP	1	
- 11	730444	. SPACER, SLEEVE	2	
- 12	730446	. SCREW, MACH-BINDING HD 10-32 X 3.16 LG	2	ATT PT
- 13	563882	. RESISTOR, FXD WW 30 OHM P/M 10 PCT 10W	1	A
- 13	519692	. RESISTOR, FIXED WW, 300 OHMS PM 5%, 10 W	1	B
- 14	438582	. SCREW, MACH-FIL H 8-32 X 2-1/4 LG	1	ATT PT
- 15	60646	. WASHER, LOCK-INT TEETH NO. 8 X 0.340 OD	2	ATT PT
- 16	442959	. INSULATOR, WASH- 11/64 ID 15/32 OD 1/32 T	2	ATT PT
- 17	22478	. WASHER, FL- 0.170 ID 0.375 OD 0.032 THK	1	ATT PT
- 18	257189	. NUT, HEX 8-32	1	ATT PT
- 19	730455	. PLATE, MTG-TERMINAL BOARD	1	
- 20	236849	. SCREW, MACH-BIND HD 10-32 X 1/4 LG	1	ATT PT
- 21	55918	. SCREW, MACH-BIND HD 10-32 X 5/8 LG	1	ATT PT
- 22	56121	. WASHER, LOCK-INT TEETH NO. 10 X 0.381 OD	1	ATT PT
- 23	11598	. NUT, HEX, 10-32 X 0.375 FL W	2	ATT PT
- 24	207350	. CIRCUIT BREAKER, SP 60V DC 20 AMP	1	A
- 24	5261809	. CIRCUIT BREAKER	1	B
- 25	10170	. SCREW-MACH, BIND HD NO. 6-32 X .250 LG	2	ATT PT
- 26	473545	. SHIELD, 9 POSITION	1	A
- 26	352088	. SHIELD, 9 POS.	1	B
- 27	210984	. SCREW, MACH RH 6-32 X .25	1	A
- 27	10170	. SCREW-MACH, BIND HD NO. 6-32 X .250 LG	2	B
- 28	323844	. BLOCK, TERMINAL 9 POSITION	1	
- 29	4118820	. STUD, T.B. MOUNTING	3	A
- 29	5528	. SCREW, MACH-BIND HD 8-32 X 0.625 LG	1	B
- 30	4118821	. STUD, SHIELD MOUNTING	AR	
- 30A	92784	. TERMINAL, LUG-INS 18-20AWG NO.8 MTG HOLE	AR	
- 30B	186962	. TERMINAL-RING, 6 STUD	3	A
- 30B	360370	. TERMINAL-RING TOUNGUE NO.14-16 WIRE	3	B
- 30C	730468	. JUMPER-TERMINAL STRIP	2	
- 31	730439	. MARKER STRIP-9 POS	1	
- 32	730432	. GROMMET, CATERPILLAR	AR	
- 32A	730448	. HEAT SINK	1	B
- 33	730453	. HEATSINK ASSEMBLY	4	A
- 33	730454	. HEATSINK ASM	3	B
- 33A	369214	. . TRANSISTOR, TYPE 108	1	
- 33B	11891	. . NUT, PLAIN, HEX- 10-32 X 3/8 FL W BRS	1	ATT PT
- 33C	219423	. . TUBE, RUBBER- 0.085 ID X 0.120 OD X 2 LG	2	
- 33D	207324	. . RESISTOR, FXD, WW- 0.1 OHM P/M 5% 5W (USED ON ASM 730453)	1	
- 33D	483247	. . RESISTOR, FXD (USED ON ASM 730454)	1	
- 33E	478045	. . TERMINAL - SOLDER	1	
- 33F	80651	. . SCREW, THD CTG-BIND HD 6-32 X 3/8 LG	1	ATT PT
- 33G	730448	. . HEAT SINK	1	
- 34	730445	. SCREW, SELF TAPPING NO.6 X 2.18 LG	4	ATT PT
- 35	730434	. TIE BAR-2 POS	2	
- 36	473536	. SEAL	AR	
- 37	473531	. INSULATOR	4	
- 38	473544	. SCREW, BINDING HEAD SELF TAP NO 6 1/2 IN	4	ATT PT
- 39	253569	. INSULATION SLEEVING, ELEC- 0.375 ID	AR	
- 40	730429	. CAPACITOR, FXD, ELECT- 11,000 MFD 10V DCW	1	A
- 40	208245	. CAPACITOR, ELECT 2500 MFD P 100 M 10 PCT	1	B
- 40A	359695	. TERMINAL-RING LUG NO.10 STUD	8	
- 40A	2101326	. TERMINAL-CLIP, BARREL NO.12-10 WIRE INSUL	6	
- 40A	334932	. TERMINAL-LUG NO.18 THRU NO.22 WIRE INSUL	2	
- 41	473543	. CLAMP ASM-CAPACITOR	2	
- 41A	473412	. . INSULATOR, CAPACITOR CLAMP	1	
- 41B	473422	. . CLAMP, CAPACITOR	1	
- 42	62031	. WASHER, LOCK-INT TEETH NO. 6 X 0.295 OD	2	ATT PT
- 43	38051	. NUT, PLAIN HEX 6-32 X 1/4 FL W	2	ATT PT
- 44	730483	. RESISTOR, FXD-WW-0.06 OHM P/M 10PCT 90W	1	A
- 45	331982	. SCREW, MACH RD HD 8-32 X 1-1/4 LG	1	A
- 46	60646	. WASHER, LOCK-INT TEETH NO. 8 X 0.340 OD	2	A
- 47	321603	. WASHER, INSULATING 5/8 OD X 0.031 THK	2	A
- 48	510468	. CUP WASHER	2	A
- 49	22478	. WASHER, FL- 0.170 ID 0.375 OD 0.032 THK	1	A
- 50	257189	. NUT, HEX 8-32	1	A
- 51	730456	. CHASSIS	1	

\*\*\*\*\* END OF LIST 9 \*\*\*\*\*

FOR PARTS  
NOT SHOWN  
SEE FIG. 2

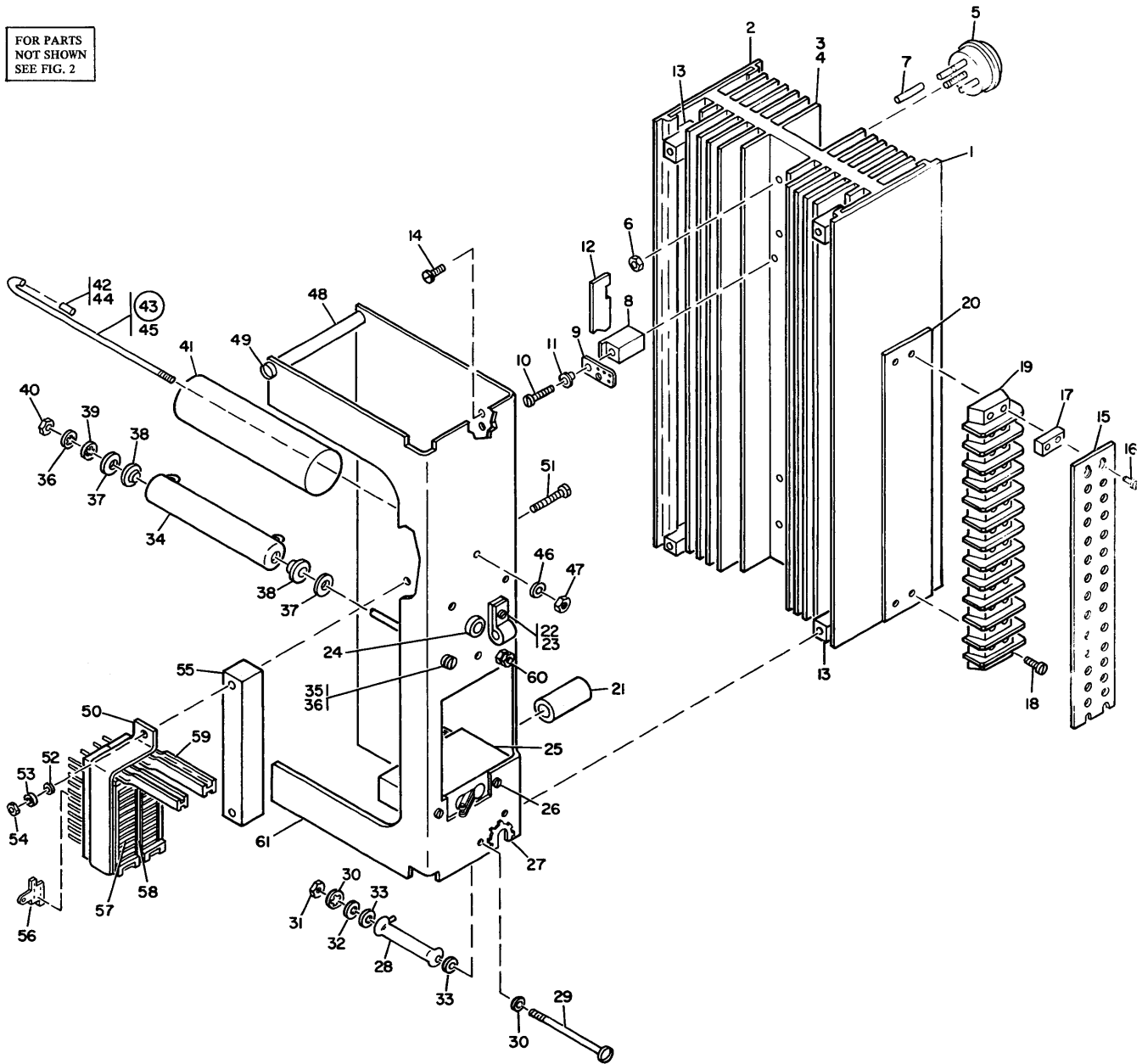


FIGURE 10. POWER PAC ASSEMBLY (3 VOLT 45 AMP, 6 VOLT 40 AMP)  
SEE LIST 10.

LIST AND INDEX NUMBER	PART NUMBER	DESCRIPTION				UNITS PER ASM.	USABLE ON CODE
		1	2	3	4		
10 -	5392896						
-	5239180						
- 1	5762027					1	A
- 1	5762028					1	B
- 2	5762023					1	
- 3	5762017					1	
- 3	5762018					1	

LIST AND INDEX NUMBER	PART NUMBER	DESCRIPTION	UNITS PER ASM.	USABLE ON CODE
10 - 4	255629	. SCREW, FLAT HD, SELF TAPPING, 6-32 X 0.50 LG	1	
- 5	369214	. TRANSISTOR, TYPE 108	1	
- 6	11598	. NUT, PLAIN HEX, 10-32 X 0.38 FL	1	
- 7	5761976	. TUBE, RUBBER- 0.085 ID X 0.120 OD X 2 LG	2	
- 8	5762036	. STANDOFF	2	
- 9	5762037	. TERMINAL	2	
- 10	5762058	. SCREW	2	
- 11	1134232	. SHLDR WSHR	2	
- 12	5762047	. BUS STRIP	1	A
- 12	5762048	. BUS STRIP	1	B
- 13	5762034	. INSULATOR	4	
- 14	91610	. SCREW, SELF TAPPING, PAN 6-32 X 0.50 LG	4	
- 15	5762428	. SHIELD, 12 POS	1	
- 16	81693	. SCREW, MACH BIND HD, 6-32 X 0.38 LG	2	
- 17	2572866	. SPACER	1	
- 18	2032	. SCREW, FILISTER HD, 8-32 X 0.88 LG	2	
- 19	81898	. TERMINAL BOARD- 12 DBL SCREW TERMINALS	1	
- 20	5240422	. MARKER STRIP, 12 POS.	1	
- 21	253569	. INSULATION SLEEVING, ELEC- 0.375 ID	AR	A
- 21	245541	. TUBING	AR	B
- 22	2102365	. CLAMP, LOOP- 0.330 ID 0.170 DIA MTG HOLE	1	
- 23	35739	. SCREW, MACH-BIND HD 6-32 X 15/16 LG	1	ATT PT
- 23	257986	. WASHER, 0.156 ID X 0.035 THK	1	ATT PT
- 23	38051	. NUT, PLAIN HEX 6-32 X 1/4 FL W	1	
- 24	123073	. GROMMET	1	
- 25	5392872	. CIRCUIT BREAKER	1	
- 26	10170	. SCREW-MACH, BIND HD NO. 6-32 X .250 LG	2	ATT PT
- 27	730432	. GROMMET, CATERPILLAR	1	
- 28	124695	. RESISTOR, WIREWOUND 20 OHMS 10 WATTS	1	A
- 28	805044	. RESISTOR, FXD, WW- 50 OHMS P/M 10% 10W	1	B
- 29	438582	. SCREW, MACH-FIL H 8-32 X 2-1/4 LG	1	ATT PT
- 30	60646	. WASHER, LOCK-INT TEETH NO. 8 X 0.340 OD	2	ATT PT
- 31	257189	. NUT, HEX 8-32	1	ATT PT
- 32	22478	. WASHER, FL- 0.170 ID 0.375 OD 0.032 THK	1	ATT PT
- 33	442959	. INSULATOR, WASH- 11/64 ID 15/32 OD 1/32 T	2	
- 34	730499	. RESISTOR, FXD	2	B
- 35	331982	. SCREW, MACH RD HD 8-32 X 1-1/4 LG	2	B
- 36	60646	. WASHER, LOCK-INT TEETH NO. 8 X 0.340 OD	4	B
- 37	321603	. WASHER, INSULATING 5/8 OD X 0.031 THK	4	B
- 38	510468	. CUP WASHER	4	B
- 39	22478	. WASHER, FL- 0.170 ID 0.375 OD 0.032 THK	2	B
- 40	257189	. NUT, HEX 8-32	2	B
- 41	730429	. CAPACITOR, FXD, ELECT- 11,000 MFD 10V DCW	1	
- 42	473412	. INSULATOR, CAPACITOR CLAMP	2	B
- 43	473543	. CLAMP, ASM-CAPACITOR	2	A
- 44	473412	. INSULATOR, CAPACITOR CLAMP	2	
- 45	473422	. CLAMP, CAPACITOR	2	A
- 45	5247112	. CLAMP, CAPACITOR	2	B
- 46	62031	. WASHER, LOCK-INT TEETH NO. 6 X 0.295 OD	2	A
- 46	6364	. WASHER, LOCK-SPLIT NO. 6 X 1/4 OD	2	B
- 47	38051	. NUT, PLAIN HEX 6-32 X 1/4 FL W	2	A
- 47	257187	. NUT, HEX 6-32 NC	2	B
- 48	730444	. SPACER, SLEEVE	2	
- 49	730446	. SCREW, MACH-BINDING HD 10-32 X 3.16 LG	2	
- 50	474530	. BRACKET	1	
- 51	438567	. SCREW, MACH-UNDRCT BIND HD 6-32 X 1 LG	ATT PT	
- 52	257986	. WASHER, 0.156 ID X 0.035 THK	ATT PT	
- 53	62031	. WASHER, LOCK-INT TEETH NO. 6 X 0.295 OD	2	A
- 53	6364	. WASHER, LOCK-SPLIT NO. 6 X 1/4 OD	2	B
- 54	38051	. NUT, PLAIN HEX 6-32 X 1/4 FL W	2	A
- 54	257187	. NUT, HEX 6-32 NC	2	B
- 55	730443	. SPACER-CARD RECP	1	
- 56	730177	. BUS, RECEPTACLE, 8 POSITION	2	
- 57	216076	. RECEPTACLE ASM, SINGLE CARD FOR COMPONENT PARTS SEE FIGURE 32-201	2	
- 58	473547	. SPACER, 1 X 2 3/8 IN .12 IN THICK	1	
- 59	216206	. GUIDE-SINGLE CARD LONG	2	
- 60	55918	. SCREW, MACH BIND HD, 10-32 X 0.625 LG	1	
- 60	56121	. LCKW, INT TOOTH, 0.195 ID	1	
- 60	11598	. NUT, PLAIN HEX, 10-32 X 0.38 FL	1	
- 61	730458	. CHASSIS-MIDPAC, 8 TRANSISTOR	1	A
- 61	730493	. CHASSIS-MIDPACK, 10 TRANSISTOR ***** END OF LIST 10 *****	1	B

FOR PARTS  
NOT SHOWN  
SEE FIG. 2

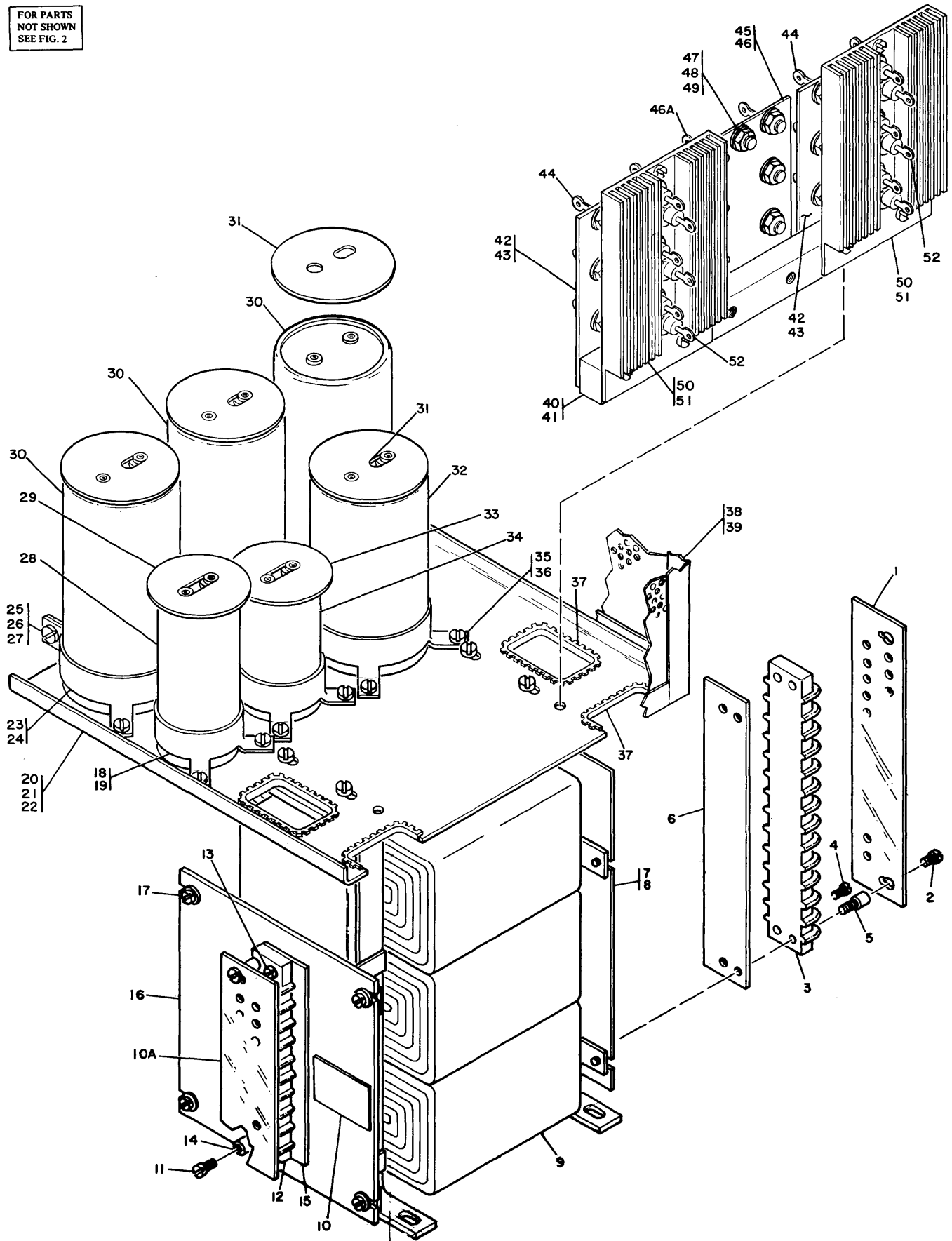


FIGURE 11. TRANSFORMER-RECTIFIER ASSEMBLY  
SEE LIST 11.

LIST AND INDEX NUMBER	PART NUMBER	DESCRIPTION	UNITS	USABLE ON CODE
			PER ASM.	
11 -	5760770	TRANSF.-RECT. ASM,MULTI LEVEL,60HZ	REF	
-	5760860	TRANSF.-RECT. ASM,MULTI LEVEL,50HZ	REF	
		FOR NEXT HIGHER ASM SEE FIGURE 2-122		
- 1	2572839	. SHIELD,TB 13 POS,30 AMP	2	
- 2	10170	. SCREW-MACH,BIND HD NO. 6-32 X .250 LG ATT PT	4	
- 3	477266	. BLOCK,TERMINAL 13 POSITION	2	
- 4	25627	. SCREW,MACH B.H.,8-32X0.5 LONG ATT PT	4	
- 5	210985	. STUD, EXT 8-32 X 1/2 INT 6-32 X 0.19 DP ATT PT	4	
- 6	730467	. MARKER STRIP,13 POS	2	
- 7	5709307	. PLATE	1	
- 8	28413	. SCREW, MACH BIND HD 10-32 X 5/16 LG ATT PT	4	
- 9	5760773	. TRANSFORMER,60HZ	1	
- 9	5760863	. TRANSFORMER,50HZ	1	
- 10	801652	. LABEL-60 HZ	1	
- 10	5240513	. LABEL-50 HZ	1	
- 10A	352088	. SHIELD,9 POS-60 HZ	1	
- 10A	2572839	. SHIELD,TB 13 POS,30 AMP 50 HZ	1	
- 11	10170	. SCREW-MACH,BIND HD NO. 6-32 X .250 LG ATT PT	2	
- 12	477266	. BLOCK,TERMINAL 13 POSITION-60 HZ	1	
- 12	323844	. BLOCK,TERMINAL 9 POSITION-50 HZ	1	
- 13	25627	. SCREW,MACH-BIND HD 8-32 X 1/2 LG ATT PT	2	
- 14	210985	. STUD, EXT 8-32 X 1/2 INT 6-32 X 0.19 DP ATT PT	2	
- 15	730439	. MARKER STRIP-9 POS-60 HZ	1	
- 15	730467	. MARKER STRIP,13 POS-50 HZ	1	
- 16	5239188	. PLATE,60 HZ	1	
- 16	5209307	. PLATE,50 HZ	1	
- 17	28413	. SCREW, MACH BIND HD 10-32 X 5/16 LG ATT PT	4	
- 18	320456	. BRACKET-CAPACITOR MOUNTING	2	
- 19	55726	. SCREW,MACH-BIND HD 6-32 X .188 LG ATT PT	6	
- 20	5760776	. CHASSIS	1	
- 21	438622	. SCREW,MACH-UNDRCT BIND HD 1/4-20 X 3/8 ATT PT	4	
- 22	76574	. WASHER, LOCK-EXT. TEETH .250 ATT PT	1	
- 23	5261284	. CLAMP,CAPACITOR MTG	3	
-24	55726	. SCREW,BIND HD 6-32 X .188 LG	9	
- 25	322065	. SCREW,MACH-BIND HD 6-32 X 5/8 LG F/U	6	
- 26	257187	. NUT,HEX 6-32 NC FU	6	
- 27	56722	. WASHER-LOCK,EXT T, .150 ID	6	
- 28	5261087	. CAPACITOR,FXD,ELECT- 3100 UF P75M10% 75V	1	
- 29	362206	. COVER	1	
- 30	5796393	. CAPACITOR,ELEC,ALUM. POLAR	3	
- 31	631769	. SHIELD,CAPACITOR	4	
- 32	5796429	. CAPACITOR,93000UF 15VDCW	1	
- 33	362206	. COVER	1	
- 34	801605	. CAPACITOR,7000UF 25VDCW	1	
- 35	5261284	. CLAMP	1	
- 36	55726	. SCREW,MACH-BIND HD 6-32 X .188 LG	3	
- 37	730432	. GROMMET,CATERPILLAR	AR	
- 38	5760777	. COVER,12 IN.	1	
- 38	2218911	. COVER,12 IN. F/U	1	
- 39	10170	. SCREW,BIND HD-6-32 X .250 LG	6	
- 40	730447	. BLOCK,HEAT SINK MTG	1	
- 41	438624	. SCREW,MACH-UNDRCT BIND HD 1/4-20 X 1 LG ATT PT	2	
- 42	730433	. HEAT SINK,DIODE	2	
- 43	322029	. SCREW,MACH-BIND HD 1/4-20 X 1/2 LG ATT PT	4	
- 44	598479	. SEMICONDUCTOR DEVICE,D10- 150V 10 AMP	12	
- 45	730442	. HEAT SINK,DIODE	1	
- 46	322029	. SCREW,MACH-BIND HD 1/4-20 X 1/2 LG ATT PT	2	
- 46A	127324	. SEMICONDUCTOR DEVICE,D10- 150V 30 AMP	6	
- 47	55918	. SCREW,MACH-BIND HD 10-32 X 5/8 LG	5	
- 48	56121	. WASHER,LOCK-INT TEETH NO. 10 X 0.381 OD	5	
- 49	11598	. NUT,HEX, 10-32 X 0.375 FL W	5	
- 50	5762567	. HEATSINK	2	
- 51	90261	. SCREW,250-20 ATT PT	4	
- 52	127324	. SEMICONDUCTOR DEVICE,D10- 150V 30 AMP	12	
		**** END OF LIST 11 ****		



FOR PARTS  
NOT SHOWN  
SEE FIG. 2

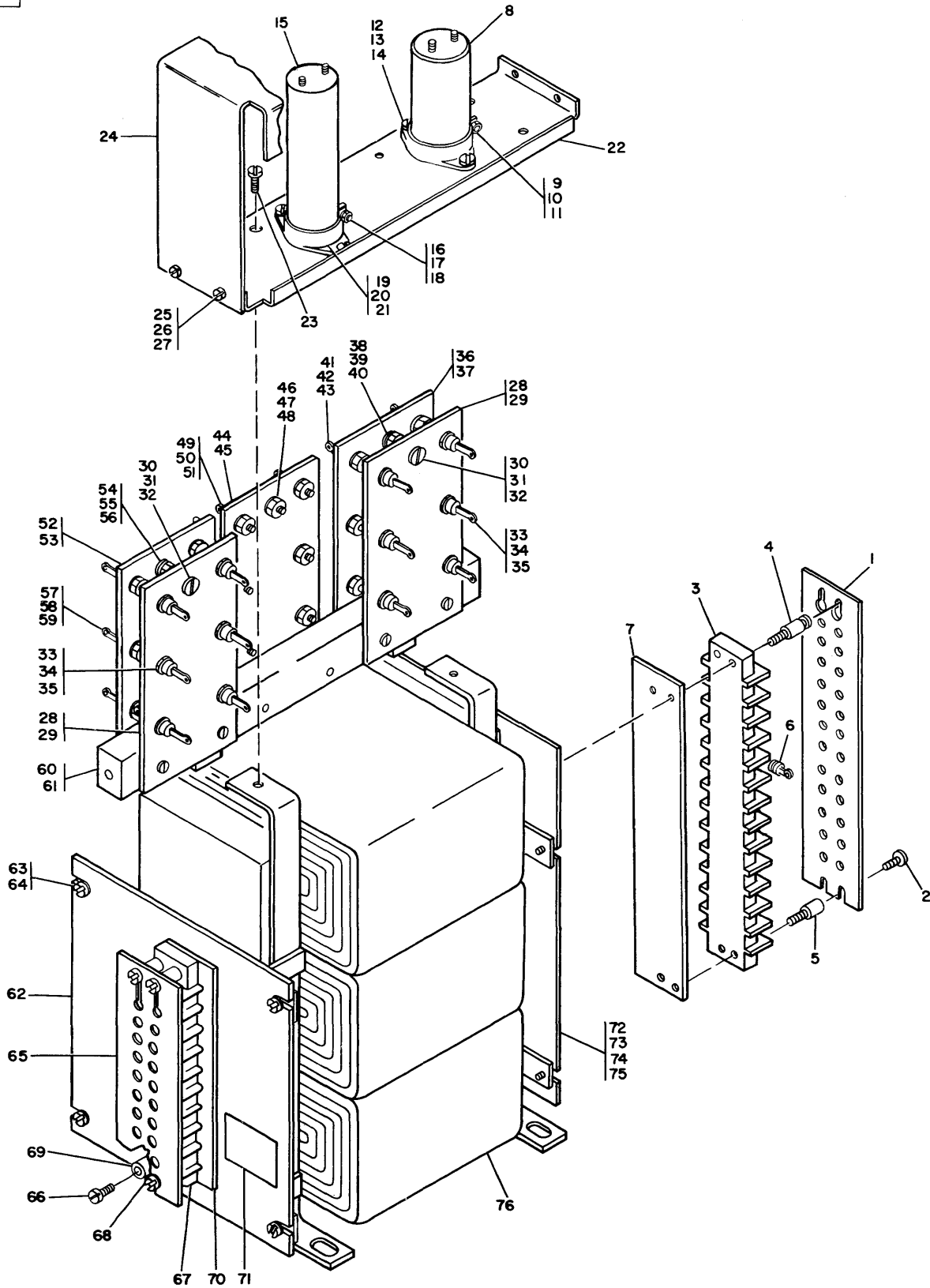


FIGURE 11A. TRANSFORMER - RECTIFIER ASSEMBLY.  
SEE LIST 11A

LIST AND INDEX NUMBER	PART NUMBER	DESCRIPTION	UNITS	USABLE
			PER ASM.	ON CODE
11A-		CODE A USED ON 60 HZ ONLY CODE B USED ON 50 HZ ONLY		
-	5709670	TRANSFORMER ASSEMBLY-60 HZ	REF	
-	5709680	TRANSFORMER ASSEMBLY-50 HZ FOR NEXT HIGHER ASM SEE FIGURE 2-122	REF	
- 1	5371631	. SHIELD, TERMINAL BLOCK-13 POS	2	
- 2	210984	. SCREW, MACH RH 6-32 X .25	2	
- 3	477266	. BLOCK, TERMINAL 13 POSITION	2	
- 4	210986	. STUD, SLOTTED 8-32 X 1/2 LG THREAD	6	
- 5	210985	. STUD, EXT 8-32 X 1/2 INT 6-32 X 0.19 DP	2	
- 6	186968	. TERMINAL, RING INS 10/12AWG NO.8 MTG HOL	AR	
- 6	360370	. TERMINAL-RING TOUNGUE NO.14-16 WIRE	AR	
- 7	730467	. MARKER STRIP, 13 POS	2	
- 8	483107	. CAPACITOR 3100 MFD	3	
- 9	322065	. SCREW, MACH-BIND HD 6-32 X 5/8 LG	3	
- 10	6364	. WASHER, LOCK-SPLIT NO. 6 X 1/4 OD	3	
- 11	257187	. NUT, HEX 6-32 NC	3	
- 12	445304	. CLAMP, CAPACITOR	3	
- 13	10170	. SCREW, BINDING HD 6-32 X 0.25 LG	6	
- 15	5261368	. CAPACITOR, ELEC-1600 UF P/M 10% 75VDC	1	
- 16	322065	. SCREW, MACH-BIND HD 6-32 X 5/8 LG	1	
- 17	6364	. WASHER, LOCK-SPLIT NO. 6 X 1/4 OD	1	
- 18	257187	. NUT, HEX 6-32 NC	1	
- 19	445304	. CLAMP, CAPACITOR	1	
- 20	10170	. SCREW, MACH BIND HD, 6-32 X 0.25 LG	2	
- 21	6364	. WASHER, LOCK-SPLIT NO. 6 X 1/4 OD	2	
- 22	5761713	. PLATE	1	
- 23	438622	. SCREW, MACH-UNDRCT BIND HD 1/4-20 X 3/8	2	
- 24	5761714	. SHIELD	1	
- 25	34512	. SCREW, MACH-BIND HD 8-32 X 3/8 LG	4	
- 26	1090873	. LOCKWASHER, SPLIT NO. 8	4	
- 27	22478	. WASHER, FL- 0.170 ID 0.375 OD 0.032 THK	4	
- 28	730442	. HEAT SINK, DIODE	2	
- 29	322029	. SCREW, MACH-BIND HD 1/4-20 X 1/2 LG	4	
- 30	55918	. SCREW, MACH-BIND HD 10-32 X 5/8 LG	2	
- 31	56121	. WASHER, LOCK-INT TEETH NO. 10 X 0.381 OD	2	
- 32	11598	. NUT, HEX, 10-32 X 0.375 FL W	2	
- 33	127324	. SEMICONDUCTOR DEVICE, D10- 150V 30 AMP	12	
- 34	76574	. WASHER, LOCK-EXT. TEETH .250	12	
- 35	160017	. NUT, PLAIN, HEX- 1/4-28 X 7/16 FL W	12	
- 36	730433	. HEAT SINK, DIODE	1	
- 37	322029	. SCREW, MACH-BIND HD 1/4-20 X 1/2 LG	2	
- 38	55918	. SCREW, MACH-BIND HD 10-32 X 5/8 LG	1	
- 39	56121	. WASHER, LOCK-INT TEETH NO. 10 X 0.381 OD	1	
- 40	11598	. NUT, HEX, 10-32 X 0.375 FL W	1	
- 41	598479	. SEMICONDUCTOR DEVICE, D10- 150V 10 AMP	6	
- 42	56079	. WASHER, LOCK EXT TEETH, NO. 10 X 0.20 TH	6	
- 43	11598	. NUT, HEX, 10-32 X 0.375 FL W	6	
- 44	730442	. HEAT SINK, DIODE	1	A
- 45	322029	. SCREW, MACH-BIND HD 1/4-20 X 1/2 LG	2	A
- 46	55918	. SCREW, MACH-BIND HD 10-32 X 5/8 LG	1	A
- 47	56121	. WASHER, LOCK-INT TEETH NO. 10 X 0.381 OD	1	A
- 48	11598	. NUT, HEX, 10-32 X 0.375 FL W	1	A
- 49	127324	. SEMICONDUCTOR DEVICE, D10- 150V 30 AMP	6	A
- 50	76574	. WASHER, LOCK-EXT. TEETH .250	6	A
- 51	160017	. NUT, PLAIN, HEX- 1/4-28 X 7/16 FL W	6	A
- 52	730442	. HEAT SINK, DIODE	1	B
- 53	322029	. SCREW, MACH-BIND HD 1/4-20 X 1/2 LG	2	B
- 54	55918	. SCREW, MACH-BIND HD 10-32 X 5/8 LG	1	
- 55	56121	. WASHER, LOCK-INT TEETH NO. 10 X 0.381 OD	1	
- 56	11598	. NUT, HEX, 10-32 X 0.375 FL W	1	B
- 57	127324	. SEMICONDUCTOR DEVICE, D10- 150V 30 AMP	6	B
- 58	76574	. WASHER, LOCK-EXT. TEETH .250	6	B
- 59	160017	. NUT, PLAIN, HEX- 1/4-28 X 7/16 FL W	6	B
- 60	5239492	. BLOCK	1	
- 61	438625	. SCREW, MACH BD HD-.250-20 X 1.125 LG	2	
- 62	5239188	. PLATE, MOUNTING	1	A
- 62	5709307	. PLATE	1	B
- 63	32042	. SCREW, MACH BIND. HD 10-32 X 3/8 LG.	4	
- 64	45690	. WASHER, FLAT	4	
- 65	473545	. SHIELD, 9 POSITION	1	A
- 65	5371631	. SHIELD, TERMINAL BLOCK- 13 POS	1	B
- 66	210984	. SCREW, MACH RH 6-32 X .25	1	
- 67	323844	. BLOCK, TERMINAL 9 POSITION	1	A
- 67	477266	. BLOCK, TERMINAL 13 POSITION	1	B
- 68	210986	. STUD, SLOTTED 8-32 X 1/2 LG THREAD	3	
- 69	210985	. STUD, EXT 8-32 X 1/2 INT 6-32 X 0.19 DP	1	



FOR PARTS  
NOT SHOWN  
SEE FIG. 2

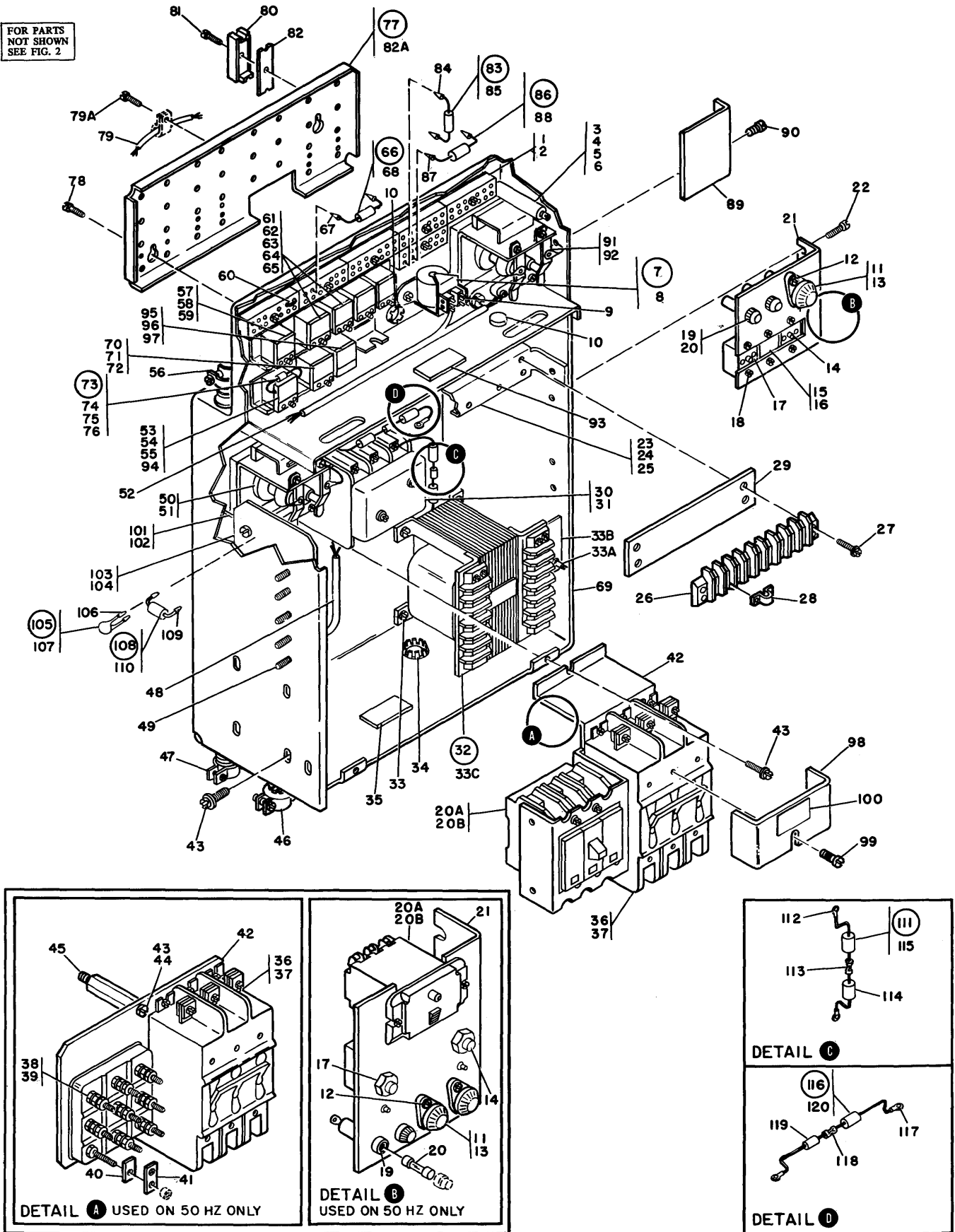


FIGURE 12. AC POWER AND SEQUENCING ASSEMBLY.  
SEE LIST 12

LIST AND INDEX NUMBER	PART NUMBER	DESCRIPTION				UNITS PER ASM.	USABLE ON CODE
		1	2	3	4		
12 -		CODE A USED ON 60 HZ ONLY CODE B USED ON 50 HZ ONLY					
		CODE C USED WITH AIRLINES BUFFER FEA CODE D USED WITH 2844 ATTACHMENT FEA CODE 1 USED WITHOUT POWER COMPATABILITY CODE 2 USED WITH POWER COMPATABILITY					
-	2218806	AC POWER AND SEQUENCE ASM,60 HZ				REF	
-	2218809	AC POWER AND SEQUENCE ASM,50 HZ				REF	
- 1	302090	FOR NEXT HIGHER ASM SEE FIG 2-28 TERMINAL BLOCK ASM-24 FEMALE CONTACTS				AR	
- 2	438549	FOR COMPONENTS SEE FIG 32-197 SCREW,MACH-BIND HD 4-40 X 7/16 LG				AR	
- 3	317126	RESISTOR,FXD,WW- 25 OHMS P/M 10% 25W				1	
- 4	507144	WASHER-CENTERING 0.173 ID X 5/8 OD				2	
- 5	521695	INSULATOR,WASH- 1/2 ID 1 OD 1/32 THK				2	
- 6	438592	SCREW,MACH-BIND HD 8-32 X 2-1/4 LG				1	
- 7	824347	RELAY,TD 23VDC,2 SEC DELAY				1	2
- 7	2285381	RELAY, TD DPDT 24V (SYRACUSE)				1	1
- 7	2173221	RELAY,TD DPDT 24V (HEINNMANN)				1	1
- 8	5350012	SCREW, THD FORMING HEX WSR HD 8-32 X .25 ATT PT				2	
- 9	634403	SWITCH				2	
- 10	168037	PLUG, SNAP-IN				2	
- 11	104615	FUSEHOLDER				1	A
- 11	104615	FUSEHOLDER				2	B
- 12	2181071	SCREW,MACH,PAN HD,6-32 X 0.50 LONG				AR	
- 13	107667	FUSE-LONG LAG 6.25A				1	A
- 13	107668	FUSE,CARTRIDGE-TIME DELAY 8 AMP 250V				2	B
- 14	535292	CIRCUIT BREAKER- 1P 230VAC 120VDC 2 AMP				1	A
- 14	8011177	CIRCUIT PROTECTOR-1 POLE,250 VAC,1 AMP				1	B
- 15	2184095	COVER-USED W/O AIRLINES BUFFER				1	1A
- 15	524176	CIRCUIT BREAKER-OVERLOAD PROTECTION-3 AMP 60HZ				1	2C
- 15	8011179	CIRCUIT BREAKER THERMAL ELEMENT 3 AMP 50HZ				1	2C
- 16	1115735	SCREW				2	A
- 17	524179	CIRCUIT BREAKER- 8 AMP				1	A
- 17	8016938	CIRCUIT BREAKER,1 POLE,250 V AT 10 AMP				1	B
- 18	55726	SCREW,MACH-BIND HD 6-32 X .188 LG				4	A
- 19	179946	HOLDER-FUSE				2	
- 20	6324	FUSE-CTG 3 AMP				2	
- 20A	726730	CIRCUIT BREAKER-3 POLE, 240 V,10 AMP				1	A
- 20A	4117829	CIRCUIT PROTECTOR				1	B
- 20B	10170	SCREW-MACH,BIND HD NO. 6-32 X .250 LG				4	A
- 20B	5349929	SCREW,THD FORMING HEX- 8-32 X 1/2 LG				2	
- 21	2218839	BRACKET,FUSE,60 HZ				1	A
- 21	2218840	BRACKET,FUSE,50 HZ				1	B
- 22	2181004	SCREW-HEX HD SELFTAP 10-32 X .375 LONG				2	
- 23	2218838	BRACKET-TERMINAL BOARD MTG				2	
- 24	2181004	SCREW-HEX HD SELFTAP 10-32 X .375 LONG				2	
- 25	2125974	WASHER, INT TOOTH, .200 ID X .562 OD				2	
- 26	323844	BLOCK,TERMINAL 9 POSITION				2	
- 27	2181002	SCREW-HEX HD SELFTAP 8-32 X .750 LONG				4	
- 28	730468	JUMPER-TERMINAL STRIP				AR	
- 29	730439	MARKER STRIP-9 POS				2	
- 30	2128748	CONTACTOR,MAGNETIC				1	2
- 30	2130334	MAGNETIC CONTACTOR,3-POLE 40A 24V COIL - F.U.				1	1
- 31	2181004	SCREW-HEX HD SELFTAP 10-32 X .375 LONG				2	
- 32	2191869	TRANSFORMER - F.U.				1	1
- 32	2261929	TRANSFORMER ASM				1	2
- 33	2181004	SCREW-HEX HD SELFTAP 10-32 X 0.375 LONG ATT PT				4	
- 33A	598479	RECTIFIER				2	
- 33B	2261930	HEAT SINK				1	
- 33C	2261928	TRANSFORMER				1	
- 34	246464	PLUG, BUTTON				1	
- 35	138755	DECAL,INST-LINE V PRESENT W/MACH PWR OFF				1	
- 36	2218836	PROTECTOR-CIRCUIT OVERLOAD,3 POLE 40 AMP -60HZ				1	2D
- 36	4116962	CIRCUIT BREAKER,40A 440V,3 POLE -50HZ				1	2D
- 36	2261927	CIRCUIT BREAKER 50/60 HZ				4	1D
- 37	25627	SCREW,MACH-BIND HD 8-32 X 1/2 LG				4	
- 38	4121259	SWITCH BOARD				1	B
- 39	5319888	SCREW, SELF TAPPING, 10-32 X .625 LONG				2	B
- 40	4064449	MARKER-PLATE				1	B
- 41	4064448	JUMPER-SWITCH				1	B
- 42	2218841	BRACKET,CBMTG,60 HZ				1	A
- 42	4056252	PLATE				1	B
- 43	5350012	SCREW, THD FORMING HEX WSR HD 8-32 X .25				4	A
- 43	236849	SCREW,MACH-BIND HD 10-32 X 1/4 LG				3	B
- 44	56079	WASHER, LOCK EXT TEETH, NO. 10 X 0.20 TH				6	B

LIST AND INDEX NUMBER	PART NUMBER	DESCRIPTION	UNITS	USABLE
			PER ASM.	ON CODE
12 - 45	4056255	. STANDOFF,HEX,10-32 X 2.17 LONG	1	B
- 46	237327	. CLAMP-CABLE	1	A
- 46	246464	. PLUG, BUTTON	1	B
- 47	2100837	. CLAMP,CABLE	1	
- 48	2218862	. CABLE ASM-60 CPS AC SEQUENCE PANEL JUMP	1	A
- 48	2218863	FOR COMPONENTS SEE FIG 32 . CABLE ASM 50 HZ AC SEQUENCE PANEL JUMP FOR COMPONENTS SEE FIG 32	1	B
- 49	2181004	. SCREW-HEX HD SELFTAP 10-32 X .375 LONG	7	
- 50	827960	. RELAY,DPDT,24 VDC	1	2
- 50	5337062	RELAY, DPDT 24 AC 60HZ	1	1
- 50	5051235	RELAY,DPDT 24 AC 50 HZ	1	1
- 51	2181002	. SCREW, HEX HD SELFTAP 8-32 X 0.75 LG	2	
- 52	2218895	. CABLE ASSEMBLY-DC JUMPER SEQ BOX,60 HZ	1	A
- 52	2218906	FOR COMPONENTS SEE FIG 32 . CABLE ASM 50 HZ DC JUMPER SEQUENCE BOX FOR COMPONENTS SEE FIG 32	1	B
- 53	2184065	. RELAY, -4PDT 6V 1 AMP	1	
- 54	257187	. NUT,HEX 6-32 NC	1	
- 55	56722	. WASHER-LOCK,EXT T, .150 ID	1	
- 56	342250	. STRAIN RELIEF	1	
- 57	2184064	. RELAY,4PDT,24 VDC	3	2
- 57	2184096	. RELAY,ARMATURE - 4PDT 24VAC	3	1
- 58	257187	. NUT,HEX 6-32 NC	3	
- 59	56722	. WASHER-LOCK,EXT T, .150 ID	3	
- 60	205329	. JUMPER-BRASS,3/16	14	
- 61	2184064	. RELAY,4PDT,24 VDC	2	2
- 61	2184096	. RELAY, -4 PDT, 24 VAC	2	1
- 62	257187	. NUT,HEX 6-32 NC	2	
- 63	56722	. WASHER-LOCK,EXT T, .150 ID	2	
- 64	2267954	. GROMMET	2	
- 65	257986	. WASHER,0.156 ID X 0.035 THK	2	
- 66	2162849	. DIODE ASM	1	
- 67	187243	. . TERMINAL, SMALL TAPER 20-22-24 OR 26 AWG	2	
- 68	2414927	. . DIODE-SEMICONDUCTOR-TYPE HF	1	
- 69	2218835	. HOUSING,AC POWER AND SEQUENCE	1	
THE FOLLOWING COMPONENTS ARE FEATURES ONLY				
- 70	2184064	RELAY, 24VDC, 4PDT	1	2D
- 70	2184096	RELAY,ARMATURE-4PDT,24 VAC	1	1
- 71	257187	NUT,HEX 6-32 NC	1	C
- 72	56722	WASHER-LOCK,EXT T, .150 ID	1	C
- 73	2250867	DIODE ASM,TYPE HF	2	D
- 74	2114531	. TERMINAL,TAPER,22/24 AWG	2	
- 75	2414927	. DIODE-SEMICONDUCTOR-TYPE HF	1	
- 76	2114531	. TERMINAL,TAPER,22/24 AWG	2	D
- 77	2250937	EDGE CONECTOR PLATE ASM,AUXILIARY	2	D
- 78	2181001	SCREW,THD FORMING-HEX WASH HD 10-32X 3/4	2	D
- 79	2250933	CABLE ASSEMBLY FOR COMPONENTS SEE FIG 32	1	
- 79A	5319854	SCREW,SELF TAPPING,8-32 X 0.38 LG	1	
- 80	302090	TERMINAL BLOCK ASM-24 FEMALE CONTACTS FOR COMPONENTS SEE FIG 32-197	6	
- 81	438549	SCREW,MACH-BIND HD 4-40 X 7/16 LG	6	
- 82	302131	STRIP-TERMINAL BLOCK INSULATOR-0.500 WID	6	
- 82A	2250936	PLATE	1	
- 83	2162849	DIODE ASM	1	C
- 84	187243	. TERMINAL,SMALL TAPER 20-22-24 OR 26 AWG	2	C
- 85	2414927	. DIODE-SEMICONDUCTOR-TYPE HF	1	C
- 86	2162405	RESISTOR,FIXED 39 OHMS 2W	1	C
- 87	320167	. TERMINAL,QUICK DISCONNECT-NONINS 16 AWG	2	C
- 88	334927	. RESISTOR	1	C
- 89	2244711	SHIELD	1	C
- 90	2181004	SCREW-HEX HD SELFTAP 10-32 X .375 LONG	2	C
- 91	5337062	RELAY,DPST 24VAC 9.8 AMP -60HZ	1	1C
- 91	5051235	CONTACTOR,24VAC 10 AMP DPST -50HZ	1	1C
- 91	827960	CONTACTOR,24VDC DPST	1	2
- 92	2181002	SCREW-HEX HD SELFTAP 8-32 X .750 LONG	2	C
- 92	5349929	SCREW,THD FORMING HEX- 8-32 X 1/2 LG	2	C
- 93	124943	LABEL-HAZARDOUS AREA	1	C
- 94	339156	TERMINAL, SLIP ON TAPER TAB	2	D
- 95	2184065	RELAY,ARMATURE-4PDT 6V 1 AMP	1	C
- 96	257187	NUT,HEX 6-32 NC	1	C
- 97	56722	WASHER-LOCK,EXT T, .150 ID	1	C
- 98	2218948	SHIELD	1	



FOR PARTS  
NOT SHOWN  
SEE FIG. 2

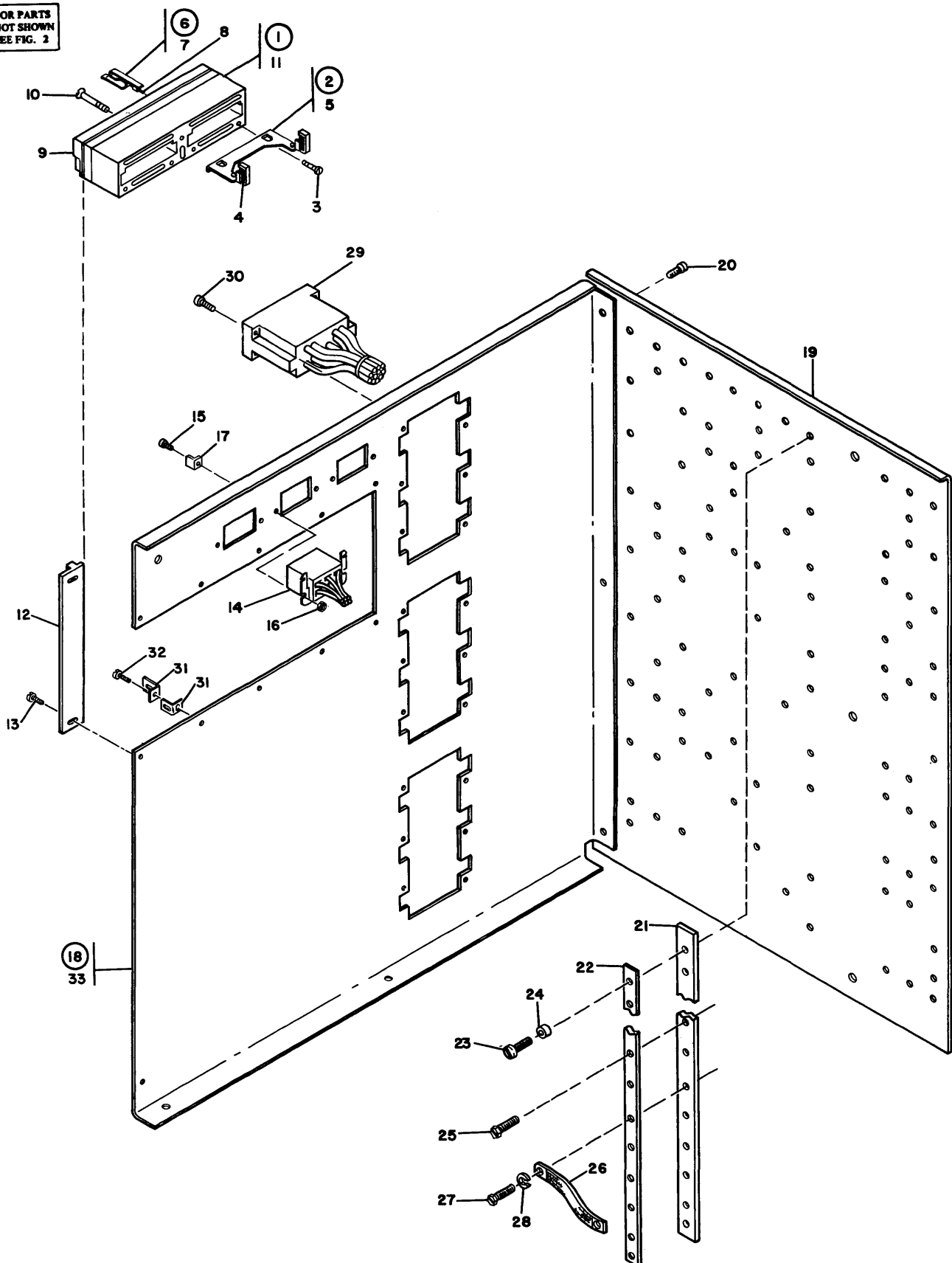


FIGURE 13. DC DISTRIBUTION ASSEMBLY.  
SEE LIST 13.



LIST AND INDEX NUMBER	PART NUMBER	DESCRIPTION	UNITS PER ASM.	USABLE ON CODE
13 -		CODE A USED W/O 2 CHAN SW AND REMOTE SW CODE B USED WITH 2 CHANNEL SWITCH FEA.		
-	2218978 NP	DC DISTRIBUTION GROUP, I/O FOR NEXT HIGHER ASM SEE FIGURE 2-133	REF	
- 1	5362304	. CONNECTOR ASSEMBLY - HALF STYLE A	2	A
- 1	5362304	. CONNECTOR ASSEMBLY - HALF STYLE A	3	B
- 1	5362305	. CONNECTOR ASSEMBLY - HALF STYLE B	2	A
- 1	5362305	. CONNECTOR ASSEMBLY - HALF STYLE B	3	B
- 2	5404468	. BRACKET ASSEMBLY	2	
- 3	112628	. SCREW, THREAD FORMING, BIND HD, 3/8 IN. LG ATT PT	2	
- 4	5353894	. . . PAD-PRESSURE	2	
- 5	5353899	. . . BRACKET	1	
- 6	5362303	. . CONTACT AND PIN ASSEMBLY	48	
- 7	5362301	. . . CONTACT, LARGE SERPENT	1	
- 8	811727	. . . PIN-CONNECTOR	1	
- 9	5353867	. . CONNECTOR BLOCK - STYLE A	1	
- 9	5353868	. . BLOCK, CONNECTOR-STYLE B	1	
- 10	109918	. . SCREW, MACH, FLAT H- 1/2 LG ATT PT	AR	
- 11	5353902	. . GUIDE-PIN	1	
- 12	2191834	. BAR-I/O CONNECTOR VERTICAL MTG	AR	
- 13	2181005	. SCREW, SELF TAPPING, 6-32 X .375 LG. ATT PT	AR	
- 14	2218965	. CABLE ASM, DUAL CHANNEL, CU-1 FOR COMPONENTS SEE FIGURE 32	1	B
- 15	170158	. SCREW AND LOCKWASHER ASM-4-40 X 3/4 LG ATT PT	AR	
- 16	37913	. NUT, HEX 4-40 NC ATT PT	AR	
- 17	5271288	. TERMINAL	AR	
- 18	2218807	. I/O ASSEMBLY-DC DIST	1	
- 19	2218830	. . PLATE-DC DISTRIBUTION	1	
- 20	2181004	. . SCREW, THREAD FORMING-HEX WASHER HD ATT PT	3	
- 21	2218832	. . STRIP-INSULATOR	11	
- 22	2218833	. . BAR-BUS	11	
- 23	2181001	. . SCREW, THD FORMING-HEX WASH HD 10-32X 3/4 ATT PT	22	
- 24	333586	. . BUSHING, PHENOLIC, .219 I.D.-SHOULDER ATT PT	22	
- 25	5319854	. . SCREW, SELF TAPPING, 8-32 X .375 LONG ATT PT	97	
- 26	2157384	. . STRAP, GROUND	4	
- 27	5319854	. . PARTS OF THIS ASM ARE NOT REPLACEABLE . . SCREW, SELF TAPPING, 8-32 X .375 LONG ATT PT	1	
- 28	2125963	. . WASHER, LOCK-INT TEETH NO. 8 X 9/16 OD ATT PT	1	
- 29	2218834	. . CABLE ASM-D.C. CONNECTOR I/O FOR COMPONENTS SEE FIGURE 32	9	
- 30	170150	. . SCREW, ASSEM WASH-FIL H 4-40 X 1/4 LG ATT PT	18	
- 31	5271288	. . TERMINAL	8	
- 32	2175684	. . SCREW, THREAD FORMING-PAN HD 4-40 X 3/8LG ATT PT	4	
- 33	2218831	. . PLATE-SIG AND DC CONNECTOR ***** END OF LIST 13 *****	1	

FOR PARTS  
NOT SHOWN  
SEE FIG. 2

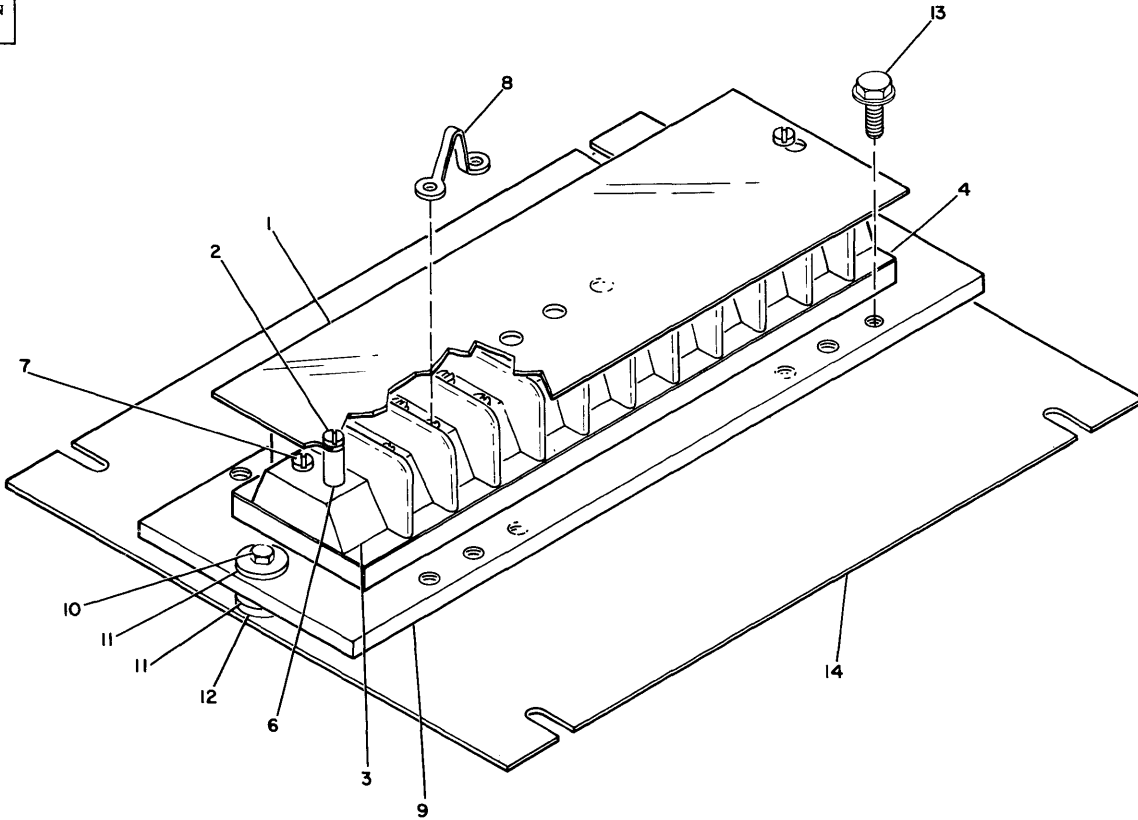
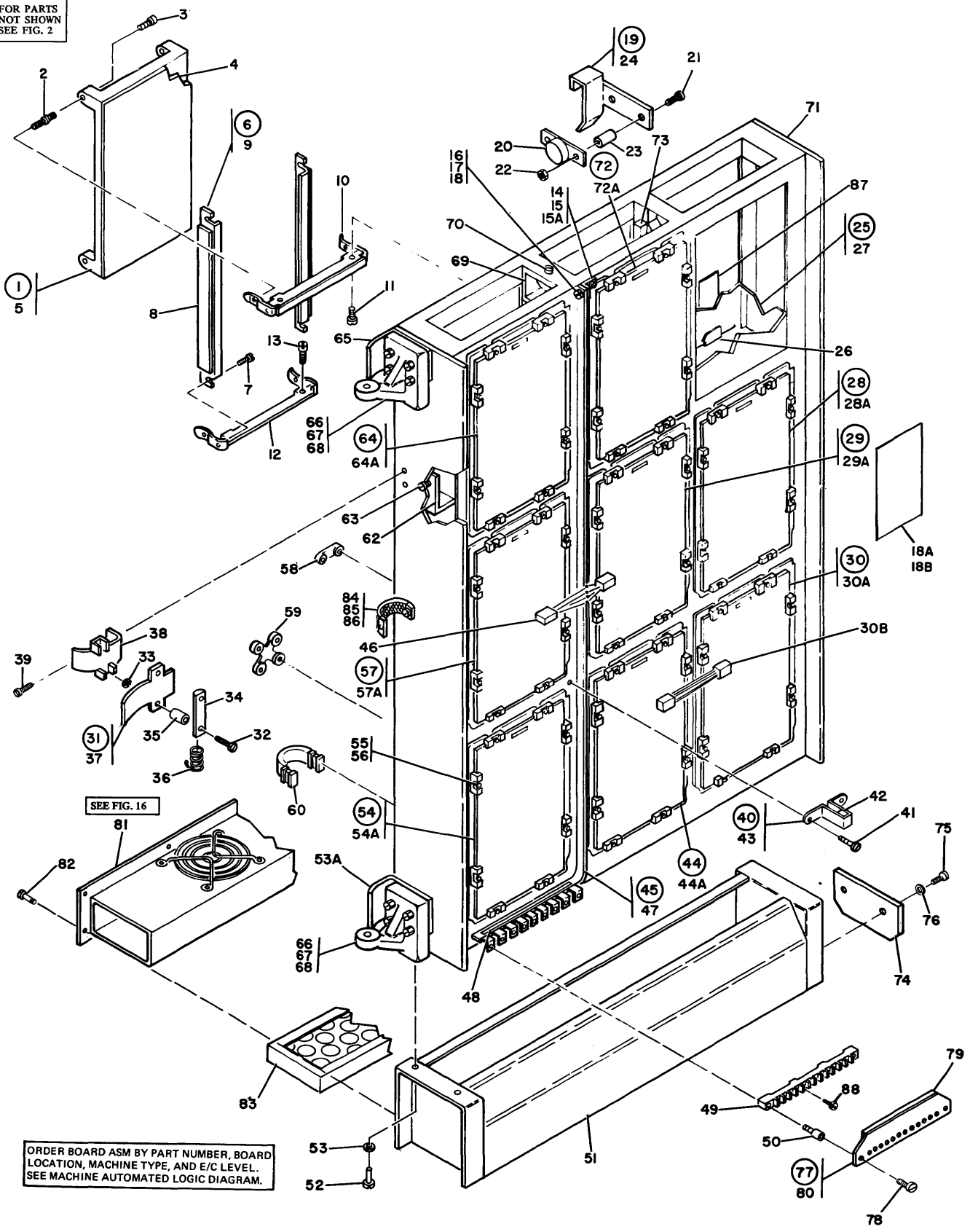


FIGURE 14. TERMINAL BLOCK ASSEMBLY.  
SEE LIST 14

LIST AND INDEX NUMBER	PART NUMBER	DESCRIPTION				UNITS PER ASM.	USABLE ON CODE
		1	2	3	4		
14 -	2244992	TERMINAL BLOCK ASSEMBLY FOR NEXT HIGHER ASM SEE FIGURE 2-189				REF	
- 1	438894	. SHIELD, 10 POS				1	
- 2	10170	. SCREW-MACH, BIND HD NO. 6-32 X .250 LG				2	ATT PT
- 3	283003	. TERMINAL BLOCK, 10 DBL SCREW POS				1	
- 4	550612	. MARKER STRIP, 10 POS.				1	
- 6	2125898	. STUD, TAPPED MOUNTING, 6-32 X 1.087 LG				2	ATT PT
- 7	322552	. SCREW, MACH-BIND HD 6-32 X 7/8 LG				2	ATT PT
- 8	5364226	. JUMPER, BRASS 50 AMP TB				5	
- 9	2244885	. BUS, DC DISTRIBUTION				1	
- 10	2191737	. SCREW, THD FORMING-HEX WASH HD 10-32X 1.0				2	ATT PT
- 11	2218925	. BUSHING, TROS ISOLATING - .75 DIA				4	ATT PT
- 12	150909	. SPACER, 0.750 OD X 0.257 ID X 0.125 TH				2	ATT PT
- 13	2181004	. SCREW, THREAD FORMING, 10-32 X 0.38 LG				22	
- 14	2244968	. PLATE **** END OF LIST 14 ****				1	

FOR PARTS  
NOT SHOWN  
SEE FIG. 2



SEE FIG. 16

ORDER BOARD ASM BY PART NUMBER, BOARD  
LOCATION, MACHINE TYPE, AND E/C LEVEL.  
SEE MACHINE AUTOMATED LOGIC DIAGRAM.

FIGURE 15. A GATE ASSEMBLY.  
SEE LIST 15.

LIST AND INDEX NUMBER	PART NUMBER	DESCRIPTION				UNITS PER ASM.	USABLE ON CODE
		1	2	3	4		
		CODE A USED W/O 2 CHANNEL SWITCH FEATURE CODE B USED WITH 2 CHANNEL SW FEATURE					
15 -	2218804	A GATE ASM, W/O 2 CHAN SW-MOD 1 & 2314A				REF	
-	2285702	A GATE ASM, W/O 2 CHAN SW-2314B				REF	
-	2218817	A GATE ASM, W/2 CHAN SW-MOD 1 & 2314A				REF	
-	2285704	A GATE ASM, W/2 CHAN SW-2314B FOR NEXT HIGHER ASM SEE FIGURE 2-159				REF	
- 1	811873	. COVER ASSEMBLY, CARD				AR	
- 2	815964	. . CATCH				4	
- 3	815963	. . CATCH-PULL				4	
- 4	815263	. . FOAM				1	
- 5	811872	. . COVER				1	
- 6	811881	. RETAINER ASSEMBLY				AR	
- 7	55726	. SCREW,MACH-BIND HD 6-32 X .188 LG ATT PT				AR	
- 8	811441	. . SEAL				2	
- 9	811896	. . RETAINER				2	
- 10	811859	. BRACKET,UPPER HINGE				AR	
- 11	2181005	. SCREW-HEX HD SELFTAP 6-32 X .375 LONG				AR	
- 12	811858	. BRACKET,LOWER HINGE				AR	
- 13	2181005	. SCREW-HEX HD SELFTAP 6-32 X .375 LONG ATT PT				AR	
- 14	811742	. SUPPORT,BUS				1	
- 15	2181005	. SCREW-HEX HD SELFTAP 6-32 X .375 LONG ATT PT				1	
- 15A	257986	. WASHER,0.156 ID X 0.035 THK				1	A
- 16	438550	. SCREW,MACH-BIND HD 4-40 X 1/2 LG ATT PT				1	A
- 17	815039	. WASHER,FL 0.12 ID X 0.25 OD X 0.022 THK ATT PT				1	A
- 17	257985	. WASHER,FL-NO. 4 0.25 OD X 0.028 TH				1	B
- 18	5373223	. NUT,PLAIN,HEX- 4-40 X 0.250 FL W ATT PT				1	A
- 18	37913	. NUT, HEX 4-40 NC				1	B
- 18A	2239066	. LABEL, TEST POINTS -MOD 1 AND 2314A				1	A
- 18A	2244985	. LABEL, TEST POINTS -MOD 1 AND 2314A				1	B
- 18A	2285719	. LABEL, TEST POINTS -2314B				1	A
- 18A	2285720	. LABEL, TEST POINTS 2314B				1	B
- 18B	2271052	. LABEL, I.D. -MOD 1 AND 2314A				1	
- 18B	2285721	. LABEL, I.D. 2314B				1	
- 19	2194004	. THERMOSWITCH ASM,N/C 120 DEGREES FH				1	
- 20	761345	. THERMOSWITCH,N/C 120 DEGREES FH				1	
- 21	2152841	. . SCREW,FILLISTER HEAD 4-40 X1/2 1/4 LONG ATT PT				2	
- 22	2145026	. . NUT,DOUBLE CHAMFER,4-40 X 1/4 FL W ATT PT				2	
- 23	2152838	. . SPACER,PHENOLIC,.125 ID .250 OD X.180 LG				2	
- 24	2194003	. . CLIP-MOUNTING				1	
- 25	2227451	. CHIMNEY ASM				1	
- 26	816652	. . SEAL				2	
- 27	816653	. . CHIMNEY				1	
- 28	2227451	. CHIMNEY ASM				1	A
- 28	2209547	SEE INDEX NO.25 FOR BREAKDOWN . BOARD ASSEMBLY,A2 W/CARDS				1	B
- 28A	2209546	. . BOARD ASSEMBLY,A2 W/O CARDS (NBD)				1	
- 29	2209611	. . BOARD ASSEMBLY,01A-B2 W/CARDS				1	
- 29A	2209610	. . BOARD ASSEMBLY,B2 W/O CARDS (NBD)				1	
- 30	2227451	. CHIMNEY ASM				AR	
- 30	2209549	SEE INDEX NO.25 FOR BREAKDOWN . BOARD ASSEMBLY,A3 W/CARDS				1	B
- 30A	2209548	. . BOARD ASSEMBLY,A3 W/O CARDS (NBD)				1	
- 30B	811482	. CROSSOVER ASM,BOARD TO BOARD FOR COMPONENTS SEE FIGURE 32				10	B
- 31	815224	. CLAMP ASSEMBLY				AR	
- 32	332560	. . SCREW ATT PT				2	
- 33	816649	. . CLIP ATT PT				2	
- 34	815220	. . BAR				1	
- 35	815219	. . SPACER				2	
- 36	813321	. . SPRING				1	
- 37	815217	. . PLATE-FRONT				1	
- 38	815167	. PLATE-BACK				AR	
- 39	2181004	. SCREW-HEX HD SELFTAP 10-32 X .375 LONG ATT PT				AR	
- 40	811554	. STRAP ASSEMBLY,BUS				AR	
- 41	2181005	. SCREW-HEX HD SELFTAP 6-32 X .375 LONG ATT PT				2	A
- 41	731626	. SCREW,PAN HEAD,6-32 X 0.25 LONG ATT PT				4	B
- 42	811553	. . PAD, FOAM				1	
- 43	811423	. . STRAP				1	
- 44	2209613	. BOARD ASSEMBLY,01A-B3 W/CARDS				1	
- 44A	2209612	. . BOARD ASSEMBLY,B3 W/O CARDS (NBD)				1	
- 45	2184184	. LAMINAR BUS ASSEMBLY				1	
- 46	811621	. . CROSSOVER ASM,BOARD TO BUS TO BOARD				15	
- 47	811530	FOR COMPONENTS SEE FIGURE 32-210B . . BUS ASSEMBLY,VERTICAL PARTS OF THIS ASM ARE NOT REPLACEABLE				1	

LIST AND INDEX NUMBER	PART NUMBER	DESCRIPTION	UNITS PER ASM.	USABLE ON CODE
15 - 48	2184130	. . LABEL-LAMINAR BUS	1	
- 49	811476	. TERM BLOCK ASM,BUS 12 POSITION	1	
		PARTS OF THIS ASM ARE NOT REPLACEABLE		
- 50	811536	. STANDOFF	2	
- 51	2191841	. PLENUM WELDMENT ASSEMBLY-GATE-CFC/TROS/	1	
- 52	2181005	. SCREW-HEX HD SELFTAP 6-32 X .375 LONG ATT PT	8	
- 53	56722	. WASHER-LOCK,EXT T, .150 ID ATT PT	8	
- 53A	2191842	. CLAMP-HINGE,LOWER	1	
- 54	2209619	. BOARD ASM,C3,W/CARDS	1	A
- 54	2209551	. BOARD ASM,C3,W/CARDS	1	B
- 54A	2209618	. . BOARD ASSEMBLY,C3 W/O CARDS	1	
		USED ON ASM 2209619 ONLY		
- 54A	2209550	. . BOARD ASSEMBLY,C3 W/O CARDS	1	
		USED ON ASM 2209551 ONLY		
		ASSEMBLY COMPONENTS ARE NOT REPLACEABLE		
- 55	813179	. CLAMP-BOARD	AR	
- 56	811417	. SCREW,HEX SOC, 6-32 X 0.500 LG ATT PT	AR	
- 57	2209617	. BOARD ASSEMBLY,01A-C2 W/CARDS, 2314 A ONLY	1	
- 57	2285713	. BOARD ASSEMBLY, 01A-C2 W/CARDS 2314B ONLY	1	
- 57A	2209616	. . BOARD ASSEMBLY,C2 W/O CARDS, 2314 A ONLY	1	
- 57A	2285712	. . BOARD ASSEMBLY, 01A-C2 W/O CARDS 2314B ONLY	1	
		ASSEMBLY COMPONENTS ARE NOT REPLACEABLE		
- 58	811427	. RETAINER	35	
- 59	813519	. RETAINER,CABLE	4	
- 60	5802236	. CROSSOVER ASM, 22 SIGNAL	AR	
- 60	5802441	. CROSSOVER ASM	AR	
		ASM COMPONENTS ARE NOT REPLACEABLE		
- 62	811541	. BAFFLE-END	1	
- 63	438550	. SCREW,MACH-BIND HD 4-40 X 1/2 LG ATT PT	1	
- 64	2209615	. BOARD ASSEMBLY,01A-C1 W/CARDS	1	
- 64A	2209614	. . BOARD ASSEMBLY,C1 W/O CARDS	1	
		ASSEMBLY COMPONENTS ARE NOT REPLACEABLE		
- 65	2191843	. CLAMP-HINGE,UPPER	1	
- 66	2191817	. HINGE-OUTER GATE	2	
- 67	19852	. SCREW,MACH-HEX HD 1/4-20 X 1 1/4 LG ATT PT	8	
- 68	117281	. NUT-STOP, 1/4-20 ATT PT	8	
- 69	811542	. BAFFLE-CENTER	1	
- 70	438550	. SCREW,MACH-BIND HD 4-40 X 1/2 LG ATT PT	1	
- 71	2191812	. FRAME-GATE	1	
- 72	2209609	. BOARD ASSEMBLY,01A-B1 W/CARDS	1	
- 72A	2209608	. . BOARD ASSEMBLY,B1 W/O CARDS	1	
		ASSEMBLY COMPONENTS ARE NOT REPLACEABLE		
- 73	2194002	. BAFFLE-VERTICAL	AR	
		PARTS NOT INCLUDED WITH ASSEMBLY		
- 74	2211494	SHOE,CARD GATE	1	
- 75	140425	SCREW,MACH-HEX HD 10-32 X 5/16 LG ATT PT	2	
- 76	2125974	WASHER, INT TOOTH, .200 ID X .562 OD ATT PT	2	
- 77	811556	SHIELD ASM,INSULATOR AND - 12 POS	1	
- 78	10170	SCREW-MACH,BIND HD NO. 6-32 X .250 LG ATT PT	2	
- 79	811555	. SEAL	1	
- 80	811534	. SHIELD, 12 POSITION	1	
- 81	2191781	FAN ASSEMBLY,GATE 60 HZ	1	
- 81	2191782	FAN ASSEMBLY,GATE 50 HZ	1	
		FOR DETAIL BREAKDOWN SEE FIGURE 16		
- 82	5319854	SCREW, SELF TAPPING, 8-32 X .375 LONG ATT PT	7	
- 83	2184104	FILTER-AIR	1	
- 84	2101376	STRAP-GROUND	1	
- 85	2181004	SCREW-HEX HD SELFTAP 10-32 X .375 LONG ATT PT	2	
- 86	2125974	WASHER, INT TOOTH, .200 ID X .562 OD ATT PT	4	
- 87	2250914	LABEL,CONTROL UNIT 2	1	
		USED WITH 2844 ATTACH FEA		
- 88	811481	SCREW	12	
		**** END OF LIST 15 ****		

FOR PARTS  
NOT SHOWN  
SEE FIG. 15

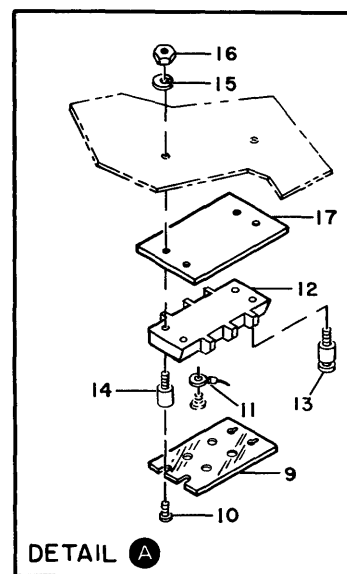
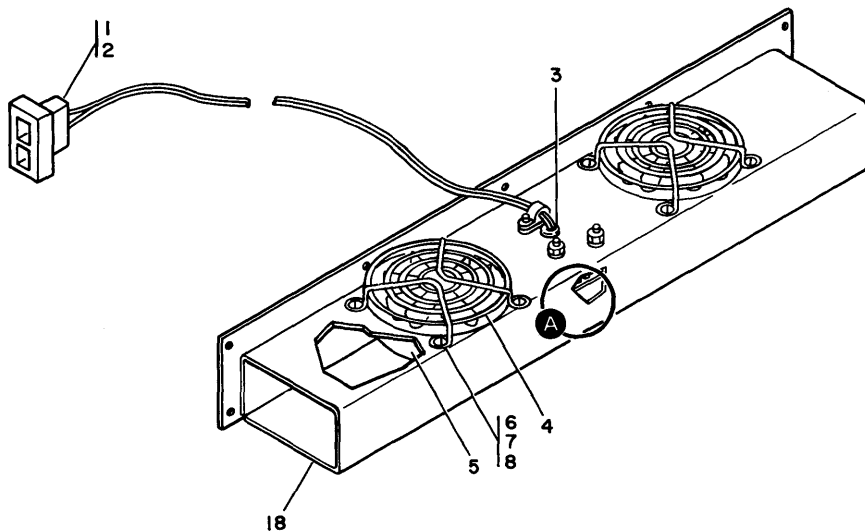


FIGURE 16. FAN ASSEMBLY, A GATE.  
SEE LIST 16.

LIST AND INDEX NUMBER	PART NUMBER	DESCRIPTION				UNITS PER ASM.	USABLE ON CODE
		1	2	3	4		
16 -	2191781	BLOWER ASM,GATE 60 HZ				REF	
-	2191782	BLOWER ASM,GATE 50 HZ				REF	
		FOR NEXT HIGHER ASM SEE FIGURE 15-81					
- 1	725558	. COVER-CONNECTOR				1	
- 2	2145170	. TERMINAL,QUICK DISCONNECT- 16/18AWG				2	
- 3	450821	. GROMMET,5/16 I.D. X 13/16 O.D.X 5/16 THK				1	
- 4	2172166	. GUARD,FAN,60 HZ				2	
- 4	4103890	. GUARD,FAN,50 HZ				2	
- 5	5353877	. FAN 60 HZ				2	
- 5	4120211	. FAN 50 HZ				2	
- 6	322065	. SCREW,MACH-BIND HD 6-32 X 5/8 LG,60 HZ				8	ATT PT
- 6	35739	. SCREW,MACH-BIND HD 6-32 X 15/16 LG,50 HZ				8	ATT PT
- 7	6364	. WASHER,LOCK-SPLIT NO. 6 X 1/4 OD,60 HZ				8	ATT PT
- 8	1115657	. SPACER,0.159 ID,0.312 OD,0.126 THICK,50 HZ				8	ATT PT
- 9	187467	. SHIELD, 2 POSITION				1	
- 10	210984	. SCREW,MACH RH 6-32 X .25				1	ATT PT
- 11	334910	. TERMINAL-LUG NO.16 THRU NO.14 WIRE				2	
- 11	334921	. TERMINAL-LUG NO.22 THRU NO.18 WIRE INSUL				4	
- 12	80817	. TERMINAL BLOCK, 2 POSITION				1	
- 13	2125899	. STUD, SHIELD MOUNTING, 6-32 X 1.237 LG				1	ATT PT
- 14	2125898	. STUD, TAPPED MOUNTING, 6-32 X 1.087 LG				1	ATT PT
- 15	56722	. WASHER-LOCK,EXT T, .150 ID				2	ATT PT
- 16	257187	. NUT,HEX 6-32 NC				2	ATT PT
- 17	507446	. INSULATOR, TERMINAL STRIP				1	
- 18	2191783	. HOUSING-GATE FAN,DOMESTIC				1	
- 18	4056356	. HOUSING-GATE FAN,WTC				1	
		**** END OF LIST 16 ****					

FOR PARTS  
NOT SHOWN  
SEE FIG. 2

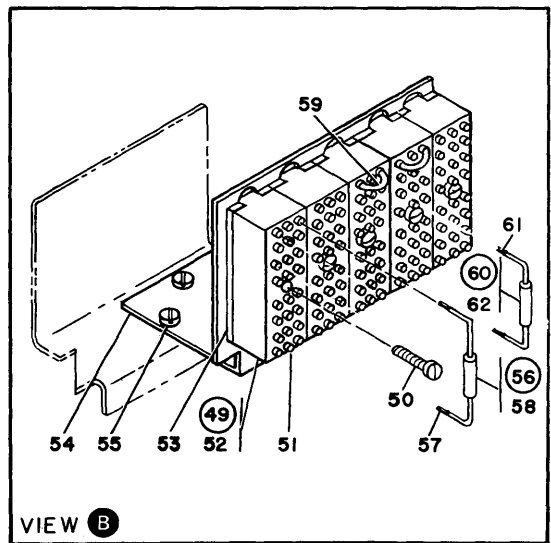
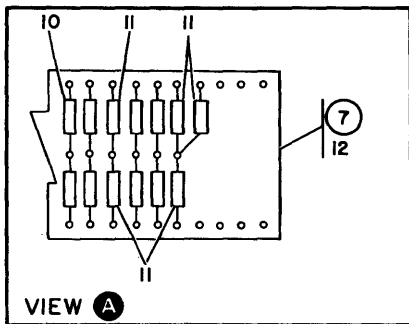
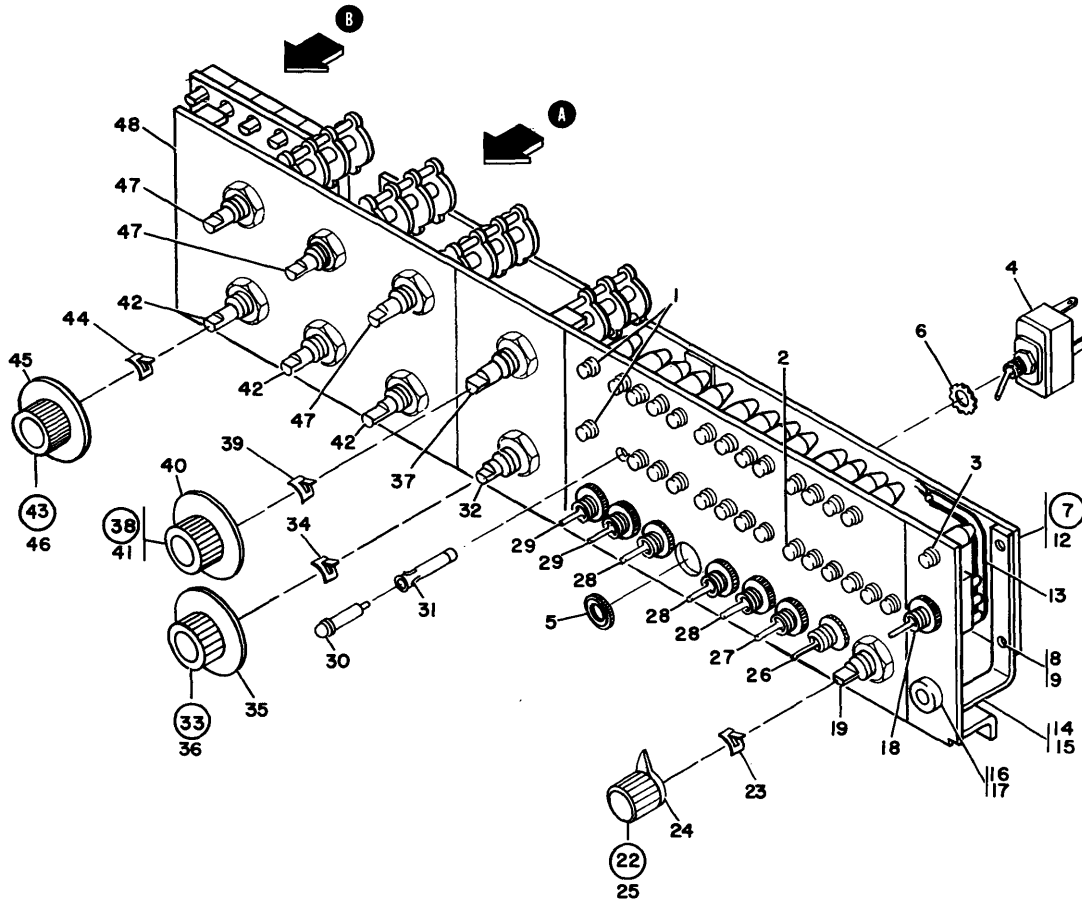


FIGURE 17. CE PANEL ASSEMBLY.  
SEE LIST 17.

LIST AND INDEX NUMBER	PART NUMBER	DESCRIPTION				UNITS PER ASM.	USABLE ON CODE
		1	2	3	4		
		CODE A USED W/AIRLINES BUFFER FEA ONLY CODE B USED W/2 CHANNEL SWITCH FEA ONLY					
17 -	2218880	CE PANEL ASSEMBLY				REF	
- 1	5353883	FOR NEXT HIGHER ASM SEE FIGURE 2-44 . INDICATOR ASSEMBLY, AMBER, 3 VOLT				1	
- 2	5353890	ASSEMBLY COMPONENTS ARE NOT REPLACEABLE . INDICATOR ASM, RED, 3V ASSEMBLY COMPONENTS ARE NOT REPLACEABLE				6	
- 3	5440629	. INDICATOR ASM, 3V-GREEN ASSEMBLY COMPONENTS ARE NOT REPLACEABLE				1	
- 4	738829	. SWITCH, TOGGLE, DPDT, MOMENTARY				1	
- 5	179744	. NUT, PLAIN, RD- 15/32-32 X 39/64 DIA				9	
- 6	159373	. WASHER, LOCK-EXT TEETH 15/32 ID X 3/4 OD				9	
- 7	2218903	. TERMINAL BOARD ASSEMBLY-CE PANEL				1	
- 8	801451	. SCREW AND LOCKWASHER				6	
- 9	257986	. WASHER, 0.156 ID X 0.035 THK				6	
- 10	334987	. . RESISTOR, FXD 180 OHMS P/M 5% 1W				70	
- 11	492457	. . DIODE, TYPE AG				5	
- 12	2184126	. . TERMINAL BOARD ASSEMBLY-CE PANEL ASSEMBLY COMPONENTS ARE NOT REPLACEABLE				1	
- 13	2218887	. CABLE ASSEMBLY-CE PANEL JUMPER FOR COMPONENTS SEE FIG 32				1	
- 14	2218918	. BRACKET-PANEL, TERMINAL BOARD				3	
- 15	801451	. SCREW AND LOCKWASHER				6	
- 16	2109037	. JACK-BANANA				1	
- 17	"COMM."	. NUT, 0.312-32				1	
- 18	2218908	. SWITCH, TOGGLE, DPDT, CENTER ACTION				1	
- 19	2218886	. SWITCH, ROTARY-5 POLE 3 POSITION				1	
- 22	2227526	. KNOB ASM, C.G. MODE				1	
- 23	482195	. . SPRING-CONTROL KNOB				1	
- 24	2227525	. . KNOB, CE MODE				1	
- 25	2227524	. . CAP, KNOB				1	
- 26	738826	. SWITCH, TOGGLE, SPDT MAINTAINED				1	
- 27	483523	. SWITCH, TOGGLE-DPDT				1	
- 28	738828	. SWITCH, TOGGLE				3	
- 29	483531	. SWITCH, TOGGLE-DPDT				2	
- 30	5353889	. INDICATOR ASM, CLEAR, 3V ASSEMBLY COMPONENTS ARE NOT REPLACEABLE				21	
- 31	5353887	. HOUSING, LAMP				30	
- 32	2184122	. SWITCH, ROTARY-OPEN WAFER				1	
- 33	2250912	. KNOB ASM, REGISTER				1	
- 34	482195	. . SPRING-CONTROL KNOB				1	
- 35	2250911	. . KNOB, REGISTER				1	
- 36	2227524	. . CAP, KNOB				1	
- 37	2218900	. SWITCH, ROTARY-OPEN WAFER				1	
- 38	2250910	. KNOB ASM, MODE				1	
- 39	482195	. . SPRING-CONTROL KNOB				1	
- 40	2250909	. . KNOB, MODE				1	
- 41	2227524	. . CAP, KNOB				1	
- 42	2194055	. SWITCH, ROTARY- 2WFR				3	
- 43	2227522	. KNOB ASM, ADDRESS				6	
- 44	482195	. . SPRING-CONTROL KNOB				1	
- 45	2227523	. . KNOB, ADDRESS				1	
- 46	2227524	. . CAP, KNOB				1	
- 47	2184123	. SWITCH, ROTARY-OPEN WAFER				3	
- 48	2218881	. PANEL-CE				1	
- 49	302090	. TERMINAL BLOCK ASM-24 FEMALE CONTACTS				3	
- 49	302090	. TERMINAL BLOCK ASM, 24 FEMALE CONTACTS				4	A
- 49	302090	. TERMINAL BLOCK ASM, 24 FEMALE CONTACTS				5	B
- 50	438550	. SCREW, MACH-BIND HD 4-40 X 1/2 LG				AR	
- 51	302089	. . CONTACT, 3 POS COMMON				8	
- 52	302088	. . BLOCK, TERMINAL				1	
- 53	302131	. STRIP-TERMINAL BLOCK INSULATOR				AR	
- 54	2218894	. BRACKET-CE TERMINAL BLOCK				1	
- 55	801451	. SCREW AND LOCKWASHER				2	
- 56	520410	. RESISTOR ASM, FXD, 110 OHMS P/M 5% 1WATT				2	
- 56	520410	. RESISTOR ASM, FXD, 110 OHMS P/M 5% 1 WATT				3	A
- 57	320167	. . TERMINAL, QUICK DISCONNECT-NONINS 16AWG				2	
- 58	335012	. . RESISTOR, FIXED COMP 110 OHM 5% 1 WATT				1	
- 59	205331	. JUMPER-RELAY GATES UNIT 1/8 BRASS				3	
- 59	205329	. JUMPER, BRASS 3/16				1	A
- 60	603541	. CAPACITOR ASM				1	
- 61	320167	. . TERMINAL, QUICK DISCONNECT-NON INS 16AWG				2	
- 62	535299	. . CAPACITOR, 0.1 MFD P/M 10%, 100VDC				1	
		**** END OF LIST 17 ****					



FOR PARTS  
NOT SHOWN  
SEE FIG. 2

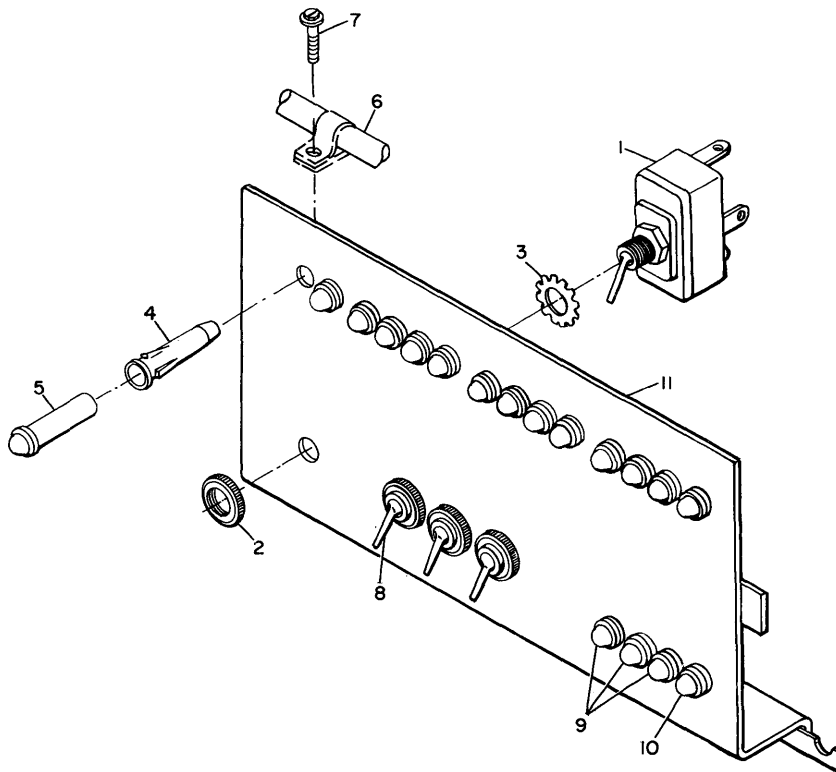


FIGURE 18. CE BUFFER PANEL ASSEMBLY.  
SEE LIST 18.

LIST AND INDEX NUMBER	PART NUMBER	DESCRIPTION				UNITS PER ASM.	USABLE ON CODE
		1	2	3	4		
18 -	2218811	CE BUFFER PANEL ASM FOR NEXT HIGHER ASM SEE FIGURE 2-152				REF	
- 1	738826	. SWITCH, TOGGLE, SPDT MAINTAINED				3	
- 2	179744	. NUT, PLAIN, RD- 15/32-32 X 39/64 DIA				4	
- 3	159373	. WASHER, LOCK-EXT TEETH 15/32 ID X 3/4 OD				4	
- 4	5353887	. HOUSING, LAMP				18	
- 5	5353889	. INDICATOR ASM, CLEAR, 3V ASSEMBLY COMPONENTS ARE NOT REPLACEABLE				14	
- 6	2218936	. CABLE ASM, CE PANEL FOR COMPONENTS SEE FIGURE 32				1	
- 7	2181605	. SCREW-HEX HD SELFTAP 6-32 X .375 LONG				1	
- 8	738828	. SWITCH, TOGGLE				1	
- 9	5353883	. INDICATOR ASSEMBLY, AMBER, 3 VOLT ASSEMBLY COMPONENTS ARE NOT REPLACEABLE				3	
- 10	5353890	. INDICATOR ASM, RED, 3V ASSEMBLY COMPONENTS ARE NOT REPLACEABLE				1	
- 11	2218933	. PANEL				1	
		**** END OF LIST 18 ****					

FOR PARTS  
NOT SHOWN  
SEE FIG. 2

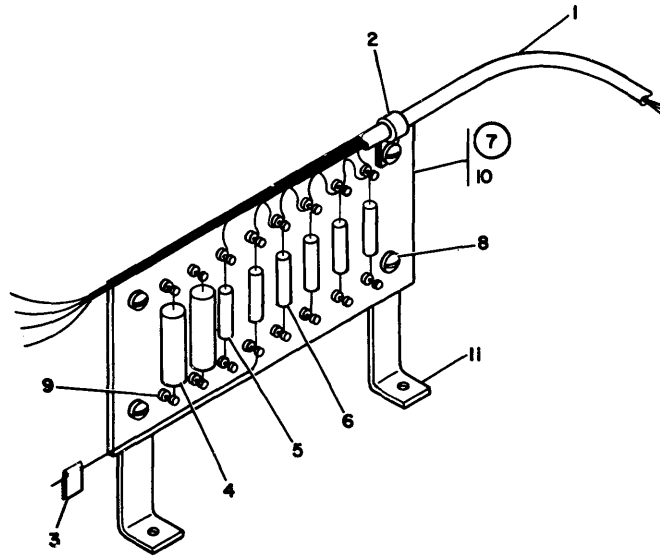
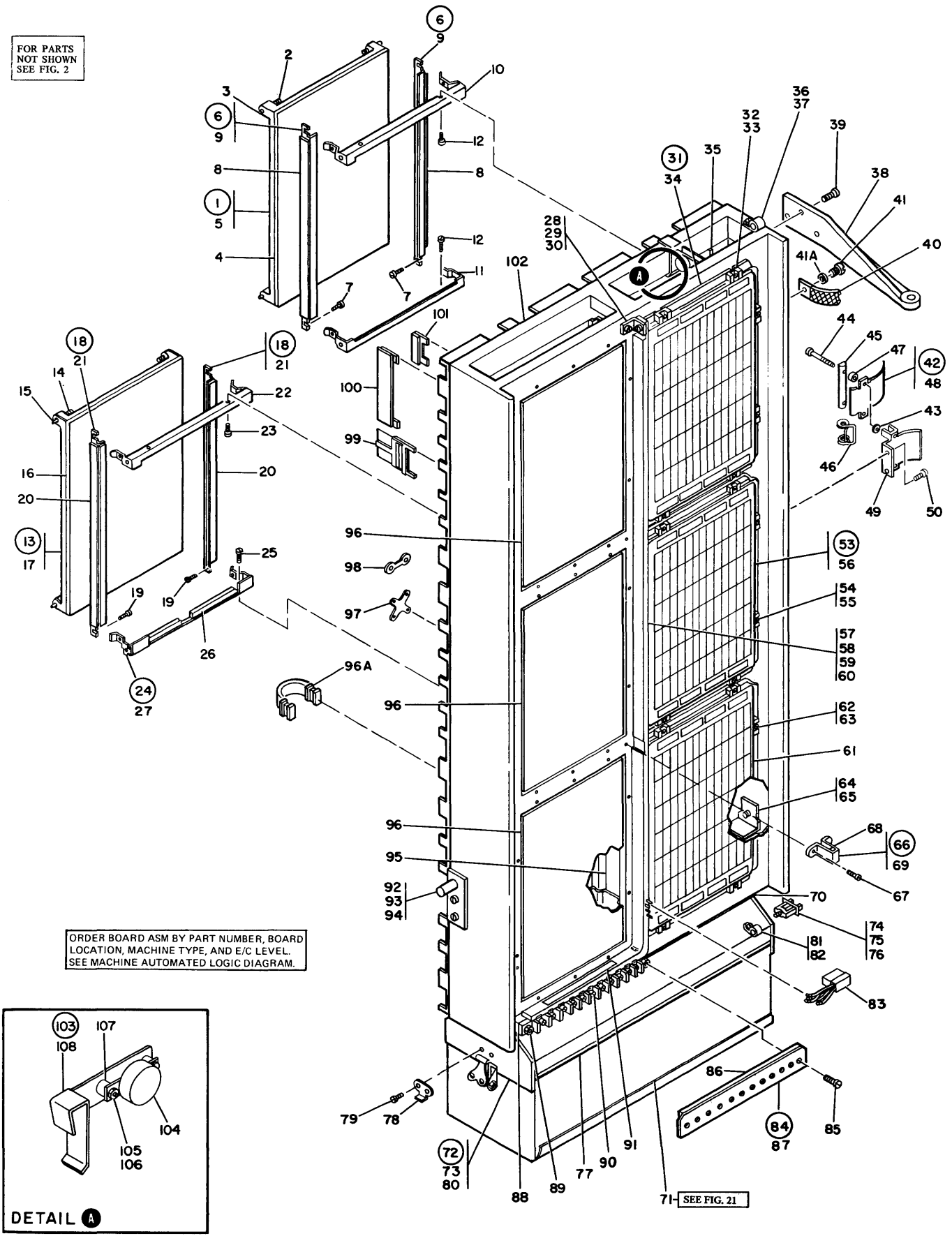


FIGURE 19. REMOTE SWITCH PANEL ASSEMBLY.  
SEE LIST 19.

LIST AND INDEX NUMBER	PART NUMBER	DESCRIPTION				UNITS PER ASM.	USABLE ON CODE
		1	2	3	4		
19 -	2218966	REMOTE SWITCH ASM USED WITH 2 CHANNEL SWITCH FEATURE ONLY FOR NEXT HIGHER ASSEMBLY SEE FIG 2-157				REF	
- 1	2194074	. CABLE ASM-REMOTE SWITCH CONTROL FOR COMPONENTS SEE FIG 32-9, 70B				1	
- 2	356742	. CLAMP, LOOP-0.250 ID 0.177 DIA MTG HOLE				1	
- 3	2111210	. LABEL, IDENTIFICATION-WIRE MARKING				1	
- 4	222077	. CAPACITOR, 6.8MF, PM 20%				2	
- 5	317004	. RESISTOR, FXD COMP, 120 OHMS P/M 5% 0.5 W				2	
- 6	333202	. RESISTOR, FXD, COMP-240 OHMS P/M 5% 1/2W				4	
- 7	2194075	. TERMINAL BOARD ASSEMBLY-REMOTE SWITCH				1	
- 8	251970	. SCREW, MACH, BH. 4-40 X 0.25 LONG				4	
- 9	2193976	. . TERMINAL-FEED THRU				16	
- 10	2194071	. . TERMINAL BOARD				1	
- 11	2194072	. BRACKET ***** END OF LIST 19 *****				2	

FOR PARTS  
NOT SHOWN  
SEE FIG. 2



ORDER BOARD ASM BY PART NUMBER, BOARD  
LOCATION, MACHINE TYPE, AND E/C LEVEL.  
SEE MACHINE AUTOMATED LOGIC DIAGRAM.

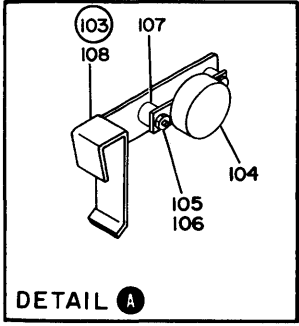


FIGURE 20. B GATE ASSEMBLY.  
SEE LIST 20.

LIST AND INDEX NUMBER	PART NUMBER	DESCRIPTION	UNITS	USABLE
			PER ASM.	ON CODE
20 -	2218819	B GATE ASSEMBLY, 60 HZ	REF	
-	2218820	B GATE ASSEMBLY, 50 HZ	REF	
		FOR NEXT HIGHER ASM SEE FIGURE 2-151		
- 1	811867	. CARD COVER ASSEMBLY	2	
- 2	815963	. . CATCH-PULL	4	
- 3	815964	. . CATCH	4	
- 4	815263	. . FOAM	1	
- 5	811866	. . COVER	1	
- 6	811881	. RETAINER ASSEMBLY	4	
- 7	10170	. SCREW-MACH, BIND HD NO. 6-32 X .250 LG ATT PT	8	
- 8	811441	. . SEAL	1	
- 9	811896	. . RETAINER	1	
- 10	811853	. BRACKET-HINGE	2	
- 11	811852	. BRACKET-HINGE	2	
- 12	734483	. SCREW, PAN HD- 6-32 X 0.380 LG	8	
- 13	2194920	. CARD COVER ASSEMBLY-MEMORY 1.25	1	
- 14	815963	. . CATCH-PULL	4	
- 15	815964	. . CATCH	4	
- 16	2190834	. . BACKING, FOAM	1	
- 17	2194930	. . COVER, MEMORY 1.25 RACEWAY	1	
- 18	2194975	. RETAINER ASM	2	
- 19	10170	. SCREW-MACH, BIND HD NO. 6-32 X .250 LG ATT PT	4	
- 20	811441	. . SEAL	2	
- 21	2194976	. . BAR, CABLE RETAINER-MEMORY	1	
- 22	811853	. BRACKET-HINGE	1	
- 23	734483	. SCREW, PAN HD- 6-32 X 0.380 LG ATT PT	2	
- 24	2194921	. BRACKET ASM, HINGE LOWER-MEMORY 1.25	1	
- 25	734483	. SCREW, PAN HD- 6-32 X 0.380 LG ATT PT	2	
- 26	2194938	. . SEAL, LOWER HINGE-MEMORY	1	
- 27	2194936	. . BRACKET, HINGE LOWER-MEMORY	1	
- 28	811742	. SUPPORT, BUS	1	
- 29	811426	. SCREW, MACH-PAN HD 6-32 X 3/8 IN. LG ATT PT	1	
- 30	257986	. WASHER, 0.156 ID X 0.035 THK ATT PT	1	
- 31	2209453	. BOARD ASSEMBLY, WITH CARDS	1	
- 32	813179	. CLAMP-BOARD ATT PT	8	
- 33	811417	. SCREW, HEX SOC, 6-32 X 0.500 LG ATT PT	8	
- 34	2209542	. . BOARD ASSEMBLY, A1 W/O CARDS ASSEMBLY COMPONENTS ARE NOT REPLACEABLE	1	
- 35	811442	. SEAL, FOAM, 0.38 X 0.25 X 12.25 LG	6	
- 36	2102365	. CLAMP, LOOP- 0.330 ID X 0.170 DIA MTG HOLE	1	
- 37	2181005	. SCREW-HEX HD SELFTAP 6-32 X .375 LONG ATT PT	1	
- 38	2218937	. HINGE	2	
- 39	5353301	. SCREW-THREAD FORMING, HEX. WASHER HEAD ATT PT	6	
- 40	2129396	. STRAP, GROUND, 1 INCH X 14 1/2 INCHES	1	
- 41	2181004	. SCREW-HEX HD SELFTAP 10-32 X .375 LONG ATT PT	1	
- 41A	56079	. WASHER, LOCK EXT TEETH, NO.10 X 0.20 TH	1	
- 42	815224	. CLAMP ASSEMBLY	1	
- 43	815210	. . RING, RETAINING	2	
- 44	815173	. . SCREW	2	
- 45	815220	. . BAR	1	
- 46	813321	. . SPRING	1	
- 47	815219	. . SPACER	2	
- 48	815217	. . PLATE-FRONT	1	
- 49	815167	. PLATE-BACK	1	
- 50	2181004	. SCREW-HEX HD SELFTAP 10-32 X .375 LONG ATT PT	2	
- 53	2209545	. BOARD ASM, A2 WITH CARDS	1	
- 54	813179	. CLAMP-BOARD ATT PT	8	
- 55	811417	. SCREW, HEX SOC, 6-32 X 0.500 LG ATT PT	8	
- 56	2209544	. . BOARD ASSEMBLY, A2 W/O CARDS	1	
- 57	811530	. BUS ASSEMBLY, VERTICAL ASSEMBLY COMPONENTS ARE NOT REPLACEABLE	1	
- 58	438550	. SCREW, MACH-BIND HD 4-40 X 1/2 LG ATT PT	1	
- 59	257985	. WASHER, FL-NO. 4 0.25 OD X 0.028 TH ATT PT	1	
- 60	37913	. NUT, HEX 4-40 NC ATT PT	1	
- 61	2510223	. BOARD ASM, A3 ASSEMBLY COMPONENTS ARE NOT REPLACEABLE	1	
- 62	813179	. CLAMP-BOARD ATT PT	8	
- 63	811417	. SCREW, HEX SOC, 6-32 X 0.500 LG ATT PT	8	
- 64	811541	. BAFFLE-END	1	
- 65	251970	. SCREW, MACH, BH. 4-40 X 0.25 LONG ATT PT	1	
- 66	811554	. STRAP ASSEMBLY, BUS	2	
- 67	811426	. SCREW, MACH-PAN HD 6-32 X 3/8 IN. LG ATT PT	4	
- 68	811553	. . PAD, FOAM	1	
- 69	811423	. . STRAP	1	
- 70	2157643	. SEAL	AR	
- 71	5357002	. COOLING UNIT ASM, 60 HZ	1	
- 71	5357003	. COOLING UNIT ASM, 50 HZ	1	
		FOR DETAIL BREAKDOWN SEE FIGURE 21		



FOR PARTS  
NOT SHOWN  
SEE FIG. 20

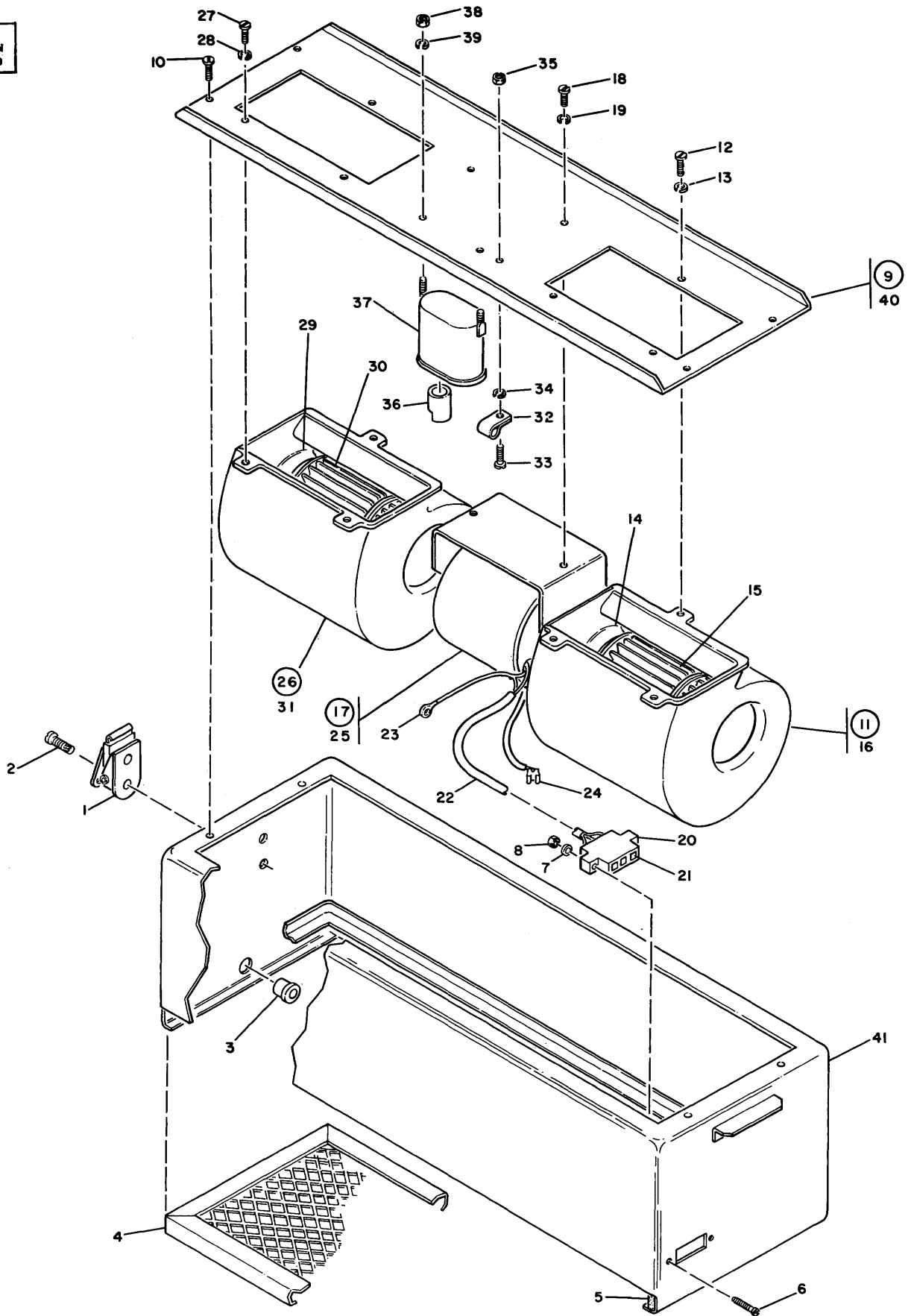


FIGURE 21. BLOWER ASSEMBLY, B GATE.  
SEE LIST 21

LIST AND INDEX NUMBER	PART NUMBER	DESCRIPTION	UNITS PER ASM.	USABLE ON CODE
			1 2 3 4	
21-	5357002	COOLING UNIT ASM,60 HZ	REF	
-	5357003	COOLING UNIT ASM,50 HZ	REF	
		FOR NEXT HIGHER ASM SEE FIGURE 20-71		
- 1	5349888	. LATCH	1	
- 2	5357136	. SCREW,PAN HD 4-40 X 0.187 THK	2	
- 3	5357135	. CATCH	1	
- 4	5357013	. FILTER-AIR	1	
- 5	599557	. SEAL	AR	
- 6	322065	. SCREW,MACH-BIND HD 6-32 X 5/8 LG	2	
- 7	56722	. WASHER-LOCK,EXT T, .150 ID	2	
- 8	257187	. NUT,HEX 6-32 NC	2	
- 9	5357005	. BLOWER ASM,60 HZ	253854B 10-64	1
- 9	5357006	. BLOWER ASM,50HZ		1
- 10	740501	. SCREW,MACH-HEX HD 6-32 X 1/4 LG	ATT PT	4
- 11	5357144	. . SCROLL AND WHEEL ASM,60 HZ	253845 09-64	1
- 11	5357146	. . SCROLL AND WHEEL ASM,50HZ		A
- 12	81693	. . SCREW,MACH-BIND HD 6-32 X 3/8 LG	ATT PT	3
- 13	56722	. . WASHER-LOCK,EXT T, .150 ID	ATT PT	3
- 14	5357141	. . . BELL MOUTH,SCROLL M G,60HZ		1
- 15	5357025	. . . WHEEL ASM,BLOWER-60 HZ		1
- 15	5357028	. . . WHEEL ASM,BLOWER-50HZ		A
- 16	5357140	. . . SCROLL-60HZ		1
- 17	5357020	. . . MOTOR AND CONNECTOR ASSEMBLY		1
- 18	130434	. . . SCREW-MACH,SLOTTED HEX HD NO.10-32 X.375	ATT PT	3
- 19	56722	. . . WASHER-LOCK,EXT T, .150 ID	ATT PT	3
- 20	5353853	. . . HOUSING		1
- 21	5353854	. . . CONTACT, MALE 16-20 WIRE		3
- 22	253569	. . . INSULATION SLEEVING,ELEC- 0.375 ID		AR
- 23	253740	. . . TERMINAL,LUG-INS 10-12AWG NO.6 MTG HOLE		1
- 24	517913	. . . CLIP, SLIP ON NO 18-16 AWG		3
- 25	5357021	. . . MOTOR ASM,3350RPM,0.06 HP SP 50/60 HZ		1
- 26	5357145	. . . SCROLL AND WHEEL ASSEMBLY-60 HZ		1
- 26	5357147	. . . SCROLL AND WHEEL ASSEMBLY,50 HZ		1
- 27	81693	. . . SCREW,MACH-BIND HD 6-32 X 3/8 LG	ATT PT	3
- 28	56722	. . . WASHER-LOCK,EXT T, .150 ID	ATT PT	3
- 29	5357141	. . . BELL MOUTH,SCROLL MTG,60 HZ		1
- 30	5357024	. . . WHEEL ASM,BLOWER-60HZ		1
- 30	5357027	. . . WHEEL ASM,BLOWER-50 HZ		1
- 31	5357140	. . . SCROLL-60HZ		1
- 32	804109	. . . CLAMP,LOOP- 3/8 ID 0.173 DIA MTG HOLE		1
- 33	81693	. . . SCREW,MACH-BIND HD 6-32 X 3/8 LG		1
- 34	56722	. . . WASHER-LOCK,EXT T, .150 ID		1
- 35	257187	. . . NUT,HEX 6-32 NC		1
- 36	526378	. . . CAP		2
- 37	5357137	. . . CAPACITOR,P DIELEC- 3UUF PM 10% 370V AC		1
- 38	11598	. . . NUT,HEX,10-32 X 0.375 FL W		2
- 39	56079	. . . WASHER-LOCK,EXT T .204 ID .410 OD		2
- 40	5357012	. . . PLATE-DUPLEX MOUNTING		1
- 41	5357011	. HOUSING-DUPLEX BLOWER		1
		**** END OF LIST 21 ****		

FOR PARTS  
NOT SHOWN  
SEE FIG. 2

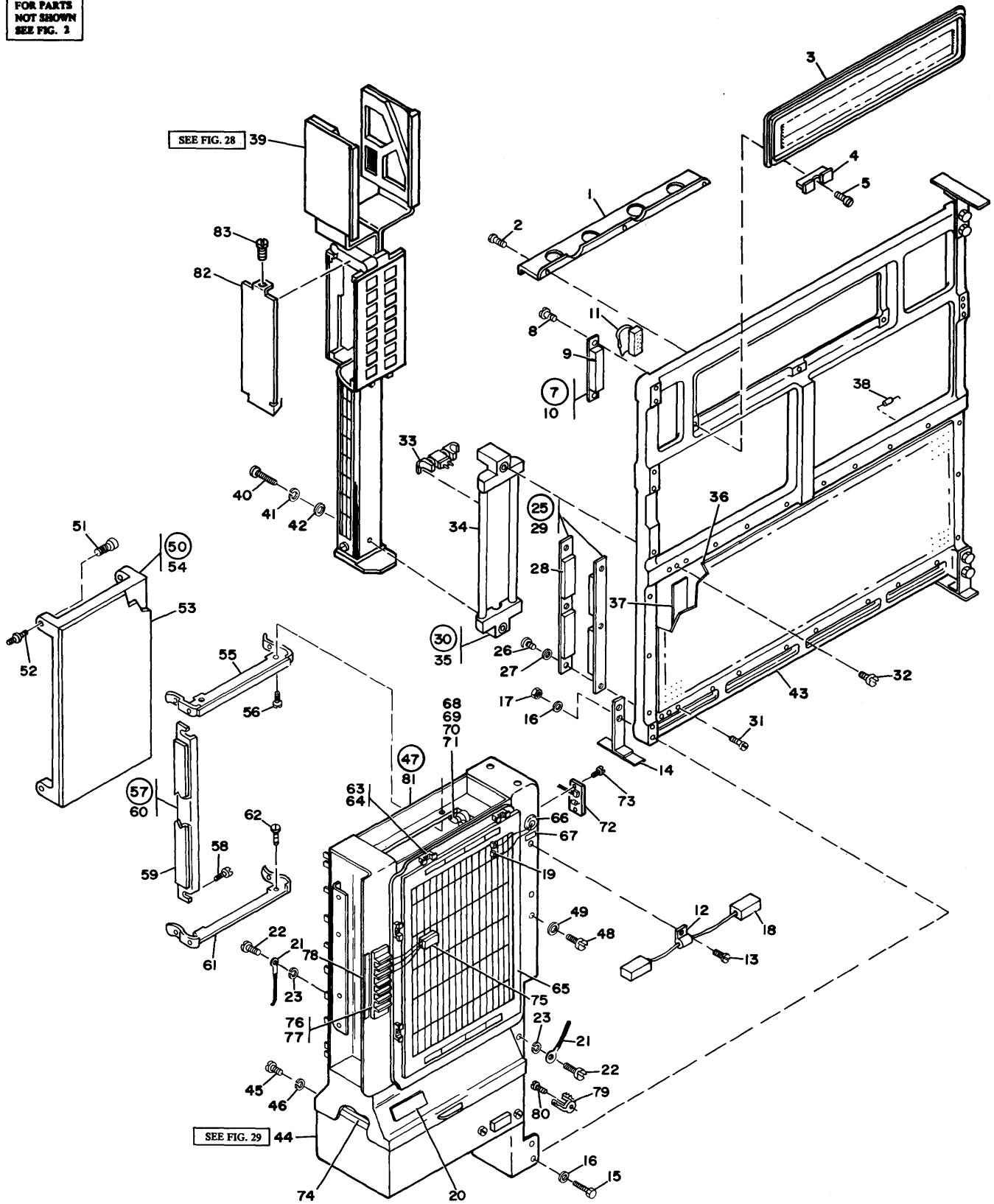


FIGURE 22. 2K TROS GATE ASSEMBLY.  
SEE LIST 22.



LIST AND INDEX NUMBER	PART NUMBER	DESCRIPTION	UNITS PER ASM.	USABLE ON CODE
22 -	2267940	TROS GATE ASM, 2 K, 60 HZ	REF	
-	2267939	TROS GATE ASM, 2 K, 50 HZ	REF	
		USED W/2 TIMING CARDS USED WITHOUT 2844 AND AIRLINES BUFFER FOR NEXT HIGHER ASM SEE FIGURE 2-102		
- 1	5374337	. BRACKET	1	
- 2	2181071	. SCREW, MACH, PAN HD, 6-32 X 0.50 LONG	3	ATT PT
- 3	768212	. BOARD ASM, PERS, COMMONING	1	
		PARTS OF THIS ASM ARE NOT REPLACEABLE		
- 4	813179	. CLAMP-BOARD	6	
- 5	767616	. SCREW	6	ATT PT
- 7	5374670	. RETAINER ASM	1	
- 8	381741	. SCREW, THREAD FORM-PAN HD 8-32 X 3/8 LG	2	ATT PT
- 9	5352800	. . PAD-INSULATING	1	
- 10	5374669	. . RETAINER	1	
- 11	5802225	. CABLE ASM	4	
- 12	357433	. CLAMP, LOOP- 0.187 ID 0.203 DIA MTG HOLE	1	
- 13	55726	. SCREW, MACH-BIND HD 6-32 X .188 LG	1	ATT PT
- 14	5374120	. BRACKET-TROS MOUNTING	3	
- 15	59648	. SCREW-LOWER BRACKET	6	ATT PT
- 16	65756	. LOCKWASHER	12	ATT PT
- 17	3960	. NUT, PLAIN, HEX- 1/4-20 X 7/16 FL W	6	ATT PT
- 18	5374112	. CROSS OVER ASSEMBLY	1	
- 19	813197	. HOUSING-TERMINAL	2	
- 20	5349534	. NAMEPLATE-VOLTAGE AND CURRENT	1	
- 21	742582	. JUMPER ASSEMBLY	2	
- 22	186759	. SCREW, MACH-BIND HD 8-32 X 5/16 LG	4	ATT PT
- 23	55901	. WASHER, LOCK, EXT TEETH - .176 DIA	4	ATT PT
- 25	767629	. BRACKET ASM, STRAIN RELIEF	2	
- 26	2181003	. SCREW, MACH-PAN HD THD FRMNG NO. 6-32	3	ATT PT
- 27	62031	. WASHER, LOCK-INT TEETH NO. 6 X 0.295 OD	3	ATT PT
- 28	742534	. . SEAL, RUBBER, BULK 0.38 X 0.19	2	
- 29	767632	. . BRACKET	1	
- 30	5352467	. BANK ASSEMBLY-CORE CARRIER	8	
- 31	19944	. SCREW, MACH-BIND HD 8-32 X 3/4 LG	8	ATT PT
- 32	321483	. SCREW, MACH-BIND HD 8-32 X 1 LG	8	ATT PT
- 33	742461	. . I CORE CARRIER ASSEMBLY	24	
		PARTS OF THIS ASM ARE NOT REPLACEABLE		
- 34	742460	. . ROD	2	
- 35	742466	. . BLOCK ASSEMBLY	2	
		PARTS OF THIS ASM ARE NOT REPLACEABLE		
- 36	5806713	. PANEL ASM, SENSE	1	
- 37	767639	. MARKER STRIP	1	
- 38	492615	. RESISTOR, FXD, COMP-200 OHM P/M 5 PCT 1/4W	48	
- 39	NO NUMBER	. TAPE DECK ASM, TROS FOR PART NO. AND MODULE LOCATION SEE CLD'S, VOLUME 1, QA070-2250865 FOR DETAIL BREAKDOWN SEE FIGURE 28	8	
- 40	438568	. SCREW, MACH-UNDRCT BIND HD 6-32 X 1-1/8	16	ATT PT
- 41	56722	. WASHER-LOCK, EXT T, .150 ID	16	ATT PT
- 42	257986	. WASHER, 0.156 ID X 0.035 THK	16	ATT PT
- 43	5349561	. GATE	1	
		PARTS OF THIS ASM ARE NOT REPLACEABLE		
- 44	5374371	. FAN ASM, GATE, 60 CYCLE	1	
- 44	5374370	. FAN ASM, GATE, 50 CYCLE	1	
		FOR DETAIL BREAKDOWN SEE FIGURE 29		
- 45	28413	. SCREW, MACH-BIND HD 10-32 X 5/16 LG	2	ATT PT
- 46	56121	. WASHER, LOCK-INT TEETH NO. 10 X 0.381 OD	2	ATT PT
- 47	767746	. FRAME ASM, 2K TROS	1	
- 48	59648	. SCREW, HEX HD 250-20 X 1.750 LG	2	ATT PT
- 49	65756	. LOCKWASHER	2	ATT PT
- 50	811865	. . COVER ASM, CARD	1	
- 51	815963	. . . CATCH-PULL	4	
- 52	815964	. . . CATCH	4	
- 53	815263	. . . BACKING, FOAM	1	
- 54	811864	. . . COVER, MEMORY CARD	1	
- 55	811851	. . BRACKET-HINGE-UPPER	1	
- 56	811426	. . SCREW, MACH-PAN HD 6-32 X 3/8 IN. LG	2	ATT PT
- 57	811881	. . RETAINER ASM	2	
- 58	55726	. . SCREW, MACH-BIND HD 6-32 X .188 LG	4	ATT PT
- 59	811441	. . . SEAL	1	
- 60	811896	. . . RETAINER	1	
- 61	811850	. . BRACKET-HINGE-LOWER	1	
- 62	811426	. . SCREW, MACH-PAN HD 6-32 X 3/8 IN. LG	2	ATT PT
- 63	813179	. . CLAMP-BOARD	8	
- 64	811417	. . SCREW, HEX SOCKET H- 6-32 X 1/2 LG	8	ATT PT
- 65	767749	. . BOARD ASSEMBLY, W/CARDS	1	
		ASSEMBLY COMPONENTS ARE NOT AVAILABLE		



FOR PARTS  
NOT SHOWN  
SEE FIG. 2

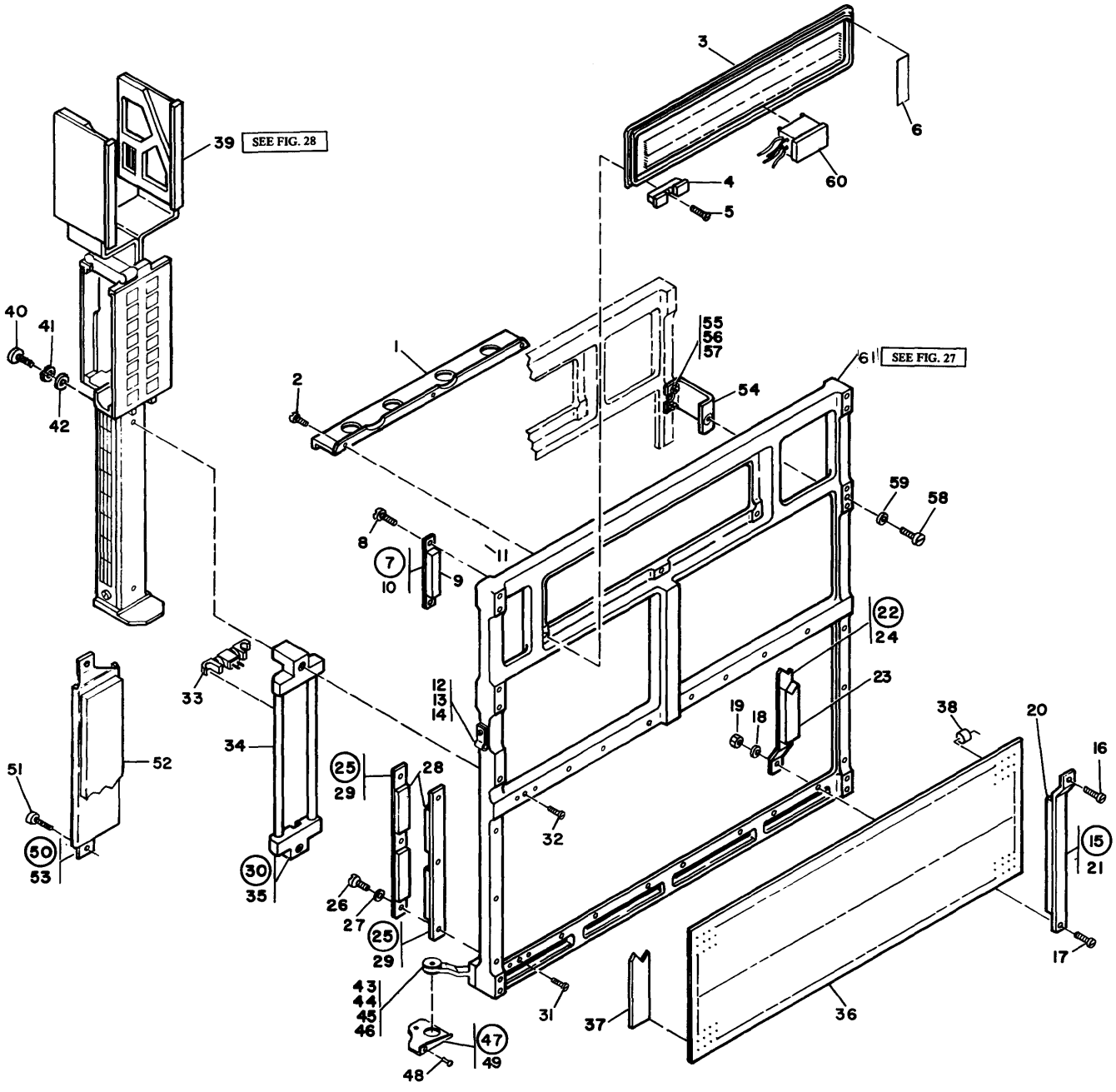


FIGURE 23. TROS C GATE ASSEMBLY.  
SEE LIST 23.

LIST AND INDEX NUMBER	PART NUMBER	DESCRIPTION				UNITS PER ASM.	USABLE ON CODE
		1	2	3	4		
23 -		CODE A USED ON GATES W/2 TIMING CARDS CODE B USED ON GATES W/4 TIMING CARDS					
-	2267952	TROS C GATE ASM,7 BANK				REF	A
-	2267953	TROS C GATE ASM,2 BANK				REF	A
-	2218913	TROS C GATE ASM,2 BANK				REF	B
-	2218914	TROS C GATE ASM,7 BANK FOR NEXT HIGHER ASM SEE FIGURE 2-188				REF	B
- 1	5374337	. BRACKET				1	A
- 2	2181071	. SCREW,MACH,PAN HD,6-32 X 0.50 LONG ATT PT				3	
- 3	768212	. BOARD ASM,PERS,COMMONING				1	A
- 3	5352798	. BOARD ASM,PERS,COMMONING				1	A
		ASSEMBLY COMPONENTS ARE NOT REPLACEABLE					
- 4	813179	. CLAMP-BOARD				6	A
- 5	767616	. SCREW ATT PT				6	
- 6	5374661	. LABEL				1	
- 7	5374670	. RETAINER ASM				1	A
- 8	381741	. SCREW,THREAD FORM-PAN HD 8-32 X 3/8 LG ATT PT				2	
- 9	5352800	. . PAD-INSULATING				1	
- 10	5374669	. . RETAINER				1	
- 12	357433	. CLAMP,LOOP- 0.187 ID 0.203 DIA MTG HOLE				2	
- 13	2191846	. SCREW,THD FORMING,4-40 X 0.50 LG ATT PT				2	
- 14	257986	. WASHER,0.156 ID X 0.035 THK ATT PT				2	
- 15	767627	. SUPPORT ASM,OUTER				1	A
- 16	438588	. .SCREW,MACH-UNDRCT BIND HD 8-32 X 1-1/4 ATT PT				1	A
- 17	321483	. SCREW,MACH-BIND HD 8-32 X 1 LG ATT PT				1	A
- 18	60646	. WASHER,LOCK-INT TEETH NO. 8 X 0.340 OD ATT PT				2	A
- 19	257189	. NUT,HEX 8-32 ATT PT				2	A
- 20	742534	. . SEAL,RUBBER,BULK 0.38 X 0.19				1	
- 21	767631	. . SUPPORT,OUTER				1	
- 22	767626	. SUPPORT ASM,INNER				1	A
- 23	742534	. . SEAL,RUBBER,BULK 0.38 X 0.19				1	
- 24	767630	. . SUPPORT,INNER				1	
- 25	767629	. BRACKET ASM,STRAIN RELIEF				2	A
- 26	2181003	. SCREW,MACH-PAN HD THD FRMNG NO. 6-32 ATT PT				3	
- 27	62031	. WASHER,LOCK-INT TEETH NO. 6 X 0.295 OD ATT PT				3	
- 28	742534	. . SEAL,RUBBER,BULK 0.38 X 0.19				2	
- 29	767632	. . BRACKET				1	
- 30	5352467	. BANK ASSEMBLY-CORE CARRIER				2	B
- 30	5352467	. BANK ASSEMBLY-CORE CARRIER				7	A
- 31	19944	. SCREW,MACH-BIND HD 8-32 X 3/4 LG ATT PT				AR	
- 32	321483	. SCREW,MACH-BIND HD 8-32 X 1 LG ATT PT				AR	
- 33	742461	. . I CORE CARRIER ASSEMBLY ASSEMBLY COMPONENTS ARE NOT REPLACEABLE				24	
- 34	742460	. . ROD				AR	
- 35	742466	. . BLOCK ASSEMBLY ASSEMBLY COMPONENTS ARE NOT REPLACEABLE				AR	
- 36	5806713	. PANEL ASM,SENSE				1	
- 37	767639	. MARKER STRIP				1	
- 38	492615	. RESISTOR,FXD,COMP-200 OHM P/M 5 PCT 1/4W				48	
- 39	742454 NP	. TAPE DECK ASM, TROS				AR	
		FOR PART NO. AND MODULE LOCATION SEE TAPE DECK ASSEMBLY LISTINGS FOR DETAIL BREAK DOWN SEE FIGURE 27					
- 40	438568	. SCREW,MACH-UNDRCT BIND HD 6-32 X 1-1/8 ATT PT				AR	
- 41	56722	. WASHER-LOCK,EXT T, .150 ID ATT PT				AR	
- 42	257986	. WASHER,0.156 ID X 0.035 THK ATT PT				AR	
- 43	5352762	. HINGE				2	
- 44	59648	. SCREW,HEX HD 250-20 X 1.750 LG ATT PT				4	
- 45	76574	. WASHER, LOCK-EXT. TEETH .250 ATT PT				4	
- 46	3960	. NUT,PLAIN,HEX- 1/4-20 X 7/16 FL W ATT PT				4	
- 47	5375743	. BRACKET ASSEMBLY-GATE STOP				1	
- 48	1108505	. . BUMPER				1	
- 49	5375737	. . BRACKET,STOP				1	
- 50	5374098	. COVER ASSEMBLY				2	A
- 51	10170	. SCREW-MACH,BIND HD NO. 6-32 X .250 LG ATT PT				2	A
- 52	5374097	. . PAD-COVER				1	
- 53	5374096	. . COVER-BANK				1	
- 54	5375750	. BRACKET ASSEMBLY-OUTER GATE RETAINING				2	
		ASSEMBLY COMPONENTS ARE NOT REPLACEABLE					
- 55	59648	. SCREW,HEX HD 250-20 X 1.750 LG ATT PT				4	
- 56	3960	. NUT,PLAIN,HEX- 1/4-20 X 7/16 FL W ATT PT				4	
- 57	76574	. WASHER, LOCK-EXT. TEETH .250 ATT PT				4	
- 58	5352768	. SCREW, CAPTIVE, .250-20 UNC X 1.65 LG				4	
- 59	76574	. WASHER, LOCK-EXT. TEETH .250				4	
- 60	5374388	. CROSSOVER ASM,BOARD TO BUS FOR COMPONENTS SEE FIGURE 31-65B				1	
- 61	5349561	. GATE ASM				1	B
- 61	5374124	. TROS B+C GATE ASM,W/O AIRLINES BUFFER FOR DETAIL BREAKDOWN SEE FIGURE 27				1	B

\*\*\*\*\* END OF LIST 23 \*\*\*\*\*

FOR PARTS  
NOT SHOWN  
SEE FIG. 2

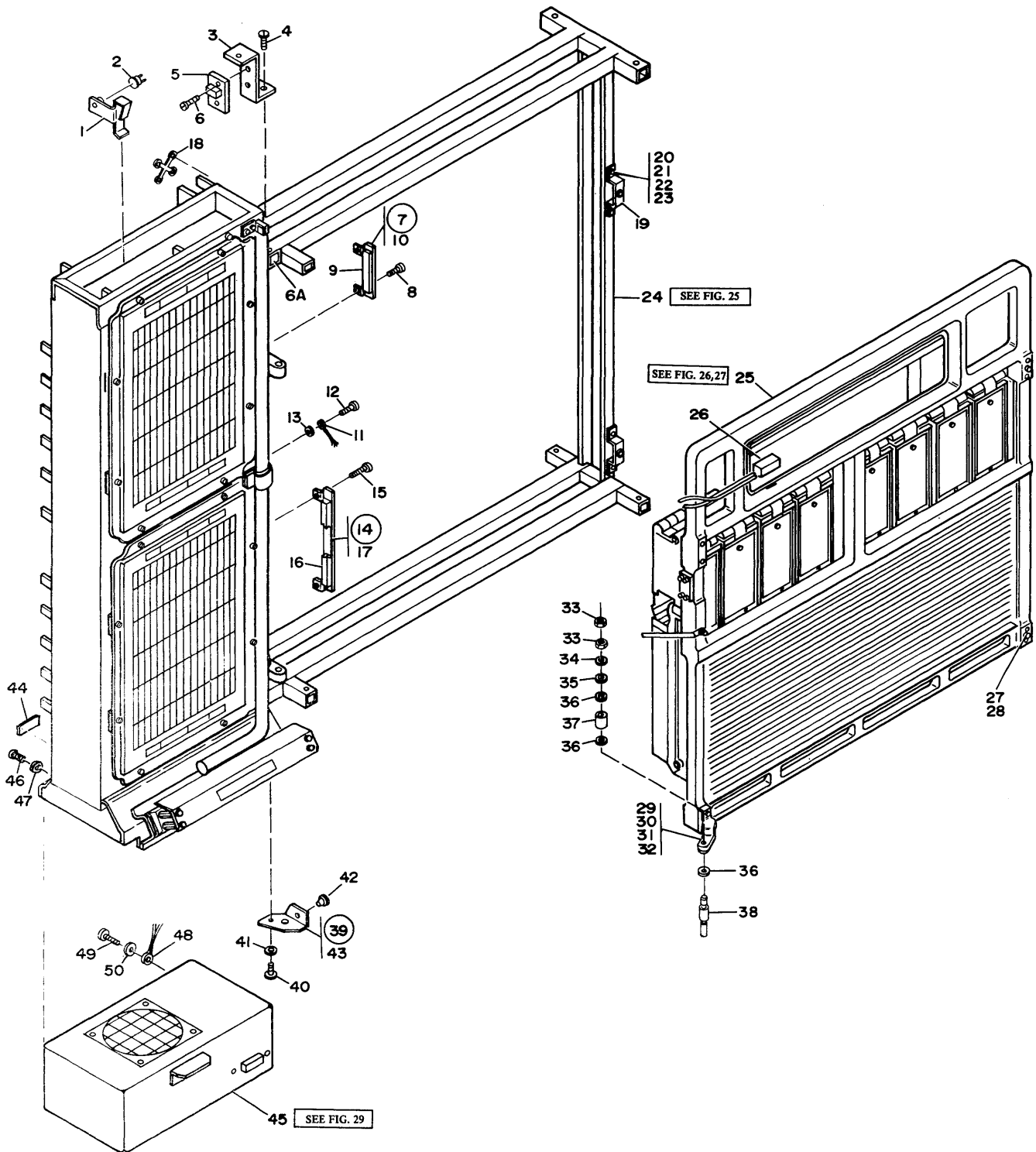


FIGURE 24. 4K TROS GATE ASSEMBLY.  
SEE LIST 24.

LIST AND INDEX NUMBER	PART NUMBER	DESCRIPTION	UNITS	USABLE
			PER ASM.	ON CODE
24 -	2267942	TROS GATE ASM,4K,60 HZ	REF	
-	2267941	TROS GATE ASM,4K,50 HZ	REF	
-	2244870	USED ON GATES W/2 TIMING CARDS TROS GATE ASSEMBLY,2K BASIC USED ON GATES W/4 TIMING CARDS	REF	
- 1	742628	FOR NEXT HIGHER ASM SEE FIGURE 2-180 . CLIP ASSEMBLY PARTS OF THIS ASM ARE NOT REPLACEABLE	1	
- 2	5349253	. THERMOSTAT	1	
- 3	5375755	. BRACKET ASSEMBLY-POTENTIOMETER PARTS OF THIS ASM ARE NOT REPLACEABLE	1	
- 4	731626	. SCREW,PAN HEAD,6-32 X 0.25 LONG ATT PT	2	
- 5	5374115	. POTENTIOMETER ASSEMBLY PARTS OF THIS ASM ARE NOT REPLACEABLE	1	
- 6	55726	. SCREW,MACH-BIND HD 6-32 X .188 LG ATT PT	2	
- 6A	5375754	. LABEL	1	
- 7	5352772	. GUIDE ASSEMBLY-TAPE CABLE	1	
- 8	734483	. SCREW,PAN HD- 6-32 X 0.380 LG ATT PT	2	
- 9	742534	. SEAL,RUBBER,BULK 0.38 X 0.19	1	
- 10	5352773	. . GUIDE	1	
- 11	5352781	. JUMPER ASSEMBLY-GROUND	1	
- 12	2181008	. SCREW,SELF TAPPING, 8-32 X 0.375 LG ATT PT	1	
- 13	55901	. WASHER, LOCK, EXT TEETH - .176 DIA ATT PT	1	
- 14	5352774	. GUIDE ASSEMBLY-SENSE CABLE	1	
- 15	734483	. SCREW,PAN HD- 6-32 X 0.380 LG ATT PT	2	
- 16	742534	. SEAL,RUBBER,BULK 0.38 X 0.19	1	
- 17	5352775	. . GUIDE	1	
- 18	813519	. RETAINER,CABLE	2	
- 19	5375751	. BRACKET ASSEMBLY-GATE RETAINING	2	
- 20	36844	PARTS OF THIS ASM ARE NOT REPLACEABLE		
- 21	3550	. SCREW,CAP-SLOT HD 1/4-20 X 1/2 LG ATT PT	4	
- 22	76574	. WASHER,FLAT 1/4 ID-9/16-OD-0.05 THICK ATT PT	4	
- 23	3960	. WASHER, LOCK-EXT. TEETH .250 ATT PT	4	
- 24	767759 NP	. NUT,PLAIN,HEX- 1/4-20 X 7/16 FL W ATT PT	4	
- 24	5374128 NP	. A GATE ASM,4K TROS USED ON GATES W/2 TIMING CARDS	1	
- 25	NO NUMBER	. B GATE GROUP,TROS 2 TIMING CARDS USED ON GATES W/4 TIMING CARDS FOR DETAIL BREAKDOWN SEE FIGURE 25	1	
- 25	5374124	. TROS B&C GATE ASM,W/O AIRLINES BUFFER USED ON GATES W/4 TIMING CARDS FOR DETAIL BREAKDOWN SEE FIGURE 27	1	
- 26	5374388	. CROSSOVER ASM,BOARD TO BUS FOR COMPONENTS SEE FIGURE 32-57B,88,90,92	1	
- 27	5352768	. SCREW, CAPTIVE, .250-20 UNC X 1.65 LG	2	
- 28	76574	. WASHER, LOCK-EXT. TEETH .250	2	
- 29	5352762	. HINGE	2	
- 30	59648	. SCREW,HEX HD 250-20 X 1.750 LG ATT PT	4	
- 31	76574	. WASHER, LOCK-EXT. TEETH .250 ATT PT	4	
- 32	3960	. NUT,PLAIN,HEX- 1/4-20 X 7/16 FL W ATT PT	4	
- 33	118997	. NUT,SELF LKG,HEX- 5/16-18 X 1/2 FL W	4	
- 34	4033171	. WASHER	2	
- 35	161351	. WASHER, FLAT 0.330 ID-0.625 OD-0.05 THK	2	
- 36	5375753	. WASHER,FLAT- 3/4 OD 9/16 ID X 1/16 THK.	6	
- 37	767601	. SPACER	2	
- 38	5375747	. PIN-HINGE	2	
- 39	5375744	. BRACKET ASM,STOP	1	
- 40	731626	. SCREW,PAN HEAD,6-32 X 0.25 LONG ATT PT	1	
- 41	56722	. WASHER-LOCK,EXT T, .150 ID ATT PT	1	
- 42	1108505	. . BUMPER	1	
- 43	5375739	. . BRACKET,STOP	1	
- 44	5349534	. NAMEPLATE-VOLTAGE AND CURRENT	1	
- 45	5374371	. FAN ASM,GATE,60 HERTZ	1	
- 45	5374370	. FAN ASM,GATE,50 HERTZ FOR DETAIL BREAK DOWN SEE FIGURE 29	1	
- 46	28413	. SCREW,MACH-BIND HD 10-32 X 5/16 LG ATT PT	2	
- 47	56121	. WASHER,LOCK-INT TEETH NO. 10 X 0.381 OD ATT PT	2	
- 48	742582	. JUMPER ASSEMBLY	1	
- 49	186759	. SCREW,MACH-BIND HD 8-32 X 5/16 LG ATT PT	2	
- 50	55901	. WASHER, LOCK, EXT TEETH - .176 DIA ATT PT	2	
		***** END OF LIST 24 *****		

FOR PARTS  
NOT SHOWN  
SEE FIG. 24

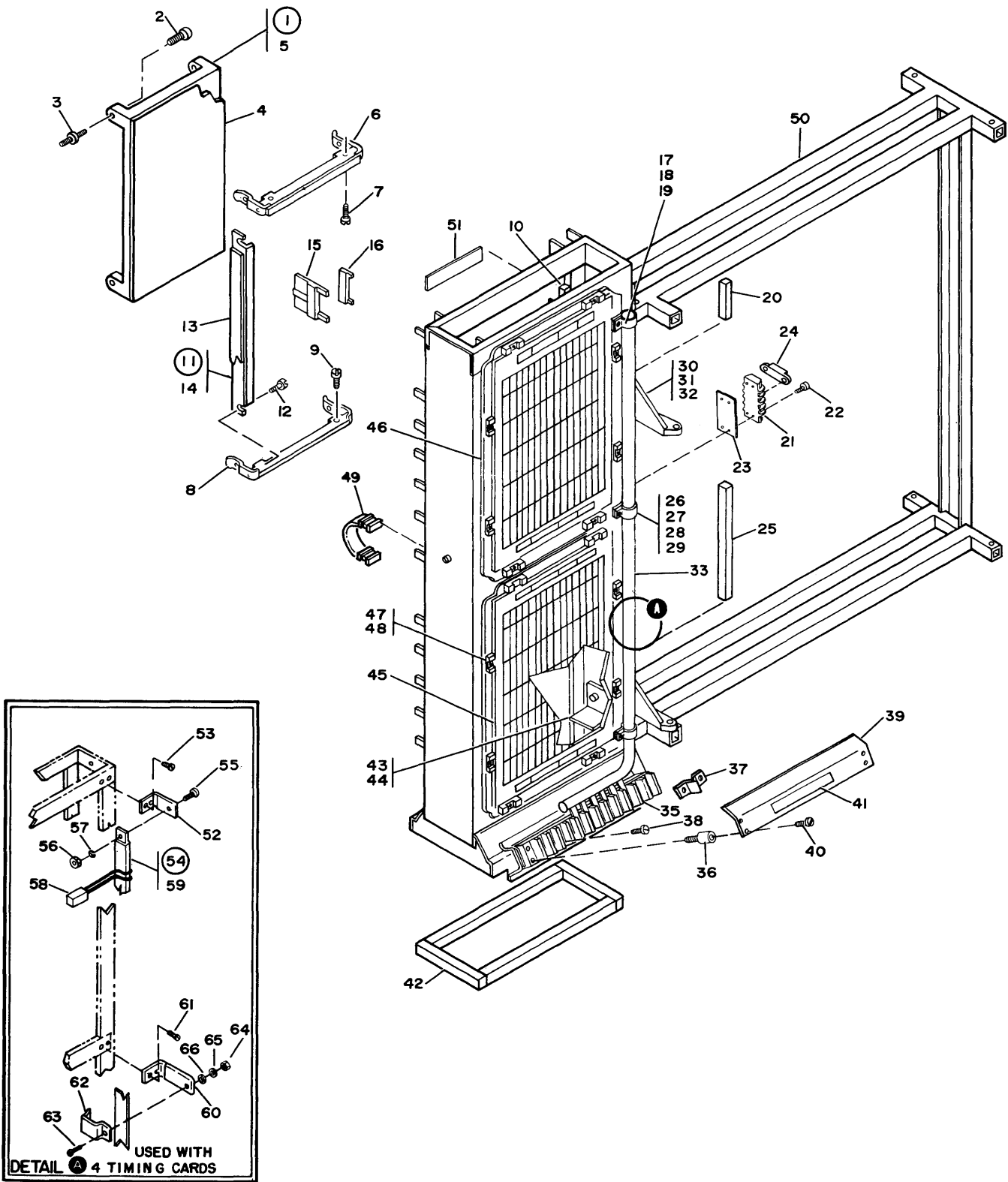


FIGURE 25. 4K TROS A GATE ASSEMBLY  
SEE LIST 25.

LIST AND INDEX NUMBER	PART NUMBER	DESCRIPTION	UNITS PER ASM.	USABLE ON CODE
25 -		CODE A USED ON GATES W/2 TIMING CARDS CODE B USED ON GATES W/4 TIMING CARDS		
-	767759 NP	A GATE ASM,4K TROS	REF	A
-	5374128 NP	A GATE ASM,4K TROS FOR NEXT HIGHER ASM SEE FIGURE 24-24	REF	B
- 1	811867	. CARD COVER ASSEMBLY	2	
- 2	815963	. . CATCH-PULL	4	
- 3	815964	. . CATCH	4	
- 4	815263	. . FOAM	1	
- 5	811866	. . COVER	1	
- 6	811853	. BRACKET-HINGE	2	
- 7	811426	. SCREW,MACH-PAN HD 6-32 X 3/8 IN. LG	ATT PT	4
- 8	811852	. BRACKET-HINGE		2
- 9	811426	. SCREW,MACH-PAN HD 6-32 X 3/8 IN. LG	ATT PT	4
- 10	811442	. SEAL,FOAM,0.38 X 0.25 X 12.25 LG		4
- 11	811881	. RETAINER ASSEMBLY		2
- 12	55726	. SCREW,MACH-BIND HD 6-32 X .188 LG	ATT PT	8
- 13	811441	. . SEAL		1
- 14	811896	. . RETAINER		1
- 15	811363	. EXTENDER, CARD, 6 PAC		AR
- 16	811804	. GUIDE,CARD,12 PAC		AR
- 17	357433	. CLAMP,LOOP- 0.187 ID 0.203 DIA MTG HOLE		1
- 18	734483	. SCREW,PAN HD- 6-32 X 0.380 LG	ATT PT	1
- 19	62031	. WASHER,LOCK-INT TEETH NO. 6 X 0.295 OD	ATT PT	1
- 20	742534	. SEAL,RUBBER,BULK 0.38 X 0.19		AR
- 21	323838	. TERMINAL BLOCK,4 POS.		2
- 22	5374379	. SCREW	ATT PT	6
- 23	515620	. INSULATOR		2
- 24	5374381	. BUMPER		4
- 25	742534	. SEAL,RUBBER,BULK 0.38 X 0.19		AR
- 26	327921	. CLAMP,CABLE		2
- 27	734483	. SCREW,PAN HD- 6-32 X 0.380 LG	ATT PT	2
- 28	257986	. WASHER,0.156 ID X 0.035 THK	ATT PT	2
- 29	62031	. WASHER,LOCK-INT TEETH NO. 6 X 0.295 OD	ATT PT	2
- 30	5352745	. HINGE		2
- 31	129654	. SCREW,CAP,SOC HD- 10-32 X 3/4 LG	ATT PT	8
- 32	56121	. WASHER,LOCK-INT TEETH NO. 10 X 0.381 OD	ATT PT	8
- 33	767624	. CABLE ASM,VOLTAGE DISTRIBUTION		1
- 35	811474	FOR COMPONENTS SEE FIG 32-49A,49B,88,90,92 . TERMINAL BLOCK,12 POSITION DOUBLE ROW		1
- 36	210957	. STUD, TAPPED-MOUNTING	ATT PT	4
- 37	5364226	. JUMPER,BRASS 50 AMP TB		3
- 38	811481	. SCREW,MACH- 6-32 X 1/4 LG		24
- 39	742519	. SHIELD,12 POSITION		1
- 40	38235	. SCREW,BIND HD 6-32 X .312 LONG	ATT PT	4
- 41	5374396	. LABEL		1
- 42	742534	. SEAL,RUBBER,BULK 0.38 X 0.19		AR
- 43	5352753	. BAFFLE,LOWER RIGHT		1
- 43	5352780	. BAFFLE,TOP RIGHT		1
- 43	5352784	. BAFFLE,LEFT CENTER		1
- 43	5352787	. BAFFLE,RIGHT CENTER		1
- 43	5349535	. BAFFLE,LOWER LEFT		1
- 44	734483	. SCREW,PAN HD- 6-32 X 0.380 LG		2
- 45	5375725	. BOARD ASSEMBLY- 02A-A2 PARTS OF THIS ASM ARE NOT REPLACEABLE		1
- 46	767761	. BOARD ASM,024-A1		1
- 46	5374133	. BOARD ASSEMBLY- 02A-A1 PARTS OF THIS ASM ARE NOT REPLACEABLE		1
- 47	811417	. SCREW,HEX SOC, 6-32 X 0.500 LG	ATT PT	16
- 48	813179	. CLAMP-BOARD	ATT PT	16
- 49	5802416	. CROSSOVER ASM ASM COMPONENTS ARE NOT REPLACEABLE		1
- 50	5352743	. FRAME ASSEMBLY-A GATE		1
- 51	768310	. LABEL		1
- 52	742513	. BRACKET ASSEMBLY		1
- 53	734483	. SCREW,PAN HD- 6-32 X 0.380 LG	ATT PT	2
- 54	5374341	. BUS ASSEMBLY		1
- 55	801391	. SCREW,MACH-RH 6-32 X 1/2 LG	ATT PT	1
- 56	257186	. NUT,PLAIN,HEX- 4-40 X 5/16 FL W	ATT PT	1
- 57	62031	. WASHER,LOCK-INT TEETH NO. 6 X 0.295 OD	ATT PT	1
- 58	811483	. . CROSSOVER ASM,BUS TO BOARD		9
- 59	5374378	. . BUS ASM		1
- 60	742515	. BRACKET ASSEMBLY		1
- 61	734483	. SCREW,PAN HD- 6-32 X 0.380 LG	ATT PT	2
- 62	5374339	. CLAMP ASM		1
- 63	81693	. SCREW,MACH-BIND HD 6-32 X 3/8 LG	ATT PT	1
- 64	257187	. NUT,HEX 6-32 NC	ATT PT	1
- 65	62031	. WASHER,LOCK-INT TEETH NO. 6 X 0.295 OD	ATT PT	1
- 66	257986	. WASHER,0.156 ID X 0.035 THK	ATT PT	1

\*\*\*\* END OF LIST 25 \*\*\*\*



FOR PARTS  
NOT SHOWN  
SEE FIG. 24

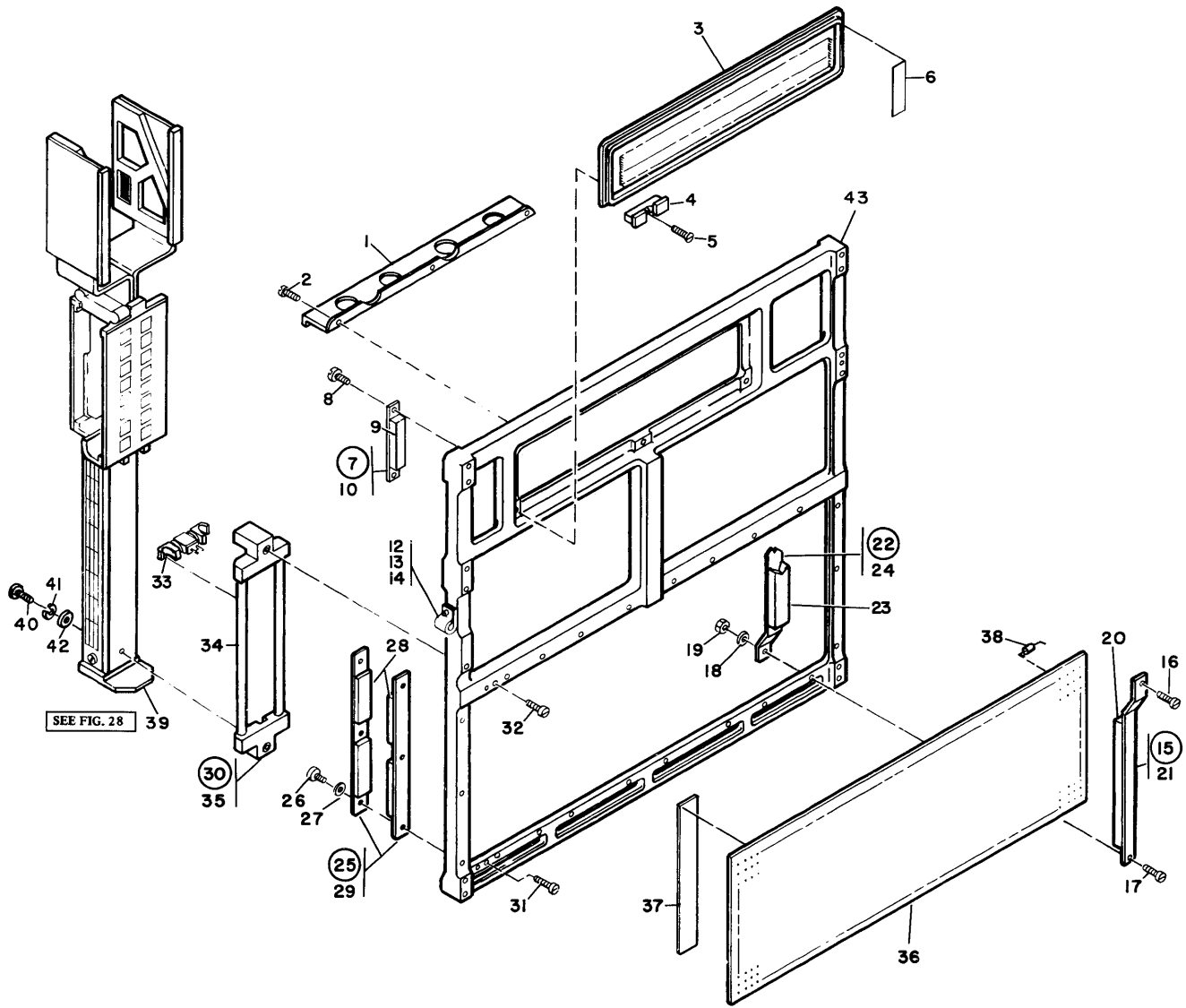


FIGURE 26. TROS B GATE GROUP (with Airlines Buffer Feature)  
SEE LIST 26.

LIST AND INDEX NUMBER	PART NUMBER	DESCRIPTION	UNITS	USABLE
			PER ASM.	ON CODE
26 -	NO NUMBER	TROS B GATE GROUP WITH AIRLINES BUFFER USED W/2 TIMING CARDS FOR NEXT HIGHER ASM SEE FIGURE 24-25	REF	
- 1	5374337	. BRACKET	1	
- 2	2181071	. SCREW,MACH,PAN HD,6-32 X 0.50 LONG ATT PT	3	
- 3	768212	. BOARD ASM,PERS,COMMONING PARTS OF THIS ASM ARE NOT REPLACEABLE	1	
- 4	813179	. CLAMP-BOARD	6	
- 5	767616	. SCREW ATT PT	6	
- 6	5374659	. LABEL-IDENTIFICATION	1	
- 7	5374670	. RETAINER ASM	1	
- 8	381741	. SCREW,THREAD FORM-PAN HD 8-32 X 3/8 LG ATT PT	2	
- 9	5352800	. . PAD-INSULATING	1	
- 10	5374669	. . RETAINER	1	
- 12	357433	. CLAMP,LOOP- 0.187 ID 0.203 DIA MTG HOLE	2	
- 13	2191846	. SCREW,THD FORMING,4-40 X 0.50 LG ATT PT	2	
- 14	257986	. WASHER,0.156 ID X 0.035 THK ATT PT	2	
- 15	767627	. SUPPORT ASM,OUTER	1	
- 16	438588	. SCREW,MACH-UNDRCT BIND HD 8-32 X 1-1/4 ATT PT	1	
- 17	321483	. SCREW,MACH-BIND HD 8-32 X 1 LG ATT PT	1	
- 18	60646	. WASHER,LOCK-INT TEETH NO. 8 X 0.340 OD ATT PT	2	
- 19	257189	. NUT, HEX 8-32 ATT PT	2	
- 20	742534	. . SEAL,RUBBER,BULK 0.38 X 0.19	1	
- 21	767631	. . SUPPORT,OUTER	1	
- 22	767626	. SUPPORT ASM,INNER	1	
- 23	742534	. . SEAL,RUBBER,BULK 0.38 X 0.19	1	
- 24	767630	. . SUPPORT,INNER	1	
- 25	767629	. BRACKET ASM,STRAIN RELIEF	2	
- 26	2181003	. SCREW,MACH-PAN HD THD FRMNG NO. 6-32 ATT PT	3	
- 27	62031	. WASHER,LOCK-INT TEETH NO. 6 X 0.295 OD ATT PT	3	
- 28	742534	. . SEAL,RUBBER,BULK 0.38 X 0.19	2	
- 29	767632	. . BRACKET	1	
- 30	5352467	. BANK ASSEMBLY-CORE CARRIER	8	
- 31	19944	. SCREW,MACH-BIND HD 8-32 X 3/4 LG ATT PT	8	
- 32	321483	. SCREW,MACH-BIND HD 8-32 X 1 LG ATT PT	8	
- 33	742461	. . I CORE CARRIER ASSEMBLY PARTS OF THIS ASM ARE NOT REPLACEABLE	24	
- 34	742460	. . ROD	2	
- 35	742466	. . BLOCK ASSEMBLY PARTS OF THIS ASM ARE NOT REPLACEABLE	2	
- 36	5806713	. PANEL ASM,SENSE	1	
- 37	767639	. MARKER STRIP	1	
- 38	492615	. RESISTOR,FXD,COMP-200 OHM P/M 5 PCT 1/4W	48	
- 39	742454 NP	. TAPE DECK ASM, TROS	8	
		FOR PART NO. AND MODULE LOCATION SEE TAPE DECK ASSEMBLY LISTINGS FOR DETAIL BREAKDOWN SEE FIGURE 28		
- 40	438568	. SCREW,MACH-UNDRCT BIND HD 6-32 X 1-1/8 ATT PT	16	
- 41	56722	. WASHER-LOCK,EXT T, .150 ID ATT PT	16	
- 42	257986	. WASHER,0.156 ID X 0.035 THK ATT PT	16	
- 43	5349561	. GATE ASM	1	
		**** END OF LIST 26 ****		

FOR PARTS  
NOT SHOWN  
SEE FIG. 23,24

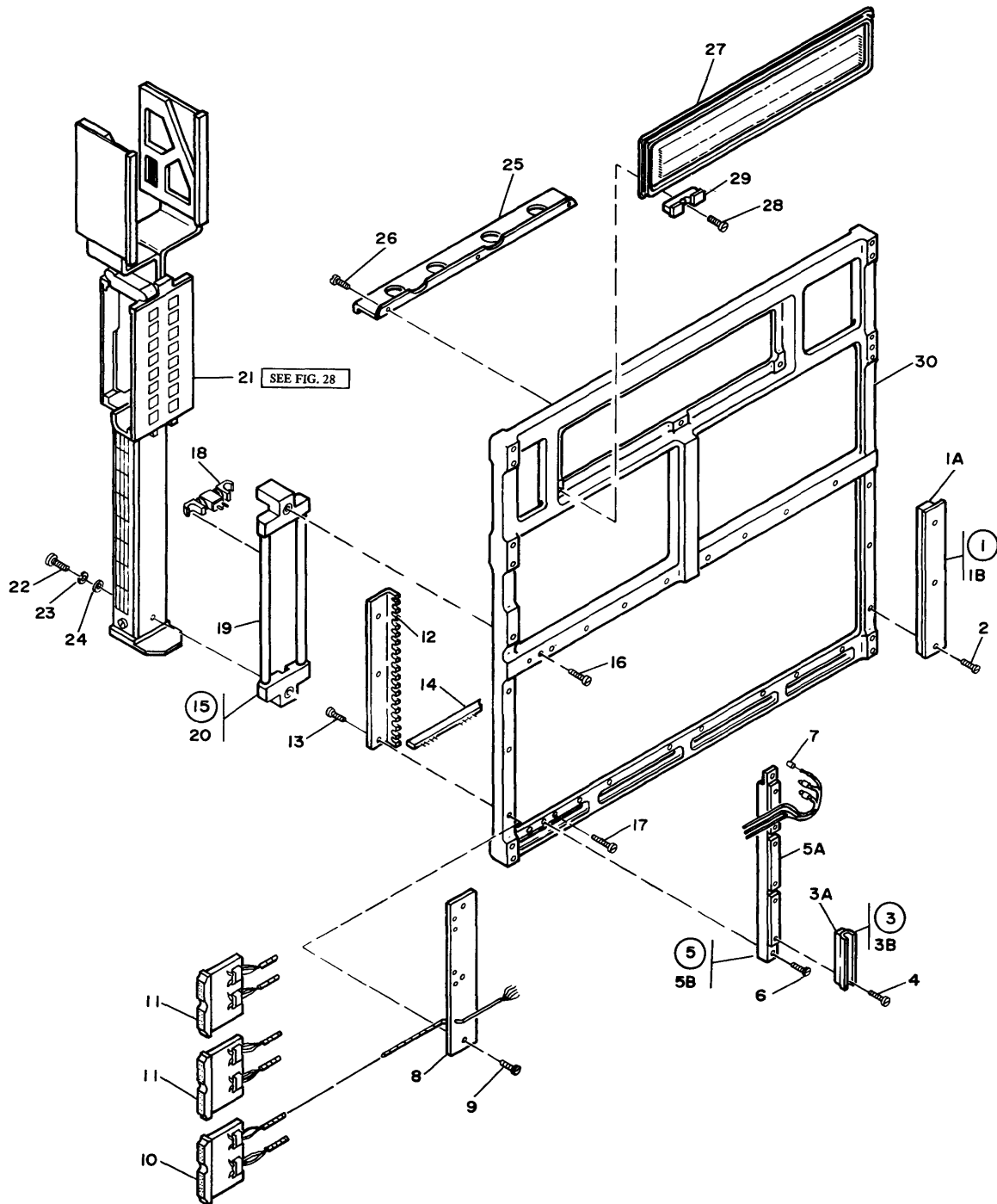


FIGURE 27. TROS B AND C GATE ASSEMBLY (without Airlines Buffer Feature)  
SEE LIST 27.

LIST AND INDEX NUMBER	PART NUMBER	DESCRIPTION	UNITS PER ASM.	USABLE ON CODE
27 -	5374124	TROS B&C GATE ASM,W/O AIRLINES BUFFER USED W/4 TIMING CARDS FOR NEXT HIGHER ASM SEE FIGURE 24-25 AND 23-61	REF	
- 1	5349542	. PLATE ASM	1	
- 1A	5349540	. . SEAL	1	
- 1B	5349543	. . PLATE	1	
- 2	734483	. SCREW,PAN HD- 6-32 X 0.380 LG ATT PT	3	
- 3	5349552	. PAD ASM	1	
- 3A	742533	. . PAD	1	
- 3B	742554	. . STRIP	1	
- 4	438551	. SCREW,MACH-BIND HD 4-40 X 5/8 LG ATT PT	6	
- 5	5349549	. BLOCK	3	
- 5A	742533	. . PAD	1	
- 5B	5352751	. . BLOCK	1	
- 6	5349600	. SCREW, MACH BD HD, 8-32 X 1.00 LG ATT PT	2	
- 7	5349546	. SLEEVE	1	
- 8	5349537	. PLATE, RETAINER	2	
- 9	734483	. SCREW,PAN HD- 6-32 X 0.380 LG ATT PT	6	
- 10	5374126	. CABLE ASSEMBLY	1	
- 11	5352752	. CABLE ASSEMBLY-SENSE	2	
- 12	5349541	. BRACKET	2	
- 13	734483	. SCREW,PAN HD- 6-32 X 0.380 LG ATT PT	6	
- 14	742598	. STRIP ASSEMBLY	24	
- 15	5352467	. BANK ASSEMBLY-CORE CARRIER	8	
- 16	321483	. SCREW,MACH-BIND HD 8-32 X 1 LG ATT PT	8	
- 17	19944	. SCREW,MACH-BIND HD 8-32 X 3/4 LG ATT PT	8	
- 18	742461	. . I CORE CARRIER ASSEMBLY PARTS OF THIS ASM ARE NOT REPLACEABLE	24	
- 19	742460	. . ROD	2	
- 20	742466	. . BLOCK ASSEMBLY PARTS OF THIS ASM ARE NOT REPLACEABLE	2	
- 21	742454 NP	. TAPE DECK ASM,TROS	8	
		FOR PART NO. AND MODULE LOCATION SEE TAPE DECK ASSEMBLY LISTINGS FOR DETAIL BREAKDOWN SEE FIGURE 28		
- 22	438568	. SCREW,MACH-UNDRCT BIND HD 6-32 X 1-1/8 ATT PT	16	
- 23	56722	. WASHER-LOCK,EXT T, .150 ID ATT PT	16	
- 24	257986	. WASHER,0.156 ID X 0.035 THK ATT PT	16	
- 25	5374337	. BRACKET	1	
- 26	2181071	. SCREW,MACH,PAN HD,6-32 X 0.50 LONG ATT PT	3	
- 27	5352798	. BOARD ASM,PERS,COMMONING	1	
- 28	767616	. SCREW ATT PT	2	
- 29	813179	. CLAMP-BOARD	6	
- 30	5349561	. GATE ASM	1	
		***** END OF LIST 27 *****		

FOR PARTS  
NOT SHOWN  
SEE FIG. 23,26,27

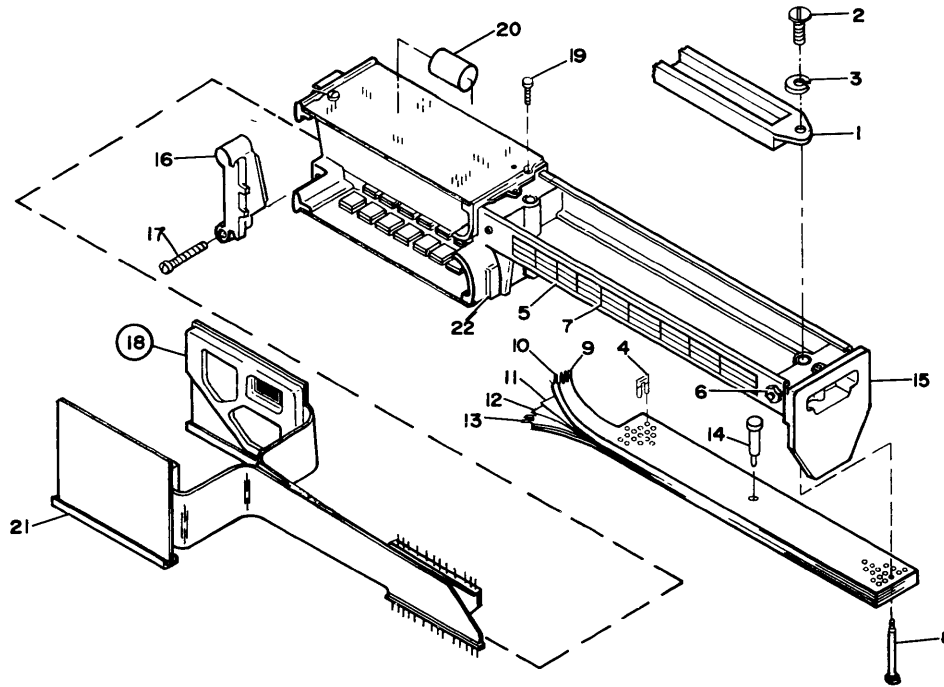


FIGURE 28. TAPE DECK ASSEMBLY.  
SEE LIST 28

LIST AND INDEX NUMBER	PART NUMBER	DESCRIPTION				UNITS PER ASM.	USABLE ON CODE
		1	2	3	4		
28 -	742454 NP	TAPE DECK ASM FOR PART NO. AND LOCATION SEE TAPE DECK ASM LISTINGS FOR NEXT HIGHER ASM SEE FIGURE 26-39 AND 27-21 AND 23-39				REF	
- 1	742640	. RETAINER				1	
- 2	81693	. SCREW, MACH-BIND HD 6-32 X 3/8 LG				2	ATT PT
- 3	55901	. WASHER, LOCK, EXT TEETH - .176 DIA				2	ATT PT
- 4	2414896	. CORE, U				48	
- 5	742479	. RAIL ASSEMBLY				2	
- 6	438572	PARTS OF THIS ASM ARE NOT REPLACEABLE . SCREW, MACH-UNDRCT BIND HD 6-32 X 2 LG				2	ATT PT
- 7	5349551	. LABEL				1	
- 8	5349595	. PIN ASSEMBLY				2	
- 9	742614	. TAPE A-UNPERSONALIZED				43	
- 10	742471	. TAPE-RESISTIVE				1	
- 11	742635	. TAPE-INSULATION				1	
- 12	742616	. TAPE C-UNPERSONALIZED				42	
- 13	742615	. TAPE B-UNPERSONALIZED				43	
- 14	5349594	. PIN-LOCATING				1	
- 15	742478	. SUPPORT ASSEMBLY				1	
- 16	742486	. CLAMP ASSEMBLY				2	
- 17	438563	PARTS OF THIS ASM ARE NOT REPLACEABLE . SCREW, MACH-FIL H 6-32 X 1-1/2 LG				2	ATT PT
- 18	742648	. CABLE ASSEMBLY AND DIODE BOARD				1	
- 19	1141097	FOR COMPONENTS SEE FIGURE 32-57 . SCREW,				4	ATT PT
- 20	2414895	. SEMICONDUCTOR DEVICE, DIODE				AR	
- 21	742649	. CABLE ASSEMBLY AND DIODE BOARD				1	
- 22	742484	. CHASSIS ASSEMBLY				1	
		PARTS OF THIS ASM ARE NOT REPLACEABLE **** END OF LIST 28 ****					

FOR PARTS  
NOT SHOWN  
SEE FIG. 22, 24

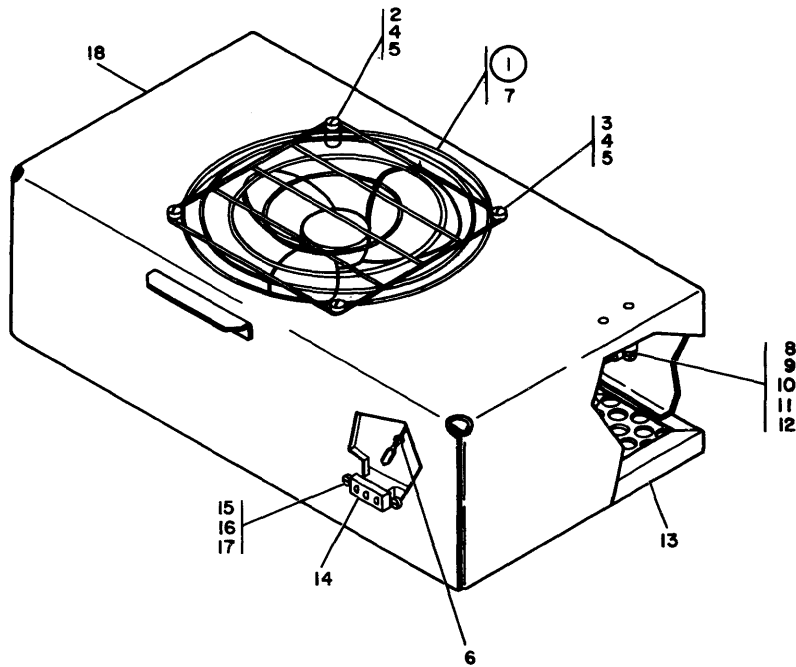


FIGURE 29. FAN ASSEMBLY, TROS GATE  
SEE LIST 29.

LIST AND INDEX NUMBER	PART NUMBER	DESCRIPTION				UNITS PER ASM.	USABLE ON CODE
		1	2	3	4		
29 -		CODE A USED ON 60 HZ CODE B USED ON 50 HZ					
-	5374371	FAN ASM,GATE,60 HZ				REF	
-	5374370	FAN ASM,GATE,50 HZ FOR NEXT HIGHER ASM SEE FIGURE 24-45,22-44				REF	
- 1	742526	. FAN ASM,60 HZ				1	A
- 1	742611	. FAN ASM,50 HZ				1	B
- 2	35739	. SCREW,MACH-BIND HD 6-32 X 15/16 LG				3	A
- 2	10170	. SCREW-MACH,BIND HD NO. 6-32 X .250 LG				3	B
- 3	332065	. SCREW				1	A
- 3	10170	. SCREW-MACH,BIND HD NO. 6-32 X .250 LG				1	B
- 4	56722	. WASHER-LOCK,EXT T, .150 ID				4	
- 5	241886	. STUD,TIE BAR-CABLE				4	B
- 6	5353854	. CONTACT, MALE 16-20 WIRE				2	
- 7	5357090	. FAN,60 HZ				1	A
- 7	4120171	. FAN,220V-50 HZ				1	B
- 8	742582	. JUMPER ASSEMBLY				1	
- 9	186759	. SCREW,MACH-BIND HD 8-32 X 5/16 LG				1	
- 10	55901	. WASHER, LOCK, EXT TEETH - .176 DIA				1	
- 11	36776	. NUT,PLAIN,HEX- 6-32 X 5/16 FL W				1	A
- 12	38351	. SCREW,MACH-FIL HD 6-32 X .312 LG				1	B
- 13	5374369	. FILTER-FAN				1	
- 14	5353853	. RECEPTACLE,3 POSITION				1	
- 15	322065	. SCREW,MACH-BIND HD 6-32 X 5/8 LG				2	
- 16	1091220	. WASHER				2	
- 17	257187	. NUT, HEX 6-32 NC				2	
- 18	5374367	. HOUSING FAN ***** END OF LIST 29 *****				1	

FOR PARTS  
NOT SHOWN  
SEE FIG. 2

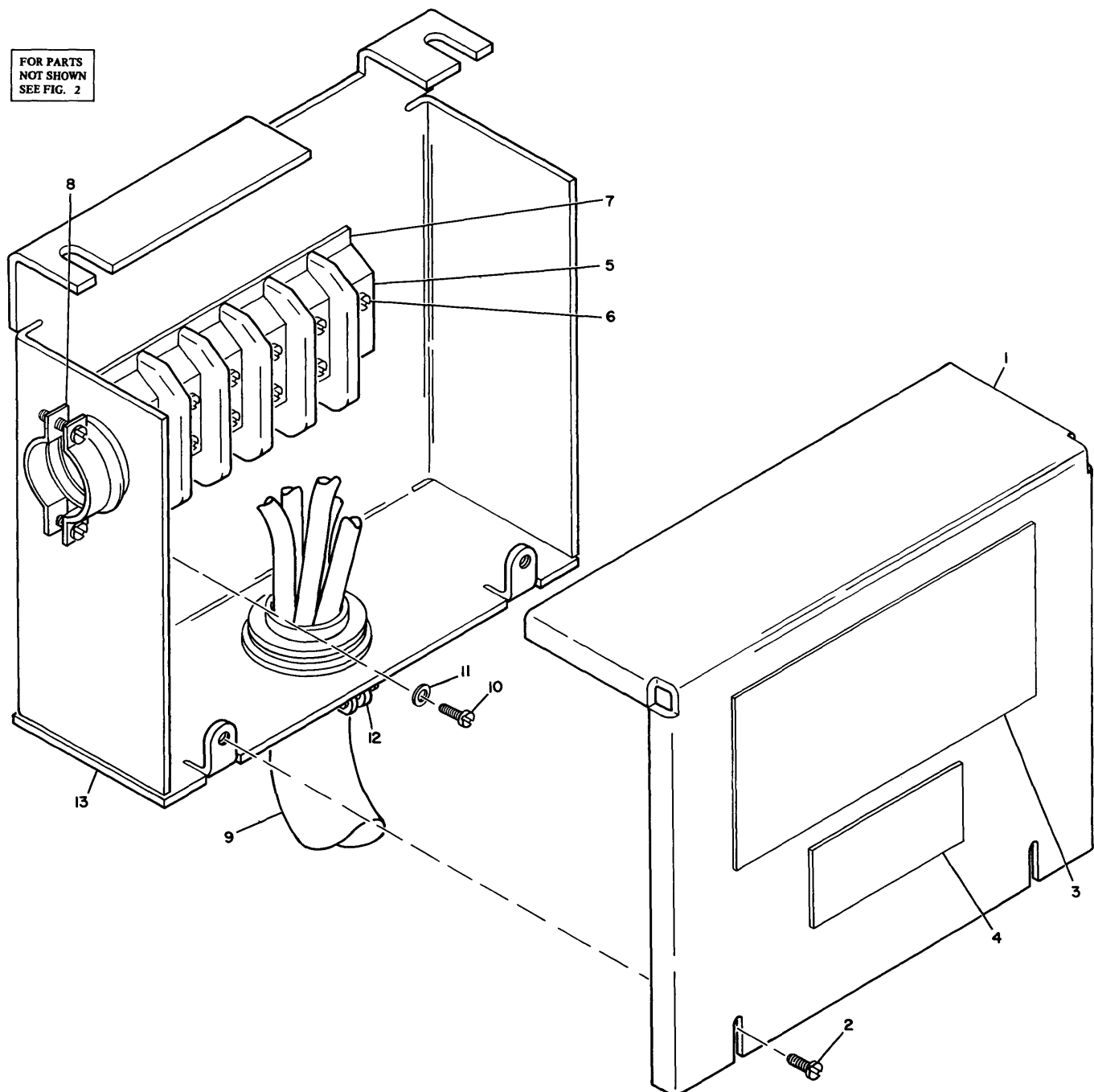


FIGURE 30. AC JUNCTION BOX ASSEMBLY.  
SEE LIST 30

LIST AND INDEX NUMBER	PART NUMBER	DESCRIPTION				UNITS PER ASM.	USABLE ON CODE
		1	2	3	4		
30 -	2262094	JUNCTION BOX ASM, AC 60 HZ				REF	
-	2262096	JUNCTION BOX ASM, AC 50 HZ				REF	
		FOR NEXT HIGHER ASM SEE FIG 2-171A					
- 1	2262093	• COVER				1	
- 2	10170	• SCREW-MACH, BIND HD NO. 6-32 X .250 LG ATT PT				2	
- 3	138756	• LABEL, LINE V PRESENT W/MACH PWR OFF				1	
- 4	369207	• LABEL, CAUTION				1	
- 5	323845	• TERMINAL BOARD- 4 DBL SCREW TERMINALS				1	
- 6	322065	• SCREW, MACH-BIND HD 6-32 X 5/8 LG ATT PT				2	
- 7	2101400	• MARKER STRIP- 4 POS				1	
- 8	237327	• CLAMP-CABLE				1	
- 9	2262058	• CABLE ASM, AC INTCONN TO FCU, 60HZ				1	
- 9	2262056	• CABLE ASM, AC INTCONN TO FCU, 50HZ				1	
		FOR COMPONENTS SEE FIG 32					
- 10	25627	• SCREW, MACH-BIND HD 8-32 X 1/2 LG				2	
- 11	55901	• WASHER, LOCK, EXT TEETH - .176 DIA				4	
- 12	342250	• STRAIN RELIEF				1	
- 13	2262092	• ENCLOSURE				1	
		**** END OF LIST 30 ****					





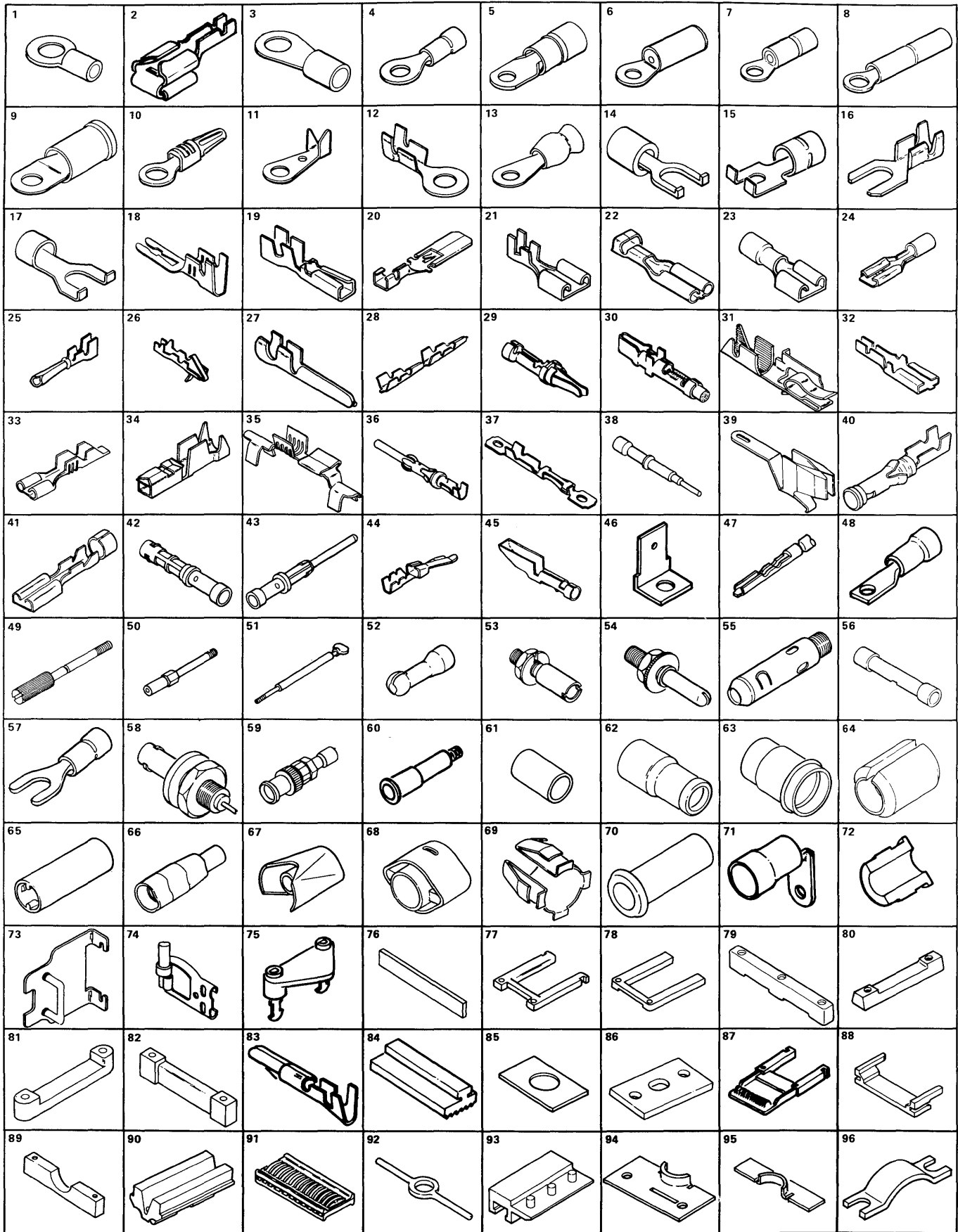


FIGURE 32. CABLE COMPONENT GROUP.  
SEE LIST 32.

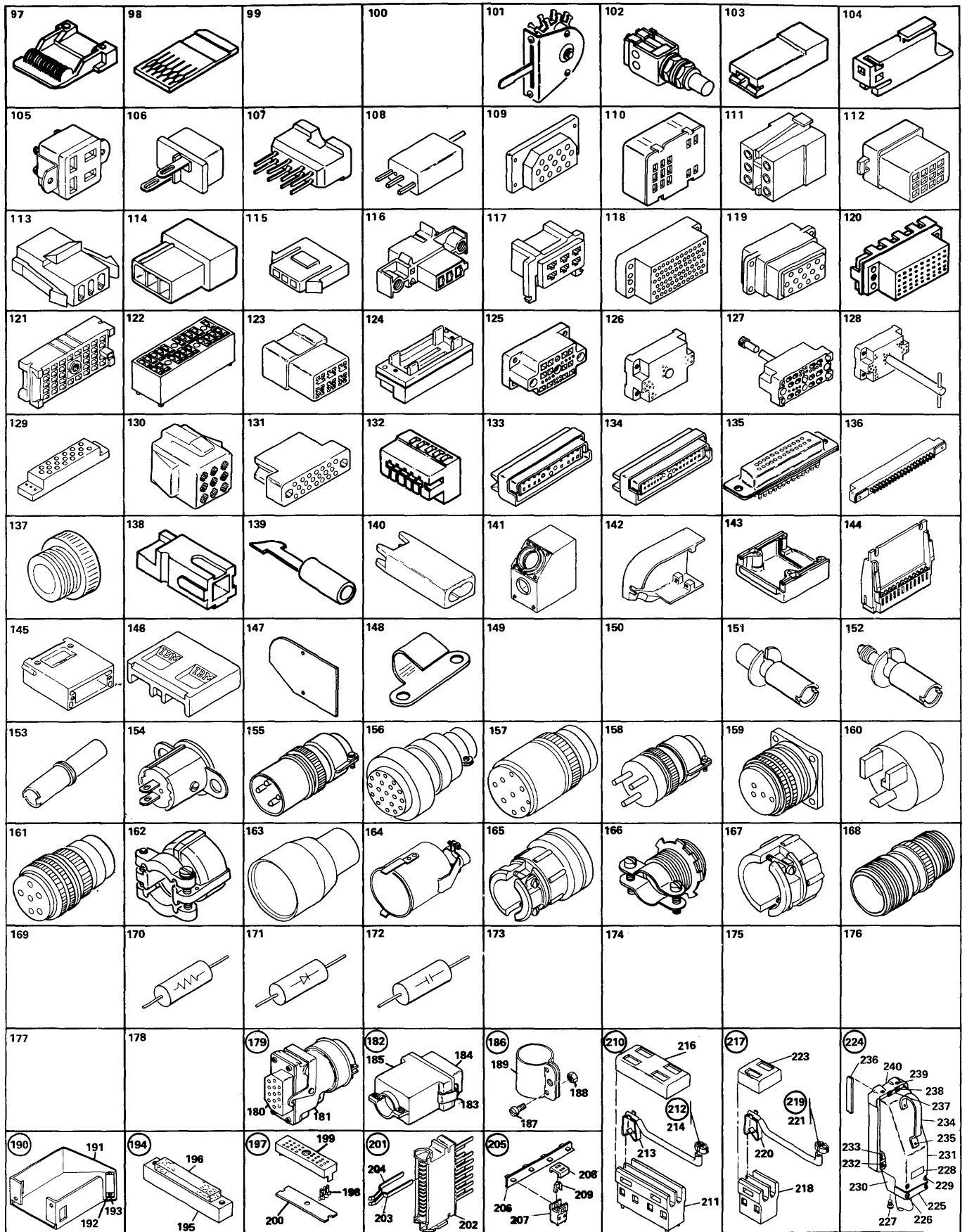


FIGURE 32. CABLE COMPONENT GROUP.  
SEE LIST 32.

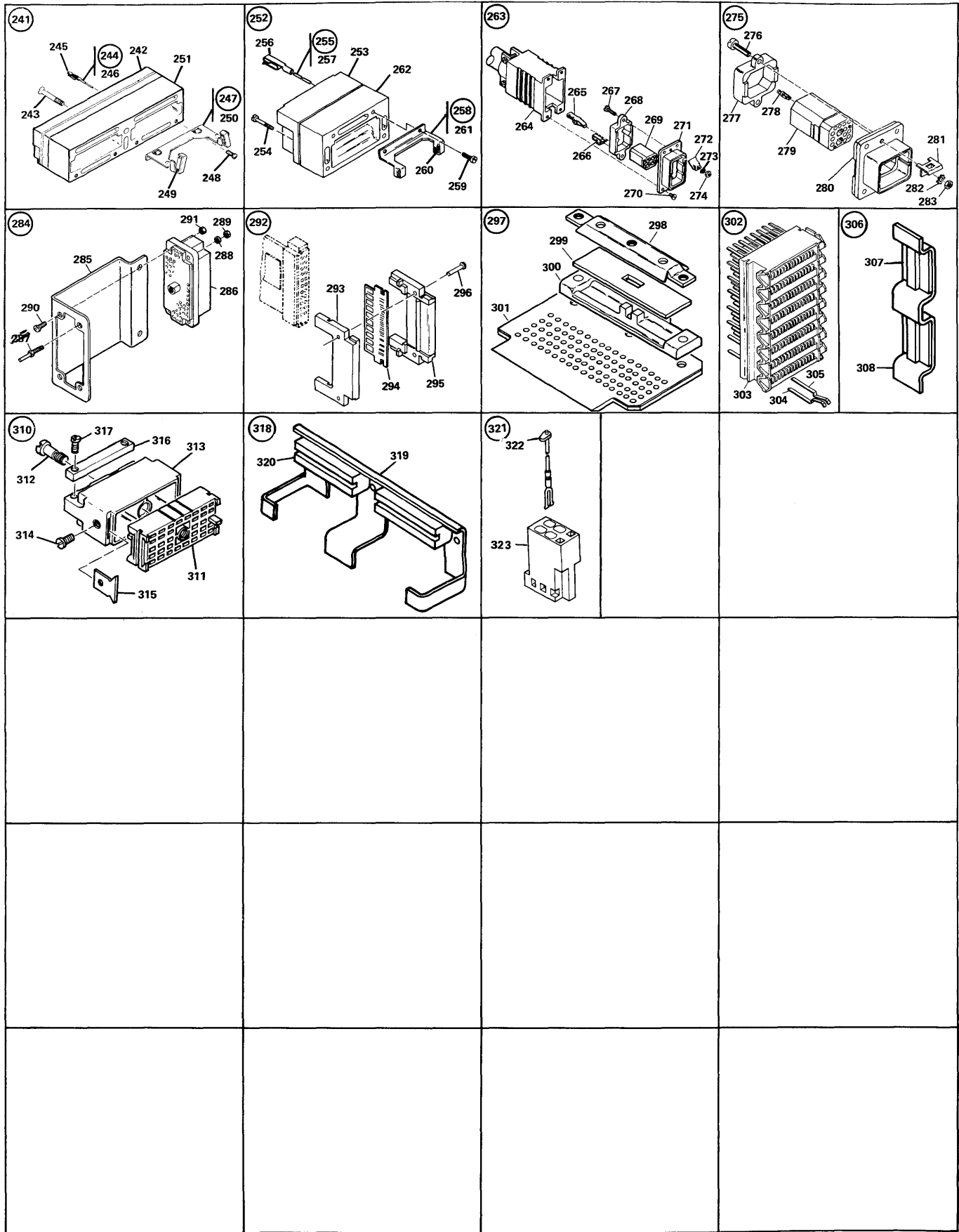


FIGURE 32. CABLE COMPONENT GROUP.  
SEE LIST 32.

LIST AND INDEX NUMBER	PART NUMBER	DESCRIPTION				UNITS PER ASM.	USABLE ON CODE
		1	2	3	4		
32 -	767624	CABLE ASM, VOLTAGE DISTRIBUTION FOR COMPONENTS SEE 57, 57A, 57B, 211, 213, 216					
-	767653	CABLE ASM, SENSE PAIRS FOR COMPONENTS SEE 34B, 150					
-	767654	CABLE ASM, SENSE PAIRS, 2314					
-	767674	CROSSOVER ASM, BRD TO BUS FOR COMPONENTS SEE 34B, 150					
-	2178271	CABLE ASM, LINE CORD, 14 FT FOR COMPONENTS SEE 6A, 9A, 155A					
-	2182907	CABLE ASM, DIFFERENTIAL SCOPE LEADS FOR COMPONENTS SEE 34A, 59, 170					
-	2193980	CABLE ASM, TROS TO TEST CONNECTOR FOR COMPONENTS SEE 4F, 36, 36A, 36B, 78A, 285, 286, 287, 288, 289, 290, 292, 296					
-	2218566	CABLE ASM, SINGLE MULTIPLEX FOR COMPONENTS SEE 3, 4G, 40, 40A, 40B, 53B, 54B, 78A, 118A, 151, 152, 296					
-	2218723	CABLE ASM, CONVENIENCE INTERCON FOR COMPONENTS SEE 15					
-	2218834	CABLE ASM, DC CONNECTOR I/O FOR COMPONENTS SEE 4A, 4G, 29A, 40A, 50, 125					
-	2218862	CABLE ASM, 60 CPS AC SEQUENCE PANEL JUMP FOR COMPONENTS SEE 4A, 4G, 6, 10, 15, 17A, 56					
-	2218863	CABLE ASM, 50 HZ AC SEQUENCE PANEL JUMP FOR COMPONENTS SEE 4A, 4B, 4D, 4G, 6, 10, 15					
-	2218870	CABLE ASM, R/W AND SEL MOD DRIVES F-J FOR COMPONENTS SEE 40B, 60, 62, 64, 69, 78A, 296					
-	2218871	CABLE ASM, R/W AND SEL MOD DRIVES F-J FOR COMPONENTS SEE 40B, 60, 62, 64, 69, 78A, 296					
-	2218872	CABLE ASM, MID PACK TO POWER SUPPLY FOR COMPONENTS SEE 3, 4A, 4G					
-	2218887	CABLE ASM, CE PANEL JUMP FOR COMPONENTS SEE 23, 24, 27B, 31, 293G, 296					
-	2218895	CABLE AGM, DC JUMPER SEQ BOX, 60 HZ FOR COMPONENTS SEE 4F, 24A, 27A, 27B, 28A, 32, 32A					
-	2218898	CABLE ASM, AC DIST FANS AND 12 VPS FOR COMPONENTS SEE 3, 6, 14, 22A, 26A, 68B, 113, 116					
-	2218899	CABLE ASM, DC DISTRIBUTION FOR COMPONENTS SEE 3, 4A, 4D, 4E, 4F, 4G, 4M, 6, 14, 16B, 16D, 18A, 21A, 23, 24, 27B, 28A, 32, 52, 65B, 67B, 117					
-	2218901	CABLE ASM, LINE FILTER TO SEQ BOX 60 HZ FOR COMPONENTS SEE 4K, 9A					
-	2218902	CABLE ASM, LINE FILTER TO SEQ BOX, 50 HZ FOR COMPONENTS SEE 4K, 9A					
-	2218904	CABLE ASM, LINE CORD, WTC FOR COMPONENTS SEE 4K					
-	2218905	CABLE ASM, AUTO TRANSF TO SEQ BOX, TB1 & K7 FOR COMPONENTS SEE 4A, 6					
-	2218906	CABLE ASM, 50 HZ DC JUMPER SEQ BOX FOR COMPONENTS SEE 3, 4E, 24A, 27B, 32					
-	2218907	CABLE ASM, T4 AUTO TRANSF TO SEQ BOX EC4 FOR COMPONENTS SEE 4E, 27B					
-	2218909	CABLE ASM, PWR SPLY GROUND LOOP FOR COMPONENTS SEE 6					
-	2218936	CABLE ASM, C.E. PANEL FOR COMPONENTS SEE 23, 27B, 31, 293G, 296					
-	2218949	CABLE ASM, DC POWER TO B GATE FOR COMPONENTS SEE 4A, 4D, 4G, 7, 12D, 18A, 140					
-	2218965	CABLE ASM, DUAL CHANNEL, CU-1 FOR COMPONENTS SEE 3, 21A, 23, 24, 27B, 28A, 32, 117					
-	2218976	CABLE ASM, B GATE TO POWER SEQUENCING FOR COMPONENTS SEE 3, 4E, 27B, 32					
-	2218977	CABLE ASM, AC POWER TO B GATE FOR COMPONENTS SEE 3, 4E, 10, 14, 22A, 65C, 68B, 116					
-	2227492	CABLE ASM, TWO CHANNEL SWITCH TEST FOR COMPONENTS SEE 31, 31A, 133, 134, 146, 194					
-	2227531	CABLE ASM, TROS TO TEST CONNECTOR FOR COMPONENTS SEE 4F, 36, 36A, 36B, 78A, 285, 286, 287, 288, 289, 290, 291, 296					
-	2239165	CABLE ASM, LINE FILTER, 60 HZ FOR COMPONENTS SEE 9A					
-	2239166	CABLE ASM, LINE FILTER, 50 HZ FOR COMPONENTS SEE 4K, 9A					
-	2239168	CABLE ASM, USAGE METER FOR COMPONENTS SEE 4A, 6, 6A					
-	2239174	CABLE ASM, USAGE METER FOR COMPONENTS SEE 4F, 16D, 65B, 67B					
-	2239185	CABLE ASM, SEQ BOX TO I/O PANEL FOR COMPONENTS SEE 4G, 32, 40, 40A					

LIST AND INDEX NUMBER	PART NUMBER	DESCRIPTION				UNITS PER ASM.	USABLE ON CODE
		1	2	3	4		
32 -	2239188	CABLE ASM, CUI SWITCHES, FILE UNIT FOR COMPONENTS SEE 3,23,27B					
-	2244961	CABLE ASM, CUI DC DIST 2314 PWR SPLYS FOR COMPONENTS SEE 3,4A,4D,4E,4F,4G,6,10,14,16D,19,21A,27B,28A,32,117					
-	2244963	CABLE ASM, CUI DC TO A GATE & TROS FOR COMPONENTS SEE 4A,4G,6,10,16B,18A					
-	2244970	CABLE ASM, PWR SW, SPLYS CUI FOR COMPONENTS SEE 4A,6					
-	2244971	CABLE ASM, DUAL CHANNEL CU-1 FOR COMPONENTS SEE 3,4F,21A,23,24,27B,28,32,117					
-	2244972	CABLE ASM, CUI DC PWR TO B GATE FOR COMPONENTS SEE 4A,4D,4G,6,7,10,12D					
-	2250838	CABLE ASM CHANNEL B TAGS IN FOR COMPONENTS SEE 31A,78A,88,134A,146,194,296					
-	2250839	CABLE ASM, CHANNEL B TAGS OUT FOR COMPONENTS SEE 31A,78A,88,134,146,194,296					
-	2250847	CABLE ASM, AC TO FUSES AND I4 SENSE, 50 HZ FOR COMPONENTS SEE 3,4F,27B,32,65A,68A					
-	2250848	CABLE ASM, AUTO TRANSF INPUT, 50 HZ FOR COMPONENTS SEE 4A,6,10					
-	2250866	CABLE ASM, LINE CORD, 6FT 60 HZ FOR COMPONENTS SEE 6A,9A,155A					
-	2250933	CABLE ASM, EDGE CONN TO SEQ BOX FOR COMPONENTS SEE 24A,27B,32					
-	2250934	CABLE ASM, EDGE CONN TO K8 2314 BUFFER W/2844 FOR COMPONENTS SEE 4E,27B,32					
-	2262024	CABLE ASM, DC DIST FOR COMPONENTS SEE 3,4A,4D,4E,4F,4G,4M,6,14,16B,16D,18A,21A,23,27B,28A,32,52,65B,67B,117					
-	2262025	CABLE ASM, USAGE METER FOR COMPONENTS SEE 4F,16D,65B,67B					
-	2262026	CABLE ASM, DUAL CHANNEL CU-1 FOR COMPONENTS SEE 3,21A,23,24,27B,28A,32,117					
-	2262027	CABLE ASM, DUAL CHANNEL CU-1 FOR COMPONENTS SEE 3,4F,21A,23,24,27B,28A,32,117					
-	2262029	CABLE ASM, CU-1 SWITCHES-FILE UNIT FOR COMPONENTS SEE 3,23,27B					
-	2262055	CABLE ASM, AC INTERCONN TO FCU, 50 HZ FOR COMPONENTS SEE 4A,6,6A					
-	2262056	CABLE ASM, AC INTCONN TO FCU, 50 HZ FOR COMPONENTS SEE 4A,6,6A					
-	2262058	CABLE ASM, INTCONN TO FCU, 60 HZ FOR COMPONENTS SEE 4A,6,6A					
-	2271154	CABLE ASM, LINE CORD, UK 50 HZ FOR COMPONENTS SEE 4K					
-	2271160	CABLE ASM, I/O MPX FOR COMPONENTS SEE 3,4G,27B,36,40,40A,40B,53B,54B,78A,118A,296					
-	2271163	CABLE ASM, LINE CORD, WTC 50 HZ FOR COMPONENTS SEE 6					
-	2285026	CABLE ASM, AC INTERCONNECTING FOR COMPONENTS SEE 4A,6A,159G					
-	2285714	CABLE ASM, AC INTERCONN TO FCU 60 HZ -2314B ONLY FOR COMPONENTS SEE 6,72,137,167,168A					
-	2285715	CABLE ASM, DIST BLOCKS TO MIXER CD CONN -2314B ONLY FOR COMPONENTS SEE 4G,21A,117					
-	2285716	CABLE ASM, SEL MOD -2314B ONLY FOR COMPONENTS SEE 40,78A,296					
-	2285718	CABLE ASM, AC INTERCONN TO FCU, 50 HZ -2314B ONLY FOR COMPONENTS SEE 72,132,167,168A					
-	5374110	CROSSOVER ASM, BOARD TO BUS FOR COMPONENTS SEE 210F					
-	5374388	CROSSOVER ASM, BRD TO BUS FOR COMPONENTS SEE 210G					
- 3	92784	. TERMINAL, RING INS 18/20AWG NO.8 MTG HOLE					
- 4A	186962	. TERMINAL, RING INS 10/12AWG NO.8 MTG HOLE					
- 4D	334910	. TERMINAL, RING NO.16 THRU NO. 14 WIRE					
- 4E	334921	. TERMINAL, RING NO.22 THRU NO.18WIRE INSU					
- 4F	334932	. TERMINAL, RING NO.18 THRU NO.22WIRE INSU					
- 4G	360370	. TERMINAL-RING TOUNGUE NO.14-16 WIRE					
- 4K	2102617	. TERMINAL,ORING NO.10 STUD					
- 4M	2267995	. TERMINAL,RING,NO.8 STUJ 10/12 AWG					
- 6	2101326	. TERMINAL, RING,BARREL NO.12-10WIRE INSUL					
- 6A	2101327	. TERMINAL, RING INS 10/12AWG 1/4 MTG HOLE					
- 7	253740	. TERMINAL, RING INS 10-12AWG NO.6 MTG HOLE					
- 9A	335970	. TERMINAL, RING 8AWG 1/4 MTG HOLE					
- 10	359695	. TERMINAL, RING LUG NO.10 STUD					
- 12D	186962	. TERMINAL-RING,6 STUJ					

LIST AND INDEX NUMBER	PART NUMBER	DESCRIPTION				UNITS PER ASM.	USABLE ON CODE
		1	2	3	4		
32 - 14	92786	. TERMINAL,INS 18/20AWG NO.4 MTG SLOT SPAD					
- 15	368222	. TERMINAL, NO.8 STUD 16/14 WIRE SPADE					
- 16B	187460	. TERMINAL,NONINS 20AWG NO.8 MTG SLOT SPAD					
- 16D	313361	. TERMINAL, SPADE 0.119 ID- 22, 24 AWG					
- 17A	603152	. TERMINAL,SPADE INS 14/16AWG NO.6 MTG SLO					
- 18A	813195	. TERMINAL,DISCRETE WIRE,22/26AWG					
- 19	339156	. TERMINAL, SLIP ON TAPER TAB					
- 21A	523267	. TERMINAL,QUICK DISCONNECT- 14/18AWG					
- 22A	5353852	. TERMINAL,CONTACT FEMALE,NO.16/20 WIRE					
- 23	236916	. TERMINAL-CONTACT FEMALE 24-22 AWG					
- 24	236915	. TERMINAL-CONTACT FEMALE 20-18 AWG					
- 24A	2158688	. TERMINAL, QUICK DISCONNECT, 18/20AWG					
- 26A	609687	. TERMINAL, CONTACT 18/22AWG					
- 26B	2145170	. TERMINAL,QUICK DISCONNECT- 16/18AWG					
- 27A	600844	. TERMINAL, SMALL TAPER, 55-24 AWG					
- 27B	187243	. TERMINAL, SMALL TAPER 20-22-24 OR 26 AWG					
- 28A	360433	. TERMINAL-TAPER PIN 16/18AWG 0.073 NOM OD					
- 29A	2180671	. TERMINAL ASM, FEMALE 8-10 AWG					
- 31	5362301	. TERMINAL, LARGE SERPENT, 22/26AWG					
- 31A	5362302	. TERMINAL, SMALL SERPENT 28/32AWG					
- 32	2114531	. TERMINAL, TAPER, 22/24AWG					
- 32A	2123478	. TERMINAL, TAPER 18/20AWG					
- 34A	815934	. TERMINAL, DISCRETE WIRE (22/26AWG)					
- 34B	767684	. TERMINAL DISCRETE WIRE (22/26 AWG)					
- 36	2122258	. TERMINAL, CONTACT PIN MALE 20/22AWG					
- 36A	2122260	. TERMINAL, CONTACT PIN MALE, 18/16AWG					
- 36B	2127867	. TERMINAL, CONTACT PIN MALE, 24/26AWG					
- 40	2122259	. TERMINAL, CONTACT SOCKET, 20/22AWG					
- 40A	2122261	. CONTACT AWG 18-16					
- 40B	2127890	. TERMINAL, CONTACT SOCKET, 24/26AWG					
- 43	368596	. TERMINAL, CONTACT PIN, 14/16AWG					
- 50	2180796	. JACKSCREW, FIXED					
- 52	97528	. CONNECTOR, MALE, 1422AWG					
- 53B	2123028	. SOCKET,JACKSCREW,6-32 INSIDE THD,4-40 OUTSIDE THD					
- 54B	2123029	. STUD,JACK SCREW,4-40					
- 56	360363	. CONNECTOR,BUTT-14 AWG BLUE INS					
- 57	767682	. TERMINAL,SLOTTED TONGUE,22/16 AWG,NO. 8 STUD					
- 57A	767683	. TERMINAL,SLOTTED TONGUE,16/14 AWG,NO. 8 STUD					
- 57B	767686	. TERMINAL,SLOTTED TONGUE,22/16 AWG NO. 6 STUD					
- 59	2246295	. CONNECTOR, BNC, CRIMP					
- 60	2227454	. SOCKET,COAX CONNECTOR					
- 62	2227452	. FERRULE, COAX					
- 64	2227453	. BUSHING, COAL CONNECTOR					
- 65B	2178470	. SLEEVE,INSULATING 0.308 DIA X 0.75 LG					
- 65C	2184183	. SLEEVE, INSULATING					
- 67B	2178469	. FERRULE-SHIELDED WIRE 0.150 ID					
- 68B	2184182	. FERRULE-SHIELDED WIRE					
- 69	2180666	. SPRING, RETENTION, COAX CONNECTOR					
- 72	2181278	. SHIM,CABLE CLAMP					
- 78A	5352960	. STRAIN RELIEF					
- 88	811802	. GUIDE-CARD,6 PAC					
- 113	725557	. PLUG, CONNECTOR, 3 CIRCUIT					
- 116	5353851	. HOUSING-CONNECTOR RECEPTACLE, 3 POS					
- 117	523269	. HOUSING,RECEPACLE 6 CIRCUIT					
- 118A	2122625	. CONNECTOR,FEMALE,104 POS					
- 125	2180672	. BLOCK, RECEPTACLE, 29 POSITION					
- 132	1142533	. CONNECTOR HOUSING,5 POS					
- 133	5353869	. CONNECTOR BLOCK -STYLE B					
- 134	5353867	. CONNECTOR BLOCK - STYLE A					
- 134A	5353868	. CONNECTOR BLOCK-STYLE B					
- 137	2181337	. ADAPTER,CONNECTOR EXT.					
- 140	813197	. HOUSING-TERMINAL					
- 146	5362306	. COVER, CONNECTOR BLOCK					
- 150	5213092	. TERMINAL,WRAP,SOLDER					
- 151	2123030	. JACK SCREW,SOCKET,6-32					
- 152	2123031	. JACK SCREW,STUD,6-32					
- 155A	538724	. PLUG,MALE,3 WIRE 4 POLE 60 AMP					
- 159G	2180662	. PLUG, BOX TYPE, 7 POSITION, MALE					
- 167	2180663	. CLAMP, CABLE					
- 168A	2180659	. CONNECTOR, CABLE, 7 POSITION, FEMALE					
- 170	216429	. RESISTOR,FXD COMP,150 OHMS P/M 5 PERCENT 0.25 WATT					
- 194	5353896	. STRAIN RELIEF ASSEMBLY					
- 195	5353858	. . BLOCK,STRAIN RELIEF					
- 196	NO NUMBER	. . PAD,NEOPRENE,25-114,0.23 X 1.5 LONG					
- 209	813681	. . CONTACT, MINITURE BUS					
- 210E	767674	. CORSSOVER ASM, BRD TO BUS					
- 210F	5374110	. CROSSOVER ASM,BRD TO BUS					



# NUMERICAL INDEX

PART NO.	LIST AND INDEX NO.	PART NO.	LIST AND INDEX NO.	PART NO.	LIST AND INDEX NO.	PART NO.	LIST AND INDEX NO.
845	8 - 59	11598-CONT	5 - 26	38235	1 - 46	56121-CONT	9 - 22
2032	5 - 12		5A- 17		4 - 10		10 - 60
	10 - 18		5B- 51		5 - 32		11 - 48
2300	1 - 43		6 - 50		5 - 37		11A- 31
2903	4 - 4		9 - 23		5B- 10		11A- 39
	5B- 4		10 - 6		6 - 10		11A- 47
	6 - 4		10 - 60		25 - 40		11A- 55
3550	2 - 82		11 - 49	38263	2 -193		22 - 46
	2 -177		11A- 32	38269	1 - 71		24 - 47
	2 -183		11A- 40	38351	2 -194		25 - 32
	7 - 48		11A- 43		2 -196	56722	1 - 15
	24 - 21		11A- 48		2 -198		1 - 24
3690	2 - 71		11A- 56		29 - 12		1 - 47
3960	2 - 81	11891	5A- 42	38354	5 - 34		2 - 41
	2 -127		9 - 33B	38688	2 - 77		21- 7
	2 -179	19852	15 - 67	45690	2 -117		21- 13
	2 -185	19944	22 - 31		5 - 27		21- 19
	7 - 29		23 - 31		11A- 64		21- 28
	8 - 16		26 - 31		11A- 75		21- 34
	8 - 37		27 - 17	47242	3 - 3		3 - 6
	22 - 17	22478	1 - 3	52578	3 - 4		4 - 47
	23 - 46		5 - 54	55102	2 - 72		5B- 56
	23 - 56		5A- 14	55726	2 - 97J		6 - 56
	24 - 23		8 - 42		5B- 25		8 - 12
	24 - 32		9 - 17		6 - 25		11 - 27
4564	1 - 38A		9 - 49		11 - 19		12 - 55
5528	9 - 29		10 - 32		11 - 36		12 - 59
6324	12 - 20		10 - 39		11 -24		12 - 63
6364	10 - 46		11A- 27		12 - 18		12 - 72
	10 - 53	24091	2 -106		12 - 99		12 - 97
	11A- 10	25627	1 - 7		12 -104		15 - 53
	11A- 17		1 - 73		15 - 7		16 - 15
	11A- 21		5B- 30		22 - 13		22 - 41
	16 - 7		6 - 30		22 - 58		23 - 41
6935	2 -178		11 - 4		22 - 73		24 - 41
	2 -184		11 - 13		24 - 6		26 - 41
	7 - 28		12 - 37		25 - 12		27 - 23
	7 - 47		30 - 10	55901	1 - 7		29 - 4
	8 - 15	25895	7 - 27		1 - 73	58207	1 - 27
	8 - 38		8 - 14		2 -112F		3 - 24
	8 - 51	28413	2 -112C		3 - 25		7 - 2
9092	8 - 9		7 - 7		8 - 4		7 - 4
	8 - 49		7 - 13		22 - 23		7 - 20
	8 - 56		7 - 23		24 - 13		7 - 51
	11A- 74		11 - 8		24 - 50		7 - 59
10170	2 - 61		11 - 17		28 - 3	59647	2 - 80
	4 - 42		22 - 45		29 - 10	59648	22 - 15
	4 - 46		24 - 46		30 - 11		22 - 48
	5A- 20	32042	2 - 97E	55918	2 -171B		23 - 44
	5B- 27		8 - 8		5A- 17		23 - 55
	5B- 55		8 - 48		9 - 21		24 - 30
	6 - 27		8 - 55		10 - 60	59652	2 -181
	6 - 55		11A- 63		11 - 47	60646	5A- 12
	7 - 37		11A- 73		11A- 30		8 - 41
	7 - 53		31 - 4		11A- 38		9 - 15
	8 - 27	34512	11A- 25		11A- 46		9 - 46
	9 - 25		22 - 83		11A- 54		10 - 30
	9 - 27	35739	10 - 23		11A- 73		10 - 36
	10 - 26		16 - 6	56079	1 - 51		23 - 18
	11 - 2		29 - 2		1 - 59		26 - 18
	11 - 11	36109	7 - 49		2 - 15	62031	2 - 97K
	11 - 39	36112	2 -174		2 - 20		2 - 97N
	11A- 13	36776	5A- 44		2 - 23		5A- 3
	11A- 20		29 - 11		2 - 31		5A- 38
	12 - 20B	36844	20 - 93		2 -132		7 - 41
	14 - 2		24 - 20		2 -135		9 - 4
	15 - 78	37913	2 -139D		2 -171B		9 - 42
	20 - 7		4 - 35		21- 39		10 - 46
	20 - 19		5B- 45C		3 - 13		10 - 53
	23 - 51		6 - 59		3 - 17		22 - 27
	29 - 2		13 - 16		4 - 45A		23 - 27
	29 - 3		15 - 18		5 - 46		25 - 19
	30 - 2		20 - 60		5A- 17		25 - 29
11598	1 - 52	38051	5A- 3		6 - 33A		25 - 57
	2 - 87		9 - 5		7 - 24		25 - 65
	2 -166		9 - 43		11A- 42		26 - 27
	21- 38		10 - 23		12 - 44		32 -288
	3 - 7		10 - 47		20 - 41A	65756	7 - 12
	4 - 57		10 - 54	56121	2 - 97F		22 - 16
	5 - 3		32 -289		7 - 14		22 - 49



PART NO.	LIST AND INDEX NO.	PART NO.	LIST AND INDEX NO.	PART NO.	LIST AND INDEX NO.	PART NO.	LIST AND INDEX NO.
76574	2 - 78	130985	2 - 75	216076-CONT	6 - 45	257986-CONT	5A- 44
	2 -105	130987	1 - 30		9 - 7		9 - 3
	2 -125		2 -139		10 - 57		10 - 23
	8 - 15		2 -169	216128	1 - 71		10 - 52
	11 - 22	138755	2 -119	216206	5A- 5		12 - 65
	11A- 34		12 - 35		9 - 8		15 - 15A
	11A- 50		12 -100		10 - 59		17 - 9
	11A- 58	138756	30 - 3	216429	32 -170		20 - 30
	20 - 94	140425	2 - 52	217077	4 - 30		22 - 42
	23 - 45		15 - 75	219423	5A- 41		23 - 14
	23 - 57	150909	2 -176		9 - 33C		23 - 42
	23 - 59		14 - 12	222077	19 - 4		25 - 28
	24 - 22	159373	17 - 6	223528	7 - 5		25 - 66
	24 - 28		18 - 3	236849	2 - 37		26 - 14
	24 - 31	160017	7 - 11		2 - 43		26 - 42
	2 -138		8 - 52		2 - 45		27 - 24
76846	9 - 33F		11A- 35		5 - 45	283003	14 - 3
80651	5 - 21		11A- 51		5A- 17	301768	5 - 36
80652	16 - 12		11A- 59		9 - 20		5B- 24
80817	21- 12	161351	24 - 35		12 - 43		6 - 24
81693	21- 27	168037	12 - 10	236915	32 - 24	302088	17 - 52
	21- 33	170150	13 - 30	236916	32 - 23	302089	17 - 51
	4 - 27	170158	13 - 15	237327	2 - 24	302090	12 - 1
	4 - 28A	170226	32 -290		12 - 46		12 - 80
	5 - 10	179743	31 - 6		30 - 8		17 - 49
	8 - 44	179744	17 - 5	241886	29 - 5		17 - 49
	8 - 46		18 - 2	244571	2 - 76		17 - 49
	10 - 16	179946	7 - 21	245541	10 - 21	302131	12 - 82
	25 - 63		12 - 19	246464	12 - 34		17 - 53
	28 - 2	186759	5 - 23		12 - 46	304479	8 - 2
	10 - 19		8 - 40	251970	19 - 8	313361	12 -106
81898	4 - 38		22 - 22		20 - 65		12 -109
82353	2 -200		24 - 49	253268	8 - 57		32 - 16D
90261	11 - 51		29 - 9	253569	21- 22	315730	7 - 57
	5 - 20	186962	9 - 30B		5A- 34	315956	7 - 31
	10 - 14		32 - 12D		9 - 39	316996	4 - 58
92784	9 - 30A	186968	8 - 21		10 - 21		5B- 52
	32 - 3		11A- 6	253740	21- 23		6 - 51
	32 - 14		32 - 4A		32 - 7	317004	19 - 5
92786	1 - 32	187243	12 - 67	255629	5 - 18	317126	12 - 3
93178	2 -168		12 - 84		10 - 4	317145	22 - 76
	32 - 52		32 - 27B	255939	2 - 70	317193	7 - 54
97528	2 - 92	187460	32 - 16B	257186	25 - 56	317317	7 - 1
101706	12 - 11	187467	16 - 9	257187	1 - 48	317428	12 -110
104615	12 - 11	188697	8 - 26		2 - 97M	320167	12 - 87
	2 -139D	205329	12 - 60		21- 8		17 - 57
107158	12 - 13		17 - 59		21- 35		17 - 61
107667	12 - 13	205331	17 - 59		3 - 5	320451	8 - 17
107668	13 - 10	207324	9 - 35D		7 - 42	320456	2 - 97H
109918	13 - 3	207340	4 - 62		8 - 11		11 - 18
112628	20 - 75	207350	9 - 24		10 - 47	321051	12 -113
	4 - 15	208228	6 - 21		10 - 54		12 -118
113819	4 - 31	208245	9 - 40		11 - 26	321483	8 - 31
	5B- 15	210473	8 - 62		11A- 11		22 - 32
	5B- 40	210883	4 - 39		11A- 18		23 - 17
	6 - 15		7 - 32		12 - 54		23 - 32
	6 - 40		7 - 55		12 - 58		26 - 17
117281	15 - 68	210957	25 - 36		12 - 62		26 - 32
118997	24 - 33	210984	5A- 22		12 - 71		27 - 16
120211	3 - 12		5B- 27		12 - 96	321603	9 - 47
122592	7 - 30		8 - 27		16 - 16		10 - 37
123049	8 - 58		9 - 27		25 - 64	322029	11 - 43
123073	10 - 24		11A- 2		29 - 17		11 - 46
124695	10 - 28		11A- 66	257189	1 - 44		11A- 29
124943	2 - 12		16 - 10		1 - 73		11A- 37
	2 - 38	210985	5A- 24		5A- 15		11A- 45
	12 - 93		8 - 19		8 - 3		11A- 53
127324	7 - 10		11 - 5		8 - 32	322065	21- 6
	8 - 50		11 - 14		9 - 18		7 - 33
	11 - 46A		11A- 5		9 - 50		7 - 56
	11 - 52		11A- 69		10 - 31		11 - 25
	11A- 33	210986	5A- 24		10 - 40		11A- 9
	11A- 49		8 - 18		23 - 19		11A- 16
	11A- 57		11A- 4		26 - 19		16 - 6
129147	2 -103		11A- 68	257284	3 - 23		29 - 15
129654	25 - 31	210990	5B- 26	257983	1 - 38		30 - 6
130434	2 - 95	216076	4 - 23	257985	15 - 17	322272	7 - 34
	2 - 97B		5 - 42		20 - 59	322550	4 - 40
	21- 18		5A- 4	257986	1 - 64		5A- 44
	3 - 16		5B- 43		5A- 3		5B- 22

PART NO.	LIST AND INDEX NO.	PART NO.	LIST AND INDEX NO.	PART NO.	LIST AND INDEX NO.	PART NO.	LIST AND INDEX NO.
322551	2 - 97L	369214	4 - 56	472168-CONT	22 - 79	521695	8 - 6
	7 - 40		5 - 2	472639	12 - 107		12 - 5
322552	14 - 7		5 - 25	473412	5A- 37	523267	32 - 21A
322687	2 - 36		5A- 40		9 - 41A	523269	32 - 117
323838	25 - 21		5B- 50		10 - 42	524176	12 - 7
323844	5 - 11		6 - 49		10 - 44	524179	12 - 17
	5A- 23		9 - 33A	473422	9 - 41B	526378	21- 36
	9 - 28		10 - 5		10 - 45		7 - 43
	11 - 12	372085	2 - 16A	473432	5A- 36		8 - 33
	11A- 67	372260	2 - 7	473530	5A- 1	528007	8 - 7
	12 - 26	372423	2 - 11		9 - 1	528011	2 - 65
323845	30 - 5	372676	2 - 5	473531	5A- 32	528012	2 - 64
327921	25 - 26	372677	2 - 5		9 - 37	528013	2 - 62
331982	4 - 2		2 - 9	473536	4 - 51	528014	2 - 63
	5 - 51	372688	12 - 103		5A- 31	533342	8 - 26
	9 - 45	372990	2 - 11		5B- 49	533360	4 - 41
	10 - 35	374837	2 - 16B		6 - 54	533361	7 - 36
332065	29 - 3	374873	2 - 5		9 - 36	535292	12 - 14
332560	15 - 32		2 - 9	473543	9 - 41	535299	17 - 62
332620	1 - 50	375161	5 - 24		10 - 43	535632	2 - 32
	2 - 30	375162	2 - 11	473544	5A- 33	538724	32 - 155A
	2 - 147C	375204	6 - 45A		9 - 38	550578	8 - 20
	2 - 165	375249	4 - 61	473545	5A- 21	550612	14 - 4
	4 - 44	375310	2 - 7		9 - 26	563882	9 - 13
	5B- 32	375385	2 - 11		11A- 65	595720	32 - 296
	6 - 32	375387	2 - 7	473547	5A- 6	596676	7 - 22
332779	4 - 34	375414	2 - 7		9 - 9	598479	11 - 44
	5 - 49	381741	22 - 8		10 - 58		11A- 41
	5B- 45D		23 - 8	473582	5 - 30		12 - 33A
	6 - 60		26 - 8	474530	10 - 50	599557	21- 5
333202	19 - 6	386842	8 - 53	476364	8 - 1	600844	32 - 27A
333586	13 - 24	418835	2 - 142	477144	4 - 16	600960	5 - 55
334910	16 - 11	438549	12 - 2	477266	11 - 3		6 - 3
	32 - 4D		12 - 81		11 - 12	602721	6 - 33
334921	12 - 117	438550	5 - 48		11A- 3	603152	32 - 17A
	16 - 11		15 - 16		11A- 67	603541	17 - 60
	32 - 4E		15 - 63	478045	9 - 33E	607477	8 - 5
	32 - 214B		15 - 70	482195	17 - 23	609687	32 - 26A
334927	12 - 88		17 - 50		17 - 34	620240	4 - 42A
334932	4 - 14		20 - 58		17 - 39	631769	11 - 31
	9 - 40A	438551	4 - 33		17 - 44	634403	12 - 9
	12 - 112		5B- 45B	483107	11A- 8	719180	5A- 44
	32 - 4F		6 - 58	483247	9 - 33D	725557	32 - 113
334949	12 - 115		27 - 4	483523	17 - 27	725558	16 - 1
334987	17 - 10	438563	28 - 17	483531	17 - 29	726730	12 - 20A
335012	17 - 58	438567	5A- 2	491223	12 - 120	730177	9 - 6
335970	32 - 9A		9 - 2	491228	5B- 39		10 - 56
337509	7 - 52		10 - 51		6 - 39	730426	5 - 50
338169	20 - 76	438568	22 - 40	492457	17 - 11	730428	5 - 33
338238	8 - 61		23 - 40	492568	5B- 16	730429	9 - 40
339156	12 - 94		26 - 40		6 - 16		10 - 41
	32 - 19		27 - 22	492615	22 - 38	730432	5A- 27
342250	12 - 56	438570	5B- 19		23 - 38		7 - 9
	30 - 12		6 - 19		26 - 38		9 - 32
352088	5 - 9	438571	4 - 18	507144	12 - 4		10 - 27
	9 - 26	438572	28 - 6	507446	16 - 17		11 - 37
	11 - 10A	438582	9 - 14	508137	1 - 65	730433	11 - 42
356742	19 - 2		10 - 29	510379	5B- 22		11A- 36
357433	22 - 12	438588	23 - 16		6 - 22	730434	9 - 35
	23 - 12		26 - 16	510468	4 - 5	730439	5 - 14
	25 - 17	438592	12 - 6		4 - 8		5A- 26
	26 - 12	438593	5A- 11		5 - 53		9 - 31
357995	2 - 142		5B- 2		5A- 13		11 - 15
359018	2 - 140		6 - 2		5B- 5		12 - 29
359695	5B- 14	438602	2 - 85		5B- 8	730442	11 - 45
	6 - 14	438622	2 - 125D		6 - 5		11A- 28
	9 - 40A		11 - 21		6 - 8		11A- 44
	32 - 10		11A- 23		9 - 48		11A- 52
360363	32 - 56	438624	11 - 41		10 - 38	730443	5A- 7
360370	8 - 23	438625	11A- 61	511091	7 - 46		9 - 10
	9 - 30B	438894	14 - 1		8 - 36		10 - 55
	11A- 6	440422	12 - 114	513668	1 - 13	730444	5A- 8
	32 - 4G	441181	5A- 39	513669	1 - 22		9 - 11
360433	32 - 28A	442959	9 - 16	515620	25 - 23		10 - 48
361968	7 - 39		10 - 33	517197	8 - 30	730445	5A- 29
362206	11 - 29	445304	11A- 12	517913	21- 24		9 - 34
	11 - 33		11A- 19		8 - 24	730446	5A- 9
368222	32 - 15	450821	16 - 3	519692	9 - 13		9 - 12
368596	32 - 43	471901	2 - 137	520410	17 - 56		10 - 49
369207	30 - 4	472168	20 - 74		17 - 56	730447	11 - 40

PART NO.	LIST AND INDEX NO.	PART NO.	LIST AND INDEX NO.	PART NO.	LIST AND INDEX NO.	PART NO.	LIST AND INDEX NO.
730448	5A- 28	742513	25 - 52	768212-CONT	23 - 3	811858	15 - 12
	9 - 32A	742515	25 - 60		26 - 3	811859	15 - 10
	9 - 33G	742519	25 - 39	768310	25 - 51	811864	22 - 54
730452	4 - 1	742526	29 - 1	801391	25 - 55	811865	22 - 50
730453	9 - 33	742533	27 - 3A	801451	17 - 8	811866	20 - 5
730454	9 - 33		27 - 5A		17 - 15		25 - 5
730455	5A- 16	742534	22 - 28	801605	17 - 55	811867	20 - 1
	9 - 19		22 - 74	801652	11 - 34		25 - 1
730456	9 - 51		23 - 20		7 - 25	811872	15 - 5
730458	10 - 61		23 - 23		11 - 10	811873	15 - 1
730460	2 - 6		23 - 28		11A- 71	811881	15 - 6
	9 - REF		24 - 9	804109	21- 32		20 - 6
730467	11 - 6		24 - 16	805044	10 - 28		22 - 57
	11 - 15		25 - 20	811363	20 - 99		25 - 11
	11A- 7		25 - 25		25 - 15	811896	15 - 9
	11A- 70		25 - 42	811417	15 - 56		20 - 9
730468	5A- 25		26 - 20		20 - 33		22 - 60
	9 - 30C		26 - 23		20 - 55		25 - 14
	12 - 28		26 - 28		20 - 63	813179	15 - 55
730483	9 - 44	742554	27 - 3B		22 - 64		20 - 32
730493	10 - 61	742582	22 - 21		25 - 47		20 - 54
730499	10 - 34		24 - 48	811423	15 - 43		20 - 62
731625	31 - 2		29 - 8		20 - 69		22 - 4
731626	15 - 41	742598	27 - 14	811426	2 - 49		22 - 63
	24 - 4	742611	29 - 1		20 - 29		23 - 4
	24 - 40	742614	28 - 9		20 - 67		25 - 48
731629	4 - 12	742615	28 - 13		22 - 56		26 - 4
	5B- 12	742616	28 - 12		22 - 62		27 - 29
	6 - 12	742628	24 - 1		25 - 7	813195	32 - 18A
734483	5B- 37	742635	28 - 11		25 - 9	813197	22 - 19
	6 - 37	742640	28 - 1	811427	15 - 58		32 - 140
	6 - 38A	742648	28 - 18		20 - 98	813321	15 - 36
	20 - 12	742649	28 - 21	811441	15 - 8		20 - 46
	20 - 23	749470	7 - 45		20 - 8	813519	15 - 59
	20 - 25		8 - 35		20 - 20		20 - 97
	24 - 8	761345	15 - 20		22 - 59		24 - 18
	24 - 15		20 - 104		25 - 13	813681	32 - 209
	25 - 18		22 - 68	811442	20 - 35		32 - 213
	25 - 27	767601	24 - 37		25 - 10	813801	32 - 211
	25 - 44	767616	22 - 5	811474	25 - 35	813802	32 - 216
	25 - 53		23 - 5	811476	15 - 49	813827	32 - 214
	25 - 61		26 - 5		20 - 88	815039	15 - 17
	27 - 2		27 - 28	811481	15 - 88	815167	15 - 38
	27 - 9	767624	25 - 33		20 - 90		20 - 49
	27 - 13		32 - REF		25 - 38	815173	20 - 44
738826	17 - 26	767626	23 - 22	811482	15 - 30B	815210	20 - 43
	18 - 1		26 - 22	811483	20 - 83	815217	15 - 37
738828	17 - 28	767627	23 - 15		25 - 58		20 - 48
	18 - 8		26 - 15	811530	15 - 47	815219	15 - 35
738829	17 - 4	767629	22 - 25		20 - 57		20 - 47
740493	12 - 101		23 - 25	811534	15 - 80	815220	15 - 34
740501	2 - 154		26 - 25		20 - 87		20 - 45
	21 - 10	767630	23 - 24	811536	15 - 50	815224	15 - 31
	12 - 102		26 - 24		20 - 89		20 - 42
740503	31 - 7	767631	23 - 21	811541	15 - 62	815263	15 - 4
740549	32 - 286		26 - 21		20 - 64		20 - 4
740608	31 - 7	767632	22 - 29	811542	15 - 69		22 - 53
740617	32 - 287		23 - 29	811553	15 - 42		25 - 4
741349	31 - 5		26 - 29		20 - 68	815934	32 - 34A
742454	23 - 39	767638	22 - 78	811554	15 - 40	815963	15 - 3
	26 - 39	767639	22 - 37		20 - 66		20 - 2
	27 - 21		23 - 37	811555	15 - 79		20 - 14
	28 - REF		26 - 37		20 - 86		22 - 51
742460	22 - 34	767653	32 - REF	811556	15 - 77		25 - 2
	23 - 34	767654	32 - REF		20 - 84	815964	15 - 2
	26 - 34	767659	32 - 212E	811621	15 - 46		20 - 3
	27 - 19	767674	22 - 75	811727	13 - 8		20 - 15
742461	22 - 33		32 - REF	811742	15 - 14		22 - 52
	23 - 33		32 - 210E		20 - 28		25 - 3
	26 - 33	767682	32 - 57	811802	20 - 101	816649	15 - 33
	27 - 18	767683	32 - 57A		32 - 88	816652	15 - 26
742466	22 - 35	767684	32 - 34B	811804	20 - 100	816653	15 - 27
	23 - 35	767686	32 - 57B		25 - 16	824347	12 - 7
	26 - 35		32 - 214A	811850	22 - 61	824393	1 - 72
	27 - 20	767746	22 - 47	811851	22 - 55	824703	20 - 95
742471	28 - 10	767749	22 - 65	811852	20 - 11	827960	12 - 50
742478	28 - 15	767759	24 - 24		25 - 8	848877	1 - 70
742479	28 - 5		25 - REF	811853	20 - 10	853288	2 - 88
742484	28 - 22	767761	25 - 46		20 - 22	-COMM.-	2 - 141
742486	28 - 16	768212	22 - 3		25 - 6		2 - 143

PART NO.	LIST AND INDEX NO.	PART NO.	LIST AND INDEX NO.	PART NO.	LIST AND INDEX NO.	PART NO.	LIST AND INDEX NO.
"COMM."	17 - 17	2145170-CONT	32 - 26B	2181004-CONT	12 - 90	2193908	2 - 66
NO NUMB	22 - 39	2152838	15 - 23		13 - 20	2193932	2 - 91
	24 - 25		20 -107		14 - 13		2 -147B
	32 -196		22 - 70		15 - 39	2193933	2 - 94
1077722	22 - 66	2152841	15 - 21		15 - 85	2193936	2 -126
1090873	11A- 26		20 -105		20 - 41	2193973	32 -285
1091220	29 - 16		22 - 69		20 - 50	2193976	19 - 9
1108505	1 - 35C	2157384	2 -130	2181005	1 - 14	2193980	32 - REF
	23 - 48		13 - 26		1 - 23	2194002	15 - 73
	24 - 42	2157643	20 - 70		2 -158	2194003	15 - 24
1115657	16 - 8	2158688	32 - 24A		13 - 13		20 -108
1115735	12 - 16	2158694	8 - 10		15 - 11	2194004	15 - 19
1134232	5 - 7	2162405	12 - 86		15 - 13		20 -103
	10 - 11	2162666	1 - 31		15 - 15	2194029	2 - 48
1141097	28 - 19		2 -171		15 - 41	2194055	17 - 42
1142533	32 -132	2162799	12 -105		15 - 52	2194071	19 - 10
2100264	2 -144	2162806	12 -108		18 - 7	2194072	19 - 11
2100837	2 -113	2162849	12 - 66		20 - 37	2194074	19 - 1
	12 - 47		12 - 83		31 - 8	2194075	19 - 7
2101326	8 - 22	2172092	2 - 60	2181008	24 - 12	2194096	2 -100
	9 - 40A	2172166	16 - 4	2181011	1 - 2	2194097	2 -109
	32 - 6	2173221	12 - 7	2181012	20 - 73	2194689	20 - 92
2101327	32 - 6A	2175684	13 - 32	2181071	12 - 12	2194920	20 - 13
2101376	1 - 49	2178271	32 - REF		22 - 2	2194921	20 - 24
	2 -125A	2178469	32 - 67B		22 - 77	2194930	20 - 17
	15 - 84	2178470	32 - 65B		23 - 2	2194932	2 - 17
2101400	30 - 7	2180659	32 -168A		26 - 2	2194936	20 - 27
2102151	2 -145	2180662	32 -159G		27 - 26	2194938	20 - 26
2102365	10 - 22	2180663	32 -167	2181278	32 - 72	2194975	20 - 18
	20 - 36	2180666	32 - 69	2181337	32 -137	2194976	20 - 21
2102368	20 - 81	2180671	32 - 29A	2182907	32 - REF	2209453	20 - 31
2102617	32 - 4K	2180672	32 -125	2184064	12 - 57	2209542	20 - 34
2109037	17 - 16	2180796	32 - 50		12 - 61	2209544	20 - 56
2111210	19 - 3	2181001	2 - 58	2184065	12 - 53	2209545	20 - 53
2111680	2 - 54		12 - 78		12 - 70	2209546	15 - 28A
2114531	12 - 74		13 - 23	2184084	2 - 1	2209547	15 - 28
	12 - 76	2181002	4 - 53		3 - REF	2209548	15 - 30A
	32 - 32		12 - 27	2184085	3 - 21	2209549	15 - 30
2122258	32 - 36		12 - 51	2184095	12 - 15	2209550	15 - 54A
2122259	32 - 40		12 - 92	2184096	12 - 61	2209551	15 - 54
2122260	32 - 36A	2181003	22 - 26		12 - 95	2209608	15 - 72A
2122261	32 - 40A		23 - 26	2184099	3 - 1	2209609	15 - 72
2122625	32 -118A		26 - 26	2184104	15 - 83	2209610	15 - 29A
2123028	32 - 53B	2181004	1 - 17	2184122	17 - 32	2209611	15 - 29
2123029	32 - 54B		1 - 20	2184123	17 - 47	2209612	15 - 44A
2123030	32 -151		1 - 35B	2184126	17 - 12	2209613	15 - 44
2123031	32 -152		1 - 40	2184130	15 - 48	2209614	15 - 64A
2123478	32 - 32A		1 - 54	2184164	2 - 73	2209615	15 - 64
2125656	2 -124		1 - 57	2184181	2 - 55	2209616	15 - 57A
2125898	14 - 6		1 - 61	2184182	32 - 68B	2209617	15 - 57
	16 - 14		2 - 2	2184183	32 - 65C	2209618	15 - 54A
2125899	16 - 13		2 - 14	2184184	15 - 45	2209619	15 - 54
2125963	13 - 28		2 - 18	2190834	20 - 16	2211491	2 - 84
2125974	1 - 18		2 - 22	2191737	2 -116	2211492	2 - 89
	1 - 21		2 - 26		14 - 10	2211494	15 - 74
	1 - 55		2 - 29	2191774	2 - 1	2218566	2 -160
	1 - 58		2 - 59		3 - REF		32 - REF
	2 - 19		2 - 67	2191781	15 - 81	2218638	1 - 26
	2 - 86		2 - 69		16 - REF	2218642	1 - 25
	2 - 90A		2 - 90	2191782	15 - 81	2218723	32 - REF
	2 - 93		2 - 99		16 - REF	2218801	2 - REF
	2 - 96		2 -101	2191783	16 - 18	2218802	1 - REF
	2 - 97C		2 -110	2191786	1 - 29	2218804	2 -159
	2 -125B		2 -112		2 -170		15 - REF
	2 -147D		2 -112H	2191787	1 - 28	2218805	2 -136
	3 - 10		2 -121		2 -167	2218806	2 - 28
	12 - 25		2 -129	2191812	15 - 71		12 - REF
	15 - 76		2 -131	2191817	15 - 66	2218807	13 - 18
	15 - 86		2 -134	2191834	13 - 12	2218809	2 - 28
2127867	32 - 36B		2 -139B	2191841	15 - 51		12 - REF
2127890	32 - 40B		2 -146	2191842	15 - 53A	2218811	2 -152
2128529	2 - 74		2 -173	2191843	15 - 65		18 - REF
2128556	2 - 3		2 -190	2191846	23 - 13	2218817	2 -159
2128748	12 - 30		3 - 2		26 - 13		15 - REF
2129396	20 - 40		3 - 9	2191859	1 - 1	2218819	2 -151
2130334	12 - 30		12 - 22	2191860	1 - 1A		20 - REF
2145026	15 - 22		12 - 24	2191869	12 - 32	2218820	2 -151
	20 -106		12 - 31	2191879	2 -164		20 - REF
	22 - 71		12 - 33	2191882	2 -164	2218822	1 - 60
2145170	16 - 2		12 - 49	2191899	2 -120	2218823	2 -115

PART NO.	LIST AND INDEX NO.	PART NO.	LIST AND INDEX NO.	PART NO.	LIST AND INDEX NO.	PART NO.	LIST AND INDEX NO.
2218824	1 - 60	2218919	1 - 19	2246295	32 - 59	2267941-CONT	24 - REF
2218825	1 - 9	2218921	1 - 56	2250838	32 - REF	2267942	2 -180
2218826	1 - 34	2218922	2 - 97	2250839	32 - REF		24 - REF
2218827	1 - 12	2218923	1 - 36	2250847	32 - REF	2267952	2 -188
2218829	1 - 35A	2218924	1 - 16	2250848	32 - REF		23 - REF
2218830	13 - 19	2218925	2 -186	2250866	2 -163	2267953	2 -188
2218831	13 - 33		2 -175		32 - REF		23 - REF
2218832	13 - 21		2 -182	2250867	12 - 73	2267954	12 - 64
2218833	13 - 22		14 - 11	2250909	17 - 40	2267995	32 - 4M
2218834	13 - 29	2218926	2 -172	2250910	17 - 38	2271049	2 -163
	32 - REF	2218929	1 - 53	2250911	17 - 35	2271108	2 -163
2218835	12 - 69	2218930	1 - 37	2250912	17 - 33	2271122	2 -112B
2218836	12 - 36	2218933	18 - 11	2250914	15 - 87	2271123	2 -112D
2218837	2 -128	2218936	18 - 6	2250929	12 -119	2271128	1 - 33
2218838	12 - 23		32 - REF	2250933	12 - 79	2271129	1 - 33
2218839	12 - 21	2218937	20 - 38		32 - REF	2271130	1 - 33
2218840	12 - 21	2218940	20 -102	2250934	32 - REF	2271131	1 - 33
2218841	12 - 42	2218945	2 -156	2250936	12 - 82A	2271154	2 -163
2218842	2 - 25	2218946	2 -153	2250937	12 - 77		32 - REF
2218846	1 - 5	2218947	2 -161	2250940	12 -111	2271160	2 -160
2218847	2 - 25	2218948	12 - 98	2250949	12 -116		32 - REF
2218848	1 - 62	2218949	32 - REF	2251069	20 - 91	2271163	2 -163
2218849	1 - 62	2218965	13 - 14	2251089	2 - 46		32 - REF
2218854	1 - 35		32 - REF	2261623	2 - 51	2271164	2 -163
2218856	1 - 35	2218966	2 -157	2261624	2 - 53	2271169	1 - 12
2218858	1 - 35		19 - REF	2261828	1 - 45	2271170	31 - 9
2218860	1 - 63	2218976	2 -160	2261829	1 - 39	2271171	31 - 3
2218861	1 - 66		32 - REF	2261928	12 - 33C	2271175	2 -147A
2218862	12 - 48	2218977	2 -160	2261929	12 - 32		31 - REF
	32 - REF		32 - REF	2261930	12 - 33B	2271179	2 -147A
2218863	12 - 48	2218978	2 -133	2261931	2 - 97P		31 - REF
	32 - REF		13 - REF	2261932	2 - 97A	2271183	2 -147A
2218865	2 -112G	2227446	2 -108	2262000	31 - 1		31 - REF
2218869	2 - 21	2227447	2 -108	2262001	31 - 2	2278271	2 -163
2218870	32 - REF	2227449	2 - 98	2262002	31 - 2	2285026	2 -192
2218871	32 - REF	2227451	15 - 25	2262003	31 - 2		32 - REF
2218872	32 - REF		15 - 28	2262004	31 - 2	2285030	2 -199
2218873	1 - 34		15 - 30	2262005	31 - 2	2285032	2 -195
2218874	1 - 34		20 - 96	2262006	31 - 2	2285033	2 -197
2218875	1 - 34	2227452	32 - 62	2262007	31 - 2	2285086	1 - 34
2218876	1 - 9	2227453	32 - 64	2262008	31 - 1	2285087	1 - 33
2218877	1 - 9	2227454	32 - 60	2262009	31 - 2	2285088	1 - 10
2218878	1 - 9	2227492	32 - REF	2262010	31 - 2	2285089	1 - 9
2218879	2 - 68	2227513	2 -118	2262011	31 - 2	2285319	2 - 79
2218880	2 - 44	2227522	17 - 43	2262012	31 - 2	2285702	2 -159
	17 - REF	2227523	17 - 45	2262013	31 - 2		15 - REF
2218881	17 - 48	2227524	17 - 25	2262014	31 - 2	2285704	2 -159
2218886	17 - 19		17 - 36	2262015	31 - 2		15 - REF
2218887	17 - 13		17 - 41	2262016	31 - 1	2285714	32 - REF
	32 - REF		17 - 46	2262017	31 - 2	2285715	2 -139C
2218888	2 - 57	2227525	17 - 24	2262018	31 - 2		32 - REF
2218892	2 - 42	2227526	17 - 22	2262019	31 - 2	2285716	32 - REF
2218893	2 - 39	2227531	32 - REF	2262020	31 - 2	2285717	2 -139A
2218894	17 - 54	2227546	2 -107	2262021	31 - 2	2285718	2 -139E
2218895	12 - 52	2229404	7 - 8	2262022	31 - 2		32 - REF
	32 - REF	2239066	2 - 50	2262023	31 - 2	2285719	15 - 18A
2218898	2 -112A	2239165	32 - REF	2262024	2 -151A	2285721	15 - 18B
	32 - REF	2239166	32 - REF		32 - REF	2414895	28 - 20
2218899	2 -151A	2239168	32 - REF	2262025	32 - REF	2414896	28 - 4
	32 - REF	2239174	32 - REF	2262026	32 - REF	2414927	12 - 68
2218900	17 - 37	2239185	32 - REF	2262027	32 - REF		12 - 75
2218901	2 - 27	2239188	32 - REF	2262029	32 - REF		12 - 85
	32 - REF	2244711	12 - 89	2262055	32 - REF	2480607	4 - 26
2218902	32 - REF	2244731	1 - 10	2262056	30 - 9	2510223	20 - 61
2218903	17 - 7	2244732	1 - 10		32 - REF	2532078	1 - 42
2218904	2 -163	2244733	1 - 10	2262058	30 - 9	2532172	1 - 41
	32 - REF	2244734	1 - 10		32 - REF	2572839	11 - 1
2218905	32 - REF	2244870	2 -180	2262092	30 - 13		11 - 10A
2218906	12 - 52		24 - REF	2262093	30 - 1	2572866	5 - 13
	32 - REF	2244885	14 - 9	2262094	2 -171A		10 - 17
2218907	32 - REF	2244886	2 -114		30 - REF	4033171	24 - 34
2218908	17 - 18	2244961	32 - REF	2262096	2 -171A	4056252	12 - 42
2218909	32 - REF	2244963	32 - REF		30 - REF	4056253	2 - 25
2218911	2 -125C	2244968	14 - 14	2263003	1 - 6	4056255	12 - 45
	11 - 38	2244970	32 - REF	2267935	2 -111	4056288	2 - 27
2218913	2 -188	2244971	32 - REF	2267939	2 -102	4056356	16 - 18
	23 - REF	2244972	32 - REF		22 - REF	4064448	12 - 41
2218914	2 -188	2244992	2 -189	2267940	2 -102	4064449	12 - 40
	23 - REF		14 - REF		22 - REF	4100341	2 -115
2218918	17 - 14	2244999	2 - 47	2267941	2 -180	4100342	8 - 25

PART NO.	LIST AND INDEX NO.	PART NO.	LIST AND INDEX NO.	PART NO.	LIST AND INDEX NO.	PART NO.	LIST AND INDEX NO.
4103890	16 - 4	5319854-CONT	13 - 25	5353854-CONT	3 - 27	5374112	22 - 18
4116444	6 - 31		13 - 27		29 - 6	5374115	22 - 72
4116474	11A- 76		15 - 82	5353858	32 -195		24 - 5
4116479	2 - 17		20 - 82	5353867	13 - 9	5374120	22 - 14
4116486	4 - 43	5319888	2 -191		32 -134	5374124	23 - 61
4116493	5B- 31		12 - 39	5353868	13 - 9		24 - 25
4116962	12 - 36	5337062	12 - 91		32 -134A		27 - REF
4117829	12 - 20A	5349253	24 - 2	5353869	32 -133	5374126	27 - 10
4118422	7 - 26	5349534	22 - 20	5353877	16 - 5	5374128	24 - 24
4118644	7 - 35		24 - 44	5353883	17 - 1		25 - REF
4118820	9 - 29	5349535	25 - 43		18 - 9	5374129	22 - 80
4118821	9 - 30	5349537	27 - 8	5353887	17 - 31	5374133	25 - 46
4120171	29 - 7	5349540	27 - 1A		18 - 4	5374337	22 - 1
4120172	3 - 28	5349541	27 - 12	5353889	17 - 30		23 - 1
4120211	16 - 5	5349542	27 - 1		18 - 5		26 - 1
4120218	3 - 22	5349543	27 - 1B	5353890	17 - 2		27 - 25
4121259	12 - 38	5349546	27 - 7		18 - 10	5374339	25 - 62
4251623	1 - 11	5349549	27 - 5	5353894	13 - 4	5374341	25 - 54
5051235	12 - 91	5349551	28 - 7	5353896	32 -194	5374367	29 - 18
5203114	2 -155	5349552	27 - 3	5353899	13 - 5	5374369	29 - 13
5209307	11 - 16	5349561	22 - 43	5353902	13 - 11	5374370	22 - 44
5213092	32 -150		23 - 61	5357002	21- REF		24 - 45
5213365	5A- 38		26 - 43		20 - 71		29 - REF
5214073	8 - 34		27 - 30	5357003	21- REF	5374371	22 - 44
5214085	8 - 29	5349594	28 - 14		20 - 71		24 - 45
5214088	8 - 25	5349595	28 - 8	5357005	21- 9		29 - REF
5214366	4 - 20A	5349600	27 - 6	5357006	21- 9	5374378	25 - 59
5214544	5B- 9	5349887	20 - 78	5357011	21- 41	5374379	25 - 22
	6 - 9	5349888	21- 1	5357012	21- 40	5374381	25 - 24
5214547	4 - 9	5349929	2 -112E	5357013	21- 4	5374387	32 -212G
5214551	5 - 31		12 - 20B	5357020	21- 17	5374388	23 - 60
5214556	5B- 28		12 - 92	5357021	21- 25		24 - 26
	6 - 28	5350006	2 - 40	5357024	21- 30		32 - REF
5234379	2 - 4	5350012	12 - 8	5357025	21- 15		32 -210G
	9 - REF		12 - 43	5357027	21- 30	5374394	22 - 82
5239117	7 - 50	5350092	2 -104	5357028	21- 15	5374396	25 - 41
5239180	2 - 10	5351113	7 - 17	5357034	20 - 72	5374659	26 - 6
	10 - REF	5351114	7 - 16	5357038	20 - 80	5374661	23 - 6
5239188	11 - 16	5351115	7 - 18	5357051	3 - 8	5374669	22 - 10
	11A- 62	5352467	22 - 30	5357063	3 - 15		23 - 10
5239412	2 - 16		23 - 30	5357066	3 - 14		26 - 10
	5B- REF		23 - 30	5357067	3 - 19A	5374670	22 - 7
5239430	2 - 16		26 - 30	5357068	3 - 11		23 - 7
	5B- REF		27 - 15	5357069	3 - 20		26 - 7
5239492	11A- 60	5352743	25 - 50	5357090	29 - 7	5374689	4 - 54
5240422	10 - 20	5352745	25 - 30	5357135	21- 3	5375725	25 - 45
5240513	11 - 10	5352751	27 - 5B	5357136	21- 2	5375737	23 - 49
	11A- 71	5352752	27 - 11		20 - 79	5375739	24 - 43
5247112	10 - 45	5352753	25 - 43	5357137	21- 37	5375743	23 - 47
5252503	6 - 31	5352762	23 - 43	5357140	21- 16	5375744	24 - 39
5253897	5A- 43		24 - 29		21- 31	5375747	24 - 38
5261077	2 - 97G	5352768	23 - 58	5357141	21- 14	5375750	23 - 54
	4 - 20		24 - 27		21- 29	5375751	24 - 19
	5B- 17	5352772	24 - 7	5357144	21- 11	5375753	24 - 36
	6 - 17	5352773	24 - 10	5357145	21- 26	5375754	22 - 67
5261087	11 - 28	5352774	24 - 14	5357146	21- 11		24 - 6A
5261117	5A- 10	5352775	24 - 17	5357147	21- 26	5375755	24 - 3
	5B- 1	5352780	25 - 43	5361671	31 - 10	5392872	10 - 25
	6 - 1	5352781	24 - 11	5362301	13 - 7	5392896	2 - 8
5261127	4 - 21	5352784	25 - 43		32 - 31		10 - REF
	5A- 35	5352787	25 - 43	5362302	32 - 31A	5397868	1 - 4
	5B- 21	5352798	23 - 3	5362303	13 - 6	5404468	13 - 2
5261165	5B- 30		27 - 27	5362304	13 - 1	5440629	17 - 3
5261167	5B- 29	5352800	22 - 9		13 - 1	5709307	11 - 7
	6 - 29		23 - 9	5362305	13 - 1		11A- 62
5261284	11 - 23		26 - 9		13 - 1		11A- 72
	11 - 35	5352958	32 -293G	5362306	32 -146	5709440	2 -147
5261368	11A- 15	5352960	32 - 78A	5364226	14 - 8		4 - REF
5261807	5A- 19	5353301	2 -123		25 - 37	5709480	2 -147
5261809	9 - 24		2 -162	5371631	11A- 1		4 - REF
5261936	4 - 13		2 -187		11A- 65	5709630	2 - 13
5261937	5B- 13		20 - 39	5373223	15 - 18		8 - REF
	6 - 13	5353851	32 -116	5374096	23 - 53	5709632	8 - 13
5271288	13 - 17	5353852	32 - 22A	5374097	23 - 52	5709633	8 - 28
	13 - 31	5353853	21- 20	5374098	23 - 50	5709634	8 - 47
5312043	20 - 85		3 - 18	5374106	22 - 81		8 - 54
5313928	20 - 77		3 - 26	5374110	22 - 75	5709635	8 - 43
5319839	7 - 38		29 - 14		32 - REF	5709640	2 - 13
5319854	2 - 56	5353854	21- 21		32 -210F		8 - REF
	12 - 79A		3 - 19	5374111	32 -212F	5709642	8 - 13

PART NO.	LIST AND INDEX NO.	PART NO.	LIST AND INDEX NO.	PART NO.	LIST AND INDEX NO.	PART NO.	LIST AND INDEX NO.
5709670	2 -122	5761935-CONT	5B- 7	5806713-CONT	26 - 36		
	11A- REF		6 - 6	8011177	12 - 14		
5709675	11A- 76		6 - 7	8011179	12 - 7		
5709680	2 -122	5761936	4 - 22	8016938	12 - 17		
	11A- REF		5 - 44				
5712309	4 - 36		5B- 46				
	5 - 40		6 - 46				
	5B- 34	5761938	4 - 3				
	6 - 34		5B- 3				
5712365	2 - 16	5761943	4 - 19				
	5A- REF		5 - 35				
5712366	5A- 45		5 - 38				
5712367	5A- 30		5B- 20				
5736944	2 - 97D		5B- 23				
5738784	7 - 15		6 - 20				
5760737	2 - 13		6 - 23				
	7 - REF	5761952	5B- 26				
5760738	7 - 60		6 - 26				
5760741	7 - 6	5761956	6 - 57				
5760742	7 - 26	5761965	5B- 53				
5760743	7 - 35		6 - 52				
5760747	7 - 3	5761968	4 - 60				
5760750	2 - 13	5761976	4 - 59				
	7 - REF		5 - 4				
5760770	2 -122		5 - 29				
	11 - REF		5B- 54				
5760773	11 - 9		6 - 53				
5760776	11 - 20		10 - 7				
5760777	11 - 38	5761977	5B- 36				
5760860	2 -122		6 - 36				
	11 - REF	5761979	4 - 29				
5760863	11 - 9		5B- 41				
5761550	2 -148		6 - 41				
	6 - REF	5761989	4 - 32				
5761560	2 -148		5B- 45A				
	6 - REF	5762005	5 - 56				
5761570	11A- 70	5762015	5 - 17				
5761713	11A- 22	5762017	10 - 3				
5761714	11A- 24	5762018	10 - 3				
5761735	5B- 31	5762023	10 - 2				
5761738	4 - 43	5762025	5 - 16				
5761758	5B- 57	5762027	10 - 1				
	6 - 61	5762028	10 - 1				
5761759	5B- 47	5762033	5 - 22				
	6 - 47	5762034	5 - 19				
5761768	4 - 48		10 - 13				
5761779	4 - 11	5762036	5 - 8				
	5B- 11		10 - 8				
	6 - 11	5762037	5 - 5				
5761786	5B- 18		10 - 9				
	6 - 18	5762045	5 - 1				
5761792	7 - 19	5762047	10 - 12				
5761793	4 - 17	5762048	10 - 12				
5761796	4 - 50	5762057	5 - 43				
	5B- 42	5762058	5 - 6				
	6 - 42		10 - 10				
5761798	4 - 55	5762080	2 - 16				
5761904	4 - 24		5 - REF				
	5 - 39	5762085	8 - 60				
	5B- 44	5762089	7 - 44				
	6 - 43	5762156	6 - 38B				
5761907	4 - 25	5762215	4 - 28				
	4 - 37		5B- 38				
	5 - 39A		6 - 38				
	5 - 41	5762295	8 - 45				
	5B- 35	5762406	5 - 28				
	5B- 45	5762409	8 - 39				
	6 - 35	5762428	10 - 15				
	6 - 44	5762439	4 - 63				
5761908	4 - 45	5762475	5 - 47				
	5B- 33	5762567	11 - 50				
5761909	4 - 52	5796393	11 - 30				
5761913	7 - 58	5796429	11 - 32				
5761913	4 - 49	5802225	22 - 11				
	5B- 48	5802236	15 - 60				
	6 - 48		20 - 96A				
5761935	4 - 6	5802416	25 - 49				
	4 - 7	5802441	15 - 60				
	5 - 52	5806713	22 - 36				
	5B- 6		23 - 36				

**READER'S COMMENT FORM**

IBM 2314 Storage Control IPC

Order No. S123-0461-4

● How did you locate the part in this catalog?

- By using the visual index?
- By using the Final Assembly Drawing (Fig. 2)?
- By using the table of contents?
- By using the numerical index?
- By using visual random scan of the pages

● What is your occupation?

● Based on your experience, rate this publication

- |                      |                               |                               |                               |
|----------------------|-------------------------------|-------------------------------|-------------------------------|
| Ease of finding part | <input type="checkbox"/> Good | <input type="checkbox"/> Fair | <input type="checkbox"/> Poor |
| Clarity of art       | <input type="checkbox"/> Good | <input type="checkbox"/> Fair | <input type="checkbox"/> Poor |

● Please explain any problems below or any other comments you would like to make about this publication; please give specific page and line references where appropriate.

● Reply Requested

- Yes
- No

Name \_\_\_\_\_

Address \_\_\_\_\_

● Thank you for your cooperation. No postage stamp necessary if mailed in U. S. A.



**YOUR COMMENTS PLEASE . . .**

Your answers to the questions on the back of this form, together with your comments, will help us produce better publications for your use. Each reply will be carefully reviewed by the persons responsible for writing and publishing this material. All comments and suggestions become the property of IBM.

Note: Please direct any request for copies of publications, or for assistance in using your IBM system, to your IBM representative or to the IBM sales office serving your locality.

fold

fold

**BUSINESS REPLY MAIL**  
NO POSTAGE STAMP NECESSARY IF MAILED IN U. S. A.

FIRST CLASS  
PERMIT NO. 2078  
SAN JOSE, CALIF.



POSTAGE WILL BE PAID BY . . .

IBM Corporation  
Monterey & Cottle Rds.  
San Jose, California  
95114

Attention: Product Publications, Dept. G24

fold

fold



2314

2314

TAB INSERT FOR FRONT COVER

S123-0461-4

IBM 2314 Storage Control (PC)

Printed in U.S.A.

S123-0461-4

**IBM**

**International Business Machines Corporation**  
**Data Processing Division**  
**1133 Westchester Avenue, White Plains, New York 10604**  
**[U.S.A. only]**

**IBM World Trade Corporation**  
**821 United Nations Plaza, New York, New York 10017**  
**[International]**