

KAReid-Green

**SOAP II – SYMBOLIC OPTIMAL ASSEMBLY PROGRAM
FOR THE IBM 650 DATA PROCESSING SYSTEM**

PART I: PROGRAMMER'S GUIDE	<u>Page</u>
Introduction	1
Definition of Terms	1
Coding Form and Input Card Format	2
Specifying Program Area	2
Types of Addresses	4
Operation Codes	5
Numerical Data	6
Alphabetic Data	6
Signs	7
Comments Card	7
Example I	7
Example II	12
Indexing	12
Predefining Symbols	13
Assembly Capacity and Speed	14
Punching Availability Table	14
Order of Assembly Deck	15
Multifile Assembly	15
Machine Operator's Guide	15
APPENDIX	
Heading	17
800X Instructions	18
Use of Library Programs	18
Writing Library Programs	19
Symbolic 650 Operation Codes	24
Summary of Pseudo Operations	29
Description of Output Cards	30
533 Control Panel	32
407 Control Panel	33
PART II: PROGRAM ANALYSIS	
Introduction	34
Memory Allocation	34
Table Descriptions	34
Input Block	40
Output Block	41
Basic Flow Chart	42
Pseudo Operation Flow Charts	43
Relocate Flow Charts	45
Subroutines	47
Symbolic Listing	65
Availability Table	91
Seven-Words Per Card Listing	92

PART I: PROGRAMMER'S GUIDE

Introduction

The principal achievement of an assembly program is that it almost completely relieves the programmer of the problem of assigning actual storage locations to instructions or quantities manipulated by the program. If, in the course of programming, he wishes to refer to any location in storage which will contain some quantity used by the program, he gives this location a "name", preferably one of high mnemonic value, and refers to it by means of this name. Thus, salary might be stored in "WAGES", sin x in "SIN X". The assembly program assigns actual locations to these "names" and produces an absolute machine language program.

SOAP II is a symbolic assembly program for the IBM 650 Data Processing System. It is designed to assemble programs written for any array of equipment including tapes, printer, immediate access storage, indexing registers, floating point, disk storage and inquiry stations. The assembly program itself uses none of these features. It will operate on a basic 650 having an alphabetic device. Special features described in the sequel should render it equally useful for both scientific and commercial applications.

Definition of Terms

L = location

D = data (address)

I = instruction (address)

Tag = character used to specify an indexing register

FWA = first word address

LWA = last word address

OP = operation (code)

Block = a consecutive group of drum (or core) locations

Region = a block designated by an alphabetic character

Pseudo-instruction = an instruction which is never executed

Symbolizer part = left-most position of L, OP, D or I field

Absolute part = L, OP, D or I field with symbolizer part deleted

Available = subject to selection as an optimum drum location whenever the assembly program is given freedom of choice

Unavailable = not subject to the above selection

Reserve = to make unavailable

I. A. S. = Immediate Access (core) Storage

SOAP II Coding Form and Input Card Format

Figure 1 shows the coding form to be used when writing for SOAP II. Vertical dotted lines separate the symbolizer and absolute parts of the L, OP, D and I fields. Observe that the input card format is indicated at the top of the form. Punching in columns 1-40 and 73-80 is ignored except for column 2 which must not contain a Y(12) punch.

Instructions and data enter the assembly one word per card. The output is in the form of one word per card load cards.

Specifying Program Area on Drum

Prior to assembly, the entire drum is available to the program. It is invariably necessary, however, to prevent the program from occupying certain drum locations, e.g., input-output blocks, tables, data areas, etc. There are three pseudo operations which can be used to restrict the assembled program to any predesignated parts of the drum:

Block Reservation: BLR

This card contains two absolute drum addresses FWA, LWA ($FWA \leq LWA$) punched in the absolute part of the D and I fields, respectively. All locations from FWA to LWA (inclusive) are made unavailable.

For example,

COL.	41	42	43	44-	-47	48	49, 50	51	52-	-55	56	57	58-	-61	62	63-	-72
	T Y P E	S I G N	LOCATION			OPERATION CODE		DATA ADDRESS		T A G	INSTRUCTION ADDRESS		T A G	REMARKS			
						BLR		1500			1900						

will make drum locations (1500-1900) unavailable.

Block Availability: BLA

This card is exactly like a BLR card except that it makes all locations from FWA to LWA available. Note that it is generally redundant to put a BLA card at the beginning of an assembly since the entire drum is already available.

By way of illustration,

COL.	41	42	43	44-	-47	48	49, 50	51	52-	-55	56	57	58-	-61	62	63-	-72
	T Y P E	S I G N	LOCATION			OPERATION CODE		DATA ADDRESS		T A G	INSTRUCTION ADDRESS		T A G	REMARKS			
						BLA		1600			1730						

will make drum locations 1600-1730 available.

Regional Specification: REG

This card contains an alphabetic character, punched in the symbolizer part of the D field, to be associated with a block defined by the terminal drum addresses FWA, LWA. As in the case of a BLR card, all locations from FWA to LWA are made unavailable. If the programmer wishes to refer to locations within a region using "regional" addresses (see below), an REG card must precede the first use of such addresses.

The REG card

COL.	41	42	43	44-	-47	48	49	50	51	52-	-55	56	57	58-	-61	62	63-	-72	
	T Y P E	S I G N	LOCATION			OPERATION CODE			DATA ADDRESS			T A G	INSTRUCTION ADDRESS			T A G	REMARKS		
						R	E	G	P	0027				0036					

defines the block 0027-0036 as region P and causes this block to be made unavailable.

Types of Addresses

Regional

A regional address has the form

$$| A | N N N N |$$

where "A" is any alphabetic character and NNNN is a four digit number. The regional address of the first word of region B, for example, is B0001. The twelfth word of region R is R0012.

Note:

1. The regional address "A"0000 is permitted. It will result in the absolute address (FWA-1).
2. Regional addresses whose absolute equivalents are larger than LWA are permitted. For example, if region R is the block 1951-1960, the regional address R0015 will assemble as 1965.
3. The use of a regional address without a defining REG card will result in the assembled address being left blank.

Symbolic

Symbolic addresses have the form

$$| C_5 | | C_4 C_3 C_2 C_1 |$$

where the C's may be any characters acceptable to the alphabetic or special

character devices subject to the following restrictions:

1. C₅ must not be blank.
2. An address meant to be symbolic must not have a regional form, i.e., an alphabetic character followed by four numerical characters.

Typical symbolic addresses are

X		N	ET
X	Y	G	ROSS
2	GS	T	AXES
L	OOP	B	ONDS
F	INIS	5	
R	EAD	F	IVE

Symbolic addresses are assigned optimum drum equivalents when initially encountered and maintain this equivalence throughout the assembly unless redefined. It is possible to preassign a value to a symbol (see EQU, SYN, pages 13, 14.)

Absolute

Absolute addresses have the form

| NNNN |

where NNNN is a valid four digit machine address. The symbolizer part of an absolute address must be blank.

Drum locations corresponding to absolute addresses are not made unavailable during assembly. Thus, drum locations containing instructions or data specified by absolute addresses must be block reserved at the beginning of assembly.

Blank

Whenever the D or I address of an instruction refers to the location of the "next" instruction (or data) written on the coding form, this address and the location of the "next" instruction may be left blank provided this order is not altered when assembling. Blank addresses will be filled in optimally by the assembly program.

The D and I address of an instruction may both be blank if they both refer to the location of the next instruction written. An address should not be left blank in an instruction card unless the above meaning is specifically intended.

Operation Codes

650 operation codes may be written in either three character symbolic or two digit numerical form, e. g.,

| R | AL |
| 65 |

Symbolic operation codes to be used with SOAP II are given in the Appendix.

Any card containing an illegal symbolic op code will be considered an instruction and processed accordingly. The assembled op will be left blank.

Numerical Data

Numerical data are written using the absolute part of the OP, D and I fields, e.g.,

COL.	41	42	43	44-	-47	48	49, 50	51	52-	-55	56	57	58-	-61	62	63-	-72
	T Y P E	S I G N	LOCATION			OPERATION CODE			DATA ADDRESS			T A G	INSTRUCTION ADDRESS			T A G	REMARKS
			P I			31			4159				2654				
			ONE			00			0001				0000				
			FICA			00			0000				4200				

The symbolizer parts of these fields must be blank. Leading or trailing zeros must be punched in the card.

Alphabetic Data: ALF

The pseudo-op card ALF permits the programmer to enter alphabetic information into the 650 on load cards, up to five characters per card. Any characters acceptable to the alphabetic or special character devices are permissible, and are written in the D field. During assembly, alphabetic data are converted to their numerical equivalents and the latter are punched as a ten digit number in exactly the same manner as numerical data. For example,

COL.	41	42	43	44-	-47	48	49, 50	51	52-	-55	56	57	58-	-61	62	63-	-72
	T Y P E	S I G N	LOCATION			OPERATION CODE			DATA ADDRESS			T A G	INSTRUCTION ADDRESS			T A G	REMARKS
			EDPM			ALF			IBMNY								

will cause the number [69, 62, 74, 75, 88] to be loaded into symbolic location EDPM.

Similarly,

COL.	41	42	43	44-	-47	48	49, 50	51	52-	-55	56	57	58-	-61	62	63-	-72
	T Y P E	S I G N	LOCATION			OPERATION CODE			DATA ADDRESS			T A G	INSTRUCTION ADDRESS			T A G	REMARKS
			9010			ALF			705								

will load [00, 97, 90, 95, 00] into (core) location 9010.

Note: The I address of an ALF card is not used by SOAP II. However, if it is blank, it will be filled in by the symbol "SOAP 2". This is merely an artifice employed to avoid erroneous error detection when listing output (See Appendix-407 Control Panel).

Signs

Any punch in column 42 signifies a negative instruction or negative data. For coding purposes, a (-) written in the sign column and punched as X (11) will suffice. A blank in column 42 is interpreted as positive.

Comments Card: Type 1

Every card processed by SOAP II may contain remarks not exceeding 10 characters in length. When longer remarks are desired, a comments card, which may contain up to 30 characters, may be used. Comments cards have no effect on the assembly. They are merely reproduced in the output deck. The following figure shows the format for comments cards. Note that the type (1) is punched in column 41.

COL.	41	42	43	44-	-47	48	49, 50	51	52-	-55	56	57	58-	-61	62	63-	-72		
	T Y P E	S I G N	LOCATION			OPERATION CODE			DATA ADDRESS			T A G	INSTRUCTION ADDRESS			T A G	REMARKS		
	I		←	C		O		M		M		E		N	T	S	→		

Example I

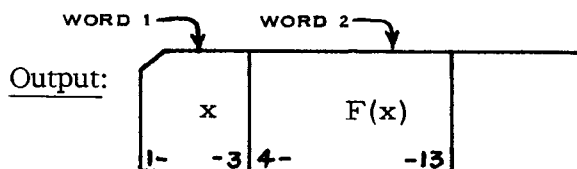
Prepare a table of

$$F(x) = Ax^2 + Bx + C$$

for

$$x = 1, 2, \dots, 100$$

assuming A, B, C integers and $|F(x)| < 10^{10}$.



Coding is given in Figure 2. The assembled program is shown in Figure 3.

650 SOAP II CODING FORM

COL.	41	42	43	44	47	48	49	50	51	52	55	56	57	58	61	62	63	-72	ACCUMULATOR		DISTRIBUTOR
																			UPPER 8003	LOWER 8002	
TYPE	LOCATION	OPERATION CODE	DATA ADDRESS	INSTRUCTION ADDRESS	REMARKS																
I	EXAMP	LE	16CAL	CULATE	F OF X																
I																					
		BLR	1951	1960	READ AREA																
		REG	P 0027	0028	PUNCH AREA																
I																					
	SETX	RAU	ONE	STX	SET X																
	STX	STU	P 0001		TO I																
		MPY	A		CALCULATE																
		A LO	B		F																
		RAU	8002																		
		MPY	P 0001																		
		A LO	C																		
		STL	P 0002																		
		P CH	P 0001		PUNCH																
		RAU	P 0001		IS X MAX																
		SUP	X MAX																		
		N ZU		9999																	
		AUP	I 01	STX	STEP X																
I																					
		ONE	00	0000	CONSTANTS																
		X MAX	00	0000																	
		I 01	00	0000																	

Figure 2: Example 1

Synonym: SYN

An SYN card is exactly like an EQU card except that the equivalent of the expression written in the I address must be a drum address, i.e., 0000 ≤ "I" ≤ 1999. This drum location is made unavailable to the program. The I address may be absolute, regional or symbolic.

The SYN card

COL.	41	42	43	44-	-47	48	49, 50	51	52-	-55	56	57	58-	-61	62	63-	-72
	T Y P E	S I G N	LOCATION			OPERATION CODE			DATA ADDRESS			T A G	INSTRUCTION ADDRESS			T A G	REMARKS
						SYN			ENTRY				1205				

will assign the value 1205 to the symbol ENTRY and reserve location 1205.

If the I address of an EQU or SYN card is undefined, the card will be ignored. EQU or SYN takes precedence over any previous definition.

Assembly Capacity and Speed

During assembly, all symbolic addresses and their equivalents are stored in a symbol table which can accommodate 400 symbols. Programs containing more than 400 symbolic addresses should be assembled in separate blocks. Non-overlap can be guaranteed by use of an availability punchout described in the next section.

Assembly progresses at the rate of 50 to 90 cards per minute. This will decrease somewhat if the symbol table becomes densely packed or if few drum locations are available for the remaining program.

Punching Availability Table: PAT

The availability table is a 200 word table used by SOAP II to "remember" those drum locations already used and those still remaining. The pseudo-op PAT can be used at any time during assembly to cause punching of this table in a highly readable form. The output will be fifty Type Y (12) cards, one for each dynamic drum level (00-49). These cards may be listed with the 407 control panel described in the Appendix. This listing will reveal at a glance all drum locations used by the program (0) and those remaining (1) for additions or corrections.*

The availability table may be loaded as input to an assembly thus restoring the

*See page 91.

availability status which existed at some point of a prior assembly.

Order of Assembly Deck

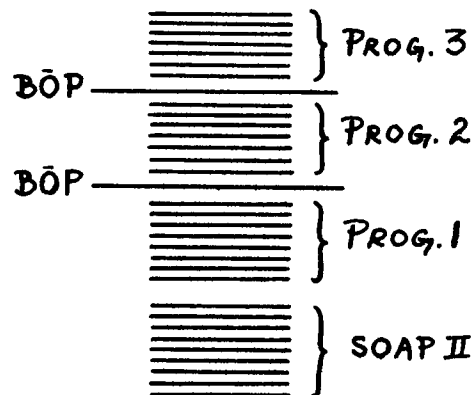
The assembly input deck should have the following order:

1. SOAP II
2. Deck to be assembled

Due to the one pass nature of the assembly, priority for the choice of optimal locations diminishes as the assembly progresses. Thus, frequently executed portions of the program should be placed toward the beginning of the assembly deck.

Multifile Assembly: BOP

Any number of independent programs may be assembled in one pass. Merely place a pseudo-op card BOP (Beginning of Program) between each program, i. e.,



Note that it is redundant to place a BOP card before the first of one or more programs to be assembled.

Machine Operator's Guide

1. 533 Read-Punch Unit
 - a. Insert SOAP II control panel
 - b. Ready read feed with assembly deck
 - c. Ready punch feed with blanks
2. 650 Console
 - a. Set programmed switch to STOP
 - b. Set half cycle switch to RUN

- c. Set control switch to RUN
- d. Set display switch to DISTRIBUTOR
- e. Set overflow switch to SENSE
- f. Set error switch to STOP

3A. If SOAP II is being loaded, set (70, 1951, 9999) in storage entry switches.

3B. If SOAP II is already on the drum, do one of the following:

- 1. Set (00, 0000, 1000) in storage entry switches.
- 2. Precede input with a BOP card and set (00, 0000, 1950) in storage entry switches.

4. Press computer-reset key

5. Press program-start key

6. When read hopper empties, press end of file key

7. The availability table may be obtained manually by sending control to location 1900.

Programmed Stops

0111-Symbol table full; pressing program-start key will continue assembly. Symbolic address which cannot be assigned an equivalent will be left blank in the output.

0222-Drum packed, i.e., no locations available for remaining program. Pressing program-start key will continue assembly. Addresses which cannot be assigned will be left blank in the output.

There are no other programmed stops.

Program Decks

Copies of the condensed SOAP II program deck corresponding to the listing shown on pages 92-94 of this manual are available from

650 Program Librarian
International Business Machines Corporation
590 Madison Avenue
New York 22, New York

APPENDIX

Heading: HED

Heading is used to avoid duplicity of symbols when several programs or several sections of a single program are to be assembled together. The need for heading is paramount if several persons have contributed to a program or when a program employs symbolic library routines.

Heading is accomplished in SOAP II by the automatic insertion of a heading character into the right-most position of symbols having this position blank. The heading character is punched in the symbolizer part of the D address of a HED card. Thus the symbol

$$\left| T \left| W \bar{O} b b \right| \right| \quad (b = \text{blank})$$

subsequent to the heading card

COL.	41	42	43	44-	-47	48	49, 50	51	52-	-55	56	57	58-	-61	62	63-	-72
	T Y P E	S I G N	LOCATION			OPERATION CODE		DATA ADDRESS		T A G	INSTRUCTION ADDRESS		T A G	REMARKS			
						H	E	D	Z								

is processed by the assembly program as if it were actually the symbol

$$\left| T \left| W \bar{O} b Z \right| \right|$$

In order to make effective use of heading, it is necessary to agree before hand to restrict all symbols to four characters or less.* Prior to assembly, each of the various sections of the program is preceded by an appropriate HED card.

If within a section of the program headed by "A" it is desired to refer to the symbol (TAX bb) appearing in a section headed by F, simply use the symbol (TAX bF). The small b, for blank column, is necessary to prevent the card punch operator from closing up the symbol and thus taking the "F" out of the heading column.

*If a symbol is to be referred to by several headed parts of the program, then it is best that this symbol not be headed anywhere. This can be accomplished by making it a five-character symbol.

The effect of a heading card is terminated only by another heading card. If it is desired to terminate a heading card without introducing a new heading, use a HED card with a blank D address. Any character acceptable to the alphabetic or special character devices may be used for heading.

800X Instructions

When the D or I address of an instruction located in 800X (X = 0, 1, 2, 3, 5, 6, 7) is to be optimized by the assembly program, an instruction located in 800X should be written on the coding form. 800X instructions will be automatically bypassed when loading the assembled output.

Use of Library Programs

Within the framework of SOAP II, library programs are in either symbolic or relocatable form. Both of these forms are discussed in the following two sections.

Symbolic Library Programs

Symbolic library programs are written in exactly the same form as the main program. Except for the entry and exit symbols, all symbols are four characters or less. They may thus be conveniently headed. It is important to note that such programs do not incorporate a "guaranteed" optimization.

Relocatable Library Programs: REL

Whenever tight optimization is required, one should use relocatable library programs. These are coded in absolute and may be translated an amount specified by the programmer. This is accomplished by use of the pseudo operation REL (relocate). The number punched in the absolute D address specifies the amount of drum translation, Δ_D . Similarly, the absolute I address specifies the amount of core translation, Δ_C . A blank field is interpreted as zero. Thus

COL.	41	42	43	44-	-47	48	49, 50	51	52-	-55	56	57	58-	-61	62	63-	-72
	T Y P E	S I G N	LOCATION			OPERATION CODE		DATA ADDRESS		T A G	INSTRUCTION ADDRESS		T A G	REMARKS			
						REL		1200				0010					

would cause drum addresses in the relocatable program following it to be incremented by 1200 and core addresses by 10. The REL card

5. Absolute addresses may be one of five varieties:

- a. Non-relocatable (Fixed): |F | NNNN|
- b. Drum relocatable: | NNNN | ; $0000 \leq NNNN \leq 1999$
- c. Core relocatable: | NNNN | ; $9000 \leq NNNN \leq 9059$

where NNNN is a four-digit number. In situations where D or I is relocatable but not in the range (b) or (c), the usage

- d. Drum relocatable: |D | NNNN|
- e. Core relocatable: |C | NNNN|

will eliminate possible ambiguity.

- 6. Absolute D or I addresses in the range 0000-1999 or 9000-9059 after possible relocation may be tagged for indexing by the assembly program.
- 7. If L, after possible relocation, is a drum address, it will be made unavailable. D or I drum addresses are not reserved.

Two pseudo operations, RBR and REQ are designed for use with relocatable programs.

Relocatable Block Reservation: RBR

The pseudo operation RBR is identical to BLR except that the drum addresses FWA, LWA are incremented by Δ_D prior to reservation. For example, if $\Delta_D = 1000$,

COL.	41	42	43	44-	-47	48	49, 50	51	52-	-55	56	57	58-	-61	62	63-	-72
	T Y P E	S I G N	L O C A T I O N			O P E R A T I O N C O D E		D A T A A D D R E S S		T A G	I N S T R U C T I O N A D D R E S S		T A G	R E M A R K S			
						R	B	R	0025				0050				

will cause drum locations (1025-1050) to be reserved.

The use of RBR is mainly for drum routines which use erasable blocks within the routine. Reservation of these blocks is easily accomplished with RBR cards thus avoiding the necessity of a large number of cards simply to reserve erasable areas.

Relocatable Equivalence: REQ

The pseudo operation REQ enables symbolic linkage of the main program with relocatable programs. REQ is similar to EQU except that the absolute I address is incremented by Δ_C or Δ_D prior to being assigned as the equivalent of the

symbol in the D address. The I address must be absolute, type (b) or (c) (see 5 above). Thus if $\Delta_C = 0020$,

COL.	41	42	43	44-	-47	48	49, 50	51	52-	-55	56	57	58-	-61	62	63-	-72
	T Y P E	S I G N	LOCATION			OPERATION CODE		DATA ADDRESS		T A G	INSTRUCTION ADDRESS			T A G	REMARKS		
						R	EQ	R	AMAC				9010				

will assign 9030 as the equivalent of the symbol "RAMAC".

Similarly, if $\Delta_D = 1300$,

COL.	41	42	43	44-	-47	48	49, 50	51	52-	-55	56	57	58-	-61	62	63-	-72
	T Y P E	S I G N	LOCATION			OPERATION CODE		DATA ADDRESS		T A G	INSTRUCTION ADDRESS			T A G	REMARKS		
						R	EQ	T	Y P E 3				0075				

will assign 1375 as the equivalent of the symbol "TYPE 3."

To illustrate a typical drum-drum* relocatable subroutine, the program given in Figure 6, using indexing registers, will evaluate the polynomial

$$F(x) = a_n x^n + a_{n-1} x^{n-1} + \dots + a_0$$

where $n \geq 0$ and x, a_i are floating point numbers. The a_i 's are stored such that

$$L(a_i) = L(a_0) + i$$

The calling sequence is

COL.	41	42	43	44-	-47	48	49, 50	51	52-	-55	56	57	58-	-61	62	63-	-72
	T Y P E	S I G N	LOCATION			OPERATION CODE		DATA ADDRESS		T A G	INSTRUCTION ADDRESS			T A G	REMARKS		
						R	AL	C	W								
						L	DD	X									
						R	AC	N	E X T			P	O L Y X				

where

$$CW = \begin{cases} [00, \{L(a_0) + 2000\}, n] & \text{if the } a_i \text{ are on the drum} \\ [00, \{L(a_0) + 200\}, n] & \text{if the } a_i \text{ are in core} \end{cases}$$

The routine will exit to (drum location) NEXT with the result in the upper accumulator.

*Loaded onto and executed from the drum.

COL.	41	42	43	44-	-47	48	49, 50	51	52-	-55	56	57	58-	-61	62	63-	-72
	T Y P E	S I G N	LOCATION			OPERATION CODE			DATA ADDRESS			T A G	INSTRUCTION ADDRESS			T A G	REMARKS
	2		0009			STD			0013				0016				SAVE X
	2		0016			LDD			0019				0011			}	SET ADDR. OF a_0
	2		0011			SDA			0019				0001				
	2		0001			RAAF			8002				0010				$n \rightarrow$ I.A. A
	2		0010			FMP			0013				0019				$() \cdot X$
	2		0019			FADF			9999				0002				$() \cdot X + a_i \rightarrow ()$
	2		0002			NZAF			0005			F	0000			C	IS $n = 0$
	2		0005			SXAF			0001				0010				$n-1 \rightarrow n$
	2		0013			OIF			0000			F	0000				ERASEABLE (X)
						REQPOLYX							0009				DEFINE ENTRY

Figure 6: Relocatable Drum-Drum Subroutine

The relocatable drum-core* subroutine given in Figure 7 will evaluate $K!$ where $K > 0$ and $K! < 10^{10}$. The calling sequence is

COL.	41	42	43	44-	-47	48	49, 50	51	52-	-55	56	57	58-	-61	62	63-	-72
	T Y P E	S I G N	LOCATION			OPERATION CODE			DATA ADDRESS			T A G	INSTRUCTION ADDRESS			T A G	REMARKS
						RAL			K								
						LDD			EXIT				CALKF				

The result will be in the lower accumulator on exiting from the subroutine. Note that whereas seven core locations are required for execution, only six drum locations are needed to store the subroutine. Savings of this kind may usually be effected by placing erasable locations at the end of drum-core routines.

*Loaded onto the drum and executed in core.

COL.	41	42	43	44-	-47	48	49, 50	51	52-	-55	56	57	58-	-61	62	63-	-72
	T Y P E	S I G N	LOCATION			OPERATION CODE		DATA ADDRESS		T A G	INSTRUCTION ADDRESS			T A G	REMARKS		
	2		0000	S	T	D		9006					9001				STORE EXIT
	2		0001	R	A	A	F	8002					9002				K → I.A. A
	2		0002	S	X	A	F	0001					9003				(K-1) IN I.A. A
	2		0003	N	Z	A		9004					9006				IS (K-1) = 0
	2		0004	R	A	U	F	8002					9005				() → UA
	2		0005	M	P	Y	F	8005					9002				()(K-P)
				R	E	Q	C	A	L	K	F			9000			DEFINE ENTRY

Figure 7: Relocatable Drum-Core Subroutine

SYMBOLIC 650 OPERATION CODES

Numerical	Symbolic*	Operation
00	NOP	No Operation
01	HLT	Halt
02	UFA	Unnormalized Floating Add
03	RTC	Read Tape Check
04	RTN	Read Tape Numeric
05	RTA	Read Tape Alphanumeric
06	WTN	Write Tape Numeric
07	WTA	Write Tape Alphanumeric
08	LIB	Load I. A. S. Block
09	LDI	Load I. A. S.
10	AUP	Add Upper
11	SUP	Subtract Upper
12	-	(Not Used)
13	-	(Not Used)
14	DIV	Divide
15	ALO	Add Lower
16	SLO	Subtract Lower
17	AML	Add Magnitude to Lower
18	SML	Subtract Magnitude from Lower
19	MPY	Multiply

*All O's in symbolic OP codes are alphabetic O's, not numerical zeros.

Numerical	Symbolic	Operation
20	STL	Store Lower
21	STU	Store Upper
22	SDA	Store Data Address
23	SIA	Store Instruction Address
24	STD	Store Distributor
25	NTS	Branch No Tape Signal
26	BIN	Branch on Inquiry
27	SET	Set I. A. S. Ring
28	SIB	Store I. A. S. Block
29	STI	Store I. A. S.
30	SRT	Shift Right
31	SRD	Shift and Round
32	FAD	Floating Add
33	FSB	Floating Subtract
34	FDV	Floating Divide
35	SLT	Shift Left
36	SCT	Shift Left and Count
37	FAM	Floating Add Magnitude
38	FSM	Floating Subtract Magnitude
39	FMP	Floating Multiply

Numerical	Symbolic	Operation
40	NZA	Branch Non-Zero I.R. A
41	BMA	Branch Minus I.R. A
42	NZB	Branch Non-Zero I.R. B
43	BMB	Branch Minus I.R. B
44	NZU	Branch Non-Zero Upper
45	NZE	Branch Non-Zero
46	BMI	Branch Minus
47	BOV	Branch on Overflow
48	NZC	Branch Non-Zero I.R. C
49	BMC	Branch Minus I.R. C
50	AXA	Add I.R. A
51	SXA	Subtract I.R. A
52	AXB	Add I.R. B
53	SXB	Subtract I.R. B
54	NEF	Branch No End of File
55	RWD	Rewind
56	WTM	Write Tape Mark
57	BST	Backspace Tape
58	AXC	Add I.R. C
59	SXC	Subtract I.R. C

Numerical	Symbolic	Operation
60	RAU	Reset Add Upper
61	RSU	Reset Subtract Upper
62	-	(Not Used)
63	-	(Not Used)
64	DVR	Divide Reset Upper
65	RAL	Reset Add Lower
66	RSL	Reset Subtract Lower
67	RAM	Reset Add Magnitude into Lower
68	RSM	Reset Subtract Magnitude into Lower
69	LDD	Load Distributor
70*	RD1	Read Input Storage 1
71*	WR1	Write Output Storage 1
72	RC1	Read Conditional Input Storage 1
73	RD2	Read Input Storage 2
74	WR2	Write Output Storage 2
75	RC2	Read Conditional Input Storage 2
76	RD3	Read Input Storage 3
77	WR3	Write Output Storage 3
78	RC3	Read Conditional Input Storage 3
79	RPY	Reply

*SOAP II will also accept the symbolic op codes

70 RCD Read Card
71 PCH Punch

Numerical	Symbolic	Operation
80	RAA	Reset Add I.R. A
81	RSA	Reset Subtract I.R. A
82	RAB	Reset Add I.R. B
83	RSB	Reset Subtract I.R. B
84	TLU	Table Lookup
85	SDS	Seek Disk Storage
86	RDS	Read Disk Storage
87	WDS	Write Disk Storage
88	RAC	Reset Add I.R. C
89	RSC	Reset Subtract I.R. C
90	BDO	Branch on 8 in Distributor 10
91	BD1	Branch on 8 in Distributor 1
92	BD2	"
93	BD3	"
94	BD4	"
95	BD5	"
96	BD6	"
97	BD7	"
98	BD8	"
99	BD9	Branch on 8 in Distributor 9

COL.	41	42	43	44-	-47	48	49, 50	51	52-	-55	56	57	58-	-61	62	63-	-72
	TYPE	SIGN	LOCATION			OPERATION CODE	DATA ADDRESS			TAG	INSTRUCTION ADDRESS			TAG	REMARKS		
						BLR			FWA				LWA				
						BLA			FWA				LWA				
						REG*			FWA				LWA				* = ALPHABETIC CHAR.
						EQU			SYMBL				ANY				
						SYN			SYMBL				ANY				
						ALF			XXXXX								
						BOP											
						HED#											# = HEADING CHAR.
						PAT											
						REL			Δ_D				Δ_C				
						RBR			FWA				LWA				
						REQ			SYMBL				NNNN				

Summary of Pseudo Operations

Pseudo Operations except ALF

Y	Y	CARD NO.	Y	TS Y I	LOCATION	OP	D	T A G	I	T A G	REMARKS	
	00,0000,8000	XX XX		PG EN		INPUT		61	REPRODUCED	61		
I	10	17 20		42 43	47 48-50	51	55	56 57	61 62	63		72 73

Instructions, Data and ALF

Y	Y	CARD NO.	Y	ASSEMBLED INSTRUCTION	Y	LOCATION	Y	ASSEMBLED INSTRUCTION	Y	ASSEMBLED INSTRUCTION	Y	REMARKS
	69,1954,1953	XX XX		XX, XXXX, XXXX		24, XXXX, 8000		XX, XXXX, XXXX		XX, XXXX, XXXX		REPRODUCED
I	10	17 20 21		40 41		30 31		40 41		40 41		72

800X Instructions

Y	Y	CARD NO.	Y	ASSEMBLED INSTRUCTION	Y	LOCATION	Y	ASSEMBLED INSTRUCTION	Y	ASSEMBLED INSTRUCTION	Y	REMARKS
	69,1954,8000	XX XX		XX, XXXX, XXXX		24, 800X, 8000		XX, XXXX, XXXX		XX, XXXX, XXXX		REPRODUCED
I	10	17 20 21		40 41		30 31		40 41		40 41		72

Availability Table: $00 \leq \alpha \leq 49$

Y	Y	CARD NO.	Y	ASSEMBLED INSTRUCTION	Y	LOCATION	Y	ASSEMBLED INSTRUCTION	Y	ASSEMBLED INSTRUCTION	Y	REMARKS
	00, α , $\alpha+450$	XX XX		XX, XXXX, XXXX		00, $\alpha+500$, $\alpha+950$		XX, XXXX, XXXX		XX, XXXX, XXXX		REPRODUCED
I	10	11 20 21		40 41		30 31		40 41		50 51		70 71

407 Control Panel

The 407 control panel shown in Figure 9 will detect the following situations in the assembled output:

Note

- 1 - Instruction * with blank L following an instruction with D and I both not blank.
- 2 - Instruction with L not blank following an instruction with either D or I blank.
- 3 - Instruction with blank L not preceded by an instruction.
- 4 - Non-instruction following an instruction with D or I blank.

Notes (1) and (2) always imply a coding error while (3) and (4) are warning signals to point out potential coding errors.

If the assembled L, OP, D or I fields of an instruction have been left blank, columns 75-78, respectively, will be x (11) punched. Correspondingly, the phrase

BLANK L, OP, D or I

will print to the right of the absolute instruction.

If an EQU or SYN card has been ignored due to an undefined I address or a packed symbol table, column 79 will contain a 9 punch causing the word "BYPAS" to print to the right of the Remarks field.

*Instruction → instruction or data.

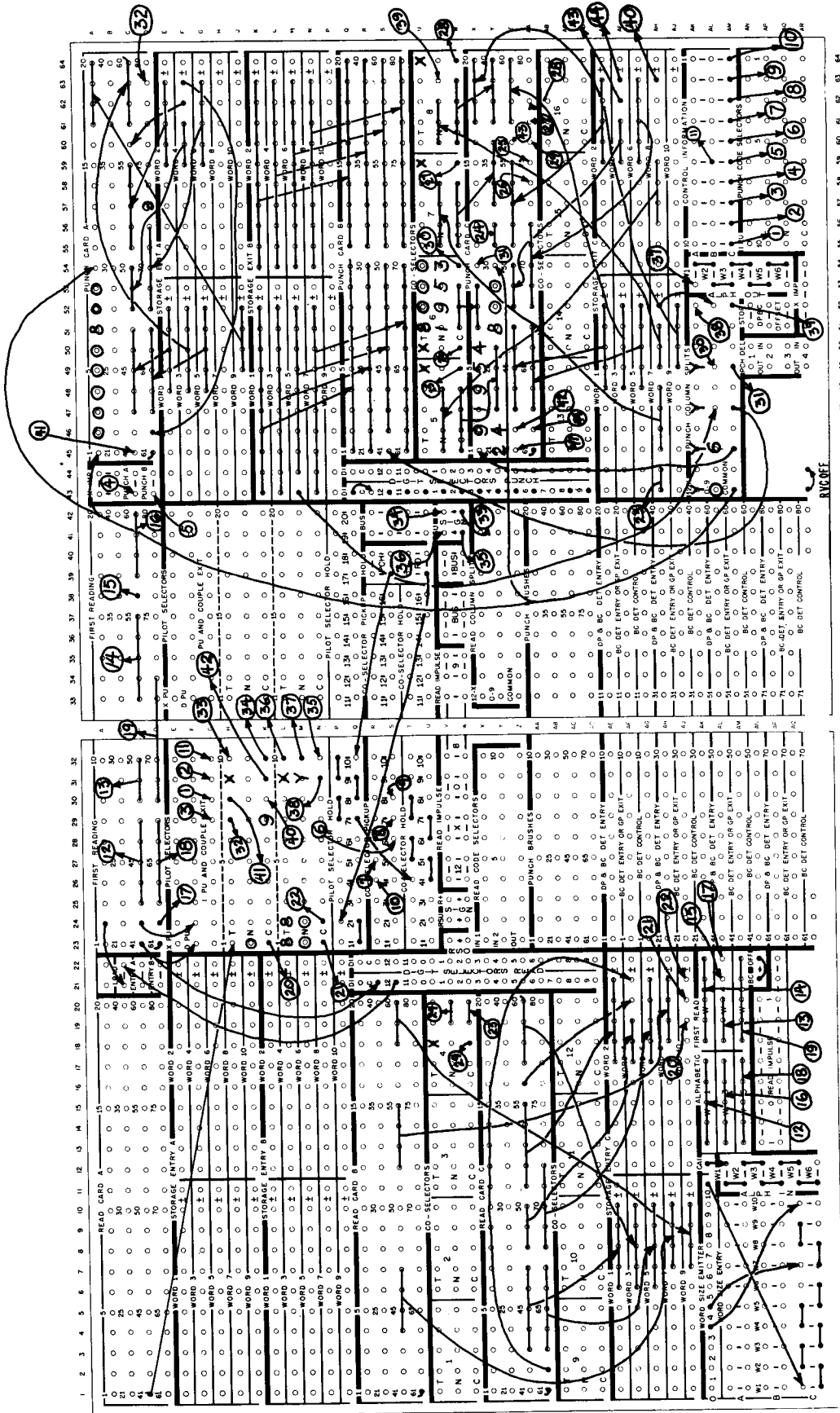


FIGURE 8: SOAP II 533 CONTROL PANEL

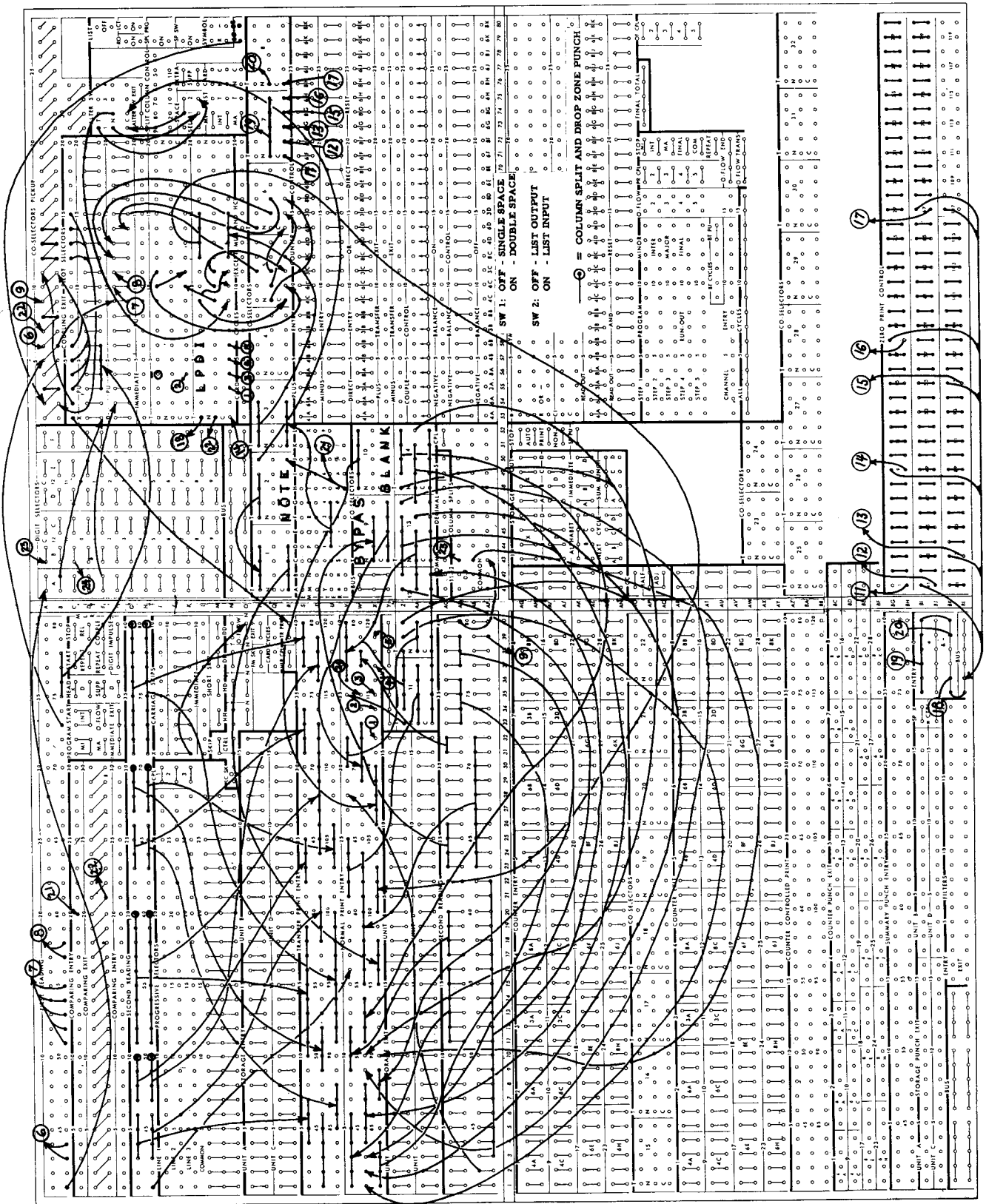


FIGURE 9: SOAP II 407 CONTROL PANEL

PART II : PROGRAM ANALYSIS

Introduction

The following is a description of the internal operation of SOAP II. An attempt has been made to present this description in a logical order beginning with allocation of memory followed by an explanation of the tables governing the assembly and outline of the various subroutines.

The symbolic assembly of SOAP II included at the end of this report was arrived at in the following manner:

1. SOAP II was coded symbolically for assembly by SOAP I.
2. Deck (1) was assembled by SOAP I, giving SOAP II in SOAP I form.
3. Deck (1) was translated into SOAP II symbolic form using the SOAP I to SOAP II Translator (N.Y.S.C.C. #334).
4. The symbolic SOAP II form of SOAP II (3) was assembled by Deck (2) giving SOAP II in SOAP II form.

The program is listed in logical order as opposed to the order in which it was assembled.

Memory Allocation

Figure 1 is a "snapshot" of the drum showing the location of the various tables used by the assembly program and the input-output and program blocks.

Table Descriptions

Symbol Table: 0000-0399

Every symbol processed by the assembly program is stored in the symbol table. An attempt is first made to store a symbol in location L_0 computed as follows:

Let $S = \text{XXXXXXXXXX}$ be the ten digit numerical representation of a five alphanumeric character symbol. Calculate

$$(1001001001) X (S) = \text{YYYYYYYYYY}(\text{ZZZ})\text{YYYYYYY}$$

Then L_0 is taken to be the integral part of $.4(\text{ZZZ})$. Thus $000 \leq L_0 \leq 399$.

It may be seen that all of the digits in S contribute to the formation of L_0 .

Thus different symbols will tend to give rise to different L_0 's, but the problem of duplicity, i.e., different symbols having the same L_0 , must be accounted for. If a symbol cannot be stored in L_0 (because another symbol has "gotten

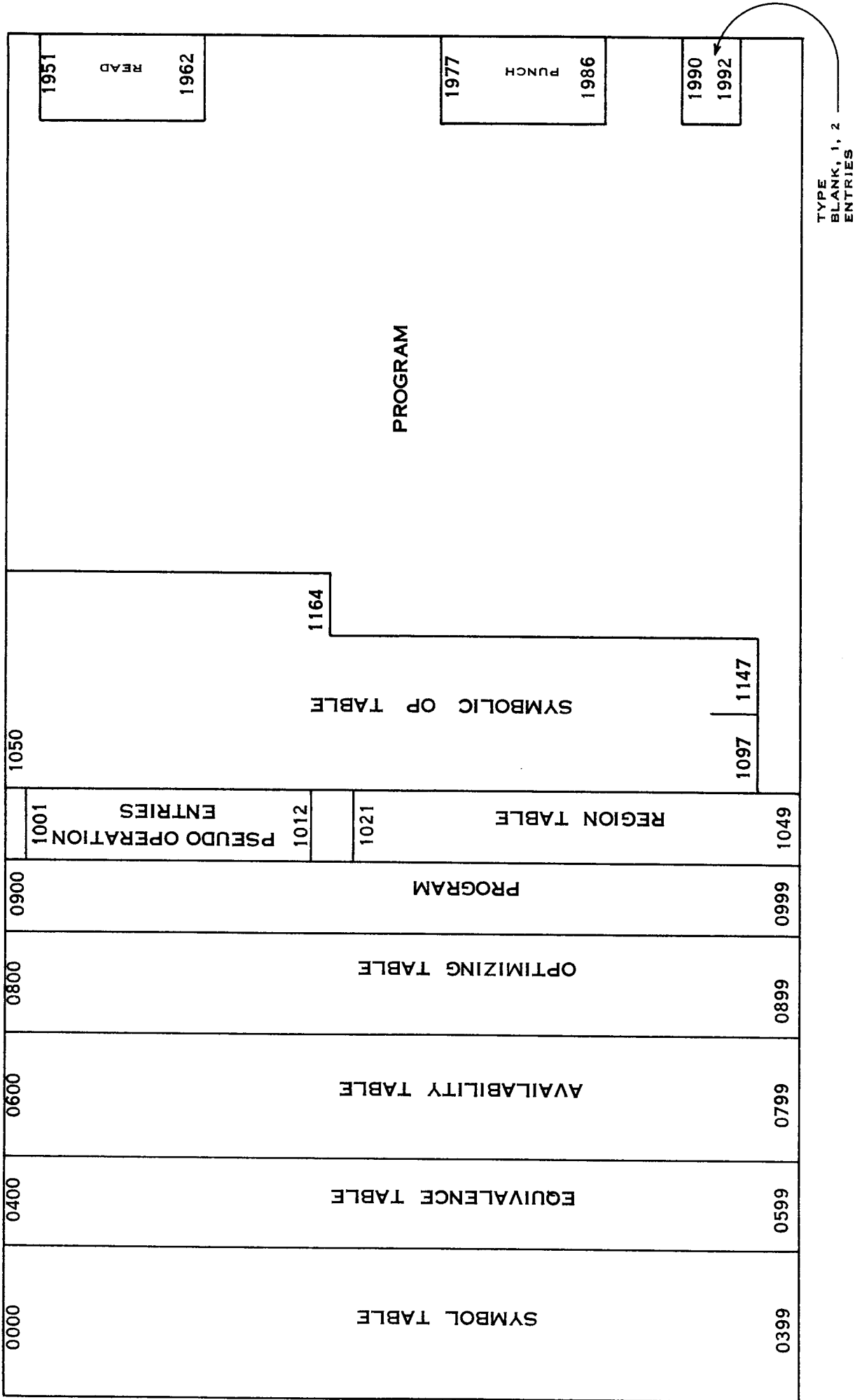


FIGURE 1: MEMORY ALLOCATION

there first"), an attempt is made to store it in $(L_0 + 1)$. If this too fails, we try $L_0 + 2, L_0 + 3, \dots, L_0 + K$ where K is (hopefully) small.

Equivalence Table: 0400-0599

Whenever a symbol is stored in the symbol table, its four digit equivalent is stored in the equivalence table in the following manner:

Let L be the location in the symbol table containing the symbol. Let

$$\frac{L}{2} = Q + \frac{R}{2}$$

Then the equivalent is stored in the data address or instruction address part of $(0400 + Q)$ according as $R = 0$ or 1 .

Availability Table: 0600-0799

The availability table "remembers" drum locations used by the program being assembled and those still remaining. Each of the 200 words contains indicator digits (0 → unavailable, 1 → available) for ten dynamically equivalent drum locations. If these digits are numbered from left to right, $P = 0, 1, 2, \dots, 9$, then the digit corresponding to a drum location L may be found as follows:

$$\text{Let } L = X_1 X_2 X_3 X_4. \text{ Let } 2L = Y_1 Y_2 Y_3 Y_4.$$

Then

$$A = 0600 + Y_1 + 2(Y_3 Y_4)$$

$$P = Y_2$$

where A is the availability table location whose P^{th} digit corresponds to L .

Example:

$$\begin{aligned} L &= 1238 \\ 2L &= 2476 \\ A &= 0600 + 2 + 2(76) = 0754 \\ P &= 4 \end{aligned}$$

Conversely, given A and P , one may compute L as follows:

$$\text{Let } \frac{A-0600}{4} = Q + \frac{R}{4}$$

$$\text{Then } L = 500R + 50P + Q$$

Example: $A = 0754, P = 4$

$$\frac{0754 - 0600}{4} = \frac{154}{4} = 38 + \frac{2}{4}$$

$$L = 500 \times 2 + 50 \times 4 + 38 = 1238$$

Optimizing Table: 0800-0899

Information required to optimize 650 instructions is stored in the optimizing table. Location (0800 + XX) contains the entry for numerical op code XX where $00 \leq XX \leq 99$. Thus the entry for RAL (65) is in 0865.

As there is no one rule by which all 650 instructions may be optimized, operations having the same or similar optimizing rules have been grouped as shown in Figure 2. The general optimizing rules for these groups are:

- 999: $I = D + \delta$ where $\delta = f(D)$
- 998: $I = L + \delta$ where $\delta \neq f(D)$
- 898: $I = L + \delta$ where $\delta = f(D)$, non-shift
- 988: $I = L + \delta$ shift other than SRD
- 888: $I = L + \delta$ SRD

Optimizing table entries have the following format:

$$\left(\underbrace{\begin{array}{c|c} E & \bar{O} \\ \hline X & X \end{array}}_D \mid \underbrace{\begin{array}{c|c} E & \bar{O} \\ \hline XX & XX \end{array}}_I \mid OABC \right) \quad \left\{ \begin{array}{l} \bar{O} = \text{ODD} \\ E = \text{EVEN} \end{array} \right.$$

where ABC is the group code given in Figure 2. Thus the entry for RAL is (3305040999).

GROUP CODE	OPERATIONS
999	UFA, AUP, SUP, DIV, ALO, SLO, AML, SML, MPY, STL, STU, SDA, SIA, STD, FAD, FSB, FDV, FAM, FSM, FMP, RAU, RSU, DVR, RAL, RSL, RAM, RSM, LDD, LIB, LDI, SIB, STI, TLU, RD1, WR1, RC1, RD2, WR2, RC2, RD3, WR3, RC3, RCD, PCH, RPY
998	NOP, HLT, RTC, RTN, RTA, WTN, WTA, NTS, BIN, SET, NZA, BMA, NZB, BMB, NZC, BMC, NZU, NZE, BMI, BOV, NEF, RWD, WTM, BST, BDO, BD1,, BD9, SDS, RDS, WDS
898	AXA, SXA, AXB, SXB, AXC, SXC, RAA, RSA, RAB, RSB, RAC, RSC
988	SRT, SLT, SCT
888	SRD

Figure 2: 650 Operation Groups

Pseudo Operation Entries: 1001-1012

The twelve pseudo operations have been (arbitrarily) numbered as follows:

#	<u>Pseudo Operation</u>
1	BOP
2	BLR
3	BLA
4	REG
5	EQU
6	SYN
7	ALF
8	PAT
9	HED
10	REL
11	REQ
12	RBR

The first instruction of a pseudo operation is in location (1000 + #). Thus the REL routine begins in 1010.

Region Table: 1021-1049

Origins of the twenty-six possible regions are stored in the region table. The instruction address part of location (0960 + XX) contains the first word address (FWA) of the region having XX as the numerical representation of its alphabetic designation. Thus the origin of region F is in 1026 (= 0960 + 66).

The region table is initialized to (8000000000). Processing of an REG card with FWA = YYYY converts the appropriate entry to (900000YYYY).

Symbolic Op Table: 1050-1164 except 1098-1099 and 1148-1149

All pseudo operation codes and symbolic 650 operation codes are stored in the symbolic op table. The table is in ascending order on the six high digits of each entry representing the numerical representation of the alphanumerical op code.

The table entry for RAL, for example, is (7961730065) while that for REL is (7965731010). Thus the I address part of pseudo operation entries is the location of the first instruction of the pseudo routine while the two low order digits of 650 symbolic op code entries are the corresponding numerical op.

Type Entries: 1990-1992

The first instruction for types "blank", 1 and 2 is in location 1990, 1991, 1992 respectively.

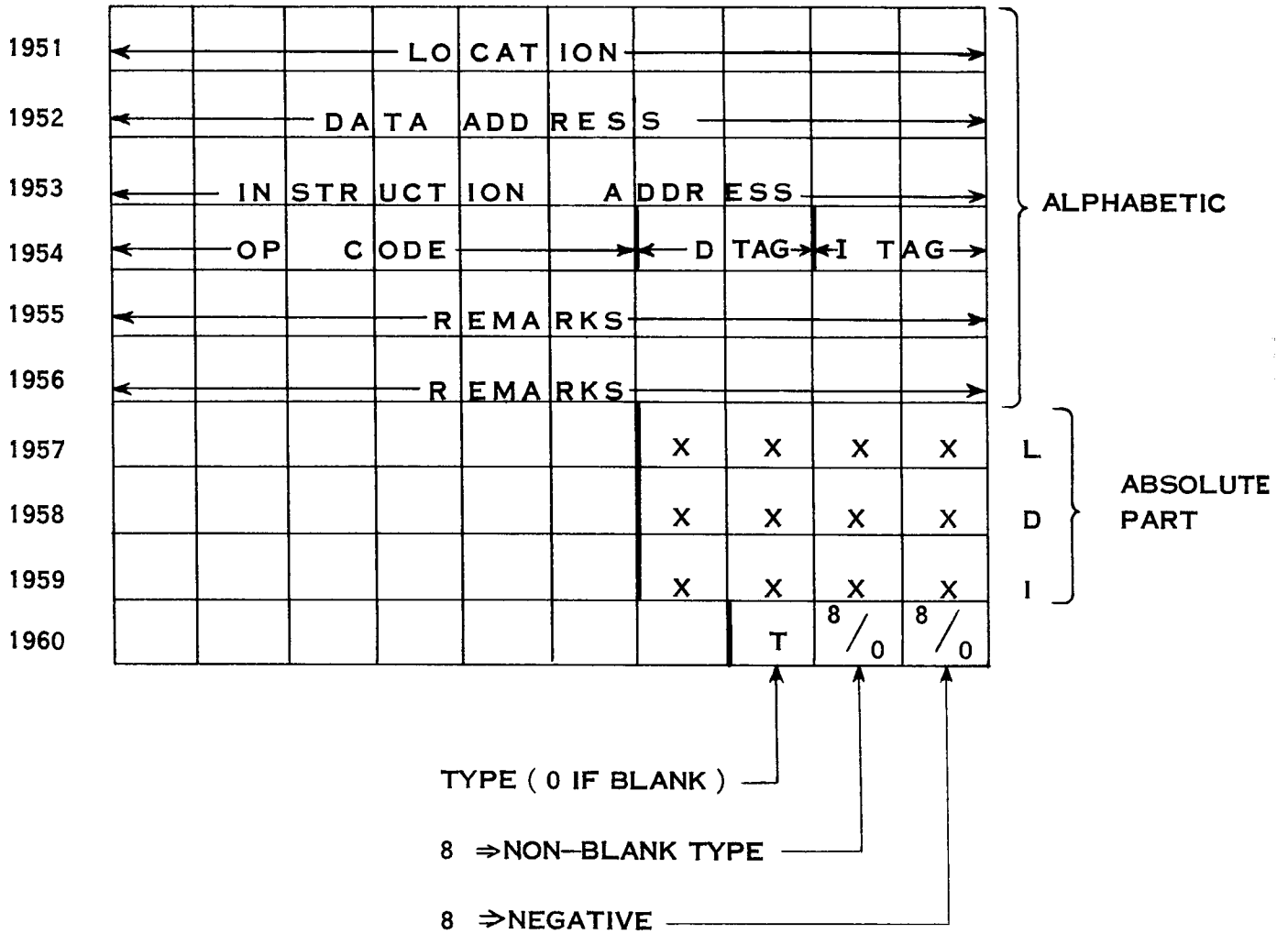


FIGURE 3: INPUT BLOCK : 1951 - 1960

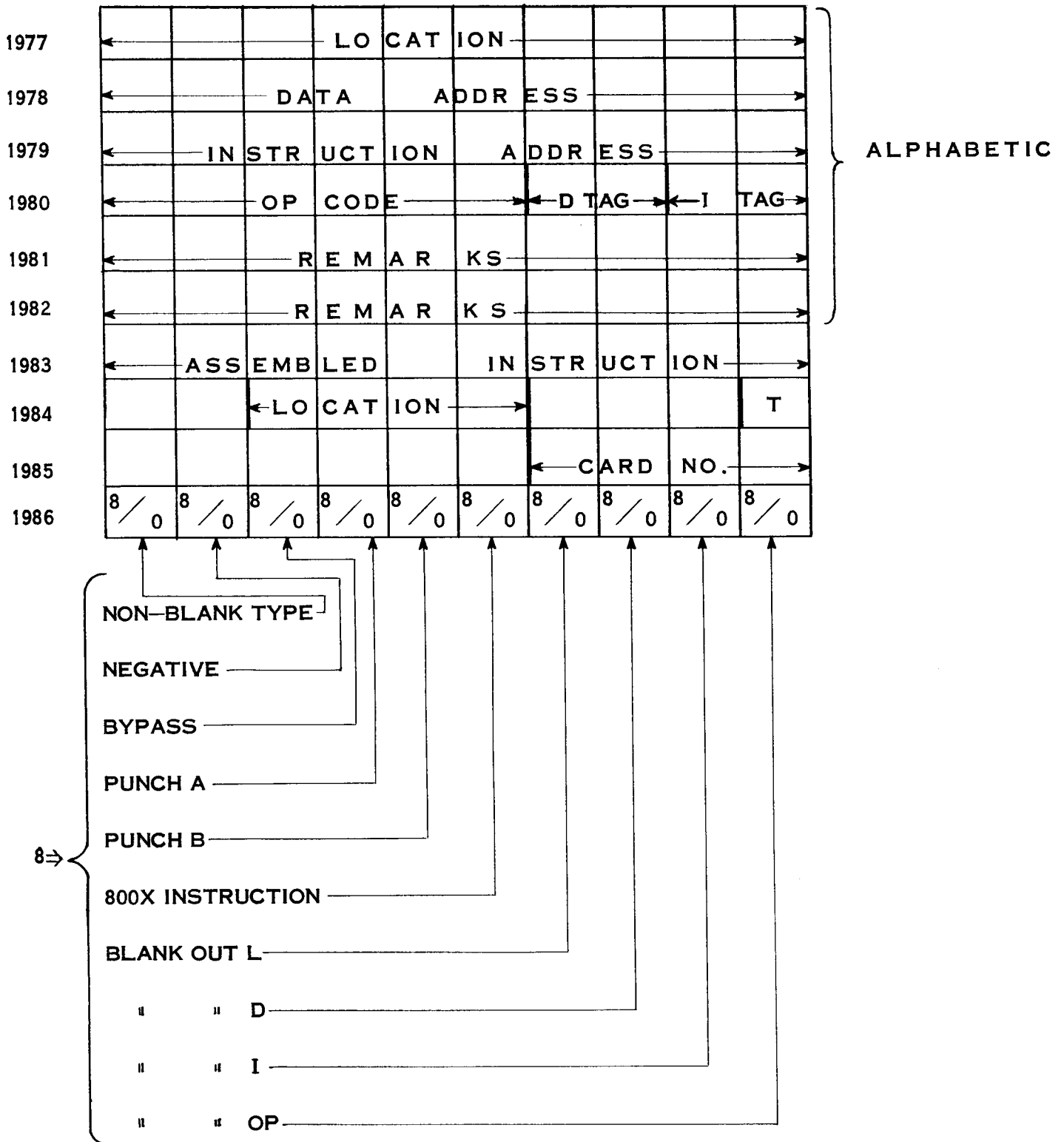


FIGURE 4: OUTPUT BLOCK : 1977 - 1986

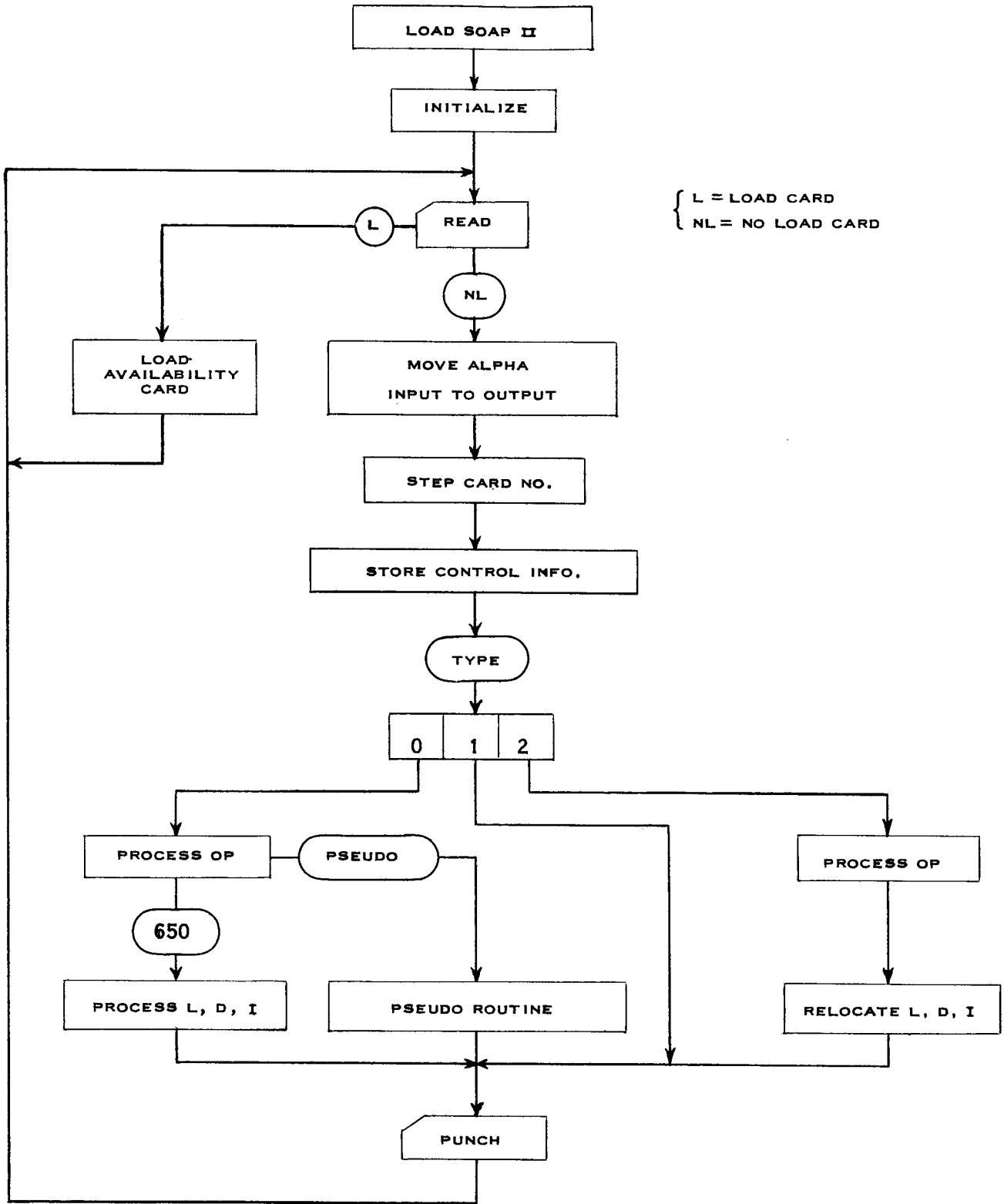
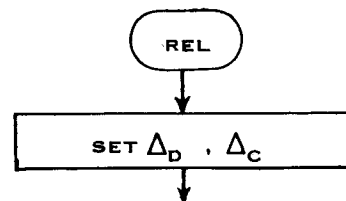
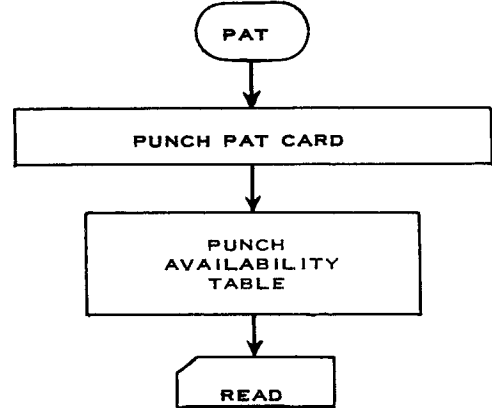
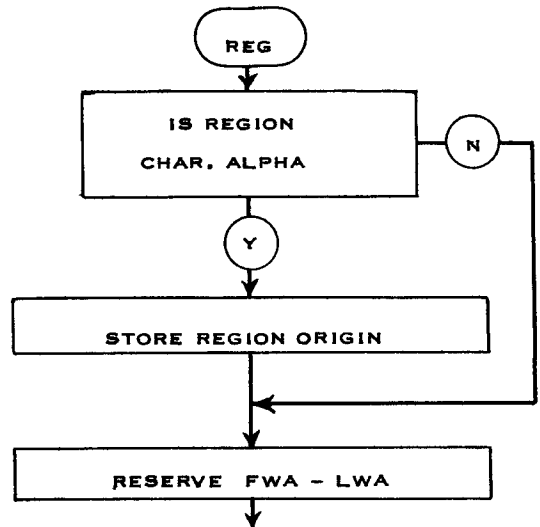
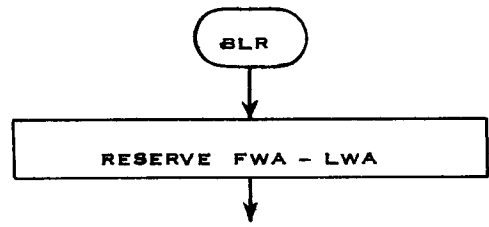
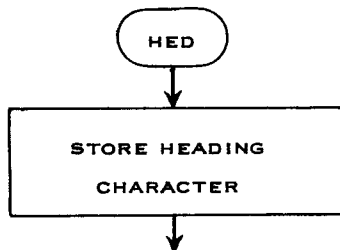
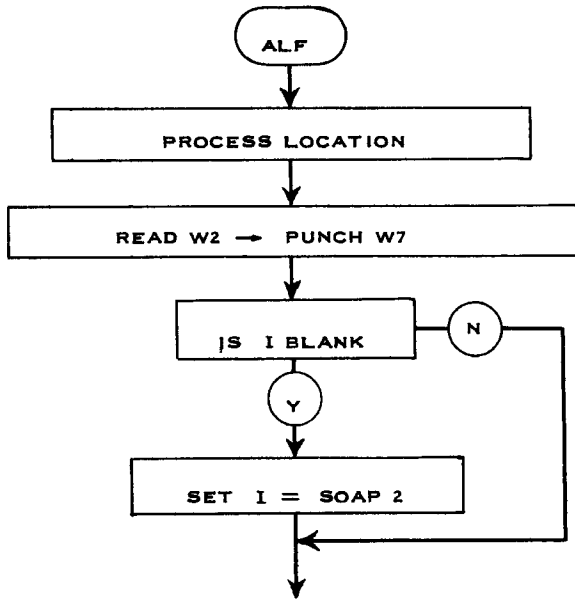
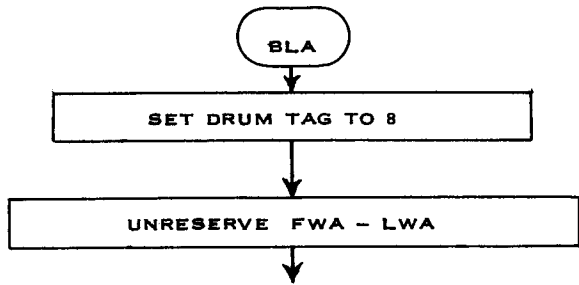
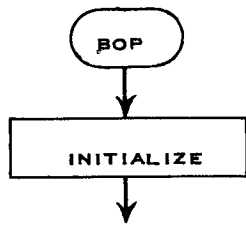
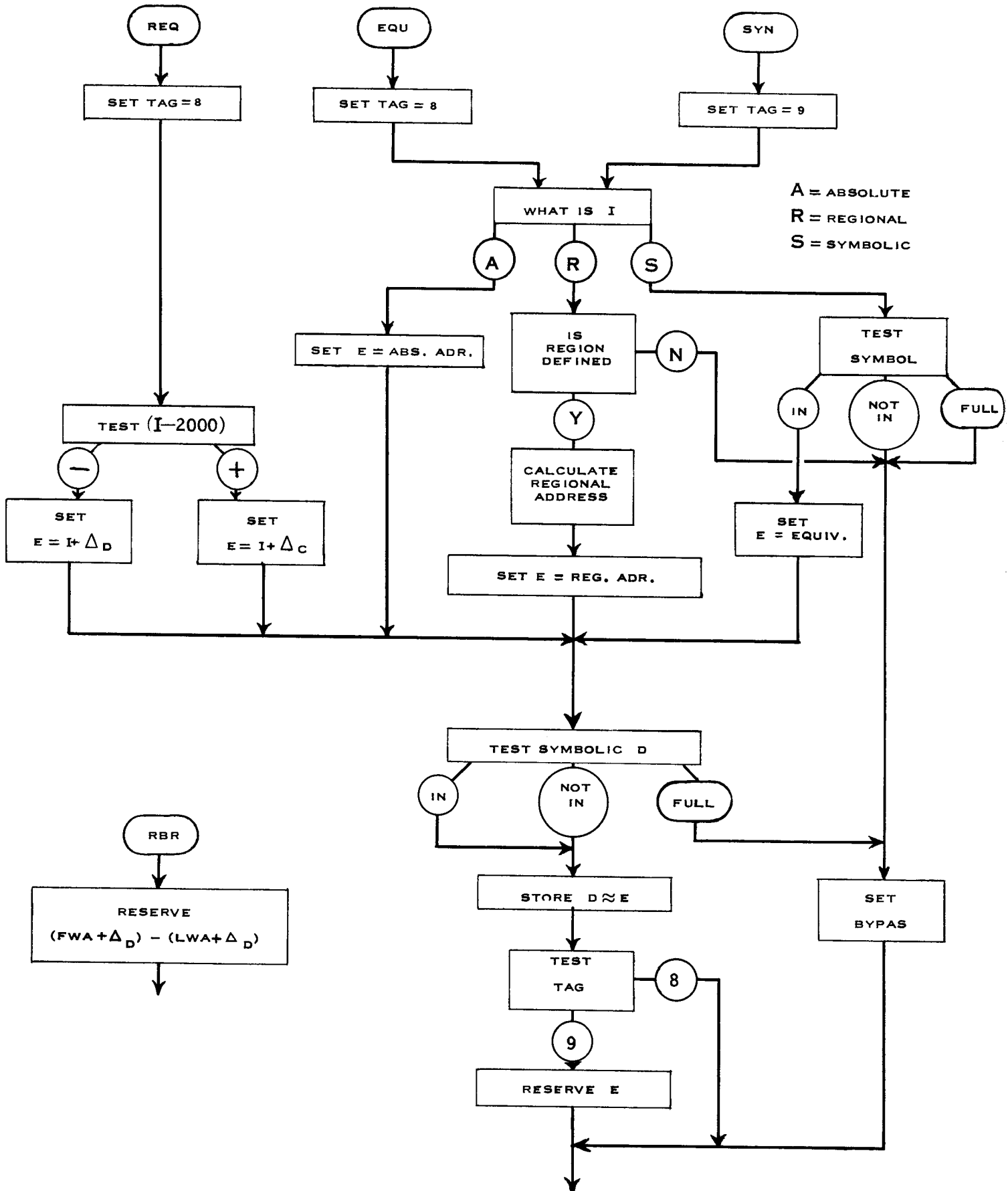


FIGURE 5: BASIC FLOW CHART

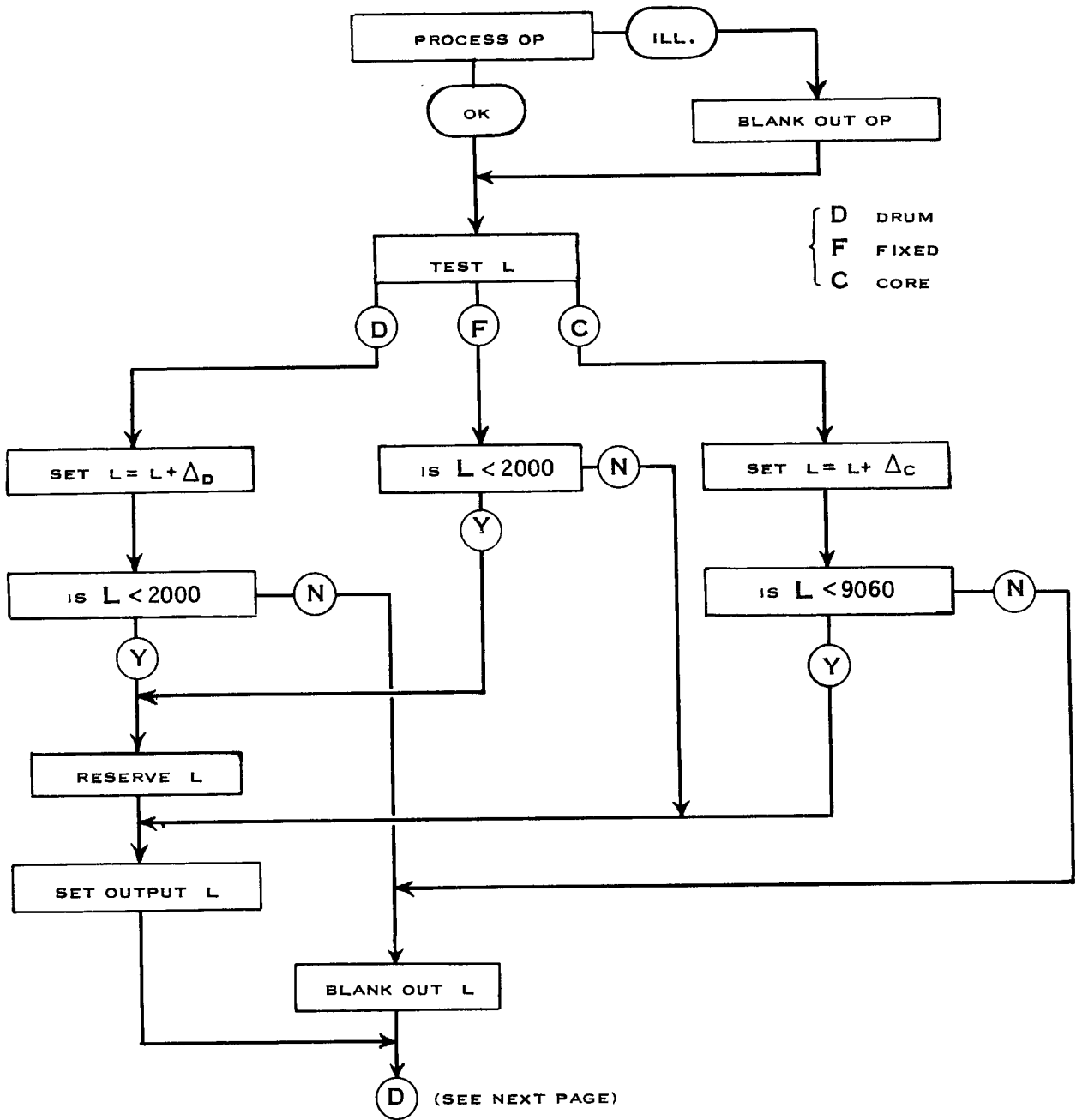
PSEUDO-OPERATION FLOW CHARTS



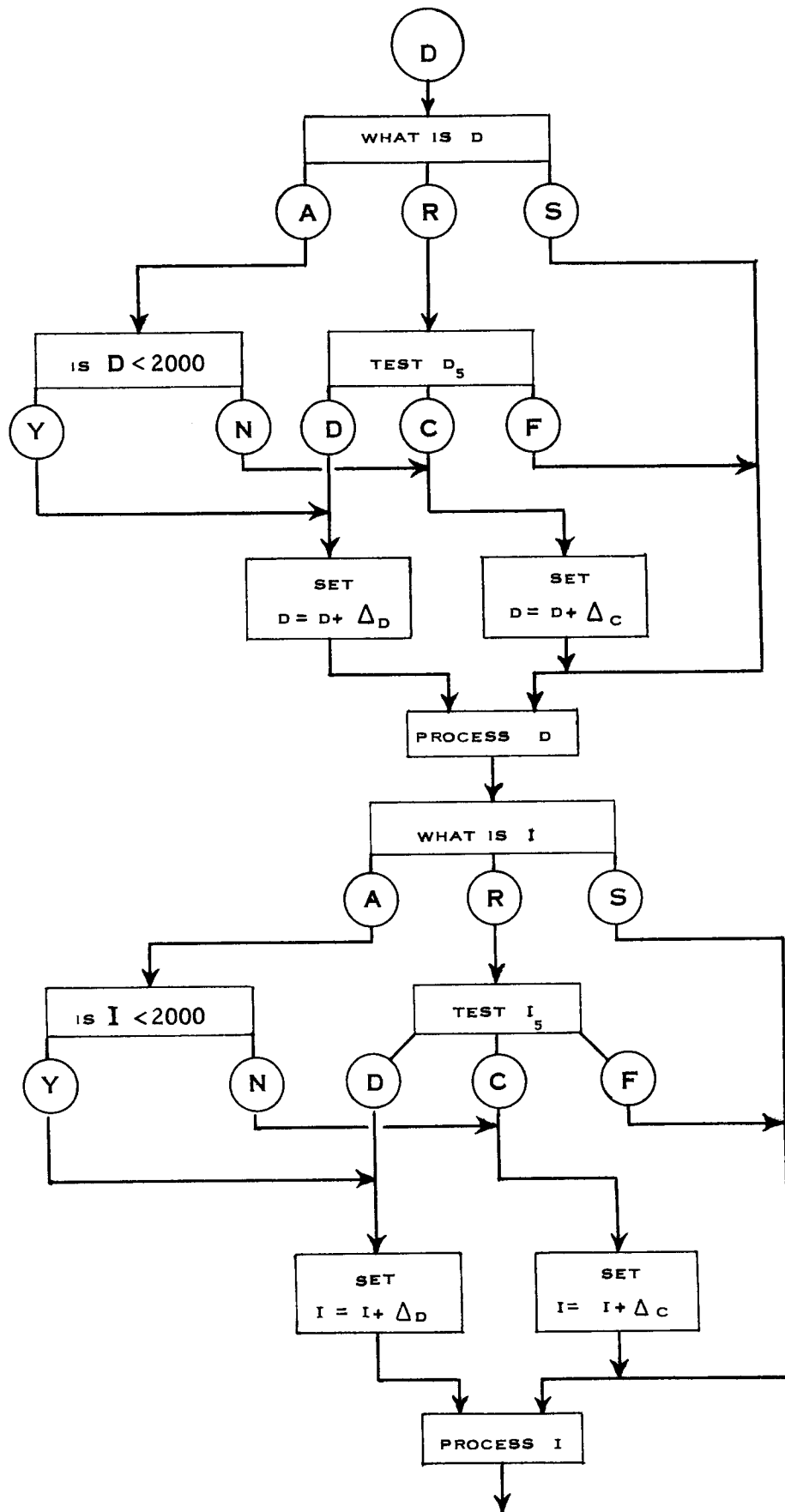
NOTE: EXCEPT FOR PAT, THESE ROUTINES TERMINATE AT "PUNCH"



RELOCATABLE ROUTINE



L MAY BE 1) | F ; NNNN | FIXED DRUM OR CORE
 2) | ; NNNN | RELOCATABLE DRUM OR CORE



(D₅ = SYMBOLIZER
PART OF D)

9. Calculate regional address A and exit to K or (K + 1).

Entry: UA (alpha. regional address) Go to SUBR9
LA (clear)
DIST (00, 00 $\alpha\beta$, K); $\alpha\beta = \begin{cases} 90 - L \\ 88 - D \\ 89 - I \end{cases}$

Exit: K: UA (clear)
LA (00, 0000, A)
K + 1: Region undefined or A negative.

10. Set "PUNCH A" 8 in punch control word and execute punch instruction.

Entry: UA (exit) Go to SUB10
LA (clear)

11. Calculate optimum dynamic address and find and reserve "best" drum location L; exit to K or (K + 1).

Entry: UA (clear) Go to SUB11
LA (00, 00 $\alpha\beta$, K): $\alpha\beta = \begin{cases} 90 - L \\ 88 - D \\ 89 - I \end{cases}$

Exit: K: UA (clear)
LA (00, 0000, L)
K + 1: Drum packed

12. Set 8 in punch control word to blank out assembled location.

Entry: UA (exit) Go to SUB12
LA (clear)

13. Calculate optimum dynamic address XX.

Entry: DIST (00, 000 β , K) Go to SUB13

$$\beta = \begin{cases} 8 - D \\ 9 - I \end{cases}$$

Exit: K: UA (clear)
LA (00, 0000, 00XX) $00 \leq XX \leq 49$

14. Punch availability table.

Entry: DIST (exit) Go to SUB14

15. Head symbol.

Entry: UA (symbol) Go to SUB15
LA (clear)
DIST (exit)

Exit: UA (headed symbol)
LA (clear)

16. Initialize assembly.

Entry: DIST (exit) Go to SUB16

17. Calculate drum equivalent E of 800X

Entry: UA (exit) Go to $\begin{cases} \text{SB17D} - \text{D equivalent} \\ \text{SB17I} - \text{I equivalent} \end{cases}$

Exit: UA (clear)
LA (00, 0000, E)

18. Index address A giving A*.

Entry: UA (irrelevant) Go to INDEX
LA (00, 0000, A)
DIST (00, 00 α β , K)

$$\alpha = \begin{cases} 8\text{-Drum} \\ 9\text{-Core} \end{cases}, \quad \beta = \begin{cases} 8\text{-D} \\ 9\text{-I} \end{cases}$$

Exit: UA (irrelevant)
LA (00, 0000, A*)

19. Process location.

Entry: DIST (exit) Go to PROCL

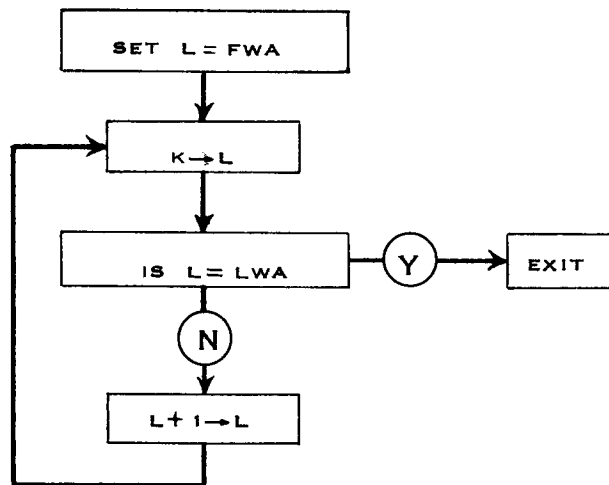
20. Process data address.

Entry: DIST (exit) Go to PROCD

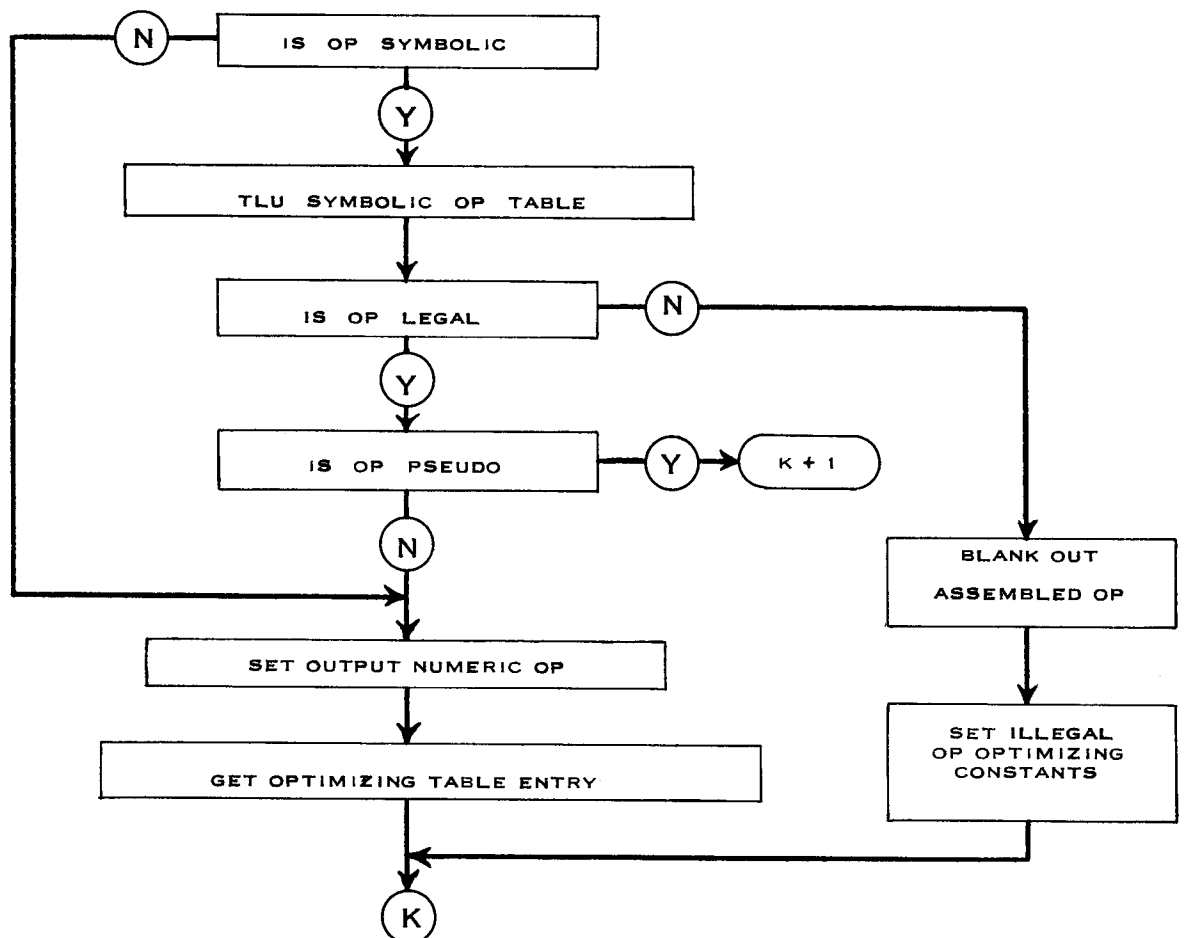
21. Process Instruction address.

Entry: DIST (exit) Go to PROCI

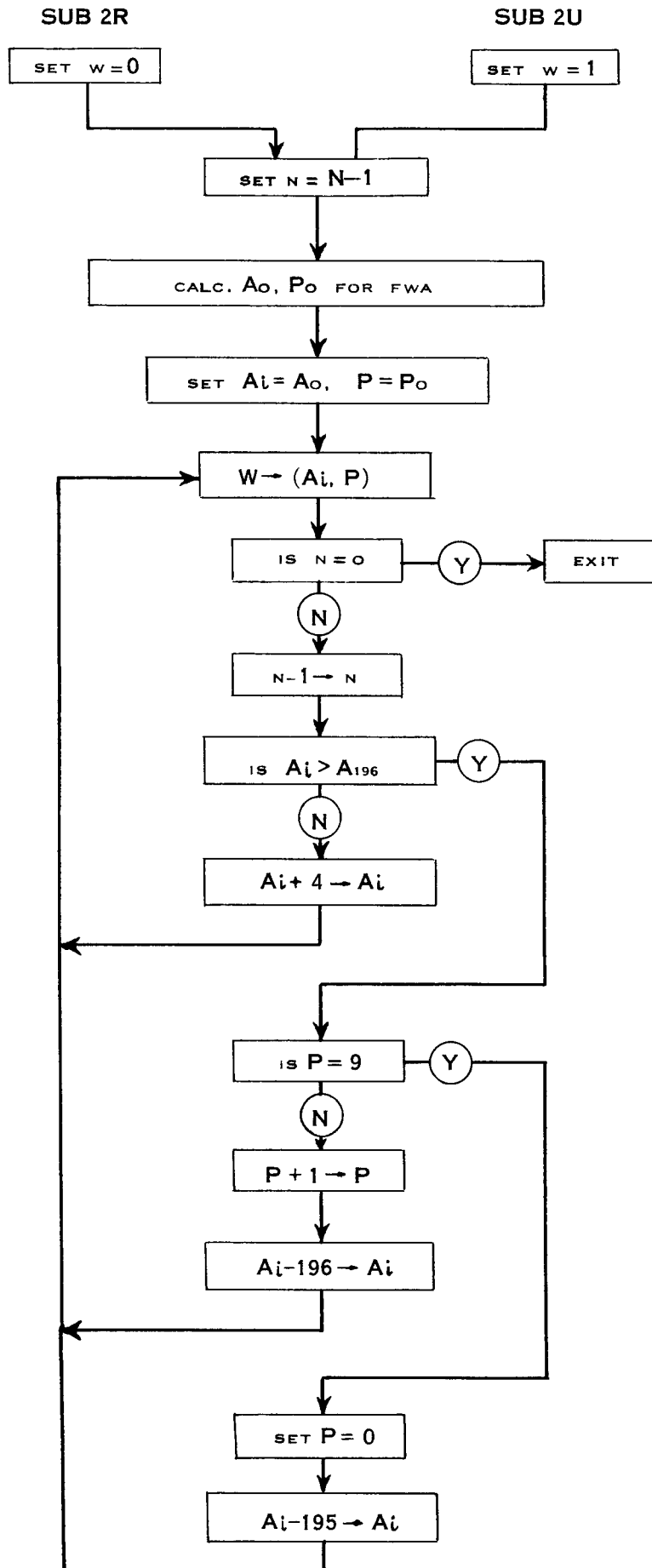
SUBROUTINE FLOW CHARTS



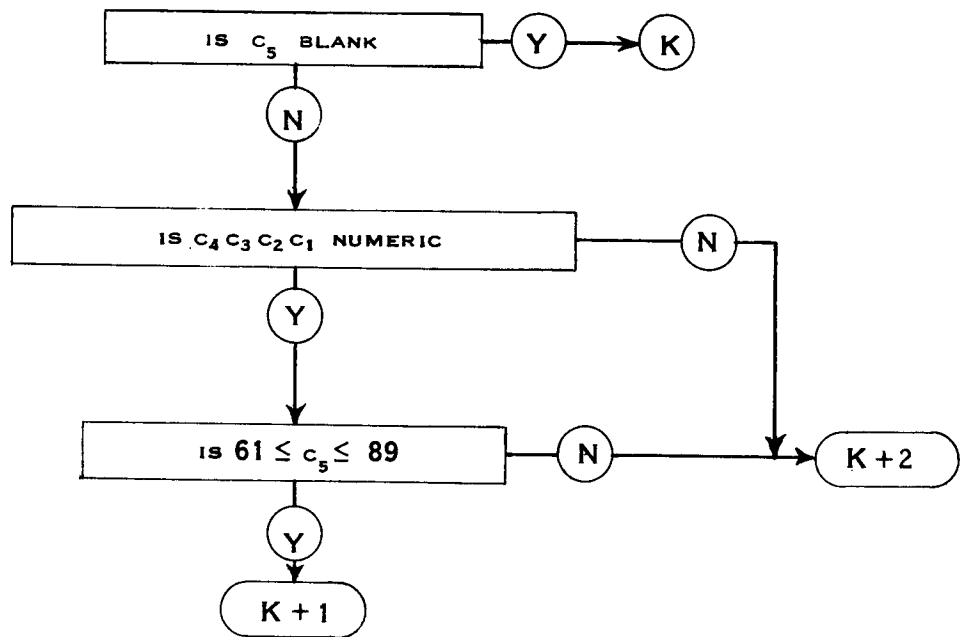
SUBROUTINE 1: STORE K IN FWA - LWA



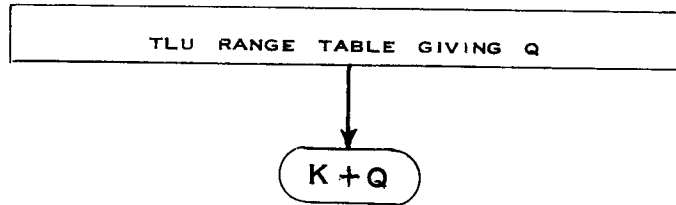
SUBROUTINE 3: PROCESS OP CODE



SUBROUTINE 2: RESERVE OR UNRESERVE N WORDS STARTING AT FWA

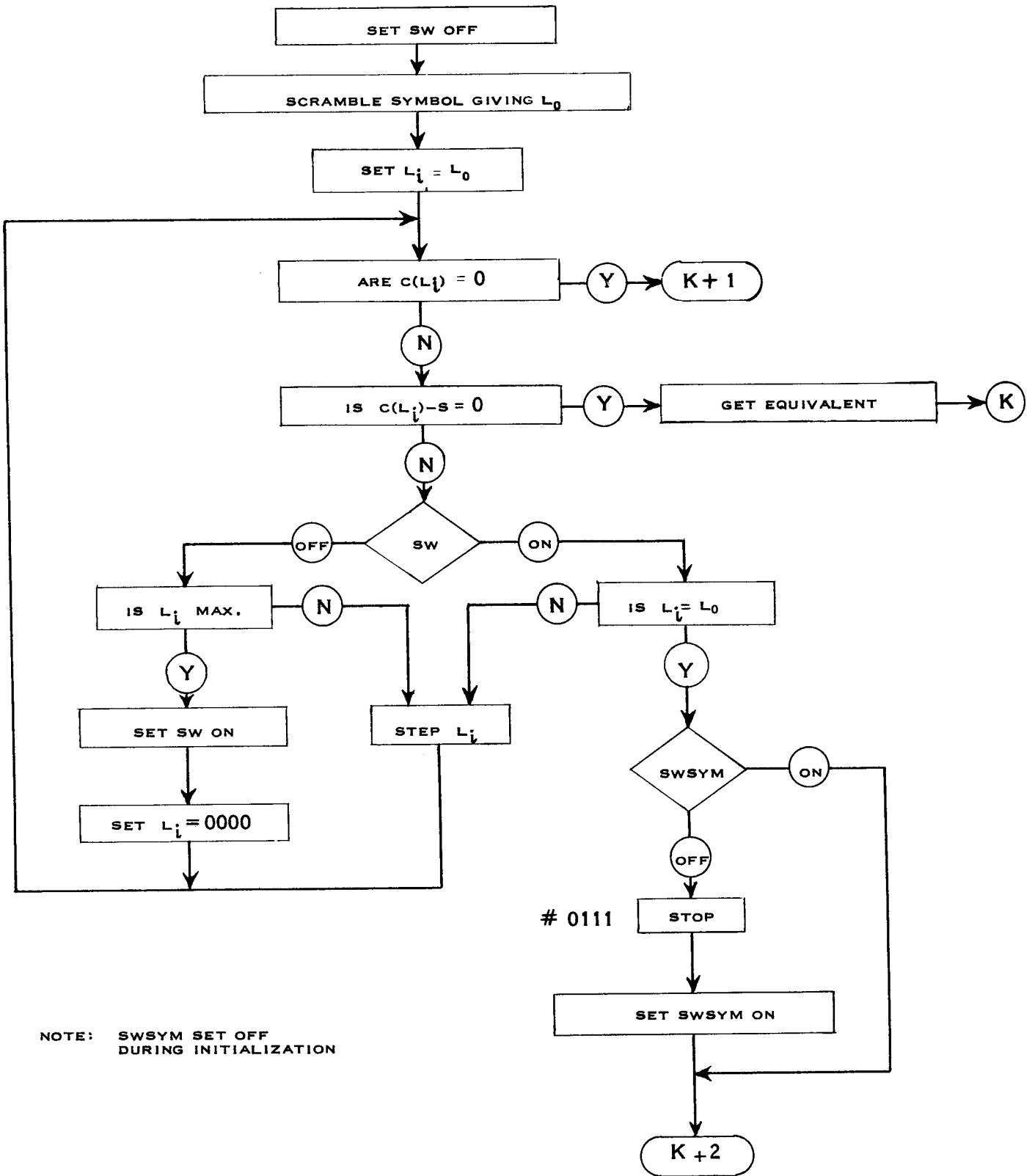


SUBROUTINE 4: ADDRESS TEST

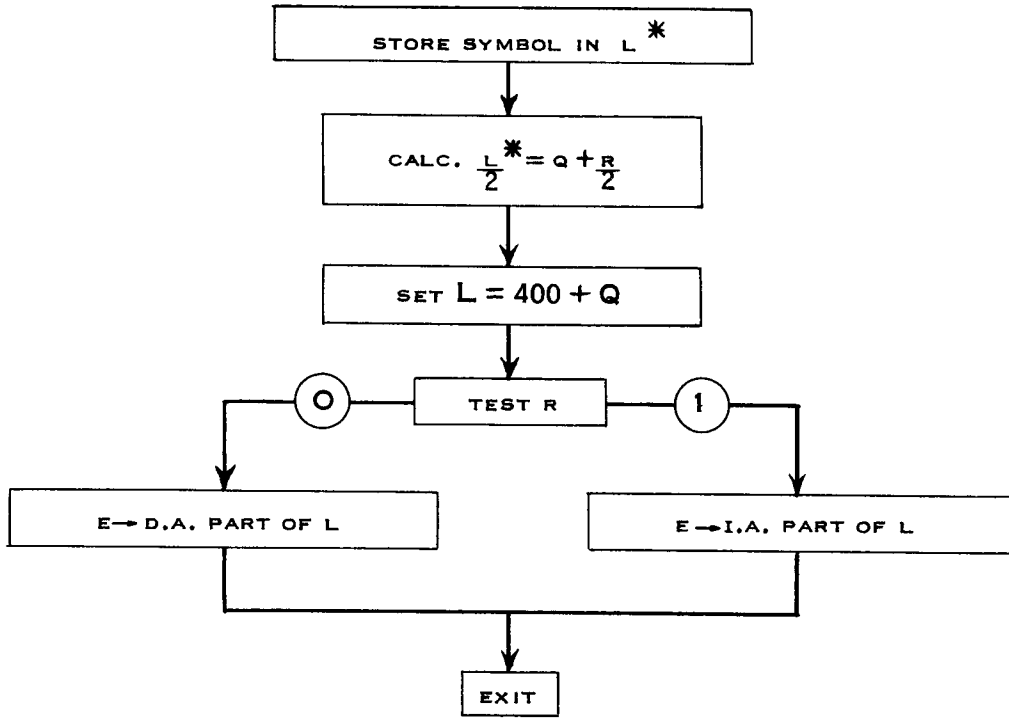


<u>Q</u>	<u>RANGE</u>
0	$0000 \leq A \leq 1999$
1	$\left\{ \begin{array}{l} 8000 \leq A \leq 8003 \\ 8005 \leq A \leq 8007 \end{array} \right.$
2	$9000 \leq A \leq 9059$
3	OTHER

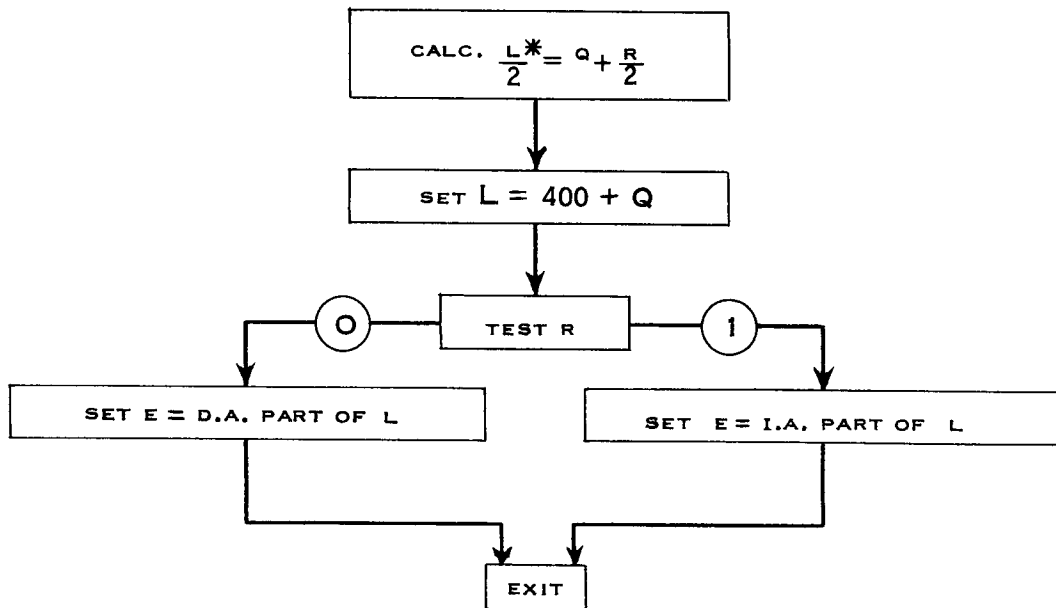
SUBROUTINE 5: ADDRESS RANGE TEST



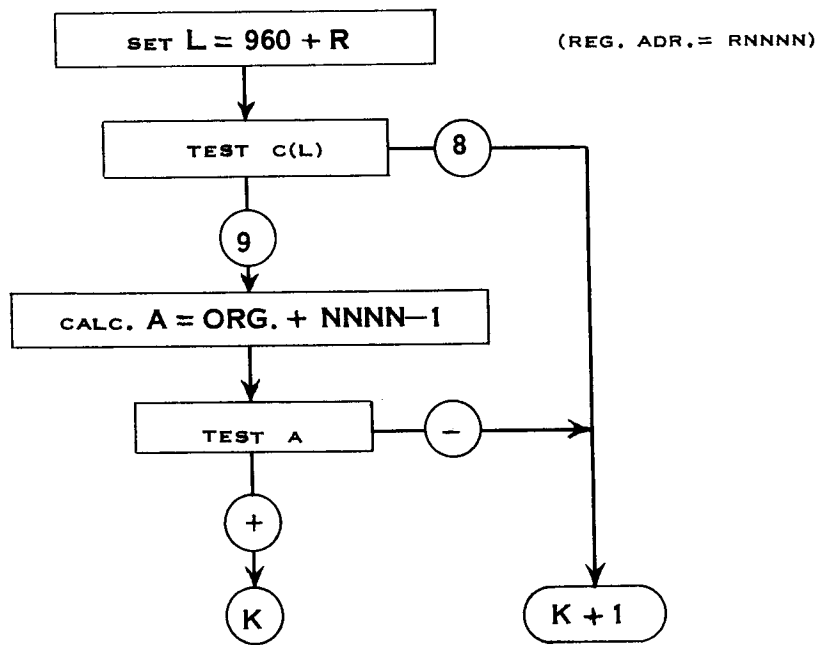
SUBROUTINE 6: SYMBOL TEST



SUBROUTINE 7: STORE SYMBOL AND EQUIVALENT



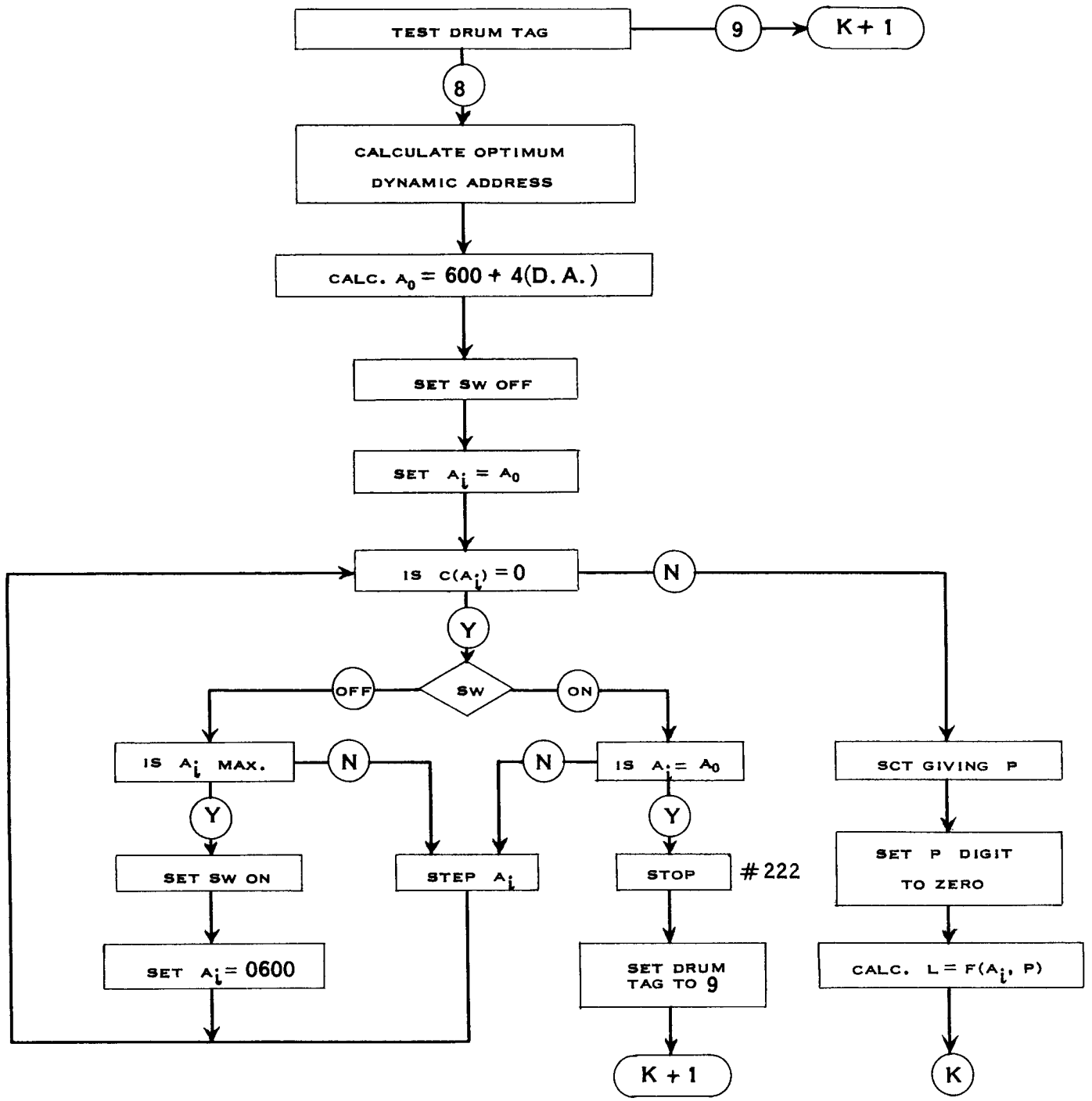
SUBROUTINE 8: OBTAIN SYMBOLIC EQUIVALENT



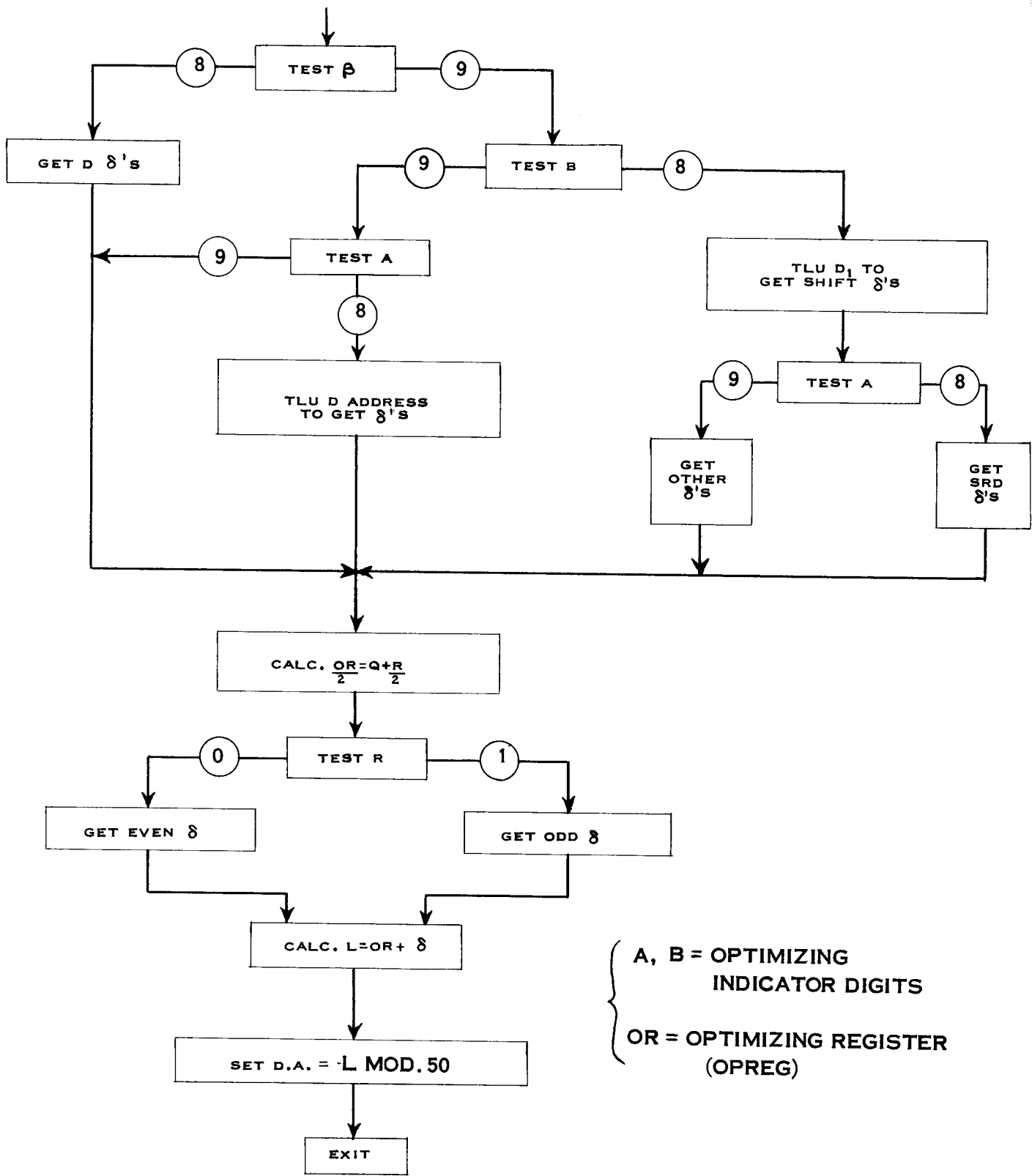
SUBROUTINE 9 : CALCULATE REGIONAL ADDRESS

SUBROUTINE 10 : (SEE PROGRAM LISTING)

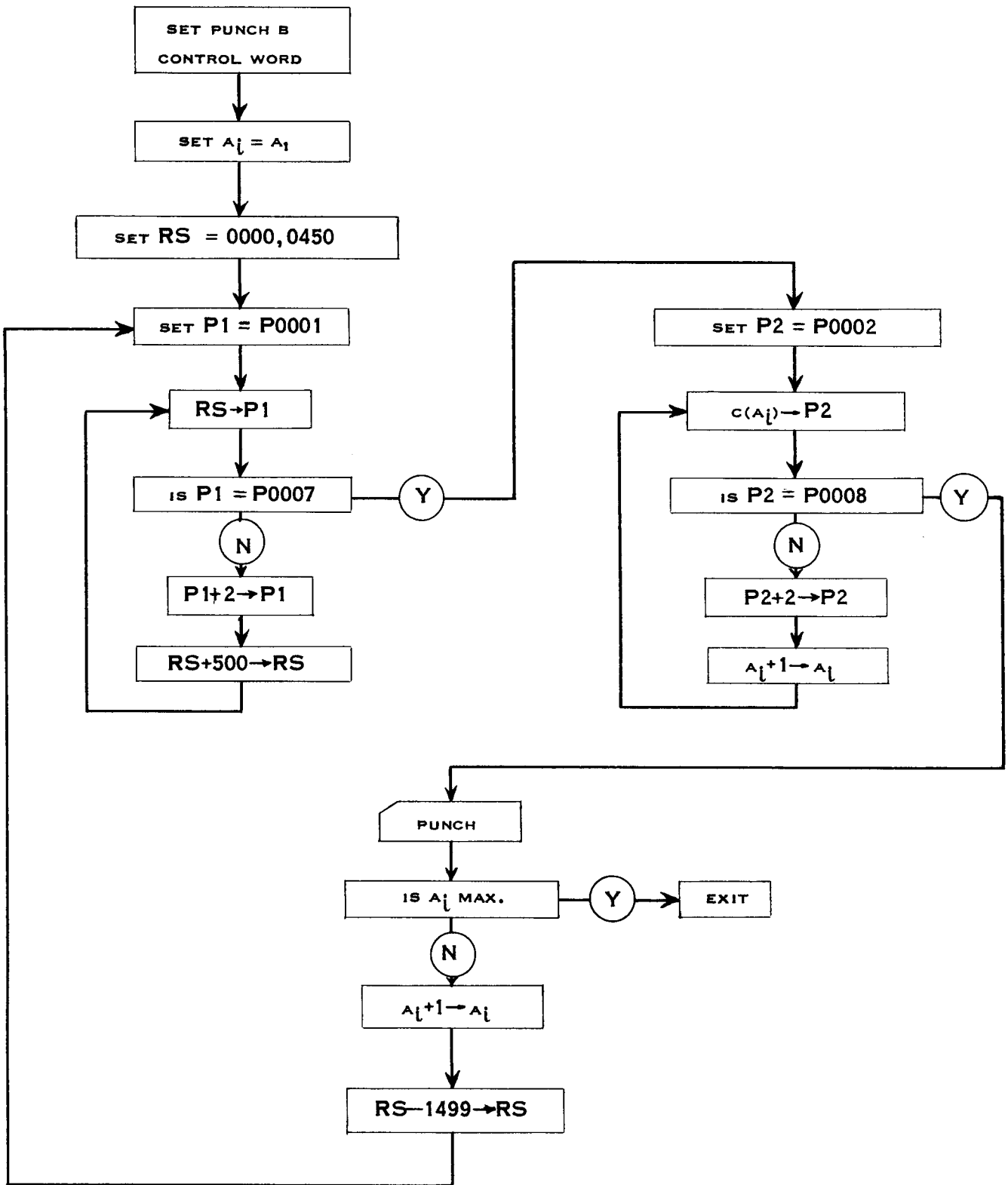
SUBROUTINE 12 : (SEE PROGRAM LISTING)



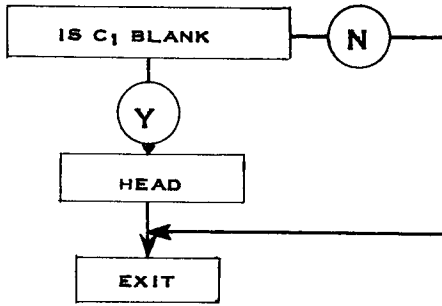
SUBROUTINE 11: FIND AND RESERVE BEST DRUM LOCATION



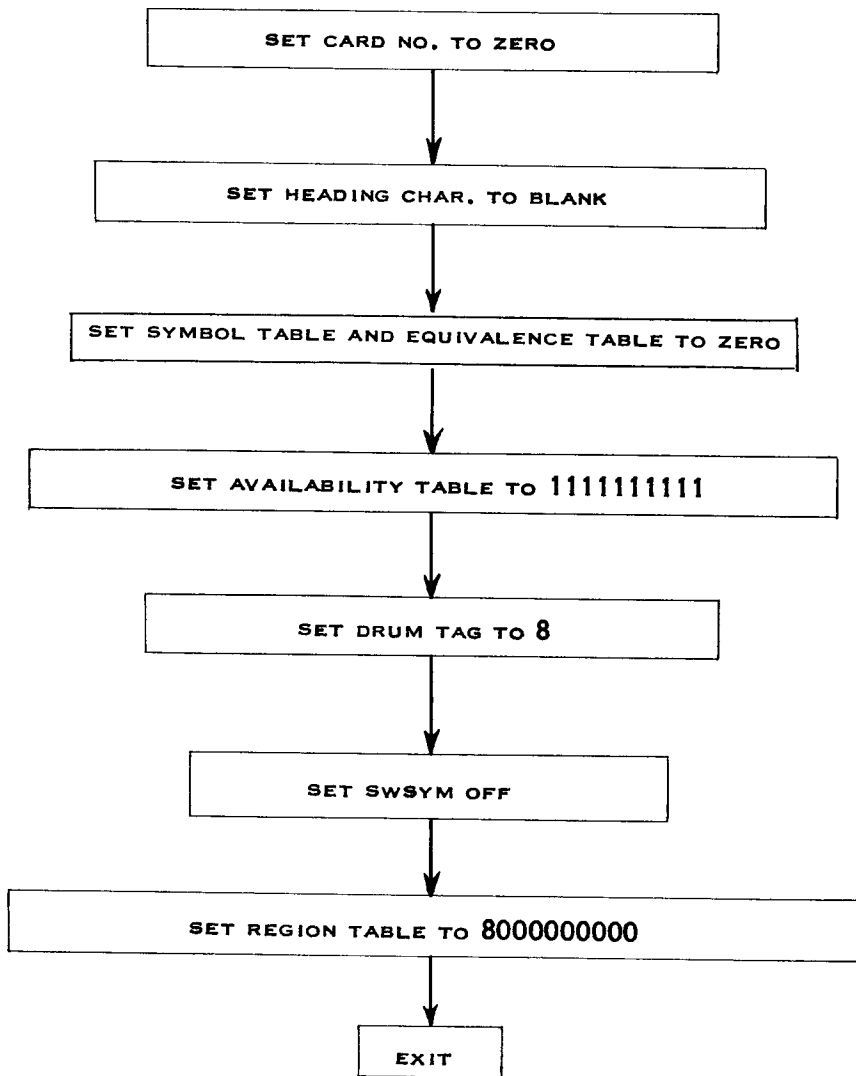
SUBROUTINE 13: CALCULATE OPTIMUM DYNAMIC ADDRESS



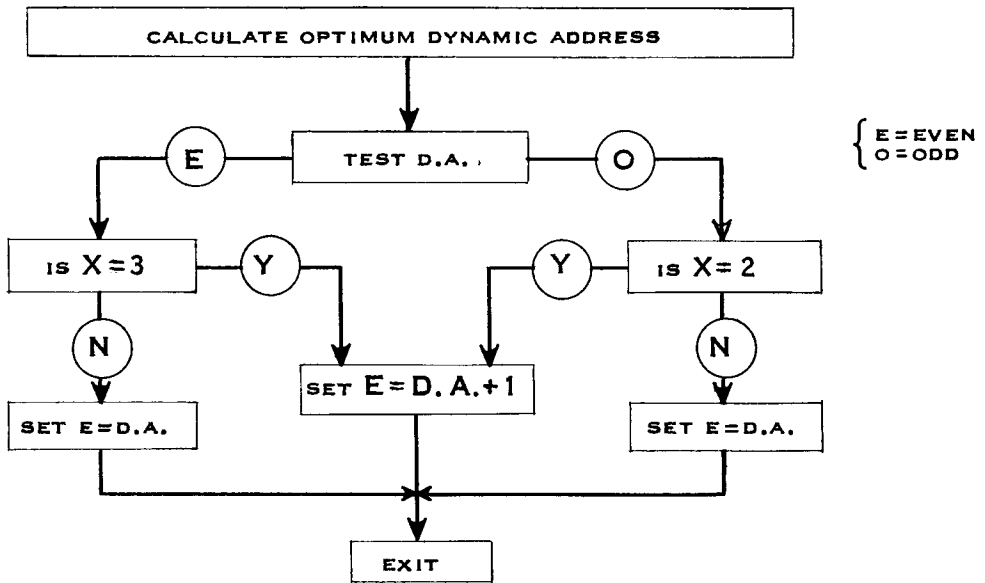
SUBROUTINE 14: PUNCH AVAILABILITY TABLE



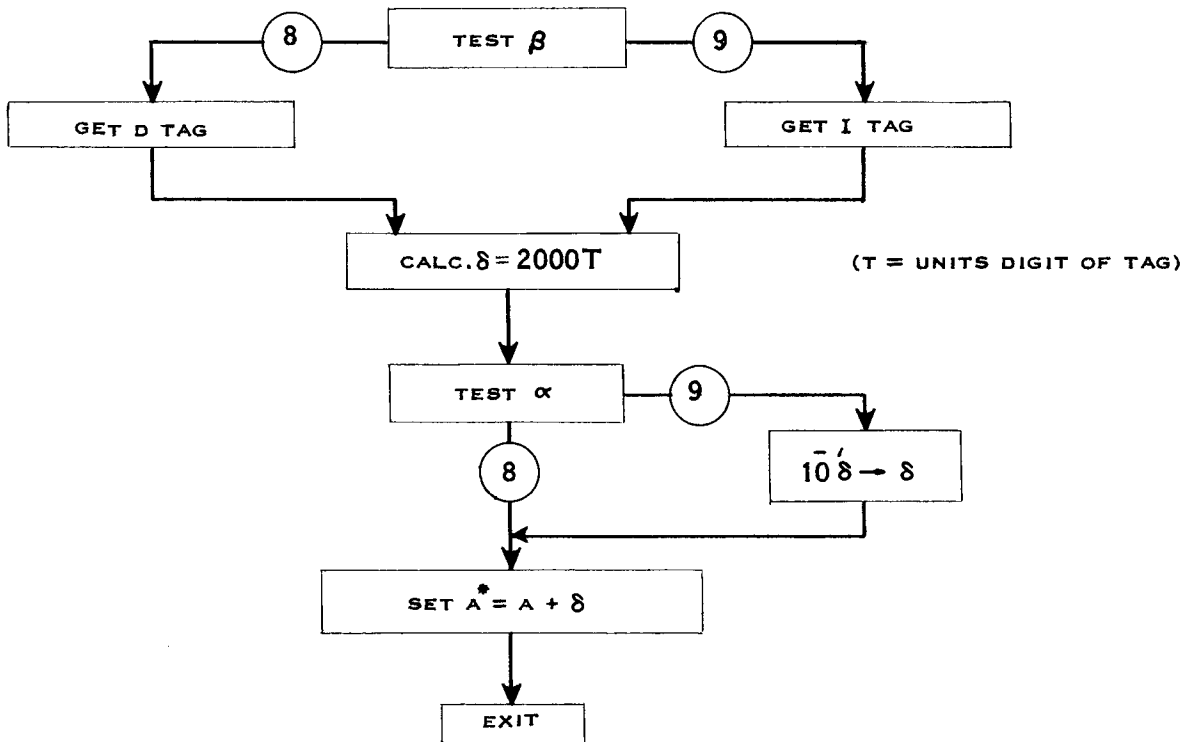
SUBROUTINE 15: HEADING



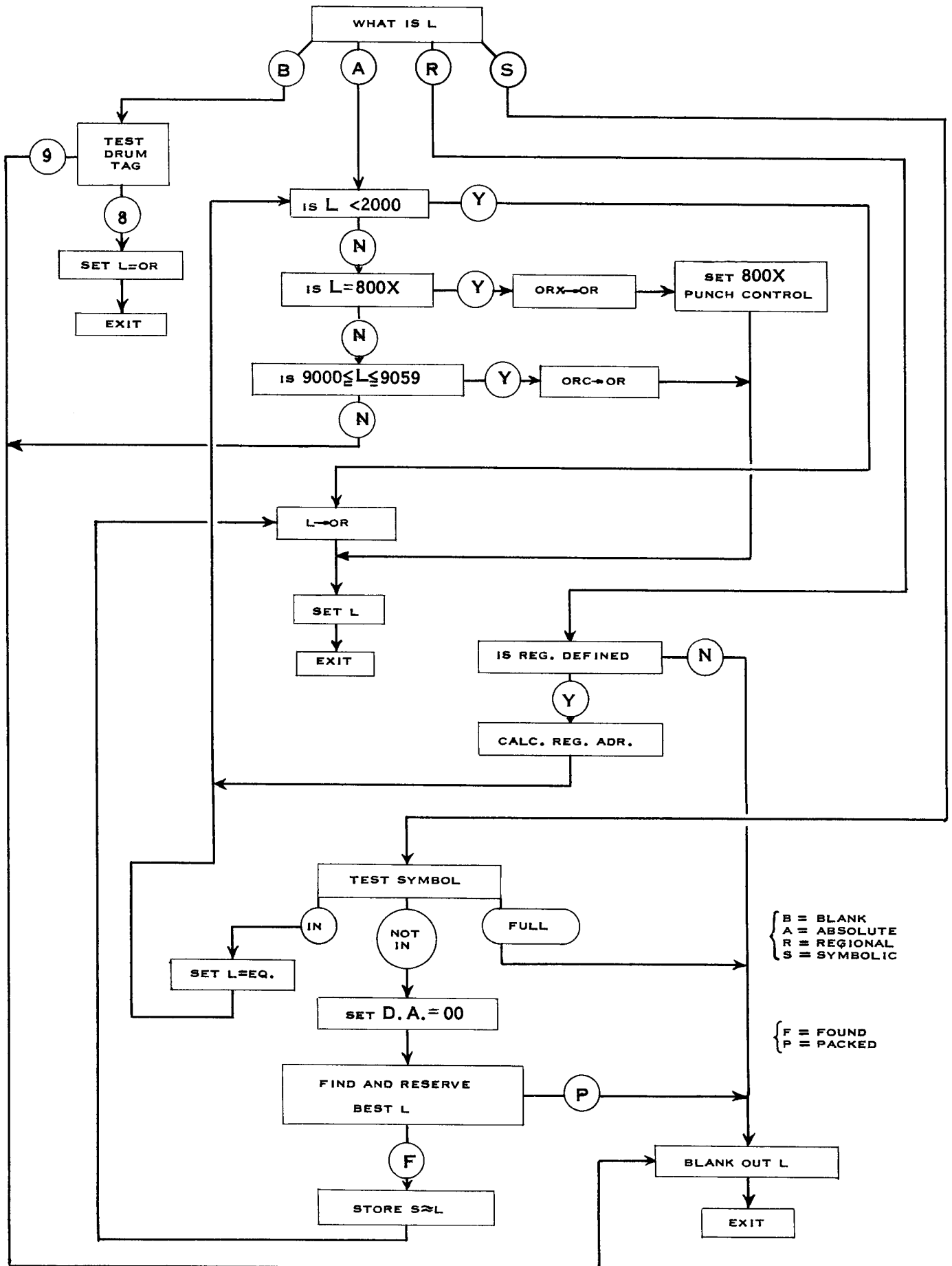
SUBROUTINE 16: INITIALIZATION



SUBROUTINE 17: CALCULATE 800X DRUM EQUIVALENT



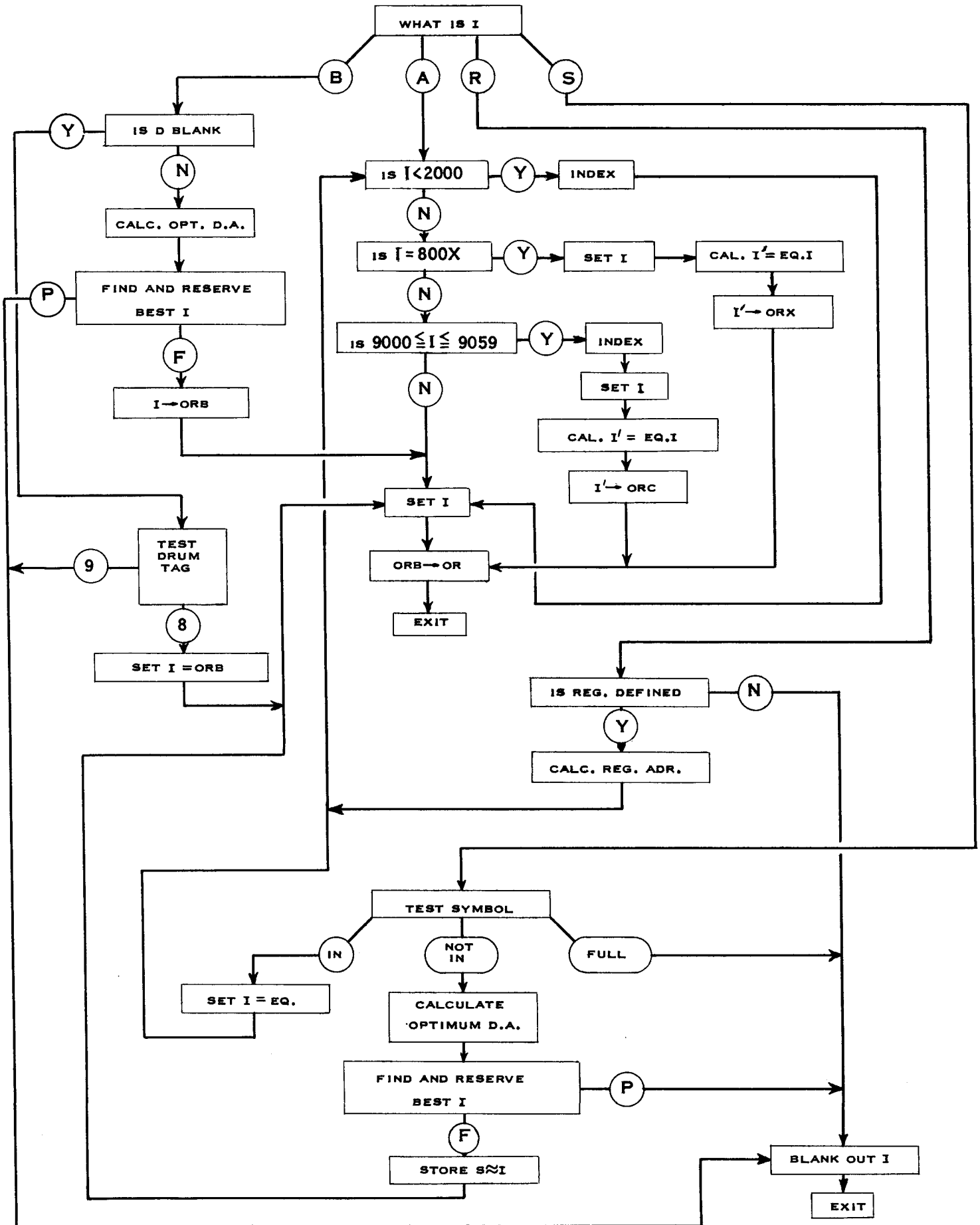
SUBROUTINE 18: INDEX ADDRESS



{ B = BLANK
 A = ABSOLUTE
 R = REGIONAL
 S = SYMBOLIC

{ F = FOUND
 P = PACKED

SUBROUTINE 19: PROCESS LOCATION



SUBROUTINE 21: PROCESS INSTRUCTION ADDRESS

SOAP 2
 SYMBOLIC OPTIMAL ASSEMBLY PROG
 FOR THE
 IBM 650
 DATA PROCESSING SYSTEM

REG	S0000	0399	SYMBOL TAB
REG	E0400	0599	EQUIV TABL
REG	A0600	0799	AVAIL TABL
REG	N0800	0899	NUM OP TAB
BLR	1000	1000	ENTRY
BLR	1001	1012	PSEUDO ENT
BLR	1021	1049	REG TABLE
REG	C1050	1164	SYM OP TAB
BLA	1098	1099	
BLA	1148	1149	
BLR	1900	1900	MANUAL PAT
SYN	READC	1950	
BLR	1951	1962	READ AREA
REG	T1990	1992	TYPE
REG	P1977	1986	PUNCH AREA
BLR	1998	1999	
EQU	XXXX1	1961	
EQU	XXXX2	1962	
BLR	1563	1570	TYPE2
BLA	1565	1565	
BLA	1569	1569	
REG	B0900	0901	SUB 2
REG	H0902	0904	TYPE 2
REG	M0905	0907	
REG	Q0908	0909	
REG	R1200	1207	SUB 5
REG	U1250	1259	SUB 13
REG	V0910	0912	EQU SYN
REG	X0913	0914	TYPE 0
REG	Y0915	0916	EQU SYN
REG	Z0917	0919	
REG	W0920	0922	
BLR	0923	0968	MULTIPLE R
REG	I1300	1307	SUB 13

CONTROL PROGRAM

1000	LDD	READC	SUB16	ENTRY	1000	69	1950	1353
READC	RCD	1999	1998	READ CARD	1950	70	1999	1998
1998	LDD	1951		TRANSFER	1998	69	1951	1354
	STD	P0001		ALPHABETIC	1354	24	1977	0980
	LDD	1952		INPUT	0980	69	1952	1355
	STD	P0002		TO	1355	24	1978	0981

	LDD	1953		OUTPUT	0981	69	1953	1356
	STD	P0003			1356	24	1979	0982
	LDD	1954			0982	69	1954	1357
	STD	P0004			1357	24	1980	0983
	LDD	1955			0983	69	1955	1208
	STD	P0005			1208	24	1981	0984
	LDD	1956			0984	69	1956	1209
	STD	P0006			1209	24	1982	0985
	RAL	P0009		STEP	0985	65	1985	0989
	ALO	11XXX		CARD	0989	15	0992	0997
	STL	P0009		NUMBER	0997	20	1985	0988
	RAU	1960		STORE	0988	60	1960	1015
	SRT	0002		CONTROL	1015	30	0002	0971
	STU	P0008		INFO	0971	21	1984	0987
	AUP	TORG			0987	10	0990	0995
8003	STL	P0010	8003	TRANSFER	0995	20	1986	8003
	NOP	0000	9999	TO TYPE	8003	00	0000	9999
PUNCH	PCH	P0001	READC	PUNCH READ	1350	71	1977	1950
SETCC	RAU	READC	SUB10	SUDO EXIT	1400	60	1950	1405
1900	LDD	READC	SUB14	MANUAL PAT	1900	69	1950	1403
T0001	LDD	X	SUBR3	TYPE 0	1990	69	0993	0996
X0001	LDD		PROCL	650	0913	69	1016	0969
	LDD		PROCD	COMMAND OR	1016	69	1019	0972
	LDD	PUNCH	PROCI	CONSTANTS	1019	69	1350	1453
X0002	NOP	0000	8003	PSEUDO OP	0914	00	0000	8003
T0002	RAU	READC	SUB10	TYPE 1 COM	1991	60	1950	1405
X	00	0000	X0001		0993	00	0000	0913
RELOCATE ROUTINE								
T0003	HED	T						
Q0002	LDD	Q	SUBR3	PROCESS OP	1992	69	1195	0996
Q0001	NOP	0000	ILLOP	ILLEGAL OP	0909	00	0000	1013
	RAL	1951		IS L FIXED	0908	65	1951	1455
	SLT	0002			1455	35	0002	1211
	NZU		REL		1211	44	1165	1166
	RAU	1957		FIXED L	1165	60	1957	1261
	SUP	2000I		DRUM CORE	1261	11	1014	1169
	BMI		FC		1169	46	1172	0973
	AUP	8001	RES	FIXED DRUM	1172	10	8001	0979
FC	RAL	1957	SETL	FIXED CORE	0973	65	1957	1311
SR	RAL	XXXX1	SETL	SET L	1450	65	1961	1311
SETL	SLT	0004			1311	35	0004	1171
	LDD	P0008			1171	69	1984	1187
	SDA	P0008	PROD		1187	22	1984	1237

REL	RAU	1957		DRUM CORE	1166	60	1957	1361
	SUP	2000I			1361	11	1014	1219
	BMI		RC		1219	46	1222	1173
	AUP	DDIFF		RELOCATE	1222	10	0975	1179
	BMI		BL	DRUM ADDR	1179	46	1182	1183
RES	AUP	2000I	RES		1182	10	1014	0979
	STU	XXXX1			0979	21	1961	1214
	LDD	SR	SUB2R	RESERVE L	1214	69	1450	1503
RC	RAL	1957		RELOCATE	1173	65	1957	1411
	ALO	CDIFF		CORE	1411	15	1264	1269
	SLO	9060			1269	16	1272	0977
	BMI		BL		0977	46	1180	1183
	ALO	8001	SETL		1180	15	8001	1311
BL	RAU	PROD	SUB12	BLANK L	1183	60	1237	0991
	REG	J0944	0944	D TYPE 2				
	REG	G0941	0941					
PROD	LDD	PROI		SET D EXIT	1237	69	1190	1193
	STD	EXITX			1193	24	1196	0999
	RAU	1952		WHAT IS D	0999	60	1952	1407
	LDD	H	SUBR4		1407	69	1210	1213
H0001	RAL	1958		RELOCATE	0902	65	1958	1263
	SLO	2000I		D OR C	1263	16	1014	1319
	BMI	1564	1563		1319	46	1564	1563
H0002	SRT	0008		C D OR F	0903	30	0008	1221
	AUP	1500	8003		1221	10	0974	8003
1563	RAL	CDIFF	CDD	C	1563	65	1264	1369
1564	RAL	DDIFF	CDD	D	1564	65	0975	1369
1566	RAL	1958	J0001	F	1566	65	1958	0944
CDD	ALO	1958	J0001		1369	15	1958	0944
H0003	NOP	0000	G0003	SYMBOLIC	0904	00	0000	0943
	REG	J0960	0960	I				
	REG	F0955	0955					
PROI	LDD	PUNCH		SET I EXIT	1190	69	1350	1553
	STD	EXITX			1553	24	1196	1099
	RAU	1953		WHAT IS I	1099	60	1953	1457
	LDD	M	SUBR4		1457	69	1260	1213
M0001	RAL	1959		RELOCATE	0905	65	1959	1313
	SLO	2000I		D OR C	1313	16	1014	1419
	BMI	1568	1567		1419	46	1568	1567
M0002	SRT	0008		C D OR F	0906	30	0008	1175
	AUP	1504	8003		1175	10	0978	8003
1567	RAL	CDIFF	CDI	C	1567	65	1264	1469
1568	RAL	DDIFF	CDI	D	1568	65	0975	1469
1570	RAL	1959	J0001	F	1570	65	1959	0960
CDI	ALO	1959	J0001		1469	15	1959	0960
M0003	NOP	0000	F0003	SYMBOLIC	0907	00	0000	0957
Q	00	0000	Q0001	CONSTANTS	1195	00	0000	0908
9060	00	0000	9060		1272	00	0000	9060
H	00	0000	H0001		1210	00	0000	0902
1500	00	0000	1500		0974	00	0000	1500

M	00	0000	M0001		1260	00	0000	0905
1504	00	0000	1504		0978	00	0000	1504
XXXX1	01	0000	XXXX1	ERASEABLE	1961	01	0000	1961
	HED							

BOP ROUTINE

1001	LDD		SUB16	INITIALIZE	1001	69	1404	1353
	RAU	READC	SUB10	PUNCH	1404	60	1950	1405

BLR ROUTINE

1002	RAL	1959	BLR	RESERVE	1002	65	1959	1363
BLR	SLO	1958		FWA TO	1363	16	1958	1413
	AUP	8001		LWA	1413	10	8001	1271
	LDD	SETCC	SUB2R		1271	69	1400	1503

RBR ROUTINE

1012	RAU	DDIFF			1012	60	0975	1229
	ALO	1959	BLR		1229	15	1959	1363

BLA ROUTINE

1003	LDD	H8XXX		SET DRUM	1003	69	1406	1309
	STD	DRUMT		TAG TO 8	1309	24	1212	1215
	RAL	1959		UNRESERVE	1215	65	1959	1463
	SLO	1958		FWA	1463	16	1958	1513
	AUP	8001		TO	1513	10	8001	1321
	LDD	SETCC	SUB2U	LWA	1321	69	1400	1603

REG ROUTINE

1004	HED	R						
	RAL	1952		IS	1004	65	1952	1507
	SRT	0008		REGION	1507	30	0008	1225
	SLO	90XXX		CHARACTER	1225	16	1178	1233
	BMI		1002	ALPHABETIC	1233	46	0986	1002
	ALO	29XXX			0986	15	1189	1243
	BMI	1002			1243	46	1002	1197
	SLT	0004		STORE	1197	35	0004	1557
	ALO	ST		REGION	1557	15	1310	1265
	AUP	1958		ORIGIN	1265	10	1958	1613
8002	AUP	H9XXX	8002		1613	10	1216	8002
	STU	9999	1002		8002	21	9999	1002
ST	STU	1021	1002	CONSTANTS	1310	21	1021	1002
	HED							

EQU REQ AND SYN ROUTINE

1005	HED	Z						
1006	LDD	H8XXX	BOTH	EQU	1005	69	1406	1359
BOTH	LDD	H9XXX	BOTH	SYN	1006	69	1216	1359
	STD	TAG			1359	24	1262	1315

	RAU	1953		WHAT IS I	1315	60	1953	1607	
	LDD	Z	SUBR4		1607	69	1360	1213	
Z0001	RAL	1959	Y0001	ABSOLUTE	0917	65	1959	0915	
Z0002	LDD	Y	SUBR9	REGIONAL	0918	69	1371	1174	
Y0001	STL	E	TD		0915	20	1519	1322	
Y0002	RAL	P0010	BP	REG ERROR	0916	65	1986	1191	
Z0003	LDD	W	SUBR6	SYMBOLIC	0919	69	1372	1275	
W0001	RAL	EQUIV	Y0001	S DEFINED	0920	65	1223	0915	
W0002	RAL	P0010	BP	S UNDEFIND	0921	65	1986	1191	
W0003	RAL	P0010	BP	S TAB FULL	0922	65	1986	1191	
TD	RAU	1952		HEAD D	1322	60	1952	1657	
	LDD		SUB15	AND EQUATE	1657	69	1410	1663	
	LDD	V	SUBR6	TO E	1410	69	1713	1275	
V0003	RAL	P0010	BP	S TAB FULL	0912	65	1986	1191	
V0001	ALO	E	SD		0910	15	1519	1273	
V0002	ALO	E	SD		0911	15	1519	1273	
SD	LDD	TT	SUBR7		1273	69	0976	1279	
TT	LDD	TAG		TEST TAG	0976	69	1262	1365	
	BDO	SETCC			1365	90	1400	0970	
	RAU	E		RESERVE E	0970	60	1519	1323	
	LDD	SETCC	SUB2R		1323	69	1400	1503	
1011	LDD	H8XXX		REQ	1011	69	1406	1409	
	STD	TAG		ROUTINE	1409	24	1262	1415	
	RAL	1959		IS I	1415	65	1959	1763	
	SLO	2000I		DRUM O COR	1763	16	1014	1569	
	BMI	D			1569	46	1422	1373	
	ALO	CDIFF	CD		1373	15	1264	1619	
D	ALO	DDIFF	CD		1422	15	0975	1619	
CD	ALO	2000I	Y0001		1619	15	1014	0915	
Z	00	0000	Z0001	CONSTANTS	1360	00	0000	0917	
Y	00	0089	Y0001		1371	00	0089	0915	
W	00	0000	W0001		1372	00	0000	0920	
V	00	0000	V0001		1713	00	0000	0910	
88	00	8800	0000		1500	00	8800	0000	
BP	ALO	88		BY PASS	1191	15	1500	1505	
	STL	P0010	PUNCH		1505	20	1986	1350	
TAG	01	0000	TAG	ERASEABLE	1262	01	0000	1262	
E	01	0000	E		1519	01	0000	1519	
	HED								
ALF ROUTINE									
1007	LDD		PROCL	PROCES LOC	1007	69	1460	0969	
	LDD	1952			1460	69	1952	1555	
	STD	P0007			1555	24	1983	1186	
	RAL	1953		REPLACE	1186	65	1953	1707	
	NZE	PUNCH		BLANK I	1707	45	1350	1461	
	LDD	SOAP2		BY	1461	69	1314	1017	
	STD	P0003	PUNCH	SOAP2	1017	24	1979	1350	

SOAP2	ALF	SOAP2	SOAP2	CONSTANT	1314	82	7661	7792
PAT ROUTINE								
1008	RAU		SUB10		1008	60	1511	1405
	LDD	READC	SUB14		1511	69	1950	1403
HED ROUTINE								
1009	RAL	1952		STORE	1009	65	1952	1757
	SRT	0008		HEADING	1757	30	0008	1325
	STL	0000H	SETCC	CHARACTER	1325	20	1329	1400
REL ROUTINE								
1010	HED	M						
	RAL	1952		SET	1010	65	1952	1807
	NZE		SDD	DRUM	1807	45	1510	1561
	RAL	1958	SDD	AND	1510	65	1958	1561
SDD	STL	DDIFF		CORE	1561	20	0975	1228
	RAL	1953		DELTAS	1228	65	1953	1857
	NZE		SCD		1857	45	1560	1611
	RAL	1959	SCD		1560	65	1959	1611
SCD	STL	CDIFF	SETCC		1611	20	1264	1400
DDIFF	01	0000	DDIFF	ERASEABLE	0975	01	0000	0975
CDIFF	01	0000	CDIFF		1264	01	0000	1264
	HED							
LOAD AVAILABILITY TABLE								
1999	HED	L						
	RAL	1951		CALC	1999	65	1951	1605
	SRT	0004		LOC	1605	30	0004	1465
	SLT	0004		W2	1465	35	0004	1375
	ALO	8002			1375	15	8002	1283
	ALO	8002			1283	15	8002	1241
	ALO	C1			1241	15	0994	1149
	AUP	C2	8003		1149	10	1352	8003
8003	LDD	9995	8002	LOAD	8003	69	9995	8002
8002	STD	9994	TUP	TABLE	8002	24	9994	1247
TUP	SUP	TW			1247	11	1550	1655
	NZU		READC		1655	44	1459	1950
	AUP	TWP2			1459	10	1312	1167
	ALO	1DXXX	8003		1167	15	1020	8003
C1	STD	A0001	TUP	CONSTANTS	0994	24	0600	1247
C2	LDD	1952	8002		1352	69	1952	8002
TW	LDD	1958	8002		1550	69	1958	8002
TWP2	LDD	1960	8002		1312	69	1960	8002
	HED							

OPTIMIZING TABLE

N0001	00	0404	0998	NOP	0800	00	0404	0998
N0002	00	0404	0998	HLT	0801	00	0404	0998
N0003	33	2322	0999	UFA	0802	33	2322	0999
N0004	00	0505	0998	RTC	0803	00	0505	0998
N0005	00	0505	0998	RTN	0804	00	0505	0998
N0006	00	0505	0998	RTA	0805	00	0505	0998
N0007	00	0505	0998	WTN	0806	00	0505	0998
N0008	00	0505	0998	WTA	0807	00	0505	0998
N0009	33	1212	0999	LIB	0808	33	1212	0999
N0010	33	0202	0999	LDI	0809	33	0202	0999
N0011	33	0504	0999	AUP	0810	33	0504	0999
N0012	33	0504	0999	SUP	0811	33	0504	0999
N0013	99	9999	9999	NOT USED	0812	99	9999	9999
N0014	99	9999	9999	NOT USED	0813	99	9999	9999
N0015	33	1110	0999	DIV	0814	33	1110	0999
N0016	33	0504	0999	ALO	0815	33	0504	0999
N0017	33	0504	0999	SLO	0816	33	0504	0999
N0018	33	0504	0999	AML	0817	33	0504	0999
N0019	33	0504	0999	SML	0818	33	0504	0999
N0020	33	2120	0999	MPY	0819	33	2120	0999
N0021	54	0303	0999	STL	0820	54	0303	0999
N0022	45	0303	0999	STU	0821	45	0303	0999
N0023	34	0303	0999	SDA	0822	34	0303	0999
N0024	34	0303	0999	SIA	0823	34	0303	0999
N0025	33	0303	0999	STD	0824	33	0303	0999
N0026	44	0505	0998	NTS	0825	44	0505	0998
N0027	00	0505	0998	BIN	0826	00	0505	0998
N0028	00	0505	0998	SET	0827	00	0505	0998
N0029	33	1212	0999	SIB	0828	33	1212	0999
N0030	33	0202	0999	STI	0829	33	0202	0999
N0031	00	0000	0988	SRT	0830	00	0000	0988
N0032	00	0000	0888	SRD	0831	00	0000	0888
N0033	33	2726	0999	FAD	0832	33	2726	0999
N0034	33	2726	0999	FSB	0833	33	2726	0999
N0035	33	0000	0999	FDV	0834	33	0000	0999
N0036	00	0000	0988	SLT	0835	00	0000	0988
N0037	00	0000	0988	SCT	0836	00	0000	0988
N0038	33	2726	0999	FAM	0837	33	2726	0999
N0039	33	2726	0999	FSM	0838	33	2726	0999
N0040	33	0000	0999	FMP	0839	33	0000	0999
N0041	33	0404	0998	NZA	0840	33	0404	0998
N0042	33	0404	0998	BMA	0841	33	0404	0998
N0043	33	0404	0998	NZB	0842	33	0404	0998
N0044	33	0404	0998	BMB	0843	33	0404	0998
N0045	34	0405	0998	NZU	0844	34	0405	0998
N0046	43	0504	0998	NZE	0845	43	0504	0998
N0047	33	0404	0998	BMI	0846	33	0404	0998
N0048	33	0505	0998	BOV	0847	33	0505	0998
N0049	33	0404	0998	NZC	0848	33	0404	0998
N0050	33	0404	0998	BMC	0849	33	0404	0998
N0051	00	0000	0898	AXA	0850	00	0000	0898
N0052	00	0000	0898	SXA	0851	00	0000	0898
N0053	00	0000	0898	AXB	0852	00	0000	0898

N0054	00	0000	0898	SXB	0853	00	0000	0898
N0055	44	0505	0998	NEF	0854	44	0505	0998
N0056	00	0505	0998	RWD	0855	00	0505	0998
N0057	00	0505	0998	WTM	0856	00	0505	0998
N0058	00	0505	0998	BST	0857	00	0505	0998
N0059	00	0000	0898	AXC	0858	00	0000	0898
N0060	00	0000	0898	SXC	0859	00	0000	0898
N0061	33	0504	0999	RAU	0860	33	0504	0999
N0062	33	0504	0999	RSU	0861	33	0504	0999
N0063	99	9999	9999	NOT USED	0862	99	9999	9999
N0064	99	9999	9999	NOT USED	0863	99	9999	9999
N0065	33	1110	0999	DVR	0864	33	1110	0999
N0066	33	0504	0999	RAL	0865	33	0504	0999
N0067	33	0504	0999	RSL	0866	33	0504	0999
N0068	33	0504	0999	RAM	0867	33	0504	0999
N0069	33	0504	0999	RSM	0868	33	0504	0999
N0070	33	0303	0999	LDD	0869	33	0303	0999
N0071	00	0000	0999	RD1	0870	00	0000	0999
N0072	00	0000	0999	WR1	0871	00	0000	0999
N0073	00	0000	0999	RC1	0872	00	0000	0999
N0074	00	0000	0999	RD2	0873	00	0000	0999
N0075	00	0000	0999	WR2	0874	00	0000	0999
N0076	00	0000	0999	RC2	0875	00	0000	0999
N0077	00	0000	0999	RD3	0876	00	0000	0999
N0078	00	0000	0999	WR3	0877	00	0000	0999
N0079	00	0000	0999	RC3	0878	00	0000	0999
N0080	00	0505	0999	RPY	0879	00	0505	0999
N0081	00	0000	0898	RAA	0880	00	0000	0898
N0082	00	0000	0898	RSA	0881	00	0000	0898
N0083	00	0000	0898	RAB	0882	00	0000	0898
N0084	00	0000	0898	RSB	0883	00	0000	0898
N0085	33	0506	0999	TLU	0884	33	0506	0999
N0086	00	0606	0998	SDS	0885	00	0606	0998
N0087	00	0606	0998	RDS	0886	00	0606	0998
N0088	00	0606	0998	WDS	0887	00	0606	0998
N0089	00	0000	0898	RAC	0888	00	0000	0898
N0090	00	0000	0898	RSC	0889	00	0000	0898
N0091	44	0505	0998	BD0	0890	44	0505	0998
N0092	33	0505	0998	BD1	0891	33	0505	0998
N0093	33	0505	0998	BD2	0892	33	0505	0998
N0094	33	0505	0998	BD3	0893	33	0505	0998
N0095	33	0505	0998	BD4	0894	33	0505	0998
N0096	33	0505	0998	BD5	0895	33	0505	0998
N0097	33	0505	0998	BD6	0896	33	0505	0998
N0098	33	0505	0998	BD7	0897	33	0505	0998
N0099	33	0505	0998	BD8	0898	33	0505	0998
N0100	44	0505	0998	BD9	0899	44	0505	0998

SYMBOLIC OP TABLE

C0001	61	7366	1007	ALF	1050	61	7366	1007
C0002	61	7376	0015	ALO	1051	61	7376	0015
C0003	61	7473	0017	AML	1052	61	7473	0017
C0004	61	8477	0010	AUP	1053	61	8477	0010
C0005	61	8761	0050	AXA	1054	61	8761	0050

C0006	61	8762	0052	AXB	1055	61	8762	0052
C0007	61	8763	0058	AXC	1056	61	8763	0058
C0008	62	6476	0090	BDO	1057	62	6476	0090
C0009	62	6491	0091	BD1	1058	62	6491	0091
C0010	62	6492	0092	BD2	1059	62	6492	0092
C0011	62	6493	0093	BD3	1060	62	6493	0093
C0012	62	6494	0094	BD4	1061	62	6494	0094
C0013	62	6495	0095	BD5	1062	62	6495	0095
C0014	62	6496	0096	BD6	1063	62	6496	0096
C0015	62	6497	0097	BD7	1064	62	6497	0097
C0016	62	6498	0098	BD8	1065	62	6498	0098
C0017	62	6499	0099	BD9	1066	62	6499	0099
C0018	62	6975	0026	BIN	1067	62	6975	0026
C0019	62	7361	1003	BLA	1068	62	7361	1003
C0020	62	7379	1002	BLR	1069	62	7379	1002
C0021	62	7461	0041	BMA	1070	62	7461	0041
C0022	62	7462	0043	BMB	1071	62	7462	0043
C0023	62	7463	0049	BMC	1072	62	7463	0049
C0024	62	7469	0046	BMI	1073	62	7469	0046
C0025	62	7677	1001	BOP	1074	62	7677	1001
C0026	62	7685	0047	BOV	1075	62	7685	0047
C0027	62	8283	0057	BST	1076	62	8283	0057
C0028	64	6985	0014	DIV	1077	64	6985	0014
C0029	64	8579	0064	DVR	1078	64	8579	0064
C0030	65	7884	1005	EQU	1079	65	7884	1005
C0031	66	6164	0032	FAD	1080	66	6164	0032
C0032	66	6174	0037	FAM	1081	66	6174	0037
C0033	66	6485	0034	FDV	1082	66	6485	0034
C0034	66	7477	0039	FMP	1083	66	7477	0039
C0035	66	8262	0033	FSB	1084	66	8262	0033
C0036	66	8274	0038	FSM	1085	66	8274	0038
C0037	68	6564	1009	HED	1086	68	6564	1009
C0038	68	7383	0001	HLT	1087	68	7383	0001
C0039	73	6464	0069	LDD	1088	73	6464	0069
C0040	73	6469	0009	LDI	1089	73	6469	0009
C0041	73	6962	0008	LIB	1090	73	6962	0008
C0042	74	7788	0019	MPY	1091	74	7788	0019
C0043	75	6566	0054	NEF	1092	75	6566	0054
C0044	75	7677	0000	NOP	1093	75	7677	0000
C0045	75	8382	0025	NTS	1094	75	8382	0025
C0046	75	8961	0040	NZA	1095	75	8961	0040
C0047	75	8962	0042	NZB	1096	75	8962	0042
C0048	75	8963	0048	NZC	1097	75	8963	0048
C0051	75	8965	0045	NZE	1100	75	8965	0045
C0052	75	8984	0044	NZU	1101	75	8984	0044
C0053	77	6183	1008	PAT	1102	77	6183	1008
C0054	77	6368	0071	PCH	1103	77	6368	0071
C0055	79	6161	0080	RAA	1104	79	6161	0080
C0056	79	6162	0082	RAB	1105	79	6162	0082
C0057	79	6163	0088	RAC	1106	79	6163	0088
C0058	79	6173	0065	RAL	1107	79	6173	0065
C0059	79	6174	0067	RAM	1108	79	6174	0067
C0060	79	6184	0060	RAU	1109	79	6184	0060
C0061	79	6279	1012	RBR	1110	79	6279	1012
C0062	79	6364	0070	RCD	1111	79	6364	0070

SUB 1 STORE K IN FWA TO LWA

	HED	1						
SUBR1	STD	EXITX		STORE EXIT	1600	24	1196	1199
	STU	XXXX1		STORE K	1199	21	1961	1364
	LDD	FWA		SET	1364	69	1217	1170
	SDA	FWA		FWA	1170	22	1217	1220
	SLT	0004		LWA	1220	35	0004	1181
	SDA	XXXX2		ADDRESSES	1181	22	1962	1515
	RAU	FWA			1515	60	1217	1421
	ALO	XXXX1	8003		1421	15	1961	8003
8003	STL	9999	NEXT	STORE K	8003	20	9999	1402
NEXT	SUP	XXXX2		END OF	1402	11	1962	1267
	NZU		EXITX	LOOP TEST	1267	44	1471	1196
	AUP	8001			1471	10	8001	1379
	AUP	1DXXX	8003	STEP	1379	10	1020	8003
FWA	STL	9998	NEXT	CONSTANTS	1217	20	9998	1402
XXXX2	01	0000	XXXX2	ERASEABLE	1962	01	0000	1962
	HED							

SUB 2 RESERVE UNRESERVE

	HED	2						
SUB2R	STD	EXITY		RESERVE	1503	24	1813	1316
	LDD	Z	RU	ENTRY	1316	69	1769	1472
SUB2U	STD	EXITY		UNRESERVE	1603	24	1813	1366
	LDD	1I	RU	ENTRY	1366	69	1565	1472
RU	STD	W		SET W	1472	24	1246	1299
	STL	N		STORE N	1299	20	1653	1556
	SLO	8001		CALC AO	1556	16	8001	1913
	AUP	8003		AND PO	1913	10	8003	1571
	SRT	0003			1571	30	0003	1479
	STU	X			1479	21	1284	1287
	SUP	8001			1287	11	8001	1245
	SLT	0001			1245	35	0001	1451
	STU	P			1451	21	1606	1609
	SUP	8001			1609	11	8001	1367
	SLT	0002			1367	35	0002	1473
	AUP	8003			1473	10	8003	1281
	AUP	X			1281	10	1284	1239
	ALO	P			1239	15	1606	1711
	SLT	0004			1711	35	0004	1621
	ALO	C1			1621	15	1506	1761
	STL	B0002			1761	20	0901	1554
	LDD	C2			1554	69	1188	1291
	SDA	SPR			1291	22	1231	1334
	AUP	C3	SU		1334	10	1337	1423
SU	STU	SA			1423	21	1401	1604
	AUP	C4	8003		1604	10	1558	8003
8003	RAL	9992	B0002		8003	65	9992	0901
B0002	SLT	0009	XX		0901	35	0009	1521
XX	STU	UH			1521	21	1176	1429
	SLT	0001			1429	35	0001	1185
	RAL	8002			1185	65	8002	1293

	AUP	W			1293	10	1246	1351
	SRT	0001			1351	30	0001	1907
	AUP	UH	SPR		1907	10	1176	1231
SPR	SRT	0009	SA		1231	30	0009	1401
SA	STL	9983	B0001		1401	20	9983	0900
B0001	RAL	N		IS N ZERO	0900	65	1653	1308
	NZE		EXIT		1308	45	1362	1813
	SLO	1I		REDUCE N	1362	16	1565	1669
	STL	N		BY 1	1669	20	1653	1456
	RAU	SA		IS AI	1456	60	1401	1705
	SUP	A197		IN LAST	1705	11	1358	1863
	BMI		TP	BLOCK OF	1863	46	1266	1317
	AUP	A201	SU	4	1266	10	1719	1423
TP	RAL	SPR		IS P 9	1317	65	1231	1235
	SLO	C2			1235	16	1188	1343
	NZE		ZP		1343	45	1296	1297
	ALO	C5		STEP P	1296	15	1249	1703
	LDD	C1			1703	69	1506	1509
	SDA	B0002			1509	22	0901	1454
	STL	SPR			1454	20	1231	1184
	RAU	SA		REDUCE AI	1184	60	1401	1755
	SUP	C6	SU	BY 196	1755	11	1408	1423
ZP	LDD	C1		SET P	1297	69	1506	1559
	STD	B0002		TO ZERO	1559	24	0901	1504
	LDD	C7			1504	69	1458	1661
	STD	SPR			1661	24	1231	1234
	RAU	SA		REDUCE AI	1234	60	1401	1805
	SUP	C8	SU	BY 195	1805	11	1508	1423
C1	SLT	0000	XX	CONSTANTS	1506	35	0000	1521
C2	SRT	0009	SA		1188	30	0009	1401
C3	STL	A0001	B0001		1337	20	0600	0900
C4	45	0000	0001		1558	45	0000	0001
1I	00	0000	0001		1565	00	0000	0001
A197	STL	A0197	B0001		1358	20	0796	0900
A201	STL	A0201	B0001		1719	20	0800	0900
C5	SRT	0010	SA		1249	30	0010	1401
C6	00	0196	0000		1408	00	0196	0000
C7	SRT	0000	SA		1458	30	0000	1401
C8	00	0195	0000		1508	00	0195	0000
Z	00	0000	0000		1769	00	0000	0000
W	01	0000	W	ERASEABLE	1246	01	0000	1246
N	01	0000	N		1653	01	0000	1653
B0002	01	0000	B0002		0901	01	0000	0901
SPR	01	0000	SPR		1231	01	0000	1231
SA	01	0000	SA		1401	01	0000	1401
UH	01	0000	UH		1176	01	0000	1176
X	01	0000	X		1284	01	0000	1284
	HED							

SUB 3 PROCESS OP CODE

HED 3

SUBR3	STD	EXITX		STORE EXIT	0996	24	1196	1349
	RAL	1954			1349	65	1954	1659
	SRT	0004		IS OP	1659	30	0004	1819
	NZE		ILLOP	BLANK	1819	45	1522	1013
	SLT	0006		IS OP	1522	35	0006	1387
	NZU		NUM	NUMERIC	1387	44	1341	1192
	SRT	0002			1341	30	0002	1347
	STL	XXXX1		SEARCH	1347	20	1961	1414
	SLO	8001		SYMBOLIC	1414	16	8001	1671
	TLU	C0001		OP TABLE	1671	84	1050	1855
	ALO	1	8002		1855	15	1608	8002
8002	RAL	9997	NEXT	IS	8002	65	9997	1501
NEXT	SLO	XXXX1		SYM OP	1501	16	1961	1615
	SLT	0006		LEGAL	1615	35	0006	1529
	NZU	ILLOP			1529	44	1013	1384
	SLT	0001		TEST FOR	1384	35	0001	1391
	NZU	PSEU		PSEUDO OP	1391	44	1295	1346
	SLT	0001	SNO	STORE NUM	1346	35	0001	1753
SNO	STL	P0007		650 OP	1753	20	1983	1236
	SRT	0004		GET OPTIM	1236	30	0004	1397
	ALO	3	8002	CONSTANTS	1397	15	1650	8002
8002	LDD	9996	NEX		8002	69	9996	1399
NEX	STD	OPTIM	EXITX		1399	24	1452	1196
NUM	SLO	4		FORM	1192	16	1345	1449
	SLT	0002		NUMERIC	1449	35	0002	1905
	SLO	8002		OP	1905	16	8002	1963
	SRT	0001		CODE	1963	30	0001	1869
	ALO	8001	SNO		1869	15	8001	1753
ILLOP	RAL	P0010		ILLEGAL OP	1013	65	1986	1441
	ALO	5		SET 8	1441	15	1194	1499
	STL	P0010		FOR BLANK	1499	20	1986	1289
	LDD	6	NEX	OP	1289	69	1242	1399
PSEU	SLT	0003		PSEUDO	1295	35	0003	1803
	ALO	EXITX		OP	1803	15	1196	1551
	ALO	1IXXX	8002		1551	15	0992	8002
1	RAL	0000	NEXT	CONSTANTS	1608	65	0000	1501
2	10	0000	0000		1700	10	0000	0000
3	LDD	N0001	NEX		1650	69	0800	1399
4	90	9000	0000		1345	90	9000	0000
5	00	0000	0008		1194	00	0000	0008
6	55	0505	0999		1242	55	0505	0999
	HED							

SUB 4 WHAT IS ADDRESS

SUBR4	HED	4		STORE EXIT	1213	24	1416	1919
	STD	EXITZ		STORE ADDR	1919	21	1961	1464
	STU	XXXX1		IS C5	1464	30	0008	1333
	SRT	0008		BLANK	1333	44	1437	1416
	NZU		EXITZ	SAVE C5	1437	21	1962	1665
	STU	XXXX2						

	RAU	8002		ARE LOW 4	1665	60	8002	1523
	AUP	90XXX		CHARACTERS	1523	10	1178	1383
LOOP	BOV	LOOP	LOOP	NUMERIC	1383	47	1286	1286
	AUP	H1			1286	10	1339	1393
	BOV		SYM		1393	47	1396	0998
	SLT	0002			1396	35	0002	1853
	NZU	LOOP			1853	44	1286	1658
	RAL	XXXX2		LOW 4 NUM	1658	65	1962	1417
	SLO	90XXX		IS C5	1417	16	1178	1433
	BMI		SYM	ALPHABETIC	1433	46	1336	0998
	ALO	29XXX			1336	15	1189	1443
	BMI	SYM			1443	46	0998	1447
	RAL	11XXX		REGIONAL	1447	65	0992	1497
AEX	AUP	XXXX1	AEX		1497	10	1961	1715
	ALO	EXITZ			1715	15	1416	1721
SYM	SLO	8002	8001		1721	16	8002	8001
	RAU	XXXX1		HED SYMBOL	0998	60	1961	1765
	LDD		SUB15		1765	69	1018	1663
	ALO	21XXX		STEP EXIT	1018	15	1771	1425
	STU	HSYMB	AEX		1425	21	1230	1715
H1	10	0000	0000		1339	10	0000	0000
HSYMB	01	0000	HSYMB	ERASEABLE	1230	01	0000	1230
	HED							

SUB 5 TEST ABSOLUTE ADDRESS

	HED	5						
SUBR5	STD	EXITZ		STORE EXIT	1750	24	1416	1969
	STL	XXXX1		STORE A	1969	20	1961	1514
	SLT	0004			1514	35	0004	1475
	SLO	8002			1475	16	8002	1483
	TLU	R0001		TLU	1483	84	1200	1656
	ALO	GET	8002	RANGE	1656	15	1709	8002
8002	RAU	9972	X	TABLE	8002	60	9972	1177
X	SLT	0006			1177	35	0006	1491
	SRT	0006			1491	30	0006	1706
	AUP	EXITZ			1706	10	1416	1821
	ALO	XXXX1			1821	15	1961	1815
	SUP	8003	8001		1815	11	8003	8001
GET	RAU	0000	X		1709	60	0000	1177
R0001	00	1999	0000	RANGE	1200	00	1999	0000
R0002	00	7999	0003	TABLE	1201	00	7999	0003
R0003	00	8003	0001		1202	00	8003	0001
R0004	00	8004	0003		1203	00	8004	0003
R0005	00	8007	0001		1204	00	8007	0001
R0006	00	8999	0003		1205	00	8999	0003
R0007	00	9059	0002		1206	00	9059	0002
R0008	99	9999	0003		1207	99	9999	0003
	HED							

SUB 6 SYMBOL TEST ROUTINE

	HED	6						
SUBR6	STD	EXITZ		STORE EXIT	1275	24	1416	1320
	STU	S		STORE SYMB	1320	21	1601	1654

	LDD	SWOF		SET SWITCH	1654	69	1758	1861
	STD	SW		OFF	1861	24	1610	1764
	MPY	SC		SCRAMBLE	1764	19	1517	1238
	RAL	8002		SYMBOL	1238	65	8002	1547
	SLT	0003		GIVING	1547	35	0003	1806
	MPY	CF		LO	1806	19	1759	1330
	SRT	0001			1330	30	0001	1587
	SLT	0004		SET	1587	35	0004	1597
	ALO	L1P1		TEST	1597	15	1850	1856
	STL	LOP1		WORD	1856	20	1865	1168
	SLO	1DXXX			1168	16	1020	1525
	STL	LO	SLI	SAVE LO	1525	20	1903	1487
SLI	STL	LI	8001	INIT LI	1487	20	1614	8001
8001	RAL	9990	A	IS CONT OF	8001	65	9990	1395
A	NZE		UND	LI ZERO	1395	45	1098	1549
	SLO	S		IS CONT OF	1098	16	1601	1756
	NZE	SW	DEF	LI SYMB	1756	45	1610	1811
SW	RAL	LI	OFF	IS LI	1610	65	1614	1270
OFF	SLO	LMAX		MAXIMUM	1270	16	1573	1227
	NZE		MAX		1227	45	1280	1331
	ALO	LMP1	SLI	STEP LI	1280	15	1533	1487
ON	SLO	LO		IS LI EQUA	1800	16	1903	1708
	NZE		SWSYM	TO LO	1708	45	1412	1664
	ALO	LOP1	SLI	STEP LI	1412	15	1865	1487
MAX	LDD	SWON		SET	1331	69	1434	1537
	STD	SW		SWITCH ON	1537	24	1610	1714
	RAL	L1	SLI	ZERO LI	1714	65	1467	1487
UND	RAL	EXITZ		UNDEFINED	1549	65	1416	1871
	ALO	1IXXX		STEP	1871	15	0992	1647
	STL	EXITZ		EXIT	1647	20	1416	1370
	RAL	LI			1370	65	1614	1420
	SLO	L1			1420	16	1467	1921
	STL	LSYMB	ASU		1921	20	1575	1278
DEF	RAL	LI		DEFINED	1811	65	1614	1470
	LDD	ASU	SUBR8	GET	1470	69	1278	1381
ASU	AUP	S	EXITZ	EQUIVALENT	1278	10	1601	1416
SWSYM	HLT	0111	SYMOF	S TAB FULL	1664	01	0111	1218
SYMOF	LDD	SYMON		SET SW SYM	1218	69	1971	1224
	STD	SWSYM	SYMON	ON	1224	24	1664	1971
SYMON	RAL	EXITZ			1971	65	1416	1572
	ALO	2IXXX	8002		1572	15	1771	8002
SWOF	RAL	LI	OFF	CONSTANTS	1758	65	1614	1270
SWON	RAL	LI	ON		1434	65	1614	1800
SC	10	0100	1001		1517	10	0100	1001
CF	00	0000	0004		1759	00	0000	0004
L1	RAL	0000	A		1467	65	0000	1395
L1P1	RAL	0001	A		1850	65	0001	1395
LMAX	RAL	E0000	A		1573	65	0399	1395
LMP1	RAL	E0001	A		1533	65	0400	1395
S	01	0000	S	ERASEABLE	1601	01	0000	1601
SW	01	0000	SW		1610	01	0000	1610

LO	01	0000	LO	1903	01	0000	1903
LI	01	0000	LI	1614	01	0000	1614
LSYMB	01	0000	LSYMB	1575	01	0000	1575
	HED						

SUB 7 STORE SYMBOL AND EQUIV

	HED	7					
SUBR7	STD	EXITZ		STORE EXIT	1279	24	1416 1520
	LDD	SS			1520	69	1623 1226
	SDA	XXXX2	8001	STORE	1226	22	1962 8001
8001	STU	9988	A	SYMBOL	8001	21	9988 1541
A	SUP	8001			1541	11	8001 1599
	STL	XXXX1		SAVE E	1599	20	1961 1814
	SRT	0004			1814	30	0004 1625
	DIV	2IXXX		CALCULATE	1625	14	1771 1232
	SLT	0004		LOCATION	1232	35	0004 1493
	ALO	C1		OF	1493	15	1446 1651
	LDD	C2		E	1651	69	1704 1808
	SDA	SEL		AND	1808	22	1911 1864
	LDD	C3		STORE	1864	69	1617 1620
	SDA	SER			1620	22	1673 1276
	STL	OBEE			1276	20	1431 1484
	SLO	8001			1484	16	8001 1591
	ALO	XXXX1	OBEE		1591	15	1961 1431
OBEE	LDD	9986	B		1431	69	9986 1389
B	NZU	SER			1389	44	1673 1244
	SLT	0004	SEL		1244	35	0004 1911
SS	STU	9987	A	CONSTANTS	1623	21	9987 1541
C1	LDD	E0001	B		1446	69	0400 1389
C2	SDA	9985	EXITZ		1704	22	9985 1416
C3	SIA	9984	EXITZ		1617	23	9984 1416
OBEE	01	0000	OBEE	ERASEABLE	1431	01	0000 1431
SEL	01	0000	SEL		1911	01	0000 1911
SER	01	0000	SER		1673	01	0000 1673
	HED						

SUB 8 GIVEN SYM LOC GET EQUIV

	HED	8					
SUBR8	STD	EXIT		STORE EXIT	1381	24	1534 1637
	LDD	8003			1637	69	8003 1294
	SDA	LSYMB		STORE L	1294	22	1575 1328
	RAL	8001			1328	65	8001 1285
	DIV	2DXXX			1285	14	1288 1148
	SLT	0004			1148	35	0004 1809
	ALO	E1	8002		1809	15	1462 8002
8002	LDD	9975	TR		8002	69	9975 1378
TR	NZU		LH		1378	44	1481 1282
	RAM	8001	LR	GET E RH	1481	67	8001 1439
LH	RAM	8001		GET E LH	1282	67	8001 1489
	SRT	0004	LR		1489	30	0004 1439
LR	LDD	8003			1439	69	8003 1496
	SIA	EQUIV			1496	23	1223 1326
	RAL	LSYMB	EXIT		1326	65	1575 1534

E1	LDD	E0001	TR	CONSTANT	1462	69	0400	1378
EXIT	01	0000	EXIT	ERASEABLE	1534	01	0000	1534
EQUIV	01	0000	EQUIV		1223	01	0000	1223
	HED							

SUB 9 CALCULATE REG ADDRESS

	HED	9						
SUBR9	STD	EXITZ		STORE EXIT	1174	24	1416	1670
	SRT	0008			1670	30	0008	1539
	RAL	8003			1539	65	8003	1697
	SLT	0004			1697	35	0004	1858
	ALO	C	8002	IS	1858	15	1512	8002
8002	RAL	9991	NEX	REGION	8002	65	9991	1445
NEX	BDO	ILL		DEFINED	1445	90	1649	1701
	SLT	0001			1701	35	0001	1908
	RAL	8002			1908	65	8002	1667
	SRT	0001			1667	30	0001	1723
	LDD	EXITZ			1723	69	1416	1720
	BD6		L		1720	96	1773	1675
	BD5	D	I		1773	95	1376	1428
L	ALO	1957	ALL		1675	15	1957	1562
D	ALO	1958	ALL		1376	15	1958	1562
I	ALO	1959	ALL		1428	15	1959	1562
ALL	SLO	1IXXX			1562	16	0992	1747
	BMI	ILL	EXITZ		1747	46	1649	1416
ILL	RAL	EXITZ		UNDEFINED	1649	65	1416	1622
	ALO	1IXXX	8002	OR ILLEG	1622	15	0992	8002
C	RAL	0960	NEX	CONSTANT	1512	65	0960	1445
	HED							

SUB 10 SET CC 8 AND PUNCH

SUB10	ALO	P0010			1405	15	1986	1641
	ALO	84TH			1641	15	1344	1699
	STL	P0010			1699	20	1986	1589
	PCH	P0001	8003		1589	71	1977	8003
84TH	00	0800	0000	CONSTANT	1344	00	0800	0000

SUB 11 FIND AND RESERVE BEST

SUB11	HED	0						
	LDD	DRUMT		TEST	1801	69	1212	1965
	BDO		SEX	DRUM TAG	1965	90	1770	1820
	STL	EXIT		IS ADR L	1770	20	1725	1478
	BD6	DI			1478	96	1531	1633
	RAL	8003	SSW	L	1633	65	8003	1741
DI	LDD	F		D OR I	1531	69	1634	1787
	SDA	XXXX1	SUB13	FIND OPTIM	1787	22	1961	1964
GDA	SLT	0004		DYNAM ADR	1851	35	0004	1762
	ALO	8002			1762	15	8002	1672
	ALO	8002	SSW		1672	15	8002	1741
SSW	LDD	OFF		SET SW OFF	1741	69	1444	1797
	STD	SW			1797	24	1584	1837

	ALO	A1P1		GET TABLE	1837	15	1290	1495
	STL	BP1		START ADDR	1495	20	1915	1268
	SLO	1DXXX			1268	16	1020	1775
	STL	AO	SAI	SAVE AO	1775	20	1804	1612
SAI	STL	AI	8001		1612	20	1687	8001
8001	RAU	9975	TA	IS A LOCAT	8001	60	9975	1579
TA	NZU	YES	SW	AVAILABLE	1579	44	1583	1584
SW	RAU	AI	SWOF		1584	60	1687	1691
SWOF	SLO	AMAX		IS AI MAX	1691	16	1394	1749
	NZE		MAX		1749	45	1502	1754
	ALO	AMP1	SAI	STEP AI	1502	15	1906	1612
SWON	SLO	AO		IS AI EQUA	1751	16	1804	1859
	NZE		FULL	TO AO	1859	45	1662	1914
	ALO	BP1	SAI	STEP AI	1662	15	1915	1612
MAX	LDD	ON		SET SW ON	1754	69	1909	1712
	STD	SW			1712	24	1584	1737
	RAL	A1	SAI	SET AI TO	1737	65	1240	1612
FULL	HLT	0222		DRUM PAKED	1914	01	0222	1318
	LDD	H9XXX		SET DRUM	1318	69	1216	1870
	STD	DRUMT		TAG TO 9	1870	24	1212	1466
	RAL	EXIT	SEX	STEP EXIT	1466	65	1725	1820
SEX	ALO	1IXXX	8002		1820	15	0992	8002
YES	SCT	0000		RESERVE	1583	36	0000	1660
	SLT	0001		LOCATION	1660	35	0001	1717
	SRT	0001		FOUND	1717	30	0001	1823
	STL	XXXX2		SAVE P	1823	20	1962	1516
	SUP	8003			1516	11	8003	1873
	SLT	0004			1873	35	0004	1683
	AUP	8001			1683	10	8001	1791
	ALO	SRP	8002		1791	15	1494	8002
8002	SRT	0009	SCA	NULIFY SCT	8002	30	0009	1722
SCA	RAU	8003			1722	60	8003	1629
	ALO	AI			1629	15	1687	1841
	LDD	ST			1841	69	1544	1847
	SDA	ERAS	8001		1847	22	1901	8001
8001	STU	9972	CA		8001	21	9972	1825
CA	SUP	8001		CALCULATE	1825	11	8001	1733
	SLO	A1		LOCATION	1733	16	1240	1545
	SRT	0004		FOUND	1545	30	0004	1710
	DIV	4I			1710	14	1616	1426
	MPY	500			1426	19	1679	1552
	ALO	8003			1552	15	8003	1760
	SUP	8001			1760	11	8001	1767
	AUP	XXXX2			1767	10	1962	1817
	MPY	50			1817	19	1920	1340
	ALO	8003			1340	15	8003	1897
	SUP	8001	EXIT		1897	11	8001	1725
F	00	0000	GDA	CONSTANTS	1634	00	0000	1851
OFF	RAL	AI	SWOF		1444	65	1687	1691
A1P1	RAU	A0002	TA		1290	60	0601	1579
AMAX	RAU	A0200	TA		1394	60	0799	1579
AMP1	RAU	A0201	TA		1906	60	0800	1579
ON	RAL	AI	SWON		1909	65	1687	1751

A1	RAU	A0001	TA		1240	60	0600	1579
SRP	SRT	0000	SCA		1494	30	0000	1722
ST	STU	9999	CA		1544	21	9999	1825
4I	00	0000	0004		1616	00	0000	0004
500	00	0000	0500		1679	00	0000	0500
50	00	0000	0050		1920	00	0000	0050
FON	RAL	8001	STEPX		1602	65	8001	1810
AO	01	0000	AO	ERASEABLE	1804	01	0000	1804
AI	01	0000	AI		1687	01	0000	1687
BP1	01	0000	BP1		1915	01	0000	1915
EXIT	01	0000	EXIT		1725	01	0000	1725
	HED							

SUB 12 SET BLANK L 8

SUB12	ALO	P0010			0991	15	1986	1891
	ALO	87TH			1891	15	1594	1799
	STL	P0010	8003		1799	20	1986	8003
87TH	00	0000	8000	CONSTANT	1594	00	0000	8000

SUB 13 CAL OPTIMUM DYNAMIC ADR

SUB13	HED	Y						
	STD	EXITZ		STORE EXIT	1964	24	1416	1970
	BD5		I	D OR I	1970	95	1923	1875
	RAL	OPTIM		D	1923	65	1452	1860
	SLT	0001			1860	35	0001	1867
	SLO	8002			1867	16	8002	1925
	SLT	0001			1925	35	0001	1581
	ALO	8001			1581	15	8001	1639
	SRT	0003	SEO		1639	30	0003	1947
I	RAL	OPTIM		I	1875	65	1452	1910
	BD2	SHOP		SHIFT TEST	1910	92	1666	1716
	BD3	XAS		XAS TEST	1716	93	1772	1822
	SLT	0002	SEO		1822	35	0002	1947
SEO	STL	XXXX1		SAVE EV OD	1947	20	1961	1766
	RAL	OPREG		IS BASE	1766	65	1872	1277
	DIV	2IXXX		EVEN OR OD	1277	14	1771	1332
	RAU	8003			1332	60	8003	1689
	ALO	XXXX1			1689	15	1961	1816
	NZU		R8		1816	44	1922	1972
	SLT	0002			1922	35	0002	1729
	RAL	8002	R8		1729	65	8002	1972
R8	SRT	0008		GET BASE	1972	30	0008	1941
	ALO	OPREG		PLUS DELTA	1941	15	1872	1327
	DIV	50		MOD 50	1327	14	1380	1390
	RAL	8003	EXITZ		1390	65	8003	1416
SHOP	RAL	P0007		TLU UNITS	1666	65	1983	1887
	SRT	0004		DIGIT OF	1887	30	0004	1997
	SLT	0009		D ADDRESS	1997	35	0009	1917
	SLO	8002			1917	16	8002	1975
	TLU	U0001			1975	84	1250	1812
	ALO	GU	8002		1812	15	1866	8002

8002	RAL	9969	TOP		8002	65	9969	1973
TOP	SLT	0002			1973	35	0002	1779
	LDD	OPTIM		IS OP SRD	1779	69	1452	1862
	BD3		SEO		1862	93	1916	1947
	SLT	0004	SEO	SRD	1916	35	0004	1947
XAS	RAL	P0007		TLU	1772	65	1983	1937
	SRT	0004		D ADDRESS	1937	30	0004	1198
	SLT	0006			1198	35	0006	1966
	SLO	8002			1966	16	8002	1476
	TLU	I0001			1476	84	1300	1912
	ALO	GXD	8002		1912	15	1967	8002
8002	RAL	9968	NXT		8002	65	9968	1274
NXT	SLT	0004	SEO		1274	35	0004	1947
U0001	00	2322	2524	SHIFT	1250	00	2322	2524
U0002	10	0706	0706	OPTIMIZING	1251	10	0706	0706
U0003	20	0706	0908	TABLE	1252	20	0706	0908
U0004	30	0908	1110		1253	30	0908	1110
U0005	40	1110	1312		1254	40	1110	1312
U0006	50	1312	1514		1255	50	1312	1514
U0007	60	1514	1716		1256	60	1514	1716
U0008	70	1716	1918		1257	70	1716	1918
U0009	80	1918	2120		1258	80	1918	2120
U0010	90	2120	2322		1259	90	2120	2322
I0001	19	9906	0600	X ACCUM	1300	19	9906	0600
I0002	79	9907	0700	ADD SUB	1301	79	9907	0700
I0003	80	0008	0800	TABLE	1302	80	0008	0800
I0004	80	0106	0600		1303	80	0106	0600
I0005	80	0209	0800		1304	80	0209	0800
I0006	80	0308	0900		1305	80	0308	0900
I0007	90	5908	0800		1306	90	5908	0800
I0008	99	9909	0900		1307	99	9909	0900
GU	RAL	0000	TOP	CONSTANTS	1866	65	0000	1973
GXD	RAL	0000	NXT		1967	65	0000	1274
50	00	0000	0050		1380	00	0000	0050
	HED							

SUB 14 PUNCH AVAIL TABLE

SUB14	HED	P						
	STD	EXITX		STORE EXIT	1403	24	1196	1849
	LDD	85TH		SET PUNCH	1849	69	1652	1368
	STD	P0010		8	1368	24	1986	1739
	LDD	A1		INIT AI	1739	69	1292	1595
	STD	XXXX1			1595	24	1961	1418
	RAL	RS1	LOOP	INIT RS	1418	65	1324	1829
LOOP	AUP	C1	8001		1829	10	1382	8001
8001	STL	9999	NEXT	SET LOCAT	8001	20	9999	1702
NEXT	SUP	TW1			1702	11	1468	1374
	NZU		SRS		1374	44	1377	1528
	AUP	C2			1377	10	1430	1335
	ALO	C3	8003		1335	15	1338	8003

SRS	STL	XXXX2		SAVE RS	1528	20	1962	1518
	RAU	C4			1518	60	1424	1879
	ALO	XXXX1	8002		1879	15	1961	8002
8002	LDD	9998	8003	STORE	8002	69	9998	8003
8003	STD	9997	TP	AV TABLE	8003	24	9997	1752
TP	SUP	TW2			1752	11	1618	1474
	NZU		PUN		1474	44	1427	1578
	AUP	C5			1427	10	1480	1385
	ALO	C6	8002		1385	15	1388	8002
PUN	PCH	P0001			1578	71	1977	1477
	SLO	AIM		IS AI MAX	1477	16	1530	1435
	NZE		EXITX		1435	45	1438	1196
	ALO	AMP1		STEP AI	1438	15	1342	1248
	STL	XXXX1			1248	20	1961	1668
	RAL	XXXX2			1668	65	1962	1718
	SLO	C7	LOOP		1718	16	1524	1829
C1	STL	P0001	NEXT	CONSTANTS	1382	20	1977	1702
C2	STL	P0009	NEXT		1430	20	1985	1702
C3	00	0500	0500		1338	00	0500	0500
C4	STD	P0002	TP		1424	24	1978	1752
C5	STD	P0010	TP		1480	24	1986	1752
C6	00	0001	0000		1388	00	0001	0000
C7	00	1499	1499		1524	00	1499	1499
TW1	STL	P0007	NEXT		1468	20	1983	1702
TW2	STD	P0008	TP		1618	24	1984	1752
85TH	00	0080	0000		1652	00	0080	0000
A1	LDD	A0001	8003		1292	69	0600	8003
RS1	00	0000	0450		1324	00	0000	0450
AIM	LDD	A0200	8003		1530	69	0799	8003
AMP1	LDD	A0201	8003		1342	69	0800	8003
	HED							

SUB 15 HEADING ROUTINE

	HED	H						
SUB15	STD	EXITX		SAVE EXIT	1663	24	1813	1768
	LDD	8003		IS C1	1768	69	8003	1574
	SLT	0008		BLANK	1574	35	0008	1543
	NZU	DH			1543	44	1298	1348
	RAU	8001		HEAD	1348	60	8001	1818
	AUP	0000H	EXITX		1818	10	1329	1813
DH	RAU	8001	EXITX	DONT HEAD	1298	60	8001	1813
	HED							

SUB 16 INITIALIZATION

SUB16	STD	EXITX		STORE EXIT	1353	24	1813	1868
	RAL	I1			1868	65	1624	1929
	STU	P0009		ZERO CARD	1929	21	1985	1488
	STD	0000H		ZERO HEAD	1488	24	1329	1432
	LDD		SUBR1	ZERO SYM T	1432	69	1485	1600
	RAL	I2		MAKE DRUM	1485	65	1538	1593
	AUP	I3		AVAILABLE	1593	10	1546	1802
	LDD		SUBR1		1802	69	1918	1600

	LDD	H8XXX		SET DRUM	1918	69	1406	1968
	STD	DRUMT		TAG TO 8	1968	24	1212	1674
	LDD	I4		SET SWSYM	1674	69	1527	1580
	STD	SWSYM		OFF	1580	24	1664	1724
	RAL	I5		UNDEFINE	1724	65	1577	1631
	AUP	H8XXX		REGIONS	1631	10	1406	1774
	LDD	EXITY	SUBR1		1774	69	1813	1600
I1	00	S0001	E0200	CONSTANTS	1624	00	0000	0599
I2	00	A0001	A0200		1538	00	0600	0799
I3	11	1111	1111		1546	11	1111	1111
I4	01	0111	SYMOF		1527	01	0111	1218
I5	00	1021	1049		1577	00	1021	1049
PACOF	BD6	FINDI	FINDL		1852	96	1824	1874

SUB 17 CALC 800X EQUIVALENT

	HED	X						
SB17D	LDD	DEQ	DI	D EQUIV	1902	69	1924	1627
SB17I	LDD	IEQ	DI	I EQUIV	1854	69	1974	1627
DI	STD	XXXX1		SAVE TAG	1627	24	1961	1526
	STU	EXITY		STORE EXIT	1526	21	1813	1576
	STL	XXXX2		STORE 800X	1576	20	1962	1626
	LDD	XXXX1	SUB13	GET OPTIM	1626	69	1961	1964
SDA	STL	XXXX1		DYNAM ADDR	1904	20	1961	1676
	DIV	2IXXX		IS DY ADDR	1676	14	1771	1482
	NZU	OD	EV	EVEN OR OD	1482	44	1535	1386
OD	RAL	8002	EO		1535	65	1588	1643
EV	RAL	8003	EO		1386	65	1789	1643
EO	SLO	XXXX2			1643	16	1962	1726
	NZE		ADD1		1726	45	1630	1681
	RAL	XXXX1	EXITY		1630	65	1961	1813
ADD1	RAL	XXXX1			1681	65	1961	1776
	ALO	1IXXX	EXITY		1776	15	0992	1813
DEQ	00	0008	SDA	CONSTANTS	1924	00	0008	1904
IEQ	00	0009	SDA		1974	00	0009	1904
8002	00	0000	8002		1588	00	0000	8002
8003	00	0000	8003		1789	00	0000	8003
	HED							

SUB 18 INDEX ADDRESS

	HED	W						
INDEX	STD	EXITY		STORE EXIT	1826	24	1813	1876
	STL	XXXX1		STORE ADDR	1876	20	1961	1926
	RAU	1954			1926	60	1954	1976
	SLT	0007			1976	35	0007	1693
	LDD	EXITY			1693	69	1813	1677
	BD5	D		D OR I	1677	95	1680	1532
	SLT	0002	D		1532	35	0002	1680
D	SRT	0009			1680	30	0009	1727
	MPY	2000I			1727	19	1014	1684
	LDD	EXITY			1684	69	1813	1777
	BD6	DS		DRUM O COR	1777	96	1730	1582

DS	SRT ALO	0001 XXXX1	DS EXITY	CORE	1582 1730	30 15	0001 1961	1730 1813
EXITY	01 HED	0000	EXITY	ERASEABLE	1813	01	0000	1813

SUB 19 PROCESS LOCATION

	REG	D0923	0923	PROC L				
	REG	G0925	0925					
	REG	J0928	0928					
	REG	K0931	0931					
	REG	L0933	0933					
	HED	A						
PROCL	STD	EXITX		STORE EXIT	0969	24	1196	1899
	RAU	1951		IS L BLANK	1899	60	1951	1827
	NZU	NB			1827	44	1731	1632
	LDD	DRUMT		BLANK TEST	1632	69	1212	1877
	BDO	B	D0002	DRUM TAG	1877	90	1781	0924
B	RAL	OPREG	SETL	BLANK	1781	65	1872	1927
SETL	SLT	0004		SET L	1927	35	0004	1987
	LDD	P0008		TO OR	1987	69	1984	1638
	SDA	P0008	EXITX		1638	22	1984	1196
NB	LDD	G	SUBR4	WHAT IS L	1731	69	1734	1213
G0001	RAL	1957	K0001	ABSOLUTE	0925	65	1957	0931
G0002	LDD	K	SUBR9	REGIONAL	0926	69	1780	1174
G0003	LDD	J	SUBR6	SYMBOLIC	0927	69	1830	1275
K0001	LDD	L	SUBR5	TEST RANGE	0931	69	1784	1750
K0002	RAU	87TH	X	REG ERROR	0932	60	1585	1839
X	AUP	P0010		SET BLANK	1839	10	1986	1392
	STU	P0010	SETL	L8	1392	21	1986	1927
L0001	STL	OPREG	SETL	DRUM ADDR	0933	20	1872	1927
L0002	AUP	86TH	800X	800X	0934	10	1688	1743
L0003	LDD	ORCEQ	89X	CORE ADDR	0935	69	1738	1442
L0004	RAU	87TH	X	OTHER	0936	60	1585	1839
800X	LDD	ORXEQ	89X		1743	69	1596	1442
89X	STD	OPREG	X		1442	24	1872	1839
J0001	RAL	EQUIV	K0001	SYM DEFIND	0928	65	1223	0931
J0002	RAL	D	SUB11	SYM UNDEF	0929	65	1682	1801
J0003	RAU	87TH	X	S TAB FULL	0930	60	1585	1839
D0001	STL	OPREG	SS	S EQ FOUND	0923	20	1872	1628
D0002	RAU	87TH	X	DRUM PAKED	0924	60	1585	1839
SS	AUP	HSYMB		STORE	1628	10	1230	1635
	ALO	LSYMB		SYMBOL	1635	15	1575	1880
	LDD	B	SUBR7		1880	69	1781	1279
G	00	0000	G0001	CONSTANTS	1734	00	0000	0925
K	00	0090	K0001		1780	00	0090	0931
J	00	0000	J0001		1830	00	0000	0928
L	00	0000	L0001		1784	00	0000	0933
D	00	0090	D0001		1682	00	0090	0923
86TH	00	0008	0000		1688	00	0008	0000
87TH	00	0000	8000		1585	00	0000	8000
EXITX	01	0000	EXITX	ERASEABLE	1196	01	0000	1196

HED

SUB 20 PROCESS DATA ADDRESS

REG D0937 0937
REG F0939 0939
REG G0941 0941
REG J0944 0944
REG K0946 0946
REG L0949 0949

PROC D

	HED	B							
PROCD	STD	EXITX		STORE EXIT	0972	24	1196	1949	
	RAU	1952		IS D BLANK	1949	60	1952	1678	
	NZU	NB			1678	44	1831	1732	
	RAL	D	SUB11	FIND	1732	65	1685	1801	
D0001	STL	ORBAL	L0004	OPTIMUM D	0937	20	1492	0952	
D0002	RAU	88TH	X	DRUM PAKED	0938	60	1542	1398	
BT	LDD	OPTIM		IS OP	1728	69	1452	1778	
	BD1	EXITX		A BRANCH	1778	91	1196	1783	
	STL	OPREG	EXITX	D TO OR	1783	20	1872	1196	
X	AUP	P0010		SET BLANK	1398	10	1986	1592	
	STU	P0010	EXITX		1592	21	1986	1196	
NB	LDD	G	SUBR4	WHAT IS D	1831	69	1834	1213	
G0001	RAL	1958	J0001	ABSOLUTE	0941	65	1958	0944	
G0002	LDD	J	SUBR9	REGIONAL	0942	69	1645	1174	
G0003	LDD	K	SUBR6	SYMBOLIC	0943	69	1646	1275	
J0001	LDD	L	SUBR5	TEST RANGE	0944	69	1448	1750	
J0002	RAU	88TH	X	REG ERROR	0945	60	1542	1398	
L0001	LDD	AXD	INDEX	DRUM ADDR	0949	69	1828	1826	
L0002	SLT	0004	800X	800X	0950	35	0004	1878	
L0003	LDD	AXC	INDEX	CORE ADDR	0951	69	1928	1826	
L0004	SLT	0004	SD	OTHER	0952	35	0004	1930	
800X	LDD	P0007		SET 800X D	1878	69	1983	1436	
	SDA	P0007			1436	22	1983	1486	
	SRT	0004			1486	30	0004	1498	
	AUP	XEQ	SB17D	GET 800X E	1498	10	1881	1902	
SCD	SLT	0004		SET CORE D	1931	35	0004	1642	
	LDD	P0007			1642	69	1983	1536	
	SDA	P0007			1536	22	1983	1586	
	SRT	0004			1586	30	0004	1548	
	LDD	CEQ	SUB13	GET CORE E	1548	69	1782	1964	
SCEQ	STL	ORCEQ	BT	SAVE CORE	1832	20	1738	1728	
K0001	RAL	EQUIV	J0001	SYM DEFIND	0946	65	1223	0944	
K0002	RAL	F	SUB11	SYM UNDEF	0947	65	1882	1801	
K0003	RAU	88TH	X	S TAB FULL	0948	60	1542	1398	
F0001	STL	EQ	SS	SAVE EQ	0939	20	1793	1696	
F0002	RAU	88TH	X	DRUM PAKED	0940	60	1542	1398	
SS	AUP	HSYMB		STORE	1696	10	1230	1735	
	ALO	LSYMB		SYMBOL	1735	15	1575	1932	
	LDD		SUBR7		1932	69	1785	1279	
	RAL	EQ	L0004		1785	65	1793	0952	
SD	LDD	P0007		SET D ADDR	1930	69	1983	1636	
	SDA	P0007			1636	22	1983	1686	
	SRT	0004	BT		1686	30	0004	1728	

D	00	0088	D0001	CONSTANTS	1685	00	0088	0937
G	00	0000	G0001		1834	00	0000	0941
J	00	0088	J0001		1645	00	0088	0944
L	00	0000	L0001		1448	00	0000	0949
F	00	0088	F0001		1882	00	0088	0939
K	00	0000	K0001		1646	00	0000	0946
AXD	00	0088	D0001		1828	00	0088	0937
AXC	00	0098	SCD		1928	00	0098	1931
XEQ	STL	ORXEQ	BT		1881	20	1596	1728
CEQ	00	0008	SCEQ		1782	00	0008	1832
88TH	00	0000	0800		1542	00	0000	0800
EQ	01	0000	EQ	ERASEABLE	1793	01	0000	1793
	HED							

SUB 21 PROCESS INSTR ADDRESS

	REG	D0953	0953	PROC I				
	REG	F0955	0955					
	REG	G0958	0958					
	REG	J0960	0960					
	REG	K0962	0962					
	REG	L0965	0965					
	HED	C						
PROCI	STD	EXITX		STORE EXIT	1453	24	1196	1833
	RAU	1953		IS I BLANK	1833	60	1953	1883
	NZU	NB			1883	44	1788	1838
	RAU	1952		IS D BLANK	1838	60	1952	1933
	NZU	DNB			1933	44	1888	1938
	LDD	DRUMT		D I BLANK	1938	69	1212	1884
	BDO		G0002	TEST DRUM	1884	90	1988	0959
	RAL	ORBAL	L0004	TAG	1988	65	1492	0968
DNB	RAL	D	SUB11	FIND BEST	1888	65	1692	1801
D0001	STL	ORBAL	L0004	FOUND	0953	20	1492	0968
D0002	RAL	P0010	X	DRUM PAKED	0954	65	1986	1742
X	ALO	89TH			1742	15	1695	1934
	STL	P0010	EXITX		1934	20	1986	1196
NB	LDD	F	SUBR4	WHAT IS I	1788	69	1792	1213
F0001	RAL	1959	J0001	ABSOLUTE	0955	65	1959	0960
F0002	LDD	J	SUBR9	REGIONAL	0956	69	1835	1174
F0003	LDD	K	SUBR6	SYMBOLIC	0957	69	1885	1275
J0001	LDD	L	SUBR5	TEST RANGE	0960	69	1935	1750
J0002	RAL	P0010	X	REG ERROR	0961	65	1986	1742
L0001	LDD	AXD	INDEX	DRUM ADDR	0965	69	1736	1826
L0002	LDD	P0007	800X	800X	0966	69	1983	1786
L0003	LDD	AXC	INDEX	CORE ADDR	0967	69	1836	1826
L0004	LDD	P0007		OTHER	0968	69	1983	1886
	SIA	P0007	MOR		1886	23	1983	1936
800X	SIA	P0007			1786	23	1983	1889
	AUP	XEQ	SB17I	GET 800X E	1889	10	1842	1854
90XX	LDD	P0007		SET CORE	1939	69	1983	1989
	SIA	P0007		ADDRESS	1989	23	1983	1440
	LDD	CEQ	SUB13	GET CORE E	1440	69	1843	1964
K0001	RAL	EQUIV	J0001	SYM DEFIND	0962	65	1223	0960

K0002	RAL	G	SUB11	SYM UNDEF	0963	65	1490	1801
K0003	RAL	P0010	X	S TAB FULL	0964	65	1986	1742
G0001	LDD	P0007	SI	FOUND BEST	0958	69	1983	1540
G0002	RAL	P0010	X	DRUM PAKED	0959	65	1986	1742
SI	SIA	P0007			1540	23	1983	1590
	AUP	HSYMB		STORE	1590	10	1230	1640
	ALO	LSYMB		SYMBOL	1640	15	1575	1690
	LDD	MOR	SUBR7		1690	69	1936	1279
MOR	LDD	ORBAL		SET OR	1936	69	1492	1745
	STD	OPREG	EXITX	TO ORB	1745	24	1872	1196
SCEQ	STL	ORCEQ	MOR	SAVE CORE	1740	20	1738	1936
D	00	0089	D0001	CONSTANTS	1692	00	0089	0953
F	00	0000	F0001		1792	00	0000	0955
J	00	0089	J0001		1835	00	0089	0960
K	00	0000	K0001		1885	00	0000	0962
L	00	0000	L0001		1935	00	0000	0965
G	00	0089	G0001		1490	00	0089	0958
89TH	00	0000	0080		1695	00	0000	0080
AXD	00	0089	L0004		1736	00	0089	0968
AXC	00	0099	90XX		1836	00	0099	1939
XEQ	STL	ORXEQ	MOR		1842	20	1596	1936
CEQ	00	0009	SCEQ		1843	00	0009	1740
	HED							
1IXXX	00	0000	0001	CONSTANTS	0992	00	0000	0001
1DXXX	00	0001	0000		1020	00	0001	0000
2IXXX	00	0000	0002		1771	00	0000	0002
2DXXX	00	0002	0000		1288	00	0002	0000
H8XXX	80	0000	0000		1406	80	0000	0000
H9XXX	90	0000	0000		1216	90	0000	0000
90XXX	00	0000	0090		1178	00	0000	0090
29XXX	00	0000	0029		1189	00	0000	0029
2000I	00	0000	2000	CONSTANT	1014	00	0000	2000
TORG	00	0000	T0001		0990	00	0000	1990

PAT

0000	0000000000	0450	0500	0000000000	0950	1000	0000000000	1450	1500	0000000000	1950
0001	0000000000	0451	0501	0000000000	0951	1001	0000000000	1451	1501	0000000000	1951
0002	0000000000	0452	0502	0000000000	0952	1002	0000000000	1452	1502	0000000000	1952
0003	0000000000	0453	0503	0000000000	0953	1003	0000000000	1453	1503	0000000000	1953
0004	0000000000	0454	0504	0000000000	0954	1004	0000000000	1454	1504	0000000000	1954
0005	0000000000	0455	0505	0000000000	0955	1005	0000000000	1455	1505	0000000000	1955
0006	0000000000	0456	0506	0000000000	0956	1006	0000000000	1456	1506	0000000000	1956
0007	0000000000	0457	0507	0000000000	0957	1007	0000000000	1457	1507	0000000000	1957
0008	0000000000	0458	0508	0000000000	0958	1008	0000000000	1458	1508	0000000000	1958
0009	0000000000	0459	0509	0000000000	0959	1009	0000000000	1459	1509	0000000000	1959
0010	0000000000	0460	0510	0000000000	0960	1010	0000000000	1460	1510	0000000000	1960
0011	0000000000	0461	0511	0000000000	0961	1011	0000000000	1461	1511	0000000000	1961
0012	0000000000	0462	0512	0000000000	0962	1012	0000000000	1462	1512	0000000000	1962
0013	0000000000	0463	0513	0000000000	0963	1013	0000000000	1463	1513	0000000000	1963
0014	0000000000	0464	0514	0000000000	0964	1014	0000000000	1464	1514	0000000000	1964
0015	0000000000	0465	0515	0000000000	0965	1015	0000000000	1465	1515	0000000000	1965
0016	0000000000	0466	0516	0000000000	0966	1016	0000000000	1466	1516	0000000000	1966
0017	0000000000	0467	0517	0000000000	0967	1017	0000000000	1467	1517	0000000000	1967
0018	0000000000	0468	0518	0000000000	0968	1018	0000000000	1468	1518	0000000000	1968
0019	0000000000	0469	0519	0000000000	0969	1019	0000000000	1469	1519	0000000000	1969
0020	0000000000	0470	0520	0000000000	0970	1020	0000000000	1470	1520	0000000000	1970
0021	0000000000	0471	0521	0000000000	0971	1021	0000000000	1471	1521	0000000000	1971
0022	0000000000	0472	0522	0000000000	0972	1022	0000000000	1472	1522	0000000000	1972
0023	0000000000	0473	0523	0000000000	0973	1023	0000000000	1473	1523	0000000000	1973
0024	0000000000	0474	0524	0000000000	0974	1024	0000000000	1474	1524	0000000000	1974
0025	0000000000	0475	0525	0000000000	0975	1025	0000000000	1475	1525	0000000000	1975
0026	0000000000	0476	0526	0000000000	0976	1026	0000000000	1476	1526	0000000000	1976
0027	0000000000	0477	0527	0000000000	0977	1027	0000000000	1477	1527	0000000000	1977
0028	0000000000	0478	0528	0000000000	0978	1028	0000000000	1478	1528	0000000000	1978
0029	0000000000	0479	0529	0000000000	0979	1029	0000000000	1479	1529	0000000000	1979
0030	0000000000	0480	0530	0000000000	0980	1030	0000000000	1480	1530	0000000000	1980
0031	0000000000	0481	0531	0000000000	0981	1031	0000000000	1481	1531	0000000000	1981
0032	0000000000	0482	0532	0000000000	0982	1032	0000000000	1482	1532	0000000000	1982
0033	0000000000	0483	0533	0000000000	0983	1033	0000000000	1483	1533	0000000000	1983
0034	0000000000	0484	0534	0000000000	0984	1034	0000000000	1484	1534	0000000000	1984
0035	0000000000	0485	0535	0000000000	0985	1035	0000000000	1485	1535	0000000000	1985
0036	0000000000	0486	0536	0000000000	0986	1036	0000000000	1486	1536	0000000000	1986
0037	0000000000	0487	0537	0000000000	0987	1037	0000000000	1487	1537	0000000000	1987
0038	0000000000	0488	0538	0000000000	0988	1038	0000000000	1488	1538	0000000000	1988
0039	0000000000	0489	0539	0000000000	0989	1039	0000000000	1489	1539	0000000000	1989
0040	0000000000	0490	0540	0000000000	0990	1040	0000000000	1490	1540	0000011110	1990
0041	0000000000	0491	0541	0000000000	0991	1041	0000000000	1491	1541	0000000000	1991
0042	0000000000	0492	0542	0000000000	0992	1042	0000000000	1492	1542	0000000110	1992
0043	0000000000	0493	0543	0000000000	0993	1043	0000000000	1493	1543	0000000111	1993
0044	0000000000	0494	0544	0000000000	0994	1044	0000000000	1494	1544	0011111111	1994
0045	0000000000	0495	0545	0000000000	0995	1045	0000000000	1495	1545	0000011111	1995
0046	0000000000	0496	0546	0000000000	0996	1046	0000000000	1496	1546	0000111111	1996
0047	0000000000	0497	0547	0000000000	0997	1047	0000000000	1497	1547	0000000000	1997
0048	0000000000	0498	0548	0000000000	0998	1048	0000000000	1498	1548	0111111110	1998
0049	0000000000	0499	0549	0000000000	0999	1049	0000000000	1499	1549	0000000000	1999

AVAILABILITY TABLE

61	1952	1953	69	1952	1951	24	1995	1954	69	1955	1956	69	1954	1953	24	1996	1957	69	1958	8000	69	1956	1955
2D	1997	1952	69	1958	1957	24	1998	1955	24	1998	1955	24	1998	1955	24	1998	1955	24	1998	1955	24	1998	1955
2D	0000	1996	70	0048	9999	24	0048	1997	65	0001	0030	24	0030	1998	69	0034	0039	24	0039	1999	24	0044	0047
2D	0047	1996	35	0004	0025	24	0025	1997	15	8001	0031	24	0031	1998	22	0036	0032	24	0032	1999	65	0035	0040
2D	0040	1996	10	0044	8002	24	0020	1997	24	0023	0027	24	0027	1998	15	8001	0033	24	0033	1999	11	0036	0041
2D	0041	1996	44	0045	0000	24	0045	1997	10	8001	8002	24	0034	1998	24	0000	0020	24	0035	1999	69	0036	0041
2D	0023	0000	00	0001	0000	00	0404	0998	33	2322	0999	00	0505	0998	00	0505	0998	00	0505	0998	00	0505	0998
00	0800	0007	00	0404	0998	33	1212	0999	33	0202	0999	33	0504	0999	33	0504	0999	33	0504	0999	99	9999	9999
00	0807	0007	00	0505	0998	33	0504	0999	33	0504	0999	33	0504	0999	33	0504	0999	33	0504	0999	54	0303	0999
00	0814	0007	33	1110	0999	33	0504	0999	34	0303	0999	33	0303	0999	44	0505	0998	00	0505	0998	00	0505	0998
00	0821	0007	45	0303	0999	33	0202	0999	33	0202	0999	33	0202	0999	33	2726	0999	33	2726	0999	33	2726	0999
00	0828	0007	33	1212	0999	00	0000	0988	00	0000	0988	00	0000	0988	33	0800	0999	33	0800	0999	33	0800	0999
00	0835	0007	00	0000	0988	00	0000	0988	33	2726	0999	33	2726	0999	33	0404	0998	33	0404	0998	33	0404	0998
00	0842	0007	33	0404	0998	33	0404	0998	34	0405	0998	43	0504	0998	33	0404	0998	33	0404	0998	33	0404	0998
00	0849	0007	33	0404	0998	00	0000	0898	00	0000	0898	00	0000	0898	00	0000	0898	44	0505	0998	00	0505	0998
00	0856	0007	00	0505	0998	00	0505	0998	00	0000	0898	00	0000	0898	33	0504	0999	33	0504	0999	99	9999	9999
00	0863	0007	99	9999	9999	33	1110	0999	33	0504	0999	33	0504	0999	33	0504	0999	33	0504	0999	33	0504	0999
00	0870	0007	00	0000	0999	00	0000	0999	00	0000	0999	00	0000	0999	00	0000	0999	00	0000	0999	00	0000	0999
00	0877	0007	00	0000	0999	00	0000	0999	00	0505	0999	00	0000	0898	00	0000	0898	00	0000	0898	00	0000	0898
00	0884	0007	33	0506	0999	00	0606	0998	00	0606	0998	00	0606	0998	00	0606	0998	00	0606	0998	00	0606	0998
00	0891	0007	33	0505	0998	33	0505	0998	33	0505	0998	33	0505	0998	33	0505	0998	33	0505	0998	33	0505	0998
00	0898	0007	33	0505	0998	44	0505	0998	65	1653	1308	01	0000	0901	65	1958	1263	30	0008	1221	00	0000	0943
00	0905	0007	65	1959	1313	30	0008	1175	00	0000	0957	65	1951	1455	00	0000	1013	15	1519	1273	15	1519	1273
00	0912	0007	65	1986	1191	69	1016	0969	00	0000	8003	00	0000	1322	65	1986	1193	65	1959	0915	69	1371	1174
00	0919	0007	69	1372	1275	65	1223	0915	65	1986	1191	65	1986	1191	20	1872	1628	60	1585	1839	65	1957	0931
00	0926	0007	69	1780	1174	69	1830	1275	65	1223	0931	65	1682	1801	60	1585	1839	69	1784	1750	60	1585	1839
00	0933	0007	20	1872	1927	10	1688	1743	69	1738	1442	60	1585	1839	20	1492	0952	60	1542	1398	65	1223	0944
00	0940	0007	60	1542	1398	65	1958	0944	69	1645	1174	69	1646	1275	69	1448	1750	60	1542	1398	65	1223	0944
00	0947	0007	65	1882	1801	60	1542	1398	69	1828	1826	35	0004	1878	69	1928	1826	35	0004	1930	20	1492	0968
00	0954	0007	65	1986	1742	65	1959	0960	69	1835	1174	69	1885	1275	69	1983	1540	65	1986	1742	69	1935	1750
00	0961	0007	65	1986	1742	65	1223	0960	65	1490	1801	65	1986	1742	69	1736	1826	69	1983	1786	69	1836	1826
00	0968	0007	69	1983	1886	24	1196	1323	60	1519	1322	21	1984	0987	24	1196	1949	65	1957	1311	00	0000	1500
00	0975	0007	01	0000	0975	69	1262	1365	46	1180	1183	00	0000	1504	21	1961	1214	69	1952	1355	69	1953	1356
00	0982	0007	69	1954	1357	69	1955	1208	69	1956	1209	65	1985	0989	15	1189	1243	69	1952	1355	69	1952	1356
00	0989	0007	15	0992	0997	00	0000	1990	15	1986	1891	00	0000	1504	00	0000	0913	24	0600	1247	20	1986	8003
00	0996	0007	24	1196	1349	20	1985	0988	60	1961	1765	60	1952	1407	69	1950	1353	69	1404	1353	65	1959	1363
00	1003	0007	69	1406	1309	65	1952	1507	69	1406	1359	69	1216	1359	69	1460	0969	60	1511	1405	65	1952	1757
00	1010	0007	65	1952	1807	69	1406	1409	69	0975	1229	65	1986	1441	00	0000	2000	30	0002	0971	69	1019	0972
00	1017	0004	24	1979	1350	15	1771	1425	60	1350	1453	00	0001	0000	61	8761	0050	61	8762	0052	61	8763	0058
00	1050	0007	61	7366	1007	61	7376	0015	61	7473	0017	61	8477	0010	62	6494	0094	62	6495	0095	62	6496	0096
00	1057	0007	62	6497	0090	62	6491	0091	62	6492	0092	62	6493	0093	62	6494	0094	62	6495	0095	62	6496	0096
00	1064	0007	62	6497	0097	62	6498	0098	62	6499	0099	62	6975	0026	62	7361	1003	62	7379	1002	62	7461	0041
00	1071	0007	62	7462	0043	62	7463	0046	62	7469	0046	62	7677	1001	62	7685	0047	62	8283	0057	64	6985	0014
00	1078	0007	64	8579	0064	65	7884	1005	66	6164	0032	66	6174	0037	66	6485	0034	66	7477	0039	66	8262	0033
00	1085	0007	66	8274	0038	68	6564	1009	68	7383	0001	73	6464	0069	73	6465	0069	73	6962	0008	74	7788	0019
00	1092	0007	75	6566	0054	75	7677	0000	75	8382	0025	75	8961	0040	75	8962	0042	75	8963	0048	16	1401	1756
00	1099	0007	60	1953	1457	75	8965	0045	75	8984	0044	77	6183	1008	77	6368	0071	79	6161	0080	79	6162	0082
00	1106	0007	79	6163	0088	79	6174	0067	79	6174	0067	79	6184	0060	79	6279	1012	79	6364	0070	79	6391	0072
00	1113	0007	79	6392	0075	79	6393	0078	79	6482	0086	79	6491	0070	79	6492	0073	79	6493	0076	79	6567	1004
00	1120	0007	79	6573	1010	79	6578	1011	79	7788	0079	79	8261	0081	79	8262	0083	79	8263	0089	79	8273	0086
00	1127	0007	79	8274	0068	79	8284	0061	79	8361	0005	79	8363	0003	79	8375	0004	79	8664	0055	82	6383	0036
00	1134	0007	82	6461	0022	82	6462	0085	82	6583	0027	82	6961	0023	82	6962	0028	82	7376	0016	82	7383	0035
00	1141	0007	82	7473	0018	82	7964	0031	82	7983	0030	82	8364	0024	82	8369	0029	82	8973	0020	82	8384	0021
00	1148	0007	35	0004	1809	10	1352	8003	82	8477	0011	82	8761	0051	82	8762	0053	82	8763	0059	82	8875	1006
00	1155	0007	83	7384	0084	84	6661	0002	86	6482	0087	86	7991	0071	86	7992	0074	86	7993	0077	86	8361	0007
00	1162	0007	86	8375	0056	86	8375	0056	99	9999	0001	60	1957	1261	60	1957	1261	60	1957	1261	15	1020	1525
00	1169	0007	46	1172	0973	22	1217	1220	69	1984	1187	10	8001	0979	65	1957	1411	24	1416	1670	10	0978	8003
00	1176	0007	01	0000	1176	35	0006	1491	00	0000	0090	46	1182	1183	15	8001	1311	22	1962	1515	10	1014	0979

SEVEN-WORDS PER CARD LISTING (1 of 3)

Overpunch Y(12) in columns 2, 10, 20,, 80

00 1183 0007	60 1237 0991	60 1401 1755	65 8002 1293	65 1953 1707	22 1984 1237	30 0009 1401	00 0000 0029
00 1190 0007	69 1350 1553	15 1500 1505	16 1345 1449	24 1196 0999	00 0000 0008	00 0000 0908	01 0000 1196
00 1197 0007	35 0004 1557	35 0006 1966	21 1961 1364	00 1999 0000	00 7999 0003	00 8003 0001	00 8004 0003
00 1204 0007	00 8007 0001	00 8999 0003	00 9059 0002	99 9999 0003	24 1981 0984	24 1982 0985	00 0000 0902
00 1211 0007	44 1165 1166	01 1212 8000--	24 1416 1919	69 1450 1503	65 1959 1463	90 0000 0000	20 9998 1402
00 1218 0007	69 1971 1224	46 1222 1173	35 0004 1181	10 0974 8003	10 0975 1179	01 0000 1223	24 1664 1971
00 1225 0007	16 1178 1233	22 1962 8001	45 1280 1331	65 1953 1857	15 1959 1363	01 0000 1230	01 0000 1231
00 1232 0007	35 0004 1493	46 0986 1002	60 1401 1805	16 1188 1343	30 0004 1397	69 1190 1193	65 8002 1547
00 1239 0007	15 1606 1711	00 0600 1579	15 0994 1149	55 0505 0999	46 1002 1197	35 0004 1911	35 0001 1451
00 1246 0007	01 0000 1246	11 1550 1655	20 1961 1668	30 0010 1401	00 2322 2524	10 0706 0706	20 0706 0908
00 1253 0007	30 0908 1110	40 1110 1312	50 1312 1514	60 1514 1716	70 1716 1918	80 1918 2120	90 2120 2322
00 1260 0007	00 0000 0905	11 1014 1169	16 1020 1775	16 1014 1319	01 0000 1264	10 1958 1613	10 1719 1423
00 1267 0007	44 1471 1196	16 1020 1775	16 1272 0977	16 1573 1232	69 1400 1503	00 0000 9060	69 0976 1279
00 1274 0007	35 0004 1947	24 1416 1320	20 1431 1484	14 1771 1337	10 1601 1416	24 1416 1520	15 1533 1487
00 1281 0007	10 1284 1239	67 8001 1489	15 8002 1241	01 0000 1284	14 1288 1148	10 1339 1333	11 8001 1245
00 1288 0007	00 0002 0000	69 1242 1399	60 0601 1579	22 1231 1334	69 0600 8003	10 1246 1351	22 1575 1328
00 1295 0007	35 0003 1803	15 1249 1703	69 1506 1559	60 8001 1813	20 1653 1556	19 9906 0600	79 9907 0700
00 1302 0007	80 0008 0800	80 0106 0600	80 0209 0800	80 0308 0900	90 5908 0800	99 9909 0900	45 1362 1813
00 1309 0007	24 1212 1215	21 1021 1002	35 0004 1171	69 1960 8002	16 1014 1419	82 7661 7792	60 1933 1607
00 1316 0007	69 1769 1472	65 1231 1235	69 1216 1870	46 1564 1563	21 1601 1654	69 1400 1603	60 1952 1657
00 1323 0007	69 1400 1503	00 0000 0450	20 1329 1400	65 1575 1534	14 1380 1390	65 8001 1285	01 1329 8000--
00 1330 0007	30 0601 1587	69 1434 1537	60 8003 1689	44 1437 1416	10 1337 1423	15 1338 8003	15 1189 1443
00 1337 0007	20 0600 0900	00 0500 0500	10 0000 0000	15 8003 1897	30 0002 1347	69 0800 8003	45 1296 1297
00 1344 0007	00 0800 0000	90 9000 0000	35 0001 1753	20 1961 1414	60 8001 1818	65 1954 1659	71 1977 1950
00 1351 0007	30 0001 1907	69 1952 8002	24 1813 1868	24 1977 0980	24 1978 0981	24 1979 0982	24 1980 0983
00 1358 0007	20 0796 0900	24 1262 1315	00 0000 0917	11 1014 1219	16 1565 1669	16 1958 1413	69 1217 1170
00 1365 0007	90 1400 0970	69 1565 1472	35 0002 1473	24 1986 1739	15 1958 0944	65 1614 1420	00 0089 0915
00 1372 0007	00 0000 0920	15 1264 1619	44 1377 1528	15 8002 1283	15 1958 1562	10 1430 1335	44 1481 1282
00 1379 0007	10 1020 8003	00 0000 0050	24 1534 1637	20 1977 1702	47 1286 1286	35 0001 1391	15 1388 8002
00 1386 0007	65 1789 1643	44 1341 1192	00 0001 0000	44 1673 1244	65 8003 1416	44 1295 1346	21 1986 1927
00 1393 0007	47 1396 0998	60 0799 1579	45 1098 1549	35 0002 1853	15 1650 8002	10 1986 1592	24 1452 1196
00 1400 0007	60 1950 1405	01 0000 1401	11 1962 1267	24 1196 1849	60 1950 1405	15 1986 1641	80 0000 0000
00 1407 0007	69 1210 1213	00 0196 0000	24 1262 1415	69 1713 1275	15 1264 1269	15 1865 1487	10 8001 1271
00 1414 0007	16 8001 1671	65 1959 1763	01 1416 8000--	16 1178 1433	65 1324 1829	46 1568 1567	16 1467 1921
00 1421 0007	15 1961 8003	15 0975 1619	21 1401 1604	24 1978 1752	21 1230 1715	19 1679 1552	10 1480 1385
00 1428 0007	15 1959 1562	35 0001 1185	20 1985 1702	01 0000 1431	69 1485 1600	46 1336 0998	65 1614 1800
00 1435 0007	45 1438 1196	22 1983 1486	65 1962 1665	15 1342 1248	69 8003 1496	69 1843 1964	15 1194 1499
00 1442 0007	24 1872 1839	46 0998 1447	65 1687 1691	90 1649 1701	69 0400 1389	65 0992 1497	00 0000 0949
00 1449 0007	35 0002 1905	65 1961 1311	21 1606 1609	01 1452 8000--	24 1196 1833	20 1231 1184	35 0002 1211
00 1456 0007	60 1401 1705	69 1260 1213	30 0000 1401	10 1312 1167	69 1952 1555	69 1314 1017	69 0400 1378
00 1463 0007	16 1958 1513	30 0008 1333	35 0004 1375	65 1725 1820	65 0000 1395	20 1983 1702	15 1959 0960
00 1470 0007	69 1278 1381	10 8001 1379	24 1246 1299	10 8003 1281	44 1427 1578	16 8002 1483	84 1300 1912
00 1477 0007	16 1530 1435	96 1531 1633	21 1284 1287	24 1986 1752	67 8001 1439	44 1535 1386	84 1200 1656
00 1484 0007	16 8001 1591	65 1538 1593	30 0004 1498	20 1614 8001	24 1329 1432	30 0004 1439	00 0089 0958
00 1491 0007	30 0006 1706	01 1492 8000--	15 1446 1651	30 0000 1722	20 1915 1268	23 1223 1326	10 1961 1715
00 1498 0007	10 1881 1902	20 1986 1289	00 8800 0000	16 1961 1615	15 1906 1612	24 1813 1316	69 1458 1661
00 1505 0007	20 1986 1350	35 0000 1521	30 0008 1225	00 1995 0000	22 0901 1454	65 1958 1561	69 1950 1403
00 1512 0007	65 0960 1445	10 8001 1321	35 0004 1475	60 1217 1421	11 8003 1873	10 0100 1001	60 1424 1879
00 1519 0007	01 0000 1519	69 1623 1226	21 1176 1429	35 0006 1387	10 1178 1383	00 1499 1499	20 1903 1487
00 1526 0007	21 1813 1576	01 0111 1218	20 1962 1518	44 1013 1384	69 0799 8003	69 1634 1787	35 0002 1680
00 1533 0007	65 0400 1395	01 0000 1534	65 1588 1643	22 1983 1586	24 1610 1714	00 0600 0799	65 8003 1697
00 1540 0007	23 1983 1590	11 8001 1599	00 0000 0800	44 1298 1348	21 9999 1825	30 0004 1710	11 1111 1111
00 1547 0007	35 0003 1806	69 1782 1964	65 1416 1871	69 1958 8002	15 0992 8002	15 8003 1760	24 1196 1099
00 1554 0007	69 1188 1291	24 1983 1186	16 8001 1913	15 1310 1265	45 0000 0001	24 0901 1504	65 1959 1611
00 1561 0007	60 0975 1228	16 0992 1747	65 1264 1369	65 0975 1369	00 0000 0001	65 1958 0944	45 1264 1469
00 1568 0007	65 0975 1469	46 1422 1373	65 1959 0960	30 0003 1479	15 1771 8002	65 0399 1395	35 0008 1543
00 1575 0007	01 0000 1575	20 1962 1626	00 1021 1049	71 1977 1477	44 1583 1584	24 1664 1724	15 8001 1639
00 1582 0007	30 0001 1730	36 0000 1660	60 1687 1691	00 0000 8000	30 0004 1548	35 0004 1597	00 0000 8002

SEVEN-WORDS PER CARD LISTING (2 of 3)

00 1589 0007	71 1977 8003	10 1230 1640	15 1961 1431	21 1986 1196	10 1546 1802	00 0000 8000	24 1961 1418
00 1596 0007	01 1596 8000-	15 1850 1856	01 1598 8000-	20 1961 1814	24 1196 1199	01 0000 1601	65 8001 1810
00 1603 0007	24 1813 1366	10 1558 8003	30 0004 1465	01 1606 8000-	69 1360 1213	65 0000 1501	11 8001 1367
00 1610 0007	01 0000 1610	20 1264 1400	20 1687 8001	10 1216 8002	01 0000 1614	35 0006 1529	00 0000 0004
00 1617 0007	23 9984 1416	24 1984 1752	15 1014 0915	22 1673 1276	15 1506 1761	15 0992 8002	21 9987 1541
00 1624 0007	00 0000 0599	14 1771 1232	69 1961 1964	24 1961 1526	10 1230 1635	15 1687 1841	65 1961 1813
00 1631 0007	01 1406 1774	69 1212 1877	65 8003 1741	00 0000 1851	15 1575 1880	22 1983 1686	69 8003 1294
00 1638 0007	22 1984 1196	30 0003 1947	15 1575 1690	15 1344 1699	69 1983 1536	16 1962 1726	01 1644 8000-
00 1645 0007	00 0000 0944	00 0000 0946	20 1416 1370	01 1648 8000-	65 1416 1622	69 0800 1399	69 1704 1808
00 1652 0007	00 0080 0000	01 0000 1653	69 1758 1861	44 1459 1950	15 1709 8002	69 1410 1663	65 1962 1417
00 1659 0007	30 0004 1819	35 0001 1717	24 1231 1234	15 1915 1612	24 1813 1768	01 0111 1218	60 8002 1523
00 1666 0007	65 1983 1887	30 0001 1723	65 1962 1718	20 1653 1456	30 0008 1539	84 1050 1855	15 8002 1741
00 1673 0007	01 0000 1673	69 1527 1580	15 1957 1562	14 1771 1482	95 1680 1532	44 1831 1732	00 0000 0500
00 1680 0007	30 0009 1727	65 1961 1776	00 0090 0923	10 8001 1791	69 1813 1777	00 0088 0937	30 0004 1728
00 1687 0007	01 0000 1687	00 0008 0000	00 0000 0000	15 1961 1816	69 1936 1279	16 1394 1749	00 0089 0953
00 1694 0007	01 1694 8000-	00 0000 0080	10 1230 1735	35 0004 1858	01 1698 8000-	20 1986 1589	10 0000 0000
00 1701 0007	35 0001 1908	11 1468 1374	69 1506 1509	22 9985 1416	11 1358 1863	10 1416 1821	45 1350 1461
00 1708 0007	45 1412 1664	60 0000 1177	14 1616 1426	35 0004 1621	24 1584 1737	00 0000 0910	65 1467 1487
00 1715 0007	15 1416 1721	93 1772 1822	30 0001 1823	16 1524 1829	20 0800 0900	96 1773 1675	16 8002 8001
00 1722 0007	60 8003 1629	69 1416 1720	65 1577 1631	01 0000 1725	45 1630 1681	19 1014 1684	69 1452 1778
00 1729 0007	65 8002 1972	15 1961 1813	69 1734 1213	65 1685 1801	16 1240 1545	00 0000 0925	15 1575 1932
00 1736 0007	00 0089 0968	65 1240 1612	01 1738 8000-	69 1292 1595	20 1738 1936	69 1444 1797	15 1695 1934
00 1743 0007	69 1596 1442	01 1744 8000-	24 1872 1196	01 1746 8000-	46 1649 1416	01 1748 8000-	45 1502 1754
00 1750 0007	24 1416 1969	16 1804 1859	11 1618 1474	20 1983 1236	69 1909 1712	11 1408 1423	45 1610 1811
00 1757 0007	30 0008 1325	65 1614 1270	00 0000 0004	11 8001 1767	20 0901 1554	15 8002 1672	16 1014 1569
00 1764 0007	19 1517 1238	69 1018 1663	65 1872 1277	10 1962 1817	69 8003 1574	00 0000 0000	20 1725 1478
00 1771 0007	00 0000 0002	65 1983 1937	95 1376 1428	69 1813 1600	20 1804 1612	15 0992 1813	96 1730 1582
00 1778 0007	91 1196 1783	69 1452 1862	00 0090 0931	65 1872 1927	00 0008 1832	20 1872 1196	00 0000 0933
00 1785 0007	65 1793 0952	23 1983 1889	22 1961 1964	69 1792 1213	00 0000 8003	01 1790 8000-	15 1494 8002
00 1792 0007	00 0000 0955	01 0000 1793	01 1794 8000-	01 1795 8000-	01 1796 8000-	24 1584 1837	01 1798 8000-
00 1799 0007	20 1986 8003	16 1903 1708	69 1212 1965	69 1918 1600	15 1196 1551	01 0000 1804	11 1508 1423
00 1806 0007	19 1759 1330	45 1510 1561	22 1911 1864	15 1462 8002	01 1810 8000-	65 1614 1470	15 1866 8002
00 1813 0007	01 0000 1813	30 0004 1625	11 8003 8001	44 1922 1972	19 1920 1340	10 1329 1813	45 1522 1013
00 1820 0007	15 0992 8002	15 1961 1815	35 0002 1947	20 1962 1516	01 1824 8000-	11 8001 1733	24 1813 1876
00 1827 0007	44 1731 1632	00 0088 0937	10 1382 8001	00 0000 0928	69 1834 1213	20 1738 1728	60 1953 1883
00 1834 0007	00 0000 0941	00 0089 0960	00 0099 1939	15 1290 1495	60 1952 1933	10 1986 1392	01 1840 8000-
00 1841 0007	69 1544 1847	20 1596 1936	00 0009 1740	01 1844 8000-	01 1845 8000-	01 1846 8000-	22 1901 8001
00 1848 0007	01 1848 8000-	69 1652 1368	65 0001 1395	01 1844 8000-	01 1845 8000-	44 1286 1658	69 1974 1627
00 1855 0007	15 1608 8002	20 1865 1168	45 1560 1611	15 1512 8002	45 1662 1914	35 0001 1867	24 1610 1764
00 1862 0007	93 1916 1947	46 1266 1317	69 1617 1620	01 1872 8000-	65 0000 1973	16 8002 1925	65 1624 1929
00 1869 0007	15 8001 1753	24 1212 1466	15 0992 1647	01 1872 8000-	35 0004 1683	01 1874 8000-	65 1452 1910
00 1876 0007	20 1961 1926	90 1781 0924	69 1983 1436	15 1961 8002	69 1781 1279	20 1596 1728	00 0088 0939
00 1883 0007	44 1788 1838	90 1988 0959	00 0000 0962	23 1983 1936	30 0004 1997	65 1692 1801	10 1842 1854
00 1890 0007	01 1890 8000-	15 1594 1799	01 1892 8000-	01 1893 8000-	01 1894 8000-	01 1895 8000-	01 1896 8000-
00 1897 0007	11 8001 1725	01 1898 8000-	60 1951 1827	69 1950 1403	01 1901 8000-	69 1924 1627	01 0000 1903
00 1904 0007	20 1961 1676	16 8002 1963	60 0800 1579	10 1176 1231	65 8002 1667	65 1687 1751	92 1666 1716
00 1911 0007	01 0000 1911	15 1967 8002	10 8003 1571	01 0222 1218	01 0000 1915	35 0004 1947	16 8002 1975
00 1918 0007	69 1406 1968	21 1961 1464	00 0000 0050	20 1575 1278	35 0002 1729	65 1452 1860	00 0008 1904
00 1925 0007	35 0001 1581	60 1954 1976	35 0004 1987	00 0008 1931	69 1492 1745	30 0004 1198	69 1212 1884
00 1932 0007	69 1785 1279	44 1888 1938	20 1986 1196	00 0000 0965	69 1492 1745	30 0004 1198	69 1212 1884
00 1939 0007	69 1983 1989	01 1940 8000-	15 1872 1327	01 1942 8000-	01 1943 8000-	01 1944 8000-	01 1945 8000-
00 1946 0005	01 1946 8000-	20 1961 1766	01 1948 8000-	60 1952 1678	70 1999 1998	24 1212 1674	20 1961 1514
00 1963 0007	30 0001 1869	24 1416 1970	90 1770 1820	16 8002 1476	65 0000 1274	84 1250 1812	35 0007 1693
00 1970 0007	95 1923 1875	65 1416 1572	30 0008 1941	35 0002 1779	00 0009 1904	69 1195 0996	01 1993 8000-
00 1987 0007	69 1984 1638	65 1492 0968	23 1983 1440	69 0993 0996	60 1950 1405	65 1951 1605	65 1951 1605
00 1994 0006	01 1994 8000-	01 1995 8000-	01 1996 8000-	35 0009 1917	69 1951 1354	24 1212 1674	20 1961 1514
00 0000 0001	00 0000 1000						