



Maintenance Library

4381

**Processor
Parts Catalog**

PREFACE

This Parts Catalog contains listings and illustrations of all replaceable assemblies, subassemblies, and detail parts released on or before April 1, 1984.

Second Edition, April 1984

This is a major revision of, and obsoletes, S124-0153-0. The drawings and specifications contained herein shall not be reproduced in whole or in part without written permission.

IBM has prepared this maintenance manual for the use of IBM service representatives in the installation, maintenance and repair of the specific machines indicated. IBM makes no representations that it is suitable for any other purpose.

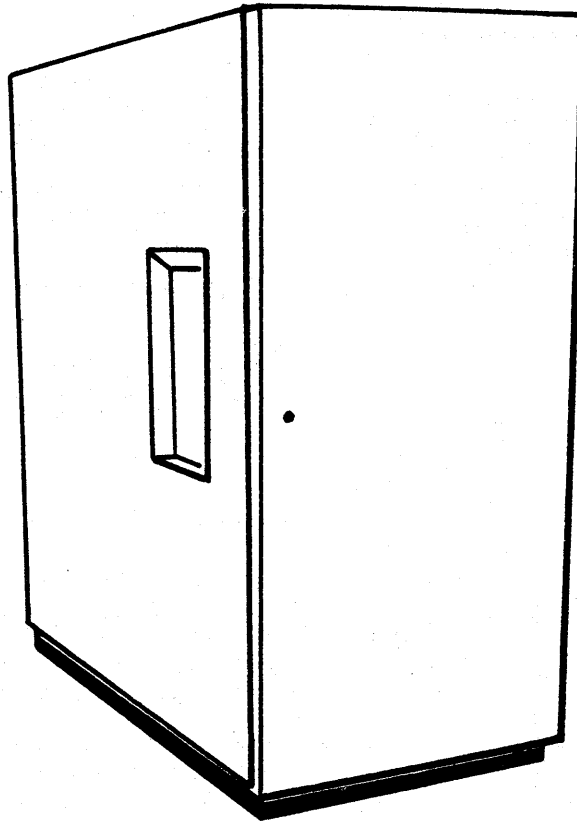
Information contained in this manual is subject to change from time to time. Any such changes will be reported in subsequent revisions or through the System Library Subscription Service.

It is possible that this material may contain reference to, or information about, IBM products (machines and programs), programming, or services that are not announced in your country. Such references or information must not be construed to mean that IBM intends to announce such IBM products, programming, or services in your country.

Requests for copies of IBM publications should be made to your IBM representative or to the IBM branch office servicing your locality.

A form for reader's comments is provided at the back of this publication. If the form has been removed, comments may be addressed to IBM General Technology Division, Dept. K10, P.O. Box 6, Endicott, NY 13760. IBM may use or distribute any of the information you supply in any way it believes appropriate without incurring any obligation whatever. You may, of course, continue to use the information you supply.

HOW TO USE THIS PARTS CATALOG



- To find a part in this catalog, go to the Visual Index pages V-1 and V-2.

LOCATE THE ILLUSTRATION ON THE VISUAL INDEX PAGE CONTAINING THE PART THAT YOU ARE INTERESTED IN. THEN GO TO THE FIGURE AND PAGE INDICATED FOR THE SPECIFIC PART NUMBER.

- For additional information on catalog structure, see page ii.
- For Cable Assemblies and Component Parts, see pages 50 through 68.
- For NUMERICAL LISTING of all part numbers, see pages X-1 through X-5.

GLOSSARY

1 **INDENTURE** The indentation of items under the numerals 1 through 4 at the head of the Description column shows the relationship between assemblies, subassemblies and detail parts. For example:

- | | |
|-------------|--|
| (No dot) | MAIN ASSEMBLY |
| (One dot) | ● Detail parts of main assembly |
| (One dot) | ● Assembly within main assembly |
| (Two dot) | ● ● Detail part of one dot assembly |
| (Two dot) | ● ● Assembly within one dot assembly |
| (Three dot) | ● ● ● Detail parts of two dot assembly |

2 **AR** The notation AR in the Units Per Asm column indicates that the quantity of the part is used as required.

3 **SIMILAR ASSEMBLIES** If two or more assemblies contain a majority of identical parts, they are combined in the same listing. Parts common to assemblies are illustrated and listed by one index number. Parts peculiar to one or the other of the assemblies are listed separately and identified by a descriptive trailer line.

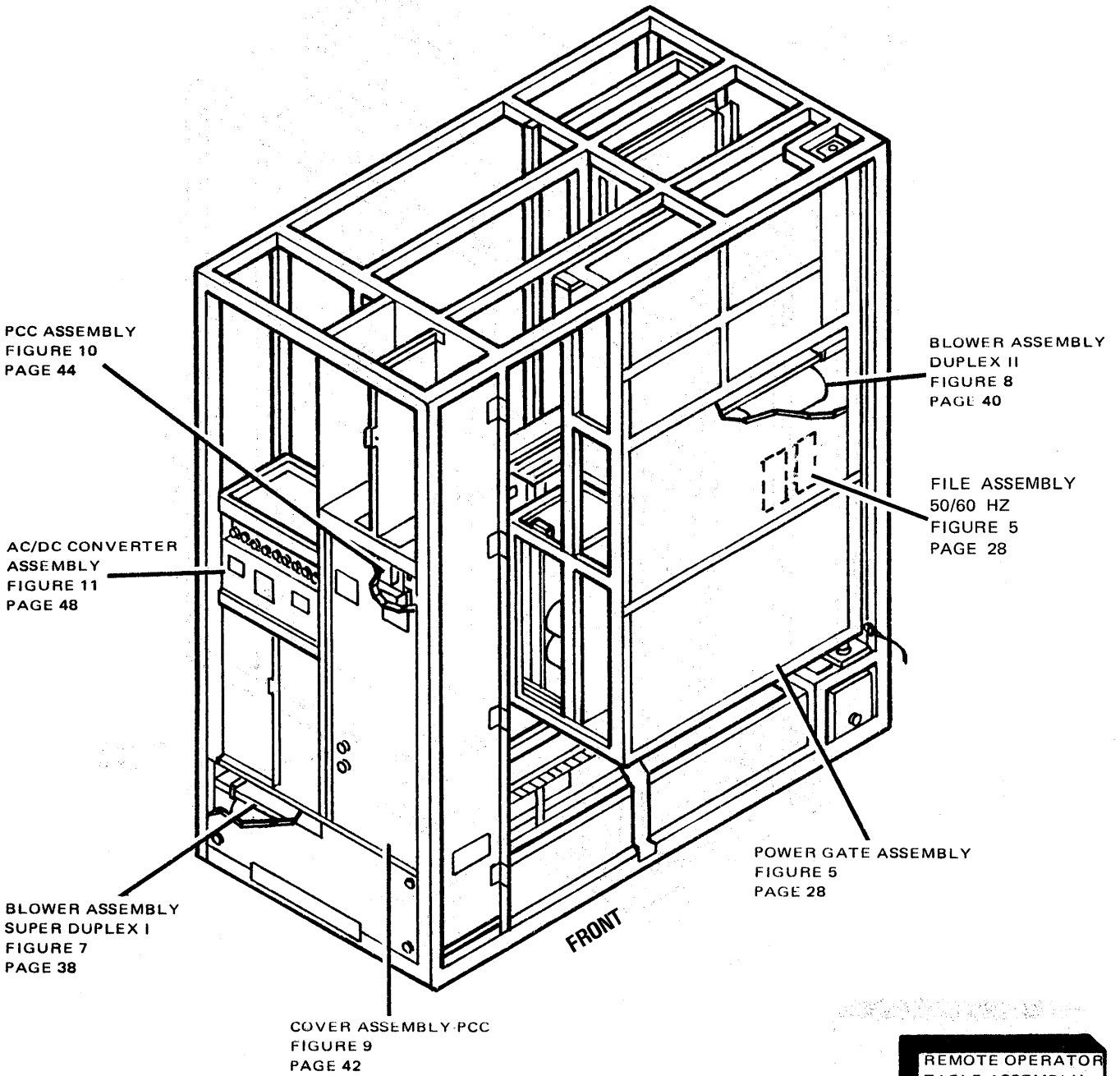
4 **NP** denotes the part is nonprocurable

5 **NR** denotes the part is not recommended for field replacement, and the next higher assembly should be ordered.

FIGURE-INDEX NUMBER	PART NUMBER	UNITS PER ASM.	DESCRIPTION				
			1	2	3	4	
22 -			TRANSPORT AND VACUUM ASM				
			THIS ASSEMBLY CANNOT BE ORDERED FOR REPLACEMENT, SEE LIST 2-252 FOR NEXT HIGHER ASM				
- 1	1846187	1	●	DOOR ASSEMBLY, VACUUM COLUMN USED ON MODELS 6 AND 8			
- 1	1846188	1	●	DOOR ASSEMBLY, VACUUM COLUMN USED ON MODEL 4			
				SEE LIST 23A FOR DETAIL BREAKDOWN			
- 2	55918	5	●	SCREW, MACH BD HD- 10-32 X 0.625 LG			
- 3	45690	5	●	WASHER, FL- 0.203 ID X 0.408 OD			
- 4	2512946	AR	●	SHIM, DOOR VAC COLUMN 0.015 THK			
- 4	2512948	AR	●	SHIM, DOOR VAC COLUMN 0.030 THK			
- 5		AR	●	PNEUMATIC HOSES TRANSPORT ASM			
				SEE LIST 24 FOR DETAIL BREAKDOWN			
- 9	2523727	1	●	DISC, DECORATIVE			
- 10	1767707	1	●	COVER			
- 11	322562	3	●	SCREW, BD HD- 10-32 X 2.000 INCHES LG			
- 12	1767705	1	●	CAM			
- 13	1766920	1	●	SPRING, COMP 1.190 OD X 2.750 LG			
- 14	1767720	1	●	HUB ASSEMBLY			
- 15	356742	3	● ●	CLAMP, 0.375 ID X 0.173 MTG HOLE			
- 16	5489002	3	● ●	SCREW, MACH BD HD- 6-32 X 0.250 LG			
- 17	1090873	6	● ●	LOCKWASHER, SPLIT- 0.168 ID X 0.296 OD			
- 18	1767703	3	● ●	ROLLER, TRIPLE			
- 19	1767711	3	● ●	ROLLER, SINGLE			

4381 Processor (Front View)

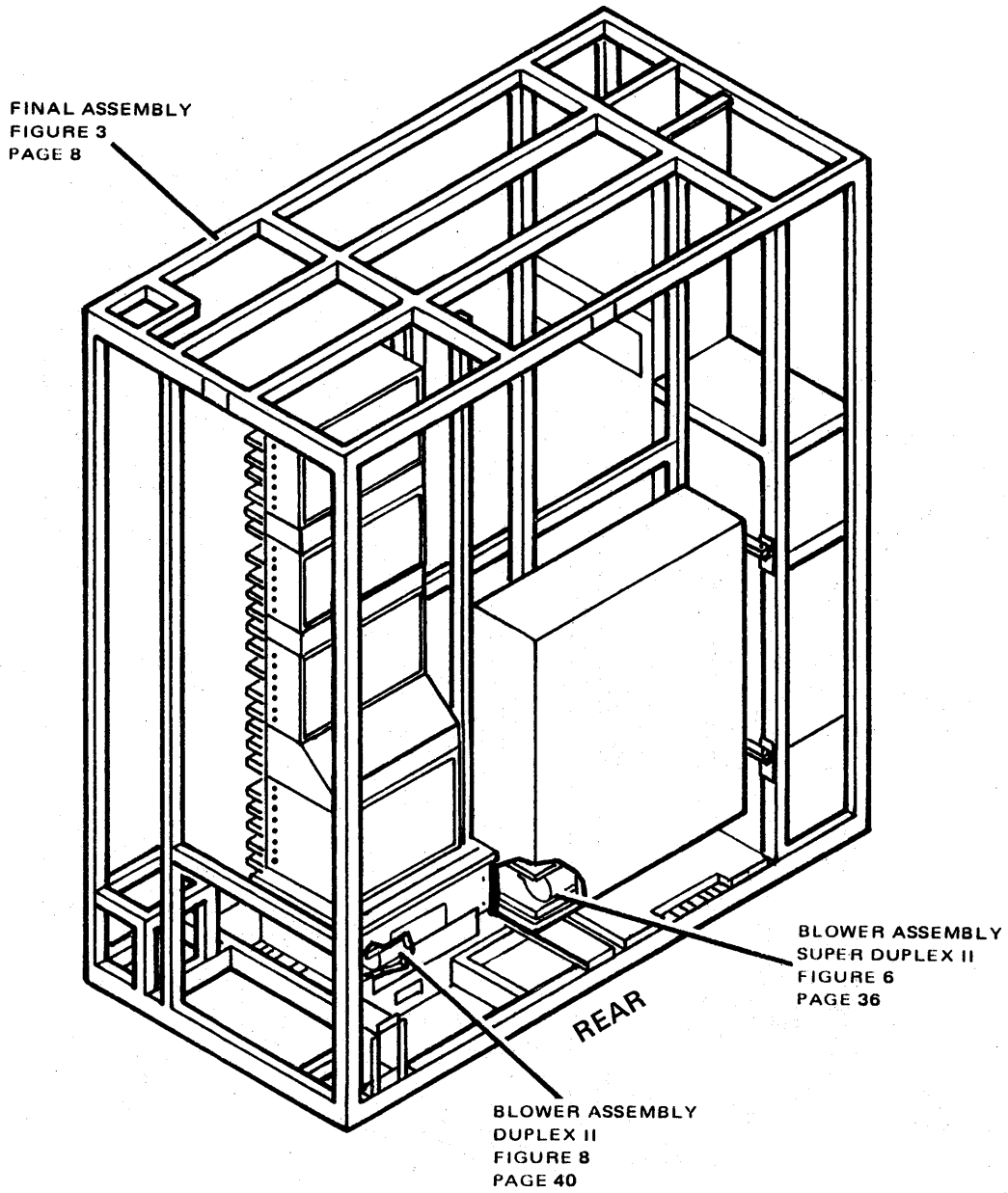
COVER ASSEMBLY
FIGURE 1
PAGE 2



REMOTE OPERATOR
TABLE ASSEMBLY
FIGURE 2
PAGE 6

Visual Index I. 4381 Processor (Front View)

4381 Processor (Rear View)



CABLE ASSEMBLIES
WITH COMPONENT PARTS
FIGURE 13
PAGE 50

CATALOG SECTION

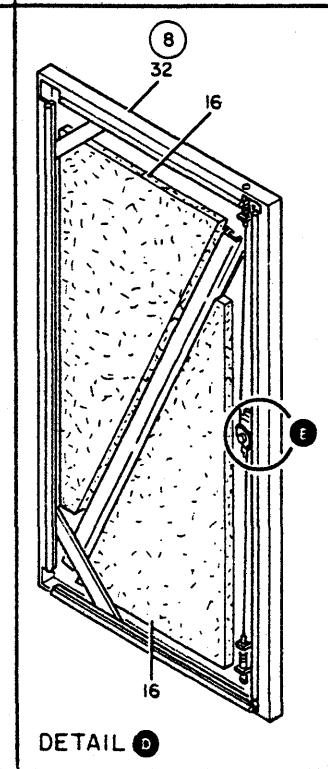
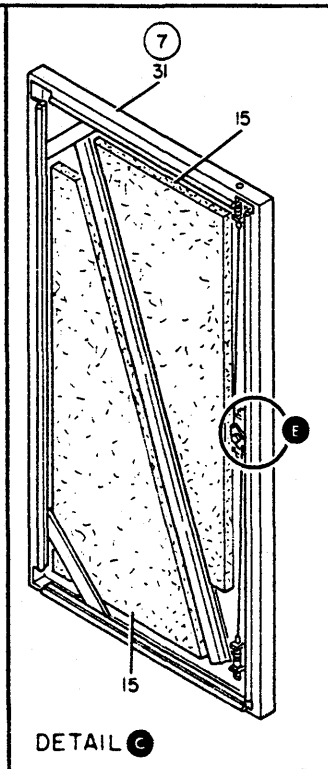
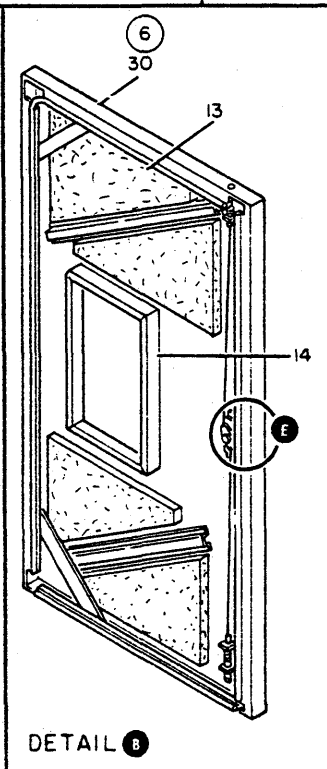
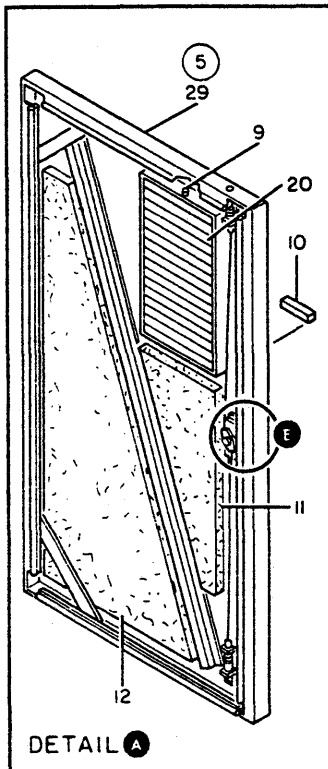
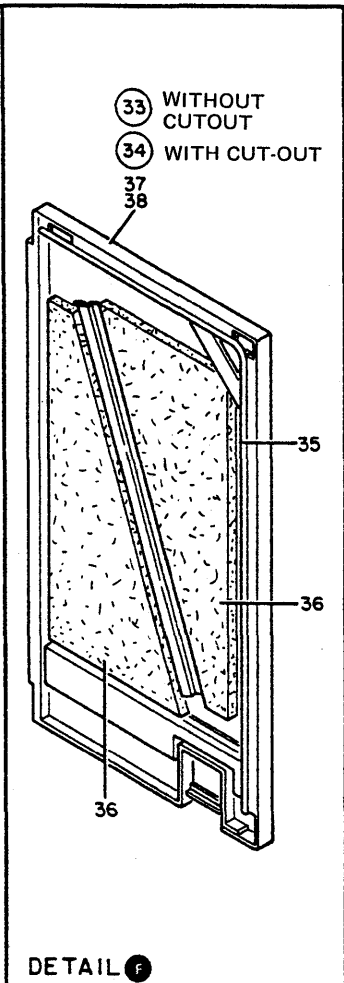
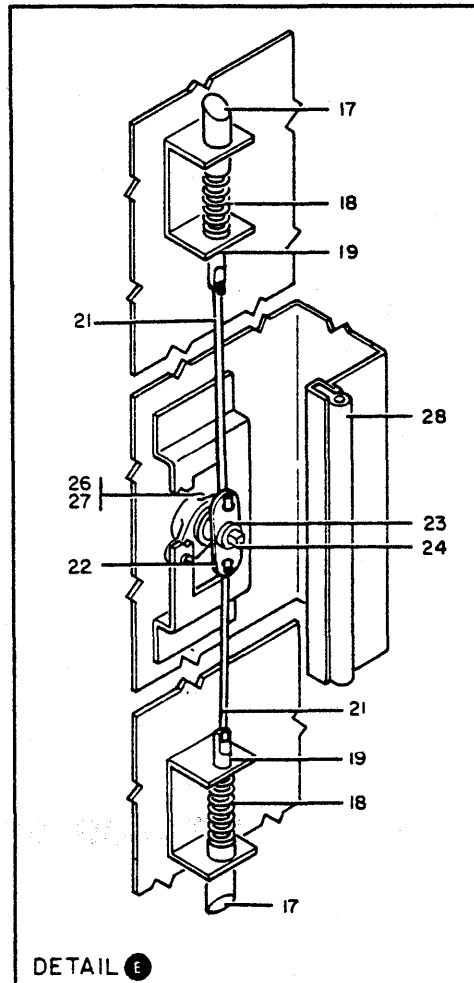
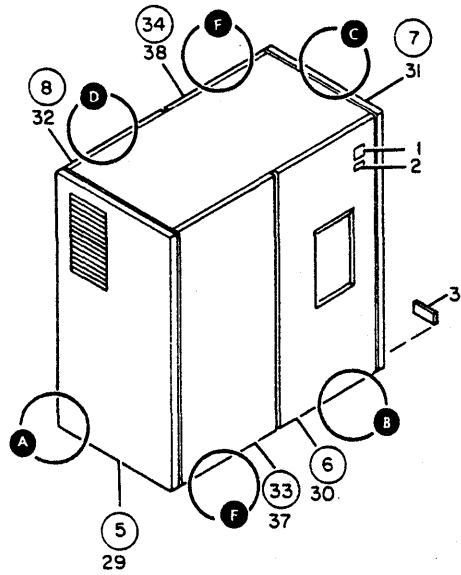


FIGURE 1. COVER ASSEMBLY. SHEET 1 OF 2. INDEX NOS. 1-38. SEE LIST 1.

COVER ASSEMBLY

FIGURE INDEX NUMBER	PART NUMBER	UNITS PER ASM	DESCRIPTION			
			1	2	3	4
1 -	8645031	NP	REF	COVER ASSEMBLY FOR ILLUSTRATION SEE FIGURE 1		
- 1	NO NO.	2		. NAMEPLATE		
- 2	855284	1		. PLATE EXPORT		
- 2	855285	1		. PLATE,UK IMPORT		
- 3	4447204	1		. PLATE,FCC-USA ONLY		
- 3	960766	1		. PLATE,CSA-CANADA ONLY		
- 3	NO NO.	1		. PLATE FINLAND ONLY		
- 5	8645740	1		. COVER ASSEMBLY,LEFT END-WHITE		
- 6	8645757	1		. COVER ASSEMBLY,RIGHT FRONT-BLUE		
- 6	8645758	1		. COVER ASSEMBLY,RIGHT FRONT-YELLOW		
- 6	8645759	1		. COVER ASSEMBLY,RIGHT FRONT-GREY		
- 6	8645760	1		. COVER ASSEMBLY,RIGHT FRONT-RED		
- 6	8645761	1		. COVER ASSEMBLY,RIGHT FRONT-BROWN		
- 6	8645121	1		. COVER ASSEMBLY,RIGHT FRONT-GREEN		
- 7	8645745	1		. COVER ASSEMBLY,RIGHT END-WHITE		
- 8	8645762	1		. COVER ASSEMBLY,LEFT REAR-BLUE		
- 8	8645763	1		. COVER ASSEMBLY,LEFT REAR-YELLOW		
- 8	8645764	1		. COVER ASSEMBLY,LEFT REAR-GREY		
- 8	8645765	1		. COVER ASSEMBLY,LEFT REAR-RED		
- 8	8645766	1		. COVER ASSEMBLY,LEFT REAR-BROWN		
- 8	8645478	1		. COVER ASSEMBLY,LEFT REAR-GREEN		
- 9	5357135	1		. PLUNGER(USED ON OLD LEVEL COVERS ONLY)		
- 9	760303	1		. CATCH(USED ON NEW LEVEL COVERS ONLY)		
- 9A	401458	1		. RING,RETAINER(USED ON NEW LEVEL COVERS ONLY)		
- 10	599557	AR		. SEAL		
- 11	8645736	1		. FOAM		
- 12	8645724	1		. FOAM		
- 13	8645733	4		. FOAM		
- 14	8483347	AR		. SEAL		
- 15	8645724	2		. FOAM		
- 16	8645724	2		. FOAM		
- 17	8645506	2		. BAR		
- 18	8645512	2		. SPRING		
- 19	8645507	2		. SHAFT		
- 20	8645609	1		. FILTER,LEFT END COVER ONLY		
- 21	401396	2		. ROD		
- 22	1806841	1		. LEVER		
- 23	401406	1		. CLIP		
- 24	1806786	1		. ACTUATOR		
- 26	4144032	1		. HOUSING,METAL		
- 27	1621198	2		. SCREW,PAN HD-M4 X 4 LG		
- 28	8483347	AR		. SEAL		
- 29	8645499	1		. COVER		
- 30	8645488	1		. COVER		
- 31	8645498	1		. COVER		
- 32	8645486	1		. COVER		
- 33	8645747	1		. COVER ASSEMBLY,LEFT FRONT-BLUE		
- 33	8645748	1		. COVER ASSEMBLY,LEFT FRONT-YELLOW		
- 33	8645749	1		. COVER ASSEMBLY,LEFT FRONT-GREY		
- 33	8645750	1		. COVER ASSEMBLY,LEFT FRONT-RED		
- 33	8645751	1		. COVER ASSEMBLY,LEFT FRONT-BROWN		
- 33	8645120	1		. COVER ASSEMBLY,LEFT FRONT-GREEN WITHOUT CORNER CUT-OUT		
- 34	8645752	1		. COVER ASSEMBLY,RIGHT REAR-BLUE		
- 34	8645753	1		. COVER ASSEMBLY,RIGHT REAR-YELLOW		
- 34	8645754	1		. COVER ASSEMBLY,RIGHT REAR-GREY		
- 34	8645755	1		. COVER ASSEMBLY,RIGHT REAR-RED		
- 34	8645756	1		. COVER ASSEMBLY,RIGHT REAR-BROWN		
- 34	8645639	1		. COVER ASSEMBLY,RIGHT REAR-GREEN WITH CORNER CUT-OUT		
- 35	8483347	AR		. SEAL		
- 36	8645724	2		. FOAM		
- 37	8645487	1		. COVER		
- 38	8645489	1		. COVER		

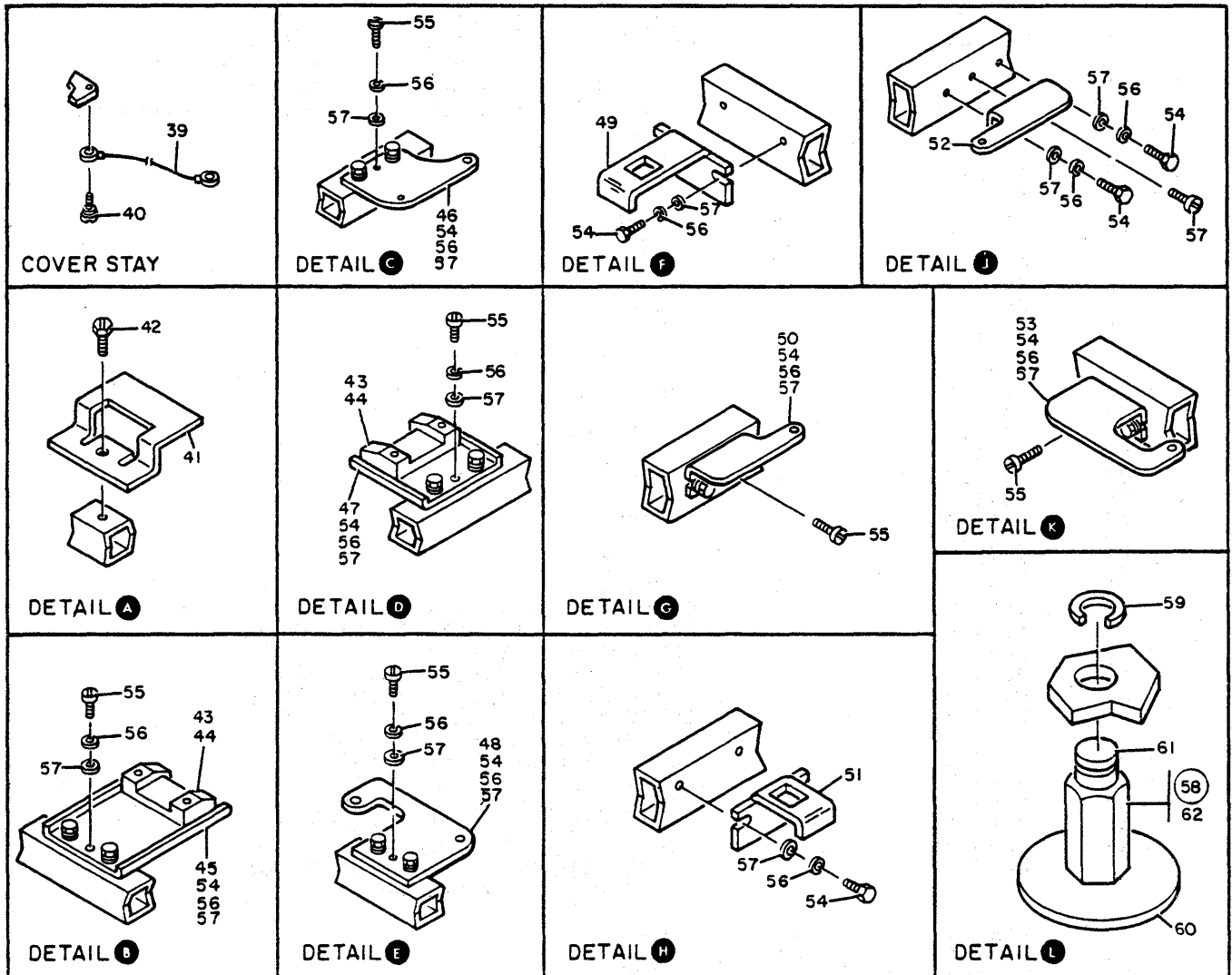
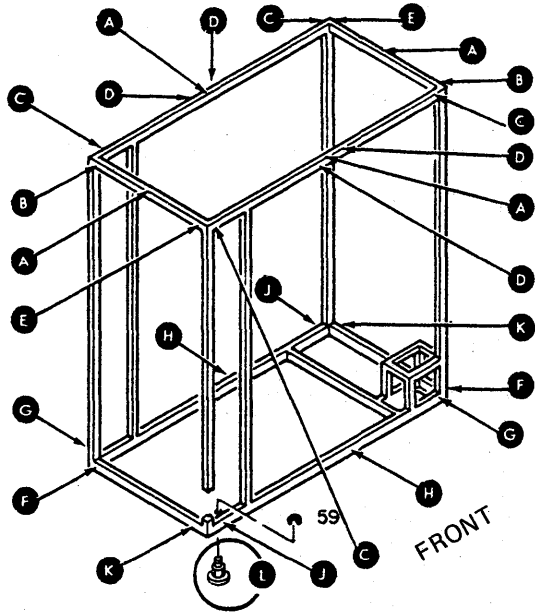


FIGURE 1. COVER ASSEMBLY. SHEET 2 OF 2. INDEX NOS. 39-62. SEE LIST 1.

COVER ASSEMBLY

FIGURE INDEX NUMBER	PART NUMBER	UNITS PER ASM	DESCRIPTION				
			1	2	3	4	
1 - 39	8324807	6	.	CABLE-COVER	STAY		
- 40	8324808	12	.	SHOULDER	STUD		
- 41	401420	4	.	BRACKET,	SHIPPING		
- 42	5353301	4	.	SCREW,HEX	WSR HD THD FORMING		ATT PT
- 43	1806796	6	.	RAMP			
- 44	1621852	12	.	SCREW,SELF	TAP PAN HD-M4 X 10 LG		ATT PT
- 45	1806787	2	.	LATCH			
- 46	8645495	4	.	HINGE			
- 47	1806788	4	.	LATCH			
- 48	8645496	2	.	HINGE			
- 49	8645508	2	.	LATCH			
- 50	1806783	2	.	HINGE			
- 51	8645491	2	.	LATCH			
- 52	1806784	2	.	HINGE			
- 53	1806785	2	.	HINGE			
- 54	1673730	40	.	SCREW			ATT PT
- 55	1621211	18	.	SCREW,PAN	HD- M5 X 12 LG		ATT PT
- 56	1622319	52	.	WASHER,LOCKING	SPRING,M5- 9.2 OD X 1.2 T		ATT PT
- 57	1622306	52	.	WASHER,FLAT,M6-	12.5 OD X 2 THK		ATT PT
- 58	4154689	4	.	LEVELER	ASM		
- 59	1622970	4	.	RING,RETAINING	(JAPAN ONLY)		ATT PT
- 60	4154686	1	.	PAD			
- 61	4154688	1	.	STUD			
- 62	4154687	1	.	NUT			

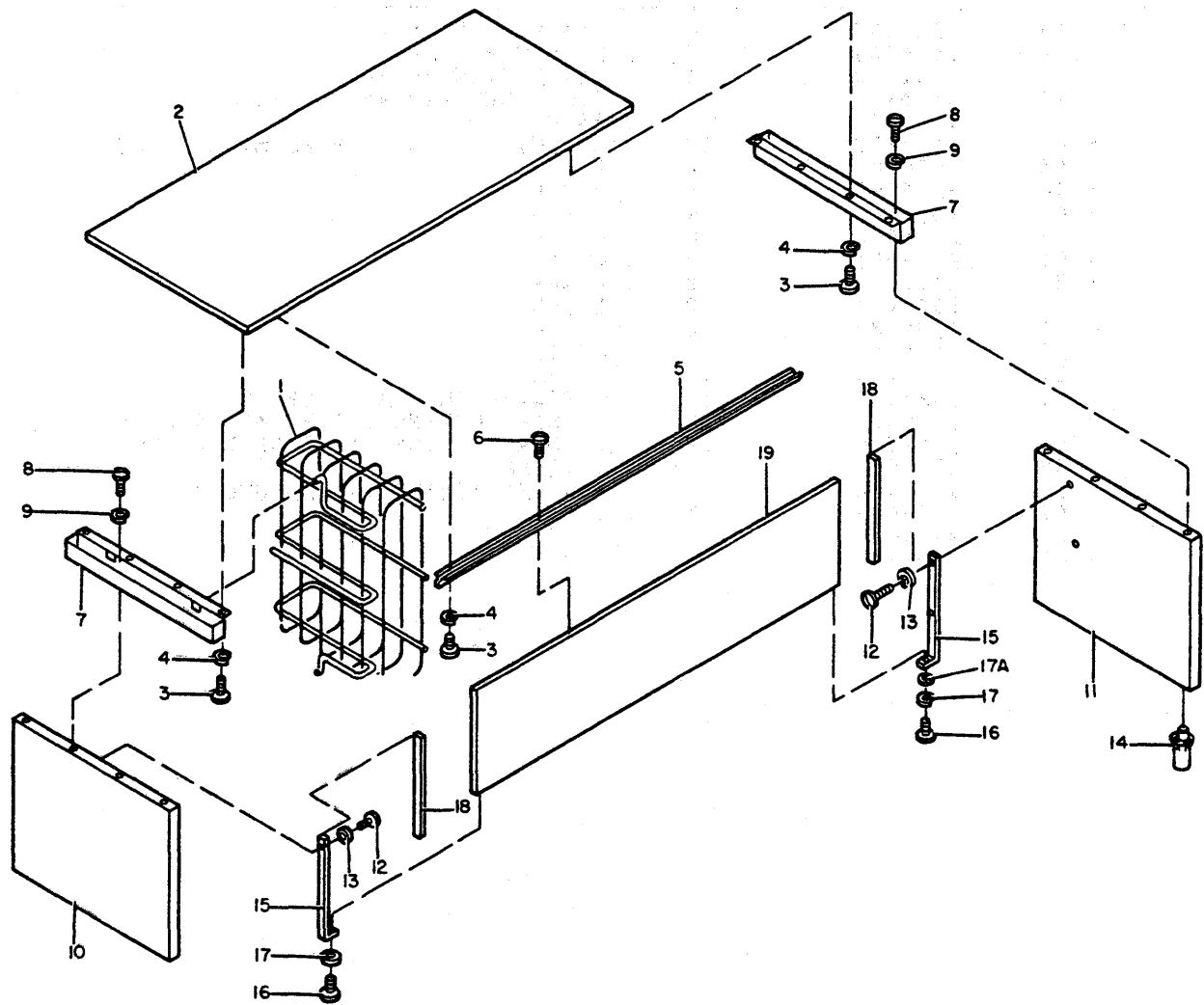


FIGURE 2. REMOTE OPERATOR TABLE ASSEMBLY. SEE LIST 2.

REMOTE OPERATOR TABLE ASSEMBLY

FIGURE INDEX NUMBER	PART NUMBER	UNITS PER ASM	DESCRIPTION			
			1	2	3	4
2 -	5578613	1	TABLE ASM-REMOTE OPERATOR, PEBBLE GRAY			
-	5578614	1	TABLE ASM-REMOTE OPERATOR, CHARCOAL BROWN			
-	5578615	1	TABLE ASM-REMOTE OPERATOR, CLASSIC BLUE			
-	5578616	1	TABLE ASM-REMOTE OPERATOR, WILLOW GREEN			
-	5578617	1	TABLE ASM-REMOTE OPERATOR, GARNET ROSE			
-	5578618	1	TABLE ASM-REMOTE OPERATOR, SUNRISE YELLOW FOR ILLUSTRATION SEE FIGURE 2			
- 1	8330678	AR	. RACK, WIRE			
- 2	1310163	1	. BOARD ASM, READING			
- 3	1621190	8	. SCREW, PAN HD-M4 X 8 LG			
- 4	1622346	8	. LOCKWASHER, EXT TOOTH-M4			
- 5	5578591	1	. SPACER			
- 6	1621190	4	. SCREW, PAN HD- M4 X 8 LG			
- 7	5578593	2	. SPACER			
- 8	1621190	16	. SCREW, PAN HD- M4 X 8 LG			
- 9	1622346	16	. LOCKWASHER, EXT STAR- M4			
- 10	1310165	1	. LEG ASSEMBLY			
- 11	1310164	1	. LEG ASSEMBLY			
- 12	1621190	8	. SCREW, PAN HD- M4 X 8 LG			
- 13	1622346	8	. LOCKWASHER, EXT STAR- M4			
- 14	5717999	4	. FOOT			
- 15	5578592	2	. SPACER			
- 16	1621192	4	. SCREW, MACH PAN HD-M4 X 12 LG			
- 17	1622346	4	. LOCKWASHER, EXT STAR- M4			
- 17A	150390	4	. WASHER, FL- 0.250 ID X 0.625 OD			
- 18	353598	AR	. FOAM			
- 19	5578597	1	. SKIRT ASM, MOD. SPECIFY COLOR WHEN ORDERING-PEBBLE GRAY, CHARCOAL BROWN, CLASSIC BLUE, WILLOW GREEN, GARNET ROSE OR SUNRISE YELLOW.			

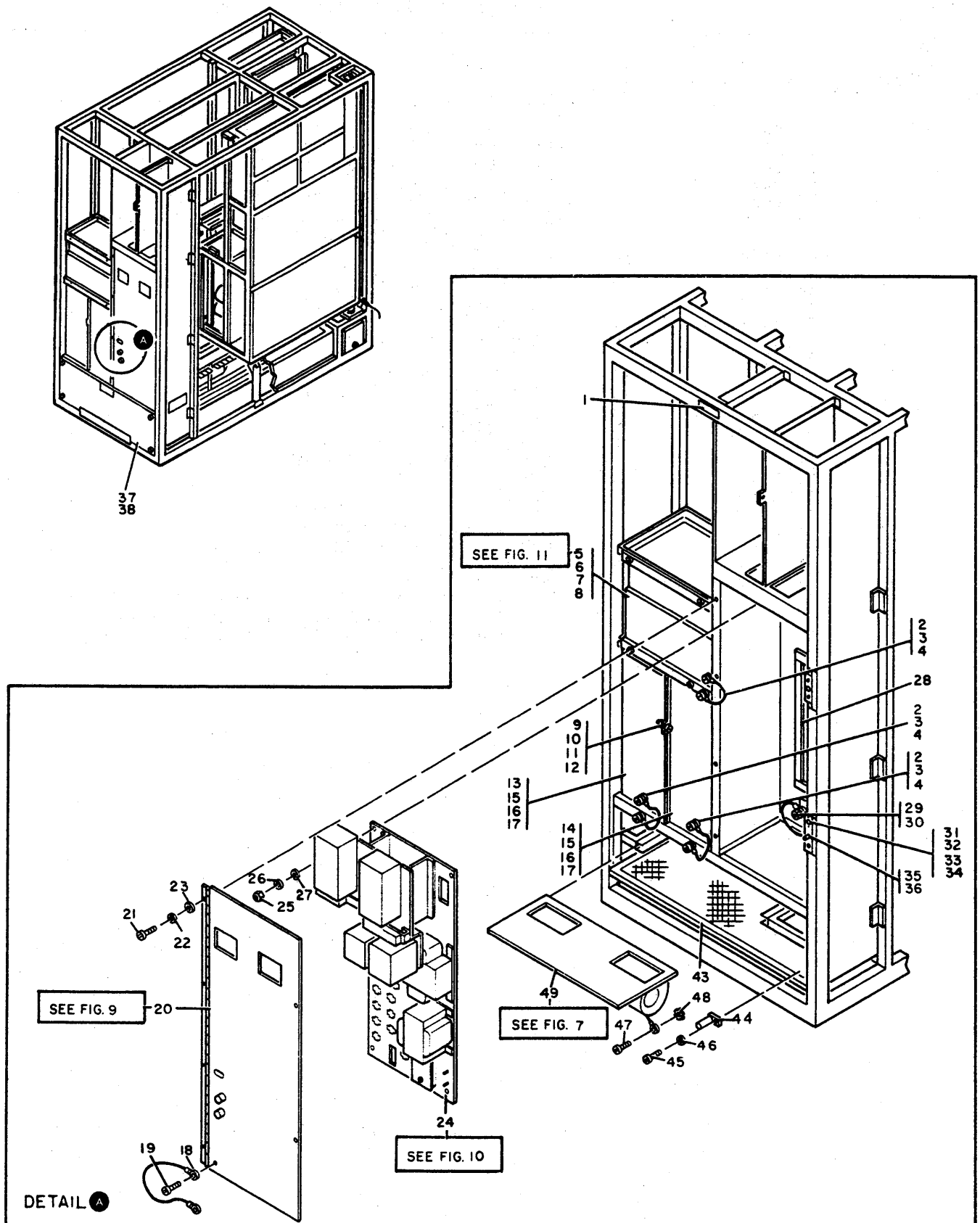


FIGURE 3. FINAL ASSEMBLY. SHEET 1 OF 8. INDEX NOS. 1-49. SEE LIST 3.

FINAL ASSEMBLY

FIGURE INDEX NUMBER	PART NUMBER	UNITS PER ASM	DESCRIPTION				
			1	2	3	4	
3 -	1806859	NP	1				FINAL ASSEMBLY
							FOR ILLUSTRATION SEE FIGURE 3
- 1	369207		1				. LABEL,HAZARDOUS AREA-ENGLISH/CANADIAN
- 1	6815193		1				. LABEL,HAZARDOUS AREA-GERMAN
- 1	6815179		1				. LABEL,HAZARDOUS AREA-CANADIAN FRENCH
- 1	6815182		1				. LABEL,HAZARDOUS AREA-FRENCH
- 1	6081052		1				. LABEL,HAZARDOUS AREA-FRENCH/DUTCH
- 1	6836801		1				. LABEL,HAZARDOUS AREA-FINNISH
- 1	6815181		1				. LABEL,HAZARDOUS AREA-ITALIAN
- 1	6815180		1				. LABEL,HAZARDOUS AREA-SPANISH
- 1	8551904		1				. LABEL,HAZARDOUS AREA-SWEDISH
- 1	6815183		1				. LABEL,HAZARDOUS AREA-BRAZILIAN/PORTUGAL
- 1	8326797		1				. LABEL,HAZARDOUS AREA-JAPANESE
- 1	1806772		1				. LABEL,HAZARDOUS AREA-DANISH
- 2	8645345		3				. JUMPER ASM
- 3	1621210		6				. SCREW,PAN HD- M5 X 10 LG
- 4	1622347		3				. LOCKWASHER EXT STAR- M5, 10 OD X .6
- 5	8645451		1				. AC/DC CONVERTER ASSEMBLY
							FOR DETAIL BREAKDOWN SEE FIGURE 11
- 6	1621211		4				. SCREW,PAN HD- M5 X 12 LG
- 7	1622320		4				. LOCKWASHER,SPLIT- M6,11.8 OD X 1.6 THK
- 8	1622306		4				. WASHER,FLAT,M6- 12.5 OD X 2 THK
- 9	1621212		1				. SCREW,PAN HD-M5 X 16 LG
- 10	1622306		1				. WASHER,FLAT,M6- 12.5 OD X 2 THK
- 11	1622320		1				. LOCKWASHER,SPLIT- M6,11.8 OD X 1.6 THK
- 12	1622404		1				. NUT,DBL CHAMFERED HEX-M5 X 4 THK
- 13	4494199		1				. POWER SUPPLY-PS105
- 14	4494190		1				. POWER SUPPLY-PS106
- 15	1621211		4				. SCREW,PAN HD- M5 X 12 LG
- 16	1622320		4				. LOCKWASHER,SPLIT- M6,11.8 OD X 1.6 THK
- 17	1622306		4				. WASHER,FLAT,M6- 12.5 OD X 2 THK
- 18	1806798		1				. JUMPER ASM
- 19	1621210		1				. SCREW,PAN HD- M5 X 10 LG
- 20	8645782		1				. PCC COVER ASSEMBLY- 60HZ
- 20	8645783		1				. PCC COVER ASSEMBLY- 50HZ
							FOR DETAIL BREAKDOWN SEE FIGURE 9
- 21	1621211		4				. SCREW,PAN HD- M5 X 12 LG
- 22	1622319		4				. WASHER,LOCKING SPRING,M5- 9.2 OD X 1.2 T
- 23	1622305		4				. WASHER,FL- M5 10 OD X 1 THK
- 24	8645091		1				. PCC ASSEMBLY- 60HZ
- 24	8645464		1				. PCC ASSEMBLY- 50HZ EXCEPT 200V
- 24	8645830		1				. PCC ASSEMBLY- 50HZ,200V ONLY
							FOR DETAIL BREAKDOWN SEE FIGURE 10
- 25	1622404		5				. NUT,DBL CHAMFERED HEX-M5 X 4 THK
- 26	1622347		1				. LOCKWASHER EXT STAR- M5, 10 OD X .6
- 27	1622305		5				. WASHER,FL- M5 10 OD X 1 THK
- 28	599557		AR				. SEAL
- 29	1622404		1				. NUT,DBL CHAMFERED HEX-M5 X 4 THK
- 30	1622347		1				. LOCKWASHER EXT STAR- M5, 10 OD X .6
- 31	321571		2				. RECEPTACLE,TWIST LOCK
- 32	1621286		4				. SCREW-MACH FLAT HD,M3 X 8 LG
- 33	1622316		4				. WASHER,SPRING-M3 6.2 OD X 0.8 THK
- 34	1622401		4				. NUT,DBL CHAMFERED HEX M3 X 2.4 THK
- 35	8645625		1				. SWITCH
- 36	38443		2				. SCREW,FL CSK HD- 6-32 X 0.312 LG
- 37	8645697		1				. COVER ASM
- 38	1621210		4				. SCREW,PAN HD- M5 X 10 LG
- 43	8645606		1				. FILTER
- 44	8483012		1				. THERMISTOR,AIR INLET SENSOR
- 45	1621173		2				. SCREW,PAN HD-M3 X 12 LG
- 46	1622344		2				. LOCKWASHER,EXT STAR- M3 X 294 THK

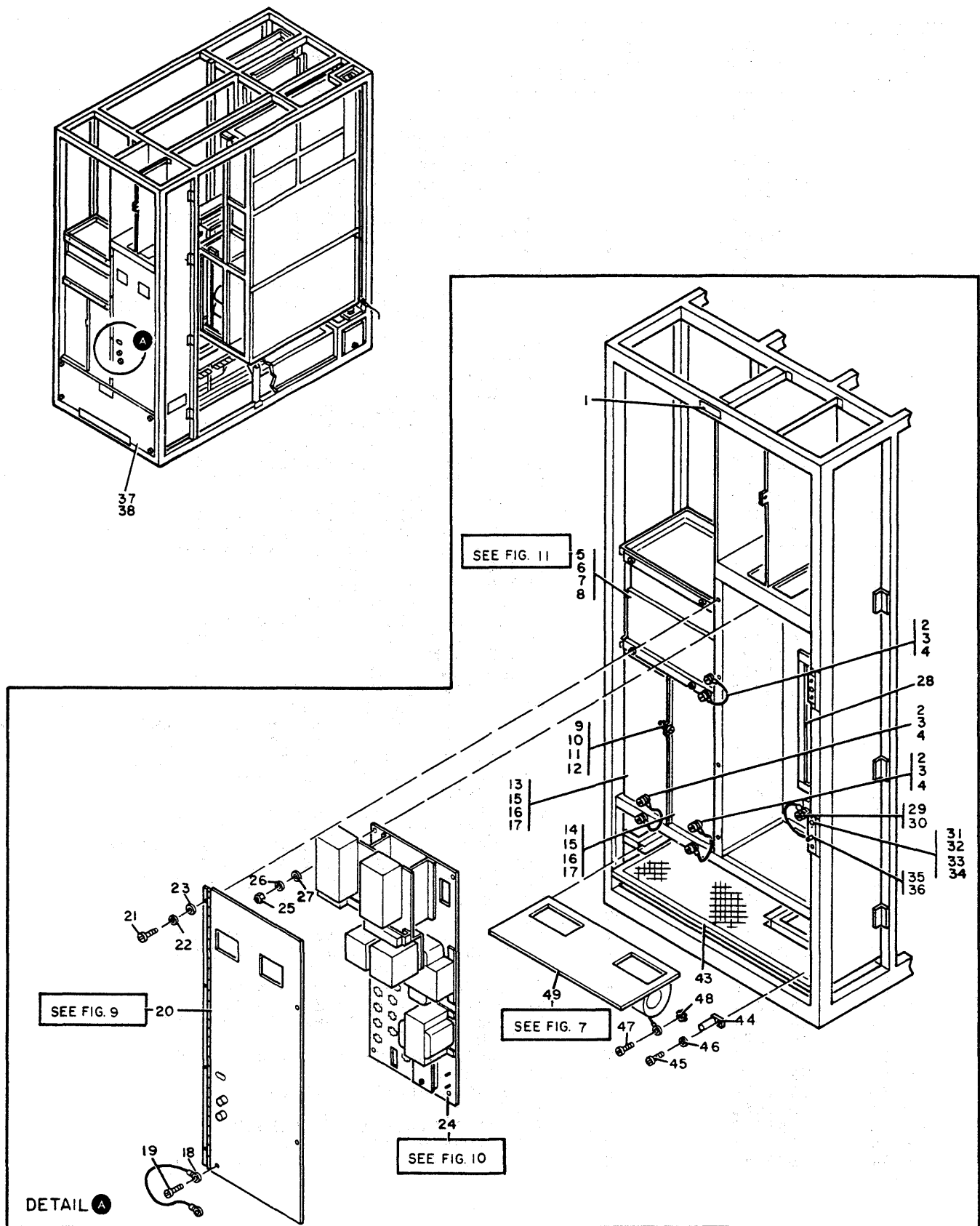
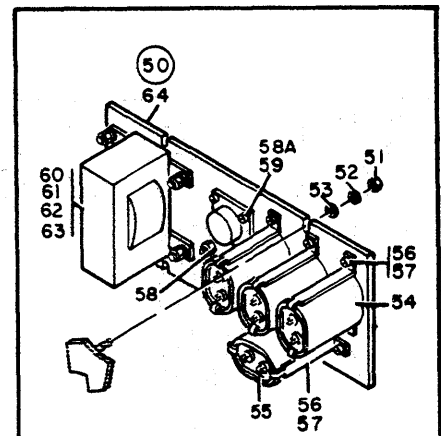
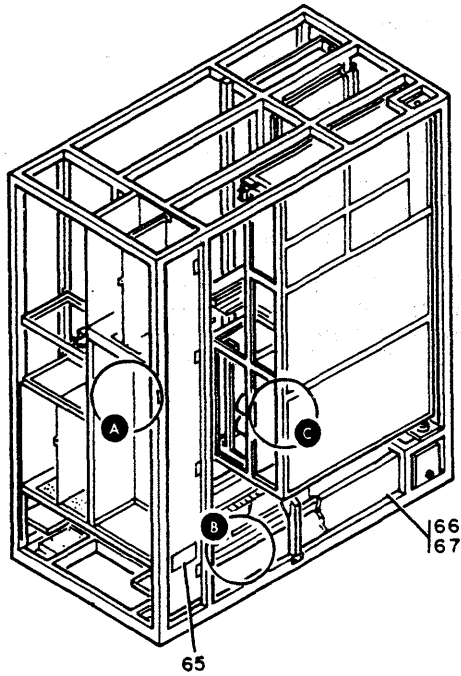


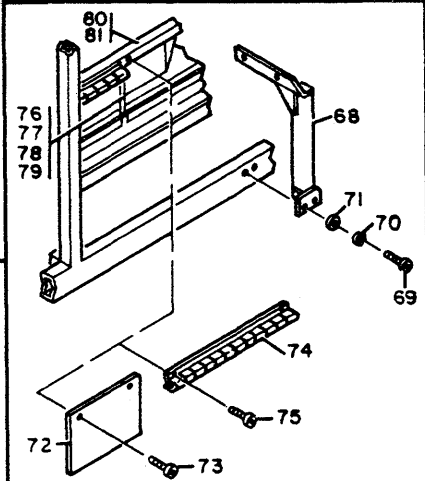
FIGURE 3. FINAL ASSEMBLY. SHEET 1 OF 8. INDEX NOS. 1-49. SEE LIST 3.

FINAL ASSEMBLY

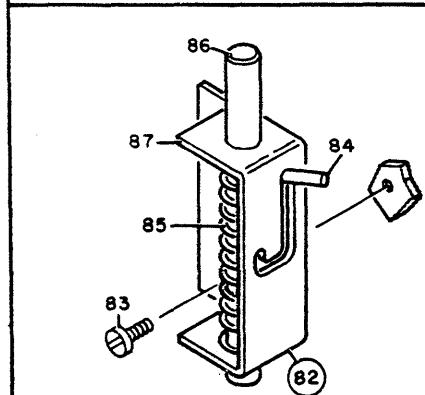
FIGURE INDEX NUMBER	PART NUMBER	UNITS PER ASM	DESCRIPTION			
			1	2	3	4
3 - 44	8483012	1	.	THERMISTOR, AIR INLET SENSOR		
- 45	1621173	2	.	SCREW, PAN HD-M3 X 12 LG		
- 46	1622344	2	.	LOCKWASHER, EXT STAR- M3 X 294 THK		
- 47	1621190	1	.	SCREW, PAN HD- M4 X 8 LG		
- 48	1622346	1	.	LOCKWASHER, EXT STAR- M4, 8 OD X .5		
- 49	8644937	1	.	BLOWER ASSEMBLY-SUPER DUPLEX I, 60HZ		
- 49	8645455	1	.	BLOWER ASSEMBLY-SUPER DUPLEX I, 50HZ		
				FOR DETAIL BREAKDOWN SEE FIGURE 7		



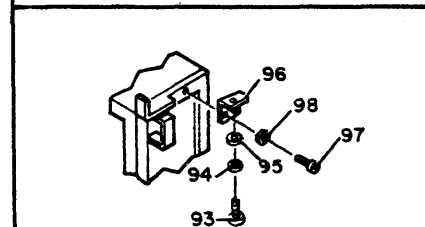
DETAIL A



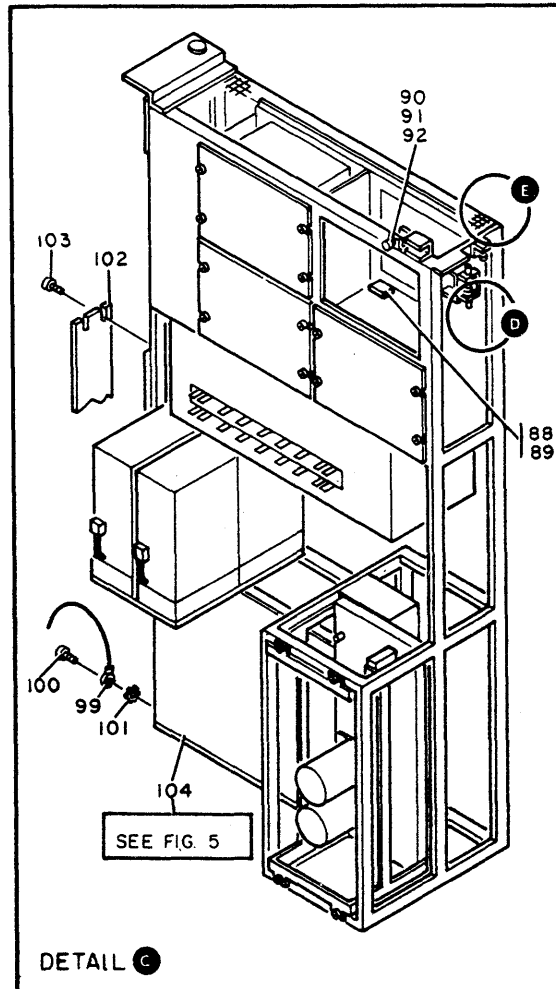
DETAIL B



DETAIL D



DETAIL E



DETAIL C

FIGURE 3. FINAL ASSEMBLY. SHEET 2 OF 8. INDEX NOS. 50-104. SEE LIST 3.

FINAL ASSEMBLY

FIGURE INDEX NUMBER	PART NUMBER	UNITS PER ASM	DESCRIPTION			
			1	2	3	4
3 - 50	8645903	1	.	.	.	PLATE ASM,PCC SUB- 60 HZ AND 200V,50HZ
- 50	1806735	1	.	.	.	PLATE ASM,PCC SUB- 50HZ EXCEPT 200V
- 51	1622404	4	.	.	.	NUT,DBL CHAMFERED HEX-M5 X 4 THK
- 52	1622319	4	.	.	.	WASHER,LOCKING SPRING,M5- 9.2 OD X 1.2 T
- 53	1622306	4	.	.	.	WASHER,FLAT,M6- 12.5 OD X 2 THK
- 54	5252850	3	.	.	.	CAPACITOR
- 55	5252850	1	.	.	.	CAPACITOR-USED ON 50HZ EXCEPT 200V ONLY
- 56	6214463	1	.	.	.	BRACKET
- 57	1621063	AR	.	.	.	SCREW-MACH CHEESE HD,M4 X 16 LG
- 58	1622404	2	.	.	.	NUT,DBL CHAMFERED HEX-M5 X 4 THK
- 58A	8645343	1	.	.	.	CABLE ASM-USED ON 60HZ & 50HZ,200V
- 58A	8645428	1	.	.	.	CABLE ASM-USED ON 50HZ EXCEPT 200V
- 59	1621170	4	.	.	.	SCREW,PAN HD- M3 X L 6-
- 60	4494304	1	.	.	.	INDUCTOR- 60HZ AND 50HZ,200V
- 60	4494305	1	.	.	.	INDUCTOR- 50HZ EXCEPT 200V
- 61	1622404	4	.	.	.	NUT,DBL CHAMFERED HEX-M5 X 4 THK
- 62	1622319	4	.	.	.	WASHER,LOCKING SPRING,M5- 9.2 OD X 1.2 T
- 63	1622305	4	.	.	.	WASHER,FL- M5 10 OD X 1 THK
- 64	8645637	1	.	.	.	PLATE
- 65	8645831	1	.	.	.	LABEL
- 66	8645628	1	.	.	.	COVER, I/O RACK
- 67	1673984	8	.	.	.	SCREW
- 68	406889	1	.	.	.	BRACKET
- 69	1621626	4	.	.	.	SCREW,HEX HD-M5
- 70	1622319	4	.	.	.	WASHER,LOCKING SPRING,M5- 9.2 OD X 1.2 T
- 71	1622306	4	.	.	.	WASHER,FLAT,M6- 12.5 OD X 2 THK
- 72	8645895	AR	.	.	.	PLATE,FILLER
- 73	1621198	AR	.	.	.	SCREW,PAN HD-M4 X 4 LG
- 74	8645854	6	.	.	.	SPRING
- 75	1621198	12	.	.	.	SCREW,PAN HD-M4 X 4 LG
- 76	8645851	3	.	.	.	PLATE
- 77	1673984	12	.	.	.	SCREW
- 78	1622319	12	.	.	.	WASHER,LOCKING SPRING,M5- 9.2 OD X 1.2 T
- 79	1622305	12	.	.	.	WASHER,FL- M5 10 OD X 1 THK
- 80	8645627	1	.	.	.	RACK,I/O
- 81	1673984	7	.	.	.	SCREW
- 82	760447	1	.	.	.	LATCH ASM
- 83	1621190	2	.	.	.	SCREW,PAN HD- M4 X 8 LG
- 84	610052	1	.	.	.	STUD,LATCH- 8-32
- 85	220856	1	.	.	.	SPRING
- 86	204499	1	.	.	.	PIN,GATE LATCH
- 87	760446	1	.	.	.	BRACKET,LATCH
- 88	8645823	1	.	.	.	PAD,LATCH
- 89	1621192	2	.	.	.	SCREW, MACH PAN HD-M4 X 12 LG
- 90	8483228	1	.	.	.	BUMPER
- 91	1622403	1	.	.	.	NUT,DBL CHAMFERED HEX M4 X 3.2 THK
- 92	1622318	1	.	.	.	WASHER,SPRING-M4 9.2 OD X 1.2 THK
- 93	1621594	1	.	.	.	SCREW,HEX HD- M6 X 10 LG (SHIP BRACKET)
- 94	1622261	1	.	.	.	LOCKWASHER,SPLIT-M6
- 95	1622306	1	.	.	.	WASHER,FLAT,M6- 12.5 OD X 2 THK
- 96	401407	1	.	.	.	BRACKET,SHIPPING
- 97	1673730	2	.	.	.	SCREW,HEX HD- M5 X 12 LG
- 98	1622319	2	.	.	.	WASHER,LOCKING SPRING,M5- 9.2 OD X 1.2 T
- 99	1806798	1	.	.	.	JUMPER ASM
-100	1621210	2	.	.	.	SCREW,PAN HD- M5 X 10 LG
-101	1622347	2	.	.	.	LOCKWASHER EXT STAR- M5, 10 OD X .6
-102	8645893	2	.	.	.	SHIELD,FILE CABLE
-103	1621170	6	.	.	.	SCREW,PAN HD- M3 X L 6-
-104	8644908	1	.	.	.	POWER,GATE ASSEMBLY

FOR DETAIL BREAKDOWN SEE FIGURE 5

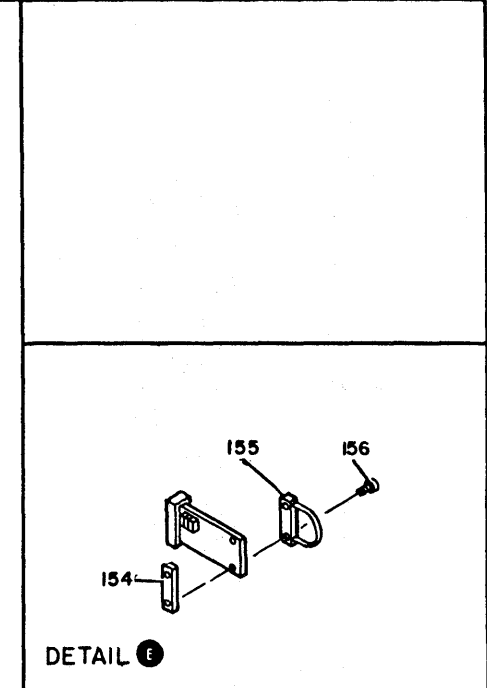
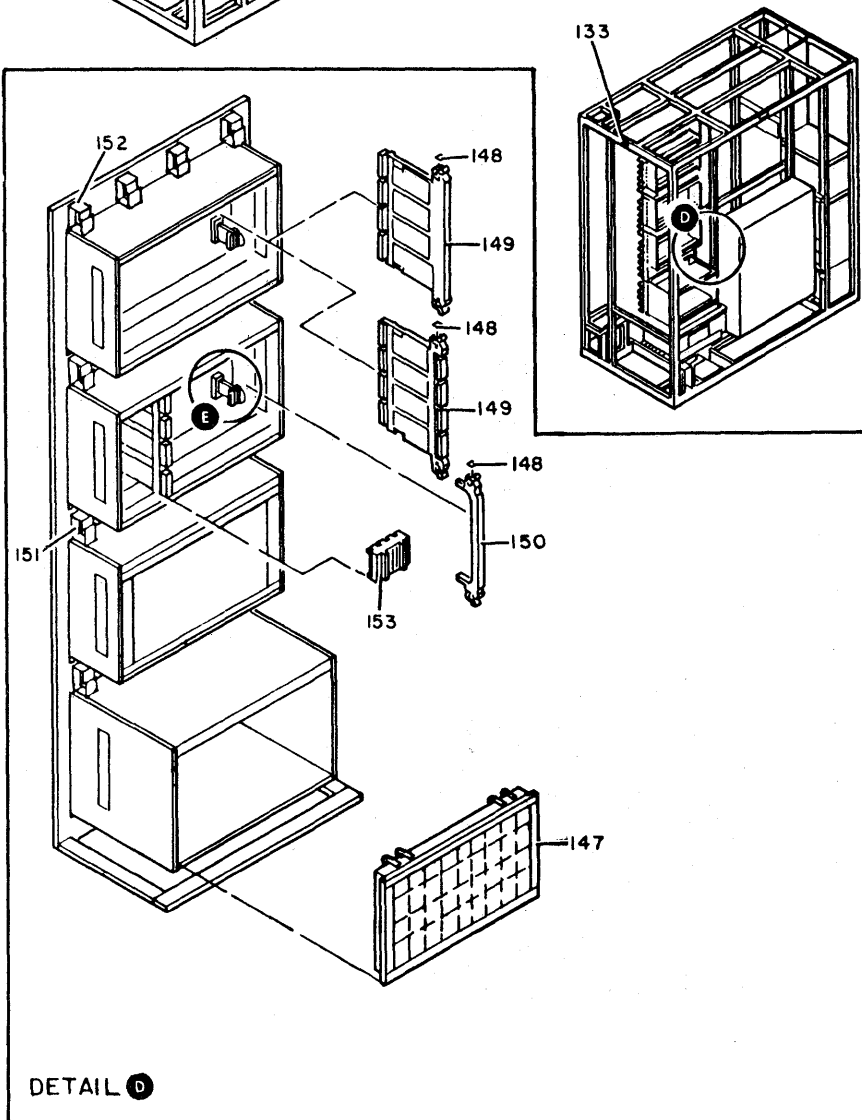
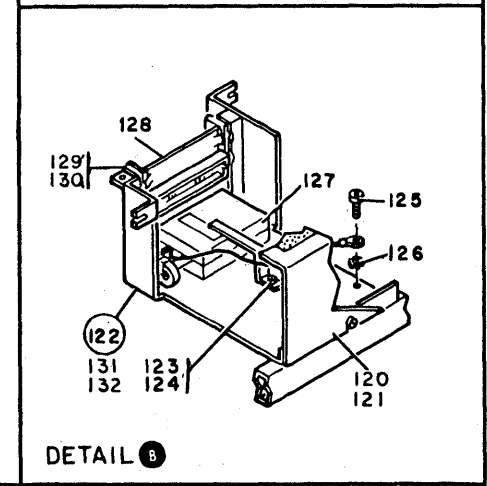
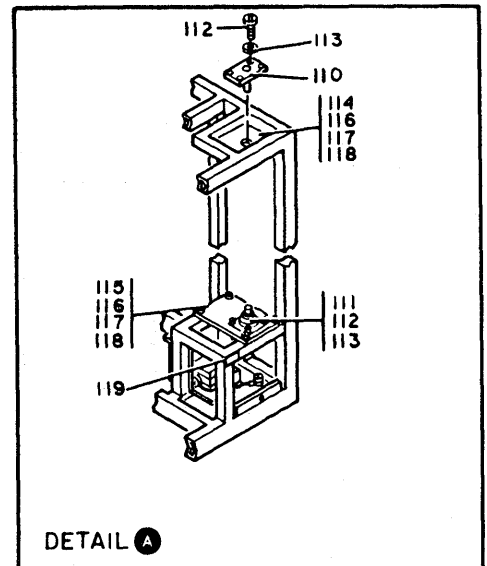
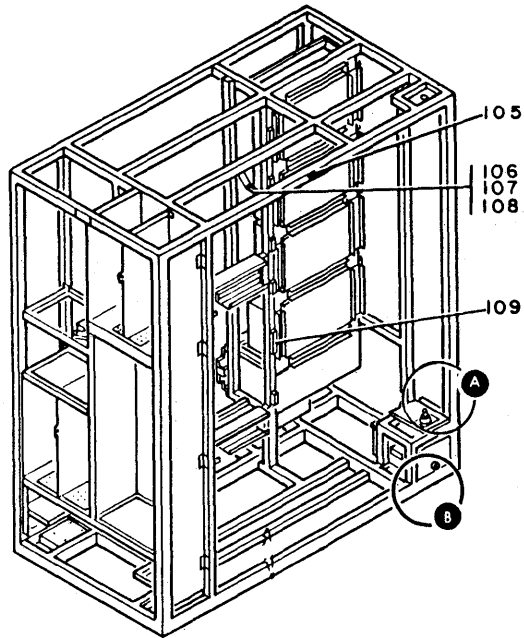


FIGURE 3. FINAL ASSEMBLY. SHEET 3 OF 8. INDEX NOS. 105-156 . SEE LIST 3.

FINAL ASSEMBLY

FIGURE INDEX NUMBER	PART NUMBER	UNITS PER ASM	DESCRIPTION			
			1	2	3	4
3 -105	369207	1	.	.	.	LABEL,HAZARDOUS AREA-ENGLISH/CANADIAN
-105	6815193	1	.	.	.	LABEL,HAZARDOUS AREA-GERMAN
-105	6815179	1	.	.	.	LABEL,HAZARDOUS AREA-CANADIAN FRENCH
-105	6815182	1	.	.	.	LABEL,HAZARDOUS AREA-FRENCH
-105	6081052	1	.	.	.	LABEL,HAZARDOUS AREA-FRENCH/DUTCH
-105	6836801	1	.	.	.	LABEL,HAZARDOUS AREA-FINNISH
-105	6815181	1	.	.	.	LABEL,HAZARDOUS AREA-ITALIAN
-105	6815180	1	.	.	.	LABEL,HAZARDOUS AREA-SPANISH
-105	8551904	1	.	.	.	LABEL,HAZARDOUS AREA-SWEDISH
-105	6815183	1	.	.	.	LABEL,HAZARDOUS AREA-BRAZILIAN/PORTUGAL
-105	8326797	1	.	.	.	LABEL,HAZARDOUS AREA-JAPANESE
-105	1806772	1	.	.	.	LABEL,HAZARDOUS AREA-DANISH
-106	8645644	1	.	.	.	PLATE,STRIKER
-107	1621518	4	.	.	.	SCREW,HEX SOC HD- M5 X 10 LG
-108	1622305	4	.	.	.	WASHER,FL- M5 10 OD X 1 THK
-109	8645623	16	.	.	.	PAD,SHOCK
-110	8645642	1	.	.	.	PIN,HINGE
-111	824348	1	.	.	.	PIN,HINGE
-112	1621596	8	.	.	.	SCREW,HEX HD-M6 X 16 LG
-113	1622320	8	.	.	.	LOCKWASHER,SPLIT- M6,11.8 OD X 1.6 THK
-114	8645643	1	.	.	.	PLATE
-115	8645641	1	.	.	.	PLATE
-116	1621596	8	.	.	.	SCREW,HEX HD-M6 X 16 LG
-117	1622320	8	.	.	.	LOCKWASHER,SPLIT- M6,11.8 OD X 1.6 THK
-118	1622307	8	.	.	.	WASHER-FLAT M8,17 OD X 1.6 THK
-119	8645896	1	.	.	.	LABEL,RSF
-120	8645673	1	.	.	.	COVER,RSF
-121	1621176	3	.	.	.	SCREW,PAN HD-M3 X 4 LG
-122	8645649	1	.	.	.	RSF ASM
-123	8645674	1	.	.	.	BRACKET
-124	1621176	1	.	.	.	SCREW,PAN HD-M3 X 4 LG
-125	1621190	1	.	.	.	SCREW,PAN HD- M4 X 8 LG
-126	1622346	1	.	.	.	LOCKWASHER,EXT STAR- M4, 8 OD X .5
-127	401441	1	.	.	.	COUPLER ASM(WITH FEATURE 9514 ONLY)
-128	8645890	AR	.	.	.	BLOCK,FILLER-USED ON FRAMES WITHOUT RSF
-128	1807942	1	.	.	.	CABLE ASM-USED ON FRAMES WITH RSF (USED ON ALL FEATURES EXCEPT 9514)
-128	1807943	1	.	.	.	CABLE ASM-USED ON FRAMES WITH RSF (USED ON FEATURE 9514 ONLY)
-129	8645854	2	.	.	.	SPRING
-130	1621198	4	.	.	.	SCREW,PAN HD-M4 X 4 LG
-131	8645672	1	.	.	.	BRACKET
-132	1673984	3	.	.	.	SCREW
-133	369207	1	.	.	.	LABEL,HAZARDOUS AREA-ENGLISH/CANADIAN
-133	6815193	1	.	.	.	LABEL,HAZARDOUS AREA-GERMAN
-133	6815179	1	.	.	.	LABEL,HAZARDOUS AREA-CANADIAN FRENCH
-133	6815182	1	.	.	.	LABEL,HAZARDOUS AREA-FRENCH
-133	6081052	1	.	.	.	LABEL,HAZARDOUS AREA-FRENCH/DUTCH
-133	6836801	1	.	.	.	LABEL,HAZARDOUS AREA-FINNISH
-133	6815181	1	.	.	.	LABEL,HAZARDOUS AREA-ITALIAN
-133	6815180	1	.	.	.	LABEL,HAZARDOUS AREA-SPANISH
-133	8551904	1	.	.	.	LABEL,HAZARDOUS AREA-SWEDISH
-133	6815183	1	.	.	.	LABEL,HAZARDOUS AREA-BRAZILIAN/PORTUGAL
-133	8326797	1	.	.	.	LABEL,HAZARDOUS AREA-JAPANESE
-133	1806772	1	.	.	.	LABEL,HAZARDOUS AREA-DANISH
-145	1806739	4	.	.	.	RACEWAY
-146	2242394	12	.	.	.	RIVET,POP-.125 DIA
-147	1953222	4	.	.	.	COVER,BOARDS
-148	818579	AR	.	.	.	LABEL,PLUG LOCATION
-149	1953181	AR	.	.	.	CARD HOLDER
-149	1953179	AR	.	.	.	CARD HOLDER

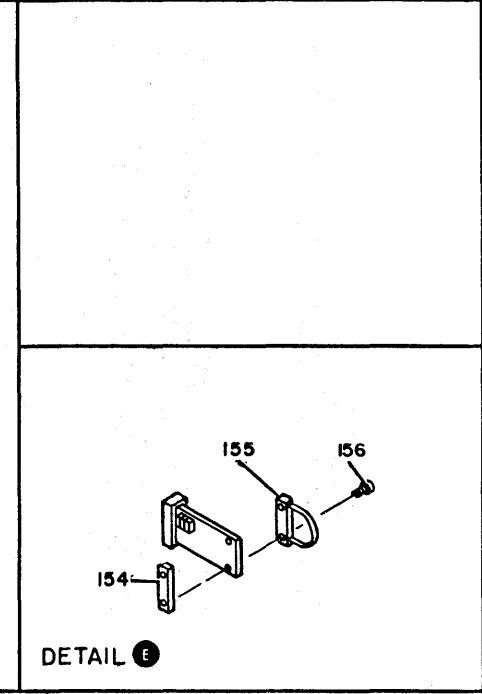
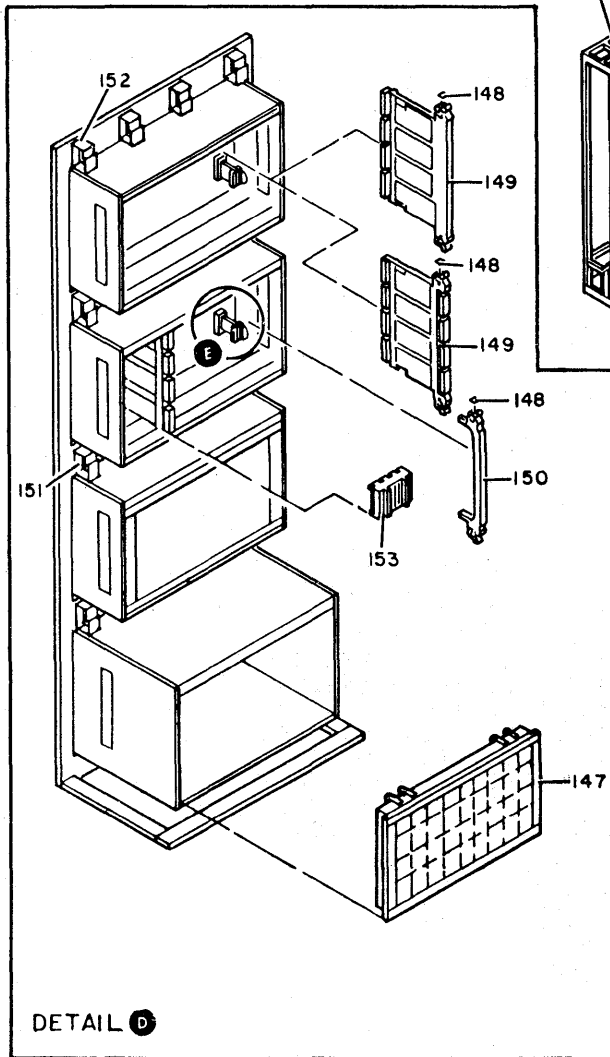
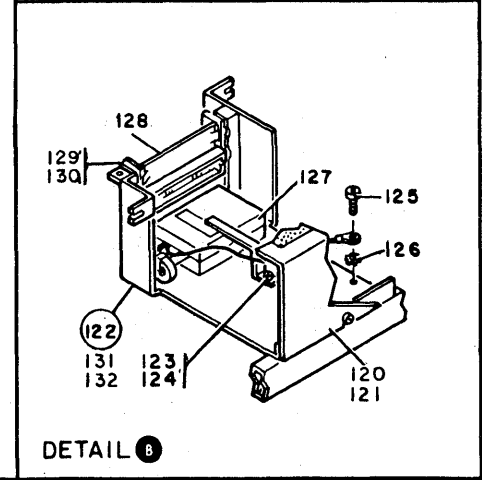
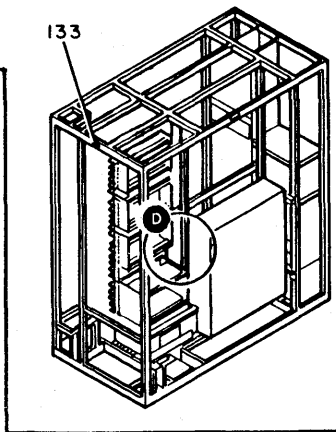
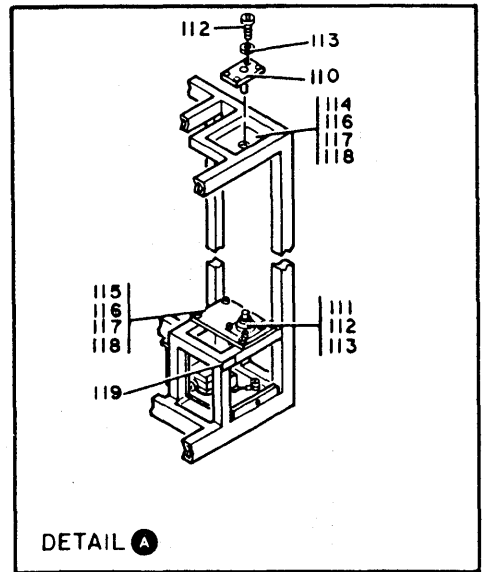
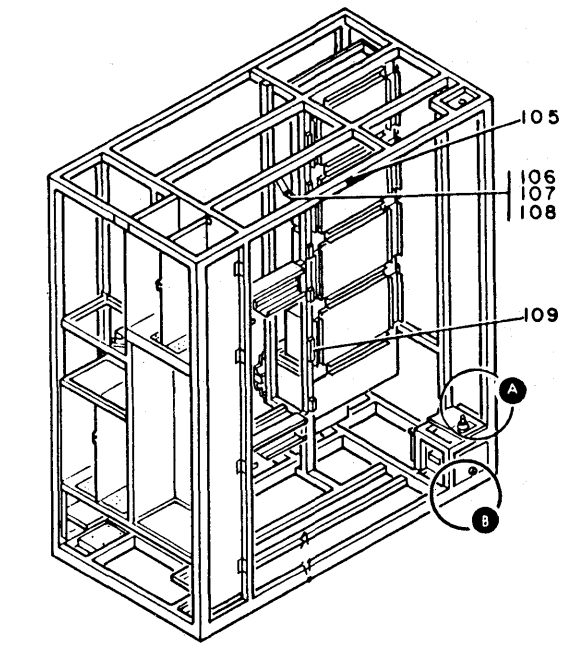


FIGURE 3. FINAL ASSEMBLY. SHEET 3 OF 8. INDEX NOS. 105-156. SEE LIST 3.

FINAL ASSEMBLY

FIGURE INDEX NUMBER	PART NUMBER	UNITS PER ASM	DESCRIPTION			
			1	2	3	4
3	-150	1953110	1	.	INTERMIX BRACKET ASM-POSITION A1/W2	
	-151	4873815	12	.	RETAINER, CABLE	
	-152	4873814	4	.	RETAINER, CABLE	
	-153	8645658	AR	.	TCC-2 POS.(A1-BW/CW, BX/CX, BY/CY & BZ/CZ)	
	-153	8645678	AR	.	TCC-1 POS.(A1-VW, VX, VY & VZ)	
	-153	8645778	AR	.	TCC-3 POS.(A2-DW/EW/FW)	
	-153	8645777	AR	.	TCC-2 POS.(A2-GY/HY, VX/WX, VY/WY & VZ/WZ)	
	-153	8645776	AR	.	TCC-1 POS.(A2-KX, LX, KY, LY, SX & TX)	
	-153	8645779	AR	.	TCC-3 POS.(A2-DX/EX/FX)	
	-154	740459	2	.	STIFFENER-POSITIONS A1/W2 AND A2/B3	
	-155	5665948	2	.	STRAIN RELIEF	
	-156	438549	4	.	SCREW, BD HD- 4-40 X 0.437 LG	

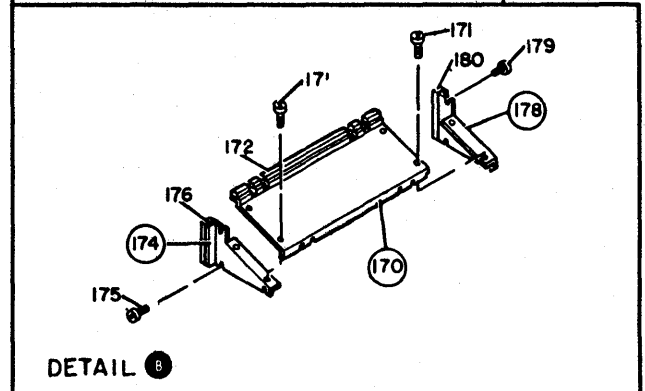
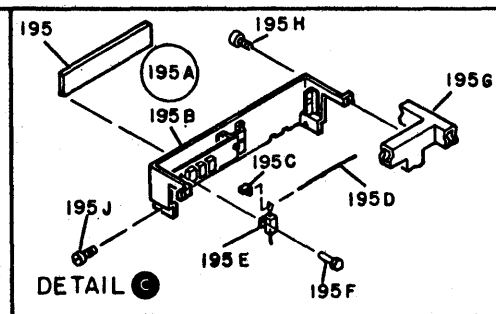
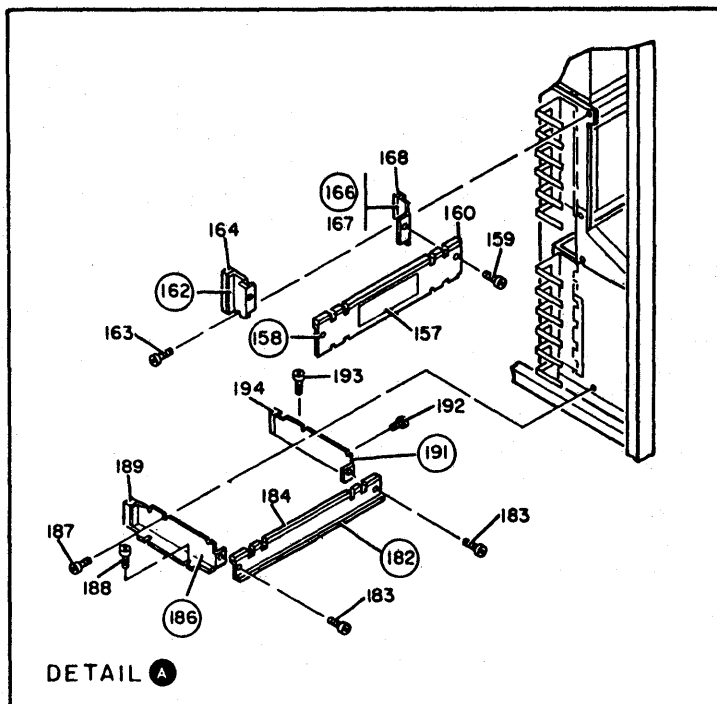
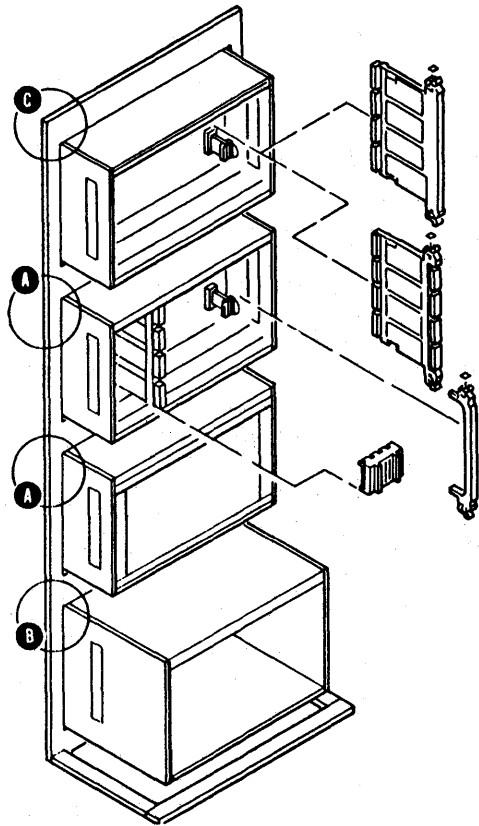


FIGURE 3. FINAL ASSEMBLY. SHEET 4 OF 8. INDEX NOS. 157-195J. SEE LIST 3.

FINAL ASSEMBLY

FIGURE INDEX NUMBER	PART NUMBER	UNITS PER ASM	DESCRIPTION				
			1	2	3	4	
3 -157	401394	2	LABEL,WARNING
-158	1806824	2	BAFFLE ASM- 3HI TO 3HI
-159	1621197	4	SCREW,PAN HD-M4 X 6 LG
-160	2495692	AR	SEAL
-162	4144030	2	BRACKET ASM- 3HI TO 3HI,LEFT
-163	1621844	4	SCREW,THD FORMING PAN HD-M3 X 6 LG
-164	475465	AR	SEAL
-166	1806829	2	BRACKET,ASM- 3HI TO 3HI,RIGHT
-167	1621844	4	SCREW,THD FORMING PAN HD-M3 X 6 LG
-168	475465	AR	SEAL
-170	1806825	1	BAFFLE ASM- 3HI TO 6HI
-171	1621197	4	SCREW,PAN HD-M4 X 6 LG
-172	2495692	AR	SEAL
-174	1806831	1	BRACKET ASM- 3HI TO 6HI,LEFT
-175	1621844	3	SCREW,THD FORMING PAN HD-M3 X 6 LG
-176	475465	AR	SEAL
-178	1806833	1	BRACKET,ASM- 3HI TO 6HI,RIGHT
-179	1621844	3	SCREW,THD FORMING PAN HD-M3 X 6 LG
-180	475465	AR	SEAL
-182	1806830	1	BAFFLE ASM- 6HI TO BLOWER
-183	1621197	2	SCREW,PAN HD-M4 X 6 LG
-184	2495692	AR	SEAL
-186	1806837	1	BRACKET ASM- 6HI TO BLOWER,LEFT
-187	1621844	2	SCREW,THD FORMING PAN HD-M3 X 6 LG
-188	1621197	2	SCREW,PAN HD-M4 X 6 LG
-189	475465	AR	SEAL
-191	1806835	1	BRACKET,ASM- 6HI TO BLOWER,RIGHT
-192	1621844	2	SCREW,THD FORMING PAN HD-M3 X 6 LG
-193	1621197	2	SCREW,PAN HD-M4 X 6 LG
-194	475465	AR	SEAL
-195	401394	1	LABEL
-195A	1806762	1	RESISTOR ASM
-195B	1621190	2	SCREW,PAN HD - M4 X 8 LG
-195C	5271288	1	TERMINAL,TAB
-195D	300630	1	WIRE,BUS
-195E	1806891	4	RESISTOR
-195F	1806766	8	RIVET
-195G	1806814	1	BRACKET ASM
-195H	1621190	2	SCREW,PAN HD - M4 X 8 LG
-195J	1621844	2	SCREW,THD FORMING PAN HD - M3 X 6 LG

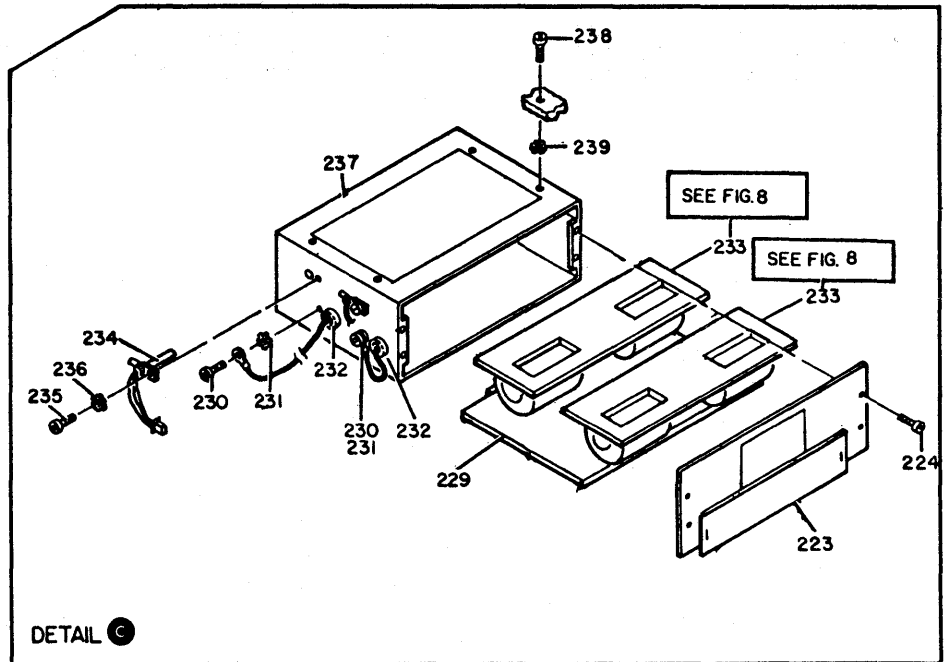
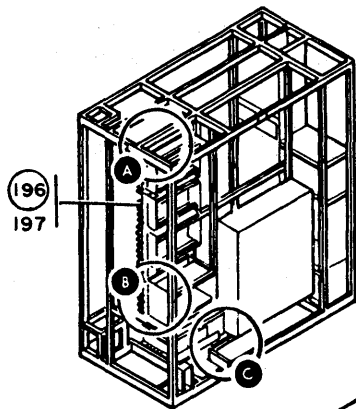
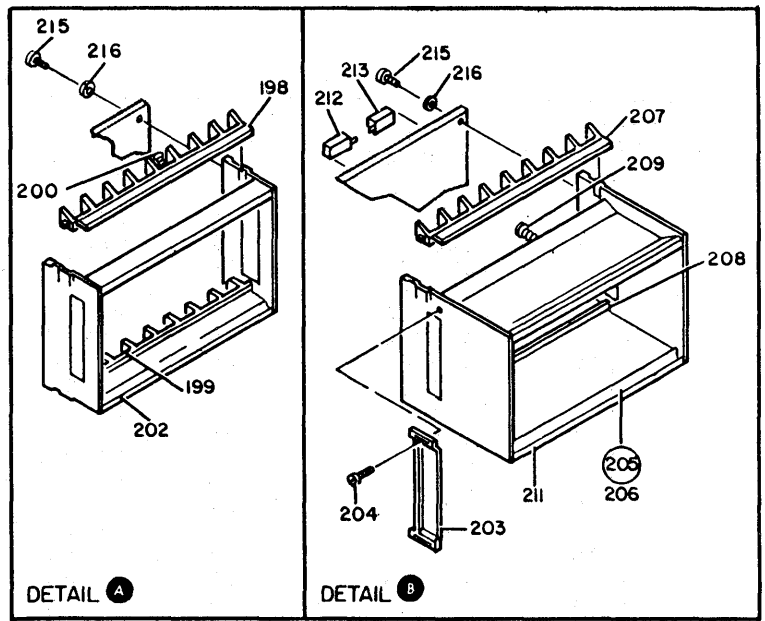
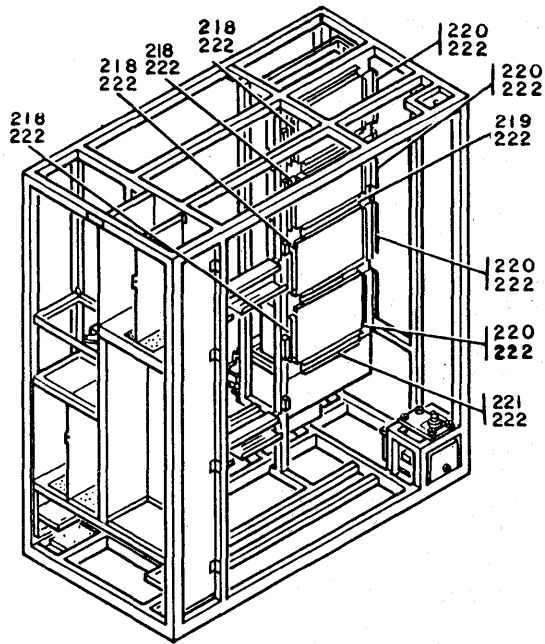


FIGURE 3. FINAL ASSEMBLY. SHEET 5 OF 8. INDEX NOS. 196-239A. SEE LIST 3.

FINAL ASSEMBLY

FIGURE INDEX NUMBER	PART NUMBER	UNITS PER ASM	DESCRIPTION			
			1	2	3	4
3 -196	1953221	3	.	.	.	GUIDE ASM- 3HI
-197	1953318	24	.	.	.	SCREW,M3.5
-198	8483584	1	.	.	.	RETAINER,UPPER
-199	8483586	1	.	.	.	RETAINER,LOWER
-200	NO NO.	2	.	.	.	SCREW,ADJUSTER
-202	1953315	1	.	.	.	GUIDE- 3HI
-203	1953319	8	.	.	.	COVER
-204	1621846	16	.	.	.	SCREW,SELF TAP PAN HD-M3 X 10 LG
-205	1953223	1	.	.	.	GUIDE ASM- 6HI
-206	1953318	8	.	.	.	SCREW,M3.5
-207	8483584	1	.	.	.	RETAINER,UPPER
-208	8483586	1	.	.	.	RETAINER,LOWER
-209	NO NO.	2	.	.	.	SCREW,ADJUSTER
-211	1953317	1	.	.	.	GUIDE- 6HI
-212	401403	4	.	.	.	CAPACITOR ASM
-213	8633860	4	.	.	.	CAPACITOR ASM
-215	2181088	40	.	.	.	SCREW,THD FORMING- 6-32 X 0.875 LG
-216	22066	40	.	.	.	WASHER- 0.140 ID X 0.281 OD
-218	2281858	4	.	.	.	RACEWAY
-219	2311716	1	.	.	.	RACEWAY
-220	8645713	4	.	.	.	RACEWAY
-221	8645714	4	.	.	.	RACEWAY
-222	2242394	39	.	.	.	RIVET,POP-.125 DIA
-223	8645698	1	.	.	.	COVER ASM
-224	1621191	4	.	.	.	SCREW,PAN HD- M4 X 10 LG
-229	8645607	1	.	.	.	FILTER
-230	1621190	2	.	.	.	SCREW,PAN HD- M4 X 8 LG
-231	1622346	2	.	.	.	LOCKWASHER,EXT STAR- M4, 8 OD X .5
-232	53193	2	.	.	.	GROMMET
-233	8644936	2	.	.	.	BLOWER ASSEMBLY-DUPLEX II,60HZ
-233	8645456	2	.	.	.	BLOWER ASSEMBLY-DUPLEX II,50HZ
						FOR DETAIL BREAKDOWN SEE FIGURE 8
-234	8645604	2	.	.	.	SENSOR ASM,AIRFLOW AFS103,AFS104
-235	1621171	2	.	.	.	SCREW,PAN HD- M3 X 8 LG
-236	1622344	2	.	.	.	LOCKWASHER,EXT STAR- M3 X 294 THK
-237	8645564	1	.	.	.	HOUSING
-238	1621211	4	.	.	.	SCREW,PAN HD- M5 X 12 LG
-239	1622347	1	.	.	.	LOCKWASHER EXT STAR- M5, 10 OD X .6
-239A	4873814	1	.	.	.	RETAINER,CABLE

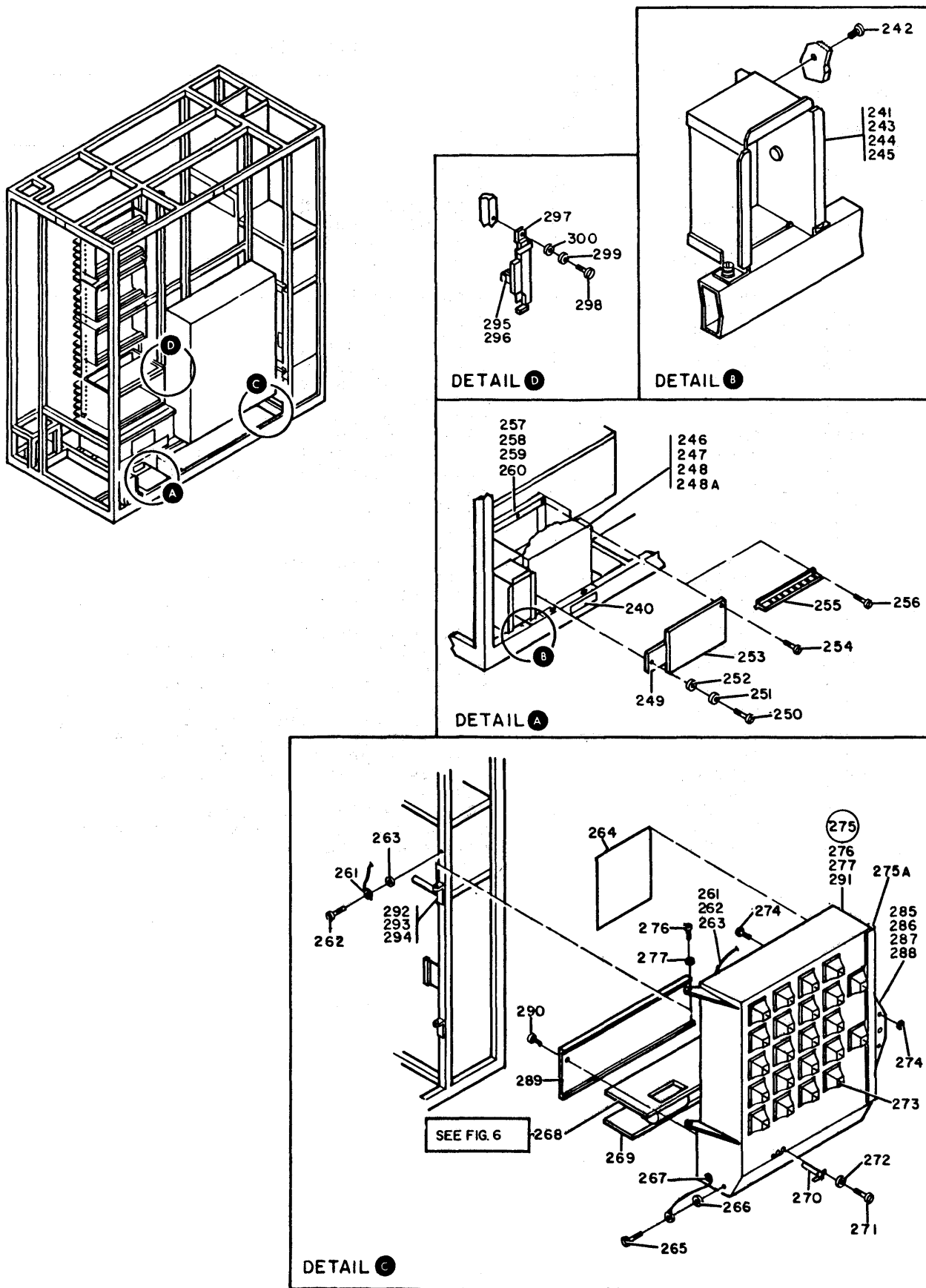


FIGURE 3. FINAL ASSEMBLY. SHEET 6 OF 8. INDEX NOS. 240-300. SEE LIST 3.

FINAL ASSEMBLY

FIGURE INDEX NUMBER	PART NUMBER	UNITS PER ASM	DESCRIPTION			
			1	2	3	4
3	-240	8645897	1	.	LABEL-CTC FEATURE	
	-241	8645873	1	.	BOX	
	-242	1621197	2	.	SCREW,PAN HD-M4 X 6 LG	
	-243	1621210	2	.	SCREW,PAN HD- M5 X 10 LG	
	-244	1622319	2	.	WASHER,LOCKING SPRING,M5- 9.2 OD X 1.2 T	
	-245	1622305	2	.	WASHER,FL- M5 10 OD X 1 THK	
	-246	8645790	1	.	COVER	
	-247	1621210	2	.	SCREW,PAN HD- M5 X 10 LG	
	-248	1622319	2	.	LOCKWASHER,SPLIT - M5, 9.2 OD X 1.2 T	
	-248A	1622305	2	.	WASHER,FLAT - M5 10 OD X 1 THK	
	-249	8645815	1	.	BAR, I/O MTG	
	-250	1673984	5	.	SCREW,PAN HD- M5 X 10 LG	
	-251	1622319	5	.	WASHER,LOCKING SPRING,M5- 9.2 OD X 1.2 T	
	-252	1622305	5	.	WASHER,FL- M5 10 OD X 1 THK	
	-253	8645842	1	.	PLATE,FILLER	
	-254	1621197	2	.	SCREW	
	-255	8645854	4	.	SPRING	
	-256	1621197	8	.	SCREW,PAN HD- M4 X 6 LG	
	-257	8645509	1	.	BRACKET	
	-258	1621210	4	.	SCREW,PAN HD-M5 X 10MM LG	
	-259	1622319	4	.	LOCKWASHER,SPLIT- 5.1MM ID X 9.2MM OD	
	-260	1622305	4	.	WASHER,FLAT- 5.5MM ID X 10MM OD	
	-261	1806798	1	.	JUMPER	
	-262	1621210	2	.	SCREW,PAN HD- M5 X 10 LG	
	-263	1622347	2	.	LOCKWASHER EXT STAR- M5, 10 OD X .6	
	-264	1806737	1	.	LABEL- 01A GATE	
	-265	1621190	1	.	SCREW,PAN HD- M4 X 8 LG	
	-266	1622346	1	.	LOCKWASHER,EXT STAR- M4, 8 OD X .5	
	-267	53193	1	.	GROMMET	
	-268	8644938	1	.	BLOWER ASSEMBLY-SUPER DUPLEX II,60HZ	
	-268	8645454	1	.	BLOWER ASSEMBLY-SUPER DUPLEX II,50HZ	
					FOR DETAIL BREAKDOWN SEE FIGURE 6	
	-269	8645605	1	.	FILTER	
	-270	5578666	1	.	SENSOR,AIR FLOW	
	-271	1621171	1	.	SCREW,PAN HD- M3 X 8 LG	
	-272	1622344	1	.	LOCKWASHER,EXT STAR- M3 X 294 THK	
	-273	8645583	22	.	NOZZLE	
	-274	4204962	1	.	LATCH SCREW	
	-275	8645600	1	.	PLENUM ASM	
	-275A	401523	1	.	GUARD	
	-276	1621190	2	.	SCREW,PAN HD- M4 X 8 LG	
	-277	110029	2	.	WASHER,FL NO 8 X 5/8 OD X 1/16 THK	
	-285	8645575	1	.	BRACKET,LATCH	
	-286	1621211	3	.	SCREW,PAN HD- M5 X 12 LG	
	-287	1622347	3	.	LOCKWASHER EXT STAR- M5, 10 OD X .6	
	-288	1622305	3	.	WASHER,FL- M5 10 OD X 1 THK	
	-289	8645574	1	.	COVER	
	-290	1621191	4	.	SCREW,PAN HD- M4 X 10 LG	
	-291	8645140	1	.	PLENUM	
	-292	8645573	2	.	HINGE	
	-293	1621595	4	.	SCREW-MACH HEX HD,M6 X 12 LG	
	-294	1622348	4	.	LOCKWASHER,EXT STAR- M6 11 OD X .7	
	-295	8645625	1	.	SWITCH,INTERLOCK	
	-296	10170	2	.	SCREW,BD HD- 6-32 X 0.250 LG	
	-297	8645576	1	.	LATCH	
	-298	1621211	2	.	SCREW,PAN HD- M5 X 12 LG	
	-299	1622347	2	.	LOCKWASHER EXT STAR- M5, 10 OD X .6	
	-300	1622305	2	.	WASHER,FL- M5 10 OD X 1 THK	

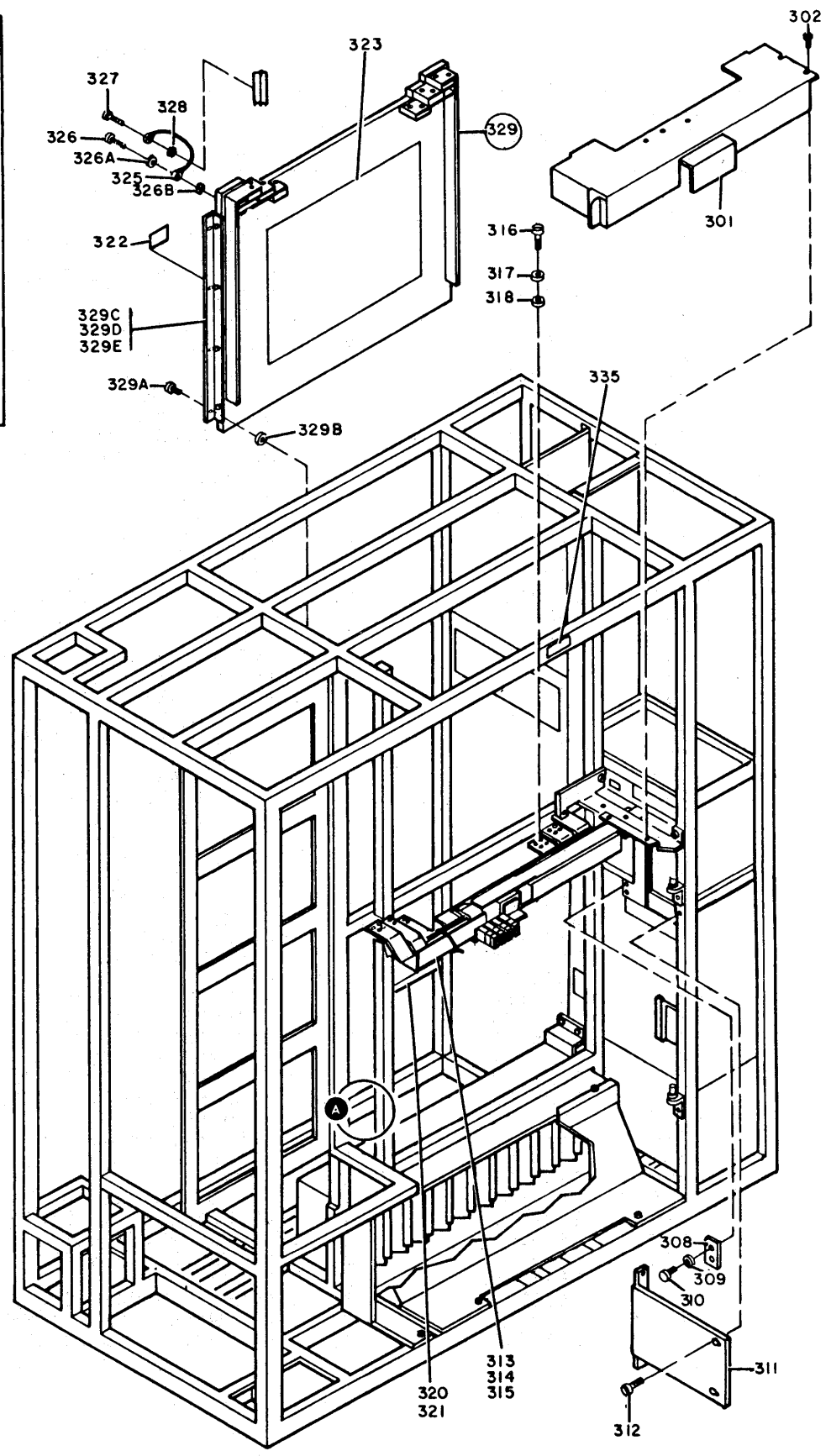
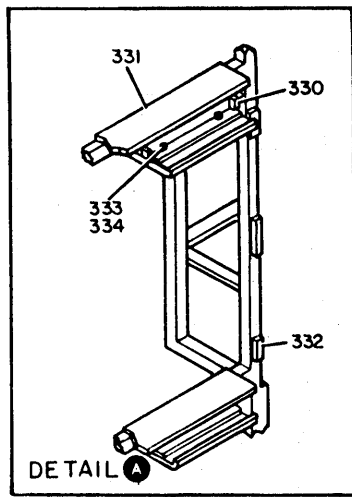
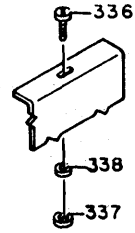
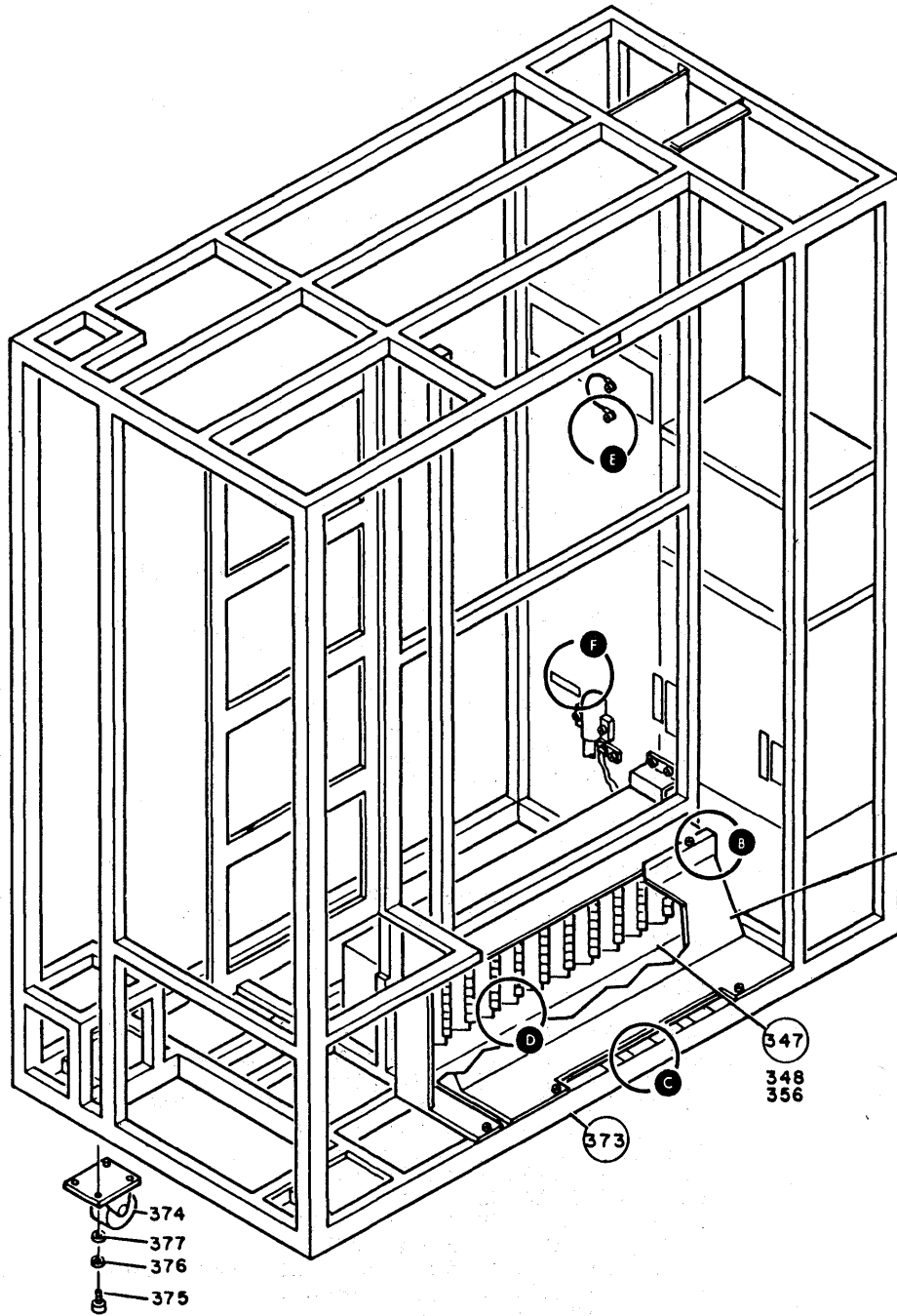


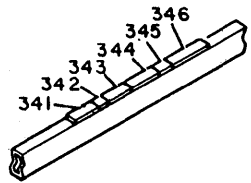
FIGURE 3. FINAL ASSEMBLY. SHEET 7 OF 8. INDEX NOS. 301-335. SEE LIST 3.

FINAL ASSEMBLY

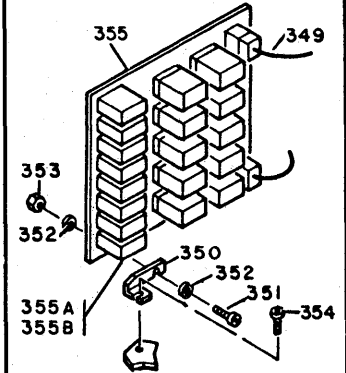
FIGURE INDEX NUMBER	PART NUMBER	UNITS PER ASM	DESCRIPTION					
			1	2	3	4		
3 -301	1806842	2	SHIELD	
-302	1673984	3	SCREW	
-304	1621190	6	SCREW,PAN HD- M4 X 8 LG	
-305	8645666	1	BRACKET	
-306	1621210	2	SCREW	
-307	8645665	4	PAD,SPACER-BUS	
-308	401434	4	PLATE,BUS BAR	
-309	1621545	8	SCREW-MACH HEX HD M8 X 20 LG	ATT PT
-310	1622321	8	WASHER,LOCK-SPLIT M8,14.8 OD X 2 THK	ATT PT
-311	8645717	1	SHIELD	
-312	1673984	4	SCREW	ATT PT
-313	401402	1	BUS BAR ASM	
-314	1621230	3	SCREW,PAN HD-M6 X 12 LG	ATT PT
-315	1622348	3	LOCKWASHER,EXT STAR- M6 11 OD X .7	ATT PT
-316	1621545	20	SCREW-MACH HEX HD M8 X 20 LG	ATT PT
-317	1578985	20	WASHER,RIBBED	ATT PT
-318	1726328	20	WASHER,DISK	ATT PT
-320	4144033	1	BRACKET	
-321	1673984	2	SCREW	ATT PT
-322	889325	1	LABEL,CAUTION WEIGHT-ENGLISH	
-322	1806749	1	LABEL,CAUTION WEIGHT-GERMAN	
-322	1806751	1	LABEL,CAUTION WEIGHT-CANADIAN	
-322	1806759	1	LABEL,CAUTION WEIGHT-FRENCH	
-322	4291326	1	LABEL,CAUTION WEIGHT-FRENCH/DUTCH	
-322	1806761	1	LABEL,CAUTION WEIGHT-FINNISH	
-322	1806750	1	LABEL,CAUTION WEIGHT-ITALIAN	
-322	1806752	1	LABEL,CAUTION WEIGHT-SPANISH	
-322	6845934	1	LABEL,CAUTION WEIGHT-SWEDISH	
-322	1806760	1	LABEL,CAUTION WEIGHT-BRAZILIAN/PORTUGAL	
-322	1806754	1	LABEL,CAUTION WEIGHT-JAPANESE	
-322	1806774	1	LABEL,CAUTION WEIGHT-DANISH	
-323	1806827	1	LABEL,BOARD REMOVAL/REPLACEMENT	
-325	8645811	1	JUMPER	
-326	1621228	1	SCREW	ATT PT
-326A	1622306	1	WASHER,FLAT- 6.6MM ID X 12.5MM OD	
-326B	1622348	1	LOCKWASHER,EXT- 6.2MM X 11MM OD	
-327	1621210	1	SCREW,PAN HD- M5 X 10 LG	ATT PT
-328	1622347	1	LOCKWASHER EXT STAR- M5, 10 OD X .6	ATT PT
-329	4143045	1	BOARD ASM	
-329A	8645660	8	SCREW	
-329B	1126833	8	RETAINER	ATT PT
-329C	8645613	2	BRACKET	
-329D	1621547	8	SCREW,HEX HD-M8 X 30 LG	ATT PT
-329E	1622321	8	WASHER,LOCK-SPLIT M8,14.8 OD X 2 THK	ATT PT
-330	1806739	1	SPACER	
-331	8645679	1	SHOCK PAD	
-332	8645900	1	SHOCK PAD	
-333	8645899	4	BRACKET	
-334	1621210	8	SCREW,PAN HD- M5 X 10 LG	ATT PT
-335	369207	1	LABEL,HAZARDOUS AREA-ENGLISH/CANADIAN	
-335	6815193	1	LABEL,HAZARDOUS AREA-GERMAN	
-335	6815179	1	LABEL,HAZARDOUS AREA-CANADIAN FRENCH	
-335	6815182	1	LABEL,HAZARDOUS AREA-FRENCH	
-335	6081052	1	LABEL,HAZARDOUS AREA-FRENCH/DUTCH	
-335	8326801	1	LABEL,HAZARDOUS AREA-FINNISH	
-335	6815181	1	LABEL,HAZARDOUS AREA-ITALIAN	
-335	6815180	1	LABEL,HAZARDOUS AREA-SPANISH	
-335	8551904	1	LABEL,HAZARDOUS AREA-SWEDISH	
-335	6815183	1	LABEL,HAZARDOUS AREA-BRAZILIAN/PORTUGAL	
-335	8326797	1	LABEL,HAZARDOUS AREA-JAPANESE	
-335	1806772	1	LABEL,HAZARDOUS AREA-DANISH	



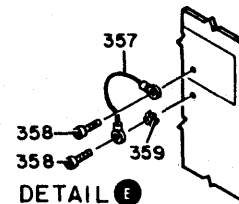
DETAIL B



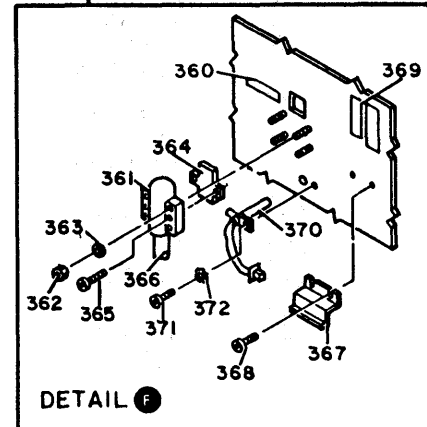
DETAIL C



DETAIL D



DETAIL E



DETAIL F

FIGURE 3. FINAL ASSEMBLY. SHEET 8 OF 8. INDEX NOS. 336-377. SEE LIST 3.

FINAL ASSEMBLY

FIGURE INDEX NUMBER	PART NUMBER	UNITS PER ASM	DESCRIPTION					
			1	2	3	4		
3 -336	8267564	2		
-337	264641	2		ATT PT
-338	25009	2		ATT PT
-339	8645636	1		
-340	1621190	2		ATT PT
-341	855282	1		
-342	855283	1		
-343	NO NO.	1		
-344	855284	1		
-344	4056411	1		
-344	6003011	1		
-345	855286	1		
-345	960766	1		
-346	NO NO.	1		
-347	1806850	1		
-348	1621190	7		ATT PT
-349	8482759	3		
-350	8645880	4		
-351	1621191	4		ATT PT
-352	1622304	8		ATT PT
-353	1622403	4		ATT PT
-354	1621170	4		ATT PT
-355	8485197	4		
-355	8485194	4		
-355A	2426298	10		
-355A	767031	10		
-355B	5318966	10		
-356	8645161	1		
-357	8645345	1		
-358	1621210	2		ATT PT
-359	1622347	1		ATT PT
-360	5397579	1		
-361	8645871	1		
-362	1622403	4		ATT PT
-363	1622304	4		ATT PT
-364	8645872	1		
-365	1621193	2		ATT PT
-366	8645305	1		
-366	8645304	1		
-366	8645306	1		
-366	8645307	1		
-367	1806736	1		
-368	1673984	2		ATT PT
-369	401405	2		
-370	5578666	1		
-371	1621171	1		ATT PT
-372	1622344	1		ATT PT
-373	8644934	1		
-374	1806892	4		
-375	1621596	16		ATT PT
-376	150390	16		ATT PT
-377	1622320	16		ATT PT

FOR PARTS
NOT SHOWN
SEE FIG. 3
SHEET 2

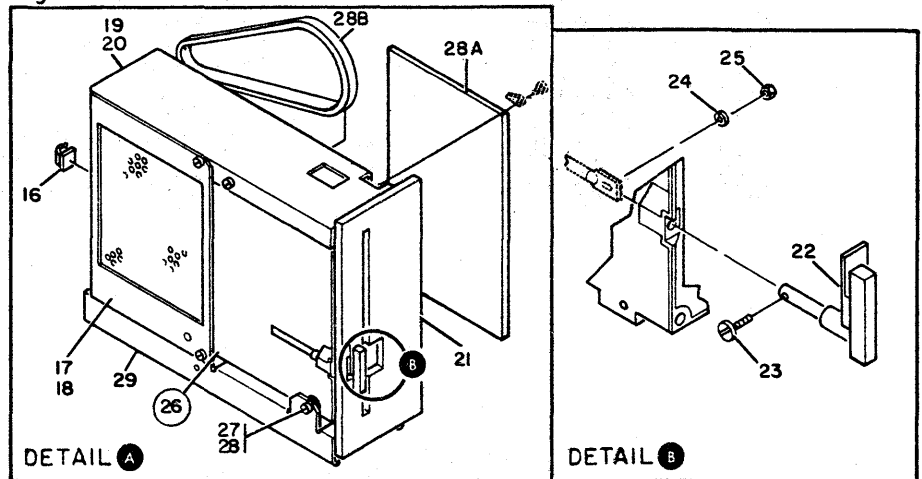
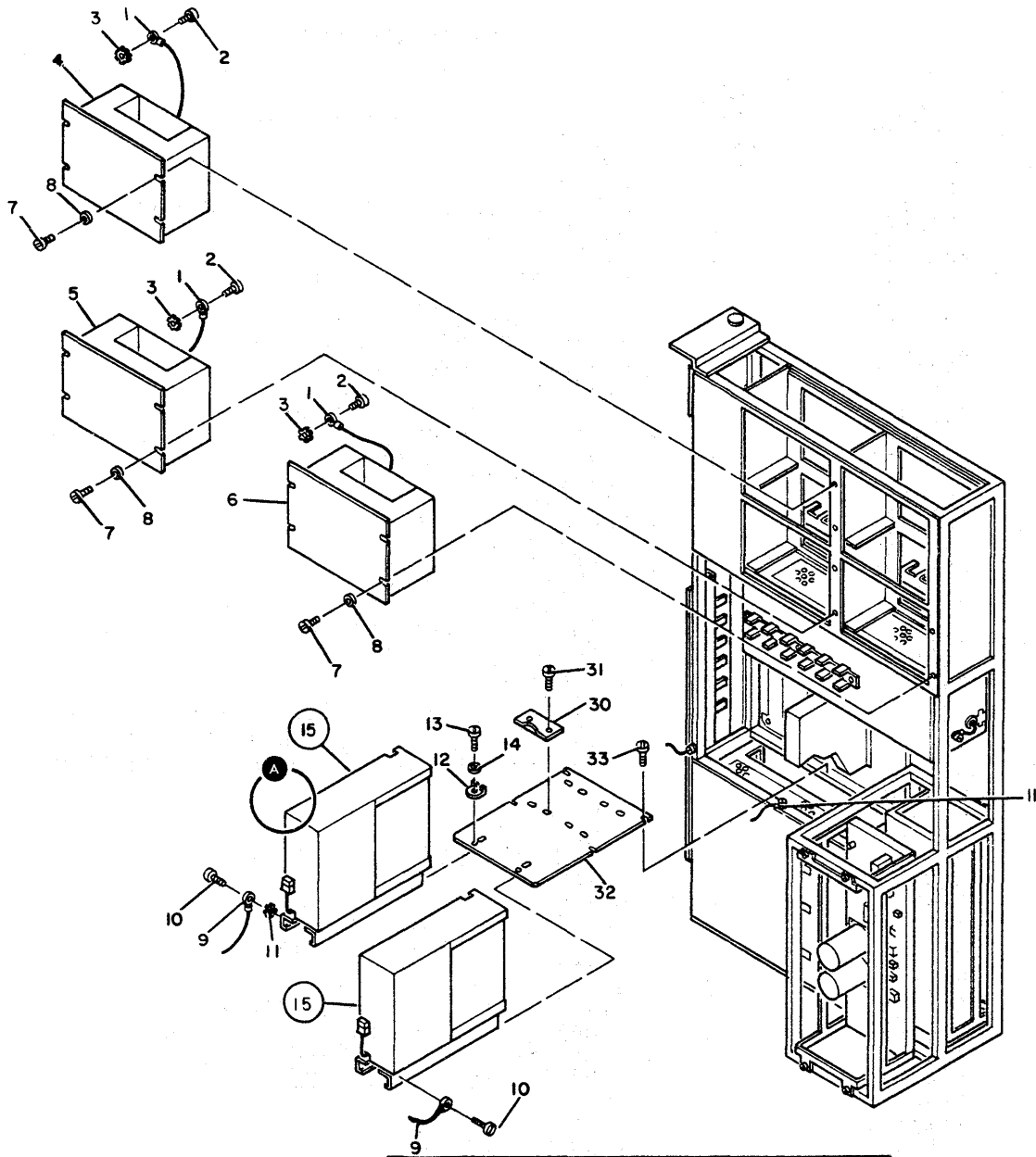


FIGURE 5. POWER GATE ASSEMBLY. SHEET 1 OF 3. INDEX NOS. 1-33. SEE LIST 5.

POWER GATE ASSEMBLY

FIGURE INDEX NUMBER	PART NUMBER	UNITS PER ASM	DESCRIPTION				
			1	2	3	4	
5 -	8644908	NP	REF	POWER GATE ASSEMBLY FOR NEXT HIGHER ASM SEE FIGURE 3-104 FOR ILLUSTRATION SEE FIGURE 5			
- 1	8645345	1		. GROUND STRAP			
- 2	1621210	4		. SCREW,PAN HD- M5 X 10 LG			ATT PT
- 3	1622347	1		. LOCKWASHER EXT STAR- M5, 10 OD X .6			ATT PT
- 4	4494200	1		. POWER SUPPLY PS109			
- 5	4494250	1		. POWER SUPPLY PS108-1ST SOURCE			
- 5	4494350	1		. POWER SUPPLY PS108- 0-8 MEG 2ND SOURCE			
- 5	4494200	1		. POWER SUPPLY PS108- 12-16 MEG 2ND SOURCE			
- 6	4494225	1		. POWER SUPPLY PS107			
- 7	1621210	8		. SCREW,PAN HD- M5 X 10 LG			ATT PT
- 8	1622306	8		. WASHER,FLAT,M6- 12.5 OD X 2 THK			ATT PT
- 9	1806798	2		. GROUND STRAP			
- 10	1621210	4		. SCREW,PAN HD- M5 X 10 LG			ATT PT
- 11	1622347	2		. LOCKWASHER EXT STAR- M5, 10 OD X .6			ATT PT
- 12	1806769	2		. BRACKET			
- 13	1621190	2		. SCREW,PAN HD- M4 X 8 LG			ATT PT
- 14	1622318	2		. WASHER,SPRING-M4 9.2 OD X 1.2 THK			ATT PT
- 15	8644925	2		. FILE ASSEMBLY- 60HZ			
- 15	8644924	2		. FILE ASSEMBLY- 50HZ			
- 16	2596291	1		. . CLAMP			
- 17	8645650	1		. . COVER			
- 18	1621170	5		. . SCREW,PAN HD- M3 X L 6-			ATT PT
- 19	8645657	1		. . BRACKET			
- 20	1621190	2		. . SCREW,PAN HD- M4 X 8 LG			ATT PT
- 21	5267830	1		. . BEZEL			
- 22	1806797	1		. . HANDLE			
- 23	1621183	1		. . SCREW			ATT PT
- 24	1622317	1		. . WASHER,SPRING-M3.5 6.7 OD X 0.8 THK			ATT PT
- 25	1622402	1		. . NUT,DBL CHAMFERED HEX-M 3.5 X 2.8 THK			ATT PT
- 26	4240517	1		. . FILE ASM- 60HZ			
- 26	4240513	1		. . FILE ASM- 50HZ			
- 27	1621190	4		. . SCREW,PAN HD- M4 X 8 LG			ATT PT
- 28	1622346	1		. . LOCKWASHER,EXT STAR- M4, 8 OD X .5			ATT PT
- 28A	4240728	1		. . . CARD ASM			
- 28B	4240605	1		. . . BELT 60HZ			
- 28B	4240604	1		. . . BELT 50HZ			
- 29	8645646	1		. . SLIDE			
- 30	1806767	4		. GUIDE			
- 31	1623742	8		. SCREW			ATT PT
- 32	1806768	1		. PLATE			
- 33	1673984	4		. SCREW			ATT PT

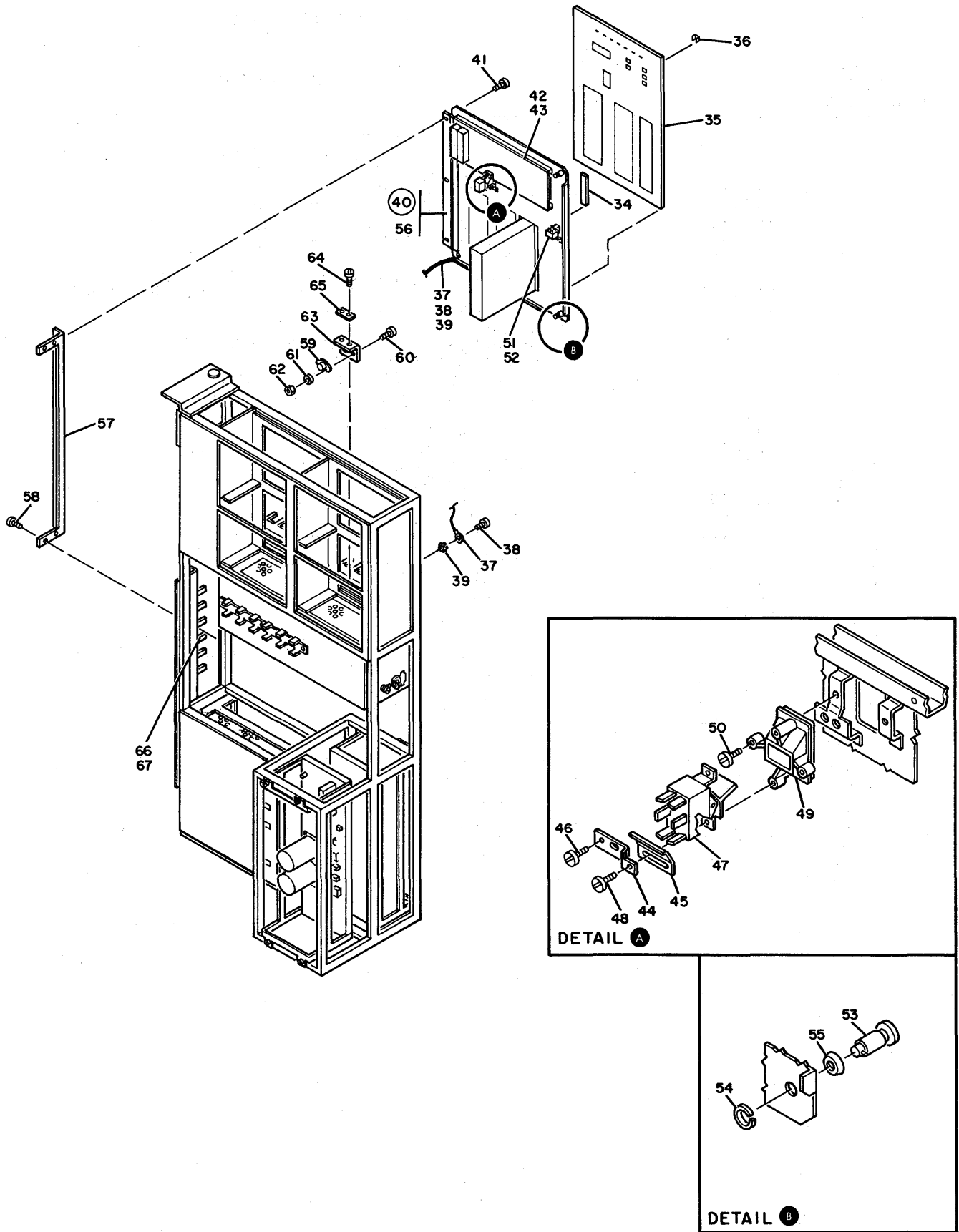


FIGURE 5. POWER GATE ASSEMBLY. SHEET 2 OF 3. INDEX NOS. 34-67. SEE LIST 5.

POWER GATE ASSEMBLY

FIGURE INDEX NUMBER	PART NUMBER	UNITS PER ASM	DESCRIPTION				
			1	2	3	4	
5 - 34	8645648	1	
- 35	8645796	1	
- 35	8645797	1	
- 35	8645799	1	
- 35	8645800	1	
- 35	8645801	1	
- 35	8645798	1	
- 36	401395	5	
- 37	1806798	1	
- 38	1621210	2	ATT PT
- 39	1622347	2	ATT PT
- 40	8645137	1	
- 41	1621210	3	ATT PT
- 42	256530	1	
- 43	1621190	6	ATT PT
- 44	4796840	1	
- 45	4521307	1	
- 46	1621190	2	ATT PT
- 47	4521305	1	
- 48	1621182	2	ATT PT
- 49	4521357	1	
- 50	1621172	2	ATT PT
- 51	740513	1	
- 52	1621190	2	ATT PT
- 53	312568	2	
- 54	312575	2	ATT PT
- 55	312573	2	
- 56	8645188	1	
- 57	8645857	1	
- 58	1621210	4	ATT PT
- 59	312571	2	
- 60	1621286	4	ATT PT
- 61	1622316	4	ATT PT
- 62	1622401	4	ATT PT
- 63	8645855	2	
- 64	1621210	4	ATT PT
- 65	8645856	2	
- 66	8645714	1	
- 67	2242394	3	ATT PT

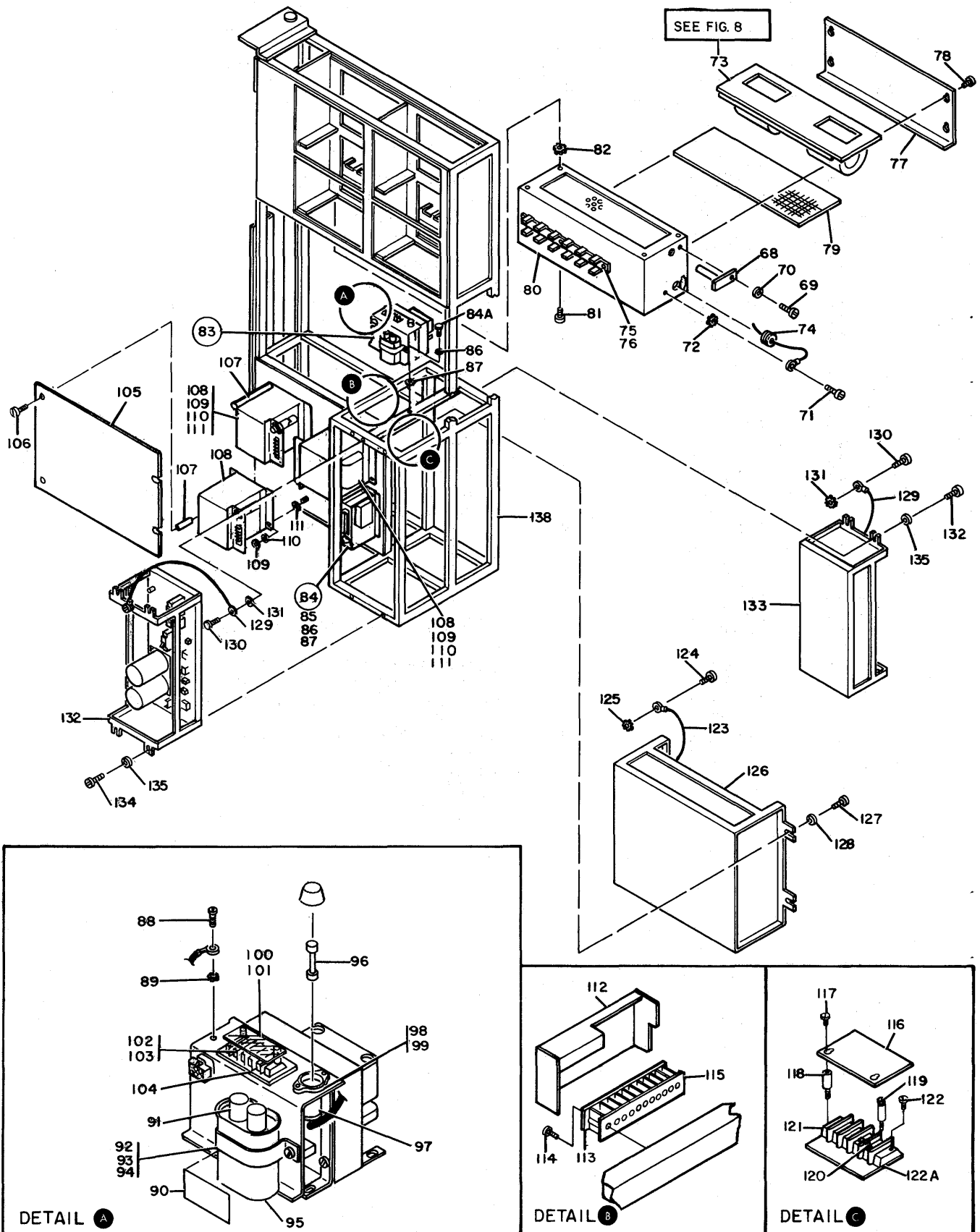


FIGURE 5. POWER GATE ASSEMBLY. SHEET 3 OF 3. INDEX NOS. 68-136. SEE LIST 5.

POWER GATE ASSEMBLY

FIGURE INDEX NUMBER	PART NUMBER	UNITS PER ASM	DESCRIPTION				
			1	2	3	4	
5 - 68	5578666	1	.	.	.	SENSOR, AIR FLOW	
- 69	1621171	1	.	.	.	SCREW, PAN HD- M3 X 8 LG	ATT PT
- 70	1622344	1	.	.	.	LOCKWASHER, EXT STAR- M3 X 294 THK	ATT PT
- 71	1621190	1	.	.	.	SCREW, PAN HD- M4 X 8 LG	
- 72	1622346	1	.	.	.	LOCKWASHER, EXT STAR- M4, 8 OD X .5	
- 73	8644936	1	.	.	.	BLOWER ASSEMBLY-DUPLEX II, 60HZ	
- 73	8645456	1	.	.	.	BLOWER ASSEMBLY-DUPLEX II, 50HZ	
						FOR DETAIL BREAKDOWN SEE FIGURE 8	
- 74	53193	1	.	.	.	GROMMET	
- 75	8645714	1	.	.	.	RACEWAY	
- 76	2242394	3	.	.	.	RIVET, POP-.125 DIA	ATT PT
- 77	8645698	1	.	.	.	COVER	
- 78	1621191	4	.	.	.	SCREW, PAN HD- M4 X 10 LG	ATT PT
- 79	8645608	1	.	.	.	FILTER	
- 80	8645563	1	.	.	.	HOUSING	
- 81	1621210	4	.	.	.	SCREW, PAN HD- M5 X 10 LG	ATT PT
- 82	1622347	1	.	.	.	LOCKWASHER EXT STAR- M5, 10 OD X .6	ATT PT
- 83	4494290	1	.	.	.	TRANSFORMER ASM-TR102, 60HZ	
- 83	2722845	1	.	.	.	TRANSFORMER ASM-TR102, 50HZ	
- 84	4494300	1	.	.	.	TRANSFORMER ASM-TR103, 60HZ	
- 84	2722846	1	.	.	.	TRANSFORMER ASM-TR103, 50HZ	
- 84A	1621596	4	.	.	.	SCREW, HEX HD-M6 X 16 LG	ATT PT
- 85	1622405	4	.	.	.	NUT, HEX-M6 X 10 FL W	ATT PT
- 86	1622306	8	.	.	.	WASHER, FLAT, M6- 12.5 OD X 2 THK	ATT PT
- 87	1622348	2	.	.	.	LOCKWASHER, EXT STAR- M6 11 OD X .7	ATT PT
- 88	1621079	1	.	.	.	SCREW, SLOTTED CHEESE HD-M5	
- 89	1622347	1	.	.	.	LOCKWASHER EXT STAR- M5, 10 OD X .6	
- 90	8483959	1	.	.	.	LABEL-USED ON 60HZ TRANSFORMERS	
- 90	4120650	1	.	.	.	LABEL-USED ON 50HZ TRANSFORMERS	
- 91	526378	2	.	.	.	INSULATOR-USED ON 60HZ TRANSFORMERS	
- 91	2722507	1	.	.	.	INSULATOR-USED ON 50HZ TRANSFORMERS	
- 92	1310297	1	.	.	.	CLAMP-USED ON 60HZ TRANSFORMERS	
- 92	4120493	1	.	.	.	CLAMP-USED ON 50HZ TRANSFORMERS	
- 93	1621191	2	.	.	.	SCREW, PAN HD- M4 X 10 LG	ATT PT
						USED ON 60HZ TRANSFORMERS	
- 93	1621197	2	.	.	.	SCREW, PAN HD-M4 X 6 LG	ATT PT
						USED ON 50HZ TRANSFORMERS	
- 94	1622318	2	.	.	.	WASHER, SPRING-M4 9.2 OD X 1.2 THK	ATT PT
						USED ON 60HZ TRANSFORMERS ONLY	
- 95	5252840	1	.	.	.	CAPACITOR- 60HZ TR102	
- 95	4120826	1	.	.	.	CAPACITOR- 50HZ TR102	
- 95	6814312	1	.	.	.	CAPACITOR- 60HZ TR103	
- 95	4120825	1	.	.	.	CAPACITOR- 50HZ TR103	
- 96	107664	1	.	.	.	FUSE, 3.2A USED ON TR102	
- 96	107665	1	.	.	.	FUSE, 4.0A USED ON TR103	
- 97	8544812	1	.	.	.	INSULATOR, FUSE HOLDER	
- 98	92752	1	.	.	.	HOLDER, FUSE	
- 99	4432610	2	.	.	.	RIVET, 3.96 DIA	ATT PT
-100	350966	1	.	.	.	SHIELD-USED ON 60HZ TRANSFORMERS	
-100	5236656	1	.	.	.	SHIELD-USED ON 50HZ TRANSFORMERS	
-101	10170	2	.	.	.	SCREW, BD HD- 6-32 X 0.250 LG	ATT PT
						USED ON 60HZ TRANSFORMERS	
-101	1621181	2	.	.	.	SCREW, PAN HEAD-M3.5 X 6 LG	ATT PT
						USED ON 50HZ TRANSFORMERS	
-102	317485	1	.	.	.	BLOCK, TERMINAL-USED ON 60HZ TRANSFORMERS	
-102	317310	1	.	.	.	BLOCK, TERMINAL-USED ON 50HZ TRANSFORMERS	
-103	210883	2	.	.	.	STUD-USED ON 60HZ TRANSFORMERS	ATT PT
-103	4120570	2	.	.	.	STUD-USED ON 50HZ TRANSFORMERS	ATT PT
-104	322280	1	.	.	.	STRIP, MARKER-USED ON 60HZ TRANSFORMERS	
-104	4120303	1	.	.	.	STRIP, MARKER-USED ON 50HZ TRANSFORMERS	
-105	401425	1	.	.	.	SHIELD	

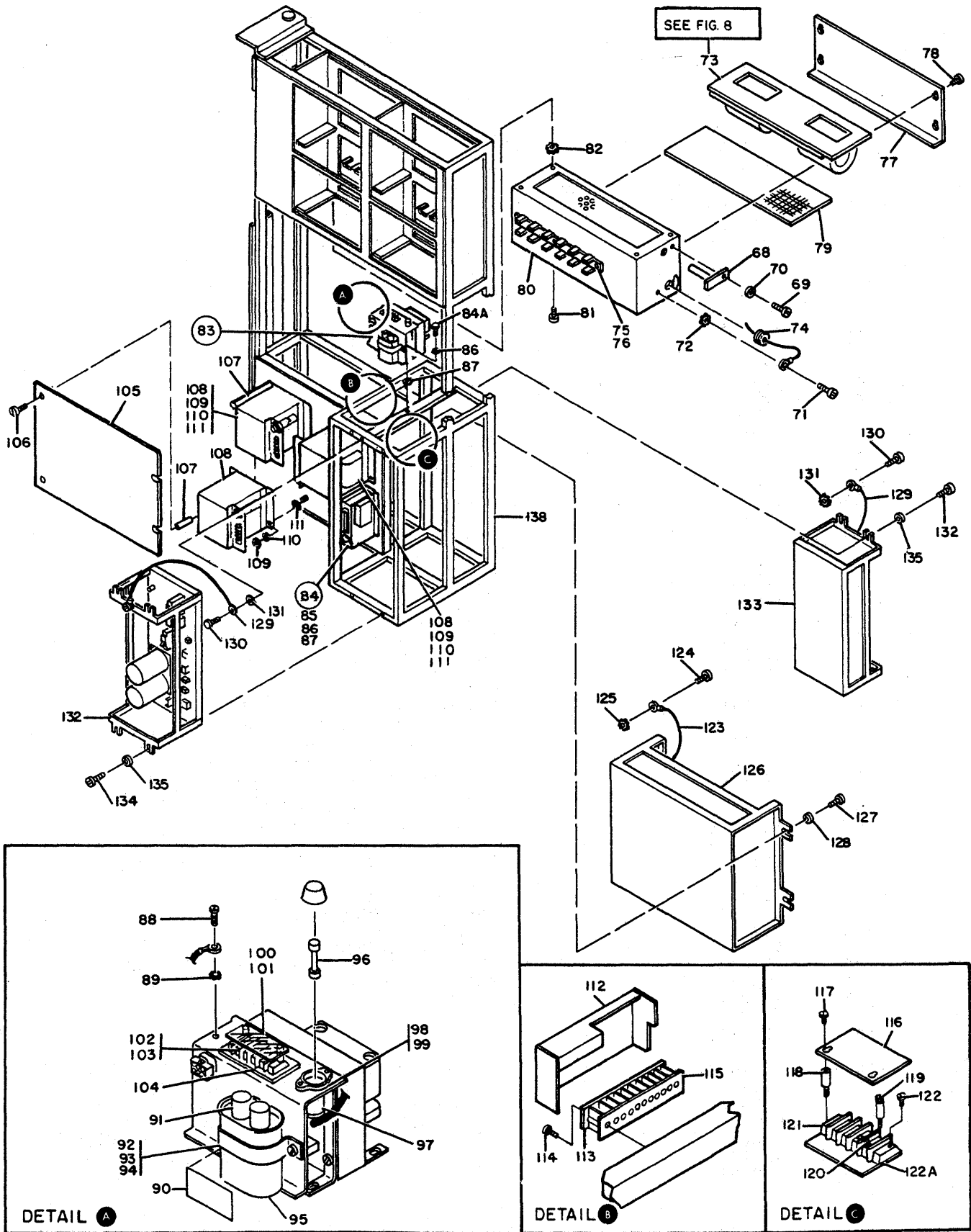


FIGURE 5. POWER GATE ASSEMBLY. SHEET 3 OF 3. INDEX NOS. 68-136. SEE LIST 5.

POWER GATE ASSEMBLY

FIGURE INDEX NUMBER	PART NUMBER	UNITS PER ASM	DESCRIPTION				
			1	2	3	4	
5	-106	1621228	2	.	SCREW		ATT PT
	-107	401424	2	.	STANDOFF		
	-108	4494307	3	.	TRANSFORMER ASM-TR104,TR105 & TR106 USED ON WORLD TRADE ONLY(50HZ ONLY)		
	-109	1622405	12	.	NUT,HEX-M6 X 10 FL W		ATT PT
	-110	1622306	12	.	WASHER,FLAT,M6- 12.5 OD X 2 THK		ATT PT
	-111	1622348	3	.	LOCKWASHER,EXT STAR- M6 11 OD X .7		ATT PT
	-112	401428	1	.	SHIELD		
	-113	1799218	1	.	BLOCK,TERMINAL		
	-114	1624357	2	.	SCREW		ATT PT
	-115	1799206	1	.	INSULATOR		
	-116	350965	1	.	SHIELD		
	-117	10170	1	.	SCREW,BD HD- 6-32 X 0.250 LG		ATT PT
	-118	2125898	1	.	STUD		
	-119	2125899	1	.	STUD,SHIELD		
	-120	730468	1	.	JUMPER-POS 4 TO 5		
	-121	2101337	1	.	BLOCK,TERMINAL- 5 POSITION		
	-122	38354	2	.	SCREW,FIL HD- 6-32 X 0.500 LG		ATT PT
	-122A	2101357	1	.	STRIP,MARKER		
	-123	8645345	1	.	STRAP,GROUND		
	-124	1621210	2	.	SCREW,PAN HD- M5 X 10 LG		ATT PT
	-125	1622347	1	.	LOCKWASHER EXT STAR- M5, 10 OD X .6		ATT PT
	-126	4494320	1	.	POWER SUPPLY-PS102		
	-127	1621210	4	.	SCREW,PAN HD- M5 X 10 LG		ATT PT
	-128	1622306	4	.	WASHER,FLAT,M6- 12.5 OD X 2 THK		ATT PT
	-129	8645345	2	.	STRAP,GROUND		
	-130	1621210	4	.	SCREW,PAN HD- M5 X 10 LG		ATT PT
	-131	1622347	2	.	LOCKWASHER EXT STAR- M5, 10 OD X .6		ATT PT
	-132	4494330	1	.	POWER SUPPLY,BIAS-PS103		
	-133	4494310	1	.	POWER SUPPLY,BIAS-PS101		
	-134	1621210	8	.	SCREW,PAN HD- M5 X 10 LG		ATT PT
	-135	1622306	8	.	WASHER,FLAT,M6- 12.5 OD X 2 THK		ATT PT
	-136	8645640	1	.	GATE,POWER		

FOR PARTS
NOT SHOWN
SEE FIG 3
SHEET 6

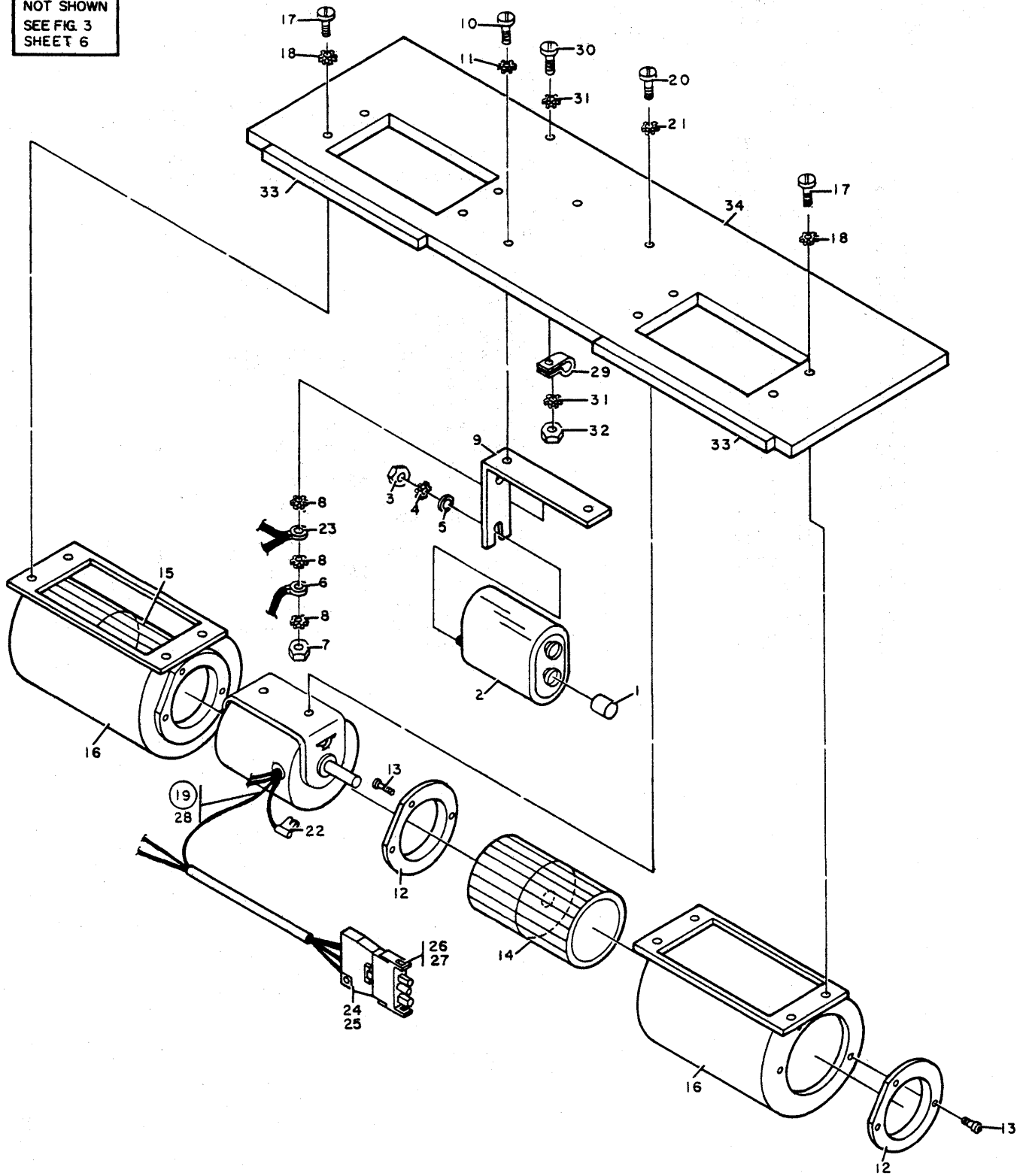


FIGURE 6. BLOWER ASSEMBLY-SUPER DUPLEX II. SEE LIST 6.

BLOWER ASSEMBLY-SUPER DUPLEX II

FIGURE INDEX NUMBER	PART NUMBER	UNITS PER ASM	DESCRIPTION			
			1	2	3	4
6 -	8644938	REF	BLOWER ASSEMBLY-SUPER DUPLEX II, 60HZ			
-	8645454	REF	BLOWER ASSEMBLY-SUPER DUPLEX II, 50HZ FOR NEXT HIGHER ASM SEE FIGURE 3-268 FOR ILLUSTRATION SEE FIGURE 6			
- 1	526378	2	. CAP, CAPACITOR			
- 2	8279078	1	. CAPACITOR			
- 3	11598	2	. NUT, HEX- 10-32			
- 4	56079	2	. LOCKWASHER, EXT TEETH- 0.204 ID X 0.410 O			
- 5	45690	2	. WASHER, FL- 0.203 ID X 0.438 OD			
- 6	8645593	1	. JUMPER ASM			
- 7	257187	1	. NUT, HEX- 6-32			
- 8	56722	3	. LOCKWASHER, EXT TEETH NO. 6			
- 9	1573510	1	. BRACKET			
- 10	322065	2	. SCREW, BD HD- 6-32 X 0.625 LG			
- 11	56722	2	. LOCKWASHER, EXT TEETH NO. 6			
- 12	8645577	4	. INLET FLANGE			
- 13	5174643	NR 12	. RIVET- 0.294 LG			
- 14	2561586	1	. WHEEL- 60HZ			
- 14	1573511	1	. WHEEL- 50HZ			
- 15	2561587	1	. WHEEL- 60HZ			
- 15	1573516	1	. WHEEL- 50HZ			
- 16	8645566	2	. SCROLL- 60HZ			
- 16	8645565	2	. SCROLL- 50HZ			
- 17	1621193	8	. SCREW, PAN HD- M4 X 16LG			
- 18	1622346	8	. LOCKWASHER, EXT STAR- M4, 8 OD X .5			
- 19	8645569	1	. MOTOR ASM- 60HZ			
- 20	55918	2	. SCREW, BD HD- 10-32 X 0.625 LG			
- 21	56079	2	. LOCKWASHER, EXT TEETH- 0.204 ID X 0.410 O			
- 22	517913	3	. . . TERMINAL			
- 23	483678	1	. . . TERMINAL			
- 24	4454591	2	. . . STRAIN RELIEF			
- 25	1622535	2	. . . SCREW, PAN HD-M 3.5			
- 26	4123689	3	. . . TERMINAL			
- 27	1847526	1	. . . CONNECTOR			
- 28	NO. NO.	NP 1	. . . MOTOR			
- 29	804109	3	. CLAMP			
- 30	1621194	3	. SCREW, PAN HD-M4 X 20 LG			
- 31	1622346	6	. LOCKWASHER, EXT STAR- M4, 8 OD X .5			
- 32	1622403	3	. NUT, DBL CHAMFERED HEX M4 X 3.2 THK			
- 33	599557	2	. FOAM- 195 LONG			
- 34	8645572	1	. BASEPLATE			

FOR PARTS
NOT SHOWN
SEE FIG. 3
SHEET 1

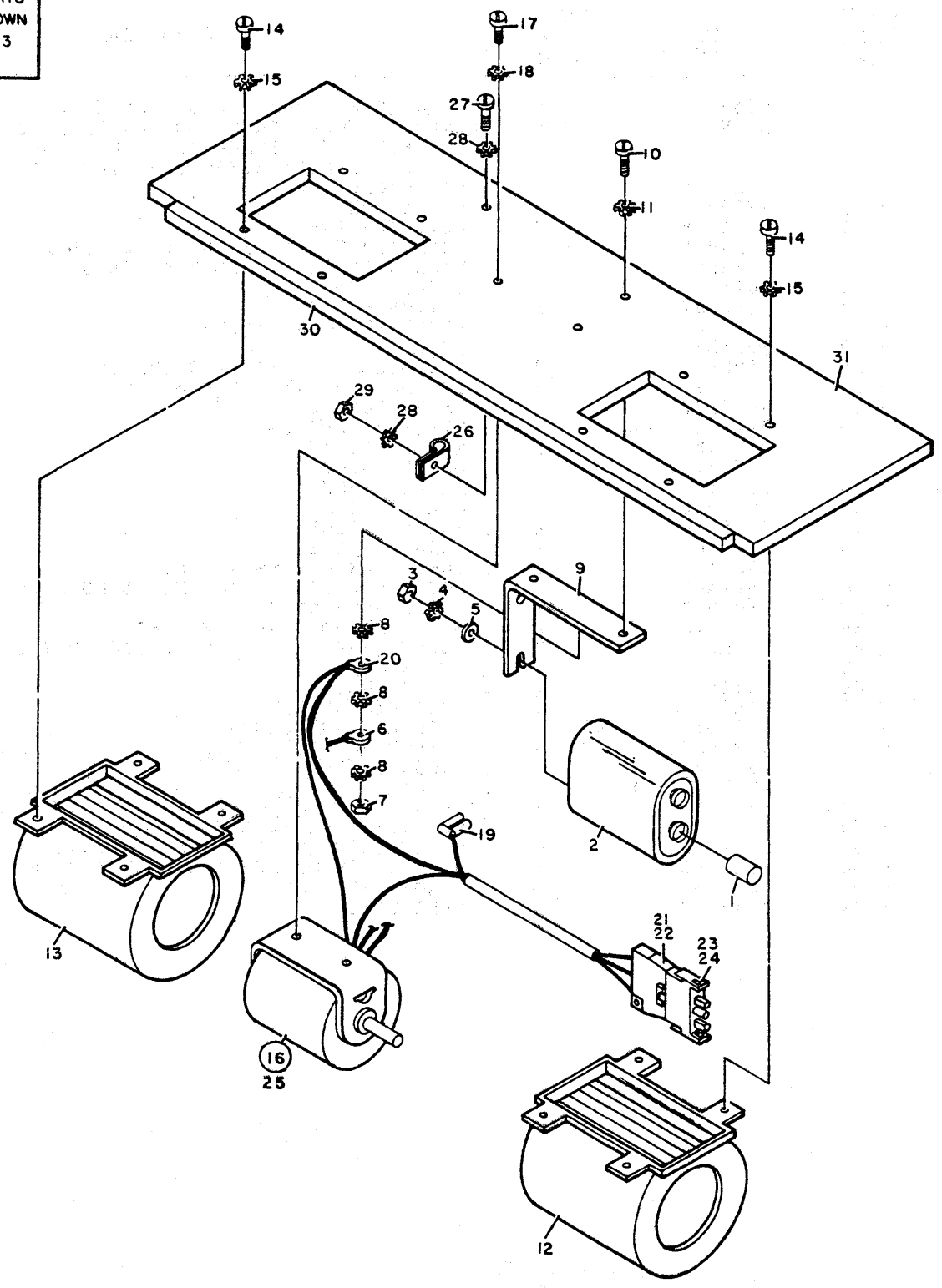


FIGURE 7. BLOWER ASSEMBLY-SUPER DUPLEX I. SEE LIST 7.

BLOWER ASSEMBLY-SUPER DUPLEX I

FIGURE INDEX NUMBER	PART NUMBER	UNITS PER ASM	DESCRIPTION			
			1	2	3	4
7 -	8644937	REF	BLOWER ASSEMBLY-SUPER DUPLEX I,60HZ			
-	8645455	REF	BLOWER ASSEMBLY-SUPER DUPLEX I,50HZ			
			FOR NEXT HIGHER ASM SEE FIGURE 3-49			
			FOR ILLUSTRATION SEE FIGURE 7			
- 1	526378	2	. CAP,CAPACITOR			
- 2	5252824	1	. CAPACITOR- 60HZ			
- 2	5252828	1	. CAPACITOR- 50HZ			
- 3	11598	2	. NUT,HEX- 10-32			
- 4	56079	2	. LOCKWASHER,EXT TEETH- 0.204 ID X 0.410 O			
- 5	45690	2	. WASHER,FL- 0.203 ID X 0.438 OD			
- 6	8645595	1	. GROUND JUMPER			
- 7	257187	1	. NUT,HEX- 6-32			
- 8	56722	3	. LOCKWASHER,EXT TEETH NO. 6			
- 9	1573510	1	. MOUNTING BRACKET			
- 10	322065	2	. SCREW,BD HD- 6-32 X 0.625 LG			
- 11	56722	2	. LOCKWASHER,EXT TEETH NO. 6			
- 12	5468387	1	. SCROLL ASM- 60HZ			
- 12	2561585	1	. SCROLL ASM- 50HZ			
- 13	5468388	1	. SCROLL ASM- 60HZ			
- 13	2561584	1	. SCROLL ASM- 50HZ			
- 14	322065	8	. SCREW,BD HD- 6-32 X 0.625 LG			
- 15	56722	8	. LOCKWASHER,EXT TEETH NO. 6			
- 16	8645589	1	. MOTOR AND CONNECTOR ASM- 60HZ			
- 16	8645699	1	. MOTOR AND CONNECTOR ASM- 50HZ			
- 17	55918	2	. SCREW,BD HD- 10-32 X 0.625 LG			
- 18	56079	2	. LOCKWASHER,EXT TEETH- 0.204 ID X 0.410 O			
- 19	517913	3	. . TERMINAL			
- 20	483678	1	. . TERMINAL			
- 21	4454591	2	. . STRAIN RELIEF			
- 22	1622535	2	. . SCREW,PAN HD-M 3.5			
- 23	4123689	3	. . TERMINAL			
- 24	1847526	1	. . CONNECTOR			
- 25	NO NO.	1	. . MOTOR			
- 26	804109	1	. CLAMP,CABLE			
- 27	1621194	1	. SCREW,PAN HD- M4 X 20MM LG			
- 28	1622346	2	. LOCKWASHER,EXT- 4.2MM ID,8.5MM OD			
- 29	1622403	1	. NUT,HEX HD- M4 X 3.2 THK			
- 30	599557	1	. FOAM- 433 LG			
- 31	8645571	1	. BASEPLATE			

FOR PARTS
NOT SHOWN
SEE FIG. 3
SHEET 5
AND FIG. 5
SHEET 2

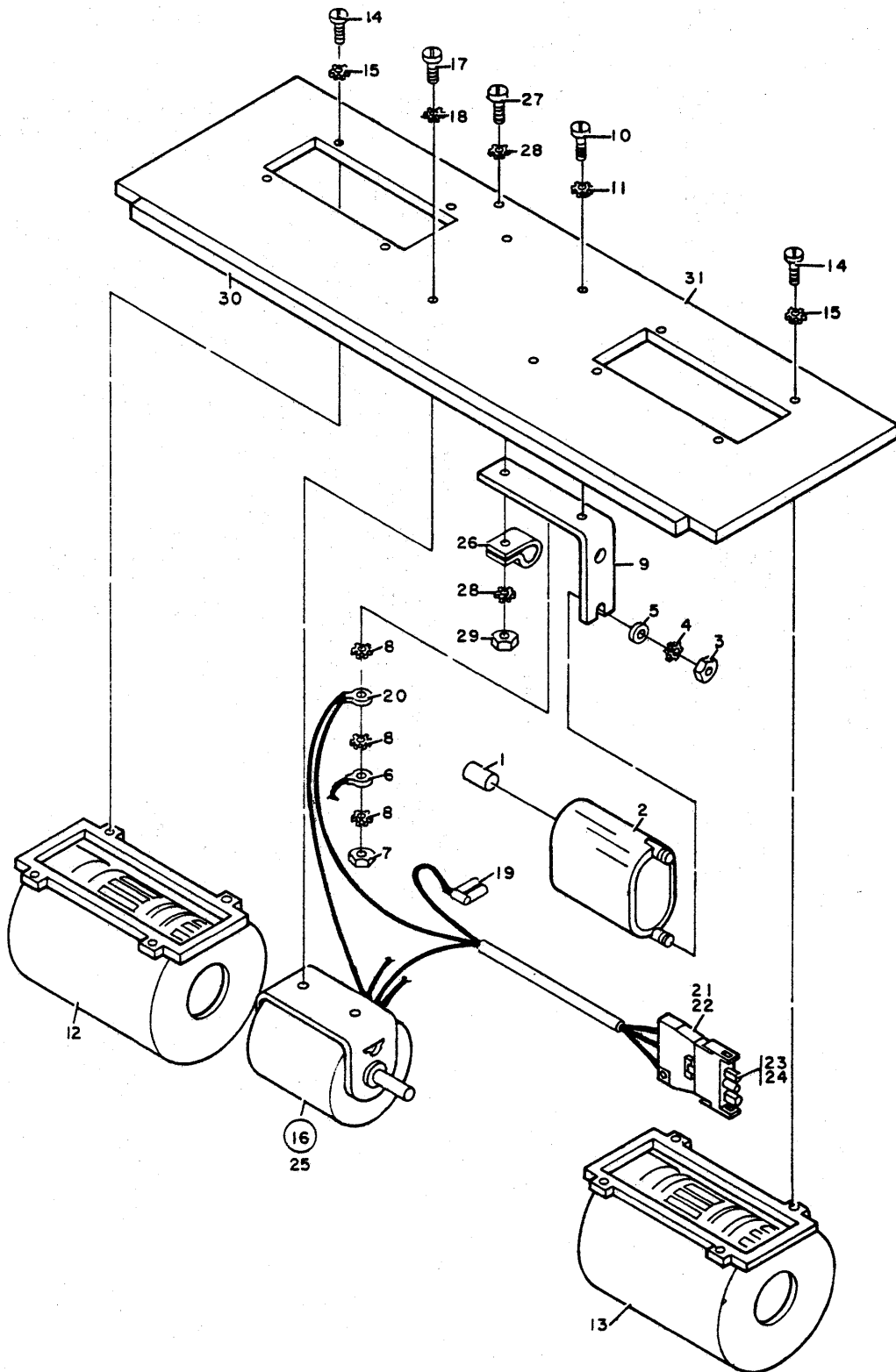


FIGURE 8. BLOWER ASSEMBLY-DUPLEX II. SEE LIST 8.

BLOWER ASSEMBLY-DUPLEX II

FIGURE INDEX NUMBER	PART NUMBER	UNITS PER ASM	DESCRIPTION			
			1	2	3	4
8 -	8644936	REF	BLOWER ASSEMBLY-DUPLEX II, 60HZ			
-	8645456	REF	BLOWER ASSEMBLY-DUPLEX II, 50HZ FOR NEXT HIGHER ASSEMBLY SEE FIGURE 3-233 AND 5-73 FOR ILLUSTRATION SEE FIGURE 8			
- 1	526378	2	. CAP, CAPACITOR			
- 2	5252823	1	. CAPACITOR- 60HZ			
- 2	8279060	1	. CAPACITOR- 50HZ			
- 3	11598	2	. NUT, HEX- 10-32			
- 4	56079	2	. LOCKWASHER, EXT TEETH- 0.204 ID X 0.410 O			
- 5	45690	2	. WASHER, FL- 0.203 ID X 0.438 OD			
- 6	8645594	1	. GROUND JUMPER			
- 7	257187	1	. NUT, HEX- 6-32			
- 8	56722	3	. LOCKWASHER, EXT TEETH NO. 6			
- 9	1573510	1	. MOUNTING BRACKET			
- 10	322065	2	. SCREW, BD HD- 6-32 X 0.625 LG			
- 11	56722	2	. LOCKWASHER, EXT TEETH NO. 6			
- 12	5357144	1	. SCROLL ASM- 60HZ			
- 12	5468305	1	. SCROLL ASM- 50HZ			
- 13	5357145	1	. SCROLL ASM- 60HZ			
- 13	5468306	1	. SCROLL ASM- 50HZ			
- 14	322065	6	. SCREW, BD HD- 6-32 X 0.625 LG			
- 15	56722	6	. LOCKWASHER, EXT TEETH NO. 6			
- 16	8645579	1	. MOTOR ASM- 60HZ			
- 16	8645709	1	. MOTOR ASM- 50HZ			
- 17	55918	2	. SCREW, BD HD- 10-32 X 0.625 LG			
- 18	56079	2	. LOCKWASHER, EXT TEETH- 0.204 ID X 0.410 O			
- 19	517913	3	. . TERMINAL			
- 20	483678	1	. . TERMINAL			
- 21	4454591	2	. . STRAIN RELIEF			
- 22	1622535	2	. . SCREW, PAN HD-M 3.5			
- 23	4123689	3	. . TERMINAL			
- 24	1847526	1	. . CONNECTOR			
- 25	NO NO.	NP	. . MOTOR			
- 26	804109	1	. CLAMP			
- 27	1621194	1	. SCREW, PAN HD-M4 X 20 LG			
- 28	1622346	2	. LOCKWASHER, EXT STAR- M4, 8 OD X .5			
- 29	1622403	1	. NUT, DBL CHAMFERED HEX M4 X 3.2 THK			
- 30	599557	1	. FOAM- 418 LONG			
- 31	8645561	1	. BASEPLATE			

FOR PARTS
NOT SHOWN
SEE FIG. 3
SHEET 1

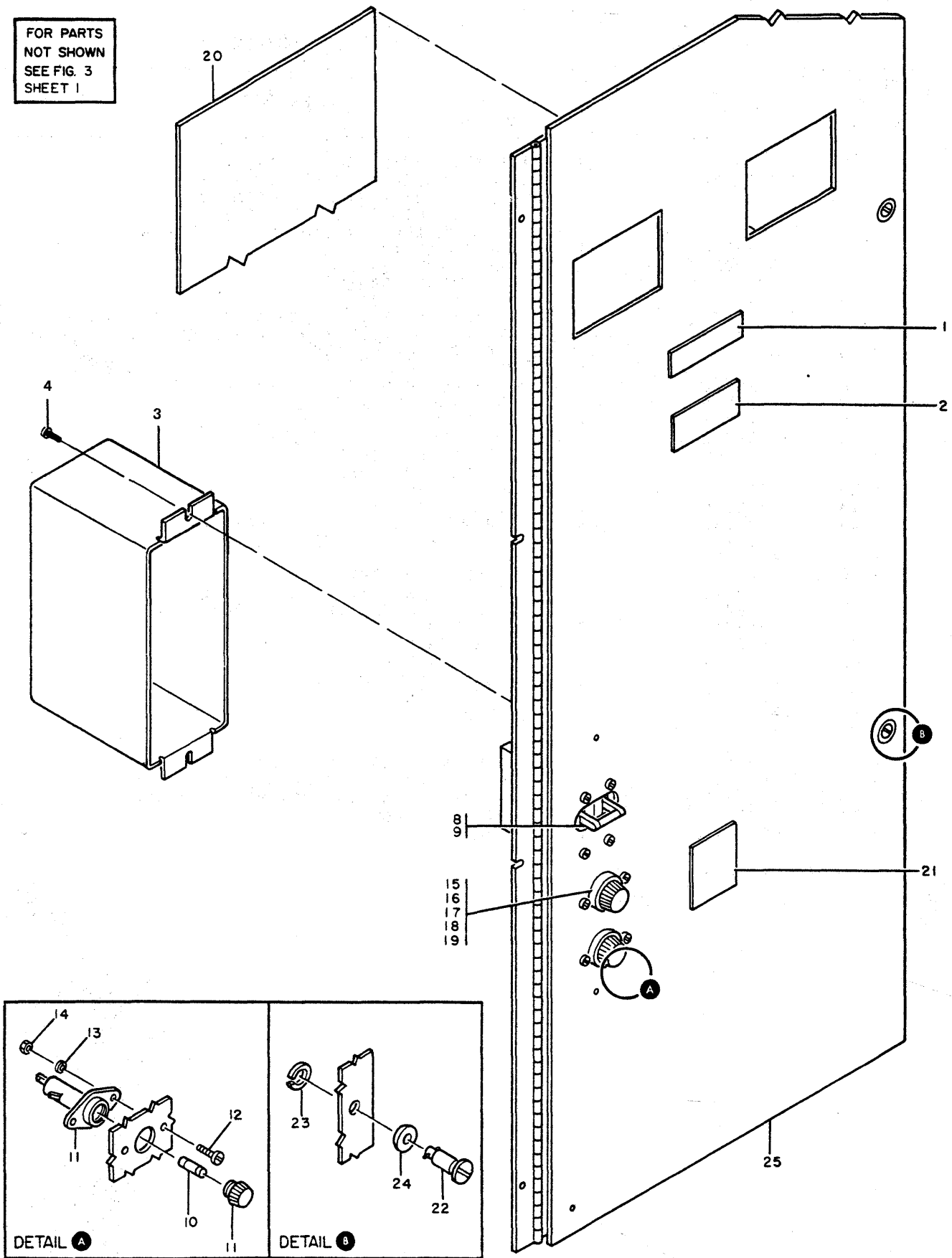


FIGURE 9. COVER ASSEMBLY-PCC. SEE LIST 9.

COVER ASSEMBLY-PCC

FIGURE INDEX NUMBER	PART NUMBER	UNITS PER ASM	DESCRIPTION			
			1	2	3	4
9 -	8645782	REF	COVER ASM,PCC- 60HZ AND 50HZ,200V			
-	8645783	REF	COVER ASM,PCC- 50HZ EXCEPT 220V FOR NEXT HIGHER ASM SEE FIGURE 3-20 FOR ILLUSTRATION SEE FIGURE 9			
- 1	854762	1	. LABEL			
- 2	369207	1	. LABEL,HAZARDOUS AREA-USA,UK,CANADA			
- 2	6815193	1	. LABEL,HAZARDOUS AREA-GERMAN			
- 2	6815179	1	. LABEL,HAZARDOUS AREA-CANADA			
- 2	6815182	1	. LABEL,HAZARDOUS AREA-FRANCE			
- 2	6081052	1	. LABEL,HAZARDOUS AREA-FRENCH/DUTCH			
- 2	8326801	1	. LABEL,HAZARDOUS AREA-FINNISH			
- 2	6815181	1	. LABEL,HAZARDOUS AREA-ITALIAN			
- 2	6815180	1	. LABEL,HAZARDOUS AREA-SPANISH			
- 2	8551904	1	. LABEL,HAZARDOUS AREA-SWEDISH			
- 2	6815183	1	. LABEL,HAZARDOUS AREA-BRAZILIAN/PORTUGAL			
- 2	8326797	1	. LABEL,HAZARDOUS AREA-JAPANESE			
- 2	1806772	1	. LABEL,HAZARDOUS AREA-DENMARK			
- 3	8645670	1	. COVER			
- 4	1621198	2	. SCREW,PAN HD-M4 X 4 LG			
- 8	4473529	1	. CIRCUIT PROTECTOR			
- 9	10170	4	. SCREW,BD HD- 6-32 X 0.250 LG			
- 10	107665	1	. FUSE- 60HZ AND 50HZ 200V ONLY			
- 11	92752	1	. FUSEHOLDER- 60HZ AND 50HZ 200V ONLY			
- 12	1621192	2	. SCREW, MACH PAN HD-M4 X 12 LG			
- 13	1622318	2	. WASHER,SPRING-M4 9.2 OD X 1.2 THK			
- 14	1622403	2	. NUT,DBL CHAMFERED HEX M4 X 3.2 THK			
- 15	2495469	1	. FUSE			
- 16	92752	1	. FUSEHOLDER			
- 17	1621192	2	. SCREW, MACH PAN HD-M4 X 12 LG			
- 18	1622318	2	. WASHER,SPRING-M4 9.2 OD X 1.2 THK			
- 19	1622403	2	. NUT,DBL CHAMFERED HEX M4 X 3.2 THK			
- 20	8645894	1	. LABEL			
- 21	4152771	1	. LABEL			
- 22	312568	2	. STUD			
- 23	312575	2	. RING,SNAP			
- 24	312573	2	. GROMMET			
- 25	8645631	1	. COVER- 60HZ AND 50HZ 200V			
- 25	8645784	1	. COVER- 50HZ EXCEPT 200V			

FOR PARTS
NOT SHOWN
SEE FIG. 3
SHEET 1

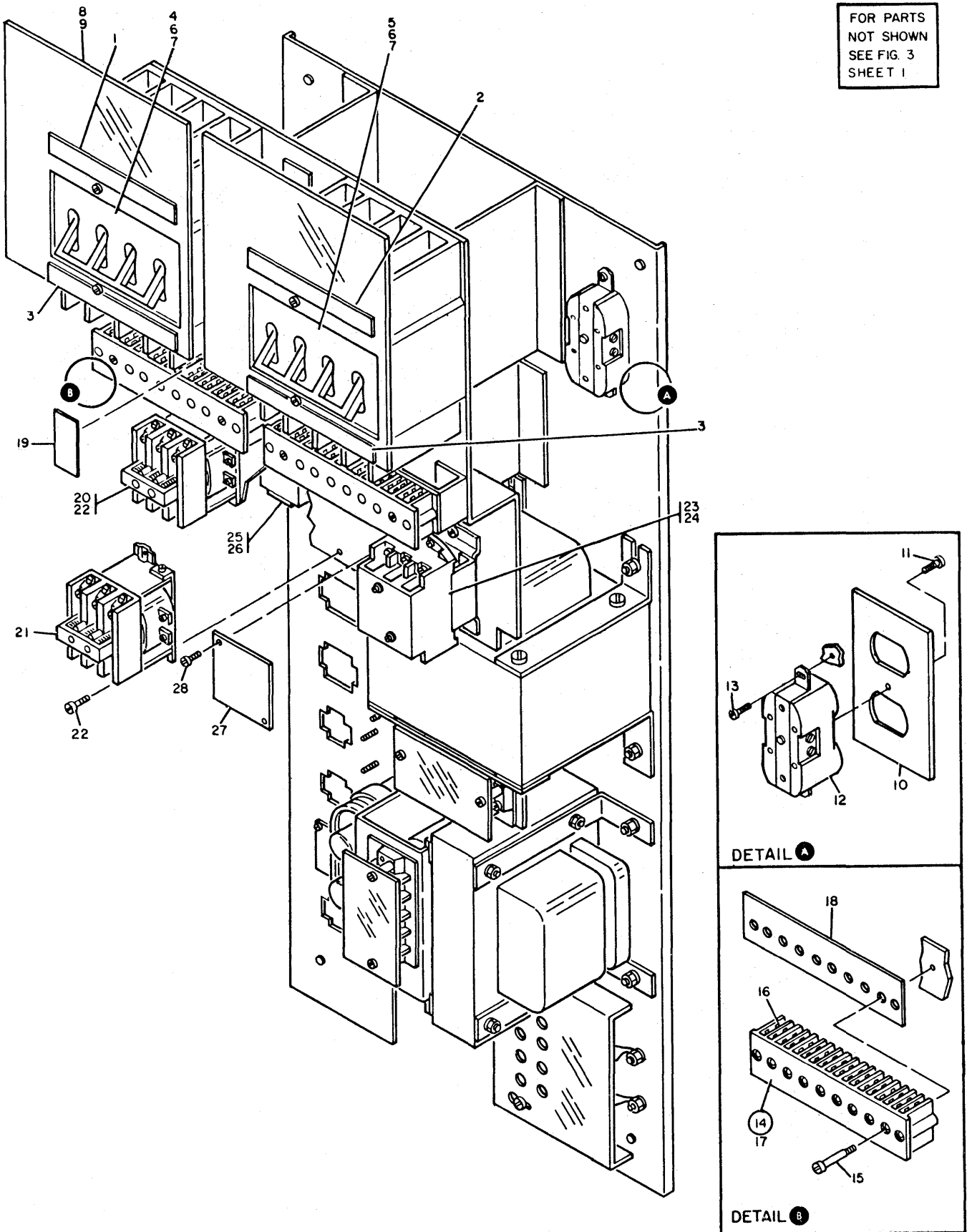


FIGURE 10. PCC ASSEMBLY SHEET 1 OF 2. INDEX NOS. 1-28 SEE LIST 10

PCC ASSEMBLY

FIGURE INDEX NUMBER	PART NUMBER	UNITS PER ASM	DESCRIPTION				
			1	2	3	4	
10 -	8645668	REF	PCC ASSEMBLY FOR NEXT HIGHER ASM SEE FIGURE 3-24 FOR ILLUSTRATION SEE FIGURE 10				
- 1	8483171	1	.	LABEL- 60 HZ PCC ASM			
- 1	8483163	1	.	LABEL- 50 HZ PCC ASM			
- 2	8483173	1	.	LABEL- 60 HZ PCC ASM			
- 2	8483165	1	.	LABEL- 50 HZ PCC ASM			
- 3	8483177	1	.	LABEL- 60 HZ PCC ASM			
- 3	8483169	1	.	LABEL- 50 HZ PCC ASM			
- 4	5214256	1	.	CIRCUIT BREAKER 1-60 HZ			
- 4	4109388	1	.	CIRCUIT BREAKER 1-50 HZ			
- 5	5252506	1	.	CIRCUIT BREAKER 2-60 HZ			
- 5	4120601	1	.	CIRCUIT BREAKER 2-50 HZ			
- 6	1621191	8	.	SCREW,PAN HD- M4 X 10 LG			ATT PT
- 7	1622305	8	.	WASHER,FL- M5 10 OD X 1 THK			ATT PT
- 8	8645785	2	.	COVER ASM - 60 HZ			
- 8	8645786	2	.	COVER ASM - 50 HZ			
- 9	316807	4	.	SCREW,FL CSK HD- 6-32 X 0.375 LG			ATT PT
- 10	401427	1	.	COVER (60 HZ ONLY)			
- 10	2502115	1	.	SHROUD (50 HZ ONLY)			
- 11	81693	1	.	SCREW,BD HD- 6-32 X 0.375 LG(50 HZ ONLY)			ATT PT
- 11	1621190	1	.	SCREW,PAN HD - M4 X 8 LG(60 HZ ONLY)			
- 12	357995	1	.	OUTLET -60 HZ			
- 12	418835	1	.	OUTLET -50 HZ			
- 13	1621307	2	.	SCREW			ATT PT
- 14	1799218	2	.	TERM BLOCK ASM			
- 15	1621066	4	.	SCREW-MACH CHEESE HD,M4 X 30 LG			ATT PT
- 16	1799203	9	.	. . TERMINAL			
- 17	1726308	1	.	. . HOUSING,TERMINAL BLOCK			
- 18	1799206	1	.	. . INSULATOR			
- 19	6121851	1	.	LABEL-LINE VOLTAGE PRESENT-FRENCH/DUTCH			
- 19	6815188	1	.	LABEL-LINE VOLTAGE PRESENT-BRAZILIAN/PORTUGAL			
- 19	8551903	1	.	LABEL-LINE VOLTAGE PRESENT-SWEDISH			
- 19	6825820	1	.	LABEL-LINE VOLTAGE PRESENT-ITALIAN			
- 19	6825818	1	.	LABEL-LINE VOLTAGE PRESENT-FINNISH			
- 19	6825840	1	.	LABEL-LINE VOLTAGE PRESENT-JAPANESE			
- 19	4154591	1	.	LABEL-LINE VOLTAGE PRESENT-SPANISH			
- 19	984123	1	.	LABEL-LINE VOLTAGE PRESENT-CANADIAN			
- 19	138755	1	.	LABEL-LINE VOLTAGE PRESENT-ENGLISH			
- 19	6825828	1	.	LABEL-LINE VOLTAGE PRESENT-FRENCH			
- 19	6825819	1	.	LABEL-LINE VOLTAGE PRESENT-GERMAN			
- 19	1806773	1	.	LABEL-LINE VOLTAGE PRESENT-DENMARK			
- 20	5276701	1	.	CONTACTOR			
- 20	4216213	1	.	CONTACTOR (50 HZ SUB -90V ONLY)			
- 21	5214059	1	.	CONTACTOR			
- 22	1621182	4	.	SCREW,PAN HD-M3.5 X 8 LG			ATT PT
- 23	2128748	1	.	CONTACTOR (60 HZ ONLY)			
- 23	2561149	1	.	CONTACTOR (50 HZ ONLY)			
- 23	4216171	1	.	CONTACTOR (50 HZ SUB - 90V ONLY)			
- 24	1621190	2	.	SCREW,PAN HD- M4 X 8 LG			ATT PT
- 25	2242321	1	.	RELAY			
- 26	38235	1	.	SCREW,BD HD- 6-32 X 0.312 LG			ATT PT
- 27	8645853	1	.	COVER			
- 28	1621170	2	.	SCREW,PAN HD- M3 X L 6-			ATT PT

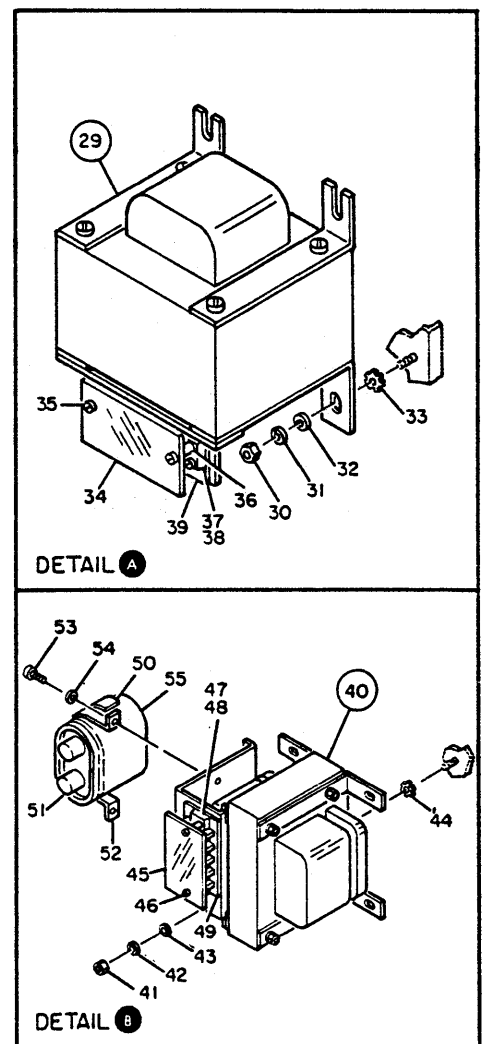
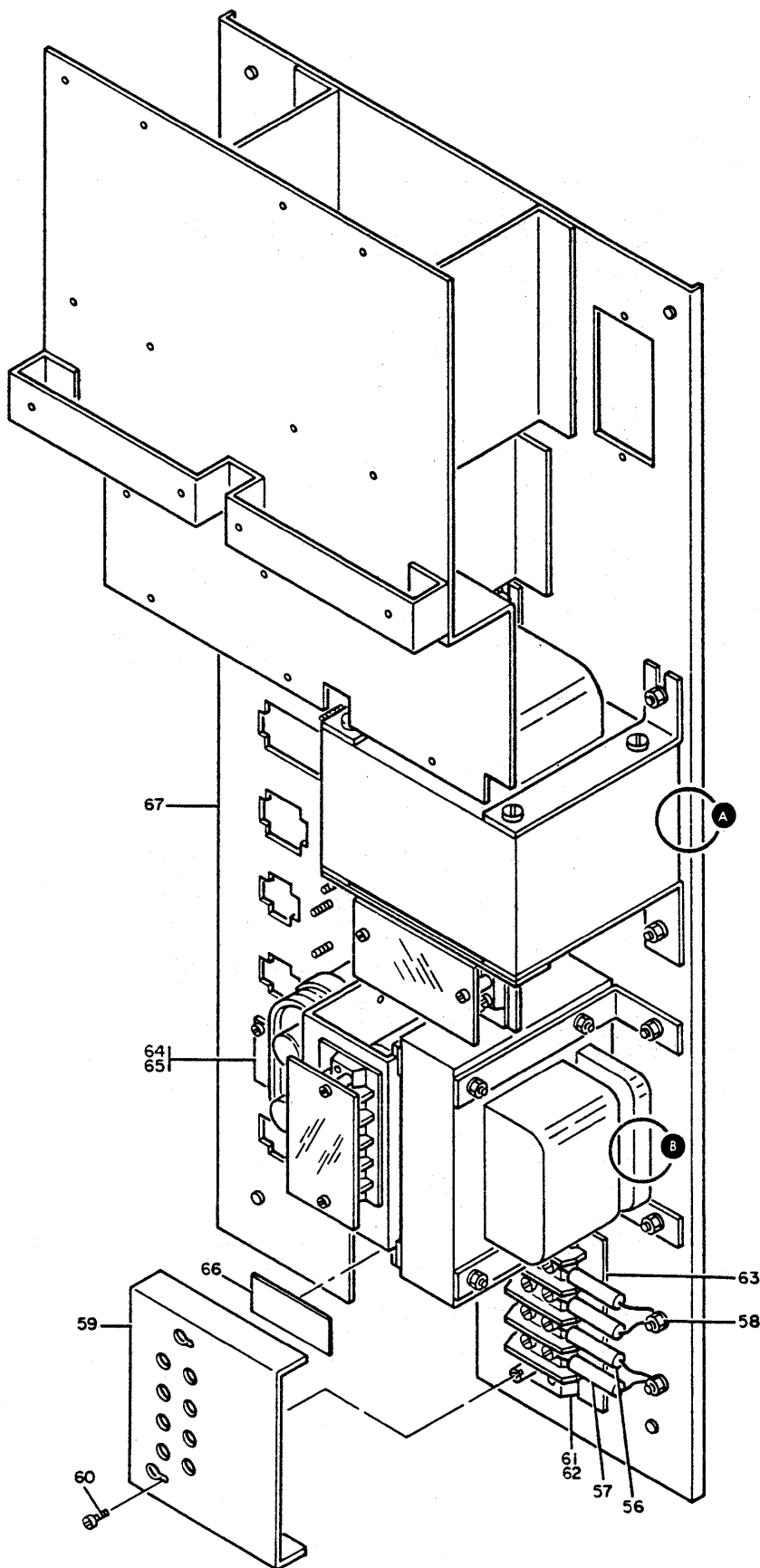


FIGURE 10. PCC ASSEMBLY SHEET 2 OF 2. INDEX NOS. 29-67 SEE LIST 10

PCC ASSEMBLY

FIGURE INDEX NUMBER	PART NUMBER	UNITS PER ASM	DESCRIPTION				
			1	2	3	4	
10 - 29	5252645	1	.	TRANSFORMER,TR100			
- 30	1622405	4	.	NUT,HEX-M6 X 10 FL W			ATT PT
- 31	1622320	4	.	LOCKWASHER,SPLIT- M6,11.8 OD X 1.6 THK			ATT PT
- 32	1622306	4	.	WASHER,FLAT,M6- 12.5 OD X 2 THK			ATT PT
- 33	1622348	1	.	LOCKWASHER,EXT STAR- M6 11 OD X .7			ATT PT
- 34	337193	1	.	COVER			
- 35	10170	2	.	SCREW,BD HD- 6-32 X 0.250 LG			ATT PT
- 36	210883	2	.	STUD			
- 37	317131	1	.	TERMINAL BLOCK			
- 38	322550	2	.	SCREW,BD HD- 6-32 X 0.500 LG			ATT PT
- 39	322266	1	.	MARKER STRIP			
- 40	4494280	1	.	TRANSFORMER ASM- 60HZ,TR101			
- 40	2722844	1	.	TRANSFORMER ASM- 50HZ,TR101			
- 41	1622405	4	.	NUT,HEX-M6 X 10 FL W			ATT PT
- 42	1622320	4	.	LOCKWASHER,SPLIT- M6,11.8 OD X 1.6 THK			ATT PT
- 43	1622306	4	.	WASHER,FLAT,M6- 12.5 OD X 2 THK			ATT PT
- 44	1622348	1	.	LOCKWASHER,EXT STAR- M6 11 OD X .7			ATT PT
- 45	350966	1	.	SHIELD			
- 46	10170	2	.	SCREW,BD HD- 6-32 X 0.250 LG			ATT PT
- 47	317485	1	.	TERMINAL BLOCK			
- 48	210883	2	.	STUD			ATT PT
- 49	322280	1	.	STRIP			
- 50	8483959	1	.	LABEL			
- 51	526378	2	.	INSULATOR			ATT PT
- 52	1310297	1	.	CLAMP			
- 53	1621191	2	.	SCREW,PAN HD- M4 X 10 LG			ATT PT
- 54	1622318	2	.	WASHER,SPRING-M4 9.2 OD X 1.2 THK			ATT PT
- 55	5252840	1	.	CAPACITOR			
- 56	4432847	3	.	CAPACITOR ASM			
- 57	4432847	1	.	CAPACITOR ASM- 50 HZ ONLY			
- 58	1622405	2	.	NUT,HEX-M6 X 10 FL W			ATT PT
- 59	8645879	1	.	SHIELD			
- 60	1621181	2	.	SCREW,PAN HEAD-M3.5 X 6 LG			ATT PT
- 61	323845	1	.	TERMINAL BLOCK			
- 62	1815851	2	.	STUD,TAPPED MOUNTING			ATT PT
- 63	2101400	1	.	MARKER STRIP			
- 64	8645853	1	.	COVER			
- 65	1621170	2	.	SCREW,PAN HD- M3 X L 6-			ATT PT
- 66	5731697	1	.	LABEL-HIGH CURRENT-ENGLISH			
- 66	6825908	1	.	LABEL-HIGH CURRENT-FRENCH			
- 66	4154583	1	.	LABEL-HIGH CURRENT-CANADIAN			
- 66	4154584	1	.	LABEL-HIGH CURRENT-GERMAN			
- 66	4154587	1	.	LABEL-HIGH CURRENT-FRENCH/DUTCH			
- 66	4154585	1	.	LABEL-HIGH CURRENT-BRAZILIAN/PORTUGAL			
- 66	4154586	1	.	LABEL-HIGH CURRENT-SWEDISH			
- 66	6825906	1	.	LABEL-HIGH CURRENT-ITALIAN			
- 66	1806779	1	.	LABEL-HIGH CURRENT-DENMARK			
- 66	6825879	1	.	LABEL-HIGH CURRENT-FINNISH			
- 66	6525877	1	.	LABEL-HIGH CURRENT-JAPANESE			
- 66	4154589	1	.	LABEL-HIGH CURRENT-SPANISH			
- 67	8645632	1	.	PLATE			

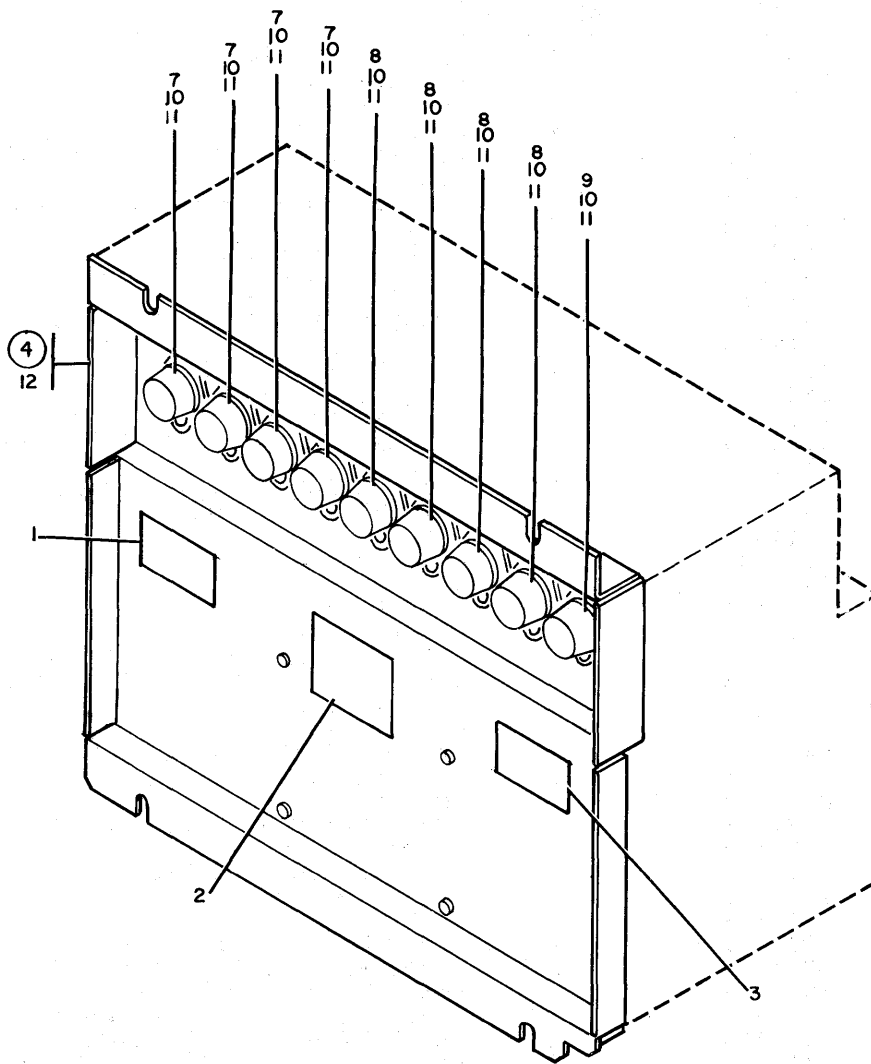


FIGURE 11. AC/DC CONVERTER ASSEMBLY. SEE LIST 11.

AC/DC CONVERTER ASSEMBLY

FIGURE INDEX NUMBER	PART NUMBER	UNITS PER ASM	DESCRIPTION			
			1	2	3	4
11 -	8645451	REF	AC/DC CONVERTER ASSEMBLY, PS104 FOR NEXT HIGHER ASM SEE FIGURE 3-5 FOR ILLUSTRATION SEE FIGURE 11			
- 1	5785130	1	.	LABEL		
- 2	4152771	1	.	LABEL		
- 3	4124143	1	.	LABEL		
- 4	4494285	1	.	FUSE PANEL ASM		
- 7	4155096	1	.	. FUSE- 15 AMP		
- 8	4155082	1	.	. FUSE- 6 AMP		
- 9	4494279	2	.	. FUSE- 1.6 AMP		
- 10	92752	2	.	. HOLDER		
- 11	4432610	1	.	. RIVET		
- 12	8645535	4	.	COVER ASM		

ATT PT

CABLE ASSEMBLIES WITH COMPONENT PARTS

FIGURE INDEX NUMBER	PART NUMBER	UNITS PER ASM	DESCRIPTION			
			1	2	3	4
13	- A 8645304	1				LINE CORD ASM,1.86M CHICAGO ONLY
	- A 8645305	1				LINE CORD ASM,4.26M US AND CANADA
	- A 8645306	1				LINE CORD ASM
	- A 8645307	1				LINE CORD ASM,WT AND 50HZ W/200V
	- A 401441	1				. CABLE ASM,38LSPC COUPLER(FOR FEATURE 9514 ONLY) FOR LOCATION, SEE FIGURE 3-127
	- A 1806791	1				. CABLE ASM,LOAD ASM TO TB1 FOR COMPONENT PARTS SEE INDEXES 5,63,AND 102
	- A 1806792	1				. CABLE ASM,LOAD ASM TO TB2 FOR COMPONENT PARTS SEE INDEXES 5,63,AND 102
	- A 1807942	1				. CABLE ASM,RSF 01AA2ZE TO 01GCCA1 (USED ON ALL RSF FEATURES EXCEPT 9514) FOR COMPONENT PARTS SEE INDEXES 1,10,15,27,28,64,71,91,103,105,AND 106
	- A 1807943	1				. CABLE ASM,RSF 01AA2ZE TO 01GCCA1 (USED ON FEATURE 9514 ONLY) FOR COMPONENT PARTS SEE INDEXES 10,27,28,64,71,91,103,104,105,AND 106
	- A 1807944	1				. CABLE ASM,01AA3 TO 01ECCA3-A6 FOR COMPONENT PARTS SEE INDEXES 10,27,67,88,91,107,AND 109
	- A 1807945	1				. CABLE ASM,01AA3 TO 01ECCA7-B3 FOR COMPONENT PARTS SEE INDEXES 10,27,67,88,91,103,104,105,AND 106
	- A 1807946	1				. CABLE ASM,01AA3 TO 01ECCB4-B9 FOR COMPONENT PARTS SEE INDEXES 10,27,67,88,91,103,104,105,AND 106
	- A 1807947	1				. CABLE ASM,01AA3 TO 01ECC1-C6 FOR COMPONENT PARTS SEE INDEXES 10,27,67,88,91,103,104,105,106,107,AND 109
	- A 1807948	1				. CABLE ASM,01BA1 TO 01ECC1-C6 FOR COMPONENT PARTS SEE INDEXES 10,27,67,88,91,103,104,105,106,107,AND 109
	- A 1807949	1				. CABLE ASM,01BA1 TO 01ECC7-D3 FOR COMPONENT PARTS SEE INDEXES 10,27,67,88,91,103,104,105,AND 106
	- A 1807953	1				. CABLE ASM,1AA1,A2 TO CE PANEL FOR COMPONENT PARTS SEE INDEXES 10,27,71,91,103,104,105,106,107,AND 109
	- A 1807954	1				. CABLE ASM,1AA2ZD/ZF TO FILE 1/2 FOR COMPONENT PARTS SEE INDEXES 11,14,18,43,45,51,65,98,103,105,106, 110,AND 111
	- A 1807955	1				. CABLE ASM,01AA3 TO 01AA2 TO 01E FOR COMPONENT PARTS SEE INDEXES 10,27,67,88,91,103,104,105,AND 106
	- A 1807956	1				. CABLE ASM,1AA2YN TO 01F FOR COMPONENT PARTS SEE INDEXES 87,103,104,105,AND 106
	- A 1807957	1				. CABLE ASM,01AA1X5 TO 01F-J1 FOR COMPONENT PARTS SEE INDEXES 10,21,27,38,62,88,91,101,107,AND 109
	- A 1807958	1				. CABLE ASM,1AA1YH TO AFS103/104,PS102,CE KEY FOR COMPONENT PARTS SEE INDEXES 3,40,42,46,47,103,104,105,106,AND 113
	- A 1807959	1				. CABLE ASM,1AA1YG TO PS101-P03/P06 FOR COMPONENT PARTS SEE INDEXES 5,9,39,43,46,55,103,104,105,106,AND 114

CABLE ASSEMBLIES WITH COMPONENT PARTS

FIGURE INDEX NUMBER	PART NUMBER	UNITS PER ASM	DESCRIPTION				
			1	2	3	4	
13 - A	1807960	1	.	CABLE ASM,1AA2A4 TO PS107,8,9,AFS105 FOR COMPONENT PARTS SEE INDEXES 10,27,34,40,48,52,53,91,107,108,109,113,AND 115			
- A	1807961	1	.	CABLE ASM,1AA2A2 TO PS104,5,6,AFS102 TB1 SENSE CAPS,B2 PLENUM SWITCH FOR COMPONENT PARTS SEE INDEXES 8,10,27,32,35,40,44,47,48,55,91,107,109,113,114,AND 115			
- A	1807962	1	.	CABLE ASM,1AA2A3 TO PS103-P01,P02 FOR COMPONENT PARTS SEE INDEXES 10,27,39,40,41,42,51,55,91,107,109,111,AND 114			
- A	1807963	1	.	CABLE ASM,1AA2A5 TO 1AA3YH,1AA4ZA AFS101,AIS101 FOR COMPONENT PARTS SEE INDEXES 1,2,4,10,27,40,48,103,104,105,106,109,113,115,AND 116			
- A	1807964	1	.	CABLE ASM,1AA2B2 TO 1AA2YC FOR COMPONENT PARTS SEE INDEXES 10,27,103,104,105,106,109,116,AND 117			
- B	1847965	1	.	CABLE ASM,1AA1ZF TO 1AA2YJ FOR COMPONENT PARTS SEE INDEXES 103,104,105,AND 106			
- B	1807966	1	.	CABLE ASM,1AA1YN TO 1AA2YB FOR COMPONENT PARTS SEE INDEXES 103,104,105,AND 106			
- B	1807967	1	.	CABLE ASM,1AA1YM TO 1AA2YA FOR COMPONENT PARTS SEE INDEXES 103,104,105,AND 106			
- B	1807968	1	.	CABLE ASM,01AA1ZC TO 01AA2B5 FOR COMPONENT PARTS SEE INDEXES 7,10,27,103,104,105,106,109,AND 116			
- B	1807969	1	.	CABLE ASM,01BA1 TO 01ECCD4-D9 FOR COMPONENT PARTS SEE INDEXES 10,27,67,88,91,103,104,105,AND 106			
- B	1807970	1	.	CABLE ASM,01AA1 TO 01HCCAL-A8 FOR COMPONENT PARTS SEE INDEXES 10,27,67,68,88,91,103,104,105,106,107 AND 109			
- B	1807971	1	.	CABLE ASM,1AA2B3 TO AFS107,PS111,112,TB2 B1 PLENUM SWITCH FOR COMPONENT PARTS SEE INDEXES 8,10,27,32,35,40,44,48,55,91,107,109,113 114,AND 115			
- B	1807972	1	.	CABLE ASM,1AA2B4 TO 1BA1YH AFS1 106 FOR COMPONENT PARTS SEE INDEXES 7,10,27,40,48,103,104,105,106,109,113 115,AND 116			
- B	1807973	1	.	CABLE ASM,01AA2YE TO 01GCCA2 FOR COMPONENT PARTS SEE INDEXES 10,27,67,88,91,103,104,AND 105			
- B	1808000	1	.	CABLE ASM,PCC-P03 TO 01AA1X2 FOR COMPONENT PARTS SEE INDEXES 10,27,44,53,91,107,108,AND 109			
- B	8482930	1	.	CABLE ASM,DCE INTERFACE (FOR FEATURES 2833,2838 AND 9511) FOR COMPONENT PARTS SEE INDEXES 27,32,38,88,91,118,119,120,121,122,123 124,125,126,127,128,129,130,AND 131			
- B	8482931	1	.	CABLE ASM,38LS-US-MA (FOR FEATURES 2943,2944 AND 9510) FOR COMPONENT PARTS SEE INDEXES 32,105,121,125,126,128,139,142,143 AND 146			

CABLE ASSEMBLIES WITH COMPONENT PARTS

FIGURE INDEX NUMBER	PART NUMBER	UNITS PER ASM	DESCRIPTION				
			1	2	3	4	
13 - B	8482933	1	.	CABLE ASM,DCE INTERFACE-UK (FOR FEATURE 2839) FOR COMPONENT PARTS SEE INDEXES 18,19,27,32,38,88,91,118,119,120,121 122,123,124,125,126,127,128,129,130,131 132,133,134,135,136,138,139,140,AND 141			
- B	8482934	1	.	CABLE ASM,38 LS WT LINE PLATE (FOR FEATURES 2836 AND 2837) FOR COMPONENT PARTS SEE INDEXES 12,30,65,109,125,128,129,130,131,142,143 144,145,146,147,AND 148			
- B	8645308	1	.	CABLE ASM,CB1 TO CB2 FOR COMPONENT PARTS SEE INDEX 6			
- B	8645310	1	.	CABLE ASM,LF TB1 TO CB1 50HZ FOR COMPONENT PARTS SEE INDEX 6			
- B	8645311	1	.	CABLE ASM,LF TB1 TO CB1 FOR COMPONENT PARTS SEE INDEX 6			
- C	8645313	1	.	CABLE ASM,CB1 TO CB2 50HZ FOR COMPONENT PARTS SEE INDEX 6			
- C	8645314	1	.	CABLE ASM,PS103 TO 01AA4YH FOR COMPONENT PARTS SEE INDEXES 29,51,65,AND 97			
- C	8645315	1	.	CABLE ASM,115V CONVENIENCE OUTLET FOR COMPONENT PARTS SEE INDEXES 8,13,15,21,AND 32			
- C	8645316	1	.	CABLE ASM,220V CONVENIENCE OUTLET FOR COMPONENT PARTS SEE INDEXES 8,13,21,AND 32			
- C	8645317	1	.	CABLE ASM,TB1 TO K2,K3 FOR COMPONENT PARTS SEE INDEXES 14,32,AND 33			
- C	8645318	1	.	CABLE ASM,K2,K3 TO J04,J05,J06,J07,J08,J10,J11 FOR COMPONENT PARTS SEE INDEXES 5,14,15,21,32,52,61,AND 101			
- C	8645321	1	.	CABLE ASM,PS102-P04 TO 01AA1ZC,01AA1ZD FOR COMPONENT PARTS SEE INDEXES 29,65,95,96,97,AND 99			
- C	8645322	1	.	CABLE ASM,PCC-P11 TO AMD106 FOR COMPONENT PARTS SEE INDEXES 36,37,48,51,61,78,79,AND 83			
- C	8645324	1	.	CABLE ASM,PCC-P01 TO PS101-P04 FOR COMPONENT PARTS SEE INDEXES 44,55,56,AND 73			
- C	8645325	1	.	CABLE ASM,PCC-P08 TO AMD 102 AND 105 FOR COMPONENT PARTS SEE INDEXES 36,37,48,51,61,73,78,79,AND 83			
- C	8645326	1	.	CABLE ASM,PS102 TO 01AA2 FOR COMPONENT PARTS SEE INDEXES 35,55,AND 56			
- C	8645327	1	.	CABLE ASM,PS103 TO BIAS DIST FOR COMPONENT PARTS SEE INDEXES 46,49,55,56,AND 73			
- C	8645328	1	.	CABLE ASM,PS103 TO PS111,PS112 FOR COMPONENT PARTS SEE INDEXES 49,53,AND 73			
- C	8645329	1	.	CABLE ASM,PS101 TO 01AA1 FOR COMPONENT PARTS SEE INDEXES 29,35,53,65,73,AND 97			
- C	8645330	1	.	CABLE ASM,PCC CONTROL AND SENCE FOR COMPONENT PARTS SEE INDEXES 15,33,54,AND 57			
- C	8645331	1	.	CABLE ASM,PCC CONTROL AND SENCE 50HZ FOR COMPONENT PARTS SEE INDEXES 15,18,19,33,54,AND 57			

CABLE ASSEMBLIES WITH COMPONENT PARTS

FIGURE INDEX NUMBER	PART NUMBER	UNITS PER ASM	DESCRIPTION			
			1	2	3	4
13 - C	8645332	1	.	CABLE ASM,PCC-P04 TO TR102	FOR COMPONENT PARTS SEE INDEXES	
- C	8645333	1	.	CABLE ASM,PCC-P012 TO TR103-P011	FOR COMPONENT PARTS SEE INDEXES	
- C	8645334	1	.	CABLE ASM,PCC-P06 TO FILE 1	FOR COMPONENT PARTS SEE INDEXES	
- C	8645335	1	.	CABLE ASM,PCC-P07 TO FILE 2	FOR COMPONENT PARTS SEE INDEXES	
- C	8645336	1	.	CABLE ASM,PCC-P05 TO AMD 103 AND 104	FOR COMPONENT PARTS SEE INDEXES	
- C	8645338	1	.	CABLE ASM,300V DISTRIBUTION	FOR COMPONENT PARTS SEE INDEXES	
- C	8645339	1	.	CABLE ASM,PCC-P010 TO AMD 101 AND 107	FOR COMPONENT PARTS SEE INDEXES	
- C	8645340	1	.	CABLE ASM,PCC-P02 TO PS101-107	FOR COMPONENT PARTS SEE INDEXES	
- D	8645341	1	.	CABLE ASM,TB2 TO K3,K4	FOR COMPONENT PARTS SEE INDEXES	
- D	8645342	1	.	CABLE ASM,K3 TO J12	FOR COMPONENT PARTS SEE INDEXES	
- D	8645343	1	.	CABLE ASM,K04 TO C5,C6,C7	FOR COMPONENT PARTS SEE INDEXES	
- D	8645344	1	.	CABLE ASM,PS102 TO PS101	FOR COMPONENT PARTS SEE INDEXES	
- D	8645346	1	.	CABLE ASM,TB1 TO 01AA2ZF/01AA2ZC	FOR COMPONENT PARTS SEE INDEXES	
- D	8645347	1	.	CABLE ASM,PS102 TO 01A-A2	FOR COMPONENT PARTS SEE INDEXES	
- D	8645348	1	.	CABLE ASM,PS102 TO 01A-A2	FOR COMPONENT PARTS SEE INDEXES	
- D	8635349	1	.	CABLE ASM,PS102 TO 01AA3YA	FOR COMPONENT PARTS SEE INDEXES	
- D	8645352	1	.	CABLE ASM,PS104 TO PS111/112	FOR COMPONENT PARTS SEE INDEXES	
- D	8645363	1	.	CABLE ASM,01BA1 TO 01ECC1-C6	FOR COMPONENT PARTS SEE INDEXES	
- D	8645364	1	.	CABLE ASM,01BA1 TO 01ECC7-D3	FOR COMPONENT PARTS SEE INDEXES	
- D	8645372	1	.	CABLE ASM,PS101-P02 TO SPI	FOR COMPONENT PARTS SEE INDEXES	

CABLE ASSEMBLIES WITH COMPONENT PARTS

FIGURE INDEX NUMBER	PART NUMBER	UNITS PER ASM	DESCRIPTION			
			1	2	3	4
13 - D	8645382	1	.	CABLE ASM, TB1 TO 01AA4YA-01AA4ZA	FOR COMPONENT PARTS SEE INDEXES	19, 20, 29, 33, 65, AND 97
- D	8645383	1	.	CABLE ASM, 01BA1 TO 01ECCD4-D9	FOR COMPONENT PARTS SEE INDEXES	10, 27, 67, 77, 88, AND 91
- D	8645384	1	.	CABLE ASM, 1AA2ZF TO FILE 2	FOR COMPONENT PARTS SEE INDEXES	10, 27, 43, 45, 51, 65, 66, 77, 91, AND 98
- D	8645424	1	.	CABLE ASM, 01AA2B3 TO AFS107, PS111, PS112	FOR COMPONENT PARTS SEE INDEXES	8, 10, 27, 32, 35, 40, 44, 48, 55, 74, AND 91
- D	8645428	1	.	CABLE ASM, K04 TO C5, C6, C7, C8 50HZ	FOR COMPONENT PARTS SEE INDEXES	22, 33, AND 63
- D	8645429	1	.	CABLE ASM, 1AA2B4 TO 1BA1YH	FOR COMPONENT PARTS SEE INDEXES	10, 27, 33, 40, 48, 77, 91, 93, AND 94
- D	8645441	1	.	CABLE ASM, I/O COMPLETE	FOR COMPONENT PARTS SEE INDEXES	23, 31, AND 52
- D	8645447	1	.	CABLE ASM, TB1 TO 01AA1ZB	FOR COMPONENT PARTS SEE INDEXES	19, 29, 65, AND 97

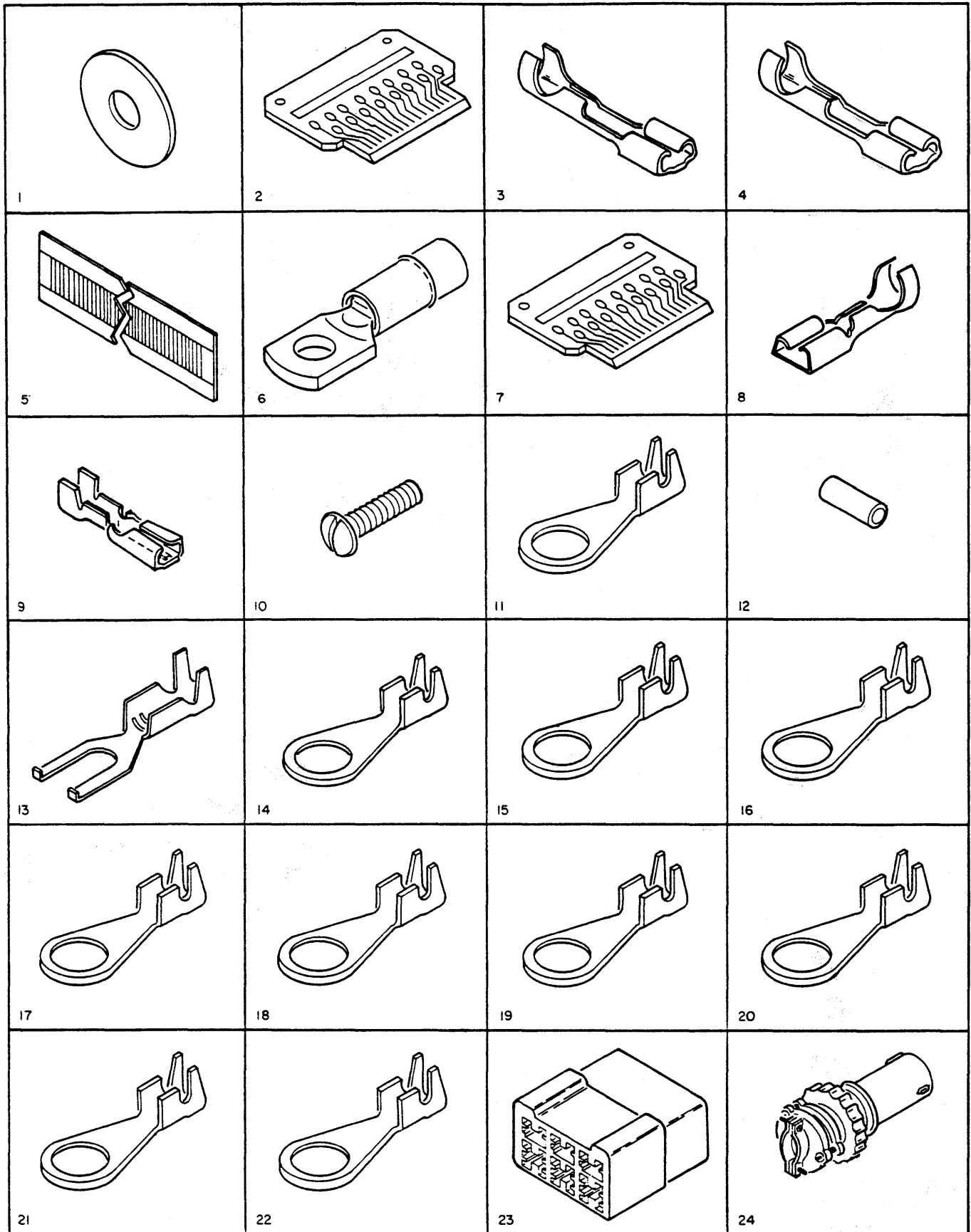


FIGURE 13. CABLE COMPONENT PARTS. SHEET 1 OF 7. INDEX NOS. 1-24. SEE LIST 13.

CABLE ASSEMBLIES WITH COMPONENT PARTS

FIGURE INDEX NUMBER	PART NUMBER	UNITS PER ASM	DESCRIPTION			
			1	2	3	4
13 - 1	100132	AR	.	WASHER, INSULATOR 0.128 ID X 0.325 OD		
- 2	174870	AR	.	CARD ASM		
- 3	236915	AR	.	TERMINAL, CONTACT FEMALE 20-18 AWG		
- 4	236916	AR	.	TERMINAL, CONTACT- FEMALE 24-22 AWG		
- 5	317296	AR	.	LABEL		
- 6	335327	AR	.	TERMINAL, LUG, NO. 10 SCREW		
- 7	400101	AR	.	CARD ASM		
- 8	430798	AR	.	TERMINAL, RECEPTACLE 20-18 AWG		
- 9	430799	AR	.	RECEPTACLE-TERMINAL		
- 10	438549	AR	.	SCREW, BD HD- 4-40 X 0.437 LG		
- 11	438685	AR	.	SPRING, LATCH-TORSION		
- 12	483619	AR	.	TUBING		
- 13	483652	AR	.	TERMINAL, FLANGED SPADE- 14-16AWG		
- 14	483677	AR	.	TERMINAL, RING, NO.6 STUD, 18-20 AWG		
- 15	483678	AR	.	TERMINAL, RING, NO.6 STUD, 14-16 AWG		
- 16	483679	AR	.	TERMINAL, RING, NO.6 STUD, 10-12 AWG		
- 17	483680	AR	.	TERMINAL, RING- 22 TO 26 AWG		
- 18	483681	AR	.	TERMINAL, RING, NO.8 STUD, 18-20 AWG		
- 19	483682	AR	.	TERMINAL, RING, NO.8 STUD, 14-16 AWG		
- 20	483683	AR	.	TERMINAL, RING, NO.8 STUD, 10-12 AWG		
- 21	483686	AR	.	TERMINAL, RING, NO.10 STUD, 14-16 AWG		
- 22	483687	AR	.	TERMINAL, RING, NO. 10 STUD, 10-12 AWG		
- 23	523268	AR	.	CONNECTOR		
- 24	609543	AR	.	PLUG, MALE CABLE A		

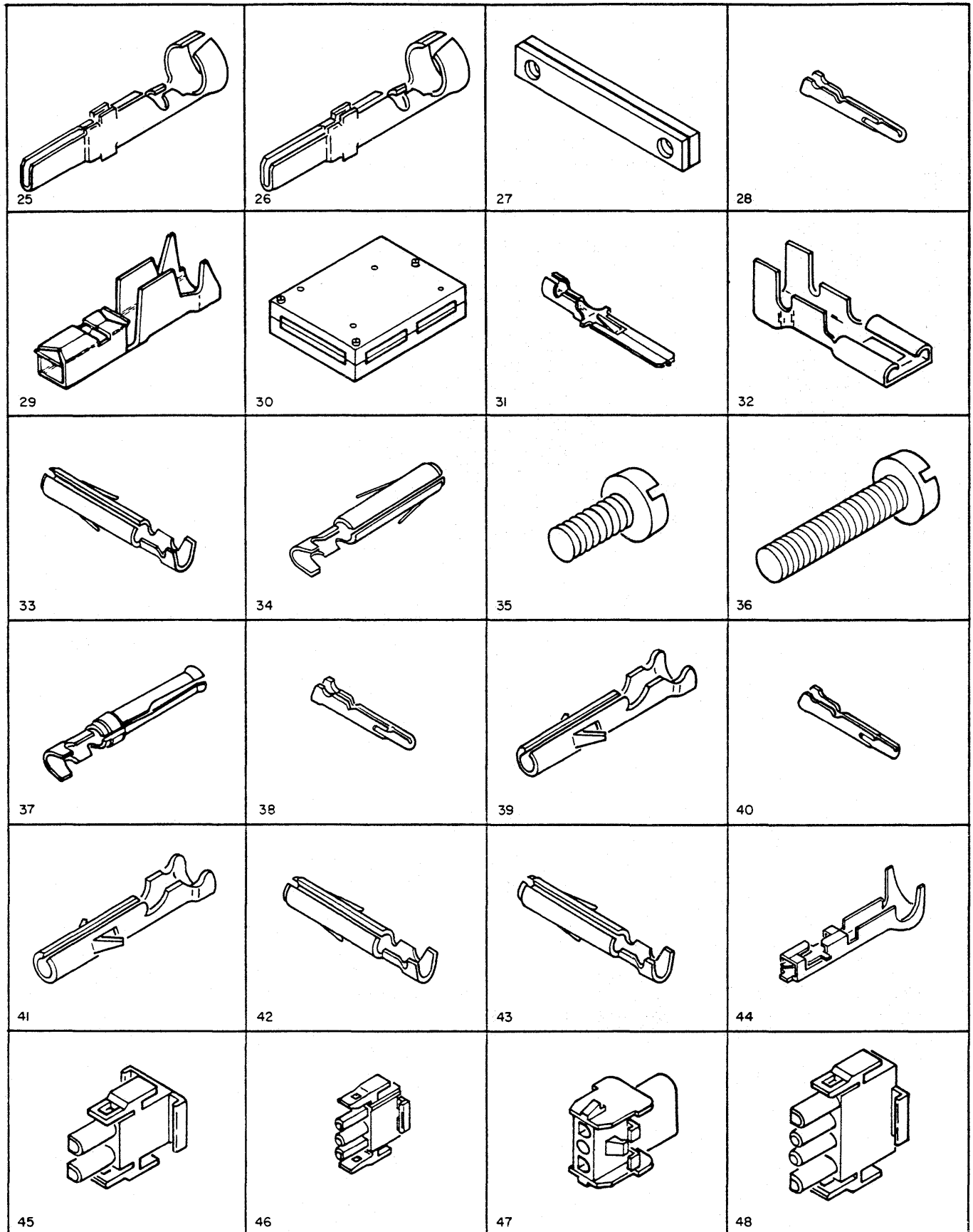


FIGURE 13. CABLE COMPONENT PARTS. SHEET 2 OF 7. INDEX NOS. 25-48. SEE LIST 13.

CABLE ASSEMBLIES WITH COMPONENT PARTS

FIGURE INDEX NUMBER	PART NUMBER	UNITS PER ASM	DESCRIPTION			
			1	2	3	4
13 - 25	738254	AR	.	TERMINAL ASM,MALE,12-14 AWG		
- 26	738255	AR	.	TERMINAL ASM,FEMALE,12-14 AWG		
- 27	740459	AR	.	STIFFENER		
- 28	813392	AR	.	CONNECTOR		
- 29	815933	AR	.	CONNECTOR-WIRE (18-20 AWG)		
- 30	1734234	AR	.	PSN ASM		
- 31	827991	AR	.	CONNECT,TAB TERMINAL		
- 32	1127037	AR	.	TERMINAL,WIRE		
- 33	1471018	AR	.	TERMINAL,SOCKET		
- 34	1471019	AR	.	TERMINAL,TAPER PIN		
- 35	1622535	AR	.	SCREW,PAN HD-M3.5		
- 36	1622538	AR	.	SCREW,PAN HD-M3.5		
- 37	1655337	AR	.	CONTACT SOCKET		
- 38	1661127	AR	.	TERMINAL-DUAL LANCE PIN		
- 39	1661128	AR	.	TERMINAL,SOCKET		
- 40	1661129	AR	.	TERMINAL		
- 41	1661130	AR	.	TERMINAL		
- 42	1661131	AR	.	TERMINAL,SOCKET		
- 43	1661132	AR	.	TERMINAL,SOCKET		
- 44	1661528	AR	.	TERMINAL,CONTACT		
- 45	1847524	AR	.	PLUG		
- 46	1847526	AR	.	CONNECTOR		
- 47	1847527	AR	.	CONNECTOR		
- 48	1847528	AR	.	PLUG,UNIVERSAL- 4 CIRCUIT		

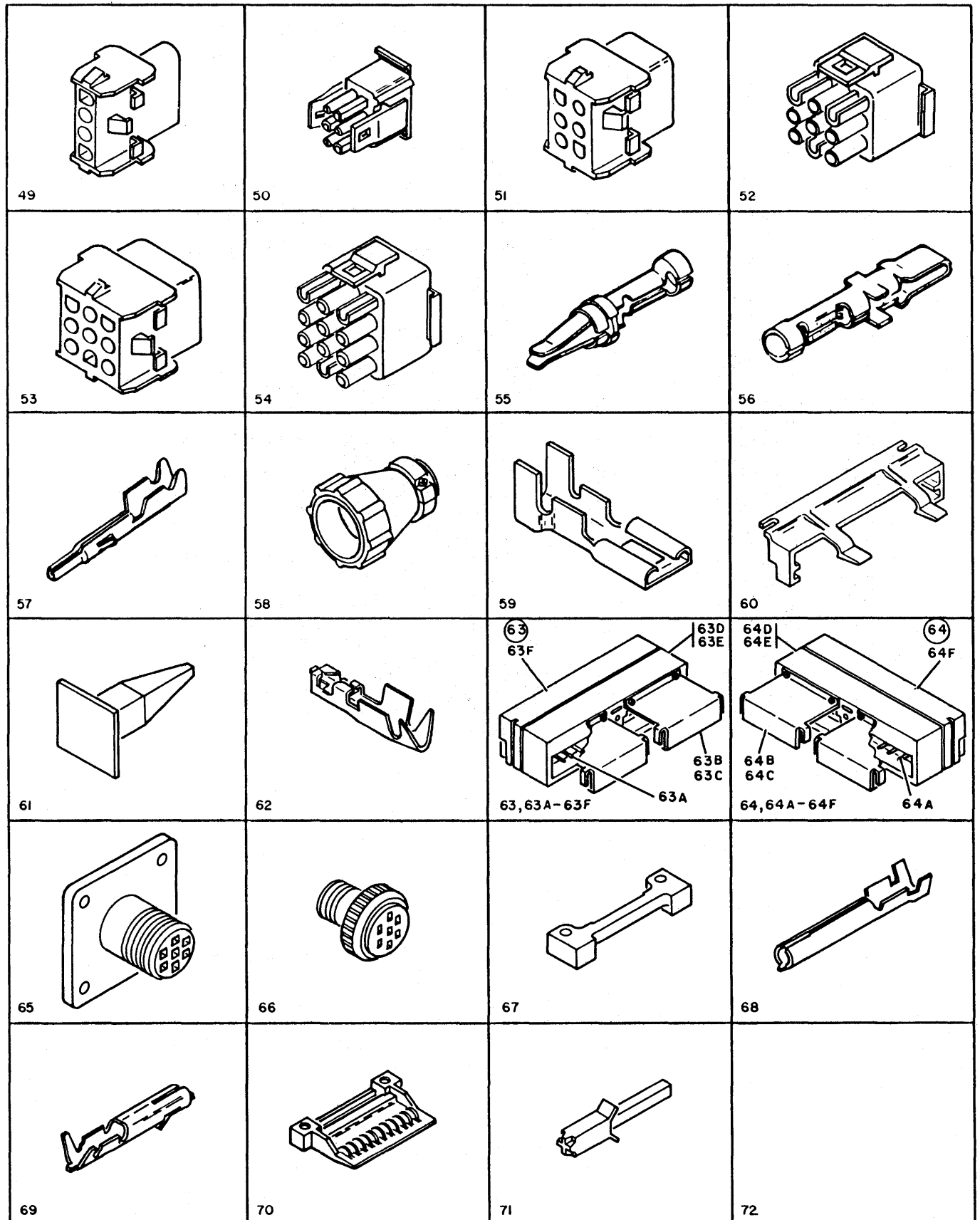


FIGURE 13. CABLE CIMPONENT PARTS. SHEET 3 OF 7. INDEX NOS. 49-71. SEE LIST 13.

CABLE ASSEMBLIES WITH COMPONENT PARTS

FIGURE INDEX NUMBER	PART NUMBER	UNITS PER ASM	DESCRIPTION			
			1	2	3	4
13 - 49	1847529	AR	.	HOUSING,UNIVERSAL- 4 CIRCUIT		
- 50	1847530	AR	.	PLUG		
- 51	1847531	AR	.	HOUSING,CONNECTOR 6 POS MALE		
- 52	1847532	AR	.	CONNECTOR		
- 53	1847533	AR	.	HOUSING,CONNECTOR 9 POS FEMALE		
- 54	1847534	AR	.	PLUG		
- 55	2192505	AR	.	TERMINAL ASM,FEMALE,8 AND 10 AWG		
- 56	2192507	AR	.	TERMINAL		
- 57	2451131	AR	.	PIN,UNIVERSAL 0.920 LG		
- 58	2462055	AR	.	CLAMP		
- 59	2502307	AR	.	TERMINAL		
- 60	2546928	AR	.	RETAINER,CONNECTOR		
- 61	2637689	AR	.	INSERT		
- 62	2637690	AR	.	CONNECTOR- 18-20 AWG		
- 63	2676631	NR	AR	CONNECTOR ASM,LIGHT GRAY		
- 63A	5362303	AR	.	PIN,CONNECTOR		
- 63B	5353895	AR	.	BRACKET		
- 63C	112628	AR	.	SCREW,THD FORMING BIND HD 3/8 IN. LG		
- 63D	5353902	AR	.	BLOCK,GUIDE PIN		
- 63E	109918	AR	.	SCREW,FL HD - 0.500 IN. LG		
- 63F	5529190	AR	.	BLOCK,CONNECTOR PIN(LIGHT GRAY)		
- 64	2676632	NR	AR	CONNECTOR ASM,DARK GRAY		
- 64A	5362303	AR	.	PIN,CONNECTOR		
- 64B	5353895	AR	.	BRACKET		
- 64C	112628	AR	.	SCREW,THD FORMING BIND HD 3/8 IN. LG		
- 64D	5353902	AR	.	BLOCK,GUIDE PIN		
- 64E	109918	AR	.	SCREW,FL HD - 0.500 IN. LG		
- 64F	5529191	AR	.	BLOCK,CONNECTOR PIN(DARK GRAY)		
- 65	2745023	AR	.	CONNECTOR- 7 POSITION		
- 66	2745024	AR	.	CONNECTOR- 7 POSITION		
- 67	2757868	AR	.	STRAIN RELIEF		
- 68	4123688	AR	.	TERMINAL,SOCKET		
- 69	4123689	AR	.	TERMINAL,PIN		
- 70	4123780	AR	.	STRAIN RELIEF		
- 71	4155126	AR	.	PLUG,KEYING		

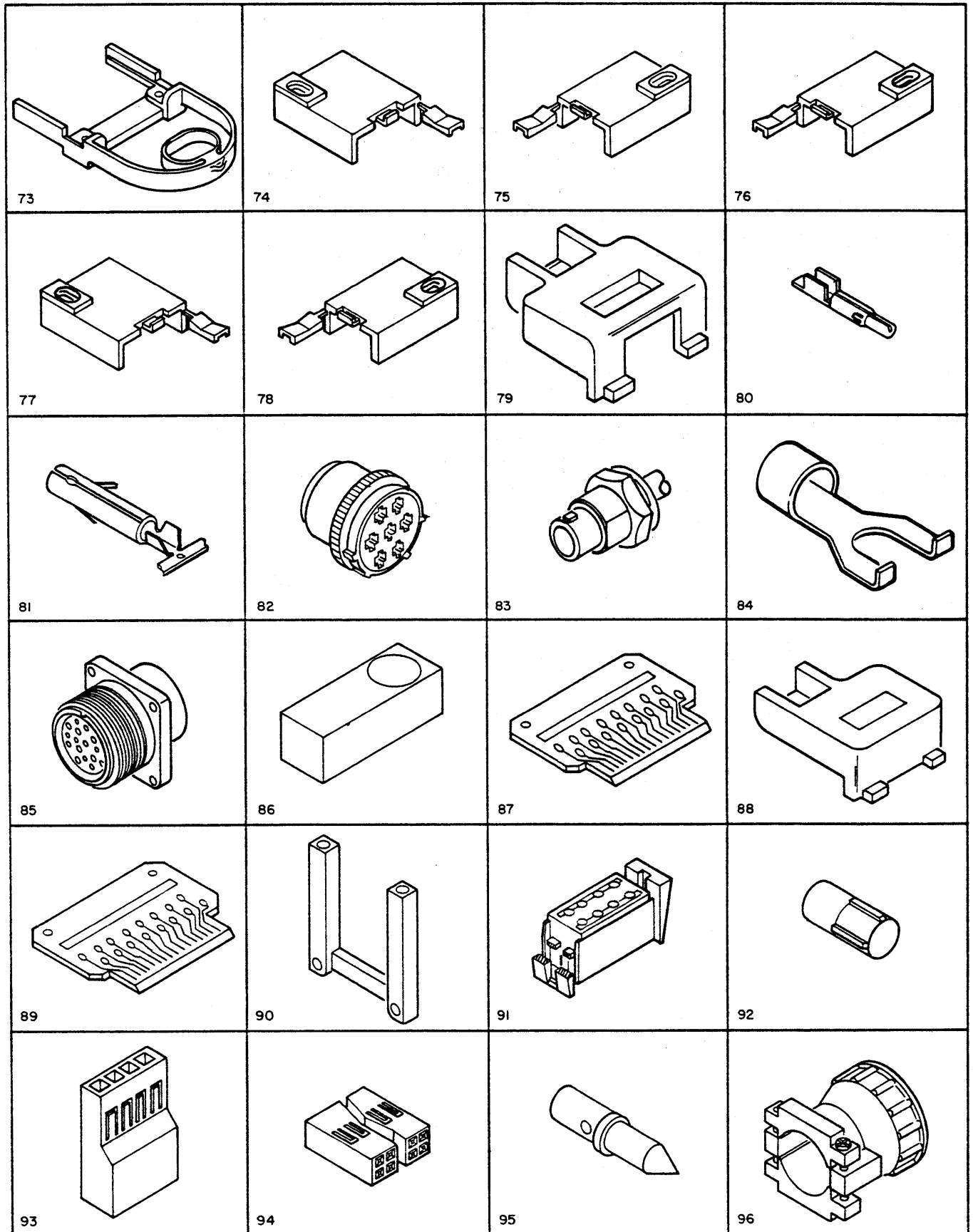


FIGURE 13. CABLE COMPONENT PARTS. SHEET 4 OF 7. INDEX NOS. 73-96. SEE LIST 13.

CABLE ASSEMBLIES WITH COMPONENT PARTS

FIGURE INDEX NUMBER	PART NUMBER	UNITS PER ASM	DESCRIPTION			
			1	2	3	4
13 - 73	4441166	AR	.	STRAIN RELIEF, 3 HI ELSI CONN		
- 74	4447188	AR	.	STRAIN RELIEF		
- 75	4454591	AR	.	STRAIN RELIEF		
- 76	4459324	AR	.	STRAIN RELIEF, 12 POS CONNECTOR		
- 77	4459325	AR	.	STRAIN RELIEF, 15 POS CONNECTOR		
- 78	4462361	AR	.	STRAIN RELIEF, 4 POS CONNECTOR		
- 79	4462370	AR	.	ADAPTOR		
- 80	4488201	AR	.	TERMINAL, PIN, MATE-N-LOK 12-		
- 81	4488202	AR	.	TERMINAL, SOC 12-10 AWG		
- 82	4867628	AR	.	CONNECTOR, SOCKET CONTACTS		
- 83	5252661	AR	.	CONNECTOR		
- 84	5275481	AR	.	STRAIN RELIEF		
- 85	5578491	AR	.	CONNECTOR- 28 POSITION		
- 86	5644034	AR	.	LABEL, ROTATION-ENG		
- 87	5800634	AR	.	CARD ASM-TERMINATOR, TWISTED PR.		
- 88	5865893	AR	.	ADAPTOR		
- 89	6819175	AR	.	CARD ASM		
- 90	6831356	AR	.	BRACKET, STRAIN RELIEF		
- 91	8268898	AR	.	HOUSING, TOP- 8 POS.		
- 92	8268903	AR	.	PLUG, ORIENTATION		
- 93	8324616	AR	.	HOUSING- 1 X 2		
- 94	8324648	AR	.	HOUSING- 2 X 18		
- 95	8330316	AR	.	CONTACT, PIN- 16 AWG		
- 96	8645426	AR	.	STRAIN RELIEF		

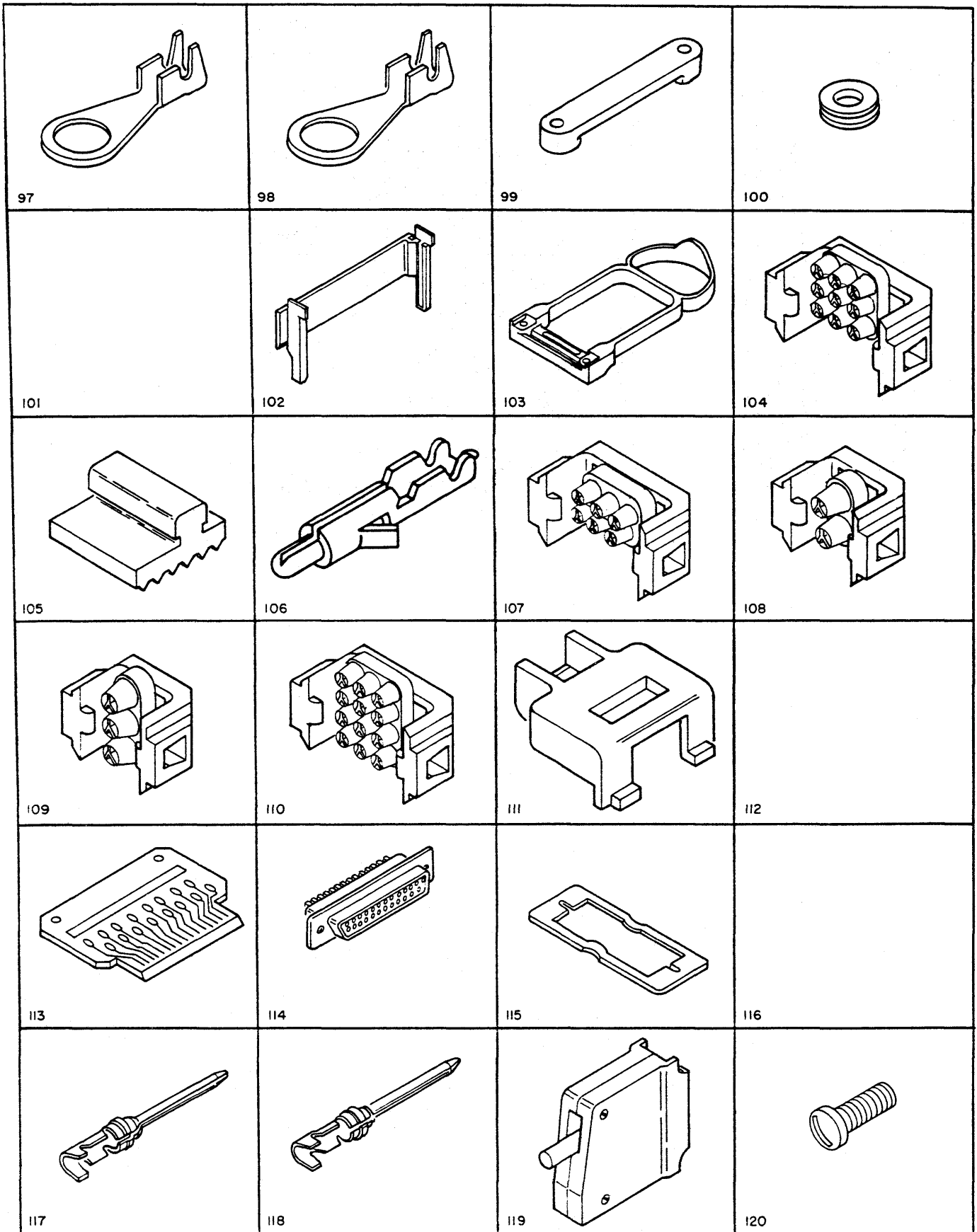


FIGURE 13. CABLE COMPONENT PARTS. SHEET 5 OF 7. INDEX NOS. 97-120. SEE LIST 13.

CABLE ASSEMBLIES WITH COMPONENT PARTS

FIGURE INDEX NUMBER	PART NUMBER	UNITS PER ASM	DESCRIPTION			
			1	2	3	4
13 - 97	483685	AR	.	TERMINAL,RING, NO.10 STUD,18-20 AWG		
- 98	483692	AR	.	TERMINAL,RING-NO .375 STUD,12-10 AWG		
- 99	401423	AR	.	CLAMP,STRAIN RELIEF		
-100	595720	AR	.	RIVET,ROLLED FLANGE		
-102	8483774	AR	.	CARD GUIDE		
-103	1953289	AR	.	STRAIN RELIEF,WIRE EXTENDER		
-104	378470	AR	.	RETAINER,CONTACT- 9 CIRCUIT		
-105	5466393	AR	.	CLAMP,STRAIN RELIEF		
-106	1847520	AR	.	TERMINAL,14-20 AWG		
-107	378469	AR	.	RETAINER,CONTACT- 6 CIRCUIT		
-108	378466	AR	.	RETAINER,CONTACT- 2 CIRCUIT		
-109	378467	AR	.	RETAINER,CONTACT- 3 CIRCUIT		
-110	378471	AR	.	RETAINER,CONTACT- 12 CIRCUIT		
-111	4441534	AR	.	ADAPTER,STRAIN RELIEF		
-113	6819173	AR	.	CARD ASM		
-114	1655338	AR	.	CONNECTOR,MALE		
-115	1855807	AR	.	PLATE,RETAINER		
-117	1655339	AR	.	PIN,CONTACT		
-118	1655359	AR	.	PIN, CONTACT-24-28 AWG		
-119	1855555	AR	.	HOUSING ASM		
-120	438551	AR	.	SCREW,BD HD- 4-40 X 0.625 LG		

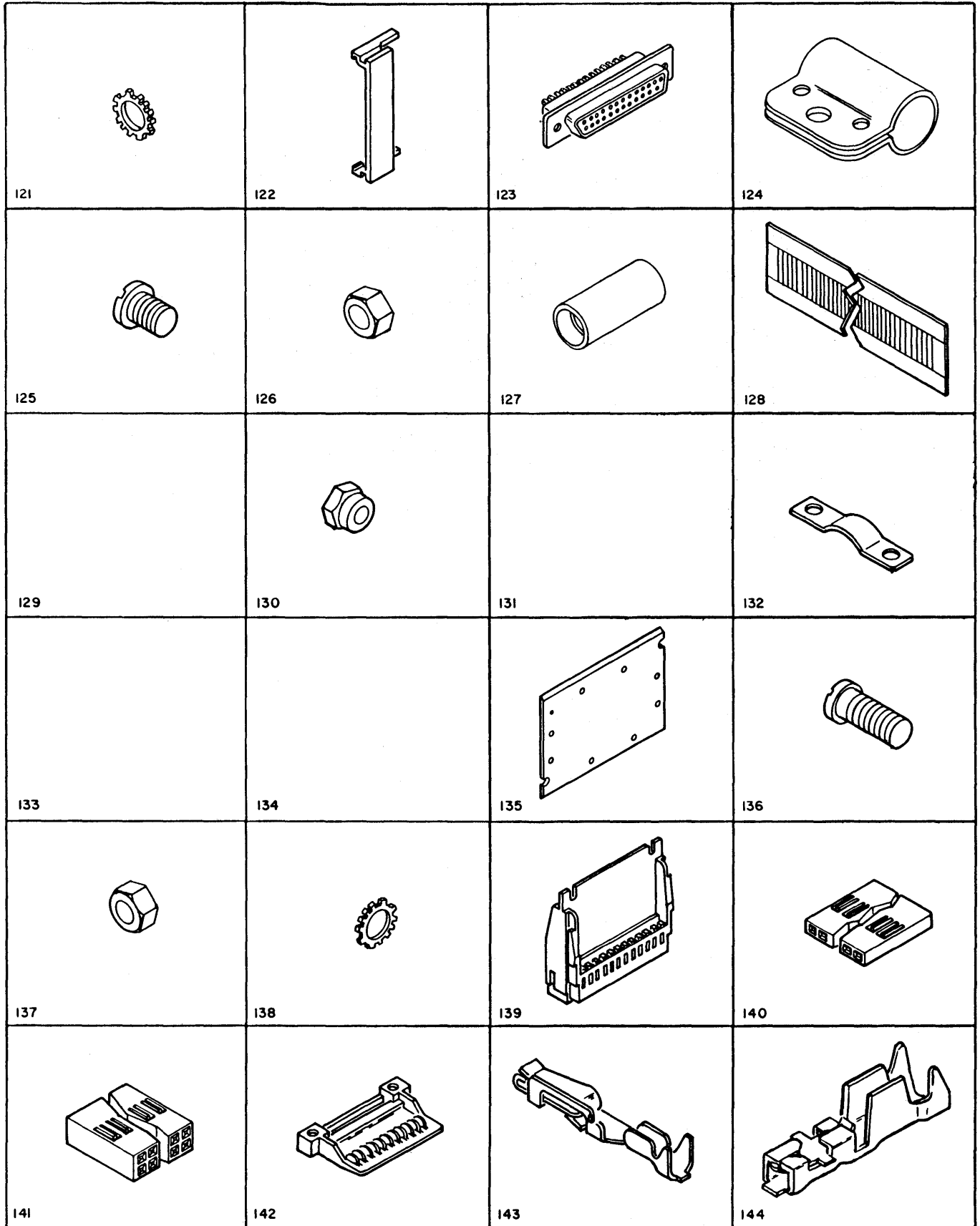


FIGURE 13. CABLE COMPONENT PARTS. SHEET 6 OF 7. INDEX NOS. 121-144. SEE LIST 13.

CABLE ASSEMBLIES WITH COMPONENT PARTS

FIGURE INDEX NUMBER	PART NUMBER	UNITS PER ASM	DESCRIPTION			
			1	2	3	4
13	-121	1622347	AR	.	LOCKWASHER EXT STAR- M5, 10 OD X .6	
	-122	811802	AR	.	CARD GUIDE	
	-123	1655336	AR	.	CONNECTOR, 25 POS RECEPTICLE	
	-125	2549781	AR	.	SCREW, PAN HD- M5 X 8 LG	
	-126	1622404	AR	.	NUT, DBL CHAMFERED HEX-M5 X 4 THK	
	-127	8462879	AR	.	NUT, CONDUIT- 4-40	
	-128	483770	AR	.	LABEL	
	-130	344015	AR	.	NUT, HEX- 6-32	
	-132	2181200	AR	.	CLAMP, .40 INSIDE RADIUS	
	-135	8483618	AR	.	BRACKET, CD SAFETY	
	-136	1621191	AR	.	SCREW, PAN HD- M4 X 10 LG	
	-137	1622403	AR	.	NUT, DBL CHAMFERED HEX M4 X 3.2 THK	
	-138	1622346	AR	.	LOCKWASHER, EXT STAR- M4, 8 OD X .5	
	-139	5447741	AR	.	HOUSING, SINGLE HI	
	-140	2731406	AR	.	HOUSING, 10 POSITION	
	-141	2731392	AR	.	HOUSING- 2 X 8	
	-142	5466397	AR	.	STRAIN RELIEF	
	-143	5486851	AR	.	CONTACT, SERPENT-SINGLE HI, 22-26 RNG	
	-144	2637682	AR	.	CONNECTOR, WIRE (22 26 AWG)	

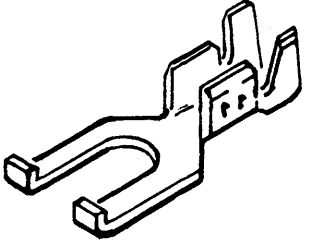

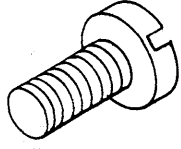
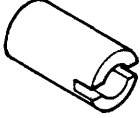
 <p>145</p>	 <p>146</p>	<p>147</p>	 <p>148</p>
 <p>149</p>			

FIGURE 13. CABLE COMPONENT PARTS. SHEET 7 OF 7. INDEX NOS. 145-149. SEE LIST 13.

CABLE ASSEMBLIES WITH COMPONENT PARTS

FIGURE INDEX NUMBER	PART NUMBER	UNITS PER ASM	DESCRIPTION			
			1	2	3	4
13 -145	483648	AR	.	TERMINAL, 22-26 AWG		
-146	109918	AR	.	SCREW, FL HD- 0.500 LG		
-148	52523	AR	.	SCREW, FIL HD- 4-40 X 0.625 LG		
-149	8482979	AR	.	NUT		

NUMERICAL INDEX

PART NO.	LIST AND INDEX NO.
----------	--------------------

10170	3 -296
	5 -101
	5 -117
	9 - 9
	10 - 35
	10 - 46
11598	6 - 3
	7 - 3
	8 - 3
22066	3 -216
25009	3 -338
38235	10 - 26
38354	5 -122
38443	3 - 36
45690	6 - 5
	7 - 5
	8 - 5
52523	13 -148
53193	3 -232
	3 -267
	5 - 74
55918	6 - 20
	7 - 17
	8 - 17
56079	6 - 4
	6 - 21
	7 - 4
	7 - 18
	8 - 4
	8 - 18
56722	6 - 8
	6 - 11
	7 - 8
	7 - 11
	7 - 15
	8 - 8
	8 - 11
	8 - 15
81693	10 - 11
92752	5 - 98
	9 - 11
	9 - 16
	11 - 10
100132	13 - 1
107664	5 - 96
107665	5 - 96
	9 - 10
109918	13 - 63E
	13 - 64E
	13 -146
110029	3 -277
112628	13 - 63C
	13 - 64C
138755	10 - 19
150390	2 - 17A
	3 -376
174870	13 - 2
204499	3 - 86
210883	5 -103
	10 - 36
	10 - 48
220856	3 - 85
236915	13 - 3
236916	13 - 4
256530	5 - 42
257187	6 - 7

PART NO.	LIST AND INDEX NO.
----------	--------------------

257187	7 - 7
	8 - 7
264641	3 -337
300630	3 -195D
312568	5 - 53
	9 - 22
312571	5 - 59
312573	5 - 55
	9 - 24
312575	5 - 54
	9 - 23
316807	10 - 9
317131	10 - 37
317296	13 - 5
317310	5 -102
317485	5 -102
	10 - 47
321571	3 - 31
322065	6 - 10
	7 - 10
	7 - 14
	8 - 10
	8 - 14
322266	10 - 39
322280	5 -104
	10 - 49
322550	10 - 38
323845	10 - 61
335327	13 - 6
337193	10 - 34
344015	13 -130
350965	5 -116
350966	5 -100
	10 - 45
353598	2 - 18
357995	10 - 12
369207	3 - 1
	3 -105
	3 -133
	3 -335
	9 - 2
378466	13 -108
378467	13 -109
378469	13 -107
378470	13 -104
378471	13 -110
400101	13 - 7
401394	3 -157
	3 -195
401395	5 - 36
401396	1 - 21
401402	3 -313
401403	3 -212
401405	3 -369
401406	1 - 23
401407	3 - 96
401420	1 - 41
401423	13 - 99
401424	5 -107
401425	5 -105
401427	10 - 10
401428	5 -112
401434	3 -308
401441	3 -127
	13 - A
401458	1 - 9A

PART NO.	LIST AND INDEX NO.
----------	--------------------

401523	3 -275A
406889	3 - 68
418835	10 - 12
430798	13 - 8
430799	13 - 9
438549	3 -156
	13 - 10
438551	13 -120
438685	13 - 11
475465	3 -164
	3 -168
	3 -176
	3 -180
	3 -189
	3 -194
483619	13 - 12
483648	13 -145
483652	13 - 13
483677	13 - 14
483678	6 - 23
	7 - 20
	8 - 20
	13 - 15
483679	13 - 16
483680	13 - 17
483681	13 - 18
483682	13 - 19
483683	13 - 20
483685	13 - 97
483686	13 - 21
483687	13 - 22
483692	13 - 98
483770	13 -128
517913	6 - 22
	7 - 19
	8 - 19
523268	13 - 23
526378	5 - 91
	6 - 1
	7 - 1
	8 - 1
	10 - 51
595720	13 -100
599557	1 - 10
	3 - 28
	6 - 33
	7 - 30
	8 - 30
609543	13 - 24
610052	3 - 84
730468	5 -120
738254	13 - 25
738255	13 - 26
740459	3 -154
	13 - 27
740513	5 - 51
760303	1 - 9
760446	3 - 87
760447	3 - 82
767031	3 -355A
804109	6 - 29
	7 - 26
	8 - 26
811802	13 -122
813392	13 - 28
815933	13 - 29

PART NO.	LIST AND INDEX NO.
----------	--------------------

818579	3 -148
824348	3 -111
827991	13 - 31
854762	9 - 1
855282	3 -341
855283	3 -342
855284	1 - 2
	3 -344
855285	1 - 2
855286	3 -345
889325	3 -322
960766	1 - 3
	3 -345
984123	10 - 19
NO NO.	1 - 1
	1 - 3
	3 -200
	3 -209
	3 -343
	3 -346
	6 - 28
	7 - 25
	8 - 25
1126833	3 -329B
1127037	13 - 32
1310163	2 - 2
1310164	2 - 11
1310165	2 - 10
1310297	5 - 92
	10 - 52
1471018	13 - 33
1471019	13 - 34
1573510	6 - 9
	7 - 9
	8 - 9
1573511	6 - 14
1573516	6 - 15
1578985	3 -317
1621063	3 - 57
1621066	10 - 15
1621079	5 - 88
1621170	3 - 59
	3 -103
	3 -354
	5 - 18
	10 - 28
	10 - 65
1621171	3 -235
	3 -271
	3 -371
	5 - 69
1621172	5 - 50
1621173	3 - 45
1621176	3 -121
	3 -124
1621181	5 -101
	10 - 60
1621182	5 - 48
	10 - 22
1621183	5 - 23
1621190	2 - 3
	2 - 6
	2 - 8
	2 - 12
	3 - 47
	3 - 83

PART NO.	LIST AND INDEX NO.
----------	--------------------

1621190	3 -125
	3 -195B
	3 -195H
	3 -230
	3 -265
	3 -276
	3 -304
	3 -340
	3 -348
	5 - 13
	5 - 20
	5 - 27
	5 - 43
	5 - 46
	5 - 52
	5 - 71
	10 - 11
	10 - 24
1621191	3 -224
	3 -290
	3 -351
	5 - 78
	5 - 93
	10 - 6
	10 - 53
	13 -136
1621192	2 - 16
	3 - 89
	9 - 12
	9 - 17
1621193	3 -365
	6 - 17
1621194	6 - 30
	7 - 27
	8 - 27
1621197	3 -159
	3 -171
	3 -183
	3 -188
	3 -193
	3 -242
	3 -254
	3 -256
	5 - 93
1621198	1 - 27
	3 - 73
	3 - 75
	3 -130
	9 - 4
1621210	3 - 3
	3 - 19
	3 - 38
	3 -100
	3 -243
	3 -247
	3 -258
	3 -262
	3 -306
	3 -327
	3 -334
	3 -358
	5 - 2
	5 - 7
	5 - 10
	5 - 38
	5 - 41

PART NO.	LIST AND INDEX NO.
----------	--------------------

1621210	5 - 58
	5 - 64
	5 - 81
	5 -124
	5 -127
	5 -130
	5 -134
1621211	1 - 55
	3 - 6
	3 - 15
	3 - 21
	3 -238
	3 -286
	3 -298
1621212	3 - 9
1621228	3 -326
	5 -106
1621230	3 -314
1621286	3 - 32
	5 - 60
1621307	10 - 13
1621518	3 -107
1621545	3 -309
	3 -316
1621547	3 -329D
1621594	3 - 93
1621595	3 -293
1621596	3 -112
	3 -116
	3 -375
	5 - 84A
1621626	3 - 69
1621844	3 -163
	3 -167
	3 -175
	3 -179
	3 -187
	3 -192
	3 -195J
1621846	3 -204
1621852	1 - 44
1622261	3 - 94
1622304	3 -352
	3 -363
1622305	3 - 23
	3 - 27
	3 - 63
	3 - 79
	3 -108
	3 -245
	3 -248A
	3 -252
	3 -260
	3 -288
	3 -300
	10 - 7
1622306	1 - 57
	3 - 8
	3 - 10
	3 - 17
	3 - 53
	3 - 71
	3 - 95
	3 -326A
	5 - 8
	5 - 86

PART NO.	LIST AND INDEX NO.
----------	--------------------

1622306	5 -110
	5 -128
	5 -135
	10 - 32
	10 - 43
1622307	3 -118
1622316	3 - 33
	5 - 61
1622317	5 - 24
1622318	3 - 92
	5 - 14
	5 - 94
	9 - 13
	9 - 18
	10 - 54
1622319	1 - 56
	3 - 22
	3 - 52
	3 - 62
	3 - 70
	3 - 78
	3 - 98
	3 -244
	3 -248
	3 -251
	3 -259
1622320	3 - 7
	3 - 11
	3 - 16
	3 -113
	3 -117
	3 -377
	10 - 31
	10 - 42
1622321	3 -310
	3 -329E
1622344	3 - 46
	3 -236
	3 -272
	3 -372
	5 - 70
1622346	2 - 4
	2 - 9
	2 - 13
	2 - 17
	3 - 48
	3 -126
	3 -231
	3 -266
	5 - 28
	5 - 72
	6 - 18
	6 - 31
	7 - 28
	8 - 28
	13 -138
1622347	3 - 4
	3 - 26
	3 - 30
	3 -101
	3 -239
	3 -263
	3 -287
	3 -299
	3 -328
	3 -359

PART NO.	LIST AND INDEX NO.
----------	--------------------

1622347	5 - 3
	5 - 11
	5 - 39
	5 - 82
	5 - 89
	5 -125
	5 -131
	13 -121
1622348	3 -294
	3 -315
	3 -326B
	5 - 87
	5 -111
	10 - 33
	10 - 44
1622401	3 - 34
	5 - 62
1622402	5 - 25
1622403	3 - 91
	3 -353
	3 -362
	6 - 32
	7 - 29
	8 - 29
	9 - 14
	9 - 19
	13 -137
1622404	3 - 12
	3 - 25
	3 - 29
	3 - 51
	3 - 58
	3 - 61
	13 -126
1622405	5 - 85
	5 -109
	10 - 30
	10 - 41
	10 - 58
1622535	6 - 25
	7 - 22
	8 - 22
	13 - 35
1622538	13 - 36
1622970	1 - 59
1623742	5 - 31
1624357	5 -114
1655336	13 -123
1655337	13 - 37
1655338	13 -114
1655339	13 -117
1655359	13 -118
1661127	13 - 38
1661128	13 - 39
1661129	13 - 40
1661130	13 - 41
1661131	13 - 42
1661132	13 - 43
1661528	13 - 44
1673730	1 - 54
	3 - 97
1673984	3 - 67
	3 - 77
	3 - 81
	3 -132
	3 -250

PART NO.	LIST AND INDEX NO.
----------	--------------------

1673984	3 -302
	3 -312
	3 -321
	3 -368
	5 - 33
1726308	10 - 17
1726328	3 -318
1734234	13 - 30
1799203	10 - 16
1799206	5 -115
	10 - 18
1799218	5 -113
	10 - 14
1806735	3 - 50
1806736	3 -367
1806737	3 -264
1806739	3 -145
	3 -330
1806749	3 -322
1806750	3 -322
1806751	3 -322
1806752	3 -322
1806754	3 -322
1806759	3 -322
1806760	3 -322
1806761	3 -322
1806762	3 -195A
1806766	3 -195F
1806767	5 - 30
1806768	5 - 32
1806769	5 - 12
1806772	3 - 1
	3 -105
	3 -133
	3 -335
	9 - 2
1806773	10 - 19
1806774	3 -322
1806779	10 - 66
1806783	1 - 50
1806784	1 - 52
1806785	1 - 53
1806786	1 - 24
1806787	1 - 45
1806788	1 - 47
1806791	13 - A
1806792	13 - A
1806796	1 - 43
1806797	5 - 22
1806798	3 - 18
	3 - 99
	3 -261
	5 - 9
	5 - 37
1806814	3 -195G
1806824	3 -158
1806825	3 -170
1806827	3 -323
1806829	3 -166
1806830	3 -182
1806831	3 -174
1806833	3 -178
1806835	3 -191
1806837	3 -186
1806841	1 - 22
1806842	3 -301

PART NO.	LIST AND INDEX NO.
----------	--------------------

1806850	3 -347
1806859	3 - REF
1806891	3 -195E
1806892	3 -374
1807942	3 -128
	13 - A
1807943	3 -128
	13 - A
1807944	13 - A
1807945	13 - A
1807946	13 - A
1807947	13 - A
1807948	13 - A
1807949	13 - A
1807953	13 - A
1807954	13 - A
1807955	13 - A
1807956	13 - A
1807957	13 - A
1807958	13 - A
1807959	13 - A
1807960	13 - A
1807961	13 - A
1807962	13 - A
1807963	13 - A
1807964	13 - A
1807966	13 - B
1807967	13 - B
1807968	13 - B
1807969	13 - B
1807970	13 - B
1807971	13 - B
1807972	13 - B
1807973	13 - B
1808000	13 - B
1815851	10 - 62
1847520	13 -106
1847524	13 - 45
1847526	6 - 27
	7 - 24
	8 - 24
	13 - 46
1847527	13 - 47
1847528	13 - 48
1847529	13 - 49
1847530	13 - 50
1847531	13 - 51
1847532	13 - 52
1847533	13 - 53
1847534	13 - 54
1847965	13 - B
1855555	13 -119
1855807	13 -115
1953110	3 -150
1953179	3 -149
1953181	3 -149
1953221	3 -196
1953222	3 -147
1953223	3 -205
1953289	13 -103
1953315	3 -202
1953317	3 -211
1953318	3 -197
	3 -206
1953319	3 -203
2101337	5 -121

PART NO.	LIST AND INDEX NO.
----------	--------------------

2101357	5 -122A
2101400	10 - 63
2125898	5 -118
2125899	5 -119
2128748	10 - 23
2181088	3 -215
2181200	13 -132
2192505	13 - 55
2192507	13 - 56
2242321	10 - 25
2242394	3 -146
	3 -222
	5 - 67
	5 - 76
2281858	3 -218
2311716	3 -219
2426298	3 -355A
2451131	13 - 57
2462055	13 - 58
2495469	9 - 15
2495692	3 -160
	3 -172
	3 -184
2502115	10 - 10
2502307	13 - 59
2546928	13 - 60
2549781	13 -125
2561149	10 - 23
2561584	7 - 13
2561585	7 - 12
2561586	6 - 14
2561587	6 - 15
2596291	5 - 16
2637682	13 -144
2637689	13 - 61
2637690	13 - 62
2676631	13 - 63
2676632	13 - 64
2722507	5 - 91
2722844	10 - 40
2722845	5 - 83
2722846	5 - 84
2731392	13 -141
2731406	13 -140
2745023	13 - 65
2745024	13 - 66
2757868	13 - 67
4056411	3 -344
4109388	10 - 4
4120303	5 -104
4120493	5 - 92
4120570	5 -103
4120601	10 - 5
4120650	5 - 90
4120825	5 - 95
4120826	5 - 95
4123688	13 - 68
4123689	6 - 26
	7 - 23
	8 - 23
	13 - 69
4123780	13 - 70
4124143	11 - 3
4143045	3 -329
4144030	3 -162
4144032	1 - 26

PART NO.	LIST AND INDEX NO.
----------	--------------------

4144033	3 -320
4152771	9 - 21
	11 - 2
4154583	10 - 66
4154584	10 - 66
4154585	10 - 66
4154586	10 - 66
4154587	10 - 66
4154589	10 - 66
4154591	10 - 19
4154686	1 - 60
4154687	1 - 62
4154688	1 - 61
4154689	1 - 58
4155082	11 - 8
4155096	11 - 7
4155126	13 - 71
4204962	3 -274
4216171	10 - 23
4216213	10 - 20
4240513	5 - 26
4240517	5 - 26
4240604	5 - 28B
4240605	5 - 28B
4240728	5 - 28A
4291326	3 -322
4432610	5 - 99
	11 - 11
4432847	10 - 56
	10 - 57
4441166	13 - 73
4441534	13 -111
4447188	13 - 74
4447204	1 - 3
4454591	6 - 24
	7 - 21
	8 - 21
	13 - 75
4459324	13 - 76
4459325	13 - 77
4462361	13 - 78
4462370	13 - 79
4473529	9 - 8
4488201	13 - 80
4488202	13 - 81
4494190	3 - 14
4494199	3 - 13
4494200	5 - 4
	5 - 5
4494225	5 - 6
4494250	5 - 5
4494279	11 - 9
4494280	10 - 40
4494285	11 - 4
4494290	5 - 83
4494300	5 - 84
4494304	3 - 60
4494305	3 - 60
4494307	5 -108
4494310	5 -133
4494320	5 -126
4494330	5 -132
4494350	5 - 5
4521305	5 - 47
4521307	5 - 45
4521357	5 - 49

PART NO.	LIST AND INDEX NO.
----------	--------------------

4796840	5 - 44
4867628	13 - 82
4873814	3 -152
	3 -239A
4873815	3 -151
5174643	6 - 13
5214059	10 - 21
5214256	10 - 4
5236656	5 -100
5252506	10 - 5
5252645	10 - 29
5252661	13 - 83
5252823	8 - 2
5252824	7 - 2
5252828	7 - 2
5252840	5 - 95
	10 - 55
5252850	3 - 54
	3 - 55
5267830	5 - 21
5271288	3 -195C
5275481	13 - 84
5276701	10 - 20
5318966	3 -355B
5353301	1 - 42
5353895	13 - 63B
	13 - 64B
5353902	13 - 63D
	13 - 64D
5357135	1 - 9
5357144	8 - 12
5357145	8 - 13
5362303	13 - 63A
	13 - 64A
5397579	3 -360
5447741	13 -139
5466393	13 -105
5466397	13 -142
5468305	8 - 12
5468306	8 - 13
5468387	7 - 12
5468388	7 - 13
5486851	13 -143
5529190	13 - 63F
5529191	13 - 64F
5578491	13 - 85
5578591	2 - 5
5578592	2 - 15
5578593	2 - 7
5578597	2 - 19
5578613	2 - REF
5578614	2 - REF
5578615	2 - REF
5578616	2 - REF
5578617	2 - REF
5578618	2 - REF
5578666	3 -270
	3 -370
	5 - 68
5644034	13 - 86
5665948	3 -155
5717999	2 - 14
5731697	10 - 66
5785130	11 - 1
5800634	13 - 87
5865893	13 - 88

PART NO.	LIST AND INDEX NO.
----------	--------------------

6003011	3 -344
6081052	3 - 1
	3 -105
	3 -133
	3 -335
	9 - 2
6121851	10 - 19
6214463	3 - 56
6525877	10 - 66
6814312	5 - 95
6815179	3 - 1
	3 -105
	3 -133
	3 -335
	9 - 2
6815180	3 - 1
	3 -105
	3 -133
	3 -335
	9 - 2
6815181	3 - 1
	3 -105
	3 -133
	3 -335
	9 - 2
6815182	3 - 1
	3 -105
	3 -133
	3 -335
	9 - 2
6815183	3 - 1
	3 -105
	3 -133
	3 -335
	9 - 2
6815188	10 - 19
6815193	3 - 1
	3 -105
	3 -133
	3 -335
	9 - 2
6819173	13 -113
6819175	13 - 89
6825818	10 - 19
6825819	10 - 19
6825820	10 - 19
6825828	10 - 19
6825840	10 - 19
6825879	10 - 66
6825906	10 - 66
6825908	10 - 66
6831356	13 - 90
6836801	3 - 1
	3 -105
	3 -133
6845934	3 -322
8267564	3 -336
8268898	13 - 91
8268903	13 - 92
8279060	8 - 2
8279078	6 - 2
8324616	13 - 93
8324648	13 - 94
8324807	1 - 39
8324808	1 - 40
8326797	3 - 1

PART NO.	LIST AND INDEX NO.
----------	--------------------

8326797	3 -105
	3 -133
	3 -335
	9 - 2
8326801	3 -335
	9 - 2
8330316	13 - 95
8330678	2 - 1
8462879	13 -127
8482759	3 -349
8482930	13 - B
8482931	13 - B
8482933	13 - B
8482934	13 - B
8482979	13 -149
8483012	3 - 44
8483163	10 - 1
8483165	10 - 2
8483169	10 - 3
8483171	10 - 1
8483173	10 - 2
8483177	10 - 3
8483228	3 - 90
8483347	1 - 14
	1 - 28
	1 - 35
8483584	3 -198
	3 -207
8483586	3 -199
	3 -208
8483618	13 -135
8483774	13 -102
8483959	5 - 90
	10 - 50
8485194	3 -355
8485197	3 -355
8544812	5 - 97
8551903	10 - 19
8551904	3 - 1
	3 -105
	3 -133
	3 -335
	9 - 2
8633860	3 -213
8635349	13 - D
8644908	3 -104
	5 - REF
8644924	5 - 15
8644925	5 - 15
8644934	3 -373
8644936	3 -233
	5 - 73
	8 - REF
8644937	3 - 49
	7 - REF
8644938	3 -268
	6 - REF
8645031	1 - REF
8645091	3 - 24
8645120	1 - 33
8645121	1 - 6
8645137	5 - 40
8645140	3 -291
8645161	3 -356
8645188	5 - 56
8645304	3 -366

PART NO.	LIST AND INDEX NO.
----------	--------------------

8645304	13 - A
8645305	3 -366
	13 - A
8645306	3 -366
	13 - A
8645307	3 -366
	13 - A
8645308	13 - B
8645310	13 - B
8645311	13 - B
8645313	13 - C
8645314	13 - C
8645315	13 - C
8645316	13 - C
8645317	13 - C
8645318	13 - C
8645321	13 - C
8645322	13 - C
8645324	13 - C
8645325	13 - C
8645326	13 - C
8645327	13 - C
8645328	13 - C
8645329	13 - C
8645330	13 - C
8645331	13 - C
8645332	13 - C
8645333	13 - C
8645334	13 - C
8645335	13 - C
8645336	13 - C
8645338	13 - C
8645339	13 - C
8645340	13 - C
8645341	13 - D
8645342	13 - D
8645343	13 - D
	3 - 58A
	13 - D
8645344	13 - D
8645345	3 - 2
	3 -357
	5 - 1
	5 -123
	5 -129
8645346	13 - D
8645347	13 - D
8645348	13 - D
8645352	13 - D
8645363	13 - D
8645364	13 - D
8645372	13 - D
8645382	13 - D
8645383	13 - D
8645384	13 - D
8645424	13 - D
8645426	13 - 96
8645428	3 - 58A
	13 - D
8645429	13 - D
8645441	13 - D
8645447	13 - D
8645451	3 - 5
	11 - REF
8645454	3 -268
	6 - REF
8645455	3 - 49

PART NO.	LIST AND INDEX NO.
----------	--------------------

8645455	7 - REF
8645456	3 -233
	5 - 73
	2 - REF
8645464	3 - 24
8645478	1 - 8
8645486	1 - 32
8645487	1 - 37
8645488	1 - 30
8645489	1 - 38
8645491	1 - 51
8645495	1 - 46
8645496	1 - 48
8645498	1 - 31
8645499	1 - 29
8645506	1 - 17
8645507	1 - 19
8645508	1 - 49
8645509	3 -257
8645512	1 - 18
8645535	11 - 12
8645561	8 - 31
8645563	5 - 80
8645564	3 -237
8645565	6 - 16
8645566	6 - 16
8645569	6 - 19
8645571	7 - 31
8645572	6 - 34
8645573	3 -292
8645574	3 -289
8645575	3 -285
8645576	3 -297
8645577	6 - 12
8645579	8 - 16
8645583	3 -273
8645589	7 - 16
8645593	6 - 6
8645594	8 - 6
8645595	7 - 6
8645600	3 -275
8645604	3 -234
8645605	3 -269
8645606	3 - 43
8645607	3 -229
8645608	5 - 79
8645609	1 - 20
8645613	3 -329C
8645623	3 -109
8645625	3 - 35
	3 -295
8645627	3 - 80
8645628	3 - 66
8645631	9 - 25
8645632	10 - 67
8645636	3 -339
8645637	3 - 64
8645639	1 - 34
8645640	5 -136
8645641	3 -115
8645642	3 -110
8645643	3 -114
8645644	3 -106
8645646	5 - 29
8645648	5 - 34
8645649	3 -122

PART NO.	LIST AND INDEX NO.
----------	--------------------

8645650	5 - 17
8645657	5 - 19
8645658	3 -153
8645660	3 -329A
8645665	3 -307
8645666	3 -305
8645668	10 - REF
8645670	9 - 3
8645672	3 -131
8645673	3 -120
8645674	3 -123
8645678	3 -153
8645679	3 -331
8645697	3 - 37
8645698	3 -223
	5 - 77
8645699	7 - 16
8645709	8 - 16
8645713	3 -220
8645714	3 -221
	5 - 66
	5 - 75
8645717	3 -311
8645724	1 - 12
	1 - 15
	1 - 16
	1 - 36
8645733	1 - 13
8645736	1 - 11
8645740	1 - 5
8645745	1 - 7
8645747	1 - 33
8645748	1 - 33
8645749	1 - 33
8645750	1 - 33
8645751	1 - 33
8645752	1 - 34
8645753	1 - 34
8645754	1 - 34
8645755	1 - 34
8645756	1 - 34
8645757	1 - 6
8645758	1 - 6
8645759	1 - 6
8645760	1 - 6
8645761	1 - 6
8645762	1 - 8
8645763	1 - 8
8645764	1 - 8
8645765	1 - 8
8645766	1 - 8
8645776	3 -153
8645777	3 -153
8645778	3 -153
8645779	3 -153
8645782	3 - 20
	9 - REF
8645783	3 - 20
	9 - REF
	9 - 25
8645784	9 - 25
8645785	10 - 8
8645786	10 - 8
8645790	3 -246
8645796	5 - 35
8645797	5 - 35
8645798	5 - 35

PART NO.	LIST AND INDEX NO.
----------	--------------------

8645799	5 - 35
8645800	5 - 35
8645801	5 - 35
8645811	3 -325
8645815	3 -249
8645823	3 - 88
8645830	3 - 24
8645831	3 - 65
8645842	3 -253
8645851	3 - 76
8645853	10 - 27
	10 - 64
8645854	3 - 74
	3 -129
	3 -255
8645855	5 - 63
8645856	5 - 65
8645857	5 - 57
8645871	3 -361
8645872	3 -364
8645873	3 -241
8645879	10 - 59
8645880	3 -350
8645890	3 -128
8645893	3 -102
8645894	9 - 20
8645895	3 - 72
8645896	3 -119
8645897	3 -240
8645899	3 -333
8645900	3 -332
8645903	3 - 50

PART NO.	LIST AND INDEX NO.
----------	--------------------



**READER'S
COMMENT
FORM**

IBM 4381 Processor
Parts Catalog
Order No. S124-0153-1

Did you locate the part in this catalog?

- By using the visual index? _____
- By using the illustrations? _____
- By using the table of contents? _____
- By using the numerical index? _____
- By using visual random scan of the pages? _____

Based on your experience, rate this publication for:

- | | Good | Fair | Poor |
|----------------------------|-------|-------|-------|
| • Ease of finding part | _____ | _____ | _____ |
| • Clarity of illustrations | _____ | _____ | _____ |

Your occupation is: _____

COMMENTS:

You may use this form to communicate your comments about this publication, its organization, or subject matter, with the understanding that IBM may use or distribute whatever information you supply in any way it believes appropriate without incurring any obligation to you.

No postage is necessary if mailed in the U.S.A. (Elsewhere, an IBM representative or office will forward your comments, or you can mail directly to the address in the Edition Notice on the back of the title page.)

Note: Please direct any requests for copies of publications, or for assistance in using your IBM systems, to your IBM representative or to the IBM branch office serving your locality.

Reader's Comment Form

Cut or Fold Along Line

Fold and Tape

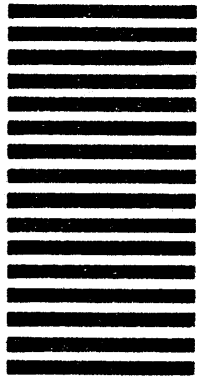
Please Do Not Staple

Fold and Tape



NO POSTAGE
NECESSARY
IF MAILED
IN THE
UNITED STATES

BUSINESS REPLY MAIL
FIRST CLASS PERMIT NO. 40 ARMONK, N.Y.



POSTAGE WILL BE PAID BY ADDRESSEE:

International Business Machines Corporation
Department K10
P.O. Box 6
Endicott, New York 13760

Fold

Fold

If you would like a reply, please print:

Your Name _____

Company Name _____ Department _____

Street Address _____

City _____

State _____ Zip Code _____

IBM Branch Office serving you _____





4381

4381

Fold

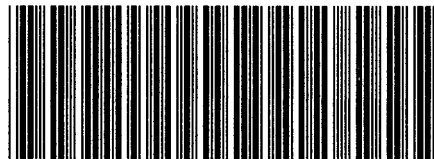
Cut

S124-0153-1



4381 Processor (PC) Printed in U.S.A. S124-0153-1

S124-0153-0



This Newsletter No. SN24-0989
Date 20 Jul 1984

Base Publication No. S124-0153-1
Unit 4381

Prerequisite Newsletters None

**IBM 4381 Processor
Parts Catalog**

© Copyright IBM Corp. 1983, 1984

This Technical Newsletter provides replacement pages for the subject publication. These replacement pages remain in effect for subsequent versions unless specifically altered. Pages to be inserted and/or removed are:

3 to 6
X-1 to X-5

If you are inserting pages from different Newsletters and *identical* page numbers are involved, always use the page with the latest date (shown in the change-page notice at the top of the page). The page with the latest date contains the most complete information.

Summary of Amendments

Updates to illustrations and part numbers as a result of engineering changes.

Note: Please file this cover letter at the back of the manual to provide a record of changes.

1942

1943

1944

1945

1946

1947

1948

1949

1950

1951

1952

1953

1954

1955

1956

1957

1958



COVER ASSEMBLY

FIGURE INDEX NUMBER	PART NUMBER	UNITS PER ASM	DESCRIPTION			
			1	2	3	4
1 -	8645031	NP	REF	COVER ASSEMBLY		
				FOR ILLUSTRATION SEE FIGURE 1		
- 1	NO NO.		2	. NAMEPLATE		
- 2	855284		1	. PLATE EXPORT		
- 2	855285		1	. PLATE,UK IMPORT		
- 3	4447204		1	. PLATE,FCC-USA ONLY		
- 3	960766		1	. PLATE,CSA-CANADA ONLY		
- 3	NO NO.		1	. PLATE FINLAND ONLY		
- 5	8645740		1	. COVER ASSEMBLY,LEFT END-WHITE		
- 6	8645757		1	. COVER ASSEMBLY,RIGHT FRONT-BLUE		
- 6	8645758		1	. COVER ASSEMBLY,RIGHT FRONT-YELLOW		
- 6	8645759		1	. COVER ASSEMBLY,RIGHT FRONT-GREY		
- 6	8645760		1	. COVER ASSEMBLY,RIGHT FRONT-RED		
- 6	8645761		1	. COVER ASSEMBLY,RIGHT FRONT-BROWN		
- 6	8645121		1	. COVER ASSEMBLY,RIGHT FRONT-GREEN		
- 7	8645745		1	. COVER ASSEMBLY,RIGHT END-WHITE		
- 8	8645762		1	. COVER ASSEMBLY,LEFT REAR-BLUE		
- 8	8645763		1	. COVER ASSEMBLY,LEFT REAR-YELLOW		
- 8	8645764		1	. COVER ASSEMBLY,LEFT REAR-GREY		
- 8	8645765		1	. COVER ASSEMBLY,LEFT REAR-RED		
- 8	8645766		1	. COVER ASSEMBLY,LEFT REAR-BROWN		
- 8	8645478		1	. COVER ASSEMBLY,LEFT REAR-GREEN		
- 9	5357135		1	. PLUNGER(USED ON OLD LEVEL COVERS ONLY)		
- 9	760303		1	. CATCH(USED ON NEW LEVEL COVERS ONLY)		
- 9A	401458		1	. RING,RETAINER(USED ON NEW LEVEL COVERS ONLY)		
- 10	599557		AR	. SEAL		
- 11	8645736		1	. FOAM		
- 12	8645724		1	. FOAM		
- 13	8645733		4	. FOAM		
- 14	8483347		AR	. SEAL		
- 15	8645724		2	. FOAM		
- 16	8645724		2	. FOAM		
- 17	8645506		2	. BAR		
- 18	8645512		2	. SPRING		
- 19	8645507		2	. SHAFT		
- 20	8645609		1	. FILTER,LEFT END COVER ONLY		
- 21	401396		2	. ROD		
- 22	1806841		1	. LEVER		
- 23	401406		1	. CLIP		
- 24	1806786		1	. ACTUATOR		
- 26	4144032		1	. HOUSING,METAL		
- 27	1621198		2	. SCREW,PAN HD-M4 X 4 LG		
- 28	8483347		AR	. SEAL		
- 29	8645499		1	. COVER		
- 30	8645488		1	. COVER		
- 31	8645498		1	. COVER		
- 32	8645486		1	. COVER		
- 33	8645747		1	. COVER ASSEMBLY,LEFT FRONT-BLUE		
- 33	8645748		1	. COVER ASSEMBLY,LEFT FRONT-YELLOW		
- 33	8645749		1	. COVER ASSEMBLY,LEFT FRONT-GREY		
- 33	8645750		1	. COVER ASSEMBLY,LEFT FRONT-RED		
- 33	8645751		1	. COVER ASSEMBLY,LEFT FRONT-BROWN		
- 33	8645120		1	. COVER ASSEMBLY,LEFT FRONT-GREEN WITHOUT CORNER CUT-OUT		
- 34	8645752		1	. COVER ASSEMBLY,RIGHT REAR-BLUE		
- 34	8645753		1	. COVER ASSEMBLY,RIGHT REAR-YELLOW		
- 34	8645754		1	. COVER ASSEMBLY,RIGHT REAR-GREY		
- 34	8645755		1	. COVER ASSEMBLY,RIGHT REAR-RED		
- 34	8645756		1	. COVER ASSEMBLY,RIGHT REAR-BROWN		
- 34	8645639		1	. COVER ASSEMBLY,RIGHT REAR-GREEN WITH CORNER CUT-OUT		
- 35	8483347		AR	. SEAL		
- 36	8645724		2	. FOAM		
- 37	8645487		1	. COVER		
- 38	8645489		1	. COVER		

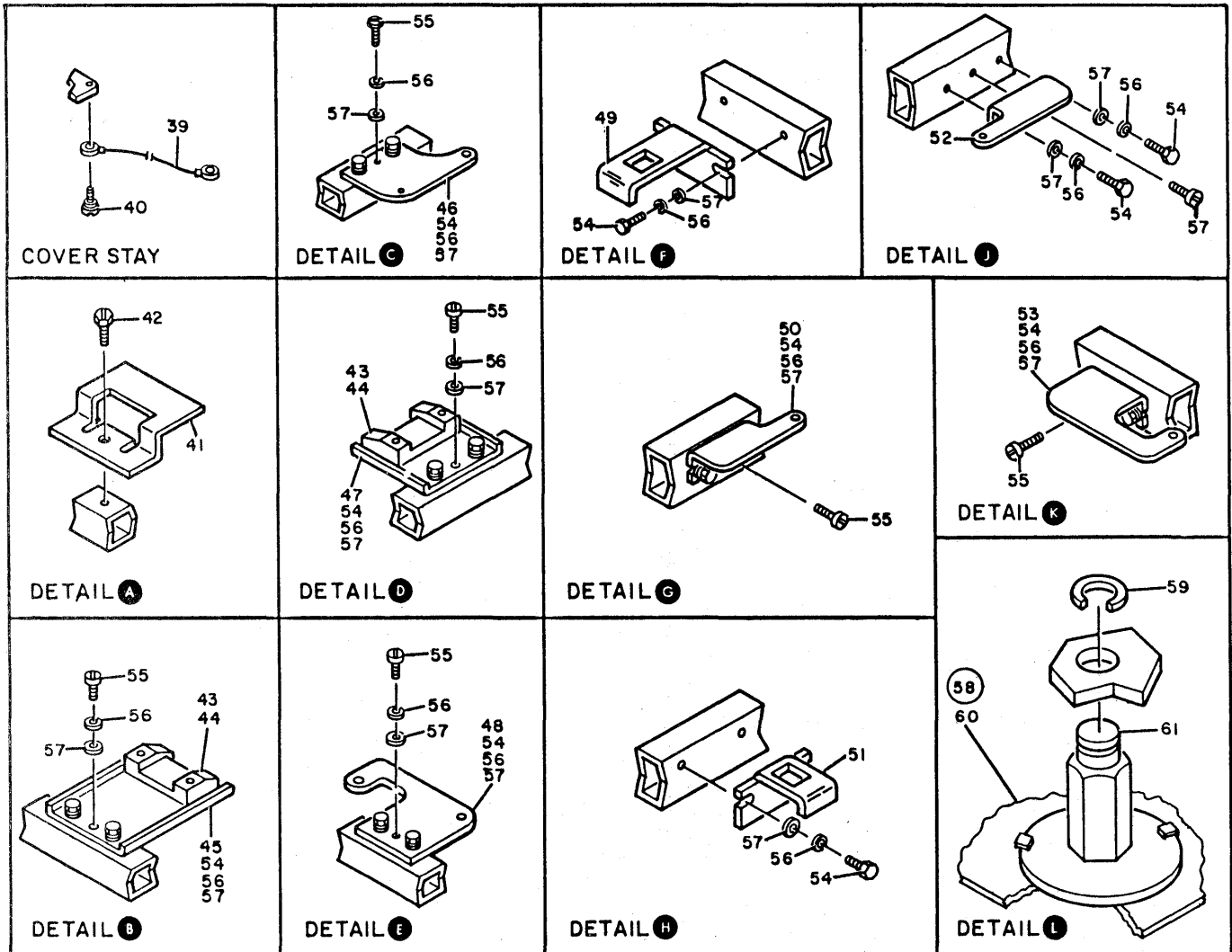
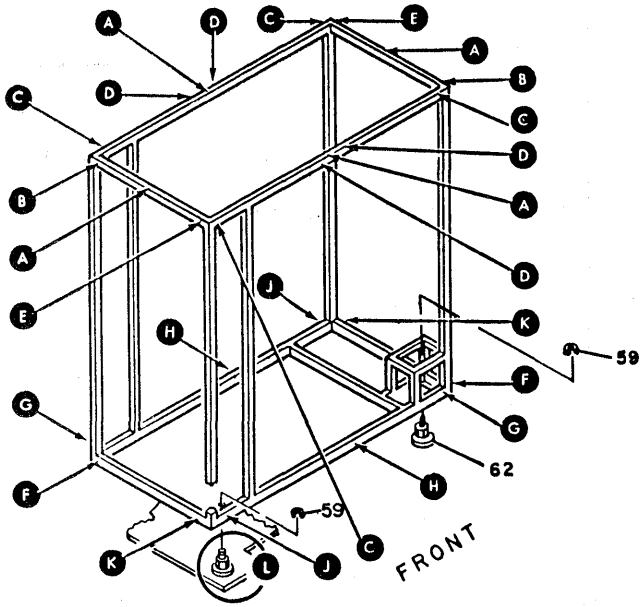


FIGURE 1. COVER ASSEMBLY. SHEET 2 OF 2. INDEX NOS. 39-62. SEE LIST 1.

COVER ASSEMBLY

FIGURE INDEX NUMBER	PART NUMBER	UNITS PER ASM	DESCRIPTION				
			1	2	3	4	
1 - 39	8324807	6	
- 40	8324808	12	
- 41	401420	4	
- 42	5353301	4	ATT PT
- 43	1806796	6	
- 44	1621852	12	ATT PT
- 45	1806787	2	
- 46	8645495	4	
- 47	1806788	4	
- 48	8645496	2	
- 49	8645508	2	
- 50	1806783	2	
- 51	8645491	2	
- 52	1806784	2	
- 53	1806785	2	
- 54	1673730	40	
- 55	1621211	18	
- 56	1622319	52	
- 57	1622306	52	
- 58	401481	2	
- 58	401482	2	
- 58	401502	2	
- 59	1622970	4	
- 60	401476	1	
- 60	401484	1	
- 60	401501	1	
- 61	4154689	2	
- 62	4154689	4	

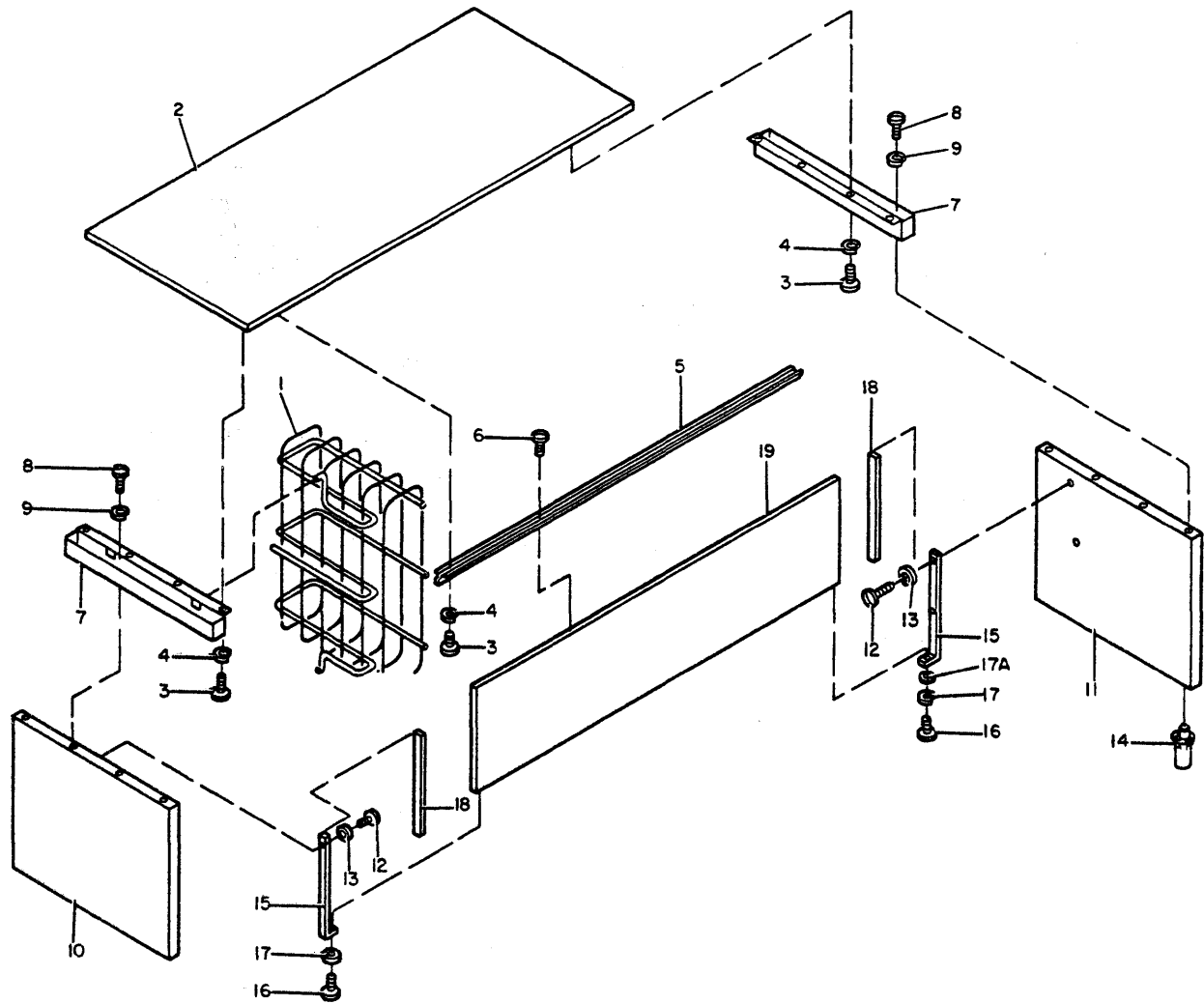


FIGURE 2. REMOTE OPERATOR TABLE ASSEMBLY. SEE LIST 2.

NUMERICAL INDEX

PART NO.	LIST AND INDEX NO.	PART NO.	LIST AND INDEX NO.	PART NO.	LIST AND INDEX NO.	PART NO.	LIST AND INDEX NO.
10170	3 -296	257187	7 - 7	401476	1 - 60	804109	6 - 29
	5 -101		8 - 7	401481	1 - 58		7 - 26
	5 -117	264641	3 -337	401482	1 - 58		8 - 26
	9 - 9	300630	3 -195D	401484	1 - 60	811802	13 -122
	10 - 35	312568	5 - 53	401501	1 - 60	813392	13 - 28
	10 - 46		9 - 22	401502	1 - 58	815933	13 - 29
11598	6 - 3	312571	5 - 59	401523	3 -275A	818579	3 -148
	7 - 3	312573	5 - 55	406889	3 - 68	824348	3 -111
	8 - 3		9 - 24	418835	10 - 12	827991	13 - 31
22066	3 -216	312575	5 - 54	430798	13 - 8	854762	9 - 1
25009	3 -338		9 - 23	430799	13 - 9	855282	3 -341
38235	10 - 26	316807	10 - 9	438549	3 -156	855283	3 -342
38354	5 -122	317131	10 - 37		13 - 10	855284	1 - 2
38443	3 - 36	317296	13 - 5	438551	13 -120		3 -344
45690	6 - 5	317310	5 -102	438685	13 - 11	855285	1 - 2
	7 - 5	317485	5 -102	475465	3 -164	855286	3 -345
	8 - 5		10 - 47		3 -168	889325	3 -322
52523	13 -148	321571	3 - 31		3 -176	960766	1 - 3
53193	3 -232	322065	6 - 10		3 -180		3 -345
	3 -267		7 - 10		3 -189	984123	10 - 19
	5 - 74		7 - 14		3 -194	NO NO.	1 - 1
55918	6 - 20		8 - 10	483619	13 - 12		1 - 3
	7 - 17		8 - 14	483648	13 -145		3 -200
	8 - 17	322266	10 - 39	483652	13 - 13		3 -209
56079	6 - 4	322280	5 -104	483677	13 - 14		3 -343
	6 - 21		10 - 49	483678	6 - 23		3 -346
	7 - 4	322550	10 - 38		7 - 20		6 - 28
	7 - 18	323845	10 - 61		8 - 20		7 - 25
	8 - 4	335327	13 - 6		13 - 15		8 - 25
	8 - 18	337193	10 - 34	483679	13 - 16	1126833	3 -329B
56722	6 - 8	344015	13 -130	483680	13 - 17	1127037	13 - 32
	6 - 11	350965	5 -116	483681	13 - 18	1310163	2 - 2
	7 - 8	350966	5 -100	483682	13 - 19	1310164	2 - 11
	7 - 11		10 - 45	483683	13 - 20	1310165	2 - 10
	7 - 15	353598	2 - 18	483685	13 - 97	1310297	5 - 92
	8 - 8	357995	10 - 12	483686	13 - 21		10 - 52
	8 - 11	369207	3 - 1	483687	13 - 22	1471018	13 - 33
	8 - 15		3 -105	483692	13 - 98	1471019	13 - 34
81693	10 - 11		3 -133	483770	13 -128	1573510	6 - 9
92752	5 - 98		3 -335	517913	6 - 22		7 - 9
	9 - 11		9 - 2		7 - 19		8 - 9
	9 - 16	378466	13 -108		8 - 19	1573511	6 - 14
	11 - 10	378467	13 -109	523268	13 - 23	1573516	6 - 15
100132	13 - 1	378469	13 -107	526378	5 - 91	1578985	3 -317
107664	5 - 96	378470	13 -104		6 - 1	1621063	3 - 57
107665	5 - 96	378471	13 -110		7 - 1	1621066	10 - 15
	9 - 10	400101	13 - 7		8 - 1	1621079	5 - 88
109918	13 - 63E	401394	3 -157		10 - 51	1621170	3 - 59
	13 - 64E		3 -195	595720	13 -100		3 -103
	13 -146	401395	5 - 36	599557	1 - 10		3 -354
110029	3 -277	401396	1 - 21		3 - 28		5 - 18
112628	13 - 63C	401402	3 -313		6 - 33		10 - 28
	13 - 64C	401403	3 -212		7 - 30		10 - 65
138755	10 - 19	401405	3 -369		8 - 30	1621171	3 -235
150390	2 - 17A	401406	1 - 23	609543	13 - 24		3 -271
	3 -376	401407	3 - 96	610052	3 - 84		3 -371
174870	13 - 2	401420	1 - 41	730468	5 -120		5 - 69
204499	3 - 86	401423	13 - 99	738254	13 - 25	1621172	5 - 50
210883	5 -103	401424	5 -107	738255	13 - 26	1621173	3 - 45
	10 - 36	401425	5 -105	740459	3 -154	1621176	3 -121
	10 - 48	401427	10 - 10		13 - 27		3 -124
220856	3 - 85	401428	5 -112	740513	5 - 51	1621181	5 -101
236915	13 - 3	401434	3 -308	760303	1 - 9		10 - 60
236916	13 - 4	401441	3 -127	760446	3 - 87	1621182	5 - 48
256530	5 - 42		13 - A	760447	3 - 82		10 - 22
257187	6 - 7	401458	1 - 9A	767031	3 -355A	1621183	5 - 23

PART NO.	LIST AND INDEX NO.
----------	--------------------

1621190	2 - 3
	2 - 6
	2 - 8
	2 - 12
	3 - 47
	3 - 83
1621190	3 -125
	3 -195B
	3 -195H
	3 -230
	3 -265
	3 -276
	3 -304
	3 -340
	3 -348
	5 - 13
	5 - 20
	5 - 27
	5 - 43
	5 - 46
	5 - 52
	5 - 71
	10 - 11
	10 - 24
1621191	3 -224
	3 -290
	3 -351
	5 - 78
	5 - 93
	10 - 6
	10 - 53
	13 -136
1621192	2 - 16
	3 - 89
	9 - 12
	9 - 17
1621193	3 -365
	6 - 17
1621194	6 - 30
	7 - 27
	8 - 27
1621197	3 -159
	3 -171
	3 -183
	3 -188
	3 -193
	3 -242
	3 -254
	3 -256
	5 - 93
1621198	1 - 27
	3 - 73
	3 - 75
	3 -130
	9 - 4
1621210	3 - 3
	3 - 19
	3 - 38
	3 -100
	3 -243
	3 -247
	3 -258
	3 -262
	3 -306
	3 -327
	3 -334

PART NO.	LIST AND INDEX NO.
----------	--------------------

1621210	3 -358
	5 - 2
	5 - 7
	5 - 10
	5 - 38
	5 - 41
	5 - 58
	5 - 64
	5 - 81
	5 -124
	5 -127
	5 -130
	5 -134
1621211	1 - 55
	3 - 6
	3 - 15
	3 - 21
	3 -238
	3 -286
	3 -298
	3 - 9
1621212	3 - 9
1621228	3 -326
	5 -106
1621230	3 -314
1621286	3 - 32
	5 - 60
1621307	10 - 13
1621518	3 -107
1621545	3 -309
	3 -316
1621547	3 -329D
1621594	3 - 93
1621595	3 -293
1621596	3 -112
	3 -116
	3 -375
	5 - 84A
1621626	3 - 69
1621844	3 -163
	3 -167
	3 -175
	3 -179
	3 -187
	3 -192
	3 -195J
1621846	3 -204
1621852	1 - 44
1622261	3 - 94
1622304	3 -352
	3 -363
1622305	3 - 23
	3 - 27
	3 - 63
	3 - 79
	3 -108
	3 -245
	3 -248A
	3 -252
	3 -260
	3 -288
	3 -300
	10 - 7
1622306	1 - 57
	3 - 8
	3 - 10
	3 - 17

PART NO.	LIST AND INDEX NO.
----------	--------------------

1622306	3 - 53
	3 - 71
	3 - 95
	3 -326A
	5 - 8
	5 - 86
1622306	5 -110
	5 -128
	5 -135
	10 - 32
	10 - 43
1622307	3 -118
1622316	3 - 33
	5 - 61
1622317	5 - 24
1622318	3 - 92
	5 - 14
	5 - 94
	9 - 13
	9 - 18
	10 - 54
1622319	1 - 56
	3 - 22
	3 - 52
	3 - 62
	3 - 70
	3 - 78
	3 - 98
	3 -244
	3 -248
	3 -251
	3 -259
1622320	3 - 7
	3 - 11
	3 - 16
	3 -113
	3 -117
	3 -377
	10 - 31
	10 - 42
1622321	3 -310
	3 -329E
1622344	3 - 46
	3 -236
	3 -272
	3 -372
	5 - 70
1622346	2 - 4
	2 - 9
	2 - 13
	2 - 17
	3 - 48
	3 -126
	3 -231
	3 -266
	5 - 28
	5 - 72
	6 - 18
	6 - 31
	6 - 28
	8 - 28
	13 -138
1622347	3 - 4
	3 - 26
	3 - 30
	3 -101

PART NO.	LIST AND INDEX NO.
----------	--------------------

1622347	3 -239
	3 -263
	3 -287
	3 -299
	3 -328
	3 -359
1622347	5 - 3
	5 - 11
	5 - 39
	5 - 82
	5 - 89
	5 -125
	5 -131
	13 -121
1622348	3 -294
	3 -315
	3 -326B
	5 - 87
	5 -111
	10 - 33
	10 - 44
1622401	3 - 34
	5 - 62
1622402	5 - 25
1622403	3 - 91
	3 -353
	3 -362
	6 - 32
	7 - 29
	8 - 29
	9 - 14
	9 - 19
	13 -137
1622404	3 - 12
	3 - 25
	3 - 29
	3 - 51
	3 - 58
	3 - 61
	13 -126
1622405	5 - 85
	5 -109
	10 - 30
	10 - 41
	10 - 58
1622535	6 - 25
	7 - 22
	8 - 22
	13 - 35
1622538	13 - 36
1622970	1 - 59
1623742	5 - 31
1624357	5 -114
1655336	13 -123
1655337	13 - 37
1655338	13 -114
1655339	13 -117
1655359	13 -118
1661127	13 - 38
1661128	13 - 39
1661129	13 - 40
1661130	13 - 41
1661131	13 - 42
1661132	13 - 43
1661528	13 - 44
1673730	1 - 54

**PART LIST AND
NO. INDEX NO.**

1673984 3 - 97
 3 - 67
 3 - 77
 3 - 81
 3 -132
 3 -250
 3 -302
 3 -312
 3 -321
 3 -368
 5 - 33
 10 - 17
 1726308 10 - 17
 1726328 3 -318
 1734234 13 - 30
 1799203 10 - 16
 1799206 5 -115
 10 - 18
 1799218 5 -113
 10 - 14
 1806735 3 - 50
 1806736 3 -367
 1806737 3 -264
 1806739 3 -145
 3 -330
 1806749 3 -322
 1806750 3 -322
 1806751 3 -322
 1806752 3 -322
 1806754 3 -322
 1806759 3 -322
 1806760 3 -322
 1806761 3 -322
 1806762 3 -195A
 1806766 3 -195F
 1806767 5 - 30
 1806768 5 - 32
 1806769 5 - 12
 1806772 3 - 1
 3 -105
 3 -133
 3 -335
 9 - 2
 1806773 10 - 19
 1806774 3 -322
 1806779 10 - 66
 1806783 1 - 50
 1806784 1 - 52
 1806785 1 - 53
 1806786 1 - 24
 1806787 1 - 45
 1806788 1 - 47
 1806791 13 - A
 1806792 13 - A
 1806796 1 - 43
 1806797 5 - 22
 1806798 3 - 18
 3 - 99
 3 -261
 5 - 9
 5 - 37
 1806814 3 -195G
 1806824 3 -158
 1806825 3 -170
 1806827 3 -323
 1806829 3 -166
 1806830 3 -182

**PART LIST AND
NO. INDEX NO.**

1806831 3 -174
 1806833 3 -178
 1806835 3 -191
 1806837 3 -186
 1806841 1 - 22
 1806842 3 -301
 1806850 3 -347
 1806859 3 - REF
 1806891 3 -195E
 1806892 3 -374
 1807942 3 -128
 13 - A
 1807943 3 -128
 13 - A
 1807944 13 - A
 1807945 13 - A
 1807946 13 - A
 1807947 13 - A
 1807948 13 - A
 1807949 13 - A
 1807953 13 - A
 1807954 13 - A
 1807955 13 - A
 1807956 13 - A
 1807957 13 - A
 1807958 13 - A
 1807959 13 - A
 1807960 13 - A
 1807961 13 - A
 1807962 13 - A
 1807963 13 - A
 1807964 13 - A
 1807966 13 - B
 1807967 13 - B
 1807968 13 - B
 1807969 13 - B
 1807970 13 - B
 1807971 13 - B
 1807972 13 - B
 1807973 13 - B
 1808000 13 - B
 1815851 10 - 62
 1847520 13 -106
 1847524 13 - 45
 1847526 6 - 27
 7 - 24
 8 - 24
 13 - 46
 1847527 13 - 47
 1847528 13 - 48
 1847529 13 - 49
 1847530 13 - 50
 1847531 13 - 51
 1847532 13 - 52
 1847533 13 - 53
 1847534 13 - 54
 1847965 13 - B
 1855555 13 -119
 1855807 13 -115
 1953110 3 -150
 1953179 3 -149
 1953181 3 -149
 1953221 3 -196
 1953222 3 -147
 1953223 3 -205
 1953289 13 -103

**PART LIST AND
NO. INDEX NO.**

1953315 3 -202
 1953317 3 -211
 1953318 3 -197
 3 -206
 1953319 3 -203
 2101337 5 -121
 2101357 5 -122A
 2101400 10 - 63
 2125898 5 -118
 2125899 5 -119
 2128748 10 - 23
 2181088 3 -215
 2181200 13 -132
 2192505 13 - 55
 2192507 13 - 56
 2242321 10 - 25
 2242394 3 -146
 3 -222
 5 - 67
 5 - 76
 2281858 3 -218
 2311716 3 -219
 2426298 3 -355A
 2451131 13 - 57
 2462055 13 - 58
 2495469 9 - 15
 2495692 3 -160
 3 -172
 3 -184
 2502115 10 - 10
 2502307 13 - 59
 2546928 13 - 60
 2549781 13 -125
 2561149 10 - 23
 2561584 7 - 13
 2561585 7 - 12
 2561586 6 - 14
 2561587 6 - 15
 2596291 5 - 16
 2637682 13 -144
 2637689 13 - 61
 2637690 13 - 62
 2676631 13 - 63
 2676632 13 - 64
 2722507 5 - 91
 2722844 10 - 40
 2722845 5 - 83
 2722846 5 - 84
 2731392 13 -141
 2731406 13 -140
 2745023 13 - 65
 2745024 13 - 66
 2757868 13 - 67
 4056411 3 -344
 4109388 10 - 4
 4120303 5 -104
 4120493 5 - 92
 4120570 5 -103
 4120601 10 - 5
 4120650 5 - 90
 4120825 5 - 95
 4120826 5 - 95
 4123688 13 - 68
 4123689 6 - 26
 7 - 23
 8 - 23

**PART LIST AND
NO. INDEX NO.**

13 - 69
 4123780 13 - 70
 4124143 11 - 3
 4143045 3 -329
 4144030 3 -162
 4144032 1 - 26
 4144033 3 -320
 4152771 9 - 21
 11 - 2
 4154583 10 - 66
 4154584 10 - 66
 4154585 10 - 66
 4154586 10 - 66
 4154587 10 - 66
 4154589 10 - 66
 4154591 10 - 19
 4154689 1 - 58
 4155082 11 - 8
 4155096 11 - 7
 4155126 13 - 71
 4204962 3 -274
 4216171 10 - 23
 4216213 10 - 20
 4240513 5 - 26
 4240517 5 - 26
 4240604 5 - 28B
 4240605 5 - 28A
 4240728 5 - 28A
 4291326 3 -322
 4432610 5 - 99
 11 - 11
 4432847 10 - 56
 10 - 57
 4441166 13 - 73
 4441534 13 -111
 4447188 13 - 74
 4447204 1 - 3
 4454591 6 - 24
 7 - 21
 8 - 21
 13 - 75
 4459324 13 - 76
 4459325 13 - 77
 4462361 13 - 78
 4462370 13 - 79
 4473529 9 - 8
 4488201 13 - 80
 4488202 13 - 81
 4494190 3 - 14
 4494199 3 - 13
 4494200 5 - 4
 5 - 5
 4494225 5 - 6
 4494250 5 - 5
 4494279 11 - 9
 4494280 10 - 40
 4494285 11 - 4
 4494290 5 - 83
 4494300 5 - 84
 4494304 3 - 60
 4494305 3 - 60
 4494307 5 -108
 4494310 5 -133
 4494320 5 -126
 4494330 5 -132
 4494350 5 - 5

PART NO.	LIST AND INDEX NO.
----------	--------------------

4521305	5 - 47
4521307	5 - 45
4521357	5 - 49
4796840	5 - 44
4867628	13 - 82
4873814	3 - 152
	3 - 239A
4873815	3 - 151
5174643	6 - 13
5214059	10 - 21
5214256	10 - 4
5236656	5 - 100
5252506	10 - 5
5252645	10 - 29
5252661	13 - 83
5252823	8 - 2
5252824	7 - 2
5252828	7 - 2
5252840	5 - 95
	10 - 55
5252850	3 - 54
	3 - 55
5267830	5 - 21
5271288	3 - 195C
5275481	13 - 84
5276701	10 - 20
5318966	3 - 355B
5353301	1 - 42
5353895	13 - 63B
	13 - 64B
5353902	13 - 63D
	13 - 64D
5357135	1 - 9
5357144	8 - 12
5357145	8 - 13
5362303	13 - 63A
	13 - 64A
5397579	3 - 360
5447741	13 - 139
5466393	13 - 105
5466397	13 - 142
5468305	8 - 12
5468306	8 - 13
5468387	7 - 12
5468388	7 - 13
5486851	13 - 143
5529190	13 - 63F
5529191	13 - 64F
5578491	13 - 85
5578591	2 - 5
5578592	2 - 15
5578593	2 - 7
5578597	2 - 19
5578613	2 - REF
5578614	2 - REF
5578615	2 - REF
5578616	2 - REF
5578617	2 - REF
5578618	2 - REF
5578666	3 - 270
	3 - 370
	5 - 68
5644034	13 - 86
5665948	3 - 155
5717999	2 - 14
5731697	10 - 66

PART NO.	LIST AND INDEX NO.
----------	--------------------

5785130	11 - 1
5800634	13 - 87
5865893	13 - 88
6003011	3 - 344
6081052	3 - 1
	3 - 105
	3 - 133
	3 - 335
	9 - 2
6121851	10 - 19
6214463	3 - 56
6525877	10 - 66
6814312	5 - 95
6815179	3 - 1
	3 - 105
	3 - 133
	3 - 335
	9 - 2
6815180	3 - 1
	3 - 105
	3 - 133
	3 - 335
	9 - 2
6815181	3 - 1
	3 - 105
	3 - 133
	3 - 335
	9 - 2
6815182	3 - 1
	3 - 105
	3 - 133
	3 - 335
	9 - 2
6815183	3 - 1
	3 - 105
	3 - 133
	3 - 335
	9 - 2
6815188	10 - 19
6815193	3 - 1
	3 - 105
	3 - 133
	3 - 335
	9 - 2
6819173	13 - 113
6819175	13 - 89
6825818	10 - 19
6825819	10 - 19
6825820	10 - 19
6825828	10 - 19
6825840	10 - 19
6825879	10 - 66
6825906	10 - 66
6825908	10 - 66
6831356	13 - 90
6836801	3 - 1
	3 - 105
	3 - 133
6845934	3 - 322
8267564	3 - 336
8268898	13 - 91
8268903	13 - 92
8279060	8 - 2
8279078	6 - 2
8324616	13 - 93
8324648	13 - 94

PART NO.	LIST AND INDEX NO.
----------	--------------------

8324807	1 - 39
8324808	1 - 40
8326797	3 - 1
8326797	3 - 105
	3 - 133
	3 - 335
	9 - 2
8326801	3 - 335
	9 - 2
8330316	13 - 95
8330678	2 - 1
8462879	13 - 127
8482759	3 - 349
8482930	13 - B
8482931	13 - B
8482933	13 - B
8482934	13 - B
8482979	13 - 149
8483012	3 - 44
8483163	10 - 1
8483165	10 - 2
8483169	10 - 3
8483171	10 - 1
8483173	10 - 2
8483177	10 - 3
8483228	3 - 90
8483347	1 - 14
	1 - 28
	1 - 35
8483584	3 - 198
	3 - 207
8483586	3 - 199
	3 - 208
8483618	13 - 135
8483774	13 - 102
8483959	5 - 90
	10 - 50
8485194	3 - 355
8485197	3 - 355
8544812	5 - 97
8551903	10 - 19
8551904	3 - 1
	3 - 105
	3 - 133
	3 - 335
	9 - 2
8633860	3 - 213
8635349	13 - D
8644908	3 - 104
	5 - REF
8644924	5 - 15
8644925	5 - 15
8644934	3 - 373
8644936	3 - 233
	5 - 73
	8 - REF
8644937	3 - 49
	7 - REF
8644938	3 - 268
	6 - REF
8645031	1 - REF
8645091	3 - 24
8645120	1 - 33
8645121	1 - 6
8645137	5 - 40
8645140	3 - 291

PART NO.	LIST AND INDEX NO.
----------	--------------------

8645161	3 - 356
8645188	5 - 56
8645304	3 - 366
8645304	13 - A
8645305	3 - 366
	13 - A
8645306	3 - 366
	13 - A
8645307	3 - 366
	13 - A
8645308	13 - B
8645310	13 - B
8645311	13 - B
8645313	13 - C
8645314	13 - C
8645315	13 - C
8645316	13 - C
8645317	13 - C
8645318	13 - C
8645321	13 - C
8645322	13 - C
8645324	13 - C
8645325	13 - C
8645326	13 - C
8645327	13 - C
8645328	13 - C
8645329	13 - C
8645330	13 - C
8645331	13 - C
8645332	13 - C
8645333	13 - C
8645334	13 - C
8645335	13 - C
8645336	13 - C
8645338	13 - C
8645339	13 - C
8645340	13 - C
8645341	13 - D
8645342	13 - D
8645343	3 - 58A
	13 - D
8645344	13 - D
8645345	3 - 2
	3 - 357
	5 - 1
	5 - 123
	5 - 129
8645346	13 - D
8645347	13 - D
8645348	13 - D
8645352	13 - D
8645363	13 - D
8645364	13 - D
8645372	13 - D
8645382	13 - D
8645383	13 - D
8645384	13 - D
8645424	13 - D
8645426	13 - 96
8645428	3 - 58A
	13 - D
8645429	13 - D
8645441	13 - D
8645447	13 - D
8645451	3 - 5
	11 - REF

PART NO.	LIST AND INDEX NO.
----------	--------------------

8645454	3 -268
	6 - REF
8645455	3 - 49
8645455	7 - REF
8645456	3 -233
	5 - 73
	8 - REF
8645464	3 - 24
8645478	1 - 8
8645486	1 - 32
8645487	1 - 37
8645488	1 - 30
8645489	1 - 38
8645491	1 - 51
8645495	1 - 46
8645496	1 - 48
8645498	1 - 31
8645499	1 - 29
8645506	1 - 17
8645507	1 - 19
8645508	1 - 49
8645509	3 -257
8645512	1 - 18
8645535	11 - 12
8645561	8 - 31
8645563	5 - 80
8645564	3 -237
8645565	6 - 16
8645566	6 - 16
8645569	6 - 19
8645571	7 - 31
8645572	6 - 34
8645573	3 -292
8645574	3 -289
8645575	3 -285
8645576	3 -297
8645577	6 - 12
8645579	8 - 16
8645583	3 -273
8645589	7 - 16
8645593	6 - 6
8645594	8 - 6
8645595	7 - 6
8645600	3 -275
8645604	3 -234
8645605	3 -269
8645606	3 - 43
8645607	3 -229
8645608	5 - 79
8645609	1 - 20
8645613	3 -329C
8645623	3 -109
8645625	3 - 35
	3 -295
8645627	3 - 80
8645628	3 - 66
8645631	9 - 25
8645632	10 - 67
8645636	3 -339
8645637	3 - 64
8645639	1 - 34
8645640	5 -136
8645641	3 -115
8645642	3 -110
8645643	3 -114
8645644	3 -106

PART NO.	LIST AND INDEX NO.
----------	--------------------

8645646	5 - 29
8645648	5 - 34
8645649	3 -122
8645650	5 - 17
8645657	5 - 19
8645658	3 -153
8645660	3 -329A
8645665	3 -307
8645666	3 -305
8645668	10 - REF
8645670	9 - 3
8645672	3 -131
8645673	3 -120
8645674	3 -123
8645678	3 -153
8645679	3 -331
8645697	3 - 37
8645698	3 -223
	5 - 77
8645699	7 - 16
8645709	8 - 16
8645713	3 -220
8645714	3 -221
	5 - 66
	5 - 75
8645717	3 -311
8645724	1 - 12
	1 - 15
	1 - 16
	1 - 16
	1 - 36
8645733	1 - 13
8645736	1 - 11
8645740	1 - 5
8645745	1 - 7
8645747	1 - 33
8645748	1 - 33
8645749	1 - 33
8645750	1 - 33
8645751	1 - 33
8645752	1 - 34
8645753	1 - 34
8645754	1 - 34
8645755	1 - 34
8645756	1 - 34
8645757	1 - 6
8645758	1 - 6
8645759	1 - 6
8645760	1 - 6
8645761	1 - 6
8645762	1 - 8
8645763	1 - 8
8645764	1 - 8
8645765	1 - 8
8645766	1 - 8
8645776	3 -153
8645777	3 -153
8645778	3 -153
8645779	3 -153
8645782	3 - REF
	9 - REF
8645783	3 - 20
	9 - REF
8645784	9 - 25
8645785	10 - 8
8645786	10 - 8
8645790	3 -246

PART NO.	LIST AND INDEX NO.
----------	--------------------

8645796	5 - 35
8645797	5 - 35
8645798	5 - 35
8645799	5 - 35
8645800	5 - 35
8645801	5 - 35
8645811	3 -325
8645815	3 -249
8645823	3 - 88
8645830	3 - 24
8645831	3 - 65
8645842	3 -253
8645851	3 - 76
8645853	10 - 27
	10 - 64
8645854	3 - 74
	3 -129
	3 -255
8645855	5 - 63
8645856	5 - 65
8645857	5 - 57
8645871	3 -361
8645872	3 -364
8645873	3 -241
8645879	10 - 59
8645880	3 -350
8645890	3 -128
8645893	3 -102
8645894	9 - 20
8645895	3 - 72
8645896	3 -119
8645897	3 -240
8645899	3 -333
8645900	3 -332
8645903	3 - 50

PART NO.	LIST AND INDEX NO.
----------	--------------------

1942

1943



IBM 4381 Processor
Parts Catalog
Order No. S124-0153-1

**READER'S
COMMENT
FORM**

Did you locate the part in this catalog?

- By using the visual index? _____
- By using the illustrations? _____
- By using the table of contents? _____
- By using the numerical index? _____
- By using visual random scan of the pages? _____

Based on your experience, rate this publication for:

- | | Good | Fair | Poor |
|----------------------------|-------|-------|-------|
| • Ease of finding part | _____ | _____ | _____ |
| • Clarity of illustrations | _____ | _____ | _____ |

Your occupation is: _____

COMMENTS:

You may use this form to communicate your comments about this publication, its organization, or subject matter, with the understanding that IBM may use or distribute whatever information you supply in any way it believes appropriate without incurring any obligation to you.

No postage is necessary if mailed in the U.S.A. (Elsewhere, an IBM representative or office will forward your comments, or you can mail directly to the address in the Edition Notice on the back of the title page.)

Note: Please direct any requests for copies of publications, or for assistance in using your IBM systems, to your IBM representative or to the IBM branch office serving your locality.

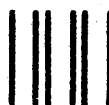
Reader's Comment Form

Cut or Fold Along Line

Fold and Tape

Please Do Not Staple

Fold and Tape



NO POSTAGE
NECESSARY
IF MAILED
IN THE
UNITED STATES

BUSINESS REPLY MAIL
FIRST CLASS PERMIT NO. 40 ARMONK, N.Y.



POSTAGE WILL BE PAID BY ADDRESSEE:

International Business Machines Corporation
Department K10
P.O. Box 6
Endicott, New York 13760

Fold

Fold

If you would like a reply, please print:

Your Name _____

Company Name _____ Department _____

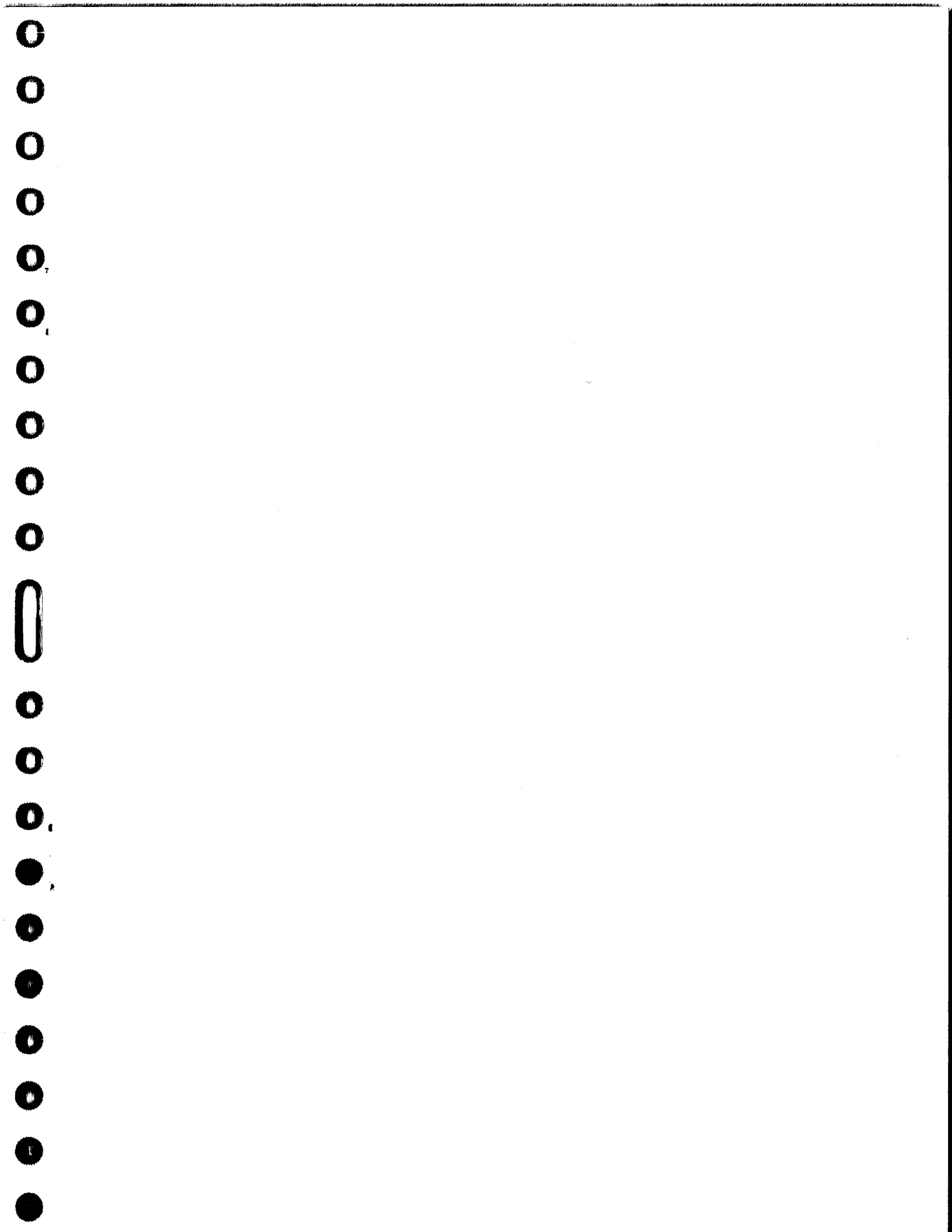
Street Address _____

City _____

State _____ Zip Code _____

IBM Branch Office serving you _____





SN24-0989-0

