

820979-179

REQUESTED BY HATCH

MACHINE HISTORY

DATE 88-02-15

PAGE 1

MACH TYPE	M SERIAL C	SYST NUMBER	SYSTEM TYPE	F/E B/O	W/T CTY	CUST NUMBER	MD CD	MICRO TPC-CD	BOX SHIP	MACHINE SHIP	PLT MFG	PLT CTL	MACHINE STATUS
4381	0010900	4380	0000LBH	0148		4600210				84-10-30	END.	END.	NORMAL

BASIC ECA.EC FACTORY EC SALES MOD PLANT ORDER HARD CARD  
 000. R03 B06KFT 001

MACHINE DEVICE/RPQ CONFIGURATION

DEVICE/RPQ	QTY	STATUS	DEVICE/RPQ	QTY	STATUS
1550	1	FIELD INST	9060	1	FACTORY INST
1850	1	FACTORY INST	9514	1	FACTORY INST
1871	1	FACTORY INST	9903	1	FACTORY INST
2222	1	FACTORY INST			

STANDARD FEATURE SECTION

ECA	FIELD	FACTORY	FEATURE	BM	FTR-ASN	FEATURE NAME	STATUS	MES-NO	STAT	DATE
060	A20156					DCP ENG W/CH/CH	FACT INST			
000	A02100					CBE GP 4/8/16MB 1 SC	FACT INST			
000	A12678					NO CF CONTROL	FACT INST			
000	A12660					CHNL TO CHNL MOD 3	FACT INST			
056	855718B	A02110				BASIC FEAT	FACT INST			
101	A32131	A12950				60HZ BASIC	FACT INST			
070	A06501	784247				CARD/BOARD B/M	FACT INST			
076	A26346	A26351				MEM BRD 1ST SRC	FACT INST			
015	A02106	A20145				RSF INT US ONLY	FACT INST			
103	329509	329504				FUNCTION DISK 1	FACT INST			
103	329509	329504				FUNCTION DISK 2	FACT INST			
103	329509	329504				DIAGNOSTIC DISK 1	FACT INST			
114	A35274	A42524				DOC GRP COMMON	FACT INST			
064	A20558					DOC GRP MICROCODE	FACT INST			
064	A20558					SOURCE 1 STORAGE	FACT INST			
104	A20562					CHNL TO CHNL	FACT INST			
070	A06501	A02047				13-18 CH FEAT	FACT INST			
000	A25961	A25976				8MB 1ST SRCE BRKFLD	FACT INST			
000	A25961	A25976				16MB 1ST SRCE BRKFLD	FACT INST			
000	A25961	A25976				24MB 1ST SRCE BRKFLD	FACT INST			
000	A25961	A25976				32MB 1ST SRCE BRKFLD	FACT INST			
082	784242	336134				CHANNEL TO CHANNEL	FACT INST			
088	A26323A	A26321				BASIC 60HZ	FACT INST			
005	A06481	A20420				128K CTRL STORAGE	FACT INST			
000	A10167D	A26316				NAMEPLATE MOD 3	FACT INST			
000	A12671					60HZ 208V/240V VOLT	FACT INST			
061	331499	331496				POWER LOG BASIC	FACT INST			
065	331500	331496				UNIQUE PWR	FACT INST			
000	A06427	331496				PWR LOG 1ST SCR STOR	FACT INST			
000	992996					PKGING GRP VAN	FACT INST			
000	988688	A12959				60HZ 4.2 208/240V	FACT INST			
029	A12957	339136				DIAG PNL GRP ENGLISH	FACT INST			
000	A35268	A42509				MAINTENANCE GROUP	FACT INST			
000	A02183					COVER GRP WILL GREEN	FACT INST			
037	988761	A02160				END COVER GP	FACT INST			
000	988688	A06660				1ST SCR PWR GRP	FACT INST			
110	A06239	339139				BRD GROUP	FACT INST			
069	A26345	A26351				MODULE GRP MOD 3	FACT INST			
000	988688	A12953				SAFETY LABEL ENGLISH	FACT INST			
000	988688					REMOTE TABLE GREEN	FIELD INST	F03107	INST	86-11-14
110	A06239	339139				FEAT B/M	FACT INST			
000	111111					VENDOR BM MOD 3	FACT INST			

ECA HISTORY SECTION

N/A = ECA NOT ASSIGNED EC PROD PRAC LEVEL = 0207 (MRS)

ECA	EC NO	ECA STATUS	FLD B/M	EIT	QTY	FCSI	DATE
001	A06310	INSTALLED					
002	A02215	NOT REQUIRED					
003	866901	NOT REQUIRED					
004	A02192	INSTALLED					
005	A06481	INSTALLED					
006	A06314	INSTALLED					
007	331497	INSTALLED					
009	A09843	NOT REQUIRED					
010	A02216	NOT REQUIRED					
011	A06300	NOT REQUIRED					
012	A10065	INSTALLED					
013	A06323	INSTALLED					
014	A09842	INSTALLED					
015	A02106	INSTALLED					
016	A06321	INSTALLED					
017	336081	INSTALLED					
018	331498	INSTALLED					
019	A10072	INSTALLED					
020	A02217	NOT REQUIRED					
021	A02218	NOT REQUIRED					
022	866902	NOT REQUIRED					
023	A06324	INSTALLED					
024	A02219	NOT REQUIRED					
025	A09844	NOT REQUIRED					
026	379911	INSTALLED					

MACH TYPE	M C	SERIAL NUMBER	SYST TYPE	SYSTEM NUMBER	F/E B/O	W/T CTY	CUST NUMBER	MD CD	MICRO TPC-CD	BOX SHIP	MACHINE SHIP	PLT MFG	PLT CTL	MACHINE STATUS
4381		0010900	4380	0000LBH	0148		4600210				84-10-30	END.	END.	NORMAL

ECA HISTORY SECTION

N/A = ECA NOT ASSIGNED EC PROD PRAC LEVEL = 0207 (MRS)

ECA	EC NO	ECA STATUS	FLD B/M	EIT	QTY	FCSI	DATE
027	A06439	NOT REQUIRED					
028	A06440	NOT REQUIRED					
029	A12957	INSTALLED					
030	A06438	NOT REQUIRED					
031	A12968	NOT REQUIRED					
032	A09873	NOT REQUIRED					
033	A06442	NOT REQUIRED					
034	A09872	NOT REQUIRED					
035	A06554	INSTALLED					
036	A09874	NOT REQUIRED					
038	A02290	INSTALLED					
039	A20436	NOT REQUIRED					
040	A06556	INSTALLED					
041	A12948	INSTALLED					
042	A09797	INSTALLED					
043	A10062	NOT REQUIRED					
044	A06434	NOT REQUIRED					
045	A20439	NOT REQUIRED					
046	A09876	NOT REQUIRED					
047	A06557	NOT REQUIRED					
048	A06559	INSTALLED					
049	A02220	NOT REQUIRED					
050	A20148	NOT REQUIRED					
051	A06437	NOT REQUIRED					
052	A20441	NOT REQUIRED					
053	A06563	INSTALLED					
054	A20443	NOT REQUIRED					
055	A06486	NOT REQUIRED					
056	855718B	INSTALLED					
057	866903	NOT REQUIRED					
058	993077	NOT REQUIRED					
059	A02221	NOT REQUIRED					
060	A20156	INSTALLED					
061	331499	INSTALLED					
062	A20445	NOT REQUIRED					
063	A09877	NOT REQUIRED					
064	A20558	INSTALLED					
065	331500	INSTALLED					
066	329505	TO BE ADDED					
067	A20415	INSTALLED					
068	784243	INSTALLED					
069	A26345	INSTALLED					
070	A06501	INSTALLED					
071	A20561	INSTALLED					
072	A06672	INSTALLED					
073	A26314	INSTALLED					
075	A02222	NOT REQUIRED					
076	A26346	INSTALLED					
077	329507	INSTALLED					
078	A20559	INSTALLED					
079	A20448	NOT REQUIRED					
080	A20449	NOT REQUIRED					
081	A20450	NOT REQUIRED					
082	784242	INSTALLED					
083	866904	NOT REQUIRED					
086	A09875	NOT REQUIRED					
087	A26325	INSTALLED					
088	A26323A	INSTALLED					
089	A06668	TO BE ADDED					
090	A02223	NOT REQUIRED					
092	A20560	INSTALLED					
093	329508	INSTALLED					
094	993078	NOT REQUIRED					
095	A26350	TO BE ADDED					
096	A20452	NOT REQUIRED					
097	A20454	INSTALLED					
099	A09878	NOT REQUIRED					
100	A20457	NOT REQUIRED					
101	A32131	INSTALLED					
102	A35269	INSTALLED					
103	329509	INSTALLED					
104	A20562	INSTALLED					
105	A35081	TO BE ADDED					
107	A35270	NOT REQUIRED					
108	A35273	NOT REQUIRED					
109	A09879	NOT REQUIRED					
110	A06239	INSTALLED					

MACH	M	SERIAL	SYST	SYSTEM	F/E	W/T	CUST	MD	MICRO	BOX	MACHINE	PLT	PLT	MACHINE
TYPE	C	NUMBER	TYPE	NUMBER	B/O	CTY	NUMBER	CD	TPC-CD	SHIP	SHIP	MFG	CTL	STATUS
4381		0010900	4380	0000LBH	0148		4600210				84-10-30	END.	END.	NORMAL

ECA HISTORY SECTION

N/A = ECA NOT ASSIGNED EC PROD PRAC LEVEL = 0207 (MRS)

ECA	EC NO	ECA STATUS	FLD	B/M	EIT	QTY	FCSI	DATE
111	A26406	NOT REQUIRED						
112	A32550	NOT REQUIRED						
114	A35274	INSTALLED						
115	A41947	NOT REQUIRED						
116	A35082	NOT REQUIRED						
117	A09803	NOT REQUIRED						
118	A41847	NOT REQUIRED						
119	A09747	NOT REQUIRED						
120	A32190	NOT REQUIRED						
121	A35275	NOT REQUIRED						
122	A02224	NOT REQUIRED						
123	A35277	NOT REQUIRED						
124	993079	NOT REQUIRED						
125	866905	NOT REQUIRED						
126	A32139	NOT REQUIRED						
127	A35276	NOT REQUIRED						
129	A48731	NOT REQUIRED						
130	A61820	TO BE ADDED						
131	A32142	NOT REQUIRED						
132	A32191	NOT REQUIRED						
133	A35026	NOT REQUIRED						
134	A09749	NOT REQUIRED						
135	A26407	NOT REQUIRED						
136	A09805	NOT REQUIRED						
137	A32551	NOT REQUIRED						
138	A35279	NOT REQUIRED						
139	A63562	TO BE ADDED						
140	329510	TO BE ADDED						
333	A13075	INSTALLED						
666	A25570	NOT REQUIRED						
777	A20417	INSTALLED						
N/A	A02049	INSTALLED						
N/A	A02052	INSTALLED						
N/A	A06240	INSTALLED						
N/A	A06241	INSTALLED						
N/A	A06246	INSTALLED						
N/A	A06429	NOT REQUIRED						
N/A	A06491	INSTALLED						
N/A	A06561	INSTALLED						
N/A	A06653	NOT REQUIRED						
N/A	A09746	NOT REQUIRED						
N/A	A09802	NOT REQUIRED						
N/A	A10063	NOT REQUIRED						
N/A	A10158	INSTALLED						
N/A	A13069	NOT REQUIRED						
N/A	A13083	NOT REQUIRED						
N/A	A20136	NOT REQUIRED						
N/A	A20447	TO BE ADDED						
N/A	A25588	NOT REQUIRED						
N/A	A25592	NOT REQUIRED						
N/A	A26407A	NOT REQUIRED						
N/A	A32132	TO BE ADDED						
N/A	A32194	NOT REQUIRED						
N/A	A35024	NOT REQUIRED						
N/A	A35025	NOT REQUIRED						
N/A	A35268	INSTALLED						
N/A	A35271	NOT REQUIRED						
N/A	A35272	NOT REQUIRED						
N/A	A35281	NOT REQUIRED						
N/A	A41810	NOT REQUIRED						
N/A	A42512	NOT REQUIRED						
N/A	A61912	NOT REQUIRED						
N/A	A61915	NOT REQUIRED						
N/A	A63575	NOT REQUIRED						
N/A	A63576	NOT REQUIRED						
N/A	A63579	NOT REQUIRED						
N/A	A63584	NOT REQUIRED						
N/A	A63590	NOT REQUIRED						
N/A	A63593	NOT REQUIRED						
N/A	A80030	NOT REQUIRED						
N/A	A80032	NOT REQUIRED						
N/A	A80037	NOT REQUIRED						
N/A	A81681	NOT REQUIRED						
N/A	A81789	NOT REQUIRED						
N/A	A81820	NOT REQUIRED						
N/A	A81821	NOT REQUIRED						
N/A	A81831	NOT REQUIRED						

MACH	M	SERIAL	SYST	SYSTEM	F/E	W/T	CUST	MD	MICRO	BOX	MACHINE	PLT	PLT	MACHINE
TYPE	C	NUMBER	TYPE	NUMBER	B/O	CTY	NUMBER	CD	TPC-CD	SHIP	SHIP	MFG	CTL	STATUS
4381		0010900	4380	0000LBH	0148		4600210				84-10-30	END.	END.	NORMAL

ECA HISTORY SECTION

N/A = ECA NOT ASSIGNED EC PROD PRAC LEVEL = 0207 (MRS)

ECA	EC NO	ECA STATUS	FLD	B/M	EIT	QTY	FCSI	DATE
N/A	A82822	NOT REQUIRED						
N/A	A82825	NOT REQUIRED						
N/A	A83058	NOT REQUIRED						
N/A	336030	INSTALLED						
N/A	336031	INSTALLED						
N/A	336080	NOT REQUIRED						
N/A	379897	INSTALLED						
N/A	379917	INSTALLED						
N/A	866900	NOT REQUIRED						

VOLUME C01 MACHINE 4381- -0010900 MODEL R03 SYSTEM 0000LBH MODE

SCHED SHIP 84/10/30

LOGIC TYPE -0- SYSTEMS DIAGRAMS DOC COUNTER

PAGE NUM	SH	TITLE	PART NUM	EC NUM	FEATURE B/M OR B/MS
CBL LST		CABLE PLUG LIST	0008645432	A20444	.W. 0008645099
PARTS CAT		PRT CAT S124-01535	0004473545	A42524	.W. 0001954480
YA011		CPYRT & SYMBOL USE	0005665810	331496	.W. 0005665880
YA021		SYMBOL USE & ABBREV	0005665811	331496	.W. 0005665880
YA031AB		FRU LIST & CONN LOC	0005665832	331500	.W. 0005665882
YA081		VOLT CONV & PAD CRD	0005665814	331499	.W. 0005665880
YA091AB		PAD CRD & TIE UP CRD	0005665833	331500	.W. 0005665882
YA151AB		BLNK PAGE & PCC DIST	0005665834	331500	.W. 0005665882
YA161		PCC DIST & CONV OUT	0005665817	331499	.W. 0005665880
YA181		BLNK PAGE & PS101	0005665818	331499	.W. 0005665880
YA191		PS101 & PS102	0005665819	331499	.W. 0005665880
YA201AB		PS102 & PS103	0005665835	331500	.W. 0005665882
YA211AB		PS103 & PS104	0005665836	331500	.W. 0005665882
YA221AB		PS104 & PS105/PS106	0005665837	331500	.W. 0005665882
YA231AB		PS105/PS106 & PS107	0005665838	331500	.W. 0005665882
YA241AC		PS108 & PS109	0005665824	331496	.W. 0005665883
YA261AB		BLNK & PS111/PS112	0005665840	331500	.W. 0005665882
YA271AB		PS111/PS112 & A-A2	0005665841	331500	.W. 0005665882
YA281		A-A1 BRD & SERV PNL	0005665826	331496	.W. 0005665880
YA291		SERV PNL & FCI	0005665827	331496	.W. 0005665880
YA295		BLNK PAGE & OCP	0005665813	331499	.W. 0005665880
YA301		OCP & AFS/AMD	0005665828	331496	.W. 0005665880
YA311AB		AFS/AMD	0005665842	331500	.W. 0005665882
ZA011AB		GROUNDING DIAGRAM	0005665843	331500	.W. 0005665882
ZA021AB		GROUNDING DIAGRAM	0005665844	331500	.W. 0005665882

TOTAL PART NUMBERS THIS VOLUME 25

CABLE LIST FOR MACHINE 4381    PREV. EC A09845    PRES. EC A20444    SEP 20, 84    LIST PN 8645432    PAGE 1 OF 21

BOARD	STARTS ON PAGE	BOARD	STARTS ON PAGE	BOARD	STARTS ON PAGE	BOARD	STARTS ON PAGE
1A-A1	2	1A-A2	5	1A-A3	9	1A-A4	11
1A-B1	12	1A-B2	14	1B-A1	17	1E-CC	19

11

CABLE LIST FOR MACHINE 4381

PREV. EC A09845 PRES. EC A20444 SEP 20, 84

LIST PN 8645432 PAGE 2 OF 21

FROM SOCKET	TO SOCKET	LENGTH (MM)	PART NUMBER	HARNESS ASSEMBLY	HARNESS JUMPER	REFERENCE DRAWING	HARNESS EC NUMBER	FEATURE BILL NO.
AA1YMB02	1AA2YAB02	0000	0000000	1807967	1	MISCDW	A02099	1807922
AA1YMB03	1AA2YAB03	0000	0000000	1807967	2	MISCDW	A02099	1807922
AA1YMB04	1AA2YAB04	0000	0000000	1807967	3	MISCDW	A02099	1807922
AA1YMB05	1AA2YAB05	0000	0000000	1807967	4	MISCDW	A02099	1807922
AA1YMB07	1AA2YAB07	0000	0000000	1807967	5	MISCDW	A02099	1807922
AA1YMB08	1AA2YAB08	0000	0000000	1807967	6	MISCDW	A02099	1807922
AA1YMB09	1AA2YAB09	0000	0000000	1807967	7	MISCDW	A02099	1807922
AA1YMB10	1AA2YAB10	0000	0000000	1807967	8	MISCDW	A02099	1807922
AA1YMB12	1AA2YAB12	0000	0000000	1807967	9	MISCDW	A02099	1807922
AA1YMB13	1AA2YAB13	0000	0000000	1807967	10	MISCDW	A02099	1807922
AA1YMD02	1AA2YAD02	0000	0000000	1807967	11	MISCDW	A02099	1807922
AA1YMD04	1AA2YAD04	0000	0000000	1807967	12	MISCDW	A02099	1807922
AA1YMD05	1AA2YAD05	0000	0000000	1807967	13	MISCDW	A02099	1807922
AA1YMD06	1AA2YAD06	0000	0000000	1807967	14	MISCDW	A02099	1807922
AA1YMD07	1AA2YAD07	0000	0000000	1807967	15	MISCDW	A02099	1807922
AA1YMD09	1AA2YAD09	0000	0000000	1807967	16	MISCDW	A02099	1807922
AA1YMD10	1AA2YAD10	0000	0000000	1807967	17	MISCDW	A02099	1807922
AA1YMD11	1AA2YAD11	0000	0000000	1807967	18	MISCDW	A02099	1807922
AA1YMD12	1AA2YAD12	0000	0000000	1807967	19	MISCDW	A02099	1807922
AA1YMD13	1AA2YAD13	0000	0000000	1807967	20	MISCDW	A02099	1807922
AA1YNB02	1AA2YBB02	0000	0000000	1807967	1	MISCDW	A02099	1807922
AA1YNB03	1AA2YBB03	0000	0000000	1807967	2	MISCDW	A02099	1807922
AA1YNB04	1AA2YBB04	0000	0000000	1807967	3	MISCDW	A02099	1807922
AA1YNB05	1AA2YBB05	0000	0000000	1807967	4	MISCDW	A02099	1807922
AA1YNB07	1AA2YBB07	0000	0000000	1807967	5	MISCDW	A02099	1807922
AA1YNB08	1AA2YBB08	0000	0000000	1807967	6	MISCDW	A02099	1807922
AA1YNB09	1AA2YBB09	0000	0000000	1807967	7	MISCDW	A02099	1807922
AA1YNB10	1AA2YBB10	0000	0000000	1807967	8	MISCDW	A02099	1807922

11

11

CABLE LIST FOR MACHINE 4381      PREV. EC A09845    PRES. EC A20444    SEP 20, 84

LIST PN 8645432    PAGE    3 OF    21

FROM SOCKET	TO SOCKET	LENGTH (MM)	PART NUMBER	HARNESS ASSEMBLY	HARNESS JUMPER	REFERENCE DRAWING	HARNESS EC NUMBER	FEATURE BILL NO.
AA1YNB12	1AA2YBB12	0000	0000000	1807967	9	MISCDW	A02099	1807922
AA1YNB13	1AA2YBB13	0000	0000000	1807967	10	MISCDW	A02099	1807922
AA1YND02	1AA2YBD02	0000	0000000	1807967	11	MISCDW	A02099	1807922
AA1YND04	1AA2YBD04	0000	0000000	1807967	12	MISCDW	A02099	1807922
AA1YND05	1AA2YBD05	0000	0000000	1807967	13	MISCDW	A02099	1807922
AA1YND06	1AA2YBD06	0000	0000000	1807967	14	MISCDW	A02099	1807922
AA1YND07	1AA2YBD07	0000	0000000	1807967	15	MISCDW	A02099	1807922
AA1YND09	1AA2YBD09	0000	0000000	1807967	16	MISCDW	A02099	1807922
AA1YND10	1AA2YBD10	0000	0000000	1807967	17	MISCDW	A02099	1807922
AA1YND11	1AA2YBD11	0000	0000000	1807967	18	MISCDW	A02099	1807922
AA1YND12	1AA2YBD12	0000	0000000	1807967	19	MISCDW	A02099	1807922
AA1YND13	1AA2YAD13	0000	0000000	1807967	20	MISCDW	A02099	1807922
AA1ZCB02	1AA2B5D10	0000	0000000	1807968	2	MISCDW	A20143	1807922
AA1ZCB11	1AA2B5B05	0000	0000000	1807968	5	MISCDW	A20143	1807922
AA1ZCB13	1AA2B5B04	0000	0000000	1807968	6	MISCDW	A20143	1807922
AA1ZCD02	1AA2B5D02	0000	0000000	1807968	1	MISCDW	A20143	1807922
AA1ZCD03	1AA2B5B02	0000	0000000	1807968	3	MISCDW	A20143	1807922
AA1ZCD04	1AA2B5D04	0000	0000000	1807968	4	MISCDW	A20143	1807922
AA1ZFB02	1AA2YJB02	0000	0000000	1807965	1	MISCDW	A02099	1807922
AA1ZFB03	1AA2YJB03	0000	0000000	1807965	2	MISCDW	A02099	1807922
AA1ZFB04	1AA2YJB04	0000	0000000	1807965	3	MISCDW	A02099	1807922
AA1ZFB05	1AA2YJB05	0000	0000000	1807965	4	MISCDW	A02099	1807922
AA1ZFB07	1AA2YJB07	0000	0000000	1807965	5	MISCDW	A02099	1807922
AA1ZFB08	1AA2YJB08	0000	0000000	1807965	6	MISCDW	A02099	1807922
AA1ZFB09	1AA2YJB09	0000	0000000	1807965	7	MISCDW	A02099	1807922
AA1ZFB10	1AA2YJB10	0000	0000000	1807965	8	MISCDW	A02099	1807922
AA1ZFB12	1AA2YJB12	0000	0000000	1807965	9	MISCDW	A02099	1807922
AA1ZFB13	1AA2YJB13	0000	0000000	1807965	10	MISCDW	A02099	1807922

11



11

CABLE LIST FOR MACHINE 4381      PREV. EC A09845    PRES. EC A20444    SEP 20, 84

LIST PN 8645432    PAGE    4 OF    21

FROM SOCKET	TO SOCKET	LENGTH (MM)	PART NUMBER	HARNESS ASSEMBLY	HARNESS JUMPER	REFERENCE DRAWING	HARNESS EC NUMBER	FEATURE BILL NO.
AA1ZFD02	1AA2YJD02	0000	0000000	1807965	11	MISCDW	A02099	1807922
AA1ZFD04	1AA2YJD04	0000	0000000	1807965	12	MISCDW	A02099	1807922
AA1ZFD05	1AA2YJD05	0000	0000000	1807965	13	MISCDW	A02099	1807922
AA1ZFD06	1AA2YJD06	0000	0000000	1807965	14	MISCDW	A02099	1807922
AA1ZFD07	1AA2YJD07	0000	0000000	1807965	15	MISCDW	A02099	1807922
AA1ZFD09	1AA2YJD09	0000	0000000	1807965	16	MISCDW	A02099	1807922
AA1ZFD10	1AA2YJD10	0000	0000000	1807965	17	MISCDW	A02099	1807922
AA1ZFD11	1AA2YJD11	0000	0000000	1807965	18	MISCDW	A02099	1807922
AA1ZFD12	1AA2YJD12	0000	0000000	1807965	19	MISCDW	A02099	1807922
AA1ZFD13	1AA2YJD13	0000	0000000	1807965	20	MISCDW	A02099	1807922

-

-

11

II

CABLE LIST FOR MACHINE 4381      PREV. EC A09845    PRES. EC A20444    SEP 20, 84

LIST PN 8645432    PAGE    5 OF    21

FROM SOCKET	TO SOCKET	LENGTH (MM)	PART NUMBER	HARNESS ASSEMBLY	HARNESS JUMPER	REFERENCE DRAWING	HARNESS EC NUMBER	FEATURE BILL NO.
AA2B2B02	1AA2YCD06	0000	0000000	1807964	2	MISCDW	A20143	1807922
AA2B2B03	1AA2YCB11	0000	0000000	1807964	3	MISCDW	A20143	1807922
AA2B2B04	1AA2YCD09	0000	0000000	1807964	5	MISCDW	A20143	1807922
AA2B2B05	1AA2YCD12	0000	0000000	1807964	6	MISCDW	A20143	1807922
AA2B2B06	1AA2YCB12	0000	0000000	1807964	4	MISCDW	A20143	1807922
AA2B2B07	1AA2YCD04	0000	0000000	1807964	1	MISCDW	A20143	1807922
AA2B5B02	1AA1ZCD03	0000	0000000	1807968	3	MISCDW	A20143	1807922
AA2B5B04	1AA1ZCB13	0000	0000000	1807968	6	MISCDW	A20143	1807922
AA2B5B05	1AA1ZCB11	0000	0000000	1807968	5	MISCDW	A20143	1807922
AA2B5D02	1AA1ZCD02	0000	0000000	1807968	1	MISCDW	A20143	1807922
AA2B5D04	1AA1ZCD04	0000	0000000	1807968	4	MISCDW	A20143	1807922
AA2B5D10	1AA1ZCB02	0000	0000000	1807968	2	MISCDW	A20143	1807922
AA2YAD13	1AA1YND13	0000	0000000	1807967	20	MISCDW	A02099	1807922
AA2YAB02	1AA1YMB02	0000	0000000	1807967	1	MISCDW	A02099	1807922
AA2YAB03	1AA1YMB03	0000	0000000	1807967	2	MISCDW	A02099	1807922
AA2YAB04	1AA1YMB04	0000	0000000	1807967	3	MISCDW	A02099	1807922
AA2YAB05	1AA1YMB05	0000	0000000	1807967	4	MISCDW	A02099	1807922
AA2YAB07	1AA1YMB07	0000	0000000	1807967	5	MISCDW	A02099	1807922
AA2YAB08	1AA1YMB08	0000	0000000	1807967	6	MISCDW	A02099	1807922
AA2YAB09	1AA1YMB09	0000	0000000	1807967	7	MISCDW	A02099	1807922
AA2YAB10	1AA1YMB10	0000	0000000	1807967	8	MISCDW	A02099	1807922
AA2YAB12	1AA1YMB12	0000	0000000	1807967	9	MISCDW	A02099	1807922
AA2YAB13	1AA1YMB13	0000	0000000	1807967	10	MISCDW	A02099	1807922
AA2YAD02	1AA1YMD02	0000	0000000	1807967	11	MISCDW	A02099	1807922
AA2YAD04	1AA1YMD04	0000	0000000	1807967	12	MISCDW	A02099	1807922
AA2YAD05	1AA1YMD05	0000	0000000	1807967	13	MISCDW	A02099	1807922
AA2YAD06	1AA1YMD06	0000	0000000	1807967	14	MISCDW	A02099	1807922
AA2YAD07	1AA1YMD07	0000	0000000	1807967	15	MISCDW	A02099	1807922

II

11

CABLE LIST FOR MACHINE 4381      PREV. EC A09845    PRES. EC A20444    SEP 20, 84

LIST PN 8645432    PAGE    6 OF    21

FROM SOCKET	TO SOCKET	LENGTH (MM)	PART NUMBER	HARNESS ASSEMBLY	HARNESS JUMPER	REFERENCE DRAWING	HARNESS EC NUMBER	FEATURE BILL NO.
AA2YAD09	1AA1YMD09	0000	0000000	1807967	16	MISCDW	A02099	1807922
AA2YAD10	1AA1YMD10	0000	0000000	1807967	17	MISCDW	A02099	1807922
AA2YAD11	1AA1YMD11	0000	0000000	1807967	18	MISCDW	A02099	1807922
AA2YAD12	1AA1YMD12	0000	0000000	1807967	19	MISCDW	A02099	1807922
AA2YAD13	1AA1YMD13	0000	0000000	1807967	20	MISCDW	A02099	1807922
AA2YBB02	1AA1YNB02	0000	0000000	1807967	1	MISCDW	A02099	1807922
AA2YBB03	1AA1YNB03	0000	0000000	1807967	2	MISCDW	A02099	1807922
AA2YBB04	1AA1YNB04	0000	0000000	1807967	3	MISCDW	A02099	1807922
AA2YBB05	1AA1YNB05	0000	0000000	1807967	4	MISCDW	A02099	1807922
AA2YBB07	1AA1YNB07	0000	0000000	1807967	5	MISCDW	A02099	1807922
AA2YBB08	1AA1YNB08	0000	0000000	1807967	6	MISCDW	A02099	1807922
AA2YBB09	1AA1YNB09	0000	0000000	1807967	7	MISCDW	A02099	1807922
AA2YBB10	1AA1YNB10	0000	0000000	1807967	8	MISCDW	A02099	1807922
AA2YBB12	1AA1YNB12	0000	0000000	1807967	9	MISCDW	A02099	1807922
AA2YBB13	1AA1YNB13	0000	0000000	1807967	10	MISCDW	A02099	1807922
AA2YBD02	1AA1YND02	0000	0000000	1807967	11	MISCDW	A02099	1807922
AA2YBD04	1AA1YND04	0000	0000000	1807967	12	MISCDW	A02099	1807922
AA2YBD05	1AA1YND05	0000	0000000	1807967	13	MISCDW	A02099	1807922
AA2YBD06	1AA1YND06	0000	0000000	1807967	14	MISCDW	A02099	1807922
AA2YBD07	1AA1YND07	0000	0000000	1807967	15	MISCDW	A02099	1807922
AA2YBD09	1AA1YND09	0000	0000000	1807967	16	MISCDW	A02099	1807922
AA2YBD10	1AA1YND10	0000	0000000	1807967	17	MISCDW	A02099	1807922
AA2YBD11	1AA1YND11	0000	0000000	1807967	18	MISCDW	A02099	1807922
AA2YBD12	1AA1YND12	0000	0000000	1807967	19	MISCDW	A02099	1807922
AA2YCB11	1AA2B2B03	0000	0000000	1807964	3	MISCDW	A20143	1807922
AA2YCB12	1AA2B2B06	0000	0000000	1807964	4	MISCDW	A20143	1807922
AA2YCD04	1AA2B2B07	0000	0000000	1807964	1	MISCDW	A20143	1807922
AA2YCD06	1AA2B2B02	0000	0000000	1807964	2	MISCDW	A20143	1807922

CABLE LIST FOR MACHINE 4381      PREV. EC A09845    PRES. EC A20444    SEP 20, 84

LIST PN 8645432    PAGE    7 OF    21

FROM SOCKET	TO SOCKET	LENGTH (MM)	PART NUMBER	HARNESS ASSEMBLY	HARNESS JUMPER	REFERENCE DRAWING	HARNESS EC NUMBER	FEATURE BILL NO.
AA2YCD09	1AA2B2B04	0000	0000000	1807964	5	MISCDW	A20143	1807922
AA2YCD12	1AA2B2B05	0000	0000000	1807964	6	MISCDW	A20143	1807922
AA2YD	1AB1VS6	850	4150250	8645358	36	4150010	A25547	1807997
AA2YF	1AB2VS6	1600	4150259	8645354	9	4150010	A25547	1807985
AA2YG	1AB2WJ7	1200	4150255	8645357	1	4150010	A25560B	1807985
AA2YH	1AB1WJ7	380	4150233	8645358	22	4150010	A25547	1807997
AA2YJB02	1AA1ZFB02	0000	0000000	1807965	1	MISCDW	A02099	1807922
AA2YJB03	1AA1ZFB03	0000	0000000	1807965	2	MISCDW	A02099	1807922
AA2YJB04	1AA1ZFB04	0000	0000000	1807965	3	MISCDW	A02099	1807922
AA2YJB05	1AA1ZFB05	0000	0000000	1807965	4	MISCDW	A02099	1807922
AA2YJB07	1AA1ZFB07	0000	0000000	1807965	5	MISCDW	A02099	1807922
AA2YJB08	1AA1ZFB08	0000	0000000	1807965	6	MISCDW	A02099	1807922
AA2YJB09	1AA1ZFB09	0000	0000000	1807965	7	MISCDW	A02099	1807922
AA2YJB10	1AA1ZFB10	0000	0000000	1807965	8	MISCDW	A02099	1807922
AA2YJB12	1AA1ZFB12	0000	0000000	1807965	9	MISCDW	A02099	1807922
AA2YJB13	1AA1ZFB13	0000	0000000	1807965	10	MISCDW	A02099	1807922
AA2YJD02	1AA1ZFD02	0000	0000000	1807965	11	MISCDW	A02099	1807922
AA2YJD04	1AA1ZFD04	0000	0000000	1807965	12	MISCDW	A02099	1807922
AA2YJD05	1AA1ZFD05	0000	0000000	1807965	13	MISCDW	A02099	1807922
AA2YJD06	1AA1ZFD06	0000	0000000	1807965	14	MISCDW	A02099	1807922
AA2YJD07	1AA1ZFD07	0000	0000000	1807965	15	MISCDW	A02099	1807922
AA2YJD09	1AA1ZFD09	0000	0000000	1807965	16	MISCDW	A02099	1807922
AA2YJD10	1AA1ZFD10	0000	0000000	1807965	17	MISCDW	A02099	1807922
AA2YJD11	1AA1ZFD11	0000	0000000	1807965	18	MISCDW	A02099	1807922
AA2YJD12	1AA1ZFD12	0000	0000000	1807965	19	MISCDW	A02099	1807922
AA2YJD13	1AA1ZFD13	0000	0000000	1807965	20	MISCDW	A02099	1807922
AA2YQ	1AA3YM	0000	0000000	1807955	00	MISCLCA	A20139	1807992
AA2YR	1AA3ZD	0000	0000000	1807955	00	MISCLCA	A20139	1807992

11

CABLE LIST FOR MACHINE 4381      PREV. EC A09845    PRES. EC A20444    SEP 20, 84

LIST PN 8645432    PAGE    8 OF    21

FROM SOCKET	TO SOCKET	LENGTH (MM)	PART NUMBER	HARNESS ASSEMBLY	HARNESS JUMPER	REFERENCE DRAWING	HARNESS EC NUMBER	FEATURE BILL NO.
AA2ZG	1ECCA1	0000	0000000	1807955	00	8645391	A20139	1807992
AA2ZH	1ECCA1	0000	0000000	1807955	00	8645390	A20139	1807992

-

:

11



11

CABLE LIST FOR MACHINE 4381    PREV. EC A09845    PRES. EC A20444    SEP 20, 84

LIST PN 8645432    PAGE    9 OF    21

FROM SOCKET	TO SOCKET	LENGTH (MM)	PART NUMBER	HARNESS ASSEMBLY	HARNESS JUMPER	REFERENCE DRAWING	HARNESS EC NUMBER	FEATURE BILL NO.
AA3A4	1AB2VJ1	1100	4150254	8645357	3	4150010	A25560B	1807985
AA3B2	1ECCA5	0000	0000000	1807944	00	8645391	A20143	1807992
AA3B3	1ECCA3	0000	0000000	1807944	00	8645391	A20143	1807992
AA3B4	1ECCA3	0000	0000000	1807944	00	8645390	A20143	1807992
AA3B5	1ECCA5	0000	0000000	1807944	00	8645390	A20143	1807992
AA3C2	1AB2VS0	1500	4150258	8645354	1	4150010	A25547	1807985
AA3C3	1AB2VS1	1500	4150258	8645354	2	4150010	A25547	1807985
AA3C4	1AB2VS8	1400	4150257	8645354	7	4150010	A25547	1807985
AA3C5	1AB2VS4	1400	4150257	8645354	4	4150010	A25547	1807985
AA3D2	1AB2VS9	1500	4150258	8645354	8	4150010	A25547	1807985
AA3D3	1AB2VS5	1500	4150258	8645354	5	4150010	A25547	1807985
AA3D4	1AB2VS7	1400	4150257	8645354	6	4150010	A25547	1807985
AA3D5	1AB2VS3	1400	4150257	8645354	3	4150010	A25547	1807985
AA3V2	1AB2WS9	950	4150252	8645354	18	4150010	A25547	1807993
AA3V3	1AB2WS4	900	4150251	8645354	16	4150010	A25547	1807993
AA3V4	1AB2WS1	850	4150250	8645354	15	4150010	A25547	1807993
AA3V5	1AB2WS5	800	4150249	8645354	17	4150010	A25547	1807993
AA3W2	1AB2WS0	950	4150252	8645354	12	4150010	A25547	1807993
AA3W3	1AB2WS8	900	4150251	8645354	14	4150010	A25547	1807985
AA3W4	1AB2WJ8	620	4150243	8645354	3	4150010	A25547	1807993
AA3W5	1AB2WS6	800	4150249	8645354	13	4150010	A25547	1807993
AA3YC	1AB2WS7	1300	4150256	8645354	10	4150010	A25547	1807985
AA3YD	1AB2WJ1	1100	4150254	8645357	2	4150010	A25560B	1807985
AA3YE	1AB1WJ1	1100	4150154	8645358	18	4150010	A25547	1807997
AA3YF	1AA4YA	1100	1726943	0401430	1	4150008	A02100	0401429
AA3YJ	1ECCA7	0000	0000000	1807945	00	8645391	A02112	1807922
AA3YJ	1ECCA8	0000	0000000	1807945	00	8645390	A02112	1807922

11

11

CABLE LIST FOR MACHINE 4381    PREV. EC A09845    PRES. EC A20444    SEP 20, 84

LIST PN 8645432    PAGE 10 OF 21

FROM SOCKET	TO SOCKET	LENGTH (MM)	PART NUMBER	HARNESS ASSEMBLY	HARNESS JUMPER	REFERENCE DRAWING	HARNESS EC NUMBER	FEATURE BILL NO.
AA3YK	1ECCA9	0000	0000000	1807945	00	8645391	A02112	1807922
AA3YK	1ECCB1	0000	0000000	1807945	00	8645390	A02112	1807922
AA3YL	1ECCB2	0000	0000000	1807945	00	8645391	A02112	1807922
AA3YL	1ECCB3	0000	0000000	1807945	00	8645390	A02112	1807922
AA3YM	1AA2YQ	0000	0000000	1807955	00	MISCLCA	A20139	1807992
AA3YN	1ECCB4	0000	0000000	1807946	00	8645391	A20139	1807993
AA3YP	1ECCB6	0000	0000000	1807946	00	8645391	A20139	1807993
AA3YQ	1ECCB8	0000	0000000	1807946	00	8645391	A20139	1807993
AA3ZA	1ECCA7	0000	0000000	1807945	00	8645391	A02112	1807922
AA3ZA	1ECCA8	0000	0000000	1807945	00	8645390	A02112	1807922
AA3ZB	1ECCA9	0000	0000000	1807945	00	8645390	A02112	1807922
AA3ZB	1ECCB7	0000	0000000	1807945	00	8645390	A02112	1807922
AA3ZC	1ECCB2	0000	0000000	1807945	00	8645390	A02112	1807922
AA3ZC	1ECCB3	0000	0000000	1807945	00	8645391	A02112	1807922
AA3ZD	1AA2YR	0000	0000000	1807955	00	MISCLCA	A20139	1807992
AA3ZE	1ECCB4	0000	0000000	1807946	00	8645390	A20139	1807993
AA3ZF	1ECCB6	0000	0000000	1807946	00	8645390	A20139	1807993
AA3ZG	1ECCB8	0000	0000000	1807946	00	8645390	A20139	1807993

-

-

11

11

CABLE LIST FOR MACHINE 4381    PREV. EC A09845    PRES. EC A20444    SEP 20, 84

LIST PN 8645432    PAGE 11 OF 21

FROM SOCKET	TO SOCKET	LENGTH (MM)	PART NUMBER	HARNESS ASSEMBLY	HARNESS JUMPER	REFERENCE DRAWING	HARNESS EC NUMBER	FEATURE BILL NO.
AA4X2	1AB2WJ0	450	4150236	8645357	4	4150010	A25560B	1807985
AA4X3	1AB2WJ3	400	4150234	8645357	5	4150010	A25560B	1807985
AA4X4	1AB2WJ6	400	4150234	8645357	6	4150010	A25560B	1807985
AA4X5	1AB2WJ9	420	4150235	8645357	7	4150010	A25560B	1807985
AA4YA	1AA3YF	1100	1726943	0401430	1	4150008	A02100	0401429
AA4YD	1AB2WA7	560	4150241	8645353	8	4150010	A25560B	1807985
AA4YE	1AB2WA1	520	4150239	8645353	2	4150010	A25560B	1807985
AA4YF	1AB2WA4	480	4150237	8645353	5	4150010	A25560B	1807985
AA4YG	1AB2WA2	420	4150235	8645353	3	4150010	A25560B	1807985
AA4YL	1AB2WA5	640	4150244	8645353	6	4150010	A25560B	1807985
AA4YM	1AB2WA8	600	4150242	8645353	9	4150010	A25560B	1807985
AA4YN	1AB2WA9	540	4150240	8645353	10	4150010	A25560B	1807985
AA4YP	1AB2WA6	500	4150238	8645353	7	4150010	A25560B	1807985
AA4YQ	1AB2WA3	450	4150236	8645353	4	4150010	A25560B	1807985
AA4YR	1AB2WA0	400	4150234	8645353	1	4150010	A25560B	1807985

11



11

CABLE LIST FOR MACHINE 4381    PREV. EC A09845    PRES. EC A20444    SEP 20, 84

LIST PN 8645432    PAGE 12 OF 21

FROM SOCKET	TO SOCKET	LENGTH (MM)	PART NUMBER	HARNESS ASSEMBLY	HARNESS JUMPER	REFERENCE DRAWING	HARNESS EC NUMBER	FEATURE BILL NO.
AB1VA0	1AB2VA0	1300	4150124	8645358	10	4150008	A25547	1807997
AB1VA1	1AB2VA2	1300	4150124	8645358	11	4150008	A25547	1807997
AB1VA2	1AB2VA1	1300	4150124	8645358	12	4150008	A25547	1807997
AB1VA3	1AB2VA3	1300	4150124	8645358	13	4150008	A25547	1807997
AB1VA6	1AB2VA6	1300	4150124	8645358	14	4150008	A25547	1807997
AB1VA7	1AB2VJ5	1500	4150126	8645358	15	4150008	A25547	1807997
AB1VA8	1AB2WJ5	1500	4150126	8645358	16	4150010	A25547	1807997
AB1VA9	1AB2VA9	1300	4150124	8645358	17	4150008	A25547	1807997
AB1VJ0	1AB2VJ0	1200	4150124	8645358	23	4150008	A25547	1807997
AB1VJ1	1BA1A4	2200	4150265	8645358	5	4150010	A25547	1807997
AB1VJ2	1AB2VJ4	1200	4150123	8645358	24	4150008	A25547	1807997
AB1VJ3	1AB2VJ3	1200	4150123	8645358	25	4150008	A25547	1807997
AB1VJ4	1AB2VJ2	1200	4150123	8645358	26	4150008	A25547	1807997
AB1VJ5	1AB2VA7	1100	4150122	8645358	27	4150008	A25547	1807997
AB1VJ6	1AB2VJ6	1200	4150123	8645358	28	4150008	A25547	1807997
AB1VJ7	1AB2VJ8	1200	4150123	8645358	29	4150008	A25547	1807997
AB1VJ8	1AB2VJ7	1200	4150123	8645358	30	4150008	A25547	1807997
AB1VJ9	1AB2VJ9	1200	4150123	8645358	31	4150008	A25547	1807997
AB1VS0	1BA1C2	2100	4150264	8645358	9	4150010	A25547	1807997
AB1VS1	1BA1C3	2100	4150264	8645358	7	4150010	A25547	1807997
AB1VS2	1AB2VS2	1200	4150123	8645358	35	4150008	A25547	1807997
AB1VS3	1BA1D5	2200	4150265	8645358	1	4150010	A25547	1807997
AB1VS4	1BA1C5	2200	4150265	8645358	2	4150010	A25547	1807997
AB1VS5	1BA1D3	2100	4150264	8645358	6	4150010	A25547	1807997
AB1VS6	1AA2YD	850	4150250	8645358	36	4150010	A25547	1807997
AB1VS7	1BA1D4	2200	4150265	8645358	3	4150010	A25547	1807997
AB1VS8	1BA1C4	2200	4150265	8645358	4	4150010	A25547	1807997
AB1VS9	1BA1D2	2100	4150264	8645358	8	4150010	A25547	1807997

11

11

CABLE LIST FOR MACHINE 4381      PREV. EC A09845    PRES. EC A20444    SEP 20, 84

LIST PN 8645432    PAGE 13 OF 21

FROM SOCKET	TO SOCKET	LENGTH (MM)	PART NUMBER	HARNESS ASSEMBLY	HARNESS JUMPER	REFERENCE DRAWING	HARNESS EC NUMBER	FEATURE BILL NO.
AB1WJ1	1AA3YE	1100	4150154	8645358	18	4150010	A25547	1807997
AB1WJ2	1AB2WJ4	1200	4150123	8645358	19	4150008	A25547	1807997
AB1WJ4	1AB2WJ2	1200	4150123	8645358	20	4150008	A25547	1807997
AB1WJ5	1AB2VA8	1200	4150123	8645358	21	4150008	A25547	1807997
AB1WJ7	1AA2YH	380	4150233	8645358	22	4150010	A25547	1807997
AB1WS1	1BA1V4	2800	4150269	8645358	37	4150010	A25547	1807997
AB1WS2	1AB2WS3	1200	4150123	8645358	32	4150008	A25547	1807997
AB1WS3	1AB2WS2	1200	4150123	8645358	33	4150008	A25547	1807997
AB1WS4	1BA1V3	2600	4150268	8645358	38	4150010	A25547	1807997
AB1WS5	1BA1V5	2800	4150269	8645358	39	4150010	A25547	1807997
AB1WS7	1AA3YF	520	4150239	8645358	34	4150010	A25547	1807997
AB1WS9	1BA1V2	2600	4150268	8645358	40	4150010	A25547	1807997

11

11

CABLE LIST FOR MACHINE 4381      PREV. EC A09845    PRES. EC A20444    SEP 20, 84

LIST PN 8645432    PAGE 14 OF 21

FROM SOCKET	TO SOCKET	LENGTH (MM)	PART NUMBER	HARNESS ASSEMBLY	HARNESS JUMPER	REFERENCE DRAWING	HARNESS EC NUMBER	FEATURE BILL NO.
AB2VA0	1AB1VA0	1300	4150124	8645358	10	4150008	A25547	1807997
AB2VA1	1AB1VA2	1300	4150124	8645358	12	4150008	A25547	1807997
AB2VA2	1AB1VA1	1300	4150124	8645358	11	4150008	A25547	1807997
AB2VA3	1AB1VA3	1300	4150124	8645358	13	4150008	A25547	1807997
AB2VA6	1AB1VA6	1300	4150124	8645358	14	4150008	A25547	1807997
AB2VA7	1AB1VJ5	1100	4150122	8645358	27	4150008	A25547	1807997
AB2VA8	1AB1WJ5	1200	4150123	8645358	21	4150008	A25547	1807997
AB2VA9	1AB1VA9	1300	4150124	8645358	17	4150008	A25547	1807997
AB2VJ0	1AB1VJ0	1200	4150124	8645358	23	4150008	A25547	1807997
AB2VJ1	1AA3A4	1100	4150254	8645357	3	4150010	A25560B	1807985
AB2VJ2	1AB1VJ4	1200	4150123	8645358	26	4150008	A25547	1807997
AB2VJ3	1AB1VJ3	1200	4150123	8645358	25	4150008	A25547	1807997
AB2VJ4	1AB1VJ2	1200	4150123	8645358	24	4150008	A25547	1807997
AB2VJ5	1AB1VA7	1500	4150126	8645358	15	4150008	A25547	1807997
AB2VJ6	1AB1VJ6	1200	4150123	8645358	28	4150008	A25547	1807997
AB2VJ7	1AB1VJ8	1200	4150123	8645358	30	4150008	A25547	1807997
AB2VJ8	1AB1VJ7	1200	4150123	8645358	29	4150008	A25547	1807997
AB2VJ9	1AB1VJ9	1200	4150123	8645358	31	4150008	A25547	1807997
AB2VS0	1AA3C2	1500	4150258	8645354	1	4150010	A25547	1807985
AB2VS1	1AA3C3	1500	4150258	8645354	2	4150010	A25547	1807985
AB2VS2	1AB1VS2	1200	4150123	8645358	35	4150008	A25547	1807997
AB2VS3	1AA3D5	1400	4150257	8645354	3	4150010	A25547	1807985
AB2VS4	1AA3C5	1400	4150257	8645354	4	4150010	A25547	1807985
AB2VS5	1AA3D3	1500	4150258	8645354	5	4150010	A25547	1807985
AB2VS6	1AA2YF	1600	4150259	8645354	9	4150010	A25547	1807985
AB2VS7	1AA3D4	1400	4150257	8645354	6	4150010	A25547	1807985
AB2VS8	1AA3C4	1400	4150257	8645354	7	4150010	A25547	1807985

11

11

CABLE LIST FOR MACHINE 4381		PREV. EC A09845	PRES. EC A20444	SEP 20, 84				
FROM SOCKET	TO SOCKET	LENGTH (MM)	PART NUMBER	HARNESS ASSEMBLY	HARNESS JUMPER	REFERENCE DRAWING	HARNESS EC NUMBER	FEATURE BILL NO.
AB2VS9	1AA3D2	1500	4150258	8645354	8	4150010	A25547	1807985
AB2WA0	1AA4YR	400	4150234	8645353	1	4150010	A25560B	1807985
AB2WA1	1AA4YE	520	4150239	8645353	2	4150010	A25560B	1807985
AB2WA2	1AA4YG	420	4150235	8645353	3	4150010	A25560B	1807985
AB2WA3	1AA4YQ	450	4150236	8645353	4	4150010	A25560B	1807985
AB2WA4	1AA4YF	480	4150237	8645353	5	4150010	A25560B	1807985
AB2WA5	1AA4YL	640	4150244	8645353	6	4150010	A25560B	1807985
AB2WA6	1AA4YP	500	4150238	8645353	7	4150010	A25560B	1807985
AB2WA7	1AA4YD	560	4150241	8645353	8	4150010	A25560B	1807985
AB2WA8	1AA4YM	600	4150242	8645353	9	4150010	A25560B	1807985
AB2WA9	1AA4YN	540	4150240	8645353	10	4150010	A25560B	1807985
AB2WJ0	1AA4X2	450	4150236	8645357	4	4150010	A25560B	1807985
AB2WJ1	1AA3YD	1100	4150254	8645357	2	4150010	A25560B	1807985
AB2WJ2	1AB1WJ4	1200	4150123	8645358	20	4150008	A25547	1807997
AB2WJ3	1AA4X3	400	4150234	8645357	5	4150010	A25560B	1807985
AB2WJ4	1AB1WJ2	1200	4150123	8645358	19	4150008	A25547	1807997
AB2WJ5	1AB1VA8	1500	4150126	8645358	16	4150010	A25547	1807997
AB2WJ6	1AA4X4	400	4150234	8645357	6	4150010	A25560B	1807985
AB2WJ7	1AA2YG	1200	4150255	8645357	1	4150010	A25560B	1807985
AB2WJ8	1AA3W4	620	4150243	8645354	3	4150010	A25547	1807993
AB2WJ9	1AA4X5	420	4150235	8645357	7	4150010	A25560B	1807985
AB2WS0	1AA3W2	950	4150252	8645354	12	4150010	A25547	1807993
AB2WS1	1AA3V4	850	4150250	8645354	15	4150010	A25547	1807993
AB2WS2	1AB1WS3	1200	4150123	8645358	33	4150008	A25547	1807997
AB2WS3	1AB1WS2	1200	4150123	8645358	32	4150008	A25547	1807997
AB2WS4	1AA3V3	900	4150251	8645354	16	4150010	A25547	1807993
AB2WS5	1AA3V5	800	4150249	8645354	17	4150010	A25547	1807993
AB2WS6	1AA3W5	800	4150249	8645354	13	4150010	A25547	1807993

LIST PN 8645432 PAGE 15 OF 21

FROM SOCKET	TO SOCKET	LENGTH (MM)	PART NUMBER	HARNESS ASSEMBLY	HARNESS JUMPER	REFERENCE DRAWING	HARNESS EC NUMBER	FEATURE BILL NO.
AB2WS7	1AA3YC	1300	4150256	8645354	10	4150010	A25547	1807985
AB2WS8	1AA3W3	900	4150251	8645354	14	4150010	A25547	1807985
AB2WS9	1AA3V2	950	4150252	8645354	18	4150010	A25547	1807993

11

CABLE LIST FOR MACHINE 4381      PREV. EC A09845    PRES. EC A20444    SEP 20, 84

LIST PN 8645432    PAGE 17 OF 21

FROM SOCKET	TO SOCKET	LENGTH (MM)	PART NUMBER	HARNESS ASSEMBLY	HARNESS JUMPER	REFERENCE DRAWING	HARNESS EC NUMBER	FEATURE BILL NO.
BA1A4	1AB1VJ1	2200	4150265	8645358	5	4150010	A25547	1807997
BA1B2	1ECCC3	0000	0000000	1807948	00	8645391	A20144	1807993
BA1B2	1ECCC4	0000	0000000	1807948	00	8645390	A20144	1807993
BA1B3	1ECCC5	0000	0000000	1807948	00	8645391	A20144	1807993
BA1B3	1ECCC6	0000	0000000	1807948	00	8645390	A20144	1807993
BA1B4	1ECCC5	0000	0000000	1807948	00	8645390	A20144	1807993
BA1B4	1ECCC6	0000	0000000	1807948	00	8645391	A20144	1807993
BA1B5	1ECCC3	0000	0000000	1807948	00	8645390	A20144	1807993
BA1B5	1ECCC4	0000	0000000	1807948	00	8645391	A20144	1807993
BA1C2	1AB1VS0	2100	4150264	8645358	9	4150010	A25547	1807997
BA1C3	1AB1VS1	2100	4150264	8645358	7	4150010	A25547	1807997
BA1C4	1AB1VS8	2200	4150265	8645358	4	4150010	A25547	1807997
BA1C5	1AB1VS4	2200	4150265	8645358	2	4150010	A25547	1807997
BA1D2	1AB1VS9	2100	4150264	8645358	8	4150010	A25547	1807997
BA1D3	1AB1VS5	2100	4150264	8645358	6	4150010	A25547	1807997
BA1D4	1AB1VS7	2200	4150265	8645358	3	4150010	A25547	1807997
BA1D5	1AB1VS3	2200	4150265	8645358	1	4150010	A25547	1807997
BA1V2	1AB1VS9	2600	4150268	8645358	40	4150010	A25547	1807997
BA1V3	1AB1VS4	2600	4150268	8645358	38	4150010	A25547	1807997
BA1V4	1AB1VS1	2800	4150269	8645358	37	4150010	A25547	1807997
BA1V5	1AB1VS5	2800	4150269	8645358	39	4150010	A25547	1807997
BA1YJ	1ECCC7	0000	0000000	1807949	00	8645391	A02112	1807992
BA1YJ	1ECCC8	0000	0000000	1807949	00	8645390	A02112	1807992
BA1YK	1ECCC9	0000	0000000	1807949	00	8645391	A02112	1807992
BA1YK	1ECCD1	0000	0000000	1807949	00	8645390	A02112	1807992
BA1YL	1ECCD2	0000	0000000	1807949	00	8645391	A02112	1807992
BA1YL	1ECCD3	0000	0000000	1807949	00	8645390	A02112	1807992
BA1YM	1ECCC1	0000	0000000	1807948	00	8645391	A20144	1807993

11

||

CABLE LIST FOR MACHINE 4381

PREV. EC A09845    PRES. EC A20444    SEP 20, 84

LIST PN 8645432    PAGE 18 OF 21

FROM SOCKET	TO SOCKET	LENGTH (MM)	PART NUMBER	HARNESS ASSEMBLY	HARNESS JUMPER	REFERENCE DRAWING	HARNESS EC NUMBER	FEATURE BILL NO.
BA1YM	1ECCC2	0000	0000000	1807948	00	8645390	A20144	1807993
BA1YN	1ECCD4	0000	0000000	1807969	00	8645391	A20139	1807992
BA1YN	1ECCD5	0000	0000000	1807969	00	8645390	A20139	1807992
BA1YP	1ECCD6	0000	0000000	1807969	00	8645391	A20139	1807992
BA1YP	1ECCD7	0000	0000000	1807969	00	8645390	A20139	1807992
BA1YQ	1ECCD8	0000	0000000	1807969	00	8645391	A20139	1807992
BA1YQ	1ECCD9	0000	0000000	1807969	00	8645390	A20139	1807992
BA1ZA	1ECCC7	0000	0000000	1807949	00	8645390	A02112	1807992
BA1ZA	1ECCC8	0000	0000000	1807949	00	8645391	A02112	1807992
BA1ZB	1ECCC9	0000	0000000	1807949	00	8645390	A02112	1807992
BA1ZB	1ECCD1	0000	0000000	1807949	00	8645391	A02112	1807992
BA1ZC	1ECCD2	0000	0000000	1807949	00	8645390	A02112	1807992
BA1ZC	1ECCD3	0000	0000000	1807949	00	8645391	A02112	1807992
BA1ZD	1ECCC1	0000	0000000	1807948	00	8645390	A02112	1807993
BA1ZD	1ECCC2	0000	0000000	1807948	00	8645391	A02112	1807993
BA1ZE	1ECCD4	0000	0000000	1807969	00	8645390	A20139	1807992
BA1ZE	1ECCD5	0000	0000000	1807969	00	8645391	A20139	1807992
BA1ZF	1ECCD6	0000	0000000	1807969	00	8645390	A20139	1807992
BA1ZF	1ECCD7	0000	0000000	1807969	00	8645391	A20139	1807992
BA1ZG	1ECCD8	0000	0000000	1807969	00	8645390	A20139	1807992
BA1ZG	1ECCD9	0000	0000000	1807969	00	8645391	A20139	1807992

-

-

||

11

CABLE LIST FOR MACHINE 4381      PREV. EC A09845    PRES. EC A20444    SEP 20, 84

LIST PN 8645432    PAGE 19 OF 21

FROM SOCKET	TO SOCKET	LENGTH (MM)	PART NUMBER	HARNESS ASSEMBLY	HARNESS JUMPER	REFERENCE DRAWING	HARNESS EC NUMBER	FEATURE BILL NO.
ECCA1	1AA2ZG	0000	0000000	1807955	00	8645391	A20139	1807992
ECCA1	1AA2ZH	0000	0000000	1807955	00	8645390	A20139	1807992
ECCA3	1AA3B3	0000	0000000	1807944	00	8645391	A20143	1807992
ECCA3	1AA3B4	0000	0000000	1807944	00	8645390	A20143	1807992
ECCA5	1AA3B2	0000	0000000	1807944	00	8645391	A20143	1807992
ECCA5	1AA3B5	0000	0000000	1807944	00	8645390	A20143	1807992
ECCA7	1AA3YJ	0000	0000000	1807945	00	8645391	A02112	1807922
ECCA7	1AA3ZA	0000	0000000	1807945	00	8645391	A02112	1807922
ECCA8	1AA3YJ	0000	0000000	1807945	00	8645390	A02112	1807922
ECCA8	1AA3ZA	0000	0000000	1807945	00	8645390	A02112	1807922
ECCA9	1AA3YK	0000	0000000	1807945	00	8645391	A02112	1807922
ECCA9	1AA3ZB	0000	0000000	1807945	00	8645390	A02112	1807922
ECCB1	1AA3YK	0000	0000000	1807945	00	8645390	A02112	1807922
ECCB2	1AA3YL	0000	0000000	1807945	00	8645391	A02112	1807922
ECCB2	1AA3ZC	0000	0000000	1807945	00	8645390	A02112	1807922
ECCB3	1AA3YL	0000	0000000	1807945	00	8645390	A02112	1807922
ECCB3	1AA3ZC	0000	0000000	1807945	00	8645391	A02112	1807922
ECCB4	1AA3YN	0000	0000000	1807946	00	8645391	A20139	1807993
ECCB4	1AA3ZE	0000	0000000	1807946	00	8645390	A20139	1807993
ECCB6	1AA3YP	0000	0000000	1807946	00	8645391	A21039	1807993
ECCB6	1AA3ZF	0000	0000000	1807946	00	8645390	A20139	1807993
ECCB7	1AA3ZB	0000	0000000	1807945	00	8645390	A02112	1807922
ECCB8	1AA3YQ	0000	0000000	1807946	00	8645391	A20139	1807993
ECCB8	1AA3ZG	0000	0000000	1807946	00	8645390	A20139	1807993
ECCC1	1BA1YM	0000	0000000	1807948	00	8645391	A20144	1807993
ECCC1	1BA1ZD	0000	0000000	1807948	00	8645390	A20144	1807993
ECCC2	1BA1YM	0000	0000000	1807948	00	8645390	A20144	1807993
ECCC2	1BA1ZD	0000	0000000	1807948	00	8645391	A20144	1807993

11



11

CABLE LIST FOR MACHINE 4381      PREV. EC A09845    PRES. EC A20444    SEP 20, 84

LIST PN 8645432    PAGE    20 OF    21

FROM SOCKET	TO SOCKET	LENGTH (MM)	PART NUMBER	HARNESS ASSEMBLY	HARNESS JUMPER	REFERENCE DRAWING	HARNESS EC NUMBER	FEATURE BILL NO.
ECCC3	1BA1B2	0000	0000000	1807948	00	8645391	A20144	1807993
ECCC3	1BA1B5	0000	0000000	1807948	00	8645390	A20144	1807993
ECCC4	1BA1B2	0000	0000000	1807948	00	8645390	A20144	1807993
ECCC4	1BA1B5	0000	0000000	1807948	00	8645391	A20144	1807993
ECCC5	1BA1B3	0000	0000000	1807948	00	8645391	A20144	1807993
ECCC5	1BA1B4	0000	0000000	1807948	00	8645390	A20144	1807993
ECCC6	1BA1B3	0000	0000000	1807948	00	8645390	A20144	1807993
ECCC6	1BA1B4	0000	0000000	1807948	00	8645391	A20144	1807993
ECCC7	1BA1YJ	0000	0000000	1807949	00	8645391	A02112	1807992
ECCC7	1BA1ZA	0000	0000000	1807949	00	8645390	A02112	1807992
ECCC8	1BA1YJ	0000	0000000	1807949	00	8645390	A02112	1807992
ECCC8	1BA1ZA	0000	0000000	1807949	00	8645391	A02112	1807992
ECCC9	1BA1YK	0000	0000000	1807949	00	8645391	A02112	1807992
ECCC9	1BA1ZB	0000	0000000	1807949	00	8645390	A02112	1807992
ECCD1	1BA1YK	0000	0000000	1807949	00	8645390	A02112	1807992
ECCD1	1BA1ZB	0000	0000000	1807949	00	8645391	A02112	1807992
ECCD2	1BA1YL	0000	0000000	1807949	00	8645391	A02112	1807992
ECCD2	1BA1ZC	0000	0000000	1807949	00	8645390	A02112	1807992
ECCD3	1BA1YL	0000	0000000	1807949	00	8645390	A02112	1807992
ECCD3	1BA1ZC	0000	0000000	1807949	00	8645391	A02112	1807992
ECCD4	1BA1YN	0000	0000000	1807969	00	8645391	A20139	1807992
ECCD4	1BA1ZE	0000	0000000	1807969	00	8645390	A20139	1807992
ECCD5	1BA1YN	0000	0000000	1807969	00	8645390	A20139	1807992
ECCD5	1BA1ZE	0000	0000000	1807969	00	8645391	A20139	1807992
ECCD6	1BA1YP	0000	0000000	1807969	00	8645391	A20139	1807992
ECCD6	1BA1ZF	0000	0000000	1807969	00	8645390	A20139	1807992
ECCD7	1BA1YP	0000	0000000	1807969	00	8645390	A20139	1807992
ECCD7	1BA1ZF	0000	0000000	1807969	00	8645391	A20139	1807992

11

11

CABLE LIST FOR MACHINE 4381      PREV. EC A09845    PRES. EC A20444    SEP 20, 84

LIST PN 8645432    PAGE    21 OF    21

FROM SOCKET	TO SOCKET	LENGTH (MM)	PART NUMBER	HARNESS ASSEMBLY	HARNESS JUMPER	REFERENCE DRAWING	HARNESS EC NUMBER	FEATURE BILL NO.
ECCD8	1BA1YQ	0000	0000000	1807969	00	8645391	A20139	1807992
ECCD8	1BA1ZG	0000	0000000	1807969	00	8645390	A20139	1807992
ECCD9	1BA1YQ	0000	0000000	1807969	00	8645390	A20139	1807992
ECCD9	1BA1ZG	0000	0000000	1807969	00	8645391	A20139	1807992

11

(C) COPYRIGHT INTERNATIONAL BUSINESS MACHINES CORPORATION, 1983.

THE DRAWINGS AND SPECIFICATIONS CONTAINED HEREIN SHALL NOT BE REPRODUCED IN WHOLE OR IN PART WITHOUT WRITTEN PERMISSION.

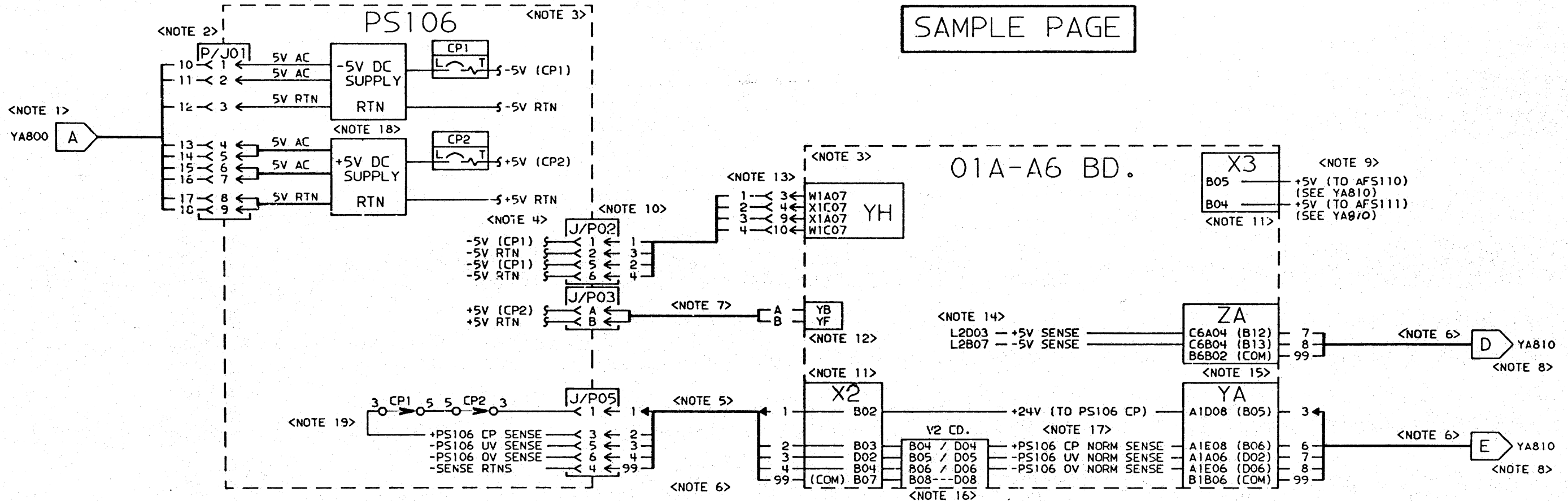
IBM HAS PREPARED THIS MAINTENANCE DOCUMENTATION FOR THE USE OF IBM CUSTOMER ENGINEERS IN THE INSTALLATION, MAINTENANCE AND REPAIR OF THE SPECIFIC MACHINES INDICATED. IBM MAKES NO REPRESENTATIONS THAT IT IS SUITABLE FOR ANY OTHER PURPOSE.

INFORMATION CONTAINED IN THIS DOCUMENTATION IS SUBJECT TO CHANGE FROM TIME TO TIME. CHANGES WILL BE REFLECTED IN SUBSEQUENT REVISIONS.

COPYRIGHT NOTICE		
EC 331496 01AUG83	PN 5665810	YA011
	1 OF 2	

<p align="center"><b>CONNECTORS</b></p> <p>P/J INDICATES THE PLUG ON LEFT, AND THE JACK ON RIGHT.  J/P INDICATES THE JACK ON LEFT, AND THE PLUG ON RIGHT.  → SPECIFIES A MALE PIN.  Y SPECIFIES A FEMALE PIN.</p>	<p align="center"><b>BOARD VOLTAGE CONNECTORS (DISCRETE WIRE)</b></p> <p>ZH SPECIFIES CONNECTOR LOCATION. BOARD PINS SHOWN AT LEFT OF ZH Y SHOWS THE COMPARABLE CONNECTOR POSITION.  X SPECIFIES A NUMBER USED FOR CROSS REFERENCING.</p>	<p align="center"><b>BOARD VOLTAGE CONNECTORS (FDS CABLES)</b></p> <p>YA AND ZH ARE THE CONNECTOR LOCATIONS WHERE THE FDS CABLES ARE ATTACHED.</p>	<p align="center"><b>PADDLE CARD CONNECTORS (HORIZONTAL BOARD LOCATIONS)</b></p> <p>YA SPECIFIES THE CONNECTOR LOCATION. LOCATIONS IN PARENTHESIS SHOW WHERE WIRES CONNECT ON THE PADDLE CARD. COMPARABLE BOARD PINS ARE SHOWN NEXT TO PADDLE CARD WIRE LOCATIONS.</p>	<p align="center"><b>PADDLE CARD CONNECTORS (VERTICAL BOARD LOCATIONS)</b></p> <p>X4 SPECIFIES THE CONNECTOR LOCATION. WITH THESE PADDLE CARDS, THE BOARD PIN LOCATION IS THE SAME AS THE PADDLE CARD PIN. (COM) SHOWS WIRES CONNECTED TO THE COMMONING BUS ON THE PADDLE CARD, AND THEN CONNECTED TO D08.</p>
<p align="center"><b>TERMINAL BUS (SCREW TYPE)</b></p>	<p align="center"><b>TERMINAL BUS (JUMPER TYPE)</b></p>	<p align="center"><b>CIRCUIT BREAKERS</b></p> <p>SYMBOL REPRESENTS A MAGNETIC CIRCUIT BREAKER WITH THREE SETS OF CONTACTS.</p>	<p align="center"><b>CIRCUIT PROTECTORS</b></p> <p>CP SYMBOL      CP SENSE POINTS</p>	<p align="center"><b>PADDLE CARD CONNECTORS (RESISTOR DIVIDER CARDS)</b></p> <p>B5 SPECIFIES THE CONNECTOR LOCATION. LOCATIONS IN PARENTHESIS SHOW WHERE WIRES CONNECT ON THE PADDLE CARD. LOCATION AT RIGHT SHOWS WHERE THE SIGNAL LEAVES THE PADDLE CARD, AND THE COMPARABLE BOARD PIN.</p>
<p align="center"><b>RELAYS</b></p> <p>POINTS 12 TO 11 ARE NORMALLY CLOSED  POINTS 6 TO 7 ARE NORMALLY OPEN</p>	<p align="center"><b>CONTACTORS</b></p> <p>SYMBOL REPRESENTS A CONTACTOR WITH THREE SETS OF CONTACTS.</p>	<p align="center"><b>LED INDICATOR</b></p> <p>THE NAME OF THE INDICATOR IS WRITTEN ABOVE THE LED.</p>	<p align="center"><b>ARROW (ALTERNATE SIGNAL DIRECTION)</b></p> <p>GENERALLY, SIGNALS ARE SHOWN FLOWING FROM LEFT TO RIGHT.  AN ARROW WILL BE USED TO INDICATE A SIGNAL THAT FLOWS FROM RIGHT TO LEFT.</p>	<p align="center"><b>CAPACITORS (C5, C6, C7, C8)</b></p> <p>CAPACITOR SYMBOL      DETAIL OF CAPACITOR</p> <p>TERMINALS A AND B ARE CONNECTED.  TERMINALS C AND D ARE CONNECTED.</p>
<p align="center"><b>CROSS REFERENCING (OFF-PAGE CONNECTIONS)</b></p> <p>SYMBOL ON LEFT SHOWS SIGNAL COMING IN FROM ANOTHER PAGE.  SYMBOL ON RIGHT SHOWS SIGNAL GOING OUT TO ANOTHER PAGE.  X IN BLOCK SPECIFIES A COMPARABLE X ON THE PAGE WHERE THE SIGNAL COMES FROM OR GOES TO.</p>	<p align="center"><b>CROSS REFERENCING (CONNECTIONS INSIDE FRUS)</b></p> <p>THIS SYMBOL IS USED TO SHOW A SIGNAL INSIDE A FRU THAT IS INTERRUPTED, AND THEN CONTINUED AGAIN AT ANOTHER POINT (OR POINTS) INSIDE THAT FRU.</p>	<p align="center"><b>SIGNALS THROUGH CARDS</b></p> <p>BOXED AREA REPRESENTS A CARD IN THE D2 POSITION.  / SPECIFIES A SIGNAL THAT CHANGES VALUE WHILE GOING THROUGH A CARD.  --- SPECIFIES A SIGNAL THAT GOES THROUGH A CARD WITHOUT BEING CHANGED</p>	<p align="center"><b>LINE TYPES</b></p> <p>DASHED LINES USED TO OUTLINE FRUS OR AREAS INSIDE THE MACHINE.  HEAVY SOLID LINES USED TO SHOW SIGNALS GROUPED INTO CABLES OR LARGE BOARD LANDS.  X'S INDICATE COMPONENTS OR WIRING THAT IS 50 HZ ONLY.  ALL OTHER WIRING AND SYMBOLS SHOWN AS MEDIUM SOLID LINES.</p>	

SAMPLE PAGE



- NOTES:
- 1 - OFF-PAGE CONNECTION FROM PAGE YA800 'A'.
  - 2 - CONNECTOR P/J01, SHOWING PLUG WITH FEMALE PINS ON CABLE END, AND JACK WITH MALE PINS AS PART OF THE PS106 FRU.
  - 3 - DASHED LINES SHOWING AN AREA OF THE MACHINE, IN THIS CASE A POWER SUPPLY AND A BOARD.
  - 4 - SIGNAL BREAKS SHOW SIGNALS GENERATED AT ONE PART OF A FRU, BEING USED AGAIN AT OTHER POINTS INSIDE THAT FRU.
  - 5 - ARROW SYMBOL REPRESENTS A SIGNAL GOING IN A RIGHT TO LEFT DIRECTION.
  - 6 - HEAVY SOLID LINES SHOW SIGNALS GROUPED INTO A CABLE. NUMBERS ARE USED TO CROSS REFERENCE THE LOCATIONS BEING CONNECTED. IN MOST CASES ONLY A PART OF A CABLE WILL BE SHOWN, NOT THE COMPLETE CABLE.
  - 7 - HEAVY SOLID LINE SHOWS FDS DISTRIBUTION FROM CONN 03-A TO YB, AND FROM CONN 03-B TO YF.
  - 8 - OFF-PAGE CONNECTION TO YA810 'D' AND 'E'.
  - 9 - THIS IS NOT A DIRECT CONNECTION TO ANOTHER PAGE, BUT REFERENCES A PAGE WHERE THE COMPLETE INFORMATION CAN BE FOUND.
  - 10 - CONNECTORS SHOWING JACK AS PART OF PS106 FRU, AND PLUGS ON CABLE END.
  - 11 - PADDLE CARD ON A6 BOARD PLUGGED INTO A VERTICAL CONNECTOR LOCATION.
  - 12 - FDS VOLTAGE CONNECTOR ON A6 BOARD AT THE YB AND YF LOCATIONS.
  - 13 - DISCRETE WIRE VOLTAGE CONNECTOR AT THE YH LOCATION. THE BOARD PIN, CONNECTOR POSITION AND CROSS-REFERENCING NUMBERS ARE SHOWN.
  - 14 - BOARD VOLTAGE SENSE FROM L2D03 AND L2B07 PINS TO THE ZA CONNECTOR.
  - 15 - PADDLE CARD ON A6 BOARD PLUGGED INTO A HORIZONTAL CONNECTOR LOCATION. PARENTHESIS SHOW WHERE CABLE WIRE CONNECTS ON PADDLE CARD, AND THE COMPARABLE BOARD PIN IS GIVEN NEXT TO IT.
  - 16 - SIGNALS THROUGH THE V2 CARD. A '/' INDICATES A SIGNAL THAT CHANGES FROM INPUT TO OUTPUT, '---' SHOWS SIGNALS THAT GO STRAIGHT THROUGH.
  - 17 - NAMES OF VARIOUS SIGNALS. 'NORM' REPRESENTS A SIGNAL THAT IS VOLTAGE DIVIDED OR NORMALIZED TO A SPECIFIC VALUE.
  - 18 - SYMBOL ON POWER SUPPLY THAT SHOWS DC VOLTAGES BEING GENERATED FROM AN AC INPUT.
  - 19 - PS106 CP SENSE SIGNAL PASSING THROUGH CP1 AND CP2 SENSE POINTS.

SYMBOLS AND THEIR USAGE (CONT.)		
EC 331496 01AUG83	PN 5665811	YA021
	1 OF 2	

ABBREVIATION	MEANING
AC	ALTERNATING CURRENT
AFS	AIR FLOW SENSOR
AMD	AIR MOVING DEVICE
ASM	ASSEMBLY
AUX	AUXILIARY
BD	BOARD
BG	BIAS GOOD
C	CAPACITOR
CB	CIRCUIT BREAKER
CD	CARD
CE	CUSTOMER ENGINEER
CMPLT	COMPLETE
COM	COMMON
CONN	CONNECTOR
CONT	CONTINUED
CP	CIRCUIT PROTECTOR
CR	DIODE
CTCA	CHANNEL TO CHANNEL ATTACHMENT
CTRL	CONTROL
CU	CONTROL UNIT
DC	DIRECT CURRENT
DIST	DISTRIBUTION
DSPLY	DISPLAY
EMI	ELECTRO-MAGNETIC INTERFERENCE
F	FUSE
FDS	FLEXIBLE DISTRIBUTION SYSTEM
FRU	FIELD REPLACEABLE UNIT
GND	GROUND
G/Y	GREEN-YELLOW
HZ	HERTZ
IML	INITIAL MICROCODE LOAD
INCMPLT	INCOMPLETE

ABBREVIATION	MEANING
IND	INDICATOR
INTLK	INTERLOCK
I/O	INPUT OUTPUT DEVICE
IPO	INSTANT POWER OFF
J	JACK
K	RELAY OR CONTACTOR
L	INDUCTOR
MBC	MAINTENANCE BIAS CONTROLLER
MOD	MODULE
MOT	MOTOR
MSS	MAINTENANCE SUPPORT SUBSYSTEM
µF	MICRO FARAD
N	NEUTRAL
N/C	NORMALLY CLOSED
N/O	NORMALLY OPEN
NORM	NORMALIZED (VOLTAGE DIVIDED)
OC	OVER CURRENT
OCP	OPERATOR CONTROL PANEL
OSC	OSCILLATOR
OV	OVER VOLTAGE
P	PLUG
PCA	POWER CONTROLLER ADAPTER
PCC	PRIMARY CONTROL COMPARTMENT
PCI	POWER CONTROL INTERFACE
PH	PHASE
PN	PART NUMBER
PNL	PANEL
PS	POWER SUPPLY
PWR	POWER
R	RESISTOR
RSF	REMOTE SUPPORT FACILITY
RTN	RETURN

ABBREVIATION	MEANING
SBA	SERVICE BUS ADAPTER
SEQ	SEQUENCE
SERV	SERVICE
SP	SUPPORT PROCESSOR
SW	SWITCH
TB	TERMINAL BLOCK
TR	TRANSFORMER
UEPO	UNIT EMERGENCY POWER OFF
UV	UNDER VOLTAGE
V	VOLTS

ABBREVIATIONS		
EC 331496 01AUG83	PN 5665811	YA024
	2 OF 2	

PRIMARY CONTROL COMPARTMENT FRUS				
COMPONENT	DESCRIPTION	PART NUMBER		PAGES SHOWN
		60 HZ (50 HZ JAPAN)	50 HZ EMEA AFE	
C1,C2,C3,C4 C5,C6,C7,C8	.015μF, 3000VAC 2μF, 660VAC	4432847 5252850	<NOTE 1> <NOTE 1>	YA154 YA161, YA214
CB1	10A MAINLINE MSS	5214256	4109388	YA154
CB2	25A MAINLINE LOGIC	5252506	4120501	YA161
CP1	6A, 240VAC	4473529	<NOTE 1>	YA164
F1	4A, 250V	107665	<NOTE 1>	YA164
F2	2.8A, 250V	2495469	<NOTE 1>	YA154, YA184
FUSE HOLDER	30A, 240V	92752	<NOTE 1>	
K01	5A, 240V	2242321	<NOTE 1>	YA161, YA164, YA191
K02	15A, 240V	5276701	4216213 5276701	YA154, YA194, YA304
K03	15A, 240V	5214059	<NOTE 1>	YA154, YA161, YA204 YA304
K04	40A, 600V (60 HZ) 25A, 600V (50 HZ)	2128748	4216171 2561149	YA161, YA214
L1	3 PHASE INDUCTOR	4494304	4494305	YA161, YA214

COOLING RELATED FRUS			
COMPONENT	PART NUMBER		PAGES SHOWN
	60 HZ	50 HZ EMEA AFE	
AIR INLET SENSOR 101	8483012	<NOTE 1>	YA311
AFS101	5578666	<NOTE 1>	YA311
AFS102	5578666	<NOTE 1>	YA304
AFS103	8645604	<NOTE 1>	YA304
AFS104	8645604	<NOTE 1>	YA304
AFS105	5578666	<NOTE 1>	YA304
AFS106	5578666	<NOTE 1>	YA311
AFS107	5578666	<NOTE 1>	YA311
AMD101	8644938	8645454	YA311
AMD102	8644937	8645455	YA304
AMD103	8644936	8645456	YA304
AMD104	8644936	8645456	YA304
AMD105	8644936	8645456	YA304
AMD106	8644936	8645456	YA311
AMD107	8645132	8645131	YA311

TRANSFORMER AND POWER SUPPLY FRUS				
COMPONENT	DESCRIPTION	PART NUMBER		PAGES SHOWN
		60 HZ	50 HZ EMEA AFE	
CP2	(TR104 A,B,C) 15A, 415V	<NOTE 3>	2745127	YA214
F1	(TR102) 3.2A, 250V	107664	<NOTE 1>	YA194
F1	(TR103) 4A, 250V	107665	<NOTE 1>	YA204
F1,F2,F3,F4	(PS104) 15A, 600V	4155096	<NOTE 1>	YA221
F5,F6,F7,F8	(PS104) 6A, 600V	4155082	<NOTE 1>	YA221
F9	(PS104) 1.6A, 500V	4494279	<NOTE 1>	YA221
TR100	CONVENIENCE OUTLETS	5252645	<NOTE 1>	YA164
TR101	CONTROL	4494280	2722844	YA154, YA184
TR102	MSS	4494290	2722845	YA194
TR103	BIAS	4494300	2722846	YA204
TR104 (A,B,C)	ISOLATION	<NOTE 3>	4494307	YA214
PS101	CONTROL	4494310	<NOTE 1>	YA184, YA191, YA274
PS102	MSS	4494320	<NOTE 1>	YA194, YA201
PS103	BIAS	4494330	<NOTE 1>	YA204, YA211
PS104	AC/DC UNIT	8645451	<NOTE 1>	YA221
PS105	1.5V	4494150 OR 4494199	<NOTE 1>	YA224
PS106	4.3V	4494100 OR 4494190	<NOTE 1>	YA224
PS107	6V	4494225	<NOTE 1>	YA234
PS108	DISTRIBUTION UNIT	4494350	<NOTE 1>	YA241
PS108 - 5V	5V	4494200	<NOTE 1>	YA241
PS108 - 8.5V	8.5V	4494250	<NOTE 1>	YA241
PS109	5V	4494200	<NOTE 1>	YA244
PS111	1.5V	4494199	<NOTE 1>	YA264
PS112	4.3V	4494190	<NOTE 1>	YA264

MISCELLANEOUS FRUS			
COMPONENT	PART NUMBER		PAGES SHOWN
	60 HZ	50 HZ EMEA AFE	
SERVICE PANEL	256530	<NOTE 1>	YA191, YA284, YA291
PCI PANEL	8485197	8485194 8485197	YA294
TB1 SENSE CAPS	8645791	<NOTE 1>	YA224
PS105 DUMMY LOAD	1806762	<NOTE 1>	YA224
UEPO SW	4521305	<NOTE 1>	YA184
PCC INTLK SW	8645625	<NOTE 1>	YA161, YA311
O1A-B1 MICRO SW	8645625	<NOTE 1>	YA264
O1A-B2 MICRO SW	8645625	<NOTE 1>	YA224
CE KEY SW	740513	<NOTE 1>	YA281
C9,C10,C11,C12	401403	<NOTE 1, NOTE 2>	YA231
C13,C14,C15,C16	8633860	<NOTE 1, NOTE 2>	YA241, YA244

NOTES:  
1 - THE 50 HZ PART NUMBER IS THE SAME AS 60 HZ.  
2 - COMPONENTS USED WITH SOURCE 2 STORAGE ONLY.  
3 - COMPONENT NOT USED WITH 60 HZ, EXCEPT IN JAPAN.  
THE 60 HZ PART NUMBER IS THE SAME AS 50 HZ.

FRU LIST AND PAGE LOCATIONS		
EC 331500 01OCT84	PN 5665832	YA031 AB
	1 OF 2	

PADDLE CARD	PAGES SHOWN
01A-A1 BD.	
X2	YA191, YA204, YA214, YA311
X3	YA191, YA281
X4	YA191, YA281
X5	YA191, YA281, YA301
YG	YA184, YA194, YA204, YA214, YA281
YH	YA191, YA201, YA281, YA304
YM	YA184, YA204, YA214, YA281, YA311
YN	YA094, YA231, YA271, YA281, YA301
ZC	YA201, YA231, YA234
ZF	YA191, YA201
01A-A2 BD.	
A2	YA201, YA221, YA224, YA231, YA304
A3	YA201, YA211
A4	YA201, YA234, YA241, YA244, YA304
A5	YA084, YA201, YA211, YA231, YA234, YA241, YA244, YA304, YA311
B2	YA084, YA201, YA231, YA271, YA311
B3	YA201, YA264, YA271, YA311
B4	YA091, YA201, YA211, YA231, YA234, YA311
B5	YA091, YA201, YA231, YA234
YA	YA184, YA204, YA214, YA274, YA311
YB	YA094, YA224, YA231, YA264, YA271, YA274, YA301
YC	YA231, YA271
YD	YA271
YF	YA231
YJ	YA201, YA274
ZC	YA274
ZE	YA201
01A-A3 BD.	
YH	YA201, YA211, YA231, YA234
01A-A4 BD.	
ZA	YA211, YA231, YA241, YA244
01B-A1 BD.	
YH	YA211, YA231, YA234

PCC CONNECTOR	PAGES SHOWN
J01	YA161, YA191, YA194, YA204, YA214
J02	YA154, YA184
J03	YA161, YA204, YA214, YA311
J04	YA154, YA194
J05	YA154, YA304
J06	YA154, YA194
J07	YA154, YA194
J08	YA154, YA304
J10	YA154, YA311
J11	YA154, YA311
J12	YA161, YA204
J14	YA161, YA214

PAGE LOCATIONS OF PADDLE CARDS AND PCC CONNECTORS		
EC 331500 01OCT84	PN 5665832	YA034
	2 OF 2	AB



50 AND 60 HZ WYE / DELTA CONVERSION TABLE		
WYE JUMPER CONNECTIONS	DELTA JUMPER CONNECTIONS	PAGES SHOWN
380V, 400V, 415V (50 HZ)	200V, 220V (50 HZ) 200/208V, 220V, 240V (60 HZ)	
PCC TB1-5 TO PCC TB1-4 PCC TB1-6 TO PCC TB1-4 PCC TB1-7 TO PCC TB1-4 PCC TB2-5 TO PCC TB2-4 CP2-L1 TO TB3-4 CP2-C1 TO TB3-4 CP2-R1 TO TB3-4	PCC TB1-5 TO PCC TB1-1 PCC TB1-6 TO PCC TB1-2 PCC TB1-7 TO PCC TB1-3 PCC TB2-5 TO PCC TB2-2 CP2-L1 TO TB3-1 CP2-C1 TO TB3-2 CP2-R1 TO TB3-3	YA154 YA154 YA154 YA161 YA214 YA214 YA214

TRANSFORMER TERMINAL BUS CONNECTIONS - 60 HZ.					
MAINLINE VOLTAGE		200/208	220	240	PAGES SHOWN
TRANSFORMER INPUT VOLTAGE	COMMON	200/208	220	240	
TR 100	TB1-1	TB1-2	TB1-3	TB1-3	YA164
TR 101	TB1-1	TB1-2	TB1-3	TB1-4	YA154, YA184
TR 102	TB1-1	TB1-2	TB1-3	TB1-4	YA194
TR 103	TB1-1	TB1-2	TB1-3	TB1-4	YA204
TR 104 (A,B,C)	TB1-1	TB1-2	<NOTE 2>	TB1-4	YA204

<NOTE 2>

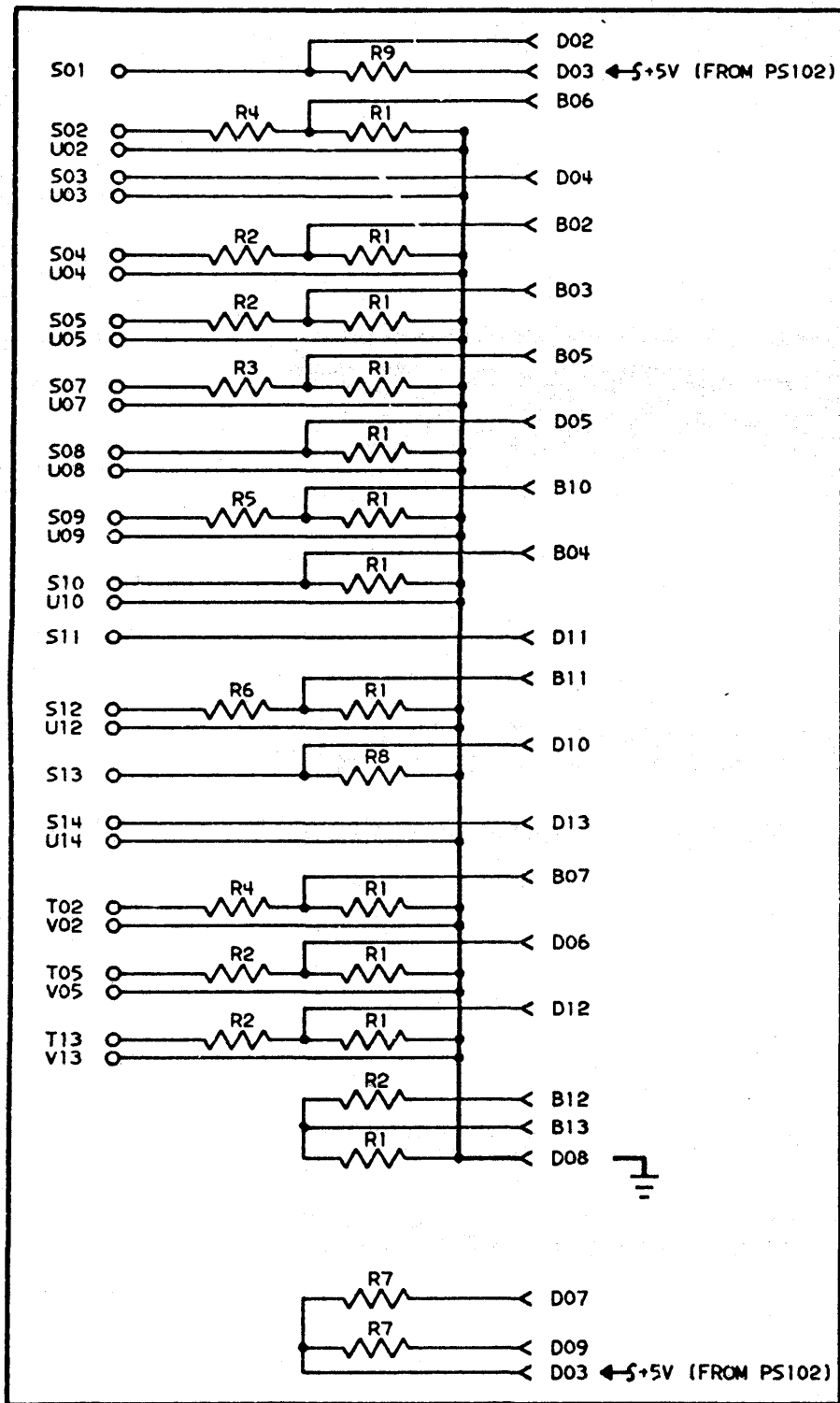
TRANSFORMER TERMINAL BUS CONNECTIONS - 50 HZ.							
MAINLINE VOLTAGE		200	220	380	400	415	PAGES SHOWN
TRANSFORMER INPUT VOLTAGE	COMMON	200	220	220	230	240	
<NOTE 1> TR 100	TB1-1	TB1-2	TB1-3	<NOTE 1>	<NOTE 1>	<NOTE 1>	YA164
TR 101	TB1-1	TB1-2	TB1-3	TB1-3	TB1-4	TB1-5	YA154, YA184
TR 102	TB1-1	TB1-2	TB1-3	TB1-3	TB1-4	TB1-5	YA194
TR 103	TB1-1	TB1-2	TB1-3	TB1-3	TB1-4	TB1-5	YA204
<NOTE 2> TR 104 (A,B,C)	TB1-1	TB1-2	TB1-3	TB1-3	TB1-4	TB1-4	YA214

NOTES:  
 1 - TR100 IS INSTALLED IN ALL 60 HZ MACHINES. TR100 IS ALSO INSTALLED IN 200V AND 220V 50 HZ MACHINES INSTALLED IN JAPAN.  
 2 - TR104 IS INSTALLED IN ALL 50 HZ MACHINES. TR104 IS ALSO INSTALLED IN 200/208V AND 240V 60HZ MACHINES INSTALLED IN JAPAN.

VOLTAGE CONVERSION TABLES		
EC 331497 04NOV83	PN 5665814	YA081
EC 331498 15DEC83	1 OF 2	
EC 331499 01OCT84		

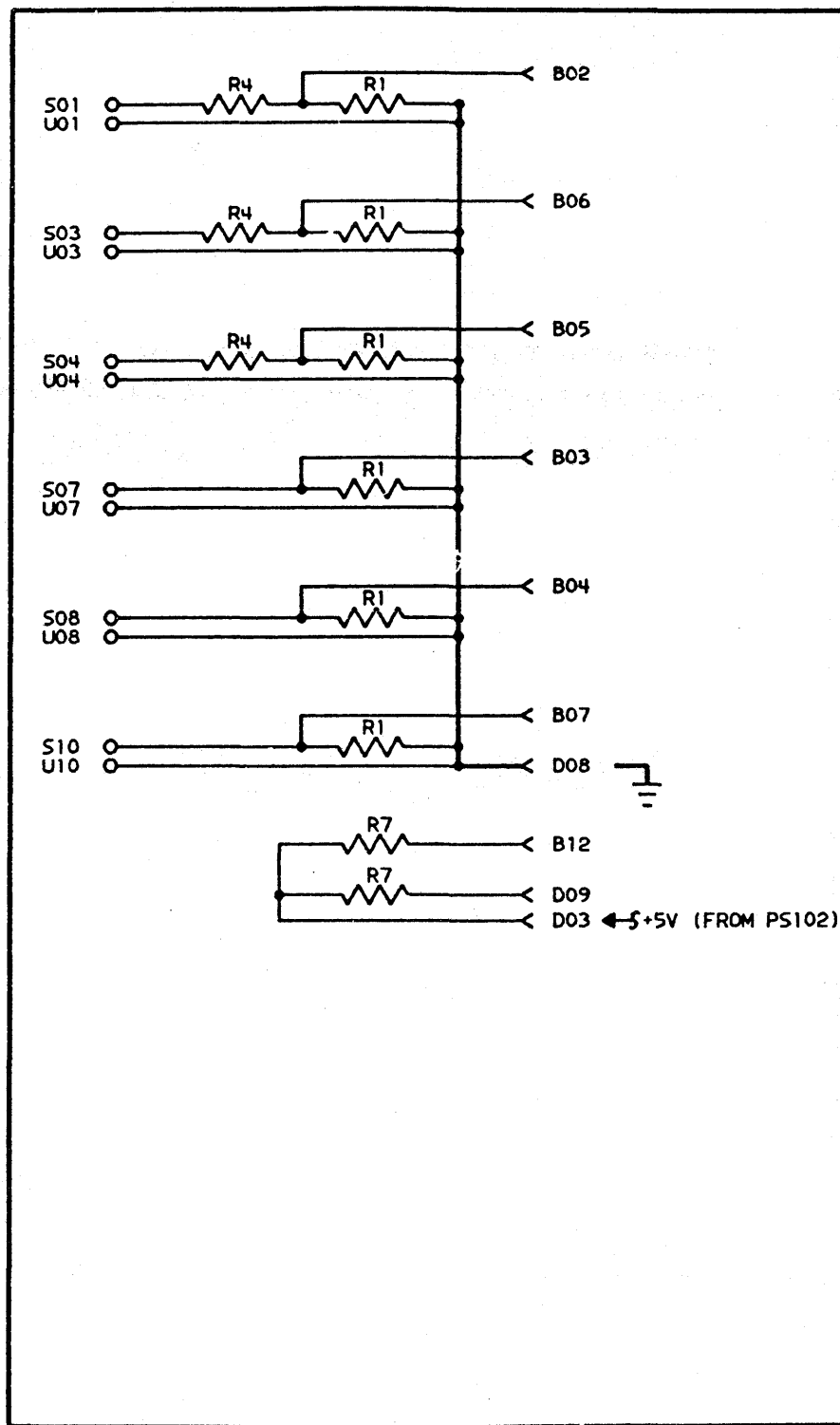
01A-A2-A5 PADDLE CARD

<NOTE 1>

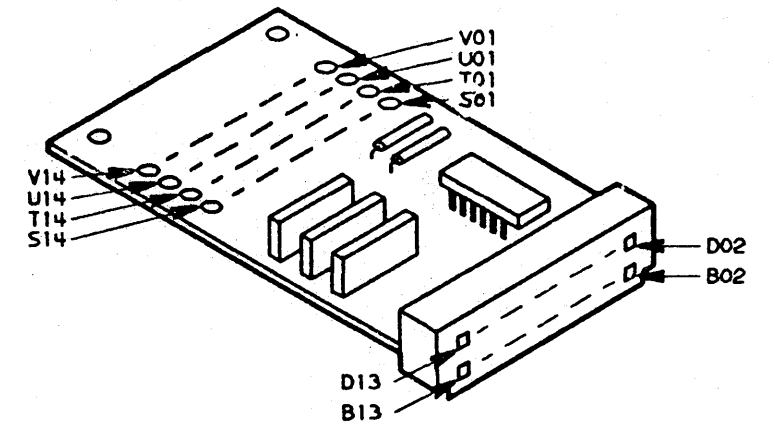


01A-A2-B2 PADDLE CARD

<NOTE 1>



TYPICAL PADDLE CARD I/O CONFIGURATION

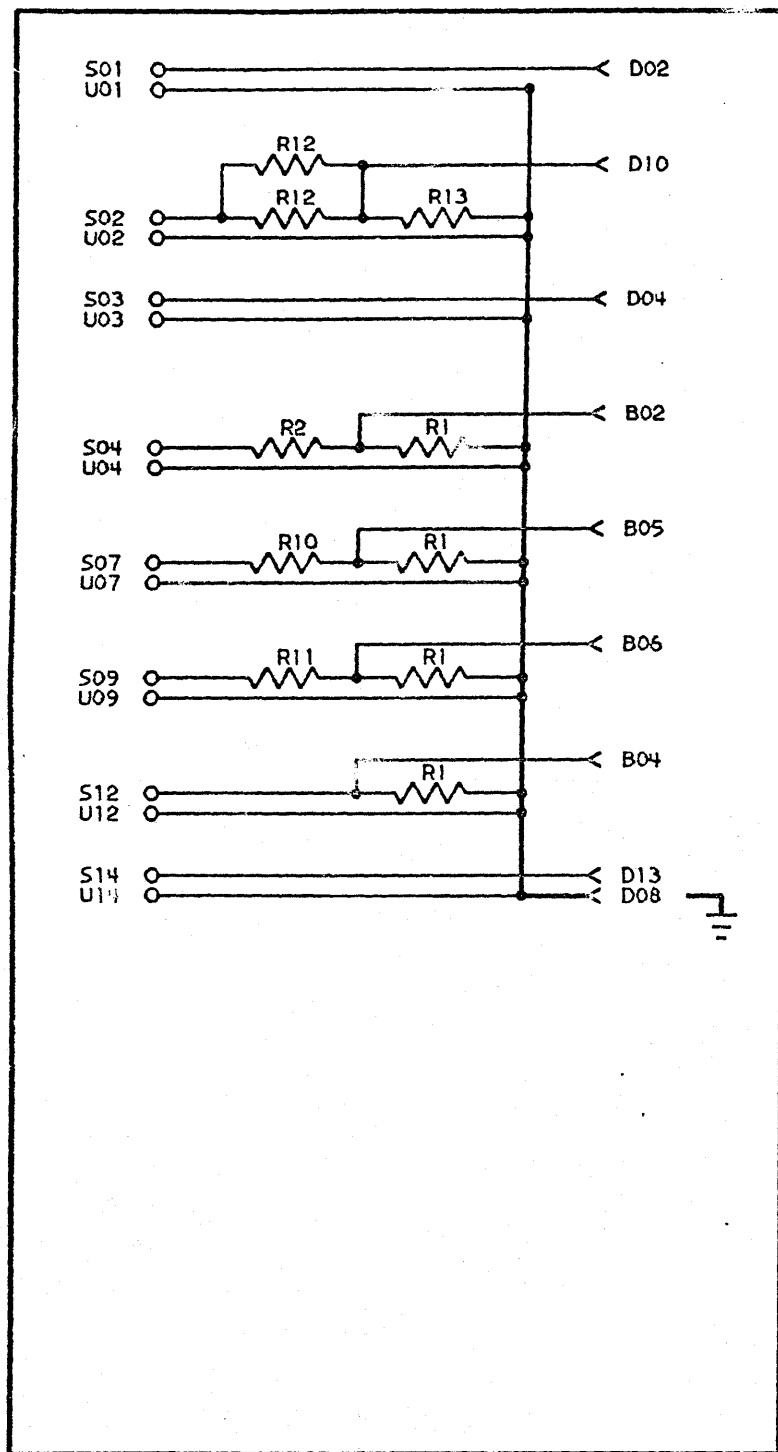


NOTE:  
THE 'U' AND THE 'V' ROWS OF THE PADDLE CARDS ARE CONNECTED TO THE D08 PIN.

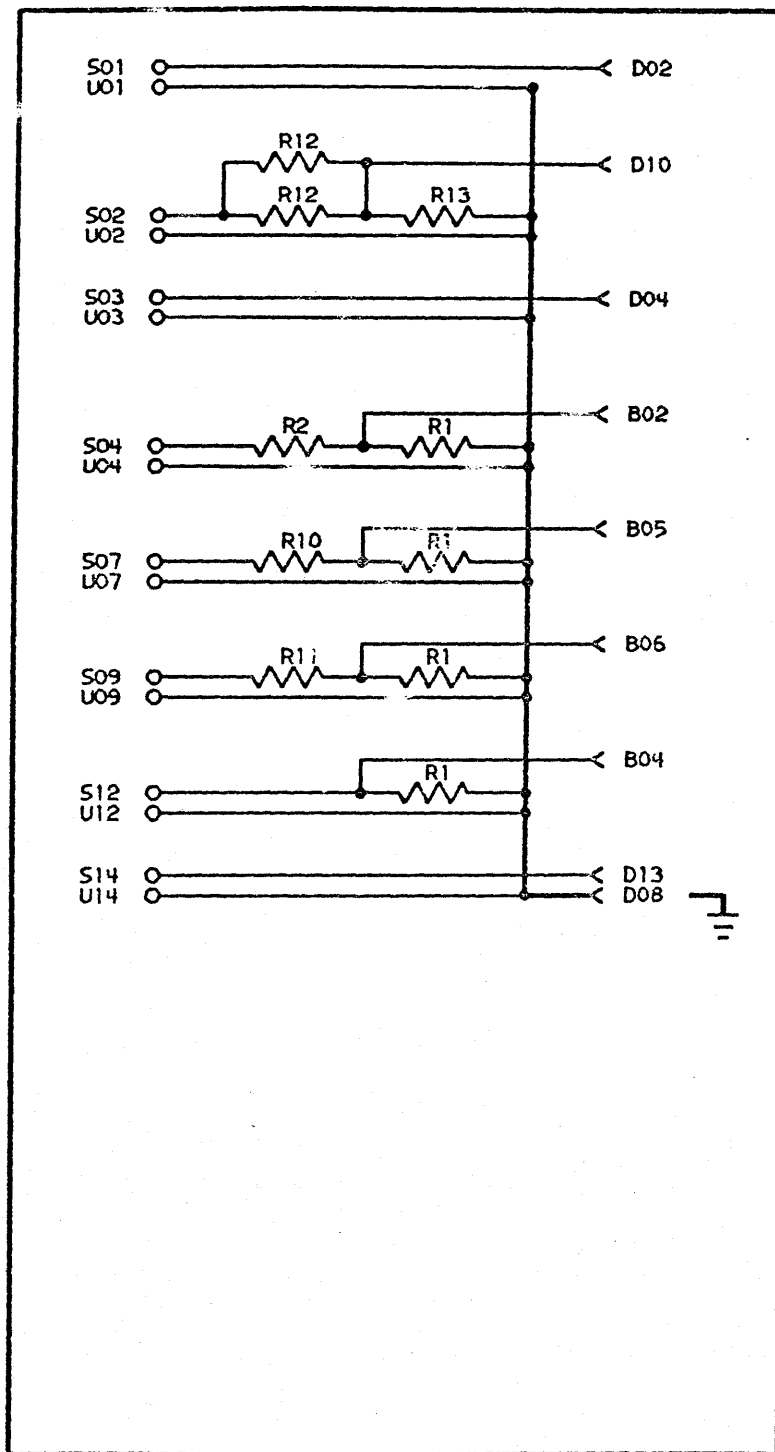
NOTES:  
1 - PADDLE CARD RESISTOR VALUES LOCATED ON YA091.

PADDLE CARD RESISTOR NETWORKS		
EC 331497 04NOV83	PN 5665814	YA084
EC 331498 15DEC83	2 OF 2	
EC 331499 01OCT84		

01A-A2-B4 PADDLE CARD

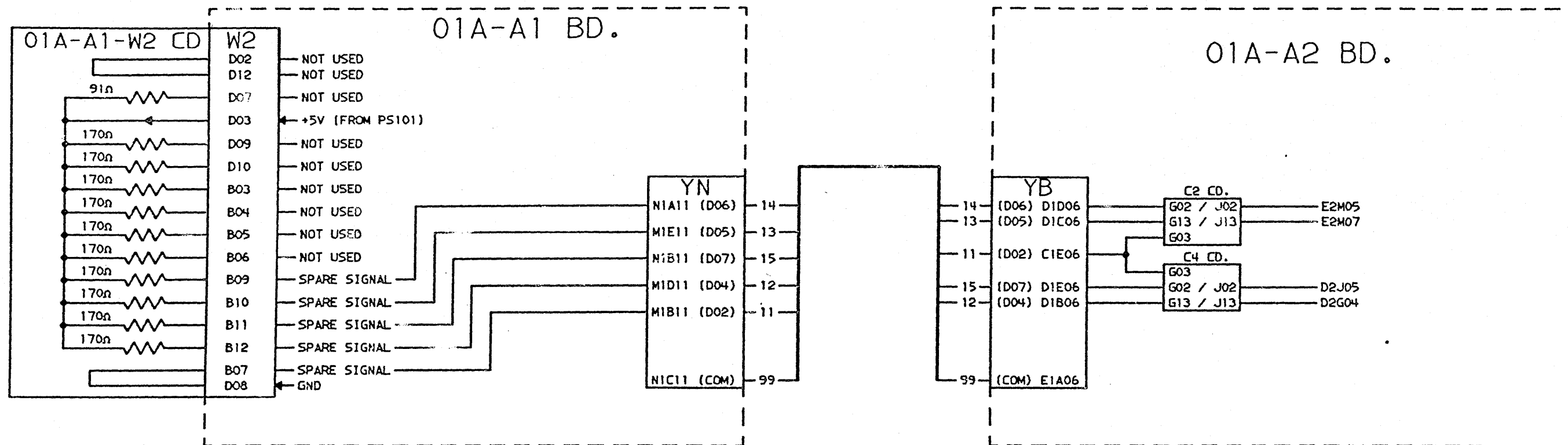


01A-A2-B5 PADDLE CARD



PADDLE CARD RESISTOR VALUES

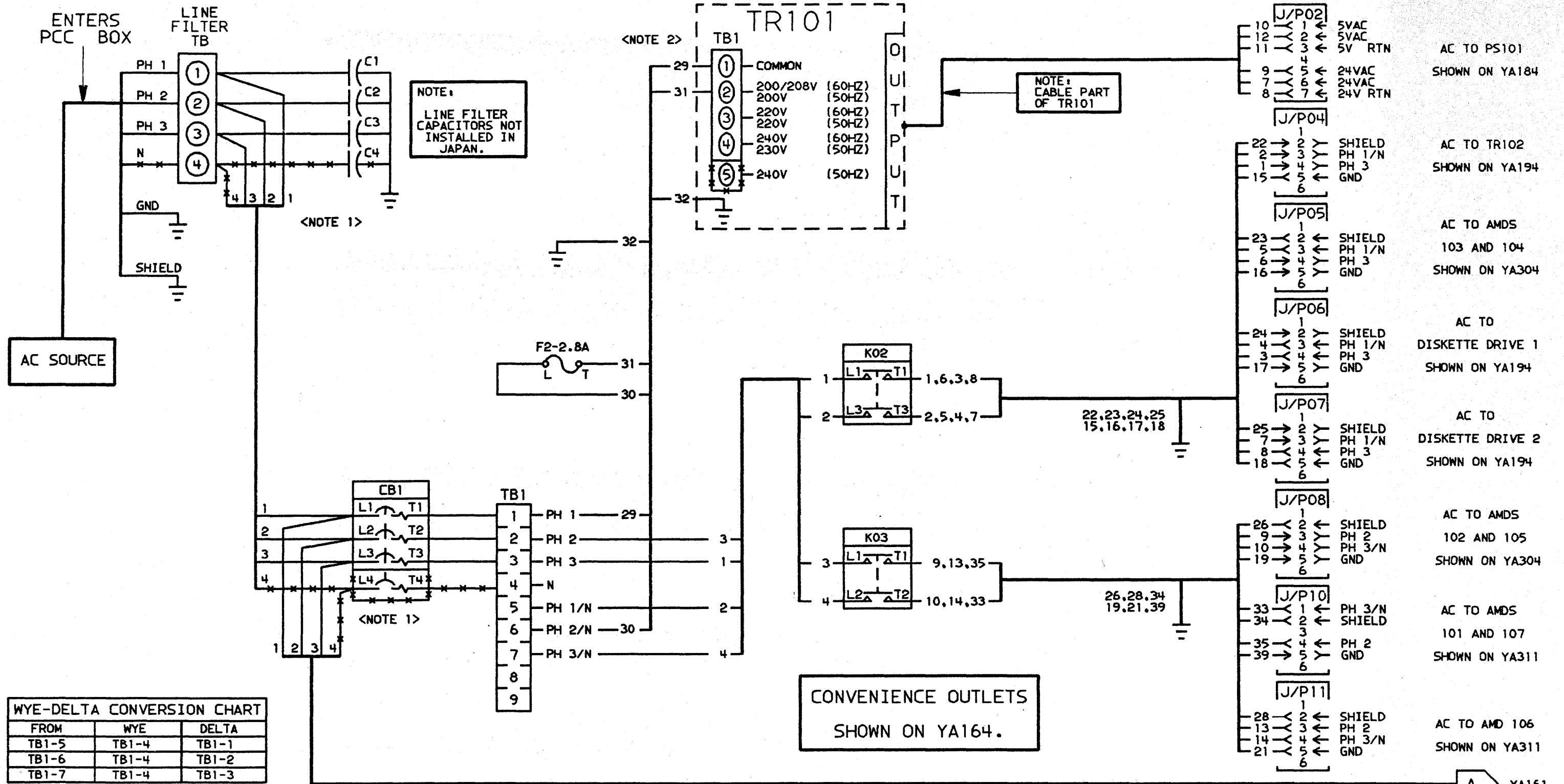
RESISTOR NUMBER	ACCEPTABLE RESISTANCE RANGE		
R1	143	-	157 OHMS
R2	332	-	368 OHMS
R3	428	-	472 OHMS
R4	270	-	295 OHMS
R5	665	-	735 OHMS
R6	66.5	-	73.5 OHMS
R7	350	-	430 OHMS
R8	990	-	1010 OHMS
R9	351	-	430 OHMS
R10	427	-	473 OHMS
R11	270	-	301 OHMS
R12	1800	-	2200 OHMS
R13	162	-	198 OHMS



TIE UP CARDS FOR SPARE SIGNALS		
EC 331500 01OCT84	PN 5665833	YA094
	2 OF 2	AB

THIS PAGE LEFT INTENTIONALLY BLANK

EC 331500 01OCT84	PN 5665834	YA151
	1 OF 2	AB



**WYE-DELTA CONVERSION CHART**

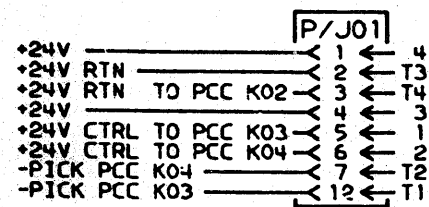
FROM	WYE	DELTA
TB1-5	TB1-4	TB1-1
TB1-6	TB1-4	TB1-2
TB1-7	TB1-4	TB1-3

**NOTES:**  
 1 - \*-\*-\* INDICATES COMPONENT OR WIRING THAT IS 50 HZ ONLY. NEUTRAL WIRE IS NOT INSTALLED IN 200V OR 220V 50 HZ MACHINES INSTALLED IN JAPAN.  
 2 - SEE YA081 FOR VOLTAGE CONVERSION TABLES.

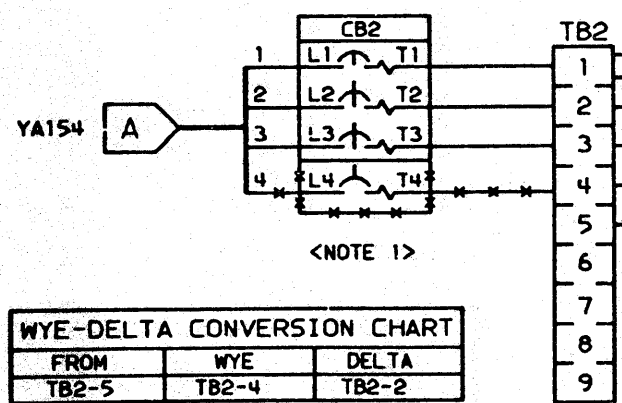
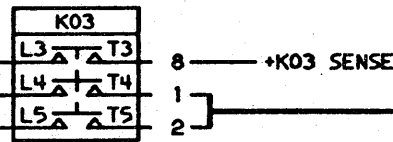
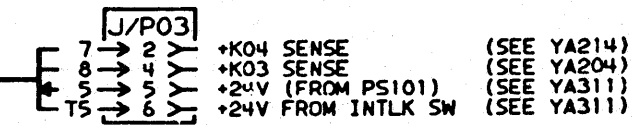
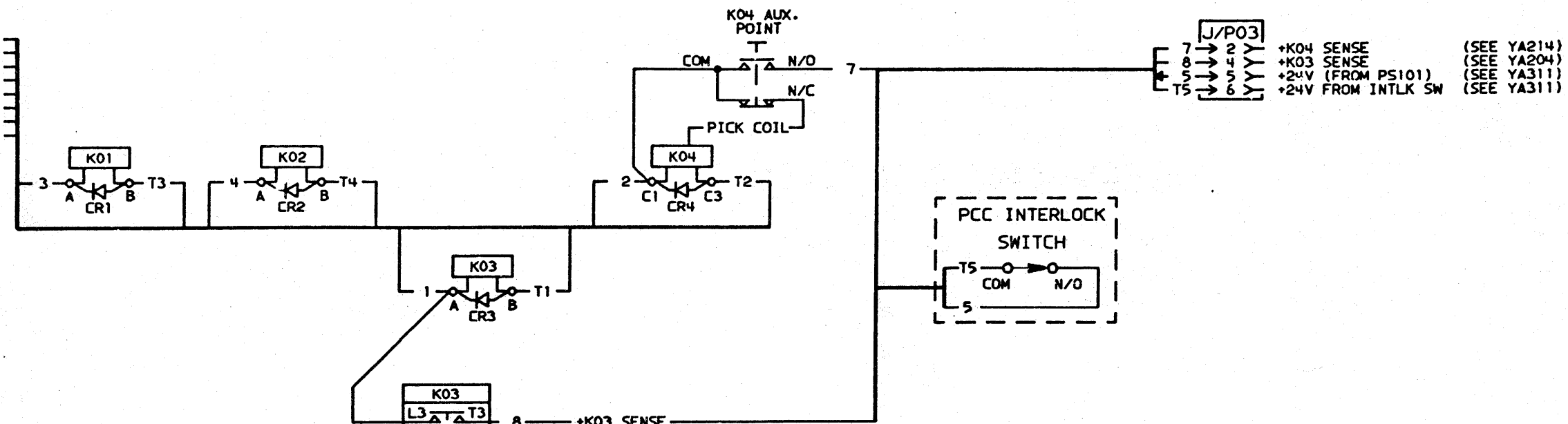
**PRIMARY CONTROL COMPARTMENT**

**PCC - AC INPUT AND TB1 DISTRIBUTION**  
 EC 331500 01OCT84    PN 5665834    YA154  
 2 OF 2    AB

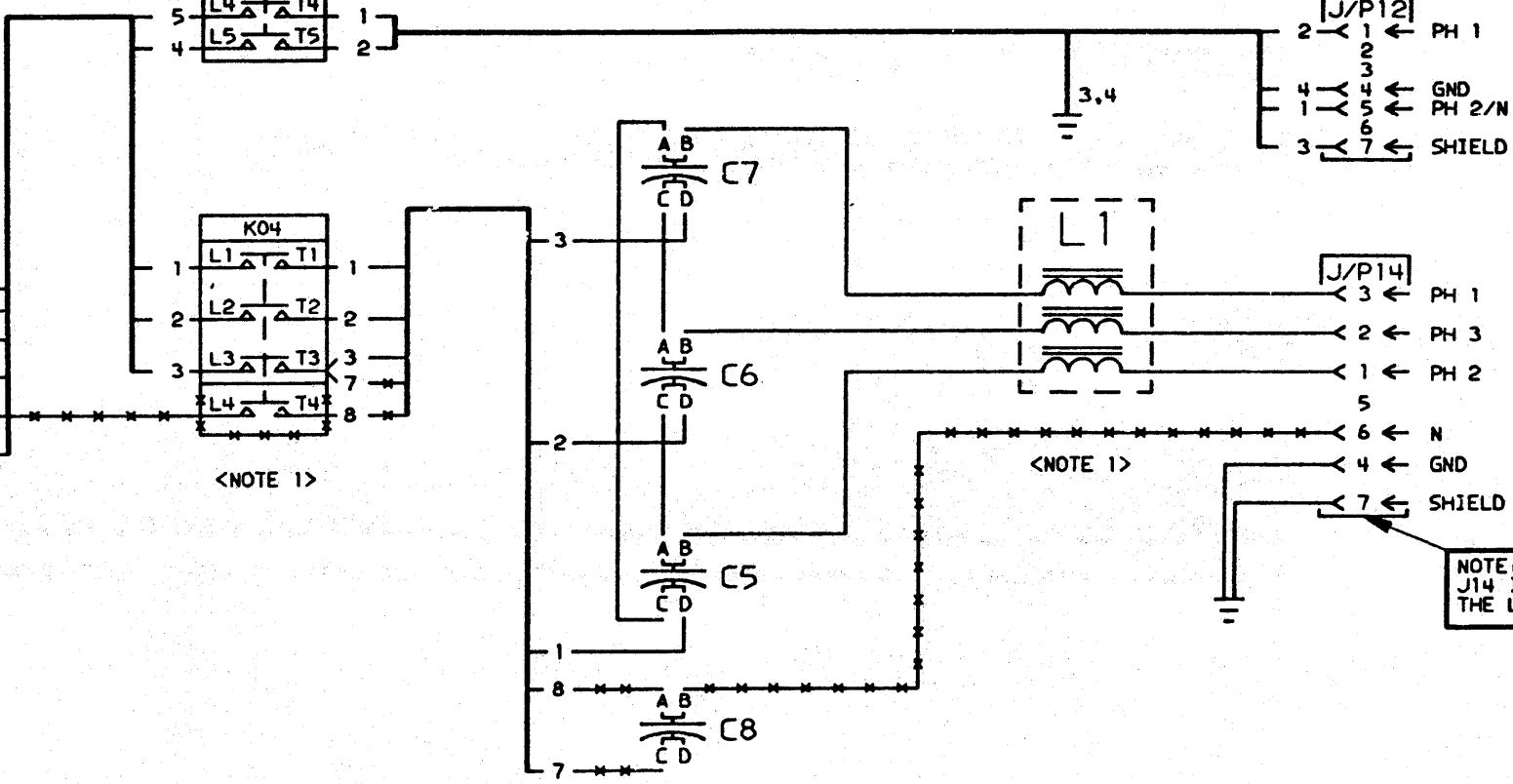
A → YA161



SEE YA184 AND YA191  
FOR CONTACTOR  
CONTROL INFORMATION.



NOTES:  
1 - \*-\*-\* INDICATES COMPONENT OR WIRING THAT IS 50 HZ ONLY. NEUTRAL WIRE IS NOT INSTALLED IN 200V OR 220V 50 HZ MACHINES INSTALLED IN JAPAN.



AC TO TR103  
SHOWN ON YA204

AC TO  
PS104 (60 HZ)  
OR  
TR104 (50 HZ)  
SHOWN ON YA214

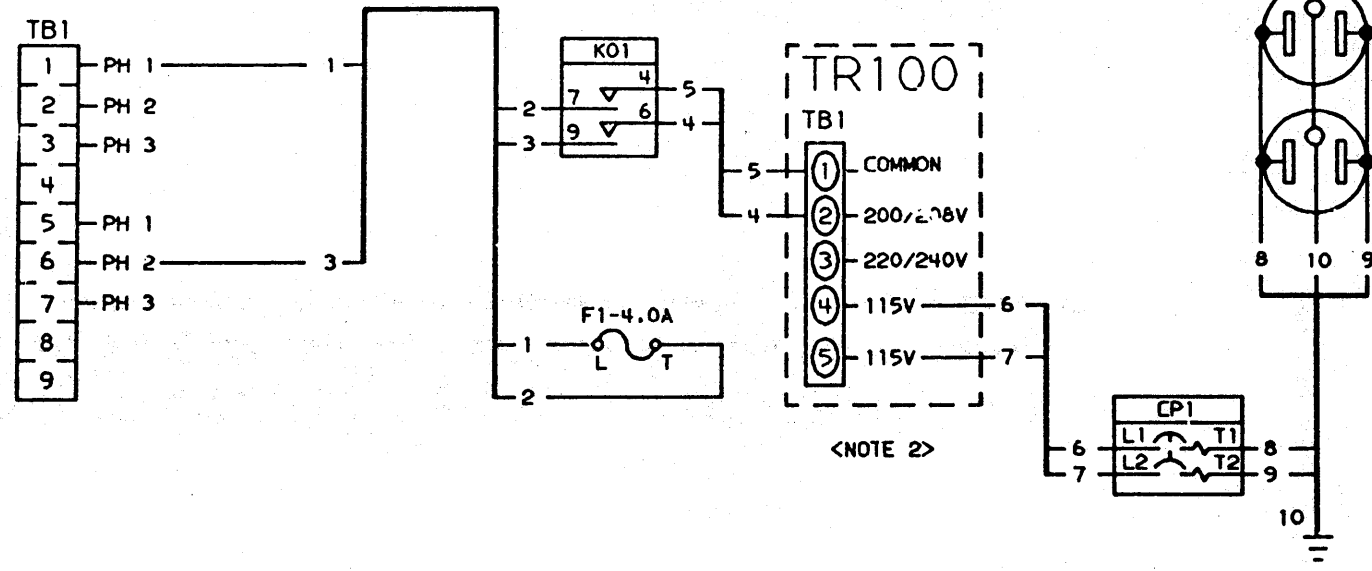
NOTE: J14 IS PART OF THE L1 ASSEMBLY

PRIMARY CONTROL COMPARTMENT

PCC - PICK COILS AND TB2 DISTRIBUTION		
EC 331496 01AUG83	PN 5665817	YA161
EC 331498 15DEC83	1 OF 2	
EC 331499 01OCT84		

## 60 HZ CONVENIENCE OUTLETS <NOTE 1>

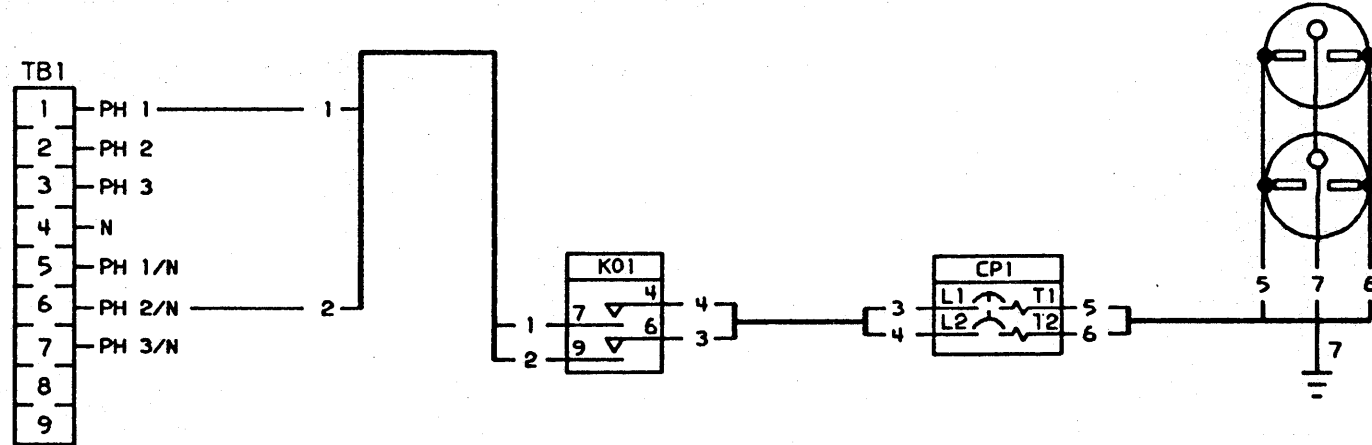
SEE YA154  
FOR TB1 JUMPERING,  
AND TB1 DISTRIBUTION  
INFORMATION



<NOTE 2>

## 50 HZ CONVENIENCE OUTLETS <NOTE 1>

SEE YA154  
FOR TB1 JUMPERING,  
AND TB1 DISTRIBUTION  
INFORMATION



**NOTES:**  
1 - FOR 200V AND 220V 50 HZ MACHINES INSTALLED IN JAPAN, USE THE 60 HZ CONVENIENCE OUTLET CIRCUIT.  
2 - SEE YA081 FOR VOLTAGE CONVERSION TABLES.

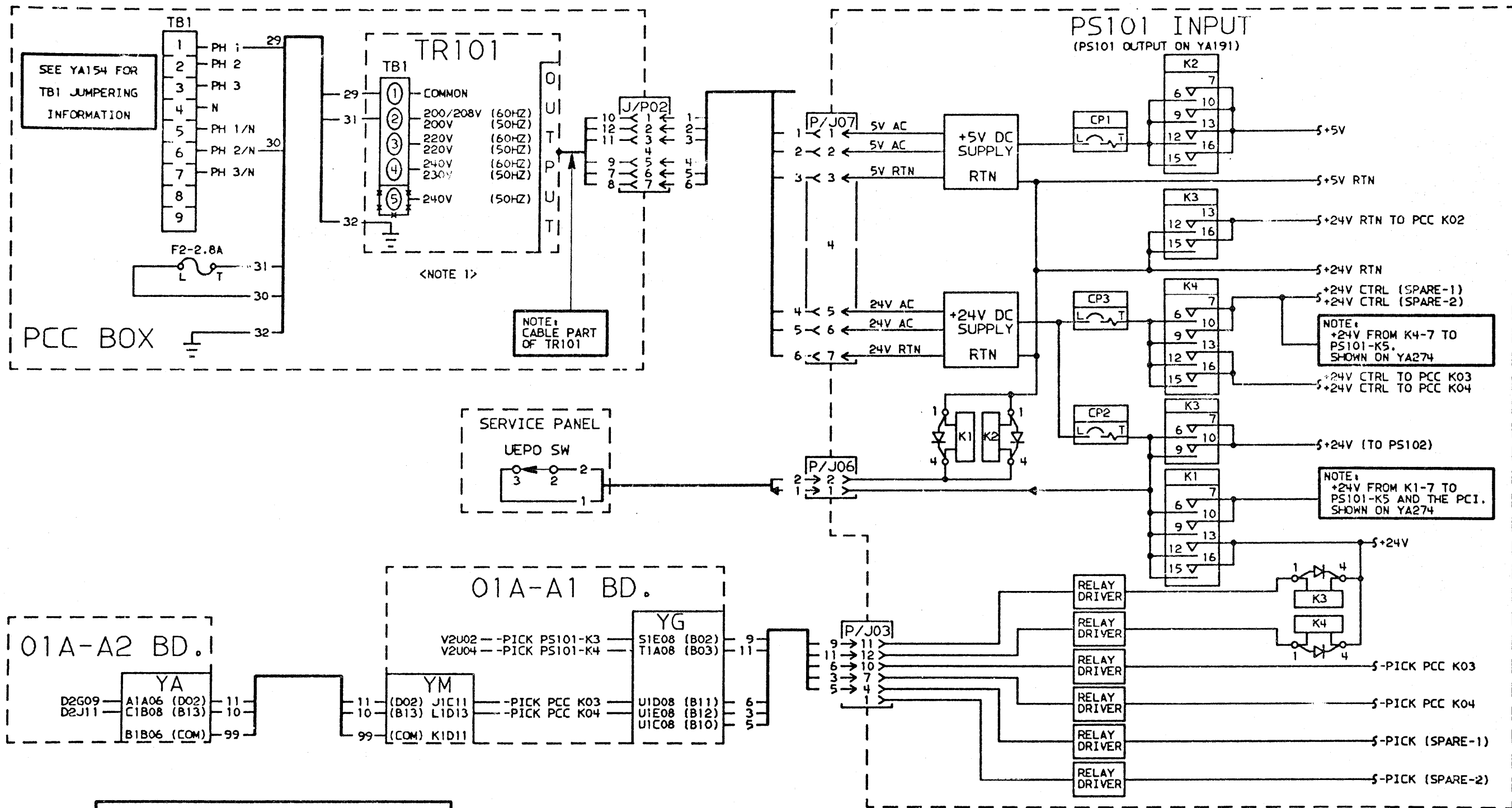
PRIMARY CONTROL COMPARTMENT

PCC - CONVENIENCE OUTLETS		
EC 331496 01AUG83	PN 5665817	YA164
EC 331498 15DEC83	2 OF 2	
EC 331499 01OCT84		



THIS PAGE LEFT INTENTIONALLY BLANK

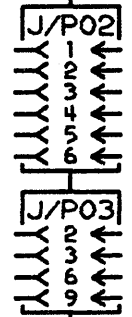
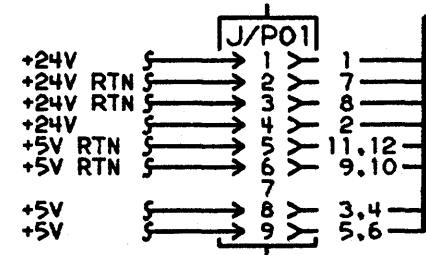
EC 331496 01AUG83	PN 5665818	
EC 331499 01OCT84	1 OF 2	YA181



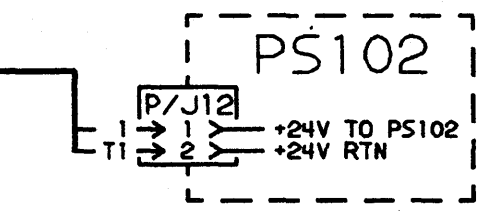
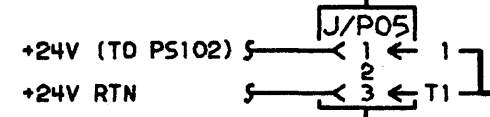
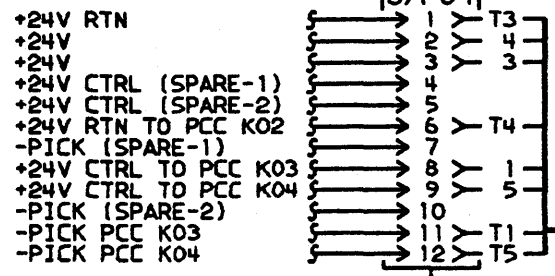
NOTES:  
1 - SEE YA081 FOR VOLTAGE CONVERSION TABLES.

TR/PS101 DISTRIBUTION		
EC 331496 01AUG83	PN 5665818	YA184
EC 331499 01OCT84	2 OF 2	

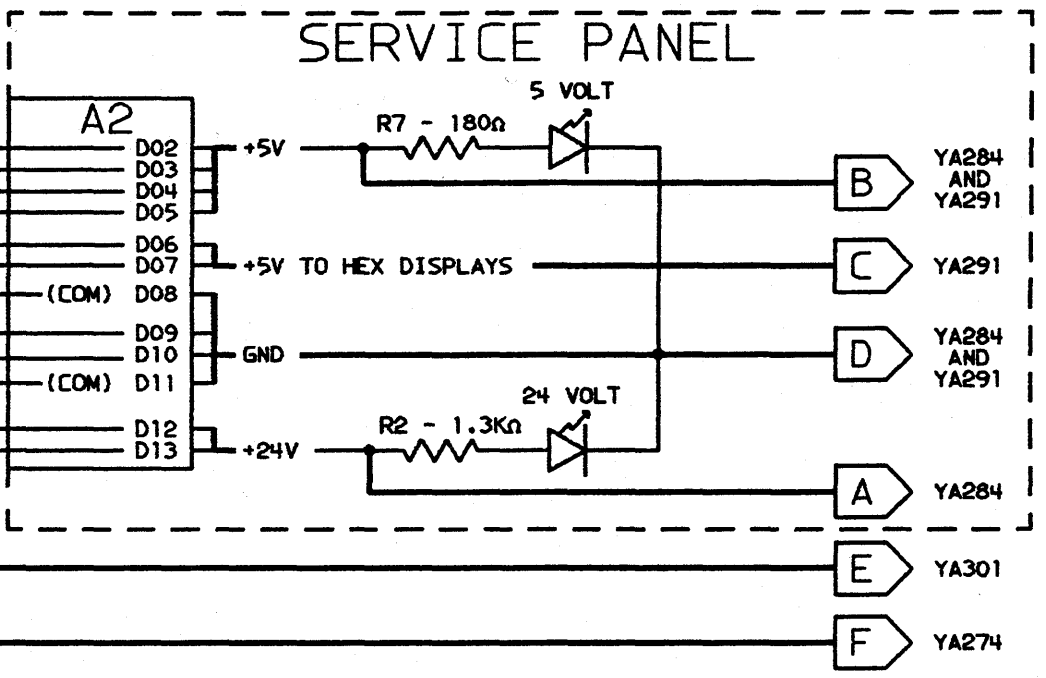
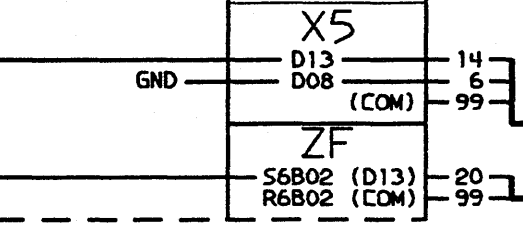
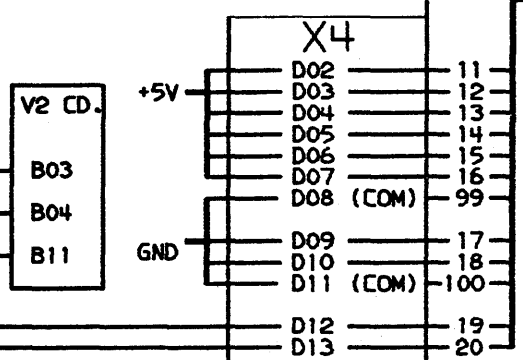
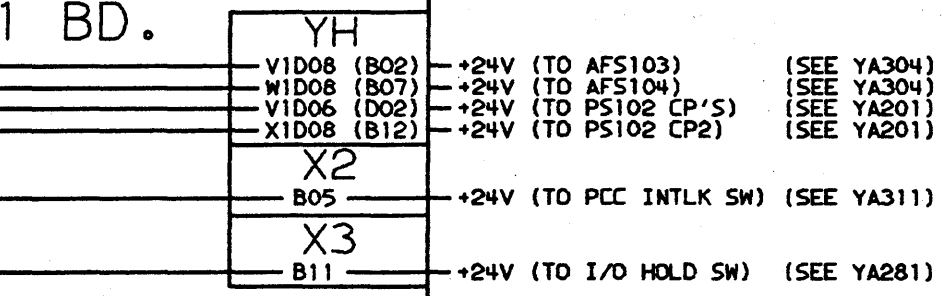
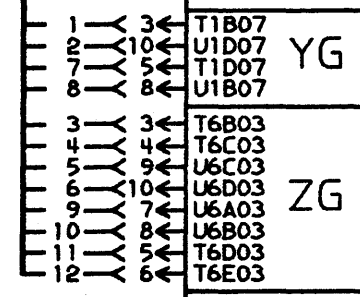
**PS101 OUTPUT**  
(PS101 INPUT ON YA184)



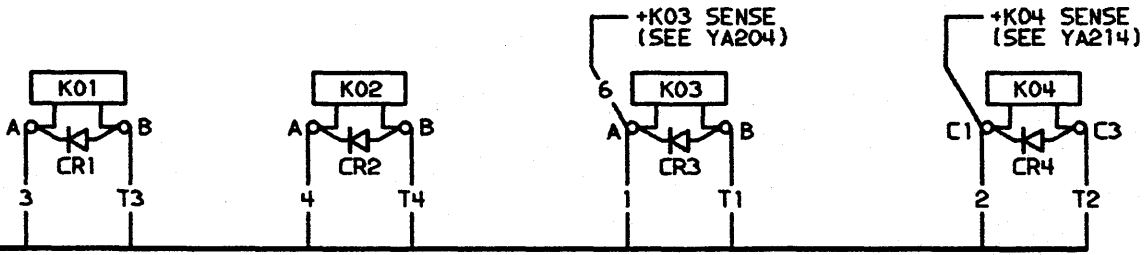
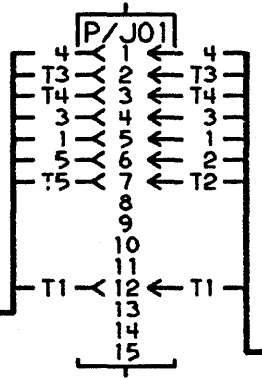
PS101-J02, J03  
PCI SIGNALS  
SHOWN ON YA274



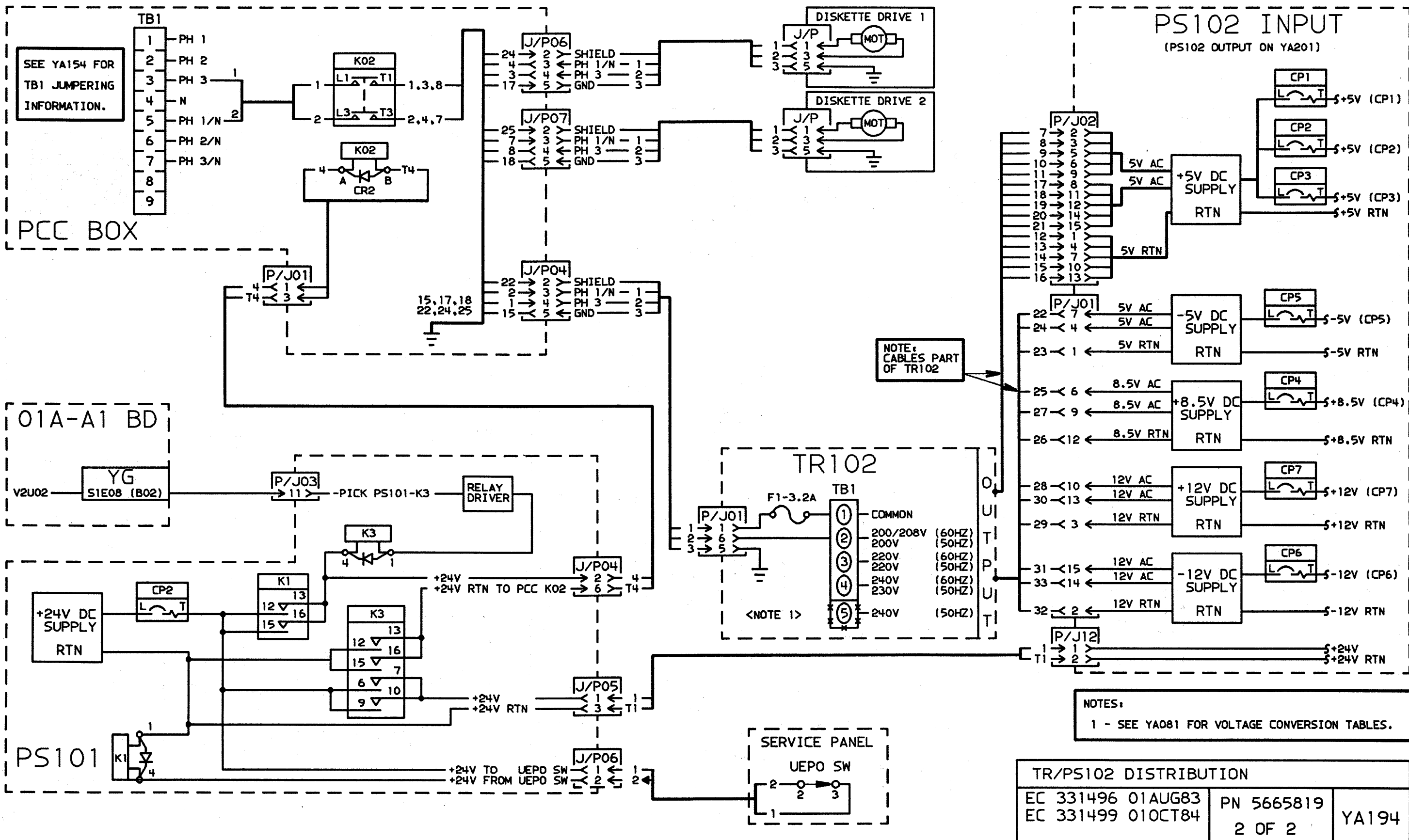
**01A-A1 BD.**



**PCC BOX**



TR/PS101 DISTRIBUTION (CONT.)			
EC 331496 01AUG83	PN 5665819		
EC 331499 01OCT84	1 OF 2	YA191	

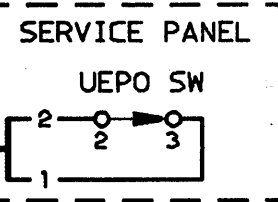


SEE YA154 FOR  
TB1 JUMPERING  
INFORMATION.

PCC BOX

01A-A1 BD

PS101



NOTE:  
CABLES PART  
OF TR102

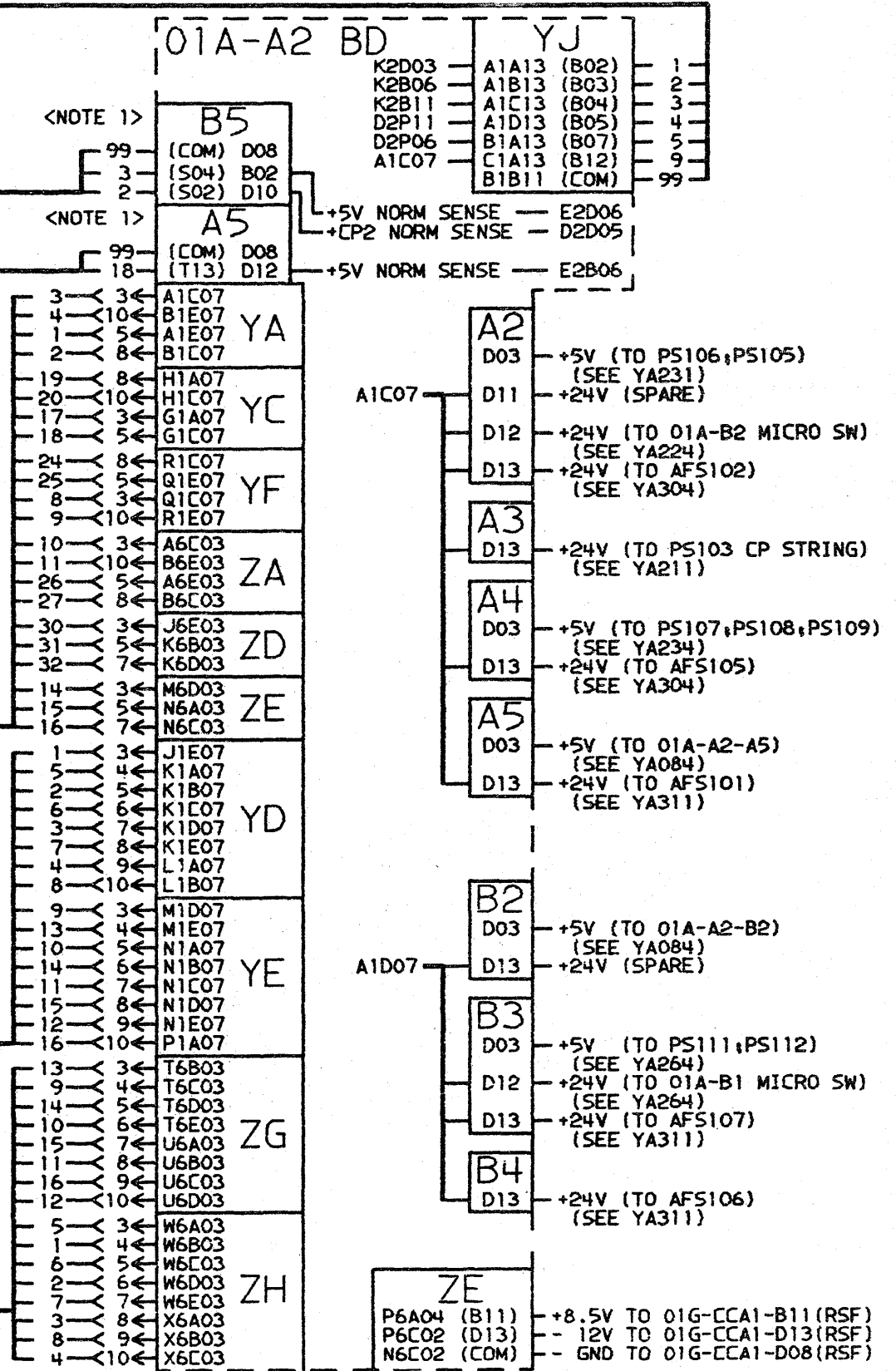
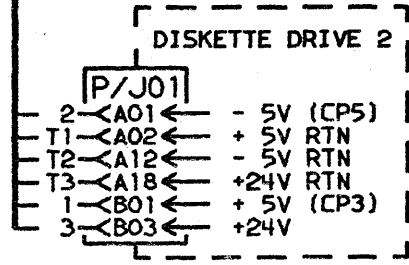
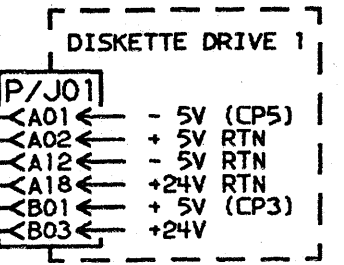
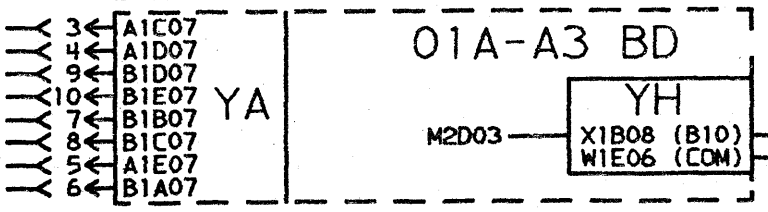
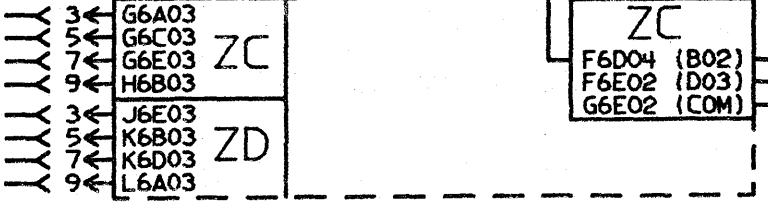
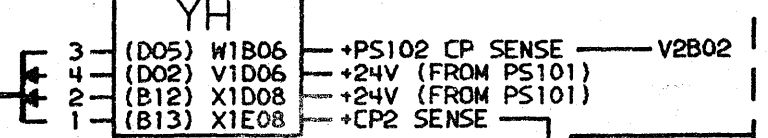
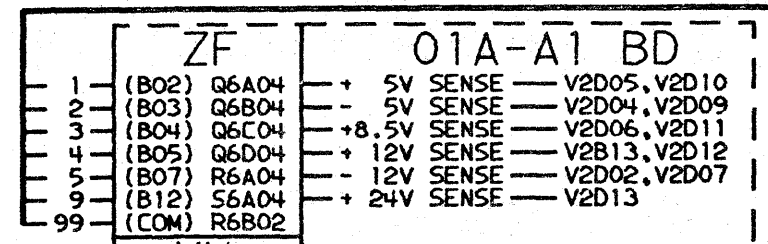
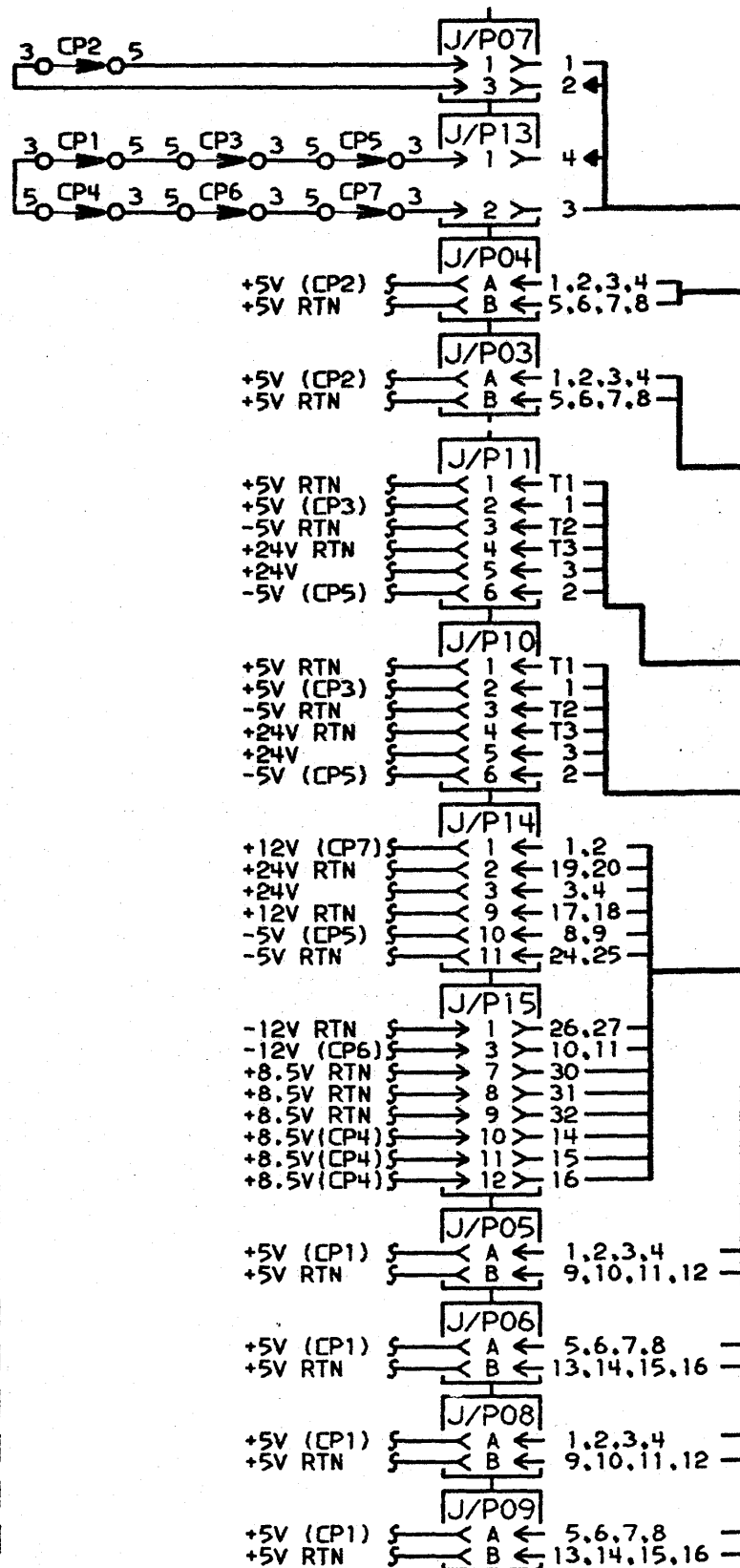
NOTES:  
1 - SEE YA081 FOR VOLTAGE CONVERSION TABLES.

TR/PS102 DISTRIBUTION		
EC 331496 01AUG83	PN 5665819	YA194
EC 331499 01OCT84	2 OF 2	

PS102 INPUT  
(PS102 OUTPUT ON YA201)

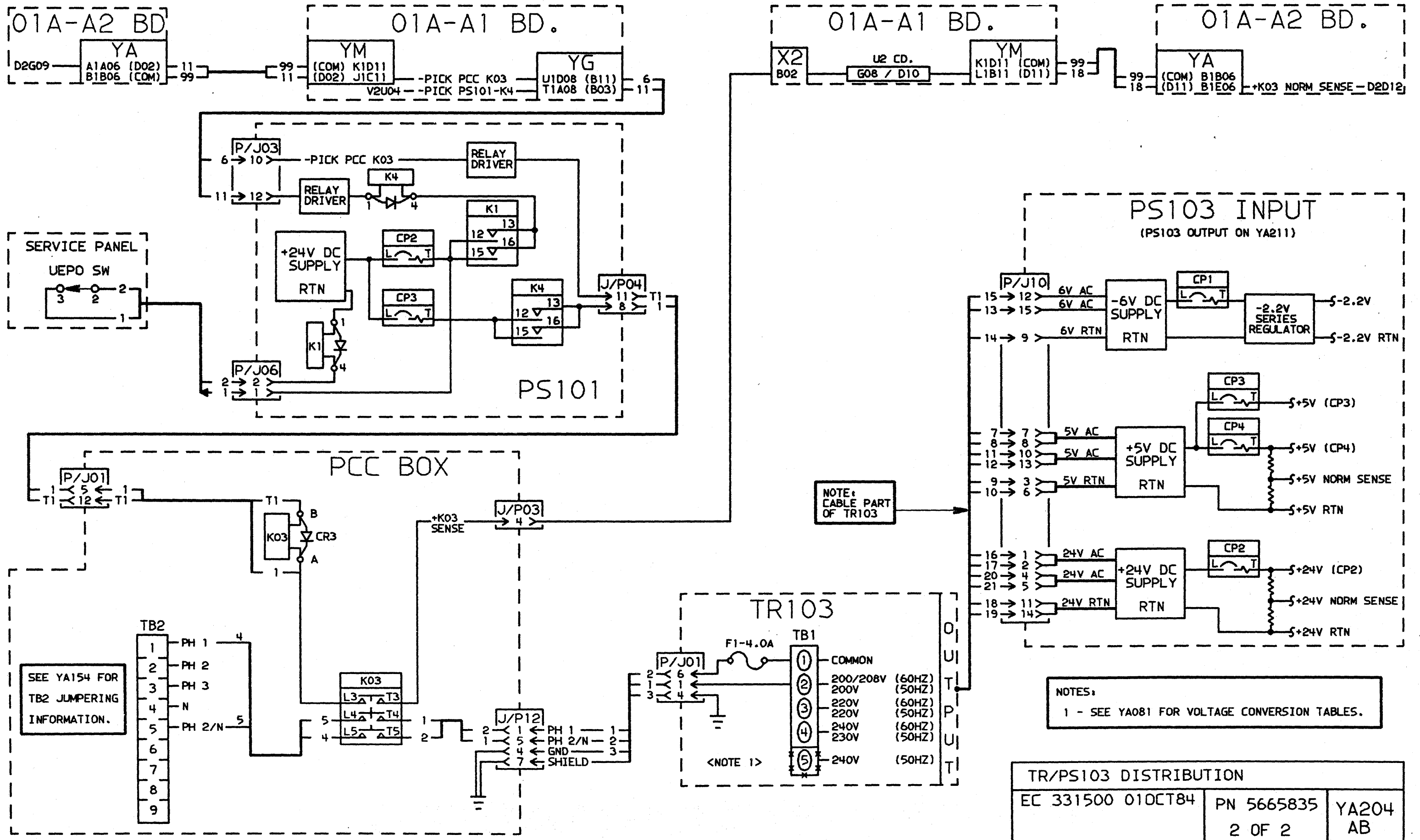
# PS102 OUTPUT

(PS102 INPUT ON YA194)

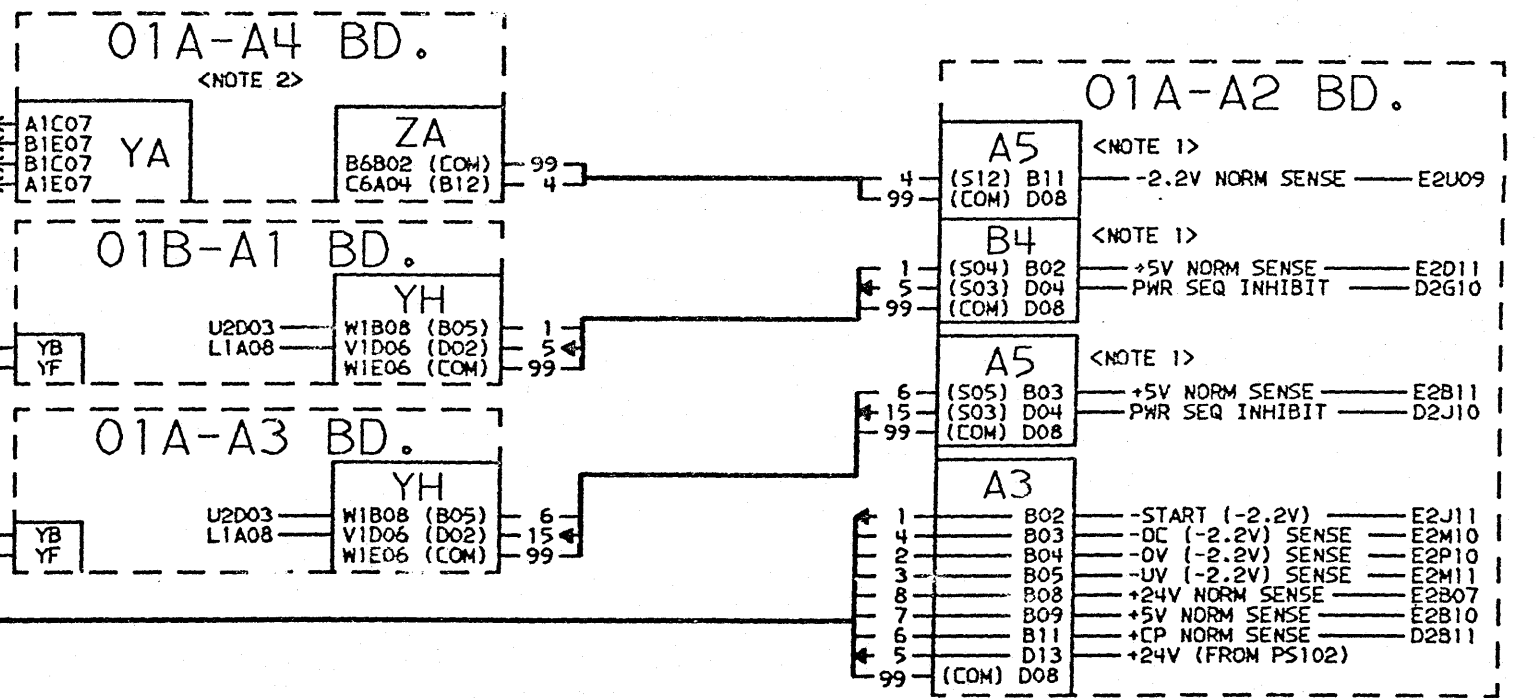
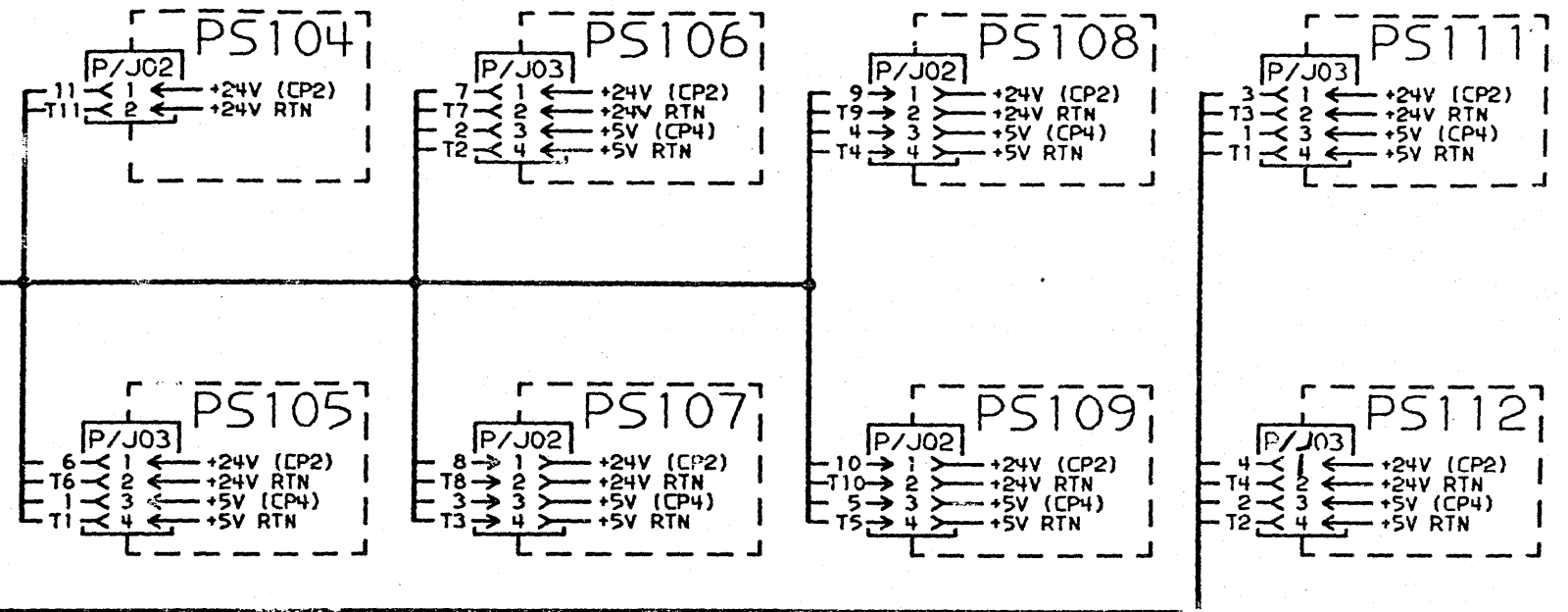
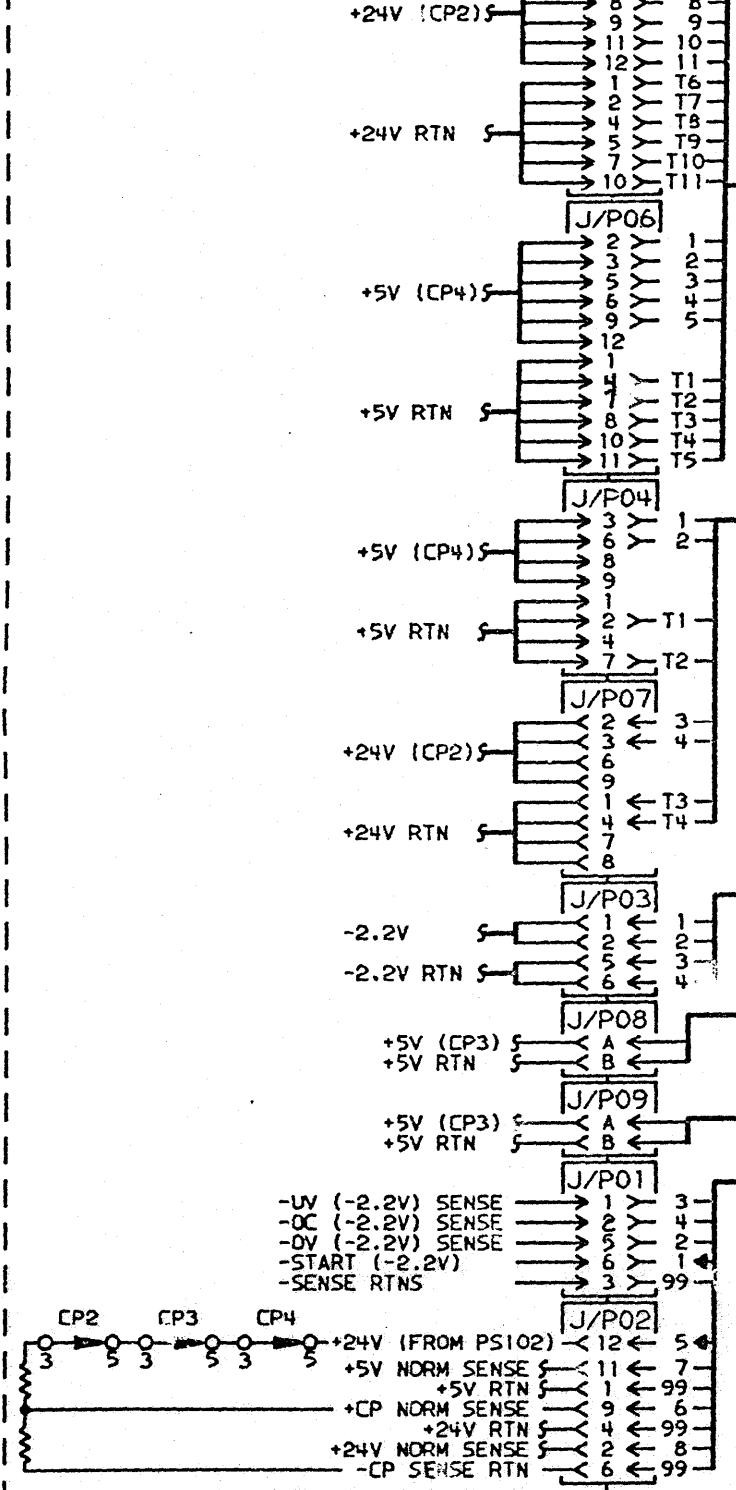


- NOTES:**
- 1 - PADDLE CARD RESISTOR NETWORKS SHOWN ON YA084 AND YA091.
  - 2 - CABLE INSTALLED WITH THE CTCA FEATURE ONLY.
  - 3 - CABLE MAY NOT BE INSTALLED.

TR/PS102 DISTRIBUTION (CONT.)		
EC 331500 01OCT84	PN 5665835	YA201 AB
	1 OF 2	



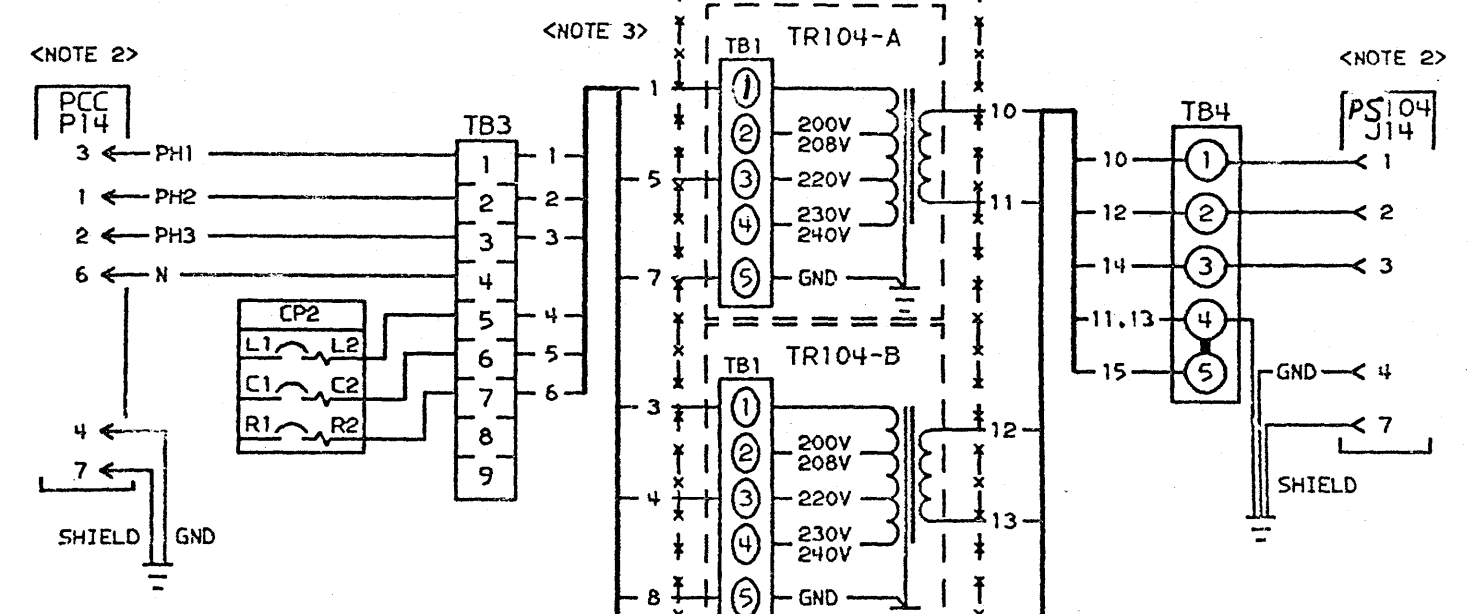
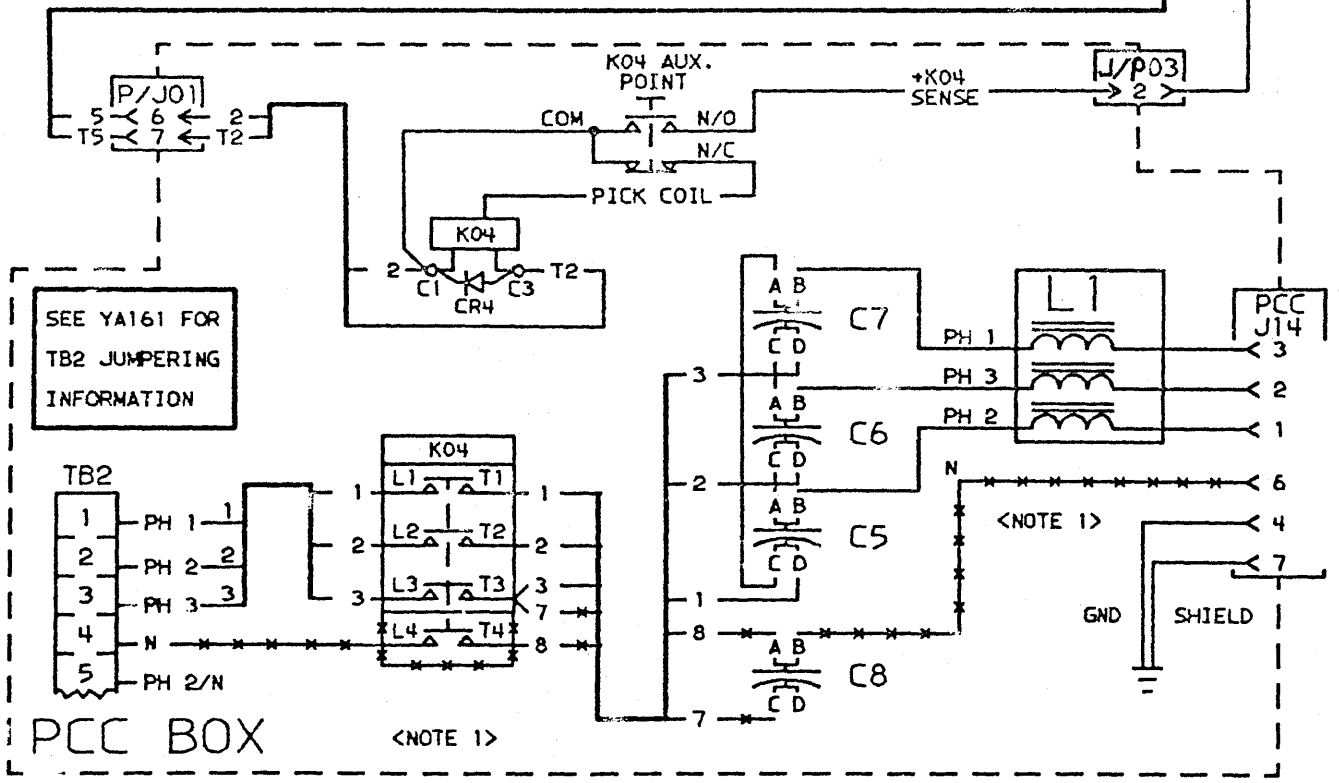
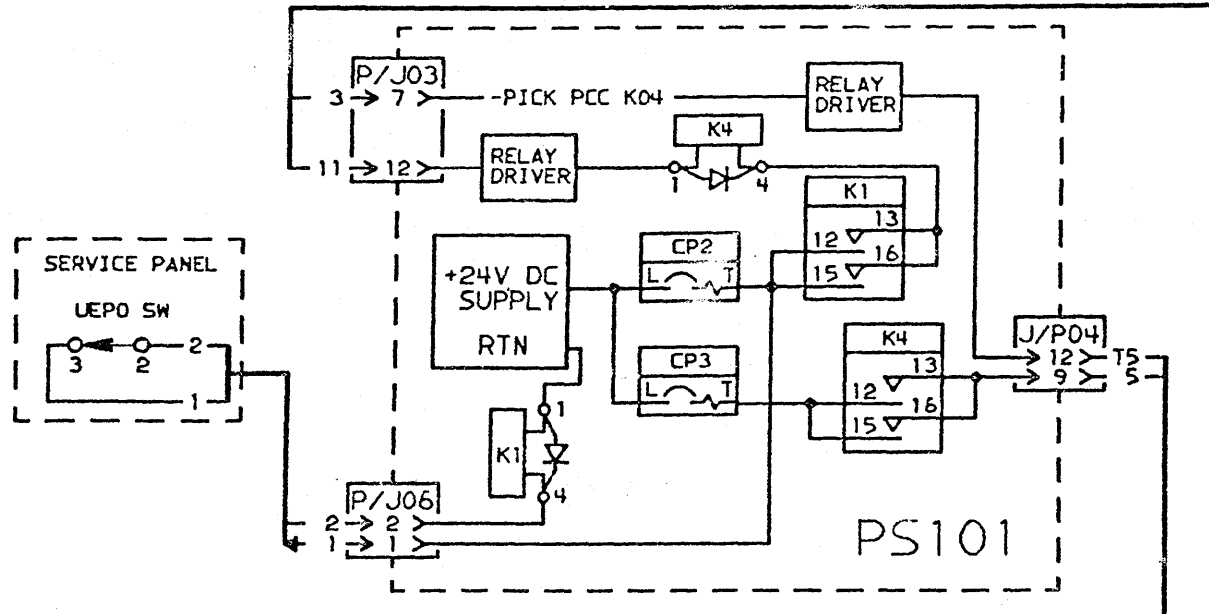
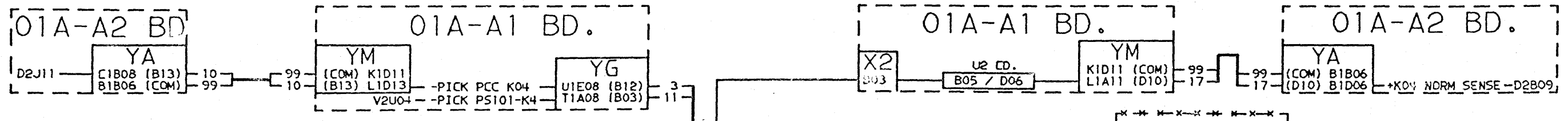
**PS103 OUTPUT**  
(PS103 INPUT ON YA204)



**NOTES:**

- 1 - PADDLE CARD RESISTOR NETWORKS SHOWN ON YA084 AND YA091.
- 2 - -2.2V LEVEL USED WITH SOURCE 1 STORAGE ONLY (WHEN PS108 IS A +8.5V SUPPLY - SEE YA241).

TR/PS103 DISTRIBUTION (CONT.)		
EC 331500 01OCT84	PN 5665836	YA211
	1 OF 2	AB



VOLTAGE CONVERSIONS

FROM	WYE	DELTA
CP2-L1	TB3-4	TB3-1
CP2-C1	TB3-4	TB3-2
CP2-R1	TB3-4	TB3-3

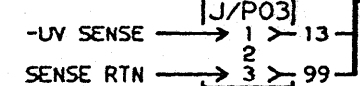
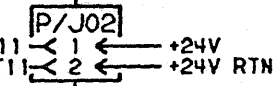
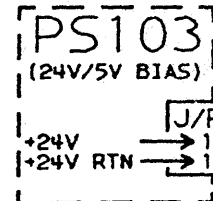
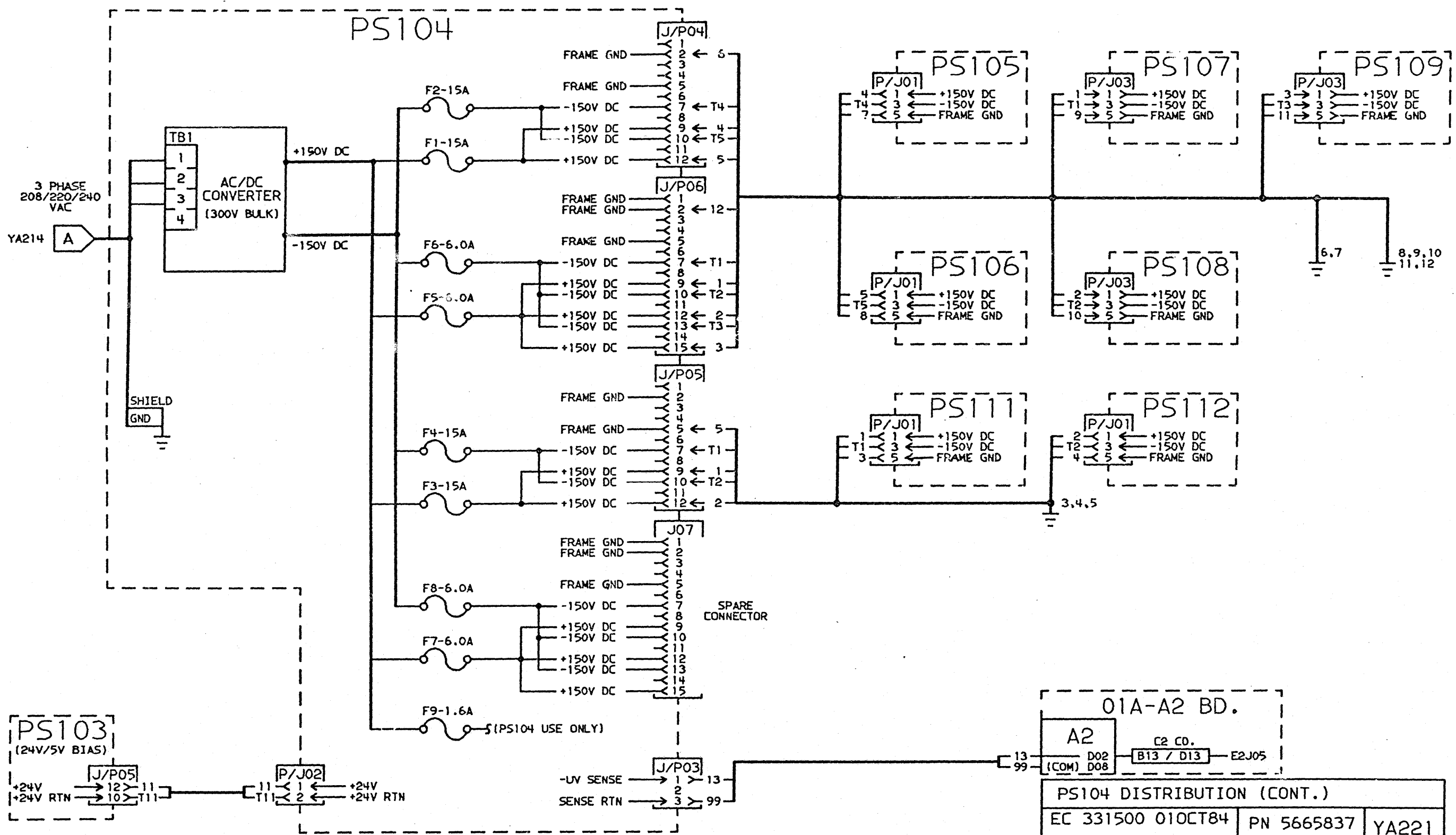
NOTES:

- 1 - \* \* \* \* INDICATES COMPONENTS OR WIRING THAT IS 50 HZ ONLY. NEUTRAL WIRE IS NOT INSTALLED IN 200V OR 220V 50 HZ MACHINES INSTALLED IN JAPAN. SEE YA161 FOR MORE PCC INFORMATION.
- 2 - TR104 INSTALLED IN ALL 50 HZ MACHINES. TR104 IS ALSO INSTALLED IN 60 HZ MACHINES IN JAPAN. IF TR104 IS NOT INSTALLED, PCC-J14 CONNECTS TO PS104-P14.
- 3 - SEE YA081 FOR VOLTAGE CONVERSION TABLES.

PS104 DISTRIBUTION

EC 331500 01OCT84	PN 5665836	YA214
	2 OF 2	AB





01A-A2 BD.

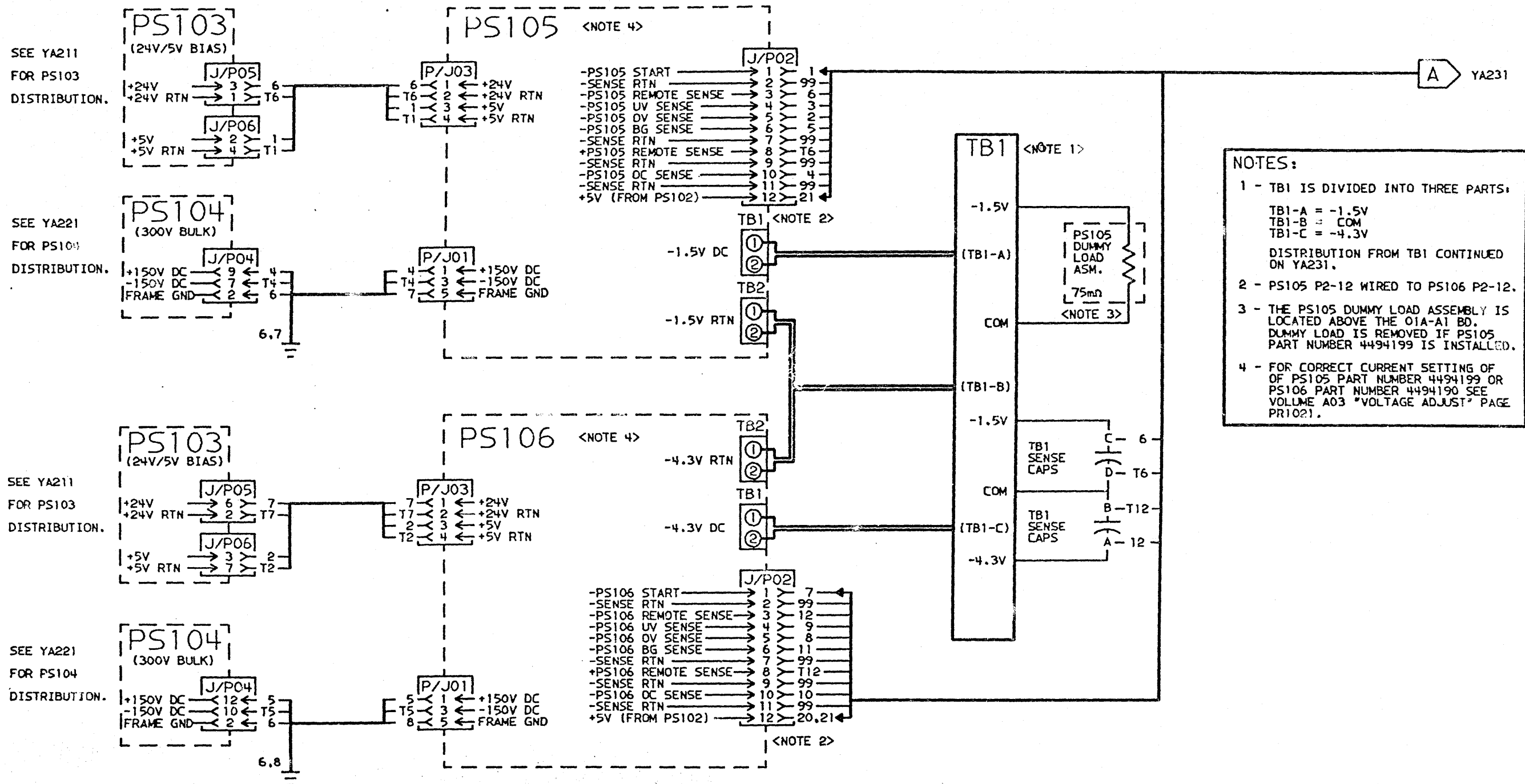
A2

E2 CO. B13 / D13 E2J05

D02 (COM) D08

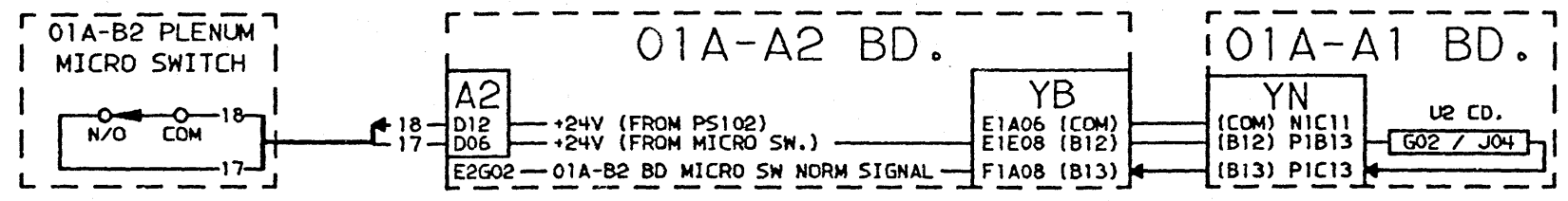
PS104 DISTRIBUTION (CONT.)

EC 331500 01OCT84	PN 5665837	YA221
	1 OF 2	AB



**NOTES:**

- 1 - TB1 IS DIVIDED INTO THREE PARTS:  
 TB1-A = -1.5V  
 TB1-B = COM  
 TB1-C = -4.3V  
 DISTRIBUTION FROM TB1 CONTINUED ON YA231.
- 2 - PS105 P2-12 WIRED TO PS106 P2-12.
- 3 - THE PS105 DUMMY LOAD ASSEMBLY IS LOCATED ABOVE THE 01A-A1 BD. DUMMY LOAD IS REMOVED IF PS105 PART NUMBER 4494199 IS INSTALLED.
- 4 - FOR CORRECT CURRENT SETTING OF OF PS105 PART NUMBER 4494199 OR PS106 PART NUMBER 4494190 SEE VOLUME A03 "VOLTAGE ADJUST" PAGE PR1021.



PS105 AND PS106 DISTRIBUTION		
EC 331500 01OCT84	PN 5665837	YA224
	2 OF 2	AB

YA224

A

01A-B2 BD.

-1.5V SENSE VS6-C01 9A  
 -1.5V RTN VS6-C02 9B  
 -4.3V SENSE VS6-C04 9C  
 -4.3V RTN VS6-C05 9D

TB1

<NOTE 1>

C04 9  
 A09 3,4  
 B05 T9  
 B08 7,8

A15 1,2  
 B18 3,4

A15, A16  
 B07, B08  
 B07, B08  
 C03, C04

A19, A20  
 A15, A16  
 B17, B18  
 B13, B14

C01 1,2,3  
 C02 4,5,6  
 C03 7,8  
 B13 9,10,11  
 B14 12,13,14  
 B17 15,16

C01 1,2  
 C02 3,4  
 B06 5,6  
 B07 7,8

A09, A10  
 B05, B06  
 B05, B06  
 C01, C02

B11

<NOTE 1>

01A-A2 BD.

YF  
 (D07) R1A06  
 (B06) Q1E08  
 (B05) Q1D08  
 (D05) Q1D06

YC  
 G1A06 (D04)  
 G1B06 (D05)  
 G1C06 (D06)  
 G1D06 (D07)

9A 3  
 9B 5  
 9C 6  
 9D 10

9 3  
 3 5  
 4 6  
 T9 3  
 7 6  
 8 10

1 3  
 2 10  
 3 6  
 4 7

1 3  
 2 4  
 9 5  
 10 6  
 11 7  
 12 8  
 3 9  
 4 10  
 5 3  
 6 4  
 13 5  
 14 6  
 15 7  
 16 8  
 7 9  
 8 10

1 3  
 2 4  
 5 5  
 6 6  
 7 7  
 8 8  
 3 9  
 4 10

1 3  
 2 4  
 5 5  
 6 6  
 7 7  
 8 8  
 3 9  
 4 10

1 3  
 2 4  
 5 5  
 6 6  
 7 7  
 8 8  
 3 9  
 4 10

01A-A1 BD.

ZC  
 G6E02 (COM)  
 H6E04 (B13)

01A-A3 BD.

YE -1.5V  
 ZE COM  
 ZD COM  
 YD -4.3V

YH  
 W1E08 (B08)  
 X1D08 (B12)  
 W1E06 (COM)

01A-A4 BD.

YB -1.5V  
 ZG -1.5V  
 ZD COM  
 YE COM

ZA  
 B6E04 (B11)  
 B6B04 (B08)  
 B6B02 (COM)

01B-A1 BD.

YE -1.5V  
 ZD COM  
 ZE COM  
 YD -4.3V

YH  
 W1E08 (B08)  
 X1D08 (B12)  
 W1E06 (COM)

<NOTE 5>

<NOTE 5>

01A-A2 BD.

20 D03  
 1 B02  
 7 B08

+5V (FROM PS102)  
 -PS105 START LINE  
 -PS106 START LINE

C2 CD.

4 B03  
 2 B04  
 3 B05  
 5 B06  
 10 B09  
 8 B10  
 9 B11  
 11 B12  
 99 (COM) B07

-PS105 OC SENSE  
 -PS105 OV SENSE  
 -PS105 UV SENSE  
 -PS105 BG SENSE  
 -PS106 OC SENSE  
 -PS106 OV SENSE  
 -PS106 UV SENSE  
 -PS106 BG SENSE  
 -SENSE RTN

1 (S10) B07  
 2 (S01) B02  
 3 (S07) B03  
 4 (S03) B06  
 99 (COM) D08

<NOTE 3>  
 -1.5V NORM SENSE FROM 01A-B2 BD  
 -4.3V NORM SENSE FROM 01A-B2 BD  
 -1.5V NORM SENSE FROM 01A-A2 BD  
 -4.3V NORM SENSE FROM 01A-A2 BD

99 (COM) D08  
 6 (S12) B04

<NOTE 3>  
 -1.5V NORM SENSE FROM 01A-A1 BD

7 (S08) D05  
 8 (S02) B06  
 3 (S10) B04  
 16 (T02) B07  
 99 (COM) D08

<NOTE 3>  
 -1.5V NORM SENSE FROM 01A-A3 BD  
 -4.3V NORM SENSE FROM 01A-A3 BD  
 -1.5V NORM SENSE FROM 01A-A4 BD  
 -4.3V NORM SENSE FROM 01A-A4 BD

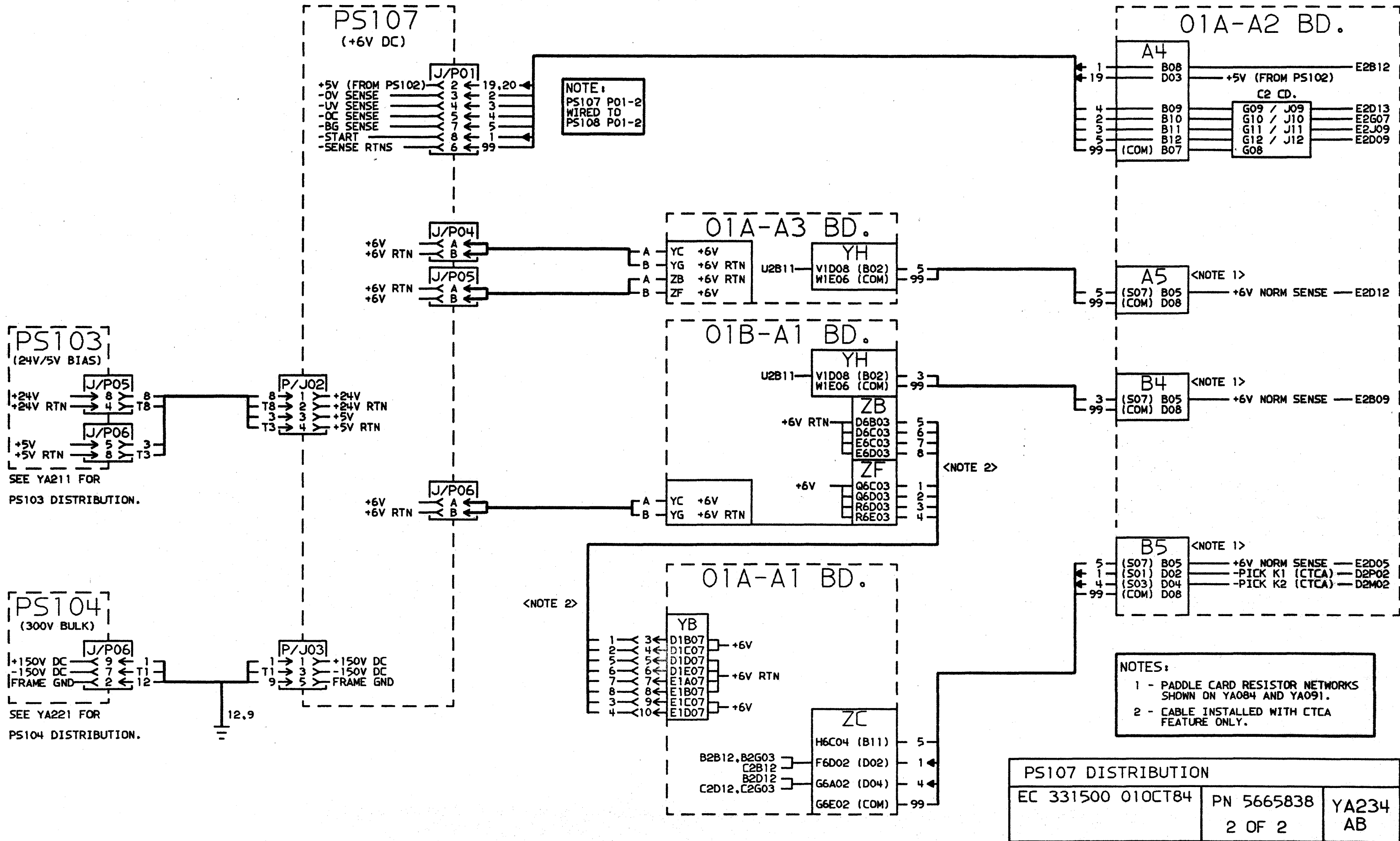
2 (S12) B04  
 4 (S09) B06  
 99 (COM) D08

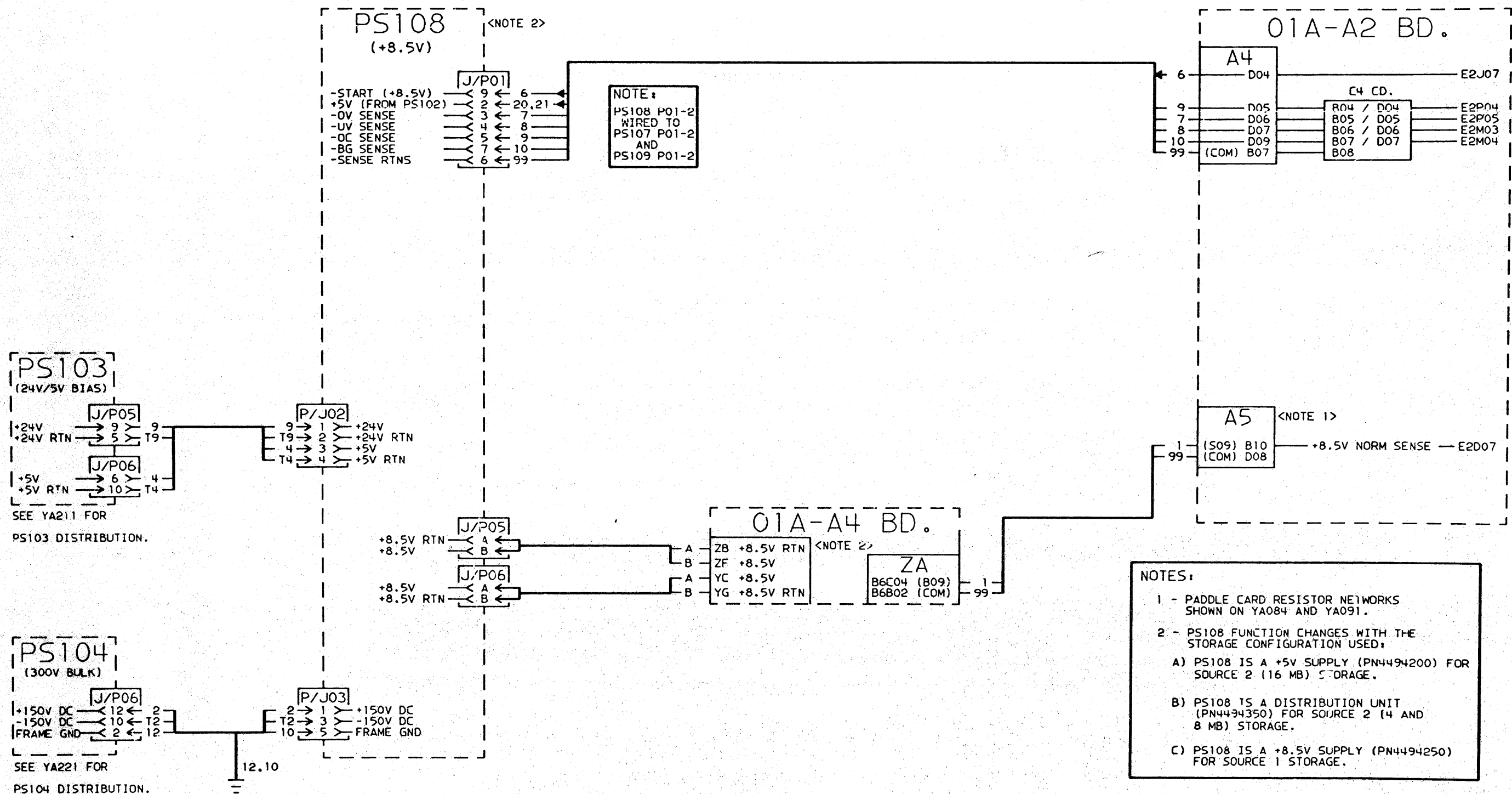
<NOTE 3>  
 -1.5V NORM SENSE FROM 01B-A1 BD  
 -4.3V NORM SENSE FROM 01B-A1 BD

**NOTES:**  
 1 - TB1 IS DIVIDED INTO THREE PARTS:  
 TB1-A = -1.5V  
 TB1-B = COM  
 TB1-C = -4.3V  
 TB1 DISTRIBUTION CONTINUED FROM YA224.  
 2 - CABLE INSTALLED WITH CTCA FEATURE ONLY.  
 3 - PADDLE CARD RESISTOR NETWORKS SHOWN ON YA084 AND YA091.  
 4 - -4.3V LEVEL USED, AND CABLE INSTALLED WITH SOURCE 1 STORAGE ONLY (WHEN PS108 IS A +8.5V SUPPLY - SEE YA241).  
 5 - CAPACITORS INSTALLED WITH SOURCE 2 STORAGE ONLY.  
 6 - CABLE INSTALLED WITH SOURCE 1 STORAGE.

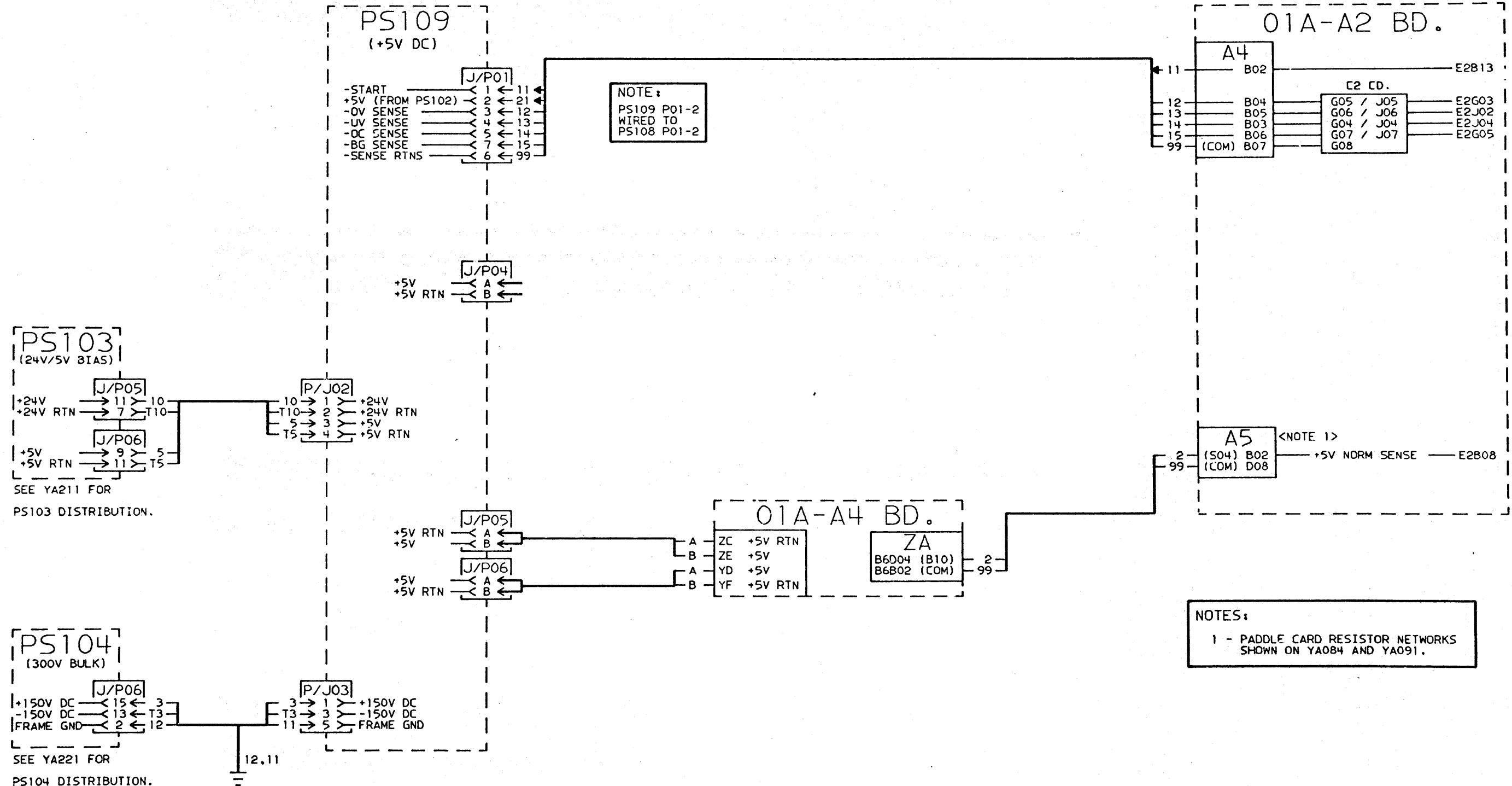
PS105 AND PS106 DISTRIBUTION (CONT.)

EC 331500 01OCT84	PN 5665838	YA231
	1 OF 2	AB





PS108 DISTRIBUTION (SOURCE 1 STORAGE)		
EC 331496 01AUG83	PN 5665824	YA241
	1 OF 2	AC



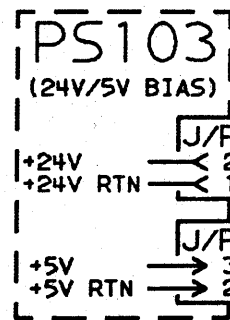
**NOTES:**  
1 - PADDLE CARD RESISTOR NETWORKS SHOWN ON YA084 AND YA091.

PS109 DISTRIBUTION		
EC 331496 01AUG83	PN 5665824	YA244
	2 OF 2	AC

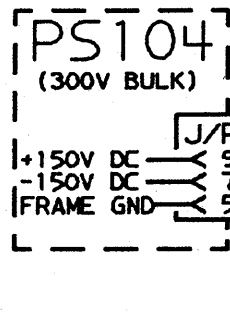
THIS PAGE LEFT INTENTIONALLY BLANK

EC 331500 01OCT84	PN 5665840	YA261
	1 OF 2	AB

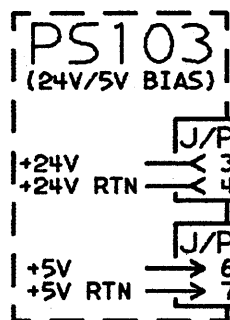
SEE YA211  
FOR PS103  
DISTRIBUTION.



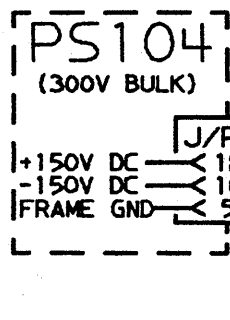
SEE YA221  
FOR PS104  
DISTRIBUTION.



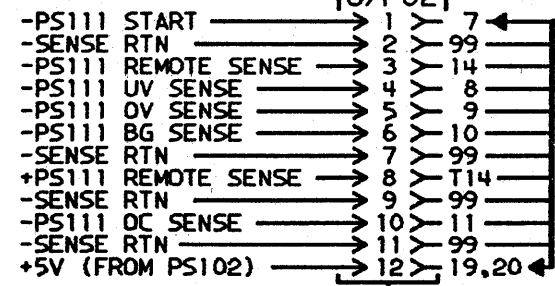
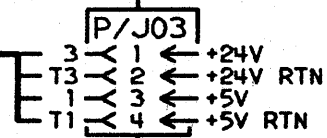
SEE YA211  
FOR PS103  
DISTRIBUTION.



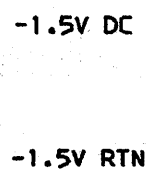
SEE YA221  
FOR PS104  
DISTRIBUTION.



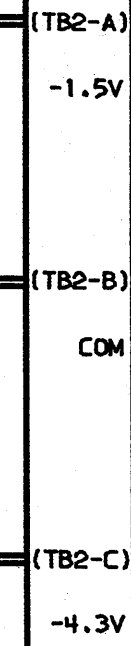
PS111 <NOTE 3>



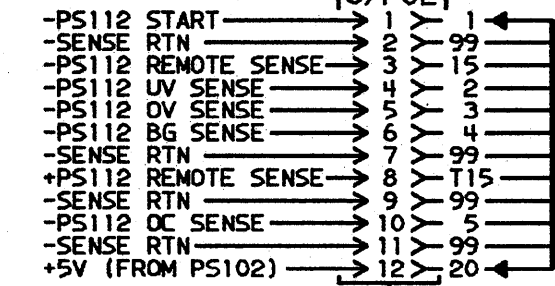
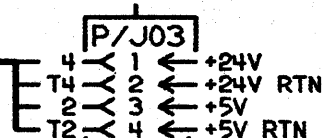
TB1 <NOTE 2>



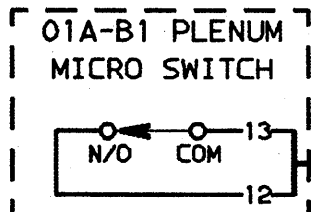
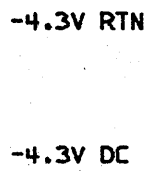
TB2 <NOTE 1>



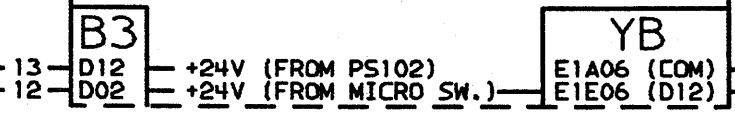
PS112 <NOTE 3>



TB2 <NOTE 2>



01A-A2 BD.

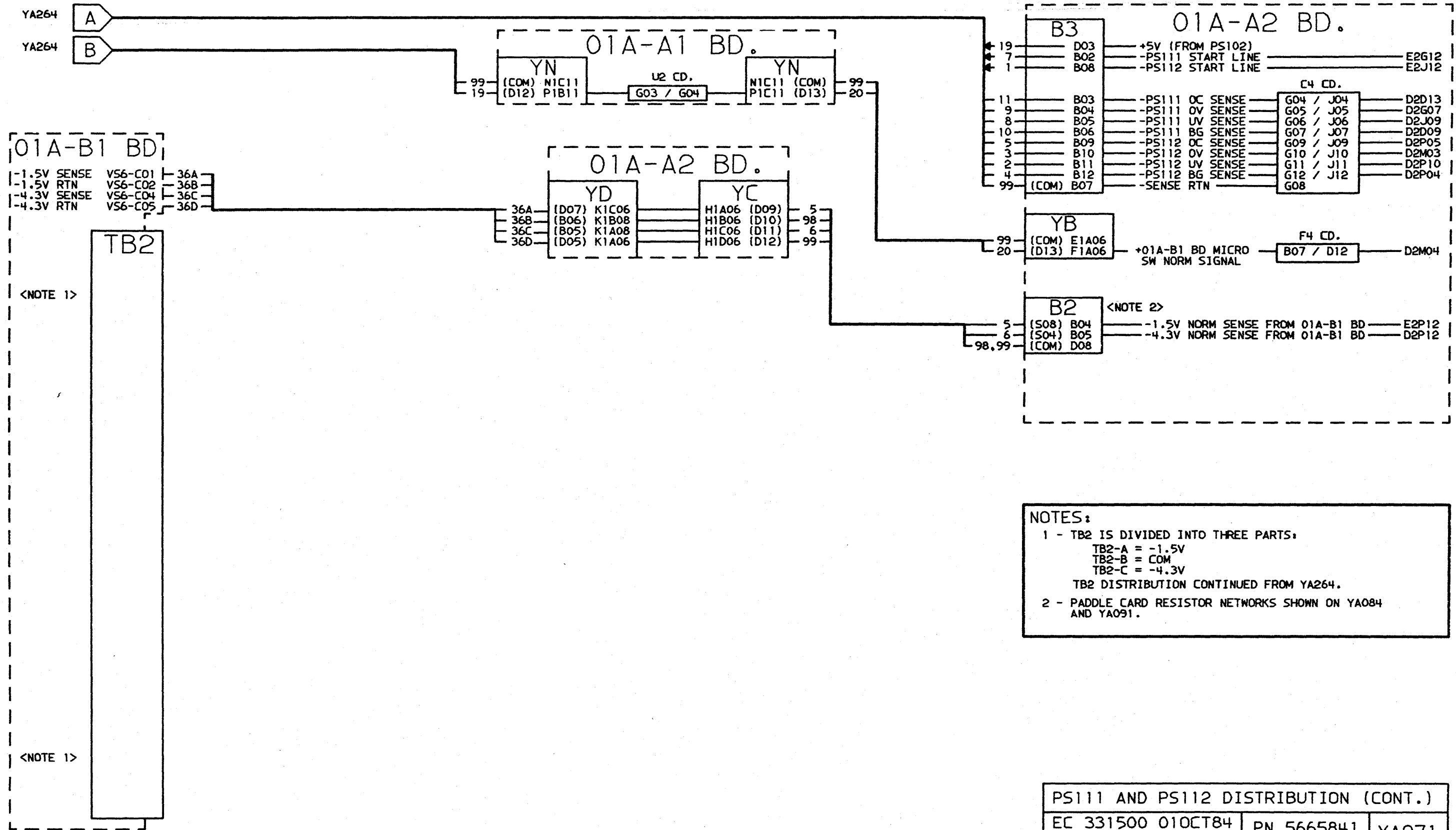


**NOTES:**

- 1 - TB2 IS DIVIDED INTO THREE PARTS:  
TB2-A = -1.5V  
TB2-B = COM  
TB2-C = -4.3V  
DISTRIBUTION FROM TB2 CONTINUED ON YA271.
- 2 - PS111 P2-12 WIRED TO PS112 P2-12.
- 3 - FOR CORRECT CURRENT SETTING SEE VOLUME A03 "VOLTAGE ADJUST" PAGE PR1021.

PS111 AND PS112 DISTRIBUTION		
EC 331500 01OCT84	PN 5665840	YA264 AB
	2 OF 2	





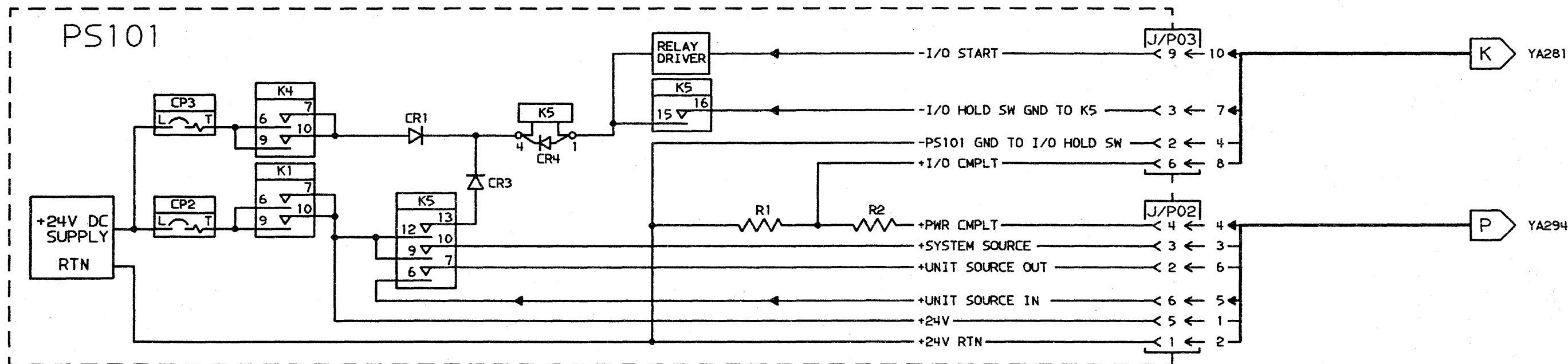
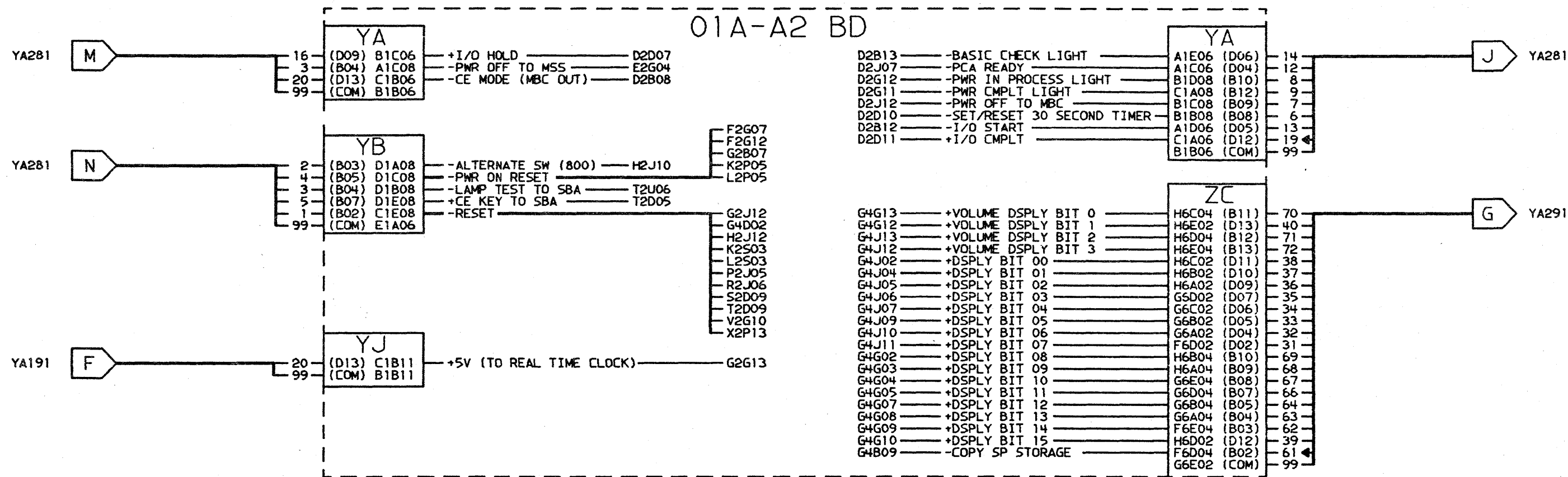
<NOTE 1>

<NOTE 1>

**NOTES:**

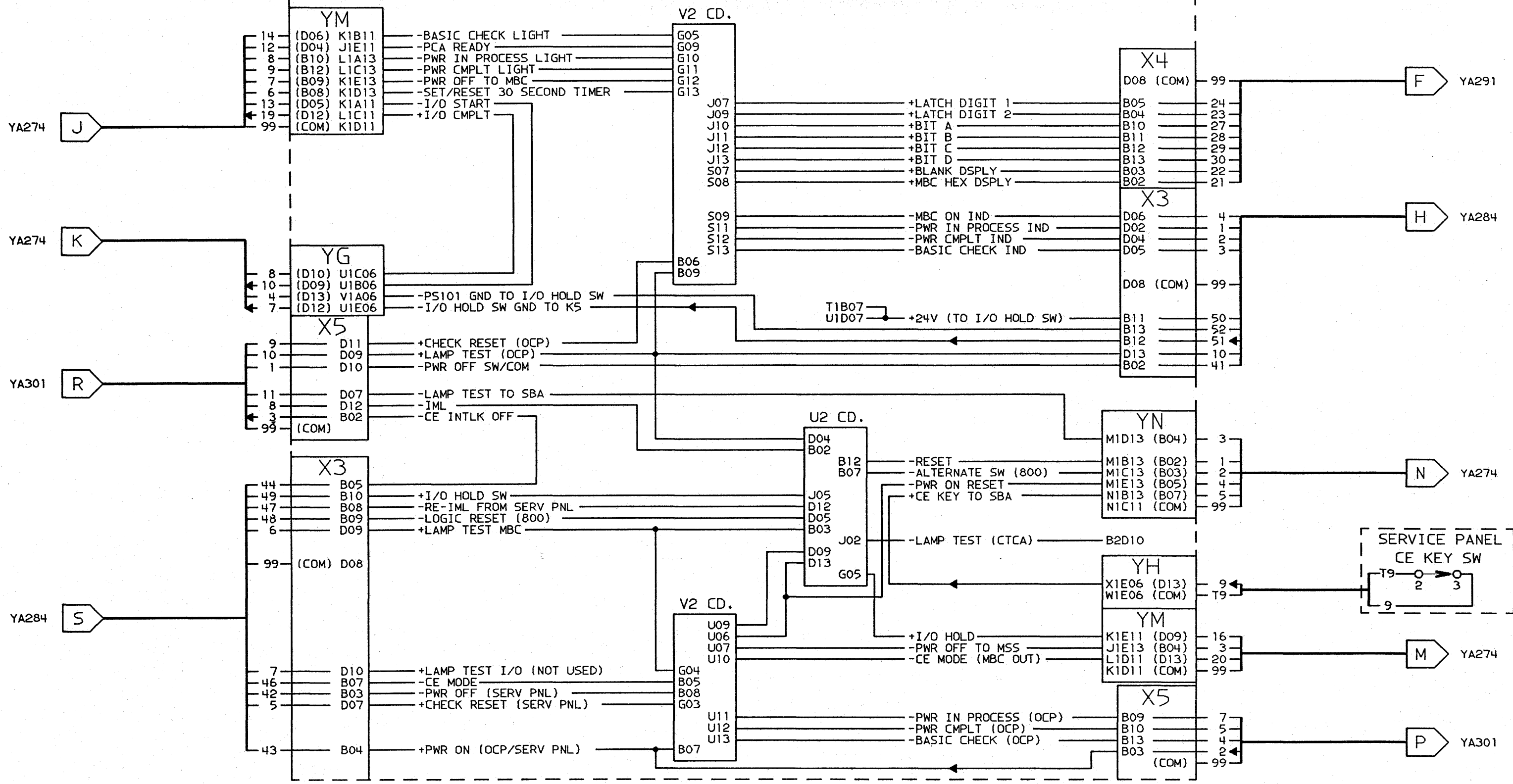
1 - TB2 IS DIVIDED INTO THREE PARTS:  
 TB2-A = -1.5V  
 TB2-B = COM  
 TB2-C = -4.3V  
 TB2 DISTRIBUTION CONTINUED FROM YA264.

2 - PADDLE CARD RESISTOR NETWORKS SHOWN ON YA084 AND YA091.

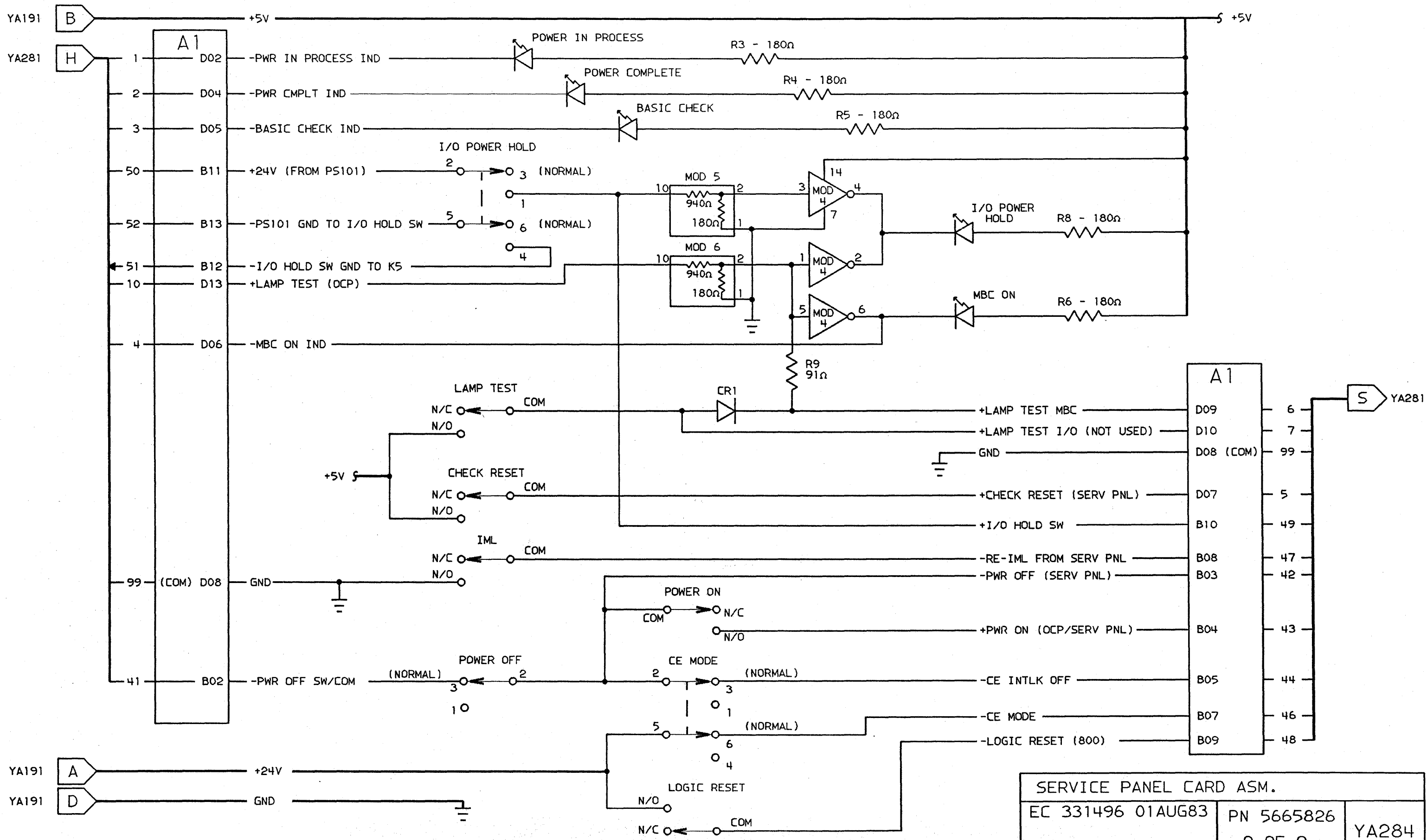


01A-A2 BD/PS101 TO OCP, SERV PNL AND PCI		
EC 331500 01OCT84	PN 5665841	YA274
	2 OF 2	AB

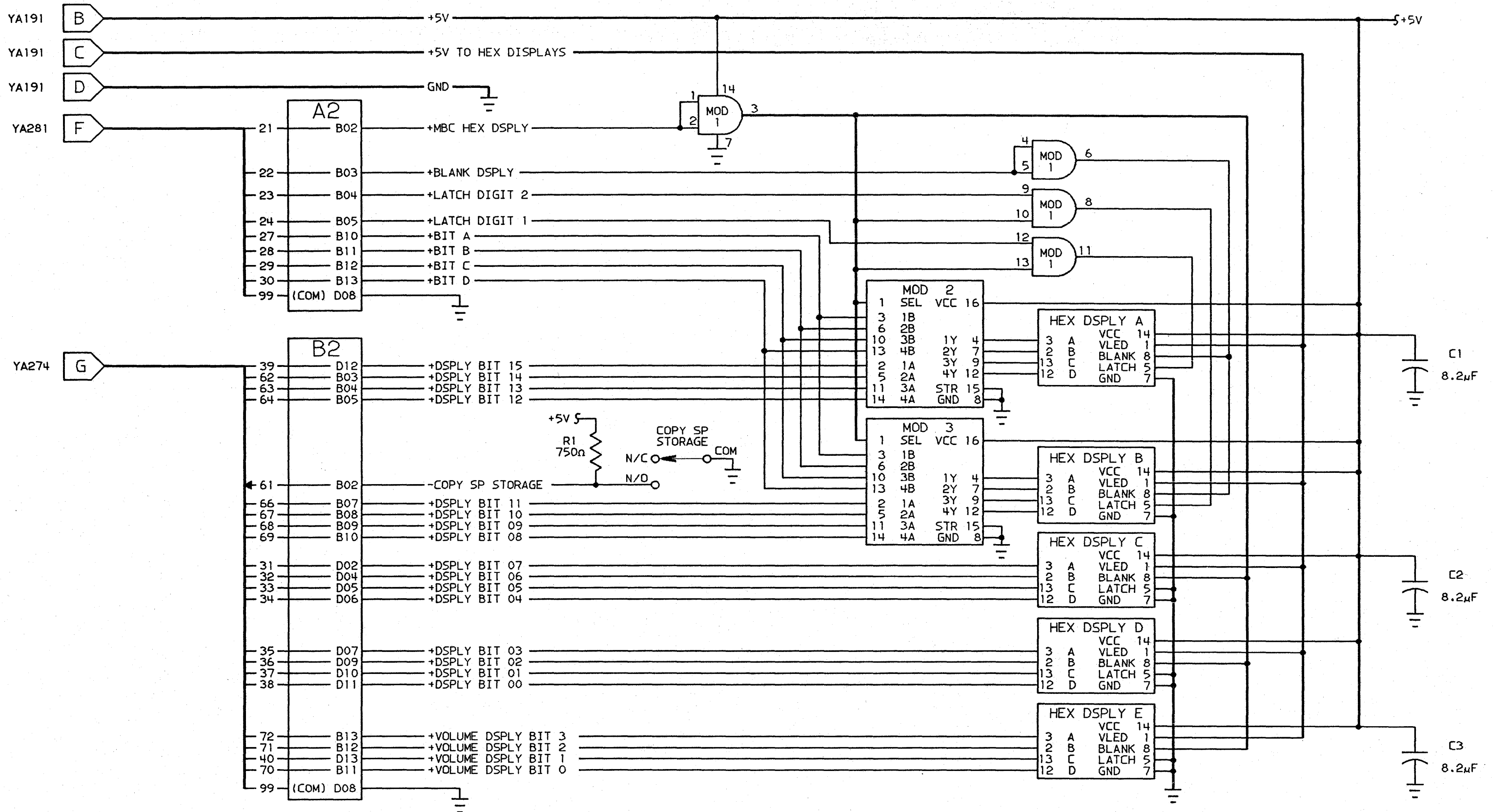
01A-A1 BD.



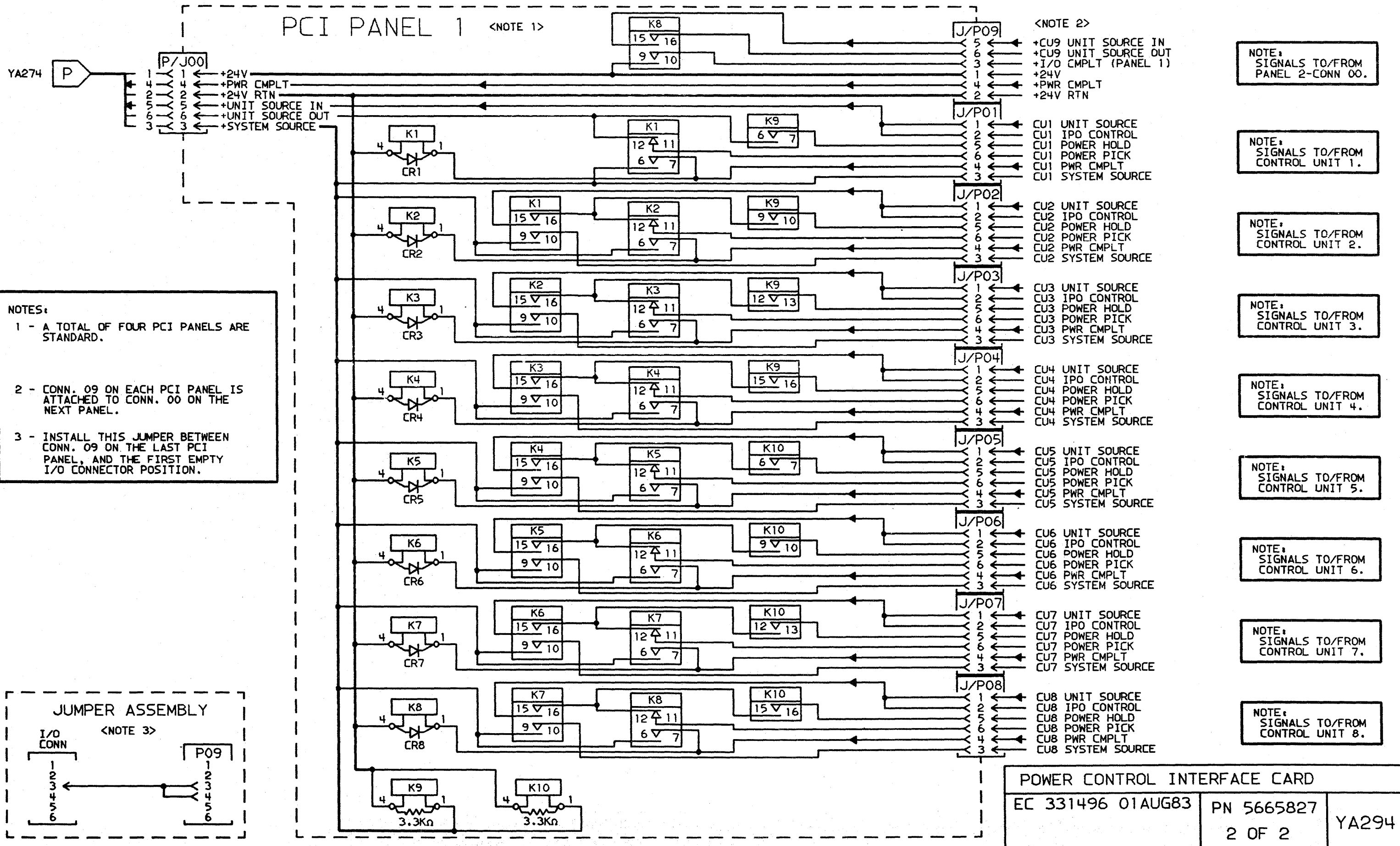
01A-A1 BD TO OCP, SERVICE PANEL AND PCI		
EC 331496 01AUG83	PN 5665826	YA281
	1 OF 2	



SERVICE PANEL CARD ASM.		
EC 331496 01AUG83	PN 5665826	YA284
2 OF 2		



SERVICE PANEL CARD ASM. (CONT.)		
EC 331496 01AUG83	PN 5665827	YA291
	1 OF 2	



<NOTE 2>

+CU9 UNIT SOURCE IN  
 +CU9 UNIT SOURCE OUT  
 +I/O CMPLT (PANEL 1)  
 +24V  
 +PWR CMPLT  
 +24V RTN

NOTE:  
 SIGNALS TO/FROM  
 PANEL 2-CONN 00.

CU1 UNIT SOURCE  
 CU1 IPO CONTROL  
 CU1 POWER HOLD  
 CU1 POWER PICK  
 CU1 PWR CMPLT  
 CU1 SYSTEM SOURCE

NOTE:  
 SIGNALS TO/FROM  
 CONTROL UNIT 1.

CU2 UNIT SOURCE  
 CU2 IPO CONTROL  
 CU2 POWER HOLD  
 CU2 POWER PICK  
 CU2 PWR CMPLT  
 CU2 SYSTEM SOURCE

NOTE:  
 SIGNALS TO/FROM  
 CONTROL UNIT 2.

CU3 UNIT SOURCE  
 CU3 IPO CONTROL  
 CU3 POWER HOLD  
 CU3 POWER PICK  
 CU3 PWR CMPLT  
 CU3 SYSTEM SOURCE

NOTE:  
 SIGNALS TO/FROM  
 CONTROL UNIT 3.

CU4 UNIT SOURCE  
 CU4 IPO CONTROL  
 CU4 POWER HOLD  
 CU4 POWER PICK  
 CU4 PWR CMPLT  
 CU4 SYSTEM SOURCE

NOTE:  
 SIGNALS TO/FROM  
 CONTROL UNIT 4.

CU5 UNIT SOURCE  
 CU5 IPO CONTROL  
 CU5 POWER HOLD  
 CU5 POWER PICK  
 CU5 PWR CMPLT  
 CU5 SYSTEM SOURCE

NOTE:  
 SIGNALS TO/FROM  
 CONTROL UNIT 5.

CU6 UNIT SOURCE  
 CU6 IPO CONTROL  
 CU6 POWER HOLD  
 CU6 POWER PICK  
 CU6 PWR CMPLT  
 CU6 SYSTEM SOURCE

NOTE:  
 SIGNALS TO/FROM  
 CONTROL UNIT 6.

CU7 UNIT SOURCE  
 CU7 IPO CONTROL  
 CU7 POWER HOLD  
 CU7 POWER PICK  
 CU7 PWR CMPLT  
 CU7 SYSTEM SOURCE

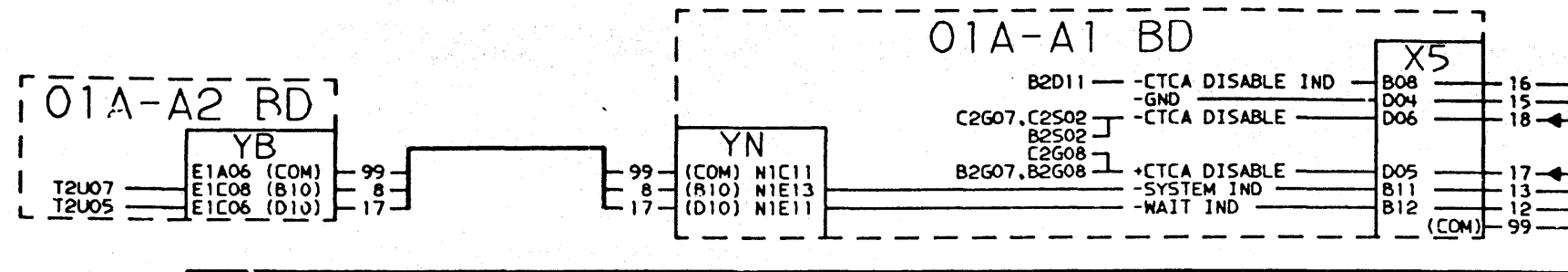
NOTE:  
 SIGNALS TO/FROM  
 CONTROL UNIT 7.

CU8 UNIT SOURCE  
 CU8 IPO CONTROL  
 CU8 POWER HOLD  
 CU8 POWER PICK  
 CU8 PWR CMPLT  
 CU8 SYSTEM SOURCE

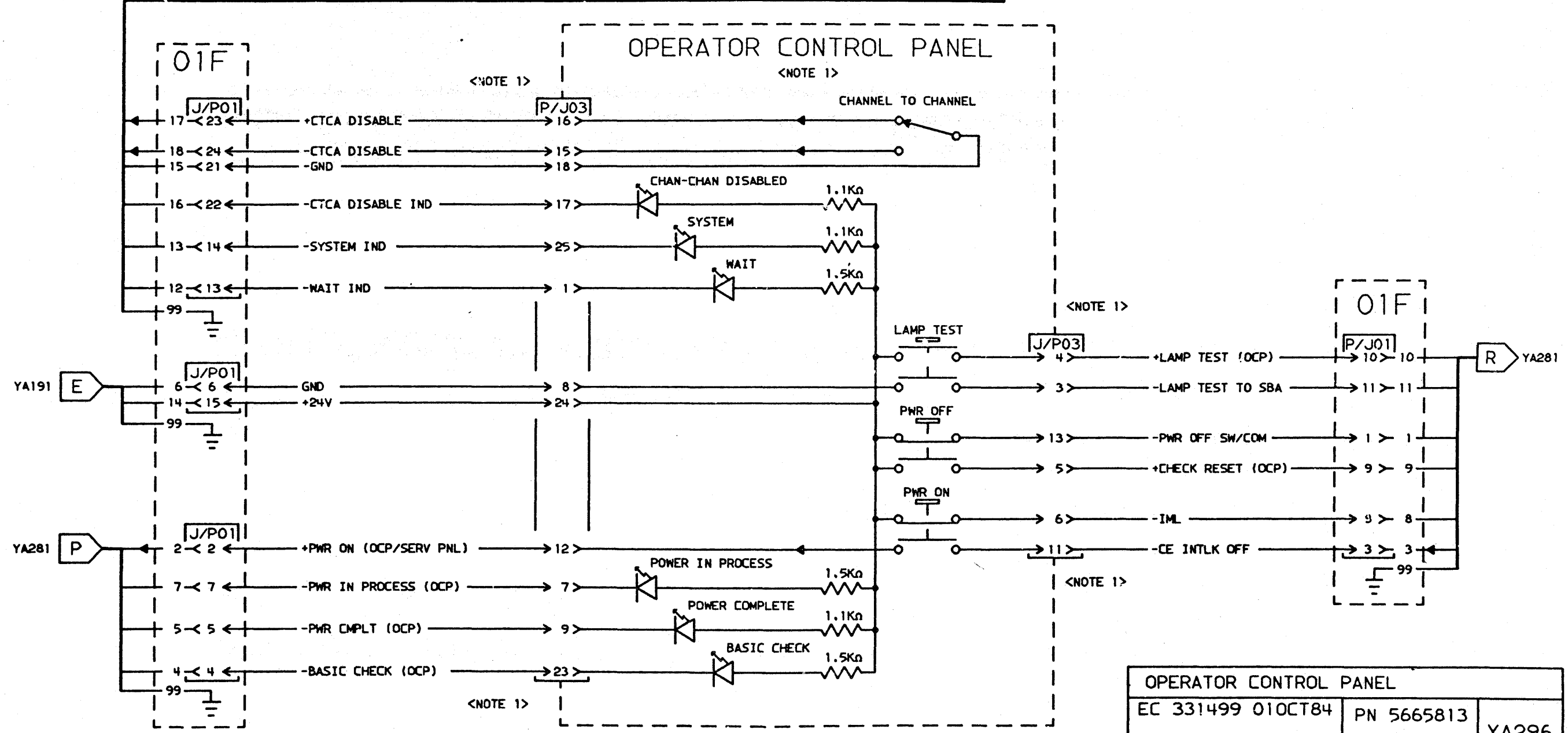
NOTE:  
 SIGNALS TO/FROM  
 CONTROL UNIT 8.

THIS PAGE LEFT INTENTIONALLY BLANK

EC 331499 01OCT84	PN 5665813	YA295
	1 OF 2	

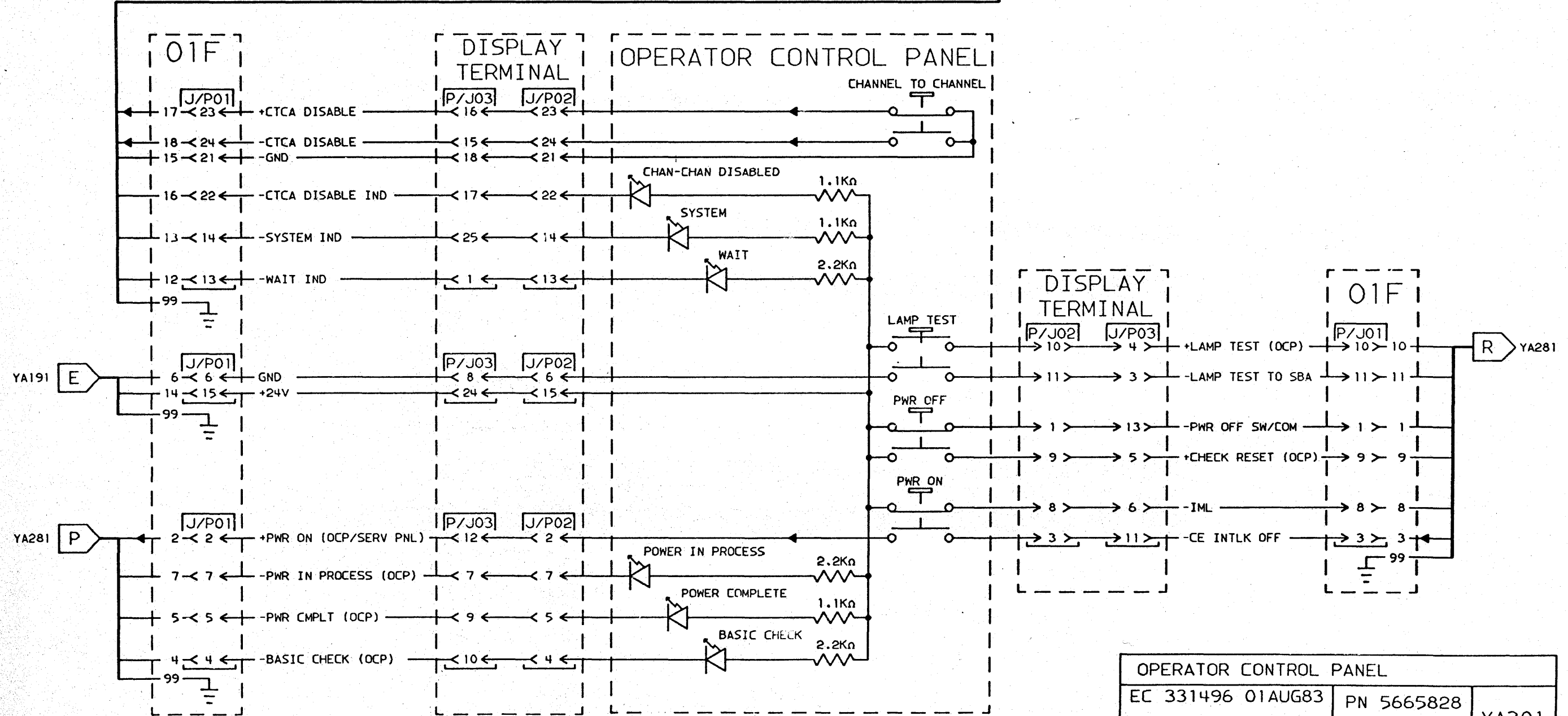
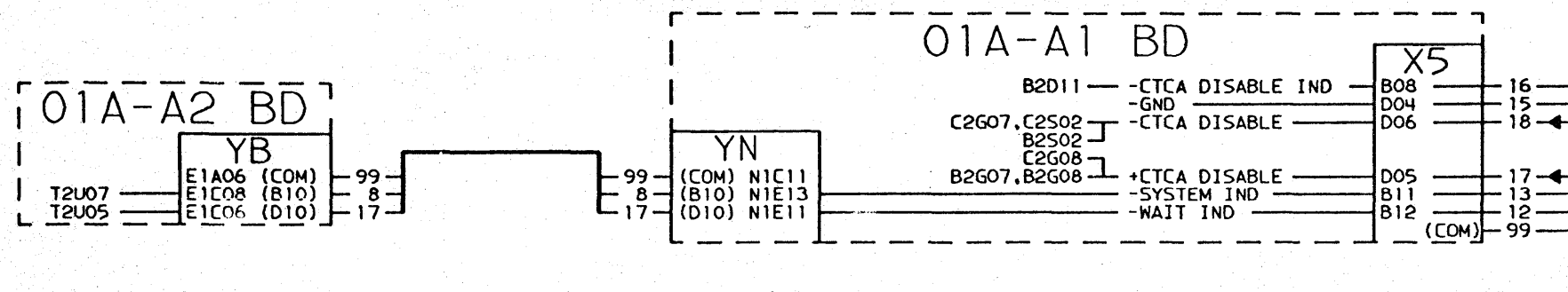


NOTES:  
 1 - THIS PAGE IS TO BE USED IF DISPLAY TERMINAL TYPE 3205 IS INSTALLED. SEE YA301 FOR OCP INFORMATION WHEN USING DISPLAY TERMINAL TYPE 3278 2A OR 3279 2C.

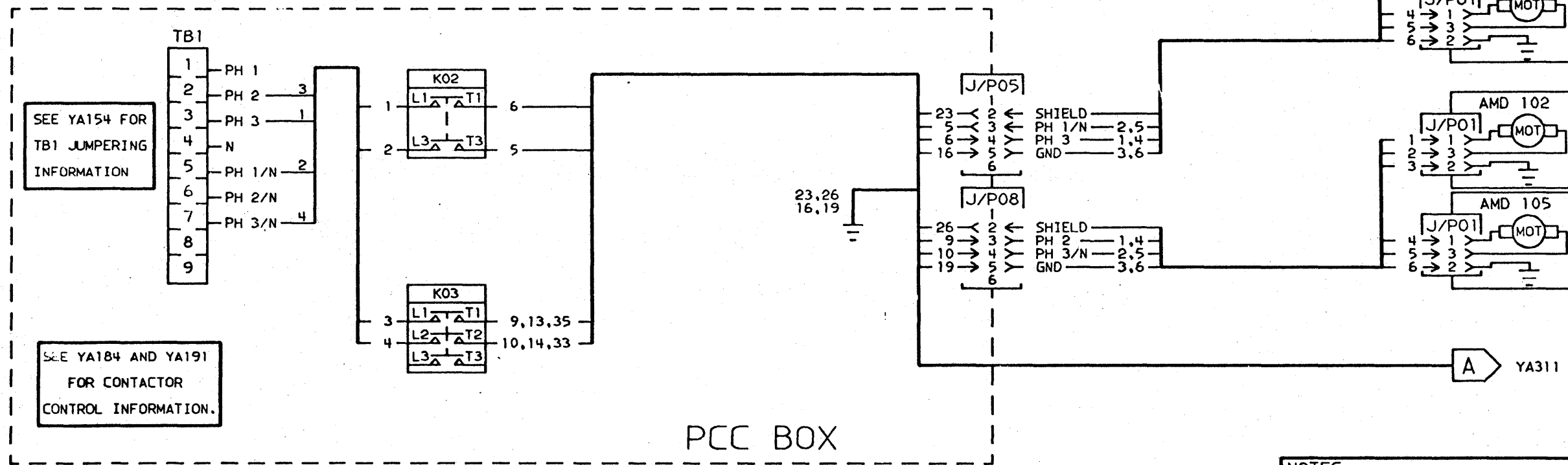
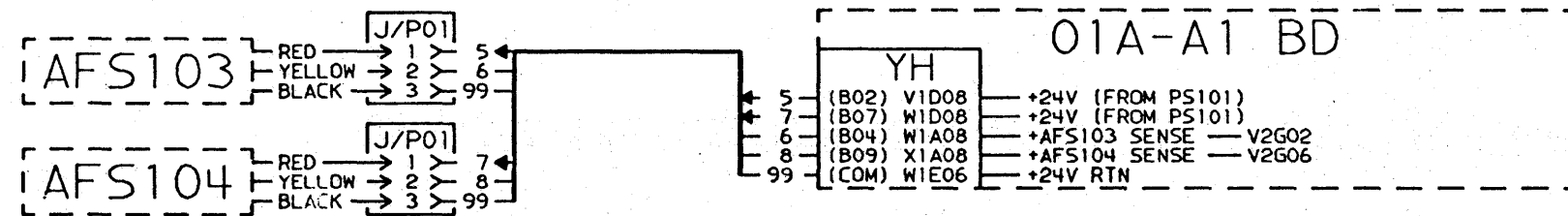
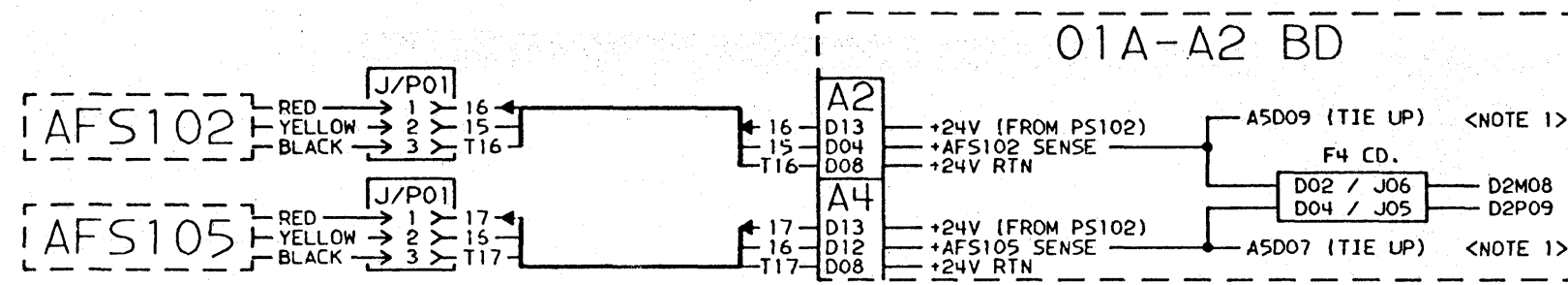


OPERATOR CONTROL PANEL		
EC 331499 01OCT84	PN 5665813	YA296
	2 OF 2	



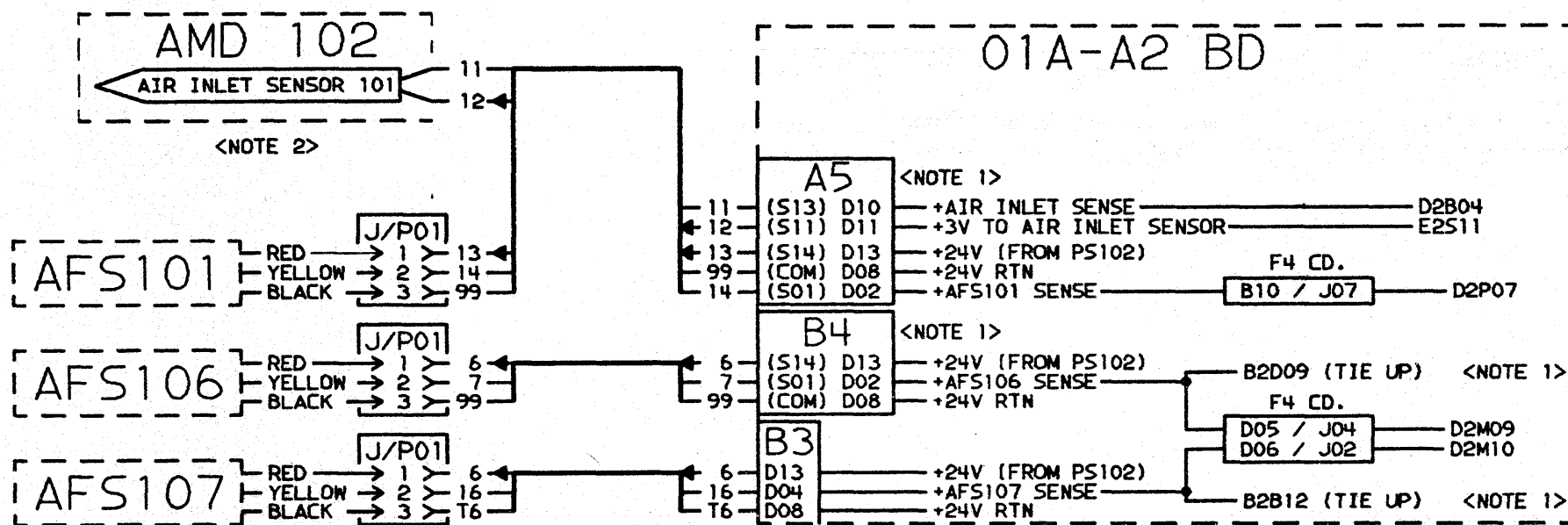
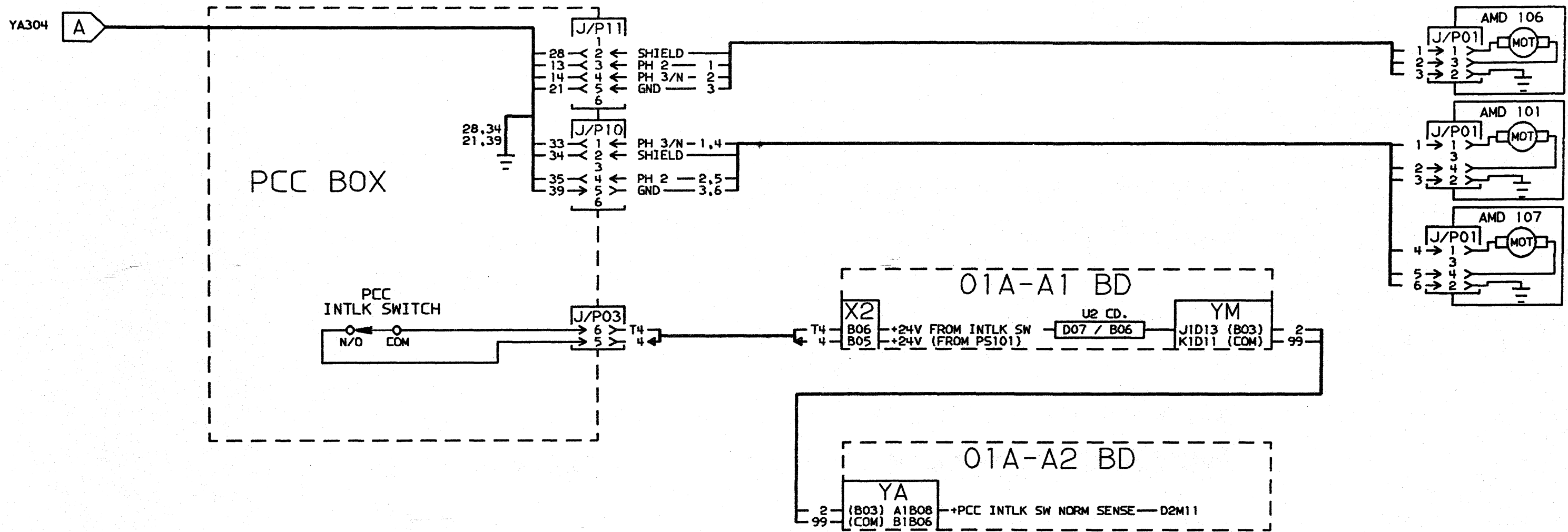


OPERATOR CONTROL PANEL		
EC 331496 01AUG83	PN 5665828	YA301
	1 OF 2	



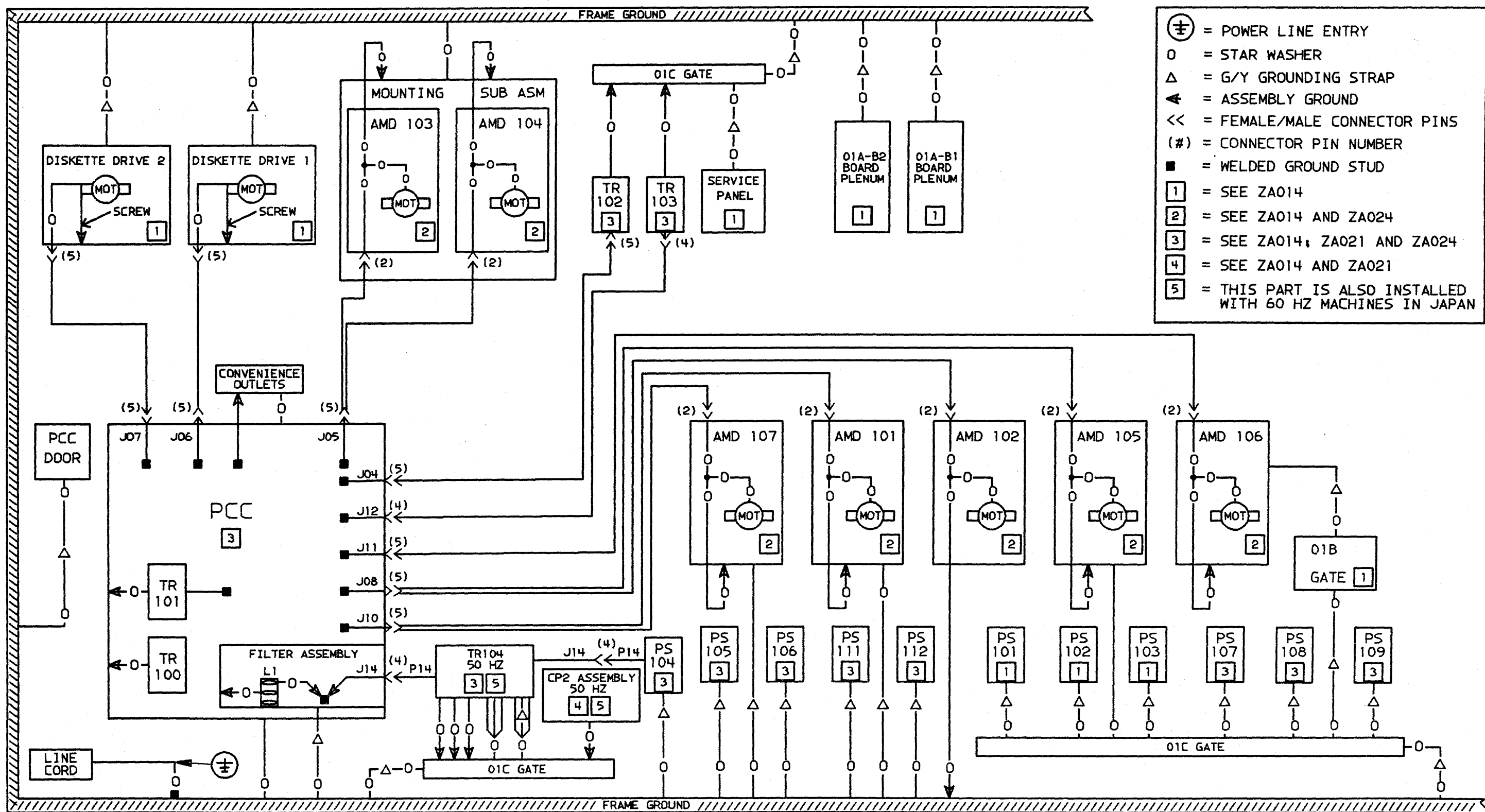
NOTES:  
1 - PADDLE CARD RESISTOR NETWORKS SHOWN ON YA084 AND YA091.

AFS AND AMDS		
EC 331496 01AUG83	PN 5665828	YA304
	2 OF 2	



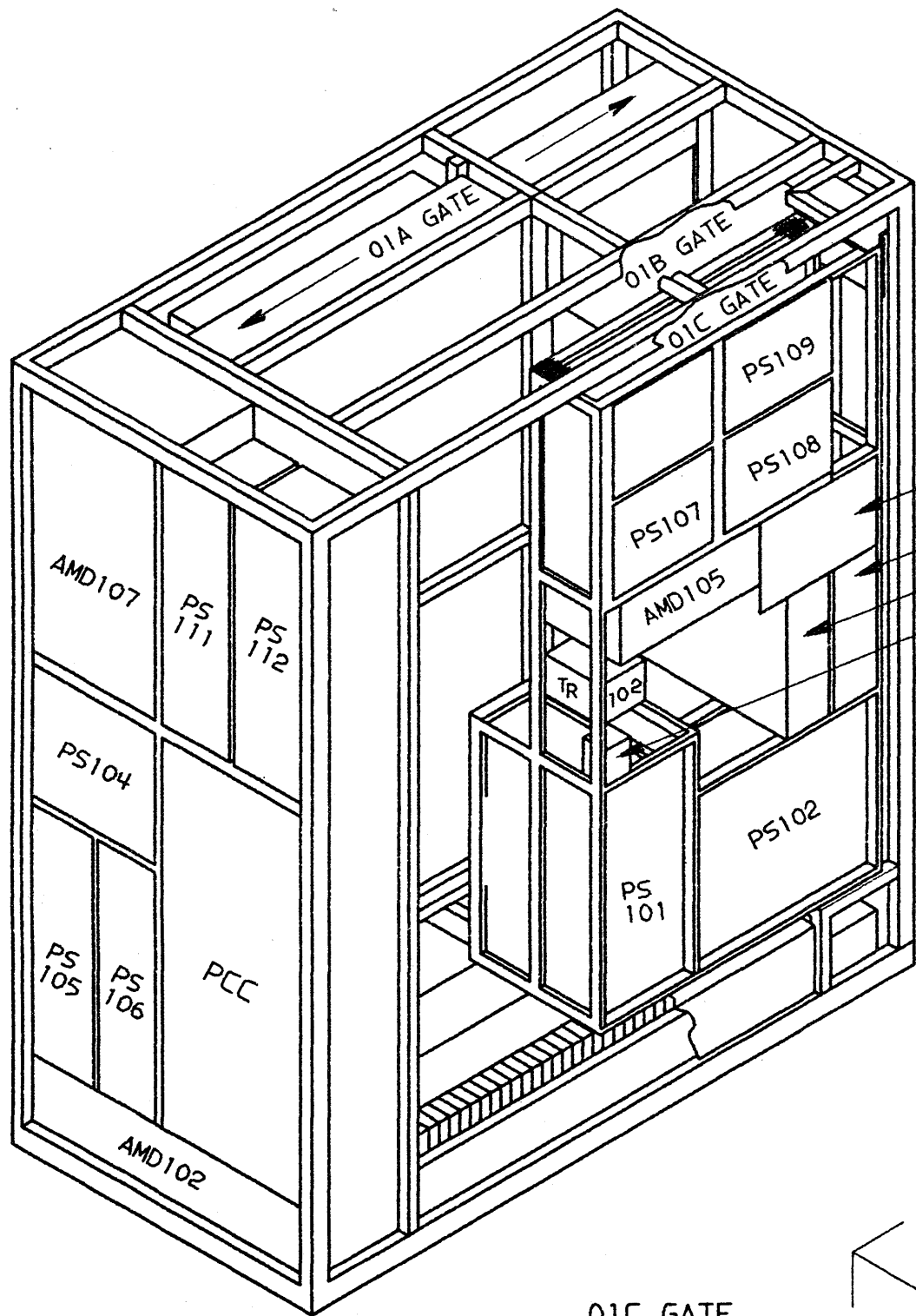
**NOTES:**  
 1 - PADDLE CARD RESISTOR NETWORKS SHOWN ON YA084 AND YA091.  
 2 - AIR INLET SENSOR 101 MAY NOT BE INSTALLED.

AFS AND AMDS (CONT.)		
EC 331500 01OCT84	PN 5665842	YA311
	1 OF 1	AB

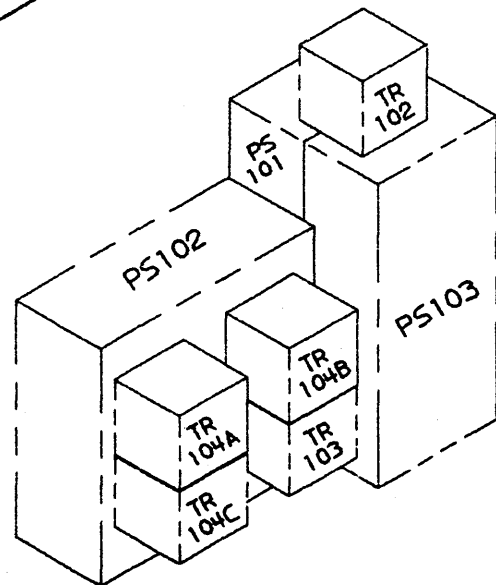


- ⊕ = POWER LINE ENTRY
- = STAR WASHER
- △ = G/Y GROUNDING STRAP
- ◀ = ASSEMBLY GROUND
- << = FEMALE/MALE CONNECTOR PINS
- (#) = CONNECTOR PIN NUMBER
- = WELDED GROUND STUD
- 1 = SEE ZA014
- 2 = SEE ZA014 AND ZA024
- 3 = SEE ZA014; ZA021 AND ZA024
- 4 = SEE ZA014 AND ZA021
- 5 = THIS PART IS ALSO INSTALLED WITH 60 HZ MACHINES IN JAPAN

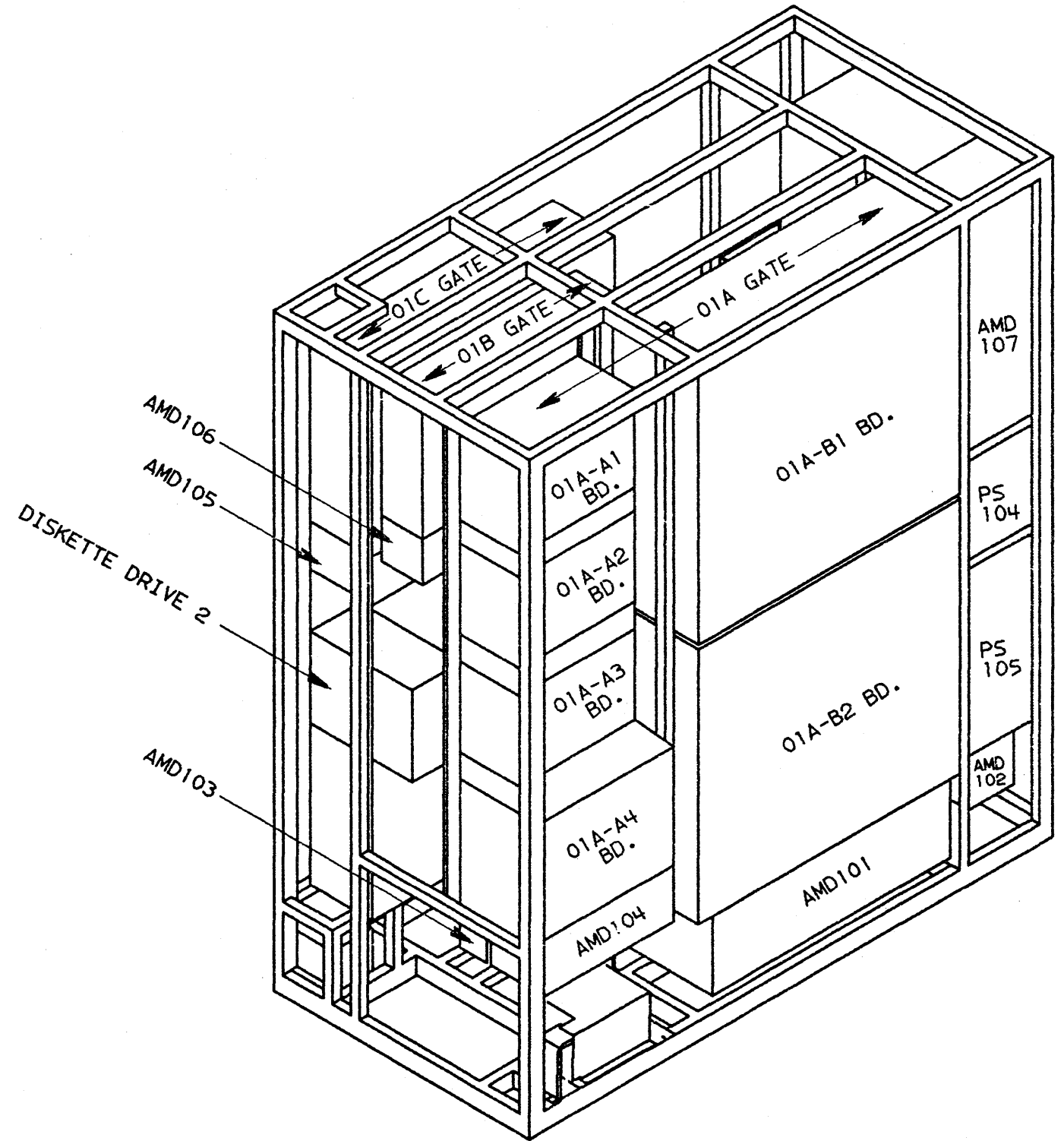
GREEN/YELLOW GROUNDS		
EC 331500 01OCT84	PN 5665843	ZA011
	1 OF 2	AB



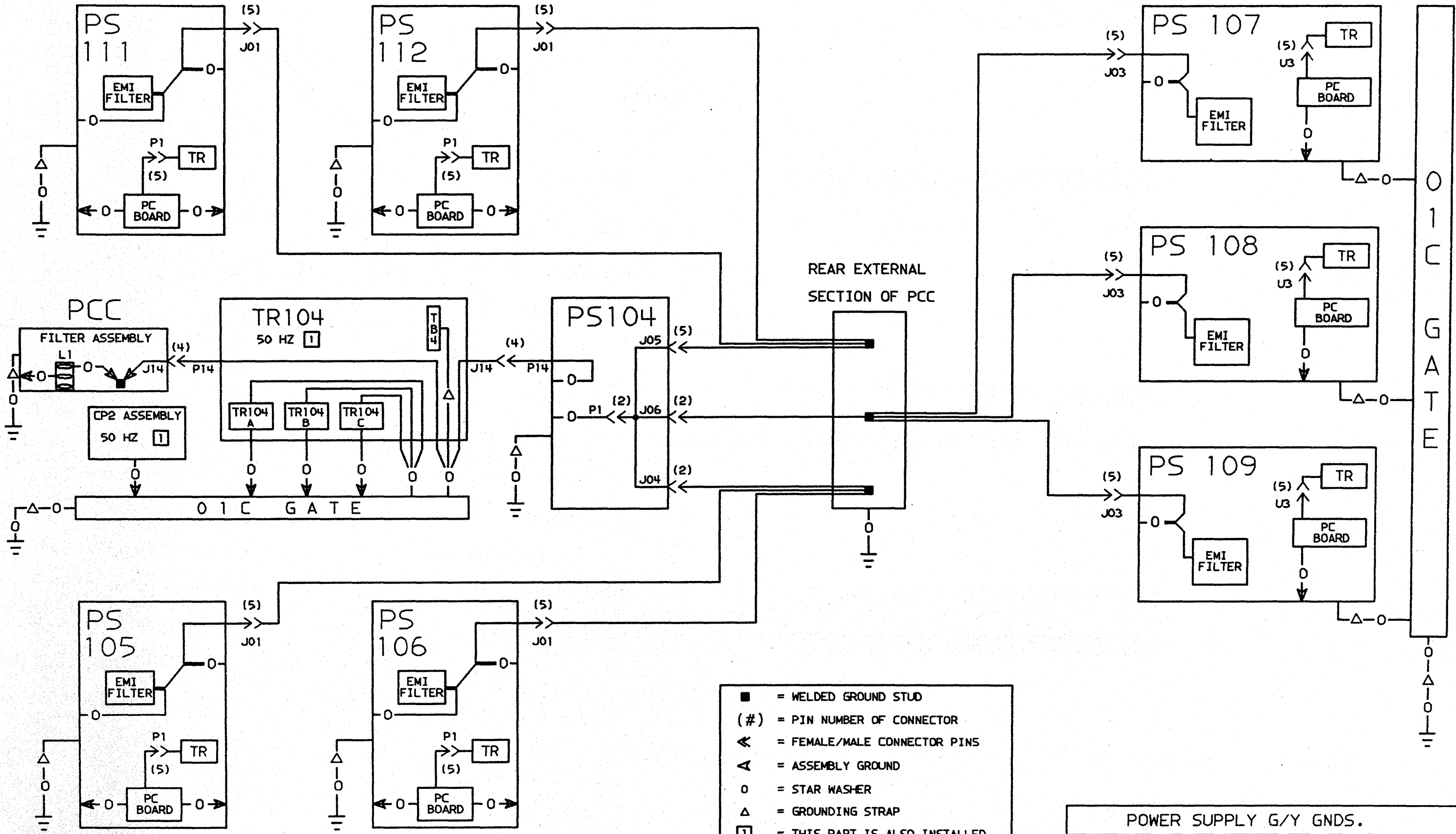
01C GATE  
REAR VIEW  
(LOWER PORTION)



- SERVICE PANEL
- DISKETTE DRIVE 2
- DISKETTE DRIVE 1
- CP2



PHYSICAL LOCATION OF FRUS		
EC 331500 01OCT84	PN 5665843	ZA014
	2 OF 2	AB

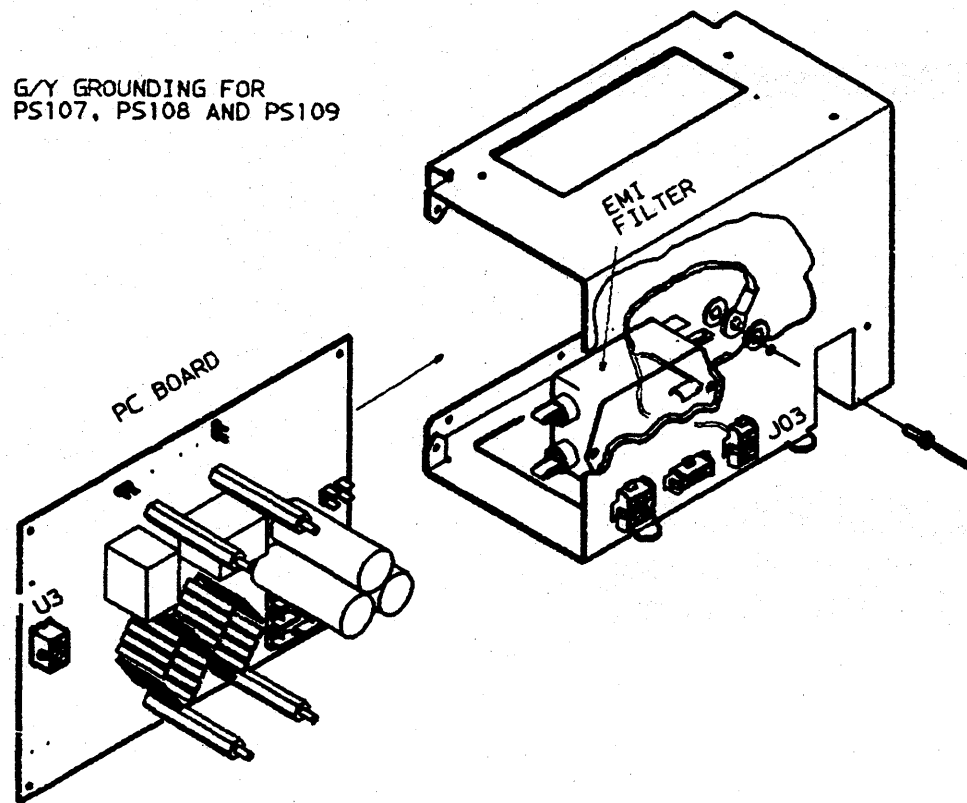


REAR EXTERNAL  
SECTION OF PCC

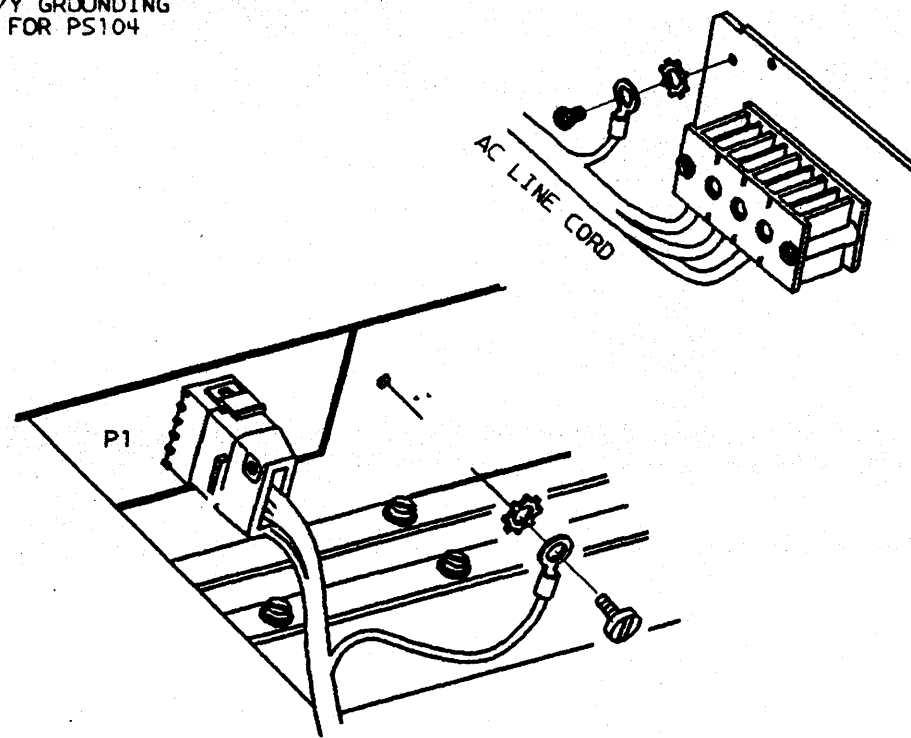
- = WELDED GROUND STUD
- (#) = PIN NUMBER OF CONNECTOR
- ◀ = FEMALE/MALE CONNECTOR PINS
- ◁ = ASSEMBLY GROUND
- = STAR WASHER
- △ = GROUNDING STRAP
- 1 = THIS PART IS ALSO INSTALLED WITH 60 HZ MACHINES IN JAPAN

POWER SUPPLY G/Y GNDS.		
EC 331500 01OCT84	PN 5665844	ZA021
	1 OF 2	AB

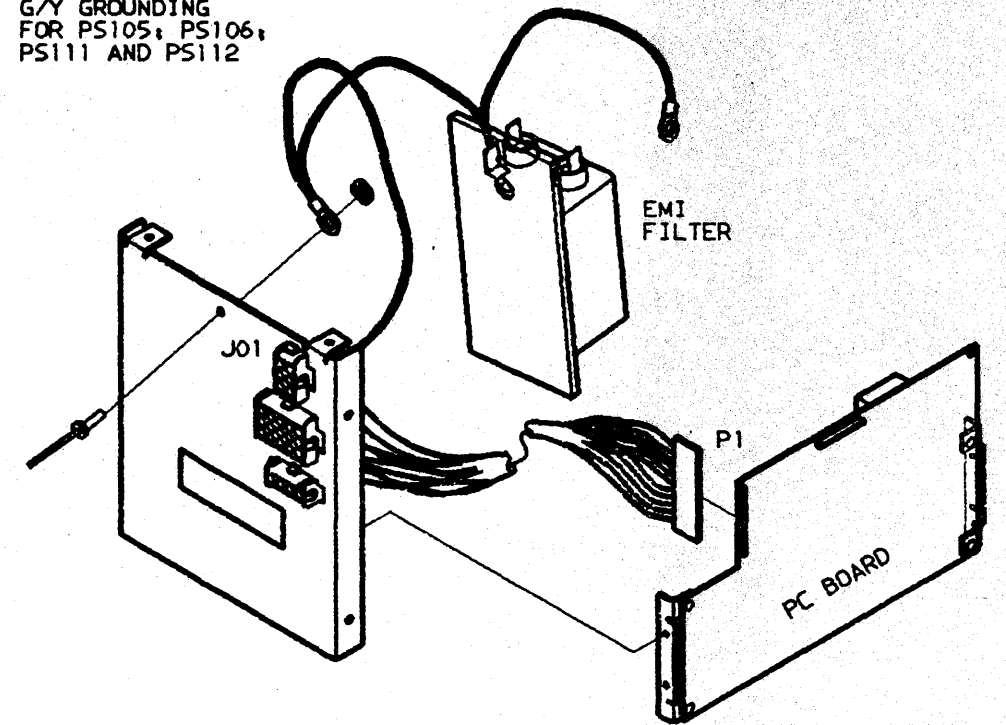
G/Y GROUNDING FOR  
PS107, PS108 AND PS109



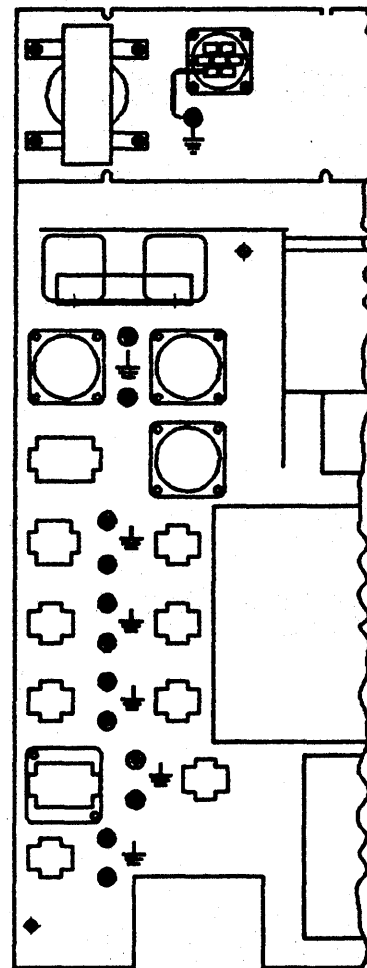
G/Y GROUNDING  
FOR PS104



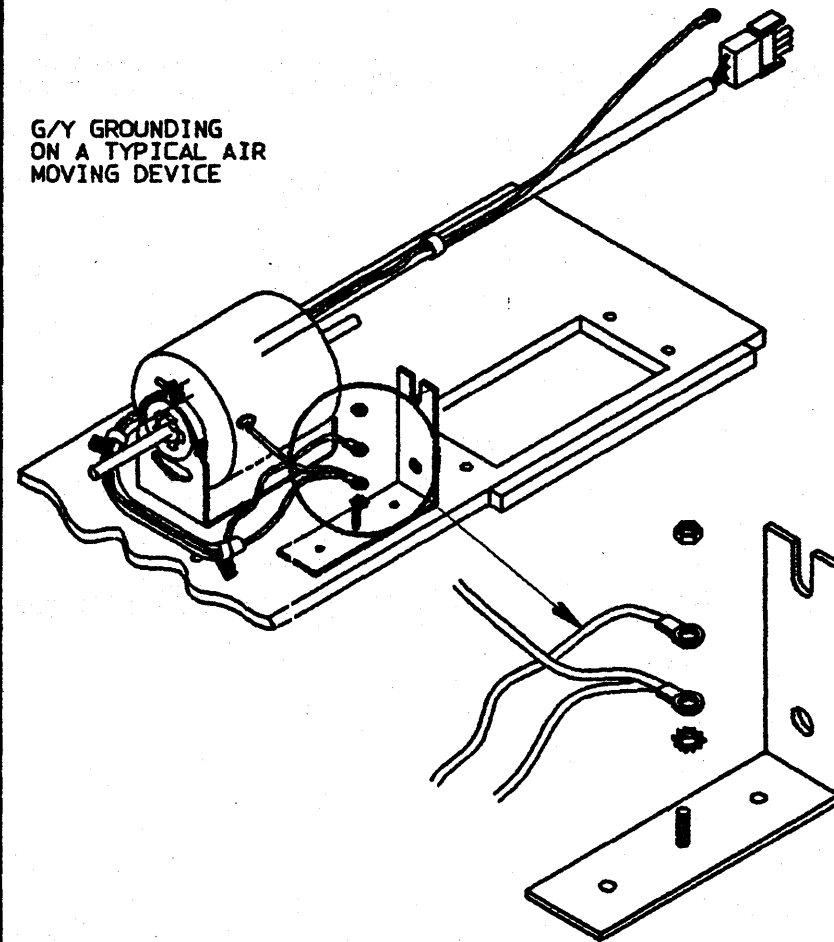
G/Y GROUNDING  
FOR PS105, PS106,  
PS111 AND PS112



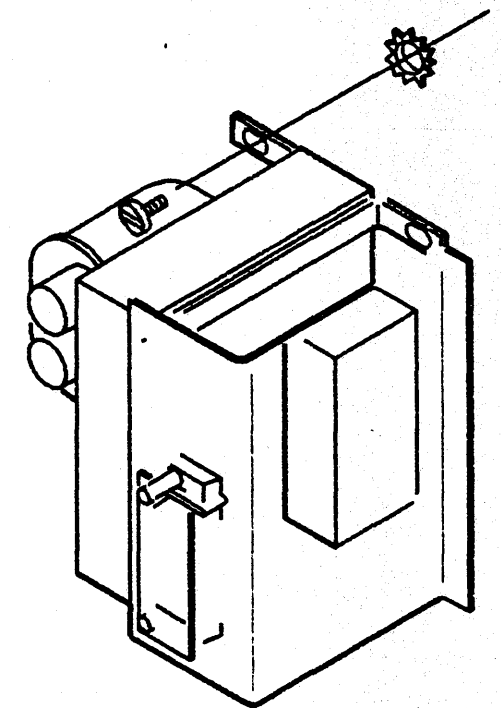
G/Y GROUNDING  
INSIDE THE PCC BOX



G/Y GROUNDING  
ON A TYPICAL AIR  
MOVING DEVICE



TRANSFORMER  
GROUNDING METHOD



MECHANICAL REFERENCE OF COMPONENT GNDS		
EC 331500 01OCT84	PN 5665844	ZA024
	2 OF 2	AB