

VOLUME 040 MACHINE 4341- -0015871 MODEL M02 SYSTEM 0018167 MODE

SCHD SHIP 82/09/17

LOGIC TYPE -0- SYSTEMS DIAGRAMS

DGC COUNTER 04

PAGE NUM	SH	TITLE	PART NUM	EC NUM	FEATURE B/M DR B/MS
AAAAA		COPYRIGHT NOTICE	0000379001	873593	.W. 0000174698
YA012		BOARD	0000379002	873594	.W. 0000174698
YA015		CONVERSATION TABLE	0000379003	873596	.W. 0000174698
YA017		GENERAL INFORMATION	0000379004	873594	.W. 0000174698
YA411		50/60 HZ COMPACTMENT	0000379005	873593	.W. 0000174698
YA413		50/60 HZ AC CONTROL	0000379006	873593	.W. 0000174698
YA415		RELAY COILS	0000379007	873593	.W. 0000174698
YA417		BLOWERS	0000379008	873596	.W. 0000174698
YA418		BLOWERS SENSING	0000379009	873596	.W. 0000174698
YA421		CONV OUTLET VOLTAGE	0000379010	873596	.W. 0000174698
YA601		PWR SUPPLIES	0000379011	873596	.W. 0000174698
YA603		ADAPTERS	0000379012	873596	.W. 0000174698
YA604		PS215-TR 216PS	0000379013	873596	.W. 0000174698
YA605		PS 210	0000379014	873594	.W. 0000174698
YA606		PS 211	0000379015	873593	.W. 0000174698
YA607		PS 212	0000379016	873594	.W. 0000174698
YA608		PS 213	0000379017	873593	.W. 0000174698
YA609		TR301 PS301	0000379018	873596	.W. 0000174698
YA653		BLOCK	0000379019	873594	.W. 0000174698
YA655		01A GATE BLOCK	0000379020	873596	.W. 0000174698
YA657		DISTRIBUTION	0000379021	873594	.W. 0000174698
YA659		FRAME	0000379022	873593	.W. 0000174698
YA662		POWER SYSTEM	0000379023	873593	.W. 0000174698
YA663		01A-A1 BOARD	0000379024	873593	.W. 0000174698
YA664		01A-A2 BOARD	0000379025	873593	.W. 0000174698
YA665		01A B1 BOARD	0000379026	873596	.W. 0000174698
YA667		01A B2 BOARD	0000379027	873596	.W. 0000174698
YA669		01A C1 BOARD	0000379028	873596	.W. 0000174698
YA671		ANALOG SENSOR	0000379029	873594	.W. 0000174698
YA680		POWER SYSTEM	0000379030	873593	.W. 0000174698
YA682		POWER SYSTEM	0000379031	873594	.W. 0000174698
YA684		POWER SYSTEM	0000379032	873593	.W. 0000174698
YA685		POWER SYSTEM	0000379033	873593	.W. 0000174698
YA686		POWER SYSTEM	0000379034	873593	.W. 0000174698
YA688		INT POWER SYSTEM	0000379035	873593	.W. 0000174698
YA701		POWER SYSTEM	0000379036	873593	.W. 0000174698
YA711		HWS POWER EMC M	0000379037	873594	.W. 0000174698
YA713		HWS OCP EMC M	0000379038	873594	.W. 0000174698
YA715		HWS CE PANEL	0000379039	873593	.W. 0000174698
YA717		HWS PWR CONTROLLER	0000379040	873594	.W. 0000174698
YA719		BOARD 01A-D2	0000379041	873594	.W. 0000174698
YA721		HWS 01A-D2D2	0000379042	873593	.W. 0000174698
YA723		HWS 01A-D2D2	0000379043	873593	.W. 0000174698
YA725		HWS 01A-D2D2	0000379044	873593	.W. 0000174698
YA727		HWS 01A-D2D2	0000379045	873593	.W. 0000174698
YA731		HWS VOLT CARD	0000379046	873593	.W. 0000174698
YA735		CARD 01A-D2B2	0000379047	873593	.W. 0000174698
YA737		HWS 01A D2B2	0000379048	873593	.W. 0000174698
YA741		HWS 01A-D2E2	0000379049	873593	.W. 0000174698
YA745		HWS 01A-D2E2	0000379050	873593	.W. 0000174698
YA747		HWS 01A-D2E2	0000379051	873593	.W. 0000174698
YA751		HWS 01A-D2C4	0000379052	873593	.W. 0000174698
YA755		HWS 01A-D2C4	0000379053	873593	.W. 0000174698
YA757		HWS 01A-D2C4	0000379054	873593	.W. 0000174698
YA761		HWS 01A-D2C2	0000379055	873593	.W. 0000174698
YA765		HWS 01A D2C2	0000379056	873593	.W. 0000174698
YA767		HWS 01A D2C2	0000379057	873593	.W. 0000174698
YA771		HWS 01A D2E4	0000379058	873594	.W. 0000174698
YA775		HWS 01A D2E4	0000379059	873593	.W. 0000174698
YA781		CE PANEL	0000379060	873593	.W. 0000174698
YA785		CONSOL PANEL	0000379061	873594	.W. 0000174698
YA811		STANDARD PWR PANEL	0000379062	873593	.W. 0000174698
YA821		SPI PANEL CUB	0000379063	873593	.W. 0000174698
YA823		SPI PANEL	0000379064	873593	.W. 0000174698
YA825		STANDARD PWR IFACE	0000379065	873593	.W. 0000174698
YA827		STANDARD PWR IFACE	0000379066	873593	.W. 0000174698
YA829		STANDARD PWR IFACE	0000379067	873593	.W. 0000174698
YA831		STANDARD PWR IFACE	0000379068	873593	.W. 0000174698
YA951		EC 873594	0000379069	873594	.W. 0000174698
YA981		INTER PWR CTRL CHANL	0000379070	873593	.W. 0000174698
YA983		INTER PWR CTRL UNITS	0000379071	873593	.W. 0000174698
YA985		INTER PWR CTRL CHNL	0000379072	873593	.W. 0000174698
YA987		INTER PWR CTRL CHNL	0000379073	873593	.W. 0000174698
YA989		INTER PWR CTRL CHNL	0000379074	873593	.W. 0000174698
YA991		INTER PWR CTRL CHNL	0000379075	873594	.W. 0000174698
YF101		INTERCONNECTIONS	0000379076	873596	.W. 0000174698
YF111		INTERCONNECTIONS	0000379077	873596	.W. 0000174698
YF121		INTERCONNECTIONS	0000379078	873596	.W. 0000174698
YF131		INTERCONNECTIONS	0000379079	873596	.W. 0000174698
YF141		INTERCONNECTIONS	0000379080	873596	.W. 0000174698
YF151		INTERCONNECTIONS	0000379081	873596	.W. 0000174698
YF161		INTERCONNECTIONS	0000379082	873596	.W. 0000174698
YF171		INTERCONNECTIONS	0000379083	873596	.W. 0000174698

(C) COPYRIGHT INTERNATIONAL BUSINESS MACHINES CORPORATION,  
 1980.  
 THE DRAWINGS AND SPECIFICATIONS CONTAINED HEREIN SHALL  
 NOT BE REPRODUCED IN WHOLE OR IN PART WITHOUT WRITTEN  
 PERMISSION.  
 IBM HAS PREPARED THIS MAINTENANCE DOCUMENTATION FOR THE  
 USE OF IBM CUSTOMER ENGINEERS IN THE INSTALLATION,  
 MAINTENANCE AND REPAIR OF THE SPECIFIC MACHINES INDICATED.  
 IBM MAKES NO REPRESENTATIONS THAT IT IS SUITABLE FOR ANY  
 OTHER PURPOSE.  
 INFORMATION CONTAINED IN THIS DOCUMENTATION IS SUBJECT  
 TO CHANGE FROM TIME TO TIME. CHANGES WILL BE REFLECTED  
 IN SUBSEQUENT REVISIONS.

35L-AA

COMMENTS

A1 PN=379001  
EC=873393

A  
A  
A  
A  
A  
0001

B1 (C) COPYRIGHT  
INTERNATIONAL BUSINESS  
MACHINES CORPORATION  
5 1980

COPYRIGHT NOTICE

LOC=  
 USN 00001 PRI=10OCT80 1608  
 AUC= SEC  
 PFORM=KSEC NEXTBLK AB  
 CID CIDPHCR JOB BPpPHCRN

A  
A  
A  
A  
A  
0001



PCC BOX FRUS

COMPONENT	FUNCTION	P/N 50 HZ WITH NEUT INTERRUPT	P/N 50 HZ WITH OUT NEUTRAL INTERRUPT	P/N 60 HZ
CB1	MAINLINE MSS	4109388	4120541	5214256
CB2	MAINLINE LOGIC	4109388	4120541	5214256
K1	CONV-OUTLET UEPD	2242321	2242321	2242321
K2	MSS SYSTEM	5278701	5278701	5278701
K3	LOGIC POWER	2242321	2242321	2242321
K4	LOGIC POWER	5261149	2561149	2561149
CP1	CONV-OUTLET 1POLE			2574136
CP2	CONV-OUTLET 2POLE	2676638	2676638	2574136

10B-AA

50 / 60 HZ WYE / DELTA CONVERSION TABLE

WYE JUMPER CONFIGURATION	DELTA JUMPER CONFIGURATION	REF-PAGE
380V 400V AND 415V 50HZ	200V AND 220V 50HZ	
	200V 208V 220V AND 240V 60HZ	
PCC TB02-4 TO PCC TB02-5	PCC TB02-1 TO PCC TB02-5	YA411
PCC TB02-5 TO PCC TB02-3	PCC TB02-2 TO PCC TB02-3	YA411
PCC TB02-3 TO PCC TB02-7	PCC TB02-3 TO PCC TB02-7	YA411

35B-AE

LINE VOLTAGE CONVERSION TABLE FOR PS215

REFERENCE ALD PAGE YA604 AND MI VOL 13 PAGE 12-075

NOTE: PS215 TB2 IS INSIDE THE SUPPLY

USE CHART A WHEN CONVERTING

FROM ANY OF THE FOLLOWING VOLTAGES	TO ANY OF THE FOLLOWING VOLTAGES
380V 50HZ 400V 50HZ 415V 50HZ	200V 50/60HZ 208V 60HZ 220V 50/60HZ 240V 60HZ

NO ACTION REQUIRED IF CONVERTING

FROM ANY OF THE FOLLOWING VOLTAGES	TO ANY OF THE FOLLOWING VOLTAGES
200V 50/60HZ 208V 60HZ 220V 50/60HZ 240V 60HZ	200V 50/60HZ 208V 60HZ 220V 50/60HZ 240V 60HZ

60B-AF

POWER SUPPLY FRUS

COMPONENT	FUNCTION	50 HZ	60 HZ
TR101	MHS/SP1/DSK DRV	8482681	8482691
TR104	MSS/LCA	1310280	1310280
TR107	CON-OUTLET	2242321	2242321
TR216	LV/124V BIAS	4119849	4120510
PS101	CTCA	8482681	8482689
PS104	MHS/SP1/DSK DRV	8482681	8482691
PS104	MSS/LCA	1310280	1310288
PS210	A1/A2/B1/C1 BRD	2674400	2674400
PS213	A1/A2/B1/C1 BRD	2674400	2674401
PS214	A1/C1 BRD	2674400	2674402
PS215	A1/C1 BRD	2674416	2674416
PS215	AC/DC CONVERTER	2674425	2674425
PS216	LV/124V TO REG	2532500	2532500
PS301	CTCA	4151669	4151669

10H-AB

LINE VOLTAGE CONVERSION TABLE FOR TB205 IF CTCA INSTALLED

REFERENCE ALD PAGE YA604 AND ALD PAGE YA609

FOR ALL VOLTAGES	CONNECT TB205 - 1 TO TR301 CON1 - 1
FOR ALL 50HZ VOLTAGES	CONNECT TB205 - 4 TO TR301 CON1 - 2
FOR ALL 60HZ VOLTAGES	CONNECT TB205 - 2 TO TR301 CON1 - 2

35H-AJ

CHART A

CONNECT JPR-1	FROM TB2-4	TO TB2-5
CONNECT JPR-1	FROM TB2-5	TO TB2-9
CONNECT JPR-1	FROM TB2-9	TO TB2-8
CONNECT JPR-1	FROM TB2-8	TO TB2-6
CONNECT JPR-6	FROM E3	TO TB2-1
CONNECT JPR-8	FROM E3	TO TB2-3

60H-AH

LINE VOLTAGE CONVERSION TABLE - 50 HZ

COMPONENT	COMMON	200	220/380	400	415	REF-PAGE
TR101	TB01-1	TB01-2	TB01-3	TB01-4	TB01-5	YA601
TR102	TB01-1	TB01-3	TB01-3	TB01-4	TB01-5	YA603
TR301	TB01-1	TB01-2	TB01-3	TB01-4	TB01-5	YA609

10P-AC

EXAMPLE

WHEN CONVERTING TR101 FROM 200V 50HZ TO 415V 50HZ  
MOVE WIRE FROM TR101 TB01 - 2 TO TR101 TB10 - 5

10T-AK

LINE VOLTAGE CONVERSION TABLE - 60 HZ

COMPONENT	COMMON	200	208	220	240	REF-PAGE
TR101	TB01-1	TB01-2	TB01-3	TB01-4	TB01-5	YA601
TR104	TB01-1	TB01-3	TB01-3	TB01-4	TB01-5	YA603
TR107	TB01-1	TB01-3	TB01-3	TB01-4	TB01-5	YA421
TR216	TB01-1	TB01-2	TB01-3	TB01-4	TB01-5	YA604
TR301	TB01-1	TB01-2	TB01-3	TB01-4	TB01-5	YA609

10H-AD

LINE VOLTAGE CONVERSION TABLE FOR PS215 CONTINUED

REFERENCE ALD PAGE YA604 AND MI VOL 13 PAGE 12-075

NOTE: PS215 TB2 IS INSIDE THE SUPPLY

USE CHART B WHEN CONVERTING

FROM ANY OF THE FOLLOWING VOLTAGES	TO ANY OF THE FOLLOWING VOLTAGES
200V 50/60HZ 208V 60HZ 220V 50/60HZ 240V 60HZ	380V 50HZ 400V 50HZ 415V 50HZ 400V 50HZ

NO ACTION REQUIRED IF CONVERTING

FROM ANY OF THE FOLLOWING VOLTAGES	TO ANY OF THE FOLLOWING VOLTAGES
380V 50HZ 400V 50HZ 415V 50HZ	380V 50HZ 400V 50HZ 415V 50HZ 400V 50HZ

60N-AG

CHART B

CONNECT JPR-1	REMOVE JPR-1	FROM TB2-7	TO TB2-8
CONNECT JPR-3	REMOVE JPR-3	FROM TB2-4	TO TB2-8
CONNECT JPR-4	REMOVE JPR-4	FROM TB2-4	TO TB2-3
CONNECT JPR-7	REMOVE JPR-7	FROM E3	TO TB2-3
CONNECT JPR-8	REMOVE JPR-8	FROM E3	TO TB2-3

60T-AI

COMMENTS

A) PN=372003  
EV=873593  
EV=873594  
EV=873596

B) (C) COPYRIGHT INTERNATIONAL BUSINESS MACHINES CORPORATION 5 1981

0001

50/60 HZ FRU LIST CONVERSION TABLES

LUC=

USM 00003 PRI-21DEC81 1333

AUC= SEC

PFDRM-KSEC NEXTBLK AL

CID CIDPMCR JOB BP#PMCRX

0001



ABBREVIATIONS	MEANING
A + NUMBER	ANALOG SENSE LINE NUMBER
AC	ALTERNATING CURRENT
AFS	AIR FLOW SENSOR
ALS	AIR INLET SENSOR
ALD	AUTOMATED LOGIC DIAGRAMS
AND	AIR MOVING DEVICE
AND	AND
ADS	AIR OUTLET SENSOR
AUX	AUXILIARY
AVG	AVERAGE
BAS	BASIC
BI	BIAS
BLHRS	BLOWERS
BRD	BOARD
BU	BULK
C + NUMBER	CONTROL LINE NUMBER
CAP	CAPACITOR
CAT	CATHODE
CB	CIRCUIT BREAKER
CEP	CUSTOMER ENGINEER PANEL
CHK	CHECK

10B-AA

ABBREVIATIONS	MEANING
CL	CURRENT LIMENT
CTRL	CONTROL
CHTD	CONTROLLED
CHM	COMMON
CHPL	COMPLETE
CHN	CONNECTOR
CHNV	CONNECTOR
CP	CIRCUIT PROTECTOR
CR	DIODE
CTCA	CHANNEL TO CHANNEL ATTACHMENT
CU	CONTROL UNIT
D + NUMBER	DIGITAL SENSOR NUMBER
DAC	DIGITAL TO ANALOG CONVERTER
DCI	DIRECT CURRENT
DEL	DELAY
DES	DESIGN
DIV	DISABLE
DR	DRIVE
DRV	DRIVER
DSK	DISK
EMC	ELECTROMAGNETIC COMPATABILITY
EMCM	ELECTROMAGNETIC COMPATABILITY MONITOR

35B-AB

ABBREVIATIONS	MEANING
FDS	FLATHIRE DISTRIBUTION SYSTEM
FEAT	FEATURE
FLTR	FILTER
FR	FRAME
GND	GROUND
H + NUMBER	HARDWARE SEQUENCE SENSE LINE NUMBER
HWS	HARDWARE SEQUENCE
IMPL	INITIAL MICROCODE LOAD
IND	INDICATOR
INT	INITIAL
INT	INTEGRATOR
INTF	INTERFACE
IPD	INSTANT POWER OFF
IPS	INTEGRATED POWER SYSTEM
I/O	INPUT OUTPUT DEVICE
JMPR	JUMPER
K + NUMBER	CONTACTOR NUMNER

60B-AC

LED	LIGHR EMITTING DIODE
LF	LINE FILTER
LT	LATCH
MON	MONITOR
MS	MILLI SECOND
MSS	MAINTNCE SUPPORT SUBSYSTEM
N	NEUTRAL
NEUT	NEUTRAL
NPL	NOT AVAILABLE
N/A	NOT AVAILABLE
N/C	NORMALLY CLOSED
N/O	NORMALLY OPEN
OC	OPERATOR CONTROL PANEL
Osc	OSCILLATOR
OV	OVER VOLTAGE
PC	POWER CONTROLLER
PCA	POWER CONTROLLER ADAPTER
PCC	PRIMARY CONTROL COMPARTMENT
PH	PHASE
PHS	POSITION
PROG	PROGRAM
PSGR	POWER SUPPLY
PT	POINT

10L-AD

PWR	POWER
Q .....	.....
R	RESISTOR
REC	REFLEX
REF	REFERENCE
REG	REGULATOR
REG	REGULATOR
REL	RELAY
REL	RELAY
SBA	SUPPORT BUS ADAPTER
SCCR	SILICON CONTROLLED RECTIFIER
SCL	SECOND
SCL	SECOND
SEN	SENSOR
SEQ	SEQUENCE
SPP	SUPPORT PROCESSOR
SPFI	STANDARD POWER INTERFACE
ST	START
SW	SWITCH
TB	TERMINAL BLOCK
TD	TIME DELAY
TERM	THERMAL
TR	TRANSFORMER
TR	TRANSFORMER

35L-AE

UEPO	UNIT EMERGENCY POWER OFF
UV	UNDER VOLTAGE
V	VOLTAGE
VAC	VOLTAGE ALTERNATING CURRENT
VDC	VOLTAGE DIRECT CURRENT
VF	VOLTAGE FAIL
W .....	.....
XFMR	TRANSFORMER
Y .....	.....
Z .....	.....

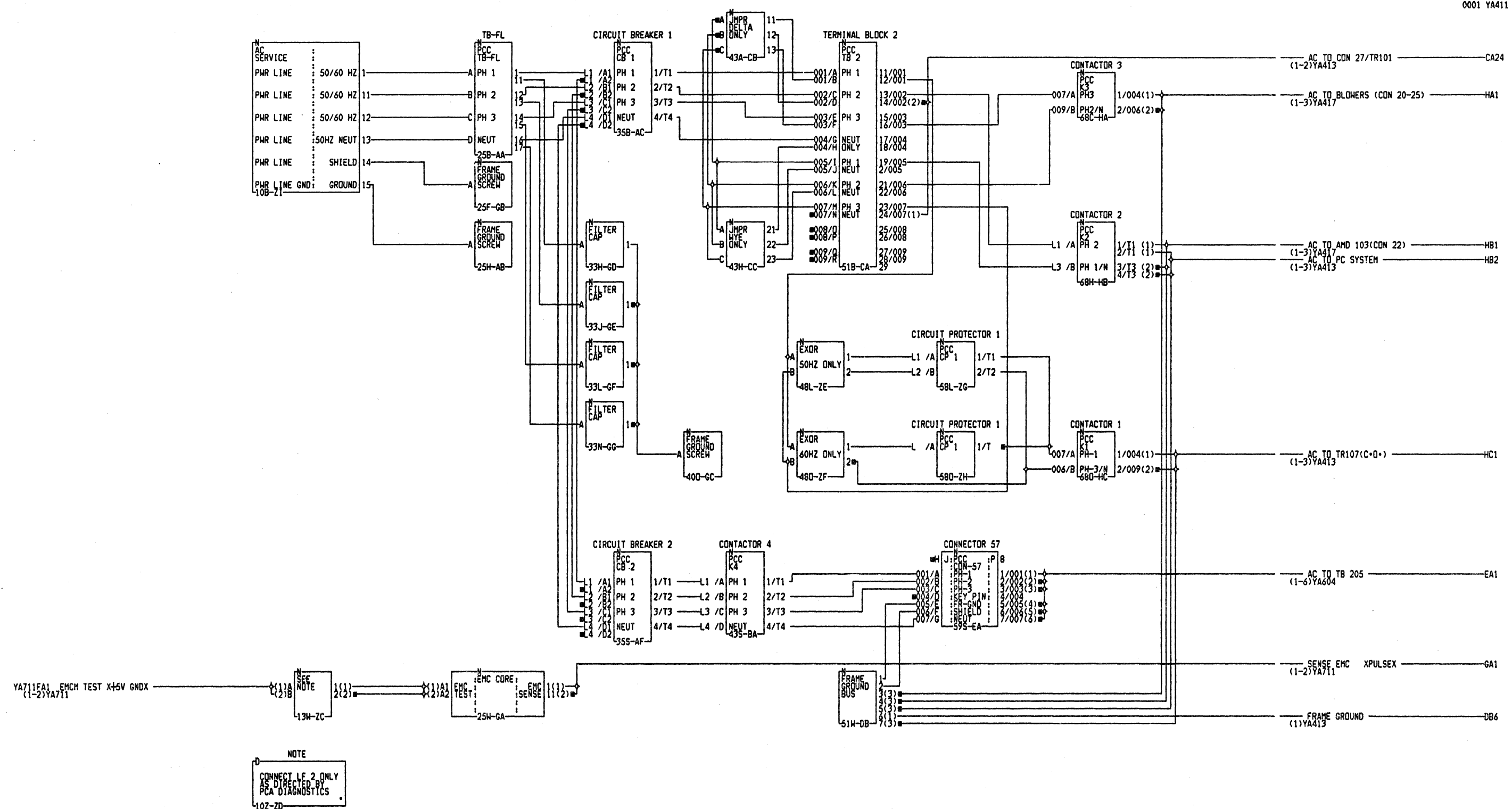
60L-AF

COMMENTS  
 A1 PN=379004  
 EC=873593  
 EC=873594  
 B  
 (C) COPYRIGHT  
 INTERNATIONAL BUSINESS  
 MACHINES CORPORATION  
 5 1980

GENERAL INFORMATION  
 ABBREVIATIONS  
 LOC=  
 USN 00002 PRI=20AUG81 0935  
 AUC= PFORM-KSEC SEC NEXTBLK AG  
 CID CIDPHCR JOB BP#PHCRC

Y  
 0001

Y  
 0001

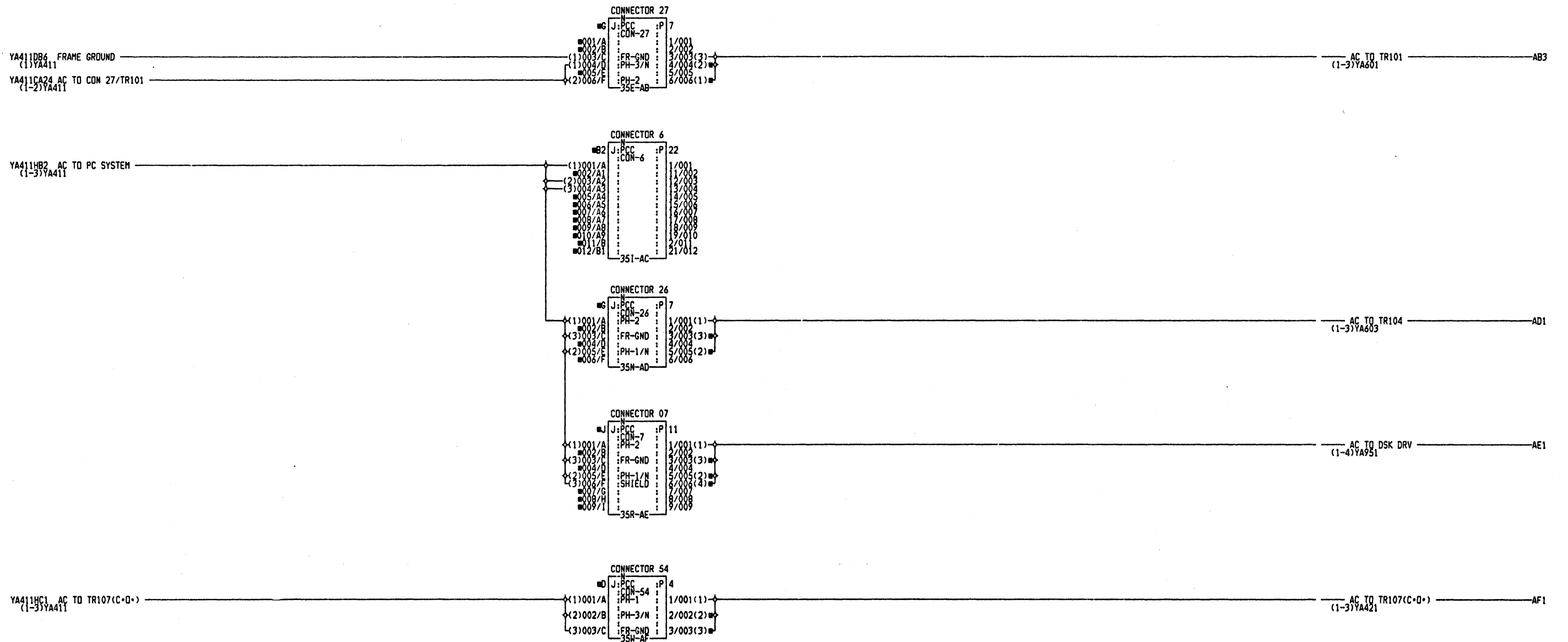


YA711EA1 ENCH TEST X+5V GNDX  
(1-2)YA711

NOTE  
CONNECT LF 2 ONLY  
AS DIRECTED BY  
PCA DIAGNOSTICS  
102-ZD

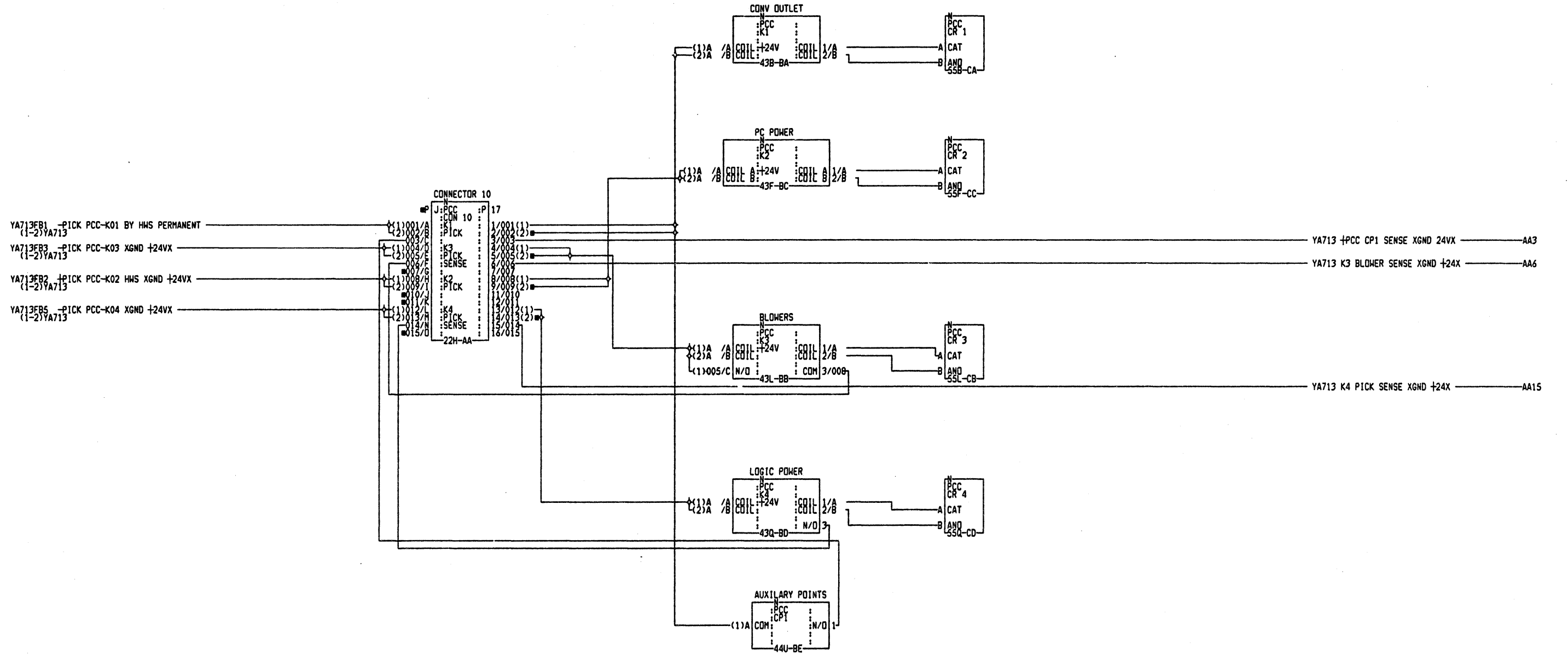
COMMENTS  
A1 PN=379009  
EC=873593  
B1 (C) COPYRIGHT  
INTERNATIONAL BUSINESS  
MACHINES CORPORATION  
1980  
0001

PRIMARY CONTROL COMPARTMENT  
50/60 HZ  
LOC=  
USN 00001 PRI=10OCT80 1608  
AUC= PFDRM=KSEC SEC  
CID CIDPFCR JOB BPAFCRN  
Y  
4  
1  
1  
0001



COMMENTS  
 A1 PN=379004  
 EC=873593  
 Y  
 A  
 4  
 1  
 3  
 B1 (C) COPYRIGHT  
 INTERNATIONAL BUSINESS  
 MACHINES CORPORATION  
 1980  
 0001

PRIMARY CONTROL COMPARTMENT  
 50/60Hz  
 AC CONTROL  
 LOC=  
 USN 00001 PRI=100CT80 1608  
 AUC=  
 PFORN=KSEC SEC  
 NEXTBLK AG  
 CID CIDPNCR JOB BPAPNCRN  
 Y  
 A  
 4  
 1  
 3  
 0001



COMMENTS

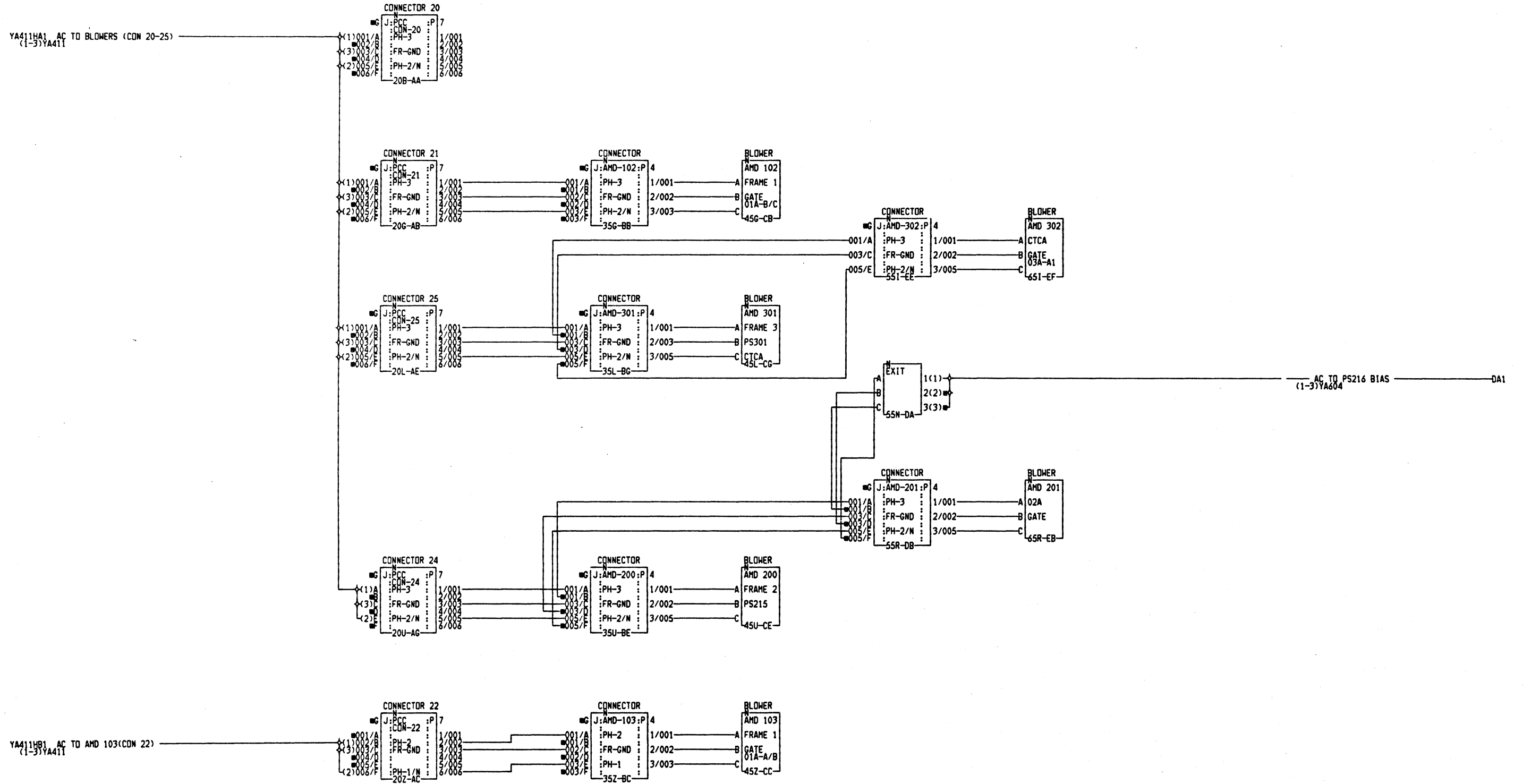
A1 PN=372007  
EC=873593

Y  
A  
4  
1  
5  
5  
1980  
(C) COPYRIGHT  
INTERNATIONAL BUSINESS  
MACHINES CORPORATION

PRIMARY CONTROL COMPARTMENT  
CONTROLLED RELAY COILS

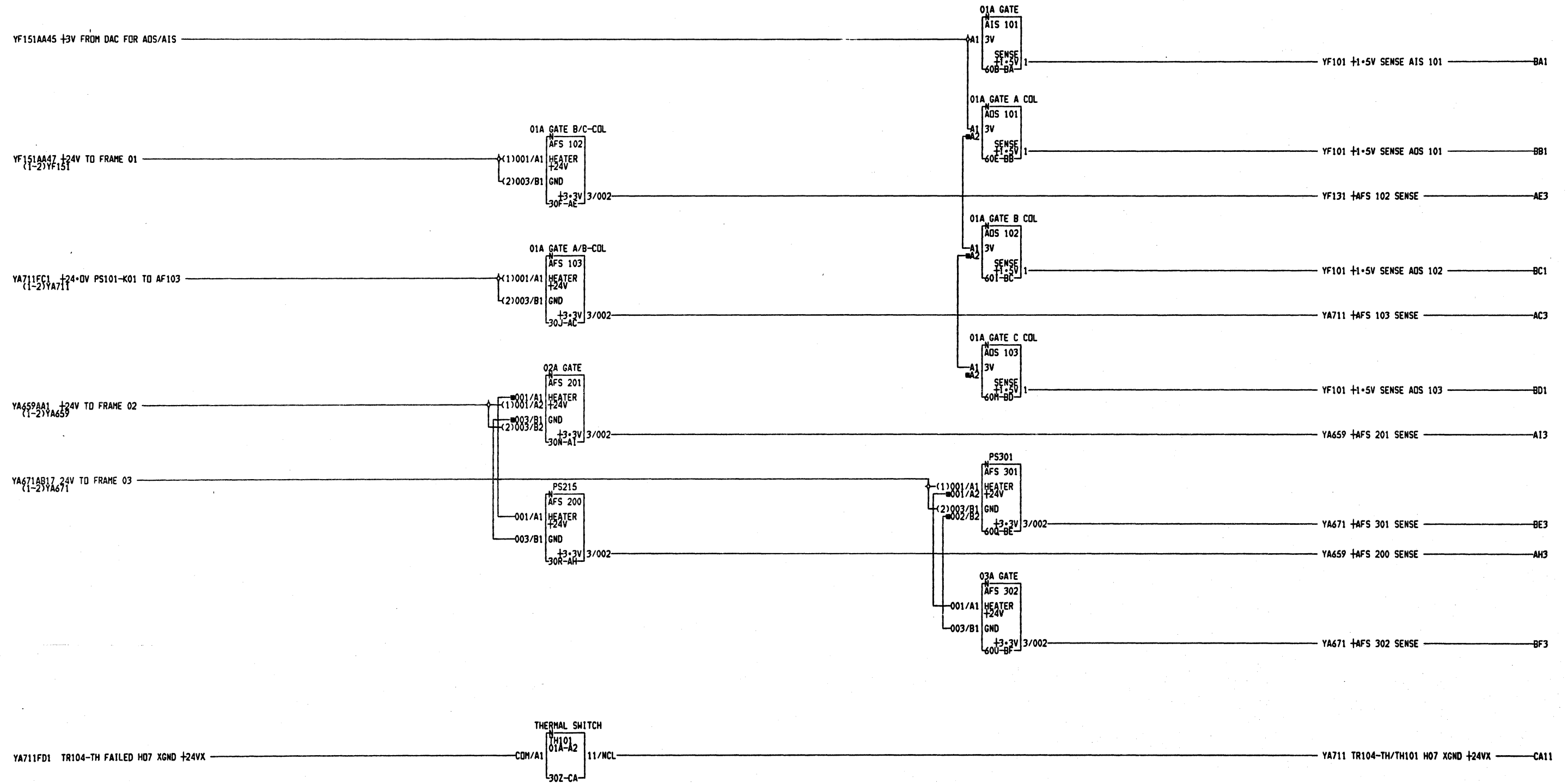
LDC=  
USN 00001 PRI=100CT80 1608  
AUC= PFORM=KSEC SEC  
CID CIDPWR JOB BPAPWRM

Y  
A  
4  
1  
5  
5  
1980



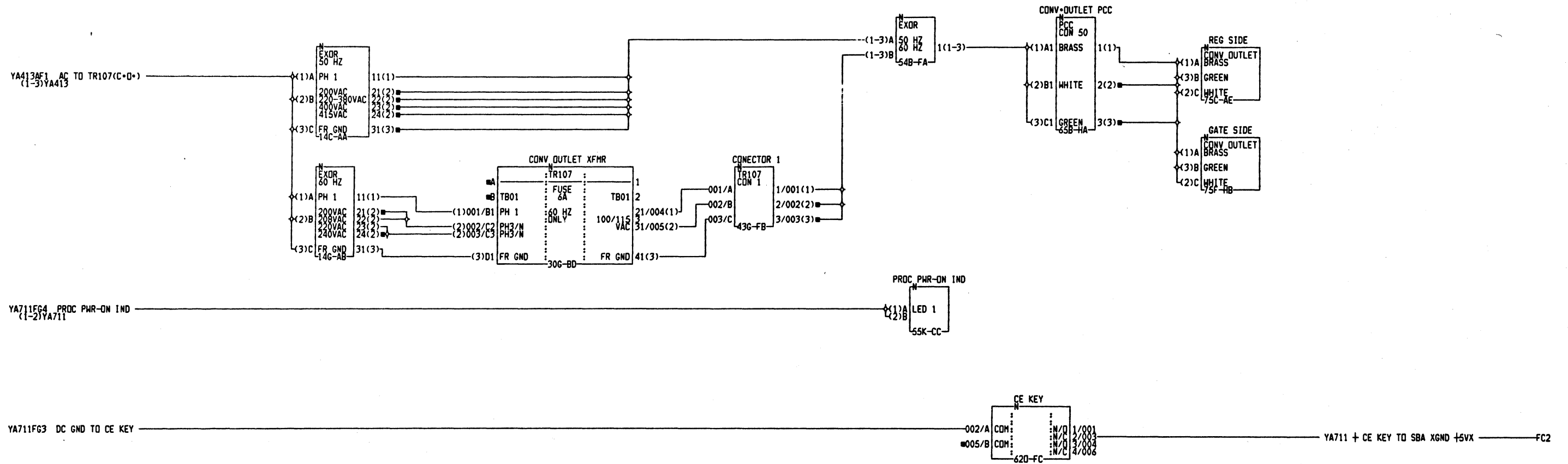
COMMENTS  
A) PW-379008  
EC-873593  
EC-873596  
B) (C) COPYRIGHT  
INTERNATIONAL BUSINESS  
MACHINES CORPORATION  
1981  
0001

PRIMARY CONTROL COMPARTMENT  
BLOWERS (AMD S)  
LDC=  
USN 00003 PRI-21DEC81 1333  
AUC= PFDRM-KSEC SEC NEXTBLK EG  
CID CIDPWR JOB BPSPWRX  
0001



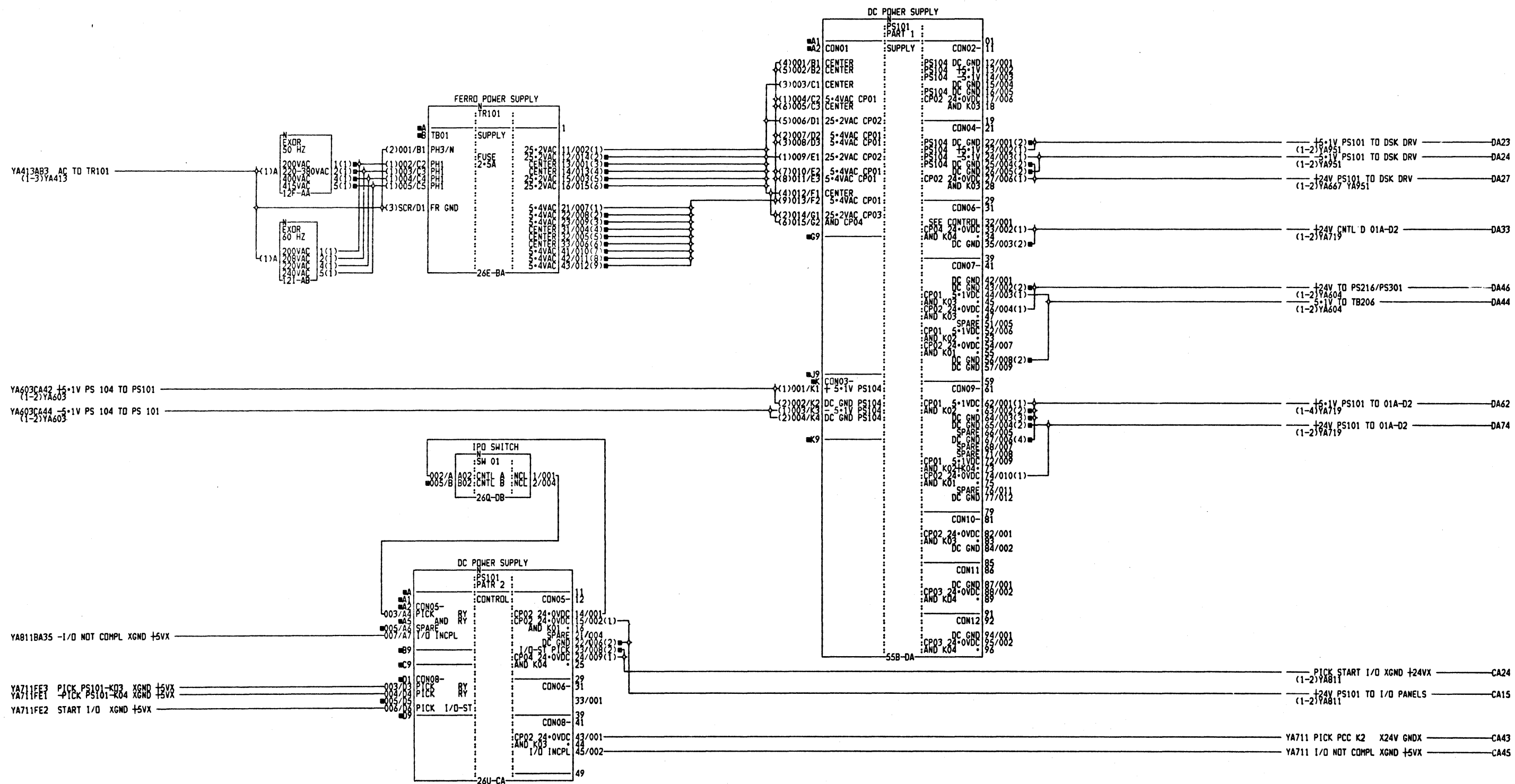
COMMENTS  
 A1 PN-37900  
 EN-873203  
 EC-873598  
 B1 (C) COPYRIGHT  
 INTERNATIONAL BUSINESS  
 MACHINES CORPORATION  
 0001 5 1981

BLOWER SENSING  
 LDC=  
 USN 00003  
 AUC= PFDHM-KSEC  
 CID CIDPWR  
 PRI-21DEC81 1333  
 REC NEXTBLK CB  
 JOB BP#PWRX  
 Y  
 4  
 1  
 8  
 0001



COMMENTS  
 A1 PN=379010  
 REV=873593  
 REV=873594  
 REV=873596  
 B) (C) COPYRIGHT  
 INTERNATIONAL BUSINESS  
 MACHINES CORPORATION  
 0001 5 1981

CONV OUTLET VOLTAGE	
LOC=	
USN 00003	PRI=21DEC81 1333
AUC=	SEC
PPDRM=KSEC	NEXTBLK HC
CID CIDPWR	JOB BP\$PWRX



COMMENTS

A1 PN-379011  
 PN-273203  
 PN-873594  
 PN-873594  
 C-873596

Y A 6 0 1

(C) COPYRIGHT  
 INTERNATIONAL BUSINESS  
 MACHINES CORPORATION  
 1981

0001

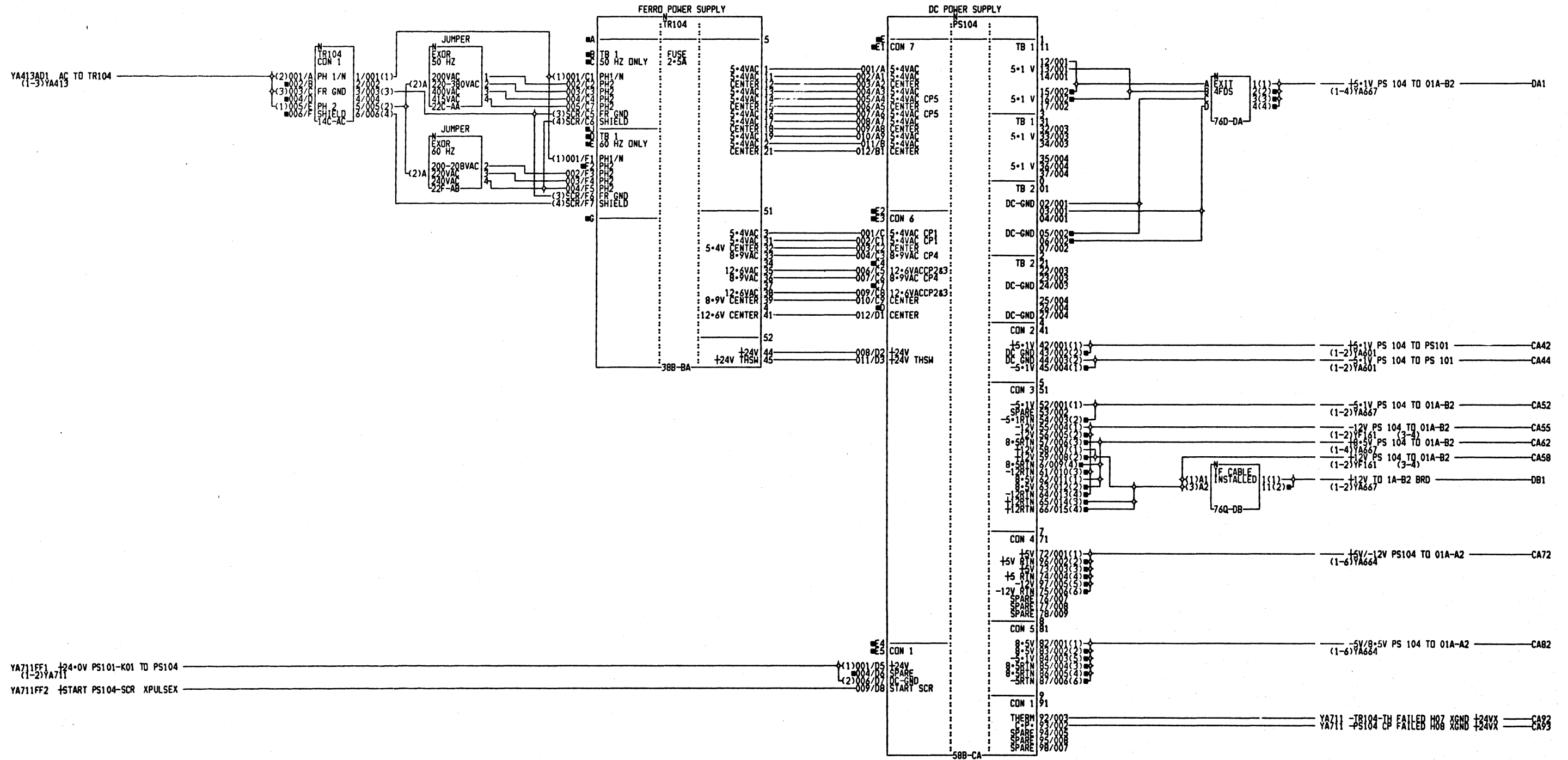
DC DISTRIBUTION  
 POWER SUPPLIES TR101-PS101

LDC=  
 USN 00003      PRI-21DEC81 1333  
 AUC=  
 PFORH-KSEC      SEC  
 CID CIDPNCR      JOB BP#PNCRX

Y A 6 0 1

0001

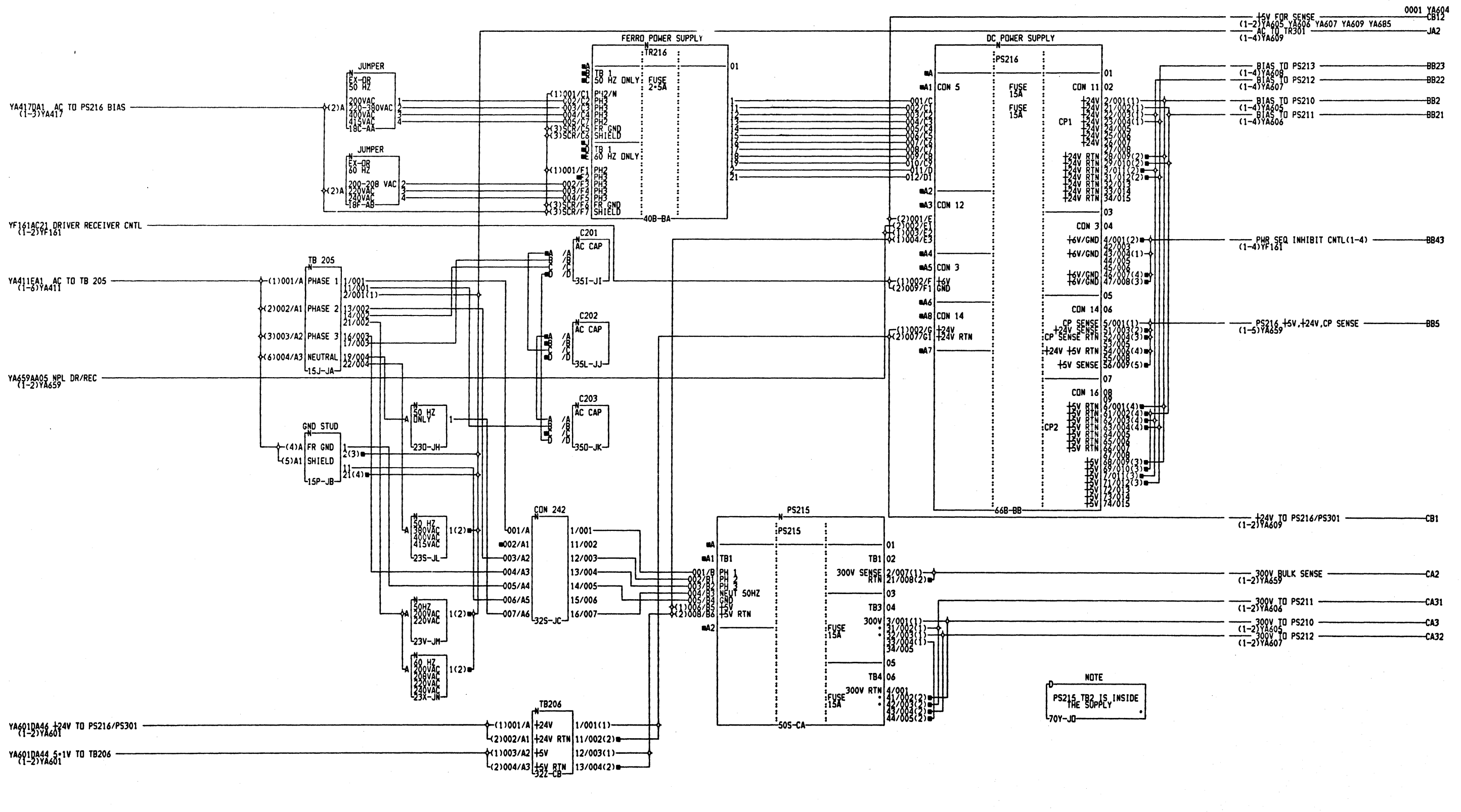




YA711FF1 +24-0V PS101-K01 TO PS104  
 (1-2)YA711  
 YA711FF2 +START PS104-SCR XPULSEX

COMMENTS  
 A1 PN=379013  
 PPN=3873264  
 C=3873596  
 B1  
 C1  
 (C) COPYRIGHT  
 INTERNATIONAL BUSINESS  
 MACHINES CORPORATION  
 1981

TR104 - PS104  
 NSS ADAPTERS  
 LDC=  
 USN 00003  
 AUC=  
 PF0RM=KSEC  
 CID C1DPWCR  
 PRI=21DEC81 1333  
 SEC  
 NEXTBLK DC  
 JOB BP\$PWCX  
 Y  
 A  
 6  
 0  
 3  
 0001



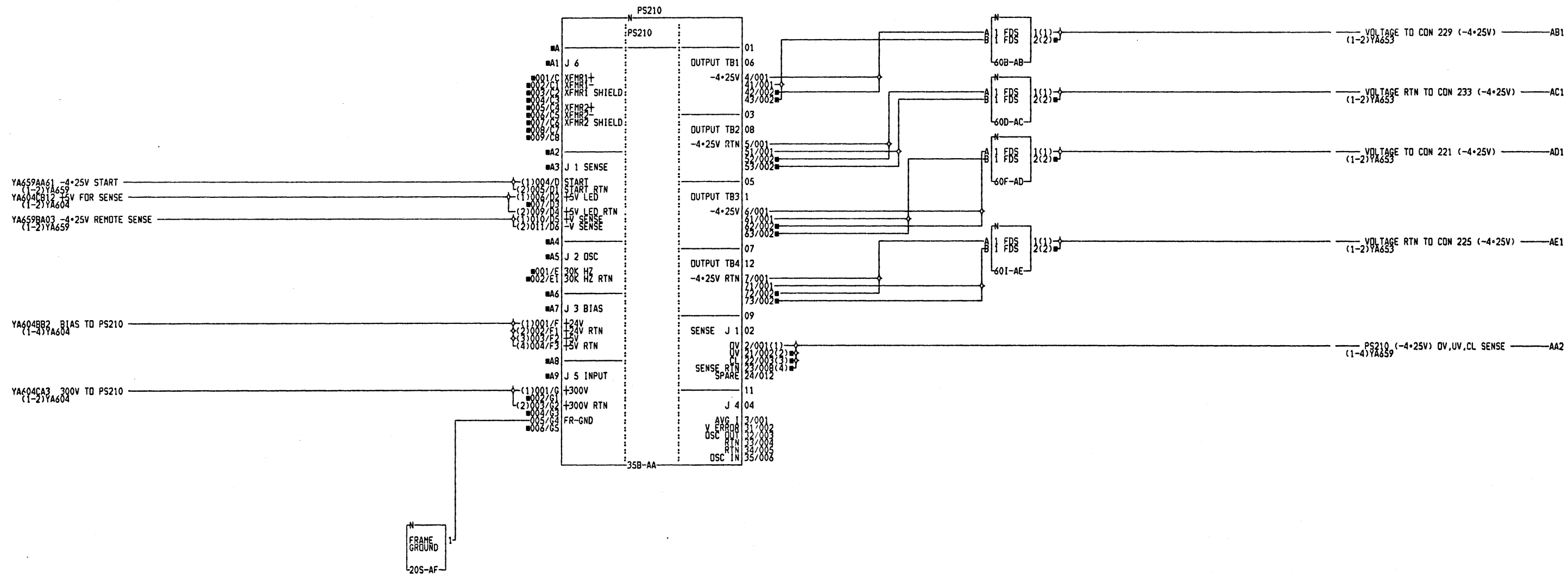
COMMENTS  
 A1 PN=379013  
 EC=873593  
 EC=873594  
 EC=873596

0001  
 (C) COPYRIGHT  
 INTERNATIONAL BUSINESS  
 MACHINES CORPORATION  
 5 1981

DC DISTRIBUTION  
 PS215 - TR216 - PS216

LDC=  
 USN 00003      PRI-21DEC81 1333  
 AUC=  
 PFORM=KSEC      SEC  
 CID CIDPWR      JOB BPSMCRX

Y  
A  
6  
0  
4  
0001

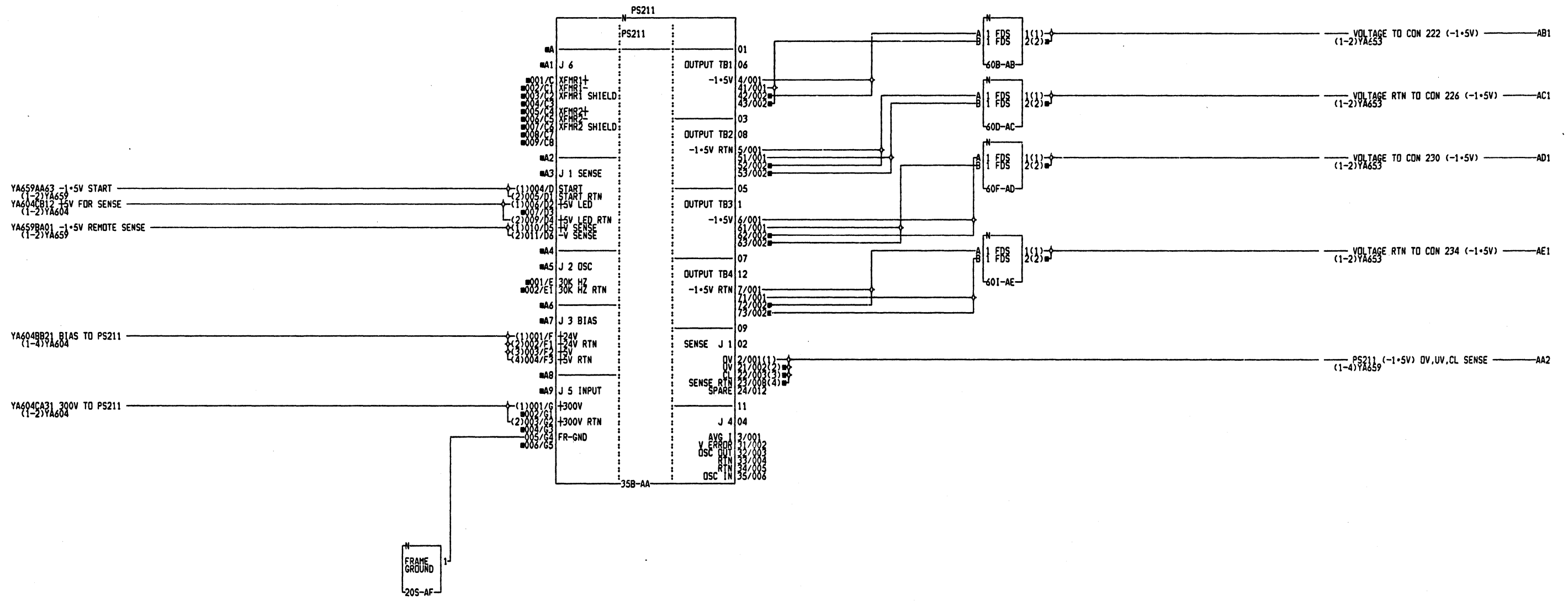


COMMENTS  
 A1 PN=372014  
 EC=873593  
 EC=873594  
 B) (C) COPYRIGHT  
 INTERNATIONAL BUSINESS  
 MACHINES CORPORATION  
 5 1980

DC DISTRIBUTION  
 PS210  
 -4\*25V  
 LOC=  
 USN 00002      PRI=20AUG81 0935  
 AUC=            SEC  
 PFORM=KSEC    NEXBLK AG  
 CID CIDPHCR    JOB BP#PHCRC

0001

0001



COMMENTS

A1 PN=379015  
EC=873593

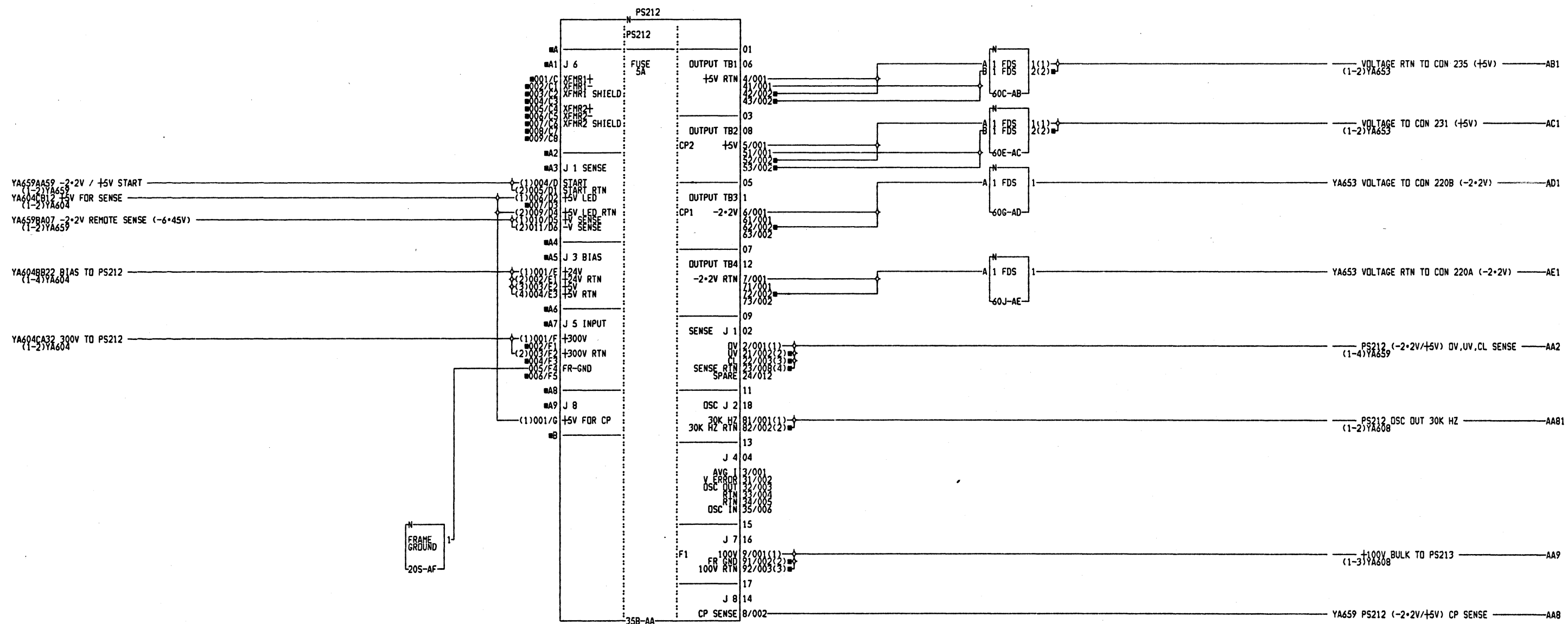
Y A 6 0 6  
0001

(C) COPYRIGHT  
INTERNATIONAL BUSINESS  
MACHINES CORPORATION  
5 1980

DC DISTRIBUTION  
PS211  
-1.5V

LDC=  
USN 00001 PRI=10OCT80 1608  
AUC= PFDRM=KSEC SEC NEXTBK AG  
CID CIDPWCR JOB BPAPWCRN

Y A 6 0 6  
0001

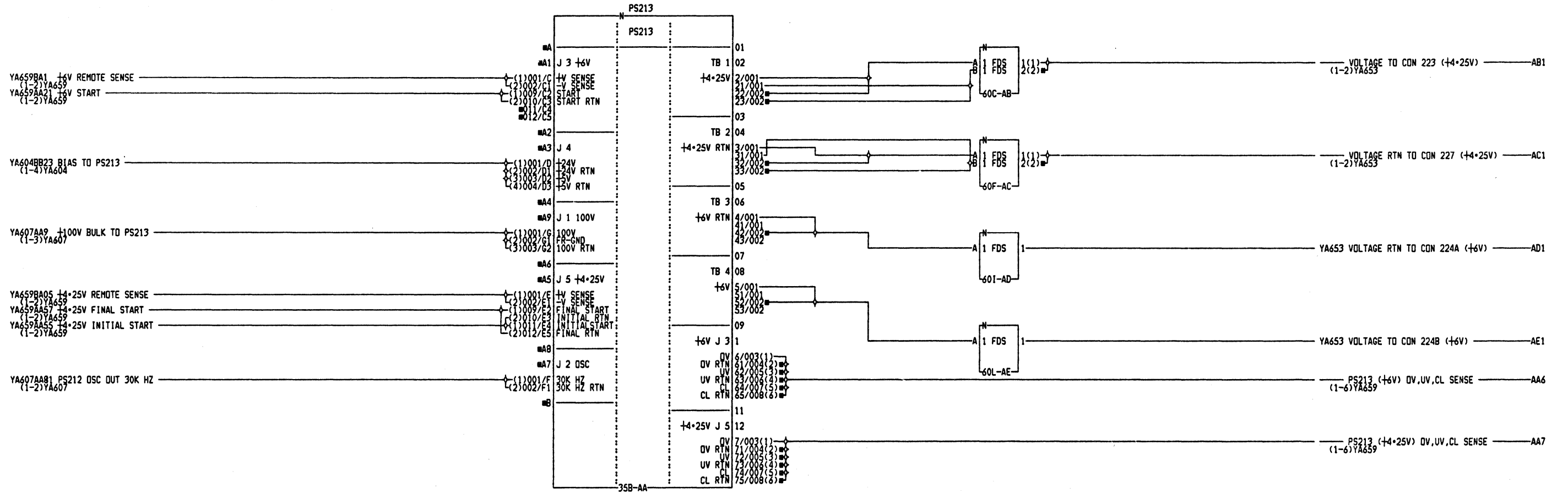


COMMENTS  
 A1 PN-372014  
 EC-873594  
 EC-873594  
 B1 (C) COPYRIGHT  
 INTERNATIONAL BUSINESS  
 MACHINES CORPORATION  
 5 1980

DC DISTRIBUTION  
 -2.2V/+5V/100V  
 LOC=  
 USN 00002 PRI=20AUG81 0935  
 AUC= SEC  
 PFORM=KSEC NEXTBLK AG  
 CID C1DPNCR JOB BP#PNCR

0001

0001

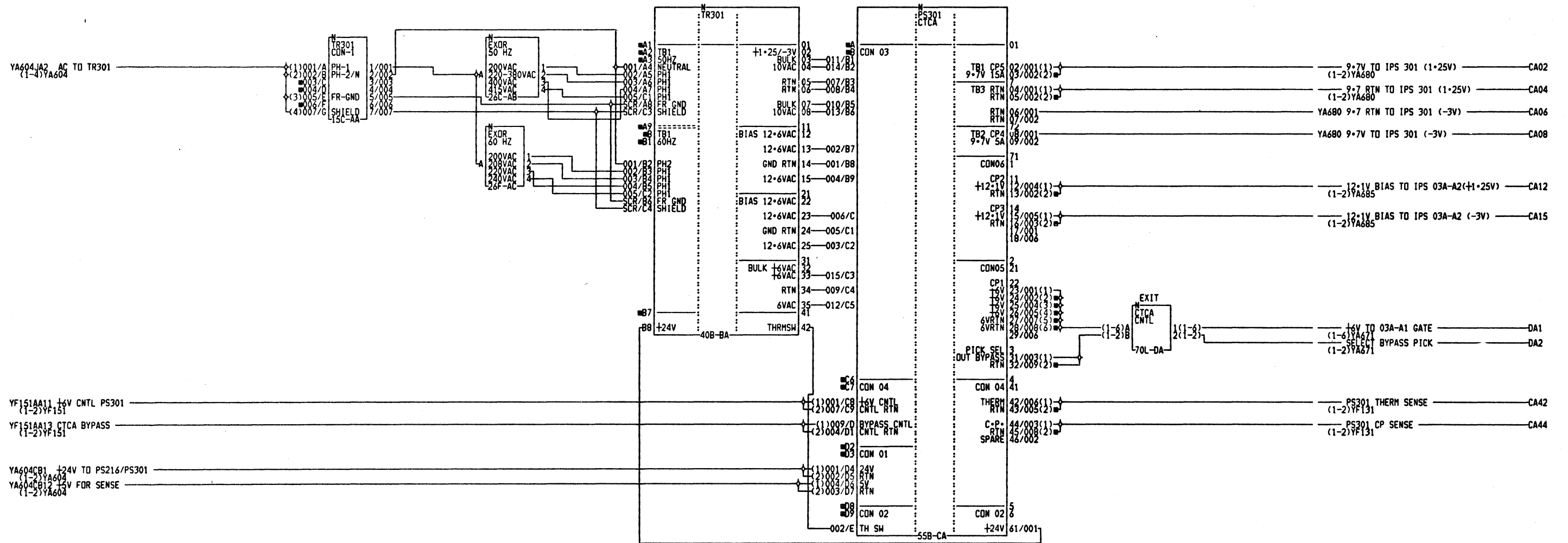


COMMENTS  
 A1 PN=379017  
 EC=873593

Y  
A  
6  
0  
8  
B  
1  
C  
O  
P  
Y  
R  
I  
G  
H  
T  
I  
N  
T  
E  
R  
N  
A  
T  
I  
O  
N  
A  
L  
B  
U  
S  
I  
N  
E  
S  
S  
M  
A  
C  
H  
I  
N  
E  
S  
C  
O  
R  
P  
O  
R  
A  
T  
I  
O  
N  
5  
1  
9  
8  
0

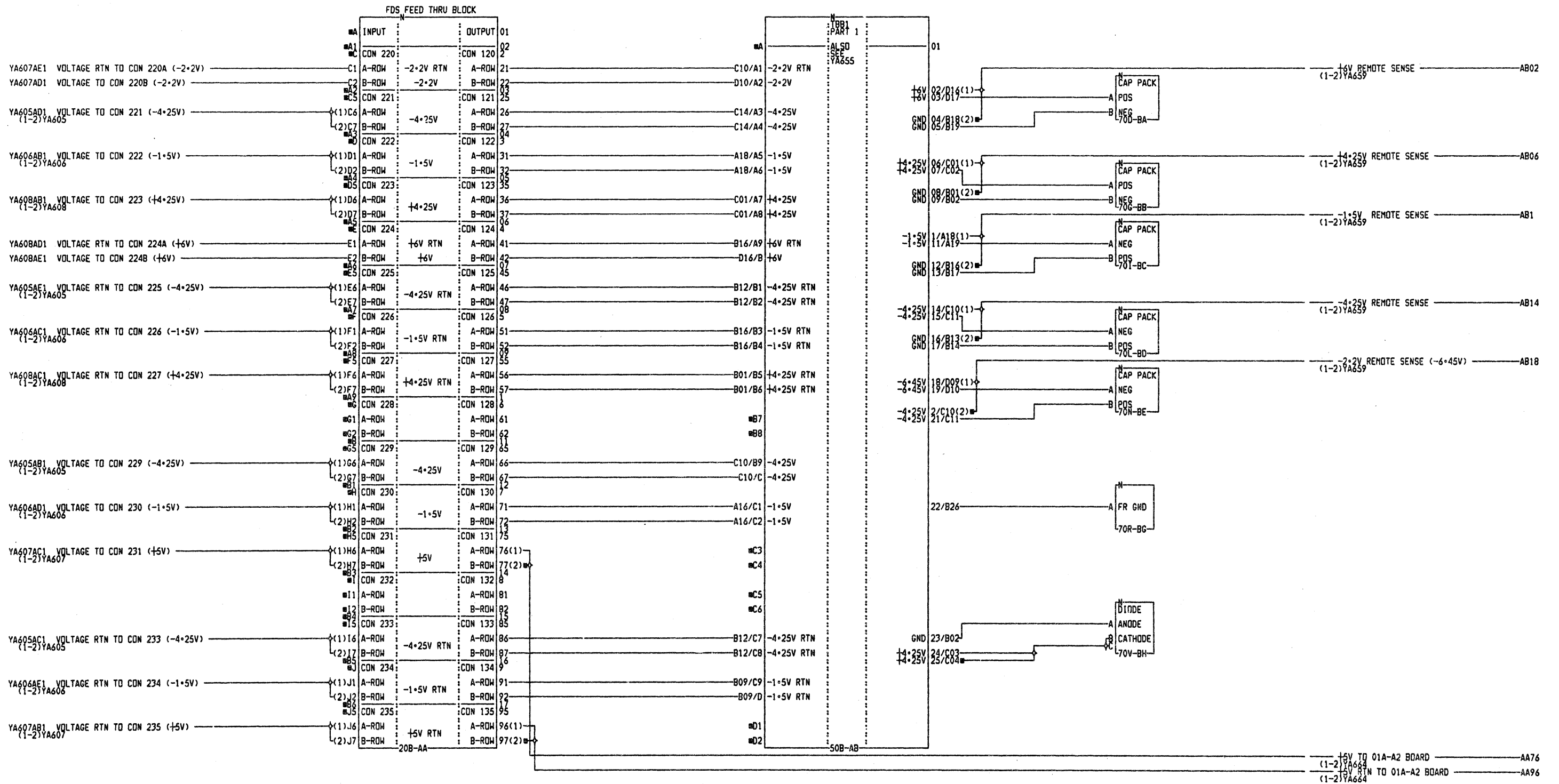
DC DISTRIBUTION  
 PS213  
 +4.25V/+6V  
 LDC=  
 USN 00001 PRI=10OCT80 1608  
 AUC= PFORN=KSEC SEC  
 CID CIDPNCR JOB BPpPNCRN

Y  
A  
6  
0  
8  
B  
1  
C  
O  
P  
Y  
R  
I  
G  
H  
T  
I  
N  
T  
E  
R  
N  
A  
T  
I  
O  
N  
A  
L  
B  
U  
S  
I  
N  
E  
S  
S  
M  
A  
C  
H  
I  
N  
E  
S  
C  
O  
R  
P  
O  
R  
A  
T  
I  
O  
N  
5  
1  
9  
8  
0



COMMENTS  
 A1 PN=379018  
 EC=873592  
 B1 (C) COPYRIGHT  
 INTERNATIONAL BUSINESS  
 MACHINES CORPORATION  
 5 1981

TR301-PS301  
 CTCA FEATURE  
 LDC=  
 USN 00003 PRI=21DEC81 1333  
 AUC= PF0RM=KSEC SEC NEXTBLK DB  
 CID CIDPWR JOB BP\$PWRX



COMMENTS

A1 PN=379019  
 EC=873593  
 EC=873594

B1 (C) COPYRIGHT  
 INTERNATIONAL BUSINESS  
 MACHINES CORPORATION  
 5 1980

0001

DC DISTRIBUTION  
 FDS FEED THROUGH BLOCK  
 TBB1 PART 1

LOC=

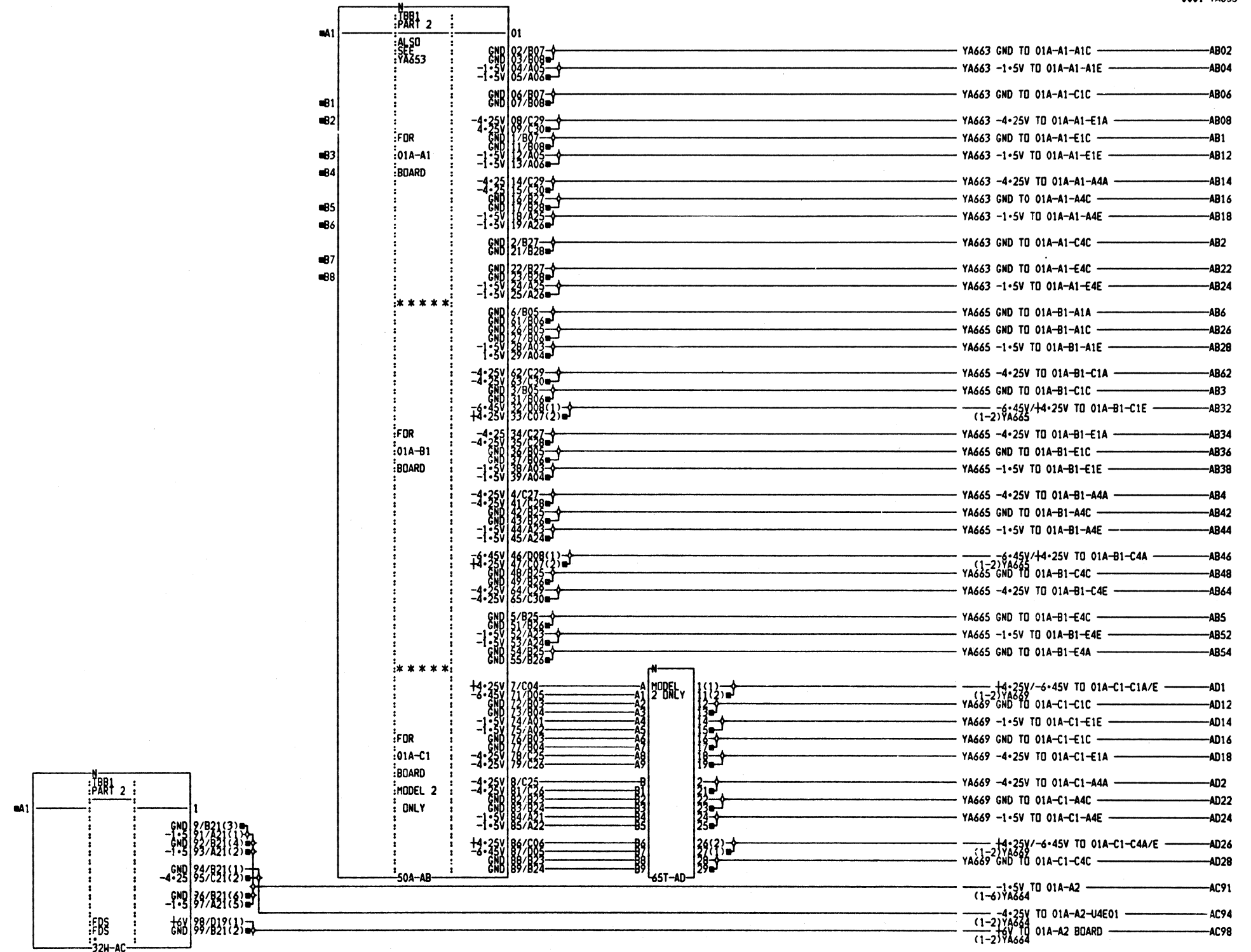
USN 00002 PRI=20AUG81 0935

AUC= PF0RH=KSEC SEC NEXTBLK B1

CID C1DPWCR JOB BP#PHCRC

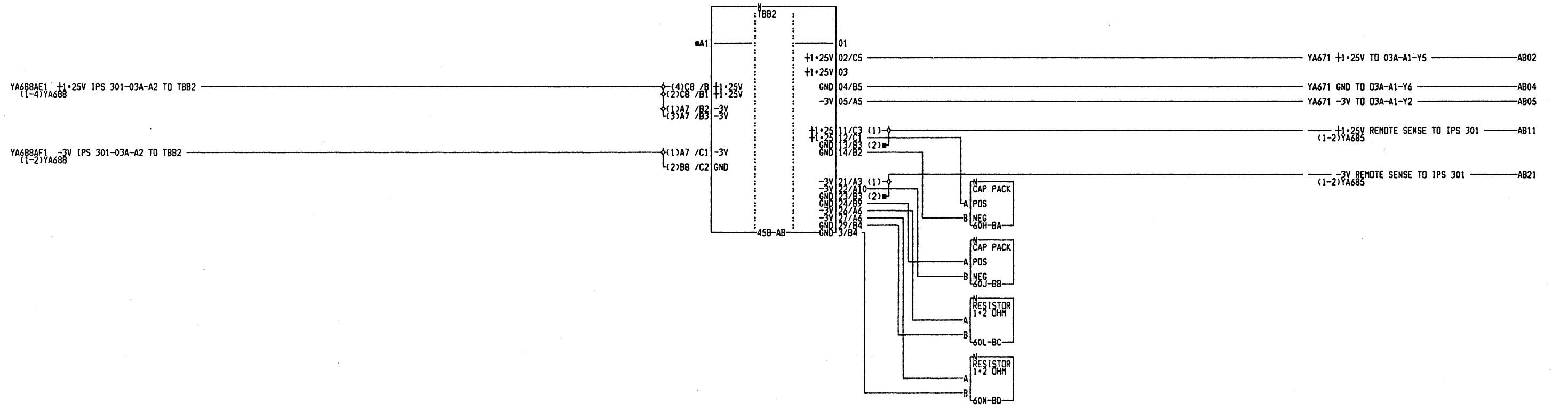
0001





COMMENTS  
 A1 PN-379020  
 EC-873593  
 EC-873594  
 EC-873595  
 EC-873596  
 B1 (C) COPYRIGHT  
 INTERNATIONAL BUSINESS  
 MACHINES CORPORATION  
 5 1981

DC DISTRIBUTION  
 01A GATE TERMINAL BLOCK  
 TBB1 PART 2  
 TO BOARDS  
 LOC=  
 USN 00003      PRI-21DEC81 1333  
 AUC=  
 PFORM=KSEC      SEC NEXTBLK AE  
 CID CIDPWR      JOB BP\$PWRX  
 Y  
 2  
 6  
 5  
 0001



COMMENTS  
 A1 PN=372021  
 EC=873593  
 EC=873594  
 B1 (C) COPYRIGHT  
 INTERNATIONAL BUSINESS  
 MACHINES CORPORATION  
 5 1980

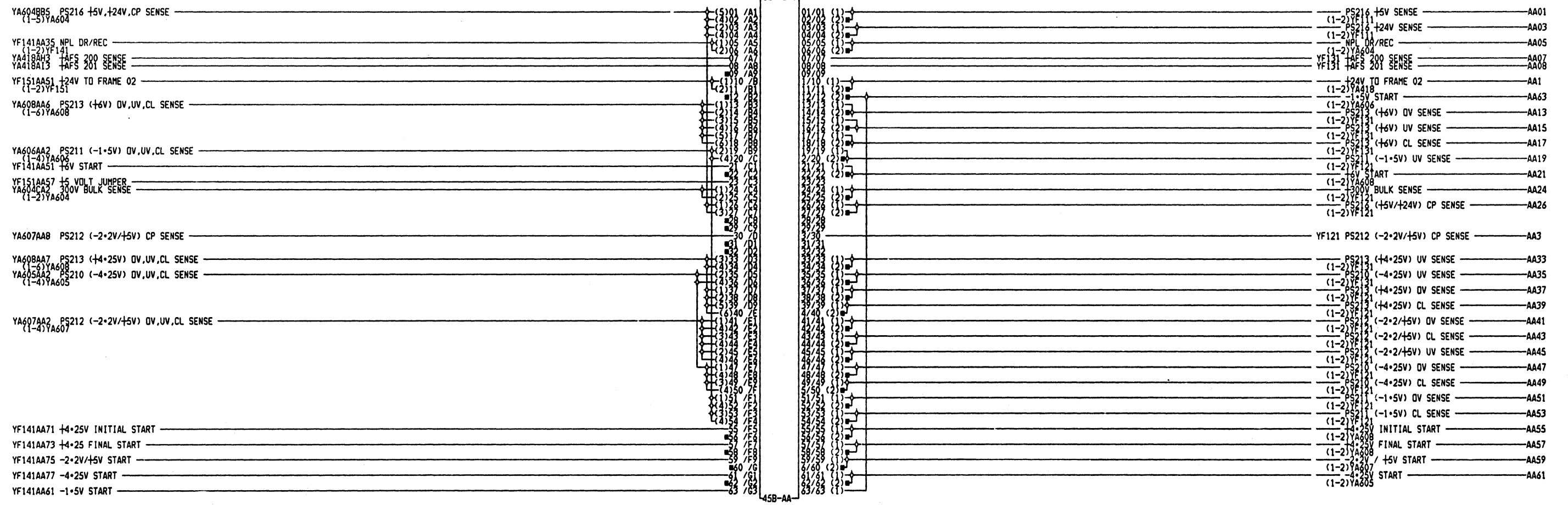
DC DISTRIBUTION  
 CICA  
 LOC=  
 USN 00002      PRI-20AUG81 0935  
 AUC=            SEC  
 PFORM=KSEC    NEXTBLK BE  
 CID CIDPWCR    JOB BP#PWCRC

0001

YA657

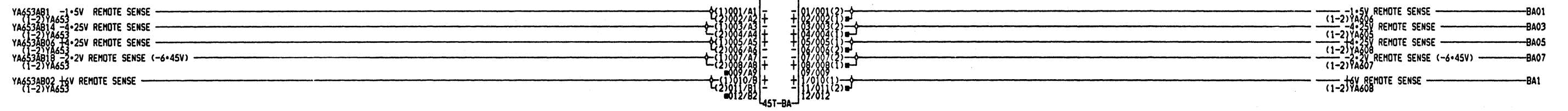
CONNECTOR 240

CON 240



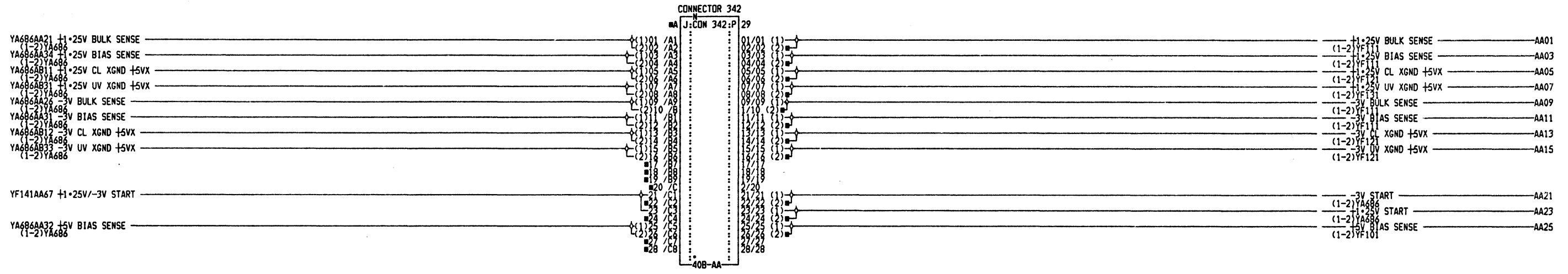
CONNECTOR 244

CON 244



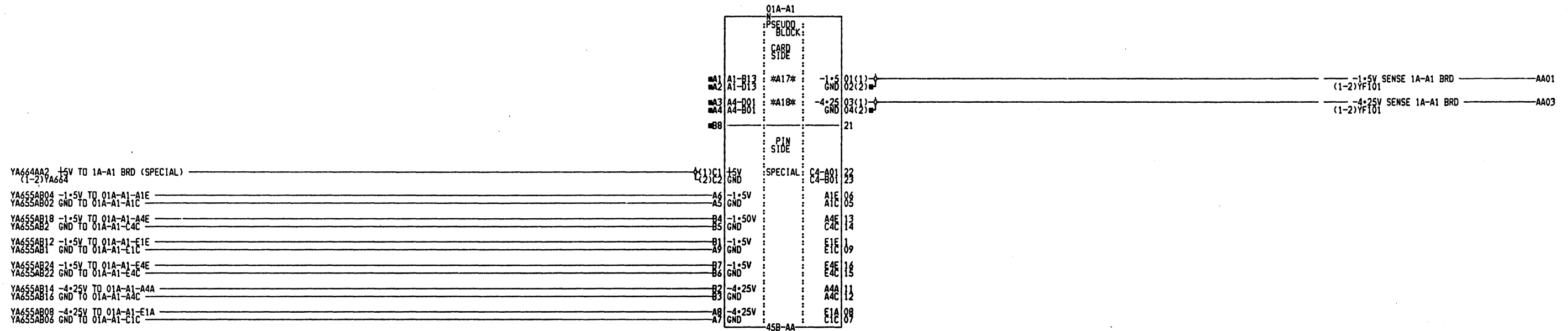
COMMENTS  
 A1 PN=379022  
 EC=873593  
 B1 (C) COPYRIGHT  
 INTERNATIONAL BUSINESS  
 MACHINES CORPORATION  
 1980

BASIC INTERFRAME CONNECTORS  
 FRAME 1 TO FRAME 2  
 LOC=  
 USN 00001 PRI=100CT80 1608  
 AUC= PF0RM=KSEC SEC  
 NEXTBLK BB  
 CID C1DPWCR JOB BPAPWCR



COMMENTS  
 A1 PN=379023  
 EC=873593  
 B1 (C) COPYRIGHT  
 INTERNATIONAL BUSINESS  
 MACHINES CORPORATION  
 5 1980  
 0001

INTEGRATED POWER SYSTEM <IPS>  
 CTCA  
 LOC=  
 USN 00001 PRI=10OCT80 1608  
 AUC= SEC  
 PFORM=KSEC NEXTBLK AB  
 CID CIDPWCR JOB BP@PWCR  
 Y  
 A  
 6  
 2  
 0001



COMMENTS  
A1 PN=379024  
EC=873593

Y  
A  
6  
6  
3

B1 (C) COPYRIGHT  
INTERNATIONAL BUSINESS  
MACHINES CORPORATION  
5 1980

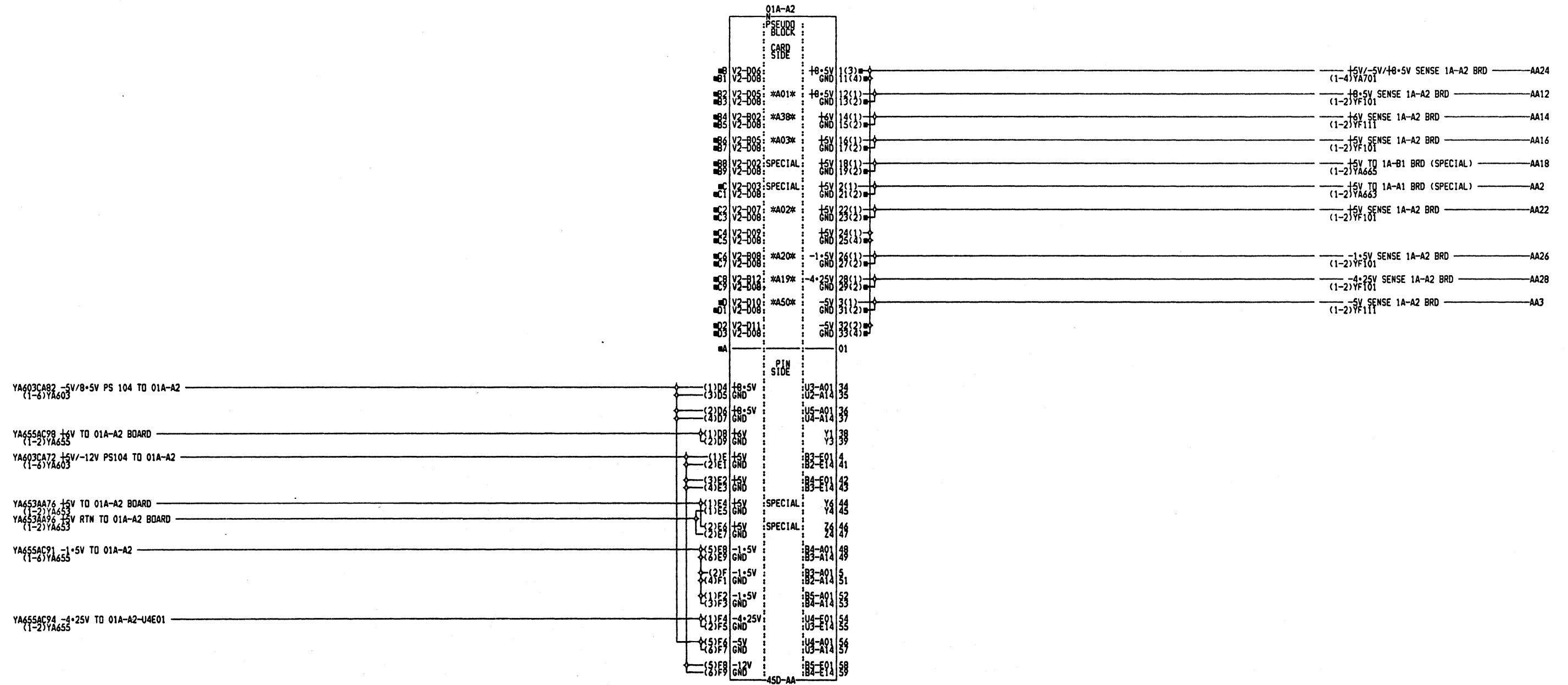
0001

INTERCONNECTIONS  
TO 01A-A1 BOARD

LOC=  
USN 00001 PRI=10OCT80 1608  
AUC=  
PF0RM=KSEC SEC  
CID CIDPNCR JOB BP&PNCRN

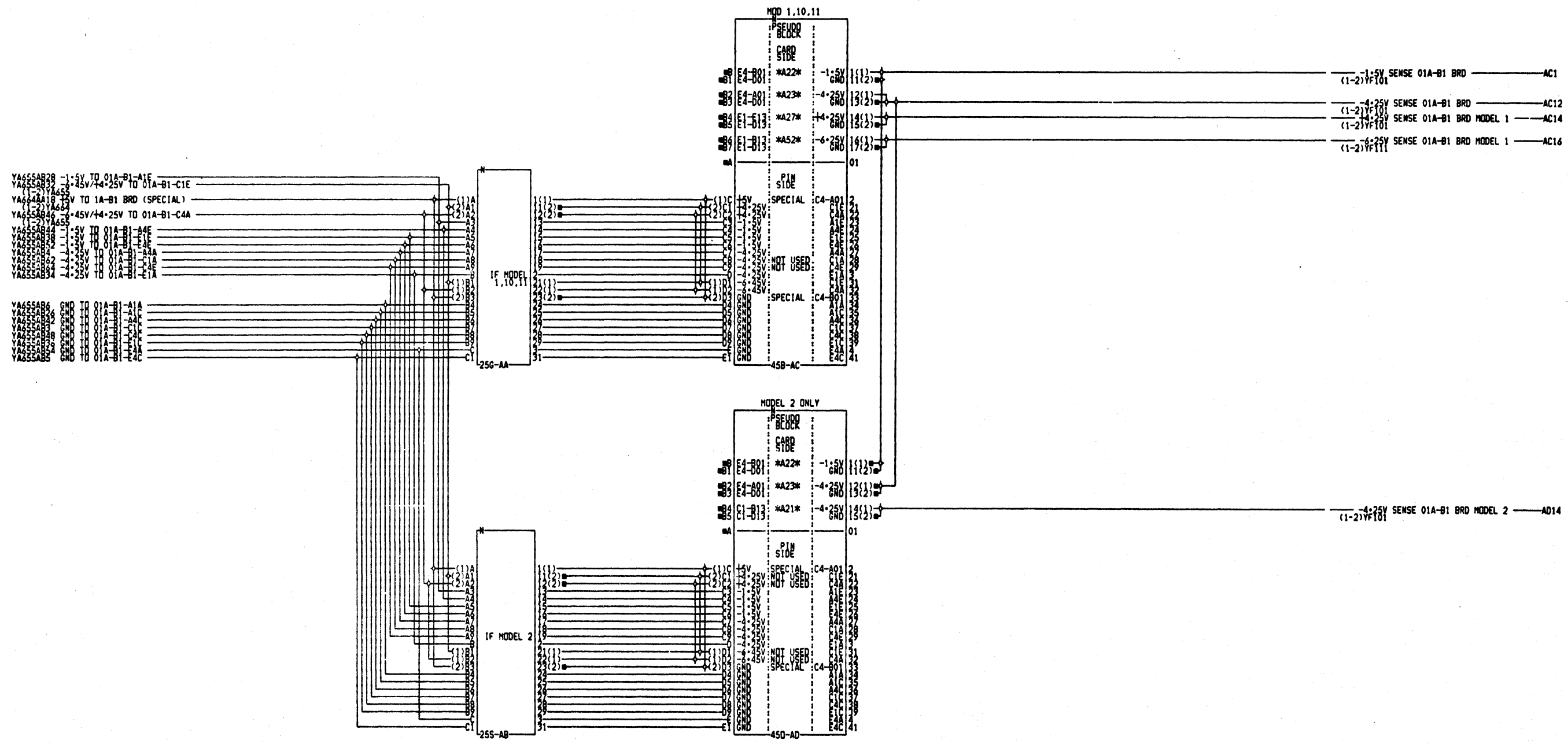
Y  
A  
6  
6  
3

0001



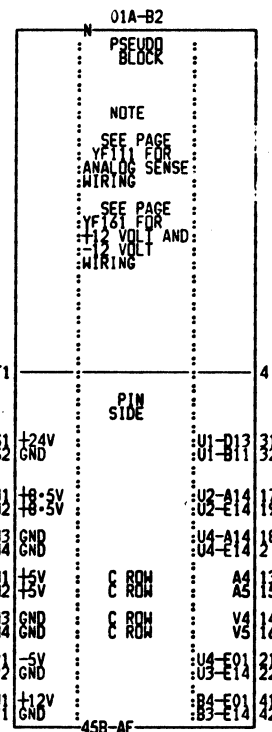
COMMENTS  
 A1 PN-379025  
 EC-873593  
 B1 (C) COPYRIGHT  
 INTERNATIONAL BUSINESS  
 MACHINES CORPORATION  
 1980  
 0001

INTERCONNECTIONS  
 TO O1A-A2 BOARD  
 LOC=  
 USN 00001      PRI=10OCT80 1608  
 AVG=  
 PFORM-KSEC      SEC  
 NEXTBLK AB  
 CID CIDPWR      JOB BP&PWRN  
 0001



COMMENTS  
 A1 PN-379026  
 A2 PN-379026  
 A3 PN-379026  
 A4 PN-379026  
 A5 PN-379026  
 A6 PN-379026  
 A7 PN-379026  
 A8 PN-379026  
 A9 PN-379026  
 A10 PN-379026  
 A11 PN-379026  
 A12 PN-379026  
 A13 PN-379026  
 A14 PN-379026  
 A15 PN-379026  
 A16 PN-379026  
 A17 PN-379026  
 A18 PN-379026  
 A19 PN-379026  
 A20 PN-379026  
 A21 PN-379026  
 A22 PN-379026  
 A23 PN-379026  
 A24 PN-379026  
 A25 PN-379026  
 A26 PN-379026  
 A27 PN-379026  
 A28 PN-379026  
 A29 PN-379026  
 A30 PN-379026  
 A31 PN-379026  
 A32 PN-379026  
 A33 PN-379026  
 A34 PN-379026  
 A35 PN-379026  
 A36 PN-379026  
 A37 PN-379026  
 A38 PN-379026  
 A39 PN-379026  
 A40 PN-379026  
 A41 PN-379026  
 A42 PN-379026  
 A43 PN-379026  
 A44 PN-379026  
 A45 PN-379026  
 A46 PN-379026  
 A47 PN-379026  
 A48 PN-379026  
 A49 PN-379026  
 A50 PN-379026  
 A51 PN-379026  
 A52 PN-379026  
 A53 PN-379026  
 A54 PN-379026  
 A55 PN-379026  
 A56 PN-379026  
 A57 PN-379026  
 A58 PN-379026  
 A59 PN-379026  
 A60 PN-379026  
 A61 PN-379026  
 A62 PN-379026  
 A63 PN-379026  
 A64 PN-379026  
 A65 PN-379026  
 A66 PN-379026  
 A67 PN-379026  
 A68 PN-379026  
 A69 PN-379026  
 A70 PN-379026  
 A71 PN-379026  
 A72 PN-379026  
 A73 PN-379026  
 A74 PN-379026  
 A75 PN-379026  
 A76 PN-379026  
 A77 PN-379026  
 A78 PN-379026  
 A79 PN-379026  
 A80 PN-379026  
 A81 PN-379026  
 A82 PN-379026  
 A83 PN-379026  
 A84 PN-379026  
 A85 PN-379026  
 A86 PN-379026  
 A87 PN-379026  
 A88 PN-379026  
 A89 PN-379026  
 A90 PN-379026  
 A91 PN-379026  
 A92 PN-379026  
 A93 PN-379026  
 A94 PN-379026  
 A95 PN-379026  
 A96 PN-379026  
 A97 PN-379026  
 A98 PN-379026  
 A99 PN-379026  
 A100 PN-379026

INTERCONNECTIONS  
 TO O1A-B1  
 BOARD  
 LOC=  
 USN 00003 PRI-21DEC81 1333  
 AUC= PFORM-KSEC SEC REXTBLK AE  
 CID CTDPCR JOB BP9PCRX  
 0001



NOTE

FOR MACHINES WITH EC 874037 INSTALLED  
CAPACITOR ASSEMBLIES ARE CONNECTED AS SHOWN BELOW

FROM	TO
D4-B09	D4-D08
D4-B07	D4-D08
D4-B11	D4-D08

REFER TO BOARD B2 VOLTAGE PINS IN M1 VOLUME 13/16  
FOR CAPACITOR ASSEMBLY PART NUMBER.

65F-AG

YA601DA27 +24V PS101 TO DSK DRV  
(1-2)YA601

YA603CA62 +5-5V PS 104 TO 01A-B2  
(1-4)YA603

YA603DA1 +5-1V PS 104 TO 01A-B2  
(1-4)YA603

YA603CA52 +5-1V PS 104 TO 01A-B2  
(1-2)YA603

YA603DB1 +12V TO 1A-B2 BRD  
(1-2)YA603

COMMENTS

A1 DN-37902  
EC-873592

B1 (C) COPYRIGHT  
INTERNATIONAL BUSINESS  
MACHINES CORPORATION  
5 1981

0001

INTERCONNECTIONS  
TO 01A-B2  
BOARD

LOC=

USN 00003      PRI-21DEC81 1333

AUC=            SEC

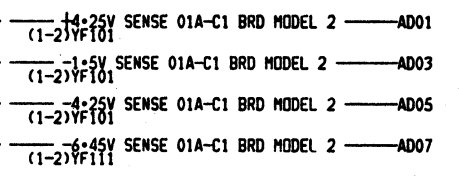
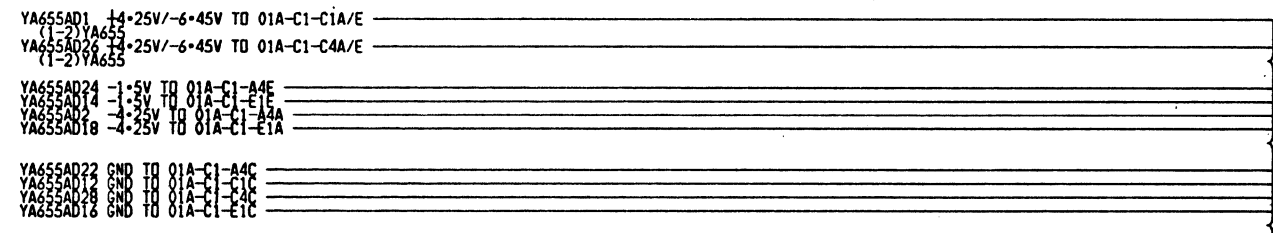
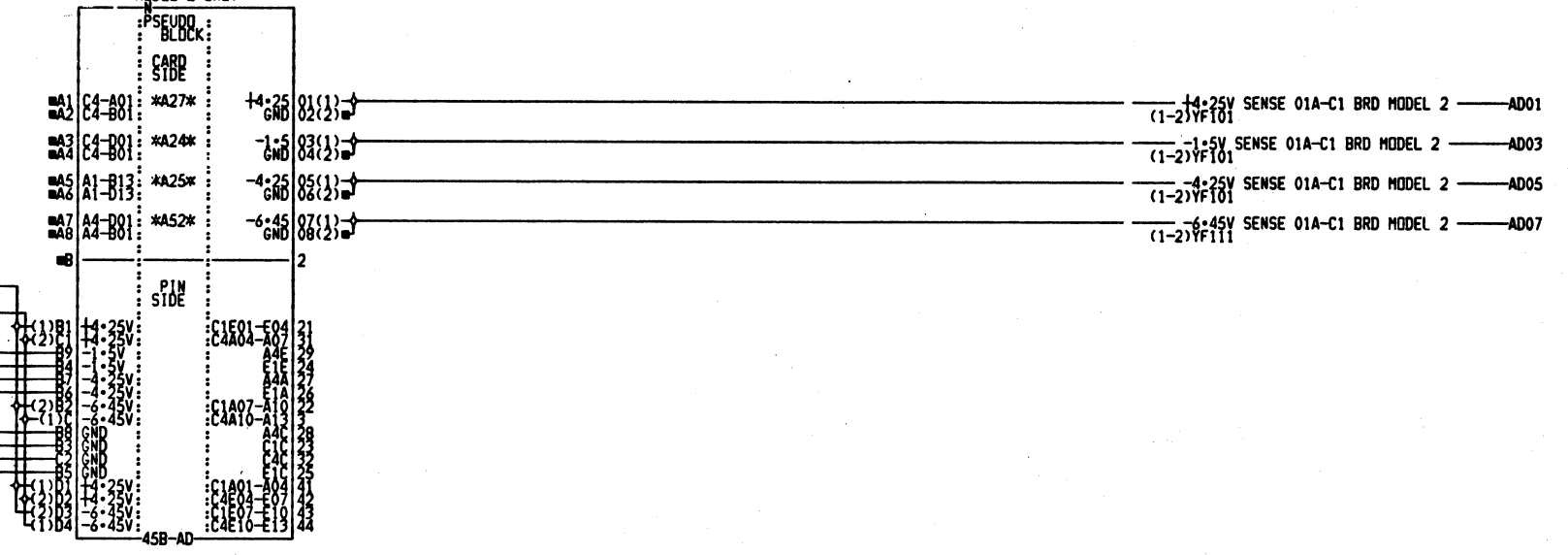
PFDRM=KSEC    NEXTBLK AH

CID CIDPNCR    JOB BP#PNCRX

0001



MODEL 2 ONLY



45B-AD

COMMENTS  
 A1 DN=279028  
 DN=873593  
 DN=873594  
 DN=873592

Y  
A  
6  
6  
9

B1  
 (C) COPYRIGHT  
 INTERNATIONAL BUSINESS  
 MACHINES CORPORATION  
 1981

0001

INTERCONNECTIONS  
 TO 01A-C1 BOARD  
 MODEL 2 ONLY

LOC=

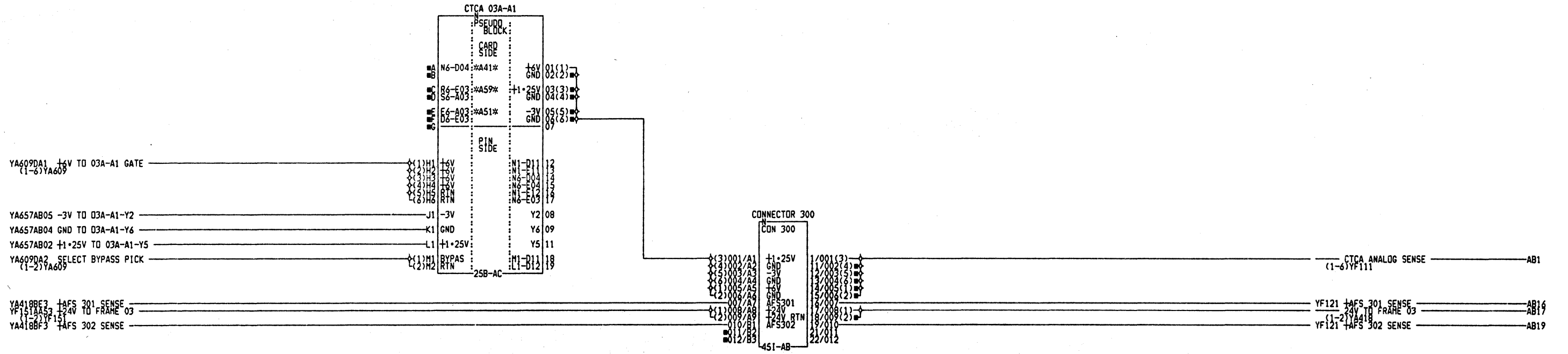
USM 00003 PRI-21DEC81 1333

AUC= PF0RM-KSEC SEC

CID CIDPWR JOB BP#PWRX

Y  
2  
9

0001



COMMENTS

A1 PN=379029  
 EC=873593  
 EC=873594

YAG 1

B1 J (C) COPYRIGHT INTERNATIONAL BUSINESS MACHINES CORPORATION 1980

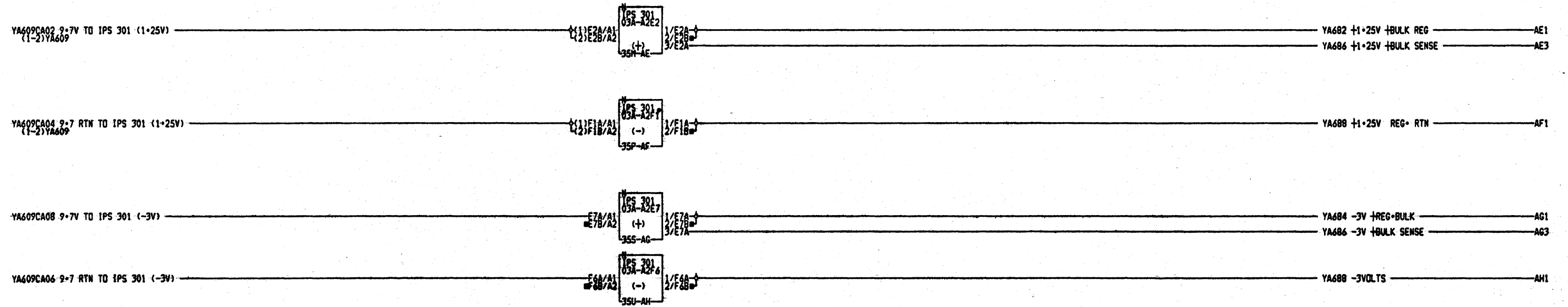
ANALOG SENSOR 03A-A1

LDC=

USN 00002 PRI=20AUG81 0935

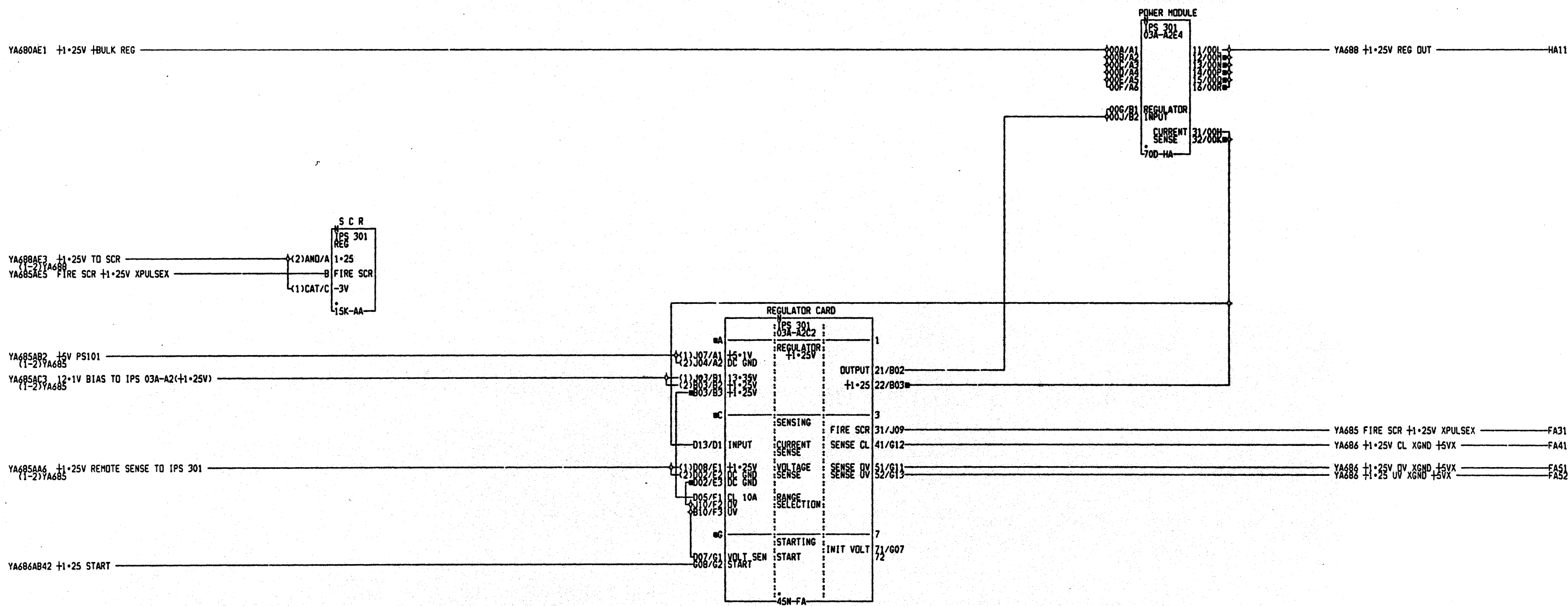
AUC= PFORM=KSEC SEC NEXTBLK AD

CID CIDPWCR JOB BP#PHCRC



COMMENTS  
 A) PN=379030  
 EC=873593  
 B) (C) COPYRIGHT INTERNATIONAL BUSINESS MACHINES CORPORATION 5 1980  
 0001

INTEGRATED POWER SYSTEM  
 CTCA  
 LOC= USN 00001 PRI=10OCT80 1608  
 AUC= PF0RM-KSEC SEC NEXTBLK A1  
 CID CIDPWR JOB BPpPWRN  
 0001

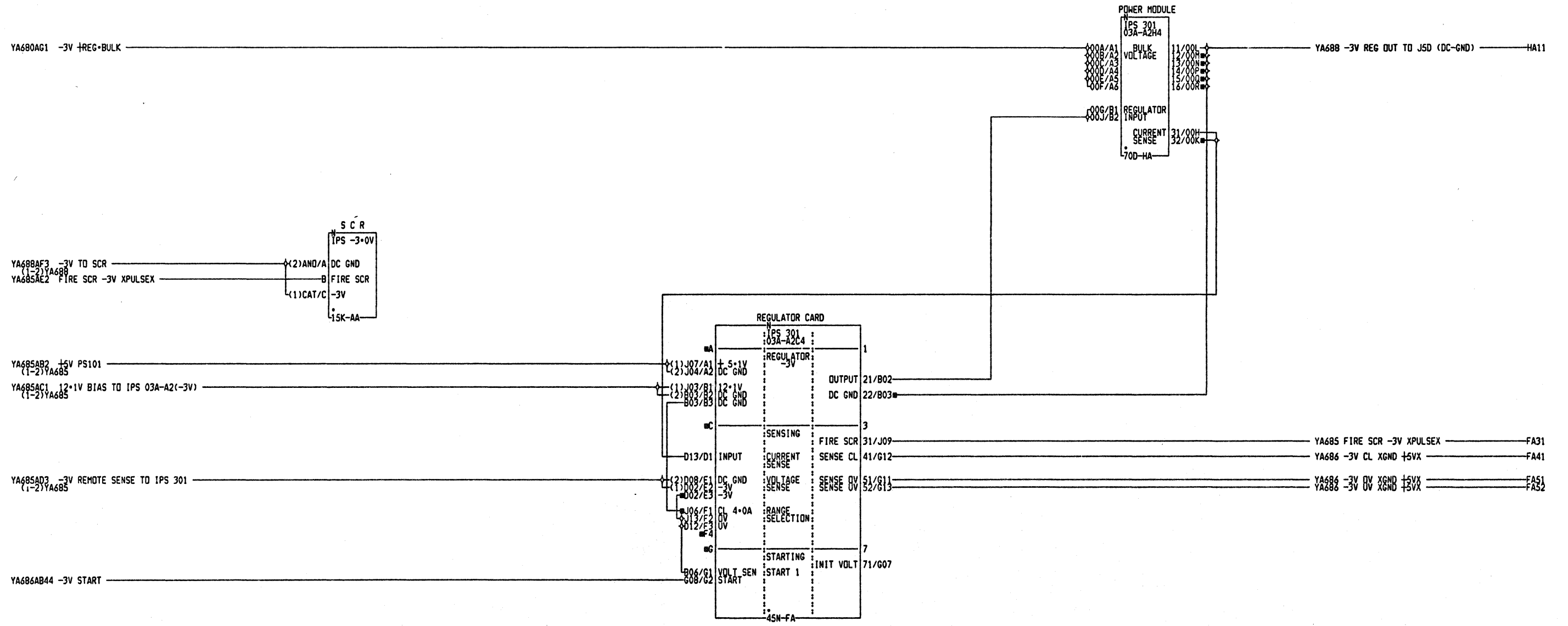


COMMENTS  
 A) PN-37903  
 EP-873384  
 EC-873354  
 B) (C) COPYRIGHT  
 INTERNATIONAL BUSINESS  
 MACHINES CORPORATION  
 1980

INTEGRATED POWER SYSTEM  
 +1.25V REG  
 CTCA  
 LOC=  
 USN 00002 PRI=20AUG81 0935  
 AUC SEC  
 PFORM=KSEC NEXTBLK HB  
 CID CIDPWR JOB BP#PWCRC

Y  
 A  
 0001

Y  
 A  
 0001



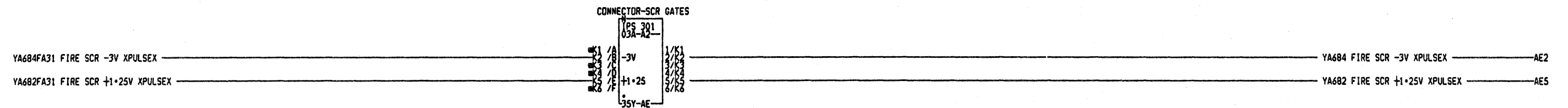
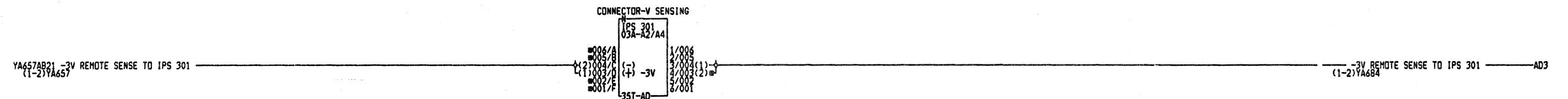
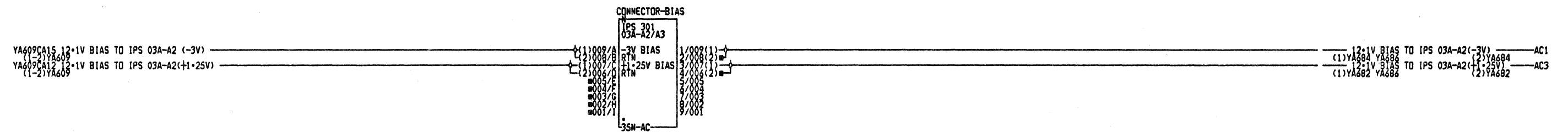
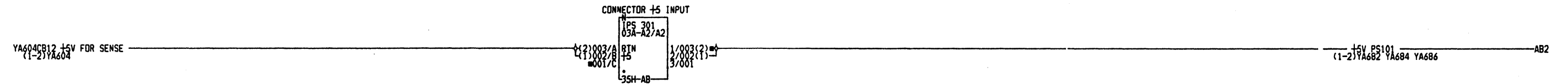
COMMENTS

A1 PN-3790-1  
 EC-873573  
 B1  
 C1 (C) COPYRIGHT  
 INTERNATIONAL BUSINESS  
 MACHINES CORPORATION  
 5 1980

INTEGRATED POWER SYSTEM <IPS>  
 -3V REGULATOR CICA

LDC=  
 USN 00001 PRI=10OCT80 1608  
 AUC= PFORM=KSEC SEC  
 CID CIDPNCR JOB BPaMCRN

Y  
 A  
 6  
 8  
 4  
 0001



COMMENTS

A1 PN-379033  
EC-873593

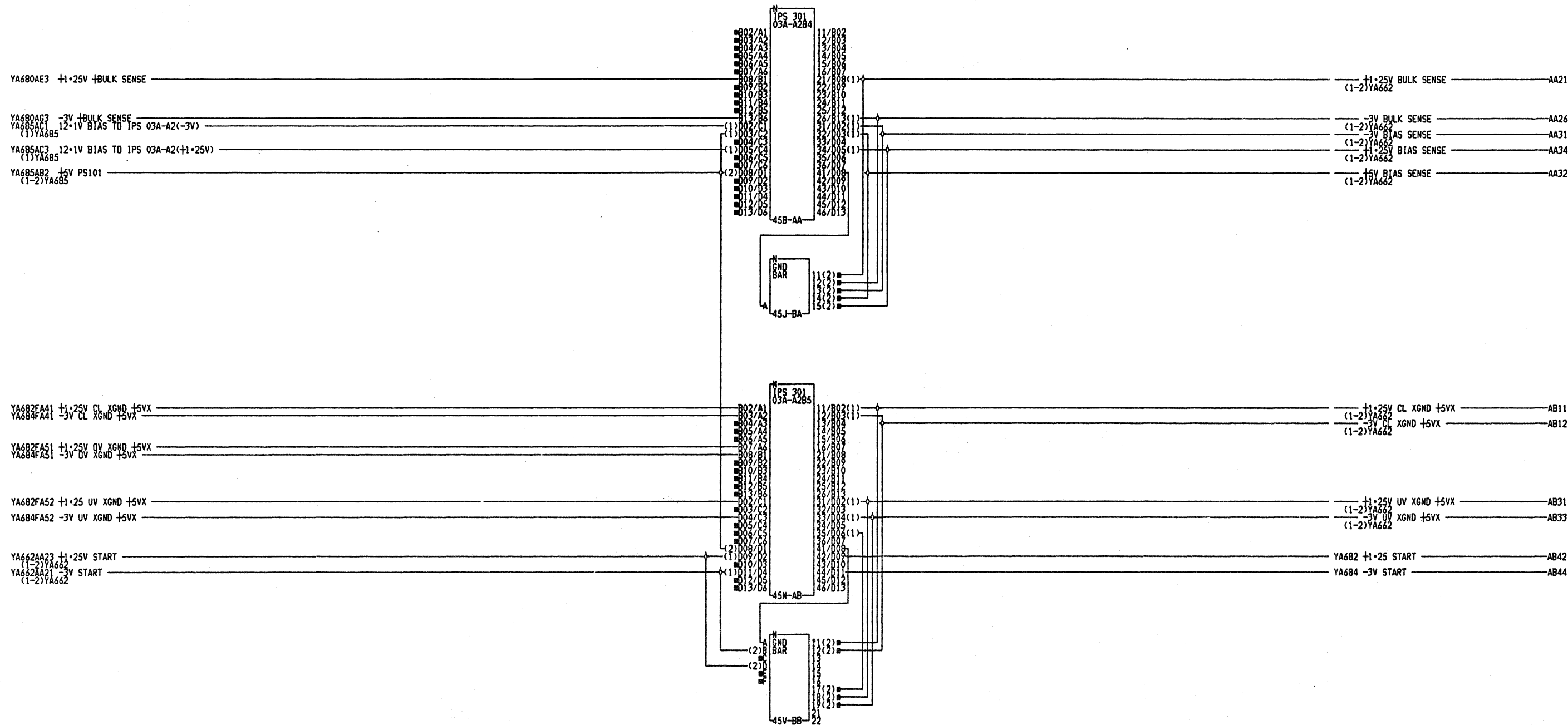
Y  
A  
0001

(C) COPYRIGHT  
INTERNATIONAL BUSINESS  
MACHINES CORPORATION  
5 1980

INTEGRATED POWER SYSTEM  
CTCA

LDC=  
USN 00001 PRI=100CT80 1608  
AUC= PF0RM-KSEC SEC NEXTBLK AF  
CID CIDPWR JOB BPpWCRN

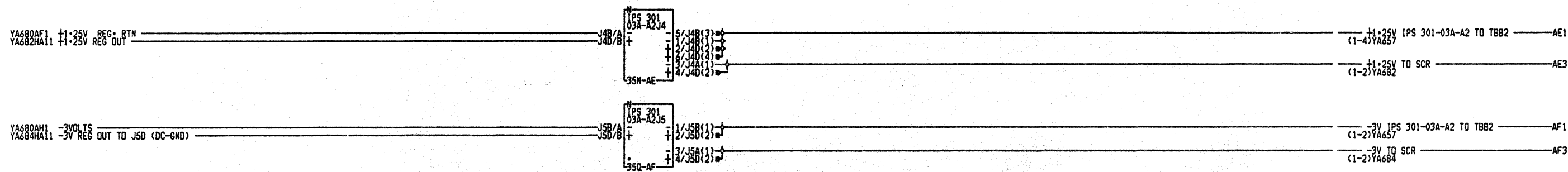
Y  
A  
0001



COMMENTS  
 A1 PN=379034  
 EC=873893  
 B1 (C) COPYRIGHT  
 INTERNATIONAL BUSINESS  
 MACHINES CORPORATION  
 5 1980

INTEGRATED POWER SYSTEM  
 CTCA  
 LOC=  
 USN 00001 PRI=10OCT80 1608  
 AWC= SEC  
 PFORM-KSEC NEXTBLK BC  
 CID CIDPCR JOB BP&PCRN

Y  
 A  
 6  
 8  
 6



COMMENTS

A1 PN=379033  
EC=873393

Y  
A  
6  
8  
8

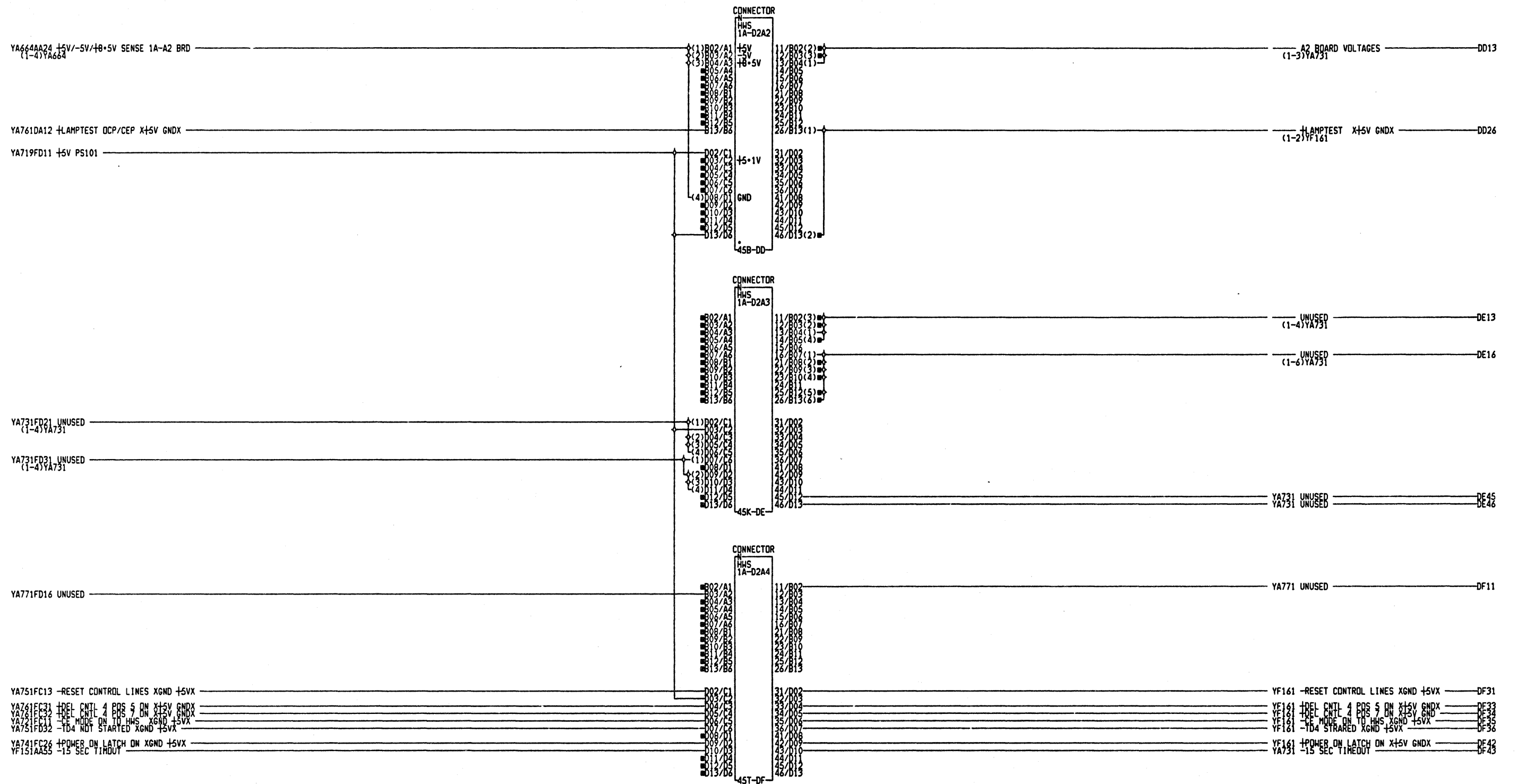
(C) COPYRIGHT BUSINESS  
INTERNATIONAL  
MACHINES CORPORATION  
5 1980

INTEGRATED POWER SYSTEM  
CTCA

LOC= USN 00001 PRI=10OCT80 1608  
AUC= PPRM-KSEC SEC NEXTBLK AG  
CID CIDPHCR JOB BPaPWRN

Y  
A  
6  
8  
8  
0001





COMMENTS

A1 PN-379036  
EC-873593

Y  
A  
7  
0  
1

B1  
3 (C) COPYRIGHT  
4 INTERNATIONAL BUSINESS  
5 MACHINES CORPORATION  
5 1980

0001

HARDWIRED SEQUENCE <HWS>  
POWER TO BOARD 01A-D2

LDC=

USN 00001      PRI=10OCT80 1608

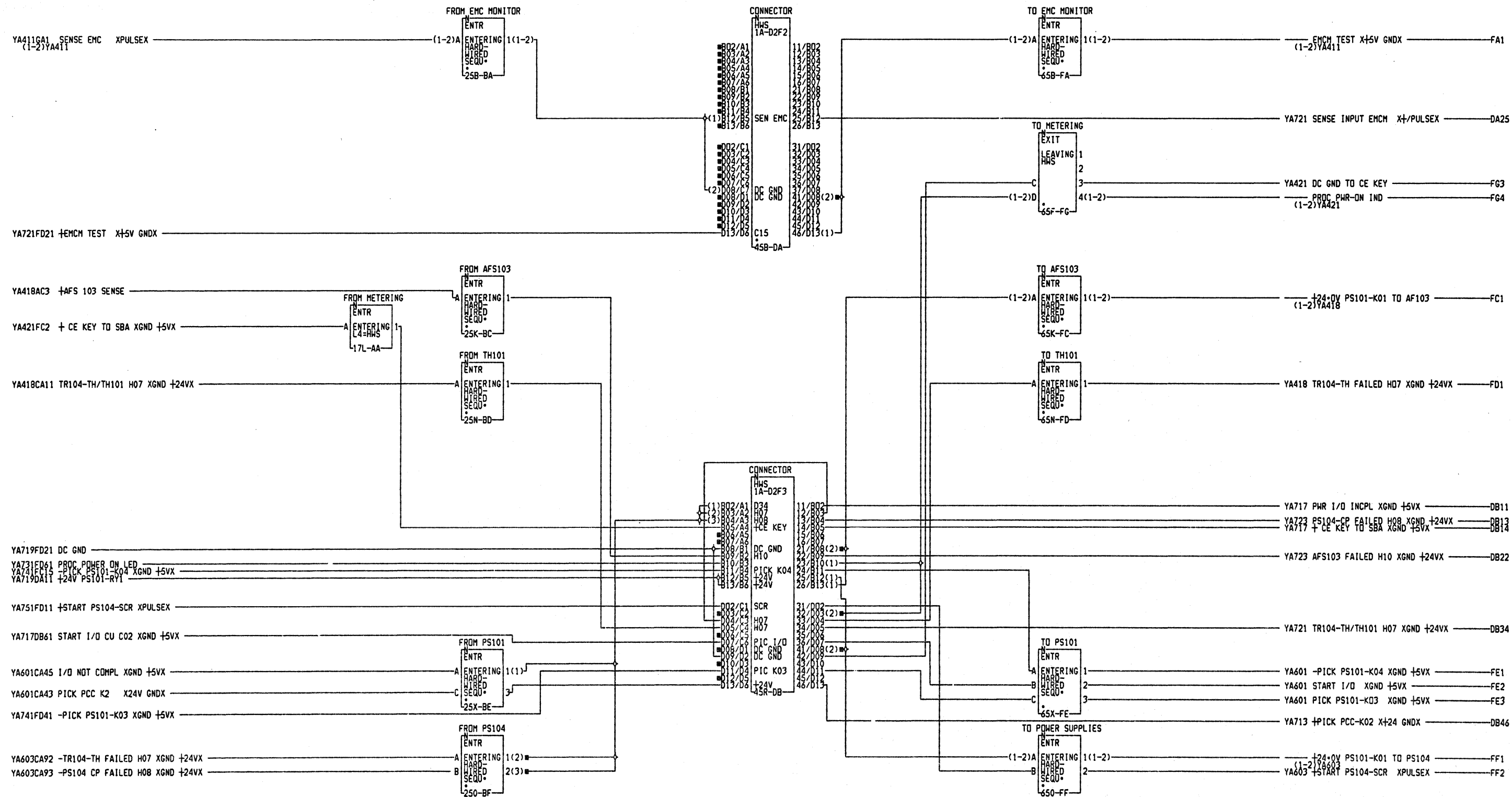
AUC=            SEC

PF0RM=KSEC    NEXTBLK DG

CID CIDPWR    JOB BPpPWRN

Y  
A  
7  
0  
1

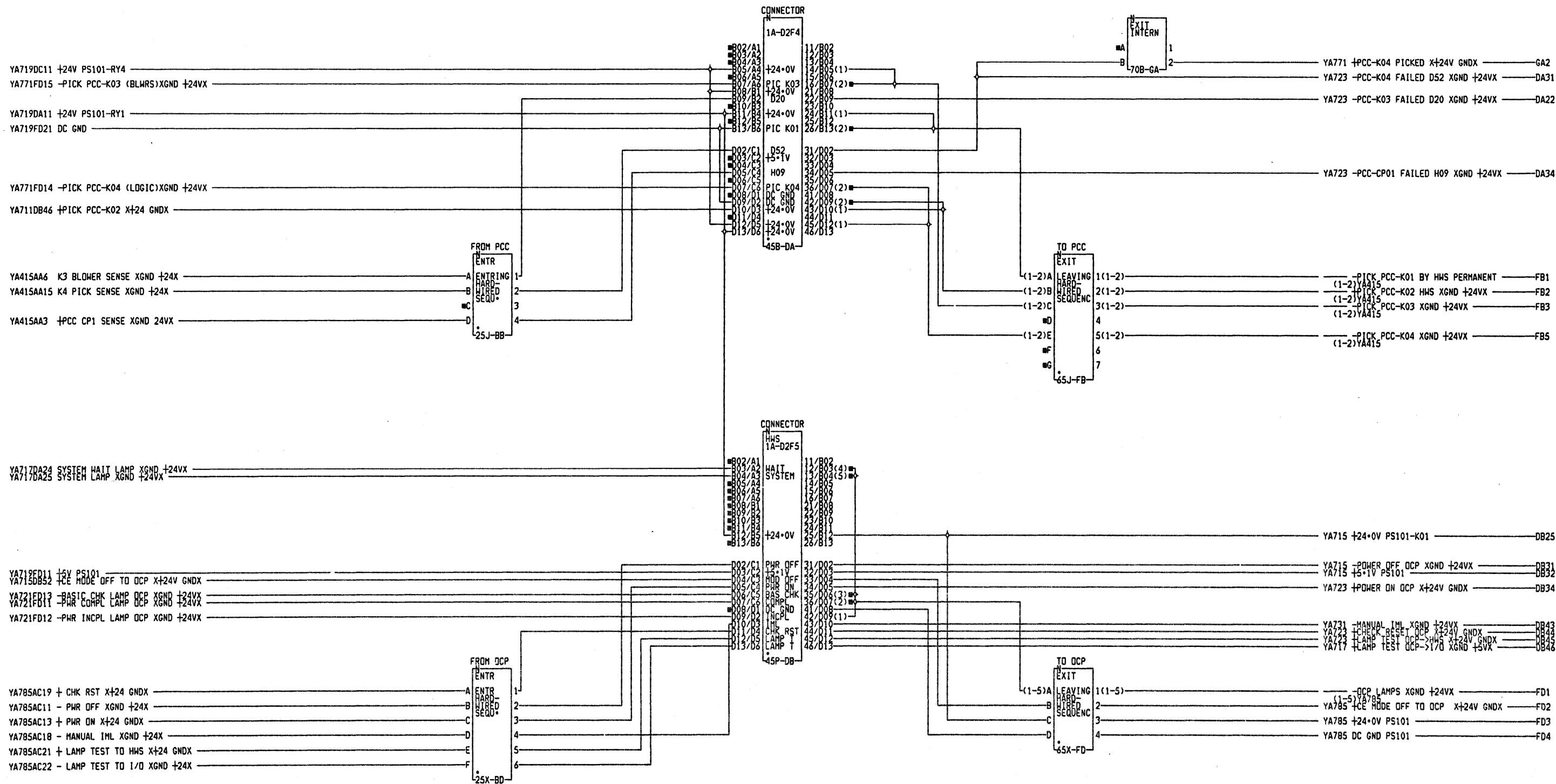
0001



COMMENTS

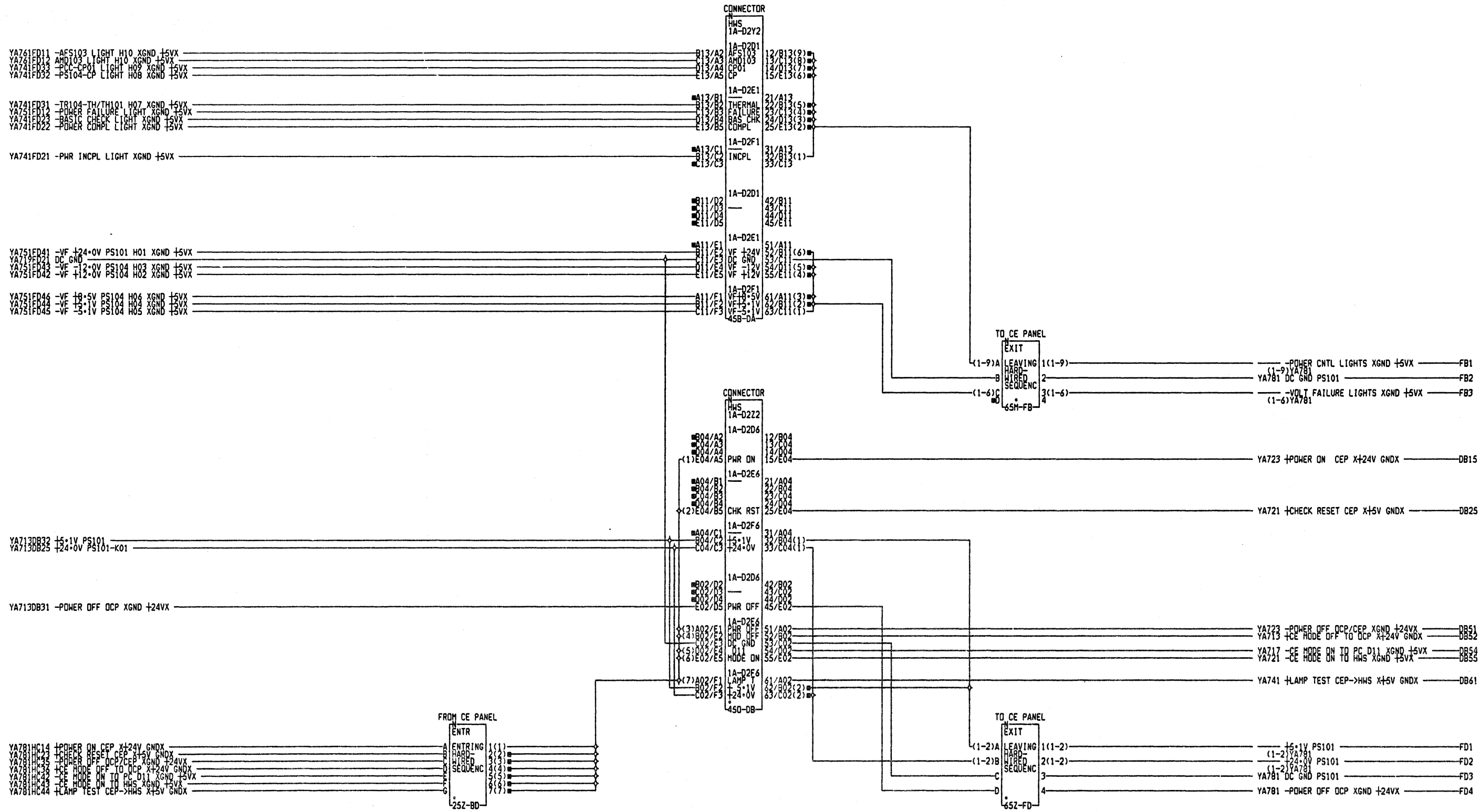
A1 PN-379037  
 EC-873593  
 EC-873594  
 B1  
 B2  
 B3  
 B4  
 B5  
 B6  
 B7  
 B8  
 B9  
 C1  
 C2  
 C3  
 C4  
 C5  
 C6  
 C7  
 C8  
 C9  
 D1  
 D2  
 D3  
 D4  
 D5  
 D6  
 D7  
 D8  
 D9  
 E1  
 E2  
 E3  
 E4  
 E5  
 E6  
 E7  
 E8  
 E9  
 F1  
 F2  
 F3  
 F4  
 F5  
 F6  
 F7  
 F8  
 F9  
 G1  
 G2  
 G3  
 G4  
 G5  
 G6  
 G7  
 G8  
 G9  
 H1  
 H2  
 H3  
 H4  
 H5  
 H6  
 H7  
 H8  
 H9  
 I1  
 I2  
 I3  
 I4  
 I5  
 I6  
 I7  
 I8  
 I9  
 J1  
 J2  
 J3  
 J4  
 J5  
 J6  
 J7  
 J8  
 J9  
 K1  
 K2  
 K3  
 K4  
 K5  
 K6  
 K7  
 K8  
 K9  
 L1  
 L2  
 L3  
 L4  
 L5  
 L6  
 L7  
 L8  
 L9  
 M1  
 M2  
 M3  
 M4  
 M5  
 M6  
 M7  
 M8  
 M9  
 N1  
 N2  
 N3  
 N4  
 N5  
 N6  
 N7  
 N8  
 N9  
 O1  
 O2  
 O3  
 O4  
 O5  
 O6  
 O7  
 O8  
 O9  
 P1  
 P2  
 P3  
 P4  
 P5  
 P6  
 P7  
 P8  
 P9  
 Q1  
 Q2  
 Q3  
 Q4  
 Q5  
 Q6  
 Q7  
 Q8  
 Q9  
 R1  
 R2  
 R3  
 R4  
 R5  
 R6  
 R7  
 R8  
 R9  
 S1  
 S2  
 S3  
 S4  
 S5  
 S6  
 S7  
 S8  
 S9  
 T1  
 T2  
 T3  
 T4  
 T5  
 T6  
 T7  
 T8  
 T9  
 U1  
 U2  
 U3  
 U4  
 U5  
 U6  
 U7  
 U8  
 U9  
 V1  
 V2  
 V3  
 V4  
 V5  
 V6  
 V7  
 V8  
 V9  
 W1  
 W2  
 W3  
 W4  
 W5  
 W6  
 W7  
 W8  
 W9  
 X1  
 X2  
 X3  
 X4  
 X5  
 X6  
 X7  
 X8  
 X9  
 Y1  
 Y2  
 Y3  
 Y4  
 Y5  
 Y6  
 Y7  
 Y8  
 Y9  
 Z1  
 Z2  
 Z3  
 Z4  
 Z5  
 Z6  
 Z7  
 Z8  
 Z9

HARDWIRED SEQUENCE (HWS)  
 INTERCONNECTIONS TO  
 POWER AND EMCM  
 LOC=  
 USN 00002 PRI=20AUG81 0935  
 AUC= PFORM-KSEC SEC  
 CID CIDPHCR JOB BP#PHCRC  
 0001



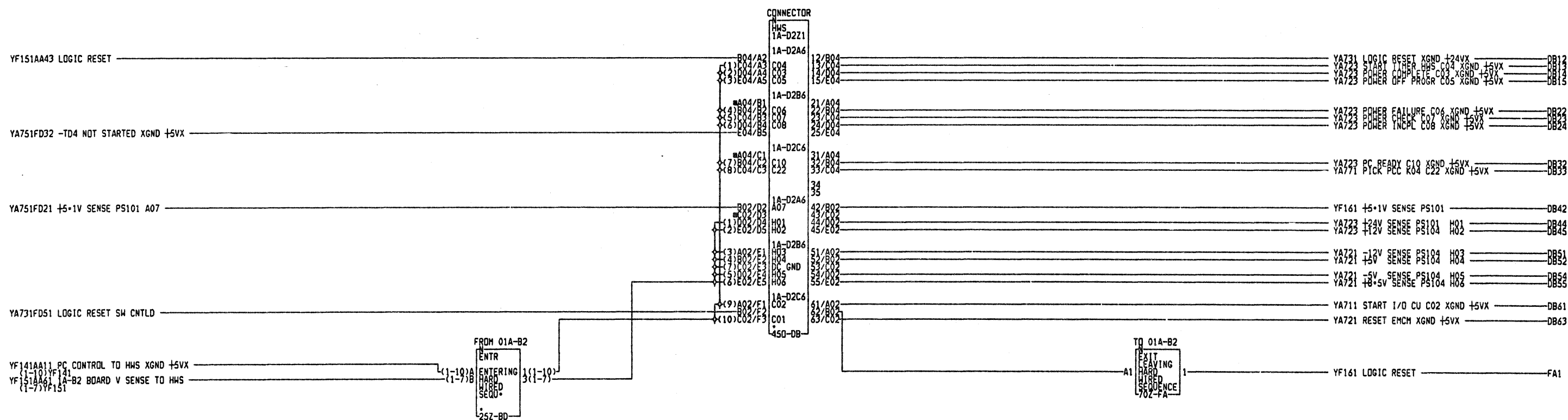
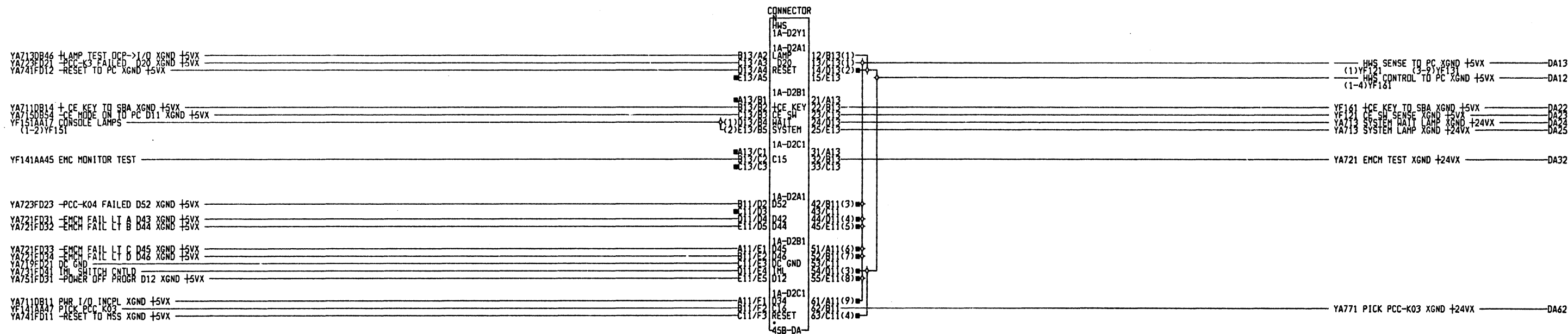
COMMENTS  
 A1 PN-379038  
 EC-873589  
 EC-873594  
 B1 (C) COPYRIGHT BUSINESS INTERNATIONAL CORPORATION  
 MACHINES CORPORATION  
 1980  
 0001

HARDWIRED SEQUENCE (HWS)  
 INTERCONNECTIONS TO  
 DCP AND ENCR  
 LOC=  
 USN 00002 PRI=20AUG81 0935  
 AUC=  
 PFORM=KSEC SEC NEXTBLK GB  
 CID CIDPWR JOB BP#PWR  
 0001



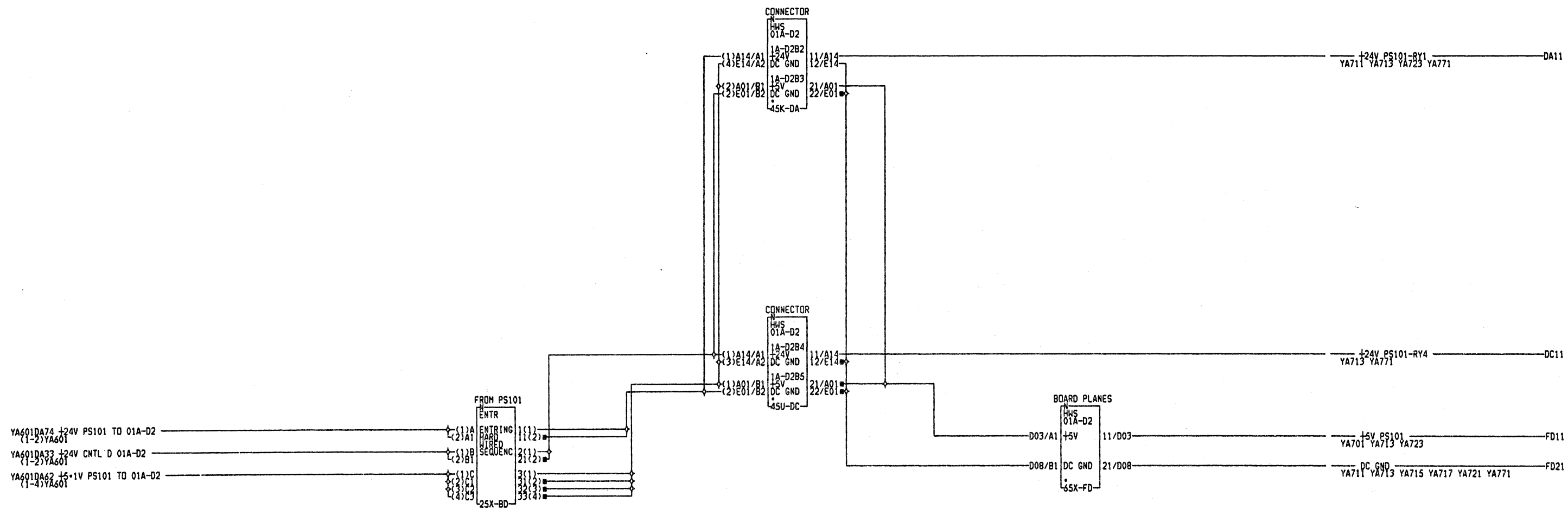
COMMENTS  
 A1 PN=379039  
 EC=873593  
 (C) COPYRIGHT  
 INTERNATIONAL BUSINESS  
 MACHINES CORPORATION  
 0001 5 1980

HARDWIRED SEQUENCE <HMS>  
 INTERCONNECTIONS TO  
 CE PANEL  
 LOC=  
 USN 00001 PRI=10OCT80 1608  
 AUC= PFORN=KSEC SEC NEXTBLK FE  
 CID CIDPNCR JOB BP@PHCRN  
 0001



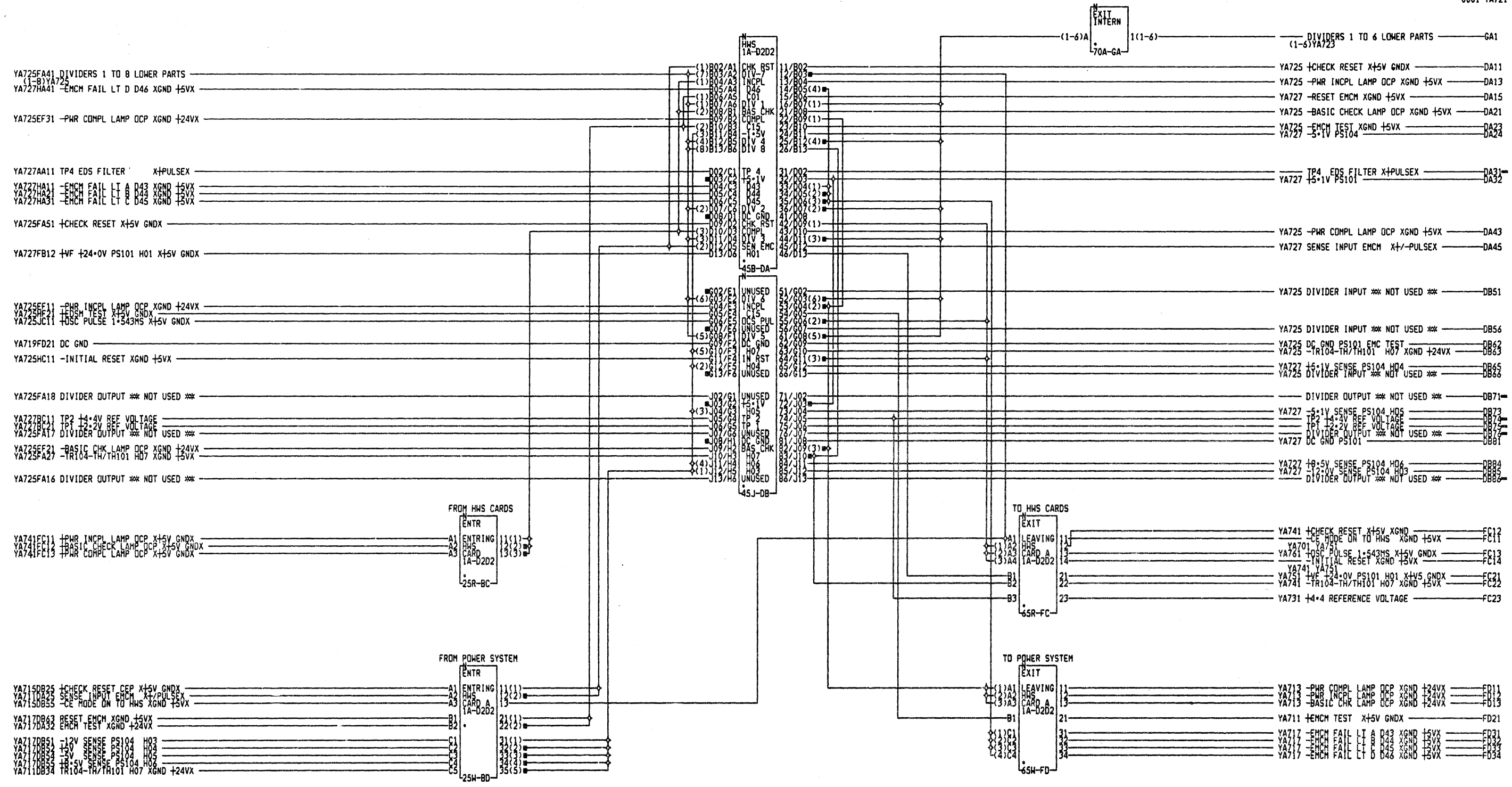
COMMENTS  
 A1 PN=379040  
 PCC=873393  
 PCC=873394  
 B1  
 C1  
 (C) COPYRIGHT  
 INTERMEDIATE BUSINESS  
 MACHINES CORPORATION  
 1980  
 0001

HARDWIRED SEQUENCE (HWS)  
 INTERCONNECTIONS TO  
 POWER CONTROLLER  
 LOC=  
 USN 00002 PRI=20AUG81 0935  
 AUC= PDRM=KSEC SEC  
 NEXTBLK FB  
 CID IDPWRCR JOB BP#PWCRC  
 0001



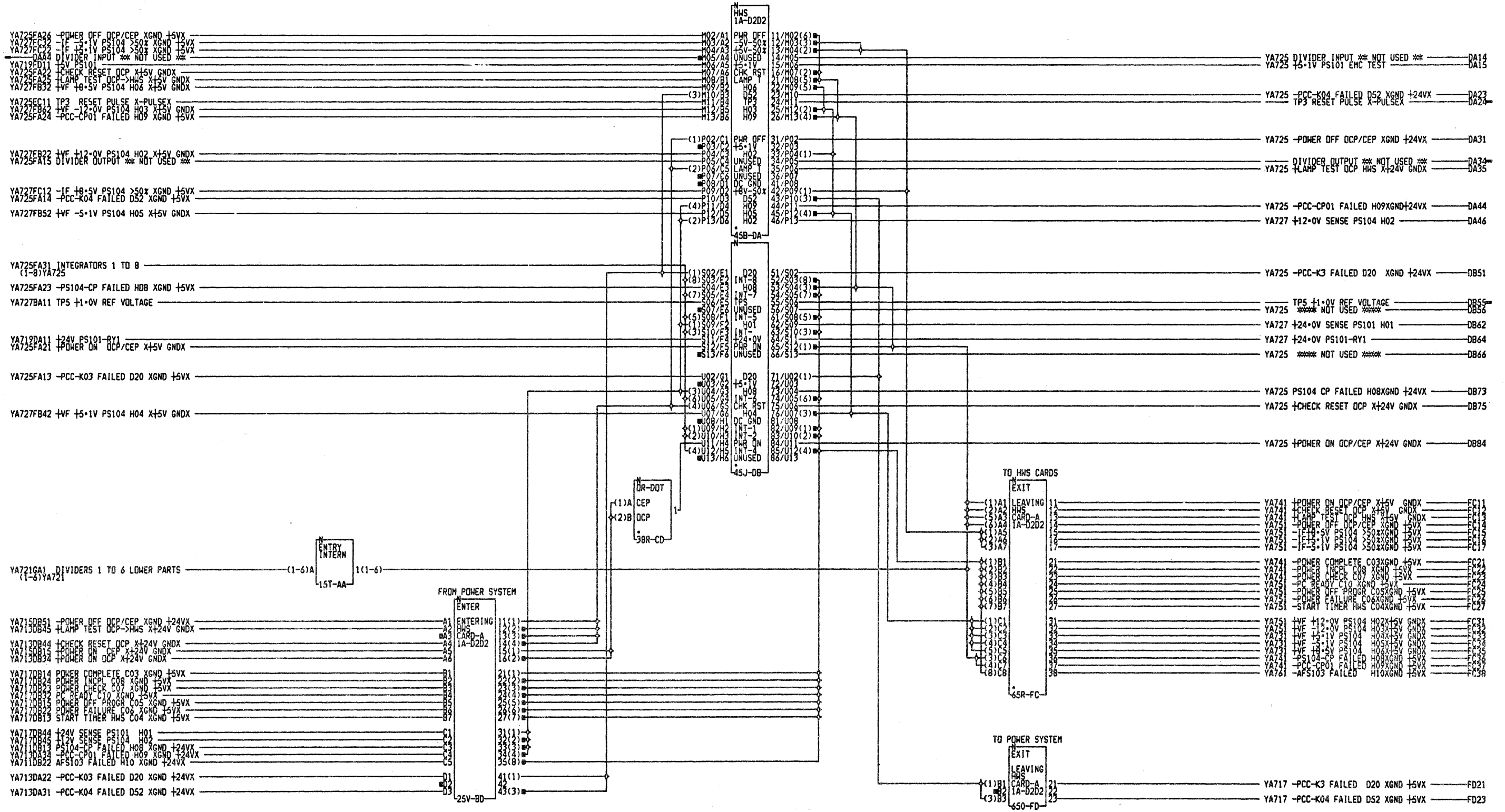
COMMENTS  
 A1 PN-372041  
 EC-873323  
 EC-873394  
 B1 (C) COPYRIGHT  
 INTERNATIONAL BUSINESS  
 MACHINES CORPORATION  
 5 1980

HARDWIRED SEQUENCE <HWS>  
 POWER TO BOARD 01A-D2  
 LOC=  
 USN 0002 PRI=20AUG81 0935  
 AUC= PFORM-KSEC SEC  
 CID CIDPWR JOB BP#PWCRC



COMMENTS  
 A1 PN=37904  
 EC=873593  
 B1 (C) COPYRIGHT  
 INTERNATIONAL BUSINESS  
 MACHINES CORPORATION  
 1980  
 0001

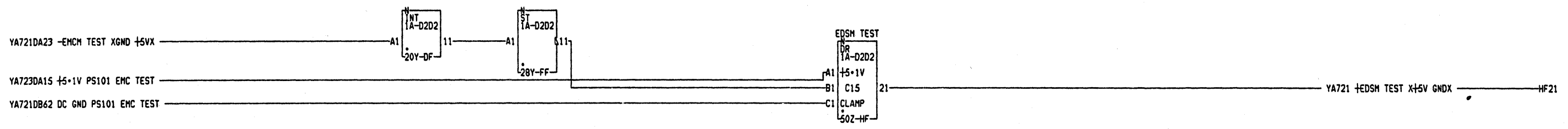
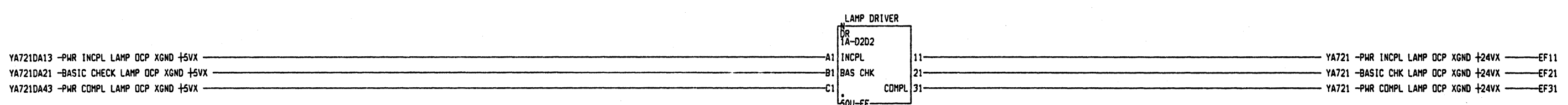
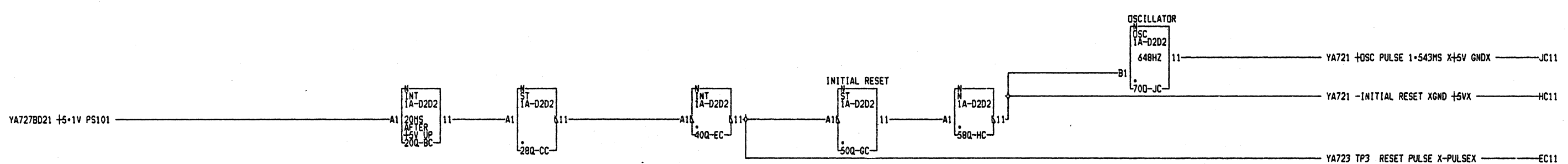
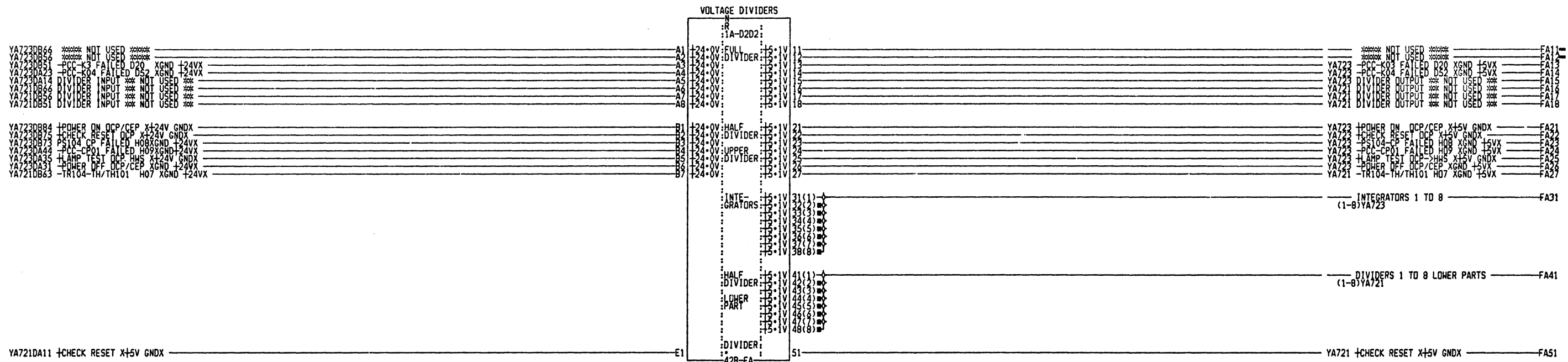
HARDWIRED SEQUENCE <HWS>  
 01A-D2D2  
 LOC=  
 USN 00001 PRI=10OCT80 1608  
 AVC= PF0RM-KSEC SEC  
 NEXTBLK GB  
 CID C1DPNCR JOB BPAPNCRN  
 Y  
 7  
 1  
 0001



COMMENTS  
 A1 PN=379043  
 EC=873593  
 B1 (C) COPYRIGHT  
 INTERNATIONAL BUSINESS  
 MACHINES CORPORATION  
 0001 5 1980

HARDWIRED SEQUENCE <HWS>  
 01A-D2D2  
 LDC=  
 USN 00001 PRI=100CT80 1608  
 AUC= PF0RM=KSEC SEC NEXTRBLK FE  
 CID CIDPWR JOB BPAPWRN  
 0001





COMMENTS

A1 PN=379044  
EC=873593

Y 9  
2  
5

B1 (C) COPYRIGHT  
INTERNATIONAL BUSINESS  
MACHINES CORPORATION  
0001 5 1980

HARDWIRED SEQUENCE <HMS>  
01A-D2D2

LDC=

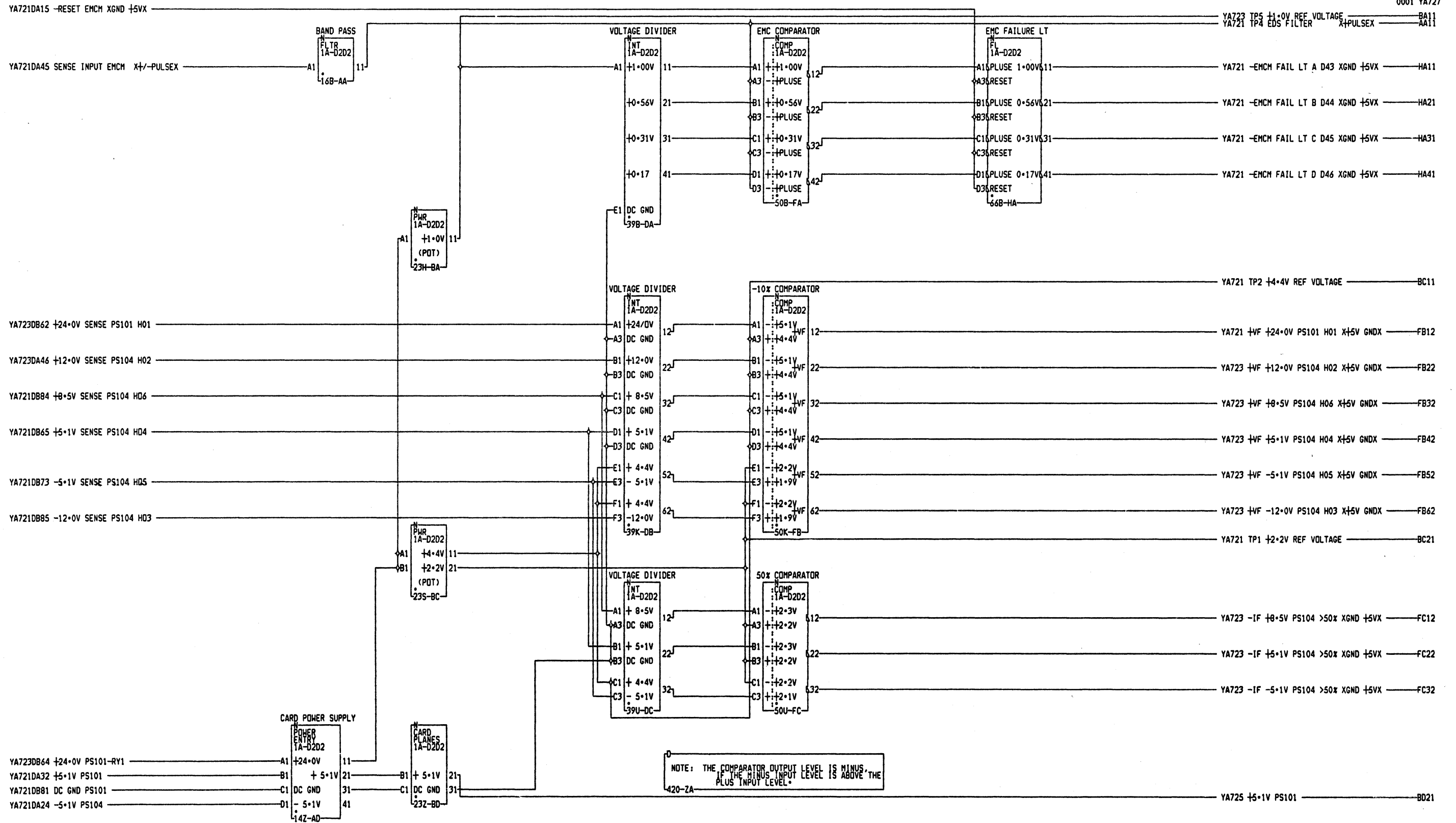
USN 00001 PRI=10OCT80 1608

AUC= PFORM=KSEC SEC NEXTBLK JD

CID CDPNCR JOB BP&PNCR

Y 9  
2  
5

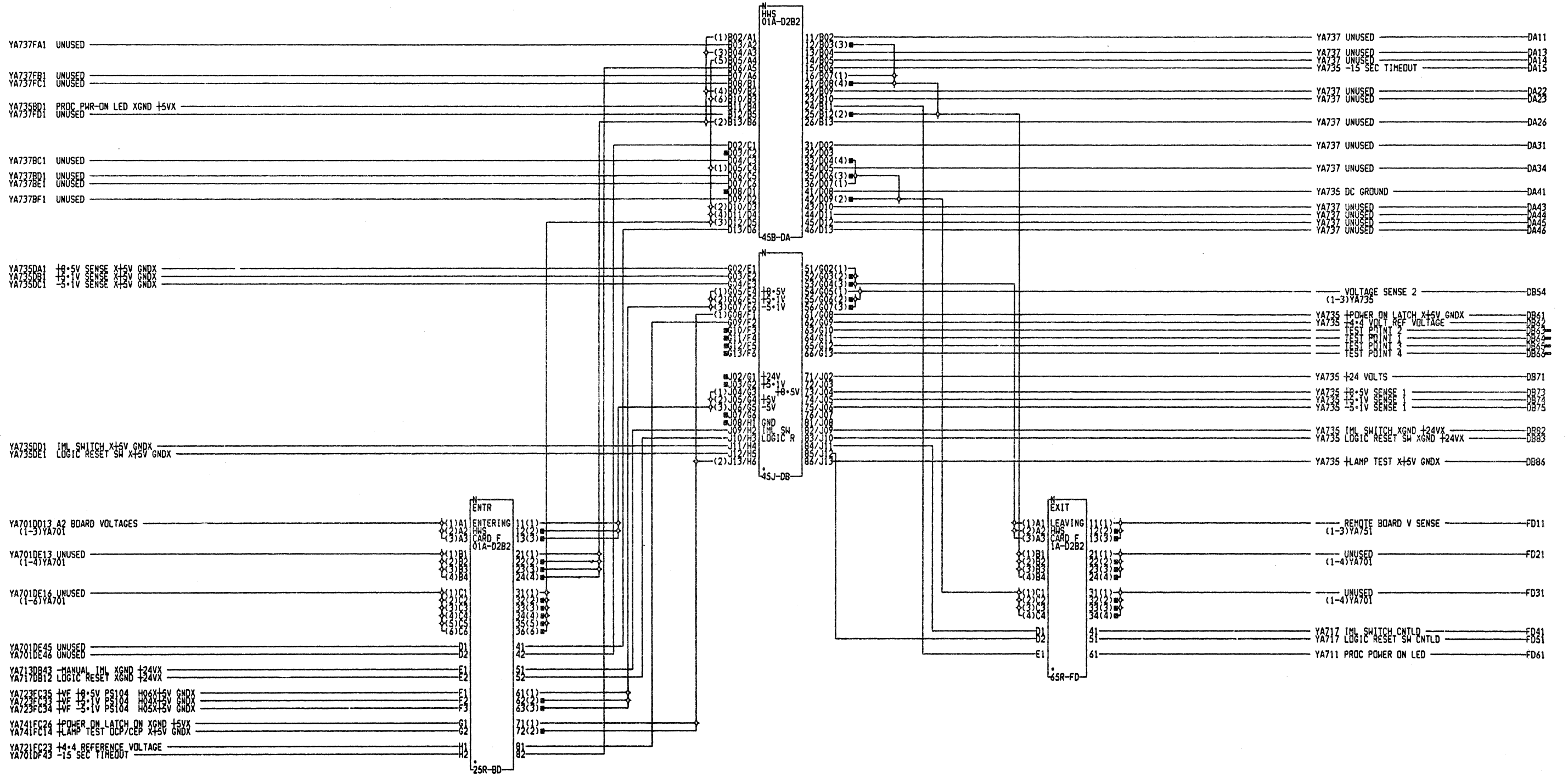
0001



NOTE: THE COMPARATOR OUTPUT LEVEL IS MINUS IF THE MINUS INPUT LEVEL IS ABOVE THE PLUS INPUT LEVEL.

COMMENTS  
 A1 PN=379045  
 EC=873593  
 1  
 2  
 3 (C) COPYRIGHT  
 4 INTERNATIONAL BUSINESS  
 5 MACHINES CORPORATION  
 1980

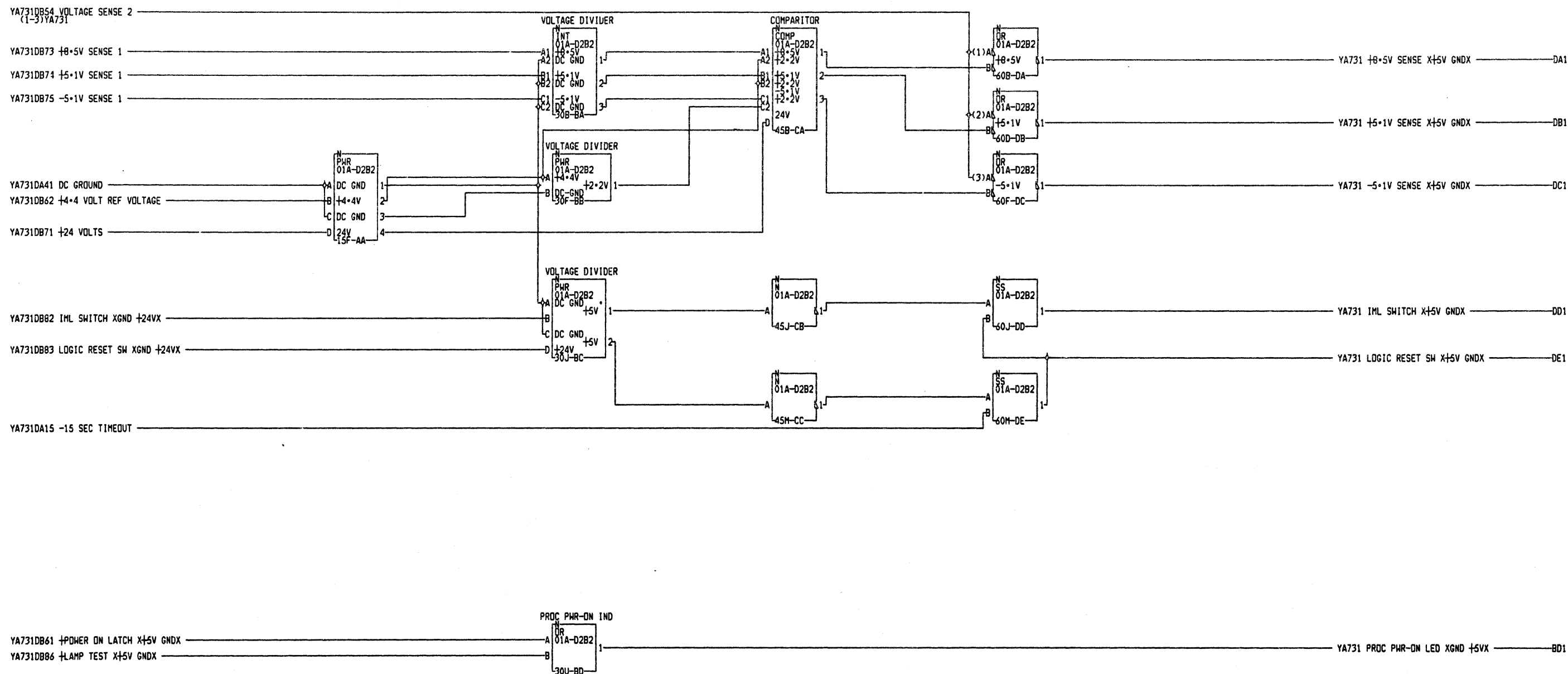
HARDWIRED SEQUENCE <HWS>  
 01A-D2D2  
 LOC=  
 USN 00001 PRI=100CT80 1608  
 AUC= PFORM=KSEC SEC NEXTBLK ZB  
 CID CIDPWR JOB BPaPWRN  
 0001



COMMENTS  
 A1 PN=372049  
 EC=873593  
 B1  
 C1  
 D1  
 E1  
 F1  
 G1  
 H1  
 I1  
 J1  
 K1  
 L1  
 M1  
 N1  
 O1  
 P1  
 Q1  
 R1  
 S1  
 T1  
 U1  
 V1  
 W1  
 X1  
 Y1  
 Z1  
 0001

(C) COPYRIGHT  
 INTERNATIONAL BUSINESS  
 MACHINES CORPORATION  
 1980

HARDWIRED SEQUENCE <HHS>  
 VOLTAGE SENSE AND  
 CARD 01A-D2B2  
 LOC=  
 USN 00001 PRI=10OCT80 1608  
 AUC= PFORM=KSEC SEC  
 NEXTBLK FE  
 CID CIDPWR JOB BPAPWRN  
 0001



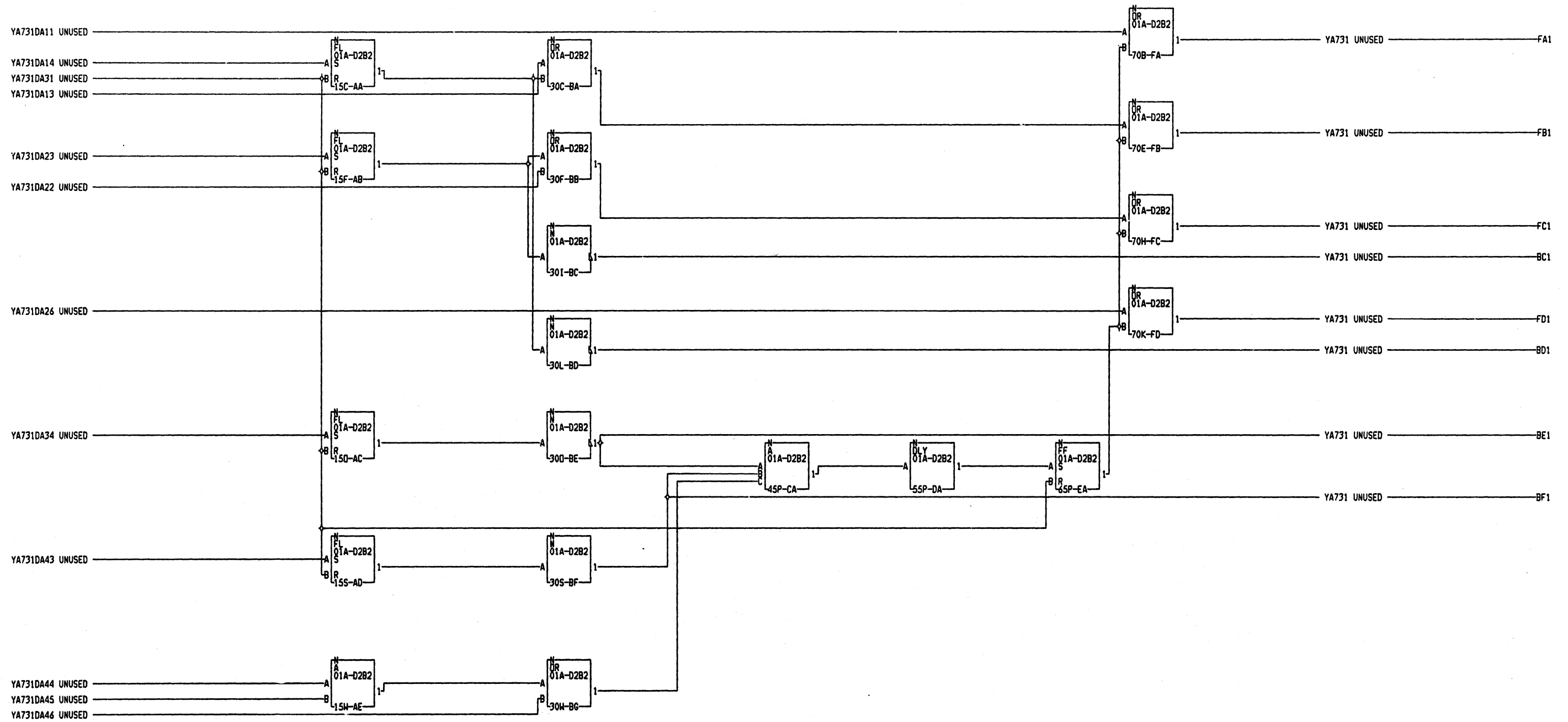
COMMENTS

A1 PN=372047  
 EC=873593  
 0001

(C) COPYRIGHT  
 INTERNATIONAL BUSINESS  
 MACHINES CORPORATION  
 1980

HARDWIRED SEQUENCE (HWS)  
 VOLTAGE SENSE AND  
 CARD 01A-D2B2

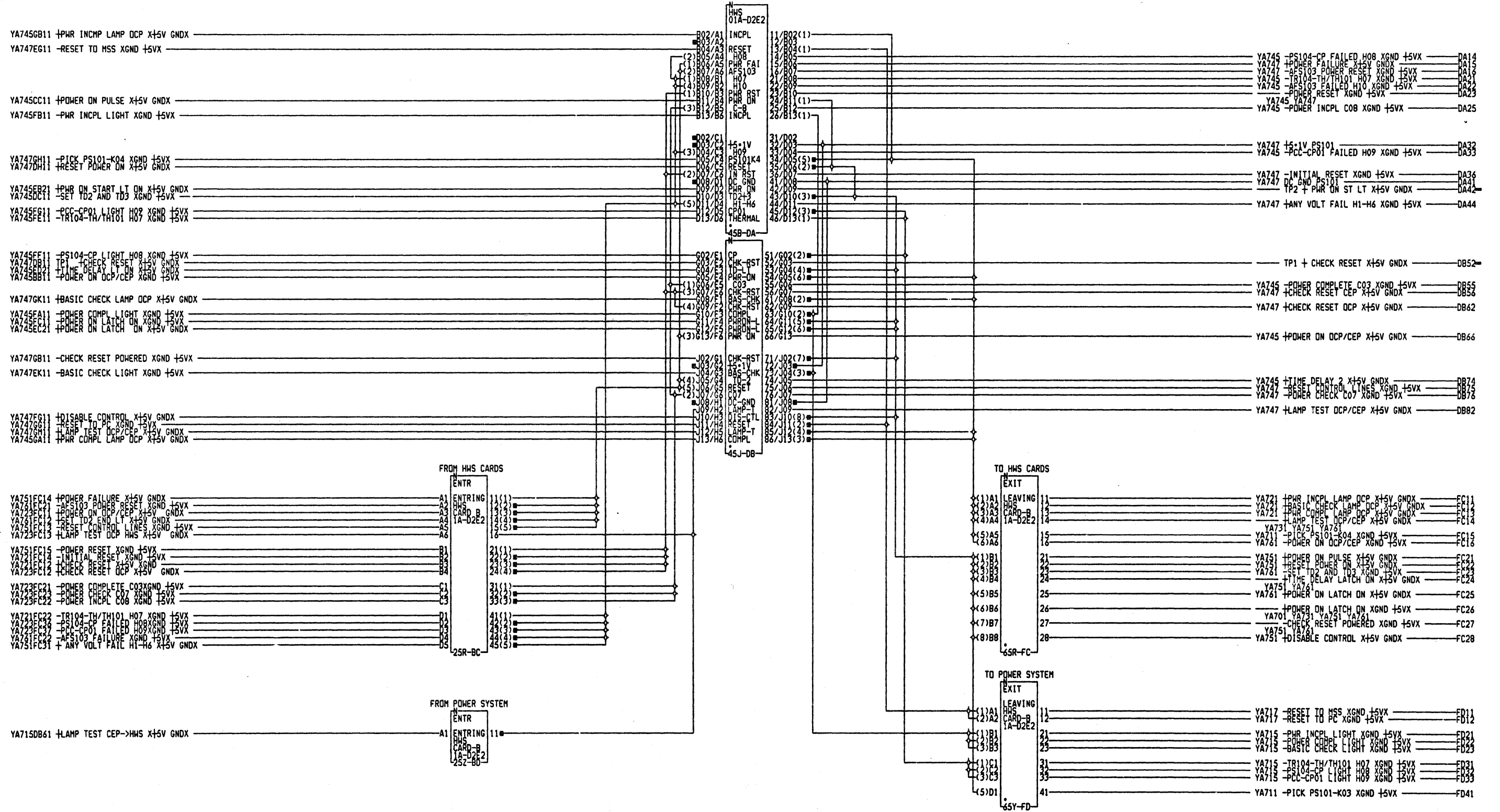
LDC=  
 USN 00001 PRT=10OCT80 1608  
 AUC= PFORM=KSEC SEC  
 NEXTBLK DF  
 CID CIDPWR JOB BP@PWRN



COMMENTS  
 A1 PN=379048  
 EC=873593  
 B1  
 (C) COPYRIGHT  
 INTERNATIONAL BUSINESS  
 MACHINES CORPORATION  
 1980  
 0001

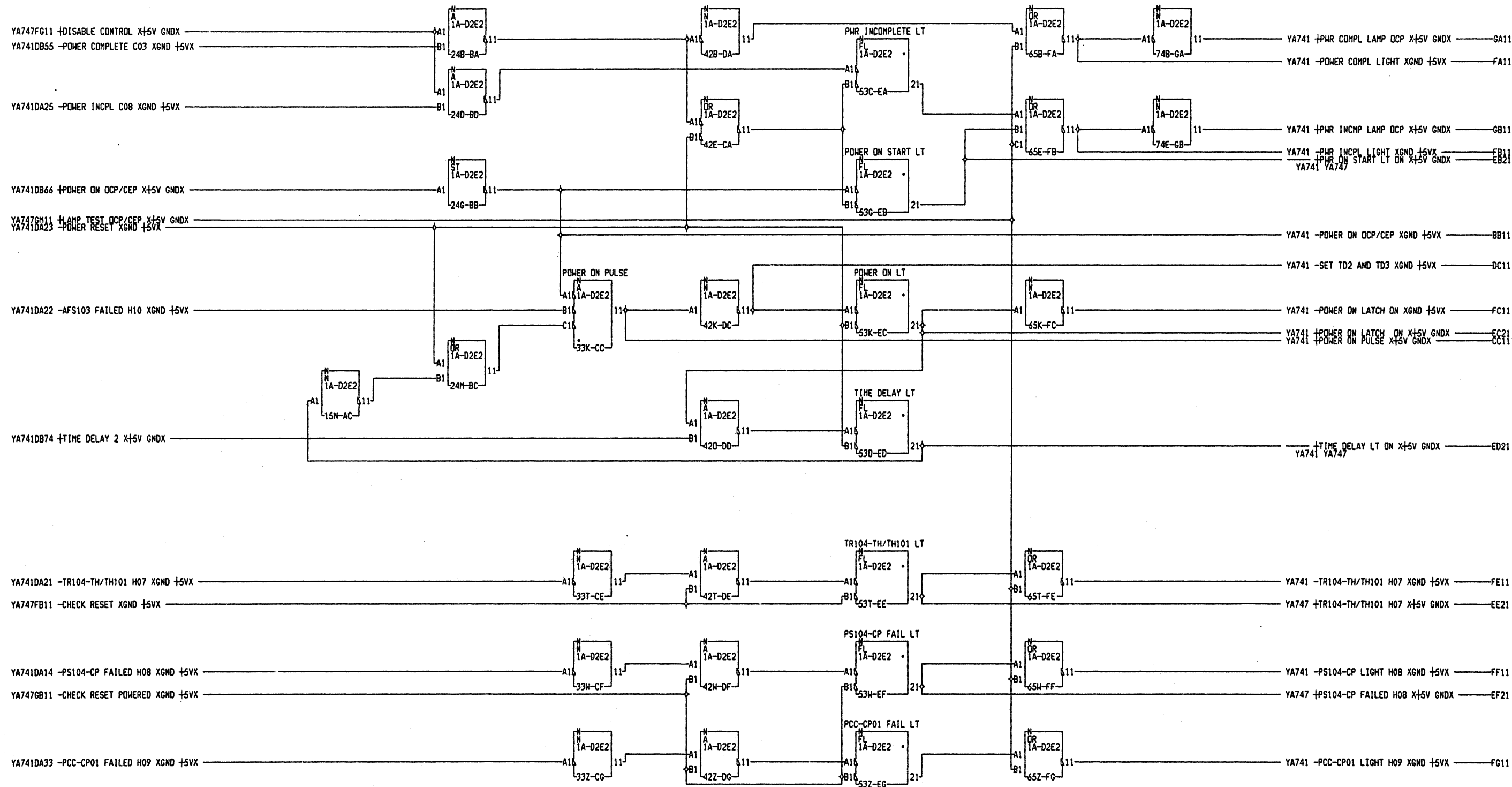
HARDWIRED SEQUENCE <HWS>	
UNUSED	
01A-D2B2	
LOC=	
USM 00001	PRI=10OCT80 1608
AUC=	SEC
PRDRN=KSEC	REXTBLK FE
CID CIDPNCR	JOB BP&PWCRN

Y  
 A  
 3



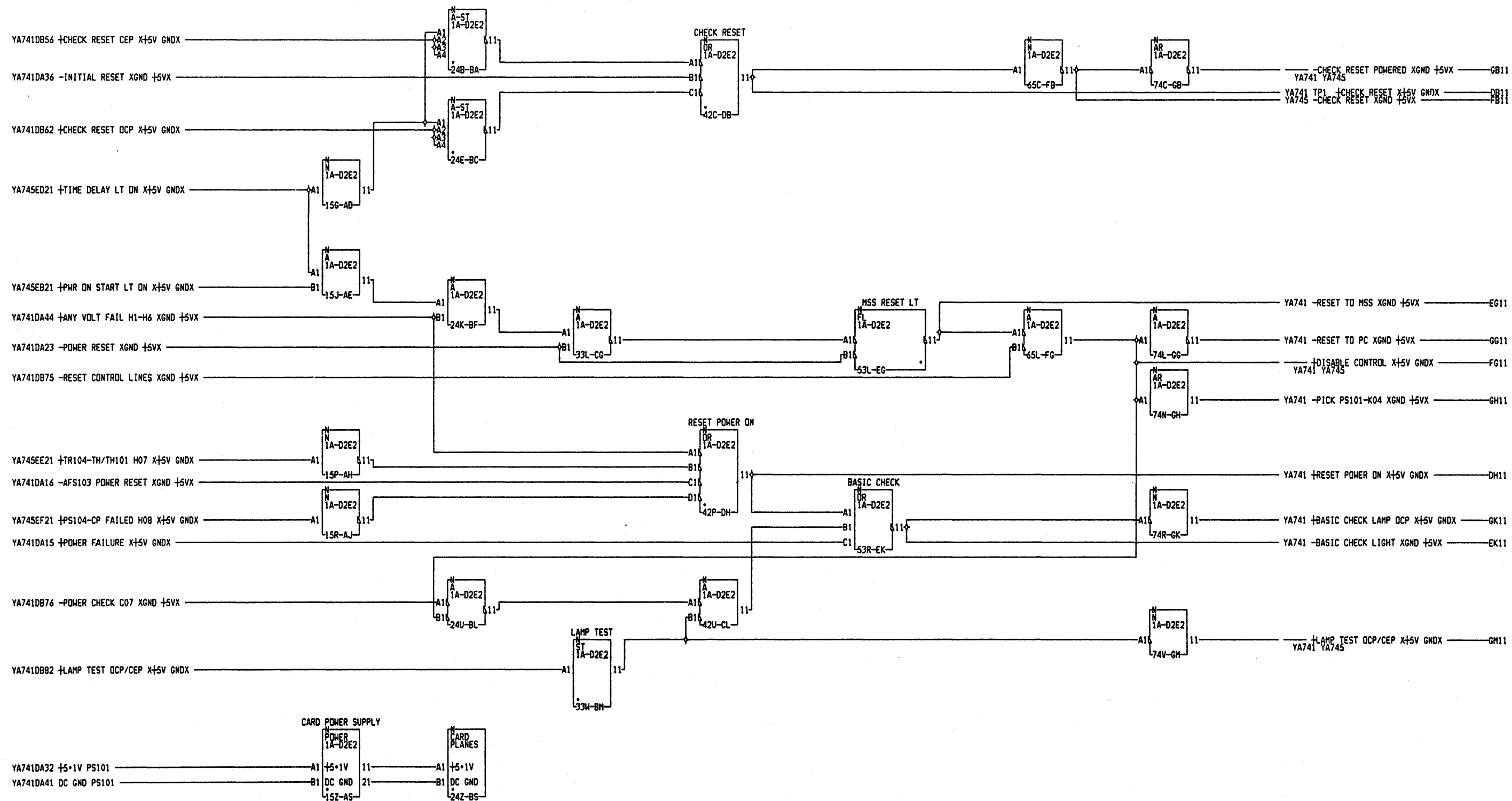
COMMENTS  
 A1 PN=379049  
 EC=873593  
 (C) COPYRIGHT  
 INTERNATIONAL BUSINESS  
 MACHINES CORPORATION  
 1980

HARDWIRED SEQUENCE <HWS>  
 01A-D2E2  
 LOC=  
 USN 00001 PRI=100CT80 1608  
 AUC= PF0RM=KSEC SEC NEXTBLK FE  
 CID CIDPWR JOB BPAWCRN  
 0001



COMMENTS  
 A1 PH-379050  
 EC-873593  
 B1  
 (C) COPYRIGHT  
 INTERNATIONAL BUSINESS  
 MACHINES CORPORATION  
 5 1980

HARDWIRED SEQUENCE <HWS>  
 01A-D2E2  
 LOC=  
 USN 00001 PRI=100CT80 1608  
 AUC= PF0RM-KSEC SEC NEXTBLK GC  
 CID CIDPWR JOB BP@PWRN  
 0001

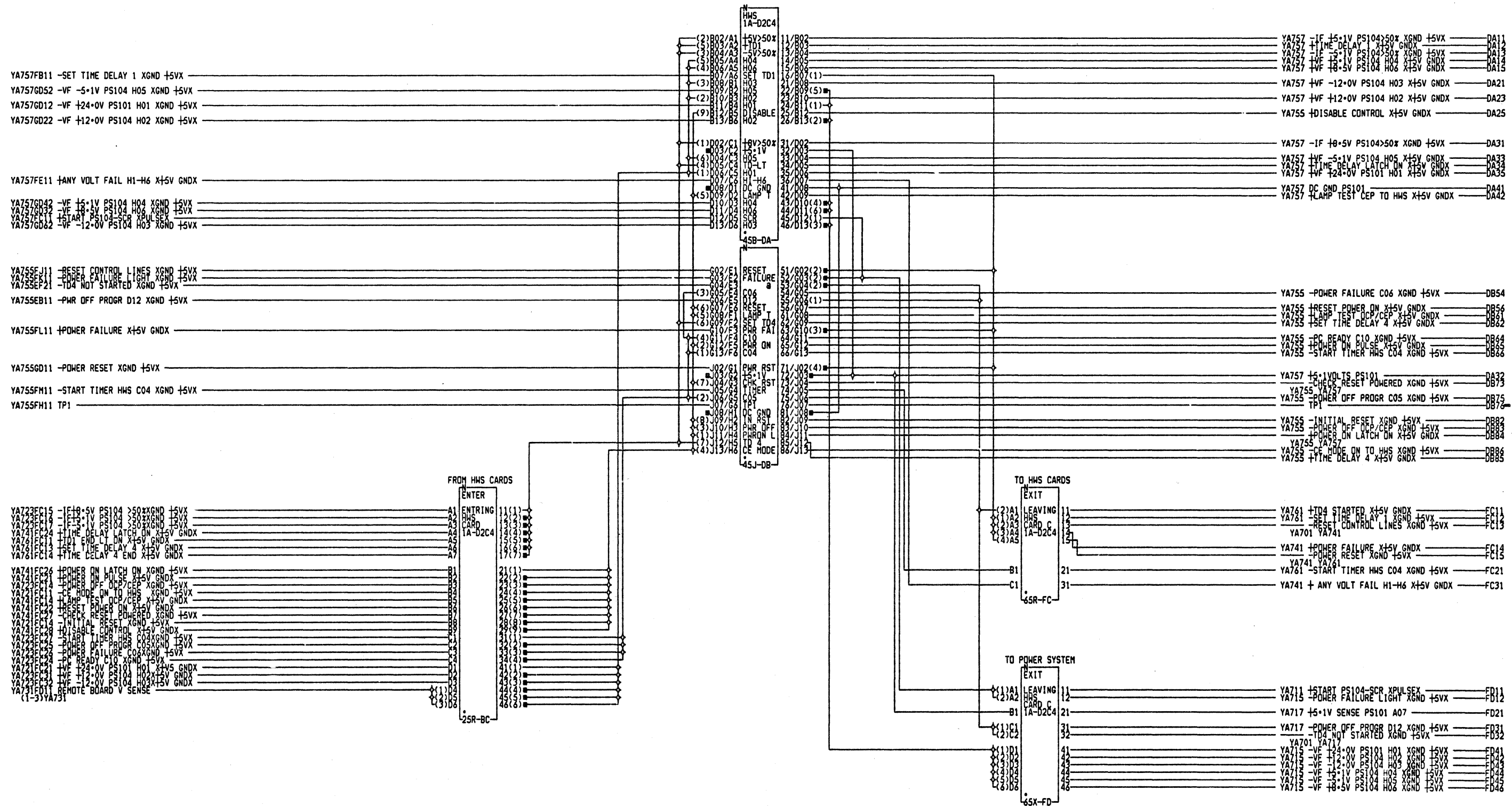


COMMENTS  
 A1 PN=372051  
 EC=873593  
 B1  
 C1  
 D1  
 E1  
 F1  
 G1  
 H1  
 I1  
 J1  
 K1  
 L1  
 M1  
 N1  
 O1  
 P1  
 Q1  
 R1  
 S1  
 T1  
 U1  
 V1  
 W1  
 X1  
 Y1  
 Z1  
 0001 5 1980

(C) COPYRIGHT  
 INTERNATIONAL BUSINESS  
 MACHINES CORPORATION

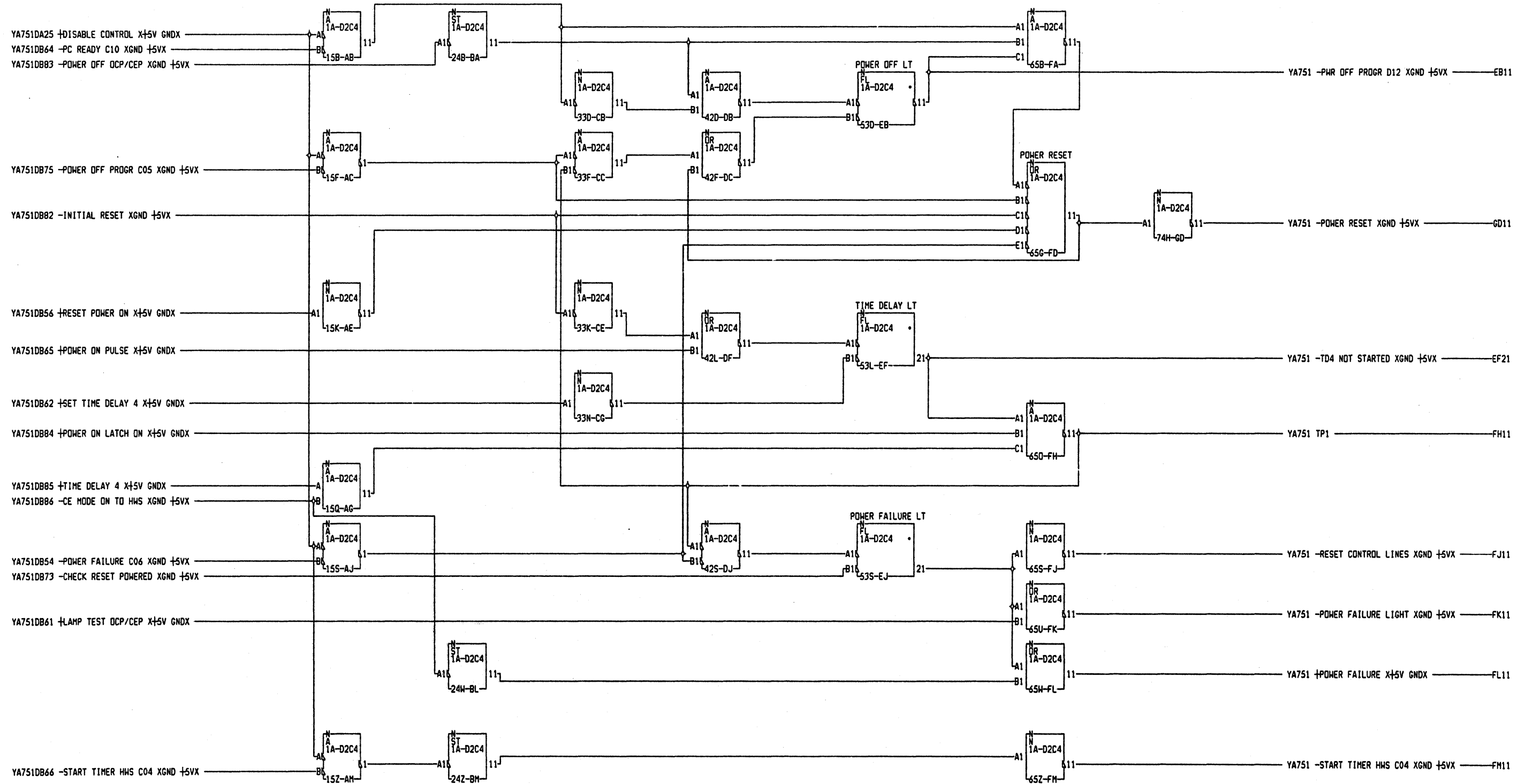
HARDWIRED SEQUENCE <HMS>  
 01A-D2E2  
 LOC=  
 USN 00001 PRI=100CT80 1608  
 AUC= PFORM=KSEC SEC  
 CID C1DPWCR JOB BP@PWCRN  
 Y  
 4  
 4  
 0001





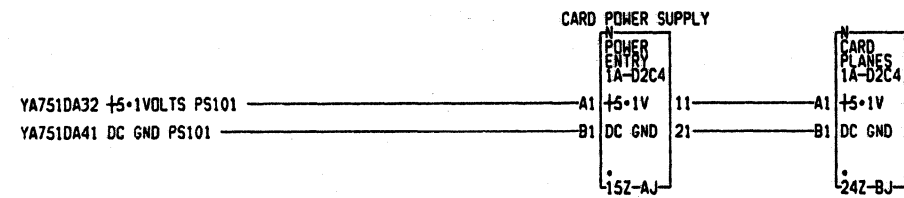
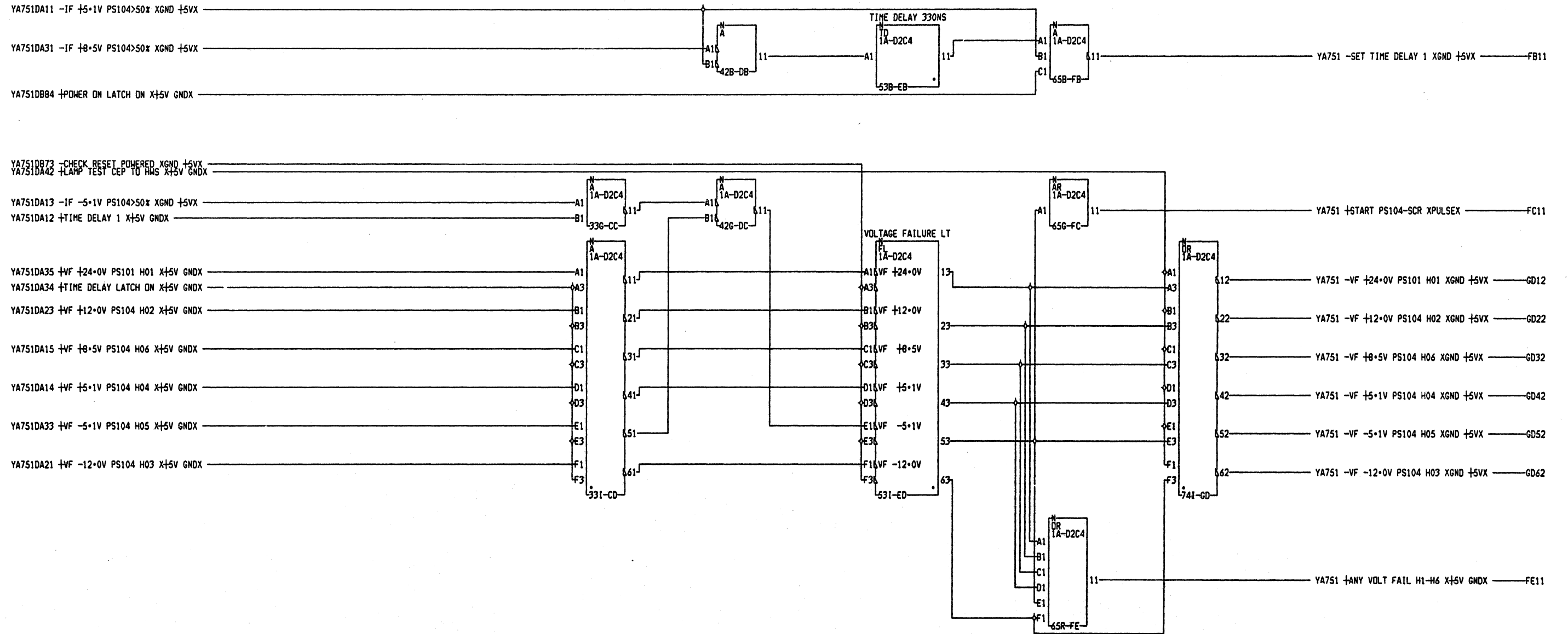
COMMENTS  
 A1 PN-37905  
 EC-873593  
 B1  
 (C) COPYRIGHT BUSINESS  
 INTERNATIONAL CORPORATION  
 1980  
 0001

HARDWIRED SEQUENCE (HWS)  
 01A-D2C4  
 LOC=  
 USN 00001 PRI=100CT80 1608 Y  
 AUC= KSEC SEC A  
 PF0RM=KSEC NEXTBLK FE 7  
 CID CIDPWR JOB BPAPWRN 5  
 0001



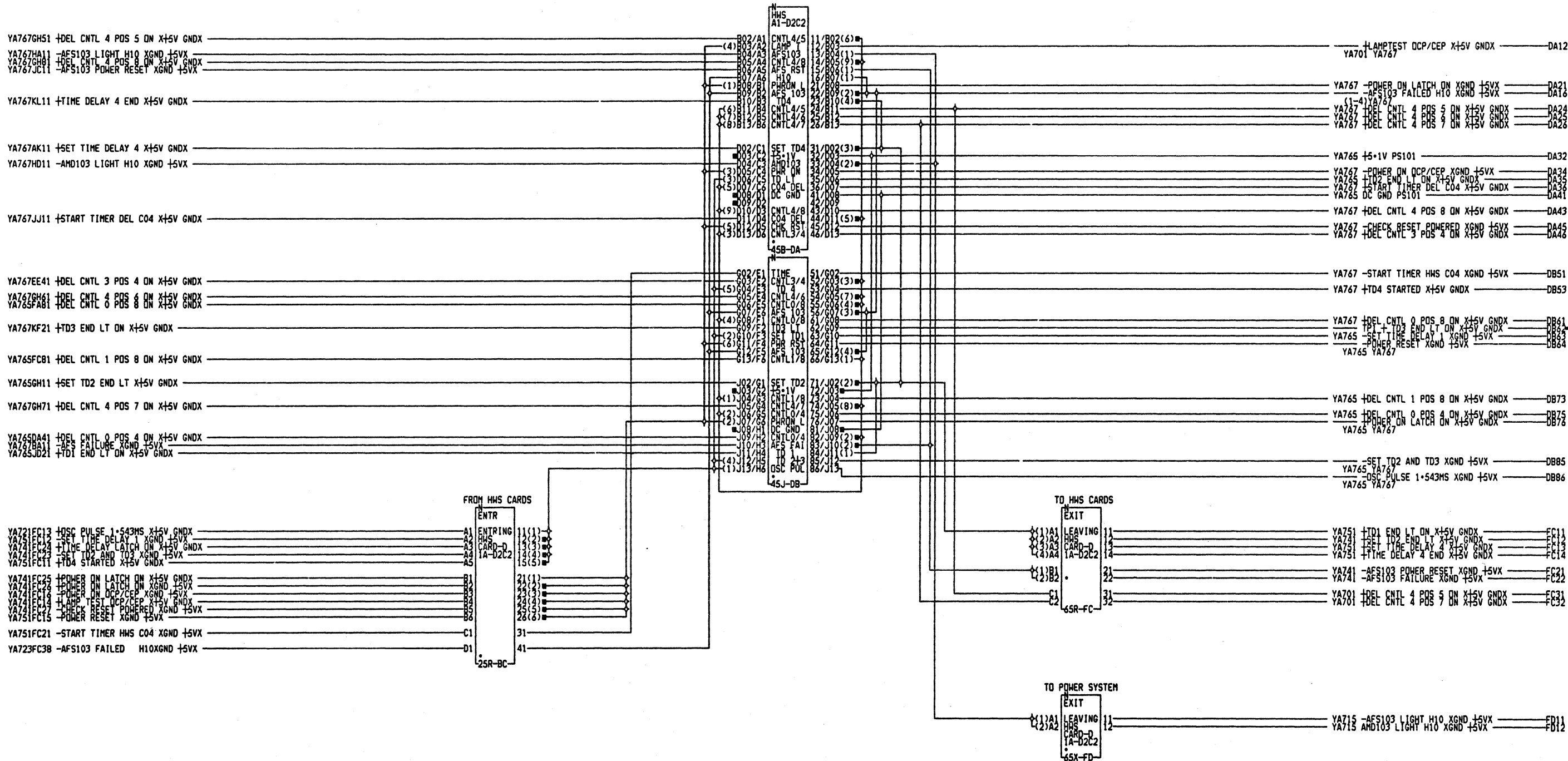
COMMENTS  
 A1 PN-379054  
 EC-873393  
 (C) COPYRIGHT  
 INTERNATIONAL BUSINESS  
 MACHINES CORPORATION  
 1980

HARDWIRED SEQUENCE <HWS>  
 01A-D2C4  
 LOC=  
 USN 00001 PRI=10OCT80 1608  
 AUC=  
 PFORM=KSEC SEC  
 NEXTBLK GE  
 CID C1DPWCR JOB BP@PWCRN



COMMENTS  
 A1 PN-379054  
 EC-873393  
 B1 (C) COPYRIGHT  
 INTERNATIONAL BUSINESS  
 MACHINES CORPORATION  
 0001 5 1980

HARDWIRED SEQUENCE <HWS>  
 01A-D2C4  
 LOC=  
 USN 00001 PRI-10OCT80 1608  
 AUC= PFORM-KSEC SEC  
 CID C1DPWCR JOB BP@PWCR  
 0001

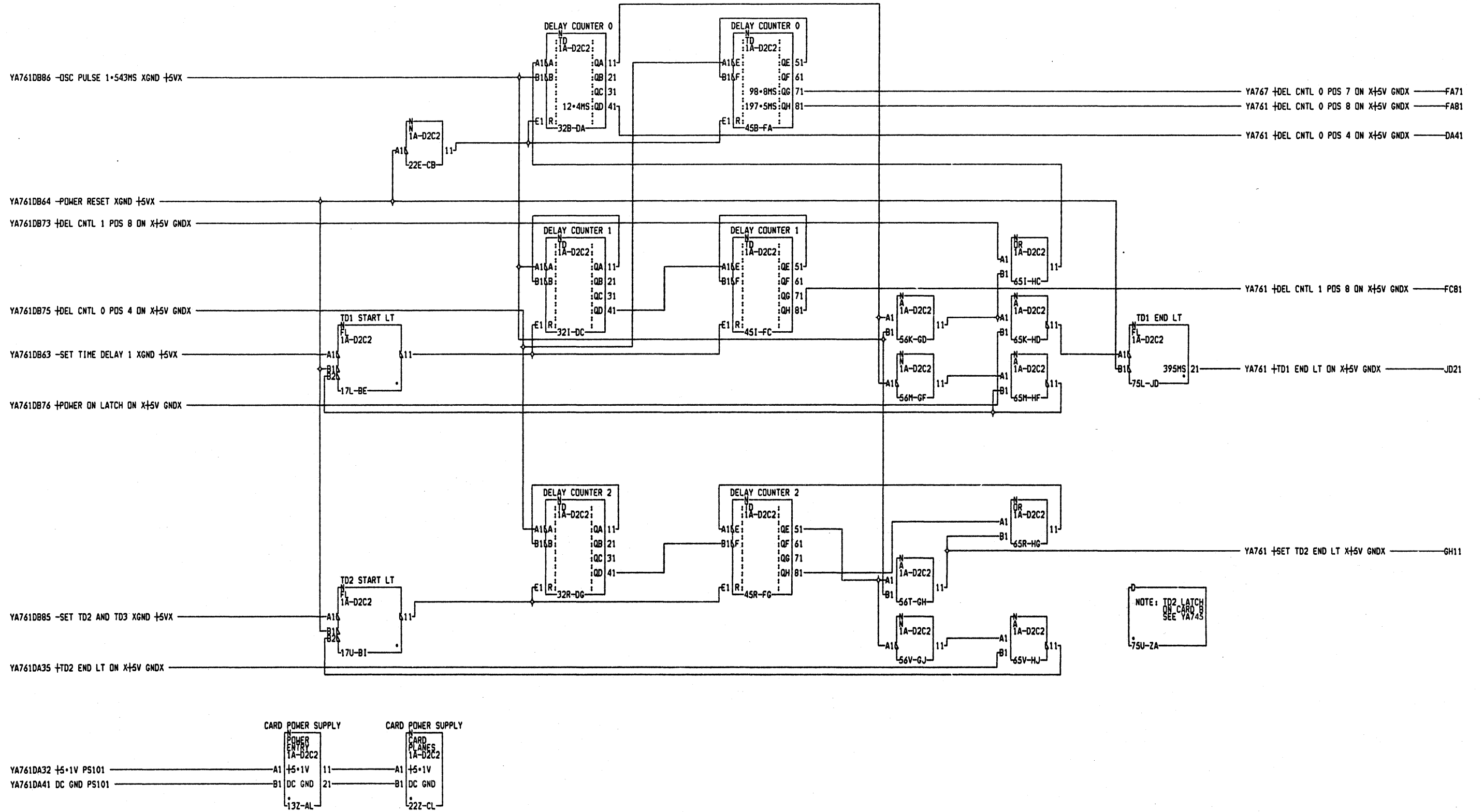


COMMENTS

A1 PN-379055  
 EC-873593  
 B1  
 C1  
 D1  
 (C) COPYRIGHT  
 INTERNATIONAL BUSINESS  
 MACHINES CORPORATION  
 3 1980

HARDWIRED SEQUENCE <HMS>  
01A-D2C2

LOC=  
 USN 00001 PRI=10OCT80 1608  
 AUC= PF0RM-KSEC SEC  
 NEXTBLK FE  
 CID CIDPMCR JOB BP9PMCRN



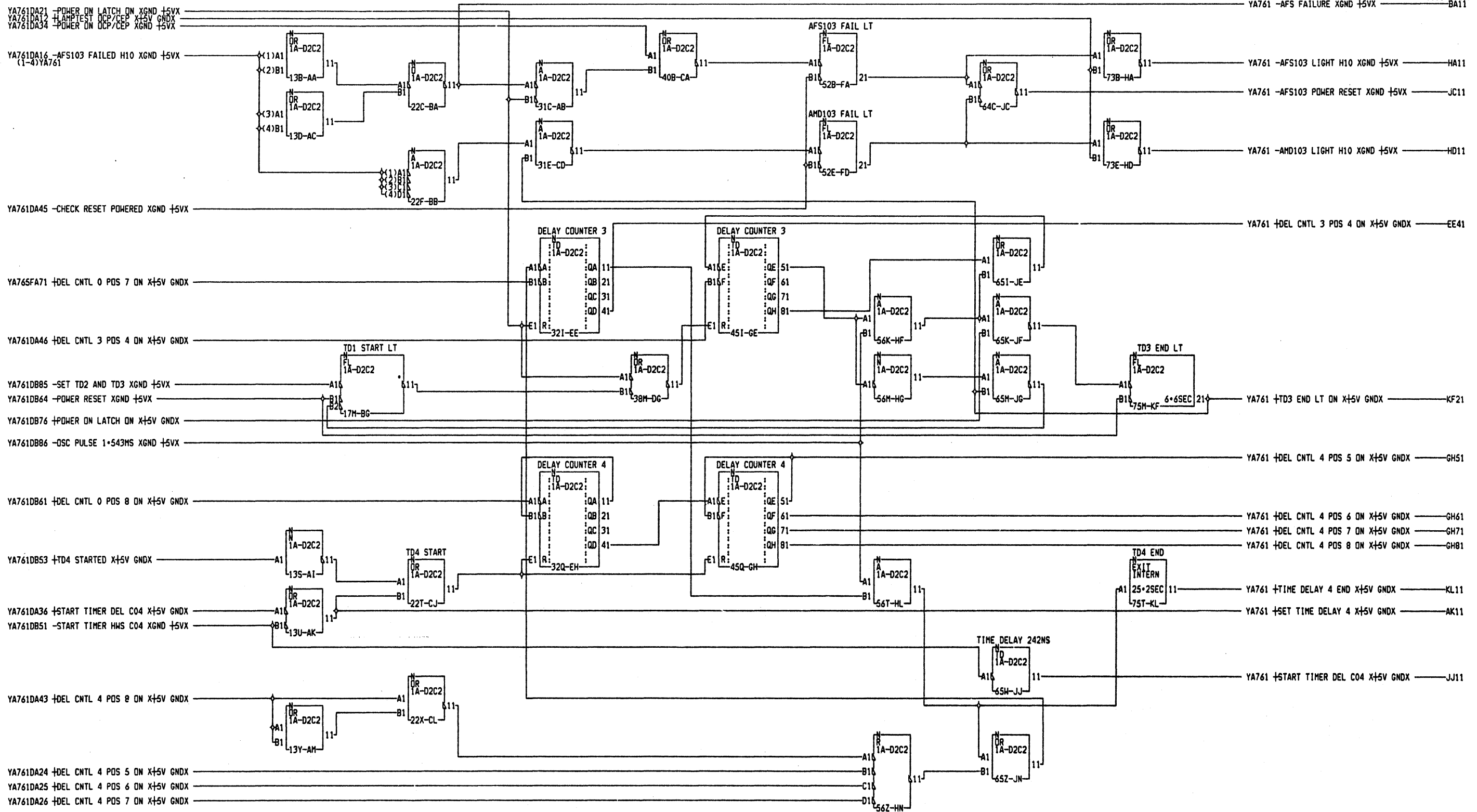
COMMENTS  
A1 PN-37905  
EC-873593

Y  
7  
5  
B1 (C) COPYRIGHT  
INTERNATIONAL BUSINESS  
MACHINES CORPORATION  
5 1980

HARDWIRED SEQUENCE <HWS>  
01A-D2C2

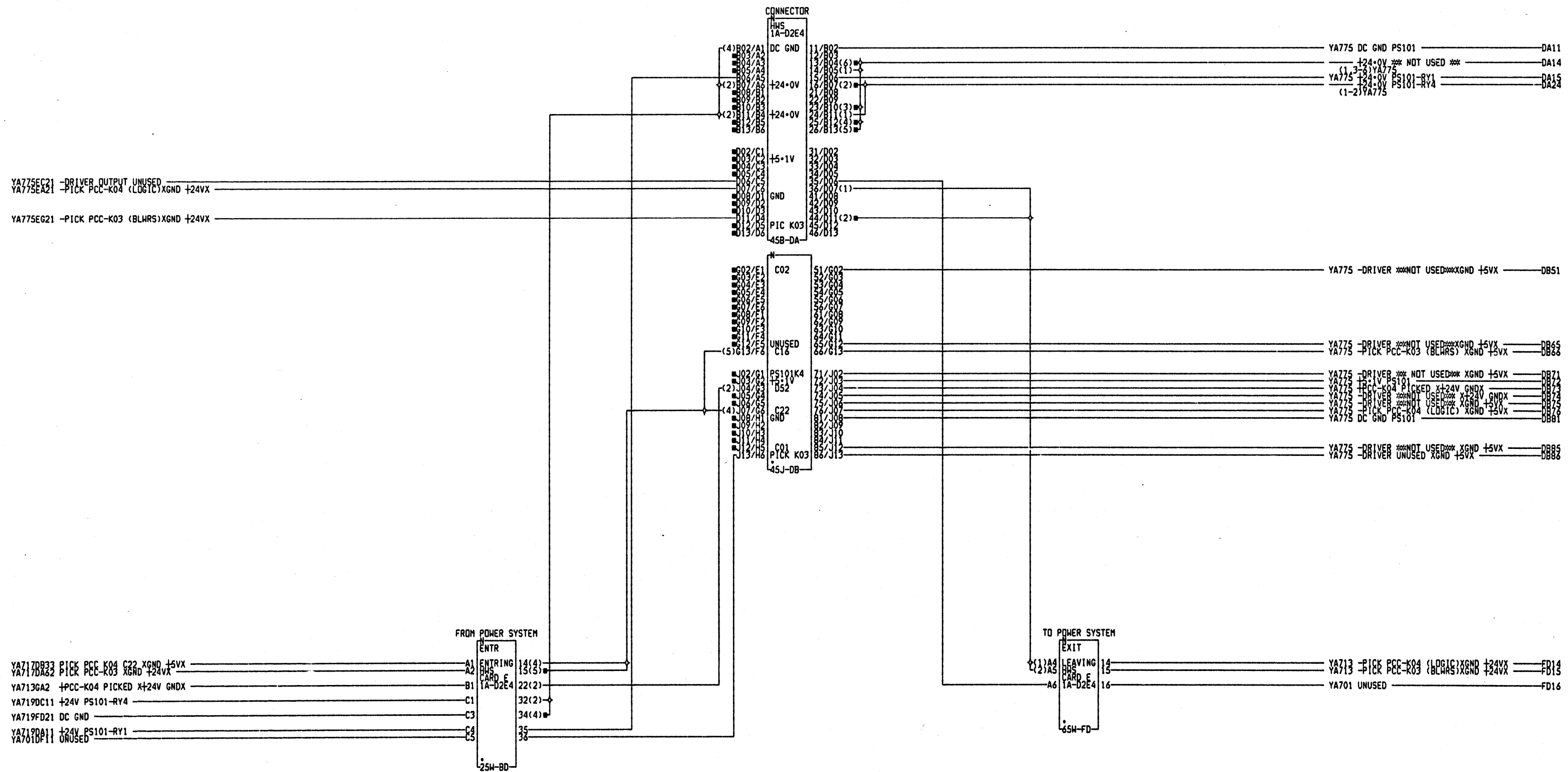
LDC=  
USN 00001 PRI-10OCT80 1608  
AUC PF0RM=KSEC SEC  
C1D C1DPWCR JOB BP&PWCRN

Y  
7  
5  
0001



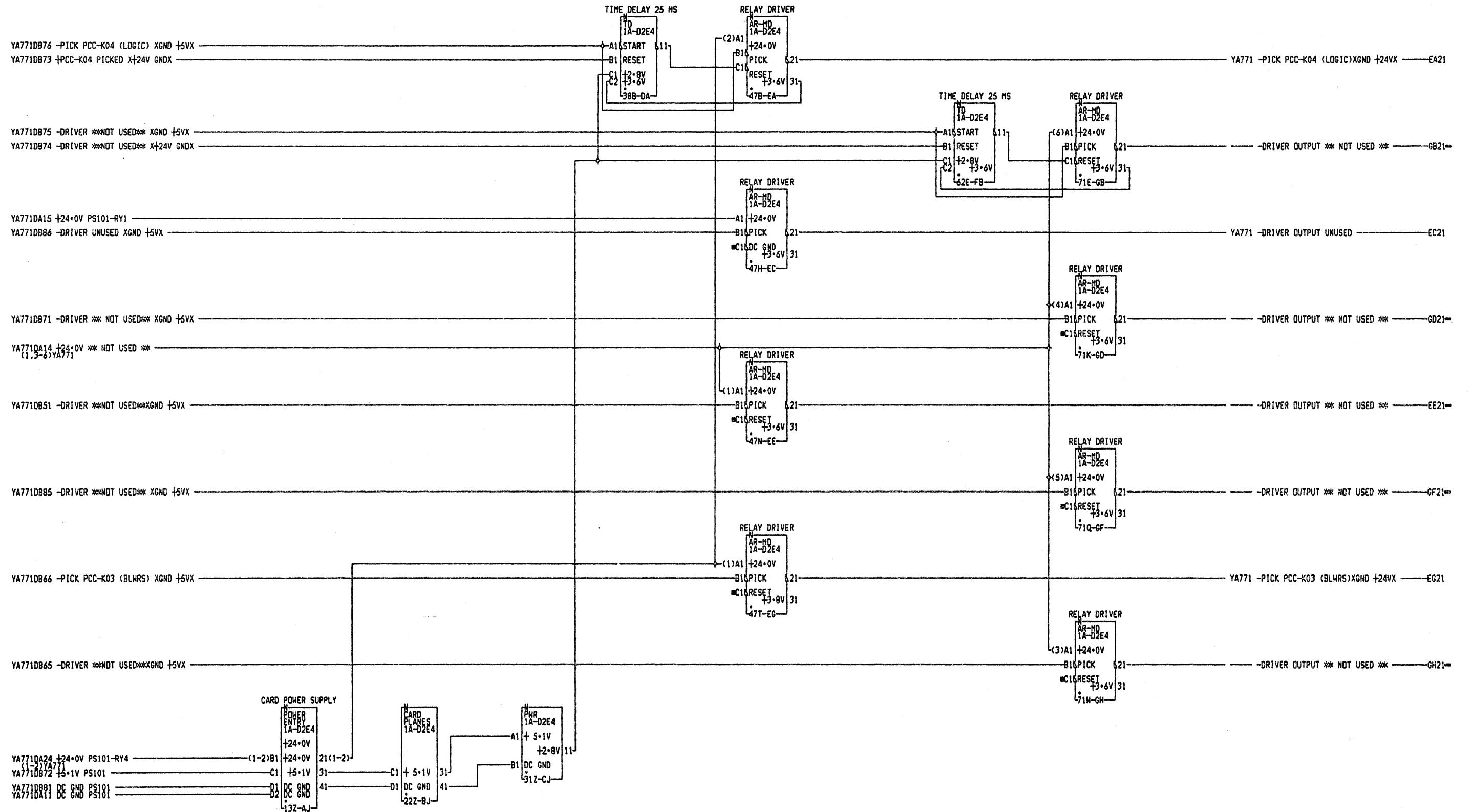
COMMENTS  
 A1 PN=379057  
 EC=873593  
 B1  
 C1  
 D1  
 (C) COPYRIGHT  
 INTERNATIONAL BUSINESS  
 MACHINES CORPORATION  
 1980

HARDWIRED SEQUENCE <HMS>  
 01A-D2C2  
 LOC=  
 USN 00001. PRI=100CT80 1608  
 AUG= PFORN=KSEC SEC  
 CID C1DPHCR JOB BP@PHCRM



A1 CN-379058  
 EC-873394  
 B1  
 (C) COPYRIGHT  
 INTERNATIONAL BUSINESS  
 MACHINES CORPORATION  
 5 1980

HARDWIRED SEQUENCE <HWS>  
 01A-D2E4  
 LDC=  
 USN 00002 PRI=20AUG81 0935  
 AUC= PF0RM=KSEC SEC  
 NEXTBLK FE  
 CID CIDPWR JOB BP#PWR  
 0001



COMMENTS

A1 PN=379059  
EC=873593

Y 6 7 5

(C) COPYRIGHT INTERNATIONAL BUSINESS MACHINES CORPORATION 5 1980

HARDWIRED SEQUENCE <HMS> 01A-D2E4

LQC=

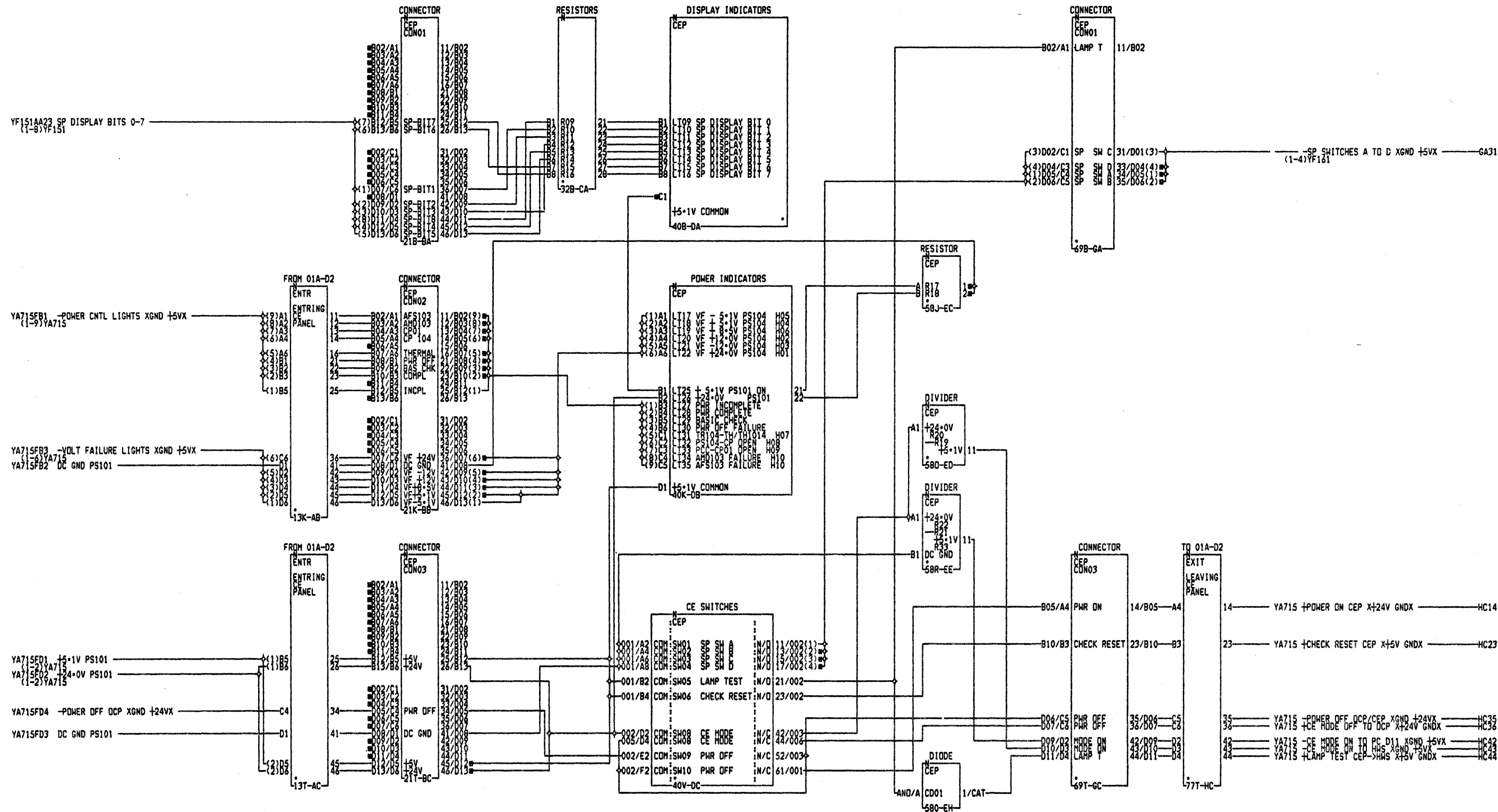
USN 00001 PRI=10OCT80 1608

AJC= PFORN=KSEC SEC NEXTBLK G1

CID C10PNCR JOB BP#PNCRN

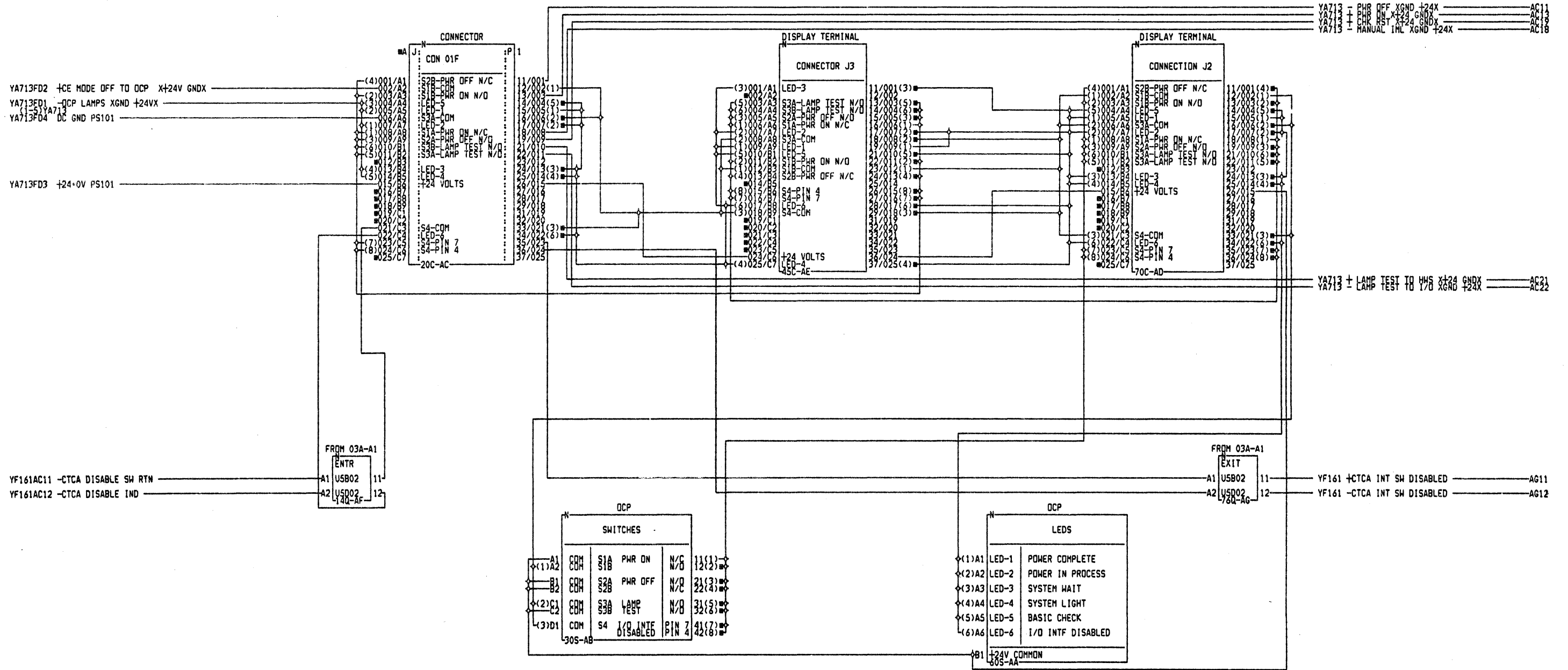
0001





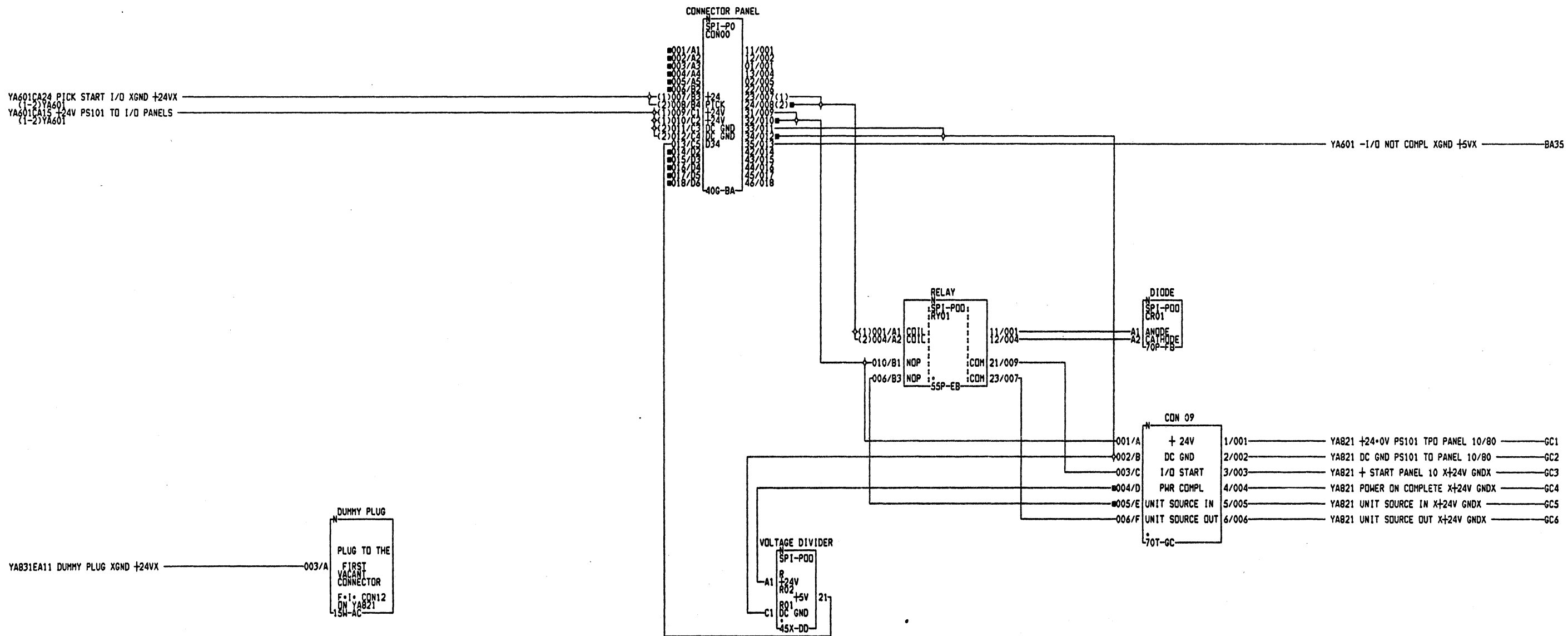
COMMENTS  
 A1 PN=37206  
 EC=873593  
 B1  
 (C) COPYRIGHT  
 INTERNATIONAL BUSINESS  
 MACHINES CORPORATION  
 1980  
 0001

CE PANEL <CEP>  
 INTERCONNECTIONS TO HWS AND PC  
 LOC=  
 USN 00001 PRI=100CT80 1608  
 AUC= PF0RM=KSEC SEC NEXTBLK HD  
 CID CIDPWR JOB BP&PWRN  
 0001



COMMENTS  
 A1 PN=372061  
 EC=873594  
 EC=873594  
 B1 (C) COPYRIGHT  
 INTERNATIONAL BUSINESS  
 MACHINES CORPORATION  
 5 1980

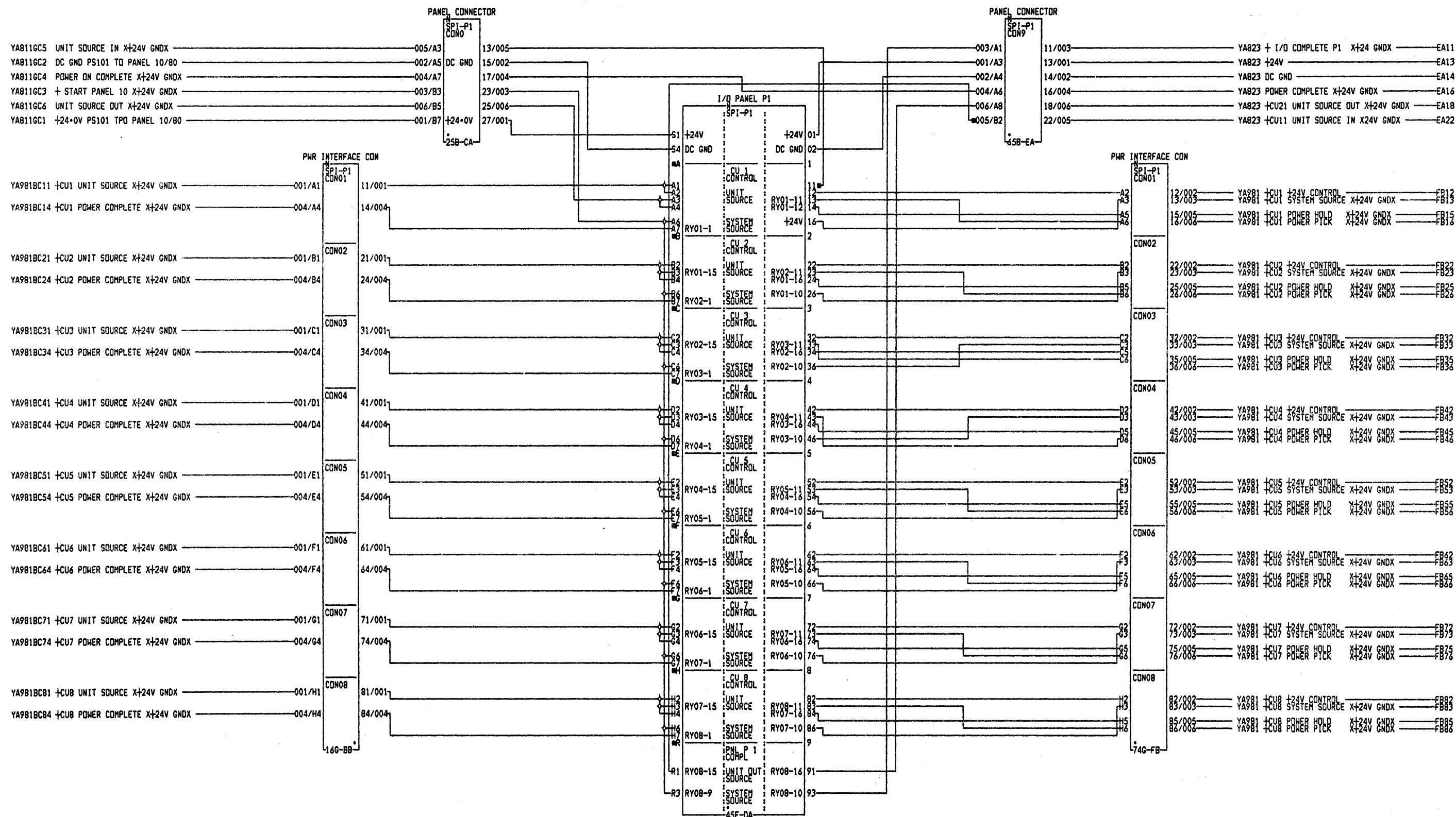
OPERATOR CONSOLE PANEL (OCP)  
 INTERCONNECTION TO HWS  
 LOC=  
 USN 00002 PRI-20AUG81 0935  
 AUC= PFORM=KSEC SEC NEXTBLK AH  
 CID CIDPWCR JOB BP#PWCR



COMMENTS  
 A1 PN=37906  
 EC=873893  
 B1  
 B2  
 (C) COPYRIGHT BUSINESS  
 INTERNATIONAL  
 MACHINES CORPORATION  
 1980

STANDARD POWER INTERFACE (SPI)  
 I/O PANEL PO COMMON

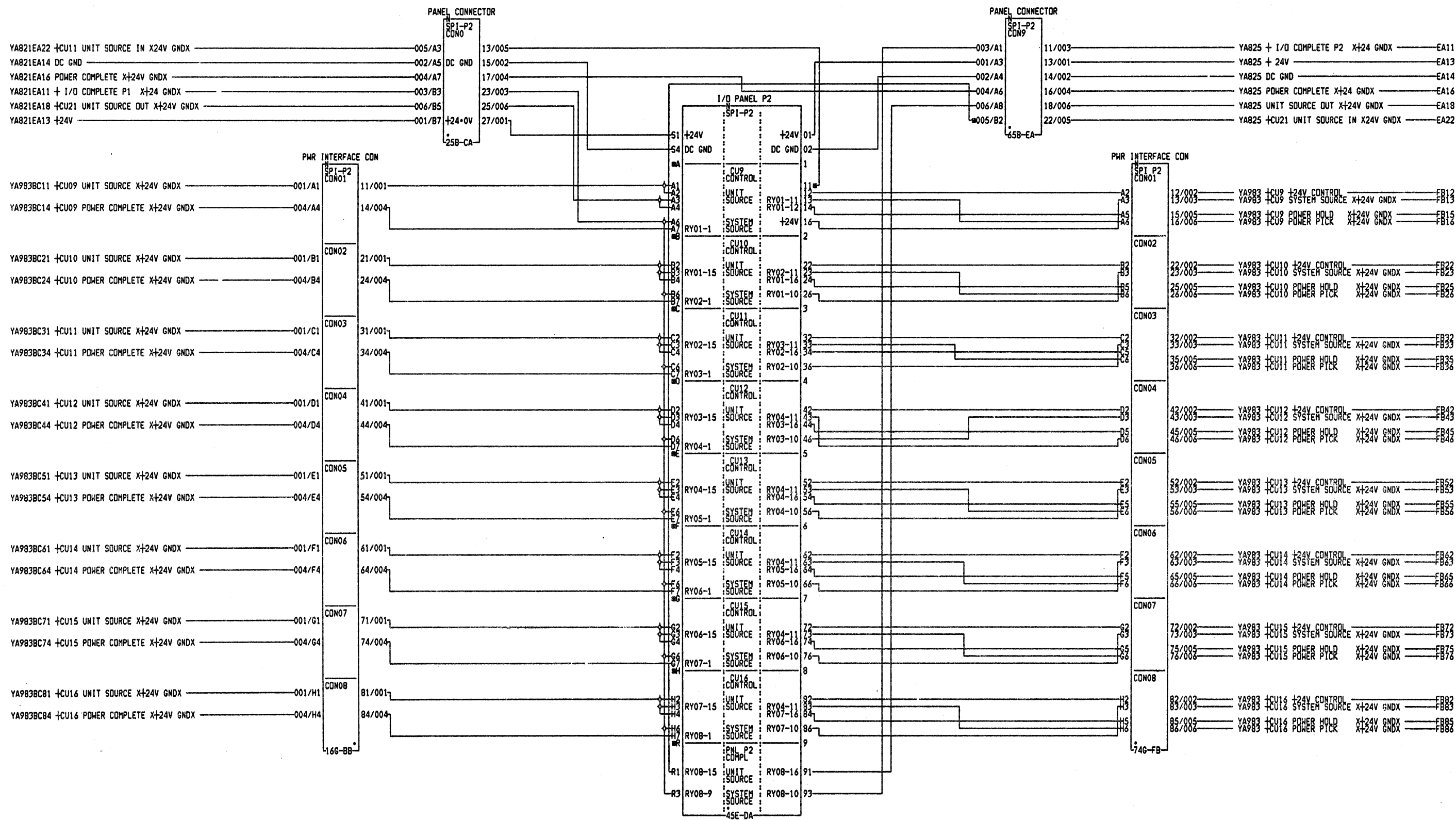
LDC=  
 USN 00001 PRI=10OCT80 1608  
 AVG= PFORM=KSEC SEC  
 NEXTBLK GD  
 CID CIDPWR JOB BPaPWRN



COMMENTS  
 A1 PN-37804  
 EC-873593  
 B1  
 (C) COPYRIGHT  
 INTERNATIONAL BUSINESS  
 MACHINES CORPORATION  
 1980  
 0001

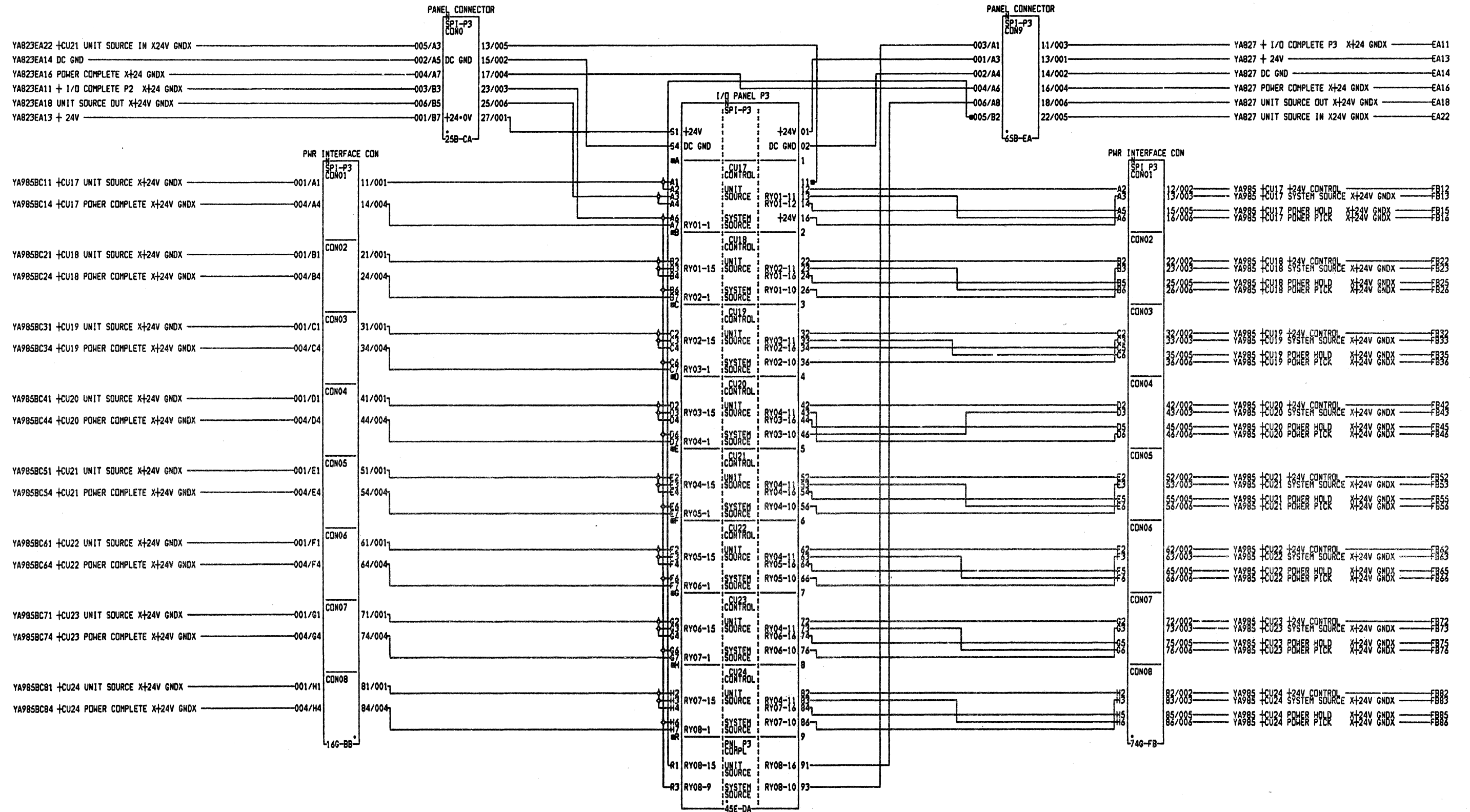
STANDARD POWER INTERFACE (SPI)  
 I/O PANEL P1 CUT TO CUB

LOC=  
 USN 00001                      PRI=100CT80 1608  
 AUC=  
 PFORM=KSEC                    SEC  
 NEXTBLK FC  
 CID C1DPNCR                    JOB BPAPNCRN  
 0001



COMMENTS  
 A1 PN=37908  
 EC=873593  
 B1  
 C1  
 D1  
 E1  
 F1  
 G1  
 H1  
 I1  
 J1  
 K1  
 L1  
 M1  
 N1  
 O1  
 P1  
 Q1  
 R1  
 S1  
 T1  
 U1  
 V1  
 W1  
 X1  
 Y1  
 Z1  
 0001  
 (C) COPYRIGHT  
 INTERNATIONAL BUSINESS  
 MACHINES CORPORATION  
 5 1980

STANDARD POWER INTERFACE (SPI)  
 I/O PANEL P2 CU09 TO CU16  
 LOC=  
 USN 00001 PRI=10OCT80 1608  
 AUC= PF0RM=KSEC SEC NEXTBLK FC  
 CID CIDPWCR JOB BP@PWCR  
 0001

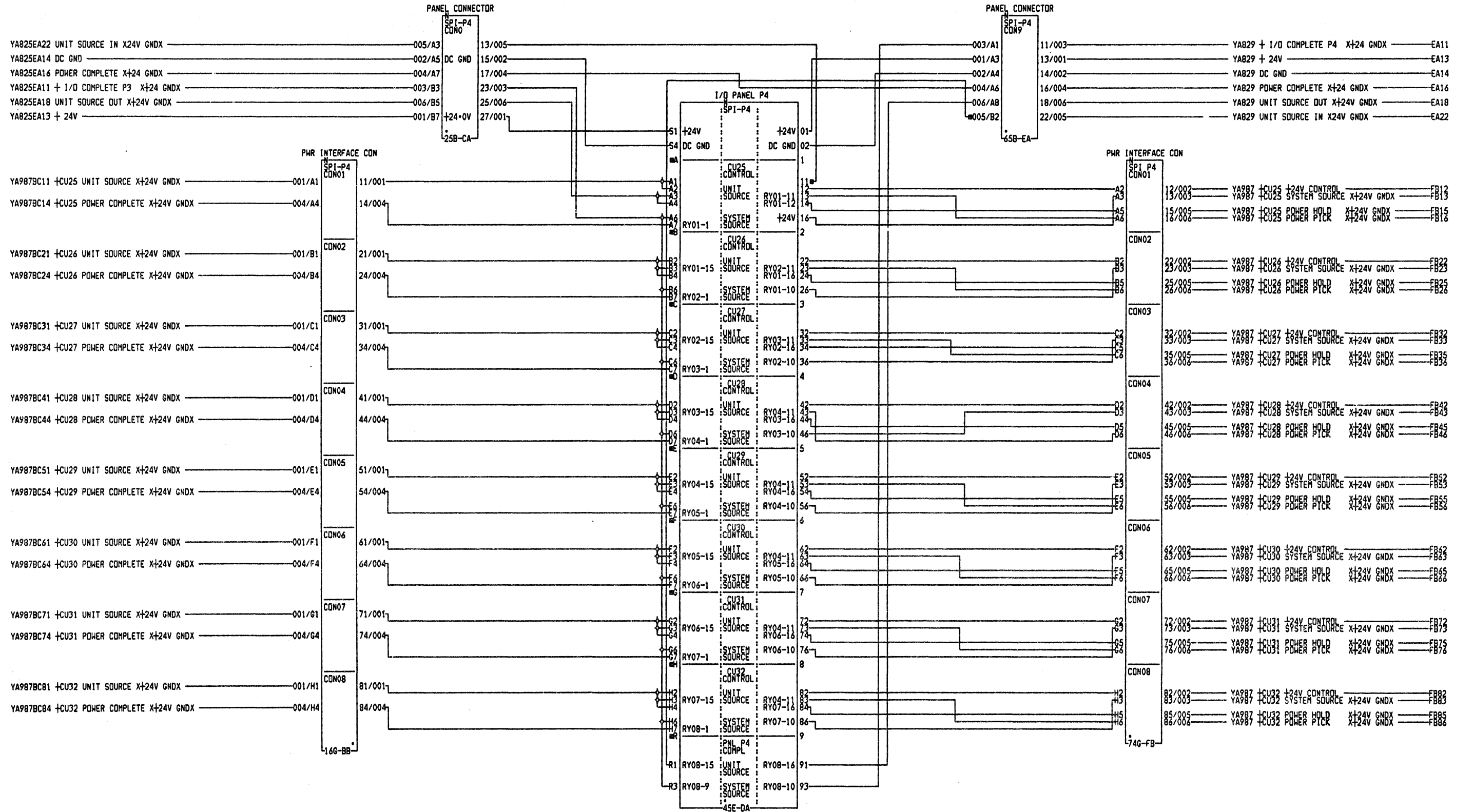


COMMENTS  
 A1 PN=379065  
 EC=873593  
 UNCLASSIFIED  
 B1  
 (C) COPYRIGHT BUSINESS  
 PATTERNS CORPORATION  
 1980  
 0001

STANDARD POWER INTERFACE (SPI)  
 I/O PANEL P3 CU17 TO CU24

LOC= USN 00001 PRI=10OCT80 1608  
 AUC= PFORM=KSEC SEC NEXTBLK FC  
 CID CDPWCR JOB BPOWCRN

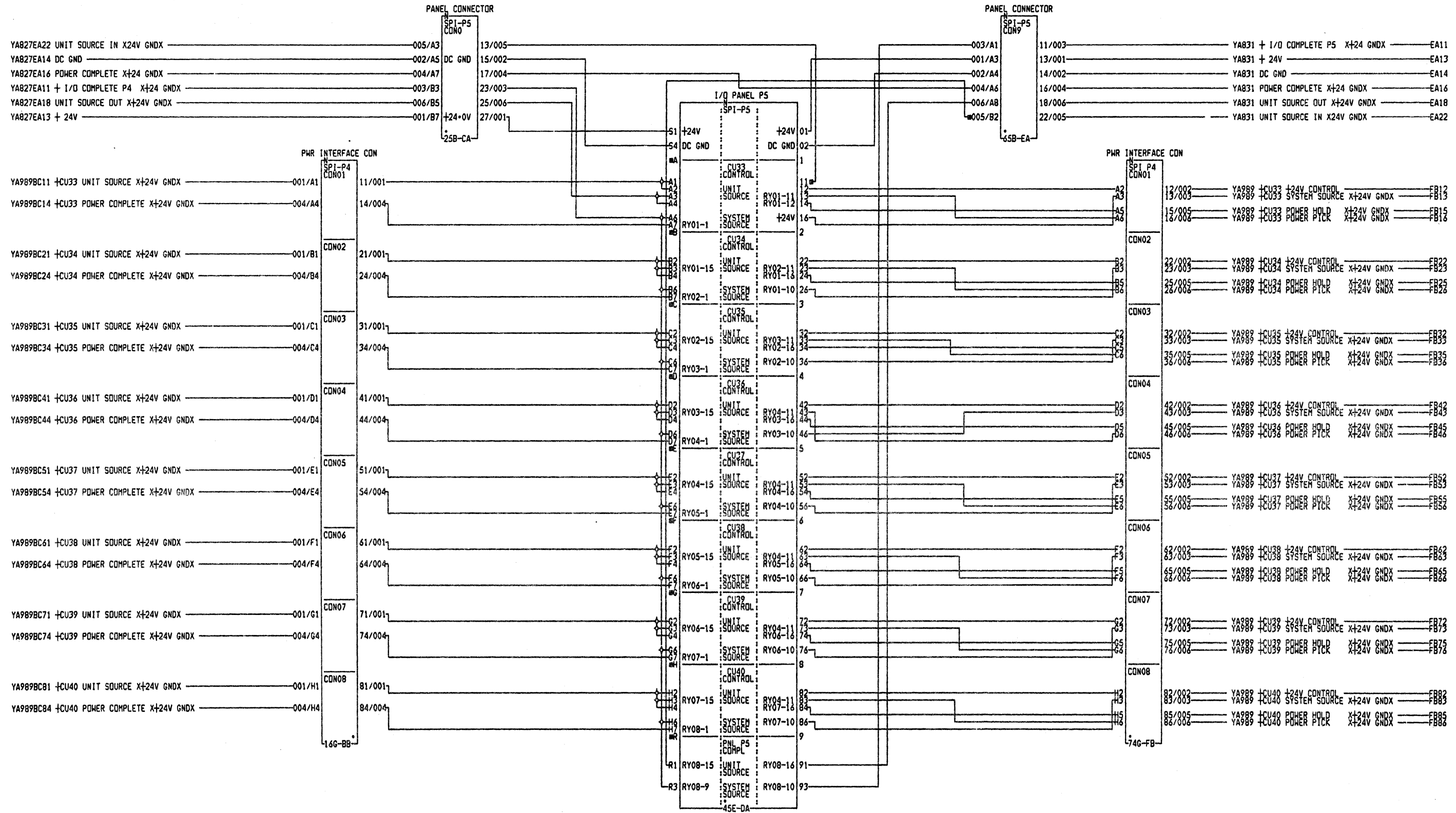
0001



COMMENTS  
 A1 PN=379068  
 EC=873593  
 B1  
 (C) COPYRIGHT  
 INTERNATIONAL BUSINESS  
 MACHINES CORPORATION  
 5 1980

STANDARD POWER INTERFACE (SPI)  
 I/O PANEL P4 CU25 TO CU32  
 LOC =  
 USM 00001 PRI=10OCT80 1608  
 AUC= PFORM=KSEC SEC  
 NEXBLK FC  
 CID CIDPWR JOB BPAPWRN



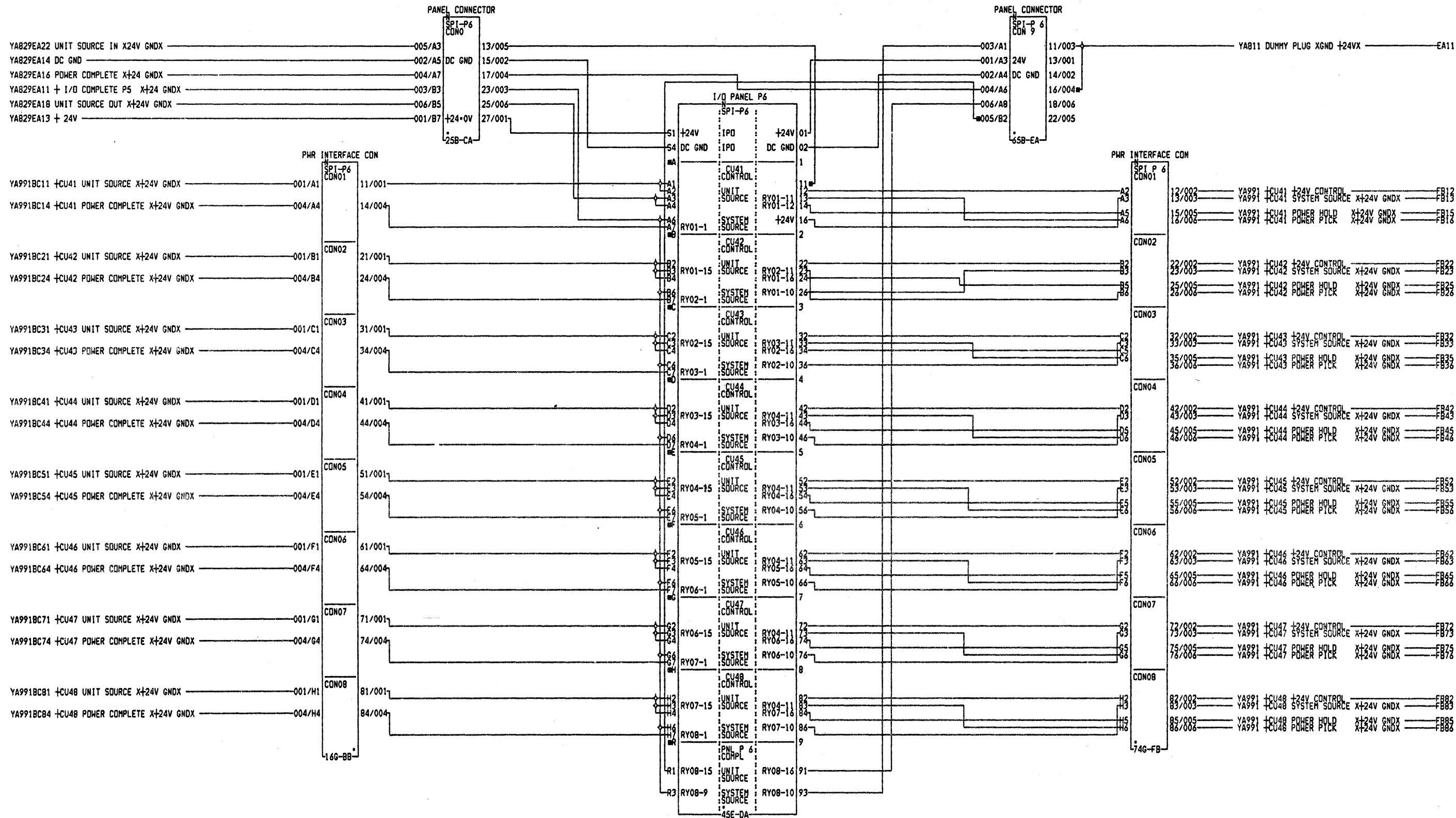


COMMENTS  
 A1 PN=379067  
 EC=873593  
 B1  
 B2  
 B3  
 B4  
 B5  
 (C) COPYRIGHT  
 INTERNATIONAL BUSINESS  
 MACHINES CORPORATION  
 1980

STANDARD POWER INTERFACE (SPI)  
 I/O PANEL P5 CU33 TO CU40

LDC=  
 USN 00001 PRI=100CT80 1608  
 AUC= SEC  
 PFORM=KSEC NEXTBLK FC  
 CID CIDPWR JOB BPAPWRN

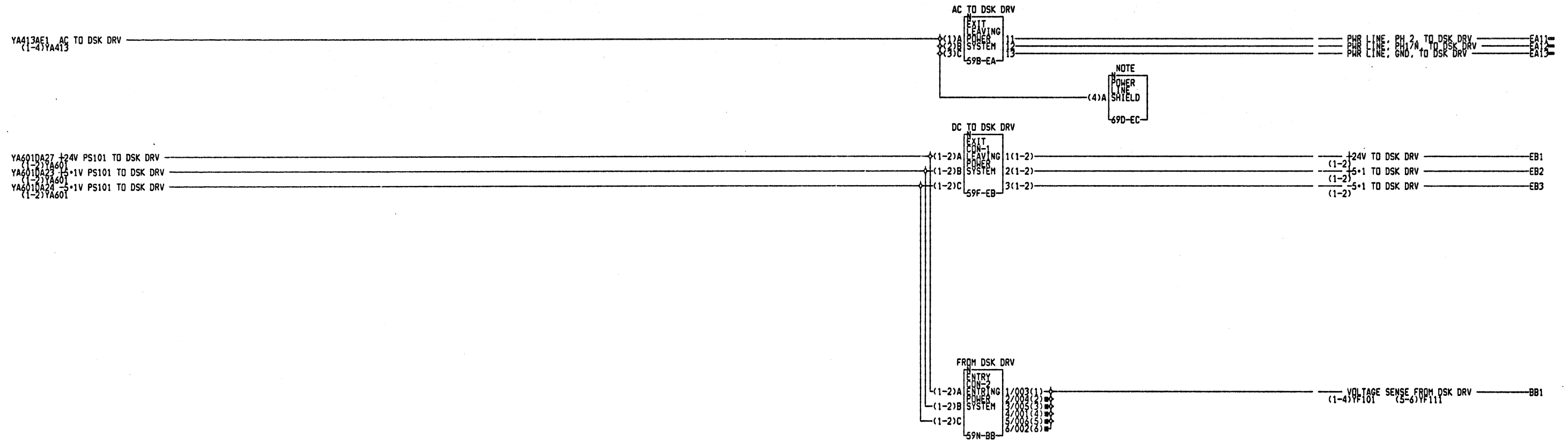




COMMENTS  
 A) PN=372068  
 EC=873593  
 B) 1000  
 C) COPYRIGHT INTERNATIONAL BUSINESS MACHINES CORPORATION  
 5 1980

STANDARD POWER INTERFACE (SPI)  
 I/O PANEL P6 CU41 TO CU48

LDC=  
 USN 00001      PRI=10OCT80 1608  
 AUC=            SEC  
 PFDRM=KSEC    NEXBLK FC  
 CID CIDPNCR    JOB BP@PNCRN

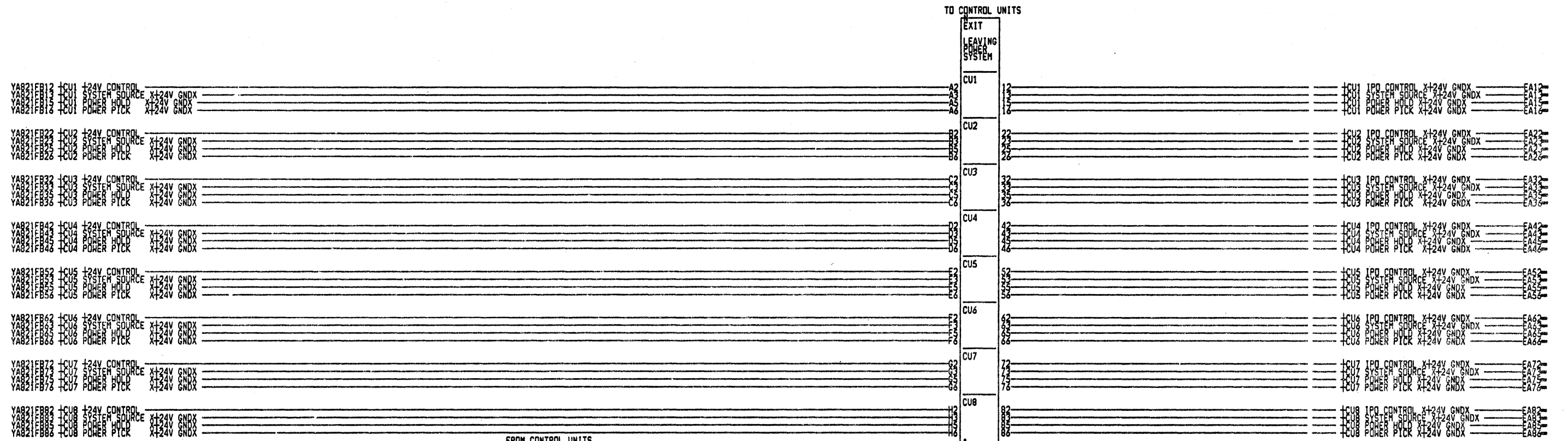


COMMENTS  
 A1 PN=372069  
 EC=873593  
 EC=873594  
 B) [unclear]  
 (C) COPYRIGHT INTERNATIONAL BUSINESS MACHINES CORPORATION  
 5 1980

INTERCONNECTIONS POWER TO 170 DESKETTE DRIVE

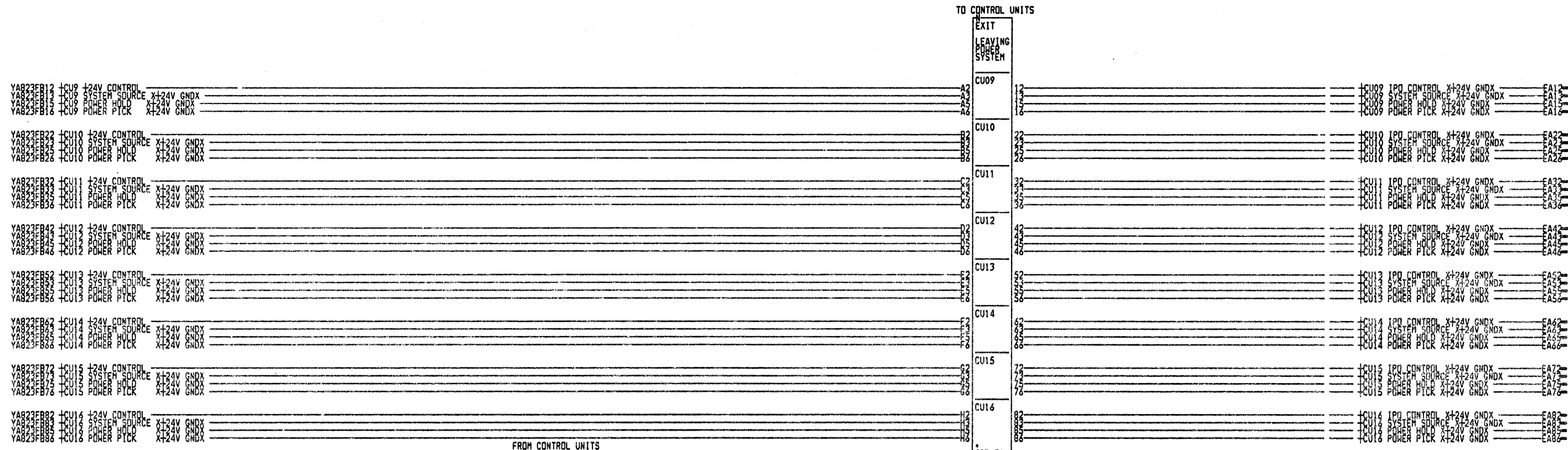
LDC=	USN 00002	PRI=20AUG81 0935
AUC=	PFORM=KSEC	SEC REXTBLK ED
CID CIDPWR	JOB BP#PWCRC	

Y  
8  
5  
T  
0001



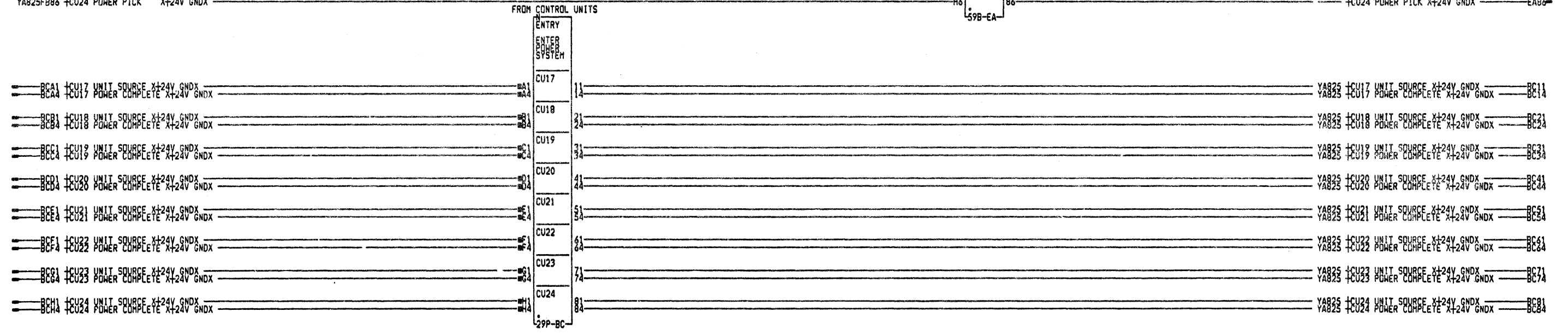
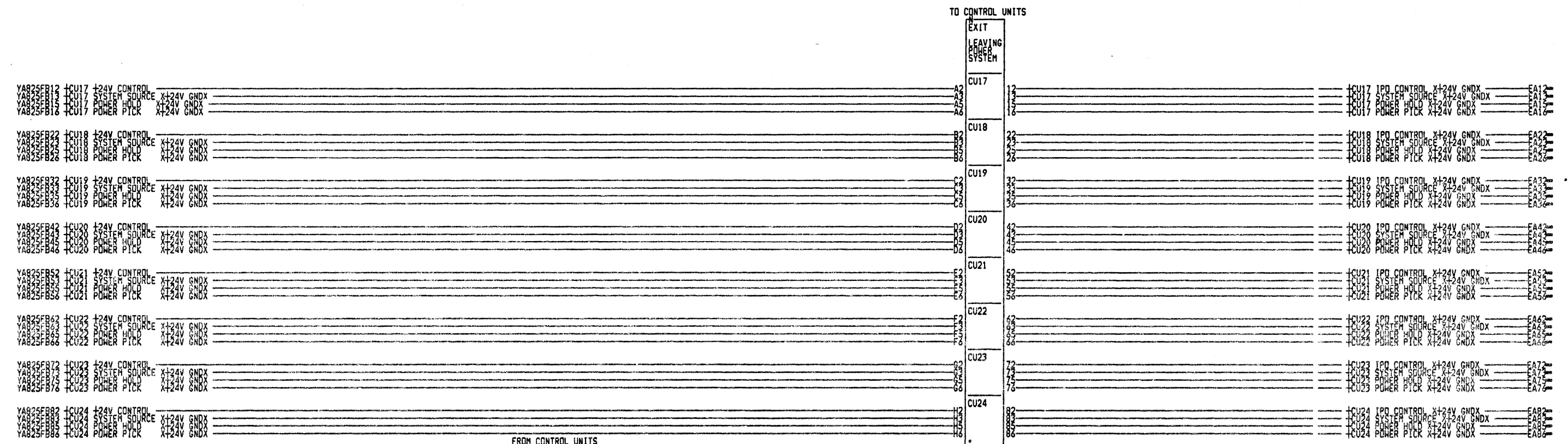
COMMENTS  
 A1 EN-37907  
 EC-873393  
 B1  
 (C) COPYRIGHT  
 INTERNATIONAL BUSINESS  
 MACHINES CORPORATION  
 1980

INTERFACE PWR TO I/O  
 CONTROL UNITS 1-8 ON CHANNEL  
 LOC=  
 USN 00001      PRI-100CT80 1608  
 AUC=  
 PFORM=KSEC      SEC  
 NEXTBLK EB  
 CID CIDPWR      JOB BP@PWRN



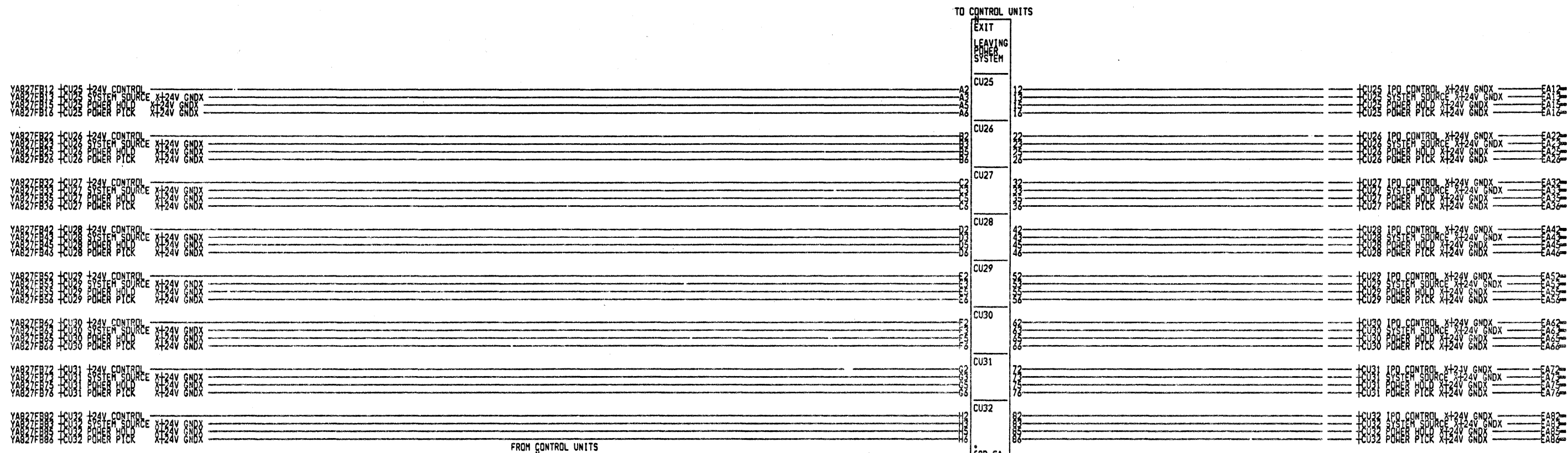
COMMENTS  
 A1 PN-37907  
 EC-873393  
 B1  
 C1 COPYRIGHT  
 INTERNATIONAL BUSINESS  
 MACHINES CORPORATION  
 1980

INTERFACE PWR TO I/O  
 CONTROL UNITS 9-16 ON CHANNEL  
 LOC=  
 USN 00001 PRI-100CT80 1608  
 AUC= PFDRM-KSEC SEC NEXTBLK EB  
 CID CIDPWR JOB BP@PWRN



COMMENTS  
 A1 EN=379072  
 EC=873593  
 B1  
 C1  
 D1  
 E1  
 F1  
 G1  
 H1  
 I1  
 J1  
 K1  
 L1  
 M1  
 N1  
 O1  
 P1  
 Q1  
 R1  
 S1  
 T1  
 U1  
 V1  
 W1  
 X1  
 Y1  
 Z1  
 0001

INTERFACE PWR TO I/O CONTROL UNITS 17-24 ON CHANNEL  
 LOC=  
 USN 00001 PRI=100CT80 1608  
 AUG= PFORM=KSEC SEC NEXTBLK EB  
 CID CIDPWR JOB BP@PWRN  
 YAB985 0001



COMMENTS  
A1 PN=37807  
EC=873593

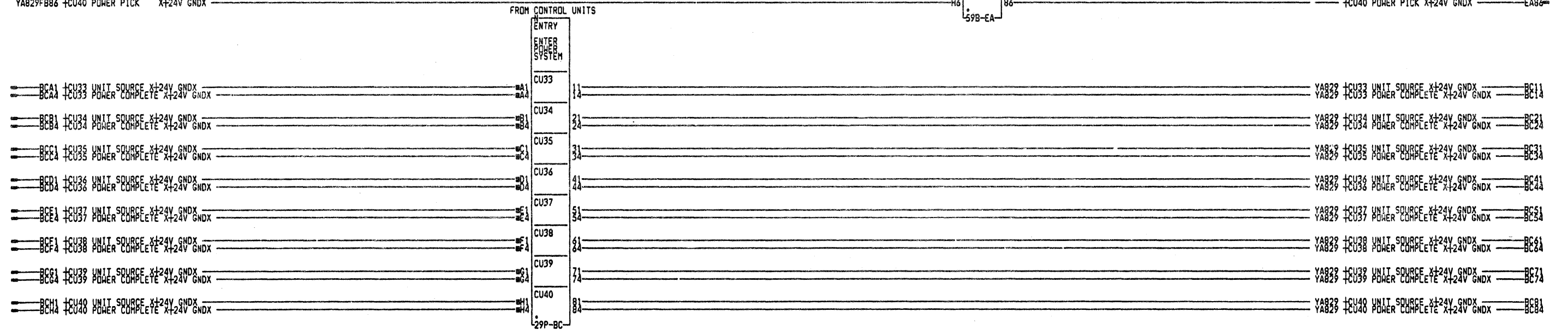
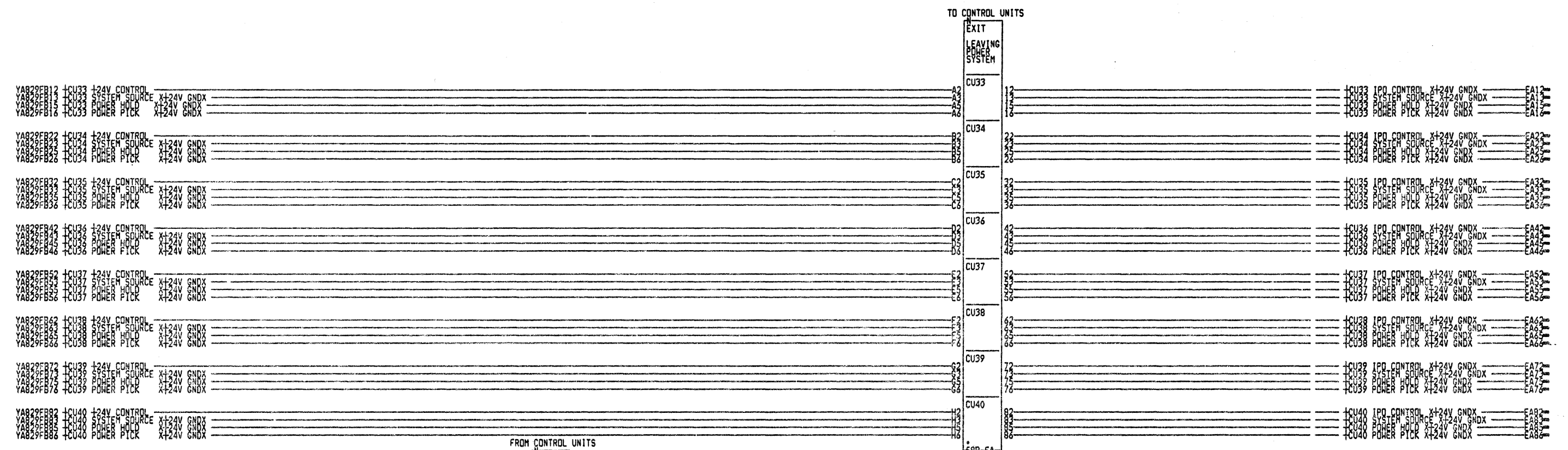
0001  
B1  
INTERNATIONAL BUSINESS MACHINES CORPORATION  
5 1980

INTERFACE PWR TO I/O  
CONTROL UNITS 25-32 ON CHANNEL

LDC=  
USN 00001 PRI=10OCT80 1608  
AUC= SEC  
PFORM=KSEC NEXTBLK EB  
CID CIDPWR JOB BP&PWRN

Y  
A  
9  
8  
0001

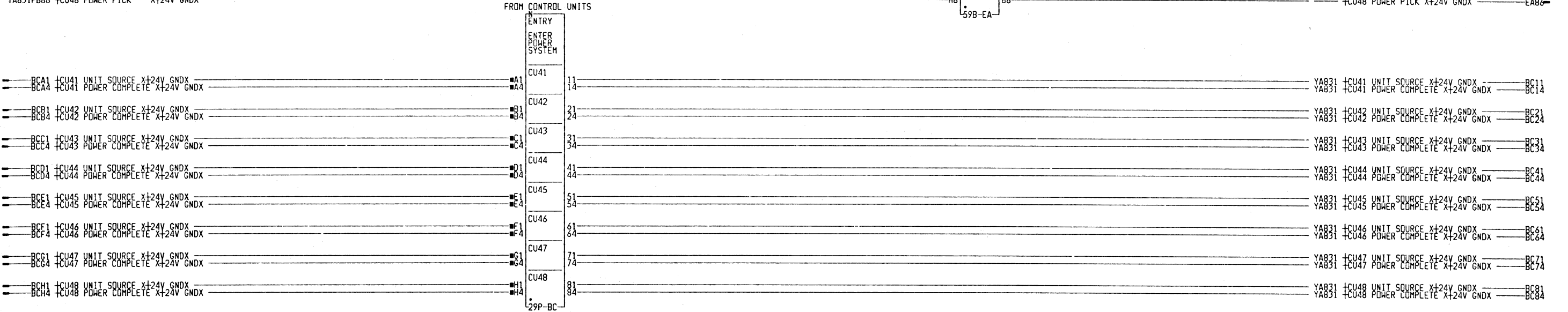
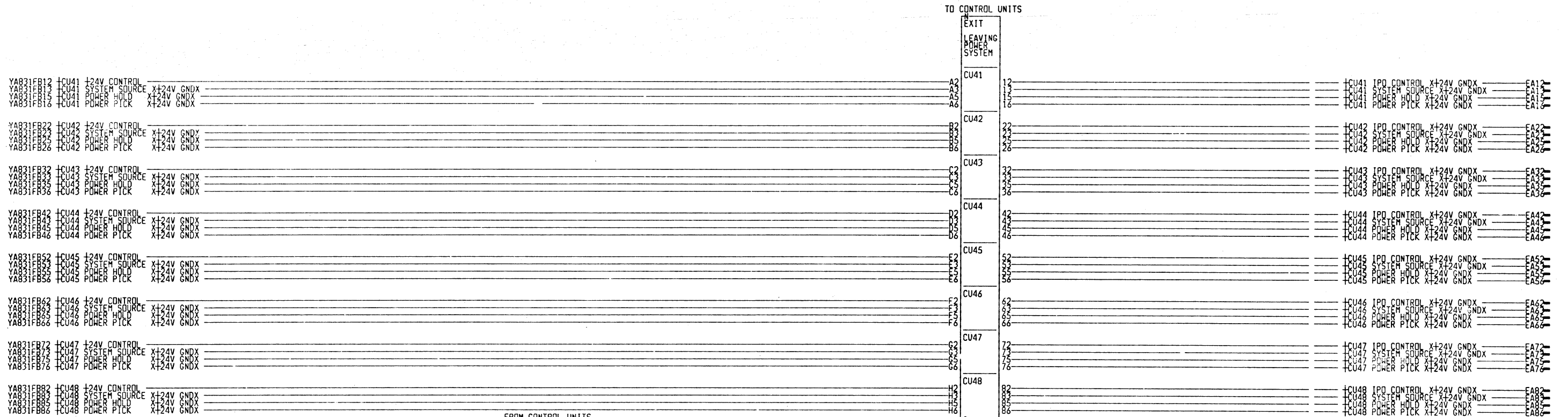




COMMENTS  
 A1 PN=37907  
 EC=873893  
 B1  
 C1  
 D1  
 E1  
 F1  
 G1  
 H1  
 I1  
 J1  
 K1  
 L1  
 M1  
 N1  
 O1  
 P1  
 Q1  
 R1  
 S1  
 T1  
 U1  
 V1  
 W1  
 X1  
 Y1  
 Z1  
 0001

(C) COPYRIGHT  
 INTERNATIONAL BUSINESS  
 MACHINES CORPORATION  
 1980

INTERFACE PWR TO I/O  
 CONTROL UNITS 33-40 ON CHANNEL  
 LOC=  
 USN 00001      PRI=10OCT80 1608  
 AUC=            SEC  
 PFORM=KSEC    NEXTBLK EB  
 CID CIDPWR    JOB BPAPWRN  
 Y  
 0001

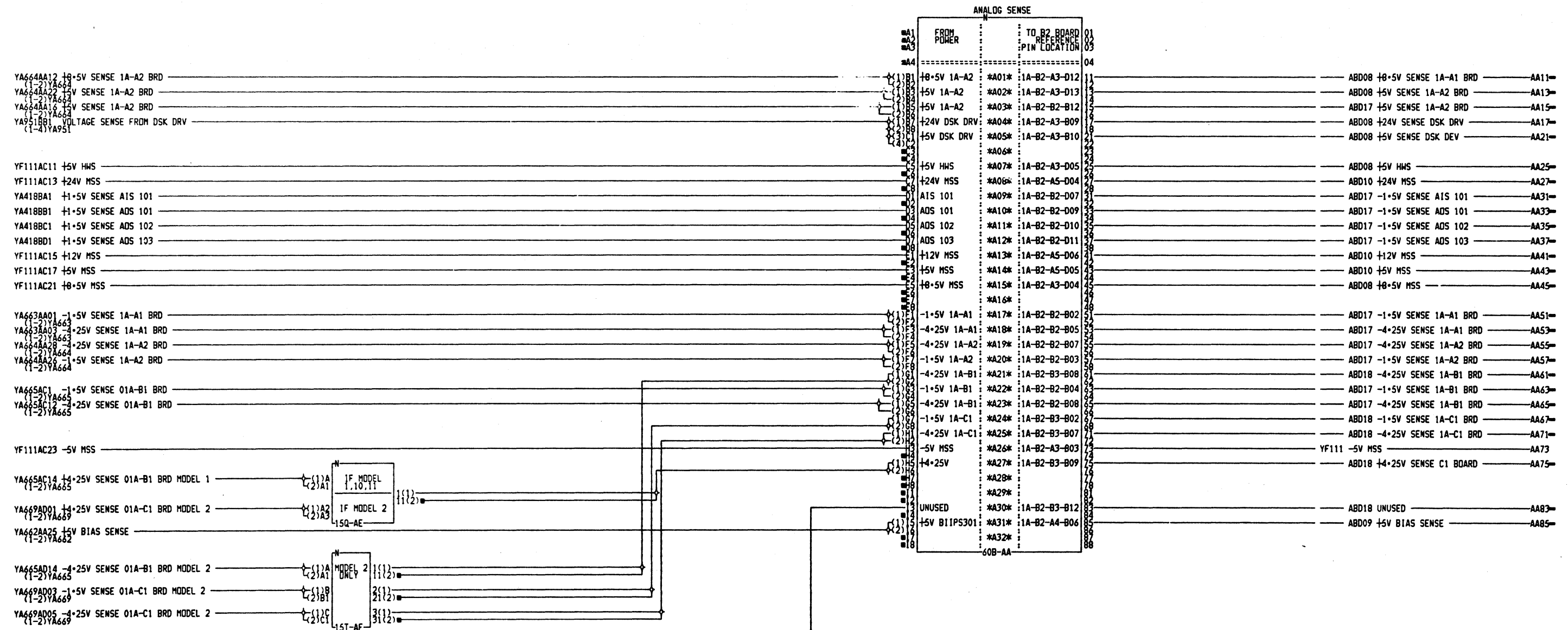


COMMENTS  
A1 PN=37907  
A2 EC=873393  
A3 EC=873394  
A4  
A5  
A6  
A7  
A8  
A9  
B1  
B2 (C) COPYRIGHT  
B3 INTERNATIONAL BUSINESS  
B4 MACHINES CORPORATION  
B5 1980

INTERFACE PWR TO I/O  
CONTROL UNITS 41-48 ON CHANNEL

LDC=  
USN 00002      PRI=20AUG81 0935  
AUC=            SEC  
PFDRH=KSEC    NEXTBLK EB  
CID CIDPWR    JOB BP#PWCR





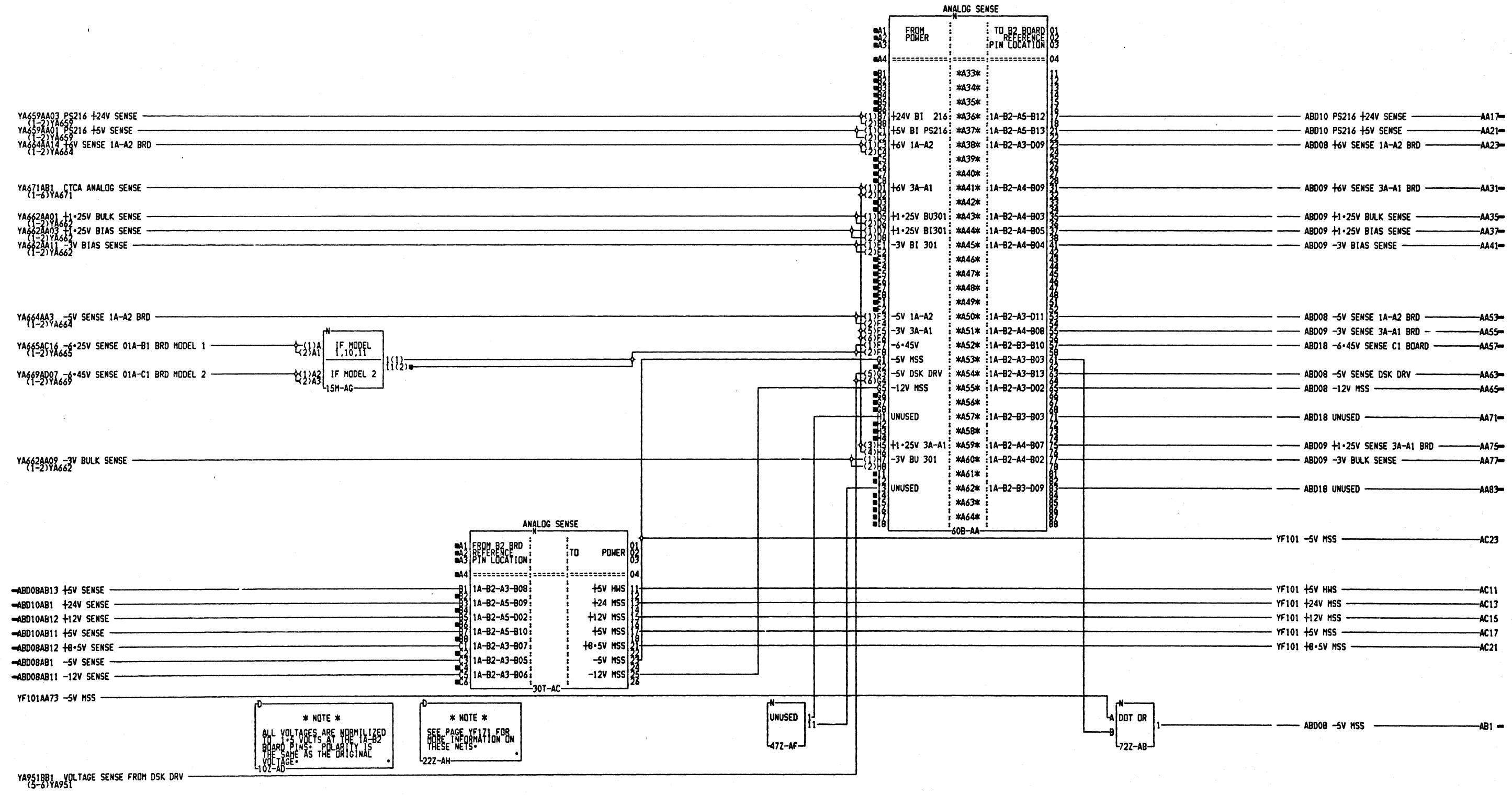
**\* NOTE \***  
 ALL VOLTAGES ARE NORMALIZED TO BOARD PINS. PINS ALTHOUGH THE SAME AS THE ORIGINAL VOLTAGE.  
 107-AC

**NOTE**  
 SEE PAGE YF171 FOR MORE INFORMATION ON THESE NETS.  
 222-AC

**UNUSED**  
 452-AD

COMMENTS  
 A1 PN=379076  
 A2 EK=873594  
 A3 EK=873594  
 A4 EK=873594  
 B1 (C) COPYRIGHT INTERNATIONAL BUSINESS MACHINES CORPORATION  
 B2 1981  
 0001

INTERCONNECTIONS POWER / PC  
 LOC=  
 USN 00003 PRI-21DEC81 1333  
 AVC= PF0RM-KSEC SEC NEXTBLK AM  
 CID C1DPWR JOB BP#PWRX  
 Y F 0001



COMMENTS  
 A1 PN=37907  
 EC=873593  
 EC=873596  
 YF111  
 B1  
 (C) COPYRIGHT  
 INTERNATIONAL BUSINESS  
 MACHINES CORPORATION  
 0001 5 1981

INTERCONNECTIONS  
 POWER 7 PC  
 LOC=  
 USN 00003 PRI=21DEC81 1333  
 AUC=  
 PPRN=KSEC SEC NEXTBLK A1  
 CID CIDPNCR JOB BP\$PNCRX  
 0001

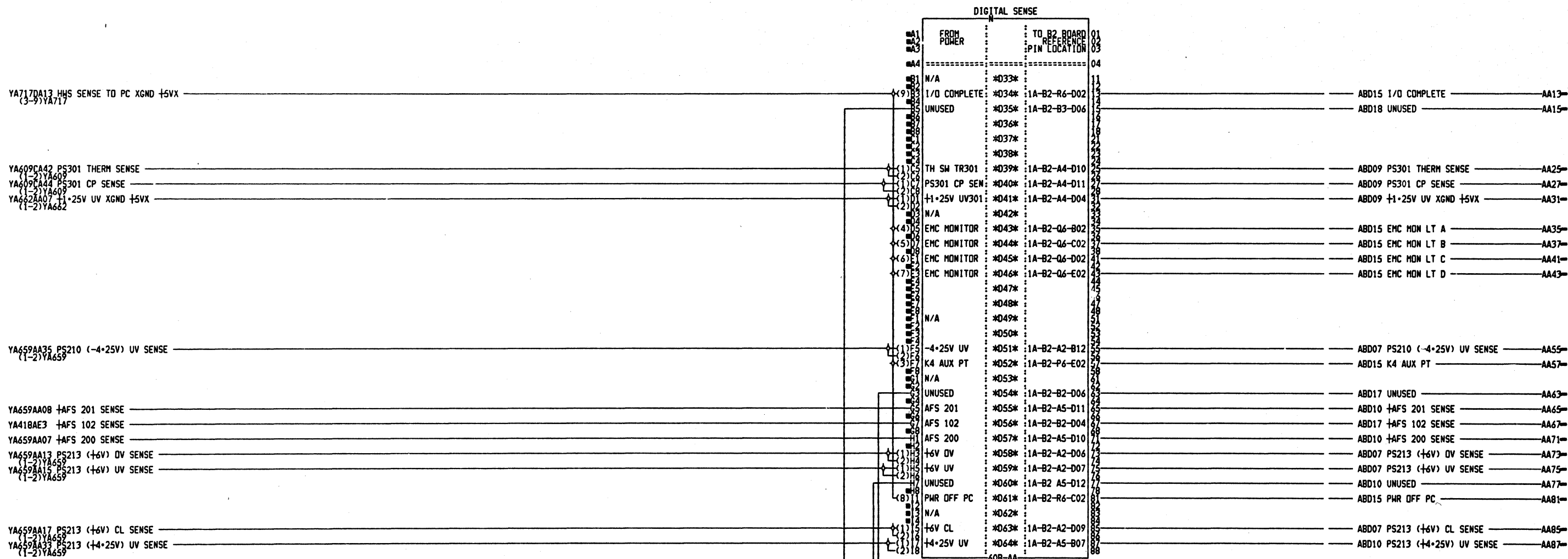
DIGITAL SENSE

	FROM POWER	TO B2 BOARD REFERENCE PIN LOCATION	
YA671AB19 +AFS 302 SENSE	N/A	*D01*	ABD09 +AFS 302 SENSE AA13
YA671AB16 +AFS 301 SENSE	AFS 302	*D02* 1A-B2-A4-B11	ABD09 +AFS 301 SENSE AA17
YA662AA05 +1.25V CL XGND +SVX	AFS 301	*D03* 1A-B2-A4-D02	ABD09 +1.25V CL XGND +SVX AA21
YA662AA15 -3V UV XGND +SVX	+1.25V CL301	*D04* 1A-B2-A4-D05	ABD09 -3V UV XGND +SVX AA23
YA662AA13 -3V CL XGND +SVX	-3V UV 301	*D05* 1A-B2-A4-D06	ABD09 -3V CL XGND +SVX AA25
YA659AA3 PS212 (-2.2V/+5V) CP SENSE	-3V CL 301	*D06* 1A-B2-A4-D07	ABD07 PS212 (-2.2V/+5V) CP SENSE AA31
YA717DA23 CE SW SENSE XGND +SVX	PS212 CP SEN	*D07* 1A-B2-A2-D12	ABD15 CE SW SENSE XGND +SVX AA35
	N/A	*D08*	
	CE SWITCH	*D09*	
		*D10*	
		*D11*	
		*D12*	
		*D13*	
		*D14*	
		*D15*	
		*D16*	
		*D17*	
YA659AA26 PS216 (+5V/+24V) CP SENSE	N/A	*D18*	ABD07 PS216 (+5V/+24V) CP SENSE AA53
YA659AA19 PS211 (-1.5V) UV SENSE	PS216 CP SEN	*D19* 1A-B2-A2-D10	ABD07 PS211 (-1.5V) UV SENSE AA55
YA717DA17 RMS SENSE TO PC XGND +SVX	-1.5V UV	*D20* 1A-B2-A2-D04	ABD15 K3 AUX PT XGND +SVX AA57
	K3 AUX PT	*D21* 1A-B2-Q6-A04	
	N/A	*D22*	
YA659AA37 PS213 (+4.25V) DV SENSE	+4.25V DV	*D23* 1A-B2-A5-B05	ABD10 PS213 (+4.25V) DV SENSE AA63
YA659AA39 PS213 (+4.25V) CL SENSE	+4.25V CL	*D24* 1A-B2-A5-B08	ABD10 PS213 (+4.25V) CL SENSE AA65
YA659AA41 PS212 (-2.2/+5V) DV SENSE	-2.2V/+5V DV	*D25* 1A-B2-A5-B02	ABD10 PS212 (-2.2V/+5V) DV SENSE AA67
YA659AA43 PS212 (-2.2/+5V) CL SENSE	-2.2V/+5V CL	*D26* 1A-B2-A5-B04	ABD10 PS212 (-2.2V/+5V) CL SENSE AA71
YA659AA45 PS212 (-2.2/+5V) UV SENSE	-2.2V/+5V UV	*D27* 1A-B2-A5-B03	ABD10 PS212 (-2.2V/+5V) UV SENSE AA73
YA659AA47 PS210 (-4.25V) DV SENSE	-4.25V DV	*D28* 1A-B2-A2-B11	ABD07 PS210 (-4.25V) DV SENSE AA75
YA659AA49 PS210 (-4.25V) CL SENSE	-4.25V CL	*D29* 1A-B2-A2-B13	ABD07 PS210 (-4.25V) CL SENSE AA77
YA659AA51 PS211 (-1.5V) DV SENSE	-1.5V DV	*D30* 1A-B2-A2-D02	ABD07 PS211 (-1.5V) DV SENSE AA81
	N/A	*D31*	
YA659AA53 PS211 (-1.5V) CL SENSE	-1.5V CL	*D32* 1A-B2-A2-D05	ABD07 PS211 (-1.5V) CL SENSE AA85
YA659AA24 +300V BULK SENSE	+300V BULK	*D33* 1A-B2-A1-B10	ABD07 +300V BULK SENSE AA87

\* NOTE \*  
SEE PAGE YF121 FOR  
MORE INFORMATION ON  
THESE KEYS.  
22Z-AB

COMMENTS  
A1 PW-372078  
BY-873594  
EC-873594  
B1 (C) COPYRIGHT BUSINESS  
WARRANTY CORPORATION  
5 1981  
0001

INTERCONNECTIONS  
POWER / PC  
LOC-  
USN 00003 PRI-21DEC81 1333  
AUC- PDRM-KSEC SEC  
CID CDPNCR JOB BP#PNCRX  
0001

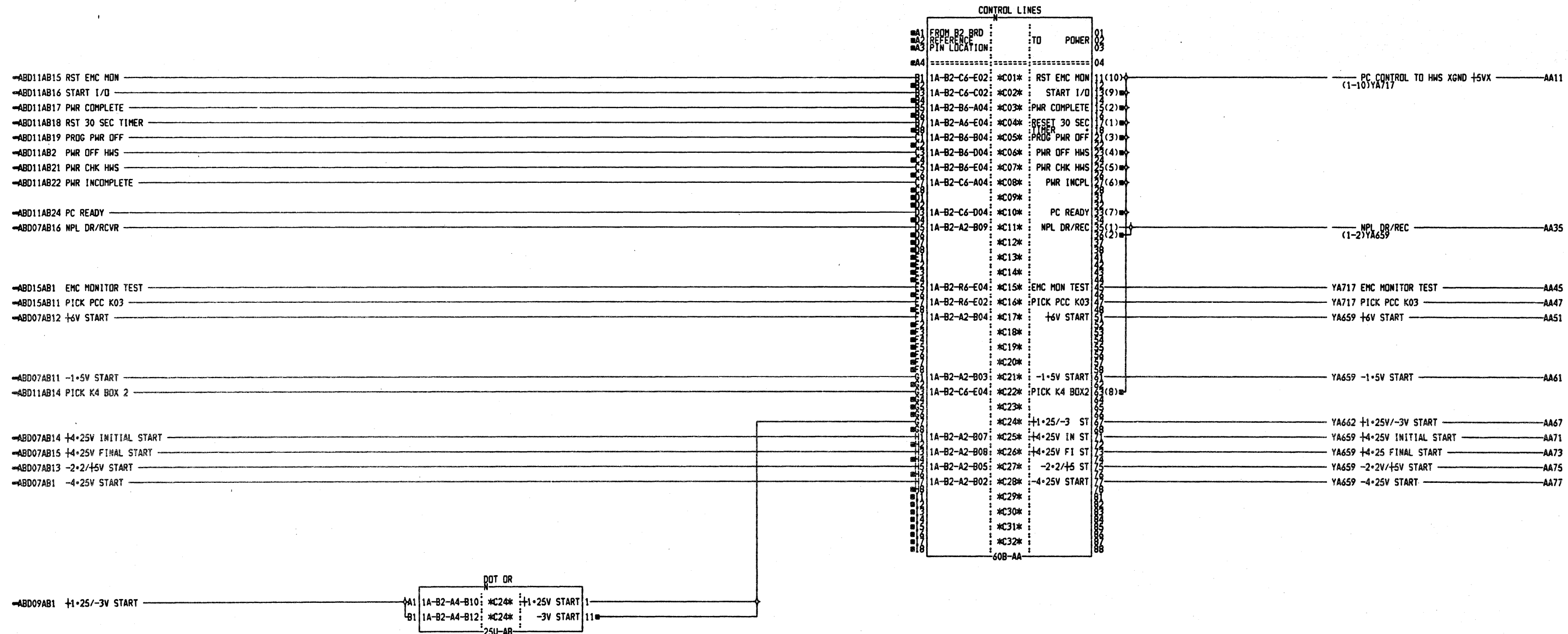


\* NOTE \*  
SEE PAGE YF171 FOR  
WIRE INFORMATION ON  
THESE NETS.  
22Z-AC

UNUSED  
47Z-AB

COMMENTS  
A1 PN=379079  
EC=873592  
EC=873598  
B1 (C) COPYRIGHT  
INTERNATIONAL BUSINESS  
MACHINES CORPORATION  
5 1981

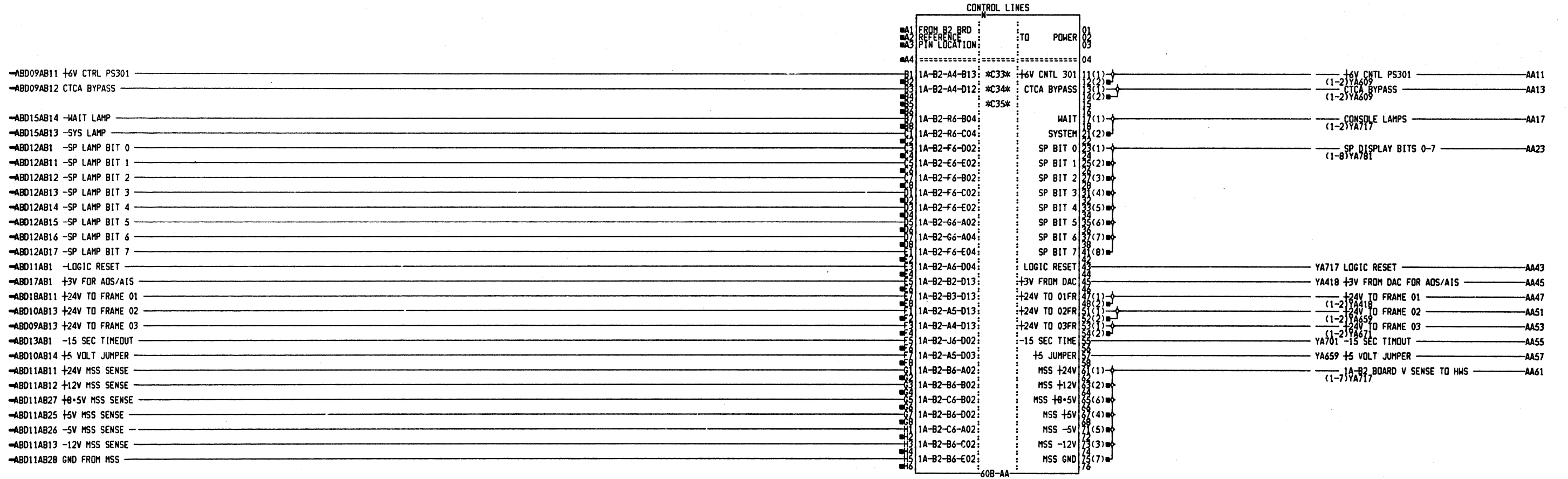
INTERCONNECTIONS  
POWER / PC  
LOC= USN 00003 PRI-21DEC81 1333 Y  
AUC= PFORM-KSEC SEC NEXTBLK AD F  
CID CIDPWR JOB BP#PWRX 1  
0001



\* NOTE \*  
 SEE PAGE YF171 FOR MORE INFORMATION ON THESE NETS.  
 227-AC

COMMENTS  
 A1 PW=379080  
 B1 PW=873593  
 C1 PW=873593  
 D1 PW=873593  
 (C) COPYRIGHT INTERNATIONAL BUSINESS MACHINES CORPORATION  
 0001 5 1981

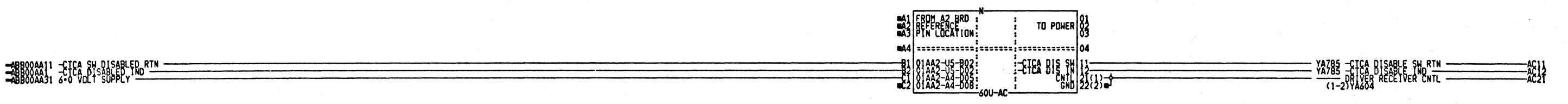
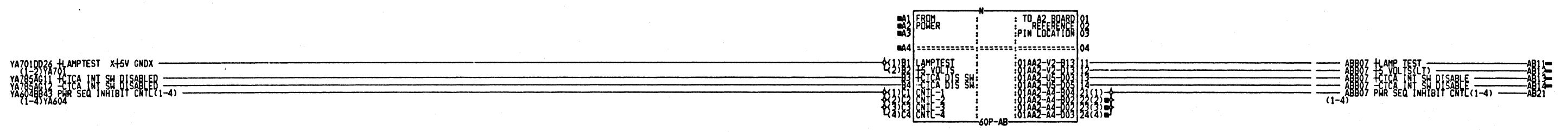
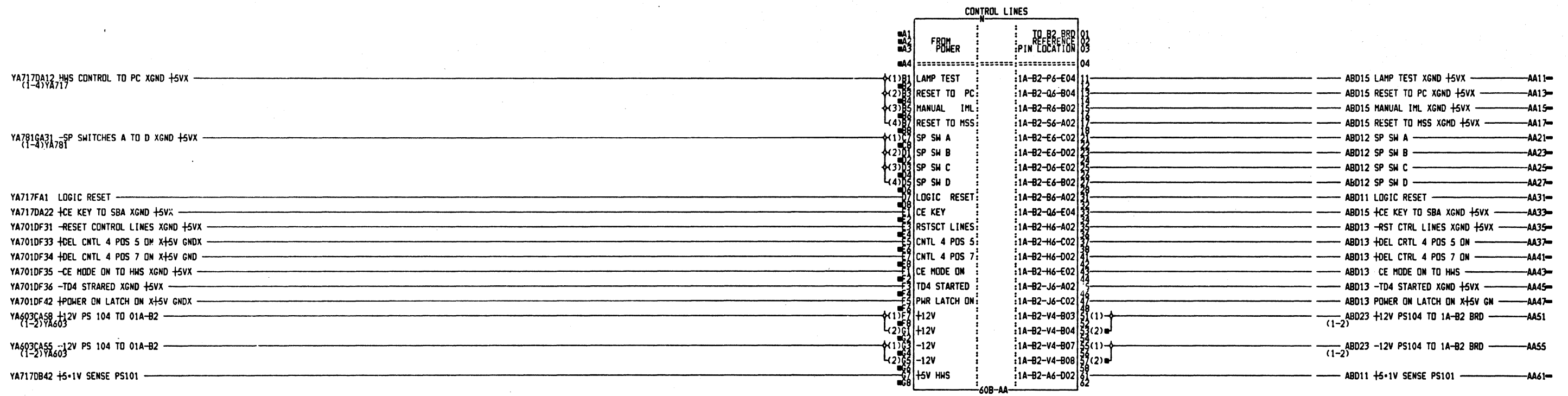
INTERCONNECTIONS POWER / PC  
 LOC=  
 USN 00003 PRI-21DEC81 1333  
 AUC= PFORM=KSEC SEC NEXTBLK AD  
 CID C1DPNCR JOB BP9PNCRX  
 0001



\* NOTE \*  
 SEE PAGE YF171 FOR  
 MORE INFORMATION ON  
 THESE NETS.  
 227-AB

COMMENTS  
 A1 PN=379081  
 EC=873523  
 EC=873598  
 B1  
 (C) COPYRIGHT  
 INTERNATIONAL BUSINESS  
 MACHINES CORPORATION  
 1981  
 0001

INTERCONNECTIONS  
 POWER / PC  
 LOC=  
 USM 00003      PRI-21DEC81 1333  
 AUC=  
 PFORM-KSEC      SEC  
 NEXTBLK AC  
 CID CIDPWCR      JOB BP\$PWCRX  
 0001



\* NOTE \*  
SEE PAGE YF171 FOR  
MORE INFORMATION ON  
THESE NETS.  
22Z-AD

COMMENTS  
A1 PN-37908  
A2 FC-873594  
A3 FC-873594  
A4 FC-873594  
B1 (C) COPYRIGHT  
INTERNATIONAL BUSINESS  
MACHINES CORPORATION  
0001 5 1981

INTERCONNECTIONS  
POWER 7 PC

LDC= USN 00003 PRI-21DEC81 1333  
AUC= PFDRM=KSEC SEC NEXTBLK AE  
CID CIDPWRX JOB BPSPWRX

Y  
1  
0001

