

VOLUME 047 MACHINE 3705- -0080232 MODEL M81 SYSTEM 0002904 MODE

BOX SHIP 81/12/11

LOGIC TYPE -0- SYSTEMS DIAGRAMS

PAGE NUM	SH	TITLE	PART NUM	EC NUM	FEATURE B/M OR B/MS
AAA01		BINDER TAB VOL 47	0008496506	322577	.W. 0001862344
VB000		LINE SET LOGICS	0004499373	344401	.W. 0001862344
VB060		LINE SET LOGICS	0004499374	344401	.W. 0001862344
VB061		LINE SET LOGICS	0004499375	344401	.W. 0001862344
VB062		LINE SET LOGICS	0004499376	344401	.W. 0001862344
VB063		LINE SET LOGICS	0004499377	344401	.W. 0001862344
VB064		LINE SET LOGICS	0004499378	344401	.W. 0001862344
VB065		LINE SET LOGICS	0004499379	344852	.W. 0001862344
VB066		LINE SET LOGICS	0004499380	344852	.W. 0001862344
VB067		LINE SET LOGICS	0004499381	344852	.W. 0001862344
VB068		LINE SET LOGICS	0004499382	344852	.W. 0001862344
VB072		LINE SET LOGICS	0004499383	344401	.W. 0001862344
VB080		LINE SET LOGICS	0004499384	344401	.W. 0001862344
VB081		LINE SET LOGICS	0004499385	344401	.W. 0001862344
VB082		LINE SET LOGICS	0004499386	344401	.W. 0001862344
VB083		LINE SET LOGICS	0004499387	344401	.W. 0001862344
VB084		LINE SET LOGICS	0004499388	344401	.W. 0001862344
VB085		LINE SET LOGICS	0004499389	344401	.W. 0001862344
VB086		LINE SET LOGICS	0004499390	344401	.W. 0001862344
VB087		LINE SET LOGICS	0004499391	344401	.W. 0001862344
VB088		LINE SET LOGICS	0004499392	344401	.W. 0001862344
VB089		LINE SET LOGICS	0004499393	344401	.W. 0001862344
VB100		LINE SET LOGICS	0004499394	344401	.W. 0001862344
VB101		LINE SET LOGICS	0004499395	344401	.W. 0001862344
VB102		LINE SET LOGICS	0004499396	344401	.W. 0001862344
VB103		LINE SET LOGICS	0004499397	344401	.W. 0001862344
VB104		LINE SET LOGICS	0004499398	344401	.W. 0001862344
VB105		LINE SET LOGICS	0004499399	344401	.W. 0001862344
VB106		LINE SET LOGICS	0004499400	344401	.W. 0001862344
VB107		LINE SET LOGICS	0004499401	344401	.W. 0001862344
VB108		LINE SET LOGICS	0004499402	344401	.W. 0001862344
VB109		LINE SET LOGICS	0004499403	344401	.W. 0001862344
VB110		LINE SET LOGICS	0004499404	344401	.W. 0001862344
VB120		LINE SET LOGICS	0004499405	344401	.W. 0001862344
VB121		LINE SET LOGICS	0004499406	344401	.W. 0001862344
VB122		LINE SET LOGICS	0004499407	344401	.W. 0001862344
VB123		LINE SET LOGICS	0004499408	344401	.W. 0001862344
VB124		LINE SET LOGICS	0004499409	344401	.W. 0001862344
VB125		LINE SET LOGICS	0004499410	344401	.W. 0001862344
VB126		LINE SET LOGICS	0004499411	344401	.W. 0001862344
VB127		LINE SET LOGICS	0004499412	344401	.W. 0001862344
VB128		LINE SET LOGICS	0004499413	344401	.W. 0001862344

VOLUME 047 MACHINE 3705- -0080232 MODEL M31 SYSTEM 0002904 MODE

BOX SHIP 81/12/11

LOGIC TYPE -0- SYSTEMS DIAGRAMS

PAGE NUM	SH	TITLE	PART NUM	EC NUM	FEATURE B/M OR B/MS
VB129		LINE SET LOGICS	0004499414	344401	.W. 0001862344
VB130		LINE SET LOGICS	0004499415	344401	.W. 0001862344
VB132		LINE SET LOGICS	0004499416	344401	.W. 0001862344
VB133		LINE SET LOGICS	0004499417	344401	.W. 0001862344
VB134		LINE SET LOGICS	0004499418	344401	.W. 0001862344
VB135		LINE SET LOGICS	0004499419	344401	.W. 0001862344
VB136		LINE SET LOGICS	0004499420	344401	.W. 0001862344
VB140		LINE SET LOGICS	0004499421	344401	.W. 0001862344
VB141		LINE SET LOGICS	0004499422	344401	.W. 0001862344
VB142		LINE SET LOGICS	0004499423	344401	.W. 0001862344
VB143		LINE SET LOGICS	0004499424	344401	.W. 0001862344
VB144		LINE SET LOGICS	0004499425	344401	.W. 0001862344
VB146		LINE SET LOGICS	0004499426	344401	.W. 0001862344
VB147		LINE SET LOGICS	0004499427	344401	.W. 0001862344
VB148		LINE SET LOGICS	0004499428	344401	.W. 0001862344
VB150		LINE SET LOGICS	0004499429	344401	.W. 0001862344
VB151		LINE SET LOGICS	0004499430	344401	.W. 0001862344
VB152		LINE SET LOGICS	0004499431	344401	.W. 0001862344
VB153		LINE SET LOGICS	0004499432	344401	.W. 0001862344
VB154		LINE SET LOGICS	0004499433	344401	.W. 0001862344
VB155		LINE SET LOGICS	0004499434	344401	.W. 0001862344
VB156		LINE SET LOGICS	0004499435	344401	.W. 0001862344
VB157		LINE SET LOGICS	0004499436	344401	.W. 0001862344
VB158		LINE SET LOGICS	0004499437	344401	.W. 0001862344
VB200		LINE SET LOGICS	0004499439	344401	.W. 0001862344
VB201		LINE SET LOGICS	0004499440	344401	.W. 0001862344
VB210		LINE SET LOGICS	0004499441	344401	.W. 0001862344
VB211		LINE SET LOGICS	0004499442	344401	.W. 0001862344
VB220		LINE SET LOGICS	0004499443	344401	.W. 0001862344
VB221		LINE SET LOGICS	0004499444	344401	.W. 0001862344
VB222		LINE SET LOGICS	0004499445	344401	.W. 0001862344
VB223		LINE SET LOGICS	0004499446	344401	.W. 0001862344
VB224		LINE SET LOGICS	0004499447	344401	.W. 0001862344
VB225		LINE SET LOGICS	0004499448	344401	.W. 0001862344
VB226		LINE SET LOGICS	0004499449	344401	.W. 0001862344
VB227		LINE SET LOGICS	0004499450	344401	.W. 0001862344

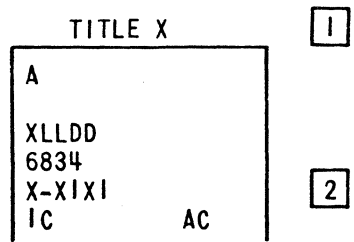
TOTAL PART NUMBERS THIS VOLUME 78

INDEX

VB 000	VB PAGE INTRODUCTION
VB 060 THRU VB 072	LINE SET 1 MULTIPLE USE
VB 080 THRU VB 089	LINE SET 4 AUTO CALL
VB 100 THRU VB 110	LINE SET 3 DIGITAL HDX
VB 120 THRU VB 136	LINE SET 3 DIGITAL DX
VB 140 THRU VB 148	LINE SET 2 V35 INTERFACE
VB 150 THRU VB 158	LINE SET 5 V35 INTERFACE LOCAL ATTACH
VB 200 THRU VB 227	LINE SET 8 AND 9 X.21 MEDIUM-HIGH SPEED

THE VB PAGES SHOW THE LOGIC FOR EACH OF THE AVAILABLE LINE SET TYPES. FOR LINE SET BOARD WIRING SEE VA 100 THRU VA 133.

SOME VB PAGES USE PSEUDO BOARD AND CARD LOCATION WHICH ARE EXPLAINED BELOW.



1 THE TITLE OF THE BLOCK MAY CONTAIN AN X OR Y. X INDICATES EVEN ADDRESS OF LINE PAIR AND Y INDICATES ODD ADDRESS.

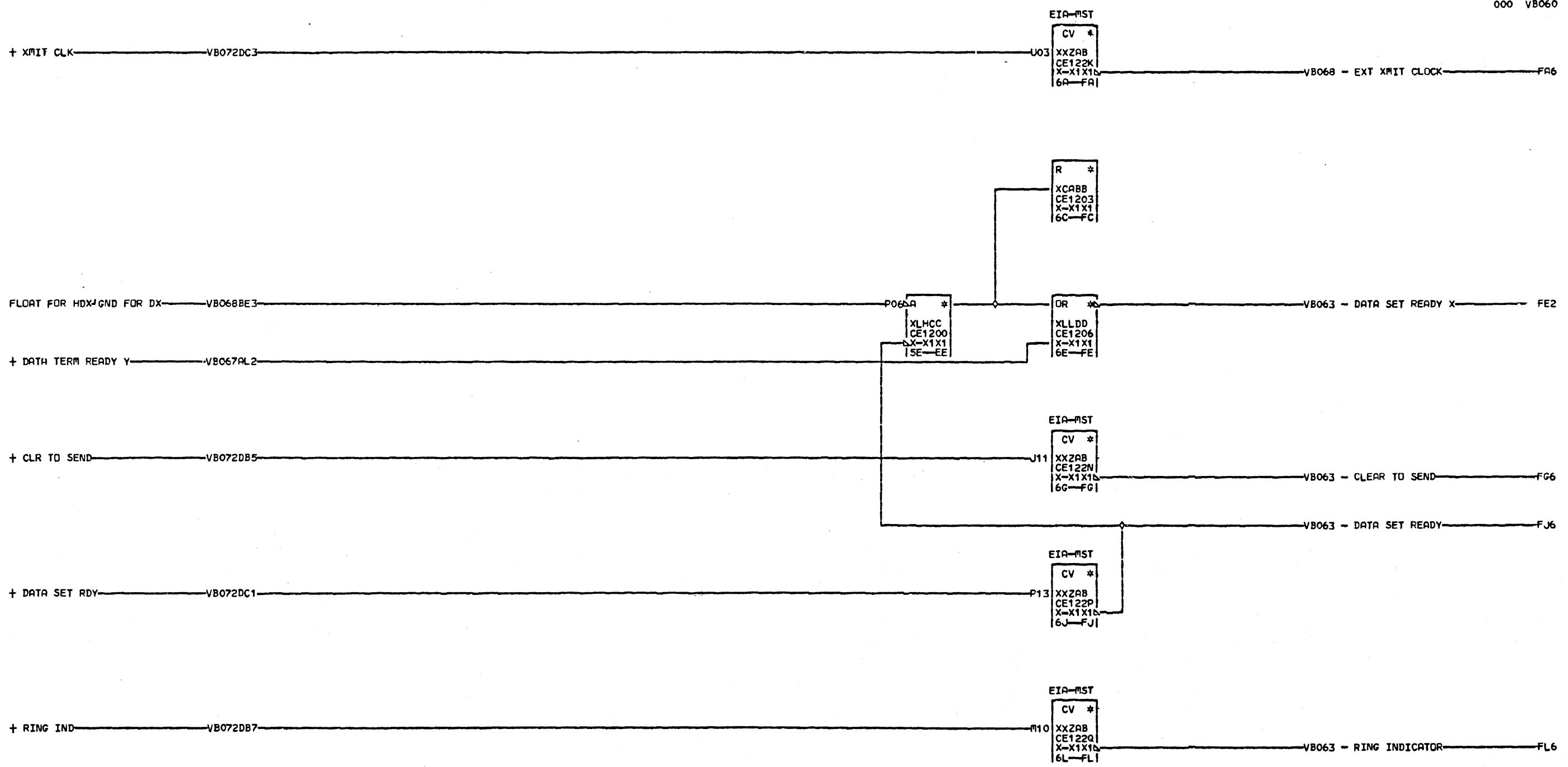
2 X-XIXI
 CARD LOCATION XI LINE INTERFACE CARD, YI-DRIVER CARD, ZI TERM CARD OR CABLE.
 BOARD LOCATION A2-LIB A, A1-LIB B
 GATE DESIGNATION ALWAYS AN "A" FOR 3705-80

REFER TO VA 000 FOR ACTUAL CARD LOCATION.

"THIS DOCUMENT IS THE PROPERTY OF IBM. ITS USE IS AUTHORIZED ONLY FOR RESPONDING TO A REQUEST FOR QUOTATION OR FOR THE PERFORMANCE OF WORK FOR IBM. ALL QUESTIONS MUST BE REFERRED TO THE IBM PURCHASING DEPARTMENT."



NAME	VB PAGES INTRODUCTION		DATE	CHANGE NO	DATE	CHANGE NO
DESIGN	DEL	NOV80	NOV80	344401		
DETAIL	TS	NOV80				
CHECK	CLASSIFICATION					
APPRO	DEL	NOV80				
MUST CONFORM TO ENG SPEC						
DEVELOPMENT NO						
LOGIC PG NO						
VB 000						

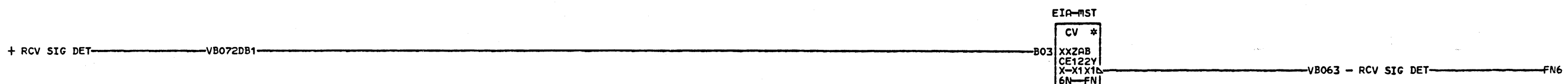
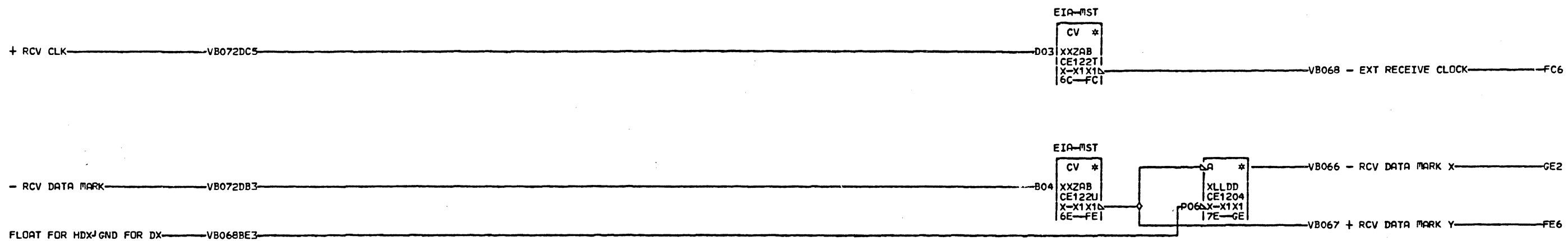


11-25-80 34440t

VB060
000

LS1 LINE CONTROL CARD			
DATE	12-05-80	MACH.	3705
LOG	992	FRAME	01
		P.N.	4499374
IBM CORP.	SCD	BLK.	FP

VB060
000

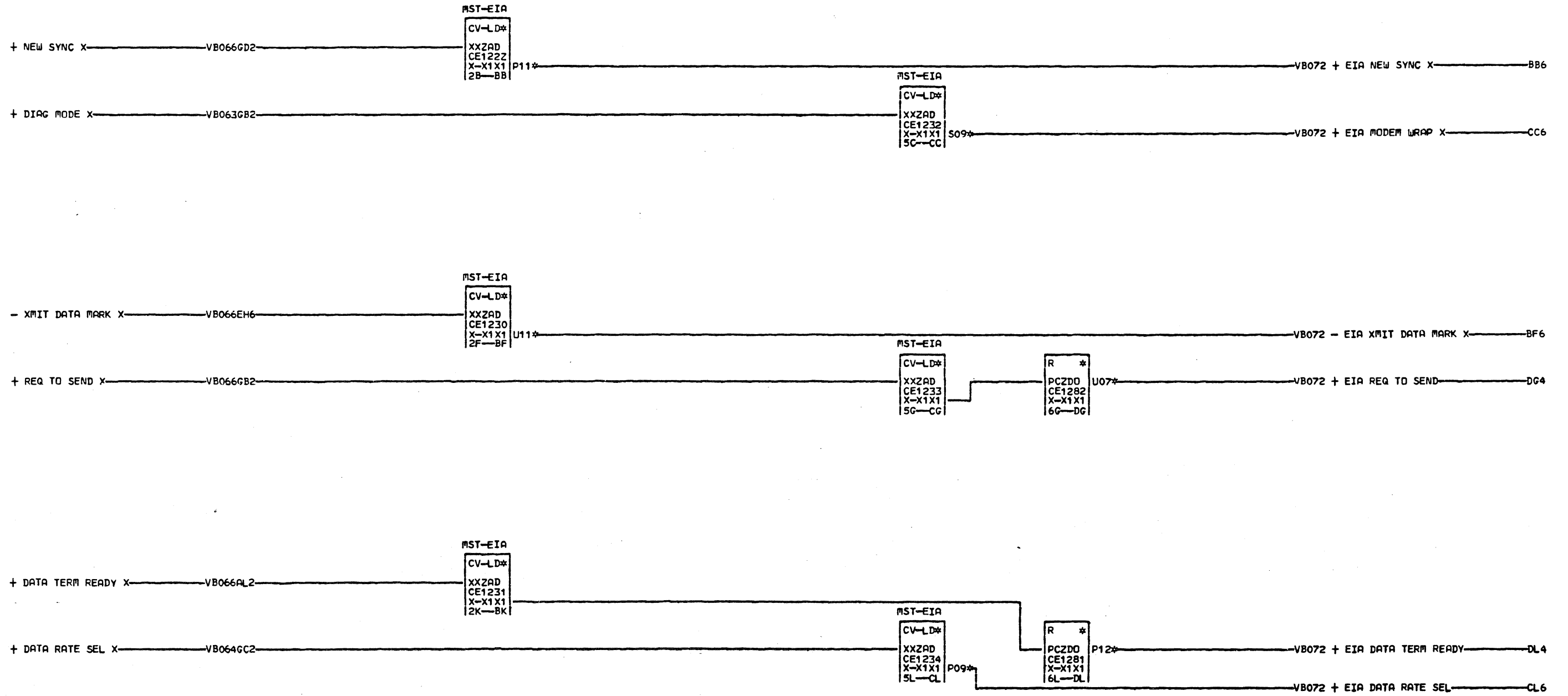


11-25-80 344401

VB061
000

LS1 LINE CONTROL CARD			
DATE	12-05-80	MACH.	3705
LOG	992	FRAME	01
		P.N.	4499375
IBM CORP.	SCD BLK.		GF

VB061
000



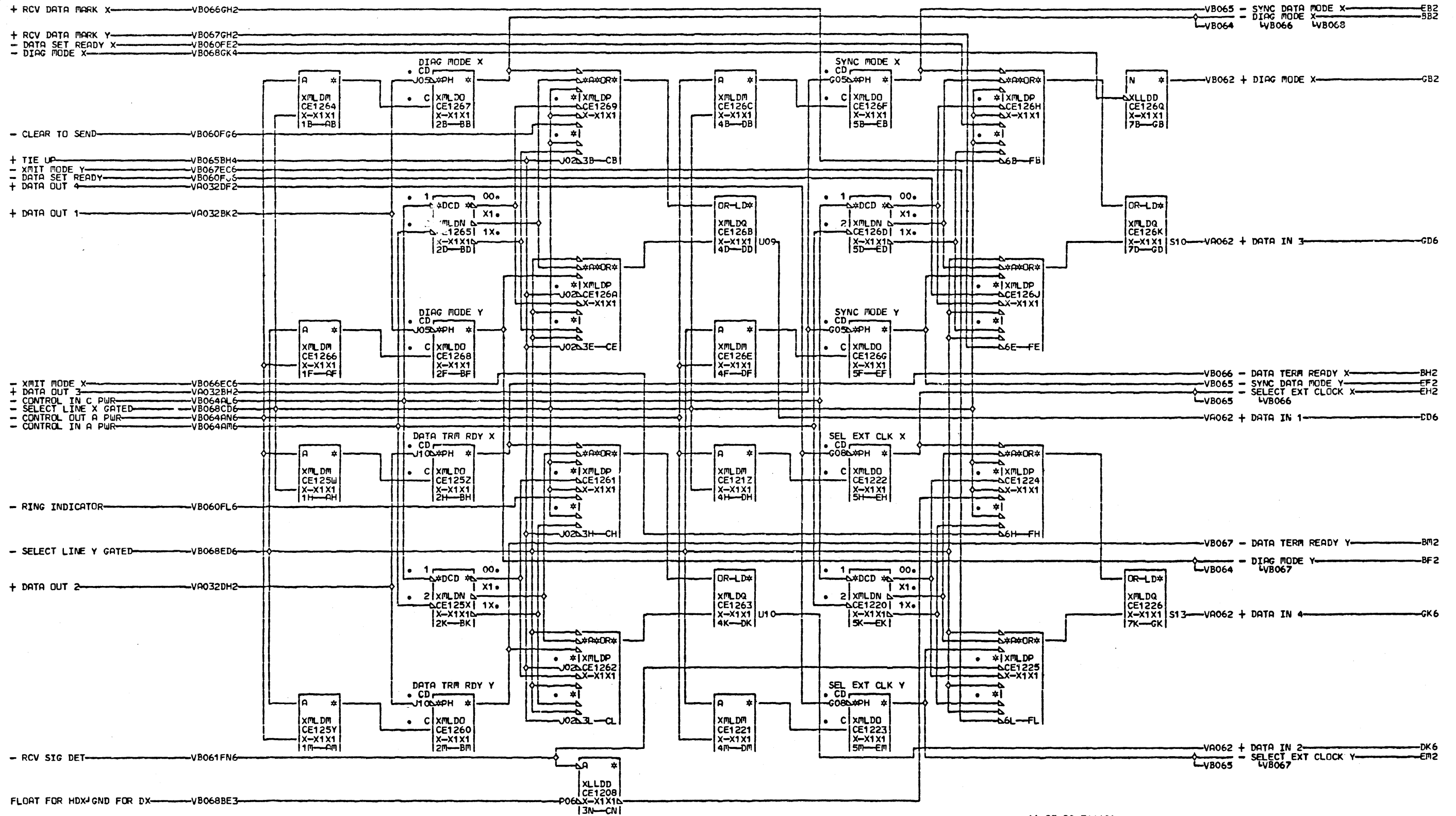
V
B
0
6
2
000

BB6 X-X1Z1D10
BF6 X-X1Z1B02
CC6 X-X1Z1D11
CL6 X-X1Z1D06
DG4 X-X1Z1B06
DL4 X-X1Z1D03

11-25-80 344401

LS1 LINE CONTROL CARD			
DATE	12-05-80	MACH.	3705
LOG	992	FRAME	01
		PoN.	4499376
IBM CORP.	SCD BLK.	GN	

V
B
0
6
2
000

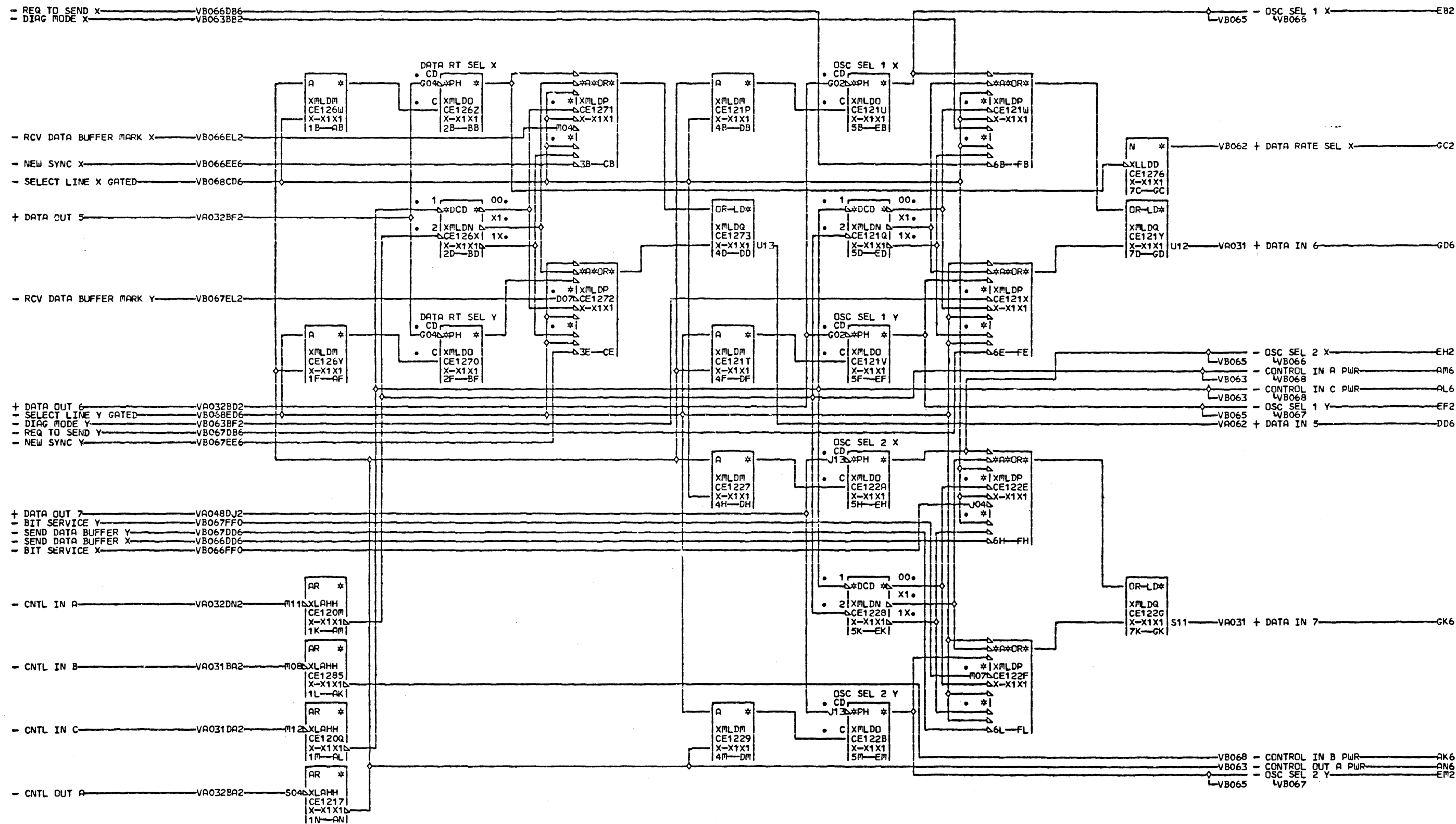


11-25-80 344401

LS1 LINE CONTROL CARD
 DATE 12-05-80 MACH. 3705
 LOG 992 FRAME 01
 P.N. 4499377
 IBM CORP. SCD BLK. GN

V B 0 6 3
0 0 0

V B 0 6 3
0 0 0

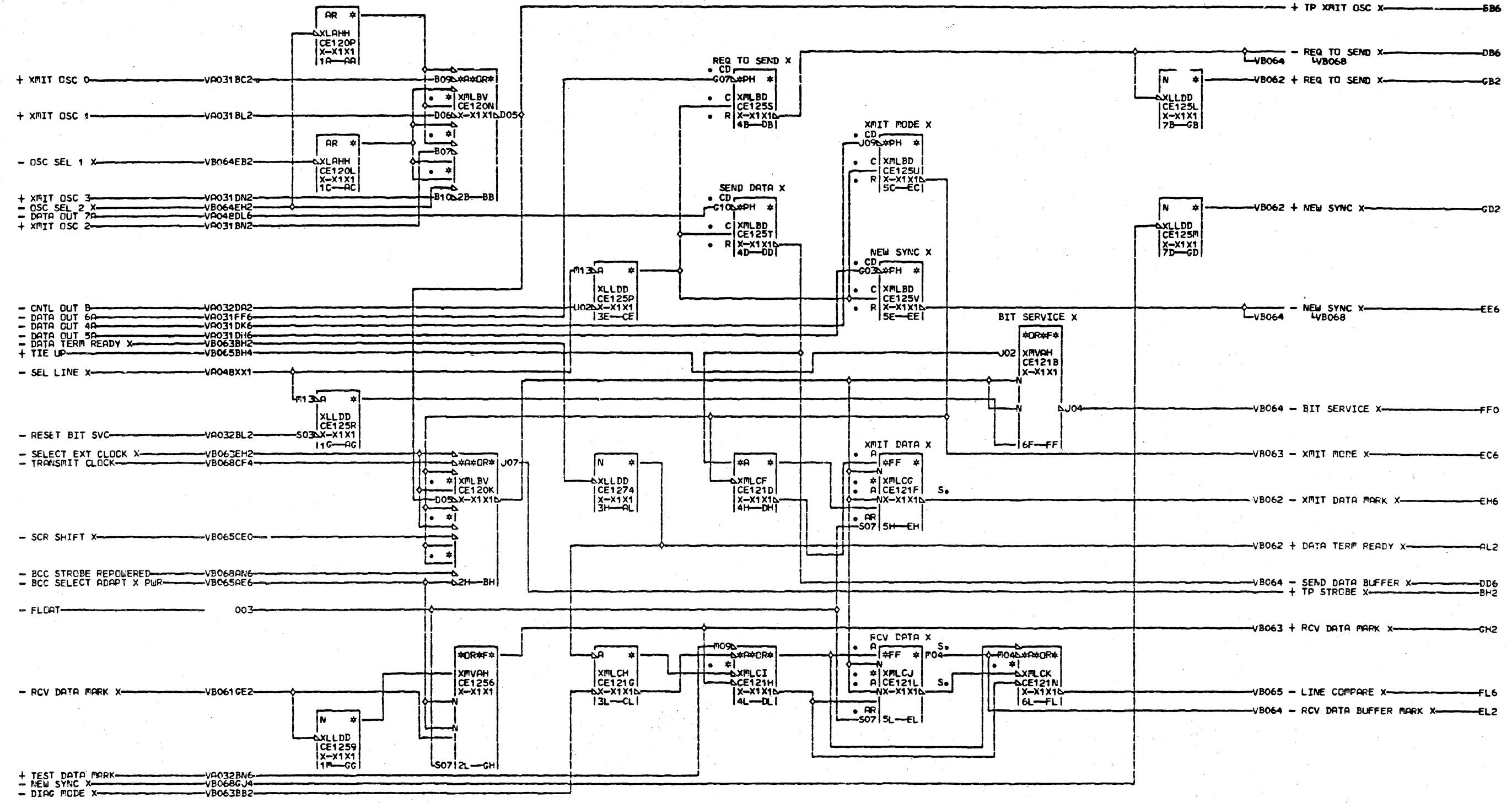


11-25-80 344401

LS1 LINE CONTROL CARD			
DATE	12-05-80	MACH.	3705
LOG	992	FRAME	01
		P.N.	4499378
IBM CCRP.	SCD	BLK.	GL

000

000

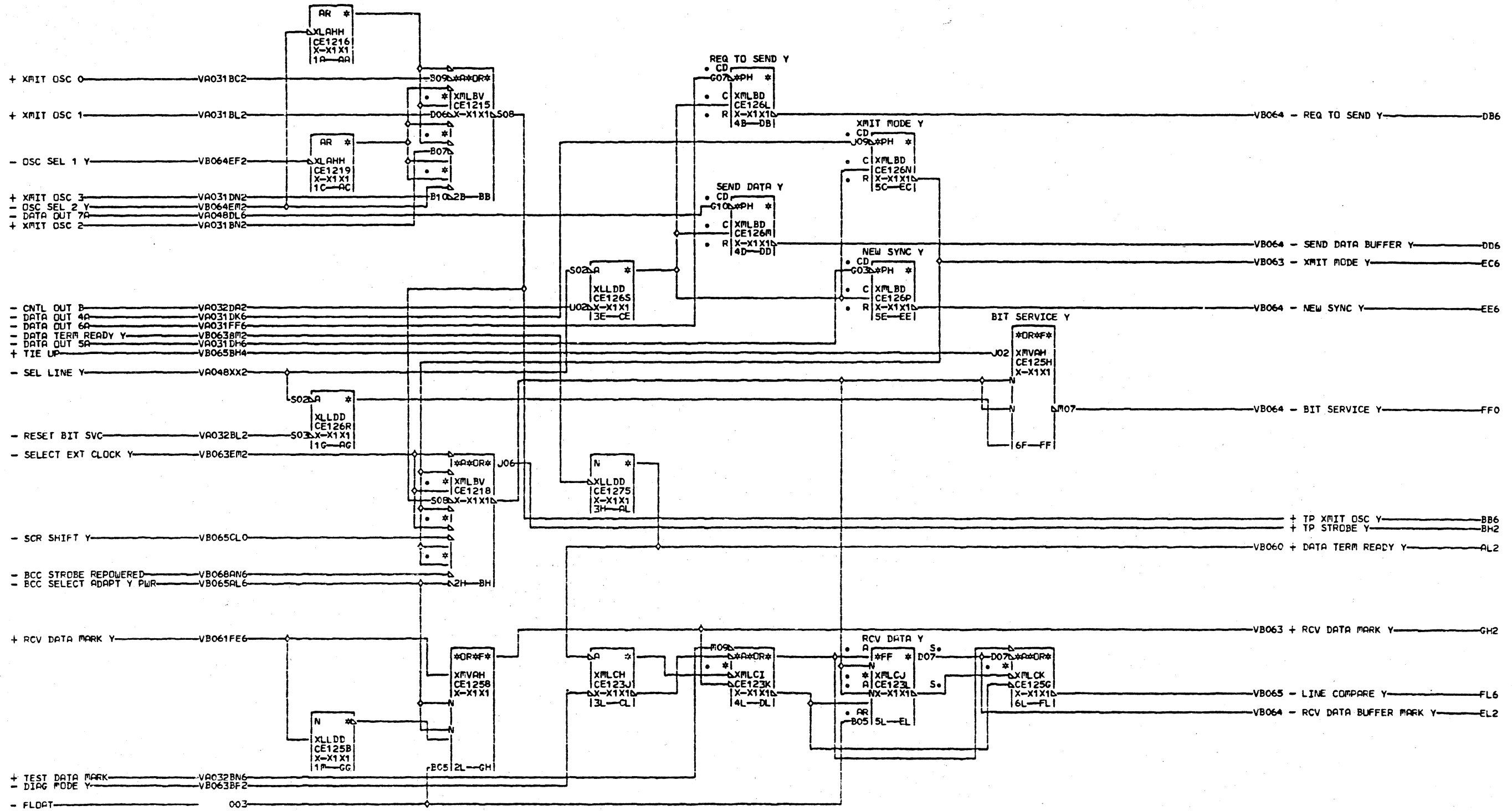


V
B
O
6
6
000

11-25-80 3444C1
04-13-81 3448E2

LS1 LINE CONTRL CARD			
DATE	04-22-81	MACH.	3705
LOG	237	FRM#	01
		P.N.	4499380
IEP CORR.	SCD	BLK.	GJI

V
B
O
6
6
000

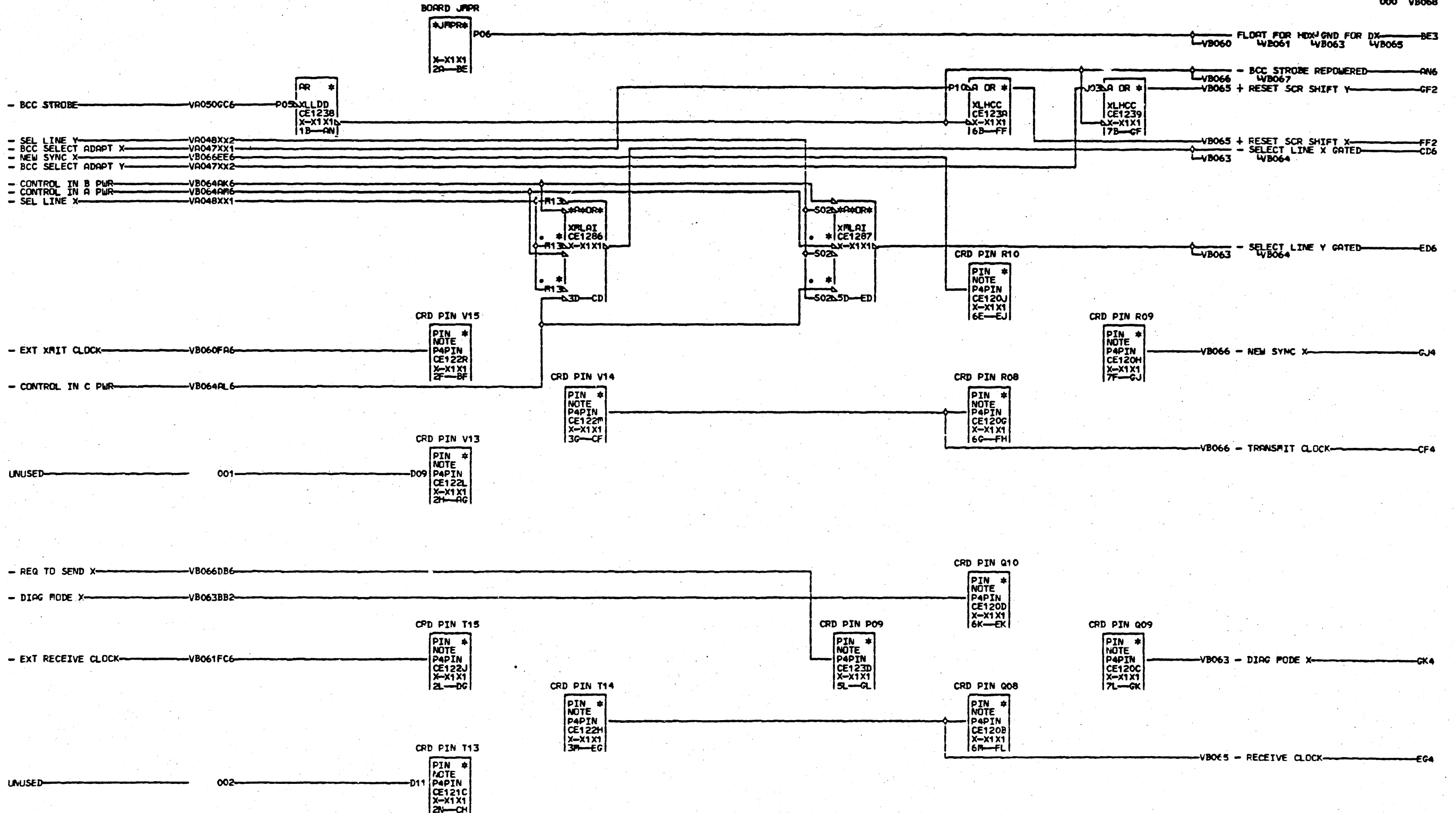


11-25-80 344401
04-13-81 344852

LS1 LINE CONTRL CARD			
DATE	04-22-81	MACH.	37C5
LCG	228	FRAME	01
		PaNo	4499381
IBP CCRP.	SCD ELK.		GJ

V
B
O
6
7
000

V
B
O
6
7
000



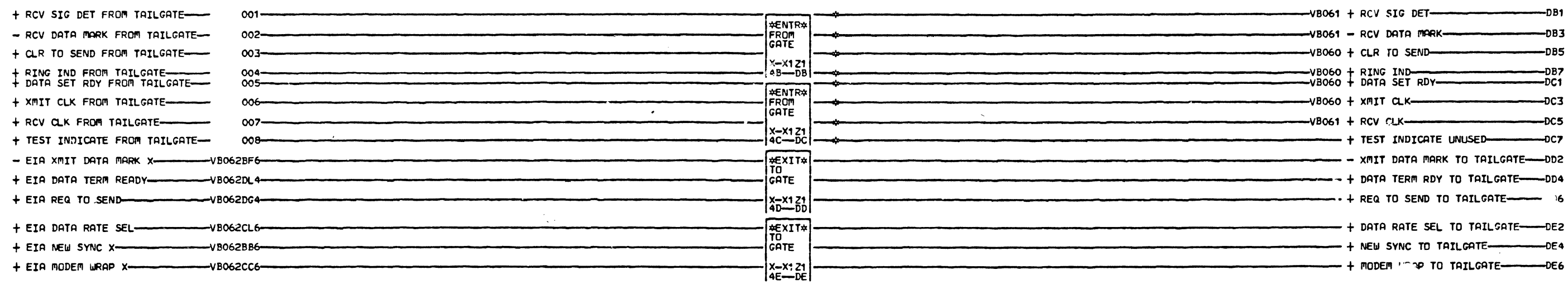
NOTE
 #REF VA004 FOR LS-1 CRD JFPRNG

11-25-80 344401
 04-13-81 344852

LS1 LINE CONTROL CARD			
DATE	04-22-81	PACH#	3705
LOG	237	FRAME	01
		P#	4499382
IBR CCRP#	SCD BLK#		GR

VB068
000

VB068
000



VB072

000

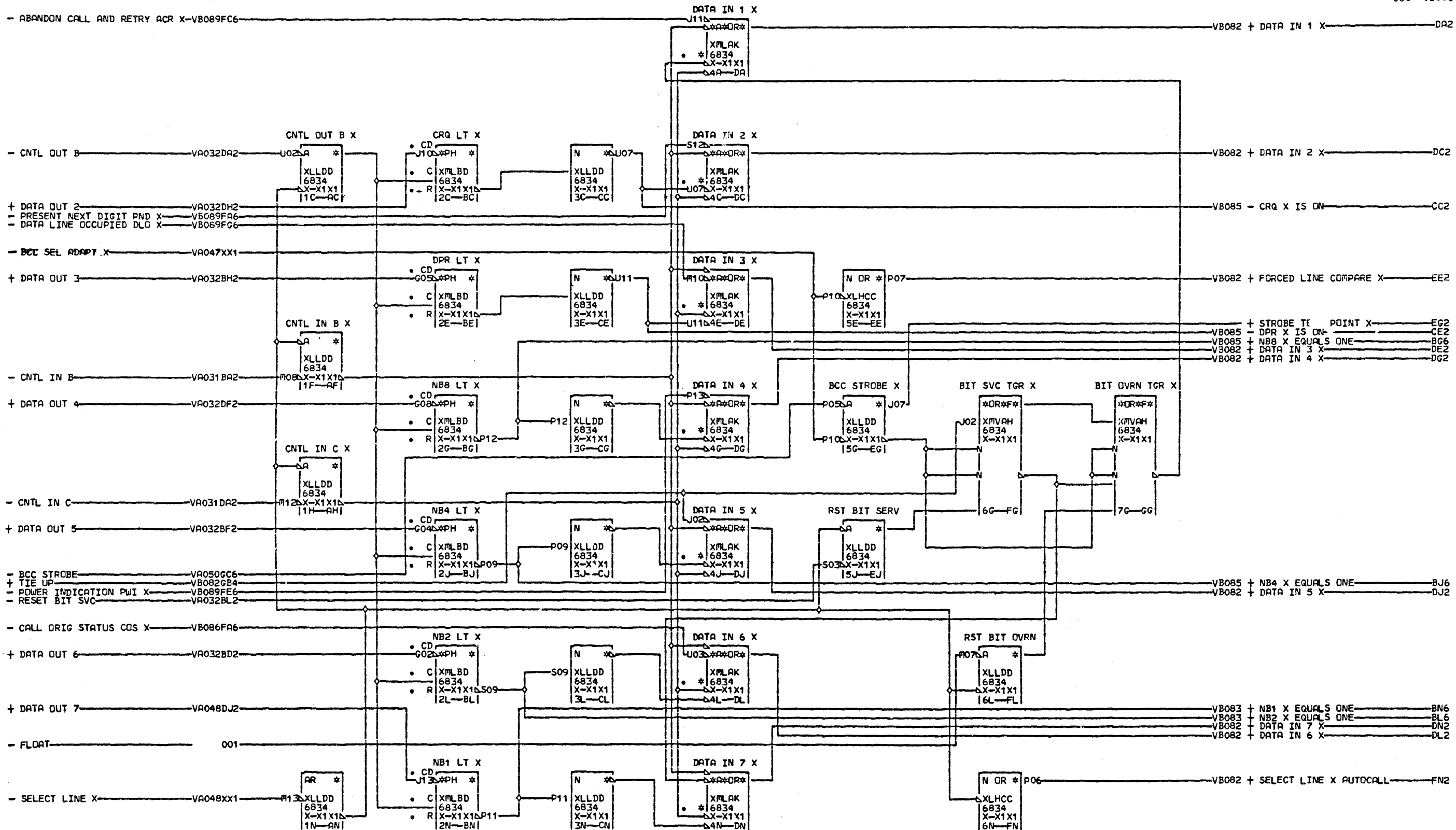
DB1 X-X1Z1D02
 DB3 X-X1Z1B04
 DB5 X-X1Z1B05
 DB7 X-X1Z1D05
 DC1 X-X1Z1B08
 DC3 X-X1Z1B10
 DC5 X-X1Z1B13
 DC7 X-X1U2D13

11-25-80 344401

LS1 LINE INTERFACE CABLE			
LINES X AND Y			
DATE	12-05-80	MACH.	3705
LOG	992	FRAME	01
		P.N.	4499383
IBM CORP.	SCD	BLK.	DF

VB072

000

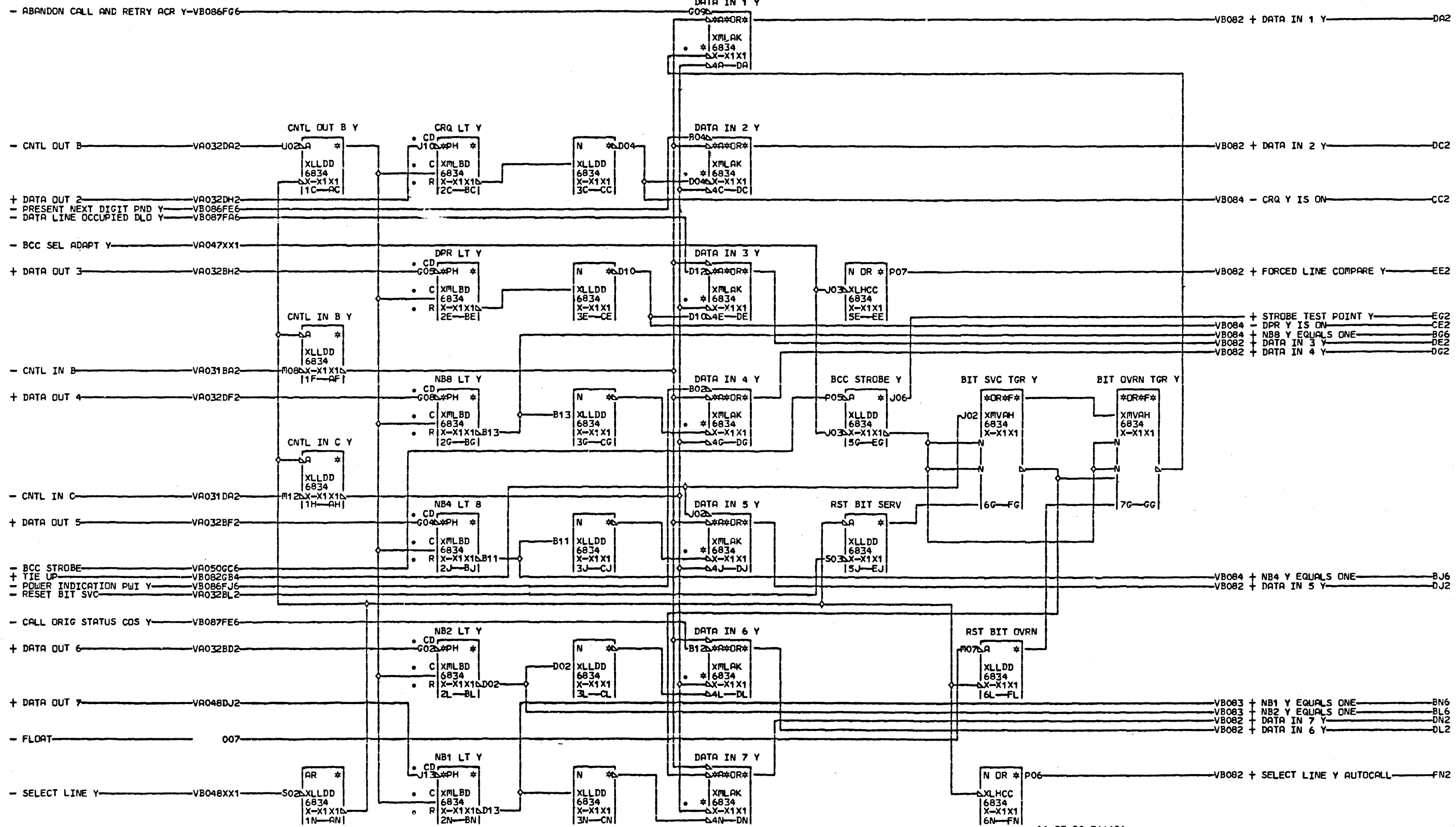


11-25-80 344401

LS4 AUTO CALL LINE PAIR			
DATE	12-05-80	MACH.	3705
LOG	992	FRAME	01
		P.N.	4499384
IBM CORP.	SDD BLK.	GH	

VB080
COO

VB080
000



11-25-80 344401

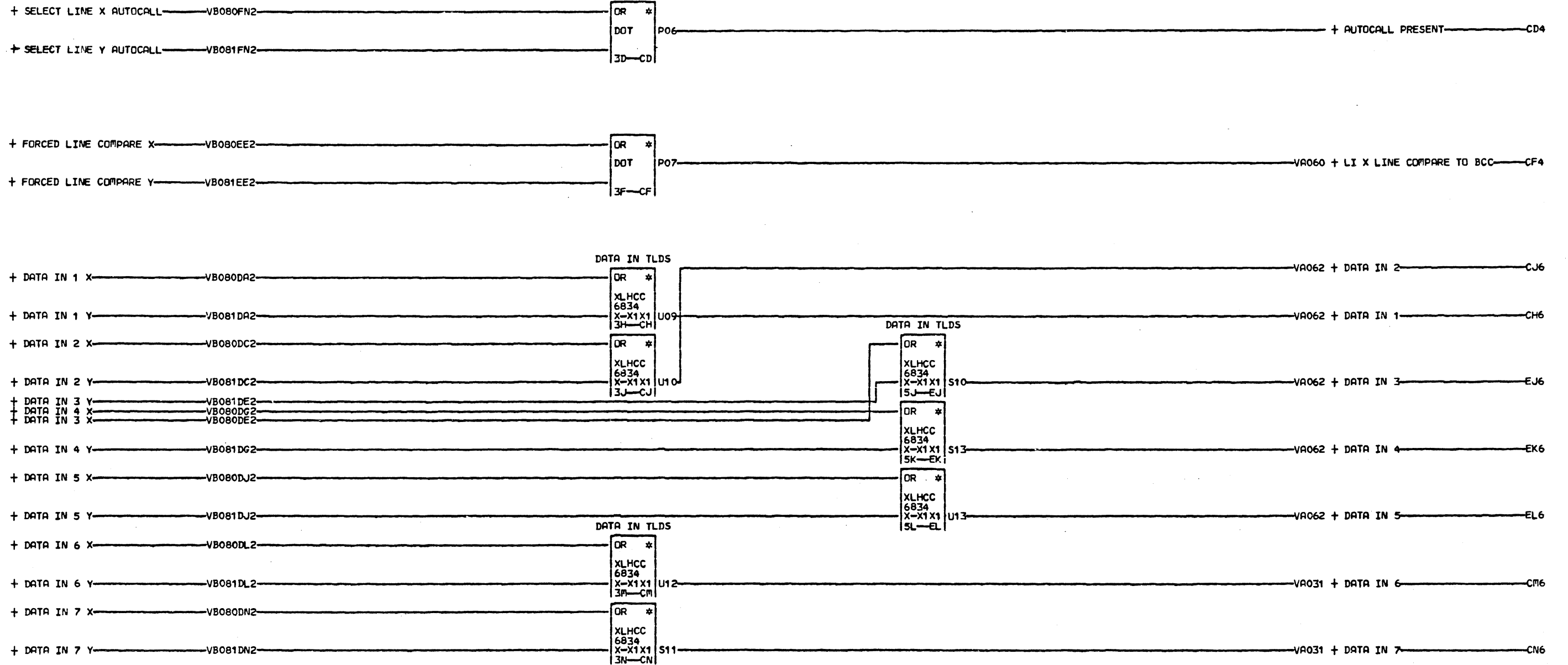
V
B
0
8
1

000

LS4 AUTO CALL			
LINE PAIR			
DATE	12-05-80	MACH.	3705
LOG	992	FRAME	01
		P.N.	4499385
IBM COP.		BLK.	GH

V
B
0
8
1

000



11-25-80 344401

V
B
0
8
2
000

LS4 AUTO CALL			
LINE PAIR			
DATE	12-05-80	MACH.	3705
LOG	992	FRAME	01
		P.No.	4499386
IBM CORP.	SDD	BLK.	GC

V
B
0
8
2
000

+ NB1 X EQUALS ONE - VB080BN6

MST-EIA

#CV-L*
XXZAA
757326
X-X1Y1D09
6A-FAI

D04

XXZAA
757326
X-X1Y1D09

- VB088 - DIGIT SIGNAL NB1 X

FA6

+ NB1 Y EQUALS ONE - VB081BN6

MST-EIA

#CV-L*
XXZAA
757327
X-X1Y1D09
6D-FDI

J04

XXZAA
757327
X-X1Y1D09

- VB088 - DIGIT SIGNAL NB1 Y

FD6

+ NB2 Y EQUALS ONE - VB081BL6

MST-EIA

#CV-L*
XXZAA
75731R
X-X1Y1D11
5G-EGI

G09

XXZAA
75731R
X-X1Y1D11

- VB088 - DIGIT SIGNAL NB2 Y

EG6

+ NB2 X EQUALS ONE - VB080BL6

MST-EIA

#CV-L*
XXZAA
75731S
X-X1Y1D11
5K-EKI

B09

XXZAA
75731S
X-X1Y1D11

- VB088 - DIGIT SIGNAL NB2 X

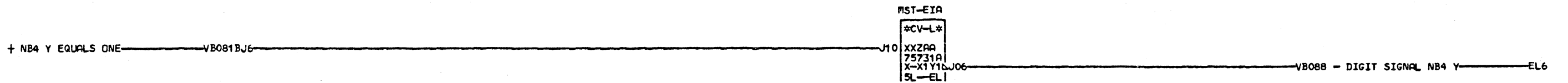
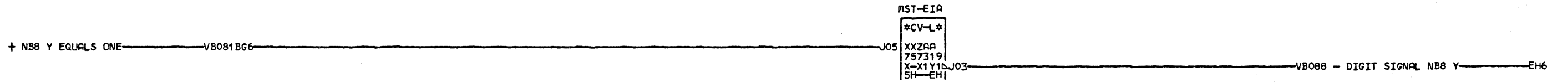
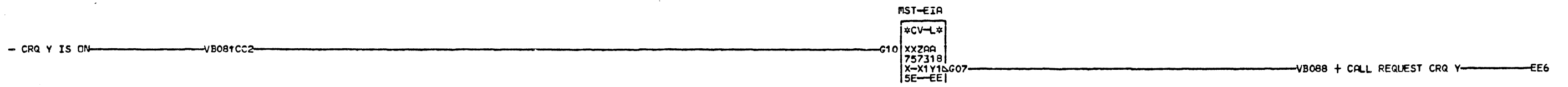
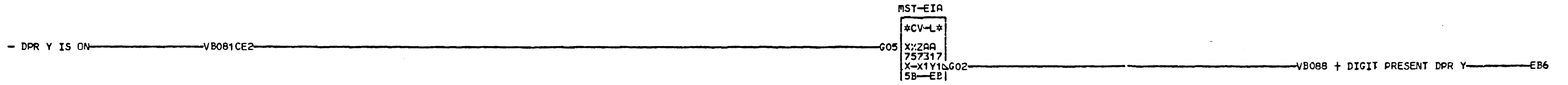
EK6

11-25-80 344401

V
B
0
8
3
000

LS4 AUTO CALL
LINE PAIR EIA DRIVERS
DATE 12-05-80 MACH. 3705
LOG 992 FRAME 01
P.N. 4499387
IBM CORP. SDD BLK. FF

V
B
0
8
3
000



11-25-80 344401

V
B
0
8
4
000

LS4 AUTO CALL			
LINE PAIR EIA DRIVERS			
DATE	12-05-80	MACH.	3705
LOG	992	FRAME	01
		P.N.	4499388
IBM CORP.	SDD	BLK.	EN

V
B
0
8
4
000

- DPR X IS ON — VB080CE2 — B05 — MST-EIA — B02 — EB6

MST-EIA
#CV-L*
XX2FA
75731B
X-X1Y1B02
5B-EB

VB088 + DIGIT PRESENT DPR X — EB6

- CRQ X IS ON — VB080CC2 — B10 — MST-EIA — B07 — EE6

MST-EIA
#CV-L*
XX2AA
75731C
X-X1Y1B07
5E-EE

VB088 + CALL REQUEST CRQ X — EE6

+ NB8 X EQUALS ONE — VB080BG6 — D05 — MST-EIA — D03 — EH6

MST-EIA
#CV-L*
XX2AA
75731D
X-X1Y1D03
5H-EH

VB088 - DIGIT SIGNAL NB8 X — EH6

+ NB4 X EQUALS ONE — VB080BJ6 — D10 — MST-EIA — D06 — EL6

MST-EIA
#CV-L*
XX2AA
75731E
X-X1Y1D06
5L-EL

VB088 - DIGIT SIGNAL NB4 X — EL6

11-25-80 344401

V
B
0
8
5
000

LS4 AUTO CALL
LINE PAIR EIA DRIVERS
DATE 12-05-80 MACH. 3705
LOG 992 FRAME 01
P.N. 4499389
IBM CORP. SDD BLK. EN

V
B
0
8
5
000

+ CALL ORIG STATUS COS X - VB088CF5

EIA-MST
 CV *
 XXZAB
 75741H
 X-X1Z1bB10
 6A-FAI

B09

XXZAB

75741H

X-X1Z1bB10

6A-FAI

VB080 - CALL ORIG STATUS COS X - FA6

+ PRESENT NEXT DIGIT PND Y - VB088CK7

EIA-MST
 CV *
 XXZAB
 75741K
 X-X1Z1bG04
 6E-FEI

G09

XXZAB

75741K

X-X1Z1bG04

6E-FEI

VB081 - PRESENT NEXT DIGIT PND Y - FE6

+ ABANDON CALL AND RETRY ACR Y - VB088CK8

EIA-MST
 CV *
 XXZAB
 75741L
 X-X1Z1bG05
 6G-FGI

G05

XXZAB

75741L

X-X1Z1bG05

6G-FGI

VB081 - ABANDON CALL AND RETRY ACR Y - FG6

+ POWER INDICATION PWI Y - VB088CM3

EIA MST
 CV *
 XXZAB
 75741M
 X-X1Z1bG07
 6J-FJI

J13

XXZAB

75741M

X-X1Z1bG07

6J-FJI

VB081 - POWER INDICATION PWI Y - FJ6

11-25-80 344401

VB086
000

LS4 AUTO CALL EIA
 TERMINATOR CARD
 DATE 12-05-80 MACH. 3705
 LOG 992 FRAME 01
 P.N. 4499390
 IBM CORP. SDD BLK. GN

VB086
000

+ DATA LINE OCCUPIED DLO Y—VB088CH4

EIA-RST

CV *
XXZAB
75741N
X-X1Z1J05
6A—FAI

—VB081 - DATA LINE OCCUPIED DLO Y—FA6

+ CALL ORIG STATUS COS Y—VB088CM5

EIA-RST

CV *
XXZAB
75741Q
X-X1Z1G10
6E—FEI

D13

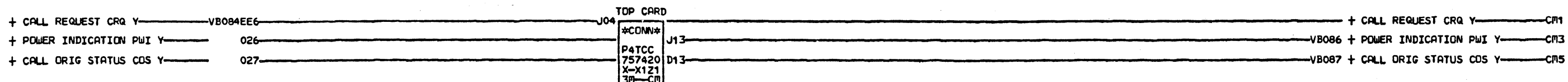
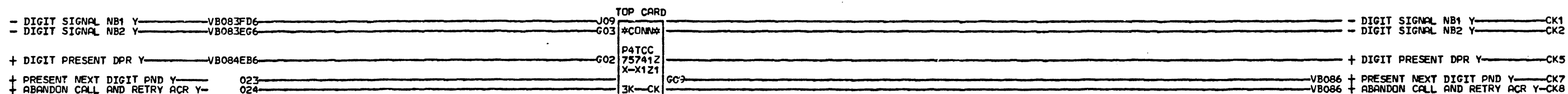
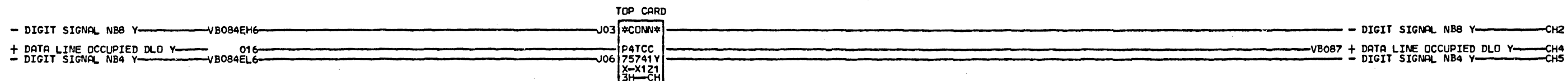
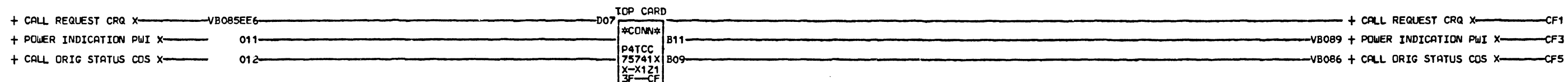
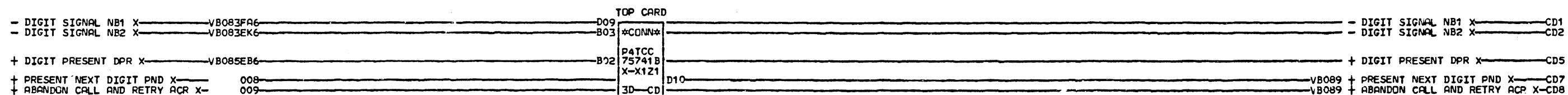
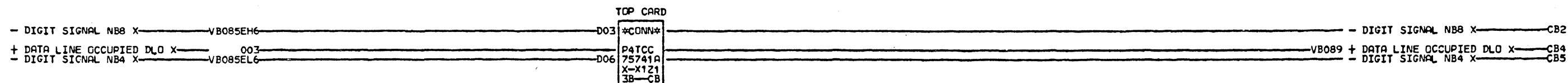
—VB081 - CALL ORIG STATUS COS Y—FE6

V
B
0
8
7
000

11-25-80 344401

LS4 AUTO CALL EIA			
TERMINATOR CARD			
DATE	12-05-80	MACH.	3705
LOG	992	FRAME	01
		P.No.	4499391
IBM CORP.	SDD	BLK.	FK

V
B
0
8
7
000



11-25-80 344401

V
B
0
8
8
000

LS4 AUTO CALL EIA TERMINATOR CARD			
DATE	12-05-80	MACH.	3705
LOG	992	FRAME	01
		P.N.	4499392
IBM CORP.	SDD BLK.		DM

V
B
0
8
8
000

+ PRESENT NEXT DIGIT PND X—VB088CD7

EIA-MST

CV *
XXZAB
75741C
X-X1Z1B04
6A—FAI

D10

B04

VB080 - PRESENT NEXT DIGIT PND X—FA6

+ ABANDON CALL AND RETRY ACR X—VB088CD8

EIA-MST

CV *
XXZAB
75741D
X-X1Z1B05
6C—FCI

B05

VB080 - ABANDON CALL AND RETRY ACR X—FC6

+ POWER INDICATION PWI X—VB088CF3

EIA-MST

CV *
XXZAB
75741E
X-X1Z1B07
6E—FEI

B11

B07

VB080 - POWER INDICATION PWI X—FE6

+ DATA LINE OCCUPIED DLO X—VB088CB4

EIA-MST

CV *
XXZAB
75741F
X-X1Z1B05
6G—FGI

B05

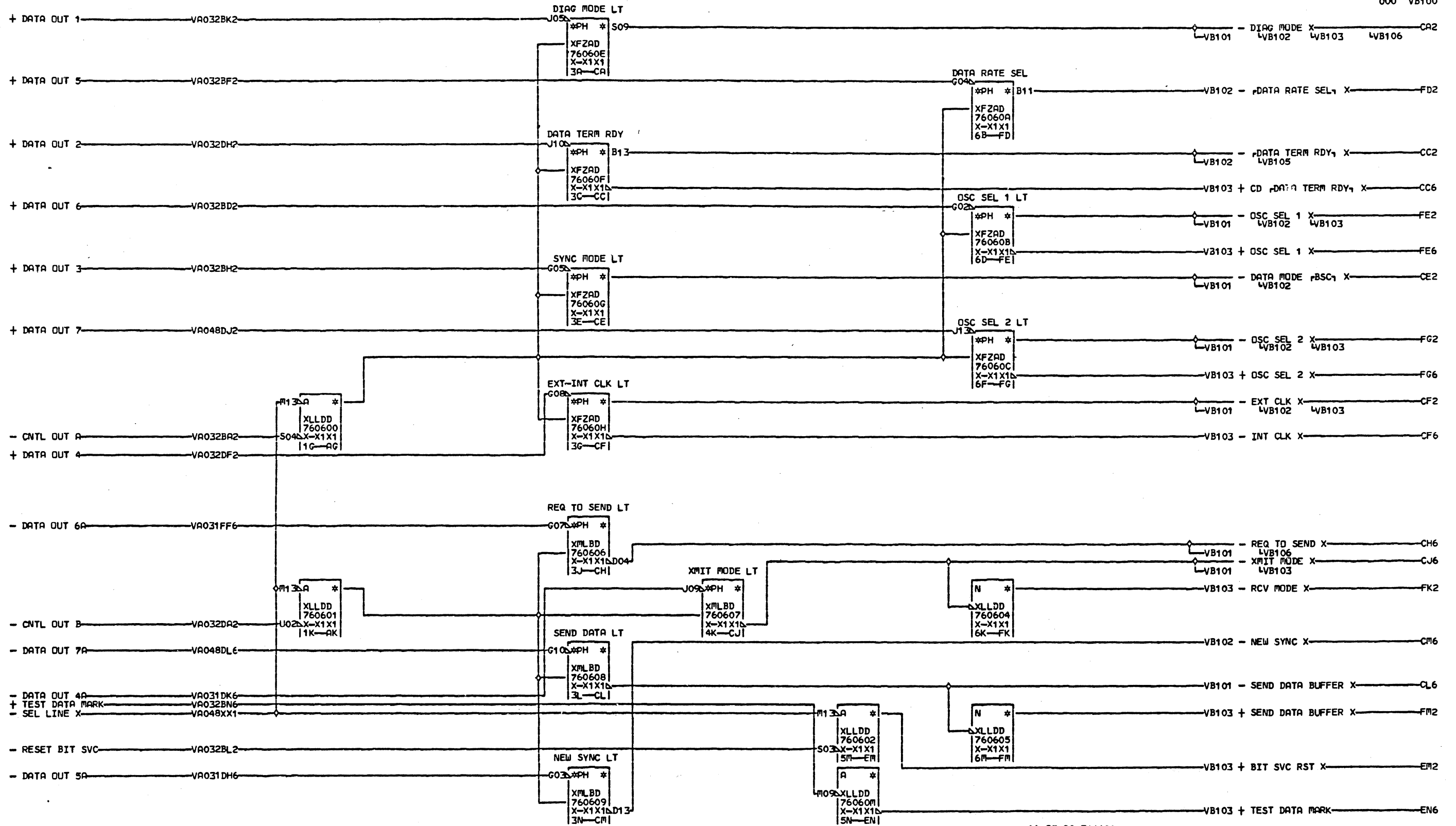
VB080 - DATA LINE OCCUPIED DLO X—FG6

11-25-80 344401

VB089
000

LS4 AUTO CALL EIA			
TERMINATOR CARD			
DATE	12-05-80	MACH.	3705
LOG	992	FRAME	01
		P.N.	4499393
IBM CORP.	SDD	BLK.	FK

VB089
000

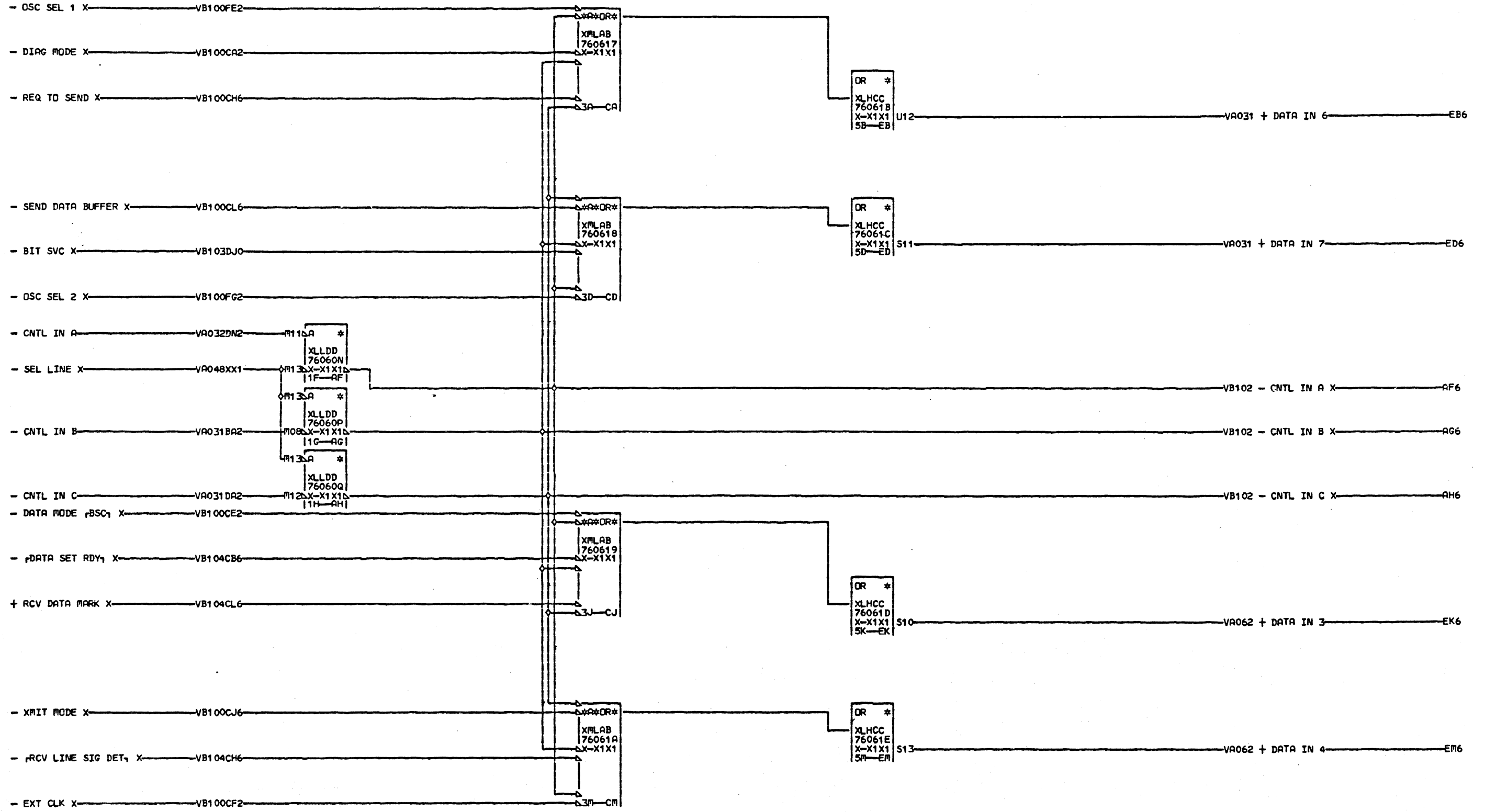


11-25-80 344401

V
B
1
0
0
C
0
0

LS3 DIGITAL LINE HDX		
DATE	12-05-80	MACH. 3705
LOG	992	FRAME 01
		P.N. 4499394
IBM CORP.	SDD BLK.	GL

V
B
1
0
0
C
0
0

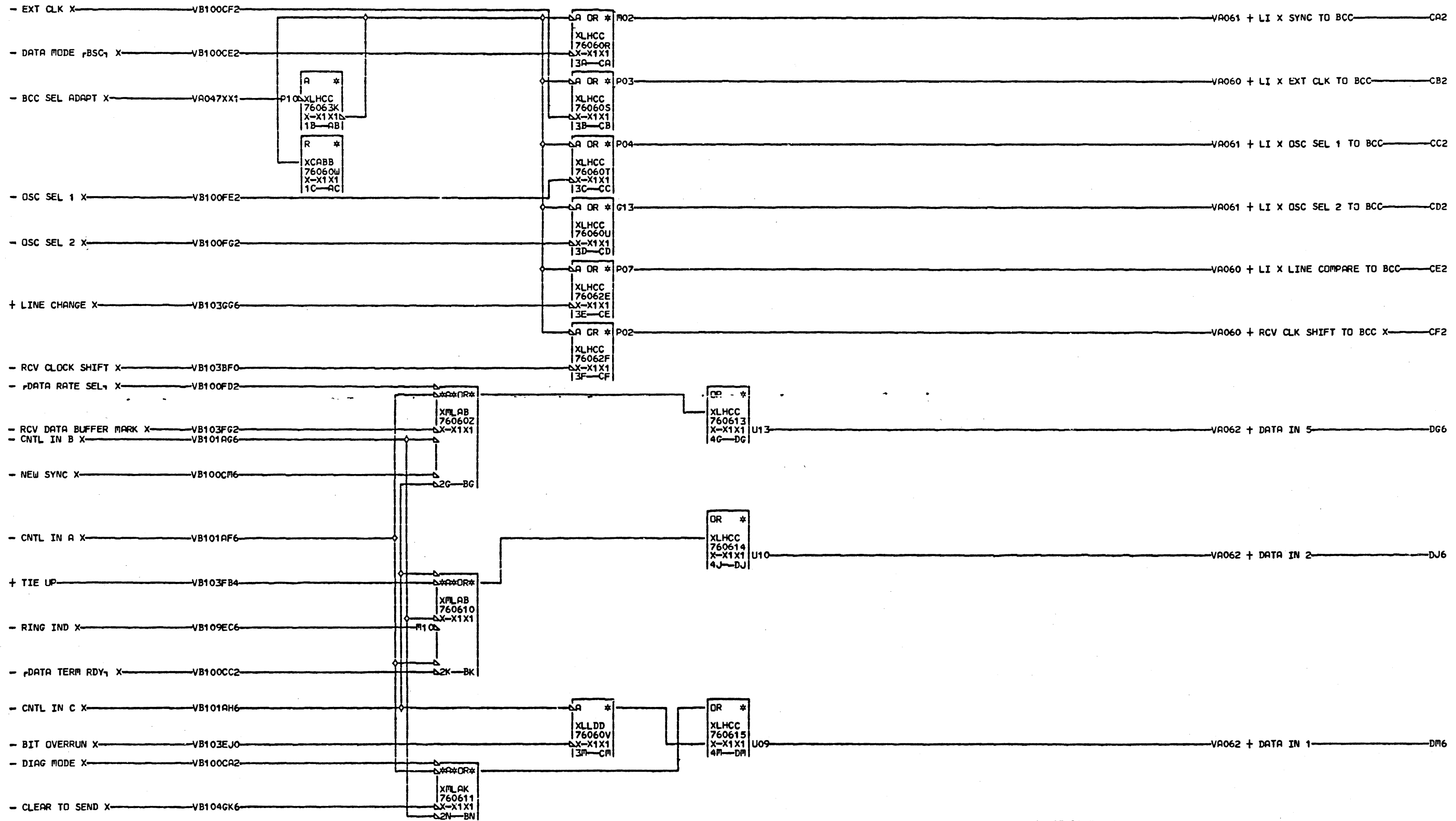


11-25-80 344401

VB101
000

LS3 DIGITAL LINE HDX			
DATE	12-05-80	MACH.	3705
LOG	992	FRAME	01
		P.No.	4499395
IBM CORP.	SDD	BLK.	EN

VB101
000

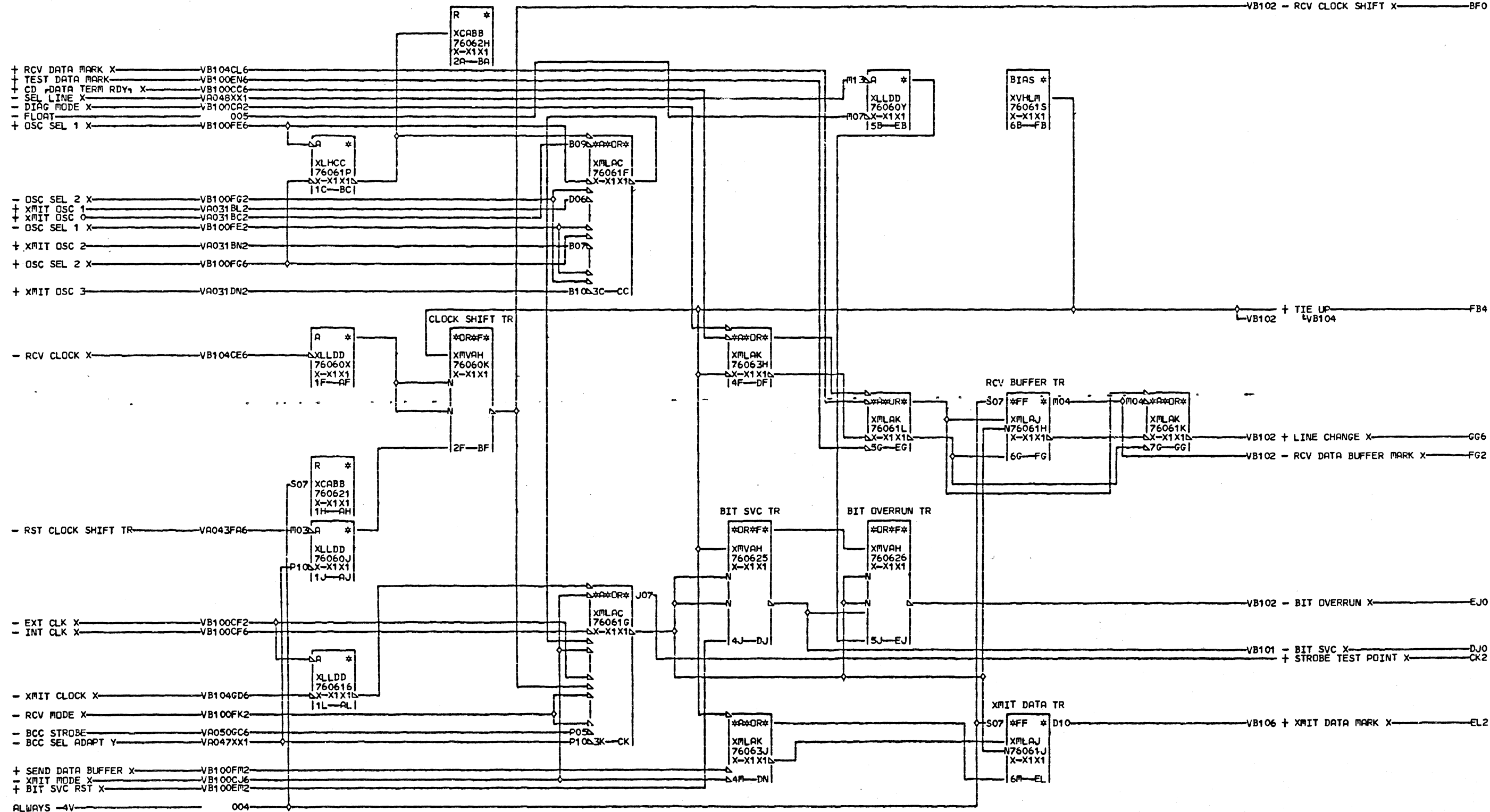


VB102
000

11-25-80 344401

LS3 DIGITAL LINE HDX			
DATE	12-05-80	MACH.	3705
LOG	992	FRAME	01
		P.N.	4499396
IBM CORP.	SDD BLK.		DN

VB102
000

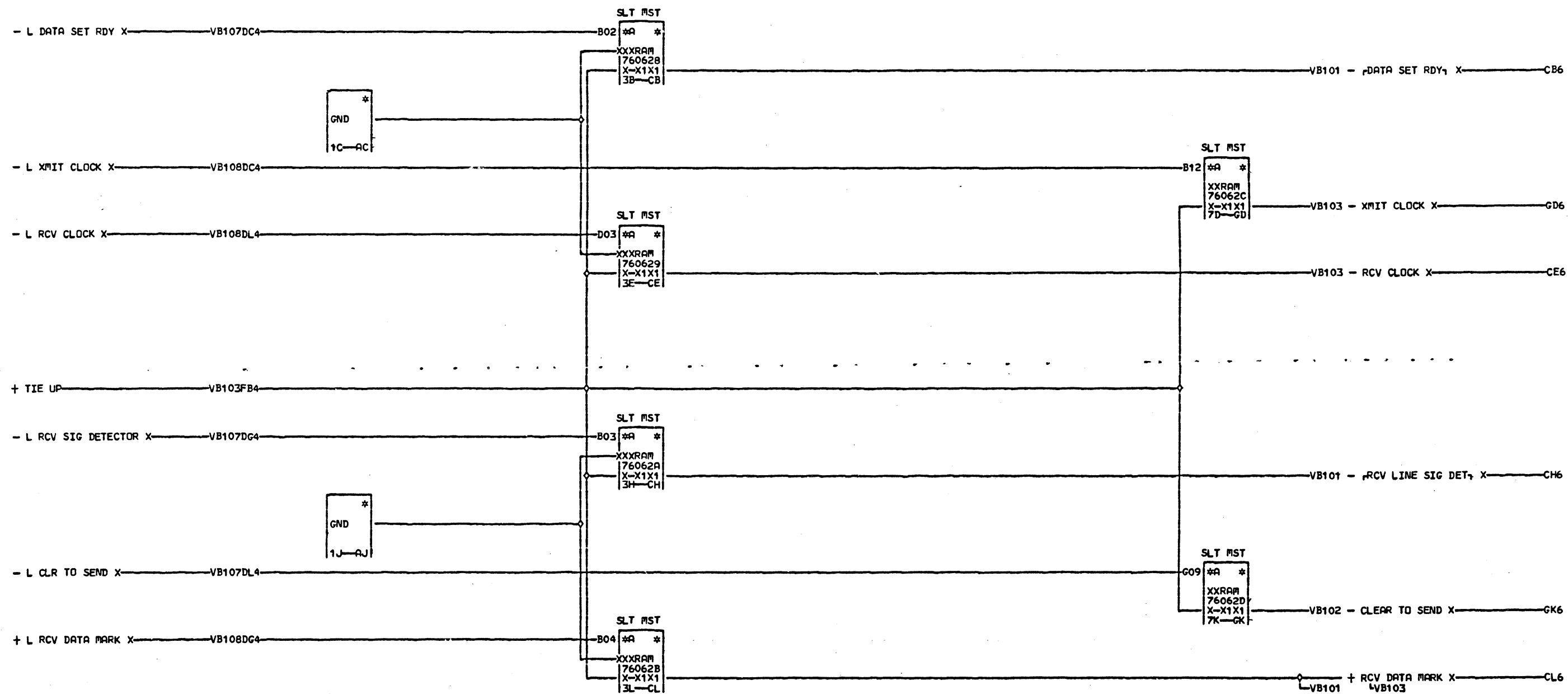


11-25-80 344401

VB103
000

LS3 DIGITAL LINE HDX			
DATE	12-05-80	MACH.	3705
LOG	992	FRAME	01
P.N.		4499397	
IBM CORP.	SDD	BLK.	GH

VB103
000



11-25-80 344401

VB104
000

LS3 DIGITAL LINE HDX			
DATE	12-05-80	MACH.	3705
LOG	992	FRAME	01
		P.N.	4499398
IBM CORP.	SDD BLK.		GL

VB104
000

- DATA TERM RDY, X VB100CC2

MST-EIA

#CV-L*

XXZAA

757611

X-X1 Y1

SB-EB1

J05

J03

VB110 + EIA DATA TERM RDY X

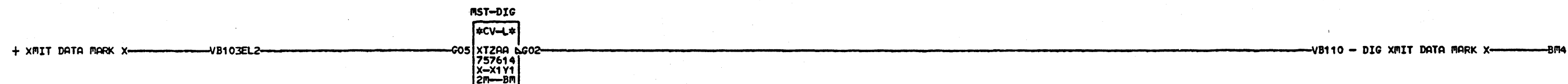
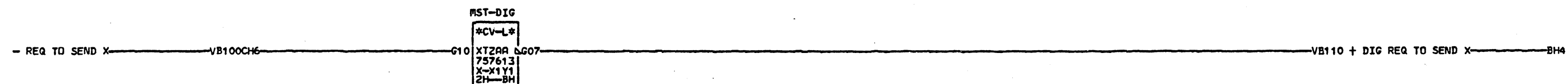
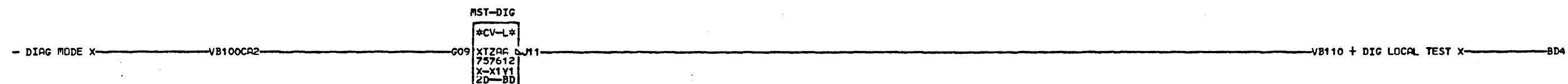
EB6

11-25-80 344401

VB105
000

LS3 DIGITAL DRIVERS HDX			
DATE	12-05-80	MACH.	3705
LOG	992	FRAME	01
		P.N.	4499399
IBM CORP.	SDD	BLK.	FF

VB105
000

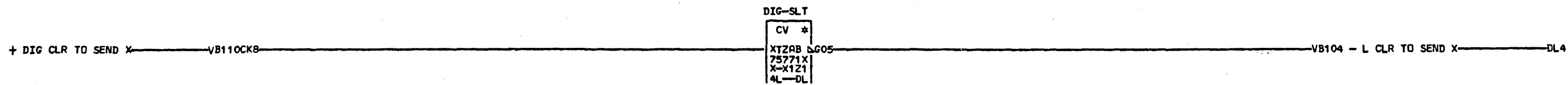
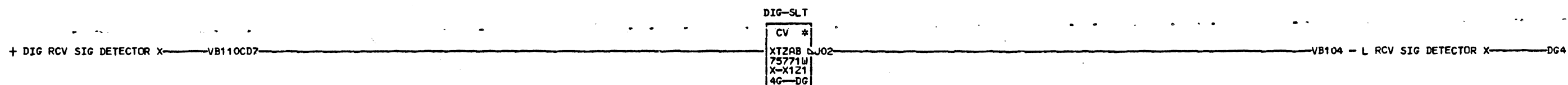
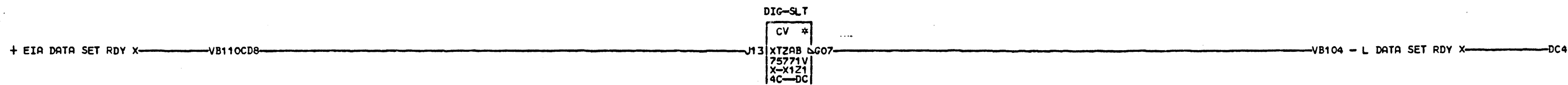


11-25-80 344401

VB106
000

LS3 DIGITAL DRIVERS HDX			
DATE	12-05-80	MACH.	3705
LOG	992	FRAME	01
		P.N.	4499400
IBM CORP.	SDD	BLK.	FR

VB106
000

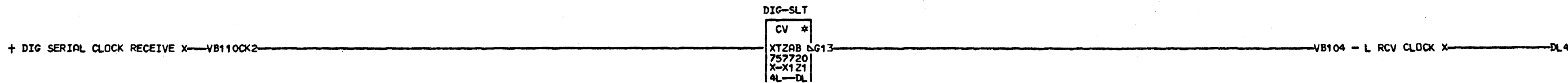
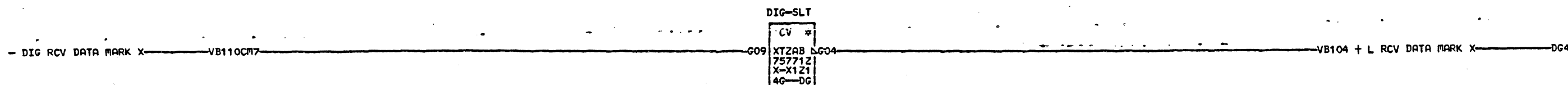
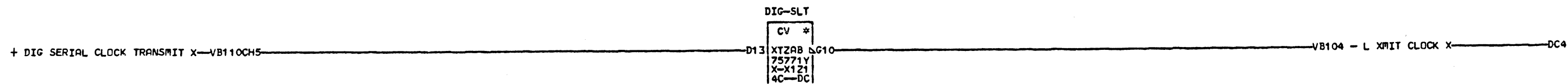


11-25-80 344401

VB107
000

LS3 DIGITAL HDX			
TERMINATOR CARD			
DATE	12-05-80	MACH.	3705
LOG	992	FRAME	01
		P.N.	4499401
IBM CORP.	SDD	BLK.	GL

VB107
000



11-25-80 344401

V
B
1
0
8

000

LS3 DIGITAL HDX		
TERMINATOR CARD		
DATE	12-05-80	MACH. 3705
LOG	992	FRAME 01
P.N. 4499402		
IBM CORP.	SDD BLK.	GL

V
B
1
0
8

000

+ EIA RING IND X VB110CB1

EIA-MST

CV *
XXZAB
75771N
X-X1Z1LD05
5C-EC

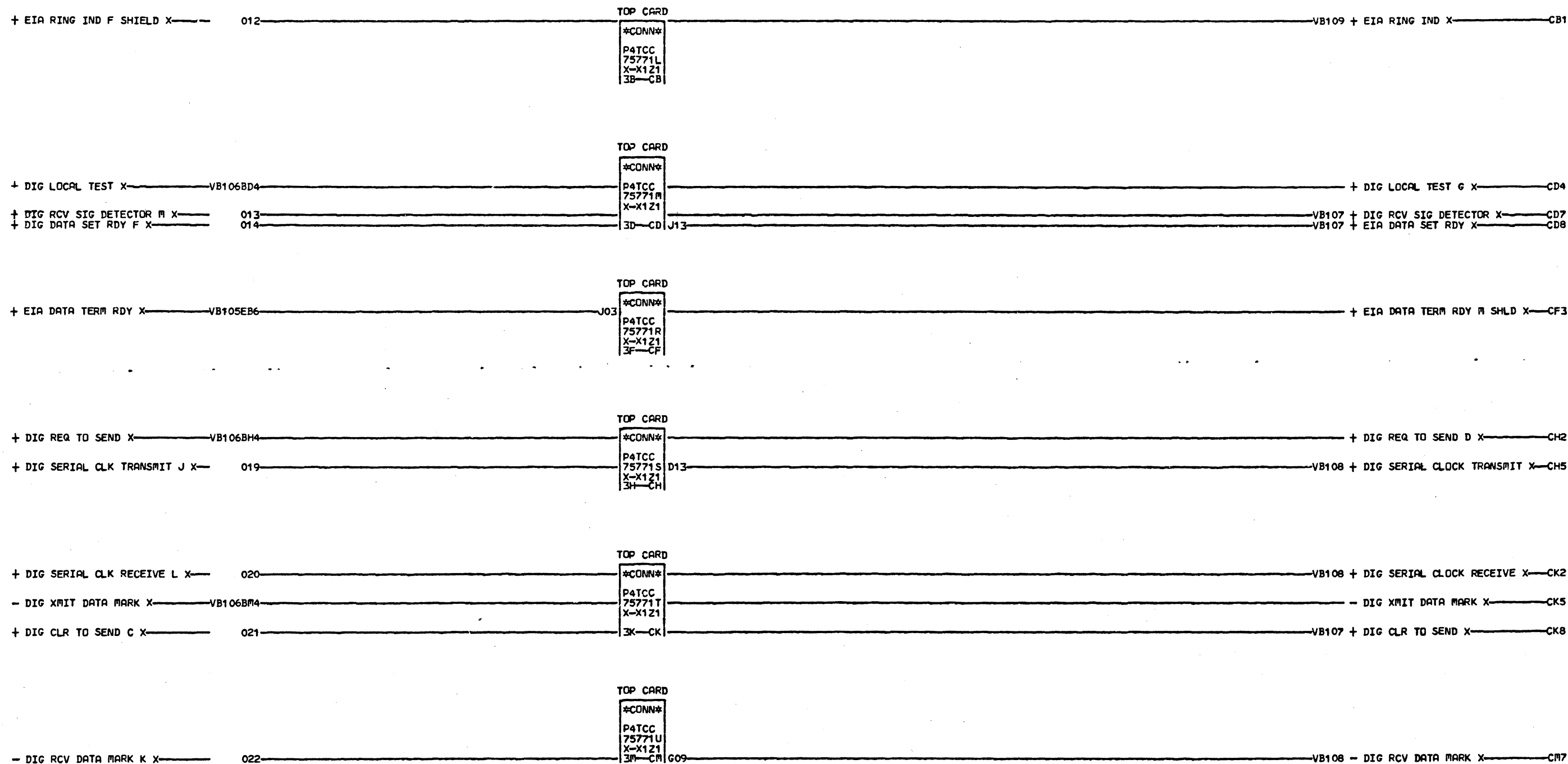
VB102 - RING IND X EC6

11-25-80 344401

LS3 DIGITAL HDX			
TERMINATOR CARD			
DATE	12-05-80	MACH.	3705
LOG	992	FRAME	01
		P.No.	4499403
IBM CORP.	SDD	BLK.	FJ

VB109
000

VB109
000

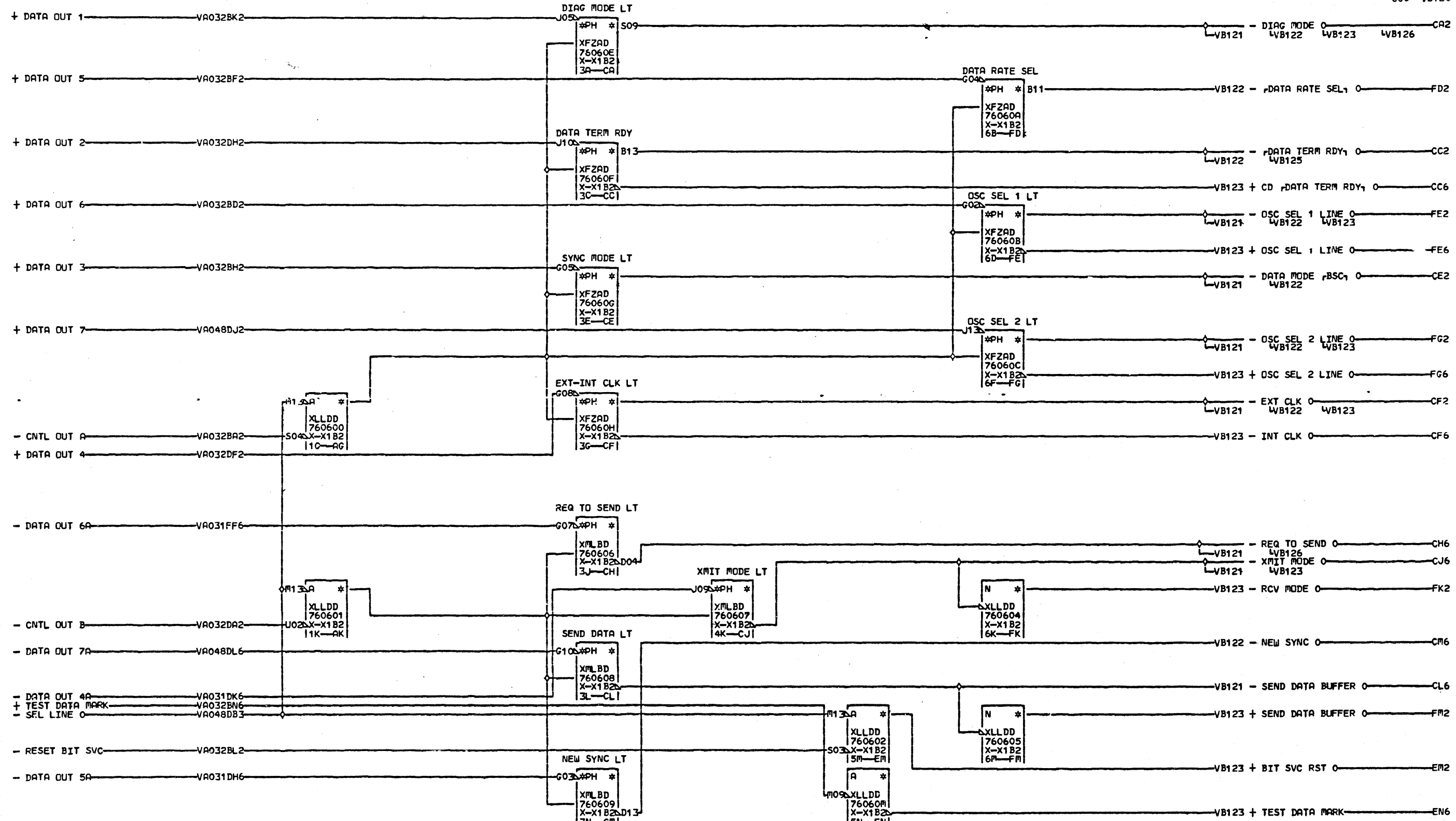


11-25-80 344401

V
B
1
1
0
000

LS3 DIGITAL HDX TERMINATOR CARD			
DATE	12-05-80	MACH. 3705	
LOG	992	FRAME	01
		P.N.	4499404
IBM CORP.	SDD	BLK.	EL

V
B
1
1
0
000

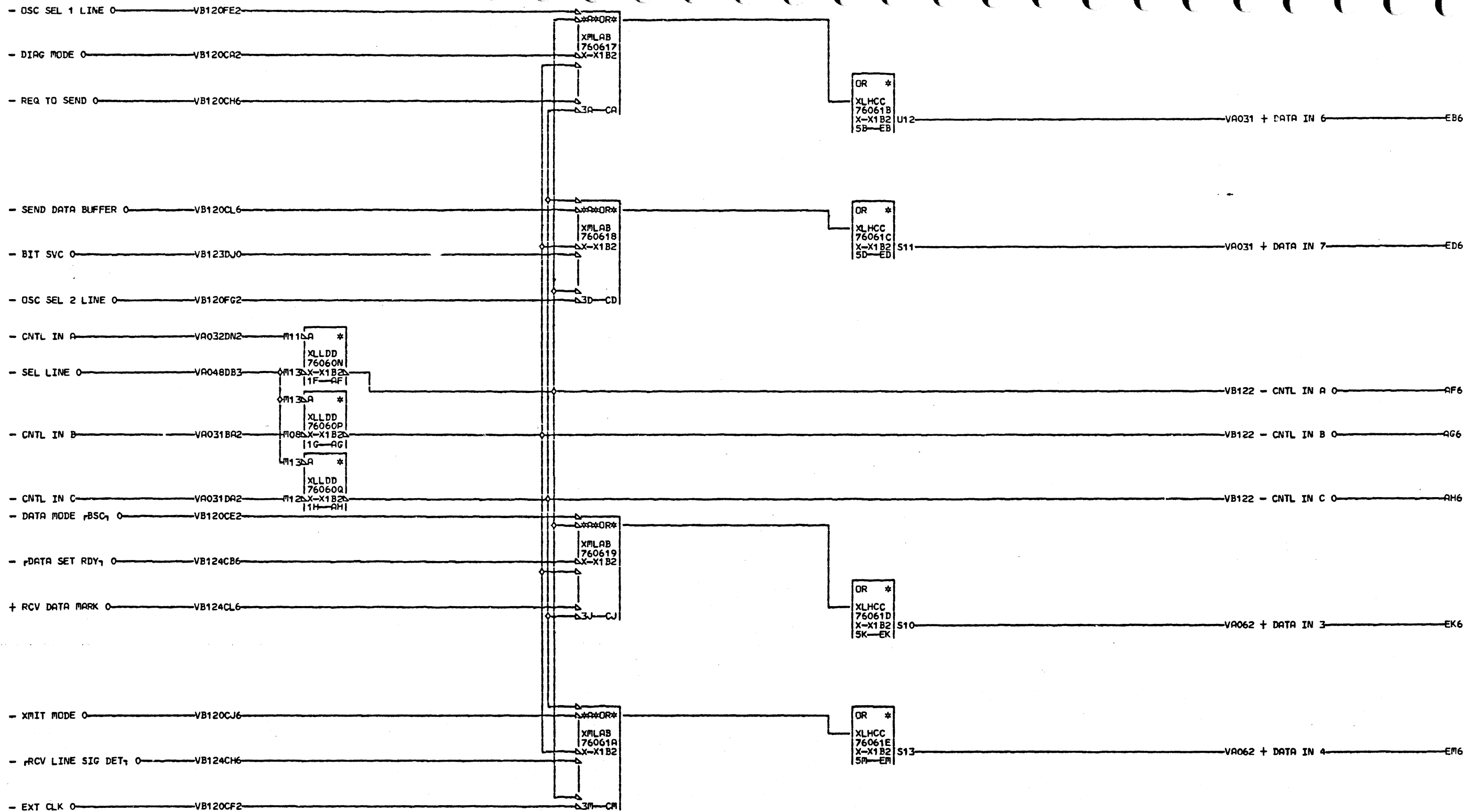


11-25-80 344401

VB
1
2
0
000

LS3 DIGITAL LINE DX			
DATE	12-05-80	MACH.	3705
LOG	992	FRAME	01
		P.N.	4499405
IBM CORP.	SDD	BLK.	GL

VB
1
2
0
000

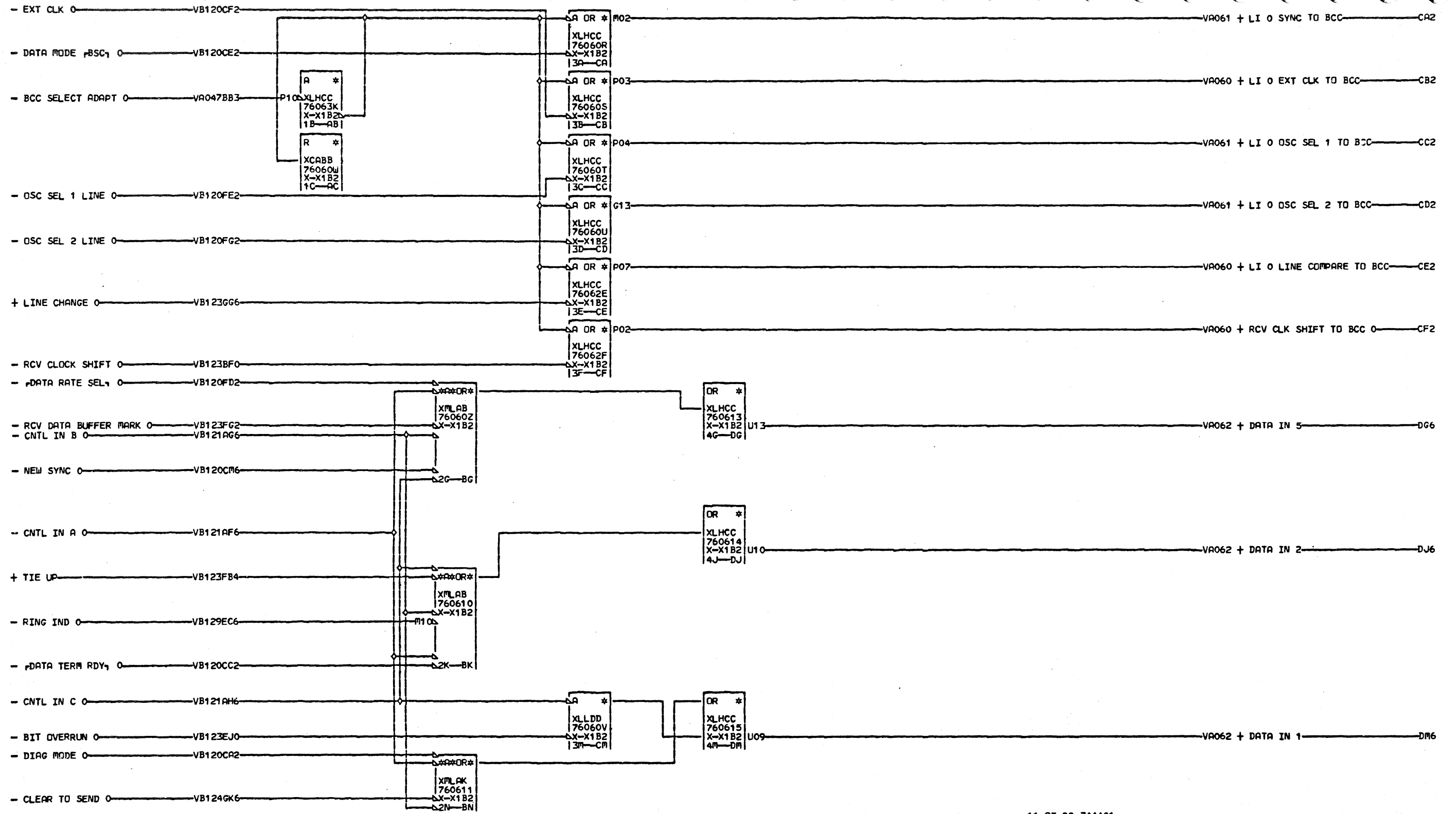


V
B
1
2
1
000

11-25-80 344401

LS3 DIGITAL LINE DX			
DATE	12-05-80	MACH.	3705
LOG	992	FRAME	01
		P.N.	4499406
IBM CORP.	SDD BLK.		EN

V
B
1
2
1
000

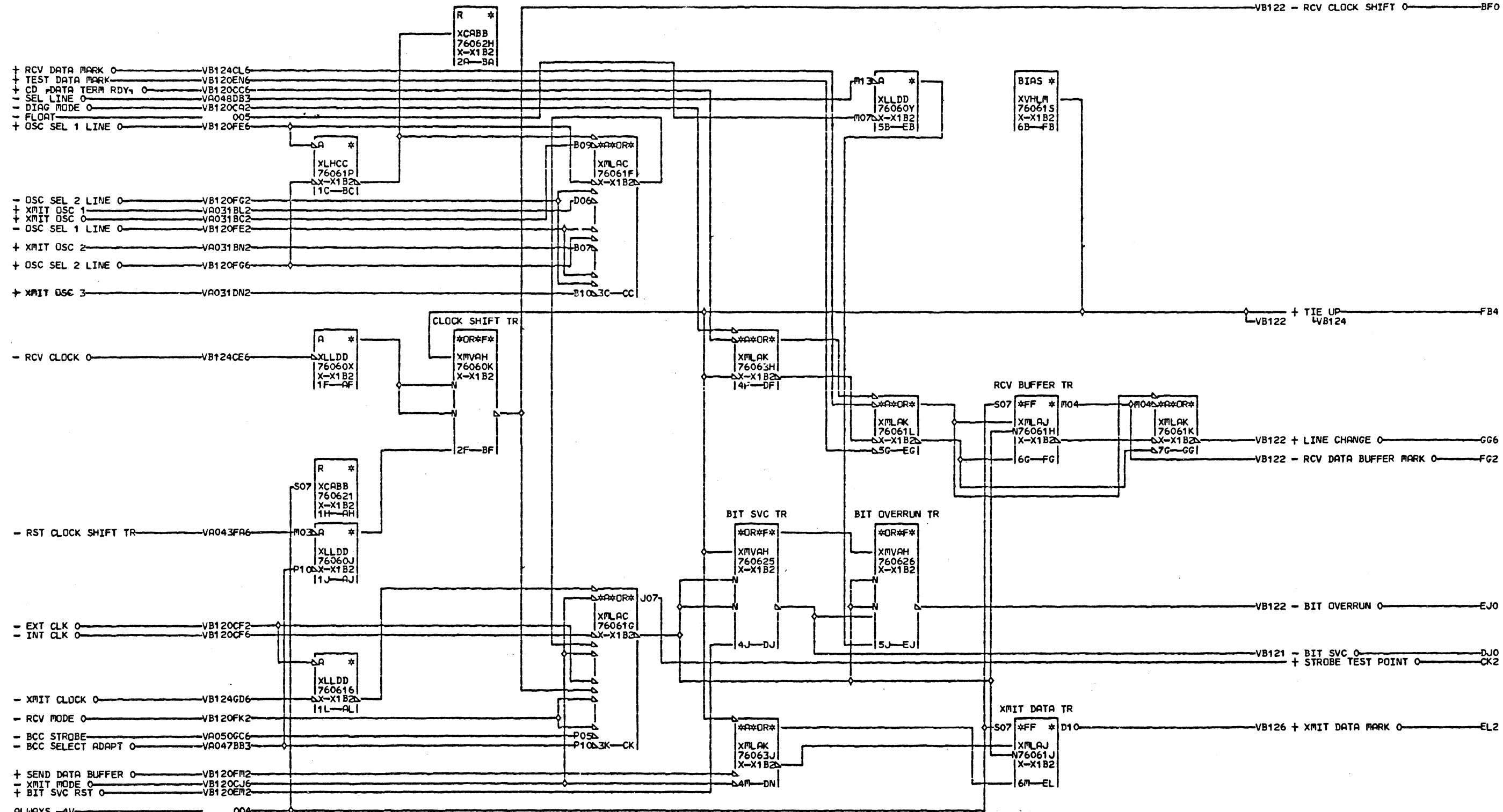


11-25-80 344401

VB122
000

LS3 DIGITAL LINE DX			
DATE	12-05-80	MACH.	3705
LOG	992	FRAME	01
		P.N.	4499407
IBM CORP.	SDD BLK.		DN

VB122
000



11-25-80 344401

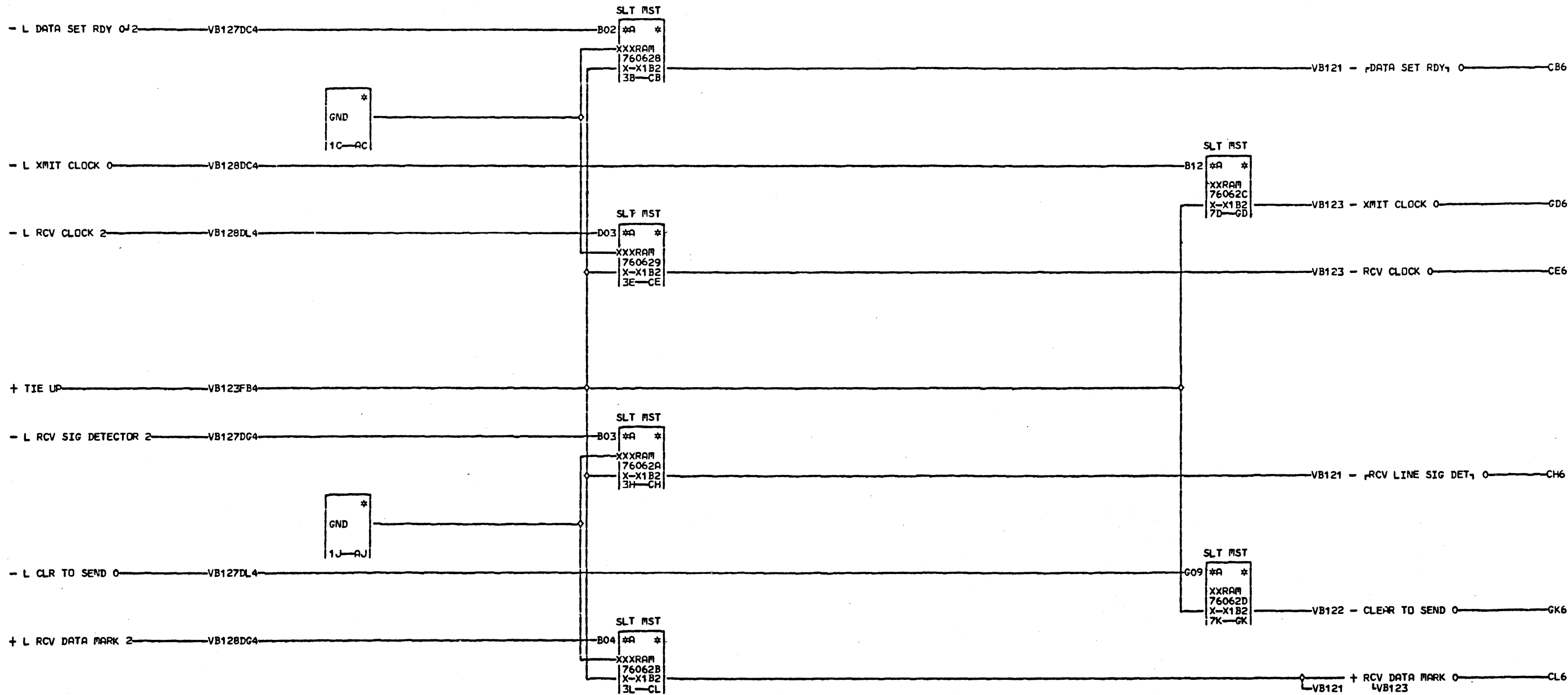
VB123

000

LSI DIGITAL LINE DX		
TERMINATOR CARD		
DATE	12-05-80	MACH. 3705
LOG	992	FRAME 01
P.N. 4499408		
IBM CORP.	SDD BLK.	GH

VB123

000



11-25-80 344401

V
B
1
2
4
000

LS3 DIGITAL LINE DX			
DATE	12-05-80	MACH.	3705
LOG	992	FRAME	01
		P.N.	4499409
IBM CORP.	SDD	BLK.	GL

V
B
1
2
4
000

DATA TERM RDY, 0 VB120CC2

AST-EIA
 #CV-L*
 J05 XXZAA
 757611
 X-X1M2 J03
 5B-EBI

VB130 + EIA DATA TERM RDY 0 EB6

11-25-80 344401

VB125
000

LS3 DIGITAL DRIVERS DX			
DATE	12-05-80	MACH.	3705
LOG	992	FRAME	01
		P.No.	4499410
IBM CORP.	SDD	BLK.	FF

VB125
000

- DIAG MODE 0 — VB120CA2 — G09 **MST-DIG** XTZAA 6J11 — VB130 + DIG LOCAL TEST 0 — BD4

CV-L
757612
X-X1 M2
2D-BD

- REQ TO SEND 0 — VB120CH6 — G10 **MST-DIG** XTZAA 6G07 — VB130 + DIG REQ TO SEND 0 — BH4

CV-L
757613
X-X1 M2
2H-BH

+ XMIT DATA MARK 0 — VB123EL2 — G05 **MST-DIG** XTZAA 6G02 — VB130 + DIG XMIT DATA MARK 0 — BM4

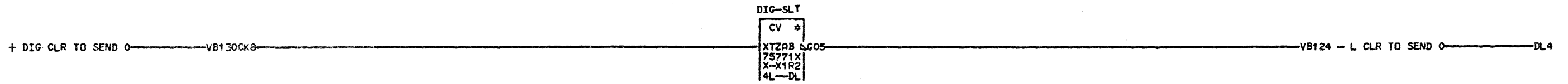
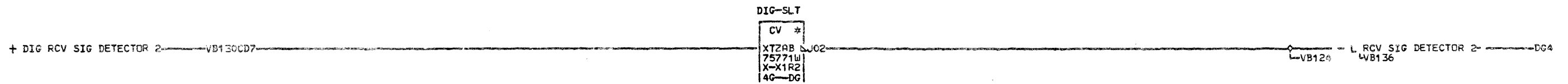
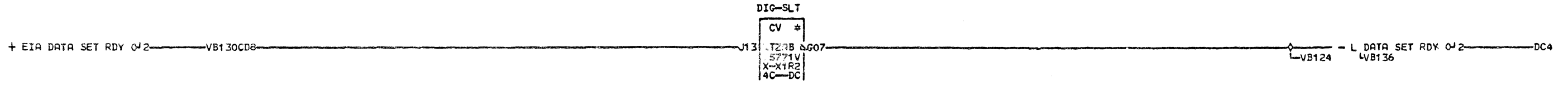
CV-L
757614
X-X1 M2
2M-BM

11-25-80 344401

VB126
000

LS3 DIGITAL DRIVERS DX			
DATE	12-05-80	MACH.	3705
LOG	992	FRAME	01
		P.N.	4499411
IBM CORP.	SDD BLK.	FR	

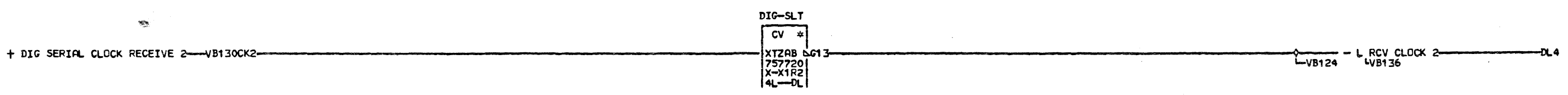
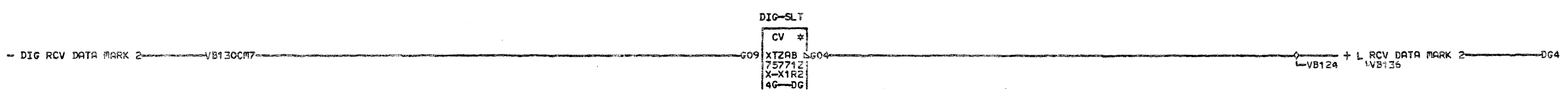
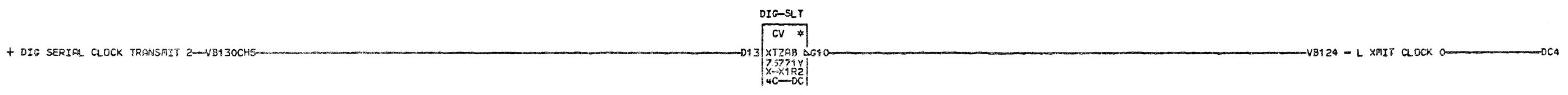
VB126
000



11-25-80 344401

VB127
000

LS3 DIGITAL DX TERMINATOR CARD			
DATE	12-05-80	MACH.	3705
LOG	992	FRAME	01
P.N.		4499412	
IBM CORP.	SDD BLK.	GL	000



11-25-80 344401

V
B
1
2
8
000

LS3 DIGITAL DX			
TERMINATOR CARD			
DATE	12-05-80	MACH.	3705
LOG	992	FRAME	01
		P.N.	4499413
IBM CORP.	SDD	BLK.	GL

V
B
1
2
8
000

+ EIA RING IND 0 VB130CB1

EIA-MST

CV	*
VVZOB	
75771N	
X-X1R2	D05
SC-EC	

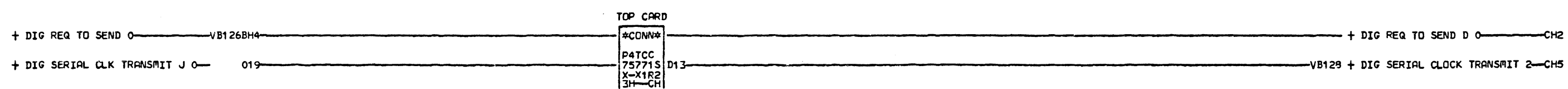
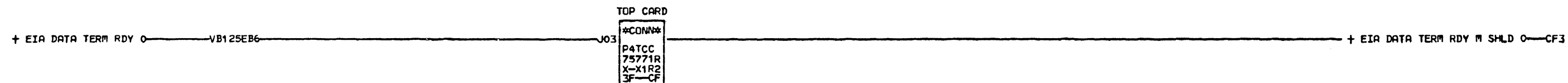
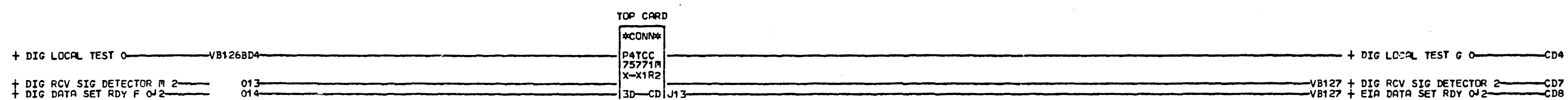
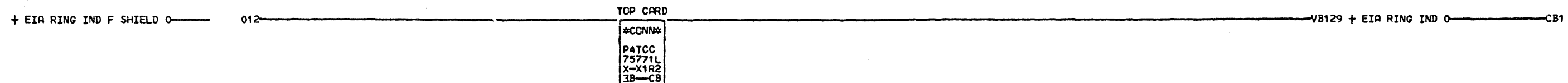
VB122 - RING IND 0 EC6

PAR-NP
000

11-25-80 344401

LS3 DIGITAL DX			
TERMINATOR CARD			
DATE	12-05-80	MACH.	3705
LOG	992	FRAME	01
		P.N.	4499414
IBM CORP.	SDD	BLK.	FJ

V
B
1
2
9
000



11-25-80 344401

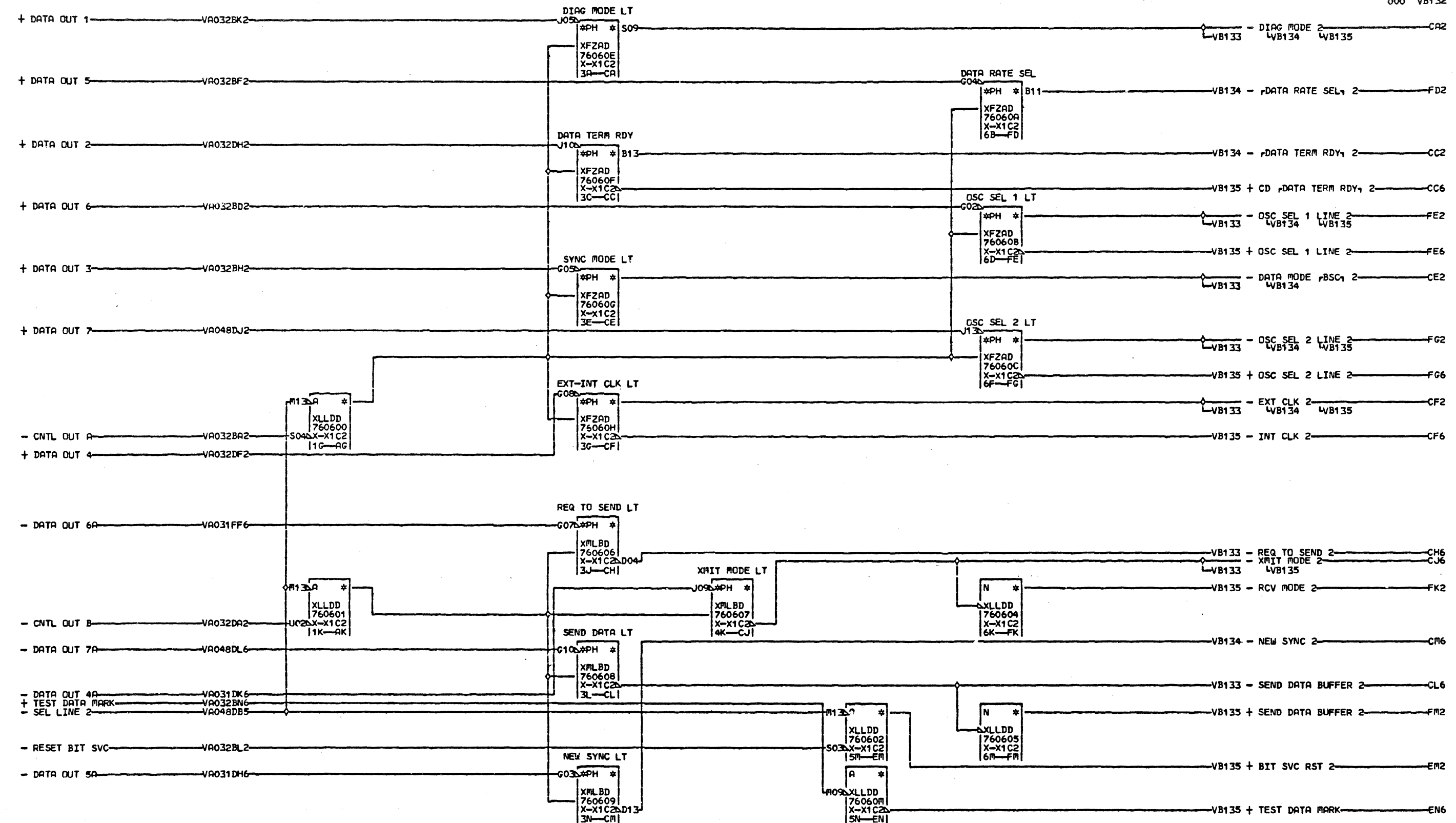
V
B
1
3
0

000

LS3 DIGITAL DX			
TERMINATOR CARD			
DATE	12-05-80	MACH.	3705
LOG	992	FRAME	01
		P.N.	4499415
IBM CORP.	SDD BLK.		EL

V
B
1
3
0

000

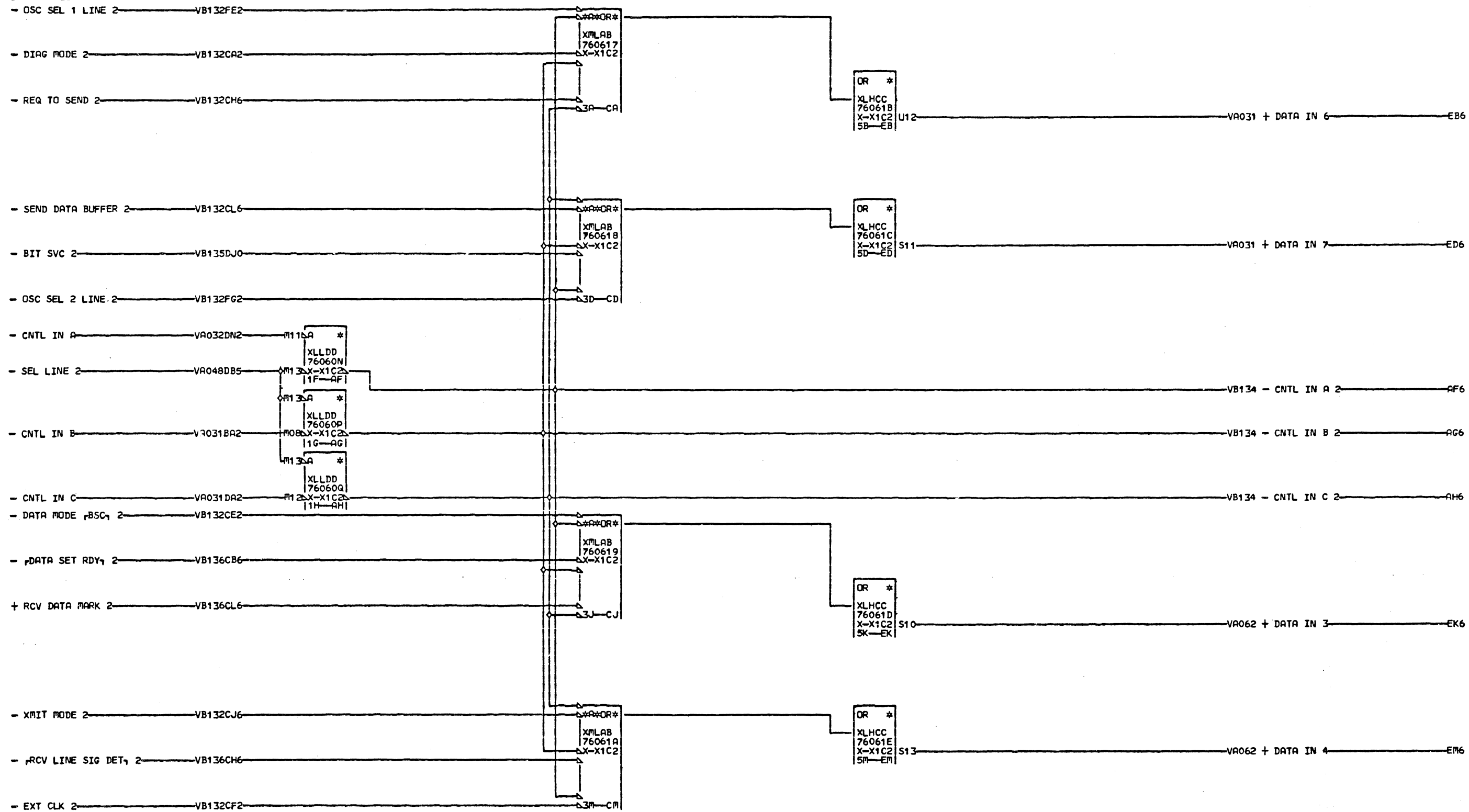


11-25-80 344401

VB132
000

LS3 DIGITAL LINE DX			
DATE	12-05-80	MACH.	3705
LOG	992	FRAME	01
		PoN.	4499416
IBM CORP.	SDD BLK.	GL	

VB132
000

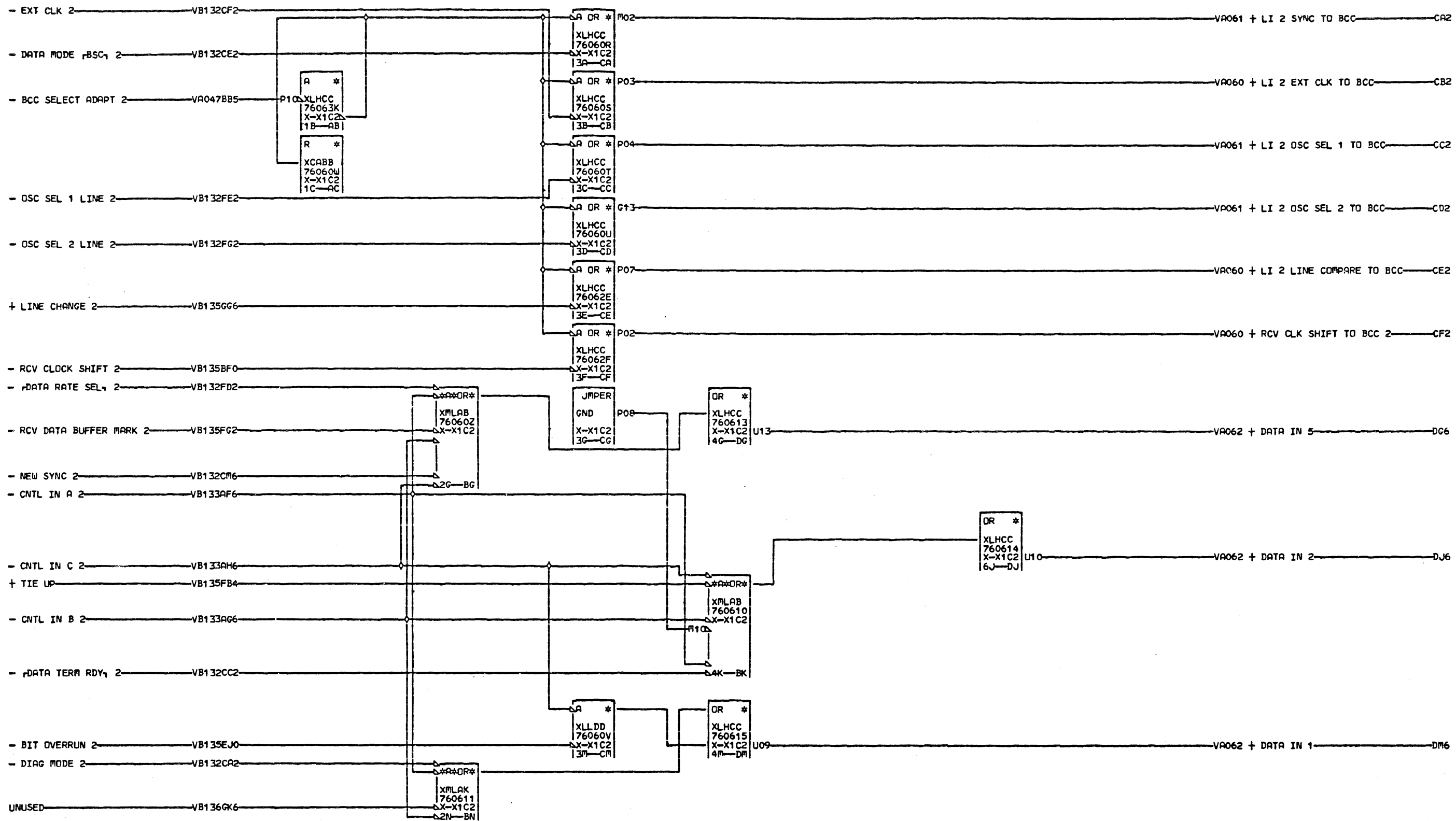


11-25-80 344401

V B 1 3 3 000

LS3 DIGITAL LINE DX			
DATE	12-05-80	MACH.	3705
LOG	992	FRAME	01
		P.N.	4499417
IBM CORP.	SDD BLK.		EN

V B 1 3 3 000

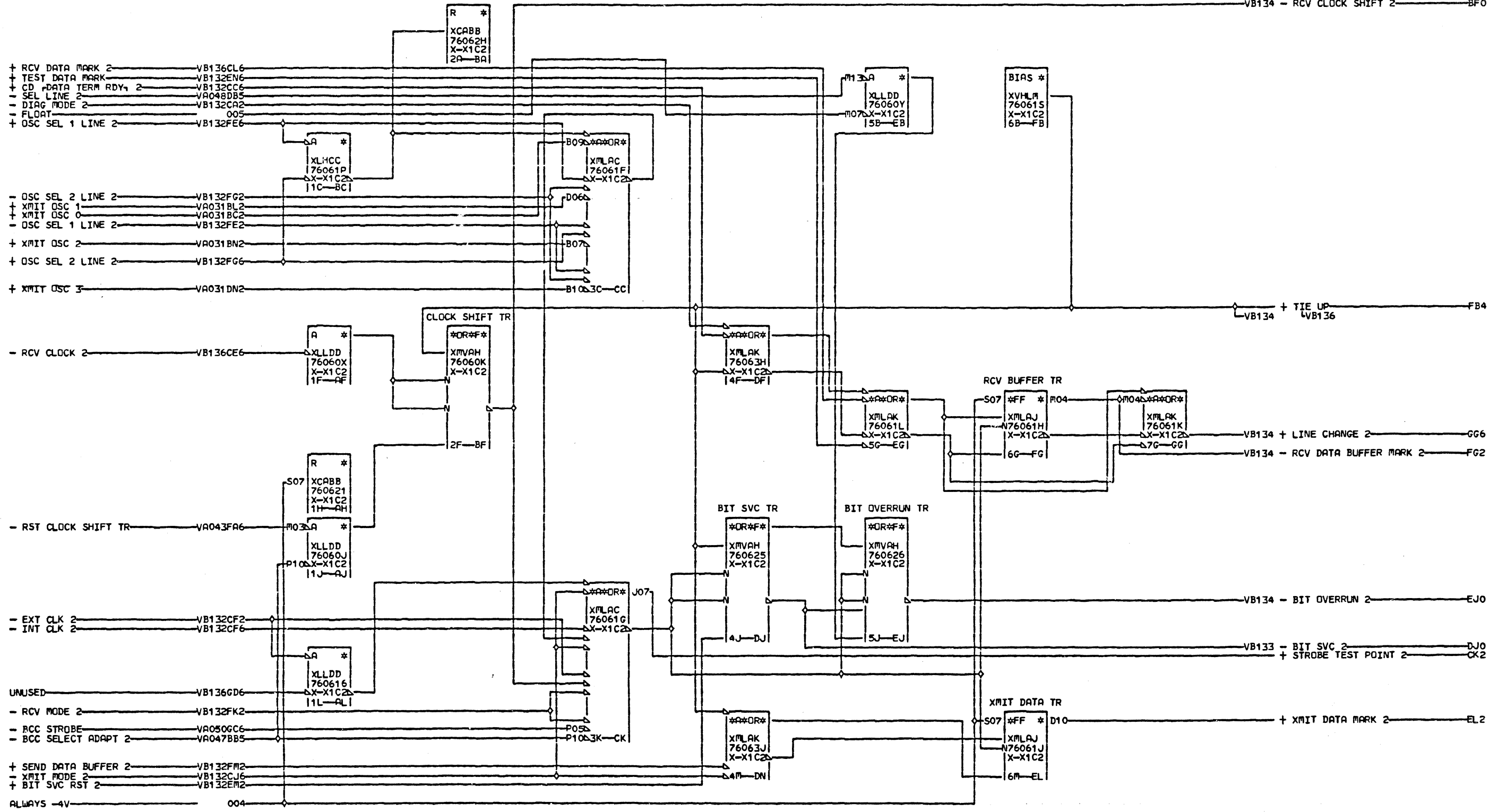


11-25-80 344401

V
B
1
3
4
000

LS3 DIGITAL LINE DX			
DATE	12-05-80	MACH.	3705
LOG	992	FRAME	01
		P.N.	4499418
IBM CORP.	SDD	BLK.	DN

V
B
1
3
4
000

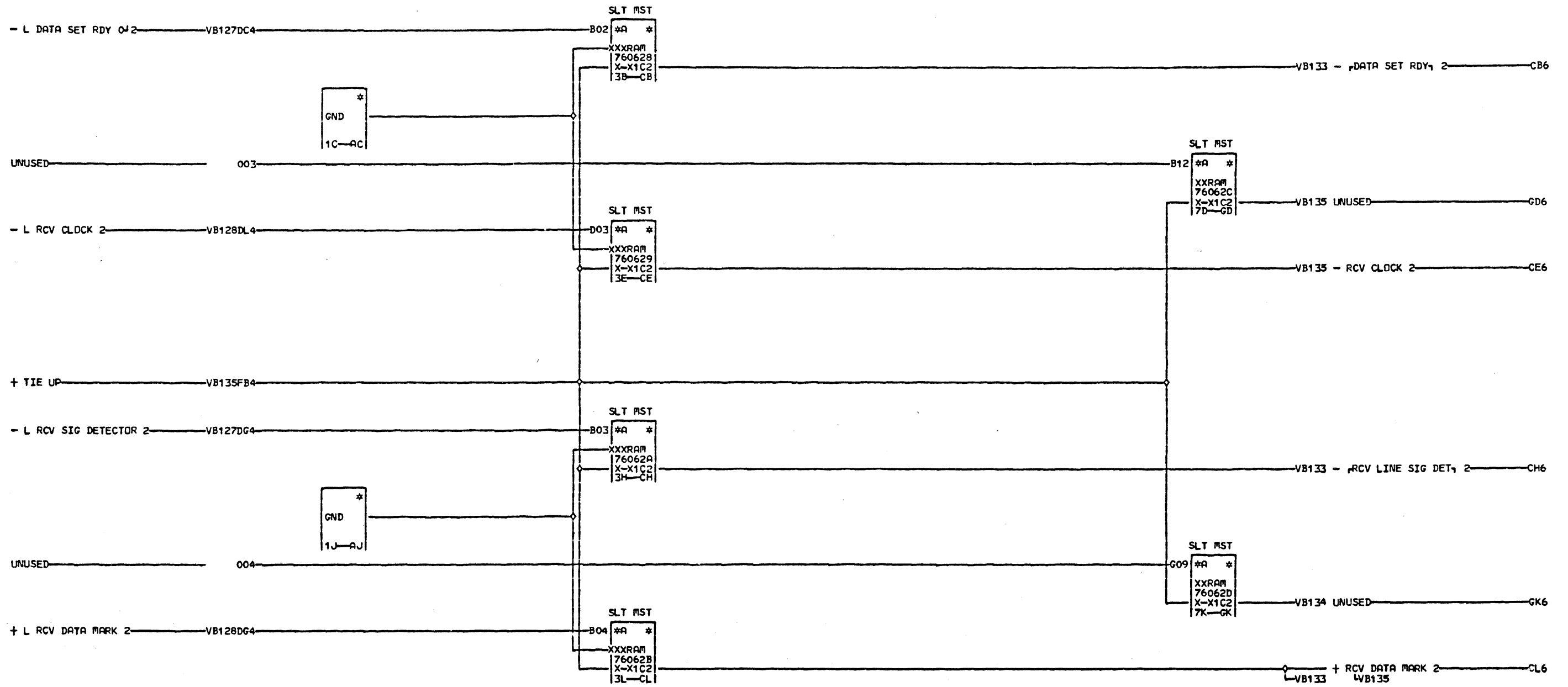


11-25-80 344401

V
B
1
3
5
000

LS3 DIGITAL DX			
DATE	12-05-80	MACH.	3705
LOG	992	FRAME	01
		P.N.	4499419
IBM CORP.	SDD	BLK.	GH

V
B
1
3
5
000

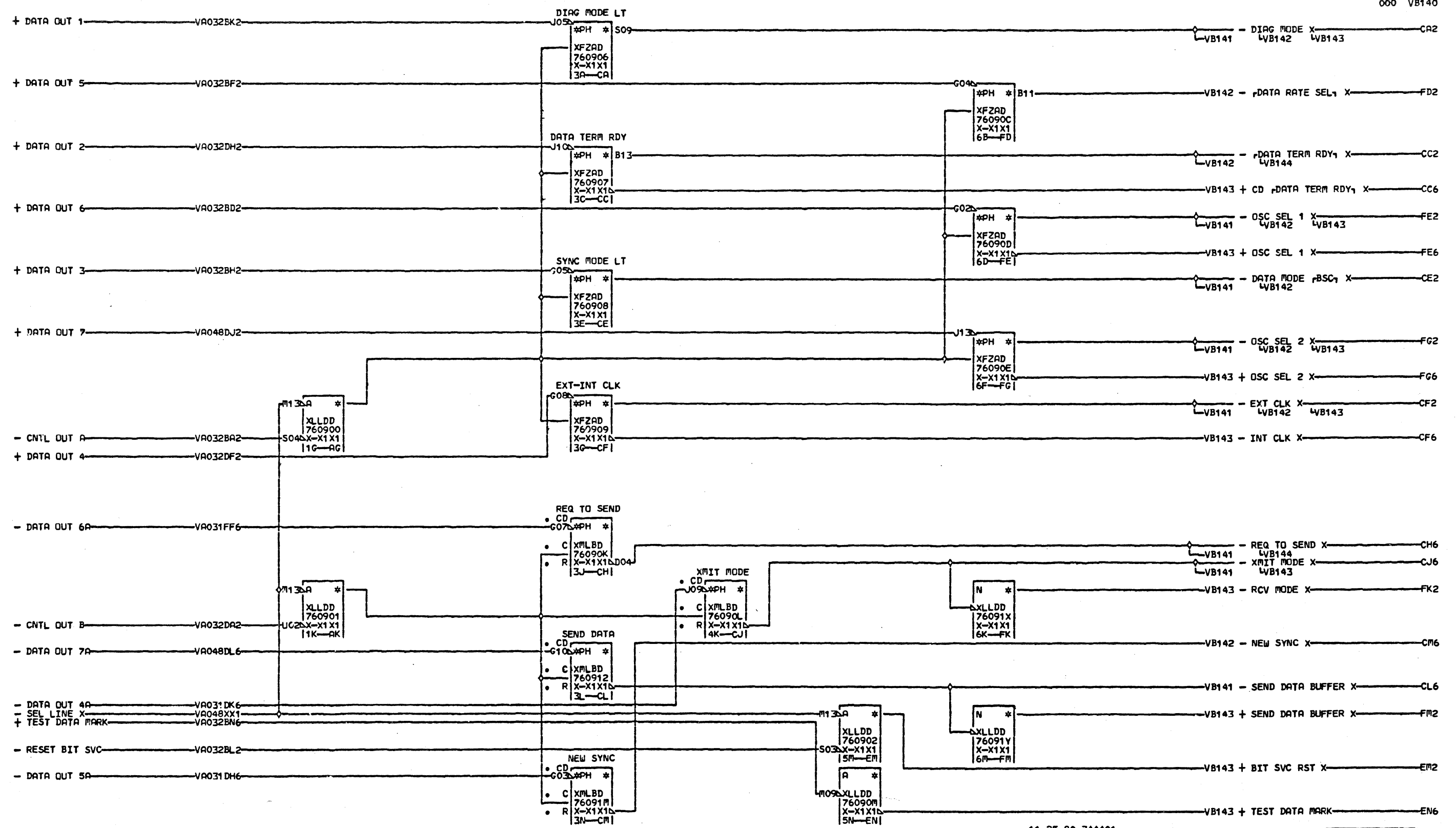


11-25-80 344401

VB136
000

LS3 DIGITAL LINE DX			
DATE	12-05-80	MACH.	3705
LOG	992	FRAME	01
		PaNo	4499420
IBM CORP.	SDD BLK.		GL

VB136
000

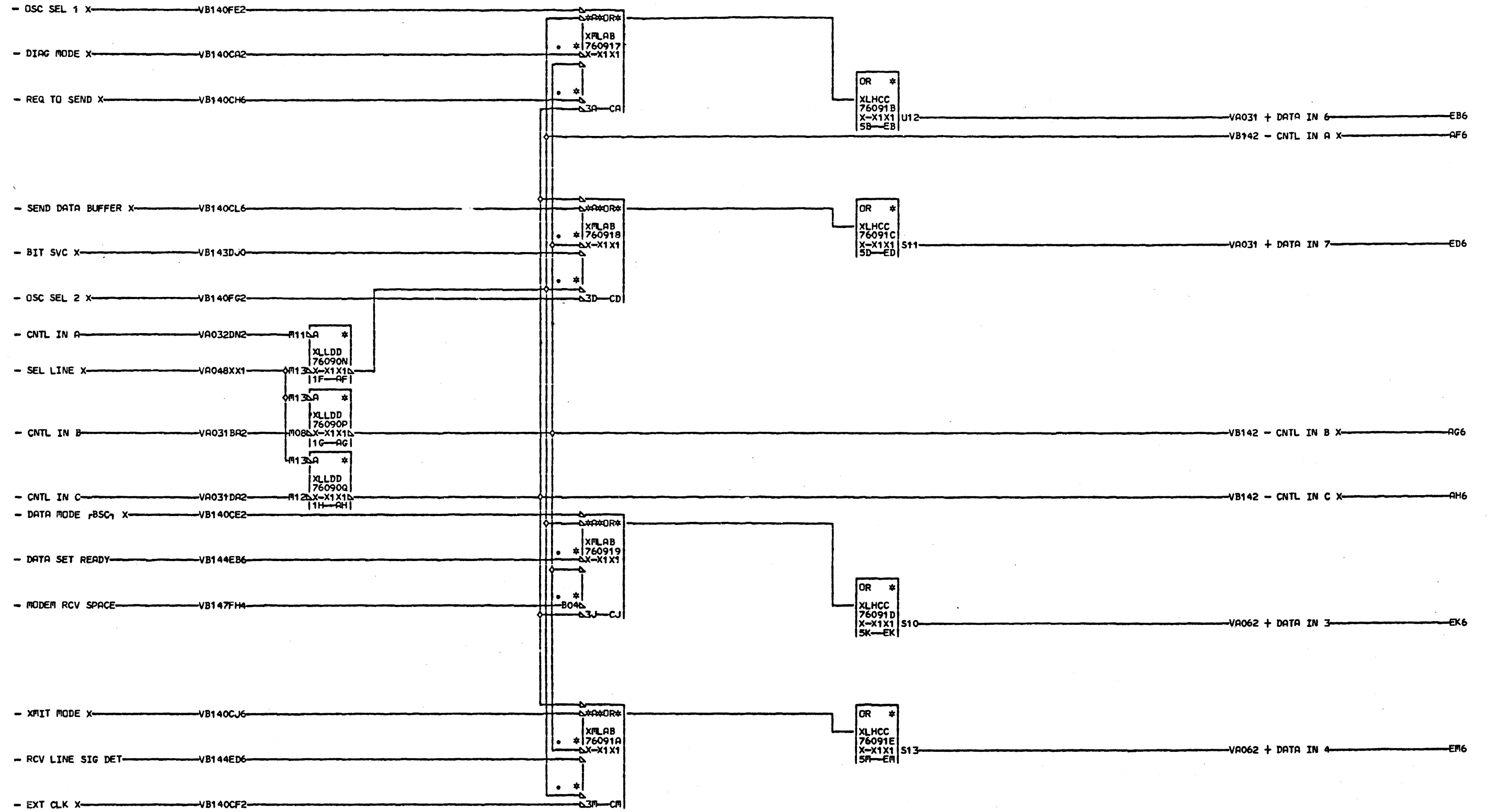


11-25-80 344401

V
B
1
4
0
000

LS2 V 35 INTERFACE			
DATE	12-05-80	MACH.	3705
LOG	992	FRAME	01
		P.N.	4499421
IBM CORP.	SDD BLK.		GL

V
B
1
4
0
000

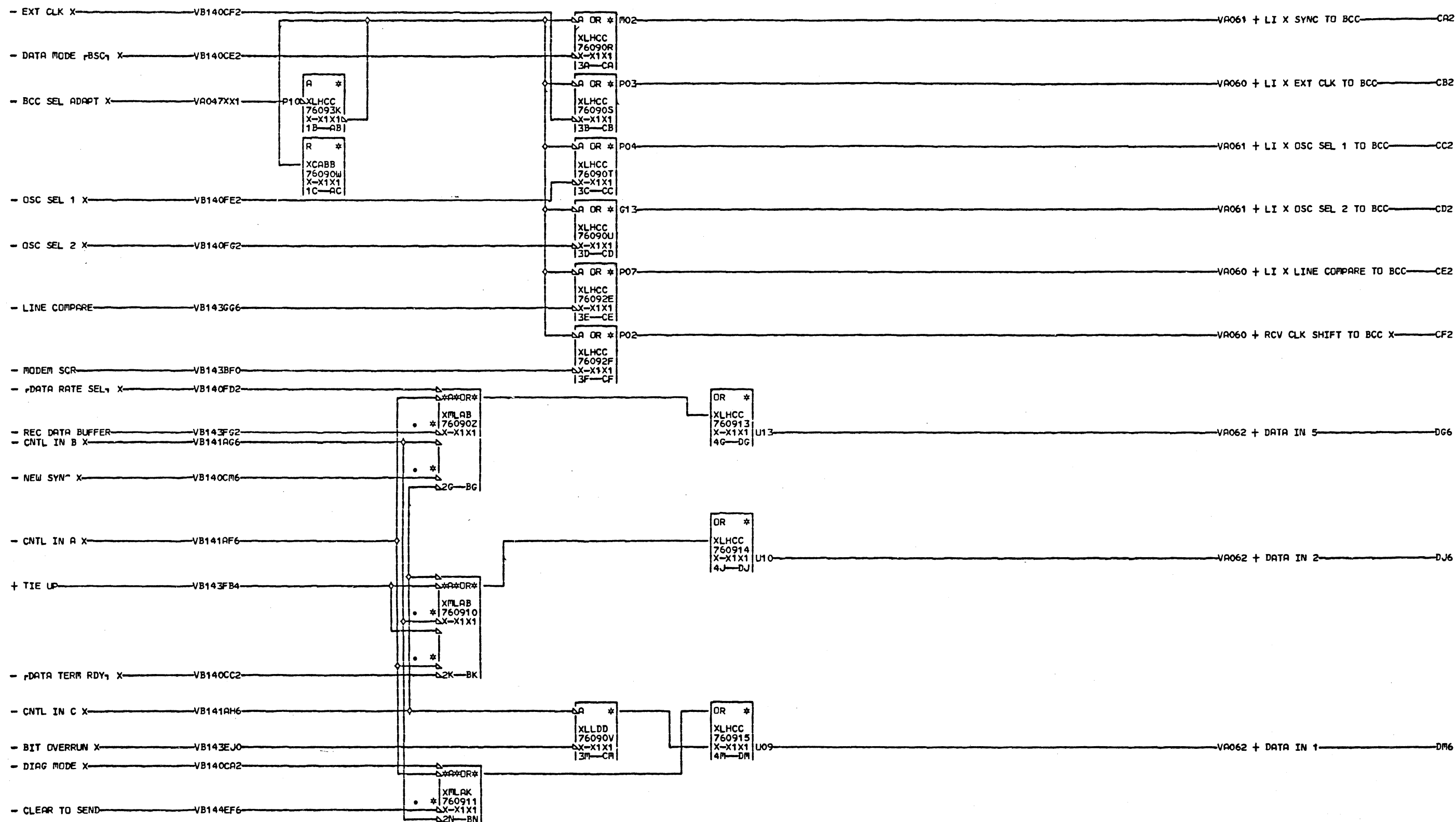


11-25-80 344401

V
B
1
4
1
000

LS2 V 35 INTERFACE			
DATE	12-05-80	MACH.	3705
LOG	992	FRAME	01
		P.No.	4499422
IBM CORP.	SDD	BLK.	EN

V
B
1
4
1
000

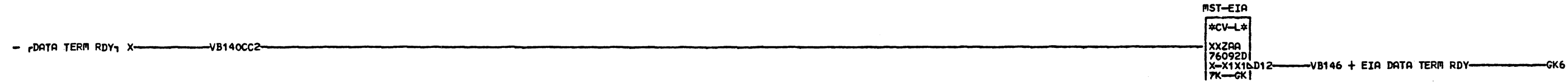
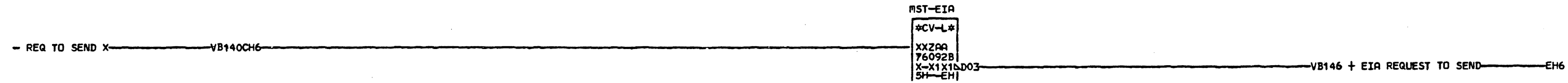
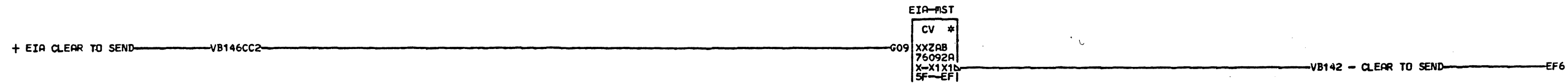
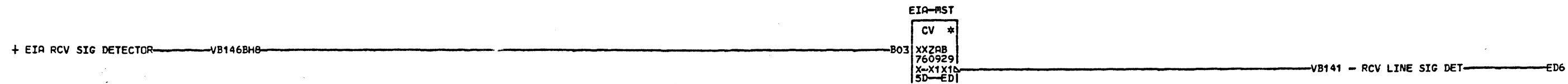
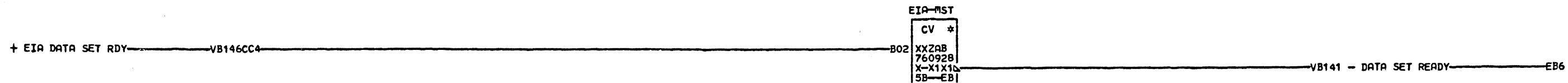


11-25-80 344401

V
B
1
4
2
000

LS2 V 35 INTERFACE			
DATE	12-05-80	MACH.	3705
LOG	992	FRAME	01
		P.No.	4499423
IBM CORP.	SDD	BLK.	DN

V
B
1
4
2
000

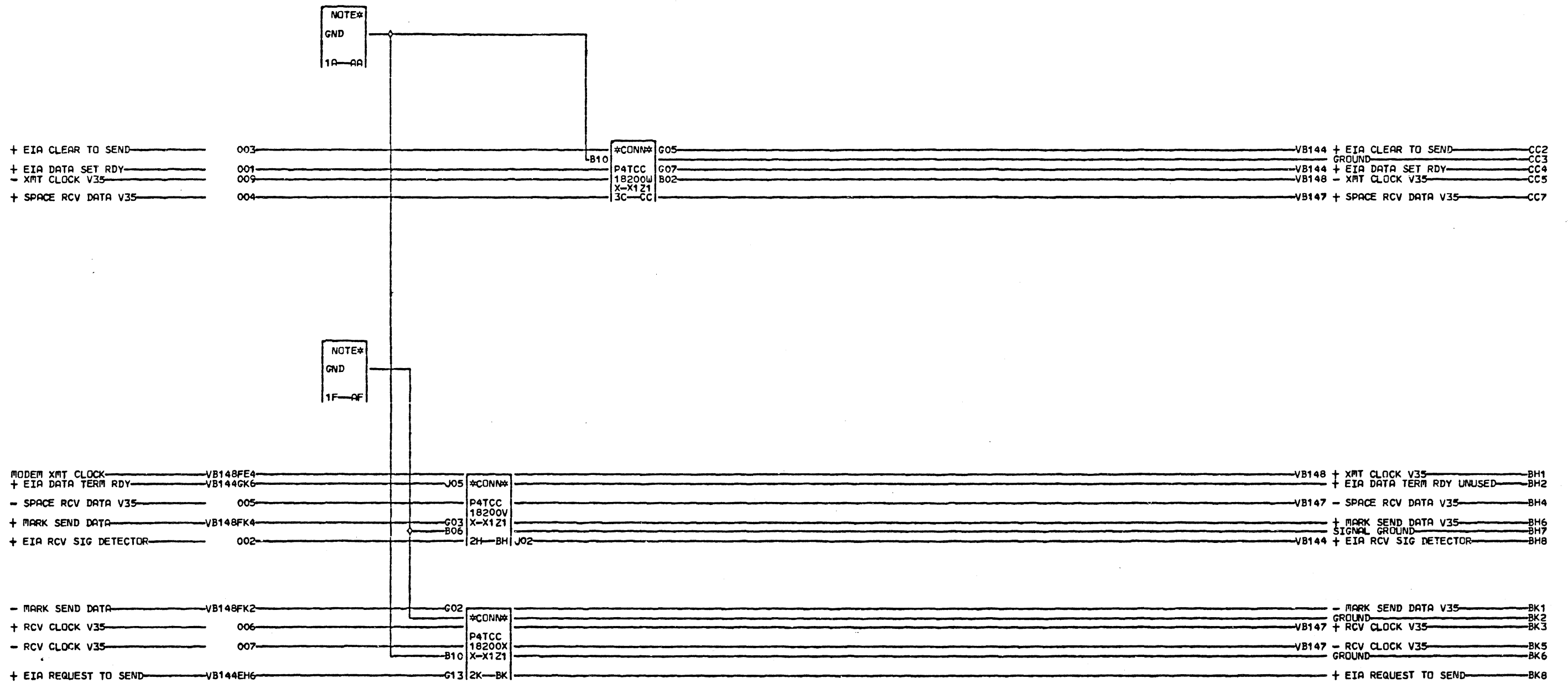


11-25-80 344401

VB144
000

LS2 V 35 INTERFACE			
EIA CIRCUITS			
DATE	12-05-80	MACH.	3705
LOG	992	FRAME	01
		P.N.	4499425
IBM CORP.	SDD	BLK.	GP

VB144
000

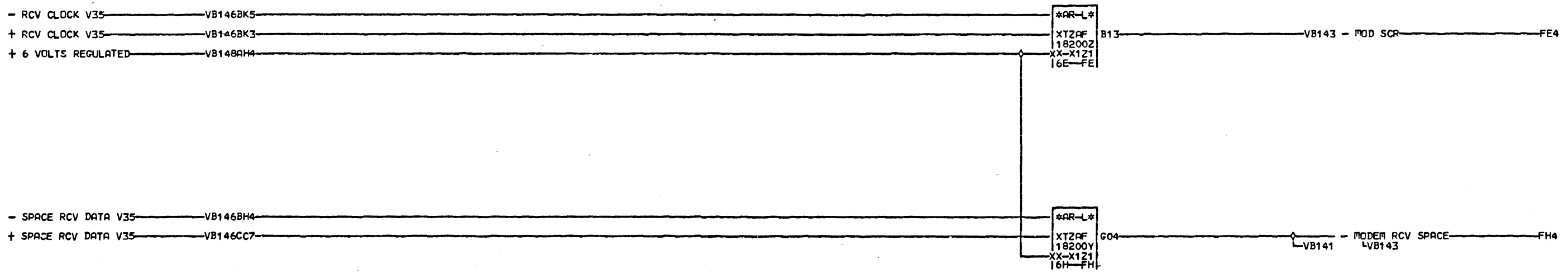


11-25-80 344401

V
B
1
4
6
000

LS2 V 35 TOP CARD CONNECTOR			
DATE	12-05-80	MACH.	3705
LOG	992	FRAME	01
		P.N.	4499426
IBM CORP.	SDD	BLK.	GP

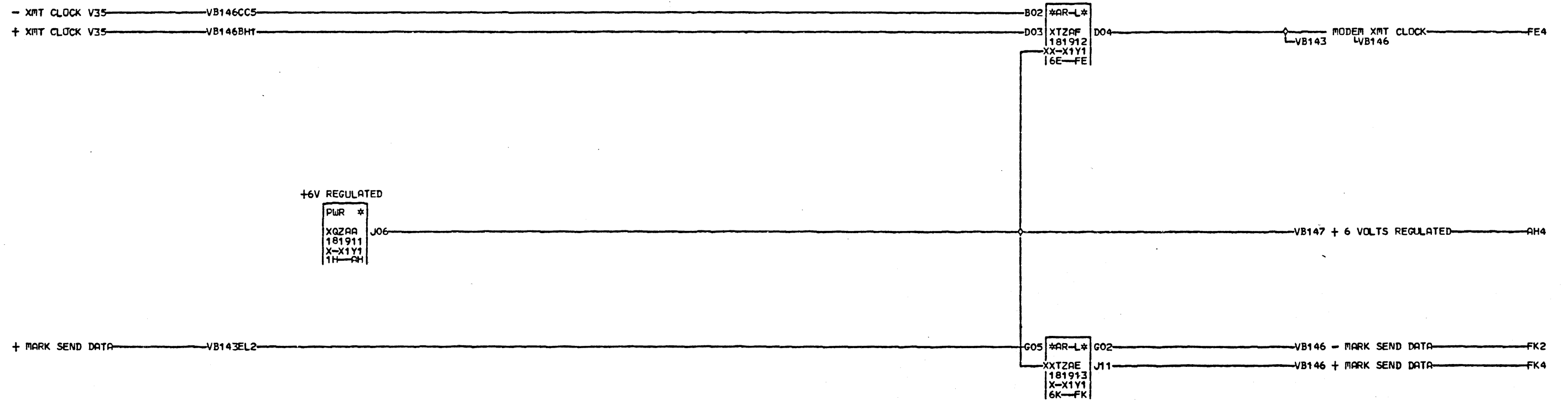
V
B
1
4
6
000



11-25-80 344401

VB147
000

LS2 V.35 TERMINATOR			
RCV CLOCK			
DATE	12-05-80	MACH.	3705
LOG	992	FRAME	01
		P.N.	4499427
IBM CORP.	SDD BLK.	GP	000

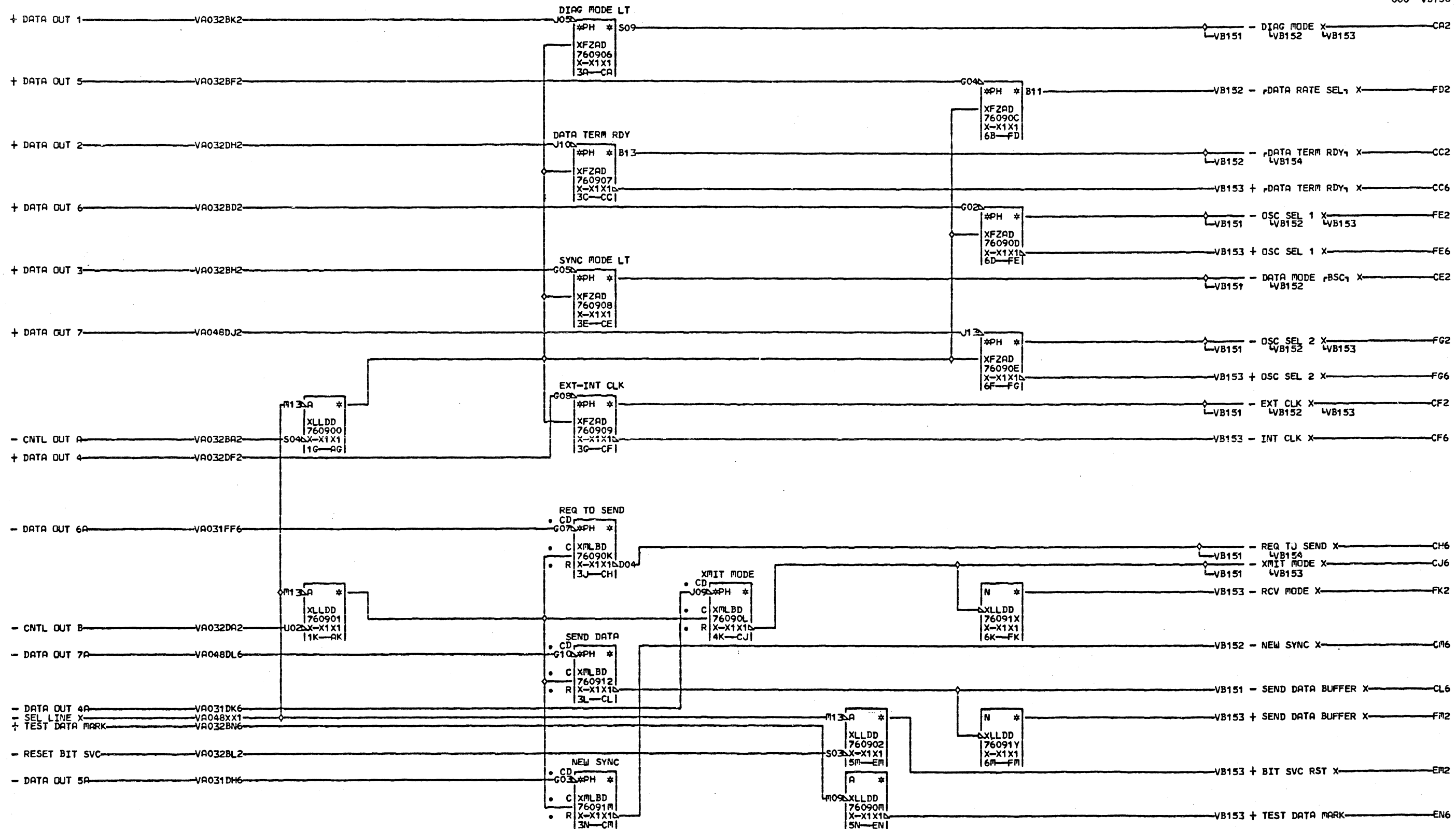


11-25-80 344401

VB148
000

LS2 V 35 TERMINATOR			
XMT CLOCK			
DATE	12-05-80	MACH.	3705
LOG	992	FRAME	01
		P.No.	4499428
IBM CORP.	SDD	BLK.	FL

VB148
000

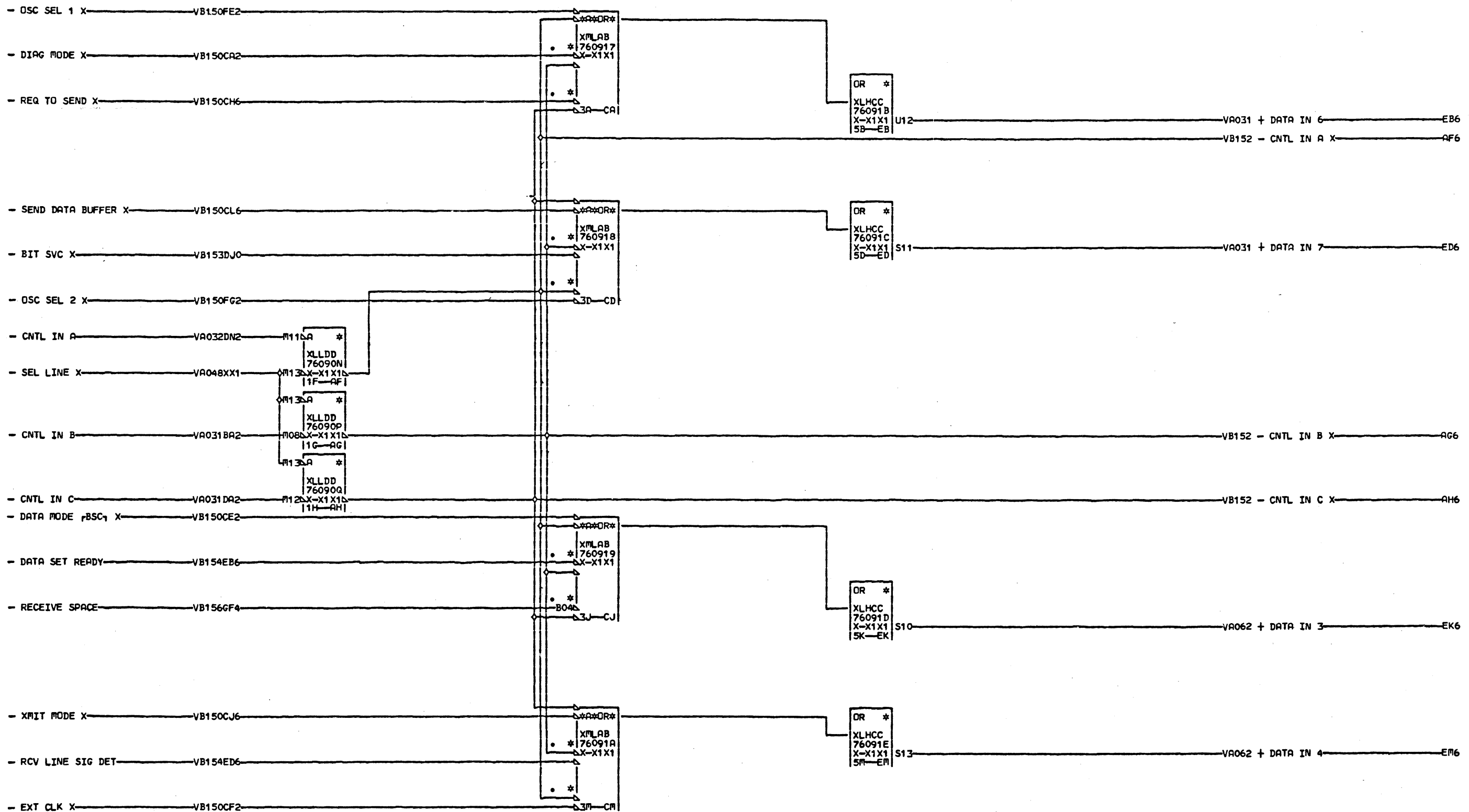


11-25-60 344401

V
B
1
5
0
000

LSS V 35 INTERFACE			
LOCAL ATTACH			
DATE	12-05-60	MACH.	3705
LOG	992	FRAME	01
		P.N.	4499429
IBM CORP.	SDD BLK.	SA	

V
B
1
5
0
000

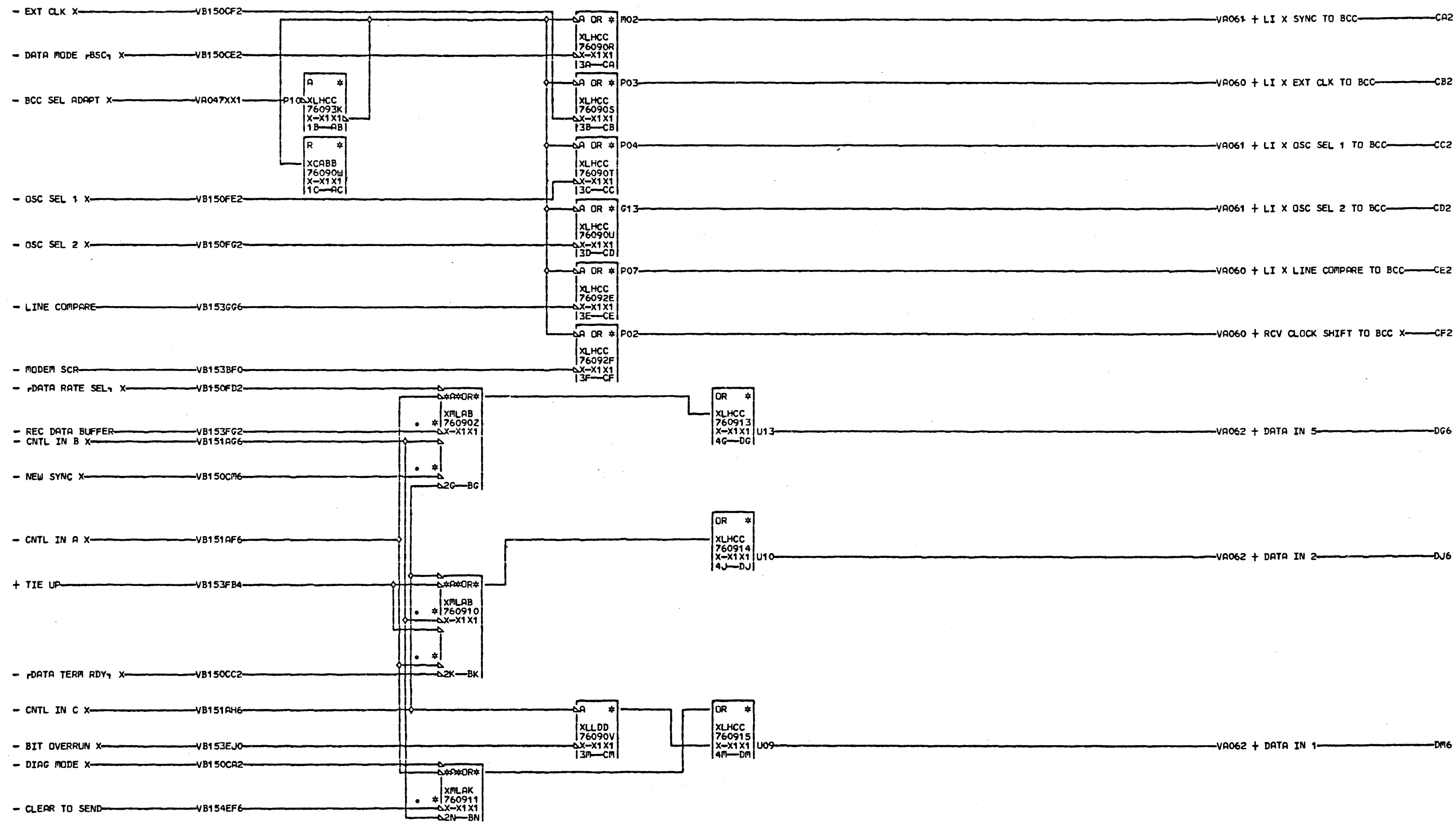


11-25-80 344401

V
B
1
5
1
000

LSS V 35 INTERFACE			
LOCAL ATTACH			
DATE	12-05-80	MACH.	3705
LOG	992	FRAME	01
		P.N.	4499430
IBM CORP.	SDD BLK.	SA	

V
B
1
5
1
000

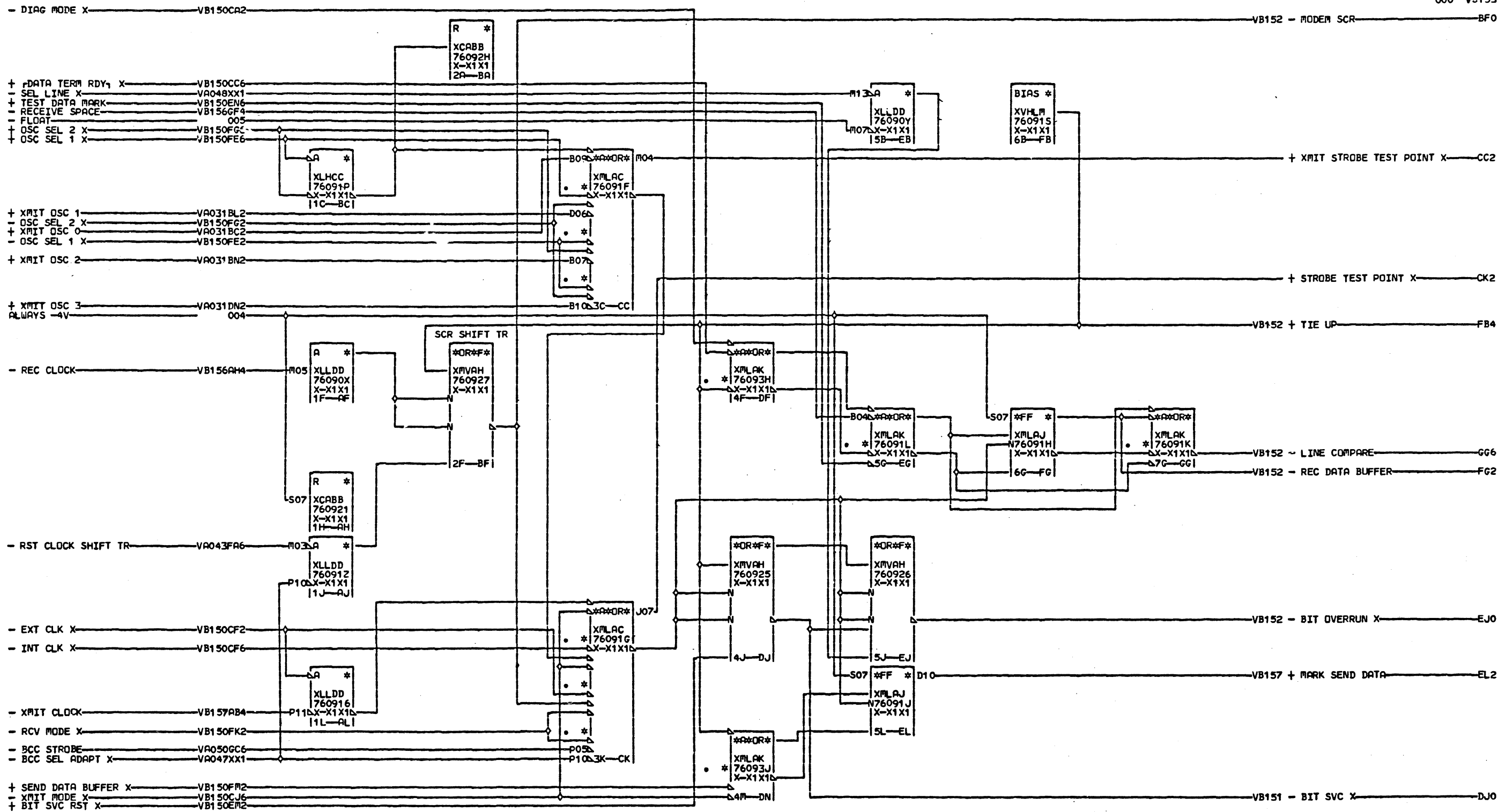


VB152
000

11-25-80 344401

LSS V.35 INTERFACE			
LOCAL ATTACH			
DATE	12-05-80	FRAC#	3705
LOG	992	FRAME	01
		P#N#	4499431
IBM CORP.	SDD BLK.	SA	

VB152
000

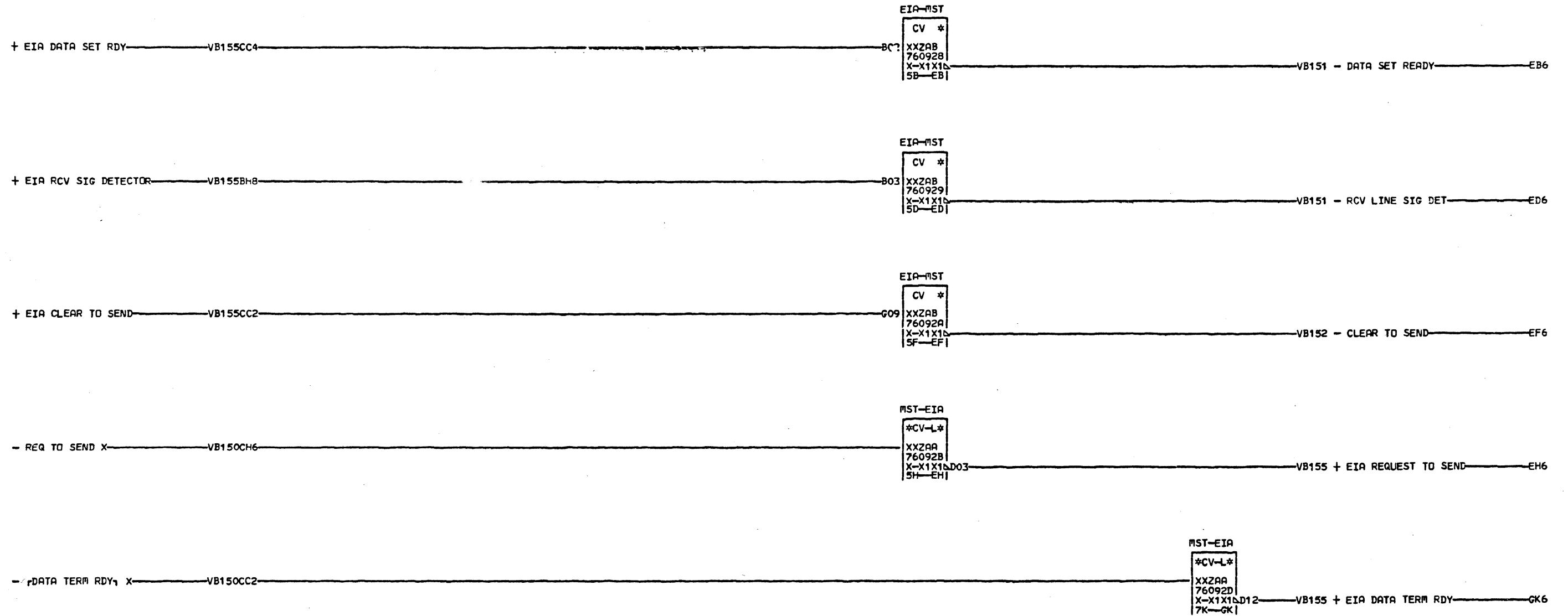


11-25-80 344401

V
B
1
5
3
000

LSS V.35 INTERFACE		
LOCAL ATTACH		
DATE	12-05-80	MACH. 3705
LOG	992	FRAME 01
P.N. 4499432		000
IBM CORP.	SDD BLK.	SA

V
B
1
5
3
000

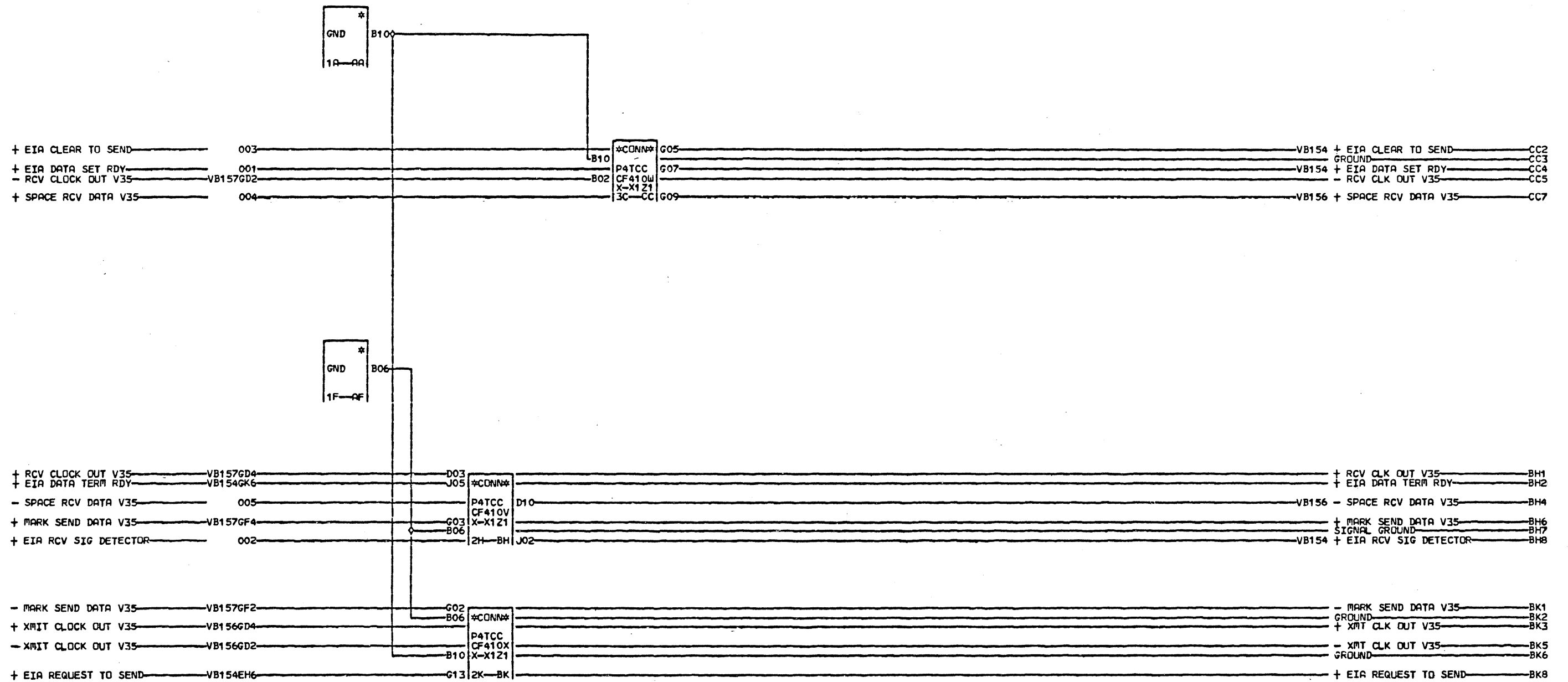


11-25-80 344401

VB154
000

LS5 V35 INTERFACE EIA CIRCUITS			
LOCAL ATTACH			
DATE	12-05-80	MACH.	3705
LOG	992	FRAME	01
		P.N.	4499433
IBM CORP.	SDD	BLK.	SA

VB154
000

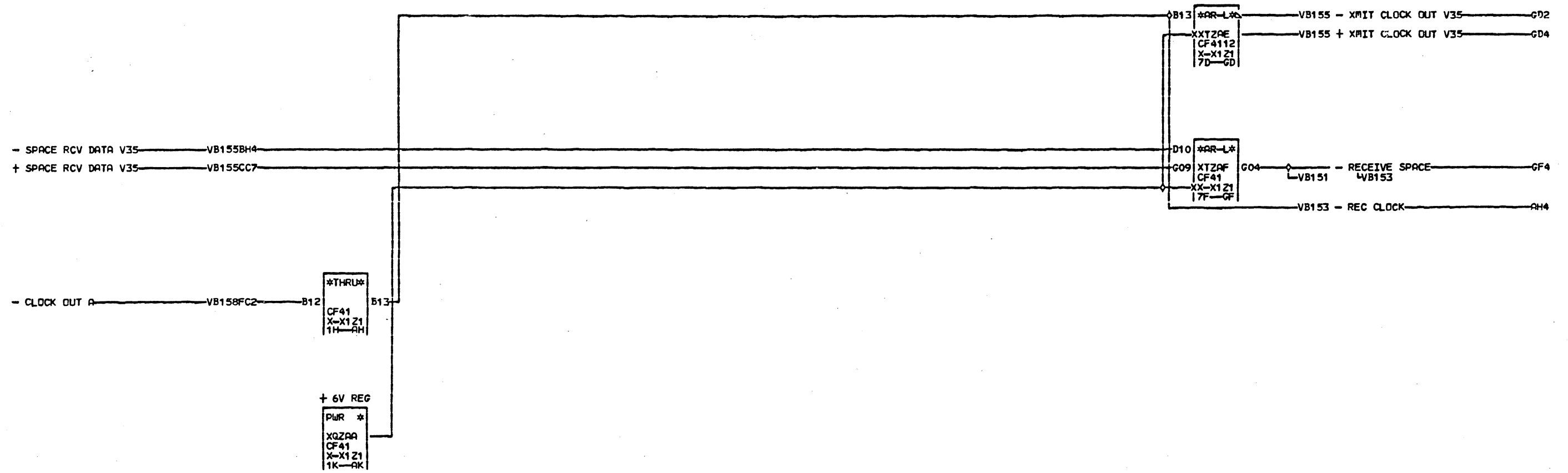


11-25-80 344401

VB155
000

L55 V35 TOP CARD CONNECTOR			
LOCAL ATTACH			
DATE	12-05-80	MACH.	3705
LOG	992	FRAME	01
		P.N.	449943A
IBM CORP.	SDD	BLK.	SA

VB155
000

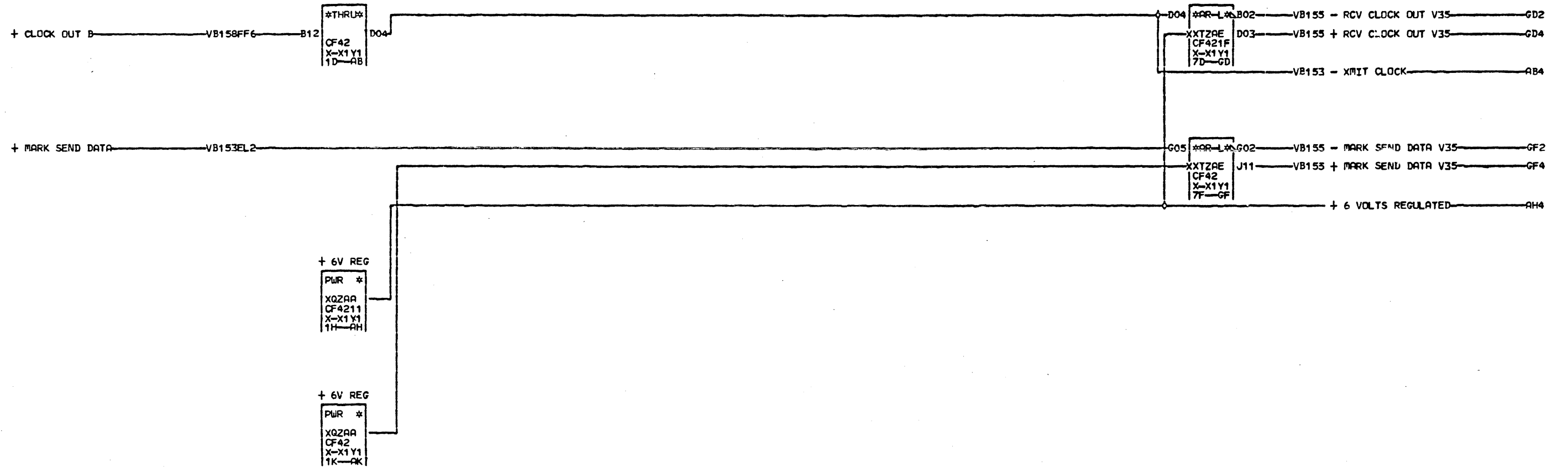


11-25-80 344401

VB156
000

LS5 V35 DRIVER FOR XMIT			
CLOCK OUT			
DATE	12-05-80	MACH.	3705
LOG	992	FRAME	01
		P.N.	4499435
IBA CORP.	SCD	BLK.	SA

VB156
000

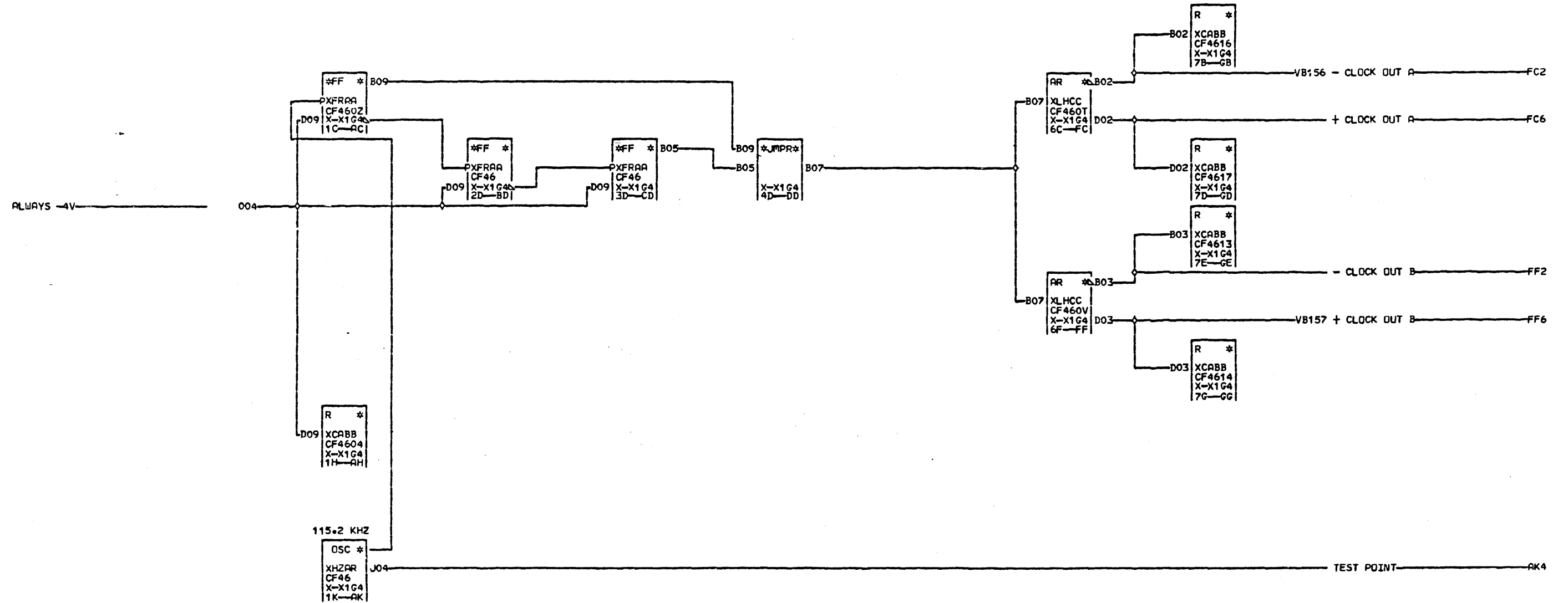


11-25-80 344401

LS5 V35 DRIVER			
RCV CLOCK OUT			
DATE	12-05-80	MACH.	3705
LOG	992	FRAME	01
		PoN.	4499436
IBM CORP.	SCD	BLK.	SA

000

VB157



NOTE • JUMPER B09 TO B07 FOR 57.6KHZ CLOCK. JUMPER B05 TO B07 FOR 14.4 KHZ CLOCK.

11-25-80 344401

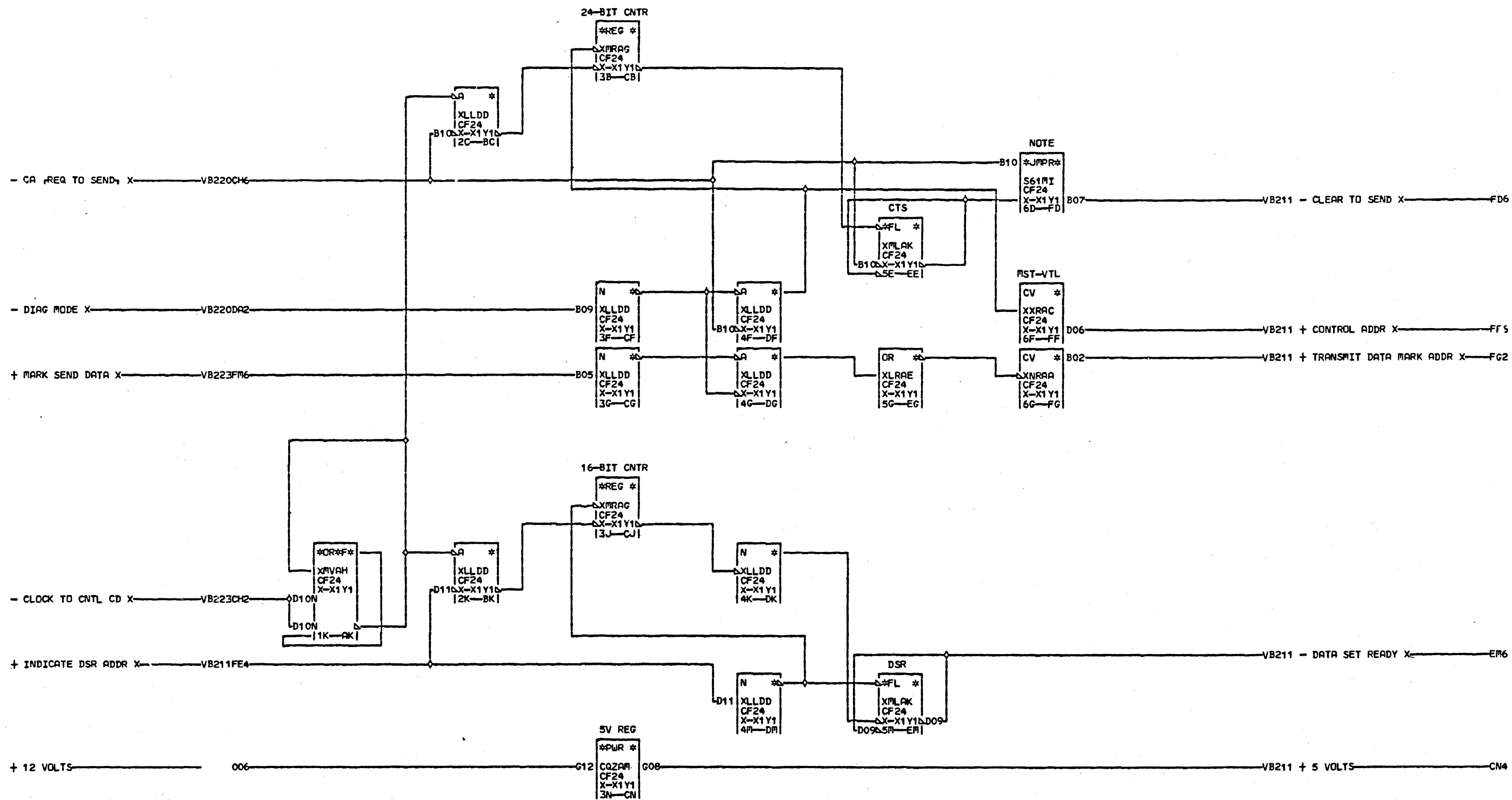
LS5 14.4KHZ AND 57.6KHZ			
LINE OSCILLATOR			
DATE 12-05-80 MACH. 3705			
LOG	992	FRAME	01
		P.N.	4499437
IBM CORP.	SDD	BLK.	SA

VB158

VB158

000

000



NOTE CARD JUMPER FOR CLEAR TO SEND DELAY. SEE PAGE VA017

VB2G0

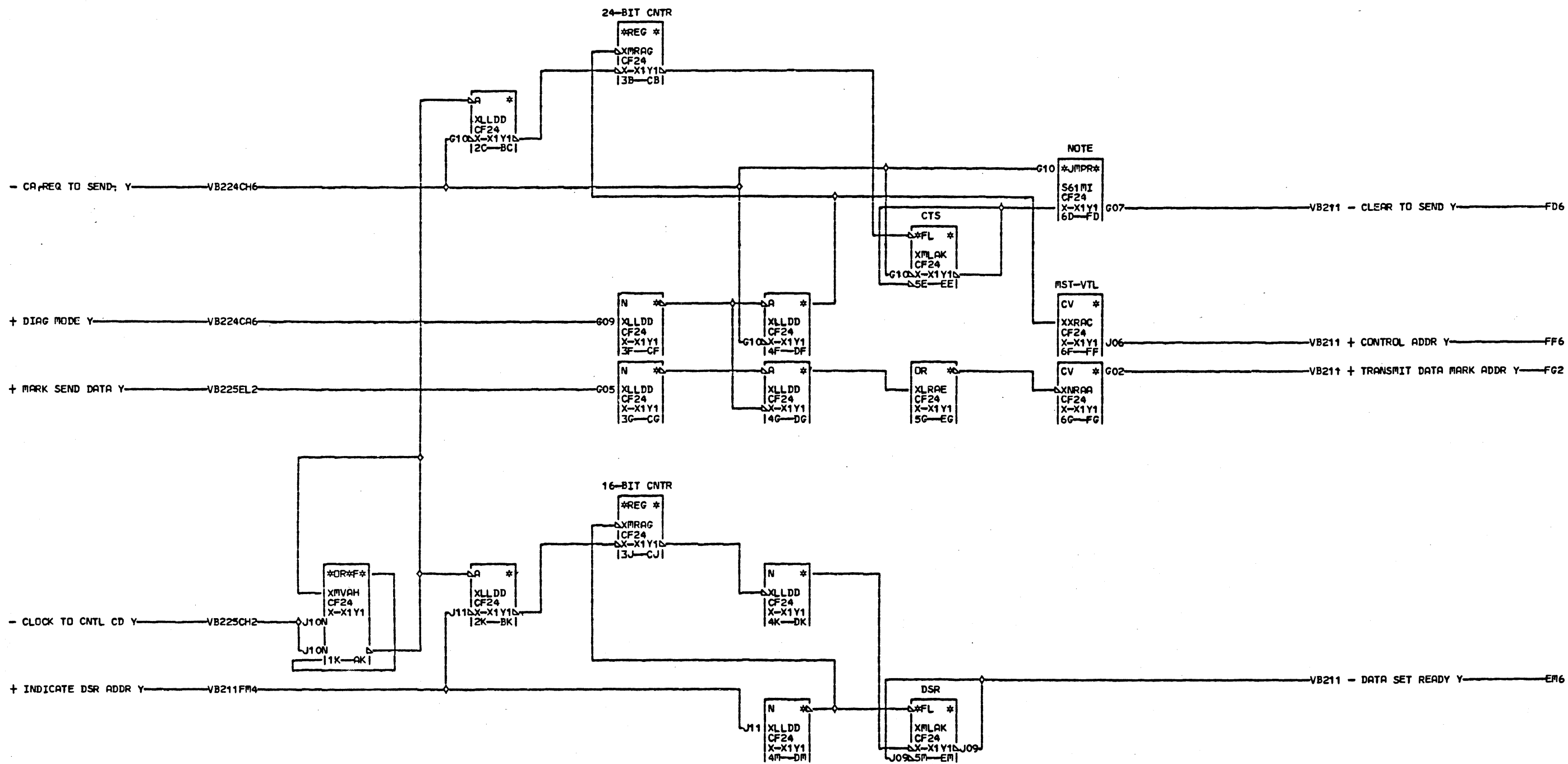
000

11-25-80 344401

LS8 OR 9 X.21 CONTROL ADDRESS X			
DATE	12-05-80	MACH.	3705
LOG	993	FRAME	01
		P.N.	4499439
IBM CORP.	BLK.		FH

VB2G0

000



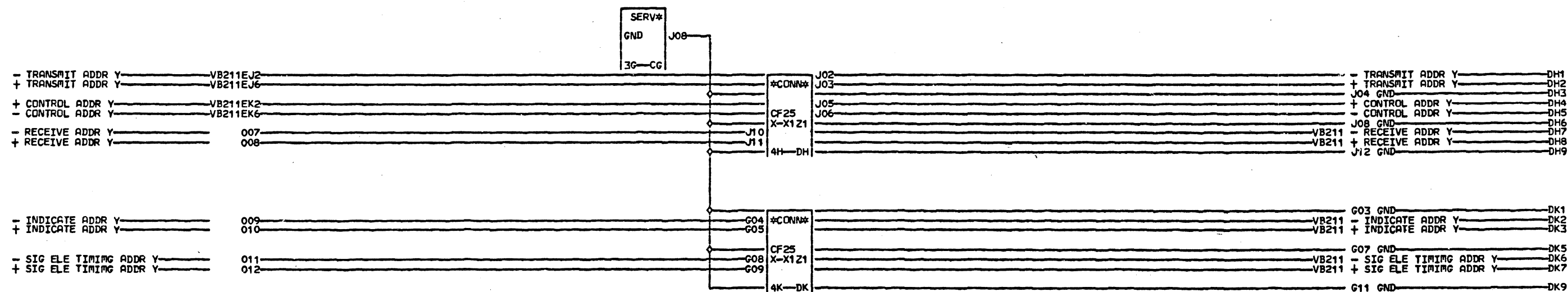
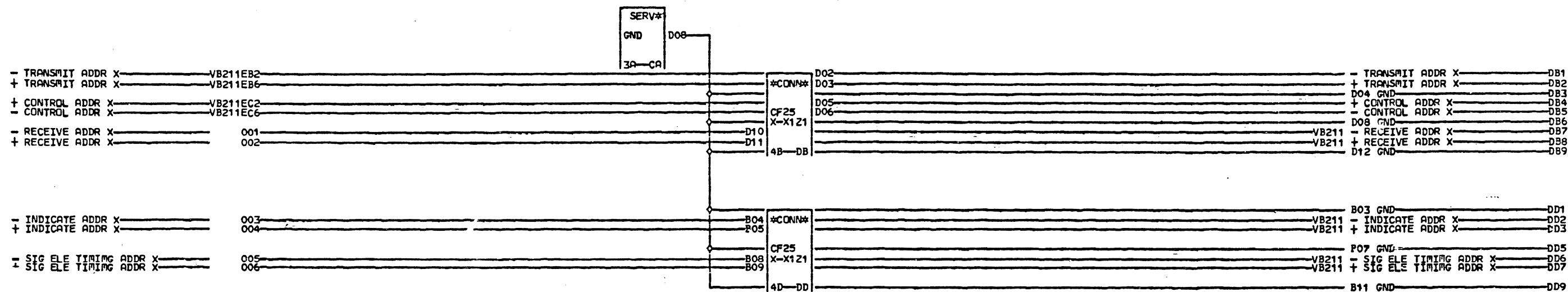
NOTE: CARD JUMPER FOR CLEAR TO SEND DELAY. SEE PAGE VA017

11-25-80 344401

LS8 OR 9 X.21 CONTROL ADDRESS Y			
DATE	12-05-80	MACH.	3705
LOG	993	FRAME	01
		P.N.	4499440
IBM CORP.		BLK.	FH

V B 2 0 1
000

V B 2 0 1
000

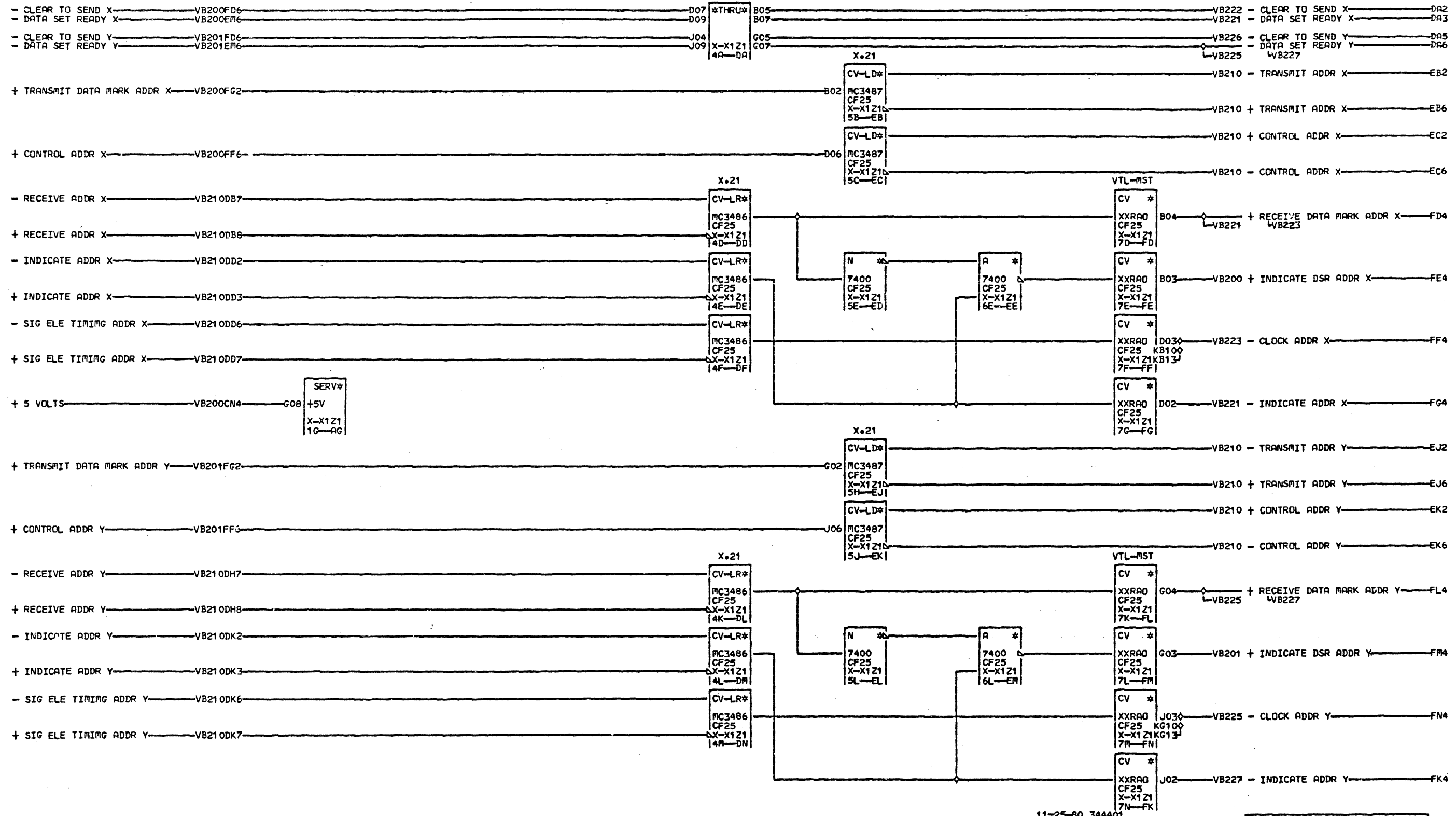


11-25-80 344401

VB210
000

LSB DR 9 X.21 TOP CARD CONNECTORS		
DATE	12-05-80	MACH. 3705
LOG	993	FRAME 01
	P.N.	4499441
IBM CORP.	BLK.	DL

VB210
000

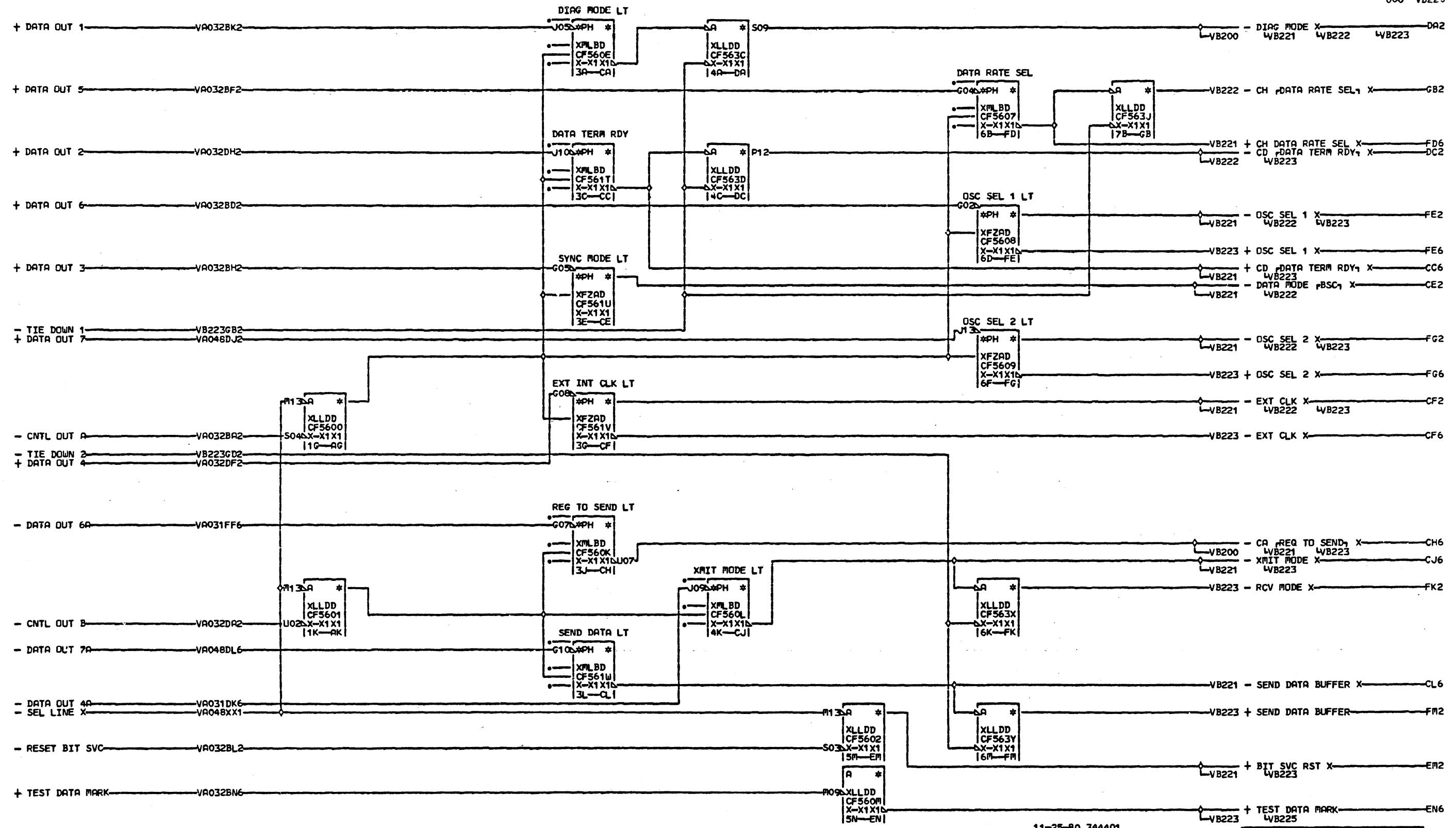


11-25-80 344401

V
B
2
1
1
000

LSB OR 9 X*21			
DRIVERS AND RECEIVERS			
DATE 12-05-80 MACH. 3705			
LOG	993	FRAME	01
		P.N.	4499442
IBM CORP.	BLK.		FP

V
B
2
1
1
000

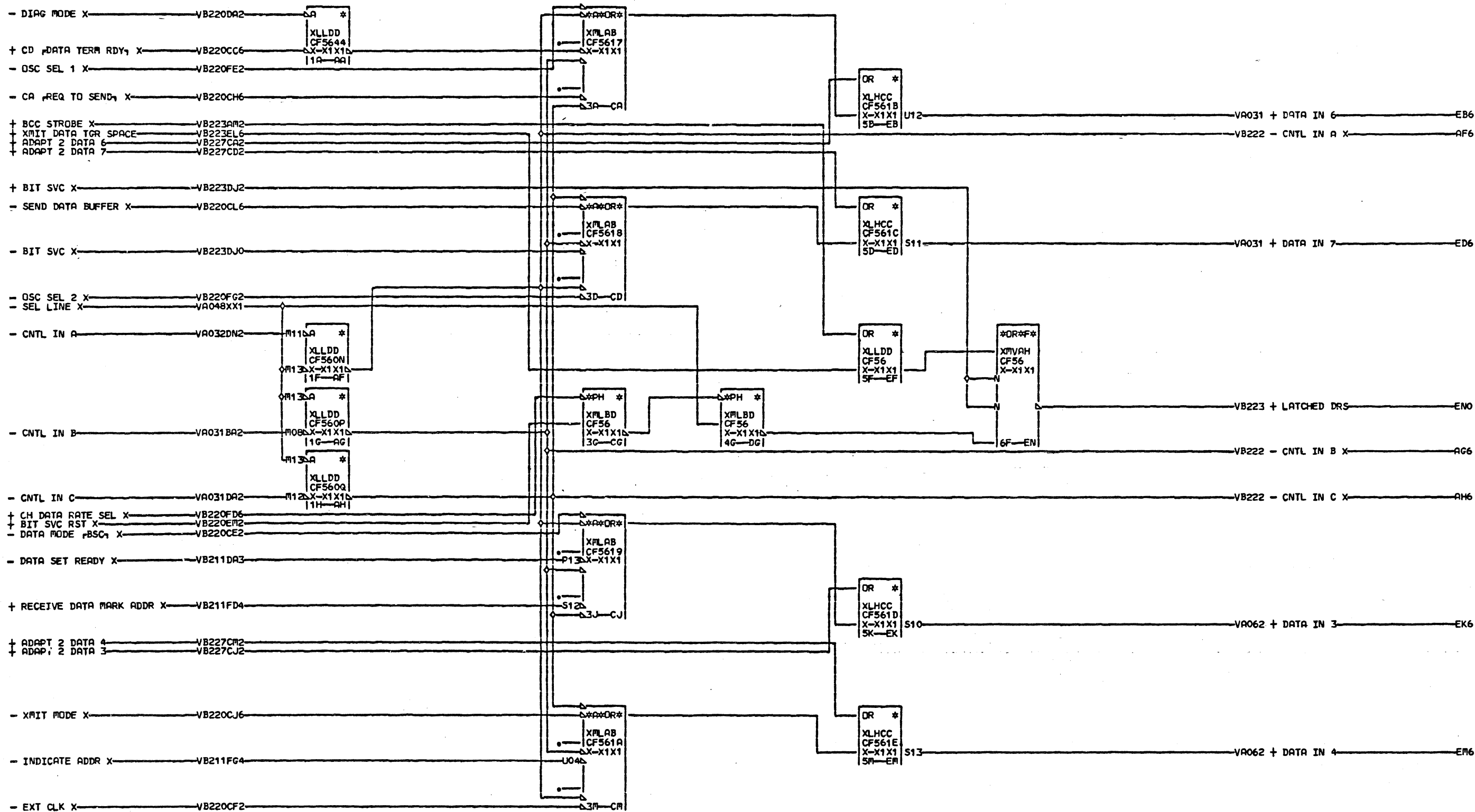


11-25-80 344401

V
B
2
2
0
0
0

LSB OR 9 X 21 LINE	
MEDIUM SPEED-HIGH SPEED	
DATE 12-05-80 MACH. 3705	
LOG	993 FRAME 01
P.N. 4499443	
IBM CORP.	SCD BLK. GL

V
B
2
2
0
0
0

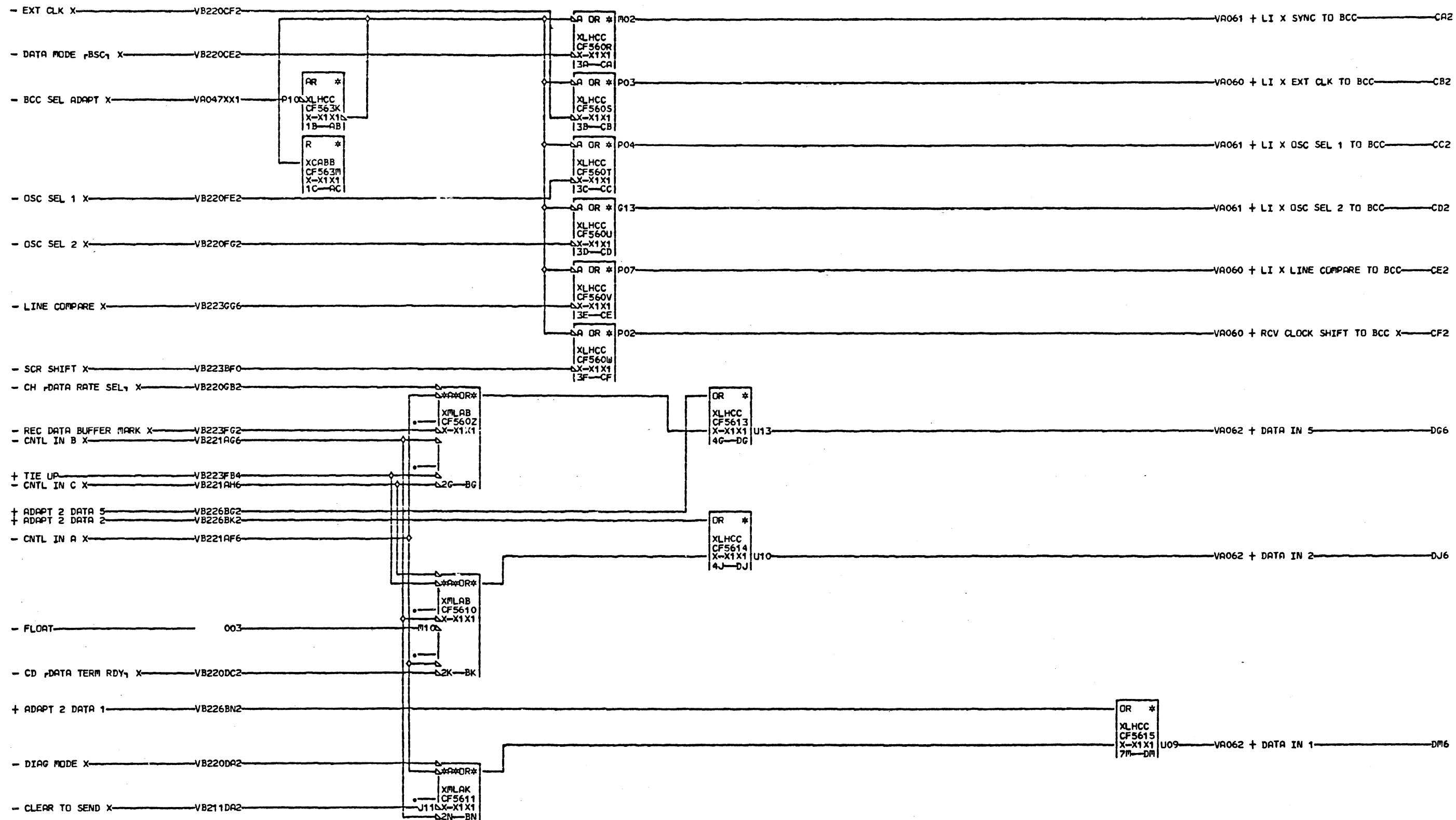


11-25-80 344401

LS8 OR 9 X.21 LINE			
MEDIUM SPEED-HIGH SPEED			
DATE 12-05-80 MACH. 3705			
LOG	993	FRAME	01
		P.N.	4499444
IBM CORP.	SCD BLK.	EP	

V
N
N
B
1
000

V
B
2
2
1
000

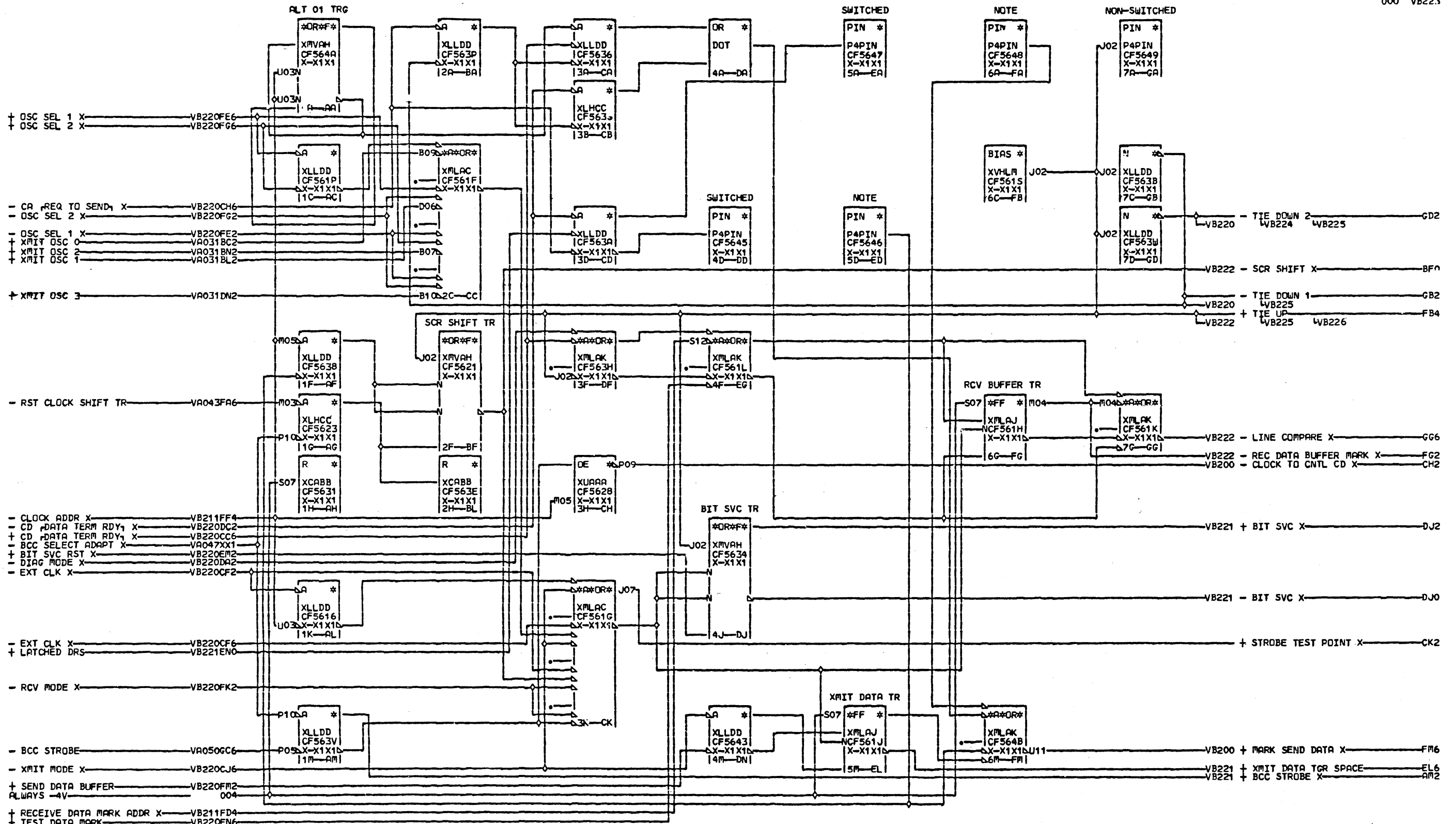


11-25-80 344401

VB222
000

LS8 OR 9 X.21 LINE			
MEDIUM SPEED-HIGH SPEED			
DATE	12-05-80	MACH.	3705
LOG	993	FRAME	01
		P.No.	4499445
IBM CORP.	SCD	BLK.	GN

VB222
000



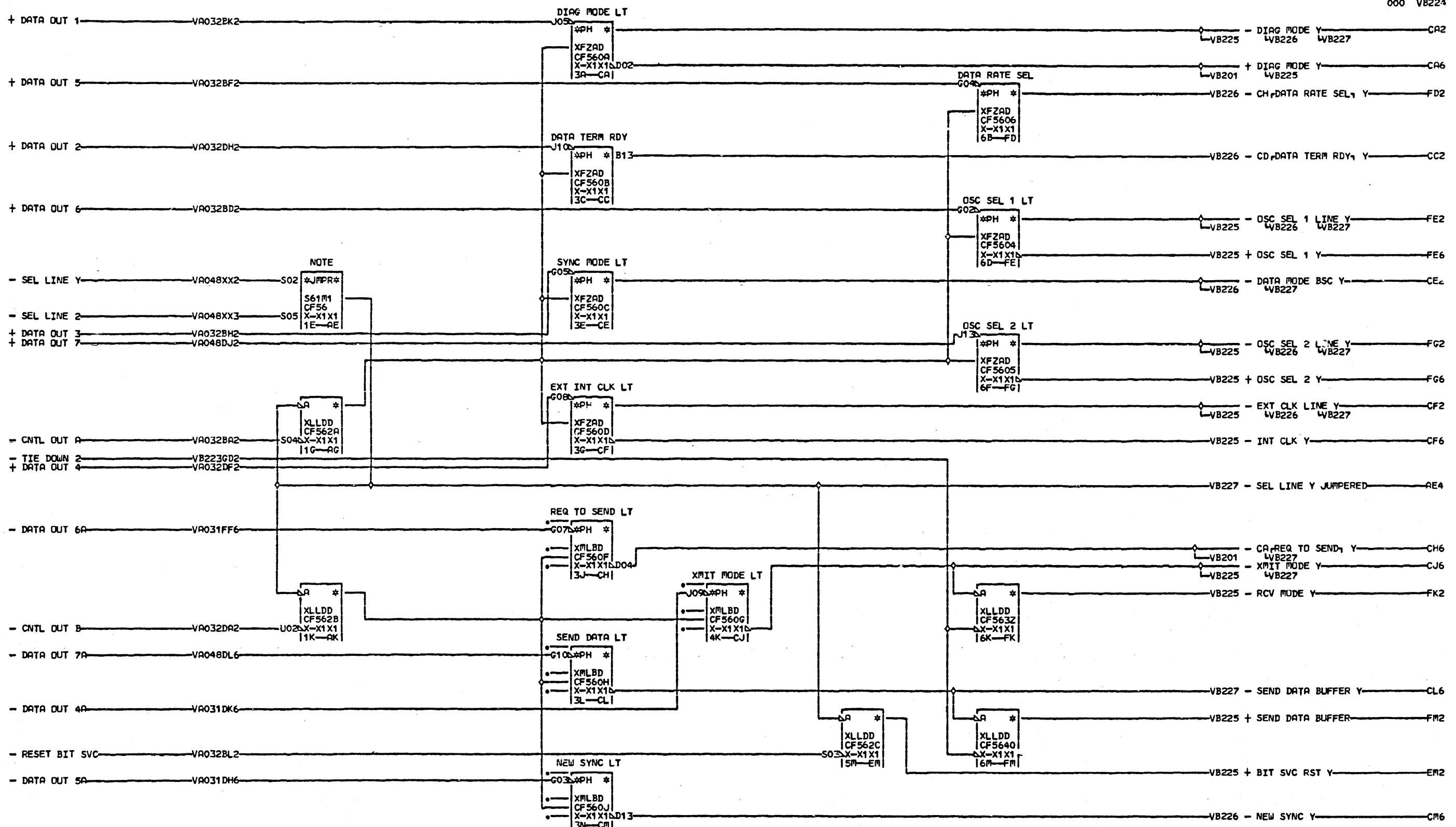
V
B
2
3
000

11-25-80 344401

LS8 OR 9 X.21 LINE	
MEDIUM SPEED-HIGH SPEED	
DATE 12-05-80 MACH. 3705	
LOG 993 FRAME 01	
P.N. 4499446	
IBM CORP. SCD BLK. GH	

V
B
2
3
000

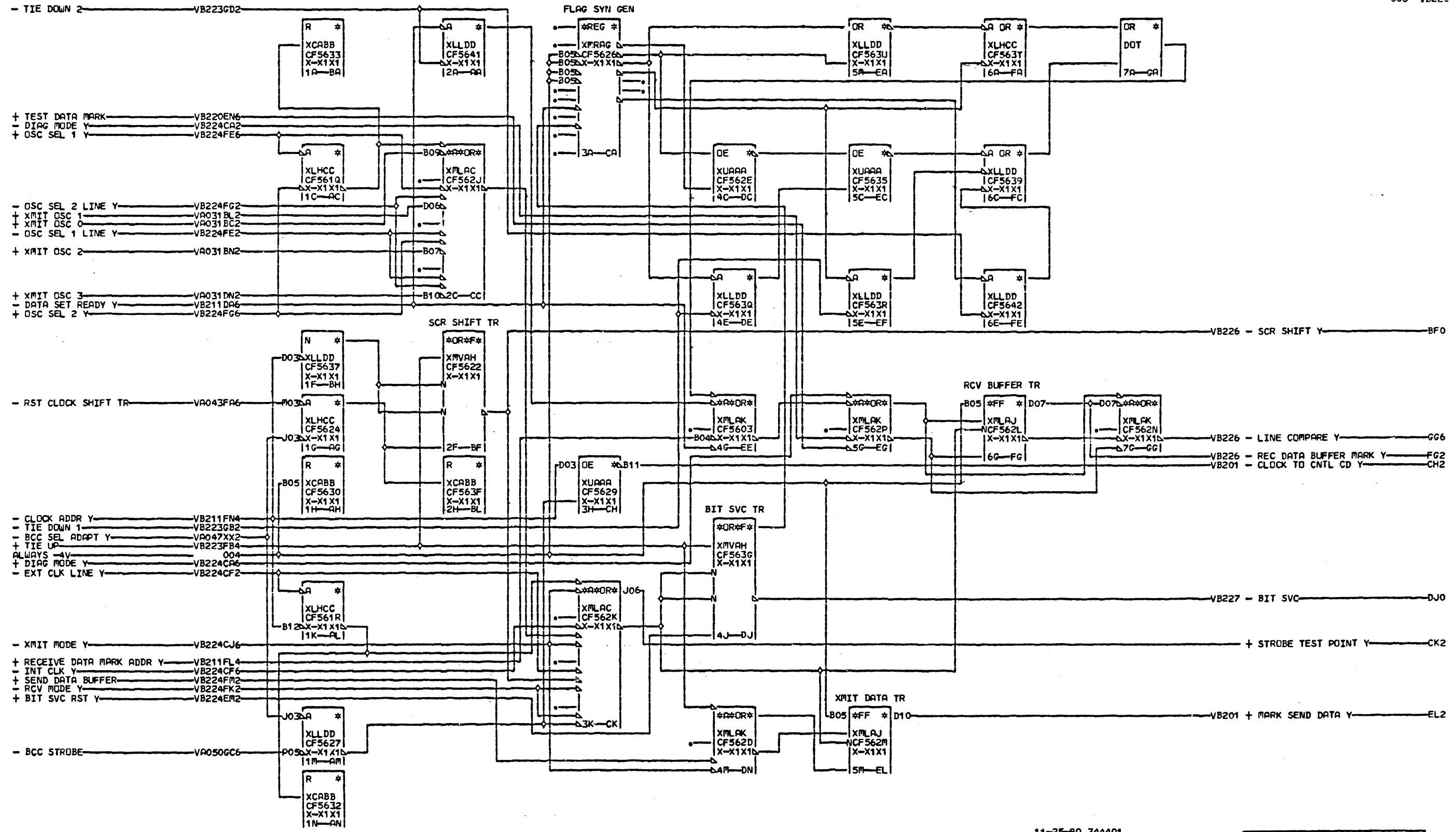
NOTE SEE VAO17 FOR SWITCHED OR NON-SWITCHED CARD JUMPERS.



NOTE BOARD JUMPER
 B2S05 TO C2M13
 V FOR LS9, HIGH SPEED.
 B SEE VA000 AND VA017.

11-25-80 344401

LS8 OR 9 X.21 LINE		V
MEDIUM SPEED-HIGH SPEED		B
DATE 12-05-80 MACH. 3705		2
LOG	993 FRAME	01
P.N. 4499447		4
IBM CORP. SCD BLK.		000

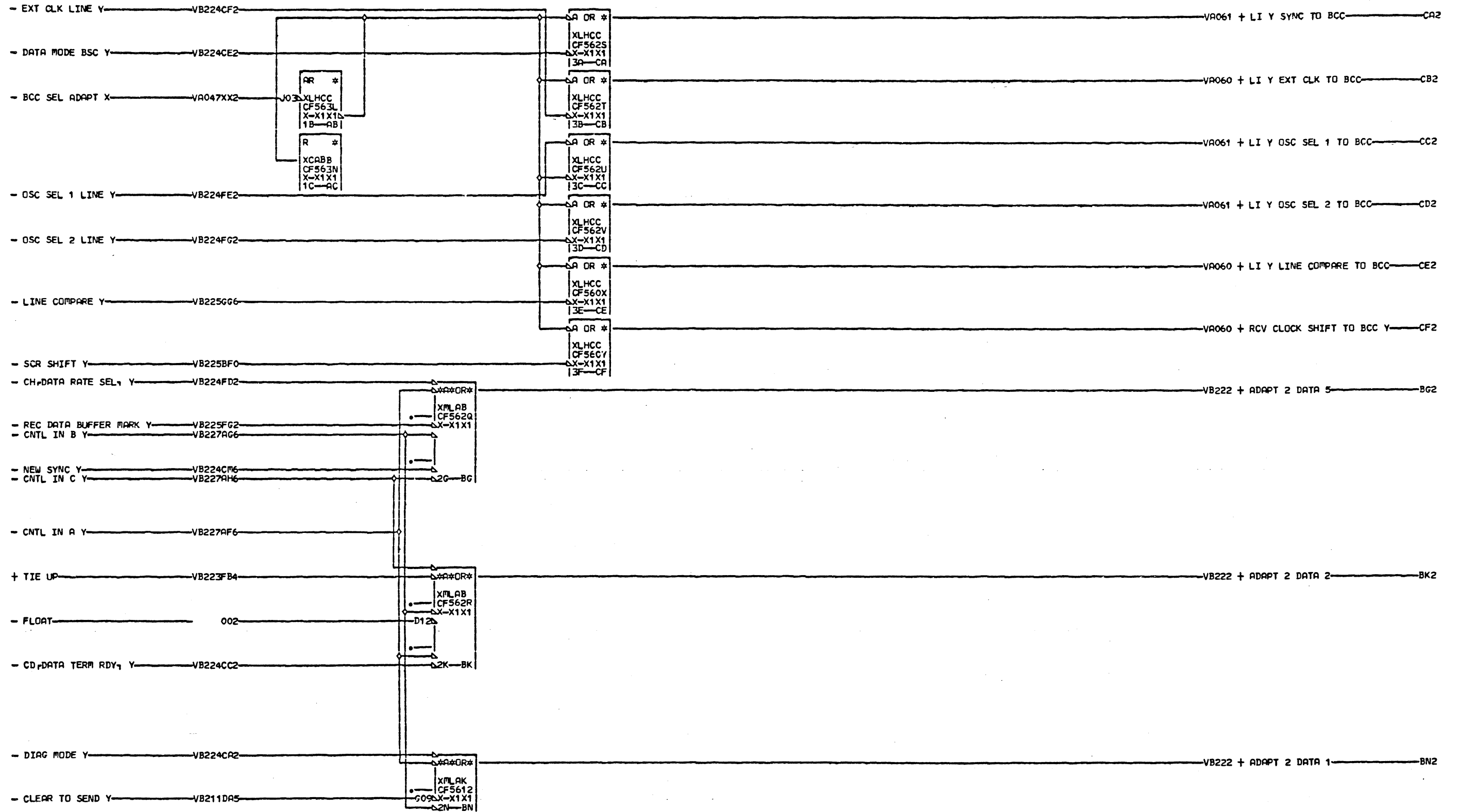


11-25-80 344401

LS8 OR 9 X.21 LINE
 MEDIUM SPEED-HIGH SPEED
 DATE 12-05-80 MACH. 3705
 LOG 993 FRAME 01
 P.N. 4499448
 IBM CORP. SCD BLK. GH

V B N N S
000

V B N N S
000



11-25-80 344401

LS8 OR 9 X.21 LINE			
MEDIUM SPEED-HIGH SPEED			
DATE 12-05-80 MACH. 3705			
LDG	993	FRAME	01
		P.N.	4499449
IBM CORP.	SCD BLK.	DP	

VB226

VB226

