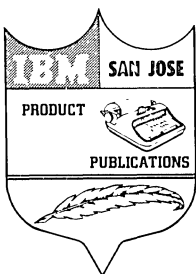


# 1803 Core Storage Unit

---



Author: R. M. Dinga

*We are pleased to send you this complimentary copy of a newly printed publication. Additional copies are available from the Distribution Center, Mechanicsburg.*

*G.W. Goesch, Manager  
Department G24*

S127-0914-1

# IBM

Illustrated Parts Catalog

# 1803 Core Storage Unit

S127-0914-1

## PREFACE

This Illustrated Parts Catalog (IPC) contains listings and illustrations of all replaceable assemblies, subassemblies, and detail parts released to Production Control on or before May 22, 1970.

### Second Edition (June 1970)

This is a major revision of and makes obsolete Order No. ZZ26-0914-0

Significant changes or additions to the specifications contained in this publication are continually being made. When using this publication in connection with the operation of IBM equipment, check the latest FE Publications Systems Sequence Listing, Order No. SY20-0073, for revisions or contact the local IBM Branch Office.

Copies of this and other IBM publications can be obtained through IBM Branch Offices.

A form for reader's comments is provided at the back of this publication. If the form has been removed, send your comments to the address below.

This manual was prepared by the IBM Systems Development Division, Product Publications, Department G24, San Jose, California 95114.

© Copyright International Business Machines Corporation 1970

CONTENTS

HOW TO USE THIS PARTS CATALOG . . . . .	iv
Catalog Organization . . . . .	iv
Finding a Part . . . . .	iv
Key Definitions . . . . .	v

VISUAL INDEX . . . . .	vi
------------------------	----

## CATALOG SECTION

Frame and Cover Group . . . . .	1
1803 Basic Final Assembly . . . . .	4
B Gate Assembly . . . . .	7
Cooling Unit Assembly . . . . .	10
DC Distribution Panel Assembly . . . . .	12
Power Sequence Box Assembly . . . . .	14
Power Supply Assembly (12V-5A) . . . . .	16
Power Supply Assembly (6V-12A) . . . . .	18
Power Supply Assembly (3V-4A) . . . . .	20
Power Supply Assembly (15V-2.5A) . . . . .	22
Power Supply Assembly (9/12V -10A) . . . . .	25
Blower Assembly . . . . .	27
Cable Components (3 sheets) . . . . .	28

NUMERICAL INDEX . . . . .	X-1
---------------------------	-----

## HOW TO USE THIS PARTS CATALOG

### CATALOG ORGANIZATION

To find parts quickly a general understanding of the structure of this catalog is necessary. The catalog is divided into three major sections

- The Visual Index shows an overall view of the machine and references the detailed figures in the catalog section.
- The Catalog Section contains a pictorial breakdown of assemblies and subassemblies.
- The Numerical Index is a numerical list of all parts used in the machine, with cross references to the figure on which the part is found.

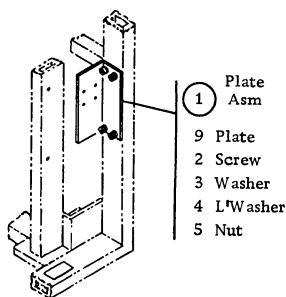
**VISUAL INDEX:** This index, located before the catalog section, shows an overall view of all assemblies in their physical location within the machine. Each assembly or group is named. The figure number where the parts for that assembly are defined is also given.

**CATALOG SECTION:** This section contains the full sized illustrations previously noted in the Visual Index. Index numbers on figures refer to corresponding entries in the Group Assembly Parts List accompanying each figure. Refer to "Key Definition" for explanation of terms used in the Group Assembly Parts List.

**NUMERICAL INDEX:** This index, located after the Catalog Section, contains a complete list, in numerical order, of all part numbers used on the machine. Listed with the part number is the index and figure number on which the part is illustrated. The numerical index makes it possible to locate a part when only the part number is known.

#### STACKED INDEX NUMBERS:

These numbers are used when showing a part and its attaching hardware. The sequence of a typical stack is shown at right. The circled index number indicates the assembly is broken down within the figure.



**ILLUSTRATION NOTES:** Cross-reference notes are printed directly on the illustration. The illustration's next higher assembly reference, normally located in the upper left corner of the page, will read: "For Parts Not Shown See Figure X". If an assembly is referenced to a lower level figure, the note located next to the index number will read: "See Figure X".

**DOUBLE LINED DETAIL BOX:** The information in this box differentiates between parts shown on the basic model and parts related to a level and/or feature difference. An explanation of the level or feature difference is also given here.

**FINDING A PART:** The Visual Index is the starting point for locating a part. Use figure references to locate the detailed figure in the catalog section.

Once the detailed figure in the catalog section is found, finding the part on the figure and referring to the listing for the part number and description is all that is required in most cases. If the first catalog section figure referenced shows the assembly containing the required part, the index number for the assembly will reference a lower level figure where the assembly is broken down to its component parts. If the figure referenced by the Visual Index contains neither the part nor an assembly containing the part, it is then necessary to go the next higher assembly figure. This figure should then contain the part or an assembly containing the part; if not, an even higher level figure must be used. Refer back to the Visual Index for some other figure that could show the desired part.

**NOTE:** Many detailed parts are unavailable because they are part of an inseparable assembly (two or more parts welded or bonded together), or because they are part of an assembly purchased as a unit. If parts are found on a welded or bonded assembly, the following note follows the description of the assembly: "Assembly components are not replaceable". If the part is found on a purchased assembly, and the detail parts of this assembly do not have IBM part numbers, the note following the assembly description will read: "Assembly components are not available". In either case, you need to obtain the part number of the assembly, rather than the detailed part.

### EXAMPLE FOR ORDERING PARTS

	5726422	FAN ASM-P/S ENCLOSURE SEE FIG 1-184 FOR NEXT HIGHER ASSEMBLY AND FIGURE 4 FOR ILLUSTRATION	REF
4 -			
- 1	334921	. TERMINAL-RING, 18-22 AWG, #6 HOLE, INS	2
- 2	187854	. SHIELD, TERMINAL BLOCK- 2 POS	1
- 3	210984	. SCREW, RD HD MACH-6-32 X .250 LG	1
- 4	5357050	. FAN ASM-NO CONNECTOR	ATT PT 1
- 5	32042	. SCREW, MACH BIND. HD 10-32 X .375 LG	ATT PT 2
- 6	5357066	. . BLADE	1
- 7	5357067	. . MOTOR 208V/230V 60CY 220V 50CY	1
- 8	130434	. . SCREW-MACH, SLOTTED HEX HD 10-32 X .375 LG	ATT PT 2
- 9	56079	. . WASHER, LOCK-EXT T .195ID .410 OD	ATT PT 2
- 10	5726436	. HEADER-POWER SUPPLY FAN	1

If the entire fan is required, part number 5726422 should be ordered (all one-dot items will be received). If only the subassembly is required, part number 5357050 should be ordered (all two-dot items will be received). Each part may be ordered individually.

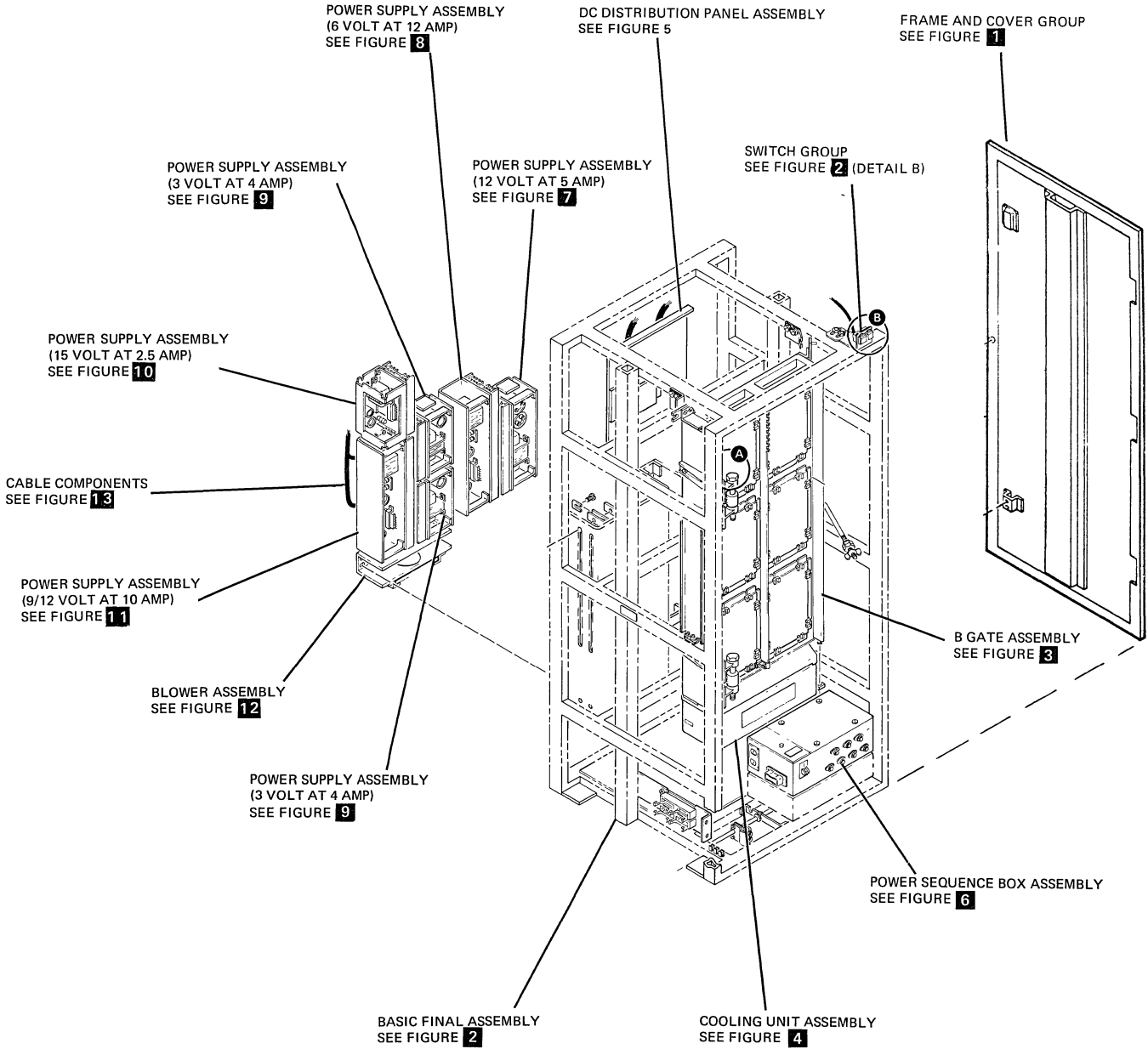
**KEY DEFINITIONS**

- 1 **SIMILAR ASSEMBLIES:** If two assemblies contain a majority of identical parts, they are broken down on the same list. Common parts are shown by one index number. Parts peculiar to one or the other of the assemblies are listed separately and identified by Usable On Code.
- 2 **NP:** This entry in the part number column indicates that the assembly is non-procurable and that the detailed parts should be ordered separately.
- 3 **USABLE ON CODE:** Part application and interchangeability are indicated by the usable on code. If this column is blank, the parts pertain to all equipment covered. Two types of codes are used. The alphabetic code denotes similar assemblies and/or features: the numeric code denotes parts or assemblies that may vary in design between groups of machines. Refer to the beginning of each list for the explanation of the code (s).
- 4 **REF:** This entry, in the units per assembly column, denotes an assembly which is completely assembled on a preceding illustration. Quantities for such items are found in its next higher assembly.
- 5 **INDENTURE:** The relationship of a part to its next higher assembly is indicated by indentures.  
For example:  

1	2	3	4
Unit			
. Assemblies and Detail Parts of Unit			
. Attaching Parts for Assemblies & Detail Parts			
. . Subassemblies			
. . Attaching Parts for Subassemblies			
. . . Detail Parts for Subassemblies, etc.			
- 6 **ATT PT:** Attaching Parts. These parts are used to attach a subassembly to an assembly. The attaching parts are listed immediately following the part to be attached.
- 7 **AR:** As Required (AR) in the units per assembly column denotes that the quantity is used as required.
- 8 **NO NUMBER:** When this indication appears in the part number column, it denotes a group of parts for which no assembly part number has been assigned, and the detail parts should be ordered separately.
- 9 **"COMM":** Commercial hardware. When this indication appears in the part number column, it denotes hardware procurable from normal commercial sources and not identified by an IBM part number.
- 10 **NR:** The NR in the part number column denotes the part is procurable but not recommended for field replacement, and that the next higher assembly should be ordered.

**EXAMPLE OF PARTS LIST**

LIST AND INDEX NUMBER	PART NUMBER	DESCRIPTION				UNITS PER ASM.	USABLE ON CODE
		1	2	3	4		
	1	3					
		CODE A USED ON 60 HERTZ CODE B USED ON 50 HERTZ CODE 1 USED ONLY WITH STEEL COVERS CODE 2 USED ONLY WITH PLASTIC COVERS				4	3
4 -	5357002 NP	COOLING UNIT ASM, 60 HZ				REF	1A
-	5468301 NP	COOLING UNIT ASM, 50 HZ FOR ILLUSTRATION SEE FIGURE 4 FOR NEXT HIGHER ASM SEE FIGURE 3-21				REF	1B
- 1	5349888	. LATCH				1	
- 2	5357136	. SCREW, PAN HD 4-40 X .0.187 THK				2	
- 3	5357005	. BLOWER ASM, 60 HZ				1	A
- 3	NO NUMBER	. BLOWER ASM, 50 HZ				1	B
- 4	740501	. SCREW, MACH-HEX HD 6-32 X 1/4 LG				4	
- 5	5357144	. . SCROLL AND WHEEL ASM, 60 HZ				1	A
- 5	5468306	. . SCROLL AND WHELL ASM, 50 HZ				1	B
- 6	81693	. . SCREW, MACH-BIND HD 6-32 X 3/8 LG				3	
- 7	56722	. . WASHER-LOCK, EXT T, .150 ID				3	
- 8	5357025 NR	. . . WHEEL ASM, BLOWER-60 HZ				1	A
- 8	5468308 NR	. . . WHEEL ASM, BLOWER-50 HZ				1	B
- 9	"COMM"	. MOTOR AND CONNECTOR ASM				AR	
	9	5				7	



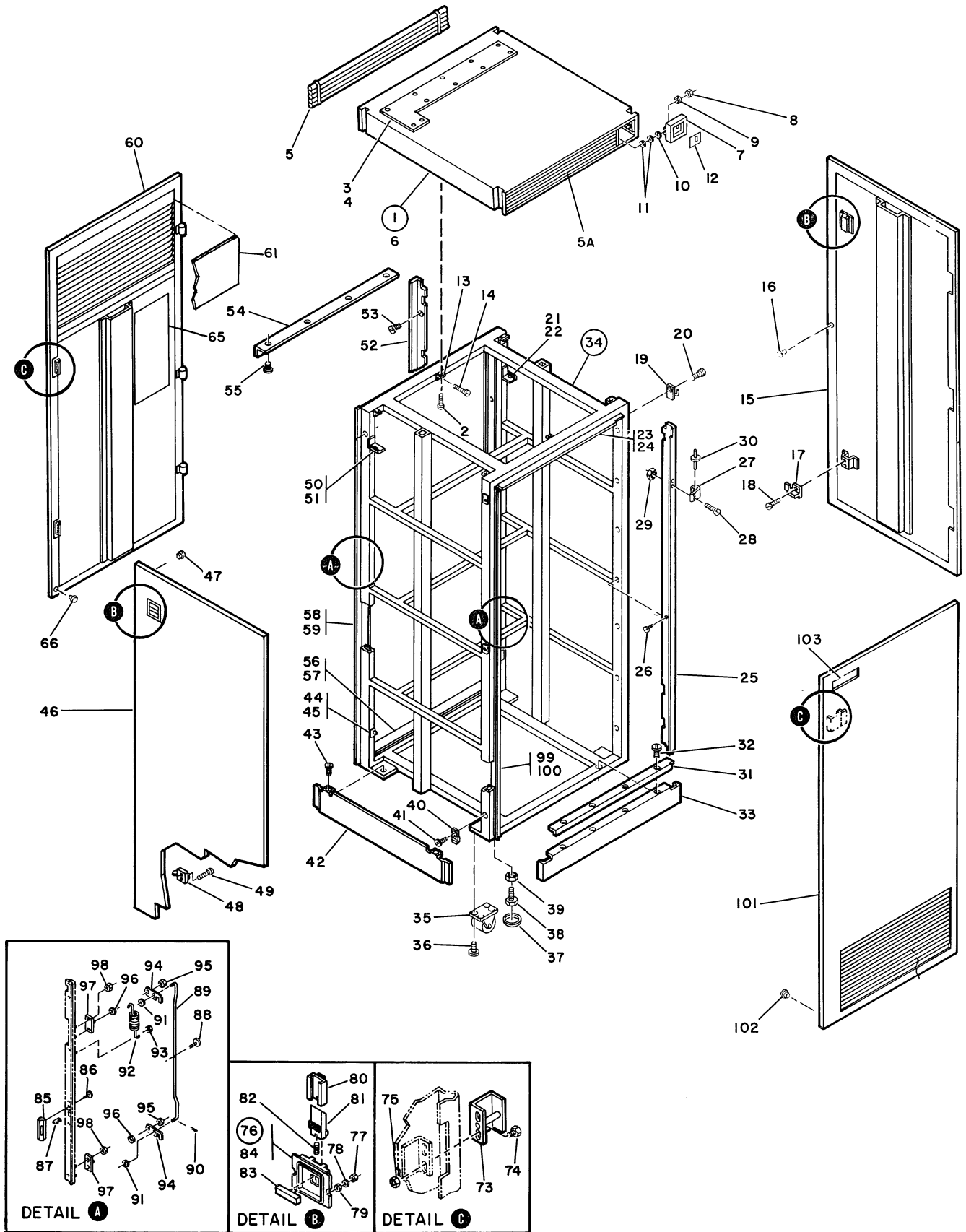


FIGURE 1. FRAME AND COVER GROUP.

SEE LIST 1



LIST AND INDEX NUMBER	PART NUMBER	DESCRIPTION				UNITS PER ASM.	USABLE ON CODE
		1	2	3	4		
1 -	2195245 NP	FRAME & COVER GROUP, 1803 FOR ILLUSTRATION SEE FIGURE 1.				REF	
- 1	2195391	. COVER ASSEMBLY-TOP				1	
- 2	5319854	. SCREW, SELF TAPPING, 8-32 X .375 LONG				6	ATT PT
- 3	2195212	. . FILLER, TOP COVER				1	
- 4	731626	. . SCREW, PAN HEAD, 6-32 X 0.25 LONG				11	ATT PT
- 5	2195385 NR	. . LOUVER, REAR				1	
- 5A	2195505 NR	. . LOUVER, FRONT				1	
- 6	NO NUMBER	. . COVER, WELDMENT				1	
- 7	2279060	. COVER, LENS				1	
- 8	257187	. NUT, HEX 6-32 NC				2	ATT PT
- 9	2125765	. LOCKWASHER, DISHED				1	ATT PT
- 10	55901	. WASHER, LOCK, EXT TEETH - .176 DIA				3	ATT PT
- 11	22478	. WASHER, FL- 0.170 ID 0.375 OD 0.032 THK				AR	ATT PT
- 12	2279059	. PLATE, LENS				1	
- 13	2195392	. BRACKET				6	
- 14	2181004	. SCREW-HEX HD SELFTAP 10-32 X .375 LONG				6	ATT PT
- 15	2194603	. COVER ASSEMBLY, RH END ASSEMBLY COMPONENTS ARE NOT REPLACEABLE				1	
- 16	208529	. BUMPER, RUBBER-FOR 3/16 HOLE				3	
- 17	513668	. CATCH, FRICTION LATCH				1	
- 18	731626	. SCREW, PAN HEAD, 6-32 X 0.25 LONG				2	ATT PT
- 19	2194951	. HINGE, RH END COVER				3	
- 20	2181004	. SCREW-HEX HD SELFTAP 10-32 X .375 LONG				6	ATT PT
- 21	2194948	. STRIKER, RH END				1	
- 22	2181004	. SCREW-HEX HD SELFTAP 10-32 X .375 LONG				2	ATT PT
- 23	2195411	. SPACER-TOP 27.62 IN. LG				1	
- 24	2181004	. SCREW-HEX HD SELFTAP 10-32 X .375 LONG				4	ATT PT
- 25	2183512	. SPACER, RT FRONT				1	
- 26	2181004	. SCREW-HEX HD SELFTAP 10-32 X .375 LONG				7	ATT PT
- 27	2194984	. HINGE, FRAME				6	
- 28	32042	. SCREW, MACH BIND. HD 10-32 X 3/8 LG.				12	ATT PT
- 29	11598	. NUT, HEX, 10-32 X 0.375 FL W				12	ATT PT
- 30	2194989	. PIN, DOOR HINGE				6	
- 31	2194970	. SPACER, BOTTOM-FRONT				1	
- 32	2181004	. SCREW-HEX HD SELFTAP 10-32 X .375 LONG				4	ATT PT
- 33	2195313	. KICKSTRIP-FRONT&REAR				2	
- 34	2279004	. FRAME ASSEMBLY-SINGLE BAY				1	
- 35	587814	. . CASTER, SWIVEL- 3 IN. WHL W/MTG PLATE				4	
- 36	5350092	. . SCREW, SELF TAP HEX WSR, 1/4-20 X 0.750 LG				16	ATT PT
- 37	2162666	. . CUP				4	
- 38	2194679	. . JACK, LEVELING				4	
- 39	186950	. . NUT, PLAIN, HEX- 1/2-13 X 3/4 FL W				4	
- 40	2194950	. HINGE, LH END COVER				3	
- 41	2181004	. SCREW-HEX HD SELFTAP 10-32 X .375 LONG				6	ATT PT
- 42	2195314	. KICKSTRIP-SIDE				2	
- 43	2181004	. SCREW-HEX HD SELFTAP 10-32 X .375 LONG				4	ATT PT
- 44	513669	. STRIKE-FRICTION LATCH				2	
- 45	731626	. SCREW, PAN HEAD, 6-32 X 0.25 LONG				4	ATT PT
- 46	2194637	. COVER ASSEMBLY, LH END				1	
- 47	208529	ASSEMBLY COMPONENTS ARE NOT REPLACEABLE . BUMPER, RUBBER-FOR 3/16 HOLE				3	
- 48	513668	. CATCH, FRICTION LATCH				1	
- 49	731626	. SCREW, PAN HEAD, 6-32 X 0.25 LONG				2	ATT PT
- 50	2194949	. STRIKER, LH END				1	
- 51	2181004	. SCREW-HEX HD SELFTAP 10-32 X .375 LONG				2	ATT PT
- 52	2194967	. SPACER, DOOR RH, REAR				1	
- 53	2181004	. SCREW-HEX HD SELFTAP 10-32 X .375 LONG				7	ATT PT
- 54	2194969	. SPACER, TOP AND BOTTOM-REAR				1	
- 55	2181004	. SCREW-HEX HD SELFTAP 10-32 X .375 LONG				7	ATT PT
- 56	2194969	. SPACER, TOP AND BOTTOM-REAR				1	
- 57	2181004	. SCREW-HEX HD SELFTAP 10-32 X .375 LONG				4	ATT PT
- 58	2195380	. SPACER L.H., REAR				1	
- 59	2181004	. SCREW-HEX HD SELFTAP 10-32 X .375 LONG				7	ATT PT
- 60	2194962	. COVER ASSEMBLY-REAR GRAY				1	
- 60	2194960	. COVER ASSEMBLY-REAR RED				1	
- 60	2194961	. COVER ASSEMBLY-REAR YELLOW				1	
- 60	2194748	. COVER ASSEMBLY-REAR BLUE				1	
- 61	2279009	ASSEMBLY COMPONENTS ARE NOT REPLACEABLE . BAFFLE, ALUMINUM USED ON 50 HZ ONLY				1	
- 65	2183468	. LABEL				1	
- 66	208529	. BUMPER, RUBBER-FOR 3/16 HOLE				3	
- 73	2194640	. BAR, LATCH				4	
- 74	236849	. SCREW, MACH-BIND HD 10-32 X 1/4 LG				8	ATT PT
- 75	11598	. NUT, HEX, 10-32 X 0.375 FL W				8	ATT PT
- 76	2191006	. LATCH ASSEMBLY, DOMESTIC				2	
- 76	2191014	. LATCH ASSEMBLY, WTC				2	
- 77	257189	. NUT, HEX 8-32				4	ATT PT

CONT

LIST AND INDEX NUMBER	PART NUMBER	DESCRIPTION	UNITS PER ASM.	USABLE ON CODE
1 - 78	1090873	. LOCKWASHER,SPLIT NO. 8	4	
- 79	22478	. WASHER,FL- 0.170 ID 0.375 OD 0.032 THK	4	
- 80	2190973	. . RETAINER,LATCH	1	
- 81	2190972	. . BOLT,LATCH	1	
- 82	2191007	. . SPRING-COMPRESSION	1	
- 83	2190974	. . HANDLE,LATCH USED ON 2191006 ONLY	1	
- 84	2190971	. . HOUSING,LATCH	1	
- 85	2195756	. COVER-LATCH	2	
- 86	731626	. SCREW,PAN HEAD,6-32 X 0.25 LONG	4	
- 87	2195757	. HANDLE,LATCH	2	
- 88	251970	. SCREW,MACH,BH. 4-40 X 0.25 LONG	2	
- 89	2194642	. ARM,LATCH	2	
- 90	33345	. PIN,COTTER- 0.060 DIA X 5/16 LG	4	
- 91	45690	. WASHER,FLAT	4	
- 92	2194643	. SPRING,EXTENSION	2	
- 93	257189	. NUT, HEX 8-32	2	
- 94	2194641	. STRIKER,LATCH	4	
- 95	125930	. NUT,SELF LOCK HEX,10-32	4	
- 96	45690	. WASHER,FLAT	4	
- 97	2194657	. PLATE ASSEMBLY,MTG LH	2	
- 97	2194656	. PLATE ASSEMBLY,MTG RH	2	
- 98	257189	. NUT, HEX 8-32	8	
- 99	2195381	. SPACER,LH FRONT	1	
-100	2181004	. SCREW-HEX HD SELFTAP 10-32 X .375 LONG	7	
-101	2183212	. DOOR ASM-FRONT GRAY	1	
-101	2183210	. DOOR ASM-FRONT RED	1	
-101	2183211	. DOOR ASM-FRONT YELLOW	1	
-101	2183209	. DOOR ASM-FRONT BLUE	1	
-102	208529	ASSEMBLY COMPONENTS ARE NOT REPLACEABLE		
-103	2279003	. BUMPER,RUBBER-FOR 3/16 HOLE	3	
		. NAMEPLATE, CORE STORAGE, 1803	1	
END OF LIST 1				

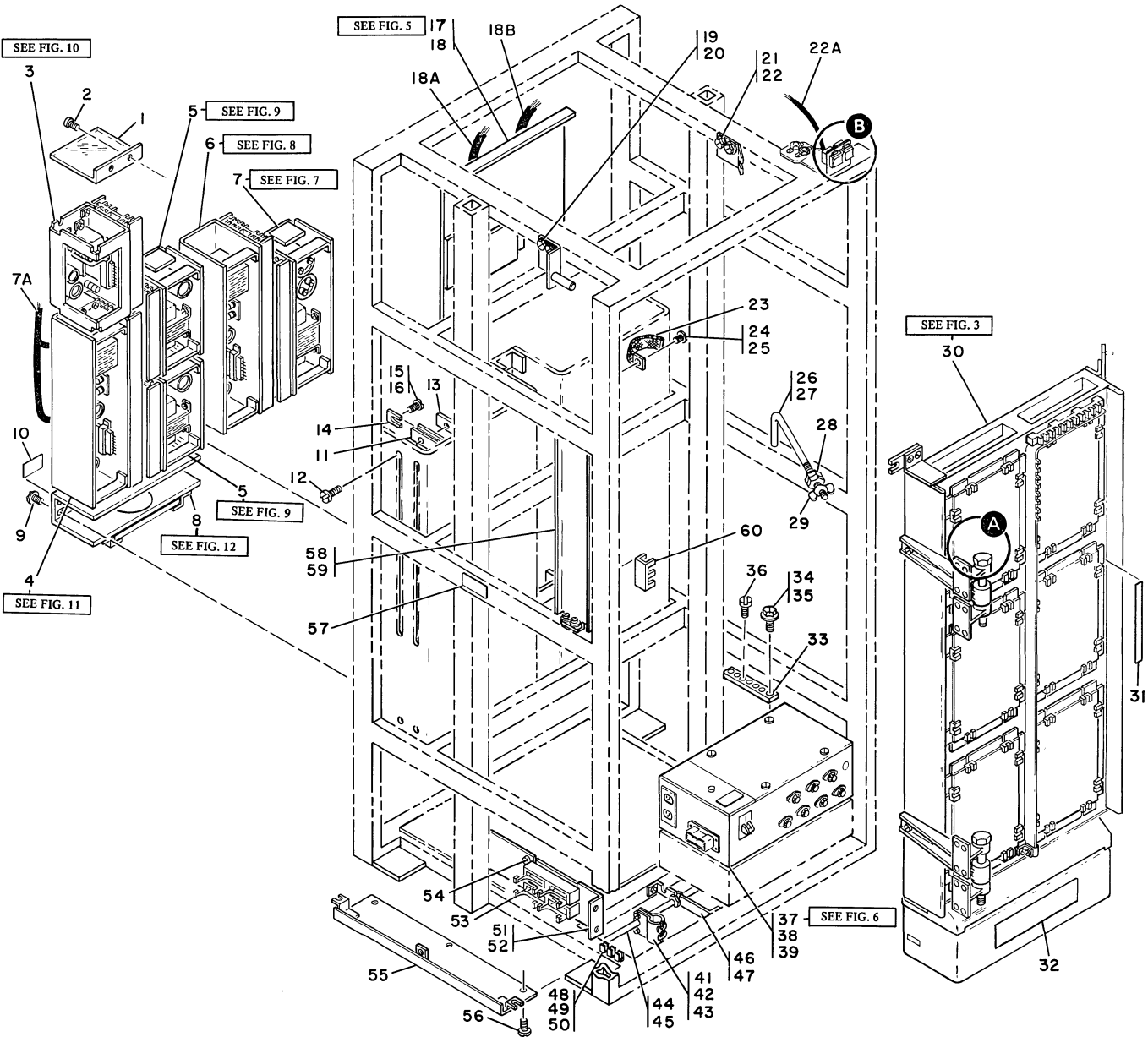
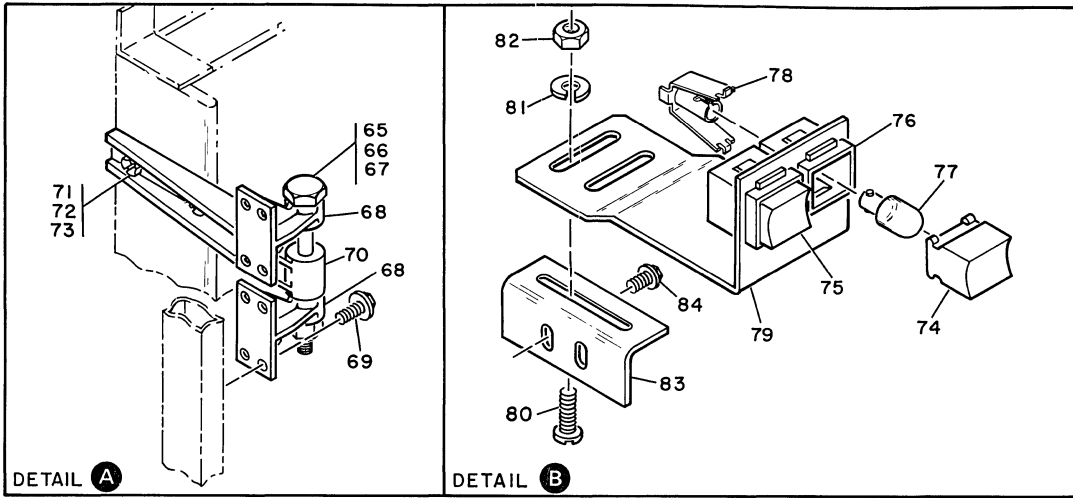


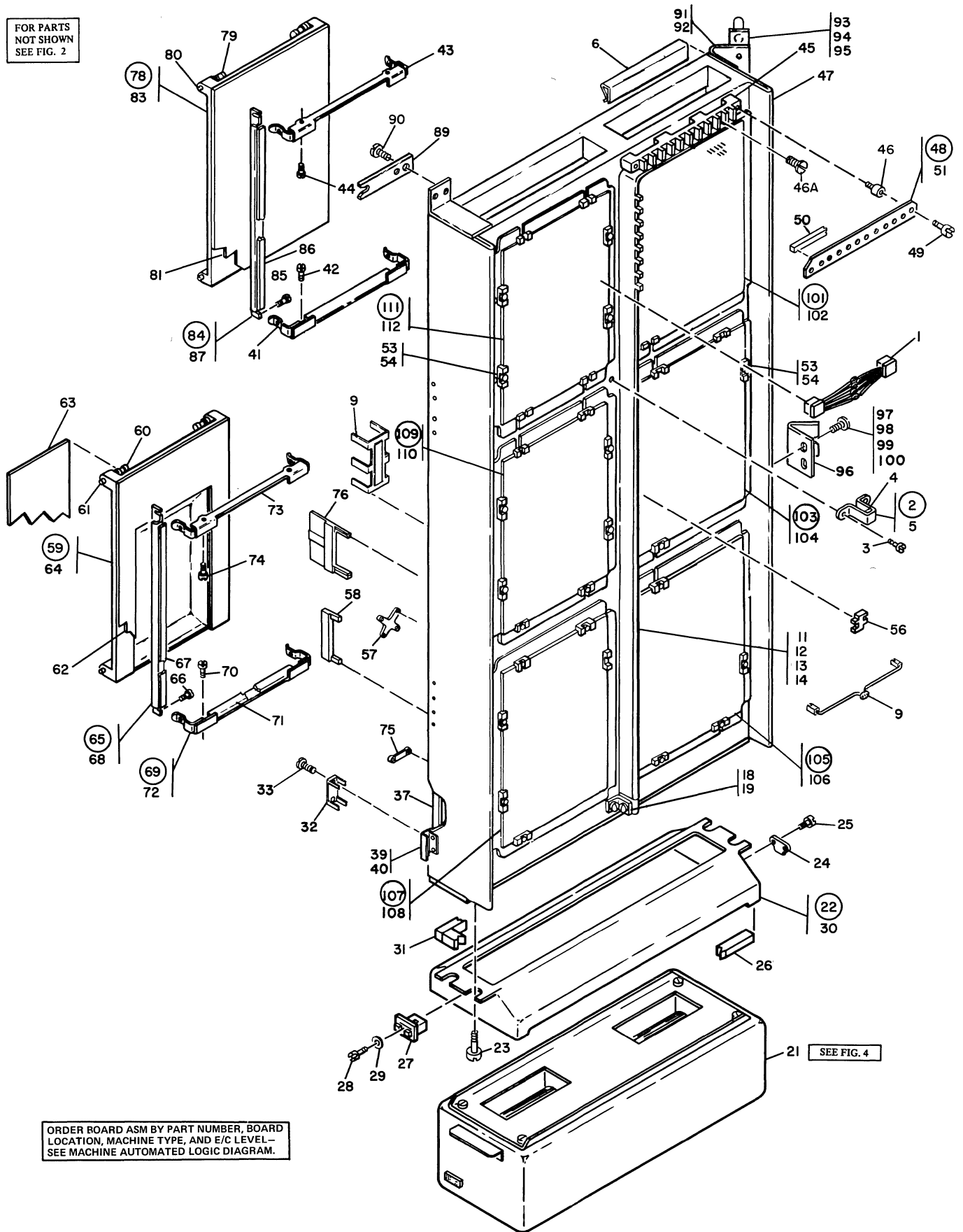
FIGURE 2. 1803 FINAL ASSEMBLY.

SEE LIST 2

LIST AND INDEX NUMBER	PART NUMBER	DESCRIPTION	UNITS PER ASM.	USABLE ON CODE
2	2279001 NP	BASIC FINAL ASSEMBLY, 1803 FOR ILLUSTRATION SEE FIGURE 2	1	
- 1	2159711	. SHIELD, POWER SUPPLY	4	
- 2	2181004	. SCREW-HEX HD SELFTAP 10-32 X .375 LONG ATT PT	8	
- 3	5709430	. POWER SUPPLY ASM,15V AT 2.5 AMP-60 HZ	1	
- 3	5709470	. POWER SUPPLY ASM,15V AT 2.5 AMP-50 HZ FOR DETAIL BREAKDOWN SEE FIGURE 10	1	
- 4	5709440	. POWER SUPPLY ASM,9-12V AT 10A 60 HZ	1	
- 4	5709480	. POWER SUPPLY ASM,9-12V AT 10A 50 HZ FOR DETAIL BREAKDOWN SEE FIGURE 11	1	
- 5	5261000	. POWER SUPPLY ASM,3 VOLT AT 4 AMP 60 HZ	2	
- 5	5261600	. POWER SUPPLY ASM,3 VOLT AT 4 AMP 50 HZ FOR DETAIL BREAKDOWN SEE FIGURE 9	2	
- 6	5261050	. POWER SUPPLY ASSEMBLY 6V 12A 60 HERTZ	1	
- 6	5261650	. POWER SUPPLY ASSEMBLY 6V 12A 50 HERTZ FOR DETAIL BREAKDOWN SEE FIGURE 8	1	
- 7	5261140	. POWER SUPPLY ASM, 12V 5A 60HZ	1	
- 7	5261740	. POWER SUPPLY ASM 12V 5A 50HZ FOR DETAIL BREAKDOWN SEE FIGURE 7	1	
- 7A	2279056	. CABLE ASM, DC PWR TO DC DIST PNL FOR COMPONENTS SEE FIGURE 13	1	
- 8	2194665	. BLOWER ASSEMBLY,PS 60 HERTZ	2	
- 8	2194750	. BLOWER ASSEMBLY,PS 50 HERTZ FOR DETAIL BREAKDOWN SEE FIGURE 12	2	
- 9	2181004	. SCREW-HEX HD SELFTAP 10-32 X .375 LONG ATT PT	8	
- 10	369207	. LABEL,CAUTION	1	
- 11	207382	. RAIL-POWER SUPPLY MOUNTING	10	
- 12	5677	. SCREW,MACH-BIND HD 10-32 X 3/4 LG ATT PT	20	
- 13	2193932	. OUTER RAIL	10	
- 14	207293	. KEEPER-POWER SUPPLY	10	
- 15	186759	. SCREW,MACH-BIND HD 8-32 X 5/16 LG ATT PT	10	
- 16	2125963	. WASHER,LOCK-INT TEETH NO. 8 X 9/16 OD ATT PT	10	
- 17	2279002	. DC DISTRIBUTION PANEL ASM FOR DETAIL BREAKDOWN SEE FIGURE 5	1	
- 18	2181004	. SCREW-HEX HD SELFTAP 10-32 X .375 LONG ATT PT	4	
- 18A	2279057	. CABLE ASM, DC DIST TO: B GATE FOR COMPONENTS SEE FIGURE 13	1	
- 18B	2279092	. CABLE ASM, THERMISTOR FOR COMPONENTS SEE FIGURE 13	1	
- 19	2195351	. PIN-GUIDE	1	
- 20	5353301	. SCREW-THREAD FORMING, HEX. WASHER HEAD ATT PT	2	
- 21	2195354	. GUIDE-GATE SUPPORT	1	
- 22	5353301	. SCREW-THREAD FORMING, HEX. WASHER HEAD ATT PT	2	
- 22A	2279069	. CABLE ASM, C. B. READY	1	
- 23	2101840	. STRAP ASM,GROUND FOR COMPONENTS SEE FIGURE 13	1	
- 24	5353301	. SCREW-THREAD FORMING, HEX. WASHER HEAD ATT PT	2	
- 25	2125656	. LOCKWASHER, 0.261 ID X 0.04 THK ATT PT	4	
- 26	2242399	. ROD,GATE LATCH	1	
- 27	139766	. RING,RETAINING-EXT 0.281 ID X 0.020 THK ATT PT	1	
- 28	24107	. NUT,PLAIN,HEX- 3/8 X 9/16 FL W	2	
- 29	2183665	. NUT,WING .375-16 UNC	1	
- 30	2279018	. B GATE ASM,60 HZ	1	
- 30	2279017	. B GATE ASM,50 HZ	1	
- 31	2242314	. LABEL, CORE STORAGE FOR DETAIL BREAKDOWN SEE FIGURE 3	1	
- 32	369209	. PLATE, INSTRUCTION-DANGER HIGH VOLTAGE	1	
- 33	2162453	. BAR, BUS	1	
- 34	5319888	. SCREW, SELF TAPPING, 10-32 X .625 LONG ATT PT	2	
- 35	2125974	. WASHER, INT TOOTH, .200 ID X .562 OD ATT PT	2	
- 36	58207	. SCREW,BH,8-32 X 0.250 LG	7	
- 37	2279019	. POWER SEQUENCE BOX ASM	1	
- 38	2181004	. SCREW-HEX HD SELFTAP 10-32 X .375 LONG ATT PT	4	
- 39	56121	. WASHER,LOCK-INT TEETH NO. 10 X 0.381 OD ATT PT	4	
- 41	2191879	. CLAMP,0.468 ID	2	
- 41	2191880	. CLAMP,0.562 ID	2	
- 41	2191881	. CLAMP,0.842 ID	2	
- 41	2191882	. CLAMP,0.968 ID	2	
- 42	332620	. SCREW,MACH-BIND HD 10-32 X 1/2 LG ATT PT	8	
- 43	11598	. NUT,HEX, 10-32 X 0.375 FL W ATT PT	8	
- 44	2195295	. ROD, 0.250-20 X 9.75 LG	2	
- 45	3960	. NUT,PLAIN,HEX- 1/4-20 X 7/16 FL W ATT PT	6	
- 46	2195284	. BRACKET-STUD SUPPORT	1	
- 47	2181004	. SCREW-HEX HD SELFTAP 10-32 X .375 LONG ATT PT	4	
- 48	5271288	. TERMINAL	6	

LIST AND INDEX NUMBER	PART NUMBER	DESCRIPTION				UNITS PER ASM.	USABLE ON CODE
		1	2	3	4		
2 - 49	236550	.	SCREW,MACH-BIND HD 4-40 X 0.375 LG	ATT PT		3	
- 50	338169	.	WASHER,LOCK-EXT TEETH NO. 4 X 9/32 OD	ATT PT		3	
- 51	2279061	.	BRACKET			1	
- 52	2181004	.	SCREW-HEX HD SELFTAP 10-32 X .375 LONG	ATT PT		4	
- 53	5362304	.	CONNECTOR ASSEMBLY - HALF STYLE A			2	
			FOR COMPONENTS SEE FIGURE 13-241				
- 54	10170	.	SCREW-MACH,BIND HD NO. 6-32 X .250 LG	ATT PT		1	
- 55	2194672	.	COVER,END-FLOOR			2	
- 56	2181004	.	SCREW-HEX HD SELFTAP 10-32 X .375 LONG	ATT PT		6	
- 57	369207	.	LABEL,CAUTION			2	
- 58	2195377	.	BRACKET-LOWER CHANNEL SUPPORT			1	
- 59	2181004	.	SCREW-HEX HD SELFTAP 10-32 X .375 LONG	ATT PT		4	
- 60	2242323	.	TROUGH,CABLE-2.0 IN.LEG			1	
- 65	7320548	.	BOLT,HINGE			2	
- 66	130985	.	WASHER,FL- 0.531 ID 1-1/16 OD 0.095 THK			6	
- 67	7320365	.	NUT-HINGE BOLT			2	
- 68	300693	.	HINGE,-FRAME MTG			4	
- 69	5353301	.	SCREW-THREAD FORMING, HEX. WASHER HEAD	ATT PT		16	
- 70	2194606	.	HINGE,B-GATE			2	
- 71	38688	.	SCREW,HEX HD,1/4-20 X 0.750 LG	ATT PT		4	
- 72	6935	.	LOCKWASHER,SPLIT 0.25-20,0.493 OD	ATT PT		4	
- 73	3960	.	NUT,PLAIN,HEX- 1/4-20 X 7/16 FL W	ATT PT		2	
- 74	5373658	.	LENS-CB-RED			1	
- 75	2194737	.	LENS,READY			1	
- 76	5373660	.	HOUSING-SWITCH AND LIGHT			2	
- 77	2414970	.	LAMP,INCANDESCENT			2	
- 78	827840	.	SOCKET, SINGLE CONTACT, BAYONET BASE			2	
- 79	2279007	.	BRACKET			1	
- 80	55918	.	SCREW,MACH-BIND HD 10-32 X 5/8 LG	ATT PT		2	
- 81	2125974	.	WASHER, INT TOOTH, .200 ID X .562 OD	ATT PT		2	
- 82	11598	.	NUT,HEX, 10-32 X 0.375 FL W	ATT PT		2	
- 83	2194937	.	BRACKET			1	
- 84	2181004	.	SCREW-HEX HD SELFTAP 10-32 X .375 LONG	ATT PT		2	
END OF LIST 2							

FOR PARTS  
NOT SHOWN  
SEE FIG. 2



ORDER BOARD ASM BY PART NUMBER, BOARD LOCATION, MACHINE TYPE, AND E/C LEVEL—SEE MACHINE AUTOMATED LOGIC DIAGRAM.

FIGURE 3. B GATE ASSEMBLY.

SEE LIST **3**

LIST AND INDEX NUMBER	PART NUMBER	DESCRIPTION	UNITS PER ASM.	USABLE ON CODE
		1 2 3 4		
3 -	2279018	B GATE ASM, 60 HZ	REF	
-	2279017	B GATE ASM, 50 HZ	REF	
		FOR ILLUSTRATION SEE FIGURE 3 FOR NEXT HIGHER ASM SEE FIGURE 2-30		
- 1	811621	. CROSSOVER ASM, BUS TO BOARD, DOUBLE	AR	
- 1	811483	. CROSSOVER ASM, BUS TO BOARD FOR COMPONENTS SEE FIG 13	15	
- 2	811554	. STRAP ASSEMBLY, BUS	AR	
- 3	731626	. SCREW, PAN HEAD, 6-32 X .25 LONG	ATT PT	
- 4	811553	. . PAD, FOAM	1	
- 5	811423	. . STRAP	1	
- 6	2193685	. SUPPORT, 6.00 LG, CABLE	6	
- 7	2279071	. TROUGH, CABLE-1.0 IN. LG	6	
- 7	2242323	. TROUGH, CABLE-2.0 IN. LG	2	
- 9	2195466	. JUMPER ASM DOUBLE, VOLTAGE CONNECTOR	3	
- 9	2196042	. JUMPER ASSEMBLY	1	
- 9	2196044	. CABLE ASM, SPECIAL VOLTAGE JUMPER	2	
- 9	2196046	. CABLE ASM, SPECIAL VOLTAGE JUMPER FOR COMPONENTS SEE FIG 13	2	
- 11	811530	. BUS ASSEMBLY, VERTICAL	1	
		ASSEMBLY COMPONENTS ARE NOT REPLACEABLE		
- 12	438550	. SCREW, MACH-BIND HD 4-40 X 1/2 LG	ATT PT	1
- 13	37913	. NUT, HEX 4-40 NC	ATT PT	1
- 14	257985	. WASHER, FL-NO. 4 0.25 OD X 0.028 TH	ATT PT	1
- 18	811742	. SUPPORT	1	
- 19	2181005	. SCREW, SELF TAPPING, 6-32 X .375 LG.	ATT PT	AR
- 21	5357002	. COOLING UNIT ASM, 60 HZ	1	
- 21	5468301	. COOLING UNIT ASM, 50 HZ FOR DETAIL BREAKDOWN SEE FIG 4	1	
- 22	5357034	. HEADER ASSEMBLY	1	
- 23	2181012	. SCREW, SELF TAPPING, 8-32 X .437 LG.	ATT PT	4
- 24	5349887	. . STRIKE-FAN HOUSING	1	
- 25	5357136	. . SCREW, PAN HD 4-40 X 0.187 THK	ATT PT	2
- 26	5313928	. . GASKET	AR	
- 27	472168	. . CLAMP-CABLE	1	
- 28	112628	. . SCREW, THD FORMING, PAN HD, 4-40 X 0.38 LG	ATT PT	1
- 29	338169	. . WASHER, LOCK-EXT TEETH NO. 4 X 9/32 OD	ATT PT	1
- 30	5357038	. . HEADER	1	
- 31	2157643	. SEAL	AR	
- 32	2194940	. CLAMP, ADJ.	1	
- 33	5644	. SCREW, MACH-FIL H 6-32 X 5/8 LG	ATT PT	2
- 37	811442	. SEAL, FOAM, 0.38 X 0.25 X 12.25 LG	AR	
- 39	2194615	. CLAMP, BASE, DOUBLE	1	
- 40	2181005	. SCREW, SELF TAPPING, 6-32 X .375 LG.	ATT PT	2
- 41	811852	. BRACKET-HINGE	AR	
- 42	811426	. SCREW, MACH-PAN HD 6-32 X 3/8 IN. LG	ATT PT	AR
- 43	811853	. BRACKET-HINGE	AR	
- 44	811426	. SCREW, MACH-PAN HD 6-32 X 3/8 IN. LG	ATT PT	AR
- 45	811476	. TERMINAL BLOCK, 12 POS. SINGLE SCREW	1	
- 46	811536	. STANDOFF	ATT PT	2
- 46A	811481	. SCREW, MACH- 6-32 X 1/4 LG	12	
- 47	2279051	. GATE ASM, 3X2 ASSEMBLY COMPONENTS ARE NOT REPLACEABLE	1	
		THE FOLLOWING PARTS ARE FEATURES ONLY		
- 48	811556	SHIELD ASM, 12 POS	1	
- 49	10170	SCREW-MACH, BIND HD NO. 6-32 X .250 LG	ATT PT	2
- 50	811555	. SEAL, FOAM, 0.31 X 0.38 X 7.63 LG	1	
- 51	811534	. SHIELD, 12 POS	1	
- 53	813179	CLAMP-BOARD	AR	
- 54	811417	SCREW, HEX SOCKET H- 6-32 X 1/2 LG	ATT PT	AR
- 56	811600	COUPLING CAPACITOR ASM ASSEMBLY COMPONENTS ARE NOT REPLACEABLE	AR	
- 57	813519	RETAINER, CABLE	AR	
- 58	811802	GUIDE-CARD, 6 PAC	AR	
- 58	811804	GUIDE-CARD, 12 PAC	AR	
- 59	2194920	CARD COVER ASSEMBLY-MEMORY 1.25	AR	
- 60	815963	. CATCH-PULL	4	
- 61	815964	. CATCH	4	
- 62	2190834	. BACKING, FOAM	1	
- 63	2500254	. LABEL, ADJ. SETTING 4MFD	AR	
- 63	2500255	. LABEL, ADJ. SETTING 2MFD	AR	
- 64	2194930	. COVER, CORE STORAGE, 1.25 RACEWAY	1	
- 65	2194975	RETAINER ASM	4	

LIST AND INDEX NUMBER	PART NUMBER	DESCRIPTION	UNITS PER ASM.	USABLE ON CODE
3 - 66	55726	SCREW,MACH-BIND HD 6-32 X .188 LG	ATT PT	8
- 67	811441	. SEAL		2
- 68	2194976	. BAR,CABLE RETAINER-MEMORY		1
- 69	2194921	BRACKET ASM,HINGE LOWER-MEMORY 1.25		AR
- 70	811426	SCREW,MACH-PAN HD 6-32 X 3/8 IN. LG	ATT PT	AR
- 71	2194938	. SEAL,LOWER HINGE-MEMORY		1
- 72	2194936	. BRACKET,HINGE LOWER-MEMORY		1
- 73	811853	BRACKET-HINGE		AR
- 74	811426	SCREW,MACH-PAN HD 6-32 X 3/8 IN. LG	ATT PT	AR
- 75	811427	RETAINER		AR
- 76	811363	EXTENDER,CARD,6 PAC		AR
- 78	811867	CARD COVER ASSEMBLY		AR
- 79	815963	. CATCH-PULL		4
- 80	815964	. CATCH		4
- 81	815263	. BACKING, FOAM		1
- 83	811866	. COVER		1
- 84	811881	RETAINER ASM		AR
- 85	55726	SCREW,MACH-BIND HD 6-32 X .188 LG	ATT PT	AR
- 86	811441	. SEAL		1
- 87	811896	. RETAINER		1
- 89	2195350	GUIDE,GATE SUPPORT		1
- 90	5353301	SCREW,THRD FORM HEX WSR HD	ATT PT	2
- 91	2195352	BRACKET		1
- 92	2181001	SCREW,THD-FORM HEX WASH HD 10-32X3/4	ATT PT	2
- 93	2195353	PIN,GUIDE		1
- 94	36844	SCREW,1/4-20 X 1/2 LG	ATT PT	2
- 95	2125656	LOCKWASHER,0.261 ID X 0.04 TH	ATT PT	2
- 96	2183667	STABILIZER,GATE		1
- 97	322028	SCREW,BIND HD 0.25-20X0.75 LG	ATT PT	2
- 98	2125656	LOCKWASHER,0.261 ID X 0.04 TH	ATT PT	2
- 99	6935	LOCKWASHER,SPLIT-0.25-20	ATT PT	2
-100	36109	NUT,HEX-1/4-20X7/16 FL W	ATT PT	2
-101	2227451	COVER,BLANK		1
-101	5442421	USED ON 40K,49K,57K, CORE BOARD ASM,WITH CARDS		1
-102	5442420	USED ON 65K CORE . BOARD ASM,W/O CARDS		1
-103	2227451	COVER,BLANK		1
-103	5442421	USED ON 40K CORE BOARD ASM,WITH CARDS		1
-104	5442420	USED ON 49K,57K,65K CORE . BOARD ASM,W/O CARDS		1
-105	5442421	BOARD ASM,WITH CARDS USED ON 24K CPU		1
-106	5442420	. BOARD ASM,W/O CARDS		1
-107	2279515	BOARD ASM,B3 WITH CARDS		1
-108	2279514	. BOARD ASM, B3 W/O CARDS		1
-109	5442421	BOARD ASM,WITH CARDS		1
-110	5442420	. BOARD ASM,W/O CARDS		1
-111	2227451	COVER,BLANK		1
-111	5442421	USED ON40K,49K CORE BOARD ASM,WITH CARDS USED ON57K,65K CORE		1
-112	5442420	. BOARD ASM,W/O CARDS		1
END OF LIST 3				



FOR PARTS  
NOT SHOWN  
SEE FIG. 3

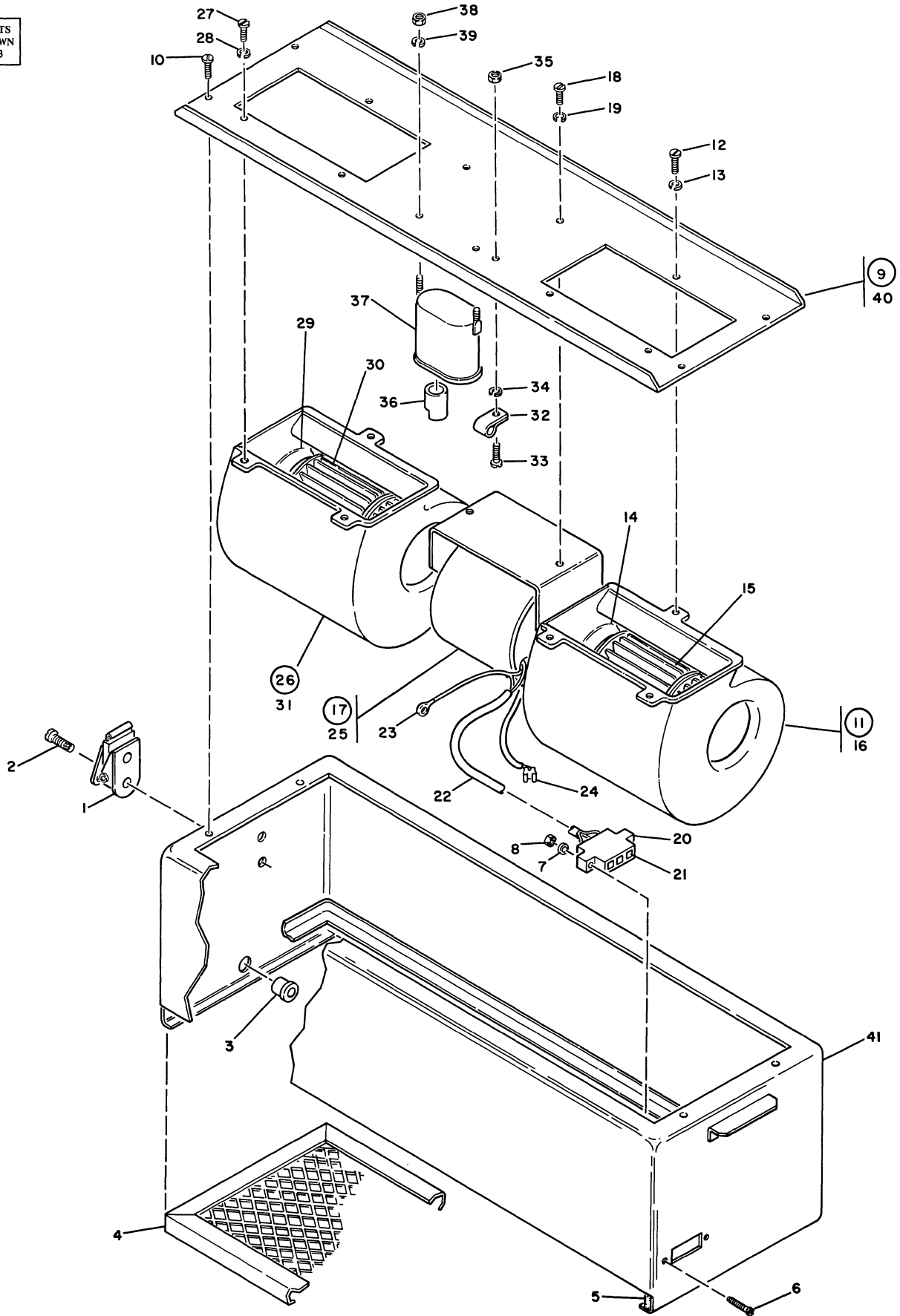


FIGURE 4. COOLING UNIT ASSEMBLY

SEE LIST 4

LIST AND INDEX NUMBER	PART NUMBER	DESCRIPTION	UNITS PER ASM.	USABLE ON CODE
4 -	5357002	COOLING UNIT ASM,60 HZ	REF	
-	5468301	COOLING UNIT ASM,50 HZ	REF	
		FOR ILLUSTRATION SEE FIGURE 4 FOR NEXT HIGHER ASM SEE FIGURE 3-21		
- 1	5349888	. LATCH		1
- 2	5357136	. SCREW,PAN HD 4-40 X 0.187 THK	ATT PT	2
- 3	5357135	. CATCH		1
- 4	5357013	. FILTER-AIR		1
- 5	599557	. SEAL		AR
- 6	322065	. SCREW,MACH-BIND HD 6-32 X 5/8 LG		2
- 7	56722	. WASHER-LOCK,EXT T, .150 ID		2
- 8	257187	. NUT,HEX 6-32 NC		2
- 9	5357005	. BLOWER ASM,60 HZ		1
- 9	5468302	. BLOWER ASM,50 HZ		1
- 10	740501	. SCREW,MACH-HEX HD 6-32 X 1/4 LG	ATT PT	4
- 11	5357144	. . SCROLL AND WHEEL ASM,60 HZ		1
- 11	5468306	. . SCROLL AND WHEEL ASM,50 HZ		1
- 12	81693	. . SCREW,MACH-BIND HD 6-32 X 3/8 LG	ATT PT	3
- 13	56722	. . WASHER-LOCK,EXT T, .150 ID	ATT PT	3
- 14	5357141	. . . BELL MOUTH,SCROLL M G,60HZ		1
- 14	5468303	. . . BELL MOUNTING,SCROLL MTG,50HZ		1
- 15	5357025	. . . WHEEL ASM,BLOWER-60 HZ		1
- 15	5468308	. . . WHEEL ASM,BLOWER-50HZ		1
- 16	5357140	. . . SCROLL-60HZ		1
- 16	5468304	. . . SCROLL-50HZ		1
- 17	5357020	. . . MOTOR AND CONNECTOR ASSEMBLY		1
- 18	150434	. . SCREW-MACH,SLOTTED HEX HD NO.10-32 X.375	ATT PT	3
- 19	56722	. . WASHER-LOCK,EXT T, .150 ID	ATT PT	3
- 20	5353853	. . . HOUSING		1
- 21	5353854	. . . CONTACT, MALE 16-20 WIRE		3
- 22	253569	. . . INSULATION SLEEVING,ELEC- 0.375 ID		AR
- 23	253740	. . . TERMINAL,LUG-INS 10-12AWG NO.6 MTG HOLE		1
- 24	517913	. . . CLIP, SLIP ON NO 18-16 AWG		3
- 25	5357021	. . . MOTOR ASM,3350RPM,0.06 HP SP 50/60 HZ		1
- 26	5357145	. . SCROLL AND WHEEL ASSEMBLY-60 HZ		1
- 26	5468305	. . SCROLL AND WHEEL ASSEMBLY-50 HZ		1
- 27	81693	. . SCREW,MACH-BIND HD 6-32 X 3/8 LG	ATT PT	3
- 28	56722	. . WASHER-LOCK,EXT T, .150 ID	ATT PT	3
- 29	5357141	. . . BELL MOUTH,SCROLL M G,60HZ		1
- 29	5468303	. . . BELL MOUNTING,SCROLL MTG,50HZ		1
- 30	5357024	. . . WHEEL ASM,BLOWER-60HZ		1
- 30	5468307	. . . WHEEL ASM,BLOWER-50HZ		1
- 31	5357140	. . . SCROLL-60HZ		1
- 31	5468304	. . . SCROLL-50HZ		1
- 32	804109	. . CLAMP,LOOP- 3/8 ID 0.173 DIA MTG HOLE		1
- 33	81693	. . SCREW,MACH-BIND HD 6-32 X 3/8 LG	ATT PT	1
- 34	56722	. . WASHER-LOCK,EXT T, .150 ID	ATT PT	1
- 35	257187	. . NUT,HEX 6-32 NC	ATT PT	1
- 36	526378	. . CAP		2
- 37	5357137	. . CAPACITOR,P DIELEC- 3UUF PM 10% 370V AC		1
- 38	11598	. . NUT,HEX,10-32 X 0.375 FL W	ATT PT	2
- 39	56079	. . WASHER-LOCK,EXT T .204 ID .410 OD	ATT PT	2
- 40	5357012	. . PLATE-DUPLEX MOUNTING		1
- 41	5357011	. HOUSING-DUPLEX BLOWER		1
		END OF LIST 4		

FOR PARTS  
NOT SHOWN  
SEE FIG. 2

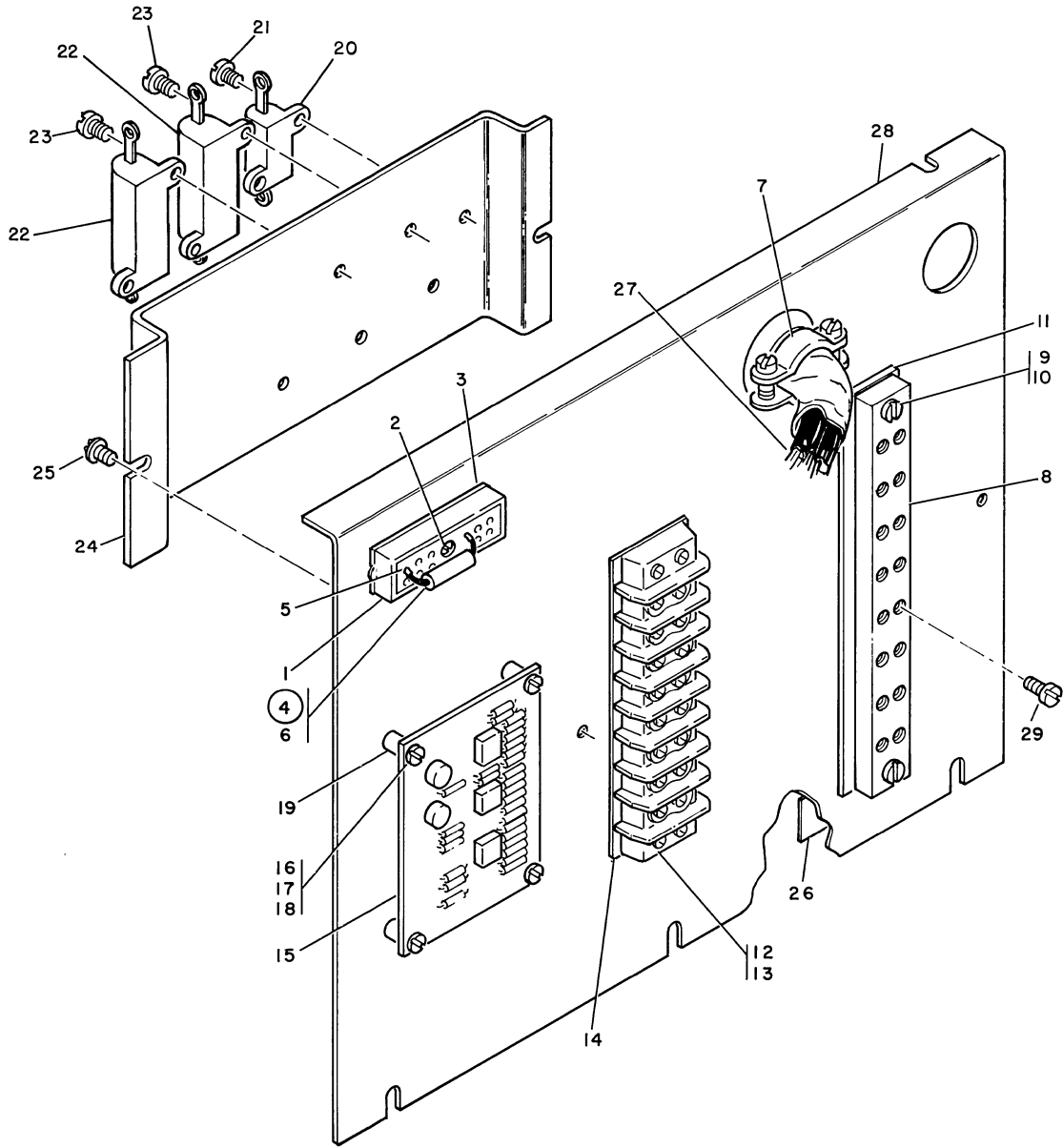


FIGURE 5. DC DISTRIBUTION PANEL ASSEMBLY.

SEE LIST **5**

LIST AND INDEX NUMBER	PART NUMBER	DESCRIPTION				UNITS PER ASM.	USABLE ON CODE
		1	2	3	4		
<b>5</b>	2279002	DC DISTRIBUTION PANEL ASSEMBLY FOR ILLUSTRATION SEE FIGURE 5				REF	
- 1	302090	FOR NEXT HIGHER ASM SEE FIGURE 2-17 • TERMINAL BLOCK ASM-24 FEMALE CONTACTS FOR COMPONENTS SEE FIGURE 13-197				1	
- 2	2191846	• SCREW, THD FORMING, 4-40 X 0.50 LG				1	
- 3	302131	• STRIP-TERMINAL BLOCK INSULATOR-0.500 WID				1	
- 4	2134662	• RESISTOR ASM, FXD, 150 OHM P/M 5% 2W				1	
- 5	320167	• • TERMINAL, QUICK DISCONNECT-NONINS 16 AWG				2	
- 6	317079	• • RESISTOR, FXD, 150 OHM P/M 5% 2W				1	
- 7	342250	• STRAIN RELIEF				1	
- 8	2114596	• BAR, GROUND, 8 POS, DOUBLE ROW				1	
- 9	2195400	• SCREW, SHLD-HEX HD 8/32				2	
- 10	333586	• BUSHING, PHENOLIC, .219 I.D.-SHOULDER				2	
- 11	2114597	• MARKER STRIP, 8 POS, DOUBLE ROW				1	
- 12	315956	• TERMINAL BOARD ASM, 8 POS				1	
- 13	322065	• SCREW, MACH-BIND HD 6-32 X 5/8 LG				2	
- 14	315957	• STRIP, MARKER-TERM BD 8 POS 1 THRU 8				1	
- 15	2279016	• CARD ASM, PWR SENSE SEQ ASSEMBLY COMPONENTS ARE NOT REPLACEABLE				1	
- 16	438552	• SCREW, MACH-BIND HD 4-40 X 3/4 LG				4	
- 17	257984	• LOCKWASHER, SPLIT 0.212 OD 0.115 ID X.025				4	
- 18	37913	• NUT, HEX 4-40 NC				4	
- 19	2145077	• SPACER, .125 ID .250 OD X.365 LONG				4	
- 20	5240459	• RESISTOR, FIXED 250HM 25WATT				1	
- 21	731631	• SCREW, PAN HD- 4-40 X 1/4 LG				2	
- 22	2194889	• RESISTOR, FXD WW, 4 OHMS P/M 5% 50W				2	
- 23	731631	• SCREW, PAN HD- 4-40 X 1/4 LG				4	
- 24	2279024	• BRACKET				1	
- 25	5349929	• SCREW, THD FORMING HEX- 8-32 X 1/2 LG				2	
- 26	1141554	• DECAL				1	
- 27	2279023	• CABLE ASM, PRELD RES				1	
- 28	2279054	FOR COMPONENTS SEE FIGURE 13 • PANEL				1	
- 29	58207	SCREW, BIND HD 8-32 X .250 LG				16	
END OF LIST <b>5</b>							

FOR PARTS  
NOT SHOWN  
SEE FIG. 2

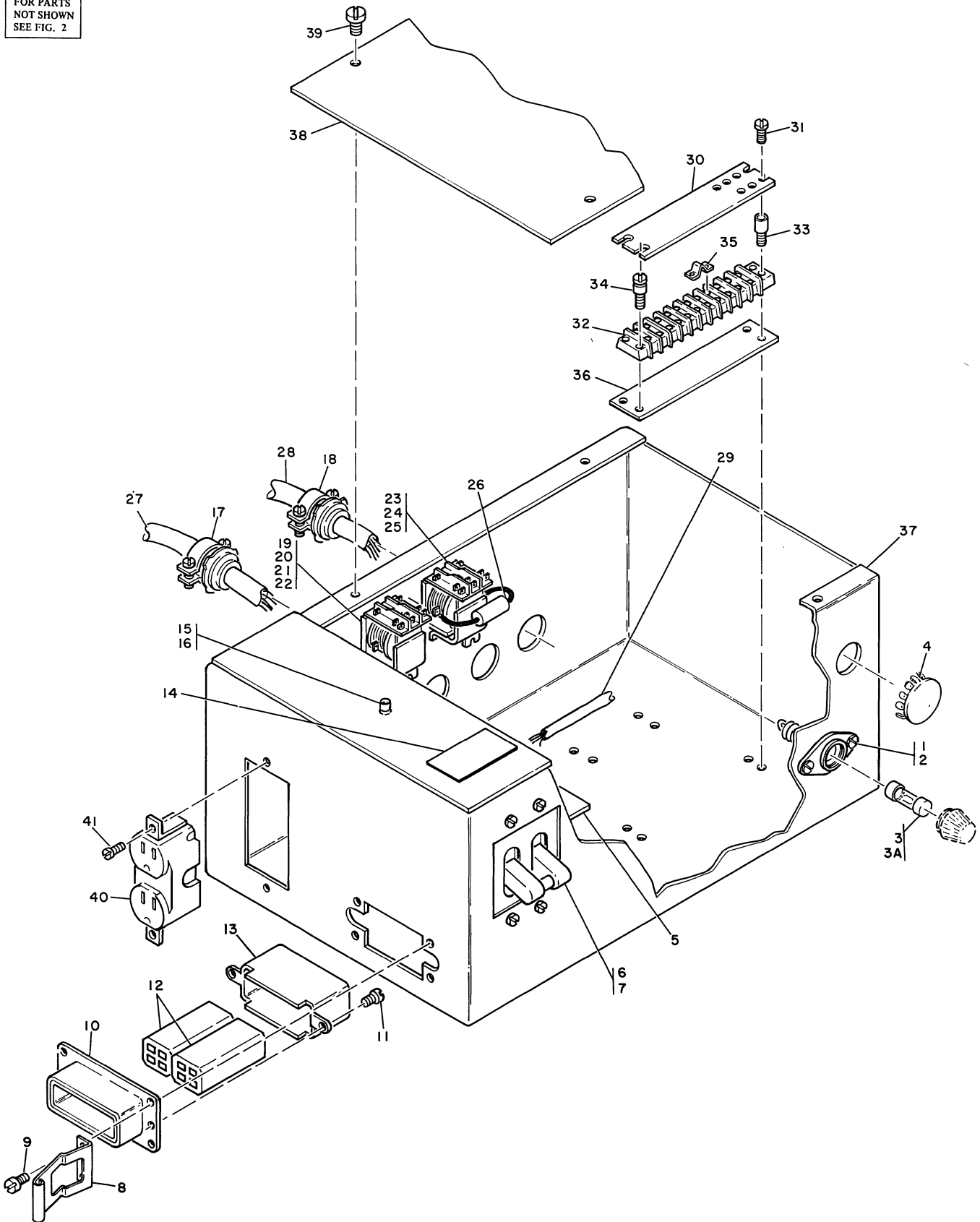


FIGURE 6. POWER SEQUENCE BOX ASSEMBLY.

SEE LIST **6**

LIST AND INDEX NUMBER	PART NUMBER	DESCRIPTION	UNITS	USABLE
			PER ASM.	ON CODE
<b>6</b>	2279019	SEQUENCE BOX ASM, POWER FOR ILLUSTRATION SEE FIGURE 6 FOR NEXT HIGHER ASM SEE FIGURE 2-37	REF	
- 1	104615	. FUSEHOLDER	7	
- 2	811426	. SCREW, MACH-PAN HD 6-32 X 3/8 IN. LG	14	
- 3	92734	. FUSE-LONG LAG, 2A	1	
- 3A	252591	. FUSE, 1.0 AMP 250V	6	
- 4	184380	. PLUG, 1.00 IN HOLE	1	
- 5	138754	. LABEL, VOLTAGE WARNING	1	
- 6	1985822	. CIRCUIT BREAKER	1	
- 7	55726	. SCREW, MACH-BIND HD 6-32 X .188 LG	4	
- 8	2192539	. CLIP, SPRING	2	
- 9	2175684	. SCREW, THREAD FORMING-PAN HD 4-40 X 3/8 LG	4	
- 10	2196084	. TWO BLOCK MODULE A RECEPTACLE	1	
- 11	38263	. SCREW, MACH-FIL H 4-40 X 5/16 LG	2	
- 12	738259	. MODULE BLOCK-MALE 4 POSITION	2	
- 13	738199	. RETAINER- 2 MALE MODULES	1	
- 14	369207	. LABEL, CAUTION	1	
- 15	2182905	. LAMP ASSEMBLY, NEON-RED ASSEMBLY COMPONENTS ARE NOT REPLACEABLE	1	
- 16	2182901	. CAP, CONNECTOR-PIN HOUSING	2	
- 17	342250	. STRAIN RELIEF	1	
- 18	2100264	. STRAIN RELIEF-MAX 9/16 MIN 3/16	2	
- 19	2158694	. RELAY, 3PDT 24 VAC COIL	1	
- 20	257187	. NUT, HEX 6-32 NC	1	
- 21	6364	. WASHER, LOCK-SPLIT NO. 6 X 1/4 OD	1	
- 22	2279052	. SHIELD	1	
- 23	441091	. RELAY, ARMATURE- 3PDT 115V AC 5 AMP	1	
- 24	257187	. NUT, HEX 6-32 NC	1	
- 25	6364	. WASHER, LOCK-SPLIT NO. 6 X 1/4 OD	1	
- 26	2106333	. SEMICONDUCTOR DEVICE, DIODE	1	
- 27	2195964	. CABLE ASM, GATE A OR B FAN FOR COMPONENTS SEE FIGURE 13	1	
- 28	2279058	. CABLE ASM, POWER SUPPLY FOR COMPONENTS SEE FIGURE 13	1	
- 29	2279083	. CABLE ASM, POWER SEQ BOX FOR COMPONENTS SEE FIGURE 13	1	
- 30	187466	. SHIELD- 12 POSITION	1	
- 31	210984	. SCREW, MACH RH 6-32 X .25	1	
- 32	323842	. TERMINAL BLOCK, 12 POSITION	1	
- 33	210883	. STUD, EXT 6-32 X 1/2 INT 6-32 X 0.19 DP	1	
- 34	210884	. STUD, SLOTTED 6-32 X 1/2 LONG THREAD	3	
- 35	367115	. JUMPER-TERMINAL STRIP VDC DISTR BRS	5	
- 36	589814	. MARKER STRIP, 12 POS NOS 1 THRU 12	1	
- 37	2279008	. CHASSIS	1	
PARTS NOT INCLUDED WITH ASSEMBLY				
- 38	2195325	COVER, SEQUENCE BOX	1	
- 39	2181004	SCREW, HEX HD SELF TAP 10-32 X .375 LG	4	
- 40	357995	OUTLET, CONVENIENCE, 60 HZ	1	
- 40	418835	OUTLET, CONVENIENCE, 220V 50 HZ	1	
- 41	34512	SCREW, MACH BIND HD 8-32 X 3/8 LG	2	
<b>END OF LIST 6</b>				

S127-0914-1  
 FES: SS27-0662

FOR PARTS  
 NOT SHOWN  
 SEE FIG. 2

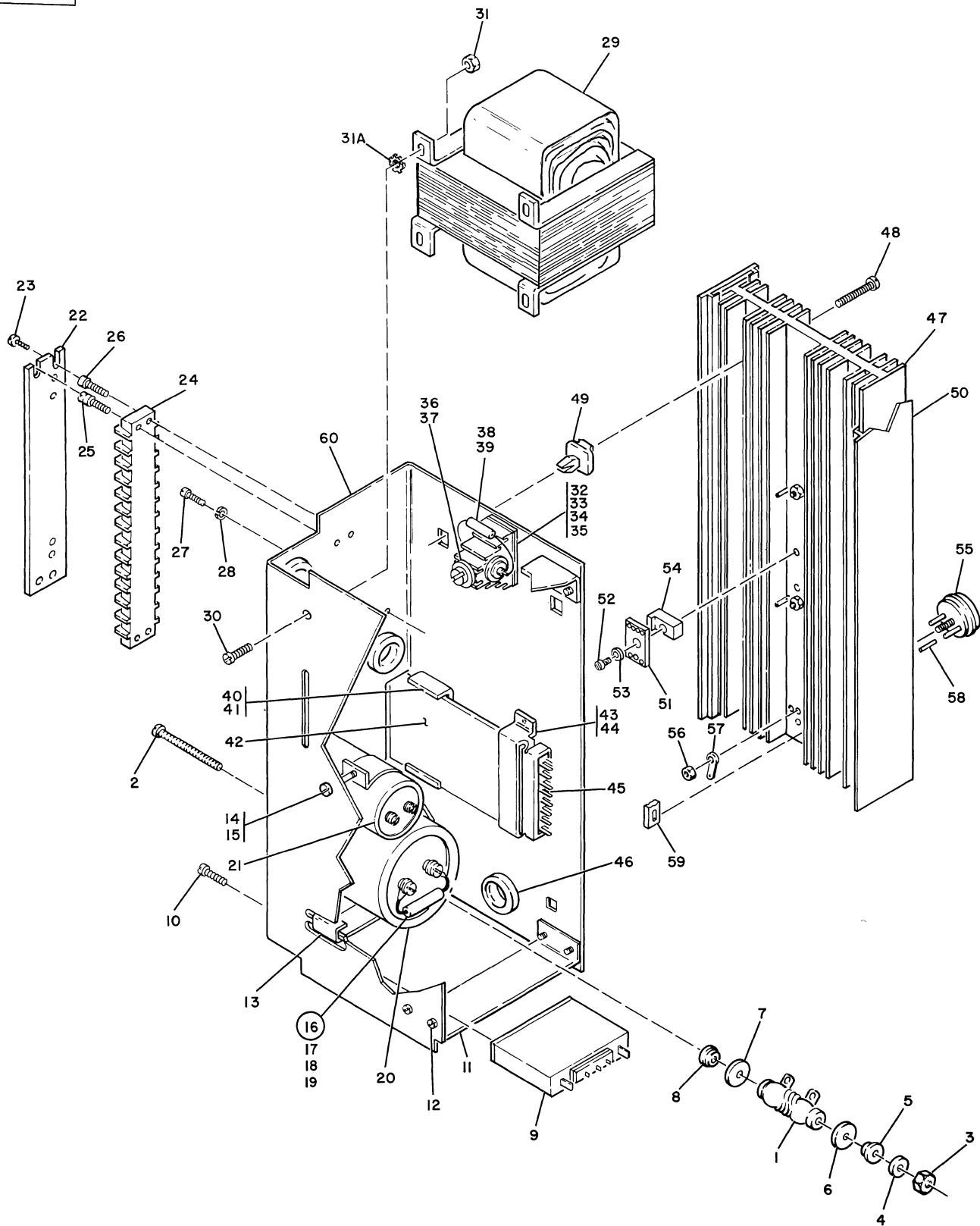


FIGURE 7. POWER SUPPLY ASSEMBLY-12V AT 5 AMP.

SEE LIST **7**

LIST AND INDEX NUMBER	PART NUMBER	DESCRIPTION	UNITS PER ASM.	USABLE ON CODE
		1 2 3 4		
	5261140	POWER SUPPLY,12V AT 5A 60 HZ	REF	
	5261740	POWER SUPPLY,12V AT 5A 50 HZ FOR ILLUSTRATION SEE FIGURE 7 FOR NEXT HIGHER ASM SEE FIGURE 2-7	REF	
- 1	5213405	. RESISTOR-.3 OHMS,25W PM 10%	1	
- 2	438593	. SCREW-MACH-BIND HD NO. 8-32 X 2 1/2 LG ATT PT	1	
- 3	600960	. NUT,LOCKING,8-32 ATT PT	1	
- 4	2903	. WASHER,FL-NO. 6 X 1/2 OD X 1/32 THK	1	
- 5	510468	. WASHER,CUPPED	1	
- 6	5761935	. WASHER	1	
- 7	5761935	. WASHER	1	
- 8	510468	. WASHER,CUPPED	1	
- 9	5214545	. PROTECTOR	1	
- 10	38235	. SCREW,BIND HD,6-32 X 0.312 LG ATT PT	2	
- 11	5761779	. BRACKET,CHASSIS	2	
- 12	731629	. SCREW,PAN HD- 10-32 X 0.380 LG ATT PT	8	
- 13	5761789	. STRAP,CAPACITOR	1	
- 14	438567	. SCREW,MACH-UNDRCT BIND HD 6-32 X 1 LG ATT PT	1	
- 15	5761943	. NUT,6-32 SHA ATT PT	1	
- 16	5261937	. RESISTOR ASM- 1.1K OHMS 2W	1	
- 17	359695	. . TERMINAL-RING LUG NO.10 STUD	2	
- 18	113819	. . TUBING	2	
- 19	492568	. . RESISTOR,FXD 1,100 OHMS P/M 5% 2W	1	
- 20	5214372	. CAPACITOR	1	
- 21	5261127	. CAPACITOR-ELECTROLYTIC	1	
- 22	5761952	. SHIELD,13 POS.	1	
- 23	10170	. SCREW-MACH,BIND HD NO. 6-32 X .250 LG ATT PT	2	
- 24	5214556	. TERMINAL BLOCK,13 POS DBL ROW	1	
- 25	25627	. SCREW,MACH-BIND HD 8-32 X 1/2 LG ATT PT	2	
- 26	5261167	. STUD- 8-32 X 0.438 LG W/6-32 TAPPED HOLE ATT PT	2	
- 27	10170	. SCREW-MACH,BIND HD NO. 6-32 X .250 LG	1	
- 28	56722	. WASHER-LOCK,EXT T, .150 ID	1	
- 29	5761736	. TRANSFORMER,60 HZ	1	
- 29	4118364	. TRANSFORMER,50 HZ	1	
- 30	332620	. SCREW,MACH-BIND HD 10-32 X 1/2 LG ATT PT	4	
- 31	602721	. NUT,10-32 ATT PT	4	
- 31A	56079	. WASHER, LOCK EXT TEETH, NO. 10 X 0.20 TH	1	
- 32	5761977	. RECTIFIER ASSEMBLY	1	
- 33	81693	. SCREW,MACH-BIND HD 6-32 X 3/8 LG ATT PT	2	
- 34	5762215	. WASHER,INSULATING	2	
- 35	5761979	. INSULATOR	1	
- 36	81693	. SCREW,MACH-BIND HD 6-32 X 3/8 LG	1	
- 37	5762156	. WASHER, 0.144 ID 1.120 OD	1	
- 38	491228	. CAPACITOR, .010 UF	1	
- 39	113819	. TUBING	AR	
- 40	5712309	. GUIDE	1	
- 41	5761907	. RIVET ATT PT	2	
- 42	375161	. CARD ASSEMBLY ASSEMBLY COMPONENTS ARE NOT REPLACEABLE	1	
- 43	5761904	. BRACKET	1	
- 44	5761907	. RIVET ATT PT	2	
- 45	216076	. TERMINAL BLOCK AND CONTACT ASSEMBLY FOR COMPONENTS SEE LIST 13-201	1	
- 46	5761936	. GROMMET,SELF LOCKING-1.0 IN OD	3	
- 47	5761764	. HEAT SINK	1	
- 48	5761913	. SCREW,PAN,6-20 X 1.250 LG ATT PT	4	
- 49	5761796	. INSULATOR,HEAT SINK	4	
- 50	473536	. SEAL	AR	
- 51	5761909	. TERMINAL, BRASS	1	
- 52	2181002	. SCREW,THREAD FORMING-8-32 X 3/4 LG ATT PT	1	
- 53	5374689	. BUSHING	1	
- 54	5761798	. INSULATOR, PHENOLIC - .38W X .75 LG	1	
- 55	369214	. TRANSISTOR,TYPE 108	3	
- 56	11598	. NUT,HEX,10-32 X 0.375 FL W ATT PT	3	
- 57	316996	. TERMINAL,LUG-NONINS 9AWG NO. 8 MTG HOLE	1	
- 58	5761976	. TUBING	6	
- 59	5761966	. BUS STRIP	1	
- 60	5761763	. CHASSIS	1	
END OF LIST 7				



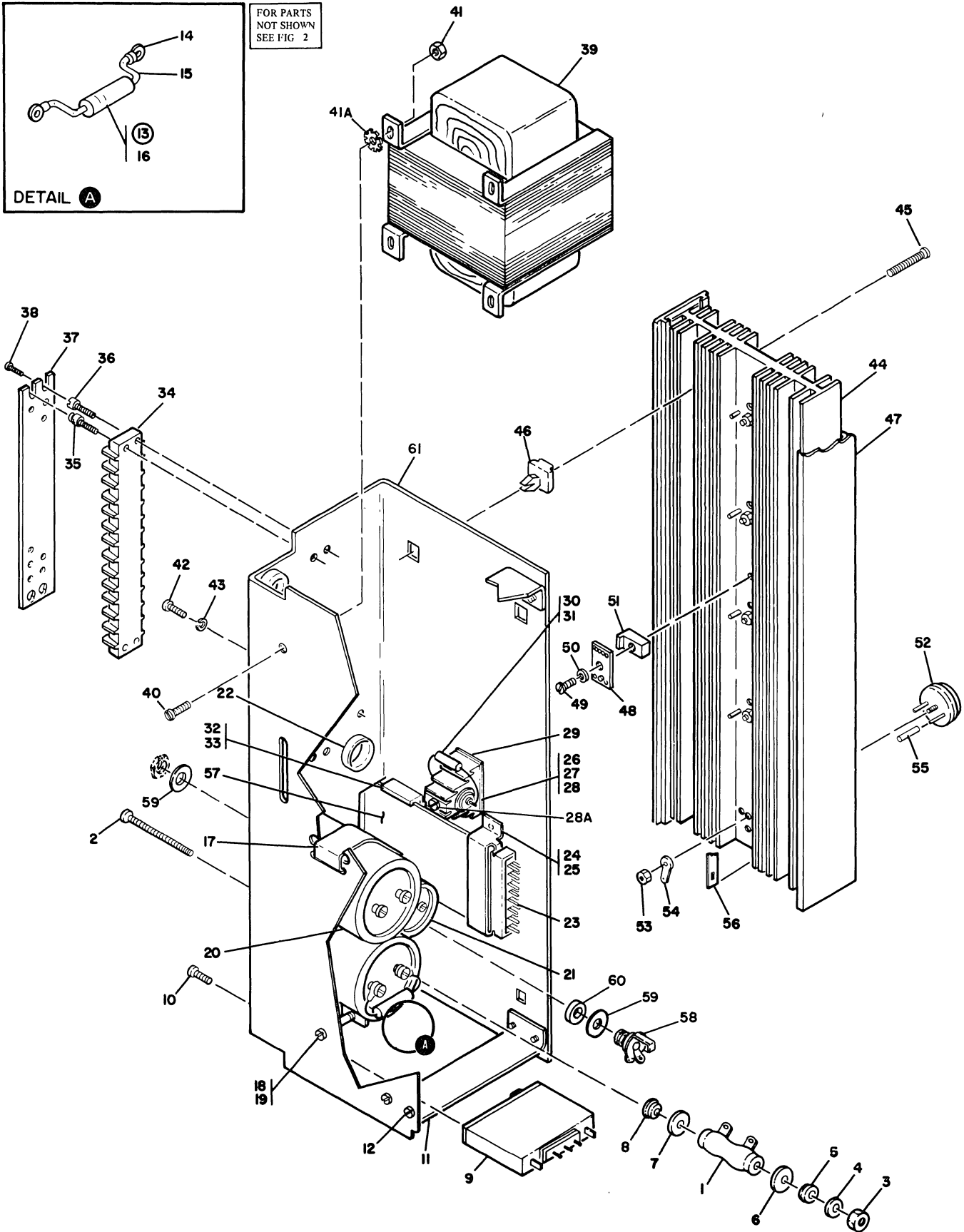
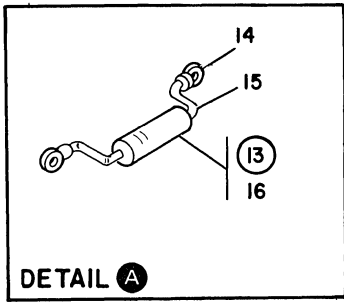


FIGURE 8. POWER SUPPLY ASSEMBLY-6V AT 12AMP.

SEE LIST 8

LIST AND INDEX NUMBER	PART NUMBER	DESCRIPTION	UNITS PER ASM.	USABLE ON CODE
8 -	5261050	POWER SUPPLY ASSEMBLY 6V 12A 60 HERTZ	REF	
-	5261650	POWER SUPPLY ASSEMBLY 6V 12A 50 HERTZ	REF	
		FOR ILLUSTRATION SEE FIGURE 8. FOR NEXT HIGHER ASM SEE FIGURE 2-6		
- 1	5261098	. RESISTOR,FXD,WW- 0.04 OHMS P/M 10% 25W	1	
- 2	438593	. SCREW-MACH-BIND HD NO. 8-32 X 2 1/2 LG	ATT PT	1
- 3	600960	. NUT,LOCKING,8-32	ATT PT	1
- 4	2903	. WASHER,FL-NO. 6 X 1/2 OD X 1/32 THK	ATT PT	1
- 5	510468	. CUP WASHER	ATT PT	2
- 6	5761935	. WASHER	ATT PT	2
- 7	5761935	. WASHER	ATT PT	2
- 8	510468	. CUP WASHER	ATT PT	2
- 9	5214548	. CIRCUIT BREAKER		1
- 10	38235	. SCREW,BIND HD 6-32 X .312 LONG	ATT PT	2
- 11	5761779	. BRACKET,CHASSIS		2
- 12	731629	. SCREW,PAN HD- 10-32 X 0.380 LG	ATT PT	8
- 13	5261935	. RESISTOR ASSEMBLY-330 OHMS 2W		1
- 14	359695	. . TERMINAL-RING LUG NO.10 STUD		2
- 15	113819	. . TUBING		2
- 16	317080	. . RESISTOR,FXD 330 OHM 2W		1
- 17	5761794	. STRAP,CAPACITOR		1
- 18	438571	. SCREW, BINDING HEAD, 6-32 NC X 1-3/4 LG.	ATT PT	1
- 19	5761943	. NUT,HEX 10-32 NC	ATT PT	1
- 20	5214367	. CAPACITOR		2
- 21	5261128	. CAPACITOR,ELECTROLYTIC- 7300 UF 10VDC		1
- 22	5761936	. GROMMET		3
- 23	216076	. TERMINAL BLOCK AND CONTACT ASSEMBLY FOR COMPONENTS SEE FIGURE 13-201		1
- 24	5761904	. BRACKET		1
- 25	5761907	. RIVET		2
- 26	5761977	. RECTIFIER ASSEMBLY ASSEMBLY COMPONENTS ARE NOT REPLACEABLE		1
- 27	81693	. SCREW,MACH-BIND HD 6-32 X 3/8 LG	ATT PT	2
- 28	5762215	. WASHER,INSULATING	ATT PT	2
- 28A	81693	. SCREW,MACH-BIND HD 6-32 X 3/8 LG		1
- 29	5761979	. INSULATOR		1
- 30	491228	. CAPACITOR, .010 UF		1
- 31	113819	. TUBING		2
- 32	5712309	. GUIDE		1
- 33	5761907	. RIVET		2
- 34	5214556	. TERMINAL BOARD,13 POS		1
- 35	25627	. SCREW,MACH-BIND HD 8-32 X 1/2 LG	ATT PT	2
- 36	5261167	. STUD- 8-32 X 0.438 LG W/6-32 TAPPED HOLE	ATT PT	2
- 37	5761952	. SHIELD,13 POS.		1
- 38	10170	. SCREW-MACH,BIND HD NO. 6-32 X .250 LG	ATT PT	2
- 39	5761729	. TRANSFORMER, 60 HERTZ		1
- 39	4116484	. TRANSFORMER, 50 HERTZ		1
- 40	332620	. SCREW,MACH-BIND HD 10-32 X 1/2 LG	ATT PT	4
- 41	602721	. NUT,10-32	ATT PT	4
- 41A	56079	. WASHER, LOCK EXT TEETH, NO. 10 X 0.20 TH		1
- 42	10170	. SCREW-MACH,BIND HD NO. 6-32 X .250 LG		1
- 43	56722	. WASHER-LOCK,EXT T, .150 ID		1
- 44	5761768	. HEAT SINK		1
- 45	5761913	. SCREW,	ATT PT	4
- 46	5761796	. INSULATOR,HEAT SINK		4
- 47	473536	. SEAL		AR
- 48	5761909	. TERMINAL, BRASS		1
- 49	2181002	. SCREW-HEX HD SELFTAP 8-32 X .750 LONG	ATT PT	1
- 50	5374689	. BUSHING	ATT PT	1
- 51	5761798	. INSULATOR, PHENOLIC - .38W X .75 LG		1
- 52	369214	. TRANSISTOR,TYPE 108		5
- 53	11598	. NUT,HEX, 10-32 X 0.375 FL W	ATT PT	5
- 54	316996	. TERMINAL,LUG-NONINS 9AWG NO. 8 MTG HOLE		1
- 55	5761976	. TUBING		10
- 56	5761968	. BUS STRIP		1
- 57	375203	. CARD ASM ASSEMBLY COMPONENTS ARE NOT REPLACEABLE		1
- 58	1134451	. JACK,AUX PWR- .44 OD		1
- 59	529691	. WASHER, MICA		1
- 60	473592	. INSULATOR		2
- 61	5761767	. CHASSIS		1
END OF LIST 8				



FOR PARTS  
NOT SHOWN  
SEE FIG. 2

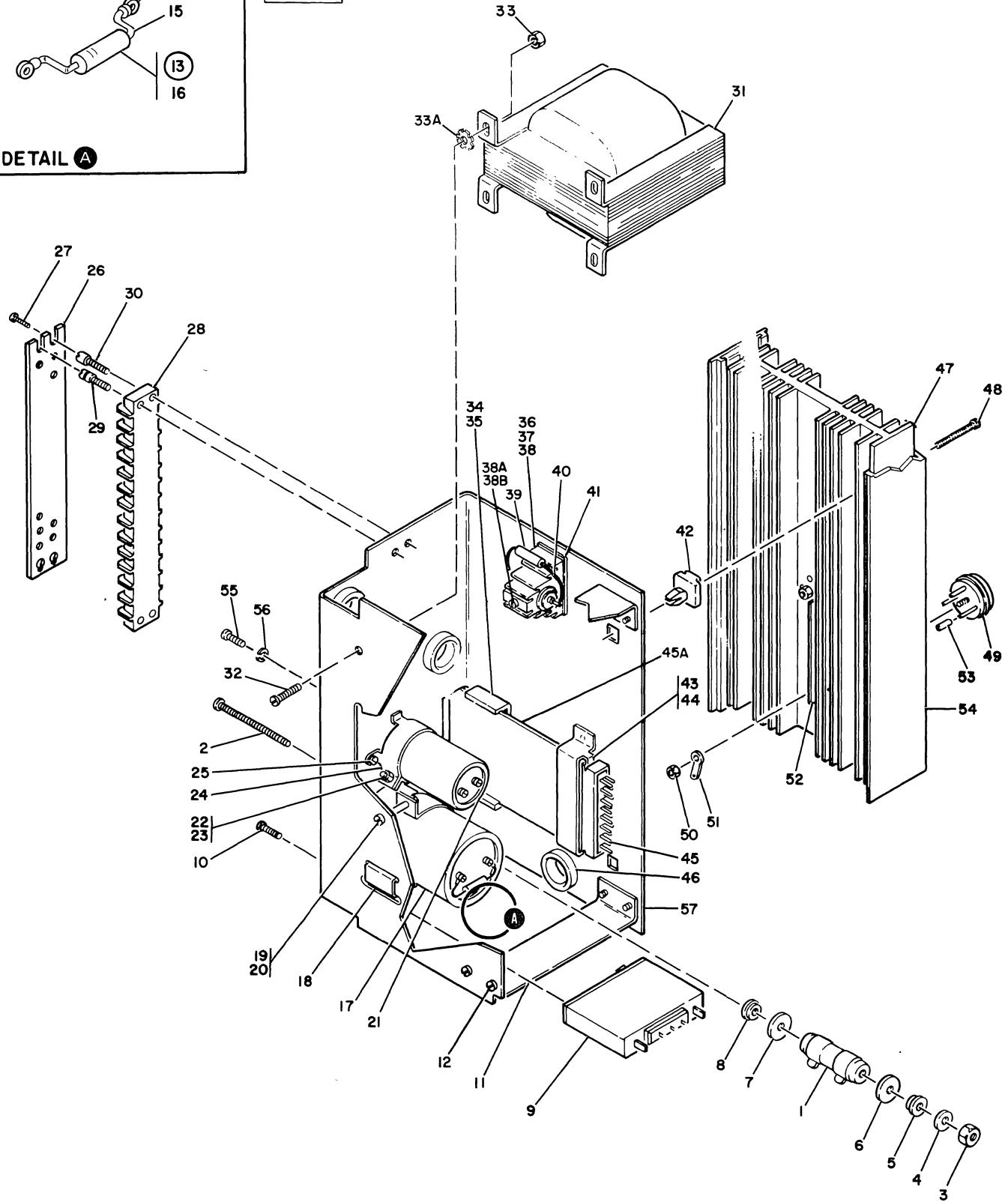


FIGURE 9. POWER SUPPLY ASSEMBLY-3V AT 4AMP.

SEE LIST 9

LIST AND INDEX NUMBER	PART NUMBER	DESCRIPTION	UNITS PER ASM.	USABLE ON CODE
9 -	5261000	POWER SUPPLY ASM, 3 VOLT AT 4 AMP 60 HZ	REF	
-	5261600	POWER SUPPLY ASM, 3 VOLT AT 4 AMP 50 HZ	REF	
		FOR ILLUSTRATION SEE FIGURE 9		
		FOR NEXT HIGHER ASM SEE FIGURE 2-5		
- 1	5261119	. RESISTOR, 0.16 OHMS 25 WATTS WIREWOUND	1	
- 2	438593	. SCREW-MACH-BIND HD NO. 8-32 X 2 1/2 LG	ATT PT	1
- 3	600960	. NUT, LOCKING, 8-32	ATT PT	1
- 4	2903	. WASHER, FL-NO. 6 X 1/2 OD X 1/32 THK		1
- 5	510468	. CUP WASHER		1
- 6	5761935	. WASHER		1
- 7	5761935	. WASHER		1
- 8	510468	. CUP WASHER		1
- 9	5214544	. CIRCUIT BREAKER FOR SUBSTITUTE CB 50HZ ORDER 4116988		1
- 10	38235	. SCREW, BIND HD 6-32 X .312 LONG	ATT PT	2
- 11	5761779	. BRACKET, CHASSIS		2
- 12	731629	. SCREW, PAN HD- 10-32 X 0.380 LG	ATT PT	8
- 13	5261935	. RESISTOR ASSEMBLY-330 OHMS 2W		1
- 14	359695	. . TERMINAL-RING LUG NO.10 STUD		2
- 15	113819	. . TUBING		2
- 16	317080	. . RESISTOR, FXD 330 OHM 2W		1
- 17	5261067	. CAPACITOR, ELECT., 24000 MF 10VDC		1
- 18	5761786	. STRAP, CAPACITOR		1
- 19	438570	. SCREW, MACH-BIND HD 6-32 X 1-1/2 LG	ATT PT	1
- 20	5761943	. NUT, HEX 10-32 NC	ATT PT	1
- 21	5261089	. CAPACITOR, ELECTROLYTIC- 10000 UF 6VDC		1
- 22	510379	. SCREW	ATT PT	1
- 23	5761943	. NUT, HEX 10-32 NC	ATT PT	1
- 24	301768	. BRACKET		1
- 25	55726	. SCREW, MACH-BIND HD 6-32 X .188 LG	ATT PT	2
- 26	5761952	. SHIELD, 13 POS.		1
- 27	10170	. SCREW-MACH, BIND HD NO. 6-32 X .250 LG	ATT PT	2
- 28	5214556	. TERMINAL BOARD, 13 POS		1
- 29	5261167	. STUD- 8-32 X 0.438 LG W/6-32 TAPPED HOLE	ATT PT	2
- 30	25627	. SCREW, MACH-BIND HD 8-32 X 1/2 LG	ATT PT	2
- 31	5761723	. TRANSFORMER, 60 HZ		1
- 31	4116492	. TRANSFORMER, 50 HZ		1
- 32	332620	. SCREW, MACH-BIND HD 10-32 X 1/2 LG	ATT PT	4
- 33	602721	. NUT, 10-32	ATT PT	4
- 33A	56079	. WASHER, LOCK EXT TEETH, NO. 10 X 0.20 TH		1
- 34	5712309	. GUIDE		1
- 35	5761907	. RIVET	ATT PT	2
- 36	5761977	. RECTIFIER ASSEMBLY		1
- 37	81693	. SCREW, MACH-BIND HD 6-32 X 3/8 LG	ATT PT	2
- 38	5762215	. WASHER, INSULATING	ATT PT	2
- 38A	81693	. SCREW, MACH-BIND HD 6-32 X 3/8 LG		1
- 38B	5762156	. WASHER, 0.144 ID 1.120 OD		1
- 39	491228	. CAPACITOR, .010 UF		1
- 40	113819	. TUBING		AR
- 41	5761979	. INSULATOR		1
- 42	5761796	. INSULATOR, HEAT SINK		4
- 43	5761904	. BRACKET		1
- 44	5761907	. RIVET	ATT PT	2
- 45	216076	. RECEPTACLE ASM, SINGLE CARD FOR COMPONENTS SEE FIG 13-201		1
- 45A	375200	. CARD ASM		1
		ASSEMBLY COMPONENTS ARE NOT REPLACEABLE		
- 46	5761936	. GROMMET		2
- 47	5761759	. HEAT SINK		1
- 48	5761913	. SCREW,	ATT PT	4
- 49	369214	. TRANSISTOR, TYPE 108		2
- 50	11598	. NUT, HEX, 10-32 X 0.375 FL W	ATT PT	2
- 51	316996	. TERMINAL, LUG-NOHINS 9AWG NO. 8 MTG HOLE		1
- 52	5761965	. BUS STRIP		1
- 53	5761976	. TUBING		4
- 54	473536	. SEAL		AR
- 55	10170	. SCREW-MACH, BIND HD NO. 6-32 X .250 LG		1
- 56	56722	. WASHER-LOCK, EXT T, .150 ID		1
- 57	5761758	. CHASSIS		1
END OF LIST 9				

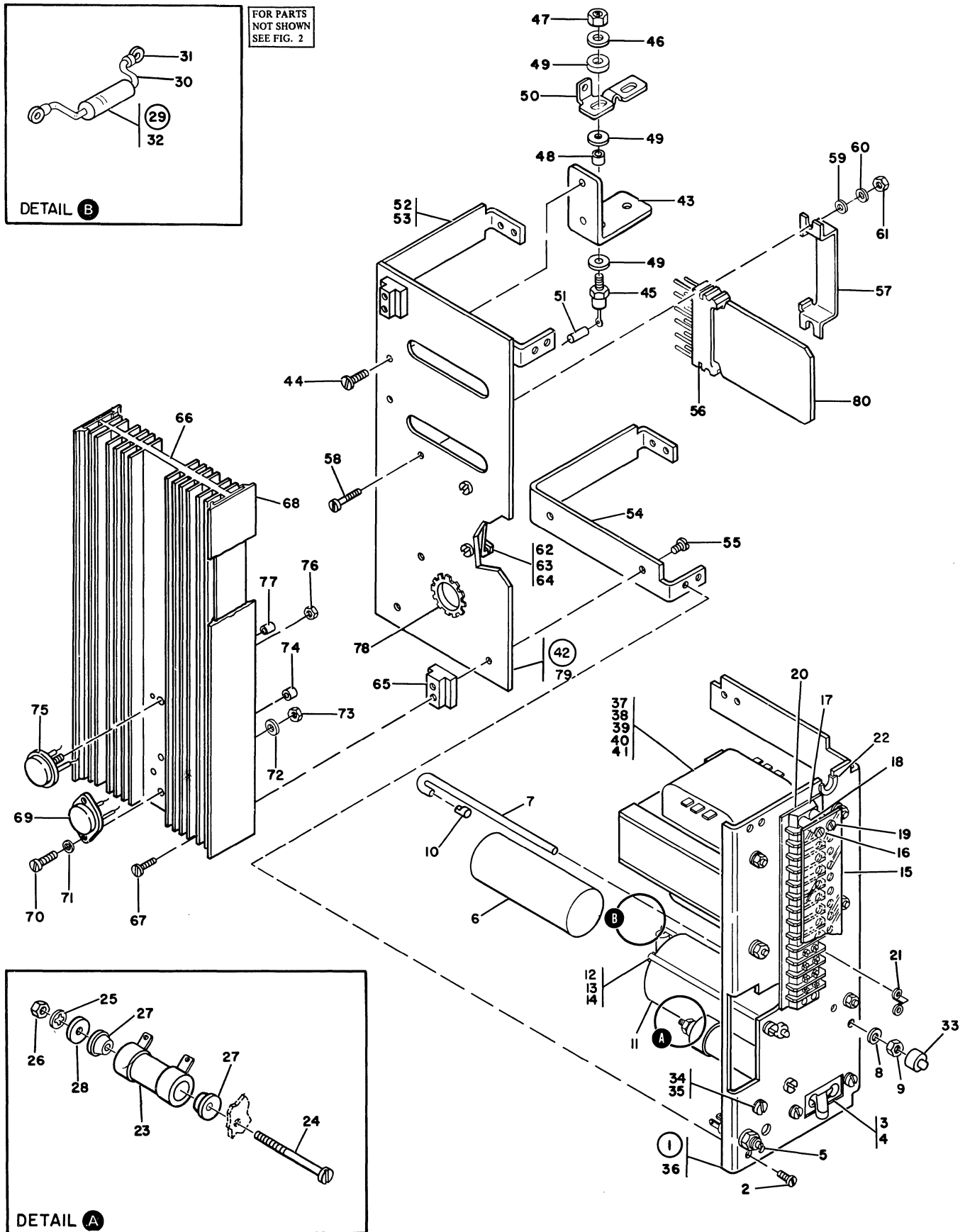


FIGURE 10. POWER SUPPLY ASSEMBLY-15V AT 2.5AMP.

SEE LIST 10

LIST AND INDEX NUMBER	PART NUMBER	DESCRIPTION				UNITS PER ASM.	USABLE ON CODE
		1	2	3	4		
10 -	5709430	POWER SUPPLY,15V AT 2.5A 60 HZ				REF	
	5709470	POWER SUPPLY,15V AT 2.5A 50 HZ				REF	
		FOR ILLUSTRATION SEE FIGURE 10 FOR NEXT HIGHER ASM SEE FIGURE 2-3					
- 1	5709434	. COMPONENT MOUNTING PLATE ASSEMBLY				1	
- 2	28413	. SCREW,MACH-BIND HD 10-32 X 5/16 LG ATT PT				8	
- 3	538830	. . . CIRCUIT BREAKER- 1 POLE 50V DC 5 AMP				1	
- 4	10170	. . . SCREW-MACH,BIND HD NO. 6-32 X .250 LG ATT PT				2	
- 5	441181	. . . POTENTIOMETER				1	
- 6	208228	. . . CAPACITOR,FXD,ELECT- 5500 UF 19V				1	
- 7	473422	. . . CLAMP,CAPACITOR				2	
- 8	62031	. . . WASHER,LOCK-INT TEETH NO. 6 X 0.295 OD ATT PT				4	
- 9	38051	. . . NUT,PLAIN HEX 6-32 X 1/4 FL W ATT PT				4	
- 10	473412	. . . INSULATOR,CAPACITOR CLAMP				4	
- 11	5261077	. . . CAPACITOR-ELECTROLYTIC				1	
- 12	5247112	. . . CLAMP,CAPACITOR				2	
- 13	62031	. . . WASHER,LOCK-INT TEETH NO. 6 X 0.295 OD ATT PT				4	
- 14	38051	. . . NUT,PLAIN HEX 6-32 X 1/4 FL W ATT PT				4	
- 15	210990	. . . SHIELD- 13 POSITION				1	
- 16	210984	. . . SCREW,ROUND HD 6-32 X 0.25 LG ATT PT				1	
- 17	320461	. . . TERMINAL BOARD-13 POS				1	
- 18	5261167	. . . STUD- 8-32 X 0.438 LG W/6-32 TAPPED HOLE ATT PT				1	
- 19	5261165	. . . STUD,SHLDR- 8-32 X 0.438 LG THD ATT PT				3	
- 20	2101325	. . . MARKER STRIP,13 POSITION				1	
- 21	472187	. . . JUMPER-BRASS				2	
- 22	730432	. . . GROMMET,CATERPILLAR				1	
- 23	5261117	. . . RESISTOR,FXD,WW- 0.5 OHMS P/M 10% 25W				1	
- 24	438593	. . . SCREW-MACH-BIND HD NO. 8-32 X 2 1/2 LG ATT PT				1	
- 25	60646	. . . WASHER,LOCK-INT TEETH NO. 8 X 0.340 OD ATT PT				1	
- 26	257189	. . . NUT, HEX 8-32				1	
- 27	510468	. . . CUP WASHER				2	
- 28	22478	. . . WASHER,FL- 0.170 ID 0.375 OD 0.032 THK				1	
- 29	5261937	. . . RESISTOR ASM- 1.1K OHMS 2W				1	
- 30	113819	. . . TUBING				2	
- 31	359695	. . . TERMINAL, RING LUG NO.10 STUD				2	
- 32	492568	. . . RESISTOR,FXD 1,100 OHMS P/M 5% 2W				1	
- 33	5253894	. . . CAP,SCREW- .280 ID				4	
- 34	55726	. . . SCREW,MACH-BIND HD 6-32 X .188 LG				1	
- 35	56722	. . . WASHER-LOCK,EXT T, .150 ID				1	
- 36	5261018	. . . CHASSIS				1	
- 37	5261483	. . . TRANSFORMER,60 HZ				2	
- 37	4116461	. . . TRANSFORMER,50 HZ				2	
- 38	332620	. . . SCREW,MACH-BIND HD 10-32 X 1/2 LG ATT PT				4	
- 39	45690	. . . WASHER,FLAT ATT PT				4	
- 40	9092	. . . WASHER-LOCK,SPLIT RING, .194 ID .337OD ATT PT				4	
- 41	11598	. . . NUT,HEX, 10-32 X 0.375 FL W ATT PT				4	
- 42	5261007	. . . HEATSINK ASSEMBLY				1	
- 43	5261008	. . . BRACKET				1	
- 44	10170	. . . SCREW-MACH,BIND HD NO. 6-32 X .250 LG ATT PT				2	
- 45	598479	. . . SEMICONDUCTOR DEVICE,D10- 150V 10 AMP				2	
- 46	45690	. . . WASHER,FLAT				2	
- 47	11891	. . . NUT,PLAIN,HEX- 10-32 X 3/8 FL W BRS ATT PT				3	
- 48	473582	. . . INSULATOR				2	
- 49	217019	. . . WASHER,INSULATING .199 ID 1.00 OD				8	
- 50	5261606	. . . JUMPER PLATE				1	
- 51	491228	. . . CAPACITOR, .010 UF				1	
- 52	730176	. . . BRACKET-UNIT SUPPORT				1	
- 53	473544	. . . SCREW,BINDING HEAD SELF TAP NO 6 1/2 IN ATT PT				2	
- 54	5261159	. . . BRACKET-UNIT SUPPORT				1	
- 55	473544	. . . SCREW,BINDING HEAD SELF TAP NO 6 1/2 IN ATT PT				2	
- 56	216076	. . . RECEPTACLE ASM,SINGLE CARD FOR COMPONENTS SEE FIGURE 13-201				1	
- 57	477203	. . . BRACKET				1	
- 58	38235	. . . SCREW,BIND HD 6-32 X .312 LONG ATT PT				2	
- 59	257986	. . . WASHER,0.156 ID X 0.035 THK ATT PT				2	
- 60	62031	. . . WASHER,LOCK-INT TEETH NO. 6 X 0.295 OD ATT PT				2	
- 61	38051	. . . NUT,PLAIN HEX 6-32 X 1/4 FL W ATT PT				2	
- 62	5712309	. . . GUIDE				1	
- 63	38235	. . . SCREW,BIND HD 6-32 X .312 LONG ATT PT				2	
- 64	257187	. . . NUT,HEX 6-32 NC ATT PT				2	
- 65	473531	. . . INSULATOR				4	
- 66	5261068	. . . HEATSINK				1	
- 67	79779	. . . SCREW,THD CTG-BIND HD NO. 6 X 3/4 LG ATT PT				4	
- 68	473536	. . . SEAL				19	
- 69	369616	. . . TRANSISTOR-TYPE 119				1	
- 70	322550	. . . SCREW,6-32 X 0.50 LG ATT PT				2	



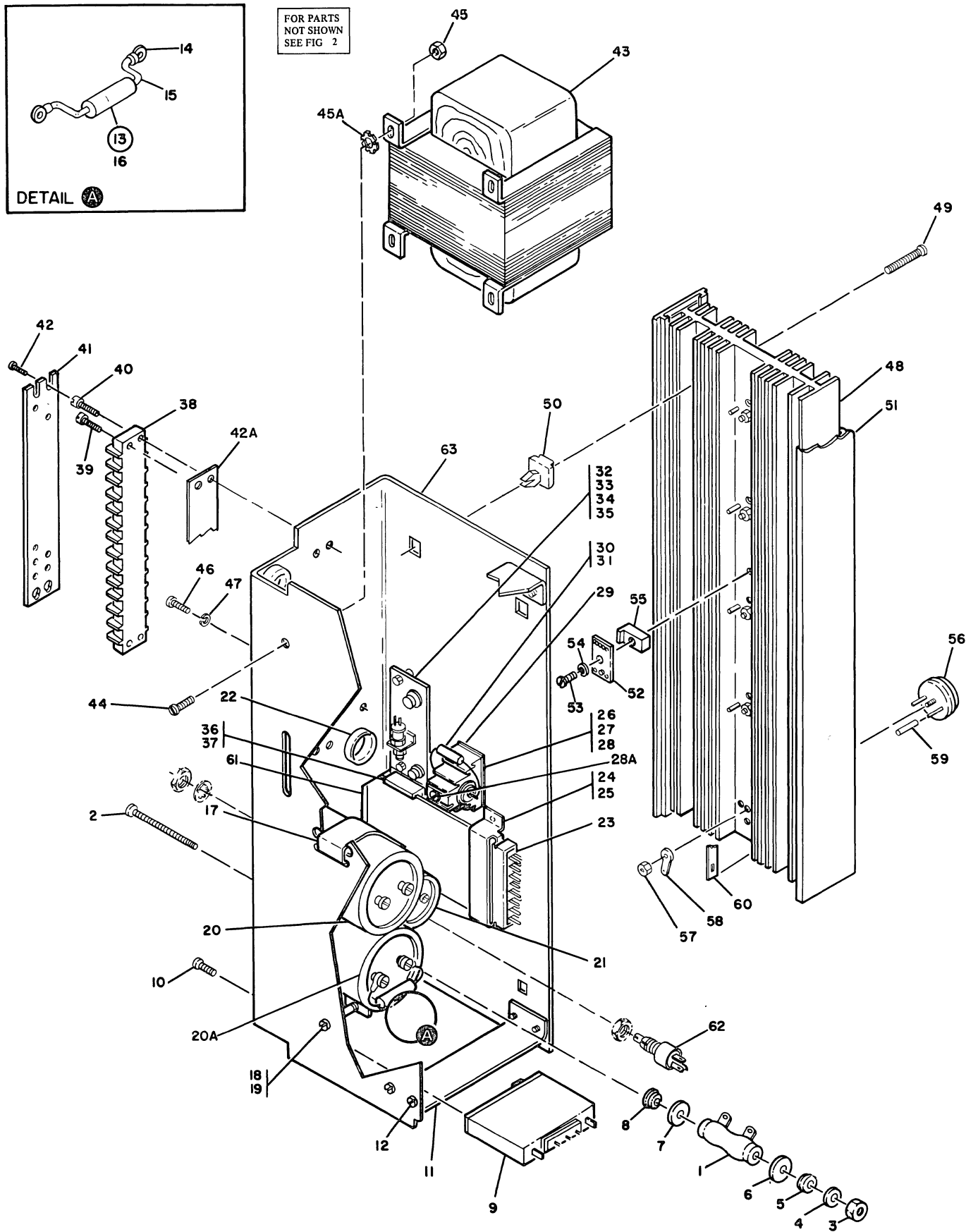


FIGURE 11. POWER SUPPLY ASSEMBLY-9/12V AT 10AMP.

SEE LIST 11



LIST AND INDEX NUMBER	PART NUMBER	DESCRIPTION	UNITS PER ASM.	USABLE ON CODE
		1 2 3 4		
11	5709440	POWER SUPPLY ASM,9/12VDC AT 10 AMP-60 HZ	REF	
-	5709480	POWER SUPPLY ASM,9/12VDC AT 10AMP -50 HZ	REF	
		FOR ILLUSTRATION SEE FIGURE 11. FOR NEXT HIGHER ASM SEE FIGURE 2-4		
- 1	730452	. RESISTOR,FXD	1	
- 2	331982	. SCREW,MACH RD HD 8-32 X 1-1/4 LG	ATT PT	1
- 3	5761938	. NUT/LOCKWASHER ASSEMBLY - 8-32	ATT PT	1
- 4	2903	. WASHER,FL-NO. 6 X 1/2 OD X 1/32 THK	ATT PT	1
- 5	510468	. CUP WASHER	ATT PT	2
- 6	5761935	. WASHER	ATT PT	2
- 7	5761935	. WASHER	ATT PT	2
- 8	510468	. CUP WASHER	ATT PT	2
- 9	5214547	. CIRCUIT BREAKER		1
- 10	38235	. SCREW,BIND HD 6-32 X .312 LONG	ATT PT	2
- 11	5761779	. BRACKET,CHASSIS		2
- 12	731629	. SCREW,PAN HD- 10-32 X 0.380 LG	ATT PT	8
- 13	5261936	. RESISTOR ASSEMBLY,200 OHMS 5W		1
- 14	334932	. . TERMINAL, RING NO.18 THRU NO.22WIRE INSU		2
- 15	113819	. . TUBING		2
- 16	477144	. . RESISTOR, WIREWOUND - 200 OHM 5W		1
- 17	5761793	. STRAP,CAPACITOR MTG		1
- 18	438571	. SCREW, BINDING HEAD, 6-32 NC X 1-3/4 LG.	ATT PT	1
- 19	5761943	. NUT,HEX 10-32 NC	ATT PT	1
- 20	5261077	. CAPACITOR-ELECTROLYTIC		1
- 20A	5214366	. CAPACITOR		1
- 21	5261127	. CAPACITOR-ELECTROLYTIC		1
- 22	5761936	. GROMMET		3
- 23	216076	. TERMINAL BLOCK AND CONTACT ASSEMBLY FOR COMPONENTS SEE FIGURE 13-201		1
- 24	5761904	. BRACKET		1
- 25	5761907	. RIVET	ATT PT	2
- 26	5761977	. RECTIFIER ASSEMBLY		1
		ASSEMBLY COMPONENTS ARE NOT REPLACEABLE		
- 27	81693	. SCREW,MACH-BIND HD 6-32 X 3/8 LG	ATT PT	2
- 28	5762215	. WASHER,INSULATING	ATT PT	2
- 28A	81693	. SCREW,MACH-BIND HD 6-32 X 3/8 LG		1
- 29	5761979	. INSULATOR		1
- 30	491228	. CAPACITOR, .010 UF		1
- 31	113819	. TUBING		2
- 32	5761989	. OVERVOLTAGE CARD ASSEMBLY, 12 VOLT		1
- 33	438551	. SCREW,MACH-BIND HD 4-40 X 5/8 LG	ATT PT	2
- 34	332779	. SPACER	ATT PT	2
- 35	37913	. NUT, HEX 4-40 NC	ATT PT	2
- 36	5712309	. GUIDE		1
- 37	5761907	. RIVET	ATT PT	2
- 38	82353	. TERMINAL BOARD- 14 DBL SCREW TERMINALS		1
- 39	210883	. STUD, EXT 6-32 X 1/2 INT 6-32 X 0.19 DP	ATT PT	2
- 40	322550	. SCREW,6-32 X 0.50 LG	ATT PT	2
- 41	533360	. SHIELD,14 POS.		1
- 42	10170	. SCREW-MACH,BIND HD NO. 6-32 X .250 LG	ATT PT	2
- 42A	620240	. MARKER STRIP,14 POS		1
- 43	5761738	. TRANSFORMER,60 HZ		1
- 43	4116486	. TRANSFORMER,50HZ		1
- 44	332620	. SCREW,MACH-BIND HD 10-32 X 1/2 LG	ATT PT	4
- 45	5761908	. NUT,HEX 10-32 NC	ATT PT	4
- 45A	56079	. WASHER, LOCK EXT TEETH, NO. 10 X 0.20 TH		1
- 46	10170	. SCREW-MACH,BIND HD NO. 6-32 X .250 LG		1
- 47	56722	. WASHER-LOCK,EXT T, .150 ID		1
- 48	5761768	. HEAT SINK		1
- 49	5761913	. SCREW,	ATT PT	4
- 50	5761796	. INSULATOR,HEAT SINK		4
- 51	473536	. SEAL		AR
- 52	5761909	. TERMINAL, BRASS		1
- 53	2181002	. SCREW-HEX HD SELFTAP 8-32 X .750 LONG	ATT PT	1
- 54	5374689	. BUSHING	ATT PT	1
- 55	5761798	. INSULATOR, PHENOLIC - .38W X .75 LG		1
- 56	369214	. TRANSISTOR,TYPE 108		5
- 57	11598	. NUT,HEX, 10-32 X 0.375 FL W	ATT PT	5
- 58	316996	. TERMINAL,LUG-NONINS 9AWG NO. 8 MTG HOLE		1
- 59	5761976	. TUBING		10
- 60	5761968	. BUS STRIP		1
- 61	375249	. CARD ASM		1
		ASSEMBLY COMPONENTS ARE NOT REPLACEABLE		
- 62	207340	. POTENTIOMETER,250 OHM 1/2 W P/M 10%		1
- 63	5762439	. CHASSIS,14.25 IN		1
END OF LIST 11				

FOR PARTS  
NOT SHOWN  
SEE FIG. 2

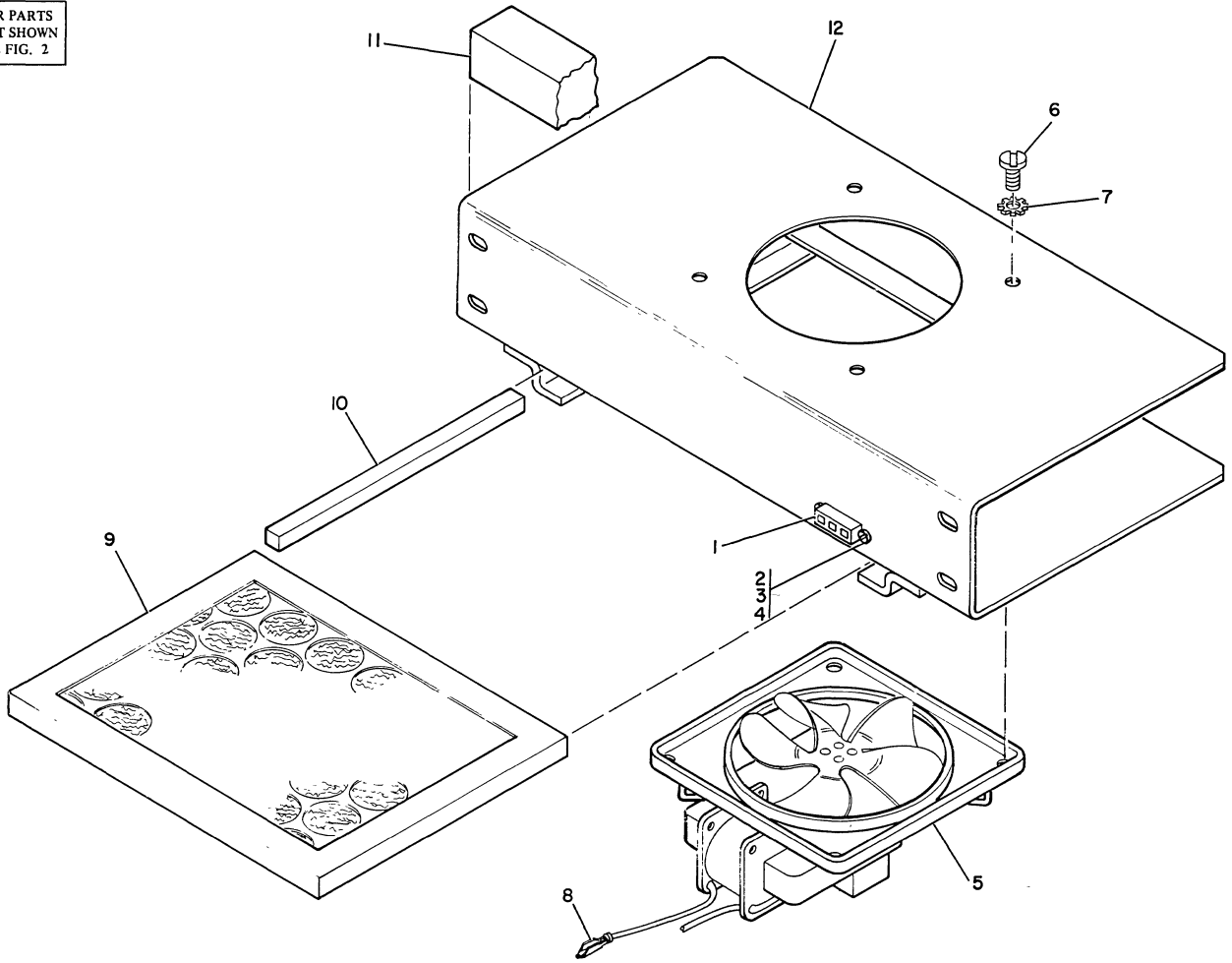


FIGURE 12. BLOWER ASSEMBLY.

LIST AND INDEX NUMBER	PART NUMBER	DESCRIPTION				UNITS PER ASM.	USABLE ON CODE
		1	2	3	4		
12 -	2194665	BLOWER ASSEMBLY 60HZ				REF	
-	2194750	BLOWER ASSEMBLY 50HZ				REF	
		FOR ILLUSTRATION SEE FIGURE 12					
		FOR NEXT HIGHER ASM SEE FIG 2-8					
- 1	5353853	. HOUSING				1	
- 2	322065	. SCREW,MACH-BIND HD 6-32 X 5/8 LG				2	ATT PT
- 3	257187	. NUT,HEX 6-32 NC				2	ATT PT
- 4	62031	. WASHER,LOCK-INT TEETH NO. 6 X 0.295 OD				2	ATT PT
- 5	5353877	. MOTOR,FAN,60HZ				1	
- 5	4120171	. MOTOR,FAN,50HZ				1	
- 6	322550	. SCREW,BD HD 6-32 X 0.500 LG				4	ATT PT
- 6	322551	USED ON ASM 2194665 . SCREW,BIND HD 6-32 X 0.75 LONG				4	ATT PT
- 7	56722	USED ON ASM 2194750 . WASHER-LOCK,EXT T, .150 ID				4	ATT PT
- 8	5353854	. CONTACT, MALE 16-20 WIRE				2	
- 9	5357064	. FILTER,AIR,8.30 X 5.91				1	
- 10	2157643	. SEAL				1	
- 11	2195292	. SEAL-POWER SUPPLY				1	
- 12	2194610	. HOUSING,FAN				1	
END OF LIST 12							

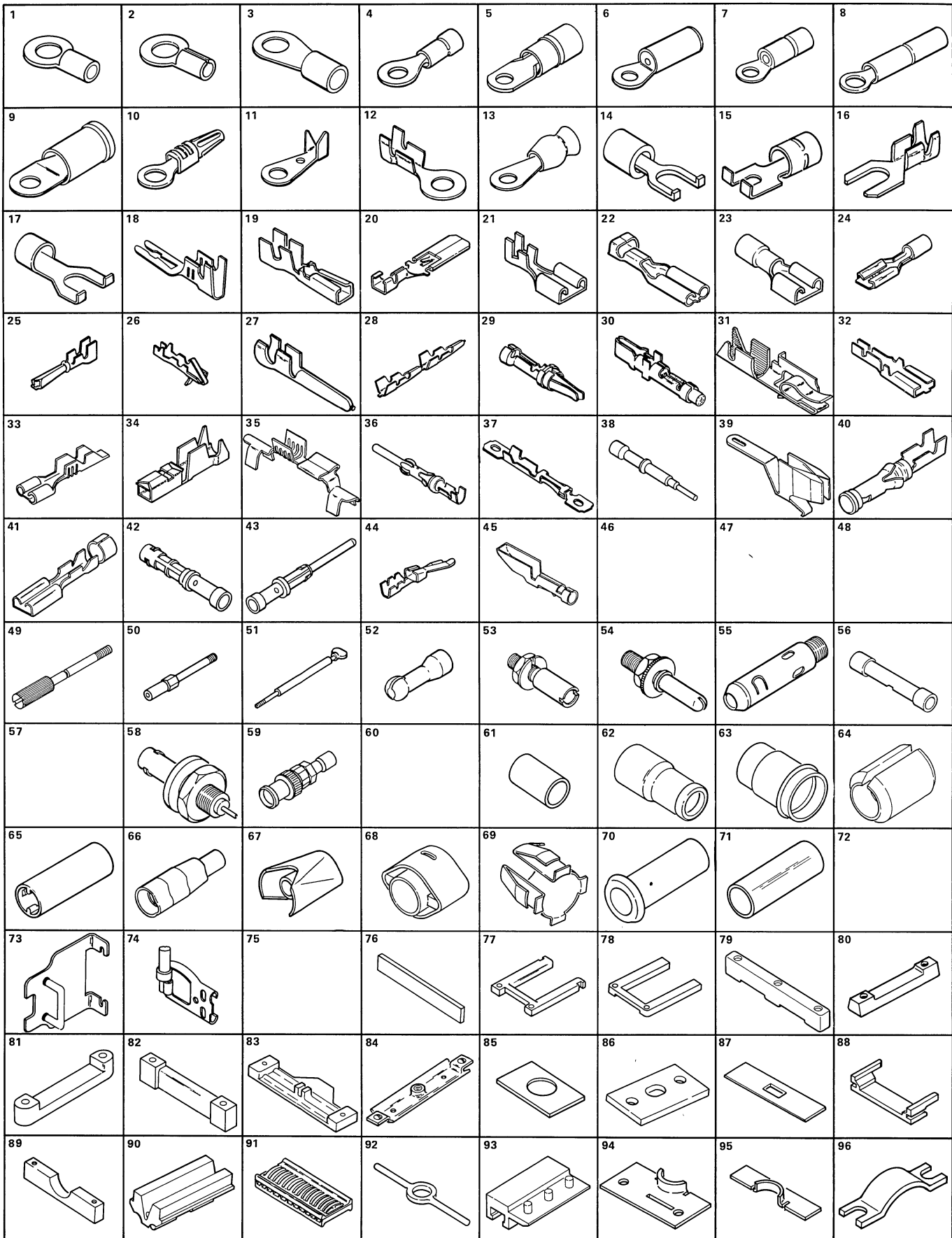


FIGURE 13. CABLE COMPONENTS, SHEET 1 OF 3.

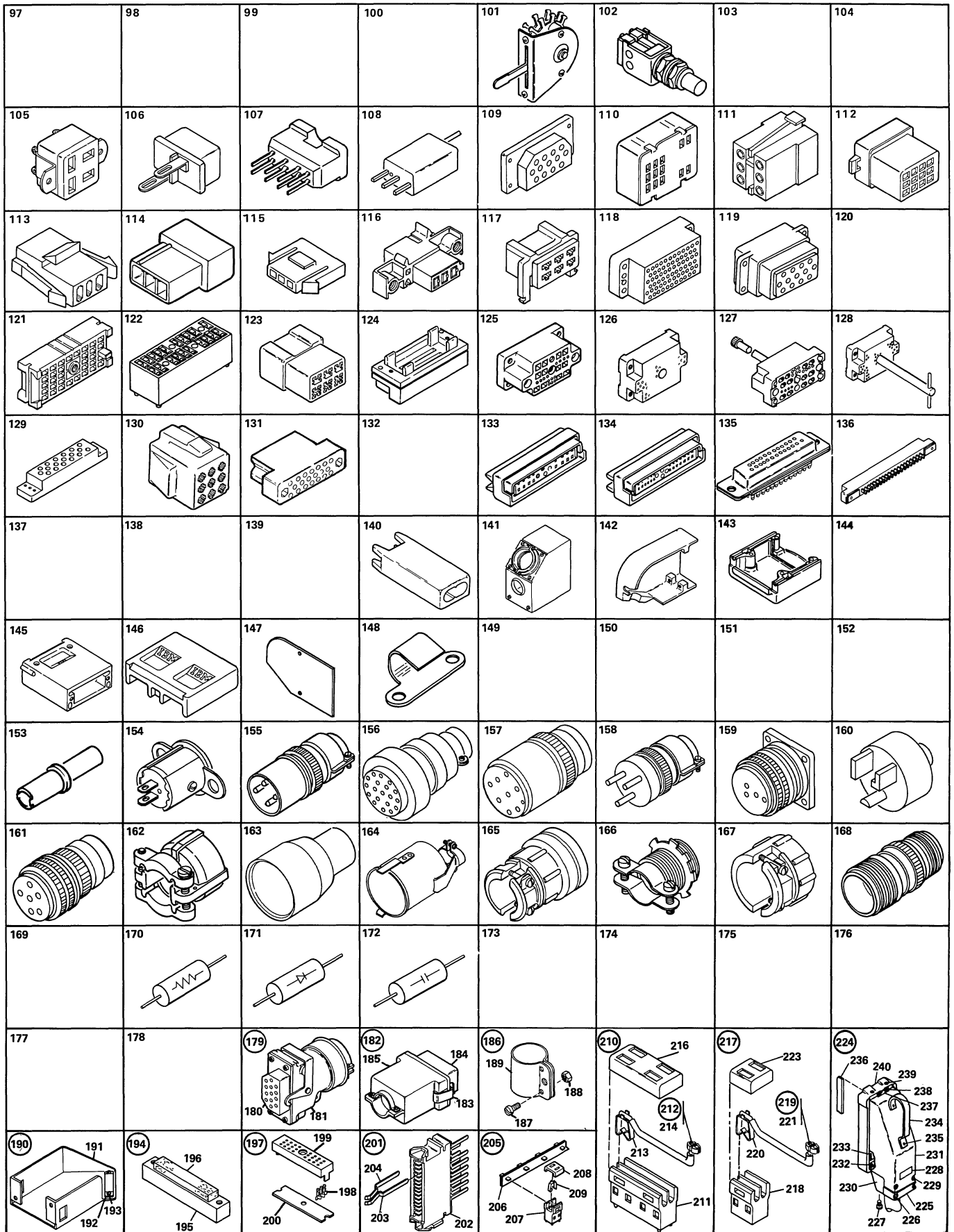


FIGURE 13. CABLE COMPONENTS, SHEET 2 OF 3.

SEE LIST **13**

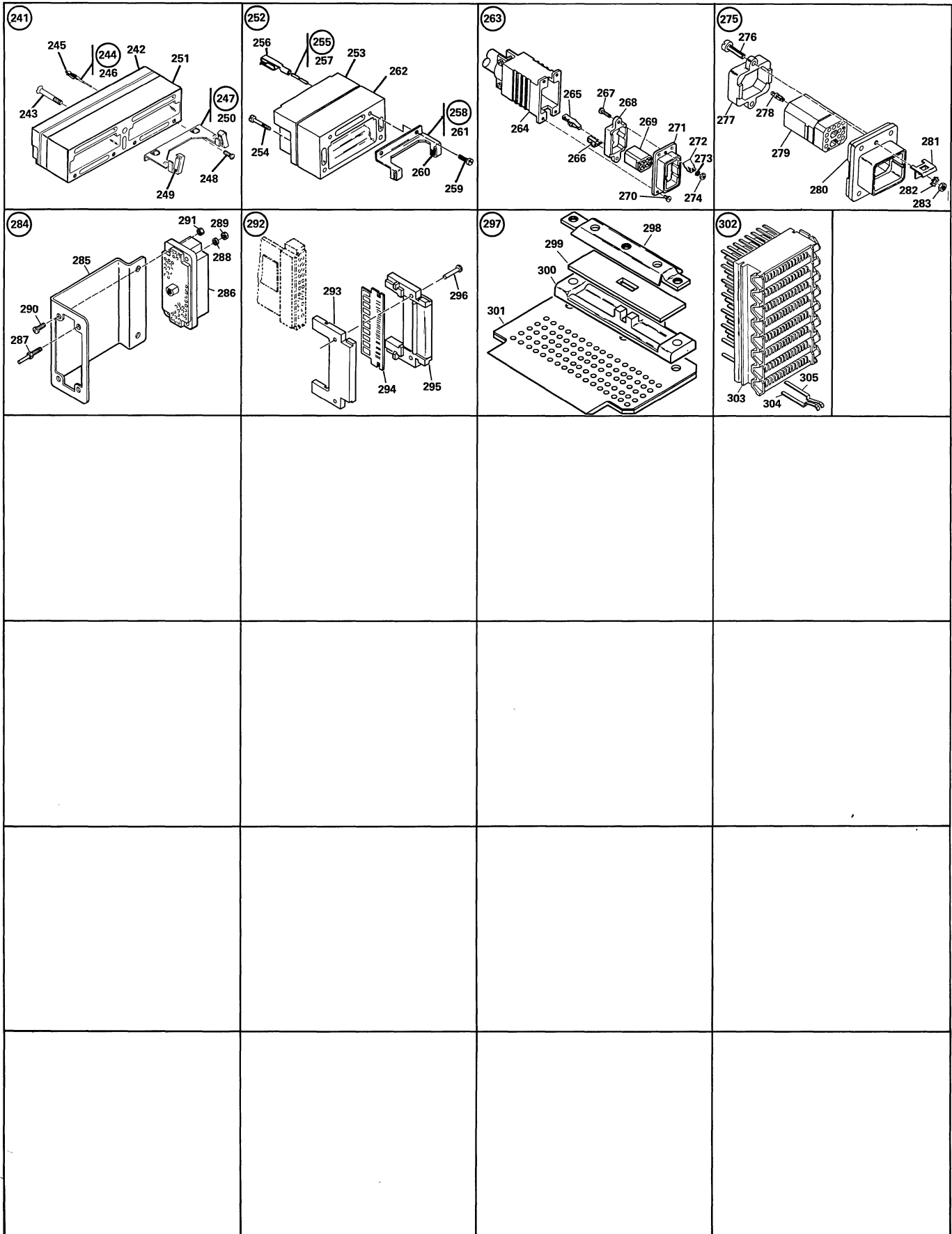


FIGURE 13. CABLE COMPONENTS, SHEET 3 OF 3.

LIST AND INDEX NUMBER	PART NUMBER	DESCRIPTION				UNITS PER ASM.	USABLE ON CODE
		1	2	3	4		
13 -	811621	CROSSOVER ASM,BOARD TO BUS TO BOARD				REF	
	811483	CROSSOVER ASM,BOARD TO BUS				REF	
-	2195466	FOR COMPONENTS SEE 210 JUMPER ASM,DOUBLE-VOLTAGE CONN FOR COMPONENTS SEE 18,140,214				REF	
-	2195964	CABLE ASM,GATE A OR B FAN FOR COMPONENTS SEE 3,4E,22A,68B,116				1	
-	2196042	JUMPER ASM				3	
-	2196044	FOR COMPONENTS SEE 18,140,214 CABLE ASM,SPECIAL JUMPER FOR COMPONENTS SEE 18,140,214				12	
-	2196046	CABLE ASM,SPECIAL JUMPER FOR COMPONENTS SEE 18,140,214				3	
-	2279023	CABLE ASM,PRLD RES				REF	
-	2279056	FOR COMPONENTS SEE 4G CABLE ASM,DC PWR TO DC DIST PNL FOR COMPONENTS SEE 4A,7				REF	
-	2279057	CABLE ASM DC DIST TO B GATE FOR COMPONENTS SEE 4A				REF	
-	2279058	CABLE ASM,POWER SUPPLY				REF	
-	2279069	FOR COMPONENTS SEE 4D,4E,7,10A,21D,22A,27B,116 CABLE ASM CB READY FOR COMPONENTS SEE 21D,27B				REF	
-	2279083	CABLE ASM,POWER SEQ BOX FOR COMPONENTS SEE 3A,4E,6A,10,14,15,15B,25A,30,30E,153				REF	
-	2279092	CABLE ASM,THERMISTOR				REF	
-		FOR COMPONENTS SEE 27B,34A,218,220,223 FOR ILLUSTRATION SEE FIGURE 13					
- 3	92784	. TERMINAL, RING INS 18/20AWG NO.8 MTG HOL				AR	
- 3A	2114849	. TERMINAL,RING INS.14/16 AWG.NO.6 HOLE				AR	
- 4A	186968	. TERMINAL, RING INS 10/12AWG NO.8 MTG HOL				AR	
- 4D	334910	. TERMINAL, RING NO.16 THRU NO. 14 WIRE				AR	
- 4E	334921	. TERMINAL, RING NO.22 THRU NO.18WIRE INSU				AR	
- 4G	360370	. TERMINAL-RING TOUNGUE NO.14-16 WIRE				AR	
- 6A	2101327	. TERMINAL, RING INS 10/12AWG 1/4 MTG HOLE				AR	
- 7	253740	. TERMINAL, RING INS 10-12AWG NO.6 MTG HOL				AR	
- 8	253453	. TERMINAL, RING INS NO.22AWG 0.140 ID				AR	
- 10	359695	. TERMINAL, RING LUG NO.10 STUD				AR	
- 10A	186596	. TERMINAL,RING LUG NO.10 STUD 14/16 WIRE				AR	
- 14	92786	. TERMINAL,INS 18/20AWG NO.4 MTG SLOT SPAD				AR	
- 15	368222	. TERMINAL, NO.8 STUD 16/14 WIRE SPADE				AR	
- 15B	360590	. TERMINAL,SPADE INS.NO.8 SLOT				AR	
- 18	813194	. TERMINAL,DISCRETE WIRE 18/20AWG				AR	
- 21D	430799	. TERMINAL,QUICK DISCONNECT				AR	
- 22A	5353852	. TERMINAL,CONTACT FEMALE,NO.16/20 WIRE				AR	
- 25A	1166115	. TERMINAL,SOCKET				AR	
- 27B	187243	. TERMINAL, SMALL TAPER 20-22-24 OR 26 AWG				AR	
- 30	738254	. TERMINAL ASM, MALE, 12-14 AWG				AR	
- 30E	2192507	. TERMINAL ASM,MALE 12/14 AWG				AR	
- 34A	815934	. TERMINAL, DISCRETE WIRE (22/26AWG)				AR	
- 68B	2184182	. FERRULE-SHIELDED WIRE				AR	
- 116	5353851	. HOUSING-CONNECTOR RECEPTACLE, 3 POS				AR	
- 140	813197	. HOUSING-TERMINAL				AR	
- 153	2182902	. PLUG,CONNECTOR-SOCKET HOUSING				AR	
- 197	302090	. TERMINAL BLOCK ASM-24 FEMALE CONTACTS				AR	
- 198	302089	. . CONTACT,3 POS COMMON				AR	
- 199	302088	. . BLOCK,TERMINAL				AR	
- 201	216076	. RECEPTACLE ASM,SINGLE CARD				AR	
- 202	216073	. . RECEPTACLE-1 POSITION				AR	
- 203	216088	. . SPRING-CONTACT				AR	
- 204	216087	. . SPRING-CONTACT				AR	
- 210A	811483	. CROSSOVER ASM,BUS TO BOARD				AR	
- 210B	811621	. CROSSOVER ASM,BOARD TO BUS TO BOARD				AR	
- 211	813801	. . HOUSING				AR	
- 212	811484	. . CONTACT ASM,4.00 LG, BRD TO BRD				AR	
- 212A	811485	. . CONTACT, 4.00 LG, BUS TO BRD				AR	
- 212B	811495	. . CONTACT ASSEMBLY, 3.25 LG, BUS TO BRD				AR	
- 212C	811496	. . CONTACT ASSEMBLY,6.00LG BRD TO BUS TO BRD				AR	
- 213	813681	. . . CONTACT,				AR	
- 214	813827	. . . BUS CONNECTOR				AR	
- 216	813802	. . CAP				AR	
- 240	238619	. . PLUGBOARD CONNECTOR ASM				AR	
- 241	5362304	. CONNECTOR ASSEMBLY - HALF STYLE A				AR	
- 242	5353867	. . CONNECTOR BLOCK - STYLE A				AR	
- 243	109918	. . SCREW,FLAT AD,SELF TAP,4-40 X 0.50 LG ATT PT				AR	

LIST AND INDEX NUMBER	PART NUMBER	DESCRIPTION	UNITS PER ASM.	USABLE ON CODE
		1 2 3 4		
<b>13</b> -244	5362303	. . CONTACT AND PIN ASSEMBLY	AR	
-245	5362301	. . . TERMINAL, LARGE SERPENT, 22/26AWG	AR	
-246	811727	. . . PIN-CONNECTOR	AR	
-247	5404468	. . BRACKET ASSEMBLY	AR	
-248	112628	. . SCREW,BIND HD,SELF TAP,4-40 X 3/8 LG ATT PT	AR	
-249	5404467	. . . PAD,PRESSURE	AR	
-250	5404466	. . . CLAMP,CABLE	AR	
-251	5353902	. . GUIDE-PIN	AR	
		<b>END OF LIST 13</b>		

## NUMERICAL INDEX

PART NO.	LIST AND INDEX NO.	PART NO.	LIST AND INDEX NO.	PART NO.	LIST AND INDEX NO.	PART NO.	LIST AND INDEX NO.
2903	7 - 4	56079-CONT	11 - 41A	216076-CONT	11 - 23	359695-CONT	13 - 10
	8 - 4	56121	2 - 39		13 -201	360370	13 - 4G
	9 - 4	56722	4 - 7	216087	13 -204	360590	13 - 15B
	11 - 4		4 - 13	216088	13 -203	367115	6 - 35
3960	2 - 45		4 - 19	217019	10 - 49	368222	13 - 15
	2 - 73		4 - 28	219423	10 - 74	369207	2 - 10
5644	3 - 33		4 - 34		10 - 77		2 - 57
5677	2 - 12		7 - 28	236550	2 - 49		6 - 14
6364	6 - 21		8 - 43	236849	1 - 74	369209	2 - 32
	6 - 25		9 - 56	238619	13 -240	369214	7 - 55
	10 - 72		10 - 35	251970	1 - 88		8 - 52
6935	2 - 72		11 - 47	252591	6 - 3A		9 - 49
	3 - 99		12 - 7	253453	13 - 8		10 - 75
9092	10 - 40	58207	2 - 36	253569	4 - 22		11 - 56
10170	2 - 54		5 - 29	253740	4 - 23	369616	10 - 69
	3 - 49	60646	10 - 25		13 - 7	374923	10 - 80
	7 - 23	62031	10 - 8	257187	4 - 8	375161	7 - 42
	7 - 27		10 - 13		4 - 35	375200	9 - 45A
	8 - 38		10 - 60		6 - 20	375203	8 - 57
	8 - 42		12 - 4		6 - 24	375249	11 - 61
	9 - 27	79779	10 - 67		1 - 8	418835	6 - 40
	9 - 55	81693	4 - 12		10 - 64	430799	13 - 21D
	10 - 4		4 - 27		12 - 3	438550	3 - 12
	10 - 44		4 - 33	257189	1 - 77	438551	11 - 33
	11 - 42		7 - 33		1 - 93	438552	5 - 16
	11 - 46		7 - 36		1 - 98	438567	7 - 14
11598	2 - 43		8 - 27		10 - 26	438570	9 - 19
	2 - 82		8 - 28A	257984	5 - 17	438571	8 - 18
	4 - 38		9 - 37	257985	3 - 14		11 - 18
	7 - 56		9 - 38A	257986	10 - 59	438593	7 - 2
	8 - 53		11 - 27		10 - 71		8 - 2
	9 - 50		11 - 28A	300693	2 - 68		9 - 2
	1 - 29	82353	11 - 38	301768	9 - 24		10 - 24
	1 - 75	92734	6 - 3	302088	13 -199	441091	6 - 23
	10 - 41	92784	13 - 3	302089	13 -198	441181	10 - 5
	11 - 57	92786	13 - 14	302090	5 - 1	472168	3 - 27
11891	10 - 47	104615	6 - 1		13 -197	472187	10 - 21
	10 - 76	109918	13 -243	302131	5 - 3	473412	10 - 10
22478	1 - 11	112628	3 - 28	315956	5 - 12	473422	10 - 7
	1 - 79		13 -248	315957	5 - 14	473442	10 - 78
	10 - 28	113819	7 - 18	316996	7 - 57	473531	10 - 65
24107	2 - 28		7 - 39		8 - 54	473536	7 - 50
25627	7 - 25		8 - 15		9 - 51		8 - 47
	8 - 35		8 - 31		11 - 58		9 - 54
	9 - 30		9 - 15	317079	5 - 6		10 - 68
28413	10 - 2		9 - 40	317080	8 - 16		11 - 51
32042	1 - 28		10 - 30		9 - 16	473544	10 - 53
33345	1 - 90		11 - 15	320167	5 - 5		10 - 55
36109	3 -100		11 - 31	320461	10 - 17	473582	10 - 48
36844	3 - 94	125930	1 - 95	322028	3 - 97	473592	8 - 60
37913	3 - 13	130434	4 - 18	322065	4 - 6	477144	11 - 16
	11 - 35	130985	2 - 66		12 - 2	477203	10 - 57
	5 - 18	138754	6 - 5		5 - 13	491228	7 - 38
38051	10 - 9	139766	2 - 27	322550	10 - 70		8 - 30
	10 - 14	184380	6 - 4		11 - 40		9 - 39
	10 - 61	186596	13 - 10A		12 - 6		10 - 51
	10 - 73	186759	2 - 15	322551	12 - 6		11 - 30
38235	7 - 10	186950	1 - 39	323842	6 - 32	492568	7 - 19
	8 - 10	186968	13 - 4A	331982	11 - 2		10 - 32
	9 - 10	187243	13 - 27B	332620	2 - 42	510379	9 - 22
	10 - 58	187466	6 - 30		7 - 30	510468	7 - 5
	10 - 63	207293	2 - 14		8 - 40		7 - 8
	11 - 10	207340	11 - 62		9 - 32		8 - 5
38263	6 - 11	207382	2 - 11		10 - 38		8 - 8
38688	2 - 71	208228	10 - 6		11 - 44		9 - 5
45690	1 - 91	208529	1 - 16	332779	11 - 34		9 - 8
	1 - 96		1 - 47	333586	5 - 10		10 - 27
	10 - 39		1 - 66	334910	13 - 4D		11 - 5
	10 - 46		1 -102	334921	13 - 4E		11 - 8
55726	3 - 66	210883	6 - 33	334932	11 - 14	513668	1 - 17
	3 - 85		11 - 39	338169	2 - 50		1 - 48
	6 - 7	210884	6 - 34		3 - 29	513669	1 - 44
	9 - 25	210984	6 - 31	342250	6 - 17	517913	4 - 24
	10 - 34		10 - 16		5 - 7	526378	4 - 36
55901	1 - 10	210990	10 - 15	357995	6 - 40	529691	8 - 59
55918	2 - 80	216073	13 -202	359018	6 - 41	533360	11 - 41
56079	4 - 39	216076	7 - 45	359695	7 - 17	538830	10 - 3
	7 - 31A		8 - 23		8 - 14	587814	1 - 35
	8 - 41A		9 - 45		9 - 14	589814	6 - 36
	9 - 33A		10 - 56		10 - 31	598479	10 - 45



PART NO.	LIST AND INDEX NO.	PART NO.	LIST AND INDEX NO.	PART NO.	LIST AND INDEX NO.	PART NO.	LIST AND INDEX NO.
599557	4 - 5	815263	3 - 81	2190971	1 - 84	2195466	3 - 9
600960	7 - 3	815934	13 - 34A	2190972	1 - 81		13 - REF
	8 - 3	815963	3 - 60	2190973	1 - 80	2195505	1 - 6
	9 - 3		3 - 79	2190974	1 - 83	2195756	1 - 85
602721	7 - 31	815964	3 - 61	2191006	1 - 76	2195757	1 - 87
	8 - 41		3 - 80	2191007	1 - 82	2195964	6 - 27
	9 - 33	827840	2 - 78	2191014	1 - 76		13 - REF
620240	11 - 42A	1090873	1 - 78	2191846	5 - 2	2196042	3 - 9
725000	6 - 6	1134451	8 - 58	2191879	2 - 41		13 - REF
730176	10 - 52	1141554	5 - 26	2191880	2 - 41	2196044	3 - 9
730432	10 - 22	1166115	13 - 25A	2191881	2 - 41		13 - REF
730452	11 - 1	2100264	6 - 18	2191882	2 - 41	2196046	3 - 9
731626	3 - 3	2101325	10 - 20	2192507	13 - 30E		13 - REF
	1 - 4	2101327	13 - 6A	2192539	6 - 8	2196084	6 - 10
	1 - 18	2101840	2 - 23	2193685	3 - 6	2227451	3 -101
	1 - 45	2106333	6 - 26	2193932	2 - 13		3 -103
	1 - 49	2114596	5 - 8	2194603	1 - 15		3 -105
	1 - 86	2114597	5 - 11	2194606	2 - 70		3 -111
731629	7 - 12	2114849	13 - 3A	2194610	12 - 12	2242314	2 - 31
	8 - 12	2125656	2 - 25	2194615	3 - 39	2242323	2 - 60
	9 - 12		3 - 95	2194637	1 - 46		3 - 7
	11 - 12		3 - 98	2194640	1 - 73	2242399	2 - 26
731631	5 - 21	2125765	1 - 9	2194641	1 - 94	2279001	2 - REF
	5 - 23	2125963	2 - 16	2194642	1 - 89	2279002	2 - 17
738199	6 - 13	2125974	2 - 35	2194643	1 - 92		5 - REF
738254	13 - 30		2 - 81	2194656	1 - 97	2279003	1 -103
738259	6 - 12	2134662	5 - 4	2194657	1 - 97	2279007	2 - 79
740501	4 - 10	2145077	5 - 19	2194665	2 - 8	2279008	6 - 37
804109	4 - 32	2157643	3 - 31		12 - REF	2279016	5 - 15
811363	3 - 76		12 - 10	2194672	2 - 55	2279017	2 - 30
811417	3 - 54	2158694	6 - 19	2194679	1 - 38		3 - REF
811423	3 - 5	2159711	2 - 1	2194737	2 - 75	2279018	2 - 30
811426	3 - 42	2162453	2 - 33	2194748	1 - 60		3 - REF
	3 - 44	2162666	1 - 37	2194750	2 - 8	2279019	2 - 37
	3 - 70	2175684	6 - 9		12 - REF		6 - REF
	3 - 74	2181001	3 - 92	2194889	5 - 22	2279023	5 - 27
	6 - 2	2181002	7 - 52	2194920	3 - 59		13 - REF
811427	3 - 75		8 - 49	2194921	3 - 69	2279024	5 - 24
811441	3 - 67		11 - 53	2194930	3 - 64	2279051	3 - 47
	3 - 86	2181004	2 - 2	2194936	3 - 72	2279052	6 - 22
811442	3 - 37		2 - 9	2194937	2 - 83	2279054	5 - 28
811476	3 - 45		2 - 18	2194938	3 - 71	2279056	2 - 7A
811481	3 - 46A		2 - 38	2194940	3 - 32		13 - REF
811483	3 - 1		2 - 47	2194948	1 - 21	2279057	2 - 18A
	13 - REF		2 - 52	2194949	1 - 50		13 - REF
	13 -210A		2 - 56	2194950	1 - 40	2279058	6 - 28
811484	13 -212		2 - 59	2194951	1 - 19		13 - REF
811485	13 -212A		2 - 84	2194960	1 - 60	2279059	1 - 12
811495	13 -212B		6 - 39	2194961	1 - 60	2279060	1 - 7
811496	13 -212C		1 - 14	2194962	1 - 60	2279061	2 - 51
811530	3 - 11		1 - 20	2194967	1 - 52	2279069	2 - 22A
811534	3 - 51		1 - 22	2194969	1 - 54		13 - REF
811536	3 - 46		1 - 24		1 - 56	2279071	3 - 7
811553	3 - 4		1 - 26	2194970	1 - 31	2279083	6 - 29
811554	3 - 2		1 - 32	2194975	3 - 65		13 - REF
811555	3 - 50		1 - 41	2194976	3 - 68	2279092	2 - 18B
811556	3 - 48		1 - 43	2194984	1 - 27		13 - REF
811600	3 - 56		1 - 51	2194989	1 - 30	2279514	3 -108
811621	3 - 1		1 - 53	2195212	1 - 3	2279515	3 -107
	13 - REF		1 - 55	2195245	1 - REF	2414970	2 - 77
	13 -210B		1 - 57	2195284	2 - 46	2500254	3 - 63
	13 -246		1 - 59	2195292	12 - 11	2500255	3 - 63
811727	3 - 18		1 -100	2195295	2 - 44	4116461	10 - 37
811802	3 - 58	2181005	3 - 19	2195313	1 - 33	4116484	8 - 39
811804	3 - 58		3 - 40	2195314	1 - 42	4116486	11 - 43
811852	3 - 41	2181012	3 - 23	2195325	6 - 38	4116492	9 - 31
811853	3 - 43	2182488	13 -136	2195333	1 - 34	4118364	7 - 29
	3 - 73	2182901	6 - 16	2195350	3 - 89	4120171	12 - 5
811866	3 - 83	2182902	13 -153	2195351	2 - 19	5213405	7 - 1
811867	3 - 78	2182905	6 - 15	2195352	3 - 91	5214366	11 - 20A
811881	3 - 84	2183209	1 -101	2195353	3 - 93	5214367	8 - 20
811896	3 - 87	2183210	1 -101	2195354	2 - 21	5214372	7 - 20
813179	3 - 53	2183211	1 -101	2195377	2 - 58	5214544	9 - 9
813194	13 - 18	2183212	1 -101	2195380	1 - 58	5214545	7 - 9
813519	3 - 57	2183468	1 - 65	2195381	1 - 99	5214547	11 - 9
813681	13 -213	2183512	1 - 25	2195385	1 - 5	5214548	8 - 9
813801	13 -211	2183665	2 - 29	2195391	1 - 1	5214556	7 - 24
813802	13 -216	2183667	3 - 96	2195392	1 - 13		8 - 34
813827	13 -214	2184182	13 - 68B	2195400	5 - 9		9 - 28
815081	13 -212D	2190834	3 - 62	2195411	1 - 23	5240459	5 - 20

PART NO.	LIST AND INDEX NO.	PART NO.	LIST AND INDEX NO.	PART NO.	LIST AND INDEX NO.	PART NO.	LIST AND INDEX NO.
5247112	10 - 12	5357137	4 - 37	5761904	7 - 43		
5253894	10 - 33	5357140	4 - 16		8 - 24		
5261000	2 - 5		4 - 31		9 - 43		
	9 - REF	5357141	4 - 14		11 - 24		
5261007	10 - 42		4 - 29	5761907	7 - 41		
5261008	10 - 43	5357144	4 - 11		7 - 44		
5261018	10 - 36	5357145	4 - 26		8 - 25		
5261039	10 - 79	5362301	13 - 245		8 - 33		
5261050	2 - 6	5362303	13 - 244		9 - 35		
	8 - REF	5362304	2 - 53		9 - 44		
5261067	9 - 17		13 - 241		11 - 25		
5261068	10 - 66	5373658	2 - 74		11 - 37		
5261077	10 - 11	5373660	2 - 76	5761908	11 - 45		
	11 - 20	5374689	7 - 53	5761909	7 - 51		
5261089	9 - 21		8 - 50		8 - 48		
5261098	8 - 1		11 - 54		11 - 52		
5261117	10 - 23	5404466	13 - 250	5761913	7 - 48		
5261119	9 - 1	5404467	13 - 249		8 - 45		
5261127	7 - 21	5404468	13 - 247		9 - 48		
	11 - 21	5442420	3 - 102		11 - 49		
5261128	8 - 21		3 - 104		7 - 6		
5261140	2 - 7		3 - 106	5761935	7 - 7		
	7 - REF		3 - 110		8 - 6		
5261159	10 - 54		3 - 112		8 - 7		
5261165	10 - 19	5442421	3 - 101		9 - 6		
5261167	7 - 26		3 - 103		9 - 7		
	8 - 36		3 - 105		11 - 6		
	9 - 29		3 - 109		11 - 7		
	10 - 18		3 - 111	5761936	7 - 46		
5261483	10 - 37	5468301	3 - 21		8 - 22		
5261600	2 - 5		4 - REF		9 - 46		
	9 - REF	5468302	4 - 9		11 - 22		
5261606	10 - 50	5468303	4 - 14	5761938	11 - 3		
5261650	2 - 6		4 - 29	5761943	7 - 15		
	8 - REF	5468304	4 - 16		8 - 19		
5261740	2 - 7		4 - 31		9 - 20		
	7 - REF	5468305	4 - 26		9 - 23		
5261935	8 - 13	5468306	4 - 11		11 - 19		
	9 - 13	5468307	4 - 30	5761952	7 - 22		
5261936	11 - 13	5468308	4 - 15		8 - 37		
5261937	7 - 16	5709430	2 - 3		9 - 26		
	10 - 29		10 - REF	5761965	9 - 52		
5271288	2 - 48	5709434	10 - 1	5761966	7 - 59		
5313928	3 - 26	5709440	2 - 4	5761968	8 - 56		
5319854	1 - 2		11 - REF		11 - 60		
5319888	2 - 34	5709470	2 - 3	5761976	7 - 58		
5349887	3 - 24		10 - REF		8 - 55		
5349888	4 - 1	5709480	2 - 4		9 - 53		
5349929	5 - 25		11 - REF		11 - 59		
5350092	1 - 36	5712309	7 - 40	5761977	7 - 32		
5353301	2 - 20		8 - 32		8 - 26		
	2 - 22		9 - 34		9 - 36		
	2 - 24		10 - 62		11 - 26		
	2 - 69		11 - 36	5761979	7 - 35		
	3 - 90	5761723	9 - 31		8 - 29		
5353851	13 - 116	5761729	8 - 39		9 - 41		
5353852	13 - 22A	5761736	7 - 29		11 - 29		
5353853	4 - 20	5761738	11 - 43	5761989	11 - 32		
	12 - 1	5761758	9 - 57	5762156	7 - 37		
5353854	4 - 21	5761759	9 - 47		9 - 38B		
	12 - 8	5761763	7 - 60	5762215	7 - 34		
5353867	13 - 242	5761764	7 - 47		8 - 28		
5353877	12 - 5	5761767	8 - 61		9 - 38		
5353902	13 - 251	5761768	8 - 44		11 - 28		
5357002	3 - 21		11 - 48	5762439	11 - 63		
	4 - REF	5761779	7 - 11	7320365	2 - 67		
5357005	4 - 9		8 - 11	7320548	2 - 65		
5357011	4 - 41		9 - 11				
5357012	4 - 40		11 - 11				
5357013	4 - 4	5761786	9 - 18				
5357020	4 - 17	5761789	7 - 13				
5357021	4 - 25	5761793	11 - 17				
5357024	4 - 30	5761794	8 - 17				
5357025	4 - 15	5761796	7 - 49				
5357034	3 - 22		8 - 46				
5357038	3 - 30		9 - 42				
5357064	12 - 9		11 - 50				
5357135	4 - 3	5761798	7 - 54				
5357136	3 - 25		8 - 51				
	4 - 2		11 - 55				

**IBM****FE Supplement**

System/Unit 1803

Re: Order No. S127-0914-1

This Supplement No. SS27-0662

Date August 12, 1970

Previous Supplement Nos. None

**IBM Illustrated Parts Catalog  
1803 Core Storage Unit**

© IBM Corp. 1970

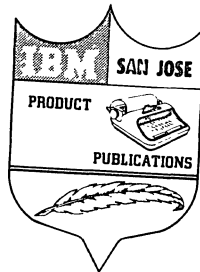
This supplement provides replacement pages for the subject publication. Pages to be inserted and removed are listed below.

1,2  
9 through 12  
15,16  
21,22

**Summary of Amendments**

1. Page 1: minor art additions.
2. Page 2: part number change and part number additions.
3. Page 9: changed reference notes on board assemblies.
4. Page 12: minor art corrections.
5. Page 15: part number change.
6. Page 21: part number addition.

*Note:* Please file this cover letter at the back of the publication to provide a record of changes.



*We are pleased to send you this complimentary copy of a newly printed publication. Additional copies are available from the Distribution Center, Mechanicsburg.*

*G.W. Goesch, Manager  
Department G24*

*Author: R.M. Dinga*



# FE Supplement

System/Unit 1803

Re: Order No. S127-0914-1

This Supplement No. SS27-0662

Date August 12, 1970

Previous Supplement Nos. None

## IBM Illustrated Parts Catalog 1803 Core Storage Unit

© IBM Corp. 1970

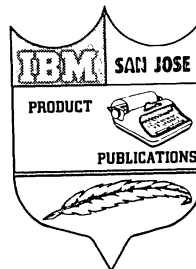
This supplement provides replacement pages for the subject publication. Pages to be inserted and removed are listed below.

1,2  
9 through 12  
15,16  
21,22

### Summary of Amendments

1. Page 1: minor art additions.
2. Page 2: part number change and part number additions.
3. Page 9: changed reference notes on board assemblies.
4. Page 12: minor art corrections.
5. Page 15: part number change.
6. Page 21: part number addition.

*Note:* Please file this cover letter at the back of the publication to provide a record of changes.



*We are pleased to send you this complimentary copy of a newly printed publication. Additional copies are available from the Distribution Center, Mechanicsburg.*

*G.W. Goesch, Manager  
Department G24*

**Author: R. M. Dinga**

READER'S COMMENT FORM

IBM 1803 Core Storage Unit IPC

Order No. S127-0914-1

- How did you locate the part in this catalog?

- By using the visual index?
- By using the Final Assembly Drawing (Fig. 2)?
- By using the table of contents?
- By using the numerical index?
- By using visual random scan of the pages

- What is your occupation?

- Based on your experience, rate this publication

- Ease of finding part  Good  Fair  Poor
- Clarity of art  Good  Fair  Poor

- Please explain any problems below or any other comments you would like to make about this publication; please give specific page and line references where appropriate.

- Reply Requested

- Yes
- No

Name \_\_\_\_\_

Address \_\_\_\_\_

\_\_\_\_\_

- Thank you for your cooperation. No postage stamp necessary if mailed in U. S. A.

**YOUR COMMENTS PLEASE . . .**

Your answers to the questions on the back of this form, together with your comments, will help us produce better publications for your use. Each reply will be carefully reviewed by the persons responsible for writing and publishing this material. All comments and suggestions become the property of IBM.

Note: Please direct any request for copies of publications, or for assistance in using your IBM system, to your IBM representative or to the IBM sales office serving your locality.

fold

fold

**BUSINESS REPLY MAIL**  
NO POSTAGE STAMP NECESSARY IF MAILED IN U. S. A.

FIRST CLASS  
PERMIT NO. 2078  
SAN JOSE, CALIF.



POSTAGE WILL BE PAID BY . . .

IBM Corporation  
Monterey & Cottle Rds.  
San Jose, California  
95114

Attention: Product Publications, Dept. G24

fold

fold



International Business Machines Corporation  
Field Engineering Division  
112 East Post Road, White Plains, N. Y. 10601

1803

1803

AB INSERT FOR FRONT COVER

S127-0914-1

IBM 1803 Core Storage Unit (IPC) Printed in U.S.A. S127-0914-1

**IBM**

**International Business Machines Corporation  
Field Engineering Division  
112 East Post Road, White Plains, N.Y. 10601**