

NO. 2172339
 SHEET 0
 OF 20

DIAGNOSTIC TEST

DIPAL NAME IS DX04

TITLE SPECIAL INSTRUCTIONS TEST - DTX04
 MACH. TYPE 1620-I BY HNJ APPR. DATE

ENGINEERING CHANGE HISTORY

E/C NO.	DATE	SHEETS AFFECTED
404980	5-7-64	1 - 20

E/C NO.	404980						
DATE	5-7-64						

DTX04
1620-1 Special Instruction Test
DIPAL NAME DX04

PROGRAM DESCRIPTION

1. Purpose

This program tests the circuitry used by the following operations:

Transmit Numeric Fill (TNF)
Transmit Numeric Strip (TNS)
Move Flag (MF)

2. Test Method

The test is a fault detection and is divided into short, independent routines. The program deck is in standard SPS format and used a standard loader. Standard program switch control is provided.

In order to do a complete circuit test, some of the TNS tests use illegal zone digits in the alpha field.

3. Modifications

The program contains the necessary linkage to make it compatible with the DIPAL Monitor.

4. Units of System Required

This program requires the 1620 CPU and 1622 Card reader or 1621 Paper Tape Reader.

5. E/C Level

All levels which have the additional instructions feature.

LOADING INSTRUCTIONS

1. Clear Core

2. Load test deck from 1622.

3. Load from Paper Tape Reader - Insert 36 00000 00300

To reproduce the Paper Tape, insert 360000 00300, release, and press "SIE" button. After Tape has loaded, insert

LOC
00000 35 00000 00200
00012 41 00514 00000
00024 16 00013 00049
00036 16 00001 00041
00048 49 00514 00000

Release, start.

When MAR reaches 05320, stop by pressing 'SCE' button, reset, and insert 35 19999 00200. Release/start.

4. Machine will halt with 00011 in MAR. Press START to execute test.

OPERATING INSTRUCTIONS

1. No manual intervention other than setting of the console switches is required for normal operation.

2. Console Program Switches

The switches have the following functions in this program:

Switch 1	ON	Bypass all error routines
	OFF	Test Switch 3 on error
Switch 2	ON	Loop in test routine
	OFF	Continue to next routine
Switch 3	ON	Halt on error if Switch 1 off
	OFF	Typeout on error if Switch 1 off
Switch 4	ON	Repeat program
	OFF	Load next program from 1622

3. At the completion of every 1000 program passes, the program will typeout the test name and number of passes completed. At the completion of any pass with Switch 4 off, the test name and number of passes completed will be typed out, and the card reader will be selected.
4. Data Check Switches
The program assumes all data check switches are off and monitors the check indicators for data checks.
5. Normal Program Halts
The only Normal Halt is at location 00000 in the SPS loader. Press Start to execute the program.

ERROR INFORMATION

1. Error Halts

There are five error halts in the program:

03534	The numeric result of either a TNF or TNS operation was wrong. Display LR2 for the location +12 of the error exit.
03762	The alphameric field of either a TNF or TNS operation was wrong. Display LR2 for location +12 of error exit.
03978	A data check has been detected. Display LR2 for location +12 of the test routine exit.
04248	An error was detected in the Move Flag to odd address section. Display LR2 for location +12 of error exit.
04566	An error was detected in the Move Flag to even address section. Display LR2 for location +12 of error exit.

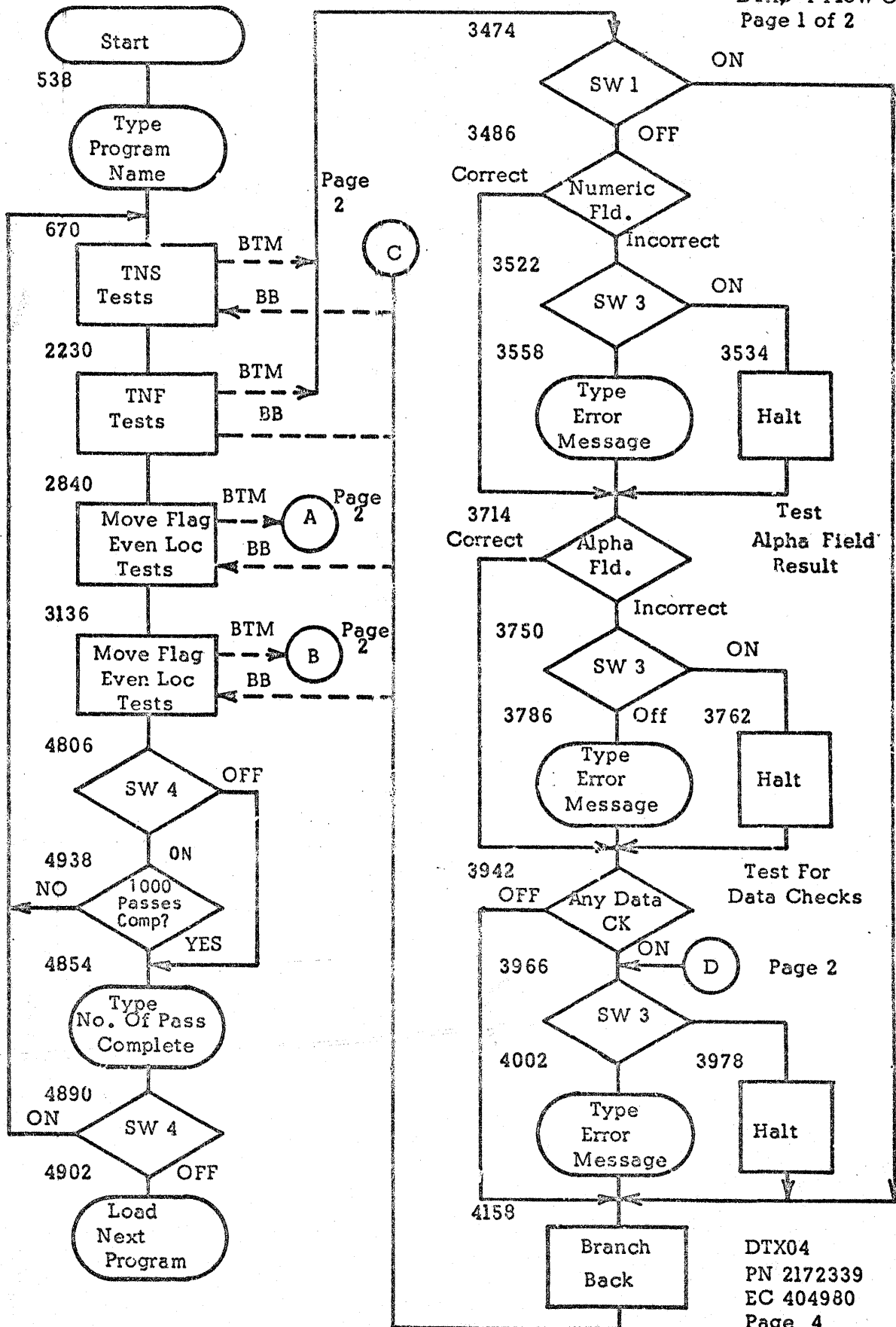
2. Error Typeouts

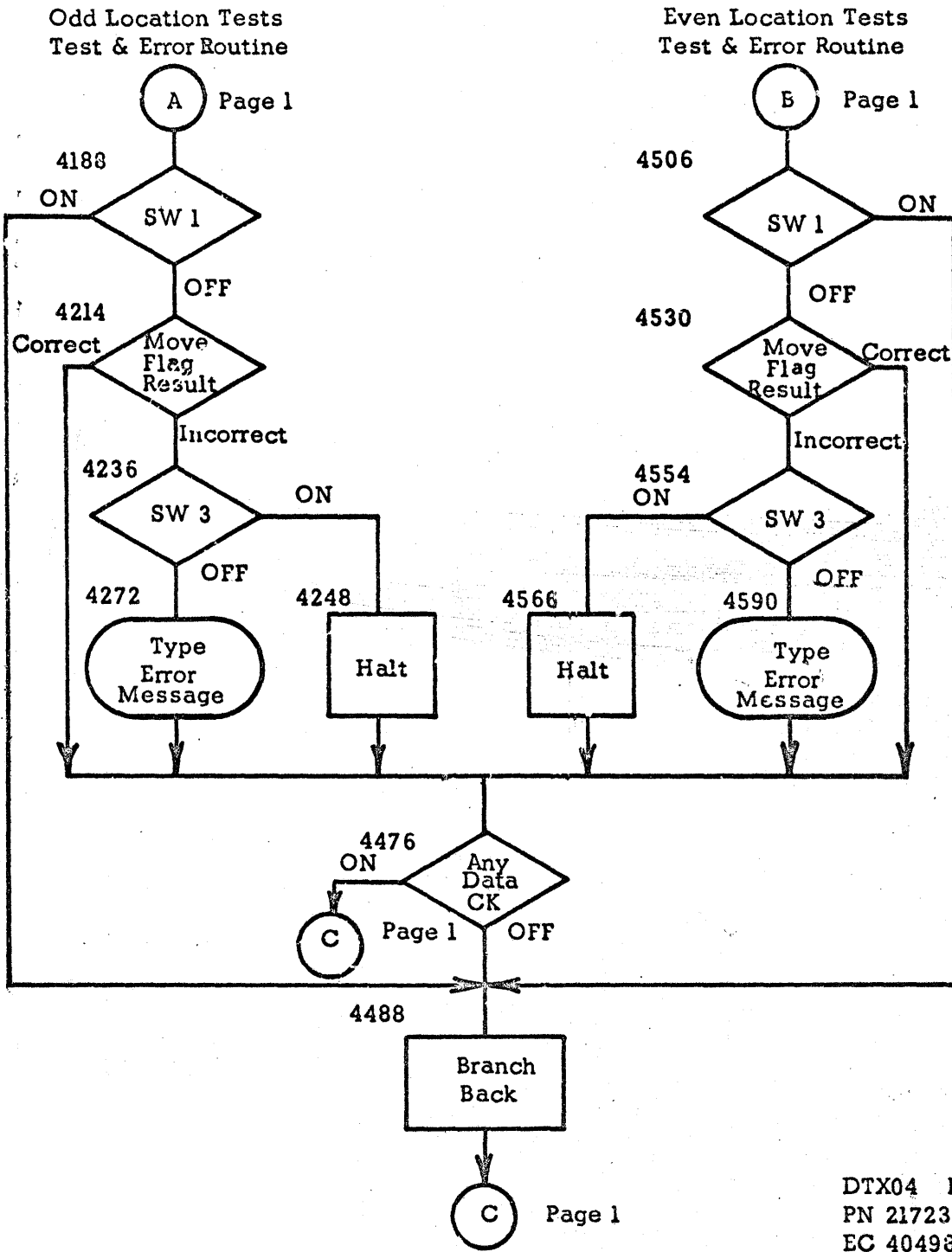
All error typeouts give the operation being tested, routine location, expected results and actual results. Examples and explanations of each type are given. In all cases, the location given in the location of the first instruction in the failing routine. The top line of data is the expected results and the lower line is the actual results.

TNF FAILURE, LOC 02352 ALPHA FLD WRONG
007371727055 EXPECTED RESULT
007371727075 ACTUAL RESULT-UNITS ZONE DIGIT WRONG

TNS FAILURE, LOC 007788 NUMERIC FLD WRONG
56782 EXPECTED RESULT
56782 ACTUAL RESULT-NO SIGN FLAG

MF FAILURE, LOC 03136
P Q DEFINES P AND Q DIGITS
3 2 EXPECTED RESULTS
3 2 ACTUAL RESULTS - FLAG NOT CLEARED FROM Q DIGIT





* DT X04
 * 1620-1 SPECIAL INSTRUCTION TEST
 *

00500
 00501 00004
 00512 00005 -5320
 00514 45 00538 18117
 00526 49 18000 00000
 00538 34 00670 00102
 00550 39 00587 00100
 00562 16 00539 000M9
 00574 49 00670 00000
 00587 00042

DORG 500
 DAC 4,DX04,
 DSA LAST
 START BNR **24,18117
 B 18000
 RCTY T1
 WATY NOTE,,, TYPE TEST NAME
 TFM START+25,49,10
 B T1
 NOTE DAC 39,DT X04,1620-1 SPECIAL INSTRUCTION TEST'

00670 31 03433 00742
 00682 31 03457 00766
 00694 72 03455 03461
 00706 17 03474 -0764
 00718 46 00670 00200
 00730 49 00778 00000

T1 TR OP-1,K1A-1,, SET ALPHA FLD
 TR WKQ-4,K1B-4,, SET NUM FLDS
 TNS WKP+11,WKQ,, STRIP NEG NUMBER
 BTM TESH,K1B-6,, GO TEST BOTH FIELDS,TAKE ALPHA ADR
 BC2 T1,, LOOP IF SW1 ON
 B T2

00743 00003
 00752 00005 -0670
 00765 00013
 00770 00005
 00771 00001
 00776 00005
 00777 00001

* TEST DATA
 K1A DAC 3,TNS,
 DSA T1
 UC 13,7172737411',, INITIAL ALPHA FLD
 K1B DC 5,-97878,, INITIAL NUM FLD
 DSC 1,0
 DC 5,-12341,, NUMERIC RESULT
 DC 1,0

00778 31 03433 00850
 00790 31 03457 00874
 00802 72 03455 03461
 00814 17 03474 -0872
 00826 46 00778 00200
 00838 49 00886 00000

T2 TR OP-1,K2A-1,, SET ALPHA FIELD
 TR WKQ-4,K2B-4,, SET NUM FIELDS
 TNS WKP+11,WKQ,, STRIP NEG NUMBER
 BTM TESH,K2B-6,, GO TEST BOTH FIELDS,TAKE ALPA ADR
 BC2 T2,, LOOP IF SW2 ON
 B T3

00851 00003
 00860 00005 -0778
 00873 00013
 00878 00005
 00879 00001
 00884 00005
 00885 00001

* TEST DATA
 K2A DAC 3,TNS,
 DSA T2
 DC 13,7576777852',, ALPHA FIELD
 K2B DC 5,0,, INITIAL NUM FLD
 DSC 1,0
 DC 5,-56782,, NUMERIC RESULT
 DC 1,0

00886 31 03433 00958
 00898 31 03457 00982
 00910 72 03455 03461
 00922 17 03474 -0980
 00934 46 00886 00200
 00946 49 00994 00000

T3 TR OP-1,K3A-1,, SET ALPHA FIELDS
 TR WKQ-4,K3B-4,, SET NUM FIELDS
 TNS WKP+11,WKQ,, STRIP POS NUMBER
 BTM TESH,K3B-6,, GO TEST,TAKE ALPHA ADR
 BC2 T3,, LOOP IF SW3 ON
 B T4

00959 00003
 00968 00005 -0886
 00981 00013
 00986 00005
 00987 00001

* TEST DATA
 K3A DAC 3,TNS,
 DSA T3
 DC 13,7879717234',, ALPHA FIELD
 K3B DC 5,0,, INITIAL NUM FIELD
 DSC 1,0

00992	00005		DC	5,89124,,	NUMERIC RESULT
00993	00001		DC	1,0	
* *					
00994	31	03433	01066	T4	TR OP-1,K4A-1,, SET ALPHA FIELDS
01006	31	03457	01090	TR	WKQ-4,K4B-4,, SET NUM FIELDS
01018	72	03455	03461	TNS	WKP+11,WKQ,, STRIP POS NUMBER
01030	17	03474	-1088	BTM	TESF,K4B-6,, GO TEST,TAKE ALPHA ADR
01042	46	00994	00200	BC2	T4,, LOOP IF SW2 ON
01054	49	01102	00000	B	T5
* TEST DATA					
01067	00003		K4A	DAC	3,TNS,
01076	00005	-0994		DSA	T4
01089	00013			DC	13,7374757648',,, ALPHA FIELD
01094	00005		K4B	DC	5,0,, NUMERIC FIELD
01095	00001			DSC	1,0
01100	00005			DC	5,34568,, NUMERIC RESULT
01101	00001			DC	1,0
* *					
01102	31	03433	01174	T5	TR OP-1,K5A-1,, SET ALPHA FIELD
01114	31	03457	01198	TR	WKQ-4,K5B-4,, SET NUM FIELDS
01126	72	03455	03461	TNS	WKP+11,WKQ,, STRIP NEG NO
01138	17	03474	-1196	BTM	TESF,K5B-6,, GO TEST,TAKE ALPHA ADR
01150	46	01102	00200	BC2	T5,, LOOP IF SW2 ON
01162	49	01210	00000	B	T6
* TEST DATA					
01175	00003		K5A	DAC	3,TNS,
01184	00005	-1102		DSA	T5
01197	00013			DC	13,7788997020',,, ALPHA FIELD
01202	00005		K5B	DC	5,0,, NUMERIC FIELD
01203	00001			DSC	1,0
01208	00005			DC	5,-78900,, NUMERIC RESULT
01209	00001			DC	1,0
* *					
01210	31	03433	01282	T6	TR OP-1,K6A-1,, SET ALPHA FIELD
01222	31	03457	01306	TR	WKQ-4,K6B-4,, SET NUM FIELDS
01234	72	03455	03461	TNS	WKP+11,WKQ,, STRIP POS NO
01246	17	03474	-1304	BTM	TESF,K6B-6,, GO TEST,TAKE ALPHA ADR
01258	46	01210	00200	BC2	T6,, LOOP IF SW2 ON
01270	49	01318	00000	B	T7
* TEST DATA					
01283	00003		K6A	DAC	3,TNS,
01292	00005	-1210		DSA	T6
01305	00013			DC	13,1122334460',,, ALPHA FIELD
01310	00005		K6B	DC	5,0,, NUMERIC FIELD
01311	00001			DSC	1,0
01316	00005			DC	5,12340,, NUMERIC RESULT
01317	00001			DC	1,0
* *					
01318	31	03433	01390	T7	TR OP-1,K7A-1,, SET ALPHA FIELD
01330	31	03457	01414	TR	WKQ-4,K7B-4,, SET NUM FIELD
01342	72	03455	03461	TNS	WKP+11,WKQ,, STRIP POS NO
01354	17	03474	-1412	BTM	TESF,K7B-6,, GO TEST,TAKE ALPHA ADR
01366	46	01318	00200	BC2	T7,, LOOP IF SW2 ON
01378	49	01426	00000	B	T8
* TEST DATA					

01391 00003
 01400 00005 -1318
 01413 00013
 01418 00005
 01419 00001
 01424 00005
 01425 00001

K7A DAC 3,TNS,
 DSA T7
 DC 13,5566775870',, ALPHA FIELD
 K7B DC 5,0,, NUMERIC FIELD
 DSC 1,0
 DC 5,56780,, NUMERIC RESULT
 DC 1,'

01426 31 03433 01498
 01438 31 03457 01522
 01450 72 03455 03461
 01462 17 03474 -1520
 01474 46 01426 00200
 01486 49 01534 00000

*
 *
 T8 TR OP-1,K8A-1,, SET ALPHA FIELD
 TR WKQ-4,K8B-4,, SET NUM FIELD
 TNS WKP+11,WKQ,, STRIP POS NO
 BTM TESH,K8B-6,, GO TEST, TAKE ALPHA ADR
 BC2 T8,, LOOP IF SW2 ON
 B T9

01499 00003
 01508 00005 -1426
 01521 00013
 01526 00005
 01527 00001
 01532 00005
 01533 00001

* TEST DATA
 K8A DAC 3,TNS,
 DSA T8
 DC 13,0070717221',, ALPHA FIELD
 K8B DC 5,0,, NUM FIELD
 DSC 1,0
 DC 5,00121,, NUMERIC RESULT
 DC 1,'

01534 31 03433 01606
 01546 31 03457 01630
 01558 72 03455 03461
 01570 17 03474 -1628
 01582 46 01534 00200
 01594 49 01642 00000

*
 *
 T9 TR OP-1,K9A-1,, SET ALPHA FIELD
 TR WKQ-4,K9B-4,, SET NUM FIELD
 TNS WKP+11,WKQ,, STRIP NEG NO
 BTM TESH,K9B-6,, GO TEST, TAKE ALPHA ADR
 BC2 T9,, LOOP IF SW2 ON
 B T10

01607 00003
 01616 00005 -1534
 01626 00010
 01629 00003
 01634 00005
 01635 00001
 01640 00005
 01641 00001

* TEST DATA
 K9A DAC 3,TNS,
 DSA T9
 DC 10,72737475',, ALPHA FIELD,HAS FLAG
 DC 3,20',, ON UNITS ZONE DIGIT
 K9B DC 5,0,, NUM FIELD
 DSC 1,0
 DC 5,-23450,, NUMERIC RESULT
 DC 1,'

01642 31 03433 01714
 01654 31 03457 01738
 01666 72 03455 03461
 01678 17 03474 -1736
 01690 46 01642 00200
 01702 49 01750 00000

*
 *
 T10 TR OP-1,K10A-1,, SET ALPHA FIELD
 TR WKQ-4,K10B-4,, SET NUM FIELD
 TNS WKP+11,WKQ,, STRIP POS NUMBER
 BTM TESH,K10B-6,, GO TEST, TAKE ALPHA ADR
 BC2 T10,, LOOP IF SW2 ON
 B T11

01715 00003
 01724 00005 -1642
 01734 00010
 01737 00003
 01742 00005
 01743 00001
 01748 00005
 01749 00001

* TEST DATA
 K10A DAC 3,TNS,
 DSA T10
 DC 10,76777879',, ALPHA FIELD,HAS FLAG
 DC 3,00',, ON UNITS ZONE DIGIT
 K10B DC 5,0,, NUM FIELD
 DSC 1,0
 DC 5,67890,, NUMERIC FIELD
 DC 1,'

01750 31 03433 01822
01762 31 03457 01846
01774 72 03455 03461
01786 17 03474 -1844
01798 46 01750 00200
01810 49 01858 00000

01823 00003
01832 00005 -1750
01834 00002
01845 00011
01850 00005
01851 00001
01856 00005
01857 00001

01858 31 03433 01930
01870 31 03457 01954
01882 72 03455 03461
01894 17 03474 -1952
01906 46 01858 00200
01918 49 01966 00000

01931 00003
01940 00005 -1858
01953 00013
01958 00005
01959 00001
01964 00005
01965 00001

01966 31 03433 02086
01978 31 03457 02110
01990 72 03455 03461
02002 17 03474 -2108
02014 24 02117 03464
02026 46 02062 01200
02038 46 02062 00100
02050 17 03522 000-0
02062 46 01966 00200
02074 49 02122 00000

02087 00003
02096 00005 -1966
02103 00007
02109 00006
02114 00005
02115 00001
02117 00002
02120 00003
02121 00001

02122 31 03433 02194
02134 31 03457 02218
02146 72 03455 03461
02158 17 03474 -2216

T11 TR OP-1,K11A-1,, SET ALPHA FIELD
TR WKQ-4,K11B-4,, SET NUMERIC FIELD
TNS WKP+11,WKQ,, STRIP POS NUMBER
BTM TESH,K11B-6,, GO TEST,TAKE ALPHA ADR
BC2 T11,,, LOOP IF SW2 ON
B T12

* TEST DATA
K11A DAC 3,TNS,
DSA T11
DC 2,0
DC 11,7071727374',, ALPHA FIELD
K11B DC 5,-69783,, NUM FIELD
DSC 1,0
DC 5,01234,, NUMERIC RESULT
DC 1,'

*
*
T12 TR OP-1,K12A-1,, SET ALPHA FIELD
TR WKQ-4,K12B-4,, SET NUM FIELD
TNS WKP+11,WKQ,, STRIP POS NO.
BTM TESH,K12B-6,, GO TEST,TAKE ALPHA ADR
BC2 T12,,, LOOP IF SW2 ON
B T13

* TEST DATA
K12A DAC 3,TNS,
DSA T12
DC 13,7475765171',, ALPHA FIELD
K12B DC 5,-45210,, NUM FIELD
DSC 1,0
DC 5,45611,, NUMERIC RESULT
DC 1,'

*
*
T13 TR OP-1,K13A-1,, SET ALPHA FIELD
TR WKQ-4,K13B-4,, SET NUM FIELD
TNS WKP+11,WKQ,, STRIP NEG NO
BTM TESH,K13B-6,, GO TEST,TAKE ALPHA ADR
C K13B+3,ANQ-3,, TEST FIRST 2 DIGITS OF NUM RESULT
BE **36
BC1 **24,,, SKIP ERROR IF SW1 ON
BTM TESH+48,0,10, GO TO ERROR ROUTINE
BC2 T13,,, LOOP IF SW2 ON
B T14

* TEST DATA
K13A DAC 3,TNS,
DSA T13
DC 7,77787,, ALPHA INFO IN 2 FIELDS
DC 6,97051'
K13B DC 5,0,, NUM FIELD
DSC 1,0
DC 2,78,, NUM RESULT IN 2 FIELDS
DC 3,-901
DC 1,'

*
*
T14 TR OP-1,K14A-1,, SET ALPHA FIELD
TR WKQ-4,K14B-4,, SET NUM FIELD
TNS WKP+11,WKQ,, STRIP 2 DIGIT FIELD
BTM TESH,K14B-6,, GO TEST,TAKE ALPHA ADR

02170 46 02122 00200
02182 49 02230 00000

02195 00003
02204 00005 -2122
02217 00013
02220 00003
02222 00002
02223 00001
02226 00003
02228 00002
02229 00001

BC2 T14,,, LOOP IF SW2 ON
B T15
* TEST DATA
K14A DAC 3,TNS,
DSA T14
DC 13,7475767778',, ALPHA FIELD
DC 3,0,, NUMERIC IN 2 FIELDS
K14B DC 2,-52
DSC 1,0
DC 3,0
DC 2,78,, NUMERIC RESULT
DC 1,'

02230 31 03453 02302
02242 31 03457 02326
02254 73 03455 03461
02266 17 03474 -2349
02278 46 02230 00200
02290 49 02352 00000

*
*
T15 TR OP-1,K15A-1,, SET ALPHA FLD
TR WKQ-4,K15B-4,, SET NUM FLDS
TNF WKP+11,WKQ,, FILL 5 DIGIT POS NUMBER
BTM TESH,K15B+19
BC2 T15
B T16

02303 00003
02312 00005 -2230
02320 00008
02324 00004
02325 00001
02330 00005
02331 00001
02336 00005
02337 00001
02350 00013

* TEST DATA
K15A DAC 3,TNF,
DSA T15
DC 8,0
DC 4,-6752,, INITIAL ALPHA FLD
DC 1,'
K15B DC 5,68794,, INITIAL NUM FLD
DSC 1,0
DC 5,68794,, NUM RESULT
DC 1,'
DC 13,7678777974',, ALPHA RESULT

02352 31 03433 02424
02364 31 03457 02448
02376 73 03455 03461
02388 17 03474 -2471
02400 46 02352 00200
02412 49 02474 00000

*
*
T16 TR OP-1,K16A-1,, SET ALPHA FIELD
TR WKQ-4,K16B-4,, SET NUM FIELDS
TNF WKP+11,WKQ,, FILL NEG NO
BTM TESH,K16B+19,, GO TEST,TAKE ADR OF ALPHA RESULT
BC2 T16,,, LOOP IF SW2 ON
B T17

02425 00003
02434 00005 -2352
02441 00007
02447 00006
02452 00005
02453 00001
02458 00005
02459 00001
02472 00013

* TEST DATA
K16A DAC 3,TNF,
DSA T16
DC 7,0
DC 6,23156',, ALPHA FIELD
K16B DC 5,-31205,, NUM FIELD
DSC 1,0
DC 5,-31205,, NUM RESULT
DC 1,'
DC 13,7371727055',, ALPHA RESULT

02474 31 03433 02546
02486 31 03457 02570
02498 73 03455 03461
02510 17 03474 -2593
02522 46 02474 00200
02534 49 02596 00000

*
*
T17 TR OP-1,K17A-1,, SET ALPHA FIELD
TR WKQ-4,K17B-4,, SET NUM FIELD
TNF WKP+11,WKQ,, FILL POS NO
BTM TESH,K17B+19,, GO TEST,TAKE ALPHA RESULT ADR
BC2 T17,, LOOP IF SW2 ON
B T18

02547 00003

* TEST DATA
K17A DAC 3,TNF,

02556 00005 -2474
 02565 00009
 02568 00003
 02569 00001
 02574 00005
 02575 00001
 02580 00005
 02581 00001
 02594 00013

DSA T17
 DC 9,0
 DC 3,-970,, ALPHA FIELD
 DC 1,'
 K17B DC 5,34567,, NUM FIELD
 DSC 1,0
 DC 5,34567,, NUM RESULT
 DC 1,'
 DC 13,7374757677',, ALPHA RESULT

02596 31 03433 02668
 02608 31 03457 02692
 02620 73 03455 03461
 02632 17 03474 -2715
 02644 46 02596 00200
 02656 49 02718 00000

T18 TR OP-1,K18A-1,, SET ALPHA FIELD
 TR WKQ-4,K18B-4,, SET NUM FIELD
 TNF WKP+11,WKQ,, FILL POS FIELD
 BTM TESF,K18B+19,, GO TEST,TAKE ALPHA RESULT ADR
 BC2 T18,,, LOOP IF SW2 ON
 B T19

02669 00003
 02678 00005 -2596
 02688 00010
 02691 00003
 02696 00005
 02697 00001
 02702 00005
 02703 00001
 02716 00013

* TEST DATA
 K18A DAC 3,TNF,
 DSA T18
 DC 10,0
 DC 3,74',, ALPHA FIELD
 K18B DC 5,94055,, NUM FIELD
 DSC 1,0
 DC 5,94055,, NUMERIC RESULT
 DC 1,'
 DC 13,7974707575',, ALPHA RESULT

02718 31 03433 02790
 02730 31 03457 02814
 02742 73 03455 03461
 02754 17 03474 -2837
 02766 46 02718 00200
 02778 49 02840 00000

T19 TR OP-1,K19A-1,, SET ALPHA FIELD
 TR WKQ-4,K19B-4,, SET NUM FIELD
 TNF WKP+11,WKQ,, FILL POS NO
 BTM TESF,K19B+19,, GO TEST,TAKE ALPHA RESULT ADR
 BC2 T19,,, LOOP IF SW2 ON
 B MT1

02791 00003
 02800 00005 -2718
 02809 00009
 02813 00004
 02816 00003
 02818 00002
 02819 00001
 02822 00003
 02825 00003
 02838 00013

* TEST DATA
 K19A DAC 3,TNF,
 DSA T19
 DC 9,0
 DC 4,863',, ALPHA FIELD
 DC 3,456
 K19B DC 2,55,, NUMERIC FIELD
 DSC 1,0
 DC 3,456
 DC 3,55',, NUMERIC FIELD
 DC 13,7575',, ALPHA RESULT

* FIRST SECTION OF MOVE FLAG TESTS. THE P ADDRESS
 * IS ODD ON THIS FOUR TESTS. THE P AND Q FIELDS
 * THE HALT INSTRUCTION CONTAIN THE CONSTANTS. THE
 * P FLD HAS THE INITIAL CONSTANTS, THE Q FLD HAS
 * THE EXPECTED RESULTS.
 *

02840 31 04172 02902
 02852 71 04173 04176
 02864 17 04188 -2840
 02876 46 02840 00200
 02888 49 02914 00000

MT1 TR TW-4,MD1+2,, SET TEST DATA
 MF TW-3,TW,, NO FLAG 4 TO NO FLAG 3
 BTM TMFO,MT1,, GO TEST RESULTS
 BC2 MT1,,, LOOP IF SW2 ON
 B MT2

02900 48 -3004 -3004
02912 00001

02914 31 04172 02976
02926 71 04173 04176
02938 17 04188 -2914
02950 46 02914 00200
02962 49 02988 00000

02974 48 -N002 -5002
02986 00001

02988 31 04172 03050
03000 71 04173 04176
03012 17 04188 -2988
03024 46 02988 00200
03036 49 03062 00000
03048 48 -Q00Q -Q008
03060 00001

03062 31 04172 03124
03074 71 04173 04176
03086 17 04188 -3062
03098 46 03062 00200
03110 49 03136 00000
03122 48 -700J -P001
03134 00001

03136 31 04173 03199
03148 71 04174 04176
03160 17 04506 -3136
03172 46 03136 00200
03184 49 03210 00000
03196 48 0-30K 0-L02
03208 00001

03210 31 04173 03273
03222 71 04174 04176
03234 17 04506 -3210
03246 46 03210 00200
03258 49 03284 00000
03270 48 0-NOP 0-N07
03282 00001

03284 31 04173 03347
03296 71 04174 04176
03308 17 04506 -3284
03320 46 03284 00200
03332 49 03358 00000
03344 48 0-Q03 0-803
03356 00001

MD1 H Q3004,03004,27, P AND Q FLDS ARE TEST DATA
DC 1,1

*
MT2 TR TW-4,MD2+2,, SET TEST DATA
MF TW-3,TW,, NO FLAG 2 TO FLAG 5
BTM TMFO,MT2,, GO TEST RESULTS
BC2 MT2,,, LOOP IF SW2 ON
B MT3

*
MD2 H 05002,05002,237, P AND Q FLDS ARE TEST DATA
DC 1,1

*
MT3 TR TW-4,MD3+2,, SET TEST DATA
MF TW-3,TW,, FLAG 8 TO FLAG 8
BTM TMFO,MT3,, GO TEST RESULTS
BC2 MT3,,, LOOP IF SW2 ON
B MT4

MD3 H Q8008,08008,23678,, TEST DATA
DC 1,1

*
MT4 TR TW-4,MD4+2,, SET TEST DATA
MF TW-3,TW,, FLAG 1 TO NO FLAG 7
BTM TMFO,MT4,, GO TEST RESULTS
BC2 MT4,,, LOOP IF SW2 ON
B MT5

MD4 H 07001,07001,2678, TEST DATA
DC 1,1

*
*
* THE NEXT FOUR ROUTINES TESTS MOVE FLAG
* OPERATION TO AN EVEN ADDRESS
*

MT5 TR TW-3,MD5+3,, SET TEST DATA
MF TW-2,TW,, FLAG 2 TO NO FLAG 3
BTM TMFE,MT5,, GO TEST RESULTS
BC2 MT5,,, LOOP IF SW2 ON
B MT6

MD5 H 0302,0302,3689, TEST DATA
DC 1,1

*
MT6 TR TW-3,MD6+3,, SET TEST DATA
MF TW-2,TW,, FLAG 7 TO FLAG 5
BTM TMFE,MT6,, GO TEST RESULTS
BC2 MT6,,, LOOP IF SW2 ON
B MT7

MD6 H 0507,0507,34689, TEST DATA
DC 1,1

*
MT7 TR TW-3,MD7+3,, SET TEST DATA
MF TW-2,TW,, NO FLAG 3 TO FLAG 8
BTM TMFE,MT7,, GO TEST RESULTS
BC2 MT7,,, LOOP IF SW2 ON
B MT8

MD7 H 0803,0803,348, TEST DATA
DC 1,1

03358 31 04173 03421
03370 71 04174 04176
03382 17 04506 -3358
03394 46 03358 00200
03406 49 04806 00000
03418 48 0-808 0-808
03430 00001

MT8 TR TW-3,MD8+3,, SET TEST DATA
MF TW-2,TW,, NO FLAG 8 TO NO FLAG 8
BTM TMFE,MT8,, GO TEST RESULTS
BC2 MT8,, LOOP IF SW2 ON
B THREW
MD8 H 0808,0808,38, TEST DATA
DC 1,'

*
*
*
*
*

COMMON TEST AND ERROR ROUTINE FOR TNS/TNF TESTS

WORKING AREA

03433 00001
03434 00003
03439
03443 00005
03444 00013
03461 00005
03462 00001
03467 00005
03468 00001

DAC 1, ,
OP DAC 3, ,+1, OPERATION-TNS OR TNF
DORG OP+5
DC 5,0,, ROUTINE ADDRESS
WKP DSC 13,1
WKQ DC 5,0,,
DC 1,1,,
ANQ DC 5,0,, NUMERIC RESULT
DC 1,1,'

*

FIRST SECTION TEST THE NUMERIC FLD

03473 00005
03474 46 04158 00100
03486 24 03467 03461
03498 47 03522 01200
03510 47 03702 01400
03522 47 03558 00300
03534 48 00000 00000

DC 5,0,,
TESF BC1 RET,, BYPASS COMPARE IF SW1 ON
C ANQ,WKQ,, COMPARE NUMERIC FIELDS
BNE ++24,,, TEST IF EQUAL
BNV CAF,,, TEST IF SAME FLD LENGTH
BNC3 ++36,,, BYPASS HALT IF SW3 OFF
H ,, NUMERIC RESULT WRONG. DISPLAY
IR2 FOR LOC+12 OF ROUTINE EXIT

*

03546 49 03702 00000
03558 26 05063 03438
03570 26 05096 03443
03582 34 00000 00102
03594 34 00000 00102
03606 39 05059 00100
03618 38 05092 00100
03630 39 05099 00100
03642 34 00000 00102
03654 38 03463 00100
03666 34 00000 00102
03678 15 03462 00000
03689 00001
03690 38 03457 00100

B CAF
TF TOUT+4,OP+4,, SET UP TYPEOUT AREA
TF LOC-1,OP+9,, ROUTINE ADR
RCTY
RCTY
WATY TOUT
WNTY LOC-5
WATY NFW
RCTY
WNTY ANQ-4,,, TYPE CORRECT
RCTY
TDM WKQ+1,,, SET R/M AFTER INCORRECT NUM FLD
DC 1,1,*
WNTY WKQ-4,,, TYPE INCORRECT

*

THIS SECTION COMPARES THE ALPHA FLDS

03702 26 03720 03473
03714 24 00000 03455
03726 47 03750 01200
03738 47 03942 01400
03750 47 03786 00300
03762 48 00000 00000

CAF TF ++18, TESF-1,, SET ADR OF CORRECT ALPHA
C ,WKQ+11,, COMPARE ALPHA FIELDS
BNE ++24,,, SEE IF EQUAL
BNV DCT,,, SEE IF FLD LENGTH RIGHT
BNC3 ++36,,, BYPASS HALT IF SW3 OFF
H ,, ALPHA FIELD WRONG. DISPLAY
IR2 FOR LOC+12 OF ROUTINE EXIT.

*

03774 49 03942 00000
03786 26 05063 03438
03798 26 05096 03443
03810 34 00000 00102
03822 34 00000 00102

B DCT
TF TOUT+4,OP+4,, SET UP TYPEOUT AREA
TF LOC-1,OP+9,, ROUTINE ADR
RCTY
RCTY

03834 39 05059 00100
 03846 38 05092 00100
 03858 39 05137 00100
 03870 34 00000 00102
 03882 26 03912 03473
 03894 12 03912 -0011
 03906 38 00000 00100
 03918 34 00000 00102
 03930 38 03444 00100

WATY TOUT
 WNTY LOC-5
 WATY AFW
 RCTY
 TF **30,TESF-1,, GET HI POS OF CORRECT ALPHA FLD
 SM **18,11
 WNTY ,,, TYPE CORRECT ALPHA
 RCTY
 WNTY WKP

*
 * TEST FOR DATA CKS
 *

03942 47 04158 01900
 03954 26 05096 03443
 03966 47 04062 00300
 03978 48 00000 00000
 03990 49 04158 00000
 04002 34 00000 00102
 04014 34 00000 00102
 04026 39 05033 00100
 04038 47 04062 00700
 04050 39 05213 00100
 04062 47 04086 00800
 04074 39 05225 00100
 04086 47 04110 01600
 04098 39 05239 00100
 04110 47 04134 01700
 04122 39 05257 00100
 04134 47 04158 01900
 04146 39 05275 00100
 04158 42 00000 00000

DCT BNA RET
 TF LOC-1,OP+9
 BNC3 **36
 H ,,, ANY DATA CK IND ON
 B RET
 RCTY
 RCTY
 WATY RL
 BNI **24,700,, TEST WR CK
 WATY WC
 BNI **24,800,, TEST MAR CK
 WATY MRC
 BNI **24,1600,, TEST MBRE CK
 WATY BE
 BNI **24,1700,, TEST MBRO CK
 WATY BO
 BNA **24,,, SHOULD BE OFF NOW
 WATY CANT
 RET BB ,,, RETURN
 *
 DAC 1, ,, SET UP EVEN ADR
 TW DC 5,0,, WORKING AREA
 TWC DC 5,0,, CORRECT ANSWER STORAGE
 DC 1, '

04171 00001
 04176 00005
 04181 00005
 04182 00001

*
 * TEST AND ERROR RTN FOR MF ODD TESTS
 *

04187 00005
 04188 46 04488 00100
 04200 26 05096 04187
 04212 24 04181 04176
 04224 46 04476 01200
 04236 47 04272 00300
 04248 48 00000 00000
 04260 49 04476 00000
 04272 25 04174 04182
 04284 25 04177 04182
 04296 25 04179 04182
 04308 34 00000 00102
 04320 34 00000 00102
 04332 39 05171 00100
 04344 38 05092 00100
 04356 34 00000 00102
 04358 39 05205 00100
 04380 34 00000 00102
 04392 38 04178 00100
 04404 34 00000 00101

TMFO DC 5,0,, RTN ADR FROM BTM
 BC1 BOB,,, SKIP TEST IF SW1 ON
 TF LOC-1, TMFO-1,, SAVE ROUTINE ADDRESS
 C TWC, TW,, TEST RESULTS
 BE BOB-12
 BNC3 **36,,, BYPASS HALT IF SW3 OFF
 HTMFO H
 B BOB-12
 TD TW-2, TWC+1,,
 TD TW+1, TWC+1,,
 TD TWC-2, TWC+1,,
 RCTY
 RCTY
 WATY MFF,,, TYPE MF FAILURE
 WNTY LOC-5
 RCTY
 WATY DAT
 RCTY
 WNTY TWC-3,,, CORRECT P
 SPTY

04416 38 04181 00100
 04428 34 00000 00102
 04440 38 04173 00100
 04452 34 00000 00101
 04464 38 04176 00100
 04476 46 03966 01900
 04488 42 00000 00000

WNTY TWC,,, CORRECT Q
 RCTY
 WNTY TW-3,,, INCORRECT P
 SPTY
 WNTY TW,,, INCORRECT Q
 BA DCT+24,,, TEST ANY DATA CK
 BB

BOB

*

*

*

TEST AND ERROR RTN FOR MF EVEN TESTS

04504 00005
 04506 46 04488 00100
 04516 26 05096 04505
 04530 24 04181 04176
 04542 46 04476 01200
 04554 47 04590 00300
 04566 48 00000 00000

TMFE

DC 5,0,, RTN ADR FROM BTM
 BC1 BOB,,, SKIP TESTING IF SW1 ON
 TF LOC-1, TMFE-1,, SAVE RTN ADR
 C TWC, TW,, TEST RESULTS
 BE BOB-12,,, GO TEST DATA CK IF MF RESULTS OK
 BNC3 ++36,,, BYPASS HALT IF SW3 OFF
 H,,, MF ERROR, DISPLAY IR2 FOR LOC +12
 OF TEST EXIT.

04578 49 04476 00000
 04590 25 04175 04182
 04602 25 04177 04182
 04614 25 04180 04182
 04626 34 00000 00102
 04638 34 00000 00102
 04650 39 05171 00100
 04662 38 05092 00100
 04674 34 00000 00102
 04686 39 05205 00100
 04698 34 00000 00102
 04710 38 04179 00100
 04722 34 00000 00101
 04734 38 04181 00100
 04746 34 00000 00102
 04758 38 04174 00100
 04770 34 00000 00101
 04782 38 04176 00100
 04794 49 04476 00000

B BOB-12
 TD TW-1, TWC+1
 TD TW+1, TWC+1
 TD TWC-1, TWC+1

RCTY

RCTY

WATY MFF,,, TYPE MF FAILURE

WNTY LOC-5,,, TYPE LOCATION

RCTY

WATY DAT

RCTY

WNTY TWC-2,,, CORRECT P

SPTY

WNTY TWC,,, CORRECT Q

RCTY

WNTY TW-2,,, INCORRECT P

SPTY

WNTY TW,,, INCORRECT Q

B BOB-12

TEST COMPLETE ROUTINE

04806 11 04981 -0001
 04818 46 04926 00400
 04830 45 04854 18117
 04842 49 18000 00000
 04854 34 00000 00102
 04866 38 04977 00100
 04878 39 04985 00100
 04890 46 00670 00400
 04902 36 00000 00500
 04914 49 00000 00000
 04926 24 04976 04981
 04938 46 04950 01400
 04950 46 04854 01200
 04962 49 00670 00000
 04976 00003
 04981 00005
 04982 00001
 04985 00024

THREW

AM CT, 1,,, UPDATE PASS COUNT

BC4 ++108

BNR ++24, 18117

B 18000,,, GO TO MONITOR

RCTY

WNTY CT-4,,, TYPE NUMBER PASSES COMPLETE

WATY PHU

BC4 T1,,, REPEAT PROGRAM IF SW4 ON

RNCB 0,,, LOAD NEXT DECK

B 0

C ZR, CT,, SEE IF 1000 PASSES COMPLETE

BV ++12,,, RESET OFLO

BE THREW+48,,,

B T1

ZR

DC 3, 0,,

CT

DC 5, 0,

DC 1, '

PHU

DAC 24, PASSES COMPLETE, DT X04'

*

*

05033 00013
 05059 00003
 05065 00014
 05097 00006
 05099 00019
 05137 00017
 05171 00017
 05205 00004
 05213 00006
 05225 00007
 05239 00009
 05257 00009
 05275 00023
 05320 00001
 00514

* ERROR TYPEOUT CONSTANTS
 RL DAC 13,ROUTINE LOC '
 TOUT DAC 3, ,,
 DAC 14, FAILURE,LOC '
 LOC DC 6,0'
 NFW DAC 19, NUMERIC FLD WRONG'
 AFW DAC 17, ALPHA FLD WRONG'
 MFF DAC 17,MF FAILURE, LOC '
 DAT DAC 4,P Q'
 WC DAC 6,WR CK'
 MRC DAC 7,MAR CK'
 BE DAC 9,MBR-E CK'
 BO DAC 9,MBR-O CK'
 CANT DAC 23,CANT RESET ANY DATA CK'
 LAST DC 1,0
 DEND START

DT X04 80/80 LIST

360007200500360020100500440001200276260005900274250001100000260009000269	-0000
260009500264310000000200260011400274250000000011490001200000	-0001
M4677074#	1-1-0500-0508 -0002
-5320#	1-1-0508-0513 -0003
4500538181174918000000003400670001023900587001001600539000M9#	0-1-0514-0574 -0004
490067000000#	0-1-0574-0586 -0005
M4630067707423717672702071006257454349415300#	1-1-0586-0630 -0006
495562635964436349565500634562630#	1-1-0630-0664 -0007
3103433007423103457007667203455034611703474-0764460067000200#	0-1-0670-0730 -0008
490077800000#	0-1-0730-0742 -0009
035562#	1-1-0742-0748 -0010
-0670#	1-1-0748-0753 -0011
-07172737411#	1-1-0753-0766 -0012
Q787Q0J234J#	1-1-0766-0778 -0013
3103433008503103457008747203455034611703474-0872460077800200#	0-1-0778-0838 -0014
490088600000#	0-1-0838-0850 -0015
035562#	1-1-0850-0856 -0016
-0778#	1-1-0856-0861 -0017
-07576777852#	1-1-0861-0874 -0018
-00000N678K#	1-1-0874-0886 -0019
3103433009583103457009827203455034611703474-0980460088600200#	0-1-0886-0946 -0020
490099400000#	0-1-0946-0958 -0021
035562#	1-1-0958-0964 -0022
-0886#	1-1-0964-0969 -0023
-07879717234#	1-1-0969-0982 -0024
-00000Q9124#	1-1-0982-0994 -0025
3103433010663103457010907203455034611703474-1088460099400200#	0-1-0994-1054 -0026
490110200000#	0-1-1054-1066 -0027
035562#	1-1-1066-1072 -0028
-0994#	1-1-1072-1077 -0029
-07374757648#	1-1-1077-1090 -0030
-00000L4568#	1-1-1090-1102 -0031
3103433011743103457011987203455034611703474-1196460110200200#	0-1-1102-1162 -0032
490121000000#	0-1-1162-1174 -0033
035562#	1-1-1174-1180 -0034
-1102#	1-1-1180-1185 -0035
-07788997020#	1-1-1185-1198 -0036
-00000P890-#	1-1-1198-1210 -0037
3103433012823103457013067203455034611703474-1304460121000200#	0-1-1210-1270 -0038
490131800000#	0-1-1270-1282 -0039
035562#	1-1-1282-1288 -0040
-1210#	1-1-1288-1293 -0041
-01122334460#	1-1-1293-1306 -0042
-00000J2340#	1-1-1306-1318 -0043
3103433013903103457014147203455034611703474-1412460131800200#	0-1-1318-1378 -0044
490142600000#	0-1-1378-1390 -0045
035562#	1-1-1390-1396 -0046
-1318#	1-1-1396-1401 -0047
-05566775870#	1-1-1401-1414 -0048
-00000N6780#	1-1-1414-1426 -0049
3103433014983103457015227203455034611703474-1520460142600200#	0-1-1426-1486 -0050
490153400000#	0-1-1486-1498 -0051
035562#	1-1-1498-1504 -0052
-1426#	1-1-1504-1509 -0053
-00070717221#	1-1-1509-1522 -0054
-00000-0121#	1-1-1522-1534 -0055
3103433016063103457016307203455034611703474-1628460153400200#	0-1-1534-1594 -0056
490164200000#	0-1-1594-1606 -0057

035562#	1-1-1606-1612	-0058
-1534#	1-1-1612-1617	-0059
-072737475K0#	1-1-1617-1630	-0060
-00000K345-#	1-1-1630-1642	-0061
3103433017143#103457017387203455034611703474-1736460164200200#	0-1-1642-1702	-0062
490175000000#	0-1-1702-1714	-0063
035562#	1-1-1714-1720	-0064
-1642#	1-1-1720-1725	-0065
-076777879-0#	1-1-1725-1738	-0066
-0000007890#	1-1-1738-1750	-0067
3103433018223103457018467203455034611703474-1844460175000200#	0-1-1750-1810	-0068
490185800000#	0-1-1810-1822	-0069
035562#	1-1-1822-1828	-0070
-1750#	1-1-1828-1833	-0071
-0P071727374#	1-1-1833-1846	-0072
0978L0-1234#	1-1-1846-1858	-0073
3103433019303103457019547203455034611703474-1952460185800200#	0-1-1858-1918	-0074
490196600000#	0-1-1918-1930	-0075
035562#	1-1-1930-1936	-0076
-1858#	1-1-1936-1941	-0077
-07475765171#	1-1-1941-1954	-0078
M521-0M5611#	1-1-1954-1966	-0079
3103433020863103457021107203455034611703474-2108240211703464#	0-1-1966-2026	-0080
4602062012004602062001001703522000-046Q1966Q020049021220000#	0-1-2026-2086	-0081
035562#	1-1-2086-2092	-0082
-1966#	1-1-2092-2097	-0083
-077787R7051#	1-1-2097-2110	-0084
-00000P8R0J#	1-1-2110-2122	-0085
3103433021943103457022187203455034611703474-2216460212200200#	0-1-2122-2182	-0086
490223000000#	0-1-2182-2194	-0087
035562#	1-1-2194-2200	-0088
-2122#	1-1-2200-2205	-0089
-07475767778#	1-1-2205-2218	-0090
-00NK0-00P8#	1-1-2218-2230	-0091
3103433023023103457023267303455034611703474-2349460223000200#	0-1-2230-2290	-0092
490235200000#	0-1-2290-2302	-0093
035546#	1-1-2302-2308	-0094
-2230#	1-1-2308-2313	-0095
-0000000J75K#	1-1-2313-2326	-0096
08794008794#	1-1-2326-2338	-0097
-07678777974#	1-1-2338-2351	-0098
3103433024243103457024487303455034611703474-2471460235200200#	0-1-2352-2412	-0099
490247400000#	0-1-2412-2424	-0100
035546#	1-1-2424-2430	-0101
-2352#	1-1-2430-2435	-0102
-000000K3156#	1-1-2435-2448	-0103
L120N0L120N#	1-1-2448-2460	-0104
-07371727055#	1-1-2460-2473	-0105
3103433025463103457025707303455034611703474-2593460247400200#	0-1-2474-2534	-0106
490259600000#	0-1-2534-2546	-0107
035546#	1-1-2546-2552	-0108
-2474#	1-1-2552-2557	-0109
-00000000R7-#	1-1-2557-2570	-0110
L45670L4567#	1-1-2570-2582	-0111
-07374757677#	1-1-2582-2595	-0112
3103433026683103457026927303455034611703474-2715460259600200#	0-1-2596-2656	-0113
490271800000#	0-1-2656-2668	-0114
035546#	1-1-2668-2674	-0115
-2596#	1-1-2674-2679	-0116
-00000000P4#	1-1-2679-2692	-0117

R40550R4055+	1-1-2692-2704	-0118
-07974707575+	1-1-2704-2717	-0119
3103433027903103457028147303455034611703474-2837460271800200+	0-1-2718-2778	-0120
490284000000+	0-1-2778-2790	-0121
035546+	1-1-2790-2796	-0122
-2718+	1-1-2796-2801	-0123
-00000000Q63+	1-1-2801-2814	-0124
M56N50M56N5+	1-1-2814-2826	-0125
-00000007575+	1-1-2826-2839	-0126
3104172029027104173041761704188-2840460284000200490291400000+	0-1-2840-2900	-0127
48-3004-3004+	0-1-2900-2912	-0128
+	1-1-2912-2913	-0129
3104172029767104173041761704188-2914460291400200490298800000+	0-1-2914-2974	-0130
48-N002-5002+	0-1-2974-2986	-0131
+	1-1-2986-2987	-0132
3104172030507104173041761704188-2988460298800200490306200000+	0-1-2988-3048	-0133
48-Q00Q-Q008+	0-1-3048-3060	-0134
+	1-1-3060-3061	-0135
3104172031247104173041761704188-3062460306200200490313600000+	0-1-3062-3122	-0136
48-700J-P001+	0-1-3122-3134	-0137
+	1-1-3134-3135	-0138
3104173031997104174041761704506-3136460313600200490321000000+	0-1-3136-3196	-0139
480-30K0-L02+	0-1-3196-3208	-0140
+	1-1-3208-3209	-0141
3104173032737104174041761704506-3210460321000200490328400000+	0-1-3210-3270	-0142
480-N0P0-N07+	0-1-3270-3282	-0143
+	1-1-3282-3283	-0144
3104173033477104174041761704506-3284460328400200490335800000+	0-1-3284-3344	-0145
480-Q030-803+	0-1-3344-3356	-0146
+	1-1-3356-3357	-0147
3104173034217104174041761704506-3358460335800200490480600000+	0-1-3358-3418	-0148
480-8080-808+	0-1-3418-3430	-0149
+	1-1-3430-3431	-0150
-0+	1-1-3432-3434	-0151
-00000-00000000000000000+	1-1-3433-3457	-0152
-0000+	1-1-3457-3463	-0153
-0000+	1-1-3463-3469	-0154
-0000+	1-1-3469-3474	-0155
460415800100240346703461470352201200470370201400470355800300+	0-1-3474-3534	-0156
480000000000490370200000260506303436260509603443340000000102+	0-1-3534-3594	-0157
340000000102390505900100380509200100390509900100340000000102+	0-1-3594-3654	-0158
380346300100340000000102150346200000+	0-1-3654-3690	-0159
+	1-1-3689-3690	-0160
380345700100260372003473240000003455470375001200470394201400+	0-1-3690-3750	-0161
470378500300480000000000490394200000260506303438260509603443+	0-1-3750-3810	-0162
340000000102340000000102390505900100380509200100390513700100+	0-1-3810-3870	-0163
34000000010222603912034731203912-0011380000000100340000000102+	0-1-3870-3930	-0164
380344400100470415801900260509603443470400200300480000000000+	0-1-3930-3990	-0165
490415800000340000000102340000000102390503300100470406200700+	0-1-3990-4050	-0166
390521300100470408600800390522500100470411001600390523900100+	0-1-4050-4110	-0167
470413401700390525700100470415801900390527500100420000000000+	0-1-4110-4170	-0168
-0-0000-0000+	1-1-4170-4183	-0169
-0000+	1-1-4183-4188	-0170
460448800100260509604187240418104176460447601200470427200300+	0-1-4188-4248	-0171
480000000000490447600000250417404182250417704182250417904182+	0-1-4248-4308	-0172
340000000102340000000102390517100100380509200100340000000102+	0-1-4308-4368	-0173
390520500100340000000102380417800100340000000101380418100100+	0-1-4368-4428	-0174
340000000102380417300100340000000101380417600100460396601900+	0-1-4428-4488	-0175
420000000000+	0-1-4488-4500	-0176
-0000+	1-1-4500-4505	-0177

460448800100260509604505240418104176460447601200470459000300#0-1-4506-4566 -0178
480000000000490447600000250417504182250417704182250418004182#0-1-4566-4626 -0179
340000000102340000000102390517100100380509200100340000000102#0-1-4626-4686 -0180
390520500100340000000102380417900100340000000101380418100100#0-1-4686-4746 -0181
340000000102380417400100340000000101380417600100490447600000#0-1-4746-4806 -0182
1104981-0001460492600400450485418117491800000000340000000102#0-1-4806-4866 -0183
38049770010039049850010046006700040036000000050049000000000#0-1-4866-4926 -0184
2404976049814604950014004604854012C0490067000000# 0-1-4926-4974 -0185
-00-0000# 1-1-4974-4983 -0186
-0574162624562004356545753456345234463006770740# 1-1-4984-5032 -0187
N956646349554500535643000# 1-1-5032-5058 -0188
-00000-04641495364594523535643000# 1-1-5058-5092 -0189
-0000# 1-1-5092-5098 -0190
-055645445594943004653440066595655470# 1-1-5098-5136 -0191
-04153574841004653440066595655470# 1-1-5136-5170 -0192
N44600464149536459452300535643000# 1-1-5170-5204 -0193
N700580# 1-1-5204-5212 -0194
06590043520# 1-1-5212-5224 -0195
N441590043520# 1-1-5224-5238 -0196
N4425920450043520# 1-1-5238-5256 -0197
N4425920560043520# 1-1-5256-5274 -0198
M34155630059456245630041556800444163410043520# 1-1-5274-5320 -0199
-# 1-1-5320-5321 -0200
00000 L600000005004900000+1205723-000133057230000049057120000-8-0096-0115 -0201
360010000500360017200500360024400500360031600500360000000500 -0202
00000000000102030400020406080003060902100406021610050015102006021814200# -0203
70411282008061422300908172630000000005060708090012141618151811242720242# -0204
822363520353045403632484455324946536048465462754453627180123456789123456# -0205
789-23456789-J3456789-JK456789-JKL56789-JKLM6789-JKLMN789-JKLMNO89-JKLMN# -0206
M8000000000049-05140P9-JKLMNOPQ# L10038800019M90000000000M9000U3600000 -0207