

1411 Processing Unit

1411

ILLUSTRATED PARTS CATALOG

PROCESSING UNIT 1411

2 January 1963
Revised 1 October 1963
(Engineering Level)

DATA PROCESSING DIVISION
INTERNATIONAL BUSINESS MACHINES CORPORATION
112 EAST POST ROAD, WHITE PLAINS, N. Y.

LIST OF REVISED PAGES ISSUED

INSERT LATEST CHANGED PAGES, DESTROY SUPERSEDED PAGES.

NOTE: The portion of the text in the Introduction (Part 1) affected by the current revision is indicated by a vertical line in the margin of the page. The Table of Contents and Group Assembly Parts List (Part 2) revised entries are indicated by an asterisk in the left margin of all pages.

Page No.	Date of Latest Revision	Page No.	Date of Latest Revision	Page No.	Date of Latest Revision
PART 1					
I	1 October 1963	52B	1 October 1963	42	1 October 1963
II	1 October 1963	53	1 October 1963	43	1 October 1963
III	1 October 1963	54	1 October 1963	45	1 October 1963
IV	1 October 1963	55	1 October 1963	46	1 October 1963
V	1 October 1963	56	1 October 1963	PART 3	
VI	1 October 1963	56A	1 October 1963	1	1 October 1963
VII	1 October 1963	56B	1 October 1963	2	1 October 1963
VIII	1 October 1963	57	1 October 1963	3	1 October 1963
IX	1 October 1963	58	1 October 1963	4	1 October 1963
X	1 October 1963	58A	1 October 1963	5	1 October 1963
XI	1 October 1963	58B	1 October 1963	6	1 October 1963
XII	1 October 1963	58C	1 October 1963	7	1 October 1963
PART 2					
Section I					
1	1 October 1963	58D	1 October 1963	8	1 October 1963
2	1 October 1963	59	1 October 1963	9	1 October 1963
3	1 October 1963	60	1 October 1963	10	1 October 1963
5	1 October 1963	60A	1 October 1963	11	1 October 1963
7	1 October 1963	60B	1 October 1963	12	1 October 1963
8	1 October 1963	60C	1 October 1963	13	1 October 1963
9	1 October 1963	60D (Blank)	1 October 1963	14	1 October 1963
10	1 October 1963	62	1 October 1963	15	1 October 1963
11	1 October 1963	63	1 October 1963	16	1 October 1963
15	1 October 1963	64	1 October 1963	Section II	
16	1 October 1963	64A	1 October 1963	1	1 October 1963
17	1 October 1963	64B	1 October 1963	5	1 October 1963
18	1 October 1963	65	1 October 1963	7	1 October 1963
19	1 October 1963	67	1 October 1963	11	1 October 1963
23	1 October 1963	69	1 October 1963	15	1 October 1963
25	1 October 1963	70	1 October 1963	21	1 October 1963
29	1 October 1963	71	1 October 1963	23	1 October 1963
31	1 October 1963	72	1 October 1963	24	1 October 1963
32	1 October 1963	79	1 October 1963	31	1 October 1963
32A	1 October 1963	81	1 October 1963	33	1 October 1963
32B	1 October 1963	85	1 October 1963	34	1 October 1963
33	1 October 1963	89	1 October 1963	34A (Blank)	1 October 1963
34	1 October 1963				
34A	1 October 1963				
34B	1 October 1963				
35	1 October 1963				
36	1 October 1963				
45	1 October 1963				
47	1 October 1963				
48	1 October 1963				
51	1 October 1963				
52	1 October 1963				
52A	1 October 1963				

*The asterisk indicates pages changed, added, or deleted by the current change.

CONTENTS

Heading	Page
PART 1 INTRODUCTION	
*1.1 Scope	XII
*1.2 Group Assembly Parts List, Part 2	XII
*1.2.1 Scope	XII
*1.2.2 List and Index Number Column	XII
*1.2.3 Part Number Column	XII
*1.2.4 Description Column	XII
*1.2.5 Units Per Assembly Column	XII
*1.2.6 Usable On Code Column	XIII
*1.2.7 Master Usable On Code Table	XIII
*1.3 Numerical Index, Part 3	XIII
*1.3.1 Scope	XIII
*1.3.2 Part Number Column	XIII
*1.3.3 List and Index Number Column	XIII
*1.4 Revisions	XIII
PART 2 GROUP ASSEMBLY PARTS LIST	
SECTION I	
List 1 1411 Processing Unit With And W/O Accelerated Thru-Put Feature	1
List 2 A Frame Assembly With And W/O Accelerated Thru-Put Feature	7
List 3 Control Panel Assembly	11
List 4 Light Assembly	15
List 5 Power Relay Gate Assembly	15
List 6 48V At 6A Main Power Supply Assembly	21
List 7 Power Supply Assembly	23
List 8 30VDC At 4A Power Supply Assembly	29
*List 8A 30VDC At 4A Power Supply Assembly	31
*List 9 60VDC At 6A Power Supply Assembly	32A
*List 9A 60 Volt At 6 AMP Power Supply Assembly	33
*List 10 Regulator Assemblies, -12V and -12V, Plus 12V and -12V, -12V and -6V, Plus 30V and Plus 6V	35
List 11 Heatsink Assembly	36
List 12 Power Supply Assembly	38
List 13 Blower Assembly	40
List 14 A Frame Assembly	40
List 15 12VDC At 20A Power Supply Assembly	49

CONTENTS (cont'd)

Heading	Page
*List 15A 12VDC At 20 AMP Power Supply Assembly	51
List 16 -6VDC At 2A Power Supply Assembly	53
*List 16A 6VDC At 12 AMP Power Supply Assembly	55
*List 17 30VDC At 4A Power Supply Assembly	56A
*List 17A 30 Volt At 4 AMP Power Supply Assembly	58
*List 18 36VDC At 2A Power Supply Assembly	58C
*List 18A 36 Volt At 2 AMP Power Supply Assembly	59
*List 19 12VDC At 16A Power Supply Assembly	60C
*List 19A 12 Volt At 16 AMP Power Supply Assembly	62
*List 20 B Frame Assembly	64A
List 21 Bus and Support Assembly	65
*List 22 Core Storage Assembly	67
List 23 Terminating Resistor Assembly	71
List 24 Resistor Assembly	73
List 25 Resistor Board Assembly	73
List 26 Fan Duct Assembly	75
List 27 Top Plenum Assembly	76
List 28 Array Assembly	77
List 29 Chassis Assemblies	79
List 30 Frame Assembly	85
List 31 C and D Frame Assemblies With And W/O Accelerated Thru-Put Feature	85
List 32 CE Panel Assembly	91
List 33 Connector Rack Assemblies	93
List 34 Chassis Assemblies	93
List 35 Cable and Jumper Assembly Component Parts	97

SECTION II

List 1 Z and E Frame Assembly	1
List 2 Z Frame Assembly	3
List 3 12VDC At 8A Power Supply Assembly	11
List 4 Chassis Assembly	15
List 5 E Frame Assembly	16
List 6 -12VDC At 4A Power Supply Assembly	24
List 7 Chassis Assemblies	27
List 8 Frame Assembly	29

CONTENTS (cont'd)

Heading	Page
List 9 Magnetic Character Reader, I-O Adapter, Control Adapter, and Dual and No Dual Sync Adapters . .	31
List 10 Tape Power	41

PART 3 NUMERICAL INDEX

LIST OF ILLUSTRATIONS

Figure		Page
SECTION I		
1	1411 Processing Unit With And W/O Accelerated Thru-Put Feature (Sheet 1 of 2, Index Nos. 1-35) (See List 1)	2
	1411 Processing Unit With And W/O Accelerated Thru-Put Feature (Sheet 2 of 2, Index Nos. 36-85) (See List 1)	4
2	A Frame Assembly With And W/O Accelerated Thru-Put Feature (Sheet 1 of 2, Index Nos. 1-94) (See List 2)	6
	A Frame Assembly With And W/O Accelerated Thru-Put Feature (Sheet 2 of 2, Index Nos. 95-161) (See List 2)	9
3	Control Panel Assembly (See List 3)	12
4	Light Assembly (See List 4)	14
5	Power Relay Gate Assembly (See List 5)	16
6	48V At 6A Main Power Supply Assembly (See List 6)	20
7	Power Supply Assembly (Sheet 1 of 3, Index Nos. 1-52) (See List 7)	22
	Power Supply Assembly (Sheet 2 of 3, Index Nos. 53-101) (See List 7)	24
	Power Supply Assembly (Sheet 3 of 3, Index Nos. 102-171) (See List 7)	26
8	30VDC At 4A Power Supply Assembly (See List 8)	28
*8A	30VDC At 4A Power Supply Assembly (See List 8A)	32
*9	60VDC At 6A Power Supply Assembly (See List 9)	32B
*9A	60 Volt At 6 AMP Power Supply Assembly (See List 9A)	34
*10	Regulator Assemblies, -12V And -12V, Plus 12V And -12V, -12V And -6V, Plus 30V And -36V, Plus 6V (See List 10)	34B
11	Heatsink Assembly (See List 11)	37
12	Power Supply Assembly (See List 12)	39
13	Blower Assembly (See List 13)	41
14	A Frame Assembly (Sheet 1 of 3, Index Nos. 1-92) (See List 14)	42
	A Frame Assembly (Sheet 2 of 3, Index Nos. 93-159) (See List 14)	44
	A Frame Assembly (Sheet 3 of 3, Index Nos. 160-247) (See List 14)	46
15	12VDC At 20A Power Supply Assembly (See List 15)	50
*15A	12VDC At 20 AMP Power Supply Assembly (See List 15A)	52
*16	-6VDC At 2A Power Supply Assembly (See List 16)	54
*16A	6VDC At 12 AMP Power Supply Assembly (See List 16A)	56
*17	30VDC At 4A Power Supply Assembly (See List 17)	56B
*17A	30 Volt At 4 AMP Power Supply Assembly (See List 17A)	58A
*18	36VDC At 2A Power Supply Assembly (See List 18)	58B
*18A	36 Volt At 2 AMP Power Supply Assembly (See List 18A)	60

LIST OF ILLUSTRATIONS (cont'd)

Figure		Page
*19	12VDC At 16A Power Supply Assembly (See List 19)	60B
*19A	12 Volt At 16 AMP Power Supply Assembly (See List 19A)	63
*20	B Frame Assembly (See List 20)	64
21	Bus And Support Assembly (See List 21)	66
22	Core Storage Assembly (See List 22).	68
23	Terminating Resistor Assembly (See List 23)	72
24	Resistor Assembly (See List 24).	74
25	Resistor Board Assembly (See List 25)	75
26	Fan Duct Assembly (See List 26)	76
27	Top Plenum Assembly (See List 27)	77
28	Array Assembly (See List 28)	78
29	Chassis Assemblies (See List 29)	80
30	Frame Assembly (See List 30)	84
31	C and D Frame Assemblies With And W/O Accelerated Thru-Put Feature (See List 31)	86
32	CE Panel Assembly (See List 32)	90
33	Connector Rack Assemblies (See List 33)	92
34	Chassis Assemblies (See List 34)	94
35	Cable And Jumper Assembly Component Parts (Sheet 1 of 3, Index Nos. 1-24) (See List 35)	98
	Cable And Jumper Assembly Component Parts (Sheet 2 of 3, Index Nos. 25-48) (See List 35).	100
	Cable And Jumper Assembly Component Parts (Sheet 3 of 3, Index Nos. 49-52) (See List 35).	102
 SECTION II		
1	Z and E Frame Assembly (See List 1)	2
2	Z Frame Assembly (Sheet 1 of 4, Index Nos. 1-65) (See List 2).	4
	Z Frame Assembly (Sheet 2 of 4, Index Nos. 66-110) (See List 2).	6
	Z Frame Assembly (Sheet 3 of 4, Index Nos. 111-163) (See List 2)	8
	Z Frame Assembly (Sheet 4 of 4, Index Nos. 164-221) (See List 2)	10
3	12VDC At 8A Power Supply Assembly (See List 3)	12
4	Chassis Assembly (See List 4)	14
5	E Frame Assembly (Sheet 1 of 4, Index Nos. 1-4) (See List 5)	17
	E Frame Assembly (Sheet 2 of 4, Index Nos. 5-65) (See List 5)	18
	E Frame Assembly (Sheet 3 of 4, Index Nos. 66-130) (See List 5)	20
	E Frame Assembly (Sheet 4 of 4, Index Nos. 131-194) (See List 5)	22
6	-12VDC At 4A Power Supply Assembly (See List 6)	25

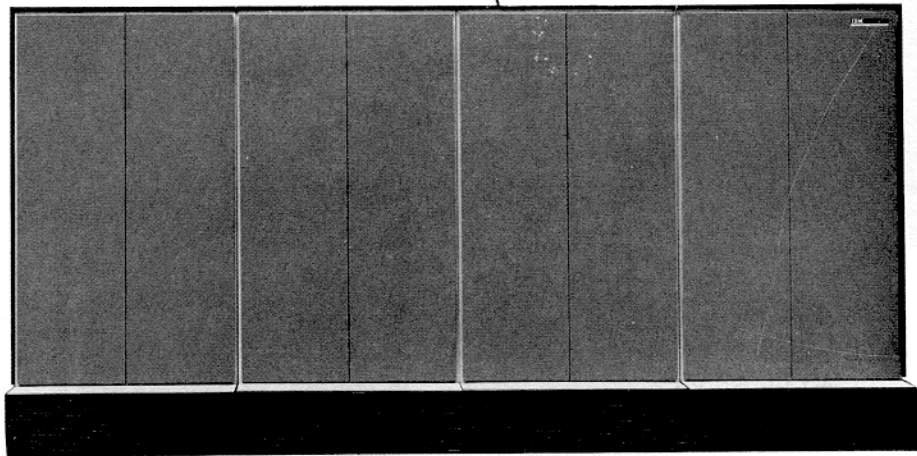
LIST OF ILLUSTRATIONS (cont'd)

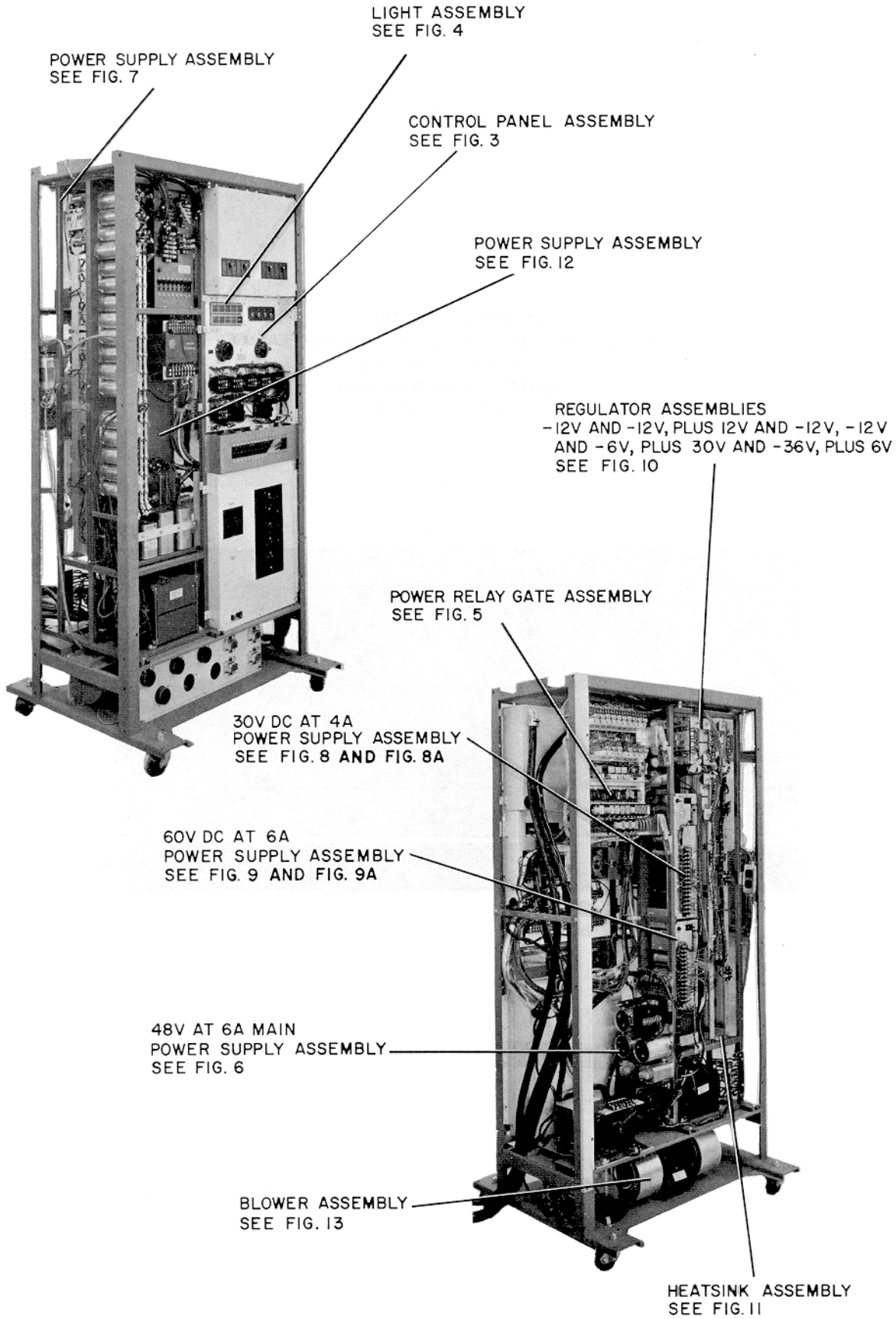
Figure		Page
7	Chassis Assemblies (See List 7)	28
8	Frame Assembly (See List 8)	30
9	Magnetic Character Reader, I-O Adapter, Control Adapter, Dual And No Dual Sync Adapters (Sheet 1 of 4, Index Nos. 1-65) (See List 9)	32
	Magnetic Character Reader, I-O Adapter, Control Adapter, Dual And No Dual Sync Adapters (Sheet 2 of 4, Index Nos. 66-76) (See List 9)	34
	Magnetic Character Reader, I-O Adapter, Control Adapter, Dual And No Dual Sync Adapters (Sheet 3 of 4, Index Nos. 77-107) (See List 9)	36
	Magnetic Character Reader, I-O Adapter, Control Adapter, Dual And No Dual Sync Adapters (Sheet 4 of 4, Index Nos. 108-139) (See List 9)	38
10	Tape Power (Sheet 1 of 2, Index Nos. 1-50) (See List 10)	40
	Tape Power (Sheet 2 of 2, Index Nos. 51-79) (See List 10)	44

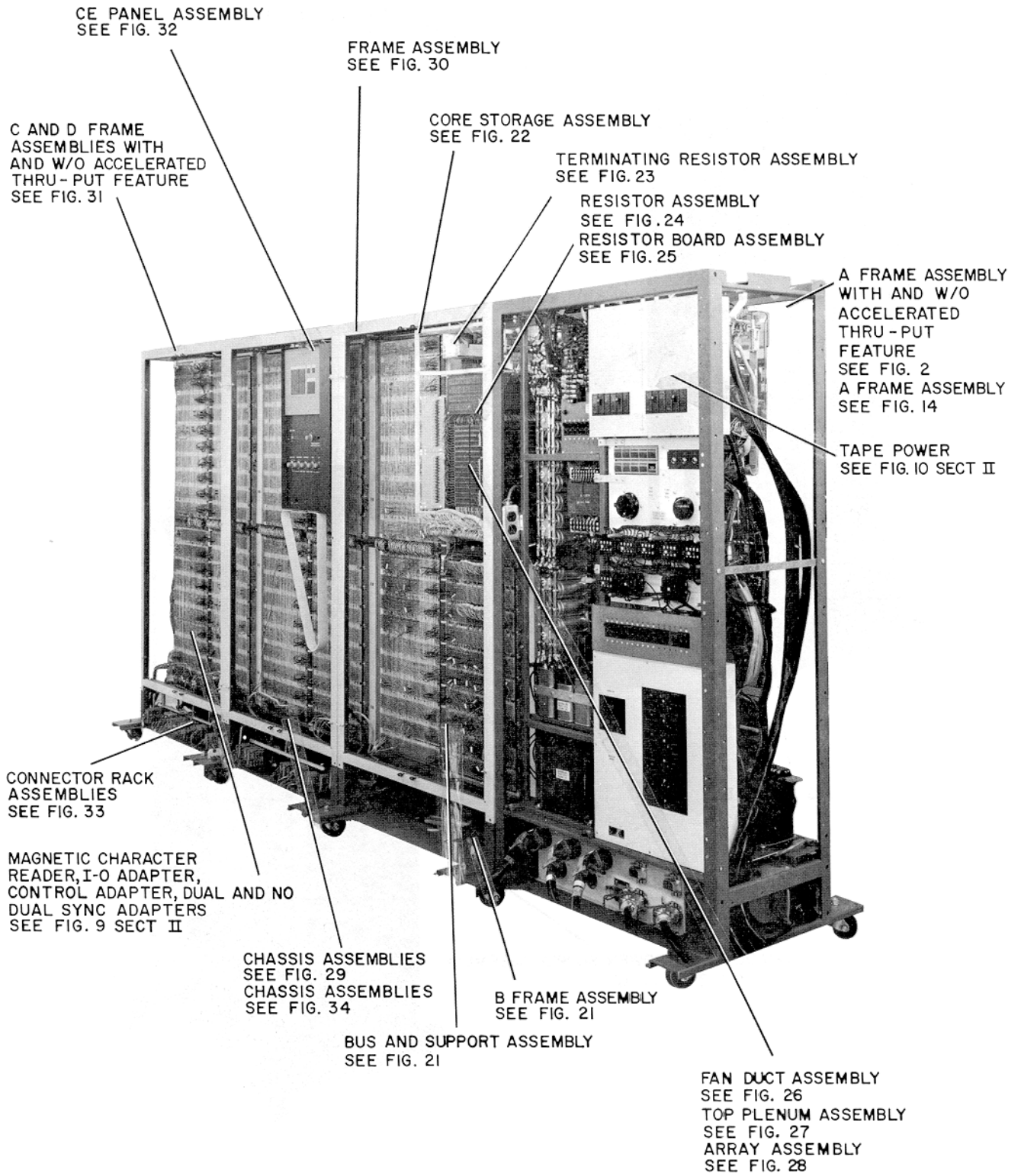
LIST OF TABLES

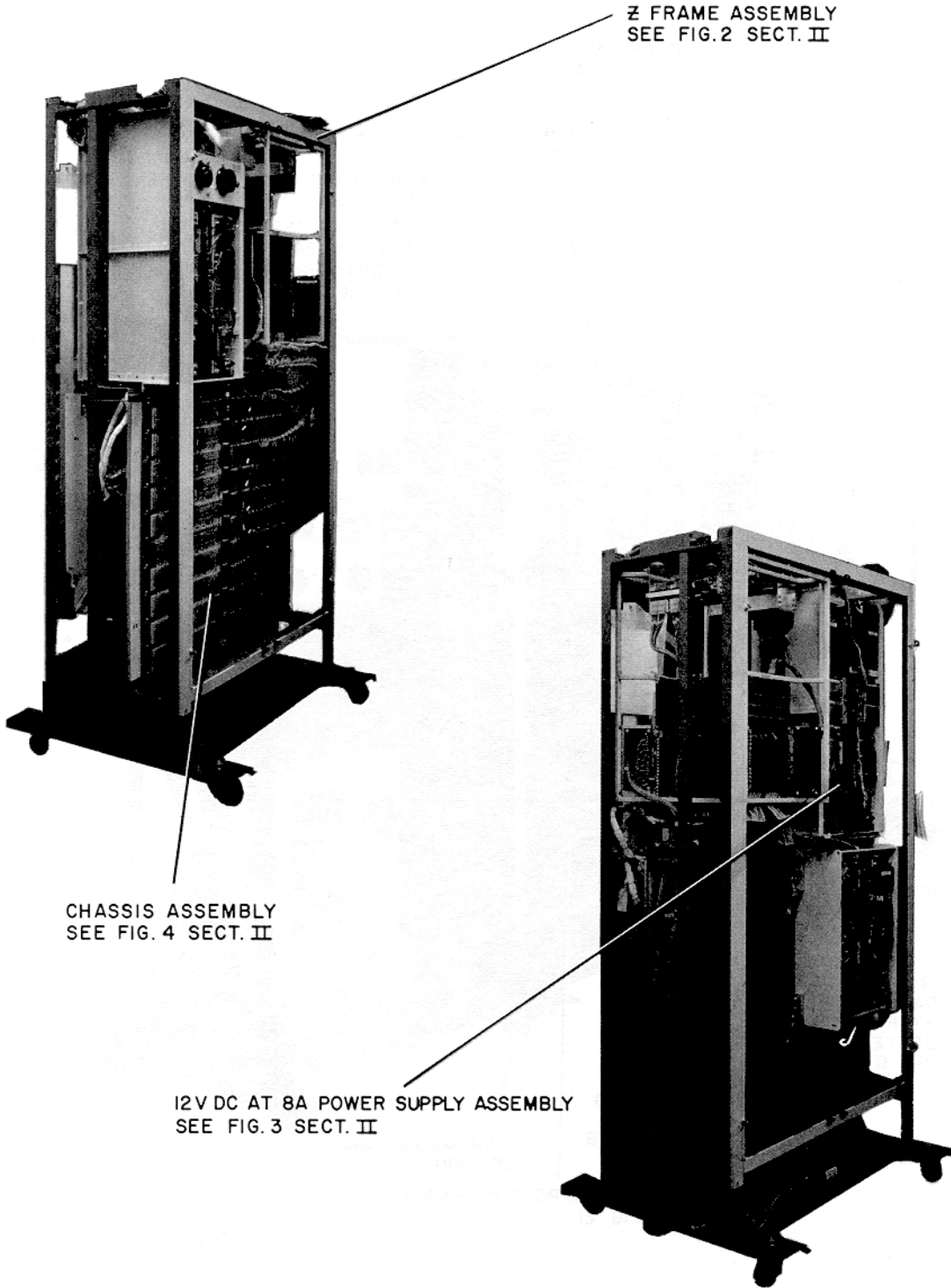
Table	Title	Page
*1	Master Usable On Code	XIII

1411 PROCESSING UNIT
WITH AND W/O ACCELERATED THRU-PUT FEATURE
SEE FIG. I SECT. I
Z ANDE FRAME ASSEMBLY
SEE FIG. I SECT. II







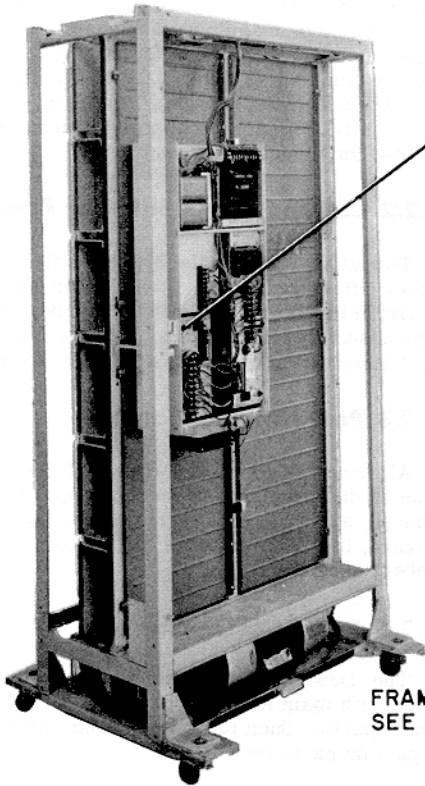


Z FRAME ASSEMBLY
SEE FIG. 2 SECT. II

CHASSIS ASSEMBLY
SEE FIG. 4 SECT. II

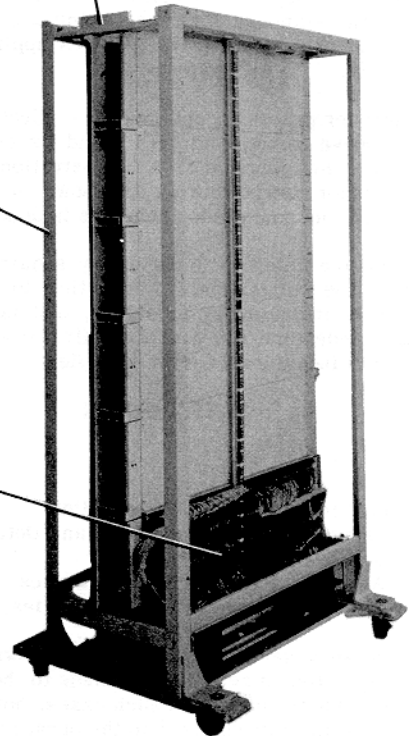
12V DC AT 8A POWER SUPPLY ASSEMBLY
SEE FIG. 3 SECT. II

-12V DC AT 4A POWER SUPPLY ASSEMBLY
SEE FIG. 6 SECT. II



E FRAME ASSEMBLY
SEE FIG. 5 SECT. II

FRAME ASSEMBLY
SEE FIG. 8 SECT. II



CHASSIS ASSEMBLIES
SEE FIG. 7 SECT. II

PART 1

INTRODUCTION

1.1 SCOPE

This Illustrated Parts Catalog (IPC) contains listings and illustrations of all replaceable assemblies, sub-assemblies and detail parts released to Production Control on or before 1 October 1963 for the 1411 Processing Unit. The unit is manufactured by International Business Machines Corporation.

This IPC supplements the information contained in the associated manuals and should be used only for identifying, requisitioning, and issuing replacement parts. Refer to page XIV, How To Use This Illustrated Parts Catalog, for a pictorial presentation of the steps required to use this manual. Maintenance, overhaul, and/or repair should be performed only by authorized personnel using the applicable manual.

1.2 GROUP ASSEMBLY PARTS LIST, PART 2

1.2.1 Scope

This part contains the listings and illustrations of the replaceable items comprising the Processing Unit. This IPC manual contains two sections. Section I is a listing of items for the standard Processing Unit and Section II lists the optional and/or selective features applicable for this manual only.

Wherever practical, one model is selected as the most representative of the equipment, and its components are shown in the main portion of each illustration. Visually different parts for similar models are shown on the same illustration, with the same index numbers in double lined boxes.

Parts are listed in disassembly sequence, where applicable. The relationship of an article to its next higher assembly is indicated by indenture; that is, an item appearing in indenture 3 is part of the first preceding assembly listed in indenture 2. For example:

DESCRIPTION

- | 1 | 2 | 3 | 4 | |
|------|---|---|---|---|
| Unit | | | | Assemblies and Detail Parts of Unit |
| . | | | | Attaching Parts for Assemblies and Detail Parts |
| . | . | | | Subassemblies |
| . | . | | | Attaching Parts for Subassemblies |
| . | . | . | | Detail Parts for Subassemblies, etc. |

When an assembly is not broken down immediately after being listed, a reference is made to the listing where the breakdown is made. In such cases, however, the assembly reverts to indenture 1 in the breakdown list. Each listing is referenced to its associated illustration in the description of the first entry. Each illustration in turn references the list to which it pertains.

If a right and left, top and bottom, front and rear, or other similar assemblies contain a majority of identical parts, the assemblies are combined and broken down in one listing. Both assemblies are listed first, followed by the

detail parts. Articles peculiar to each of the assemblies have only one index number assigned; reference is made to the particular assembly number of which they form a part. Articles common to both of the assemblies have a single-line entry with no references. The entry for common parts in the Units Per Assembly column indicates the quantity required for one assembly only.

1.2.2 List and Index Number Column

The number before the hyphen is the list number. The number after the hyphen is the index number assigned to the part in the listing. This index number identifies the part on the associated illustration. Subassemblies are identified on the illustration by an index number enclosed in a circle.

1.2.3 Part Number Column

All numbers shown are IBM part numbers. When, because of disassembly procedure, a group of parts must be removed, as an assembly and no assembly number has been assigned, the group of parts will be listed as "NO NO." (no number) assembly.

1.2.4 Description Column

The Description column contains the standard item names with main noun modifiers. "ATT PT" indicates attaching parts. Such parts are listed immediately following the part or parts they attach.

Floating parts (resistors, capacitors, neons, etc.), which have no fixed position on a mounting base, are located and identified by use of point-to-point wiring information in lieu of illustration of the parts. This wiring information is located at the end of the list to which it pertains. The information given for such items is the same as for usual listings except that after the description, a "from" and "to" designation, separated by a hyphen, is indicated. The "from" information is the designation for one of the termination points across which the part is connected and the "to" information is the designation for the other termination point. All items in this portion of the listing are arranged alpha-numerically according to the "from" designation and carry index numbers from 700 and up for referencing purposes.

1.2.5 Units Per Assembly Column

The quantities specified in this column are the number of parts used per one next-higher assembly and are not necessarily the total number of parts used in the overall unit. The entry "Ref" in this column refers to an assembly which is completely assembled on a preceding illustration and is now disassembled on the illustration on which it is referenced. The quantities for such items are found in the preceding listing where the assembly is shown completely assembled and indexed. The entry "AR" in the Units Per Assy column denotes that the quantity is used as required. The entry "NP" denotes that the assembly is non-procurable.

1.2.6 Usable On Code Column

Part application and interchangeability between similar assemblies broken down in one list is presented by a numerical usable on code. Part application and interchangeability by engineering level is presented by an alphabetical usable on code which (if applicable) appears immediately following this paragraph. The Usable On Code column is left blank when a part is used on all of the assemblies or equipment covered.

Code	Definition
B	Used on Assemblies from Release to 1/2/63
A	Used on Assemblies from 1/2/63 to 10/1/63

Code "B" applies to parts no longer being installed in new equipment but still present in field equipment that was manufactured during period indicated.

Code "A" applies to new parts added to the equipment by Engineering Change Notices for the period indicated.

1.2.7 Master Usable On Code Table

For Master Usable On Code Table, see Table 1.

1.3 NUMERICAL INDEX, PART 3

1.3.1 Scope

The Numerical Index contains all part numbers that appear in the part number column of the group assembly parts list.

1.3.2 Part Number Column

Part Number column contains all numbers appearing in the Part Number column of the group assembly parts list. The numbers are listed in numerical sequence.

1.3.3 List and Index Number Column

List and Index Number column contains the list and index number occurrence(s) of all parts in the group assembly parts list.

1.4 REVISIONS

"Revision" applies to changes in existing text due to engineering change notice, technical corrections, and addition and deletion of material. Revised material in the Contents table and the Group Assembly Parts List (Part 2) is preceded by an asterisk. Revised text in the Introduction (Part 1) is indicated by a vertical rule in the outside margins.

Deleted items retain list, index, and part numbers, and have the word "Deleted" entered in the first indenture in the Description column.

TABLE 1
MASTER USABLE ON CODE

CODE	MODEL
1	Core Storage - 1
2	Core Storage - 2
3	Core Storage - 3
4	Core Storage - 4
5	Core Storage - 5
8	Applicable Only to "A" Frame Assembly
9	Applicable Only to "C" Frame Assembly
10	Applicable Only to "D" Frame Assembly
11	Applicable Only to "E" Frame Assembly

HOW TO USE THIS ILLUSTRATED PARTS CATALOG

IF PART NUMBER IS NOT KNOWN

IF PART NUMBER IS KNOWN

1 FIND THE APPROPRIATE TITLE IN LIST OF ILLUSTRATIONS

1 LOCATE THE PART NUMBER IN THE PART NUMBER COLUMN OF THE NUMERICAL INDEX

2 REFER TO THE LIST AND INDEX NUMBER ADJACENT TO THE PART NUMBER

2 REFER TO THE ILLUSTRATION REFERENCED AND LOCATE THE PART AND INDEX NUMBER

3 USING THE LIST AND INDEX NUMBER, REFER TO THE GROUP ASSEMBLY PARTS LIST. THE REFERENCED ILLUSTRATION WILL CONTAIN THE ILLUSTRATED PART

3 REFER TO THE FIGURE CAPTION FOR APPLICABLE LIST

AND FIG. 3-2 FOR ILLUSTRATION

4 LOCATE INDEX NUMBER ON ACCOMPANYING GROUP ASSEMBLY PARTS LIST FOR PART NUMBER DESCRIPTION AND QUANTITY

4 IF PART IS IN AN ASSEMBLY OTHER THAN THAT DESIRED, REFER TO SUBSEQUENT LIST AND INDEX NUMBERS

1998 MOD 13 LIST OF ILLUSTRATIONS

Figure	Title	Page
1	LATCH ASSEMBLY 1-84 (See List 1)	2
2	Storage Power Control (Sheet 2 of 2, Index Nos. 87-187) (See List 1)	3
3	Cover Group (Sheet 1 of 2, Index Nos. 1-57) (See List 2)	6
4	Cover Group (Sheet 2 of 2, Index Nos. 58-121) (See List 2)	8
5	Drum Sequence Common Panel Assembly No. 8 (See List 3)	10
6	Drum Sequence Lower Panel Assembly (See List 3)	
7	Panel Assembly No. 2 (See List 6)	
8	Emergency Off Switch Assembly (See List 6)	
9	Panel Assembly No. 3 and No. 4 (See List 6)	
10	48 Volt Power Supply Assembly (See List 6)	
11	48 Volt Transformer Assembly (See List 6)	
12	Metallic Check Panel Assembly (See List 6)	

1998 MOD 13 PART 3

PART NO.	SPARE PART	SECTION-LIST AND INDEX NO.	PART NO.	SPARE PART	SECTION-LIST AND INDEX NO.	PART NO.	SPARE PART	SECTION-LIST AND INDEX NO.
552927		1-1	552928		1-1	552929		1-1
552930		1-2	552931		1-2	552932		1-2
552933		1-3	552934		1-3	552935		1-3
552936		1-4	552937		1-4	552938		1-4
552939		1-5	552940		1-5	552941		1-5
552942		1-6	552943		1-6	552944		1-6
552945		1-7	552946		1-7	552947		1-7
552948		1-8	552949		1-8	552950		1-8
552951		1-9	552952		1-9	552953		1-9
552954		1-10	552955		1-10	552956		1-10
552957		1-11	552958		1-11	552959		1-11
552960		1-12	552961		1-12	552962		1-12
552963		1-13	552964		1-13	552965		1-13
552966		1-14	552967		1-14	552968		1-14
552969		1-15	552970		1-15	552971		1-15
552972		1-16	552973		1-16	552974		1-16
552975		1-17	552976		1-17	552977		1-17
552978		1-18	552979		1-18	552980		1-18
552981		1-19	552982		1-19	552983		1-19
552984		1-20	552985		1-20	552986		1-20
552987		1-21	552988		1-21	552989		1-21
552990		1-22	552991		1-22	552992		1-22
552993		1-23	552994		1-23	552995		1-23
552996		1-24	552997		1-24	552998		1-24
552999		1-25	553000		1-25	553001		1-25
553002		1-26	553003		1-26	553004		1-26
553005		1-27	553006		1-27	553007		1-27
553008		1-28	553009		1-28	553010		1-28
553011		1-29	553012		1-29	553013		1-29
553014		1-30	553015		1-30	553016		1-30
553017		1-31	553018		1-31	553019		1-31
553020		1-32	553021		1-32	553022		1-32
553023		1-33	553024		1-33	553025		1-33
553026		1-34	553027		1-34	553028		1-34
553029		1-35	553030		1-35	553031		1-35
553032		1-36	553033		1-36	553034		1-36
553035		1-37	553036		1-37	553037		1-37
553038		1-38	553039		1-38	553040		1-38
553041		1-39	553042		1-39	553043		1-39
553044		1-40	553045		1-40	553046		1-40
553047		1-41	553048		1-41	553049		1-41
553050		1-42	553051		1-42	553052		1-42
553053		1-43	553054		1-43	553055		1-43
553056		1-44	553057		1-44	553058		1-44
553059		1-45	553060		1-45	553061		1-45
553062		1-46	553063		1-46	553064		1-46
553065		1-47	553066		1-47	553067		1-47
553068		1-48	553069		1-48	553070		1-48
553071		1-49	553072		1-49	553073		1-49
553074		1-50	553075		1-50	553076		1-50
553077		1-51	553078		1-51	553079		1-51
553080		1-52	553081		1-52	553082		1-52
553083		1-53	553084		1-53	553085		1-53
553086		1-54	553087		1-54	553088		1-54
553089		1-55	553090		1-55	553091		1-55
553092		1-56	553093		1-56	553094		1-56
553095		1-57	553096		1-57	553097		1-57
553098		1-58	553099		1-58	553100		1-58
553101		1-59	553102		1-59	553103		1-59
553104		1-60	553105		1-60	553106		1-60
553107		1-61	553108		1-61	553109		1-61
553110		1-62	553111		1-62	553112		1-62
553113		1-63	553114		1-63	553115		1-63
553116		1-64	553117		1-64	553118		1-64
553119		1-65	553120		1-65	553121		1-65
553122		1-66	553123		1-66	553124		1-66
553125		1-67	553126		1-67	553127		1-67
553128		1-68	553129		1-68	553130		1-68
553131		1-69	553132		1-69	553133		1-69
553134		1-70	553135		1-70	553136		1-70
553137		1-71	553138		1-71	553139		1-71
553140		1-72	553141		1-72	553142		1-72
553143		1-73	553144		1-73	553145		1-73
553146		1-74	553147		1-74	553148		1-74
553149		1-75	553150		1-75	553151		1-75
553152		1-76	553153		1-76	553154		1-76
553155		1-77	553156		1-77	553157		1-77
553158		1-78	553159		1-78	553160		1-78
553161		1-79	553162		1-79	553163		1-79
553164		1-80	553165		1-80	553166		1-80
553167		1-81	553168		1-81	553169		1-81
553170		1-82	553171		1-82	553172		1-82
553173		1-83	553174		1-83	553175		1-83
553176		1-84	553177		1-84	553178		1-84
553179		1-85	553180		1-85	553181		1-85
553182		1-86	553183		1-86	553184		1-86
553185		1-87	553186		1-87	553187		1-87
553188		1-88	553189		1-88	553190		1-88
553191		1-89	553192		1-89	553193		1-89
553194		1-90	553195		1-90	553196		1-90
553197		1-91	553198		1-91	553199		1-91
553200		1-92	553201		1-92	553202		1-92
553203		1-93	553204		1-93	553205		1-93
553206		1-94	553207		1-94	553208		1-94
553209		1-95	553210		1-95	553211		1-95
553212		1-96	553213		1-96	553214		1-96
553215		1-97	553216		1-97	553217		1-97
553218		1-98	553219		1-98	553220		1-98
553221		1-99	553222		1-99	553223		1-99
553224		1-100	553225		1-100	553226		1-100
553227		1-101	553228		1-101	553229		1-101
553230		1-102	553231		1-102	553232		1-102
553233		1-103	553234		1-103	553235		1-103
553236		1-104	553237		1-104	553238		1-104
553239		1-105	553240		1-105	553241		1-105
553242		1-106	553243		1-106	553244		1-106
553245		1-107	553246		1-107	553247		1-107
553248		1-108	553249		1-108	553250		1-108
553251		1-109	553252		1-109	553253		1-109
553254		1-110	553255		1-110	553256		1-110
553257		1-111	553258		1-111	553259		1-111
553260		1-112	553261		1-112	553262		1-112
553263		1-113	553264		1-113	553265		1-113
553266		1-114	553267		1-114	553268		1-114
553269		1-115	553270		1-115	553271		1-115
553272		1-116	553273		1-116	553274		1-116
553275		1-117	553276		1-117	553277		1-117
553278		1-118	553279		1-118	553280		1-118
553281		1-119	553282		1-119	553283		1-119
553284		1-120	553285		1-120	553286		1-120
553287		1-121	553288		1-121	553289		1-121
553290		1-122	553291		1-122	553292		1-122
553293		1-123	553294		1-123	553295		1-123
553296		1-124						

PART 2

GROUP ASSEMBLY PARTS LIST

SECTION I

LIST AND INDEX NO.	PART NO.	DESCRIPTION				UNITS PER ASM.	USABLE ON CODE
		1	2	3	4		
1411 PROCESSING UNIT WITH AND W/O ACCELERATED THRU-PUT							
1 -	760000	PROCESSING UNIT 1411				1	
-	5319250	PROCESSING UNIT 1411-W/ACCELERATED SEE FIG. 1 FOR ILLUSTRATION				1	
-	1 762506	. NAMEPLATE ASSEMBLY, PROCESSING UNIT				2	
-	2 5321979	. COVER ASSEMBLY, BASIC-BLUE				1	
-	2 5321980	. COVER ASSEMBLY, BASIC-RED				1	
-	2 5321981	. COVER ASSEMBLY, BASIC-YELLOW				1	
*	- 2 362236	. COVER ASSEMBLY, BASIC-GREY				1	
-	3 5321982	. COVER ASSEMBLY, ADDITIONAL FRAME-BLUE				3	
-	3 5321983	. COVER ASSEMBLY, ADDITIONAL FRAME-RED				3	
-	3 5321984	. COVER ASSEMBLY, ADDITIONAL FRAME-YELLOW				3	
*	- 3 362238	. COVER ASSEMBLY, BASIC-GREY				3	
-	4 760381	. FILLER-FRAME END USED ON ASSEMBLY 5321979, 5321980, 362236 AND 5321981 ONLY				2	
*	- 5 3960	. NUT, PLAIN, HEX- 1/4-20 X 7/16 FL W				12	
-	6 6935	. WASHER, LOCK-SPLIT 1/4 X 0.493 OD				12	
-	7 3550	. WASHER, FL- 1/4 X 9/16 OD X 0.050 THK				12	
-	8 2124708	. SPACER				12	
-	9 760789	. PLATE-COVER RETAINER				16	
-	10 221790	. SCREW, MACH-BIND HD 8-32 X 3/16 LG				16	
-	11 5321951	. . . TOP COVER ASSEMBLY				1	
-	12 5321952	. . . SCREW, SPECIAL, BIND. HD, 8-32 X 9/16 LG				2	
-	13 257982	. . . RING, RETAINING-EXT 0.185 ID X 0.025 THK				2	
*	- 13 60488	. . . CLIP-SPRING				2	A
-	14 5321953	. . . INSULATOR, TOP COVER				1	
-	15 5321948	. . . COVER, TOP				1	
-	16 553376	. . . COVER ASM, GRAY, END USED ON ASSEMBLY 5321979, 5321980, 362236 AND 5321981 ONLY				2	
*	- 17 760383	. . . COVER				1	
-	18 5321964	. . . SEAL PART OF 760383				2	
-	19 801488	. . . COVER- END PART OF 760383				1	
-	20 553360	. . . COVER ASSEMBLY, BLUE USED ON ASSEMBLY 5321979 ONLY				2	
-	20 553363	. . . COVER ASSEMBLY, RED USED ON ASSEMBLY 5321980 ONLY				2	
-	20 553366	. . . COVER ASSEMBLY, YELLOW USED ON ASSEMBLY 5321981 ONLY				2	
*	- 20 362234	. . . DOOR ASSEMBLY, OUTER-GRAY USED ON ASSEMBLY 362236 ONLY				2	
*	- 21 553361	. . . COVER ASSEMBLY, BLUE USED ON ASSEMBLY 5321979 ONLY				2	
-	21 553361	. . . COVER ASSEMBLY, BLUE USED ON ASSEMBLY 5321982 ONLY				4	
-	21 553364	. . . COVER ASSEMBLY, RED USED ON ASSEMBLY 5321980 ONLY				2	
-	21 553364	. . . COVER ASSEMBLY, RED USED ON ASSEMBLY 5321983 ONLY				4	

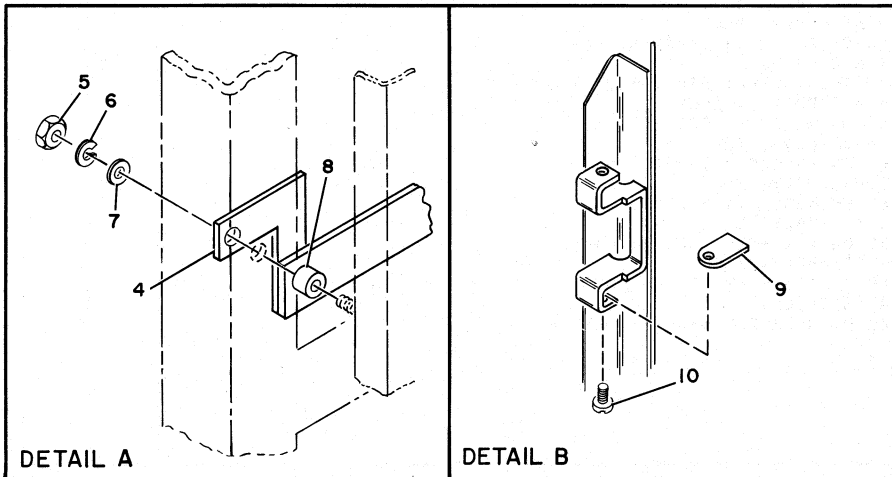
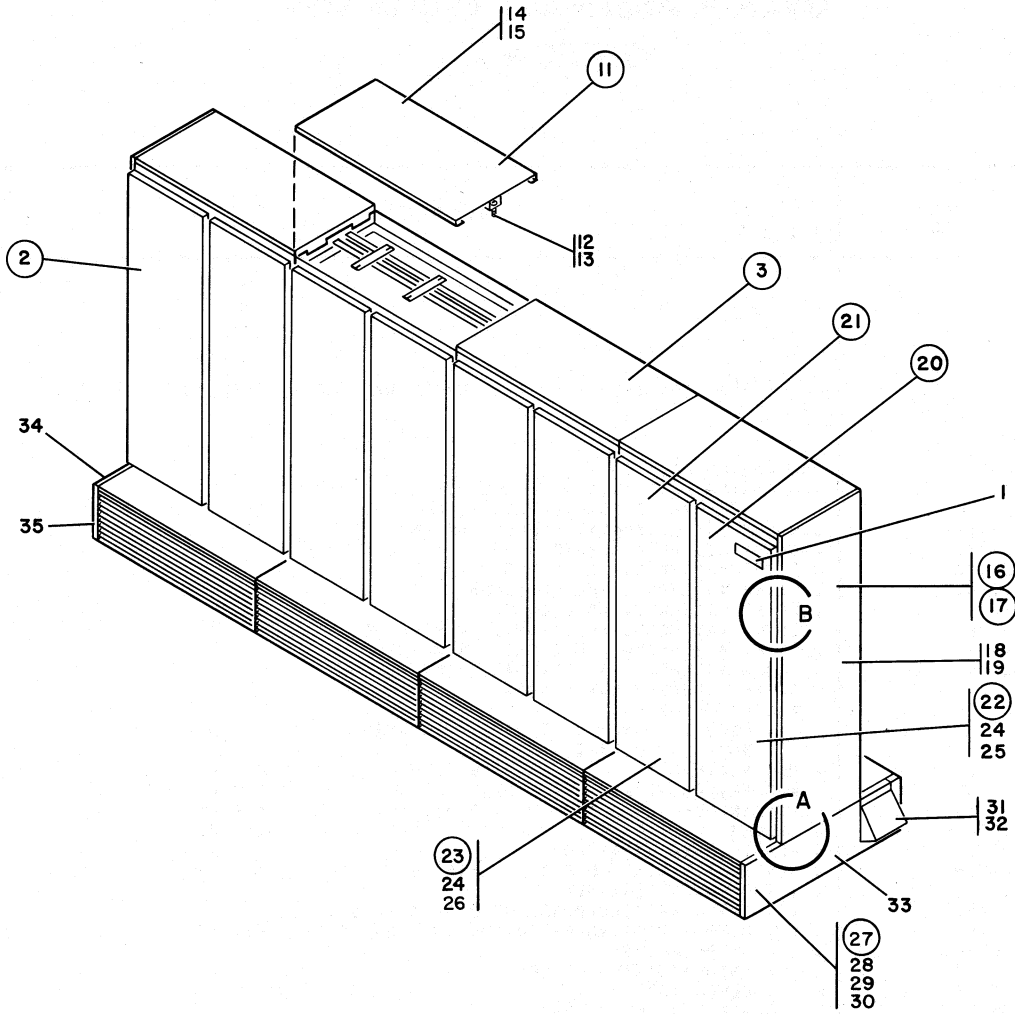


FIGURE 1. 1411 PROCESSING UNIT WITH AND W/O ACCELERATED THRU-PUT FEATURE. SHEET 1 OF 2. INDEX NOS. 1-35 SEE LIST 1.

LIST AND INDEX NO.	PART NO.	DESCRIPTION				UNITS PER ASM.	USABLE ON CODE
		1	2	3	4		
		1411 PROCESSING UNIT WITH AND W/O ACCELERATED THRU-PUT					
1 - 21	553367	. . COVER ASSEMBLY, YELLOW USED ON ASSEMBLY 5321981 ONLY				2	
- 21	553367	. . COVER ASSEMBLY, YELLOW USED ON ASSEMBLY 5321984 ONLY				4	
* - 21	362233	. . DOOR ASSEMBLY, OUTER-GRAY USED ON ASSEMBLY 362236 AND 362238 ONLY				4	
* - 22	760234	. . . DOOR ASSEMBLY-OUTER USED ON ASSEMBLY 553360, 553363, AND 553366 ONLY				1	
- 23	760838	. . . DOOR ASSEMBLY-OUTER USED ON ASSEMBLY 553361, 553364, AND 553367 ONLY				1	
- 24	801485	. . . SEAL, DOOR USED ON ASSEMBLY 760234 AND 760838 ONLY				AR	
- 25	801486	. . . DOOR USED ON ASSEMBLY 760234 ONLY				1	
- 26	801487	. . . DOOR USED ON ASSEMBLY 760838 ONLY				1	
- 27	553396	. COVER ASSEMBLY, LH CABLE ENTRY				1	
- 27	553397	. COVER ASSEMBLY, RH CABLE ENTRY				1	
- 27	553398	. COVER ASSEMBLY, RH AND LH CABLE ENTRY				1	
- 27	553399	. COVER ASSEMBLY, SUB FLOOR CABLE ENTRY				1	
- 28	3960	. NUT, PLAIN, HEX- 1/4-20 X 7/16 FL W				8	ATT PT
- 29	6935	. WASHER, LOCK-SPLIT 1/4 X 0.493 OD				8	ATT PT
- 30	3550	. WASHER, FL- 1/4 X 9/16 OD X 0.050 THK				8	ATT PT
- 31	553372	. . HOOD USED ON ASSEMBLY 553396 AND 553397 ONLY				1	
- 31	553372	. . HOOD USED ON ASSEMBLY 553398 ONLY				2	
- 32	236849	. . SCREW, MACH-BIND HD 10-32 X 1/4 LG USED ON ASSEMBLY 553396 AND 553397 ONLY				2	ATT PT
- 32	236849	. . SCREW, MACH-BIND HD 10-32 X 1/4 LG USED ON ASSEMBLY 553398 ONLY				4	ATT PT
- 33	553374	. . COVER USED ON ASSEMBLY 553397 AND 553398 ONLY				1	
- 34	553375	. . COVER ASM, GRAY, LEFT END LOWER USED ON ASSEMBLY 553396 AND 553398 ONLY				1	
- 35	553373	. . COVER USED ON ASSEMBLY 553396 AND 553397 ONLY				1	
- 35	553373	. . COVER USED ON ASSEMBLY 553399 ONLY				2	
- 36	761111	. FILLER, AIR BAFFLE				4	
- 37	761112	. FILLER, AIR BAFFLE				11	
- 38	760835	. CLIP, SPRING TENSION-DOOR HOLDER LOWER				32	
- 39	28413	. SCREW, MACH-BIND HD 10-32 X 5/16 LG				32	ATT PT
- 40	45690	. WASHER, FL-NO. 10 X 7/16 OD X 1/32 THK				32	ATT PT
- 41	760836	. PIVOT-LEFT HAND				16	
- 42	760837	. PIVOT-RIGHT HAND				16	
- 43	3960	. NUT, PLAIN, HEX- 1/4-20 X 7/16 FL W				32	ATT PT
- 44	76574	. WASHER, LOCK-EXT TEETH 1/4 X 0.510 OD				32	ATT PT
- 45	5321955	. TRIM, BOTTOM				2	
- 46	5321956	. TRIM, TOP				2	
- 47	5321957	. TRIM, FRAME, RIGHT HAND				2	
- 48	5321958	. TRIM, FRAME, LEFT HAND				2	
- 49	216285	. LABEL-NUMBERING L TO R 1 THRU 28				110	
- 50	5321949	. LOUVER, STEP COVER				8	
- 51	5321950	. FRAME, STEP COVER				8	
- 52	5321963	. STOP, FILTER				8	
- 53	801509	. PIN				16	ATT PT

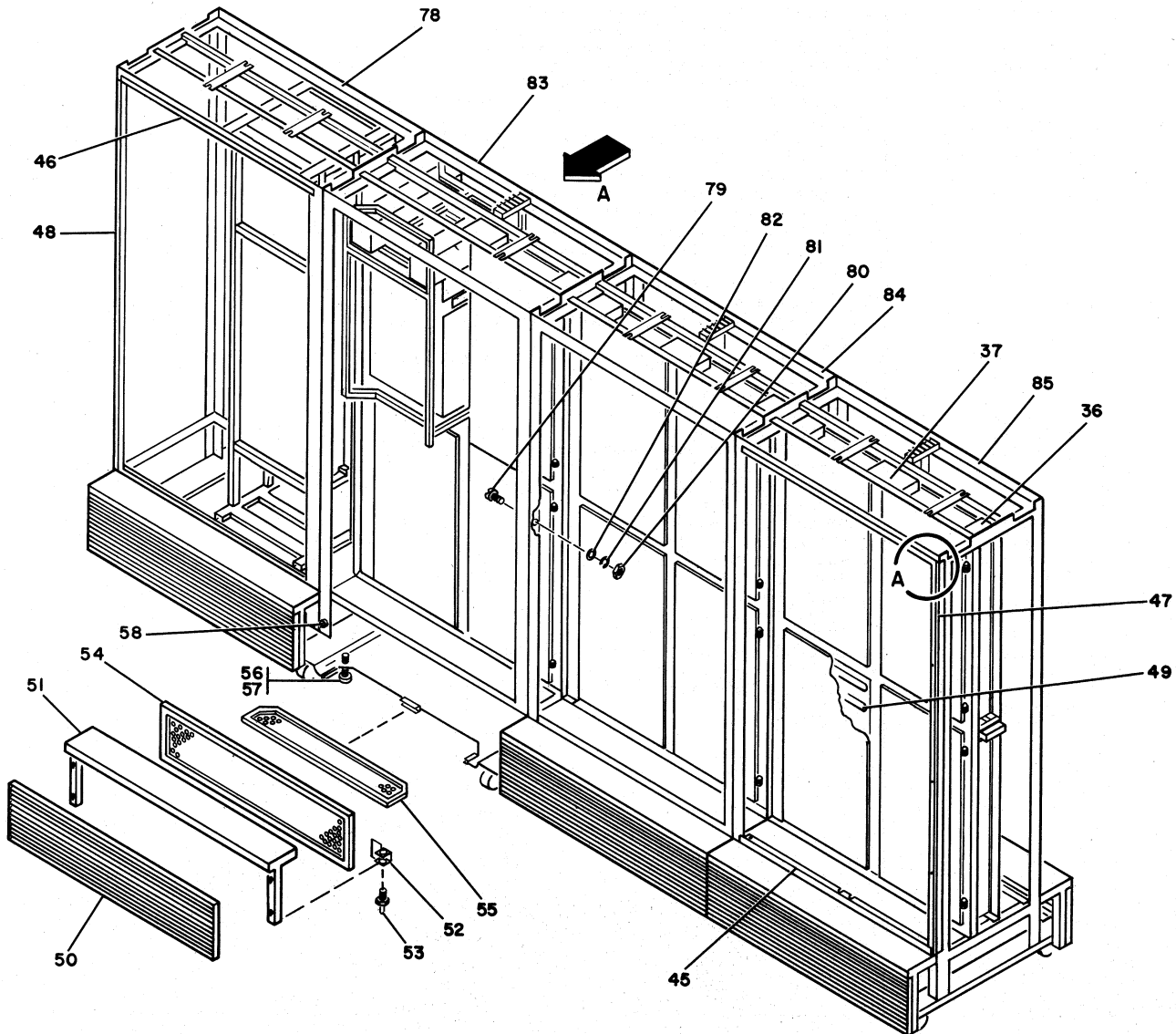
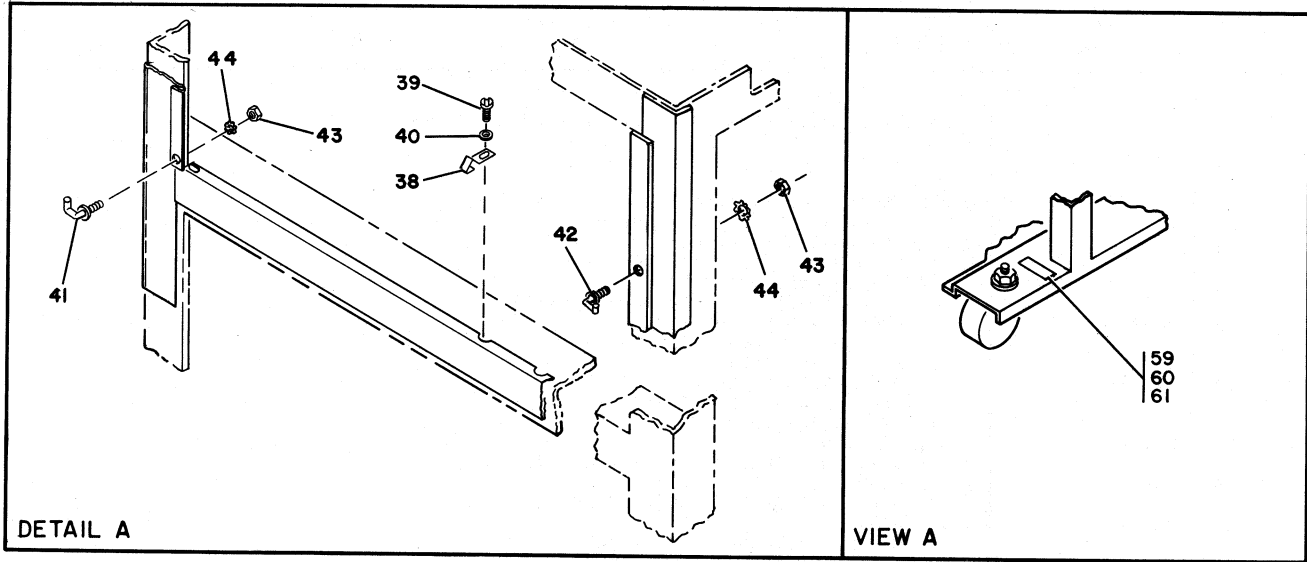


FIGURE 1. 1411 PROCESSING UNIT WITH AND W/O ACCELERATED THRU-PUT FEATURE. SHEET 2 OF 2. INDEX NOS. 36-85 SEE LIST 1.

LIST AND INDEX NO.	PART NO.	DESCRIPTION	UNITS PER ASM.	USABLE ON CODE
		1 2 3 4		
		1411 PROCESSING UNIT WITH AND W/O ACCELERATED THRU-PUT		
1 - 54	5321960	• FILTER, AIR, VERTICAL	4	
- 55	760403	• FILTER-LOWER AIR	4	
- 56	760833	• FOOT ASSEMBLY-LEVELER	16	
- 57	760832	• STUD-LEVELER	16	
- 58	801508	• SCREW - LOUVER	16	
- 59	122639	• PLATE,IDENTIFICATION-SERIAL NUMBER	1	
- 60	122640	• PLATE,IDENTIFICATION-SERIAL NUMBER	1	
- 61	180528	• PLATE,IDENTIFICATION-SERIAL NUMBER	1	
- 62	5319229	• CABLE ASSEMBLY	1	
- 63	5319230	• CABLE ASSEMBLY	2	
- 64	5319231	• CABLE ASSEMBLY	1	
- 65	5319232	• CABLE ASSEMBLY	1	
- 66	5319233	• CABLE ASSEMBLY	1	
- 67	5319234	• CABLE ASSEMBLY	1	
- 68	5319235	• CABLE ASSEMBLY	1	
- 69	5319237	• CABLE ASSEMBLY	1	
- 70	5319238	• CABLE ASSEMBLY	1	
- 71	5319239	• JUMPER ASSEMBLY, 175 LONG USED ON ASSEMBLY 5319250 ONLY	1	
- 72	5327454	• CABLE ASSEMBLY	1	
- 73	761113	• CABLE ASSEMBLY	4	
- 74	761114	• CABLE ASSEMBLY	2	
- 75	761115	• CABLE ASSEMBLY	4	
- 76	761116	• CABLE ASSEMBLY	1	
- 77	761117	• CABLE ASSEMBLY CABLE AND JUMPER ASMS NOT ILLUSTRATED SEE LIST 35 FOR COMPONENT PARTS	2	
- 78	350825	• FRAME ASSEMBLY-A USED ON ASSEMBLY 760000 ONLY SEE LIST 14 FOR DETAIL BREAKDOWN	1	B
- 78	5327490	• FRAME ASSEMBLY-A USED ON ASSEMBLY 760000 ONLY SEE LIST 2 FOR DETAIL BREAKDOWN	1	
- 78	5319251	• FRAME ASSEMBLY, A - ACCELERATED USED ON ASSEMBLY 5319250 ONLY SEE LIST 2 FOR DETAIL BREAKDOWN	1	
- 79	36844	• SCREW,MACH-HEX HD 1/4-20X5/8 LG	18	ATT PT
- 80	3960	• NUT,PLAIN,HEX- 1/4-20 X 7/16 FL W	18	ATT PT
- 81	6935	• WASHER,LOCK-SPLIT 1/4 X 0.493 OD	18	ATT PT
- 82	3550	• WASHER,FL- 1/4 X 9/16 OD X 0.050 THK	18	ATT PT
- 83	5319252	• FRAME ASSEMBLY-B SEE LIST 20 FOR DETAIL BREAKDOWN	1	
- 84	350827	• FRAME ASSEMBLY-C USED ON ASSEMBLY 760000 ONLY SEE LIST 31 FOR DETAIL BREAKDOWN	1	
- 84	5319253	• FRAME ASSEMBLY-C, ACCELERATED USED ON ASSEMBLY 5319250 ONLY SEE LIST 31 FOR DETAIL BREAKDOWN	1	
- 85	350828	• FRAME ASSEMBLY-D USED ON ASSEMBLY 760000 ONLY	1	
- 85	5319254	• FRAME ASSEMBLY-D, ACCELERATED SEE LIST 31 FOR DETAIL BREAKDOWN USED ON ASSEMBLY 5319250 ONLY	1	

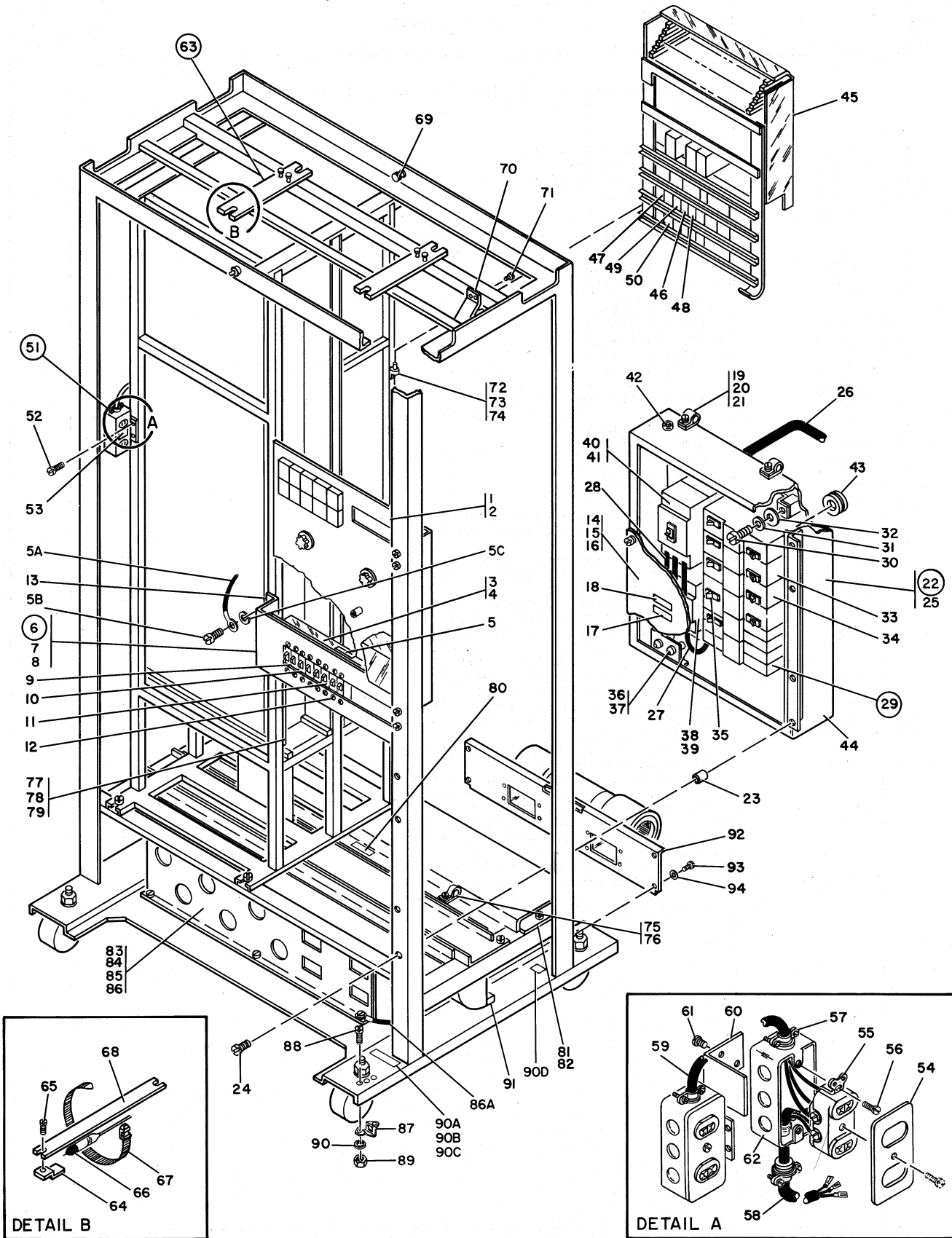


FIGURE 2. A FRAME ASSEMBLY WITH AND W/O ACCELERATED THRU-PUT FEATURE. SHEET 1 OF 2. INDEX NOS. 1-94. SEE LIST 2.

LIST AND INDEX NO.	PART NO.	DESCRIPTION	UNITS PER ASM.	USABLE ON CODE
		A FRAME ASSEMBLY WITH AND W/O ACCELERATE THRU-PUT		
2 -	5327490	FRAME ASSEMBLY-A	REF	
-	5319251	FRAME ASSEMBLY-A, ACCELERATED SEE LIST 1-78 FOR NEXT HIGHER ASSEMBLY AND FIG. 2 FOR ILLUSTRATION	REF	
- 1	5327054	• PANEL ASSEMBLY, CONTROL SEE LIST 3 FOR DETAIL BREAKDOWN	1	
- 2	99	• SCREW, MACH-FL CSK HD 10-32 X 3/8 LG	ATT PT	4
- 3	761374	• COVER, SAFETY-CIRCUIT BREAKER		1
- 4	55726	• SCREW, MACH-BIND HD 6-32 X 3/16 LG	ATT PT	3
- 5	138754	• PLATE, INST-LINE V PRESENT W/MACH PWR OFF		1
- 5A	598274	• JUMPER ASM-GRN 7-1/2 14AWG 1 LUG EA END SEE LIST 35 FOR COMPONENT PARTS		1
- 5B	186759	• SCREW, MACH-BIND HD 8-32 X 1/32 LG	ATT PT	2
- 5C	55901	• WASHER, LOCK-EXT TEETH NO. 8 X 0.381 OD	ATT PT	1
- 6	5327057	• PANEL ASSEMBLY, CIRCUIT BREAKER		1
- 7	28413	• SCREW, MACH-BIND HD 10-32 X 5/16 LG	ATT PT	2
- 8	760267	• . . . CIRCUIT BREAKER, OVERLOAD PROTECTOR		1
- 9	760264	• . . . CIRCUIT BREAKER- 1 POLE 250V AC 1.5 AMP		1
- 10	760265	• . . . CIRCUIT BREAKER, OVERLOAD PROTECTOR		4
- 11	511236	• . . . CIRCUIT BREAKER		1
- 12	10170	• . . . SCREW, MACH-BIND HD 6-32 X 1/4 LG	ATT PT	16
- 13	5327046	• . . . PANEL, CIRCUIT BREAKER MOUNTING		1
- 14	760619	• COVER, CIRCUIT BREAKER HOUSING		1
- 15	438566	• SCREW, MACH-UNDRCT BIND HD 6-32 X 1/8 LG	ATT PT	8
- 16	56722	• WASHER, LOCK-EXT TEETH NO. 6 X 5/16 OD	ATT PT	8
- 17	138754	• PLATE, INST-LINE V PRESENT W/MACH PWR OFF		1
- 18	183848	• PLATE, INSTRUCTION-CURRENT REQUIREMENT		1
- 19	2102369	• CLAMP, LOOP- 1.230 ID 0.200 DIA MTG HOLE		2
- 20	845	• SCREW, MACH-FIL H 8-32 X 1/2 LG	ATT PT	2
- 21	257187	• NUT, PLAIN, HEX- 6-32 X 5/16 FL W	ATT PT	2
- 22	760249	• HOUSING ASSEMBLY, CIRCUIT BREAKER		1
- 23	252341	• SPACER, PRESSURE ROLL SHAFT		4
- 23	252341	• SPACER, PRESSURE ROLL SHAFT		2
- 24	309829	• SCREW, MACH-FH 10-32 X 7/8 LG	ATT PT	2
- 25	236849	• SCREW, MACH-BIND HD 10-32 X 1/4 LG	ATT PT	2
- 26	760732	• CORD ASSEMBLY, PLUG ATTACHMENT SEE LIST 35 FOR COMPONENT PARTS		1
- 27	761387	• . . . CABLE ASSEMBLY		1
- 28	761388	• . . . JUMPER ASSEMBLY, MAIN POWER PANEL SEE LIST 35 FOR COMPONENT PARTS		3
- 29	760252	• . . . PANEL ASSEMBLY, CIRCUIT BREAKER		1
- 30	34512	• . . . SCREW, MACH-BIND HD 8-32 X 3/8 LG	ATT PT	2
- 31	22478	• . . . WASHER, FL- 0.170 ID 0.375 OD 0.032 THK	ATT PT	2
- 32	3550	• . . . WASHER, FL- 1/4 X 9/16 OD X 0.050 THK	ATT PT	2
- 33	760253	• . . . CIRCUIT BREAKER, OVERLOAD PROTECTOR		4
- 34	760254	• . . . CIRCUIT BREAKER, OVERLOAD PROTECTOR		4
- 35	760255	• . . . CIRCUIT BREAKER, OVERLOAD PROTECTOR		1
- 36	332009	• . . . FUSE, CTG- 2 AMP 1-1/4 X 1/4		2
- 37	179946	• . . . FUSEHOLDER- 1 POS 15 AMP 250V		2
- 38	760261	• . . . MAGNETIC CONTACTOR		1
- 39	2300	• . . . SCREW, MACH-FIL H 8-32 X 1/4 LG	ATT PT	3
- 40	760268	• . . . CIRCUIT BREAKER-OL PROTECTION		1
- 41	438585	• . . . SCREW, MACH-FIL HD 8-32 X 3 LG	ATT PT	4
- 42	123072	• . . . GROMMET, 7/16 I.D. X 15/16 O.D. X 5/16		1
- 43	2100310	• . . . GROMMET		1
- 44	760618	• . . . HOUSING, CIRCUIT BREAKER		1
- 45	5327047	• GATE ASSEMBLY, POWER RELAY SEE LIST 5 FOR DETAIL BREAKDOWN		1
- 46	104753	• RELAY ASSEMBLY-WIRE CONTACT 4PDT 2 COIL SEE LIST 5-31 FOR LOCATION AND DETAIL BREAKDOWN		1
- 47	186685	• RELAY ASSEMBLY-WIRE CONTACT 4PDT 1 COIL SEE LIST 5-10 FOR LOCATION AND DETAIL BREAKDOWN		1

LIST AND INDEX NO.	PART NO.	DESCRIPTION				UNITS PER ASM.	USABLE ON CODE
		1	2	3	4		
A FRAME ASSEMBLY WITH AND W/O ACCELERATE THRU-PUT							
* 2 - 48	196198	. RELAY ASSEMBLY-WIRE CONTACT 6PDT 2 COIL SEE LIST 5-32 FOR LOCATION AND DETAIL BREAKDOWN				3	
* - 49	196208	. RELAY ASSEMBLY-WIRE CONTACT 4PDT 2 COIL SEE LIST 5-30 FOR LOCATION AND DETAIL BREAKDOWN				4	
* - 50	471765	. DIODE ASSEMBLY-PLUGGABLE SEE LIST 5-42 FOR LOCATION AND				4	
- 51	761373	. CONVENIENCE OUTLET ASSEMBLY				1	
- 52	58207	. SCREW,MACH-UNDRCT BIND HD 8-32 X 1/4 LG				4	ATT PT
- 53	138754	. PLATE,INST-LINE V PRESENT W/MACH PWR OFF				2	
- 54	206421	. . COVER				2	
- 55	357995	. . OUTLET-CONVENIENCE 3 WIRE 15 AMP 125V				2	
- 56	10170	. . SCREW,MACH-BIND HD 6-32 X 1/4 LG				4	ATT PT
- 57	151598	. . ADAPTER,CABLE TO CONNECTOR				3	
- 58	761378	. . CABLE ASSEMBLY				1	
- 59	760233	. . CABLE ASSEMBLY SEE LIST 35 FOR COMPONENT PARTS				1	
- 60	761372	. . BRACKET, MOUNTING-CONVENIENCE OUTLET				2	
- 61	221790	. . SCREW,MACH-BIND HD 8-32 X 3/16 LG				4	ATT PT
- 62	194355	. . BOX-OUTLET				2	
- 63	761389	. SWITCH ASSEMBLY,THERMO				2	
- 64	761393	. . CLAMP,THERMO SWITCH				2	
- 65	221790	. . SCREW,MACH-BIND HD 8-32 X 3/16 LG				2	ATT PT
- 66	492627	. . THERMOSWITCH				1	
- 67	533783	. . CLAMP-ADJUSTABLE CABLE				1	ATT PT
- 68	761390	. . PLATE ASSEMBLY				1	
- 69	760303	. CATCH-PULL				2	
- 70	760449	. BRACKET, RELAY GATE LATCH				1	
- 71	58207	. SCREW,MACH-UNDRCT BIND HD 8-32 X 1/4 LG				2	ATT PT
- 72	225532	. HINGE,GATE				2	
- 73	38686	. SCREW,MACH-HEX HD 1/4-20 X 1/2 LG				4	ATT PT
- 74	6935	. WASHER,LOCK-SPLIT 1/4 X 0.493 OD				4	ATT PT
- 75	2102368	. CLAMP,LOOP- 0.880 ID 0.200 DIA MTG HOLE				1	
- 76	5528	. SCREW,MACH-BIND HD 8-32 X 5/8 LG				1	ATT PT
- 77	760443	. BUS, GROUND				1	
- 78	34512	. SCREW,MACH-BIND HD 8-32 X 3/8 LG				2	ATT PT
- 79	58207	. SCREW,MACH-UNDRCT BIND HD 8-32 X 1/4 LG				7	
- 80	369207	. PLATE,INST-HAZARDOUS AREA				1	
- 81	760077	. COVER				1	
- 82	58207	. SCREW,MACH-UNDRCT BIND HD 8-32 X 1/4 LG				2	ATT PT
- 83	761376	. PLATE, CONNECTOR				1	
- 84	140425	. SCREW,MACH-HEX HD 10-32 X 5/16 LG				3	ATT PT
- 85	9092	. WASHER,LOCK-SPLIT NO. 10 X 0.337 OD				3	ATT PT
- 86	38235	. SCREW,MACH-FIL H 6-32 X 5/16 LG				8	
* - 86A	515355	. JUMPER ASSEMBLY SEE LIST 35 FOR COMPONENT PARTS				1	
- 87	313453	. LATCH-CARD FEED COVER				4	
- 88	472729	. SCREW,MACH-FL CSK HD 4-40 X 3/8 LG				8	ATT PT
- 89	37913	. NUT,PLAIN,HEX- 4-40 X 1/4 FL W				8	ATT PT
- 90	257984	. WASHER,LOCK-SPLIT NO. 4 X 0.212 OD				8	ATT PT
* - 90A	122639	. PLATE,IDENTIFICATION-SERIAL NUMBER				1	
* - 90B	124631	. PLATE,IDENT-LEASE W/SALE OPTION				1	
* - 90C	180528	. PLATE,IDENTIFICATION-SERIAL NUMBER				1	
* - 90D	138754	. PLATE,INST-LINE V PRESENT W/MACH PWR OFF				1	
- 91	352018	. SEAL-SIDE COVER				1	AR
- 92	760159	. BLOWER ASSEMBLY SEE LIST 13 FOR DETAIL BREAKDOWN				1	
- 93	38381	. SCREW,MACH-FIL H 10-32 X 5/16 LG				4	ATT PT
- 94	1090873	. WASHER,LOCK-SPLIT NO. 8 X 0.296 OD				4	ATT PT
- 95	196403	. POWER SUPPLY ASSEMBLY- 48V DC 6 AMP SEE LIST 6 FOR DETAIL BREAKDOWN				1	
* - 96	332620	. SCREW,MACH-BIND HD 10-32 X 1/2 LG				4	ATT PT

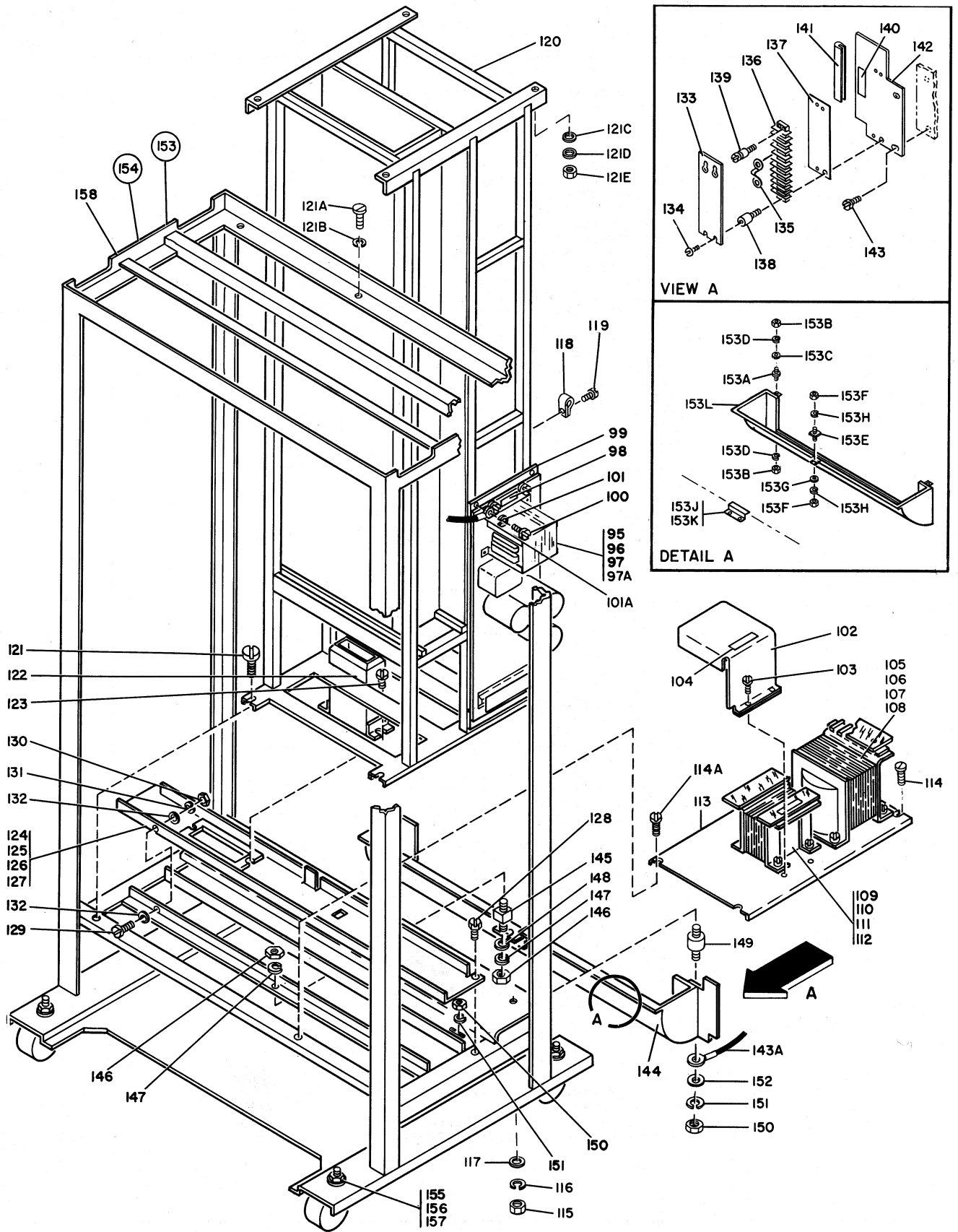


FIGURE 2. A FRAME ASSEMBLY WITH AND W/O ACCELERATED THRU-PUT FEATURE. SHEET 2 OF 2. INDEX NOS. 95-161. SEE LIST 2.

LIST AND INDEX NO.	PART NO.	DESCRIPTION				UNITS PER ASM.	USABLE ON CODE
		1	2	3	4		
A FRAME ASSEMBLY WITH AND W/O ACCELERATE THRU-PUT							
2 - 97	56079	•	WASHER, LOCK-EXT TEETH NO. 10 X 0.410 OD	ATT PT	4		
* - 97A	45690	•	WASHER, FL-NO. 10 X 7/16 OD X 1/32 THK	ATT PT	4		
- 98	138754	•	PLATE, INST-LINE V PRESENT W/MACH PWR OFF		1		
- 99	5327043	•	BAR, PLATE MOUNTING		2		
-100	32042	•	SCREW, MACH-BIND HD 10-32 X 3/8 LG	ATT PT	4		
-101	56079	•	WASHER, LOCK-EXT TEETH NO. 10 X 0.410 OD	ATT PT	4		
* -101A	597216	•	JUMPER ASM-GRN 9-1/2 14AWG 1 LUG EA END SEE LIST 35 FOR COMPONENT PARTS		1		
-102	762594	•	COVER, SAFETY-TRANSFORMER		1		
-103	221790	•	SCREW, MACH-BIND HD 8-32 X 3/16 LG	ATT PT	2		
-104	138754	•	PLATE, INST-LINE V PRESENT W/MACH PWR OFF		1		
-105	760257	•	TRANSFORMER, PWR- 2 PRIM 230V SEC 115V		1		
-106	325626	•	SCREW, MACH-HEX SLOTTED HD	ATT PT	4		
-107	6935	•	WASHER, LOCK-SPLIT 1/4 X 0.493 OD	ATT PT	4		
-108	333769	•	INSULATOR, PLATE	ATT PT	4		
-109	760734	•	TRANSFORMER, PWR, STEP-DOWN		1		
-110	34512	•	SCREW, MACH-BIND HD 8-32 X 3/8 LG	ATT PT	4		
-111	1090873	•	WASHER, LOCK-SPLIT NO. 8 X 0.296 OD	ATT PT	4		
-112	22478	•	WASHER, FL- 0.170 ID 0.375 OD 0.032 THK	ATT PT	4		
-113	5327042	•	PLATE, TRANSFORMER MOUNTING		1		
-114	129147	•	SCREW, MACH-HEX HD 1/4-20 X 7/8 LG	ATT PT	2		
* -114A	25895	•	SCREW, MACH-FH 1/4-20 X 3/4 LG	ATT PT	2		
* -115	3690	•	NUT, PLAIN, HEXAGON	ATT PT	2		
* -116	6935	•	WASHER, LOCK-SPLIT 1/4 X 0.493 OD	ATT PT	2		
* -117	444161	•	WASHER, BEARING RETAINER-ALTERNATE	ATT PT	4	B	
* -118	2102367	•	CLAMP, LOOP- 0.700 ID 0.200 DIA MTG HOLE		1		
* -118	2102369	•	CLAMP, LOOP- 1.230 ID 0.200 DIA MTG HOLE		1	A	
-119	28413	•	SCREW, MACH-BIND HD 10-32 X 5/16 LG	ATT PT	1		
-120	5319840	•	POWER SUPPLY ASSEMBLY USED ON ASSEMBLY 5327490 ONLY SEE LIST 7 FOR DETAIL BREAKDOWN		1		
-120	5319900	•	POWER SUPPLY ASSEMBLY USED ON ASSEMBLY 5319251 ONLY SEE LIST 7 FOR DETAIL BREAKDOWN		1		
* -121	10303	•	SCREW, MACH-HEX HD 5/16-18 X 1 LG	ATT PT	4		
* -121A	59647	•	SCREW, MACH-HEX HD 1/4-20 X 1 LG	ATT PT	4		
* -121B	257983	•	WASHER, LOCK-SPLIT 0.319 ID X 0.591 OD	ATT PT	4		
* -121C	3550	•	WASHER, FL- 1/4 X 9/16 OD X 0.050 THK	ATT PT	4		
* -121D	161351	•	WASHER, FL- 5/16 ID X 5/8 OD X 0.050 THK	ATT PT	AR		
* -121E	25793	•	NUT, PLAIN, HEX- 5/16-18 X 1/2 FL W	ATT PT	4		
-122	5327058	•	DUCT, AIR - LOWER		1		
-123	34512	•	SCREW, MACH-BIND HD 8-32 X 3/8 LG	ATT PT	2		
-124	5327045	•	PLATE, AIR BAFFLE		1		
-125	25627	•	SCREW, MACH-BIND HD 8-32 X 1/2 LG	ATT PT	2		
-126	1090873	•	WASHER, LOCK-SPLIT NO. 8 X 0.296 OD	ATT PT	2		
-127	22478	•	WASHER, FL- 0.170 ID 0.375 OD 0.032 THK	ATT PT	2		
-128	38686	•	SCREW, MACH-HEX HD 1/4-20 X 1/2 LG	ATT PT	2		
-129	32042	•	SCREW, MACH-BIND HD 10-32 X 3/8 LG	ATT PT	4		
-130	11598	•	NUT, PLAIN, HEX- 10-32 X 3/8 FL W	ATT PT	4		
-131	9092	•	WASHER, LOCK-SPLIT NO. 10 X 0.337 OD	ATT PT	4		
-132	45690	•	WASHER, FL-NO. 10 X 7/16 OD X 1/32 THK	ATT PT	8		
-133	186945	•	SHIELD- 8 POSITION		1		
-134	210984	•	SCREW, MACH-RH 6-32 X 1/4 LG	ATT PT	1		
-135	367115	•	JUMPER-TERMINAL STRIP VDC DISTR BRS		4		
-136	317145	•	TERMINAL BOARD- 8 DBL SCREW TERMINALS		1		
-137	242256	•	MARKER STRIP- 8 POS NOS. 1 THRU 8		1		
-138	210883	•	STUD, EXT- 6-32 INT EXT THD X 0.900 LG OA	ATT PT	1		
-139	210884	•	STUD-SHIELD	ATT PT	3		
-140	138754	•	PLATE, INST-LINE V PRESENT W/MACH PWR OFF		1		
-141	223528	•	RUBBER CHANNEL-COVERS		AR		
-142	760150	•	FILLER		2		
-143	10170	•	SCREW, MACH-BIND HD 6-32 X 1/4 LG	ATT PT	4		
* -143A	552597	•	JUMPER ASM-GRN 15 IN. 14AWG 1 LUG EA END SEE LIST 35 FOR COMPONENT PARTS		1		
-144	760141	•	HOUSING-BLOWER		1		
-145	760132	•	MOUNT, RESILIENT- 8-32 X 3/8 LG STUD	ATT PT	1		
-146	257189	•	NUT - HEX-8-32UNC THD	ATT PT	2		
-147	1090873	•	WASHER, LOCK-SPLIT NO. 8 X 0.296 OD	ATT PT	2		
-148	22478	•	WASHER, FL- 0.170 ID 0.375 OD 0.032 THK	ATT PT	1		

LIST AND INDEX NO.	PART NO.	DESCRIPTION	UNITS PER ASM.	USABLE ON CODE
			1 2 3 4	
A FRAME ASSEMBLY WITH AND W/O ACCELERATE THRU-PUT				
2 -149	760133	• MOUNT,RESILIENT- 1/4-20 X 0.406 LG STUD		2
-150	3960	• NUT,PLAIN,HEX- 1/4-20 X 7/16 FL W	ATT PT	4
-151	6935	• WASHER,LOCK-SPLIT 1/4 X 0.493 OD	ATT PT	4
-152	3550	• WASHER,FL- 1/4 X 9/16 OD X 0.050 THK	ATT PT	2
-153	5327053	• FRAME, POWER		1
* -153A	760133	• • MOUNT,RESILIENT- 1/4-20 X 0.406 LG STUD		2
* -153B	3960	• • NUT,PLAIN,HEX- 1/4-20 X 7/16 FL W	ATT PT	4
* -153C	3550	• • WASHER,FL- 1/4 X 9/16 OD X 0.050 THK	ATT PT	2
* -153D	6935	• • WASHER,LOCK-SPLIT 1/4 X 0.493 OD	ATT PT	4
* -153E	760132	• • MOUNT,RESILIENT- 8-32 X 3/8 LG STUD		1
* -153F	257189	• • NUT,PLAIN-HEX 8-32 X 0.343 W	ATT PT	2
* -153G	22478	• • WASHER,FL- 0.170 ID 0.375 OD 0.032 THK	ATT PT	1
* -153H	1090873	• • WASHER,LOCK-SPLIT NO. 8 X 0.296 OD	ATT PT	2
* -153J	5321944	• • BRACKET - FILTER MOUNTING		1
* -153K	236849	• • SCREW,MACH-BIND HD 10-32 X 1/4 LG	ATT PT	2
* -153L	760141	• • HOUSING-BLOWER		1
-154	5321962	• • FRAME ASM-UNIVERSAL		1
-155	471901	• • • CASTER,SWIVEL- 2-5/8 IN. WHL 1/2-13 STUD		4
-156	76846	• • • NUT,PLAIN,HEX- 1/2-13 X 3/4 FL W	ATT PT	4
-157	130987	• • • WASHER,LOCK-SPLIT 0.509 ID X 0.879 OD	ATT PT	4
-158	5321961	• • • FRAME-UNIVERSAL		1
-159	760730	• CABLE ASSEMBLY		1
-160	5319867	• CABLE ASSEMBLY		1
-161	5327073	• CABLE ASSEMBLY		1
NOT ILLUSTRATED SEE LIST 35 FOR COMPONENT PARTS				
CONTROL PANEL ASSEMBLY				
3 -	5327054	PANEL ASSEMBLY, CONTROL SEE LIST 2-1 FOR NEXT HIGHER ASSEMBLY AND FIG. 3 FOR ILLUSTRATION		REF
-	761381	PANEL ASSEMBLY, CONTROL SEE LIST 14-1 FOR NEXT HIGHER ASSEMBLY AND FIG. 3 FOR ILLUSTRATION		REF
- 1	369207	• PLATE,INST-HAZARDOUS AREA		1
- 2	760391	• SHIELD, CONTROL PANEL		1
- 3	10170	• SCREW,MACH-BIND HD 6-32 X 1/4 LG	ATT PT	6
- 4	760614	• STANDOFF, SAFETY COVER		6
* - 4A	510809	• WASHER,FL-NO. 6 X 3/8 OD X 1/32 THK	ATT PT	6
- 5	369222	• RELAY,ARMATURE- 4NO POLES 115V AC		6
- 6	38350	• SCREW,MACH-FIL H 6-32 X 1/4 LG	ATT PT	12
- 7	220838	• VARIAC AND POTENTIOMETER ASSEMBLY		1
- 8	207317	• • POTENTIOMETER,WW 2.5K P/M 10 PCT 2W		1
- 9	219900	• • COUPLING,1/4-3/8 SHAFT		1
- 10	321603	• • WASHER,INSULATING 5/8 OD X 0.031 THK		1
- 11	208234	• • TRANSFORMER,VARIABLE		1
- 12	28413	• • SCREW,MACH-BIND HD 10-32 X 5/16 LG	ATT PT	3
- 13	56121	• • WASHER,LOCK-INT TEETH NO. 10 X 0.381 OD	ATT PT	3
- 14	38574	• • SCREW,MACH-RH 6-32 X 3/8 LG		1
- 15	257187	• • NUT,PLAIN,HEX- 6-32 X 5/16 FL W		1
- 16	62031	• • WASHER,LOCK-INT TEETH NO. 6 X 0.295 OD		1
- 17	219901	• • PANEL		1
- 18	208308	• POWERSTAT AND POTENTIOMETER ASSEMBLY		1
- 19	438622	• SCREW,MACH-UNDRCT BIND HD 1/4-20 X 3/8	ATT PT	4
- 20	331699	• • RESISTOR,VAR-WW,500 OHMS PM 5%,2 W		1
- 21	438266	• • RESISTOR,FXD,COMP 750 OHMS P/M 5 % 1 W		1
* - 21	317353	• • RESISTOR,FIXED COMP 2K,5%1 WATT		1
- 22	208343	• • COUPLING		1
- 23	336359	• • SETSCREW-SPLINE DR OVAL PT 6-32 X 5/16	ATT PT	4
- 24	208321	• • PLATE, MOUNTING-POWERSTAT		1
- 25	36109	• • NUT,PLAIN,HEX- 1/4-20 X 7/16 FL W	ATT PT	4
- 26	6935	• • WASHER,LOCK-SPLIT 1/4 X 0.493 OD	ATT PT	4
- 27	208310	• • SPACER		4
- 28	208334	• • NUT, HEX-1/4-20 X 1/2 FL W		4
- 29	6935	• • WASHER,LOCK-SPLIT 1/4 X 0.493 OD		4

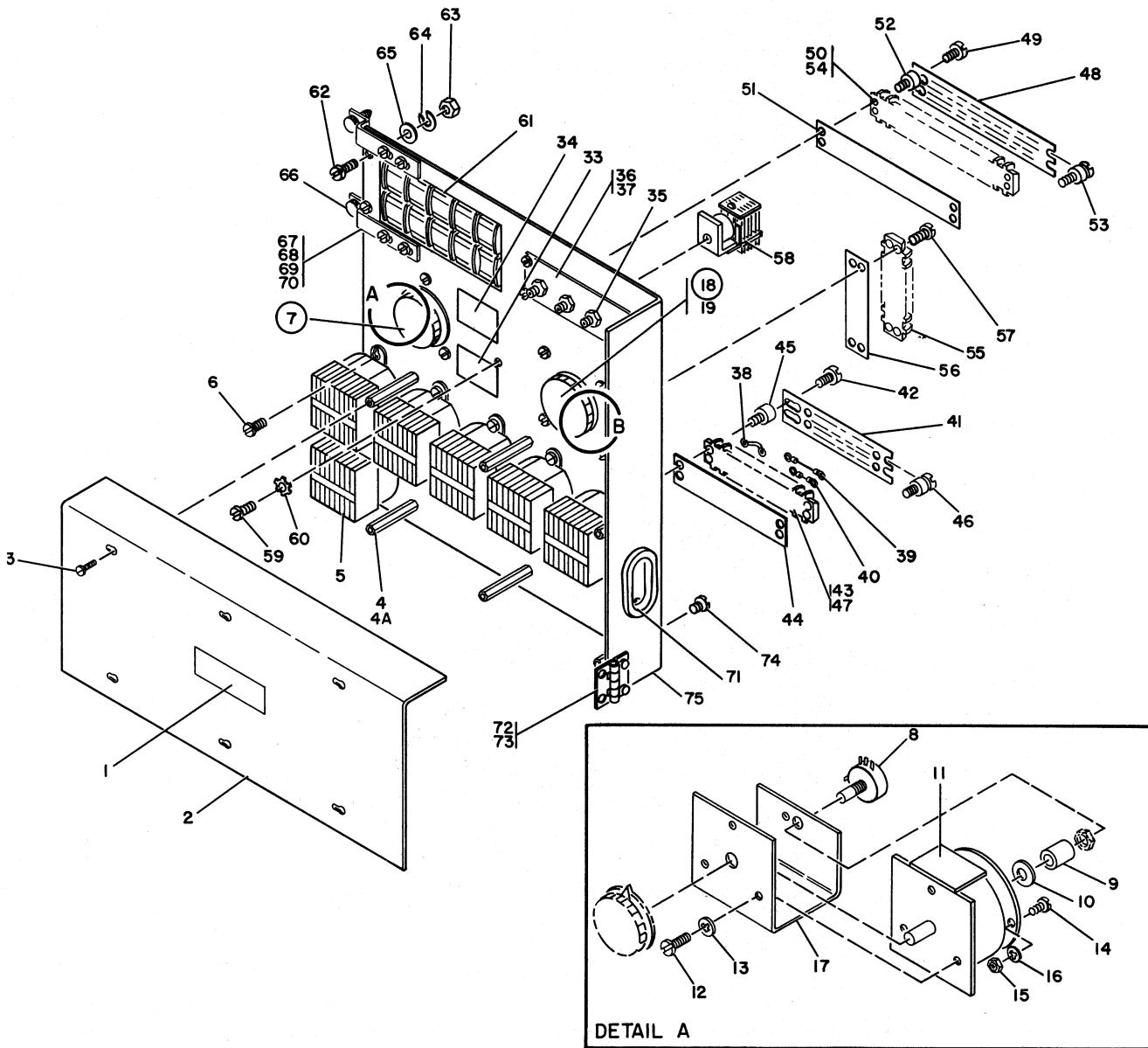
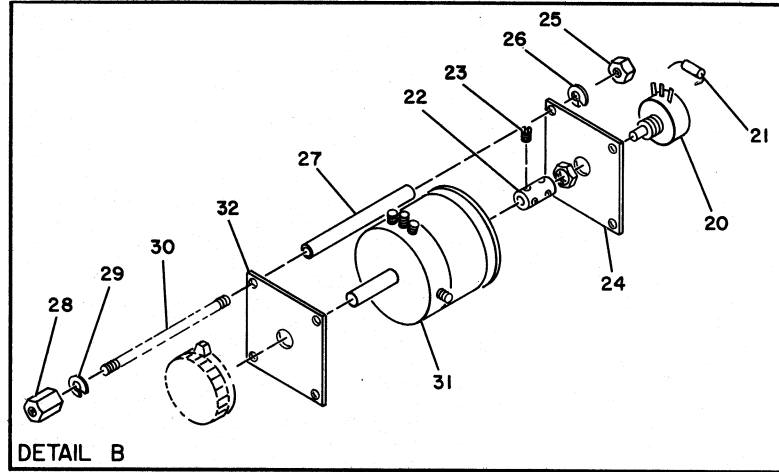
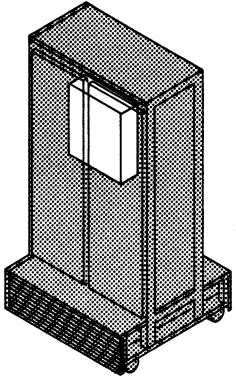


FIGURE 3. CONTROL PANEL ASSEMBLY. SEE LIST 3.

LIST AND INDEX NO.	PART NO.	DESCRIPTION				UNITS PER ASM.	USABLE ON CODE
		1	2	3	4		
		CONTROL PANEL ASSEMBLY -CONT					
3 - 30	208358			•	• ROD, THREADED	4	
- 31	208181			•	• TRANSFORMER, VARIABLE-AUTO POWERSTAT	1	
- 32	208309			•	• PLATE, MOUNTING-POWERSTAT	1	
- 33	762635			•	• LABEL, SELF ADHERING	1	
- 34	369207			•	• PLATE, INST-HAZARDOUS AREA	1	
- 35	480554			•	• JACK	4	
- 36	760455			•	• PLATE, PHONE JACK MOUNTING	1	
- 37	55726			•	• SCREW, MACH-BIND HD 6-32 X 3/16 LG ATT PT	4	
- 38	367115			•	• JUMPER-TERMINAL STRIP VDC DISTR BRS	21	
- 39	207391			•	• JUMPER ASM-BLK 3 IN. 18AWG 1 LUG EA END	1	
- 40	532945			•	• JUMPER ASSEMBLY	1	
					SEE LIST 35 FOR COMPONENT PARTS		
- 41	187466			•	• SHIELD- 12 POSITION	1	
- 42	210984			•	• SCREW, MACH-RH 6-32 X 1/4 LG ATT PT	1	
- 43	92749			•	• TERMINAL BOARD- 12 DBL SCREW TERMINALS	2	
- 44	92743			•	• MARKER STRIP- 12 POS NOS. 1 THRU 12	2	
- 45	210883			•	• STUD, EXT- 6-32 INT EXT THD X 0.900 LG OA ATT PT	1	
- 46	210884			•	• STUD-SHIELD ATT PT	3	
- 47	322550			•	• SCREW, MACH-BIND HD 6-32 X 1/2 LG ATT PT	4	
- 48	191478			•	• SHIELD, TERMINAL BOARD	1	
- 49	210984			•	• SCREW, MACH-RH 6-32 X 1/4 LG ATT PT	1	
- 50	301731			•	• TERMINAL BOARD- 16 DBL SCREW TERMINALS	2	
- 51	517894			•	• MARKER STRIP- 16 POS NOS. 1 THRU 16	2	
- 52	210883			•	• STUD, EXT- 6-32 INT EXT THD X 0.900 LG OA ATT PT	1	
- 53	210884			•	• STUD-SHIELD ATT PT	3	
- 54	322550			•	• SCREW, MACH-BIND HD 6-32 X 1/2 LG ATT PT	4	
- 55	317145			•	• TERMINAL BOARD- 8 DBL SCREW TERMINALS	1	
- 56	242256			•	• MARKER STRIP- 8 POS NOS. 1 THRU 8	1	
- 57	322550			•	• SCREW, MACH-BIND HD 6-32 X 1/2 LG ATT PT	4	
- 58	252617			•	• RELAY	1	
- 59	58207			•	• SCREW, MACH-UNDRCT BIND HD 8-32 X 1/4 LG ATT PT	1	
- 60	55901			•	• WASHER, LOCK-EXT TEETH NO. 8 X 0.381 OD ATT PT	1	
- 61	760390			•	• LIGHT ASSEMBLY, UNITIZED	1	
					SEE LIST 4 FOR DETAIL BREAKDOWN		
- 62	25627			•	• SCREW, MACH-BIND HD 8-32 X 1/2 LG ATT PT	4	
- 63	257189			•	• NUT - HEX-8-32UNC THD ATT PT	4	
- 64	1090873			•	• WASHER, LOCK-SPLIT NO. 8 X 0.296 OD ATT PT	4	
- 65	22478			•	• WASHER, FL- 0.170 ID 0.375 OD 0.032 THK ATT PT	4	
- 66	104443			•	• SCREW, CLAMP-LEDGER LOCATOR	2	
					USED ON ASSEMBLY 5327054 ONLY		
- 66A	555043			•	• LATCH-CE PANEL	2	
					USED ON ASSEMBLY 761381 ONLY		
- 67	5327055			•	• PLATE, CONTROL PANEL LOCK	2	
					USED ON ASSEMBLY 5327054 ONLY		
- 67A	350844			•	• BRACKET, LATCH MOUNTING	2	
					USED ON ASSEMBLY 761381 ONLY		
- 68	55918			•	• SCREW, MACH-BIND HD 10-32 X 5/8 LG ATT PT	4	
- 69	11598			•	• NUT, PLAIN, HEX- 10-32 X 3/8 FL W ATT PT	4	
- 70	56079			•	• WASHER, LOCK-EXT TEETH NO. 10 X 0.410 OD ATT PT	8	
- 71	244816			•	• GROMMET, RUB-FOR 2-1/2 HOLE X 1/16 PNL	1	
- 72	334632			•	• HINGE, PANEL MOUNTING	2	
- 73	28413			•	• SCREW, MACH-BIND HD 10-32 X 5/16 LG ATT PT	4	
- 74	438566			•	• SCREW, MACH-UNDRCT BIND HD 6-32 X 1/8 LG	1	
- 75	760389			•	• PANEL, CONTROL	1	
- 76	762463			•	• CABLE ASSEMBLY	1	
					NOT ILLUSTRATED		
					SEE LIST 35 FOR COMPONENT PARTS		

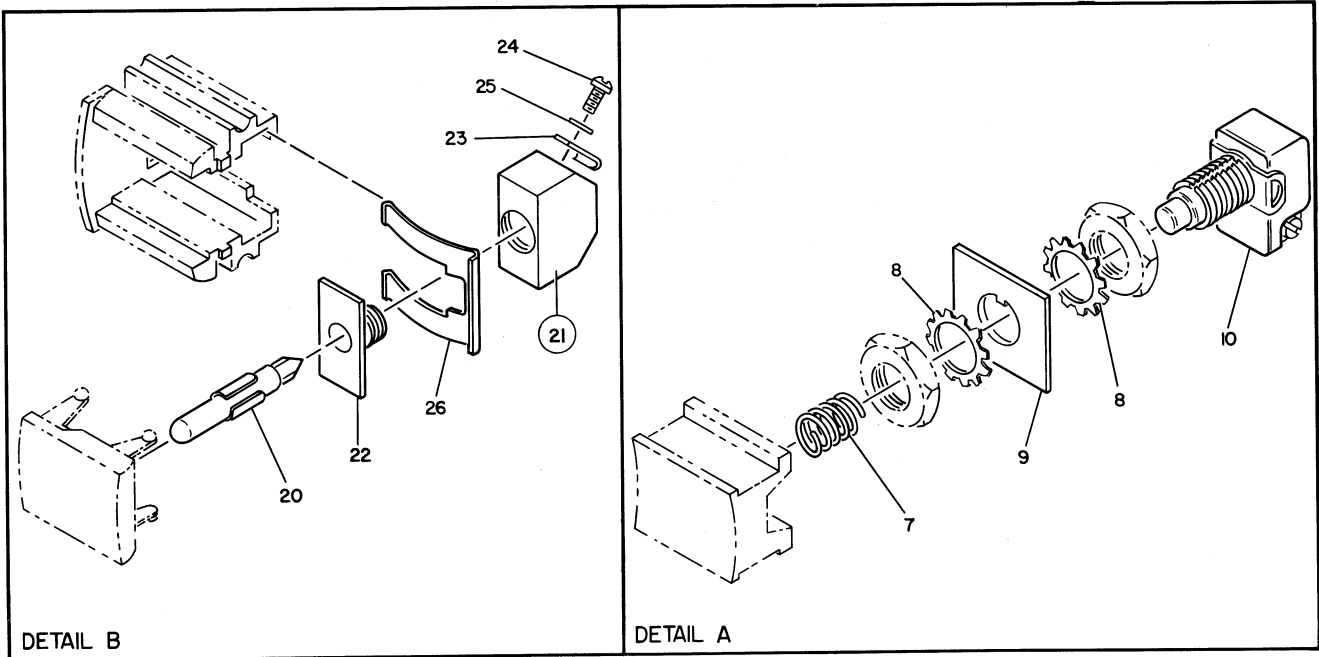
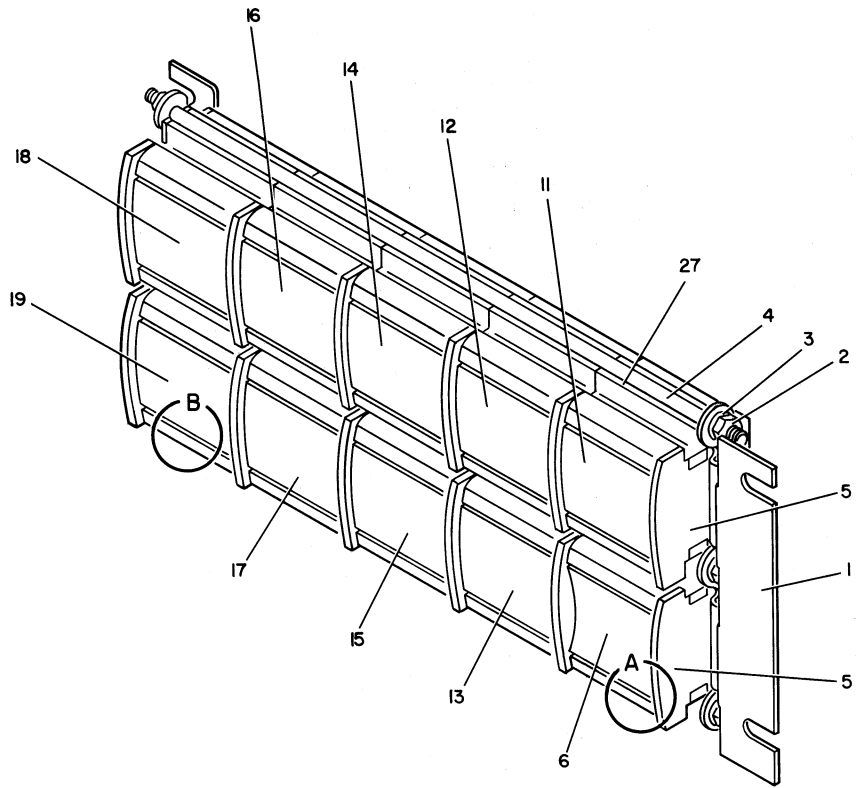
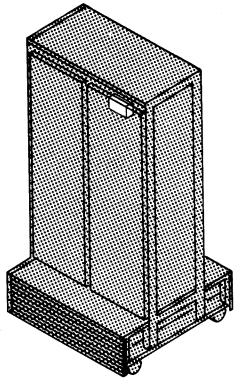


FIGURE 4. LIGHT ASSEMBLY. SEE LIST 4.

LIST AND INDEX NO.	PART NO.	DESCRIPTION	UNITS	USABLE
			PER ASM.	ON CODE
		LIGHT ASSEMBLY		
4 -	760390	LIGHT ASSEMBLY, UNITIZED SEE LIST 3-61 FOR NEXT HIGHER ASSEMBLY AND FIG. 4 FOR ILLUSTRATION	REF	
- 1	341529	. BRACKET-UNITIZED SWITCH	2	
- 2	221	. NUT, PLAIN, HEX- 10-32 X 5/16 FL W	6	
- 3	9092	. WASHER, LOCK-SPLIT NO. 10 X 0.337 OD	6	
- 4	563693	. ROD, THREADED	3	
- 5	233883	. BARRIER-END UNITIZED	2	
- 6	538839	. PUSH BUTTON-ENGRAVED THERMAL RESET	1	
- 7	130118	. SPRING, HELICAL, COMPR- 8 TURNS	1	
- 8	159373	. WASHER, LOCK-EXT TEETH 15/32 ID X 3/4 OD	2	
- 9	336447	. PLATE-TOGGLE SWITCH POSITIONING	1	
- 10	117185	. SWITCH, PUSH-NO 125V AC 1 AMP	1	
- 11	760394	. LENS, I-O - RED	1	
- 12	760397	. LENS, TAU 1-RED	1	
- 13	760398	. LENS, TAU 2-RED	1	
- 14	760395	. LENS, FCU 1-RED	1	
- 15	760396	. LENS, FCU 2-RED	1	
- 16	760392	. LENS, CPU-RED	1	
- 17	760393	. LENS, MEMORY-RED	1	
- 18	760387	. LENS, CB TRIP-RED	1	
- 19	538842	. LENS-ENGRAVED THERMAL TRIP	1	
- 20	344987	. BULB	9	
- 21	437459	. HOLDER ASSEMBLY-SIGNAL LIGHT	9	
- 22	233881	. . HOLDER-SIGNAL LIGHT	1	
- 23	233882	. . SPRING-SIGNAL LIGHT CONTACT	2	
- 24	55726	. . SCREW, MACH-BIND HD 6-32 X 3/16 LG	2	
- 25	257986	. . WASHER, FL-NO. 6 X 5/8 OD X 0.035 THK	2	
- 26	233888	. CLIP, SPRING	9	
- 27	233880	. HOUSING	10	
		POWER RELAY GATE ASSEMBLY		
5 -	5327047	GATE ASSEMBLY, POWER RELAY SEE LIST 2-45 FOR NEXT HIGHER ASSEMBLY AND FIG. 5 FOR ILLUSTRATION	REF	
-	760054	GATE ASSEMBLY, RELAY SEE LIST 14-15 FOR NEXT HIGHER ASSEMBLY AND FIG. 5 FOR ILLUSTRATION	REF	
- 1	761371	. SHIELD, SAFETY-RELAY GATE	1	
- 2	38235	. SCREW, MACH-FIL H 6-32 X 5/16 LG	4	
- 3	138755	. PLATE, INST-LINE V PRESENT W/MACH PWR OFF	1	
- 4	129242	. JUMPER ASM-BLU 2-1/2 20AWG 1 LUG EA END USED ON ASSEMBLY 5327047 ONLY	23	
- 4	129242	. JUMPER ASM-BLU 2-1/2 20AWG 1 LUG EA END USED ON ASSEMBLY 760054 ONLY	22	
- 5	129243	. JUMPER ASM-BLU 3-1/2 20AWG 1 LUG EA END USED ON ASSEMBLY 5327047 ONLY	54	
- 5	129243	. JUMPER ASM-BLU 3-1/2 20AWG 1 LUG EA END USED ON ASSEMBLY 760054 ONLY	57	
- 6	129244	. JUMPER ASM-BLU 4-1/2 20AWG 1 LUG EA END USED ON ASSEMBLY 5327047 ONLY	3	
- 6	129242	. JUMPER ASM-BLU 2-1/2 20AWG 1 LUG EA END USED ON ASSEMBLY 5327047 ONLY	2	A

LIST AND INDEX NO.	PART NO.	DESCRIPTION	UNITS	USABLE
			PER ASM.	ON CODE
		POWER RELAY GATE ASSEMBLY -CONT		
* 5 - 6A	205331	. JUMPER-RELAY GATES UNIT 1/8 BRASS USED ON ASSEMBLY 5327047 ONLY	1	A
* - 6B	129244	. JUMPER ASM-BLU 4-1/2 20AWG 1 LUG EA END USED ON ASSEMBLY 760054 ONLY	2	
- 7	132665	. JUMPER ASM-BLK 3 IN. 20AWG 1 LUG EA END USED ON ASSEMBLY 5327047 ONLY	8	
- 7	132665	. JUMPER ASM-BLK 3 IN. 20AWG 1 LUG EA END USED ON ASSEMBLY 760054 ONLY SEE LIST 35 FOR COMPONENT PARTS	20	
- 8	205329	. JUMPER-TERMINAL BRASS	7	
- 9	205331	. JUMPER-RELAY GATES UNIT 1/8 BRASS USED ON ASSEMBLY 5327047 ONLY	29	
- 9	205331	. JUMPER-RELAY GATES UNIT 1/8 BRASS USED ON ASSEMBLY 760054 ONLY	30	
* - 10	186685	. RELAY ASSEMBLY-WIRE CONTACT 4PDT 1 COIL SEE LIST 2 FOR NEXT HIGHER ASSEMBLY	REF	
* - 11	344551	. . COIL AND CORE ASSEMBLY	1	
- 12	340049	. . SHIM	AR	
- 13	344506	. . SCREW,MACH-HEX HD 5-40 X 3/16 LG ATT PT	1	
- 14	186705	. . YOKE	1	
- 15	344505	. . SCREW,MACH-HEX HD 3-48 X 3/16 LG ATT PT	1	
- 16	214459	. . SHIM- 0.003 THK	AR	
- 17	344519	. . SHIM	AR	
- 18	149878	. . WIRE-CONTACT	8	
- 19	159928	. . HOLDER-CONTACT WIRE	1	
- 20	104976	. . SCREW,MACH-HEX WASHER HD 5-40 X 11/32 LG ATT PT	2	
- 21	186700	. . RETAINER	1	
- 22	186702	. . SPRING,HELICAL,COMPR- 10 TURNS LH	1	
- 23	186701	. . ARM	1	
- 24	186697	. . YOKE	1	
- 25	344504	. . SCREW,ASMD WASHER-HEX HD 5-40 X 3/8 LG ATT PT	1	
- 26	344539	. . COIL ASSEMBLY	1	
- 27	186688	. . ARMATURE	1	
- 28	155043	. . SPRING,HELICAL,COMPR- 8.5 TURNS LH	2	
- 29	344503	. . MOLDING ASSEMBLY- 4 POS RELAY	1	
* - 30	196208	. RELAY ASSEMBLY-WIRE CONTACT 4PDT 2 COIL SEE LIST 2 FOR NEXT HIGHER ASSEMBLY	REF	
* - 31	104753	. RELAY ASSEMBLY-WIRE CONTACT 4PDT 2 COIL SEE LIST 2 FOR NEXT HIGHER ASSEMBLY	REF	
* - 32	196198	. RELAY ASSEMBLY-WIRE CONTACT 6PDT 2 COIL SEE LIST 2 FOR NEXT HIGHER ASSEMBLY	REF	
- 33	149878	. . WIRE-CONTACT USED ON ASSEMBLY 196208 AND 104753 ONLY	8	
- 33	149878	. . WIRE-CONTACT USED ON ASSEMBLY 196198 ONLY	12	
- 34	159928	. . HOLDER-CONTACT WIRE USED ON ASSEMBLY 196208 AND 104753 ONLY	1	
- 34	159929	. . HOLDER-CONTACT WIRE USED ON ASSEMBLY 196198 ONLY	1	
- 35	104976	. . SCREW,MACH-HEX WASHER HD 5-40 X 11/32 LG ATT PT	2	
- 36	196215	. . CORE AND YOKE ASSEMBLY- 4 PT USED ON ASSEMBLY 196208 ONLY	1	
- 36	196214	. . MAGNETIC CORE AND YOKE ASSEMBLY- 4 POINT USED ON ASSEMBLY 104753 ONLY	1	
- 36	196204	. . CORE AND YOKE ASSEMBLY-MAGNET USED ON ASSEMBLY 196198 ONLY	1	
- 37	104976	. . SCREW,MACH-HEX WASHER HD 5-40 X 11/32 LG ATT PT	1	
- 38	344502	. . COIL ASSEMBLY USED ON ASSEMBLY 196208 ONLY	1	
- 38	344549	. . COIL ASSEMBLY USED ON ASSEMBLY 104753 ONLY	1	
- 38	344547	. . COIL ASSEMBLY USED ON ASSEMBLY 196198 ONLY	1	
- 39	196212	. . ARMATURE- 4 PT MLDG USED ON ASSEMBLY 196208 AND 104753 ONLY	1	
- 39	196202	. . ARMATURE- 6 PT MLDG USED ON ASSEMBLY 196198 ONLY	1	

LIST AND INDEX NO.	PART NO.	DESCRIPTION				UNITS PER ASM.	USABLE ON CODE
		1	2	3	4		
POWER RELAY GATE ASSEMBLY -CONT							
5 - 40	155043	•	•	SPRING,HELICAL,COMPR- 8.5 TURNS LH		2	
- 41	344503	•	•	MOLDING ASSEMBLY- 4 POS RELAY USED ON ASSEMBLY 196208 AND 104753 ONLY		1	
- 41	344517	•	•	MOLDING ASSEMBLY- 6 POS RELAY USED ON ASSEMBLY 196198 ONLY		1	
* - 42	471765	•		DIODE ASSEMBLY-PLUGGABLE SEE LIST 2 FOR NEXT HIGHER ASSEMBLY		REF	
* - 43	609397	•		DIODE ASSEMBLY USED ON ASSEMBLY 5327047 ONLY		6	
- 43	609397	•		DIODE ASSEMBLY USED ON ASSEMBLY 760054 ONLY		3	
- 44	7991	•		JUMPER ASM-BLK 4 IN. 20AWG 1 LUG EA END USED ON ASSEMBLY 5327047 ONLY SEE LIST 35 FOR COMPONENT PARTS		13	
- 44	7991	•		JUMPER ASM-BLK 4 IN. 20AWG 1 LUG EA END USED ON ASSEMBLY 760054 ONLY SEE LIST 29 FOR COMPONENT PARTS		3	
- 45	121349	•		STRIP-CONNECTOR		8	
- 46	124843	•		RELAY ASM-ARM CONT ARR 2C,2D AND 2F 40V		11	
* - 46	124843	•		RELAY ASM-ARM CONT ARR 2C,2D AND 2F 40V USED ON ASSEMBLY 5327047 ONLY		10	A
- 46	124843	•		RELAY ASM-ARM CONT ARR 2C,2D AND 2F 40V USED ON ASSEMBLY 760054 ONLY		8	
- 46A	111351	•		RELAY ASM-ARM CONT ARR 1C AND 1C 40V DC USED ON ASSEMBLY 760054 ONLY SEE SECT. 2 LIST 10-52 FOR DETAIL BREAKDOWN		2	
- 47	2300	•		SCREW,MACH-FIL H 8-32 X 1/4 LG ATT PT USED ON ASSEMBLY 5327047 ONLY		22	
- 47	2300	•		SCREW,MACH-FIL H 8-32 X 1/4 LG ATT PT USED ON ASSEMBLY 760054 ONLY		20	
- 48	173218	•	•	SCREW,MACH-RD WASHER HD 5-40 X 1-15/32		4	
- 49	121011	•	•	PLATE-DUO RELAY TOP		2	
- 50	122311	•	•	INSULATOR-SCR 0.128 ID 0.186 OD 1-9/32LG		4	
- 51	120942	•	•	INSULATOR-DUO RELAY		2	
- 52	105826	•	•	SPRING-STIFFENER		2	
- 53	105832	•	•	SPRING ASSEMBLY-UPPER CONTACT		2	
- 54	189844	•	•	TERMINAL ASSEMBLY-CONTACT		2	
- 55	120924	•	•	INSULATOR-DUO RELAY		3	
- 56	125872	•	•	SPRING- STIFFENER		6	
- 57	141964	•	•	TERMINAL ASSEMBLY-CONTACT		2	
- 58	141977	•	•	SPRING ASSEMBLY-OPERATING CONTACT		2	
- 59	120925	•	•	INSULATOR-DUO RELAY		1	
- 60	141967	•	•	TERMINAL ASSEMBLY-CONTACT		4	
- 61	125877	•	•	SPRING ASSEMBLY-CONTACT		2	
- 62	120837	•	•	SPRING ASSEMBLY-UPPER CONTACT		2	
- 63	141971	•	•	TERMINAL ASSEMBLY-CONTACT		2	
- 64	141969	•	•	TERMINAL ASSEMBLY-CONTACT		2	
- 65	141981	•	•	SPRING ASSEMBLY-OPERATING CONTACT		2	
- 66	120926	•	•	INSULATOR-DUO RELAY		2	
- 67	121839	•	•	SPRING ASSEMBLY-CONTACT		2	
- 68	156909	•	•	SPACER- 1 LG X 3/8 W X 1/16 THK		2	
- 69	105835	•	•	TERMINAL ASSEMBLY-CONTACT		2	
- 70	165594	•	•	PIVOT-ARMATURE		1	
- 71	107177	•	•	ARMATURE ASSEMBLY-MAGNET		1	
- 72	154350	•	•	COIL AND TERMINAL ASSEMBLY		1	
- 73	19587	•	•	SCREW,MACH-FL CSK HD 8-32 X 3/8 LG ATT PT		1	
- 74	115552	•	•	WASHER,FL-NO. 8 X 7/16 OD X 0.005 THK ATT PT		1	
- 75	165595	•	•	YOKE ASSEMBLY-MAGNET		1	
- 76	552643	•	•	RELAY,ARMATURE-DPDT 115V AC 3 AMP USED ON ASSEMBLY 5327047 ONLY		1	

LIST AND INDEX NO.	PART NO.	DESCRIPTION	UNITS PER ASM.	USABLE ON CODE
		1 2 3 4		
		POWER RELAY GATE ASSEMBLY -CONT		
5 - 77	438566	. SCREW,MACH-UNDRCT BIND HD 6-32 X 1/8 LG ATT PT	2	
- 78	5327044	USED ON ASSEMBLY 5327047 ONLY		
		. BRACKET, RELAY MOUNTING	1	
- 79	251970	USED ON ASSEMBLY 5327047 ONLY		
		. SCREW,MACH-BIND HD 4-40 X 1/4 LG ATT PT	2	
- 80	322613	USED ON ASSEMBLY 5327047 ONLY		
		. RELAY,ARMATURE-CONT ARR 2C AND 2C 115VAC	2	
- 80	322613	USED ON ASSEMBLY 5327047 ONLY		
		. RELAY,ARMATURE-CONT ARR 2C AND 2C 115VAC	3	
- 81	10170	USED ON ASSEMBLY 760054 ONLY		
		. SCREW,MACH-BIND HD 6-32 X 1/4 LG ATT PT	4	
- 81	10170	USED ON ASSEMBLY 5327047 ONLY		
		. SCREW,MACH-BIND HD 6-32 X 1/4 LG ATT PT	6	
- 82	328451	USED ON ASSEMBLY 760054 ONLY		
		. RESISTOR ASSEMBLY - 200 OHM 2W	1	
- 83	607343		6	
		. RESISTOR ASSEMBLY, 800 OHM 5 WATT		
- 83	607343	USED ON ASSEMBLY 5327047 ONLY		
		. RESISTOR ASSEMBLY, 800 OHM 5 WATT	8	
- 84	694908	USED ON ASSEMBLY 760054 ONLY		
		. RESISTOR ASSEMBLY, 500 OHM 5 WATT	1	
- 85	760107		1	
		. RESISTOR ASSEMBLY, 1.2K 2 WATT	4	
- 86	760109		4	
		. RESISTOR ASSEMBLY, 750 OHM 2 WATT	5	
- 87	2103552		5	
		. RESISTOR ASSEMBLY, 1K 2 WATT		
- 88	324999	SEE LIST 35 FOR COMPONENT PARTS	7	
		. TERMINAL BOARD- 109 FEEDTHRU TERMINALS	7	
- 89	159946		7	
		. CLIP,SPRING TENSION-TERMINAL MOULDING ATT PT		
- 90	284424		2	
		. CLIP-RELAY MOULDING BOTTOM MOUNTING ATT PT		
- 91	198363		93	
		. SCREW,THD FORMING-BIND HD NO. 4 X 1/2 LG		
- 91	198363	USED ON ASSEMBLY 5327047 ONLY		
		. SCREW,THD FORMING-BIND HD NO. 4 X 1/2 LG ATT PT	91	
- 92	159942	USED ON ASSEMBLY 760054 ONLY		
		. MOLDING ASSEMBLY-TERMINAL 6 POS	7	
- 93	159945		7	
		. CLIP,SPRING TENSION-TERMINAL MOULDING ATT PT		
- 94	159941		11	
		. MOLDING ASSEMBLY-TERMINAL 4 POS	4	
- 95	344599		15	
		. MOLDING ASSEMBLY-TERMINAL		
- 96	159944		14	
		. CLIP,SPRING TENSION-TERMINAL MOULDING ATT PT		
- 96	159944	USED ON ASSEMBLY 5327047 ONLY		
		. CLIP,SPRING TENSION-TERMINAL MOULDING ATT PT	10	
- 97	308704		1	
		. CLIP, MOLDING	1	
- 98	761413		1	
		. STRIP, RELAY NUMBERING	2	
- 99	760447		2	
		. LATCH ASSEMBLY	1	
-100	845		2	
		. SCREW,MACH-FIL H 8-32 X 1/2 LG ATT PT		
-101	55901		2	
		. WASHER,LOCK-EXT TEETH NO. 8 X 0.381 OD ATT PT		
-102	204500		1	
		. STUD-REL GATE LATCH	1	
-103	204499		1	
		. PIN-LATCH RELAY GATE 3/8 DIA X 3-3/8 LG	1	
-104	220856		1	
		. SPRING,HELICAL,COMPR- 9 TURNS	1	
-105	760446		1	
		. BRACKET,LATCH	2	
-106	124871		4	
		. HINGE- REAR GATE	1	
-107	438622		1	
		. SCREW,MACH-UNDRCT BIND HD 1/4-20 X 3/8 ATT PT		
-108	78916		1	B
		. BUTTON-CUSHION	1	B
-109	38392		1	B
		. SCREW,MACH-FIL H 10-32 X 1-1/4 LG ATT PT		
-110	11598		1	
		. NUT,PLAIN,HEX- 10-32 X 3/8 FL W ATT PT		
-111	760454		1	
		. RELAY GATE, POWER CONTROL	1	
-112	5327070		1	
		. CABLE ASSEMBLY		
-112A	760290	USED ON ASSEMBLY 5327047 ONLY		
		. CABLE ASSEMBLY	1	
		USED ON ASSEMBLY 760054 ONLY		
		NOT ILLUSTRATED		
		SEE LIST 35 FOR COMPONENT PARTS		

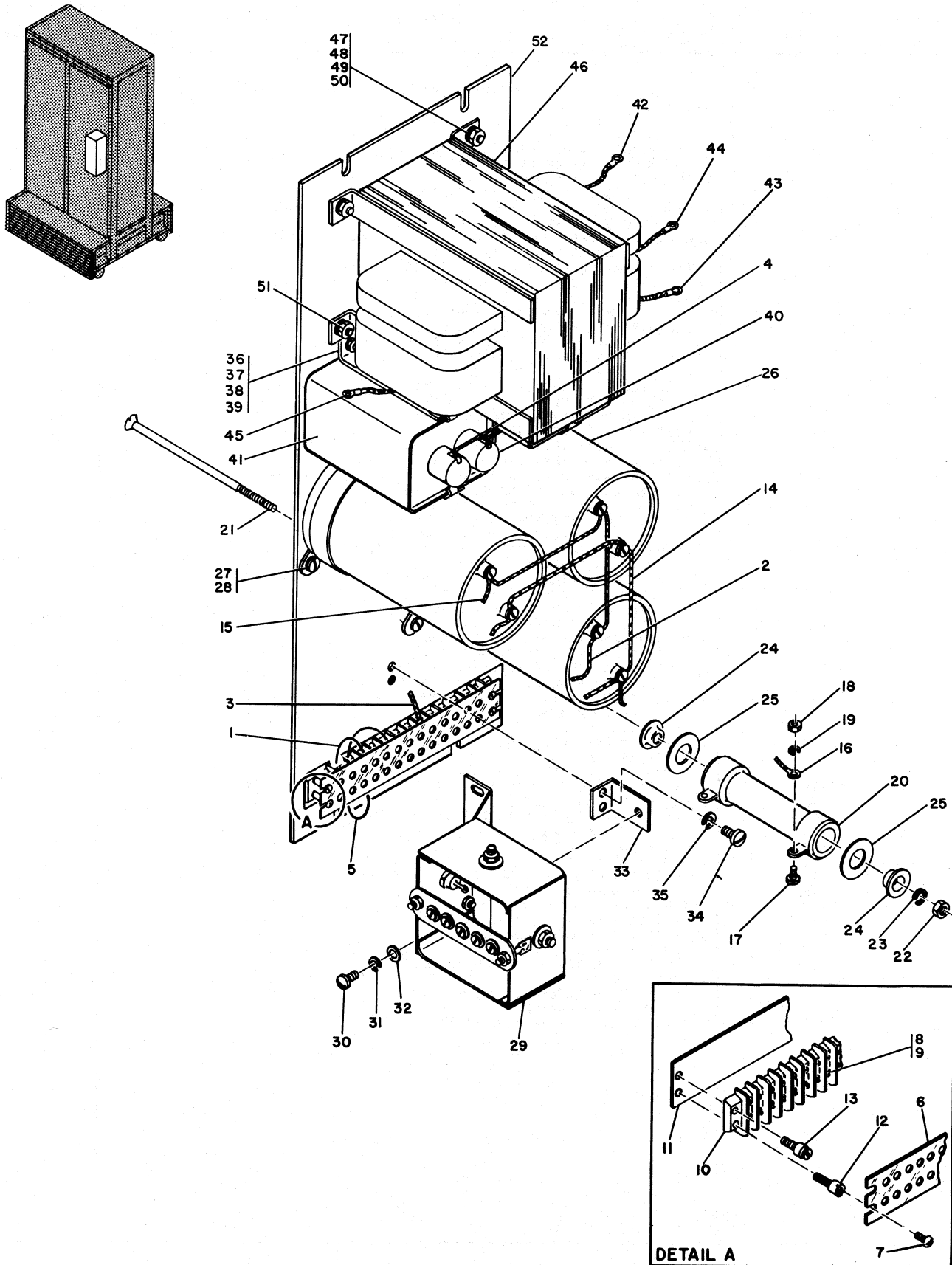


FIGURE 6. 48V AT 6A MAIN POWER SUPPLY ASSEMBLY. SEE LIST 6.

LIST AND INDEX NO.	PART NO.	DESCRIPTION	UNITS	USABLE
			PER ASM.	ON CODE
		1 2 3 4		
		48V AT 6A MAIN POWER SUPPLY ASSEMBLY		
6 -	196403	POWER SUPPLY ASSEMBLY- 48V DC 6 AMP SEE LIST 2-95 AND 14-167 FOR NEXT HIGHER ASSEMBLY AND FIG. 6 FOR ILLUSTRATION	REF	
- 1	207391	. JUMPER ASM-BLK 3 IN. 18AWG 1 LUG EA END USED FOR 115 VOLTS ONLY	2	
- 2	561188	. JUMPER ASSEMBLY	3	
- 3	1127055	. KEYBUTTON	1	
- 4	517196	. JUMPER ASM-BLK 5 IN. 16AWG 1 LUG EA END SEE LIST 35 FOR COMPONENT PARTS	2	
- 5	510425	. JUMPER ASSEMBLY,NO 14 WIRE 3 IN. LONG USED FOR 208 AND 230 VOLTS ONLY SEE LIST 35 FOR COMPONENT PARTS	1	
- 6	210990	. SHIELD- 13 POSITION	1	
- 7	210984	. SCREW,MACH-RH 6-32 X 1/4 LG ATT PT	1	
- 8	38354	. SCREW,MACH-FIL H 6-32 X 1/2 LG	4	
- 9	6364	. WASHER,LOCK-SPLIT NO. 6 X 1/4 OD	4	
- 10	320461	. TERMINAL BOARD-13 POS	1	
- 11	2101325	. PLATE,DESIGNATION-13 POS	1	
- 12	210985	. STUD,EXT-INT 6-32 EXT 8-32 X 0.900 LG OA ATT PT	1	
- 13	210986	. STUD-SHIELD MOUNTING ATT PT	3	
- 14	530756	. JUMPER ASSEMBLY	5	
- 15	511699	. JUMPER ASSEMBLY	5	
- 16	530757	. JUMPER ASSEMBLY SEE LIST 35 FOR COMPONENT PARTS	1	
- 17	38350	. SCREW,MACH-FIL H 6-32 X 1/4 LG ATT PT	2	
- 18	257187	. NUT,PLAIN,HEX- 6-32 X 5/16 FL W ATT PT	2	
- 19	62031	. WASHER,LOCK-INT TEETH NO. 6 X 0.295 OD ATT PT	2	
- 20	222553	. RESISTOR,FXD,WW- 100 OHMS P/M 10% 50W	1	
- 21	207356	. SCREW,MACH-FH 8-32 X 5 IN. LG ATT PT	1	
- 22	6503	. NUT,PLAIN,HEX- 8-32 X 1/4 FL W ATT PT	1	
- 23	1090873	. WASHER,LOCK-SPLIT NO. 8 X 0.296 OD ATT PT	1	
- 24	323597	. WASHER,FINISHING- 0.196 ID X 21/32 OD ATT PT	2	
- 25	521695	. INSULATOR,WASH- 1/2 ID 1 OD 1/32 THK ATT PT	2	
- 26	140470	. CAPACITOR,FXD,ELECT- 8000 UF P75M10% 55V	3	
- 27	55726	. SCREW,MACH-BIND HD 6-32 X 3/16 LG ATT PT	6	
- 28	6364	. WASHER,LOCK-SPLIT NO. 6 X 1/4 OD ATT PT	6	
- 29	196642	. RECTIFIER,SILICON	1	
- 30	32042	. SCREW,MACH-BIND HD 10-32 X 3/8 LG ATT PT	2	
- 31	9092	. WASHER,LOCK-SPLIT NO. 10 X 0.337 OD ATT PT	2	
- 32	444270	. WASHER,FLAT 5/8 OD X 1/16 THK ATT PT	2	
- 33	196466	. BRACKET-RECTIFIER MTG	2	
- 34	38235	. SCREW,MACH-FIL H 6-32 X 5/16 LG ATT PT	4	
- 35	6364	. WASHER,LOCK-SPLIT NO. 6 X 1/4 OD ATT PT	4	
- 36	524928	. RETAINER,CAPACITOR	4	
- 37	38457	. SCREW,MACH-FH 8-32 X 3/4 LG ATT PT	4	
- 38	6503	. NUT,PLAIN,HEX- 8-32 X 1/4 FL W ATT PT	4	
- 39	1090873	. WASHER,LOCK-SPLIT NO. 8 X 0.296 OD ATT PT	4	
- 40	526378	. INSULATOR,CAP-CAPACITOR	4	
- 41	207361	. CAPACITOR,FXD,ELECT- 15 UF P/M3% 330V AC	2	
- 42	518452	. TERMINAL,LUG-INS 16/22AWG NO. 6 MTG HOLE	5	
- 43	253740	. TERMINAL,LUG-INS 10-12AWG NO.6 MTG HOLE	5	
- 44	186968	. TERMINAL,LUG-INS 10-12AWG NO. 8 MTG HOLE	1	
- 45	517913	. TERMINAL,QUICK DISCONNECT- 12/18AWG	2	
- 46	196489	. REGULATOR,FERRORESONANT	1	
- 47	367	. SCREW,MACH-FL CSK HD 10-32 X 5/8 LG ATT PT	4	
- 48	11598	. NUT,PLAIN,HEX- 10-32 X 3/8 FL W ATT PT	4	
- 49	9092	. WASHER,LOCK-SPLIT NO. 10 X 0.337 OD ATT PT	4	

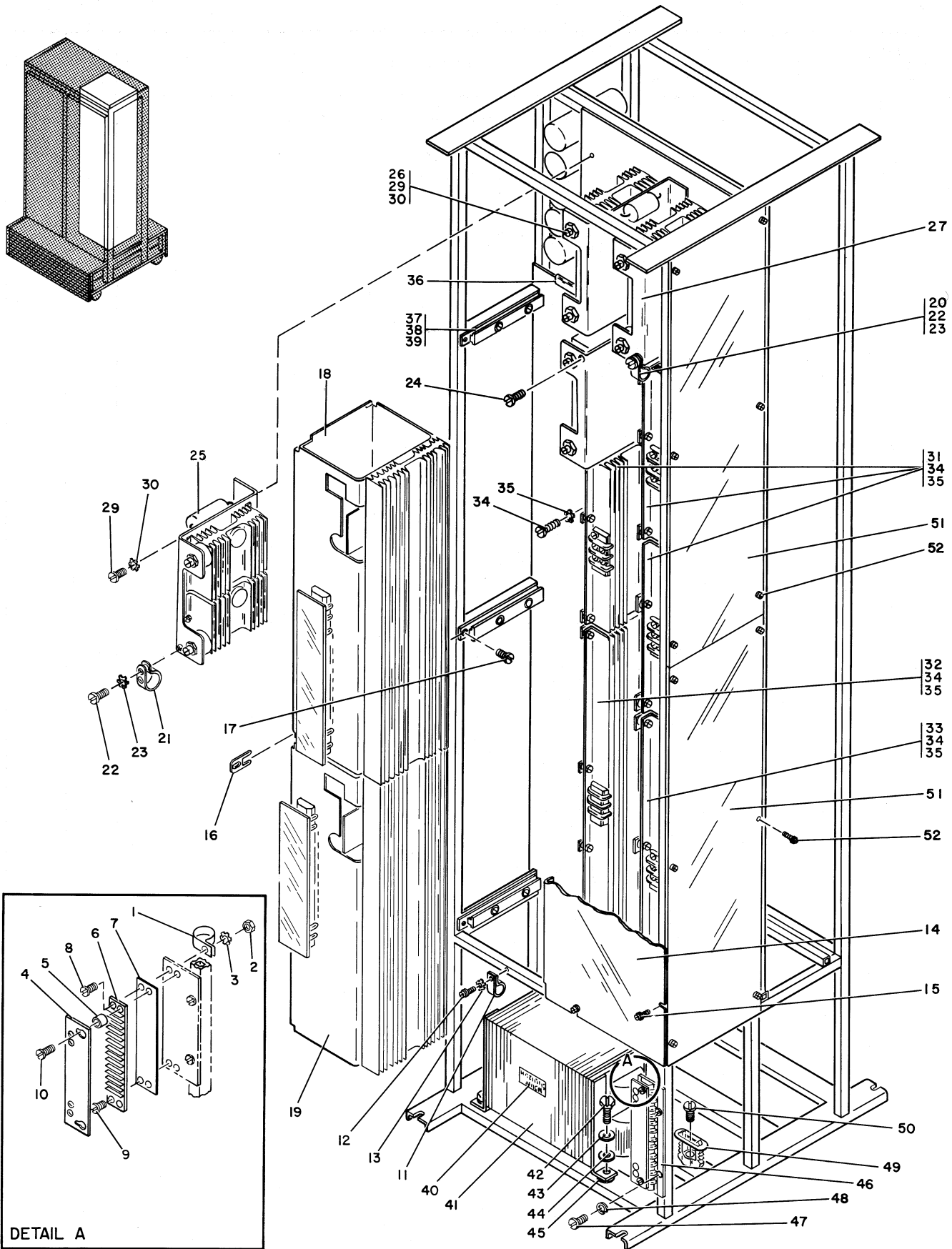


FIGURE 7. POWER SUPPLY ASSEMBLY. SHEET 1 OF 3. INDEX NOS. 1-52. SEE LIST 7.

LIST AND INDEX NO.	PART NO.	DESCRIPTION	UNITS PER ASM.	USABLE ON CODE
48V AT 6A MAIN POWER SUPPLY ASSEMBLY -CONT				
6 - 50	444270	• WASHER, FLAT 5/8 OD X 1/16 THK	ATT PT	4
- 51	56079	• WASHER, LOCK-EXT TEETH NO. 10 X 0.410 OD		1
- 52	196444	• TERMINAL BOARD-23 POS		1
POWER SUPPLY ASSEMBLY				
7 -	5319840	POWER SUPPLY ASSEMBLY		REF
-	5319900	POWER SUPPLY ASSEMBLY SEE LIST 2-120 FOR NEXT HIGHER ASSEMBLY AND FIG. 7 FOR ILLUSTRATION		REF
- 1	2102366	• CLAMP, LOOP- 0.470 ID 0.170 DIA MTG HOLE		1
- 2	257187	• NUT, PLAIN, HEX- 6-32 X 5/16 FL W	ATT PT	1
- 3	56722	• WASHER, LOCK-EXT TEETH NO. 6 X 5/16 OD	ATT PT	1
- 4	352826	• COVER TERMINAL		1
- 5	323656	• SPACER- 3/16 ID X 5/16 OD X 1/2 THK		2
- 6	323842	• TERMINAL BOARD- 12 DBL SCREW TERMINALS		1
- 7	92743	• MARKER STRIP- 12 POS NOS. 1 THRU 12		1
- 8	322552	• SCREW, MACH-BIND HD 6-32 X 7/8 LG	ATT PT	1
- 9	322550	• SCREW, MACH-BIND HD 6-32 X 1/2 LG	ATT PT	1
- 10	438569	• SCREW, MACH-UNDRCT BIND HD 6-32 X 1-1/4	ATT PT	2
- 11	2102367	• CLAMP, LOOP- 0.700 ID 0.200 DIA MTG HOLE		1
- 12	5319854	• SCREW, HEX WSHR HD-SELF TPG 8-32 X 3/8LG	ATT PT	1
- 13	55901	• WASHER, LOCK-EXT TEETH NO. 8 X 0.381 OD	ATT PT	1
- 14	5319852	• SHIELD, REAR		1
- 15	5319854	• SCREW, HEX WSHR HD-SELF TPG 8-32 X 3/8LG	ATT PT	5
- 16	207293	• KEEPER-POWER SUPPLY MOUNTING		3
- 17	58207	• SCREW, MACH-UNDRCT BIND HD 8-32 X 1/4 LG	ATT PT	3
- 18	473580	• POWER SUPPLY ASSY, 30 VOLT AT 4 AMP SEE LIST 8 FOR DETAIL BREAKDOWN		1
* - 18	207246	• POWER SUPPLY ASSEMBLY- 30V DC 4 AMP SEE LIST 8A FOR DETAIL BREAKDOWN		1 B
* - 19	473590	• POWER SUPPLY ASSEMBLY, 60V AT 6A SEE LIST 9 FOR DETAIL BREAKDOWN		1
* - 19	207255	• POWER SUPPLY ASSEMBLY- 60 VOLT 6 AMP SEE LIST 9A FOR DETAIL BREAKDOWN		1 B
- 20	2102366	• CLAMP, LOOP- 0.470 ID 0.170 DIA MTG HOLE		1
- 21	2102368	• CLAMP, LOOP- 0.880 ID 0.200 DIA MTG HOLE		1
- 22	38235	• SCREW, MACH-FIL H 6-32 X 5/16 LG	ATT PT	2
- 23	56722	• WASHER, LOCK-EXT TEETH NO. 6 X 5/16 OD	ATT PT	2
- 24	322552	• SCREW, MACH-BIND HD 6-32 X 7/8 LG		1
- 25	NO NO.1	• -12V AND -12V REGULATOR ASSEMBLY		NP
- 25	NO NO.2	• PLUS 12V AND -12V REGULATOR ASSEMBLY		NP
- 25	NO NO.3	• -12V AND -6V REGULATOR ASSEMBLY		NP
- 25	NO NO.4	• PLUS 30V AND -36V REGULATOR ASSEMBLY SEE LIST 10 FOR DETAIL BREAKDOWN		NP
- 26	38235	• SCREW, MACH-FIL H 6-32 X 5/16 LG	ATT PT	8
- 27	56722	• WASHER, LOCK-EXT TEETH NO. 6 X 5/16 OD	ATT PT	8
- 31	5319859	• HEAT SINK ASSEMBLY, TRANSISTOR SEE LIST 11 FOR DETAIL BREAKDOWN		3
- 32	5319886	• HEAT SINK ASSEMBLY, 7 TRANSISTOR SEE LIST 11 FOR DETAIL BREAKDOWN		1
- 33	5319885	• HEAT SINK ASSEMBLY, 6 TRANSISTOR SEE LIST 11 FOR DETAIL BREAKDOWN		1
- 34	332620	• SCREW, MACH-BIND HD 10-32 X 1/2 LG	ATT PT	13
- 35	56079	• WASHER, LOCK-EXT TEETH NO. 10 X 0.410 OD	ATT PT	13
- 36	237455	• RUBBER CHANNEL		AR
- 37	207382	• RAIL-POWER SUPPLY MOUNTING		3
- 38	5319888	• SCREW, HEX WSHR HD-SELF TPG 10-32 X 518	ATT PT	6

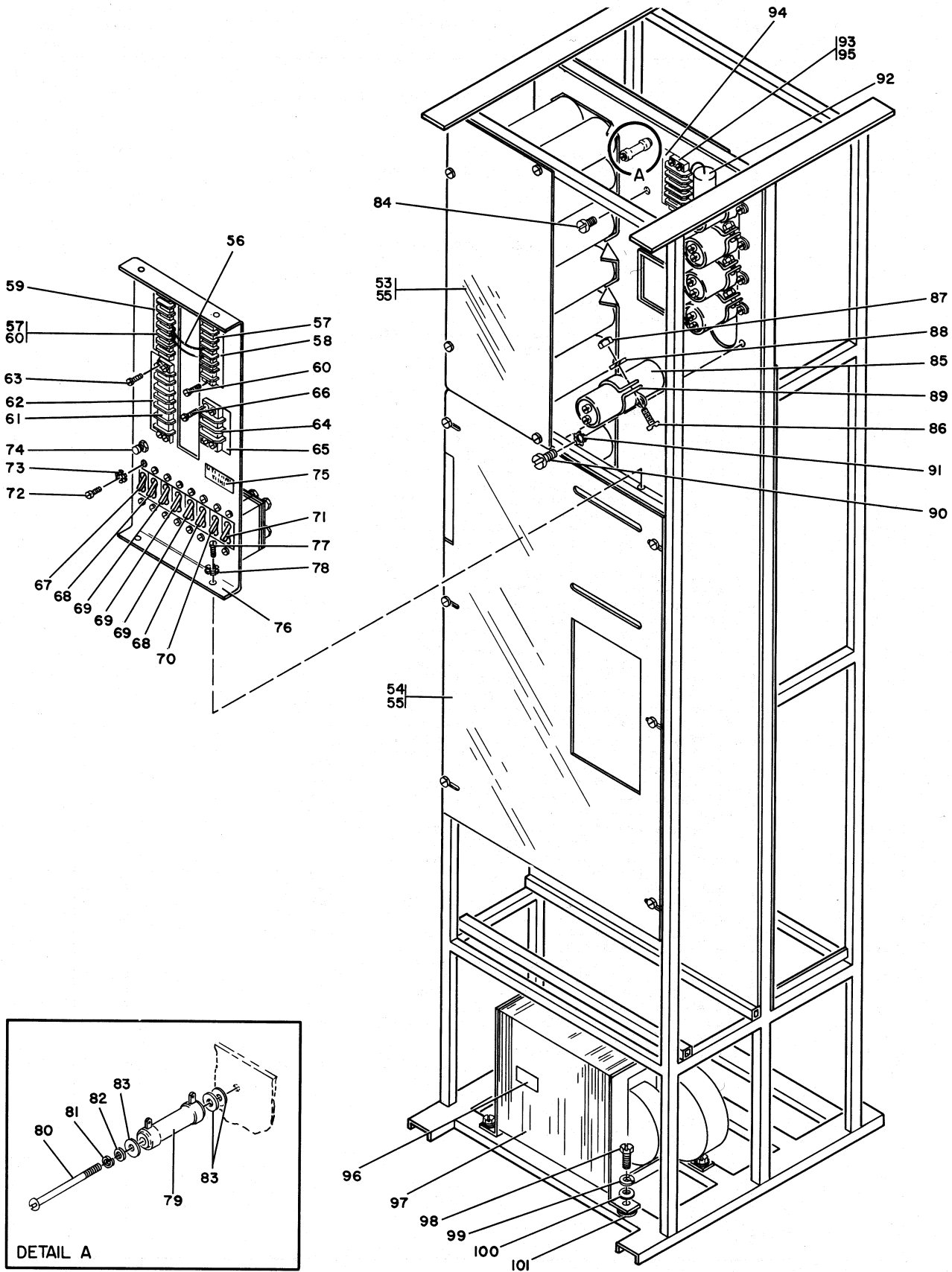


FIGURE 7. POWER SUPPLY ASSEMBLY. SHEET 2 OF 3. INDEX NOS. 53-101. SEE LIST 7.

LIST AND INDEX NO.	PART NO.	DESCRIPTION	UNITS PER ASM.	USABLE ON CODE
POWER SUPPLY ASSEMBLY -CONT				
7 - 39	56079	• WASHER, LOCK-EXT TEETH NO. 10 X 0.410 OD	ATT PT	6
- 40	369207	• PLATE, INST-HAZARDOUS AREA		1
- 41	5319890	• REGULATOR ASSEMBLY, FERRORESONANT		1
- 42	36844	• SCREW, MACH-HEX HD 1/4-20X5/8 LG	ATT PT	4
- 43	6935	• WASHER, LOCK-SPLIT 1/4 X 0.493 OD	ATT PT	4
- 44	3550	• WASHER, FL- 1/4 X 9/16 OD X 0.050 THK	ATT PT	4
- 45	76574	• WASHER, LOCK-EXT TEETH 1/4 X 0.510 OD		1
- 46	5319869	• BRACKET, TB MOUNTING		1
- 47	5319854	• SCREW, HEX WSHR HD-SELF TPG 8-32 X 3/8LG	ATT PT	2
- 48	55901	• WASHER, LOCK-EXT TEETH NO. 8 X 0.381 OD	ATT PT	2
- 49	523951	• CLAMP-ADJUSTABLE CABLE		1
- 49	523250	• CLAMP-ADJUSTABLE CABLE		1
- 50	119	• SCREW, MACH-FL CSK HD 8-32 X 1/2 LG	ATT PT	1
- 51	5319873	• SHIELD, SIDE		2
- 52	5319854	• SCREW, HEX WSHR HD-SELF TPG 8-32 X 3/8LG	ATT PT	12
- 53	5319874	• SHIELD, FRONT		1
- 54	5319855	• SHIELD, FRONT		1
- 55	5319854	• SCREW, HEX WSHR HD-SELF TPG 8-32 X 3/8LG	ATT PT	10
- 56	545979	• JUMPER ASM-BLK 4 IN. 14AWG 1 LUG EA END SEE LIST 35 FOR COMPONENT PARTS		2
- 57	317145	• TERMINAL BOARD- 8 DBL SCREW TERMINALS		2
- 58	322267	• MARKER STRIP- 8 POS NOS. 1 THRU 8		1
- 59	242256	• MARKER STRIP- 8 POS NOS. 1 THRU 8		1
- 60	322550	• SCREW, MACH-BIND HD 6-32 X 1/2 LG	ATT PT	8
- 61	80880	• TERMINAL BOARD- 6 DBL SCREW TERMINALS		1
- 62	529084	• MARKER STRIP		1
- 63	5528	• SCREW, MACH-BIND HD 8-32 X 5/8 LG	ATT PT	4
- 64	436972	• STRIP, TERMINAL-BARRIER-2 TERMINALS		1
- 65	607331	• STRIP, INSULATION-TERMINAL BLOCK		1
- 66	322551	• SCREW, MACH-UNDRCT BIND HD 6-32 X 3/4 LG	ATT PT	4
- 67	208299	• CIRCUIT BREAKER- 1 POLE 60V DC 3 AMP		1
- 68	5319835	• CIRCUIT BREAKER, OVERLOAD PROTECTOR		2
- 69	208223	• CIRCUIT BREAKER- 1 POLE 60V DC 22 AMP		3
- 70	5319836	• CIRCUIT BREAKER, OVERLOAD PROTECTOR		1
- 70	5319838	• CIRCUIT BREAKER, OVERLOAD PROTECTOR		1
- 71	5319838	• CIRCUIT BREAKER, OVERLOAD PROTECTOR		1
- 72	10170	• SCREW, MACH-BIND HD 6-32 X 1/4 LG	ATT PT	16
- 73	56722	• WASHER, LOCK-EXT TEETH NO. 6 X 5/16 OD	ATT PT	16
- 74	220918	• CIRCUIT BREAKER- 1 POLE 30V DC 5 AMP		1
- 75	369207	• PLATE, INST-HAZARDOUS AREA		1
- 76	5319883	• PANEL, CB AND TB MOUNTING		1
- 77	5319854	• SCREW, HEX WSHR HD-SELF TPG 8-32 X 3/8LG	ATT PT	4
- 78	55901	• WASHER, LOCK-EXT TEETH NO. 8 X 0.381 OD	ATT PT	4
- 79	322686	• RESISTOR, FXD, WW- 5 OHM P/M 10% 10W		1
- 80	95878	• SCREW, MACH-RH 6-32 X 2-1/4 LG	ATT PT	1
- 81	6364	• WASHER, LOCK-SPLIT NO. 6 X 1/4 OD	ATT PT	1
- 82	257986	• WASHER, FL-NO. 6 X 5/8 OD X 0.035 THK	ATT PT	1
- 83	300606	• WASHER, NM- 0.169 ID 7/16 OD 0.062 THK	ATT PT	3
- 84	10170	• SCREW, MACH-BIND HD 6-32 X 1/4 LG		1
- 85	441174	• CAPACITOR, ELECT 5000 MFD P 100 M 10 PCT		5
- 86	322550	• SCREW, MACH-BIND HD 6-32 X 1/2 LG	ATT PT	5
- 87	257187	• NUT, PLAIN, HEX- 6-32 X 5/16 FL W	ATT PT	5
- 88	56722	• WASHER, LOCK-EXT TEETH NO. 6 X 5/16 OD	ATT PT	5
- 89	445304	• CLAMP		5
- 90	10170	• SCREW, MACH-BIND HD 6-32 X 1/4 LG	ATT PT	10
- 91	56722	• WASHER, LOCK-EXT TEETH NO. 6 X 5/16 OD	ATT PT	10
- 92	337542	• CAPACITOR ASSEMBLY		1
- 93	212482	• TERMINAL BOARD- 5 DBL SCREW TERMINALS		1
- 94	563803	• INSULATOR, MARKER STRIP		1
- 95	322550	• SCREW, MACH-BIND HD 6-32 X 1/2 LG	ATT PT	4

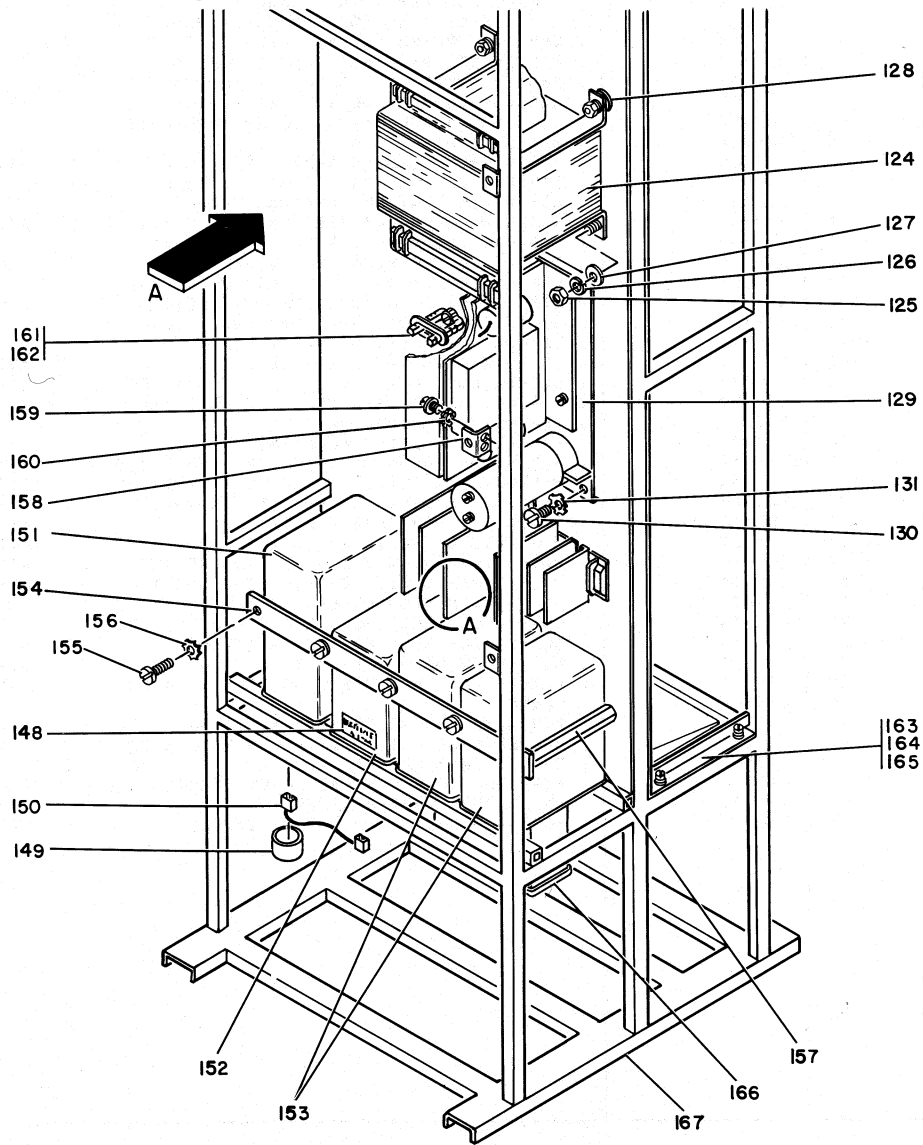
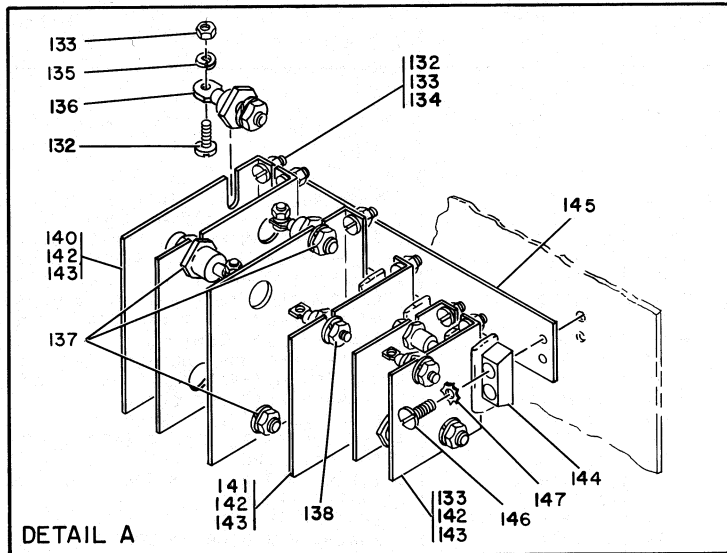
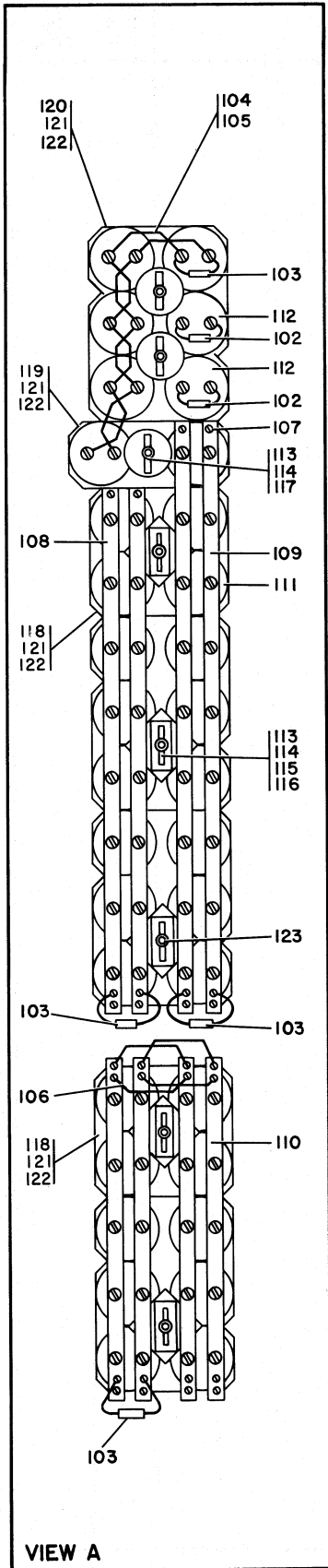


FIGURE 7. POWER SUPPLY ASSEMBLY. SHEET 3 OF 3. INDEX NOS. 102-171. SEE LIST 7.

LIST AND INDEX NO.	PART NO.	DESCRIPTION	UNITS	USABLE
			PER ASM.	ON CODE
		POWER SUPPLY ASSEMBLY -CONT		
7 - 96	369207	. PLATE, INST-HAZARDOUS AREA		1
- 97	5319847	. REGULATOR, FERRORESONANT-60CPS		1
- 98	36844	. SCREW, MACH-HEX HD 1/4-20X5/8 LG	ATT PT	4
- 99	6935	. WASHER, LOCK-SPLIT 1/4 X 0.493 OD	ATT PT	4
-100	3550	. WASHER, FL- 1/4 X 9/16 OD X 0.050 THK	ATT PT	4
-101	76574	. WASHER, LOCK-EXT TEETH 1/4 X 0.510 OD		1
-102	538824	. RESISTOR ASSEMBLY		2
-103	337523	. RESISTOR ASSY, 1K 1W		4
-104	208989	. JUMPER ASM-BLK 3 IN. 12AWG 1 LUG EA END SEE LIST 35 FOR COMPONENT PARTS		8
-105	350564	. LABEL		1
-106	237814	. JUMPER ASSEMBLY SEE LIST 35 FOR COMPONENT PARTS		4
-107	28413	. SCREW, MACH-BIND HD 10-32 X 5/16 LG		28
-108	5319880	. BUS, CAPACITOR-8 POSITION		2
-109	5319853	. BUS, CAPACITOR-9 POSITION		2
-110	5319870	. BUS, CAPACITOR-5 POSITION		4
-111	518151	. CAPACITOR, FXD, ELECT- 11500UF P100M10%18V		32
-112	526161	. CAPACITOR, FXD, ELECT-5000 UF 61V		2
-113	312469	. NUT, PLAIN, WING- 1/4-20	ATT PT	8
-114	76574	. WASHER, LOCK-EXT TEETH 1/4 X 0.510 OD	ATT PT	8
-115	5319899	. SPACER	ATT PT	5
-116	598843	. SPACER	ATT PT	5
-117	323543	. RETAINER, CAPACITOR	ATT PT	3
-118	511097	. PLATE-CAPACITOR MOUNTING		2
-119	511098	. BASE-CAPACITOR MOUNTING		1
-120	511099	. BASE-CAPACITOR MOUNTING		8
-121	58207	. SCREW, MACH-UNDRCT BIND HD 8-32 X 1/4 LG	ATT PT	26
-122	55901	. WASHER, LOCK-EXT TEETH NO. 8 X 0.381 OD	ATT PT	26
-123	515621	. BOLT, CARRIAGE - 1/4-20 X 5-1/8 LG		8
-124	5319848	. TRANSFORMER, ISOLATION		1
-125	3960	. NUT, PLAIN, HEX- 1/4-20 X 7/16 FL W	ATT PT	4
-126	6935	. WASHER, LOCK-SPLIT 1/4 X 0.493 OD	ATT PT	4
-127	3550	. WASHER, FL- 1/4 X 9/16 OD X 0.050 THK	ATT PT	4
-128	76574	. WASHER, LOCK-EXT TEETH 1/4 X 0.510 OD		1
-129	5319897	. POWER SUPPLY ASSEMBLY, PARTIAL USED ON ASSEMBLY 5319900 ONLY SEE LIST 12 FOR DETAIL BREAKDOWN		1
-130	5528	. SCREW, MACH-BIND HD 8-32 X 5/8 LG	ATT PT	4
-131	55901	. WASHER, LOCK-EXT TEETH NO. 8 X 0.381 OD USED ON ASSEMBLY 5319900 ONLY	ATT PT	4
-132	38235	. SCREW, MACH-FIL H 6-32 X 5/16 LG		14
-133	257187	. NUT, PLAIN, HEX- 6-32 X 5/16 FL W		14
-134	56722	. WASHER, LOCK-EXT TEETH NO. 6 X 5/16 OD		8
-135	6364	. WASHER, LOCK-SPLIT NO. 6 X 1/4 OD		6
-136	207344	. SEMICONDUCTOR DEVICE, D10- 100V 30 AMP		2
-137	595258	. RECTIFIER, SILICON		4
-138	598353	. SEMICONDUCTOR DEVICE, D10- 100V 10 AMP		6
-139	589721	. HEAT SINK		2
-140	595288	. HEAT SINK, RECTIFIER MOUNTING		3
-141	595293	. HEAT SINK, RECTIFIER MOUNTING		1
-142	24752	. SCREW, MACH-FIL H 8-32 X 5/16 LG	ATT PT	12
-143	1090873	. WASHER, LOCK-SPLIT NO. 8 X 0.296 OD	ATT PT	12
-144	320451	. TERMINAL BOARD- 10 DBL SCREW TERMINALS		1
-145	510186	. INSULATOR, TERMINAL STRIP		1
-146	5528	. SCREW, MACH-BIND HD 8-32 X 5/8 LG	ATT PT	4
-147	55901	. WASHER, LOCK-EXT TEETH NO. 8 X 0.381 OD	ATT PT	4

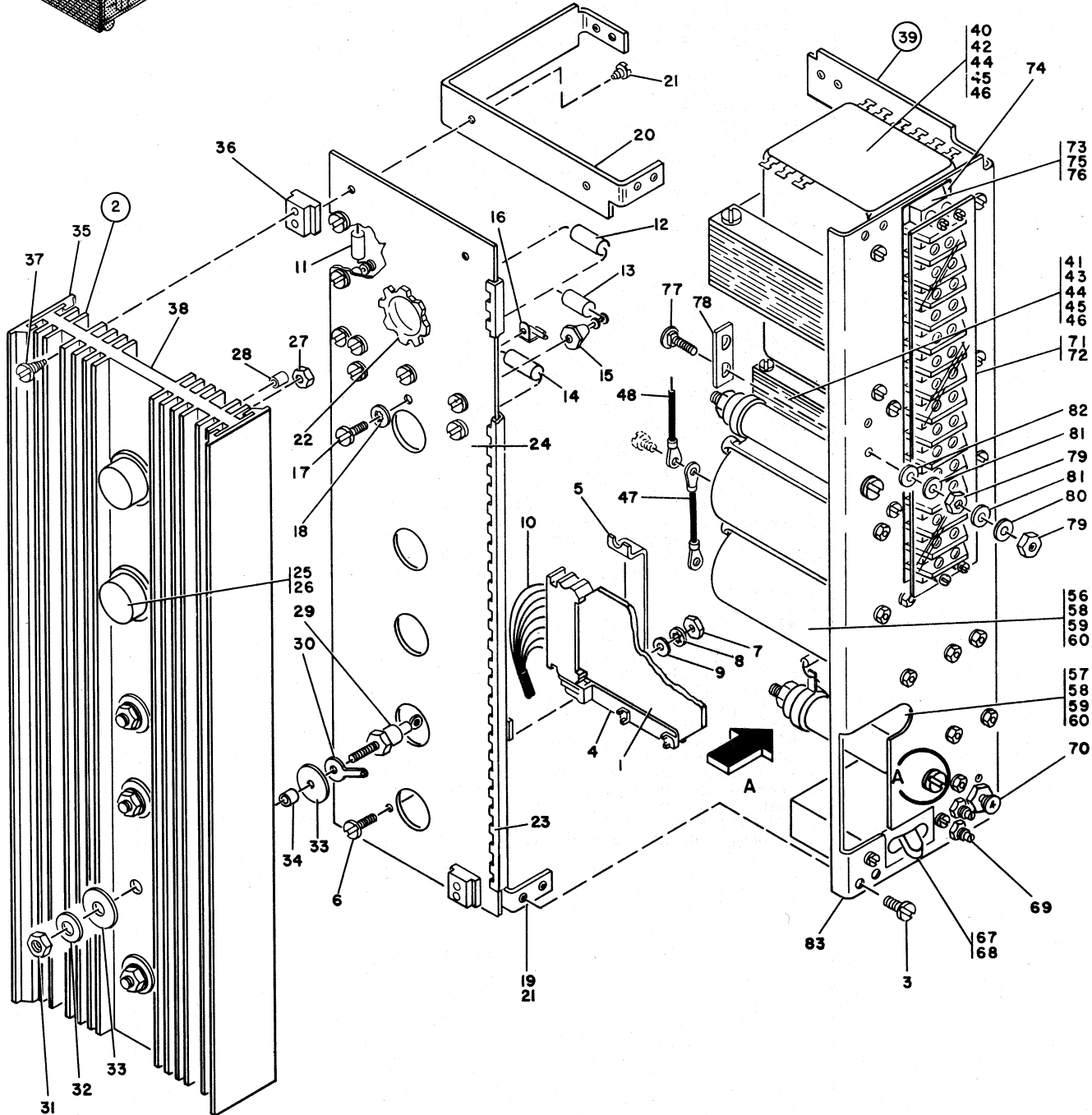
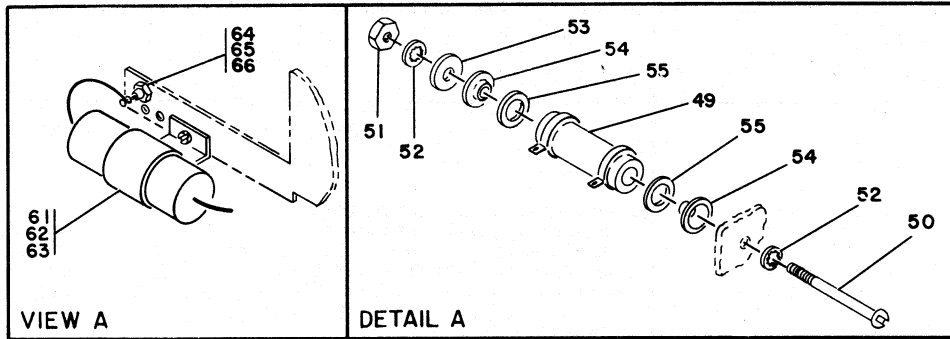
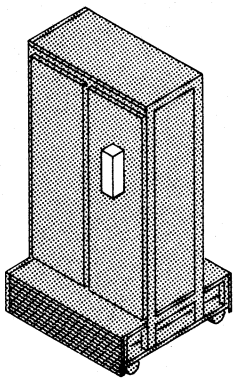


FIGURE 8. 30VDC AT 4A POWER SUPPLY ASSEMBLY. SEE LIST 8.

LIST AND INDEX NO.	PART NO.	DESCRIPTION				UNITS PER ASM.	USABLE ON CODE
		1	2	3	4		
		POWER SUPPLY ASSEMBLY -CONT					
7 -148	369207	•	PLATE,INST-HAZARDOUS AREA			1	
-149	526378	•	INSULATOR,CAP-CAPACITOR			8	
-150	5319891	•	JUMPER ASSEMBLY, 5 LONG			4	
			SEE LIST 35 FOR COMPONENT PARTS				
-151	351784	•	CAPACITOR, FIXED, 60MFD, P/M 6%, 250VACW			1	
-152	361536	•	CAPACITOR, PAPER-30 UF 330VAC			1	
-153	5319839	•	CAPACITOR, PAPER-40UF 330 VOLT			2	
-154	5319878	•	BRACKET, CAPACITOR MOUNTING	ATT PT		1	
-155	55918	•	SCREW, MACH-BIND HD 10-32 X 5/8 LG	ATT PT		5	
-156	56079	•	WASHER, LOCK-EXT TEETH NO. 10 X 0.410 OD	ATT PT		5	
-157	5319889	•	SPACER			5	
-158	5319864	•	BRACKET, COVER			3	
-159	5319854	•	SCREW, HEX WSHR HD-SELF TPG 8-32 X 3/8LG	ATT PT		6	
-160	55901	•	WASHER, LOCK-EXT TEETH NO. 8 X 0.381 OD	ATT PT		6	
-161	523951	•	CLAMP-ADJUSTABLE CABLE			3	
-161	523250	•	CLAMP-ADJUSTABLE CABLE			3	A
-162	119	•	SCREW, MACH-FL CSK HD 8-32 X 1/2 LG	ATT PT		3	
-163	5319851	•	DUCT, AIR			1	
-164	5319854	•	SCREW, HEX WSHR HD-SELF TPG 8-32 X 3/8LG	ATT PT		4	
-165	55901	•	WASHER, LOCK-EXT TEETH NO. 8 X 0.381 OD	ATT PT		4	
-166	535821	•	SEAL-SLIDING GLASS			AR	
-167	5319841	•	FRAME, POWER SUPPLY			1	
-168	5319849	•	CABLE ASSEMBLY			1	
-169	5319850	•	CABLE ASSEMBLY			1	
-170	5319856	•	CABLE ASSEMBLY			1	
-171	5319857	•	CABLE ASSEMBLY			1	
			NOT ILLUSTRATED				
			SEE LIST 35 FOR COMPONENT PARTS				
		30VDC AT 4A POWER SUPPLY ASSEMBLY					
8 -	473580		POWER SUPPLY ASSY, 30 VOLT AT 4 AMP			REF	
			SEE LIST 7-18, 14-89 AND SECT. 2, LIST 2-57 FOR NEXT HIGHER ASSEMBLY AND FIG. 8 FOR ILLUSTRATION				
- 1	370614	•	CARD ASSEMBLY			1	
- 2	473585	•	HEAT SINK SUBASSY			1	
- 3	28413	•	SCREW, MACH-BIND HD 10-32 X 5/16 LG	ATT PT		8	
- 4	216206	•	• GUIDE-SINGLE CARD LONG			1	
- 5	477203	•	• BRACKET			1	
- 6	38235	•	• SCREW, MACH-FIL H 6-32 X 5/16 LG	ATT PT		2	
- 7	38051	•	• NUT, PLAIN, HEX- 6-32 X 1/4 FL W	ATT PT		2	
- 8	62031	•	• WASHER, LOCK-INT TEETH NO. 6 X 0.295 OD	ATT PT		2	
- 9	257986	•	• WASHER, FL-NO. 6 X 5/8 OD X 0.035 THK	ATT PT		2	
- 10	473583	•	• CABLE ASSY			1	
			SEE LIST 35 FOR COMPONENT PARTS				
- 11	441161	•	• RESISTOR, FXD WW 590 OHM P/M 5 PCT 3W			2	
- 12	207333	•	• RESISTOR, FXD, WW- 650 OHMS P/M 5% 5W			1	
- 13	207377	•	• RESISTOR, FXD WW 1.3K P/M 5 PCT 5W			1	
- 14	207324	•	• RESISTOR, FXD, WW- 0.1 OHM P/M 5% 5W			2	
- 15	533534	•	• TERMINAL			9	
- 16	132237	•	• TERMINAL BOARD			1	
- 17	55726	•	• SCREW, MACH-BIND HD 6-32 X 3/16 LG	ATT PT		9	
- 18	62031	•	• WASHER, LOCK-INT TEETH NO. 6 X 0.295 OD	ATT PT		9	
- 19	730175	•	• BRACKET - UPPER UNIT SUPPORT			1	

LIST AND INDEX NO.	PART NO.	DESCRIPTION	UNITS PER ASM.	USABLE ON CODE
			1 2 3 4	
30VDC AT 4A POWER SUPPLY ASSEMBLY -CONT				
8 - 20	730176	. . BRACKET - LOWER UNIT SUPPORT		1
- 21	473544	. . SCREW,BINDING HEAD SELF TAP NO 6 1/2 IN ATT PT		4
- 22	473533	. . GROMMET		AR
- 23	473442	. . GROMMET - CATERPILLAR		1
- 24	473589	. . COVER		1
- 25	369214	. . TRANSISTOR,TYPE 108		2
- 26	316996	. . TERMINAL,LUG-NONINS 9AWG NO. 8 MTG HOLE		1
- 27	11891	. . NUT,PLAIN,HEX- 10-32 X 3/8 FL W BRS ATT PT		2
- 28	219423	. . TUBE,RUBBER- 0.085 ID X 0.120 OD X 2 LG		4
- 29	216197	. . RECTIFIER		4
- 30	316996	. . TERMINAL,LUG-NONINS 9AWG NO. 8 MTG HOLE		4
- 31	11891	. . NUT,PLAIN,HEX- 10-32 X 3/8 FL W BRS ATT PT		4
- 32	45690	. . WASHER,FL-NO. 10 X 7/16 OD X 1/32 THK ATT PT		4
- 33	217019	. . WASHER, INSULATING ATT PT		8
- 34	473582	. . INSULATOR		4
- 35	473536	. . SEAL		AR
- 36	473531	. . INSULATOR		6
- 37	79779	. . SCREW,THD CTG-BIND HD NO. 6 X 3/4 LG ATT PT		6
- 38	473588	. . SINK,HEAT		1
- 39	473584	. . POWER SUPPLY SUBASSY		1
- 40	207306	. . TRANSFORMER		1
- 41	208233	. . TRANSFORMER		1
- 42	332620	. . SCREW,MACH-BIND HD 10-32 X 1/2 LG ATT PT		4
- 43	32617	. . SCREW,MACH-BIND HD 10-32 X 7/16 LG ATT PT		4
- 44	11598	. . NUT,PLAIN,HEX- 10-32 X 3/8 FL W ATT PT		8
- 45	56121	. . WASHER,LOCK-INT TEETH NO. 10 X 0.381 OD ATT PT		8
- 46	47242	. . WASHER,FL-NO. 12 X 1/2 OD X 0.062 THK ATT PT		8
- 47	208989	. . JUMPER ASM-BLK 3 IN. 12AWG 1 LUG EA END		7
- 48	518130	. . JUMPER ASM-BLK 8-1/2 IN. 18AWG 1 LUG SEE LIST 35 FOR COMPONENT PARTS		4
- 49	473456	. . RESISTOR		2
- 50	331982	. . SCREW,MACH RD HD 8-32 X 1-1/4 LG ATT PT		2
- 51	257189	. . NUT - HEX-8-32UNC THD ATT PT		2
- 52	60646	. . WASHER,LOCK-INT TEETH NO. 8 X 0.340 OD ATT PT		4
- 53	22478	. . WASHER,FL- 0.170 ID 0.375 OD 0.032 THK ATT PT		2
- 54	507144	. . WASHER-CENTERING 0.173 ID X 5/8 OD ATT PT		4
- 55	442958	. . INSULATOR,WASH- 7/16 ID 3/4 OD 1/32 THK ATT PT		4
- 56	208235	. . CAPACITOR,ELECT. 5500 MFD P 100 M 10 PCT		5
- 57	208245	. . CAPACITOR,ELECT 2500 MFD P 100 M 10 PCT		1
- 58	473543	. . CLAMP		12
- 59	38051	. . NUT,PLAIN,HEX- 6-32 X 1/4 FL W ATT PT		12
- 60	62031	. . WASHER,LOCK-INT TEETH NO. 6 X 0.295 OD ATT PT		12
- 61	208236	. . CAPACITOR		1
- 62	55726	. . SCREW,MACH-BIND HD 6-32 X 3/16 LG ATT PT		1
- 63	62031	. . WASHER,LOCK-INT TEETH NO. 6 X 0.295 OD ATT PT		1
- 64	533534	. . TERMINAL		1
- 65	10170	. . SCREW,MACH-BIND HD 6-32 X 1/4 LG ATT PT		1
- 66	62031	. . WASHER,LOCK-INT TEETH NO. 6 X 0.295 OD ATT PT		1
- 67	207348	. . CIRCUIT BREAKER- 1 POLE 60V DC 6 AMP		1
- 68	10170	. . SCREW,MACH-BIND HD 6-32 X 1/4 LG ATT PT		2
- 69	207392	. . POTENTIOMETER		2
- 70	220917	. . CIRCUIT BREAKER- 1 POLE 30V DC 5 AMP		1
- 71	473506	. . SHIELD		1
- 72	210984	. . SCREW,MACH-RH 6-32 X 1/4 LG ATT PT		1
- 73	518055	. . TERMINAL BLOCK		1
- 74	473572	. . INSULATOR		1
- 75	209483	. . STUD,TAPPED ATT PT		1
- 76	209484	. . STUD ATT PT		3

LIST AND INDEX NO.	PART NO.	DESCRIPTION	UNITS PER ASM.	USABLE ON CODE
		1 2 3 4		
		30VDC AT 4A POWER SUPPLY ASSEMBLY -CONT		
8 - 77	473402	• • STUD - TERMINAL	2	
- 78	473382	• • INSULATOR	1	
- 79	11891	• • NUT,PLAIN,HEX- 10-32 X 3/8 FL W BRS	4	ATT PT
- 80	45690	• • WASHER,FL-NO. 10 X 7/16 OD X 1/32 THK	2	ATT PT
- 81	45697	• • WASHER,FLAT 17/32 OD X 0.016 THK	4	ATT PT
- 82	257354	• • WASHER,NM- 0.195 ID 5/16 OD 0.062 THK	2	ATT PT
- 83	473587	• • PLATE	1	
		30VDC AT 4 AMP POWER SUPPLY ASSEMBLY		
* 8A-	207246	POWER SUPPLY ASSEMBLY- 30V DC 4 AMP SEE LIST 7-18,14-89 AND SECT. 2,LIST 2-57 FOR NEXT HIGHER ASSEMBLY AND FIG. 8A FOR ILLUSTRATION	REF	B
* - 1	186759	• SCREW,MACH-BIND HD 8-32 X 1/32 LG	3	
* - 2	60646	• WASHER,LOCK-INT TEETH NO. 8 X 0.340 OD	3	
* - 3	208391	• CABLE ASSEMBLY- 30V 4 AMP MEMORY	1	
* - 4	208394	• CABLE ASSEMBLY- 30V 4 AMP MEMORY	1	
* - 5	208399	• CABLE ASSEMBLY- 30V 4 AMP MEMORY SEE LIST 35 FOR COMPONENT PARTS	1	
* - 6	598479	• SEMICONDUCTOR DEVICE,D10- 150V 10 AMP	4	
* - 7	217174	• TERMINAL	4	
* - 8	208196	• TRANSISTOR	4	
* - 9	11891	• NUT,PLAIN,HEX- 10-32 X 3/8 FL W BRS	4	ATT PT
* - 10	56121	• WASHER,LOCK-INT TEETH NO. 10 X 0.381 OD	4	ATT PT
* - 11	209005	• SEAL-HEAT SINK AIR	2	
* - 12	218874	• HEAT SINK-RECTIFIER	1	
* - 13	218782	• HEAT SINK-RECTIFIER	1	
* - 14	218958	• HEAT SINK-RECTIFIER	1	
* - 15	218967	• HEAT SINK-TRANSISTOR	1	
* - 16	10170	• SCREW,MACH-BIND HD 6-32 X 1/4 LG	14	ATT PT
* - 17	207355	• SHIELD-TERMINAL BOARD	1	
* - 18	504847	• TERMINAL BOARD-12 DBL SCREW TERMINALS	1	
* - 19	322550	• SCREW,MACH-BIND HD 6-32 X 1/2 LG	4	ATT PT
* - 20	62031	• WASHER,LOCK-INT TEETH NO. 6 X 0.295 OD	4	ATT PT
* - 21	441042	• CLIP,SPRING TENSION-TERMINAL BOARD SHLD	2	
* - 22	317091	• RESISTOR,FXD CARBON 4.7K P/M 5 PCT 2W	1	
* - 23	300723	• RESISTOR,FXD,COMP- 20K P/M 5% 1/2W	1	
* - 24	207369	• POTENTIOMETER	2	
* - 25	207316	• SEMICONDUCTOR DEVICE,D10- 120V 3 AMP	4	
* - 26	317529	• RESISTOR,FXD,COMP- 8.2K P/M 5% 1/2W	1	
* - 27	334914	• RESISTOR,FIXED COMP 6.2K.5%,1/2 WATT	1	
* - 28	317019	• RESISTOR,FXD,COMP- 2000 OHMS P/M 5% 1/2W	1	
* - 29	441161	• RESISTOR,FXD WW 590 OHM P/M 5 PCT 3W	2	
* - 30	322333	• RESISTOR,FXD 750 OHM P/M 5 PCT 2W	1	
* - 31	207377	• RESISTOR,FXD,WU- 1300 OHMS P/M 5% 5W	1	
* - 32	207333	• RESISTOR,FXD,WW- 650 OHMS P/M 5% 5W	1	
* - 33	207324	• RESISTOR,FXD,WW- 0.1 OHM P/M 5% 5W	4	
* - 34	503591	• SEMICONDUCTOR DEVICE,D10-TYPE F %S□	1	
* - 35	208236	• CAPACITOR	1	
* - 36	55726	• SCREW,MACH-BIND HD 6-32 X 3/16 LG	1	ATT PT
* - 37	62031	• WASHER,LOCK-INT TEETH NO. 6 X 0.295 OD	1	ATT PT
* - 38	186455	• CLIP,ELECTRICAL-FOR 3/16 DIA FUSE	4	
* - 39	438548	• SCREW,MACH-BIND HD 4-40 X 3/16 LG	4	ATT PT
* - 40	220917	• CIRCUIT BREAKER- 1 POLE 30V DC 5 AMP	1	
* - 41	207348	• CIRCUIT BREAKER- 1 POLE 60V DC 6 AMP	1	
* - 42	10170	• SCREW,MACH-BIND HD 6-32 X 1/4 LG	2	ATT PT
* - 43	62031	• WASHER,LOCK-INT TEETH NO. 6 X 0.295 OD	2	ATT PT
* - 44	208385	• BRACKET-CARD	1	
* - 45	251970	• SCREW,MACH-BIND HD 4-40 X 1/4 LG	4	ATT PT
* - 46	150209	• WASHER,LOCK-INT TEETH NO. 4 X 0.270 OD	4	ATT PT
* - 47	217176	• CARD RECEPTACLE- 1 POSITION	1	
* - 48	219898	• PLATE ASSEMBLY-COMPONENT	1	
* - 49	221790	• SCREW,MACH-BIND HD 8-32 X 3/16 LG	5	ATT PT
* - 50	218707	• HINGE-PANEL	1	
* - 51	221790	• SCREW,MACH-BIND HD 8-32 X 3/16 LG	5	ATT PT
* - 52	222796	• TRANSFORMER,PWR- 1 PRIM 130V 6 SEC 23.7V	1	

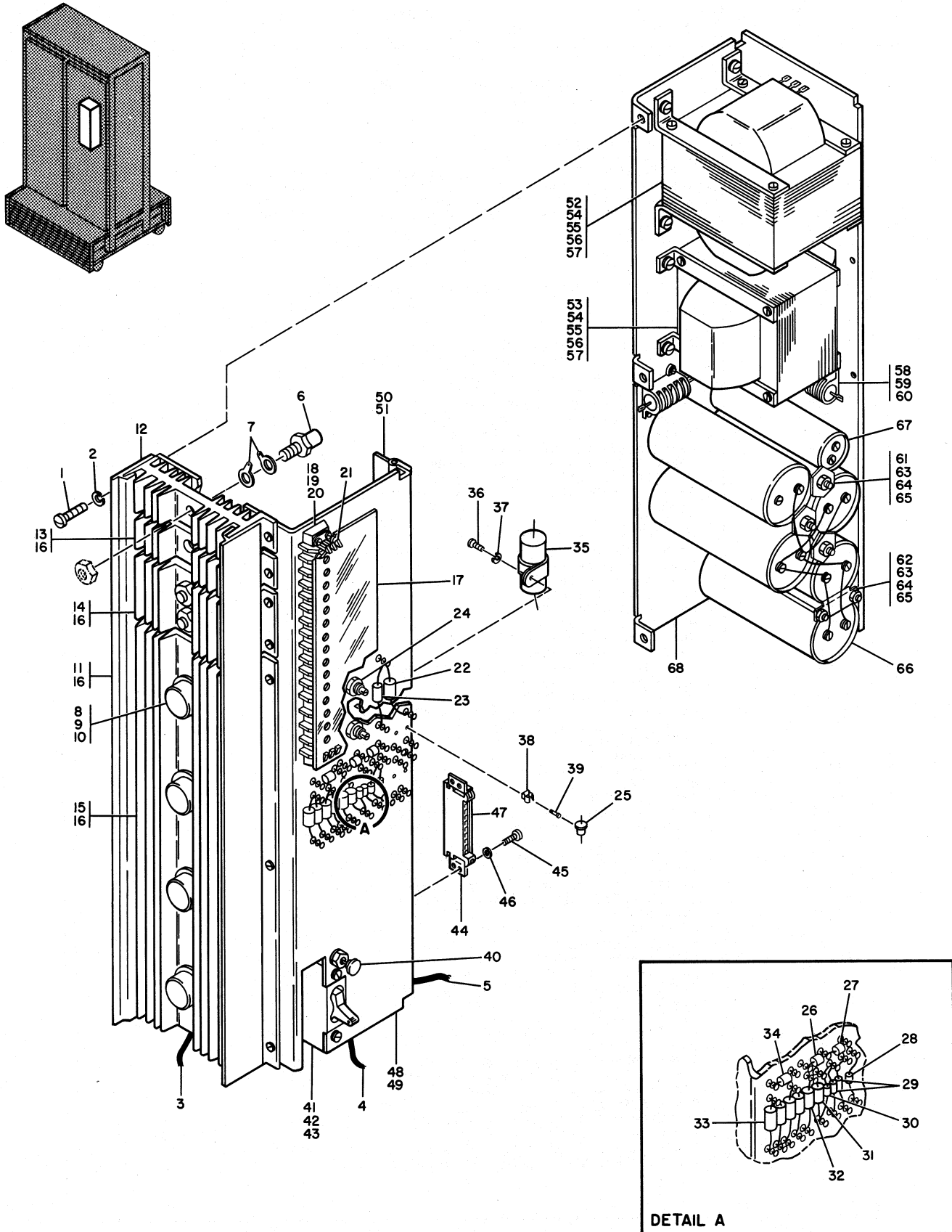


FIGURE 8A. 30VDC AT 4 AMP POWER SUPPLY ASSEMBLY. SEE LIST 8A.

LIST AND INDEX NO.	PART NO.	DESCRIPTION	UNITS PER ASM.	USABLE ON CODE
30VDC AT 4 AMP POWER SUPPLY ASSEMBLY -CONT				
8A- 53	208233	• TRANSFORMER	1	
- 54	25891	• SCREW,MACH-FL CSK HD 10-32 X 1/2 LG	8	
- 55	56121	• WASHER,LOCK-INT TEETH NO. 10 X 0.381 OD	8	
- 56	45690	• WASHER,FL-NO. 10 X 7/16 OD X 1/32 THK	8	
- 57	11598	• NUT,PLAIN,HEX- 10-32 X 3/8 FL W	8	
- 58	208242	• RESISTOR,FXD,WW- 120 OHMS P/M 3 PCT 50W	2	
- 59	251970	• SCREW,MACH-BIND HD 4-40 X 1/4 LG	4	
- 60	150209	• WASHER,LOCK-INT TEETH NO. 4 X 0.270 OD	4	
- 61	219098	• RETAINER,CAPACITOR	6	
- 62	219097	• RETAINER,CAPACITOR	2	
- 63	207356	• SCREW,MACH-FH 8-32 X 5 IN. LG	5	
- 64	55901	• WASHER,LOCK-EXT TEETH NO. 8 X 0.381 OD	5	
- 65	6503	• NUT,PLAIN,HEX- 8-32 X 1/4 FL W	5	
- 66	208235	• CAPACITOR,ELECT. 5500 MFD P 100 M 10 PCT	5	
- 67	208245	• CAPACITOR,ELECT 2500 MFD P 100 M 10 PCT	1	
- 68	219846	• PLATE-MAIN	1	
60VDC AT 6A POWER SUPPLY ASSEMBLY				
9 -	473590	POWER SUPPLY ASSEMBLY, 60V AT 6A SEE SECT. 1 LIST 7-19 AND SECT. 2 LIST 2-58 FOR NEXT HIGHER ASSEMBLY AND FIG. 9 FOR ILLUSTRATION	REF	
- 1	370615	• CARD ASSEMBLY	1	
- 2	477256	• TRANSFORMER, ISOLATION	1	
- 3	473396	• SPACER,.199 IN. HOLE 5/8 SQ. X 3/8 THICK	4	
- 4	438601	• SCREW,MACH-UNDRCT BIND HD 10-32 X 7/8 LG	4	
- 5	11598	• NUT,PLAIN,HEX- 10-32 X 3/8 FL W	4	
- 6	56121	• WASHER,LOCK-INT TEETH NO. 10 X 0.381 OD	4	
- 7	47242	• WASHER,FL-NO. 12 X 1/2 OD X 0.062 THK	4	
- 8	473595	• HEAT SINK SUB ASSEMBLY, POWER SUPPLY	1	
- 9	28413	• SCREW,MACH-BIND HD 10-32 X 5/16 LG	8	
- 10	216206	• GUIDE-SINGLE CARD LONG	1	
- 11	477203	• BRACKET	1	
- 12	38235	• SCREW,MACH-FIL H 6-32 X 5/16 LG	2	
- 13	38051	• NUT,PLAIN,HEX- 6-32 X 1/4 FL W	2	
- 14	62031	• WASHER,LOCK-INT TEETH NO. 6 X 0.295 OD	2	
- 15	257986	• WASHER,FL-NO. 6 X 5/8 OD X 0.035 THK	2	
- 16	473593	• CABLE ASSEMBLY	1	
- 17	207386	SEE LIST 35 FOR COMPONENT PARTS	1	
- 18	359861	• RESISTOR, FXD WW-860 OHM P/M 1% 5W	1	
- 19	533534	• RESISTOR, FXD WW-1000 OHM P/M 5% 10W	4	
- 20	55726	• TERMINAL	4	
- 21	62031	• SCREW,MACH-BIND HD 6-32 X 3/16 LG	4	
- 22	730175	• WASHER,LOCK-INT TEETH NO. 6 X 0.295 OD	4	
- 23	730176	• BRACKET - UPPER UNIT SUPPORT	1	
- 24	473544	• BRACKET - LOWER UNIT SUPPORT	1	
- 25	473533	• SCREW,BINDING HEAD SELF TAP NO 6 1/2 IN	4	
- 26	473442	• GROMMET	AR	
- 27	473599	• GROMMET - CATERPILLAR	AR	
- 28	208197	• COVER, AIR SEAL	1	
- 29	316996	• TRANSISTOR	4	
- 30	11891	• TERMINAL,LUG-NONINS 9AWG NO. 8 MTG HOLE	1	
- 31	219423	• NUT,PLAIN,HEX- 10-32 X 3/8 FL W BRS	4	
- 32	216197	• TUBE,RUBBER- 0.085 ID X 0.120 OD X 2 LG	8	
- 33	316996	• RECTIFIER	4	
- 34	11891	• TERMINAL,LUG-NONINS 9AWG NO. 8 MTG HOLE	4	
- 35	45690	• NUT,PLAIN,HEX- 10-32 X 3/8 FL W BRS	4	
- 36	217019	• WASHER,FL-NO. 10 X 7/16 OD X 1/32 THK	4	
- 37	473582	• WASHER, INSULATING	8	
- 38	473536	• INSULATOR	4	
- 39	473531	• SEAL	AR	
		• INSULATOR	6	

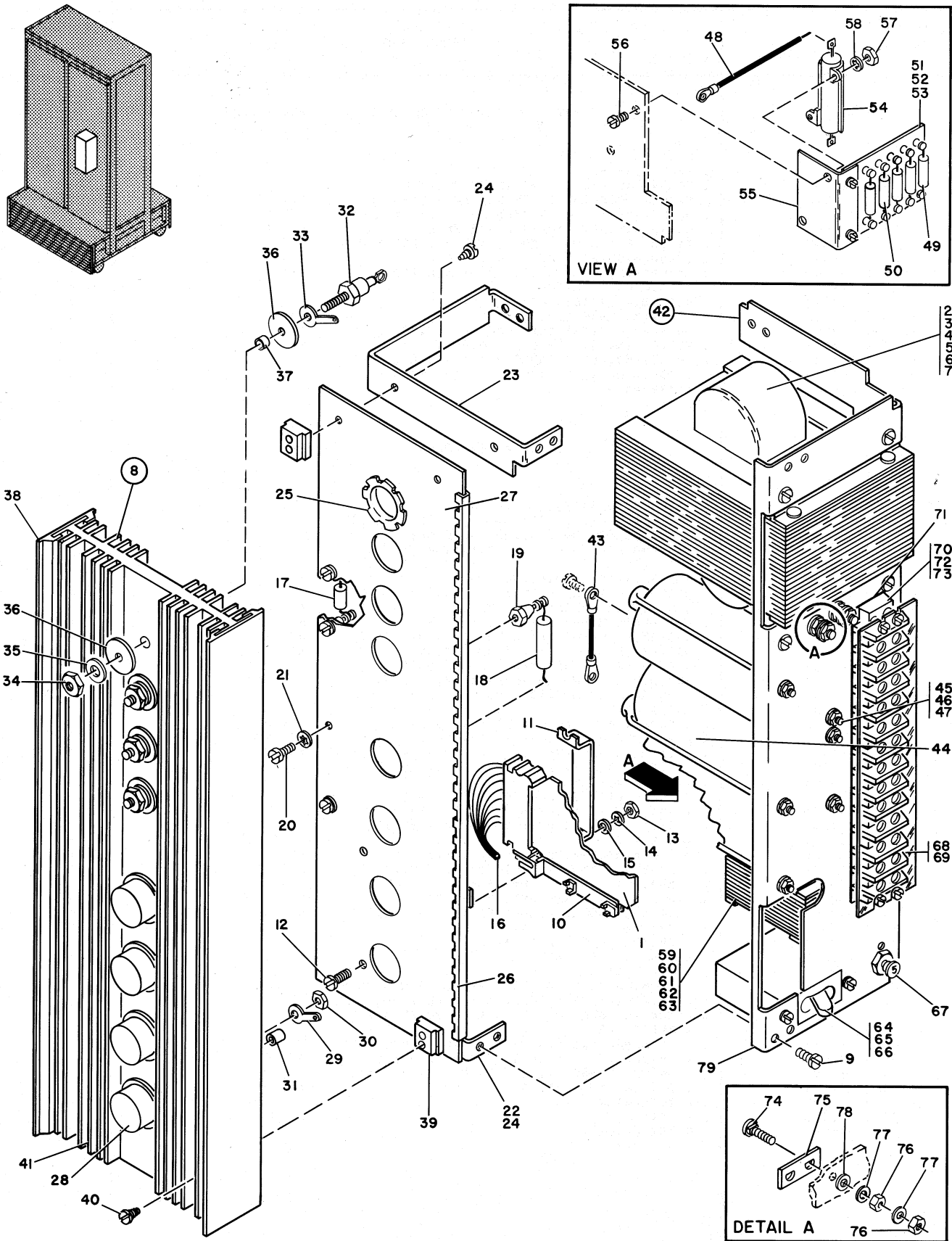


FIGURE 9. 60VDC AT 6A POWER SUPPLY ASSEMBLY. SEE LIST 9.

LIST AND INDEX NO.	PART NO.	DESCRIPTION	UNITS PER ASM.	USABLE QTY CODE
60VDC AT 6A POWER SUPPLY ASSEMBLY -CONT				
9 - 40	79779	• • SCREW,THD CTG-BIND HD NO. 6 X 3/4 LG	ATT PT	6
- 41	473598	• • HEAT SINK, POWER SUPPLY		1
- 42	473594	• COMPO MTG PLATE SUB ASSEMBLY, PWR SUPPLY		1
- 43	208989	• • JUMPER ASM-BLK 3 IN. 12AWG 1 LUG EA END SEE LIST 35 FOR COMPONENT PARTS		9
- 44	208232	• • CAPACITOR,FXD,ELECT- 3500UF P100M10% 75V		6
- 45	473543	• • CLAMP	ATT PT	12
- 46	38051	• NUT,PLAIN,HEX- 6-32 X 1/4 FL W	ATT PT	12
- 47	62031	• • WASHER,LOCK-INT TEETH NO. 6 X 0.295 OD	ATT PT	12
- 48	518130	• • JUMPER ASM-BLK 8-1/2 IN. 18AWG 1 LUG SEE LIST 35 FOR COMPONENT PARTS		2
- 49	477144	• • RESISTOR, WIREWOUND - 200 OHM 5W		1
- 50	207324	• • RESISTOR,FXD,WW- 0.1 OHM P/M 5% 5W		4
- 51	473492	• • TERMINAL BOARD ASSEMBLY		1
- 52	10170	• • SCREW,MACH-BIND HD 6-32 X 1/4 LG	ATT PT	2
- 53	62031	• • WASHER,LOCK-INT TEETH NO. 6 X 0.295 OD	ATT PT	2
- 54	473476	• • RESISTOR, WIREWOUND - 200 OHM 50W		1
- 55	473502	• BRACKET, TERMINAL BOARD		1
- 56	438549	• • SCREW,MACH-BIND HD 4-40 X 7/16 LG	ATT PT	2
- 57	2114985	• • NUT,SELF LKG,HEX- 4-40 X 3/16 FL W	ATT PT	2
- 58	150209	• • WASHER,LOCK-INT TEETH NO. 4 X 0.270 OD	ATT PT	2
- 59	208180	• • TRANSFORMER, BUCK BOOST		1
- 60	186758	• • SCREW,MACH-BIND HD 8-32 X 7/16 LG	ATT PT	4
- 61	257189	• NUT - HEX-8-32UNC THD	ATT PT	4
- 62	60646	• • WASHER,LOCK-INT TEETH NO. 8 X 0.340 OD	ATT PT	4
- 63	510810	• • WASHER,FL-NO. 8 X 7/16 OD X 1/32 THK	ATT PT	4
- 64	207349	• • CIRCUIT BREAKER- 1 POLE 60V DC 8 AMP		1
- 65	38235	• • SCREW,MACH-FIL H 6-32 X 5/16 LG	ATT PT	2
- 66	62031	• • WASHER,LOCK-INT TEETH NO. 6 X 0.295 OD	ATT PT	2
- 67	220918	• • CIRCUIT BREAKER- 1 POLE 30V DC 5 AMP		1
- 67	5213281	• • CIRCUIT BREAKER- 1 POLE 30V DC 5 AMP		1
- 68	477276	• SHIELD, TERMINAL BLOCK-13 POSITION		1
- 69	210984	• • SCREW,MACH-RH 6-32 X 1/4 LG	ATT PT	1
- 70	477266	• • STRIP, TERMINAL-BARRIER 13 TERMINAL		1
- 71	477212	• • INSULATOR, 13 POSITION		1
- 72	209483	• • STUD,TAPPED	ATT PT	1
- 73	209484	• • STUD	ATT PT	3
- 74	473402	• • STUD - TERMINAL		2
- 75	473382	• • INSULATOR		1
- 76	11891	• • NUT,PLAIN,HEX- 10-32 X 3/8 FL W BRS	ATT PT	4
- 77	45697	• • WASHER,FLAT 17/32 OD X 0.016 THK	ATT PT	4
- 78	257354	• • WASHER,NM- 0.195 ID 5/16 OD 0.062 THK	ATT PT	2
- 79	473597	• • PLATE, COMPONENT MOUNTING		1
60 VOLT AT 6 AMP POWER SUPPLY ASSEMBLY				
9A-	207255	POWER SUPPLY ASSEMBLY- 60 VOLT 6 AMP SEE LIST 7-19 AND SECT. 2,LIST 2-58 FOR NEXT HIGHER ASSEMBLY AND FIG. 9A FOR ILLUSTRATION	REF	B
- 1	186759	• • SCREW,MACH-BIND HD 8-32 X 1/32 LG		3
- 2	209005	• SEAL-HEAT SINK AIR		1
- 3	208264	• CABLE ASSEMBLY- 6V 6 AMP		1
- 4	208275	• CABLE ASSEMBLY- 60V 6 AMP SEE LIST 35 FOR COMPONENT PARTS		1
- 5	208197	• TRANSISTOR		5
- 6	598479	• SEMICONDUCTOR DEVICE,D10- 150V 10 AMP		4
- 7	208583	• HEAT SINK-TRANSISTOR		1
- 8	208727	• HEAT SINK-RECTIFIER		3
- 9	208754	• HEAT SINK		1
- 10	186759	• • SCREW,MACH-BIND HD 8-32 X 1/32 LG	ATT PT	13
- 11	441240	• SHIELD, TERMINAL BOARD		1
- 12	320461	• TERMINAL BOARD-13 POS		1
- 13	322550	• • SCREW,MACH-BIND HD 6-32 X 1/2 LG	ATT PT	4
- 14	56722	• • WASHER,LOCK-EXT TEETH NO. 6 X 5/16 OD	ATT PT	4
- 15	441042	• CLIP,SPRING TENSION-TERMINAL BOARD SHLD		2
- 16	208376	• BUS BAR ASSEMBLY		1

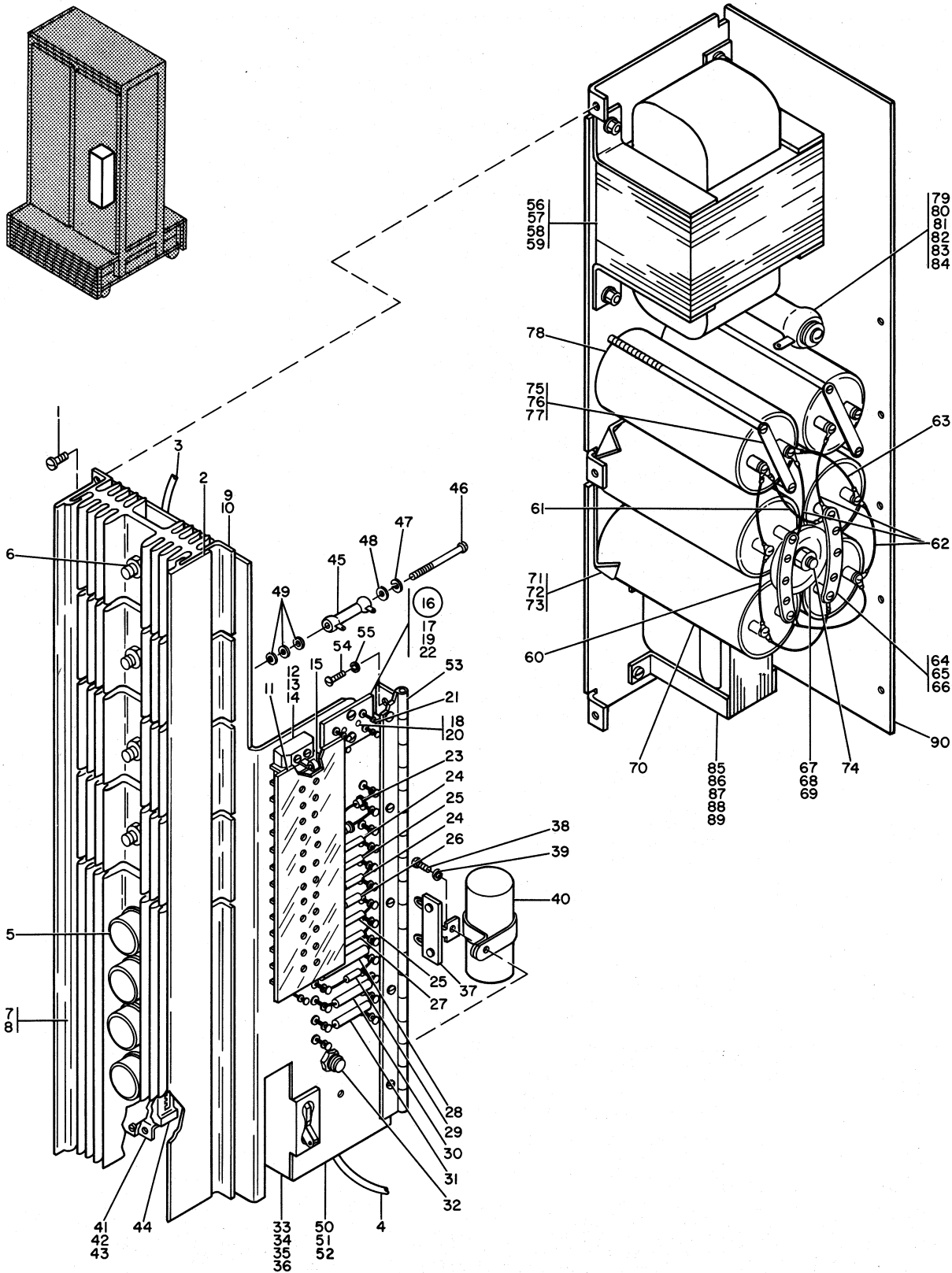


FIGURE 9A. 60 VOLT AT 6 AMP POWER SUPPLY ASSEMBLY. SEE LIST 9A.

LIST AND INDEX NO.	PART NO.	DESCRIPTION				UNITS PER ASM.	USABLE ON CODE
		1	2	3	4		
		60 VOLT AT 6 AMP POWER SUPPLY ASSEMBLY -CONT					
* 9A- 17	103898	•	SCREW,MACH-RH 8-32 X 3/16 LG	ATT PT	2		
* - 18	186759	•	SCREW,MACH-BIND HD 8-32 X 1/32 LG	ATT PT	2		
* - 19	55901	•	WASHER,LOCK-EXT TEETH NO. 8 X 0.381 OD	ATT PT	4		
* - 20	45651	•	WASHER	ATT PT	2		
* - 21	317142	•	• TERMINAL,STUD-NONINSULATED DBL TURRET		4		
* - 22	222028	•	• BUS BAR		1		
* - 23	207316	•	SEMICONDUCTOR DEVICE,DIO- 120V 3 AMP		2		
* - 24	300721	•	RESISTOR,FXD,COMP- 10K P/M 5% 1/2W		1		
* - 25	213697	•	RESISTOR,FXD,WW- 24K P/M 5 PCT 1/2W		2		
* - 26	301815	•	RESISTOR,FXD,COMP- 5.1K P/M 5% 1W		1		
* - 27	334914	•	RESISTOR,FIXED COMP 6.2K.5%,1/2 WATT		1		
* - 28	359861	•	RESISTOR, FXD WW-1000 OHM P/M 5% 10W		1		
* - 29	317019	•	RESISTOR,FXD,COMP- 2000 OHMS P/M 5% 1/2W		1		
* - 30	477144	•	RESISTOR, WIREWOUND - 200 OHM 5W		1		
* - 31	207386	•	RESISTOR, FXD WW-860 OHM P/M 1% 5W		1		
* - 32	220918	•	CIRCUIT BREAKER- 1 POLE 30V DC 5 AMP		1		
* - 33	207349	•	CIRCUIT BREAKER- 1 POLE 60V DC 8 AMP		1		
* - 34	81693	•	SCREW,MACH-BIND HD 6-32 X 3/8 LG	ATT PT	2		
* - 35	62031	•	WASHER,LOCK-INT TEETH NO. 6 X 0.295 OD	ATT PT	2		
* - 36	257986	•	WASHER,FL-NO. 6 X 5/8 OD X 0.035 THK	ATT PT	2		
* - 37	314047	•	TERMINAL BOARD- 2 SOLDER LUGS		1		
* - 38	10170	•	SCREW,MACH-BIND HD 6-32 X 1/4 LG	ATT PT	1		
* - 39	56722	•	WASHER,LOCK-EXT TEETH NO. 6 X 5/16 OD	ATT PT	1		
* - 40	208229	•	CAPACITOR,FXD,ELECT- 700 UF P100M10% 15V		1		
* - 41	208385	•	BRACKET-CARD		1		
* - 42	251970	•	SCREW,MACH-BIND HD 4-40 X 1/4 LG	ATT PT	4		
* - 43	338169	•	WASHER,LOCK-EXT TEETH NO. 4 X 9/32 OD	ATT PT	4		
* - 44	216075	•	TERMINAL BLOCK AND CONTACT ASSEMBLY		1		
* - 45	208985	•	RESISTOR,FXD,WW- 0.1 OHM P/M 5% 5W		5		
* - 46	334598	•	SCREW,MACH-RH 6-32 X 1-1/2 LG	ATT PT	5		
* - 47	56722	•	WASHER,LOCK-EXT TEETH NO. 6 X 5/16 OD	ATT PT	5		
* - 48	257986	•	WASHER,FL-NO. 6 X 5/8 OD X 0.035 THK	ATT PT	5		
* - 49	442959	•	INSULATOR,WASH- 11/64 ID 15/32 OD 1/32 T	ATT PT	15		
* - 50	208398	•	PANEL ASSEMBLY-COMPONENT		1		
* - 51	55726	•	SCREW,MACH-BIND HD 6-32 X 3/16 LG	ATT PT	5		
* - 52	56722	•	WASHER,LOCK-EXT TEETH NO. 6 X 5/16 OD	ATT PT	5		
* - 53	208282	•	HINGE		1		
* - 54	55726	•	SCREW,MACH-BIND HD 6-32 X 3/16 LG	ATT PT	5		
* - 55	56722	•	WASHER,LOCK-EXT TEETH NO. 6 X 5/16 OD	ATT PT	5		
* - 56	208180	•	TRANSFORMER, BUCK BOOST		1		
* - 57	186759	•	SCREW,MACH-BIND HD 8-32 X 1/32 LG	ATT PT	4		
* - 58	55901	•	WASHER,LOCK-EXT TEETH NO. 8 X 0.381 OD	ATT PT	5		
* - 59	22478	•	WASHER,FL- 0.170 ID 0.375 OD 0.032 THK	ATT PT	4		
* - 60	511654	•	JUMPER ASM-RED 4 IN. 14AWG 1 LUG EA END		4		
* - 61	510992	•	JUMPER ASM-BLK 4 IN. 12AWG 1 LUG EA END		1		
* - 62	320646	•	JUMPER ASM-BLK 3 IN. 14AWG 1 LUG EA END		3		
* - 63	321849	•	JUMPER ASM-BLK 4 IN. 12AWG 1 LUG EA END		1		
			SEE LIST 35 FOR COMPONENT PARTS				
* - 64	521849	•	BUS BAR- 3 POSITION		2		
* - 65	103899	•	SCREW,MACH-RH 8-32 X 1/4 LG	ATT PT	6		
* - 66	55901	•	WASHER,LOCK-EXT TEETH NO. 8 X 0.381 OD	ATT PT	6		
* - 67	323543	•	RETAINER,CAPACITOR		1		
* - 68	36109	•	NUT,PLAIN,HEX- 1/4-20 X 7/16 FL W	ATT PT	1		
* - 69	76574	•	WASHER,LOCK-EXT TEETH 1/4 X 0.510 OD	ATT PT	1		
* - 70	208232	•	CAPACITOR,FXD,ELECT- 3500UF P100M10% 75V		4		
* - 71	511097	•	PLATE-CAPACITOR MOUNTING		1		
* - 72	58207	•	SCREW,MACH-UNDRCT BIND HD 8-32 X 1/4 LG	ATT PT	2		
* - 73	55901	•	WASHER,LOCK-EXT TEETH NO. 8 X 0.381 OD	ATT PT	2		
* - 74	337898	•	BOLT,SQUARE-NECK- 1/4-20 X 5 LG		1		
* - 75	208735	•	CLAMP-CAPACITOR		2		
* - 76	304479	•	SCREW,MACH-RH 8-32 X 4-3/4 LG	ATT PT	4		
* - 77	60646	•	WASHER,LOCK-INT TEETH NO. 8 X 0.340 OD	ATT PT	4		
* - 78	208232	•	CAPACITOR,FXD,ELECT- 3500UF P100M10% 75V		2		
* - 79	504694	•	RESISTOR,FXD,WW- 200 OHMS P/M 5% 50W		1		
* - 80	304479	•	SCREW,MACH-RH 8-32 X 4-3/4 LG	ATT PT	1		
* - 81	55901	•	WASHER,LOCK-EXT TEETH NO. 8 X 0.381 OD	ATT PT	1		
* - 82	323597	•	WASHER,FINISHING- 0.196 ID X 21/32 OD	ATT PT	2		
* - 83	152039	•	WASHER,NM- 3/16 ID 11/16 OD 1/32 THK FBR	ATT PT	4		
* - 84	521695	•	INSULATOR,WASH- 1/2 ID 1 OD 1/32 THK		2		
* - 85	208179	•	TRANSFORMER,PWR- 3 PRIM 136V 5 SEC 9.52V		1		
* - 86	25891	•	SCREW,MACH-FL CSK HD 10-32 X 1/2 LG	ATT PT	4		
* - 87	56079	•	WASHER,LOCK-EXT TEETH NO. 10 X 0.410 OD	ATT PT	5		

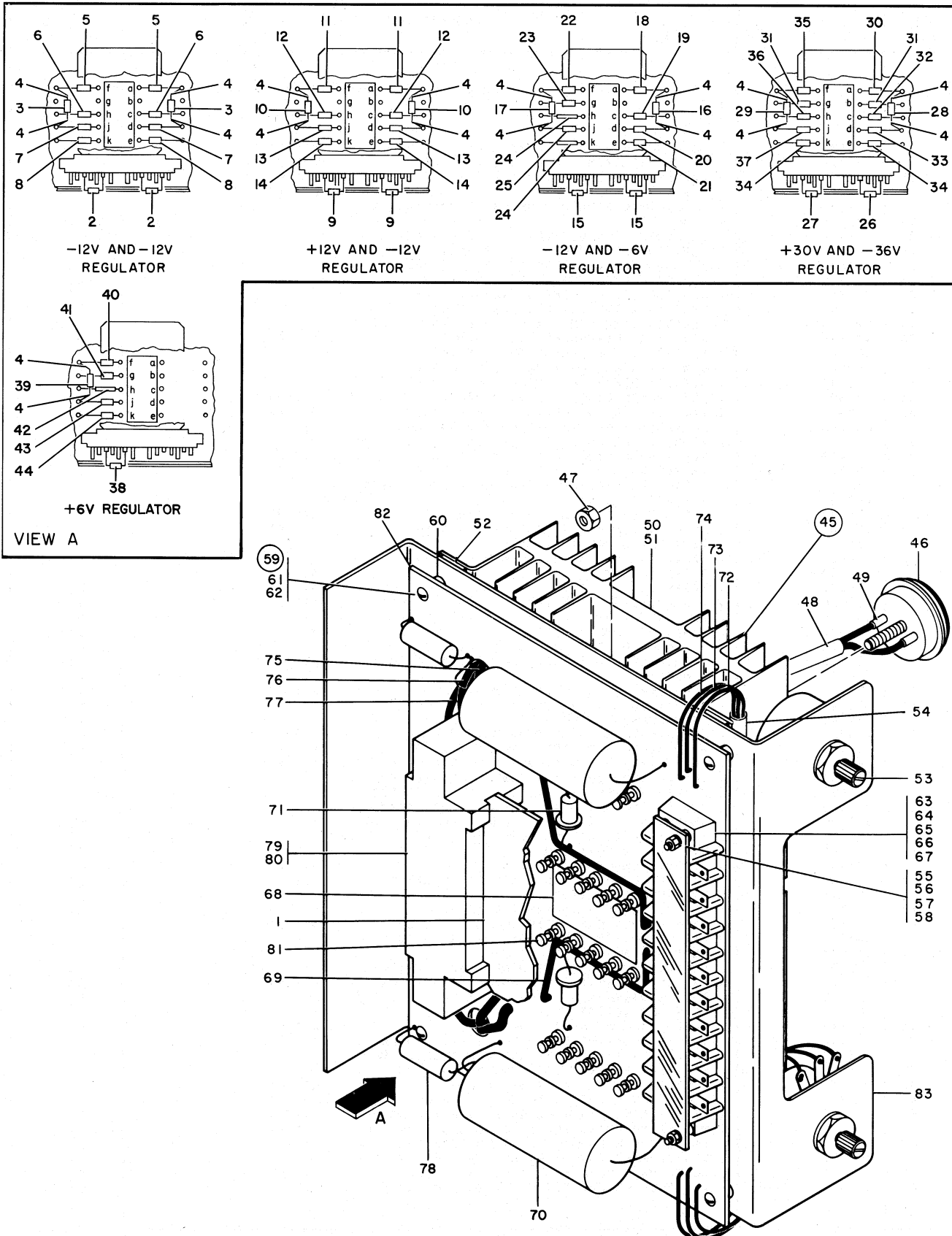


FIGURE 10. REGULATOR ASSEMBLIES, -12V AND -12V, PLUS 12V AND -12V, -12V AND -6V, PLUS 30V AND -36V, PLUS 6V.
 SEE LIST 10.

LIST AND INDEX NO.	PART NO.	DESCRIPTION	UNITS PER ASM.	USABLE ON CODE
		60 VOLT AT 6 AMP POWER SUPPLY ASSEMBLY -CONT		
* 9A- 88	45690	. WASHER,FL-NO. 10 X 7/16 OD X 1/32 THK	ATT PT	4
* - 89	11598	. NUT,PLAIN,HEX- 10-32 X 3/8 FL W	ATT PT	4
* - 90	208396	. CHASSIS- P/M 60V 6 AMP POWER SUPPLY		1
		REGULATOR ASSEMBLIES, -12V AND -12V, PLUS 12V AND -12V, -12V AND -6V, PLUS 30V AND PLUS 6V		
10 -	NO NO.1	REGULATOR ASSEMBLY, -12V AND -12V		REF
-	NO NO.2	REGULATOR ASSEMBLY, PLUS 12V AND -12V		REF
-	NO NO.3	REGULATOR ASSEMBLY, -12V AND -6V		REF
-	NO NO.4	REGULATOR ASSEMBLY, PLUS 30V AND -36V SEE LIST 7-25 FOR NEXT HIGHER ASSEMBLY AND FIG. 10 FOR ILLUSTRATION		REF
-	NO NO.5	REGULATOR ASSEMBLY, PLUS 6V SEE LIST 12-28 FOR NEXT HIGHER ASSEMBLY AND FIG. 10 FOR ILLUSTRATION		REF
- 1	370827	. CARD		1
- 2	337530	. JUMPER		2
- 3	317022	. RESISTOR, FIXED COMP 3.9K, 5%, 1/2 WATT		2
- 4	352837	. TUBING		AR
- 5	334914	. RESISTOR, FIXED COMP 6.2K, 5%, 1/2 WATT		2
- 6	5319837	. RESISTOR, FIXED FILM-62 OHM 1 WATT		2
- 7	103915	. RESISTOR, FXD COMP, 510 OHMS P/M 5PCT 1W		2
- 8	208970	. RESISTOR		2
- 9	337530	. JUMPER		2
- 10	317022	. RESISTOR, FIXED COMP 3.9K, 5%, 1/2 WATT		2
- 11	334914	. RESISTOR, FIXED COMP 6.2K, 5%, 1/2 WATT		2
- 12	5319837	. RESISTOR, FIXED FILM-62 OHM 1 WATT		2
- 13	103915	. RESISTOR, FXD COMP, 510 OHMS P/M 5PCT 1W		2
- 14	208970	. RESISTOR		2
- 15	337530	. JUMPER		2
- 16	317022	. RESISTOR, FIXED COMP 3.9K, 5%, 1/2 WATT		1
- 17	317019	. RESISTOR, FXD, COMP- 2000 OHMS P/M 5% 1/2W		1
- 18	334914	. RESISTOR, FIXED COMP 6.2K, 5%, 1/2 WATT		1
- 19	5319837	. RESISTOR, FIXED FILM-62 OHM 1 WATT		1
- 20	103915	. RESISTOR, FXD COMP, 510 OHMS P/M 5PCT 1W		1
- 21	208970	. RESISTOR		1
- 22	323920	. RESISTOR, FXD, COMP- 3000 OHMS P/M 5% 1/2W		1
- 23	216986	. RESISTOR, FXD COMP, 75 OHMS 2 WATTS		1
- 24	337519	. JUMPER ASSEMBLY		2
- 25	317007	. RESISTOR, FXD, COMP- 220 OHMS P/M 5% 1/2W		1
- 26	317024	. RESISTOR, FIXED, 2K OHMS 5/2W		1
- 27	317529	. RESISTOR, FXD, COMP- 8.2K P/M 5% 1/2W		1
- 28	300721	. RESISTOR, FXD, COMP- 10K P/M 5% 1/2W		1
- 29	213547	. RESISTOR, FXD, COMP- 15K P/M 5% 1/2W		1
- 30	322820	. RESISTOR, FXD, COMP- 30K P/M 5% 1/2W		1
- 31	335138	. RESISTOR, FXD, COMP- 200 OHMS P/M 5% 2W		2
- 32	208254	. RESISTOR, FXD, HW- 260 OHMS P/M 1% 5W		1
- 33	317085	. RESISTOR, 1800 OHMS 2 WATTS		1
- 34	208970	. RESISTOR		2
- 35	213760	. RESISTOR, FIXED, 36,000 OHMS 5/0.5W		1
- 36	207366	. RESISTOR, WIREWOUND, 300 OHMS 5 WATTS		1
- 37	317350	. RESISTOR, FXD COMP- 2000 OHMS 5% 2W		1
- 38	337530	. JUMPER		1
- 39	317019	. RESISTOR, FXD, COMP- 2000 OHMS P/M 5% 1/2W		1
- 40	323920	. RESISTOR, FXD, COMP- 3000 OHMS P/M 5% 1/2W		1
- 41	322888	. RESISTOR, FXD, COMP- 100 OHMS P/M 5% 2W		1
- 42	337519	. JUMPER ASSEMBLY		1
- 43	317007	. RESISTOR, FXD, COMP- 220 OHMS P/M 5% 1/2W		1
- 44	208970	. RESISTOR		1
- 45	342070	. REGULATOR ASSY		1
- 46	369214	. . TRANSISTOR, TYPE 108		2
- 47	11598	. NUT, PLAIN, HEX- 10-32 X 3/8 FL W	ATT PT	2
- 48	760699	. . TUBING, PLASTIC		AR
- 49	116875	. . INSULATION TUBE- 0.166 ID X 0.186 OD		AR
- 50	589788	. . HEAT SINK		2
- 51	455	. . SCREW, MACH-RH 8-32 X 3/8 LG	ATT PT	4

LIST AND INDEX NO.	PART NO.	DESCRIPTION				UNITS PER ASM.	USABLE ON CODE
		1	2	3	4		
		REGULATOR ASSEMBLIES, -12V AND -12V, PLUS 12V AND -12V, -12V AND -6V, PLUS 30V AND PLUS 6V -CONT					
10 - 52	337549	• •	INSULATOR - HEAT SINK MOUNTING			4	
- 53	2132014	• •	POTENTIOMETER, WW 25 OHMS			2	
- 54	73430	• •	TUBING, SPAGHETTI			AR	
- 55	342086	• •	SPACER, TERMINAL BLOCK			1	
- 56	257187	• •	NUT,PLAIN,HEX- 6-32 X 5/16 FL W	ATT PT		2	
- 57	56722	• •	WASHER,LOCK-EXT TEETH NO. 6 X 5/16 OD	ATT PT		2	
- 58	257986	• •	WASHER,FL-NO. 6 X 5/8 OD X 0.035 THK	ATT PT		4	
- 59	342071	• •	BOARD ASSEMBLY, BASIC REGULATOR			1	
- 60	342077	• •	SPACER			4	
- 61	35739	• •	SCREW,MACH-BIND HD 6-32 X 15/16 LG	ATT PT		4	
- 62	56722	• •	WASHER,LOCK-EXT TEETH NO. 6 X 5/16 OD	ATT PT		4	
- 63	342079	• • •	TERMINAL BLOCK, 10 POSITION			1	
- 64	38359	• • •	SCREW,MACH-FIL H 6-32 X 7/8 LG	ATT PT		2	
- 65	257187	• • •	NUT,PLAIN,HEX- 6-32 X 5/16 FL W	ATT PT		2	
- 66	56722	• • •	WASHER,LOCK-EXT TEETH NO. 6 X 5/16 OD	ATT PT		2	
- 67	257986	• • •	WASHER,FL-NO. 6 X 5/8 OD X 0.035 THK	ATT PT		2	
- 68	342081	• • •	LABEL QUICK			AR	
- 69	342073	• • •	JUMPER ASSEMBLY			2	
- 70	2109462	• • •	CAPACITOR			2	
- 71	207398	• • •	SEMICONDUCTOR DEVICE,DIO-TYPE CK			2	
- 72	342090	• • •	JUMPER ASSEMBLY			2	
- 73	342089	• • •	JUMPER ASSEMBLY			2	
- 74	342088	• • •	JUMPER ASSEMBLY			2	
- 75	342074	• • •	JUMPER ASSEMBLY			2	
- 76	342075	• • •	JUMPER ASSEMBLY			2	
- 77	342076	• • •	SEE LIST 35 FOR COMPONENT PARTS JUMPER ASSEMBLY			2	
- 78	509507	• • •	RESISTOR, COMP, 30 OHMS			2	
- 79	342092	• • •	SOCKET ASSEMBLY			1	
- 80	196698	• • •	SCREW,MACH-BIND HD 5-40 X 5/16 LG	ATT PT		2	
- 81	337545	• • •	LUG			20	
- 82	342082	• • •	BOARD			1	
- 83	342069	• •	FRAME			1	
		HEATSINK ASSEMBLY					
11 -	5319859		HEAT SINK ASSEMBLY, TRANSISTOR SEE LIST 7-31 FOR NEXT HIGHER ASSEMBLY AND FIG. 11 FOR ILLUSTRATION			REF	
-	5319886		HEAT SINK ASSEMBLY, 7 TRANSISTOR SEE LIST 7-32 FOR NEXT HIGHER ASSEMBLY AND FIG. 11 FOR ILLUSTRATION			REF	
-	5319885		HEAT SINK ASSEMBLY, 6 TRANSISTOR SEE LIST 7-33 FOR NEXT HIGHER ASSEMBLY AND FIG. 11 FOR ILLUSTRATION			REF	
- 1	81766	•	TERMINAL BOARD- 2 DBL SCREW TERMINALS			1	
- 2	589768	•	INSULATOR, TERMINAL BOARD			1	
- 3	5528	•	SCREW,MACH-BIND HD 8-32 X 5/8 LG	ATT PT		2	
- 4	55901	•	WASHER,LOCK-EXT TEETH NO. 8 X 0.381 OD	ATT PT		2	
- 5	34512	•	SCREW,MACH-BIND HD 8-32 X 3/8 LG USED ON ASSEMBLY 5319859 AND 5319885 ONLY			1	
- 5	34512	•	SCREW,MACH-BIND HD 8-32 X 3/8 LG USED ON ASSEMBLY 5319886 ONLY			2	
- 6	1090873	•	WASHER,LOCK-SPLIT NO. 8 X 0.296 OD USED ON ASSEMBLY 5319859 AND 5319885 ONLY			1	
- 6	1090873	•	WASHER,LOCK-SPLIT NO. 8 X 0.296 OD USED ON ASSEMBLY 5319886 ONLY			2	

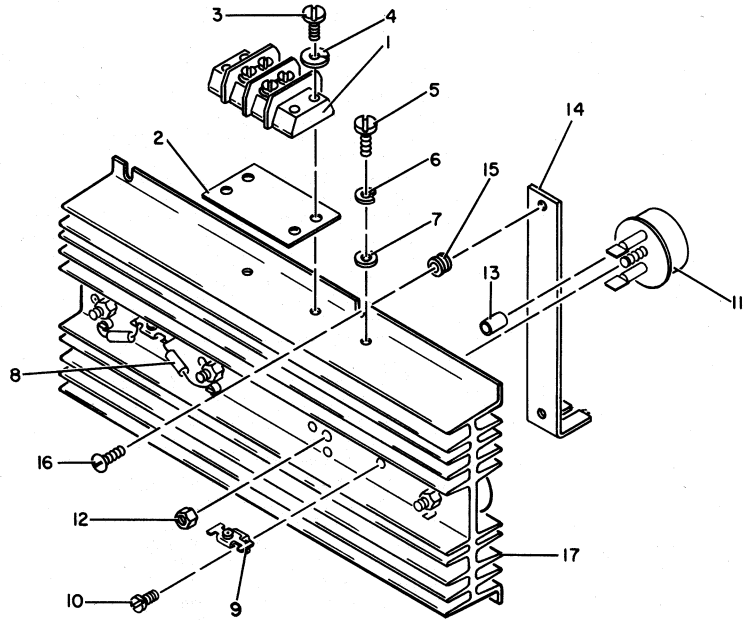
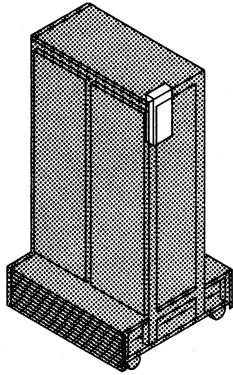


FIGURE 11. HEATSINK ASSEMBLY. SEE LIST 11.

LIST AND INDEX NO.	PART NO.	DESCRIPTION				UNITS PER ASM.	USABLE ON CODE
		1	2	3	4		
HEATSINK ASSEMBLY -CONT							
11 - 7	22478					1	
- 7	22478					2	
- 8	207324					4	
- 8	207324					6	
- 8	207324					7	
- 9	478045					2	
- 9	478045					3	
- 9	478045					4	
- 10	70078				ATT PT	2	

LIST AND INDEX NO.	PART NO.	DESCRIPTION	UNITS PER ASM.	USABLE ON CODE
		1 2 3 4		
		HEATSINK ASSEMBLY -CONT		
11 - 10	70078	. SCREW,THD FORMING-BIND HD USED ON ASSEMBLY 5319885 ONLY	ATT PT	3
- 10	70078	. SCREW,THD FORMING-BIND HD USED ON ASSEMBLY 5319886 ONLY	ATT PT	4
- 11	369214	. TRANSISTOR,TYPE 108 USED ON ASSEMBLY 5319859 ONLY		4
- 11	369214	. TRANSISTOR,TYPE 108 USED ON ASSEMBLY 5319885 ONLY		6
- 11	369214	. TRANSISTOR,TYPE 108 USED ON ASSEMBLY 5319886 ONLY		7
- 12	11598	. NUT,PLAIN,HEX- 10-32 X 3/8 FL W USED ON ASSEMBLY 5319859 ONLY	ATT PT	4
- 12	11598	. NUT,PLAIN,HEX- 10-32 X 3/8 FL W USED ON ASSEMBLY 5319885 ONLY	ATT PT	6
- 12	11598	. NUT,PLAIN,HEX- 10-32 X 3/8 FL W USED ON ASSEMBLY 5319886 ONLY	ATT PT	7
- 13	116875	. INSULATION TUBE- 0.166 ID X 0.186 OD		AR
- 14	5319876	. BRACKET, HEATSINK MOUNTING USED ON ASSEMBLY 5319859 ONLY		2
- 14	5319876	. BRACKET, HEATSINK MOUNTING USED ON ASSEMBLY 5319885 ONLY		3
- 14	5319876	. BRACKET, HEATSINK MOUNTING USED ON ASSEMBLY 5319886 ONLY		4
- 15	337549	. INSULATOR - HEAT SINK MOUNTING USED ON ASSEMBLY 5319859 ONLY		4
- 15	337549	. INSULATOR - HEAT SINK MOUNTING USED ON ASSEMBLY 5319885 ONLY		6
- 15	337549	. INSULATOR - HEAT SINK MOUNTING USED ON ASSEMBLY 5319886 ONLY		8
- 16	1431	. SCREW,MACH-RH 8-32 X 7/16 LG USED ON ASSEMBLY 5319859 ONLY	ATT PT	4
- 16	1431	. SCREW,MACH-RH 8-32 X 7/16 LG USED ON ASSEMBLY 5319885 ONLY	ATT PT	6
- 16	1431	. SCREW,MACH-RH 8-32 X 7/16 LG USED ON ASSEMBLY 5319886 ONLY	ATT PT	8
- 17	5319858	. HEAT SINK, TRANSISTOR USED ON ASSEMBLY 5319859 ONLY		1
- 17	5319884	. HEAT SINK, TRANSISTOR USED ON ASSEMBLY 5319885 ONLY		1
- 17	5319887	. HEAT SINK, 7 TRANSISTOR USED ON ASSEMBLY 5319886 ONLY		1
		POWER SUPPLY ASSEMBLY		
12 -	5319897	POWER SUPPLY ASSEMBLY, PARTIAL SEE LIST 7-129 FOR NEXT HIGHER ASSEMBLY AND FIG. 12 FOR ILLUSTRATION		REF
- 1	598353	. SEMICONDUCTOR DEVICE,D10- 100V 10 AMP		2
- 2	589721	. HEAT SINK		1
- 3	24752	. SCREW,MACH-FIL H 8-32 X 5/16 LG	ATT PT	2
- 4	1090873	. WASHER,LOCK-SPLIT NO. 8 X 0.296 OD	ATT PT	2
- 5	38235	. SCREW,MACH-FIL H 6-32 X 5/16 LG		1
- 6	257187	. NUT,PLAIN,HEX- 6-32 X 5/16 FL W		1
- 7	56722	. WASHER,LOCK-EXT TEETH NO. 6 X 5/16 OD		1

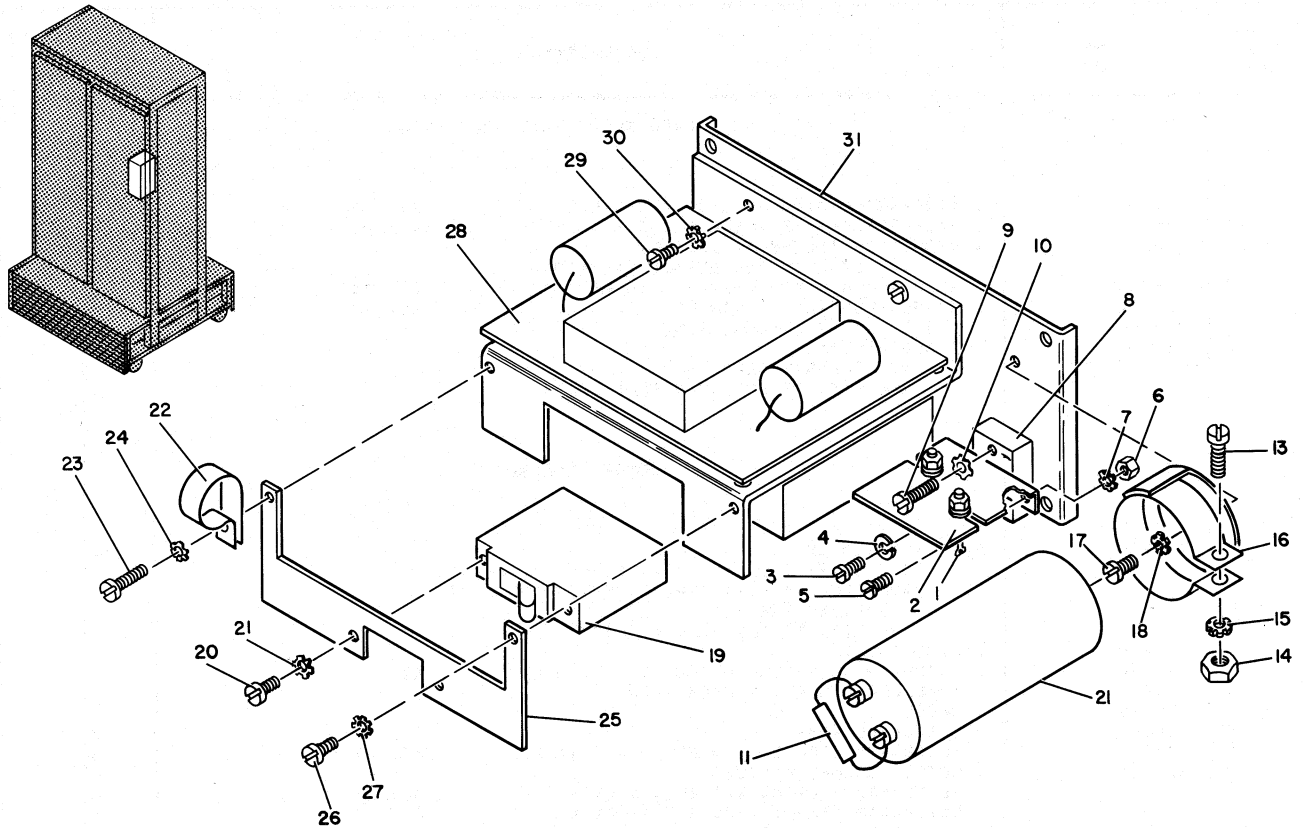


FIGURE 12. POWER SUPPLY ASSEMBLY. SEE LIST 12.

LIST AND INDEX NO.	PART NO.	DESCRIPTION				UNITS PER ASM.	USABLE ON CODE
		1	2	3	4		
POWER SUPPLY ASSEMBLY -CONT							
12 - 8	5319877	• INSULATOR, HEAT SINK				1	
- 9	19944	• SCREW, MACH-BIND HD 8-32 X 3/4 LG				ATT PT	2
- 10	55901	• WASHER, LOCK-EXT TEETH NO. 8 X 0.381 OD				ATT PT	2
- 11	337523	• RESISTOR ASSY, 1K 1W SEE LIST 35 FOR COMPONENT PARTS					1
- 12	479953	• CAPACITOR, FXD, ELECT- 15000UF P150M10%10V					1
- 13	5528	• SCREW, MACH-BIND HD 8-32 X 5/8 LG				ATT PT	1
- 14	257189	• NUT - HEX-8-32UNC THD				ATT PT	1
- 15	55901	• WASHER, LOCK-EXT TEETH NO. 8 X 0.381 OD				ATT PT	1
- 16	348946	• CLAMP, CAP MTG					1
- 17	58207	• SCREW, MACH-UNDRCT BIND HD 8-32 X 1/4 LG				ATT PT	1
- 18	55901	• WASHER, LOCK-EXT TEETH NO. 8 X 0.381 OD				ATT PT	1
- 19	208248	• CIRCUIT BREAKER, SPDT					1
- 20	10170	• SCREW, MACH-BIND HD 6-32 X 1/4 LG				ATT PT	2
- 21	56722	• WASHER, LOCK-EXT TEETH NO. 6 X 5/16 OD				ATT PT	2
- 22	2102366	• CLAMP, LOOP- 0.470 ID 0.170 DIA MTG HOLE					1
- 23	322550	• SCREW, MACH-BIND HD 6-32 X 1/2 LG				ATT PT	1
- 24	56722	• WASHER, LOCK-EXT TEETH NO. 6 X 5/16 OD				ATT PT	1
- 25	5319896	• BRACKET, CB MOUNTING					1

LIST AND INDEX NO.	PART NO.	DESCRIPTION				UNITS PER ASM.	USABLE ON CODE
		1	2	3	4		
POWER SUPPLY ASSEMBLY -CONT							
12 - 26	81693	. SCREW,MACH-BIND HD 6-32 X 3/8 LG				1	
- 27	56722	. WASHER,LOCK-EXT TEETH NO. 6 X 5/16 OD				1	
- 28	NO NO.5	. REGULATOR ASSEMBLY, PLUS 6V SEE LIST 10 FOR DETAIL BREAKDOWN				1	
- 29	38235	. SCREW,MACH-FIL H 6-32 X 5/16 LG				2	
- 30	56722	. WASHER,LOCK-EXT TEETH NO. 6 X 5/16 OD				2	
- 31	5319895	. PLATE, COMPONENT MOUNTING				1	
- 32	5319867	. CABLE ASSEMBLY NOT ILLUSTRATED SEE LIST 35 FOR COMPONENT PARTS				1	
BLOWER ASSEMBLY							
13 -	760159	BLOWER ASSEMBLY SEE SECT. 1 LISTS 2-92, 20-66, 31-64, AND SECT. 2 LISTS 2-193, 5-179 FOR NEXT HIGHER ASSEMBLY AND FIG. 13 FOR ILLUSTRATION				REF	
- 1	254469	. RING-INLET				4	
- 2	79778	. SCREW,THD CTG-BIND HD NO. 6 X 5/16 LG				16	
- 3	254474	. IMPELLER,FAN,CENTRIFUGAL-CCW				1	
- 4	254475	. WHEEL				1	
- 5	314264	. SCROLL-BLOWER				2	
- 6	79778	. SCREW,THD CTG-BIND HD NO. 6 X 5/16 LG				8	
- 7	253621	. MOTOR ASSEMBLY-BLOWER				1	
- 8	36844	. SCREW,MACH-HEX HD 1/4-20X5/8 LG				4	
- 9	3960	. NUT,PLAIN,HEX- 1/4-20 X 7/16 FL W				4	
- 10	6935	. WASHER,LOCK-SPLIT 1/4 X 0.493 OD				4	
- 11	92786	. . TERMINAL,LUG-INS 18-20AWG NO.4 MTG SLOT				2	
- 12	310262	. . MOTOR ASSEMBLY-BLOWER				1	
- 13	760142	. PLATE-PLENUM REAR				1	
A FRAME ASSEMBLY							
14 -	350825	FRAME ASSEMBLY-A SEE LIST 1-78 FOR NEXT HIGHER ASSEMBLY AND FIG. 14 FOR ILLUSTRATION				REF	D
- 1	761381	. PANEL ASSEMBLY, CONTROL SEE LIST 3 FOR DETAIL BREAKDOWN				1	
- 2	99	. SCREW,MACH-FL CSK HD 10-32 X 3/8 LG				4	
- 3	438566	. SCREW,MACH-UNDRCT BIND HD 6-32 X 1/8 LG				1	
- 4	761374	. COVER, SAFETY-CIRCUIT BREAKER				1	
- 5	55726	. SCREW,MACH-BIND HD 6-32 X 3/16 LG				3	
- 6	138754	. PLATE,INST-LINE V PRESENT W/MACH PWR OFF				1	
- 7	760250	. PANEL ASSEMBLY, CIRCUIT BREAKER-AUX				1	
- 8	221790	. SCREW,MACH-BIND HD 8-32 X 3/16 LG				4	
- 9	760267	. . CIRCUIT BREAKER, OVERLOAD PROTECTOR				1	
- 10	760264	. . CIRCUIT BREAKER- 1 POLE 250V AC 1.5 AMP				1	
- 11	760265	. . CIRCUIT BREAKER, OVERLOAD PROTECTOR				4	
- 12	511236	. . CIRCUIT BREAKER				1	

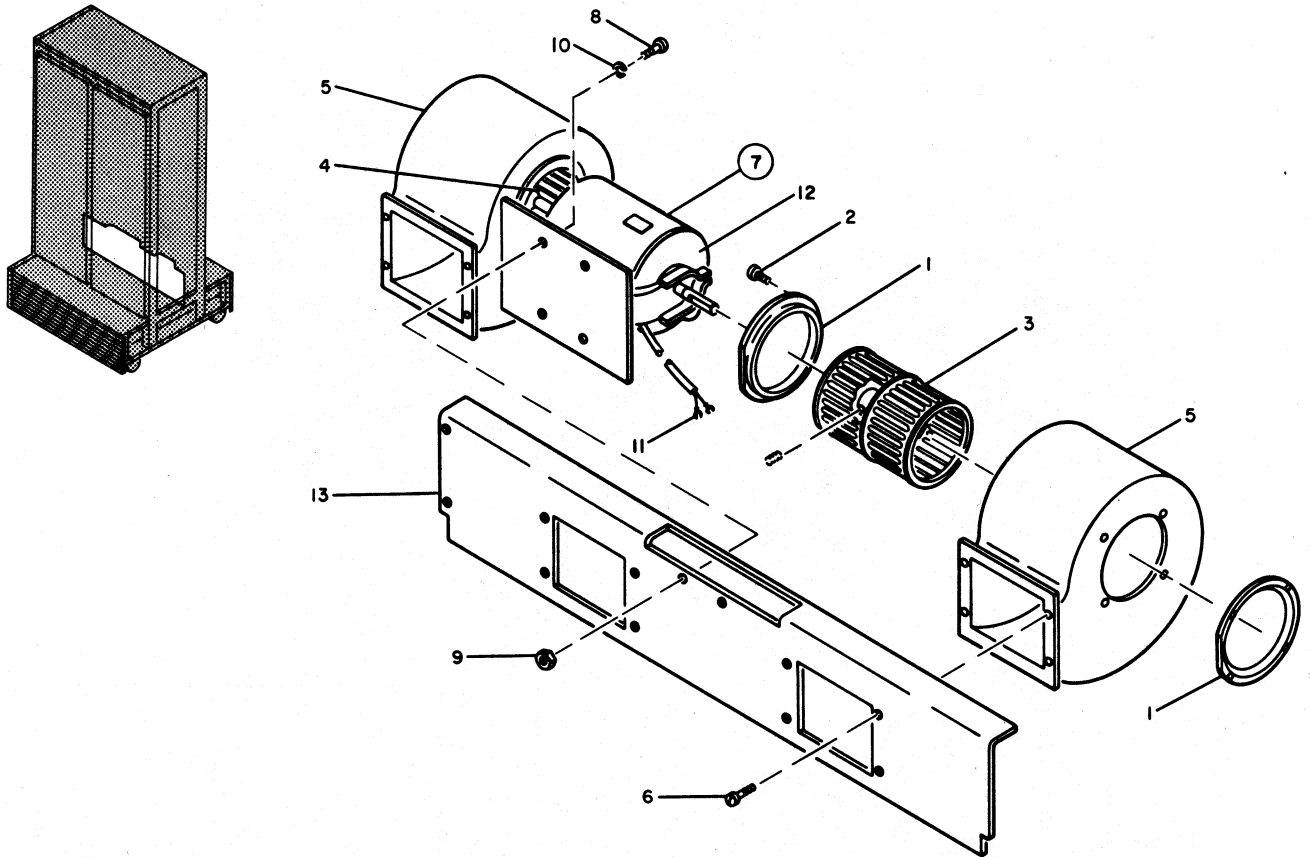


FIGURE 13. BLOWER ASSEMBLY. SEE LIST 13.

LIST AND INDEX NO.	PART NO.	DESCRIPTION				UNITS PER ASM.	USABLE ON CODE
		1	2	3	4		
		A FRAME ASSEMBLY -CONT					
14 - 13	10170	.	.	SCREW, MACH-BIND HD 6-32 X 1/4 LG	ATT PT	16	
- 14	760752	.	.	PANEL, CIRCUIT BREAKER MOUNTING		1	
- 15	760054	.	.	GATE ASSEMBLY, RELAY SEE LIST 5 FOR DETAIL BREAKDOWN		1	
- 16	104753	.	.	RELAY ASSEMBLY-WIRE CONTACT 4PDT 2 COIL SEE LIST 5 FOR LOCATION AND DETAIL BREAKDOWN		REF	
- 17	186685	.	.	RELAY ASSEMBLY-WIRE CONTACT 4PDT 1 COIL SEE LIST 5 FOR LOCATION AND DETAIL BREAKDOWN		REF	
- 18	196198	.	.	RELAY ASSEMBLY-WIRE CONTACT 6PDT 2 COIL SEE LIST 5 FOR LOCATION AND DETAIL BREAKDOWN		REF	
- 19	196208	.	.	RELAY ASSEMBLY-WIRE CONTACT 4PDT 2 COIL SEE LIST 5 FOR LOCATION AND DETAIL BREAKDOWN		REF	
- 20	471765	.	.	DIODE ASSEMBLY-PLUGGABLE SEE LIST 5 FOR LOCATION		REF	
- 21	10170	.	.	SCREW, MACH-BIND HD 6-32 X 1/4 LG		1	

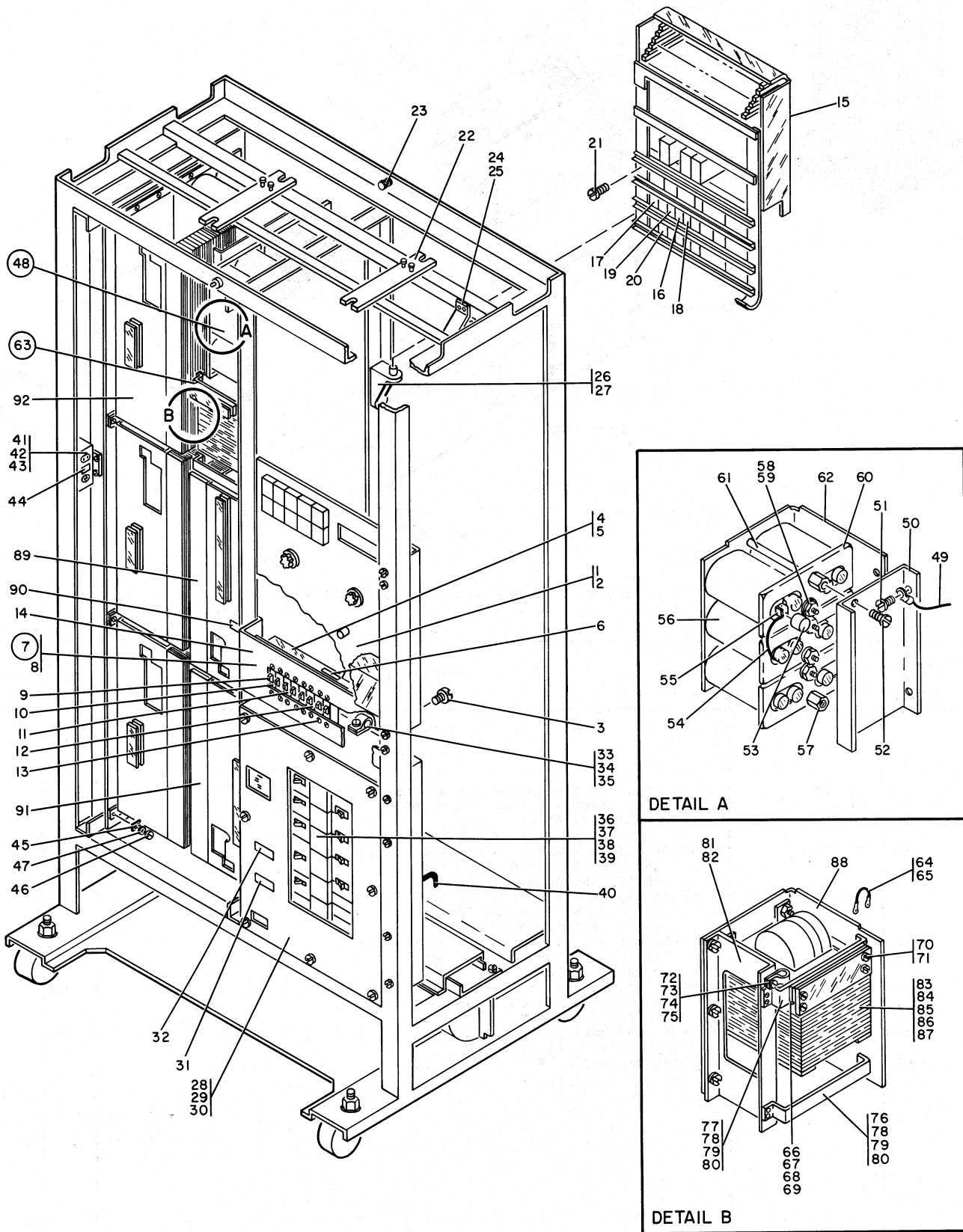


FIGURE 14. A FRAME ASSEMBLY. SHEET 1 OF 3. INDEX NOS. 1-92. SEE LIST 14.

LIST AND INDEX NO.	PART NO.	DESCRIPTION				UNITS PER ASM.	USABLE ON CODE
		1	2	3	4		
		A FRAME ASSEMBLY -CONT					
14 - 22	761389	. SWITCH ASSEMBLY, THERMO SEE LIST 2-63 FOR DETAIL BREAKDOWN				2	
- 23	760303	. CATCH-PULL				2	
- 24	760449	. BRACKET, RELAY GATE LATCH				1	
- 25	58207	. SCREW, MACH-UNDRCT BIND HD 8-32 X 1/4 LG				2	ATT PT
- 26	225532	. HINGE, GATE				2	
- 27	38686	. SCREW, MACH-HEX HD 1/4-20 X 1/2 LG				4	ATT PT
- 28	760619	. COVER, CIRCUIT BREAKER HOUSING				1	
- 29	438566	. SCREW, MACH-UNDRCT BIND HD 6-32 X 1/8 LG				8	ATT PT
- 30	56722	. WASHER, LOCK-EXT TEETH NO. 6 X 5/16 OD				8	ATT PT
- 31	138754	. PLATE, INST-LINE V PRESENT W/MACH PWR OFF				1	
- 32	183848	. PLATE, INSTRUCTION-CURRENT REQUIREMENT				1	
- 33	2102369	. CLAMP, LOOP- 1.230 ID 0.200 DIA MTG HOLE				2	
- 34	845	. SCREW, MACH-FIL H 8-32 X 1/2 LG				2	ATT PT
- 35	257187	. NUT, PLAIN, HEX- 6-32 X 5/16 FL W				2	ATT PT
- 36	760249	. HOUSING ASSEMBLY, CIRCUIT BREAKER SEE LIST 2-22 FOR DETAIL BREAKDOWN				1	
- 37	252341	. SPACER, PRESSURE ROLL SHAFT				4	
- 38	309829	. SCREW, MACH-FH 10-32 X 7/8 LG				4	ATT PT
- 39	236849	. SCREW, MACH-BIND HD 10-32 X 1/4 LG				2	ATT PT
- 40	760732	. CORD ASSEMBLY, PLUG ATTACHMENT SEE LIST 35 FOR COMPONENT PARTS				1	
- 41	761373	. CONVENIENCE OUTLET ASSEMBLY SEE LIST 2-51 FOR DETAIL BREAKDOWN				1	
- 42	58207	. SCREW, MACH-UNDRCT BIND HD 8-32 X 1/4 LG				4	ATT PT
- 43	55901	. WASHER, LOCK-EXT TEETH NO. 8 X 0.381 OD				4	ATT PT
- 44	138754	. PLATE, INST-LINE V PRESENT W/MACH PWR OFF				2	
- 45	207293	. KEEPER-POWER SUPPLY MOUNTING				21	
- 46	58207	. SCREW, MACH-UNDRCT BIND HD 8-32 X 1/4 LG				21	ATT PT
- 47	55901	. WASHER, LOCK-EXT TEETH NO. 8 X 0.381 OD				21	ATT PT
- 48	208205	. CAPACITOR ASSEMBLY- SIX 90 UF CAP				1	
- 49	597216	. . JUMPER ASM-GRN 9-1/2 14AWG 1 LUG EA END SEE LIST 35 FOR COMPONENT PARTS				1	
- 50	208199	. . CHANNEL-CAPACITOR MOUNTING				1	
- 51	221790	. . SCREW, MACH-BIND HD 8-32 X 3/16 LG				2	ATT PT
- 52	28413	. . SCREW, MACH-BIND HD 10-32 X 5/16 LG				2	ATT PT
- 53	526378	. . INSULATOR, CAP-CAPACITOR				12	
- 54	207318	. . JUMPER ASM-BLK 5 IN. 14AWG 1 LUG EA END USED ON ASSEMBLY 208205 ONLY SEE LIST 35 FOR COMPONENT PARTS				10	
- 55	517913	. . TERMINAL, QUICK DISCONNECT- 12/18AWG				2	
- 56	478047	. . CAPACITOR, 15UF 6330VAC				6	
- 57	191483	. . SPACER, HEX 10-32 X 3/8 FW				2	
- 58	11598	. . NUT, PLAIN, HEX- 10-32 X 3/8 FL W				4	ATT PT
- 59	56121	. . WASHER, LOCK-INT TEETH NO. 10 X 0.381 OD				4	ATT PT
- 60	207206	. . BRACKET-CAPACITOR MOUNTING				3	ATT PT
- 61	478046	. . STUD, CAPACITOR MOUNTING				6	
- 62	208200	. . PLATE-CAPACITOR MOUNTING				1	
- 63	208274	. REGULATOR ASSEMBLY- 1250 WATT				1	
- 64	334910	. . TERMINAL, LUG-INS 14/16AWG NO. 6 MTG HOLE				2	
- 65	347062	. . WIRE- GREEN NG. 14				AR	
- 66	186943	. . SHIELD- 10 POSITION				1	
- 67	210984	. . SCREW, MACH-RH 6-32 X 1/4 LG				1	ATT PT
- 68	322767	. . TERMINAL BOARD- 10 DBL SCREW TERMINALS				1	
- 69	730268	. . INSULATOR - TERMINAL BLOCK - 10 POSITION				1	
- 70	209483	. . STUD, TAPPED				1	ATT PT
- 71	209484	. . STUD				3	ATT PT
- 72	356742	. . CLAMP, LOOP- 0.250 ID 0.177 DIA MTG HOLE				1	

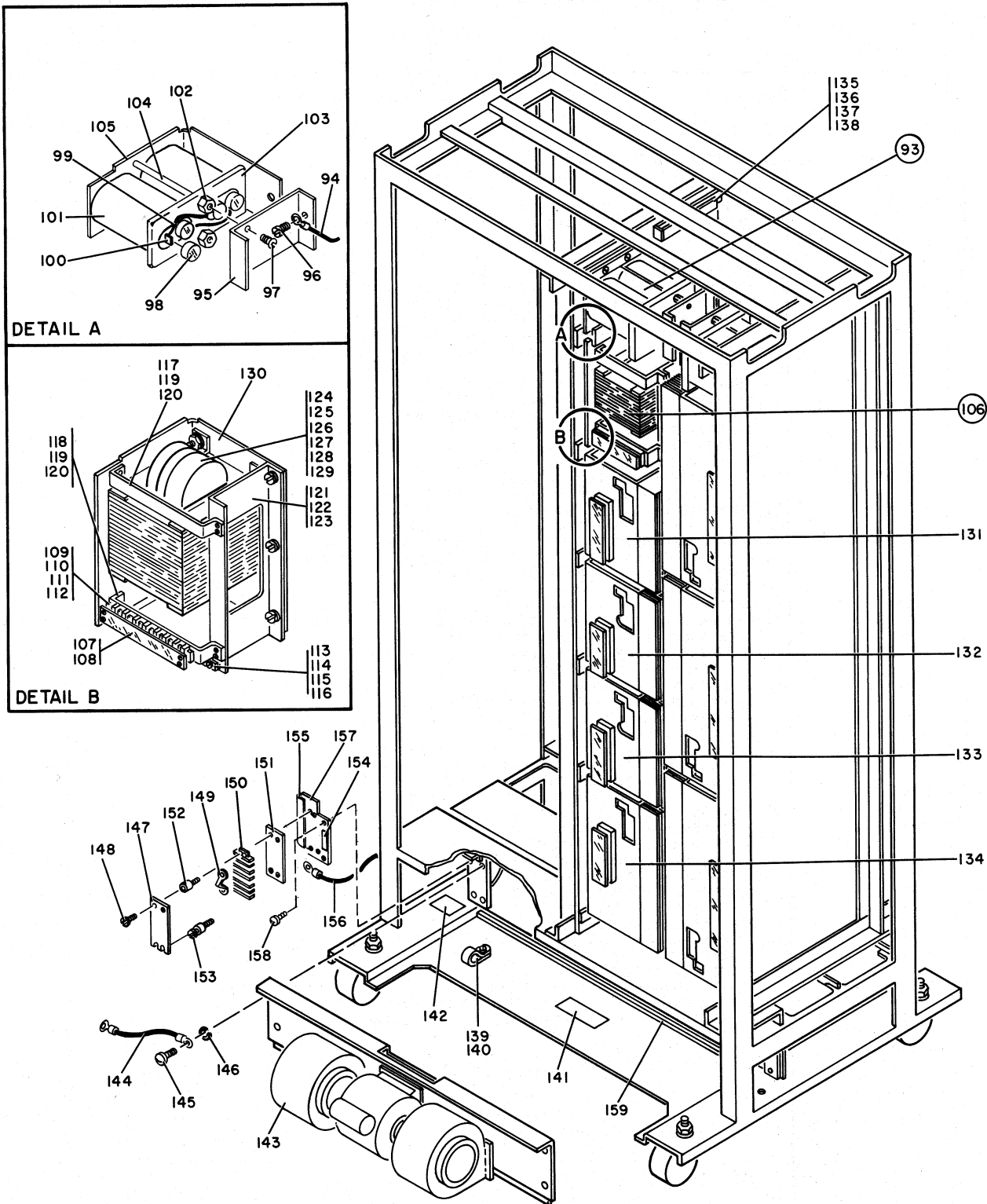


FIGURE 14. A FRAME ASSEMBLY. SHEET 2 OF 3. INDEX NOS. 93-159. SEE LIST 14.

LIST AND INDEX NO.	PART NO.	DESCRIPTION				UNITS PER ASM.	USABLE ON CODE
		1	2	3	4		
		A FRAME ASSEMBLY -CONT					
14 - 73	186759	•	•	SCREW,MACH-BIND HD 8-32 X 1/32 LG	ATT PT	1	
- 74	60646	•	•	WASHER,LOCK-INT TEETH NO. 8 X 0.340 OD	ATT PT	1	
- 75	22478	•	•	WASHER,FL- 0.170 ID 0.375 OD 0.032 THK	ATT PT	1	
- 76	223415	•	•	BRACKET - 1250W FERRO MOUNTING		1	
- 77	730269	•	•	BRACKET - TERMINAL BLOCK MOUNTING		1	
- 78	24752	•	•	SCREW,MACH-FIL H 8-32 X 5/16 LG	ATT PT	4	
- 79	60646	•	•	WASHER,LOCK-INT TEETH NO. 8 X 0.340 OD	ATT PT	4	
- 80	38452	•	•	SCREW,MACH-FL CSK HD 8-32 X 5/16 LG	ATT PT	4	
- 81	223413	•	•	CHAIN - 1250W FERRO		1	
- 82	38452	•	•	SCREW,MACH-FL CSK HD 8-32 X 5/16 LG	ATT PT	3	
- 83	5240449	•	•	REGULATOR,FERRORESONANT,60CPS 1250W		1	
- 84	71776	•	•	SCREW - FL HD - 1/4-20 X 7/8 LG.	ATT PT	4	
- 85	3960	•	•	NUT,PLAIN,HEX- 1/4-20 X 7/16 FL W	ATT PT	4	
- 86	76574	•	•	WASHER,LOCK-EXT TEETH 1/4 X 0.510 OD	ATT PT	4	
- 87	3550	•	•	WASHER,FL- 1/4 X 9/16 OD X 0.050 THK	ATT PT	4	
- 88	223412	•	•	PLATE - FERRO MOUNTING		1	
- 89	473580	•	•	POWER SUPPLY ASSY,30 VOLT AT 4 AMP SEE LIST 8 FOR DETAIL BREAKDOWN		1	
* - 89	207246	•	•	POWER SUPPLY ASSEMBLY- 30V DC 4 AMP SEE LIST 8A FOR DETAIL BREAKDOWN		1	B
* - 90	369207	•	•	PLATE,INST-HAZARDOUS AREA		1	
- 91	473590	•	•	POWER SUPPLY ASSEMBLY, 60V AT 6A SEE LIST 9 FOR DETAIL BREAKDOWN		1	
- 92	473380	•	•	POWER SUPPLY ASSY,12 VOLT AT 20 AMP SEE LIST 15 FOR DETAIL BREAKDOWN		6	
* - 92	208258	•	•	POWER SUPPLY ASSEMBLY- 12 VOLT 20 AMP SEE LIST 15A FOR DETAIL BREAKDOWN		1	B
- 93	207254	•	•	CAPACITOR ASSEMBLY- TWO 30 UF CAP		2	
- 94	597216	•	•	JUMPER ASM-GRN 9-1/2 14AWG 1 LUG EA END SEE LIST 35 FOR COMPONENT PARTS		1	
- 95	207248	•	•	CHANNEL-CAPACITOR MOUNTING		1	
- 96	221790	•	•	SCREW,MACH-BIND HD 8-32 X 3/16 LG	ATT PT	2	
- 97	28413	•	•	SCREW,MACH-BIND HD 10-32 X 5/16 LG	ATT PT	2	
- 98	526378	•	•	INSULATOR,CAP-CAPACITOR		4	
- 99	207318	•	•	JUMPER ASM-BLK 5 IN. 14AWG 1 LUG EA END SEE LIST 35 FOR COMPONENT PARTS		2	
-100	517913	•	•	TERMINAL,QUICK DISCONNECT- 12/18AWG		2	
-101	478047	•	•	CAPACITOR, 15UF 6*330VAC		2	
-102	191483	•	•	SPACER,HEX 10-32 X 3/8 FW	ATT PT	2	
-103	207206	•	•	BRACKET-CAPACITOR MOUNTING	ATT PT	1	
-104	478046	•	•	STUD, CAPACITOR MOUNTING		2	
-105	207251	•	•	PLATE-CAPACITOR MOUNTING		1	
-106	207285	•	•	REGULATOR ASM,750 WATT FERRO		1	
-107	186943	•	•	SHIELD- 10 POSITION		1	
-108	210984	•	•	SCREW,MACH-RH 6-32 X 1/4 LG	ATT PT	1	
-109	511592	•	•	TERMINAL BOARD-10 SCREW W/FTHRU TERM LUG		1	
-110	207242	•	•	MARKER STRIP- 10 POS NOS. 1 THRU 10		1	
-111	209483	•	•	STUD,TAPPED	ATT PT	1	
-112	209484	•	•	STUD	ATT PT	3	
-113	356742	•	•	CLAMP,LOOP- 0.250 ID 0.177 DIA MTG HOLE		1	
-114	186759	•	•	SCREW,MACH-BIND HD 8-32 X 1/32 LG	ATT PT	1	
-115	60646	•	•	WASHER,LOCK-INT TEETH NO. 8 X 0.340 OD	ATT PT	1	
-116	22478	•	•	WASHER,FL- 0.170 ID 0.375 OD 0.032 THK	ATT PT	1	
-117	207215	•	•	BRACKET-CHANNEL SUPPORT		1	
-118	207212	•	•	BRACKET-TERMINAL BLOCK MOUNTING		1	
-119	24752	•	•	SCREW,MACH-FIL H 8-32 X 5/16 LG	ATT PT	8	
-120	60646	•	•	WASHER,LOCK-INT TEETH NO. 8 X 0.340 OD	ATT PT	8	
-121	207218	•	•	CHANNEL- 750W FERRO RESONANT REGULATOR		1	
-122	2300	•	•	SCREW,MACH-FIL H 8-32 X 1/4 LG	ATT PT	3	
-123	60646	•	•	WASHER,LOCK-INT TEETH NO. 8 X 0.340 OD	ATT PT	3	
-124	208375	•	•	REGULATOR-FERRORESONANT 60 CPS 750W		1	
-125	25895	•	•	SCREW,MACH-FH 1/4-20 X 3/4 LG	ATT PT	4	

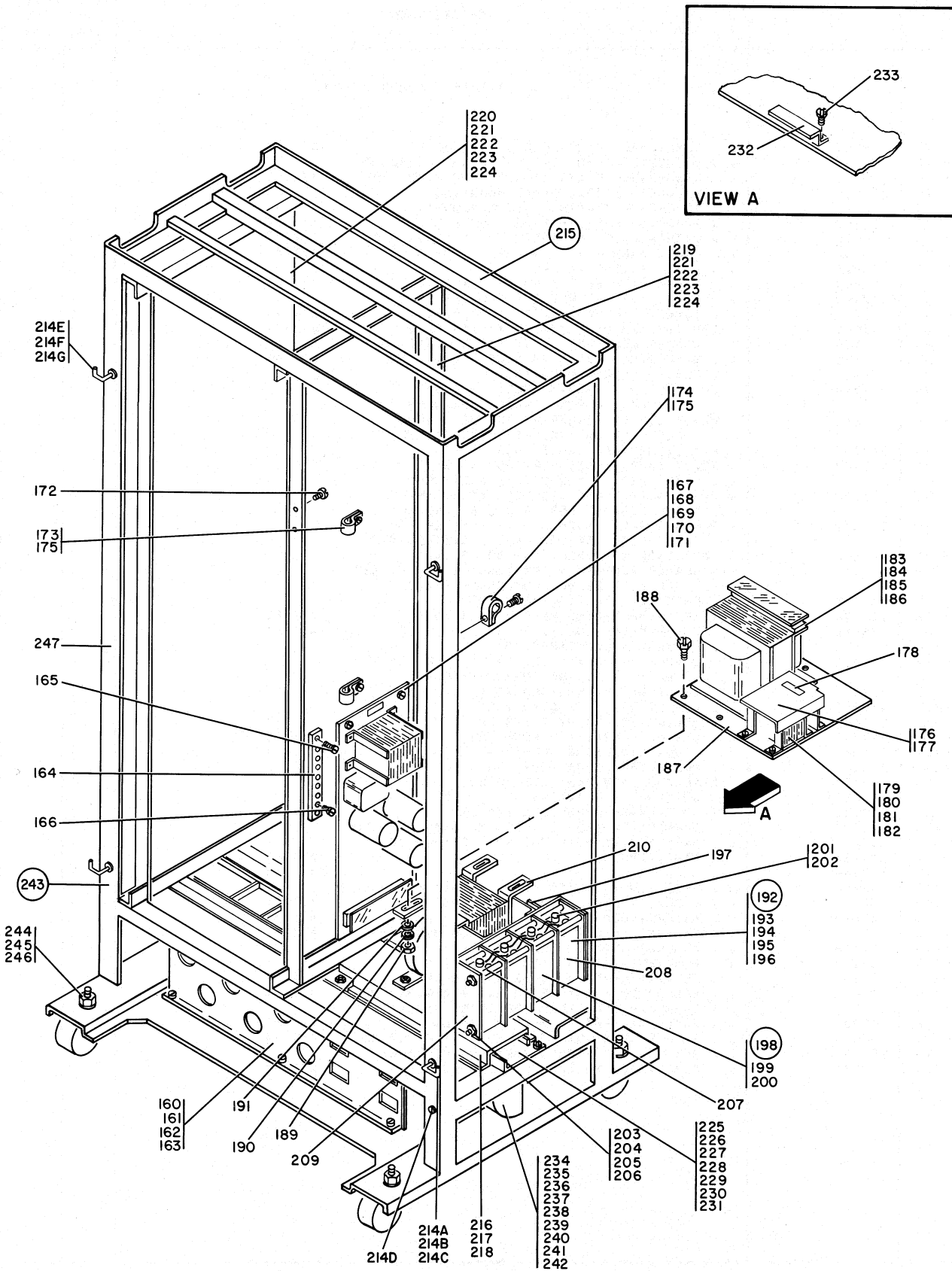


FIGURE 14. A FRAME ASSEMBLY. SHEET 3 OF 3. INDEX NOS. 160-247. SEE LIST 14.

LIST AND INDEX NO.	PART NO.	DESCRIPTION	UNITS PER ASM.	USABLE ON CODE
		A FRAME ASSEMBLY -CONT		
14 -126	36109	. . NUT,PLAIN,HEX- 1/4-20 X 7/16 FL W	ATT PT	4
-127	6935	. . WASHER,LOCK-SPLIT 1/4 X 0.493 OD	ATT PT	4
-128	3550	. . WASHER,FL- 1/4 X 9/16 OD X 0.050 THK	ATT PT	4
-129	76574	. . WASHER,LOCK-EXT TEETH 1/4 X 0.510 OD	ATT PT	1
-130	207203	. . PLATE- 750W FERRO-RESONANT REG MAIN		1
-131	473440	. POWER SUPPLY ASSEMBLY,-6VDC 2AMP SEE LIST 16 FOR DETAIL BREAKDOWN		1
* -131	207258	. POWER SUPPLY ASSEMBLY- 6V DC 2 AMP SEE LIST 16A FOR DETAIL BREAKDOWN		1 B
* -132	473550	. POWER SUPPLY ASM, 30V AT 4A SEE LIST 17 FOR DETAIL BREAKDOWN		1
* -132	207282	. POWER SUPPLY ASSEMBLY- 30 VOLT 4 AMP SEE LIST 17A FOR DETAIL BREAKDOWN		1 B
* -133	477230	. POWER SUPPLY ASSEMBLY, 36V AT 2A SEE LIST 18 FOR DETAIL BREAKDOWN		1
* -133	207276	. POWER SUPPLY ASSEMBLY- 36 VOLT 2 AMP SEE LIST 18A FOR DETAIL BREAKDOWN		1 B
* -134	473510	. POWER SUPPLY ASSEMBLY- 12V DC 12 AMP SEE LIST 19 FOR DETAIL BREAKDOWN		1
* -134	207234	. POWER SUPPLY ASSEMBLY- 12 VOLT 16 AMP SEE LIST 19A FOR DETAIL BREAKDOWN		1 B
-135	207382	. RAIL-POWER SUPPLY MOUNTING		21
-136	332620	. SCREW,MACH-BIND HD 10-32 X 1/2 LG	ATT PT	42
-137	350886	. STOP		21
-138	55726	. SCREW,MACH-BIND HD 6-32 X 3/16 LG	ATT PT	21
-139	2102368	. CLAMP,LOOP- 0.880 ID 0.200 DIA MTG HOLE		1
-140	5528	. SCREW,MACH-BIND HD 8-32 X 5/8 LG	ATT PT	1
-141	369207	. PLATE,INST-HAZARDOUS AREA		1
-142	138754	. PLATE,INST-LINE V PRESENT W/MACH PWR OFF		1
-143	760159	. BLOWER ASSEMBLY SEE LIST 13 FOR DETAIL BREAKDOWN		1
-145	38381	. SCREW,MACH-FIL H 10-32 X 5/16 LG	ATT PT	4
-146	1090873	. WASHER,LOCK-SPLIT NO. 8 X 0.296 OD	ATT PT	4
-147	186945	. SHIELD- 8 POSITION		1
-148	210984	. SCREW,MACH-RH 6-32 X 1/4 LG	ATT PT	1
-149	367115	. JUMPER-TERMINAL STRIP VDC DISTR BRS		4
-150	317145	. TERMINAL BOARD- 8 DBL SCREW TERMINALS		1
-151	242256	. MARKER STRIP- 8 POS NOS. 1 THRU 8		1
-152	210883	. STUD,EXT- 6-32 INT EXT THD X 0.900 LG DA	ATT PT	1
-153	210884	. STUD-SHIELD	ATT PT	3
-154	138754	. PLATE,INST-LINE V PRESENT W/MACH PWR OFF		1
-155	223528	. RUBBER CHANNEL-COVERS		AR
-156	515355	. JUMPER ASSEMBLY SEE LIST 35 FOR COMPONENT PARTS		1
-157	760150	. FILLER		2
-158	10170	. SCREW,MACH-BIND HD 6-32 X 1/4 LG	ATT PT	4
-159	352018	. SEAL-SIDE COVER		AR
-160	761376	. PLATE, CONNECTOR		1
-161	140425	. SCREW,MACH-HEX HD 10-32 X 5/16 LG	ATT PT	3
-162	56079	. WASHER,LOCK-EXT TEETH NO. 10 X 0.410 OD	ATT PT	3
-163	38235	. SCREW,MACH-FIL H 6-32 X 5/16 LG		8
-164	760443	. BUS, GROUND		1
-165	34512	. SCREW,MACH-BIND HD 8-32 X 3/8 LG	ATT PT	2
-166	58207	. SCREW,MACH-UNDRCT BIND HD 8-32 X 1/4 LG		7
-167	196403	. POWER SUPPLY ASSEMBLY- 48V DC 6 AMP SEE LIST 6 FOR DETAIL BREAKDOWN	ATT PT	1
-168	36844	. SCREW,MACH-HEX HD 1/4-20X5/8 LG	ATT PT	4
-169	3960	. NUT,PLAIN,HEX- 1/4-20 X 7/16 FL W	ATT PT	4
-170	6935	. WASHER,LOCK-SPLIT 1/4 X 0.493 OD	ATT PT	4
-171	3550	. WASHER,FL- 1/4 X 9/16 OD X 0.050 THK	ATT PT	4
-172	38363	. SCREW,MACH-FIL H 8-32 X 5/32 LG		2
-173	113261	. CABLE CLAMP		2
-174	2102367	. CLAMP,LOOP- 0.700 ID 0.200 DIA MTG HOLE		1
-175	28413	. SCREW,MACH-BIND HD 10-32 X 5/16 LG	ATT PT	3
-176	762594	. COVER, SAFETY-TRANSFORMER		1
-177	221790	. SCREW,MACH-BIND HD 8-32 X 3/16 LG	ATT PT	2

LIST AND INDEX NO.	PART NO.	DESCRIPTION				UNITS PER ASM.	USABLE ON CODE
		1	2	3	4		
A FRAME ASSEMBLY -CONT							
14 -178	138754	• PLATE,INST-LINE V PRESENT W/MACH PWR OFF				1	
-179	760734	• TRANSFORMER,PWR,STEP-DOWN				1	
-180	34512	• SCREW,MACH-BIND HD 8-32 X 3/8 LG				4	
-181	1090873	• WASHER,LOCK-SPLIT NO. 8 X 0.296 OD				4	
-182	22478	• WASHER,FL- 0.170 ID 0.375 OD 0.032 THK				4	
-183	760257	• TRANSFORMER,PWR- 2 PRIM 230V SEC 115V				1	
-184	325626	• SCREW,MACH-HEX SLOTTED HD				4	
-185	6935	• WASHER,LOCK-SPLIT 1/4 X 0.493 OD				4	
-186	333769	• INSULATOR, PLATE				4	
-187	760055	• PLATE, TRANSFORMER MOUNTING				1	
-188	129147	• SCREW,MACH-HEX HD 1/4-20 X 7/8 LG				4	
-189	3960	• NUT,PLAIN,HEX- 1/4-20 X 7/16 FL W				4	
-190	6935	• WASHER,LOCK-SPLIT 1/4 X 0.493 OD				4	
-191	333769	• INSULATOR, PLATE				4	
-192	220893	• REGULATOR ASSEMBLY- 1840W				1	
-193	38688	• SCREW,MACH-HEX HD 1/4-20 X 3/4 LG				4	
-194	6935	• WASHER,LOCK-SPLIT 1/4 X 0.493 OD				4	
-195	333769	• INSULATOR, PLATE				4	
-196	552222	• JUMPER ASM-GRN 14 IN. 14AWG 1 LUG EA END				1	
		PART OF 220893					
		SEE LIST 35 FOR COMPONENT PARTS					
-197	473545	• SHIELD,9 POSITION				1	
		PART OF 220893					
-198	207269	• . . CAPACITOR ASSEMBLY				1	
-199	236849	• . . SCREW,MACH-BIND HD 10-32 X 1/4 LG				4	
-200	9092	• . . WASHER,LOCK-SPLIT NO. 10 X 0.337 OD				4	
-201	526378	• . . . INSULATOR,CAP-CAPACITOR				8	
-202	207318	• . . . JUMPER ASM-BLK 5 IN. 14AWG 1 LUG EA END				6	
		SEE LIST 35 FOR COMPONENT PARTS					
-203	207266	• . . . STUD, CAPACITOR MOUNTING				4	
-204	11598	• . . . NUT,PLAIN,HEX- 10-32 X 3/8 FL W				8	
-205	9092	• . . . WASHER,LOCK-SPLIT NO. 10 X 0.337 OD				8	
-206	45690	• . . . WASHER,FL-NO. 10 X 7/16 OD X 1/32 THK				8	
-207	208389	• . . . SPACER, CAPACITOR MOUNTING				16	
-208	208388	• . . . CAPACITOR,PAPER,25MFD 330VAC				4	
-209	207263	• . . . BRACKET, CAPACITOR MOUNTING				1	
-210	207272	• . . REGULATOR ASSEMBLY, FERRORESONANT				1	
-211	350863	• CABLE ASSEMBLY				1	
-212	350864	• CABLE ASSEMBLY				1	
-213	760730	• CABLE ASSEMBLY				1	
-214	761399	• JUMPER ASSEMBLY				2	
		CABLE AND JUMPER ASM NOT ILLUSTRATED					
		SEE LIST 35 FOR COMPONENT PARTS					
* -214A	760837	• PIVOT-RIGHT HAND				4	
* -214B	3960	• NUT,PLAIN,HEX- 1/4-20 X 7/16 FL W				4	
* -214C	76574	• WASHER,LOCK-EXT TEETH 1/4 X 0.510 OD				4	
* -214D	801508	• SCREW - LOUVER				4	
* -214E	760836	• PIVOT-LEFT HAND				4	
* -214F	3960	• NUT,PLAIN,HEX- 1/4-20 X 7/16 FL W				4	
* -214G	76574	• WASHER,LOCK-EXT TEETH 1/4 X 0.510 OD				4	
* -215	760089	• FRAME ASSEMBLY, POWER				1	
* -216	5329300	• . . BRACKET, TRANSFORMER SUPPORT				1	
* -217	332620	• . . SCREW,MACH-BIND HD 10-32 X 1/2 LG				4	
* -218	9092	• . . WASHER,LOCK-SPLIT NO. 10 X 0.337 OD				4	
* -219	760184	• . . FRAME ASSEMBLY, RIGHT-POWER				1	
* -220	760185	• . . FRAME ASSEMBLY, LEFT-POWER				1	
* -221	186939	• . . SCREW				8	
* -222	7320049	• . . NUT				4	
* -223	257983	• . . WASHER,LOCK-SPLIT 0.319 ID X 0.591 OD				8	
* -224	161351	• . . WASHER,FL- 5/16 ID X 5/8 OD X 0.050 THK				2	
* -225	760186	• . . PLATE, AIR BAFFLE				1	
* -226	38686	• . . SCREW,MACH-HEX HD 1/4-20 X 1/2 LG				1	
* -227	221790	• . . SCREW,MACH-BIND HD 8-32 X 3/16 LG				2	
* -228	32042	• . . SCREW,MACH-BIND HD 10-32 X 3/8 LG				4	
* -229	11598	• . . NUT,PLAIN,HEX- 10-32 X 3/8 FL W				4	

LIST AND INDEX NO.	PART NO.	DESCRIPTION	UNITS PER ASM.	USABLE ON CODE
		1 2 3 4		
A FRAME ASSEMBLY -CONT				
14 -230	9092	• • WASHER, LOCK-SPLIT NO. 10 X 0.337 OD ATT PT	4	
-231	45690	• • WASHER, FL-NO. 10 X 7/16 OD X 1/32 THK ATT PT	8	
-232	5321944	• • BRACKET - FILTER MOUNTING	1	
-233	58207	• • SCREW, MACH-UNDRCT BIND HD 8-32 X 1/4 LG ATT PT	2	
-234	760141	• • HOUSING-BLOWER	1	
-235	760132	• • MOUNT, RESILIENT- 8-32 X 3/8 LG STUD ATT PT	1	
-236	257189	• • NUT - HEX-8-32UNC THD ATT PT	2	
-237	1090873	• • WASHER, LOCK-SPLIT NO. 8 X 0.296 OD ATT PT	2	
-238	22478	• • WASHER, FL- 0.170 ID 0.375 OD 0.032 THK ATT PT	1	
-239	760133	• • MOUNT, RESILIENT- 1/4-20 X 0.406 LG STUD ATT PT	2	
-240	3960	• • NUT, PLAIN, HEX- 1/4-20 X 7/16 FL W ATT PT	4	
-241	6935	• • WASHER, LOCK-SPLIT 1/4 X 0.493 OD ATT PT	4	
-242	3550	• • WASHER, FL- 1/4 X 9/16 OD X 0.050 THK ATT PT	2	
-243	5321962	• • FRAME ASM-UNIVERSAL	1	
-244	471901	• • • CASTER, SWIVEL- 2-5/8 IN. WHL 1/2-13 STUD	4	
-245	76846	• • • NUT, PLAIN, HEX- 1/2-13 X 3/4 FL W ATT PT	4	
-246	130987	• • • WASHER, LOCK-SPLIT 0.509 ID X 0.879 OD ATT PT	4	
-247	5321961	• • • FRAME-UNIVERSAL	1	
12VDC AT 20A POWER SUPPLY ASSEMBLY				
15 -	473380	POWER SUPPLY ASSY, 12 VOLT AT 20 AMP SEE SECT. 1 LIST 14-92 AND SECT. 2 LISTS 2-114, 5-66 AND 9-6 FOR NEXT HIGHER ASM AND FIG. 15 FOR ILLUSTRATION	REF	
- 1	370610	• CARD ASSY	1	
- 2	2100760	• RING-CLIP	3	
- 3	2101326	• TERMINAL, LUG-INS 10/12AWG NO.10 MTG HOLE	32	
- 4	94856	• TERMINAL LUG	1	
- 5	186968	• TERMINAL, LUG-INS 10-12AWG NO. 8 MTG HOLE	2	
- 6	334910	• TERMINAL, LUG-INS 14/16AWG NO. 6 MTG HOLE	2	
- 7	359695	• TERMINAL, LUG-INS 14/16AWG NO.10 MTG HOLE	3	
- 8	360370	• TERMINAL, LUG-INS 14/16AWG NO. 8 MTG HOLE	6	
- 9	473446	• TRANSFORMER, ISOLATION	1	
- 10	473396	• SPACER, .199 IN. HOLE 5/8 SQ. X 3/8 THICK	4	
- 11	438601	• SCREW, MACH-UNDRCT BIND HD 10-32 X 7/8 LG ATT PT	4	
- 12	11598	• NUT, PLAIN, HEX- 10-32 X 3/8 FL W ATT PT	4	
- 13	56121	• WASHER, LOCK-INT TEETH NO. 10 X 0.381 OD ATT PT	4	
- 14	47242	• WASHER, FL-NO. 12 X 1/2 OD X 0.062 THK ATT PT	4	
- 15	473385	• HEAT SINK SUBASSY	1	
- 16	28413	• SCREW, MACH-BIND HD 10-32 X 5/16 LG ATT PT	8	
- 17	216206	• • GUIDE-SINGLE CARD LONG	2	
- 18	473530	• • BRACKET	1	
- 19	38235	• • SCREW, MACH-FIL H 6-32 X 5/16 LG ATT PT	2	
- 20	38051	• • NUT, PLAIN, HEX- 6-32 X 1/4 FL W ATT PT	2	
- 21	62031	• • WASHER, LOCK-INT TEETH NO. 6 X 0.295 OD ATT PT	2	
- 22	257986	• • WASHER, FL-NO. 6 X 5/8 OD X 0.035 THK ATT PT	2	
- 23	216076	• • TERMINAL BLOCK AND CONTACT ASSEMBLY	2	
- 24	730177	• • BUSS - RECEPTACLE - 8 POSITION	2	
- 25	473547	• • SPACER, 1 X 2 3/8 IN .12 IN THICK	1	
- 26	730175	• • BRACKET - UPPER UNIT SUPPORT	1	
- 27	730176	• • BRACKET - LOWER UNIT SUPPORT	1	
- 28	473544	• • SCREW, BINDING HEAD SELF TAP NO 6 1/2 IN ATT PT	4	
- 29	473533	• • GROMMET	AR	

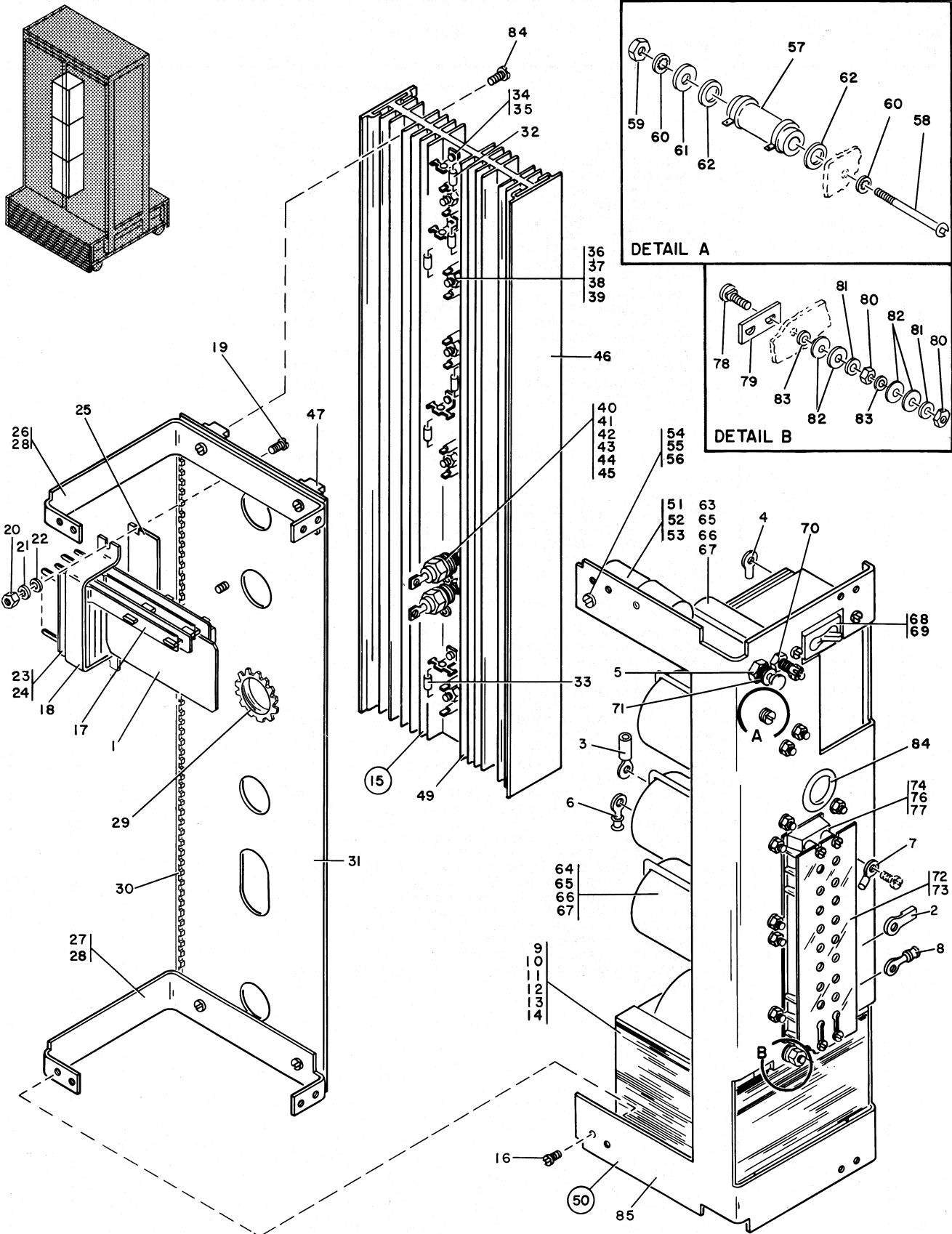


FIGURE 15. 12VDC AT 20A POWER SUPPLY ASSEMBLY. SEE LIST 15.

LIST AND INDEX NO.	PART NO.	DESCRIPTION	UNITS PER ASM.	USABLE ON CODE
12VDC AT 20A POWER SUPPLY ASSEMBLY -CONT				
15 - 30	473442	• • GROMMET - CATERPILLAR	AR	
- 31	473389	• • COVER	1	
- 32	335138	• • RESISTOR,FXD,COMP- 200 OHMS P/M 5% 2W	1	
- 33	207324	• • RESISTOR,FXD,WW- 0.1 OHM P/M 5% 5W	5	
- 34	478045	• • TERMINAL - SOLDER	4	
- 35	70078	• • SCREW,THD FORMING-BIND HD	4	ATT PT
- 36	369214	• • TRANSISTOR,TYPE 108	5	
- 37	316996	• • TERMINAL,LUG-NONINS 9AWG NO. 8 MTG HOLE	1	
- 38	11891	• • NUT,PLAIN,HEX- 10-32 X 3/8 FL W BRS	5	ATT PT
- 39	219423	• • TUBE,RUBBER- 0.085 ID X 0.120 OD X 2 LG	10	
- 40	216198	• • RECTIFIER	2	
- 41	160017	• • NUT,PLAIN,HEX- 1/4-28 X 7/16 FL W	2	ATT PT
- 42	3550	• • WASHER,FL- 1/4 X 9/16 OD X 0.050 THK	2	ATT PT
- 43	217017	• • WASHER INSULATOR	2	ATT PT
- 44	478043	• • JUMPER - PLATE	4	
- 45	473592	• • INSULATOR	1	
- 46	473536	• • SEAL	2	
- 47	473531	• • INSULATOR	AR	
- 48	79779	• • SCREW,THD CTG-BIND HD NO. 6 X 3/4 LG	6	ATT PT
- 49	473388	• • SINK,HEAT	6	
- 50	473384	• POWER SUPPLY SUBASSY	1	
- 51	208229	• • CAPACITOR,FXD,ELECT- 700 UF P100M10% 15V	1	
- 52	55726	• • SCREW,MACH-BIND HD 6-32 X 3/16 LG	1	ATT PT
- 53	62031	• • WASHER,LOCK-INT TEETH NO. 6 X 0.295 OD	1	ATT PT
- 54	533534	• • TERMINAL	1	
- 55	10170	• • SCREW,MACH-BIND HD 6-32 X 1/4 LG	1	ATT PT
- 56	62031	• • WASHER,LOCK-INT TEETH NO. 6 X 0.295 OD	1	ATT PT
- 57	221517	• • RESISTOR,FXD,WW- 75 OHMS P/M 5% 10W	1	
- 58	438582	• • SCREW,MACH-FIL H 8-32 X 2-1/4 LG	1	ATT PT
- 59	257189	• • NUT - HEX-8-32UNC THD	1	ATT PT
- 60	60646	• • WASHER,LOCK-INT TEETH NO. 8 X 0.340 OD	2	ATT PT
- 61	22478	• • WASHER,FL- 0.170 ID 0.375 OD 0.032 THK	1	ATT PT
- 62	442959	• • INSULATOR,WASH- 11/64 ID 15/32 OD 1/32 T	2	ATT PT
- 63	208228	• • CAPACITOR,FXD,ELECT- 5500 UF 19V	1	
- 64	208221	• • CAPACITOR,FXD,ELECT- 11000UF P100M10%19V	5	
- 65	473543	• • CLAMP	12	ATT PT
- 66	38051	• • NUT,PLAIN,HEX- 6-32 X 1/4 FL W	12	ATT PT
- 67	62031	• • WASHER,LOCK-INT TEETH NO. 6 X 0.295 OD	12	ATT PT
- 68	208223	• • CIRCUIT BREAKER- 1 POLE 60V DC 22 AMP	1	
- 69	10170	• • SCREW,MACH-BIND HD 6-32 X 1/4 LG	2	ATT PT
- 70	207340	• • RESISTOR,VAR-COMP 250 OHMS P/M 10% 1/2W	1	
- 71	220918	• • CIRCUIT BREAKER- 1 POLE 30V DC 5 AMP	1	
- 72	473545	• • SHIELD,9 POSITION	1	
- 73	210984	• • SCREW,MACH-RH 6-32 X 1/4 LG	1	ATT PT
- 74	323844	• • BLOCK,TERMINAL 9 POSITION	1	
- 75	512583	• • INSULATOR	1	
- 76	209483	• • STUD,TAPPED	1	ATT PT
- 77	209484	• • STUD	3	ATT PT
- 78	473402	• • STUD - TERMINAL	2	
- 79	473392	• • INSULATOR	1	
- 80	11891	• • NUT,PLAIN,HEX- 10-32 X 3/8 FL W BRS	4	ATT PT
- 81	45690	• • WASHER,FL-NO. 10 X 7/16 OD X 1/32 THK	2	ATT PT
- 82	45697	• • WASHER,FLAT 17/32 OD X 0.016 THK	4	ATT PT
- 83	257354	• • WASHER,NM- 0.195 ID 5/16 OD 0.062 THK	2	ATT PT
- 84	512663	• • GROMMET,RUB-FDR 7/8 HOLE X 1/8 PNL	1	
- 85	473387	• • PLATE	1	
12VDC AT 20 AMP POWER SUPPLY ASSEMBLY				
* 15A-	208258	POWER SUPPLY ASSEMBLY- 12 VOLT 20 AMP SEE LIST 14-92 AND SECT. 2,LISTS 2-114, 5-66 AND 9-6 FOR NEXT HIGHER ASSEMBLY AND FIG. 15A FOR ILLUSTRATION	REF	B
* - 1	186759	• SCREW,MACH-BIND HD 8-32 X 1/32 LG	2	
* - 2	441042	• CLIP,SPRING TENSION-TERMINAL BOARD SHLD	1	
* - 3	440550	• SHIELD,TERMINAL BOARD	1	

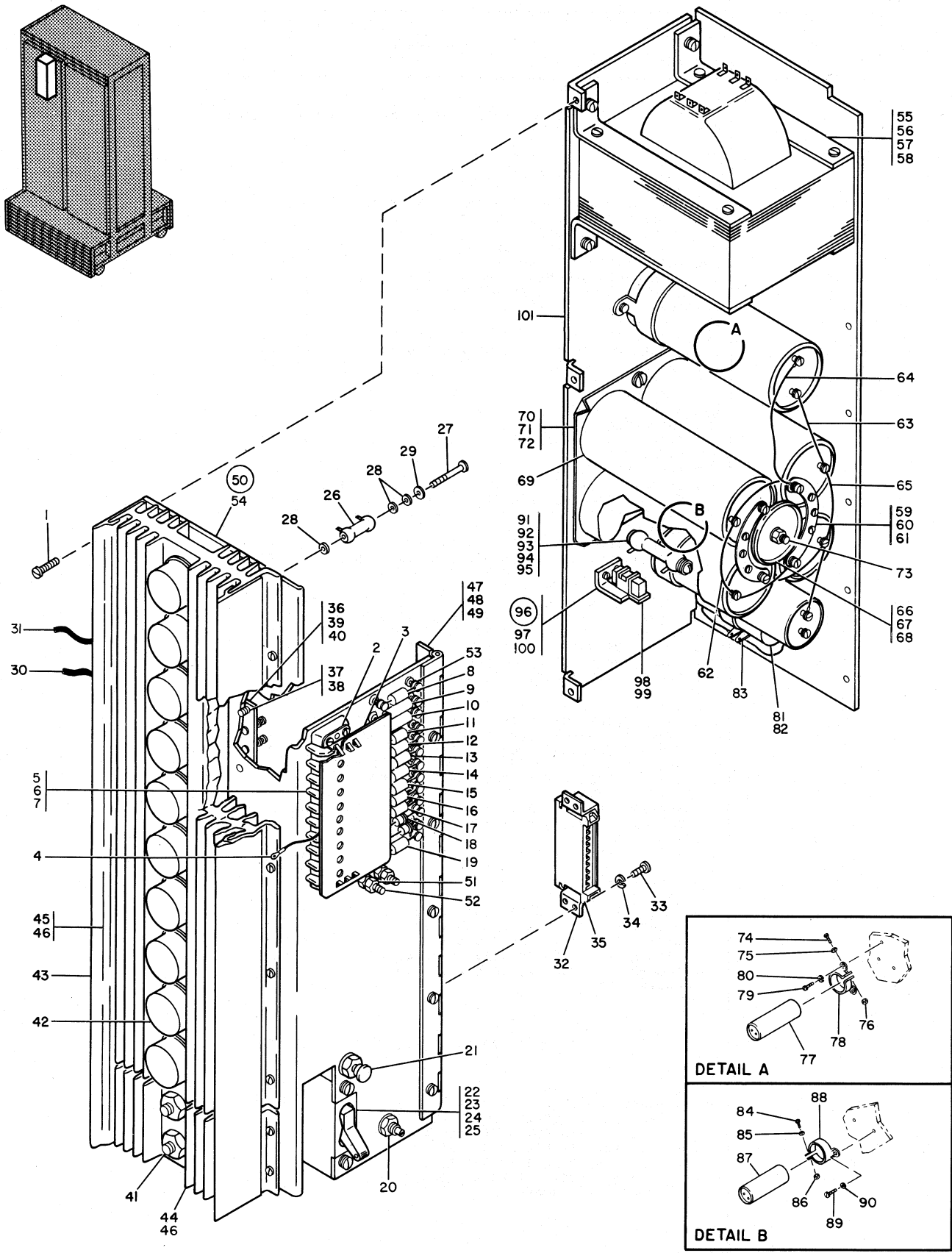


FIGURE 15A. 12VDC AT 20 AMP POWER SUPPLY ASSEMBLY. SEE LIST 15A.

LIST AND INDEX NO.	PART NO.	DESCRIPTION	UNITS	USABLE
			PER ASM.	ON CODE
		12VDC AT 20 AMP POWER SUPPLY ASSEMBLY -CONT		
* 15A- 4	596316	. JUMPER ASSEMBLY SEE LIST 35 FOR COMPONENT PARTS	2	
* - 5	334596	. TERMINAL BOARD- 9 SCREW W/FTHRU TERM LUG	1	
* - 6	322550	. SCREW,MACH-BIND HD 6-32 X 1/2 LG ATT PT	4	
* - 7	56722	. WASHER,LOCK-EXT TEETH NO. 6 X 5/16 OD ATT PT	4	
* - 8	317433	. RESISTOR,FXD,COMP- 560 OHMS P/M 5% 1W	1	
* - 9	207381	. RESISTOR,FXD,WW- 2K P/M 1% 5W	1	
* - 10	208986	. RESISTOR,FXD,WW- 325 OHM P/M 1% 5W	1	
* - 11	317005	. RESISTOR,FXD,COMP- 60 OHMS P/M 5% 1/2W	1	
* - 12	213693	. RESISTOR,FXD,COMP- 1K P/M 5% 1/2W	1	
* - 13	335138	. RESISTOR,FXD,COMP- 200 OHMS P/M 5% 2W	1	
* - 14	317276	. RESISTOR,FXD,COMP- 1.2K P/M 5% 1/2W	1	
* - 15	317012	. RESISTOR,FXD,COMP- 510 OHMS P/M 5% 1/2W	1	
* - 16	300721	. RESISTOR,FXD,COMP- 10K P/M 5% 1/2W	1	
* - 17	317529	. RESISTOR,FXD,COMP- 8.2K P/M 5% 1/2W	1	
* - 18	207316	. SEMICONDUCTOR DEVICE,D10- 120V 3 AMP	2	
* - 19	317019	. RESISTOR,FXD,COMP- 2000 OHMS P/M 5% 1/2W	1	
* - 20	207357	. RESISTOR,VAR-WW 200 OHMS P/M 5% 2W	1	
* - 21	220918	. CIRCUIT BREAKER- 1 POLE 30V DC 5 AMP	1	
* - 22	208223	. CIRCUIT BREAKER- 1 POLE 60V DC 22 AMP	1	
* - 23	81693	. SCREW,MACH-BIND HD 6-32 X 3/8 LG ATT PT	2	
* - 24	62031	. WASHER,LOCK-INT TEETH NO. 6 X 0.295 OD ATT PT	2	
* - 25	257986	. WASHER,FL-NO. 6 X 5/8 OD X 0.035 THK ATT PT	2	
* - 26	208985	. RESISTOR,FXD,WW- 0.1 OHM P/M 5% 5W	10	
* - 27	334598	. SCREW,MACH-RH 6-32 X 1-1/2 LG ATT PT	10	
* - 28	442959	. INSULATOR,WASH- 11/64 ID 15/32 OD 1/32 T ATT PT	30	
* - 29	257986	. WASHER,FL-NO. 6 X 5/8 OD X 0.035 THK ATT PT	10	
* - 30	208288	. CABLE ASSEMBLY- 12V 20 AMP	1	
* - 31	208362	. CABLE ASSEMBLY,12V AT 20AMP SUPPLY SEE LIST 35 FOR COMPONENT PARTS	1	
* - 32	208385	. BRACKET-CARD	1	
* - 33	251970	. SCREW,MACH-BIND HD 4-40 X 1/4 LG ATT PT	4	
* - 34	338169	. WASHER,LOCK-EXT TEETH NO. 4 X 9/32 OD ATT PT	4	
* - 35	216075	. TERMINAL BLOCK AND CONTACT ASSEMBLY	1	
* - 36	208286	. TERMINAL BOARD ASSEMBLY	1	
* - 37	186759	. SCREW,MACH-BIND HD 8-32 X 1/32 LG ATT PT	2	
* - 38	55901	. WASHER,LOCK-EXT TEETH NO. 8 X 0.381 OD ATT PT	2	
* - 39	103898	. SCREW,MACH-RH 8-32 X 3/16 LG ATT PT	1	
* - 40	45651	. WASHER ATT PT	1	
* - 41	127324	. SEMICONDUCTOR DEVICE,D10- 150V 30 AMP	2	
* - 42	209001	. TRANSISTOR-PNP TYPE 049	10	
* - 43	209005	. SEAL-HEAT SINK AIR	2	
* - 44	220780	. HEAT SINK-RECTIFIER	1	
* - 45	219943	. HEAT SINK-RECTIFIER	1	
* - 46	186759	. SCREW,MACH-BIND HD 8-32 X 1/32 LG ATT PT	14	
* - 47	220840	. HINGE,BUTT- 12-5/8 IN. LG	1	
* - 48	55726	. SCREW,MACH-BIND HD 6-32 X 3/16 LG ATT PT	10	
* - 49	56722	. WASHER,LOCK-EXT TEETH NO. 6 X 5/16 OD ATT PT	10	
* - 50	220842	. PANEL ASSEMBLY-COMPONENT	1	
* - 51	11891	. NUT,PLAIN,HEX- 10-32 X 3/8 FL W BRS	8	
* - 52	207322	. STUD	2	
* - 53	319317	. TERMINAL,STUD-NONINS DBL TURRET EA END	26	
* - 54	219946	. PANEL	1	
* - 55	219980	. TRANSFORMER	1	
* - 56	438622	. SCREW,MACH-UNDRCT BIND HD 1/4-20 X 3/8 ATT PT	4	
* - 57	76574	. WASHER,LOCK-EXT TEETH 1/4 X 0.510 OD ATT PT	5	
* - 58	3550	. WASHER,FL- 1/4 X 9/16 OD X 0.050 THK ATT PT	4	
* - 59	521849	. BUS BAR- 3 POSITION	2	
* - 60	103899	. SCREW,MACH-RH 8-32 X 1/4 LG ATT PT	6	
* - 61	55901	. WASHER,LOCK-EXT TEETH NO. 8 X 0.381 OD ATT PT	6	
* - 62	208989	. JUMPER ASM-BLK 3 IN. 12AWG 1 LUG EA END	3	
* - 63	512588	. JUMPER ASM-RED 5 IN. 12AWG 1 LUG EA END	1	
* - 64	512589	. JUMPER ASM-BLK 5 IN. 12AWG 1 LUG EA END	1	
* - 65	208990	. JUMPER ASM-RED 3 IN. 12AWG 1 LUG EA END SEE LIST 35 FOR COMPONENT PARTS	3	
* - 66	323543	. RETAINER,CAPACITOR	1	
* - 67	36109	. NUT,PLAIN,HEX- 1/4-20 X 7/16 FL W ATT PT	1	
* - 68	76574	. WASHER,LOCK-EXT TEETH 1/4 X 0.510 OD ATT PT	1	
* - 69	208221	. CAPACITOR,FXD,ELECT- 11000UF P100M10%19V	4	
* - 70	511097	. PLATE-CAPACITOR MOUNTING	1	
* - 71	58207	. SCREW,MACH-UNDRCT BIND HD 8-32 X 1/4 LG ATT PT	2	
* - 72	55901	. WASHER,LOCK-EXT TEETH NO. 8 X 0.381 OD ATT PT	2	

LIST AND INDEX NO.	PART NO.	DESCRIPTION				UNITS PER ASM.	USABLE ON CODE
		1	2	3	4		
		12VDC AT 20 AMP POWER SUPPLY ASSEMBLY -CONT					
* 15A- 73	337898	• BOLT,SQUARE-NECK- 1/4-20 X 5 LG				1	
* - 74	19944	• SCREW,MACH-BIND HD 8-32 X 3/4 LG				1	
* - 75	55901	• WASHER,LOCK-EXT TEETH NO. 8 X 0.381 OD				1	
* - 76	257189	• NUT,PLAIN-HEX 8-32 X 0.343 W				1	
* - 77	208221	• CAPACITOR,FXD,ELECT- 11000UF P100M10%19V				1	
* - 78	320456	• BRACKET-CAPACITOR MOUNTING				1	
* - 79	55726	• SCREW,MACH-BIND HD 6-32 X 3/16 LG				3	ATT PT
* - 80	56722	• WASHER,LOCK-EXT TEETH NO. 6 X 5/16 OD				3	ATT PT
* - 81	208229	• CAPACITOR,FXD,ELECT- 700 UF P100M10% 15V				1	
* - 82	331960	• BEARING				1	ATT PT
* - 83	314047	• TERMINAL BOARD- 2 SOLDER LUGS				1	
* - 84	322550	• SCREW,MACH-BIND HD 6-32 X 1/2 LG				1	
* - 85	56722	• WASHER,LOCK-EXT TEETH NO. 6 X 5/16 OD				1	
* - 86	257187	• NUT,PLAIN,HEX- 6-32 X 5/16 FL W				1	
* - 87	208228	• CAPACITOR,FXD,ELECT- 5500 UF 19V				1	
* - 88	301768	• BRACKET-THERMISTOR MOUNTING				1	
* - 89	10170	• SCREW,MACH-BIND HD 6-32 X 1/4 LG				2	ATT PT
* - 90	56722	• WASHER,LOCK-EXT TEETH NO. 6 X 5/16 OD				2	ATT PT
* - 91	221517	• RESISTOR,FXD,WW- 75 OHMS P/M 5% 10W				1	
* - 92	322554	• SCREW,MACH-RH 6-32 X 2 LG				1	ATT PT
* - 93	56722	• WASHER,LOCK-EXT TEETH NO. 6 X 5/16 OD				1	ATT PT
* - 94	442959	• INSULATOR,WASH- 11/64 ID 15/32 OD 1/32 T				3	ATT PT
* - 95	257986	• WASHER,FL-NO. 6 X 5/8 OD X 0.035 THK				1	ATT PT
* - 96	208982	• SOCKET ASSEMBLY				1	
* - 97	38442	• SCREW,MACH-FL CSK HD 6-32 X 1/4 LG				2	ATT PT
* - 98	300761	• CONNECTOR,RECP,ELEC- 3 FEMALE CONTACTS				1	
* - 99	438548	• SCREW,MACH-BIND HD 4-40 X 3/16 LG				2	ATT PT
* -100	208981	• BRACKET,POWER SUPPLY				1	
* -101	219947	• CHASSIS- 12V 20A POWER SUPPLY				1	

LIST AND INDEX NO.	PART NO.	DESCRIPTION	UNITS	USABLE
			PER ASM.	ON CODE
		-6VDC AT 2A POWER SUPPLY ASSEMBLY		
16 -	473440	POWER SUPPLY ASSEMBLY,-6VDC 2AMP SEE LIST 14-131 AND SECT. 2,LIST 2-113 FOR NEXT HIGHER ASSEMBLY AND FIG. 16 FOR ILLUSTRATION	REF	
* * *				
- 1	370612	• CARD ASSEMBLY,YGL SMS	1	
- 2	2100760	• RING-CLIP	2	
- 3	2101326	• TERMINAL,LUG-INS 10/12AWG NO.10 MTG HOLE	8	
- 4	92784	• TERMINAL,LUG-INS 18-20AWG NO.8 MTG HOLE	2	
- 5	94856	• TERMINAL LUG	1	
- 6	334921	• TERMINAL,LUG-INS 16/22AWG NO. 6 MTG HOLE	2	
- 7	334932	• TERMINAL,LUG-INS 16/22AWG NO.10 MTG HOLE	17	
- 8	473445	• HEATSINK SUBASSEMBLY	1	
- 9	28413	• SCREW,MACH-BIND HD 10-32 X 5/16 LG ATT PT	8	
- 10	216206	• • GUIDE-SINGLE CARD LONG	2	
- 11	473530	• • BRACKET	1	
- 12	38235	• • SCREW,MACH-FIL H 6-32 X 5/16 LG ATT PT	2	
- 13	38051	• • NUT,PLAIN,HEX- 6-32 X 1/4 FL W ATT PT	2	
- 14	62031	• • WASHER,LOCK-INT TEETH NO. 6 X 0.295 OD ATT PT	2	
- 15	257986	• • WASHER,FL-NO. 6 X 5/8 OD X 0.035 THK ATT PT	2	
- 16	216076	• • TERMINAL BLOCK AND CONTACT ASSEMBLY	2	
- 17	730177	• • BUSS - RECEPTACLE - 8 POSITION	2	
- 18	473547	• • SPACER,1 X 2 3/8 IN .12 IN THICK	1	
- 19	730175	• • BRACKET - UPPER UNIT SUPPORT	1	
- 20	730176	• • BRACKET - LOWER UNIT SUPPORT	1	
- 21	473544	• • SCREW,BINDING HEAD SELF TAP NO 6 1/2 IN ATT PT	4	
- 22	473533	• • GROMMET	AR	
- 23	473442	• • GROMMET - CATERPILLAR	1	
- 24	473449	• • COVER, AIR SEAL	1	
- 25	207324	• • RESISTOR,FXD,WW- 0.1 OHM P/M 5% 5W	1	
- 26	322888	• • RESISTOR,FXD,COMP- 100 OHMS P/M 5% 2W	1	
- 27	478045	• • TERMINAL - SOLDER	2	
- 28	70078	• • SCREW,THD FORMING-BIND HD ATT PT	2	
- 29	369214	• • TRANSISTOR,TYPE 108	1	
- 30	316996	• • TERMINAL,LUG-NONINS 9AWG NO. 8 MTG HOLE	1	
- 31	11891	• • NUT,PLAIN,HEX- 10-32 X 3/8 FL W BRS ATT PT	1	
- 32	219423	• • TUBE,RUBBER- 0.085 ID X 0.120 OD X 2 LG	2	
- 33	216197	• • RECTIFIER	2	
- 34	316996	• • TERMINAL,LUG-NONINS 9AWG NO. 8 MTG HOLE	1	
- 35	11891	• • NUT,PLAIN,HEX- 10-32 X 3/8 FL W BRS ATT PT	2	
- 36	45690	• • WASHER,FL-NO. 10 X 7/16 OD X 1/32 THK ATT PT	2	
- 37	217019	• • WASHER, INSULATING ATT PT	4	
- 38	473582	• • INSULATOR	2	
- 39	473536	• • SEAL	AR	
- 40	473531	• • INSULATOR	4	
- 41	79779	• • SCREW,THD CTG-BIND HD NO. 6 X 3/4 LG ATT PT	4	
- 42	473448	• • HEAT SINK, POWER SUPPLY	1	
- 43	473444	• PLATE SUBASSEMBLY,COMPONENT	1	
- 44	321196	• • RESISTOR,FXD,COMP- 220 OHMS P/M 5% 1W	1	
- 45	94856	• • TERMINAL LUG	2	
- 46	208224	• • CAPACITOR,FXD,ELECT- 14000UF P150M10%13V	1	
- 47	207296	• • CAPACITOR,FXD,ELECT- 7750UF P100M10% 10V	1	
- 48	473543	• • CLAMP ATT PT	4	
- 49	38051	• • NUT,PLAIN,HEX- 6-32 X 1/4 FL W ATT PT	4	
- 50	62031	• • WASHER,LOCK-INT TEETH NO. 6 X 0.295 OD ATT PT	4	
- 51	208229	• • CAPACITOR,FXD,ELECT- 700 UF P100M10% 15V	1	
- 52	55726	• • SCREW,MACH-BIND HD 6-32 X 3/16 LG ATT PT	1	
- 53	62031	• • WASHER,LOCK-INT TEETH NO. 6 X 0.295 OD ATT PT	1	
- 54	533534	• • TERMINAL	1	
- 55	10170	• • SCREW,MACH-BIND HD 6-32 X 1/4 LG ATT PT	1	

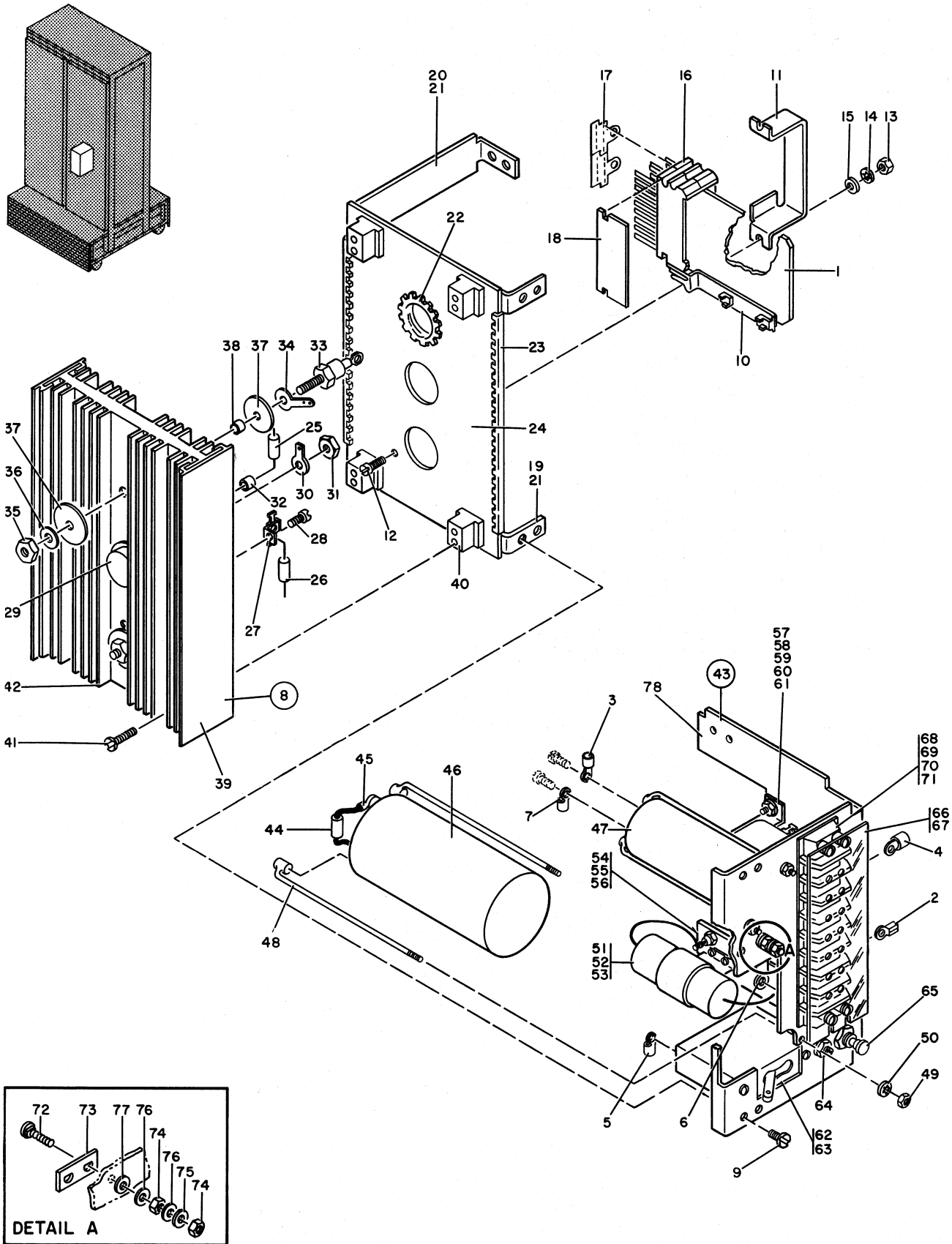


FIGURE 16. -6VDC AT 2A POWER SUPPLY ASSEMBLY. SEE LIST 16.

LIST AND INDEX NO.	PART NO.	DESCRIPTION	UNITS PER ASM.	USABLE ON CODE
-6VDC AT 2A POWER SUPPLY ASSEMBLY -CONT				
16 - 56	62031	• • WASHER, LOCK-INT TEETH NO. 6 X 0.295 OD	ATT PT	1
- 57	473549	• • TRANSFORMER, ISOLATION		1
- 58	186758	• • SCREW, MACH-BIND HD 8-32 X 7/16 LG	ATT PT	4
- 59	257189	• • NUT - HEX-8-32UNC THD	ATT PT	4
- 60	60646	• • WASHER, LOCK-INT TEETH NO. 8 X 0.340 OD	ATT PT	4
- 61	22478	• • WASHER, FL- 0.170 ID 0.375 OD 0.032 THK	ATT PT	4
- 62	208299	• • CIRCUIT BREAKER- 1 POLE 60V DC 3 AMP		1
- 63	10170	• • SCREW, MACH-BIND HD 6-32 X 1/4 LG	ATT PT	2
- 64	207340	• • RESISTOR, VAR-COMP 250 OHMS P/M 10% 1/2W		1
- 65	220911	• • CIRCUIT BREAKER, 1/2 AMP		1
- 66	188696	• • SHIELD, 8 POSITION		1
- 67	210984	• • SCREW, MACH-RH 6-32 X 1/4 LG	ATT PT	1
- 68	315956	• • STRIP-TERMINAL		1
- 69	263727	• • INSULATOR, BLOCK		1
- 70	209483	• • STUD, TAPPED	ATT PT	1
- 71	209484	• • STUD	ATT PT	3
- 72	473402	• • STUD - TERMINAL		2
- 73	473382	• • INSULATOR		1
- 74	11891	• • NUT, PLAIN, HEX- 10-32 X 3/8 FL W BRS	ATT PT	4
- 75	45690	• • WASHER, FL-NO. 10 X 7/16 OD X 1/32 THK	ATT PT	2
- 76	45697	• • WASHER, FLAT 17/32 OD X 0.016 THK	ATT PT	4
- 77	257354	• • WASHER, NM- 0.195 ID 5/16 OD 0.062 THK	ATT PT	2
- 78	473447	• • PLATE, COMPONENT MOUNTING		1
6VDC AT 12 AMP POWER SUPPLY ASSEMBLY				
* 16A-	207258	POWER SUPPLY ASSEMBLY- 6V DC 2 AMP SEE LIST 14-131 AND SECT. 2, LIST 2-113 FOR NEXT HIGHER ASSEMBLY AND FIG. 16A FOR ILLUSTRATION	REF	B
* - 1	220844	• CABLE ASSEMBLY- 6V 2 AMP		1
* - 2	220894	• CABLE ASSEMBLY- 6V DC 2 AMP		1
* - 3	220901	• CABLE ASSEMBLY- 6V 2 AMP		1
* - 4	220904	• CABLE ASSEMBLY- 6V 2 AMP OVER VOLTAGE SEE LIST 35 FOR COMPONENT PARTS		1
* - 5	186759	• SCREW, MACH-BIND HD 8-32 X 1/32 LG		3
* - 6	60646	• WASHER, LOCK-INT TEETH NO. 8 X 0.340 OD		3
* - 7	441042	• CLIP, SPRING TENSION-TERMINAL BOARD SHLD		2
* - 8	440882	• SHIELD- 8 POSITION		1
* - 9	502588	• TERMINAL BOARD- 5 SCREW W/FTHRU TERM LUG		1
* - 10	322550	• SCREW, MACH-BIND HD 6-32 X 1/2 LG	ATT PT	4
* - 11	62031	• WASHER, LOCK-INT TEETH NO. 6 X 0.295 OD	ATT PT	4
* - 12	317095	• RESISTOR, FXD, COMP- 9100 OHMS P/M 5% 2W		1
* - 13	207290	• RESISTOR, FXD, WW- 770 OHM P/M 5% 5W		1
* - 14	207374	• RESISTOR, FXD, WW- 1.2K P/M 1% 5W		1
* - 15	207340	• RESISTOR, VAR-COMP 250 OHMS P/M 10% 1/2W		1
* - 16	208256	• RESISTOR, FXD, WW- 1.9K P/M 1% 5W		1
* - 17	2102532	• RESISTOR, FXD, WW		1
* - 18	321196	• RESISTOR, FXD, COMP- 220 OHMS P/M 5% 1W		1
* - 19	317020	• RESISTOR, FXD, COMP- 2.2K P/M 5% 1/2W		1
* - 20	317007	• RESISTOR, FXD, COMP- 220 OHMS P/M 5% 1/2W		1
* - 21	317019	• RESISTOR, FXD, COMP- 2000 OHMS P/M 5% 1/2W		1
* - 22	207324	• RESISTOR, FXD, WW- 0.1 OHM P/M 5% 5W		1
* - 23	317009	• RESISTOR, FXD 390 OHM P/M 5 PCT 0.5W		1
* - 24	207316	• SEMICONDUCTOR DEVICE, D10- 120V 3 AMP		2
* - 25	598479	• SEMICONDUCTOR DEVICE, D10- 150V 10 AMP		2
* - 26	207362	• CAPACITOR, FXD, ELECT- 600 UF P100M10% 25V		1
* - 27	55726	• SCREW, MACH-BIND HD 6-32 X 3/16 LG	ATT PT	1
* - 28	62031	• WASHER, LOCK-INT TEETH NO. 6 X 0.295 OD	ATT PT	1
* - 29	219097	• RETAINER, CAPACITOR		2
* - 30	304479	• SCREW, MACH-RH 8-32 X 4-3/4 LG	ATT PT	2
* - 31	55901	• WASHER, LOCK-EXT TEETH NO. 8 X 0.381 OD	ATT PT	2
* - 32	207356	• SCREW, MACH-FH 8-32 X 5 IN. LG	ATT PT	2
* - 33	257189	• NUT, PLAIN-HEX 8-32 X 0.343 W	ATT PT	2
* - 34	207296	• CAPACITOR, FXD, ELECT- 7750UF P100M10% 10V		1
* - 35	208224	• CAPACITOR, FXD, ELECT- 14000UF P150M10%13V		1
* - 36	208299	• CIRCUIT BREAKER- 1 POLE 60V DC 3 AMP		1

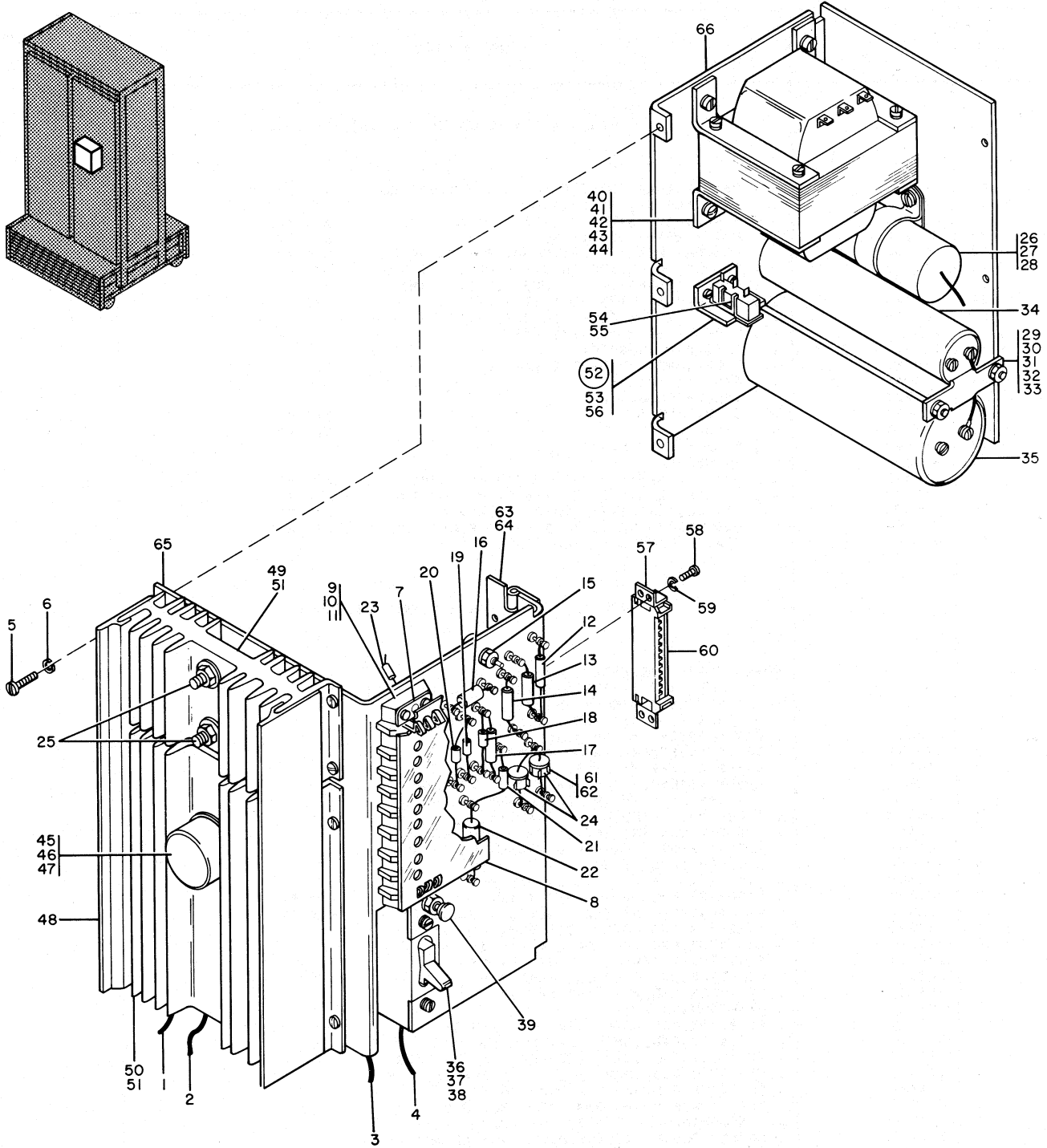


FIGURE 16A. 6VDC AT 12 AMP POWER SUPPLY ASSEMBLY. SEE LIST 16A.

LIST AND INDEX NO.	PART NO.	DESCRIPTION	UNITS PER ASM.	USABLE ON CODE
6VDC AT 12 AMP POWER SUPPLY ASSEMBLY -CONT				
* 16A- 37	10170	• SCREW,MACH-BIND HD 6-32 X 1/4 LG		2
* - 38	62031	• WASHER,LOCK-INT TEETH NO. 6 X 0.295 OD	ATT PT	2
* - 39	220911	• CIRCUIT BREAKER, 1/2 AMP	ATT PT	1
* - 40	207300	• TRANSFORMER,6V AT 2A		1
* - 41	25891	• SCREW,MACH-FL CSK HD 10-32 X 1/2 LG	ATT PT	4
* - 42	56121	• WASHER,LOCK-INT TEETH NO. 10 X 0.381 OD	ATT PT	4
* - 43	45690	• WASHER,FL-NO. 10 X 7/16 OD X 1/32 THK	ATT PT	4
* - 44	11598	• NUT,PLAIN,HEX- 10-32 X 3/8 FL W	ATT PT	4
* - 45	209001	• TRANSISTOR-PNP TYPE 049		1
* - 46	11891	• NUT,PLAIN,HEX- 10-32 X 3/8 FL W BRS	ATT PT	1
* - 47	56121	• WASHER,LOCK-INT TEETH NO. 10 X 0.381 OD	ATT PT	1
* - 48	209005	• SEAL-HEAT SINK AIR		2
* - 49	218959	• HEAT SINK- 2 TRANSISTOR MOUNTING		1
* - 50	218960	• HEAT SINK-TRANSISTOR		1
* - 51	10170	• SCREW,MACH-BIND HD 6-32 X 1/4 LG	ATT PT	7
* - 52	208982	• SOCKET ASSEMBLY		1
* - 53	38442	• SCREW,MACH-FL CSK HD 6-32 X 1/4 LG	ATT PT	2
* - 54	300761	• . CONNECTOR,RECP,ELEC- 3 FEMALE CONTACTS		1
* - 55	438548	• . SCREW,MACH-BIND HD 4-40 X 3/16 LG	ATT PT	2
* - 56	208981	• . BRACKET		1
* - 57	208385	• BRACKET-CARD		1
* - 58	251970	• SCREW,MACH-BIND HD 4-40 X 1/4 LG	ATT PT	4
* - 59	150209	• WASHER,LOCK-INT TEETH NO. 4 X 0.270 OD	ATT PT	4
* - 60	217176	• CARD RECEPTACLE- 1 POSITION		1
* - 61	186455	• CLIP,ELECTRICAL-FOR 3/16 DIA FUSE		2
* - 62	438548	• SCREW,MACH-BIND HD 4-40 X 3/16 LG	ATT PT	2
* - 63	217178	• HINGE		1
* - 64	221790	• SCREW,MACH-BIND HD 8-32 X 3/16 LG	ATT PT	6
* - 65	219888	• PLATE ASSEMBLY-COMPONENT		1
* - 66	219424	• PLATE-MAIN		1
30VDC AT 4A POWER SUPPLY ASSEMBLY				
17 -	473550	POWER SUPPLY ASM, 30V AT 4A SEE LIST 14-132 AND SECT. 2,LIST 2-55 FOR NEXT HIGHER ASSEMBLY AND FIG. 17 FOR ILLUSTRATION		REF
* - 1	370608	• CARD ASSEMBLY,YGG SMS		1
* - 2	2100760	• RING-CLIP		2
* - 3	2101326	• TERMINAL,LUG-INS 10/12AWG NO.10 MTG HOLE		8
* - 4	92784	• TERMINAL,LUG-INS 18-20AWG NO.8 MTG HOLE		9
* - 5	94856	• TERMINAL LUG		1
* - 6	334921	• TERMINAL,LUG-INS 16/22AWG NO. 6 MTG HOLE		2
* - 7	334932	• TERMINAL,LUG-INS 16/22AWG NO.10 MTG HOLE		14
* - 8	359695	• TERMINAL,LUG-INS 14/16AWG NO.10 MTG HOLE		1
* - 9	360370	• TERMINAL,LUG-INS 14/16AWG NO. 8 MTG HOLE		1
* - 10	473555	• HEAT SINK, ASSEMBLY		1
* - 11	28413	• SCREW,MACH-BIND HD 10-32 X 5/16 LG	ATT PT	8
* - 12	216206	• . GUIDE-SINGLE CARD LONG		2
* - 13	473530	• BRACKET		1
* - 14	38235	• SCREW,MACH-FIL H 6-32 X 5/16 LG	ATT PT	2
* - 15	38051	• NUT,PLAIN,HEX- 6-32 X 1/4 FL W	ATT PT	2
* - 16	62031	• . WASHER,LOCK-INT TEETH NO. 6 X 0.295 OD	ATT PT	2
* - 17	257986	• . WASHER,FL-NO. 6 X 5/8 OD X 0.035 THK	ATT PT	2
* - 18	216076	• . TERMINAL BLOCK AND CONTACT ASSEMBLY		2
* - 19	730177	• . BUSS - RECEPTACLE - 8 POSITION		2
* - 20	473547	• . SPACER,1 X 2 3/8 IN .12 IN THICK		1
* - 21	730175	• BRACKET - UPPER UNIT SUPPORT		1
* - 22	730176	• BRACKET - LOWER UNIT SUPPORT		1
* - 23	473544	• . SCREW,BINDING HEAD SELF TAP NO 6 1/2 IN	ATT PT	4
* - 24	473533	• GROMMET		AR
* - 25	473442	• GROMMET - CATERPILLAR		1

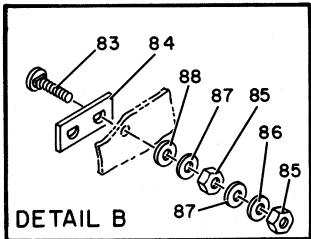
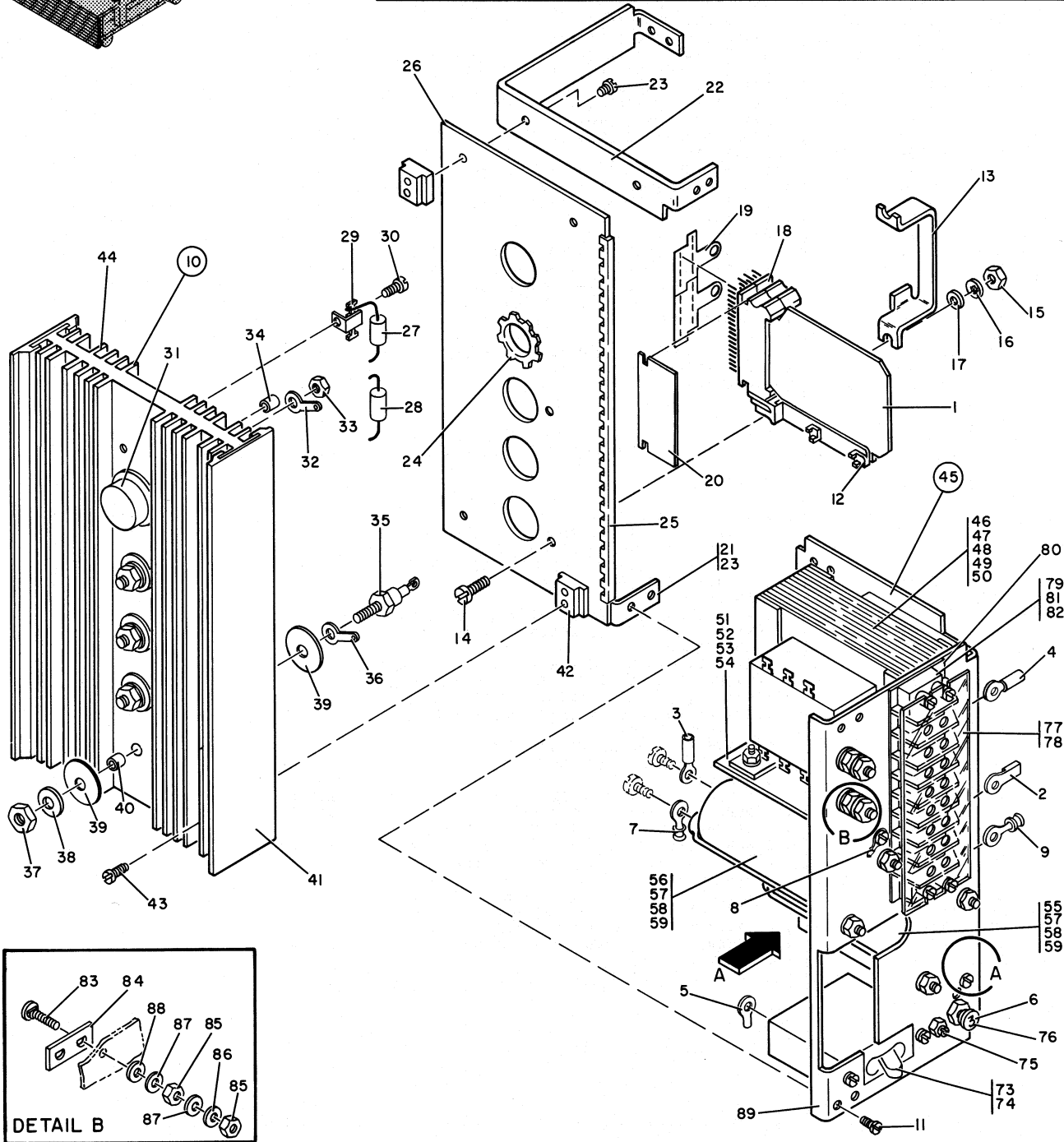
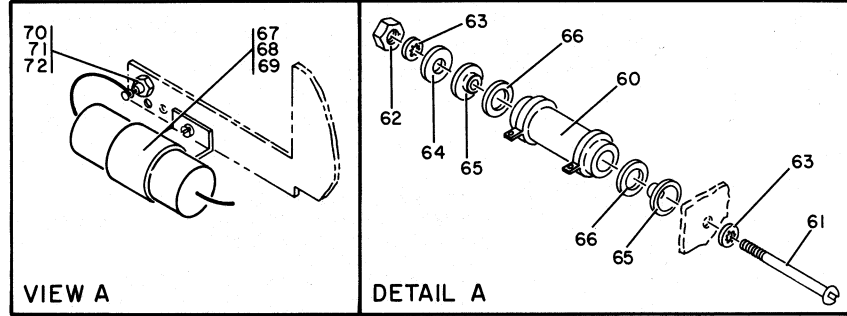
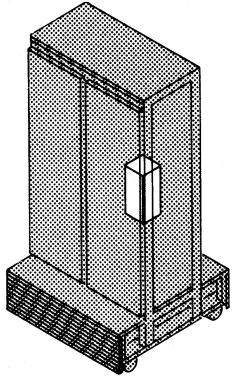


FIGURE 17. 30VDC AT 4A POWER SUPPLY ASSEMBLY. SEE LIST 17.

LIST AND INDEX NO.	PART NO.	DESCRIPTION				UNITS PER ASM.	USABLE ON CODE
		1	2	3	4		
30VDC AT 4A POWER SUPPLY ASSEMBLY -CONT							
17 - 26	473559	• •	COVER, AIR SEAL			1	
- 27	207324	• •	RESISTOR,FXD,WW- 0.1 OHM P/M 5% 5W			1	
- 28	2102155	• •	RESISTOR,AXIAL POWER,500 OHM 5% 5 WATT			1	
- 29	478045	• •	TERMINAL - SOLDER			2	
- 30	70078	• •	SCREW,THD FORMING-BIND HD	ATT PT		2	
- 31	369214	• •	TRANSISTOR,TYPE 108			1	
- 32	316996	• •	TERMINAL,LUG-NONINS 9AWG NO. 8 MTG HOLE			1	
- 33	11891	• •	NUT,PLAIN,HEX- 10-32 X 3/8 FL W BRS	ATT PT		1	
- 34	219423	• •	TUBE,RUBBER- 0.085 ID X 0.120 OD X 2 LG			2	
- 35	216197	• •	RECTIFIER			4	
- 36	316996	• •	TERMINAL,LUG-NONINS 9AWG NO. 8 MTG HOLE			3	
- 37	11891	• •	NUT,PLAIN,HEX- 10-32 X 3/8 FL W BRS	ATT PT		4	
- 38	45690	• •	WASHER,FL-NO. 10 X 7/16 OD X 1/32 THK	ATT PT		4	
- 39	217019	• •	WASHER, INSULATING	ATT PT		8	
- 40	473582	• •	INSULATOR			4	
- 41	473536	• •	SEAL			AR	
- 42	473531	• •	INSULATOR			4	
- 43	79779	• •	SCREW,THD CTG-BIND HD NO. 6 X 3/4 LG	ATT PT		4	
- 44	473558	• •	HEAT SINK-TRANSISTOR			1	B
- 45	473554	• •	MOUNTING PLATE, COMPONENT,-30VDC AT 4A			1	
- 46	221233	• •	TRANSFORMER			1	
- 47	332620	• •	SCREW,MACH-BIND HD 10-32 X 1/2 LG	ATT PT		4	
- 48	11598	• •	NUT,PLAIN,HEX- 10-32 X 3/8 FL W	ATT PT		4	
- 49	56121	• •	WASHER,LOCK-INT TEETH NO. 10 X 0.381 OD	ATT PT		4	
- 50	47242	• •	WASHER,FL-NO. 12 X 1/2 OD X 0.062 THK	ATT PT		4	
- 51	473556	• •	SHIELD			1	
- 52	32617	• •	SCREW,MACH-BIND HD 10-32 X 7/16 LG	ATT PT		2	
- 53	11598	• •	NUT,PLAIN,HEX- 10-32 X 3/8 FL W	ATT PT		2	
- 54	56121	• •	WASHER,LOCK-INT TEETH NO. 10 X 0.381 OD	ATT PT		2	
- 55	208235	• •	CAPACITOR,ELECT. 5500 MFD P 100 M 10 PCT			2	
- 56	208245	• •	CAPACITOR,ELECT 2500 MFD P 100 M 10 PCT			1	
- 57	473543	• •	CLAMP	ATT PT		6	
- 58	38051	• •	NUT,PLAIN,HEX- 6-32 X 1/4 FL W	ATT PT		6	
- 59	62031	• •	WASHER,LOCK-INT TEETH NO. 6 X 0.295 OD	ATT PT		6	
- 60	221110	• •	RESISTOR,FXD,WW- 200 OHMS P/M 5% 25W			1	
- 61	438583	• •	SCREW,MACH-FIL H 8-32 X 2-1/2 LG	ATT PT		1	
- 62	257189	• •	NUT - HEX-8-32UNC THD	ATT PT		1	
- 63	60646	• •	WASHER,LOCK-INT TEETH NO. 8 X 0.340 OD	ATT PT		2	
- 64	22478	• •	WASHER,FL- 0.170 ID 0.375 OD 0.032 THK	ATT PT		1	
- 65	510468	• •	WASHER-CENTERING 0.177 ID X 1/2 OD	ATT PT		2	
- 66	321603	• •	WASHER,INSULATING 5/8 OD X 0.031 THK	ATT PT		2	
- 67	208229	• •	CAPACITOR,FXD,ELECT- 700 UF P100M10% 15V			1	
- 68	55726	• •	SCREW,MACH-BIND HD 6-32 X 3/16 LG	ATT PT		1	
- 69	62031	• •	WASHER,LOCK-INT TEETH NO. 6 X 0.295 OD	ATT PT		1	
- 70	533534	• •	TERMINAL			1	
- 71	10170	• •	SCREW,MACH-BIND HD 6-32 X 1/4 LG	ATT PT		1	
- 72	62031	• •	WASHER,LOCK-INT TEETH NO. 6 X 0.295 OD	ATT PT		1	
- 73	207348	• •	CIRCUIT BREAKER- 1 POLE 60V DC 6 AMP			1	
- 74	10170	• •	SCREW,MACH-BIND HD 6-32 X 1/4 LG	ATT PT		2	
- 75	207340	• •	RESISTOR,VAR-COMP 250 OHMS P/M 10% 1/2W			1	
- 76	220916	• •	CIRCUIT BREAKER- 1 POLE 30V DC 5 AMP			1	
- 77	188696	• •	SHIELD,8 POSITION			1	
- 78	210984	• •	SCREW,MACH-RH 6-32 X 1/4 LG	ATT PT		1	
- 79	315956	• •	STRIP-TERMINAL			1	
- 80	263727	• •	INSULATOR,BLOCK			1	
- 81	209483	• •	STUD,TAPPED	ATT PT		1	
- 82	209484	• •	STUD	ATT PT		3	
- 83	473402	• •	STUD - TERMINAL			2	
- 84	473392	• •	INSULATOR			1	
- 85	11891	• •	NUT,PLAIN,HEX- 10-32 X 3/8 FL W BRS	ATT PT		4	
- 86	45690	• •	WASHER,FL-NO. 10 X 7/16 OD X 1/32 THK	ATT PT		2	
- 87	45697	• •	WASHER,FLAT 17/32 OD X 0.016 THK	ATT PT		4	
- 88	257354	• •	WASHER,NM- 0.195 ID 5/16 OD 0.062 THK	ATT PT		2	
- 89	473557	• •	PLATE, COMPONENT MOUNTING			1	

LIST AND INDEX NO.	PART NO.	DESCRIPTION	UNITS PER ASM.	USABLE ON CODE
*		30 VOLT AT 4 AMP POWER SUPPLY ASSEMBLY		
* 17A-	207282	POWER SUPPLY ASSEMBLY- 30 VOLT 4 AMP SEE LIST 14-132 AND SECT. 2, LIST 2-55 FOR NEXT HIGHER ASSEMBLY AND FIG. 17A FOR ILLUSTRATION	REF	B
* - 1	186759	• SCREW, MACH-BIND HD 8-32 X 1/32 LG	2	
* - 2	208246	• CABLE ASM, CARD	1	
* - 3	208247	• CABLE ASM	1	
		SEE LIST 35 FOR COMPONENT PARTS		
* - 4	209005	• SEAL-HEAT SINK AIR	2	
* - 5	208196	• TRANSISTOR	3	
* - 6	598479	• SEMICONDUCTOR DEVICE, D10- 150V 10 AMP	4	
* - 7	208306	• HEAT SINK-RECTIFIER	1	
* - 8	208368	• HEAT SINK-RECTIFIER	3	
* - 9	208367	• HEAT SINK-RECTIFIER	1	
* - 10	186759	• SCREW, MACH-BIND HD 8-32 X 1/32 LG	12	
* - 11	440882	• SHIELD- 8 POSITION	1	
* - 12	502588	• TERMINAL BOARD- 5 SCREW W/FTHRU TERM LUG	1	
* - 13	322550	• SCREW, MACH-BIND HD 6-32 X 1/2 LG	4	
* - 14	56722	• WASHER, LOCK-EXT TEETH NO. 6 X 5/16 OD	4	
* - 15	441042	• CLIP, SPRING TENSION-TERMINAL BOARD SHLD	2	
* - 16	207316	• SEMICONDUCTOR DEVICE, D10- 120V 3 AMP	2	
* - 17	300721	• RESISTOR, FXD, COMP- 10K P/M 5% 1/2W	3	
* - 18	317024	• RESISTOR, FIXED, 2K OHMS 5/2W	1	
* - 19	317353	• RESISTOR, FIXED COMP 2K, 5% 1 WATT	1	
* - 20	323920	• RESISTOR, FXD, COMP- 3000 OHMS P/M 5% 1/2W	1	
* - 21	2102155	• RESISTOR, AXIAL POWER, 500 OHM 5% 5 WATT	1	
* - 22	317019	• RESISTOR, FXD, COMP- 2000 OHMS P/M 5% 1/2W	1	
* - 23	207379	• RESISTOR, FXD WW- 1000 OHMS P/M 1% 5W	1	
* - 24	207378	• RESISTOR, FXD, WW- 2050 OHMS P/M 1 PCT 5W	1	
* - 25	208286	• TERMINAL BOARD ASSEMBLY	1	
* - 26	186759	• SCREW, MACH-BIND HD 8-32 X 1/32 LG	2	
* - 27	103898	• SCREW, MACH-RH 8-32 X 3/16 LG	1	
* - 28	55901	• WASHER, LOCK-EXT TEETH NO. 8 X 0.381 OD	2	
* - 29	45651	• WASHER	1	
* - 30	317142	• TERMINAL, STUD-NONINSULATED DBL TURRET	4	
* - 31	208285	• BUS BAR	1	
* - 32	208988	• POTENTIOMETER	1	
* - 33	220916	• CIRCUIT BREAKER- 1 POLE 30V DC 5 AMP	1	
* - 34	207348	• CIRCUIT BREAKER- 1 POLE 60V DC 6 AMP	1	
* - 35	81693	• SCREW, MACH-BIND HD 6-32 X 3/8 LG	2	
* - 36	257986	• WASHER, FL-NO. 6 X 5/8 OD X 0.035 THK	2	
* - 37	208385	• BRACKET-CARD	1	
* - 38	251970	• SCREW, MACH-BIND HD 4-40 X 1/4 LG	4	
* - 39	338169	• WASHER, LOCK-EXT TEETH NO. 4 X 9/32 OD	4	
* - 40	216075	• TERMINAL BLOCK AND CONTACT ASSEMBLY	1	
* - 41	208369	• PANEL ASSEMBLY-COMPONENT	1	
* - 42	55726	• SCREW, MACH-BIND HD 6-32 X 3/16 LG	4	
* - 43	56722	• WASHER, LOCK-EXT TEETH NO. 6 X 5/16 OD	4	
* - 44	208371	• HINGE	1	
* - 45	55726	• SCREW, MACH-BIND HD 6-32 X 3/16 LG	4	
* - 46	56722	• WASHER, LOCK-EXT TEETH NO. 6 X 5/16 OD	4	
* - 47	512347	• JUMPER ASM-RED 4 IN. 16AWG 1 LUG EA END SEE LIST 35 FOR COMPONENT PARTS	1	
* - 48	208245	• CAPACITOR, ELECT 2500 MFD P 100 M 10 PCT	1	
* - 49	322550	• SCREW, MACH-BIND HD 6-32 X 1/2 LG	1	
* - 50	56722	• WASHER, LOCK-EXT TEETH NO. 6 X 5/16 OD	1	
* - 51	257187	• NUT, PLAIN, HEX- 6-32 X 5/16 FL W	1	
* - 52	301768	• BRACKET-THERMISTOR MOUNTING	1	
* - 53	10170	• SCREW, MACH-BIND HD 6-32 X 1/4 LG	2	
* - 54	56722	• WASHER, LOCK-EXT TEETH NO. 6 X 5/16 OD	2	
* - 55	208985	• RESISTOR, FXD, WW- 0.1 OHM P/M 5% 5W	2	
* - 56	322556	• SCREW, MACH-RH 6-32 X 2-1/2 LG	1	
* - 57	56722	• WASHER, LOCK-EXT TEETH NO. 6 X 5/16 OD	1	
* - 58	257986	• WASHER, FL-NO. 6 X 5/8 OD X 0.035 THK	3	
* - 59	442959	• INSULATOR, WASH- 11/64 ID 15/32 OD 1/32	6	
* - 60	208985	• RESISTOR, FXD, WW- 0.1 OHM P/M 5% 5W	1	
* - 61	334598	• SCREW, MACH-RH 6-32 X 1-1/2 LG	1	
* - 62	56722	• WASHER, LOCK-EXT TEETH NO. 6 X 5/16 OD	1	
* - 63	257986	• WASHER, FL-NO. 6 X 5/8 OD X 0.035 THK	1	
* - 64	442959	• INSULATOR, WASH- 11/64 ID 15/32 OD 1/32	3	
* - 65	221110	• RESISTOR, FXD, WW- 200 OHMS P/M 5% 25W	1	
* - 66	438582	• SCREW, MACH-FIL H 8-32 X 2-1/4 LG	1	

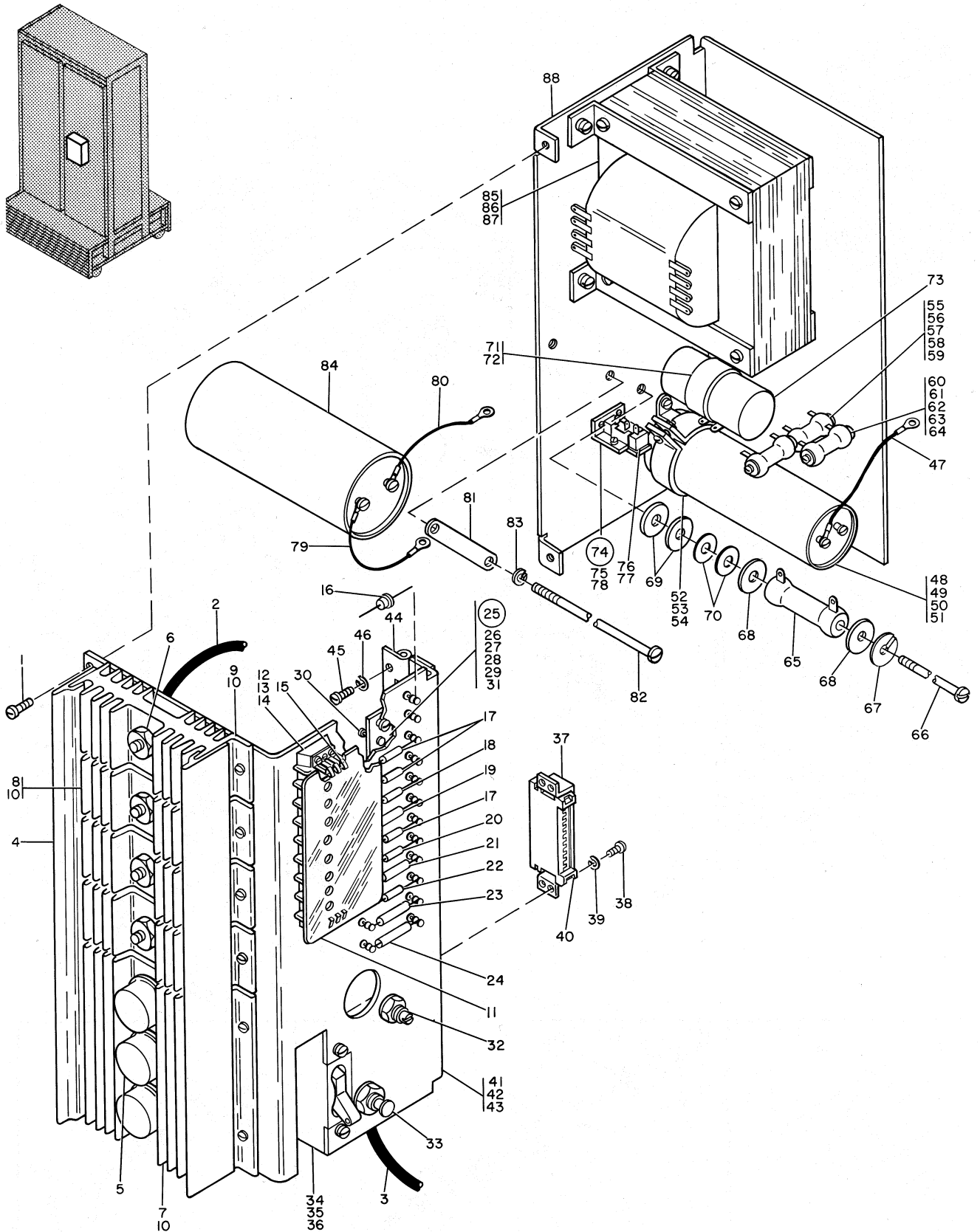


FIGURE 17A. 30 VOLT AT 4 AMP POWER SUPPLY ASSEMBLY. SEE LIST 17A.

LIST AND INDEX NO.	PART NO.	DESCRIPTION	UNITS PER ASM.	USABLE ON CODE
			1 2 3 4	
30 VOLT AT 4 AMP POWER SUPPLY ASSEMBLY -CONT				
* 17A- 67	56722	• WASHER, LOCK-EXT TEETH NO. 6 X 5/16 OD	ATT PT	1
* - 68	507144	• WASHER-CENTERING 0.173 ID X 5/8 OD	ATT PT	2
* - 69	331150	• WASHER, NM- 11/64 ID 5/8 OD 1/16 THK	ATT PT	2
* - 70	442958	• INSULATOR, WASH- 7/16 ID 3/4 OD 1/32 THK		2
* - 71	314047	• TERMINAL BOARD- 2 SOLDER LUGS		1
* - 72	38235	• SCREW, MACH-FIL H 6-32 X 5/16 LG	ATT PT	1
* - 73	208229	• CAPACITOR, FXD, ELEC- 700 UF P100M10% 15V		1
* - 74	208982	• SOCKET ASSEMBLY		1
* - 75	38442	• SCREW, MACH-FL CSK HD 6-32 X 1/4 LG	ATT PT	2
* - 76	300761	• CONNECTOR, RECP, ELEC- 3 FEMALE CONTACTS		1
* - 77	438548	• SCREW, MACH-BIND HD 4-40 X 3/16 LG	ATT PT	2
* - 78	208981	• BRACKET		1
* - 79	510398	• JUMPER ASM-RED 4 IN. 16AWG 1 LUG EA END		1
* - 80	511696	• JUMPER ASM-BLK 4 IN. 16AWG 1 LUG EA END SEE LIST 35 FOR COMPONENT PARTS		1
* - 81	208735	• CLAMP-CAPACITOR		2
* - 82	515718	• SCREW, MACH-FIL H 8-32 X 1/2 LG	ATT PT	4
* - 83	55901	• WASHER, LOCK-EXT TEETH NO. 8 X 0.381 OD	ATT PT	4
* - 84	208235	• CAPACITOR, ELECT. 5500 MFD P 100 M 10 PCT		2
* - 85	222793	• TRANSFORMER, PWR- 3 PRIM 136V 3 SEC 9.5V		1
* - 86	28413	• SCREW, MACH-BIND HD 10-32 X 5/16 LG	ATT PT	4
* - 87	56079	• WASHER, LOCK-EXT TEETH NO. 10 X 0.410 OD	ATT PT	5
* - 88	208370	• CHASSIS- 30V 4 AMP POWER SUPPLY		1
36VDC AT 2A POWER SUPPLY ASSEMBLY				
* 18 -	477230	POWER SUPPLY ASSEMBLY, 36V AT 2A SEE LIST 14-133 AND SECT. 2, LIST 2-117 FOR NEXT HIGHER ASSEMBLY AND FIG. 18 FOR ILLUSTRATION		REF
* - 1	370609	• CARD ASSEMBLY		1
* - 2	2100760	• RING-CLIP		3
* - 3	2101326	• TERMINAL, LUG-INS 10/12AWG NO.10 MTG HOLE		4
* - 4	92784	• TERMINAL, LUG-INS 18-20AWG NO.8 MTG HOLE		7
* - 5	94856	• TERMINAL LUG		1
* - 6	334921	• TERMINAL, LUG-INS 16/22AWG NO. 6 MTG HOLE		2
* - 7	334932	• TERMINAL, LUG-INS 16/22AWG NO.10 MTG HOLE		14
* - 8	359695	• TERMINAL, LUG-INS 14/16AWG NO.10 MTG HOLE		1
* - 9	360370	• TERMINAL, LUG-INS 14/16AWG NO. 8 MTG HOLE		1
* - 10	477235	• HEAT SINK SUB ASSEMBLY, POWER SUPPLY		1
* - 11	28413	• SCREW, MACH-BIND HD 10-32 X 5/16 LG	ATT PT	8
* - 12	216206	• GUIDE-SINGLE CARD LONG		2
* - 13	473530	• BRACKET		1
* - 14	38235	• SCREW, MACH-FIL H 6-32 X 5/16 LG	ATT PT	2
* - 15	38051	• NUT, PLAIN, HEX- 6-32 X 1/4 FL W	ATT PT	2
* - 16	62031	• WASHER, LOCK-INT TEETH NO. 6 X 0.295 OD	ATT PT	2
* - 17	257986	• WASHER, FL-NO. 6 X 5/8 OD X 0.035 THK	ATT PT	2
* - 18	216076	• TERMINAL BLOCK AND CONTACT ASSEMBLY		2
* - 19	730177	• BUSS - RECEPTACLE - 8 POSITION		2
* - 20	473547	• SPACER, 1 X 2 3/8 IN .12 IN THICK		1
* - 21	730175	• BRACKET - UPPER UNIT SUPPORT		1
* - 22	730176	• BRACKET - LOWER UNIT SUPPORT		1
* - 23	473544	• SCREW, BINDING HEAD SELF TAP NO 6 1/2 IN	ATT PT	4
* - 24	473533	• GROMMET		AR
* - 25	473442	• GROMMET - CATERPILLAR		1
* - 26	477239	• COVER, AIR SEAL		1
* - 27	207331	• RESISTOR, WIREWOUND 560 OHM, 5%, 5 WATT		1
* - 28	207324	• RESISTOR, FXD, WW- 0.1 OHM P/M 5% 5W		1
* - 29	478045	• TERMINAL - SOLDER		2
* - 30	70078	• SCREW, THD FORMING-BIND HD	ATT PT	2
* - 31	369214	• TRANSISTOR, TYPE 108		1
* - 32	316996	• TERMINAL, LUG-NONINS 9AWG NO. 8 MTG HOLE		1
* - 33	11891	• NUT, PLAIN, HEX- 10-32 X 3/8 FL W BRS	ATT PT	1
* - 34	219423	• TUBE, RUBBER- 0.085 ID X 0.120 OD X 2 LG		2
* - 35	216197	• RECTIFIER		4
* - 36	316996	• TERMINAL, LUG-NONINS 9AWG NO. 8 MTG HOLE		2
* - 37	11891	• NUT, PLAIN, HEX- 10-32 X 3/8 FL W BRS	ATT PT	4

LIST AND INDEX NO.	PART NO.	DESCRIPTION 1 2 3 4	UNITS PER ASM.	USABLE ON CODE
36VDC AT 2A POWER SUPPLY ASSEMBLY -CONT				
18 - 38 - 39 - 40 - 41 - 42 - 43	45690 217019 478043 473582 473536 473531	<ul style="list-style-type: none"> • • WASHER, FL-NO. 10 X 7/16 OD X 1/32 THK ATT PT • • WASHER, INSULATING ATT PT • • JUMPER - PLATE • • INSULATOR • • SEAL • • INSULATOR 	4 8 1 4 AR 4	

LIST AND INDEX NO.	PART NO.	DESCRIPTION	UNITS PER ASM.	USABLE ON CODE
36VDC AT 2A POWER SUPPLY ASSEMBLY -CONT				
18 - 44	79779	• • SCREW,THD CTG-BIND HD NO. 6 X 3/4 LG	ATT PT	4
- 45	477238	• • HEAT SINK, POWER SUPPLY		1
- 46	477234	• PLATE ASSEMBLY, COMP MOUNTING		1
- 47	208229	• • CAPACITOR,FXD,ELECT- 700 UF P100M10% 15V		1
- 48	55726	• • SCREW,MACH-BIND HD 6-32 X 3/16 LG	ATT PT	1
- 49	62031	• • WASHER,LOCK-INT TEETH NO. 6 X 0.295 OD	ATT PT	1
- 50	533534	• • TERMINAL		1
- 51	10170	• • SCREW,MACH-BIND HD 6-32 X 1/4 LG	ATT PT	1
- 52	62031	• • WASHER,LOCK-INT TEETH NO. 6 X 0.295 OD	ATT PT	1
- 53	472566	• • RESISTOR,FXD,WW- 500 OHMS P/M 5% 10W		1
- 54	438582	• • SCREW,MACH-FIL H 8-32 X 2-1/4 LG	ATT PT	1
- 55	257189	• • NUT - HEX-8-32UNC THD	ATT PT	1
- 56	60646	• • WASHER,LOCK-INT TEETH NO. 8 X 0.340 OD	ATT PT	2
- 57	22478	• • WASHER,FL- 0.170 ID 0.375 OD 0.032 THK	ATT PT	1
- 58	442959	• • INSULATOR,WASH- 11/64 ID 15/32 OD 1/32 T	ATT PT	2
- 59	208227	• • CAPACITOR, ELECTROLYTIC-1000 UF 45VDC		1
- 60	208235	• • CAPACITOR,ELECT. 5500 MFD P 100 M 10 PCT		1
- 61	473543	• • CLAMP	ATT PT	4
- 62	38051	• • NUT,PLAIN,HEX- 6-32 X 1/4 FL W	ATT PT	4
- 63	62031	• • WASHER,LOCK-INT TEETH NO. 6 X 0.295 OD	ATT PT	4
- 64	208178	• • TRANSFORMER, ISOLATION		1
- 65	186758	• • SCREW,MACH-BIND HD 8-32 X 7/16 LG	ATT PT	4
- 66	257189	• • NUT - HEX-8-32UNC THD	ATT PT	4
- 67	60646	• • WASHER,LOCK-INT TEETH NO. 8 X 0.340 OD	ATT PT	4
- 68	22478	• • WASHER,FL- 0.170 ID 0.375 OD 0.032 THK	ATT PT	4
- 69	208299	• • CIRCUIT BREAKER- 1 POLE 60V DC 3 AMP		1
- 70	10170	• • SCREW,MACH-BIND HD 6-32 X 1/4 LG	ATT PT	2
- 71	207340	• • RESISTOR,VAR-COMP 250 OHMS P/M 10% 1/2W		1
- 72	220914	• • CIRCUIT BREAKER- 1P 120VAC30VDC 1-1/2AMP		1
- 73	473545	• • SHIELD,9 POSITION		1
- 74	210984	• • SCREW,MACH-RH 6-32 X 1/4 LG	ATT PT	1
- 75	323844	• • BLOCK,TERMINAL 9 POSITION		1
- 76	512583	• • INSULATOR		1
- 77	209483	• • STUD,TAPPED	ATT PT	1
- 78	209484	• • STUD	ATT PT	3
- 79	473402	• • STUD - TERMINAL		2
- 80	473382	• • INSULATOR		1
- 81	11891	• • NUT,PLAIN,HEX- 10-32 X 3/8 FL W BRS	ATT PT	4
- 82	45690	• • WASHER,FL-NO. 10 X 7/16 OD X 1/32 THK	ATT PT	2
- 83	45697	• • WASHER,FLAT 17/32 OD X 0.016 THK	ATT PT	4
- 84	257354	• • WASHER,NM- 0.195 ID 5/16 OD 0.062 THK	ATT PT	2
- 85	477237	• • PLATE, COMPONENT MOUNTING		1
36 VOLT AT 2 AMP POWER SUPPLY ASSEMBLY				
* 18A-	207276	POWER SUPPLY ASSEMBLY- 36 VOLT 2 AMP SEE LIST 14-133 AND SECT. 2,LIST 2-117 FOR NEXT HIGHER ASSEMBLY AND FIG. 18A FOR ILLUSTRATION	REF	B
* - 1	186759	• SCREW,MACH-BIND HD 8-32 X 1/32 LG		2
* - 2	208298	• CABLE ASSEMBLY- 36V 2 AMP		1
* - 3	208359	• CABLE ASSEMBLY- 36V 2 AMP SEE LIST 35 FOR COMPONENT PARTS		1
* - 4	209005	• SEAL-HEAT SINK AIR		2
* - 5	208197	• TRANSISTOR		2
* - 6	598479	• SEMICONDUCTOR DEVICE,D10- 150V 10 AMP		4
* - 7	208747	• HEAT SINK-TRANSISTOR		1
* - 8	208365	• HEAT SINK-RECTIFIER		3
* - 9	208366	• HEAT SINK-RECTIFIER		1
* - 10	186759	• SCREW,MACH-BIND HD 8-32 X 1/32 LG	ATT PT	10
* - 11	440882	• SHIELD- 8 POSITION		1
* - 12	502588	• TERMINAL BOARD- 5 SCREW W/FTHRU TERM LUG		1
* - 13	322550	• SCREW,MACH-BIND HD 6-32 X 1/2 LG	ATT PT	4
* - 14	56722	• WASHER,LOCK-EXT TEETH NO. 6 X 5/16 OD	ATT PT	4
* - 15	441042	• CLIP,SPRING TENSION-TERMINAL BOARD SHLD		2
* - 16	207316	• SEMICONDUCTOR DEVICE,D10- 120V 3 AMP		2
* - 17	300721	• RESISTOR,FXD,COMP- 10K P/M 5% 1/2W		3

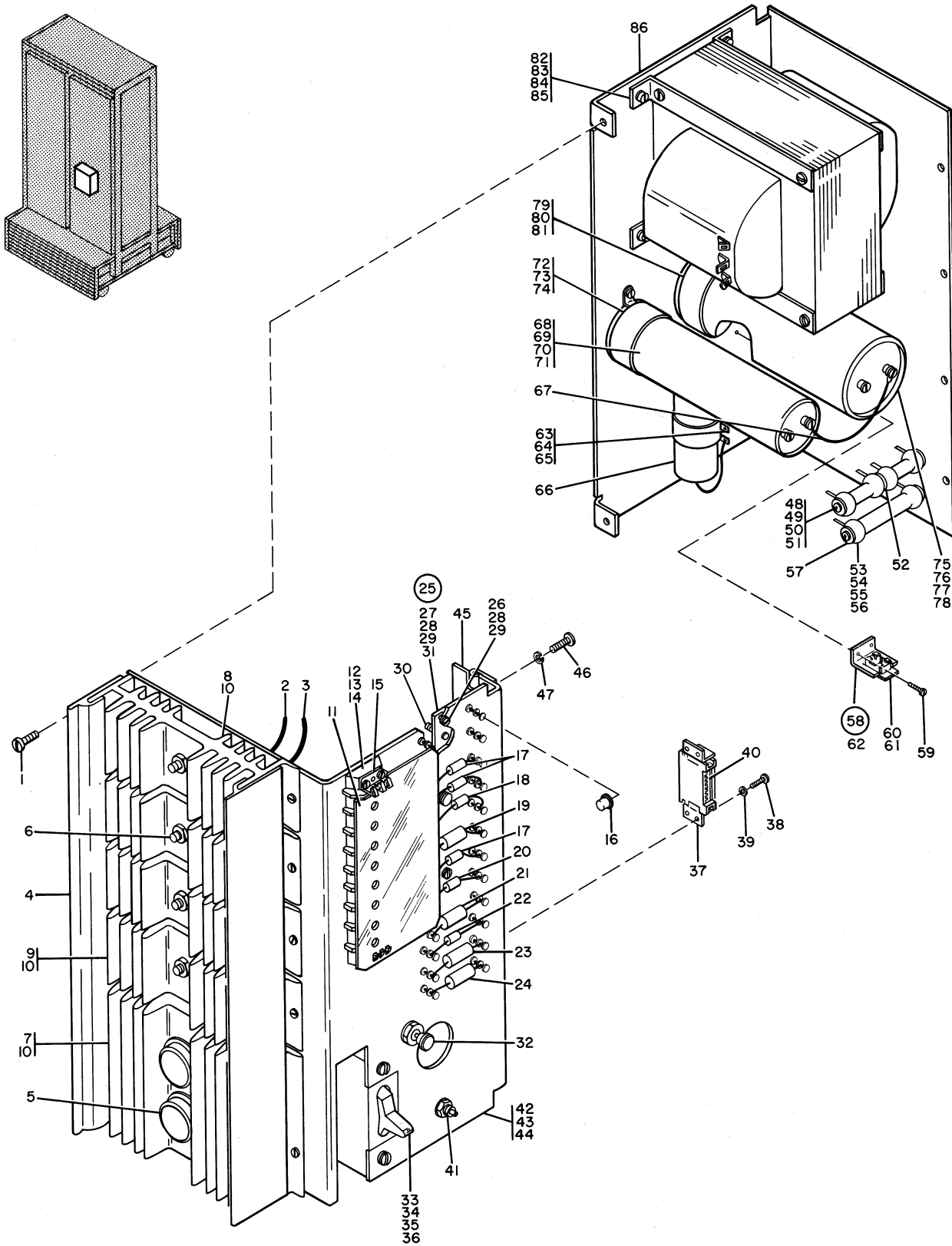


FIGURE 18A. 36 VOLT AT 2 AMP POWER SUPPLY ASSEMBLY. SEE LIST 18A.

LIST AND INDEX NO.	PART NO.	DESCRIPTION	UNITS	USABLE
			PER ASM.	ON CODE
		36 VOLT AT 2 AMP POWER SUPPLY ASSEMBLY -CONT		
* 18A- 18	317024	• RESISTOR, FIXED, 2K OHMS 5/2W	1	
* - 19	317087	• RESISTOR, FXD, WW- 2700 OHMS P/M 5 PCT 2W	1	
* - 20	323920	• RESISTOR, FXD, COMP- 3000 OHMS P/M 5% 1/2W	1	
* - 21	317084	• RESISTOR	1	
* - 22	317019	• RESISTOR, FXD, COMP- 2000 OHMS P/M 5% 1/2W	1	
* - 23	207379	• RESISTOR, FXD WW- 1000 OHMS P/M 1% 5W	1	
* - 24	207380	• RESISTOR, FXD, WW- 2.7K P/M 1 PCT 7W	1	
* - 25	208286	• TERMINAL BOARD ASSEMBLY	1	
* - 26	186759	• SCREW, MACH-BIND HD 8-32 X 1/32 LG ATT PT	2	
* - 27	103898	• SCREW, MACH-RH 8-32 X 3/16 LG ATT PT	1	
* - 28	55901	• WASHER, LOCK-EXT TEETH NO. 8 X 0.381 OD ATT PT	2	
* - 29	45651	• WASHER ATT PT	3	
* - 30	317142	• . TERMINAL, STUD-NONINSULATED DBL TURRET	4	
* - 31	208285	• . BUS BAR	1	
* - 32	220914	• CIRCUIT BREAKER- 1P 120VAC30VDC 1-1/2AMP	1	
* - 33	208299	• CIRCUIT BREAKER- 1 POLE 60V DC 3 AMP	1	
* - 34	81693	• SCREW, MACH-BIND HD 6-32 X 3/8 LG ATT PT	2	
* - 35	62031	• WASHER, LOCK-INT TEETH NO. 6 X 0.295 OD ATT PT	2	
* - 36	257986	• WASHER, FL-NO. 6 X 5/8 OD X 0.035 THK ATT PT	2	
* - 37	208385	• BRACKET-CARD	1	
* - 38	38262	• SCREW, MACH-FIL H 4-40 X 1/4 LG ATT PT	4	
* - 39	338169	• WASHER, LOCK-EXT TEETH NO. 4 X 9/32 OD ATT PT	4	
* - 40	216075	• TERMINAL BLOCK AND CONTACT ASSEMBLY	1	
* - 41	208988	• POTENTIOMETER	1	
* - 42	221599	• PANEL ASSEMBLY-COMPONENT	1	
* - 43	55726	• SCREW, MACH-BIND HD 6-32 X 3/16 LG ATT PT	4	
* - 44	56722	• WASHER, LOCK-EXT TEETH NO. 6 X 5/16 OD ATT PT	4	
* - 45	208378	• HINGE, BUTT- 9 IN. LG	1	
* - 46	55726	• SCREW, MACH-BIND HD 6-32 X 3/16 LG ATT PT	4	
* - 47	56722	• WASHER, LOCK-EXT TEETH NO. 6 X 5/16 OD ATT PT	4	
* - 48	208985	• RESISTOR, FXD, WW- 0.1 OHM P/M 5% 5W	2	
* - 49	322556	• SCREW, MACH-RH 6-32 X 2-1/2 LG ATT PT	1	
* - 50	56722	• WASHER, LOCK-EXT TEETH NO. 6 X 5/16 OD ATT PT	1	
* - 51	257986	• WASHER, FL-NO. 6 X 5/8 OD X 0.035 THK ATT PT	1	
* - 52	442959	• INSULATOR, WASH- 11/64 ID 15/32 OD 1/32 T	6	
* - 53	472566	• RESISTOR, FXD, WW- 500 OHMS P/M 5% 10W	1	
* - 54	322554	• SCREW, MACH-RH 6-32 X 2 LG ATT PT	1	
* - 55	56722	• WASHER, LOCK-EXT TEETH NO. 6 X 5/16 OD ATT PT	1	
* - 56	257986	• WASHER, FL-NO. 6 X 5/8 OD X 0.035 THK ATT PT	1	
* - 57	442959	• INSULATOR, WASH- 11/64 ID 15/32 OD 1/32 T	3	
* - 58	208982	• SOCKET ASSEMBLY	1	
* - 59	38442	• SCREW, MACH-FL CSK HD 6-32 X 1/4 LG ATT PT	2	
* - 60	300761	• . CONNECTOR, RECP, ELEC- 3 FEMALE CONTACTS	1	
* - 61	438548	• . SCREW, MACH-BIND HD 4-40 X 3/16 LG ATT PT	2	
* - 62	208981	• . BRACKET	1	
* - 63	314047	• TERMINAL BOARD- 2 SOLDER LUGS	1	
* - 64	38235	• SCREW, MACH-FIL H 6-32 X 5/16 LG ATT PT	1	
* - 65	56722	• WASHER, LOCK-EXT TEETH NO. 6 X 5/16 OD ATT PT	1	
* - 66	208229	• CAPACITOR, FXD, ELECT- 700 UF P100M10% 15V	1	
* - 67	510398	• JUMPER ASM-RED 4 IN. 16AWG 1 LUG EA END SEE LIST 35 FOR COMPONENT PARTS	1	
* - 68	208227	• CAPACITOR, ELECTROLYTIC-1000 UF 45VDC	1	
* - 69	322550	• SCREW, MACH-BIND HD 6-32 X 1/2 LG ATT PT	1	
* - 70	56722	• WASHER, LOCK-EXT TEETH NO. 6 X 5/16 OD ATT PT	1	
* - 71	257187	• NUT, PLAIN, HEX- 6-32 X 5/16 FL W ATT PT	1	
* - 72	301768	• BRACKET-THERMISTOR MOUNTING	1	
* - 73	10170	• SCREW, MACH-BIND HD 6-32 X 1/4 LG ATT PT	2	
* - 74	56722	• WASHER, LOCK-EXT TEETH NO. 6 X 5/16 OD ATT PT	2	
* - 75	208235	• CAPACITOR, ELECT. 5500 MFD P 100 M 10 PCT	1	
* - 76	19944	• SCREW, MACH-BIND HD 8-32 X 3/4 LG ATT PT	1	
* - 77	55901	• WASHER, LOCK-EXT TEETH NO. 8 X 0.381 OD ATT PT	1	
* - 78	257189	• NUT, PLAIN-HEX 8-32 X 0.343 W ATT PT	1	
* - 79	320456	• BRACKET-CAPACITOR MOUNTING	1	
* - 80	10170	• SCREW, MACH-BIND HD 6-32 X 1/4 LG ATT PT	3	
* - 81	56722	• WASHER, LOCK-EXT TEETH NO. 6 X 5/16 OD ATT PT	3	
* - 82	222799	• TRANSFORMER, PWR- 3 PRIM 136V 3 SEC 9.52V	1	
* - 83	28413	• SCREW, MACH-BIND HD 10-32 X 5/16 LG ATT PT	4	
* - 84	56079	• WASHER, LOCK-EXT TEETH NO. 10 X 0.410 OD	5	
* - 85	45690	• WASHER, FL-NO. 10 X 7/16 OD X 1/32 THK ATT PT	4	
* - 86	208379	• CHASSIS- 36V 2A AND 12V 4A POWER SUPPLY	1	

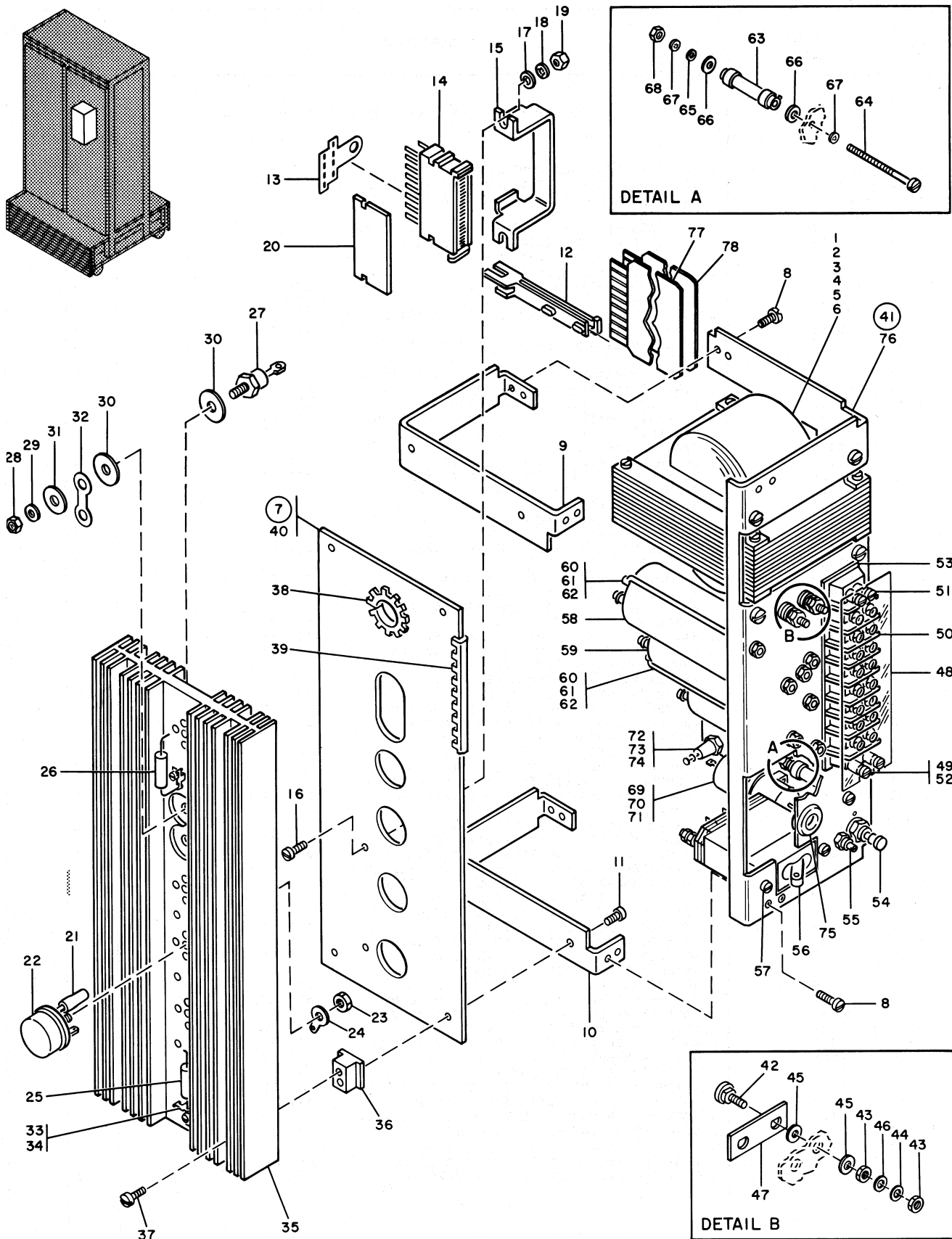


FIGURE 19. 12VDC AT 16A POWER SUPPLY ASSEMBLY. SEE LIST 19.

LIST AND INDEX NO.	PART NO.	DESCRIPTION 1 2 3 4	UNITS PER ASM.	USABLE ON CODE
		12VDC AT 16A POWER SUPPLY ASSEMBLY		
19 -	473510	POWER SUPPLY ASSEMBLY- 12V DC 12 AMP SEE LIST 14-134 FOR NEXT HIGHER ASSEMBLY AND FIG. 19 FOR ILLUSTRATION	REF	
- 1	473596	• TRANSFORMER,P/M 12V 16AMP	1	
- 2	438601	• SCREW,MACH-UNDRCT BIND HD 10-32 X 7/8 LG	4	
- 3	47242	• WASHER,FL-NO. 12 X 1/2 OD X 0.062 THK	4	
- 4	473396	• SPACER,.199 IN. HOLE 5/8 SQ. X 3/8 THICK	4	
- 5	56121	• WASHER,LOCK-INT TEETH NO. 10 X 0.381 OD	4	
- 6	11598	• NUT,PLAIN,HEX- 10-32 X 3/8 FL W	4	

LIST AND INDEX NO.	PART NO.	DESCRIPTION 1 2 3 4	UNITS PER ASM.	USABLE ON CODE

LIST AND INDEX NO.	PART NO.	DESCRIPTION				UNITS PER ASM.	USABLE ON CODE
		1	2	3	4		
		12VDC AT 16A POWER SUPPLY ASSEMBLY -CONT					
19 - 7	473515	•				1	
- 8	28413	•				8	
- 9	730176	•				1	
- 10	730175	•				1	
- 11	473544	•				8	
- 12	216206	•				2	
- 13	730177	•				2	
- 14	216076	•				2	
- 15	473530	•				1	
- 16	38235	•				2	
- 17	257986	•				2	
- 18	62031	•				2	
- 19	38051	•				2	
- 20	473547	•				1	
- 21	219423	•				10	
- 22	369214	•				5	
- 23	11891	•				5	
- 24	316996	•				1	
- 25	335138	•				1	
- 26	207324	•				5	
- 27	216198	•				2	
- 28	160017	•				2	
- 29	3550	•				2	
- 30	217017	•				4	
- 31	473592	•				2	
- 32	478043	•					
- 33	478045	•				4	
- 34	70078	•				4	
- 35	473518	•				1	
- 36	473531	•				6	
- 37	79779	•				6	
- 38	473533	•				AR	
- 39	473442	•				AR	
- 40	473519	•				1	
- 41	473514	•				1	
- 42	473402	•				2	
- 43	11891	•				4	
- 44	45690	•				2	
- 45	45697	•				4	
- 46	257354	•				2	
- 47	473382	•				1	
- 48	473545	•				1	
- 49	210984	•				1	
- 50	323844	•				1	
- 51	209484	•				3	
- 52	209483	•				1	
- 53	512583	•				1	
- 54	220917	•				1	
- 55	207340	•				1	
- 56	207350	•				1	
- 57	10170	•				2	
- 58	208221	•				4	
- 59	208228	•				1	
- 60	473543	•				4	
- 61	62031	•				4	
- 62	38051	•				4	
- 63	221517	•				1	
- 64	438582	•				1	

LIST AND INDEX NO.	PART NO.	DESCRIPTION	UNITS	USABLE
			PER ASM.	ON CODE
12VDC AT 16A POWER SUPPLY ASSEMBLY -CONT				
19 - 65	22478	• • WASHER,FL- 0.170 ID 0.375 OD 0.032 THK	ATT PT	1
- 66	442959	• • INSULATOR,WASH- 11/64 ID 15/32 OD 1/32 T	ATT PT	2
- 67	60646	• • WASHER,LOCK-INT TEETH NO. 8 X 0.340 OD	ATT PT	2
- 68	257189	• • NUT - HEX-8-32UNC THD	ATT PT	1
- 69	208229	• • CAPACITOR,FXD,ELECT- 700 UF P100M10% 15V		1
- 70	55726	• • SCREW,MACH-BIND HD 6-32 X 3/16 LG	ATT PT	1
- 71	62031	• • WASHER,LOCK-INT TEETH NO. 6 X 0.295 OD	ATT PT	1
- 72	533534	• • TERMINAL		1
- 73	10170	• • SCREW,MACH-BIND HD 6-32 X 1/4 LG	ATT PT	1
- 74	62031	• • WASHER,LOCK-INT TEETH NO. 6 X 0.295 OD	ATT PT	1
- 75	512663	• • GROMMET,RUB-FOR 7/8 HOLE X 1/8 PNL		1
- 76	473517	• • PLATE, COMPONENT MOUNTING		1
- 77	370610	• CARD ASSY		1
- 78	370576	• CARD ASSEMBLY, YGB SMS		1
12 VOLT AT 16 AMP POWER SUPPLY ASSEMBLY				
* 19A-	207234	POWER SUPPLY ASSEMBLY- 12 VOLT 16 AMP SEE LIST 14-134 FOR NEXT HIGHER ASSEMBLY AND FIG. 19A FOR ILLUSTRATION	REF	B
* - 1	186759	• SCREW,MACH-BIND HD 8-32 X 1/32 LG		2
* - 2	208289	• CABLE ASSEMBLY-CARD		1
* - 3	208372	• CABLE ASSEMBLY- 12V 16A SUPPLY SEE LIST 35 FOR COMPONENT PARTS		1
* - 4	209005	• SEAL-HEAT SINK AIR		2
* - 5	209001	• TRANSISTOR-PNP TYPE 049		8
* - 6	127324	• SEMICONDUCTOR DEVICE,D10- 150V 30 AMP		2
* - 7	221658	• HEAT SINK,SEMICONDUCTOR DEVICE		1
* - 8	221657	• HEAT SINK-RECTIFIER		1
* - 9	186759	• SCREW,MACH-BIND HD 8-32 X 1/32 LG	ATT PT	10
* - 10	440550	• SHIELD,TERMINAL BOARD		1
* - 11	596489	• JUMPER ASM-BLK 7-1/2 14AWG 1 LUG EA END SEE LIST 35 FOR COMPONENT PARTS		2
* - 12	207364	• TERMINAL BOARD- 9 DBL SCREW TERMINALS		1
* - 13	322550	• SCREW,MACH-BIND HD 6-32 X 1/2 LG	ATT PT	4
* - 14	56722	• WASHER,LOCK-EXT TEETH NO. 6 X 5/16 OD	ATT PT	4
* - 15	441042	• CLIP,SPRING TENSION-TERMINAL BOARD SHLD		2
* - 16	207381	• RESISTOR,FXD,WW- 2K P/M 1% 5W		1
* - 17	208986	• RESISTOR,FXD,WW- 325 OHM P/M 1% 5W		1
* - 18	317005	• RESISTOR,FXD,COMP- 60 OHMS P/M 5% 1/2W		1
* - 19	213693	• RESISTOR,FXD,COMP- 1K P/M 5% 1/2W		1
* - 20	335138	• RESISTOR,FXD,COMP- 200 OHMS P/M 5% 2W		1
* - 21	317276	• RESISTOR,FXD,COMP- 1.2K P/M 5% 1/2W		1
* - 22	317012	• RESISTOR,FXD,COMP- 510 OHMS P/M 5% 1/2W		1
* - 23	300721	• RESISTOR,FXD,COMP- 10K P/M 5% 1/2W		1
* - 24	317529	• RESISTOR,FXD,COMP- 8.2K P/M 5% 1/2W		1
* - 25	207316	• SEMICONDUCTOR DEVICE,D10- 120V 3 AMP		2
* - 26	317019	• RESISTOR,FXD,COMP- 2000 OHMS P/M 5% 1/2W		1
* - 27	208376	• BUS BAR ASSEMBLY		1
* - 28	103898	• SCREW,MACH-RH 8-32 X 3/16 LG	ATT PT	2
* - 29	186759	• SCREW,MACH-BIND HD 8-32 X 1/32 LG	ATT PT	2
* - 30	55901	• WASHER,LOCK-EXT TEETH NO. 8 X 0.381 OD	ATT PT	2
* - 31	45651	• WASHER	ATT PT	4
* - 32	220917	• CIRCUIT BREAKER- 1 POLE 30V DC 5 AMP		1
* - 33	207350	• CIRCUIT BREAKER- 1 POLE 60V DC 20 AMP		1
* - 34	81693	• SCREW,MACH-BIND HD 6-32 X 3/8 LG	ATT PT	2
* - 35	62031	• WASHER,LOCK-INT TEETH NO. 6 X 0.295 OD	ATT PT	2
* - 36	257986	• WASHER,FL-NO. 6 X 5/8 OD X 0.035 THK	ATT PT	2
* - 37	208385	• BRACKET-CARD		1
* - 38	38262	• SCREW,MACH-FIL H 4-40 X 1/4 LG	ATT PT	4
* - 39	338169	• WASHER,LOCK-EXT TEETH NO. 4 X 9/32 OD	ATT PT	4
* - 40	216075	• TERMINAL BLOCK AND CONTACT ASSEMBLY		1
* - 41	221833	• PANEL ASSEMBLY-COMPONENT		1
* - 42	55726	• SCREW,MACH-BIND HD 6-32 X 3/16 LG	ATT PT	4
* - 43	56722	• WASHER,LOCK-EXT TEETH NO. 6 X 5/16 OD	ATT PT	4
* - 44	207322	• • STUD		2
* - 45	11891	• • NUT,PLAIN,HEX- 10-32 X 3/8 FL W BRS		8

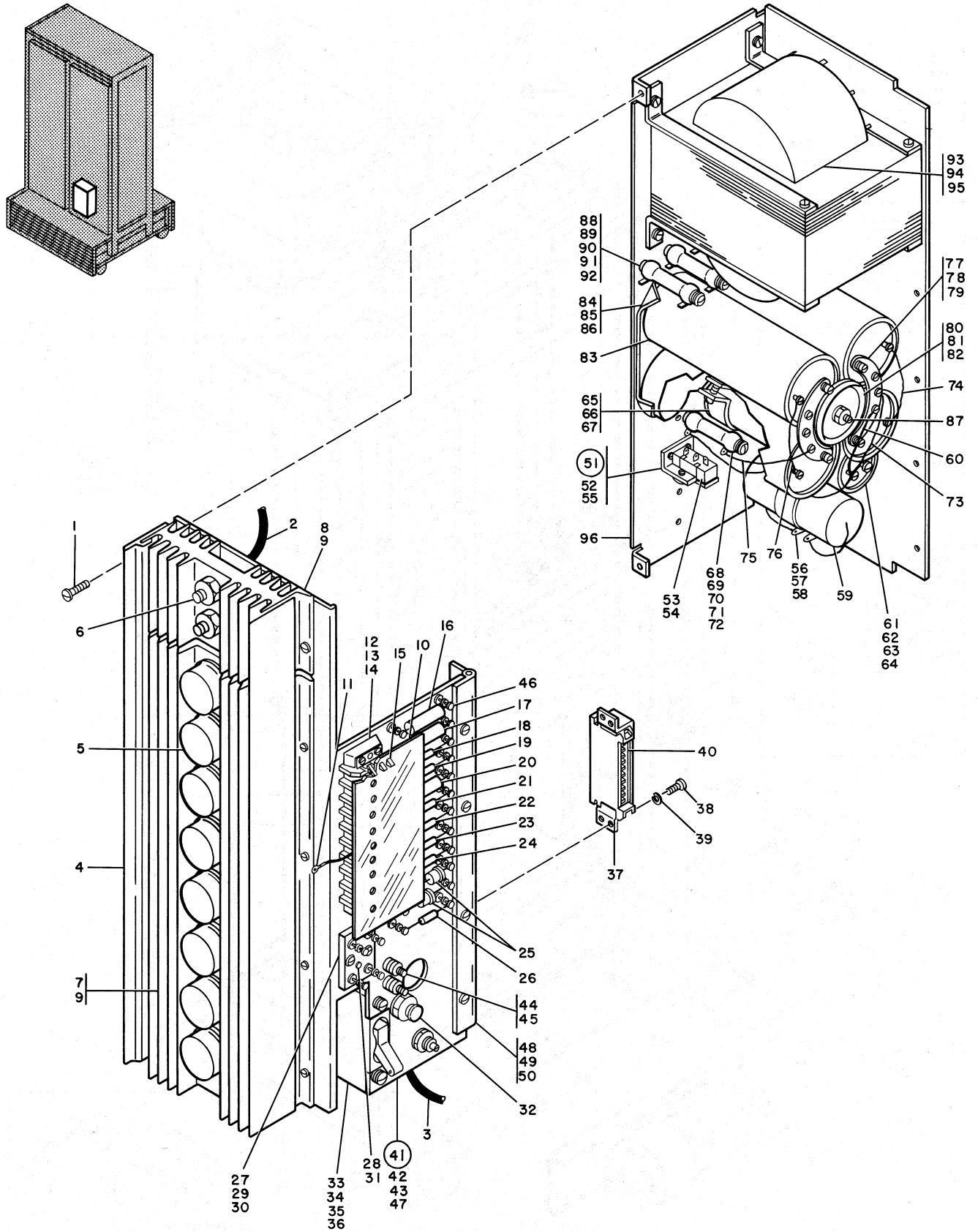


FIGURE 19A. 12 VOLT AT 16 AMP POWER SUPPLY ASSEMBLY. SEE LIST 19A.

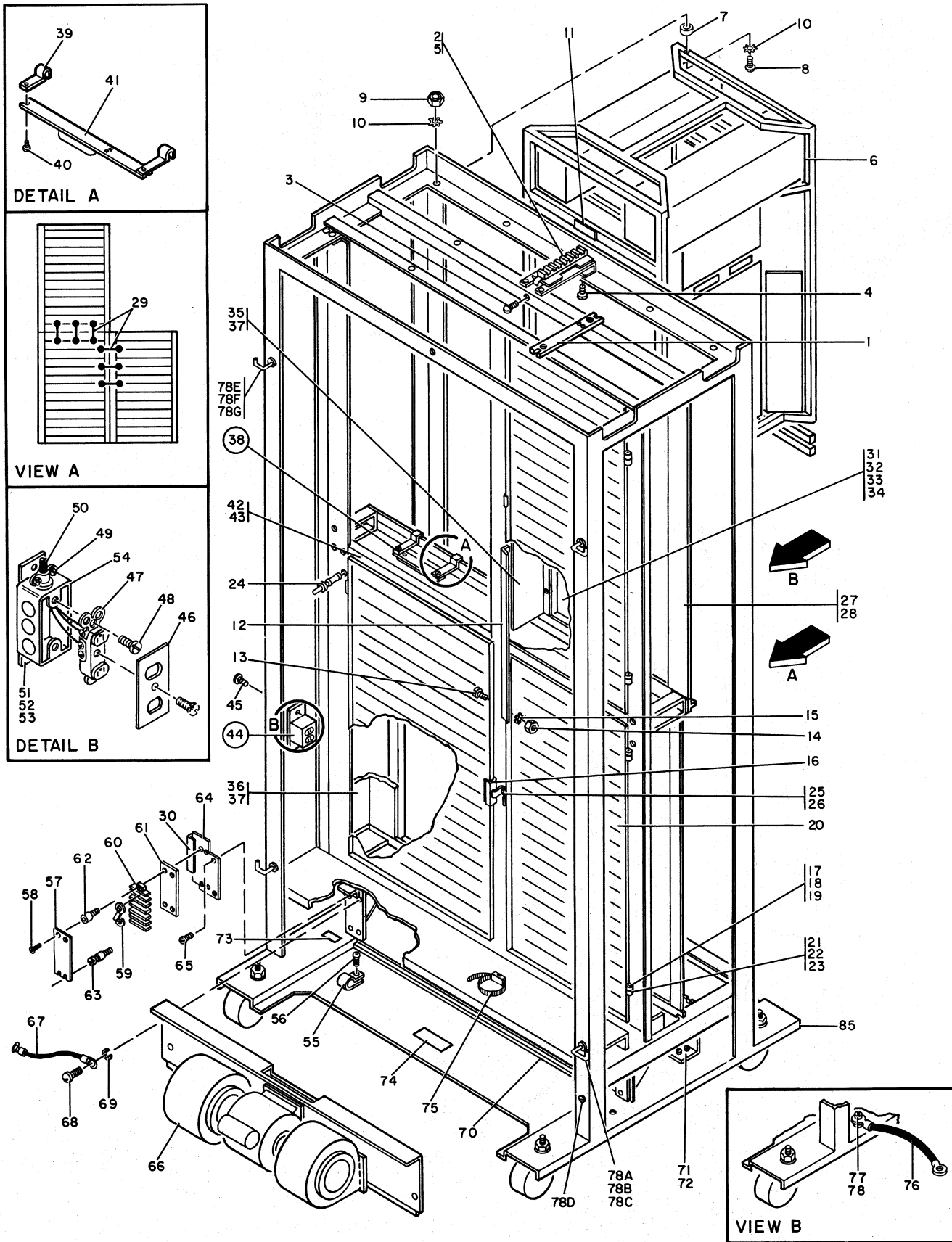


FIGURE 20. B FRAME ASSEMBLY. SEE LIST 20.

LIST AND INDEX NO.	PART NO.	DESCRIPTION	UNITS PER ASM.	USABLE ON CODE
12 VOLT AT 16 AMP POWER SUPPLY ASSEMBLY -CONT				
* 19A- 46	317142	. . TERMINAL,STUD-NONINSULATED DBL TURRET	24	
* - 47	208937	. . PANEL-COMPONENT	1	
* - 48	221839	. HINGE,BUTT- 9-3/4 IN. LG	1	
* - 49	55726	. SCREW,MACH-BIND HD 6-32 X 3/16 LG	4	ATT PT
* - 50	56722	. WASHER,LOCK-EXT TEETH NO. 6 X 5/16 OD	4	ATT PT
* - 51	208982	. SOCKET ASSEMBLY	1	
* - 52	38442	. SCREW,MACH-FL CSK HD 6-32 X 1/4 LG	2	ATT PT
* - 53	300761	. . CONNECTOR,RECP,ELEC- 3 FEMALE CONTACTS	1	
* - 54	438548	. . SCREW,MACH-BIND HD 4-40 X 3/16 LG	2	ATT PT
* - 55	208981	. . BRACKET	1	
* - 56	314047	. TERMINAL BOARD- 2 SOLDER LUGS	1	
* - 57	38235	. SCREW,MACH-FIL H 6-32 X 5/16 LG	1	ATT PT
* - 58	56722	. WASHER,LOCK-EXT TEETH NO. 6 X 5/16 OD	1	ATT PT
* - 59	208229	. CAPACITOR,FXD,ELECT- 700 UF P100M10% 15V	1	
* - 60	512597	. JUMPER ASM-RED 6 IN. 12AWG 1 LUG EA END	1	
SEE LIST 35 FOR COMPONENT PARTS				
* - 61	208228	. CAPACITOR,FXD,ELECT- 5500 UF 19V	1	
* - 62	322550	. SCREW,MACH-BIND HD 6-32 X 1/2 LG	1	ATT PT
* - 63	56722	. WASHER,LOCK-EXT TEETH NO. 6 X 5/16 OD	1	ATT PT
* - 64	257187	. NUT,PLAIN,HEX- 6-32 X 5/16 FL W	1	ATT PT
* - 65	301768	. BRACKET-THERMISTOR MOUNTING	1	
* - 66	10170	. SCREW,MACH-BIND HD 6-32 X 1/4 LG	2	ATT PT
* - 67	56722	. WASHER,LOCK-EXT TEETH NO. 6 X 5/16 OD	2	ATT PT
* - 68	221517	. RESISTOR,FXD,WW- 75 OHMS P/M 5% 10W	1	
* - 69	322554	. SCREW,MACH-RH 6-32 X 2 LG	1	ATT PT
* - 70	56722	. WASHER,LOCK-EXT TEETH NO. 6 X 5/16 OD	1	ATT PT
* - 71	257986	. WASHER,FL-NO. 6 X 5/8 OD X 0.035 THK	1	ATT PT
* - 72	442959	. INSULATOR,WASH- 11/64 ID 15/32 OD 1/32 T	3	
* - 73	319679	. JUMPER ASM-RED 8 IN. 18AWG 1 LUG	1	
* - 74	208989	. JUMPER ASM-BLK 3 IN. 12AWG 1 LUG EA END	3	
* - 75	518130	. JUMPER ASM-BLK 8-1/2 IN. 18AWG 1 LUG	1	
* - 76	208990	. JUMPER ASM-RED 3 IN. 12AWG 1 LUG EA END	3	
SEE LIST 35 FOR COMPONENT PARTS				
* - 77	521849	. BUS BAR- 3 POSITION	2	
* - 78	103899	. SCREW,MACH-RH 8-32 X 1/4 LG	6	ATT PT
* - 79	55901	. WASHER,LOCK-EXT TEETH NO. 8 X 0.381 OD	6	ATT PT
* - 80	323543	. RETAINER,CAPACITOR	1	
* - 81	36109	. NUT,PLAIN,HEX- 1/4-20 X 7/16 FL W	1	ATT PT
* - 82	76574	. WASHER,LOCK-EXT TEETH 1/4 X 0.510 OD	1	ATT PT
* - 83	208221	. CAPACITOR,FXD,ELECT- 11000UF P100M10%19V	4	
* - 84	511097	. PLATE-CAPACITOR MOUNTING	1	
* - 85	58207	. SCREW,MACH-UNDRCT BIND HD 8-32 X 1/4 LG	2	ATT PT
* - 86	55901	. WASHER,LOCK-EXT TEETH NO. 8 X 0.381 OD	2	ATT PT
* - 87	337898	. BOLT,SQUARE-NECK- 1/4-20 X 5 LG	1	
* - 88	208985	. RESISTOR,FXD,WW- 0.1 OHM P/M 5% 5W	8	
* - 89	334598	. SCREW,MACH-RH 6-32 X 1-1/2 LG	8	ATT PT
* - 90	56722	. WASHER,LOCK-EXT TEETH NO. 6 X 5/16 OD	8	ATT PT
* - 91	257986	. WASHER,FL-NO. 6 X 5/8 OD X 0.035 THK	8	ATT PT
* - 92	442959	. INSULATOR,WASH- 11/64 ID 15/32 OD 1/32 T	24	
* - 93	208177	. TRANSFORMER,PWR- 3 PRIM 136V 2 SEC 15.24	1	
* - 94	28413	. SCREW,MACH-BIND HD 10-32 X 5/16 LG	4	ATT PT
* - 95	56079	. WASHER,LOCK-EXT TEETH NO. 10 X 0.410 OD	5	ATT PT
* - 96	221723	. CHASSIS- 12V 16A POWER SUPPLY	1	
B FRAME ASSEMBLY				
20 -	5319252	B FRAME ASSEMBLY SEE LIST 1-83 FOR NEXT HIGHER ASSEMBLY AND FIG. 20 FOR ILLUSTRATION	REF	
- 1	761389	. SWITCH ASSEMBLY,THERMO SEE LIST 2-63 FOR DETAIL BREAKDOWN	1	
- 2	760068	. BUS BAR AND SUPPORT ASSEMBLY SEE LIST 21 FOR DETAIL BREAKDOWN	1	
- 3	58207	. SCREW,MACH-UNDRCT BIND HD 8-32 X 1/4 LG	2	ATT PT
- 4	10170	. SCREW,MACH-BIND HD 6-32 X 1/4 LG	4	ATT PT
- 5	760745	. LABEL, VOLTAGE-LAMINAR BUS	2	

LIST AND INDEX NO.	PART NO.	DESCRIPTION				UNITS PER ASM.	USABLE ON CODE
		1	2	3	4		
B FRAME ASSEMBLY -CONT							
20 - 6	5327500	. CORE STORAGE, MOD 1 - 10K SEE LIST 22 FOR DETAIL BREAKDOWN				1	1
- 6	5327022	. CORE STORAGE, MOD 2 - 20K SEE LIST 22 FOR DETAIL BREAKDOWN				1	2
- 6	5327024	. CORE STORAGE, MOD 3 - 40K SEE LIST 22 FOR DETAIL BREAKDOWN				1	3
- 7	54291	. SPACER- 0.191 ID X 3/8 OD X 3/8 THK				6	
- 8	438589	. SCREW,MACH-BIND HD 8-32 X 1-1/2 LG				6	ATT PT
- 9	257189	. NUT - HEX-8-32UNC THD				6	ATT PT
- 10	55901	. WASHER,LOCK-EXT TEETH NO. 8 X 0.381 OD				12	ATT PT
- 11	124943	. LABEL,SAFETY				2	
- 12	762742	. HANDLE, SAFETY				1	
- 13	186759	. SCREW,MACH-BIND HD 8-32 X 1/32 LG				4	ATT PT
- 14	257189	. NUT - HEX-8-32UNC THD				4	ATT PT
- 15	55901	. WASHER,LOCK-EXT TEETH NO. 8 X 0.381 OD				4	ATT PT
- 16	761107	. CLIP,SPRING TENSION-LATCH STRIKE				3	
- 17	760305	. HINGE-KNUCKLE				6	
- 18	518704	. SCREW,MACH-BIND HD 1/4-20 X 1/4 LG				6	ATT PT
- 19	65756	. WASHER,LOCK-INT TEETH 1/4 ID X 0.478 OD				6	ATT PT
- 20	760307	. DOOR-INNER				3	
- 21	760306	. PIVOT-HINGE				6	
- 22	438622	. SCREW,MACH-UNDRCT BIND HD 1/4-20 X 3/8				6	ATT PT
- 23	65756	. WASHER,LOCK-INT TEETH 1/4 ID X 0.478 OD				6	ATT PT
- 24	760303	. CATCH-PULL				4	
- 25	760304	. CATCH, SPRING				3	
- 26	236849	. SCREW,MACH-BIND HD 10-32 X 1/4 LG				3	ATT PT
- 27	760152	. BAFFLE, LARGE CHASSIS TO FRAME				2	
- 28	80651	. SCREW,THD CTG-BIND HD 6-32 X 3/8 LG				6	ATT PT
- 29	216308	. JUMPER ASSEMBLY SEE LIST 35 FOR COMPONENT PARTS				49	
- 30	223528	. RUBBER CHANNEL-COVERS				AR	
- 31	5327011	. CHASSIS ASSEMBLY SEE LIST 29 FOR DETAIL BREAKDOWN				1	
- 32	5327012	. CHASSIS ASSEMBLY SEE LIST 29 FOR DETAIL BREAKDOWN				1	
- 33	5327013	. CHASSIS ASSEMBLY SEE LIST 29 FOR DETAIL BREAKDOWN				1	
- 34	34512	. SCREW,MACH-BIND HD 8-32 X 3/8 LG				12	ATT PT
- 35	760399	. BAFFLE, CENTER				1	
- 36	760416	. BAFFLE, CHASSIS TO FRAME-SPECIAL				1	
- 37	80651	. SCREW,THD CTG-BIND HD 6-32 X 3/8 LG				6	ATT PT
- 38	762458	. THERMOSWITCH ASSEMBLY N/C 122 DEGREES F				1	
- 39	762459	. . SUPPORT-THERMOSWITCH				2	
- 40	221790	. . SCREW,MACH-BIND HD 8-32 X 3/16 LG				4	
- 41	761390	. . PLATE ASSEMBLY				1	
- 42	760135	. SUPPORT, HORIZONTAL COVER				2	
- 43	186759	. SCREW,MACH-BIND HD 8-32 X 1/32 LG				4	ATT PT
- 44	801494	. CONVENIENCE OUTLET ASSEMBLY				2	
- 45	38451	. SCREW,MACH-FL CSK HD 8-32 X 1/4 LG				4	ATT PT
- 46	206421	. . COVER				1	
- 47	357995	. . OUTLET-CONVENIENCE 3 WIRE 15 AMP 125V				1	
- 48	10170	. . SCREW,MACH-BIND HD 6-32 X 1/4 LG				2	ATT PT
- 49	151598	. . ADAPTER,CABLE TO CONNECTOR				1	
- 50	801493	. . CABLE ASSEMBLY SEE LIST 35 FOR COMPONENT PARTS				1	
- 51	801492	. . BRACKET				1	
- 52	38452	. . SCREW,MACH-FL CSK HD 8-32 X 5/16 LG				4	ATT PT
- 53	257189	. . NUT - HEX-8-32UNC THD				4	ATT PT
- 54	194355	. . BOX-OUTLET				1	
- 55	2102368	. CLAMP,LOOP- 0.880 ID 0.200 DIA MTG HOLE				1	
- 56	5528	. SCREW,MACH-BIND HD 8-32 X 5/8 LG				1	ATT PT
- 57	186945	. SHIELD- 8 POSITION				1	
- 58	210984	. SCREW,MACH-RH 6-32 X 1/4 LG				1	ATT PT
- 59	367115	. JUMPER-TERMINAL STRIP VDC DISTR BRS				4	
- 60	317145	. TERMINAL BOARD- 8 DBL SCREW TERMINALS				1	
- 61	242256	. MARKER STRIP- 8 POS NOS. 1 THRU 8				1	

LIST AND INDEX NO.	PART NO.	DESCRIPTION	UNITS PER ASM.	USABLE ON CODE
		1 2 3 4		
		B FRAME ASSEMBLY -CONT		
20 - 62	210883	. STUD,EXT- 6-32 INT EXT THD X 0.900 LG OA	ATT PT	1
- 63	210884	. STUD-SHIELD	ATT PT	3
- 64	760150	. FILLER		2
- 65	10170	. SCREW,MACH-BIND HD 6-32 X 1/4 LG	ATT PT	4
- 66	760159	. BLOWER ASSEMBLY		1
		SEE LIST 13 FOR DETAIL BREAKDOWN		
- 67	515355	. JUMPER ASSEMBLY		1
		SEE LIST 35 FOR COMPONENT PARTS		
- 68	443	. SCREW,MACH-FIL H 10-32 X 3/8 LG	ATT PT	4
- 69	9092	. WASHER,LOCK-SPLIT NO. 10 X 0.337 OD	ATT PT	4
- 70	352018	. SEAL-SIDE COVER		AR
- 71	760134	. BRACKET,ANGLE-CONNECTOR RACK		2
- 72	28413	. SCREW,MACH-BIND HD 10-32 X 5/16 LG	ATT PT	4
- 73	138754	. PLATE,INST-LINE V PRESENT W/MACH PWR OFF		1
- 74	369207	. PLATE,INST-HAZARDOUS AREA		1
- 75	760221	. CLAMP-ADJUSTABLE CABLE		10
- 76	597216	. JUMPER ASM-GRN 9-1/2 14AWG 1 LUG EA END		1
		SEE LIST 35 FOR COMPONENT PARTS		
- 77	236849	. SCREW,MACH-BIND HD 10-32 X 1/4 LG	ATT PT	1
- 78	56121	. WASHER,LOCK-INT TEETH NO. 10 X 0.381 OD	ATT PT	1
* - 78A	760837	. PIVOT-RIGHT HAND		4
* - 78B	3960	. NUT,PLAIN,HEX- 1/4-20 X 7/16 FL W	ATT PT	4
* - 78C	76574	. WASHER,LOCK-EXT TEETH 1/4 X 0.510 OD	ATT PT	4
* - 78D	801508	. SCREW - LOUVER		4
* - 78E	760836	. PIVOT-LEFT HAND		4
* - 78F	3960	. NUT,PLAIN,HEX- 1/4-20 X 7/16 FL W	ATT PT	4
* - 78G	76574	. WASHER,LOCK-EXT TEETH 1/4 X 0.510 OD	ATT PT	4
- 79	760081	. CABLE ASSEMBLY		1
- 80	760083	. CABLE ASSEMBLY		1
- 81	760084	. CABLE ASSEMBLY		1
- 82	760245	. CABLE ASM-16 WIRE		7
- 83	760730	. CABLE ASSEMBLY		1
- 84	761134	. CABLE ASSEMBLY		1
		NOT ILLUSTRATED		
		SEE LIST 35 FOR COMPONENT PARTS		
- 85	5321941	. FRAME ASSEMBLY-WELDED		1
		SEE LIST 30 FOR DETAIL BREAKDOWN		
		BUS AND SUPPORT ASSEMBLY		
21 -	760068	BUS BAR AND SUPPORT ASSEMBLY SEE SECT. 1 LISTS 20-2, 31-2, AND SECT. 2 LISTS 2-1, 5-6 FOR NEXT HIGHER ASSEMBLY AND FIG. 21 FOR ILLUSTRATION		REF
- 1	760221	. CLAMP-ADJUSTABLE CABLE		3
- 2	760063	. INSULATOR-LAMINATED BUS BAR		1
- 3	760802	. BLOCK ASSEMBLY-INPUT		1
- 4	596210	. BASE		1
- 5	322550	. SCREW,MACH-BIND HD 6-32 X 1/2 LG	ATT PT	4
- 6	55726	. SCREW,MACH-BIND HD 6-32 X 3/16 LG		10
- 7	760149	. BRACKET-LAMINAR BUS		1
- 8	760065	. BUS BAR-LAMINAR		10
- 9	760147	. SUPPORT-LAMINAR BUS		1
- 10	760064	. INSULATOR-LAMINATED BUS BAR REAR		2
- 11	322550	. SCREW,MACH-BIND HD 6-32 X 1/2 LG	ATT PT	2
- 12	257187	. NUT,PLAIN,HEX- 6-32 X 5/16 FL W	ATT PT	2
- 13	6364	. WASHER,LOCK-SPLIT NO. 6 X 1/4 OD	ATT PT	2
- 14	257986	. WASHER,FL-NO. 6 X 5/8 OD X 0.035 THK	ATT PT	2
- 15	760066	. BLOCK ASSEMBLY-LAMINATED BUS		2
- 16	596205	. . TAB, LAMINATED BUS TAPER		200
- 17	596211	. . SPACER, LAMINATED BUS BLOCK		11
- 18	760067	. . BLOCK		1

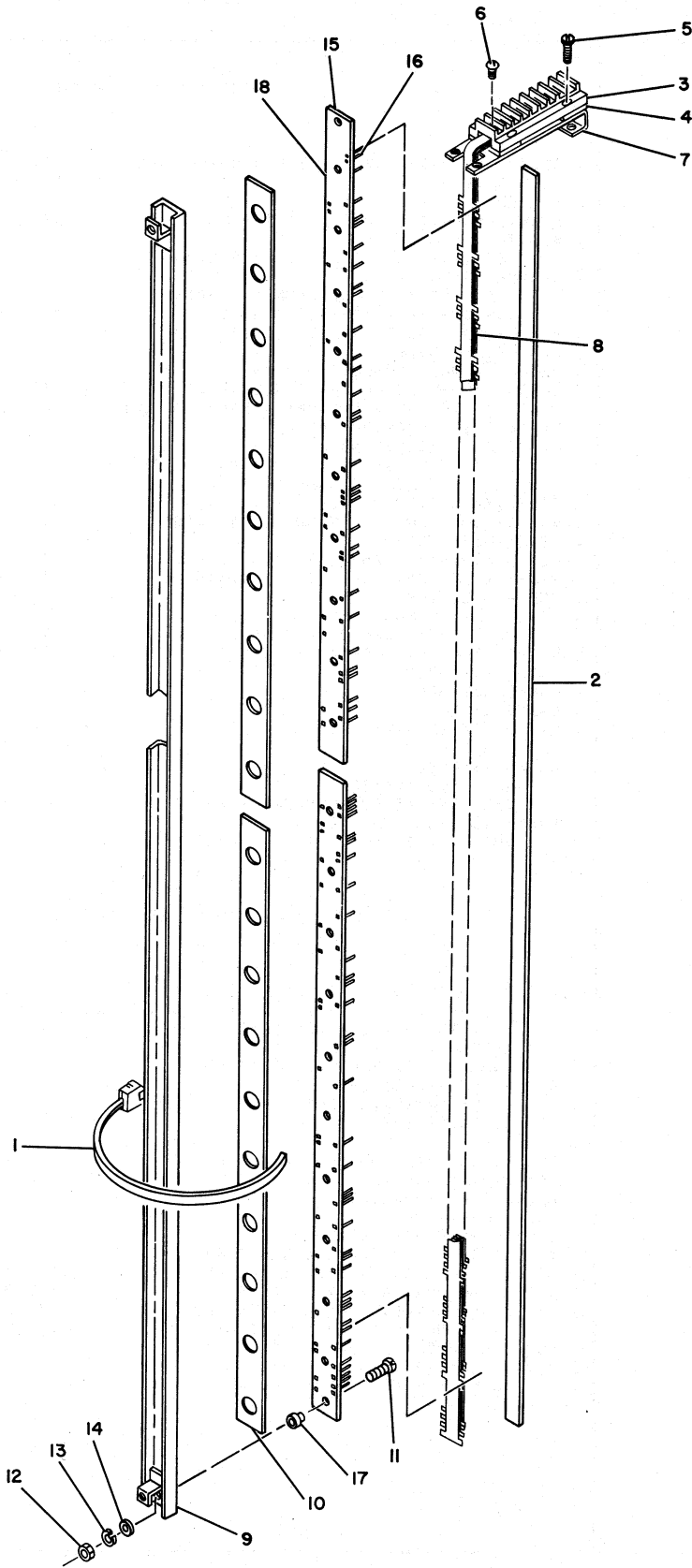
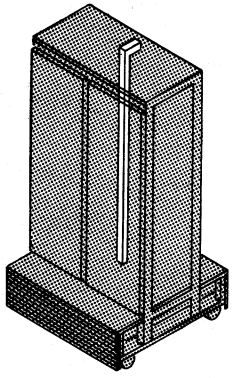


FIGURE 21. BUS AND SUPPORT ASSEMBLY. SEE LIST 21.

LIST AND INDEX NO.	PART NO.	DESCRIPTION				UNITS PER ASM.	USABLE ON CODE
		1	2	3	4		
CORE STORAGE ASSEMBLY							
22 -	5327500	CORE STORAGE, MOD 1 - 10K SEE LIST 20-6 FOR NEXT HIGHER ASSEMBLY AND FIG. 22 FOR ILLUSTRATION				REF	1
-	5327022	CORE STORAGE, MOD 2 - 20K SEE LIST 20-6 FOR NEXT HIGHER ASSEMBLY AND FIG. 22 FOR ILLUSTRATION				REF	2
-	5327024	CORE STORAGE, MOD 3 - 40K SEE LIST 20-6 FOR NEXT HIGHER ASSEMBLY AND FIG. 22 FOR ILLUSTRATION				REF	3
-	5327026	CORE STORAGE, MOD 4 - 60K SEE SECT. 2 LIST 2-7 FOR NEXT HIGHER ASSEMBLY AND FIG. 22 FOR ILLUSTRATION				REF	4
-	5327028	CORE STORAGE, MOD 5 - 80K SEE SECT. 2 LIST 2-7 FOR NEXT HIGHER ASSEMBLY AND FIG. 22 FOR ILLUSTRATION				REF	5
- 1	760376	. CABLE ASSEMBLY				1	1
- 1	760082	. CABLE ASSEMBLY				1	2
- 1	760082	. CABLE ASSEMBLY				1	3
- 1	760082	. CABLE ASSEMBLY				2	4
- 1	760082	. CABLE ASSEMBLY				2	5
SEE LIST 35 FOR COMPONENT PARTS							
- 2	760044	. MEMORY ASSEMBLY, 10K				1	1
- 2	760046	. MEMORY ASSEMBLY, 20K				1	2
- 2	760046	. MEMORY ASSEMBLY, 20K				1	4
- 2	760015	. MEMORY ASSEMBLY, 40K				1	3
- 2	760015	. MEMORY ASSEMBLY, 40K				1	4
- 2	760015	. MEMORY ASSEMBLY, 40K				2	5
- 3	761011	. . JUMPER ASSEMBLY, 20 LONG SEE LIST 35 FOR COMPONENT PARTS				1	
- 4	760033	. . RESISTOR ASSEMBLY, X Y TERMINATING				2	
- 4	362602	. . RESISTOR ASSEMBLY- 320 OHMS SEE LIST 23 FOR DETAIL BREAKDOWN				2	A
- 5	186759	. . SCREW,MACH-BIND HD 8-32 X 1/32 LG				4	ATT PT
- 6	22478	. . WASHER,FL- 0.170 ID 0.375 OD 0.032 THK				4	ATT PT
- 7	55901	. . WASHER,LOCK-EXT TEETH NO. 8 X 0.381 OD				4	ATT PT
- 8	350851	. . RESISTOR BOARD AND CABLE ASSEMBLY-10K USED ON ASSEMBLY 760044 ONLY				1	
- 8	350853	. . RESISTOR BOARD AND CABLE ASSEMBLY-20K USED ON ASSEMBLY 760046 ONLY				1	
- 8	350855	. . RESISTOR BOARD AND CABLE ASSEMBLY-40K USED ON ASSEMBLY 760015 ONLY				1	
- 9	221790	. . SCREW,MACH-BIND HD 8-32 X 3/16 LG				2	ATT PT
- 9	221790	. . SCREW,MACH-BIND HD 8-32 X 3/16 LG				4	ATT PT
- 10	760221	. . . CLAMP-ADJUSTABLE CABLE USED ON ASSEMBLY 350851 AND 350853 ONLY				1	
- 10	760221	. . . CLAMP-ADJUSTABLE CABLE USED ON ASSEMBLY 350855 ONLY				2	
- 11	760375	. . . CABLE ASSEMBLY USED ON ASSEMBLY 350851 ONLY				1	
- 11	760380	. . . CABLE ASSEMBLY USED ON ASSEMBLY 350853 ONLY				1	
- 11	760086	. . . CABLE ASSEMBLY USED ON ASSEMBLY 350855 ONLY				1	
- 12	760024	. . . RESISTOR BOARD ASSEMBLY, SENSE USED ON ASSEMBLY 350851 AND 350853 ONLY				1	
- 12	760024	. . . RESISTOR BOARD ASSEMBLY, SENSE USED ON ASSEMBLY 350855 ONLY				2	
- 13	317006	. . . RESISTOR,FXD,COMP- 200 OHMS P/M 5% 1/2W USED ON ASSEMBLY 760024 ONLY				32	

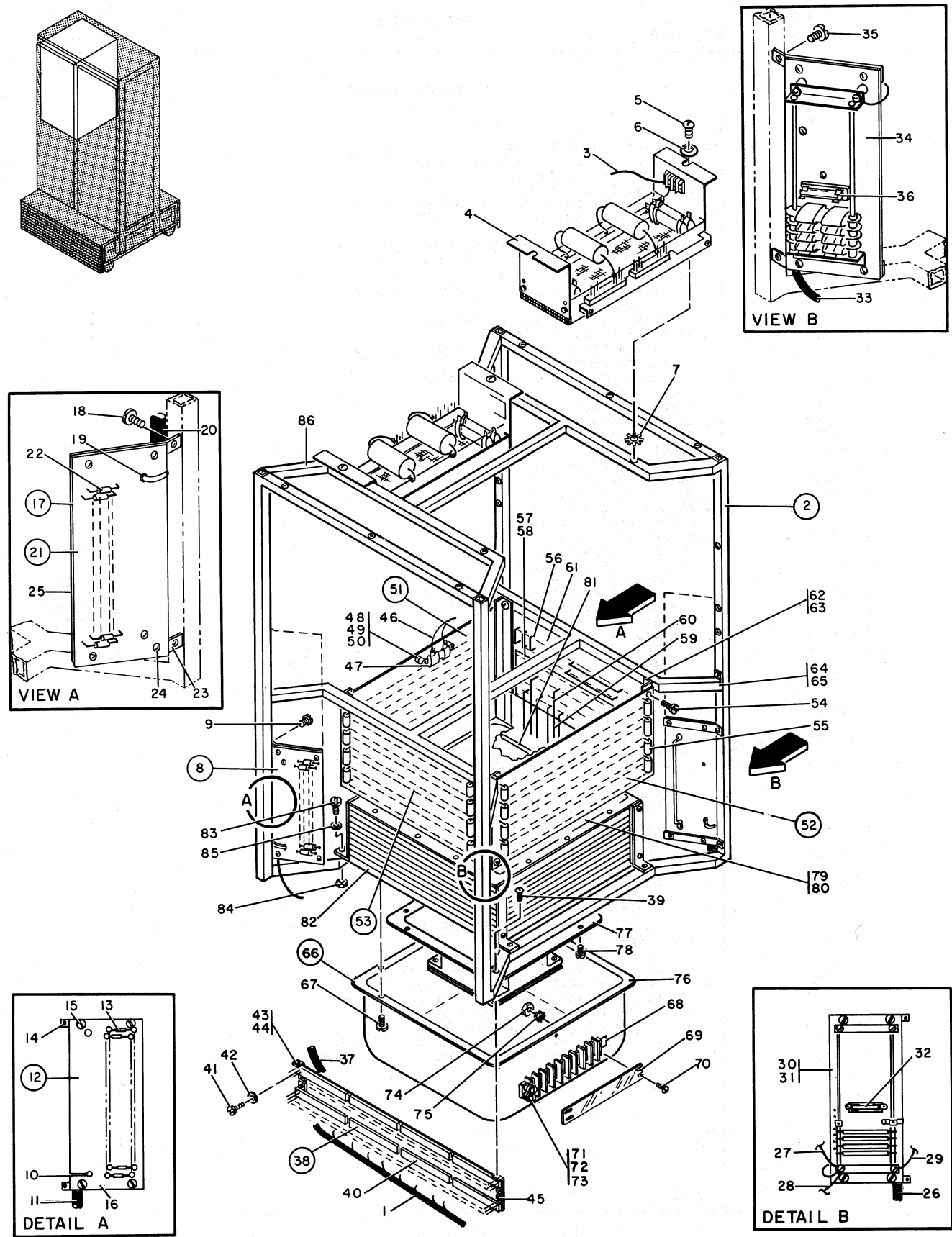


FIGURE 22. CORE STORAGE ASSEMBLY. SEE LIST 22.

LIST AND INDEX NO.	PART NO.	DESCRIPTION				UNITS PER ASM.	USABLE ON CODE
		1	2	3	4		
		CORE STORAGE ASSEMBLY -CONT					
22 - 14	760036	. . .	BRACKET, RESISTOR BOARD USED ON ASSEMBLY 760024 ONLY			2	
- 15	221790	. . .	SCREW, MACH-BIND HD 8-32 X 3/16 LG USED ON ASSEMBLY 760024 ONLY	ATT PT		4	
- 16	760023	. . .	TERMINAL BOARD ASSEMBLY, SENSE USED ON ASSEMBLY 760024 ONLY			1	
- 17	350852	. . .	RESISTOR BOARD AND CABLE ASSEMBLY-10K USED ON ASSEMBLY 760044 ONLY			1	
- 17	350854	. . .	RESISTOR BOARD AND CABLE ASSEMBLY-20K USED ON ASSEMBLY 760046 ONLY			1	
- 17	350856	. . .	RESISTOR BOARD AND CABLE ASSEMBLY-40K USED ON ASSEMBLY 760015 ONLY			1	
- 18	221790	. . .	SCREW, MACH-BIND HD 8-32 X 3/16 LG USED ON ASSEMBLY 760044 AND 760046 ONLY	ATT PT		2	
- 18	221790	. . .	SCREW, MACH-BIND HD 8-32 X 3/16 LG USED ON ASSEMBLY 760015 ONLY	ATT PT		4	
- 19	760221	. . .	CLAMP-ADJUSTABLE CABLE USED ON ASSEMBLY 350852 AND 350854 ONLY			1	
- 19	760221	. . .	CLAMP-ADJUSTABLE CABLE USED ON ASSEMBLY 350856 ONLY			2	
- 20	760374	. . .	CABLE ASSEMBLY USED ON ASSEMBLY 350852 ONLY			1	
- 20	760379	. . .	CABLE ASSEMBLY USED ON ASSEMBLY 350854 ONLY			1	
- 20	760085	. . .	CABLE ASSEMBLY USED ON ASSEMBLY 350856 ONLY SEE LIST 35 FOR COMPONENT PARTS			1	
- 21	760024	. . .	RESISTOR BOARD ASSEMBLY, SENSE USED ON ASSEMBLY 350852 AND 350854 ONLY			2	
- 21	760024	. . .	RESISTOR BOARD ASSEMBLY, SENSE USED ON ASSEMBLY 350856 ONLY			32	
- 22	317006	. . .	RESISTOR, FXD, COMP- 200 OHMS P/M 5% 1/2W USED ON ASSEMBLY 760024 ONLY			2	
- 23	760036	. . .	BRACKET, RESISTOR BOARD USED ON ASSEMBLY 760024 ONLY			4	
- 24	221790	. . .	SCREW, MACH-BIND HD 8-32 X 3/16 LG USED ON ASSEMBLY 760024 ONLY	ATT PT		1	
- 25	760023	. . .	TERMINAL BOARD ASSEMBLY, SENSE USED ON ASSEMBLY 760024 ONLY			1	
- 26	760373	. . .	CABLE ASSEMBLY USED ON ASSEMBLY 760044 ONLY			2	
- 26	760378	. . .	CABLE ASSEMBLY USED ON ASSEMBLY 760046 ONLY			1	
- 26	760080	. . .	CABLE ASSEMBLY USED ON ASSEMBLY 760015 ONLY SEE LIST 35 FOR COMPONENT PARTS			1	
- 27	761003	. . .	JUMPER ASSEMBLY, 20 LONG			1	
- 28	761338	. . .	JUMPER ASSEMBLY, 22 LONG			2	
- 29	25298	. . .	JUMPER ASSEMBLY USED ON ASSEMBLY 760015 ONLY SEE LIST 35 FOR COMPONENT PARTS			1	
- 30	761014	. . .	RESISTOR ASSEMBLY, 10K INHIBIT USED ON ASSEMBLY 760044 ONLY SEE LIST 24 FOR DETAIL BREAKDOWN			1	
- 30	350866	. . .	RESISTOR BOARD AND CABLE ASSEMBLY-20K USED ON ASSEMBLY 760046 ONLY SEE LIST 25 FOR DETAIL BREAKDOWN			1	
- 30	350868	. . .	RESISTOR BOARD AND CABLE ASSEMBLY-40K USED ON ASSEMBLY 760015 ONLY SEE LIST 25 FOR DETAIL BREAKDOWN			2	
- 31	221790	. . .	SCREW, MACH-BIND HD 8-32 X 3/16 LG USED ON ASSEMBLY 760044 AND 760046 ONLY	ATT PT		4	
- 31	221790	. . .	SCREW, MACH-BIND HD 8-32 X 3/16 LG USED ON ASSEMBLY 760015 ONLY	ATT PT		1	
- 32	3344	. . .	FUSE, CARTRIDGE- 2 AMP 250V USED ON ASSEMBLY 760044 ONLY			1	

LIST AND INDEX NO.	PART NO.	DESCRIPTION				UNITS PER ASM.	USABLE ON CODE
		1	2	3	4		
CORE STORAGE ASSEMBLY -CONT							
22 - 32	3344	. . . FUSE,CARTRIDGE- 2 AMP 250V USED ON ASSEMBLY 760046 ONLY				2	
- 32	3344	. . . FUSE,CARTRIDGE- 2 AMP 250V USED ON ASSEMBLY 760015 ONLY				4	
- 33	760372	. . . CABLE ASSEMBLY USED ON ASSEMBLY 760044 ONLY				1	
- 33	760377	. . . CABLE ASSEMBLY USED ON ASSEMBLY 760046 ONLY				1	
- 33	760079	. . . CABLE ASSEMBLY USED ON ASSEMBLY 760015 ONLY SEE LIST 35 FOR COMPONENT PARTS				1	
- 34	761013	. . . RESISTOR ASSEMBLY, 10K INHIBIT USED ON ASSEMBLY 760044 ONLY SEE LIST 24 FOR DETAIL BREAKDOWN				1	
- 34	350867	. . . RESISTOR BOARD AND CABLE ASSEMBLY-20K USED ON ASSEMBLY 760046 ONLY SEE LIST 25 FOR DETAIL BREAKDOWN				1	
- 34	350869	. . . RESISTOR BOARD AND CABLE ASSEMBLY-40K USED ON ASSEMBLY 760015 ONLY SEE LIST 25 FOR DETAIL BREAKDOWN				1	
- 35	221790	. . . SCREW,MACH-BIND HD 8-32 X 3/16 LG ATT PT USED ON ASSEMBLY 760044 AND 760046 ONLY				2	
- 35	221790	. . . SCREW,MACH-BIND HD 8-32 X 3/16 LG ATT PT USED ON ASSEMBLY 760015 ONLY				4	
- 36	3344	. . . FUSE,CARTRIDGE- 2 AMP 250V USED ON ASSEMBLY 760044 ONLY				1	
- 36	3344	. . . FUSE,CARTRIDGE- 2 AMP 250V USED ON ASSEMBLY 760046 ONLY				2	
- 36	3344	. . . FUSE,CARTRIDGE- 2 AMP 250V USED ON ASSEMBLY 760015 ONLY				4	
- 37	760371	. . . CABLE ASSEMBLY USED ON ASSEMBLY 760044 ONLY				2	
- 37	760078	. . . CABLE ASSEMBLY USED ON ASSEMBLY 760046 AND 760015 ONLY SEE LIST 35 FOR COMPONENT PARTS				2	
- 38	350846	. . . EDGE CONNECTOR ASSEMBLY				1	
- 39	5528	. . . SCREW,MACH-BIND HD 8-32 X 5/8 LG ATT PT				2	
- 40	216295 CONNECTOR,RECP,ELEC- 28 MALE CONTACTS				8	
- 41	5319261 SCREW ATT PT				24	
- 42	1127741 SLEEVE- 0.116 ID X 3/16 OD X 1/32 THK ATT PT				4	
- 43	760034 BRACKET, CONNECTOR PLATE MOUNTING				2	
- 44	58207 SCREW,MACH-UNDRCT BIND HD 8-32 X 1/4 LG ATT PT				4	
- 45	760035 PLATE, EDGE CONNECTOR				2	
- 46	761135	. . . CABLE ASSEMBLY SEE LIST 35 FOR COMPONENT PARTS				1	
- 47	760019	. . . RESISTOR, DUAL				2	
- 48	133438	. . . SPACER, LOWER CARD GUIDE				4	
- 49	438552	. . . SCREW,MACH-BIND HD 4-40 X 3/4 LG ATT PT				4	
- 50	37913	. . . NUT,PLAIN,HEX- 4-40 X 1/4 FL W ATT PT				4	
- 51	761006	. . . DIODE BOARD ASSEMBLY, WIRED-SIDE A USED ON ASSEMBLY 760044 ONLY				1	
* - 51	5329324	. . . DIODE BOARD,PRINTED USED ON ASSEMBLY 760044 ONLY				1	A
* - 52	761007	. . . DIODE BOARD ASSEMBLY, WIRED-SIDE C USED ON ASSEMBLY 760044 ONLY				1	
* - 52	5329323	. . . DIODE BOARD,PRINTED USED ON ASSEMBLY 760044 ONLY				1	A
* - 53	760489	. . . DIODE BOARD ASSEMBLY, WIRED USED ON ASSEMBLY 760044 ONLY				2	
* - 53	5329322	. . . DIODE BOARD,PRINTED USED ON ASSEMBLY 760044 ONLY				2	A
* - 53	760489	. . . DIODE BOARD ASSEMBLY, WIRED USED ON ASSEMBLY 760046 AND 760015 ONLY				4	
* - 53	5329322	. . . DIODE BOARD,PRINTED USED ON ASSEMBLY 760046 AND 760015 ONLY				4	A
* - 54	221790	. . . SCREW,MACH-BIND HD 8-32 X 3/16 LG ATT PT				16	

LIST AND INDEX NO.	PART NO.	1 2 3 4	DESCRIPTION	UNITS PER ASM.	USABLE ON CODE
CORE STORAGE ASSEMBLY -CONT					
22 - 55	369131		. . . DIODE, SEMICONDUCTOR-TYPE CO USED ON ASSEMBLY 761006 AND 761007 ONLY	50	
* - 55	369670		. . . SEMICONDUCTOR DEVICE, DIO-TYPE FS USED ON ASSEMBLY 5329323 AND 5329324 ONLY	50	A
* - 55	369131		. . . DIODE, SEMICONDUCTOR-TYPE CO USED ON ASSEMBLY 760489 ONLY	100	
* - 55	369670		. . . SEMICONDUCTOR DEVICE, DIO-TYPE FS USED ON ASSEMBLY 5329322 ONLY	100	A
- 56	216226		. . . WIRE, 24 INSULATED PLASTIC	AR	
- 57	491296		. . . WIRE, AWG NO.20, COPPER-BULK	AR	
- 58	760462		. . . TUBING	AR	
- 59	536707		. . . WIRE, INSULATED	AR	
- 60	595551		. . . WIRE, INSULATED	AR	
- 61	760027		. . . DIODE BOARD ASSEMBLY	1	
* - 61	5329320		. . . DIODE BOARD, PRINTED	1	A
- 62	760037		. . . BRACKET, DIODE BOARD	4	
- 63	58207		. . . SCREW, MACH-UNDRCT BIND HD 8-32 X 1/4 LG	4	
- 64	760053		. . . SUPPORT, DIODE BOARD	1	
- 65	58207		. . . SCREW, MACH-UNDRCT BIND HD 8-32 X 1/4 LG	4	
- 66	350840		. . . PLENUM ASSEMBLY, LOWER	1	
- 67	81693		. . . SCREW, MACH-BIND HD 6-32 X 3/8 LG	12	
- 68	508087		. . . LABEL	1	
- 69	186943		. . . SHIELD- 10 POSITION	1	
- 70	210984		. . . SCREW, MACH-RH 6-32 X 1/4 LG	1	
- 71	511592		. . . TERMINAL BOARD-10 SCREW W/FTHRU TERM LUG	1	
- 72	599386		. . . STUD, SHOULDER, 6-32X 15/16 IN LONG	3	
- 73	599387		. . . STUD, SHOULDER, 6-32X 15/32 IN LONG	1	
- 74	257187		. . . NUT, PLAIN, HEX- 6-32 X 5/16 FL W	4	
- 75	56722		. . . WASHER, LOCK-EXT TEETH NO. 6 X 5/16 OD	4	
- 76	2129394		. . . PLENUM, FRONT	1	
- 77	350841		. . . DUCT ASSEMBLY, FAN SEE LIST 26 FOR DETAIL BREAKDOWN	1	
- 78	81693		. . . SCREW, MACH-BIND HD 6-32 X 3/8 LG	8	
- 79	762636		. . . PLENUM ASSEMBLY, TOP SEE LIST 27 FOR DETAIL BREAKDOWN	1	
- 80	81693		. . . SCREW, MACH-BIND HD 6-32 X 3/8 LG	12	
- 81	762637		. . . THERMOMETER, MEMORY	1	
- 82	350843		. . . ARRAY ASSEMBLY USED ON ASSEMBLY 760044 ONLY	1	
- 82	350862		. . . ARRAY ASSEMBLY USED ON ASSEMBLY 760046 ONLY	1	
- 82	350871		. . . ARRAY ASSEMBLY USED ON ASSEMBLY 760015 ONLY SEE LIST 28 FOR DETAIL BREAKDOWN	1	
- 83	19944		. . . SCREW, MACH-BIND HD 8-32 X 3/4 LG	4	
- 84	327695		. . . NUT, PLAIN, CAP	4	
* - 85	60646		. . . WASHER, LOCK-INT TEETH NO. 8 X 0.340 OD	4	B
- 86	760038		. . . FRAME, 40K MEMORY	1	
TERMINATING RESISTOR ASSEMBLY					
23 -	760033		RESISTOR ASSEMBLY, X Y TERMINATING	REF	
* -	362602		RESISTOR ASSEMBLY- 320 OHMS SEE LIST 22-4 FOR NEXT HIGHER ASSEMBLY AND FIG. 23 FOR ILLUSTRATION	REF	A
- 1	444984		. . . CAPACITOR, ELECTROLYTIC - 16UF 250VDC	2	
* - 1	444984		. . . CAPACITOR, ELECTROLYTIC - 16UF 250VDC	1	A
- 2	2129730		. . . TUBING, INSULATED	AR	
* - 2	352837		. . . TUBING	6	A
* - 2A	109262		. . . TERMINAL, LUG-NONINS 16AWG NO.6 MTG HOLE	1	
- 3	80817		. . . TERMINAL BOARD	1	
- 4	512426		. . . INSULATOR, PLATE-TERMINAL STRIP	1	
- 5	322550		. . . SCREW, MACH-BIND HD 6-32 X 1/2 LG	4	

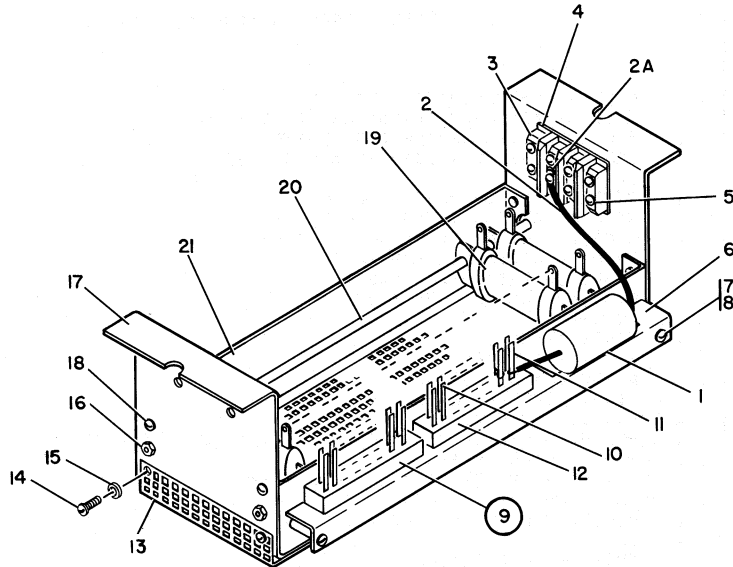
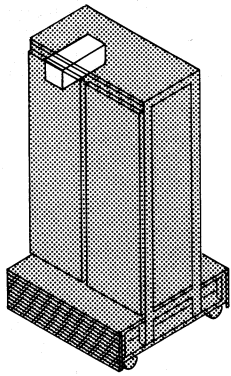
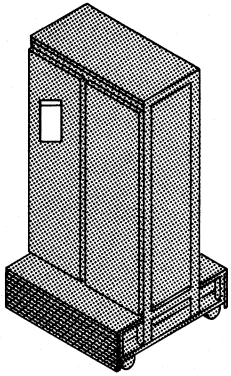


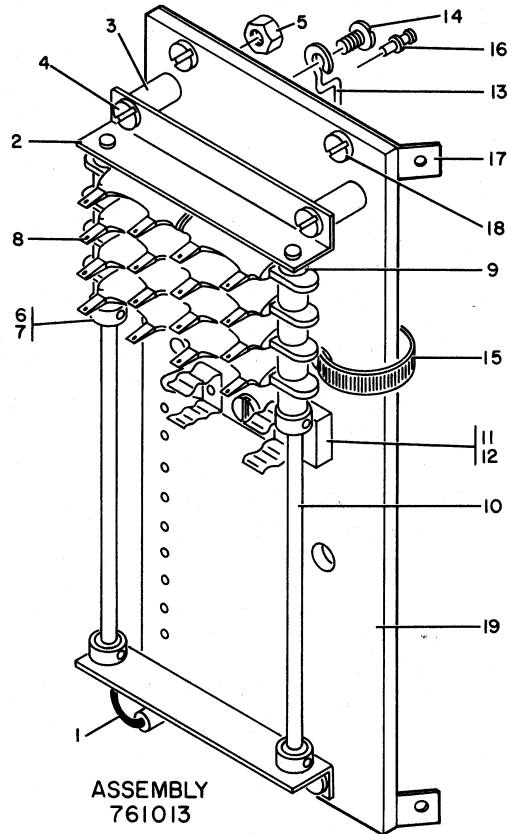
FIGURE 23. TERMINATING RESISTOR ASSEMBLY. SEE LIST 23.

LIST AND INDEX NO.	PART NO.	DESCRIPTION				UNITS PER ASM.	USABLE ON CODE
		1	2	3	4		
TERMINATING RESISTOR ASSEMBLY -CONT							
23 - 6	760032	•	BRACKET, RECEPTACLE MOUNTING			1	
- 7	438586	•	SCREW, MACH-UNDRCT BIND HD 8-32 X 7/8 LG	ATT PT		2	
- 8	117907	•	SPACER- 0.193 ID X 3/8 OD X 5/8 LG	ATT PT		2	
- 9	216076	•	TERMINAL BLOCK AND CONTACT ASSEMBLY			2	
- 10	216087	•	• SPRING-CONTACT			8	
- 11	216088	•	• SPRING-CONTACT			8	
- 12	216073	•	• CARD RECEPTACLE- 1 POSITION			1	
- 13	350879	•	SCREEN, SAFETY			1	
- 14	186759	•	SCREW, MACH-BIND HD 8-32 X 1/32 LG	ATT PT		4	
- 15	22478	•	WASHER, FL- 0.170 ID 0.375 OD 0.032 THK	ATT PT		4	
- 16	257189	•	NUT - HEX-8-32UNC THD			4	
- 17	760028	•	BRACKET, MOUNTING-18 RESISTOR			2	
- 18	186759	•	SCREW, MACH-BIND HD 8-32 X 1/32 LG	ATT PT		4	
- 19	760223	•	RESISTOR, FIXED WIREWOUND-344 OHM 40W			16	
- 19	362601	•	RESISTOR, FXD, WW- 320 OHMS P/M 1 PCT 40W			16	A
- 20	760031	•	ROD, MOUNTING-18 RESISTOR			2	
- 21	760029	•	TIE PLATE, 18 RESISTOR			2	

LIST AND INDEX NO.	PART NO.	DESCRIPTION				UNITS PER ASM.	USABLE ON CODE
		1	2	3	4		
		RESISTOR ASSEMBLY					
24 -	761013	RESISTOR ASSEMBLY, 10K INHIBIT SEE LIST 22-34 FOR NEXT HIGHER ASSEMBLY AND FIG. 24 FOR ILLUSTRATION				REF	
-	761014	RESISTOR ASSEMBLY, 10K INHIBIT SEE LIST 22-30 FOR NEXT HIGHER ASSEMBLY AND FIG. 24 FOR ILLUSTRATION				REF	
- 1	761002	. CAPACITOR ASSEMBLY SEE LIST 35 FOR COMPONENT PARTS				1	
- 2	760021	. BRACKET, INHIBIT RESISTOR				2	
- 3	2390	. BUSHING-RELAY				4	
- 4	438586	. SCREW, MACH-UNDRCT BIND HD 8-32 X 7/8 LG ATT PT				4	
- 5	257189	. NUT - HEX-8-32UNC THD ATT PT				4	
- 6	51333	. COLLAR, DAY INDICATOR SHAFT				4	
- 7	257956	. SETSCREW-SPLINE DR FP 4-40 X 1/8 LG ATT PT				4	
- 8	760019	. RESISTOR, DUAL				4	
- 9	133438	. SPACER, LOWER CARD GUIDE				2	
- 10	760017	. ROD, 8 RESISTOR MOUNTING				2	
- 11	333639	. HOLDER, FUSE				1	
- 12	251970	. SCREW, MACH-BIND HD 4-40 X 1/4 LG ATT PT				1	
- 13	760018	. BUSS, VOLTAGE				1	
- 14	48594	. SCREW, MACH-BIND HD 4-40 X 0.175 LG ATT PT				2	
- 15	760221	. CLAMP-ADJUSTABLE CABLE				1	
- 16	444007	. CONNECTOR				8	
- 17	760036	. BRACKET, RESISTOR BOARD				2	
- 18	58207	. SCREW, MACH-UNDRCT BIND HD 8-32 X 1/4 LG ATT PT				4	
- 19	760016	. BOARD, INHIBIT RESISTOR				1	
		RESISTOR BOARD ASSEMBLY					
25 -	350866	RESISTOR BOARD AND CABLE ASSEMBLY-20K SEE LIST 22-30 FOR NEXT HIGHER ASSEMBLY AND FIG. 25 FOR ILLUSTRATION				REF	
-	350867	RESISTOR BOARD AND CABLE ASSEMBLY-20K SEE LIST 22-34 FOR NEXT HIGHER ASSEMBLY AND FIG. 25 FOR ILLUSTRATION				REF	
-	350868	RESISTOR BOARD AND CABLE ASSEMBLY-40K SEE LIST 22-30 FOR NEXT HIGHER ASSEMBLY AND FIG. 25 FOR ILLUSTRATION				REF	
-	350869	RESISTOR BOARD AND CABLE ASSEMBLY-40K SEE LIST 22-34 FOR NEXT HIGHER ASSEMBLY AND FIG. 25 FOR ILLUSTRATION				REF	
- 1	760221	. CLAMP-ADJUSTABLE CABLE USED ON ASSEMBLY 350866 AND 350867 ONLY				1	
- 1	760221	. CLAMP-ADJUSTABLE CABLE USED ON ASSEMBLY 350868 AND 350869 ONLY				2	
- 2	760020	. RESISTOR BOARD ASSEMBLY, INHIBIT USED ON ASSEMBLY 350866 AND 350867 ONLY				1	
- 2	760020	. RESISTOR BOARD ASSEMBLY, INHIBIT USED ON ASSEMBLY 350868 AND 350869 ONLY				2	
- 3	761002	. . CAPACITOR ASSEMBLY SEE LIST 35 FOR COMPONENT PARTS				1	
- 4	760021	. . BRACKET, INHIBIT RESISTOR				2	
- 5	2390	. . BUSHING-RELAY				4	
- 6	438586	. . SCREW, MACH-UNDRCT BIND HD 8-32 X 7/8 LG ATT PT				4	



ASSEMBLY
761014
OPPOSITE



ASSEMBLY
761013

FIGURE 24. RESISTOR ASSEMBLY. SEE LIST 24.

LIST AND INDEX NO.	PART NO.	DESCRIPTION				UNITS PER ASM.	USABLE ON CODE
		1	2	3	4		
RESISTOR BOARD ASSEMBLY -CONT							
25 - 7	257189	• •	NUT - HEX-8-32UNC THD	ATT PT	4		
- 8	133438	• •	SPACER, LOWER CARD GUIDE		4		
- 9	760019	• •	RESISTOR, DUAL		8		
- 10	51333	• •	COLLAR, DAY INDICATOR SHAFT		4		
- 11	257956	• •	SETSCREW-SPLINE DR FP 4-40 X 1/8 LG	ATT PT	4		
- 12	760017	• •	ROD, 8 RESISTOR MOUNTING		2		
- 13	333639	• •	HOLDER, FUSE		2		
- 14	251970	• •	SCREW,MACH-BIND HD 4-40 X 1/4 LG	ATT PT	2		
- 15	760036	• •	BRACKET, RESISTOR BOARD		2		
- 16	58207	• •	SCREW,MACH-UNDRCT BIND HD 8-32 X 1/4 LG	ATT PT	4		
- 17	760018	• •	BUSS, VOLTAGE		1		
- 18	438548	• •	SCREW,MACH-BIND HD 4-40 X 3/16 LG	ATT PT	2		
- 19	440007	• •	CONNECTOR, GROUND		16		
- 20	760016	• •	BOARD, INHIBIT RESISTOR		1		

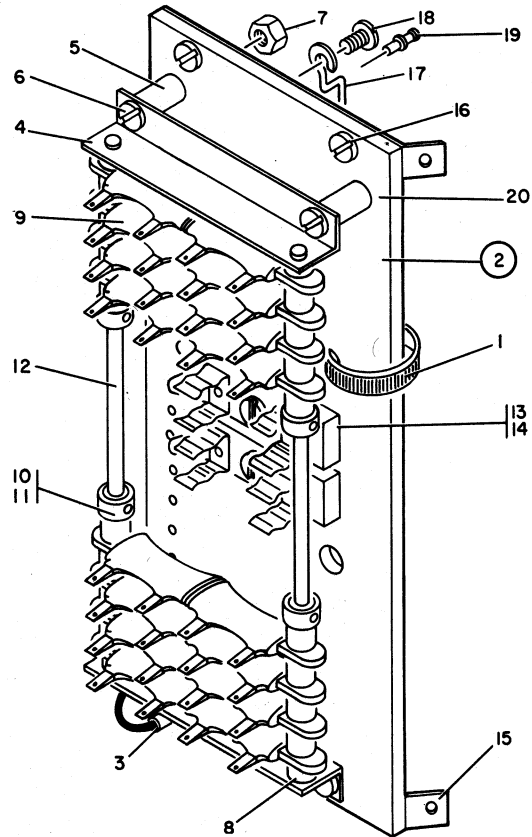
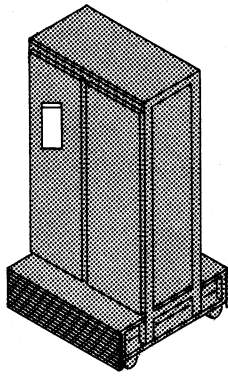


FIGURE 25. RESISTOR BOARD ASSEMBLY. SEE LIST 25.

LIST AND INDEX NO.	PART NO.	DESCRIPTION				UNITS PER ASM.	USABLE ON CODE
		1	2	3	4		
		FAN DUCT ASSEMBLY					
26 -	350841	DUCT ASSEMBLY, FAN SEE LIST 22-77 FOR NEXT HIGHER ASSEMBLY AND FIG. 26 FOR ILLUSTRATION				REF	
- 1	350872	• CABLE ASSEMBLY				1	
- 2	761344	• THERMOSWITCH N/C 100 DEGREES F				1	
- 3	761345	• THERMOSWITCH				1	
- 4	2128633	• SPACER, HEATER				4	
- 5	438554	• SCREW, MACH-BIND HD 4-40 X 1 LG				ATT PT	
- 6	257186	• NUT, PLAIN, HEX- 4-40 X 5/16 FL W				ATT PT	
- 7	150209	• WASHER, LOCK-INT TEETH NO. 4 X 0.270 OD				ATT PT	
- 8	257985	• WASHER, FL-NO. 4 X 1/4 OD X 0.022 THK				ATT PT	
- 9	760246	• HEATER, MEMORY				1	
- 10	186083	• COLLAR, LOCK ROD				4	
- 11	438552	• SCREW, MACH-BIND HD 4-40 X 3/4 LG				ATT PT	
- 12	257186	• NUT, PLAIN, HEX- 4-40 X 5/16 FL W				ATT PT	
- 13	150209	• WASHER, LOCK-INT TEETH NO. 4 X 0.270 OD				ATT PT	
- 14	257985	• WASHER, FL-NO. 4 X 1/4 OD X 0.022 THK				ATT PT	
- 15	597300	• FAN, AXIAL- 115V AC 1PH 60CPS				1	
- 16	438551	• SCREW, MACH-BIND HD 4-40 X 5/8 LG				ATT PT	

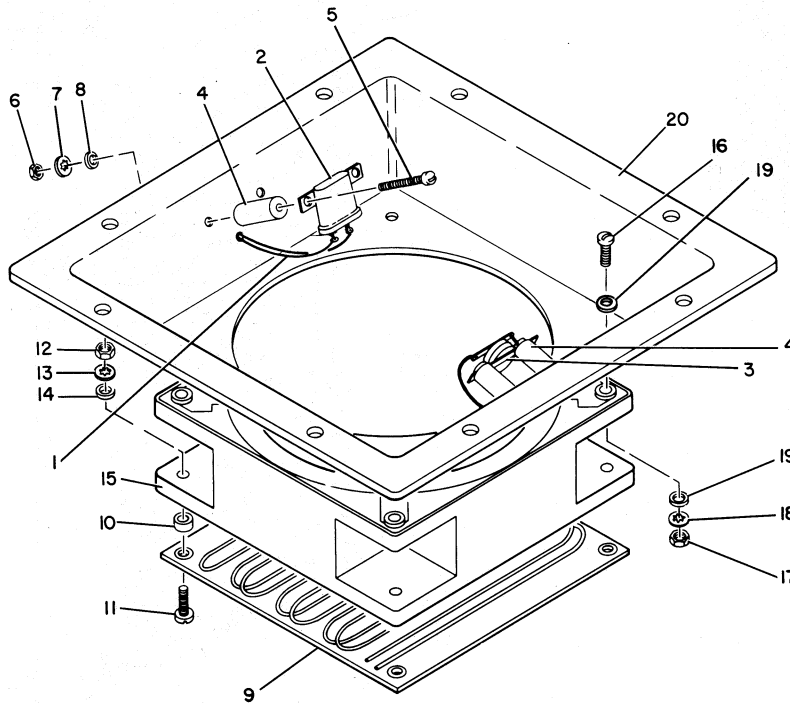
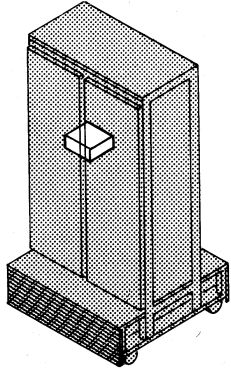


FIGURE 26. FAN DUCT ASSEMBLY. SEE LIST 26.

LIST AND INDEX NO.	PART NO.	DESCRIPTION				UNITS PER ASM.	USABLE ON CODE
		1	2	3	4		
		FAN DUCT ASSEMBLY -CONT					
26 - 17	257186				ATT PT	4	
- 18	150209				ATT PT	4	
- 19	257985				ATT PT	8	
- 20	2128626					1	
		TOP PLENUM ASSEMBLY					
27 -	762636	PLENUM ASSEMBLY, TOP SEE LIST 22-79 FOR NEXT HIGHER ASSEMBLY AND FIG. 27 FOR ILLUSTRATION				REF	
- 1	334921					2	
- 2	524494					AR	
- 3	761343					1	
- 4	2128618					2	
- 5	438551				ATT PT	2	

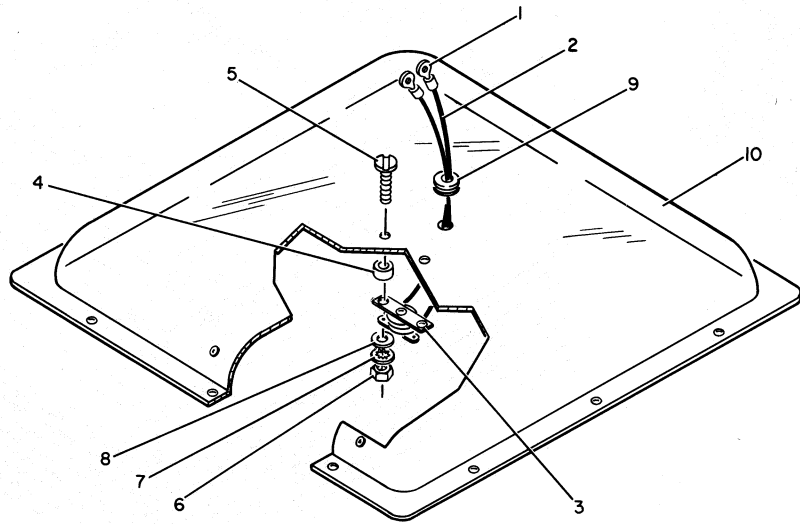
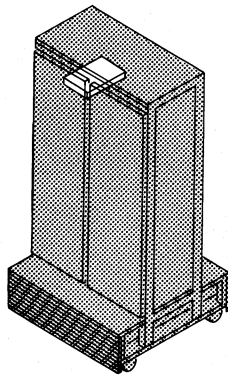


FIGURE 27. TOP PLENUM ASSEMBLY. SEE LIST 27.

LIST AND INDEX NO.	PART NO.	DESCRIPTION				UNITS PER ASM.	USABLE ON CODE
		1	2	3	4		
		TOP PLENUM ASSEMBLY -CONT					
27 - 6	37913				• NUT,PLAIN,HEX- 4-40 X 1/4 FL W	ATT PT	2
- 7	150209				• WASHER,LOCK-INT TEETH NO. 4 X 0.270 OD	ATT PT	2
- 8	257985				• WASHER,FL-NO. 4 X 1/4 OD X 0.022 THK	ATT PT	2
- 9	317227				• GROMMET,RUB-FOR 5/16 HOLE X 1/8 PNL		1
- 10	760013				• PLENUM, TOP		1
		ARRAY ASSEMBLY					
28 -	350843	ARRAY ASSEMBLY			SEE LIST 22-82 FOR NEXT HIGHER ASSEMBLY AND FIG. 28 FOR ILLUSTRATION		REF
-	350862	ARRAY ASSEMBLY			SEE LIST 22-82 FOR NEXT HIGHER ASSEMBLY AND FIG. 28 FOR ILLUSTRATION		REF
-	350871	ARRAY ASSEMBLY			SEE LIST 22-82 FOR NEXT HIGHER ASSEMBLY AND FIG. 28 FOR ILLUSTRATION		REF

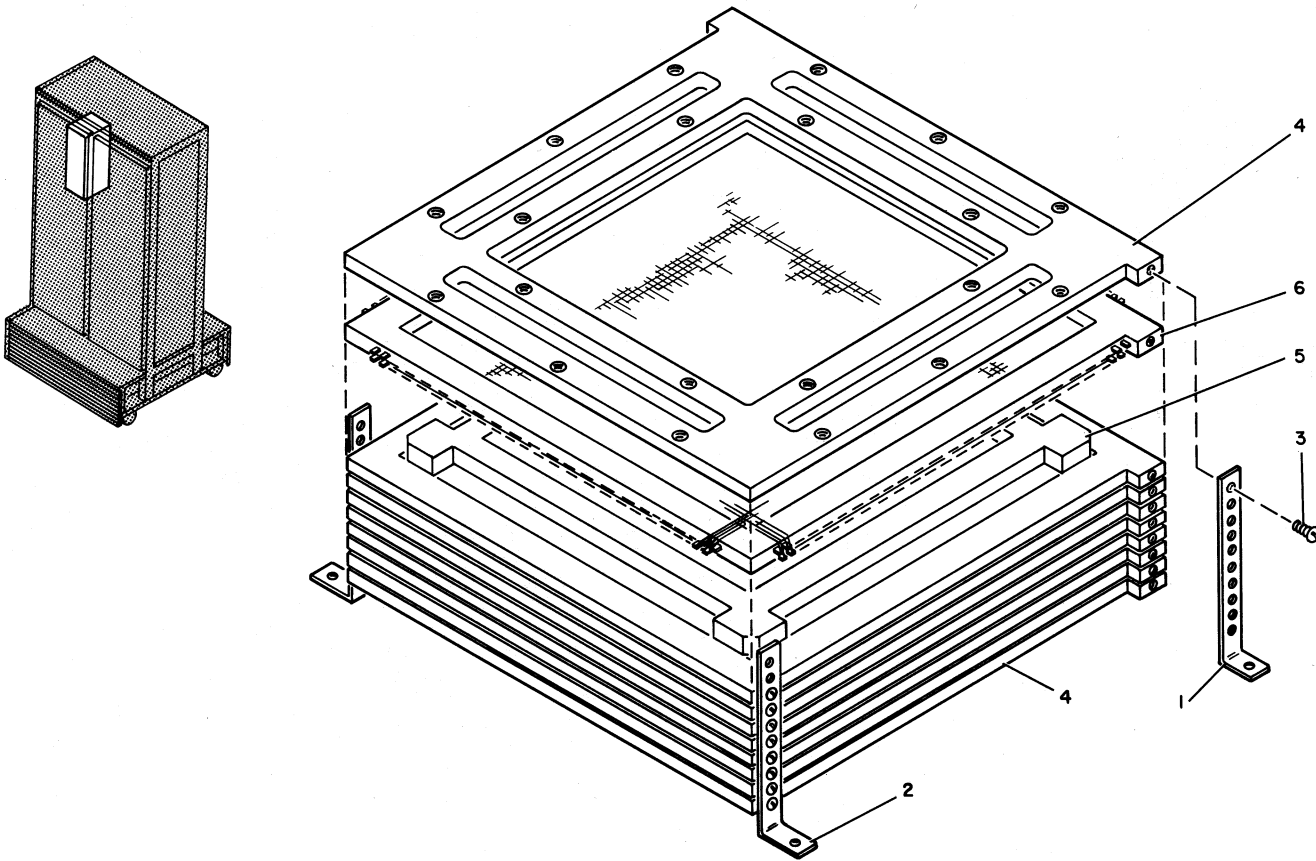


FIGURE 28. ARRAY ASSEMBLY. SEE LIST 28.

LIST AND INDEX NO.	PART NO.	DESCRIPTION				UNITS PER ASM.	USABLE ON CODE
		1	2	3	4		
ARRAY ASSEMBLY -CONT							
28 - 1	760039					2	
- 1	760042					2	
- 1	760011					2	
- 2	760041					2	
- 2	760043					2	
- 2	760012					2	
- 3	196698				ATT PT	40	
- 3	196698				ATT PT	72	
- 3	196698				ATT PT	136	
- 4	2128625					2	

LIST AND INDEX NO.	PART NO.	DESCRIPTION				UNITS PER ASM.	USABLE ON CODE
		1	2	3	4		
		ARRAY ASSEMBLY -CONT					
28 - 5	2128627	•	MASK, CORE PLANE			8	
			USED ON ASSEMBLY 350843 ONLY				
- 5	2128627	•	MASK, CORE PLANE			16	
			USED ON ASSEMBLY 350862 ONLY				
- 5	2128627	•	MASK, CORE PLANE			32	
			USED ON ASSEMBLY 350871 ONLY				
- 6	536466	•	PLANE ASSEMBLY, CORE			8	
			USED ON ASSEMBLY 350843 ONLY				
- 6	536466	•	PLANE ASSEMBLY, CORE			16	
			USED ON ASSEMBLY 350862 ONLY				
- 6	536466	•	PLANE ASSEMBLY, CORE			32	
			USED ON ASSEMBLY 350871 ONLY				
		CHASSIS ASSEMBLIES					
29 -	5327011		CHASSIS ASSEMBLY			REF	
			SEE LIST 20-31 FOR NEXT HIGHER ASSEMBLY				
			AND FIG. 29 FOR ILLUSTRATION				
-	5327012		CHASSIS ASSEMBLY			REF	
			SEE LIST 20-32 FOR NEXT HIGHER ASSEMBLY				
			AND FIG. 29 FOR ILLUSTRATION				
-	5327013		CHASSIS ASSEMBLY			REF	
			SEE LIST 20-33 FOR NEXT HIGHER ASSEMBLY				
			AND FIG. 29 FOR ILLUSTRATION				
-	761021		CHASSIS ASSEMBLY			REF	
			SEE LIST 31-44 FOR NEXT HIGHER ASSEMBLY				
			AND FIG. 29 FOR ILLUSTRATION				
-	761031		CHASSIS ASSEMBLY			REF	
			SEE LIST 31-45 FOR NEXT HIGHER ASSEMBLY				
			AND FIG. 29 FOR ILLUSTRATION				
-	383704		CHASSIS ASSEMBLY			REF	
			SEE LIST 31-46 FOR NEXT HIGHER ASSEMBLY				
			AND FIG. 29 FOR ILLUSTRATION				
-	761051		CHASSIS ASSEMBLY			REF	
			SEE LIST 31-47 FOR NEXT HIGHER ASSEMBLY				
			AND FIG. 29 FOR ILLUSTRATION				
-	761071		CHASSIS ASSEMBLY			REF	
			SEE LIST 31-44 FOR NEXT HIGHER ASSEMBLY				
			AND FIG. 29 FOR ILLUSTRATION				
-	761081		CHASSIS ASSEMBLY			REF	
			SEE 31ST 25-45 FOR NEXT HIGHER ASSEMBLY				
			AND FIG. 29 FOR ILLUSTRATION				
-	761091		CHASSIS ASSEMBLY			REF	
			SEE LIST 31-46 FOR NEXT HIGHER ASSEMBLY				
			AND FIG. 29 FOR ILLUSTRATION				
- 1	762581	•	CAPACITOR ASSEMBLY, 10 MFD 25VNP			8	
			USED ON ASSEMBLY 5327011 ONLY				
- 1	762581	•	CAPACITOR ASSEMBLY, 10 MFD 25VNP			27	
			USED ON ASSEMBLY 5327012 ONLY				
* - 1	762581	•	CAPACITOR ASSEMBLY, 10 MFD 25VNP			26	A
			USED ON ASSEMBLY 5327013 ONLY				
- 1	762581	•	CAPACITOR ASSEMBLY, 10 MFD 25VNP			9	
			USED ON ASSEMBLY 5327013 ONLY				
			SEE LIST 35 FOR COMPONENT PARTS				
- 2	762464	•	CAPACITOR ASSEMBLY			1	
			USED ON ASSEMBLY 5327012 ONLY				
			SEE LIST 35 FOR COMPONENT PARTS				

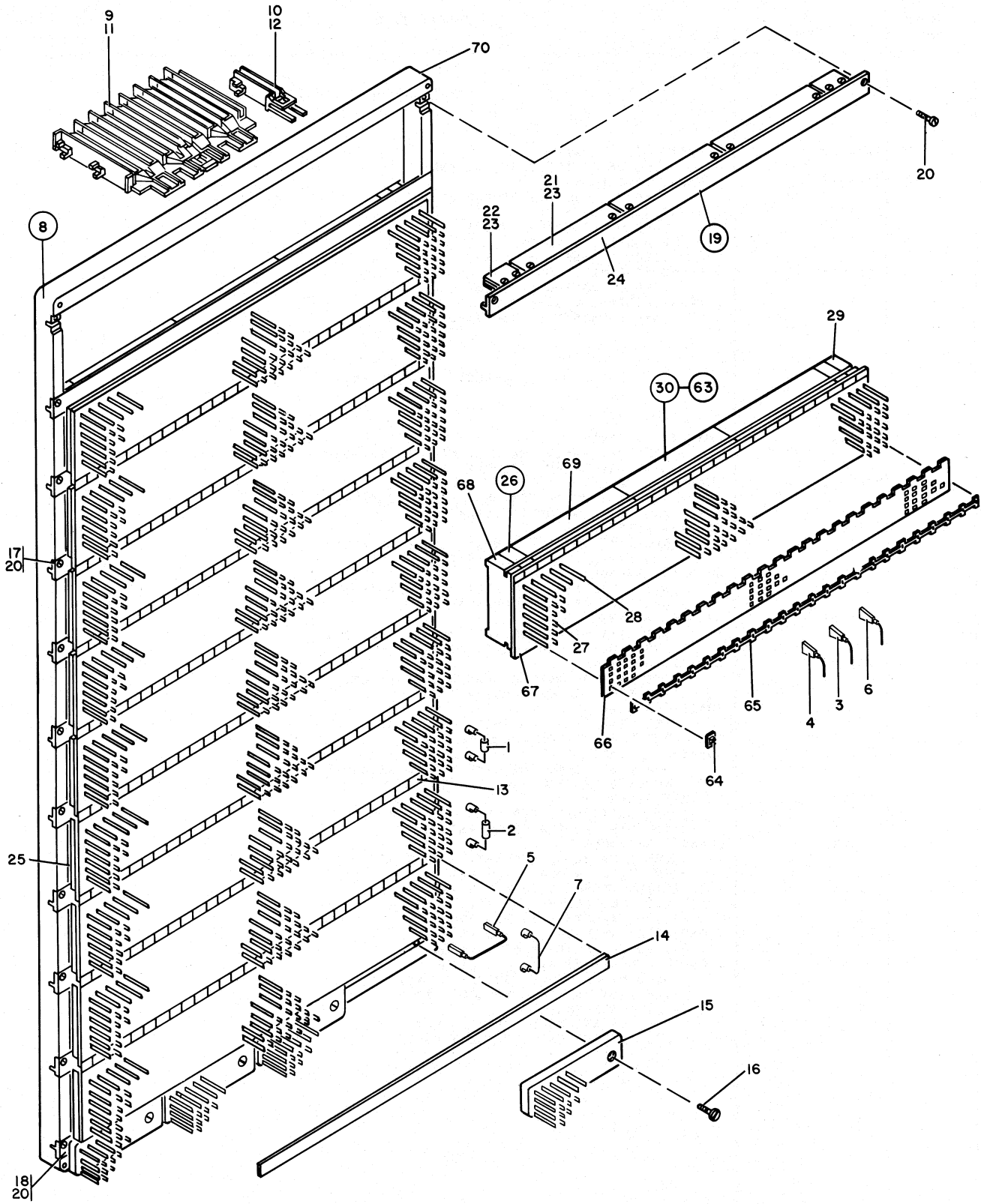


FIGURE 29. CHASSIS ASSEMBLIES. SEE LIST 29.

LIST AND INDEX NO.	PART NO.	DESCRIPTION				UNITS PER ASM.	USABLE ON CODE
		1	2	3	4		
		CHASSIS ASSEMBLIES -CONT					
29 - 3	532078	•			JUMPER ASSEMBLY USED ON ASSEMBLY 5327011 ONLY	41	
- 3	532078	•			JUMPER ASSEMBLY	52	
- 3	532078	•			JUMPER ASSEMBLY USED ON ASSEMBLY 5327012 ONLY	51	A
- 3	532078	•			JUMPER ASSEMBLY USED ON ASSEMBLY 5327013 ONLY	58	
- 3	532078	•			JUMPER ASSEMBLY USED ON ASSEMBLY 761021 ONLY	36	
- 3	532078	•			JUMPER ASSEMBLY USED ON ASSEMBLY 761031 AND 761081 ONLY	40	
- 3	532078	•			JUMPER ASSEMBLY USED ON ASSEMBLY 383704 ONLY	34	
- 3	532078	•			JUMPER ASSEMBLY USED ON ASSEMBLY 761051 AND 761071 ONLY	38	
- 3	532078	•			JUMPER ASSEMBLY USED ON ASSEMBLY 761091 ONLY SEE LIST 35 FOR COMPONENT PARTS	28	
- 4	539269	•			JUMPER ASSEMBLY, 18 LONG USED ON ASSEMBLY 5327012 ONLY SEE LIST 35 FOR COMPONENT PARTS	1	B
- 5	216308	•			JUMPER ASSEMBLY USED ON ASSEMBLY 5327013 ONLY SEE LIST 35 FOR COMPONENT PARTS	1	
- 6	534645	•			JUMPER ASSEMBLY USED ON ASSEMBLY 761021 ONLY	4	
- 6	534645	•			JUMPER ASSEMBLY USED ON ASSEMBLY 383704 ONLY	6	
- 6	534645	•			JUMPER ASSEMBLY USED ON ASSEMBLY 761051 AND 761071 ONLY	2	
- 6	534645	•			JUMPER ASSEMBLY USED ON ASSEMBLY 761091 ONLY SEE LIST 35 FOR COMPONENT PARTS	12	
- 7	216310	•			JUMPER ASSEMBLY, 6 LONG USED ON ASSEMBLY 761031 ONLY SEE LIST 35 FOR COMPONENT PARTS	1	
- 8	761060	•			CHASSIS ASSEMBLY USED ON ASSEMBLY 5327011 ONLY	1	
- 8	760050	•			CHASSIS ASSEMBLY USED ON ASSEMBLY 5327012 ONLY	1	
- 8	5319249	•			CHASSIS ASSEMBLY USED ON ASSEMBLY 5327013 ONLY	1	
- 8	761020	•			CHASSIS ASSEMBLY USED ON ASSEMBLY 761021 ONLY	1	
- 8	761030	•			CHASSIS ASSEMBLY USED ON ASSEMBLY 761031 ONLY	1	
- 8	761040	•			CHASSIS ASSEMBLY USED ON ASSEMBLY 383704 ONLY	1	
- 8	761050	•			CHASSIS ASSEMBLY USED ON ASSEMBLY 761051 ONLY	1	
- 8	761070	•			CHASSIS ASSEMBLY USED ON ASSEMBLY 761071 ONLY	1	
- 8	761080	•			CHASSIS ASSEMBLY USED ON ASSEMBLY 761081 ONLY	1	
- 8	761090	•			CHASSIS ASSEMBLY USED ON ASSEMBLY 761091 ONLY	1	
- 9	216085	•			• • GUIDE-CARD 8 POSITION LONG	AR	
- 10	216206	•			• • GUIDE-SINGLE CARD LONG	AR	
- 11	216231	•			• • GUIDE- 8 POSITION CARD	AR	

LIST AND INDEX NO.	PART NO.	DESCRIPTION				UNITS PER ASM.	USABLE ON CODE
		1	2	3	4		
CHASSIS ASSEMBLIES -CONT							
29 - 12	216207	. .	GUIDE-SINGLE CARD SHORT			AR	
- 13	216286	. .	LABEL-NUMBERING R TO L 1 THRU 28			11	
- 14	216215	. .	BUS-GROUND PLANE			AR	
- 15	216295	. .	CONNECTOR, RECP, ELEC- 28 MALE CONTACTS USED ON ASSEMBLY 761060, 760050, 761020, 761030, 761040, 761050, 761070, 761080, AND 761090 ONLY			4	
- 15	216295	. .	CONNECTOR, RECP, ELEC- 28 MALE CONTACTS USED ON ASSEMBLY 5319249 ONLY			8	
- 16	38262	. .	SCREW, MACH-FIL H 4-40 X 1/4 LG USED ON ASSEMBLY 761060, 760050, 761020, 761030, 761040, 761050, 761070, 761080, AND 761090 ONLY	ATT PT		12	
- 16	38262	. .	SCREW, MACH-FIL H 4-40 X 1/4 LG USED ON ASSEMBLY 5319249 ONLY	ATT PT		24	
- 17	216093	. .	T BAR-TERMINAL MOUNTING			9	
- 18	216293	. .	T BAR-EDGE CONNECTOR MOUNTING			1	
- 19	216296	. .	T BAR AND ADAPTER ASSEMBLY			1	
- 20	10170	. .	SCREW, MACH-BIND HD 6-32 X 1/4 LG	ATT PT		22	
- 21	216091	. . .	ADAPTER-CARD GUIDE			3	
- 22	216212	. . .	ADAPTER-SINGLE CARD GUIDE			2	
- 23	38264	. . .	SCREW, MACH-FIL H 4-40 X 3/8 LG	ATT PT		10	
- 24	216292	. . .	T BAR-ADAPTER AND EDGE CONNECTOR MTG			1	
- 25	216297	. .	SEAL, RUB STRIP- 11/16 W X 1/8 THK			AR	
- 26	216076	. .	TERMINAL BLOCK AND CONTACT ASSEMBLY USED ON ASSEMBLY 760050 ONLY			2	
- 27	216087	. . .	SPRING-CONTACT			8	
- 28	216088	. . .	SPRING-CONTACT			8	
- 29	216073	. . .	CARD RECEPTACLE- 1 POSITION			1	
- 30	762531	. .	ROW ASSEMBLY USED ON ASSEMBLY 761060 ONLY			7	
- 30	762531	. .	ROW ASSEMBLY USED ON ASSEMBLY 761090 ONLY			1	
- 31	762541	. .	ROW ASSEMBLY USED ON ASSEMBLY 761060 AND 761040 ONLY			2	
- 32	762542	. .	ROW ASSEMBLY, CARD RECEPTACLE USED ON ASSEMBLY 761060 ONLY			1	
- 33	762555	. .	ROW ASSEMBLY, CARD RECEPTACLE USED ON ASSEMBLY 760050 ONLY			1	
- 34	762556	. .	ROW ASSEMBLY, CARD RECEPTACLE USED ON ASSEMBLY 760050 ONLY			2	
- 35	762557	. .	ROW ASSEMBLY, CARD RECEPTACLE USED ON ASSEMBLY 760050 ONLY			1	
- 36	762558	. .	ROW ASSEMBLY, CARD RECEPTACLE USED ON ASSEMBLY 760050 ONLY			1	
- 37	762559	. .	ROW ASSEMBLY, CARD RECEPTACLE USED ON ASSEMBLY 760050 ONLY			1	
- 38	762560	. .	ROW ASSEMBLY, CARD RECEPTACLE USED ON ASSEMBLY 760050 ONLY			1	
- 39	762561	. .	ROW ASSEMBLY, CARD RECEPTACLE USED ON ASSEMBLY 760050 ONLY			1	
- 40	762562	. .	ROW ASSEMBLY, CARD RECEPTACLE USED ON ASSEMBLY 760050 ONLY			1	
- 41	762563	. .	ROW ASSEMBLY, CARD RECEPTACLE USED ON ASSEMBLY 760050 ONLY			1	
- 42	762565	. .	ROW ASSEMBLY, CARD RECEPTACLE USED ON ASSEMBLY 5319249 ONLY			3	
- 43	762566	. .	ROW ASSEMBLY, CARD RECEPTACLE USED ON ASSEMBLY 5319249 ONLY			1	

LIST AND INDEX NO.	PART NO.	DESCRIPTION				UNITS PER ASM.	USABLE ON CODE
		1	2	3	4		
		CHASSIS ASSEMBLIES -CONT					
29 - 44	762567	. .	ROW ASSEMBLY, CARD RECEPTACLE USED ON ASSEMBLY 5319249 ONLY			1	
- 45	762568	. .	ROW ASSEMBLY, CARD RECEPTACLE USED ON ASSEMBLY 5319249 ONLY			1	
- 46	762569	. .	ROW ASSEMBLY, CARD RECEPTACLE USED ON ASSEMBLY 5319249 ONLY			1	
- 47	762576	. .	ROW ASSEMBLY, CARD RECEPTACLE USED ON ASSEMBLY 5319249 ONLY			1	
- 48	5319248	. .	ROW ASSEMBLY, CARD RECEPTACLE USED ON ASSEMBLY 5319249 ONLY			2	
- 49	350883	. .	ROW ASSEMBLY, CARD RECEPTACLE USED ON ASSEMBLY 761020 ONLY			1	
- 50	762529	. .	ROW ASSEMBLY, CARD RECEPTACLE USED ON ASSEMBLY 761020 AND 761040 ONLY			1	
- 51	762530	. .	ROW ASSEMBLY, CARD RECEPTACLE USED ON ASSEMBLY 761020 ONLY			8	
- 51	762530	. .	ROW ASSEMBLY, CARD RECEPTACLE USED ON ASSEMBLY 761030 AND 761080 ONLY			1	
- 51	762530	. .	ROW ASSEMBLY, CARD RECEPTACLE USED ON ASSEMBLY 761040 ONLY			4	
- 51	762530	. .	ROW ASSEMBLY, CARD RECEPTACLE USED ON ASSEMBLY 761050 ONLY			2	
- 52	762528	. .	ROW ASSEMBLY, CARD RECEPTACLE USED ON ASSEMBLY 761030 ONLY			1	
- 53	762532	. .	ROW ASSEMBLY USED ON ASSEMBLY 761030 AND 761070 ONLY			5	
- 53	762532	. .	ROW ASSEMBLY USED ON ASSEMBLY 761050 ONLY			3	
- 53	762532	. .	ROW ASSEMBLY USED ON ASSEMBLY 761090 ONLY			2	
- 54	762533	. .	ROW ASSEMBLY, CARD RECEPTACLE USED ON ASSEMBLY 761030 AND 761070 ONLY			2	
- 54	762533	. .	ROW ASSEMBLY, CARD RECEPTACLE USED ON ASSEMBLY 761050 ONLY			3	
- 54	762533	. .	ROW ASSEMBLY, CARD RECEPTACLE USED ON ASSEMBLY 761080 ONLY			8	
- 54	762533	. .	ROW ASSEMBLY, CARD RECEPTACLE USED ON ASSEMBLY 761090 ONLY			4	
- 55	762535	. .	ROW ASSEMBLY, CARD RECEPTACLE USED ON ASSEMBLY 761030 AND 761080 ONLY			1	
- 55	762535	. .	ROW ASSEMBLY, CARD RECEPTACLE USED ON ASSEMBLY 761090 ONLY			2	
- 56	762534	. .	ROW ASSEMBLY, CARD RECEPTACLE USED ON ASSEMBLY 761040 ONLY			1	
- 57	762574	. .	ROW ASSEMBLY, CARD RECEPTACLE USED ON ASSEMBLY 761040 ONLY			1	
- 58	762577	. .	ROW ASSEMBLY, CARD RECEPTACLE USED ON ASSEMBLY 761040 ONLY			1	
- 59	762564	. .	ROW ASSEMBLY, CARD RECEPTACLE USED ON ASSEMBLY 761050 ONLY			1	
- 60	762575	. .	ROW ASSEMBLY, CARD RECEPTACLE USED ON ASSEMBLY 761050 ONLY			1	
- 61	762536	. .	ROW ASSEMBLY, CARD RECEPTACLE USED ON ASSEMBLY 761070 ONLY			1	
- 62	762537	. .	ROW ASSEMBLY, CARD RECEPTACLE USED ON ASSEMBLY 761070 ONLY			2	
- 63	762538	. .	ROW ASSEMBLY, CARD RECEPTACLE USED ON ASSEMBLY 761090 ONLY			1	

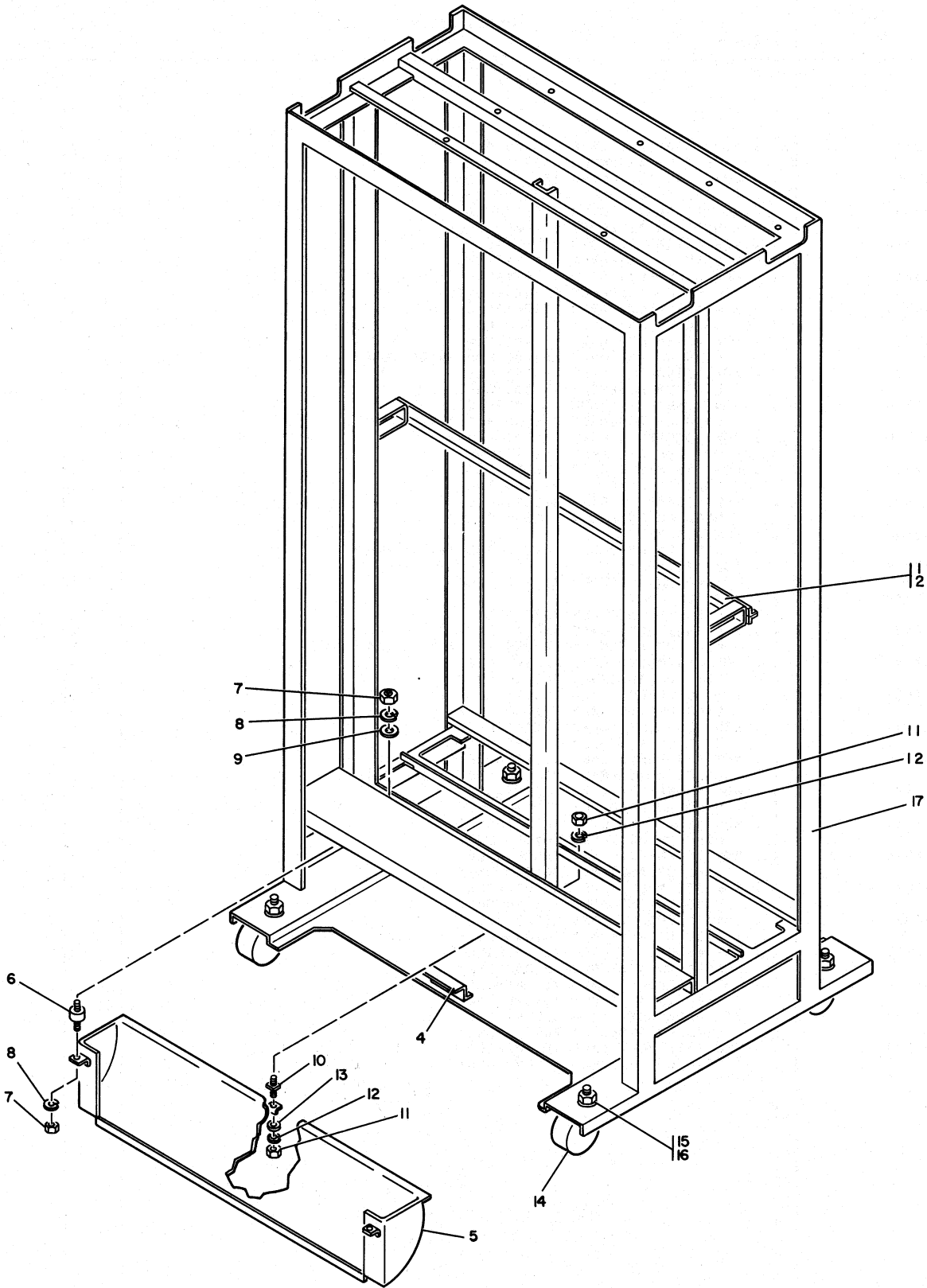


FIGURE 30. FRAME ASSEMBLY. SEE LIST 30.

LIST AND INDEX NO.	PART NO.	DESCRIPTION 1 2 3 4	UNITS PER ASM.	USABLE ON CODE
CHASSIS ASSEMBLIES -CONT				
29 - 64	216263	• • • CLIP	AR	
- 65	212822	• • • BUS BAR-CHAIN VOLTAGE	AR	
- 66	216267	• • • INSULATOR, PLATE-BACK PANEL 28 POSITION	AR	
- 66	596241	• • • INSULATOR, PLATE-CHAIN VOLTAGE 25 POS	AR	
- 67	491463	• • • PRINTED CIRCUIT BOARD	AR	
- 67	216302	• • • CARD, BACK PANEL GROUND PLANE-SPECIAL	AR	
- 68	216076	• • • TERMINAL BLOCK AND CONTACT ASSEMBLY	AR	
- 69	216083	• • • CARD RECEPTACLE ASSEMBLY	AR	
- 70	216092	• • FRAME-LARGE CHASSIS	1	
FRAME ASSEMBLY				
30 -	5321941	FRAME ASSEMBLY-WELDED SEE SECT. 1 LISTS 20-85, 31-90 AND SECT. 2 LIST 2-221 FOR NEXT HIGHER ASSEMBLY AND FIG. 30 FOR ILLUSTRATION	REF	
- 1	760136	• SUPPORT-CHASSIS	1	
- 2	28413	• SCREW, MACH-BIND HD 10-32 X 5/16 LG	4	
- 3	5321944	• BRACKET - FILTER MOUNTING	1	
- 4	236849	• SCREW, MACH-BIND HD 10-32 X 1/4 LG	2	
- 5	760141	• HOUSING-BLOWER	1	
- 6	760133	• MOUNT, RESILIENT- 1/4-20 X 0.406 LG STUD	2	
- 7	3960	• NUT, PLAIN, HEX- 1/4-20 X 7/16 FL W	4	
- 8	6935	• WASHER, LOCK-SPLIT 1/4 X 0.493 OD	4	
- 9	3550	• WASHER, FL- 1/4 X 9/16 OD X 0.050 THK	2	
- 10	760132	• MOUNT, RESILIENT- 8-32 X 3/8 LG STUD	1	
- 11	257189	• NUT - HEX-8-32UNC THD	2	
- 12	1090873	• WASHER, LOCK-SPLIT NO. 8 X 0.296 OD	2	
- 13	22478	• WASHER, FL- 0.170 ID 0.375 OD 0.032 THK	1	
- 14	471901	• CASTER, SWIVEL- 2-5/8 IN. WHL 1/2-13 STUD	4	
- 15	76846	• NUT, PLAIN, HEX- 1/2-13 X 3/4 FL W	4	
- 16	130987	• WASHER, LOCK-SPLIT 0.509 ID X 0.879 OD	4	
- 17	5321940	• FRAME - STANDARD RACK AND PANEL	1	
C AND D FRAME ASSEMBLIES WITH AND W/O ACCELERATED THRU-PUT FEATURE				
31 -	350827	FRAME ASSEMBLY-C	REF	
-	5319253	FRAME ASSEMBLY, C - ACCELERATED SEE LIST 1-84 FOR NEXT HIGHER ASSEMBLY AND FIG. 31 FOR ILLUSTRATION	REF	
-	350828	FRAME ASSEMBLY-D	REF	
-	5319254	FRAME ASSEMBLY, D - ACCELERATED SEE LIST 1-85 FOR NEXT HIGHER ASSEMBLY AND FIG. 31 FOR ILLUSTRATION	REF	
- 1	761389	• SWITCH ASSEMBLY, THERMO SEE LIST 2-63 FOR DETAIL BREAKDOWN	2	
- 2	760068	• BUS BAR AND SUPPORT ASSEMBLY SEE LIST 21 FOR DETAIL BREAKDOWN	1	
- 3	10170	• SCREW, MACH-BIND HD 6-32 X 1/4 LG	4	
- 4	58207	• SCREW, MACH-UNDRCT BIND HD 8-32 X 1/4 LG	2	

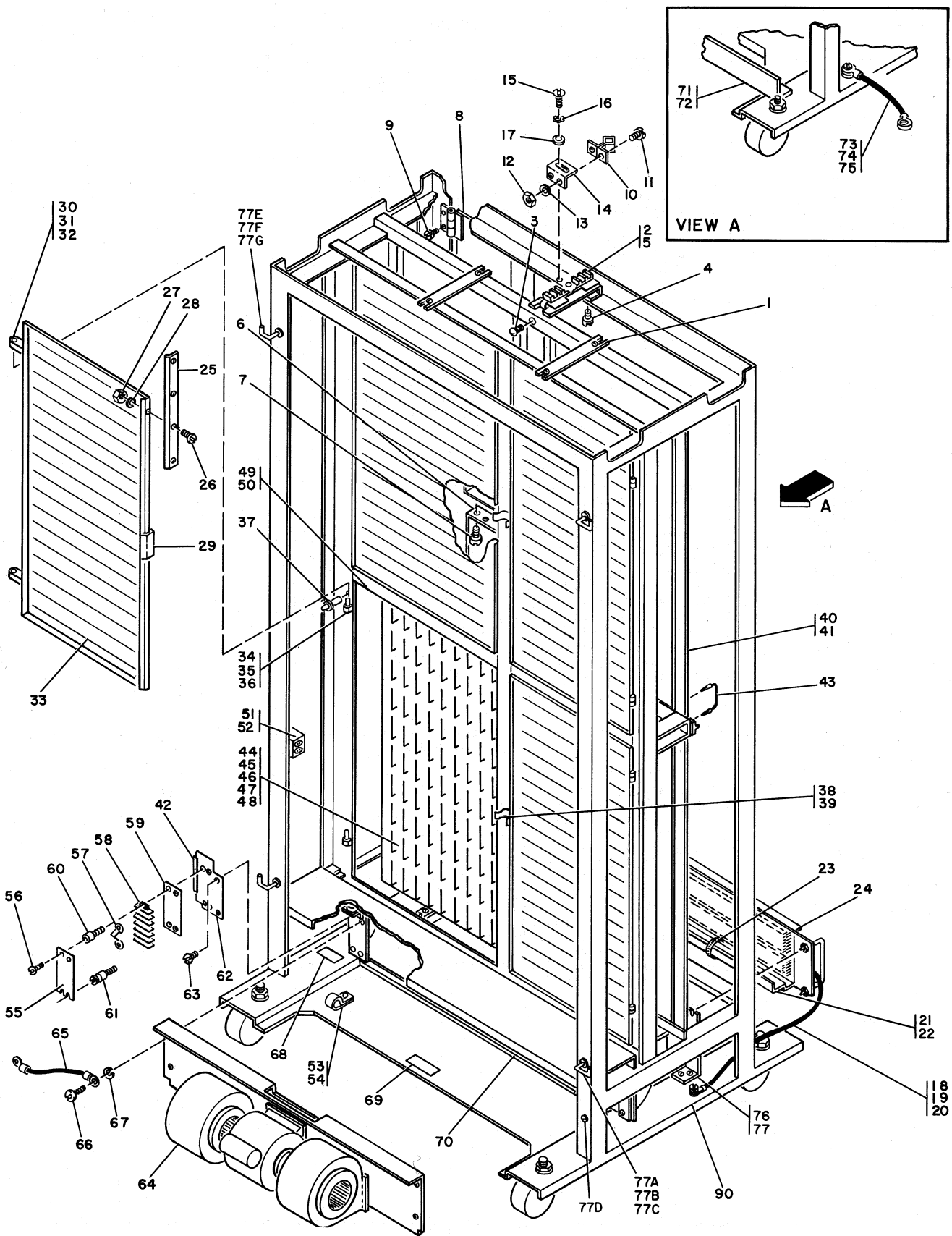


FIGURE 31. C AND D FRAME ASSEMBLIES WITH AND W/O ACCELERATED THRU-PUT FEATURE. SEE LIST 31.

LIST AND INDEX NO.	PART NO.	DESCRIPTION				UNITS PER ASM.	USABLE ON CODE
		1	2	3	4		
		C AND D FRAME ASSEMBLIES WITH AND W/O ACCELERATED THRU-PUT FEATURE -CONT					
31 - 5	760746	. LABEL, VOLTAGE-LAMINAR BUS USED ON ASSEMBLY 350827, 350828 AND 5319254 ONLY				2	
- 5	5327459	. LABEL, VOLTAGE - LAMINAR BUS USED ON ASSEMBLY 5319253 ONLY				6	
- 6	760695	. SHIELD-SAFETY USED ON ASSEMBLY 350827 AND 5319253 ONLY				1	
- 7	186759	. SCREW, MACH-BIND HD 8-32 X 1/32 LG ATT PT USED ON ASSEMBLY 350827 AND 5319253 ONLY				4	
- 8	760700	. PANEL ASSEMBLY, CE USED ON ASSEMBLY 350827 AND 5319253 ONLY SEE LIST 26 FOR DETAIL BREAKDOWN				1	
- 9	236849	. SCREW, MACH-BIND HD 10-32 X 1/4 LG ATT PT USED ON ASSEMBLY 350827 AND 5319253 ONLY				4	
- 10	597097	. STRIKE-ROLLER LATCH USED ON ASSEMBLY 350827 AND 5319253 ONLY				1	
- 11	38235	. SCREW, MACH-FIL H 6-32 X 5/16 LG ATT PT USED ON ASSEMBLY 350827 AND 5319253 ONLY				2	
- 12	257187	. NUT, PLAIN, HEX- 6-32 X 5/16 FL W ATT PT USED ON ASSEMBLY 350827 AND 5319253 ONLY				2	
- 13	257986	. WASHER, FL-NO. 6 X 5/8 OD X 0.035 THK ATT PT USED ON ASSEMBLY 350827 AND 5319253 ONLY				2	
- 14	760650	. BRACKET, LATCH MTG USED ON ASSEMBLY 350827 AND 5319253 ONLY				1	
- 15	38235	. SCREW, MACH-FIL H 6-32 X 5/16 LG ATT PT USED ON ASSEMBLY 350827 AND 5319253 ONLY				2	
- 16	56722	. WASHER, LOCK-EXT TEETH NO. 6 X 5/16 OD ATT PT USED ON ASSEMBLY 350827 AND 5319253 ONLY				2	
- 17	257986	. WASHER, FL-NO. 6 X 5/8 OD X 0.035 THK ATT PT USED ON ASSEMBLY 350827 AND 5319253 ONLY				2	
- 18	761386	. JUMPER ASM-GRN 15 IN. 14AWG 1 LUG EA END SEE LIST 35 FOR COMPONENT PARTS				1	
- 19	236849	. SCREW, MACH-BIND HD 10-32 X 1/4 LG ATT PT				1	
- 20	56079	. WASHER, LOCK-EXT TEETH NO. 10 X 0.410 OD ATT PT				1	
- 21	760415	. PLATE, MOUNTING				1	
- 22	186759	. SCREW, MACH-BIND HD 8-32 X 1/32 LG ATT PT				4	
- 23	760221	. CLAMP-ADJUSTABLE CABLE				15	
- 24	760010	. CONNECTOR RACK ASSEMBLY USED ON ASSEMBLY 350827 AND 5319253 ONLY SEE LIST 33 FOR DETAIL BREAKDOWN				1	
- 24	760070	. CONNECTOR RACK ASSEMBLY USED ON ASSEMBLY 350828 AND 5319254 ONLY SEE LIST 33 FOR DETAIL BREAKDOWN				1	
- 25	762742	. HANDLE, SAFETY				2	
- 26	186759	. SCREW, MACH-BIND HD 8-32 X 1/32 LG ATT PT				8	
- 27	257189	. NUT - HEX-8-32UNC THD ATT PT				8	
- 28	55901	. WASHER, LOCK-EXT TEETH NO. 8 X 0.381 OD ATT PT				8	
- 29	761107	. CLIP, SPRING TENSION-LATCH STRIKE				4	
- 30	760305	. HINGE-KNUCKLE				8	
- 31	518704	. SCREW, MACH-BIND HD 1/4-20 X 1/4 LG ATT PT				8	
- 32	65756	. WASHER, LOCK-INT TEETH 1/4 ID X 0.478 OD ATT PT				8	
- 33	760307	. DOOR-INNER				4	
- 34	760306	. PIVOT-HINGE				8	
- 35	438622	. SCREW, MACH-UNDRCT BIND HD 1/4-20 X 3/8 ATT PT				8	
- 36	65756	. WASHER, LOCK-INT TEETH 1/4 ID X 0.478 OD ATT PT				8	
- 37	760303	. CATCH-PULL				4	
- 38	760304	. CATCH, SPRING				4	

LIST AND INDEX NO.	PART NO.	DESCRIPTION	UNITS	USABLE
			PER ASM.	ON CODE
		1 2 3 4		
		C AND D FRAME ASSEMBLIES WITH AND W/O ACCELERATED THRU-PUT FEATURE -CONT		
31 - 39	236849	• SCREW,MACH-BIND HD 10-32 X 1/4 LG		
- 40	760152	• BAFFLE, LARGE CHASSIS TO FRAME	ATT PT	4
- 41	80651	• SCREW,THD CTG-BIND HD 6-32 X 3/8 LG	ATT PT	4
- 42	223528	• RUBBER CHANNEL-COVERS		12
- 43	216308	• JUMPER ASSEMBLY		AR
		USED ON ASSEMBLY 350827 AND 5319253 ONLY		224
- 43	216308	• JUMPER ASSEMBLY		112
		USED ON ASSEMBLY 350828 AND 5319254 ONLY		
		SEE LIST 35 FOR COMPONENT PARTS		
- 44	761021	• CHASSIS ASSEMBLY		1
		USED ON ASSEMBLY 350827 ONLY		
		SEE LIST 29 FOR DETAIL BREAKDOWN		
- 44	5327014	• CHASSIS ASSEMBLY		1
		USED ON ASSEMBLY 5319253 ONLY		
		SEE LIST 34 FOR DETAIL BREAKDOWN		
- 44	761071	• CHASSIS ASSEMBLY		1
		USED ON ASSEMBLY 350828 ONLY		
		SEE LIST 29 FOR DETAIL BREAKDOWN		
- 44	5327018	• CHASSIS ASSEMBLY		1
		USED ON ASSEMBLY 5319254 ONLY		
		SEE LIST 34 FOR DETAIL BREAKDOWN		
- 45	761031	• CHASSIS ASSEMBLY		1
		USED ON ASSEMBLY 350827 ONLY		
		SEE LIST 29 FOR DETAIL BREAKDOWN		
- 45	5327015	• CHASSIS ASSEMBLY		1
		USED ON ASSEMBLY 5319253 ONLY		
		SEE LIST 34 FOR DETAIL BREAKDOWN		
- 45	761081	• CHASSIS ASSEMBLY		1
		USED ON ASSEMBLY 350828 ONLY		
		SEE LIST 29 FOR DETAIL BREAKDOWN		
- 45	5327019	• CHASSIS ASSEMBLY		1
		USED ON ASSEMBLY 5319254 ONLY		
		SEE LIST 34 FOR DETAIL BREAKDOWN		
- 46	383704	• CHASSIS ASSEMBLY		1
		USED ON ASSEMBLY 350827 ONLY		
		SEE LIST 29 FOR DETAIL BREAKDOWN		
- 46	5327016	• CHASSIS ASSEMBLY		1
		USED ON ASSEMBLY 5319253 ONLY		
		SEE LIST 34 FOR DETAIL BREAKDOWN		
- 46	761091	• CHASSIS ASSEMBLY		1
		USED ON ASSEMBLY 350828 ONLY		
		SEE LIST 29 FOR DETAIL BREAKDOWN		
- 46	5327552	• CHASSIS ASSEMBLY		1
		USED ON ASSEMBLY 5319254 ONLY		
		SEE LIST 34 FOR DETAIL BREAKDOWN		
- 47	761051	• CHASSIS ASSEMBLY		1
		USED ON ASSEMBLY 350827 ONLY		
		SEE LIST 29 FOR DETAIL BREAKDOWN		
- 47	5327017	• CHASSIS ASSEMBLY		1
		USED ON ASSEMBLY 5319253 ONLY		
		SEE LIST 34 FOR DETAIL BREAKDOWN		
- 48	34512	• SCREW,MACH-BIND HD 8-32 X 3/8 LG	ATT PT	16
		USED ON ASSEMBLY 350827 AND 5319253 ONLY		
- 48	34512	• SCREW,MACH-BIND HD 8-32 X 3/8 LG	ATT PT	12
		USED ON ASSEMBLY 350828 AND 5319254 ONLY		
- 49	760135	• SUPPORT, HORIZONTAL COVER		2
- 50	186759	• SCREW,MACH-BIND HD 8-32 X 1/32 LG	ATT PT	4

LIST AND INDEX NO.	PART NO.	DESCRIPTION				UNITS PER ASM.	USABLE ON CODE
		1	2	3	4		
C AND D FRAME ASSEMBLIES WITH AND W/O ACCELERATED THRU-PUT FEATURE-CONT							
31 - 51	801494	• CONVENIENCE OUTLET ASSEMBLY SEE LIST 20-44 FOR DETAIL BREAKDOWN				2	
- 52	38451	• SCREW,MACH-FL CSK HD 8-32 X 1/4 LG				4	
- 53	2102368	• CLAMP,LOOP- 0.880 ID 0.200 DIA MTG HOLE				1	
- 54	5528	• SCREW,MACH-BIND HD 8-32 X 5/8 LG				1	
- 55	186945	• SHIELD- 8 POSITION				1	
- 56	210984	• SCREW,MACH-RH 6-32 X 1/4 LG				1	
- 57	367115	• JUMPER-TERMINAL STRIP VDC DISTR BRS				4	
- 58	317145	• TERMINAL BOARD- 8 DBL SCREW TERMINALS				1	
- 59	242256	• MARKER STRIP- 8 POS NOS. 1 THRU 8				1	
- 60	210883	• STUD,EXT- 6-32 INT EXT THD X 0.900 LG DA				1	
- 61	210884	• STUD-SHIELD				3	
- 62	760150	• FILLER				2	
- 63	10170	• SCREW,MACH-BIND HD 6-32 X 1/4 LG				4	
- 64	760159	• BLOWER ASSEMBLY				1	
- 65	515355	SEE LIST 13 FOR DETAIL BREAKDOWN • JUMPER ASSEMBLY				1	
- 66	443	SEE LIST 35 FOR COMPONENT PARTS • SCREW,MACH-FIL H 10-32 X 3/8 LG				4	
- 67	9092	• WASHER,LOCK-SPLIT NO. 10 X 0.337 OD				4	
- 68	138754	• PLATE,INST-LINE V PRESENT W/MACH PWR OFF				1	
- 69	369207	• PLATE,INST-HAZARDOUS AREA				1	
- 70	301356	• SEAL				AR	
- 71	761026	• SUPPORT,CABLE CLAMP				1	
- 72	38686	• SCREW,MACH-HEX HD 1/4-20 X 1/2 LG				2	
- 73	597216	• JUMPER ASM-GRN 9-1/2 14AWG 1 LUG EA END				1	
- 74	236849	SEE LIST 35 FOR COMPONENT PARTS • SCREW,MACH-BIND HD 10-32 X 1/4 LG				1	
- 75	56121	• WASHER,LOCK-INT TEETH NO. 10 X 0.381 OD				1	
- 76	760134	• BRACKET,ANGLE-CONNECTOR RACK				2	
- 77	28413	• SCREW,MACH-BIND HD 10-32 X 5/16 LG				4	
- 77A	760837	• PIVOT-RIGHT HAND				4	
- 77B	3960	• NUT,PLAIN,HEX- 1/4-20 X 7/16 FL W				4	
- 77C	76574	• WASHER,LOCK-EXT TEETH 1/4 X 0.510 OD				4	
- 77D	801508	• SCREW - LOUVER				4	
- 77E	760836	• PIVOT-LEFT HAND				4	
- 77F	3960	• NUT,PLAIN,HEX- 1/4-20 X 7/16 FL W				4	
- 77G	76574	• WASHER,LOCK-EXT TEETH 1/4 X 0.510 OD				4	
- 78	760730	• CABLE ASSEMBLY				1	
- 79	760245	• CABLE ASM-16 WIRE USED ON ASSEMBLY 350827 AND 5319253 ONLY				33	
- 79	760245	• CABLE ASM-16 WIRE USED ON ASSEMBLY 350828 AND 5319254 ONLY				15	
- 80	760248	• CABLE ASSEMBLY USED ON ASSEMBLY 350827 AND 5319253 ONLY				6	
- 80	760248	• CABLE ASSEMBLY USED ON ASSEMBLY 350828 AND 5319254 ONLY				8	
- 81	761113	• CABLE ASSEMBLY USED ON ASSEMBLY 350828 AND 5319254 ONLY				2	
- 82	761115	• CABLE ASSEMBLY USED ON ASSEMBLY 350827 AND 5319253 ONLY				2	
- 83	761137	• CABLE ASSEMBLY USED ON ASSEMBLY 350827 AND 5319253 ONLY				1	
- 84	761138	• CABLE ASSEMBLY USED ON ASSEMBLY 350827 AND 5319253 ONLY				1	
- 85	761139	• CABLE ASSEMBLY USED ON ASSEMBLY 350827 AND 5319253 ONLY				1	
- 86	761140	• CABLE ASSEMBLY USED ON ASSEMBLY 350827 AND 5319253 ONLY				1	
- 87	761141	• CABLE ASSEMBLY USED ON ASSEMBLY 350828 AND 5319254 ONLY				1	
- 88	761142	• CABLE ASSEMBLY USED ON ASSEMBLY 350828 AND 5319254 ONLY				1	
- 89	761143	• CABLE ASSEMBLY USED ON ASSEMBLY 350828 AND 5319254 ONLY NOT ILLUSTRATED SEE LIST 35 FOR COMPONENT PARTS				1	

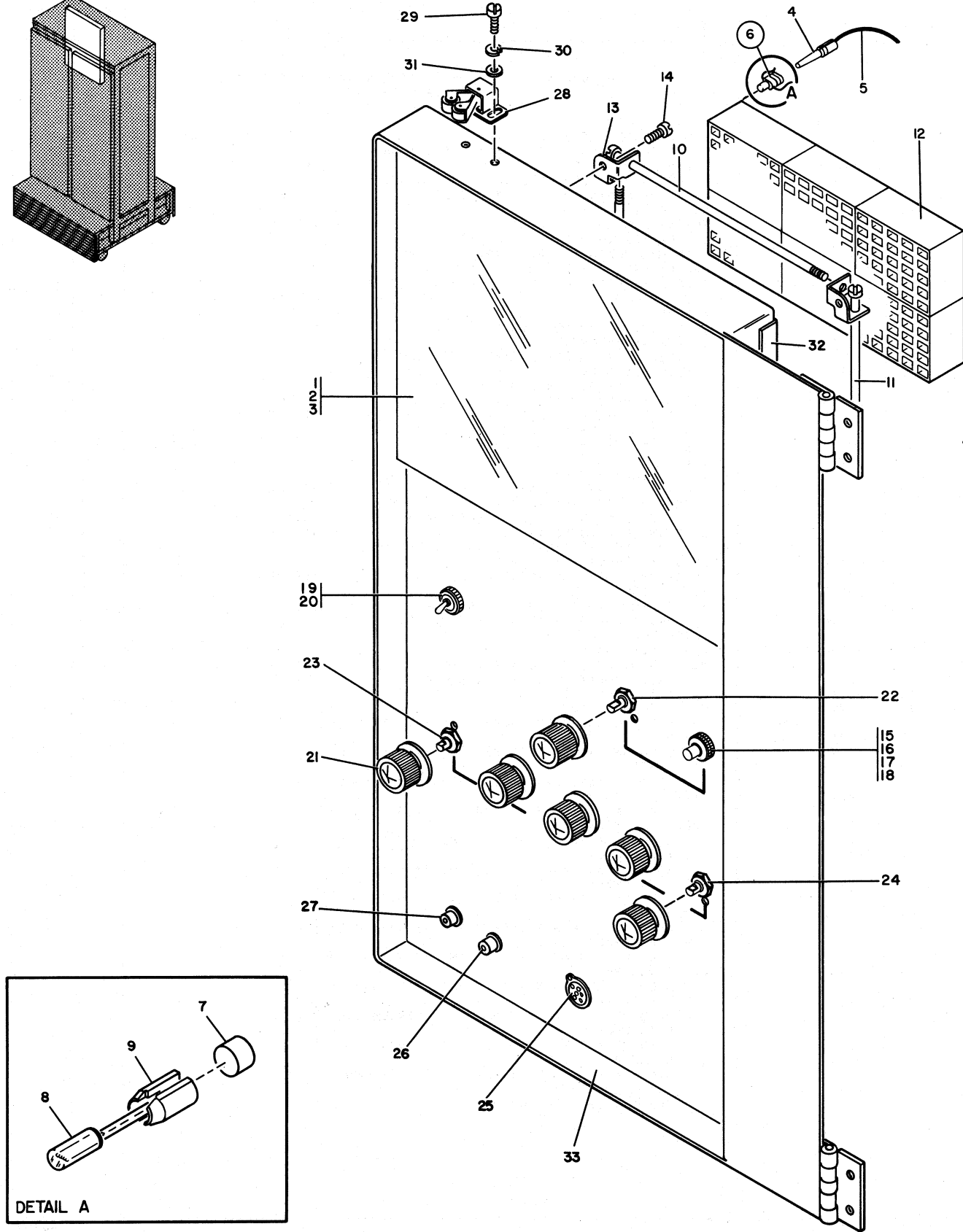
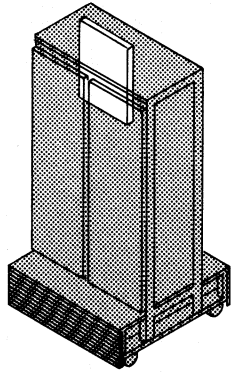


FIGURE 32. CE PANEL ASSEMBLY. SEE LIST 32.

LIST AND INDEX NO.	PART NO.	DESCRIPTION				UNITS PER ASM.	USABLE ON CODE
		1	2	3	4		
		C AND D FRAME ASSEMBLIES WITH AND W/O ACCELERATED THRU-PUT FEATURE -CONT					
31 - 90	5321941	FRAME ASSEMBLY-WELDED SEE LIST 30 FOR DETAIL BREAKDOWN				1	
		CE PANEL ASSEMBLY					
32 -	760700	PANEL ASSEMBLY, CE SEE LIST 31-8 FOR NEXT HIGHER ASSEMBLY AND FIG. 32 FOR ILLUSTRATION				REF	
- 1	760691	• PANEL ASSEMBLY, CPU DISPLAY				1	
- 2	186759	• SCREW, MACH-BIND HD 8-32 X 1/32 LG				4	
- 3	55901	• WASHER, LOCK-EXT TEETH NO. 8 X 0.381 OD				4	
- 4	802570	• TERMINAL, LUG-TAPER 18/20AWG 0.617 LG OA				2	
- 5	760681	• JUMPER ASSEMBLY				1	
		SEE LIST 35 FOR COMPONENT PARTS					
- 6	383564	• LAMP ASSEMBLY-INCANDESCENT				100	
- 7	336672	• SLEEVE-MERCURY SWITCH				1	
- 8	719293	• LAMP, INCANDESCENT- 10V 0.045 AMP				1	
- 9	165010	• PLUG AND INSERT ASSEMBLY				1	
- 10	185210	• SCREW, SPECIAL, FIL HD, 8-32 X 7 9/16 LG				2	
- 11	304480	• SCREW, MACH-RH NO. 8-32 X 3-1/2 LG				2	
- 12	185198	• BOARD, INDICATOR LIGHT-25 POS				6	
- 13	185199	• BRACKET, MOUNTING-LIGHT BLOCK				4	
- 14	183900	• SCREW, THD CTG-BIND HD 8-32 X 1/4 LG				4	
- 15	317082	• RESISTOR, FXD, COMP- 1K P/M 5% 2W				1	
- 16	368433	• SWITCH, PUSH-DPDT				1	
- 17	179744	• NUT, PLAIN, RD- 15/32-32 X 39/64 DIA				2	
- 18	334635	• WASHER, LOCK-INT TEETH 0.476 ID 0.600 OD				1	
- 19	121756	• SWITCH, TOGGLE-SPST 250V AC/DC 3 AMP				1	
- 20	334635	• WASHER, LOCK-INT TEETH 0.476 ID 0.600 OD				1	
- 21	480535	• KNOB, CONTROL				6	
- 22	760665	• SWITCH, ROTARY, 1 DECK 10 POSITION				1	
- 23	760648	• SWITCH, ROTARY-1 DECK 5 POSITION				1	
- 24	350920	• SWITCH SUBASSEMBLY				4	
- 25	2101123	• CONNECTOR, RECEPTACLE, ELECTRICAL 7 PIN				1	
- 26	208417	• JACK, TEST				1	
- 27	207072	• JACK, TEST				1	
- 28	761321	• LATCH, SPRING ROLLER				1	
- 29	38235	• SCREW, MACH-FIL H 6-32 X 5/16 LG				2	
- 30	6364	• WASHER, LOCK-SPLIT NO. 6 X 1/4 OD				2	
- 31	257986	• WASHER, FL-NO. 6 X 5/8 OD X 0.035 THK				2	
- 32	220930	• STRIP-UPPER PLATFORM RUBBER				1	
- 33	760693	• PANEL ASSEMBLY, SWITCH				1	
- 34	760696	• CABLE ASSEMBLY				1	
		NOT ILLUSTRATED SEE LIST 35 FOR COMPONENT PARTS					

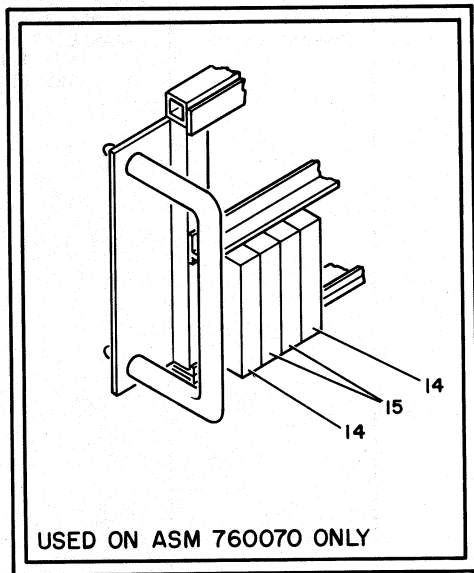
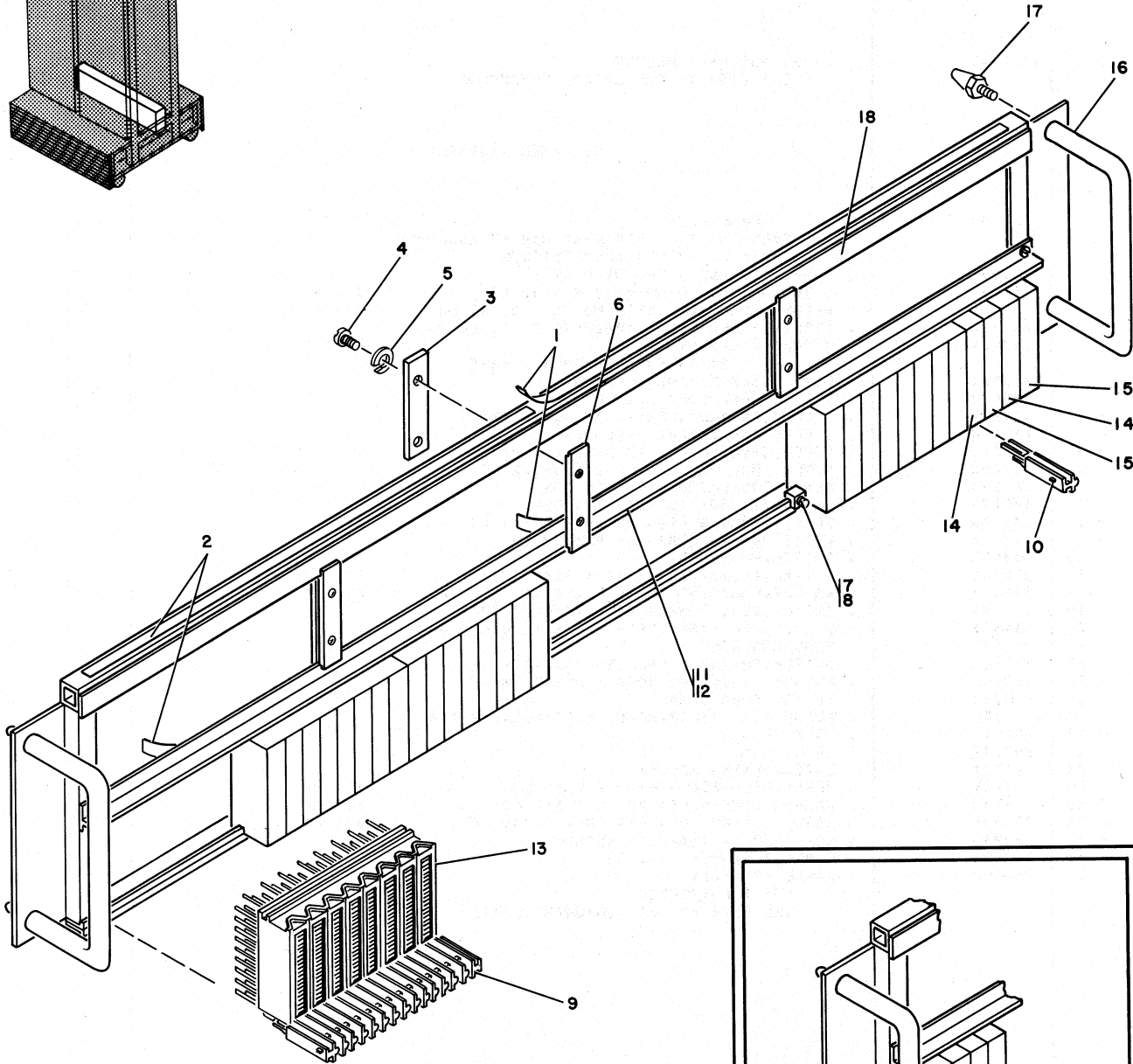
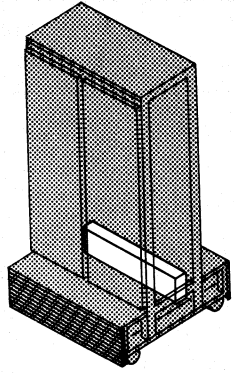


FIGURE 33. CONNECTOR RACK ASSEMBLIES. SEE LIST 33.

LIST AND INDEX NO.	PART NO.	DESCRIPTION	UNITS	USABLE
			PER ASM.	ON CODE
		CONNECTOR RACK ASSEMBLIES		
33 -	760010	CONNECTOR RACK ASSEMBLY	REF	
-	760070	CONNECTOR RACK ASSEMBLY SEE LIST 31-24 FOR NEXT HIGHER ASSEMBLY AND FIG. 33 FOR ILLUSTRATION	REF	
- 1	216286	. LABEL-NUMBERING R TO L 1 THRU 28	2	
- 2	760488	. LABEL-NUMBERING R TO L 29 THRU 51	2	
- 3	5305020	. PLATE,CONNECTOR STOP	3	
- 4	338238	. SCREW,MACH-BIND HD 4-40 X 5/16 LG	6	ATT PT
- 5	257984	. WASHER,LOCK-SPLIT NO. 4 X 0.212 OD	6	ATT PT
- 6	5305021	. STOP,CONNECTOR	3	
- 7	760241	. CLAMP,T BAR USED ON ASSEMBLY 760010 ONLY	2	
- 8	38350	. SCREW,MACH-FIL H 6-32 X 1/4 LG	2	ATT PT
- 9	216231	. GUIDE- 8 POSITION CARD USED ON ASSEMBLY 760010 ONLY	4	
- 9	216231	. GUIDE- 8 POSITION CARD USED ON ASSEMBLY 760070 ONLY	6	
- 10	216207	. GUIDE-SINGLE CARD SHORT	2	
- 11	760155	. T BAR CONNECTOR RACK	1	
- 12	10170	. SCREW,MACH-BIND HD 6-32 X 1/4 LG	2	ATT PT
- 13	216083	. CARD RECEPTACLE ASSEMBLY USED ON ASSEMBLY 760010 ONLY	4	
- 13	216083	. CARD RECEPTACLE ASSEMBLY USED ON ASSEMBLY 760070 ONLY	6	
- 14	216076	. TERMINAL BLOCK AND CONTACT ASSEMBLY	2	
- 15	216073	. CARD RECEPTACLE- 1 POSITION	2	
- 16	760156	. HANDLE-CONNECTOR RACK	2	
- 17	760154	. FOOT-CONNECTOR RACK	4	ATT PT
- 18	760157	. RACK-CONNECTOR	1	
		CHASSIS ASSEMBLIES		
34 -	5327014	CHASSIS ASSEMBLY SEE LIST 31-44 FOR NEXT HIGHER ASSEMBLY AND FIG. 34 FOR ILLUSTRATION	REF	
-	5327015	CHASSIS ASSEMBLY SEE LIST 31-45 FOR NEXT HIGHER ASSEMBLY AND FIG. 34 FOR ILLUSTRATION	REF	
-	5327016	CHASSIS ASSEMBLY SEE LIST 31-46 FOR NEXT HIGHER ASSEMBLY AND FIG. 34 FOR ILLUSTRATION	REF	
-	5327017	CHASSIS ASSEMBLY SEE LIST 31-47 FOR NEXT HIGHER ASSEMBLY AND FIG. 34 FOR ILLUSTRATION	REF	
-	5327018	CHASSIS ASSEMBLY SEE LIST 31-44 FOR NEXT HIGHER ASSEMBLY AND FIG. 34 FOR ILLUSTRATION	REF	
-	5327019	CHASSIS ASSEMBLY SEE LIST 31-45 FOR NEXT HIGHER ASSEMBLY AND FIG. 34 FOR ILLUSTRATION	REF	
-	5327552	CHASSIS ASSEMBLY SEE LIST 31-46 FOR NEXT HIGHER ASSEMBLY AND FIG. 34 FOR ILLUSTRATION	REF	

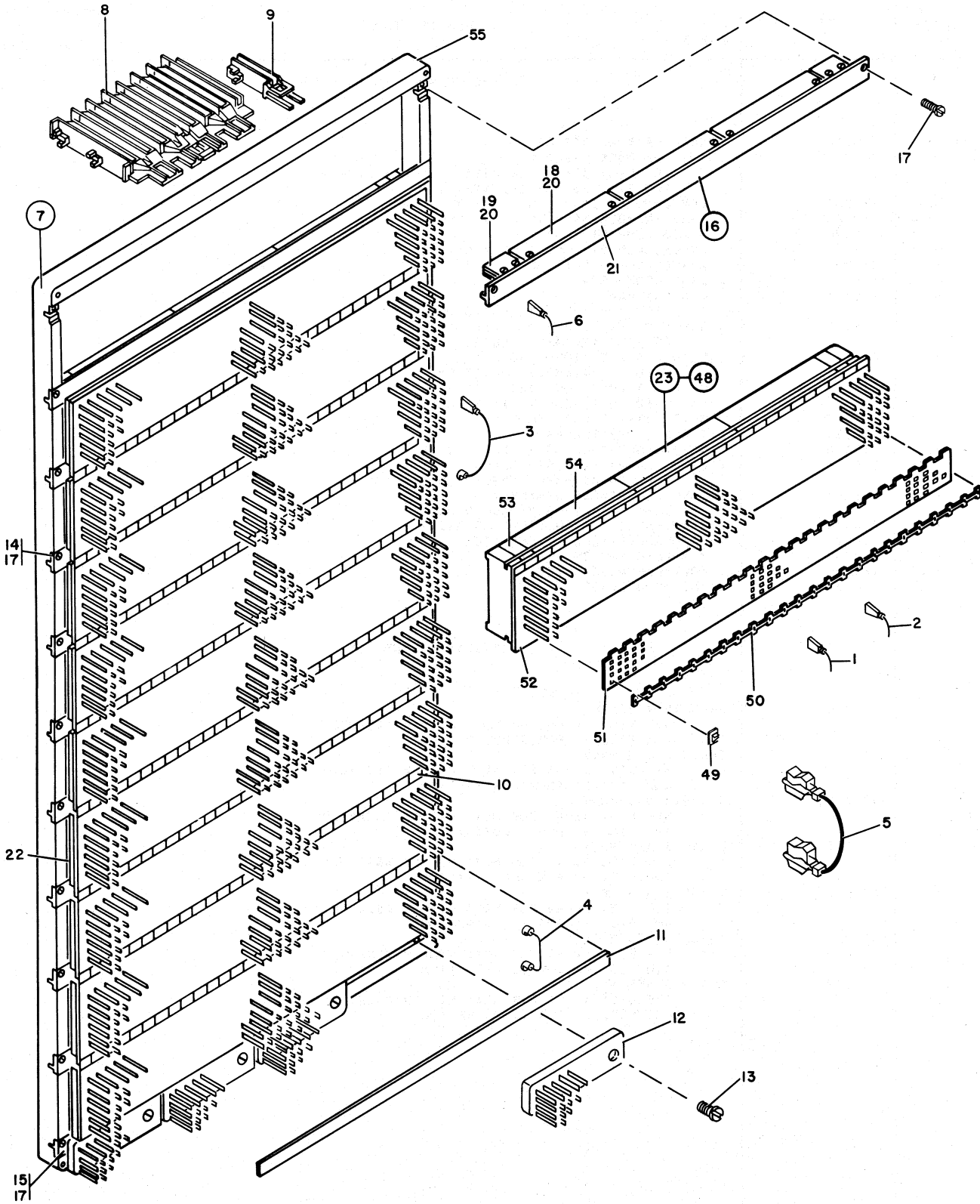


FIGURE 34. CHASSIS ASSEMBLIES. SEE LIST 34.

LIST AND INDEX NO.	PART NO.	DESCRIPTION				UNITS PER ASM.	USABLE ON CODE
		1	2	3	4		
		CHASSIS ASSEMBLIES -CONT					
34 - 1	532078	.	JUMPER ASSEMBLY			36	
			USED ON ASSEMBLY 5327014 ONLY				
- 1	532078	.	JUMPER ASSEMBLY			43	
			USED ON ASSEMBLY 5327015 ONLY				
- 1	532078	.	JUMPER ASSEMBLY			34	
			USED ON ASSEMBLY 5327016 ONLY				
- 1	532078	.	JUMPER ASSEMBLY			38	
			USED ON ASSEMBLY 5327017 AND 5327018 ONLY				
- 1	532078	.	JUMPER ASSEMBLY			40	
			USED ON ASSEMBLY 5327019 ONLY				
- 1	532078	.	JUMPER ASSEMBLY			28	
			USED ON ASSEMBLY 5327552 ONLY SEE LIST 35 FOR COMPONENT PARTS				
- 2	534645	.	JUMPER ASSEMBLY			4	
			USED ON ASSEMBLY 5327014 ONLY				
- 2	534645	.	JUMPER ASSEMBLY			7	
			USED ON ASSEMBLY 5327016 ONLY				
- 2	534645	.	JUMPER ASSEMBLY			2	
			USED ON ASSEMBLY 5327017 AND 5327018 ONLY				
- 2	534645	.	JUMPER ASSEMBLY			12	
			USED ON ASSEMBLY 5327552 ONLY SEE LIST 35 FOR COMPONENT PARTS				
- 3	216306	.	JUMPER ASSEMBLY, 4 LONG			4	
			USED ON ASSEMBLY 5327015 ONLY				
- 3	216306	.	JUMPER ASSEMBLY, 4 LONG			2	
			USED ON ASSEMBLY 5327016 ONLY SEE LIST 35 FOR COMPONENT PARTS				
- 4	216310	.	JUMPER ASSEMBLY, 6 LONG			1	
			USED ON ASSEMBLY 5327015 ONLY SEE LIST 35 FOR COMPONENT PARTS				
- 5	5236437	.	JUMPER ASSEMBLY, 2 LONG			2	
			USED ON ASSEMBLY 5327016 ONLY SEE LIST 35 FOR COMPONENT PARTS				
- 6	5319320	.	JUMPER ASSEMBLY, 9-1/2 LONG			4	
			USED ON ASSEMBLY 5327016 ONLY SEE LIST 35 FOR COMPONENT PARTS				
- 7	5319245	.	CHASSIS ASSEMBLY			1	
			USED ON ASSEMBLY 5327014 ONLY				
- 7	5319222	.	CHASSIS ASSEMBLY			1	
			USED ON ASSEMBLY 5327015 ONLY				
- 7	5319223	.	CHASSIS ASSEMBLY			1	
			USED ON ASSEMBLY 5327016 ONLY				
- 7	5319240	.	CHASSIS ASSEMBLY			1	
			USED ON ASSEMBLY 5327017 ONLY				
- 7	761070	.	CHASSIS ASSEMBLY			1	
			USED ON ASSEMBLY 5327018 ONLY				
- 7	5319241	.	CHASSIS ASSEMBLY			1	
			USED ON ASSEMBLY 5327019 ONLY				
- 7	761090	.	CHASSIS ASSEMBLY			1	
			USED ON ASSEMBLY 5327552 ONLY				
- 8	216085	.	GUIDE-CARD 8 POSITION LONG			AR	
						AR	
- 9	216206	.	GUIDE-SINGLE CARD LONG			AR	
						11	
- 10	216286	.	LABEL-NUMBERING R TO L 1 THRU 28			AR	
						8	
- 11	216215	.	BUS-GROUND PLANE				
- 12	216295	.	CONNECTOR, RECP, ELEC- 28 MALE CONTACTS				
			USED ON ASSEMBLY 5319245, 5319222, 5319223, 5319240 AND 5319241 ONLY				

LIST AND INDEX NO.	PART NO.	DESCRIPTION				UNITS PER ASM.	USABLE ON CODE
		1	2	3	4		
CHASSIS ASSEMBLIES -CONT							
34 - 12	216295	. .	CONNECTOR, RECP, ELEC- 28 MALE CONTACTS USED ON ASSEMBLY 761070 AND 761090 ONLY			4	
- 13	38262	. .	SCREW, MACH-FIL H 4-40 X 1/4 LG USED ON ASSEMBLY 5319245, 5319222, 5319223, 5319240 AND 5319241 ONLY	ATT PT		24	
- 13	38262	. .	SCREW, MACH-FIL H 4-40 X 1/4 LG USED ON ASSEMBLY 761070 AND 761090 ONLY	ATT PT		12	
- 14	216093	. .	T BAR-TERMINAL MOUNTING			9	
- 15	216293	. .	T BAR-EDGE CONNECTOR MOUNTING			1	
- 16	216296	. .	T BAR AND ADAPTER ASSEMBLY			1	
- 17	10170	. .	SCREW, MACH-BIND HD 6-32 X 1/4 LG	ATT PT		22	
- 18	216091	. . .	ADAPTER-CARD GUIDE			3	
- 19	216212	. . .	ADAPTER-SINGLE CARD GUIDE			2	
- 20	38264	. . .	SCREW, MACH-FIL H 4-40 X 3/8 LG	ATT PT		10	
- 21	216292	. . .	T BAR-ADAPTER AND EDGE CONNECTOR MTG			1	
- 22	216297	. .	SEAL, RUB STRIP- 11/16 W X 1/8 THK			AR	
- 23	350883	. .	ROW ASSEMBLY, CARD RECEPTACLE USED ON ASSEMBLY 5319245 ONLY			1	
- 24	762529	. .	ROW ASSEMBLY, CARD RECEPTACLE USED ON ASSEMBLY 5319245 ONLY			1	
- 25	762530	. .	ROW ASSEMBLY, CARD RECEPTACLE USED ON ASSEMBLY 5319245 ONLY			8	
- 25	762530	. .	ROW ASSEMBLY, CARD RECEPTACLE USED ON ASSEMBLY 5319240 ONLY			2	
- 25	762530	. .	ROW ASSEMBLY, CARD RECEPTACLE USED ON ASSEMBLY 5319241 ONLY			1	
- 26	5319211	. .	ROW ASSEMBLY, CARD RECEPTACLE USED ON ASSEMBLY 5319222 ONLY			2	
- 26	5319211	. .	ROW ASSEMBLY, CARD RECEPTACLE USED ON ASSEMBLY 5319223 ONLY			1	
- 27	5319212	. .	ROW ASSEMBLY, CARD RECEPTACLE USED ON ASSEMBLY 5319222 ONLY			3	
- 28	5319213	. .	ROW ASSEMBLY, CARD RECEPTACLE USED ON ASSEMBLY 5319222 ONLY			1	
- 29	5319214	. .	ROW ASSEMBLY, CARD RECEPTACLE USED ON ASSEMBLY 5319222 ONLY			1	
- 30	5319215	. .	ROW ASSEMBLY, CARD RECEPTACLE USED ON ASSEMBLY 5319222 ONLY			1	
- 31	5319216	. .	ROW ASSEMBLY, CARD RECEPTACLE USED ON ASSEMBLY 5319222 ONLY			1	
- 32	5319226	. .	ROW ASSEMBLY, CARD RECEPTACLE USED ON ASSEMBLY 5319222 ONLY			1	
- 33	5319217	. .	ROW ASSEMBLY, CARD RECEPTACLE USED ON ASSEMBLY 5319223 ONLY			1	
- 34	5319218	. .	ROW ASSEMBLY, CARD RECEPTACLE USED ON ASSEMBLY 5319223 ONLY			1	
- 35	5319219	. .	ROW ASSEMBLY, CARD RECEPTACLE USED ON ASSEMBLY 5319223 ONLY			1	
- 36	5319220	. .	ROW ASSEMBLY, CARD RECEPTACLE USED ON ASSEMBLY 5319223 ONLY			1	
- 37	5319221	. .	ROW ASSEMBLY, CARD RECEPTACLE USED ON ASSEMBLY 5319223 ONLY			3	
- 38	5319224	. .	ROW ASSEMBLY, CARD RECEPTACLE USED ON ASSEMBLY 5319223 ONLY			1	
- 39	5319225	. .	ROW ASSEMBLY, CARD RECEPTACLE USED ON ASSEMBLY 5319223 ONLY			1	
- 40	762532	. .	ROW ASSEMBLY USED ON ASSEMBLY 5319240 ONLY			3	

LIST AND INDEX NO.	PART NO.	DESCRIPTION	UNITS	USABLE
			PER ASM.	ON CODE
CHASSIS ASSEMBLIES -CONT				
34 - 40	762532	. . . ROW ASSEMBLY USED ON ASSEMBLY 761070 ONLY	5	
- 40	762532	. . . ROW ASSEMBLY USED ON ASSEMBLY 761090 ONLY	2	
- 41	762533	. . . ROW ASSEMBLY, CARD RECEPTACLE USED ON ASSEMBLY 5319240 ONLY	3	
- 41	762533	. . . ROW ASSEMBLY, CARD RECEPTACLE USED ON ASSEMBLY 5319241 ONLY	8	
- 41	762533	. . . ROW ASSEMBLY, CARD RECEPTACLE USED ON ASSEMBLY 761070 ONLY	2	
- 41	762533	. . . ROW ASSEMBLY, CARD RECEPTACLE USED ON ASSEMBLY 761090 ONLY	4	
- 42	762564	. . . ROW ASSEMBLY, CARD RECEPTACLE USED ON ASSEMBLY 5319240 ONLY	1	
- 43	762575	. . . ROW ASSEMBLY, CARD RECEPTACLE USED ON ASSEMBLY 5319240 ONLY	1	
- 44	762535	. . . ROW ASSEMBLY, CARD RECEPTACLE USED ON ASSEMBLY 5319241 ONLY	1	
- 44	762535	. . . ROW ASSEMBLY, CARD RECEPTACLE USED ON ASSEMBLY 761090 ONLY	2	
- 45	762536	. . . ROW ASSEMBLY, CARD RECEPTACLE USED ON ASSEMBLY 761070 ONLY	1	
- 46	762537	. . . ROW ASSEMBLY, CARD RECEPTACLE USED ON ASSEMBLY 761070 ONLY	2	
- 47	762531	. . . ROW ASSEMBLY USED ON ASSEMBLY 761090 ONLY	1	
- 48	762538	. . . ROW ASSEMBLY, CARD RECEPTACLE USED ON ASSEMBLY 761090 ONLY	1	
- 49	216263 CLIP		AR
- 50	212822 BUS BAR-CHAIN VOLTAGE		AR
- 51	216267 INSULATOR, PLATE-BACK PANEL 28 POSITION		AR
- 52	491463 PRINTED CIRCUIT BOARD		AR
- 53	216076 TERMINAL BLOCK AND CONTACT ASSEMBLY		AR
- 54	216083 CARD RECEPTACLE ASSEMBLY		AR
- 55	216092 FRAME-LARGE CHASSIS		1
CABLE AND JUMPER ASSEMBLY COMPONENT PARTS				
35 -	NO NO.	COMPONENT PARTS - CABLE AND JUMPER ASMS SEE FIG. 35 FOR ILLUSTRATION		REF
- 1	186968	. . . TERMINAL, LUG-INS 10-12AWG NO. 8 MTG HOLE		AR
- 1	360370	. . . TERMINAL, LUG-INS 14/16AWG NO. 8 MTG HOLE		AR
- 2	322025	. . . TERMINAL, LUG-INS 14/16AWG 1/4 MTG HOLE		AR
- 2	334910	. . . TERMINAL, LUG-INS 14/16AWG NO. 6 MTG HOLE		AR
- 2	334921	. . . TERMINAL, LUG-INS 16/22AWG NO. 6 MTG HOLE		AR
- 2	334932	. . . TERMINAL, LUG-INS 16/22AWG NO.10 MTG HOLE		AR
- 2	504879	. . . TERMINAL, LUG-INS 6/10AWG NO. 10 MTG HOLE		AR
- 3	253740	. . . TERMINAL, LUG-INS 10-12AWG NO.6 MTG HOLE		AR
- 4	92784	. . . TERMINAL, LUG-INS 18-20AWG NO.8 MTG HOLE		AR
- 4	218809	. . . TERMINAL, LUG-INS 14AWG NO.10 MTG HOLE		AR
- 4	2101326	. . . TERMINAL, LUG-INS 10/12AWG NO.10 MTG HOLE		AR
- 5	598041	. . . TERMINAL, QUICK DISCONNECT- 20/24AWG		AR
- 6	205914	. . . KNIFE, DISCONNECT TERMINAL		AR
- 7	597301	. . . INSERT, ELECTRICAL CONNECTOR- 3 POSITION		AR

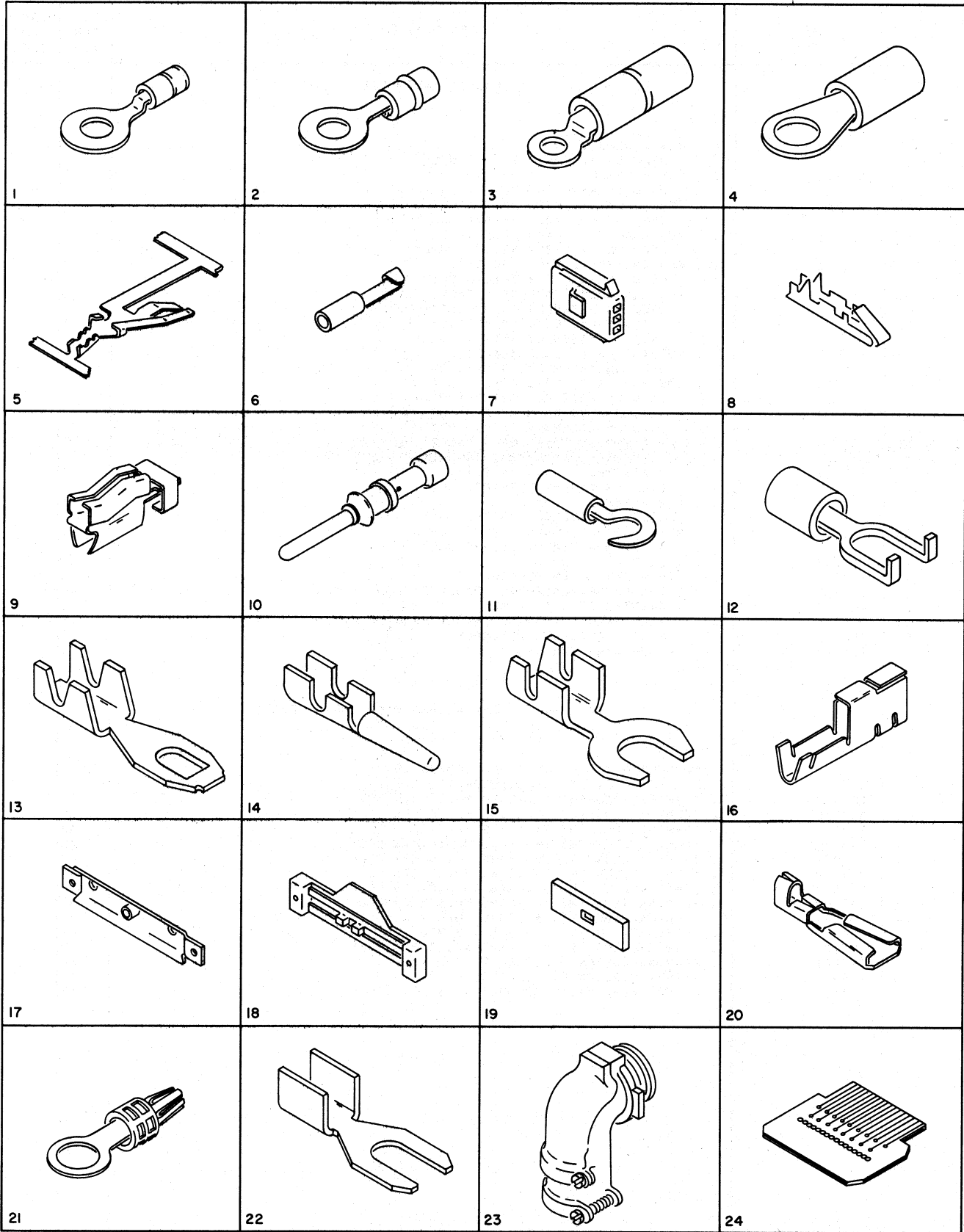


FIGURE 35. CABLE AND JUMPER ASSEMBLY COMPONENT PARTS. SHEET 1 OF 3. INDEX NOS. 1-24. SEE LIST 35.

LIST AND INDEX NO.	PART NO.	DESCRIPTION				UNITS PER ASM.	USABLE ON CODE
		1	2	3	4		
CABLE AND JUMPER ASSEMBLY COMPONENT PARTS -CONT							
35 - 8	597179	.	TERMINAL,QUICK DISCONNECT-	20/22AWG		AR	
- 9	596255	.	TERMINAL,SLIP-ON			AR	
- 10	368597	.	PIN-CONTACT MALE	20/22AWG		AR	
- 10	535083	.	PIN-CONTACT MALE	16/18AWG		AR	
- 10	535679	.	PIN-CONTACT MALE	14AWG		AR	
- 11	526048	.	TERMINAL,LUG-14-16 AWG NO.	8 MTG SLOT		AR	
- 12	92786	.	TERMINAL,LUG-INS	18-20AWG NO.4 MTG SLOT		AR	
- 13	115186	.	TERMINAL,LUG-NONINS	20AWG NO. 4 MTG SLOT		AR	
- 14	135052	.	TERMINAL,QUICK DISCONNECT-NONINS	20AWG		AR	
- 14	187243	.	TERMINAL,LUG-TAPER	20/24AWG 9/16 LG OA		AR	
- 14	320167	.	TERMINAL,QUICK DISCONNECT-NONINS	16AWG		AR	
- 14	360433	.	TERMINAL,QUICK DISCONNECT-	16/18AWG		AR	
- 15	187460	.	TERMINAL,LUG-NONINS	20AWG NO. 8 MTG SLOT		AR	
- 16	216265	.	TERMINAL,QUICK DISCONNECT-NONINS	20AWG		AR	
- 17	216208	.	CLAMP-CABLE CONNECTOR			AR	
- 18	216209	.	SUPPORT-CABLE CONNECTOR CARD			AR	
- 19	216210	.	SPACER-CABLE CONNECTOR			AR	
- 20	259009	.	TERMINAL,QUICK DISCONNECT-	22/24AWG		AR	
- 21	359695	.	TERMINAL,LUG-INS	14/16AWG NO.10 MTG HOLE		AR	
- 22	435599	.	TERMINAL,LUG-NONINS	18AWG NO. 8 MTG SLOT		AR	
- 23	440679	.	CLAMP, CABLE			AR	
- 24	491349	.	PRINTED CIRCUIT BOARD			AR	
- 25	595969	.	RELIEF-RIBBON WIRE STRAIN			AR	
- 26	595978	.	PRINTED CIRCUIT BOARD			AR	
- 27	600844	.	TERMINAL, CRIMP-SMALL TAPER			AR	
- 28	186963	.	TERMINAL, WIRE-NON PLUGGABLE			AR	
- 28	186965	.	TERMINAL,LUG-SPADE			AR	
- 28	186967	.	TERMINAL,LUG-NONINS	20AWG NO.6 MTG SLOT		AR	
- 28	255994	.	TERMINAL,LUG-NONINS	16AWG NO.6 MTG SLOT		AR	
- 29	760274	.	CONNECTOR, 35 POSITION			AR	
- 29	760278	.	CONNECTOR,PLUG,35 POSITION			AR	
- 29	760286	.	CONNECTOR,RECP,ELEC-35 POS			AR	
- 30	598626	.	FERRULE,ELECTRICAL CONDUCTOR-	22/24AWG		AR	
- 31	597178	.	DISK UNIT			AR	
- 32	595522	.	RELIEF-STRAIN			AR	
- 32	595548	.	STRAIN RELIEF, COAX			AR	
- 33	350831	.	SHEATH, CONNECTOR-INNER			AR	
- 33	350836	.	SHEATH, CONNECTOR-OUTER			AR	
- 33	350837	.	SHEATH, CONNECTOR-INNER			AR	
- 33	595725	.	FERRULE,ELECTRICAL CONDUCTOR-INNER			AR	
- 34	559275	.	CONNECTOR SHEATH, INSULATED-OUTER			AR	
- 35	342087	.	RECEPTACLE, TAB			AR	
- 36	339156	.	CLIP, TERMINAL			AR	
- 37	760125	.	SOCKET,SINGLE CONDUCTOR			AR	
- 37	760126	.	SOCKET,SINGLE CONDUCTOR			AR	
- 38	591007	.	FERRULE,ELECTRICAL CONDUCTOR-	22/24AWG		AR	
- 39	595726	.	INSULATION SLEEVING,ELEC-OUTER			AR	
- 40	517913	.	TERMINAL,QUICK DISCONNECT-	12/18AWG		AR	
- 41	538724	.	CONNECTOR,PLUG,ELEC- 3 MALE CONTACTS			AR	
- 42	802570	.	TERMINAL,LUG-TAPER	18/20AWG 0.617 LG OA		AR	
- 43	352149	.	SOCKET			AR	
- 43	530619	.	SOCKET			AR	
- 43	535082	.	PIN-CONTACT FEMALE	16/18AWG		AR	
- 43	535084	.	PIN-CONTACT FEMALE	14AWG		AR	
- 43	535086	.	PIN-CONTACT FEMALE	10AWG		AR	
- 44	550561	.	CONNECTOR,RECP,ELEC- 13 MALE CONTACTS			AR	
- 44	556101	.	INSERT,ELEC CONNECTOR-	13 POSITION		AR	
- 45	477073	.	VALVE, SELENIUM			AR	

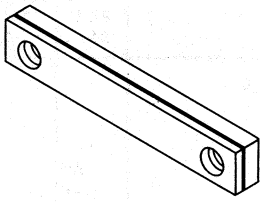
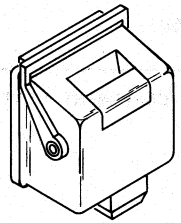
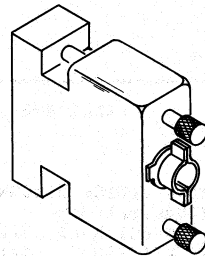
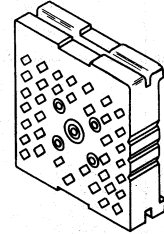
 <p>49</p>	 <p>50</p>	 <p>51</p>	 <p>52</p>

FIGURE 35. CABLE AND JUMPER ASSEMBLY COMPONENT PARTS. SHEET 2 OF 3. INDEX NOS. 25-48. SEE LIST 35.

LIST AND INDEX NO.	PART NO.	DESCRIPTION 1 2 3 4	UNITS PER ASM.	USABLE ON CODE
CABLE AND JUMPER ASSEMBLY COMPONENT PARTS -CONT				
35 - 46 - 47 - 48 - 49 - 50 - 51 - 52	523267 523269 546013 587385 598254 2130330 591000	<ul style="list-style-type: none"> • TERMINAL, QUICK DISCONNECT- 14/18AWG • INSERT, ELECTRICAL CONNECTOR- 6 POS • BLOCK- 32 POSITION CONNECTOR • CLAMP • CONNECTOR ASSEMBLY • CONNECTOR, RECEPTACLE, 20 POSITION • BLOCK ASSEMBLY- 40 POSITION 	AR AR AR AR AR AR AR	

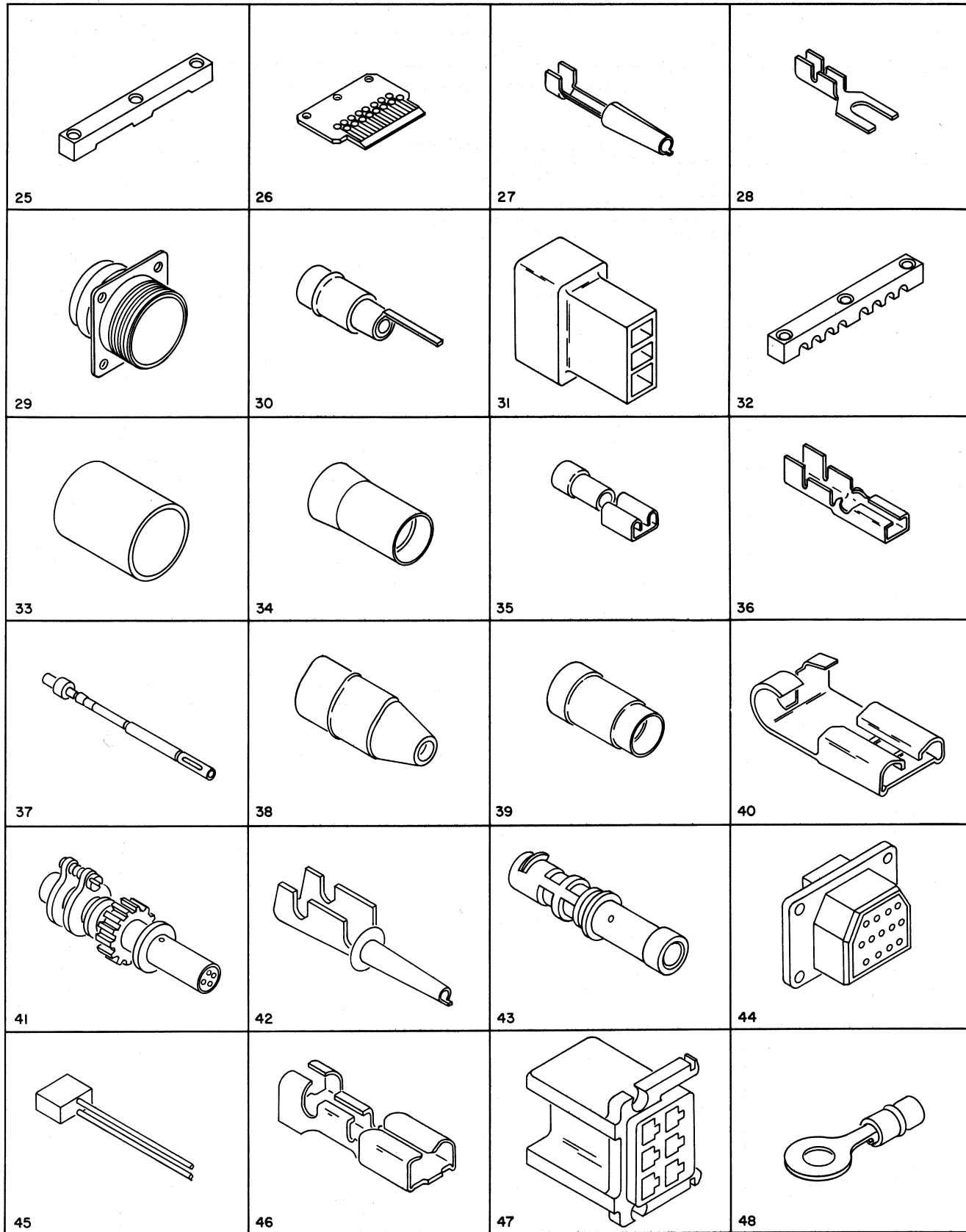


FIGURE 35. CABLE AND JUMPER ASSEMBLY COMPONENT PARTS. SHEET 3 OF 3. INDEX NOS. 49-52. SEE LIST 35.

FEATURES

GROUP ASSEMBLY PARTS LIST

SECTION II

LIST AND INDEX NO.	PART NO.	DESCRIPTION				UNITS PER ASM.	USABLE ON CODE
		1	2	3	4		
		Z AND E FRAME ASSEMBLY					
1 -	NO NO.	FRAME ASSEMBLY-Z AND E					NP
- 1	5321982	SEE FIG. 1 FOR ILLUSTRATION					1
- 1	5321983	. COVER ASSEMBLY, ADDITIONAL FRAME-BLUE SEE SECT. 1 LIST 1-3 FOR DETAIL BREAKDOWN					1
- 1	5321984	. COVER ASSEMBLY, ADDITIONAL FRAME-RED SEE SECT. 1 LIST 1-3 FOR DETAIL BREAKDOWN					1
- 1	362238	. COVER ASSEMBLY, ADDITIONAL FRAME-YELLOW SEE SECT. 1 LIST 1-3 FOR DETAIL BREAKDOWN					1
- 1	362238	. COVER ASSEMBLY,BASIC-GREY SEE SECT.1,LIST 1-3 FOR DETAIL BREAKDOWN					1
- 2	760789	. PLATE-COVER RETAINER				ATT PT	4
- 3	221790	. SCREW,MACH-BIND HD 8-32 X 3/16 LG				ATT PT	4
- 4	760836	. PIVOT-LEFT HAND					4
- 5	760837	. PIVOT-RIGHT HAND					4
- 6	3960	. NUT,PLAIN,HEX- 1/4-20 X 7/16 FL W				ATT PT	8
- 7	76574	. WASHER,LOCK-EXT TEETH 1/4 X 0.510 OD				ATT PT	8
- 8	760835	. CLIP,SPRING TENSION-DOOR HOLDER LOWER					8
- 9	28413	. SCREW,MACH-BIND HD 10-32 X 5/16 LG				ATT PT	8
- 10	45690	. WASHER,FL-ND. 10 X 7/16 OD X 1/32 THK				ATT PT	8
- 11	761111	. FILLER, AIR BAFFLE					AR
- 12	761112	. FILLER, AIR BAFFLE					AR
- 13	5321949	. LOUVER, STEP COVER					2
- 14	5321950	. FRAME, STEP COVER					2
- 15	5321963	. STOP, FILTER					2
- 16	801509	. PIN					4
- 17	5321960	. FILTER, AIR, VERTICAL					1
- 18	760403	. FILTER-LOWER AIR					1
- 19	760833	. FOOT ASSEMBLY-LEVELER					4
- 20	760832	. STUD-LEVELER					4
- 21	801508	. SCREW - LOUVER					4
- 22	36844	. SCREW,MACH-HEX HD 1/4-20X5/8 LG				ATT PT	6
- 23	3960	. NUT,PLAIN,HEX- 1/4-20 X 7/16 FL W				ATT PT	6
- 24	6935	. WASHER,LOCK-SPLIT 1/4 X 0.493 OD				ATT PT	6
- 25	3550	. WASHER,FL- 1/4 X 9/16 OD X 0.050 THK				ATT PT	6
- 26	5319255	. FRAME ASSEMBLY - Z SEE LIST 2 FOR DETAIL BREAKDOWN					1
- 26	5319298	. FRAME ASSEMBLY - E SEE LIST 9 FOR DETAIL BREAKDOWN					1

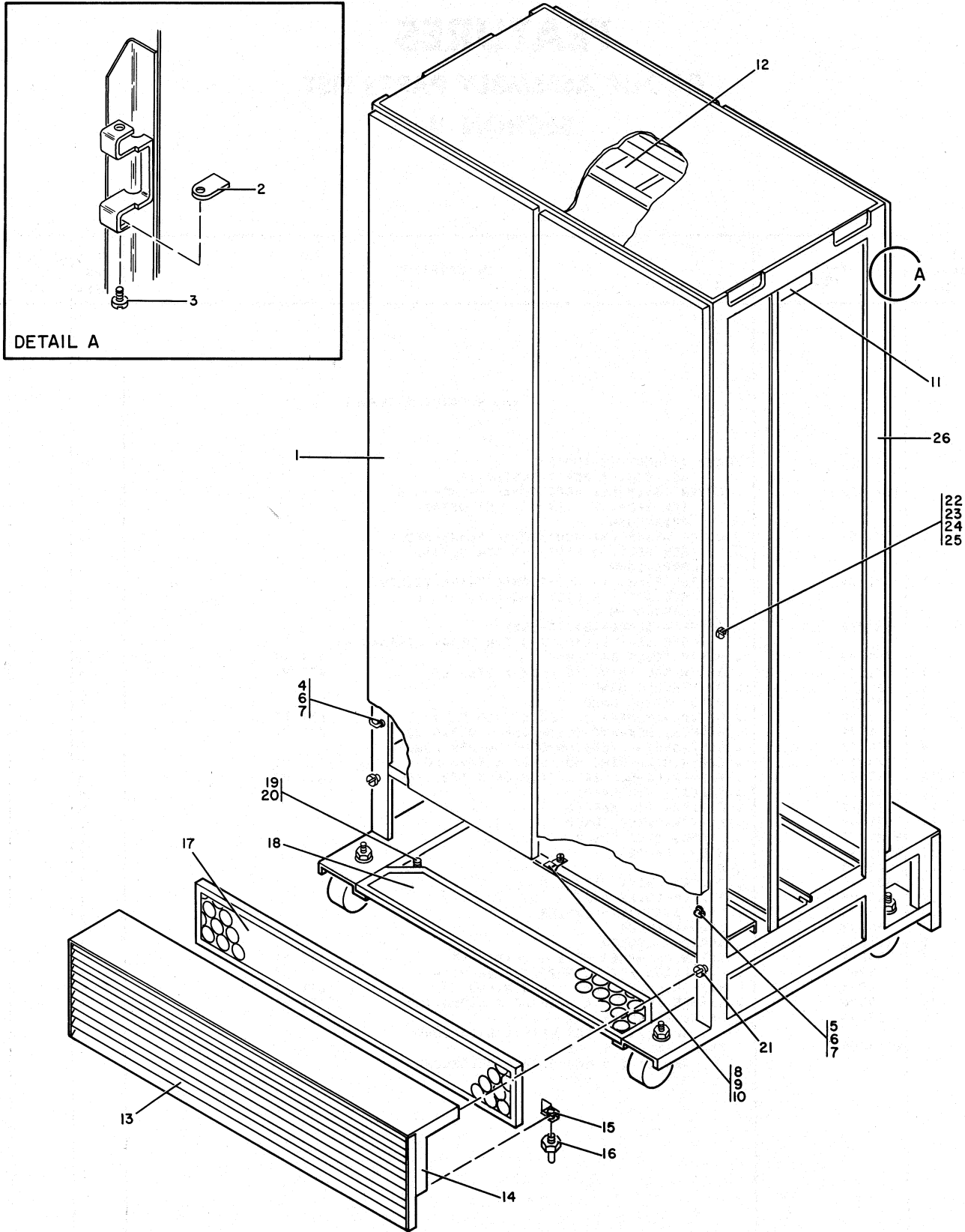


FIGURE 1. Z AND E FRAME ASSEMBLY SEE LIST 1.

LIST AND INDEX NO.	PART NO.	DESCRIPTION				UNITS PER ASM.	USABLE ON CODE
		1	2	3	4		
		Z FRAME ASSEMBLY					
2 -	5319255	FRAME ASSEMBLY - Z SEE LIST 1-26 FOR NEXT HIGHER ASSEMBLY AND FIG. 2 FOR ILLUSTRATION				REF	
- 1	760068	• BUS BAR AND SUPPORT ASSEMBLY SEE SECT. 1 LIST 21 FOR DETAIL BREAKDOWN				1	
- 2	58207	• SCREW, MACH-UNDRCT BIND HD 8-32 X 1/4 LG				ATT PT	2
- 3	10170	• SCREW, MACH-BIND HD 6-32 X 1/4 LG				ATT PT	4
- 4	760745	• LABEL, VOLTAGE-LAMINAR BUS					2
- 5	124943	• LABEL, SAFETY					2
- 6	760221	• CLAMP-ADJUSTABLE CABLE					1
- 7	5327026	• CORE STORAGE, MOD 4 - 60K SEE SECT. 1 LIST 22 FOR DETAIL BREAKDOWN					1
- 7	5327028	• CORE STORAGE, MOD 5 - 80K SEE SECT. 1 LIST 22 FOR DETAIL BREAKDOWN					1
- 8	54291	• SPACER- 0.191 ID X 3/8 OD X 3/8 THK					6
- 9	438589	• SCREW, MACH-BIND HD 8-32 X 1-1/2 LG				ATT PT	6
- 10	257189	• NUT - HEX-8-32UNC THD				ATT PT	6
- 11	55901	• WASHER, LOCK-EXT TEETH NO. 8 X 0.381 OD				ATT PT	12
- 12	207293	• KEEPER-POWER SUPPLY MOUNTING					13
- 13	58207	• SCREW, MACH-UNDRCT BIND HD 8-32 X 1/4 LG				ATT PT	13
- 14	124943	• LABEL, SAFETY					1
- 15	207285	• REGULATOR ASM, 750 WATT FERRO					2
- 16	186943	• SHIELD- 10 POSITION					1
- 17	210984	• SCREW, MACH-RH 6-32 X 1/4 LG				ATT PT	1
- 18	511592	• TERMINAL BOARD-10 SCREW W/FTHRU TERM LUG					1
- 19	207242	• MARKER STRIP- 10 POS NOS. 1 THRU 10					1
- 20	209483	• STUD, TAPPED				ATT PT	1
- 21	209484	• STUD				ATT PT	3
- 22	356742	• CLAMP, LOOP- 0.250 ID 0.177 DIA MTG HOLE					1
- 23	186759	• SCREW, MACH-BIND HD 8-32 X 1/32 LG				ATT PT	1
- 24	60646	• WASHER, LOCK-INT TEETH NO. 8 X 0.340 OD				ATT PT	1
- 25	22478	• WASHER, FL- 0.170 ID 0.375 OD 0.032 THK				ATT PT	1
- 26	207212	• BRACKET-TERMINAL BLOCK MOUNTING					1
- 27	207215	• BRACKET-CHANNEL SUPPORT					1
- 28	24752	• SCREW, MACH-FIL H 8-32 X 5/16 LG				ATT PT	8
- 29	60646	• WASHER, LOCK-INT TEETH NO. 8 X 0.340 OD				ATT PT	8
- 30	208375	• REGULATOR-FERRORESONANT 60 CPS 750W					1
- 31	25895	• SCREW, MACH-FH 1/4-20 X 3/4 LG				ATT PT	4
- 32	36109	• NUT, PLAIN, HEX- 1/4-20 X 7/16 FL W				ATT PT	4
- 33	6935	• WASHER, LOCK-SPLIT 1/4 X 0.493 OD				ATT PT	4
- 34	3550	• WASHER, FL- 1/4 X 9/16 OD X 0.050 THK				ATT PT	4
- 35	76574	• WASHER, LOCK-EXT TEETH 1/4 X 0.510 OD					1
- 36	207218	• CHANNEL- 750W FERRO RESONANT REGULATOR					1
- 37	2300	• SCREW, MACH-FIL H 8-32 X 1/4 LG				ATT PT	3
- 38	60646	• WASHER, LOCK-INT TEETH NO. 8 X 0.340 OD				ATT PT	3
- 39	207203	• PLATE- 750W FERRO-RESONANT REG MAIN					1
- 40	207257	• CAPACITOR ASSEMBLY- FOUR 60 UF CAP					2
- 41	597216	• JUMPER ASM-GRN 9-1/2 14AWG 1 LUG EA END SEE SECT 1. LIST 35 FOR COMPONENT PARTS					1
- 42	207245	• CHANNEL-CAPACITOR MOUNTING					1
- 43	221790	• SCREW, MACH-BIND HD 8-32 X 3/16 LG				ATT PT	2
- 44	28413	• SCREW, MACH-BIND HD 10-32 X 5/16 LG				ATT PT	2
- 45	526378	• INSULATOR, CAP-CAPACITOR					8
- 46	207318	• JUMPER ASM-BLK 5 IN. 14AWG 1 LUG EA END SEE SECT. 1 LIST 35 FOR COMPONENT PARTS					6
- 47	517913	• TERMINAL, QUICK DISCONNECT- 12/18AWG					2
- 48	478047	• CAPACITOR, 15UF 6%330VAC					4
- 49	207206	• BRACKET-CAPACITOR MOUNTING					2

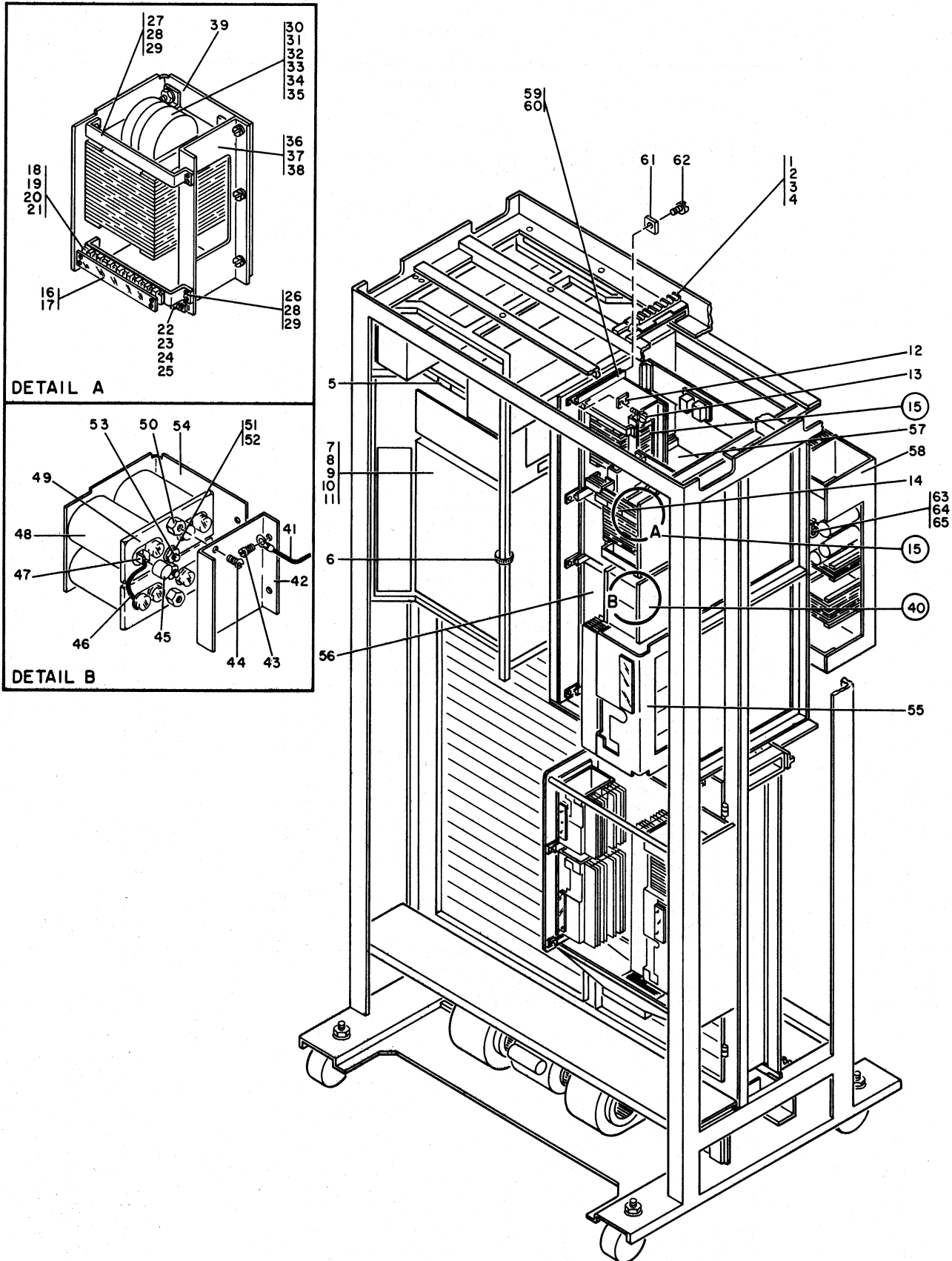


FIGURE 2. Z FRAME ASSEMBLY. SHEET 1 OF 4. INDEX NOS. 1-65. SEE LIST 2.

LIST AND INDEX NO.	PART NO.	DESCRIPTION	UNITS PER ASM.	USABLE ON CODE
Z FRAME ASSEMBLY -CONT				
2 - 50	191483	. . SPACER,HEX 10-32 X 3/8 FW	ATT PT	2
- 51	11598	. . NUT,PLAIN,HEX- 10-32 X 3/8 FL W	ATT PT	2
- 52	56121	. . WASHER,LOCK-INT TEETH NO. 10 X 0.381 OD	ATT PT	2
- 53	478046	. . STUD, CAPACITOR MOUNTING		4
- 54	207221	. . PLATE-CAPACITOR MOUNTING MAIN		1
- 55	473550	. POWER SUPPLY ASM, 30V AT 4A		1
* - 55	207282	SEE SECT. 1 LIST 17 FOR DETAIL BREAKDOWN . POWER SUPPLY ASSEMBLY- 30 VOLT 4 AMP		1 B
* - 56	473390	SEE SECT.1,LIST 17A FOR DETAIL BREAKDOWN . POWER SUPPLY ASSEMBLY- 12C DC 8 AMP		1
- 57	473580	SEE LIST 3 FOR DETAIL BREAKDOWN . POWER SUPPLY ASSY,30 VOLT AT 4 AMP		1
* - 57	207246	SEE SECT. 1 LIST 8 FOR DETAIL BREAKDOWN . POWER SUPPLY ASSEMBLY- 30V DC 4 AMP		1
* - 58	473590	SEE SECT. 1,LIST 8A FOR DETAIL BREAKDOWN . POWER SUPPLY ASSEMBLY, 60V AT 6A		1
* - 58	207255	SEE SECT. 1 LIST 9 FOR DETAIL BREAKDOWN . POWER SUPPLY ASSEMBLY- 60 VOLT 6 AMP		1 B
- 59	207382	SEE SECT. 1,LIST 9A FOR DETAIL BREAKDOWN . RAIL-POWER SUPPLY MOUNTING		13
- 60	332620	. SCREW,MACH-BIND HD 10-32 X 1/2 LG	ATT PT	26
- 61	760444	. PLATE-STOP		13
- 62	55726	. SCREW,MACH-BIND HD 6-32 X 3/16 LG	ATT PT	13
- 63	2102367	. CLAMP,LOOP- 0.700 ID 0.200 DIA MTG HOLE		1
- 64	236849	. SCREW,MACH-BIND HD 10-32 X 1/4 LG	ATT PT	1
- 65	45690	. WASHER,FL-NO. 10 X 7/16 OD X 1/32 THK	ATT PT	1
- 66	383619	. COVER, RELAY PANEL		1
- 67	236849	. SCREW,MACH-BIND HD 10-32 X 1/4 LG		2
- 68	124943	. LABEL,SAFETY		1
- 69	383644	. PANEL ASSEMBLY, VARIAC		1
- 70	236849	. SCREW,MACH-BIND HD 10-32 X 1/4 LG	ATT PT	5
- 71	208308	. . POWERSTAT AND POTENTIOMETER ASSEMBLY SEE SECT. 1 LIST 3-18 FOR DETAIL BREAKDOWN		1
- 72	383743	. . JUMPER ASSEMBLY, GROUND-8 LONG SEE SECT. 1 LIST 35 FOR COMPONENT PARTS		1
- 73	90261	. . SCREW,MACH-BIND HD 1/4-20 X 7/16 LG	ATT PT	4
- 74	76574	. . WASHER,LOCK-EXT TEETH 1/4 X 0.510 OD	ATT PT	1
- 75	220838	. . VARIAC AND POTENTIOMETER ASSEMBLY SEE SECT. 1 LIST 3-7 FOR DETAIL BREAKDOWN		1
- 76	32042	. . SCREW,MACH-BIND HD 10-32 X 3/8 LG	ATT PT	3
- 77	480554	. . JACK		1
- 78	237291	. . INSULATOR WASH- 3/8 ID 5/8 OD 3/32 THK		2
- 79	383614	. . PLATE, VARIAC		1
- 80	383645	. PANEL ASSEMBLY, RELAY AND RESISTOR		1
- 81	10170	. SCREW,MACH-BIND HD 6-32 X 1/4 LG	ATT PT	4
- 82	56079	. WASHER,LOCK-EXT TEETH NO. 10 X 0.410 OD	ATT PT	2
- 83	104753	. . RELAY ASSEMBLY-WIRE CONTACT 4PDT 2 COIL SEE SECT. 1 LIST 5-31 FOR DETAIL BREAKDOWN		1
- 84	196208	. . RELAY ASSEMBLY-WIRE CONTACT 4PDT 2 COIL SEE SECT. 1 LIST 5-30 FOR DETAIL BREAKDOWN		1
- 85	322613	. . RELAY,ARMATURE-CONT ARR 2C AND 2C 115VAC		1
- 86	58207	. . SCREW,MACH-UNDRCT BIND HD 8-32 X 1/4 LG	ATT PT	1
- 87	369222	. . RELAY,ARMATURE- 4ND POLES 115V AC		1
- 88	10170	. . SCREW,MACH-BIND HD 6-32 X 1/4 LG	ATT PT	2
- 89	159941	. . MOLDING ASSEMBLY-TERMINAL 4 POS		2
- 90	308704	. . CLIP, MOLDING	ATT PT	2
- 91	159944	. . CLIP,SPRING TENSION-TERMINAL MOLDING	ATT PT	2
- 92	81693	. . SCREW,MACH-BIND HD 6-32 X 3/8 LG	ATT PT	8
- 93	383616	. . TERMINAL BOARD ASSEMBLY		1
- 94	251970	. . SCREW,MACH-BIND HD 4-40 X 1/4 LG	ATT PT	4

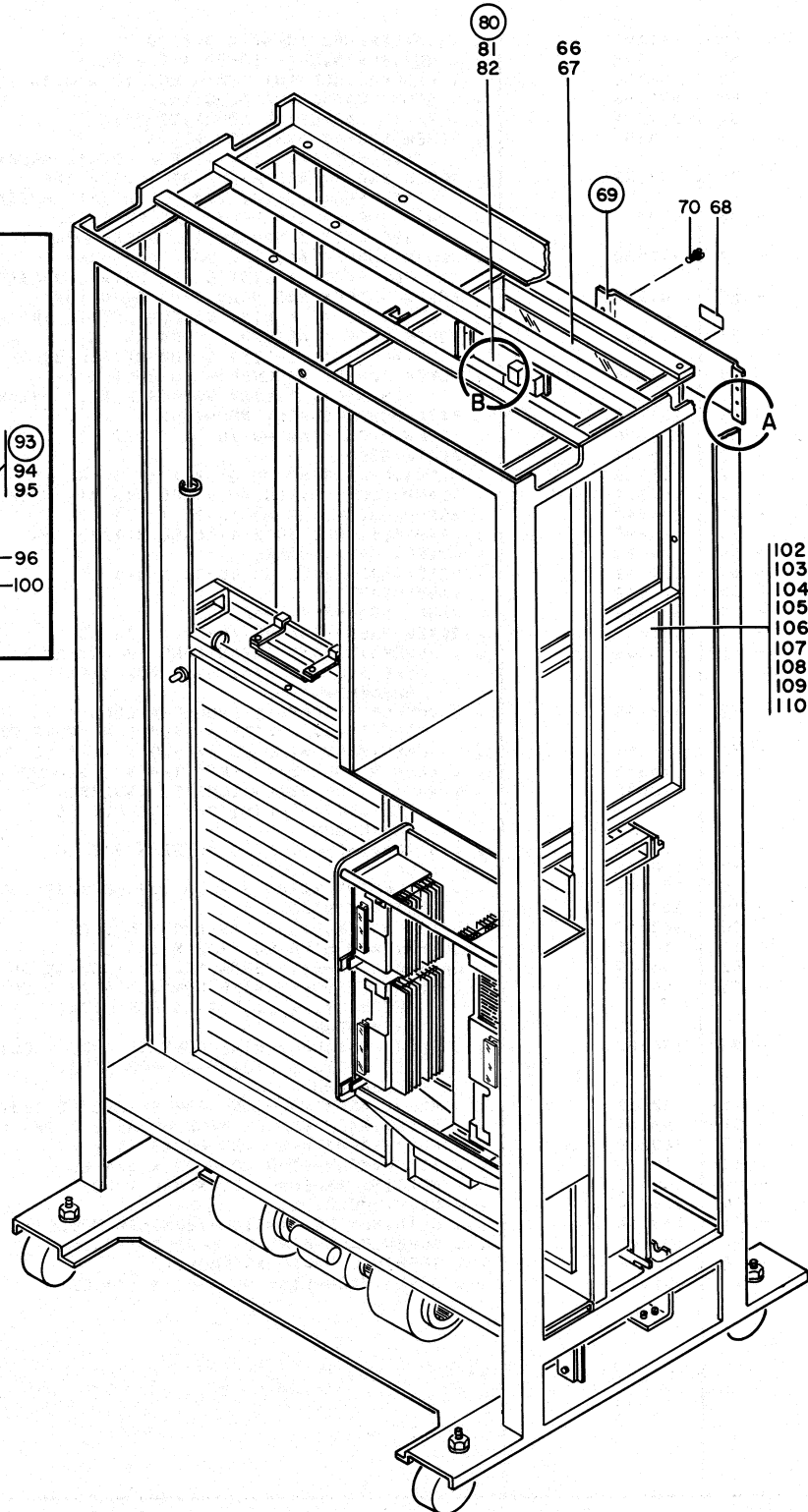
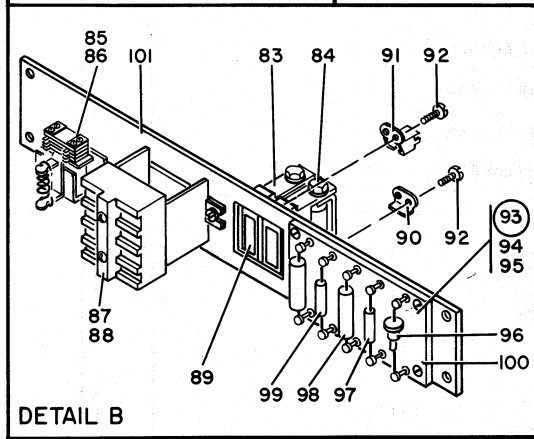
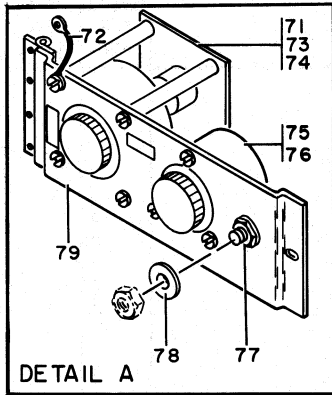


FIGURE 2. Z FRAME ASSEMBLY. SHEET 2 OF 4. INDEX NOS. 66-110. SEE LIST 2.

LIST AND INDEX NO.	PART NO.	DESCRIPTION				UNITS PER ASM.	USABLE ON CODE
		1	2	3	4		
Z FRAME ASSEMBLY -CONT							
2 - 95	138281	• •	WASHER, .125 I.D.-5/16 O.D. X .062 THICK	ATT PT	4		
- 96	333264	• • •	SEMICONDUCTOR DEVICE, DID- 200V 25 AMP		1		
- 97	335138	• • •	RESISTOR, FXD, COMP- 200 OHMS P/M 5% 2W		1		
- 98	607342	• • •	RESISTOR, WIREWOUND 800 OHMS 5 WATTS		2		
- 99	317083	• • •	RESISTOR, FXD, COMP 1.2K P/M 5% 2W		1		
-100	383617	• • •	BOARD, TERMINAL		1		
-101	383618	• •	PANEL, RELAY		1		
-102	383620	•	PANEL, POWER SUPPLY MOUNT		1		
-103	38688	•	SCREW, MACH-HEX HD 1/4-20 X 3/4 LG	ATT PT	4		
-104	3960	•	NUT, PLAIN, HEX- 1/4-20 X 7/16 FL W	ATT PT	4		
-105	6935	•	WASHER, LOCK-SPLIT 1/4 X 0.493 OD	ATT PT	4		
-106	3550	•	WASHER, FL- 1/4 X 9/16 OD X 0.050 THK	ATT PT	4		
-107	32617	•	SCREW, MACH-BIND HD 10-32 X 7/16 LG	ATT PT	2		
-108	11598	•	NUT, PLAIN, HEX- 10-32 X 3/8 FL W	ATT PT	2		
-109	9092	•	WASHER, LOCK-SPLIT NO. 10 X 0.337 OD	ATT PT	2		
-110	45690	•	WASHER, FL-NO. 10 X 7/16 OD X 1/32 THK	ATT PT	2		
-111	207293	•	KEEPER-POWER SUPPLY MOUNTING		5		
-112	58207	•	SCREW, MACH-UNDRCT BIND HD 8-32 X 1/4 LG	ATT PT	5		
-113	473440	•	POWER SUPPLY ASSEMBLY, -6VDC 2AMP		1		
* -113	207258	•	SEE SECT. 1 LIST 16 FOR DETAIL BREAKDOWN POWER SUPPLY ASSEMBLY- 6V DC 2 AMP		1	B	
* -114	473380	•	SEE SECT. 1, LIST 16A FOR DETAIL BREAKDOWN POWER SUPPLY ASSY, 12 VOLT AT 20 AMP		1		
* -114	208258	•	SEE SECT. 1 LIST 15 FOR DETAIL BREAKDOWN POWER SUPPLY ASSEMBLY- 12 VOLT 20 AMP		1	B	
* -115	383742	•	SEE SECT. 1, LIST 15A FOR DETAIL BREAKDOWN COVER, POWER SUPPLY		2		
-116	124943	•	LABEL, SAFETY		1		
-117	477230	•	POWER SUPPLY ASSEMBLY, 36V AT 2A		1		
* -117	207276	•	SEE SECT. 1 LIST 18 FOR DETAIL BREAKDOWN POWER SUPPLY ASSEMBLY- 36 VOLT 2 AMP		1	B	
* -118	207382	•	SEE SECT. 1, LIST 18A FOR DETAIL BREAKDOWN RAIL-POWER SUPPLY MOUNTING		5		
-119	5677	•	SCREW, MACH-BIND HD 10-32 X 3/4 LG	ATT PT	1		
-120	11598	•	NUT, PLAIN, HEX- 10-32 X 3/8 FL W	ATT PT	1		
-121	56079	•	WASHER, LOCK-EXT TEETH NO. 10 X 0.410 OD	ATT PT	1		
-122	332620	•	SCREW, MACH-BIND HD 10-32 X 1/2 LG	ATT PT	9		
-123	760444	•	PLATE-STOP		5		
-124	55726	•	SCREW, MACH-BIND HD 6-32 X 3/16 LG	ATT PT	5		
-125	597152	•	FAN ASSEMBLY-CARD GATE LOWER		1		
-126	28413	•	SCREW, MACH-BIND HD 10-32 X 5/16 LG	ATT PT	2		
-127	11598	•	NUT, PLAIN, HEX- 10-32 X 3/8 FL W	ATT PT	2		
-128	55726	•	SCREW, MACH-BIND HD 6-32 X 3/16 LG	ATT PT	2		
-129	257986	•	WASHER, FL-NO. 6 X 5/8 OD X 0.035 THK	ATT PT	2		
-130	194378	• •	CLAMP-FAN CABLE		1		
-131	179425	• •	FAN AND GUARD ASSEMBLY		1		
-132	58207	• •	SCREW, MACH-UNDRCT BIND HD 8-32 X 1/4 LG	ATT PT	4		
-133	55901	• •	WASHER, LOCK-EXT TEETH NO. 8 X 0.381 OD	ATT PT	4		
-134	177905	• • •	GUARD-FAN MOUNTING		1		
-135	177946	• • •	GUARD-FAN		1		
-136	322550	• • •	SCREW, MACH-BIND HD 6-32 X 1/2 LG	ATT PT	8		
-137	257187	• • •	NUT, PLAIN, HEX- 6-32 X 5/16 FL W	ATT PT	8		
-138	480991	• • •	FAN ASSEMBLY		1		
-139	480990	• • •	CABLE ASM, SPECIAL PURPOSE, ELECTRICAL PART OF ASSEMBLY 480991 ONLY SEE SECT. 1 LIST 35 FOR COMPONENT PARTS		1		
-140	113821	• • •	TUBING PART OF ASSEMBLY 480991 ONLY		AR		
-141	182375	• • •	TUBING, SPAGHETTI PART OF ASSEMBLY 480991 ONLY		AR		
-142	597300	• • •	FAN, AXIAL- 115V AC 1PH 60CP PART OF ASSEMBLY 480991 ONLY		1		
-143	597348	• •	PLENUM-FAN LOWER		1		
-144	383624	•	BRACKET, FAN		1		

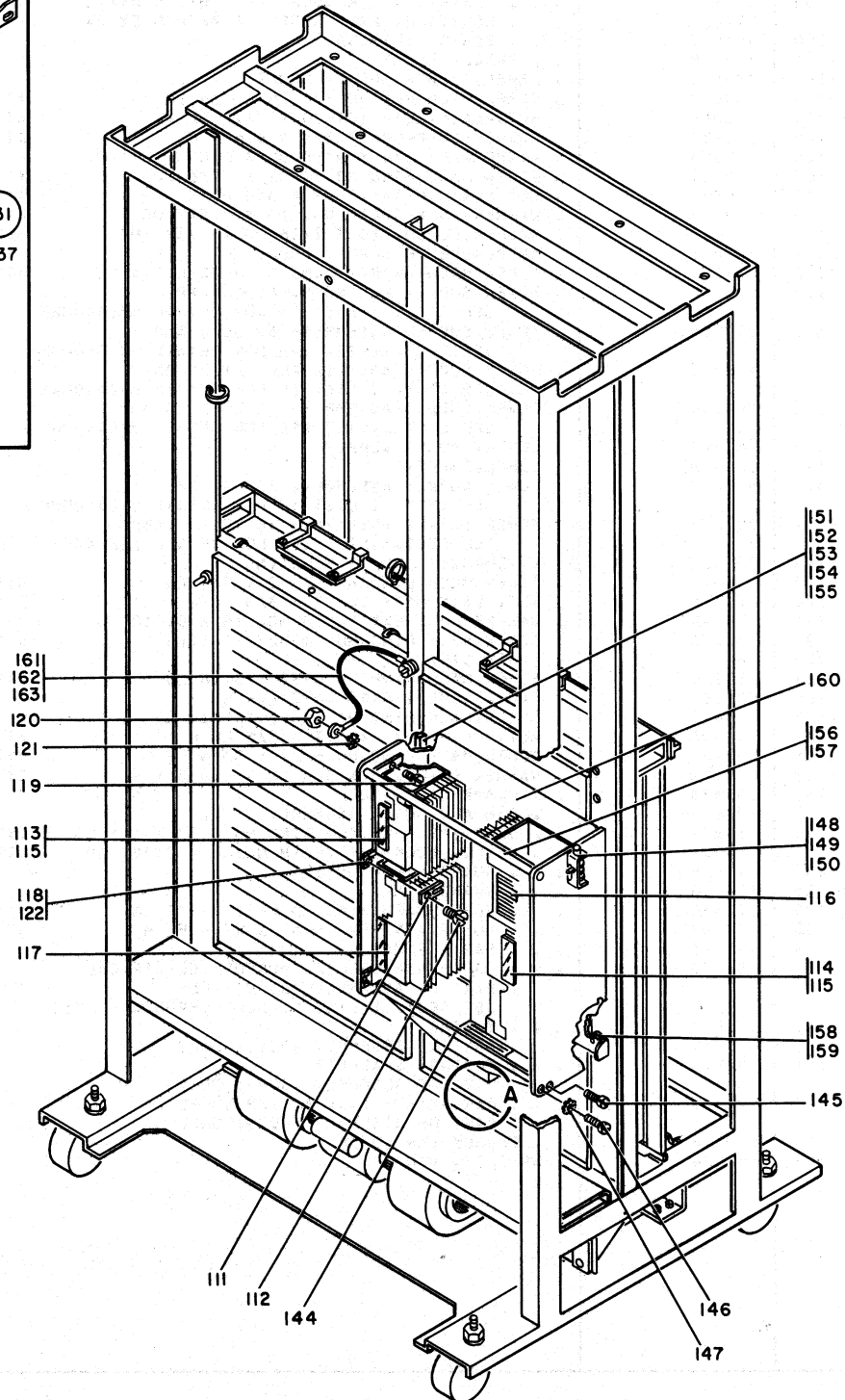
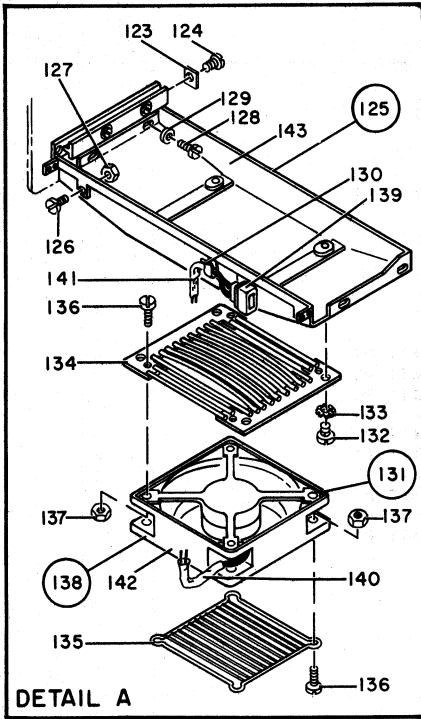


FIGURE 2. Z FRAME ASSEMBLY. SHEET 3 OF 4. INDEX NOS. 111-163. SEE LIST 2.

LIST AND INDEX NO.	PART NO.	DESCRIPTION				UNITS PER ASM.	USABLE ON CODE
		1	2	3	4		
		Z FRAME ASSEMBLY -CONT					
2 -145	10170	•	SCREW,MACH-BIND HD 6-32 X 1/4 LG	ATT PT	3		
-146	81693	•	SCREW,MACH-BIND HD 6-32 X 3/8 LG	ATT PT	1		
-147	56722	•	WASHER,LOCK-EXT TEETH NO. 6 X 5/16 OD	ATT PT	1		
-148	760447	•	LATCH ASSEMBLY		1		
			SEE SECT. 1 LIST 5-99 FOR DETAIL BREAKDOWN				
-149	34512	•	SCREW,MACH-BIND HD 8-32 X 3/8 LG	ATT PT	2		
-150	22478	•	WASHER,FL- 0.170 ID 0.375 OD 0.032 THK	ATT PT	2		
-151	124871	•	HINGE- REAR GATE		2		
-152	383625	•	SPACER, HINGED HOUSING		2		
-153	36112	•	SCREW,MACH-HEX HD 1/4-20 X 1-1/2 LG	ATT PT	4		
-154	3960	•	NUT,PLAIN,HEX- 1/4-20 X 7/16 FL W	ATT PT	4		
-155	6935	•	WASHER,LOCK-SPLIT 1/4 X 0.493 OD	ATT PT	4		
-156	383737	•	ROD, REINFORCEMENT		1		
-157	34512	•	SCREW,MACH-BIND HD 8-32 X 3/8 LG	ATT PT	2		
-158	78916	•	BUTTON-CUSHION		2		
-159	32042	•	SCREW,MACH-BIND HD 10-32 X 3/8 LG	ATT PT	2		
-160	383613	•	HOUSING, POWER SUPPLY-HINGED		1		
-161	535964	•	JUMPER ASSEMBLY		1		
			SEE SECT. 1 LIST 35 FOR COMPONENT PARTS				
-162	236849	•	SCREW,MACH-BIND HD 10-32 X 1/4 LG	ATT PT	1		
-163	56079	•	WASHER,LOCK-EXT TEETH NO. 10 X 0.410 OD	ATT PT	1		
-164	762458	•	THERMOSWITCH ASSEMBLY N/C 122 DEGREES F		2		
			SEE SECT. 1 LIST 20-38 FOR DETAIL BREAKDOWN				
-165	760221	•	CLAMP-ADJUSTABLE CABLE		4		
-166	761107	•	CLIP,SPRING TENSION-LATCH STRIKE		2		
-167	760305	•	HINGE-KNUCKLE		4		
-168	518704	•	SCREW,MACH-BIND HD 1/4-20 X 1/4 LG	ATT PT	4		
-169	65756	•	WASHER,LOCK-INT TEETH 1/4 ID X 0.478 OD	ATT PT	4		
-170	760307	•	DOOR-INNER		2		
-171	223528	•	RUBBER CHANNEL-COVERS		AR		
-172	760416	•	BAFFLE, CHASSIS TO FRAME-SPECIAL		1		
-173	760152	•	BAFFLE, LARGE CHASSIS TO FRAME		1		
-174	80651	•	SCREW,THD CTG-BIND HD 6-32 X 3/8 LG	ATT PT	6		
-175	383697	•	CHASSIS ASSEMBLY		1		
			SEE LIST 4 FOR DETAIL BREAKDOWN				
-176	5319246	•	CHASSIS ASSEMBLY		1		
			SEE LIST 4 FOR DETAIL BREAKDOWN				
-177	34512	•	SCREW,MACH-BIND HD 8-32 X 3/8 LG	ATT PT	8		
-178	760306	•	PIVOT-HINGE		4		
-179	438622	•	SCREW,MACH-UNDRCT BIND HD 1/4-20 X 3/8	ATT PT	4		
-180	65756	•	WASHER,LOCK-INT TEETH 1/4 ID X 0.478 OD	ATT PT	4		
-181	760304	•	CATCH, SPRING		2		
-182	236849	•	SCREW,MACH-BIND HD 10-32 X 1/4 LG	ATT PT	2		
-183	760303	•	CATCH-PULL		2		
-184	225532	•	HINGE,GATE		2		
-185	383625	•	SPACER, HINGED HOUSING		2		
-186	36112	•	SCREW,MACH-HEX HD 1/4-20 X 1-1/2 LG	ATT PT	4		
-187	3960	•	NUT,PLAIN,HEX- 1/4-20 X 7/16 FL W	ATT PT	4		
-188	6935	•	WASHER,LOCK-SPLIT 1/4 X 0.493 OD	ATT PT	4		
-189	2102367	•	CLAMP,LOOP- 0.700 ID 0.200 DIA MTG HOLE		1		
-190	28413	•	SCREW,MACH-BIND HD 10-32 X 5/16 LG	ATT PT	1		
-191	2102368	•	CLAMP,LOOP- 0.880 ID 0.200 DIA MTG HOLE		1		
-192	5528	•	SCREW,MACH-BIND HD 8-32 X 5/8 LG	ATT PT	1		
-193	760159	•	BLOWER ASSEMBLY		1		
			SEE SECT. 1 LIST 13 FOR DETAIL BREAKDOWN				
-194	443	•	SCREW,MACH-FIL H 10-32 X 3/8 LG	ATT PT	4		

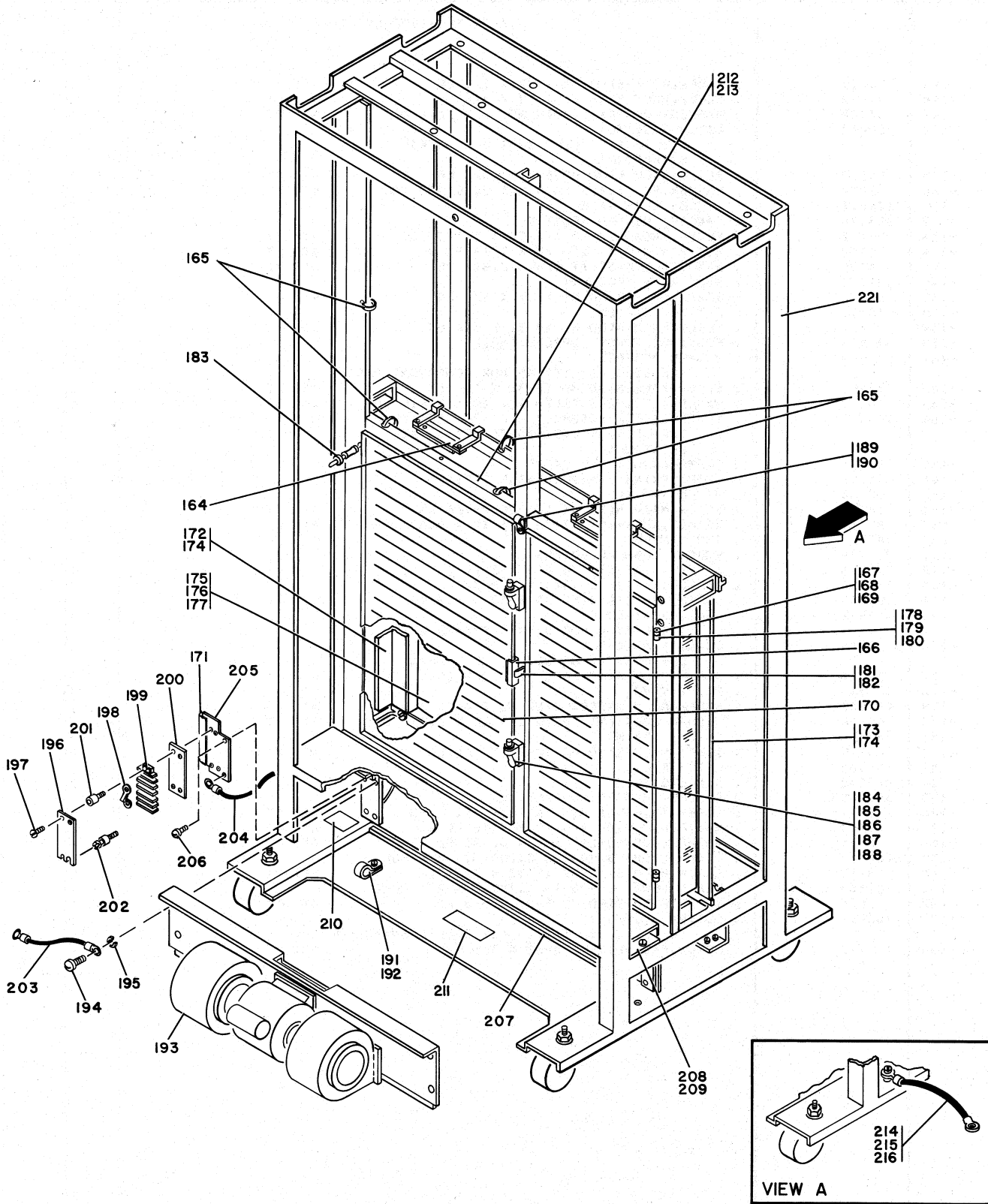


FIGURE 2. Z FRAME ASSEMBLY. SHEET 4 OF 4. INDEX NOS. 164-221. SEE LIST 2.

LIST AND INDEX NO.	PART NO.	DESCRIPTION	UNITS	USABLE
			PER ASM.	ON CODE
		Z FRAME ASSEMBLY -CONT		
2 -195	9092	• WASHER, LOCK-SPLIT NO. 10 X 0.337 OD	ATT PT	4
-196	186945	• SHIELD- 8 POSITION		1
-197	210984	• SCREW, MACH-RH 6-32 X 1/4 LG	ATT PT	1
-198	367115	• JUMPER-TERMINAL STRIP VDC DISTR BRS		4
-199	317145	• TERMINAL BOARD- 8 DBL SCREW TERMINALS		1
-200	242256	• MARKER STRIP- 8 POS NOS. 1 THRU 8		1
-201	210883	• STUD, EXT- 6-32 INT EXT THD X 0.900 LG OA	ATT PT	1
-202	210884	• STUD-SHIELD	ATT PT	3
-203	515355	• JUMPER ASSEMBLY		1
		SEE SECT. 1 LIST 35 FOR COMPONENT PARTS		
-204	761386	• JUMPER ASM-GRN 15 IN. 14AWG 1 LUG EA END		1
		SEE SECT. 1 LIST 35 FOR COMPONENT PARTS		
-205	760150	• FILLER		2
-206	10170	• SCREW, MACH-BIND HD 6-32 X 1/4 LG	ATT PT	4
-207	352018	• SEAL-SIDE COVER		AR 1
-208	760077	• COVER		1
-209	58207	• SCREW, MACH-UNDRCT BIND HD 8-32 X 1/4 LG	ATT PT	2
-210	138754	• PLATE, INST-LINE V PRESENT W/MACH PWR OFF		1
-211	369207	• PLATE, INST-HAZARDOUS AREA		1
-212	760135	• SUPPORT, HORIZONTAL COVER		2
-213	186759	• SCREW, MACH-BIND HD 8-32 X 1/32 LG	ATT PT	4
-214	597216	• JUMPER ASM-GRN 9-1/2 14AWG 1 LUG EA END		1
		SEE SECT. 1 LIST 35 FOR COMPONENT PARTS		
-215	236849	• SCREW, MACH-BIND HD 10-32 X 1/4 LG	ATT PT	1
-216	56121	• WASHER, LOCK-INT TEETH NO. 10 X 0.381 OD	ATT PT	1
-217	383653	• CABLE ASSEMBLY		1
-218	760245	• CABLE ASM-16 WIRE		7
-219	760730	• CABLE ASSEMBLY		1
-220	5327455	• CABLE ASSEMBLY		1
		NOT ILLUSTRATED		
		SEE SECT. 1 LIST 35 FOR COMPONENT PARTS		
-221	5321941	• FRAME ASSEMBLY-WELDED		1
		SEE SECT. 1 LIST 30 FOR DETAIL BREAKDOWN		
		12VDC AT 8A POWER SUPPLY ASSEMBLY		
3 -	473390	POWER SUPPLY ASSEMBLY- 12C DC 8 AMP		REF
		SEE LIST 2-56 FOR NEXT HIGHER ASSEMBLY		
		AND FIG. 3 FOR ILLUSTRATION		
- 1	370610	• CARD ASSY		1
- 2	2100760	• RING-CLIP		3
- 3	2101326	• TERMINAL, LUG-INS 10/12AWG NO.10 MTG HOLE		12
- 4	92784	• TERMINAL, LUG-INS 18-20AWG NO.8 MTG HOLE		5
- 5	94856	• TERMINAL LUG		1
- 6	334921	• TERMINAL, LUG-INS 16/22AWG NO. 6 MTG HOLE		2
- 7	334932	• TERMINAL, LUG-INS 16/22AWG NO.10 MTG HOLE		3
- 8	359695	• TERMINAL, LUG-INS 14/16AWG NO.10 MTG HOLE		12
- 9	360370	• TERMINAL, LUG-INS 14/16AWG NO. 8 MTG HOLE		3
- 10	473395	• HEAT SINK, POWER SUPPLY		1
- 11	28413	• SCREW, MACH-BIND HD 10-32 X 5/16 LG	ATT PT	8
- 12	216206	• GUIDE-SINGLE CARD LONG		2
- 13	473530	• BRACKET		1
- 14	38235	• SCREW, MACH-FIL H 6-32 X 5/16 LG	ATT PT	2
- 15	38051	• NUT, PLAIN, HEX- 6-32 X 1/4 FL W	ATT PT	2

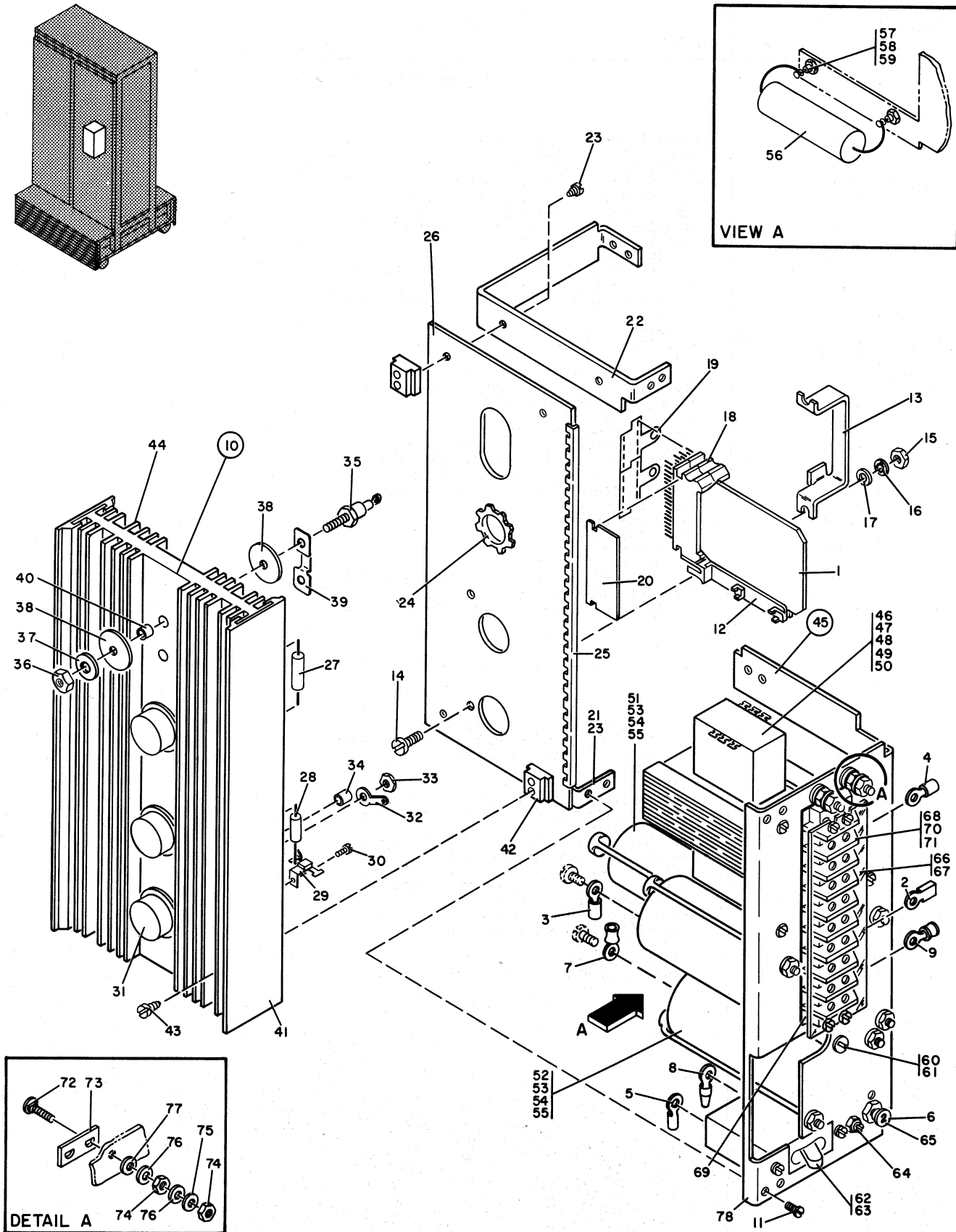


FIGURE 3. 12VDC AT 8A POWER SUPPLY ASSEMBLY. SEE LIST 3.

LIST AND INDEX NO.	PART NO.	DESCRIPTION				UNITS PER ASM.	USABLE ON CODE
		1	2	3	4		
		12VDC AT 8A POWER SUPPLY ASSEMBLY --CONT					
3 - 16	62031	..	WASHER, LOCK-INT TEETH NO. 6 X 0.295 OD	ATT PT		2	
- 17	257986	..	WASHER, FL-NO. 6 X 5/8 OD X 0.035 THK	ATT PT		2	
- 18	216076	..	TERMINAL BLOCK AND CONTACT ASSEMBLY			2	
- 19	730177	..	BUSS - RECEPTACLE - 8 POSITION			2	
- 20	473547	..	SPACER, 1 X 2 3/8 IN .12 IN THICK			1	
- 21	730175	..	BRACKET - UPPER UNIT SUPPORT			1	
- 22	730176	..	BRACKET - LOWER UNIT SUPPORT			1	
- 23	473544	..	SCREW, BINDING HEAD SELF TAP NO 6 1/2 IN	ATT PT		4	
- 24	473533	..	GROMMET			AR	
- 25	473442	..	GROMMET - CATERPILLAR			1	
- 26	473399	..	COVER, AIR SEAL			1	
- 27	207324	..	RESISTOR, FXD, WW- 0.1 OHM P/M 5% 5W			3	
- 28	335138	..	RESISTOR, FXD, COMP- 200 OHMS P/M 5% 2W			1	
- 29	478045	..	TERMINAL - SOLDER			3	
- 30	70078	..	SCREW, THD FORMING-BIND HD	ATT PT		3	
- 31	369214	..	TRANSISTOR, TYPE 108			3	
- 32	316996	..	TERMINAL, LUG-NONINS 9AWG NO. 8 MTG HOLE			1	
- 33	11891	..	NUT, PLAIN, HEX- 10-32 X 3/8 FL W BRS	ATT PT		3	
- 34	219423	..	TUBE, RUBBER- 0.085 ID X 0.120 OD X 2 LG			6	
- 35	216197	..	RECTIFIER			2	
- 36	11891	..	NUT, PLAIN, HEX- 10-32 X 3/8 FL W BRS	ATT PT		2	
- 37	45690	..	WASHER, FL-NO. 10 X 7/16 OD X 1/32 THK	ATT PT		2	
- 38	217019	..	WASHER, INSULATING	ATT PT		4	
- 39	478043	..	JUMPER - PLATE			1	
- 40	473582	..	INSULATOR			2	
- 41	473536	..	SEAL			AR	
- 42	473531	..	INSULATOR			6	
- 43	79779	..	SCREW, THD CTG-BIND HD NO. 6 X 3/4 LG	ATT PT		4	
- 44	473383	..	CABLE ASSY			1	
- 45	473394	..	MOUNTING PLATE, COMPONENT, 12VDC AT 8A			1	
- 46	473466	..	TRANSFORMER, POWER			1	
- 47	332620	..	SCREW, MACH-BIND HD 10-32 X 1/2 LG	ATT PT		4	
- 48	11598	..	NUT, PLAIN, HEX- 10-32 X 3/8 FL W	ATT PT		4	
- 49	56121	..	WASHER, LOCK-INT TEETH NO. 10 X 0.381 OD	ATT PT		4	
- 50	47242	..	WASHER, FL-NO. 12 X 1/2 OD X 0.062 THK	ATT PT		4	
- 51	208230	..	CAPACITOR, FXD, ELECT- 7000 UF 13V			1	
- 52	501544	..	CAPACITOR, FXD, ELECT- 10000UF P100M10%25V			3	
- 53	473543	..	CLAMP	ATT PT		8	
- 54	38051	..	NUT, PLAIN, HEX- 6-32 X 1/4 FL W	ATT PT		8	
- 55	62031	..	WASHER, LOCK-INT TEETH NO. 6 X 0.295 OD	ATT PT		8	
- 56	207310	..	CAPACITOR, FXD, ELECT- 100 UF P100M10% 25V			1	
- 57	533534	..	TERMINAL			2	
- 58	10170	..	SCREW, MACH-BIND HD 6-32 X 1/4 LG	ATT PT		2	
- 59	62031	..	WASHER, LOCK-INT TEETH NO. 6 X 0.295 OD	ATT PT		2	
- 60	528139	..	RESISTOR- 100 OHMS P/M 5% 5W			1	
- 61	60646	..	WASHER, LOCK-INT TEETH NO. 8 X 0.340 OD	ATT PT		2	
- 62	208204	..	CIRCUIT BREAKER- 1 POLE 60V DC 10 AMP			1	
- 63	10170	..	SCREW, MACH-BIND HD 6-32 X 1/4 LG	ATT PT		2	
- 64	207340	..	RESISTOR, VAR-COMP 250 OHMS P/M 10% 1/2W			1	
- 65	220915	..	CIRCUIT BREAKER-THERMAL			1	
- 66	473545	..	SHIELD, 9 POSITION			1	
- 67	210984	..	SCREW, MACH-RH 6-32 X 1/4 LG	ATT PT		1	
- 68	323844	..	BLOCK, TERMINAL 9 POSITION			1	
- 69	512583	..	INSULATOR			1	
- 70	209483	..	STUD, TAPPED	ATT PT		1	
- 71	209484	..	STUD	ATT PT		3	
- 72	473402	..	STUD - TERMINAL			2	
- 73	473392	..	INSULATOR			1	

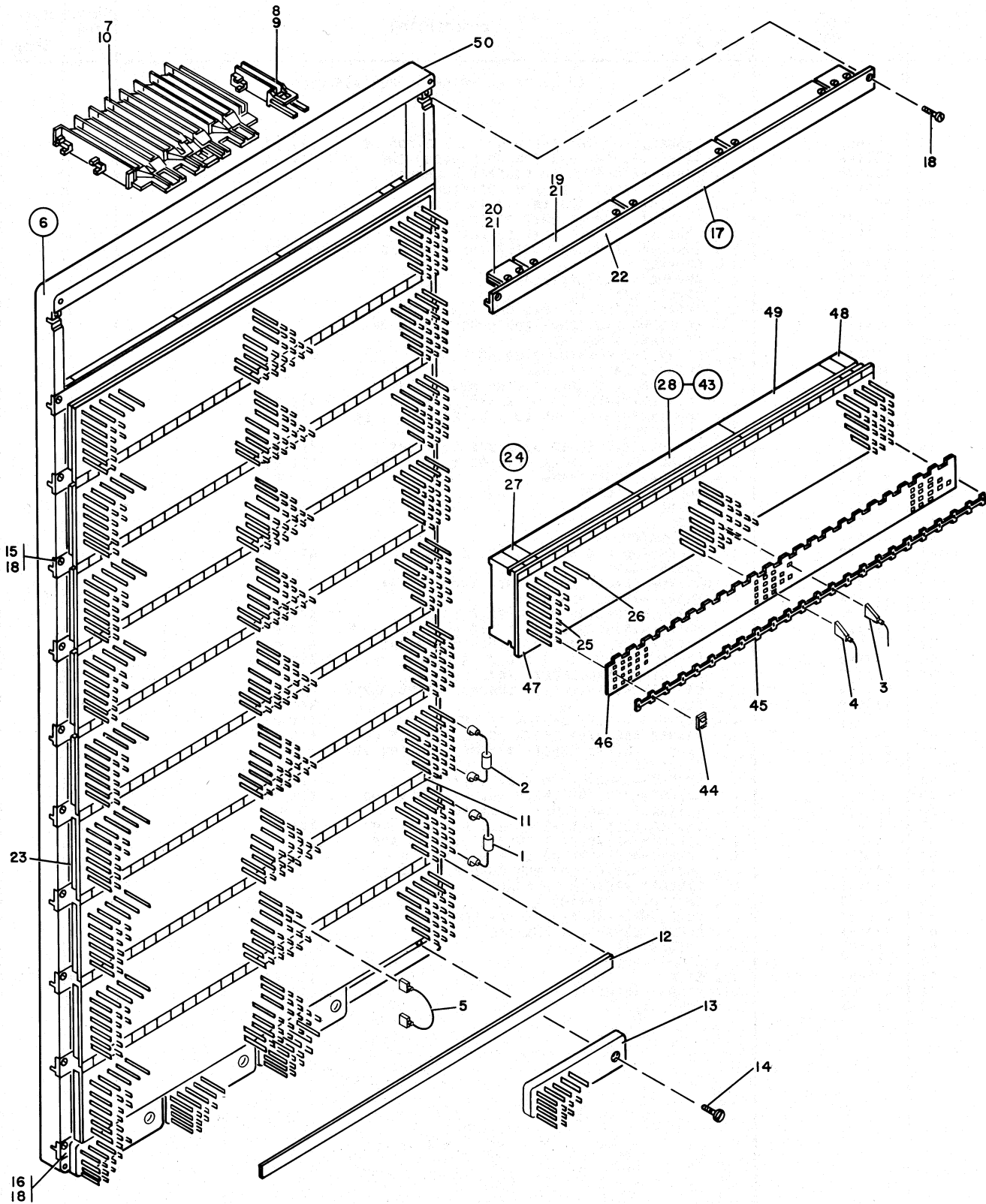


FIGURE 4. CHASSIS ASSEMBLY. SEE LIST 4.

LIST AND INDEX NO.	PART NO.	DESCRIPTION	UNITS PER ASM.	USABLE ON CODE
12VDC AT 8A POWER SUPPLY ASSEMBLY -CONT				
3 - 74	11891	. . NUT,PLAIN,HEX- 10-32 X 3/8 FL W BRS	ATT PT	4
- 75	45690	. . WASHER,FL-NO. 10 X 7/16 OD X 1/32 THK	ATT PT	2
- 76	45697	. . WASHER,FLAT 17/32 OD X 0.016 THK	ATT PT	4
- 77	257354	. . WASHER,NM- 0.195 ID 5/16 OD 0.062 THK	ATT PT	2
- 78	473397	. . PLATE, COMPONENT MOUNTING		1
CHASSIS ASSEMBLY				
4 -	383697	CHASSIS ASSEMBLY SEE LIST 2-175 FOR NEXT HIGHER ASSEMBLY AND FIG. 4 FOR ILLUSTRATION		REF
-	5319246	CHASSIS ASSEMBLY SEE LIST 2-176 FOR NEXT HIGHER ASSEMBLY AND FIG. 4 FOR ILLUSTRATION		REF
- 1	762464	. CAPACITOR ASSEMBLY USED ON ASSEMBLY 383697 ONLY SEE SECT. 1 LIST 35 FOR COMPONENT PARTS		1
- 2	762581	. CAPACITOR ASSEMBLY,10 MFD 25VNP		27
- 2	762581	. CAPACITOR ASSEMBLY,10 MFD 25VNP USED ON ASSEMBLY 383697 ONLY		26
- 2	762581	. CAPACITOR ASSEMBLY,10 MFD 25VNP USED ON ASSEMBLY 5319246 ONLY SEE SECT. 1 LIST 35 FOR COMPONENT PARTS		9
- 3	532078	. JUMPER ASSEMBLY USED ON ASSEMBLY 383697 ONLY		52
- 3	532078	. JUMPER ASSEMBLY		51
- 3	532078	. JUMPER ASSEMBLY USED ON ASSEMBLY 5319246 ONLY SEE SECT. 1 LIST 35 FOR COMPONENT PARTS		58
- 4	539269	. JUMPER ASSEMBLY, 18 LONG		1
- 4	539269	. JUMPER ASSEMBLY, 18 LONG SEE SECT. 1 LIST 35 FOR COMPONENT PARTS		1
- 5	216308	. JUMPER ASSEMBLY USED ON ASSEMBLY 5319246 ONLY SEE SECT. 1 LIST 35 FOR COMPONENT PARTS		1
- 6	760050	. CHASSIS ASSEMBLY USED ON ASSEMBLY 383697 ONLY		1
- 6	383692	. CHASSIS ASSEMBLY USED ON ASSEMBLY 5319246 ONLY		1
- 7	216085	. . GUIDE-CARD B POSITION LONG		AR
- 8	216206	. . GUIDE-SINGLE CARD LONG		AR
- 9	216231	. . GUIDE- 8 POSITION CARD		AR
- 10	216207	. . GUIDE-SINGLE CARD SHORT		AR
- 11	216286	. . LABEL-NUMBERING R TO L 1 THRU 28		11
- 12	216215	. . BUS-GROUND PLANE		AR
- 13	216295	. . CONNECTOR,RECP,ELEC- 28 MALE CONTACTS		4
- 14	38262	. . SCREW,MACH-FIL H 4-40 X 1/4 LG	ATT PT	12
- 15	216093	. . T BAR-TERMINAL MOUNTING		9
- 16	216293	. . T BAR-EDGE CONNECTOR MOUNTING		1
- 17	216296	. . T BAR AND ADAPTER ASSEMBLY		1
- 18	10170	. . SCREW,MACH-BIND HD 6-32 X 1/4 LG	ATT PT	22
- 19	216091	. . . ADAPTER-CARD GUIDE		3
- 20	216212	. . . ADAPTER-SINGLE CARD GUIDE		2
- 21	38264	. . . SCREW,MACH-FIL H 4-40 X 3/8 LG	ATT PT	10
- 22	216292	. . . T BAR-ADAPTER AND EDGE CONNECTOR MTG		1
- 23	216297	. . SEAL,RUB STRIP- 11/16 W X 1/8 THK		AR

LIST AND INDEX NO.	PART NO.	DESCRIPTION 1 2 3 4	UNITS PER ASM.	USABLE ON CODE
CHASSIS ASSEMBLY -CONT				
4 - 24	216076	. . TERMINAL BLOCK AND CONTACT ASSEMBLY USED ON ASSEMBLY 760050 ONLY	2	
- 25	216087	. . . SPRING-CONTACT	AR	
- 26	216088	. . . SPRING-CONTACT	AR	
- 27	216073	. . . CARD RECEPTACLE- 1 POSITION	AR	
- 28	762555	. . ROW ASSEMBLY, CARD RECEPTACLE USED ON ASSEMBLY 760050 ONLY	1	
- 29	762556	. . ROW ASSEMBLY, CARD RECEPTACLE USED ON ASSEMBLY 760050 ONLY	2	
- 30	762557	. . ROW ASSEMBLY, CARD RECEPTACLE USED ON ASSEMBLY 760050 ONLY	1	
- 31	762558	. . ROW ASSEMBLY, CARD RECEPTACLE USED ON ASSEMBLY 760050 ONLY	1	
- 32	762559	. . ROW ASSEMBLY, CARD RECEPTACLE USED ON ASSEMBLY 760050 ONLY	1	
- 33	762560	. . ROW ASSEMBLY, CARD RECEPTACLE USED ON ASSEMBLY 760050 ONLY	1	
- 34	762561	. . ROW ASSEMBLY, CARD RECEPTACLE USED ON ASSEMBLY 760050 ONLY	1	
- 35	762562	. . ROW ASSEMBLY, CARD RECEPTACLE USED ON ASSEMBLY 760050 ONLY	1	
- 36	762563	. . ROW ASSEMBLY, CARD RECEPTACLE USED ON ASSEMBLY 760050 ONLY	1	
- 37	383691	. . ROW ASSEMBLY, CARD RECEPTACLE USED ON ASSEMBLY 383692 ONLY	1	
- 38	762565	. . ROW ASSEMBLY, CARD RECEPTACLE USED ON ASSEMBLY 383692 ONLY	3	
- 39	762566	. . ROW ASSEMBLY, CARD RECEPTACLE USED ON ASSEMBLY 383692 ONLY	2	
- 40	762567	. . ROW ASSEMBLY, CARD RECEPTACLE USED ON ASSEMBLY 383692 ONLY	1	
- 41	762568	. . ROW ASSEMBLY, CARD RECEPTACLE USED ON ASSEMBLY 383692 ONLY	1	
- 42	762569	. . ROW ASSEMBLY, CARD RECEPTACLE USED ON ASSEMBLY 383692 ONLY	1	
- 43	762576	. . ROW ASSEMBLY, CARD RECEPTACLE USED ON ASSEMBLY 383692 ONLY	1	
- 44	216263	. . . CLIP	AR	
- 45	212822	. . . BUS BAR-CHAIN VOLTAGE	AR	
- 46	216267	. . . INSULATOR, PLATE-BACK PANEL 28 POSITION	AR	
- 46	596241	. . . INSULATOR, PLATE-CHAIN VOLTAGE 25 POS	AR	
- 47	491463	. . . PRINTED CIRCUIT BOARD	AR	
- 47	216302	. . . CARD, BACK PANEL GROUND PLANE-SPECIAL	AR	
- 48	216076	. . . TERMINAL BLOCK AND CONTACT ASSEMBLY	AR	
- 49	216083	. . . CARD RECEPTACLE ASSEMBLY	AR	
- 50	216092	. . FRAME-LARGE CHASSIS	1	
E FRAME ASSEMBLY				
5 -	5319298	FRAME ASSEMBLY - E SEE LIST 1-26 FOR NEXT HIGHER ASSEMBLY AND FIGURE 5 FOR ILLUSTRATION		
- 1	216083	. CARD RECEPTACLE ASSEMBLY	2	9
- 1	216083	. CARD RECEPTACLE ASSEMBLY	5	10

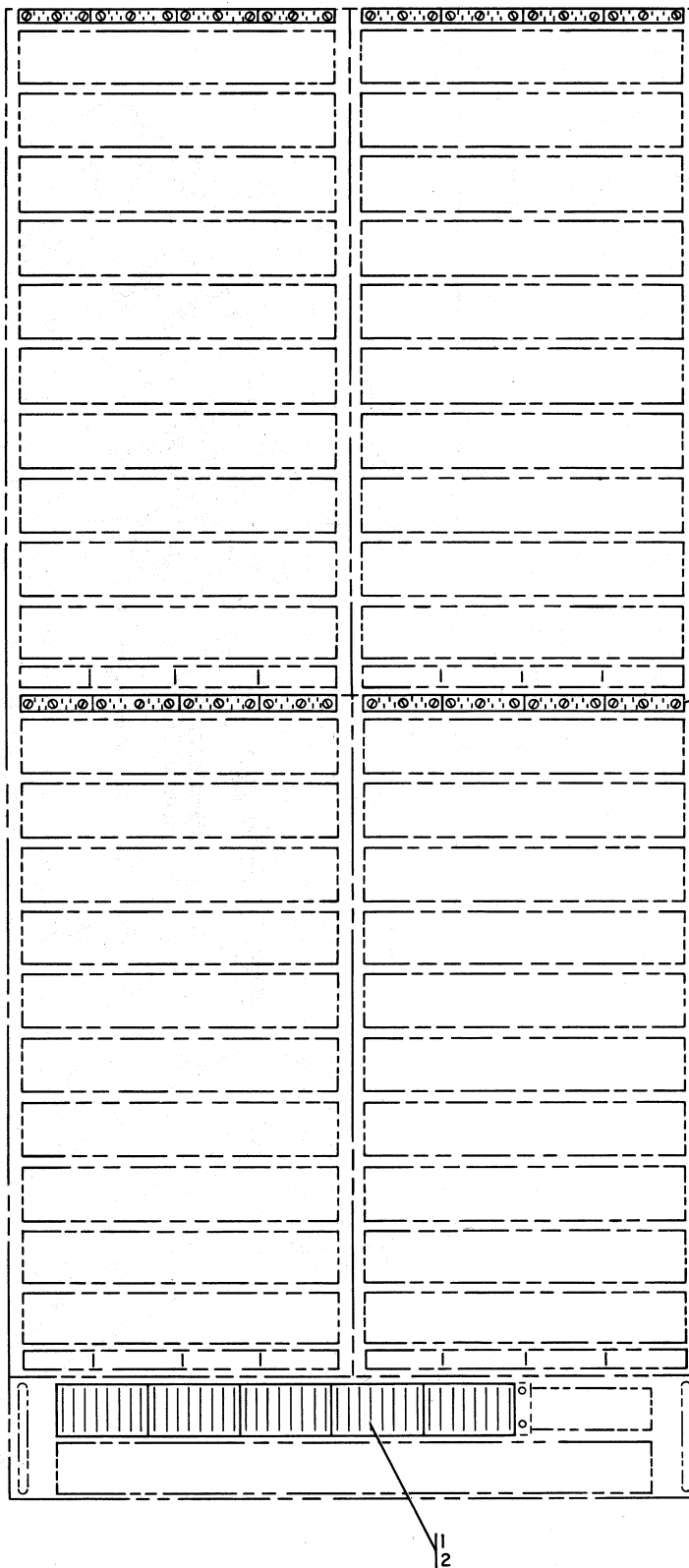
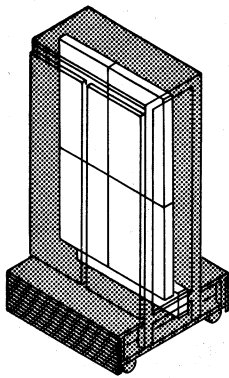


FIGURE 5. E FRAME ASSEMBLY. SHEET 1 OF 4. INDEX NOS. 1-4. SEE LIST 5.

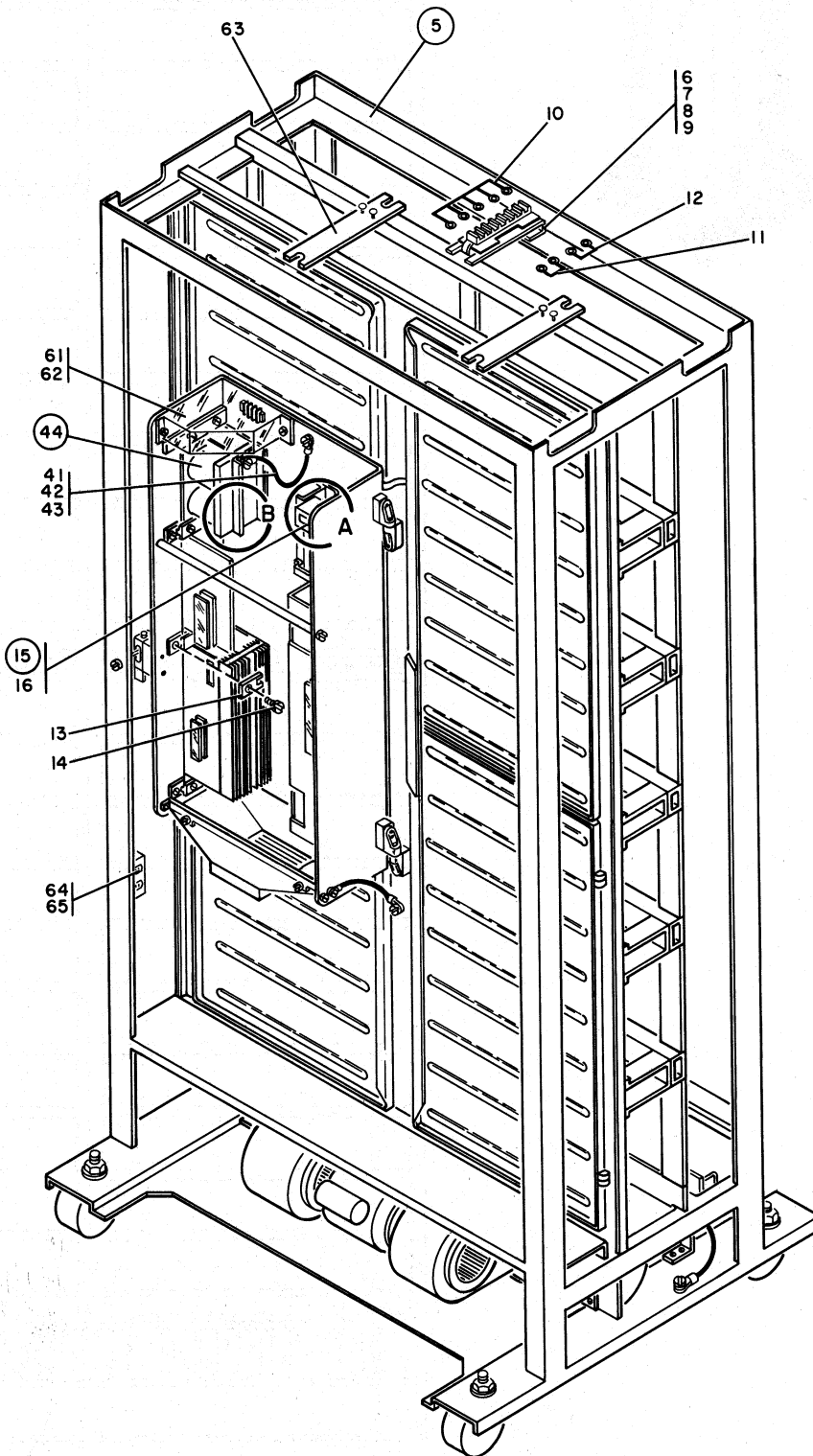
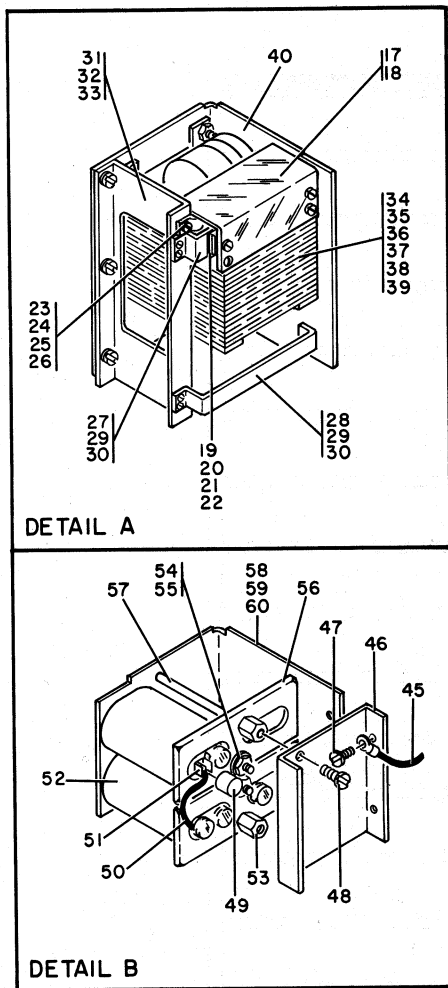


FIGURE 5. E FRAME ASSEMBLY. SHEET 2 OF 4. INDEX NOS. 5-65. SEE LIST 5.

LIST AND INDEX NO.	PART NO.	DESCRIPTION	UNITS	
			PER ASM.	USABLE ON CODE
E FRAME ASSEMBLY -CONT				
5 - 2	216231	. GUIDE- 8 POSITION CARD	2	9
- 2	216231	. GUIDE- 8 POSITION CARD	5	10
- 3	216295	. CONNECTOR,RECP,ELEC- 28 MALE CONTACTS	16	9
- 3	216295	. CONNECTOR,RECP,ELEC- 28 MALE CONTACTS	12	10
- 4	38262	. SCREW,MACH-FIL H 4-40 X 1/4 LG	48	9
- 4	38262	. SCREW,MACH-FIL H 4-40 X 1/4 LG	36	10
- 5	383640	. E FRAME ASSEMBLY	1	
- 6	760068	. . . BUS BAR AND SUPPORT ASSEMBLY SEE SECT. 1 LIST 21 FOR DETAIL BREAKDOWN	1	
- 7	58207	. . . SCREW,MACH-UNDRCT BIND HD 8-32 X 1/4 LG	2	
- 8	10170	. . . SCREW,MACH-BIND HD 6-32 X 1/4 LG	4	
- 9	383739	. . . LABEL, VOLTAGE-LAMINAR BUS	6	
- 10	383730	. . . JUMPER ASSEMBLY, LAMINAR BUS	1	
- 11	383732	. . . JUMPER ASSEMBLY, LAMINAR BUS - 2-3/8 LG	1	
- 12	383733	. . . JUMPER ASSEMBLY, LAMINAR BUS - 2-3/8 LG SEE SECT. 1 LIST 35 FOR COMPONENT PARTS	1	
- 13	207293	. . . KEEPER-POWER SUPPLY MOUNTING	7	
- 14	58207	. . . SCREW,MACH-UNDRCT BIND HD 8-32 X 1/4 LG	7	
- 15	124943	. . . LABEL,SAFETY	1	
- 16	208270	. . . REGULATOR ASSEMBLY- 585 WATT	1	
- 17	383738 SHIELD, TERMINAL BLOCK-10 POS	1	
- 18	210984 SCREW,MACH-RH 6-32 X 1/4 LG	1	
- 19	511592 TERMINAL BOARD-10 SCREW W/FTHRU TERM LUG	1	
- 20	207242 MARKER STRIP- 10 POS NOS. 1 THRU 10	1	
- 21	209483 STUD,TAPPED	1	
- 22	209484 STUD	3	
- 23	356742 CLAMP,LOOP- 0.250 ID 0.177 DIA MTG HOLE	1	
- 24	186759 SCREW,MACH-BIND HD 8-32 X 1/32 LG	1	
- 25	60646 WASHER,LOCK-INT TEETH NO. 8 X 0.340 OD	1	
- 26	22478 WASHER,FL- 0.170 ID 0.375 OD 0.032 THK	1	
- 27	207212 BRACKET-TERMINAL BLOCK MOUNTING	1	
- 28	207215 BRACKET-CHANNEL SUPPORT	1	
- 29	24752 SCREW,MACH-FIL H 8-32 X 5/16 LG	8	
- 30	60646 WASHER,LOCK-INT TEETH NO. 8 X 0.340 OD	8	
- 31	207227 CHANNEL- 585W FERRO RESONANT REGULATOR	1	
- 32	2300 SCREW,MACH-FIL H 8-32 X 1/4 LG	3	
- 33	60646 WASHER,LOCK-INT TEETH NO. 8 X 0.340 OD	3	
- 34	208732 REGULATOR-FERRORESONANT 60 CPS 585W	1	
- 35	25895 SCREW,MACH-FH 1/4-20 X 3/4 LG	4	
- 36	36109 NUT,PLAIN,HEX- 1/4-20 X 7/16 FL W	4	
- 37	6935 WASHER,LOCK-SPLIT 1/4 X 0.493 OD	4	
- 38	3550 WASHER,FL- 1/4 X 9/16 OD X 0.050 THK	4	
- 39	76574 WASHER,LOCK-EXT TEETH 1/4 X 0.510 OD	4	
- 40	207239 PLATE-REGULATOR MAIN	1	
- 41	2130702	. . . JUMPER ASSEMBLY, 10 LONG SEE SECT. 1 LIST 35 FOR COMPONENT PARTS	1	
- 42	58207	. . . SCREW,MACH-UNDRCT BIND HD 8-32 X 1/4 LG	1	
- 43	55901	. . . WASHER,LOCK-EXT TEETH NO. 8 X 0.381 OD	1	
- 44	207260	. . . CAPACITOR ASSEMBLY- THREE 45 UF CAP	1	
- 45	597216	. . . JUMPER ASM-GRN 9-1/2 14AWG 1 LUG EA END SEE SECT. 1 LIST 35 FOR COMPONENT PARTS	1	
- 46	207245 CHANNEL-CAPACITOR MOUNTING	1	
- 47	221790 SCREW,MACH-BIND HD 8-32 X 3/16 LG	2	
- 48	28413 SCREW,MACH-BIND HD 10-32 X 5/16 LG	2	
- 49	526378 INSULATOR,CAP-CAPACITOR	6	
- 50	207318	. . . JUMPER ASM-BLK 5 IN. 14AWG 1 LUG EA END SEE SECT. 1 LIST 35 FOR COMPONENT PARTS	4	
- 51	517913 TERMINAL,QUICK DISCONNECT- 12/18AWG	2	

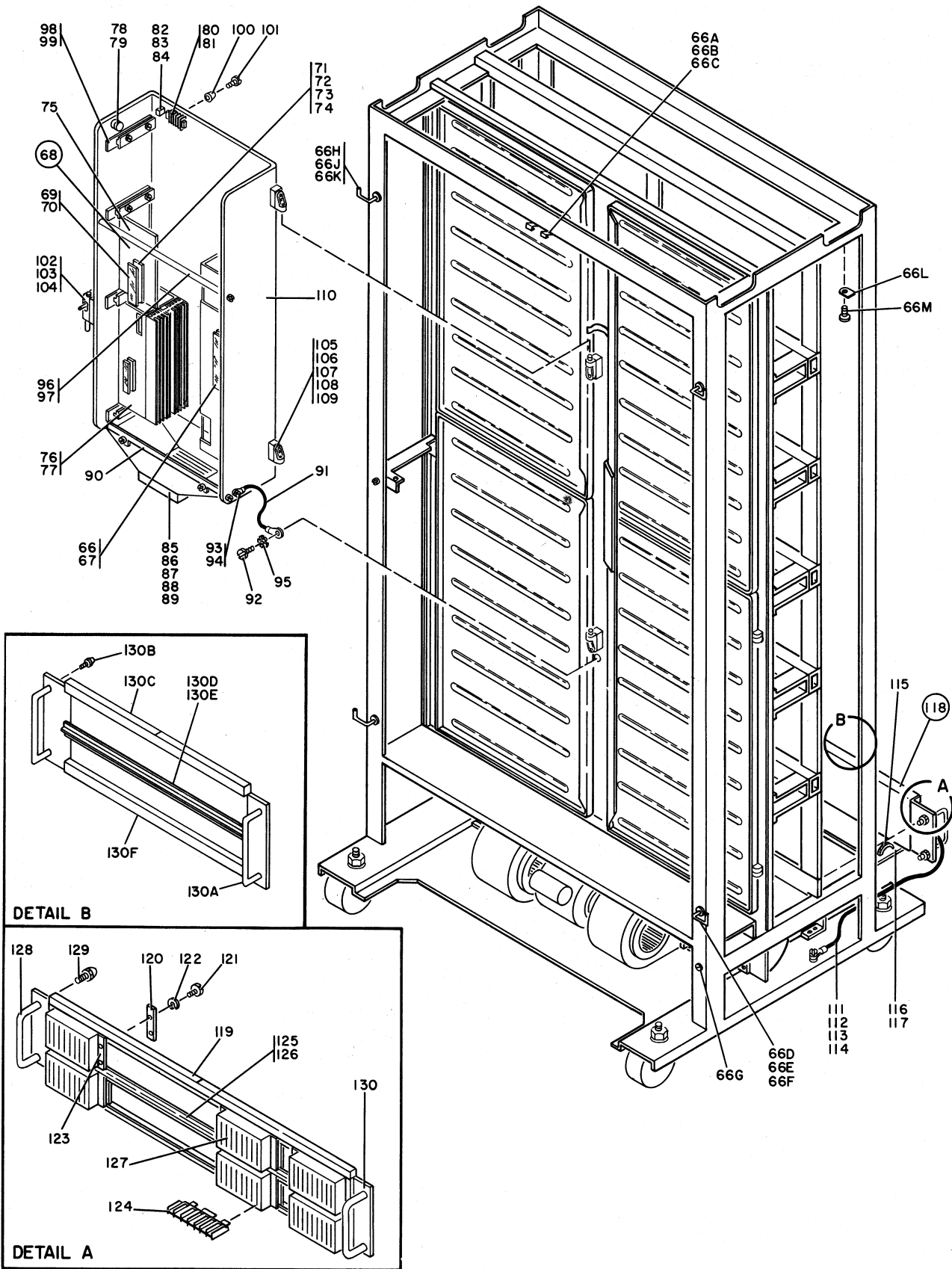


FIGURE 5. E FRAME ASSEMBLY. SHEET 3 OF 4. INDEX NOS. 66-130. SEE LIST 5.

LIST AND INDEX NO.	PART NO.	DESCRIPTION	UNITS PER ASM.	USABLE ON CODE
		E FRAME ASSEMBLY -CONT		
5 - 52	478047	• • • CAPACITOR, 15UF 6%330VAC		3
- 53	191483	• • • SPACER,HEX 10-32 X 3/8 FW	ATT PT	2
- 54	11598	• • • NUT,PLAIN,HEX- 10-32 X 3/8 FL W	ATT PT	2
- 55	56121	• • • WASHER,LOCK-INT TEETH NO. 10 X 0.381 OD	ATT PT	2
- 56	207206	• • • BRACKET-CAPACITOR MOUNTING	ATT PT	2
- 57	478046	• • • STUD, CAPACITOR MOUNTING		4
- 58	38364	• • • SCREW,MACH-FIL H 8-32 X 3/16 LG		1
- 59	6318	• • • WASHER,LOCK-SPLIT NO. 8 X 0.280 OD		1
- 60	207221	• • • PLATE-CAPACITOR MOUNTING MAIN		1
- 61	383707	• • • COVER, RELAY AND JACK		1
- 62	58207	• • SCREW,MACH-UNDRCT BIND HD 8-32 X 1/4 LG	ATT PT	2
- 63	761389	• • SWITCH ASSEMBLY,THERMO SEE SECT. 1 LIST 2-63 FOR DETAIL BREAKDOWN		2
- 64	801494	• • CONVENIENCE OUTLET ASSEMBLY SEE SECT. 1 LIST 20-44 FOR DETAIL BREAKDOWN		2
- 65	38451	• • SCREW,MACH-FL CSK HD 8-32 X 1/4 LG	ATT PT	4
- 66	473380	• • POWER SUPPLY ASSY,12 VOLT AT 20 AMP SEE SECT. 1 LIST 15 FOR DETAIL BREAKDOWN		1
* - 66	208258	• • POWER SUPPLY ASSEMBLY- 12 VOLT 20 AMP SEE SECT.1,LIST 15A FOR DETAIL BREAKDOWN		1 B
* - 66A	760835	• • CLIP,SPRING TENSION-DOOR HOLDER LOWER		8
* - 66B	28413	• • SCREW,MACH-BIND HD 10-32 X 5/16 LG	ATT PT	8
* - 66C	45690	• • WASHER,FL-NO. 10 X 7/16 OD X 1/32 THK	ATT PT	8
* - 66D	760837	• • PIVOT-RIGHT HAND		4
* - 66E	3960	• • NUT,PLAIN,HEX- 1/4-20 X 7/16 FL W	ATT PT	4
* - 66F	76574	• • WASHER,LOCK-EXT TEETH 1/4 X 0.510 OD	ATT PT	4
* - 66G	801508	• • SCREW - LOUVER		4
* - 66H	760836	• • PIVOT-LEFT HAND		4
* - 66J	3960	• • NUT,PLAIN,HEX- 1/4-20 X 7/16 FL W	ATT PT	4
* - 66K	76574	• • WASHER,LOCK-EXT TEETH 1/4 X 0.510 OD	ATT PT	4
* - 66L	760789	• • PLATE-COVER RETAINER		4
* - 66M	221790	• • SCREW,MACH-BIND HD 8-32 X 3/16 LG	ATT PT	4
- 67	598081	• • CARD, DUMMY		1
- 68	383740	• • POWER SUPPLY ASSEMBLY, DUMMY		1
- 69	186945	• • SHIELD- 8 POSITION		1
- 70	210984	• • SCREW,MACH-RH 6-32 X 1/4 LG	ATT PT	1
- 71	317145	• • TERMINAL BOARD- 8 DBL SCREW TERMINALS		1
- 72	518722	• • MARKER STRIP- 8 POS NOS. 1 THRU 8		1
- 73	210883	• • STUD,EXT- 6-32 INT EXT THD X 0.900 LG OA	ATT PT	1
- 74	210884	• • STUD-SHIELD	ATT PT	3
- 75	383741	• • POWER SUPPLY, DUMMY		1
- 76	473490	• • POWER SUPPLY ASSY,12 VOLT AT 4 AMP SEE LIST 6 FOR DETAIL BREAKDOWN		1
- 77	598081	• • CARD, DUMMY		1
- 78	480554	• • JACK		1
- 79	237291	• • INSULATOR WASH- 3/8 ID 5/8 OD 3/32 THK		2
- 80	65261	• • TERMINAL BOARD- 4 DBL SCREW TERMINALS		1
- 81	35739	• • SCREW,MACH-BIND HD 6-32 X 15/16 LG	ATT PT	4
- 82	252617	• • RELAY		1
- 83	25627	• • SCREW,MACH-BIND HD 8-32 X 1/2 LG	ATT PT	1
- 84	55901	• • WASHER,LOCK-EXT TEETH NO. 8 X 0.381 OD	ATT PT	1
- 85	597152	• • FAN ASSEMBLY-CARD GATE LOWER SEE LIST 2-125 FOR DETAIL BREAKDOWN		1
- 86	28413	• • SCREW,MACH-BIND HD 10-32 X 5/16 LG	ATT PT	2
- 87	11598	• • NUT,PLAIN,HEX- 10-32 X 3/8 FL W	ATT PT	2
- 88	55726	• • SCREW,MACH-BIND HD 6-32 X 3/16 LG	ATT PT	2
- 89	257986	• • WASHER,FL-NO. 6 X 5/8 OD X 0.035 THK	ATT PT	2
- 90	383624	• • BRACKET, FAN		1
- 91	2130702	• • JUMPER ASSEMBLY, 10 LONG SEE SECT. 1 LIST 35 FOR COMPONENT PARTS		1
- 92	236849	• • SCREW,MACH-BIND HD 10-32 X 1/4 LG	ATT PT	1
- 93	10170	• • SCREW,MACH-BIND HD 6-32 X 1/4 LG	ATT PT	4
- 94	56722	• • WASHER,LOCK-EXT TEETH NO. 6 X 5/16 OD	ATT PT	1
- 95	56079	• • WASHER,LOCK-EXT TEETH NO. 10 X 0.410 OD	ATT PT	1
- 96	383737	• • ROD, REINFORCEMENT		1
- 97	34512	• • SCREW,MACH-BIND HD 8-32 X 3/8 LG	ATT PT	2
- 98	207382	• • RAIL-POWER SUPPLY MOUNTING		7
- 99	332620	• • SCREW,MACH-BIND HD 10-32 X 1/2 LG	ATT PT	14
-100	78916	• • BUTTON-CUSHION		2
-101	32042	• • SCREW,MACH-BIND HD 10-32 X 3/8 LG	ATT PT	2

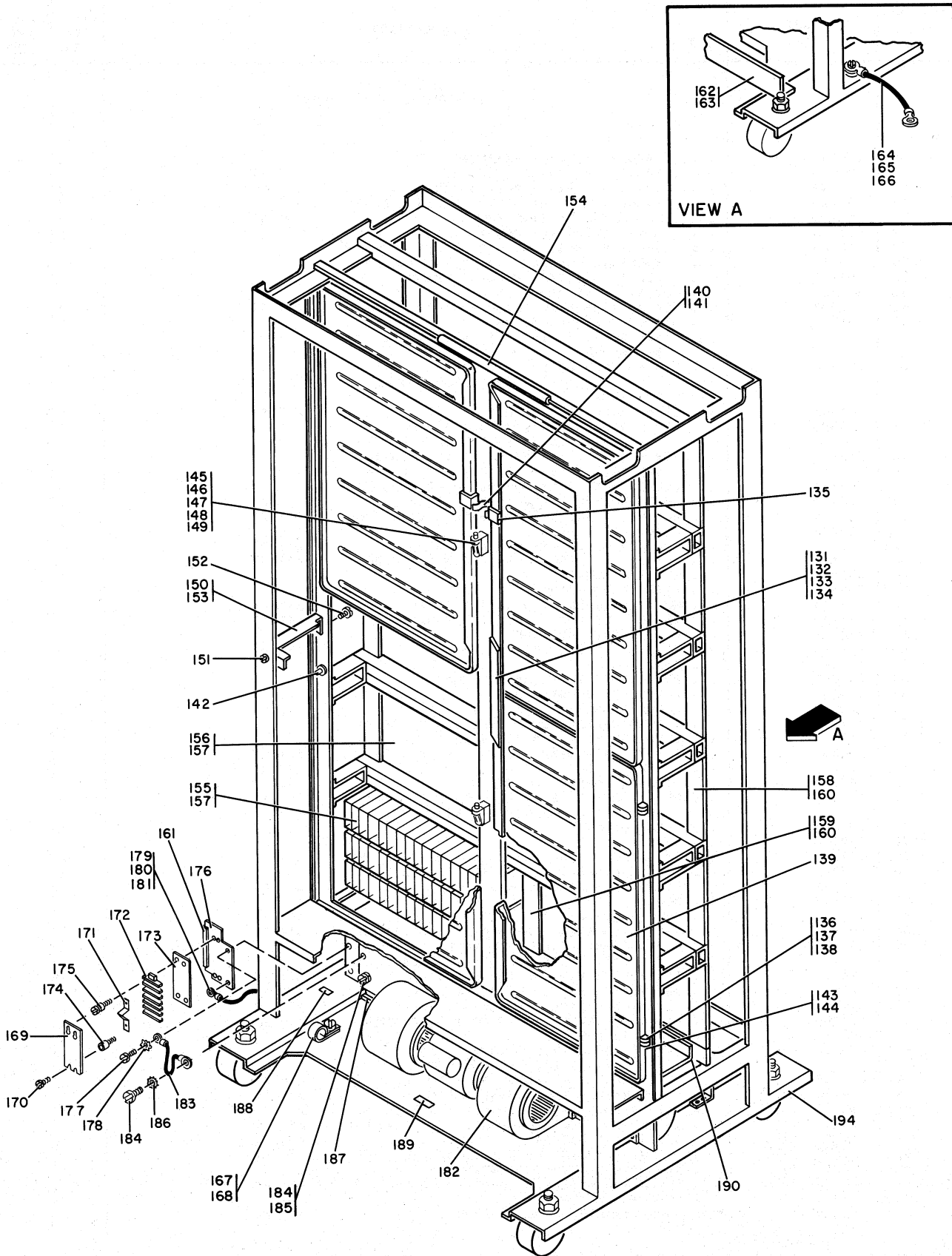


FIGURE 5. E FRAME ASSEMBLY. SHEET 4 OF 4. INDEX NOS. 131-194. SEE LIST 5.

LIST AND INDEX NO.	PART NO.	1 2 3 4	DESCRIPTION	UNITS PER ASM.	USABLE ON CODE
			E FRAME ASSEMBLY -CONT		
5 -102	760447	.	LATCH ASSEMBLY SEE SECT. 1 LIST 5-99 FOR DETAIL BREAKDOWN	1	
-103	58207	.	SCREW,MACH-UNDRCT BIND HD 8-32 X 1/4 LG ATT PT	2	
-104	22478	.	WASHER,FL- 0.170 ID 0.375 OD 0.032 THK ATT PT	2	
-105	124871	.	HINGE- REAR GATE	2	
-106	383625	.	SPACER, HINGED HOUSING	2	
-107	36112	.	SCREW,MACH-HEX HD 1/4-20 X 1-1/2 LG ATT PT	4	
-108	3960	.	NUT,PLAIN,HEX- 1/4-20 X 7/16 FL W ATT PT	4	
-109	6935	.	WASHER,LOCK-SPLIT 1/4 X 0.493 OD ATT PT	4	
-110	383622	.	HOUSING, POWER SUPPLY-HINGED	1	
-111	761386	.	JUMPER ASM-GRN 15 IN. 14AWG 1 LUG EA END SEE SECT. 1 LIST 35 FOR COMPONENT PARTS	1	
-112	236849	.	SCREW,MACH-BIND HD 10-32 X 1/4 LG ATT PT	1	
-113	56079	.	WASHER,LOCK-EXT TEETH NO. 10 X 0.410 OD ATT PT	1	
-114	56722	.	WASHER,LOCK-EXT TEETH NO. 6 X 5/16 OD ATT PT	1	
-115	760221	.	CLAMP-ADJUSTABLE CABLE	5	
-116	760415	.	PLATE,MOUNTING	1	
-117	186759	.	SCREW,MACH-BIND HD 8-32 X 1/32 LG ATT PT	4	
* -118	383765	.	CONNECTOR RACK ASSEMBLY	1	B
-119	383764	.	STRIP, NUMBERING-1 THRU 26-RIGHT TO LEFT	4	
-120	5305020	.	PLATE,CONNECTOR STOP	8	
* -120	5305020	.	PLATE,CONNECTOR STOP	4	A
* -121	338238	.	SCREW,MACH-BIND HD 4-40 X 5/16 LG ATT PT	8	
* -122	257984	.	WASHER,LOCK-SPLIT NO. 4 X 0.212 OD ATT PT	8	
* -123	5305021	.	STOP,CONNECTOR	8	
-123	5305021	.	STOP,CONNECTOR	4	A
-124	216231	.	GUIDE- 8 POSITION CARD	6	
* -124	216231	.	GUIDE- 8 POSITION CARD	2	A
-125	760155	.	T BAR CONNECTOR RACK	1	
-126	10170	.	SCREW,MACH-BIND HD 6-32 X 1/4 LG ATT PT	2	
-127	216083	.	CARD RECEPTACLE ASSEMBLY	6	
* -127	216083	.	CARD RECEPTACLE ASSEMBLY	2	A
-128	760156	.	HANDLE-CONNECTOR RACK	2	
-129	760154	.	FOOT-CONNECTOR RACK ATT PT	4	
-130	760157	.	RACK-CONNECTOR	1	
* -130A	760156	.	HANDLE-CONNECTOR RACK	2	A
* -130B	760154	.	FOOT-CONNECTOR RACK ATT PT	4	
* -130C	383764	.	STRIP, NUMBERING-1 THRU 26-RIGHT TO LEFT	4	
* -130D	760155	.	T BAR CONNECTOR RACK	1	
* -130E	10170	.	SCREW,MACH-BIND HD 6-32 X 1/4 LG ATT PT	2	
* -130F	760157	.	RACK-CONNECTOR	1	
-131	762742	.	HANDLE, SAFETY	2	
-132	28413	.	SCREW,MACH-BIND HD 10-32 X 5/16 LG ATT PT	8	
-133	257189	.	NUT - HEX-8-32UNC THD ATT PT	8	
-134	55901	.	WASHER,LOCK-EXT TEETH NO. 8 X 0.381 OD ATT PT	8	
-135	761107	.	CLIP,SPRING TENSION-LATCH STRIKE	4	
-136	760305	.	HINGE-KNUCKLE	8	
-137	518704	.	SCREW,MACH-BIND HD 1/4-20 X 1/4 LG ATT PT	8	
-138	65756	.	WASHER,LOCK-INT TEETH 1/4 ID X 0.478 OD ATT PT	8	
-139	760307	.	DOOR-INNER	4	
-140	760304	.	CATCH, SPRING	4	
-141	236849	.	SCREW,MACH-BIND HD 10-32 X 1/4 LG ATT PT	4	
-142	760303	.	CATCH-PULL	4	
-143	760306	.	PIVOT-HINGE	8	
-144	438622	.	SCREW,MACH-UNDRCT BIND HD 1/4-20 X 3/8 ATT PT	8	
-145	225532	.	HINGE,GATE	2	
-146	383625	.	SPACER, HINGED HOUSING	2	
-147	36112	.	SCREW,MACH-HEX HD 1/4-20 X 1-1/2 LG ATT PT	4	
-148	3960	.	NUT,PLAIN,HEX- 1/4-20 X 7/16 FL W ATT PT	4	
-149	6935	.	WASHER,LOCK-SPLIT 1/4 X 0.493 OD ATT PT	4	
-150	383623	.	BRACKET, LATCH CATCHER	1	
-151	38452	.	SCREW,MACH-FL GSK HD 8-32 X 5/16 LG ATT PT	1	
-152	28413	.	SCREW,MACH-BIND HD 10-32 X 5/16 LG ATT PT	1	
-153	32042	.	SCREW,MACH-BIND HD 10-32 X 3/8 LG ATT PT	1	
-154	220930	.	STRIP-UPPER PLATFORM RUBBER	1	
-155	5319333	.	CHASSIS ASSEMBLY SEE LIST 7 FOR DETAIL BREAKDOWN	1	
-156	383661	.	FILLER, CHASSIS	11	

LIST AND INDEX NO.	PART NO.	DESCRIPTION				UNITS PER ASM.	USABLE ON CODE
		1	2	3	4		
E FRAME ASSEMBLY -CONT							
5 -157	55918	. .	SCREW,MACH-BIND HD 10-32 X 5/8 LG	ATT PT	48		
-158	383659	. .	BAFFLE, CHASSIS TO FRAME		12		
-159	383660	. .	BAFFLE, CENTER		6		
-160	80651	. .	SCREW,THD CTG-BIND HD 6-32 X 3/8 LG	ATT PT	48		
-161	223528	. .	RUBBER CHANNEL-COVERS		AR		
-162	761026	. .	SUPPORT,CABLE CLAMP		1		
-163	38686	. .	SCREW,MACH-HEX HD 1/4-20 X 1/2 LG	ATT PT	2		
-164	597216	. .	JUMPER ASM-GRN 9-1/2 14AWG 1 LUG EA END SEE SECT. 1 LIST 35 FOR COMPONENT PARTS		1		
-165	236849	. .	SCREW,MACH-BIND HD 10-32 X 1/4 LG	ATT PT	1		
-166	56121	. .	WASHER,LOCK-INT TEETH NO. 10 X 0.381 OD	ATT PT	1		
-167	2102368	. .	CLAMP,LOOP- 0.880 ID 0.200 DIA MTG HOLE		1		
-168	5528	. .	SCREW,MACH-BIND HD 8-32 X 5/8 LG	ATT PT	1		
-169	186945	. .	SHIELD- 8 POSITION		1		
-170	210984	. .	SCREW,MACH-RH 6-32 X 1/4 LG	ATT PT	1		
-171	367115	. .	JUMPER-TERMINAL STRIP VDC DISTR BRS		4		
-172	317145	. .	TERMINAL BOARD- 8 DBL SCREW TERMINALS		1		
-173	242256	. .	MARKER STRIP- 8 POS NOS. 1 THRU 8		1		
-174	210883	. .	STUD,EXT- 6-32 INT EXT THD X 0.900 LG OA	ATT PT	1		
-175	210884	. .	STUD-SHIELD	ATT PT	3		
-176	760150	. .	FILLER		2		
-177	10170	. .	SCREW,MACH-BIND HD 6-32 X 1/4 LG	ATT PT	4		
-178	56722	. .	WASHER,LOCK-EXT TEETH NO. 6 X 5/16 OD	ATT PT	1		
-179	552597	. .	JUMPER ASM-GRN 15 IN. 14AWG 1 LUG EA END SEE SECT. 1 LIST 35 FOR COMPONENT PARTS		1		
-180	32042	. .	SCREW,MACH-BIND HD 10-32 X 3/8 LG	ATT PT	1		
-181	56079	. .	WASHER,LOCK-EXT TEETH NO. 10 X 0.410 OD	ATT PT	1		
-182	760159	. .	BLOWER ASSEMBLY SEE SECT. 1 LIST 13 FOR DETAIL BREAKDOWN		1		
-183	2130702	. .	JUMPER ASSEMBLY, 10 LONG SEE SECT. 1 LIST 35 FOR COMPONENT PARTS		1		
-184	443	. .	SCREW,MACH-FIL H 10-32 X 3/8 LG	ATT PT	4		
-185	9092	. .	WASHER,LOCK-SPLIT NO. 10 X 0.337 OD	ATT PT	3		
-186	56079	. .	WASHER,LOCK-EXT TEETH NO. 10 X 0.410 OD	ATT PT	1		
-187	352018	. .	SEAL-SIDE COVER		AR		
-188	138754	. .	PLATE,INST-LINE V PRESENT W/MACH PWR OFF		1		
-189	369207	. .	PLATE,INST-HAZARDOUS AREA		1		
-190	383729	. .	BAFFLE, BLOWER		1		
-191	383636	. .	CABLE ASSEMBLY		1		
-192	383652	. .	CABLE ASSEMBLY		1		
-193	760730	. .	CABLE ASSEMBLY NOT ILLUSTRATED SEE SECT. 1 LIST 35 FOR COMPONENT PARTS		1		
-194	383611	. .	FRAME ASSEMBLY SEE LIST 9 FOR DETAIL BREAKDOWN		1		
-12VDC AT 4A POWER SUPPLY ASSEMBLY							
6 -	473490	POWER SUPPLY ASSY,12 VOLT AT 4 AMP SEE LIST 5-76 FOR NEXT HIGHER ASSEMBLY AND FIG. 6 FOR ILLUSTRATION				REF	
- 1	370610	. .	CARD ASSY		1		
- 2	2100760	. .	RING-CLIP		3		
- 3	2101326	. .	TERMINAL,LUG-INS 10/12AWG NO.10 MTG HOLE		4		

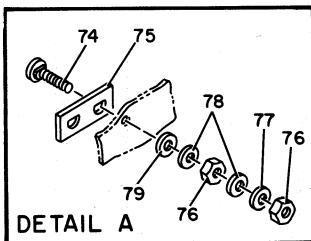
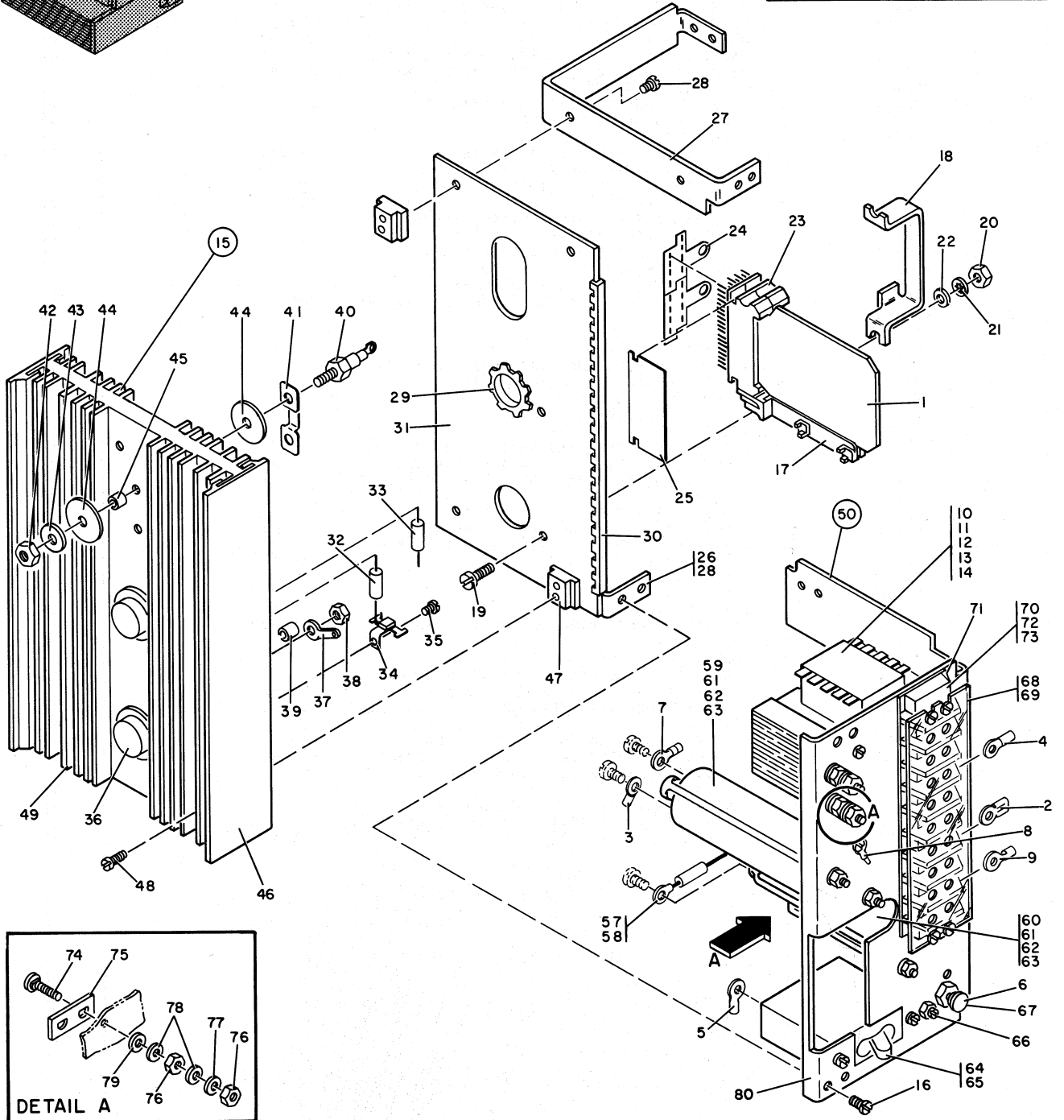
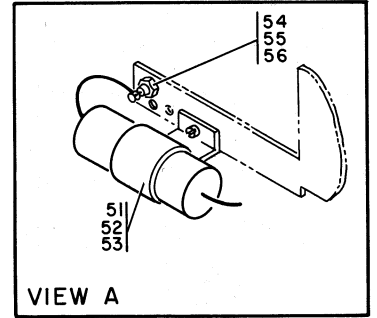
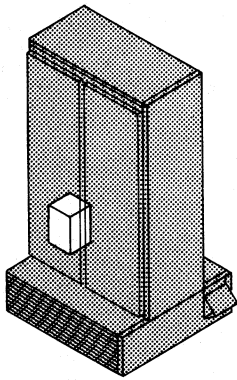


FIGURE 6. -12VDC AT 4A POWER SUPPLY ASSEMBLY SEE LIST 6.

LIST AND INDEX NO.	PART NO.	DESCRIPTION				UNITS PER ASM.	USABLE ON CODE
		1	2	3	4		
-12VDC AT 4A POWER SUPPLY ASSEMBLY -CONT							
6 - 4	92784	7	
- 5	94856	1	
- 6	334921	2	
- 7	334932	13	
- 8	359695	1	
- 9	360370	1	
- 10	208183	1	
- 11	32617	4	
- 12	11598	4	
- 13	56121	4	
- 14	47242	4	
- 15	473495	1	
- 16	28413	8	
- 17	216206	2	
- 18	473530	1	
- 19	38235	2	
- 20	38051	2	
- 21	62031	2	
- 22	257986	2	
- 23	216076	2	
- 24	730177	2	
- 25	473547	1	
- 26	730175	1	
- 27	730176	1	
- 28	473544	4	
- 29	473533	AR	
- 30	473442	1	
- 31	473499	1	
- 32	335138	1	
- 33	207324	2	
- 34	478045	2	
- 35	70078	2	
- 36	369214	2	
- 37	316996	1	
- 38	11891	2	
- 39	219423	4	
- 40	216197	2	
- 41	478043	1	
- 42	11891	2	
- 43	45690	2	
- 44	217019	4	
- 45	473582	2	
- 46	473536	AR	
- 47	473531	4	
- 48	79779	4	
- 49	473498	1	
- 50	473494	1	
- 51	208229	1	
- 52	55726	1	
- 53	62031	1	
- 54	533534	1	
- 55	10170	1	
- 56	62031	1	
- 57	440514	1	
- 58	94856	2	
- 59	208228	1	
- 60	208221	1	
- 61	473543	4	

LIST AND INDEX NO.	PART NO.	DESCRIPTION	UNITS PER ASM.	USABLE ON CODE
		-12VDC AT 4A POWER SUPPLY ASSEMBLY -CONT		
6 - 62	38051	. . NUT,PLAIN,HEX- 6-32 X 1/4 FL W	ATT PT	4
- 63	62031	. . WASHER,LOCK-INT TEETH NO. 6 X 0.295 OD	ATT PT	4
- 64	207348	. . CIRCUIT BREAKER- 1 POLE 60V DC 6 AMP		1
- 65	10170	. . SCREW,MACH-BIND HD 6-32 X 1/4 LG	ATT PT	2
- 66	207340	. . RESISTOR,VAR-COMP 250 OHMS P/M 10% 1/2W		1
- 67	220914	. . CIRCUIT BREAKER- 1P 120VAC30VDC 1-1/2AMP		1
- 68	473545	. . SHIELD,9 POSITION		1
- 69	210984	. . SCREW,MACH-RH 6-32 X 1/4 LG	ATT PT	1
- 70	323844	. . BLOCK,TERMINAL 9 POSITION		1
- 71	512583	. . INSULATOR		1
- 72	209483	. . STUD,TAPPED	ATT PT	1
- 73	209484	. . STUD	ATT PT	3
- 74	473402	. . STUD - TERMINAL		2
- 75	473382	. . INSULATOR		1
- 76	11891	. . NUT,PLAIN,HEX- 10-32 X 3/8 FL W BRS	ATT PT	4
- 77	45690	. . WASHER,FL-NO. 10 X 7/16 OD X 1/32 THK	ATT PT	2
- 78	45697	. . WASHER,FLAT 17/32 OD X 0.016 THK	ATT PT	4
- 79	257354	. . WASHER,NM- 0.195 ID 5/16 OD 0.062 THK	ATT PT	2
- 80	473497	. . PLATE		1
		CHASSIS ASSEMBLIES		
7 -	5319333	CHASSIS ASSEMBLY SEE LIST 5-155 FOR NEXT HIGHER ASSEMBLY AND FIG. 7 FOR ILLUSTRATION		REF
-	383756	CHASSIS ASSEMBLY SEE LIST 9-112 FOR NEXT HIGHER ASSEMBLY AND FIG. 7 FOR ILLUSTRATION		REF
-	383695	CHASSIS ASSEMBLY SEE LIST 9-113 FOR NEXT HIGHER ASSEMBLY AND FIG. 7 FOR ILLUSTRATION		REF
-	5319281	CHASSIS ASSEMBLY SEE LIST 9-114 FOR NEXT HIGHER ASSEMBLY AND FIG. 7 FOR ILLUSTRATION		REF
-	5319282	CHASSIS ASSEMBLY SEE LIST 9-115 FOR NEXT HIGHER ASSEMBLY AND FIG. 7 FOR ILLUSTRATION		REF
- 1	532078	. JUMPER ASSEMBLY USED ON ASSEMBLY 5319333 ONLY		4
- 1	532078	. JUMPER ASSEMBLY USED ON ASSEMBLY 383756, 383695, 5319281, AND 5319282 ONLY SEE SECT. 1 LIST 35 FOR COMPONENT PARTS		12
- 2	383690	. CHASSIS ASSEMBLY USED ON ASSEMBLY 5319333 ONLY		1
- 2	5319309	. CHASSIS ASSEMBLY USED ON ASSEMBLY 383756 ONLY		1
- 2	383663	. CHASSIS ASSEMBLY USED ON ASSEMBLY 383695, 5319281, AND 5319282 ONLY		1
- 3	216085	. . GUIDE-CARD 8 POSITION LONG		AR
- 4	216206	. . GUIDE-SINGLE CARD LONG		AR
- 5	216286	. . LABEL-NUMBERING R TO L 1 THRU 28 USED ON ASSEMBLY 383690 AND 383663 ONLY		1

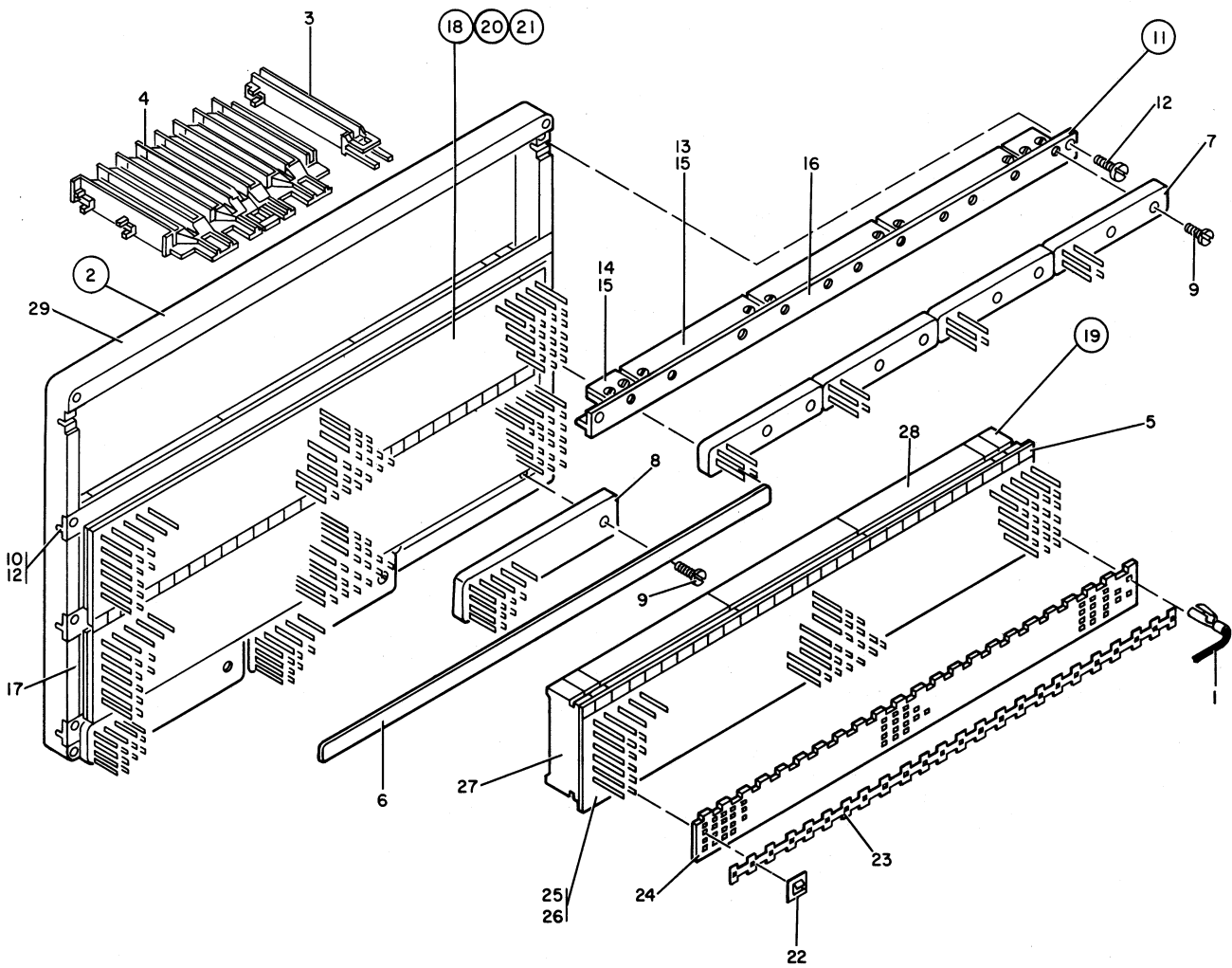
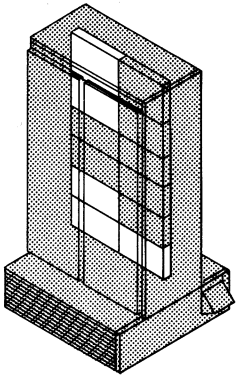


FIGURE 7. CHASSIS ASSEMBLIES. SEE LIST 7.

LIST AND INDEX NO.	PART NO.	1 2 3 4	DESCRIPTION	UNITS PER ASM.	USABLE ON CODE
CHASSIS ASSEMBLIES -CONT					
7 - 5	216286		• • LABEL-NUMBERING R TO L 1 THRU 28 USED ON ASSEMBLY 5319309 ONLY	3	
- 6	216215		• • BUS-GROUND PLANE	AR	
- 7	216295		• • CONNECTOR,RECP,ELEC- 28 MALE CONTACTS	4	
- 8	354533		• • EDGE CONNECTOR, 76 CONTACTS	3	
- 9	38263		• • SCREW,MACH-FIL H 4-40 X 5/16 LG	ATT PT	18
- 10	216093		• • T BAR-TERMINAL MOUNTING	2	
- 11	383666		• • T BAR AND ADAPTER ASSEMBLY	1	
- 12	10170		• • SCREW,MACH-BIND HD 6-32 X 1/4 LG	ATT PT	6
- 13	216091		• • • ADAPTER-CARD GUIDE	3	
- 14	216212		• • • ADAPTER-SINGLE CARD GUIDE	2	
- 15	38264		• • • SCREW,MACH-FIL H 4-40 X 3/8 LG	ATT PT	10
- 16	383658		• • • T BAR, CONNECTOR MOUNTING	1	
- 17	216297		• • SEAL,RUB STRIP- 11/16 W X 1/8 THK	AR	
- 18	383689		• • ROW ASM, CARD RECEPTACLE USED ON ASSEMBLY 383690 ONLY	1	
- 19	383700		• • ROW ASSEMBLY, CARD RECEPTACLE	2	
- 20	5319308		• • ROW ASSEMBLY, CARD RECEPTACLE USED ON ASSEMBLY 5319309 ONLY	3	
- 21	383665		• • ROW ASM, CARD RECEPTACLE USED ON ASSEMBLY 383663 ONLY	3	
- 22	216263		• • • CLIP	AR	
- 23	212822		• • • BUS BAR-CHAIN VOLTAGE	AR	
- 24	216266		• • • INSULATOR,PLATE-BACK PANEL 26 POS	AR	
- 24	596265		• • • INSULATOR,PLATE-CHAIN VOLTAGE 28 POS	AR	
- 25	212831		• • • CARD, BACK PANEL-28 POS	AR	
- 25	212775		• • • CARD-BACK PANEL 26 POSITION	AR	
- 25	491463		• • • PRINTED CIRCUIT BOARD	AR	
- 26	383699		• • • BUS, SIGNAL CHAIN CARD-12 SOCKETS	AR	
- 27	216076		• • • TERMINAL BLOCK AND CONTACT ASSEMBLY	AR	
- 28	216083		• • • CARD RECEPTACLE ASSEMBLY	AR	
- 29	383655		• • FRAME, CHASSIS-FABRICATED USED ON ASSEMBLY 383756 ONLY	1	
FRAME ASSEMBLY					
8 -	383611		FRAME ASSEMBLY SEE LIST 5-194 FOR NEXT HIGHER ASSEMBLY AND FIG. 8 FOR ILLUSTRATION	REF	
- 1	383656		• SUPPORT, CHASSIS	5	
- 2	28413		• SCREW,MACH-BIND HD 10-32 X 5/16 LG	ATT PT	19
- 3	760135		• SUPPORT, HORIZONTAL COVER	2	
- 4	186759		• SCREW,MACH-BIND HD 8-32 X 1/32 LG	ATT PT	4
- 5	5321944		• BRACKET - FILTER MOUNTING	1	
- 6	58207		• SCREW,MACH-UNDRCT BIND HD 8-32 X 1/4 LG	ATT PT	2
- 7	760141		• HOUSING-BLOWER	1	
- 8	760133		• MOUNT,RESILIENT- 1/4-20 X 0.406 LG STUD	ATT PT	2
- 9	3960		• NUT,PLAIN,HEX- 1/4-20 X 7/16 FL W	ATT PT	4
- 10	6935		• WASHER,LOCK-SPLIT 1/4 X 0.493 OD	ATT PT	4
- 11	3550		• WASHER,FL- 1/4 X 9/16 OD X 0.050 THK	ATT PT	2
- 12	760132		• MOUNT,RESILIENT- 8-32 X 3/8 LG STUD	ATT PT	1
- 13	257189		• NUT - HEX-8-32UNC THD	ATT PT	2
- 14	1090873		• WASHER,LOCK-SPLIT NO. 8 X 0.296 OD	ATT PT	2
- 15	22478		• WASHER,FL- 0.170 ID 0.375 OD 0.032 THK	ATT PT	1

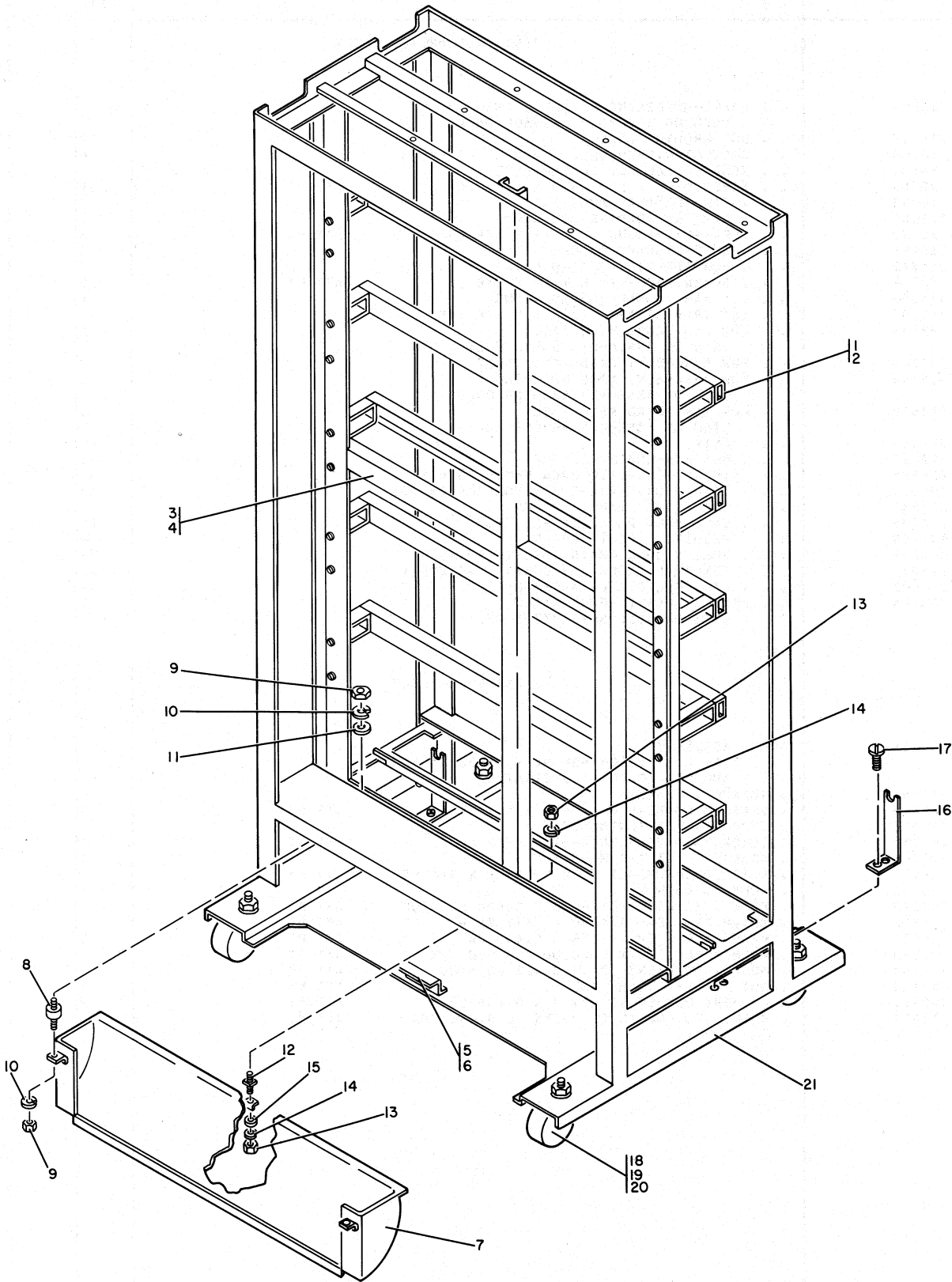


FIGURE 8. FRAME ASSEMBLY. SEE LIST 8.

LIST AND INDEX NO.	PART NO.	DESCRIPTION	UNITS PER ASM.	USABLE ON CODE
		1 2 3 4		
		FRAME ASSEMBLY -CONT		
8 - 16	760134	• BRACKET,ANGLE-CONNECTOR RACK	2	
- 17	28413	• SCREW,MACH-BIND HD 10-32 X 5/16 LG ATT PT	4	
- 18	471901	• CASTER,SWIVEL- 2-5/8 IN. WHL 1/2-13 STUD	4	
- 19	76846	• NUT,PLAIN,HEX- 1/2-13 X 3/4 FL W ATT PT	4	
- 20	130987	• WASHER,LOCK-SPLIT 0.509 ID X 0.879 OD ATT PT	4	
- 21	5321940	• FRAME - STANDARD RACK AND PANEL	1	
		MAGNETIC CHARACTER READER, I-O ADAPTER, CONTROL ADAPTER, DUAL AND NO DUAL SYNC ADAPTERS		
9 -	5327450	DUAL SYNC ADAPTER-W ACCEL FEATURE	1	A
-	760783	DUAL SYNC ADAPTER-W/O ACCEL FEATURE	1	A
-	5327550	DUAL SYNC ADAPTER-W ACCEL FEATURE	1	B
-	5327540	DUAL SYNC ADAPTER-W/O ACCEL FEATURE	1	B
-	761303	NO DUAL SYNC ADAPTER	1	
-	760781	I-O ADAP-1ST CHAN ONLY	1	
-	5319207	I-O ADAP-2ND CHAN ONLY-1414 M3 OR 8	1	6
-	5319208	I-O ADAP-2ND CHAN ONLY-1414 M4, 5 OR 8	1	7
-	383676	MAG CHAR READER CONTROLS	1	
-	383671	MAG CHAR READER ON 1ST CHANNEL	1	
-	383672	MAG CHAR READER ON 2ND CHANNEL	1	
-	5319173	MAG CHAR READER ON 1ST AND 2ND CHANNEL	1	
-	5319304	CONTROL ADAPTER ON 1ST CHANNEL	1	
-	5319305	CONTROL ADAPTER ON 2ND CHANNEL	1	
		SEE FIG. 9 FOR ILLUSTRATION		
- 1	760075	• COVER, SAFETY	1	8
		USED ON ASSEMBLY 5327450 AND 760783 ONLY		
- 2	10170	• SCREW,MACH-BIND HD 6-32 X 1/4 LG ATT PT	2	8
		USED ON ASSEMBLY 5327450 AND 760783 ONLY		
- 3	207293	• KEEPER-POWER SUPPLY MOUNTING	2	8
		USED ON ASSEMBLY 5327450 AND 760783 ONLY		
- 4	58207	• SCREW,MACH-UNDRCT BIND HD 8-32 X 1/4 LG ATT PT	2	8
		USED ON ASSEMBLY 5327450 AND 760783 ONLY		
- 5	55901	• WASHER,LOCK-EXT TEETH NO. 8 X 0.381 OD ATT PT	2	8
		USED ON ASSEMBLY 5327450 AND 760783 ONLY		
- 6	473380	• POWER SUPPLY ASSY,12 VOLT AT 20 AMP	1	8
		USED ON ASSEMBLY 5327450 AND 760783 ONLY		
		SEE SECT.1,LIST 15 FOR DETAIL BREAKDOWN		
* - 6	208258	• POWER SUPPLY ASSEMBLY- 12 VOLT 20 AMP	1	B
		USED ON ASSEMBLY 5327450 AND 760783 ONLY		
		SEE SECT.1,LIST 15A FOR DETAIL BREAKDOWN		
- 7	369207	• PLATE,INST-HAZARDOUS AREA	1	8
		USED ON ASSEMBLY 5327450 AND 760783 ONLY		
- 8	5319182	• BRACKET, POWER SUPPLY MOUNTING	2	8
		USED ON ASSEMBLY 5327450 AND 760783 ONLY		
- 9	3960	• NUT,PLAIN,HEX- 1/4-20 X 7/16 FL W ATT PT	2	8
		USED ON ASSEMBLY 5327450 AND 760783 ONLY		
- 10	6935	• WASHER,LOCK-SPLIT 1/4 X 0.493 OD ATT PT	2	8
		USED ON ASSEMBLY 5327450 AND 760783 ONLY		
- 11	5319181	• ROD, POWER SUPPLY RETAINING	1	8
		USED ON ASSEMBLY 5327450 AND 760783 ONLY		
- 12	350886	• STOP	2	8
		USED ON ASSEMBLY 5327450 AND 760783 ONLY		
- 13	55726	• SCREW,MACH-BIND HD 6-32 X 3/16 LG ATT PT	2	8
		USED ON ASSEMBLY 5327450 AND 760783 ONLY		
- 14	760714	• FAN ASSEMBLY, AUXILIARY	1	8
		USED ON ASSEMBLY 5327450 AND 760783 ONLY		
- 15	207382	• RAIL-POWER SUPPLY MOUNTING	2	8
		USED ON ASSEMBLY 5327450 AND 760783 ONLY		

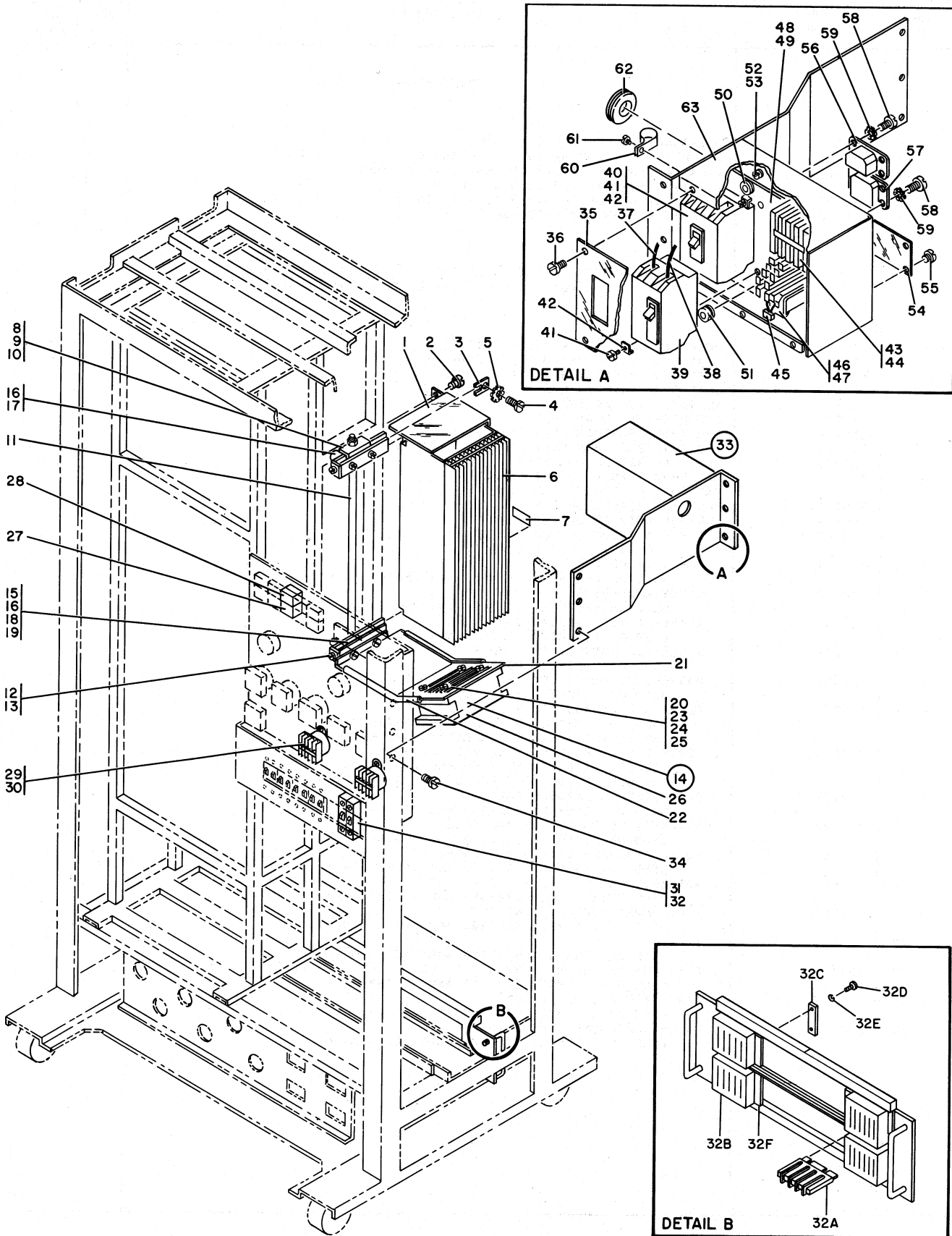


FIGURE 9. MAGNETIC CHARACTER READER, I-O ADAPTER, CONTROL ADAPTER, DUAL AND NO DUAL SYNC ADAPTERS.
 SHEET 1 OF 4. INDEX NOS. 1-65. SEE LIST 9.

LIST AND INDEX NO.	PART NO.	DESCRIPTION	UNITS				USABLE ON CODE
			1	2	3	4	
		MAGNETIC CHARACTER READER, I-O ADAPTER, CONTROL ADAPTER, DUAL AND NO DUAL SYNC ADAPTERS-CONT					
9 - 16	344434	. SPACER USED ON ASSEMBLY 5327450 AND 760783 ONLY				4	8
- 17	438602	. SCREW,MACH-BIND HD 10-32 X 1-1/2 LG ATT PT USED ON ASSEMBLY 5327450 AND 760783 ONLY				2	8
- 18	287499	. SCREW,MACH-FIL HD 10-32 X 1-5/8 LG ATT PT USED ON ASSEMBLY 5327450 AND 760783 ONLY				2	8
- 19	11598	. NUT,PLAIN,HEX- 10-32 X 3/8 FL W ATT PT USED ON ASSEMBLY 5327450 AND 760783 ONLY				2	8
- 20	177946	. . GUARD-FAN				2	
- 21	760076	. . BRACKET, FAN MOUNTING				1	
- 22	350829	. . GUARD, FAN BRACKET				2	
- 23	322065	. . SCREW,MACH-BIND HD 6-32 X 5/8 LG ATT PT				4	
- 24	322550	. . SCREW,MACH-BIND HD 6-32 X 1/2 LG ATT PT				4	
- 25	257187	. . NUT,PLAIN,HEX- 6-32 X 5/16 FL W ATT PT				8	
- 26	480991	. . FAN ASSEMBLY				1	
- 27	233800	SEE LIST 2-138 FOR DETAIL BREAKDOWN . LENS, BLANK RED SIGNAL LIGHT USED ON ASSEMBLY 5319207 AND 5319208 ONLY				1	8
- 28	5319284	. LENS, I-O 2-RED USED ON ASSEMBLY 5319207 AND 5319208 ONLY				1	8
- 29	369222	. RELAY,ARMATURE- 4NO POLES 115V AC USED ON ASSEMBLY 5319207 AND 5319208 ONLY				2	8
- 30	38350	. SCREW,MACH-FIL H 6-32 X 1/4 LG ATT PT USED ON ASSEMBLY 5319207 AND 5319208 ONLY				4	8
- 31	760265	. CIRCUIT BREAKER, OVERLOAD PROTECTOR USED ON ASSEMBLY 5319207 AND 5319208 ONLY				2	8
- 32	10170	. SCREW,MACH-BIND HD 6-32 X 1/4 LG ATT PT USED ON ASSEMBLY 5319207 AND 5319208 ONLY				4	8
* - 32A	216231	. GUIDE- 8 POSITION CARD USED ON ASSEMBLIES 383671,383672,5319207 AND 5319208 ONLY				1	
* - 32A	216231	. GUIDE- 8 POSITION CARD USED ON ASSEMBLY 5319173 ONLY				2	
* - 32B	216083	. CARD RECEPTACLE ASSEMBLY USED ON ASSEMBLIES 383671,383672,5319207 AND 5319208 ONLY				1	
* - 32B	216083	. CARD RECEPTACLE ASSEMBLY USED ON ASSEMBLY 5319173 ONLY				2	
* - 32C	5305020	. PLATE,CONNECTOR STOP USED ON ASSEMBLIES 383671,383672,5319207 5319173 AND 5319208 ONLY				2	
* - 32C	5305020	. PLATE,CONNECTOR STOP USED ON ASSEMBLIES 5319304 AND 5319305 ONLY				4	
* - 32D	338238	. SCREW,MACH-BIND HD 4-40 X 5/16 LG ATT PT				8	
* - 32E	257984	. WASHER,LOCK-SPLIT NO. 4 X 0.212 OD ATT PT				8	
* - 32F	5305021	. STOP,CONNECTOR USED ON ASSEMBLIES 383671,383672,5319173 5319207 AND 5319208 ONLY				2	
* - 32F	5305021	. STOP,CONNECTOR USED ON ASSEMBLIES 5319304 AND 5319305 ONLY				4	
- 33	5319271	. ADAPTER BOX ASSEMBLY, 2ND CHANNEL I-O USED ON ASSEMBLY 5319207 AND 5319208 ONLY				1	8
- 34	58207	. SCREW,MACH-UNDRCT BIND HD 8-32 X 1/4 LG ATT PT USED ON ASSEMBLY 5319207 AND 5319208 ONLY				6	8
- 35	5319274	. . COVER, ADAPTER BOX				1	
- 36	55726	. . SCREW,MACH-BIND HD 6-32 X 3/16 LG ATT PT				6	
- 37	5319278	. . JUMPER ASSEMBLY, 4 LONG				1	
- 38	5319279	. . JUMPER ASSEMBLY, 4 LONG SEE SECT. 1 LIST 35 FOR COMPONENT PARTS				1	
- 39	553155	. . CIRCUIT BREAKER-2 POLE 15 AMP				1	
- 40	2130337	. . CIRCUIT BREAKER				1	

LIST AND INDEX NO.	PART NO.	DESCRIPTION 1 2 3 4	UNITS PER ASM.	USABLE ON CODE
		MAGNETIC CHARACTER READER, I-O ADAPTER, CONTROL ADAPTER, DUAL AND NO DUAL SYNC ADAPTERS. -CONT		
9 - 41	760731	• • CLAMP ATT PT	8	
- 42	81693	• • SCREW, MACH-BIND HD 6-32 X 3/8 LG ATT PT	8	
- 43	369222	• • RELAY, ARMATURE- 4NO POLES 115V AC	1	
- 44	10170	• • SCREW, MACH-BIND HD 6-32 X 1/4 LG ATT PT	2	
- 45	609397	• • DIODE ASSEMBLY	1	
		SEE SECT. 1 LIST 35 FOR COMPONENT PARTS		
- 46	124843	• • RELAY ASM-ARM CONT ARR 2C, 2D AND 2F 40V	2	
		SEE SECT. 1 LIST 5-46 FOR DETAIL		
		BREAKDOWN		
- 47	58207	• • SCREW, MACH-UNDRCT BIND HD 8-32 X 1/4 LG ATT PT	4	

LIST AND INDEX NO.	PART NO.	DESCRIPTION 1 2 3 4	UNITS PER ASM.	USABLE ON CODE

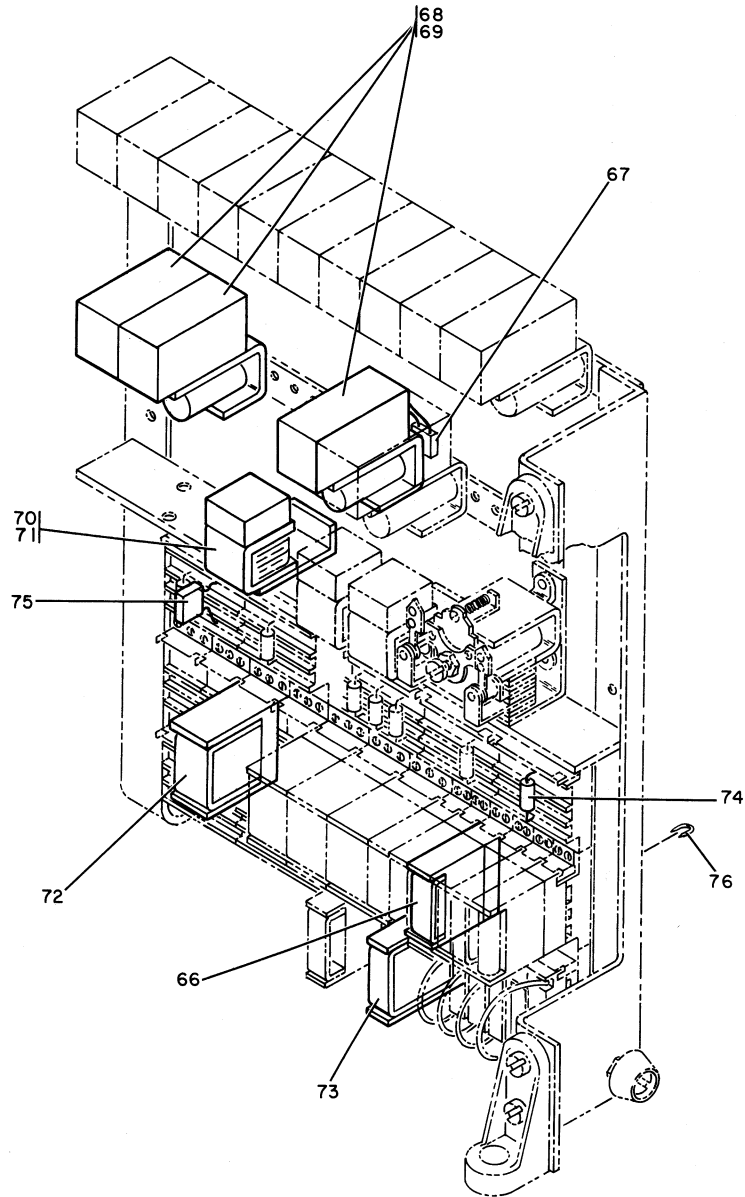
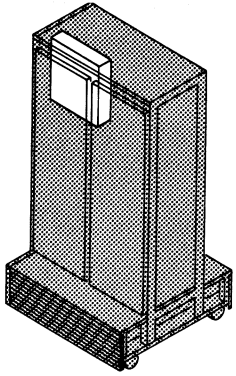
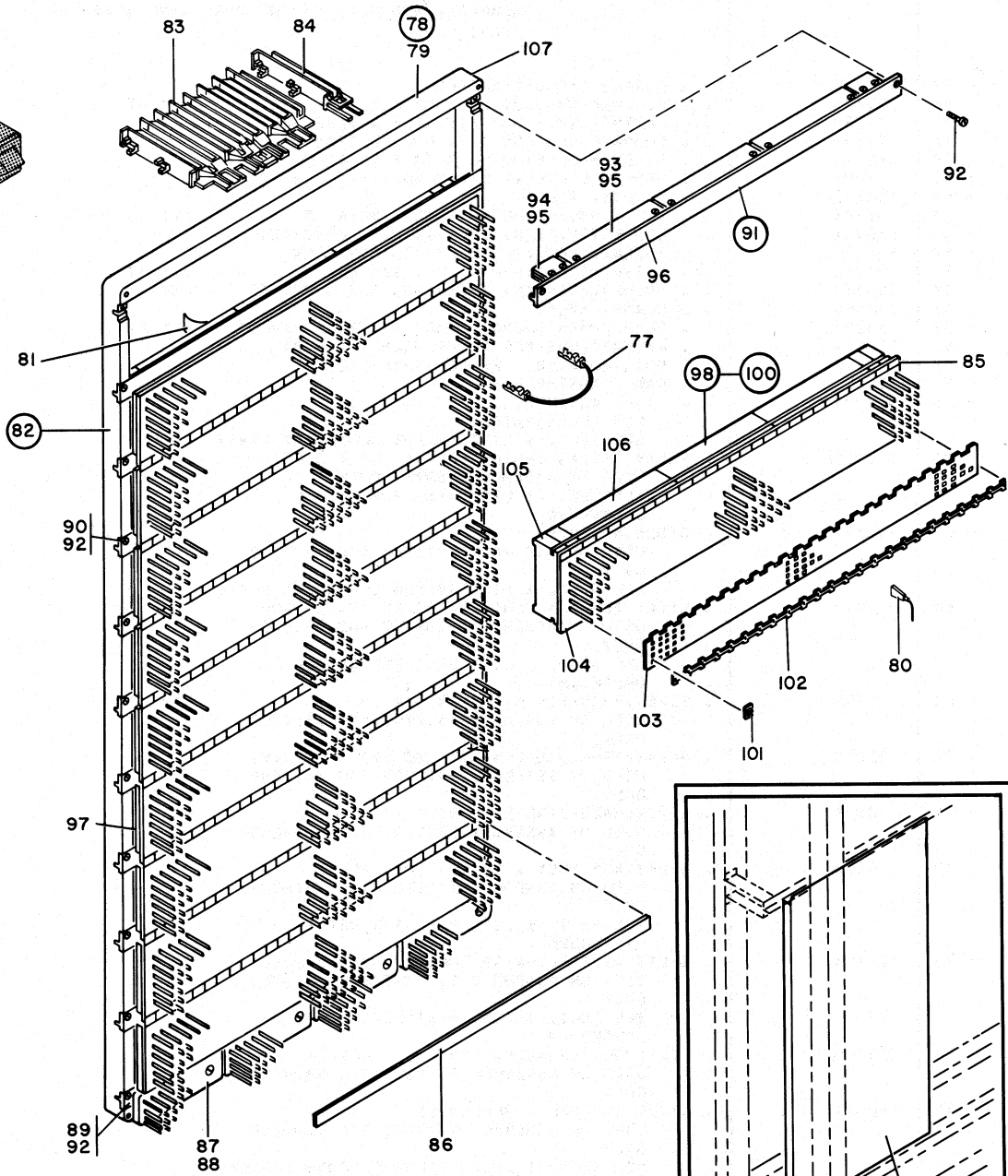
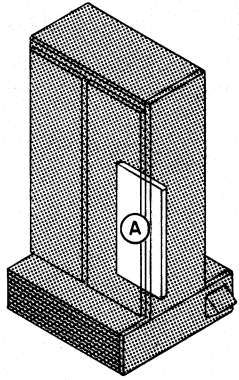


FIGURE 9. MAGNETIC CHARACTER READER, I-O ADAPTER, CONTROL ADAPTER, DUAL AND NO DUAL SYNC ADAPTERS.
SHEET 2 OF 4. INDEX NOS. 66-76. SEE LIST 9.

LIST AND INDEX NO.	PART NO.	DESCRIPTION				UNITS PER ASM.	USABLE ON CODE
		1	2	3	4		
		MAGNETIC CHARACTER READER, I-O ADAPTER, CONTROL ADAPTER, AND DUAL AND NO DUAL SYNC ADAPTERS -CONT					
9 - 48	5319273	•	•	PLATE, CIRCUIT BREAKER		1	
- 49	55726	•	•	SCREW, MACH-BIND HD 6-32 X 3/16 LG	ATT PT	4	
- 50	1071739	•	•	GROMMET, RUB-FOR 7/16 HOLE X 3/32 PNL		3	
- 51	53193	•	•	GROMMET, RUB-FOR 7/16 HOLE X 3/32 PNL		2	
- 52	221790	•	•	SCREW, MACH-BIND HD 8-32 X 3/16 LG		1	
- 53	55901	•	•	WASHER, LOCK-EXT TEETH NO. 8 X 0.381 OD		1	
- 54	5319275	•	•	WINDOW, RELAY		1	
- 55	55726	•	•	SCREW, MACH-BIND HD 6-32 X 3/16 LG	ATT PT	4	
- 56	550561	•	•	CONNECTOR, RECP, ELEC- 13 MALE CONTACTS		1	
- 57	556101	•	•	INSERT, ELEC CONNECTOR- 13 POSITION		1	
- 58	38262	•	•	SCREW, MACH-FIL H 4-40 X 1/4 LG	ATT PT	8	
- 59	150209	•	•	WASHER, LOCK-INT TEETH NO. 4 X 0.270 OD	ATT PT	8	
- 60	350665	•	•	CLAMP, CABLE		1	
- 61	58207	•	•	SCREW, MACH-UNDRCT BIND HD 8-32 X 1/4 LG	ATT PT	1	
- 62	123077	•	•	GROMMET, RUB-FOR 1-1/4 HOLE X 1/8 PNL		1	
- 63	5319272	•	•	BOX, ADAPTER - 2ND CHANNEL I-O		1	
- 64	5319276	•	•	CABLE ASSEMBLY		1	
- 65	5319277	•	•	CABLE ASSEMBLY		1	
		NOT ILLUSTRATED					
		SEE SECT. 1 LIST 35 FOR COMPONENT PARTS					
- 66	196208	•	•	RELAY ASSEMBLY-WIRE CONTACT 4PDT 2 COIL USED ON ASSEMBLY 760781 ONLY SEE SECT. 1 LIST 5-30 FOR DETAIL BREAKDOWN		1	8
- 67	609397	•	•	DIODE ASSEMBLY USED ON ASSEMBLY 5319207 AND 5319208 ONLY		1	8
		SEE SECT. 1 LIST 35 FOR COMPONENT PARTS					
- 68	124843	•	•	RELAY ASM-ARM CONT ARR 2C, 2D AND 2F 40V USED ON ASSEMBLY 5319207 AND 5319208 ONLY SEE SECT. 1 LIST 5-46 FOR DETAIL BREAKDOWN		3	8
- 69	2300	•	•	SCREW, MACH-FIL H 8-32 X 1/4 LG USED ON ASSEMBLY 5319207 AND 5319208 ONLY	ATT PT	6	8
- 70	322613	•	•	RELAY, ARMATURE-CONT ARR 2C AND 2C 115VAC USED ON ASSEMBLY 5319207 AND 5319208 ONLY		1	8
- 71	10170	•	•	SCREW, MACH-BIND HD 6-32 X 1/4 LG USED ON ASSEMBLY 5319207 AND 5319208 ONLY	ATT PT	2	8
- 72	196198	•	•	RELAY ASSEMBLY-WIRE CONTACT 6PDT 2 COIL USED ON ASSEMBLY 5319207 AND 5319208 ONLY SEE SECT. 1 LIST 5-32 FOR DETAIL BREAKDOWN		1	8
- 73	104753	•	•	RELAY ASSEMBLY-WIRE CONTACT 4PDT 2 COIL USED ON ASSEMBLY 5319207 AND 5319208 ONLY SEE SECT. 1 LIST 5-31 FOR DETAIL BREAKDOWN		1	8
- 74	694908	•	•	RESISTOR ASSEMBLY, 500 OHM 5 WATT USED ON ASSEMBLY 5319207 AND 5319208 ONLY		1	8
- 75	350923	•	•	DIODE ASSEMBLY, PLUGGABLE USED ON ASSEMBLY 5319207 AND 5319208 ONLY SEE SECT. 1 LIST 35 FOR COMPONENT PARTS		2	8



DETAIL A

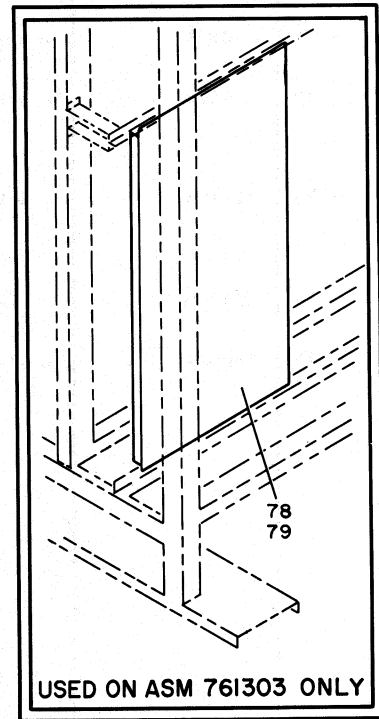


FIGURE 9. MAGNETIC CHARACTER READER, I-O ADAPTER, CONTROL ADAPTER, DUAL AND NO DUAL SYNC ADAPTERS. SHEET 3 OF 4. INDEX NOS. 77-107. SEE LIST 9.

LIST AND INDEX NO.	PART NO.	DESCRIPTION				UNITS PER ASM.	USABLE ON CODE
		1	2	3	4		
		MAGNETIC CHARACTER READER, I-O ADAPTER, CONTROL ADAPTER, AND DUAL AND NO DUAL SYNC ADAPTERS -CONT					
9 - 76	205331	. JUMPER-RELAY GATES UNIT 1/8 BRASS USED ON ASSEMBLY 5319207 AND 5319208 ONLY				2	8
- 77	216308	. JUMPER ASSEMBLY USED ON ASSEMBLY 5327450, 760783, 5327550, AND 5327540 ONLY SEE SECT. 1 LIST 35 FOR COMPONENT PARTS				36	10
- 78	5327553	. CHASSIS ASSEMBLY USED ON ASSEMBLY 5327450 AND 5327550 ONLY				1	10
- 78	761101	. CHASSIS ASSEMBLY USED ON ASSEMBLY 760783 AND 5327540 ONLY				1	10
- 78	760069	. FILLER-LARGE CHASSIS				1	10
- 79	34512	. SCREW, MACH-BIND HD 8-32 X 3/8 LG				4	10
- 80	532078	. JUMPER ASSEMBLY PART OF AND USED ON ASSEMBLY 5327553 AND 761101 ONLY SEE SECT. 1 LIST 35 FOR COMPONENT PARTS				40	
- 81	216285	. LABEL-NUMBERING L TO R 1 THRU 28 PART OF AND USED ON ASSEMBLY 5327553 AND 761101 ONLY				11	
- 82	761100	. CHASSIS ASSEMBLY PART OF AND USED ON ASSEMBLY 5327553 AND 761101 ONLY				1	
- 83	216085	. . . GUIDE-CARD 8 POSITION LONG				AR	
- 84	216206	. . . GUIDE-SINGLE CARD LONG				AR	
- 85	216286	. . . LABEL-NUMBERING R TO L 1 THRU 28				11	
- 86	216215	. . . BUS-GROUND PLANE				AR	
- 87	216295	. . . CONNECTOR, RECP, ELEC- 28 MALE CONTACTS				8	
- 88	38262	. . . SCREW, MACH-FIL H 4-40 X 1/4 LG				24	
- 89	216293	. . . T BAR-EDGE CONNECTOR MOUNTING				1	
- 90	216093	. . . T BAR-TERMINAL MOUNTING				9	
- 91	216296	. . . T BAR AND ADAPTER ASSEMBLY				1	
- 92	10170	. . . SCREW, MACH-BIND HD 6-32 X 1/4 LG				22	
- 93	216091	. . . ADAPTER-CARD GUIDE				3	
- 94	216212	. . . ADAPTER-SINGLE CARD GUIDE				2	
- 95	38264	. . . SCREW, MACH-FIL H 4-40 X 3/8 LG				10	
- 96	216292	. . . T BAR-ADAPTER AND EDGE CONNECTOR MTG				1	
- 97	216297	. . . SEAL, RUB STRIP- 11/16 W X 1/8 THK				AR	
- 98	762533	. . . ROW ASSEMBLY, CARD RECEPTACLE				1	
- 99	762539	. . . ROW ASSEMBLY, CARD RECEPTACLE				2	
-100	762540	. . . ROW ASSEMBLY, CARD RECEPTACLE				7	
-101	216263	. . . CLIP				AR	
-102	212822	. . . BUS BAR-CHAIN VOLTAGE				AR	
-103	216267	. . . INSULATOR, PLATE-BACK PANEL 28 POSITION				AR	
-104	491463	. . . PRINTED CIRCUIT BOARD				AR	
-105	216076	. . . TERMINAL BLOCK AND CONTACT ASSEMBLY				AR	
-106	216083	. . . CARD RECEPTACLE ASSEMBLY				AR	
-107	216092	. . . FRAME-LARGE CHASSIS				1	
-108	383756	. CHASSIS ASSEMBLY USED ON ASSEMBLY 5319207 AND 5319208 ONLY SEE LIST 7 FOR DETAIL BREAKDOWN				1	11
-109	383695	. CHASSIS ASSEMBLY USED ON ASSEMBLY 383676 ONLY SEE LIST 7 FOR DETAIL BREAKDOWN				1	11
-110	5319281	. CHASSIS ASSEMBLY USED ON ASSEMBLY 5319304 ONLY SEE LIST 7 FOR DETAIL BREAKDOWN				1	11

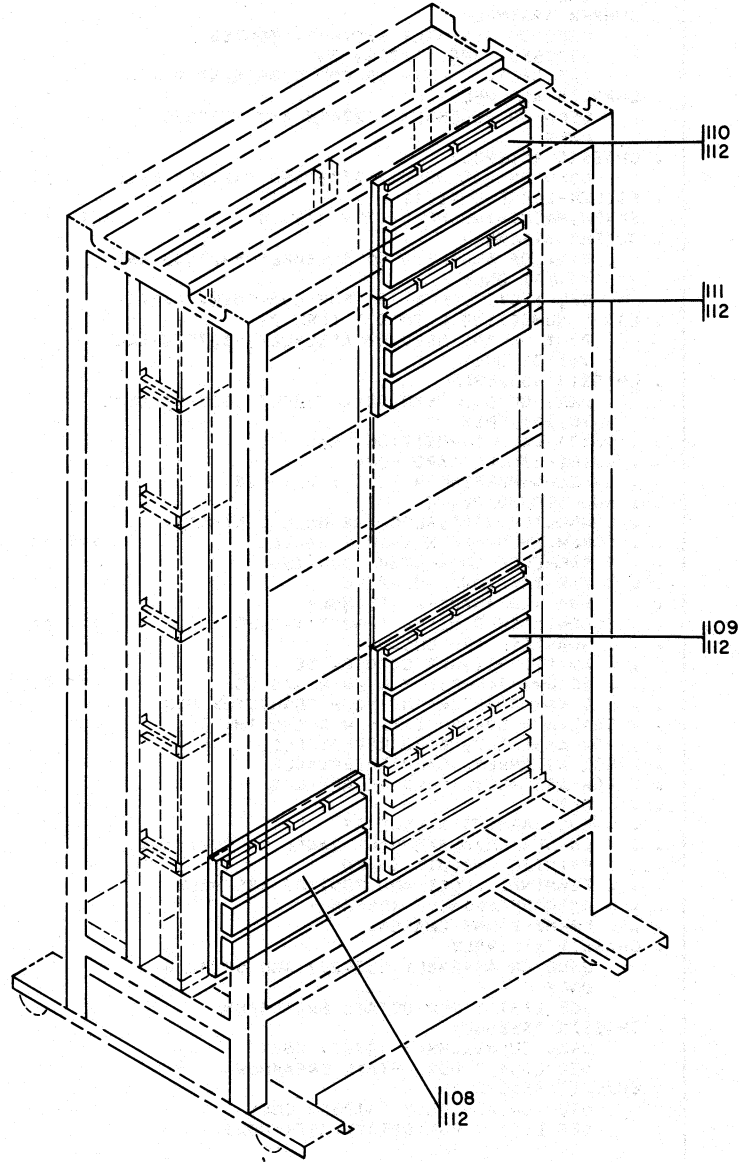


FIGURE 9. MAGNETIC CHARACTER READER, I-O ADAPTER, CONTROL ADAPTER, DUAL AND NO DUAL SYNC ADAPTERS.
SHEET 4 OF 4. INDEX NOS. 108-139. SEE LIST 9.

LIST AND INDEX NO.	PART NO.	DESCRIPTION				UNITS PER ASM.	USABLE ON CODE
		1	2	3	4		
		MAGNETIC CHARACTER READER, I-O ADAPTER, CONTROL ADAPTER, AND DUAL AND NO DUAL SYNC ADAPTERS -CONT					
9 -111	5319282	. CHASSIS ASSEMBLY USED ON ASSEMBLY 5319305 ONLY				1	11
		SEE LIST 7 FOR DETAIL BREAKDOWN					
-112	34512	. SCREW, MACH-BIND HD 8-32 X 3/8 LG ATT PT				4	11
		USED ON ASSEMBLY 383676, 5319304, AND 5319305 ONLY					
-113	760245	. CABLE ASM-16 WIRE				11	
		USED ON ASSEMBLY 5327450, 760783, 5327550, AND 5327540 ONLY					
-114	761144	. CABLE ASSEMBLY				2	
		USED ON ASSEMBLY 5327450 AND 760783 ONLY					
-114	761144	. CABLE ASSEMBLY				1	
		USED ON ASSEMBLY 5327550 AND 5327540 ONLY					
-115	761146	. CABLE ASSEMBLY				2	
		USED ON ASSEMBLY 760781 ONLY					
-116	761147	. CABLE ASSEMBLY				2	
		USED ON ASSEMBLY 760781 ONLY					
-117	761148	. CABLE ASSEMBLY				2	
		USED ON ASSEMBLY 760781 ONLY					
-118	761149	. CABLE ASSEMBLY				2	
		USED ON ASSEMBLY 760781 ONLY					
-119	383714	. CABLE ASSEMBLY				2	
		USED ON ASSEMBLY 5319207 AND 5319208 ONLY					
-120	383715	. CABLE ASSEMBLY				2	
		USED ON ASSEMBLY 5319207 AND 5319208 ONLY					
-121	383716	. CABLE ASSEMBLY				2	
		USED ON ASSEMBLY 5319207 AND 5319208 ONLY					
-122	383717	. CABLE ASSEMBLY				2	
		USED ON ASSEMBLY 5319207 AND 5319208 ONLY					
-123	383718	. CABLE ASSEMBLY				2	
		USED ON ASSEMBLY 5319207 AND 5319208 ONLY					
-124	383719	. CABLE ASSEMBLY				2	
		USED ON ASSEMBLY 5319207 AND 5319208 ONLY					
-125	383720	. CABLE ASSEMBLY				2	
		USED ON ASSEMBLY 5319207 AND 5319208 ONLY					
-126	383721	. CABLE ASSEMBLY				2	
		USED ON ASSEMBLY 5319207 AND 5319208 ONLY					
-127	383722	. CABLE ASSEMBLY				2	
		USED ON ASSEMBLY 5319207 AND 5319208 ONLY					
-128	5319280	. CABLE ASSEMBLY				1	
		USED ON ASSEMBLY 5319207 AND 5319208 ONLY					
-129	5319332	. CABLE ASSEMBLY				2	
		USED ON ASSEMBLY 5319207 AND 5319208 ONLY					
-130	5329317	. CABLE ASSEMBLY				2	
		USED ON ASSEMBLY 5319207 AND 5319208 ONLY					

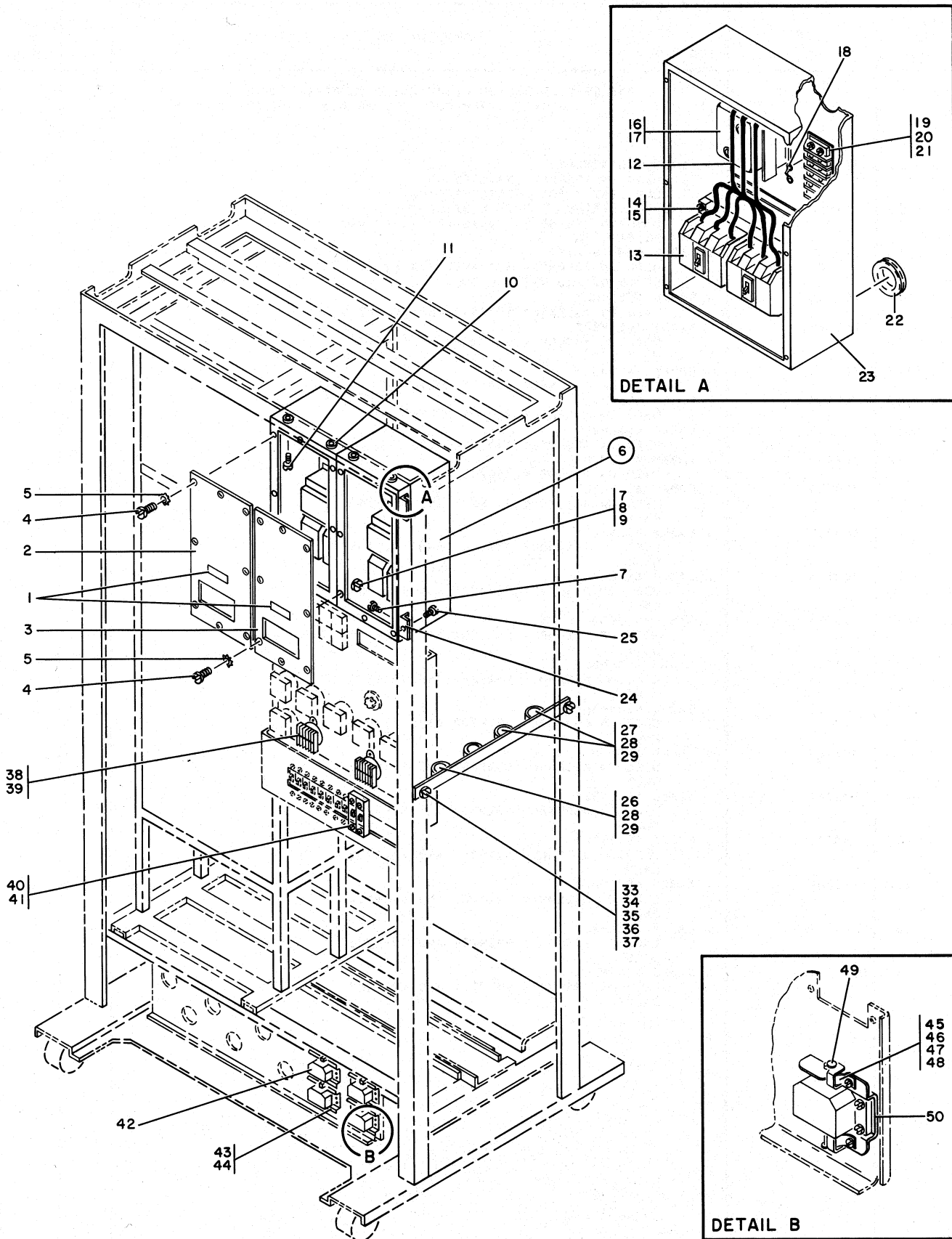


FIGURE 10. TAPE POWER. SHEET 1 OF 2. INDEX NOS. 1-50. SEE LIST 10.

LIST AND INDEX NO.	PART NO.	DESCRIPTION				UNITS PER ASM.	USABLE ON CODE
		1	2	3	4		
		MAGNETIC CHARACTER READER, I-O ADAPTER, CONTROL ADAPTER, AND DUAL AND NO DUAL SYNC ADAPTERS -CONT					
9 -131	383711	• CABLE ASSEMBLY USED ON ASSEMBLY 383676 ONLY				1	
-132	383713	• CABLE ASSEMBLY USED ON ASSEMBLY 383676 ONLY				1	
-133	5329315	• CABLE ASSEMBLY USED ON ASSEMBLY 383676 ONLY				2	
-134	383679	• CABLE ASSEMBLY USED ON ASSEMBLY 383671 AND 5319173 ONLY				6	
-135	383626	• CABLE ASSEMBLY USED ON ASSEMBLY 383672 AND 5319173 ONLY				6	
-136	5329308	• CABLE ASSEMBLY USED ON ASSEMBLY 5319304 ONLY				1	
-137	5329316	• CABLE ASSEMBLY USED ON ASSEMBLY 5319304 ONLY				1	
-138	5329309	• CABLE ASSEMBLY USED ON ASSEMBLY 5319305 ONLY				1	
-139	5329318	• CABLE ASSEMBLY USED ON ASSEMBLY 5319305 ONLY NOT ILLUSTRATED SEE SECT. 1 LIST 35 FOR COMPONENT PARTS				1	
		TAPE POWER					
10 -	761294	TAPE POWER FOR FIRST SYNCHRONIZER				1	
-	5319185	TAPE POWER FOR SECOND SYNCHRONIZER				1	
-	761295	TAPE POWER FOR FIRST AND SECOND SYNC SEE FIG. 10 FOR ILLUSTRATION				1	
- 1	183848	• PLATE, INSTRUCTION-CURRENT REQUIREMENT USED ON ASSEMBLY 761294 AND 5319185 ONLY				1	8
- 1	183848	• PLATE, INSTRUCTION-CURRENT REQUIREMENT USED ON ASSEMBLY 761295 ONLY				2	8
- 2	760616	• COVER, TAPE DRIVE II POWER USED ON ASSEMBLY 5319185 AND 761295 ONLY				1	8
- 3	350857	• COVER, TAPE DRIVE USED ON ASSEMBLY 761294 AND 761295 ONLY				1	8
- 4	438566	• SCREW, MACH-UNDRCT BIND HD 6-32 X 1/8 LG ATT PT USED ON ASSEMBLY 761294 AND 5319185 ONLY				8	8
- 4	438566	• SCREW, MACH-UNDRCT BIND HD 6-32 X 1/8 LG ATT PT USED ON ASSEMBLY 761295 ONLY				16	8
- 5	56722	• WASHER, LOCK-EXT TEETH NO. 6 X 5/16 OD ATT PT USED ON ASSEMBLY 761294 AND 5319185 ONLY				8	8
- 5	56722	• WASHER, LOCK-EXT TEETH NO. 6 X 5/16 OD ATT PT USED ON ASSEMBLY 761295 ONLY				16	8
- 6	760128	• HOUSING ASSEMBLY, TAPE DRIVE POWER USED ON ASSEMBLY 761294 AND 5319185 ONLY				1	8
- 6	760128	• HOUSING ASSEMBLY, TAPE DRIVE POWER USED ON ASSEMBLY 761295 ONLY				2	8
- 7	28413	• SCREW, MACH-BIND HD 10-32 X 5/16 LG ATT PT USED ON ASSEMBLY 761294 AND 5319185 ONLY				2	8
- 7	28413	• SCREW, MACH-BIND HD 10-32 X 5/16 LG ATT PT USED ON ASSEMBLY 761295 ONLY				4	8
- 8	11598	• NUT, PLAIN, HEX- 10-32 X 3/8 FL W ATT PT USED ON ASSEMBLY 5319185 AND 761295 ONLY				2	8

LIST AND INDEX NO.	PART NO.	DESCRIPTION				UNITS PER ASM.	USABLE ON CODE
		1	2	3	4		
		TAPE POWER -CONT					
10 - 9	9092	.	WASHER, LOCK-SPLIT NO. 10 X 0.337 OD	ATT PT	2	8	
			USED ON ASSEMBLY 5319185 AND 761295 ONLY				
- 10	803258	.	SPACER, MAIN DRIVE SHAFT	ATT PT	2	8	
			USED ON ASSEMBLY 761294 AND 5319185 ONLY				
- 10	803258	.	SPACER, MAIN DRIVE SHAFT	ATT PT	4	8	
			USED ON ASSEMBLY 761295 ONLY				
- 11	438601	.	SCREW, MACH-UNDRCT BIND HD 10-32 X 7/8 LG	ATT PT	2	8	
			USED ON ASSEMBLY 761294 AND 5319185 ONLY				
- 11	438601	.	SCREW, MACH-UNDRCT BIND HD 10-32 X 7/8 LG	ATT PT	4	8	
			USED ON ASSEMBLY 761295 ONLY				
- 12	760298	.	CABLE ASSEMBLY		1		
			SEE SECT. 1 LIST 35 FOR COMPONENT PARTS				
- 13	609711	.	CIRCUIT BREAKER, OVERLOAD PROTECTOR		2		
- 14	81693	.	SCREW, MACH-BIND HD 6-32 X 3/8 LG	ATT PT	8		
- 15	760731	.	CLAMP	ATT PT	8		
- 16	760262	.	MAGNETIC CONTACTOR		1		
- 17	2300	.	SCREW, MACH-FIL H 8-32 X 1/4 LG	ATT PT	3		
- 18	367115	.	JUMPER-TERMINAL STRIP VDC DISTR BRS		1		
- 19	92650	.	TERMINAL BOARD- 6 DBL SCREW TERMINALS		1		
- 20	322282	.	MARKER STRIP- 6 POS NOS. 1 THRU 6		1		
- 21	35739	.	SCREW, MACH-BIND HD 6-32 X 15/16 LG	ATT PT	4		
- 22	198981	.	GROMMET, RUBBER		1		
- 23	760617	.	HOUSING, TAPE POWER DRIVE		1		
- 24	760615	.	BRACKET, TAPE POWER DRIVE		2	8	
			USED ON ASSEMBLY 761294 AND 761295 ONLY				
- 25	236849	.	SCREW, MACH-BIND HD 10-32 X 1/4 LG	ATT PT	2	8	
			USED ON ASSEMBLY 761294 AND 761295 ONLY				
- 26	761118	.	CLAMP, CABLE		1	8	
			USED ON ASSEMBLY 761294 AND 5319185 ONLY				
- 26	761118	.	CLAMP, CABLE		2	8	
			USED ON ASSEMBLY 761295 ONLY				
- 27	761136	.	CLAMP, CABLE		1	8	
			USED ON ASSEMBLY 761294 AND 5319185 ONLY				
- 27	761136	.	CLAMP, CABLE		2	8	
			USED ON ASSEMBLY 761295 ONLY				
- 28	236849	.	SCREW, MACH-BIND HD 10-32 X 1/4 LG	ATT PT	4	8	
			USED ON ASSEMBLY 761294 AND 5319185 ONLY				
- 28	236849	.	SCREW, MACH-BIND HD 10-32 X 1/4 LG	ATT PT	8	8	
			USED ON ASSEMBLY 761295 ONLY				
- 29	9092	.	WASHER, LOCK-SPLIT NO. 10 X 0.337 OD	ATT PT	4	8	
			USED ON ASSEMBLY 761294 AND 5319185 ONLY				
- 29	9092	.	WASHER, LOCK-SPLIT NO. 10 X 0.337 OD	ATT PT	8	8	
			USED ON ASSEMBLY 761295 ONLY				
- 30	760733	.	CORD ASSEMBLY, PLUG ATTACHMENT		1	8	
			USED ON ASSEMBLY 761294 AND 5319185 ONLY				
- 30	760733	.	CORD ASSEMBLY, PLUG ATTACHMENT		2	8	
			USED ON ASSEMBLY 761295 ONLY				
- 31	760296	.	CABLE ASSEMBLY		1	8	
			USED ON ASSEMBLY 761294 AND 761295 ONLY				
- 32	760297	.	CABLE ASSEMBLY		1	8	
			USED ON ASSEMBLY 5319185 AND 761295 ONLY				
			NOT ILLUSTRATED				
			SEE SECT. 1 LIST 35 FOR COMPONENT PARTS				
- 33	762585	.	BAR, CABLE CLAMP MOUNTING		1	8	
			USED ON ASSEMBLY 761294 AND 761295 ONLY				
- 34	438623	.	SCREW, MACH-BIND HD 1/4-20 X 5/8 LG	ATT PT	2	8	
			USED ON ASSEMBLY 761294 AND 761295 ONLY				
- 35	3960	.	NUT, PLAIN, HEX- 1/4-20 X 7/16 FL W	ATT PT	2	8	
			USED ON ASSEMBLY 761294 AND 761295 ONLY				

LIST AND INDEX NO.	PART NO.	DESCRIPTION				UNITS PER ASM.	USABLE ON CODE
		1	2	3	4		
		TAPE POWER -CONT					
10 - 36	6935	.	WASHER, LOCK-SPLIT 1/4 X 0.493 OD	ATT PT	2	8	
- 37	3550	.	USED ON ASSEMBLY 761294 AND 761295 ONLY WASHER, FL- 1/4 X 9/16 OD X 0.050 THK	ATT PT	2	8	
- 38	369222	.	USED ON ASSEMBLY 761294 AND 761295 ONLY RELAY, ARMATURE- 4NO POLES 115V AC		1	8	
- 38	369222	.	USED ON ASSEMBLY 761294 AND 5319185 ONLY RELAY, ARMATURE- 4NO POLES 115V AC		2	8	
- 39	38350	.	USED ON ASSEMBLY 761295 ONLY SCREW, MACH-FIL H 6-32 X 1/4 LG	ATT PT	2	8	
- 39	38350	.	USED ON ASSEMBLY 761294 AND 5319185 ONLY SCREW, MACH-FIL H 6-32 X 1/4 LG	ATT PT	4	8	
- 40	760265	.	USED ON ASSEMBLY 761295 ONLY CIRCUIT BREAKER, OVERLOAD PROTECTOR		2	8	
- 41	10170	.	USED ON ASSEMBLY 761294 AND 761295 ONLY SCREW, MACH-BIND HD 6-32 X 1/4 LG	ATT PT	4	8	
- 42	526516	.	USED ON ASSEMBLY 761294 AND 761295 ONLY CONNECTOR, RECP, ELEC-13 FEMALE CONTACTS		2	8	
- 42	526516	.	USED ON ASSEMBLY 761294 AND 5319185 ONLY CONNECTOR, RECP, ELEC-13 FEMALE CONTACTS		4	8	
- 43	526522	.	USED ON ASSEMBLY 761295 ONLY LATCH ASSEMBLY-CONNECTOR		2	8	
- 43	526522	.	USED ON ASSEMBLY 761294 AND 5319185 ONLY LATCH ASSEMBLY-CONNECTOR		4	8	
- 44	38264	.	USED ON ASSEMBLY 761295 ONLY SCREW, MACH-FIL H 4-40 X 3/8 LG	ATT PT	8	8	
- 44	38264	.	USED ON ASSEMBLY 761294 AND 5319185 ONLY SCREW, MACH-FIL H 4-40 X 3/8 LG	ATT PT	16	8	
- 45	526520	.	USED ON ASSEMBLY 761295 ONLY SPRING-LATCH		2		
- 46	186759	.	SCREW, MACH-BIND HD 8-32 X 1/32 LG	ATT PT	2		
- 47	257189	.	NUT - HEX-8-32UNC THD	ATT PT	2		
- 48	1090873	.	WASHER, LOCK-SPLIT NO. 8 X 0.296 OD	ATT PT	2		
- 49	526521	.	ROLLER-CONNECTOR LATCH		2		
- 50	526519	.	BRACKET-CONNECTOR MOUNTING		1		
- 51	124843	.	RELAY ASM-ARM CONT ARR 2C, 2D AND 2F 40V		1	8	
- 51	124843	.	USED ON ASSEMBLY 761294 AND 5319185 ONLY RELAY ASM-ARM CONT ARR 2C, 2D AND 2F 40V		2	8	
- 51	124843	.	USED ON ASSEMBLY 761295 ONLY SEE SECT. 1 LIST 5-46 FOR DETAIL BREAKDOWN				
- 52	111351	.	RELAY ASM-ARM CONT ARR 1C AND 1C 40V DC		2	8	
- 52	111351	.	USED ON ASSEMBLY 761294 AND 5319185 ONLY RELAY ASM-ARM CONT ARR 1C AND 1C 40V DC		4	8	
- 53	2300	.	USED ON ASSEMBLY 761295 ONLY SCREW, MACH-FIL H 8-32 X 1/4 LG	ATT PT	6	8	
- 53	2300	.	USED ON ASSEMBLY 761294 AND 5319185 ONLY SCREW, MACH-FIL H 8-32 X 1/4 LG	ATT PT	12	8	
- 54	173211	.	USED ON ASSEMBLY 761295 ONLY SCREW, MACH-RD WASHER HD 5-40 X 1-1/32 LG		4		
- 55	121011	.	PLATE-DUO RELAY TOP		2		
- 56	138447	.	INSULATOR-SCR 0.128 ID 0.186 OD 27/32 LG		4		
- 57	120942	.	INSULATOR-DUO RELAY		2		
- 58	105826	.	SPRING-STIFFENER		2		
- 59	105832	.	SPRING ASSEMBLY-UPPER CONTACT		2		
- 60	189844	.	TERMINAL ASSEMBLY-CONTACT		2		
- 61	120924	.	INSULATOR-DUO RELAY		1		
- 62	125872	.	SPRING-STIFFENER		2		
- 63	141964	.	TERMINAL ASSEMBLY-CONTACT		2		

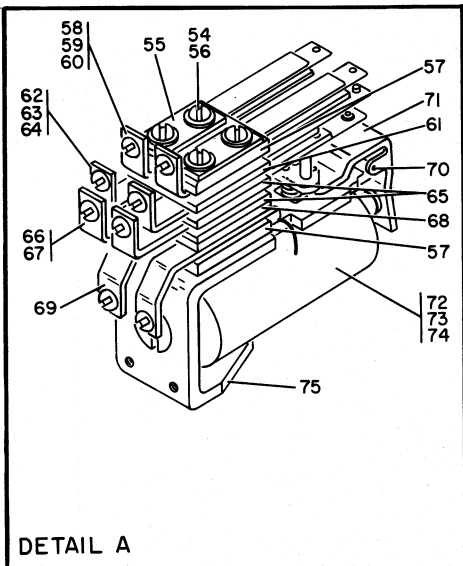
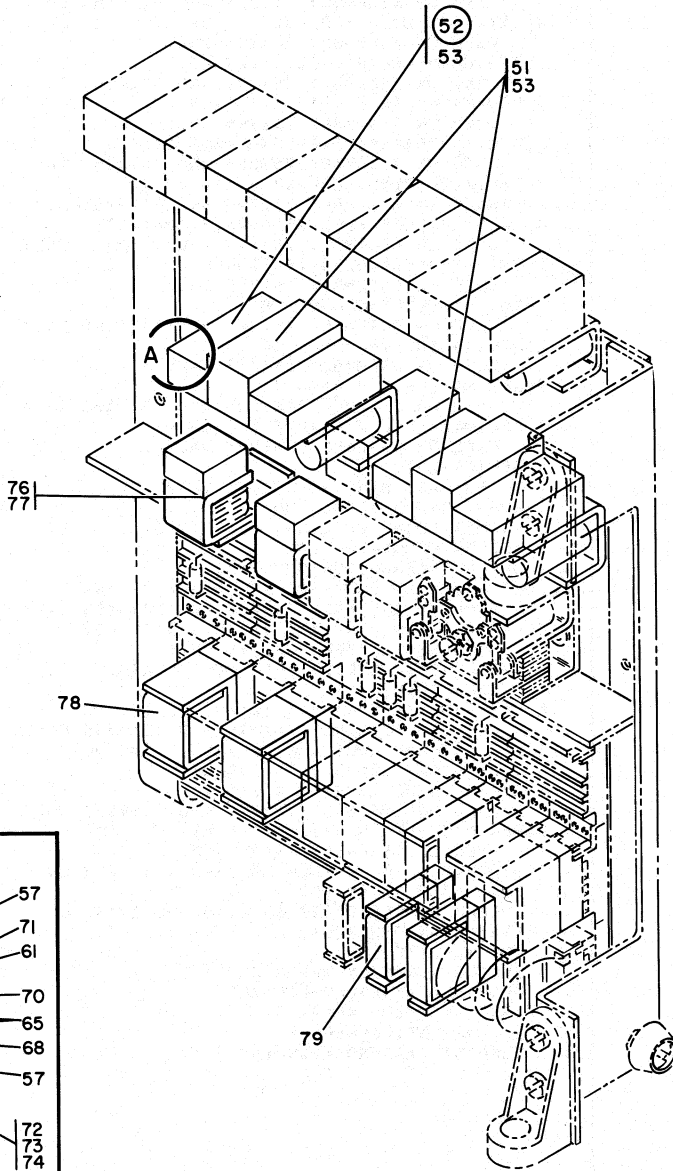
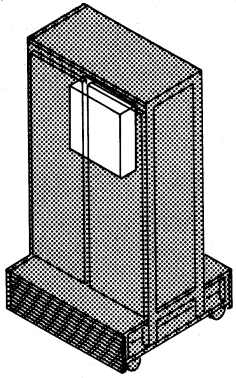
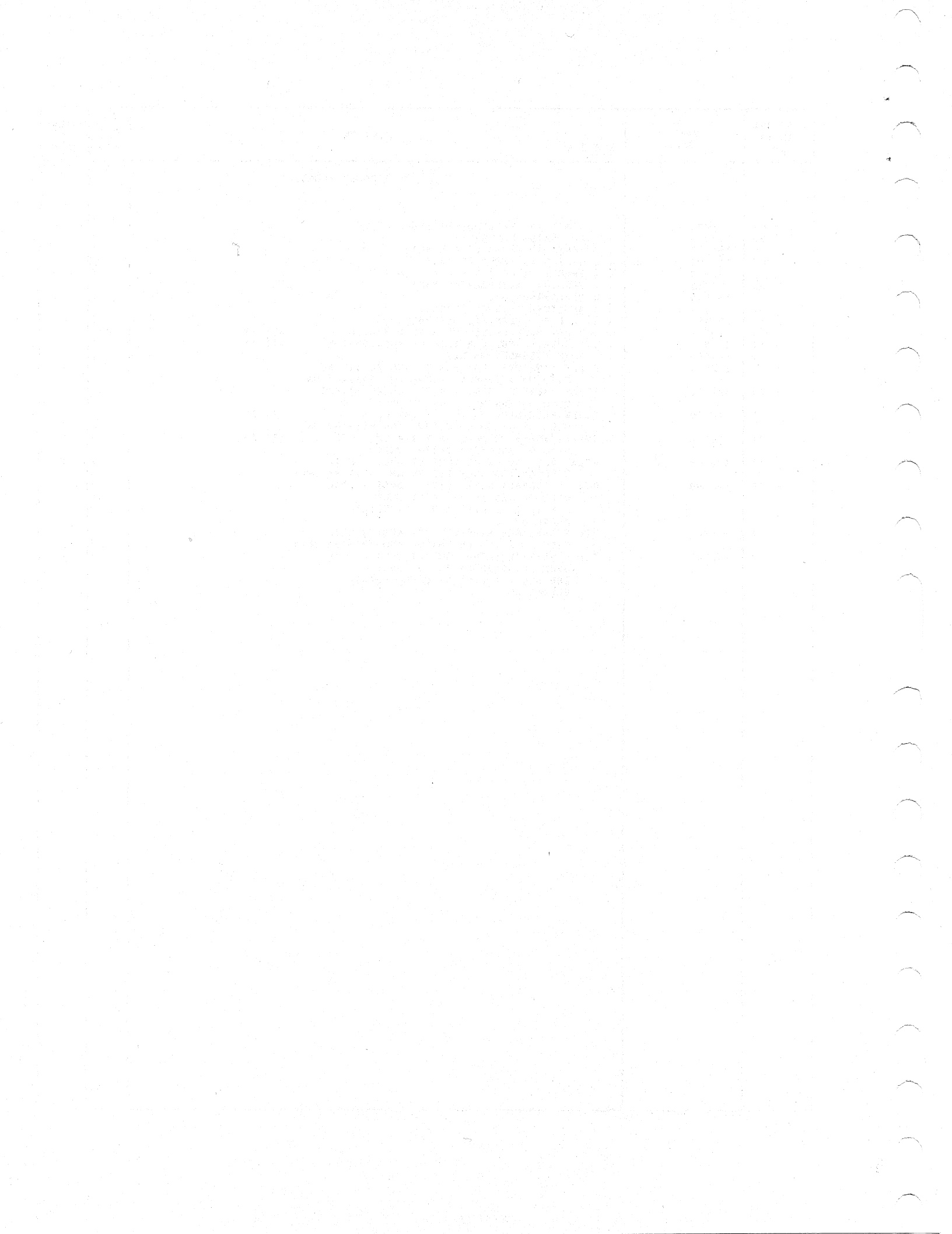


FIGURE 10. TAPE POWER. SHEET 2 OF 2. INDEX NOS. 51-79. SEE LIST 10.

LIST AND INDEX NO.	PART NO.	DESCRIPTION				UNITS PER ASM.	USABLE ON CODE
		1	2	3	4		
		TAPE POWER -CONT					
10 - 64	141978	. . SPRING ASSEMBLY-OPERATING CONTACT				2	
- 65	120926	. . INSULATOR-DUO RELAY				2	
- 66	141968	. . TERMINAL ASSEMBLY-CONTACT				2	
- 67	117102	. . SPRING ASSEMBLY-CONTACT				2	
- 68	156909	. . SPACER- 1 LG X 3/8 W X 1/16 THK				2	
- 69	105835	. . TERMINAL ASSEMBLY-CONTACT				2	
- 70	165594	. . PIVOT-ARMATURE				1	
- 71	107177	. . ARMATURE ASSEMBLY-MAGNET				1	
- 72	154350	. . COIL AND TERMINAL ASSEMBLY				1	
- 73	19587	. . SCREW,MACH-FL CSK HD 8-32 X 3/8 LG ATT PT				1	
- 74	115552	. . WASHER,FL-NO. 8 X 7/16 OD X 0.005 THK ATT PT				1	
- 75	165595	. . YOKE ASSEMBLY-MAGNET				1	
- 76	322613	. RELAY,ARMATURE-CONT ARR 2C AND 2C 115VAC USED ON ASSEMBLY 761294 AND 5319185 ONLY				1	8
- 76	322613	. RELAY,ARMATURE-CONT ARR 2C AND 2C 115VAC USED ON ASSEMBLY 761295 ONLY				2	8
- 77	10170	. SCREW,MACH-BIND HD 6-32 X 1/4 LG ATT PT USED ON ASSEMBLY 761294 AND 5319185 ONLY				2	8
- 77	10170	. SCREW,MACH-BIND HD 6-32 X 1/4 LG ATT PT USED ON ASSEMBLY 761295 ONLY				4	8
- 78	196198	. RELAY ASSEMBLY-WIRE CONTACT 6PDT 2 COIL USED ON ASSEMBLY 761294 AND 5319185 ONLY				1	8
- 78	196198	. RELAY ASSEMBLY-WIRE CONTACT 6PDT 2 COIL USED ON ASSEMBLY 761295 ONLY SEE SECT. 1 LIST 5-32 FOR DETAIL BREAKDOWN				2	8
- 79	196208	. RELAY ASSEMBLY-WIRE CONTACT 4PDT 2 COIL USED ON ASSEMBLY 761294 AND 5319185 ONLY				1	8
- 79	196208	. RELAY ASSEMBLY-WIRE CONTACT 4PDT 2 COIL USED ON ASSEMBLY 761295 ONLY SEE SECT. 1 LIST 5-30 FOR DETAIL BREAKDOWN				2	8



PART 3

NUMERICAL INDEX

PART NO.	SECTION, LIST AND INDEX NO.
99	1- 2 - 2
	1- 14 - 2
119	1- 7 - 50
	1- 7 -162
221	1- 4 - 2
367	1- 6 - 47
443	1- 20 - 68
	1- 31 - 66
	2- 2 -194
	2- 5 -184
455	1- 10 - 51
845	1- 2 - 20
	1- 5 -100
	1- 14 - 34
1431	1- 11 - 16
	1- 11 - 16
	1- 11 - 16
2300	1- 2 - 39
	1- 5 - 47
	1- 5 - 47
	1- 14 -122
	2- 2 - 37
	2- 5 - 32
	2- 9 - 69
	2- 10 - 17
	2- 10 - 53
	2- 10 - 53
2390	1- 24 - 3
	1- 25 - 5
3344	1- 22 - 32
	1- 22 - 32
	1- 22 - 32
	1- 22 - 36
	1- 22 - 36
	1- 22 - 36
3550	1- 1 - 7
	1- 1 - 30
	1- 1 - 82
	1- 2 - 32
	1- 2 - 152
	1- 7 - 44
	1- 7 -100
	1- 7 -127
	1- 14 - 87
	1- 14 -128
	1- 14 -171
	1- 14 -242
	1- 15 - 42
	1- 19 - 29
	1- 30 - 9
	2- 1 - 25
	2- 2 - 34
	2- 2 -106
	2- 5 - 38
	2- 8 - 11
	2- 10 - 37
3960	1- 1 - 5
	1- 1 - 28
	1- 1 - 43
	1- 1 - 80

PART NO.	SECTION, LIST AND INDEX NO.
3960-CONT	1- 2 -150
	1- 7 -125
	1- 13 - 9
	1- 14 - 85
	1- 14 -169
	1- 14 -189
	1- 14 -240
	1- 30 - 7
	2- 1 - 6
	2- 1 - 23
	2- 2 -104
	2- 2 -154
	2- 2 -187
	2- 5 - 66E
	2- 5 - 66J
	2- 5 -108
	2- 5 -148
	2- 8 - 9
	2- 9 - 9
	2- 10 - 35
5528	1- 2 - 76
	1- 7 - 63
	1- 7 -130
	1- 7 -146
	1- 11 - 3
	1- 12 - 13
	1- 14 -140
	1- 20 - 56
	1- 22 - 39
	1- 31 - 54
	2- 2 -192
	2- 5 -168
5677	2- 2 -119
6318	2- 5 - 59
6364	1- 6 - 9
	1- 6 - 28
	1- 6 - 35
	1- 7 - 81
	1- 7 -135
	1- 21 - 13
	1- 32 - 30
6503	1- 6 - 22
	1- 6 - 38
6935	1- 1 - 6
	1- 1 - 29
	1- 1 - 81
	1- 2 - 74
	1- 2 -107
	1- 2 -116
	1- 2 -151
	1- 3 - 26
	1- 3 - 29
	1- 7 - 43
	1- 7 - 99
	1- 7 -126
	1- 13 - 10
	1- 14 -127
	1- 14 -170
	1- 14 -185
	1- 14 -190

PART NO.	SECTION, LIST AND INDEX NO.
6935-CONT	1- 14 -194
	1- 14 -241
	1- 30 - 8
	2- 1 - 24
	2- 2 - 33
	2- 2 -105
	2- 2 -155
	2- 2 -188
	2- 5 - 37
	2- 5 -109
	2- 5 -149
	2- 8 - 10
	2- 9 - 10
	2- 10 - 36
7991	1- 5 - 44
	1- 5 - 44
9092	1- 2 - 85
	1- 2 -131
	1- 4 - 3
	1- 6 - 31
	1- 6 - 49
	1- 14 -200
	1- 14 -205
	1- 14 -218
	1- 14 -230
	1- 20 - 69
	1- 31 - 67
	2- 2 -109
	2- 2 -195
	2- 5 -185
	2- 10 - 9
	2- 10 - 29
	2- 10 - 29
10170	1- 2 - 12
	1- 2 - 56
	1- 2 -143
	1- 3 - 3
	1- 5 - 81
	1- 5 - 81
	1- 7 - 72
	1- 7 - 84
	1- 7 - 90
	1- 8 - 65
	1- 8 - 68
	1- 9 - 52
	1- 12 - 20
	1- 14 - 13
	1- 14 - 21
	1- 14 -158
	1- 15 - 55
	1- 15 - 69
	1- 16 - 55
	1- 16 - 63
	1- 17 - 71
	1- 17 - 74
	1- 18 - 51
	1- 18 - 70
	1- 19 - 57
	1- 19 - 73
	1- 20 - 4

PART NO.	SECTION, LIST AND INDEX NO.
10170-CONT	1- 20 - 48
	1- 20 - 65
	1- 29 - 20
	1- 31 - 3
	1- 31 - 63
	1- 33 - 12
	1- 34 - 17
	2- 2 - 3
	2- 2 - 81
	2- 2 - 88
	2- 2 -145
	2- 2 -206
	2- 3 - 58
	2- 3 - 63
	2- 4 - 18
	2- 5 - 8
	2- 5 - 93
	2- 5 -126
	2- 5 -130E
	2- 5 -177
	2- 6 - 55
	2- 6 - 65
	2- 7 - 12
	2- 9 - 2
	2- 9 - 32
	2- 9 - 44
	2- 9 - 71
	2- 9 - 92
	2- 10 - 41
	2- 10 - 77
	2- 10 - 77
10303	1- 2 -121
11598	1- 2 -130
	1- 3 - 69
	1- 5 -110
	1- 6 - 48
	1- 8 - 44
	1- 9 - 5
	1- 10 - 47
	1- 11 - 12
	1- 11 - 12
	1- 11 - 12
	1- 14 - 58
	1- 14 -204
	1- 14 -229
	1- 15 - 12
	1- 17 - 48
	1- 17 - 53
	1- 19 - 6
	2- 2 - 51
	2- 2 -108
	2- 2 -120
	2- 2 -127
	2- 3 - 48
	2- 5 - 54
	2- 5 - 87
	2- 6 - 12
	2- 9 - 19
11891	2- 10 - 8
	1- 8 - 27
	1- 8 - 31
	1- 8 - 79
	1- 9 - 30
	1- 9 - 34
	1- 9 - 76
	1- 15 - 38
	1- 15 - 80
	1- 16 - 31
	1- 16 - 35
	1- 16 - 74
	1- 17 - 33
	1- 17 - 37
	1- 17 - 85
	1- 18 - 33
	1- 18 - 37
	1- 18 - 81
	1- 19 - 23
	1- 19 - 43
	2- 3 - 33
	2- 3 - 36

PART NO.	SECTION, LIST AND INDEX NO.
11891-CONT	2- 3 - 74
	2- 6 - 38
	2- 6 - 42
	2- 6 - 76
19587	1- 5 - 73
	2- 10 - 73
19944	1- 12 - 9
	1- 22 - 83
22478	1- 2 - 31
	1- 2 -112
	1- 2 -127
	1- 2 -148
	1- 3 - 65
	1- 8 - 53
	1- 11 - 7
	1- 11 - 7
	1- 14 - 75
	1- 14 -116
	1- 14 -182
	1- 14 -238
	1- 15 - 61
	1- 16 - 61
	1- 17 - 64
	1- 18 - 57
	1- 18 - 68
	1- 19 - 65
	1- 22 - 6
	1- 23 - 15
	1- 30 - 13
	2- 2 - 25
	2- 2 -150
	2- 5 - 26
	2- 5 -104
	2- 8 - 15
24752	1- 7 -142
	1- 12 - 3
	1- 14 - 78
	1- 14 -119
	2- 2 - 28
	2- 5 - 29
25298	1- 22 - 29
25627	1- 2 -125
	1- 3 - 62
	2- 5 - 83
25895	1- 14 -125
	2- 2 - 31
	2- 5 - 35
28413	1- 1 - 39
	1- 2 -119
	1- 3 - 12
	1- 3 - 73
	1- 7 -107
	1- 8 - 3
	1- 9 - 9
	1- 14 - 52
	1- 14 - 97
	1- 14 -175
	1- 15 - 16
	1- 16 - 9
	1- 17 - 11
	1- 18 - 11
	1- 19 - 8
	1- 20 - 72
	1- 30 - 2
	1- 31 - 77
	2- 1 - 9
	2- 2 - 44
	2- 2 -126
	2- 2 -190
	2- 3 - 11
	2- 5 - 48
	2- 5 - 66B
	2- 5 - 86
	2- 5 -132
	2- 5 -152
	2- 6 - 16
	2- 8 - 2
	2- 8 - 17
	2- 10 - 7
	2- 10 - 7

PART NO.	SECTION, LIST AND INDEX NO.
32042	1- 2 -100
	1- 2 -129
	1- 6 - 30
	1- 14 -228
	2- 2 - 76
	2- 2 -159
	2- 5 -101
	2- 5 -153
	2- 5 -180
32617	1- 8 - 43
	1- 17 - 52
	2- 2 -107
	2- 6 - 11
34512	1- 2 - 30
	1- 2 - 78
	1- 2 -110
	1- 2 -123
	1- 11 - 5
	1- 11 - 5
	1- 14 -165
	1- 14 -180
	1- 20 - 34
	1- 31 - 48
	1- 31 - 48
	2- 2 -149
	2- 2 -157
	2- 2 -177
	2- 5 - 97
	2- 9 - 79
	2- 9 -112
35739	1- 10 - 61
	2- 5 - 81
	2- 10 - 21
36109	1- 3 - 25
	1- 14 -126
	2- 2 - 32
	2- 5 - 36
36112	2- 2 -153
	2- 2 -186
	2- 5 -107
	2- 5 -147
36844	1- 1 - 79
	1- 7 - 42
	1- 7 - 98
	1- 13 - 8
	1- 14 -168
	2- 1 - 22
37913	1- 2 - 89
	1- 22 - 50
	1- 27 - 6
38051	1- 8 - 7
	1- 8 - 59
	1- 9 - 13
	1- 9 - 46
	1- 15 - 20
	1- 15 - 66
	1- 16 - 13
	1- 16 - 49
	1- 17 - 15
	1- 17 - 58
	1- 18 - 15
	1- 18 - 62
	1- 19 - 19
	1- 19 - 62
	2- 3 - 15
	2- 3 - 54
	2- 6 - 20
	2- 6 - 62
38235	1- 2 - 86
	1- 5 - 2
	1- 6 - 34
	1- 7 - 22
	1- 7 - 26
	1- 7 -132
	1- 8 - 6
	1- 9 - 12
	1- 9 - 65
	1- 12 - 5
	1- 12 - 29
	1- 14 -163

PART NO.	SECTION, LIST AND INDEX NO.
38235-CONT	1- 15 - 19
	1- 16 - 12
	1- 17 - 14
	1- 18 - 14
	1- 19 - 16
	1- 31 - 11
	1- 31 - 15
	1- 32 - 29
	2- 3 - 14
	2- 6 - 19
38262	1- 29 - 16
	1- 29 - 16
	1- 34 - 13
	1- 34 - 13
	2- 4 - 14
	2- 5 - 4
	2- 5 - 4
	2- 9 - 58
	2- 9 - 88
38263	2- 7 - 9
38264	1- 29 - 23
	1- 34 - 20
	2- 4 - 21
	2- 7 - 15
	2- 9 - 95
	2- 10 - 44
	2- 10 - 44
38350	1- 3 - 6
	1- 6 - 17
	1- 33 - 8
	2- 9 - 30
	2- 10 - 39
	2- 10 - 39
38354	1- 6 - 8
38359	1- 10 - 64
38363	1- 14 -172
38364	2- 5 - 58
38381	1- 2 - 93
	1- 14 -145
38392	1- 5 -109
38451	1- 20 - 45
	1- 31 - 52
	2- 5 - 65
38452	1- 14 - 80
	1- 14 - 82
	1- 20 - 52
	2- 5 -151
38457	1- 6 - 37
38574	1- 3 - 14
38686	1- 2 - 73
	1- 2 -128
	1- 14 - 27
	1- 14 -226
	1- 31 - 72
	2- 5 -163
38688	1- 14 -193
	2- 2 -103
45690	1- 1 - 40
	1- 2 -132
	1- 8 - 32
	1- 8 - 80
	1- 9 - 35
	1- 14 -206
	1- 14 -231
	1- 15 - 81
	1- 16 - 36
	1- 16 - 75
	1- 17 - 38
	1- 17 - 86
	1- 18 - 38
	1- 18 - 82
	1- 19 - 44
	2- 1 - 10
	2- 2 - 65
	2- 2 -110
	2- 3 - 37
	2- 3 - 75
	2- 5 - 66C
	2- 6 - 43
	2- 6 - 77

PART NO.	SECTION, LIST AND INDEX NO.
45697	1- 8 - 81
	1- 9 - 77
	1- 15 - 82
	1- 16 - 76
	1- 17 - 87
	1- 18 - 83
	1- 19 - 45
	2- 3 - 76
	2- 6 - 78
47242	1- 8 - 46
	1- 9 - 7
	1- 15 - 14
	1- 17 - 50
	1- 19 - 3
	2- 3 - 50
	2- 6 - 14
48594	1- 24 - 14
51333	1- 24 - 6
	1- 25 - 10
53193	2- 9 - 51
54291	1- 20 - 7
	2- 2 - 8
55726	1- 2 - 4
	1- 3 - 37
	1- 4 - 24
	1- 6 - 27
	1- 8 - 17
	1- 8 - 62
	1- 9 - 20
	1- 14 - 5
	1- 14 -138
	1- 15 - 52
	1- 16 - 52
	1- 17 - 68
	1- 18 - 48
	1- 19 - 70
	1- 21 - 6
	2- 2 - 62
	2- 2 -124
	2- 2 -128
	2- 5 - 88
	2- 6 - 52
	2- 9 - 13
	2- 9 - 36
	2- 9 - 49
	2- 9 - 55
55901	1- 3 - 60
	1- 5 -101
	1- 7 - 13
	1- 7 - 48
	1- 7 - 78
	1- 7 -122
	1- 7 -131
	1- 7 -147
	1- 7 -160
	1- 7 -165
	1- 11 - 4
	1- 12 - 10
	1- 12 - 15
	1- 12 - 18
	1- 14 - 43
	1- 14 - 47
	1- 20 - 10
	1- 20 - 15
	1- 22 - 7
	1- 31 - 28
	1- 32 - 3
	2- 2 - 11
	2- 2 -133
	2- 5 - 43
	2- 5 - 84
	2- 5 -134
	2- 9 - 5
	2- 9 - 53
55918	1- 3 - 68
	1- 7 -155
	2- 5 -157
56079	1- 2 - 97
	1- 2 -101
	1- 3 - 70

PART NO.	SECTION, LIST AND INDEX NO.
56079-CONT	1- 6 - 51
	1- 7 - 35
	1- 7 - 39
	1- 7 -156
	1- 14 -162
	1- 31 - 20
	2- 2 - 82
	2- 2 -121
	2- 2 -163
	2- 5 - 95
	2- 5 -113
	2- 5 -181
	2- 5 -186
56121	1- 3 - 13
	1- 8 - 45
	1- 9 - 6
	1- 14 - 59
	1- 15 - 13
	1- 17 - 49
	1- 17 - 54
	1- 19 - 5
	1- 20 - 78
	1- 31 - 75
	2- 2 - 52
	2- 2 -216
	2- 3 - 49
	2- 5 - 55
	2- 5 -166
	2- 6 - 13
56722	1- 2 - 16
	1- 7 - 3
	1- 7 - 23
	1- 7 - 27
	1- 7 - 73
	1- 7 - 88
	1- 7 - 91
	1- 7 -134
	1- 10 - 57
	1- 10 - 62
	1- 10 - 66
	1- 12 - 7
	1- 12 - 21
	1- 12 - 24
	1- 12 - 27
	1- 12 - 30
	1- 14 - 30
	1- 22 - 75
	1- 31 - 16
	2- 2 -147
	2- 5 - 94
	2- 5 -114
	2- 5 -178
	2- 10 - 5
	2- 10 - 5
58207	1- 2 - 52
	1- 2 - 71
	1- 2 - 79
	1- 2 - 82
	1- 3 - 59
	1- 7 - 17
	1- 7 -121
	1- 12 - 17
	1- 14 - 25
	1- 14 - 42
	1- 14 - 46
	1- 14 -166
	1- 14 -233
	1- 20 - 3
	1- 22 - 44
	1- 22 - 63
	1- 22 - 65
	1- 24 - 18
	1- 25 - 16
	1- 31 - 4
	2- 2 - 2
	2- 2 - 13
	2- 2 - 86
	2- 2 -112
	2- 2 -132
	2- 2 -209

PART NO.	SECTION, LIST AND INDEX NO.
58207-CONT	2- 5 - 7 2- 5 - 14 2- 5 - 42 2- 5 - 62 2- 8 - 6 2- 9 - 4 2- 9 - 34 2- 9 - 47 2- 9 - 61
60646	1- 8 - 52 1- 9 - 62 1- 14 - 74 1- 14 - 79 1- 14 -115 1- 14 -120 1- 14 -123 1- 15 - 60 1- 16 - 60 1- 17 - 63 1- 18 - 56 1- 18 - 67 1- 19 - 67 1- 22 - 85 2- 2 - 24 2- 2 - 29 2- 2 - 38 2- 3 - 61 2- 5 - 25 2- 5 - 30 2- 5 - 33
62031	1- 3 - 16 1- 6 - 19 1- 8 - 8 1- 8 - 18 1- 8 - 60 1- 8 - 63 1- 8 - 66 1- 9 - 14 1- 9 - 21 1- 9 - 47 1- 9 - 53 1- 9 - 66 1- 15 - 21 1- 15 - 53 1- 15 - 56 1- 15 - 67 1- 16 - 14 1- 16 - 50 1- 16 - 53 1- 16 - 56 1- 17 - 16 1- 17 - 59 1- 17 - 69 1- 17 - 72 1- 18 - 16 1- 18 - 49 1- 18 - 52 1- 18 - 63 1- 19 - 18 1- 19 - 61 1- 19 - 71 1- 19 - 74 2- 3 - 16 2- 3 - 55 2- 3 - 59 2- 6 - 21 2- 6 - 53 2- 6 - 56 2- 6 - 63 2- 5 - 80
65261 65756	1- 20 - 19 1- 20 - 23 1- 31 - 32 1- 31 - 36 2- 2 -169 2- 2 -180 2- 5 -138
70078	1- 11 - 10 1- 11 - 10 1- 11 - 10

PART NO.	SECTION, LIST AND INDEX NO.
70078-CONT	1- 15 - 35 1- 16 - 28 1- 17 - 30 1- 18 - 30 1- 19 - 34 2- 3 - 30 2- 6 - 35 1- 14 - 84 1- 10 - 54 1- 1 - 44 1- 7 - 45 1- 7 -101 1- 7 -114 1- 7 -128 1- 14 - 86 1- 14 -129 2- 1 - 7 2- 2 - 35 2- 2 - 74 2- 5 - 39 2- 5 - 66F 2- 5 - 66K 1- 2 -156 1- 14 -245 1- 30 - 15 2- 8 - 19 1- 5 -108 2- 2 -158 2- 5 -100 1- 13 - 2 1- 13 - 6 1- 8 - 37 1- 9 - 40 1- 15 - 48 1- 16 - 41 1- 17 - 43 1- 18 - 44 1- 19 - 37 2- 3 - 43 2- 6 - 48 1- 20 - 28 1- 20 - 37 1- 31 - 41 2- 2 -174 2- 5 -160 1- 23 - 3 1- 7 - 61 1- 12 - 26 1- 22 - 67 1- 22 - 78 1- 22 - 80 2- 2 - 92 2- 2 -146 2- 9 - 42 2- 10 - 14 1- 11 - 1 2- 2 - 73 2- 10 - 19 1- 3 - 44 1- 7 - 7 1- 3 - 43 1- 16 - 4 1- 17 - 4 1- 18 - 4 1- 35 - 4 2- 3 - 4 2- 6 - 4 1- 13 - 11 1- 35 - 12 1- 15 - 4 1- 16 - 5 1- 16 - 45 1- 17 - 5 1- 18 - 5 2- 3 - 5 2- 6 - 5 2- 6 - 58 1- 7 - 80 1- 10 - 7 1- 10 - 13
71776 73430 76574	
76846	
78916	
79778 79779	
80651	
80817 80880 81693	
81766 90261 92650 92743	
92749 92784	
92786	
94856	
95878 103915	

PART NO.	SECTION, LIST AND INDEX NO.
103915-CONT	1- 10 - 20
104443	1- 3 - 66
104753	1- 2 - 46 1- 5 - 31 1- 14 - 16 2- 2 - 83 2- 9 - 73 1- 5 - 20 1- 5 - 35 1- 5 - 37 1- 5 - 52 2- 10 - 58 1- 5 - 53 2- 10 - 59 1- 5 - 69 2- 10 - 69 1- 5 - 71 2- 10 - 71 1- 5 - 46A 2- 10 - 52 2- 10 - 52 1- 14 -173 2- 2 -140 1- 35 - 13 1- 5 - 74 2- 10 - 74 1- 10 - 49 1- 11 - 13 2- 10 - 67 1- 4 - 10 1- 23 - 8 1- 5 - 62 1- 5 - 55 2- 10 - 61 1- 5 - 59 1- 5 - 66 2- 10 - 65 1- 5 - 51 2- 10 - 57 1- 5 - 49 2- 10 - 55 1- 5 - 45 1- 32 - 19 1- 5 - 67 1- 5 - 50 1- 1 - 59 1- 1 - 60 1- 2 - 42 2- 9 - 62 1- 5 - 46 1- 5 - 46 2- 9 - 46 2- 9 - 68 2- 10 - 51 2- 10 - 51 1- 5 -106 2- 2 -151 2- 5 -105 1- 20 - 11 2- 2 - 5 2- 2 - 14 2- 2 - 68 2- 2 -116 2- 5 - 15 1- 5 - 56 2- 10 - 62 1- 5 - 61 1- 2 -114 1- 14 -188 1- 5 - 4 1- 5 - 4 1- 5 - 5 1- 5 - 5 1- 5 - 6 1- 4 - 7 1- 2 -157 1- 14 -246 1- 30 - 16 2- 8 - 20 1- 8 - 16
104976	
105826	
105832	
105835	
107177	
111351	
113261 113821 115186 115552	
116875	
117102 117185 117907 120837 120924	
120925 120926	
120942	
121011	
121349 121756 121839 122311 122639 122640 123072 123077 124843	
124871	
124943	
125872	
125877 129147	
129242	
129243	
129244 130118 130987	
132237	

PART NO.	SECTION, LIST AND INDEX NO.
132665	1- 5 - 7
	1- 5 - 7
133438	1- 22 - 48
	1- 24 - 9
	1- 25 - 8
135052	1- 35 - 14
138281	2- 2 - 95
138447	2- 10 - 56
138754	1- 2 - 5
	1- 2 - 17
	1- 2 - 53
	1- 2 - 98
	1- 2 -104
	1- 2 -140
	1- 14 - 6
	1- 14 - 31
	1- 14 - 44
	1- 14 -142
	1- 14 -154
	1- 14 -178
	1- 20 - 73
	1- 31 - 68
	2- 2 -210
	2- 5 -188
138755	1- 5 - 3
140425	1- 2 - 84
	1- 14 -161
140470	1- 6 - 26
141964	1- 5 - 57
	2- 10 - 63
141967	1- 5 - 60
141968	2- 10 - 66
141969	1- 5 - 64
141971	1- 5 - 63
141977	1- 5 - 58
141978	2- 10 - 64
141981	1- 5 - 65
149878	1- 5 - 18
	1- 5 - 33
	1- 5 - 33
150209	1- 9 - 58
	1- 26 - 7
	1- 26 - 13
	1- 26 - 18
	1- 27 - 7
	2- 9 - 59
151598	1- 2 - 57
	1- 20 - 49
154350	1- 5 - 72
	2- 10 - 72
155043	1- 5 - 28
	1- 5 - 40
156909	1- 5 - 68
	2- 10 - 68
159373	1- 4 - 8
159928	1- 5 - 19
	1- 5 - 34
159929	1- 5 - 34
159941	1- 5 - 94
	2- 2 - 89
159942	1- 5 - 92
159944	1- 5 - 96
	1- 5 - 96
	2- 2 - 91
159945	1- 5 - 93
159946	1- 5 - 89
160017	1- 15 - 41
	1- 19 - 28
161351	1- 14 -224
165010	1- 32 - 9
165594	1- 5 - 70
	2- 10 - 70
165595	1- 5 - 75
	2- 10 - 75
173211	2- 10 - 54
173218	1- 5 - 48
177905	2- 2 -134
177946	2- 2 -135
	2- 9 - 20
179425	2- 2 -131

PART NO.	SECTION, LIST AND INDEX NO.
179744	1- 32 - 17
179946	1- 2 - 37
180528	1- 1 - 61
182375	2- 2 -141
183848	1- 2 - 18
	1- 14 - 32
	2- 10 - 1
	2- 10 - 1
183900	1- 32 - 14
185198	1- 32 - 12
185199	1- 32 - 13
185210	1- 32 - 10
186083	1- 26 - 10
186685	1- 2 - 47
	1- 5 - 10
	1- 14 - 17
186688	1- 5 - 27
186697	1- 5 - 24
186700	1- 5 - 21
186701	1- 5 - 23
186702	1- 5 - 22
186705	1- 5 - 14
186758	1- 9 - 60
	1- 16 - 58
	1- 18 - 65
186759	1- 14 - 73
	1- 14 -114
	1- 20 - 13
	1- 20 - 43
	1- 22 - 5
	1- 23 - 14
	1- 23 - 18
	1- 31 - 7
	1- 31 - 22
	1- 31 - 26
	1- 31 - 50
	1- 32 - 2
	2- 2 - 23
	2- 2 -213
	2- 5 - 24
	2- 5 -117
	2- 8 - 4
	2- 10 - 46
186939	1- 14 -221
186943	1- 14 - 66
	1- 14 -107
	1- 22 - 69
	2- 2 - 16
186945	1- 2 -133
	1- 14 -147
	1- 20 - 57
	1- 31 - 55
	2- 2 -196
	2- 5 - 69
	2- 5 -169
186963	1- 35 - 28
186965	1- 35 - 28
186967	1- 35 - 28
186968	1- 6 - 44
	1- 15 - 5
	1- 35 - 1
187243	1- 35 - 14
187460	1- 35 - 15
187466	1- 3 - 41
188696	1- 16 - 66
	1- 17 - 77
189844	1- 5 - 54
	2- 10 - 60
191478	1- 3 - 48
191483	1- 14 - 57
	1- 14 -102
	2- 2 - 50
	2- 5 - 53
194355	1- 2 - 62
	1- 20 - 54
194378	2- 2 -130
196198	1- 2 - 48
	1- 5 - 32
	1- 14 - 18
	2- 9 - 72

PART NO.	SECTION, LIST AND INDEX NO.
196198-CONT	2- 10 - 78
	2- 10 - 78
196202	1- 5 - 39
196204	1- 5 - 36
196208	1- 2 - 49
	1- 5 - 30
	1- 14 - 19
	2- 2 - 84
	2- 9 - 66
	2- 10 - 79
	2- 10 - 79
196212	1- 5 - 39
196214	1- 5 - 36
196215	1- 5 - 36
196403	1- 2 - 95
	1- 6 -REF
	1- 14 -167
196444	1- 6 - 52
196466	1- 6 - 33
196489	1- 6 - 46
196642	1- 6 - 29
196698	1- 10 - 80
	1- 28 - 3
	1- 28 - 3
198363	1- 5 - 91
	1- 5 - 91
198981	2- 10 - 22
204499	1- 5 -103
204500	1- 5 -102
205329	1- 5 - 8
205331	1- 5 - 9
	1- 5 - 9
	2- 9 - 76
205914	1- 35 - 6
206421	1- 2 - 54
	1- 20 - 46
207072	1- 32 - 27
207203	1- 14 -130
	2- 2 - 39
207206	1- 14 - 60
	1- 14 -103
	2- 2 - 49
	2- 5 - 56
207212	1- 14 -118
	2- 2 - 26
	2- 5 - 27
207215	1- 14 -117
	2- 2 - 27
	2- 5 - 28
207218	1- 14 -121
	2- 2 - 36
207221	2- 2 - 54
	2- 5 - 60
207227	2- 5 - 31
207239	2- 5 - 40
207242	1- 14 -110
	2- 2 - 19
	2- 5 - 20
207245	2- 2 - 42
	2- 5 - 46
207246	2- 2 - 57
207248	1- 14 - 95
207251	1- 14 -105
207254	1- 14 - 93
207255	2- 2 - 58
207257	2- 2 - 40
207258	2- 2 -113
207260	2- 5 - 44
207263	1- 14 -209
207266	1- 14 -203
207269	1- 14 -198
207272	1- 14 -210
207276	2- 2 -117
207282	2- 2 - 55
207285	1- 14 -106
	2- 2 - 15
207293	1- 7 - 16
	1- 14 - 45
	2- 2 - 12

PART NO.	SECTION, LIST AND INDEX NO.
207293-CONT	2- 2 -111 2- 5 - 13 2- 9 - 3
207296	1- 16 - 47
207306	1- 8 - 40
207310	2- 3 - 56
207317	1- 3 - 8
207318	1- 14 - 54 1- 14 - 99 1- 14 -202 2- 2 - 46 2- 5 - 50
207324	1- 8 - 14 1- 9 - 50 1- 11 - 8 1- 11 - 8 1- 11 - 8 1- 15 - 33 1- 16 - 25 1- 17 - 27 1- 18 - 28 1- 19 - 26 2- 3 - 27 2- 6 - 33
207331	1- 18 - 27
207333	1- 8 - 12
207340	1- 15 - 70 1- 16 - 64 1- 17 - 75 1- 18 - 71 1- 19 - 55 2- 3 - 64 2- 6 - 66 1- 7 -136
207344	1- 8 - 67
207348	1- 17 - 73 2- 6 - 64 1- 9 - 64
207349	1- 19 - 56
207350	1- 6 - 21
207356	1- 6 - 41
207361	1- 10 - 36
207366	1- 8 - 13
207377	1- 7 - 37
207382	1- 14 -135 2- 2 - 59 2- 2 -118 2- 5 - 98 2- 9 - 15 1- 9 - 17 1- 3 - 39 1- 6 - 1
207392	1- 8 - 69
207398	1- 10 - 71
208178	1- 18 - 64
208180	1- 9 - 59
208181	1- 3 - 31
208183	2- 6 - 10
208197	1- 9 - 28
208199	1- 14 - 50
208200	1- 14 - 62
208204	2- 3 - 62
208205	1- 14 - 48
208221	1- 15 - 64 1- 19 - 58 2- 6 - 60 1- 7 - 69 1- 15 - 68
208223	1- 16 - 46
208224	1- 18 - 59
208227	1- 15 - 63
208228	1- 19 - 59 2- 6 - 59
208229	1- 15 - 51 1- 16 - 51 1- 17 - 67 1- 18 - 47 1- 19 - 69 2- 6 - 51
208230	2- 3 - 51

PART NO.	SECTION, LIST AND INDEX NO.
208232	1- 9 - 44
208233	1- 8 - 41
208234	1- 3 - 11
208235	1- 8 - 56 1- 17 - 55 1- 18 - 60
208236	1- 8 - 61
208245	1- 8 - 57 1- 17 - 56 1- 12 - 19
208248	1- 10 - 32
208254	2- 2 -114
208258	2- 5 - 66 2- 9 - 6 2- 5 - 16 1- 14 - 63 1- 7 - 67 1- 16 - 62 1- 18 - 69 1- 3 - 18 2- 2 - 71
208308	1- 3 - 32
208309	1- 3 - 27
208310	1- 3 - 24
208321	1- 3 - 28
208334	1- 3 - 22
208343	1- 3 - 30
208358	1- 14 -124
208375	2- 2 - 30 1- 14 -208 1- 14 -207 1- 32 - 26 2- 5 - 34 1- 10 - 8 1- 10 - 14 1- 10 - 21 1- 10 - 34 1- 10 - 44 1- 7 -104 1- 8 - 47 1- 9 - 43
208388	1- 8 - 75
208389	1- 9 - 72
208417	1- 14 - 70
208732	1- 14 -111 1- 15 - 76 1- 16 - 70 1- 17 - 81 1- 18 - 77 1- 19 - 52 2- 2 - 20 2- 3 - 70 2- 5 - 21 2- 6 - 72 1- 8 - 76 1- 9 - 73 1- 14 - 71 1- 14 -112 1- 15 - 77 1- 16 - 71 1- 17 - 82 1- 18 - 78 1- 19 - 51 2- 2 - 21 2- 3 - 71 2- 5 - 22 2- 6 - 73
208970	1- 2 -138 1- 3 - 45 1- 3 - 52 1- 14 -152 1- 20 - 62 1- 31 - 60 2- 2 -201 2- 5 - 73 2- 5 -174 1- 2 -139 1- 3 - 46 1- 3 - 53 1- 14 -153
208989	1- 8 - 75
209483	1- 9 - 72 1- 14 - 70 1- 14 -111 1- 15 - 76 1- 16 - 70 1- 17 - 81 1- 18 - 77 1- 19 - 52 2- 2 - 20 2- 3 - 70 2- 5 - 21 2- 6 - 72 1- 8 - 76 1- 9 - 73 1- 14 - 71 1- 14 -112 1- 15 - 77 1- 16 - 71 1- 17 - 82 1- 18 - 78 1- 19 - 51 2- 2 - 21 2- 3 - 71 2- 5 - 22 2- 6 - 73
209484	1- 2 -138 1- 3 - 45 1- 3 - 52 1- 14 -152 1- 20 - 62 1- 31 - 60 2- 2 -201 2- 5 - 73 2- 5 -174 1- 2 -139 1- 3 - 46 1- 3 - 53 1- 14 -153
210883	1- 2 -138 1- 3 - 45 1- 3 - 52 1- 14 -152 1- 20 - 62 1- 31 - 60 2- 2 -201 2- 5 - 73 2- 5 -174 1- 2 -139 1- 3 - 46 1- 3 - 53 1- 14 -153
210884	1- 2 -138 1- 3 - 45 1- 3 - 52 1- 14 -152 1- 20 - 62 1- 31 - 60 2- 2 -201 2- 5 - 73 2- 5 -174 1- 2 -139 1- 3 - 46 1- 3 - 53 1- 14 -153

PART NO.	SECTION, LIST AND INDEX NO.
210884-CONT	1- 20 - 63 1- 31 - 61 2- 2 -202 2- 5 - 74 2- 5 -175
210984	1- 2 -134 1- 3 - 42 1- 3 - 49 1- 6 - 7 1- 8 - 72 1- 9 - 69 1- 14 - 67 1- 14 -108 1- 14 -148 1- 15 - 73 1- 16 - 67 1- 17 - 78 1- 18 - 74 1- 19 - 49 1- 20 - 58 1- 22 - 70 1- 31 - 56 2- 2 - 17 2- 2 -197 2- 3 - 67 2- 5 - 18 2- 5 - 70 2- 5 -170 2- 6 - 69 1- 6 - 12 1- 6 - 13 1- 6 - 6 1- 7 - 93 2- 7 - 25 212822
210985	1- 29 - 65 1- 34 - 50 2- 4 - 45 2- 7 - 23 2- 9 -102 2- 7 - 25
210986	2- 7 - 25
210990	1- 10 - 29
212482	1- 10 - 35
212775	1- 5 - 16
212822	1- 23 - 12 1- 29 - 29 1- 33 - 15 2- 4 - 27 1- 15 - 23 1- 16 - 16 1- 17 - 18 1- 18 - 18 1- 19 - 14 1- 23 - 9 1- 29 - 26 1- 29 - 68 1- 33 - 14 1- 34 - 53 2- 3 - 18 2- 4 - 24 2- 4 - 48 2- 6 - 23 2- 7 - 27 2- 9 -105
212831	1- 29 - 69
213547	1- 33 - 13
213760	1- 33 - 13
214459	1- 34 - 54 2- 4 - 49 2- 5 - 1 2- 5 - 1 2- 5 - 127 2- 7 - 28 2- 9 - 32B 2- 9 - 32B 2- 9 -106
216073	2- 9 - 106
216076	1- 29 - 9 1- 34 - 8 2- 4 - 7 2- 7 - 3 2- 9 - 83
216083	1- 29 - 9 1- 34 - 8 2- 4 - 7 2- 7 - 3 2- 9 - 83
216085	1- 29 - 9 1- 34 - 8 2- 4 - 7 2- 7 - 3 2- 9 - 83

PART NO.	SECTION, LIST AND INDEX NO.	PART NO.	SECTION, LIST AND INDEX NO.	PART NO.	SECTION, LIST AND INDEX NO.
216087	1- 23 - 10	216285	1- 1 - 49	220917-CONT	1- 19 - 54
	1- 29 - 27		2- 9 - 81	220918	1- 7 - 74
	2- 4 - 25	216286	1- 29 - 13		1- 9 - 67
216088	1- 23 - 11		1- 33 - 1		1- 15 - 71
	1- 29 - 28		1- 34 - 10	220930	1- 32 - 32
	2- 4 - 26		2- 4 - 11		2- 5 -154
216091	1- 29 - 21		2- 7 - 5	221110	1- 17 - 60
	1- 34 - 18		2- 7 - 5	221233	1- 17 - 46
	2- 4 - 19	216292	2- 9 - 85	221517	1- 15 - 57
	2- 7 - 13		1- 29 - 24		1- 19 - 63
	2- 9 - 93		1- 34 - 21	221790	1- 1 - 10
216092	1- 29 - 70		2- 4 - 22		1- 2 - 61
	1- 34 - 55		2- 9 - 96		1- 2 - 65
	2- 4 - 50	216293	1- 29 - 18		1- 2 -103
	2- 9 -107		1- 34 - 15		1- 14 - 8
216093	1- 29 - 17		2- 4 - 16		1- 14 - 51
	1- 34 - 14		2- 9 - 89		1- 14 - 96
	2- 4 - 15	216295	1- 22 - 40		1- 14 -177
	2- 7 - 10		1- 29 - 15		1- 14 -227
	2- 9 - 90		1- 29 - 15		1- 20 - 40
216197	1- 8 - 29		1- 34 - 12		1- 22 - 9
	1- 9 - 32		1- 34 - 12		1- 22 - 9
	1- 16 - 33		2- 4 - 13		1- 22 - 15
	1- 17 - 35		2- 5 - 3		1- 22 - 18
	1- 18 - 35		2- 5 - 3		1- 22 - 18
	2- 3 - 35		2- 7 - 7		1- 22 - 24
	2- 6 - 40		2- 9 - 87		1- 22 - 31
216198	1- 15 - 40	216296	1- 29 - 19		1- 22 - 31
	1- 19 - 27		1- 34 - 16		1- 22 - 35
216206	1- 8 - 4		2- 4 - 17		1- 22 - 35
	1- 9 - 10		2- 9 - 91		1- 22 - 54
	1- 15 - 17	216297	1- 29 - 25		2- 1 - 3
	1- 16 - 10		1- 34 - 22		2- 2 - 43
	1- 17 - 12		2- 4 - 23		2- 5 - 47
	1- 18 - 12		2- 7 - 17		2- 5 - 66M
	1- 19 - 12		2- 9 - 97		2- 9 - 52
	1- 29 - 10	216302	1- 29 - 67	222553	1- 6 - 20
	1- 34 - 9		2- 4 - 47	223412	1- 14 - 88
	2- 3 - 12	216306	1- 34 - 3	223413	1- 14 - 81
	2- 4 - 8		1- 34 - 3	223415	1- 14 - 76
	2- 6 - 17	216308	1- 20 - 29	223528	1- 2 -141
	2- 7 - 4		1- 29 - 5		1- 14 -155
	2- 9 - 84		1- 31 - 43		1- 20 - 30
216207	1- 29 - 12		1- 31 - 43		1- 31 - 42
	1- 33 - 10		2- 4 - 5		2- 2 -171
	2- 4 - 10		2- 9 - 77		2- 5 -161
216208	1- 35 - 17	216310	1- 29 - 7	225532	1- 2 - 72
216209	1- 35 - 18		1- 34 - 4		1- 14 - 26
216210	1- 35 - 19	216986	1- 10 - 23		2- 2 -184
216212	1- 29 - 22	217017	1- 15 - 43		2- 5 -145
	1- 34 - 19		1- 19 - 30	233800	2- 9 - 27
	2- 4 - 20		1- 8 - 33	233880	1- 4 - 27
	2- 7 - 14	217019	1- 9 - 36	233881	1- 4 - 22
	2- 9 - 94		1- 16 - 37	233882	1- 4 - 23
216215	1- 29 - 14		1- 17 - 39	233883	1- 4 - 5
	1- 34 - 11		1- 18 - 39	233888	1- 4 - 26
	2- 4 - 12		2- 3 - 38	236849	1- 1 - 32
	2- 7 - 6		2- 6 - 44		1- 1 - 32
	2- 9 - 86	218809	1- 35 - 4		1- 2 - 25
216226	1- 22 - 56		1- 8 - 28		1- 14 - 39
216231	1- 29 - 11	219423	1- 9 - 31		1- 14 -199
	1- 33 - 9		1- 15 - 39		1- 20 - 26
	1- 33 - 9		1- 16 - 32		1- 20 - 77
	2- 4 - 9		1- 17 - 34		1- 31 - 9
	2- 5 - 2		1- 18 - 34		1- 31 - 19
	2- 5 - 2		1- 19 - 21		1- 31 - 39
	2- 5 -124		2- 3 - 34		1- 31 - 74
	2- 9 - 32A		2- 6 - 39		2- 2 - 64
	2- 9 - 32A	219900	1- 3 - 9		2- 2 - 67
216263	1- 29 - 64	219901	1- 3 - 17		2- 2 - 70
	1- 34 - 49	220838	1- 3 - 7		2- 2 -162
	2- 4 - 44		2- 2 - 75		2- 2 -182
	2- 7 - 22	220856	1- 5 -104		2- 2 -215
	2- 9 -101	220893	1- 14 -192		2- 5 - 92
216265	1- 35 - 16	220911	1- 16 - 65		2- 5 -112
216266	2- 7 - 24	220914	1- 18 - 72		2- 5 -141
216267	1- 29 - 66		2- 6 - 67		2- 5 -165
	1- 34 - 51	220915	2- 3 - 65		2- 10 - 25
	2- 4 - 46	220916	1- 17 - 76		2- 10 - 28
	2- 9 -103	220917	1- 8 - 70		2- 10 - 28

PART NO.	SECTION, LIST AND INDEX NO.
237291	2- 2 - 78
	2- 5 - 79
237455	1- 7 - 36
237814	1- 7 -106
242256	1- 2 -137
	1- 3 - 56
	1- 7 - 59
	1- 14 -151
	1- 20 - 61
	1- 31 - 59
	2- 2 -200
	2- 5 -173
244816	1- 3 - 71
251970	1- 5 - 79
	1- 24 - 12
	1- 25 - 14
	2- 2 - 94
252341	1- 2 - 23
	1- 14 - 37
252617	1- 3 - 58
	2- 5 - 82
253621	1- 13 - 7
253740	1- 6 - 43
	1- 35 - 3
254469	1- 13 - 1
254474	1- 13 - 3
254475	1- 13 - 4
255994	1- 35 - 28
257186	1- 26 - 6
	1- 26 - 12
	1- 26 - 17
257187	1- 2 - 21
	1- 3 - 15
	1- 6 - 18
	1- 7 - 2
	1- 7 - 87
	1- 7 -133
	1- 10 - 56
	1- 10 - 65
	1- 12 - 6
	1- 14 - 35
	1- 21 - 12
	1- 22 - 74
	1- 31 - 12
	2- 2 -137
	2- 9 - 25
257189	1- 2 -146
	1- 3 - 63
	1- 8 - 51
	1- 9 - 61
	1- 12 - 14
	1- 14 -236
	1- 15 - 59
	1- 16 - 59
	1- 17 - 62
	1- 18 - 55
	1- 18 - 66
	1- 19 - 68
	1- 20 - 9
	1- 20 - 14
	1- 20 - 53
	1- 23 - 16
	1- 24 - 5
	1- 25 - 7
	1- 30 - 11
	1- 31 - 27
	2- 2 - 10
	2- 5 -133
	2- 8 - 13
	2- 10 - 47
257354	1- 8 - 82
	1- 9 - 78
	1- 15 - 83
	1- 16 - 77
	1- 17 - 88
	1- 18 - 84
	1- 19 - 46
	2- 3 - 77
	2- 6 - 79
257956	1- 24 - 7

PART NO.	SECTION, LIST AND INDEX NO.
257956-CONT	1- 25 - 11
257982	1- 1 - 13
257983	1- 14 -223
257984	1- 2 - 90
	1- 33 - 5
	2- 5 -122
	2- 9 - 32E
257985	1- 26 - 8
	1- 26 - 14
	1- 26 - 19
	1- 27 - 8
257986	1- 4 - 25
	1- 7 - 82
	1- 8 - 9
	1- 9 - 15
	1- 10 - 58
	1- 10 - 67
	1- 15 - 22
	1- 16 - 15
	1- 17 - 17
	1- 18 - 17
	1- 19 - 17
	1- 21 - 14
	1- 31 - 13
	1- 31 - 17
	1- 32 - 31
	2- 2 -129
	2- 3 - 17
	2- 5 - 89
	2- 6 - 22
259009	1- 35 - 20
263727	1- 16 - 69
	1- 17 - 80
284424	1- 5 - 90
287499	2- 9 - 18
300606	1- 7 - 83
300721	1- 10 - 28
301356	1- 31 - 70
301731	1- 3 - 50
304480	1- 32 - 11
308704	1- 5 - 97
	2- 2 - 90
309829	1- 2 - 24
	1- 14 - 38
	1- 13 - 12
310262	1- 7 -113
312469	1- 2 - 87
313453	1- 13 - 5
314264	1- 16 - 68
315956	1- 17 - 79
	1- 8 - 26
316996	1- 8 - 30
	1- 9 - 29
	1- 9 - 33
	1- 15 - 37
	1- 16 - 30
	1- 16 - 34
	1- 17 - 32
	1- 17 - 36
	1- 18 - 32
	1- 18 - 36
	1- 19 - 24
	2- 3 - 32
	2- 6 - 37
317006	1- 22 - 13
	1- 22 - 22
317007	1- 10 - 25
	1- 10 - 43
317019	1- 10 - 17
	1- 10 - 39
317022	1- 10 - 3
	1- 10 - 10
	1- 10 - 16
317024	1- 10 - 26
317082	1- 32 - 15
317083	2- 2 - 99
317085	1- 10 - 33
317145	1- 2 -136
	1- 3 - 55
	1- 7 - 57

PART NO.	SECTION, LIST AND INDEX NO.
317145-CONT	1- 14 -150
	1- 20 - 60
	1- 31 - 58
	2- 2 -199
	2- 5 - 71
	2- 5 -172
317227	1- 27 - 9
317350	1- 10 - 37
317529	1- 10 - 27
320167	1- 35 - 14
320451	1- 7 -144
320461	1- 6 - 10
321196	1- 16 - 44
321603	1- 3 - 10
	1- 17 - 66
322025	1- 35 - 2
322065	2- 9 - 23
322267	1- 7 - 58
322282	2- 10 - 20
322550	1- 3 - 47
	1- 3 - 54
	1- 3 - 57
	1- 7 - 9
	1- 7 - 60
	1- 7 - 86
	1- 7 - 95
	1- 12 - 23
	1- 21 - 5
	1- 21 - 11
	1- 23 - 5
	2- 2 -136
	2- 9 - 24
322551	1- 7 - 66
322552	1- 7 - 8
	1- 7 - 24
322613	1- 5 - 80
	1- 5 - 80
	2- 2 - 85
	2- 9 - 70
	2- 10 - 76
	2- 10 - 76
322686	1- 7 - 79
322767	1- 14 - 68
322820	1- 10 - 30
322888	1- 10 - 41
	1- 16 - 26
323543	1- 7 -117
323597	1- 6 - 24
323656	1- 7 - 5
323842	1- 7 - 6
323844	1- 15 - 74
	1- 18 - 75
	1- 19 - 50
	2- 3 - 68
	2- 6 - 70
323920	1- 10 - 22
	1- 10 - 40
324999	1- 5 - 88
325626	1- 2 -106
	1- 14 -184
327695	1- 22 - 84
328451	1- 5 - 82
331699	1- 3 - 20
331982	1- 8 - 50
332009	1- 2 - 36
332620	1- 7 - 34
	1- 8 - 42
	1- 14 -136
	1- 14 -217
	1- 17 - 47
	2- 2 - 60
	2- 2 -122
	2- 3 - 47
	2- 5 - 99
	2- 2 - 96
333264	1- 24 - 11
333639	1- 25 - 13
	1- 2 -108
333769	1- 14 -186
	1- 14 -191

PART NO.	SECTION, LIST AND INDEX NO.
333769-CONT	1- 14 -195
334632	1- 3 - 72
334635	1- 32 - 18
	1- 32 - 20
334910	1- 14 - 64
	1- 15 - 6
	1- 35 - 2
334914	1- 10 - 5
	1- 10 - 11
	1- 10 - 18
334921	1- 16 - 6
	1- 17 - 6
	1- 18 - 6
	1- 27 - 1
	1- 35 - 2
	2- 3 - 6
	2- 6 - 6
334932	1- 16 - 7
	1- 17 - 7
	1- 18 - 7
	1- 35 - 2
	2- 3 - 7
	2- 6 - 7
335138	1- 10 - 31
	1- 15 - 32
	1- 19 - 25
	2- 2 - 97
	2- 3 - 28
	2- 6 - 32
336859	1- 3 - 23
336447	1- 4 - 9
336672	1- 32 - 7
337519	1- 10 - 24
	1- 10 - 42
337523	1- 7 -103
	1- 12 - 11
337530	1- 10 - 2
	1- 10 - 9
	1- 10 - 15
	1- 10 - 38
337542	1- 7 - 92
337545	1- 10 - 81
337549	1- 10 - 52
	1- 11 - 15
	1- 11 - 15
	1- 11 - 15
338238	1- 33 - 4
	2- 5 -121
	2- 9 - 32D
339156	1- 35 - 36
340049	1- 5 - 12
341529	1- 4 - 1
342069	1- 10 - 83
342070	1- 10 - 45
342071	1- 10 - 59
342073	1- 10 - 69
342074	1- 10 - 75
342075	1- 10 - 76
342076	1- 10 - 77
342077	1- 10 - 60
342079	1- 10 - 63
342081	1- 10 - 68
342082	1- 10 - 82
342086	1- 10 - 55
342087	1- 35 - 35
342088	1- 10 - 74
342089	1- 10 - 73
342090	1- 10 - 72
342092	1- 10 - 79
344434	2- 9 - 16
344502	1- 5 - 38
344503	1- 5 - 29
	1- 5 - 41
344504	1- 5 - 25
344505	1- 5 - 15
344506	1- 5 - 13
344517	1- 5 - 41
344519	1- 5 - 17
344539	1- 5 - 26
344547	1- 5 - 38

PART NO.	SECTION, LIST AND INDEX NO.
344549	1- 5 - 38
344551	1- 5 - 11
344599	1- 5 - 95
344987	1- 4 - 20
347062	1- 14 - 65
348946	1- 12 - 16
350564	1- 7 -105
350665	2- 9 - 60
350825	1- 1 - 78
	1- 14 -REF
350827	1- 1 - 84
	1- 31 -REF
350828	1- 1 - 85
	1- 31 -REF
350829	2- 9 - 22
350831	1- 35 - 33
350836	1- 35 - 33
350837	1- 35 - 33
350840	1- 22 - 66
350841	1- 22 - 77
	1- 26 -REF
350843	1- 22 - 82
	1- 28 -REF
350844	1- 3 - 67A
350846	1- 22 - 38
350851	1- 22 - 8
350852	1- 22 - 17
350853	1- 22 - 8
350854	1- 22 - 17
350855	1- 22 - 8
350856	1- 22 - 17
350857	2- 10 - 3
350862	1- 22 - 82
	1- 28 -REF
350863	1- 14 -211
350864	1- 14 -212
350866	1- 22 - 30
	1- 25 -REF
350867	1- 22 - 34
	1- 25 -REF
350868	1- 22 - 30
	1- 25 -REF
350869	1- 22 - 34
	1- 25 -REF
350871	1- 22 - 82
	1- 28 -REF
350872	1- 26 - 1
350879	1- 23 - 13
350883	1- 29 - 49
	1- 34 - 23
350886	1- 14 -137
	2- 9 - 12
350920	1- 32 - 24
350923	2- 9 - 75
351784	1- 7 -151
352018	1- 2 - 91
	1- 14 -159
	1- 20 - 70
	2- 2 -207
	2- 5 -187
	1- 35 - 43
352149	1- 7 - 4
352826	1- 10 - 4
352837	2- 7 - 8
354533	1- 14 - 72
356742	1- 14 -113
	2- 2 - 22
	2- 5 - 23
357995	1- 2 - 55
	1- 20 - 47
359695	1- 15 - 7
	1- 17 - 8
	1- 18 - 8
	1- 35 - 21
	2- 3 - 8
	2- 6 - 8
359861	1- 9 - 18
360370	1- 15 - 8
	1- 17 - 9
	1- 18 - 9

PART NO.	SECTION, LIST AND INDEX NO.
360370-CONT	1- 35 - 1
	2- 3 - 9
	2- 6 - 9
360433	1- 35 - 14
361536	1- 7 -152
362238	2- 1 - 1
367115	1- 2 -135
	1- 3 - 38
	1- 14 -149
	1- 20 - 59
	1- 31 - 57
	2- 2 -198
	2- 5 -171
	2- 10 - 18
368433	1- 32 - 16
368597	1- 35 - 10
369131	1- 22 - 55
369207	1- 2 - 80
	1- 3 - 1
	1- 3 - 34
	1- 7 - 40
	1- 7 - 75
	1- 7 - 96
	1- 7 -148
	1- 14 - 90
	1- 14 -141
	1- 20 - 74
	1- 31 - 69
	2- 2 -211
	2- 5 -189
	2- 9 - 7
369214	1- 8 - 25
	1- 10 - 46
	1- 11 - 11
	1- 11 - 11
	1- 11 - 11
	1- 15 - 36
	1- 16 - 29
	1- 17 - 31
	1- 18 - 31
	1- 19 - 22
	2- 3 - 31
	2- 6 - 36
369222	1- 3 - 5
	2- 2 - 87
	2- 9 - 29
	2- 9 - 43
	2- 10 - 38
	2- 10 - 38
	1- 19 - 78
370576	1- 17 - 1
370608	1- 18 - 1
370609	1- 15 - 1
370610	1- 19 - 77
	2- 3 - 1
	2- 6 - 1
370612	1- 16 - 1
370614	1- 8 - 1
370615	1- 9 - 1
370827	1- 10 - 1
383564	1- 32 - 6
383611	2- 5 -194
	2- 8 -REF
383613	2- 2 -160
383614	2- 2 - 79
383616	2- 2 - 93
383617	2- 2 -100
383618	2- 2 -101
383619	2- 2 - 66
383620	2- 2 -102
383622	2- 5 -110
383623	2- 5 -150
383624	2- 2 -144
	2- 5 - 90
383625	2- 2 -152
	2- 2 -185
	2- 5 -106
	2- 5 -146
383626	2- 9 -135
383636	2- 5 -191

PART NO.	SECTION, LIST AND INDEX NO.
383640	2- 5 - 5
383644	2- 2 - 69
383645	2- 2 - 80
383652	2- 5 -192
383653	2- 2 -217
383655	2- 7 - 29
383656	2- 8 - 1
383658	2- 7 - 16
383659	2- 5 -158
383660	2- 5 -159
383661	2- 5 -156
383663	2- 7 - 2
383665	2- 7 - 21
383666	2- 7 - 11
383671	2- 9 -REF
383672	2- 9 -REF
383676	2- 9 -REF
383679	2- 9 -134
383689	2- 7 - 18
383690	2- 7 - 2
383691	2- 4 - 37
383692	2- 4 - 6
383695	2- 7 -REF
383697	2- 9 -109
383697	2- 2 -175
383697	2- 4 -REF
383699	2- 7 - 26
383700	2- 7 - 19
383704	1- 29 -REF
383707	1- 31 - 46
383711	2- 5 - 61
383713	2- 9 -131
383713	2- 9 -132
383714	2- 9 -119
383715	2- 9 -120
383716	2- 9 -121
383717	2- 9 -122
383718	2- 9 -123
383719	2- 9 -124
383720	2- 9 -125
383721	2- 9 -126
383722	2- 9 -127
383729	2- 5 -190
383730	2- 5 - 10
383732	2- 5 - 11
383733	2- 5 - 12
383737	2- 2 -156
383738	2- 5 - 96
383738	2- 5 - 17
383739	2- 5 - 9
383740	2- 5 - 68
383741	2- 5 - 75
383742	2- 2 -115
383743	2- 2 - 72
383756	2- 7 -REF
383764	2- 9 -108
383764	2- 5 -119
383764	2- 5 -130C
383765	2- 5 -118
435599	1- 35 - 22
436972	1- 7 - 64
437459	1- 4 - 21
438266	1- 3 - 21
438548	1- 25 - 18
438549	1- 9 - 56
438551	1- 26 - 16
438551	1- 27 - 5
438552	1- 22 - 49
438554	1- 26 - 11
438566	1- 26 - 5
438566	1- 2 - 15
438566	1- 3 - 74
438566	1- 5 - 77
438566	1- 14 - 3
438566	1- 14 - 29
438566	2- 10 - 4
438566	2- 10 - 4
438569	1- 7 - 10
438582	1- 15 - 58
438582	1- 18 - 54

PART NO.	SECTION, LIST AND INDEX NO.
438582-CONT	1- 19 - 64
438583	1- 17 - 61
438585	1- 2 - 41
438586	1- 23 - 7
438586	1- 24 - 4
438586	1- 25 - 6
438589	1- 20 - 8
438601	2- 2 - 9
438601	1- 9 - 4
438601	1- 15 - 11
438601	1- 19 - 2
438601	2- 10 - 11
438601	2- 10 - 11
438602	2- 9 - 17
438622	1- 3 - 19
438622	1- 5 -107
438622	1- 20 - 22
438622	1- 31 - 35
438622	2- 2 -179
438622	2- 5 -144
438623	2- 10 - 34
440007	1- 25 - 19
440514	2- 6 - 57
440679	1- 35 - 23
441161	1- 8 - 11
441174	1- 7 - 85
442958	1- 8 - 55
442959	1- 15 - 62
442959	1- 18 - 58
442959	1- 19 - 66
444007	1- 24 - 16
444161	1- 2 -117
444270	1- 6 - 32
444270	1- 6 - 50
444984	1- 23 - 1
445304	1- 7 - 89
471765	1- 2 - 50
471765	1- 5 - 42
471901	1- 14 - 20
471901	1- 2 -155
471901	1- 14 -244
471901	1- 30 - 14
472566	2- 8 - 18
472729	1- 18 - 53
473380	1- 2 - 88
473380	1- 14 - 92
473380	1- 15 -REF
473380	2- 2 -114
473380	2- 5 - 66
473380	2- 9 - 6
473382	1- 8 - 78
473382	1- 9 - 75
473382	1- 16 - 73
473382	1- 18 - 80
473382	1- 19 - 47
473382	2- 6 - 75
473382	2- 3 - 44
473383	1- 15 - 50
473384	1- 15 - 15
473385	1- 15 - 15
473387	1- 15 - 85
473388	1- 15 - 49
473389	1- 15 - 31
473390	2- 2 - 56
473390	2- 3 -REF
473392	1- 15 - 79
473392	1- 17 - 84
473392	2- 3 - 73
473392	2- 3 - 45
473395	2- 3 - 10
473395	1- 9 - 3
473396	1- 15 - 10
473396	1- 19 - 4
473397	2- 3 - 78
473399	2- 3 - 26
473402	1- 8 - 77
473402	1- 9 - 74
473402	1- 15 - 78
473402	1- 16 - 72
473402	1- 17 - 83
473402	1- 18 - 79

PART NO.	SECTION, LIST AND INDEX NO.
473402-CONT	1- 19 - 42
473402-CONT	2- 3 - 72
473402-CONT	2- 6 - 74
473440	1- 14 -131
473440	1- 16 -REF
473442	2- 2 -113
473442	1- 8 - 23
473442	1- 9 - 26
473442	1- 15 - 30
473442	1- 16 - 23
473442	1- 17 - 25
473442	1- 18 - 25
473442	1- 19 - 39
473442	2- 3 - 25
473442	2- 6 - 30
473444	1- 16 - 43
473445	1- 16 - 8
473446	1- 15 - 9
473447	1- 16 - 78
473448	1- 16 - 42
473449	1- 16 - 24
473456	1- 8 - 49
473466	2- 3 - 46
473476	1- 9 - 54
473490	2- 5 - 76
473490	2- 6 -REF
473492	1- 9 - 51
473494	2- 6 - 50
473495	2- 6 - 15
473497	2- 6 - 80
473498	2- 6 - 49
473499	2- 6 - 31
473502	1- 9 - 55
473506	1- 8 - 71
473510	1- 14 -134
473510	1- 19 -REF
473514	1- 19 - 41
473515	1- 19 - 7
473517	1- 19 - 76
473518	1- 19 - 35
473519	1- 19 - 40
473530	1- 15 - 18
473530	1- 16 - 11
473530	1- 17 - 13
473530	1- 18 - 13
473530	1- 19 - 15
473530	2- 3 - 13
473530	2- 6 - 18
473531	1- 8 - 36
473531	1- 9 - 39
473531	1- 15 - 47
473531	1- 16 - 40
473531	1- 17 - 42
473531	1- 18 - 43
473531	1- 19 - 36
473531	2- 3 - 42
473531	2- 6 - 47
473533	1- 8 - 22
473533	1- 9 - 25
473533	1- 15 - 29
473533	1- 16 - 22
473533	1- 17 - 24
473533	1- 18 - 24
473533	1- 19 - 38
473533	2- 3 - 24
473533	2- 6 - 29
473536	1- 8 - 35
473536	1- 9 - 38
473536	1- 15 - 46
473536	1- 16 - 39
473536	1- 17 - 41
473536	1- 18 - 42
473536	2- 3 - 41
473536	2- 6 - 46
473543	1- 8 - 58
473543	1- 9 - 45
473543	1- 15 - 65
473543	1- 16 - 48
473543	1- 17 - 57
473543	1- 18 - 61

PART NO.	SECTION, LIST AND INDEX NO.
473543-CONT	1- 19 - 60
	2- 3 - 53
	2- 6 - 61
473544	1- 8 - 21
	1- 9 - 24
	1- 15 - 28
	1- 16 - 21
	1- 17 - 23
	1- 18 - 23
	1- 19 - 11
	2- 3 - 23
	2- 6 - 28
473545	1- 14 -197
	1- 15 - 72
	1- 18 - 73
	1- 19 - 48
	2- 3 - 66
	2- 6 - 68
473547	1- 15 - 25
	1- 16 - 18
	1- 17 - 20
	1- 18 - 20
	1- 19 - 20
	2- 3 - 20
	2- 6 - 25
473549	1- 16 - 57
473550	1- 14 -132
	1- 17 -REF
	2- 2 - 55
473554	1- 17 - 45
	1- 17 - 45
473555	1- 17 - 10
473556	1- 17 - 51
473557	1- 17 - 89
473559	1- 17 - 26
473572	1- 8 - 74
473580	1- 7 - 18
	1- 8 -REF
	1- 14 - 89
	2- 2 - 57
473582	1- 8 - 34
	1- 9 - 37
	1- 16 - 38
	1- 17 - 40
	1- 18 - 41
	2- 3 - 40
	2- 6 - 45
473583	1- 8 - 10
473584	1- 8 - 39
473585	1- 8 - 2
473587	1- 8 - 83
473588	1- 8 - 38
473589	1- 8 - 24
473590	1- 7 - 19
	1- 9 -REF
	1- 14 - 91
	2- 2 - 58
473592	1- 15 - 45
	1- 19 - 31
473593	1- 9 - 16
473594	1- 9 - 42
473595	1- 9 - 8
473596	1- 19 - 1
473597	1- 9 - 79
473598	1- 9 - 41
473599	1- 9 - 27
477073	1- 35 - 45
477144	1- 9 - 49
477203	1- 8 - 5
	1- 9 - 11
477212	1- 9 - 71
477230	1- 14 -133
	1- 18 -REF
	2- 2 -117
477234	1- 18 - 46
477235	1- 18 - 10
477237	1- 18 - 85
477238	1- 18 - 45
477239	1- 18 - 26
477256	1- 9 - 2

PART NO.	SECTION, LIST AND INDEX NO.
477266	1- 9 - 70
477276	1- 9 - 68
478043	1- 15 - 44
	1- 18 - 40
	1- 19 - 32
	2- 3 - 39
	2- 6 - 41
478045	1- 11 - 9
	1- 11 - 9
	1- 11 - 9
	1- 15 - 34
	1- 16 - 27
	1- 17 - 29
	1- 18 - 29
	1- 19 - 33
	2- 3 - 29
	2- 6 - 34
478046	1- 14 - 61
	1- 14 -104
	2- 2 - 53
	2- 5 - 57
478047	1- 14 - 56
	1- 14 -101
	2- 2 - 48
	2- 5 - 52
479953	1- 12 - 12
480535	1- 32 - 21
480554	1- 3 - 35
	2- 2 - 77
	2- 5 - 78
	2- 2 -139
480990	2- 2 -138
480991	2- 9 - 26
	1- 22 - 57
491296	1- 35 - 24
491349	1- 29 - 67
491463	1- 34 - 52
	2- 4 - 47
	2- 7 - 25
	2- 9 -104
	1- 2 - 66
492627	2- 3 - 52
501544	1- 35 - 2
504879	1- 8 - 54
507144	1- 22 - 68
508087	1- 10 - 78
509507	1- 7 -145
510186	1- 6 - 5
510425	1- 17 - 65
510468	1- 9 - 63
510810	1- 7 -118
511097	1- 7 -119
511098	1- 7 -120
511099	1- 2 - 11
511236	1- 14 - 12
	1- 14 -109
511592	1- 22 - 71
	2- 2 - 18
	2- 5 - 19
	1- 6 - 15
511699	1- 23 - 4
512426	1- 15 - 75
512583	1- 18 - 76
	1- 19 - 53
	2- 3 - 69
	2- 6 - 71
512663	1- 15 - 84
	1- 19 - 75
515355	1- 14 -156
	1- 20 - 67
	1- 31 - 65
	2- 2 -203
	1- 7 -123
515621	1- 6 - 4
517196	1- 3 - 51
517894	1- 6 - 45
517913	1- 14 - 55
	1- 14 -100
	1- 35 - 40
	2- 2 - 47

PART NO.	SECTION, LIST AND INDEX NO.
517913-CONT	2- 5 - 51
518055	1- 8 - 73
518130	1- 8 - 48
	1- 9 - 48
	1- 7 -111
518151	1- 6 - 42
518452	1- 20 - 18
518704	1- 31 - 31
	2- 2 -168
	2- 5 -137
	2- 5 - 72
518722	1- 6 - 25
521695	1- 35 - 46
523267	1- 35 - 47
523269	1- 7 - 49
523951	1- 7 -161
	1- 27 - 2
524494	1- 6 - 36
524928	1- 35 - 11
526048	1- 7 -112
526161	1- 6 - 40
526378	1- 7 -149
	1- 14 - 53
	1- 14 - 98
	1- 14 -201
	2- 2 - 45
	2- 5 - 49
	2- 10 - 42
	2- 10 - 42
	2- 10 - 50
	2- 10 - 45
	2- 10 - 49
	2- 10 - 43
	2- 10 - 43
	2- 3 - 60
528139	1- 7 - 62
529084	1- 35 - 43
530619	1- 6 - 14
530756	1- 6 - 16
530757	1- 29 - 3
532078	1- 29 - 3
	1- 29 - 3
	1- 29 - 3
	1- 29 - 3
	1- 29 - 3
	1- 29 - 3
	1- 29 - 3
	1- 34 - 1
	1- 34 - 1
	1- 34 - 1
	1- 34 - 1
	1- 34 - 1
	1- 34 - 1
	1- 34 - 1
	1- 34 - 1
	1- 34 - 1
	1- 34 - 1
	2- 4 - 3
	2- 4 - 3
	2- 7 - 1
	2- 7 - 1
	2- 7 - 1
	2- 9 - 80
	1- 3 - 40
532945	1- 8 - 15
533534	1- 8 - 64
	1- 9 - 19
	1- 15 - 54
	1- 16 - 54
	1- 17 - 70
	1- 18 - 50
	1- 19 - 72
	2- 3 - 57
	2- 6 - 54
	1- 2 - 67
533783	1- 29 - 6
534645	1- 29 - 6
	1- 29 - 6
	1- 29 - 6
	1- 29 - 6
	1- 34 - 2
	1- 34 - 2
	1- 34 - 2
	1- 34 - 2
	1- 34 - 2
	1- 35 - 43
535082	1- 35 - 10
535083	

PART NO.	SECTION, LIST AND INDEX NO.
535084	1- 35 - 43
535086	1- 35 - 43
535679	1- 35 - 10
535821	1- 7 -166
535964	2- 2 -161
536466	1- 28 - 6
	1- 28 - 6
	1- 28 - 6
536707	1- 22 - 59
538724	1- 35 - 41
538824	1- 7 -102
538839	1- 4 - 6
538842	1- 4 - 19
539269	1- 29 - 4
	2- 4 - 4
545979	1- 7 - 56
546013	1- 35 - 48
550561	1- 35 - 44
	2- 9 - 56
552222	1- 14 -196
552543	1- 5 - 76
552597	2- 5 -179
553155	2- 9 - 39
553360	1- 1 - 20
553361	1- 1 - 21
	1- 1 - 21
553363	1- 1 - 20
553364	1- 1 - 21
	1- 1 - 21
553366	1- 1 - 20
553367	1- 1 - 21
	1- 1 - 21
553372	1- 1 - 31
	1- 1 - 31
553373	1- 1 - 35
	1- 1 - 35
553374	1- 1 - 33
553375	1- 1 - 34
553376	1- 1 - 16
553396	1- 1 - 27
553397	1- 1 - 27
553398	1- 1 - 27
553399	1- 1 - 27
555043	1- 3 - 66A
556101	1- 35 - 44
	2- 9 - 57
559275	1- 35 - 34
561188	1- 6 - 2
563693	1- 4 - 4
563803	1- 7 - 94
587385	1- 35 - 49
589721	1- 7 -139
	1- 12 - 2
589768	1- 11 - 2
589788	1- 10 - 50
591000	1- 35 - 52
591007	1- 35 - 38
595258	1- 7 -137
595288	1- 7 -140
595293	1- 7 -141
595522	1- 35 - 32
595548	1- 35 - 32
595551	1- 22 - 60
595725	1- 35 - 33
595726	1- 35 - 39
595969	1- 35 - 25
595978	1- 35 - 26
596205	1- 21 - 16
596210	1- 21 - 4
596211	1- 21 - 17
596241	1- 29 - 66
	2- 4 - 46
596255	1- 35 - 9
596265	2- 7 - 24
597097	1- 31 - 10
597152	2- 2 -125
	2- 5 - 85
597178	1- 35 - 31
597179	1- 35 - 8
597216	1- 14 - 49

PART NO.	SECTION, LIST AND INDEX NO.
597216-CONT	1- 14 - 94
	1- 20 - 76
	1- 31 - 73
	2- 2 - 41
	2- 2 -214
	2- 5 - 45
	2- 5 -164
597300	1- 26 - 15
	2- 2 -142
597301	1- 35 - 7
597348	2- 2 -143
598041	1- 35 - 5
598081	2- 5 - 67
	2- 5 - 77
598254	1- 35 - 50
598353	1- 7 -138
	1- 12 - 1
598626	1- 35 - 30
598843	1- 7 -116
599386	1- 22 - 72
599387	1- 22 - 73
600844	1- 35 - 27
607331	1- 7 - 65
607342	2- 2 - 98
607343	1- 5 - 83
	1- 5 - 83
609397	1- 5 - 43
	1- 5 - 43
	2- 9 - 45
	2- 9 - 67
609711	2- 10 - 13
694908	1- 5 - 84
	2- 9 - 74
719293	1- 32 - 8
730175	1- 8 - 19
	1- 9 - 22
	1- 15 - 26
	1- 16 - 19
	1- 17 - 21
	1- 18 - 21
	1- 19 - 10
	2- 3 - 21
	2- 6 - 26
730176	1- 8 - 20
	1- 9 - 23
	1- 15 - 27
	1- 16 - 20
	1- 17 - 22
	1- 18 - 22
	1- 19 - 9
	2- 3 - 22
	2- 6 - 27
730177	1- 15 - 24
	1- 16 - 17
	1- 17 - 19
	1- 18 - 19
	1- 19 - 13
	2- 3 - 19
	2- 6 - 24
730268	1- 14 - 69
730269	1- 14 - 77
760000	1- 1-REF
760010	1- 31 - 24
	1- 33 -REF
760011	1- 28 - 1
760012	1- 28 - 2
760013	1- 27 - 10
760015	1- 22 - 2
	1- 22 - 2
	1- 22 - 2
760016	1- 24 - 19
	1- 25 - 20
760017	1- 24 - 10
	1- 25 - 12
760018	1- 24 - 13
	1- 25 - 17
760019	1- 22 - 47
	1- 24 - 8
	1- 25 - 9
760020	1- 25 - 2

PART NO.	SECTION, LIST AND INDEX NO.
760020-CONT	1- 25 - 2
760021	1- 24 - 2
	1- 25 - 4
760023	1- 22 - 16
	1- 22 - 25
760024	1- 22 - 12
	1- 22 - 12
	1- 22 - 21
	1- 22 - 21
760027	1- 22 - 61
760028	1- 23 - 17
760029	1- 23 - 21
760031	1- 23 - 20
760032	1- 23 - 6
760033	1- 22 - 4
	1- 23 -REF
760034	1- 22 - 43
760035	1- 22 - 45
760036	1- 22 - 14
	1- 22 - 23
	1- 24 - 17
	1- 25 - 15
760037	1- 22 - 62
760038	1- 22 - 86
760039	1- 28 - 1
760041	1- 28 - 2
760042	1- 28 - 1
760043	1- 28 - 2
760044	1- 22 - 2
760046	1- 22 - 2
	1- 22 - 2
760050	1- 29 - 8
	2- 4 - 6
760053	1- 22 - 64
760054	1- 5 -REF
	1- 14 - 15
760055	1- 14 -187
760063	1- 21 - 2
760064	1- 21 - 10
760065	1- 21 - 8
760066	1- 21 - 15
760067	1- 21 - 18
760068	1- 20 - 2
	1- 21 -REF
	1- 31 - 2
	2- 2 - 1
	2- 5 - 6
760069	2- 9 - 78
760070	1- 31 - 24
	1- 33 -REF
760075	2- 9 - 1
760076	2- 9 - 21
760077	1- 2 - 81
	2- 2 -208
760078	1- 22 - 37
760079	1- 22 - 33
760080	1- 22 - 26
760081	1- 20 - 79
760082	1- 22 - 1
	1- 22 - 1
	1- 22 - 1
	1- 22 - 1
760083	1- 20 - 80
760084	1- 20 - 81
760085	1- 22 - 20
760086	1- 22 - 11
760089	1- 14 -215
760107	1- 5 - 85
760109	1- 5 - 86
760125	1- 35 - 37
760126	1- 35 - 37
760128	2- 10 - 6
	2- 10 - 6
760132	1- 2 -145
	1- 14 -235
	1- 30 - 10
	2- 8 - 12
760133	1- 2 -149
	1- 14 -239
	1- 30 - 6

PART NO.	SECTION, LIST AND INDEX NO.
760133-CONT	2- 8 - 8
760134	1- 20 - 71
	1- 31 - 76
	2- 8 - 16
760135	1- 20 - 42
	1- 31 - 49
	2- 2 -212
	2- 8 - 3
760136	1- 30 - 1
760141	1- 2 -144
	1- 14 -234
	1- 30 - 5
	2- 8 - 7
760142	1- 13 - 13
760147	1- 21 - 9
760149	1- 21 - 7
760150	1- 2 -142
	1- 14 -157
	1- 20 - 64
	1- 31 - 62
	2- 2 -205
	2- 5 -176
760152	1- 20 - 27
	1- 31 - 40
	2- 2 -173
760154	1- 33 - 17
	2- 5 -129
	2- 5 -130B
760155	1- 33 - 11
	2- 5 -125
	2- 5 -130D
760156	1- 33 - 16
	2- 5 -128
	2- 5 -130A
760157	1- 33 - 18
	2- 5 -130
	2- 5 -130F
760159	1- 2 - 92
	1- 13 -REF
	1- 14 -143
	1- 20 - 66
	1- 31 - 64
	2- 2 -193
	2- 5 -182
760184	1- 14 -219
760185	1- 14 -220
760186	1- 14 -225
760221	1- 20 - 75
	1- 21 - 1
	1- 22 - 10
	1- 22 - 10
	1- 22 - 19
	1- 22 - 19
	1- 24 - 15
	1- 25 - 1
	1- 25 - 1
	1- 31 - 23
	2- 2 - 6
	2- 2 -165
	2- 5 -115
760223	1- 23 - 19
760233	1- 2 - 59
760234	1- 1 - 22
760241	1- 33 - 7
760245	1- 20 - 82
	1- 31 - 79
	1- 31 - 79
	2- 2 -218
	2- 9 -113
760246	1- 26 - 9
760248	1- 31 - 80
	1- 31 - 80
760249	1- 2 - 22
	1- 14 - 36
760250	1- 14 - 7
760252	1- 2 - 29
760253	1- 2 - 33
760254	1- 2 - 34
760255	1- 2 - 35
760257	1- 2 -105

PART NO.	SECTION, LIST AND INDEX NO.
760257-CONT	1- 14 -183
760261	1- 2 - 38
760262	2- 10 - 16
760264	1- 2 - 9
	1- 14 - 10
760265	1- 2 - 10
	1- 14 - 11
	2- 9 - 31
	2- 10 - 40
760267	1- 2 - 8
	1- 14 - 9
760268	1- 2 - 40
760274	1- 35 - 29
760278	1- 35 - 29
760286	1- 35 - 29
760290	1- 5 -112A
760296	2- 10 - 31
760297	2- 10 - 32
760298	2- 10 - 12
760303	1- 2 - 69
	1- 14 - 23
	1- 20 - 24
	1- 31 - 37
	2- 2 -183
	2- 5 -142
760304	1- 20 - 25
	1- 31 - 38
	2- 2 -181
	2- 5 -140
760305	1- 20 - 17
	1- 31 - 30
	2- 2 -167
	2- 5 -136
760306	1- 20 - 21
	1- 31 - 34
	2- 2 -178
	2- 5 -143
760307	1- 20 - 20
	1- 31 - 33
	2- 2 -170
	2- 5 -139
760371	1- 22 - 37
760372	1- 22 - 33
760373	1- 22 - 26
760374	1- 22 - 20
760375	1- 22 - 11
760376	1- 22 - 1
760377	1- 22 - 33
760378	1- 22 - 26
760379	1- 22 - 20
760380	1- 22 - 11
760381	1- 1 - 4
760383	1- 1 - 17
760387	1- 4 - 18
760389	1- 3 - 75
760390	1- 3 - 61
	1- 4 -REF
760391	1- 3 - 2
760392	1- 4 - 16
760393	1- 4 - 17
760394	1- 4 - 11
760395	1- 4 - 14
760396	1- 4 - 15
760397	1- 4 - 12
760398	1- 4 - 13
760399	1- 20 - 35
760403	1- 1 - 55
	2- 1 - 18
760415	1- 31 - 21
	2- 5 -116
760416	1- 20 - 36
	2- 2 -172
760443	1- 2 - 77
	1- 14 -164
760444	2- 2 - 61
	2- 2 -123
760446	1- 5 -105
760447	1- 5 - 99
	2- 2 -148
	2- 5 -102

PART NO.	SECTION, LIST AND INDEX NO.
760449	1- 2 - 70
	1- 14 - 24
760454	1- 5 -111
760455	1- 3 - 36
760462	1- 22 - 58
760488	1- 33 - 2
760489	1- 22 - 53
760614	1- 3 - 4
760615	2- 10 - 24
760616	2- 10 - 2
760617	2- 10 - 23
760618	1- 2 - 44
760619	1- 2 - 14
	1- 14 - 28
760648	1- 32 - 23
760650	1- 31 - 14
760665	1- 32 - 22
760681	1- 32 - 5
760691	1- 32 - 1
760693	1- 32 - 33
760695	1- 31 - 6
760696	1- 32 - 34
760699	1- 10 - 48
760700	1- 31 - 8
	1- 32 -REF
760714	2- 9 - 14
760730	1- 2 -159
	1- 14 -213
	1- 20 - 83
	1- 31 - 78
	2- 2 -219
	2- 5 -193
760731	2- 9 - 41
	2- 10 - 15
760732	1- 2 - 26
	1- 14 - 40
760733	2- 10 - 30
	2- 10 - 30
760734	1- 2 -109
	1- 14 -179
760745	1- 20 - 5
	2- 2 - 4
760746	1- 31 - 5
760752	1- 14 - 14
760781	2- 9 -REF
760783	2- 9 -REF
760789	1- 1 - 9
	2- 1 - 2
	2- 5 - 66L
760802	1- 21 - 3
760832	1- 1 - 57
	2- 1 - 20
760833	1- 1 - 56
	2- 1 - 19
760835	1- 1 - 38
	2- 1 - 8
	2- 5 - 66A
760836	1- 1 - 41
	2- 1 - 4
	2- 5 - 66H
760837	1- 1 - 42
	2- 1 - 5
	2- 5 - 66D
760838	1- 1 - 23
761002	1- 24 - 1
	1- 25 - 3
761003	1- 22 - 27
761006	1- 22 - 51
761007	1- 22 - 52
761011	1- 22 - 3
761013	1- 22 - 34
	1- 24 -REF
761014	1- 22 - 30
	1- 24 -REF
761020	1- 29 - 8
761021	1- 29 -REF
	1- 31 - 44
761026	1- 31 - 71
	2- 5 -162
761030	1- 29 - 8

PART NO.	SECTION, LIST AND INDEX NO.
761031	1- 29 -REF 1- 31 - 45
761040	1- 29 - 8
761050	1- 29 - 8
761051	1- 29 -REF 1- 31 - 47
761060	1- 29 - 8
761070	1- 29 - 8 1- 34 - 7
761071	1- 29 -REF 1- 31 - 44
761080	1- 29 - 8
761081	1- 29 -REF 1- 31 - 45
761090	1- 29 - 8 1- 34 - 7
761091	1- 29 -REF 1- 31 - 46
761100	2- 9 - 82
761101	2- 9 - 78
761107	1- 20 - 16 1- 31 - 29 2- 2 -166 2- 5 -135
761111	1- 1 - 36 2- 1 - 11
761112	1- 1 - 37 2- 1 - 12
761113	1- 1 - 73 1- 31 - 81
761114	1- 1 - 74
761115	1- 1 - 75 1- 31 - 82
761116	1- 1 - 76
761117	1- 1 - 77
761118	2- 10 - 26 2- 10 - 26
761134	1- 20 - 84
761135	1- 22 - 46
761136	2- 10 - 27 2- 10 - 27
761137	1- 31 - 83
761138	1- 31 - 84
761139	1- 31 - 85
761140	1- 31 - 86
761141	1- 31 - 87
761142	1- 31 - 88
761143	1- 31 - 89
761144	2- 9 -114 2- 9 -114
761146	2- 9 -115
761147	2- 9 -116
761148	2- 9 -117
761149	2- 9 -118
761294	2- 10 -REF
761295	2- 10 -REF
761303	2- 9 -REF
761321	1- 32 - 28
761338	1- 22 - 28
761343	1- 27 - 3
761344	1- 26 - 2
761345	1- 26 - 3
761371	1- 5 - 1
761372	1- 2 - 60
761373	1- 2 - 51 1- 14 - 41
761374	1- 2 - 3 1- 14 - 4
761376	1- 2 - 83 1- 14 -160
761378	1- 2 - 58
761381	1- 3 -REF 1- 14 - 1
761386	1- 31 - 18 2- 2 -204 2- 5 -111
761387	1- 2 - 27
761388	1- 2 - 28
761389	1- 2 - 63 1- 14 - 22

PART NO.	SECTION, LIST AND INDEX NO.
761389-CONT	1- 20 - 1 1- 31 - 1 2- 5 - 63
761390	1- 2 - 68 1- 20 - 41
761393	1- 2 - 64
761399	1- 14 -214
761413	1- 5 - 98
762458	1- 20 - 38 2- 2 -164
762459	1- 20 - 39
762463	1- 3 - 76
762464	1- 29 - 2 2- 4 - 1
762506	1- 1 - 1
762528	1- 29 - 52
762529	1- 29 - 50 1- 34 - 24
762530	1- 29 - 51 1- 29 - 51 1- 29 - 51 1- 34 - 25 1- 34 - 25 1- 34 - 25
762531	1- 29 - 30 1- 29 - 30 1- 34 - 47
762532	1- 29 - 53 1- 29 - 53 1- 29 - 53 1- 34 - 40 1- 34 - 40 1- 34 - 40
762533	1- 29 - 54 1- 29 - 54 1- 29 - 54 1- 29 - 54 1- 34 - 41 1- 34 - 41 1- 34 - 41 2- 9 - 98
762534	1- 29 - 56
762535	1- 29 - 55 1- 29 - 55 1- 34 - 44 1- 34 - 44 1- 34 - 44 1- 29 - 61 1- 34 - 45
762536	1- 29 - 62 1- 34 - 46
762537	1- 29 - 63 1- 34 - 48
762538	2- 9 - 99 2- 9 -100
762539	1- 29 - 31
762540	1- 29 - 32
762541	1- 29 - 33
762542	2- 4 - 28
762555	1- 29 - 34 2- 4 - 29 1- 29 - 35 2- 4 - 30
762556	1- 29 - 36 2- 4 - 31
762557	1- 29 - 37 2- 4 - 32
762558	1- 29 - 38 2- 4 - 33
762559	1- 29 - 39 2- 4 - 34
762560	1- 29 - 40 2- 4 - 35
762561	1- 29 - 41 2- 4 - 36
762562	1- 29 - 59 1- 34 - 42
762563	1- 29 - 42 2- 4 - 38
762564	1- 29 - 42
762565	1- 29 - 42 2- 4 - 38

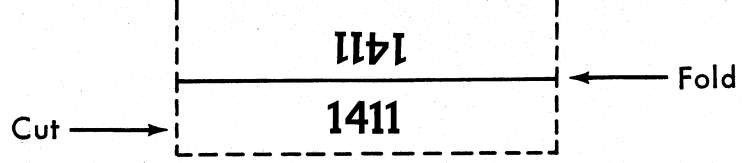
PART NO.	SECTION, LIST AND INDEX NO.
762566	1- 29 - 43 2- 4 - 39
762567	1- 29 - 44 2- 4 - 40
762568	1- 29 - 45 2- 4 - 41
762569	1- 29 - 46 2- 4 - 42
762574	1- 29 - 57
762575	1- 29 - 60 1- 34 - 43
762576	1- 29 - 47 2- 4 - 43
762577	1- 29 - 58
762581	1- 29 - 1 1- 29 - 1 1- 29 - 1 2- 4 - 2 2- 4 - 2 2- 10 - 33
762585	1- 2 -102
762594	1- 14 -176 1- 3 - 33
762635	1- 22 - 79
762636	1- 27 -REF
762637	1- 22 - 81
762742	1- 20 - 12 1- 31 - 25 2- 5 -131 1- 1 - 24 1- 1 - 25 1- 1 - 26 1- 1 - 19 1- 20 - 51 1- 20 - 50 1- 20 - 44 1- 31 - 51 2- 5 - 64 1- 1 - 58 2- 1 - 21 2- 5 - 66G
801485	1- 1 - 53
801486	2- 1 - 16
801487	1- 32 - 4
801488	1- 35 - 42
801492	2- 10 - 10
801493	2- 10 - 10
801494	2- 9 - 50 1- 2 - 94 1- 2 -111 1- 2 -126 1- 2 -147 1- 3 - 64 1- 6 - 23 1- 6 - 39 1- 7 -143 1- 11 - 6 1- 11 - 6 1- 12 - 4 1- 14 -146 1- 14 -181 1- 14 -237 1- 30 - 12 2- 8 - 14 2- 10 - 48 1- 6 - 3 1- 22 - 42 1- 2 - 43 1- 15 - 2 1- 16 - 2 1- 17 - 2 1- 18 - 2 2- 3 - 2 2- 6 - 2 1- 32 - 25 1- 6 - 11 1- 15 - 3 1- 16 - 3 1- 17 - 3 1- 18 - 3
801508	
801509	
802570	
803258	
1071739	
1090873	
1127055	
1127741	
2100310	
2100760	
2101123	
2101325	
2101326	

PART NO.	SECTION, LIST AND INDEX NO.	PART NO.	SECTION, LIST AND INDEX NO.	PART NO.	SECTION, LIST AND INDEX NO.
2101326-CONT	1- 35 - 4	5319237	1- 1 - 69	5319867-CONT	1- 12 - 32
	2- 3 - 3	5319238	1- 1 - 70	5319869	1- 7 - 46
2102155	2- 6 - 3	5319239	1- 1 - 71	5319870	1- 7 -110
2102366	1- 17 - 28	5319240	1- 34 - 7	5319873	1- 7 - 51
	1- 7 - 1	5319241	1- 34 - 7	5319874	1- 7 - 53
	1- 7 - 20	5319245	1- 34 - 7	5319876	1- 11 - 14
2102367	1- 12 - 22	5319246	2- 2 -176		1- 11 - 14
	1- 2 -118		2- 4 -REF		1- 11 - 14
	1- 7 - 11	5319248	1- 29 - 48	5319877	1- 12 - 8
	1- 14 -174	5319249	1- 29 - 8	5319878	1- 7 -154
	2- 2 - 63	5319250	1- 1 -REF	5319880	1- 7 -108
	2- 2 -189	5319251	1- 1 - 78	5319883	1- 7 - 76
2102368	1- 2 - 75		1- 2 -REF	5319884	1- 11 - 17
	1- 7 - 21	5319252	1- 1 - 83	5319885	1- 7 - 33
	1- 14 -139		1- 20 -REF		1- 11 -REF
	1- 20 - 55	5319253	1- 1 - 84	5319886	1- 7 - 32
	1- 31 - 53		1- 31 -REF		1- 11 -REF
	2- 2 -191	5319254	1- 1 - 85	5319887	1- 11 - 17
	2- 5 -167		1- 31 -REF	5319888	1- 7 - 38
2102369	1- 2 - 19	5319255	2- 1 - 26	5319889	1- 7 -157
	1- 14 - 33		2- 2 -REF	5319890	1- 7 - 41
2103552	1- 5 - 87	5319261	1- 22 - 41	5319891	1- 7 -150
2109462	1- 10 - 70	5319271	2- 9 - 33	5319895	1- 12 - 31
2114985	1- 9 - 57	5319272	2- 9 - 63	5319896	1- 12 - 25
2124708	1- 1 - 8	5319273	2- 9 - 48	5319897	1- 7 -129
2128618	1- 27 - 4	5319274	2- 9 - 35		1- 12 -REF
2128625	1- 28 - 4	5319275	2- 9 - 54	5319899	1- 7 -115
2128626	1- 26 - 20	5319276	2- 9 - 64	5319900	1- 2 -120
2128627	1- 28 - 5	5319277	2- 9 - 65		1- 7 -REF
	1- 28 - 5	5319278	2- 9 - 37	5321940	1- 30 - 17
	1- 28 - 5	5319279	2- 9 - 38		2- 8 - 21
2128633	1- 26 - 4	5319280	2- 9 -128	5321941	1- 20 - 85
2129394	1- 22 - 76	5319281	2- 7 -REF		1- 30 -REF
2129730	1- 23 - 2		2- 9 -110		1- 31 - 90
2130330	1- 35 - 51	5319282	2- 7 -REF		2- 2 -221
2130337	2- 9 - 40		2- 9 -111	5321944	1- 14 -232
2130702	2- 5 - 41	5319284	2- 9 - 28		1- 30 - 3
	2- 5 - 91	5319298	2- 1 - 26		2- 8 - 5
	2- 5 -183		2- 5 -REF	5321948	1- 1 - 15
2132014	1- 10 - 53	5319304	2- 9 -REF	5321949	1- 1 - 50
5236437	1- 34 - 5	5319305	2- 9 -REF		2- 1 - 13
5240449	1- 14 - 83	5319308	2- 7 - 20	5321950	1- 1 - 51
5305020	1- 33 - 3	5319309	2- 7 - 2		2- 1 - 14
	2- 5 -120	5319320	1- 34 - 6	5321951	1- 1 - 11
	2- 9 - 32C	5319332	2- 9 -129	5321952	1- 1 - 12
	2- 9 - 32C	5319333	2- 5 -155	5321953	1- 1 - 14
5305021	1- 33 - 6		2- 7 -REF	5321955	1- 1 - 45
	2- 5 -123	5319835	1- 7 - 68	5321956	1- 1 - 46
	2- 9 - 32F	5319836	1- 7 - 70	5321957	1- 1 - 47
	2- 9 - 32F	5319837	1- 10 - 6	5321958	1- 1 - 48
5319173	2- 9 -REF		1- 10 - 12	5321960	1- 1 - 54
5319181	2- 9 - 11		1- 10 - 19		2- 1 - 17
5319182	2- 9 - 8	5319838	1- 7 - 71	5321961	1- 2 -158
5319185	2- 10 -REF	5319839	1- 7 -153		1- 14 -247
5319207	2- 9 -REF	5319840	1- 2 -120	5321962	1- 2 -154
5319208	2- 9 -REF		1- 7 -REF		1- 14 -243
5319211	1- 34 - 26	5319841	1- 7 -167	5321963	1- 1 - 52
	1- 34 - 26	5319847	1- 7 - 97		2- 1 - 15
5319212	1- 34 - 27	5319848	1- 7 -124	5321964	1- 1 - 18
5319213	1- 34 - 28	5319849	1- 7 -168	5321979	1- 1 - 2
5319214	1- 34 - 29	5319850	1- 7 -169	5321980	1- 1 - 2
5319215	1- 34 - 30	5319851	1- 7 -163	5321981	1- 1 - 2
5319216	1- 34 - 31	5319852	1- 7 - 14	5321982	1- 1 - 3
5319217	1- 34 - 33	5319853	1- 7 -109		2- 1 - 1
5319218	1- 34 - 34	5319854	1- 7 - 12	5321983	1- 1 - 3
5319219	1- 34 - 35		1- 7 - 15		2- 1 - 1
5319220	1- 34 - 36		1- 7 - 47	5321984	1- 1 - 3
5319221	1- 34 - 37		1- 7 - 52		2- 1 - 1
5319222	1- 34 - 7		1- 7 - 55	5327011	1- 20 - 31
5319223	1- 34 - 7		1- 7 - 77		1- 29 -REF
5319224	1- 34 - 38		1- 7 -159	5327012	1- 20 - 32
5319225	1- 34 - 39		1- 7 -164		1- 29 -REF
5319226	1- 34 - 32	5319855	1- 7 - 54	5327013	1- 20 - 33
5319229	1- 1 - 62	5319856	1- 7 -170		1- 29 -REF
5319230	1- 1 - 63	5319857	1- 7 -171	5327014	1- 31 - 44
5319231	1- 1 - 64	5319858	1- 11 - 17		1- 34 -REF
5319232	1- 1 - 65	5319859	1- 7 - 31	5327015	1- 31 - 45
5319233	1- 1 - 66		1- 11 -REF		1- 34 -REF
5319234	1- 1 - 67	5319864	1- 7 -158	5327016	1- 31 - 46
5319235	1- 1 - 68	5319867	1- 2 -160		1- 34 -REF

PART NO.	SECTION, LIST AND INDEX NO.
5327017	1- 31 - 47
	1- 34 -REF
5327018	1- 31 - 44
	1- 34 -REF
5327019	1- 31 - 45
	1- 34 -REF
5327022	1- 20 - 6
	1- 22 -REF
5327024	1- 20 - 6
	1- 22 -REF
5327026	1- 22 -REF
	2- 2 - 7
5327028	1- 22 -REF
	2- 2 - 7
5327042	1- 2 -113
5327043	1- 2 - 99
5327044	1- 5 - 78

PART NO.	SECTION, LIST AND INDEX NO.
5327045	1- 2 -124
5327046	1- 2 - 13
5327047	1- 2 - 45
	1- 5 -REF
5327053	1- 2 -153
5327054	1- 2 - 1
	1- 3 -REF
5327055	1- 3 - 67
5327057	1- 2 - 6
5327058	1- 2 -122
5327070	1- 5 -112
5327073	1- 2 -161
5327450	2- 9 -REF
5327454	1- 1 - 72
5327455	2- 2 -220
5327459	1- 31 - 5
5327490	1- 1 - 78

PART NO.	SECTION, LIST AND INDEX NO.
5327490-CONT	1- 2 -REF
5327500	1- 20 - 6
	1- 22 -REF
5327540	2- 9 -REF
5327550	2- 9 -REF
5327552	1- 31 - 46
	1- 34 -REF
5327553	2- 9 - 78
5329300	1- 14 -216
5329308	2- 9 -136
5329309	2- 9 -138
5329315	2- 9 -133
5329316	2- 9 -137
5329317	2- 9 -130
5329318	2- 9 -139
7320049	1- 14 -222



Use Clear Acetate Tab - Obtained Locally



