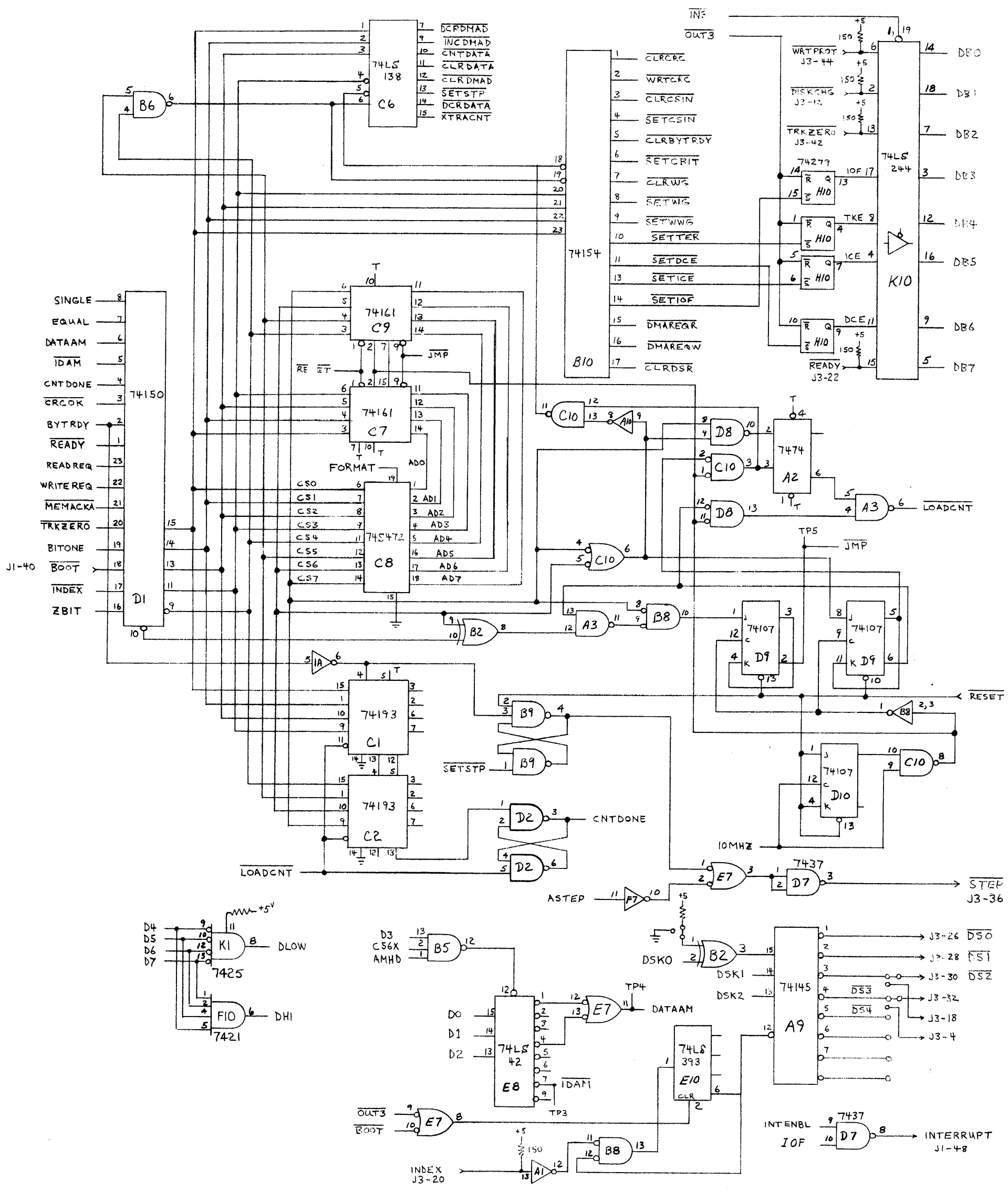


J1 - 1, 18, 27 TO 49, GND
 J3 - ALL ODD PINS GND

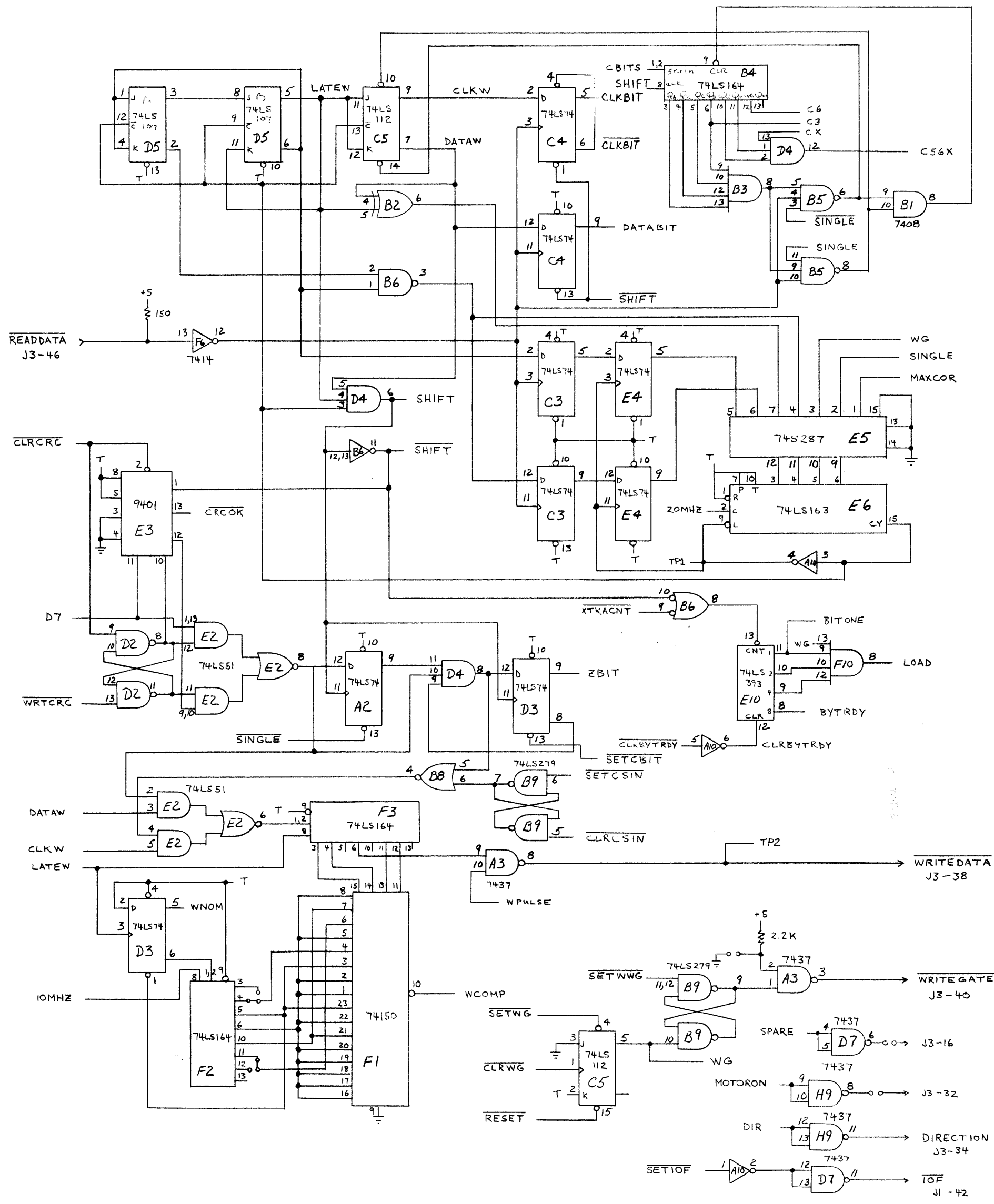


DIGITAL SYSTEMS

FLOPPY DISC
CONTROLLER FDC-3

DATE: 7-77

SHEET 2 OF 3



DIGITAL SYSTEMS

	FLOPPY DISC CONTROLLER FDC-3
DATE: 7-77	SHEET 3 OF 3