

Diablo Systems Incorporated

Series 30 Disk Drive · Parts Catalog

PREFACE

The content of this catalog represents the unit as manufactured at the time of publication.

Diablo Systems, Inc. reserves the right to make changes in its products without incurring obligations to incorporate any such changes in previously manufactured units.

All of the parts listed in this catalog are shown in the current form for ordering from the manufacturer, including those assemblies which are supplied as single parts. A circled item number indicates the item is considered to be NOT FIELD REPLACEABLE. Such items are included for completeness of illustration only.

Parts orders should be addressed to your Diablo Sales Representative.

Publication No. 81504 - First Edition

Printed in the U.S.A.

PARTS CATALOG
SERIES 30 DISK DRIVE

Table of Contents

SECTION I	FINAL ASSEMBLY	
	1. #1553X-XX/1566X-XX Final Assembly	page 1-1
SECTION II	COVER ASSEMBLIES	
	1. #15546-XX Cover Assemblies	page 2-1
SECTION III	HEATSINK/MOTHERBOARD ASSEMBLIES	
	1. #11062-01/11262 Heatsink/Motherboard Assemblies	page 3-1
	2. #11116-01 Motherboard Assembly	page 3-5
	3. #11078 J1 PCB Assembly	page 3-9
	4. #11111-XX J2 PCB Assembly	page 3-17
	5. #11026-XX J3 PCB Assembly	page 3-21
	6a. #11113-XX J10 PCB Assembly, L.D.	page 3-25
	6b. #11082-XX J10 PCB Assembly, H.D.	page 3-31
	7. #11071-XX J9 PCB Assembly	page 3-39
	8. #11085-XX J8 PCB Assembly	page 3-43
	9. #11033 Servo Driver PCB Assembly	page 3-49
	10. #11029-XX Power Driver PCB Assembly	page 3-51
SECTION IV	BASE ASSEMBLY	
	1. #15434-XX Base Assembly	page 4-1
	2. #11227 P/E Transducer PCB Assembly	page 4-5
	3. #11048 Filter PCB Assembly	page 4-7
	4. #15404-XX Cartridge Receiver Assembly	page 4-9
	5. #15536-01 Spindle Assembly	page 4-11
	6. #15428 Head Positioner Assembly	page 4-13
SECTION V	SHADOW BOX ASSEMBLY	
	1. Shadow Box Assembly	page 5-1
	2. #15481-XX Panel and Door Assembly	page 5-3
	3. #15681-XX Panel and Door Assembly	page 5-7
SECTION VI	INTERCONNECTING/TRANSITION CABLES AND TERMINATORS	
	1. Transition Cables and Terminators	page 6-1
SECTION VII	SHIPPING CONTAINER ASSEMBLY AND PARTS	
	1. Shipping Container Assembly and Parts	page 7-1

TABLE OF REVISION LEVELS

The following revision levels indicate the production status of the Series 30 Disk Drive described in this parts catalog.

SECTION	I.1.	#15531-XX Final Assembly, M/31	Rev.	F
		#15661-XX Final Assembly, M/33F	Rev.	B
SECTION	II.1.	#15546-XX Cover Assembly	Rev.	B
SECTION	III.1.	#11062-01 Heatsink/Motherboard Assembly, M/31	----	-
		#11262 Heatsink/Motherboard Assembly, M/33F	----	-
	2.	#11116-XX Motherboard Assembly	Rev.	R
	3.	#11078 J1 PCB Assembly	Rev.	M
	4.	#11111-XX J2 PCB Assembly	Rev.	H
	5.	#11026-XX J3 PCB Assembly	Rev.	K
	6a.	#11113-XX J10 PCB Assembly, L.D.	Rev.	M
	6b.	#11082-XX J10 PCB Assembly, H.D.	Rev.	AA
	7.	#11071-XX J9 PCB Assembly	Rev.	L
	8.	#11085-XX J8 PCB Assembly	Rev.	M
	9.	#11033 Servo Driver PCB Assembly	Rev.	H
	10.	#11029-XX Power Driver PCB Assembly	Rev.	F
SECTION	IV.1.	#15434-XX Base Assembly	Rev.	J
	2.	#11227 P/E Transducer PCB Assembly	Rev.	B
	3.	#11048 Filter PCB Assembly	Rev.	A
	4.	#15404-XX Cartridge Receiver Assembly	Rev.	R
	5.	#15536-01 Spindle Assembly	Rev.	L
	6.	#15428 Head Positioner Assembly	Rev.	J
SECTION	V.1.	Shadow Box Assembly	----	-
	2.	#15481-XX Panel and Door Assembly, M/31	Rev.	L
	3.	#15681-XX Panel and Door Assembly, M/33F	Rev.	E
SECTION	VI.1.	Transition Cables and Terminators		
		#11175-XX Terminator	Rev.	C
		#11174-XX Terminator	Rev.	C
		#11098-XX Terminator	Rev.	E/G
		#11102-XX Cable	Rev.	K
		#11105-XX Cable	Rev.	K
		#11245-XX Cable	Rev.	E
		#11813-XX Cable	Rev.	A
		#11824-XX Cable	Rev.	A
		#11822-XX Cable	Rev.	A
		#11823-XX Cable	Rev.	A
SECTION	VII.1.	#11583 Shipping Container	Rev.	D

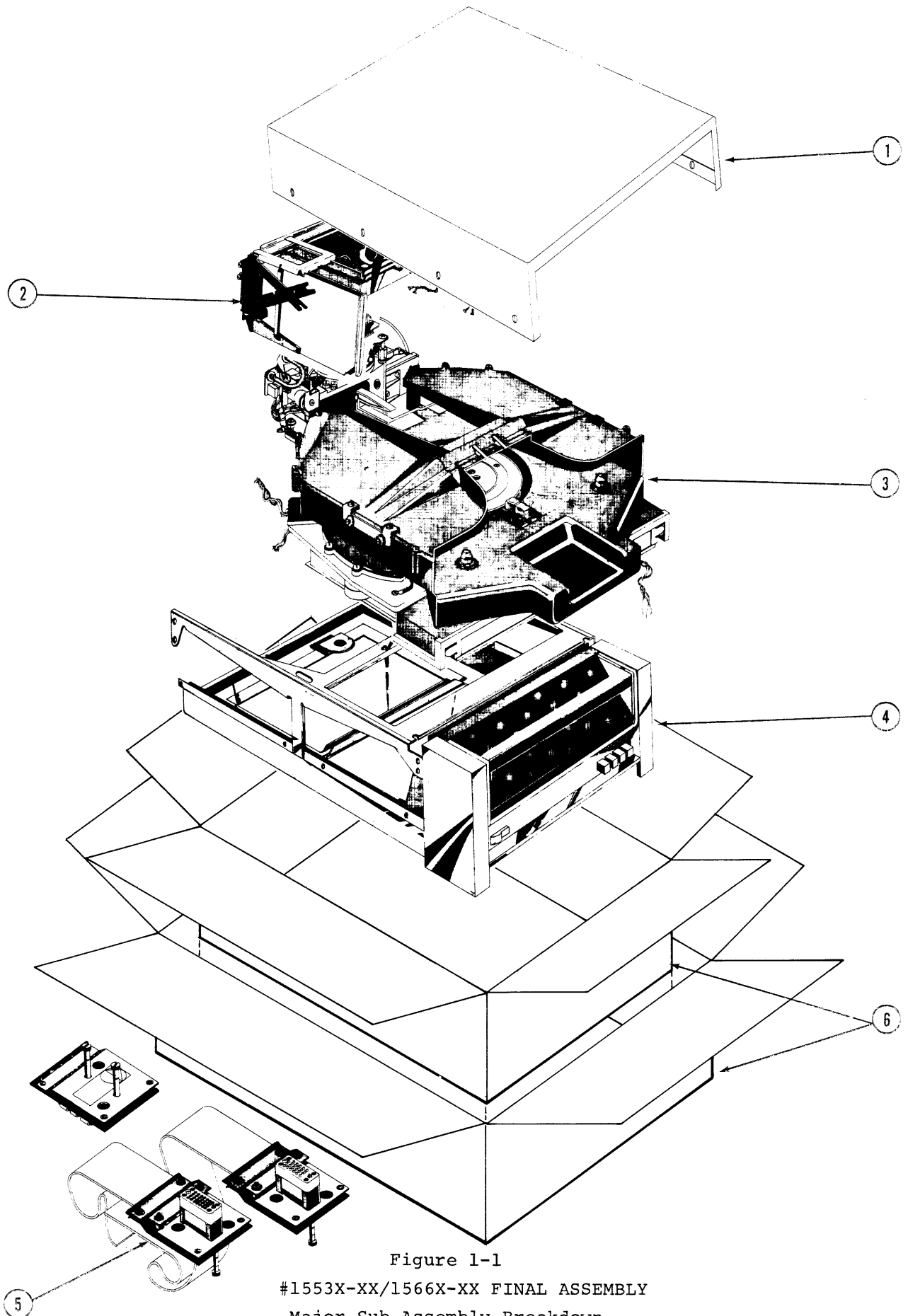


Figure 1-1

#1553X-XX/1566X-XX FINAL ASSEMBLY
Major Sub-Assembly Breakdown

SECTION I.1

#1553X-XX/1566X-XX FINAL ASSEMBLY
Major Sub-Assembly Breakdown

<u>ITEM NO.</u>	<u>PART NO.</u>	<u>DESCRIPTION</u>
1	15546-XX	Cover Assemblies See Section II, pages 2-0/2-1
2	11062-01 11262	Heatsink/Motherboard Assembly, M/31 Heatsink/Motherboard Assembly, M/33F See Section III, pages 3-0/3-52
3	15434-XX	Base Assembly See Section IV, pages 4-0/4-9
4	-----	Shadow Box Assembly See Section V, pages 5-0/5-8
5	-----	Transition Cables and Terminator Assemblies See Section VI, pages 6-0/6-1
6	-----	Shipping Container and Parts See Section VII, pages 7-0/7-1

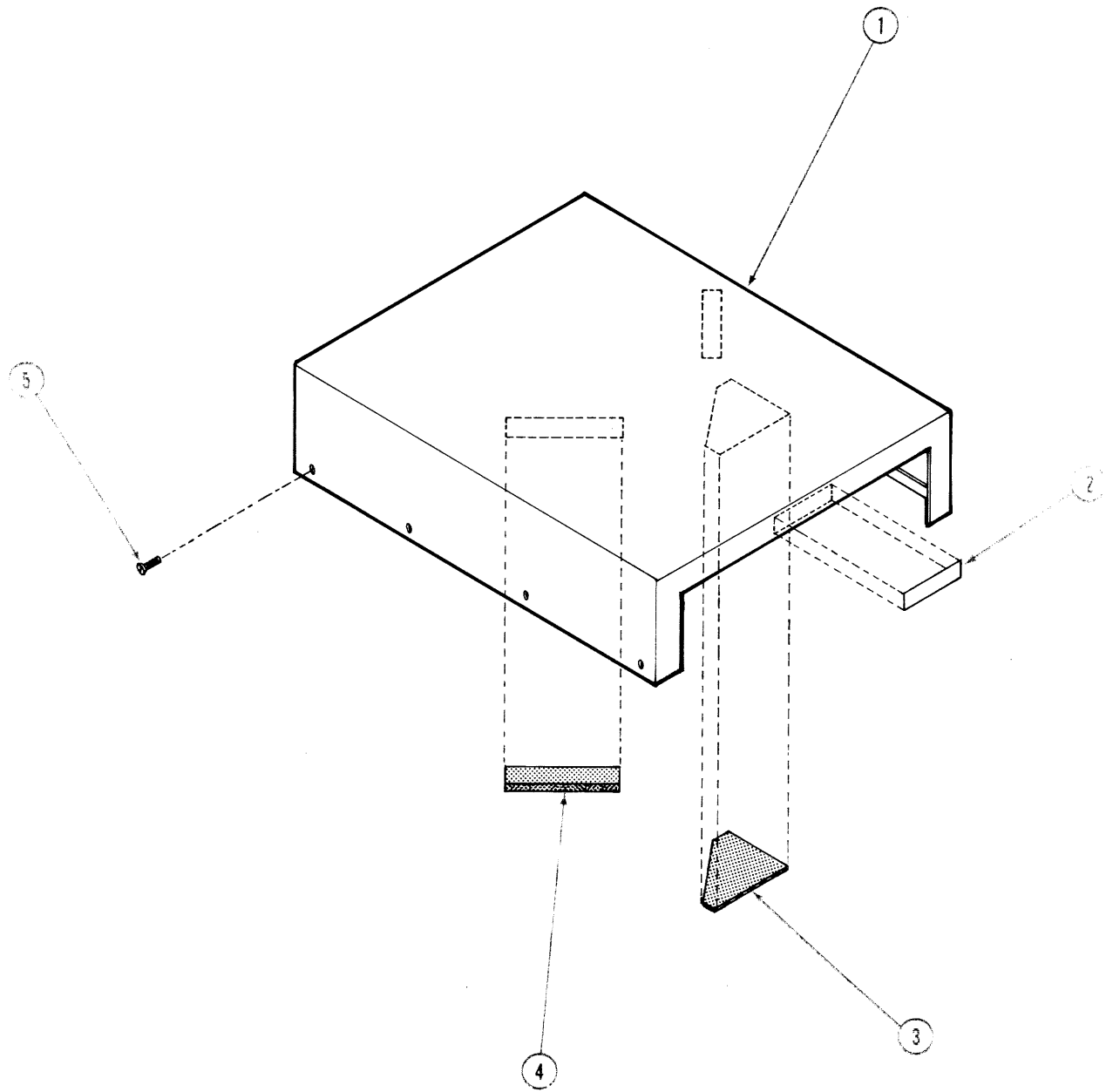


Figure 2-1
#15546-XX COVER ASSEMBLY

SECTION II.1

#15546-01 COVER ASSEMBLY, LIGHT GRAY
#15546-02 COVER ASSEMBLY, LIGHT GOLD

<u>ITEM NO.</u>	<u>PART NO.</u>	<u>DESCRIPTION</u>
1	15389-01 15389-02	Cover, Light Gray Cover, Light Gold
2	15442	Caution Label
3	15544	Pad, Cover
4	15226	Gasket, P.C. Board
5	70286-04	Screw, Cover

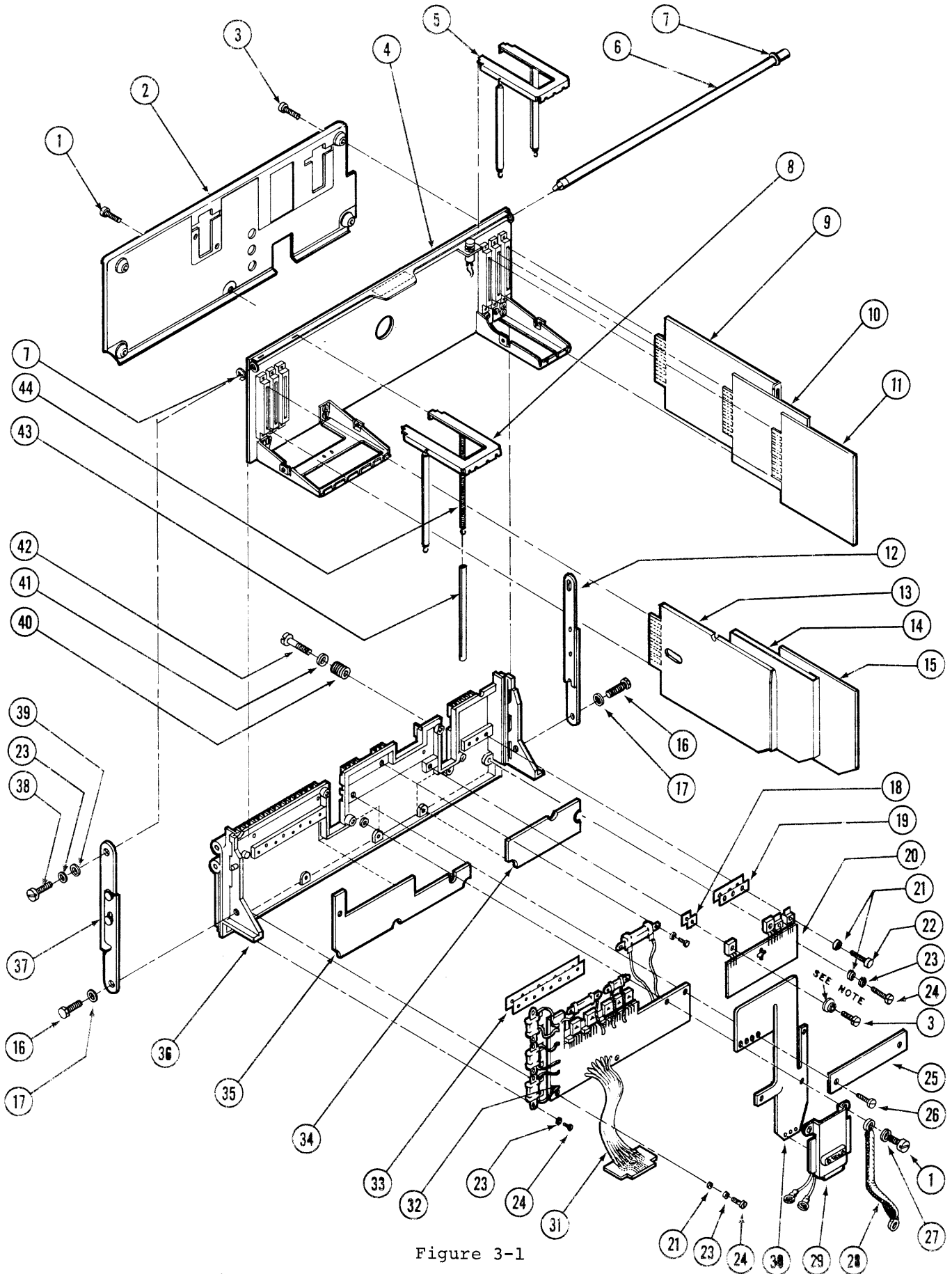


Figure 3-1

#11062-01/11262 HEATSINK-MOTHER BOARD ASSEMBLY

SECTION III.I

#11062-01 HEAT SINK/MOTHER BOARD ASSEMBLY - MODEL 31
 #11262 HEAT SINK/MOTHER BOARD ASSEMBLY - MODEL 33F

<u>ITEM NO.</u>	<u>PART NO.</u>	<u>DESCRIPTION</u>	<u>ITEM NO.</u>	<u>PART NO.</u>	<u>DESCRIPTION</u>
1	70030-04	Screw, Pan Head Slotted 6-32 x 1/4"	22	10516-04	Screw, Nylon, Binder Head #4 x 1/4"
2	15295	Reflector Assembly	23	70168-04	Lockwasher, #4
3	70030-06	Screw, Pan Head Slotted 6-32 x 1/4"	24	70020-06	Screw, Fillister Head Slotted 4-40 x 1/4"
4	11116-XX	Mother Board Assembly, See Section III.2	25	15354	Retainer, Flex Cable
5	15185	Retainer, PCB, Right	26	70020-04	Screw, Fillister Head Slotted, 4-40 x 1/4"
6	15180	Rod, Strut Support	27	70168-06	Lockwasher #6
7	70170-09	"E" Retainer Ring 1/4"	28	11004-02	Ground Cable Assembly 5"
8	15221	Retainer, PCB. Left	29	15430	Bracket Assembly, Power Connector
9	11078	J1 PCB Assembly See Section III.3		10524-11	Connector, Plug (male) 14-Contact
10	11111-XX	J2 PCB Assembly See Section III.4		10525-10	Connector, Contact, (Male), 14 awg
11	11026-XX	J3 PCB Assembly See Section III.5		10558-XX	Wire, 16 awg (-03/Red, -06/Blue)
12	15256	Strut Assembly, Right		10514-10	Lug
13	11113-XX	J10 PCB Assembly, Low Density See Section III.6.a	30	11041	Flex Cable
	11082-XX	J10 PCB Assembly High Density See Section III.6.b	31	11246	Cable Assembly
14	11071-XX	J9 PCB Assembly See Section III.7	32	11029-XX	Power Driver, PCB Assembly, See Section III.10
15	11085-XX	J8 PCB Assembly See Section III.8	33	10555	Insulator, Power Transistor
16	15121	Stud, Bottom, 8-32 x 1/4"	34	15357 70190	Insulator, PC Board Adhesive
17	70223	Spring, Pre-Load	35	15356 70190	Insulator, PC Board Adhesive
18	10553	Insulator, Power Transistor	36	15392	Heat Sink
19	10554	Insulator, Power Transistor	37	15257	Strut Assembly, Left
20	11033	Servo Driver PCB Assembly See Section III.9	38	70029-06	Screw, Pan Head, Slotted 4-40 x 3/8"
21	70179-04	Flat Washer, #4	39	70169-04	Flat Washer, #4
			40	15280	Spring, Heat Sink
			41	70169-08	Flat Washer, #8

<u>ITEM NO.</u>	<u>PART NO.</u>	<u>DESCRIPTION</u>
42	15186	Screw, Heat Sink
43	70238	Cover, Spring (per ft.)
44	15194	Spring, PCB Retainer

NOTE: Dished Lockwasher supplied with Transistor in each case.

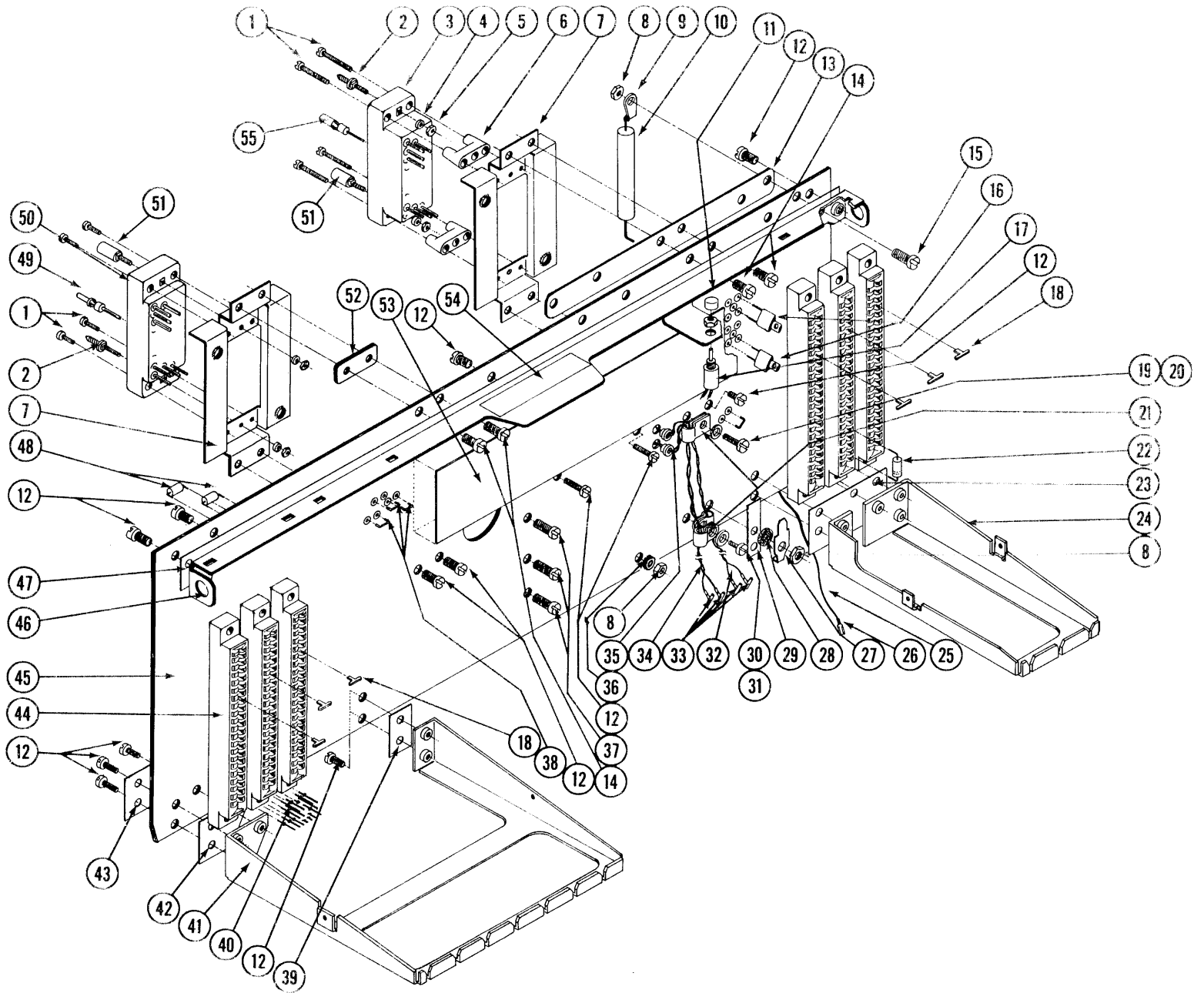


Figure 3-2
#11116-01 MOTHER BOARD ASSEMBLY

SECTION III.2

#11116-01 MOTHER BOARD ASSEMBLY

<u>ITEM NO.</u>	<u>PART NO.</u>	<u>DESCRIPTION</u>	<u>ITEM NO.</u>	<u>PART NO.</u>	<u>DESCRIPTION</u>
1	70020-06	Screw, Fillister Head Slotted, 4-40 x 3/8"	24	15271	Bracket, PCB Support Right
2	-----	Jack Screw, Part of 10523-10/11	25	10562-09	Wire, Stranded, 26 AWG, Gray
3	10523-10	Jack, Connector, 42 Pin Female	26	10513-09	Tab, Receptacle, 24-26 AWG
4	-----	Washer, Part of 10523- 10/11	27	10512	Tab, Terminal, 90°
5	-----	Nut, Part of 10523-10/11	28	10515-01	Washer, Phenolic, #4
6	15384	Spacer, Connector (female)	29	15341	Insulator, Spade Connector
7	15181	Bracket, Connector Mounting	30	70029-07	Screw, Pan Head Slotted, 4-40 x 7/16"
8	70166-04	Nut, Hex 4-40 x 1/4"	31	70169-04	Washer, Flat, #4
9	10511-04	Terminal Lug, Locking	32	10552-14	Wire, Twisted Pair-- Blk/Yel.
10	10059-02	Resistor, 0.2 Ohm, 1%	33	10666	Receptacle (female), Type E, 22-26 AWG
11	10532	Cap, Button, Red	34	10552-19	Wire, Twisted Pair, Blk/Wht.
12	70030-04	Screw, Pan Head Slotted 6-32 x 1/4"	35	10528-10	Screw, Insulator, Nylon #2 x 1/8"
13	15249	Ground Strip, Mother Board	70189		Adhesive, Loctite 404
14	70021-04	Screw, Fillister Head Slotted, 6-32 x 1/4"	36	10509	Lockwasher, Bronze, #4
15	10508-05	Screw, Brass, Pan Head Slotted, 4-40 x 1/4"	37	10508-06	Screw, Brass, Pan Head Slotted, 4-40 x 3/8"
16	10634	Plug, Shorting	38	10564-18	Jumper Wire, Buss, 18 AWG
17	10531	Switch, Push Button, N.O.	39	15388	Insulator, PCB Bracket, Left 2-Hole
18	10539-10	Key, Polarizing	40	10501-02	Connector, Pin
19	70030-06	Screw, Pan Head Slotted 6-32 x 3/8"	41	15270	Bracket, PCB Support, Left
20	70169-06	Washer, Flat, #6	42	15337	Insulator, PCB Bracket Left 3-Hole
21	10535-10	Clamp, Cable	43	15482	Insulator, Reflector
22	10160	Diode, 1N4454	44	10522-10	Connector, PCB, 44- Contact
23	15336	Insulator, PCB Bracket, Right	45	11115-01	Mother PCB Assembly

<u>ITEM NO.</u>	<u>PART NO.</u>	<u>DESCRIPTION</u>
46	15275	Stiffner Assembly
47	15334	Insulator, Stiffner
48	10199-47	Inductor, 0.47uH
49	10583-01	Contact, Pin (male)
50	10523-11	Jack, Connector, 42-Pin Male
51	-----	Jack Socket, part of 10523-10/11
52	15248	Spacer, Connector Bracket
53	11036	Jumper, Printed Wire Board
54	15442	Caution Label
55	10583-02	Contact, Socket (female)

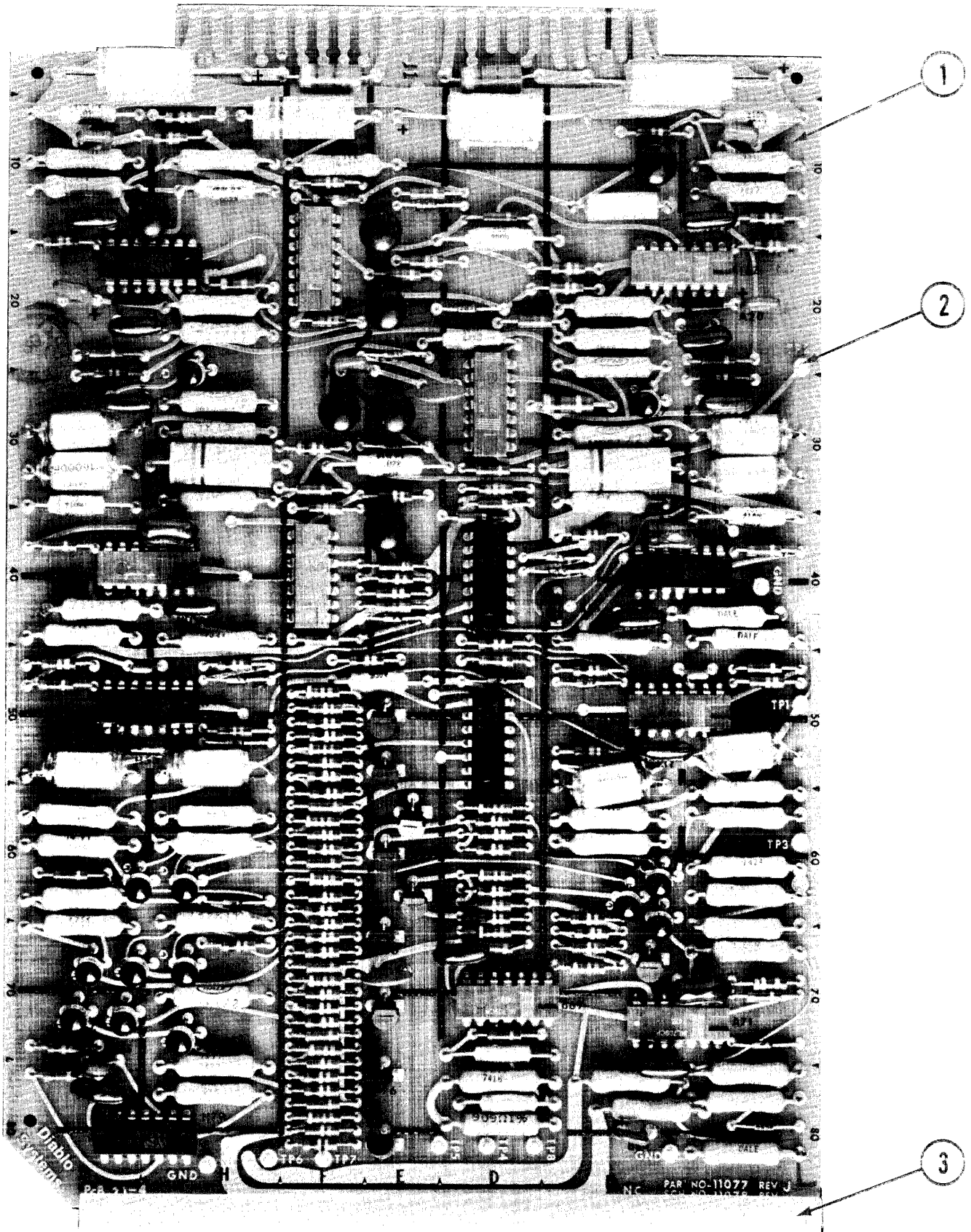


Figure 3-3
 #11078 J1 PCB Assembly

SECTION III.3

#11078 J1 PCB ASSEMBLY

<u>ITEM NO.</u>	<u>PART NO.</u>	<u>DESCRIPTION</u>	<u>LOCATION</u>	<u>PART NO.</u>	<u>DESCRIPTION</u>
1	11077	PC Board	A44	10014-41	Resistor, 26.1K Ohm 1/2W 1%
2	10500	Terminal	A46Y	10023-15	Resistor, 1.5K Ohm 1/4W 5%
3	15332 70189	Guide Adhesive	A46Z	10083-47	Capacitor, 4700pF 100V
			A47	10024-12	Resistor 12K Ohm 1/4W 5%
<u>LOCATION</u>	<u>PART NO.</u>	<u>DESCRIPTION</u>	A48	10122	IC, LM709CM
A4	10078-01	Capacitor, 100uF, 20V	A53	10074-16	Capacitor, 16000pF 1%
A6	10071-10	Capacitor, 0.01uF, 200V	A55	10012-69	Resistor 511 Ohm 1/2W 1%
A8	10087-39	Capacitor, 0.39uF, 50V TA	A57	10013-69	Resistor 5.11K Ohm 1/2W 1%
A10	10011-91	Resistor, 86.6 Ohm, 1/2W 5%	A61	10015-30	Resistor, 200K Ohm 1/2W 1%
A12	10013-69	Resistor, 5.11K Ohm, 1/2W 1%	A63	10014-95	Resistor, 95.3K Ohm 1/2W 1%
A14Y	10024-10	Resistor, 10K Ohm, 1/4W 5%	A65	10014-30	Resistor, 20K Ohm 1/2W 1%
A14Z	10062-20	Capacitor, 200pF 500V	A67	10016-23	Resistor 1.69M Ohm 1/2W 1%
A16Y	10024-10	Resistor, 10K Ohm 1/4W 5%	A69Y	10023-39	Resistor, 3.9K Ohm 1/4W 5%
A16Z	10122	IC, LM709CM	A69Z	10062-51	Capacitor 510pF 5% 500V
A20	10086-22	Capacitor, 0.22uF 50V TA 20%	A70	10023-15	Resistor, 1.5K Ohm 1/4W 5%
A22	10061-10	Capacitor, 10pF 500V	A71	10122	IC, LM709CM
A24	10023-15	Resistor, 1.5K Ohm 1/4W 5%	A74	10160	Diode, 1N4454
A26	10024-15	Resistor, 15K Ohm 1/4W 5%	A76	10013-24	Resistor, 1.74K Ohm 1/2W 1%
A27	10061-20	Capacitor 20pF 500V	A78	10013-30	Resistor, 2.0K Ohm 1/2W 1%
A29	10074-16	Capacitor, 16000pF 1%	A79	10160	Diode, 1N4454
A33	10074-16	Capacitor, 16000pF 1%	A81	10013-30	Resistor, 2.0K Ohm 1/2W 1%
A35	10071-10	Capacitor, 0.01uF 200V			
A38Y	10023-15	Resistor, 1.5K Ohm 1/4W 5%			
A38Z	10122	IC, LM709CM			
A42	10013-68	Resistor, 4.99K Ohm 1/2W 1%			

<u>LOCATION</u>	<u>PART NO.</u>	<u>DESCRIPTION</u>	<u>LOCATION</u>	<u>PART NO.</u>	<u>DESCRIPTION</u>
B7	10024-10	Resistor, 10K Ohm 1/4W 5%	B59	10013-69	Resistor, 5.11K Ohm 1/2W 1%
B10	10109	Transistor, 2N3643	B61	10118	Transistor, U1898
B13	10070-33	Capacitor, .0033uF	B63	10118	Transistor, U1898
B17	10025-20	Resistor, 200K Ohm 1/4W 5%	B64Y	10118	Transistor, U1898
B19	10025-15	Resistor, 150K Ohm 1/4W 5%	B64Z	10025-10	Resistor, 100K Ohm 1/4W 5%
B21	10012-19	Resistor, 154 Ohm 1/2W 1%	B65	10025-10	Resistor, 100K Ohm 1/4W 5%
B23	10014-01	Resistor, 10K Ohm 1/2W 1%	B66	10025-22	Resistor, 220K Ohm 1/4W 5%
B25	10013-01	Resistor, 1K Ohm 1/2W 1%	B67	10106	Transistor, 2N4916
B27	10118	Transistor, U1898	B68	10024-47	Resistor, 47K Ohm 1/4W 5%
B29	10013-01	Resistor, 1K Ohm 1/2W 1%	B69	10122	IC, LM709CM
B32	10099-01	Inductor, 100uH	B75	10061-20	Capacitor, 20pF 500V
B34	10014-32	Resistor, 21K Ohm 1/2W 1%	B77	10013-06	Resistor, 1.13K Ohm 1/2W 1%
B36	10062-51	Capacitor, 510pF 5% 500V	B79	10013-06	Resistor 1.13K Ohm 1/2W 1%
B37	10024-10	Resistor, 10K Ohm 1/4W 5%	B80	10086-10	Capacitor, 0.1uF
B38	10160	Diode, 1N4454	D3	10098-27	Inductor, 270uH
B39	10160	Diode, 1N4454	D7	10078-01	Capacitor, 100uF 20V
B42	10061-20	Capacitor, 20pF 500V	D14	10023-51	Resistor, 5.1K 1/4W 5%
B43	10106	Transistor, 2N4916	D16	10071-22	Capacitor, 0.022uF 200V
B44	10014-41	Resistor, 26.1K Ohm 1/2W 1%	D20	10160	Diode, 1N4454
B46	10024-10	Resistor, 10K Ohm 1/4W 5%	D22	10022-22	Resistor 220 Ohm 1/8W 5%
B47	10160	Diode, 1N4454	D23	10070-10	Capacitor, .001uF
B53Y	10062-20	Capacitor, 200pF 500V	D31	10122	IC, LM709CM
B53Z	10024-10	Resistor, 10K Ohm 1/4W 5%	D32	10023-15	Resistor 1.5K Ohm 1/4W 5%
B54	10160	Diode, 1N4454	D33	10024-56	Resistor, 56K 1/4W 5%
B55	10074-16	Capacitor 16000pF 1%	D34	10023-22	Resistor, 2.2K Ohm 1/4W 5%
B58	10012-69	Resistor, 511 Ohm, 1/2W 1%	D35	10023-22	Resistor, 2.2K Ohm 1/4W 5%

<u>LOCATION</u>	<u>PART NO.</u>	<u>DESCRIPTION</u>	<u>LOCATION</u>	<u>PART NO.</u>	<u>DESCRIPTION</u>
D43	10130	IC, DM946NM	E17	10024-15	Resistor, 15K Ohm 1/4W 5%
D44	10024-10	Resistor, 10K Ohm 1/4W 5%	E18	10022-56	Resistor, 560 Ohm 1/4W 5%
D46	10022-75	Resistor, 750 Ohm 1/4W 5%	E20	10109	Transistor, 2N3643
D47	10160	Diode, 1N4454	E24	10160	Diode 1N4454
D55	10130	IC, DM946NM	E25	10087-39	Capacitor, 0.39uF 50V TA
D56	10024-47	Resistor, 47K Ohm 1/4W 5%	E26	10095-01	Capacitor, 0.1uF 10V
D57	10025-10	Resistor, 100K Ohm 1/4W 5%	E28	10109	Transistor, 2N3643
D58	10025-22	Resistor, 220K Ohm 1/4W 5%	E31	10160	Diode, 1N4454
D59	10025-10	Resistor, 100K Ohm 1/4W 5%	E32	10071-22	Capacitor, 0.022uF 200V
D61	10024-47	Resistor 47K Ohm 1/4W 5%	E34	10025-15	Resistor, 150K Ohm 1/4W 5%
D62	10025-10	Resistor, 100K Ohm 1/4W 5%	E37	10109	Transistor, 2N3643
D63	10025-22	Resistor, 220K Ohm 1/4W 5%	E39	10023-22	Resistor 2.2K Ohm 1/4W 5%
D64	10025-10	Resistor, 100K Ohm 1/4W 5%	E40	10025-20	Resistor, 200K Ohm 1/4W 5%
D65	10022-91	Resistor, 910 Ohm 1/4W 5%	E41	10024-15	Resistor, 15K Ohm 1/4W 5%
D66	10023-22	Resistor, 2.2K Ohm 1/4W 5%	E42	10022-75	Resistor, 750 Ohm 1/4W 5%
D67	10062-20	Capacitor, 200pF 500V	E43	10160	Diode, 1N4454
D73	10023-15	Resistor, 1.5K Ohm 1/4W 5%	E46	10024-10	Resistor, 10K Ohm 1/4W 5%
D75	10070-22	Capacitor .0022uF	E47	10070-10	Capacitor 0.001uF
D77	10014-09	Resistor, 12.1K Ohm 1/2W 1%	E50	10106	Transistor, 2N4916
D78	10070-10	Capacitor, 0.001uF	E54	10106	Transistor, 2N4916
D79	10012-93	Resistor 909 Ohm 1/2W 1%	E57	10106	Transistor, 2N4916
E12	10023-15	Resistor, 1.5K Ohm 1/4W 5%	E60	10106	Transistor, 2N4916
E13	10160	Diode, 1N4454	E63	10106	Transistor, 2N4916
E15	10109	Transistor, 2N3643	E66	10106	Transistor, 2N4916
			E68	10095-01	Capacitor, 0.1uF 10V
			E71	10106	Transistor, 2N4916
			E76	10106	Transistor, 2N4916
			E81	10106	Transistor, 2N4916

<u>LOCATION</u>	<u>PART NO.</u>	<u>DESCRIPTION</u>
F3	10098-27	Inductor, 270uH
F6	10099-01	Inductor, 100uH
F10	10013-69	Resistor, 5.11K Ohm 1/2W 1%
F12	10025-51	Resistor, 510K Ohm 1/4W 5%
F13	10023-30	Resistor, 3K Ohm 1/4W 5%
F20	10122	IC, LM709CM
F22	10024-56	Resistor, 56K Ohm 1/4W 5%
F28	10109	Transistor, 2N3643
F31	10025-30	Resistor, 300K Ohm 1/4W 5%
F33	10023-51	Resistor, 5.1K Ohm 1/4W 5%
F35	10024-56	Resistor 56K Ohm 1/4W 5%
F43	10122	IC, LM709CM
F44	10023-15	Resistor, 1.5K Ohm 1/4W 5%
F48	10024-47	Resistor 47K Ohm 1/4W 5%
F49	10025-22	Resistor, 220K Ohm 1/4W 5%
F50	10025-10	Resistor, 100K Ohm 1/4W 5%
F51	10025-10	Resistor, 100K Ohm 1/4W 5%
F52	10024-47	Resistor, 47K Ohm 1/4W 5%
F53	10025-22	Resistor, 220K Ohm 1/4W 5%
F54	10025-10	Resistor, 100K Ohm 1/4W 5%
F55	10025-10	Resistor, 100K Ohm 1/4W 5%
F56	10023-22	Resistor, 2.2K Ohm 1/4W 5%
F57	10024-47	Resistor 47K Ohm 1/4W 5%
F58	10025-22	Resistor, 220K Ohm 1/4W 5%

<u>LOCATION</u>	<u>PART NO.</u>	<u>DESCRIPTION</u>
F59	10025-10	Resistor 100K Ohm 1/4W 5%
F60	10023-22	Resistor, 2.2K Ohm 1/4W 5%
F62	10024-47	Resistor, 47K Ohm 1/4W 5%
F63	10025-22	Resistor, 220K Ohm 1/4W 5%
F64	10025-10	Resistor, 100K Ohm 1/4W 5%
F65	10025-10	Resistor, 100K Ohm 1/4W 5%
F66	10025-10	Resistor, 100K Ohm 1/4W 5%
F67	10025-10	Resistor, 100K Ohm 1/4W 5%
F68	10023-22	Resistor, 2.2K Ohm 1/4W 5%
F69	10024-47	Resistor, 47K Ohm 1/4W 5%
F70	10025-22	Resistor, 220K Ohm 1/4W 5%
F71	10025-10	Resistor, 100K Ohm 1/4W 5%
F72	10025-10	Resistor, 100K Ohm 1/4W 5%
F73	10023-22	Resistor, 2.2K Ohm 1/4W 5%
F74	10024-47	Resistor 47K Ohm 1/4W 5%
F75	10025-22	Resistor, 220K Ohm 1/4W 5%
F76	10025-10	Resistor, 100K Ohm 1/4W 5%
F77	10025-10	Resistor, 100K Ohm 1/4W 5%
F78	10023-22	Resistor, 2.2K Ohm 1/4W 5%
F79	10024-47	Resistor, 47K Ohm 1/4W 5%
F80	10025-22	Resistor, 220K Ohm 1/4W 5%
F81	10025-10	Resistor, 100K Ohm 1/4W 5%

<u>LOCATION</u>	<u>PART NO.</u>	<u>DESCRIPTION</u>	<u>LOCATION</u>	<u>PART NO.</u>	<u>DESCRIPTION</u>
H6	10024-10	Resistor, 10K Ohm 1/4W 5%	H57	10013-69	Resistor, 5.11K Ohm 1/2W 1%
H8	10024-10	Resistor, 10K Ohm 1/4W 5%	H59	10013-69	Resistor, 5.11K Ohm 1/2W 1%
H10	10013-69	Resistor, 5.11K Ohm 1/2W 1%	H62	10118	Transistor, U1898
H12	10070-33	Capacitor, .0033uF	H63	10160	Diode, 1N4454
H14	10109	Transistor, 2N3643	H65	10015-21	Resistor, 162K Ohm 1/2W 1%
H16	10122	IC, LM709CM	H66	10024-10	Resistor, 10K Ohm 1/4W 5%
H19	10023-30	Resistor, 3K Ohm 1/4W 5%	H68	10118	Transistor, U1898
H20	10012-19	Resistor, 154 Ohm 1/2W 1%	H70	10014-91	Resistor, 86.6K Ohm 1/2W 1%
H23	10024-10	Resistor, 10K Ohm 1/2W 1%	H73	10118	Transistor, U1898
H25	10118	Transistor, U1898	H75	10014-30	Resistor, 20K Ohm 1/2W 1%
H27	10013-01	Resistor, 1K Ohm 1/2W 1%	H77	10014-30	Resistor, 20K Ohm 1/2W 1%
H29	10013-01	Resistor, 1K Ohm 1/2W 1%	H79	10122	IC, LM709CM
H32	10099-01	Inductor, 100uH	K3	10078-01	Capacitor, 100uF 20V
H34	10014-32	Resistor, 21K Ohm 1/2W 1%	K6	10071-10	Capacitor, 0.01uF 200V
H37	10062-51	Capacitor, 510pF 5% 500V	K8	10087-39	Capacitor, 0.39uF 50V TA
H38	10122	IC, LM709CM	K10	10014-91	Resistor 86.6K Ohm 1/2W 1%
H42	10061-20	Capacitor, 20pF 500V	K12	10013-69	Resistor 5.11K Ohm 1/2W 1%
H44	10014-41	Resistor, 26.1K Ohm 1/2W 1%	K14	10062-20	Capacitor, 200pF 500V
H46Y	10024-10	Resistor, 10K Ohm 1/4W 5%	K16	10024-10	Resistor, 10K Ohm 1/4W 5%
H46Z	10083-47	Capacitor, .0047uF 100V	K20	10086-22	Capacitor, 0.22uF 50V
H47	10160	Diode, 1N4454	K22	10061-10	Capacitor, 10pF 500V
H48	10122	IC, LM709CM	K24	10023-15	Resistor, 1.5K Ohm 1/4W 5%
H51	10024-10	Resistor, 10K Ohm 1/4W 5%	K25	10024-15	Resistor, 15K Ohm 1/4W 5%
H52	10160	Diode, 1N4454	K27	10061-20	Capacitor, 20pF 500V
H53	10062-20	Capacitor, 200pF 500V	K29	10074-16	Capacitor, 16000pF 1%
H54	10074-16	Capacitor, 16000pF 1%	K33	10074-16	Capacitor, 16000pF 1%

<u>LOCATION</u>	<u>PART NO.</u>	<u>DESCRIPTION</u>
K35	10071-10	Capacitor, 0.01uF 200V
K38	10023-15	Resistor, 1.5K Ohm 1/4W 5%
K42	10013-68	Resistor, 4.99K Ohm 1/2W 1%
K44	10014-41	Resistor, 26.1K Ohm 1/2W 1%
K46	10024-12	Resistor, 12K Ohm 1/4W 5%
K48	10023-15	Resistor, 1.5K Ohm 1/4W 5%
K54	10074-16	Capacitor, 16000pF 1%
K57	10012-69	Resistor, 511 Ohm 1/2W 1%
K59	10012-69	Resistor, 511 Ohm 1/2W 1%
K61	10023-15	Resistor, 1.5K Ohm 1/4W 5%
K62	10118	Transistor U1898
K63	10015-78	Resistor, 634K Ohm 1/2W 1%
K65	10015-66	Resistor, 475K Ohm 1/2W 1%
K68Y	10118	Transistor, U1898
K68Z	10118	Transistor, U1898
K71Y	10118	Transistor, U1898
K71Z	10118	Transistor, U1898
K74	10024-20	Resistor 20K Ohm 1/4W 5%
K75	10083-47	Capacitor, .0047uF 100V
K76	10023-15	Resistor, 1.5K Ohm 1/4W 5%
K77	10062-20	Capacitor, 200pF 500V

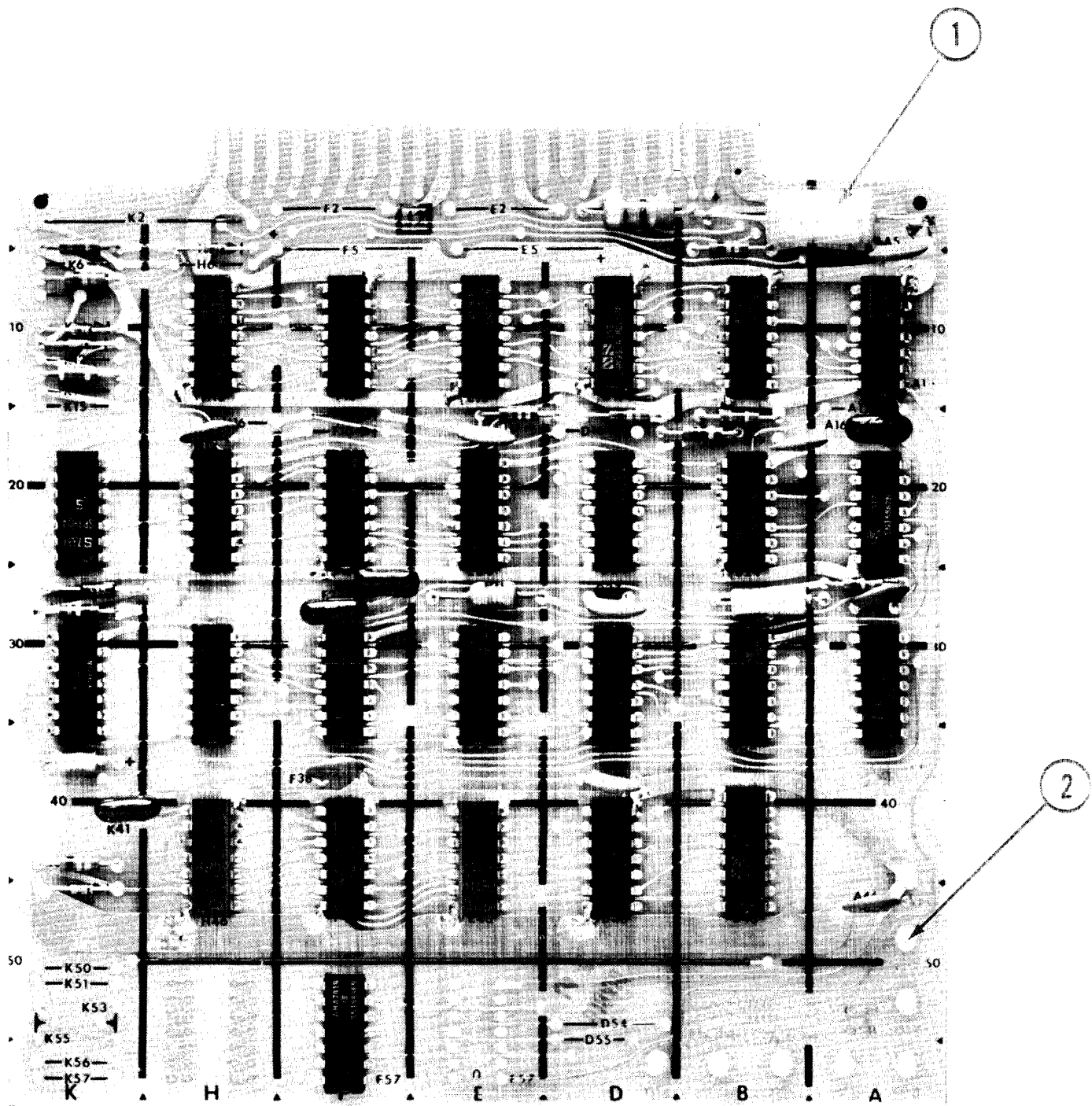


Figure 3-4
 #11111-XX J2 PCB ASSEMBLY

SECTION III.4

#11111-XX J2 PCB ASSEMBLY
(see note)

<u>ITEM NO.</u>	<u>PART NO.</u>	<u>DESCRIPTION</u>	<u>LOCATION</u>	<u>PART NO.</u>	<u>DESCRIPTION</u>
1	11110	PC Board	D15	10024-10	Resistor, 10K Ohm 1/4W 5%
2	10500	Terminal	D24	10130	IC, DM946NM
			D27	10095-01	Capacitor, 0.1uF 10V
			D35	10131	IC, DM962NM
			D38	10095-01	Capacitor, 0.1uF 10V
			D46	10130	IC, DM946NM
<u>LOCATION</u>	<u>PART NO.</u>	<u>DESCRIPTION</u>			
A2	10068-10	Capacitor, 100uF 25V			
A5	10095-01	Capacitor, 0.1uF 10V			
A13	10130	IC, DM946NM			
A15	10021-10	Resistor, 10 Ohm 1/4W 5% (-02 only)	E13	10128	IC, DM936
A16	10062-51	Capacitor, 510pF 5% 500V	E15	10020-27	Resistor, 2.7 Ohm 1/4W 5%
A24	10131	IC, DM962NM	E16	10095-01	Capacitor, 0.1uF 10V
A26	10024-10	Resistor, 10K Ohm 1/4W 5%	E24	10130	IC, DM946NM
A27	10095-01	Capacitor, 0.1uF 10V	E27	10070-22	Capacitor .0022uF
A35	10142	IC, SN74121N	E35	10130	IC, DM946NM
A46	10095-01	Capacitor 0.1uF 10V	E46	10143	IC, SNN8281A
			F13	10128	IC, DM936
B5	10024-10	Resistor 10K Ohm 1/4W 5%	F24	10130	IC, DM946NM
B13	10128	IC, DM936	F26	10062-51	Capacitor, 510pF 5% 500V
B15	10023-27	Resistor, 2.7K Ohm 1/4W 5%	F27	10062-51	Capacitor, 510pF 5% 500V
B16	10021-10	Resistor, 10 Ohm 1/4W 5%	F35	10130	IC, DM946NM
B24	10131	IC, DM962NM	F38	10095-01	Capacitor, 0.1uF 10V
B27	10076-22	Capacitor, 2.2uF 35V TA	F46	10131	IC, DM962NM
B35	10127	IC, DM930NM	F57	10130	IC, DM946NM
B46	10138	IC, SN7476N			
			H5	10160	Diode 1N4454
D2	10097-01	Inductor, 1.0uH	H13	10128	IC, DM936
D13	10132	IC, SN15858N	H17	10095-01	Capacitor, 0.1uF 10V

<u>LOCATION</u>	<u>PART NO.</u>	<u>DESCRIPTION</u>
H24	10130	IC, DM946NM
H35	10130	IC, DM946NM
H46	10143	IC, SNN8281A
K5	10023-27	Resistor, 2.7K Ohm 1/4W 5%
K7	10024-10	Resistor, 10K Ohm 1/4W 5%
K10	10160	Diode, 1N4454
K11	10160	Diode, 1N4454
K12	10022-68	Resistor, 680 Ohm 1/4W 5% (-02 only)
K13	10023-47	Resistor, 4.7K Ohm 1/4W 5% (-00 only)
	10022-22	Resistor, 220 Ohm 1/4W 5% (-02 only)
K24	10144	IC, SP380A
K26	10004-05	Resistor, 11K Ohm 1/8W 1%
K35	10142	IC, SN74121N
K37	10079-10	Capacitor, 1.0uF 35V
K41	10062-51	Capacitor, 510pF 5% 500V
K44	10024-10	Resistor, 10K Ohm 1/4W 5%
K45	10160	Diode, 1N4454

NOTE:

J2 option table;

11111-00 Standard
11111-02 Interupt

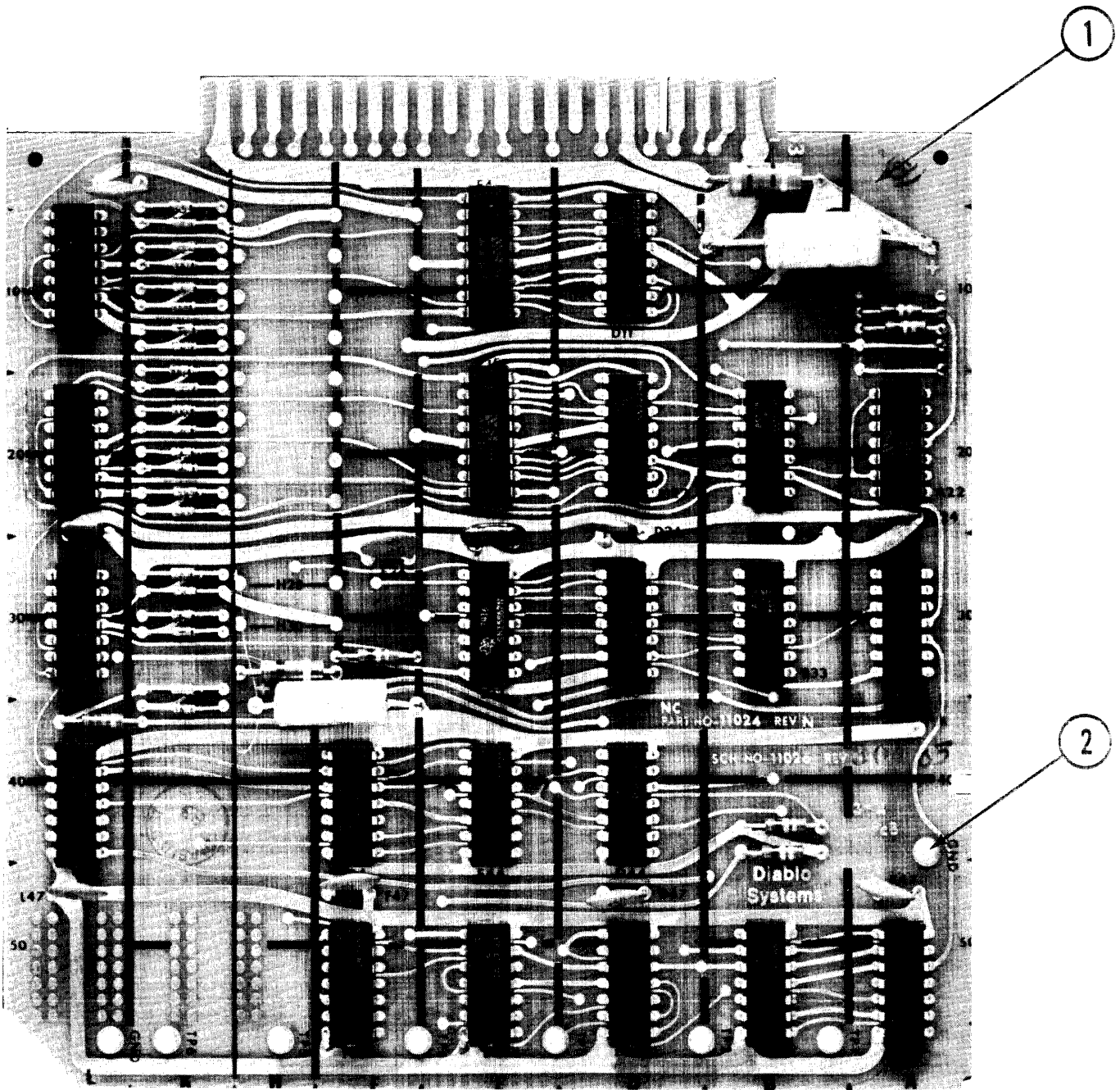


Figure 3-5
#11026-XX J3 PCB ASSEMBLY

<u>LOCATION</u>	<u>PART NO.</u>	<u>DESCRIPTION</u>
K15	10160	Diode, 1N4454
K16	10160	Diode, 1N4454
K17	10160	Diode, 1N4454
K18	10160	Diode, 1N4454
K20	10160	Diode, 1N4454
K21	10160	Diode, 1N4454
K22	10160	Diode, 1N4454
K23	10160	Diode, 1N4454
K27	10160	Diode, 1N4454
K28	10160	Diode, 1N4454
K30	10160	Diode, 1N4454
K31	10160	Diode, 1N4454
K34	10160	Diode, 1N4454
K35	10160	Diode, 1N4454
L3	10095-01	Capacitor, 0.1uF 10V
L11	10144	IC, SP380A
L22	10144	IC, SP380A
L24	10086-10	Capacitor, 0.1uF 50V
L33	10144	IC, SP380A
L36	10022-82	Resistor, 820 Ohm 1/4W 5%
L44	10127	IC, DM930NM
L47	10095-10	Capacitor, 0.1uF 10V

NOTE:

J3 option table;
11026-00 Non Daisy Chain
11026-01 Standard
11026-02 Attention Line (negative)
11026-03 Attention Line (positive)

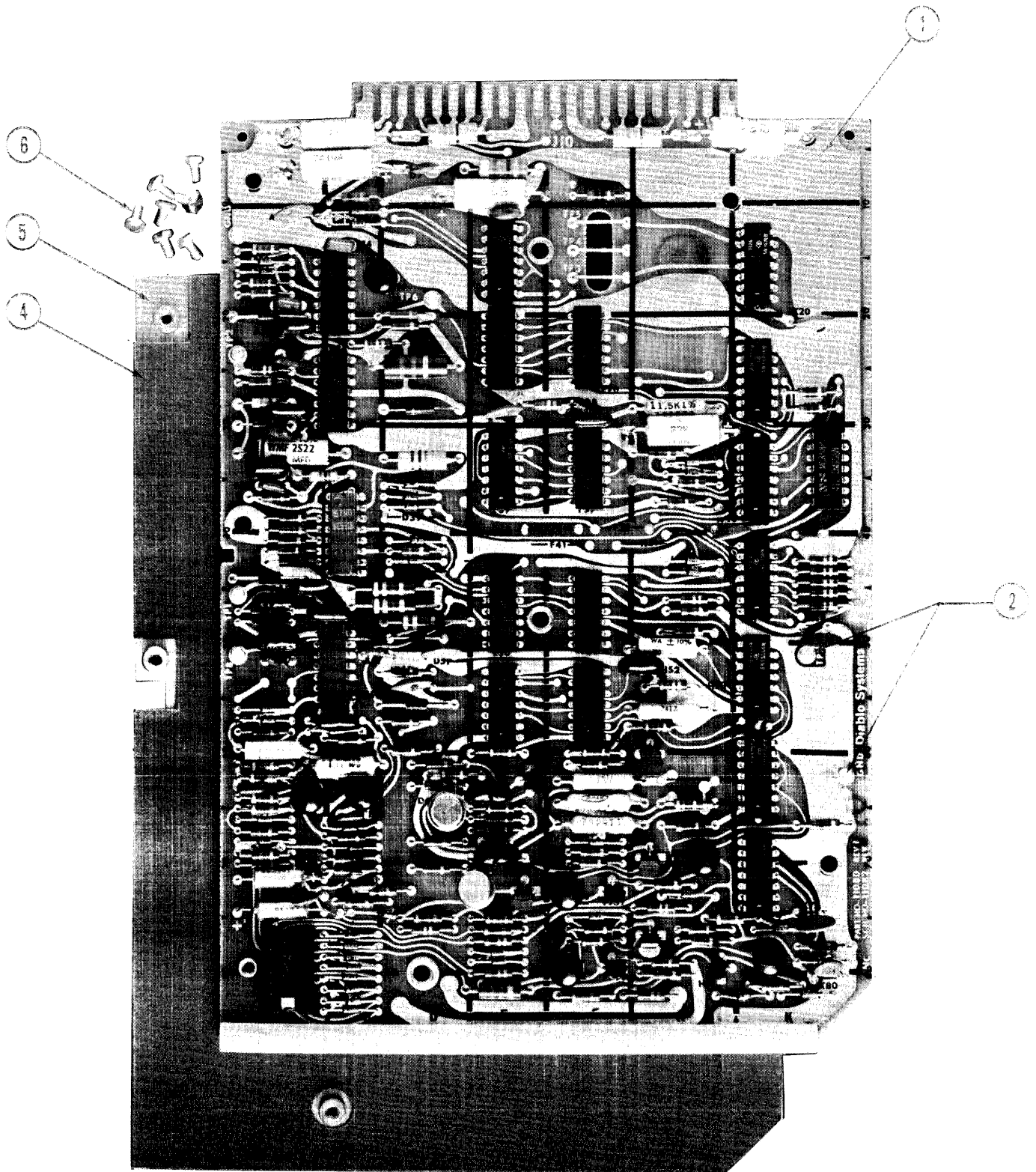


Figure 3-6
#11113-XX/11082-XX J10 PCB ASSEMBLIES

SECTION III.6a

#11113-XX J10 PCB ASSEMBLY - LOW DENSITY
(see note)

<u>ITEM NO.</u>	<u>PART NO.</u>	<u>DESCRIPTION</u>	<u>LOCATION</u>	<u>PART NO.</u>	<u>DESCRIPTION</u>
1	11112	PC Board	A32	10071-22	Capacitor, 0.022uF 200V
2	10500	Terminal	A34	10061-47	Capacitor, 47pF
3	-----	(Not Used)	A35	10086-10	Capacitor, 0.1uF 50V
4	10571 70255-01	Insulator Adhesive	A36	10023-27	Resistor, 2.7K Ohm 1/4W 5%
5	15494	Shield Assembly, J10 PCB	A38	10023-10	Resistor, 1K Ohm 1/4W 5%
6	70029-04	Screw, Pan Head Slotted, 4-40 x 1/4"	A39	10023-22	Resistor, 2.2K Ohm 1/4W 5%
			A41	10023-10	Resistor, 1K Ohm 1/4W 5%
<u>LOCATION</u>	<u>PART NO.</u>	<u>DESCRIPTION</u>	A42	10023-15	Resistor, 1.5K Ohm 1/4W 5%
A11	10095-01	Capacitor, 0.1uF 10V	A43	10023-22	Resistor, 2.2K Ohm 1/4W 5%
A14	10022-47	Resistor, 470 Ohm 1/4W 5%	A44	10103-02	Diode Zener, 6.2V 1/2W 2%
A15	10160	Diode, 1N4454	A45	10061-51	Capacitor, 51pF
A16	10160	Diode, 1N4454	A46	10061-51	Capacitor, 51pF
A17	10022-47	Resistor, 470 Ohm 1/4W 5%	A51	10086-10	Capacitor, 0.1uF 50V
A18	10023-15	Resistor, 1.5K Ohm 1/4W 5%	A54	-----	(Not Used)
A19	10086-10	Capacitor, 0.1uF 50V	A55	-----	(Not Used)
A20	10470	Diode, Zener, 6.2V 1/2W 2%	A56	10160	Diode, 1N4454
A22	10061-68	Capacitor, 68pF	A57	10160	Diode, 1N4454
A24	10086-10	Capacitor, 0.1uF 50V	A58	10023-10	Resistor, 1K Ohm 1/4W 5%
A25	10025-20	Resistor, 200K Ohm 1/4W 5%	A59	10071-10	Capacitor, 0.01uF 200V
A26	10023-10	Resistor, 1K Ohm 1/4W 5%	A61	10023-47	Resistor, 4.7K Ohm 1/4W 5%
A28	10201-12	Inductor, 120uH	A62	10023-47	Resistor, 4.7K Ohm 1/4W 5%
A29	10064-15	Capacitor, 150pF 1%	A63Y	10109	Transistor, 2N3643
A30	10023-10	Resistor, 1K Ohm 1/4W 5%	A63Z	10086-10	Capacitor, 0.1uF 50V
A31	10086-10	Capacitor, 0.1uF 50V			

<u>LOCATION</u>	<u>PART NO.</u>	<u>DESCRIPTION</u>
A64	10024-27	Resistor 27K Ohm 1/4W 5%
A65	10024-27	Resistor 27K Ohm 1/4W 5%
A66	10260	Diode, 1N4607
A67	10024-15	Resistor, 15K Ohm 1/4W 5%
A68	10260	Diode, 1N4607
A69	10024-15	Resistor, 15K Ohm 1/4W 5%
A70	10024-15	Resistor, 15K Ohm 1/4W 5%
A71	10077-12	Capacitor, 12uF 20V
A72	10094-10	Capacitor, 0.01uF 25V
A74	10077-12	Capacitor, 12uF 20V
A80	10596-00	Jack (Socket) IC, 14-Pin
B3	10067-10	Capacitor 10uF 25V
B7	10067-10	Capacitor 10uF 25V
B9	10022-10	Resistor, 100 Ohm 1/4W 5%
B11	10160	Diode, 1N4454
B12	10160	Diode, 1N4454
B14	10086-10	Capacitor, 0.1uF 50V
B15	10123	IC, N5710CM
B24	10123	IC, N5710CM
B34	10201-18	Inductor, 180uH
B36	10121	IC, NE511B
B51	10086-10	Capacitor, 0.1uF 50V
B55	10124	IC, N5733CM
B56	10064-15	Capacitor, 150pF 50V 1%
B57	10160	Diode, 1N4454
B58	10160	Diode, 1N4454
B59	10023-10	Resistor, 1K Ohm 1/4W 5%
B61	10071-10	Capacitor, 0.01uF 200V

<u>LOCATION</u>	<u>PART NO.</u>	<u>DESCRIPTION</u>
B62	10109	Transistor, 2N3643
B65	10086-10	Capacitor, 0.1uF 50V
B66	10260	Diode, 1N4607
B67	10024-15	Resistor, 15K Ohm 1/4W 5%
B68	10260	Diode, 1N8607
B69	10024-15	Resistor, 15K Ohm 1/4W 5%
B71	10024-15	Resistor, 15K Ohm 1/4W 5%
B72	10094-10	Capacitor, 0.01uF 25V
B73	10022-10	Resistor, 100 Ohm 1/4W 5%
B74	10022-10	Resistor, 100 Ohm 1/4W 5%
B76	10160	Diode, 1N4454
B77	10160	Diode, 1N4454
B78	10260	Diode, 1N4607
B79	10260	Diode, 1N4607
B80	10260	Diode, 1N4607
B81	10260	Diode, 1N4607
B82	10260	Diode, 1N4607
B83	10260	Diode, 1N4607
D3	10097-27	Inductor, 27uH
D7	10094-10	Capacitor, 0.01uF 25V
D17	10109	Transistor, 2N3643
D20	10023-22	Resistor, 2.2K Ohm 1/4W 5%
D21	10023-15	Resistor, 1.5K Ohm 1/4W 5%
D23	10025-47	Resistor, 470K Ohm 1/4W 5%
D25	10042-51	Resistor, 510 Ohm 1W 5%
D29	10102	Diode, Zener, 3V 1/2W
D33	10098-99	Inductor, 1,000uH
D35	10160	Diode, 1N4454

<u>LOCATION</u>	<u>PART NO.</u>	<u>DESCRIPTION</u>	<u>LOCATION</u>	<u>PART NO.</u>	<u>DESCRIPTION</u>
D36	10160	Diode, 1N4454	D75	10023-20	Resistor, 2K Ohm 1/4W 5%
D37	10160	Diode, 1N4454	D76	10024-22	Resistor, 22K Ohm 1/4W 5%
D39	10032-15	Resistor, 150 Ohm 1/2W 5% -00/-01/-04/-05 Options ----- (Not Used) -02/-03/-06/-07 Options	E7	10097-01	Inductor, 1.0uH
D41	10160	Diode, 1N4454	E9	10067-10	Capacitor, 10uF 25V
D42	10023-27	Resistor, 2.7K Ohm 1/4W 5%	E11	10094-10	Capacitor, 0.01uF 25V
D43	10160	Diode, 1N4454	E18	10132	IC, Sn15858N
D44	10032-15	Resistor, 150 Ohm 1/2W 5% -00/-01/-04/-05 Options ----- (Not Used) -02/-03/-06/-07 Options	E26	10133	IC, 7410
D45	10032-43	Resistor, 430 Ohm 1/4W 5%	E30	10095-01	Capacitor, 0.1uF 10V
D46	10032-43	Resistor, 430 Ohm 1/4W 5%	E37	10139	IC, SN7474
D47	10032-33	Resistor, 330 Ohm 1/4W 5%	E42	10032-15	Resistor, 150 Ohm 1/2W 5% -00/-01/-04/-05 Options ----- (Not Used) -02/-03/-06/-07 Options
D49	10160	Diode, 1N4454	E50	10144	IC, SP380A
D51	10095-01	Capacitor, 0.1uF 10V	E58	10128	IC, DM936
D52	10023-10	Resistor, 1K Ohm 1/4W 5%	E60	10022-47	Resistor, 470 Ohm 1/4W 5%
D54	10095-01	Capacitor, 0.1uF 10V	E61	10106	Transistor, 2N4916
D55	10103-02	Diode, Zener, 6.2V 1/2W 2%	E63	10062-51	Capacitor, 510pF
D57	10023-15	Resistor, 1.5K Ohm 1/4W 5%	E65	10022-47	Resistor, 470 Ohm 1/4W 5%
D59	10022-10	Resistor, 100 Ohm 1/4W 5%	E66	10022-36	Resistor, 360 Ohm 1/4W 5%
D61	10023-51	Resistor, 5.1K Ohm 1/4W 5%	E67	10022-47	Resistor, 470 Ohm 1/4W 5%
D62	10022-47	Resistor, 470 Ohm 1/4W 5%	E68	10062-51	Capacitor, 510pF
D63	10022-68	Resistor, 680 Ohm 1/4W 5%	E69	10023-10	Resistor, 1K Ohm 1/4W 5%
D64	10107	Transistor, 2N5189	E73	10107	Transistor, 2N5189
D68	10023-51	Resistor, 5.1K Ohm 1/4W 5%	E74	10106	Tranyistor, 2N4916
D71	10023-15	Resistor, 1.5K Ohm 1/4W 5%	E75	10022-36	Resistor, 360 Ohm 1/4W 5%
			E76	10023-20	Resistor, 2K Ohm 1/4W 5%
			E77	10024-10	Resistor, 10K Ohm 1/4W 5%

<u>LOCATION</u>	<u>PART NO.</u>	<u>DESCRIPTION</u>	<u>LOCATION</u>	<u>PART NO.</u>	<u>DESCRIPTION</u>
E78	10160	Diode, 1N4454	F73Y	10105	Transistor, 2N3644
E79	10160	Diode, 1N4454	F73Z	10109	Transistor, 2N3643
E80	10024-10	Resistor, 10K Ohm 1/4W 5%	F75	10160	Diode, 1N4454
E81	10032-27	Resistor, 270 Ohm 1/2W 5%	F76	10023-10	Resistor, 1K Ohm 1/4W 5%
F8	10160	Diode, 1N4454 -01/-02/-03/-05/-06/ -07 Options ---- (Not Used) -00/-04 Options	F77	10023-15	Resistor, 1.5K Ohm 1/4W 5%
F9	10021-10	Resistor, 10 Ohm 1/4W 5% -00/-02/-04/-06 Options ----- (Not Used) -01/-03/-05/-07 Options	F79Y	10105	Transistor, 2N3644
F12	17333-05	Jumper, TP5	F79Z	10109	Transistor, 2N3643
F14	17333-05	Jumper, TP4	F82	10023-47	Resistor, 4.7K Ohm 1/4W 5%
F16	17333-05	Jumper, TP3	H3	10097-27	Inductor, 27uH
F26	10134	IC, SN7400N	H28	10014-01	Resistor, 10K Ohm 1/2W 1% -00/-01/-02/-03 Options
F28	-----	(Resistor Selected Value)	10013-93	Resistor, 9.09K Ohm 1/2W 1% -04/-05/-06/-07 Options	
F30	10064-15	Capacitor, 150pF 1%	H30	10067-10	Capacitor, 10uF 25V
F37	10142	IC, SN7412	H32	10023-10	Resistor, 1K Ohm 1/4W 5%
F39	10160	Diode, 1N4454 -01/-02/-03/-05/ -06/-07 Options ----- (Not Used) -00/-04 Options	H33	10160	Diode, 1N4454
F41	10032-15	Resistor, 150 Ohm 1/2W 5% -01/-02/-05/-06 Options ----- (Not Used) -00/-03/-04/-07 Options	H34	10160	Diode, 1N4454
F50	10144	IC, SP380A	H37	10023-10	Resistor, 1K Ohm 1/4W 5%
F64	10012-30	Resistor, 200 Ohm 1/2W 1%	H38	10024-15	Resistor, 15K Ohm 1/4W 5%
F66	10012-30	Resistor, 200 Ohm 1/2W 1%	H39	10095-01	Capacitor, 0.1uF 10V
F68	10160	Diode, 1N4454	H41	10032-15	Resistor, 150 Ohm 1/2W 5% -00/-01/-04/-05 Options ----- (Not Used) -02/-03/-06/-07 Options
F69	10023-10	Resistor, 1K Ohm 1/4W 5%	H42	10160	Diode, 1N4454
F70	10023-15	Resistor, 1.5K Ohm 1/4W 5%	H43	10160	Diode, 1N4454
			H47	10022-10	Resistor, 100 Ohm 1/4W 5%
			H49	10023-10	Resistor, 1K Ohm 1/4W 5%
			H50	10070-10	Capacitor, 0.001uF

LOCATION PART NO. DESCRIPTION

H65	10023-10	Resistor, 1K Ohm 1/4W 5%
H69	10106	Transistor, 2N4916
H70	10109	Transistor, 2N3643
H72	10023-10	Resistor, 1K Ohm 1/4W 5%
H73	10160	Diode, 1N4454
H74	10025-15	Resistor, 150K Ohm 1/4W 5%
H75	10023-47	Resistor, 4.7K Ohm 1/4W 5%
H76	10023-15	Resistor, 1.5K Ohm 1/4W 5%
H77Y	10023-75	Resistor, 7.5K Ohm 1/4W 5%
H77Z	10106	Transistor, 2N4916
H79	10023-10	Resistor, 1K Ohm 1/4W 5%
H80	10023-27	Resistor, 27 Ohm 1/4W 5%
H81	10105	Transistor, 2N3644
H82	10025-15	Resistor, 150K Ohm 1/4W 5%
K3	10067-10	Capacitor, 10uF 25V
K18	10139	IC, SN7474
K20	10095-01	Capacitor, 0.1uF 10V
K21	10023-10	Resistor, 1K Ohm 1/4W 5%
K29	10130	IC, DM946NM
K37	10132	IC, SN15858N
K38	10131	IC, DM962NM
K40	10083-47	Capacitor, 0.0047uF 50V
K43	10023-10	Resistor, 1K Ohm 1/4W 5%
K44	10024-15	Resistor, 15K Ohm 1/4W 5%
K45	10024-10	Resistor, 10K Ohm 1/4W 5%

LOCATION PART NO. DESCRIPTION

K46	10024-10	Resistor, 10K Ohm 1/4W 5%
K47	10132	IC, SN15858N
K48	10095-01	Capacitor, 0.1uF 10V
K56	10130	IC, DM946NM
K65	10130	IC, DM946NM
K66	10023-10	Resistor, 1K Ohm 1/4W 5%
K74	10128	IC, DM936
K75	10095-01	Capacitor, 0.1uF 10V
K76	10160	Diode, 1N4454
K77	10022-15	Resistor, 150 Ohm 1/4W 5%
K78	10109	Transistor, 2N3643
K79	10160	Diode, 1N4454
K80	10094-10	Capacitor, 0.01uF 25V
K81	10022-68	Resistor, 680 Ohm 1/4W 5%
K82Y	10160	Diode, 1N4454
K82Z	10160	Diode, 1N4454

NOTE:

J10 option table;
 11113-00 Non Daisy Chain, 720kHz
 11113-01 Non Daisy Chain-Erase Gate, 720kHz
 11113-02 Standard, 720kHz
 11113-03 Erase Gate, 720kHz
 11113-04 Non Daisy Chain, 781kHz
 11113-05 Non Daisy Chain-Erase Gate, 781kHz
 11113-06 Standard, 781kHz
 11113-07 Erase Gate, 781kHz

SECTION III.6b

#11082-XX J10 PCB ASSEMBLY - HIGH DENSITY
(see note)

<u>ITEM NO.</u>	<u>PART NO.</u>	<u>DESCRIPTION</u>	<u>LOCATION</u>	<u>PART NO.</u>	<u>DESCRIPTION</u>
1	11112	PC Board	A32	10071-22	Capacitor, 0.022uF 200V
2	10500	Terminal	A34	10061-10	Capacitor, 10pF 500V
3	-----	(Not Used)	A35	10086-10	Capacitor, 0.1pF 50V
4	10571 70255-01	Insulator Adhesive	A36	10023-27	Resistor, 2.7K Ohm 1/4W 5%
5	15494	Shield Assembly, J10 PCB	A38	10023-10	Resistor, 1K Ohm 1/4W 5%
6	70029-04	Screw, Pan Head Slotted, 4-40 x 1/4"	A39	10023-22	Resistor, 2.2K Ohm 1/4W 5%
			A41	10023-10	Resistor, 1K Ohm 1/4W 5%
<u>LOCATION</u>	<u>PART NO.</u>	<u>DESCRIPTION</u>	A42	10023-15	Resistor, 1.5K Ohm 1/4W 5%
A11	10095-01	Capacitor, 0.1uF 10V	A43	10023-22	Resistor, 2.2K Ohm 1/4W 5%
A14	10022-47	Resistor, 470 Ohm 1/4W 5%	A44	10103-02	Diode, Zener, 6.2V 1/2W
A15	10160	Diode, 1N4454	A45	10061-51	Capacitor, 51pF 500V
A16	10160	Diode, 1N4454	A46	10061-51	Capacitor, 51pF 500V
A17	10022-47	Resistor 470 Ohm 1/4W 5%	A47	10024-10	Resistor, 10K Ohm 1/4W 5%
A18	10023-15	Resistor, 1.5K Ohm 1/4W 5%	A48	10024-10	Resistor, 10K Ohm 1/4W 5%
A19	10086-10	Capacitor, 0.1uF 50V	A49	10062-30	Capacitor, 300pF 500V
A20	10103-02	Diode, Zener, 6.2V 1/2W	A51	10086-10	Capacitor, 0.1uF 50V
A22	10061-68	Capacitor, 68pF 500V	A54	-----	(Not Used)
A24	10086-10	Capacitor, 0.1uF 50V	A55	-----	(Not Used)
A25	10025-20	Resistor, 200K Ohm 1/4W 5%	A56	10160	Diode, 1N4454
A26	10023-10	Resistor, 1K Ohm 1/4W 5%	A57	10160	Diode, 1N4454
A28	10096-68	Inductor, 68uH	A58	10023-10	Resistor, 1K Ohm 1/4W 5%
A29	10061-75	Capacitor, 75pF 500V	A59	10071-10	Capacitor, 0.01uF 200V
A30	10023-10	Resistor, 1K Ohm 1/4W 5%	A61	10023-47	Resistor, 4.7K Ohm 1/4W 5%
A31	10086-10	Capacitor, 0.1uF 50V			

<u>LOCATION</u>	<u>PART NO.</u>	<u>DESCRIPTION</u>	<u>LOCATION</u>	<u>PART NO.</u>	<u>DESCRIPTION</u>
A62	10023-47	Resistor, 4.7K Ohm 1/4W 5%	B57	10160	Diode, 1N4454
A63Y	10109	Transistor, 2N3643	B58	10160	Diode, 1N4454
A63Z	10086-10	Capacitor, 0.1uF 50V	B59	10023-10	Resistor, 1K Ohm 1/4W 5%
A64	10023-47	Resistor, 4.7K Ohm 1/4W 5%	B61	10071-10	Capacitor, 0.01uF 200V
A65	10023-47	Resistor, 4.7K Ohm 1/4W 5%	B62	10109	Transistor, 2N3643
A66	10160	Diode, 1N4454	B65	10086-10	Capacitor, 0.1uF 50V
A67	10023-27	Resistor, 2.7K Ohm 1/4W 5%	B66	10160	Diode, 1N4454
A68	10160	Diode, 1N4454	B67	10023-27	Resistor, 2.7K Ohm 1/4W 5%
A69	10023-27	Resistor, 2.7K Ohm 1/4W 5%	B68	10160	Diode, 1N4454
A70	10023-27	Resistor, 2.7K Ohm 1/4W 5%	B69	10023-27	Resistor, 2.7K Ohm 1/4W 5%
A71	10077-12	Capacitor, 12uF 20V	B71	10023-27	Resistor, 2.7K Ohm 1/4W 5%
A72	10094-10	Capacitor, 0.01uF 25V	B72	10094-10	Capacitor, 0.01uF 25V
A74	10077-12	Capacitor, 12uF 20V	B73	10022-10	Resistor 100 Ohm 1/4W 5%
A80	10596-00	Jack (Socket) IC, 14-Pin	B74	10022-10	Resistor, 100 Ohm 1/4W 5%
B3	10067-10	Capacitor, 10uF 25V	B76	10160	Diode, 1N4454
B7	10067-10	Capacitor, 10uF 25V	B77	10160	Diode, 1N4454
B9	10022-10	Resistor, 100 Ohm 1/4W 5%	B78	10160	Diode, 1N4454
B11	10160	Diode, 1N4454	B79	10160	Diode, 1N4454
B12	10160	Diode, 1N4454	B80	10160	Diode, 1N4454
B14	10086-10	Capacitor, 0.1uF 50V	B81	10160	Diode, 1N4454
B15	10123	IC, N5710CM	B82	10160	Diode, 1N4454
B24	10123	IC, N5710CM	B83	10160	Diode, 1N4454
B34	10096-99	Inductor, 100uH	D3	10097-27	Inductor, 27uH
B36	10121	IC, NE511B	D7	10094-10	Capacitor, 0.01uF 25V
B47	10062-30	Capacitor, 300pF 500V	D17	10109	Transistor, 2N3643
B51	10086-10	Capacitor, 0.1uF 50V	D20	10023-22	Resistor, 2.2K Ohm 1/4W 5%
B55	10124	IC, N5733CM	D21	10023-15	Resistor 1.5K Ohm 1/4W 5%
B56	10064-15	Capacitor, 150pF 500V	D23	10025-47	Resistor, 470K Ohm 1/4W 5%

<u>LOCATION</u>	<u>PART NO.</u>	<u>DESCRIPTION</u>	<u>LOCATION</u>	<u>PART NO.</u>	<u>DESCRIPTION</u>
D25	10042-51	Resistor, 510 Ohm 1W 5%	D63	10023-15	Resistor, 1.5K Ohm 1/4W 5%
D29	10102	Diode, Zener, 3V 1/2W	D64	10107	Transistor, 2N5189
D33	10098-99	Inductor, 1000uH	D68	10023-51	Resistor, 5.1K Ohm 1/4W 5%
D35	10160	Diode 1N4454	D71	10023-15	Resistor, 1.5K Ohm 1/4W 5%
D36	10160	Diode, 1N4454	D75	10022-30	Resistor, 300 Ohm 1/4W 5%
D37	10160	Diode, 1N4454	D76	10024-22	Resistor, 22K Ohm 1/4W 5%
D39	10032-15	Resistor, 150 Ohm 1/2W 5% -08/-09/-12/-13 Options ----- (Not Used) -10/-11/-14/-15/-16 Options	E7	10097-01	Inductor, 1.0uH
D41	10160	Diode, 1N4454	E9	10067-10	Capacitor, 10uF 25V
D42	10023-27	Resistor, 2.7K Ohm 1/4W 5%	E11	10094-10	Capacitor, 0.01uF 25V
D43	10160	Diode, 1N4454	E18	10132	IC, SN15858N
D44	10032-15	Resistor, 150 Ohm 1/2W 5% -08/-09/-12/-13 Options ----- (Not Used) -10/-11/-14/-15/-16 Options	E26	10133	IC, 7410
D45	10032-43	Resistor, 430 Ohm 1/2W 5%	E30	10095-01	Capacitor, 0.1uF 10V
D46	10032-43	Resistor, 430 Ohm 1/2W 5%	E37	10139	IC, SN7474
D47	10032-33	Resistor, 330 Ohm 1/2W 5%	E39	10160	Diode, 1N4454 -09/-11/-13/-15/-16 Options ----- (Not Used) -08/-10/-12/-14 Options
D49	10160	Diode, 1N4454	E42	10032-15	Resistor, 150 Ohm 1/2W 5% -08/-09/-12/-13 Options ----- (Not Used) -10/-11/-14/-15/-16 Options
D51	10095-01	Capacitor, 0.1uF 10V	E50	10144	IC, SP380A
D52	10023-10	Resistor, 1K Ohm 1/4W 5%	E58	10128	IC, DM936
D54	10095-01	Capacitor, 0.1uF 10V	E60	10022-47	Resistor, 470 Ohm 1/4W 5%
D55	10103-02	Diode, Zener, 6.2V 1/2W	E61	10106	Transistor, 2N4916
D57	10023-15	Resistor, 1.5K Ohm 1/4W 5%	E63	10062-51	Capacitor, 510pF 500V
D59	10022-10	Resistor, 100 Ohm 1/4W 5%	E65	10022-47	Resistor, 470 Ohm 1/4W 5%
D61	10023-51	Resistor, 5.1K Ohm 1/4W 5%	E66	10022-36	Resistor, 360 Ohm 1/4W 5%
D62	10022-47	Resistor, 470 Ohm 1/4W 5%	E67	10022-47	Resistor, 470 Ohm 1/4W 5%

<u>LOCATION</u>	<u>PART NO.</u>	<u>DESCRIPTION</u>	<u>LOCATION</u>	<u>PART NO.</u>	<u>DESCRIPTION</u>
E68	10062-51	Capacitor, 510pF 500V	F41	10032-15	Resistor, 150 Ohm 1/2W 5%
E69	10023-10	Resistor, 1K Ohm 1/4W 5%	-----		-09/-13 Options (Not Used)
E73	10107	Transistor, 2N5189			-08/-10/-11/-12/-14/ -15/-16 Options
E74	10106	Transistor, 2N4916	F50	10144	IC, SP380A
E75	10022-36	Resistor, 360 Ohm 1/4W 5%	F58	10159	IC, 9601
E76	10022-30	Resistor, 300 Ohm 1/4W 5%	F60	10022-47	Resistor, 470 Ohm 1/4W 5%
E77	10024-10	Resistor, 10K Ohm 1/4W 5%	F62	10023-51	Resistor, 5.1K Ohm 1/4W 5%
E78	10160	Diode, 1N4454	F63	10012-75	Resistor, 590 Ohm 1/2W 1%
E79	10160	Diode, 1N4454	F64	10012-27	Resistor, 187 Ohm 1/2W 1%
E80	10024-10	Resistor, 10K Ohm 1/4W 5%	F66	10012-27	Resistor, 187 Ohm 1/2W 1%
E81	10032-27	Resistor, 270 Ohm 1/2W 5%	F68	10160	Diode, 1N4454
F8	10160	Diode, 1N4454 -09/-11/-13/-15/-16 Options ----- (Not Used) -08/-10/-12/-14 Options	F69	10023-10	Resistor, 1K Ohm 1/4W 5%
F9	10021-10	Resistor, 10 Ohm 1/4W 5% -08/-10/-12/-14 Options ----- (Not Used) -09/-11/-13/-15/-16 Options	F70	10023-15	Resistor, 1.5K Ohm 1/4W 5%
F12	17333-05	Jumper, TP5	F73Y	10105	Transistor, 2N3644
F14	17333-05	Jumper, TP4	F73Z	10109	Transistor, 2N3643
F16	17333-05	Jumper, TP3	F75	10160	Diode, 1N4454
F26	10134	IC, SN7400N	F76	10023-10	Resistor, 1K Ohm 1/4W 5%
F28	-----	(Resistor Value Selected)	F77	10023-15	Resistor, 1.5K Ohm 1/4W 5%
F30	10064-10	Capacitor, 100pF 500V	F79Y	10105	Transistor, 2N3644
F37	10159	IC, 9601	F79Z	10109	Transistor, 2N3643
F39	10021-10	Resistor, 10 Ohm 1/4W 5% -16 Option ----- (Not Used) -08/-09/-10/-11/-12/ -13/-14/-15 Options	F82	10023-47	Resistor, 4.7K Ohm 1/4W 5%
			H3	10097-27	Inductor, 27uH
			H28	10014-07	Resistor, 11.5K Ohm 1/2W 1% -08/-09/-10/-11 Options
				10014-03	Resistor, 10.5K Ohm 1/2W 1% -12/-13/-14/-15/-16 Options
			H30	10067-10	Capacitor, 10uF 25V

<u>LOCATION</u>	<u>PART NO.</u>	<u>DESCRIPTION</u>	<u>LOCATION</u>	<u>PART NO.</u>	<u>DESCRIPTION</u>
H32	10023-10	Resistor, 1K Ohm 1/4W 5%	H70	10109	Transistor, 2N3643
H33	10160	Diode, 1N4454	H72	10023-10	Resistor, 1K Ohm 1/4W 5%
H34	10160	Diode, 1N4454	H73	10160	Diode, 1N4454
H35	10023-10	Resistor, 1K Ohm 1/4W 5%	H74	10025-15	Resistor, 150K Ohm 1/4W 5%
H37	10023-10	Resistor, 1K Ohm 1/4W 5%	H75	10023-47	Resistor, 4.7K Ohm 1/4W 5%
H39	10095-01	Capacitor, 0.1uF 10V	H76	10023-15	Resistor, 1.5K Ohm 1/4W 5%
H41	10032-15	Resistor, 150 Ohm 1/2W 5% -08/-09/-12/-13 Options ----- (Not Used) -10/-11/-14/-15/-16 Options	H77Y	10023-75	Resistor, 7.5K Ohm 1/4W 5%
H42	10160	Diode, 1N4454	H77Z	10106	Transistor, 2N4916
H43	10160	Diode, 1N4454	H79	10023-10	Resistor, 1K Ohm 1/4W 5%
H46	10024-15	Resistor, 15K Ohm 1/4W 5%	H80	10021-27	Resistor, 27 Ohm 1/4W 5%
H47	10022-10	Resistor, 100 Ohm 1/4W 5%	H81	10105	Transistor, 2N3644
H49	10023-10	Resistor, 1K Ohm 1/4W 5%	H82	10025-15	Resistor, 150K Ohm 1/4W 5%
H50	10070-10	Capacitor, 0.001uF 100V	K3	10067-10	Capacitor, 10uF 25V
H52	10064-10	Capacitor, 100pF 500V	K18	10139	IC, SN7474
H53	-----	(Resistor Value Selected)	K20	10095-01	Capacitor, 0.1uF 10V
H56	10014-07	Resistor, 11.5K Ohm 1/2W 1% -08/-09/-10/-11 Options	K27	10021-10	Resistor, 10 Ohm 1/4W 5%
	10014-03	Resistor, 10.5K Ohm 1/2W 1% -12/-13/-14/-15/-16 Options	K28	10021-10	Resistor, 10 Ohm 1/4W 5% (-08 thru -15) Options ----- (Not Used)-16
H57	10022-47	Resistor, 470 Ohm 1/4W 5%	K29	10130	IC, DM946NM
H60	10105	Transistor, 2N3644	K37	10132	IC, SN15858N
H63	-----	(Resistor Value Selected)	K38	10131	IC, DM962NM
H64	-----	(Resistor Value Selected)	K40	10083-47	Capacitor, 4700pF 1000
H66	10023-10	Resistor, 1K Ohm 1/4W 5%	K42	10024-15	Resistor, 15K Ohm 1/4W 5%
H69	10106	Transistor, 2N4916	K43	10024-10	Resistor, 10K Ohm 1/4W 5%
			K44	10024-10	Resistor, 10K Ohm 1/4W 5%

<u>LOCATION</u>	<u>PART NO.</u>	<u>DESCRIPTION</u>
K45	10024-10	Resistor, 10K Ohm 1/4W 5%
K46	10024-10	Resistor, 10K Ohm 1/4W 5%
K47	10132	IC, SN15858N
K48	10095-01	Capacitor, 0.1uF 10V
K56	10130	IC, DM946NM
K65	10130	IC, DM946NM
K66	10023-10	Resistor, 1K Ohm 1/4W 5%
K74	10128	IC, DM936
K75	10095-01	Capacitor, 0.1uF 10V
K76	10160	Diode, 1N4454
K77	10025-15	Resistor, 150 Ohm 1/4W 5%
K78	10109	Transistor, 2N3643
K79	10160	Diode, 1N4454
K80	10094-10	Capacitor, 0.01uF 25V
K81	10022-68	Resistor, 680 Ohm 1/4W 5%
K82Y	10160	Diode, 1N4454
K82Z	10160	Diode, 1N4454

NOTE:

J10 option table;
11082-08 Non Daisy Chain, 1440kHz
11082-09 Non Daisy Chain-Erase
Gate, 1440kHz
11082-10 Standard, 1440kHz
11082-11 Erase Gate, 1440kHz
11082-12 Non Daisy Chain, 1562kHz
11082-13 Non Daisy Chain-Erase
Gate, 1562kHz
11082-14 Standard, 1562kHz
11082-15 Erase Gate, 1562kHz
11082-16 Interrupt, 1562kHz

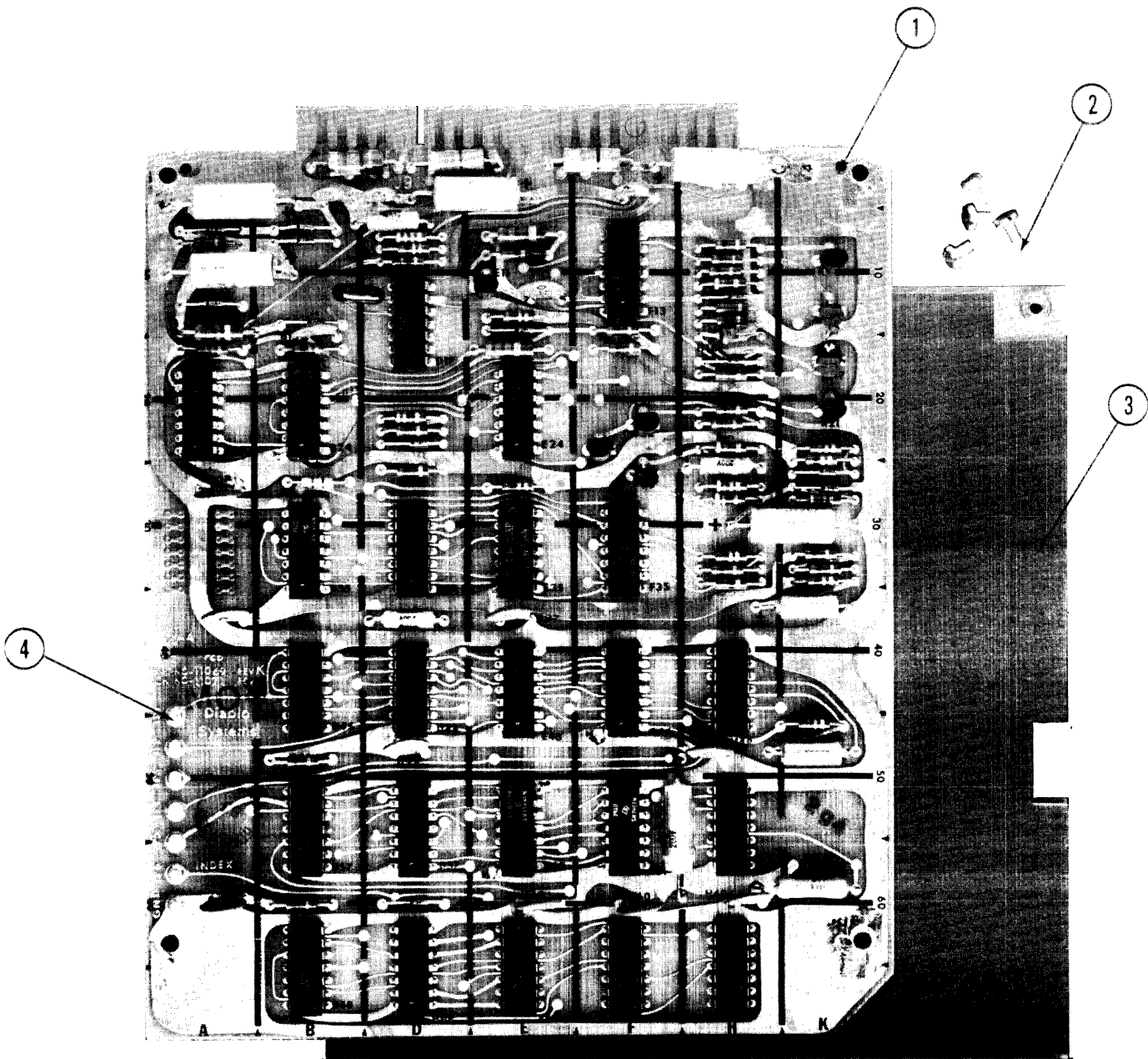


Figure 3-7
#11071-XX J9 PCB ASSEMBLY

SECTION III.7

#11071-XX J9 PCB ASSEMBLY
(see note)

<u>ITEM NO.</u>	<u>PART NO.</u>	<u>DESCRIPTION</u>	<u>LOCATION</u>	<u>PART NO.</u>	<u>DESCRIPTION</u>
1	11069	PC Board	B24	10130	IC, DM946NM
2	70029-03	Screw, Pan Head Slotted, 4-40 X 3/16"	B26	10097-01	Inductor, 1.0uH
3	15493	Shield Assembly, J9 PCB	B35	10139	IC, SN7474
4	10500	Terminal	B46	10139	IC, SN7474
			B48	10023-10	Resistor, 1K Ohm 1/4W 5%
			B57	10131	IC, DM962NM
			B60	10023-10	Resistor, 1K Ohm 1/4W 5%
			B68	10139	IC, SN7474
<u>LOCATION</u>	<u>PART NO.</u>	<u>DESCRIPTION</u>			
A4	10067-10	Capacitor, 10uF 10V	D1	10097-27	Inductor, 27uH
A6	10160	Diode, 1N4454 (-01/-03 only)	D4	10094-10	Capacitor, 0.01uF 10V
A7	10023-10	Resistor, 1K Ohm 1/4W 5% (-01/-03 only)	D6	10070-33	Capacitor, .0033uF 200V
A10	10067-10	Capacitor, 10uF 10V (-01/-03 only)	D7	10024-43	Resistor, 43K Ohm 1/4W 5%
A12	10160	Diode, 1N4454 (-01/-03 only)	D8	10025-10	Resistor, 100K Ohm 1/4W 5%
A14	10032-15	Resistor, 150 Ohm 1/2W 5% (-01 only)	D9	10021-56	Resistor, 56 Ohm 1/4W 5%
A16	10022-27	Resistor, 270 Ohm 1/4W 5% (-01/-03 only)	D17	10122	IC, LM709CM
A24	10128	IC, DM936 (-01/-03 only)	D21	10023-33	Resistor, 3.3K Ohm 1/4W 5%
A27	10095-01	Capacitor, 0.1uF 10V	D22	10023-15	Resistor, 1.5K Ohm 1/4W 5%
A37	10095-01	Capacitor, 0.1uF 10V	D23	10160	Diode, 1N4454
A59	10095-01	Capacitor, 0.1uF 10V	D25	10023-75	Resistor, 7.5K Ohm 1/4W 5%
B1	10097-01	Inductor, 1.0uH	D35	10142	IC, SN74121N
B4	10094-10	Capacitor, 0.01uF	D37	10070-10	Capacitor, 0.001uF 200V
B6	10160	Diode, 1N4454 (-01 only)	D46	10131	IC, DM962NM
B7	10160	Diode, 1N4454	D48	10095-01	Capacitor, 0.1uF 10V
B11	10061-10	Capacitor, 10pF 500V (-01/-03 only)	D57	10128	IC, DM936
B14	10160	Diode, 1N4454 (-01 only)			
B15	10095-01	Capacitor, 0.1uF 10V (-01 only)			
B16	10024-10	Resistor, 10K Ohm 1/4W 5%			

<u>LOCATION</u>	<u>PART NO.</u>	<u>DESCRIPTION</u>	<u>LOCATION</u>	<u>PART NO.</u>	<u>DESCRIPTION</u>
D60	10160	Diode, 1N4454	F35	10144	IC, SP380A
D68	10127	IC, DM930NM	F46	10130	IC, DM946NM
E4	10067-10	Capacitor, 10uF 10V	F54	10071-99	Capacitor, 0.1uF 200v 5%
E7	10031-22	Resistor, 22 Ohm 1/2W 5% (-00 only)	F57	10135	IC, SN7402
	10032-27	Resistor, 270 Ohm 1/2W 5% (-01/-03 only)	F60	10095-01	Capacitor, 0.1uF 10V
E8	10021-22	Resistor, 22 Ohm 1/4W 5% (-01/-03 only)	F68	10141	IC, SN7493
E11	10109	Transistor, 2N3643 (-01/-03 only)	H1	10067-10	Capacitor, 10uF 10V
E12	10095-01	Capacitor, 0.1uF 10V	H8	10023-10	Resistor, 1K Ohm 1/4W 5%
E13	10024-15	Resistor, 15K Ohm 1/4W 5% (-01/-03 only)	H9	10023-10	Resistor, 1K Ohm 1/4W 5%
E14	10160	Diode, 1N4454 (-01/-03 only)	H10	10023-10	Resistor, 1K Ohm 1/4W 5%
E16	10032-68	Resistor, 680 Ohm 1/2W 5% (-01/-03 only)	H11	10023-47	Resistor, 4.7K Ohm 1/4W 5%
E24	10128	IC, DM936	H12	10160	Diode, 1N4454
E27	10024-10	Resistor, 10K Ohm 1/4W 5%	H13	10023-22	Resistor, 2.2K Ohm 1/4W 5%
E35	10132	IC, SN15858N	H14	10023-10	Resistor, 1K Ohm 1/4W 5%
E37	10095-01	Capacitor, 0.1uF 10V	H15	10101	Diode, A14F
E46	10132	IC, SN15858N	H16	10095-01	Capacitor, 0.1uF 10V
E57	10130	IC, DM946NM	H17	10160	Diode, 1N4454
E60	10095-01	Capacitor, 0.1uF 10V	H18	10023-18	Resistor, 1.8K Ohm 1/4W 5%
E68	10141	IC, SN7493	H21	10023-10	Resistor, 1K Ohm 1/4W 5%
F1	10097-27	Inductor, 27uH	H22	10023-10	Resistor, 1K Ohm 1/4W 5%
F4	10094-10	Capacitor, 0.01uF 10V	H24	10023-47	Resistor, 4.7K Ohm 1/4W 5%
F13	10131	IC, DM962NM	H25	10070-10	Capacitor, 0.001uF
F14	10023-15	Resistor, 1.5K Ohm 1/4W 5% (-01/-03 only)	H27	10024-47	Resistor, 47K Ohm 1/4W 5%
F16	10023-10	Resistor, 1K Ohm 1/4W 5%	H28	10021-47	Resistor, 47 Ohm 1/4W 5%
F22	10109	Transistor, 2N3643	H32	10024-22	Resistor, 22K Ohm 1/4W 5%
F24	10109	Transistor, 2N3643			
F26	10105	Transistor, 2N3644			

<u>LOCATION</u>	<u>PART NO.</u>	<u>DESCRIPTION</u>
H33	10023-10	Resistor, 1K Ohm 1/4W 5%
H34	10021-22	Resistor, 22 Ohm 1/4W 5%
H46	10142	IC, SN74121N
H48	10095-01	Capacitor, 0.1uF 10V
H57	10142	IC, SN74121N
H60	10095-01	Capacitor, 0.1uF 10V
H68	10141	IC, SN7493
K9	10105	Transistor, 2N3644
K13	10105	Transistor, 2N3644
K17	10105	Transistor, 2N3644
K18	10562-01	Jumper (-10/-11/-13 only)
K21	10109	Transistor, 2N3643
K24	10024-27	Resistor, 27K Ohm 1/4W 5%
K25	10024-10	Resistor, 10K Ohm 1/4W 5%
K26	10160	Diode, 1N4454
K27	10160	Diode, 1N4454
K28	10024-47	Resistor, 47K Ohm 1/4W 5%
K30	10067-10	Capacitor, 10uF 10V
K32	10023-10	Resistor, 1K Ohm 1/4W 5%
K33	10023-10	Resistor, 1K Ohm 1/4W 5%
K34	10024-10	Resistor, 10K Ohm 1/4W 5%
K36	10077-12	Capacitor, 12uF 25V
K46	10024-27	Resistor, 27K Ohm 1/4W 5%
K48	10077-39	Capacitor 39uF 10V
K59	10014-15	Resistor, 14K Ohm 1/2W 1%

NOTE:

J9 option table;
11071-00 Standard
11071-01 Attention Line, Negative or
Positive
11071-03 Write Protect

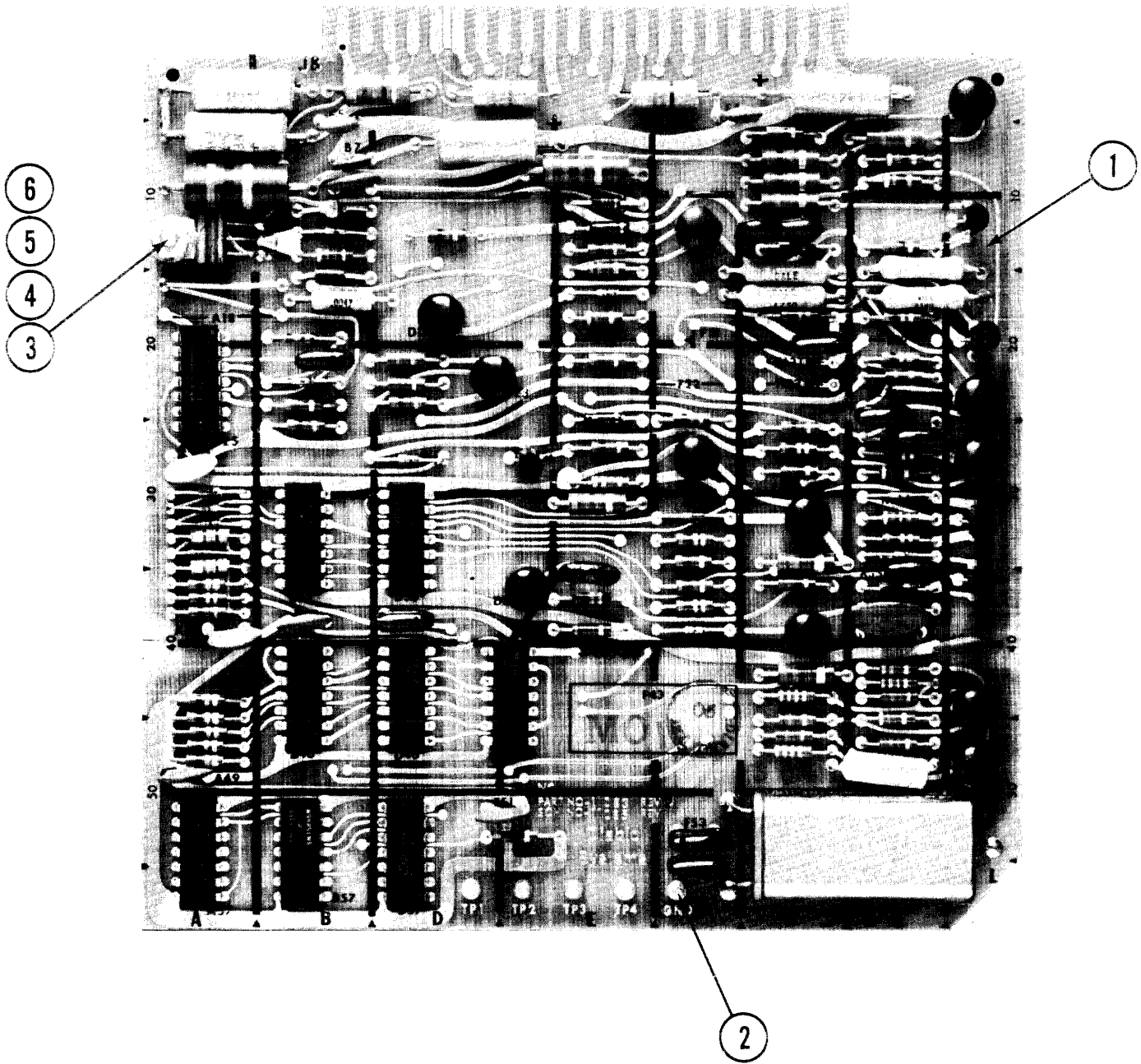


Figure 3-8
#11085-XX J8 PCB ASSEMBLY

SECTION III.8

#11085-XX J8 PCB ASSEMBLY
(see note)

<u>ITEM NO.</u>	<u>PART NO.</u>	<u>DESCRIPTION</u>	<u>LOCATION</u>	<u>PART NO.</u>	<u>DESCRIPTION</u>
1	11083	PC Board	A44	10024-10	Resistor, 10K Ohm 1/4W 5%
2	10500	Terminal	A45	10024-10	Resistor, 10K Ohm 1/4W 5% (-01/-02 only)
3	70029-06	Screw, Pan Head Slotted 4-40 X 3/8"	A46	10024-10	Resistor, 10K Ohm 1/4W 5% (-01/-02 only)
4	70166-04	Nut, Hex, 4-40	A47	10024-10	Resistor, 10K Ohm 1/4W 5% (-01/-02 only)
5	70169-04	Flatwasher, #4	A48	10024-10	Resistor, 10K Ohm 1/4W 5% (-01/-02 only)
6	70168-04	Lockwasher, #4	A49	10095-01	Capacitor, 0.1uF 10V
			A57	10132	IC, SN15858N
<u>LOCATION</u>	<u>PART NO.</u>	<u>DESCRIPTION</u>			
A3	10067-10	Capacitor, 10.0uF	B3	10097-01	Inductor, 1.0uH
A6	10067-10	Capacitor, 10.0uF	B5	10094-10	Capacitor, 0.01uF 25V
A9	10051-56	Resistor, 56 Ohm 2W 5%	B7	10094-10	Capacitor, 0.01uF 25V
A12	10110	Transistor, MPS-U01	B9	10095-01	Capacitor, 0.1uF 10V
A16	17333-08	Jumper	B11	10101	Diode, A14F
A18	-----	(Not Used)	B12	10160	Diode, 1N4454
A25	10122	IC, LM709CM	B14	10022-47	Resistor, 470 Ohm 1/4W 5%
A27	10095-01	Capacitor, 0.1uF 10V	B15	10103-02	Diode, Zener, 6.2V 1/2W 2%
A30	10160	Diode, 1N4454	B17	10070-47	Capacitor, 0.0047uF
A31	10160	Diode, 1N4454	B19	10160	Diode, 1N4454
A32	10160	Diode, 1N4454	B21	10062-20	Capacitor, 200pF 500V
A33	10097-01	Inductor, 1.0uH	B22	10160	Diode, 1N4454
A34	10160	Diode, 1N4454	B24	10023-15	Resistor, 1.5K Ohm 1/4W 5%
A35	10097-01	Inductor, 1.0uH	B25	10023-10	Resistor, 1K Ohm 1/4W 5%
A36	10024-10	Resistor, 10K Ohm 1/4W 5%	B36	10132	IC, SN15858N
A37	10024-10	Resistor, 10K Ohm 1/4W 5%	B38	10095-01	Capacitor, 0.1uF 10V
A38	10023-10	Resistor, 1K Ohm 1/4W 5%			
A39	10095-01	Capacitor, 0.1uF 10V			

<u>LOCATION</u>	<u>PART NO.</u>	<u>DESCRIPTION</u>	<u>LOCATION</u>	<u>PART NO.</u>	<u>DESCRIPTION</u>
B46	10132	IC, SN15858N (-01/-02 only)	E25	10103-07	Diode, Zener, 12.0V 5%
B57	10130	IC, DM946N	E27	10023-10	Resistor, 1K Ohm 1/4W 5%
D3	10097-27	Inductor, 27uH	E29	10022-33	Resistor, 330 Ohm 1/4W 5% (-00/-01 only)
D6	10077-22	Capacitor, 22uF 35V TA	E30	10032-68	Resistor, 680 Ohm 1/2W 5%
D12	10022-20	Resistor, 200 Ohm 1/4W 5%	E35	10061-10	Capacitor, 10pF 500V
D19	10109	Transistor, 2N3643	E37	10024-10	Resistor, 10K Ohm 1/4W 5%
D21	10023-27	Resistor, 2.7K Ohm 1/4W 5%	E39	10023-62	Resistor, 6.2K Ohm 1/4W 5%
D22	10023-22	Resistor, 2.2K Ohm 1/4W 5%	E40	10160	Diode, 1N4454 (-02 only)
D23	10109	Transistor, 2N3643	E46	10132	IC, SN15858N
D24	10023-10	Resistor, 1K Ohm 1/4W 5%	E51	10095-01	Capacitor, 0.1uF 10V
D26	10106	Transistor, 2N4916	E53	10023-10	Resistor, 1K Ohm 1/4W 5%
D27	10160	Diode, 1N4454	F3	10097-27	Inductor, 27uH
D35	10109	Transistor, 2N3643	F4	10094-10	Capacitor, 0.01uF 25V
D36	10128	IC, DM936NM	F11	10109	Transistor, 2N3643
D38	10062-10	Capacitor, 100pF 500V	F18	-----	(Not Used)
D46	10141	IC, SN7493 (-01/-02 only)	F22	-----	(Not Used)
D57	10139	IC, SN7474 (-01/-02 only)	F25	10022-20	Resistor, 200 Ohm 1/4W 5%
E8	10042-18	Resistor, 180 Ohm 1W 5%	F26	10109	Transistor, 2N3643
E10	10103-05	Diode, Zener, 5.0V 1/2W 2%	F31	10160	Diode, 1N4454
E12	10103-07	Diode, Zener, 12.0V 1/2W 5%	F33	10024-15	Resistor, 15K Ohm 1/4W 5%
E13	10023-10	Resistor, 1K Ohm 1/4W 5%	F34	10023-15	Resistor, 1.5K Ohm 1/4W 5%
E15	10023-68	Resistor, 6.8K Ohm 1/4W 5%	F36	10023-15	Resistor, 1.5K Ohm 1/4W 5%
E16	10160	Diode, 1N4454	F37	10024-15	Resistor, 15K Ohm 1/4W 5%
E18	10023-47	Resistor, 417K Ohm 1/4W 5%	F39	10160	Diode, 1N4454
E19	-----	(Not Used)	F43	10721	Relay, Reed, MRB-1B05 (-02 only)
E21	10023-15	Resistor, 1.5K Ohm 1/4W 5%	F53	10061-27	Capacitor, 27pF 500V

<u>LOCATION</u>	<u>PART NO.</u>	<u>DESCRIPTION</u>	<u>LOCATION</u>	<u>PART NO.</u>	<u>DESCRIPTION</u>
F55	10062-10	Capacitor, 100pF 500V	H45	10023-27	Resistor, 2.7K Ohm 1/4W 5%
F57	10540-03	Crystal, 100kHz	H46	10023-27	Resistor, 2.7K Ohm 1/4W 5%
H3	10077-22	Capacitor 22uF 35V TA	H47	10024-33	Resistor, 33K Ohm 1/4W 5%
H6	10021-22	Resistor, 22 Ohm 1/4W 5%	K6	10023-27	Resistor, 2.7K Ohm 1/2W 5%
H7	10032-10	Resistor, 100 Ohm 1/2W 5%	K7	10021-47	Resistor, 47 Ohm 1/4W 5%
H8	10032-10	Resistor, 100 Ohm 1/2W 5%	K8	10021-47	Resistor, 47 Ohm 1/4W 5%
H10	10033-27	Resistor, 2.7K Ohm 1/2W 5%	K13	10021-22	Resistor, 22 Ohm 1/4W 5%
H12	10062-62	Capacitor, 620pF	K15	10014-01	Resistor, 10K Ohm 1/2W 1%
H13	10023-27	Resistor, 2.7K Ohm 1/4W 5%	K16	10014-01	Resistor, 10K Ohm 1/2W 1%
H15	10012-66	Resistor, 475 Ohm 1/2W 1%	K18	10024-10	Resistor, 10K Ohm 1/4W 5%
H16	10012-66	Resistor, 475 Ohm 1/2W 1%	K19	-----	(Not Used)
H18	10024-10	Resistor, 10K Ohm 1/4W 5%	K21	10024-10	Resistor, 10K Ohm 1/4W 5%
H19	10061-51	Capacitor, 51pF 500V	K22	10023-27	Resistor, 2.7K Ohm 1/4W 5%
H21	-----	(Not Used)	K23	10062-10	Capacitor, 100pF 500V
H22	-----	(Not Used)	K24	10062-10	Capacitor, 100pF 500V
H25	10023-10	Resistor, 1K Ohm 1/4W 5%	K25	10061-20	Capacitor, 20pF 500V
H27	10024-10	Resistor, 10K Ohm 1/4W 5%	K26	10024-10	Resistor, 10K Ohm 1/4W 5%
H28	10021-22	Resistor, 22 Ohm 1/4W 5%	K27	10025-15	Resistor, 150K Ohm 1/4W 5%
H30	10109	Transistor, 2N3643	K28	10023-47	Resistor, 4.7K Ohm 1/4W 5%
H34	10022-27	Resistor, 270 Ohm 1/2W 5%	K30	10160	Diode, 1N4454
H36	10021-22	Resistor, 22 Ohm 1/4W 5%	K31	10024-47	Resistor, 47K Ohm 1/4W 5%
H38	10109	Transistor, 2N3643	K33	10024-10	Resistor, 10K Ohm 1/4W 5%
H42	10022-27	Resistor, 270 Ohm 1/2W 5%	K34	10160	Diode, 1N4454
H43	10025-33	Resistor, 330K Ohm 1/4W 5%			

<u>LOCATION</u>	<u>PART NO.</u>	<u>DESCRIPTION</u>
K35	10062-10	Capacitor, 100pF 500V
K36	10023-27	Resistor, 2.7K Ohm 1/4W 5%
K37	10160	Diode, 1N4454
K39	10095-10	Capacitor, 0.1uF 20V
K41	10023-33	Resistor, 3.3K Ohm 1/4W 5%
K42	10024-33	Resistor, 33K Ohm 1/4W 5%
K43	10022-27	Resistor, 270 Ohm 1/4W 5%
K45	10023-47	Resistor, 4.7K Ohm 1/4W 5%
K46	10022-27	Resistor, 270 Ohm 1/4W 5%
K48	10071-10	Capacitor, 0.01uF 200V
L2	10109	Transistor, 2N3643
L10	10105	Transistor, 2N3644
L18	10106	Transistor, 2N4916
L22	10109	Transistor, 2N3643
L26	10109	Transistor, 2N3643
L30	10106	Transistor, 2N4916
L34	10106	Transistor, 2N4916
L40	10095-01	Capacitor, 0.1uF 10V
L43	10109	Transistor, 2N3643
L47	10109	Transistor, 2N3643

NOTE:

J8 option table;
 11085-00 Non Daisy Chain
 11085-01 Standard
 11085-02 Servo Disable

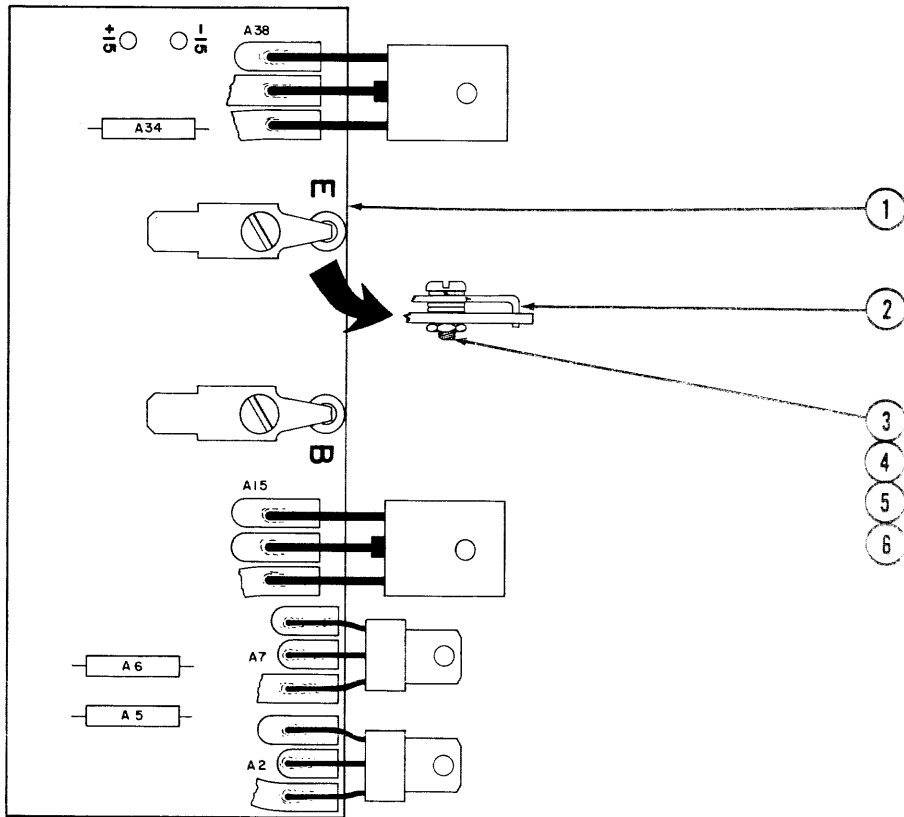


Figure 3-9
 #11033 SERVO DRIVE PCB ASSEMBLY

SECTION III.9

#11033 SERVO DRIVER PCB ASSEMBLY

<u>ITEM NO.</u>	<u>PART NO.</u>	<u>DESCRIPTION</u>
1	11032	PC Board
2	10512	Terminal, Tab, QD
3	70029-05	Screw, Pan Head Slotted 4-40 X 5/16"
4	70168-04	Lockwasher, #4
5	70179-04	Flatwasher, #4
6	70166-04	Nut, Hex, 4-40

<u>LOCATION</u>	<u>PART NO.</u>	<u>DESCRIPTION</u>
A2	10110	Transistor, MPSU01
A5	10031-22	Resistor, 22 Ohm 1/2W 5%
A6	10030-11	Resistor, 1.1 Ohm 1/2W 5%
A7	10111	Transistor, MPSU51
A15	10114	Transistor, MJE2955
A34	10030-11	Resistor, 1.1 Ohm 1/2W 5%
A38	10115	Transistor, MJE3055

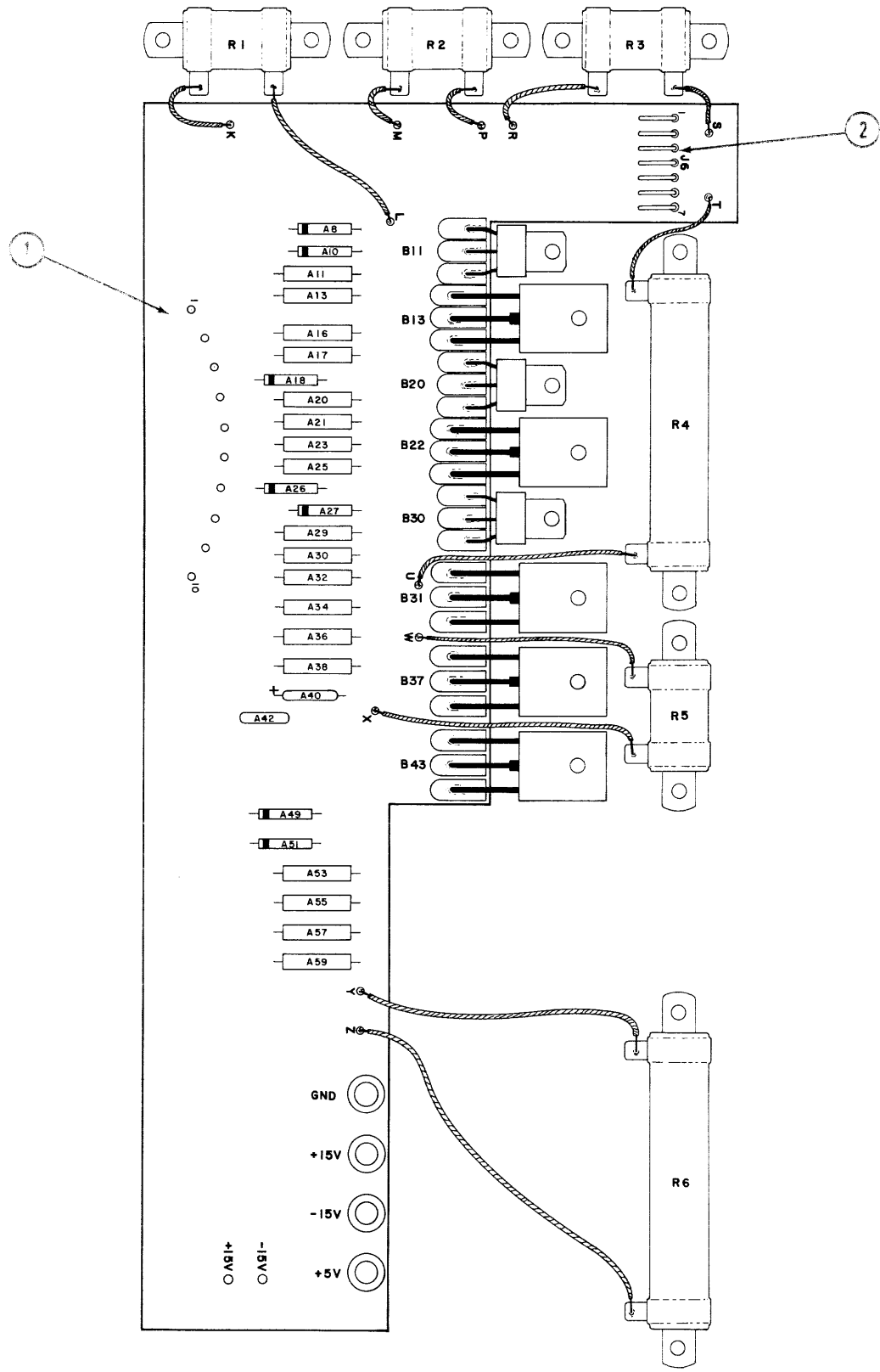


Figure 3-10
 #11029-XX POWER DRIVER PCB ASSEMBLY

SECTION III.10

#11029-01 POWER DRIVER PCB ASSEMBLY M/33F
 #11029-31 POWER DRIVER PCB ASSEMBLY M/31

<u>ITEM NO.</u>	<u>PART NO.</u>	<u>DESCRIPTION</u>	<u>LOCATION</u>	<u>PART NO.</u>	<u>DESCRIPTION</u>
1	11028	PC Board	A38	10033-10	Resistor, 1K Ohm 1/2W 5%
2	10502-10	Terminal	A40	10079-10	Capacitor, 1.0uF 35V TA
			A42	10095-10	Capacitor, 0.1uF 20V
A8	10101	Diode, A14F (M/31 Only)	A49	10101	Diode, A14F
A10	10101	Diode, A14F (M/31 Only)	A51	10101	Diode, A14F
A11	10033-10	Resistor, 1K Ohm 1/2W 5% (M/31 Only)	A53	10033-10	Resistor, 1K Ohm 1/2W 5%
A13	10033-10	Resistor, 1K Ohm 1/2W 5% (M/31 Only)	A55	10033-10	Resistor, 1K Ohm 1/2W 5%
A16	10033-10	Resistor, 1K Ohm 1/2W 5%	A57	10033-10	Resistor, 1K Ohm 1/2W 5%
A17	10033-10	Resistor, 1K Ohm 1/2W 5%	A59	10033-10	Resistor, 1K Ohm 1/2W 5%
A18	10160	Diode, 1N4454			
A20	10033-10	Resistor, 1K Ohm 1/2W 5%	B11	10110	Transistor, MPS-U01 (M/31 Only)
A21	10033-10	Resistor, 1K Ohm 1/2W 5% (M/31 Only)	B13	10115	Transistor, MJE-3055 (M/31 Only)
A23	10033-10	Resistor, 1K Ohm 1/2W 5%	B20	10110	Transistor, MPS-U01
A25	10032-10	Resistor, 100 Ohm 1/2W 5% (M/31 Only)	B22	10115	Transistor, MJE-3055
A26	10101	Diode, A14F	B30	10110	Transistor, MPS-U01
A27	10101	Diode, A14F (M/31 Only)	B31	10115	Transistor, MJE-3055
A29	10031-10	Resistor, 10 Ohm 1/2W 5% (M/31 Only)	B37	10115	Transistor, MJE-3055
A30	10033-10	Resistor, 1K Ohm 1/2W 5%	B43	10115	Transistor, MJE-3055
A32	10032-10	Resistor, 100 Ohm 1/2W 5%	<u>REMOTE RESISTORS</u>		
A34	10032-10	Resistor, 100 Ohm 1/2W 5%	R1	10057-30	Resistor, Wire Wound, 30 Ohm 10W (M/31 only)
A36	10032-10	Resistor, 100 Ohm 1/2W 5%	R2	10057-10	Resistor, Wire Wound, 10 Ohm 10W (M/31 only)
			R3	10057-04	Resistor, Wire Wound, 4 Ohm 10W 5%
			R4	10058-15	Resistor, Wire Wound, 15 Ohm 25W 5%

REMOTE RESISTORS (Cont.)

<u>LOCATION</u>	<u>PART NO.</u>	<u>DESCRIPTION</u>
R5	10057-05	Resistor, Wire Wound 5 Ohm 10W 5%
R6	10058-05	Resistor, Wire Wound, 5 Ohm 25W 5%

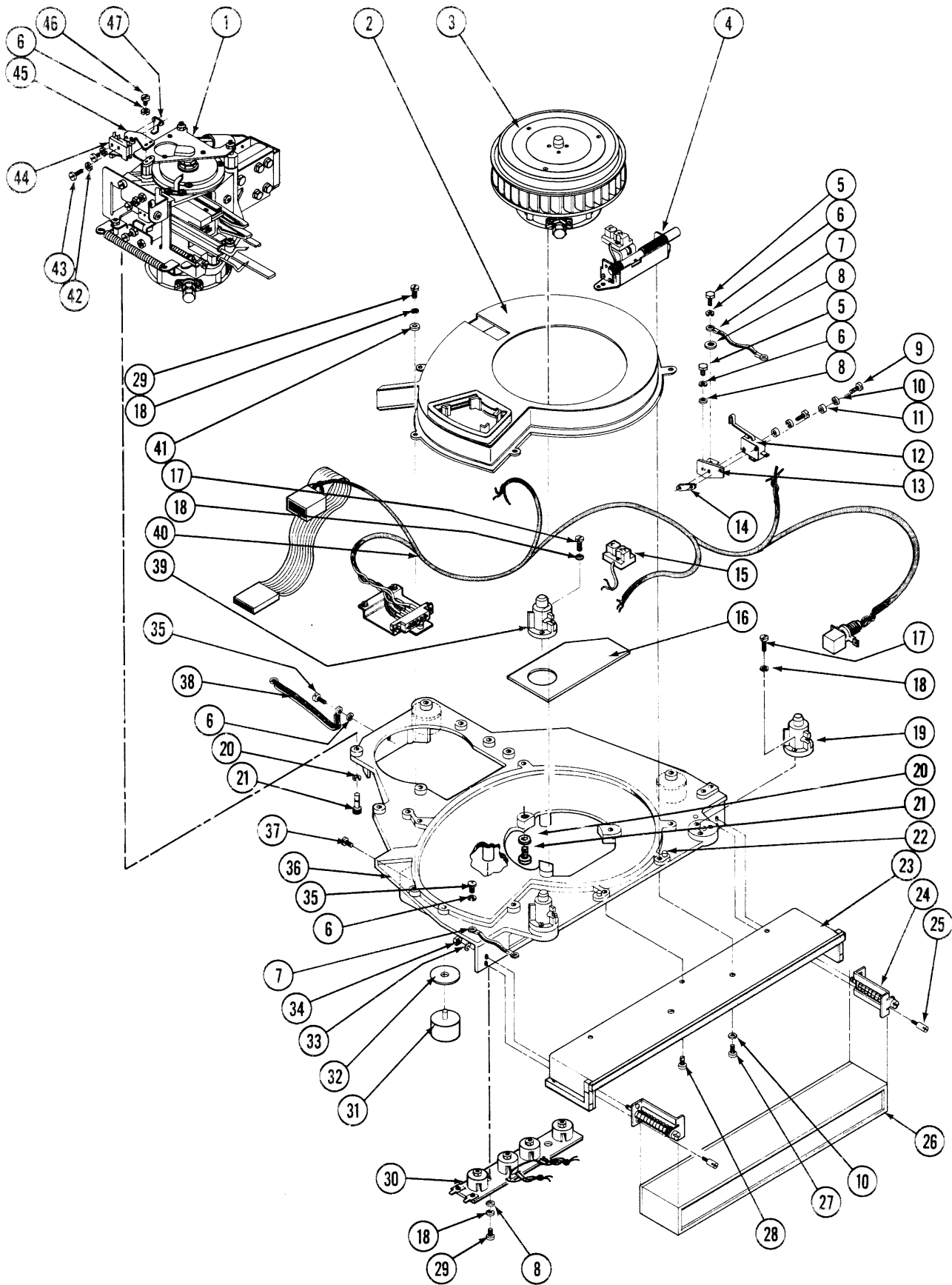


Figure 4-1
#15434-XX BASE ASSEMBLY

SECTION IV.1

#15434-02 BASE ASSEMBLY M/31
 #15434-04 BASE ASSEMBLY M/33F

<u>ITEM NO.</u>	<u>PART NO.</u>	<u>DESCRIPTION</u>	<u>ITEM NO.</u>	<u>PART NO.</u>	<u>DESCRIPTION</u>
1	15428	Head Positioner Assembly	18	70168-08	Lockwasher, #8
	25046-00	Upper Head Assembly (1100 BPI)	19	15110	Pin, Cartridge Locating
	25065-03	Upper Head Assembly (2200 BPI)	20	70168-13	Lockwasher, 1/4"
	25047-00	Lower Head Assembly (1100 BPI)	21	70079-12	Screw, Cap, Socket Head, 1/4 X 20 X 3/4"
	25066-03	Lower Head Assembly (2200 BPI)	22	70207-04	Pin .1252 X 1/4"
2	15420	Duct Assembly	23	15405	Filter Housing Assembly
3	15536-01	Spindle Assembly (1100 BPI)	24	15385	Filter Retainer Assembly
	15536-02	Spindle Assembly (2200 BPI)	25	15310	Guide, Filter Retainer
4	15415-00	Sector Transducer Assembly, Magnetic	26	15170	Filter Assembly
5	70058-06	Screw, Hex Head, 6-32 X 3/8"	27	70020-06	Screw, Fillister Head Slotted, 4-40 X 3/8"
6	70168-06	Lockwasher, #6	28	70038-04	Screw, Flat Head Slotted 4-40 X 1/4"
7	11004-01	Ground Cable Assembly 2"	29	70031-06	Screw, Pan Head Slotted 8-32 X 3/8"
8	70169-06	Flatwasher, #6	30	11048	Filter PCB Assembly, See Section IV.3
9	70029-10	Screw, Pan Head Slotted 4-40 X 5/8"	31	15371	Mount, Cylinder Barrymount
10	70168-04	Lockwasher, #4	32	15329	Spacer, Shockmount
11	70179-04	Flatwasher, Narrow #4	33	70166-10	Nut, Hex, 10-32 X 3/8"
12	15250	Switch, Cartridge Sense	34	70170-14	"E" Retainer Ring
13	15252	Bracket, Cartridge Sense Switch	35	70030-04	Screw, Pan Head Slotted 6-32 X 1/4"
14	15251	Plate, Cartridge Sense Switch	36	15179	Base Plate
15	15617	Sector Transducer Assembly, Photo- Electric (P/E)	37	15269	Insulator, Machine Screw
	15628	Mount, P/E Sector Transducer	38	11004-02	Ground Cable Assembly 5"
16	11227	P/E PCB Assembly, See Section IV.2	39	15622	Loc-Pin, Modified (Photo Electric Trans- ducer/32 Sector Option only)
17	70022-08	Screw, Fillister Head Slotted, 8-32 X 1/2"			

<u>ITEM NO.</u>	<u>PART NO.</u>	<u>DESCRIPTION</u>
40	11060-00	Wire Harness Assembly (standard)
	11060-32	Wire Harness Assembly (32-sector option)
41	70169-08	Flatwasher, #8
42	70168-02	Lockwasher, #2
43	70073-07	Screw, Cap, Socket Head, 2-56 X 7/16"
44	15611	Switch, Track Zero
45	15610	Bracket, Track Zero Switch
46	70030-06	Screw, Pan Head Slotted 6-32 X 3/8"
47	15609	Bar Nut, Track Zero Switch

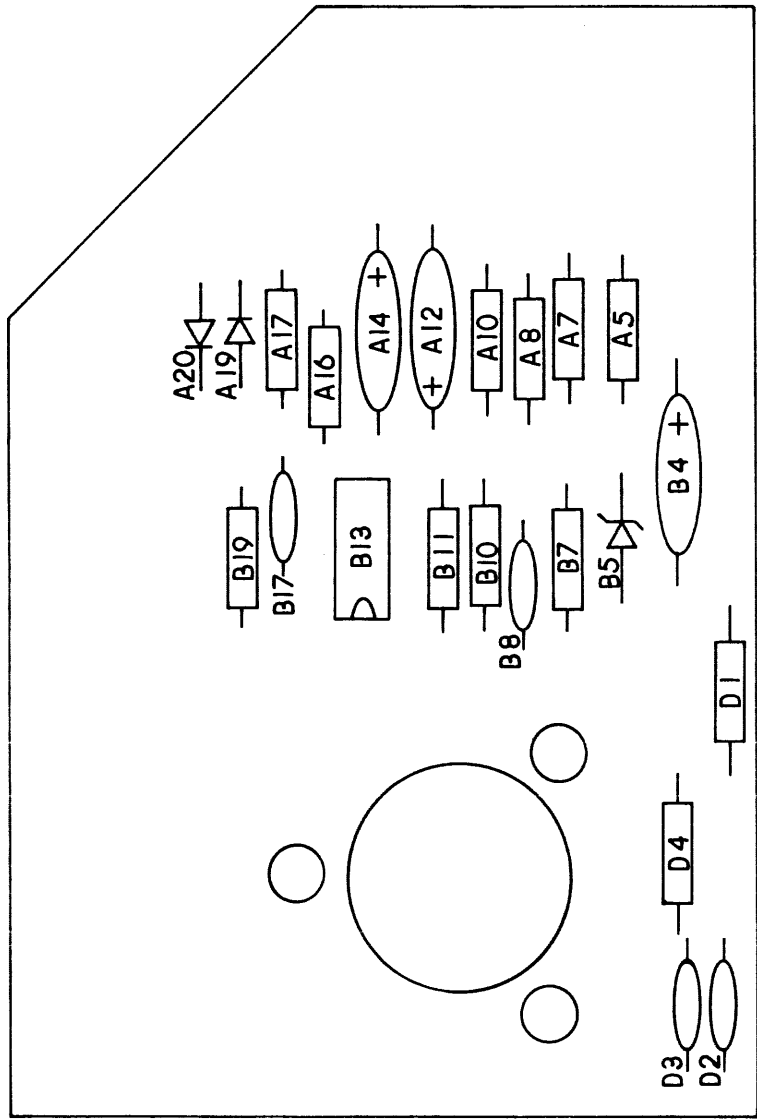


Figure 4-2

#11227 32-SECTOR PHOTO ELECTRIC TRANSDUCER OPTION PCB ASSEMBLY

SECTION IV.2

#11227 32 SECTOR PHOTO ELECTRIC TRANSDUCER OPTION PCB ASSEMBLY

<u>ITEM NO.</u>	<u>PART NO.</u>	<u>DESCRIPTION</u>	<u>LOCATION</u>	<u>PART NO.</u>	<u>DESCRIPTION</u>
1	11226	P/E Transducer PCB	D1	10096-99	Inductor, 100mH
			D2	10086-10	Capacitor, 0.1mFd 50V
			D3	10086-10	Capacitor, 0.1mFd 50V
			D4	10096-99	Inductor, 100mH
<u>LOCATION</u>	<u>PART NO.</u>	<u>DESCRIPTION</u>			
A5	10022-24	Resistor, 240 Ohm 1/4W 5%			
A7	10026-10	Resistor, 1M Ohm 1/4W 5%			
A8	10032-22	Resistor, 220 Ohm 1/2W 5%			
A10	10022-22	Resistor, 220 Ohm 1/4W 5%			
A12	10077-12	Capacitor, 12mFd, 20V			
A14	10077-12	Capacitor, 12mFd, 20V			
A16	10022-22	Resistor, 220 Ohm 1/4W 5%			
A17	10022-68	Resistor, 680 Ohm 1/4W 5%			
A19	10160	Diode, 1N4454			
A20	10160	Diode, 1N4454			
B4	10078-01	Capacitor, 100mFd 20V			
B5	10103-02	Diode, Zener, 6.2V			
B7	10024-10	Resistor, 10K Ohm 1/4W 5%			
B8	10062-51	Capacitor, 510pF 500V			
B10	10024-22	Resistor, 22K Ohm 1/4W 5%			
B11	10024-22	Resistor, 22K Ohm 1/4W 5%			
B13	10176	IC, LM741CN/72741P			
B17	10086-10	Capacitor, 0.1mFd 50V			
B19	-----	(Resistor Value Selected per Spec. #CS502-03)			

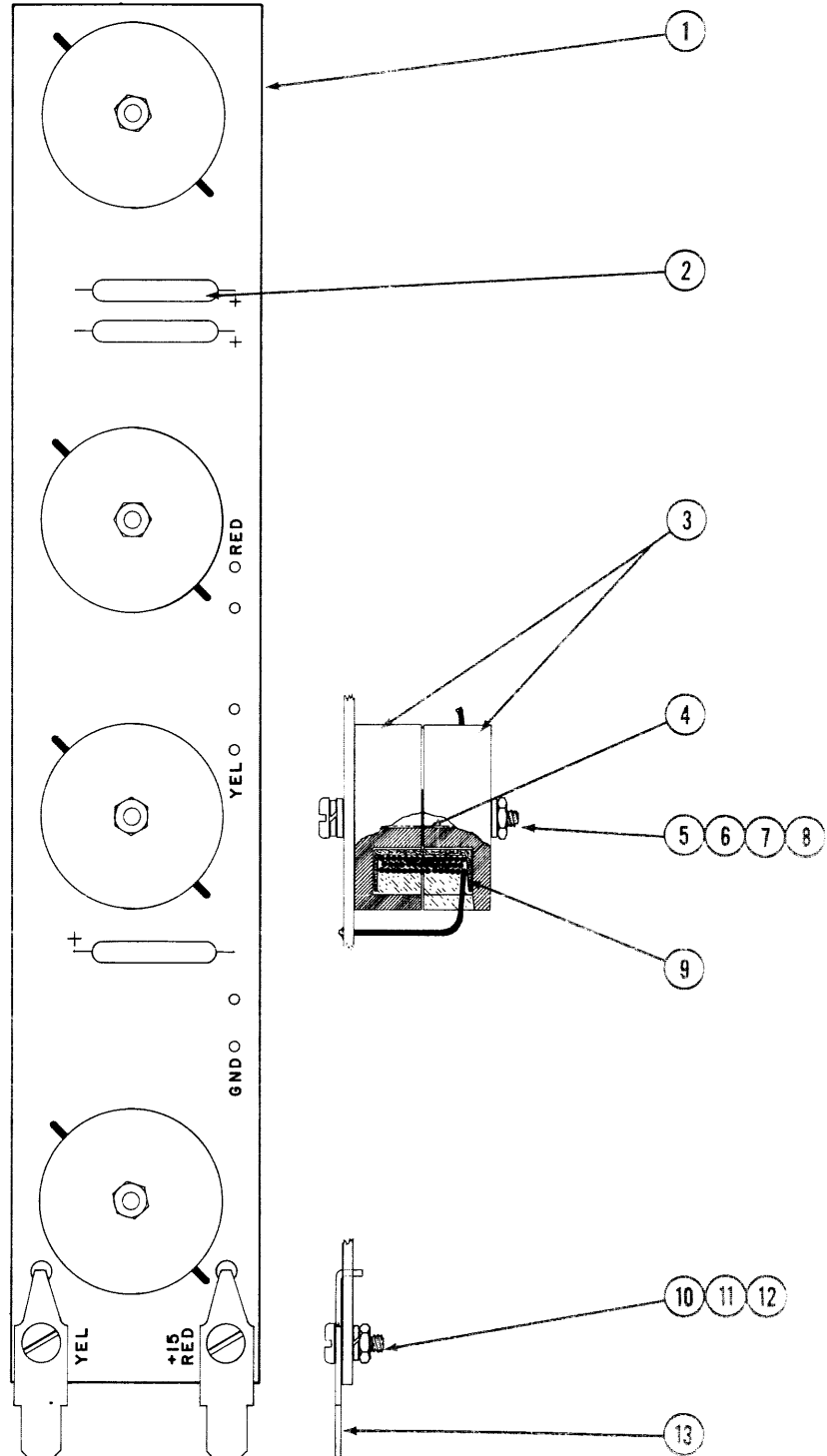


Figure 4-3
 #11048 FILTER PCB ASSEMBLY

SECTION IV.3

#11048 FILTER PCB ASSEMBLY

<u>ITEM NO.</u>	<u>PART NO.</u>	<u>DESCRIPTION</u>
1	11047	PC Board
2	10077-12	Capacitor, 12uF 20V TA
3	70177	Pot Core
4	15373	Insulator Shim
5	70031-18	Screw, Pan Head Slotted 8-32 X 1-3/8"
6	70168-08	Lockwasher, #8
7	70169-08	Flatwasher, #8
8	70166-08	Nut, Hex, 8-32
9	15372	Filter Coil
10	70029-04	Screw, Pan Head Slotted 4-40 X 5/16"
11	70168-04	Lockwasher, #4
12	70166-04	Nut, Hex, 4-40
13	10512-00	Terminal, QD

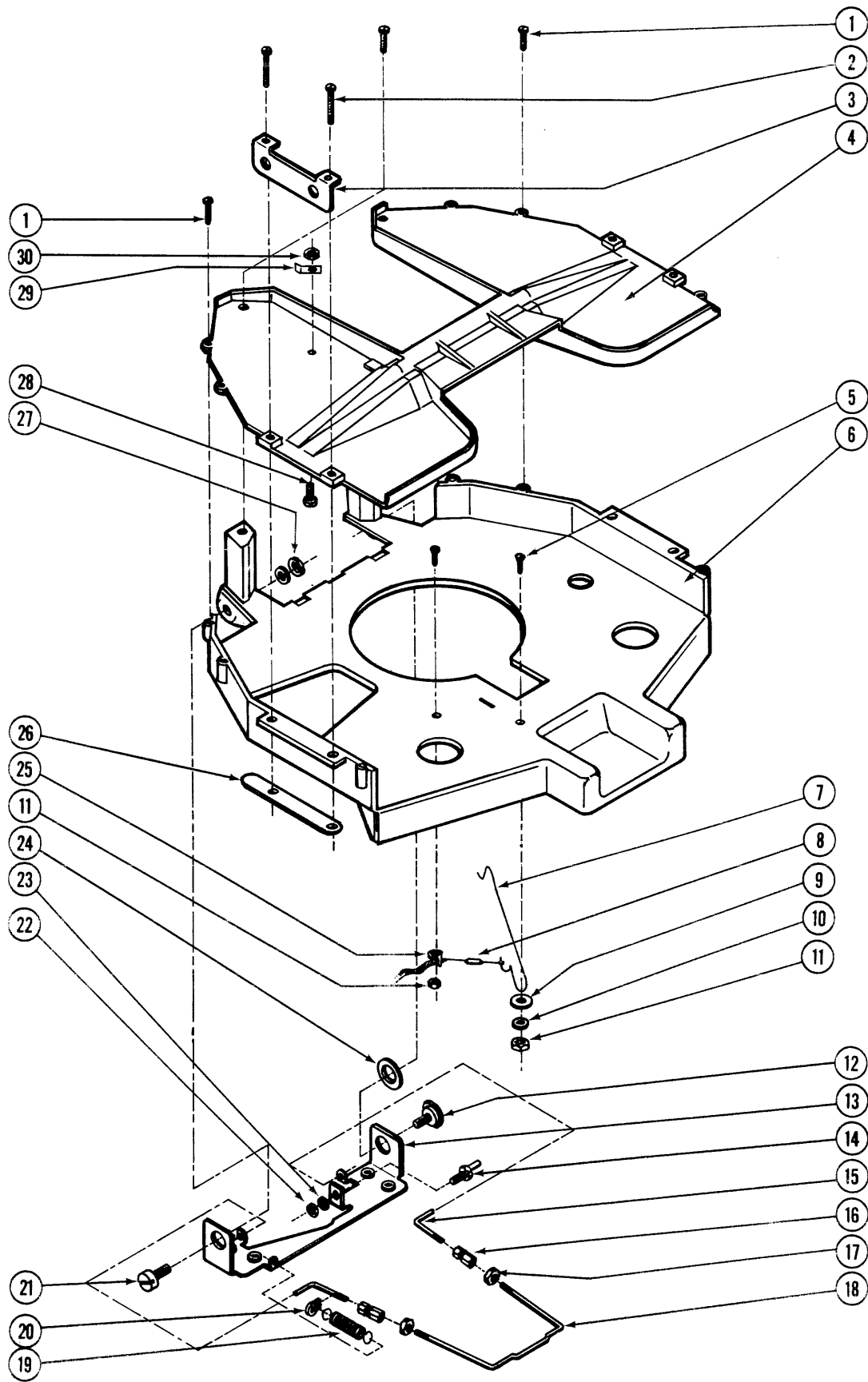


Figure 4-4
 #15404-XX CARTRIDGE RECEIVER ASSEMBLY

SECTION IV.4

#15404-00 CARTRIDGE RECEIVER ASSEMBLY M/33F
 #15404-01 CARTRIDGE RECEIVER ASSEMBLY M/31

<u>ITEM NO.</u>	<u>PART NO.</u>	<u>DESCRIPTION</u>	<u>ITEM NO.</u>	<u>PART NO.</u>	<u>DESCRIPTION</u>
1	70283	Screw, Phillips, Self Tapping, #8-18	26	15318	Clamp, Bar
2	70020-10	Screw, Phillips, #4-40	27	70166-06	Nut, Hex, #6-32
3	15401	Bracket Assembly, Arm	28	70029-04	Screw, Pan Head Slotted 4-40 X 1/4"
4	15159	Cartridge Receiver, Cover	29	15516	Clip
5	70038-06	Screw, Flat Head Slotted 4-40 X 3/8"	30	70167-04	Nut, #4-40
6	15158	Cartridge Receiver, Base			
7	15573	Contact, Grounding			
8	10006-01	Resistor, 1M 1/8W 1%			
9	70169-04	Flatwasher, #4			
10	70168-04	Lockwasher, #4			
11	70166-04	Nut, Hex, #4-40			
12	15223	Shoulder Screw, Cartridge Receiver			
13	15402	Bracket Assembly, Pivot			
14	15343	Eccentric, Bail Adjust			
15	15605	Extension, Cartridge			
16	15607	Nut, Hex, #5-40 L&RH			
17	70166-05	Nut, Hex, #5-40			
18	15608	Activator, Cartridge Door			
19	15246	Spring, Door Activator			
20	70227-01	Retaining Ring			
21	15222	Stud, Cartridge Receiver			
22	70166-06	Nut, Hex, #6-32			
23	70168-06	Lockwasher, #6			
24	15327	Washer, Cartridge Receiver			
25	10511-04	Solder Lug			

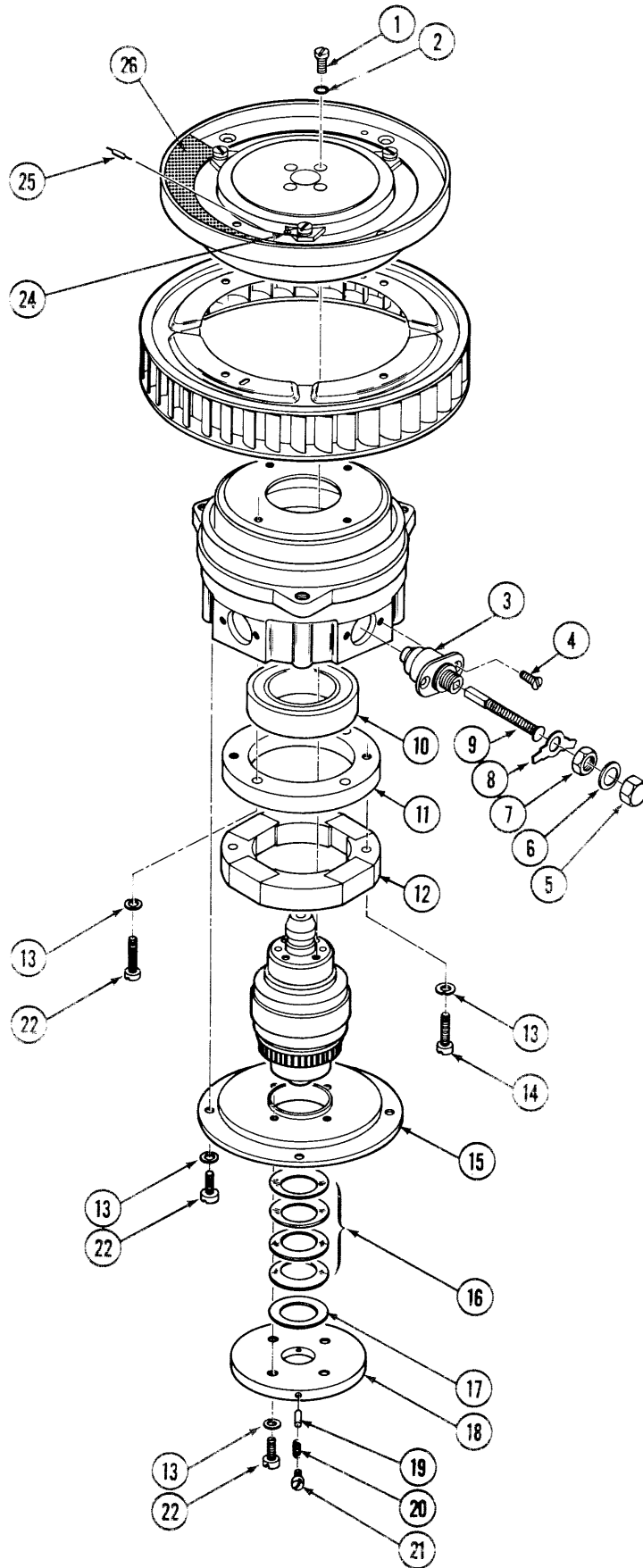


Figure 4-5

#15536-01 SPINDLE ASSEMBLY

SECTION IV.5

#15536-01 SPINDLE ASSEMBLY

<u>ITEM NO.</u>	<u>PART NO.</u>	<u>DESCRIPTION</u>	<u>ITEM NO.</u>	<u>PART NO.</u>	<u>DESCRIPTION</u>
1	70021-06	Screw, Fillister Head Slotted, 6-32 x 3/8"	25	10006-01	Resistor, 1M 1/8W 1%
2	70168-06	Lockwasher, #6	26	15242	Magnetic Ring
3	15161	Brush Holder			
4	70039-06	Screw, Flat Head Slotted, 6-32 x 3/8"			
5	15410	Cap, Motor Brush			
6	70234	Washer, Brush Holder			
7	15409	Nut, Brush Holder			
8	15416	Terminal, Brush Holder			
9	15703	Brush, Spindle Motor			
10	15175	Bearing, Upper			
11	15072	Spacer, Motor Stator			
12	15325-02	Stator, Spindle Motor			
13	70168-08	Lockwasher, #8			
14	15339	Screw, Fillister Head 6-32			
15	15071	End Plate			
16	70186	Washer, Belleville, Spindle Bearing			
17	15162	Shim, .030"			
	15163	Shim, .015"			
	15164	Shim, .004"			
	15144	Shim, .002" (as required)			
18	15333	Brush Plate			
19	15299	Brush			
20	15307	Spring			
21	70208	Screw, Self Locking 4-40 x 1/4"			
22	70031-06	Screw, Pan Head Slotted, 8-32 x 3/8"			
23	15340	Screw, Pan Head Slotted, 8-32			
24	15529	Terminal Lug			

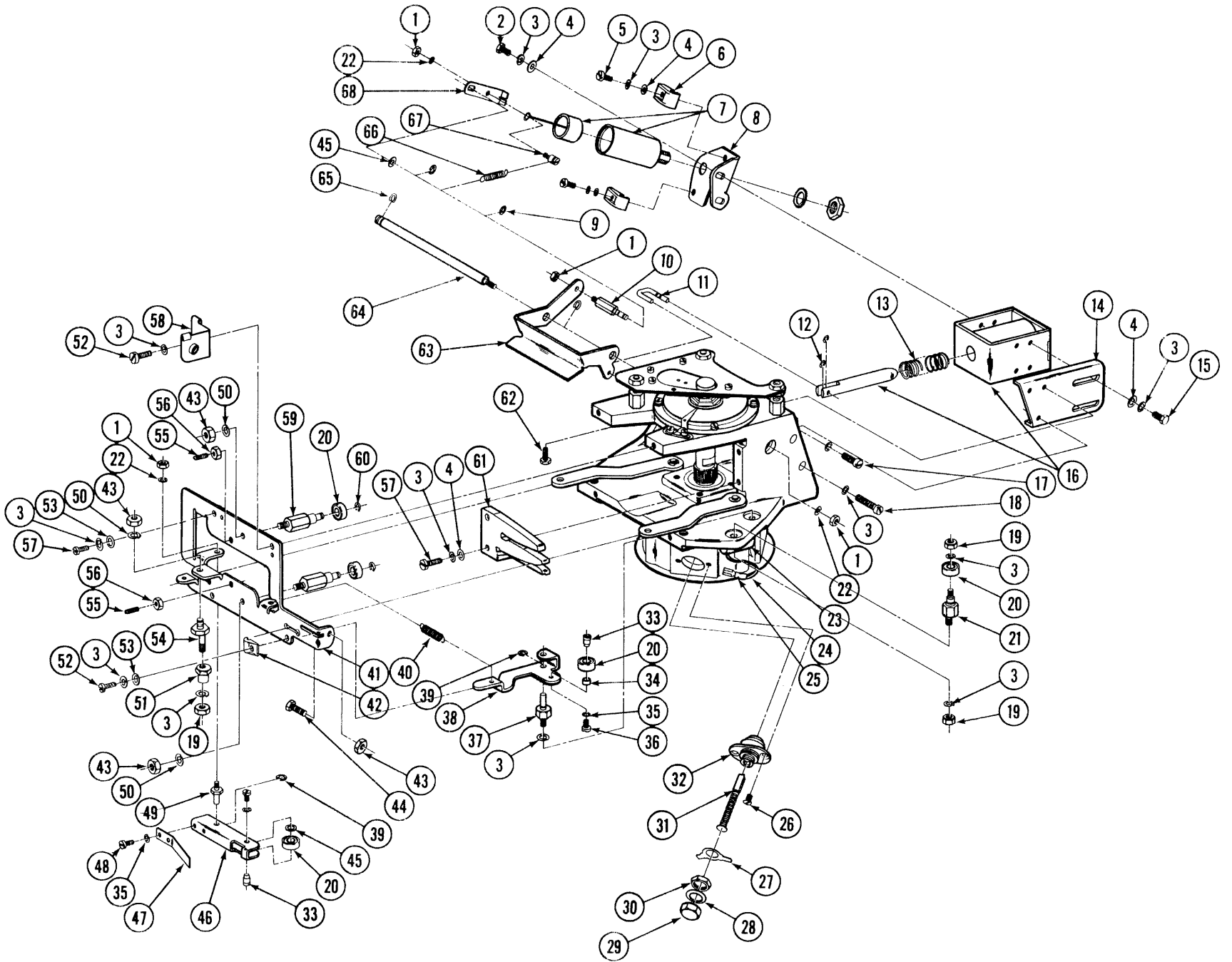


Figure 4-6a
#15428 HEAD POSITIONER ASSEMBLY

SECTION IV.6a

#15428 HEAD POSITIONER ASSEMBLY

<u>ITEM NO.</u>	<u>PART NO.</u>	<u>DESCRIPTION</u>	<u>ITEM NO.</u>	<u>PART NO.</u>	<u>DESCRIPTION</u>
1	70166-06	Hex Nut, 6-32	28	70234	Washer, Motor Brush
2	70059-05	Screw, Hex Head, 8-32 x 5/16"	29	15410	Cap, Motor Brush
3	70168-08	Lockwasher, #8	30	15409	Nut, Motor Brush
4	70169-08	Flatwasher, #8	31	15432	Brush, Motor
5	70031-04	Screw, Pan Head Slotted 8-32 x 1/4"	32	15161	Brush Holder
6	10536-01	Clamp	33	15001	Bushing
7	15555	Dashpot, Head Load	34	15076	Spacer
8	15537	Bracket, Dashpot	35	70168-04	Lockwasher, #4
9	70170-04	"E" Ring	36	70029-06	Screw, Pan Head Slotted 4-40 x 3/8"
10	15540	Pivot, Dashpot Link	37	15013	Pivot, Front Pressure Arm
11	15133	Link, Loading Sole	38	15008	Arm, Front Pressure Roller
12	70170-03	"E" Ring	39	70170-05	"E" Ring
13	15082	Spring	40	15059	Spring
14	15132	Plate, Sole Mount	41	15000	Plate, Actuator
15	70059-04	Screw, Hex Head, 8-32 x 1/4"	42	10536-02	Cable Clamp
16	15301	Solenoid	43	70166-10	Hex Nut, 10-32
17	70022-06	Screw, Fillister Head Slotted, 8-32 x 3/8"	44	70060-05	Screw, Hex Head, 10-32 x 5/16"
18	70022-16	Screw, Fillister Head Slotted, 8-32 x 1"	45	70179-06	Flatwasher, #6
19	70166-08	Hex Nut, 8-32	46	15002	Arm, Pressure Roller
20	15177	Bearing, Carriage Guide	47	15003	Spring
21	15006	Eccentric	48	70029-04	Screw, Pan Head Slotted 4-40 x 1/4"
22	70168-06	Lockwasher, #6	49	15139	Pivot, Pressure Roller
23	10065-47	Capacitor, .47mFd 50V	50	70168-10	Lockwasher, #10
24	10568-26	Tubing	51	15324	Eccentric
25	10513-09	Terminal	52	70031-08	Screw, Pan Head Slotted 8-32 x 1/2"
26	70067-06	Screw, Flat Head Slotted, 6-32 x 3/8"	53	70179-08	Flatwasher, #8
27	15416	Terminal, Motor Brush	54	15065	Eccentric

<u>ITEM NO.</u>	<u>PART NO.</u>	<u>DESCRIPTION</u>
55	70357-08	Setscrew, 4-40
56	70166-04	Hex Nut, 4-40
57	70031-09	Screw, Pan Head Slotted, 8-32 x 9/16"
58	15484	Bracket Assembly
59	15009	Eccentric
60	70171-01	"E" Ring
61	15116	Guide, Disk
62	70210	Screw, Self Locking, 6-32
63	15138	Bail, Head Loading
64	15134	Shaft, Loading Bail
65	70172-05	"E" Ring
66	15083	Spring
67	15556	Screw, Head Load
68	15539	Link, Dashpot

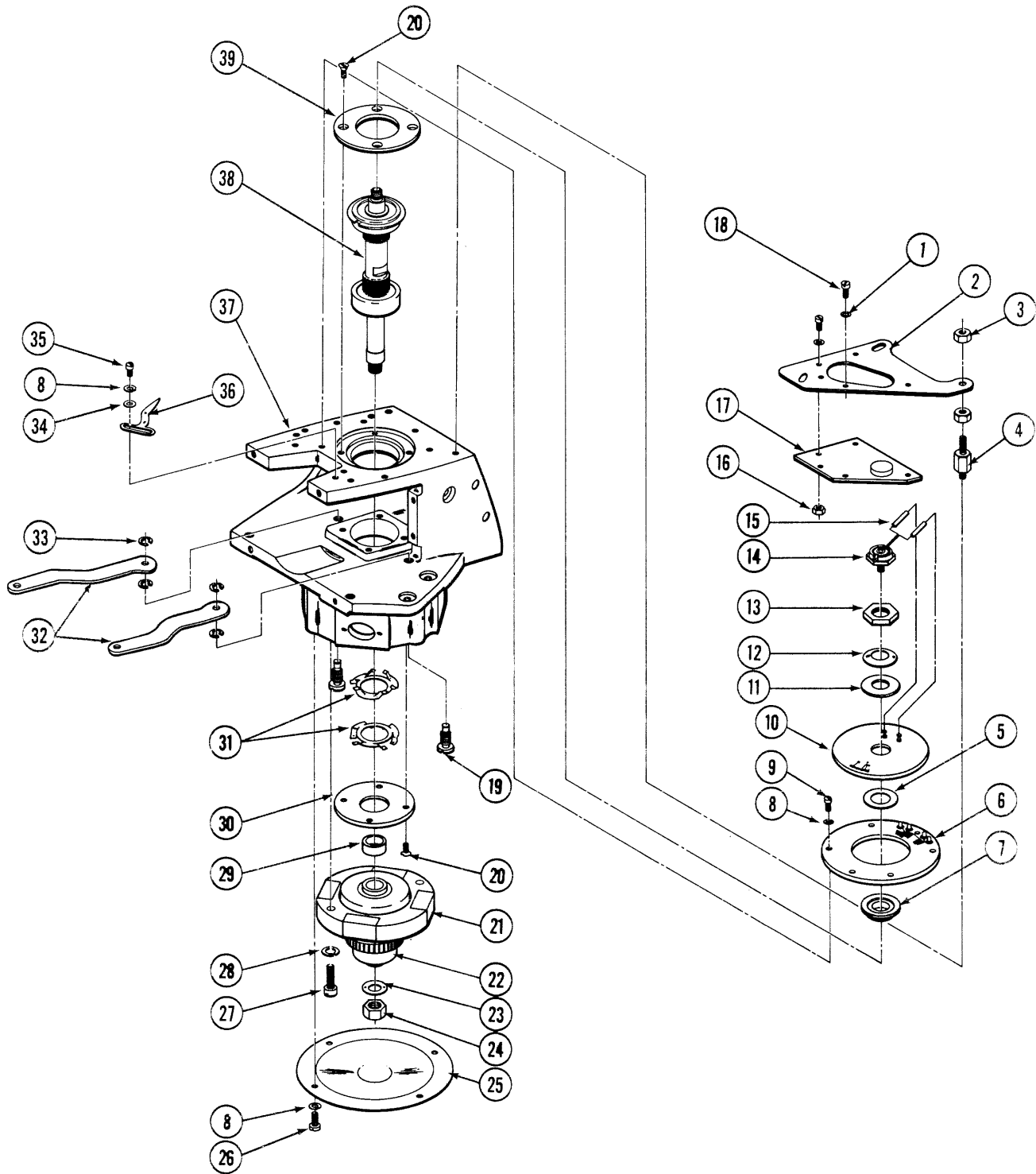


Figure 4-6b
 #15428 HEAD POSITIONER ASSEMBLY

SECTION IV.6b

#15428 HEAD POSITIONER ASSEMBLY

<u>ITEM NO.</u>	<u>PART NO.</u>	<u>DESCRIPTION</u>	<u>ITEM NO.</u>	<u>PART NO.</u>	<u>DESCRIPTION</u>
1	70168-04	Lockwasher, #4	25	15207	Cover, Motor
2	15021	Plate, Transducer Mounting	26	70030-04	Screw, Pan Head Slotted, 6-32 x 1/4"
3	70166-08	Hex Nut, 8-32	27	15339	Screw, Fillister Head Slotted, 8-32 x 1 1/8"
4	15014	Stud	28	70168-08	Lockwasher, #8
5	15146-01	Shim, .001"	29	15166	Spacer, Motor
	15146-02	Shim, .002"	30	15018	Retainer
	15146-04	Shim, .004"	31	70231	Washer, Finger Spring
	15146-15	Shim, .015" (as required)	32	15005	Arm, Carriage Stop
6	15053	Stator Assembly	33	70170-14	"E" Ring
7	15029	Spacer, Transducer	34	70169-06	Flatwasher, #6
8	70168-06	Lockwasher, #6	35	70030-06	Screw, Pan Head Slotted, 6-32 x 3/8"
9	70021-06	Screw, Fillister Head Slotted, 6-32 x 3/8"	36	15045	Pointer, Cylinder Indicator
10	15052	Rotor Assembly	37	15064	Actuator Housing
11	15015	Washer, Transducer	38	15418	Pinion and Bearing Assembly
12	70188	Washer, Belleville	39	15017	Retainer
13	15016	Nut, Transducer			
14	15353	Coil, Secondary			
15	10568-18	Sleeving, #18			
16	70166-04	Hex Nut, 4-40			
17	11045	Transformer Board Assembly			
18	70029-06	Screw, Pan Head Slotted, 4-40 x 3/8"			
19	15007	Pivot, Carriage Stop Arm			
20	70715-06	Screw, Phillips Countersunk Head, 6-32 x 3/8"			
21	15431-02	Stator			
22	15431-01	Armature			
23	70187	Washer, Belleville			
24	70164-14	Jam Nut, 5/16 - 24			

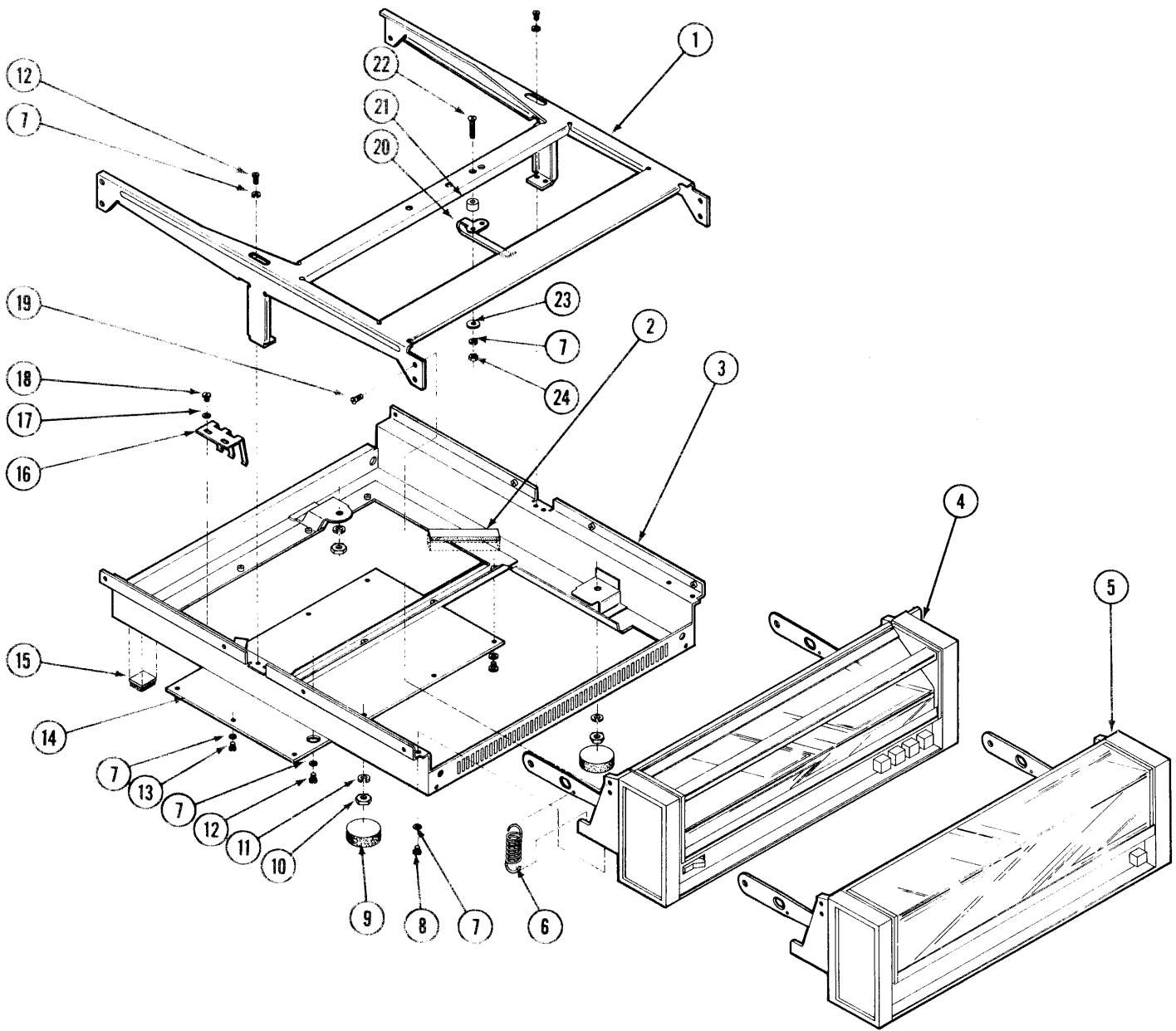
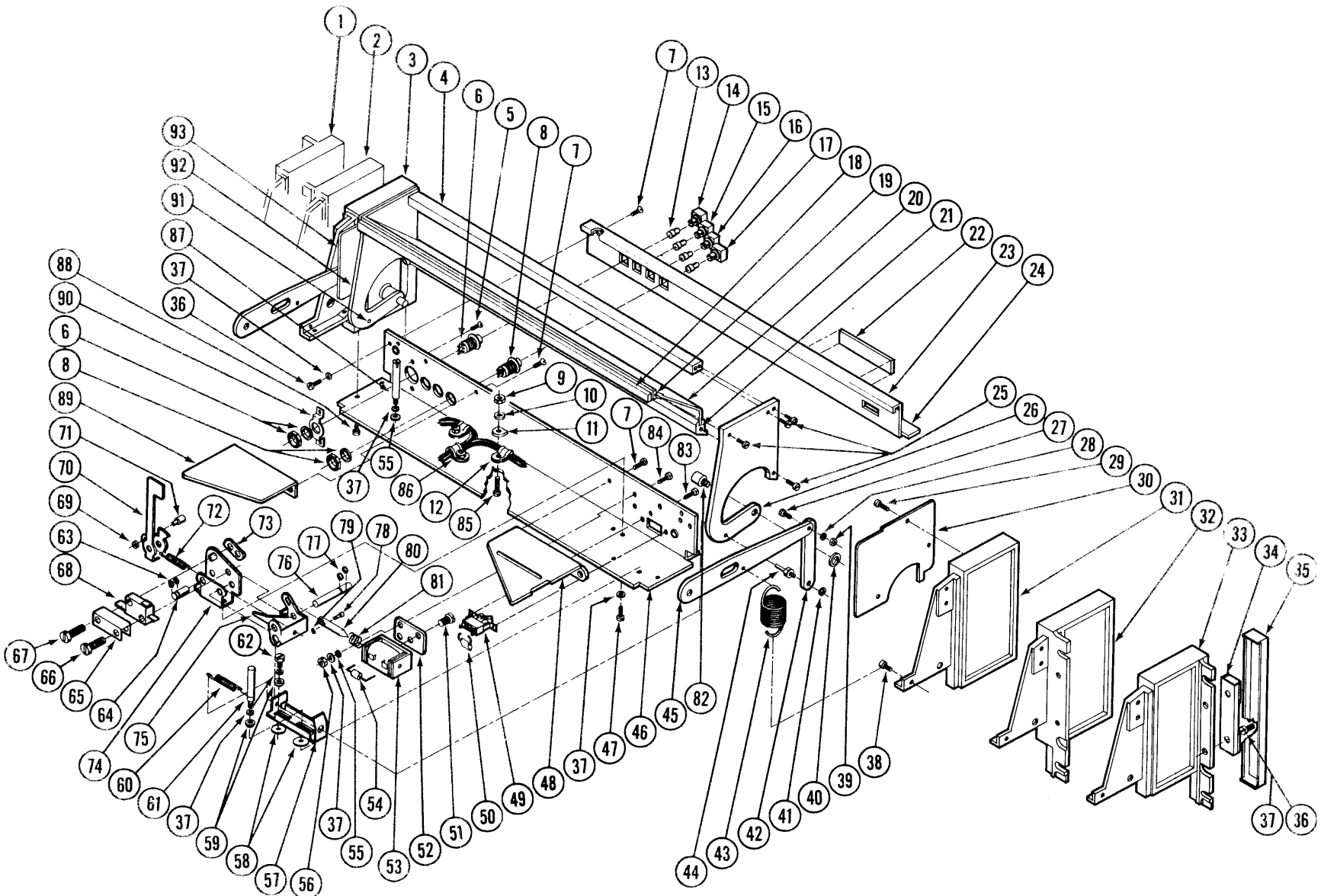


Figure 5-1
SHADOW BOX ASSEMBLY

SECTION V.1

SHADOW BOX ASSEMBLY

<u>ITEM NO.</u>	<u>PART NO.</u>	<u>DESCRIPTION</u>	<u>ITEM NO.</u>	<u>PART NO.</u>	<u>DESCRIPTION</u>
1	15277	Sub Frame, Cabinet	23	70169-06	Flatwasher, #6
2	15226	Gasket, PC Board	24	70166-06	Nut, Hex 6-32
3	15395-01	Shadow Box Assembly			
4	15481-XX	Panel and Door Assembly M/31 See Section V.2			
5	15681-XX	Panel and Door Assembly M/33F See Section V.3			
6	15245	Spring, Cartridge Reciever			
7	70168-06	Lockwasher, #6			
8	70030-06	Screw, Pan Head Slotted 6-32 X 3/8"			
9	15557	Plug, Shadow Box			
10	70244	Nut, Hex, 5/16 - 18			
11	70168-14	Lockwasher, 5/16"			
12	70030-04	Screw, Pan Head Slotted 6-32 X 1/4"			
13	70030-03	Screw, Pan Head Slotted, 6-32 X 3/16"			
14	15549	Cover Assembly, Shadow Box			
15	70229	Pad, Rubber, Shadow Box			
16	15517	Finger Spring			
17	70168-04	Lockwasher, #4			
18	70029-03	Screw, Pan Head Slotted 4-40 X 3/16"			
19	70039-04	Screw, Flat Head Slotted, 6-32 X 1/4"			
20	15487	Spring, Cantilever Cartridge Closing			
21	15486	Spacer, Cantilever Cartridge Closing Spring			
22	70039-12	Screw, Flat Head Slotted, 6-32 X 3/4"			



#15481-XX PANEL AND DOOR ASSEMBLY-MODEL 31
 Figure 5-2

SECTION V.2

#15481-01 PANEL AND DOOR ASSEMBLY-DESK TOP M/31
 #15481-02 PANEL AND DOOR ASSEMBLY-EXTENDED M/31
 #15481-03 PANEL AND DOOR ASSEMBLY-FLUSH M/31

<u>ITEM NO.</u>	<u>PART NO.</u>	<u>DESCRIPTION</u>	<u>ITEM NO.</u>	<u>PART NO.</u>	<u>DESCRIPTION</u>
1	15472	Window Support, Flush Rack Mounting, Right		15088-02	Edge, Bottom, Door Window, Olive
2	15458	Window Support, Extended Rack Mounting Right	22*	15440	Logo Block, Diablo
3	15374	Window Support, Table Top, Right	23*	15224-01	Strip, Front Panel Trim (Orange)
4	15087-01	Handle, Door, Bronze		15224-03	Strip, Front Panel Trim (Black)
	15087-02	Handle, Door, Olive		15224-04	Strip, Front Panel Trim (Gray/Green)
5	70038-03	Screw, Flat Head Slotted, 4-40 X 3/16"		15224-07	Strip, Front Panel Trim (Off White)
6	70682	Switch, Push to Test Lighted	--	15471	Front Panel Trim Strip Assembly (Include * item above)
7	70038-04	Screw, Flat Head Slotted, 4-40 X 1/4"	24	15438-00	Narrow Trim Strip (Power)
8	70683	Socket, Indicator Light		15439-00	Narrow Trim Strip (Protect)
9	70166-08	Nut, Hex, 8-32	25	70039-08	Screw, Flat Head Slotted, 6-32 X 1/2"
10	70168-08	Lockwasher, #8	26	15155	Plate, Door Hinge Right
11	10537	"D" Washer	27	15093	Screw, Pivot, Receiver Activating Link
12	10535-13	Clamp, Harness, Nylon (Clip-Half-Harness)	28	70232-06	Lockwasher, #6
13	10545	Lamp, Midget Flange	29	70067-04	Screw, Undercut Flat Head Slotted, 6-32 X 1/4"
14	70684-04	Lens, Indicator (Red)	30	15103	Baffle, Right
15	70684-03	Lens, Indicator (Orange)	31	15375	Window Support, Table Top, Left
16	70684-02	Lens, Indicator (Yellow)	32	15459	Window Support, Extended Rack Mounting, Left
17	70684-01	Lens, Indicator (White)	33	15473	Window Support, Flush Rack Mounting, Left
18	15215	Gasket, Door Upper	34	15455-01	Magnet Retainer Assembly Rack Mount Trim
19	15156-01	Edge, Top, Door Window Bronze	35	15453-01	Trim, Rack Mount, Dark Gray
	15156-02	Edge, Top, Door Window Olive	36	70030-04	Screw, Pair Head Slotted, 6-32 X 1/4"
20	15090	Window, Door			
21	15088-01	Edge, Bottom, Door Window, Bronze			

<u>ITEM NO.</u>	<u>PART NO.</u>	<u>DESCRIPTION</u>	<u>ITEM NO.</u>	<u>PART NO.</u>	<u>DESCRIPTION</u>
37	70168-06	Lockwasher, #6	65	15279	Cover, Interlock Switch
38	70030-06	Screw, Pan Head Slotted 6-32 X 3/8"	66	70029-08	Screw, Pan Head Slotted, 4-40 X 1/2"
39	70167-06	Nut, Hex, 6-32	67	70029-10	Screw, Pan Head Slotted, 4-40 X 5/8"
40	15169	Washer, Window	68	15300	Switch, Cartridge Interlock
41	70170-14	"E" Retainer Ring	69	70166-04	Nut, Hex, 4-40 X 1/4"
42	15092	Link, Receiver Actuating	70	15441	Indicator, Interlock
43	15245	Spring, Cartridge Receiver	71	15202	Screw, Interlock Indicator
44	15096	Screw, Pivot, Activating Link	72	15244	Spring, Cartridge Interlock
45	15094	Arm, Cartridge Receiver	73	15273	Fastener, Interlock Switch
46	15089	Panel, Switch Mounting	74	15547	Bracket Assembly, Interlock Indicator
47	70112-04	Screw, Pan Head Slotted 6-32 X 1/4"	75	15192	Actuator, Interlock Indicator
48	15412	Left Trim Assembly	76	15204	Shaft, Interlock Actuator
49	10541	Switch, Rocker, SPOT	77	70170-04	"E" Retainer Ring
50	10065-10	Capacitor, 0.1uF 200V 10%	78	15197	Pin, Interlock Solenoid
51	70030-03	Screw, Pan Head Slotted 6-32 X 1/8"	79	70170-03	"E" Retainer Ring
52	15198	Plate, Interlock Solenoid	80	15196	Core, Interlock Solenoid
53	15302	Solenoid, Interlock	81	15276	Spring, Interlock Solenoid
54	10101	Diode, 1A4F	82	15091	Screw, Door Pivot
55	70169-06	Flatwasher, #6	83	70039-03	Screw, Flat Head Slotted 6-32 X 3/16"
56	70166-06	Nut, Hex, 6-32 X 5/16"	84	70039-06	Screw, Flat Head Slotted 6-32 X 3/8"
57	15195	Latch, Door Interlock	85	70113-07	Screw, Pan Head Slotted 8-32 X 7/16"
58	15201	Washer, Door Latch	86	10535-12	Clamp, Cable Harness (Clip-Half-Harness)
59	15205	Bushing, Door Latch	87	15210	Screw, Trim Plate Support
60	15243	Spring, Door Latch	88	70039-04	Screw, Flat Head Slotted 6-32 X 1/4"
61	15206	Screw, Door Latch	89	15413	Trim Assembly, Right
62	70030-05	Screw, Pan Head Slotted 6-32 X 5/16"			
63	70170-09	"E" Retainer Ring			
64	15203	Shaft, Interlock Indicator			

<u>ITEM NO.</u>	<u>PART NO.</u>	<u>DESCRIPTION</u>
90	15217	Bracket, Push-to-Test Indicator
91	15208	Screw, Activating Link Pivot
92	15105	Plate, Door Hinge, Left
93	15104	Baffle, Left, Dark Gray

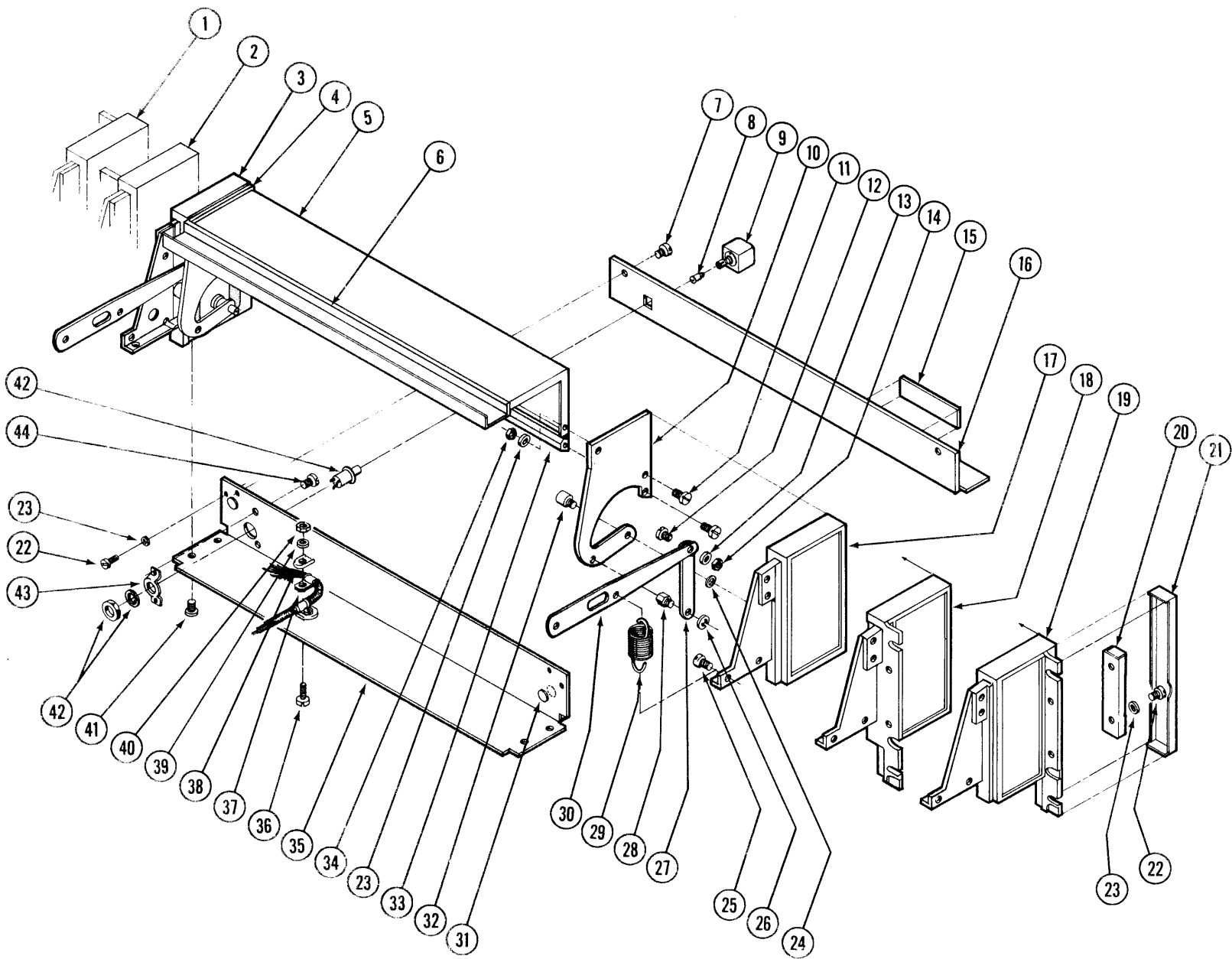


Figure 5-3

#15681-XX PANEL AND DOOR ASSEMBLY-MODEL 33F

SECTION V.3

#15681-01 PANEL AND DOOR ASSEMBLY-TABLE TOP M/33F
 #15681-02 PANEL AND DOOR ASSEMBLY-EXTENDED M/33F
 #15681-03 PANEL AND DOOR ASSEMBLY-FLUSH M/33F

<u>ITEM NO.</u>	<u>PART NO.</u>	<u>DESCRIPTION</u>	<u>ITEM NO.</u>	<u>PART NO.</u>	<u>DESCRIPTION</u>
1	15472	Window Support, Flush Rack Mounting, Right	19	15473	Window Support, Flush Rack Mounting, Left
2	15458	Window Support, Extended Rack Mounting Right	20	15455-01	Magnet Retainer Assembly Rack Mount Trim
3	15374	Window Support, Table Top, Right	21	15453-01	Trim, Rack Mount, Dark Gray
4	15665	Plate, Door Hinge, Right	22	70030-04	Screw, Pan Head Slotted 6-32 X 1/4"
5	15664	Cover, Front, Decorative	23	70168-06	Lockwasher, #6
6	15669	Gasket, Upper Door, Model 33F	24	15169	Washer, Window
7	70038-04	Screw, Flat Head Slotted, 4-40 X 1/4"	25	70030-06	Screw, Pan Head Slotted 6-32 X 3/8"
8	10545	Lamp, Midget Flange	26	70170-14	'E' Retainer Ring
9	70684-04	Lens, Indicator, Red	27	15092	Link, Receiver Actuating
10	15666	Plate, Door Hinge, Left	28	15208	Screw, Pivot, Actuating Link
11	70039-08	Screw, Flat Head Slotted 6-32 X 1/2"	29	15245	Spring, Cartridge Receiver
12	15093	Screw, Pivot, Receiver Actuating Link	30	15094	Arm, Cartridge Receiver
13	70232-06	Lockwasher, #6	31	70230	Rubber Pad
14	70167-06	Nut, Hex, 6-32	32	15091	Screw, Door Pivot
15	15440	Logo Block, Diabolo	33	15088-01	Edge, Bottom, Door Window, Bronze
16	15668-01	Strip, Front Panel Trim, Orange	15088-02	Edge, Bottom, Door Window, Olive	
	15668-03	Strip, Front Panel Trim, Black	34	70166-06	Nut, Hex, 6-32 X 5/16"
	15668-04	Strip, Front Panel Trim, Gray/Green	35	15667	Panel, Switch Mounting
	15668-05	Strip, Front Panel Trim, Blue	36	70031-07	Screw, Pan Head Slotted 8-32 X 7/16"
	15438-01	Narrow Trim Strip (Power)	37	10535-11	Clamp, Cable (Clip-Half-Harness)
	15439-01	Narrow Trim Strip (Protect)	38	10537	"D" Washer
17	15375	Window Support, Table Top, Left	39	70168-08	Lockwasher, #8
18	15459	Window Support, Extended Rack Mounting Left	40	70166-08	Nut, Hex, 8-32

<u>ITEM NO.</u>	<u>PART NO.</u>	<u>DESCRIPTION</u>
41	70039-04	Screw, Flat Head Slotted 6-32 X 1/4"
42	70682	Socket, Indicator, Push-to Test
43	15217	Bracket, Push-to-Test Switch
44	70038-03	Screw, Flat Head Slotted, 4-40 X 3/16"

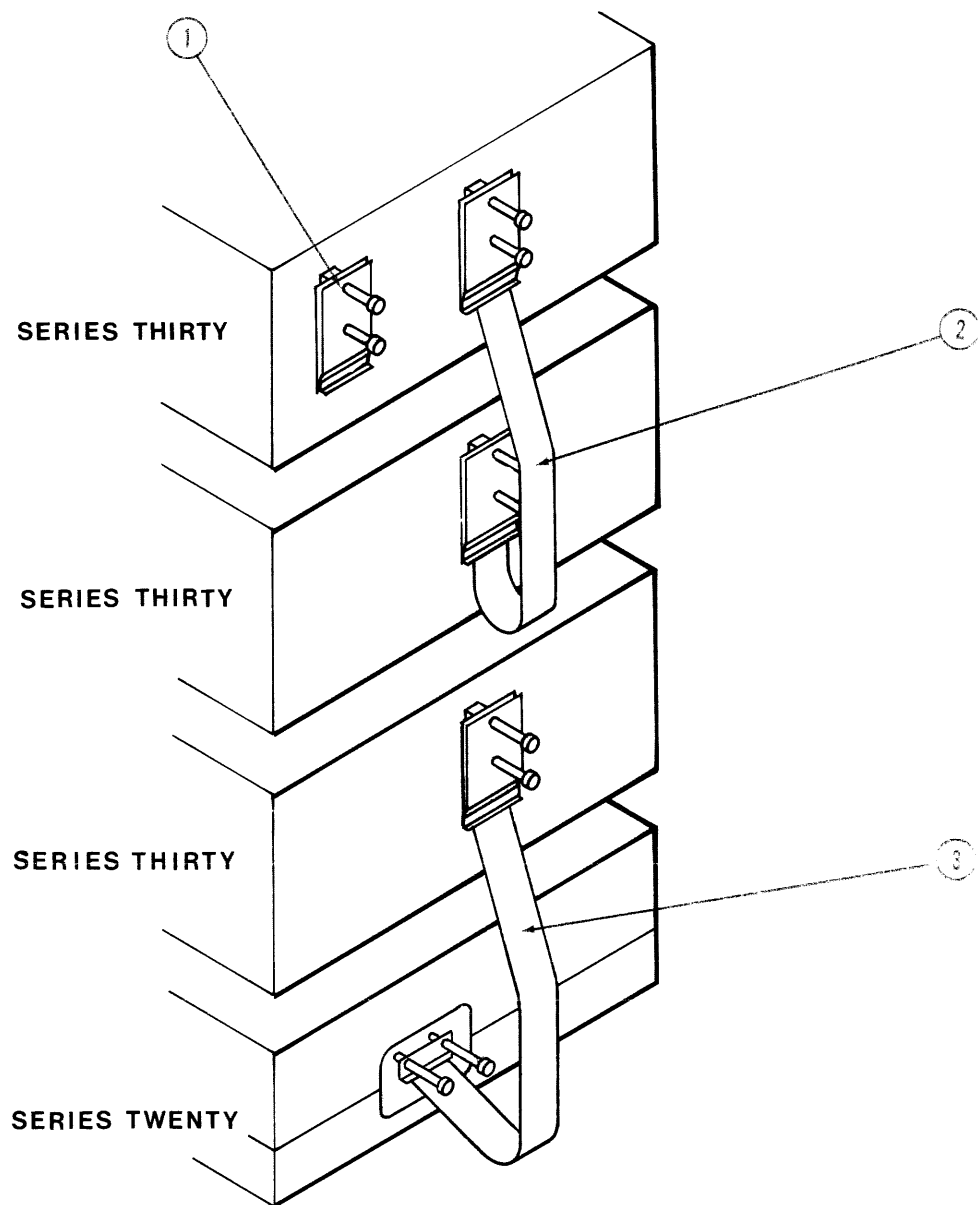


Figure 6-1
 INTERCONNECTING/TRANSITION CABLES AND TERMINATORS (TYPICAL)

SECTION VI

INTERCONNECTING/TRANSITION CABLES & TERMINATORS

<u>ITEM NO.</u>	<u>PART NO.</u>	<u>DESCRIPTION</u>	<u>ITEM NO.</u>	<u>PART NO.</u>	<u>DESCRIPTION</u>
1	11175-01	S/30 Terminator Assembly w/Erase Gate Option (F)	11824-07	S/30-S/20 Transition Cable Assembly, 7 Ft.	
	11175-03	S/30 Terminator Assembly w/o Erase Gate Option (F)		F-S/30 end	
	11174-01	S/30 Terminator Assembly w/Erase Gate Option (M)	11822-05	S/30-S/20 Transition Cable Assembly, Attn	
	11174-03	S/30 Terminator Assembly w/o Erase Gate Option (M)		Option, 5 Ft. M-S/30 end	
	11098-01	S/30 Terminator Assembly w/o Resistors (M)	11822-07	S/30-S/20 Transition Cable Assembly, Attn	
	11098-02	S/30 Terminator Assembly w/o Resistors (F)		Option, 7 Ft. M-S/30 end	
			11823-05	S/30-S/20 Transition Cable Assembly, Attn	
				Option, 5 Ft. F-S/30 end	
			11823-07	S/30-S/20 Transition Cable Assembly, Attn	
				Option, 7 Ft. F-S/30 end	
2	11102-36	S/30-S/30 Transition Cable Assembly, 3 Ft. (F/F)			
	11102-60	S/30-S/30 Transition Cable Assembly, 5 Ft. (F/F)			
	11102-84	S/30-S/30 Transition Cable Assembly, 7 Ft. (F/F)			
	11102-108	S/30-S/30 Transition Cable Assembly, 9 Ft. (F/F)			
	11102-120	S/30-S/30 Transition Cable Assembly, 10 Ft. (F/F)			
	11102-144	S/30-S/30 Transition Cable Assembly, 12 Ft. (F/F)			
	11105-36	S/30-S/30 Transition Cable Assembly, 3 Ft. (M/M)			
	11105-60	S/30-S/30 Transition Cable Assembly, 5 Ft. (M/M)			
	11105-84	S/30-S/30 Transition Cable Assembly, 7 Ft. (M/M)			
	11105-108	S/30-S/30 Transition Cable Assembly, 9 Ft. (M/M)			
	11105-120	S/30-S/30 Transition Cable Assembly, 10 Ft. (M/M)			
	11105-144	S/30-S/30 Transition Cable Assembly, 12 Ft. (M/M)			
	11245-36	S/30-S/30 Transition Cable Assembly, 3 Ft. (M/F)			
	11245-60	S/30-S/30 Transition Cable Assembly, 5 Ft. (M/F)			
	11245-84	S/30-S/30 Transition Cable Assembly, 7 Ft. (M/F)			
	11245-108	S/30-S/30 Transition Cable Assembly, 9 Ft. (M/F)			
	11245-120	S/30-S/30 Transition Cable Assembly, 10 Ft. (M/F)			
	11245-132	S/30-S/30 Transition Cable Assembly, 11 Ft. (M/F)			
	11245-144	S/30-S/30 Transition Cable Assembly, 12 Ft. (M/F)			
3	11813-05	S/30-S/20 Transition Cable Assembly, 5 Ft. M-S/30 end			
	11813-07	S/30-S/20 Transition Cable Assembly, 7 Ft. M-S/30 end			
	11824-05	S/30-S/20 Transition Cable Assembly, 5 Ft. F-S/30 end			

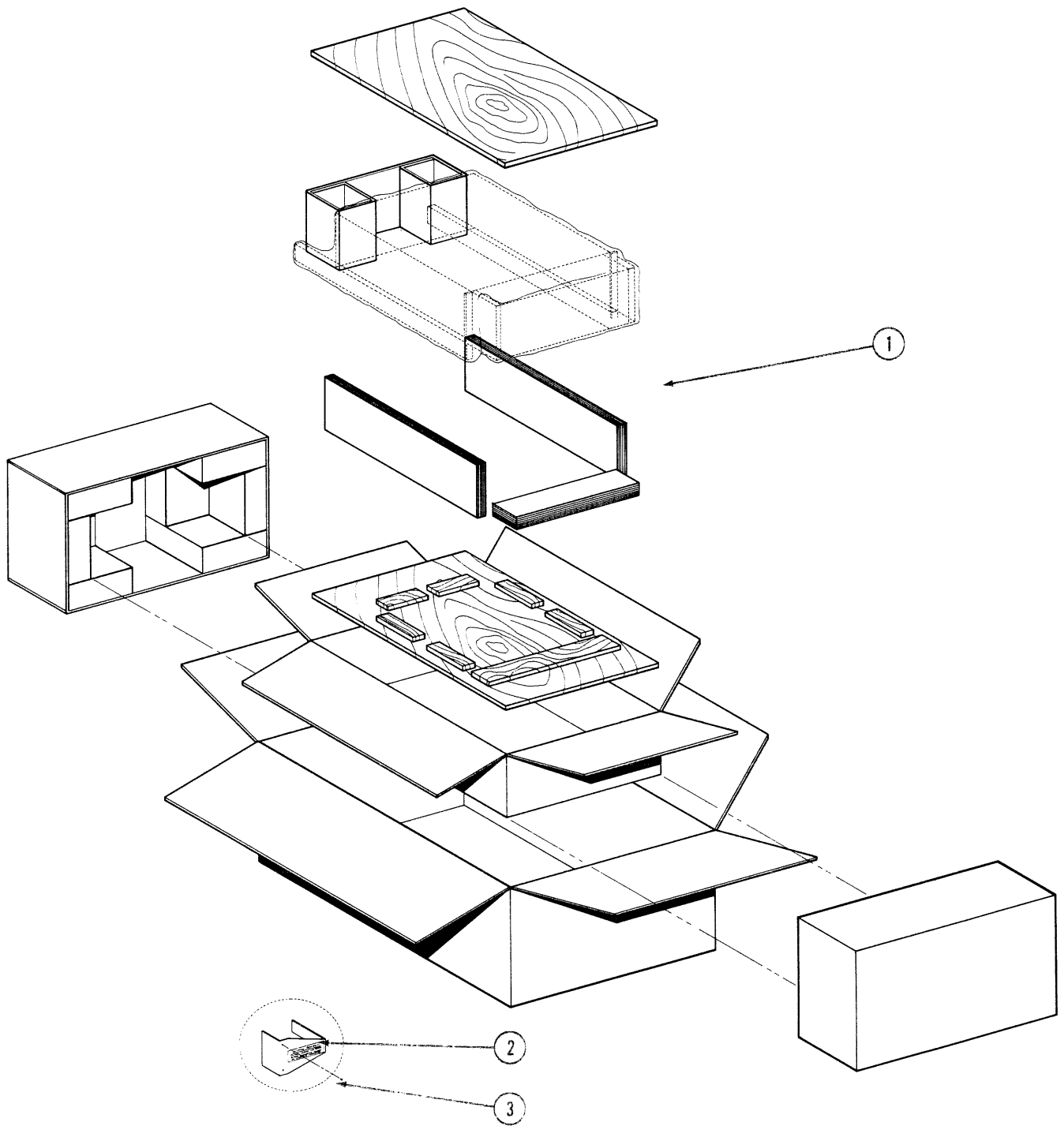


Figure 7-1
SHIPPING CONTAINER ASSEMBLY AND PARTS

SECTION VII

SHIPPING CONTAINER ASSEMBLIES AND PARTS

<u>ITEM NO.</u>	<u>PART NO.</u>	<u>DESCRIPTION</u>
1	15583	Shipping Container Assembly
2	15587	Shipping Restraint Assembly
3	70039-12	Screw, Flat Head Slotted 6-32 X 3/4"
(Not Shown)	15376-01	Slide Assembly, Left (for rack mounting)
(Not Shown)	15376-02	Slide Assembly, Right (for rack mounting)
(Not Shown)	15558	Rack-to-Rail Mounting Bracket
(Not Shown)	15591-01	Mounting Hardware Kit
(Not Shown)	11188	DC Power Cable (S/30 to Model 029 Power Supply)