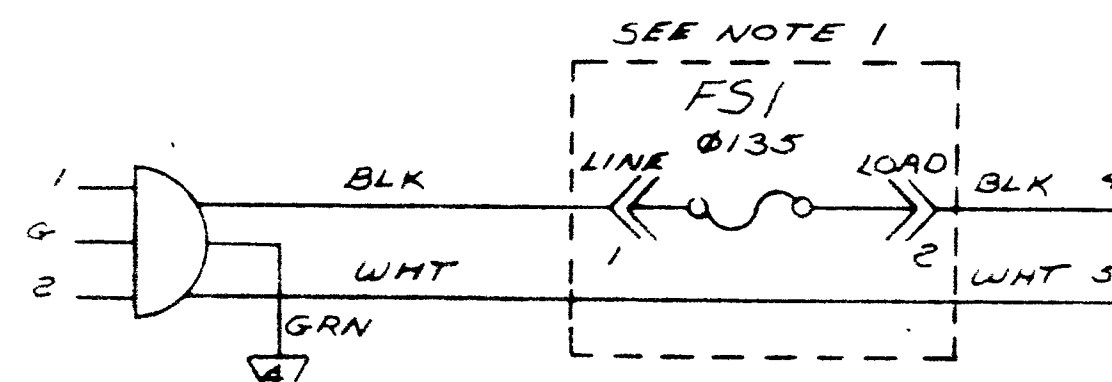
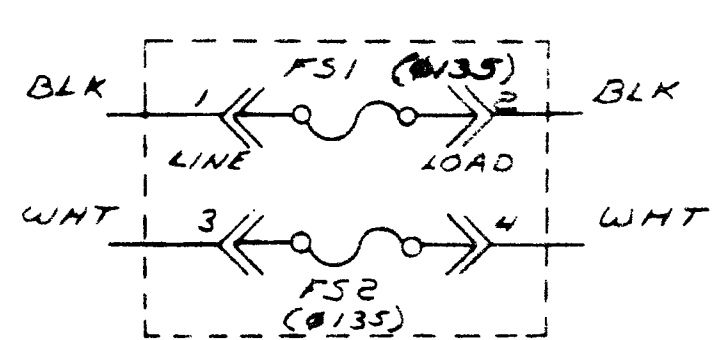


DRAWING AND SPECIFICATIONS HEREIN ARE THE PROPERTY OF DATA GENERAL CORPORATION AND SHALL NOT BE REPRODUCED OR COPIED OR USED IN WHOLE OR IN PART AS THE BASIS FOR MANUFACTURE OR SALE OF ITEMS WITHOUT WRITTEN PERMISSION.

REVISIONS				
REV	DESCRIPTION	DRFTG	APP BY	DATE
00	ASLD FOR ECO A111			
01	ECB A117			
02	ECO A182			
03	ECO A180			
04	ECO B173			
05	ECO B188			
06	ECO B635			
07	ECO B538			
08	ECO 4920			
09	ECO 4975			
10	ECO 5225			
11	ECO 7065			
12	ECO 7264			
13	ECO D270			
14	ECO 7936			

NOTES:  
1. FSI SHOWN FOR 120V OPERATION (Ø146); FOR 220V, USE Ø126 AND SCHEMATIC BECOMES:

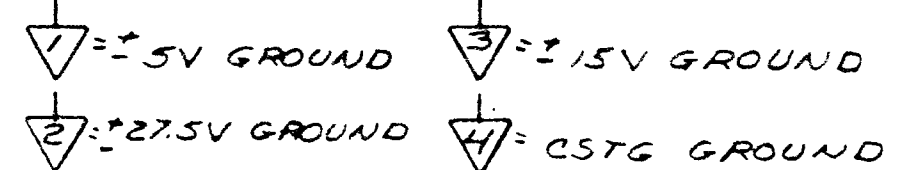


2. TBI & TI CONFIGURATION SHOWN FOR 120 VAC 60 HZ OPERATION - REFER TO TABLE BELOW FOR OTHER TRANSFORMER & JUMPER (TBI) CONFIGURATIONS.

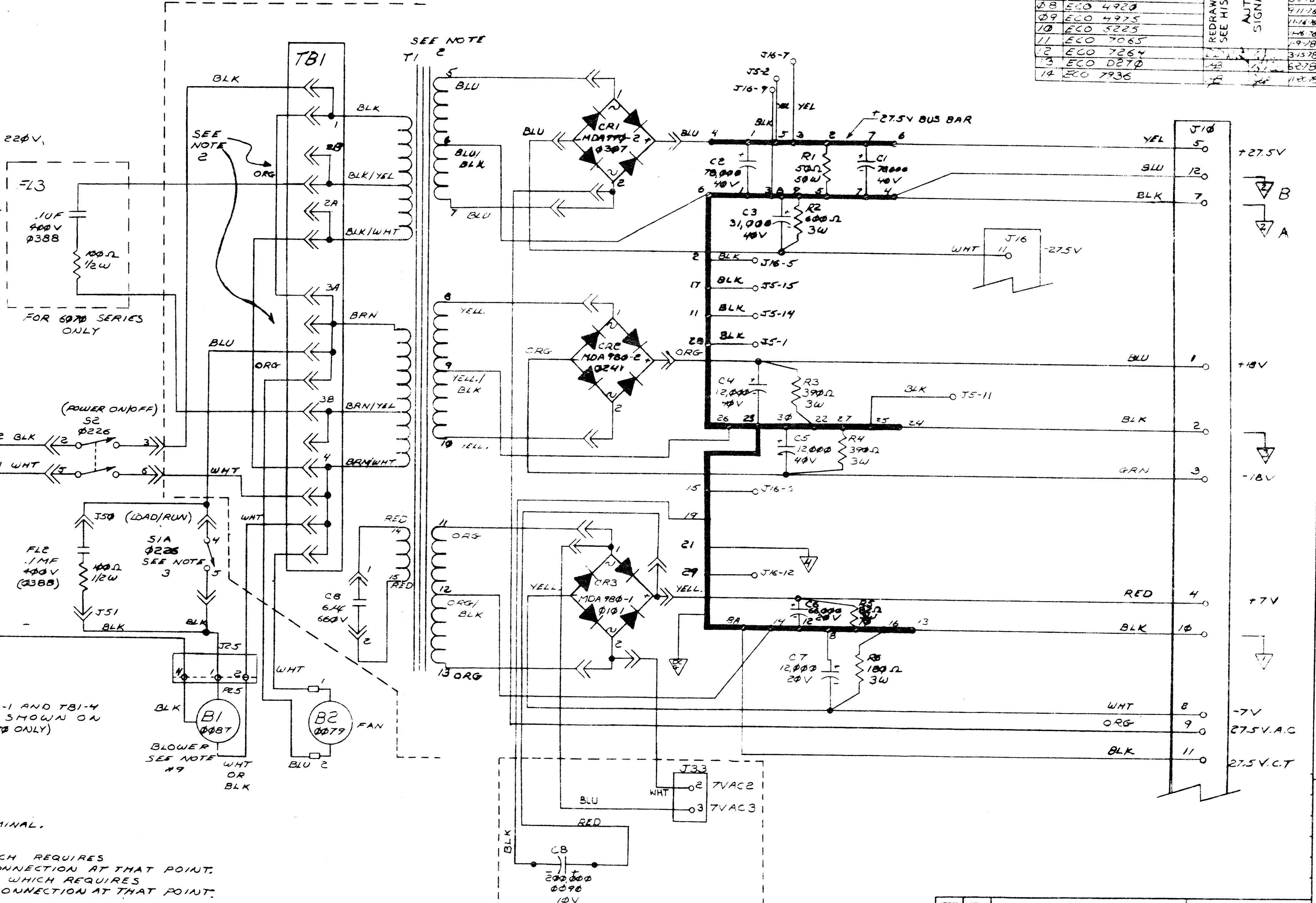
VOLTAGE	CONNECT FROM	JUMPER TO	FSI/FS2 USE TI PART #
120 VAC	TBI-1	TBI-3A	113-000135
120 VAC	TBI-2A	TBI-4	104-000138
100 VAC	TBI-1	TBI-3B	113-000135(2)
100 VAC	TBI-2B	TBI-4	104-000157
220 VAC	TBI-1	TBI-3B	113-000135(2)
220 VAC	TBI-2B	TBI-4	104-000157
240 VAC	TBI-2A	TBI-3A	113-000135(2)

LINE VOLTAGE SPEC TO BE: TØ% -15%

NOTE: THAT AC INPUT VOLTAGE IS ALWAYS APPLIED BETWEEN TBI-1 AND TBI-4  
3. SW1 IS A DPST SWITCH AND THE OTHER POLE IS SHOWN ON SCHEMATIC ØØ1-ØØØ-Ø73, SHEET 1, OR ØØ1-ØØØ1216.(ØØ7Ø ONLY)  
4. CODE FOR ALL GROUND RETURNS.



- 5. F / (LA) DESIGNATES A PUSH-ON (FASTON TYPE) TERMINAL.
- 6. ——— DESIGNATES A SOLDERED CONNECTION.
- 7. —•— DESIGNATES A SCREW CONNECTION WHICH REQUIRES EYE LUGS ON EACH WIRE JOINING THE CONNECTION AT THAT POINT.
- 8. —○— DESIGNATES A THREADED TERMINAL W/ NUT WHICH REQUIRES EYE LUGS ON EACH WIRE JOINING THE CONNECTION AT THAT POINT.
- 9. BLOWER B1 SHOWN FOR 6Ø HZ OPERATION, FOR 5Ø HZ OPERATION USE 115-ØØØØ



FOR 6Ø7Ø SERIES ONLY

ITEM	QTY	DESCRIPTION	PART NO
DO NOT SCALE DRAWING UNLESS OTHERWISE SPECIFIED USE D.G.C. SPECIFICATION 108-000028 FOR TOLERANCES AND WORKMANSHIP REQUIREMENTS			
MATERIAL			
FINISH			
DRAWN: <i>[Signature]</i>		DATA GENERAL CORPORATION	
CHECKED: <i>[Signature]</i>		SOUTHBORO, MASS. 01772	
ENGINEER: <i>[Signature]</i>		TITLE	
APPROVED: <i>[Signature]</i>		SCHEMATIC, PAN, POWER SUPPLY	
FIRST USED ON: 025005943		SCALE: 34984	
CODE: D 231		DRAWING NUMBER: 000902	
REV: 14			

D  
C  
B  
A

D  
C  
B  
A