

REVISIONS				
REV	DESCRIPTION	DRFTG	APP BY	DATE
02	PER ECO 9844	PAUL B.	D.L.W.	12/5/79

001002611-02
 107000986-02
 003001374-04

THIS DRAWING AND SPECIFICATIONS HEREON ARE THE PROPERTY OF DATA GENERAL CORPORATION AND SHALL NOT BE REPRODUCED OR COPIED OR USED IN WHOLE OR IN PART AS THE BASIS FOR MANUFACTURE OR SALE OF ITEMS WITHOUT WRITTEN PERMISSION.

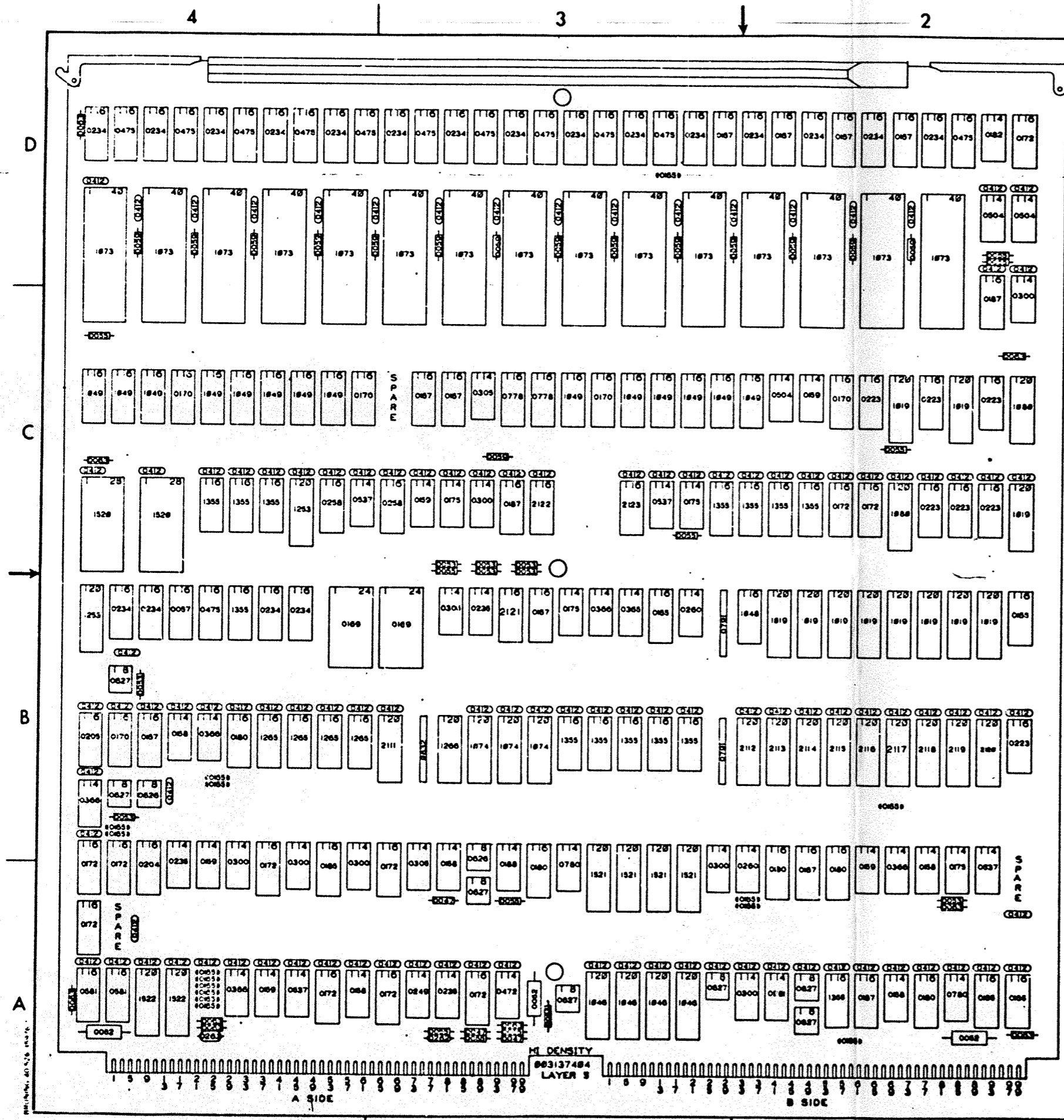
DRAWN	PAUL B	12-5-79
CHECKED	<i>[Signature]</i>	12/5/79
ENGINEER	D.L. WILSON	12/5/79
APPROVED		
FIRST USED ON	003001374-0	
	006012973-7	
SCALE		CODE IDENT

DATA GENERAL CORPORATION
 WESTBORO, MASS. 01581

TITLE
IPL NOVA 4 FLOATING POINT UNIT

SIZE	CODE	DRAWING NUMBER	REV
C	016	000865	02

SHEET 1 OF 2



REVISIONS				
REV	DESCRIPTION	DRFTG	APP BY	DATE

THIS DRAWING AND SPECIFICATIONS HEREIN ARE THE PROPERTY OF DATA GENERAL CORPORATION AND SHALL REMAIN THE PROPERTY OF DATA GENERAL CORPORATION IN WHOLE OR IN PART AT ALL TIMES FOR MANUFACTURE OR SALE OF THIS DRAWING WITHOUT WRITTEN PERMISSION.

DRAWN	PAUL B	12/79
CHECKED	<i>[Signature]</i>	12/79
ENGINEER	D.L. Williams	12/79
APPROVED		
FIRST USED CP# 006012378-U		
005012373-7		
SCALE		CODE IDENT

DATA GENERAL CORPORATION
WESTBORO, MASS. 01581

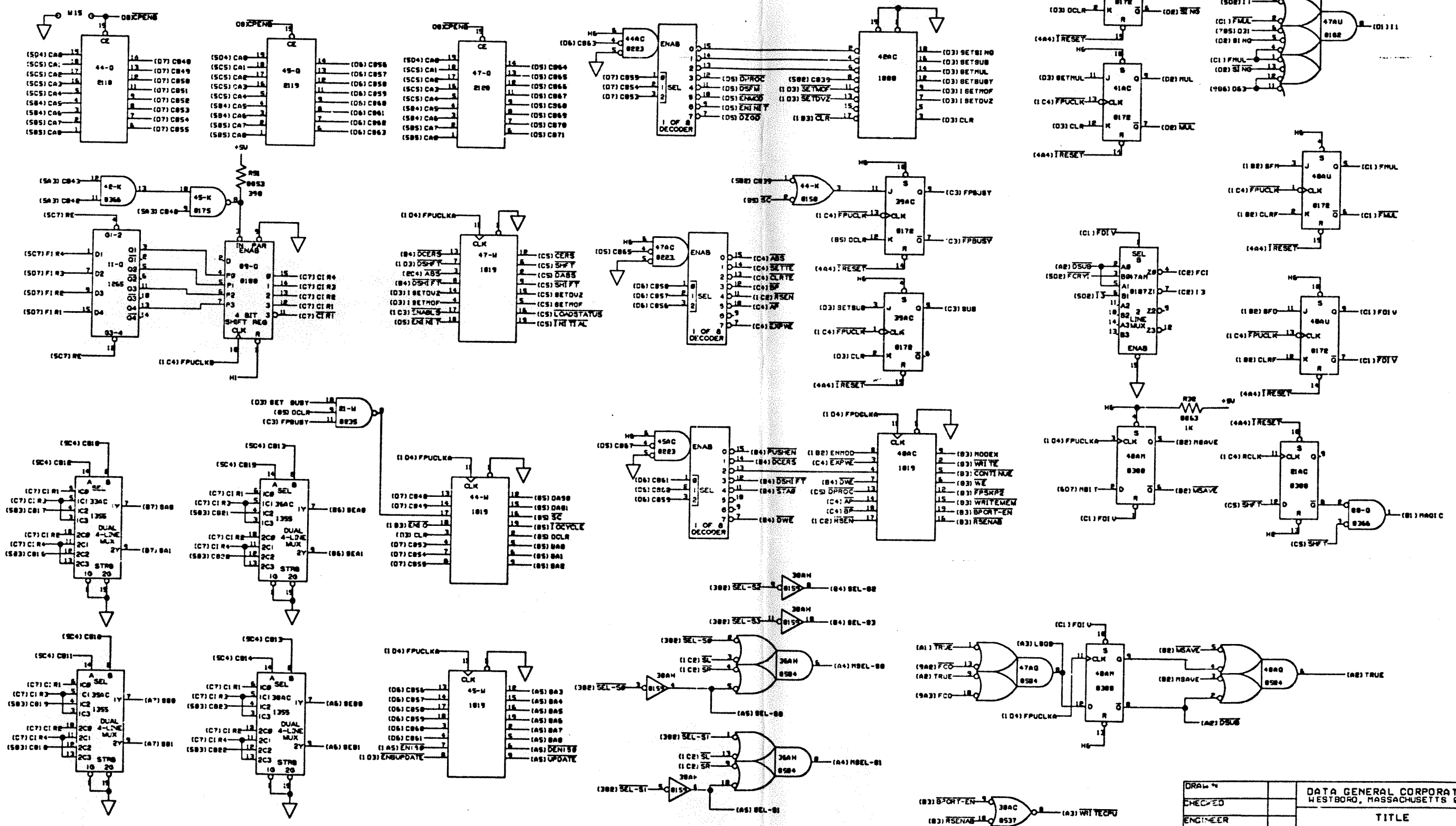
TITLE
IPL
NOVA 4
FLOATING POINT UNIT

SIZE	CODE	DRAWING NUMBER	REV
C 016		000865	02

1 SHEET 2 OF 2

THIS DRAWING AND SPECIFICATIONS, HEREIN, ARE THE PROPERTY OF DATA GENERAL CORPORATION AND SHALL NOT BE REPRODUCED OR COPIED IN WHOLE OR IN PART AS THE BASIS FOR MANUFACTURE OR SALE OF ITEMS WITHOUT WRITTEN PERMISSION.

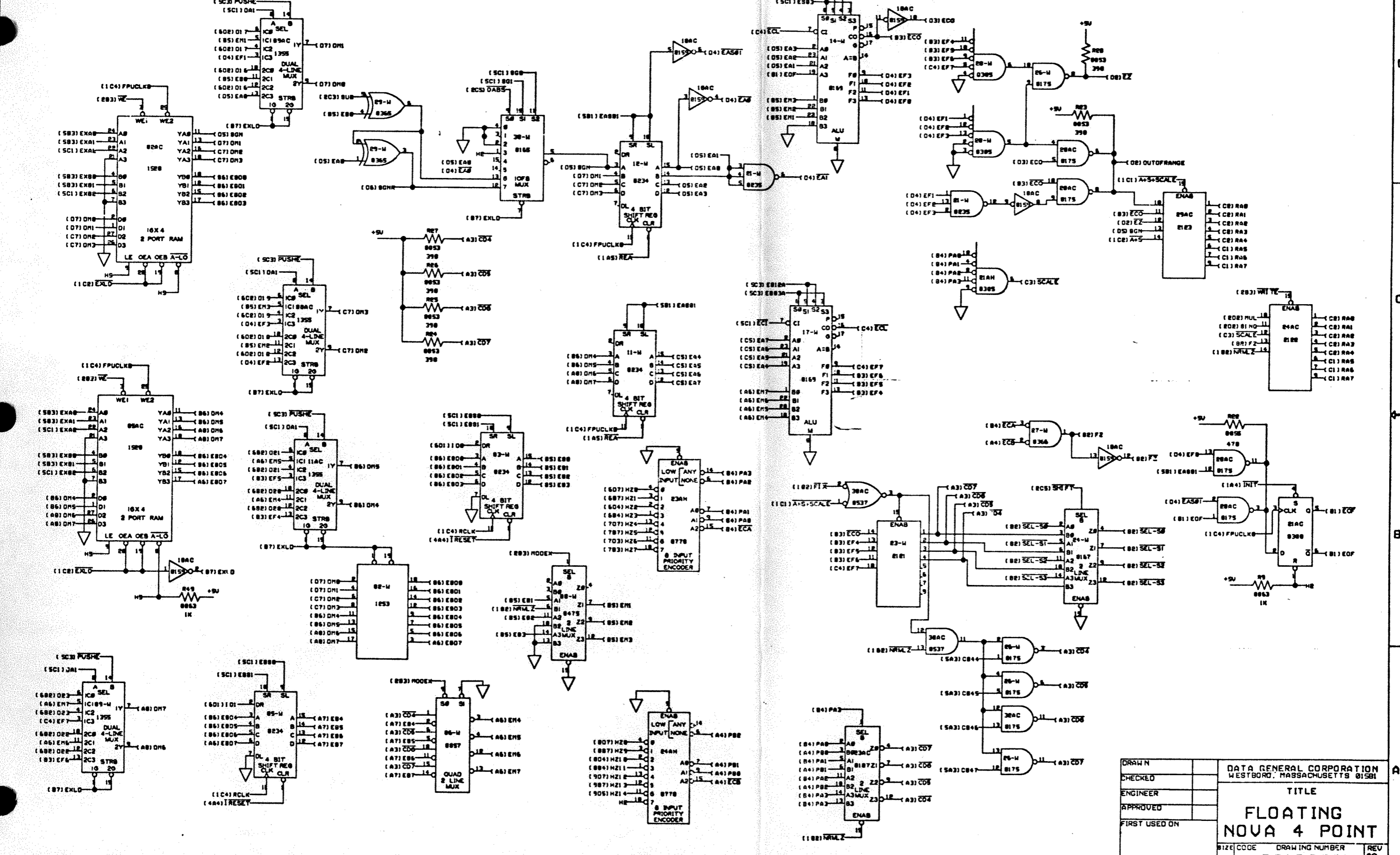
REVISIONS				
REV	DESCRIPTION	DRFTS	APP BY	DATE



DRAWN		DATA GENERAL CORPORATION WESTBORD, MASSACHUSETTS 01581 TITLE FLOATING NOVA 4 POINT SIZE CODE DRAWING NUMBER REV 0 001002611 02
CHECKED		
ENGINEER		
APPROVED		
FIRST - SED ON		

THIS DRAWING AND SPECIFICATIONS, HEREIN, ARE THE PROPERTY OF DATA GENERAL CORPORATION AND SHALL NOT BE REPRODUCED OR COPIED IN WHOLE OR IN PART BY ANY OTHER PERSON OR ENTITY WITHOUT WRITTEN PERMISSION.

REVISIONS			
REV	DESCRIPTION	DRFTG	APP BY

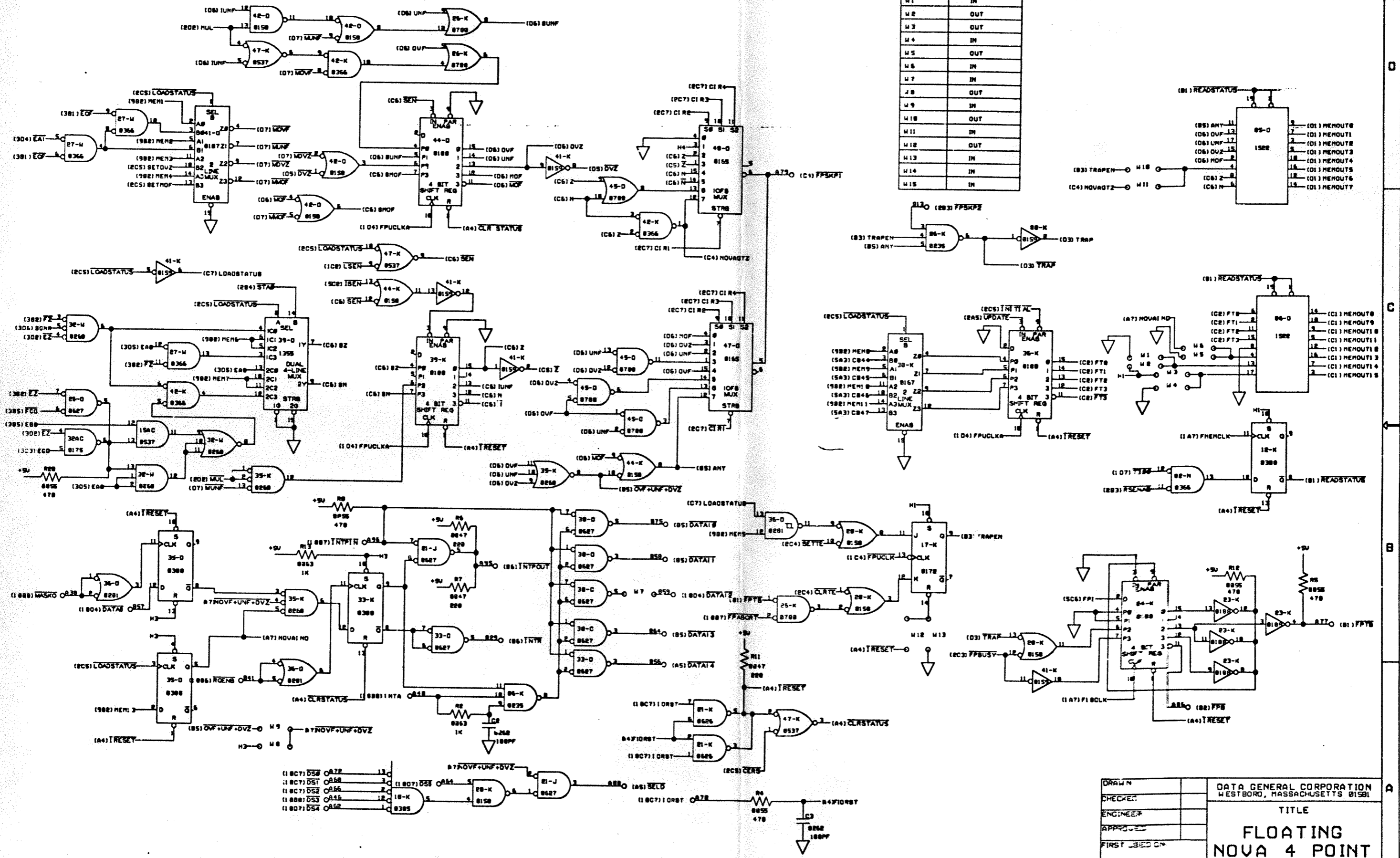


DRAWN		DATA GENERAL CORPORATION WESTBORO, MASSACHUSETTS 01581	
CHECKED		TITLE	
ENGINEER		FLOATING NOVA 4 POINT	
APPROVED		SIZE CODE	DRAWING NUMBER
FIRST USED ON		0	001002611 02
		REV	

THIS DRAWING AND SPECIFICATIONS HEREIN, ARE THE PROPERTY OF DATA GENERAL CORPORATION AND SHALL NOT BE REPRODUCED OR COPIED OR USED IN WHOLE OR IN PART AS THE BASIS FOR MANUFACTURE OR SALE OF ITEMS WITHOUT WRITTEN PERMISSION.

REVISIONS				
REV	DESCRIPTION	DRFTG	APP BY	DATE

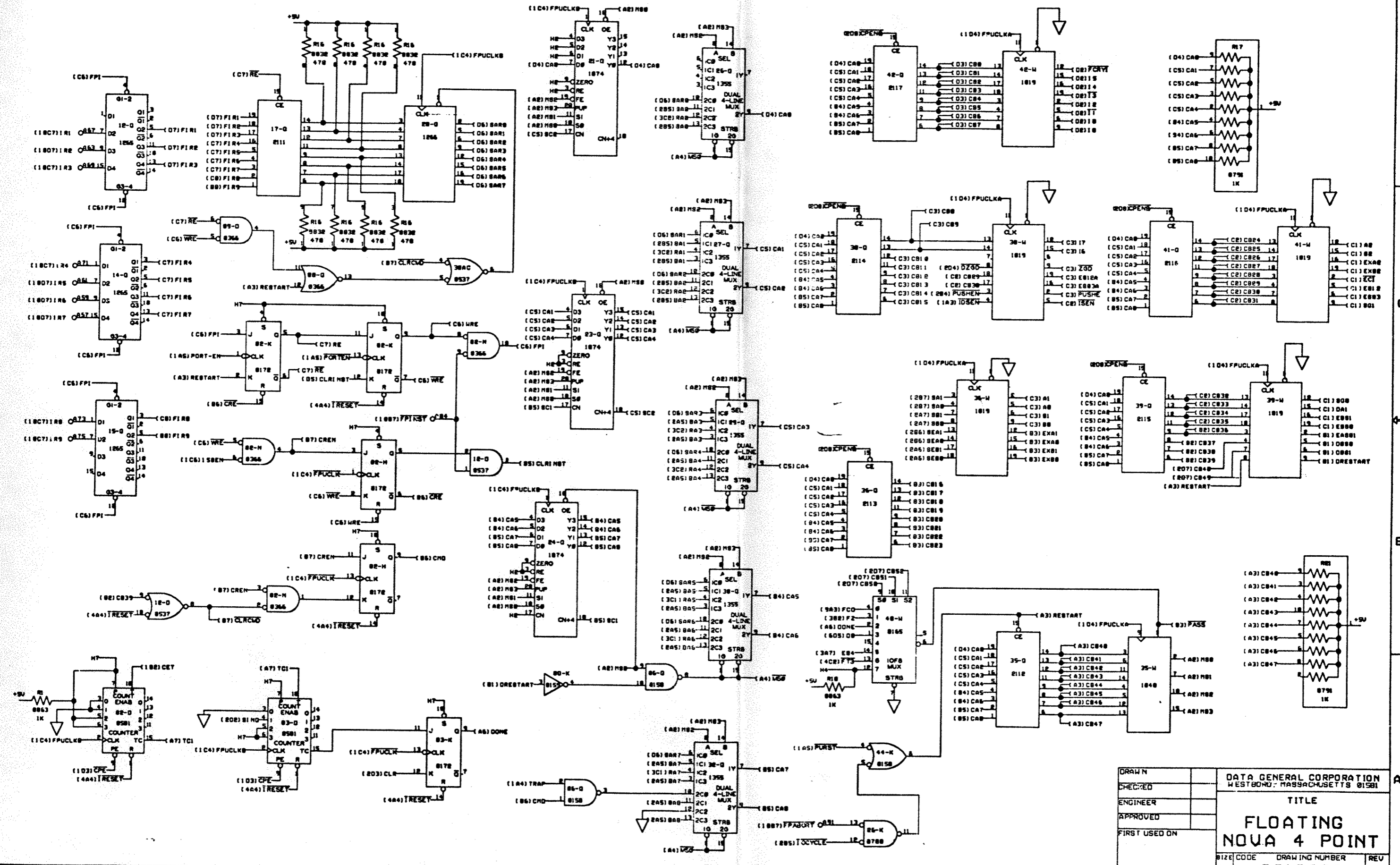
NOVA	FPU	JUMPERS
W1		IN
W2		OUT
W3		OUT
W4		IN
W5		OUT
W6		IN
W7		IN
W8		OUT
W9		IN
W10		OUT
W11		IN
W12		OUT
W13		IN
W14		IN
W15		IN



DRAWN	DATA GENERAL CORPORATION
CHECKER	WESTBORD, MASSACHUSETTS 01581
ENGINEER	TITLE
APPROVED	FLOATING NOVA 4 POINT
FIRST USED ON	SIZE CODE DRAWING NUMBER REV
	0 001002611 02

THIS DRAWING AND SPECIFICATIONS, HEREIN, AND THE PROPERTY OF DATA GENERAL CORPORATION AND SHALL NOT BE REPRODUCED OR COPIED OR USED IN WHOLE OR IN PART AS THE BASIS FOR MANUFACTURE OR SALE OF ITEMS WITHOUT WRITTEN PERMISSION.

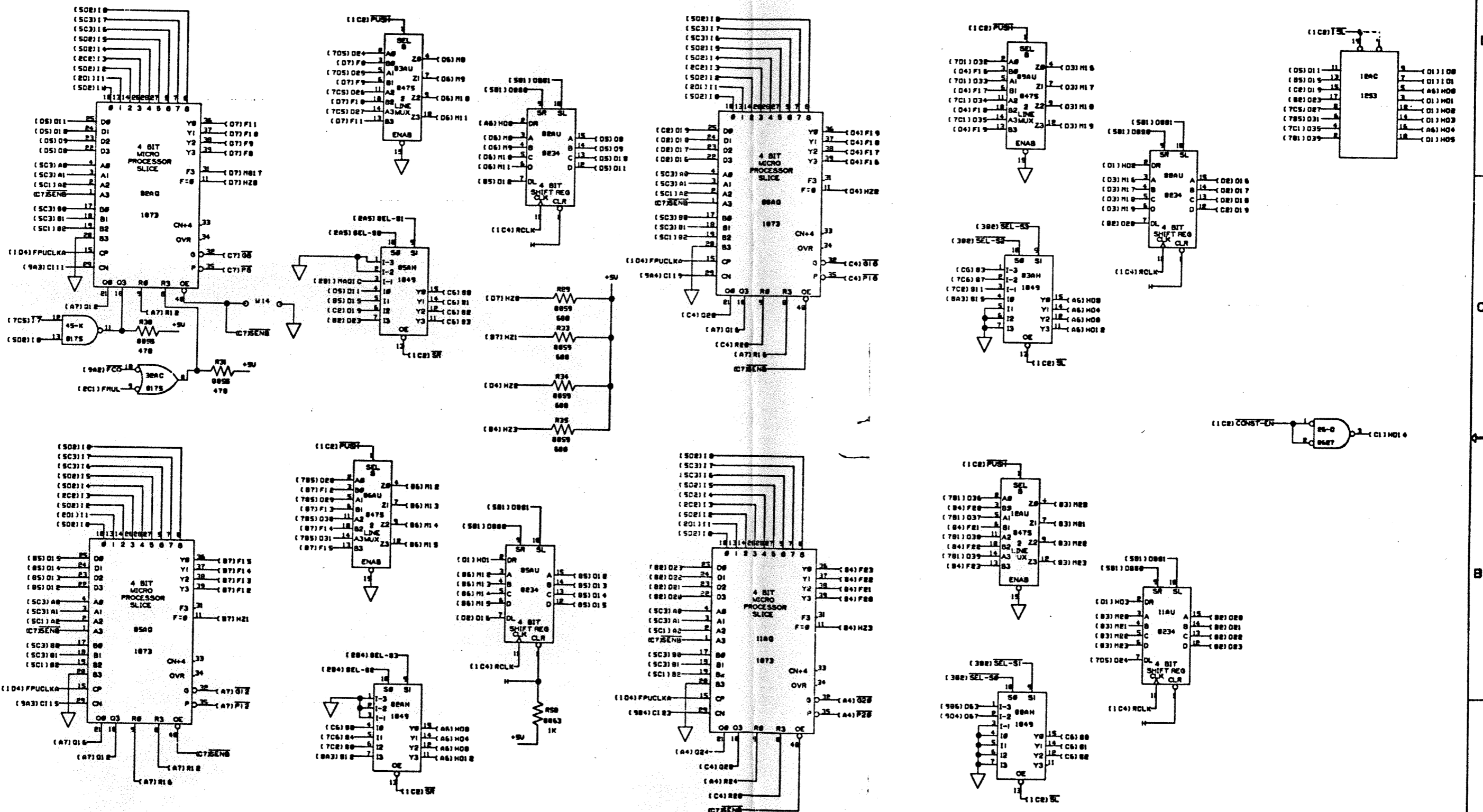
REVISIONS			
REV	DESCRIPTION	DRFTG	APP BY



DRAWN		DATA GENERAL CORPORATION WESTBORO, MASSACHUSETTS 01581	
CHECKED		TITLE	
ENGINEER		FLOATING NOVA 4 POINT	
APPROVED		SIZE CODE	DRAWING NUMBER
FIRST USED ON		0	001002611 02

THIS DRAWING AND SPECIFICATIONS, HEREIN, ARE THE PROPERTY OF DATA GENERAL CORPORATION AND SHALL NOT BE REPRODUCED OR COPIED OR USED IN WHOLE OR IN PART AS THE BASIS FOR MANUFACTURE OR SALE OF ITEMS WITHOUT WRITTEN PERMISSION.

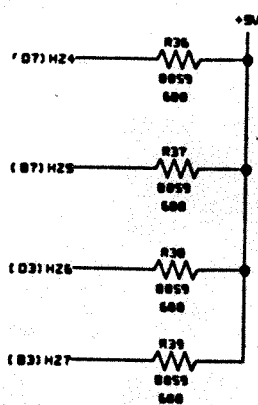
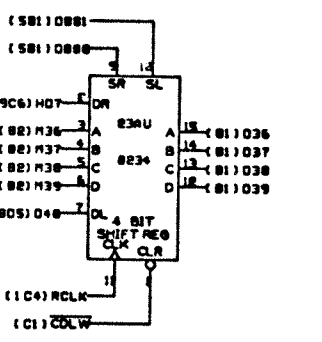
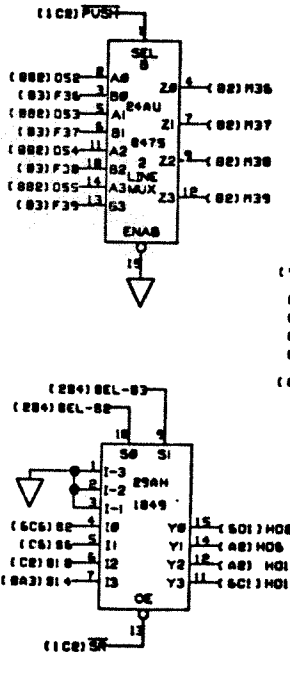
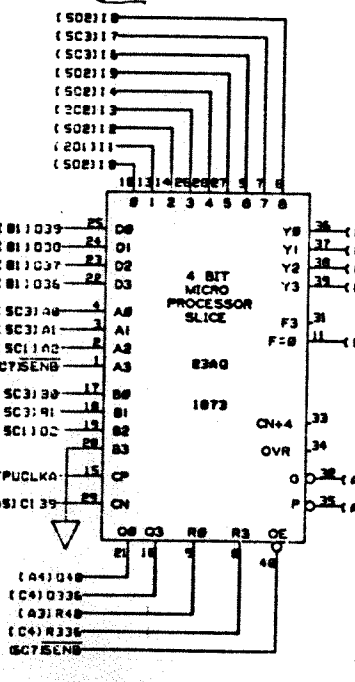
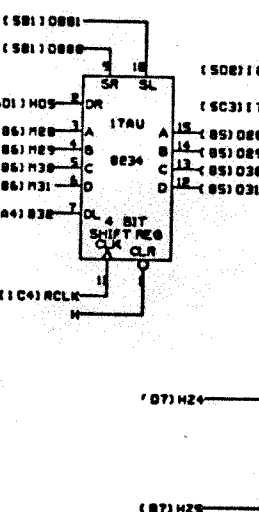
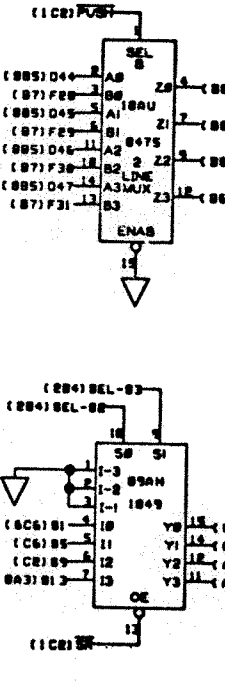
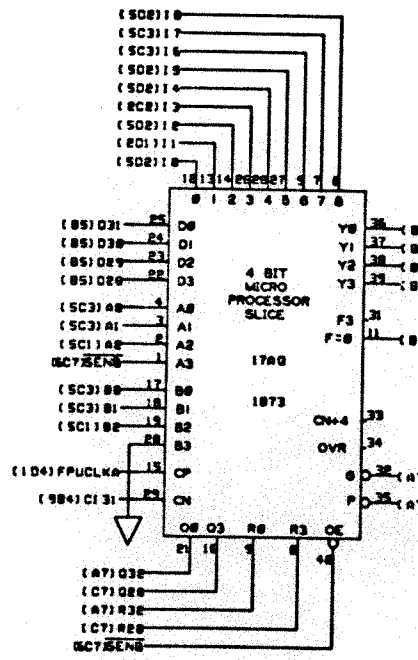
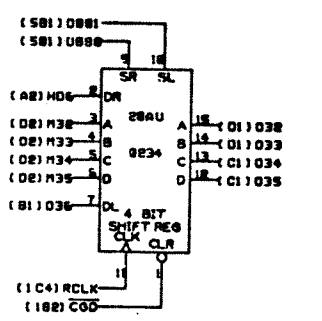
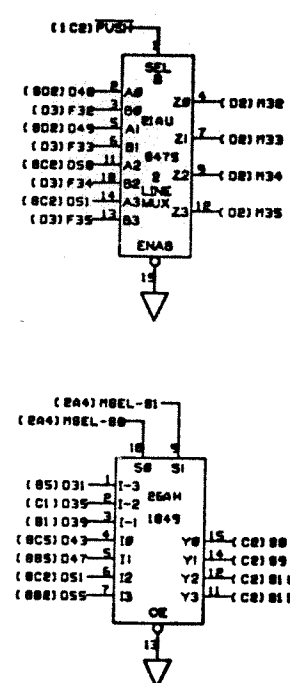
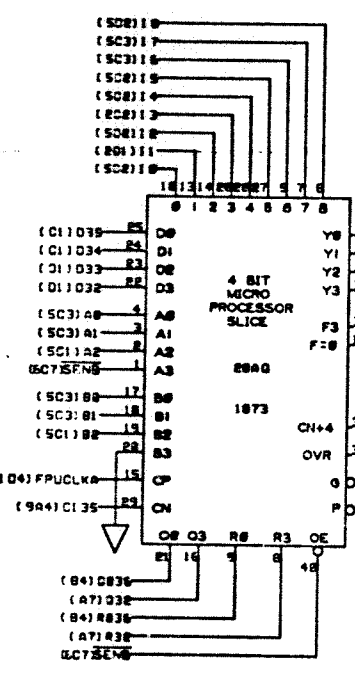
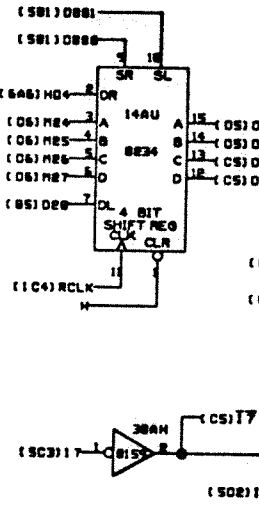
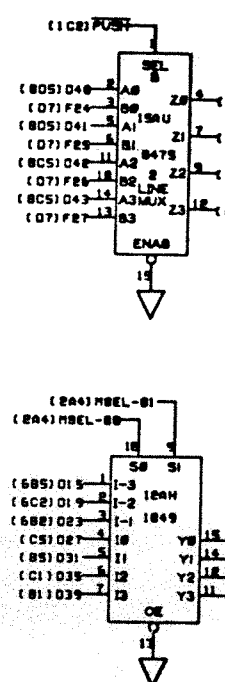
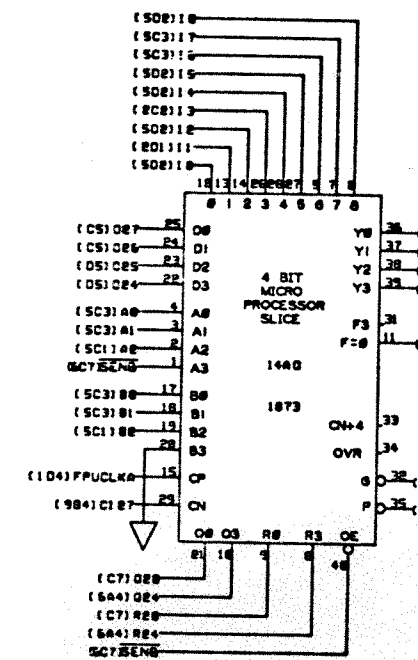
REVISIONS			
REV	DESCRIPTION	DRFTG	APP BY DATE



DRAWN		DATA GENERAL CORPORATION WESTBORD, MASSACHUSETTS 01581 TITLE FLOATING NOVA 4 POINT SIZE CODE DRAWING NUMBER REV 0 001002611 02
CHECKED		
ENGINEER		
APPROVED		
FIRST USED ON		
SHEET 6 of 1		

THIS DRAWING AND SPECIFICATIONS, HEREON, ARE THE PROPERTY OF DATA GENERAL CORPORATION AND SHALL NOT BE REPRODUCED OR COPIED IN WHOLE OR IN PART OR FOR ANY PURPOSES WITHOUT THE WRITTEN PERMISSION OF DATA GENERAL CORPORATION.

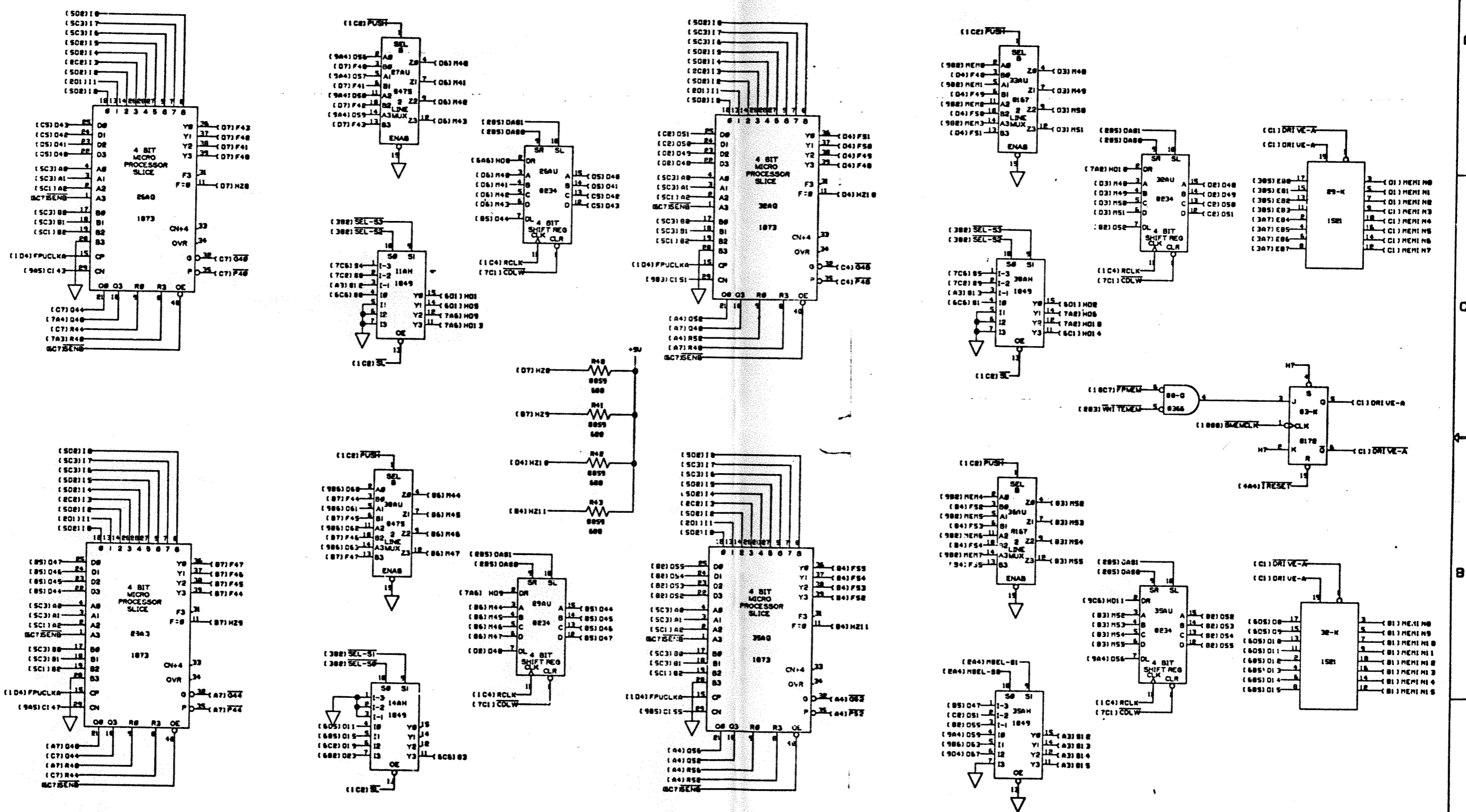
REVISIONS				
REV	DESCRIPTION	DRFTG	APP BY	DATE



DRAWN		DATA GENERAL CORPORATION WESTBORO, MASSACHUSETTS 01581		
CHECKED		TITLE		
ENGINEER		FLOATING NOVA 4 POINT		
APPROVED		SIZE	CODE	DRAWING NUMBER
FIRST USED ON		0		001002611 02
				REV
				1

THIS DRAWING AND SPECIFICATIONS, HEREIN, AND THE PROPERTY OF DATA GENERAL CORPORATION AND SHALL NOT BE REPRODUCED OR COPIED IN ANY MANNER OR BY ANY MEANS WITHOUT WRITTEN PERMISSION.

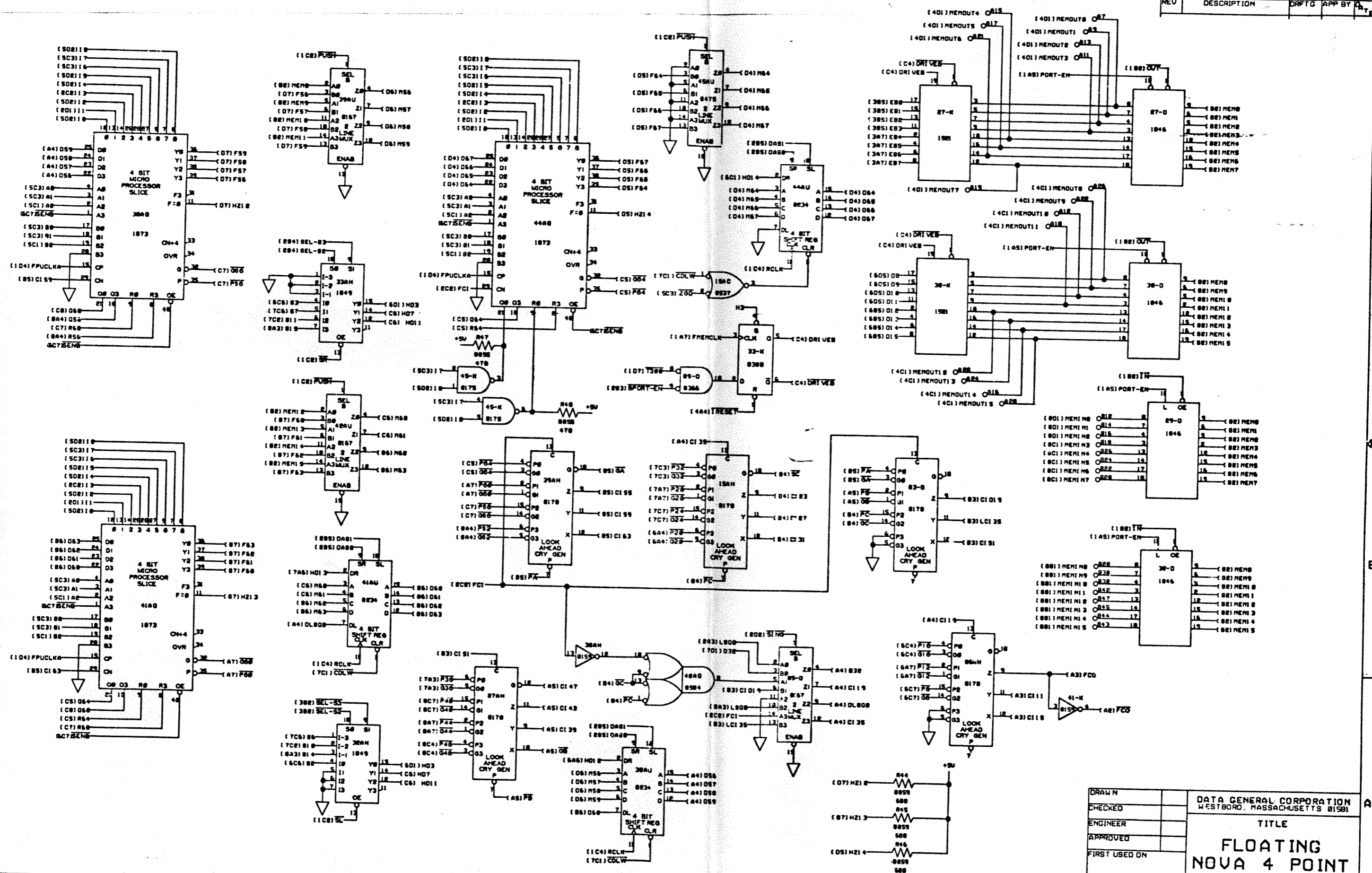
REVISIONS			
REV	DESCRIPTION	DRFTG	APP BY



DRAWN	DATA GENERAL CORPORATION
CHECKED	WESTBORO, MASSACHUSETTS 01581
ENGINEER	TITLE
APPROVED	FLOATING
FIRST USED ON	NOVA 4 POINT
	SIZE CODE DRAWING NUMBER REV
	001002611 02

THIS DRAWING AND SPECIFICATIONS, HEREIN, ARE THE PROPERTY OF DATA GENERAL CORPORATION AND SHALL NOT BE REPRODUCED OR COPIED OR USED IN WHOLE OR IN PART AS THE BASIS FOR MANUFACTURE OR SALE OF ITEMS WITHOUT WRITTEN PERMISSION.

REVISIONS			
REV	DESCRIPTION	DRAFTG	APP BY



DRAWN		DATA GENERAL CORPORATION WESTBORO, MASSACHUSETTS 01581 TITLE FLOATING NOVA 4 POINT SIZE CODE DRAWING NUMBER REV 0 001002611 02
CHECKED		
ENGINEER		
APPROVED		
FIRST USED ON		

THIS DRAWING AND SPECIFICATIONS, HEREIN, AND THE PROPERTY OF DATA GENERAL CORPORATION AND SHALL NOT BE REPRODUCED OR COPIED IN WHOLE OR IN PART AS THE BASIS FOR MANUFACTURE OR SALE OF ITEMS WITHOUT WRITTEN PERMISSION.

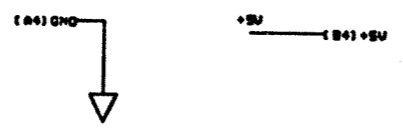
REVISIONS				
REV	DESCRIPTION	DRAFTG	APP BY	DATE

- A881 O (A4) GND
- A882 O (A4) GND
- A883 O (B4) +5V
- A884 O (B4) +5V
- A885 O
- A886 O
- A887 O (401) MEMOUT8
- A888 O
- A889 O (401) MEMOUT1
- A890 O
- A891 O (401) MEMOUT3
- A892 O (4C1) MEMOUT18
- A893 O (401) MEMOUT8
- A894 O (A4) GND
- A895 O (401) MEMOUT4
- A896 O (4C1) MEMOUT14
- A897 O (401) MEMOUT5
- A898 O (4C1) MEMOUT11
- A899 O (401) MEMOUT7
- A900 O (4C1) MEMOUT15
- A901 O (401) MEMOUT6
- A902 O (4C1) MEMOUT9
- A903 O
- A904 O (4C1) MEMOUT13
- A905 O (A4) GND
- A906 O (4C1) MEMOUT8
- A907 O
- A908 O (4C1) MEMOUT12
- A909 O
- A910 O (A4) GND
- A911 O (A4) GND
- A912 O (B8) B10CLR
- A913 O (B8) B40CLR
- A914 O (A4) GND
- A915 O (B8) MASK0
- A916 O (B8) B20CLR
- A917 O (B8) B10NTA
- A918 O (A4) GND
- A919 O
- A920 O (B8) B10VCLR
- A921 O
- A922 O (A4) GND
- A923 O (B8) DS3
- A924 O
- A925 O (B4) +5V
- A926 O (B4) +5V
- A927 O
- A928 O (A4) GND
- A929 O
- A930 O (A4) GND

- A891 O
- A892 O
- A893 O
- A894 O (D7) MEMSTART
- A895 O
- A896 O (D7) IR7
- A897 O
- A898 O
- A899 O (D7) IR8
- A900 O
- A901 O (D7) IR8
- A902 O (D7) DS4
- A903 O (D7) IR8
- A904 O (D7) DS8
- A905 O (A4) GND
- A906 O (C7) DS8
- A907 O (C7) IR1
- A908 O (C7) DS1
- A909 O (C7) IR3
- A910 O (C7) IR8BT
- A911 O (C7) IR4
- A912 O (C7) DS8
- A913 O (C7) IR8
- A914 O
- A915 O (C7) IR9
- A916 O (C7) FPCPU
- A917 O (A8) FPTS
- A918 O (C7) FPCPU
- A919 O (4C3) FPCPU
- A920 O (A8) SEL0
- A921 O
- A922 O
- A923 O (B7) FFINST
- A924 O
- A925 O (A8) FFB
- A926 O
- A927 O
- A928 O
- A929 O (B7) FPCRT
- A930 O
- A931 O
- A932 O
- A933 O
- A934 O
- A935 O (4B6) INTPOUT
- A936 O (B7) INTFIN
- A937 O (B4) +5V
- A938 O (B4) +5V
- A939 O (A4) GND
- A940 O (A4) GND

- B881 O (A4) GND
- B882 O (A4) GND
- B883 O (B4) +5V
- B884 O (B4) +5V
- B885 O
- B886 O
- B887 O
- B888 O
- B889 O
- B890 O
- B891 O (B01) MEMI8
- B892 O (4C3) FPCPU
- B893 O (B01) MEMI1
- B894 O (B01) MEMI8
- B895 O (B01) MEMI8
- B896 O (B01) MEMI8
- B897 O (B01) MEMI8
- B898 O (B01) MEMI8
- B899 O (B01) MEMI8
- B900 O (A4) GND
- B901 O (B01) MEMI8
- B902 O (B01) MEMI8
- B903 O (B01) MEMI8
- B904 O (B01) MEMI8
- B905 O (B01) MEMI8
- B906 O (B01) MEMI8
- B907 O (B01) MEMI8
- B908 O (B01) MEMI8
- B909 O (A8) GND
- B910 O (B01) MEMI8
- B911 O (B01) MEMI8
- B912 O (B01) MEMI8
- B913 O (B01) MEMI8
- B914 O (B01) MEMI8
- B915 O (B01) MEMI8
- B916 O (B01) MEMI8
- B917 O (B01) MEMI8
- B918 O (B01) MEMI8
- B919 O (B01) MEMI8
- B920 O (B01) MEMI8
- B921 O (A4) GND
- B922 O (B01) MEMI8
- B923 O (B01) MEMI8
- B924 O (B01) MEMI8
- B925 O (B01) MEMI8
- B926 O (B01) MEMI8
- B927 O (B01) MEMI8
- B928 O (B01) MEMI8
- B929 O (4B6) INTN
- B930 O (B01) MEMI8
- B931 O
- B932 O (B01) MEMI8
- B933 O
- B934 O
- B935 O
- B936 O
- B937 O
- B938 O
- B939 O (A4) GND
- B940 O
- B941 O (B6) RCENB
- B942 O (B01) MEMI1
- B943 O (B01) MEMI5
- B944 O (B01) MEMI4
- B945 O (B01) MEMI3
- B946 O
- B947 O (B01) MEMI2
- B948 O
- B949 O
- B950 O (A4) GND

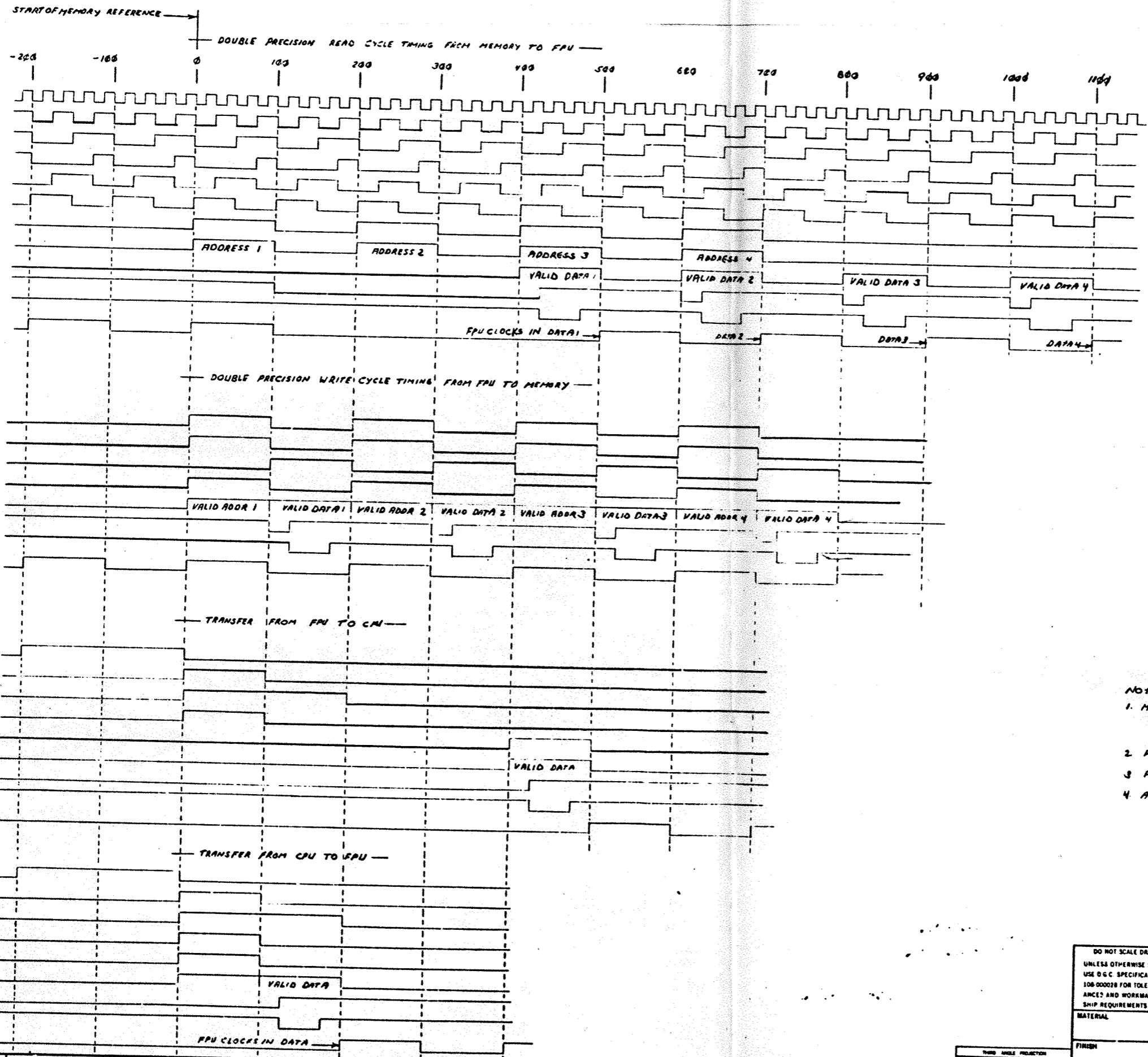
- B891 O
- B892 O
- B893 O
- B894 O
- B895 O (4A5) DATA4
- B896 O (D4) DATA
- B897 O (4B5) DATA1
- B898 O (D4) DATA1
- B899 O
- B900 O
- B901 O
- B902 O
- B903 O
- B904 O (4B5) DATA3
- B905 O
- B906 O
- B907 O
- B908 O (A4) GND
- B909 O
- B910 O
- B911 O
- B912 O
- B913 O
- B914 O
- B915 O (4B5) DATA6
- B916 O
- B917 O
- B918 O
- B919 O
- B920 O
- B921 O
- B922 O
- B923 O
- B924 O
- B925 O (4B5) DATA6
- B926 O
- B927 O
- B928 O
- B929 O (C4) PWRON
- B930 O (A4) GND
- B931 O
- B932 O
- B933 O
- B934 O
- B935 O
- B936 O
- B937 O
- B938 O
- B939 O (A4) GND
- B940 O
- B941 O
- B942 O (A4) GND
- B943 O
- B944 O
- B945 O
- B946 O
- B947 O (B4) +5V
- B948 O (B4) +5V
- B949 O (A4) GND
- B950 O (A4) GND



DRAWN		DATA GENERAL CORPORATION WESTBORO, MASSACHUSETTS 01581 TITLE FLOATING NOVA 4 POINT SIZE CODE DRAWING NUMBER REV 0 001002611 02
CHECKED		
ENGINEER		
APPROVED		
FIRST USED ON		

THIS DRAWING AND SPECIFICATIONS HEREIN ARE THE PROPERTY OF DATA GENERAL CORPORATION AND SHALL NOT BE REPRODUCED OR COPIED OR USED IN WHOLE OR IN PART AS THE BASIS FOR MANUFACTURE OR SALE OF ITEMS WITHOUT WRITTEN PERMISSION.

REVISIONS				
REV	DESCRIPTION	DRFTG	APP BY	DATE



- NOTES:
1. MEMCLK MAY BE NEG LOW IN 100 NS INCREMENTS BY MEMWAIT
 2. MEMSRRY
 2. FOR SINGLE PRECISION TWO WORDS ARE TRANSFERRED
 3. FOR DOUBLE PRECISION FOUR WORDS ARE TRANSFERRED
 4. ALL TIMES ARE IN NANO SECONDS

ITEM		QTY	DESCRIPTION	PART NO.
DO NOT SCALE DRAWING UNLESS OTHERWISE SPECIFIED USE D.G.C. SPECIFICATION 100-000028 FOR TOLERANCES AND WORKMANSHIP REQUIREMENTS				
DRAWN		D.L. WHIPPLE	11/27/75	DATA GENERAL CORPORATION WESTBORO, MASS. 01581 TITLE NOVA 4 FLOATING POINT
CHECKED				
ENGINEER		D.L. WHIPPLE	11/27/75	
APPROVED				
MATERIAL				FIRST USED ON
FINISH				
SCALE	CODE IDENT	SIZE	CODE	DRAWING NUMBER
		D		001002611 02