

***** FIELD MAINTENANCE PRINT SET *****

"THE MATERIAL HEREIN IS FOR INFORMATION PURPOSES ONLY AND IS SUBJECT TO CHANGE WITHOUT NOTICE.
DIGITAL EQUIPMENT CORPORATION ASSUMES NO RESPONSIBILITY FOR ANY ERRORS WHICH MAY APPEAR HEREIN"

TABLE OF CONTENTS

DRAWING NUMBER	DESCRIPTION
K-TC-11785-A-DBF	11785-A CPU CABINET - TABLE OF CONTENTS
B-DD-11785-AA	11785 - DRAWING DIRECTORY
B-DD-11785-AC	11785 - DRAWING DIRECTORY
B-DD-11785-AD	11785 - DRAWING DIRECTORY
B-DD-11785-AE	11785-AE CPU CABINET DRAWING DIRECTORY
B-DD-11785-AJ	11785-AJ CPU CABINET DRAWING DIRECTORY
E-UA-11785-A-0	11785-A CPU CABINET - UNIT ASSEMBLY
K-PL-11785-A-DBP	11785-A CPU CABINET - PARTS LIST
K-SA-11785-A-DBF	11785-A CPU CABINET - SYSTEM ARRANGEMENT
D-IC-11785-A-1	11785-A CPU CABINET - POWER INTERCONNECT
D-IC-11785-A-2	11785-A CPU CABINET - BACKPLANE INTERCONNECT
D-IC-11785-A-3	11785-A CPU CABINET - S.B.I. INTERCONNECT
K-PL-7020580-0-DBP	11785-A CPU CABINET - SHIP LIST
K-DD-7018802-0-DBF	CAB + MECH. ASSY.
E-AD-7018802-0-0	CAB + MECH. ASSY.
K-PL-7018802-0-DBP	CAB + MECH. ASSY.
E-UA-M9043-0-0	SBI FAR END TERMINATOR
K-PL-M9043-0-DBP	SBI FAR END TERMINATOR
D-CS-M9043-0-1	SBI FAR END TERMINATOR
E-UA-M9040-0-0	SBI FRONT END TERMINATOR
B-PL-M9040-0-0	SBI FRONT END TERMINATOR
D-CS-M9040-0-1	SBI FRONT END TERMINATOR
D-UA-5413875-0-0	AC/AD ADAPTER BOARD
K-PL-5413875-0-DBP	AC/AD ADAPTER BOARD
D-CS-5413875-0-1	AC/AD ADAPTER BOARD
D-IA-7015253-0-0	POWER CORD ASSY. 120V
E-IA-7015254-0-0	POWER CORD ASSY. 240V
A-PL-H7101-0-0	POWER REGULATOR H7101
E-IC-H7101-0-1	POWER REGULATOR H7101
A-PL-H7102-0-0	POWER REGULATOR H7102
A-PL-H7103-0-0	POWER REGULATOR H7103
E-IC-H7103-0-1	POWER REGULATOR H7102 & H7103

TITLE										DOCUMENT NUMBER				
d	i	g	i	t	a	l	TABLE OF CONTENTS				11785-A CPU CABINET			
SHEET 2 OF 2										K TC 11785-A-DBF				
REV. C										TW				

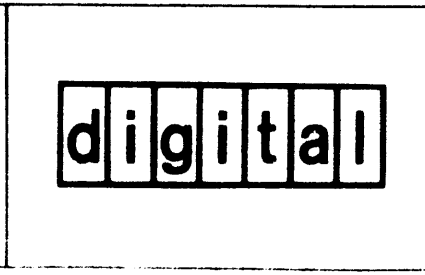
DRAWING NO.	NO. OF SHTS	PART NO.	DESCRIPTION	REVISIONS															
				00	00	01	01												
		11785-AA	SYSTEM REVISION																
MP-01747			FIELD MAINTENANCE PRINT SET																
K-TC-11785-A-DBF	3		TABLE OF CONTENTS	A	A	B	C												
K-PL-11785-A-DBP	3		PARTS LIST	A	B	C	D												
E-UA-11785-A-0	4		UNIT ASSEMBLY	A	B	B	C												
D-IC-11785-A-1	7		POWER INTERCONNECT DIAGRAM	A	A	A	B												
D-IC-11785-A-2	3		BACKPLANE INTERCONNECT	A	A	A	B												
D-IC-11785-A-3	3		SBI INTERCONNECT	A	A	A	B												
K-RM-11785-AA	2		REVISION MATRIX	-	A	B	B												
K-SA-11785-A-DBF	3		SYSTEM ARRANGEMENT	A	A	A	B												

NOTES:

REVISION HISTORY		DATE	ECO NO.	REV.
	RELEASE			A
	11785-TW001	10/84		B
	11785-TW002	11/84		C
	11785-TW003	1/85		

THIS DRAWING AND SPECIFICATIONS, HEREIN, ARE THE PROPERTY OF DIGITAL EQUIPMENT CORPORATION AND SHALL NOT BE REPRODUCED OR COPIED OR USED IN WHOLE OR IN PART AS THE BASIS FOR THE MANUFACTURE OR SALE OF ITEMS WITHOUT WRITTEN PERMISSION

COPYRIGHT 1984 DIGITAL EQUIPMENT CORPORATION



USED ON OPTION/MODEL

DRN. Barbara Pelliccia	DATE 8 October 84
CHK'D	DATE
DES. ENG. J. Beatty	DATE 11/19/84
RESP. ENG.	DATE
MFG. ENG.	DATE

TITLE 11785 DRAWING DIRECTORY

DOCUMENT NUMBER 11785-AA

SIZE B CODE DD

SHEET 1 OF 1

DRAWING NO.	PART NO.	DESCRIPTION	REVISIONS			
			00	00	01	01
	11785-AC	SYSTEM REVISION				
		FIELD MAINTENANCE PRINT SET				
MP-01747		TABLE OF CONTENTS	A	A	B	C
K-TC-11785-A-DBF	3	PARTS LIST	A	B	C	D
K-PL-11785-A-DBP	3	UNIT ASSEMBLY	A	B	B	C
F-UA-11785-A-O	4	POWER INTERCONNECT DIAGRAM	A	A	A	B
D-IC-11785-A-1	7	BACKPLANE INTERCONNECT	A	A	A	B
D-IC-11785-A-2	3	SBI INTERCONNECT	A	A	A	B
D-IC-11785-A-3	3	REVISION MATRIX	-	A	B	B
K-RM-11785-AC	2	SYSTEM ARRANGEMENT	A	A	A	B
K-SA-11785-A-DBF	3					

NOTES:

REVISION HISTORY		REV
DATE	ECO NO.	
	RELEASE	
10/84	11785-TW001	A
11/84	TW002	B
1/85	TW003	C

ALL DIMENSIONS AND SPECIFICATIONS HEREIN ARE FOR THE EQUIPMENT OF DIGITAL EQUIPMENT CORPORATION AND SHALL NOT BE REPRODUCED OR USED IN ANY MANNER OR IN PART AS THE BASIS FOR THE DESIGN OR CONSTRUCTION OF ANY EQUIPMENT WITHOUT THE WRITTEN PERMISSION OF DIGITAL EQUIPMENT CORPORATION.



USED ON OPTION/MODEL

DRN <i>Barbara Pelliccia</i>	DATE 8 October 84
CHK'D	DATE
DES. ENG <i>J. Beatty</i>	DATE 11/19/84
RES. ENG	DATE

TITLE	11785
DRAWING DIRECTORY	
SIZE	B DD
11785-AC	

11785-AD C

DRAWING NO.	PART NO.	DESCRIPTION	REVISIONS			
			00	00	01	01
	11785-AD	SYSTEM REVISION				
		FIELD MAINTENANCE PRINT SET				
		TABLE OF CONTENTS	A	A	B	C
		PARTS LIST	A	B	C	D
		UNIT ASSEMBLY	A	B	B	C
		POWER INTERCONNECT DIAGRAM	A	A	A	B
		BACKPLANE INTERCONNECT	A	A	A	B
		SBI INTERCONNECT	A	A	A	B
		REVISION MATRIX	-	A	B	B
		SYSTEM ARRANGEMENT	A	A	A	B

MP-01747
 K-TC-11785-A-DBF 3
 K-PL-11785-A-DBP 3
 E-UA-11785-A-0 4
 D-IC-11785-A-1 7
 D-IC-11785-A-2 3
 D-IC-11785-A-3 3
 K-RM-11785-AD 2
 K-SA-11785-A-DBF 3

NOTES:

REVISION HISTORY		REV
DATE	ECO NO.	
	RELEASE	A
10/84	11785-TW001	B
11/84	TW002	
1/85	TW003	C

ALL DIMENSIONS HEREIN ARE
 UNLESS OTHERWISE SPECIFIED
 IN MILLIMETERS
 UNLESS OTHERWISE SPECIFIED
 IN INCHES



USED ON OPTION MODEL

DRN: Barbara Pelliccia
 CHK'D: [Signature]
 DES. ENG: [Signature]
 RESP. ENG: [Signature]

DATE: 8 October 84
 DATE: 11/19/84

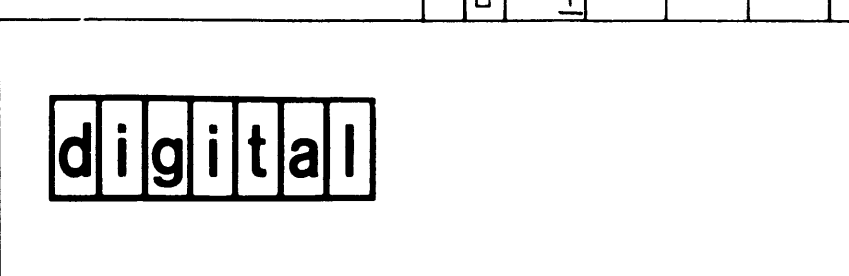
11785
 DRAWING DIRECTORY
 B DD 11785-AD C

DRAWING NO.	NO OF SHTS	PART NO.	DESCRIPTION	REVISIONS															
				01															
		11785-AJ	SYSTEM REVISION	01															
MP-C1747			FIELD MAINT. PRINT SET																
K-TC-11785-A-DBF	3		TABLE OF CONTENTS	C															
K-PL-11785-A-DBP	3		PARTS LIST	D															
E-UA-11785-A-0	4		UNIT ASSEMBLY	C															
D-IC-11785-A-1	7		POWER INTERCONNECT DIAG.	B															
D-IC-11785-A-2	3		BACKPLANE INTERCONNECT	B															
D-IC-11785-A-3	3		SBI INTERCONNECT	B															
K-RM-11785-AJ	2		REVISION MATRIX	A															
K-SA-11785-A-DBF	3		SYSTEM ARRANGEMENT	B															

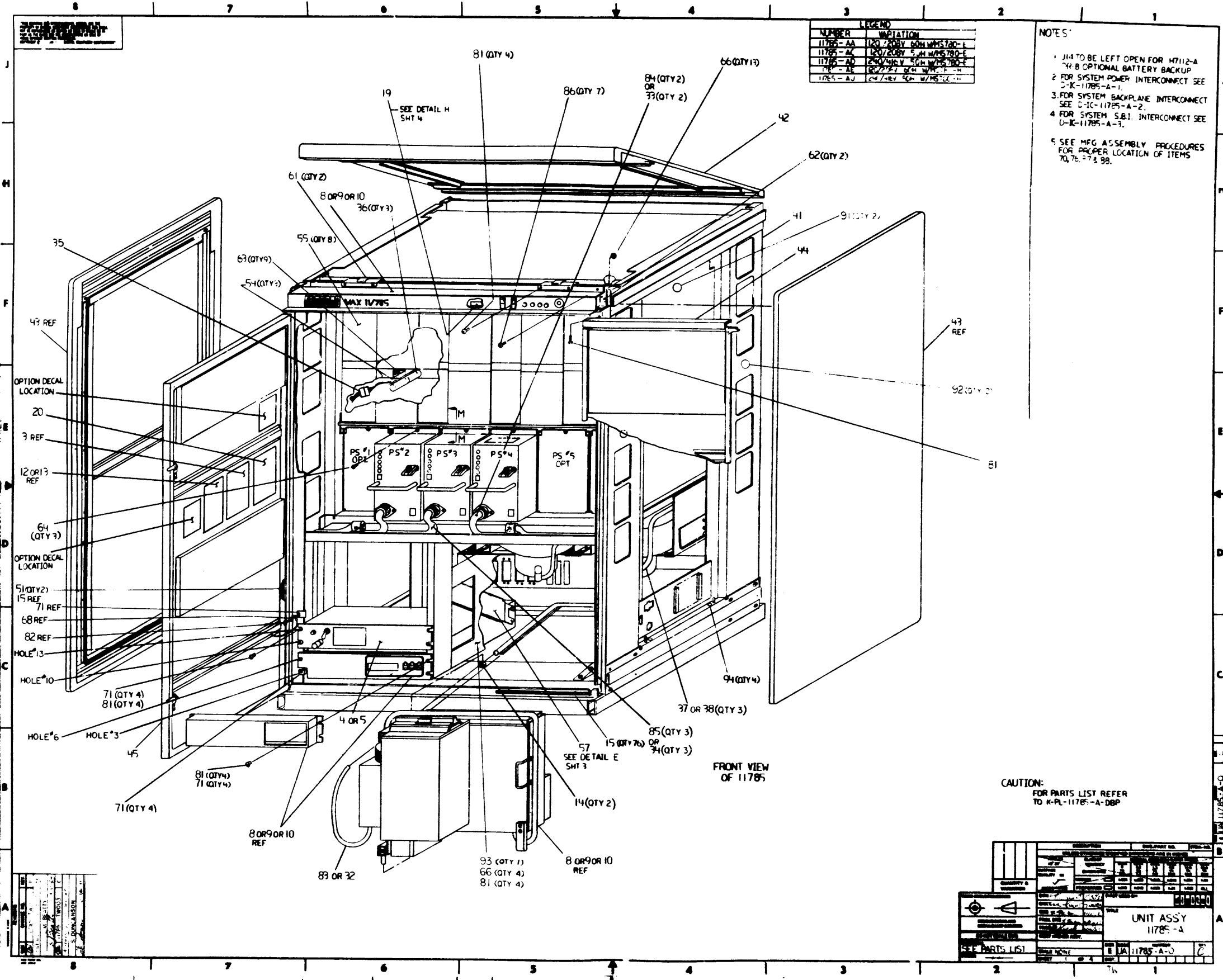
NOTES:

REVISION HISTORY		DATE	ECO NO	REV
		1-85	INIT	A

THIS DRAWING AND THE SPECIFICATIONS CONTAINED HEREIN ARE CONFIDENTIAL AND PROPRIETARY. THEY ARE THE PROPERTY OF DIGITAL EQUIPMENT CORPORATION AND SHALL NOT BE REPRODUCED OR COPIED OR USED IN WHOLE OR IN PART AS THE BASIS FOR THE MANUFACTURE OR SALE OF ITEMS WITHOUT WRITTEN PERMISSION. THIS IS AN UNPUBLISHED WORK PROTECTED UNDER THE FEDERAL COPYRIGHT LAWS 1985



DRN. S. DUNCANSON	DATE 21 JAN 85	TITLE 11785 DRAWING DIRECTORY
CHK'D T. MCCULLOUGH	DATE 21 JAN 85	DOCUMENT NUMBER
DES. ENG. S. DUNCANSON	DATE 21 JAN 85	SIZE B CODE DD NUMBER 11785-AJ REV A
RESP. ENG. S. DUNCANSON	DATE 21 JAN 85	SHEET 1 OF
MFG. ENG. C. HEANEY	DATE 21 JAN 85	



NUMBER	DESCRIPTION
11785-AA	120/240V 50/60HZ 100-1
11785-AC	120/240V 50/60HZ 100-1
11785-AD	240/480V 50/60HZ 100-1
11785-AE	240/480V 50/60HZ 100-1
11785-AJ	240/480V 50/60HZ 100-1

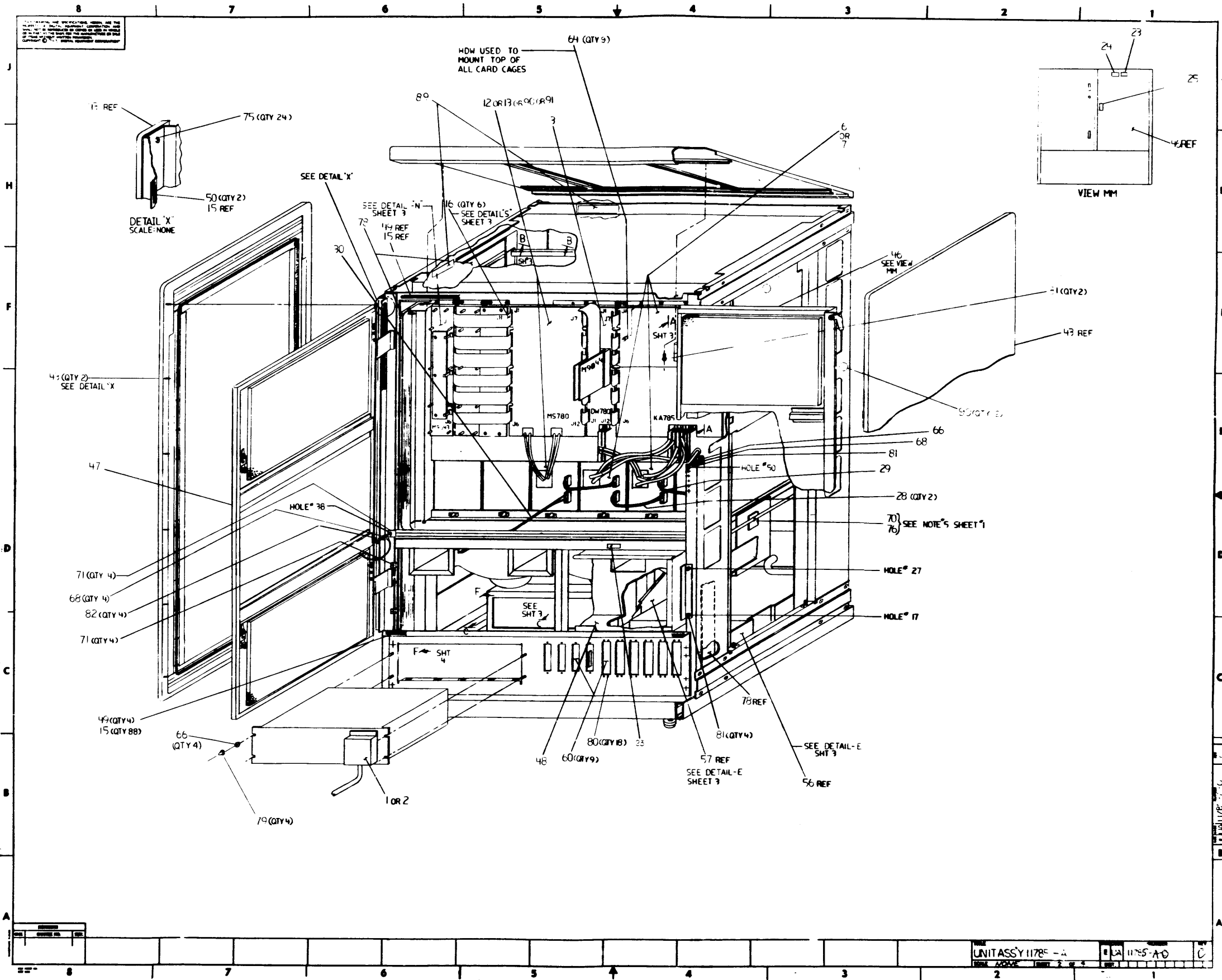
- NOTES:
1. J14 TO BE LEFT OPEN FOR 11712-A 74-B OPTIONAL BATTERY BACKUP
 2. FOR SYSTEM POWER INTERCONNECT SEE D-K-11785-A-1.
 3. FOR SYSTEM BACKPLANE INTERCONNECT SEE D-IC-11785-A-2.
 4. FOR SYSTEM S.B.I. INTERCONNECT SEE D-IC-11785-A-3.
 5. SEE MFG ASSEMBLY PROCEDURES FOR PROPER LOCATION OF ITEMS 70, 76, 77 & 98.

FRONT VIEW OF 11785

CAUTION: FOR PARTS LIST REFER TO K-PL-11785-A-D8P

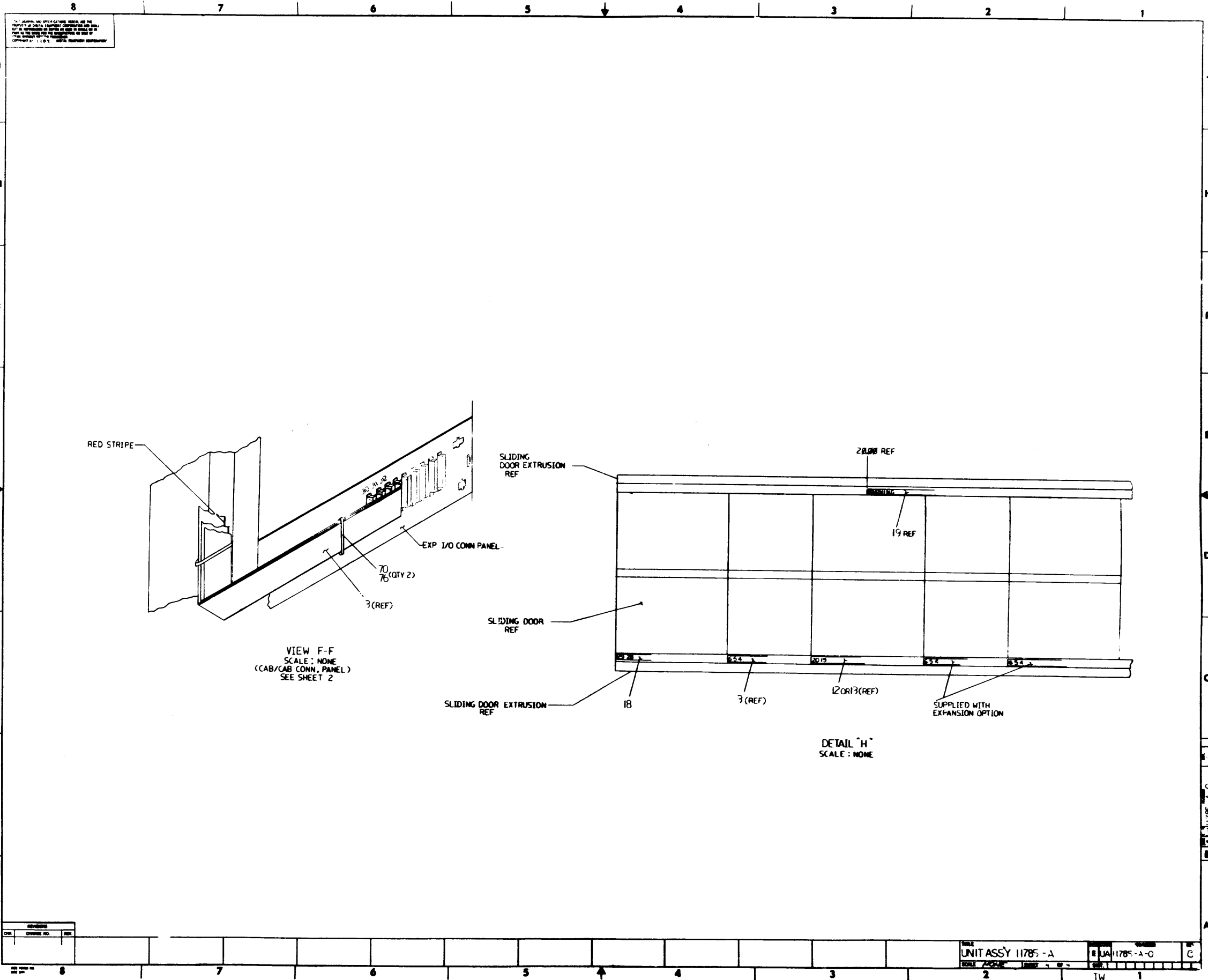
QTY	DESCRIPTION	UNIT ASSY
1	UNIT ASSY 11785-A	11785-A

11785-AA	120/240V 50/60HZ 100-1
11785-AC	120/240V 50/60HZ 100-1
11785-AD	240/480V 50/60HZ 100-1
11785-AE	240/480V 50/60HZ 100-1
11785-AJ	240/480V 50/60HZ 100-1



REV	DATE	BY	CHKD

UNIT ASSY 11785 - A
 LA 11785 - A-D
 2 1



PARTS LIST

LINE	ITEM	TOP DOCUMENT	PART NUMBER	MIN REV	DESCRIPTION	QTY PER VARIATION				
						AA	AC	AD	AE	AJ
						VARIATION REVISION LEVEL:				
						01	01	01	01	01
1	1	B-DD-869-0-0	00869-D		POWER CONTROL W/PWR SEQUENCING,4	1	1	-	1	-
2	2	B-DD-869-0-0	00869-E		869-D POWER CONTROL EXCEPT 240V	-	-	1	-	1
3	3	B-DD-DW780-0-0	DW780-00		11780 UNIBUS ADAPTOR ASSY	1	1	1	1	1
4	4	B-DD-H7111-0-0	H7111-A		POWER SUPPLY TOD 120V	1	1	-	1	-
5	5	B-DD-H7111-0-0	H7111-B		POWER SUPPLY TOD 240V	-	-	1	-	1
6	6	K-DD-KA785-0-DBF	KA785-AA		M7459-M7477,M7540-M7544,H7100-A,	1	1	-	1	-
7	7	K-DD-KA785-0-DBF	KA785-AB		M7459-M7477,M7540-M7544,H7100-A,	-	-	1	-	1
8	8	K-DD-KC785-F-DBF	KC785-FA		FCC 11785 CONSOLE: 11/03-AA,MSV1	1	-	-	1	-
9	9	K-DD-KC785-F-DBF	KC785-FC		FCC KC785-FA EXCEPT RX01-VC,120V	-	1	-	-	-
10	10	K-DD-KC785-F-DBF	KC785-FD		FCC KC785-FA EXCEPT 11/03-AB,RX0	-	-	1	-	1
11	11	B-DD-M9043-0-0	M9043-00		11780,SBI (BACKPLANE TERMINATOR)	1	1	1	1	1
12	12	B-DD-MS780-E-0	MS780-EC		2MB MEM + CONT (MS780-EA EXCEPT	1	1	-	-	-
13	13	B-DD-MS780-E-0	MS780-ED		2MB MEM + CONT (MS780-EB EXCEPT	-	-	1	-	-
14	14		1213001-00		BUSHING,PIVOT POLYCA .31 IDX	2	2	2	2	2
15	15		1221535-01		CLIP,NYLON FOR RF GASKET	76	76	76	76	76
16	16		1700087-01		CABLE,RIBBON,20 COND. ASSY FLAT	6	6	6	6	6
17	17	BLANK			*** THIS ITEM IS NOT USED ***	-	-	-	-	-
18	18		3613281-05		LABEL,ADHESIVE BACK FOR BA11-K	1	1	1	1	1
19	19		3614744-00		LABEL,WARNING SWITCH OFF MEMORY	1	1	1	1	1
20	20		3622437-01		LABEL,MODULE UTILIZATION KA785	1	1	1	1	1
21	21		3622438-01		LABEL,SYSTEM REV 11/785	1	1	1	1	1
22	22		3615087-02		LABEL,"DANGER-HIGH CURRENT"	1	1	1	1	1
23	23		3617674-01		LABEL,SERIAL/POWER W UL & CSA	2	2	2	2	2
24	24		3617880-02		LABEL,FCC,CLASS A,PROCESSOR	1	1	1	1	1
25	25		3618307-05		ASSY,04,01	1	1	1	1	1
26	26		3700711-01		PKG SYSTEM 11780 (VAX FCC)	1	1	1	1	1
27	27	D-IA-7011411-0-0	7011411-07		CABLE CONSOLE BACKPLANE	1	1	1	1	1
28	28	D-IA-7014213-0-0	7014213-0K		CAB OVER TEMP	2	2	2	2	2
29	29	D-IA-7014213-0-0	7014213-3E		CAB OVER TEMP	1	1	1	1	1
30	30	D-IA-7014213-0-0	7014213-4A		CABLE OVER TEMP	1	1	1	1	1

REVISION HISTORY			BASIC PART NO: 11785		DRN: D. HERTZ		DATE: 04-OCT-83		D I G I T A L		
ENG:	ECO NUMBER	REV	SECTION A OF A		CHK'D:	R. NELSON	DATE:	04-OCT-83	TITLE PARTS LIST		
---	INITIAL	A	SECTION VARIATION INDEX		DES.ENG:	R. NELSON	DATE:	04-OCT-83	UNIT ASSEMBLY 11785-A		
JB	11785-TW001	B	[A]AA,AC,AD,AE,AJ		RESP.ENG.:	R. NELSON	DATE:	04-OCT-83	SIZE:	CODE:	NUMBER
JB	11785-TW002	C	(B)		MFG.ENG.:	M. KRYSAK	DATE:	04-OCT-83	K	PL	11785-A-DBP
SD	11785-TW003	D	(C)		ASSEMBLY NUMBER:	E-UA-11785-A-0	TOP DOCUMENT NUMBER:	K-DD-11785-A-DBF	FILE NAME:	Z8100D.PLS	EDIT #
			(D)								3
			(E)								
			(F)								
			(F)								

"THIS DRAWING AND THE SPECIFICATIONS CONTAINED HEREIN ARE CONFIDENTIAL AND PROPRIETARY. THEY ARE THE PROPERTY OF DIGITAL EQUIPMENT CORPORATION AND SHALL NOT BE REPRODUCED OR COPIED OR USED IN WHOLE OR IN PART AS THE BASIS FOR THE MANUFACTURE OR SALE OF ITEMS WITHOUT WRITTEN PERMISSION. THIS IS AN UNPUBLISHED WORK PROTECTED UNDER THE FEDERAL COPYRIGHT LAWS."

AUTOMATED BY PRTLST.4Q(50)

PARTS LIST

SHEET A2 OF A3

LINE	ITEM	TOP DOCUMENT	PART NUMBER	MIN REV	DESCRIPTION	QTY PER VARIATION				
						AA	AC	AD	AE	AJ
31	31	D-IA-7014248-0-0	7014248-3M		CABLE TOD BATTERY	1	1	1	1	1
32	32	D-IA-7014308-0-0	7014308-03		POWER CORD ASSY 230V	-	-	1	-	1
33	33	D-IA-7014308-0-0	7014308-06		POWER CORD ASSY 230V	-	-	2	-	2
34	34	D-IA-7014308-0-0	7014308-09		POWER CORD ASSY 230V	-	-	3	-	3
35	35	D-IA-7014319-0-0	7014319-00		HARNESS AIRFLOW SENSE	1	1	1	1	1
36	36	D-IA-7014320-0-0	7014320-0E		AIR FLOW SENSOR ASSY.	3	3	3	3	3
37	37	D-IA-7014323-0-0	7014323-06		POWER CORD FAN 115V	3	3	-	3	-
38	38	D-IA-7014324-0-0	7014324-06		POWER CORD FAN 230V	-	-	3	-	3
39	39	D-IA-7015442-0-0	7015442-03		CABLE,POWER BUSS	1	1	1	1	1
40	40	D-IA-7016001-0-0	7016001-4A		OVER TEMP ADAPTER CABLE	1	1	1	1	1
41	41	K-DD-7018802-0-DBF	7018802-00		VAX CAB + MECH, ASSY (FCC)	1	1	1	1	1
42	42	E-IA-7019149-0-DBU	7019149-00		COVER, TOP WELDMENT (DW)	1	1	1	1	1
43	43	E-IA-7019485-0-DBU	7019485-00		END PANEL ASSY.	2	2	2	2	2
44	44	E-AD-7019535-0-DBU	7019535-00		DOOR ASSEMBLY FRONT R.H.	1	1	1	1	1
45	45	E-AD-7019536-0-DBU	7019536-00		DOOR ASSEMBLY FRONT L.H.	1	1	1	1	1
46	46	E-AD-7019539-0-DBU	7019539-00		DOOR ASSEMBLY REAR R.H.	1	1	1	1	1
47	47	E-AD-7019540-0-DBU	7019540-00		DOOR ASSEMBLY REAR L.H.	1	1	1	1	1
48	48	E-IA-7019600-0-0	7019600-00		PLENUM, AIR, WELDMENT (DOUBLE)	1	1	1	1	1
49	49	D-AD-7019605-0-0	7019605-20		GASKET ASSY.	4	4	4	4	4
50	50	D-AD-7019605-0-0	7019605-23		GASKET ASSY.	2	2	2	2	2
51	51	D-AD-7019605-0-0	7019605-25		GASKET ASSY.	2	2	2	2	2
52	52	K-PL-7020580-0-DBP	7020580-01		SHIP LIST 11785	1	1	1	1	1
53	53	BLANK			*** THIS ITEM IS NOT USED ***	-	-	-	-	-
54	54	B-IA-7417857-0-0	7417857-00		MTG BRACKET	3	3	3	3	3
55	55	C-IA-7417934-0-0	7417934-00		DOOR, SLIDING	8	8	8	8	8
56	56	C-IA-7418178-0-0	7418178-00		END PLATE SUPPORT TUBE	1	1	1	1	1
57	57	D-IA-7418962-0-0	7418962-00		NONE AT THIS TIME	1	1	1	1	1
58	58	C-MD-7419451-0-0	7419451-00		COVER, S.B.I. TERMINATOR	1	1	1	1	1
59	59	C-MD-7419456-0-0	7419456-00		MOUNTING BLOCK TERMINATOR COVER	3	3	3	3	3
60	60	C-IA-7426037-0-0	7426037-00		PLATE,I/O COVER-DOUBLE	9	9	9	9	9
61	61	C-MD-7426875-0-DBU	7426875-01		BRACKET,COVER,CLIP	2	2	2	2	2
62	62	C-IA-7428504-0-0	7428504-01		BRACKET,CONSOLE MOUNTING	2	2	2	2	2
63	63		9009701-00		SCREW,SEMS PAN PHIL 6-	9	9	9	9	9
64	64		9000049-51		SCREW,SEMS TRUSS PHIL 8-	27	27	27	27	27
65	65		9006021-02		SCREW,MACH FLAT PHIL 6-	4	4	4	4	4
66	66		9006565-00		NUT,HEX EXT TOOTH LCKWSHR 10-32	22	22	22	22	22
67	67		9006658-00		WASHER,FLAT STEEL	3	3	3	3	3
68	68		9006664-00		WASHER,FLAT SST	5	5	5	5	5
69	69		9006707-00		WASHER,FLAT NYLON	4	4	4	4	4
70	70		9007032-00		TIE,CABLE BUNDL.DIA 0-1-3/4"=101	75	75	75	75	75
71	71		9007786-00		RETAINER,U-NUT 10-32X	16	16	16	16	16
72	72		9007831-00		SPACER,CLEAR HOLE RND PHEN 13/6	3	3	3	3	3
73	73		9008037-01		SCREW,MACH PAN PHIL 6-	4	4	4	4	4
74	74		9007853-01		SCREW,MACH PAN PHIL 6-	3	3	3	3	3
75	75		9008203-00		NUT,HEX EXT TOOTH LCKWSHR 1/4-20	24	24	24	24	24
76	76		9008264-00		MOUNT, CABLE TIE, ADHESIVE BACKE	104	104	104	104	104
77	77		9008911-01		SCREW,MACH PAN PHIL 6-	3	3	3	3	3
78	78		9009087-00		FOAM, TAPE, SINGLE SIDED 1/8 THK	28	28	28	28	28

D	I	G	I	T	A	L	TITLE	SECTION A	OF	A	SIZE	CODE	DOCUMENT NUMBER	REV
							UNIT ASSEMBLY 11785-A				K	PL	11785-A-DBP	D

AUTOMATED BY PRTLST.4Q(50)

P A R T S L I S T

SHEET A3 OF A3

LINE ITEM	TOP DOCUMENT	PART NUMBER	MIN REV	DESCRIPTION	QTY PER VARIATION				
					AA	AC	AD	AE	AJ
					01	01	01	01	01
79	79	9006610-00		NUT,CAP,RELOCK 10-32X .438AF NYL	4	4	4	4	4
80	80	9009546-00		SCREW,SEMS PAN PHIL 4-	18	18	18	18	18
81	81	9009700-00		SCREW,SEMS TRUSS PHIL 10-	25	25	25	25	25
82	82	9010156-00		SCREW,SEMS HEX 10-	4	4	4	4	4
83	83	9107673-03		PWR CORD,TERM 3-14 SJT 115	1	1	-	1	-
84	84	9107673-06		PWR CORD,TERM 3-14 SJT 115	2	2	-	2	-
85	85	9107673-09		PWR CORD,TERM 3-14 SJT 115	3	3	-	3	-
86	86	9006071-03		SCREW,MACH TRUSS PHIL 10-	7	7	7	7	7
87	87	9007880-00		TIE,CABLE BUNDL DIA 0-1.14"=101	37	37	37	37	37
88	88	9009617-00		TIE,CABLE BUNDL DIA 0-3"TYPE=101	20	20	20	20	20
89	89	9008228-00		FOAM TAPE, SINGLE COATED VINYL 1	12	12	12	12	12
90	90	3614603-00		LABEL,REMOVABLE,"DO NOT PUSH"	2	2	2	2	2
91	91	3614604-00		LABEL,REMOVABLE,FOR H9500	2	2	2	2	2
92	92	3614605-00		LABEL,REMOVABLE,"PUSH"	2	2	2	2	2
93	93	7430134-01		SHIELD,POWER CABLE	1	1	1	1	1
94	94	B-DD-MS780-H-O	MS780-HA	16MB MEM+CONT: 2 M8375,M8376,2 M	-	-	-	1	-
95	95	B-DD-MS780-H-O	MS780-HB	MS780-HA EXCEPT H7100-B,240V	-	-	-	-	1

96 NOTE: QTY'S FOR ITEMS 78 AND 89 ARE IN INCHES

D I G I T A L	TITLE	UNIT ASSEMBLY 11785-A	SECTION A OF A	SIZE	CODE	DOCUMENT NUMBER	REV
				K	PL	11785-A-DBP	D

GENERAL CONFIGURATION CONTROL INFORMATION FOR THE 11785-A CABINET

INTRODUCTION

THIS DOCUMENT CONTAINS THE INFORMATION FOR CONFIGURING THE EXPANSION SPACE WITHIN THE 11785-A CPU CABINET. THE CONFIGURATION INFORMATION CONTAINED HEREIN MUST BE ADHERED TO IN ORDER TO MAINTAIN CONFORMANCE TO DEC STANDARDS.

GENERAL 11785-A CONFIGURATION RULES

1. THE 11785-A CONSOLE TERMINAL CONNECTS TO THE REAR I/O BULKHEAD CONNECTOR LOCATION D (SEE FIGURE #1 REAR VIEW).
2. SYSTEM EXPANSION IS TO THE RIGHT OF THE 11785-A CPU CABINET. RIGHTHAND EXPANSION REQUIRES THE UNIBUS EXPANDER CAB(S) (H9652-M) BE ATTACHED TO RIGHT SIDE OF THE CPU CAB. IF THE SYSTEM CONTAINS ANY SBI EXPANDER CABS (H9652-H), THEY MUST BE PLACED BETWEEN THE CPU AND UNIBUS CABINETS.

ECO HISTORY				!DRN: R. NELSON	!DATE: 1-SEP-83	! d ! i ! g ! i ! t ! a ! l !			
ENG!	ECO NUMBER	!REV!	ENG!	ECO NUMBER	!REV!	CHK'D: R. NELSON	!DATE: 1-SEP-83	TITLE	CONFIGURATION CONTROL
RAN!	INIT.	! A !	!	!	!	DES.ENG.: R. NELSON	!DATE: 1-SEP-83	11785-A CABINET	!
S.D!	11785-TW003	! B !	!	!	!	RESP.ENG.: R. NELSON	!DATE: 1-SEP-83	DOCUMENT NUMBER	!
!	!	!	!	!	!	MFG.ENG.: M. KRYSAK	!DATE: 27-OCT-83	SIZE!CODE!NUMBER	! REV.
!	!	!	!	!	!	FILE NAME : K-SA-11785-A-DBF	!	K ! SA ! 11785-A-DBF	! B
!	!	!	!	!	!	!	!	SHEET 1 OF 3	!

"THIS DRAWING AND SPECIFICATIONS HEREIN, ARE THE PROPERTY OF DIGITAL EQUIPMENT CORPORATION AND SHALL NOT BE REPRODUCED OR COPIED OR USED IN WHOLE OR IN PART AS THE BASIS FOR THE MANUFACTURE OR SALE OF ITEMS WITHOUT WRITTEN PERMISSION. COPYRIGHT (C) 1983 DIGITAL EQUIPMENT CORPORATION"

GENERAL CONFIGURATION CONTROL INFORMATION FOR THE 11785-A CABINET

11785-A CABINET LAYOUT

THIS LAYOUT SHOWS THE EXPANSION SPACE AND I/O BULKHEAD CONNECTOR LOCATIONS OF THE 11785-A CABINET. TABLE #1 LISTS THE ALLOWABLE 11785-A EXPANSION OPTIONS. IT ALSO INDICATES MOUNTING AND BULKHEAD LOCATIONS REQUIRED BY THESE OPTIONS.

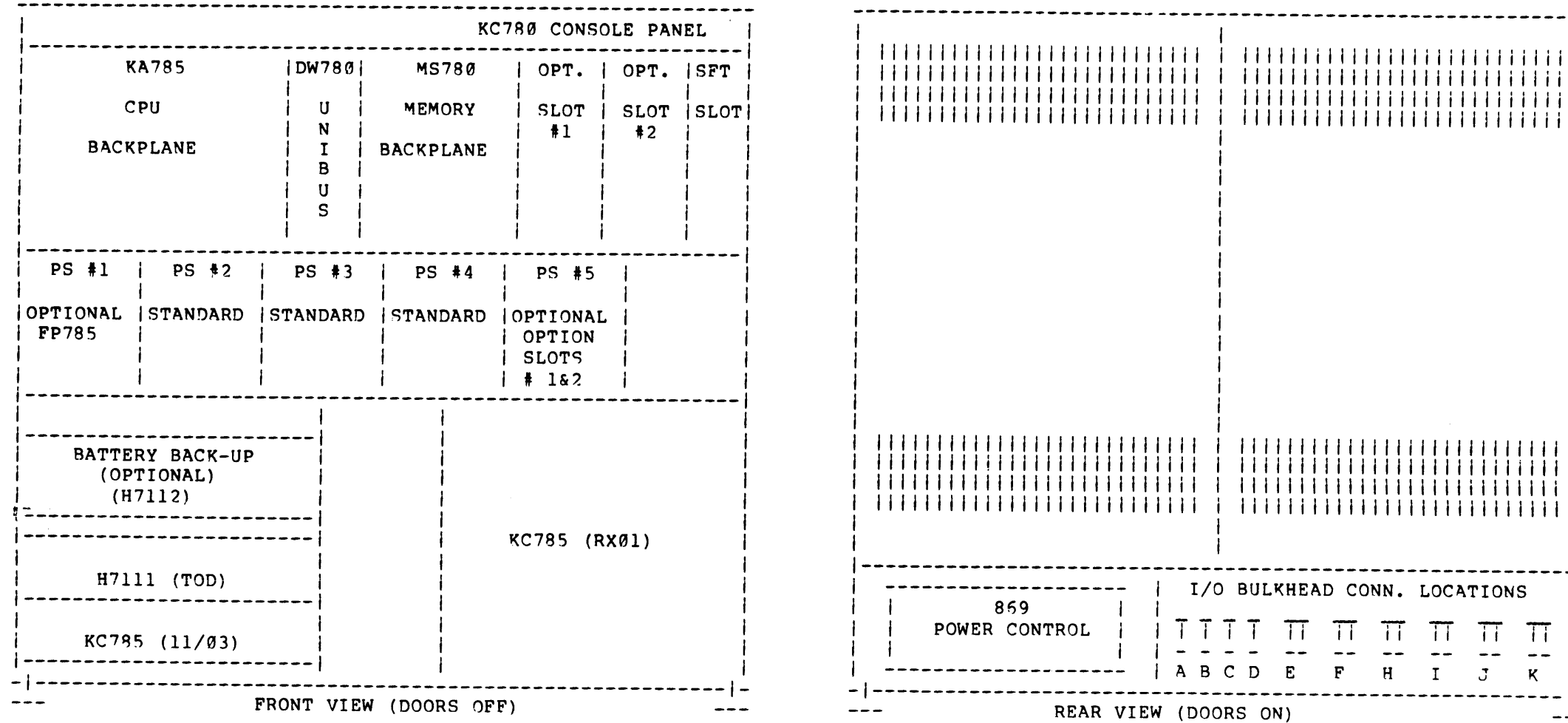


FIGURE #1

LAYOUT OF 11785-A CABINET

d i g i t a l		TITLE	CONFIGURATION CONTROL	DOCUMENT NUMBER
			11785-A CABINET	
			SHEET 2 OF 3	SIZE: CODE: NUMBER
				K SA 11785-A-DBF
				REV. B

TW

GENERAL CONFIGURATION CONTROL INFORMATION FOR THE 11785-A CABINET

11785-A ALLOWABLE EXPANSION OPTIONS

TABLE #1

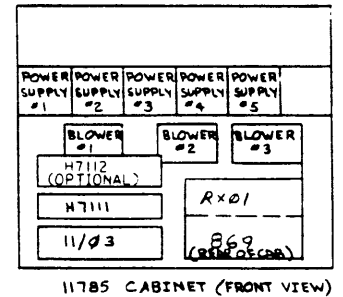
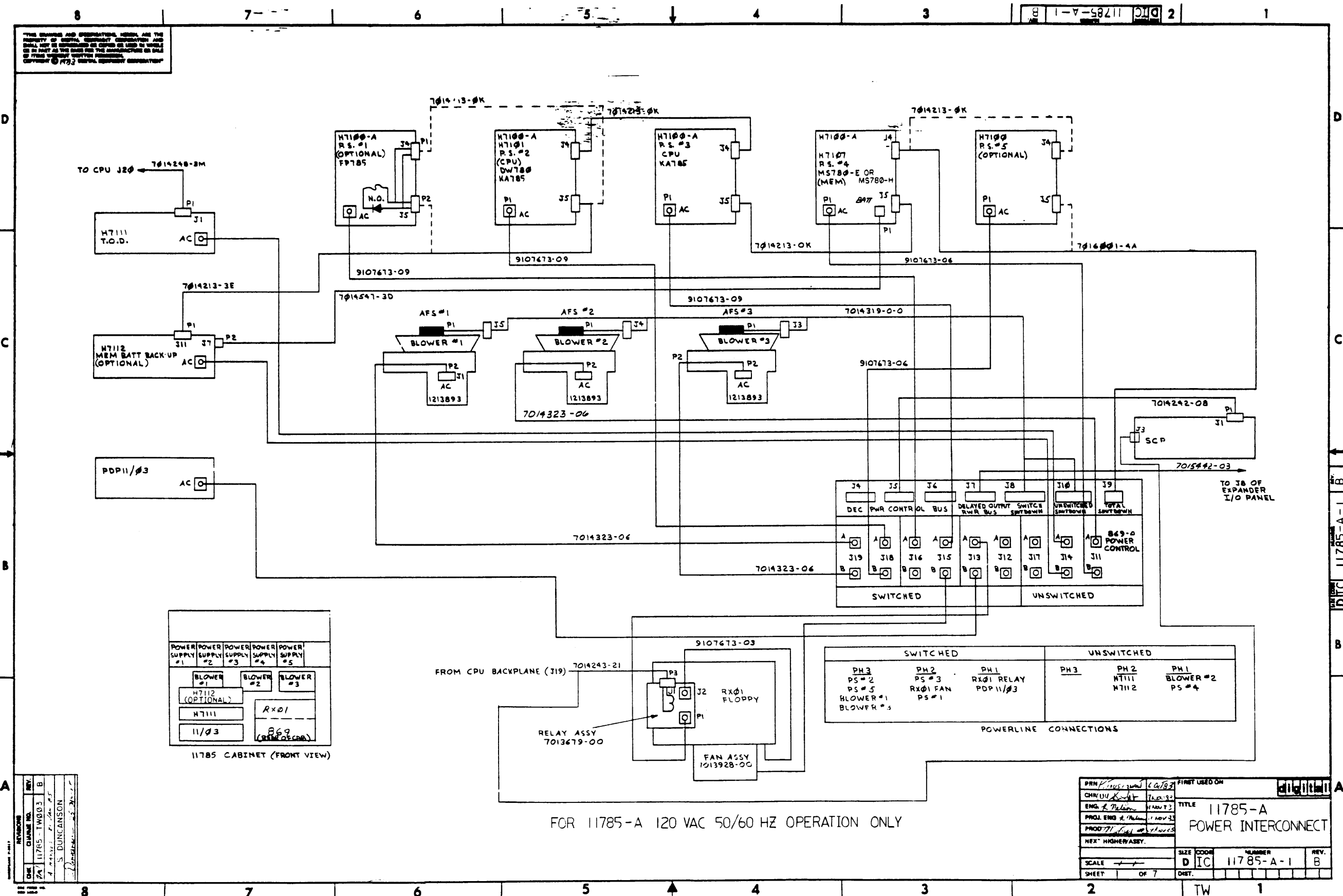
OPTION NAME (SEE NOTE 1)	DESCRIPTION	MOUNTING LOCATION(S) (SEE FIGURE #1)	BULKHEAD CONN. LOCATION(S) (SEE FIGURE #1)	NOTES
FP785-AA/-AB	FLOATING POINT	CPU BACKPLANE SLOTS 24-28 & PS #1	NONE	
MS780-F	MEMORY ARRAYS MODULES	MEMORY BACKPLANE	NONE	5
RH780-AA/-FB	MASSBUS ADAPTER (MBA)	OPTION SLOTS 1 OR 2	E - K ONE LOC. PER RH780	2
DR780-AA/-FB	GENEARL PURPOSE INTERFACE	OPTION SLOTS 1 OR 2	E - K ONE LOC. PER DR780	2 & 6
DW780-AA/-AB	UNIBUS ADAPTER (UBA)	OPTION SLOTS 1 OR 2	NONE	2 & 4
CI780-AA/-AB	COMPUTER INTERCONNECT	OPTION SLOTS 1 OR 2	E - K TWO LOC. PER CI780	2, 6 & 7
H7112-A/-B/-C	BATTERY BACKUP	AS SHOWN USING HOLE #'S 21 & 25	NONE	
MS780-H/-J	MEMORY	MEMORY BACKPLANE	NONE	5

NOTES:

1. THE INSTRUCTIONS FOR INSTALLING EXPANSION OPTIONS ARE IN THE OPTIONS' PRINT SETS. ALSO REFER TO THE FOLLOWING INTERCONNECT DRAWINGS.
 - A. D-IC-11785-A-1 (11785-A POWER INTERCONNECT)
 - B. D-IC-11785-A-2 (11785-A BACKPLANE INTERCONNECT)
 - C. D-IC-11785-A-3 (11785-A S.B.I. INTERCONNECT)
2. OPTION SLOTS 1 AND 2 SHARE POWER SUPPLY #5. OPTIONS WHICH UTILIZE THESE SLOTS PROVIDE A POWER SUPPLY. WHEN BOTH SLOTS CONTAIN OPTIONS, ONLY ONE OF THE POWER SUPPLIES CAN BE INSTALLED. IF ONE OF THE OPTIONS IS A CI780, THEN ITS POWER SUPPLY MUST BE THE ONE INSTALLED.
3. OPTION SLOT 3 IS NORMALLY THE LOCATION OF THE FAR END TERMINATOR. THIS SLOT WILL BE EMPTY ON SYSTEMS WHICH HAVE A H9652-H (SBI EXP. CAB).
4. DW780 OPTIONS INTERCONNECT TO THE UNIBUS CABINETS VIA THE SIDE I/O PANEL OF THE CABINET. THE DW780 WHICH IS PART OF THE 11785-A CABINET IS ALREADY CABLED TO THIS PANEL. IF ADDITIONAL DW780'S ARE ADDED, THEY ARE TO BE CABLED IN A SIMILAR MANNER TO THE REMAINING LOCATIONS IN THE SIDE I/O PANEL.
5. SEE MS780 PRINTS SET(S) FOR MEMORY ARRAY LOCATIONS.
6. DR780 CANNOT BE CONFIGURED ON A 11785 SYSTEM WHICH CONTAINS A CI780.
7. THE 11785-A CABINET CAN SUPPORT ONLY ONE CI780. (POWER SPPLY #5 LIMITATION).

! ! ! ! ! ! ! ! ! !	! TITLE	! ! ! ! ! ! ! ! ! !	! DOCUMENT NUMBER
! d ! i ! g ! i ! t ! a ! l !	! CONFIGURATION CONTROL	! ! ! ! ! ! ! ! ! !	! ! ! ! ! ! ! ! ! !
! ! ! ! ! ! ! ! ! !	! 11785-A CABINET	! SHEET 3 OF 3	! SIZE ! CODE ! NUMBER ! REV. !
! ! ! ! ! ! ! ! ! !	! ! ! ! ! ! ! ! ! !	! ! ! ! ! ! ! ! ! !	! K ! SA ! 11785-A-DBF ! B !

THE DESIGN AND OPERATIONAL DATA ARE THE PROPERTY OF DIGITAL EQUIPMENT CORPORATION AND SHALL NOT BE REPRODUCED OR COPIED OR USED IN WHOLE OR IN PART AS THE BASIS FOR THE MANUFACTURE OR SALE OF THIS EQUIPMENT WITHOUT PERMISSION. COPYRIGHT © 1973 DIGITAL EQUIPMENT CORPORATION



SWITCHED			UNSWITCHED		
PH3	PH2	PH1	PH3	PH2	PH1
PS #2	PS #3	RX01 RELAY	HT111	HT112	BLOWER #2
BLOWER #1	RX01 FAN	PDP 11/03			PS #4
BLOWER #3	PS #1				

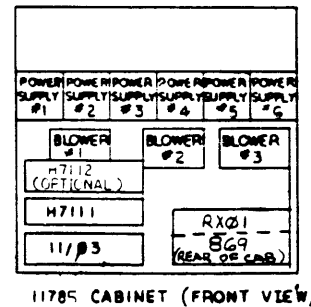
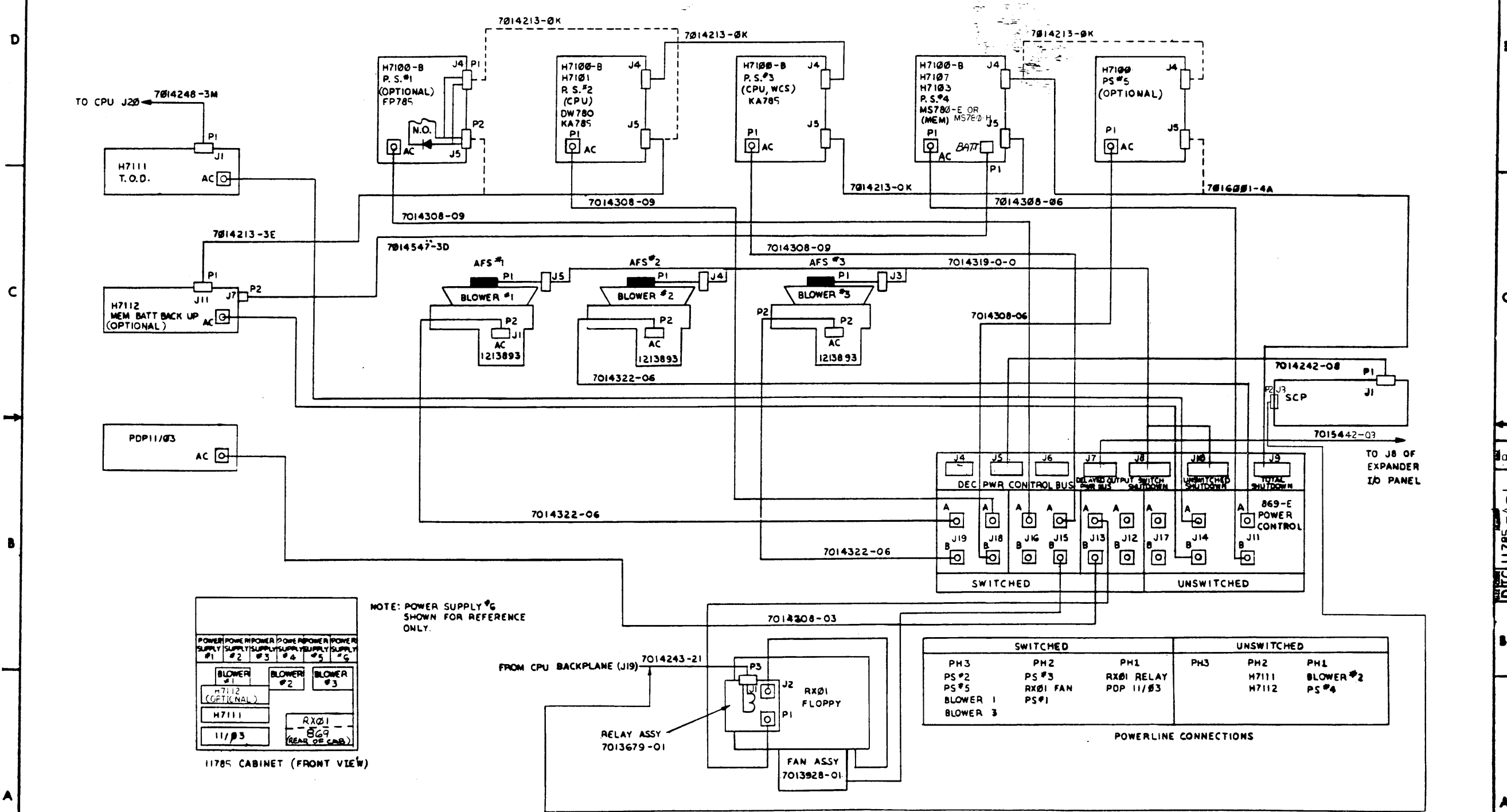
POWERLINE CONNECTIONS

FOR 11785-A 120 VAC 50/60 HZ OPERATION ONLY

REV. B	11785-A-1
CHK. S. DUNCANSON	11785-A-1
CHK. S. DUNCANSON	11785-A-1

PRN. [Signature]	11785-A-1	FIRST USED ON	
CHK. [Signature]	11785-A-1	TITLE	11785-A
ENG. [Signature]	11785-A-1	NUMBER	11785-A-1
PROJ. ENG. [Signature]	11785-A-1	REV.	B
PROD. [Signature]	11785-A-1	SCALE	D I C
NEXT: HIGHWAY ASSY.		SHEET	OF 7
		DIST.	

THIS DRAWING AND SPECIFICATIONS HEREIN ARE THE PROPERTY OF DIGITAL EQUIPMENT CORPORATION AND SHALL NOT BE REPRODUCED OR COPIED OR USED IN WHOLE OR IN PART AS THE BASIS FOR THE MANUFACTURE OR SALE OF ITEMS WITHOUT WRITTEN PERMISSION.
 COPYRIGHT © 1973 DIGITAL EQUIPMENT CORPORATION



NOTE: POWER SUPPLY #6 SHOWN FOR REFERENCE ONLY.

FOR 11785-A 240V 50 HZ OPERATION ONLY

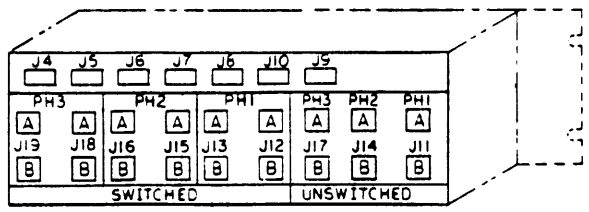
SWITCHED			UNSWITCHED		
PH3	PH2	PH1	PH3	PH2	PH1
PS #2	PS #3	RX01 RELAY	H7111	BLOWER #2	
PS #5	RX01 FAN	PDP 11/03	H7112	PS #4	
BLOWER 1	PS #1				
BLOWER 3					

POWERLINE CONNECTIONS

REVISIONS		
CHK	CHANGE NO.	REV.

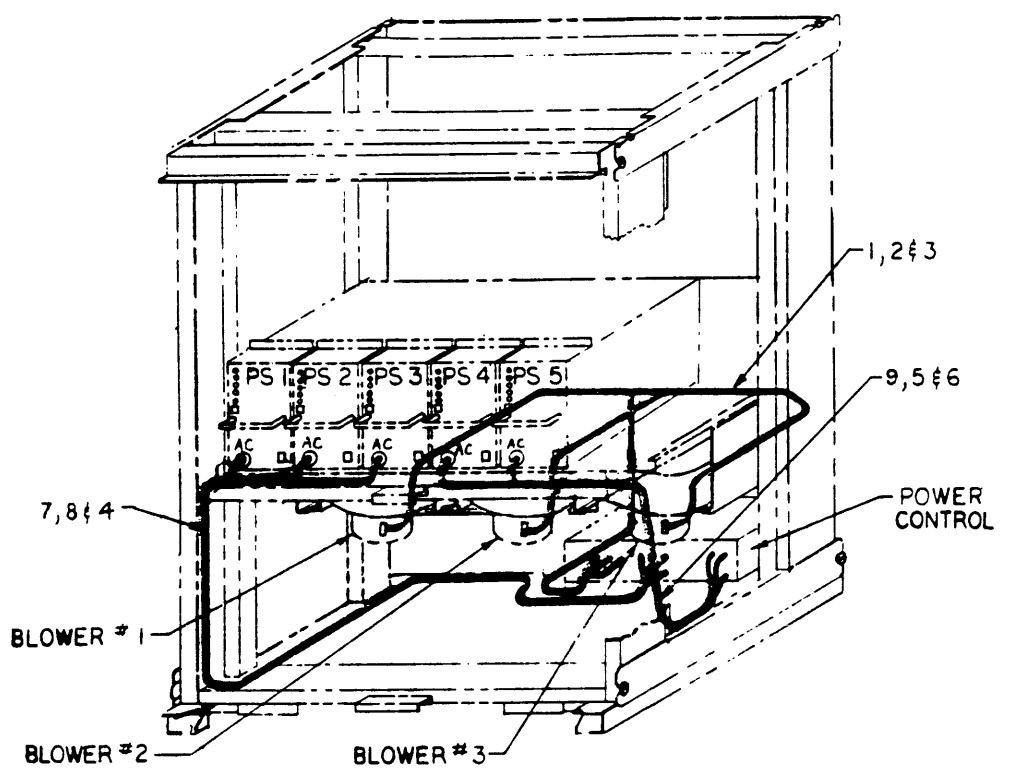
THE DRAWING AND SPECIFICATIONS HEREIN ARE THE PROPERTY OF DIGITAL EQUIPMENT CORPORATION AND SHALL NOT BE REPRODUCED OR COPIED OR USED IN WHOLE OR IN PART IN ANY MANNER FOR THE RECONSTRUCTION OR SALE OF EQUIPMENT WITHOUT THE WRITTEN PERMISSION OF DIGITAL EQUIPMENT CORPORATION.

11785-A-1 2

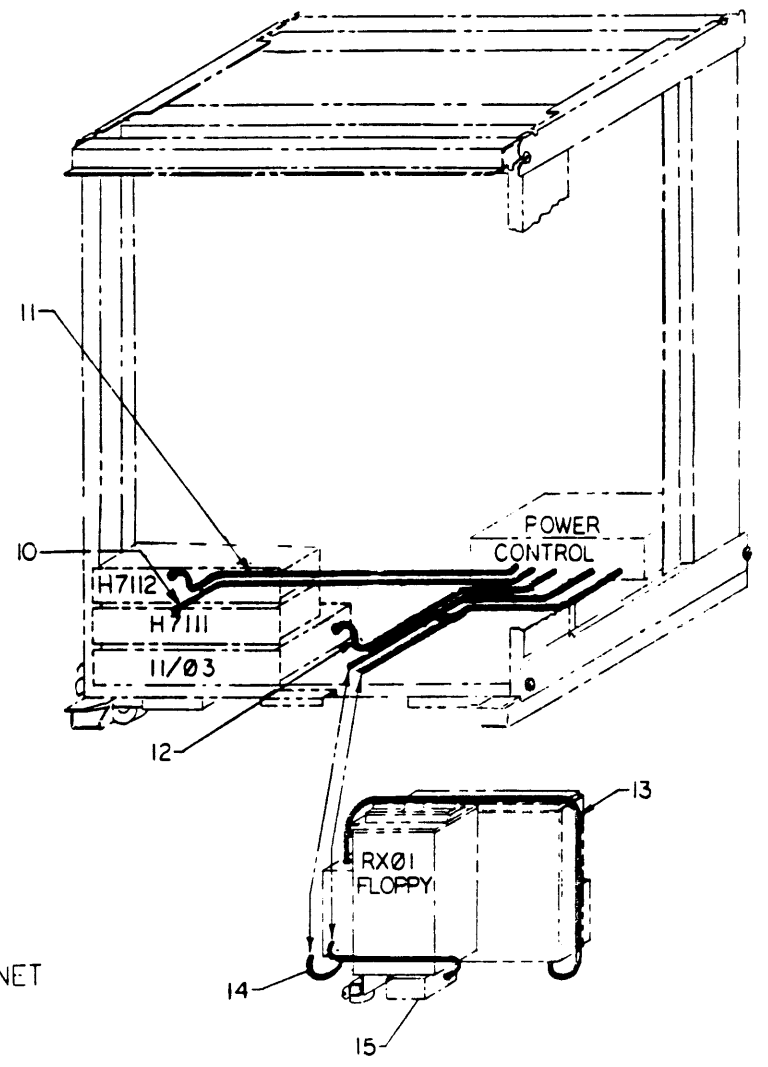


869-D/E POWER CONTROL
(REAR VIEW)

NOTES:
1. NO PARTS LIST EXISTS FOR THIS DWG. ITEM #S FOR USE WITH TABLES #1 AND 2.

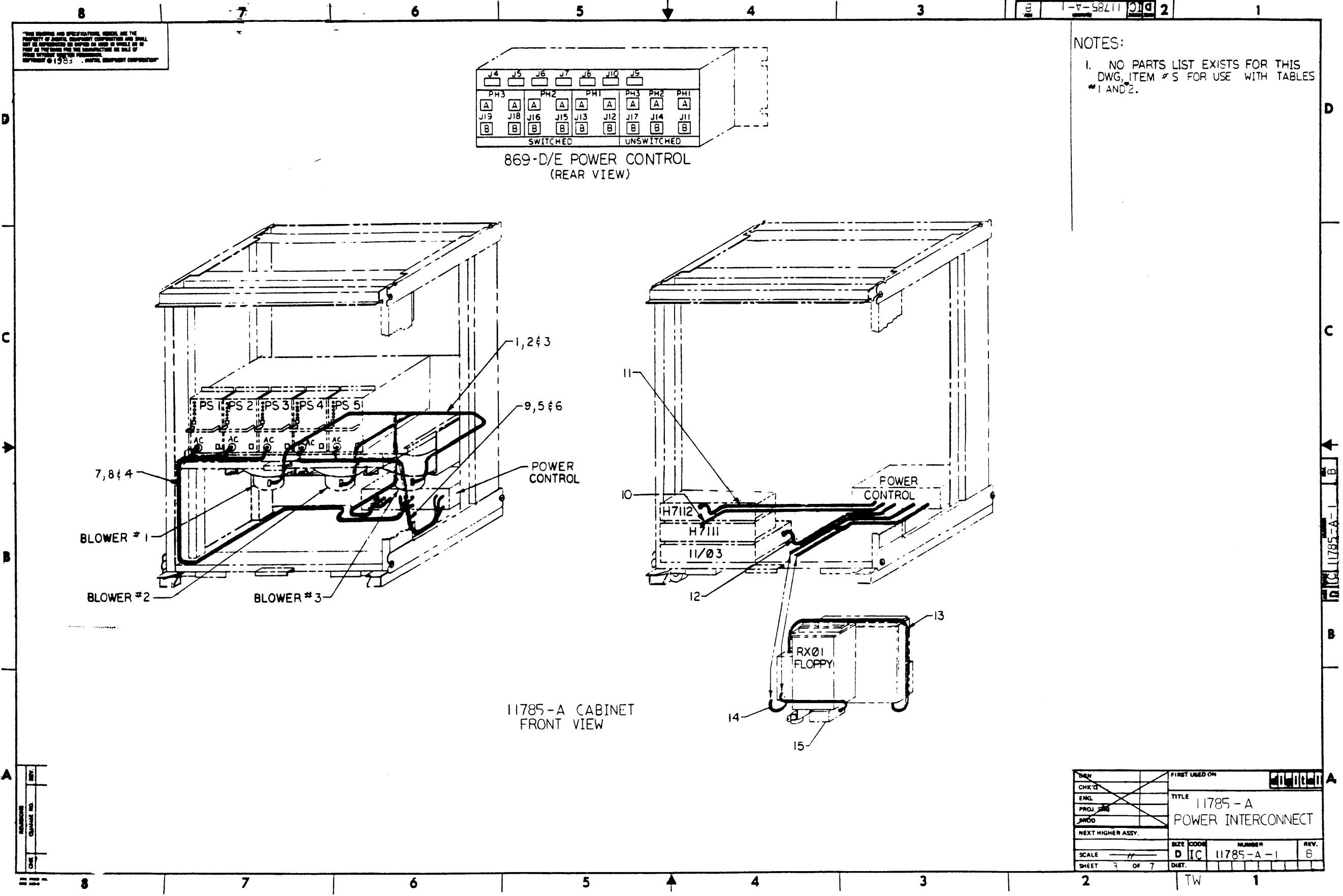


11785-A CABINET
FRONT VIEW



DESIGN	FIRST USED ON
CHK'D	TITLE 11785-A
ENG.	POWER INTERCONNECT
PROJ.	
DWG.	
NEXT HIGHER ASSY.	
SCALE 1/1	SIZE CODE D IC
SHEET 3 OF 7	NUMBER 11785-A-1
	REV. B

REV.	
CHANGE NO.	
DATE	



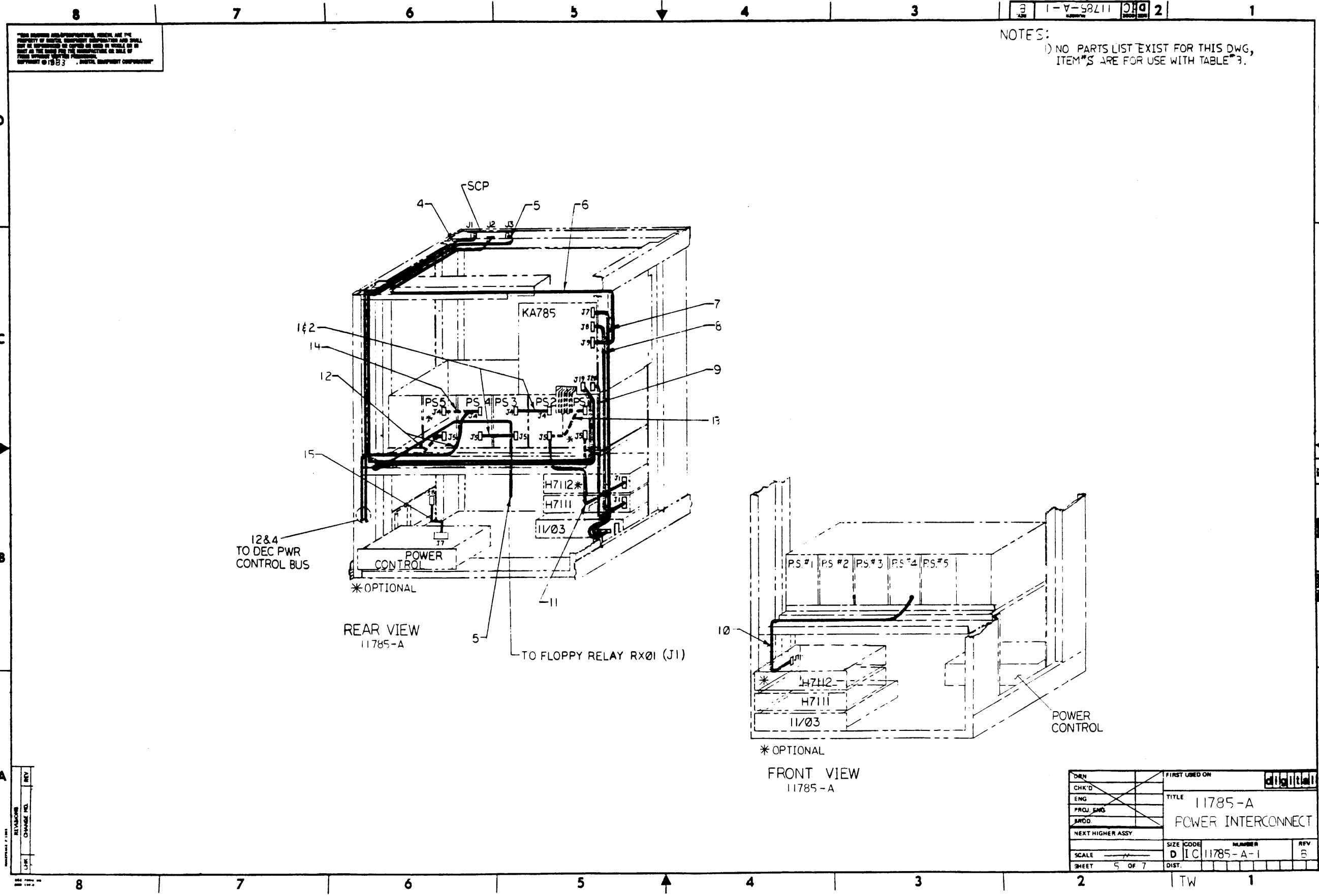
11785-A 120 VAC 50/60 HZ SYSTEM				
ITEM NO REF ONLY	PART NO	DESCRIPTION	FROM	TO
1	7014323-06	POWER CORD ASSY (FAN 115 V)	CORD -P1	869-D J19-A
			-P2	BLOWER*1 J1
			-P3	869-D J11-A
2			-P2	BLOWER*2 J1
			-P1	869-D J19-B
3	7014323-06	POWER CORD ASSY (FAN 115 V)	CORD -P2	BLOWER*3 J1
			9107673-09	EXTENSION CORD 115V 15A
4			-PLUG	869-D J18-A
			-JACK	P.S.*2-AC
5			-PLUG	869-D J11-B
			-JACK	P.S.*4-AC
6			-PLUG	869-D J18-B
			-JACK	P.S.*5 AC
7			-PLUG	869-D J15-A
			-JACK	P.S.*3 AC
8	9107673-09	EXTENSION CORD 115V 15A	CORD -JACK	P.S.*1 AC
10	H7111	T.O.D. BATTERY	AC CORD PLUG	869-D J14-A
11	H7112	MEMORY BATTERY		869-D J14-B
12	PDP11/03	16 BIT COMPUTER		869-D J14-B
13	RX01	RX01 FLOPPY UA	AC CORD PLUG	RX01 RELAY J2
14	9107673-03	EXTENSION CORD 115V 15A	CORD PLUG	869-D J13-A
			CORD JACK	RX01 RELAY-PI
15	7013928-00	FAN ASSY 115 V	AC CORD PLUG	869-D J15-B

TABLE *1

11785-A 240 VAC. 50 HZ SYSTEM				
ITEM NO REF ONLY	PART NO	DESCRIPTION	FROM	TO
1	7014324-06	POWER CORD ASSY (FAN 230 V)	CORD -P1	869-E J19-A
			-P2	BLOWER*1 J1
			-P1	869-E J11-A
2			P2	BLOWER*2 J1
			-P1	869-E J19-B
3	7014324-06	POWER CORD ASSY (FAN 230 V)	-P2	BLOWER*3 J1
			7014308-09	POWER CORD (230 V)
4			-PLUG	869-E J18-A
			-JACK	P.S.*2 AC
5			-PLUG	869 E J11-B
			-JACK	P.S.*4 AC
6			-PLUG	869-E J18 B
			-JACK	P.S.*5 AC
7			-PLUG	869-E J15-A
			-JACK	P.S.*3 AC
8	7014308-09	POWER CORD (230 V)	CORD JACK	P.S.*1 A.C
10	H7111	T.O.D. BATTERY	AC CORD PLUG	869-E J14-A
11	H7112	MEMORY BATTERY		869-E J14-B
12	PDP11/03	16 BIT COMPUTER		869-E J13-B
13	RX01	RX01 FLOPPY UA	AC CORD PLUG	RX01 RELAY J2
14	7014308-03	POWER CORD (230 V)	CORD - PLUG	869-E J13-A
			CORD -JACK	RX01 RELAY
15	7013928-01	FAN ASSY (230V)	AC CORD PLUG	869-E J15-B

TABLE *2

REVISIONS		
CHK	CHANGE NO.	REV.



THIS DRAWING AND INFORMATION HEREON ARE THE PROPERTY OF DIGITAL EQUIPMENT CORPORATION AND SHALL NOT BE REPRODUCED OR TRANSMITTED IN ANY FORM OR BY ANY MEANS, ELECTRONIC OR MECHANICAL, INCLUDING PHOTOCOPYING, RECORDING, OR BY ANY INFORMATION STORAGE AND RETRIEVAL SYSTEM, WITHOUT THE WRITTEN PERMISSION OF DIGITAL EQUIPMENT CORPORATION.

NOTES:
 1) NO PARTS LIST EXIST FOR THIS DWG, ITEM'S ARE FOR USE WITH TABLE 3.

REV	REV
CHG	CHG
ADD	ADD
DEL	DEL
INS	INS

DRN	FIRST USED ON	digital	
CHK'D	TITLE	11785-A	
ENG	PROJ. ENG.	POWER INTERCONNECT	
BRD	NEXT HIGHER ASSY		
SCALE	SIZE CODE	NUMBER	REV
SHEET 5 OF 7	D	IC 11785-A-1	6
	DIST.		

THIS DRAWING AND SPECIFICATIONS HEREAFTER ARE THE PROPERTY OF DIGITAL EQUIPMENT CORPORATION AND SHALL NOT BE REPRODUCED OR COPIED OR USED IN WHOLE OR IN PART AS THE BASIS FOR THE MANUFACTURE OR SALE OF ITEMS WITHOUT WRITTEN PERMISSION.
 COPYRIGHT © 1963 DIGITAL EQUIPMENT CORPORATION

1-A-58211 D I C 2

TABLE #3

FOR 11785 -A

ITEM NO. RFF ONLY	PART NO.	DESCRIPTION	FROM	TO
1	7014213-0K	CABLE, OVER TEMP.	PS#2-J4	PS#3-J4
2	7014213-0K	CABLE, OVER TEMP.	PS#3-J5	PS#4-J5
4	7014242-08	POWER CONTROL CABLE	869-J5	SCP-J1
5	7014243-21	FLOPPY RELAY SCP POWER HARNESS	HARNES-P2	SCP-J3
			-P1	KA780-J19
			-P3	RX01-J1
6	7011411-12	CABLE, SIGNAL	KA785-J9	SCP-J2
7	BC05L-10	CABLE	11/03 M9400-YE J1	KA780-J7
8	BC05L-10	CABLE	11/03 M9400-YE J2	KA780-J8
9	7014248-3M	CABLE, T.O.D BATTERY	H7111-J1	KA780-J20
12	7014213-4A	CABLE, OVER TEMP.	869-J9	PS#4-J4
11	7014213-3E	CABLE, OVER TEMP.	PS#2-J5	N.C.
15	7015442-03	CABLE POWER CTRL BOX	869-J5	EXP I/O PANEL J8

PART OF
KC765 ASSY

PART OF
KC755 ASSY

FOR 11785 -A WITH H7112

11	7014213-3E	CABLE, OVER TEMP.	H7112-J1	PS#2-J5
10	7014547-3D	CABLE, BATTERY OPTION	CABLE-P2	H7112-J7
			CABLE-P1	PS#4-BATT. ADAPT.

FOR 11785 -A WITH FP785

14	7014213-0K	CABLE, OVER TEMP.	PS#1-J4	PS#2-J5
11	7014213-3E	CABLE, OVER TEMP.	PS#1-J5	N.C.

FOR 11785 -A WITH H7112 & FP785

11	7014213-3E	CABLE, OVER TEMP.	H7112-J1	PS#1-J5
14	7014213-0K	CABLE, OVER TEMP.	PS#1-J4	PS#2-J5
10	7014547-3D	CABLE, BATTERY OPTION	CABLE-P2	H7112-J7
			CABLE-P1	PS#4 BATT. ADAPT.

FOR 11785-A WITH OPTIONAL P.S. 'S INSTALLED

12	7014213-4A	CABLE OVER TEMP	869-J9	PS#5-J5
14	7014213-0K	CABLE OVE TEMP	PS#4-J4	PS#5-J4

OPTIONAL

REVISIONS		
CHK	CHANGE NO.	REV.

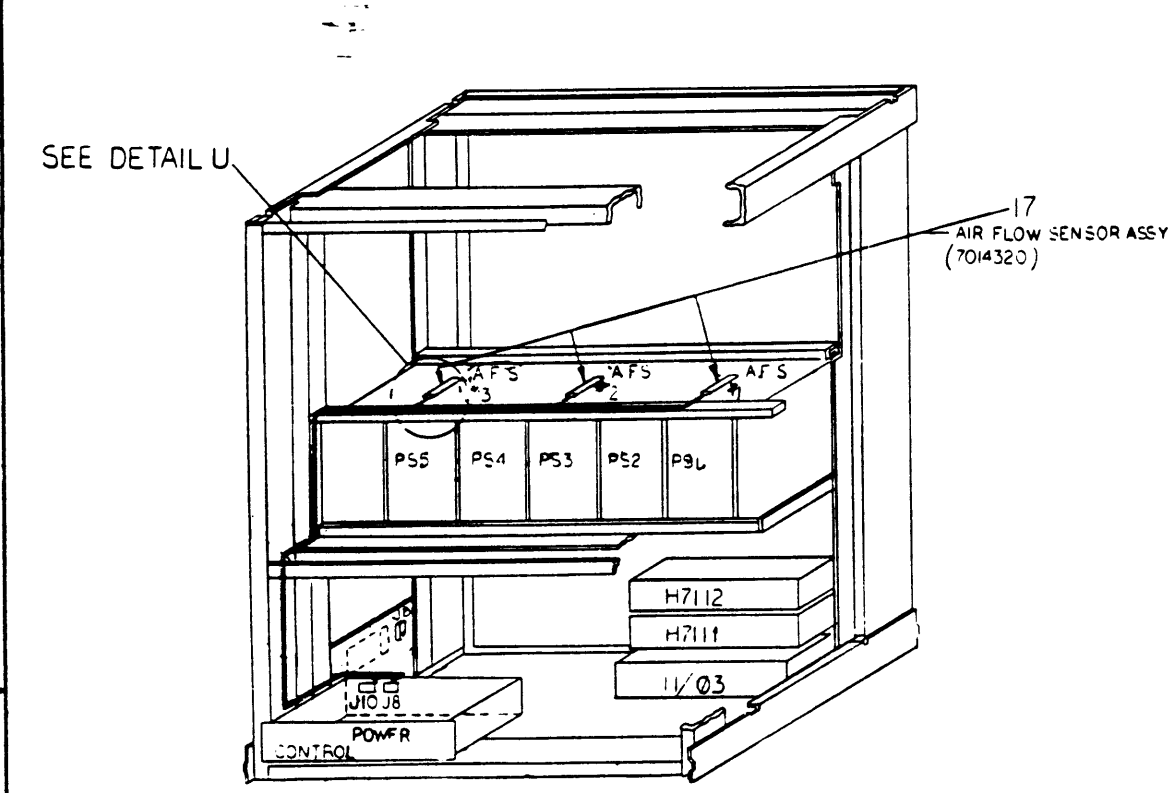
TITLE 11785 -A
POWER INTERCONNECT
SCALE 1/4" = 1" SHEET 6 OF 7 DIST. TW

REV. E

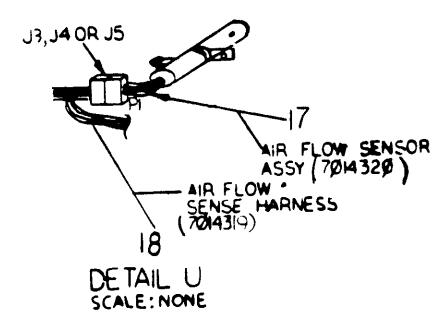
D I C 11785 -A - 1

THIS DRAWING AND SPECIFICATIONS HEREIN ARE THE PROPERTY OF DIGITAL EQUIPMENT CORPORATION AND SHALL NOT BE REPRODUCED OR COPIED OR USED IN WHOLE OR IN PART AS THE BASIS FOR THE MANUFACTURE OR SALE OF ITEMS WITHOUT WRITTEN PERMISSION. COPYRIGHT © 1985 DIGITAL EQUIPMENT CORPORATION

1-11785-A-1



REAR VIEW
11785-A



AIR FLOW SENSOR CABLING

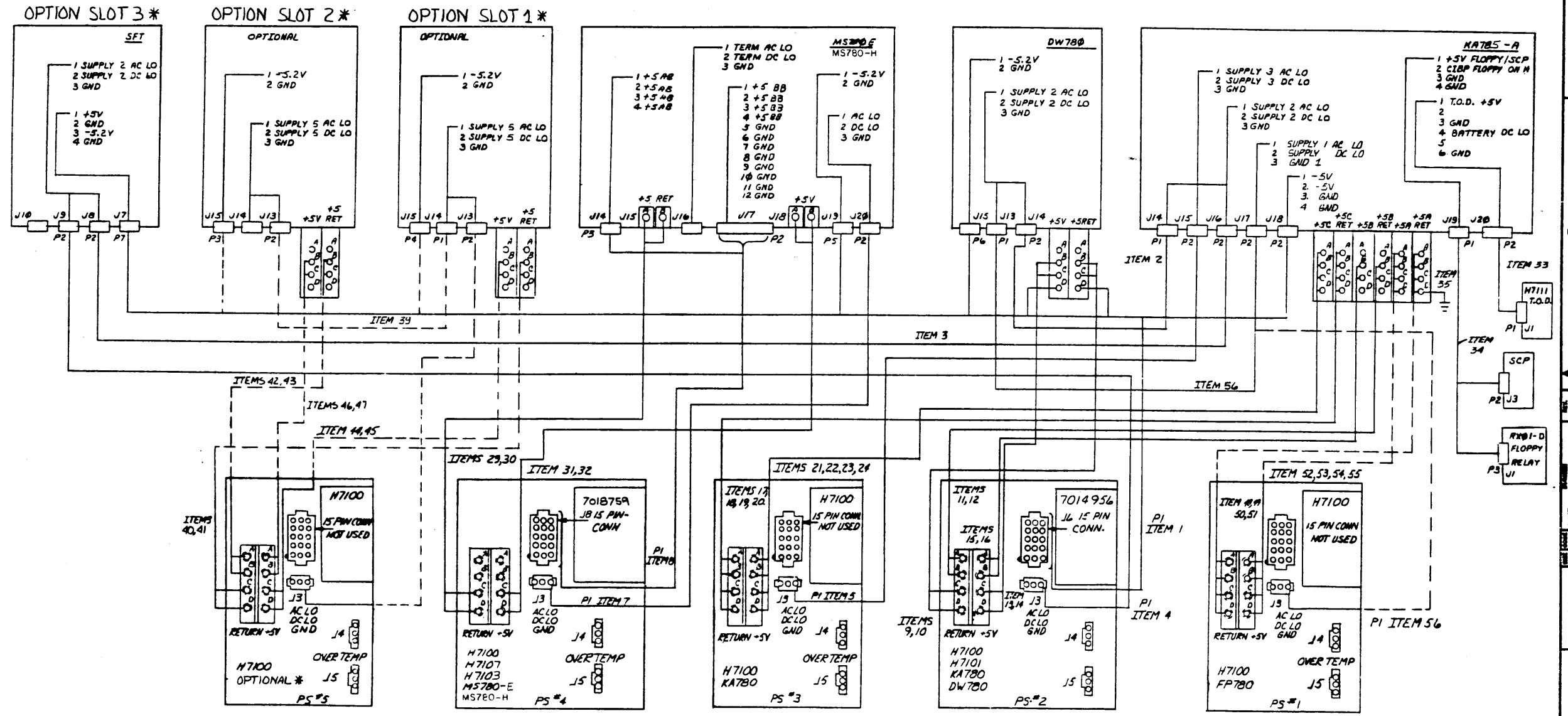
REVISIONS		
CHK	CHANGE NO	REV

TITLE	11785-A POWER INTERCONNECT	SIZE CODE	DIC	NUMBER	11785-A-1	REV.	E
SCALE		SHEET	7 OF 7	DIST			

11785-A-1

THIS DRAWING AND SPECIFICATIONS, HEREIN, ARE THE PROPERTY OF GENERAL ELECTRIC COMPANY AND SHALL NOT BE REPRODUCED OR COPIED IN WHOLE OR IN PART OR IN ANY MANNER FOR THE MANUFACTURE OR SALE OF SUCH EQUIPMENT WITHOUT PERMISSION.
 GENERAL ELECTRIC COMPANY
 SYCAMORE, ILLINOIS 61880

NOTES:
 1.) NO PARTS LIST EXISTS FOR THIS DWG. ITEM #5 FOR USE WITH TABLE #1.



* REFER TO K-SA-11785-A-DBF

BACKPLANE D.C. INTERCONNECT

REV. NO.	REV.
04	B
03	B
02	B
01	B
00	B

DRAWN	DATE	FIRST USED ON
CHK'D	DATE	
ENG.	DATE	
PROJ. ENG.	DATE	
PROD.	DATE	
NEXT HIGHER ASSY.		
SCALE	SIZE	CODE
SHEET 1 OF 3	DWG. NO.	REV.

THIS DRAWING AND SPECIFICATIONS HEREIN ARE THE PROPERTY OF DIGITAL EQUIPMENT CORPORATION AND SHALL NOT BE REPRODUCED OR COPIED IN WHOLE OR IN PART AS THE BASIS FOR THE MANUFACTURE OR SALE OF ITEMS WITHOUT THE WRITTEN CONSENT OF DIGITAL EQUIPMENT CORPORATION © 1983

TABLE # 1
BACKPLANE DC. INTERCONNECT

REF. ITEM NUMBER	PART NUMBER	DESCRIPTION	FROM	TO	REMARKS
1	7015073-0-0	HARNESS-SV TERMINATION	HARNESS P1	PS#2-J6	-5V GND
			HARNESS P2	KA785-J10	
			HARNESS P3	OPT SLOT#2-J15	
			HARNESS P4	OPT SLOT#1-J15	
			HARNESS P5	MS780-J19	
			HARNESS P6	DW780-J15	-5V, GND
			HARNESS P7	SFT-J7	+5V, GND
			HARNESS RING TERM (BLK WIRE)	DW780-SV-D	+5V
	7015073-0-0	HARNESS-SV TERM	HARNESS RING TERM (BLK WIRE)	DW780-SV-D	+5V RETURN
2	7014212-0H	CABLE AC DC LOW	CABLE P1	KA785-J14	
			CABLE P2	DW780-J14	
3	7014212-2M	CABLE AC DC LOW	CABLE P1	KA785-J16	
			CABLE P2	SFT-J8	
4	7014212-2M	CABLE AC DC LOW	CABLE P1	PS#2-J33	AC DC LOW GND
			P2	SFT-J9	
5	7014212-0M	CABLE AC DC LOW	CABLE P1	PS#3-J33	AC DC LOW & GND
			P2	KA785-J15	
7	7014212-1C	CABLE AC DC LOW	CABLE P1	PS#4-J33	AC DC LOW & GND
			P2	MS780-J20	
8	7019586-1K	CABLE ± 5B	CABLE P1	PS#4-J33	+5B & +12
			P2	MS780-J17	
			P3	MS780-J14	
9	7014249-1A	CABLE POWER (BLK)	PS#2+5 RET-D	DW780+5 RET-B	PS#2+5 RETURN
10	7014249-1A	CABLE POWER (BLK)	PS#2+5 RET-C	DW780+5 RET-C	
11	7014249-1C	CABLE POWER (BLK)	PS#2+5 RET-B	KA785+5B RET-B	
12	7014249-1C	CABLE POWER BLK	PS#2+5 RET A	KA785+5B RET C	PS#2+5 RETURN
13	7014530-1A	CABLE POWER (RED)	PS#2+5 -D	DW780+5 -B	PS#2+5
14	7014530-1A	CABLE POWER (RED)	PS#2+5 C	DW780+5 -C	
15	7014530-1A	CABLE POWER (RED)	PS#2+5 B	KA785+5B C	
16	7014530-1A	CABLE POWER (RED)	PS#2+5 A	KA785+5B B	PS#2+5
17	7014249-1J	CABLE POWER (BLK)	PS#3+5 RET D	KA785+5C RET D	PS#3+5 RETURN
18			C	C	
19			B	B	
20	7014249-1J	CABLE POWER (BLK)	PS#3+5 RET A	KA785+5C -A	PS#3+5 RETURN
21	7014530-1E	CABLE POWER (RED)	PS#3+5 -D	KA785+5C -D	PS#3+5 RETURN
22			C	C	
23			B	B	
24	7014530-1E	CABLE POWER (RED)	PS#3+5 -A	KA785+5C -A	
29	7014250-0K	CABLE POWER	PS#4+5 RET C	MS780-J15 -A	PS#4+5 RETURN
30	7014250-0K	RTR MEMORY BLK	PS#4+5 RET D	MS780-J15 B	
31	7014529-0K	CABLE POWER	PS#4+5 C	MS780-J18 -A	PS#4+5V
32		+5 MEMORY (RED)	PS#4+5 D	MS780-J18 B	
33	7014248-3M	CABLE TO T.O.D. BTL	HARNESS P2	KA785-J20	
			P1	H7111-01	
34	7014248-21	FLOPPY RELAY SC. PWR. HARNESS	HARNESS P1	KA785-J19	
			P2	SCP - J3	
			P3	RX01 - J1	
35	7014249-0L	CABLE POWER (BLK)	KA785-A+5A RET D	FRAME	
56	7014212-0M	CABLE AC/DC LO	CABLE P1	DW780-J13	SEE NOTE #1
			CABLE P2	KA785-J17	

REF. ITEM NUMBER	PART NUMBER	DESCRIPTION	FROM	TO	REMARKS
1	7015073-0-0	HARNESS-SV TERM.	HARNESS P3	OPT SLOT 2-J15	-5V GND
	7015073-0-0	HARNESS-SV TERM	HARNESS P4	OPT SLOT 1-J15	-5V GND
38	7014212-0M	CABLE AC DC LOW	CABLE P1	PS#3-J33	AC DC LO & GND
	7014212-0M	CABLE AC DC LOW	CABLE P2	OPT SLOT 2-J13	AC DC LO & GND
39	7014212-0H	CABLE AC DC LOW	CABLE P1	OPT SLOT 1-J14	AC DC LO & GND
	7014212-0H	CABLE AC DC LOW	CABLE P2	OPT SLOT 2-J13	AC DC LO & GND
40	7014249-0L	CABLE POWER (BLK)	PS#3+5 RET-D	OPT SLOT 1+5 RET-C	PS#3+5 RETURN
41	"	"	C	B	"
42	7014249-0L	CABLE POWER (BLK)	PS#3+5 RET-B	OPT SLOT 1+5 -C	PS#3+5 RETURN
43	"	"	A	B	"
44	7014530-0L	CABLE POWER (RED)	PS#3+5 -D	OPT SLOT 1+5 -C	PS#3+5V
45	"	"	C	B	"
46	7014530-0L	CABLE POWER (RED)	PS#3+5 -B	OPT SLOT 2+5 -C	PS#3+5V
47	"	"	A	B	"

FP785

48	7014249-0L	POWER CABLE BLK	PS#1+5 A RET D	KA785+5A RET D	PS#1+5 RETURN
49			C	C	
50			B	B	
51	7014249-0L	POWER CABLE (BLK)	PS#1+5 A RET-A	KA785+5A RET A	PS#1+5 RETURN
52	7014530-0L	POWER CABLE (RED)	PS#1+5 -D	KA785+5A -D	PS#1+5V
53			C	C	
54			B	B	
55	7014530-0L	POWER CABLE (RED)	PS#1+5 -A	KA785+5A -A	PS#1+5V
56	7014212-0M	CABLE AC DC LO	CABLE P1	PS#1-J3	AC, DC, LOW
	7014212-0M	CABLE AC DC LO	CABLE P2	KA785-J17	AC, DC, LOW

OPTIONAL

SEE NOTE 1

NOTES: (PERTAIN TO THIS SHEET ONLY)

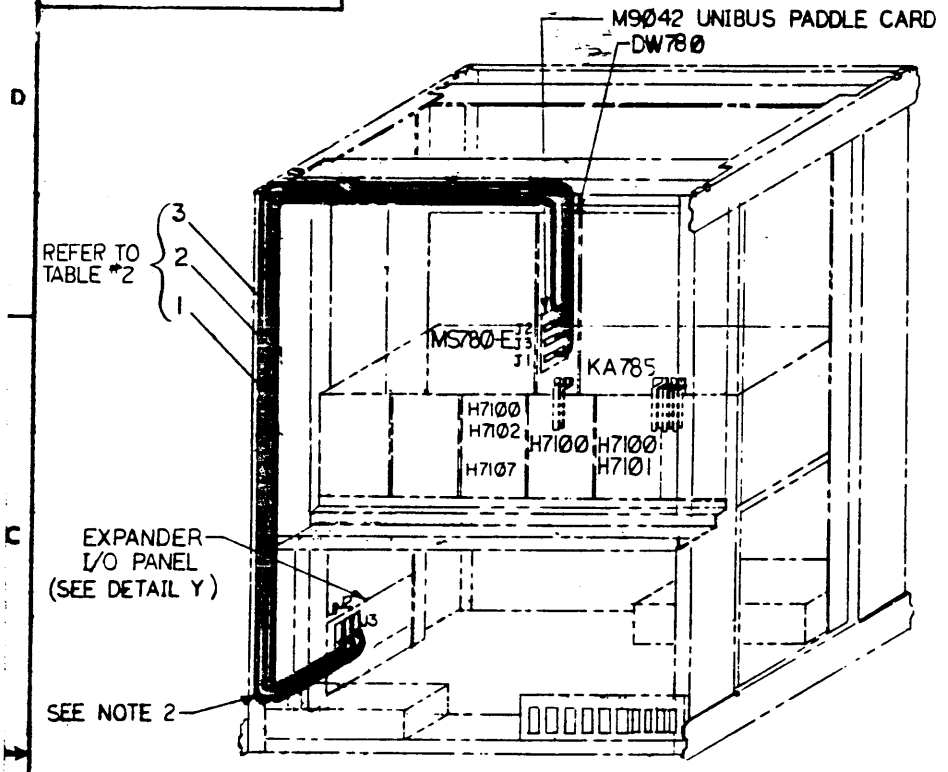
1. IF THE FP785 IS INSTALLED; ITEM #56 P1 CONNECTS TO PS#1-J3. OTHERWISE IT IS CONNECTED TO DW780-J13.

REVISIONS		
CHK	CHANGE NO.	REV.

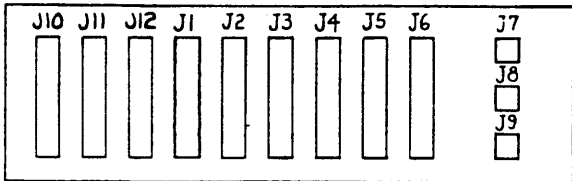
TITLE	11785-A BACKPLANE INTERCONNECT	SIZE/CODE	DIC	NUMBER	11785-A-2	REV.	E
SCALE		SHEET	2	OF	3	DIST.	

THIS DRAWING IS UNCLASSIFIED, AND THE CONTENTS HEREIN ARE UNCLASSIFIED EXCEPT WHERE SHOWN OTHERWISE. DATE 08-11-2011 BY 60322/UC/AVD/2

9-2-A-50/11/1785-2



11785-A
REAR VIEW



DETAIL Y
VIEWED FROM
INSIDE OF CABINET

TABLE #2 DW780 RIBBON CABLE				
ITEM NO. (REF. ONLY)	PART NO.	DESCRIPTION	FROM	TO
1	7013622-00	CABLE, RIBBON UNIBUS	M9042- J2	EXP I/O CONN- J12
2			M9042- J3	EXP I/O CONN- J10
3			M9042- J1	EXP I/O CONN- J11

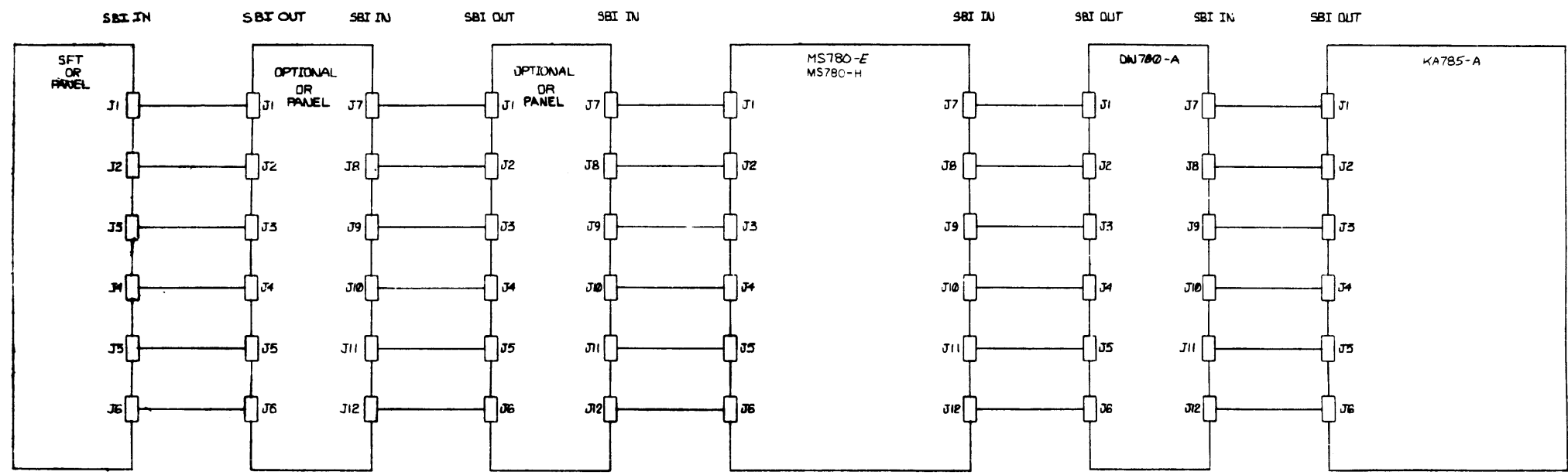
NOTES: (PERTAIN TO THIS SHEET ONLY)
 1) NO PARTS LIST EXISTS FOR THIS DWG
 ITEM #'S ARE FOR USE WITH TABLE #2.
 2) REFER TO E-UA-11785-A-0 FOR UNIBUS CABLE
 FOLD INSTRUCTIONS

REVISIONS		
CHK	CHANGE NO.	REV.

TITLE	11/785-A BACKPLANE INTERCONNECT	DATE/COOR	D/LC	NUMBER	11785-A-2	REV.	6
SCALE		SHEET	3 OF 3	DIST.			

1983

NOTES:
 1. SBI CABLE CONNECTIONS TO SFT FROM ADJACENT BACKPLANE ARE ALWAYS 1700087-1 (QTY 6) OTHER SBI CABLES ARE 1700087-0.

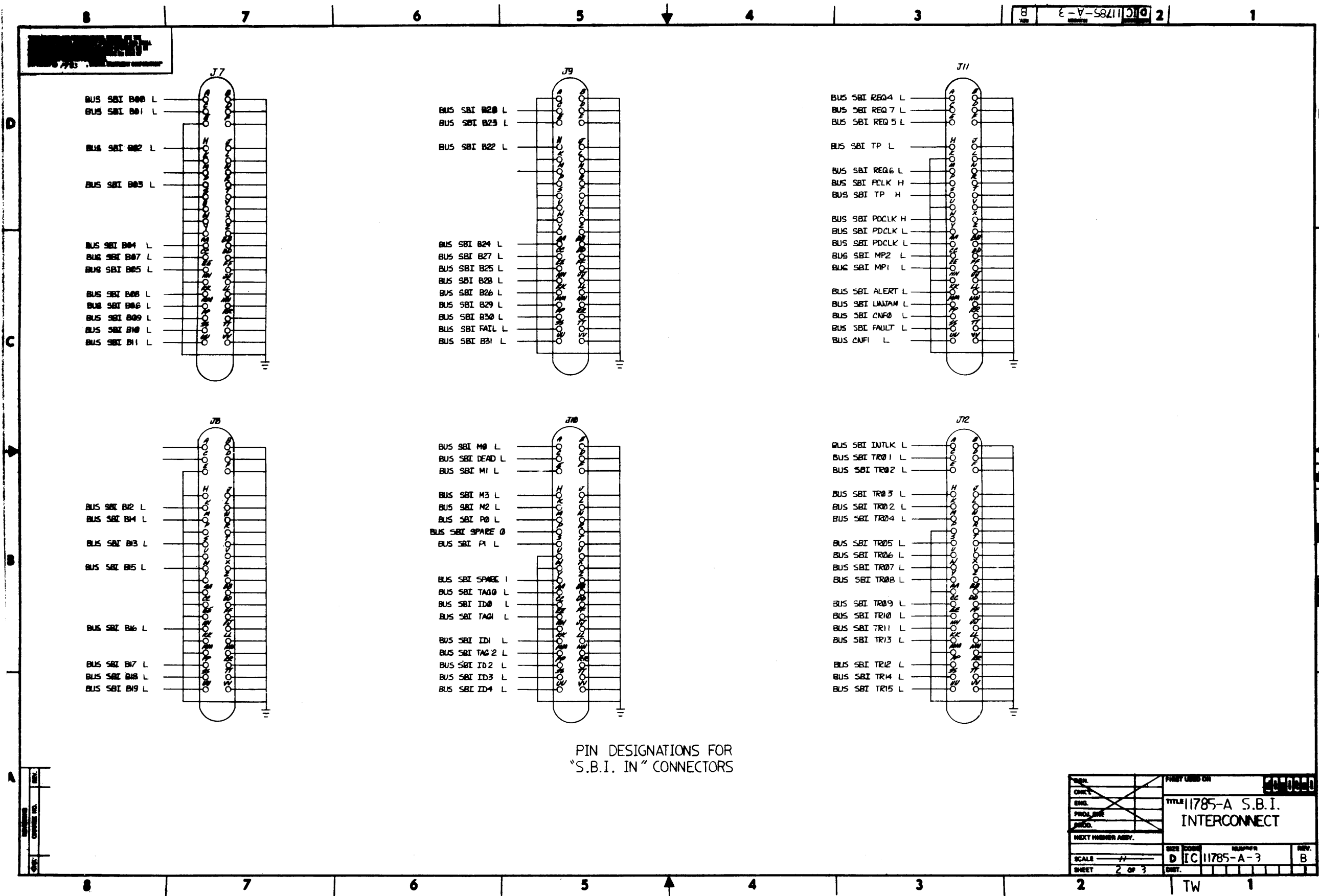


S.B.I. INTERCONNECT

REV	B
DATE	11/785-TW003
BY	A. HAYNES
CHKD	S. DUNCANSON
APP'D	S. DUNCANSON

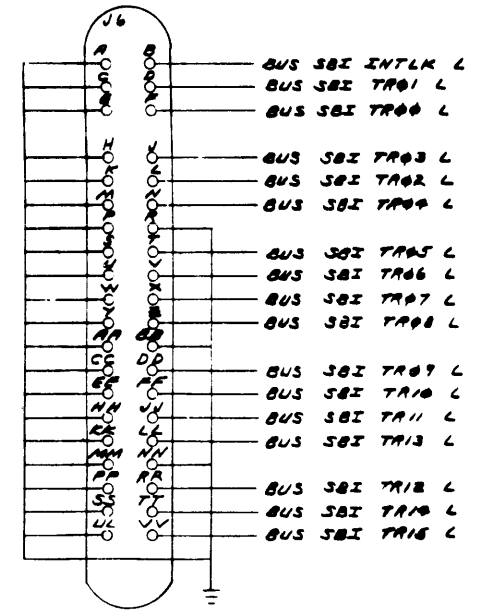
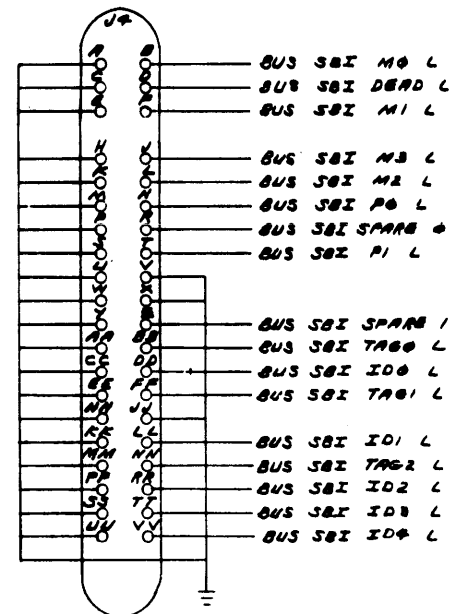
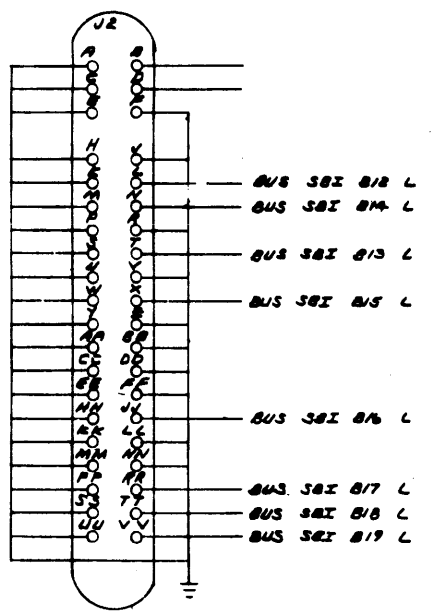
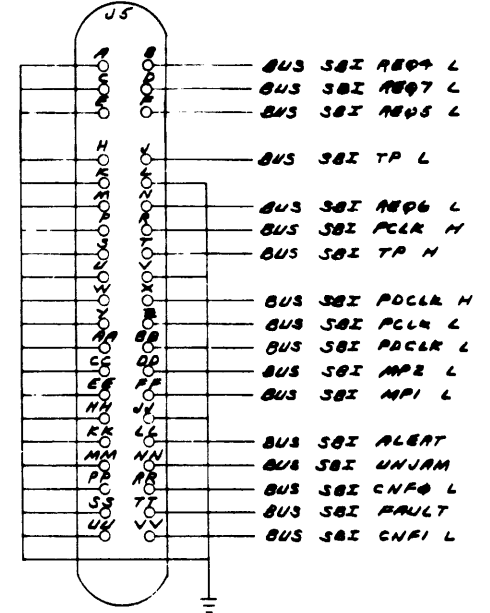
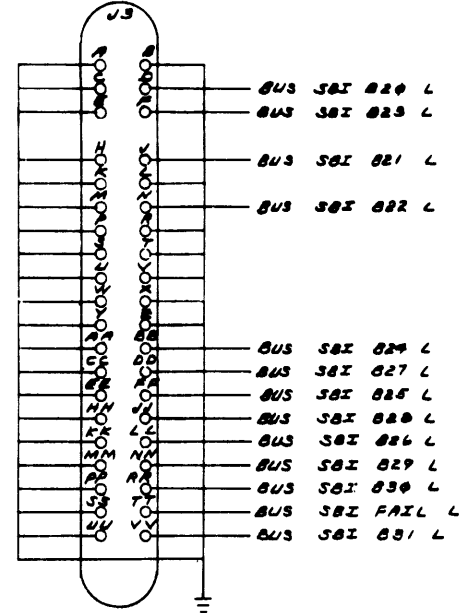
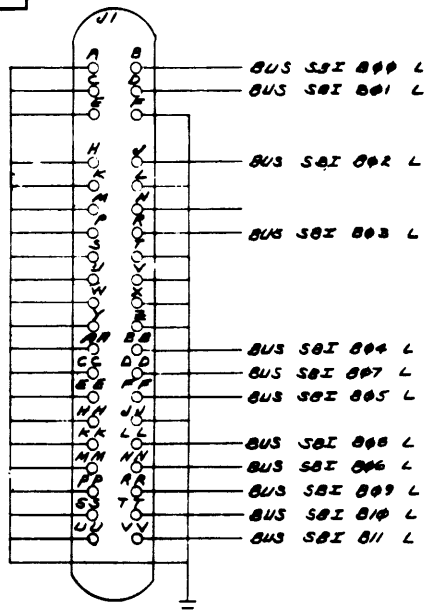
DRN	RESIGNED	DATE	11/78	PRNT USED ON	11785-A-3
CHK'D	11/78	BY	T. LOVES	TITLE	11785-A
ENG	A. NELSON	DATE	11/78	TITLE	S.B.I. INTERCONNECT
PROJ. ENG.	A. NELSON	DATE	11/78	NUMBER	11785-A-3
PROJ. MGR.	A. NELSON	DATE	11/78	REV	B
NEXT NUMBER ASSY.					
SCALE		SIZE	DIC	NUMBER	11785-A-3
SHEET	1 OF 3	DRY			

11785-A-3



PIN DESIGNATIONS FOR "S.B.I. IN" CONNECTORS

<table border="1"> <tr><td>CHKD.</td><td></td></tr> <tr><td>ENGR.</td><td></td></tr> <tr><td>PRD. ENGR.</td><td></td></tr> <tr><td>INSPECTION</td><td></td></tr> <tr><td>NEXT NUMBER ASSY.</td><td></td></tr> </table>	CHKD.		ENGR.		PRD. ENGR.		INSPECTION		NEXT NUMBER ASSY.		<table border="1"> <tr><td colspan="2">FIRST USED ON</td></tr> <tr><td colspan="2">TITLE 11785-A S.B.I. INTERCONNECT</td></tr> <tr><td>SIZE CODE</td><td>NUMBER</td></tr> <tr><td>D IC 11785-A-3</td><td>B</td></tr> <tr><td>SHEET 2 OF 3</td><td>QWT.</td></tr> </table>	FIRST USED ON		TITLE 11785-A S.B.I. INTERCONNECT		SIZE CODE	NUMBER	D IC 11785-A-3	B	SHEET 2 OF 3	QWT.
CHKD.																					
ENGR.																					
PRD. ENGR.																					
INSPECTION																					
NEXT NUMBER ASSY.																					
FIRST USED ON																					
TITLE 11785-A S.B.I. INTERCONNECT																					
SIZE CODE	NUMBER																				
D IC 11785-A-3	B																				
SHEET 2 OF 3	QWT.																				



PIN DESIGNATIONS FOR "S.B.I. OUT" CONNECTORS

DATE	FILE NUMBER	30-0000
CHG	TITLE	11785-A S.B.I. INTERCONNECT
ENG	SCALE	D 1:1
PRG	NUMBER	11785-A-3
APP	REV.	B
NEXT HIGHER ASSY.	SIZE	D
SCALE	DATE	
SHEET 3 OF 3		

11785-A-3

11785-A-3

D

C

B

A

D

C

B

A

8 7 6 5 4 3 2 1

8 7 6 5 4 3 2 1

LINE	ITEM	DOCUMENT NUMBER	PART NUMBER	DESCRIPTION	QUANTITY PER VARIATION
					01
1	1		EB21710-20	VAX HARDWARE HANDBOOK	1
2	2		EB21812-20	VAX SOFTWARE HANDBOOK	1
3	3		EK11785-UG	VAX-11/785 HARDWARE USERS MANUAL	1
4	4		EKSI785-IN	VAX-11/785 INSTALLATION MANUAL	1
5	5		EKVAXAR-RM	VAX-11 ARCHITECTURE REFERENCE MA	1
6	6	B-TC-H7111-0-0	MP00377-00	F.M.P.S. H7111	1
7	7	B-TC-7100-0-1	MP00480-00	F.M.P.S. H7100	1
8	8	B-TC-DW780-0-1	MP00497-00	F.M.P.S. DW780	1
9	9	B-TC-MS780-E-1	MP01372-00	F.M.P.S. MS780-E	1
10	10	K-TC-11785-A-DBF	MP01747-00	F.M.P.S. 11785	1
11	11	K-TC-KC785-A-DBF	MP01748-00	F.M.P.S. KC785	1
12	12	K-TC-KA785-0-DBF	MP01749-00	F.M.P.S. KA785	0

REVISION HISTORY			BASIC PART NO: 7020580			DRN: D. HERTZ			DATE: 04-JAN-84			D I G I T A L		
ENG:	ECO NUMBER	REV	SECTION A OF A			CHK'D: R. NELSON			DATE: 04-JAN-84			TITLE PARTS LIST		
	INITIAL	A	SECTION VARIATION INDEX			DES.ENG.: R. NELSON			DATE: 04-JAN-84			SHIPLIST 11785		
			[A] 01			RESP.ENG.: R. NELSON			DATE: 04-JAN-84			DOCUMENT NUMBER		
			[B]			MFG.ENG.: M. KRYSAK			DATE: 04-JAN-84			SIZE: CODE: NUMBER REV		
			[C]			ASSEMBLY NUMBER:			TOP DOCUMENT NUMBER:			K PL 7020580-0-DBP A		
			[D]									FILE NAME: 2		
			[E]									Z7361A.PLS		
			[F]											
<p>"THIS DRAWING AND SPECIFICATIONS HEREIN, ARE THE PROPERTY OF DIGITAL EQUIPMENT CORPORATION AND SHALL NOT BE REPRODUCED OR COPIED OR USED IN WHOLE OR IN PART AS THE BASIS FOR THE MANUFACTURE OR SALE OF ITEMS WITHOUT WRITTEN PERMISSION. COPYRIGHT (C) 1984. DIGITAL EQUIPMENT CORPORATION"</p>														
CHK HH A6														

"THE MATERIAL HEREIN IS FOR INFORMATION PURPOSES ONLY AND IS SUBJECT TO CHANGE WITHOUT NOTICE. DIGITAL EQUIPMENT CORPORATION ASSUMES NO RESPONSIBILITY FOR ANY ERRORS WHICH MAY APPEAR HEREIN."

*** DRAWING DIRECTORY ***

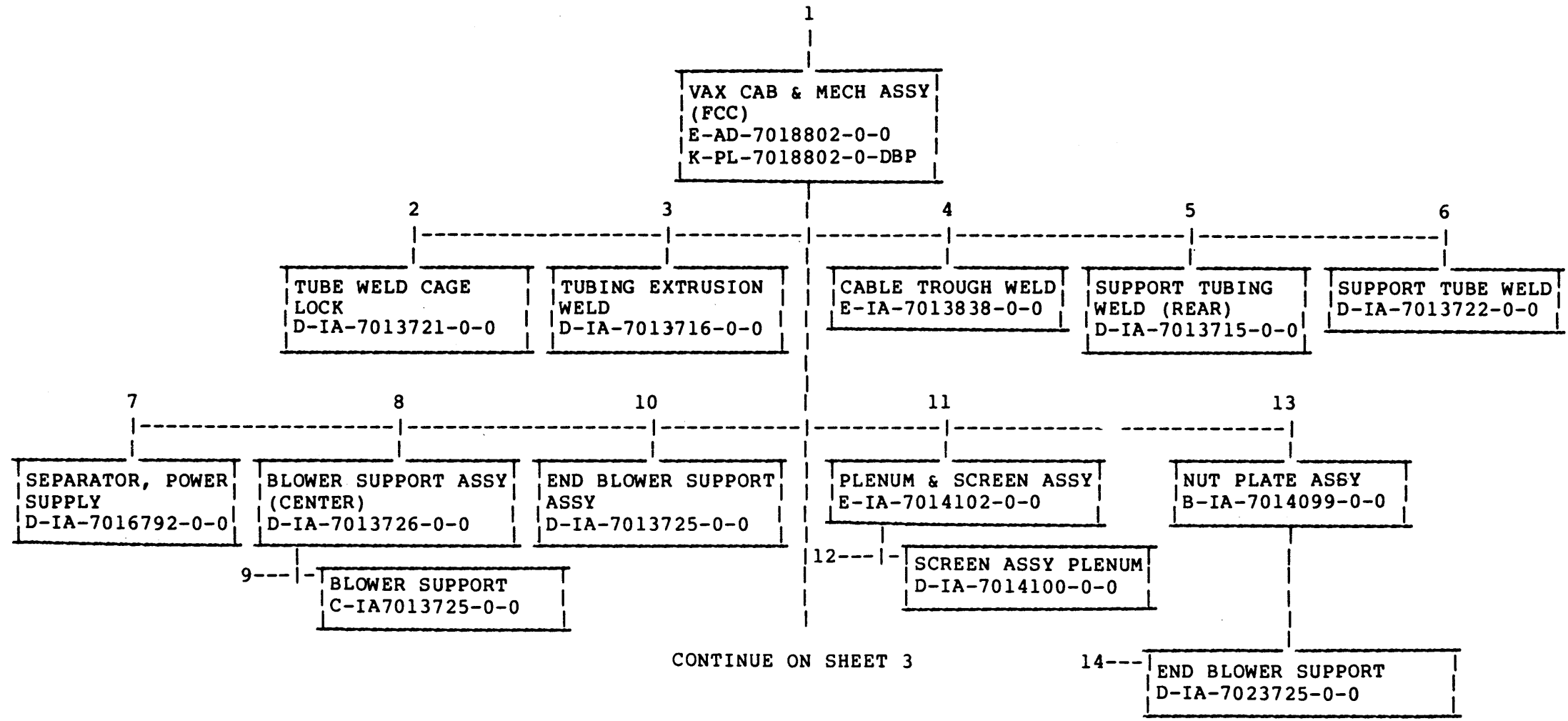
UNIT VARIATIONS	
VAR	TITLE
7018802-00	

REVISIONS	REVISION #	DESCRIPTION	USED ON OPTION/MODEL	DRN. R.J. RILEY	DATE 2-1-83
				CHK'D R.J. RILEY	DATE 2-1-83
				PROJ. ENG. P. GILDEA	DATE 2-1-83
				PROD. L. CORNELL	DATE 2-1-83
			SHEET 1 OF 6	digital	

"THIS DRAWING AND SPECIFICATIONS, HEREIN, ARE THE PROPERTY OF DIGITAL EQUIPMENT CORPORATION AND SHALL NOT BE REPRODUCED OR COPIED OR USED IN WHOLE OR IN PART AS THE BASIS FOR THE MANUFACTURE OR SALE OF ITEMS WITHOUT WRITTEN PERMISSION. COPYRIGHT © 1983 DIGITAL EQUIPMENT CORPORATION."

TITLE: DWG DIRECT (FCC CAB ASSY)				
SIZE	CODE	NUMBER	REV	
K	DD	7018802-0-DBF	A	
DIST.				

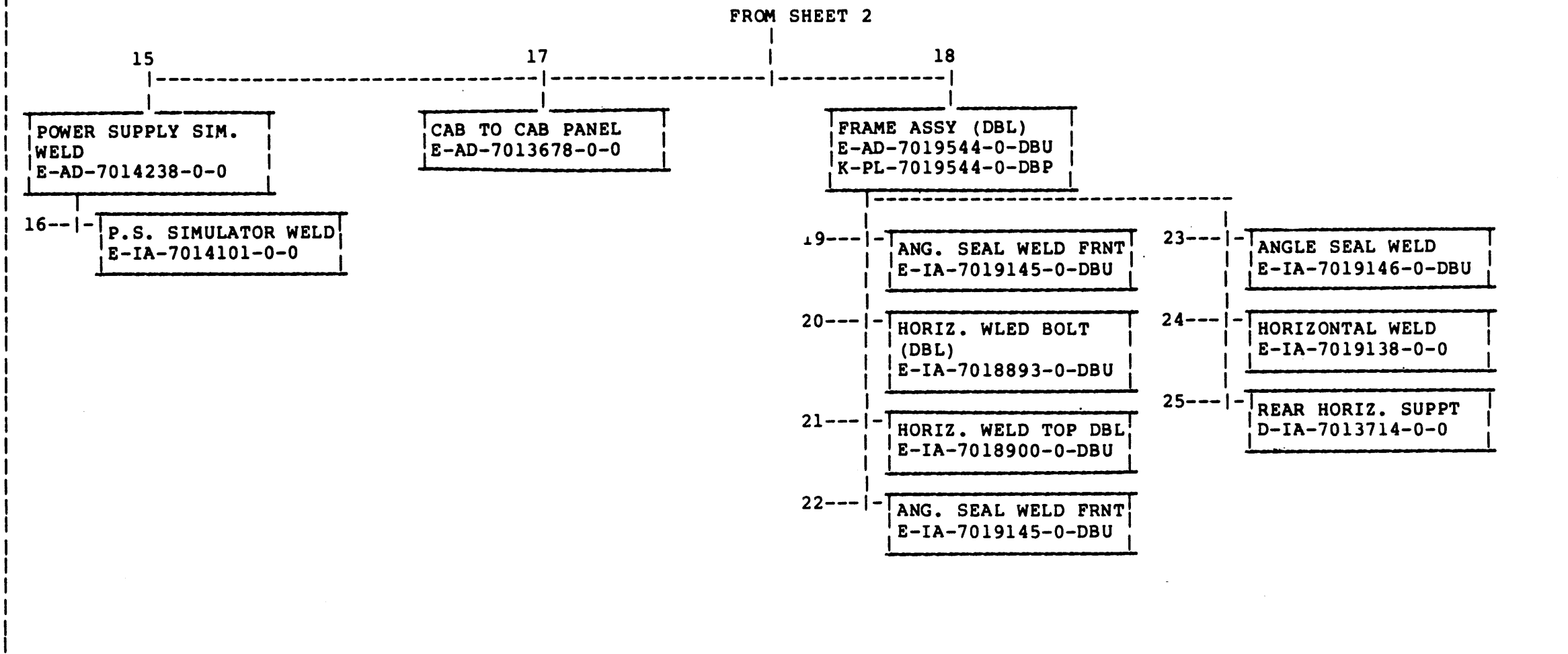
*THIS DRAWING AND SPECIFICATIONS, HEREIN, ARE THE PROPERTY OF DIGITAL EQUIPMENT CORPORATION AND SHALL NOT BE REPRODUCED OR COPIED OR USED IN WHOLE OR IN PART AS THE BASIS FOR THE MANUFACTURE OR SALE OF ITEMS WITHOUT WRITTEN PERMISSION.
 COPYRIGHT © 1983 DIGITAL EQUIPMENT CORPORATION



CONTINUE ON SHEET 3

TITLE: DRAWING DIRECTORY (FCC CAB ASSY)	SHEET 2 OF 6	SIZE K	CODE DD	NUMBER 7018802-0-DBF	REV A
--	--------------	-----------	------------	-------------------------	----------

*THIS DRAWING AND SPECIFICATIONS, HEREIN, ARE THE PROPERTY OF DIGITAL EQUIPMENT CORPORATION AND SHALL NOT BE REPRODUCED OR COPIED OR USED IN WHOLE OR IN PART AS THE BASIS FOR THE MANUFACTURE OR SALE OF ITEMS WITHOUT WRITTEN PERMISSION.
 COPYRIGHT © 1983 DIGITAL EQUIPMENT CORPORATION



TITLE: DRAWING DIRECTORY (FCC CAB ASSY)	SHEET 3 OF 6	SIZE K	CODE DD	NUMBER 7018802-0-DBF	REV A
--	--------------	-----------	------------	-------------------------	----------

ITEM #	DRAWING NUMBER	DESCRIPTION	TYPE	ITEM #	DRAWING NUMBER	DESCRIPTION	TYPE
1	E-AD-7018802-0-0	VAX CAB & MECH ASSY (FCC)	E/M	3	D-IA-7013716-0-0	TUBING EXTRUSION WELDMENT	M
	K-PL-7018802-0-DBP	VAX CAB & MECH ASSY (FCC) P/L			C-MD-7418166-0-0	END PLATE TUBING EXTRUSION	
	E-MD-7418977-0-0	END PANEL			D-MD-7418087-0-0	TUBING EXTRUSION FRONT	
	B-MD-7417909-0-0	EXTRUSION SLIDING DOOR					
	D-MD-7419155-0-0	MOUNTING RAIL POWER SUPPLY					
	E-IA-7428295-0-0	PANEL I/O					
	D-IA-7418088-0-0	BACK STOP POWER SUPPLY		4	E-IA-7013838-0-0	CABLE TROUGH WELDMENT	M
	D-MD-7418974-0-0	AIR FLOW RESISTANCE PANEL			B-MD-7417860-0-0	CABLE SUPPORT	
	D-MD-7418975-0-0	TERMINATOR MOUNTING PLATE			B-MD-7417850-0-0	LOCKING CLIP	
	C-MD-7418729-0-0	SPACER STRIP			C-MD-7418976-0-0	SUPPORT ROD	
	C-MD-7418728-0-0	INSULATOR STRIP					
	D-MD-7418973-0-0	MBA DUMMY PANEL					
	D-IA-7420558-0-0	BRACKET DOOR					
	C-MD-7420556-0-0	HINGE REWORK		5	D-IA-7013715-0-0	SUPPORT TUBING WELD (REAR)	M
	C-MD-7418099-0-0	SUPPORT BLOWER MOUNTING			C-IA-7418163-0-0	END PLATE SUPPORT	
	B-MD-7418737-0-0	SLIDE BRACKET CAB			D-MD-7417852-0-0	SUPPORT TUBING REAR	
	D-MD-7418131-0-0	LATCH LOCK					
	B-MD-7426725-0-DBU	SHIELD SPRING					
				6	D-IA-7013722-0-0	SUPPORT TUBE WELD	M
					C-IA-7418163-0-0	END PLATE SUPPORT TUBING	
2	D-IA-7013721-0-0	TUBE WELD CAGE LOCK	M		D-MD-7417983-0-0	SUPPORT TUBING FRONT	
	C-MD-7418166-0-0	END PLATE TUBING EXTRUSION					
	D-MD-7418180-0-0	TUBING CAGE LOCK REAR					

TYPE: E = ELECTRICAL
M = MECHANICAL
E/M = ELECTRO/MECHANICAL

digital

TITLE:
DRAWING DIRECTORY
(FCC CAB ASSY)

SHEET 4 OF 6 SIZE K CODE DD NUMBER 7018802-0-DBF REV A

ITEM #	DRAWING NUMBER	DESCRIPTION	TYPE	ITEM #	DRAWING NUMBER	DESCRIPTION	TYPE
7	D-IA-7016792-0-0	SEPARATOR, POWER SUPPLY	M	13	B-IA-7014099-0-0	NUT PLATE ASSY	M
	D-MD-7422417-0-0	PLATE SEPARATOR			B-MD-7417931-0-0	BLOWER MOUNTING PLATE	
	D-MD-7422418-0-0	PLATE BOTTOM			B-MD-7418730-0-0	ABSORBER PAD	
8	D-IA-7013726-0-0	BLOWER SUPPORT ASSY (CENTER)	M	14	D-IA-7013725-0-0	END BLOWER SUPPORT ASSY	M
9	C-IA-7013725-0-0	BLOWER SUPPORT	M	15	E-AD-7014328-0-0	POWER SUPPLY SIMULATOR WELDMENT	M
	C-IA-7417943-0-0	MTG BRACKET					
	C-MD-7417944-0-0	SUPPORT BRACKET					
10	D-IA-7013725-0-0	END BLOWER SUPPORT ASSY	M	16	E-IA-7014101-0-0	POWER SUPPLY SIMULATOR WELDMENT	M
11	E-IA-7014102-0-0	PLENUM & SCREEN ASSY	M				
	E-MD-7417922-0-0	PLENUM					
				17	E-AD-7013678-0-0	CAB-TO-CAB PANEL	M
					D-MD-7417864-0-0	PANEL CAB/CAB CONN.	
12	D-IA-7014100-0-0	SCREEN ASSY PLENUM	M				

TYPE: E = ELECTRICAL
M = MECHANICAL
E/M = ELECTRO/MECHANICAL

digital

TITLE:
DRAWING DIRECTORY
(FCC CAB ASSY)

SHEET 5 OF 6

SIZE
K

CODE
DD

NUMBER
7018802-0-DBF

REV
A

I T E M #	DRAWING NUMBER	DESCRIPTION	T Y P E	I T E M #	DRAWING NUMBER	DESCRIPTION	T Y P E
	K-PL-7019544-0-DBP	FRAME ASSY PARTS LIST					
	E-IA-7426060-0-DBU	RAIL					
	E-MD-7426640-0-DBU	SHIELD, CON'T (DBU)					
	E-MD-7426084-0-DBU	RAIL VERT					
	E-IA-7426612-0-DBU	SCREEN BOTTOM DOUBLE		23	E-IA-7019146-0-DBU	ANGLE WELDMENT SEAL	M
	E-MD-7426401-0-DBU	BRKT REAR SEAL					
	D-MD-7417939-0-0	VERT LOWER CTR					
	E-IA-7427168-0-DBU	HORIZ., DOUBLE (CTR) REAR					
	C-IA-7427166-0-DBU	BRKT MTG EXTRUSION					
	C-MD-7426875-0-DBU	BRKT, COVER CLIP		24	E-IA-7019138-0-0	HORIZONTAL WELDMENT	M
	B-MD-74XXXXX-0-DBU	PLATE NUT					
19	E-IA-7019145-0-DBU	ANGLE SEAL WELDMENT FRONT	M	25	D-IA-7013714-0-0	REAR HORIZONTAL SUPPORT	M
20	E-IA-7018893-0-DBU	HORIZONTAL, WELDMENT BOT DBL	M				
21	E-IA-7018900-0-DBU	HORIZONTAL WELD. TOP DBL	M				

TYPE: E = ELECTRICAL
M = MECHANICAL
E/M = ELECTRO/MECHANICAL

digitall

TITLE:
DRAWING DIRECTORY
(FCC CAB ASSY)

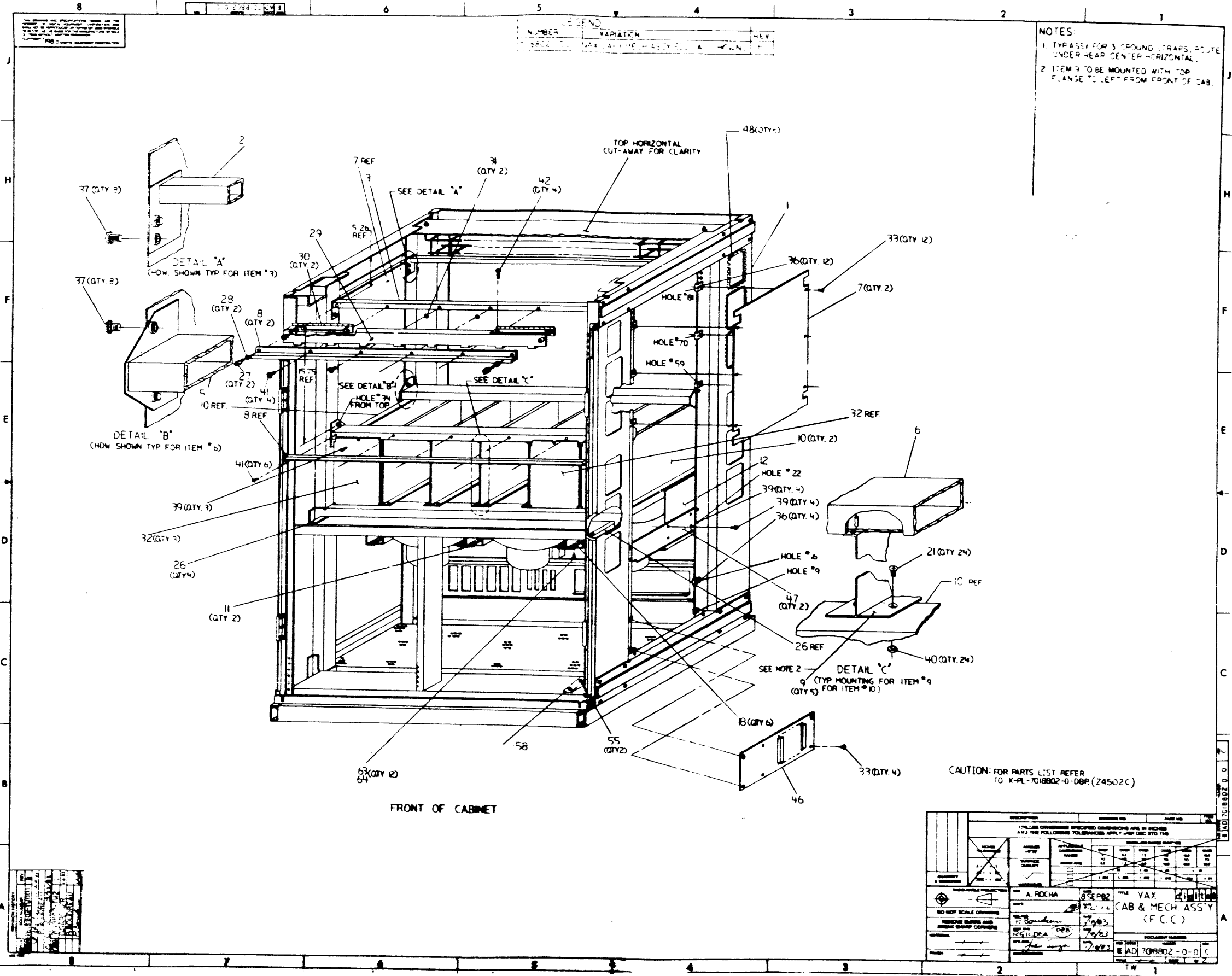
SHEET 6 OF 6

SIZE
K

CODE
DD

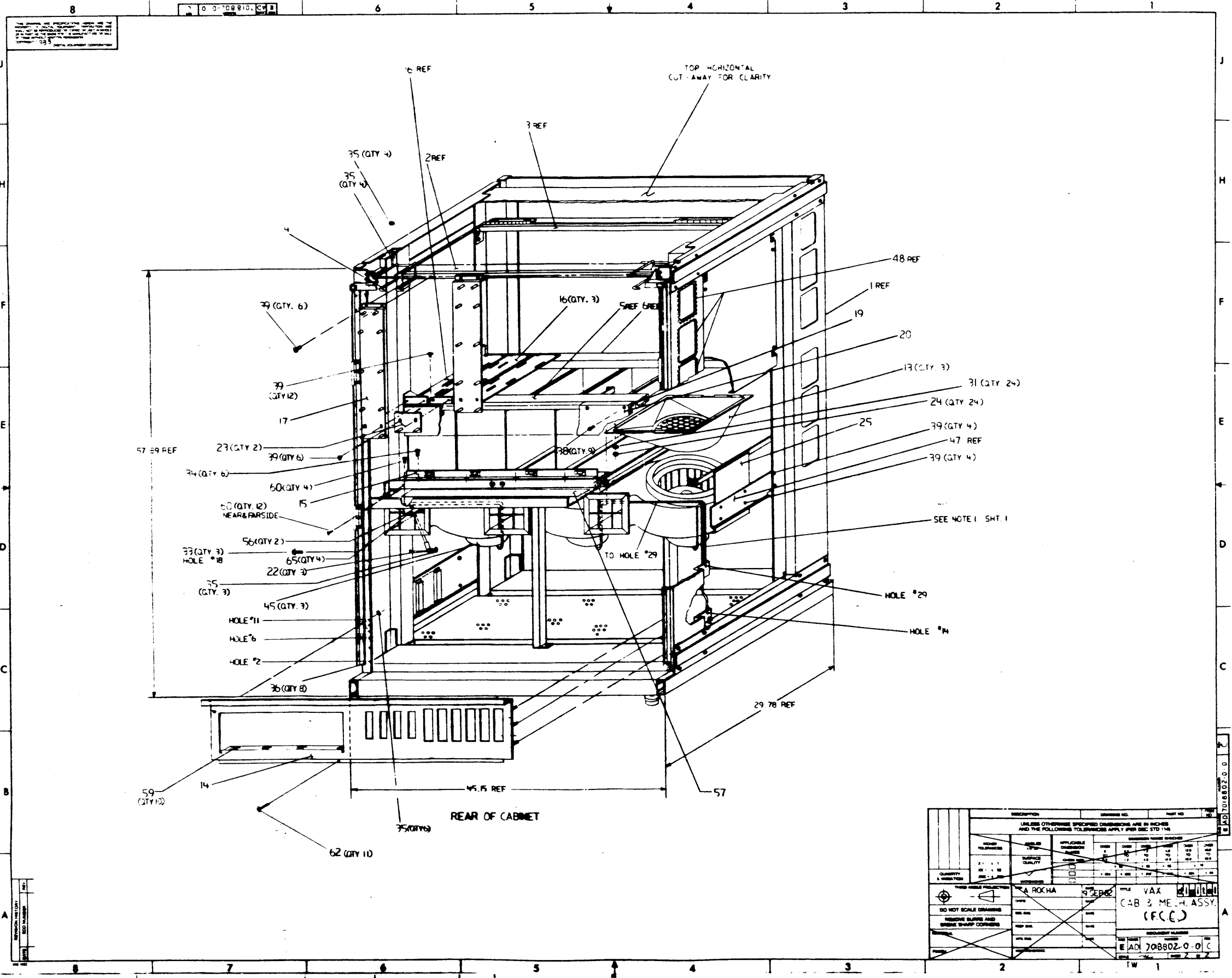
NUMBER
7018802-0-DBF

REV
A



REVISIONS		DATE	BY	CHKD	APP'D	REASON
1	ISSUED	8 SEP 82	A. ROCHA	VAX		CAB & MECH ASSY (F.C.C.)
2	REVISED	7/83				
3	REVISED	7/83				
4	REVISED	7/83				
5	REVISED	7/83				

AD 7018902-0-0 C



THIS DRAWING AND ANY DIMENSIONS THEREON ARE UNLESS OTHERWISE SPECIFIED DIMENSIONS ARE IN INCHES AND THE FOLLOWING TOLERANCES APPLY PER DEC STD 114:

REVISIONS		DATE	BY	CHKD	APP'D

QUANTITY	DESCRIPTION	UNIT	REVISION

TITLE VAX CAB & MECH. ASSY. (FCC)	DRAWN BY ROKHA
CHECKED BY 	DATE
APPROVED BY 	DATE
PROJECT NO. 	DRAWING NO.
PART NO. 	QUANTITY

LINE	ITEM	DOCUMENT NUMBER	PART NUMBER	DESCRIPTION	QUANTITY PER VARIATION
1	1	E-AD-7019544-0-DBU	7019544-00	FRAME ASSY, DBL	1
2	2	D-IA-7013721-0-0	7013721-00	TUBE WELD CAGE LOCK	1
3	3	D-IA-7013716-0-0	7013716-00	TUBING EXTRUSION WELDMENT	1
4	4	E-IA-7013838-0-0	7013838-00	CABLE TROUGH WELDMENT	1
5	5	D-IA-7013715-0-0	7013715-00	SUPPORT TUBING WELD (REAR)	1
6	6	D-IA-7013722-0-0	7013722-00	SUPPORT TUBE WELD (FRONT)	1
7	7	E-MD-7418977-0-0	7418977-00	END PANEL	2
8	8	B-MD-7417909-0-0	7417909-00	EXTRUSION SLIDING DOOR	2
9	9	D-IA-7016492-0-0	7016492-00	SEPARATOR PWR SUP. WELDMENT ASSY	5
10	10	D-MD-7419155-0-1	7419155-01	MTG RAIL POWER SUPPLY	2
11	11	D-IA-7013726-0-0	7013726-00	BLOWER SUPP ASSY (CENTER)	2
12	12	D-IA-7013725-0-2	7013725-02	END BLOWER SUPPORT ASSY	1
13	13	E-IA-7014102-0-0	7014102-00	PLENUM AND SCREEN ASSY.	3
14	14	E-IA-7426641-0-0	7426641-01	PANEL,I/O,(VAX)	1
15	15	D-IA-7418088-0-0	7418088-00	BACK STOP POWER SUPPLY	1
16	16	D-MD-7418974-0-0	7418974-00	AIR FLOW RESISTANCE PANEL	3
17	17	D-MD-7418975-0-0	7418975-00	TERMINATOR MTG PLATE	1
18	18	B-IA-7014099-0-0	7014099-00	NUT PLATE ASSY.	6
19	19	C-MD-7418729-0-0	7418729-00	SPACER STRIP	1
20	20	C-MD-7418728-0-0	7418728-00	INSULATOR STRIP	1
21	21		9006037-02	SCREW,MACH FLAT PHIL	8- 25
22	22		9006664-00	WASHER,FLAT SST	3
23	23	D-MD-7418973-0-0	7418973-00	MBA DUMMY PANEL	2
24	24		9006560-00	NUT,HEX EXT TOOTH LCKWSHR	6-32 24
25	25	D-IA-7013725-0-0	7013725-03	END BLOWER SUPPOORT ASSY	1
26	26		9009718-04	GROMMET,STRIP STYRENE	4
27	27		9000001-10	STANDOFF,MALE/FEMALE HEX	6-32 2
28	28		9006633-00	WASHER,LOCK INTERNAL STEEL	2
29	29	D-IA-7420558-0-0	7420558-00	BRACKET, DOOR	1
30	30	C-MD-7420556-0-0	7420556-00	HINGE REWORK	2

REVISION HISTORY			BASIC PART NO: 7018802		DRN: S.CHARTIER		DATE: 9-AUG-82		D I G I T A L			
ENG:	ECO NUMBER	REV	SECTION A OF A	CHK'D:	R.J. RILEY	DATE:	10-AUG-82	TITLE		PARTS LIST		
	INITIAL	A	SECTION VARIATION INDEX					VAX CAB & MECH ASSY (FCC)				
			[A] 00	DES.ENG.:	P BOUDREAU	DATE:	18-JAN-83	DOCUMENT NUMBER				
			[B]	RESP.ENG.:	P. GILDAE	DATE:	18-JAN-83	SIZE:	CODE:	NUMBER	REV	
			[C]	MFG.ENG.:	J. SOUZA	DATE:	18-JAN-83	K	PL	7018802-0-DBP	A	
			[D]	ASSEMBLY NUMBER:	E-AD-7018802-0-0	TOP DOCUMENT NUMBER:		FILE NAME:		EDIT #		
			[E]					Z4502A.PLS		18		
			[F]									

"THIS DRAWING AND SPECIFICATIONS HEREIN, ARE THE PROPERTY OF DIGITAL EQUIPMENT CORPORATION AND SHALL NOT BE REPRODUCED OR COPIED OR USED IN WHOLE OR IN PART AS THE BASIS FOR THE MANUFACTURE OR SALE OF ITEMS WITHOUT WRITTEN PERMISSION. COPYRIGHT (C) 1983. DIGITAL EQUIPMENT CORPORATION "

AUTOMATED BY PRTLST.3P(44)

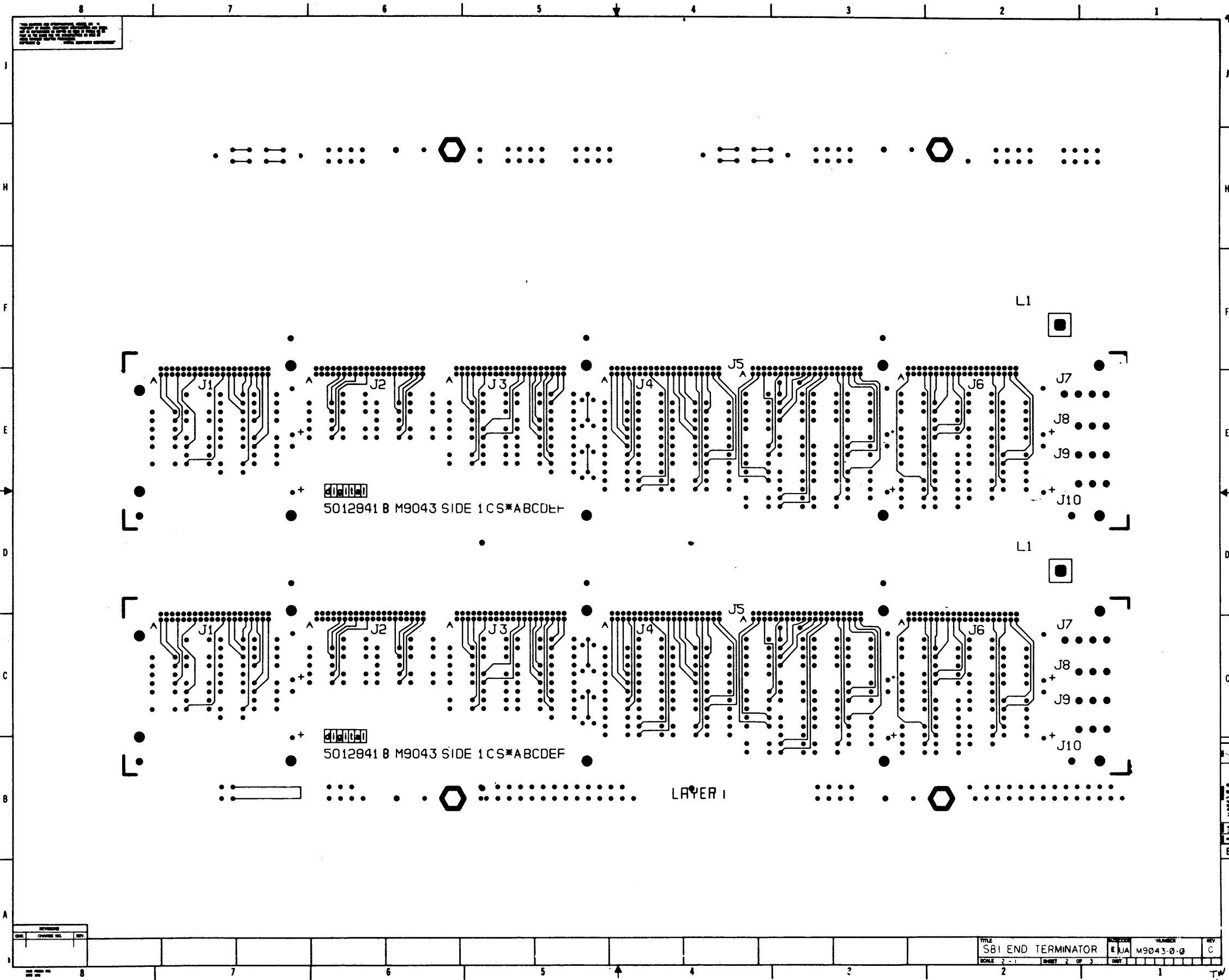
PARTS LIST

SHEET A2 OF A2

LINE	ITEM	DOCUMENT NUMBER	PART NUMBER	DESCRIPTION	QUANTITY PER VARIATION
31	31		9006658-00	WASHER,FLAT STEEL	26
32	32	E-AD-7014238-0-0	7014238-00	POWER SUPPLY SIMULATOR WELDMENT	3
33	33		9009700-00	SCREW,SEMS TRUSS PHIL 10-	28
34	34		9009545-00	SCREW,SEMS PAN PHIL 8-	14
35	35		9006565-00	NUT,HEX EXT TOOTH LCKWSHR 10-32	11
36	36		9007786-00	NUT,U-NUT RETAINER .240ID	24
37	37		9000049-18	SCREW,SEMS TRUSS PHIL 10-	28
38	38		9000004-04	SCREW,NYLN FLAT SLOT 8-	9
39	39		9000049-28	SCREW,SEMS PAN PHIL 8-	44
40	40		9006563-00	NUT,HEX EXT TOOTH LCKWSHR 8-32	24
41	41		9009701-00	SCREW,SEMS PAN PHIL 6-	10
42	42		9010174-00	SCREW,SEMS PAN PHIL 6-	4
43	44		9009321-00	LOCK TITE, SCREW LOCK, 10CC PER	A/R
44	45		1213893-00	BLOWER,FORWD CURVED 400CFM 230V	3
45	46	E-AD-7013678-0-0	7013678-00	CAB TO CAB PANEL	1
46	47	C-MD-7418099-0-0	7418099-00	SUPPORT BLOWER MTR	2
47	48		9007036-00	GROMMET,CATERPILLAR POLYAMIDE	4
48	55		9006075-02	SCREW,MACH FLAT PHIL 10-	1
49	56	B-MD-7418737-0-0	7418737-00	SLIDE BRACKET CAB	2
50	57	SEE NOTE	9009087-00	FOAM, TAPE, SINGLE SIDED 1/8 THK	42
51	58	D-MD-7418131-0-0	7418131-00	LATCH LOCK	1
52	59	B-MD-7426725-0-DBU	7426725-01	SHIELD, SPRING	10
53	60		9000049-45	SCREW,SEMS HEX SLOT 10-	12
54	62		9010003-01	RIVET, DOME .187DX .281	11

55 NOTE: NOTE 2 ITEM 57 QTY IS IN INCHES

D	I	G	I	T	A	L	TITLE	VAX CAB & MECH ASSY (FCC)	SECTION A	OF	A	SIZE	CODE	DOCUMENT NUMBER	REV
												K	PL	7018802-0-DBP	A



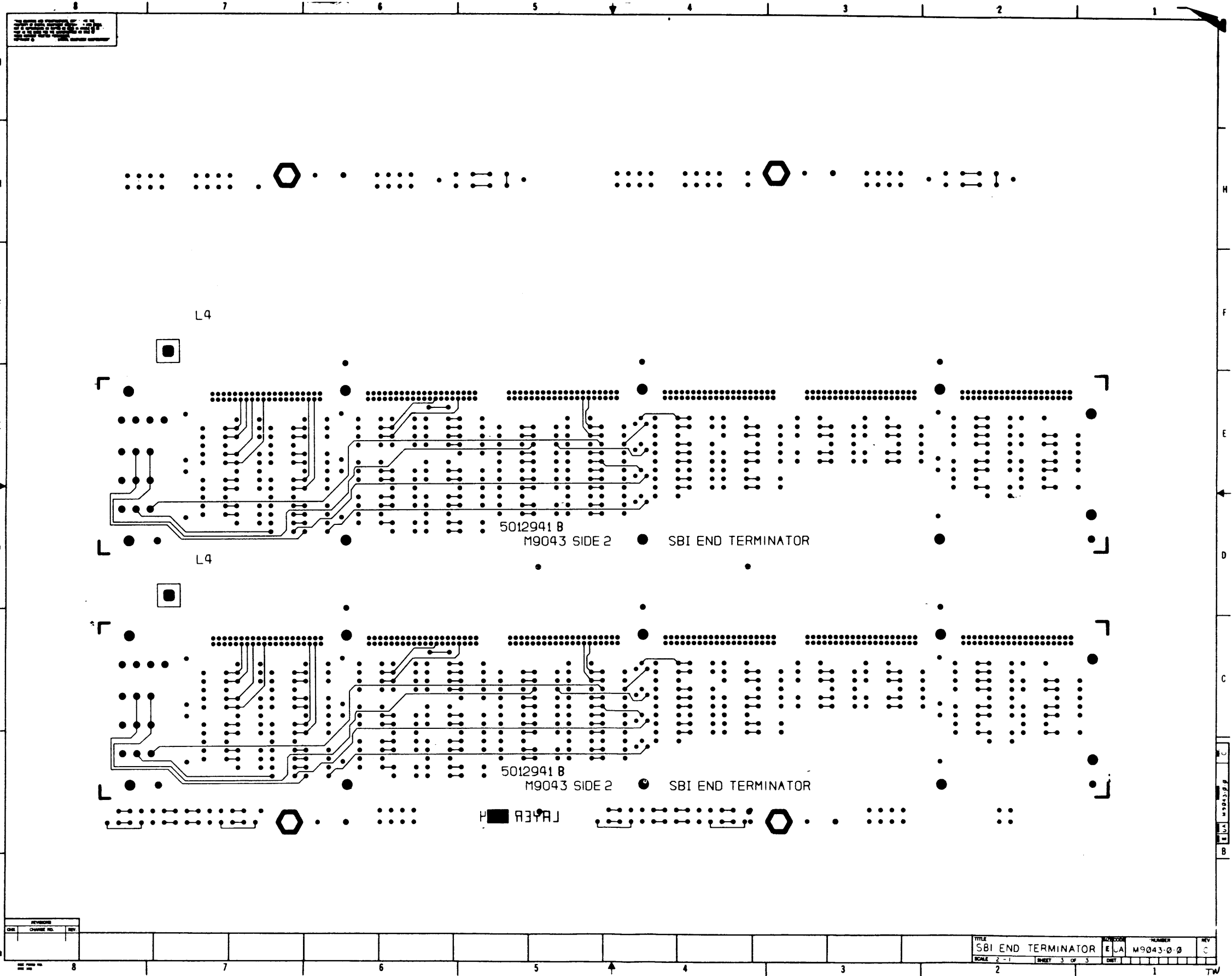
ALL DIMENSIONS ARE IN MILLIMETERS
 UNLESS OTHERWISE SPECIFIED
 TOLERANCES ARE AS SHOWN

5012841 B M9043 SIDE 1 CS*ABCDE+

5012841 B M9043 SIDE 1 CS*ABCDEF

LAYER 1

TITLE		SHEET		REV	
SBI END TERMINATOR		EJA M9043-0-0		C	
SCALE 2-1	SHEET 2 OF 3	DATE	BY	CHKD	APPD



1. ALL DIMENSIONS ARE IN MILLIMETERS
 2. DIMENSIONS ARE TO CENTER UNLESS OTHERWISE SPECIFIED
 3. DIMENSIONS ARE TO CENTER UNLESS OTHERWISE SPECIFIED
 4. DIMENSIONS ARE TO CENTER UNLESS OTHERWISE SPECIFIED
 5. DIMENSIONS ARE TO CENTER UNLESS OTHERWISE SPECIFIED
 6. DIMENSIONS ARE TO CENTER UNLESS OTHERWISE SPECIFIED
 7. DIMENSIONS ARE TO CENTER UNLESS OTHERWISE SPECIFIED
 8. DIMENSIONS ARE TO CENTER UNLESS OTHERWISE SPECIFIED

REV	DATE	BY	CHKD

TITLE	SBI END TERMINATOR	DESIGNER	EJA	NUMBER	M9043-0-0	REV	C
SCALE	2-1	SHEET	3 OF 3	DWT			

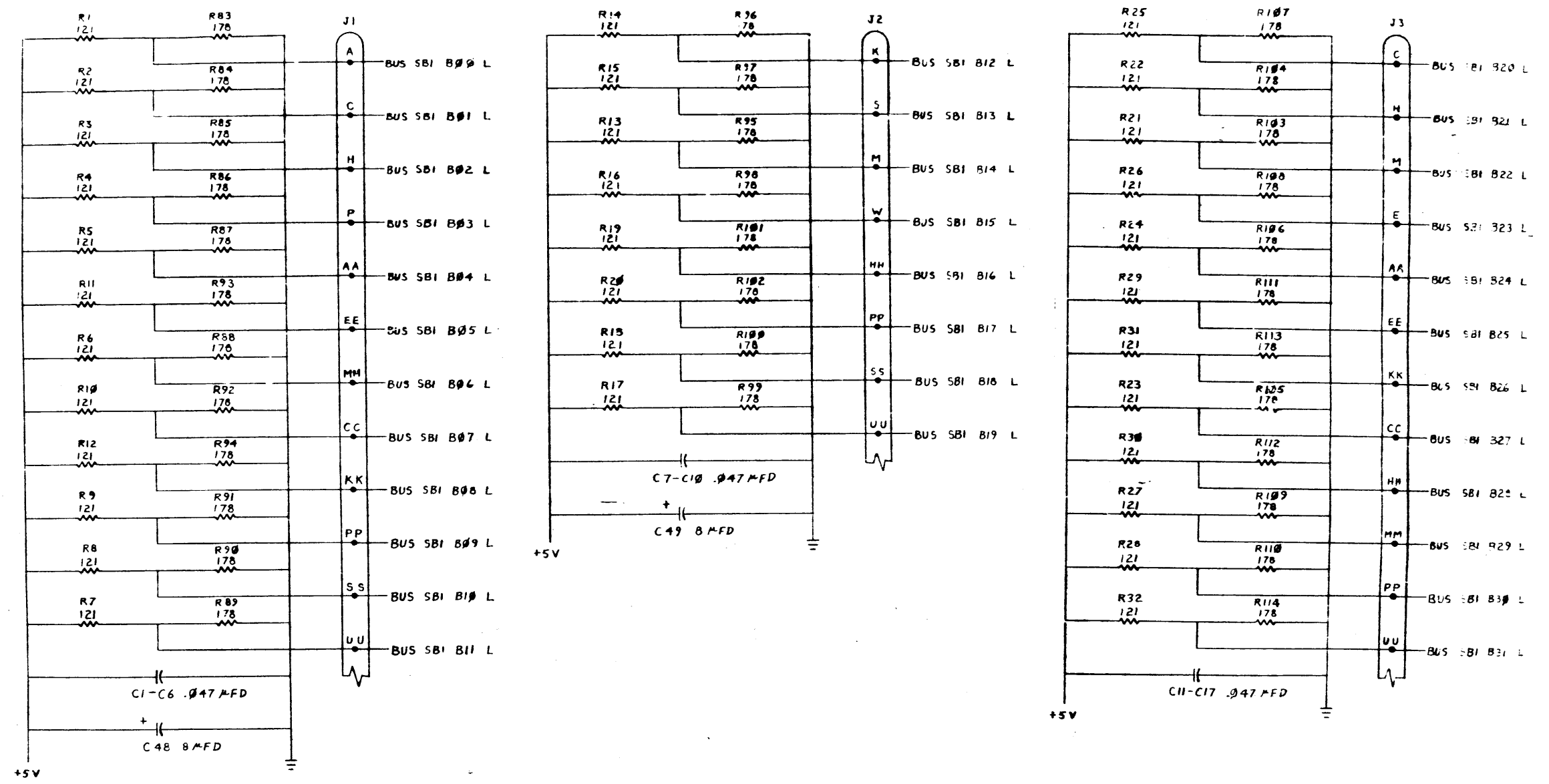
1. ALL DIMENSIONS ARE IN MILLIMETERS
 2. DIMENSIONS ARE TO CENTER UNLESS OTHERWISE SPECIFIED
 3. DIMENSIONS ARE TO CENTER UNLESS OTHERWISE SPECIFIED
 4. DIMENSIONS ARE TO CENTER UNLESS OTHERWISE SPECIFIED
 5. DIMENSIONS ARE TO CENTER UNLESS OTHERWISE SPECIFIED
 6. DIMENSIONS ARE TO CENTER UNLESS OTHERWISE SPECIFIED
 7. DIMENSIONS ARE TO CENTER UNLESS OTHERWISE SPECIFIED
 8. DIMENSIONS ARE TO CENTER UNLESS OTHERWISE SPECIFIED

LINE	ITEM	DOCUMENT NUMBER	PART NUMBER	DESCRIPTION	QTY PER VARIATION	REFERENCE DESIGNATOR
					00	
1	1	E-MD-5012941-0-0	5012941-00	ETCH BOARD FOR M9043	1	
2	2		1012084-01	8 MFD 25V +75-10% AL EL	6	C47-C52
3	3		1012784-00	.047 MFD 50V +80-20% CER	46	C1-C46
4	4		1212297-01	MATE-N-LOK 4PIN UNIV HEADER	1	J7
5	5		1212297-03	MATE-N-LOK 3PIN UNIV HEADER	2	J8, J9
6	6		1218396-00	HEADER.100 40PIN W/SHROUD	6	J1-J6
7	7		1300365-00	1.0 K .25 W 5.0 % CC	2	R170, R172
8	8		1302957-00	121.0 .25 W 1.0 % RN55D-F10	84	R1-R82, R167, R168
9	9		1311422-00	178.0 .25 W 1.0 % RN55D-F10	84	R83-R166
10	10		1511686-00	DEC5433 FET N 350MW 10 25 1A	2	Q2, Q4

REVISION HISTORY			BASIC PART NO: M9043		DRN: P SANFILLIPO		DATE: 16-SEP-77		DIGITAL	
ENG	ECO NUMBER	REV	SECTION A OF A		CHK'D:	F GAROFALO	DATE:	16-SEP-77	TITLE PARTS LIST	
---	INIT	A	SECTION VARIATION INDEX		DES.ENG:	BARRY FLAHIVE	DATE:	30-DEC-77	SBI FAR-END TERMINATOR	
JB	M9043-TW003	B	[A]	00	RESP.ENG.:	BARRY FLAHIVE	DATE:	30-DEC-77	DOCUMENT NUMBER	
			[B]		MFG.ENG.:	MIKE TERELLA	DATE:	30-DEC-77	K	PL
			[C]		ASSEMBLY NUMBER:	E-UA-M9043-0-0	TOP DOCUMENT NUMBER:	M9043	FILE NAME:	Z1865.PLS
			[D]						EDIT #	11
			[E]		*THIS DRAWING AND SPECIFICATIONS HEREIN, ARE THE PROPERTY OF DIGITAL EQUIPMENT CORPORATION AND SHALL NOT BE REPRODUCED OR COPIED OR USED IN WHOLE OR IN PART AS THE BASIS FOR THE MANUFACTURE OR SALE OF ITEMS WITHOUT WRITTEN PERMISSION. COPYRIGHT (C) 1981. DIGITAL EQUIPMENT CORPORATION *					
			[F]							
			[G]							
			[H]							
			[I]							
			[J]							
			[K]							
			[L]							
			[M]							
			[N]							

TW

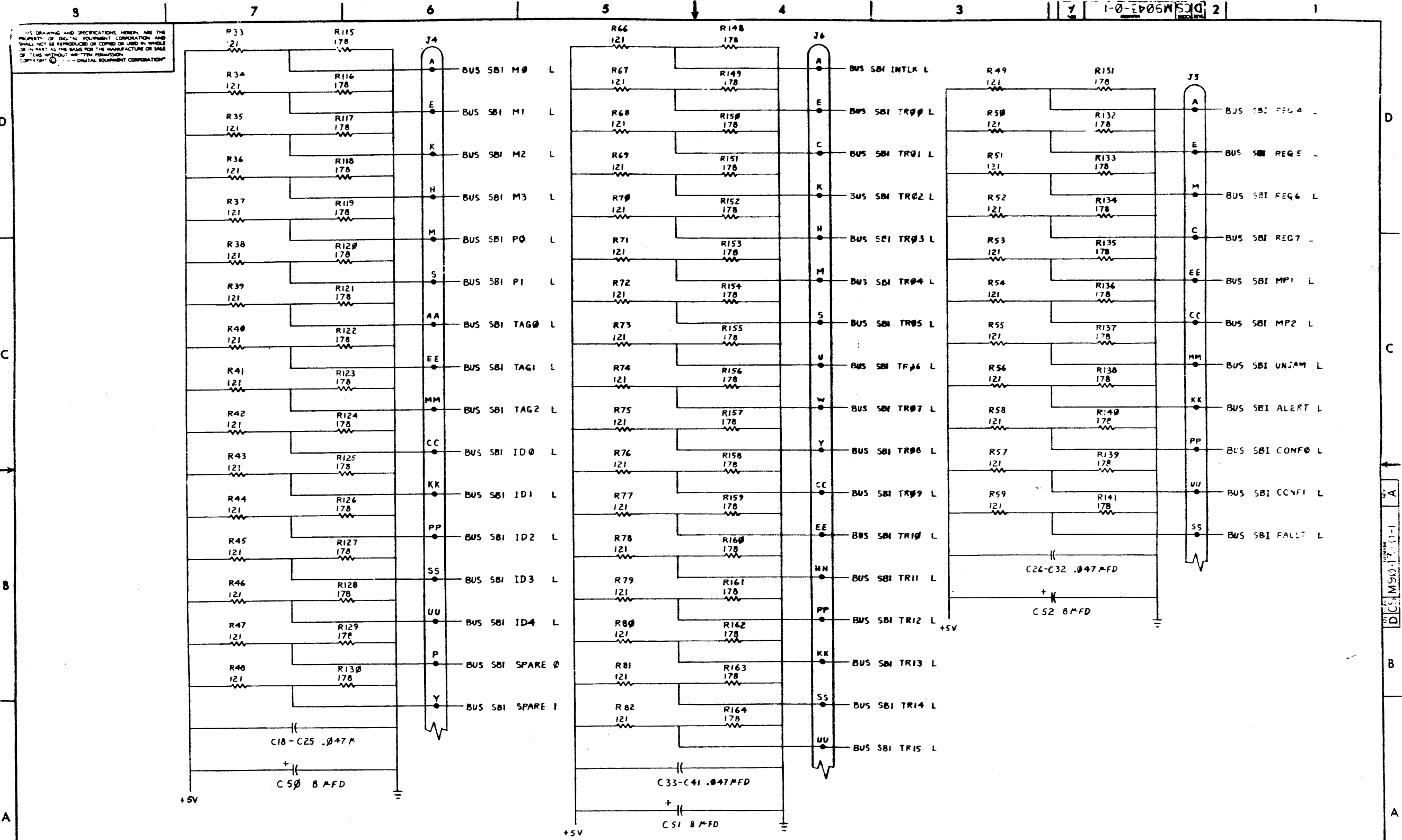
THIS DRAWING AND SPECIFICATIONS ARE THE PROPERTY OF THE COMPANY AND WILL BE REPRODUCED OR COPIED IN WHOLE OR IN PART AT THE RISK OF THE MANUFACTURER IN SALE OF THIS DRAWING WITHOUT WRITTEN PERMISSION OF THE COMPANY.



REV	REV
A	12-1-77
B	12-1-77

REVISIONS
 CHANGE NO. 1
 B. FLAHERTY
 12-1-77

DRN. <i>[Signature]</i>	FIRST USED ON
CHK'D <i>[Signature]</i>	
ENG. <i>[Signature]</i>	TITLE
PROJ. ENG. <i>[Signature]</i>	SBI FAR-END TERMINATOR (SFTA)
NEXT HIGHER ASSY	SIZE CODE
SCALE	D CS M9043-0-1
SHEET 1 OF 4	DIST

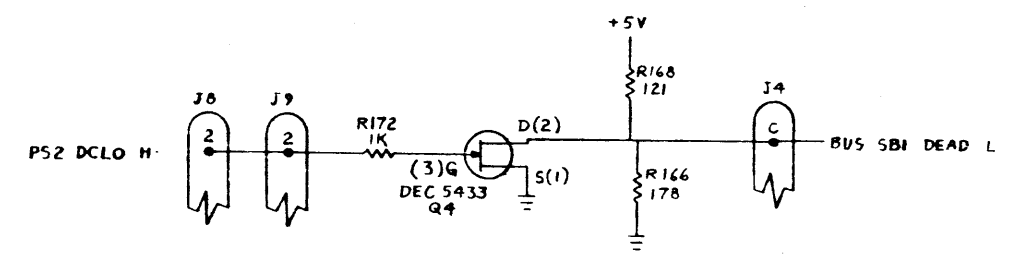
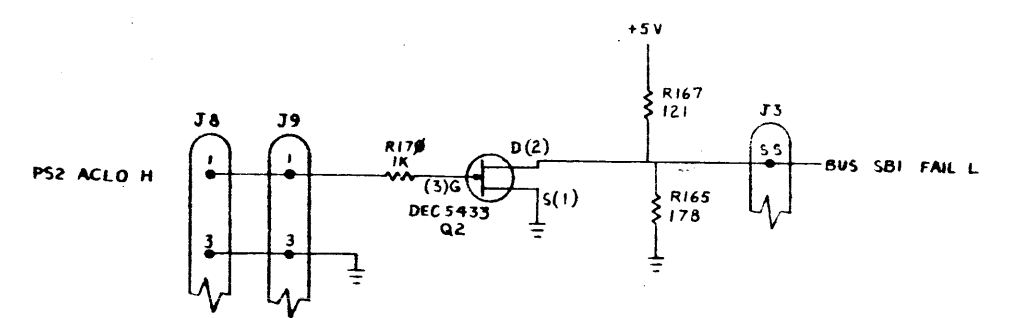
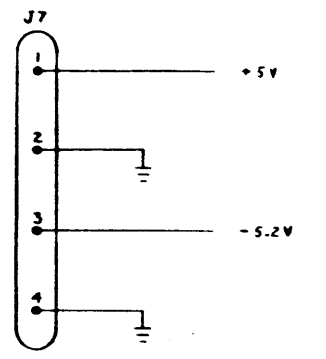
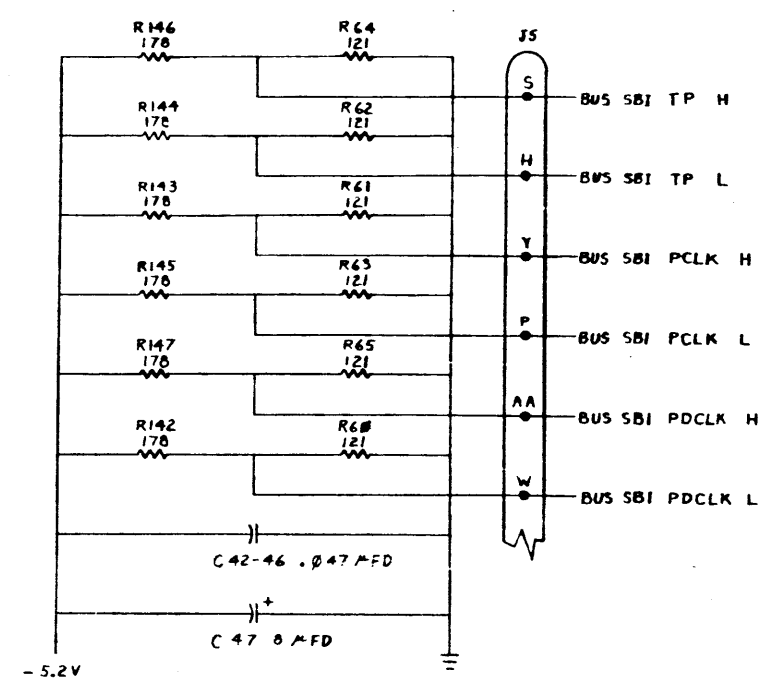


THIS DRAWING AND SPECIFICATIONS HEREIN ARE THE PROPERTY OF DIGITAL EQUIPMENT CORPORATION AND SHALL NOT BE REPRODUCED OR COPIED IN WHOLE OR IN PART AS THE BASIS FOR THE MANUFACTURE OR SALE OF THIS WITHOUT WRITTEN PERMISSION. COPYRIGHT © 1971 DIGITAL EQUIPMENT CORPORATION

REVISIONS		
CHK	CHANGE NO.	REV.

TITLE	SBI FAR-END TERMINATOR (SFTS)	SIZE	0008	NUMBER	DCS M9243-0-1	REV	A
SCALE	1:1	SHEET	2 OF 4	DIST.			

ALL DRAWING AND SPECIFICATIONS HEREIN ARE THE PROPERTY OF DIGITAL EQUIPMENT CORPORATION AND SHALL NOT BE REPRODUCED OR COPIED OR USED IN WHOLE OR IN PART AS THE BASIS FOR THE MANUFACTURE OR SALE OF ANY PRODUCT WITHOUT WRITTEN PERMISSION OF DIGITAL EQUIPMENT CORPORATION.



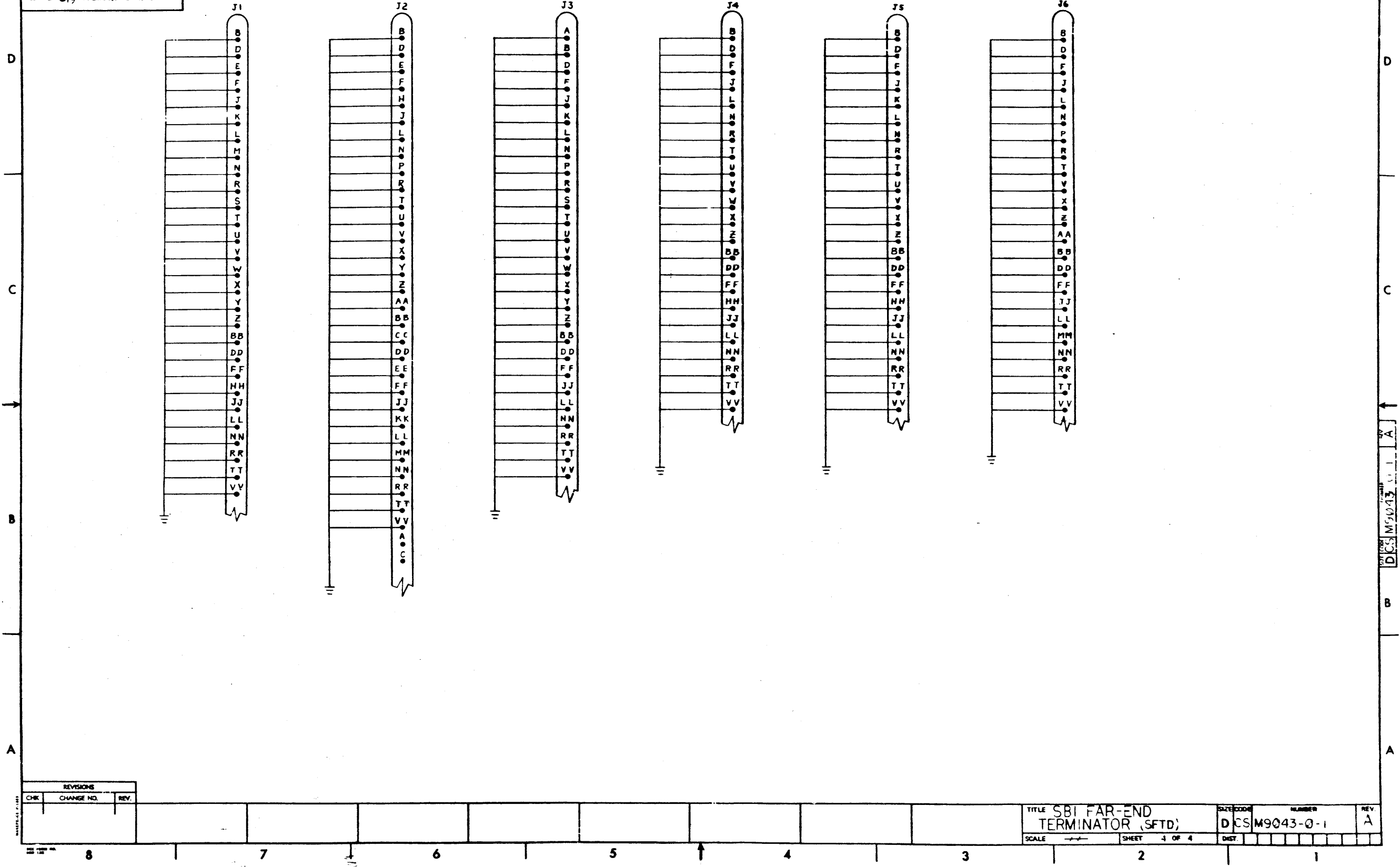
REVISIONS		
CHK	CHANGE NO.	REV.

TITLE SBI FAR-END TERMINATOR SFTC
 SCALE 1:1 SHEET 3 OF 4
 SIZE CODE NUMBER DCS M9043-0-1
 REV. A

DCS M9043-0-1

THIS DRAWING AND SPECIFICATIONS HEREIN ARE THE PROPERTY OF DIGITAL EQUIPMENT CORPORATION AND SHALL NOT BE REPRODUCED OR COPIED OR USED IN WHOLE OR IN PART AS THE BASIS FOR THE MANUFACTURE OR SALE OF ITEMS WITHOUT WRITTEN PERMISSION. COPYRIGHT © 1973 - DIGITAL EQUIPMENT CORPORATION

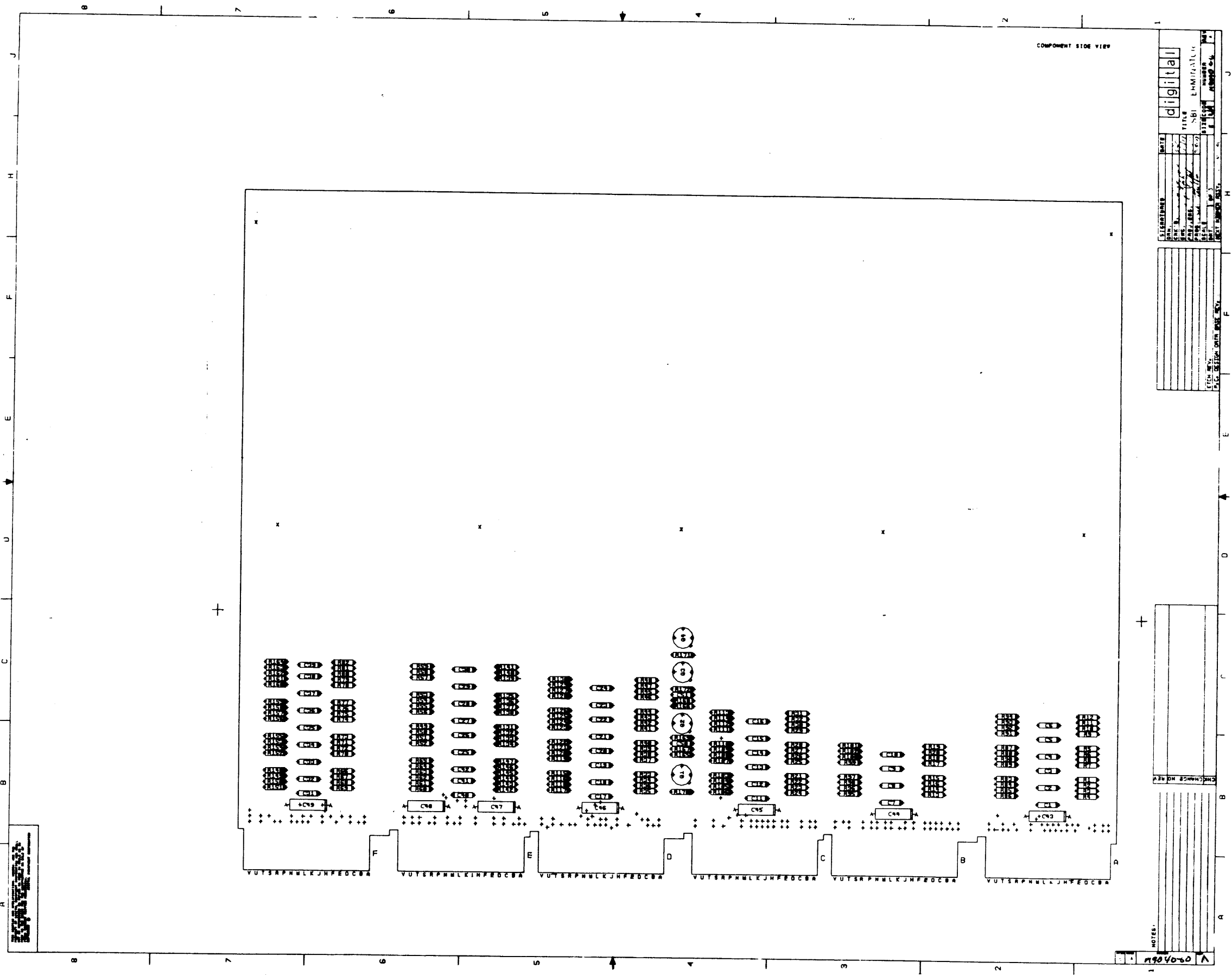
DCS M9043-0-1

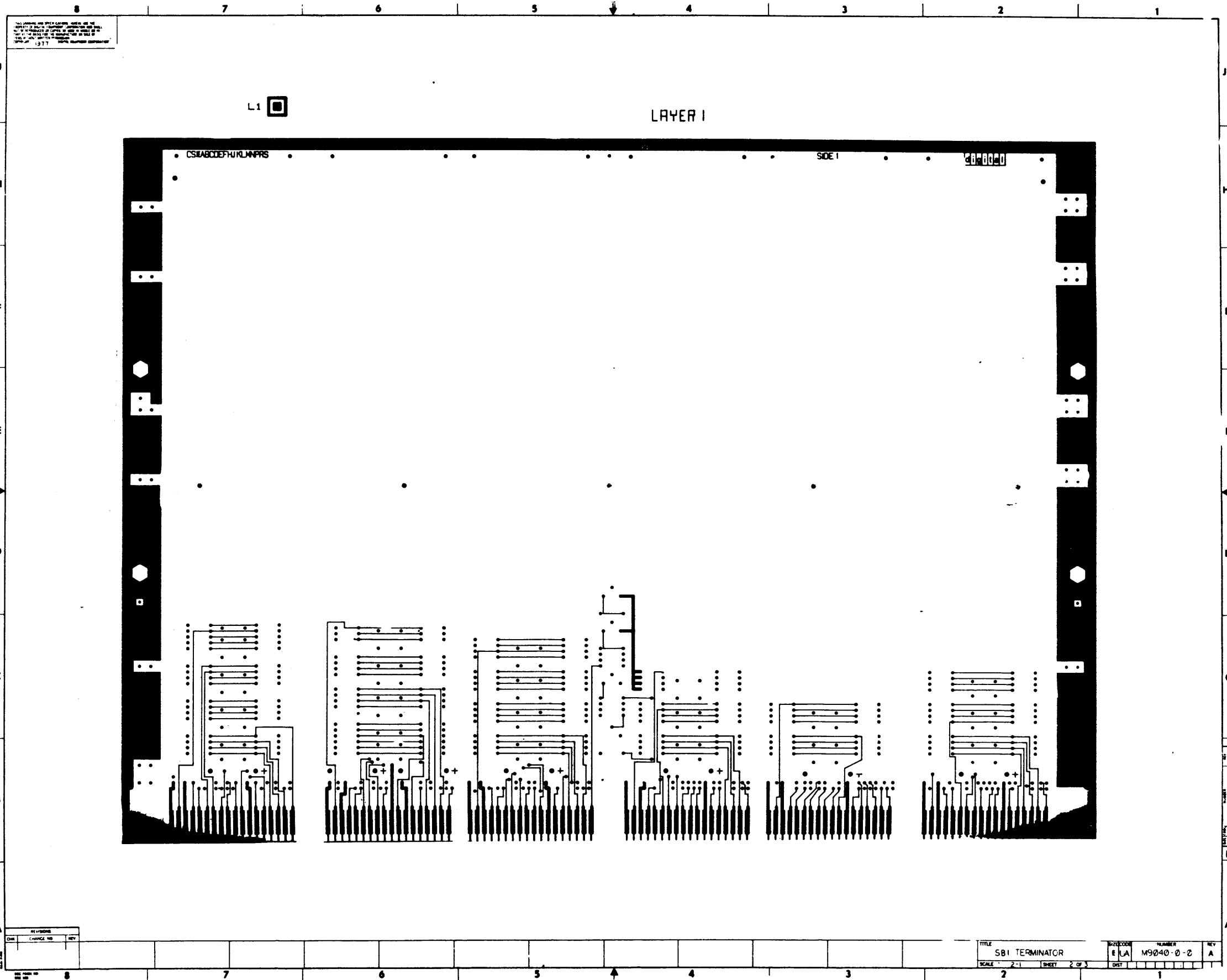


REVISIONS		
CHK	CHANGE NO.	REV.

TITLE	SBI FAR-END TERMINATOR (SFTD)	SIZE CODE	DCS M9043-0-1	NUMBER		REV	A
SCALE		SHEET	4 OF 4	DIST			

8 7 6 5 4 3 2 1



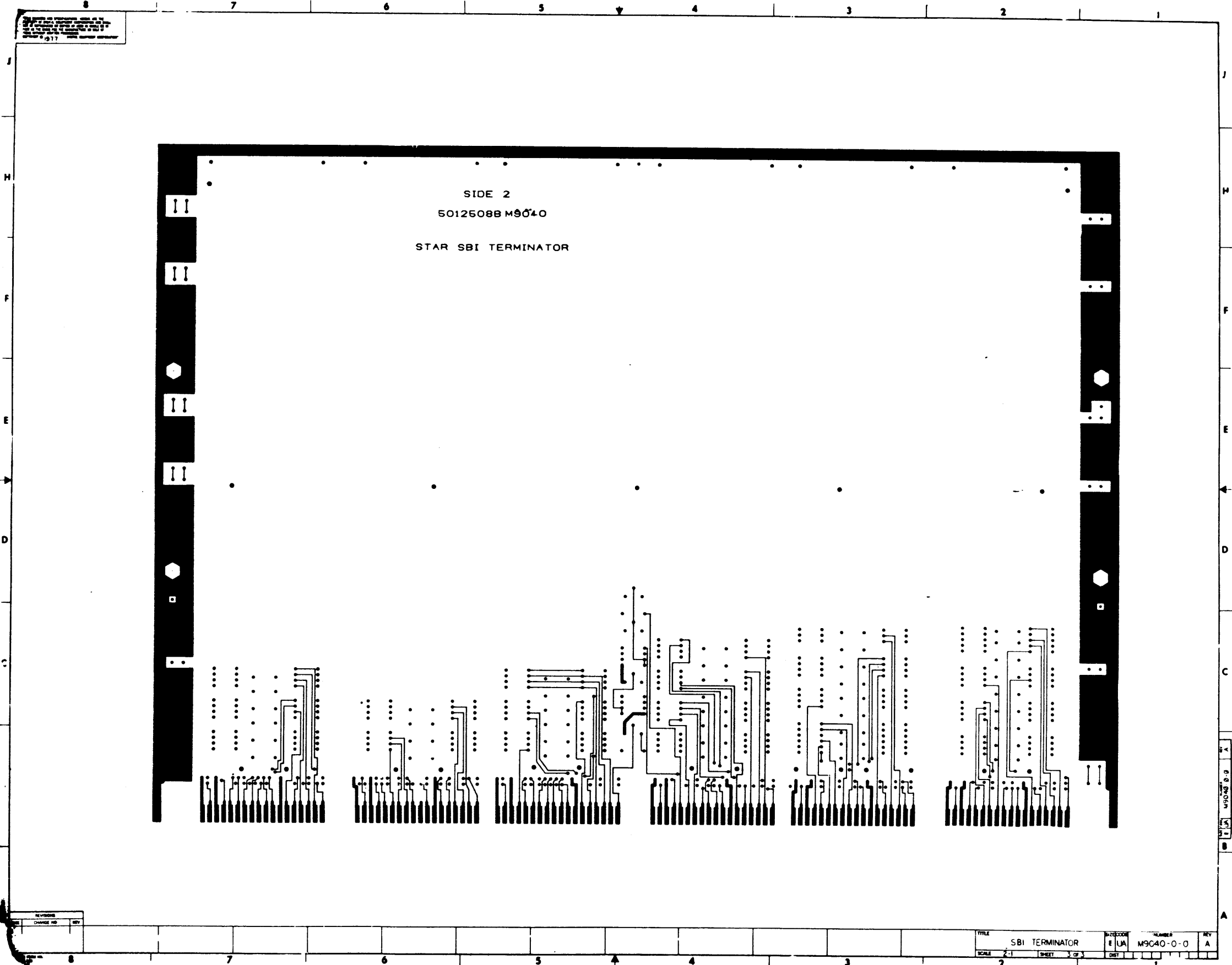


ALL DIMENSIONS AND SPACING UNLESS OTHERWISE SPECIFIED ARE IN MILLIMETERS (0.03937 INCHES). DIMENSIONS ARE TO CENTER UNLESS OTHERWISE SPECIFIED.
 DATE: 1977 100% NUMBER CONTROLLER

REVISIONS		
DATE	CHANGE NO.	REV.

TITLE	SIZE/SCALE	NUMBER	REV.
SBI TERMINATOR	8 LA	M9040-0-2	A
SCALE: 2-1	SHEET: 2 OF 3	DATE:	

THIS DRAWING IS UNCLASSIFIED
 DATE 08-14-2001 BY 60322 UCBAW/STP
 10/17/01



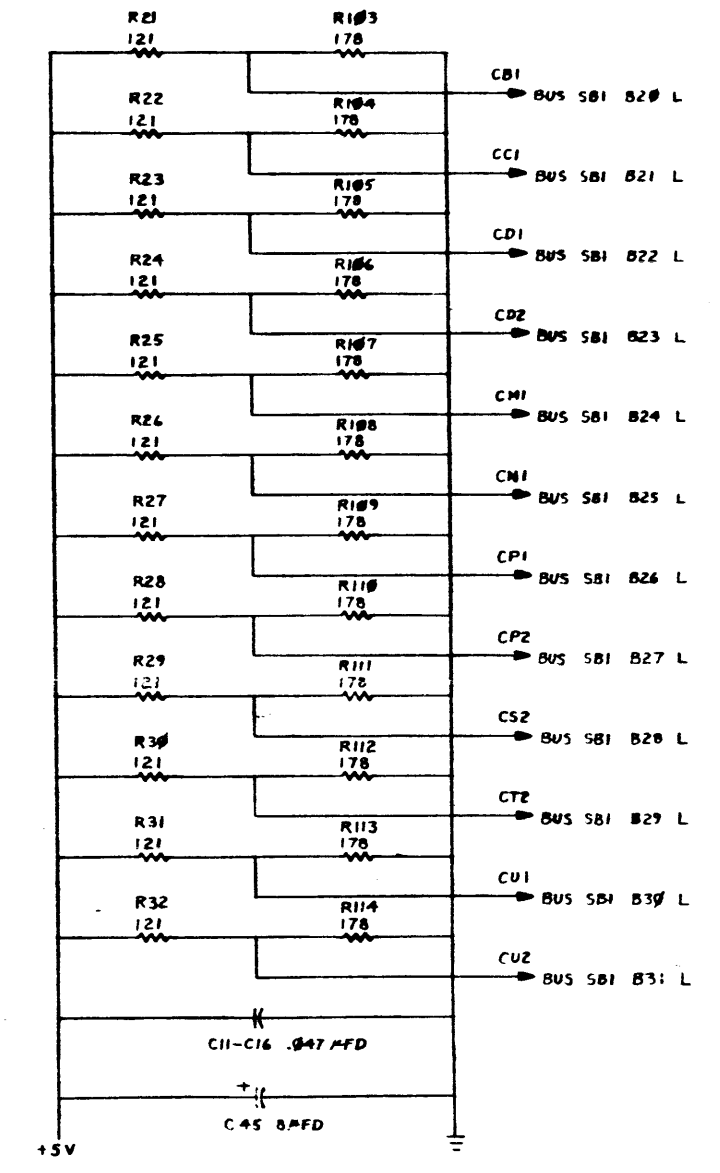
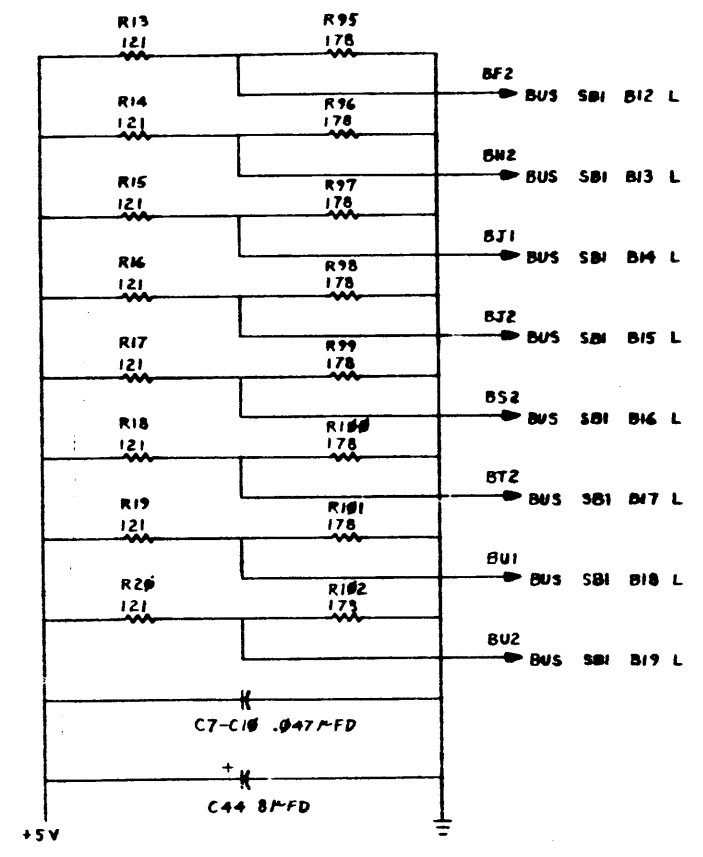
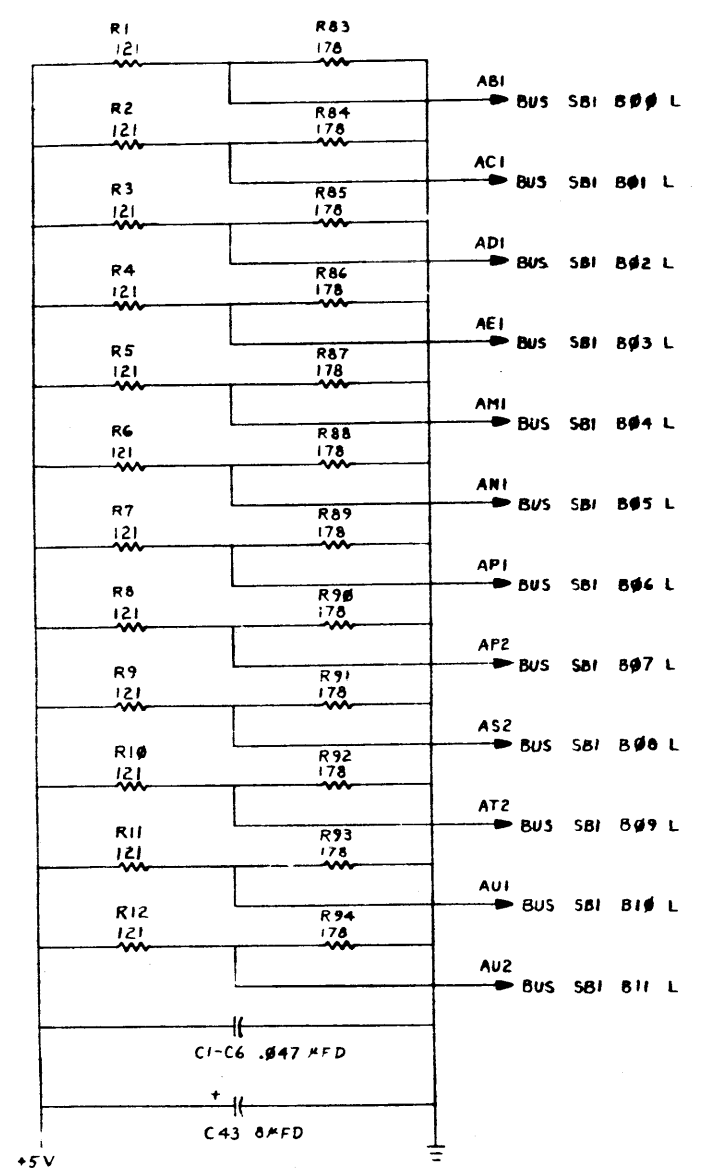
REV	DESCRIPTION	DATE

TITLE	SBI TERMINATOR	DESIGNER	EUA	NUMBER	M9040-0-0	REV	A
SCALE	2:1	SHEET	3 OF 3	DIST			

DIGITAL EQUIPMENT CORPORATION PARTS LIST				QUANTITY / VARIATION										NOTES:					
MADE BY D. BILODEAU DATE 7 OCT 76		CHECKED G. GIDDINGS DATE 6 APR 77												104803 ETCH REV B CS REV A					
ENG. DATE 1/5/77		PROD. DATE 7-5-77												REF DESIGNATION					
ITEM NO.	DRAWING NO.	PART NO.	DESCRIPTION																
1	E-MD-5012508-0-0	5012508	ETCH BOARD	1															
2		1012784	CAPACITOR, .047UF, 50V, CER	44															C1-C42, C50, C51
3		1012084-01	CAPACITOR, 8UF, 25V	7															C43-C49
4		1302957	RESISTOR, 121Ω, 1/4W, 1%	84															R1-R82, R167, R168,
5		1311422	RESISTOR, 178Ω, 1/4W, 1%	84															R83-R166
6		1300365	RESISTOR, 1K, 1/4W, 5%	4															R169-R172
7		1511686	TRANSISTOR, DEC 5433 FET	4															Q1, Q2, Q3, Q4
8		1210711-02	HEX HANDLE ASSEMBLY	1															
9		9000024-01	EYELET, GS4-7	12															
<small>THIS DRAWING AND SPECIFICATIONS, HEREIN, ARE THE PROPERTY OF DIGITAL EQUIPMENT CORPORATION AND SHALL NOT BE REPRODUCED OR COPIED OR USED IN WHOLE OR IN PART AS THE BASIS FOR THE MANUFACTURE OR SALE OF ITEMS WITHOUT WRITTEN PERMISSION. COPYRIGHT © 1977 DIGITAL EQUIPMENT CORPORATION.</small>				TITLE SBI TERMINATOR				ASSY NO. E-UA-M9040-0-0				SIZE B PL		NUMBER M9040-0-0		REV. A			
				SHEET 1 OF 1				INSERTION PARTS LIST DATA BASE REV											

THIS DRAWING AND SPECIFICATIONS HEREIN ARE THE PROPERTY OF BENTON, COPPING CORPORATION AND SHALL NOT BE REPRODUCED OR COPIED OR USED IN WHOLE OR IN PART AS THE BASIS FOR THE MANUFACTURE OF THIS OR OTHER WITHOUT WRITTEN PERMISSION.
 COPYRIGHT © 1977 - BENTON, COPPING CORPORATION

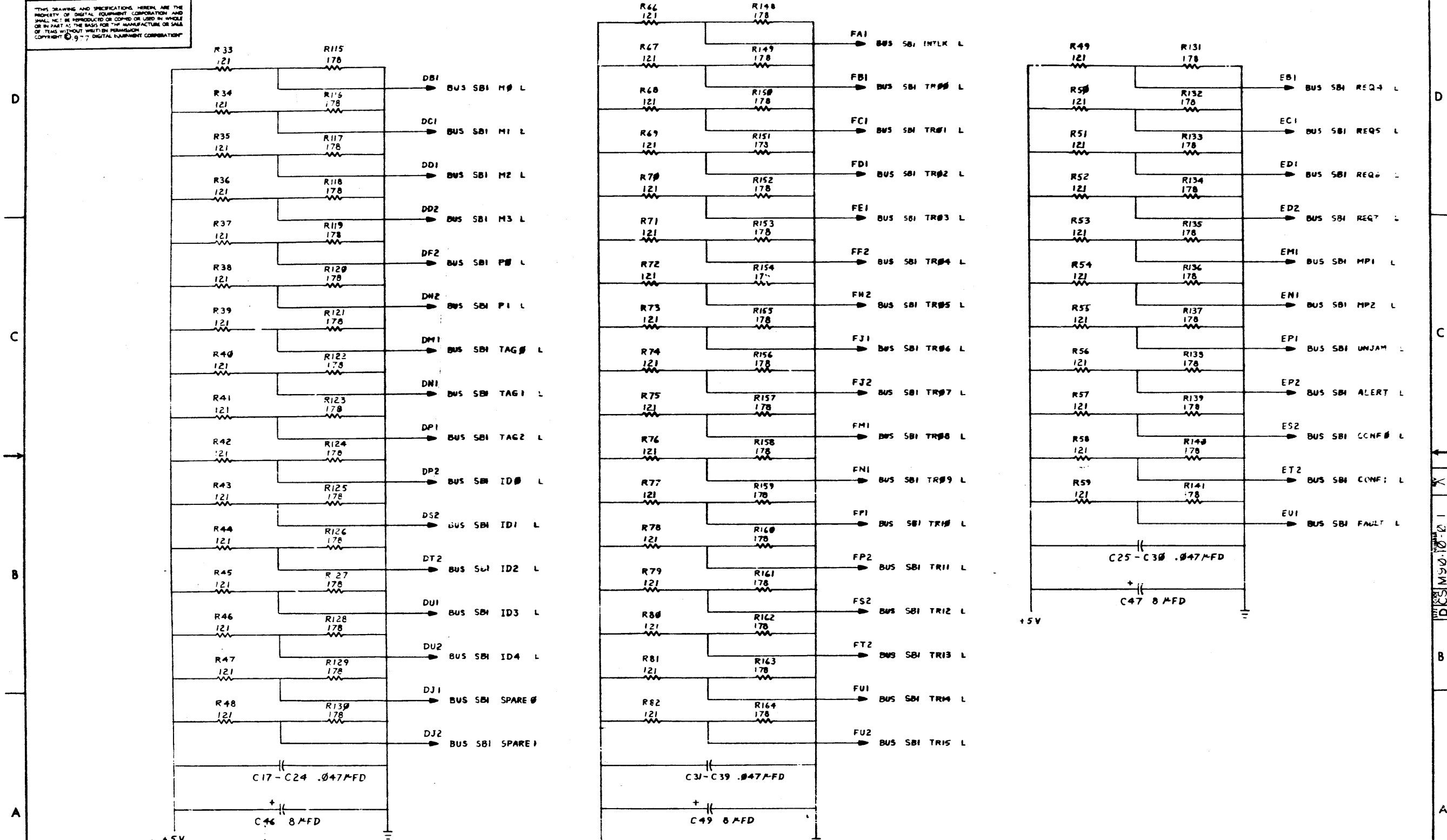
D CS M9040-0-1 2



REV	
CHK	
CHG	
REV	
CHK	
CHG	

DRN	5/22	FIRST USED ON	
CHKD	5/22	TITLE	SBI
ENG	5/22		TERMINATOR (TRMA)
PROJ. ENGR.	5/22		
PROD. ENGR.	5/22		
NEXT HIGHER ASSY.			
SCALE	D	SIZE	CS M9040-0-1
SHEET	1 OF 3	REV	A

THIS DRAWING AND SPECIFICATIONS HEREIN ARE THE PROPERTY OF DIGITAL EQUIPMENT CORPORATION AND SHALL NOT BE REPRODUCED OR COPIED OR USED IN WHOLE OR IN PART AS THE BASIS FOR THE MANUFACTURE OR SALE OF ITEMS WITHOUT WRITTEN PERMISSION. COPYRIGHT © 1977 DIGITAL EQUIPMENT CORPORATION

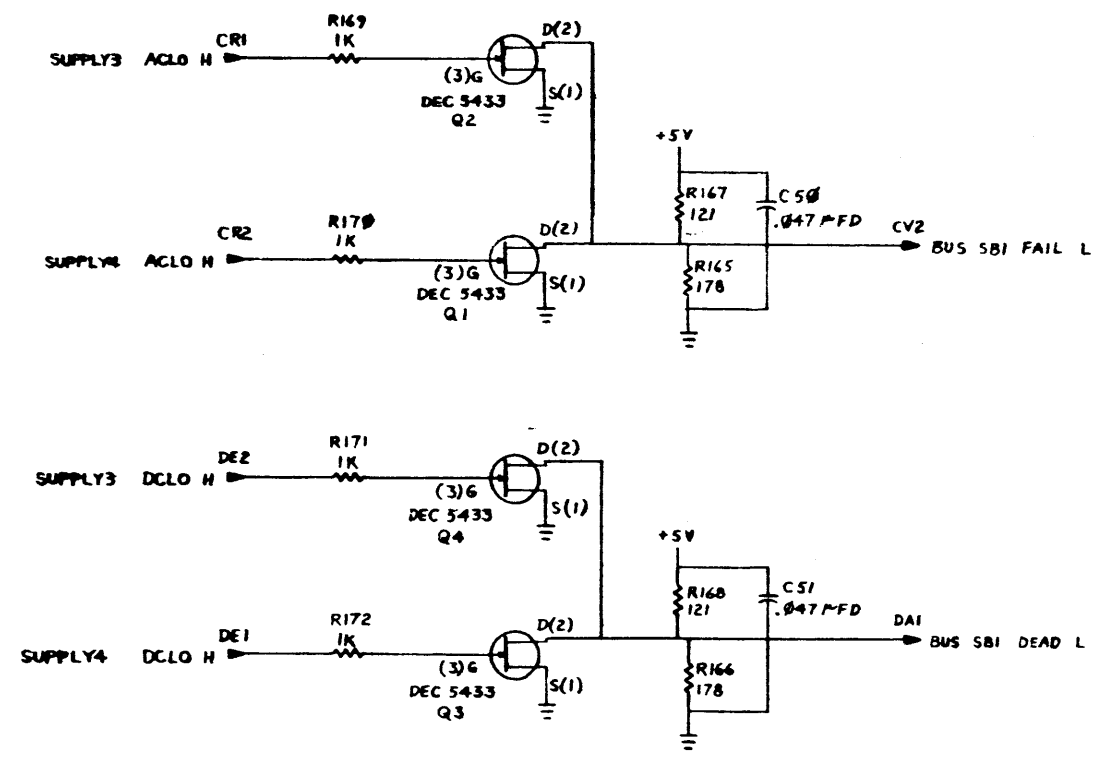
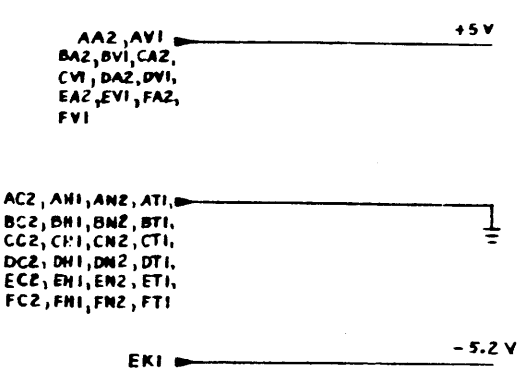
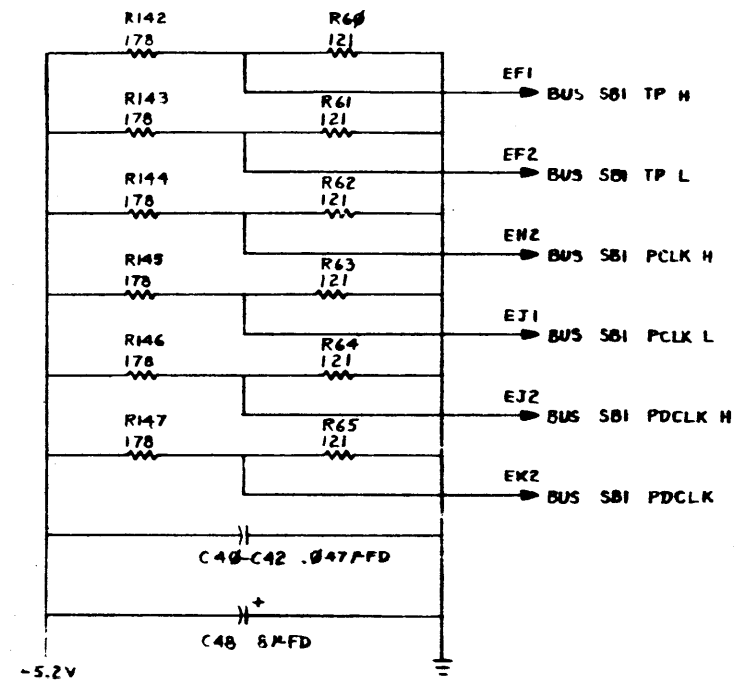


REVISIONS		
CHK	CHANGE NO.	REV.

TITLE	SBI - TERMINATOR (TRMB)	SIZE CODE	DCS M9040-0-1	NUMBER	2	REV.	A
SCALE	SHEET 2 OF 3		DIST.				

THIS DRAWING AND SPECIFICATIONS HEREIN ARE THE PROPERTY OF DIGITAL EQUIPMENT CORPORATION AND SHALL NOT BE REPRODUCED OR COPIED OR USED IN WHOLE OR IN PART AS THE BASIS FOR THE MANUFACTURE OR SALE OF ITEMS WITHOUT WRITTEN PERMISSION. COPYRIGHT © 1977 DIGITAL EQUIPMENT CORPORATION

V 1-0-006MSD 2



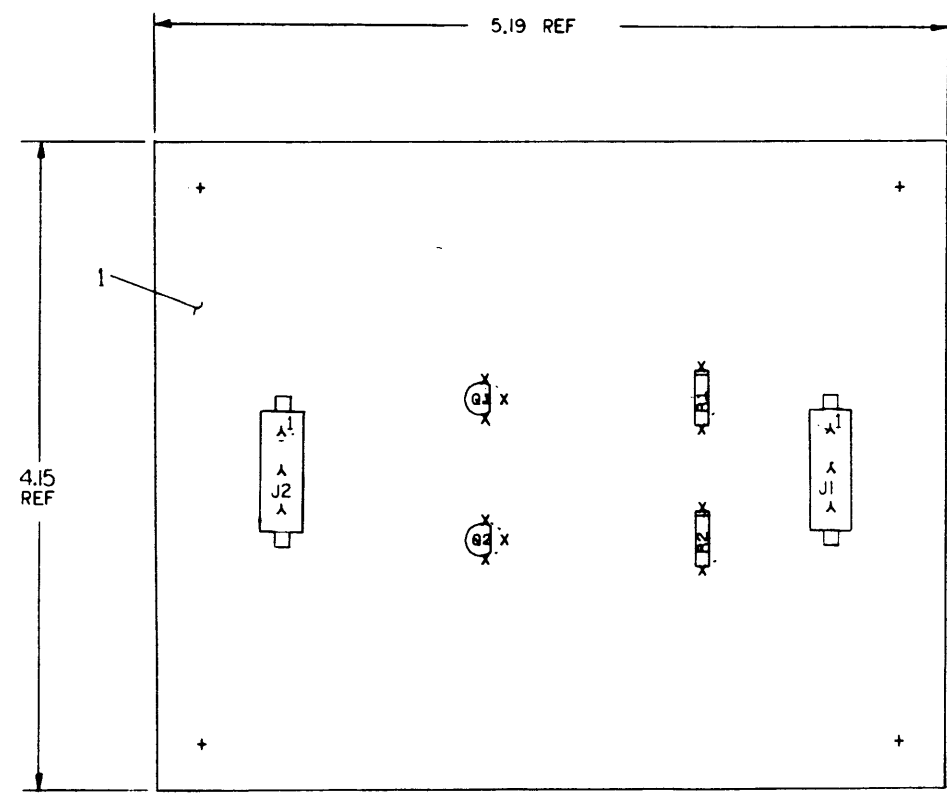
REVISIONS		
CHK	CHANGE NO.	REV.

TITLE SBI TERMINATOR (TRMC) SIZE CODE NUMBER DCS M9040-0-1 REV. 4
 SCALE SHEET 3 OF 3 DIST.

THIS DRAWING AND SPECIFICATIONS, HEREIN, ARE THE PROPERTY OF AEGION ELECTRONIC CORPORATION AND SHALL NOT BE REPRODUCED OR TRANSMITTED IN ANY FORM OR BY ANY MEANS, ELECTRONIC OR MECHANICAL, INCLUDING PHOTOCOPYING, RECORDING, OR BY ANY INFORMATION STORAGE AND RETRIEVAL SYSTEM, WITHOUT THE WRITTEN PERMISSION OF AEGION ELECTRONIC CORPORATION.
 1977

D
C
B
A

D
C
B
A



NOTES:

STEP	NO.	DESCRIPTION	DATE

CHANGE NO.	REV.

ETCH	REV.	

SIGNATURES		DATE	digital
DRN. <i>[Signature]</i>		7-16-79	
CHR. <i>[Signature]</i>		7-20-79	TITLE
MECH. ENG. <i>[Signature]</i>		7-16-79	
PROJ. ENG. <i>[Signature]</i>		7-16-79	
PROB. <i>[Signature]</i>		7-11-79	AC/DC LO ADAPTER BD.
SCALE	2:1		
SHT.	1 OF 1		SIZE CODE
NEXT HIGHER ASSY.	B-DD-5413875-2		NUMBER
			REV
			.0 UA 5413875-0-0

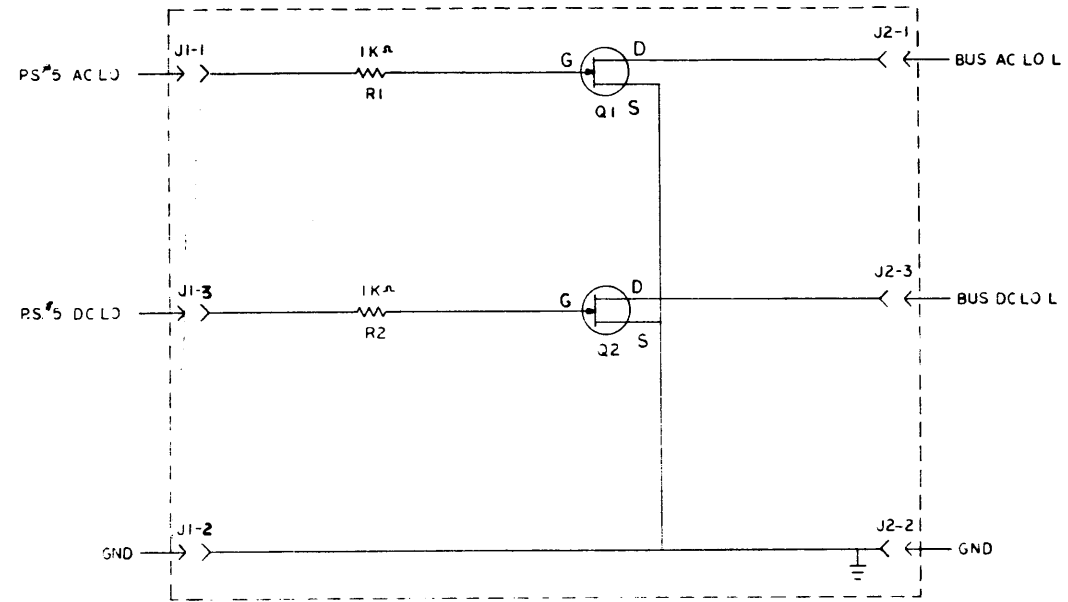
PARTS LIST

LINE ITEM	DOCUMENT NUMBER	PART NUMBER	DESCRIPTION	QTY PER VARIATION 00	REFERENCE DESIGNATOR
1	1	D-MD-5013874-0-0	ETCH BD	1	
2	2	1212297-03	MATE-N-LOK 3POS UNIV HEADER	2	J1,J2
3	3	1300365-00	1.0 K .25 W 5.0 X CC	2	R1,R2
4	4	1511686-00	DECS433 FET N 350MW 10 25 1A	2	Q1,Q2

REVISION HISTORY		BASIC PART NO: 5413875		DRN:	K.FRIEDGEN	DATE:	29-JUN-79	DIGITAL	
ENG	ECD NUMBER	REV	SECTION A OF A	CHK'D:	J.FERGUSON	DATE:	3-25-80	TITLE	PARTS LIST
	INITIAL	*	SECTION VARIATION INDEX	DES.ENG:	P.BATTERSBY <td>DATE:</td> <td>3-25-80 <td>AC/DC LO ADAPTER BOARD</td> <td></td> </td>	DATE:	3-25-80 <td>AC/DC LO ADAPTER BOARD</td> <td></td>	AC/DC LO ADAPTER BOARD	
			[A] 00	RESP.ENG.:	B.BATTERSBY <td>DATE:</td> <td>3-25-80 <td>DOCUMENT NUMBER</td> <td></td> </td>	DATE:	3-25-80 <td>DOCUMENT NUMBER</td> <td></td>	DOCUMENT NUMBER	
			[B]	MFG.ENG.:	E.BALL <td>DATE:</td> <td>3-25-80 <td>SIZE CODE NUMBER</td> <td>REV</td> </td>	DATE:	3-25-80 <td>SIZE CODE NUMBER</td> <td>REV</td>	SIZE CODE NUMBER	REV
			[C]	ASSEMBLY NUMBER:		TOP DOCUMENT NUMBER:		K PL 5413875-0-DBP	*
			[D]	D-UA-5413875-0-0		9-DD-5413875-0-0		FILE NAME:	EDIT
			[E]					Z1261.FLS	5
			[F]						
			[G]						
			[H]						
			[I]						
			[J]						
			[K]						
			[L]						
			[M]						
			[N]						

THIS DRAWING AND SPECIFICATIONS HEREIN, ARE THE PROPERTY OF DIGITAL EQUIPMENT CORPORATION AND SHALL NOT BE REPRODUCED OR COPIED OR USED IN WHOLE OR IN PART AS THE BASIS FOR THE MANUFACTURE OR SALE OF ITEMS WITHOUT WRITTEN PERMISSION. COPYRIGHT (C) 1980. DIGITAL EQUIPMENT CORPORATION *

THIS DRAWING AND SPECIFICATIONS, HEREIN, ARE THE PROPERTY OF DIGITAL EQUIPMENT CORPORATION AND SHALL NOT BE REPRODUCED OR COPIED OR USED IN WHOLE OR IN PART AS THE BASIS FOR THE MANUFACTURE OR SALE OF ITEMS WITHOUT WRITTEN PERMISSION.
 COPYRIGHT © 1973 DIGITAL EQUIPMENT CORPORATION



REVISIONS	REV.
CHANGE NO.	
CHK	

DRN: <i>[Signature]</i>	DATE: <i>[Date]</i>	FIRST USED ON	<i>[Signature]</i>
CHK'D: <i>[Signature]</i>		TITLE	AC DC LO ADAPTER BOARD
ENG: <i>[Signature]</i>	DATE: <i>[Date]</i>	SIZE	D
PROJ: <i>[Signature]</i>	DATE: <i>[Date]</i>	CODE	CS
PROD: <i>[Signature]</i>	DATE: <i>[Date]</i>	NUMBER	5413875-0-1
NEXT HIGHER ASSY:		REV.	*
B-DD-5413875-0		SHEET	1 OF 1
SCALE: <i>[Scale]</i>		DIST.	

* 1-0-1-0-1 2

8 7 6 5 4 3 2 1

D C B A

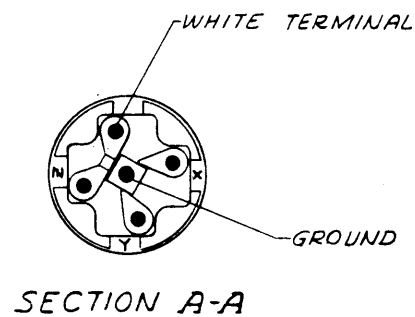
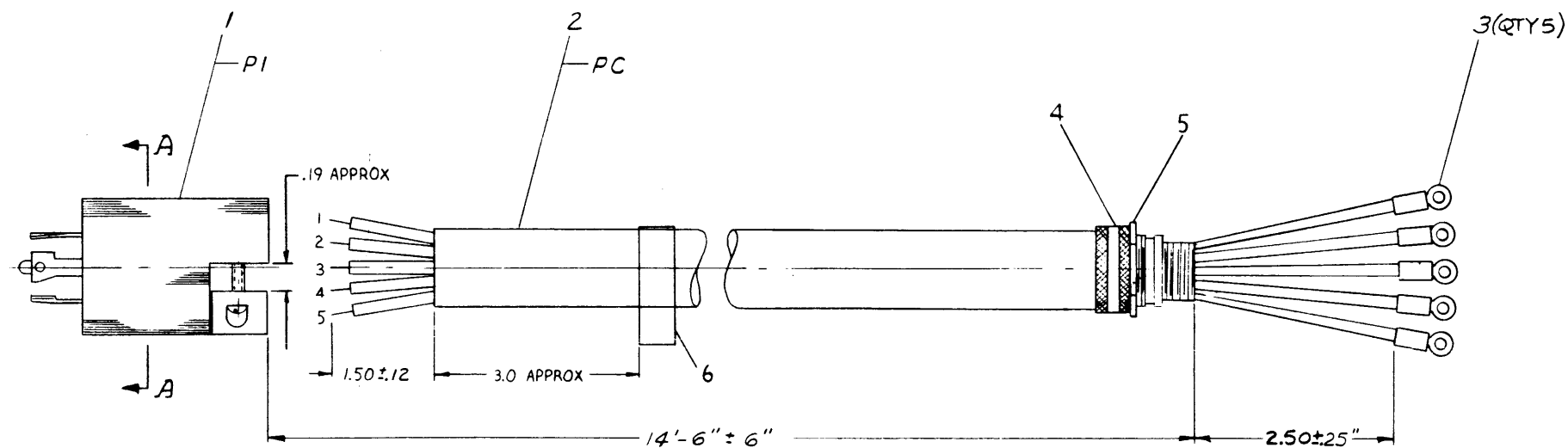
* 5413875-0-1

8 7 6 5 4 3 2 1

D C B A

THIS DRAWING AND SPECIFICATIONS HEREAFTER ARE THE PROPERTY OF DIGITAL EQUIPMENT CORPORATION AND SHALL NOT BE REPRODUCED OR COPIED OR USED IN WHOLE OR IN PART AS THE BASIS FOR THE MANUFACTURE OR SALE OF ITEMS WITHOUT WRITING PERMISSION.
 © 1977 DIGITAL EQUIPMENT CORPORATION

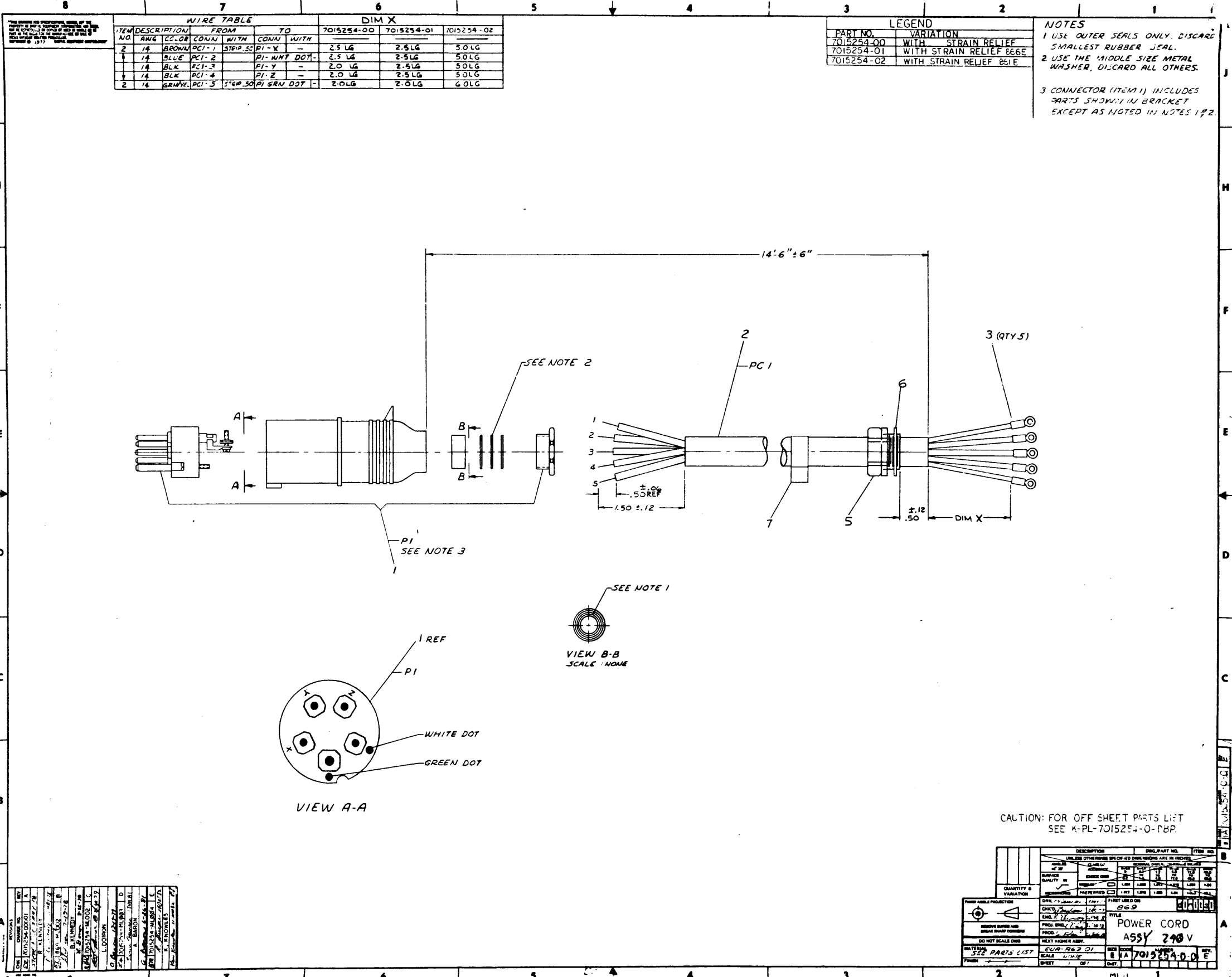
WIRE TABLE						
ITEM NO	DESCRIPTION	FROM	TO			
	AWG	COLOR	CONN	WITH	CONN	WITH
2	10	BRN	PC-1	STRIP .50	PI-X	—
2	10	BLK	PC-2	↑	PI-Y	—
2	10	BLK	PC-3	↓	PI-Z	—
2	10	BLU	PC-4	↓	WHT DOT	—
2	10	GRN/YEL	PC-5	STRIP .50	GROUND	—



CAUTION: FOR OFF SHEET PARTS LIST
 SEE K-PL-7015253-0-DBP

REV	DATE	BY	CHKD
1	7/15/77	ML001	A
2	7/15/77	ML001	A
3	7/15/77	ML001	A
4	7/15/77	ML001	A
5	7/15/77	ML001	A
6	7/15/77	ML001	A
7	7/15/77	ML001	A
8	7/15/77	ML001	A

DESCRIPTION	DWG. PART NO.	ITEM NO.
UNLESS OTHERWISE SPECIFIED DIMENSIONS ARE IN INCHES		
ANGLES 10° 30'	CLASS OF ACCURACY	NOMINAL DIMENSION RANGE INCHES
SURFACE QUALITY IN	(CHECK ONE)	OVER 0 TO 0.25 OVER 0.25 TO 1.25 OVER 1.25 TO 4.25 OVER 4.25 TO 12.5 OVER 12.5 TO 48.0 OVER 48.0 TO 96.0
QUANTITY & VARIATION	MEDIUM <input type="checkbox"/> MICROINCHES <input checked="" type="checkbox"/>	PREFERRED <input type="checkbox"/> 1.012 1.018 1.025 1.04 1.063 1.08
THIRD ANGLE PROJECTION	DRN 7/15/77	FIRST USED ON 369
REMOVE BURRS AND BREAK SHARP CORNERS	CHKD 7/15/77	TITLE POWER CORD ASSY 120V
DO NOT SCALE DWG	ENGR 7/15/77	PROD. 7/15/77
MATERIAL SEE PARTS LIST	E-UR-11780-0-0	SIZE CODE NUMBER REV
FINISH	SCALE NONE	D IA 7015253-0-0 B
	SHEET 1 OF 1	DIST.

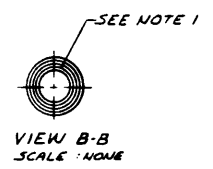
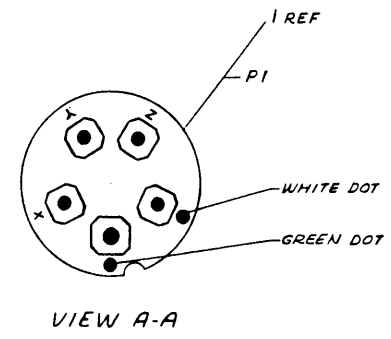


ITEM NO.	DESCRIPTION	WIRE TABLE		DIM X			
		FROM	TO	7015254-00	7015254-01	7015254-02	
2	14 BROWN PCI-1	STRIP SC	PI-Y	-	2.5 LG	2.5 LG	5.0 LG
1	14 BLUE PCI-2		PI-WHT DOT		2.5 LG	2.5 LG	5.0 LG
1	14 BLK PCI-3		PI-Y		2.0 LG	2.5 LG	5.0 LG
1	14 BLK PCI-4		PI-Z		2.0 LG	2.5 LG	5.0 LG
2	14 GRN/YE PCI-5	STRIP SC	PI GRN DOT		2.0 LG	2.0 LG	4.0 LG

LEGEND	
PART NO.	VARIATION
7015254-00	WITH STRAIN RELIEF
7015254-01	WITH STRAIN RELIEF 666E
7015254-02	WITH STRAIN RELIEF 661E

NOTES

- USE OUTER SEALS ONLY. DISCARD SMALLEST RUBBER SEAL.
- USE THE MIDDLE SIZE METAL WASHER, DISCARD ALL OTHERS.
- CONNECTOR (ITEM 1) INCLUDES PARTS SHOWN IN BRACKET EXCEPT AS NOTED IN NOTES 1 & 2.



CAUTION: FOR OFF SHEET PARTS LIST SEE X-PL-7015254-0-DBP

REV	DESCRIPTION	DATE	BY	CHKD
1	INITIAL DESIGN	10/15/54	W. J.
2
3
4
5
6
7
8

DESCRIPTION	DWG PART NO.	ITEM NO.
POWER CORD ASSY 240 V	7015254-00	1
REVISIONS DATE: 10/15/54 BY: W. J. ... CHKD: ... TITLE: POWER CORD ASSY 240 V PART NO.: 7015254-00 SHEET: 1 OF 1		

DIGITAL EQUIPMENT CORPORATION
MAYNARD, MASSACHUSETTS
PARTS LIST

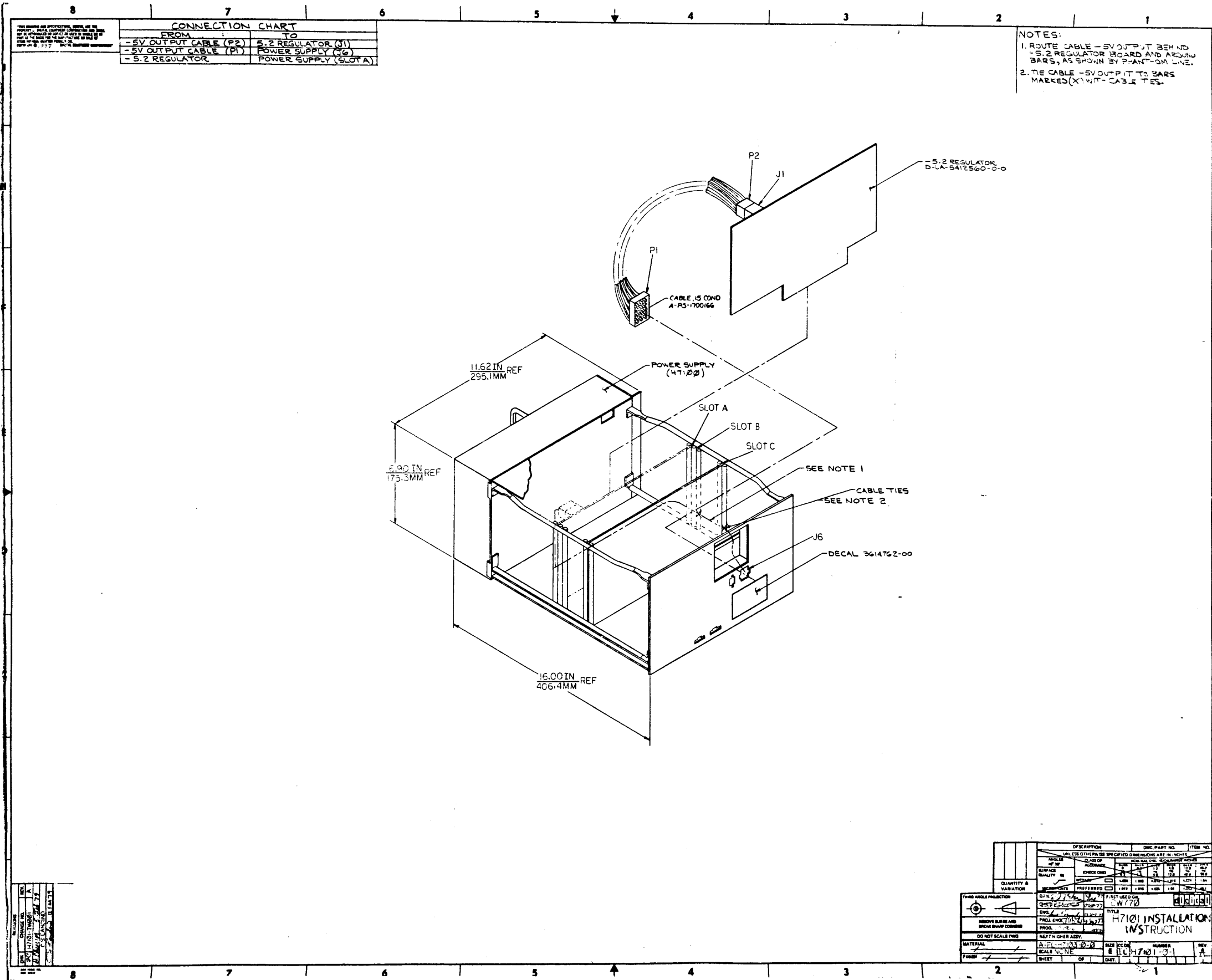
MADE BY W.J. MAHER	CHECKED <i>S. Roberts</i>	SECTION 1
DATE 9 AUGUST 77	DATE 13 SEP 77	
ENG <i>James A. Janis</i>	PROD <i>307 Bla.</i>	ISSUED SECT. 1
DATE 13-SEPT-77	DATE 13 SEPT 77	

QUANTITY / VARIATION

ITEM NO.	DWG NO. / PART NO.	DESCRIPTION	H7101-00	REF										
1	E-IC-H7101-0-1	H7101 INSTALLATION INSTRUCTIONS		REF										
2	A-PS-1700166	CABLE, 15 COND		1										
3	D-UA-5412560-0-0	-5.2 REGULATOR		1										
4	3614762-00	DECAL (H7101)		1										
5	9007031-00	TIE, CABLE		2										

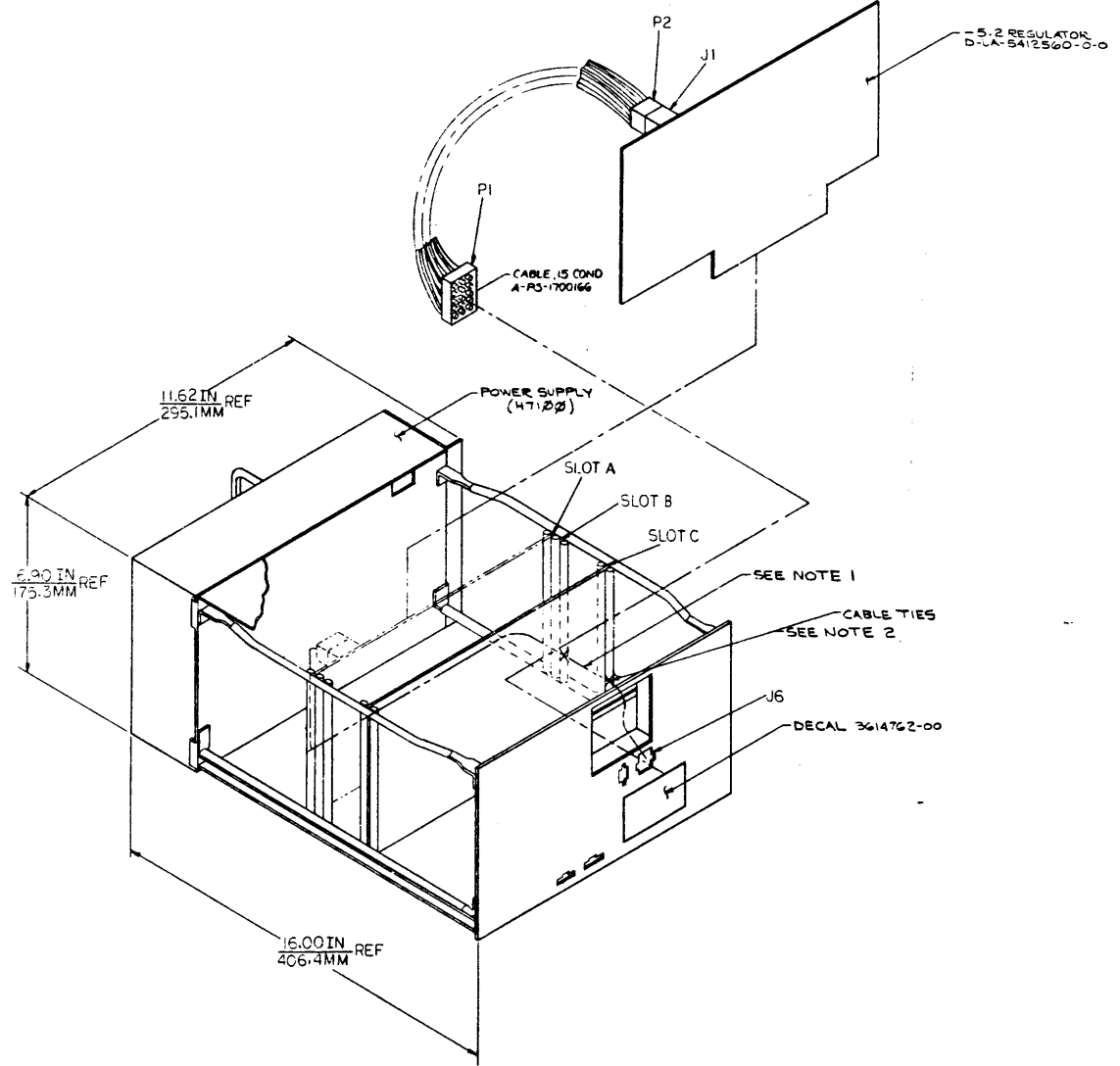
TITLE H7101 POWER REGULATOR	ASSY NO. <i>[Handwritten]</i>	SIZE CODE A PL	NUMBER H7101-0-0	REV. A	ECO NO. H7101- TW01
SHEET 1 OF 1		DIST.			

TW



CONNECTION CHART	
FROM	TO
-5V OUTPUT CABLE (P2)	-5.2 REGULATOR (J1)
-5V OUTPUT CABLE (P1)	POWER SUPPLY (J6)
-5.2 REGULATOR	POWER SUPPLY (SLOT A)

NOTES:
 1. ROUTE CABLE -5V OUTPUT BEHIND -5.2 REGULATOR BOARD AND AROUND BARS, AS SHOWN BY PHANTOM LINE.
 2. TIE CABLE -5V OUTPUT TO BARS MARKED (X) WITH CABLE TIES.



REV	DATE	BY	CHKD
1			
2			
3			
4			

QTY	DESCRIPTION	ENG. PART NO.	ITEM NO.
	UNLESS OTHERWISE SPECIFIED DIMENSIONS ARE IN INCHES		
	ANGLE OF SP		
	SURFACE QUALITY		
	QUANTITY & VARIATION		
	FINISH		
	SHEET		
	OF		
	DWG. NO.		
	DATE		
	REV		
	A		

TITLE: H7101 INSTALLATION INSTRUCTION
 DATE: 11/70
 DRAWN: [Signature]
 CHECKED: [Signature]
 ENGR: [Signature]
 PROJ. ENG: [Signature]
 MFG. ENG: [Signature]
 DO NOT SCALE THIS
 NEXT HIGHER ASSY:
 MATERIAL: A-P3-1700166
 SCALE: NONE
 SIZE: 11x17
 NUMBER: 1
 REV: A

DIGITAL EQUIPMENT CORPORATION PARTS LIST				QUANTITY / VARIATION										NOTES:					
MADE BY W. J. MAHER DATE 9 AUGUST 77		CHECKED S. ROBERTS DATE 13 SEPT 77																	
ENG D. SHEEHAN DATE 13 SEPT 77		PROD E. BLAIR DATE 13 SEPT 77																	
SECTION 1											ISSUED SECTION 1	REF DESIGNATION							
ITEM NO.	DRAWING NO.	PART NO.	DESCRIPTION	H7103-00															
1	E-IC-H7103-0-1		H7102 & H7103 INSTALLATION INSTR.	REF															
2	D-IA-5413414-0-0		5VB BATTERY REGULATOR	1															
3	D-IA-7014548-0-0		HARNESS, BATTERY OPTION	1															
4		1700021-04	ELECTROMAGNETIC SHIELD	2															
5		9007031-0-0	TIE, CABLE	2															

E.C.O. NO. **H7103-7W1**
 REVISED
 REVISION

THIS DRAWING AND SPECIFICATIONS, HEREIN, ARE THE PROPERTY OF DIGITAL EQUIPMENT CORPORATION AND SHALL NOT BE REPRODUCED OR COPIED OR USED IN WHOLE OR IN PART AS THE BASIS FOR THE MANUFACTURE OR SALE OF ITEMS WITHOUT WRITTEN PERMISSION. COPYRIGHT © 1977 DIGITAL EQUIPMENT CORPORATION

TITLE
H7103 POWER REGULATOR

ASSY NO.

SHEET **1** OF **1**

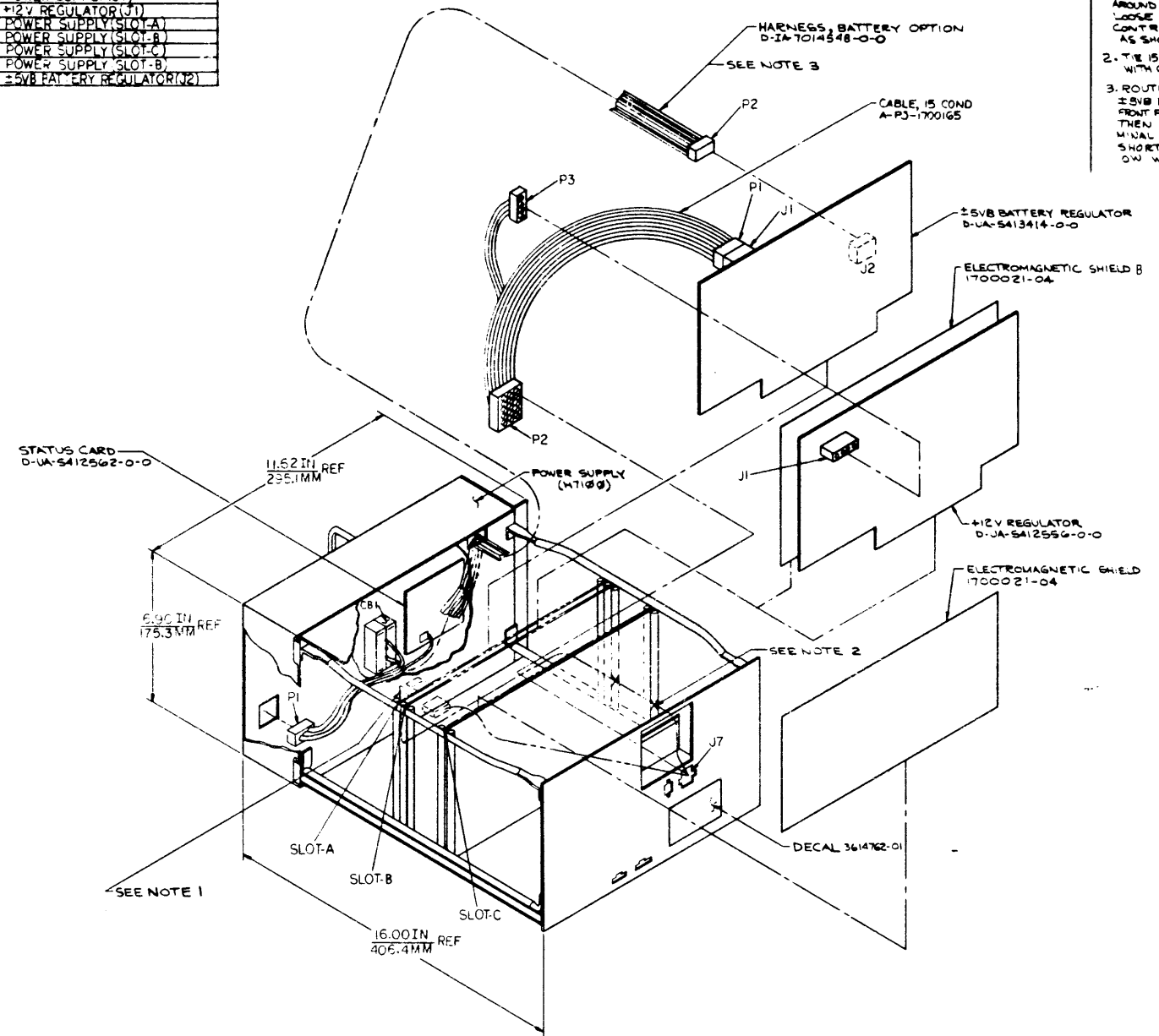
SIZE **B** CODE **PL** NUMBER **H7103-0-0**

INSERTION PARTS LIST DATA BASE REV

REV. **A**

CONNECTION CHART	
FROM	TO
HARNESS - 5B (P1)	±5VB BATTERY REGULATOR (J1)
HARNESS - 5B (P2)	POWER SUPPLY (J7)
HARNESS - 5B (P3)	±12V REGULATOR (J1)
±5VC BATTERY REGULATOR	POWER SUPPLY (SLOT-A)
±12V REGULATOR	POWER SUPPLY (SLOT-B)
ELECTROMAGNETIC SHIELD A	POWER SUPPLY (SLOT-C)
ELECTROMAGNETIC SHIELD B	POWER SUPPLY (SLOT-B)
HARNESS, BATTERY OPTION (P2)	±5VB BATTERY REGULATOR (J2)

- NOTES:
1. ROUTE CABLE A-P3-1700165 BEHIND ±5VB BATTERY REGULATOR D-UA-5413414-0-0 AND AROUND BARS TO CUTOUT, THEN ROUTE LONGER 4-PIN CONNECTOR OVER BIAS CONTROL AND CONNECT TO ±12V REGULATOR AS SHOWN BY PHANTOM LINE.
 2. THE 15 COND CABLE TO BARS MARKED (X) WITH CABLE TIES.
 3. ROUTE HARNESS, BATTERY OPTION FROM ±5VB BATTERY REGULATOR (J2) TO CUTOUT, FRONT PANEL AS SHOWN BY PHANTOM LINE, THEN ROUTE LONG GRAY WIRE TO TERMINAL QUICK CONNECT ON STATUS CARD, SHORT GRAY WIRE TO CB1- AND YELLOW WIRE TO CB1- AS SHOWN.



<p>APPROVED FOR RELEASE</p> <p>DATE: 12/15/2009</p> <p>BY: [Signature]</p>	<p>DESCRIPTION: H7102 & H7103 INSTALLATION INSTRUCTION</p> <p>ITEM NO: H7103-0-1</p> <p>REV: 1</p>
--	--